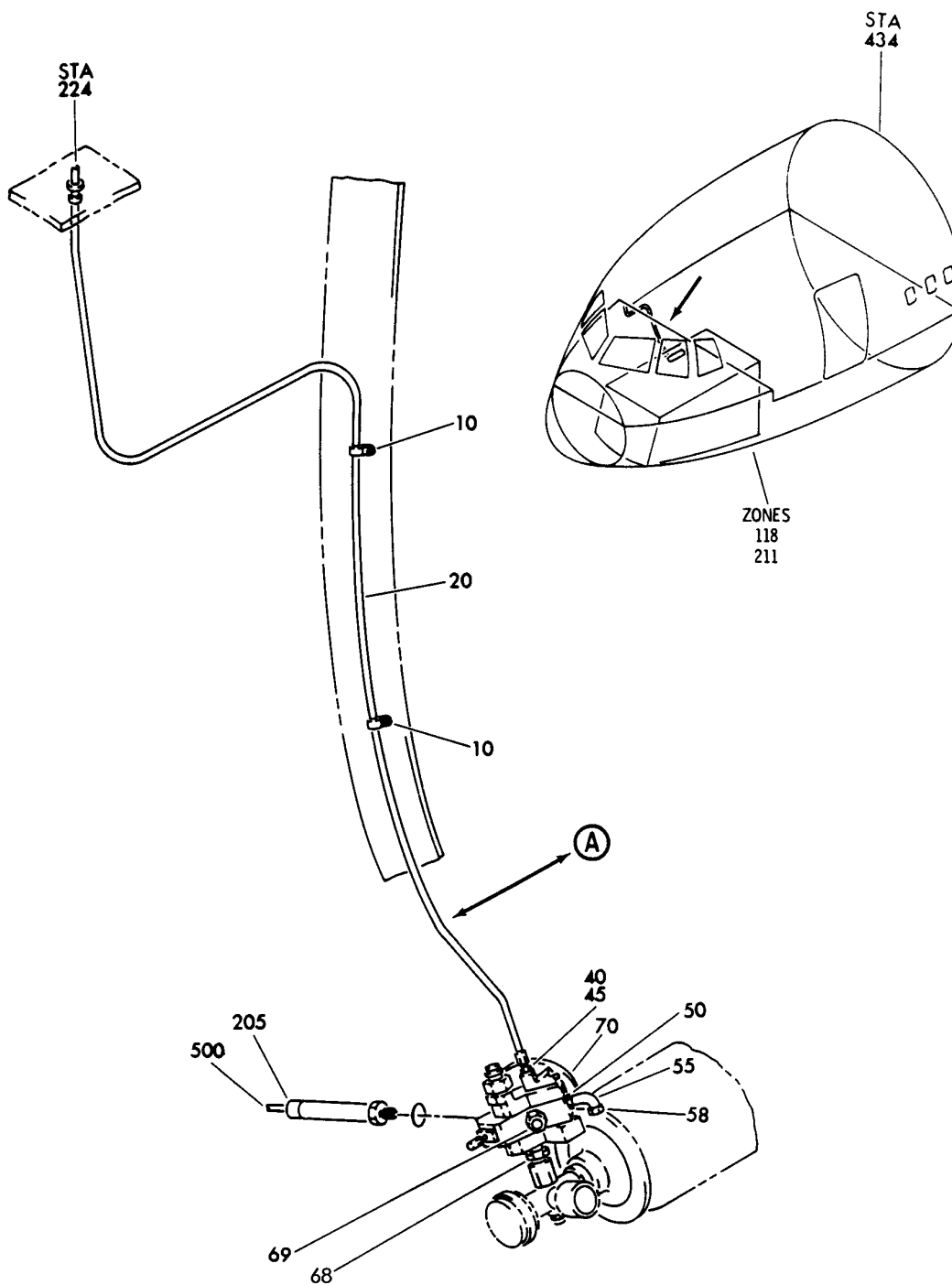


CREW OXYGEN SYSTEM

HXL
DEC 22/06

35-11-00
SECTION TITLE
PAGE 1

BOEING
767
PARTS CATALOG (MAINTENANCE)



V 35110302 SH1 1 REV 250

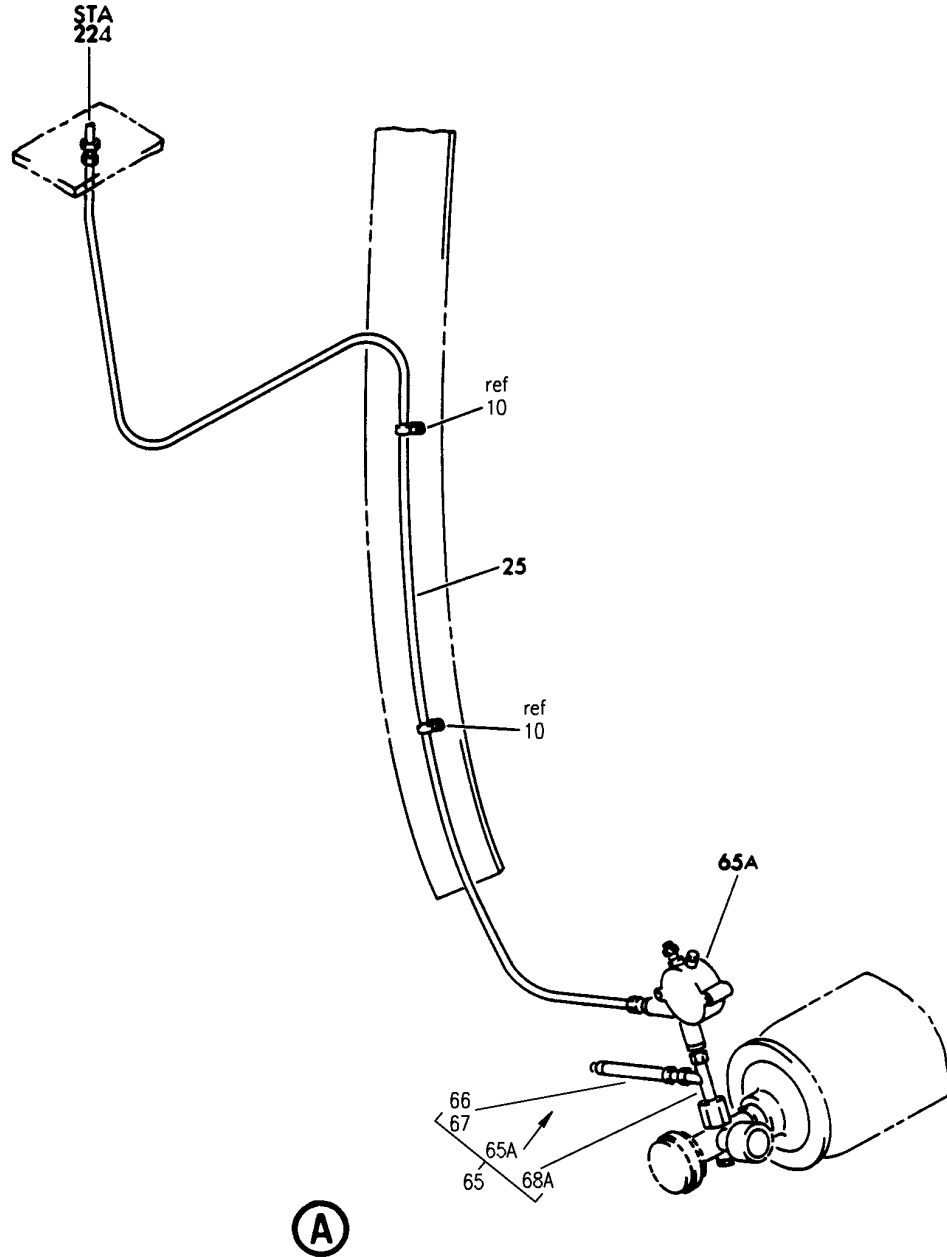
LINE INSTL-CREW OXY SYS SUPPLY
FIGURE 2 (SHEET 1)

35-11-03-02

HXL
DEC 22/06

35-11-03-02
PAGE 0

BOEING
767
PARTS CATALOG (MAINTENANCE)



V 35110302 SHT 2 REV 250

LINE INSTL-CREW OXY SYS SUPPLY
FIGURE 2 (SHEET 2)

35-11-03-02

HXL
DEC 22/06

35-11-03-02
PAGE 0A



767

PARTS CATALOG (MAINTENANCE)

FIG ITEM	PART NUMBER	1 2 3 4 5 6 7	NOMENCLATURE	EFFECT FROM TO	UNITS PER ASSY
2			LINE INSTL-CREW OXY SYS SUPPLY		
- 5	417T4502-4		LINE INSTL-CREW OXY SYS SUPPLY FOR NHA SEE: 25-20-00-17		RF
10	BACC10DK5		.CLAMP ATTACHING PARTS		2
- 15	BACB30LK3K5		.BOLT -----*-----		2
25	417T4602-8		.TUBE ASSY-VERT. TUBING MATERIAL: .312 IN. OD .020 IN. WALL 82.00 IN. LG STEEL		1
- 30	BACN10CS05JN		..NUT		2
- 35	AP2097HP05		..SLEEVE SUPPLIER CODE: V01673 SPECIFICATION NUMBER: BACS13BX05HP OPTIONAL PART: 2-02903-05HP V11328 35235VN05 V08199 AFP175V05P V30974 DBOS13BX05HP V14798		2
65	803127-01		.REGULATOR ASSY-TRANSDUCER SUPPLIER CODE: V53655 ELECTRICAL EQUIP NUMBER: TS0120 COMPONENT MAINT MANUAL REF: 35-12-03		1
66	10005937		..TRANSDUCER-CREW OXY PRESSURE SUPPLIER CODE: V53655		1
67	MS9385-04		..PACKING-		1
68	803159-01		..COUPLING ASSY- SUPPLIER CODE: V53655		1
68A	803159-07		..COUPLING ASSY- SUPPLIER CODE: V53655		1

ILLUSTRATION ITEMS NOT ON PARTS LIST ARE NOT APPLICABLE

- ITEM NOT ILLUSTRATED

35-11-03-02

35-11-03
FIG. 02
PAGE 1
DEC 22/06

HXL



767

PARTS CATALOG (MAINTENANCE)

FIG ITEM	PART NUMBER	1 2 3 4 5 6 7	NOMENCLATURE	EFFECT FROM TO	UNITS PER ASSY
2 69	27660-08		..REGULATOR-PRESSURE CREW OXY SYS SUPPLIER CODE: V53655 SPECIFICATION NUMBER: 10-60900-9 CONFIG CHG DATA FROM A CMM: REF 10-60900-1 REF A02618		1
- 200 205	286T0600-120 KPSE06F10-6S		WIRE BUNDLE ASSY .PLUG- SUPPLIER CODE: V71468 ELECTRICAL EQUIP NUMBER: D00752 WIRING DIAGRAM REF: 351113		RF 1
500			ILLUSTRATION REFERENCE: TUBING INSTL-CREW OXY 35-11-53-05		RF

ILLUSTRATION ITEMS NOT ON PARTS LIST ARE NOT APPLICABLE

- ITEM NOT ILLUSTRATED

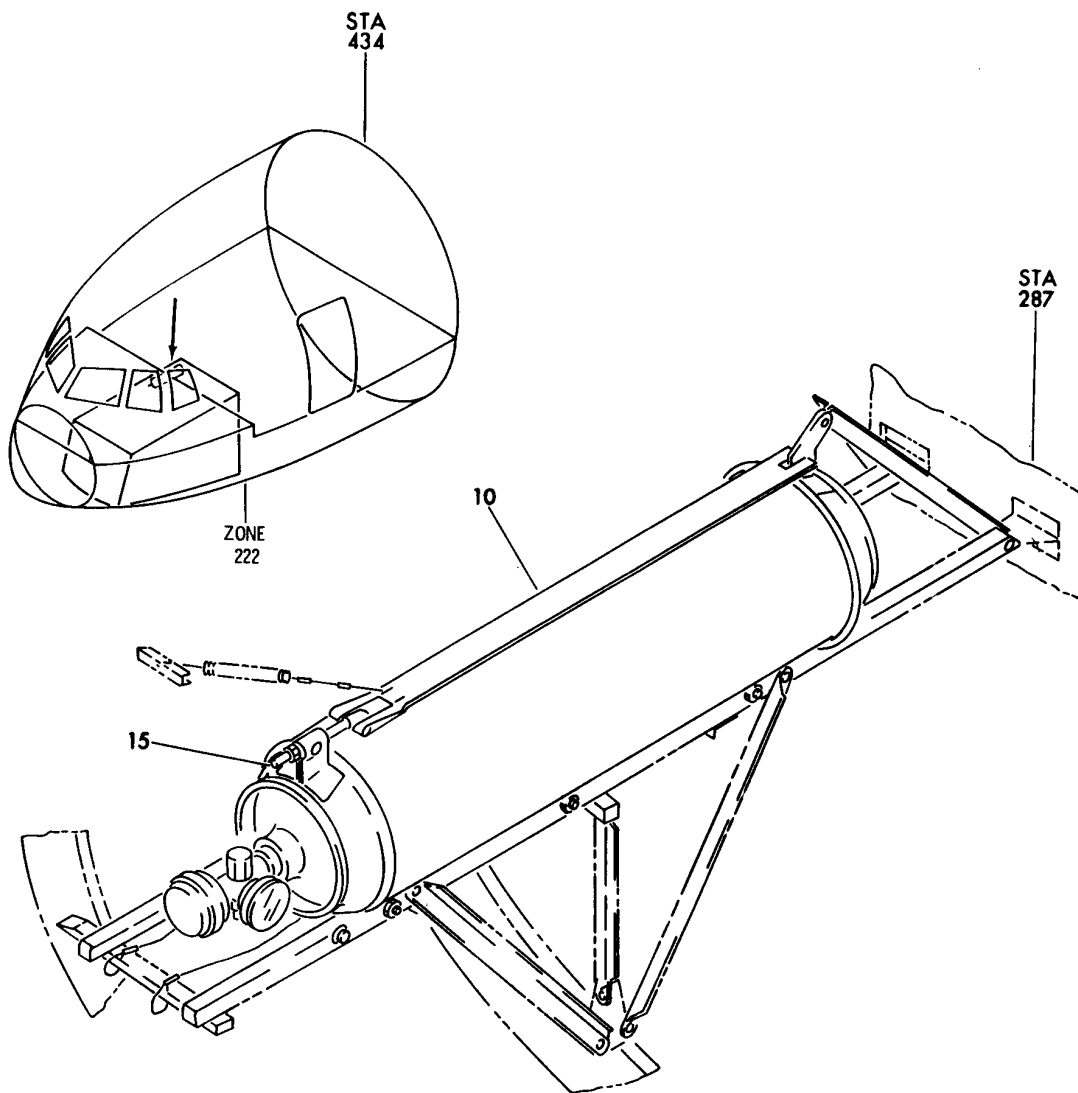
HXL

35-11-03-02

BOEING PROPRIETARY - Copyright © - Unpublished Work - See title page for details.

35-11-03
FIG. 02
PAGE 2
DEC 22/06

BOEING
767
PARTS CATALOG (MAINTENANCE)



V 35110601 REV 180

CYLINDER INSTL-CREW OXY
FIGURE 1

35-11-06-01

HXL
DEC 22/06

35-11-06-01
PAGE 0



767

PARTS CATALOG (MAINTENANCE)

FIG ITEM	PART NUMBER	1 2 3 4 5 6 7	NOMENCLATURE	EFFECT FROM TO	UNITS PER ASSY
1			CYLINDER INSTL-CREW OXY		
- 5	417T4500-4		CYLINDER INSTL-CREW OXY 115 SCF		RF
			FOR NHA SEE: 25-20-00-17		
10	2163-0003-1		.CYLINDER ASSY-115 SCF		1
			SUPPLIER CODE: V04577		
			SPECIFICATION NUMBER: 60B50087-7		
			COMPONENT MAINT MANUAL REF: 35-00-01		
			OPTIONAL PART: 801307-00		
			V53655		
10	801307-00		.CYLINDER ASSY-115 SCF		1
			SUPPLIER CODE: V53655		
			SPECIFICATION NUMBER: 60B50087-7		
			COMPONENT MAINT MANUAL REF: 35-21-57		
			QUALIFIED I/W DATA: SPARES PROVISIONING DATA - NOT FOR BOEING MANUFACTURING USE: B42365-1 CYLINDER AND 65B55624-13 SUPPORT BRACKET ASSY TOGETHER CAN REPLACE 60B50087-7, 2163-003-1 OR 801307-00 CYLINDER AND 65B55624-9 SUPPORT BRACKET ASSY TOGETHER.		
			OPTIONAL PART: 2163-0003-1 V04577		

ILLUSTRATION ITEMS NOT ON PARTS LIST ARE NOT APPLICABLE

- ITEM NOT ILLUSTRATED

HXL

35-11-06-01

BOEING PROPRIETARY - Copyright © - Unpublished Work - See title page for details.

35-11-06
FIG. 01
PAGE 1
AUG 22/08



767

PARTS CATALOG (MAINTENANCE)

FIG ITEM	PART NUMBER	1 2 3 4 5 6 7	NOMENCLATURE	EFFECT FROM TO	UNITS PER ASSY
1 10	B42365-1		.CYLINDER ASSY- SUPPLIER CODE: V04577 FUNCTIONAL DESCRIPTION: RIGID MOUNTED CREW OR PASSENGER OXYGEN CYLINDER ASSEMBLY TO STORE SUPPLEMENTARY BREATHING OXYGEN SPECIFICATION NUMBER: S475W001-4 COMPONENT MAINT MANUAL REF: 35-22-02 QUALIFIED I/W DATA: SPARES PROVISIONING DATA - NOT FOR BOEING MANUFACTURING USE: B42365-1 CYLINDER AND 65B55624-13 SUPPORT BRACKET ASSY TOGETHER CAN REPLACE 60B50087-7, 2163-003-1 OR 801307-00 CYLINDER AND 65B55624-9 SUPPORT BRACKET ASSY TOGETHER.		1
15	BACB30CL400		.BOLT		1

ILLUSTRATION ITEMS NOT ON PARTS LIST ARE NOT APPLICABLE

- ITEM NOT ILLUSTRATED

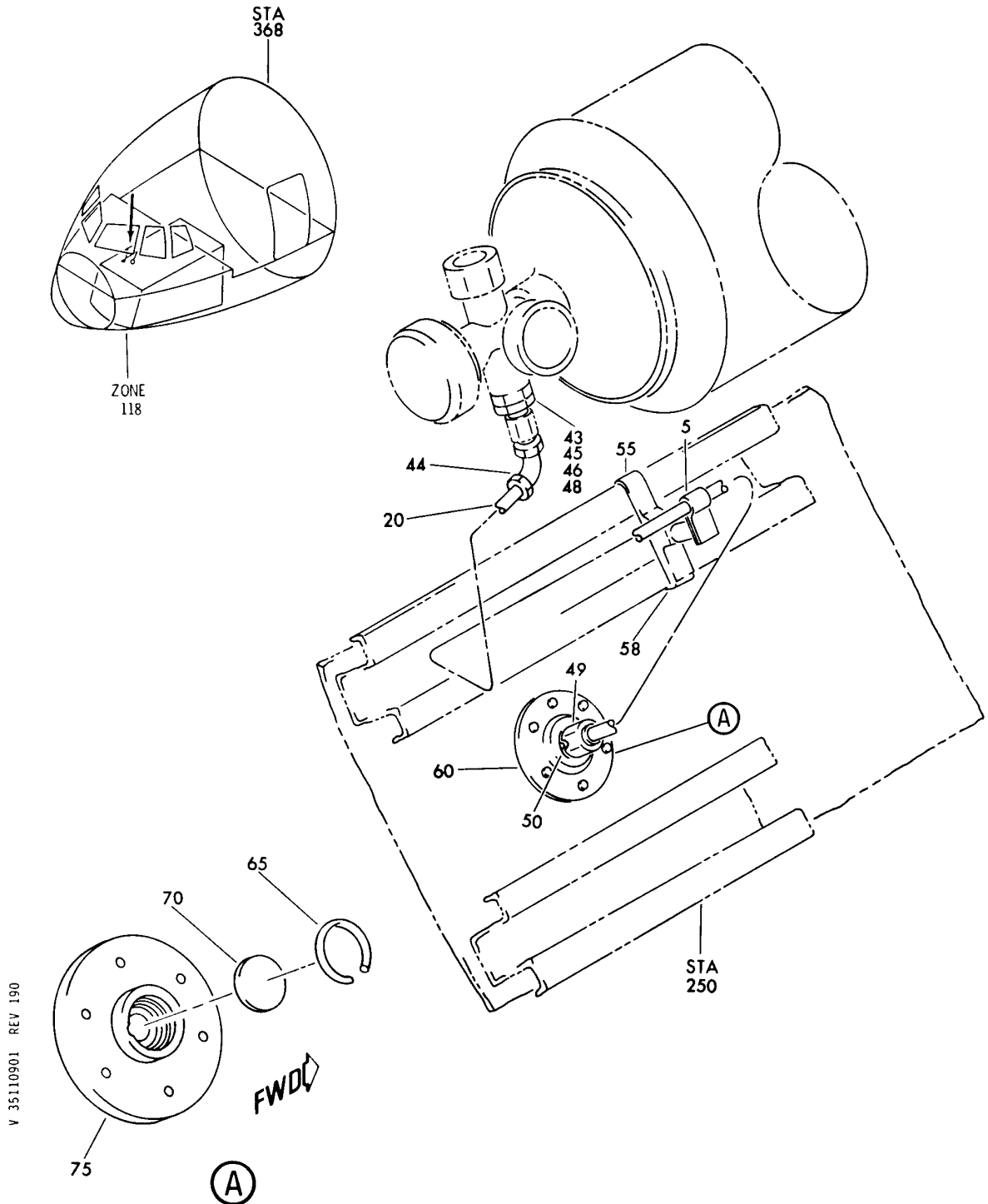
HXL

35-11-06-01

BOEING PROPRIETARY - Copyright © - Unpublished Work - See title page for details.

35-11-06
FIG. 01
PAGE 2
AUG 22/08

BOEING
767
PARTS CATALOG (MAINTENANCE)



LINE INSTL-CREW OXY SYS DISCH
FIGURE 1

35-11-09-01

HXL
DEC 22/06

35-11-09-01
PAGE 0

 **BOEING**
767
PARTS CATALOG (MAINTENANCE)

FIG ITEM	PART NUMBER	1 2 3 4 5 6 7	NOMENCLATURE	EFFECT FROM TO	UNITS PER ASSY
1			LINE INSTL-CREW OXY SYS DISCH		
- 1	417T4501-1		LINE INSTL-CREW OXY SYS DISCH FOR NHA SEE: 25-20-00-17		RF
	5 BACC10DK5		.CLAMP- ATTACHING PARTS		1
- 10	BACB30LK3K4		.BOLT- -----*-----		1
	20 417T4601-7		.TUBE ASSY- TUBING MATERIAL: .312 IN. OD .020 IN. WALL 30.00 IN. LG STEEL OPTIONAL PART: 417T4601-11		1
	20 417T4601-11		.TUBE ASSY- OPTIONAL PART: 417T4601-7		1
- 31	AP2097HP05		..SLEEVE- SUPPLIER CODE: V01673 SPECIFICATION NUMBER: BACS13BX05HP OPTIONAL PART: 2-02903-05HP V11328 35235VN05 V08199 AFP175V05P V30974 DBOS13BX05HP V14798		2
- 41	BACN10CS05JN		..NUT-		2
	43 MS21902J5		.UNION		1
	45 BACP11K5A		.PACKING		1
	50 BACP11K5A		.PACKING-		1
	55 69-64155-1		.SUPPORT- OPTIONAL PART: BACS38P1		1
	55 BACS38P1		.SUPPORT- OPTIONAL PART: 69-64155-1		1
	58 69-64155-2		.SUPPORT- OPTIONAL PART: BACS38P4		1
	58 BACS38P4		.SUPPORT- OPTIONAL PART: 69-64155-2		1

ILLUSTRATION ITEMS NOT ON PARTS LIST ARE NOT APPLICABLE

- ITEM NOT ILLUSTRATED

HXL

35-11-09-01

BOEING PROPRIETARY - Copyright © - Unpublished Work - See title page for details.

35-11-09
FIG. 01
PAGE 1
DEC 22/06



767

PARTS CATALOG (MAINTENANCE)

FIG ITEM	PART NUMBER	1 2 3 4 5 6 7	NOMENCLATURE	EFFECT FROM TO	UNITS PER ASSY
1					
60	878210		. FITTING-OVERBOARD DISCH SUPPLIER CODE: V61423		1
65	17917		.. RING-RETAINING SUPPLIER CODE: V61423		1
70	203337		.. DISC- SUPPLIER CODE: V61423		1
75	282460		.. BODY- SUPPLIER CODE: V61423		1
ILLUSTRATION ITEMS NOT ON PARTS LIST ARE NOT APPLICABLE					

- ITEM NOT ILLUSTRATED

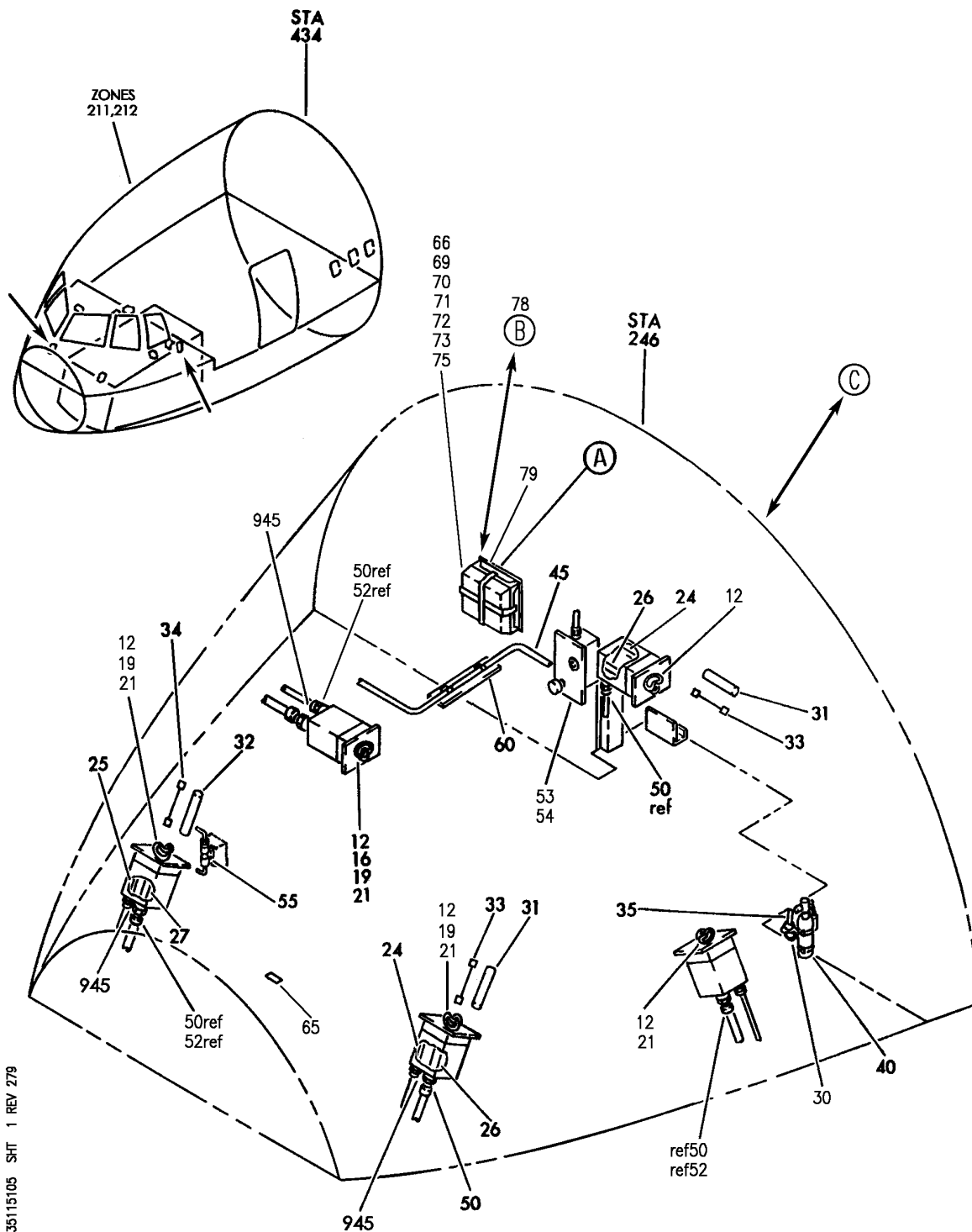
HXL

35-11-09-01

BOEING PROPRIETARY - Copyright © - Unpublished Work - See title page for details.

35-11-09
FIG. 01
PAGE 2
DEC 22/06


BOEING
 767
PARTS CATALOG (MAINTENANCE)



V 35115105 SHT 1 REV 279

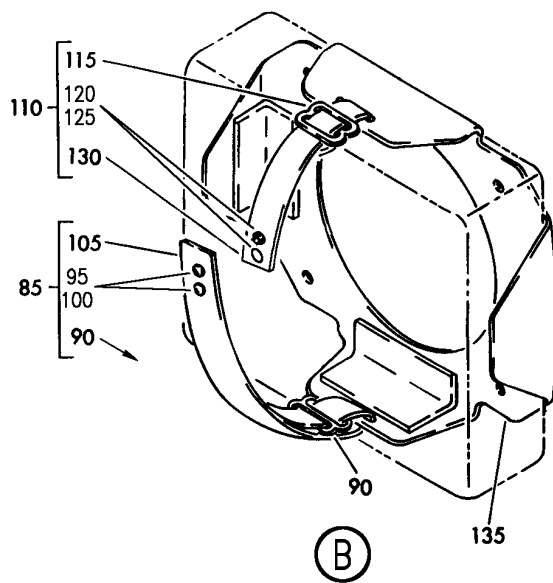
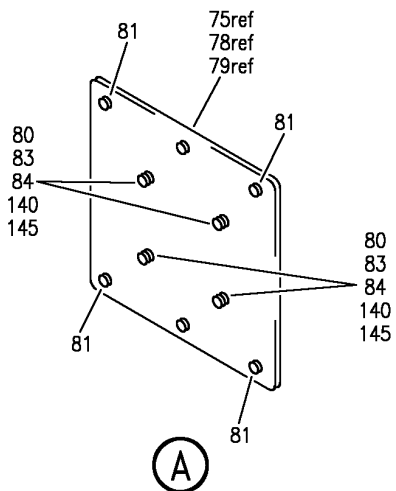
SYSTEM INSTL-CREW OXY
FIGURE 5 (SHEET 1)

35-11-51-05

HXL
DEC 22/06

35-11-51-05
PAGE 0

BOEING
767
PARTS CATALOG (MAINTENANCE)



V 35115105 SH1 2 REV 279

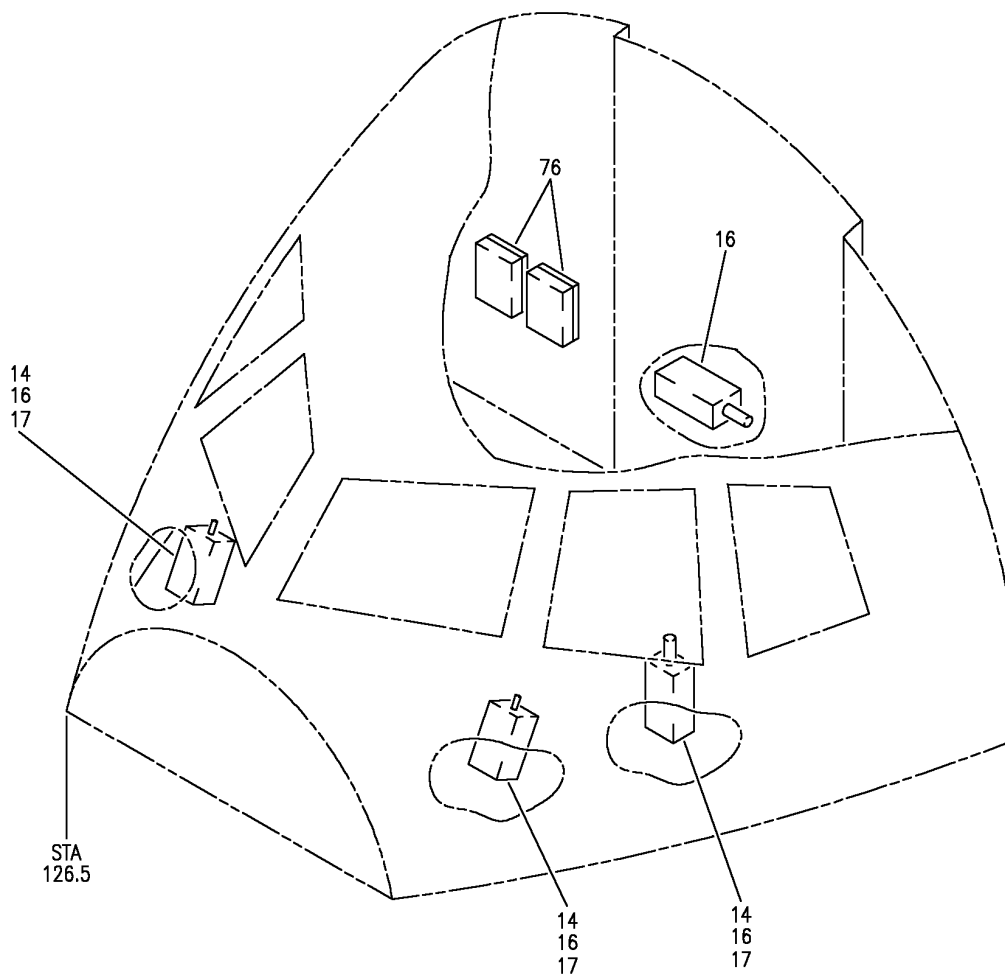
SYSTEM INSTL-CREW OXY
FIGURE 5 (SHEET 2)

35-11-51-05

HXL
DEC 22/06

35-11-51-05
PAGE 0A

BOEING
767
PARTS CATALOG (MAINTENANCE)



©

V 35115105 SHT 3 REV 279

SYSTEM INSTL-CREW OXY
FIGURE 5 (SHEET 3)

35-11-51-05

HXL
DEC 22/06

35-11-51-05
PAGE 0B



767

PARTS CATALOG (MAINTENANCE)

FIG ITEM	PART NUMBER	1 2 3 4 5 6 7	NOMENCLATURE	EFFECT FROM TO	UNITS PER ASSY
5					
- 3	232T8000-618		SYSTEM INSTL-CREW OXY SYSTEM INSTL-CREW OXY SCANDINAVIAN AIRLINES VARIABLE DRAWING REF: 232T8000-5086 FOR NHA SEE: 25-10-00-08	155162	RF
- 4	232T8000-630		SYSTEM INSTL-CREW OXY SCANDINAVIAN AIRLINES VARIABLE DRAWING REF: 232T8000-5086 FOR NHA SEE: 25-10-00-08	163999	RF
21	MC10-25-104		.MASK ASSY-OXY SUPPLIER CODE: VF5341 FUNCTIONAL DESCRIPTION: PROVIDES EMERGENCY FLIGHT CREW BREATHING COMPONENT MAINT MANUAL REF: 35-13-63 FOR DETAILS SEE: 35-11-51-31		4
21	MC10-25-101		.MASK ASSY-OXY SUPPLIER CODE: VF5341 COMPONENT MAINT MANUAL REF: 35-13-63 FOR DETAILS SEE: 35-11-51-31		4

ILLUSTRATION ITEMS NOT ON PARTS LIST ARE NOT APPLICABLE

- ITEM NOT ILLUSTRATED

HXL

35-11-51-05

BOEING PROPRIETARY - Copyright © - Unpublished Work - See title page for details.

35-11-51
FIG. 05
PAGE 1
APR 22/09



767

PARTS CATALOG (MAINTENANCE)

FIG ITEM	PART NUMBER	1 2 3 4 5 6 7	NOMENCLATURE	EFFECT FROM TO	UNITS PER ASSY
5 21	MC10-08-109		.MASK ASSY-OXY SUPPLIER CODE: VF5341 COMPONENT MAINT MANUAL REF: 35-13-63 QUALIFIED I/W DATA: PN MC10-08-109 AND PN MC10-08-209 ARE INTERCHANGEABLE PER CUSTOMER PREFERENCE. PN MC10-08-209 HAS PROVISIONS FOR THE MXG SERIES SMOKE GOGGLES. PN MC10-08-109 CAN BE MODIFIED TO PN MC10-08-209 BY INCORPORATION OF SUPPLIER SERVICE BULLETIN MC10-35-70 FOR DETAILS SEE: 35-11-51-31		4
21	MC10-08-107		.MASK ASSY-OXY SUPPLIER CODE: VF5341 COMPONENT MAINT MANUAL REF: 35-13-63 FOR DETAILS SEE: 35-11-51-31		4
21	MC10-25-124		.MASK ASSY-OXY SUPPLIER CODE: VF5341 FUNCTIONAL DESCRIPTION: THE CREW OXYGEN MASK REGULATOR MC10-SERIES IS AN EMERGENCY BREATHING DEVICE MADE FOR AIR CREWS THAT FLY AT HIGH ALTITUDES. COMPONENT MAINT MANUAL REF: 35-13-63 FOR DETAILS SEE: 35-11-51-31		4

R
R
R
R
R
R
R
R
R
R
R

ILLUSTRATION ITEMS NOT ON PARTS LIST ARE NOT APPLICABLE

- ITEM NOT ILLUSTRATED

35-11-51-05

35-11-51
FIG. 05
PAGE 2
AUG 22/09

HXL



767

PARTS CATALOG (MAINTENANCE)

FIG ITEM	PART NUMBER	1 2 3 4 5 6 7	NOMENCLATURE	EFFECT FROM TO	UNITS PER ASSY
5					
21	MC10-19-101		.MASK ASSY-OXY SUPPLIER CODE: VF5341 FUNCTIONAL DESCRIPTION: PROVIDES CREW MEMBERS WITH EMERGENCY OXYGEN COMPONENT MAINT MANUAL REF: 35-13-63 FOR DETAILS SEE: 35-11-51-31		4
21	MC10-19-01		.MASK ASSY-OXY SUPPLIER CODE: VF5341 COMPONENT MAINT MANUAL REF: 35-13-63 FOR DETAILS SEE: 35-11-51-31		4
45	232T8004-90		.TUBING INSTL- FOR DETAILS SEE: 35-11-53-05		1
50	232T8002-19		.EQUIPMENT INSTL- FOR DETAILS SEE: 35-11-52-15		1
60	232T8003-4		.SUPPORT INSTL- FOR DETAILS SEE: 53-11-66-01		1
78	232T8024-5		.BRACKET ASSY-EMER ESCAPE BREATHING DEVICE SPRT ATTACHING PARTS		1
80	NAS603-6P		.SCREW- -----*-----		4
85	232T4125-9		..STRAP ASSY		1
90	02300-1		...SLIDE SUPPLIER CODE: V76786 SPECIFICATION NUMBER: BACS10A3		1
95	MS27980-7N		...STUD		2
100	MS27980-8N		...EYELET		2
105	232T4125-11		...STRAP		1
110	232T4125-8		..STRAP ASSY		1
115	02300-1		...SLIDE SUPPLIER CODE: V76786 SPECIFICATION NUMBER: BACS10A3		1
120	MS27980-1N		...BUTTON-		2
125	MS27980-6N		...SOCKET-		2
130	232T4125-10		...STRAP		1
ILLUSTRATION ITEMS NOT ON PARTS LIST ARE NOT APPLICABLE					

- ITEM NOT ILLUSTRATED

35-11-51-05

35-11-51
FIG. 05
PAGE 3
AUG 22/09

HXL



767
PARTS CATALOG (MAINTENANCE)

FIG ITEM	PART NUMBER	1 2 3 4 5 6 7	NOMENCLATURE	EFFECT FROM TO	UNITS PER ASSY
5 135	232T8025-1		. . BRACKET		1

ILLUSTRATION ITEMS NOT ON PARTS LIST ARE NOT APPLICABLE

- ITEM NOT ILLUSTRATED

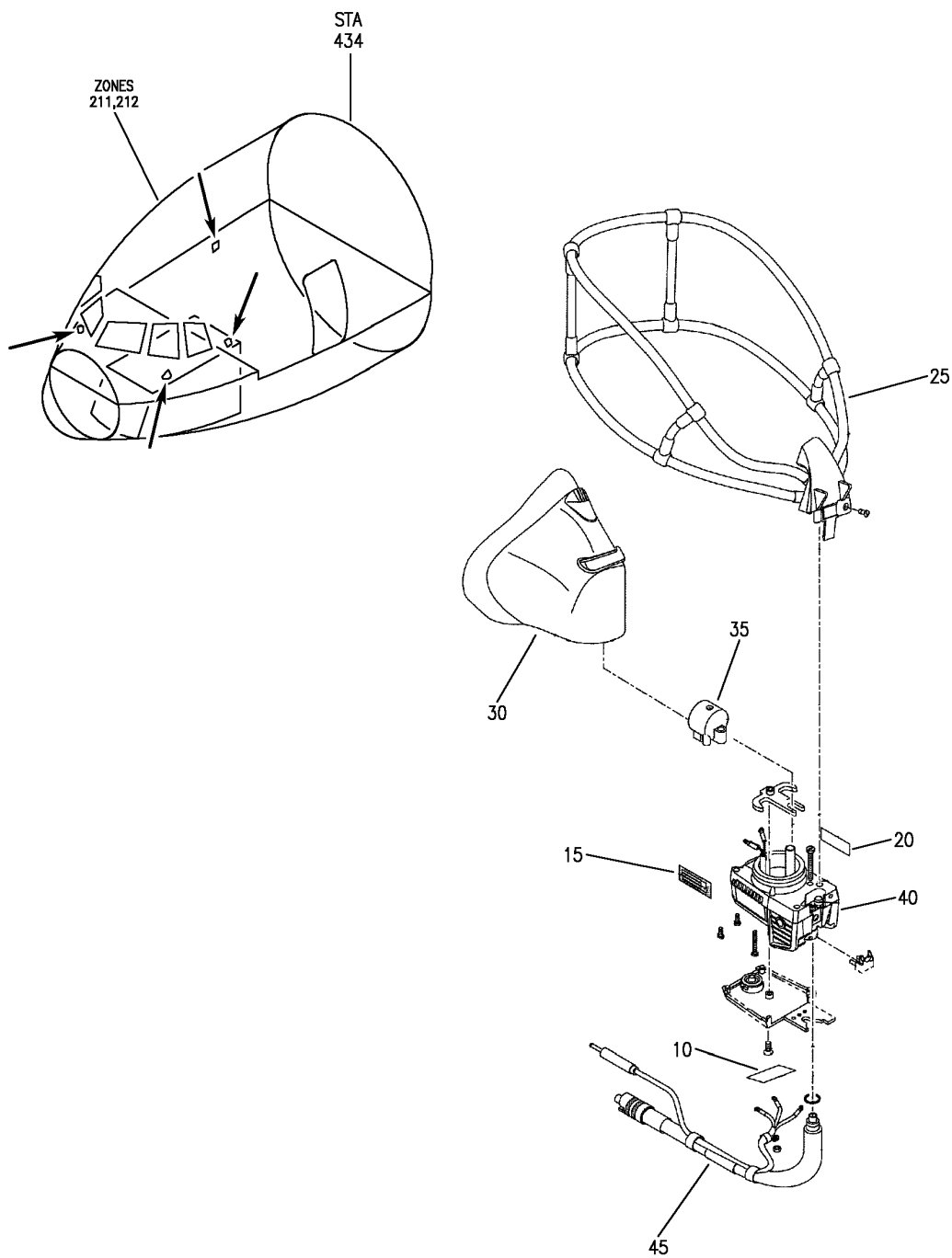
HXL

35-11-51-05

BOEING PROPRIETARY - Copyright © - Unpublished Work - See title page for details.

35-11-51
FIG. 05
PAGE 4
AUG 22/09

BOEING
767
PARTS CATALOG (MAINTENANCE)



V 35115131 REV 339

MASK ASSY-OXY
FIGURE 31

35-11-51-31

HXL
APR 22/09

35-11-51-31
PAGE 0



767

PARTS CATALOG (MAINTENANCE)

FIG ITEM	PART NUMBER	1 2 3 4 5 6 7	NOMENCLATURE	EFFECT FROM TO	UNITS PER ASSY
31					
- 1	MC10-19-01		MASK ASSY-OXY MASK ASSY-OXY SUPPLIER CODE: VF5341 COMPONENT MAINT MANUAL REF: 35-13-63 FOR NHA SEE: 35-11-51-05		RF
- 1	MC10-19-101		MASK ASSY-OXY SUPPLIER CODE: VF5341 FUNCTIONAL DESCRIPTION: PROVIDES CREW MEMBERS WITH EMERGENCY OXYGEN COMPONENT MAINT MANUAL REF: 35-13-63 FOR NHA SEE: 35-11-51-05		RF
- 1	MC10-08-107		MASK ASSY-OXY SUPPLIER CODE: VF5341 COMPONENT MAINT MANUAL REF: 35-13-63 FOR NHA SEE: 35-11-51-05		RF
R R R R R R R R R R R R	- 1	MC10-25-124	MASK ASSY-OXY SUPPLIER CODE: VF5341 FUNCTIONAL DESCRIPTION: THE CREW OXYGEN MASK REGULATOR MC10-SERIES IS AN EMERGENCY BREATHING DEVICE MADE FOR AIR CREWS THAT FLY AT HIGH ALTITUDES. COMPONENT MAINT MANUAL REF: 35-13-63 FOR NHA SEE: 35-11-51-05		RF
- 1	MC10-25-101		MASK ASSY-OXY SUPPLIER CODE: VF5341 COMPONENT MAINT MANUAL REF: 35-13-63 FOR NHA SEE: 35-11-51-05		RF

ILLUSTRATION ITEMS NOT ON PARTS LIST ARE NOT APPLICABLE

- ITEM NOT ILLUSTRATED

35-11-51-31

35-11-51
FIG. 31
PAGE 1
AUG 22/09

HXL



767

PARTS CATALOG (MAINTENANCE)

FIG ITEM	PART NUMBER	1 2 3 4 5 6 7	NOMENCLATURE	EFFECT FROM TO	UNITS PER ASSY
31					
- 1	MC10-25-104		MASK ASSY-OXY SUPPLIER CODE: VF5341 FUNCTIONAL DESCRIPTION: PROVIDES EMERGENCY FLIGHT CREW BREATHING COMPONENT MAINT MANUAL REF: 35-13-63 FOR NHA SEE: 35-11-51-05		RF
- 2	MC10-08-109		MASK ASSY-OXY SUPPLIER CODE: VF5341 COMPONENT MAINT MANUAL REF: 35-13-63 QUALIFIED I/W DATA: PN MC10-08-109 AND PN MC10-08-209 ARE INTERCHANGEABLE PER CUSTOMER PREFERENCE. PN MC10-08-209 HAS PROVISIONS FOR THE MXG SERIES SMOKE GOGGLES. PN MC10-08-109 CAN BE MODIFIED TO PN MC10-08-209 BY INCORPORATION OF SUPPLIER SERVICE BULLETIN MC10-35-70 FOR NHA SEE: 35-11-51-05		RF
10	080589		. LABEL-TSO TYPE 1 SUPPLIER CODE: VF5341 USED ON: MC10-19-01 MC10-19-101 MC10-25-01 MC10-25-101 MC10-25-104 MC10-25-124 MC10-25-154		1
ILLUSTRATION ITEMS NOT ON PARTS LIST ARE NOT APPLICABLE					

- ITEM NOT ILLUSTRATED

HXL

35-11-51-31

BOEING PROPRIETARY - Copyright © - Unpublished Work - See title page for details.

35-11-51
FIG. 31
PAGE 2
AUG 22/09



767

PARTS CATALOG (MAINTENANCE)

FIG ITEM	PART NUMBER	1 2 3 4 5 6 7	NOMENCLATURE	EFFECT FROM TO	UNITS PER ASSY
31					
10	080590		. LABEL-TSO TYPE 2 SUPPLIER CODE: VF5341 USED ON: MC10-08-103 MC10-08-107 MC10-08-109 MC10-08-123		1
15	080223		. NAMEPLATE- SUPPLIER CODE: VF5341		1
20	080573		. PLATE-FUNCTIONAL TEST SUPPLIER CODE: VF5341 USED ON: MC10-08-103 MC10-08-109 MC10-08-123 MC10-19-01 MC10-19-101 MC10-25-01 MC10-25-101 MC10-25-104 MC10-25-124 MC10-25-154		1
25	MXH15-2		. HARNESS-PNEU SUPPLIER CODE: VF5341 USED ON: MC10-08-103 MC10-08-107 MC10-08-109 MC10-08-123 MC10-19-01 MC10-19-101 MC10-25-01 MC10-25-101 MC10-25-104 MC10-25-124		1
30	MXM22		. MASK- SUPPLIER CODE: VF5341 USED ON: MC10-19-01 MC10-25-01		1

ILLUSTRATION ITEMS NOT ON PARTS LIST ARE NOT APPLICABLE

- ITEM NOT ILLUSTRATED

HXL

35-11-51-31

BOEING PROPRIETARY - Copyright © - Unpublished Work - See title page for details.

35-11-51
FIG. 31
PAGE 3
AUG 22/09



767

PARTS CATALOG (MAINTENANCE)

FIG ITEM	PART NUMBER	1 2 3 4 5 6 7	NOMENCLATURE	EFFECT FROM TO	UNITS PER ASSY
31					
30	MXM23		.MASK- SUPPLIER CODE: VF5341 USED ON: MC10-08-103 MC10-08-107 MC10-08-109 MC10-08-123 MC10-19-101 MC10-25-101 MC10-25-104 MC10-25-124 MC10-25-154		1
35	MXA1016		.MICROPHONE ASSY- SUPPLIER CODE: VF5341 USED ON: MC10-08-103 MC10-08-107 MC10-08-109 MC10-08-123 MC10-19-01 MC10-19-101 MC10-25-01 MC10-25-101 MC10-25-104 MC10-25-124 MC10-25-154		1
35	MXA1042		.MICROPHONE ASSY- SUPPLIER CODE: VF5341 USED ON: MC10-08-103 MC10-08-107		1
40	RMC1007-1		.REGULATOR- SUPPLIER CODE: VF5341 USED ON: MC10-08-103 MC10-08-107 MC10-08-109 MC10-08-123		1

ILLUSTRATION ITEMS NOT ON PARTS LIST ARE NOT APPLICABLE

- ITEM NOT ILLUSTRATED

HXL

35-11-51-31

BOEING PROPRIETARY - Copyright © - Unpublished Work - See title page for details.

35-11-51
FIG. 31
PAGE 4
AUG 22/09



767

PARTS CATALOG (MAINTENANCE)

FIG ITEM	PART NUMBER	1 2 3 4 5 6 7	NOMENCLATURE	EFFECT FROM TO	UNITS PER ASSY
31					
40	RMC1018-1		.REGULATOR- SUPPLIER CODE: VF5341 USED ON: MC10-25-01 MC10-25-101 MC10-25-104 MC10-25-124 MC10-25-154		1
40	RMC1005		.REGULATOR- SUPPLIER CODE: VF5341 USED ON: MC10-19-01 MC10-19-101		1
45	DTS4032		.HOSE ASSY- SUPPLIER CODE: VF5341 USED ON: MC10-08-103 MC10-08-109 MC10-08-123 MC10-19-01 MC10-19-101 MC10-25-01 MC10-25-101 MC10-25-104 MC10-25-124 MC10-25-154		1
45	DTS4035		.HOSE ASSY- SUPPLIER CODE: VF5341 USED ON: MC10-08-107		1

ILLUSTRATION ITEMS NOT ON PARTS LIST ARE NOT APPLICABLE

- ITEM NOT ILLUSTRATED

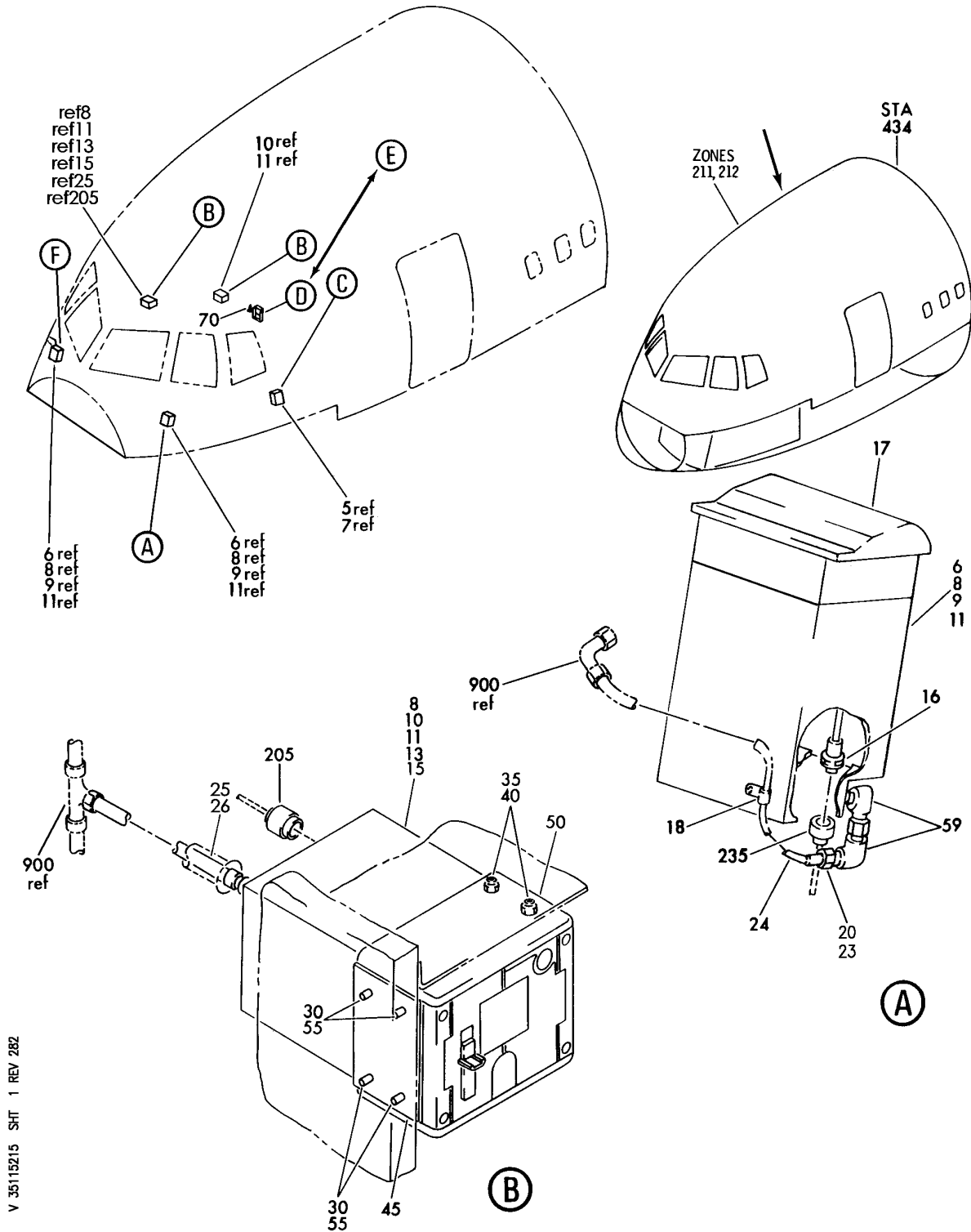
HXL

35-11-51-31

BOEING PROPRIETARY - Copyright © - Unpublished Work - See title page for details.

35-11-51
FIG. 31
PAGE 5
AUG 22/09

BOEING
767
PARTS CATALOG (MAINTENANCE)



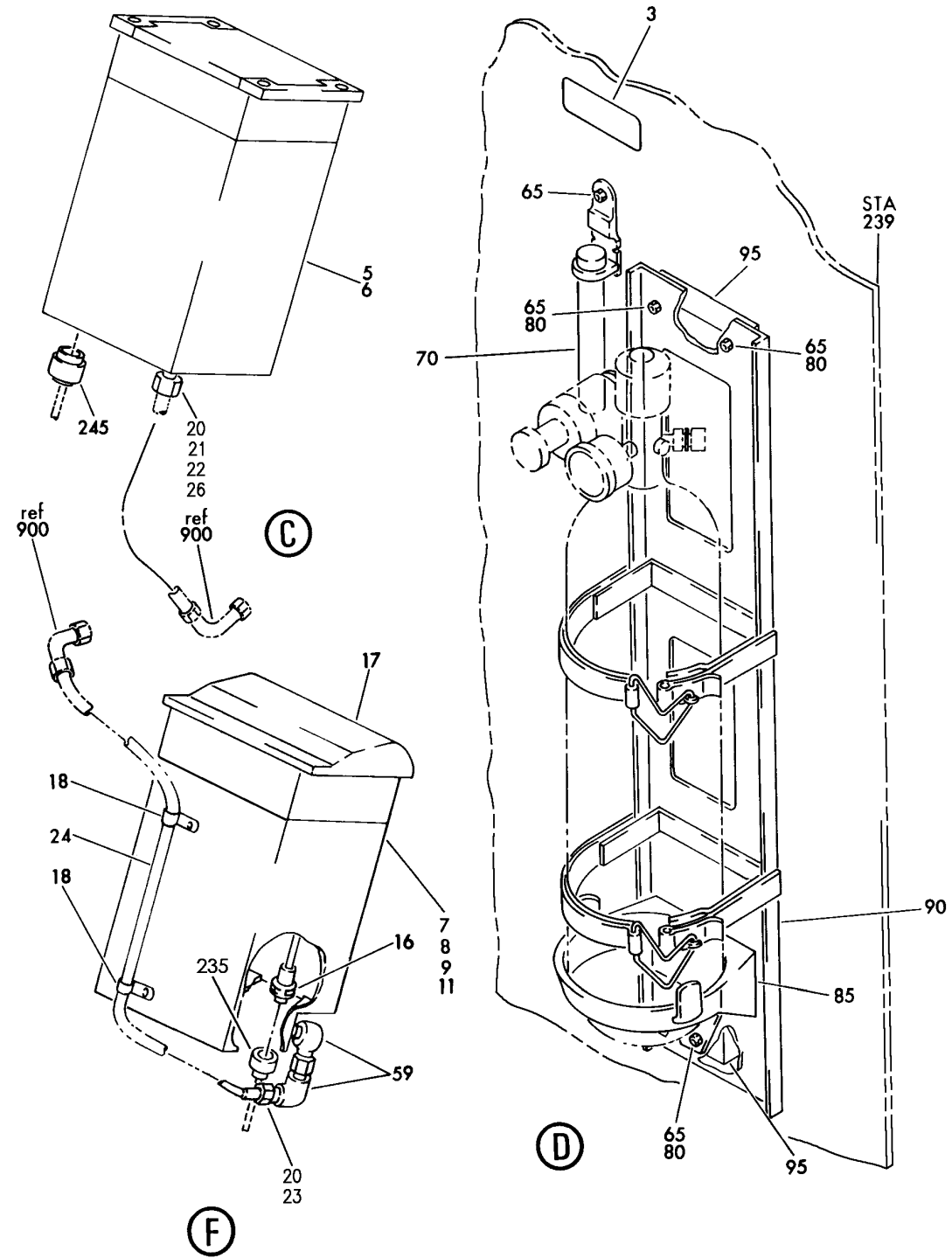
EQUIPMENT INSTL-CREW OXY
FIGURE 15 (SHEET 1)

35-11-52-15

HXL
DEC 22/06

35-11-52-15
PAGE 0

BOEING
767
PARTS CATALOG (MAINTENANCE)



V 35115215 SHT 2 REV 325

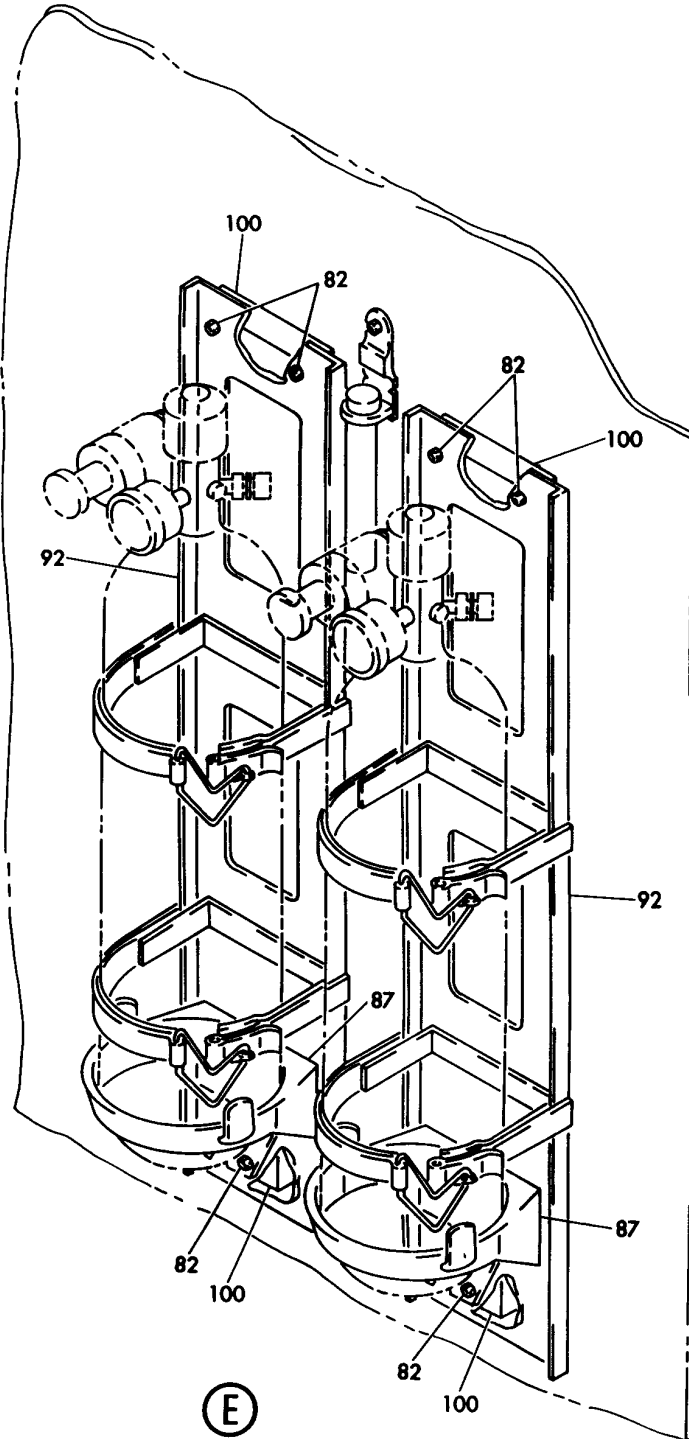
EQUIPMENT INSTL-CREW OXY
FIGURE 15 (SHEET 2)

35-11-52-15

HXL
APR 22/08

35-11-52-15
PAGE 0A

BOEING
767
PARTS CATALOG (MAINTENANCE)



V 35115215 SHT 3 REV 136

EQUIPMENT INSTL-CREW OXY
FIGURE 15 (SHEET 3)

35-11-52-15

HXL
DEC 22/06

35-11-52-15
PAGE 0B



767

PARTS CATALOG (MAINTENANCE)

FIG ITEM	PART NUMBER	1 2 3 4 5 6 7	NOMENCLATURE	EFFECT FROM TO	UNITS PER ASSY
15			EQUIPMENT INSTL-CREW OXY		
- 1	232T8002-19		EQUIPMENT INSTL-CREW OXY FOR NHA SEE: 35-11-51-05		RF
5	MXP147-3		.BOX ASSY- SUPPLIER CODE: VF5341 COMPONENT MAINT MANUAL REF: 35-11-79		1
9	MXP147-3		.BOX ASSY- SUPPLIER CODE: VF5341 COMPONENT MAINT MANUAL REF: 35-11-79		2
13	MXP147-3		.BOX ASSY- SUPPLIER CODE: VF5341 ELECTRICAL EQUIP NUMBER: M01166 COMPONENT MAINT MANUAL REF: 35-11-79		1
			TEMPORARY BREAKDOWN FOR: MXP147-3 MXP402		
16	DL64R83PN059		..CONNECTOR- SUPPLIER CODE: V11139		1
20	38001-606		.HOSE ASSY- SUPPLIER CODE: V24984 SPECIFICATION NUMBER: 60B50059-606 POST ALERT SB: 35A0034		3
25	38001-610		.HOSE ASSY- SUPPLIER CODE: V24984 SPECIFICATION NUMBER: 60B50059-610 POST ALERT SB: 35A0034		1
60	NAS1762J0505		.ELBOW- OPTIONAL PART: BACE21BT0505JN		1

ILLUSTRATION ITEMS NOT ON PARTS LIST ARE NOT APPLICABLE

- ITEM NOT ILLUSTRATED

HXL

35-11-52-15

BOEING PROPRIETARY - Copyright © - Unpublished Work - See title page for details.

35-11-52
FIG. 15
PAGE 1
APR 22/08



767

PARTS CATALOG (MAINTENANCE)

FIG ITEM	PART NUMBER	1 2 3 4 5 6 7	NOMENCLATURE	EFFECT FROM TO	UNITS PER ASSY
15 60	AP1042JN0505	.ELBOW-	SUPPLIER CODE: V01673 SPECIFICATION NUMBER: BACE21BT0505JN OPTIONAL PART: NAS1762J0505		1
62	NAS1762J0505	.ELBOW-	OPTIONAL PART: BACE21BT0505JN		1
62	AP1042JN0505	.ELBOW-	SUPPLIER CODE: V01673 SPECIFICATION NUMBER: BACE21BT0505JN OPTIONAL PART: NAS1762J0505		1
65	SFSW10F5DL11BG	.SCREW-	SUPPLIER CODE: V12324		5
- 200	286T0062-300		WIRE BUNDLE ASSY		RF
205	MS3126F10-6S	.CONNECTOR-	ELECTRICAL EQUIP NUMBER: D01377 WIRING DIAGRAM REF: 235141		1
- 220	286T0629-120		WIRE BUNDLE ASSY		RF
- 230	286T0631-120		WIRE BUNDLE ASSY		RF
235	MS3126F10-6S	.CONNECTOR-	ELECTRICAL EQUIP NUMBER: D01373 D01375 WIRING DIAGRAM REF: 235111 235131		1
- 240	286T1375		WIRE BUNDLE ASSY		RF

ILLUSTRATION ITEMS NOT ON PARTS LIST ARE NOT APPLICABLE

- ITEM NOT ILLUSTRATED

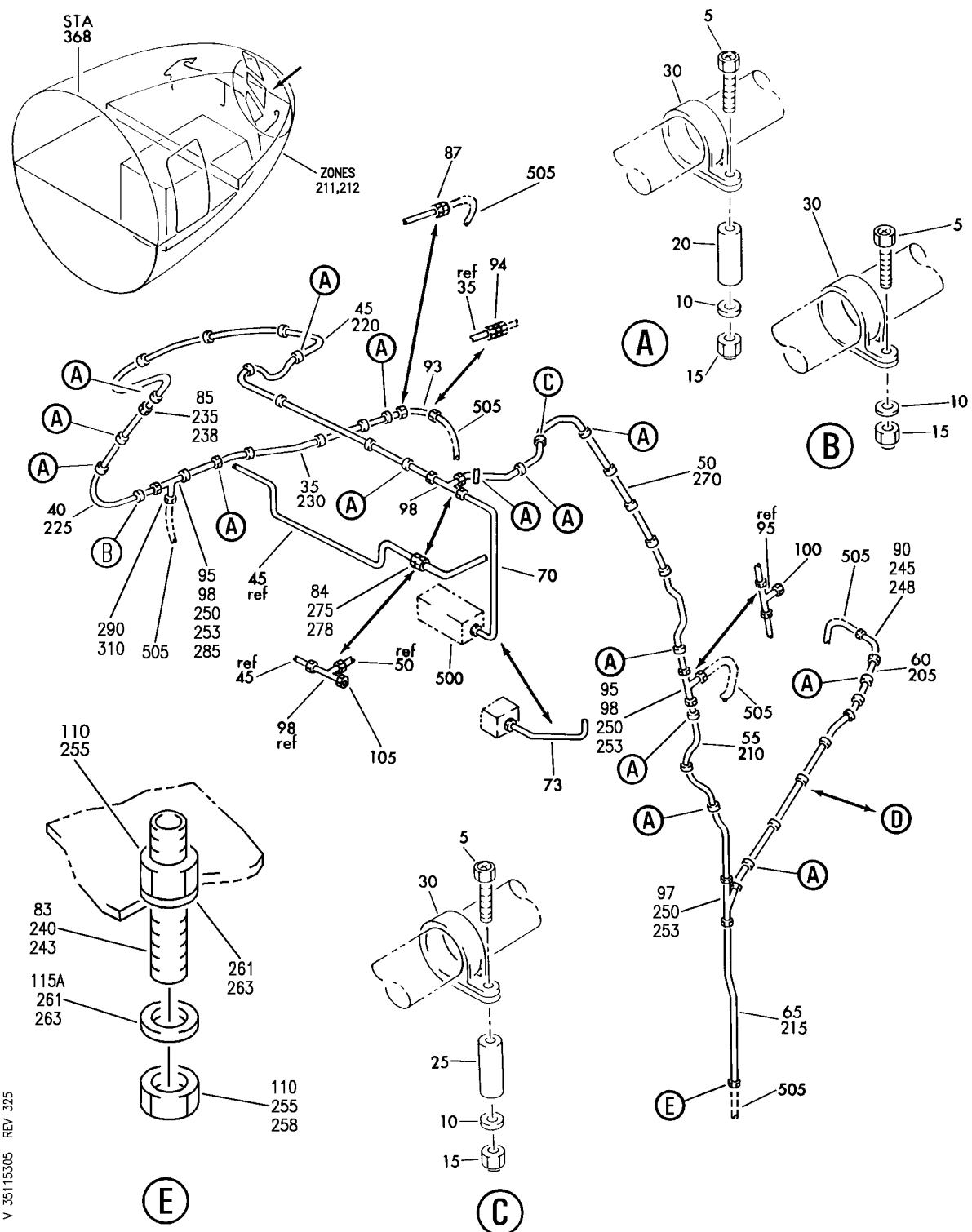
HXL

35-11-52-15

BOEING PROPRIETARY - Copyright © - Unpublished Work - See title page for details.

35-11-52
FIG. 15
PAGE 2
APR 22/08

BOEING
767
PARTS CATALOG (MAINTENANCE)



V 35115305 REV 325

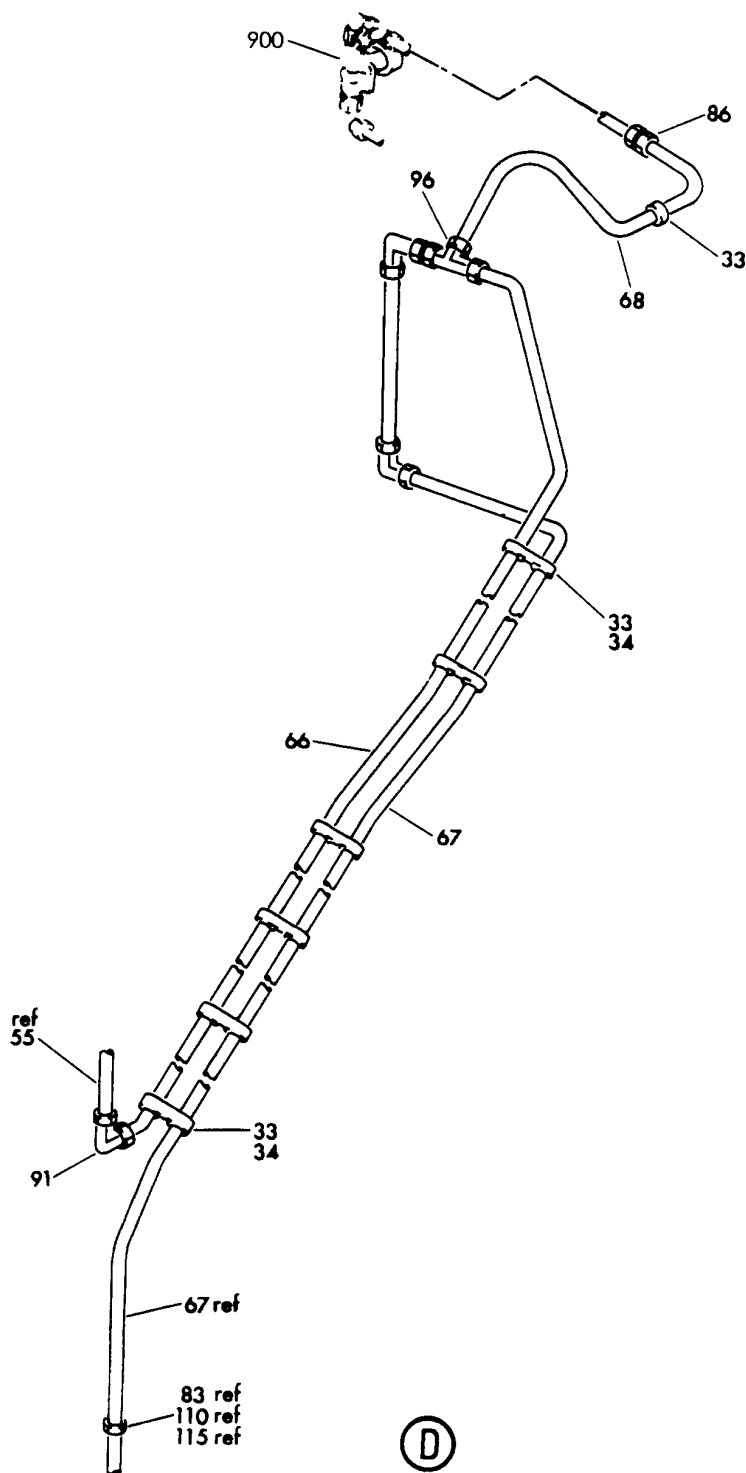
TUBING INSTL-CREW OXY
FIGURE 5 (SHEET 1)

35-11-53-05

HXL
APR 22/08

35-11-53-05
PAGE 0

BOEING
767
PARTS CATALOG (MAINTENANCE)



V 35115305 SHT 2 REV 203

TUBING INSTL-CREW OXY
FIGURE 5 (SHEET 2)

35-11-53-05

HXL
DEC 22/06

35-11-53-05
PAGE 0A



767

PARTS CATALOG (MAINTENANCE)

FIG ITEM	PART NUMBER	1 2 3 4 5 6 7	NOMENCLATURE	EFFECT FROM TO	UNITS PER ASSY
5			TUBING INSTL-CREW OXY		
- 1	232T8004-90		TUBING INSTL-CREW OXY FOR NHA SEE: 35-11-51-05		RF
5	NAS1801-3		.SCREW- SIZE DETERMINED ON INSTL.		AR
10	AN960PD10L		.WASHER		AR
15	BRH10A3		.NUT SUPPLIER CODE: V52828 SPECIFICATION NUMBER: BACN10JC3 OPTIONAL PART: H10-3BAC V15653 NS202101-02 V80539 RMLH9075-3W V72962 VN303A02 V92215 96-02 V80539 T6S1032J V11815		AR
20	NAS42DD6-16		.SPACER		34
25	NAS42DD6-8		.SPACER		1
30	BACC10DK		.CLAMP- SIZE DETERMINED ON INSTL.		AR
35	232T8004-83		.TUBE ASSY- MANUFACTURED FROM: TUBING STEEL TUBING MATERIAL: .312 IN. OD .020 IN. WALL 55.00 IN. LG TUBING STEEL		1
35	232T8004-39		.TUBE ASSY- TUBING MATERIAL: .312 IN. OD .020 IN. WALL 51.00 IN. LG TUBING STEEL		1
40	232T8004-93		.TUBE ASSY- MANUFACTURED FROM: TUBING STEEL TUBING MATERIAL: .312 IN. OD .020 IN. WALL 46.00 IN. LG TUBING STEEL		1

ILLUSTRATION ITEMS NOT ON PARTS LIST ARE NOT APPLICABLE

- ITEM NOT ILLUSTRATED

35-11-53-05

35-11-53
FIG. 05
PAGE 1
DEC 22/07

HXL



767

PARTS CATALOG (MAINTENANCE)

FIG ITEM	PART NUMBER	1 2 3 4 5 6 7	NOMENCLATURE	EFFECT FROM TO	UNITS PER ASSY
5					
45	232T8004-91		.TUBE ASSY- MANUFACTURED FROM: TUBING STEEL TUBING MATERIAL: .312 IN. OD .020 IN. WALL 110.00 IN. LG TUBING STEEL		1
50	232T8004-92		.TUBE ASSY- TUBING MATERIAL: .312 IN. OD .020 IN. WALL 88.00 IN. LG TUBING TUBING STEEL		1
55	232T8004-54		.TUBE ASSY- MANUFACTURED FROM: TUBING STEEL TUBING MATERIAL: .312 IN. OD .020 IN. WALL 40.00 IN. LG TUBING STEEL		1
60	232T8004-58		.TUBE ASSY- MANUFACTURED FROM: TUBING STEEL TUBING MATERIAL: .312 IN. OD .020 IN. WALL 72.00 IN. LG TUBING STEEL		1
65	232T8004-50		.TUBE ASSY- MANUFACTURED FROM: TUBING STEEL TUBING MATERIAL: .312 IN. OD .020 IN. WALL 19.00 IN. LG TUBING STEEL		1
- 75	BACS13BX5HP		..SLEEVE- USED ON: 232T8004-37 232T8004-39 232T8004-50 232T8004-54 232T8004-56 232T8004-57 232T8004-58 232T8004-81 232T8004-83 232T8004-91 232T8004-92 232T8004-93 232T8004-97		2
ILLUSTRATION ITEMS NOT ON PARTS LIST ARE NOT APPLICABLE					

- ITEM NOT ILLUSTRATED

35-11-53-05

35-11-53
FIG. 05
PAGE 2
DEC 22/07

HXL



767

PARTS CATALOG (MAINTENANCE)

FIG ITEM	PART NUMBER	1 2 3 4 5 6 7	NOMENCLATURE	EFFECT FROM TO	UNITS PER ASSY
5					
- 80	BACN10CS5JN		. . NUT- USED ON: 232T8004-37 232T8004-39 232T8004-50 232T8004-54 232T8004-56 232T8004-57 232T8004-58 232T8004-81 232T8004-83 232T8004-91 232T8004-92 232T8004-93 232T8004-97		2
83	MS21924J5		. UNION		1
84	MS21902J5		. UNION		1
85	MS21902J5		. UNION		1
90	MS21904J5		. ELBOW-		1
93	MS21904J5		. ELBOW-		1
95	MS21905J5		. TEE-		2
95	BACT16BL050505J		. TEE-		2
97	MS21905J5		. TEE-		1
97	BACT16BL050505J		. TEE-		1
110	AN924-5J		. NUT		1
115A	AN960XC816L		. WASHER-		1
500			ILLUSTRATION REFERENCE: EQUIPMENT INSTL-CREW OXY 35-11-52-15		RF
505			ILLUSTRATION REFERENCE: LINE INSTL-CREW OXY SYS SUPPLY 35-11-03-02		RF

ILLUSTRATION ITEMS NOT ON PARTS LIST ARE NOT APPLICABLE

- ITEM NOT ILLUSTRATED

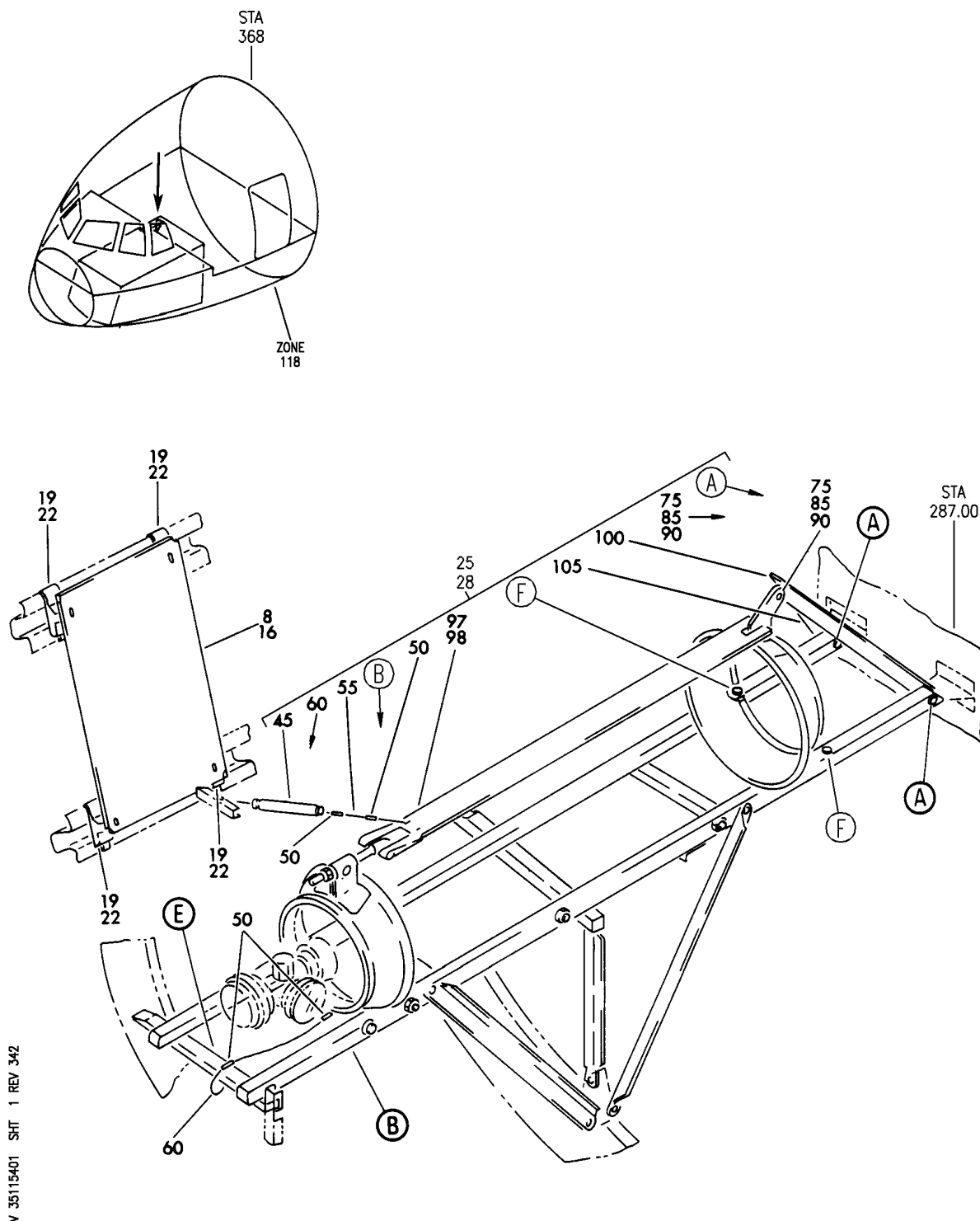
HXL

35-11-53-05

BOEING PROPRIETARY - Copyright © - Unpublished Work - See title page for details.

35-11-53
FIG. 05
PAGE 3
DEC 22/07

BOEING
767
PARTS CATALOG (MAINTENANCE)



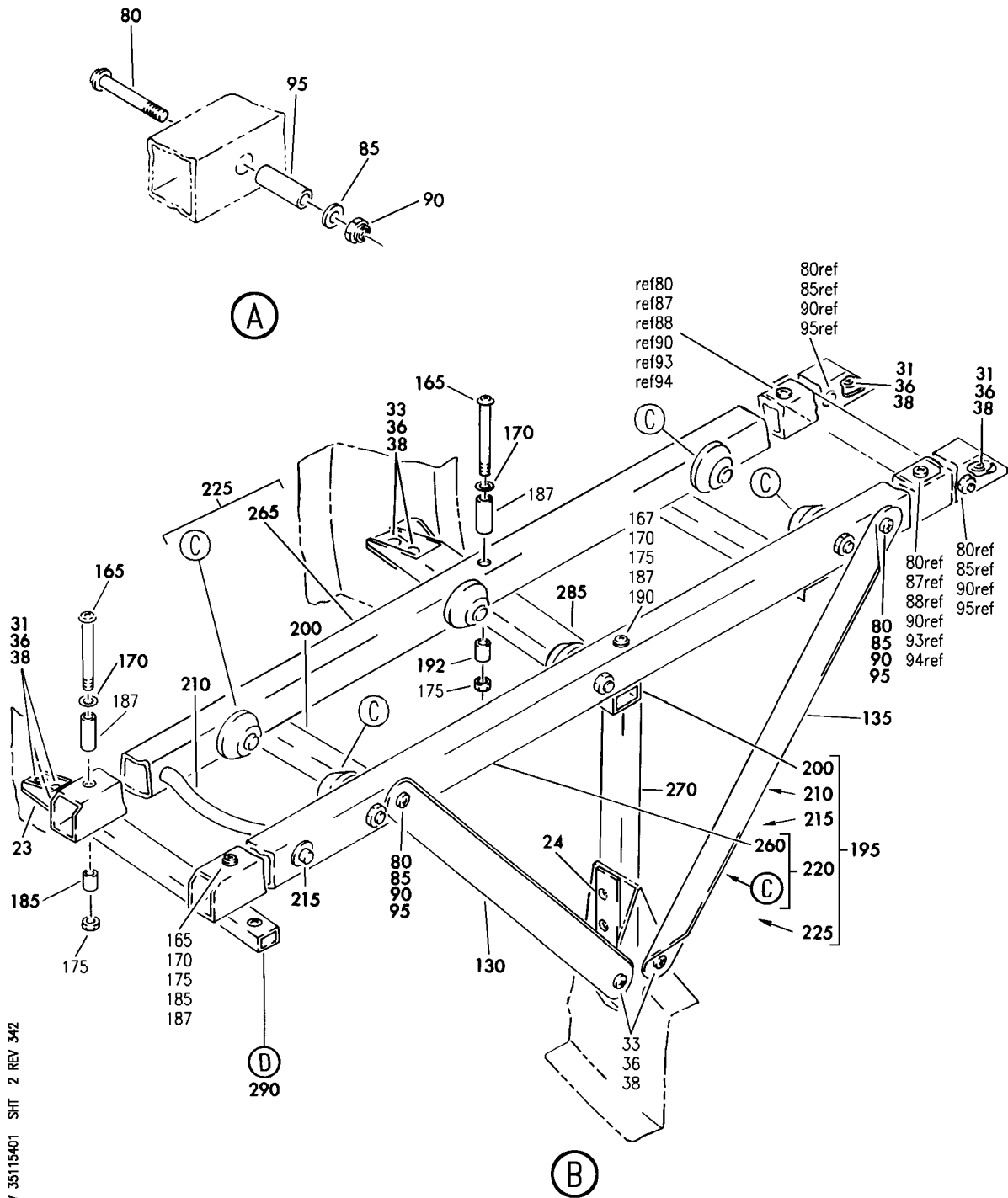
RACK INSTL-CREW OXY CYL SPRT 76 AND 115 SCF
FIGURE 1 (SHEET 1)

35-11-54-01

HXL
AUG 22/09

35-11-54-01
PAGE 0


BOEING
 767
PARTS CATALOG (MAINTENANCE)



V 35115401 SHT 2 REV 342

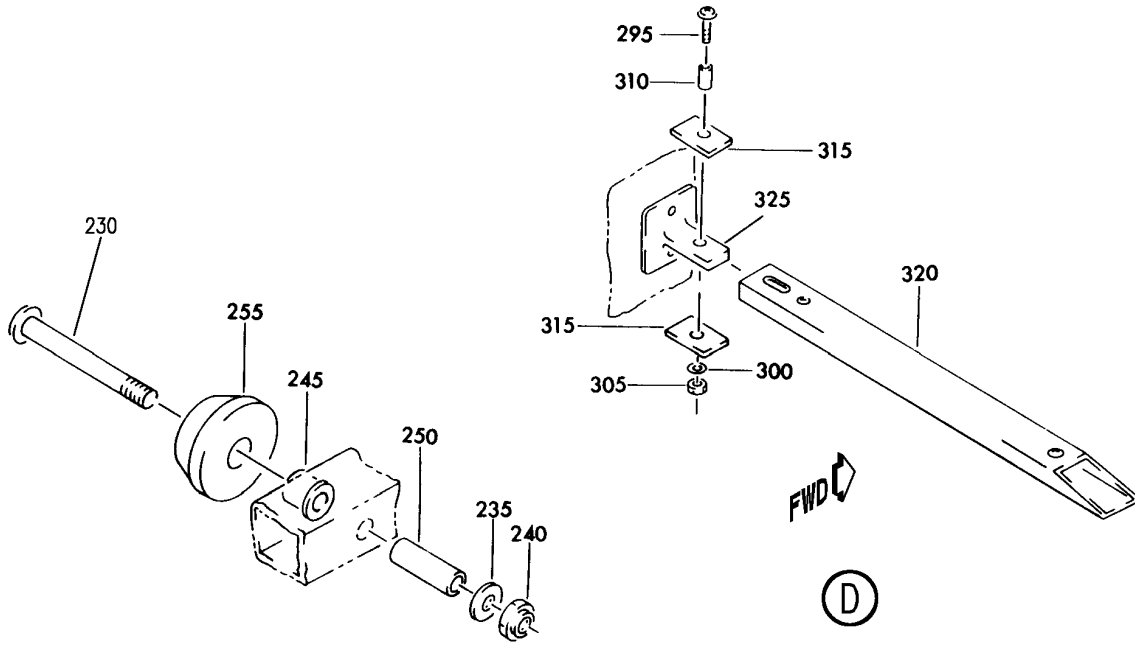
RACK INSTL-CREW OXY CYL SPRT 76 AND 115 SCF
 FIGURE 1 (SHEET 2)

35-11-54-01

HXL
 AUG 22/09

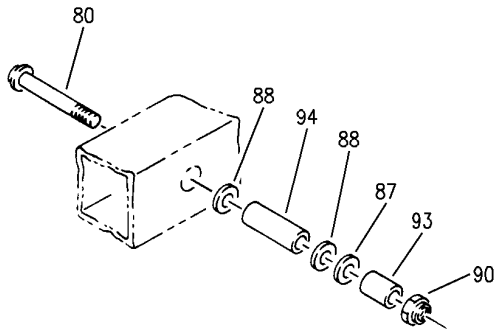
35-11-54-01
 PAGE 0A

BOEING
767
PARTS CATALOG (MAINTENANCE)

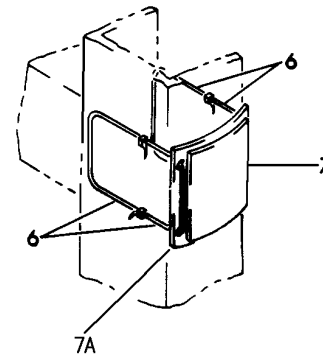


(C)

(D)



(F)



(E)

V 35115401 SHT 3 REV 342

RACK INSTL-CREW OXY CYL SPRT 76 AND 115 SCF
FIGURE 1 (SHEET 3)

35-11-54-01

HXL
AUG 22/09

35-11-54-01
PAGE 0B



767

PARTS CATALOG (MAINTENANCE)

FIG ITEM	PART NUMBER	1 2 3 4 5 6 7	NOMENCLATURE	EFFECT FROM TO	UNITS PER ASSY
1			RACK INSTL-CREW OXY CYL SPRT 76 AND 115 SCF		
- 5	417T4504-2		RACK INSTL-CREW OXY CYL SPRT 115 SCF FOR NHA SEE: 25-20-00-17		RF
6	MS3367-6-9		.STRAP-		4
7	417T4604-6		.PLACARD ASSY-(OXYGEN ONLY) FUNCTIONAL REFERENCE: PLACARDS AND MARKINGS FOR DETAILS SEE 11-32-04-02		1
R	7A	417T4604-7	..PANEL-		1
R	23	BACF33C101-160	.FILLER		1
R	24	BACS40R7B18F	.SHIM		1
	28	417T4504-4	.RACK ASSY- ATTACHING PARTS		1
	31	BACB30LK3K3	.BOLT		4
	33	BACB30LK3K4	.BOLT		4
	36	NAS1149C0332R	.WASHER-		8
	38	BRH10C3	.NUT- SUPPLIER CODE: V52828 SPECIFICATION NUMBER: BACN10JC3C OPTIONAL PART: T6C1032J V11815 97-02 V80539 101LH9075-3W V72962 VN303B02 V92215 NS202101S02 V80539 H31-3BAC V15653		8
	45	MS24586-558	-----*----- ..SPRING		1
	50	CL4F	..FERRULE SUPPLIER CODE: V99862 SPECIFICATION NUMBER: BACF22U2 OPTIONAL PART: 325167 V00779		4
ILLUSTRATION ITEMS NOT ON PARTS LIST ARE NOT APPLICABLE					

- ITEM NOT ILLUSTRATED

HXL

35-11-54-01

BOEING PROPRIETARY - Copyright © - Unpublished Work - See title page for details.

35-11-54
FIG. 01
PAGE 1
AUG 22/09



767

PARTS CATALOG (MAINTENANCE)

FIG ITEM	PART NUMBER	1 2 3 4 5 6 7	NOMENCLATURE	EFFECT FROM TO	UNITS PER ASSY
1					
55	CL100-3A90	..	CABLE ASSY- SUPPLIER CODE: V99862 SPECIFICATION NUMBER: BACC13Y3A90		1
60	CL100-3A105	..	CABLE ASSY SUPPLIER CODE: V99862 SPECIFICATION NUMBER: BACC13Y3A105		1
75	BACB30LK3K4	..	BOLT		1
80	BACB30LK3K15	..	BOLT		6
85	NAS1149C0332R	..	WASHER-		5
87	NAS1149C0332R	..	WASHER		2
90	BRH10C3	..	NUT SUPPLIER CODE: V52828 SPECIFICATION NUMBER: BACN10JC3C OPTIONAL PART: T6C1032J V11815 97-02 V80539 101LH9075-3W V72962 VN303B02 V92215 NS202101S02 V80539 H31-3BAC V15653		7
93	61B50020-20	..	SLEEVE		2
95	61B50020-20	..	SLEEVE		4
98	3145	..	SUPPORT ASSY-TANK SUPPLIER CODE: V94581 OPTIONAL PART: MBS68293 V00624 FOR DETAILS SEE: 35-11-54-05		1
98	MBS68293	..	CLAMP ASSY- SUPPLIER CODE: V00624 OPTIONAL PART: 3145 V94581		1
100	417T4650-8	..	BRACE		1

ILLUSTRATION ITEMS NOT ON PARTS LIST ARE NOT APPLICABLE

- ITEM NOT ILLUSTRATED

35-11-54-01

35-11-54
FIG. 01
PAGE 2
DEC 22/06

HXL

BOEING PROPRIETARY - Copyright © - Unpublished Work - See title page for details.



767

PARTS CATALOG (MAINTENANCE)

FIG ITEM	PART NUMBER	1 2 3 4 5 6 7	NOMENCLATURE	EFFECT FROM TO	UNITS PER ASSY
1					
105	417T4650-9	..	BRACE		1
130	417T4650-11	..	BRACE		1
135	417T4650-6	..	BRACE		1
165	BACB30LK3K20	..	BOLT		3
167	BACB30LK3K23	..	BOLT		1
170	NAS1149C0332R	..	WASHER-		4
175	BRH10C3	..	NUT		4
			SUPPLIER CODE: V52828		
			SPECIFICATION NUMBER: BACN10JC3C		
			OPTIONAL PART: T6C1032J		
			V11815		
			97-02		
			V80539		
			101LH9075-3W		
			V72962		
			VN303B02		
			V92215		
			NS202101S02		
			V80539		
			H31-3BAC		
			V15653		
185	61B50020-18	..	SLEEVE		2
187	61B50020-20	..	SLEEVE		4
190	417T4650-10	..	SLEEVE		1
192	417T4650-10	..	SLEEVE-		1
195	417T4604-1	..	RACK ASSY		1
200	417T4650-7	...	BRACE		2
			ATTACHING PARTS		
- 205	NAS1398D5-2	...	RIVET		4
			-----*-----		
210	69B50573-1	...	ATTACHMENT CLAMP-		1
			OPTIONAL PART: 417U4604-22		
210	417U4604-22	...	ATTACHMENT ASSY-		1
			OPTIONAL PART: 69B50573-1		
215	AN960C516L	...	WASHER		2
220	417T4604-4	...	RAIL ASSY-		1
			POSITION DATA: INBD		
225	417T4604-5	...	RAIL ASSY-		1
			POSITION DATA: OUTBD		
230	BACB30LK3K21	...	BOLT		3
235	NAS1149C0332R	...	WASHER-		3

ILLUSTRATION ITEMS NOT ON PARTS LIST ARE NOT APPLICABLE

- ITEM NOT ILLUSTRATED

35-11-54-01

35-11-54
FIG. 01
PAGE 3
DEC 22/06

HXL



767

PARTS CATALOG (MAINTENANCE)

FIG ITEM	PART NUMBER	1 2 3 4 5 6 7	NOMENCLATURE	EFFECT FROM TO	UNITS PER ASSY
1 240	BRH10C3		...NUT SUPPLIER CODE: V52828 SPECIFICATION NUMBER: BACN10JC3C OPTIONAL PART: T6C1032J V11815 97-02 V80539 101LH9075-3W V72962 VN303B02 V92215 NS202101S02 V80539 H31-3BAC V15653		3
245	BACB28X3C045		...BUSHING-		3
250	61B50020-20		...SLEEVE		3
255	69B50572-1		...ROLLER		3
260	417T4650-4		...RAIL- POSITION DATA: INBD		1
265	417T4650-5		...RAIL- POSITION DATA: OUTBD		1
270	417T4604-3		..LEG ASSY-VERT. ATTACHING PARTS		1
- 275	HL22-6-3		..BOLT SUPPLIER CODE: V60516 SPECIFICATION NUMBER: BACB30GZ6-3 -----*-----		2
285	417T4650-3		..LEG-HORIZ SPRT		1
290	417T4604-2		..LEG ASSY-HORIZ		1
295	BACB30LK3K5		...BOLT		1
300	NAS1149C0332R		...WASHER-		1

ILLUSTRATION ITEMS NOT ON PARTS LIST ARE NOT APPLICABLE

- ITEM NOT ILLUSTRATED

35-11-54-01

35-11-54
FIG. 01
PAGE 4
APR 22/08

HXL



767

PARTS CATALOG (MAINTENANCE)

FIG ITEM	PART NUMBER	1 2 3 4 5 6 7	NOMENCLATURE	EFFECT FROM TO	UNITS PER ASSY
1 R R R R R R R R R R R R R R R	305	BRH10C3	...NUT SUPPLIER CODE: V52828 SPECIFICATION NUMBER: BACN10JC3C OPTIONAL PART: T6C1032J V11815 97-02 V80539 101LH9075-3W V72962 VN303B02 V92215 NS202101S02 V80539 H31-3BAC V15653		1
	310	61B50020-145	...SLEEVE		1
	315	65B55397-6	...FILLER		2
	320	417T4650-1	...LEG-HORIZ SPRT		1
	325	65B55397-5	...SUPPORT		1

ILLUSTRATION ITEMS NOT ON PARTS LIST ARE NOT APPLICABLE

- ITEM NOT ILLUSTRATED

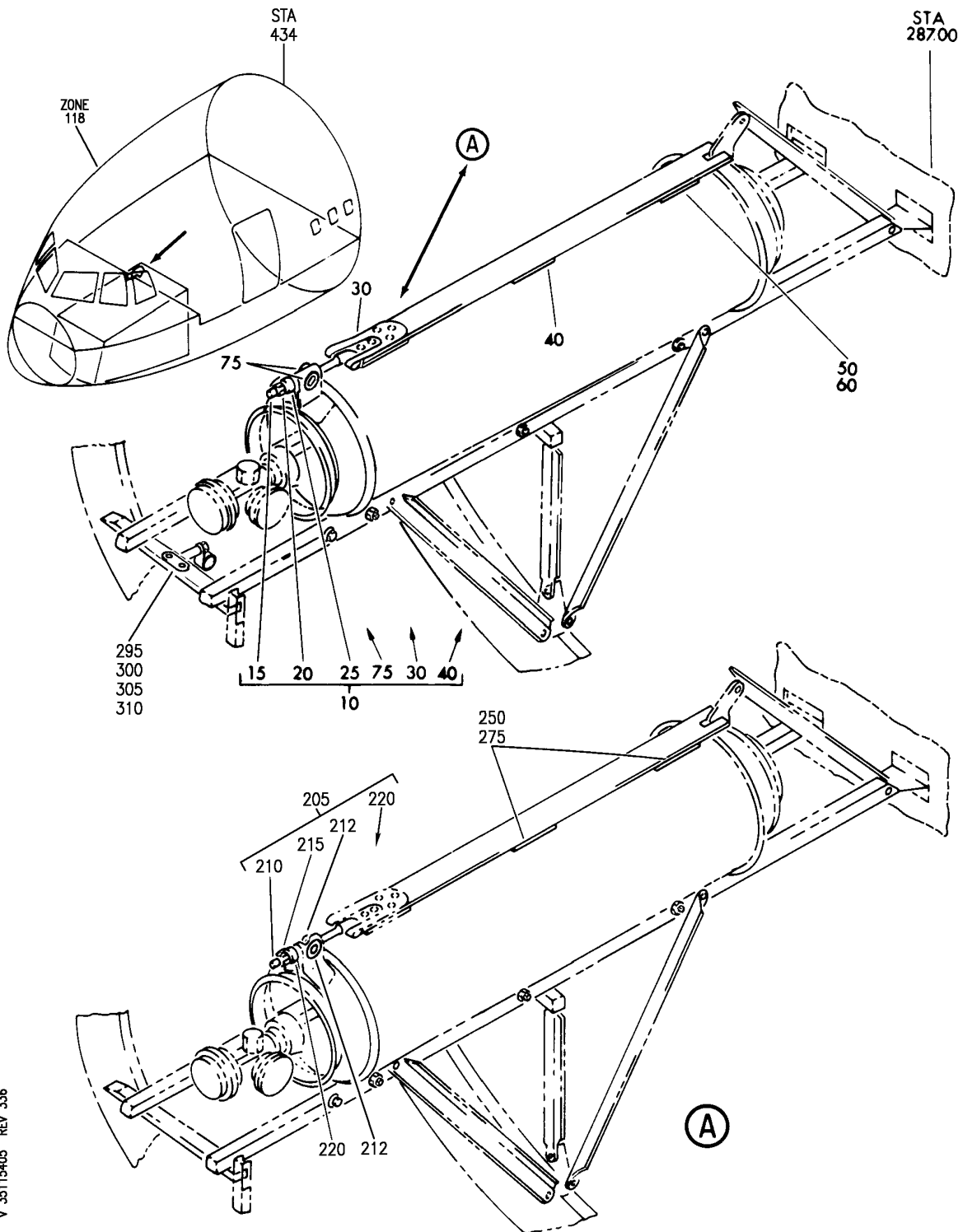
HXL

35-11-54-01

BOEING PROPRIETARY - Copyright © - Unpublished Work - See title page for details.

35-11-54
FIG. 01
PAGE 5
AUG 22/09

BOEING
767
PARTS CATALOG (MAINTENANCE)



V 35115405 REV 336

SUPPORT ASSY-TANK
FIGURE 5

35-11-54-05

HXL
APR 22/09

35-11-54-05
PAGE 0



767

PARTS CATALOG (MAINTENANCE)

FIG ITEM	PART NUMBER	1 2 3 4 5 6 7	NOMENCLATURE	EFFECT FROM TO	UNITS PER ASSY
5					
- 200	3145		SUPPORT ASSY-TANK SUPPORT ASSY-TANK SUPPLIER CODE: V94581 FOR NHA SEE: 35-11-54-01		RF
205	3145-2		. HALF ASSY-FRONT SUPPLIER CODE: V94581		1
210	200S4-350		.. BOLT-T SUPPLIER CODE: V94581		1
212	6L1FF		.. WASHER-SHOULDER SUPPLIER CODE: V94581		2
215	MS21044C4		.. NUT		1
220	201P4-88-75		.. TRUNNION- SUPPLIER CODE: V94581		1
- 230	140		.. ADHESIVE-SILICONE RUBBER SUPPLIER CODE: V71983		AR
- 235	A4094		.. PRIMER- SUPPLIER CODE: V71983		AR
250	3145-1		. HALF ASSY- SUPPLIER CODE: V94581 POSITION DATA: REAR		1
275	3145-37		.. PAD- SUPPLIER CODE: V94581		2
- 285	140		.. ADHESIVE-SILICONE RUBBER SUPPLIER CODE: V71983		AR
- 290	A4094		.. PRIMER- SUPPLIER CODE: V71983		AR
295	3145-2		. HALF ASSY- SUPPLIER CODE: V94581 MISCELLANEOUS DATA: REF IDR 767-25-0406-NC-0027RA		1
300	BACS12GUK		. SCREW- MISCELLANEOUS DATA: 767-25-0406-NC-0027RA		1

ILLUSTRATION ITEMS NOT ON PARTS LIST ARE NOT APPLICABLE

- ITEM NOT ILLUSTRATED

35-11-54-05

35-11-54
FIG. 05
PAGE 1
APR 22/09

HXL



767

PARTS CATALOG (MAINTENANCE)

FIG ITEM	PART NUMBER	1 2 3 4 5 6 7	NOMENCLATURE	EFFECT FROM TO	UNITS PER ASSY
5 305	JM44LC13WSR		.CLAMP- SUPPLIER CODE: V22175 SPECIFICATION NUMBER: BACC10GE OPTIONAL PART: S369WH V18076 TA12C32WS V84971 MISCELLANEOUS DATA: 767-25-0406-NC-0027RA		1
310	BACN10GH3A		.NUTPLATE- MISCELLANEOUS DATA: 767-25-0406-NC-0027RA		1
- 315	BACR15FT4KE		ATTACHING PARTS .RIVET- MISCELLANEOUS DATA: 767-25-0406-NC-0027RA SIZE DETERMINED ON INSTL. -----*-----		2

ILLUSTRATION ITEMS NOT ON PARTS LIST ARE NOT APPLICABLE

- ITEM NOT ILLUSTRATED

HXL

35-11-54-05

BOEING PROPRIETARY - Copyright © - Unpublished Work - See title page for details.

35-11-54
FIG. 05
PAGE 2
AUG 22/08