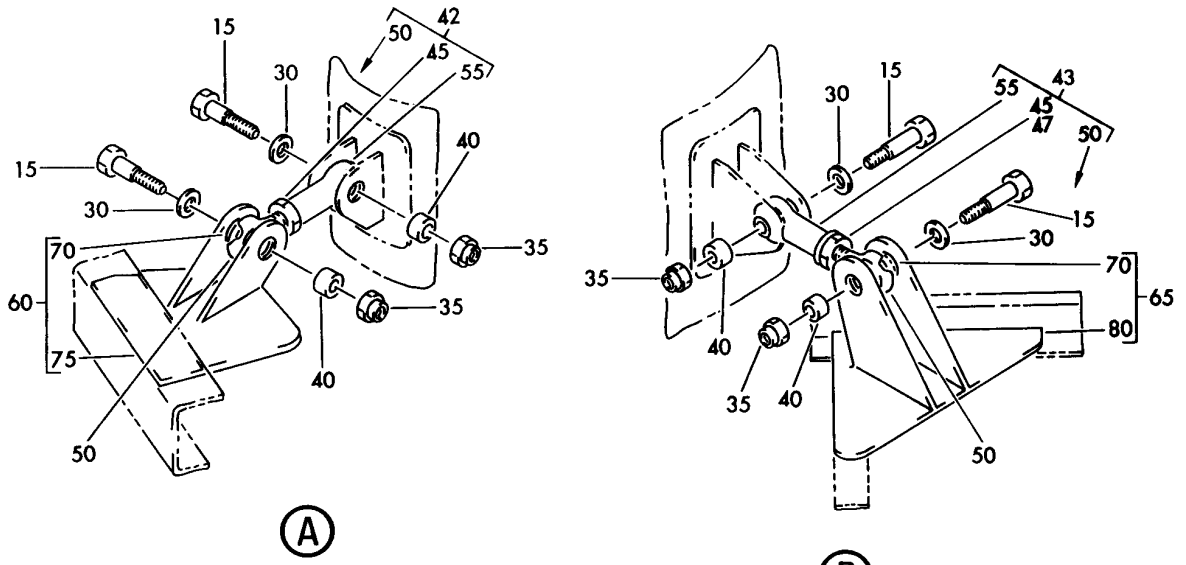


AIR SUPPLY DISTRIBUTION SYSTEM

HXL
DEC 22/06

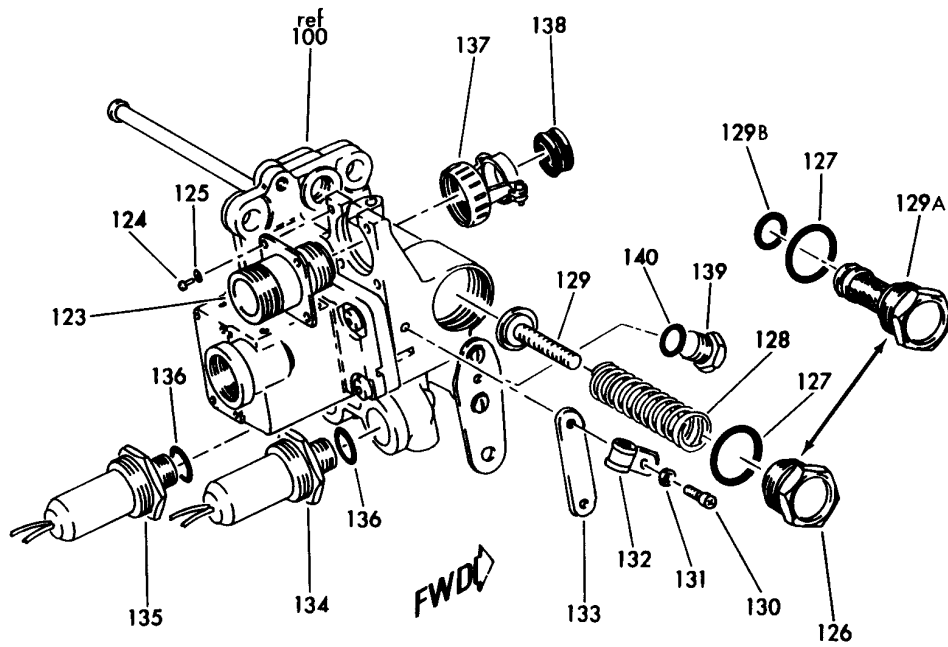
36-11-00
SECTION TITLE
PAGE 1

BOEING
767
PARTS CATALOG (MAINTENANCE)



(A)

(B)



(C)

V 36110101 SHT 2 REV 141

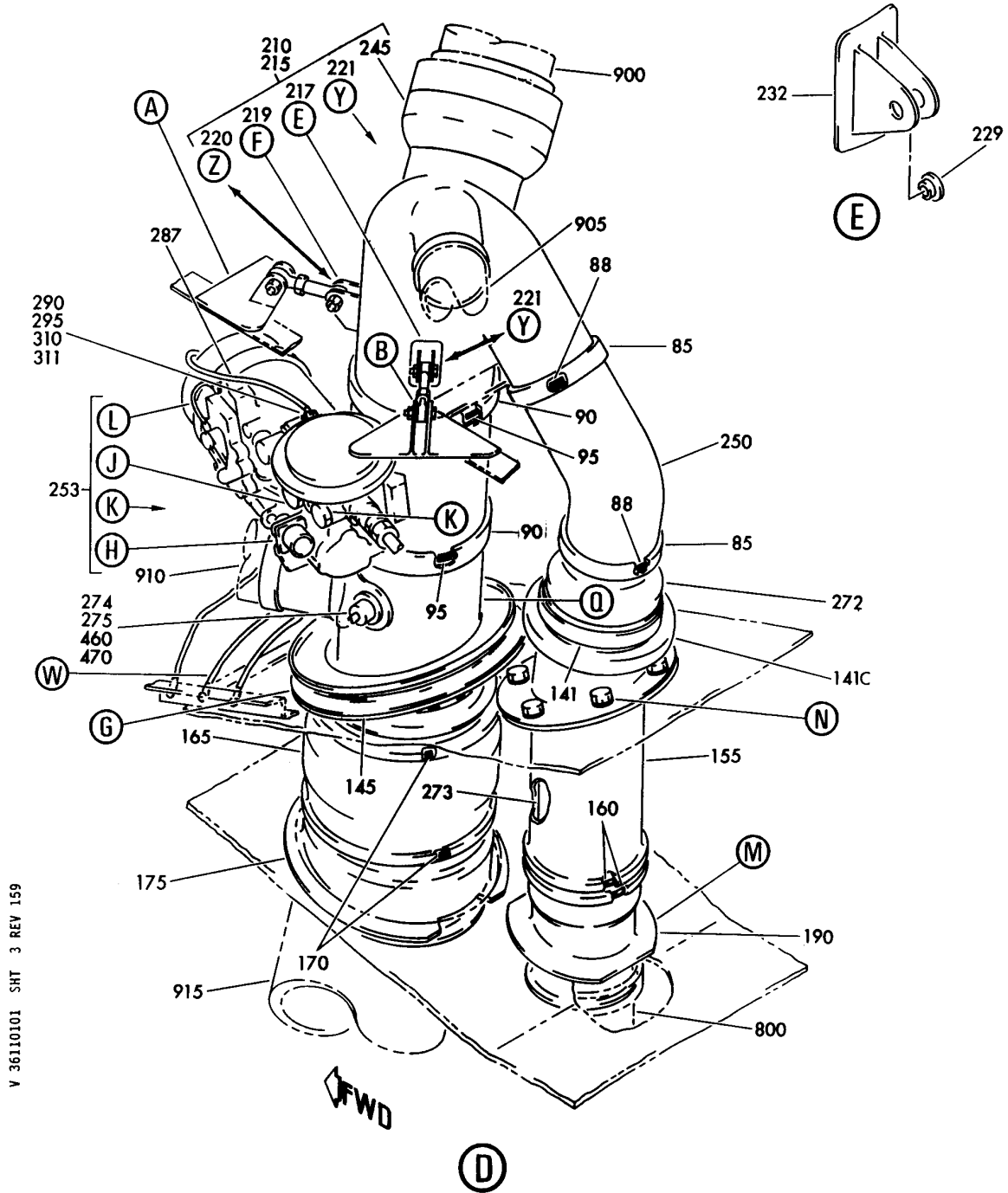
DUCT AND WIRING INSTL-STRUT PNEU
FIGURE 1 (SHEET 2)

36-11-01-01

HXL
DEC 22/06

36-11-01-01
PAGE 0A

BOEING
767
PARTS CATALOG (MAINTENANCE)



V 36110101 SHT 3 REV 159

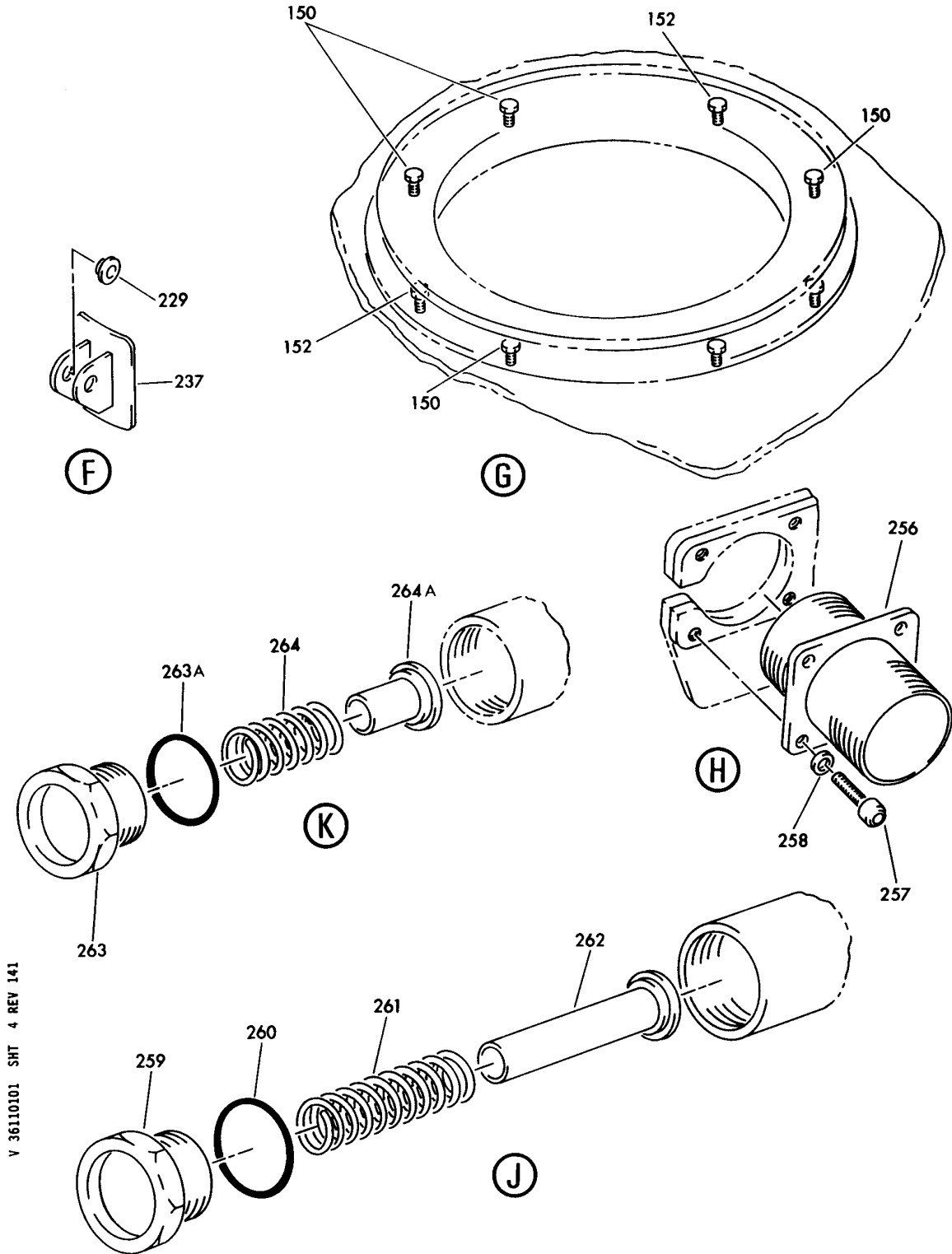
DUCT AND WIRING INSTL-STRUT PNEU
FIGURE 1 (SHEET 3)

36-11-01-01

HXL
DEC 22/06

36-11-01-01
PAGE 0B

BOEING
767
PARTS CATALOG (MAINTENANCE)



V 36110101 SHT 4 REV 141

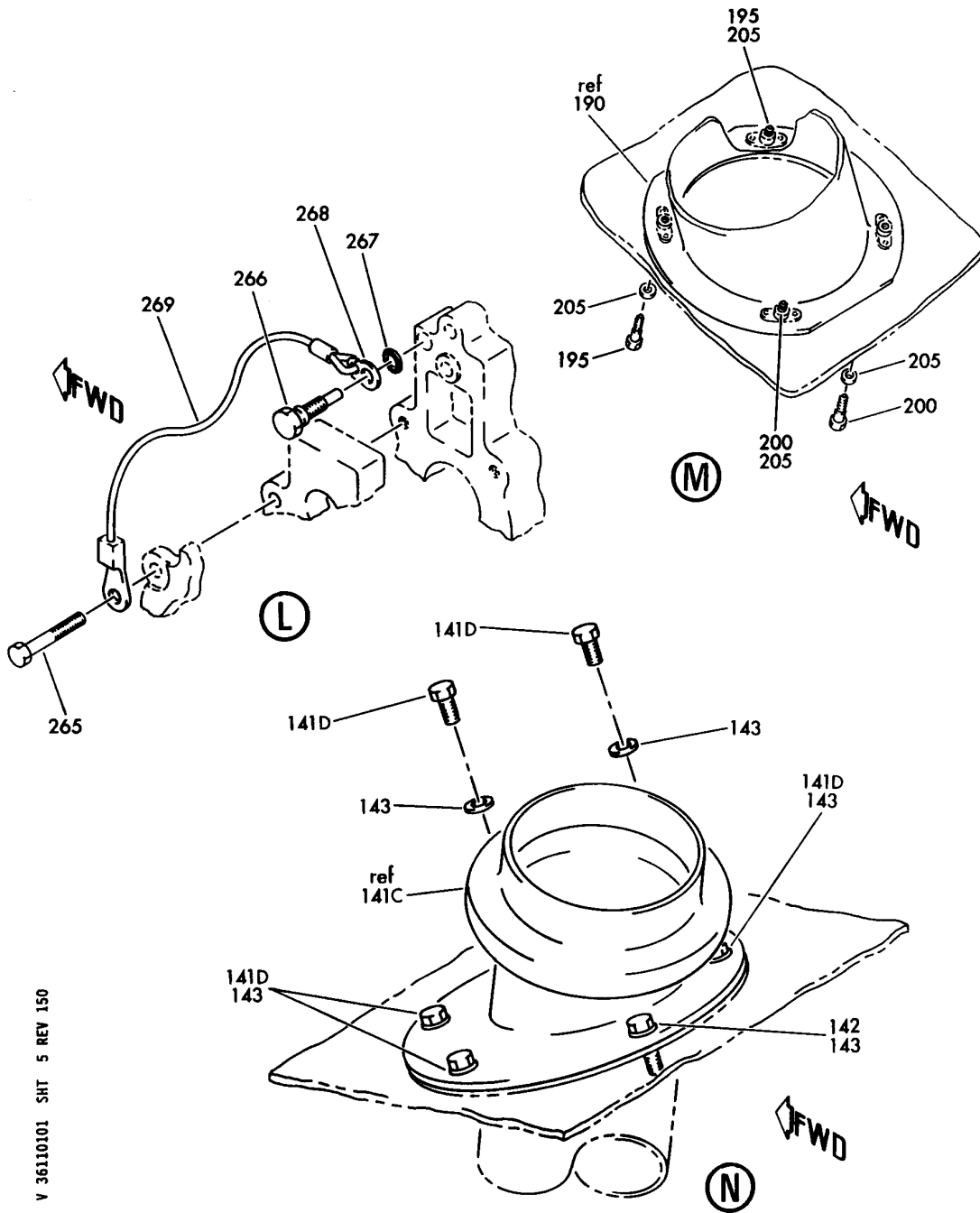
DUCT AND WIRING INSTL-STRUT PNEU
FIGURE 1 (SHEET 4)

36-11-01-01

HXL
DEC 22/06

36-11-01-01
PAGE 0C

BOEING
767
PARTS CATALOG (MAINTENANCE)



V 36110101 SHT 5 REV 150

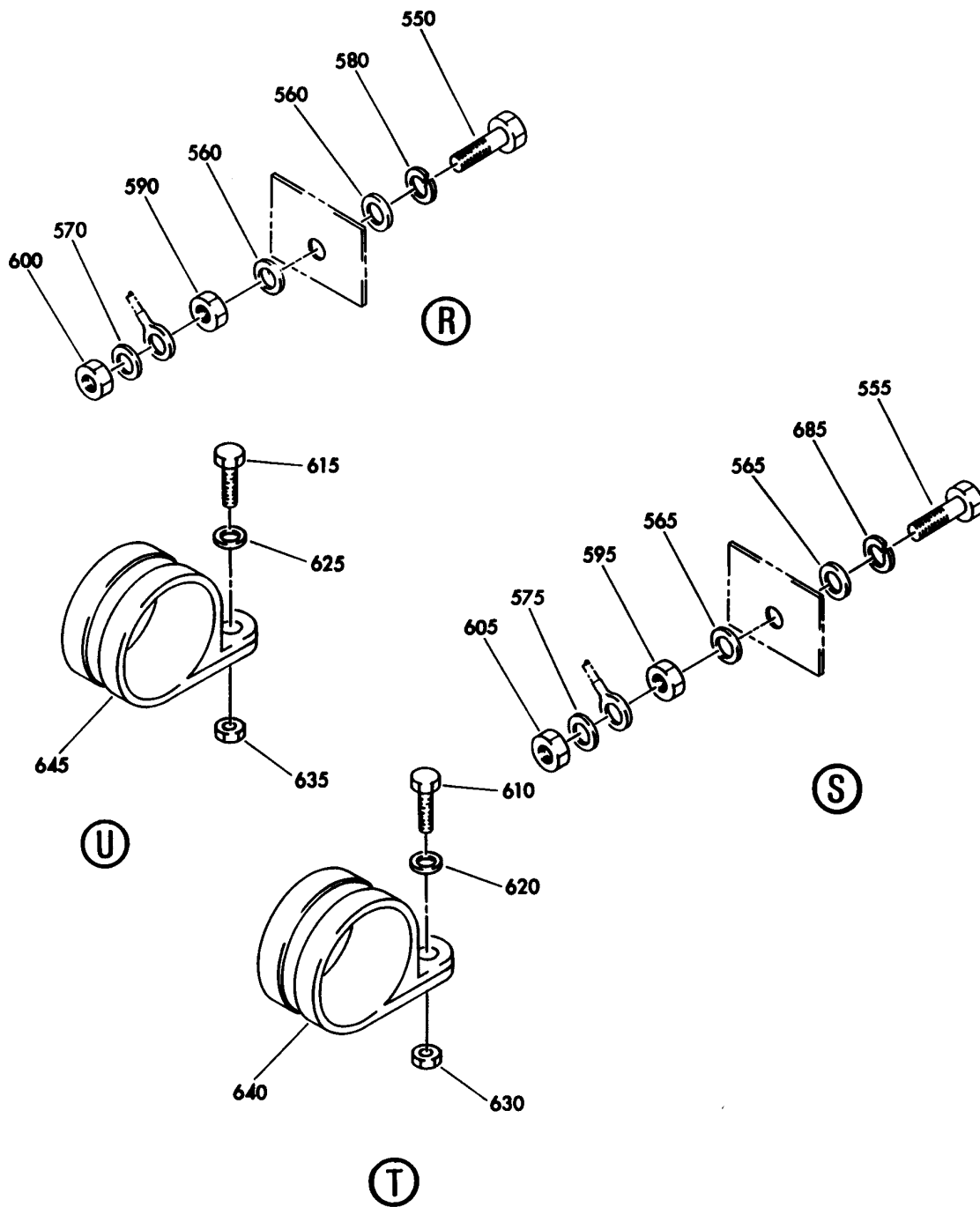
DUCT AND WIRING INSTL-STRUT PNEU
FIGURE 1 (SHEET 5)

36-11-01-01

HXL
DEC 22/06

36-11-01-01
PAGE 0D

BOEING
767
PARTS CATALOG (MAINTENANCE)



V 36110101 SHT 6 REV 137

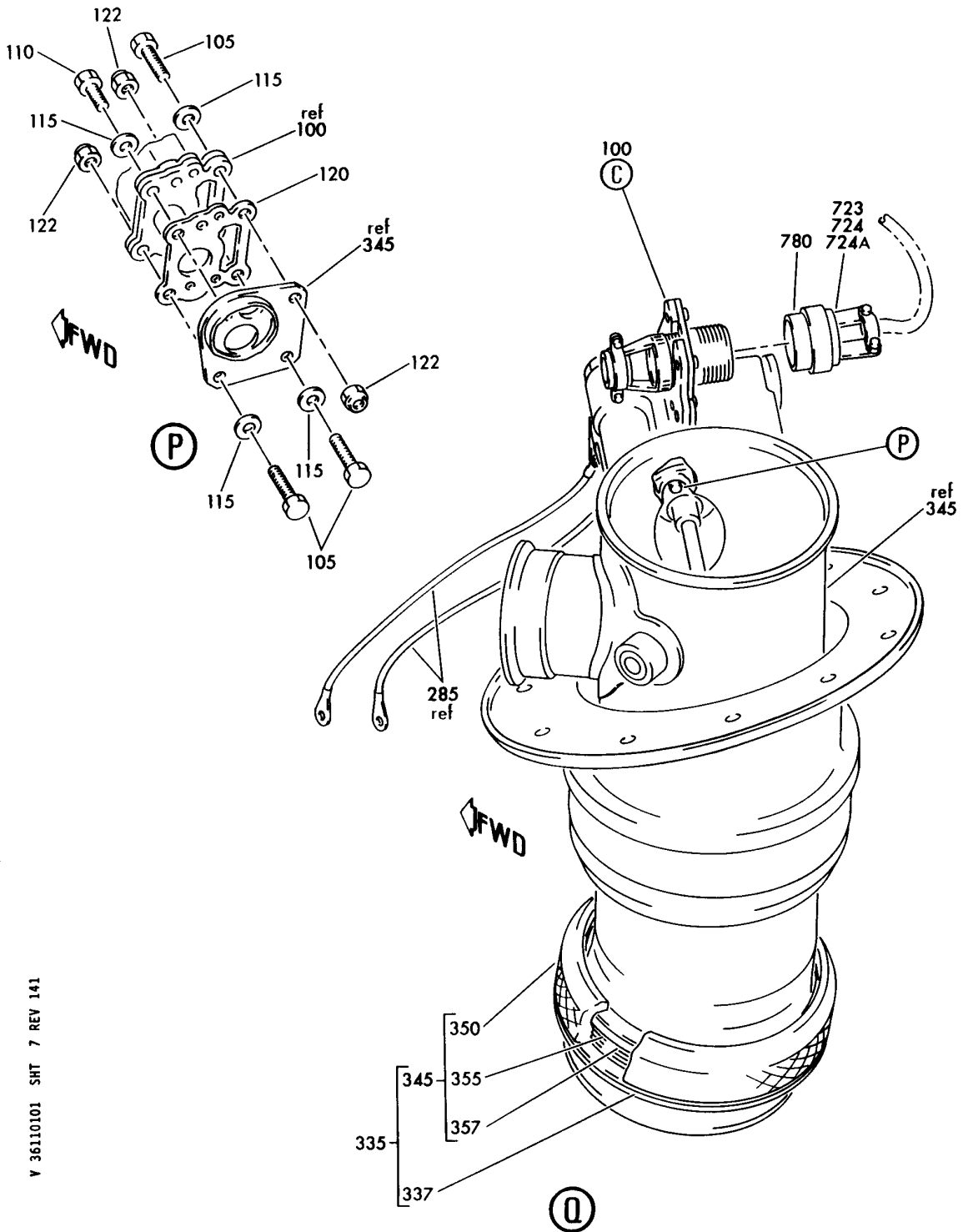
DUCT AND WIRING INSTL-STRUT PNEU
FIGURE 1 (SHEET 6)

36-11-01-01

HXL
DEC 22/06

36-11-01-01
PAGE 0E

BOEING
767
PARTS CATALOG (MAINTENANCE)



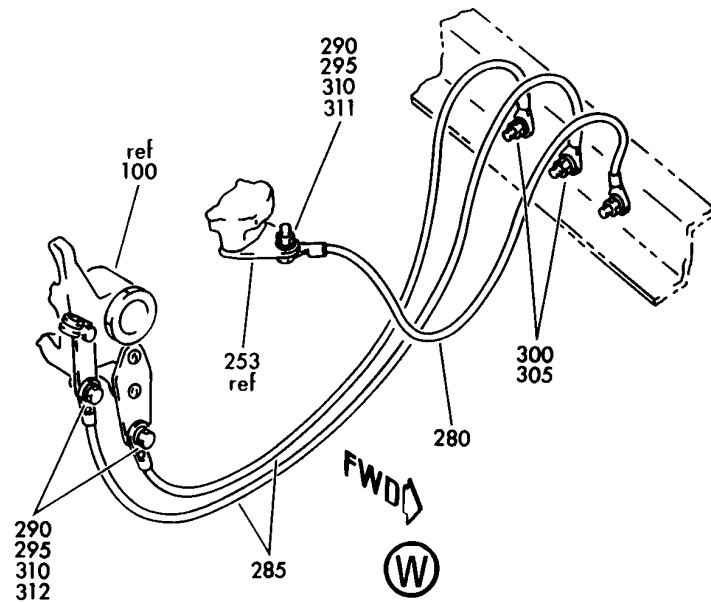
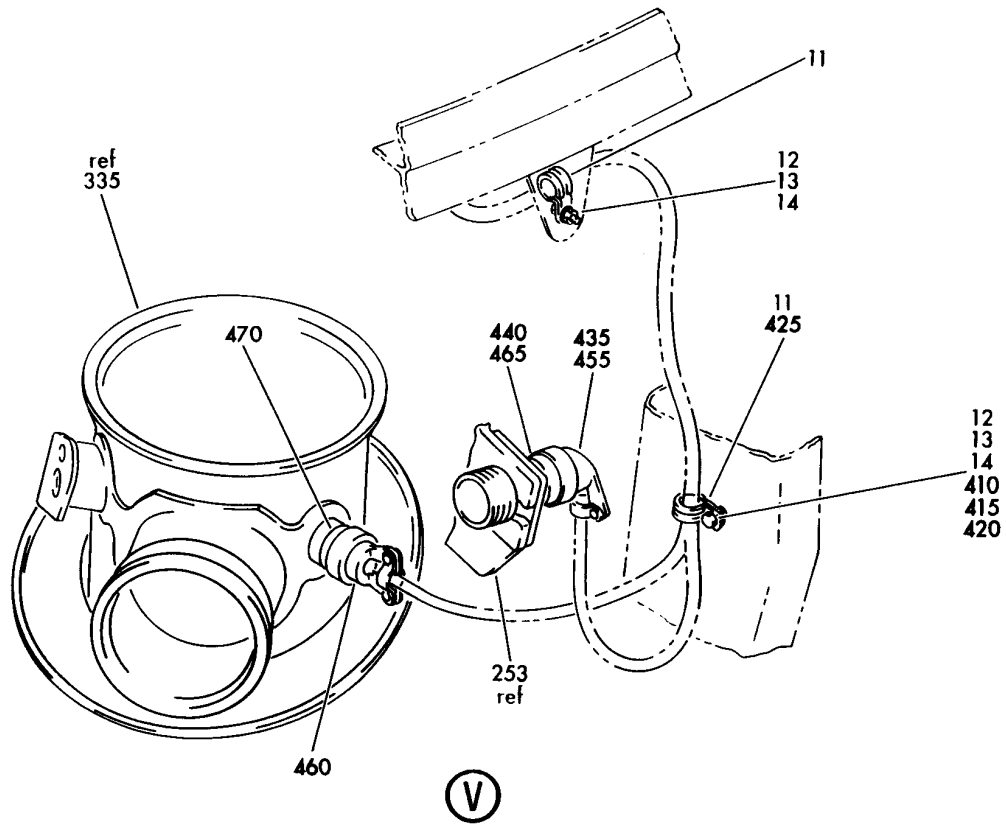
DUCT AND WIRING INSTL-STRUT PNEU
FIGURE 1 (SHEET 7)

36-11-01-01

HXL
DEC 22/06

36-11-01-01
PAGE OF

BOEING
767
PARTS CATALOG (MAINTENANCE)



V 36110101 SHT 8 REV 141

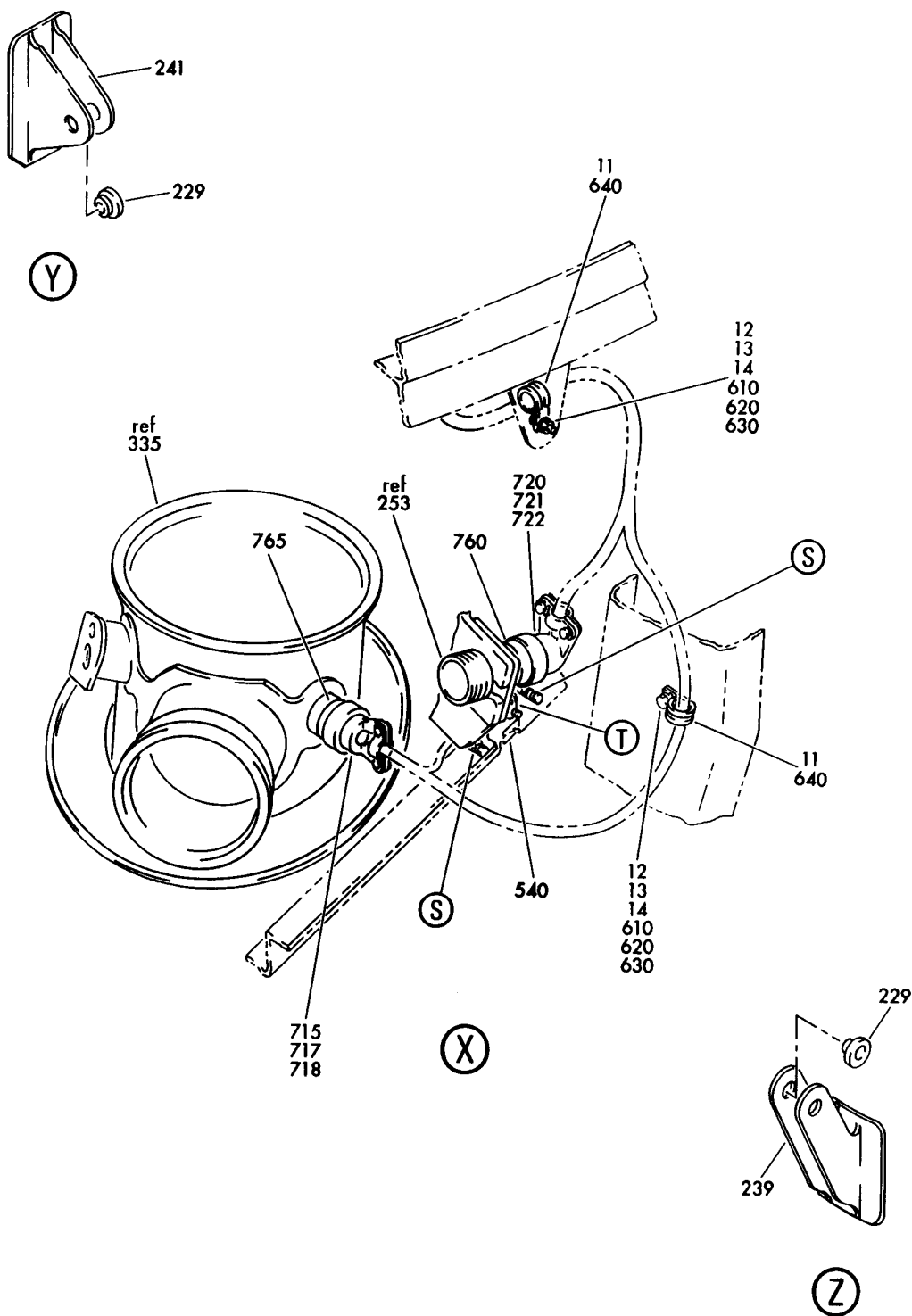
DUCT AND WIRING INSTL-STRUT PNEU
FIGURE 1 (SHEET 8)

36-11-01-01

HXL
DEC 22/06

36-11-01-01
PAGE 0G

BOEING
767
PARTS CATALOG (MAINTENANCE)



V 36110101 SHT 9 REV 159

DUCT AND WIRING INSTL-STRUT PNEU
FIGURE 1 (SHEET 9)

36-11-01-01

HXL
DEC 22/06

36-11-01-01
PAGE 0H



767

PARTS CATALOG (MAINTENANCE)

FIG ITEM	PART NUMBER	1 2 3 4 5 6 7	NOMENCLATURE	EFFECT FROM TO	UNITS PER ASSY
1			DUCT AND WIRING INSTL-STRUT PNEU		
- 5	312T3201-7		DUCT INSTL-STRUT PNEU POSITION DATA: LH VARIABLE DRAWING REF: 312T3201-11 FOR NHA SEE: 54-00-51-02		RF
- 10	312T3201-8		DUCT INSTL-STRUT PNEU POSITION DATA: RH VARIABLE DRAWING REF: 312T3201-12 FOR NHA SEE: 54-00-51-02		RF
11	BACC10GU		.CLAMP- SIZE DETERMINED ON INSTL. ATTACHING PARTS		2
12	NAS1801-3		.SCREW-		2
13	AN960D10L		.WASHER-		AR
14	BRH10A3		.NUT- SUPPLIER CODE: V52828 SPECIFICATION NUMBER: BACN10JC3 OPTIONAL PART: H10-3BAC V15653 NS202101-02 V80539 RMLH9075-3W V72962 VN303A02 V92215 96-02 V80539 T6S1032J V11815		2
15	NAS6704U15		-----*----- .BOLT		4
30	AN960-416L		.WASHER		4

ILLUSTRATION ITEMS NOT ON PARTS LIST ARE NOT APPLICABLE

- ITEM NOT ILLUSTRATED

HXL

36-11-01-01

BOEING PROPRIETARY - Copyright © - Unpublished Work - See title page for details.

36-11-01
FIG. 01
PAGE 1
DEC 22/07

 **BOEING**
767
PARTS CATALOG (MAINTENANCE)

FIG ITEM	PART NUMBER	1 2 3 4 5 6 7	NOMENCLATURE	EFFECT FROM TO	UNITS PER ASSY
1	35 BRH10A4	.	NUT SUPPLIER CODE: V52828 SPECIFICATION NUMBER: BACN10JC4 OPTIONAL PART: T6S428J V11815 96-048 V80539 VN303A048 V92215 RMLH9075-4W V72962 NS202101-048 V80539 H10-4BAC V15653		4
40	BACB28Y4C030	.	BUSHING		4
42	312T3201-3	.	ROD ASSY		1
43	312T3201-4	.	ROD ASSY		1
45	NAS509-5C	..	NUT		1
47	NAS513-5	..	WASHER		1
50	10E4-116T	..	BEARING SUPPLIER CODE: V16746 SPECIFICATION NUMBER: BACB10Y4T OPTIONAL PART: BRES4-2236EL1 V81376 HB4E212KT V02758 KBE4-150WT V97613 MSSK4AS2 V73134 51588-041VL V09455 ASMK4-1DT V56644 AR4E8W3 VS0352 ARB4E60TW V15860		1
ILLUSTRATION ITEMS NOT ON PARTS LIST ARE NOT APPLICABLE					

- ITEM NOT ILLUSTRATED

HXL

36-11-01-01

BOEING PROPRIETARY - Copyright © - Unpublished Work - See title page for details.

36-11-01
FIG. 01
PAGE 2
DEC 22/07

 **BOEING**
767
PARTS CATALOG (MAINTENANCE)

FIG ITEM	PART NUMBER	1 2 3 4 5 6 7	NOMENCLATURE	EFFECT FROM TO	UNITS PER ASSY
1					
55	12E4-117T		.. BEARING SUPPLIER CODE: V16746 SPECIFICATION NUMBER: BACB10Z4T OPTIONAL PART: BRES4-2242EL1 V81376 FSSK4AS2 V73134 HB4-201KT V02758 KB4-150WT V97613 51589-041VL V09455 ASWK4-1DT V56644 AR4-8W3 VS0352 ARB4-61TW V15860		1
60	312T3249-1		. BRACKET ASSY		1
65	312T3249-2		. BRACKET ASSY		1
70	312T3071-2		.. BUSHING		1
75	312T3249-3		.. BRACKET- USED ON: 312T3249-1		1
80	312T3249-4		.. BRACKET- USED ON: 312T3249-2		1
85	VR1025-400		. COUPLING- SUPPLIER CODE: V14242		2
85	2703-400		. COUPLING- SUPPLIER CODE: V15284		2
88	A7387-400		. SEAL- SUPPLIER CODE: V15284		2
88	7387-400		. SEAL- SUPPLIER CODE: V15284		2
90	VR1025-600		. COUPLING- SUPPLIER CODE: V15284		2
90	2703-600		. COUPLING- SUPPLIER CODE: V15284		2
ILLUSTRATION ITEMS NOT ON PARTS LIST ARE NOT APPLICABLE					

- ITEM NOT ILLUSTRATED

36-11-01-01

36-11-01
FIG. 01
PAGE 3
DEC 22/07

HXL

BOEING
767
PARTS CATALOG (MAINTENANCE)

FIG ITEM	PART NUMBER	1 2 3 4 5 6 7	NOMENCLATURE	EFFECT FROM TO	UNITS PER ASSY
R R R	1 95	A7387-600	.SEAL- SUPPLIER CODE: V15284		2
	95	7387-600	.SEAL- SUPPLIER CODE: V15284		2
	100	773284-4	.SENSOR ASSY-FAN AIR TEMP SUPPLIER CODE: V73030 SPECIFICATION NUMBER: S210T120-38 ELECTRICAL EQUIP NUMBER: TS0100 TS0101 COMPONENT MAINT MANUAL REF: 36-12-07 OPTIONAL PART: 773284-5 V73030		1
	100	773284-5	.SENSOR ASSY-FAN AIR TEMP SUPPLIER CODE: V73030 SPECIFICATION NUMBER: S210T120-38 ELECTRICAL EQUIP NUMBER: TS0100 TS0101 COMPONENT MAINT MANUAL REF: 36-12-07 OPTIONAL PART: 773284-4 V73030		1
	100	773284-6	.SENSOR ASSY-FAN AIR TEMP SUPPLIER CODE: V73030 SPECIFICATION NUMBER: S210T120-48 COMPONENT MAINT MANUAL REF: 36-12-07 OPTIONAL PART: 773284-7 V73030		1

ILLUSTRATION ITEMS NOT ON PARTS LIST ARE NOT APPLICABLE

— ITEM NOT ILLUSTRATED

HXL

36-11-01-01

BOEING PROPRIETARY - Copyright © - Unpublished Work - See title page for details.

36-11-01
FIG. 01
PAGE 4
AUG 22/09



767

PARTS CATALOG (MAINTENANCE)

FIG ITEM	PART NUMBER	1 2 3 4 5 6 7	NOMENCLATURE	EFFECT FROM TO	UNITS PER ASSY
1 100	773284-7		.SENSOR ASSY-FAN AIR TEMP SUPPLIER CODE: V73030 FUNCTIONAL DESCRIPTION: MODULATE THE SERVO PRESSURE THAT CONTROLS THE FAN AIR VALVE SPECIFICATION NUMBER: S210T120-48 COMPONENT MAINT MANUAL REF: 36-12-07 OPTIONAL PART: 773284-6 V73030 ATTACHING PARTS		1
105	NAS1802-4D15		.SCREW		3
110	NAS1802-4D10		.SCREW		1
115	NAS620C416L		.WASHER		4
120	H3-1137		.GASKET- SUPPLIER CODE: V34941		1
122	BRH10C4M		.NUT SUPPLIER CODE: V52828 SPECIFICATION NUMBER: BACN10JC4CM OPTIONAL PART: T6C428JM V11815 97E48 V80539 109LH9075-4W V72962 VN303D048 V92215 H01-4BAC V15653 NS202101SE048 V80539		3
123	ZZYA0-1716-10P		-----*----- ..CONNECTOR-ELEC RCPT SUPPLIER CODE: V14283 OPTIONAL PART: RFL1049 V13556 48-00R16-10P306 V02660		1

ILLUSTRATION ITEMS NOT ON PARTS LIST ARE NOT APPLICABLE

- ITEM NOT ILLUSTRATED

HXL

36-11-01-01

BOEING PROPRIETARY - Copyright © - Unpublished Work - See title page for details.

36-11-01
FIG. 01
PAGE 5
DEC 22/07



767

PARTS CATALOG (MAINTENANCE)

FIG ITEM	PART NUMBER	1 2 3 4 5 6 7	NOMENCLATURE	EFFECT FROM TO	UNITS PER ASSY
1					
123	RFL1049		..CONNECTOR-ELEC RCPT SUPPLIER CODE: V13556 OPTIONAL PART: ZZYAO-1716-10P V49367 48-00R16-10P306 V02660		1
123	48-00R16-10P306		..CONNECTOR-ELEC RCPT SUPPLIER CODE: V02660 OPTIONAL PART: RFL1049 V13556 ZZYAO-1716-10P V49367 ATTACHING PARTS		1
124	MS24677-1		..SCREW		4
125	NAS620-4L		..WASHER		4
			-----*-----		
126	740489-4		..PLUG-SCR THREADED SUPPLIER CODE: V73030		1
127	69494J910		..PACKING-PREFORMED SUPPLIER CODE: V73030		1
128	727591-6		..SPRING-HELICAL CPRSN SUPPLIER CODE: V73030		1
129	727604-4		..FILTER-AIR SUPPLIER CODE: V73030		1
130	MS16997-32		..SCREW		1
131	NAS620C8L		..WASHER		1
132	LS14968CT3AS		..CLAMP-CUSHIONED LOOP SUPPLIER CODE: V84971 CONFIG CHG DATA FROM A CMM: SUPSD BY LS14968CT5AS		1
132	LS14968CT5AS		..CLAMP-CUSHIONED LOOP SUPPLIER CODE: V84971 CONFIG CHG DATA FROM A CMM: SUPERSEDES LS14968CT3AS		1
133	776623-1		..TAB-GROUNDING SUPPLIER CODE: V73030		1

ILLUSTRATION ITEMS NOT ON PARTS LIST ARE NOT APPLICABLE

- ITEM NOT ILLUSTRATED

HXL

36-11-01-01

BOEING PROPRIETARY - Copyright © - Unpublished Work - See title page for details.

36-11-01
FIG. 01
PAGE 6
DEC 22/07



767

PARTS CATALOG (MAINTENANCE)

FIG ITEM	PART NUMBER	1 2 3 4 5 6 7	NOMENCLATURE	EFFECT FROM TO	UNITS PER ASSY
1					
134	1103P156-14		.. SWITCH-PRESSURE SENSITIVE SUPPLIER CODE: V98087 SB DATA FROM A CMM: PRE SB 36-2110 POST SB 36-2024 CONFIG CHG DATA FROM A CMM: SUPERSEDES 1103P156-6 SUPSD BY 1103P0748-28		1
134	1103P156-6		.. SWITCH-PRESSURE SENSITIVE SUPPLIER CODE: V98087 SB DATA FROM A CMM: PRE SB 36-2024 CONFIG CHG DATA FROM A CMM: SUPSD BY 1103P156-14		1
134	1103P0748-28		.. SWITCH-PRESSURE SENSITIVE SUPPLIER CODE: V98087 SB DATA FROM A CMM: POST SB 36-2110 CONFIG CHG DATA FROM A CMM: SUPERSEDES 1103P156-14 SUPSD BY 1103P0757-42		1
134	1103P0757-42		.. SWITCH-PRESSURE SENSITIVE SUPPLIER CODE: V98087 CONFIG CHG DATA FROM A CMM: SUPERSEDES 1103P0748-28		1
135	1103P156-15		.. SWITCH-PRESSURE SENSITIVE SUPPLIER CODE: V98087 SB DATA FROM A CMM: POST SB 36-2024 PRE SB 36-2110 CONFIG CHG DATA FROM A CMM: SUPERSEDES 1103P156-7 SUPERSEDES 1103P156-8 SUPSD BY 1103P0748-29		1
135	1103P0748-29		.. SWITCH-PRESSURE SENSITIVE SUPPLIER CODE: V98087 SB DATA FROM A CMM: POST SB 36-2110 CONFIG CHG DATA FROM A CMM: SUPERSEDES 1103P156-15 SUPSD BY 1103P0757-43		1

ILLUSTRATION ITEMS NOT ON PARTS LIST ARE NOT APPLICABLE

- ITEM NOT ILLUSTRATED

36-11-01-01

36-11-01
FIG. 01
PAGE 7
DEC 22/07

HXL



767

PARTS CATALOG (MAINTENANCE)

FIG ITEM	PART NUMBER	1 2 3 4 5 6 7	NOMENCLATURE	EFFECT FROM TO	UNITS PER ASSY
1					
135	1103P156-8		.. SWITCH-PRESSURE SENSITIVE SUPPLIER CODE: V98087 CONFIG CHG DATA FROM A CMM: SUPERSEDES 1103P156-7 SUPSD BY 1103P156-15		1
135	1103P156-7		.. SWITCH-PRESSURE SENSITIVE SUPPLIER CODE: V98087 SB DATA FROM A CMM: PRE SB 36-2024 CONFIG CHG DATA FROM A CMM: SUPSD BY 1103P156-8 SUPSD BY 1103P156-15		1
135	1103P0757-43		.. SWITCH-PRESSURE SENSITIVE SUPPLIER CODE: V98087 CONFIG CHG DATA FROM A CMM: SUPERSEDES 1103P0748-29		1
136	69494J904		.. PACKING-PREFORMED SUPPLIER CODE: V73030		2
137	MS27291-4		.. SUPPORT		1
138	MS35489-97SX		.. GROMMET- CONFIG CHG DATA FROM A CMM: SUPSD BY MS35489-97X		1
138	MS35489-97X		.. GROMMET- CONFIG CHG DATA FROM A CMM: SUPERSEDES MS35489-97SX		1
139	AN814-2DL		.. PLUG AND BLEEDER		1
140	69494J902		.. PACKING-PREFORMED SUPPLIER CODE: V73030		1
141	MS21920-45		. CLAMP		1
141C	D5230		. SEAL- SUPPLIER CODE: V75345 ATTACHING PARTS		1
141D	NAS6703-5		. BOLT		5
142	NAS6703-11		. BOLT		1
143	AN960-10L		. WASHER		6
			-----*-----		
145	BOE2107-0006		. SEAL- SUPPLIER CODE: V16632 SPECIFICATION NUMBER: S312U280-6		1

ILLUSTRATION ITEMS NOT ON PARTS LIST ARE NOT APPLICABLE

- ITEM NOT ILLUSTRATED

36-11-01-01

36-11-01
FIG. 01
PAGE 8
DEC 22/07

HXL

BOEING PROPRIETARY - Copyright © - Unpublished Work - See title page for details.

 **BOEING**
767
PARTS CATALOG (MAINTENANCE)

FIG ITEM	PART NUMBER	1 2 3 4 5 6 7	NOMENCLATURE	EFFECT FROM TO	UNITS PER ASSY
1			ATTACHING PARTS		
150	BACB30LR3-4	.BOLT			6
152	BACB30LR3-6	.BOLT			2
		-----*-----			
155	10172-2	.SHROUD-			1
		SUPPLIER CODE:			
		V06689			
160	460-475	.SEAL-			2
		SUPPLIER CODE:			
		V14711			
160	706-3-475	.SEAL-			2
		SUPPLIER CODE:			
		VOBLW7			
165	10171-1	.RETAINER-			1
		SUPPLIER CODE:			
		V06689			
170	460-775	.SEAL-			2
		SUPPLIER CODE:			
		V14711			
170	706-3-775	.SEAL-			2
		SUPPLIER CODE:			
		VOBLW7			
175	10171-2	.SHROUD-		155162	1
		SUPPLIER CODE:			
		V06689			
175	10171-3	.SHROUD-		155162	1
		SUPPLIER CODE:			
		V06689			
		ATTACHING PARTS			
- 180	NAS6703U3	.BOLT			8
- 185	AN960C10L	.WASHER			8
		-----*-----			
190	10172-1	.SHROUD-			1
		SUPPLIER CODE:			
		V06689			
		ATTACHING PARTS			
195	NAS6703U8	.BOLT			2
200	NAS6703U3	.BOLT			2
205	AN960C10L	.WASHER			4
		-----*-----			
210	312T3212-1	.DUCT ASSY-			1
		POSITION DATA:			
		LH SIDE			
215	312T3212-11	.DUCT ASSY-			1
		POSITION DATA:			
		RH SIDE			
217	312T3261-5	..FITTING ASSY-			1
219	312T3261-2	..FITTING ASSY-			1

ILLUSTRATION ITEMS NOT ON PARTS LIST ARE NOT APPLICABLE

- ITEM NOT ILLUSTRATED

HXL

36-11-01-01

BOEING PROPRIETARY - Copyright © - Unpublished Work - See title page for details.

36-11-01
FIG. 01
PAGE 9
DEC 22/07



767

PARTS CATALOG (MAINTENANCE)

FIG ITEM	PART NUMBER	1 2 3 4 5 6 7 NOMENCLATURE	EFFECT FROM TO	UNITS PER ASSY
1 - 223	HL448PZ5-2	ATTACHING PARTS ..BOLT- SUPPLIER CODE: V60516 SPECIFICATION NUMBER: BACB30MB5A2U OPTIONAL PART: HL48-5-2 V56878 HL48-5-2 V92215 69308-5A2U V56878 HL48-5-2 V80539 HL48-5-2 V08524 HL48-5-2 V97928 HL48-5-2 V73197 HL48-5-2 V9N513 HL448PZ5-2 V56878 HL448PZ5-2 V73197 HL448PZ5-2 V80539 HL448PZ5-2 V9N513 HL448PZ5-2 V97928		16
ILLUSTRATION ITEMS NOT ON PARTS LIST ARE NOT APPLICABLE				

- ITEM NOT ILLUSTRATED

HXL

36-11-01-01

BOEING PROPRIETARY - Copyright © - Unpublished Work - See title page for details.

36-11-01
 FIG. 01
 PAGE 10
 DEC 22/07



767

PARTS CATALOG (MAINTENANCE)

FIG ITEM	PART NUMBER	1 2 3 4 5 6 7	NOMENCLATURE	EFFECT FROM TO	UNITS PER ASSY
1 - 226	HL1187DU5		.. COLLAR- SUPPLIER CODE: V5M902 SPECIFICATION NUMBER: BACC30X5S OPTIONAL PART: HL87DU5 V92215 HL86DU5 V73197 HL86DU5 V92215 HL87DU5 V73197 HL1187DU5 V56878 HL1187DU5 V92215 HL87DU5 V56878 HL86DU5 V56878 HL1187DU5 V73197 -----*-----		16
229	312T3071-1		... BUSHING		1
232	312T3261-6		... FITTING- USED ON: 312T3261-5		1
237	312T3261-4		... FITTING- USED ON: 312T3261-2		1
245	12800-81-3		.. DUCT- SUPPLIER CODE: V70628 SPECIFICATION NUMBER: S332T003-3		1
250	312T3214-1		. DUCT ASSY		1

ILLUSTRATION ITEMS NOT ON PARTS LIST ARE NOT APPLICABLE

- ITEM NOT ILLUSTRATED

HXL

36-11-01-01

BOEING PROPRIETARY - Copyright © - Unpublished Work - See title page for details.

36-11-01
 FIG. 01
 PAGE 11
 DEC 22/07



767

PARTS CATALOG (MAINTENANCE)

FIG ITEM	PART NUMBER	1 2 3 4 5 6 7	NOMENCLATURE	EFFECT FROM TO	UNITS PER ASSY
1 253	773288-4		. VALVE ASSY-AIR SUPPLY PRESSURE REGULATING SHUTOFF SUPPLIER CODE: V73030 SPECIFICATION NUMBER: S210T120-33 NOT APPROVED FOR ETOPS. ELECTRICAL EQUIP NUMBER: V00042 V00043 COMPONENT MAINT MANUAL REF: 36-12-03		1
253	773288-5		. VALVE ASSY-AIR SUPPLY PRESSURE REGULATING SHUTOFF SUPPLIER CODE: V73030 SPECIFICATION NUMBER: S210T120-43 NOT APPROVED FOR ETOPS. ELECTRICAL EQUIP NUMBER: V00042 V00043 COMPONENT MAINT MANUAL REF: 36-12-03		1

ILLUSTRATION ITEMS NOT ON PARTS LIST ARE NOT APPLICABLE

- ITEM NOT ILLUSTRATED

HXL

36-11-01-01

BOEING PROPRIETARY - Copyright © - Unpublished Work - See title page for details.

36-11-01
FIG. 01
PAGE 12
DEC 22/07



767

PARTS CATALOG (MAINTENANCE)

FIG ITEM	PART NUMBER	1 2 3 4 5 6 7	NOMENCLATURE	EFFECT FROM TO	UNITS PER ASSY
1 253	773288-6		. VALVE ASSY-PRESSURE REGULATING AND SHUTOFF REGULATING AND SHUTOFF SUPPLIER CODE: V73030 SPECIFICATION NUMBER: S210T120-53 NOT APPROVED FOR ETOPS. MISCELLANEOUS DATA: (773288-6, 773288-4, 773288-5, 773288-8, 773288-8 ARE I/W EXCEPT FOR ETOPS WHERE 773288-8 IS APPROVED, 773288-4, 773288-5 ARE NOT APPROVED AND 773288-6 TEMPORARILY APPROVED UNTIL HAMILTON STANDARD SB36-2048 IS INCORPORATED) ELECTRICAL EQUIP NUMBER: V00042 V00043 COMPONENT MAINT MANUAL REF: 36-12-03 OPTIONAL PART: 773288-7 V73030		1
253	773288-7		. VALVE ASSY-PRESSURE REGULATING AND SHUTOFF SUPPLIER CODE: V73030 SPECIFICATION NUMBER: S210T120-53 NOT APPROVED FOR ETOPS. ELECTRICAL EQUIP NUMBER: V00042 V00043 COMPONENT MAINT MANUAL REF: 36-12-03 OPTIONAL PART: 773288-6 V73030		1

ILLUSTRATION ITEMS NOT ON PARTS LIST ARE NOT APPLICABLE

- ITEM NOT ILLUSTRATED

HXL

36-11-01-01

BOEING PROPRIETARY - Copyright © - Unpublished Work - See title page for details.

36-11-01
FIG. 01
PAGE 13
DEC 22/07



767

PARTS CATALOG (MAINTENANCE)

FIG ITEM	PART NUMBER	1 2 3 4 5 6 7 NOMENCLATURE	EFFECT FROM TO	UNITS PER ASSY
1 253	773288-8	. VALVE ASSY-PRESSURE REGULATING AND SHUTOFF SUPPLIER CODE: V73030 SPECIFICATION NUMBER: S210T120-63 ELECTRICAL EQUIP NUMBER: V00042 V00043 COMPONENT MAINT MANUAL REF: 36-12-03 QUALIFIED I/W DATA: 799801-1,-2,-3,-4 I/W 773288-8,-9,-10 SUBJECT TO CUSTOMER PREFERENCE. 799801-1,-2,-3 HAS A REVERSE FLOW SOLENOID TO ALLOW BACKFLOW FOR THRUST REVERSER GROUND OPERATION, BUT 773288-8,-9,-10 DO NOT. FULL THROTTLE TEST MUST BE ACCOMPLISHED AFTER INSTALLATION OF 773288-8,-9,-10 OR 799801-1,-2,-3 ON CF6-80C2 B6 RATED ENGINES PER MANUAL PROCEDURE 767-36-11-09 ONLY 799801-4 CAN BE INSTALLED ON CF6-80C2 BY B7 RATED ENGINES OPTIONAL PART: 773288-9 V73030 773288-10 V73030		1

ILLUSTRATION ITEMS NOT ON PARTS LIST ARE NOT APPLICABLE

- ITEM NOT ILLUSTRATED

HXL

36-11-01-01

BOEING PROPRIETARY - Copyright © - Unpublished Work - See title page for details.

36-11-01
 FIG. 01
 PAGE 14
 DEC 22/07



767

PARTS CATALOG (MAINTENANCE)

FIG ITEM	PART NUMBER	1 2 3 4 5 6 7 NOMENCLATURE	EFFECT FROM TO	UNITS PER ASSY
1 253	773288-9	. VALVE ASSY-PRESSURE REGULATING AND SHUTOFF SUPPLIER CODE: V73030 SPECIFICATION NUMBER: S210T120-63 ELECTRICAL EQUIP NUMBER: V00042 V00043 COMPONENT MAINT MANUAL REF: 36-12-03 QUALIFIED I/W DATA: 799801-1,-2,-3,-4 I/W 773288-8,-9,-10 SUBJECT TO CUSTOMER PREFERENCE. 799801-1,-2,-3 HAS A REVERSE FLOW SOLENOID TO ALLOW BACKFLOW FOR THRUST REVERSER GROUND OPERATION, BUT 773288-8,-9,-10 DO NOT. FULL THROTTLE TEST MUST BE ACCOMPLISHED AFTER INSTALLATION OF 773288-8,-9,-10 OR 799801-1,-2,-3 ON CF6-80C2 B6 RATED ENGINES PER MANUAL PROCEDURE 767-36-11-09 ONLY 799801-4 CAN BE INSTALLED ON CF6-80C2 BY B7 RATED ENGINES OPTIONAL PART: 773288-8 V73030 773288-10 V73030		1

ILLUSTRATION ITEMS NOT ON PARTS LIST ARE NOT APPLICABLE

- ITEM NOT ILLUSTRATED

HXL

36-11-01-01

BOEING PROPRIETARY - Copyright © - Unpublished Work - See title page for details.

36-11-01
 FIG. 01
 PAGE 15
 DEC 22/07



767

PARTS CATALOG (MAINTENANCE)

FIG ITEM	PART NUMBER	1 2 3 4 5 6 7	NOMENCLATURE	EFFECT FROM TO	UNITS PER ASSY
1 253	773288-10		. VALVE ASSY-PRESSURE REGULATING AND SHUTOFF SUPPLIER CODE: V73030 SPECIFICATION NUMBER: S210T120-63 ELECTRICAL EQUIP NUMBER: V00042 V00043 COMPONENT MAINT MANUAL REF: 36-12-03 QUALIFIED I/W DATA: 799801-1,-2,-3,-4 I/W 773288-8,-9,-10 SUBJECT TO CUSTOMER PREFERENCE. 799801-1,-2,-3 HAS A REVERSE FLOW SOLENOID TO ALLOW BACKFLOW FOR THRUST REVERSER GROUND OPERATION, BUT 773288-8,-9,-10 DO NOT. FULL THROTTLE TEST MUST BE ACCOMPLISHED AFTER INSTALLATION OF 773288-8,-9,-10 OR 799801-1,-2,-3 ON CF6-80C2 B6 RATED ENGINES PER MANUAL PROCEDURE 767-36-11-09 ONLY 799801-4 CAN BE INSTALLED ON CF6-80C2 BY B7 RATED ENGINES OPTIONAL PART: 773288-8 V73030 773288-9 V73030		1
256	ZZYA0-1718-14P		.. CONNECTOR-ELEC RCPT SUPPLIER CODE: V14283 OPTIONAL PART: RFL1055 V13556 48-00R18-14P306 V02660		1

ILLUSTRATION ITEMS NOT ON PARTS LIST ARE NOT APPLICABLE

- ITEM NOT ILLUSTRATED

HXL

36-11-01-01

BOEING PROPRIETARY - Copyright © - Unpublished Work - See title page for details.

36-11-01
FIG. 01
PAGE 16
DEC 22/07

 **BOEING**
767
PARTS CATALOG (MAINTENANCE)

FIG ITEM	PART NUMBER	1 2 3 4 5 6 7	NOMENCLATURE	EFFECT FROM TO	UNITS PER ASSY
1					
256	RFL1055		..CONNECTOR-ELEC RCPT SUPPLIER CODE: V13556 OPTIONAL PART: ZZYAO-1718-14P V49367 48-00R18-14P306 V02660		1
256	48-00R18-14P306		..CONNECTOR-ELEC RCPT SUPPLIER CODE: V02660 OPTIONAL PART: ZZYAO-1718-14P V49367 RFL1055 V13556 ATTACHING PARTS		1
257	MS24677-2		..SCREW		4
258	NAS620-4L		..WASHER -----*-----		4
259	740489-4		..PLUG-SCR THREADED SUPPLIER CODE: V73030		1
260	69494J910		..PACKING-PREFORMED SUPPLIER CODE: V73030		1
261	727591-6		..SPRING-HELICAL CPRSN SUPPLIER CODE: V73030		1
262	727604-4		..FILTER-AIR SUPPLIER CODE: V73030		1
263	727576-1		..PLUG-THREADED SUPPLIER CODE: V73030		1
263A	69494J908		..PACKING-PREFORMED SUPPLIER CODE: V73030		1
264	775039-1		..SPRING-HELICAL CPRSN SUPPLIER CODE: V73030		1
264A	505342		..SCREEN ASSY-AIR FILTER SUPPLIER CODE: V73030		1
265	NAS6003U26		..SCREW		4
266	740978-1		..SCREW-POSITIONING SUPPLIER CODE: V73030		1

ILLUSTRATION ITEMS NOT ON PARTS LIST ARE NOT APPLICABLE

— ITEM NOT ILLUSTRATED

HXL

36-11-01-01

BOEING PROPRIETARY - Copyright © - Unpublished Work - See title page for details.

36-11-01
FIG. 01
PAGE 17
DEC 22/07

 **BOEING**
767
PARTS CATALOG (MAINTENANCE)

FIG ITEM	PART NUMBER	1 2 3 4 5 6 7	NOMENCLATURE	EFFECT FROM TO	UNITS PER ASSY
1					
267	69494J8		.. PACKING-PREFORMED SUPPLIER CODE: V73030		1
268	727511-3		.. RETAINER-CHAIN SUPPLIER CODE: V73030		1
269	990-02-576		.. CABLE AND TERMINAL- RETAINING SUPPLIER CODE: V70958		1
272	312T3213-1		. DUCT ASSY		1
273	12800-83		.. DUCT-4.0 DIA SECT. SUPPLIER CODE: V70628 SPECIFICATION NUMBER: S332T003-2 OPTIONAL PART: 12800-83-2 V70628 77255 V16519		1
274	R1131-908		. PACKING SUPPLIER CODE: V57268 SPECIFICATION NUMBER: BACP11K8 OPTIONAL PART: 3-908S383-70 V02697 1090-08 V95272 150701-08 V95272 AS568-908S32 V11314		1
274A	R1131-906		. PACKING SUPPLIER CODE: V57268 SPECIFICATION NUMBER: BACP11K6 OPTIONAL PART: 3-906S383-70 V02697 1090-06 V95272 150701-06 V95272 AS568-906S32 V11314		1
ILLUSTRATION ITEMS NOT ON PARTS LIST ARE NOT APPLICABLE					

- ITEM NOT ILLUSTRATED

HXL

36-11-01-01

BOEING PROPRIETARY - Copyright © - Unpublished Work - See title page for details.

36-11-01
FIG. 01
PAGE 18
DEC 22/07



767

PARTS CATALOG (MAINTENANCE)

FIG ITEM	PART NUMBER	1 2 3 4 5 6 7	NOMENCLATURE	EFFECT FROM TO	UNITS PER ASSY
1					
275	975-0172-006	.	SWITCH-OVER TEMP SUPPLIER CODE: V97896 ELECTRICAL EQUIP NUMBER: S00358 S00359 OPTIONAL PART: 3000-46-29 V14604		1
275	3000-46-29	.	SWITCH-OVER TEMP SUPPLIER CODE: V14604 ELECTRICAL EQUIP NUMBER: S00358 S00359 OPTIONAL PART: 975-0172-006 V97896		1
280	100545-14	.	JUMPER ASSY- SUPPLIER CODE: V1FF12 SPECIFICATION NUMBER: BACJ40AD45-14 OPTIONAL PART: RBEJ40AD45-14 V1GK47		1
285	100545-12	.	JUMPER ASSY SUPPLIER CODE: V1FF12 SPECIFICATION NUMBER: BACJ40AD45-12 OPTIONAL PART: RBEJ40AD45-12 V1GK47		2
287	100545-12	.	JUMPER ASSY- SUPPLIER CODE: V1FF12 SPECIFICATION NUMBER: BACJ40AD45-12 OPTIONAL PART: RBEJ40AD45-12 V1GK47		1
290	NAS1801-4-7	.	SCREW-		4
295	AN960C416L	.	WASHER-		4
300	AN960C10L	.	WASHER		2
ILLUSTRATION ITEMS NOT ON PARTS LIST ARE NOT APPLICABLE					

- ITEM NOT ILLUSTRATED

36-11-01-01

36-11-01
FIG. 01
PAGE 19
DEC 22/07

HXL

 **BOEING**
767
PARTS CATALOG (MAINTENANCE)

FIG ITEM	PART NUMBER	1 2 3 4 5 6 7	NOMENCLATURE	EFFECT FROM TO	UNITS PER ASSY
1 305	BRH10A3		.NUT SUPPLIER CODE: V52828 SPECIFICATION NUMBER: BACN10JC3 OPTIONAL PART: H10-3BAC V15653 NS202101-02 V80539 RMLH9075-3W V72962 VN303A02 V92215 96-02 V80539 T6S1032J V11815		2
310	BRH10A4		.NUT- SUPPLIER CODE: V52828 SPECIFICATION NUMBER: BACN10JC4 OPTIONAL PART: T6S428J V11815 96-048 V80539 VN303A048 V92215 RMLH9075-4W V72962 NS202101-048 V80539 H10-4BAC V15653 -----*-----		4
335	312T3210-23		.DUCT ASSY-		1
335	312T3210-37		.DUCT ASSY-		1
335	312T3210-38		.DUCT ASSY-		1
335	312T3210-40		.DUCT ASSY-		1
337	312T3256-5		..SHIM-		1
345	312T3210-20		..DUCT ASSY- POSITION DATA: UPR SECT.		1
345	312T3210-24		..DUCT ASSY- POSITION DATA: UPR SECT.		1

ILLUSTRATION ITEMS NOT ON PARTS LIST ARE NOT APPLICABLE

- ITEM NOT ILLUSTRATED

HXL

36-11-01-01

BOEING PROPRIETARY - Copyright © - Unpublished Work - See title page for details.

36-11-01
FIG. 01
PAGE 20
DEC 22/07



767

PARTS CATALOG (MAINTENANCE)

FIG ITEM	PART NUMBER	1 2 3 4 5 6 7	NOMENCLATURE	EFFECT FROM TO	UNITS PER ASSY
1					
345	312T3210-29	..	DUCT ASSY- POSITION DATA: UPR SECT.		1
345	312T3210-36	..	DUCT ASSY- POSITION DATA: UPR SECT.		1
345	312T3210-39	..	DUCT ASSY- POSITION DATA: UPR SECT.		1
350	312T3256-2	...	NUT-BRG		1
355	312T3256-4	...	RING-SEAL		1
357	312T3256-1	...	FLANGE-BRG		1
360	1122599	.	BULB- SUPPLIER CODE: V60678		1
- 400	312T4210-15		WIRING INSTL-ELECTRICAL STRUT (DISTRIBUTION ONLY) POSITION DATA: LH VARIABLE DRAWING REF: 312T4210-5009 FOR NHA/OTHER SYS DET SEE: 54-00-51-02		RF
- 405	312T4210-16		WIRING INSTL-ELECTRICAL STRUT (DISTRIBUTION ONLY) POSITION DATA: RH VARIABLE DRAWING REF: 312T4210-5010 FOR NHA/OTHER SYS DET SEE: 54-00-51-02		RF
410	NAS1801-3	.	SCREW- SIZE DETERMINED ON INSTL.		1
415	NAS1149D0332J	.	WASHER-		1
420	MS21042L3	.	NUT		1
425	BACC10GU	.	CLAMP- SIZE DETERMINED ON INSTL.		1
- 430	286T0356-112	.	WIRE BUNDLE ASSY- POSITION DATA: LH SIDE		RF

ILLUSTRATION ITEMS NOT ON PARTS LIST ARE NOT APPLICABLE

- ITEM NOT ILLUSTRATED

HXL

36-11-01-01

BOEING PROPRIETARY - Copyright © - Unpublished Work - See title page for details.

36-11-01
FIG. 01
PAGE 21
DEC 22/07



767

PARTS CATALOG (MAINTENANCE)

FIG ITEM	PART NUMBER	1 2 3 4 5 6 7	NOMENCLATURE	EFFECT FROM TO	UNITS PER ASSY
1 435	G899418		.. CLAMP- SUPPLIER CODE: V06324 SPECIFICATION NUMBER: BACC10HG18A OPTIONAL PART: G8994M18 V06324 S2252-18-8 V07418 900-555L18-34 V31461 6000-124-1018 V14283 GS3418-18ACD V06324 S2126-18A8 V07418 ELECTRICAL EQUIP NUMBER: D00022T WIRING DIAGRAM REF: 361151		1
440	CN096618A14SNL		.. PLUG- SUPPLIER CODE: V13556 SPECIFICATION NUMBER: BCREFA0276 OPTIONAL PART: ZZY18A14SNL V49367 48-06R18A14SNL V02660 OVERLENGTH PART NUMBER: BACC63BP18A14SNL ELECTRICAL EQUIP NUMBER: D00022 WIRING DIAGRAM REF: 361151		1
- 450	286T0376-112		. WIRE BUNDLE ASSY- POSITION DATA: RH SIDE		RF

ILLUSTRATION ITEMS NOT ON PARTS LIST ARE NOT APPLICABLE

- ITEM NOT ILLUSTRATED

HXL

36-11-01-01

BOEING PROPRIETARY - Copyright © - Unpublished Work - See title page for details.

36-11-01
 FIG. 01
 PAGE 22
 DEC 22/07



767

PARTS CATALOG (MAINTENANCE)

FIG ITEM	PART NUMBER	1 2 3 4 5 6 7	NOMENCLATURE	EFFECT FROM TO	UNITS PER ASSY
1 455	G899418		.. CLAMP- SUPPLIER CODE: V06324 SPECIFICATION NUMBER: BACC10HG18A OPTIONAL PART: G8994M18 V06324 S2252-18-8 V07418 900-555L18-34 V31461 6000-124-1018 V14283 GS3418-18ACD V06324 S2126-18A8 V07418 ELECTRICAL EQUIP NUMBER: D00064T WIRING DIAGRAM REF: 361152		1
460	BACC10HD10		.. CLAMP- ELECTRICAL EQUIP NUMBER: D11436T WIRING DIAGRAM REF: 361111		1
463	418-1616-902		.. CONTACT- SUPPLIER CODE: V55104 SPECIFICATION NUMBER: BACC47CP2T OPTIONAL PART: ZZL4116-36LT V49367 248-136-1600S02 V77820 LRC16M15F74 V09922 ELECTRICAL EQUIP NUMBER: D11436U WIRING DIAGRAM REF: 361111		1

ILLUSTRATION ITEMS NOT ON PARTS LIST ARE NOT APPLICABLE

- ITEM NOT ILLUSTRATED

HXL

36-11-01-01

BOEING PROPRIETARY - Copyright © - Unpublished Work - See title page for details.

36-11-01
 FIG. 01
 PAGE 23
 DEC 22/07



767

PARTS CATALOG (MAINTENANCE)

FIG ITEM	PART NUMBER	1 2 3 4 5 6 7	NOMENCLATURE	EFFECT FROM TO	UNITS PER ASSY
1 465	CN096618A14SNL	..	PLUG- SUPPLIER CODE: V13556 SPECIFICATION NUMBER: BCREFA0276 OPTIONAL PART: ZZY18A14SNL V49367 48-06R18A14SNL V02660 OVERLENGTH PART NUMBER: BACC63BP18A14SNL ELECTRICAL EQUIP NUMBER: D00064 WIRING DIAGRAM REF: 361151		1
470	BCREFA1503	..	CONNECTOR- SUPPLIER CODE: V13556 OVERLENGTH PART NUMBER: CN0966A10S20SN000 ELECTRICAL EQUIP NUMBER: D11436 WIRING DIAGRAM REF: 361111		1
800			ILLUSTRATION REFERENCE: DUCT INSTL-ENG START SYS INTERCONNECT BLEED 36-11-01-06		RF
900			ILLUSTRATION REFERENCE: DUCT INSTL-WING LE AIR SUPPLY 36-11-01-04		RF
905			ILLUSTRATION REFERENCE: DUCT INSTL-THRM ANTI-ICE SYS WING LE 30-11-02-01		RF
910			ILLUSTRATION REFERENCE: DUCT AND WIRING INSTL-THRM ANTI-ICING INLET 30-21-03-03		RF
915			ILLUSTRATION REFERENCE: PRECOOLER INSTL-ENG BLEED AIR SYS 36-11-15-02		RF
ILLUSTRATION ITEMS NOT ON PARTS LIST ARE NOT APPLICABLE					

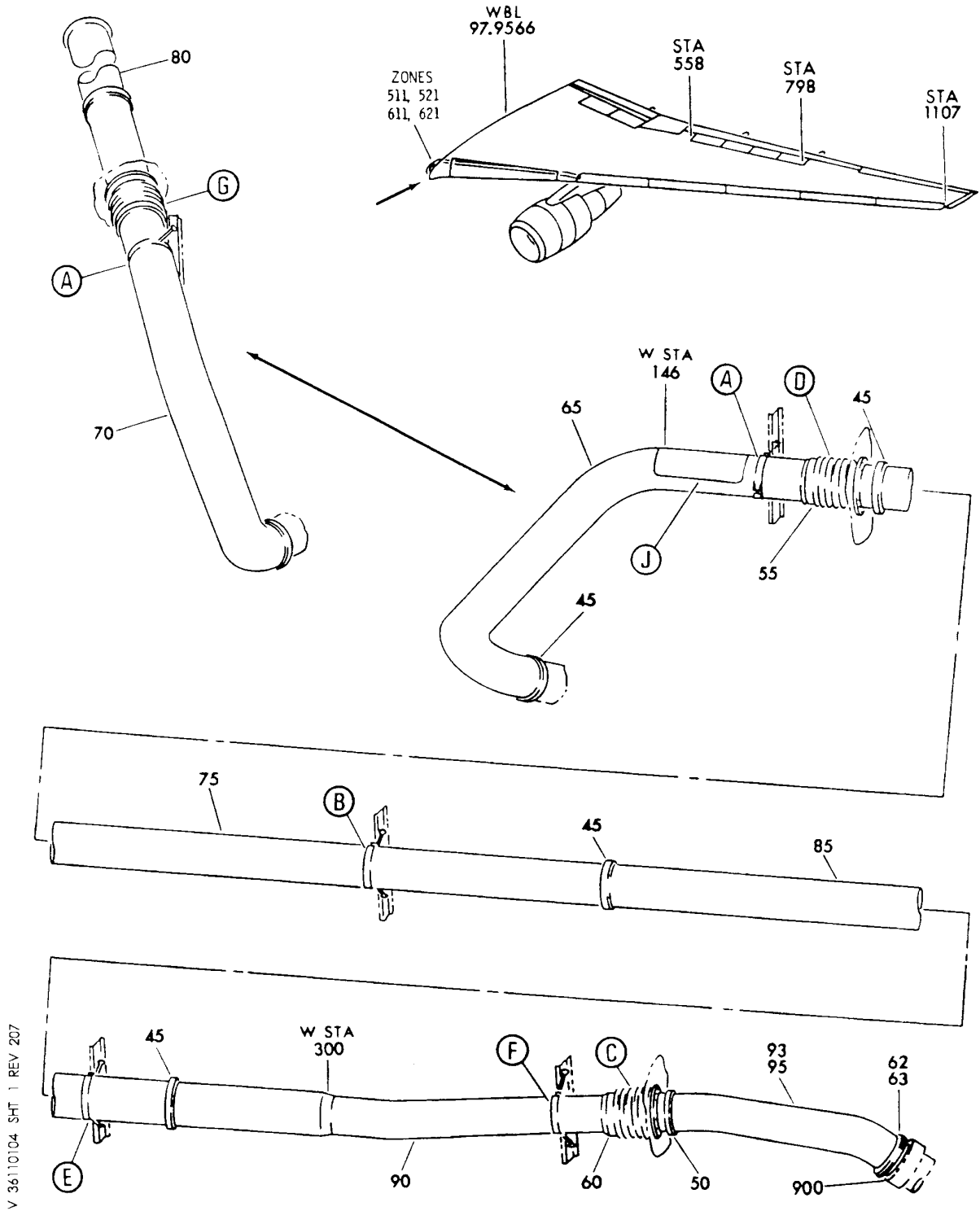
- ITEM NOT ILLUSTRATED

36-11-01-01

36-11-01
FIG. 01
PAGE 24
DEC 22/07

HXL

BOEING
767
PARTS CATALOG (MAINTENANCE)



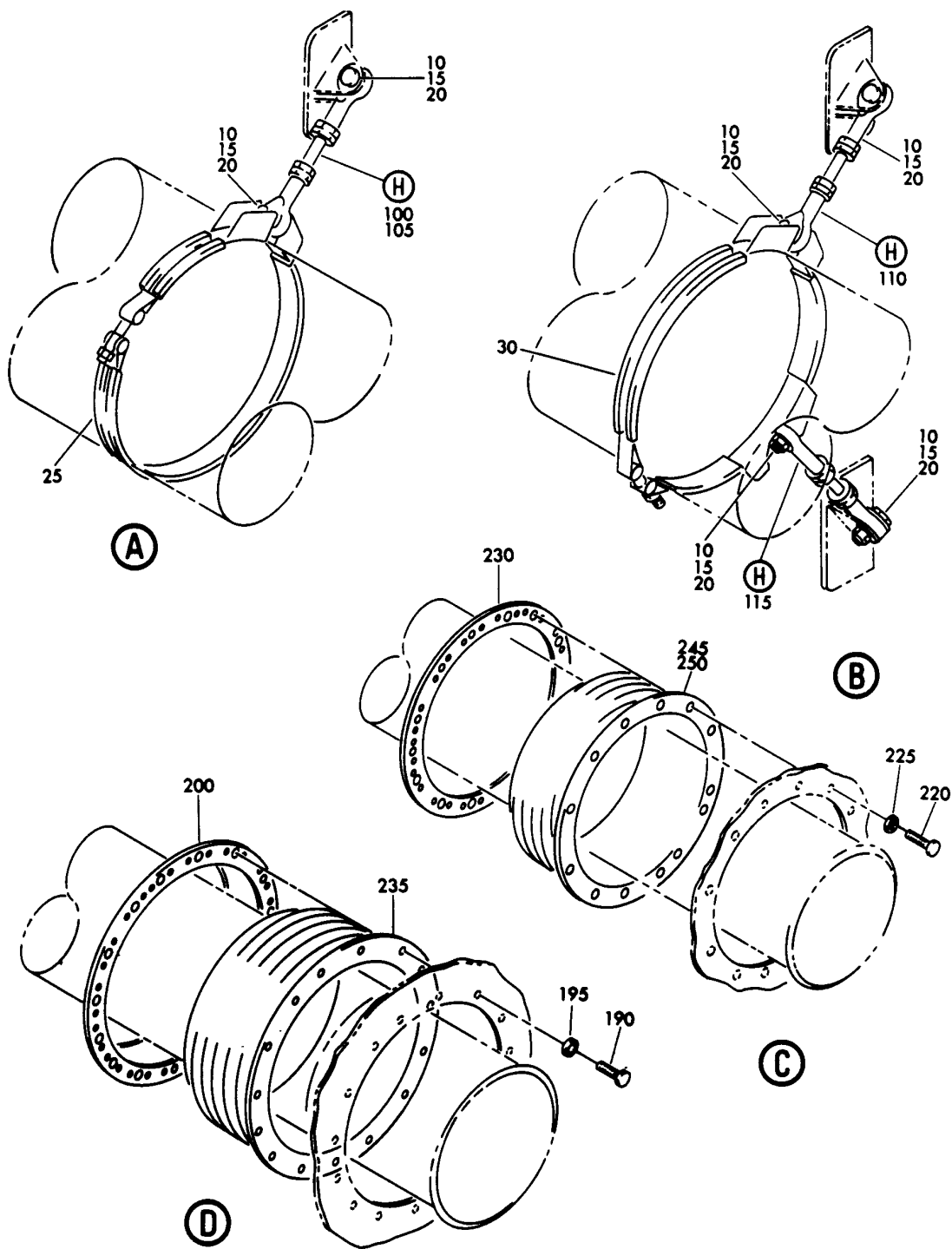
DUCT INSTL-WING LE AIR SUPPLY
FIGURE 4 (SHEET 1)

36-11-01-04

HXL
DEC 22/06

36-11-01-04
PAGE 0

BOEING
767
PARTS CATALOG (MAINTENANCE)



V 36110104 SHT 2 REV 005

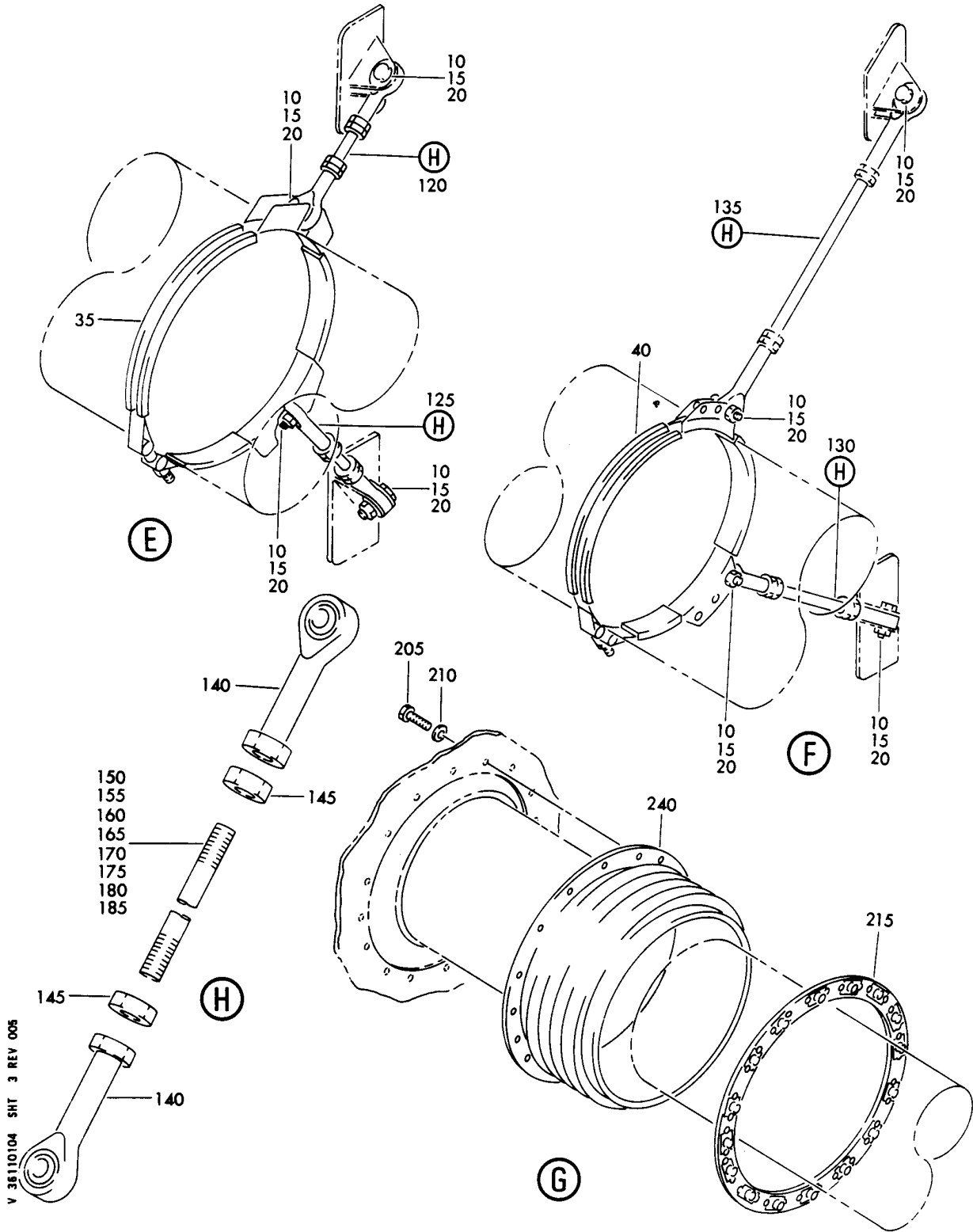
DUCT INSTL-WING LE AIR SUPPLY
FIGURE 4 (SHEET 2)

36-11-01-04

HXL
DEC 22/06

36-11-01-04
PAGE 0A

BOEING
767
PARTS CATALOG (MAINTENANCE)



V 38110104 SHT 3 REV 005

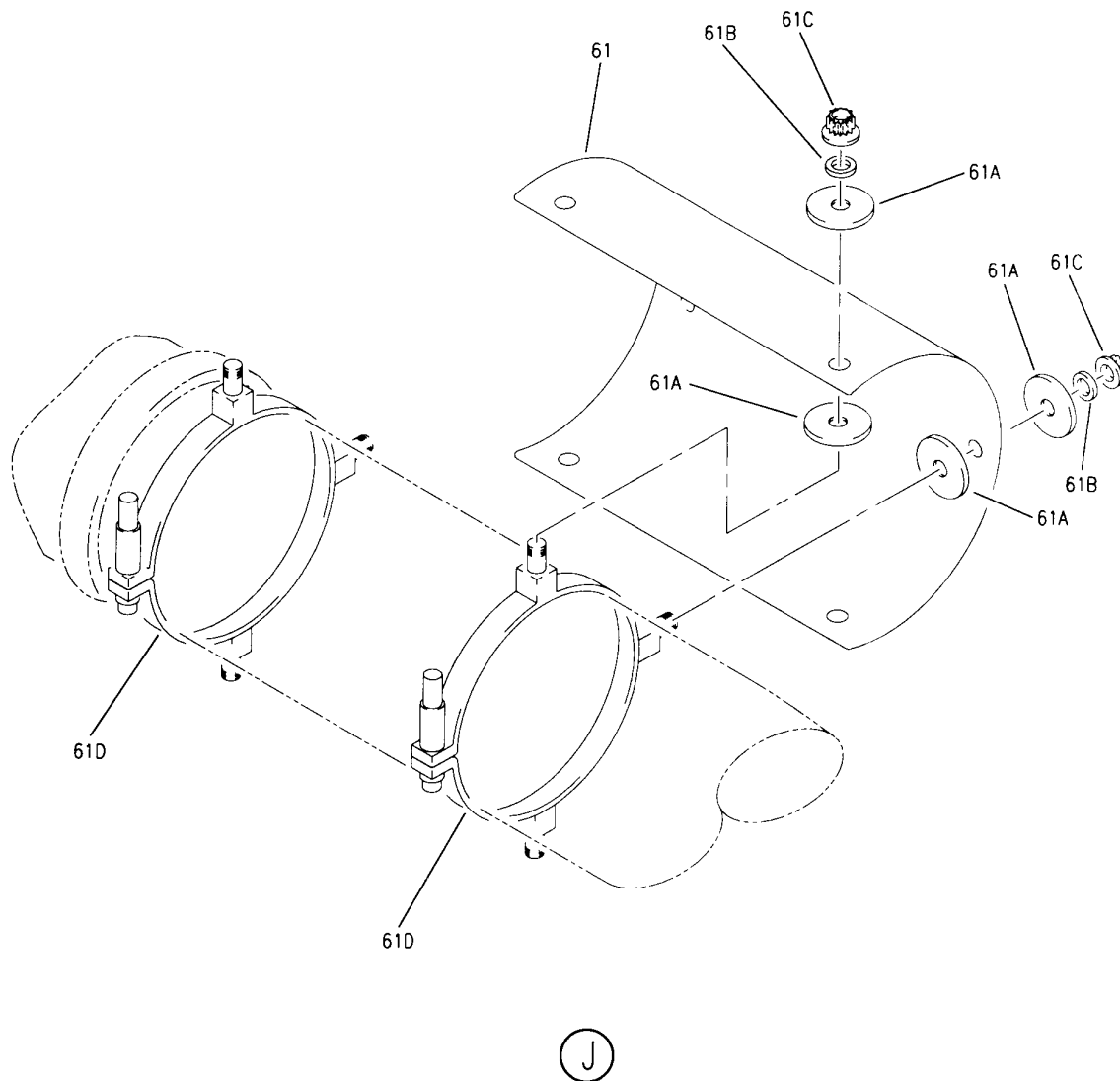
DUCT INSTL-WING LE AIR SUPPLY
FIGURE 4 (SHEET 3)

36-11-01-04

HXL
DEC 22/06

36-11-01-04
PAGE 0B

BOEING
767
PARTS CATALOG (MAINTENANCE)



V 36110104 SHI 4 REV 207

DUCT INSTL-WING LE AIR SUPPLY
FIGURE 4 (SHEET 4)

36-11-01-04

HXL
DEC 22/06

36-11-01-04
PAGE 0C



767

PARTS CATALOG (MAINTENANCE)

FIG ITEM	PART NUMBER	1 2 3 4 5 6 7	NOMENCLATURE	EFFECT FROM TO	UNITS PER ASSY
4			DUCT INSTL-WING LE AIR SUPPLY		
- 1	212T3001-9		DUCT INSTL-WING LE AIR SUPPLY		RF
- 5	212T3001-10		POSITION DATA: LH DUCT INSTL-WING LE AIR SUPPLY		RF
10	NAS6604-9		.BOLT		14
15	AN960PD416L		.WASHER		14
20	BRH10A4		.NUT		14
			SUPPLIER CODE: V52828		
			SPECIFICATION NUMBER: BACN10JC4		
			OPTIONAL PART: T6S428J V11815 96-048 V80539 VN303A048 V92215 RMLH9075-4W V72962 NS202101-048 V80539 H10-4BAC V15653		
25	BACC10ES00HA		.CLAMP		1
30	BACC10ES75HA00		.CLAMP		1
35	BACC10ES81HA00		.CLAMP		1
ILLUSTRATION ITEMS NOT ON PARTS LIST ARE NOT APPLICABLE					

- ITEM NOT ILLUSTRATED

HXL

36-11-01-04

BOEING PROPRIETARY - Copyright © - Unpublished Work - See title page for details.

36-11-01
FIG. 04
PAGE 1
DEC 22/07



767

PARTS CATALOG (MAINTENANCE)

FIG ITEM	PART NUMBER	1 2 3 4 5 6 7	NOMENCLATURE	EFFECT FROM TO	UNITS PER ASSY
4	40 B01AF0050BHFD		.CLAMP- SUPPLIER CODE: V10234 SPECIFICATION NUMBER: BACC10FF050BHFD OPTIONAL PART: 3029FF050BHFD V94581 MB68864F050FDBH V98625 MB68864F050BHFD V00624 QUALIFIED OPTIONAL DATA: (212T3105-6, 212T3105-7 AND BACC10FF050BHFD OPTIONAL TO 212T3105-34, 212T3105-35 AND 3015AC)		1
	40 BACC10HU050BHFD		.CLAMP-		1
	40 3015AC		.CLAMP- SUPPLIER CODE: V2D588 QUALIFIED OPTIONAL DATA: (212T3105-6, 212T3105-7 AND BACC10FF050BHFD OPTIONAL TO 212T3105-34, 212T3105-35 AND 3015AC)		1
	45 14J29600		.CLAMP SUPPLIER CODE: V5T400 SPECIFICATION NUMBER: BACC10GY600 OPTIONAL PART: 4385AF600 V94581 PDVC1137600 V14242 NM102701600 V8W928		4

ILLUSTRATION ITEMS NOT ON PARTS LIST ARE NOT APPLICABLE

- ITEM NOT ILLUSTRATED

HXL

36-11-01-04

BOEING PROPRIETARY - Copyright © - Unpublished Work - See title page for details.

36-11-01
FIG. 04
PAGE 2
APR 22/07



767

PARTS CATALOG (MAINTENANCE)

FIG ITEM	PART NUMBER	1 2 3 4 5 6 7	NOMENCLATURE	EFFECT FROM TO	UNITS PER ASSY
4	50 14J29500		.CLAMP SUPPLIER CODE: V5T400 SPECIFICATION NUMBER: BACC10GY500 OPTIONAL PART: 4385AF500 V94581 PDVC1137500 V14242 NM102701500 V8W928		1
R R	55 BACC10BN775LM		.CLAMP		1
	60 BACC10BN600LM		.CLAMP		1
	62 A7387-500		.SEAL- SUPPLIER CODE: V15284		1
	63 2703-500		.COUPLING- SUPPLIER CODE: V15284 OPTIONAL PART: VR1025-500 V14242		1
	63 VR1025-500		.COUPLING- SUPPLIER CODE: V15284 OPTIONAL PART: 2703-500 V15284		1
	65 212T3103-1		.DUCT ASSY- POSITION DATA: LH SIDE OPTIONAL PART: 212T3103-6		1
	65 212T3103-11		.DUCT ASSY- POSITION DATA: LH SIDE QUALIFIED I/W DATA: 212T3103-12 I/W 212T3103-11 ONLY FOR ACFT NOT HAVING CF6-80A ENGINES. 212T3103-13 I/W 212T3103-11 FOR ACFT WITH CF6-80A ENGINES		1
70 212T3104-1		.DUCT ASSY- POSITION DATA: RH SIDE		1	

ILLUSTRATION ITEMS NOT ON PARTS LIST ARE NOT APPLICABLE

- ITEM NOT ILLUSTRATED

HXL

36-11-01-04

BOEING PROPRIETARY - Copyright © - Unpublished Work - See title page for details.

36-11-01
FIG. 04
PAGE 3
AUG 22/09



767

PARTS CATALOG (MAINTENANCE)

FIG ITEM	PART NUMBER	1 2 3 4 5 6 7	NOMENCLATURE	EFFECT FROM TO	UNITS PER ASSY
4					
70	212T3104-6		.DUCT ASSY- POSITION DATA: RH SIDE		1
75	212T3100-27		.DUCT ASSY- POSITION DATA: LH SIDE QUALIFIED I/W DATA: 212T3100-32 I/W 212T3100-27 ONLY FOR ACFT NOT HAVING CF6-80A ENGINES. 212T3100-40 I/W 212T3100-27 FOR ACFT WITH CF6-80A ENGINES.		1
75	212T3100-7		.DUCT ASSY- POSITION DATA: LH SIDE		1
80	212T3100-8		.DUCT ASSY- POSITION DATA: RH SIDE OPTIONAL PART: 212T3100-13		1
80	212T3100-28		.DUCT ASSY- POSITION DATA: RH SIDE QUALIFIED I/W DATA: 212T3100-41 I/W 212T3100-28 FOR ACFT HAVING CF6-80A ENGINES		1
85	212T3100-29		.DUCT ASSY- QUALIFIED I/W DATA: 212T3100-33 I/W 212T3100-29 ONLY FOR ACFT NOT HAVING CF6-80A ENGINES.		1
85	212T3100-9		.DUCT ASSY-		1
90	212T3127-11		.DUCT ASSY- QUALIFIED I/W DATA: 212T3127-12 I/W 212T3127-11 ONLY FOR ACFT NOT HAVING CF6-80A ENGINES. 212T3127-13 I/W 212T3127-11 FOR ACFT WITH CF6-80A ENGINES		1
ILLUSTRATION ITEMS NOT ON PARTS LIST ARE NOT APPLICABLE					

- ITEM NOT ILLUSTRATED

36-11-01-04

36-11-01
FIG. 04
PAGE 4
AUG 22/09

HXL

 **BOEING**
767
PARTS CATALOG (MAINTENANCE)

FIG ITEM	PART NUMBER	1 2 3 4 5 6 7	NOMENCLATURE	EFFECT FROM TO	UNITS PER ASSY
4					
95	212T3128-11		.DUCT ASSY- QUALIFIED I/W DATA: 212T3128-16 I/W 212T3128-11 ONLY FOR ACFT NOT HAVING CF6-80A ENGINES. 212T3128-17 I/W 212T3128-11 FOR ACFT WITH CF6-80A ENGINES		1
100	212T3105-3		.ROD ASSY- POSITION DATA: LH SIDE		1
105	212T3105-9		.ROD ASSY- POSITION DATA: RH SIDE		1
110	212T3105-4		.ROD ASSY		1
115	212T3105-5		.ROD ASSY		1
120	212T3105-1		.ROD ASSY		1
125	212T3105-2		.ROD ASSY		1
130	212T3105-6		.ROD ASSY- QUALIFIED OPTIONAL DATA: (212T3105-6, 212T3105-7 AND BACC10FF050BHFD OPTIONAL TO 212T3105-34, 212T3105-35 AND 3015AC)		1
130	212T3105-34		.ROD ASSY- QUALIFIED OPTIONAL DATA: (212T3105-6, 212T3105-7 AND BACC10FF050BHFD OPTIONAL TO 212T3105-34, 212T3105-35 AND 3015AC)		1
135	212T3105-7		.ROD ASSY- QUALIFIED OPTIONAL DATA: (212T3105-6, 212T3105-7 AND BACC10FF050BHFD OPTIONAL TO 212T3105-34, 212T3105-35 AND 3015AC)		1
135	212T3105-35		.ROD ASSY- QUALIFIED OPTIONAL DATA: (212T3105-6, 212T3105-7 AND BACC10FF050BHFD OPTIONAL TO 212T3105-34, 212T3105-35 AND 3015AC)		1
140	MS21243S04		..BEARING		2
145	AN316-5R		..NUT		2
ILLUSTRATION ITEMS NOT ON PARTS LIST ARE NOT APPLICABLE					

- ITEM NOT ILLUSTRATED

HXL

36-11-01-04

BOEING PROPRIETARY - Copyright © - Unpublished Work - See title page for details.

36-11-01
FIG. 04
PAGE 5
AUG 22/09



767

PARTS CATALOG (MAINTENANCE)

FIG ITEM	PART NUMBER	1 2 3 4 5 6 7	NOMENCLATURE	EFFECT FROM TO	UNITS PER ASSY
4					
150	NAS354-5-160	..	ROD- USED ON: 212T3105-3		1
155	NAS354-5-320	..	ROD- USED ON: 212T3105-9		1
160	NAS354-5-220	..	ROD- USED ON: 212T3105-4		1
165	NAS354-5-310	..	ROD- USED ON: 212T3105-5		1
170	NAS354-5-180	..	ROD- USED ON: 212T3105-1		1
175	NAS354-5-260	..	ROD- USED ON: 212T3105-2		1
180	NAS354-5-410	..	ROD- USED ON: 212T3105-34		1
185	NAS354-5-560	..	ROD- USED ON: 212T3105-35		1
190	NAS6603-4	.	BOLT		15
195	AN960PD10L	.	WASHER		15
200	218T1107-13	.	SUPPORT ASSY- POSITION DATA: LH SIDE		1
205	NAS6603-4	.	BOLT		16
210	AN960PD10L	.	WASHER		16
215	218T1107-12	.	SUPPORT ASSY- POSITION DATA: RH SIDE		1
220	NAS6603-5	.	BOLT		13
225	AN960PD10L	.	WASHER		13
230	218T1107-3	.	SUPPORT ASSY		1
235	BOE2038-0009	.	SEAL-VAPOR AIR SUPPLY DUCT SUPPLIER CODE: V16632 POSITION DATA: LH SIDE SPECIFICATION NUMBER: S210T121-9		1

ILLUSTRATION ITEMS NOT ON PARTS LIST ARE NOT APPLICABLE

- ITEM NOT ILLUSTRATED

36-11-01-04

36-11-01
FIG. 04
PAGE 6
AUG 22/09

HXL

BOEING PROPRIETARY - Copyright © - Unpublished Work - See title page for details.



767

PARTS CATALOG (MAINTENANCE)

FIG ITEM	PART NUMBER	1 2 3 4 5 6 7	NOMENCLATURE	EFFECT FROM TO	UNITS PER ASSY
4 240	BOE2038-0010		.SEAL-VAPOR AIR SUPPLY DUCT SUPPLIER CODE: V16632 POSITION DATA: RH SIDE SPECIFICATION NUMBER: S210T121-10		1
245	BOE2038-0007		.SEAL-VAPOR AIR SUPPLY DUCT SUPPLIER CODE: V16632 POSITION DATA: LH SIDE SPECIFICATION NUMBER: S210T121-7		1
250	BOE2038-0008		.SEAL-VAPOR AIR SUPPLY DUCT SUPPLIER CODE: V16632 POSITION DATA: RH SIDE SPECIFICATION NUMBER: S210T121-8		1
900			ILLUSTRATION REFERENCE: DUCT AND WIRING INSTL-STRUT PNEU 36-11-01-01		RF

ILLUSTRATION ITEMS NOT ON PARTS LIST ARE NOT APPLICABLE

- ITEM NOT ILLUSTRATED

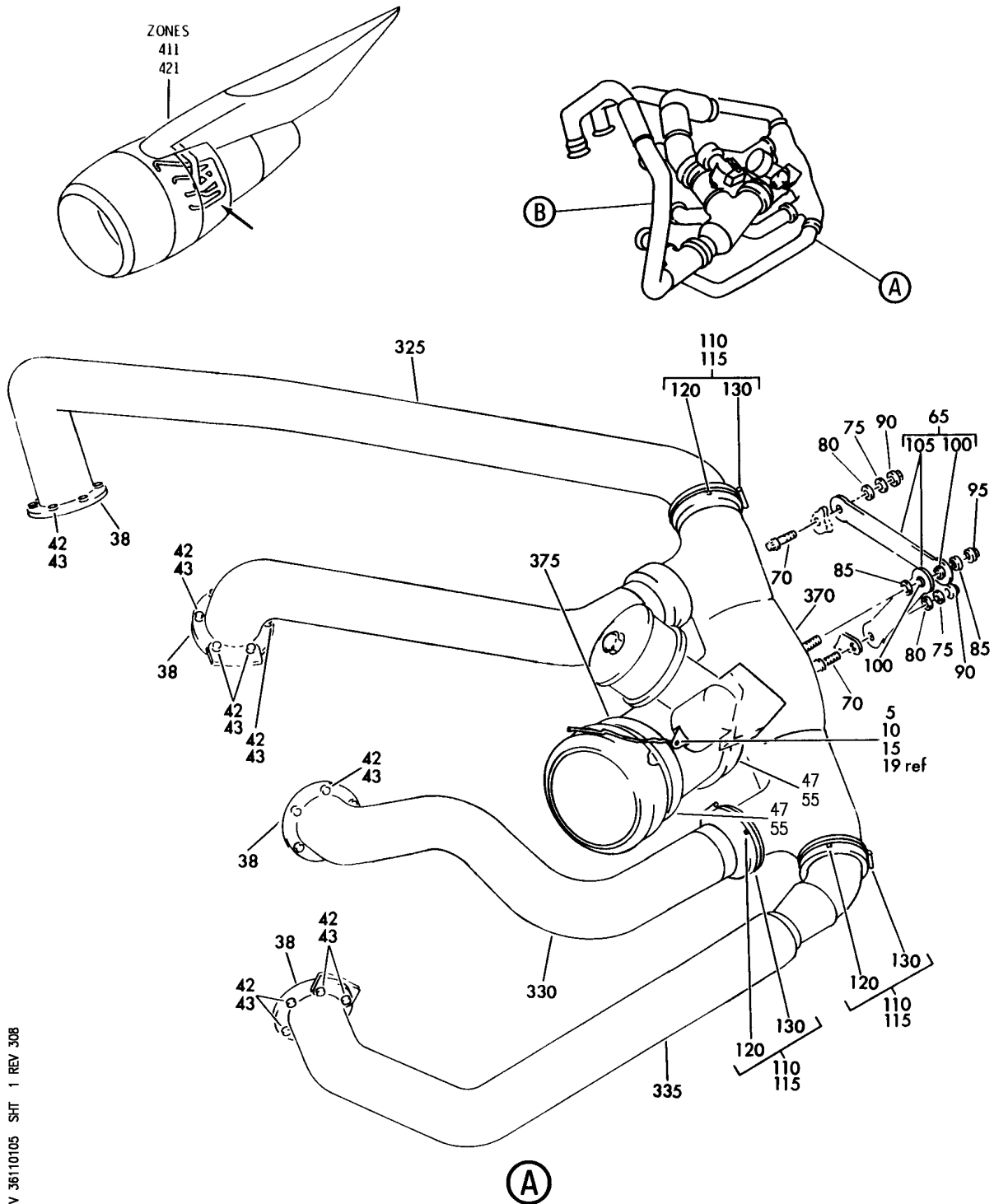
HXL

36-11-01-04

BOEING PROPRIETARY - Copyright © - Unpublished Work - See title page for details.

36-11-01
FIG. 04
PAGE 7
AUG 22/09

BOEING
767
PARTS CATALOG (MAINTENANCE)



V 36110105 SHT 1 REV 308

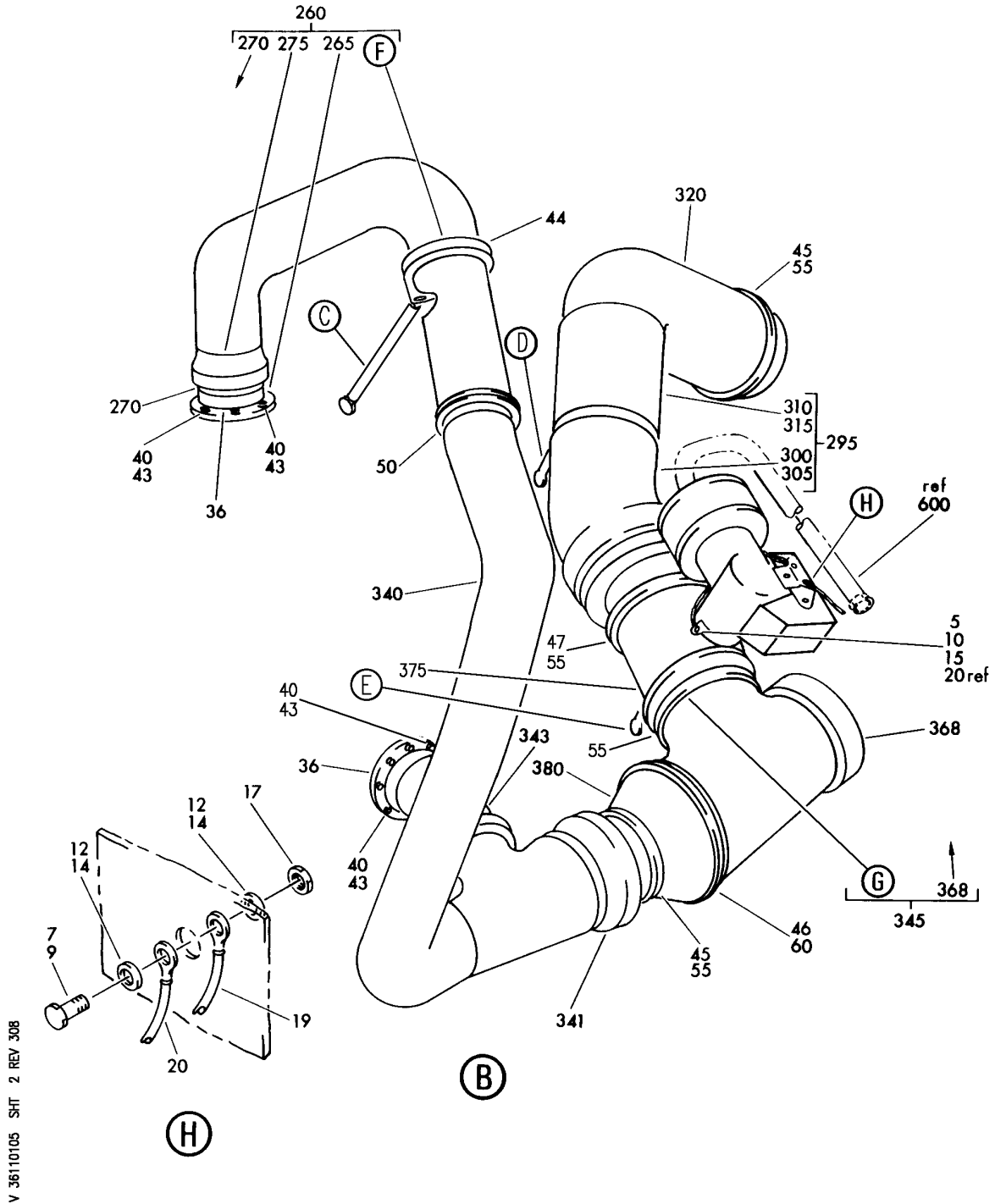
DUCT INSTL-PNEU BLEED SYS
FIGURE 5 (SHEET 1)

36-11-01-05

HXL
DEC 22/06

36-11-01-05
PAGE 0

BOEING
767
PARTS CATALOG (MAINTENANCE)



V 36110105 SHT 2 REV 308

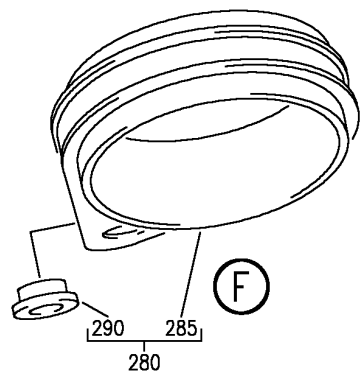
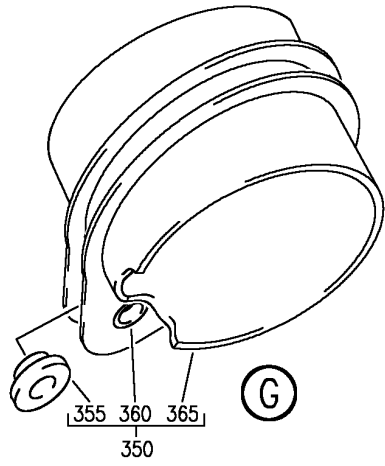
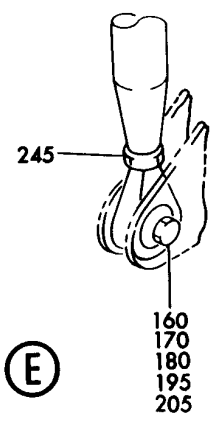
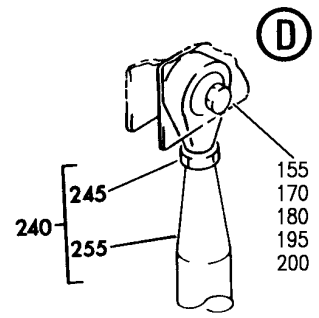
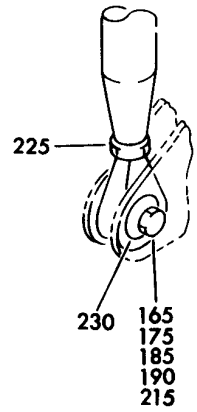
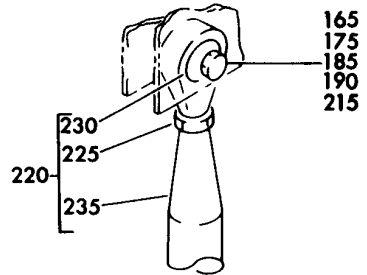
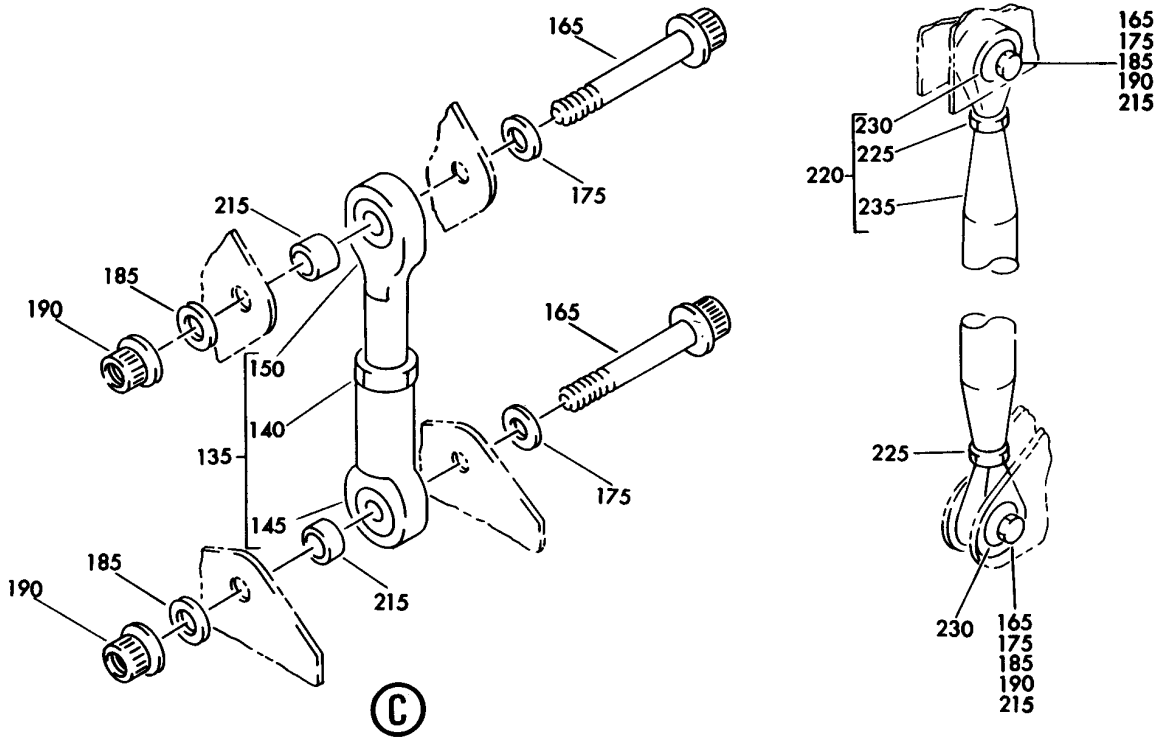
DUCT INSTL-PNEU BLEED SYS
FIGURE 5 (SHEET 2)

36-11-01-05

HXL
DEC 22/06

36-11-01-05
PAGE 0A

BOEING
767
PARTS CATALOG (MAINTENANCE)



V 36110105 SHT 3 REV 308

DUCT INSTL-PNEU BLEED SYS
FIGURE 5 (SHEET 3)

36-11-01-05



767

PARTS CATALOG (MAINTENANCE)

FIG ITEM	PART NUMBER	1 2 3 4 5 6 7	NOMENCLATURE	EFFECT FROM TO	UNITS PER ASSY
5					
- 1	332T4320-1		DUCT INSTL-PNEU BLEED SYS DUCT INSTL-PNEU BLEED SYS VARIABLE DRAWING REF: 332T4320-5004 FOR NHA SEE: 71-00-51-02		RF
5	NAS1802-4-6		.SCREW		2
7	NAS1802-3-10		.SCREW		2
10	AN960C416L		.WASHER		2
12	AN960C10L		.WASHER		2
15	BRH10C4M		.NUT-		2
			SUPPLIER CODE: V52828 SPECIFICATION NUMBER: BACN10JC4CM OPTIONAL PART: T6C428JM V11815 97E48 V80539 109LH9075-4W V72962 VN303D048 V92215 H01-4BAC V15653 NS202101SE048 V80539 BACN10YR4CM BACN10YR4C		
15	PLH54CM		.NUT- SUPPLIER CODE: V62554 SPECIFICATION NUMBER: BACN10YR4CM OPTIONAL PART: H52732-4CM V15653 BACN10JC4CM BACN10YR4C		2
ILLUSTRATION ITEMS NOT ON PARTS LIST ARE NOT APPLICABLE					

- ITEM NOT ILLUSTRATED

HXL

36-11-01-05

BOEING PROPRIETARY - Copyright © - Unpublished Work - See title page for details.

36-11-01
FIG. 05
PAGE 1
DEC 22/07

 **BOEING**
767
PARTS CATALOG (MAINTENANCE)

FIG ITEM	PART NUMBER	1 2 3 4 5 6 7	NOMENCLATURE	EFFECT FROM TO	UNITS PER ASSY
5					
15	PLH54C		.NUT- SUPPLIER CODE: V62554 SPECIFICATION NUMBER: BACN10YR4C OPTIONAL PART: H52732-4C V15653 BACN10JC4CM BACN10YR4CM		2
19	100545-12		.JUMPER ASSY SUPPLIER CODE: V1FF12 SPECIFICATION NUMBER: BACJ40AD45-12 OPTIONAL PART: RBEJ40AD45-12 V1GK47		1
20	100545-11		.JUMPER ASSY SUPPLIER CODE: V1FF12 SPECIFICATION NUMBER: BACJ40AD45-11 OPTIONAL PART: RBEJ40AD45-11 V1GK47		1
36	MS9372-083		.GASKET		2
38	614U51-0038-2		.GASKET- SUPPLIER CODE: V15284		4
			ATTACHING PARTS		
40	BACB30LE4HU2		.BOLT		16
42	BACB30PN4H2		.BOLT		24
43	BACW10BP4ACU		.WASHER		40
			-----*-----		
44	2703-400		.COUPLING- SUPPLIER CODE: V15284		1
44	VR1025-400		.COUPLING- SUPPLIER CODE: V14242		1
45	AS1895-4-550		.COUPLING-		2
45	VR1047-550		.COUPLING- SUPPLIER CODE: V15284		2
45	VR1025-550		.COUPLING- SUPPLIER CODE: V15284		2

ILLUSTRATION ITEMS NOT ON PARTS LIST ARE NOT APPLICABLE

- ITEM NOT ILLUSTRATED

HXL

36-11-01-05

BOEING PROPRIETARY - Copyright © - Unpublished Work - See title page for details.

36-11-01
FIG. 05
PAGE 2
DEC 22/06

 **BOEING**
767
PARTS CATALOG (MAINTENANCE)

FIG ITEM	PART NUMBER	1 2 3 4 5 6 7	NOMENCLATURE	EFFECT FROM TO	UNITS PER ASSY
5					
45	2703-550		. COUPLING- SUPPLIER CODE: V15284		2
46	6354-750		. COUPLING- SUPPLIER CODE: V15284		1
47	2320-550		. COUPLING- SUPPLIER CODE: V15284		4
47	AS1895-1E550		. COUPLING- SUPPLIER CODE: V15284		4
50	2873-400		. SEAL- SUPPLIER CODE: V15284		1
50	AS1895-7-400		. SEAL- SUPPLIER CODE: V15284		1
55	2873-550		. SEAL- SUPPLIER CODE: V15284		6
55	AS1895-7-550		. SEAL- SUPPLIER CODE: V15284		6
60	A2873-750		. SEAL- SUPPLIER CODE: V15284 OPTIONAL PART: 2873-750 V15284		1
60	2873-750		. SEAL- SUPPLIER CODE: V15284 OPTIONAL PART: A2873-750 V15284		1
65	332T4362-1		. LINK ASSY-SPRT ATTACHING PARTS		2
70	BACB30PN6-5		. BOLT		2
75	BACW10BP6ACU		. WASHER		2
80	AN960C616		. WASHER		2
85	AN960C1016		. WASHER		2
90	NAS1805-6		. NUT		2
95	NAS1805-10		. NUT		1
			-----*		
100	332T4363-1		. . BUSHING		2
105	332T4362-2		. . LINK		2
110	332T4334-6		. SHIM		3
115	332T4334-5		. LOCK ASSY		3
ILLUSTRATION ITEMS NOT ON PARTS LIST ARE NOT APPLICABLE					

— ITEM NOT ILLUSTRATED

HXL

36-11-01-05

BOEING PROPRIETARY - Copyright © - Unpublished Work - See title page for details.

36-11-01
FIG. 05
PAGE 3
APR 22/09

BOEING
767
PARTS CATALOG (MAINTENANCE)

FIG ITEM	PART NUMBER	1 2 3 4 5 6 7	NOMENCLATURE	EFFECT FROM TO	UNITS PER ASSY
5	120 332T4334-7		.. LUG-LOCKING ATTACHING PARTS		3
- 125	NAS1198		.. SCREW -----*-----		6
130	BACC10BN350LM		.. CLAMP		3
135	332T4320-2		. LINK ASSY		1
140	NAS509-5C		.. NUT- OPTIONAL PART: BACN11U5CM1		1
140	BACN11U5CM1		.. NUT- OPTIONAL PART: NAS509-5C		1
145	S312N305AL4M		.. BEARING-ROD END OPTIONAL PART: S312N305AL4MKC S312B305AL4MK S312N305AL4MC		1
145	S312N305AL4MKC		.. BEARING-ROD END OPTIONAL PART: S312N305AL4M S312B305AL4MK S312N305AL4MC		1
145	S312N305AL4MK		.. BEARING-ROD END OPTIONAL PART: S312N305AL4M S312B305AL4MKC S312N305AL4MC		1
145	AMBM4-4084		.. BEARING-ROD END SUPPLIER CODE: V15860 SPECIFICATION NUMBER: S312N305AL4MC OPTIONAL PART: VTA08420C V06710 P35460 V57606 P3A0970 V57606 OPTIONAL PART: S312N305AL4MKC S312N305AL4MK S312N305AL4MC		1
145	S312N305AL4MC		.. BEARING-ROD END OPTIONAL PART: S312N305AL4M S312B305AL4MKC S312N305AL4MK		1

ILLUSTRATION ITEMS NOT ON PARTS LIST ARE NOT APPLICABLE

- ITEM NOT ILLUSTRATED

HXL

36-11-01-05

BOEING PROPRIETARY - Copyright © - Unpublished Work - See title page for details.

36-11-01
FIG. 05
PAGE 4
APR 22/09



767

PARTS CATALOG (MAINTENANCE)

FIG ITEM	PART NUMBER	1 2 3 4 5 6 7	NOMENCLATURE	EFFECT FROM TO	UNITS PER ASSY
5					
150	S312N305AL4F	..	BEARING-ROD END OPTIONAL PART: S312N305AL4FC		1
150	S312N305AL4FC	..	BEARING-ROD END OPTIONAL PART: S312N305AL4F		1
155	BACB30PN6-18	.	BOLT		1
160	BACB30PN6-20	.	BOLT		1
165	BACB30PN4-13	.	BOLT-		4
170	AN960C616	.	WASHER		2
175	AN960C416	.	WASHER		4
180	BACW10BP6ACU	.	WASHER		2
185	BACW10BP4ACU	.	WASHER		4
190	NAS1805-4	.	NUT		4
195	NAS1805-6	.	NUT		2
200	BACB28AK06-037	.	BUSHING		1
205	BACB28AK06-046	.	BUSHING		1
215	BACB28AK04-030	.	BUSHING-		4
220	312T2359-23	.	LINK ASSY-SPRT		1
225	NAS509-5C	..	NUT		2
230	AMBM4-4084	..	BEARING-ROD END SUPPLIER CODE: V15860 SPECIFICATION NUMBER: S312N305AL4MC OPTIONAL PART: VTA08420C V06710 P35460 V57606 P3A0970 V57606 OPTIONAL PART: S312N305AL4MKC S312N305AL4MK S312N305AL4M		2
230	S312N305AL4MC	..	BEARING-ROD END OPTIONAL PART: S312N305AL4MKC S312N305AL4MK S312N305AL4M		2
230	S312N305AL4M	..	BEARING-ROD END OPTIONAL PART: S312N305AL4MKC S312N305AL4MK S312N305AL4MC		2

ILLUSTRATION ITEMS NOT ON PARTS LIST ARE NOT APPLICABLE

- ITEM NOT ILLUSTRATED

HXL

36-11-01-05

BOEING PROPRIETARY - Copyright © - Unpublished Work - See title page for details.

36-11-01
FIG. 05
PAGE 5
APR 22/09

 **BOEING**
767
PARTS CATALOG (MAINTENANCE)

FIG ITEM	PART NUMBER	1 2 3 4 5 6 7	NOMENCLATURE	EFFECT FROM TO	UNITS PER ASSY
5					
230	S312N305AL4MK	..	BEARING-ROD END OPTIONAL PART: S312N305AL4MKC S312N305AL4M S312N305AL4MC		2
230	S312N305AL4MKC	..	BEARING-ROD END OPTIONAL PART: S312N305AL4MK S312N305AL4M S312N305AL4MC		2
235	332T4367-14	..	LINK		1
240	312T2359-24	.LINK	ASSY-SPRT		1
245	NAS509-7C	..	NUT		2
255	332U2337-20	..	LINK		1
260	332T4327-1	.DUCT	ASSY		1
265	65B90192-1	..	FLANGE		1
270	332T3232-5	..	DUCT		1
275	12800-83	..	DUCT-PNEU SYS PROPULSION 4.0 DIA FLEXIBLE SUPPLIER CODE: V70628 SPECIFICATION NUMBER: S332T003-2 OPTIONAL PART: 12800-83-2 V70628 77255 V16519		1
280	332T4336-1	..	SUPPORT ASSY- OPTIONAL PART: 332T4336-5 332T4336-6		1
280	332T4336-5	..	SUPPORT ASSY- OPTIONAL PART: 332T4336-1 332T4336-6		1
280	332T4336-6	..	SUPPORT ASSY- OPTIONAL PART: 332T4336-1 332T4336-5		1
285	332T4336-2	...	SUPPORT- OPTIONAL PART: 332T4336-7		1
285	332T4336-4	...	SUPPORT- USED ON: 332T4336-5		1
285	332T4336-7	...	SUPPORT- OPTIONAL PART: 332T4336-2		1

ILLUSTRATION ITEMS NOT ON PARTS LIST ARE NOT APPLICABLE

— ITEM NOT ILLUSTRATED

HXL

36-11-01-05

BOEING PROPRIETARY - Copyright © - Unpublished Work - See title page for details.

36-11-01
FIG. 05
PAGE 6
APR 22/09



767

PARTS CATALOG (MAINTENANCE)

FIG ITEM	PART NUMBER	1 2 3 4 5 6 7	NOMENCLATURE	EFFECT FROM TO	UNITS PER ASSY
5					
290	BACB28X4E010	...	BUSHING		1
295	332T4320-3	.DUCT	ASSY		1
300	49M1098-5	..BLANKET-			1
			SUPPLIER CODE: V25167		
			SPECIFICATION NUMBER: S332T402-5		
305	49M1093-2	..BLANKET-			1
			SUPPLIER CODE: V25167		
			SPECIFICATION NUMBER: S332T402-2		
310	49M1098-7	..BLANKET-			1
			SUPPLIER CODE: V25167		
			SPECIFICATION NUMBER: S332T402-7		
315	49M1098-8	..BLANKET-			1
			SUPPLIER CODE: V25167		
			SPECIFICATION NUMBER: S332T402-8		
320	332T4328-1	..DUCT	ASSY		1
325	332T4322-1	.DUCT	ASSY		1
330	332T4323-1	.DUCT	ASSY		1
335	332T4324-1	.DUCT	ASSY		1
340	332T4326-1	.MANIFOLD	ASSY		1
341	12800-191	..DUCT SECTION-FLEXIBLE			1
			SUPPLIER CODE: V70628		
			SPECIFICATION NUMBER: S332U270-1		
343	14662-7	..ELBOW	ASSY-		1
			SUPPLIER CODE: V70628		
			SPECIFICATION NUMBER: S332U270-7		
345	332T4325-1	.MANIFOLD	ASSY		1
350	332T4331-1	..SUPPORT	ASSY		1
355	BACB28X6E022	...	BUSHING		1
360	BACB28X9E027	...	BUSHING		1
365	332T4331-2	...	SUPPORT		1
368	12800-191-1	..DUCT SECTION-FLEXIBLE			1
			SUPPLIER CODE: V70628		
			SPECIFICATION NUMBER: S332U270-8		
370	332T4321-1	.MANIFOLD	ASSY		1

ILLUSTRATION ITEMS NOT ON PARTS LIST ARE NOT APPLICABLE

- ITEM NOT ILLUSTRATED

36-11-01-05

36-11-01
FIG. 05
PAGE 7
APR 22/09

HXL



767

PARTS CATALOG (MAINTENANCE)

FIG ITEM	PART NUMBER	1 2 3 4 5 6 7	NOMENCLATURE	EFFECT FROM TO	UNITS PER ASSY
5 375	790270-1		.VALVE-HIGH PRESSURE SHUTOFF SUPPLIER CODE: V73030 SPECIFICATION NUMBER: S210T120-101 COMPONENT MAINT MANUAL REF: 36-12-09 OPTIONAL PART: 790270-2 V73030 790270-6 V73030 790270-3 V73030 790270-4 V73030 790270-5 V73030 790270-15 V73030		2
375	790270-2		.VALVE-HIGH PRESSURE SHUTOFF SUPPLIER CODE: V73030 SPECIFICATION NUMBER: S210T120-101 COMPONENT MAINT MANUAL REF: 36-12-09 OPTIONAL PART: 790270-1 V73030 790270-3 V73030 790270-4 V73030 790270-5 V73030 790270-6 V73030 790270-15 V73030		2

ILLUSTRATION ITEMS NOT ON PARTS LIST ARE NOT APPLICABLE

- ITEM NOT ILLUSTRATED

HXL

36-11-01-05

BOEING PROPRIETARY - Copyright © - Unpublished Work - See title page for details.

36-11-01
FIG. 05
PAGE 8
APR 22/09


BOEING
 767
PARTS CATALOG (MAINTENANCE)

FIG ITEM	PART NUMBER	1 2 3 4 5 6 7	NOMENCLATURE	EFFECT FROM TO	UNITS PER ASSY
5 375	790270-3		.VALVE-HIGH PRESSURE SHUTOFF SUPPLIER CODE: V73030 SPECIFICATION NUMBER: S210T120-101 COMPONENT MAINT MANUAL REF: 36-12-09 OPTIONAL PART: 790270-1 V73030 790270-2 V73030 790270-4 V73030 790270-5 V73030 790270-6 V73030 790270-15 V73030		2
R R	375 802170-1		.VALVE-HIGH PRESSURE SHUTOFF SUPPLIER CODE: V73030 SPECIFICATION NUMBER: S210T120-111 COMPONENT MAINT MANUAL REF: 36-12-14 OPTIONAL PART: 802170-2 V73030		2
	375 802170-2		.VALVE-HIGH PRESSURE SHUTOFF SUPPLIER CODE: V73030 SPECIFICATION NUMBER: S210T120-111 COMPONENT MAINT MANUAL REF: 36-12-14 OPTIONAL PART: 802170-1 V73030		2
ILLUSTRATION ITEMS NOT ON PARTS LIST ARE NOT APPLICABLE					

— ITEM NOT ILLUSTRATED

HXL

36-11-01-05

BOEING PROPRIETARY - Copyright © - Unpublished Work - See title page for details.

36-11-01
 FIG. 05
 PAGE 9
 AUG 22/09

BOEING
767
PARTS CATALOG (MAINTENANCE)

FIG ITEM	PART NUMBER	1 2 3 4 5 6 7	NOMENCLATURE	EFFECT FROM TO	UNITS PER ASSY
5 375	802170-3		. VALVE-HIGH PRESSURE SHUTOFF SUPPLIER CODE: V73030 SPECIFICATION NUMBER: S210T120-131 COMPONENT MAINT MANUAL REF: 36-12-14 OPTIONAL PART: 802170-4 V73030 802170-5 V73030		2
375	802170-4		. VALVE-HIGH PRESSURE SHUTOFF SUPPLIER CODE: V73030 SPECIFICATION NUMBER: S210T120-131 COMPONENT MAINT MANUAL REF: 36-12-14 OPTIONAL PART: 802170-3 V73030 802170-5 V73030		2
375	802170-5		. VALVE-HIGH PRESSURE SHUTOFF SUPPLIER CODE: V73030 SPECIFICATION NUMBER: S210T120-131 COMPONENT MAINT MANUAL REF: 36-12-14 OPTIONAL PART: 802170-3 V73030 802170-4 V73030		2
375	802170-9		. VALVE-HIGH PRESSURE SHUTOFF SUPPLIER CODE: V73030 SPECIFICATION NUMBER: S210T120-141 OPTIONAL PART: 802170-10 V73030		2
ILLUSTRATION ITEMS NOT ON PARTS LIST ARE NOT APPLICABLE					

R
R
R
R
R
R
R
R

- ITEM NOT ILLUSTRATED

HXL

36-11-01-05

BOEING PROPRIETARY - Copyright © - Unpublished Work - See title page for details.

36-11-01
FIG. 05
PAGE 10
AUG 22/09



767

PARTS CATALOG (MAINTENANCE)

FIG ITEM	PART NUMBER	1 2 3 4 5 6 7	NOMENCLATURE	EFFECT FROM TO	UNITS PER ASSY
5 375	790270-4		. VALVE-HIGH PRESSURE SHUTOFF SUPPLIER CODE: V73030 SPECIFICATION NUMBER: S210T120-101 COMPONENT MAINT MANUAL REF: 36-12-09 OPTIONAL PART: 790270-1 V73030 790270-2 V73030 790270-3 V73030 790270-5 V73030 790270-6 V73030 790270-15 V73030		2
375	790270-5		. VALVE-HIGH PRESSURE SHUTOFF SUPPLIER CODE: V73030 SPECIFICATION NUMBER: S210T120-101 COMPONENT MAINT MANUAL REF: 36-12-09 OPTIONAL PART: 790270-1 V73030 790270-2 V73030 790270-3 V73030 790270-4 V73030 790270-6 V73030 790270-15 V73030		2

ILLUSTRATION ITEMS NOT ON PARTS LIST ARE NOT APPLICABLE

- ITEM NOT ILLUSTRATED

HXL

36-11-01-05

BOEING PROPRIETARY - Copyright © - Unpublished Work - See title page for details.

36-11-01
FIG. 05
PAGE 11
AUG 22/09

BOEING
767
PARTS CATALOG (MAINTENANCE)

FIG ITEM	PART NUMBER	1 2 3 4 5 6 7	NOMENCLATURE	EFFECT FROM TO	UNITS PER ASSY
5 375	790270-6		.VALVE-HIGH PRESSURE SHUTOFF SUPPLIER CODE: V73030 SPECIFICATION NUMBER: S210T120-101 COMPONENT MAINT MANUAL REF: 36-12-09 OPTIONAL PART: 790270-1 V73030 790270-2 V73030 790270-3 V73030 790270-4 V73030 790270-5 V73030 790270-15 V73030		2
R R R R R R R R	375 802170-10		.VALVE-HIGH PRESSURE SHUTOFF SUPPLIER CODE: V73030 SPECIFICATION NUMBER: S210T120-141 OPTIONAL PART: 802170-9 V73030		2
	375 790270-14		.VALVE-HIGH PRESSURE SHUTOFF SUPPLIER CODE: V73030 SERVICE BULLETIN OPT DATA: 790270-2 V73030 790270-4 V73030 790270-6 V73030 POST SERVICE BULLETIN: 36-2175 V73030		2
ILLUSTRATION ITEMS NOT ON PARTS LIST ARE NOT APPLICABLE					

— ITEM NOT ILLUSTRATED

HXL

36-11-01-05

BOEING PROPRIETARY - Copyright © - Unpublished Work - See title page for details.

36-11-01
FIG. 05
PAGE 12
AUG 22/09



767

PARTS CATALOG (MAINTENANCE)

FIG ITEM	PART NUMBER	1 2 3 4 5 6 7	NOMENCLATURE	EFFECT FROM TO	UNITS PER ASSY
5 375	790270-15		.VALVE-HIGH PRESSURE SHUTOFF SUPPLIER CODE: V73030 SPECIFICATION NUMBER: S210T120-101 COMPONENT MAINT MANUAL REF: 36-12-09 OPTIONAL PART: 790270-1 V73030 790270-2 V73030 790270-3 V73030 790270-4 V73030 790270-5 V73030 790270-6 V73030		2
380	808556-1		.VALVE ASSY-INTERMEDIATE AIR SUPPLY PRESSURE CHK SUPPLIER CODE: V73030 FUNCTIONAL DESCRIPTION: PROVIDES HIGH STAGE BLEED AIR REVERSE FLOW INTO THE INTERMEDIATE PRESSURE MANIFOLD SPECIFICATION NUMBER: S210T120-126 COMPONENT MAINT MANUAL REF: 36-12-16 QUALIFIED I/W DATA: USE OF 773856-14 REQUIRES 1200 HOURS INSPECTION INTERVALS CALLED OUT IN BOEING S/B 767-36-0037 / HAMILTON STANDARD S/B 36-2078 / FAA AD 90-12-02, AMENDMENT 39-6620.		1

ILLUSTRATION ITEMS NOT ON PARTS LIST ARE NOT APPLICABLE

- ITEM NOT ILLUSTRATED

HXL

36-11-01-05

BOEING PROPRIETARY - Copyright © - Unpublished Work - See title page for details.

36-11-01
FIG. 05
PAGE 13
AUG 22/09



767

PARTS CATALOG (MAINTENANCE)

FIG ITEM	PART NUMBER	1 2 3 4 5 6 7	NOMENCLATURE	EFFECT FROM TO	UNITS PER ASSY
5 380	773856-17		.VALVE ASSY-INTERMEDIATE AIR SUPPLY PRESSURE CHK SUPPLIER CODE: V73030 SPECIFICATION NUMBER: S210T120-116 COMPONENT MAINT MANUAL REF: 36-12-06 OPTIONAL PART: V73030 V73030 V73030		1
380	773856-18		.VALVE ASSY-INTERMEDIATE AIR SUPPLY PRESSURE CHK SUPPLIER CODE: V73030 SPECIFICATION NUMBER: S210T120-116 COMPONENT MAINT MANUAL REF: 36-12-06 OPTIONAL PART: V73030 V73030 V73030		1
380	773856-19		.VALVE ASSY-INTERMEDIATE AIR SUPPLY PRESSURE CHK SUPPLIER CODE: V73030 SPECIFICATION NUMBER: S210T120-116 COMPONENT MAINT MANUAL REF: 36-12-06 OPTIONAL PART: V73030 V73030 V73030		1
380	773856-13		.VALVE-INTERMEDIATE AIR SUPPLY PRESSURE CHK SUPPLIER CODE: V73030 SPECIFICATION NUMBER: S210T120-76 NOT APPROVED FOR ETOPS. COMPONENT MAINT MANUAL REF: 36-12-06 OPTIONAL PART: 773856-12 V73030		1

ILLUSTRATION ITEMS NOT ON PARTS LIST ARE NOT APPLICABLE

- ITEM NOT ILLUSTRATED

36-11-01-05

36-11-01
FIG. 05
PAGE 14
AUG 22/09

HXL



767

PARTS CATALOG (MAINTENANCE)

FIG ITEM	PART NUMBER	1 2 3 4 5 6 7 NOMENCLATURE	EFFECT FROM TO	UNITS PER ASSY
5 380	773856-14	.VALVE ASSY-INTERMEDIATE AIR SUPPLY PRESSURE CHK SUPPLIER CODE: V73030 SPECIFICATION NUMBER: S210T120-86 COMPONENT MAINT MANUAL REF: 36-12-06 QUALIFIED I/W DATA: USE OF 773856-14 REQUIRES 1200 HOURS INSPECTION INTERVALS CALLED OUT IN BOEING S/B 767-36-0037 / HAMILTON STANDARD S/B 36-2078 / FAA AD 90-12-02, AMENDMENT 39-6620. USE OF 773856-14 AND PRIOR REQUIRES 1200 HOURS INSPECTION INTERVALS CALLED OUT IN BOEING S/B 767-36-0037 / HAMILTON STANDARD S/B 36-2078 / FAA AD 90-12-02, AMENDMENT 39-6620. OPTIONAL PART: 3202544-2 V59364 3202544-4 V59364		1

ILLUSTRATION ITEMS NOT ON PARTS LIST ARE NOT APPLICABLE

- ITEM NOT ILLUSTRATED

HXL

36-11-01-05

BOEING PROPRIETARY - Copyright © - Unpublished Work - See title page for details.

36-11-01
 FIG. 05
 PAGE 15
 AUG 22/09



767

PARTS CATALOG (MAINTENANCE)

FIG ITEM	PART NUMBER	1 2 3 4 5 6 7	NOMENCLATURE	EFFECT FROM TO	UNITS PER ASSY
5 380	3202544-2		.VALVE ASSY-INTERMEDIATE AI SUPPLY PRESSURE CHK SUPPLIER CODE: V59364 SPECIFICATION NUMBER: S210T120-506 COMPONENT MAINT MANUAL REF: 36-11-87 QUALIFIED I/W DATA: USE OF 773856-14 REQUIRES 1200 HOURS INSPECTION INTERVALS CALLED OUT IN BOEING S/B 767-36-0037 / HAMILTON STANDARD S/B 36-2078 / FAA AD 90-12-02, AMENDMENT 39-6620. OPTIONAL PART: 3202544-4 V59364 OPTIONAL PART: 773856-14 V73030		1
380	3202544-4		.VALVE ASSY-INTERMEDIATE AI SUPPLY PRESSURE CHK SUPPLIER CODE: V59364 SPECIFICATION NUMBER: S210T120-506 COMPONENT MAINT MANUAL REF: 36-11-87 QUALIFIED I/W DATA: USE OF 773856-14 REQUIRES 1200 HOURS INSPECTION INTERVALS CALLED OUT IN BOEING S/B 767-36-0037 / HAMILTON STANDARD S/B 36-2078 / FAA AD 90-12-02, AMENDMENT 39-6620. OPTIONAL PART: 3202544-2 V59364 OPTIONAL PART: 773856-14 V73030		1

ILLUSTRATION ITEMS NOT ON PARTS LIST ARE NOT APPLICABLE

- ITEM NOT ILLUSTRATED

HXL

36-11-01-05

BOEING PROPRIETARY - Copyright © - Unpublished Work - See title page for details.

36-11-01
FIG. 05
PAGE 16
AUG 22/09



767

PARTS CATALOG (MAINTENANCE)

FIG ITEM	PART NUMBER	1 2 3 4 5 6 7	NOMENCLATURE	EFFECT FROM TO	UNITS PER ASSY
5 380	773856-15		.VALVE ASSY-INTERMEDIATE AIR SUPPLY PRESSURE CHK SUPPLIER CODE: V73030 SPECIFICATION NUMBER: S210T120-116 COMPONENT MAINT MANUAL REF: 36-12-06 OPTIONAL PART: V73030 V73030 V73030		1

ILLUSTRATION ITEMS NOT ON PARTS LIST ARE NOT APPLICABLE

- ITEM NOT ILLUSTRATED

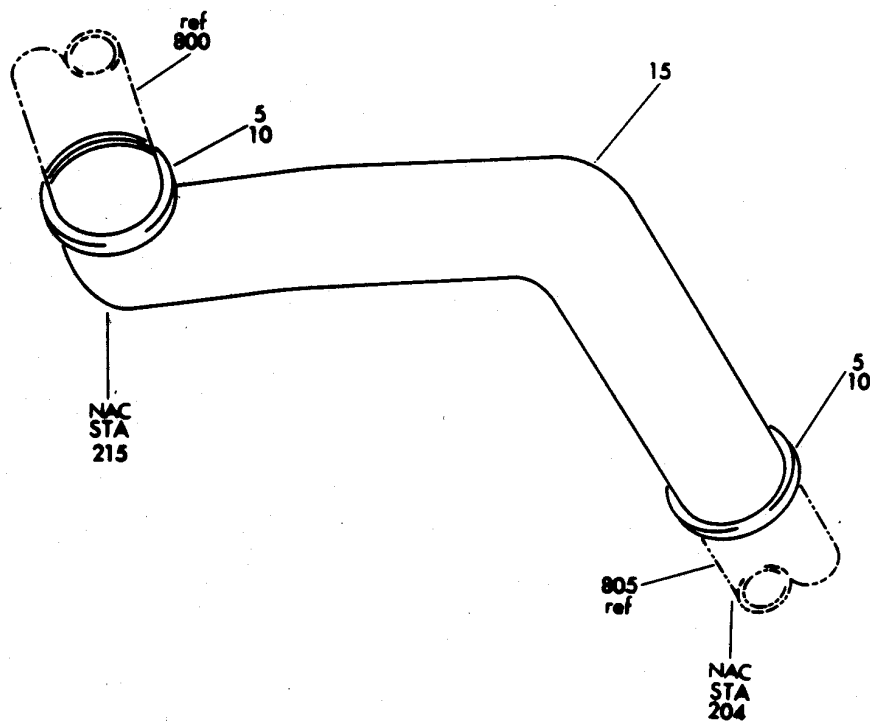
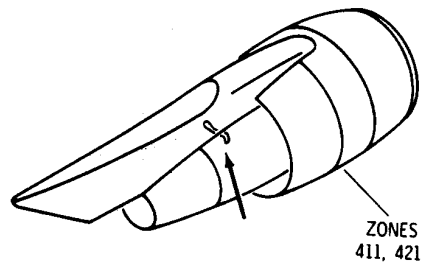
HXL

36-11-01-05

BOEING PROPRIETARY - Copyright © - Unpublished Work - See title page for details.

36-11-01
FIG. 05
PAGE 17
AUG 22/09

BOEING
767
PARTS CATALOG (MAINTENANCE)



V 36110106 SH1 1 REV 008

DUCT INSTL-ENG START SYS INTERCONNECT BLEED
FIGURE 6

36-11-01-06

HXL
DEC 22/06

36-11-01-06
PAGE 0



767

PARTS CATALOG (MAINTENANCE)

FIG ITEM	PART NUMBER	1 2 3 4 5 6 7	NOMENCLATURE	EFFECT FROM TO	UNITS PER ASSY
6			DUCT INSTL-ENG START SYS INTERCONNECT BLEED		
- 1	312T4337-1		DUCT INSTL-ENG START SYS INTERCONNECT BLEED FOR NHA SEE: 71-00-51-02		RF
5	2703-400		.COUPLING- SUPPLIER CODE: V15284		2
5	VR1025-400		.COUPLING- SUPPLIER CODE: V14242 OPTIONAL PART: 2703-400 V15284		2
10	AS1895-7-400		.SEAL-		2
15	312T4336-1		.DUCT ASSY-		1
800			ILLUSTRATION REFERENCE: DUCT AND WIRING INSTL-STRUT PNEU 36-11-01-01		RF
805			ILLUSTRATION REFERENCE: START SYSTEM AND WIRING INSTL-PW4000 ENG (ENGINE STARTER CONTROL VALVE ONLY) 80-11-01-10		RF

ILLUSTRATION ITEMS NOT ON PARTS LIST ARE NOT APPLICABLE

- ITEM NOT ILLUSTRATED

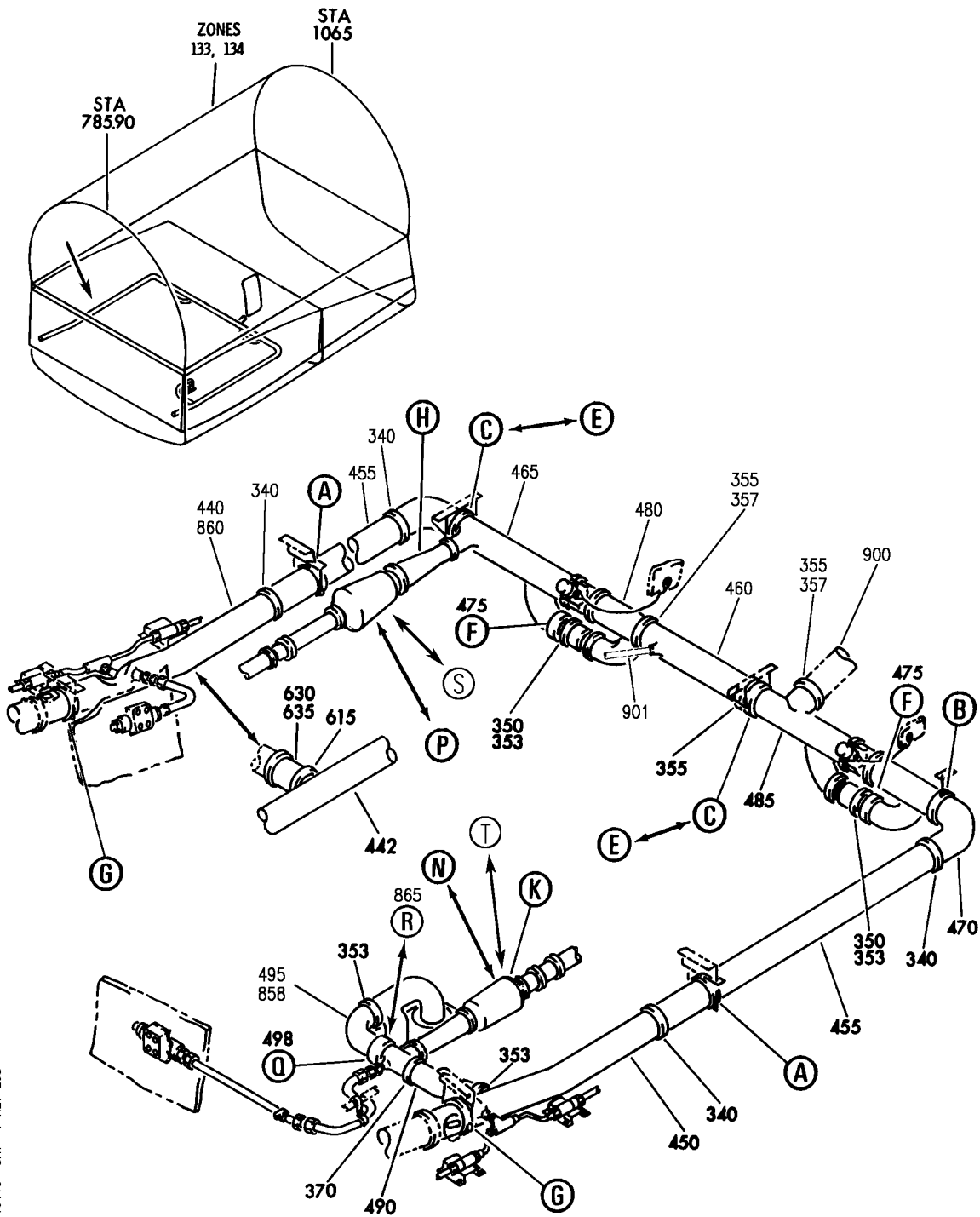
HXL

36-11-01-06

BOEING PROPRIETARY - Copyright © - Unpublished Work - See title page for details.

36-11-01
FIG. 06
PAGE 1
DEC 22/06

BOEING
767
PARTS CATALOG (MAINTENANCE)



V 36110110 SHT 1 REV 298

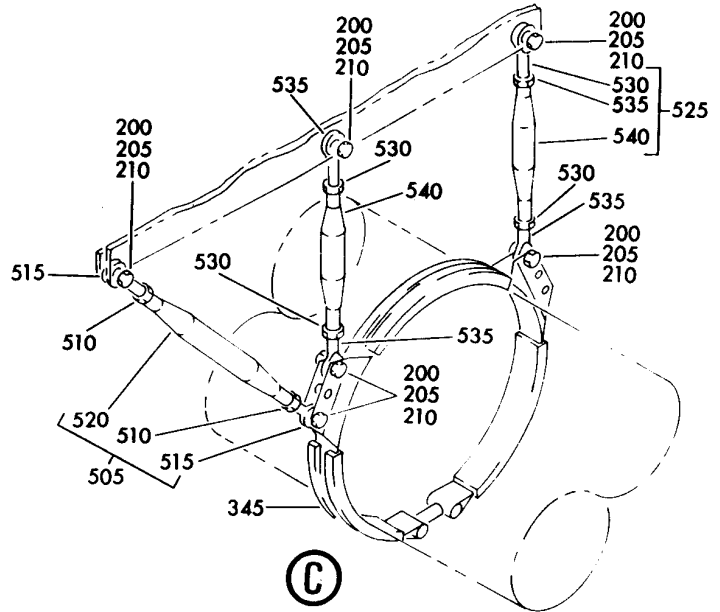
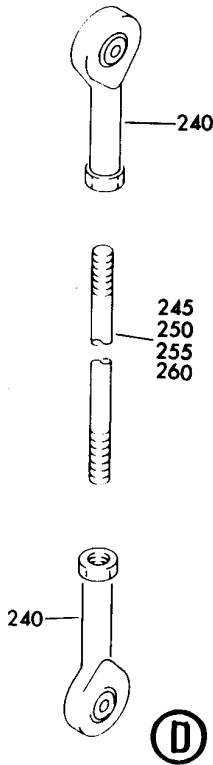
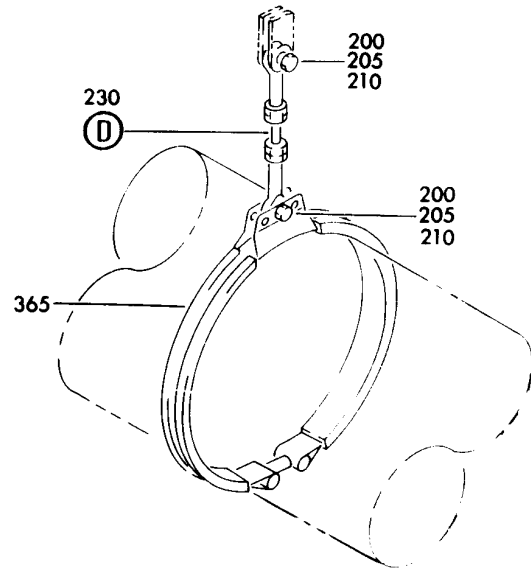
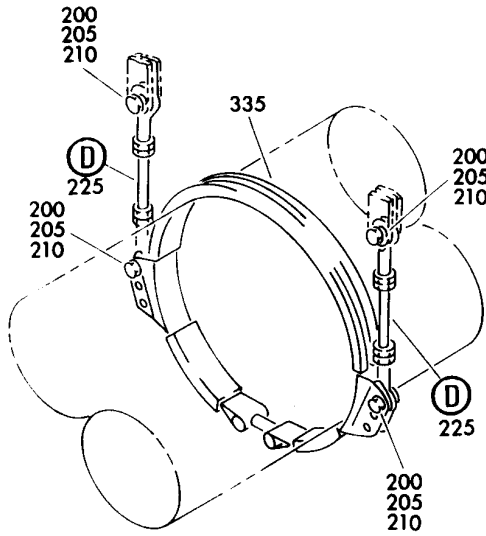
DUCT INSTL-BODY CROSSOVER AIR SUPPLY SYS (DUCTS ONLY)
FIGURE 10 (SHEET 1)

36-11-01-10

HXL
DEC 22/06

36-11-01-10
PAGE 0

BOEING
767
PARTS CATALOG (MAINTENANCE)



V 36110110 SHT 2 REV 123

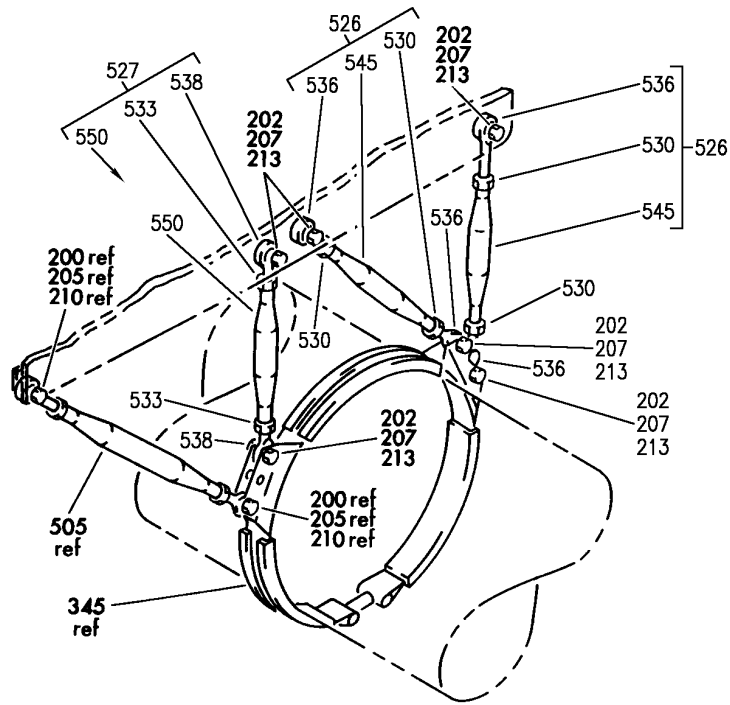
DUCT INSTL-BODY CROSSOVER AIR SUPPLY SYS (DUCTS ONLY)
FIGURE 10 (SHEET 2)

36-11-01-10

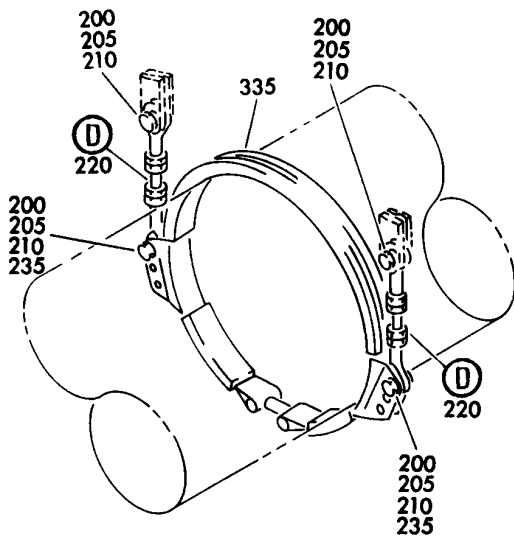
HXL
DEC 22/06

36-11-01-10
PAGE 0A

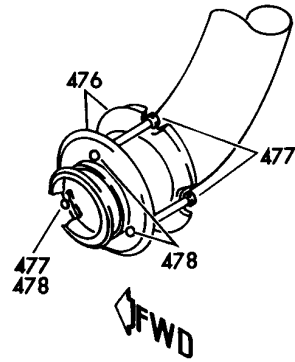
BOEING
767
PARTS CATALOG (MAINTENANCE)



(E)



(G)



(F)

V 36110110 SH1 3 REV 258

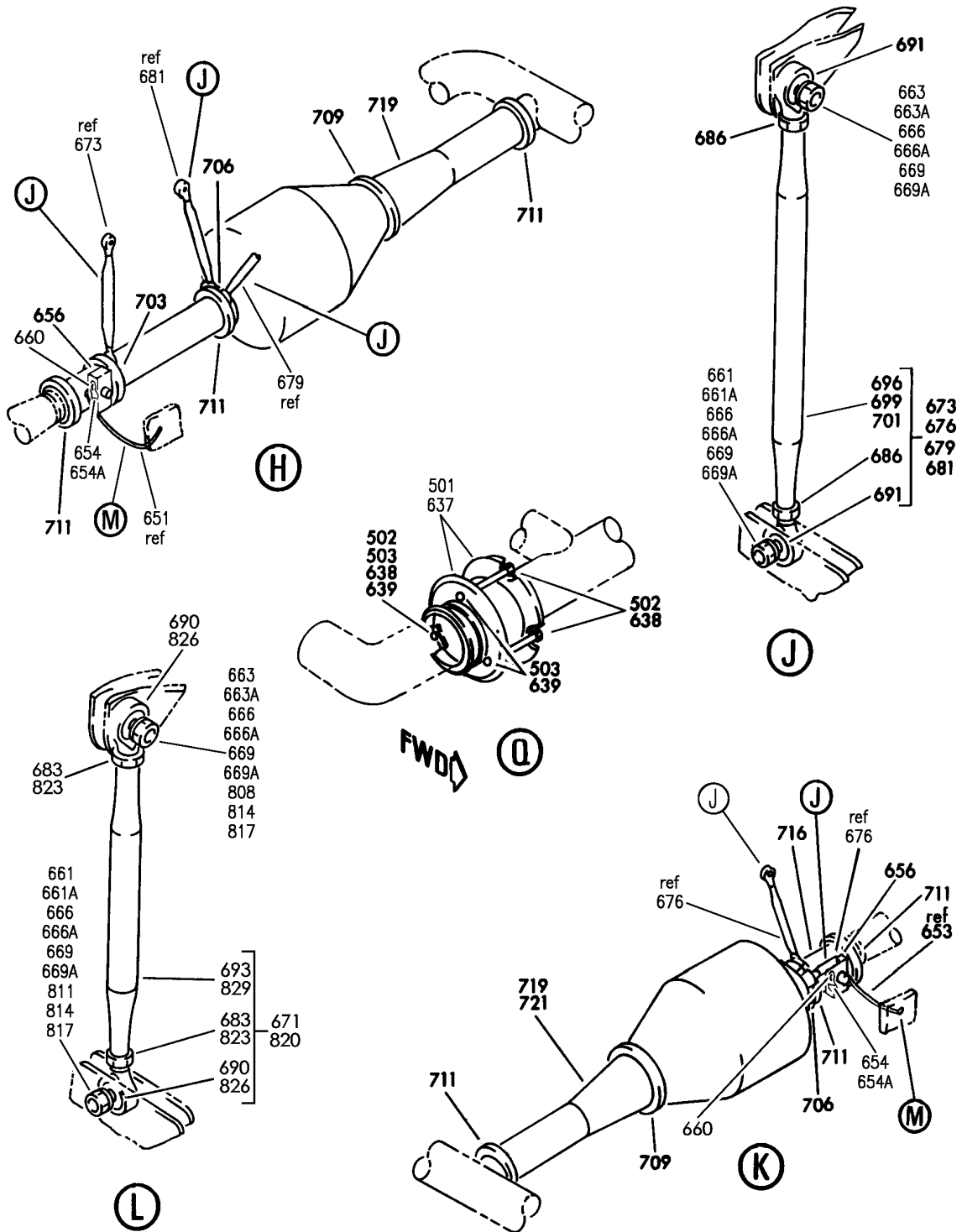
DUCT INSTL-BODY CROSSOVER AIR SUPPLY SYS (DUCTS ONLY)
FIGURE 10 (SHEET 3)

36-11-01-10

HXL
DEC 22/06

36-11-01-10
PAGE 08

BOEING
767
PARTS CATALOG (MAINTENANCE)



V 36110110 SHT 4 REV 333

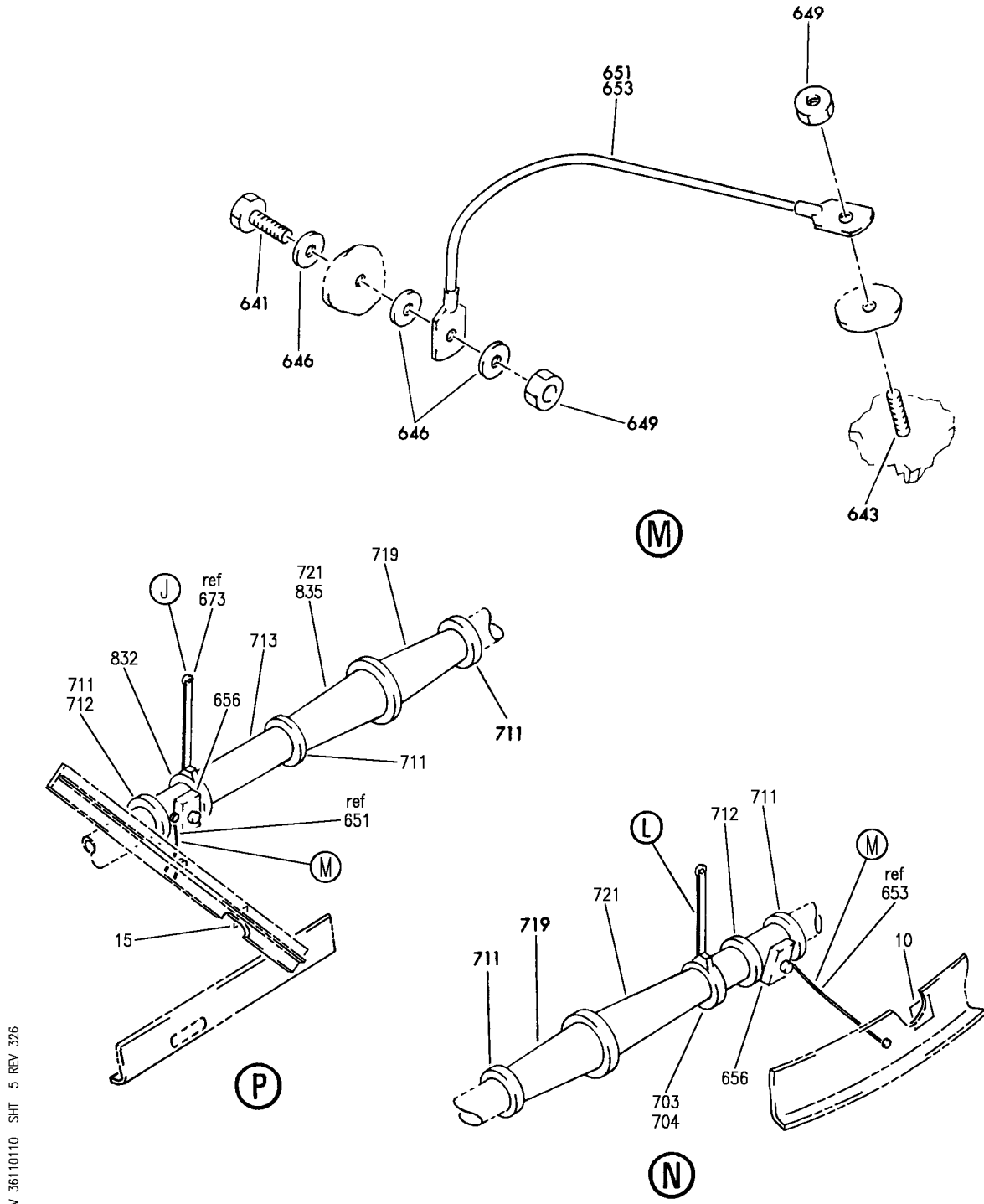
DUCT INSTL-BODY CROSSOVER AIR SUPPLY SYS (DUCTS ONLY)
FIGURE 10 (SHEET 4)

36-11-01-10

HXL
DEC 22/08

36-11-01-10
PAGE 0C

BOEING
767
PARTS CATALOG (MAINTENANCE)



V 36110110 SHT 5 REV 326

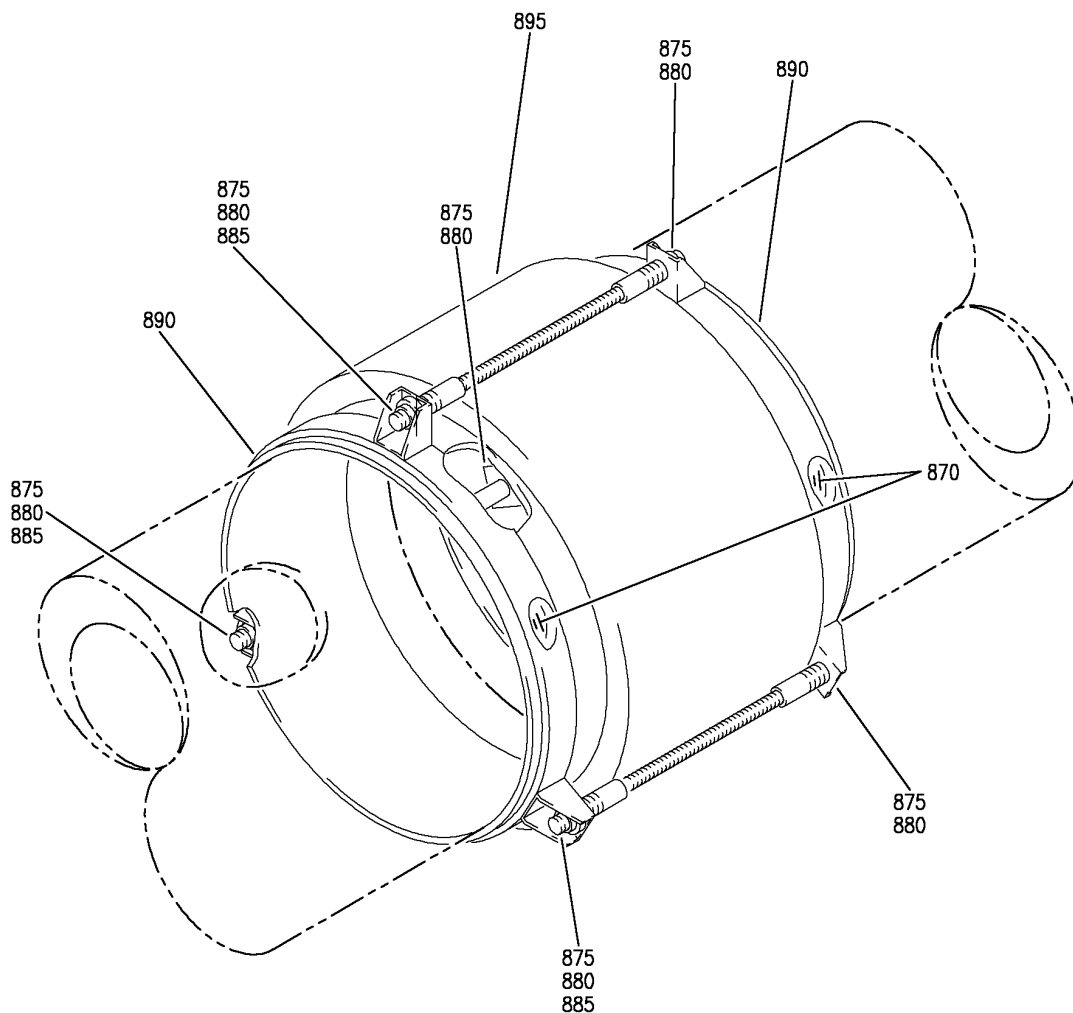
DUCT INSTL-BODY CROSSOVER AIR SUPPLY SYS (DUCTS ONLY)
FIGURE 10 (SHEET 5)

36-11-01-10

HXL
APR 22/08

36-11-01-10
PAGE 0D

BOEING
767
PARTS CATALOG (MAINTENANCE)



V 36110110 SH1 6 REV 252

(R)

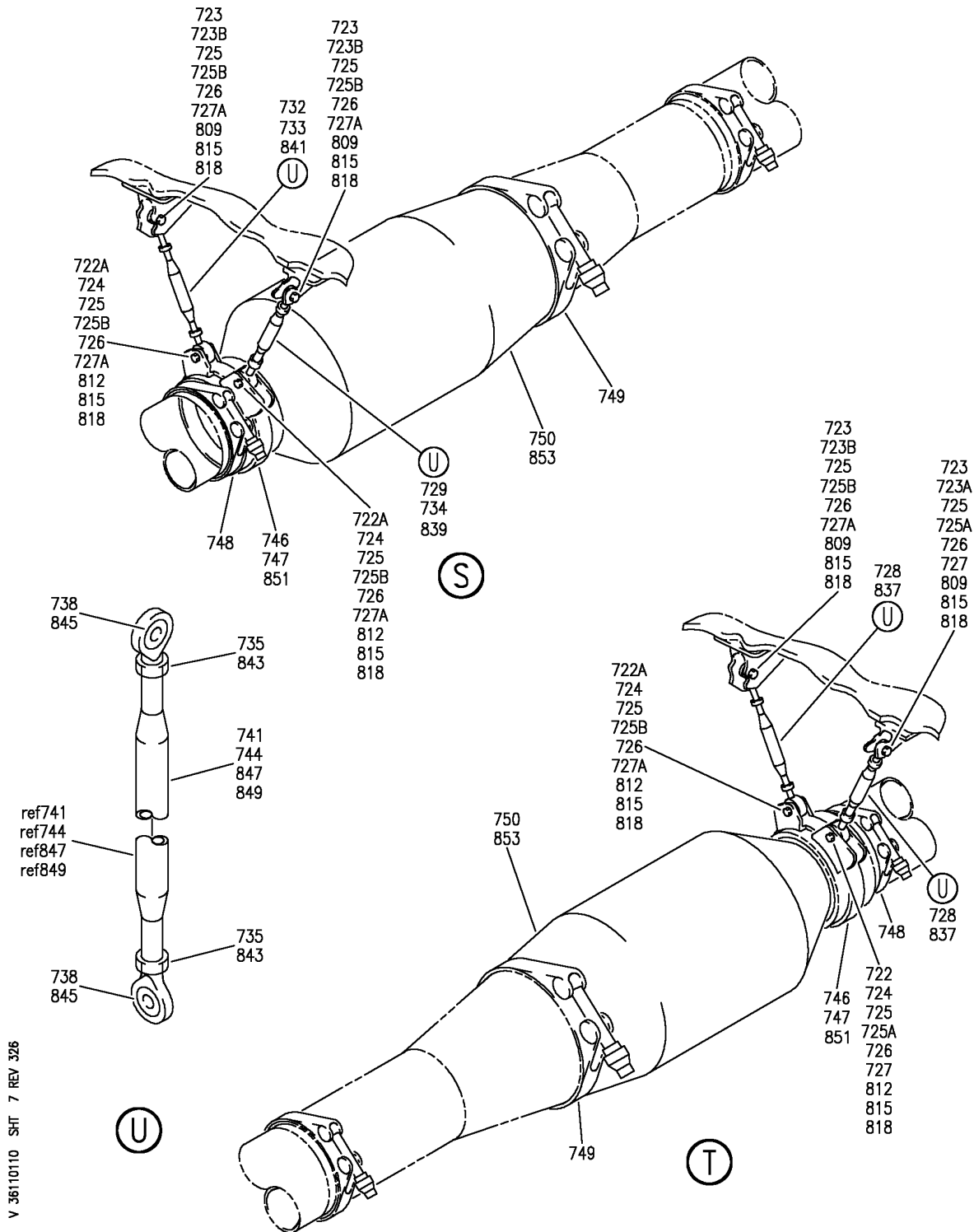
DUCT INSTL-BODY CROSSOVER AIR SUPPLY SYS (DUCTS ONLY)
FIGURE 10 (SHEET 6)

36-11-01-10

HXL
DEC 22/06

36-11-01-10
PAGE 0E

BOEING
767
PARTS CATALOG (MAINTENANCE)



V 36110110 SHT 7 REV 326

DUCT INSTL-BODY CROSSOVER AIR SUPPLY SYS (DUCTS ONLY)
FIGURE 10 (SHEET 7)

36-11-01-10

HXL
AUG 22/08

36-11-01-10
PAGE OF



767

PARTS CATALOG (MAINTENANCE)

FIG ITEM	PART NUMBER	1 2 3 4 5 6 7	NOMENCLATURE	EFFECT FROM TO	UNITS PER ASSY
10			DUCT INSTL-BODY CROSSOVER AIR SUPPLY SYS (DUCTS ONLY)		
- 1	212T3002-22		DUCT INSTL-BODY CROSSOVER AIR SUPPLY SYSTEM (DUCTS ONLY) FOR NHA/OTHER SYS DET SEE: 21-00-00-06		RF
200	NAS6604-10		.BOLT		18
202	NAS6604-10		.BOLT		12
205	AN960PD416L		.WASHER		32
207	AN960PD416L		.WASHER		12
210	BRH10A4		.NUT		32
			SUPPLIER CODE: V52828 SPECIFICATION NUMBER: BACN10JC4 OPTIONAL PART: T6S428J V11815 96-048 V80539 VN303A048 V92215 RMLH9075-4W V72962 NS202101-048 V80539 H10-4BAC V15653		
213	BRH10A4		.NUT		12
			SUPPLIER CODE: V52828 SPECIFICATION NUMBER: BACN10JC4 OPTIONAL PART: T6S428J V11815 96-048 V80539 VN303A048 V92215 RMLH9075-4W V72962 NS202101-048 V80539 H10-4BAC V15653		

ILLUSTRATION ITEMS NOT ON PARTS LIST ARE NOT APPLICABLE

- ITEM NOT ILLUSTRATED

HXL

36-11-01-10

BOEING PROPRIETARY - Copyright © - Unpublished Work - See title page for details.

36-11-01
FIG. 10
PAGE 1
DEC 22/07



767

PARTS CATALOG (MAINTENANCE)

FIG ITEM	PART NUMBER	1 2 3 4 5 6 7	NOMENCLATURE	EFFECT FROM TO	UNITS PER ASSY
10					
220	212T3105-27	.ROD ASSY-			4
		OPTIONAL PART:			
		212T3105-31			
220	212T3105-31	.ROD ASSY-			4
		QUALIFIED I/W DATA:			
		212T3105-31 TOGETHER			
		WITH QTY 2 (2 AN316-5R			
		NUT I/W 212T3105-3			
		OPTIONAL PART:			
		212T3105-27			
225	212T3105-30	.ROD ASSY-			4
		OPTIONAL PART:			
		212T3105-32			
225	212T3105-32	.ROD ASSY-			4
		OPTIONAL PART:			
		212T3105-30			
230	212T3105-25	.ROD ASSY-			1
235	212T3105-26	.ROD ASSY-			1
		OPTIONAL PART:			
		212T3105-33			
235	212T3105-33	.ROD ASSY-			1
		QUALIFIED I/W DATA:			
		212T3105-33 TOGETHER			
		WITH QTY 2 (2 AN316-5R			
		NUT I/W 212T3105-15			
		OPTIONAL PART:			
		212T3105-26			
240	MS21243S04	..BEARING			2
245	NAS354-5-140	..ROD-			1
		USED ON:			
		212T3105-27			
245	NAS354-5-160	..ROD-			1
		USED ON:			
		212T3105-31			
250	NAS354-5-230	..ROD-			1
		USED ON:			
		212T3105-30			
250	NAS354-5-260	..ROD-			1
		USED ON:			
		212T3105-32			
255	NAS354-5-440	..ROD-			1
		USED ON:			
		212T3105-26			
		212T3105-33			
260	NAS354-5-220	..ROD-			1
		USED ON:			
		212T3105-25			

ILLUSTRATION ITEMS NOT ON PARTS LIST ARE NOT APPLICABLE

- ITEM NOT ILLUSTRATED

HXL

36-11-01-10

BOEING PROPRIETARY - Copyright © - Unpublished Work - See title page for details.

36-11-01
FIG. 10
PAGE 2
DEC 22/07



767

PARTS CATALOG (MAINTENANCE)

FIG ITEM	PART NUMBER	1 2 3 4 5 6 7	NOMENCLATURE	EFFECT FROM TO	UNITS PER ASSY
10 335	MB68864F060JGBE	.CLAMP-	SUPPLIER CODE: V98625 SPECIFICATION NUMBER: BACC10FF060BEJG OPTIONAL PART: B01AF060BEJG V10234 3029FF060BEJG V94581 BC1089FF060BEJG V14242 MB68864F060BEJG V00624		4
335 340	BACC10HU060BEJG 14J29600	.CLAMP- .CLAMP	SUPPLIER CODE: V5T400 SPECIFICATION NUMBER: BACC10GY600 OPTIONAL PART: 4385AF600 V94581 PDVC1137600 V14242 NM102701600 V8W928		4 4
345	BC1181	.CLAMP-	SUPPLIER CODE: V14242		2
350	14J29500	.CLAMP	SUPPLIER CODE: V5T400 SPECIFICATION NUMBER: BACC10GY500 OPTIONAL PART: 4385AF500 V94581 PDVC1137500 V14242 NM102701500 V8W928		2

ILLUSTRATION ITEMS NOT ON PARTS LIST ARE NOT APPLICABLE

- ITEM NOT ILLUSTRATED

HXL

36-11-01-10

BOEING PROPRIETARY - Copyright © - Unpublished Work - See title page for details.

36-11-01
FIG. 10
PAGE 3
DEC 22/07



767

PARTS CATALOG (MAINTENANCE)

FIG ITEM	PART NUMBER	1 2 3 4 5 6 7	NOMENCLATURE	EFFECT FROM TO	UNITS PER ASSY
10 355	14J29600S00S		.CLAMP- SUPPLIER CODE: V5T400 SPECIFICATION NUMBER: BACC10GY600S OPTIONAL PART: NH102711600 V8W928 VC1333A600 V14242 PDVC1137600S V14242		3
365	MB68864F060FA		.CLAMP- SUPPLIER CODE: V98625 SPECIFICATION NUMBER: BACC10FF060FA OPTIONAL PART: B01AF060FA V10234 3029FF060FA V94581 BC1089FF060FA V14242 MB68864F060FA V00624		1
365	BACC10HU060FA		.CLAMP-		1
370	MB68864F050FA		.CLAMP- SUPPLIER CODE: V98625 SPECIFICATION NUMBER: BACC10FF050FA OPTIONAL PART: B01AF050FA V10234 3029FF050FA V94581 BC1089FF050FA V14242 MB68864F050FA V00624		1
370	BACC10HU050FA		.CLAMP-		1
440	212T3109-9		.DUCT ASSY- QUALIFIED I/W DATA: 212T3109-44 I/W 212T3109-9 FOR ACFT WITH CF6-80A ENGINES. OPTIONAL PART: 212T3109-14		1

ILLUSTRATION ITEMS NOT ON PARTS LIST ARE NOT APPLICABLE

- ITEM NOT ILLUSTRATED

HXL

36-11-01-10

BOEING PROPRIETARY - Copyright © - Unpublished Work - See title page for details.

36-11-01
FIG. 10
PAGE 4
APR 22/08



767

PARTS CATALOG (MAINTENANCE)

FIG ITEM	PART NUMBER	1 2 3 4 5 6 7	NOMENCLATURE	EFFECT FROM TO	UNITS PER ASSY
10					
440	212T3109-14		. DUCT ASSY- OPTIONAL PART: 212T3109-9		1
440	212T3109-32		. DUCT ASSY- QUALIFIED I/W DATA: 212T3109-42 I/W 212T3109-32 ONLY FOR ACFT NOT HAVING CF6-80A ENGINES. 212T3109-44 I/W 212T3109-32 FOR ACFT WITH CF6-80A ENGINES		1
450	212T3109-11		. DUCT ASSY-		1
450	212T3109-31		. DUCT ASSY- QUALIFIED I/W DATA: 212T3109-41 I/W 212T3109-31 ONLY FOR ACFT NOT HAVING CF6-80A ENGINES 212T3109-43 I/W 212T3109-31 FOR ACFT WITH CF6-80A ENGINES		1
455	212T3115-1		. DUCT ASSY-		2
455	212T3115-14		. DUCT ASSY- QUALIFIED I/W DATA: 212T3115-17 I/W 212T3115-14 ONLY FOR ACFT NOT HAVING CF6-80A ENGINES. 21T3115-18 I/W 212T3115-14 FOR ACFT WITH CF6-80A ENGINES		2
460	212T3115-13		. DUCT ASSY-		1
465	212T3114-22		. DUCT ASSY- QUALIFIED I/W DATA: 212T3114-25 I/W 212T3114-22 ONLY FOR ACFT NOT HAVING CF6-80A ENGINES 212T3114-26 I/W 212T3114-22 FOR ACFT WITH CF6-80A ENGINES		1

ILLUSTRATION ITEMS NOT ON PARTS LIST ARE NOT APPLICABLE

- ITEM NOT ILLUSTRATED

HXL

36-11-01-10

BOEING PROPRIETARY - Copyright © - Unpublished Work - See title page for details.

36-11-01
FIG. 10
PAGE 5
DEC 22/07



767

PARTS CATALOG (MAINTENANCE)

FIG ITEM	PART NUMBER	1 2 3 4 5 6 7	NOMENCLATURE	EFFECT FROM TO	UNITS PER ASSY
10 470	212T3114-21		. DUCT ASSY- QUALIFIED I/W DATA: 212T3114-23 OR -37 I/W 212T3114-21 OR -1 ONLY FOR ACFT NOT HAVING CF6-80A ENGINES 212T3114-24 OR -39 I/W 212T3114-21 OR -1 ONLY FOR ACFT WITH CF6-80A ENGINES		1
475	14A504		.. CONNECTOR ASSY- SUPPLIER CODE: V14711		1
475	14A641-105		.. CONNECTOR ASSY- SUPPLIER CODE: V14711		1
476	460-500		... SEAL- SUPPLIER CODE: V14711		2
476	615-500		... SEAL- SUPPLIER CODE: V60980		2
476	600-500		... SEAL- SUPPLIER CODE: V14711		2
477	H19300-4		... NUT- SUPPLIER CODE: V05653		3
478	10A104-437		... CABLE ASSY- SUPPLIER CODE: V14711 FOR SPARES PROCURE: 14A644-101		3
478	10A669-540		... CABLE ASSY- SUPPLIER CODE: V14711 FOR SPARES PROCURE: 14A644-101		3
480	212T3113-7		. DUCT ASSY- QUALIFIED I/W DATA: 212T3113-12 MAY REPLACE 212T3113-7 FOR AIRCRAFT WITH CF6-80A ENGINES 212T3113-11 MAY REPLACE 212T3113-7 ONLY FOR AIRCRAFT NOT HAVING CF6-80A ENGINES REWORKED BY ALERT SB: 36A0041R4	155162 164999	1

ILLUSTRATION ITEMS NOT ON PARTS LIST ARE NOT APPLICABLE

- ITEM NOT ILLUSTRATED

HXL

36-11-01-10

BOEING PROPRIETARY - Copyright © - Unpublished Work - See title page for details.

36-11-01
FIG. 10
PAGE 6
APR 22/09



767

PARTS CATALOG (MAINTENANCE)

FIG ITEM	PART NUMBER	1 2 3 4 5 6 7	NOMENCLATURE	EFFECT FROM TO	UNITS PER ASSY
10 480	212T3113-10		. DUCT ASSY- QUALIFIED I/W DATA: 212T3113-11 MAY REPLACE 212T3113-10 ONLY FOR AIRCRAFT NOT HAVING CF6-80A ENGINES 212T3113-12 MAY REPLACE 212T3113-10 FOR AIRCRAFT WITH CF6-80A ENGINES		1
480	212T3113-12		. DUCT ASSY- MISCELLANEOUS DATA: 212T3113-12 WAS MADE WITH A GREATER WALL THICKNESS FOR CF6-80A ENGINES WHICH OPERATE WITH HIGHER PRESSURE QUALIFIED I/W DATA: 212T3113-12 MAY REPLACE 212T3113-10 FOR AIRCRAFT WITH CF6-80A ENGINES 212T3113-12 MAY REPLACE 212T3113-7 FOR AIRCRAFT WITH CF6-80A ENGINES POST ALERT SB: 36A0041R4	163163	1
485	212T3110-9		. DUCT ASSY- QUALIFIED I/W DATA: 212T3110-15 MAY REPLACE 212T3110-9 FOR AIRCRAFT WITH CF6-80A ENGINES 212T3110-14 MAY REPLACE 212T3110-9 ONLY FOR AIRCRAFT NOT HAVING CF6-80A ENGINES REWORKED BY ALERT SB: 36A0041R4	155162 164999	1
485	212T3110-13		. DUCT ASSY- QUALIFIED I/W DATA: 212T3110-14 MAY REPLACE 212T3110-13 ONLY FOR AIRCRAFT NOT HAVING CF6-80A ENGINES 212T3110-15 MAY REPLACE 212T3110-13 FOR AIRCRAFT WITH CF6-80A ENGINES		1

ILLUSTRATION ITEMS NOT ON PARTS LIST ARE NOT APPLICABLE

- ITEM NOT ILLUSTRATED

HXL

36-11-01-10

BOEING PROPRIETARY - Copyright © - Unpublished Work - See title page for details.

36-11-01
FIG. 10
PAGE 7
DEC 22/07



767

PARTS CATALOG (MAINTENANCE)

FIG ITEM	PART NUMBER	1 2 3 4 5 6 7	NOMENCLATURE	EFFECT FROM TO	UNITS PER ASSY
10 485	212T3110-15		. DUCT ASSY- MISCELLANEOUS DATA: 212T3110-15 WAS MADE WITH A GREATER WALL THICKNESS FOR CF6-80A ENGINES WHICH OPERATE WITH HIGHER PRESSURE QUALIFIED I/W DATA: 212T3110-15 MAY REPLACE 212T3110-13 FOR AIRCRAFT WITH CF6-80A ENGINES 212T3110-15 MAY REPLACE 212T3110-9 FOR AIRCRAFT WITH CF6-80A ENGINES POST ALERT SB: 36A0041R4	163163	1
495	212T3131-6		. DUCT ASSY-		1
495	212T3131-14		. DUCT ASSY- QUALIFIED I/W DATA: 212T3131-20 I/W 212T3131-14 ONLY FOR ACFT NOT HAVING CF6-80A ENGINES. INCREASED WALL THICKNESS TO INCREASE RELIABILITY AND ADDED NEW CONNECTOR TO MEET PROOF PRESSURE REQUIREMENTS.		1
498	14A500		.. CONNECTOR ASSY- SUPPLIER CODE: V14711		1
498	14A640-101		.. CONNECTOR ASSY- SUPPLIER CODE: V14711		1
501	460-500		TEMPORARY BREAKDOWN FOR: 14A640-101 ... SEAL- SUPPLIER CODE: V14711 OPTIONAL PART: 600-500 V14711		2
501	600-500		... SEAL- SUPPLIER CODE: V14711 OPTIONAL PART: 460-500 V14711		2

ILLUSTRATION ITEMS NOT ON PARTS LIST ARE NOT APPLICABLE

- ITEM NOT ILLUSTRATED

36-11-01-10

36-11-01
FIG. 10
PAGE 8
DEC 22/07

HXL

BOEING
767
PARTS CATALOG (MAINTENANCE)

FIG ITEM	PART NUMBER	1 2 3 4 5 6 7	NOMENCLATURE	EFFECT FROM TO	UNITS PER ASSY
10					
501	615-500		...SEAL- SUPPLIER CODE: V60980		2
502	H19300-4		...NUT- SUPPLIER CODE: V05653		3
503	10A104-480		...CABLE ASSY- SUPPLIER CODE: V14711		3
505	212T3126-49		.ROD ASSY-		2
510	AN316-5R		..NUT		2
515	MS21242S04		..BEARING-		2
520	212T3126-48		..ROD-		1
526	65B41247-152		.ROD ASSY-		4
527	212T3126-42		.ROD ASSY-		2
527	212T3126-27		.ROD ASSY-		2
530	AN316-5R		..NUT		2
533	AN316-5R		..NUT		2
536	KNE4-22		..BEARING- SUPPLIER CODE: V97613		2
538	MS21242S04		..BEARING		2
545	65B41247-153		..ROD		1
550	212T3126-28		..ROD		1
637	615-500		...SEAL- SUPPLIER CODE: V60980		2
637	600-500		...SEAL- SUPPLIER CODE: V14711		2
660	MS9068-014		.PACKING-		2
660	AS3582-014		.PACKING-		2
900			ILLUSTRATION REFERENCE: DUCT INSTL-SECT. 45 APU AIR SUPPLY SYS 36-11-01-95		RF
901			ILLUSTRATION REFERENCE: DUCT INSTL-SECT. 49 CARGO HEAT FWD 21-43-01-01		RF

ILLUSTRATION ITEMS NOT ON PARTS LIST ARE NOT APPLICABLE

- ITEM NOT ILLUSTRATED

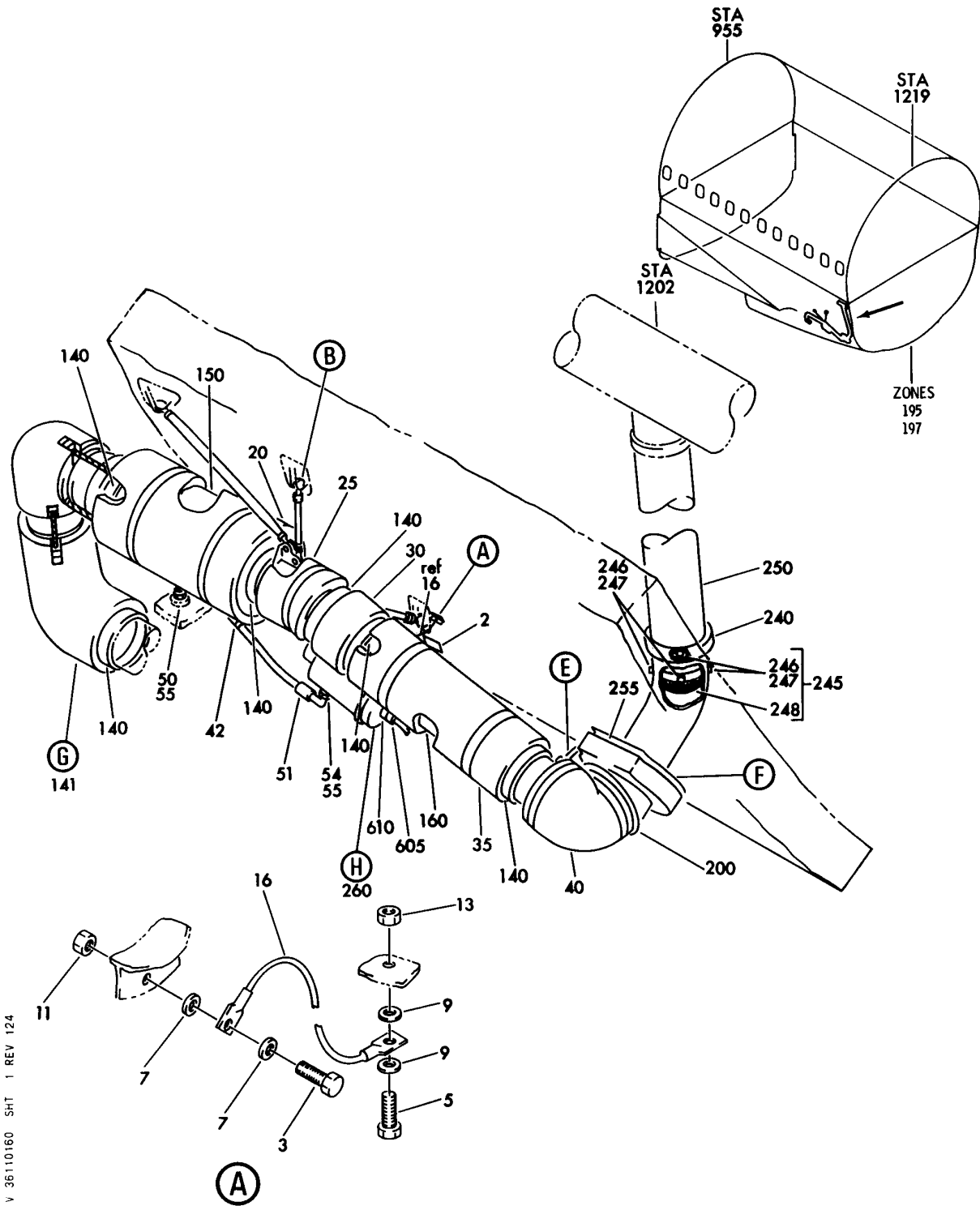
HXL

36-11-01-10

BOEING PROPRIETARY - Copyright © - Unpublished Work - See title page for details.

36-11-01
FIG. 10
PAGE 9
APR 22/09

BOEING
767
PARTS CATALOG (MAINTENANCE)



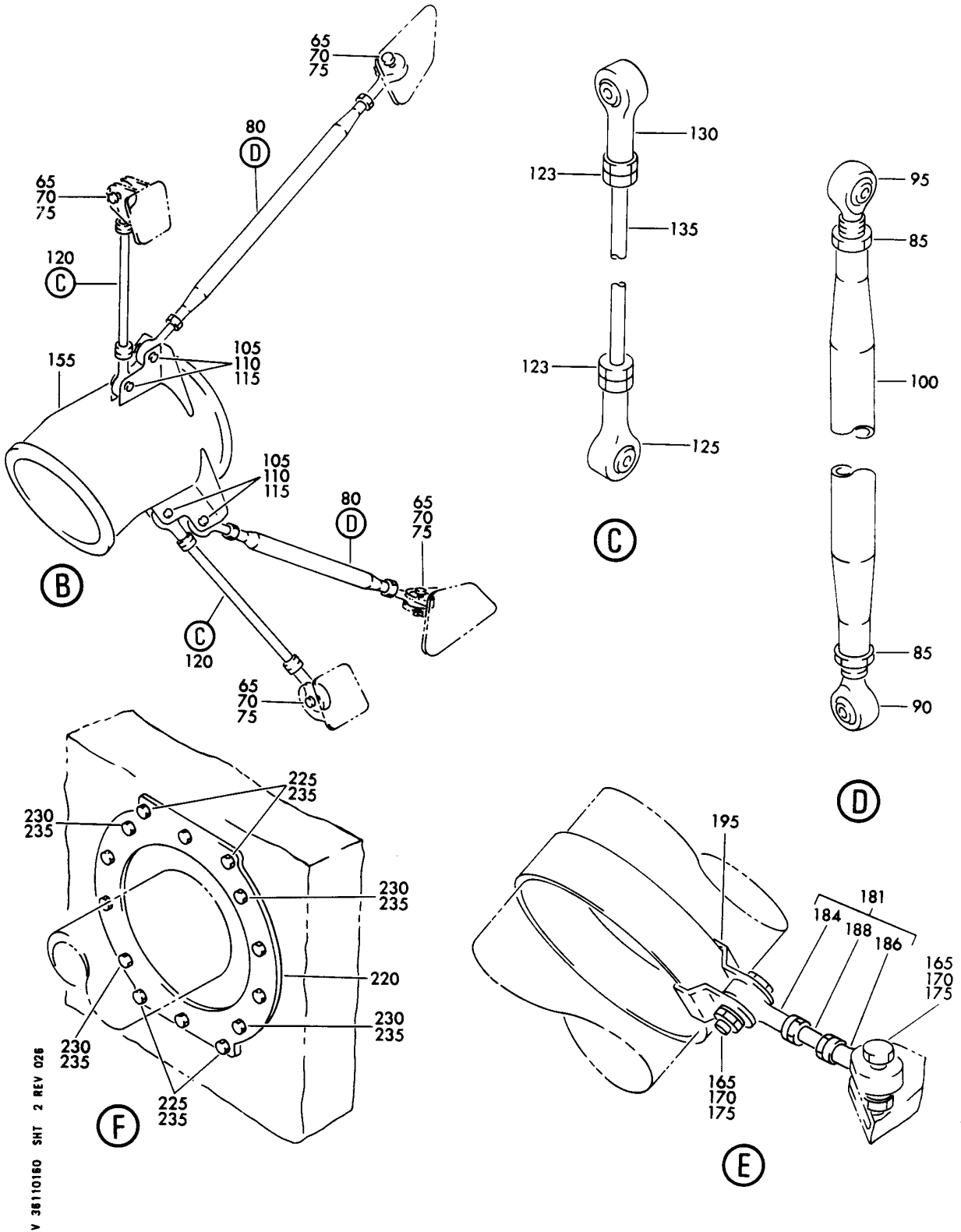
DUCT INSTL-AIR SUPPLY SYS AIR DRIVEN PUMP INLET
FIGURE 60 (SHEET 1)

36-11-01-60

HXL
DEC 22/06

36-11-01-60
PAGE 0

BOEING
767
PARTS CATALOG (MAINTENANCE)



V 361101B0 SHT 2 REV 02B

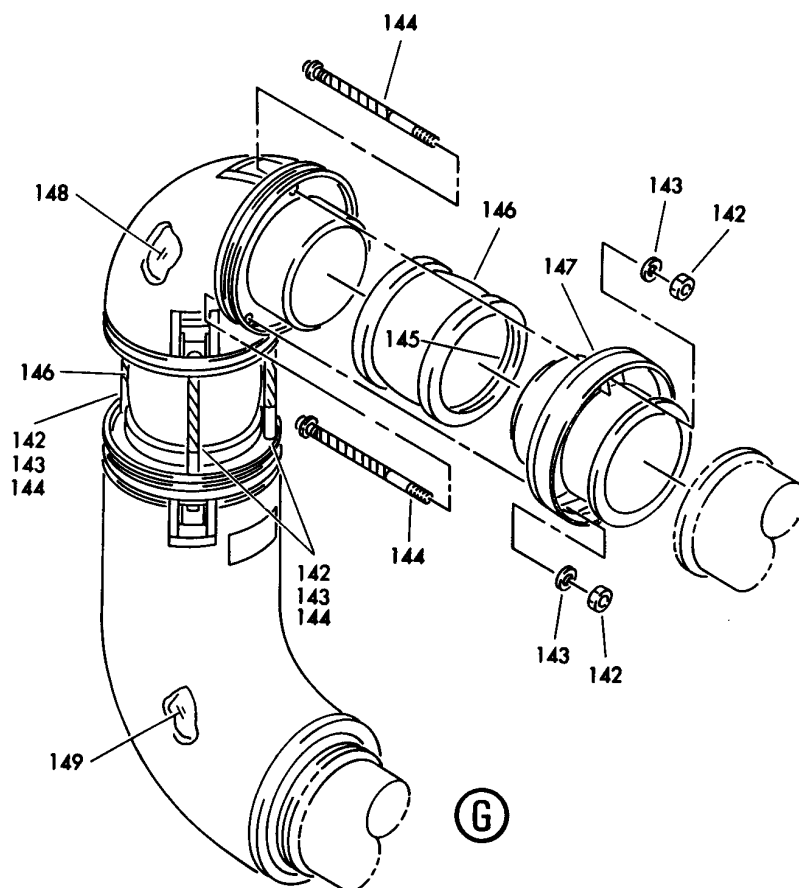
DUCT INSTL-AIR SUPPLY SYS AIR DRIVEN PUMP INLET
FIGURE 60 (SHEET 2)

36-11-01-60

HXL
DEC 22/06

36-11-01-60
PAGE 0A

BOEING
767
PARTS CATALOG (MAINTENANCE)



V 36110160 SHT 3 REV 164

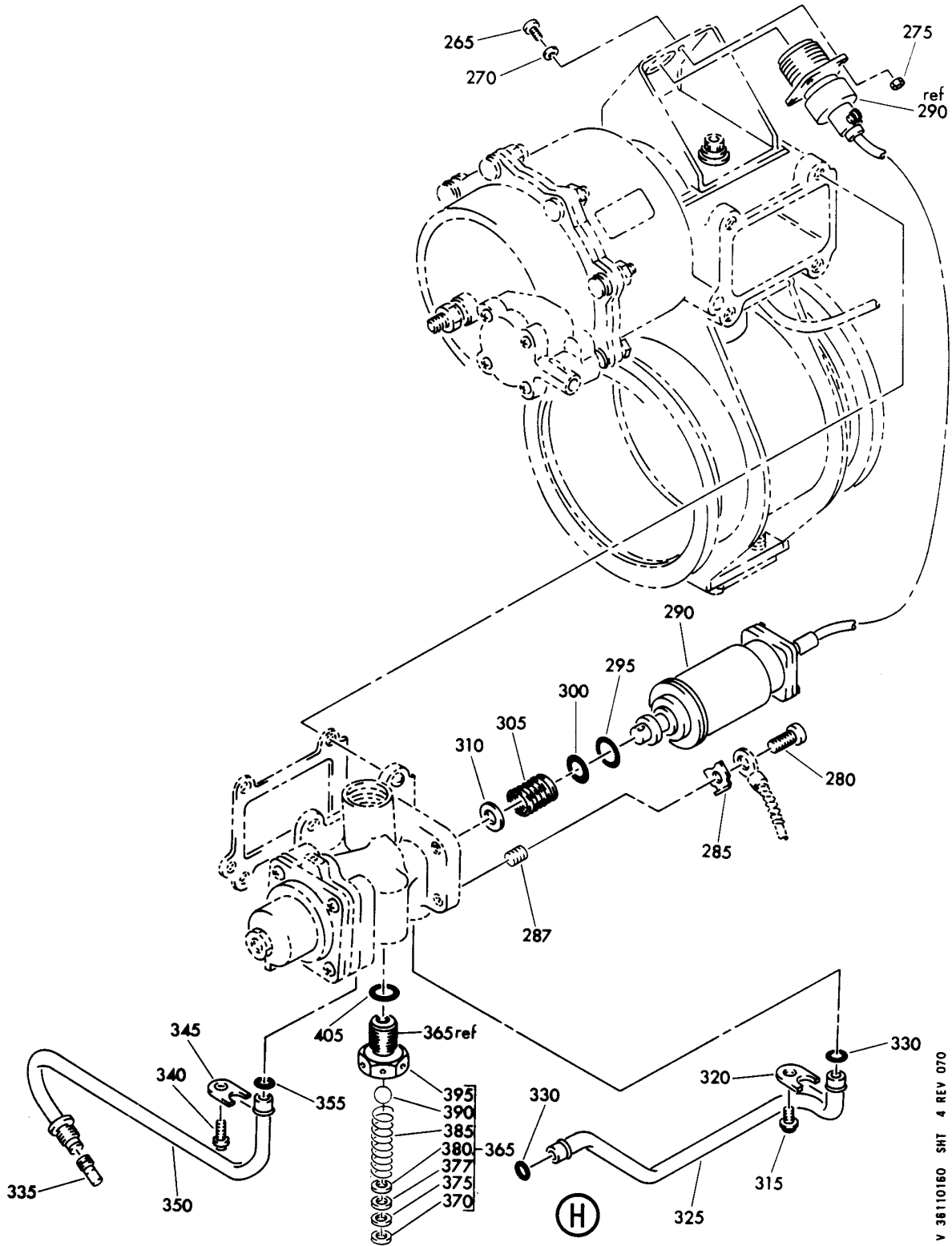
DUCT INSTL-AIR SUPPLY SYS AIR DRIVEN PUMP INLET
FIGURE 60 (SHEET 3)

36-11-01-60

HXL
DEC 22/06

36-11-01-60
PAGE 0B

BOEING
767
PARTS CATALOG (MAINTENANCE)



DUCT INSTL-AIR SUPPLY SYS AIR DRIVEN PUMP INLET
FIGURE 60 (SHEET 4)

36-11-01-60

HXL
DEC 22/06

36-11-01-60
PAGE 0C



767

PARTS CATALOG (MAINTENANCE)

FIG ITEM	PART NUMBER	1 2 3 4 5 6 7	NOMENCLATURE	EFFECT FROM TO	UNITS PER ASSY
60					
- 1	212T3006-1		DUCT INSTL-AIR SUPPLY SYS AIR DRIVEN PUMP INLET	163163	RF
- 1	212T3006-6		DUCT INSTL-AIR SUPPLY SYS AIR DRIVEN PUMP INLET VARIABLE DRAWING REF: 212T3006-5002 FOR NHA SEE: 21-00-00-03A	155162 164999	RF
2	BAC27TEC0138		.MARKER-ALUMINUM FOIL PLACARD CONTENT: VALVE PRESS REGULATOR/SHUTOFF		1
3	NAS563-15		.BOLT		1
5	NAS564-15		.BOLT		1
7	AN960-10L		.WASHER		2
9	AN960PD416L		.WASHER		2
11	BRH10A3		.NUT		1
			SUPPLIER CODE: V52828 SPECIFICATION NUMBER: BACN10JC3 OPTIONAL PART: H10-3BAC V15653 NS202101-02 V80539 RMLH9075-3W V72962 VN303A02 V92215 96-02 V80539 T6S1032J V11815		
ILLUSTRATION ITEMS NOT ON PARTS LIST ARE NOT APPLICABLE					

- ITEM NOT ILLUSTRATED

HXL

36-11-01-60

BOEING PROPRIETARY - Copyright © - Unpublished Work - See title page for details.

36-11-01
FIG. 60
PAGE 1
DEC 22/07



767

PARTS CATALOG (MAINTENANCE)

FIG ITEM	PART NUMBER	1 2 3 4 5 6 7	NOMENCLATURE	EFFECT FROM TO	UNITS PER ASSY
60					
13	BRH10A4	.NUT	SUPPLIER CODE: V52828 SPECIFICATION NUMBER: BACN10JC4 OPTIONAL PART: T6S428J V11815 96-048 V80539 VN303A048 V92215 RMLH9075-4W V72962 NS202101-048 V80539 H10-4BAC V15653		1
16	86654-8	.JUMPER ASSY-	SUPPLIER CODE: V91812 SPECIFICATION NUMBER: BACJ40AC54-8 OPTIONAL PART: 100654-8 V1FF12 RBEJ40AC54-8 V1GK47		1
- 18	212T3006-2	.INSULATION INSTL			RF
20	14A120	..INSULATION ASSY-	SUPPLIER CODE: V14711		1
25	14A119	..INSULATION ASSY-	SUPPLIER CODE: V14711		1
30	14A121	..INSULATION ASSY-	SUPPLIER CODE: V14711		1
35	14A117	..INSULATION ASSY-	SUPPLIER CODE: V14711		1
40	14A113	..INSULATION ASSY-	SUPPLIER CODE: V14711		1

ILLUSTRATION ITEMS NOT ON PARTS LIST ARE NOT APPLICABLE

- ITEM NOT ILLUSTRATED

HXL

36-11-01-60

BOEING PROPRIETARY - Copyright © - Unpublished Work - See title page for details.

36-11-01
FIG. 60
PAGE 2
DEC 22/06



767

PARTS CATALOG (MAINTENANCE)

FIG ITEM	PART NUMBER	1 2 3 4 5 6 7	NOMENCLATURE	EFFECT FROM TO	UNITS PER ASSY
60 42	S392H9		.CLAMP- SUPPLIER CODE: V18076 SPECIFICATION NUMBER: BACC10BU9H OPTIONAL PART: 393CS9HT V83930 JM44LC24S9BW V22175 TA04C44S9HA V84971 ATTACHING PARTS		1
- 44	NAS563-15		.BOLT		1
- 46	AN960PD10L		.WASHER		2
- 48	BRH10A3		.NUT SUPPLIER CODE: V52828 SPECIFICATION NUMBER: BACN10JC3 OPTIONAL PART: H10-3BAC V15653 NS202101-02 V80539 RMLH9075-3W V72962 VN303A02 V92215 96-02 V80539 T6S1032J V11815 -----*-----		1
51	AS117-06-0360		.HOSE ASSY-		1
54	MS21902-6S		.UNION		2

ILLUSTRATION ITEMS NOT ON PARTS LIST ARE NOT APPLICABLE

- ITEM NOT ILLUSTRATED

HXL

36-11-01-60

BOEING PROPRIETARY - Copyright © - Unpublished Work - See title page for details.

36-11-01
FIG. 60
PAGE 3
APR 22/08



767

PARTS CATALOG (MAINTENANCE)

FIG ITEM	PART NUMBER	1 2 3 4 5 6 7	NOMENCLATURE	EFFECT FROM TO	UNITS PER ASSY
60					
55	R1131-906		.PACKING SUPPLIER CODE: V57268 SPECIFICATION NUMBER: BACP11K6 OPTIONAL PART: 3-906S383-70 V02697 1090-06 V95272 150701-06 V95272 AS568-906S32 V11314		2
65	NAS6604-9		.BOLT		4
70	AN960PD416L		.WASHER		4
75	BRH10A4		.NUT SUPPLIER CODE: V52828 SPECIFICATION NUMBER: BACN10JC4 OPTIONAL PART: T6S428J V11815 96-048 V80539 VN303A048 V92215 RMLH9075-4W V72962 NS202101-048 V80539 H10-4BAC V15653		4
80	212T3126-29		.ROD ASSY		2
85	AN316-5R		..NUT		2
90	MS21242S03		..BEARING- OPTIONAL PART: MS21242S03K		1
90	MS21242S03K		..BEARING- OPTIONAL PART: MS21242S03		1
95	RA80-6		..END- SUPPLIER CODE: V76005 OPTIONAL PART: RA80-10 V76005		1

ILLUSTRATION ITEMS NOT ON PARTS LIST ARE NOT APPLICABLE

- ITEM NOT ILLUSTRATED

36-11-01-60

36-11-01
FIG. 60
PAGE 4
DEC 22/06

HXL

BOEING PROPRIETARY - Copyright © - Unpublished Work - See title page for details.



767

PARTS CATALOG (MAINTENANCE)

FIG ITEM	PART NUMBER	1 2 3 4 5 6 7	NOMENCLATURE	EFFECT FROM TO	UNITS PER ASSY
60					
95	RA80-10	..	END- SUPPLIER CODE: V76005 OPTIONAL PART: RA80-6 V76005		1
100	212T3126-30	..	ROD-		1
105	NAS6603-9	.	BOLT		4
110	AN960PD10L	.	WASHER-		4
115	BRH10A3	.	NUT SUPPLIER CODE: V52828 SPECIFICATION NUMBER: BACN10JC3 OPTIONAL PART: H10-3BAC V15653 NS202101-02 V80539 RMLH9075-3W V72962 VN303A02 V92215 96-02 V80539 T6S1032J V11815		4
120	212T3105-19	.	ROD ASSY-		2
120	212T3105-36	.	ROD ASSY-		2
123	AN316-5R	..	NUT- USED ON: 212T3105-19		2
125	MS21243S03	..	BEARING		1
130	RB80-13	..	END- SUPPLIER CODE: V76005		1
135	NAS354-5-341	..	ROD- USED ON: 212T3105-36		1
135	NAS354-5-320	..	ROD- USED ON: 212T3105-19 212T3105-28		1

ILLUSTRATION ITEMS NOT ON PARTS LIST ARE NOT APPLICABLE

- ITEM NOT ILLUSTRATED

HXL

36-11-01-60

BOEING PROPRIETARY - Copyright © - Unpublished Work - See title page for details.

36-11-01
FIG. 60
PAGE 5
DEC 22/06



767

PARTS CATALOG (MAINTENANCE)

FIG ITEM	PART NUMBER	1 2 3 4 5 6 7	NOMENCLATURE	EFFECT FROM TO	UNITS PER ASSY
60 140	14J29400		.CLAMP- SUPPLIER CODE: V5T400 SPECIFICATION NUMBER: BACC10GY400 OPTIONAL PART: 4385AF400 V94581 PDVC1137400 V14242 NM102701400 V8W928		6
140	14J29400E		.COUPLING- SUPPLIER CODE: V5T400 SPECIFICATION NUMBER: BACC10GY400E OPTIONAL PART: 4385AF400E V94581 PDVC1137400E V14242 NM102701400E V8W928		6
141	14A508		.DUCT ASSY- SUPPLIER CODE: V14711		1
142	H19300-4		..NUT- SUPPLIER CODE: V05653 USED ON: 14A508		6
143	K19301-4		..WASHER- SUPPLIER CODE: V15653 USED ON: 14A508		6
144	10A104-437		..CABLE ASSY- SUPPLIER CODE: V14711 USED ON: 14A508		6
145	460-400		..SEAL- SUPPLIER CODE: V60980 USED ON: 14A508		4

ILLUSTRATION ITEMS NOT ON PARTS LIST ARE NOT APPLICABLE

- ITEM NOT ILLUSTRATED

36-11-01-60

36-11-01
FIG. 60
PAGE 6
AUG 22/07

HXL

BOEING
767
PARTS CATALOG (MAINTENANCE)

FIG ITEM	PART NUMBER	1 2 3 4 5 6 7	NOMENCLATURE	EFFECT FROM TO	UNITS PER ASSY
60					
146	10A347-400-250		.. HOUSING- SUPPLIER CODE: V14711 USED ON: 14A508		2
147	14A543		.. DUCT-END SUPPLIER CODE: V14711 USED ON: 14A508		1
148	14A542		.. DUCT ASSY- SUPPLIER CODE: V14711 USED ON: 14A508		1
149	14A541		.. DUCT ASSY- SUPPLIER CODE: V14711 USED ON: 14A508		1
150	3224702-2		. MUFFLER- SUPPLIER CODE: V59364 SPECIFICATION NUMBER: S271T002-10		1
155	212T3135-1		. DUCT ASSY		1
160	212T3122-2		. DUCT ASSY-	163163	1
160	212T3122-6		. DUCT ASSY-	155162 164999	1
165	NAS6604-9		. BOLT		2
170	AN960PD416L		. WASHER		2
175	BRH10A4		. NUT SUPPLIER CODE: V52828 SPECIFICATION NUMBER: BACN10JC4 OPTIONAL PART: T6S428J V11815 96-048 V80539 VN303A048 V92215 RMLH9075-4W V72962 NS202101-048 V80539 H10-4BAC V15653		2
ILLUSTRATION ITEMS NOT ON PARTS LIST ARE NOT APPLICABLE					

- ITEM NOT ILLUSTRATED

HXL

36-11-01-60

BOEING PROPRIETARY - Copyright © - Unpublished Work - See title page for details.

36-11-01
FIG. 60
PAGE 7
DEC 22/07

 **BOEING**
767
PARTS CATALOG (MAINTENANCE)

FIG ITEM	PART NUMBER	1 2 3 4 5 6 7	NOMENCLATURE	EFFECT FROM TO	UNITS PER ASSY
60					
181	212T3105-23	.ROD ASSY-			1
		OPTIONAL PART:			
		212T3105-29			
181	212T3105-29	.ROD ASSY-			1
		OPTIONAL PART:			
		212T3105-23			
184	MS21243S04	..BEARING			1
186	RB80-13	..END-			1
		SUPPLIER CODE:			
		V76005			
188	NAS354-5-170	..ROD-			1
		OPTIONAL PART:			
		NAS354-5-160			
188	NAS354-5-160	..ROD-			1
		OPTIONAL PART:			
		NAS354-5-170			
195	3010CA3	.CLAMP-			1
		SUPPLIER CODE:			
		V94581			
200	212T3433-5	.RING			1
		ATTACHING PARTS			
- 205	NAS6603-4	.BOLT			12
- 210	AN960D10L	.WASHER			12
- 215	BRH10A3	.NUT			12
		SUPPLIER CODE:			
		V52828			
		SPECIFICATION NUMBER:			
		BACN10JC3			
		OPTIONAL PART:			
		H10-3BAC			
		V15653			
		NS202101-02			
		V80539			
		RMLH9075-3W			
		V72962			
		VN303A02			
		V92215			
		96-02			
		V80539			
		T6S1032J			
		V11815			
		-----*-----			
220	212T3433-4	.RING			1
		ATTACHING PARTS			
225	NAS6603-11	.BOLT			6
230	NAS6603-9	.BOLT			8
235	AN960D10L	.WASHER			14
		-----*-----			

ILLUSTRATION ITEMS NOT ON PARTS LIST ARE NOT APPLICABLE

- ITEM NOT ILLUSTRATED

HXL

36-11-01-60

BOEING PROPRIETARY - Copyright © - Unpublished Work - See title page for details.

36-11-01
FIG. 60
PAGE 8
DEC 22/07



767

PARTS CATALOG (MAINTENANCE)

FIG ITEM	PART NUMBER	1 2 3 4 5 6 7	NOMENCLATURE	EFFECT FROM TO	UNITS PER ASSY
60 240	14J29450		.CLAMP SUPPLIER CODE: V5T400 SPECIFICATION NUMBER: BACC10GY450 OPTIONAL PART: 4385AF450 V94581 PDVC1137450 V14242 NM102701450 V8W928		1
245	212T3134-1		.DUCT ASSY-	163163	1
245	212T3134-8		.DUCT ASSY- QUALIFIED I/W DATA: 212T3134-9 I/W 212T3134-8 ONLY FOR ACFT NOT HAVING CF6-80A ENGINES	155162 164999	1
R 246	BACB30DX6A33		..BOLT		4
247	LC2M6V		..COLLAR SUPPLIER CODE: V17446 SPECIFICATION NUMBER: BACC30Q6 OPTIONAL PART: LC2M6 V29666 LC2M6V V11815 LC2M6V V05693		4
248	69B90455-1		..SCREEN ASSY- FOR SPARES PROCURE: 654U6625-1564		1
250	212T3122-1		.DUCT ASSY-	163163	1
250	212T3122-5		.DUCT ASSY-	155162 164999	1
255	BOE2038-0016		.SEAL-AIR DRIVEN PUMP DUCT PRESSURE AND VAPOR SUPPLIER CODE: V16632 SPECIFICATION NUMBER: S210T121-16		1

ILLUSTRATION ITEMS NOT ON PARTS LIST ARE NOT APPLICABLE

- ITEM NOT ILLUSTRATED

HXL

36-11-01-60

BOEING PROPRIETARY - Copyright © - Unpublished Work - See title page for details.

36-11-01
FIG. 60
PAGE 9
AUG 22/09



767

PARTS CATALOG (MAINTENANCE)

FIG ITEM	PART NUMBER	1 2 3 4 5 6 7	NOMENCLATURE	EFFECT FROM TO	UNITS PER ASSY
60 260	3214334-2	.	VALVE ASSY-PRESSURE REGULATOR SUPPLIER CODE: V59364 SPECIFICATION NUMBER: S271T002-14 ELECTRICAL EQUIP NUMBER: V00129 COMPONENT MAINT MANUAL REF: 29-11-07 OPTIONAL PART: 3214334-3 V59364 OPTIONAL PART: 3214334-1 V59364		1
260	3214334-1	.	VALVE ASSY-PRESSURE REGULATOR PNEU DRIVE ASSY WITH INTEGRAL HYDR PUMP SHUTOFF SUPPLIER CODE: V59364 SPECIFICATION NUMBER: S271T002-4 ELECTRICAL EQUIP NUMBER: V00129 COMPONENT MAINT MANUAL REF: 29-11-07 OPTIONAL PART: 3214334-2 V59364		1
260	3214334-3	.	VALVE ASSY-PRESSURE REGULATOR SUPPLIER CODE: V59364 SPECIFICATION NUMBER: S271T002-14 COMPONENT MAINT MANUAL REF: 29-11-07 OPTIONAL PART: 3214334-2 V59364 POST AIRLINE MOD: COA29-8100 VJAL		1
265	MS51957-14	..	SCREW- CONFIG CHG DATA FROM A CMM: REPLACED BY MS51957-15		4

ILLUSTRATION ITEMS NOT ON PARTS LIST ARE NOT APPLICABLE

- ITEM NOT ILLUSTRATED

36-11-01-60

36-11-01
FIG. 60
PAGE 10
AUG 22/09

HXL



767

PARTS CATALOG (MAINTENANCE)

FIG ITEM	PART NUMBER	1 2 3 4 5 6 7	NOMENCLATURE	EFFECT FROM TO	UNITS PER ASSY
60					
265	MS51957-15	..	SCREW- CONFIG CHG DATA FROM A CMM: REPLACES MS51957-14		4
270	AN960C4	..	WASHER		4
275	MS21043-04	..	NUT		4
280	MS51957-45	..	SCREW		3
285	3160543-1	..	CLIP- SUPPLIER CODE: V59364		3
287	MS21209C0815L	..	INSERT		5
290	320511-2	..	VALVE ASSY-SOLENOID SUPPLIER CODE: V59364 SB DATA FROM A CMM: PRE SB 29-0009 CONFIG CHG DATA FROM A CMM: SUPSD BY 320511-5		1
290	320511-5	..	VALVE ASSY-SOLENOID SUPPLIER CODE: V59364 SB DATA FROM A CMM: POST SB 29-0009 CONFIG CHG DATA FROM A CMM: SUPERSEDES 320511-2		1
295	S8990-564	..	PACKING- SUPPLIER CODE: V59364		1
300	S8990-563	..	PACKING- SUPPLIER CODE: V59364		1
305	967592-1	..	SPRING-HELICAL COMPRESSION SUPPLIER CODE: V59364		1
310	S8157N91-010	..	WASHER- SUPPLIER CODE: V59364		1
315	S9073C08-6R	..	SCREW- SUPPLIER CODE: V59364 CONFIG CHG DATA FROM A CMM: REPLACED BY MS51957-43		1
315	MS51957-43	..	SCREW- CONFIG CHG DATA FROM A CMM: REPLACES S9073C08-6R		1
320	886903-1	..	RETAINER-TUBE SUPPLIER CODE: V59364		1

ILLUSTRATION ITEMS NOT ON PARTS LIST ARE NOT APPLICABLE

- ITEM NOT ILLUSTRATED

36-11-01-60

36-11-01
FIG. 60
PAGE 11
AUG 22/09

HXL

BOEING PROPRIETARY - Copyright © - Unpublished Work - See title page for details.



767

PARTS CATALOG (MAINTENANCE)

FIG ITEM	PART NUMBER	1 2 3 4 5 6 7	NOMENCLATURE	EFFECT FROM TO	UNITS PER ASSY
60					
325	3170070-1	..	TUBE-METAL SUPPLIER CODE: V59364 CONFIG CHG DATA FROM A CMM: REPLACED BY 3171668-1		1
325	3171668-1	..	TUBE-METAL SUPPLIER CODE: V59364 CONFIG CHG DATA FROM A CMM: REPLACED 3170070-1		1
330	S8990-010	..	PACKING- SUPPLIER CODE: V59364		2
335	3168987-2	..	FILTER-AIR SUPPLIER CODE: V59364		1
340	MS51957-43	..	SCREW-AIR		1
345	886903-1	..	RETAINER-TUBE SUPPLIER CODE: V59364		1
350	3170063-1	..	TUBE-METAL SUPPLIER CODE: V59364 CONFIG CHG DATA FROM A CMM: REPLACED BY 3171667-1		1
350	3171667-1	..	TUBE-METAL SUPPLIER CODE: V59364 CONFIG CHG DATA FROM A CMM: REPLACES 3170063-1)		1
355	S8990-010	..	PACKING- SUPPLIER CODE: V59364		1
365	97261-19	..	VALVE ASSY-RELIEF AIR THROTTLING SUPPLIER CODE: V59364		1
370	MS16625-1025	...	RING		1
375	S8157N82-010	...	WASHER-0.010 IN. THICK SUPPLIER CODE: V59364 SELECT FROM ITEM.		AR
-375A	S8157N82-005	...	WASHER-0.005 IN. THICK SUPPLIER CODE: V59364 SELECT FROM ITEM.		AR

ILLUSTRATION ITEMS NOT ON PARTS LIST ARE NOT APPLICABLE

- ITEM NOT ILLUSTRATED

36-11-01-60

36-11-01
FIG. 60
PAGE 12
AUG 22/09

HXL



767

PARTS CATALOG (MAINTENANCE)

FIG ITEM	PART NUMBER	1 2 3 4 5 6 7	NOMENCLATURE	EFFECT FROM TO	UNITS PER ASSY
60 -375B	S8157N82-003		...WASHER-0.003 IN. THICK SUPPLIER CODE: V59364		AR
377	91610-12		...SCREEN- SUPPLIER CODE: V59364		1
380	S8157N82-016		...WASHER- SUPPLIER CODE: V59364		1
385	858683-1		...SPRING-HELICAL CPRSN SUPPLIER CODE: V59364		1
390	MS9461-05		...BALL		1
395	112044-3		...HOUSING- SUPPLIER CODE: V59364		1
405	S8990-012		..PACKING- SUPPLIER CODE: V59364		1
- 600 605	286T0596-300 GS3417-12C		WIRE BUNDLE ASSY .CLAMP- SUPPLIER CODE: V06324 SPECIFICATION NUMBER: BACC10HF12 OPTIONAL PART: S2125-12-8 V07418 ELECTRICAL EQUIP NUMBER: D00352T WIRING DIAGRAM REF: 291132		RF 1
610	R071012R3SNL		.CONNECTOR- SUPPLIER CODE: V41118 SPECIFICATION NUMBER: BACC63BP12R3SNL OPTIONAL PART: CN0966-12A03S V13556 ZZYA0-12D12-03S V49367 48-06R12-3SN266 V02660 ELECTRICAL EQUIP NUMBER: D00352 WIRING DIAGRAM REF: 291132		1

ILLUSTRATION ITEMS NOT ON PARTS LIST ARE NOT APPLICABLE

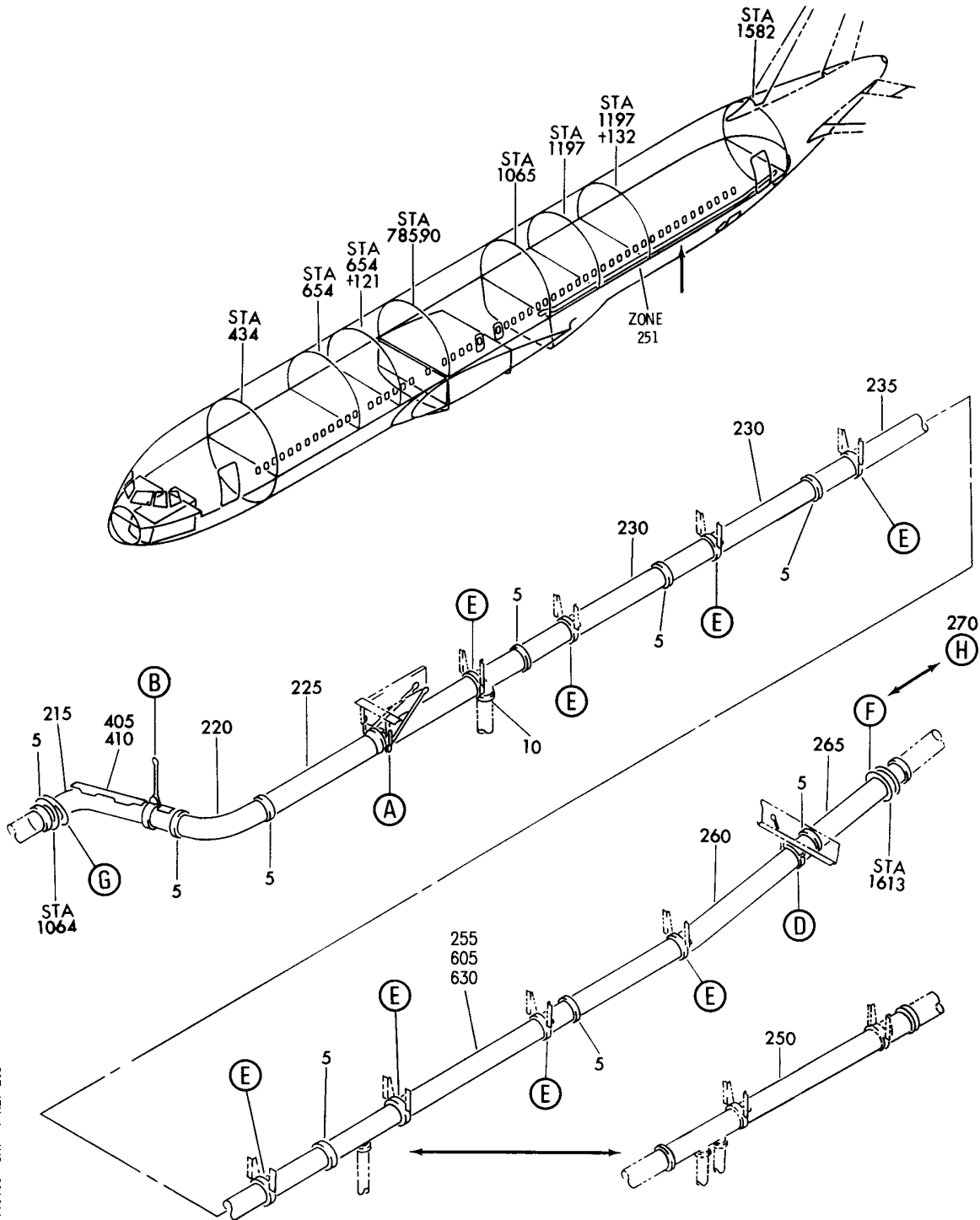
- ITEM NOT ILLUSTRATED

36-11-01-60

36-11-01
FIG. 60
PAGE 13
AUG 22/09

HXL

BOEING
767
PARTS CATALOG (MAINTENANCE)



V 36110166 SHT 1 REV 263

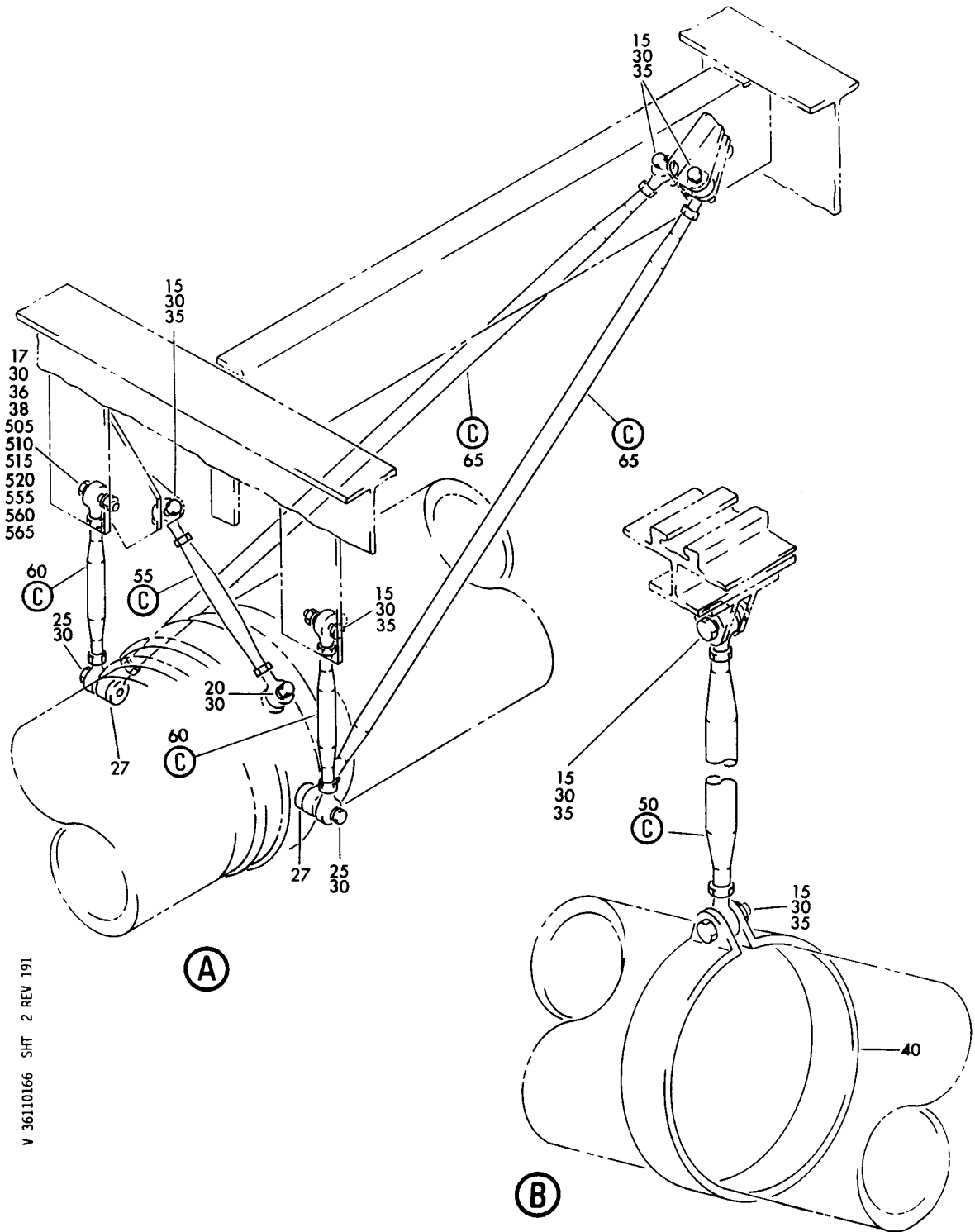
DUCT INSTL-APU AIR SUPPLY SYS, AFT AND BULK CARGO HEAT 767-300
FIGURE 66 (SHEET 1)

36-11-01-66

HXL
DEC 22/06

36-11-01-66
PAGE 0

BOEING
767
PARTS CATALOG (MAINTENANCE)



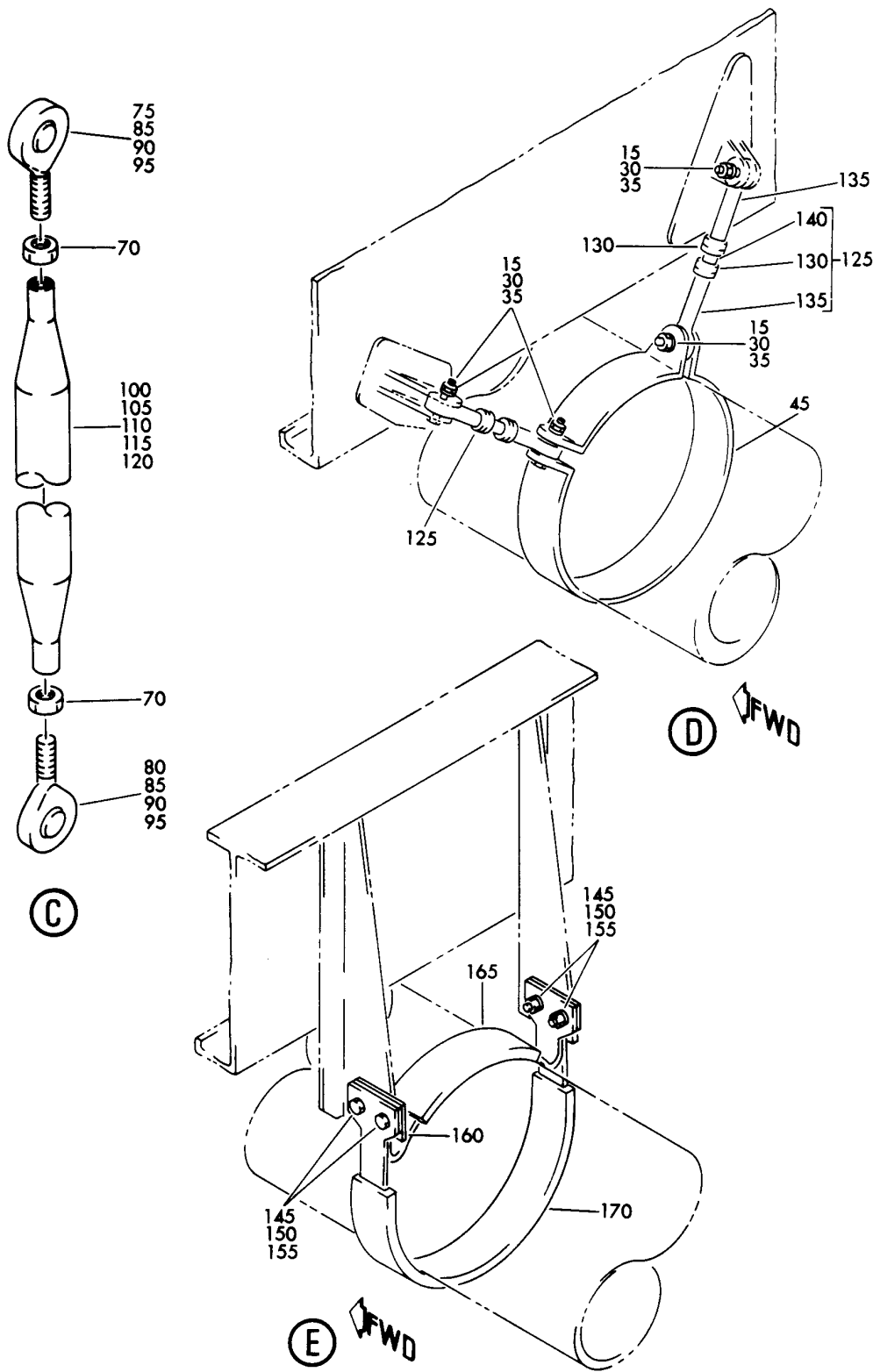
DUCT INSTL-APU AIR SUPPLY SYS, AFT AND BULK CARGO HEAT 767-300
FIGURE 66 (SHEET 2)

36-11-01-66

HXL
DEC 22/06

36-11-01-66
PAGE 0A

BOEING
767
PARTS CATALOG (MAINTENANCE)



V 36110166 SH1 3 REV 049

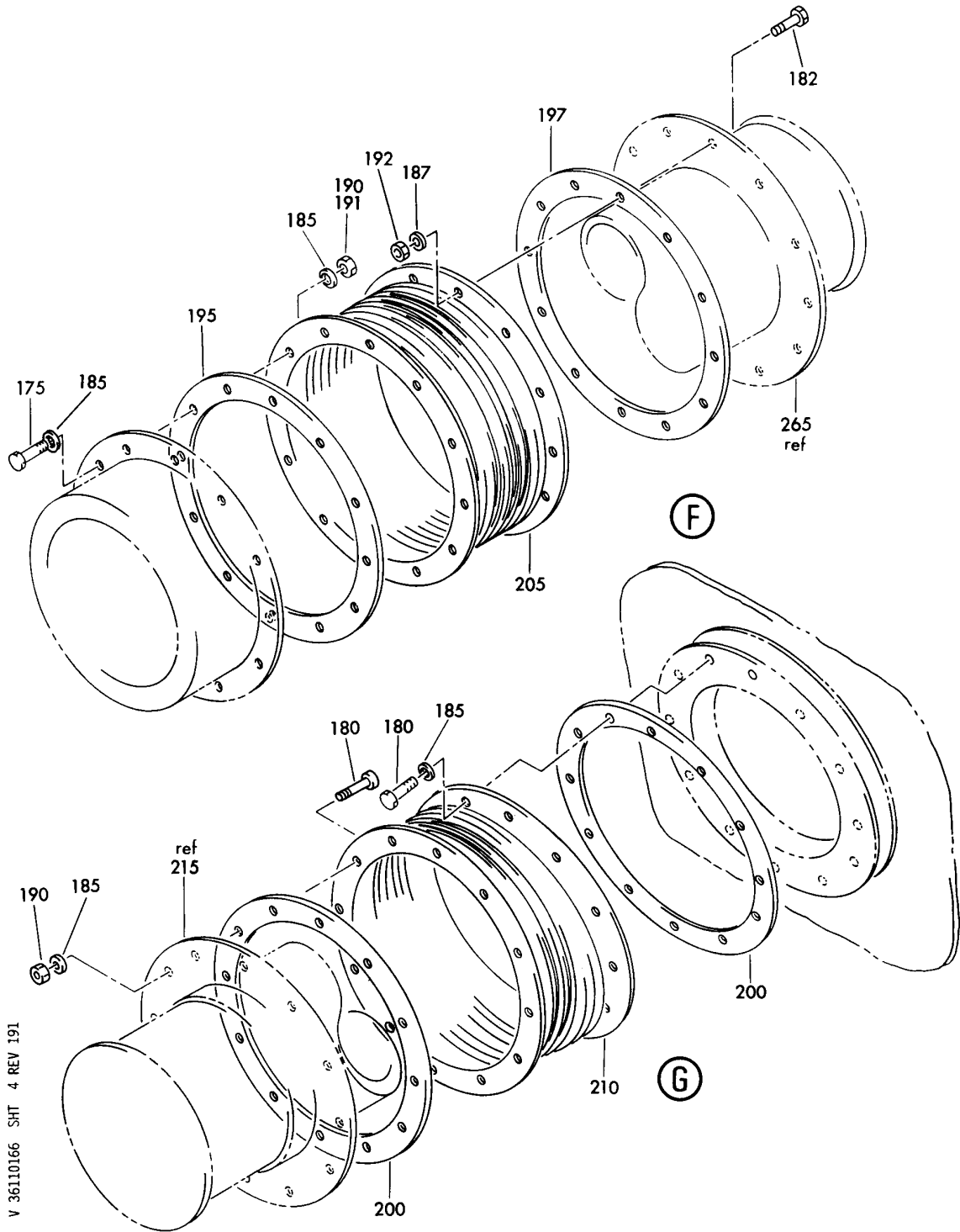
DUCT INSTL-APU AIR SUPPLY SYS, AFT AND BULK CARGO HEAT 767-300
FIGURE 66 (SHEET 3)

36-11-01-66

HXL
DEC 22/06

36-11-01-66
PAGE 0B

BOEING
767
PARTS CATALOG (MAINTENANCE)



V 36110166 SHT 4 REV 191

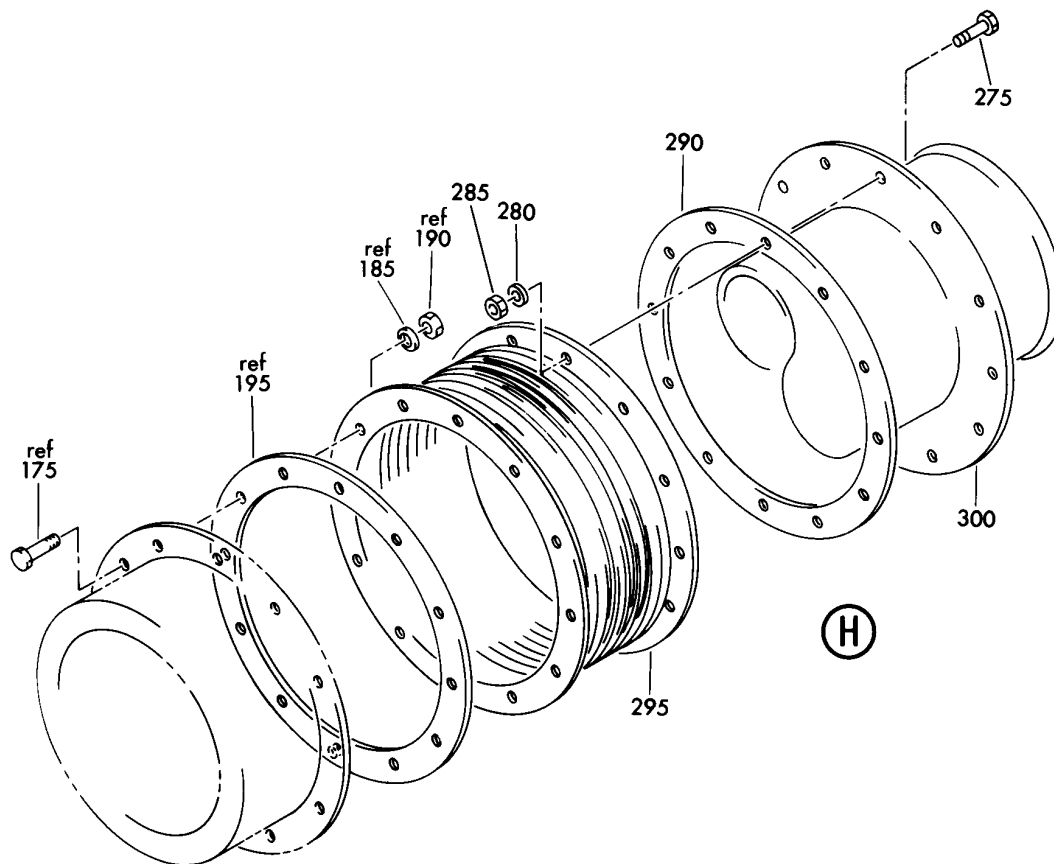
DUCT INSTL-APU AIR SUPPLY SYS, AFT AND BULK CARGO HEAT 767-300
FIGURE 66 (SHEET 4)

HXL
DEC 22/06

36-11-01-66

36-11-01-66
PAGE 0C

BOEING
767
PARTS CATALOG (MAINTENANCE)



V 36110166 SHT 5 REV 104

DUCT INSTL-APU AIR SUPPLY SYS, AFT AND BULK CARGO HEAT 767-300
FIGURE 66 (SHEET 5)

36-11-01-66

HXL
DEC 22/06

36-11-01-66
PAGE 0D

BOEING
767
PARTS CATALOG (MAINTENANCE)

FIG ITEM	PART NUMBER	1 2 3 4 5 6 7	NOMENCLATURE	EFFECT FROM TO	UNITS PER ASSY
66			DUCT INSTL-APU AIR SUPPLY SYS, AFT AND BULK CARGO HEAT 767-300		
- 1	212T3004-19		DUCT INSTL-APU AIR SUPPLY SYS. CARGO HEAT 767-300 POSITION DATA: AFT FOR NHA SEE: 21-00-00-03A	163163	RF
- 1	212T3004-20		DUCT INSTL-APU AIR SUPPLY SYS. CARGO HEAT 767-300 POSITION DATA: AFT FOR NHA SEE: 21-00-00-03A	155162 164999	RF
5	14J29600		.CLAMP- SUPPLIER CODE: V5T400 SPECIFICATION NUMBER: BACC10GY600 OPTIONAL PART: 4385AF600 V94581 PDVC1137600 V14242 NM102701600 V8W928		9
10	14J29450		.CLAMP- SUPPLIER CODE: V5T400 SPECIFICATION NUMBER: BACC10GY450 OPTIONAL PART: 4385AF450 V94581 PDVC1137450 V14242 NM102701450 V8W928		1
15	BACB30NM4K10		.BOLT-		10
17	BACB30NM4K10		.BOLT		1
20	BACB30NM4K7		.BOLT-		1
25	BACB30NM4K14		.BOLT-		2
30	AN960PD416L		.WASHER		14
35	NAS1805-4		.NUT		10
36	NAS1805-4		.NUT		1
40	BACC10ES90HA		.CLAMP-		1
ILLUSTRATION ITEMS NOT ON PARTS LIST ARE NOT APPLICABLE					

R
R
R
R
R
R
R
R
R
R
R

- ITEM NOT ILLUSTRATED

36-11-01-66

36-11-01
FIG. 66
PAGE 1
AUG 22/09

HXL



767

PARTS CATALOG (MAINTENANCE)

FIG ITEM	PART NUMBER	1 2 3 4 5 6 7	NOMENCLATURE	EFFECT FROM TO	UNITS PER ASSY
66					
45	BACC10ES58HA41	.	CLAMP-		1
50	212T3126-13	.	ROD ASSY-		1
50	212T3126-50	.	ROD ASSY-		1
55	212T3126-27	.	ROD ASSY-		1
60	212T3126-7	.	ROD ASSY-		2
			OPTIONAL PART: 212T3126-37		
60	212T3126-37	.	ROD ASSY-		2
			OPTIONAL PART: 212T3126-7		
60	212T3126-39	.	ROD ASSY-		2
65	212T3126-11	.	ROD ASSY-		2
70	AN316-5R	..	NUT-		2
			USED ON: 212T3126-7 212T3126-11 212T3126-13 212T3126-27 212T3126-50		
75	MS21242S04	..	BEARING-		1
			OPTIONAL PART: MS21242S04K		
			USED ON: 212T3126-50		
75	MS21242S04K	..	BEARING-		1
			OPTIONAL PART: MS21242S04		
			USED ON: 212T3126-50		
80	RA80-6	..	END-		1
			SUPPLIER CODE: V76005		
			OPTIONAL PART: RA80-10		
			V76005		
			USED ON: 212T3126-50		
80	RA80-10	..	END-		1
			SUPPLIER CODE: V76005		
			OPTIONAL PART: RA80-6		
			V76005		
			USED ON: 212T3126-50		
85	MS21242S04	..	BEARING-		2
			USED ON: 212T3126-27		

ILLUSTRATION ITEMS NOT ON PARTS LIST ARE NOT APPLICABLE

- ITEM NOT ILLUSTRATED

HXL

36-11-01-66

BOEING PROPRIETARY - Copyright © - Unpublished Work - See title page for details.

36-11-01
FIG. 66
PAGE 2
AUG 22/09

 **BOEING**
767
PARTS CATALOG (MAINTENANCE)

FIG ITEM	PART NUMBER	1 2 3 4 5 6 7	NOMENCLATURE	EFFECT FROM TO	UNITS PER ASSY
66					
90	MS21242S04	..	BEARING- OPTIONAL PART: MS21242S04K USED ON: 212T3126-7 212T3126-11 212T3126-13 212T3126-37		2
90	MS21242S04K	..	BEARING- OPTIONAL PART: MS21242S04 USED ON: 212T3126-7 212T3126-11 212T3126-13 212T3126-37		2
95	212T3126-35	..	ROD END- USED ON: 212T3126-39		2
100	212T3126-14	..	ROD- USED ON: 212T3126-13 212T3126-50		1
105	212T3126-28	..	ROD- USED ON: 212T3126-27		1
110	212T3126-8	..	ROD- USED ON: 212T3126-7 212T3126-37		1
115	212T3126-38	..	ROD- USED ON: 212T3126-39		1
120	212T3126-12	..	ROD- USED ON: 212T3126-11		1
125	212T3105-9	.	ROD ASSY-		2
130	AN316-5R	..	NUT		2
135	MS21242S04	..	BEARING		2
140	NAS354-5-320	..	ROD		1
145	NAS6603-2	.	BOLT-		32
150	AN960PD10	.	WASHER-		32
155	NAS1805-3	.	NUT		32
160	BACF3F010R016NN	.	FILLER-		8

ILLUSTRATION ITEMS NOT ON PARTS LIST ARE NOT APPLICABLE

— ITEM NOT ILLUSTRATED

HXL

36-11-01-66

BOEING PROPRIETARY - Copyright © - Unpublished Work - See title page for details.

36-11-01
FIG. 66
PAGE 3
AUG 22/09



767

PARTS CATALOG (MAINTENANCE)

FIG ITEM	PART NUMBER	1 2 3 4 5 6 7	NOMENCLATURE	EFFECT FROM TO	UNITS PER ASSY
66 165	BC116796-1		.BRACKET- SUPPLIER CODE: V14242 SPECIFICATION NUMBER: BACC10ER1-96 OPTIONAL PART: S315-1-96 V18076		8
170	BACC10ER296		.CLAMP-		8
175	BACB30NM3K5		.BOLT-		12
180	BACB30NM3K3		.BOLT-		24
182	BACB30NM3K3		.BOLT- QUALIFIED OPTIONAL DATA: (212T3121-4 DUCT ASSY, 212T3433-6 RING (QTY 1) S210T121-24 SEAL ASSY, BACB30NM3K3 BOLT, (12) NAS1805-3 NUT, AND (12) AN960PD10 OPT TO -18)	163163	12
182	BACB30NM3K3		.BOLT- QUALIFIED OPTIONAL DATA: (212T3121-5 DUCT ASSY, 212T3433-6 RING (QTY 1) S210T121-24 SEAL ASSY, BACB30NM3K3 BOLT, (12) NAS1805-3 NUT, AND (12) AN960PD10 OPT TO -31)	155162 164999	12
185	AN960PD10		.WASHER-		36
187	AN960PD10		.WASHER- QUALIFIED OPTIONAL DATA: (212T3121-4 DUCT ASSY, 212T3433-6 RING (QTY 1) S210T121-24 SEAL ASSY, BACB30NM3K3 BOLT, (12) NAS1805-3 NUT, AND (12) AN960PD10 OPT TO -18)	163163	12
187	AN960PD10		.WASHER- QUALIFIED OPTIONAL DATA: (212T3121-5 DUCT ASSY, 212T3433-6 RING (QTY 1) S210T121-24 SEAL ASSY, BACB30NM3K3 BOLT, (12) NAS1805-3 NUT, AND (12) AN960PD10 OPT TO -31)	155162 164999	12
190	NAS1805-3		.NUT		24

ILLUSTRATION ITEMS NOT ON PARTS LIST ARE NOT APPLICABLE

- ITEM NOT ILLUSTRATED

36-11-01-66

36-11-01
FIG. 66
PAGE 4
APR 22/09

HXL



767

PARTS CATALOG (MAINTENANCE)

FIG ITEM	PART NUMBER	1 2 3 4 5 6 7	NOMENCLATURE	EFFECT FROM TO	UNITS PER ASSY
66 192	NAS1805-3		.NUT- QUALIFIED OPTIONAL DATA: (212T3121-4 DUCT ASSY, 212T3433-6 RING (QTY 1) S210T121-24 SEAL ASSY, BACB30NM3K3 BOLT, (12) NAS1805-3 NUT, AND (12) AN960PD10 OPT TO -18)	163163	12
192	NAS1805-3		.NUT- QUALIFIED OPTIONAL DATA: (212T3121-5 DUCT ASSY, 212T3433-6 RING (QTY 1) S210T121-24 SEAL ASSY, BACB30NM3K3 BOLT, (12) NAS1805-3 NUT, AND (12) AN960PD10 OPT TO -31)	155162 164999	12
195	212T3433-6		.RING-SPRT		1
197	212T3433-6		.RING-SPRT QUALIFIED OPTIONAL DATA: (212T3121-4 DUCT ASSY, 212T3433-6 RING (QTY 1) S210T121-24 SEAL ASSY, BACB30NM3K3 BOLT, (12) NAS1805-3 NUT, AND (12) AN960PD10 OPT TO -18)		1
200	212T3433-3		.RING-SPRT		2
205	BOE2038-0024		.SEAL-PRESSURE APU DUCT SUPPLIER CODE: V16632 SPECIFICATION NUMBER: S210T121-24 QUALIFIED OPTIONAL DATA: (212T3121-5 DUCT ASSY, 212T3433-6 RING (QTY 1) S210T121-24 SEAL ASSY, BACB30NM3K3 BOLT, (12) NAS1805-3 NUT, AND (12) AN960PD10 OPT TO -31)	155162 164999	1

ILLUSTRATION ITEMS NOT ON PARTS LIST ARE NOT APPLICABLE

- ITEM NOT ILLUSTRATED

HXL

36-11-01-66

BOEING PROPRIETARY - Copyright © - Unpublished Work - See title page for details.

36-11-01
FIG. 66
PAGE 5
APR 22/09



767

PARTS CATALOG (MAINTENANCE)

FIG ITEM	PART NUMBER	1 2 3 4 5 6 7	NOMENCLATURE	EFFECT FROM TO	UNITS PER ASSY
66 205	BOE2038-0024	.	SEAL-PRESSURE APU DUCT SUPPLIER CODE: V16632 SPECIFICATION NUMBER: S210T121-24 QUALIFIED OPTIONAL DATA: (212T3121-4 DUCT ASSY, 212T3433-6 RING (QTY 1) S210T121-24 SEAL ASSY, BACB30NM3K3 BOLT, (12) NAS1805-3 NUT, AND (12) AN960PD10 OPT TO -18)	163163	1
210	BOE2038-0015	.	SEAL-APU DUCT PRESSURE SUPPLIER CODE: V16632 SPECIFICATION NUMBER: S210T121-15		1
215	212T3116-5	.	DUCT ASSY-		1
215	212T3116-13	.	DUCT ASSY- QUALIFIED I/W DATA: 212T3116-14 I/W 212T3116-13 ONLY FOR ACFT NOT HAVING CF6-80A ENGINES. 212T3116-15 I/W 212T3116-13 FOR ACFT WITH CF6-80A ENGINES.		1
215	212T3116-14	.	DUCT ASSY- QUALIFIED I/W DATA: 212T3116-14 I/W 212T3116-13 ONLY FOR ACFT NOT HAVING CF6-80A ENGINES.		1
220	212T3117-5	.	DUCT ASSY-		1

ILLUSTRATION ITEMS NOT ON PARTS LIST ARE NOT APPLICABLE

- ITEM NOT ILLUSTRATED

HXL

36-11-01-66

BOEING PROPRIETARY - Copyright © - Unpublished Work - See title page for details.

36-11-01
FIG. 66
PAGE 6
DEC 22/08



767

PARTS CATALOG (MAINTENANCE)

FIG ITEM	PART NUMBER	1 2 3 4 5 6 7	NOMENCLATURE	EFFECT FROM TO	UNITS PER ASSY
66 220	212T3117-11		. DUCT ASSY- QUALIFIED I/W DATA: 212T3117-12 I/W 212T3117-11 ONLY FOR ACFT NOT HAVING CF6-80A ENGINES 212T3117-13 I/W 212T3117-11 FOR ACFT WITH CF6-80 ENGINES 212T3117-12 I/W 212T3117-11 ONLY FOR ACFT NOT HAVING CF6-80A ENGINES. 212T3117-13 I/W 212T3117-11 FOR ACFT WITH CF6-80A ENGINES		1
220	212T3117-12		. DUCT ASSY- QUALIFIED I/W DATA: 212T3117-12 I/W 212T3117-11 ONLY FOR ACFT NOT HAVING CF6-80A ENGINES.		1
225	212T3118-1		. DUCT ASSY- QUALIFIED I/W DATA: 212T3118-1 I/W -13 ONLY FOR ACFT NOT HAVING CF6-80A ENGINES 212T3118-1 I/W -14 ONLY FOR ACFT WITH CF6-80A ENGINE		1
225	212T3118-11		. DUCT ASSY- QUALIFIED I/W DATA: 212T3118-13 I/W 212T3118-11 ONLY FOR ACFT NOT HAVING CF6-80A ENGINES. 212T3118-14 I/W 212T3118-11 FOR ACFT WITH CF6-80A ENGINES OPTIONAL PART: 212T3116-12		1

ILLUSTRATION ITEMS NOT ON PARTS LIST ARE NOT APPLICABLE

- ITEM NOT ILLUSTRATED

HXL

36-11-01-66

BOEING PROPRIETARY - Copyright © - Unpublished Work - See title page for details.

36-11-01
FIG. 66
PAGE 7
DEC 22/07



767

PARTS CATALOG (MAINTENANCE)

FIG ITEM	PART NUMBER	1 2 3 4 5 6 7	NOMENCLATURE	EFFECT FROM TO	UNITS PER ASSY
66 225	212T3118-12		.DUCT ASSY- QUALIFIED I/W DATA: 212T3118-12 I/W -13 ONLY FOR ACFT NOT HAVING CF6-80A ENGINES. 212T3118-12 I/W -14 ONLY FOR ACFT WITH CF6-80A ENGINE OPTIONAL PART: 212T3116-11	155162 164999	1
225	212T3118-13		.DUCT ASSY- QUALIFIED I/W DATA: 212T3118-13 I/W 212T3118-11 ONLY FOR ACFT NOT HAVING CF6-80A ENGINES. 212T3118-13 I/W 212T3118-1 ONLY FOR ACFT NOT HAVING CF6-80A ENGINES. 212T3118-13 I/W 212T3118-12 ONLY FOR ACFT NOT HAVING CF6-80A ENGINES.		1
230	212T3119-11		.DUCT ASSY-		2
230	212T3119-15		.DUCT ASSY- QUALIFIED I/W DATA: 212T3119-19 I/W 212T3119-15 ONLY FOR ACFT NOT HAVING CF6-80A ENGINES. 212T3119-23 I/W 212T3119-15 FOR ACFT WITH CF6-80A ENGINES		2
230	212T3119-19		.DUCT ASSY- QUALIFIED I/W DATA: 212T3119-19 I/W 212T3119-15 ONLY FOR ACFT NOT HAVING CF6-80A ENGINES.		2
235	212T3119-2		.DUCT ASSY-		1

ILLUSTRATION ITEMS NOT ON PARTS LIST ARE NOT APPLICABLE

- ITEM NOT ILLUSTRATED

HXL

36-11-01-66

BOEING PROPRIETARY - Copyright © - Unpublished Work - See title page for details.

36-11-01
FIG. 66
PAGE 8
DEC 22/07



767

PARTS CATALOG (MAINTENANCE)

FIG ITEM	PART NUMBER	1 2 3 4 5 6 7	NOMENCLATURE	EFFECT FROM TO	UNITS PER ASSY
66 235	212T3119-16		.DUCT ASSY- QUALIFIED I/W DATA: 212T3119-20 I/W 212T3119-16 ONLY FOR ACFT NOT HAVING CF6-80A ENGINES. 212T3119-24 I/W 212T3119-16 FOR ACFT WITH CF6-80A ENGINES		1
235	212T3119-20		.DUCT ASSY- QUALIFIED I/W DATA: 212T3119-20 I/W 212T3119-16 ONLY FOR ACFT NOT HAVING CF6-80A ENGINES.		1
250	212T3119-8		.DUCT ASSY-		1
250	212T3119-17		.DUCT ASSY- QUALIFIED I/W DATA: 212T3119-21 I/W 212T3119-17 ONLY FOR ACFT NOT HAVING CF6-80A ENGINES. 212T3119-25 I/W 212T3119-17 FOR ACFT WITH CF6-80A ENGINES		1
250	212T3119-21		.DUCT ASSY- QUALIFIED I/W DATA: 212T3119-21 I/W 212T3119-17 ONLY FOR ACFT NOT HAVING CF6-80A ENGINES.		1
260	212T3120-10		.DUCT ASSY- QUALIFIED I/W DATA: 212T3120-16 I/W 212T3120-10 ONLY FOR ACFT NOT HAVING CF6-80A ENGINES 212T3120-12 I/W 212T3120-10 FOR ACFT WITH CF6-80A ENGINES.		1
260	212T3120-16		.DUCT ASSY- QUALIFIED I/W DATA: 212T3120-16 I/W 212T3120-10 ONLY FOR ACFT NOT HAVING CF6-80A ENGINES		1
260	212T3120-1		.DUCT ASSY-		1
265	212T3121-4		.DUCT ASSY-		1

ILLUSTRATION ITEMS NOT ON PARTS LIST ARE NOT APPLICABLE

- ITEM NOT ILLUSTRATED

36-11-01-66

36-11-01
FIG. 66
PAGE 9
DEC 22/07

HXL



767

PARTS CATALOG (MAINTENANCE)

FIG ITEM	PART NUMBER	1 2 3 4 5 6 7	NOMENCLATURE	EFFECT FROM TO	UNITS PER ASSY
66 265	212T3121-5		. DUCT ASSY- QUALIFIED I/W DATA: 212T3121-6 I/W 212T3121-5 ONLY FOR ACFT NOT HAVING CF6-80A ENGINES. 212T3121-7 I/W 212T3121-5 FOR ACFT WITH CF6-80A ENGINES		1
265	212T3121-6		. DUCT ASSY- QUALIFIED I/W DATA: 212T3121-6 I/W 212T3121-5 ONLY FOR ACFT NOT HAVING CF6-80A ENGINES.		1
265 270	212T3121-1 212T3004-31		. DUCT ASSY- . DUCT ASSY- QUALIFIED OPTIONAL DATA: (212T3121-5 DUCT ASSY, 212T3433-6 RING (QTY 1) S210T121-24 SEAL ASSY, BACB30NM3K3 BOLT, (12) NAS1805-3 NUT, AND (12) AN960PD10 OPT TO -31)	155162 164999	1 1
270	212T3004-18		. DUCT ASSY- QUALIFIED OPTIONAL DATA: (212T3121-4 DUCT ASSY, 212T3433-6 RING (QTY 1) S210T121-24 SEAL ASSY, BACB30NM3K3 BOLT, (12) NAS1805-3 NUT, AND (12) AN960PD10 OPT TO -18)	163163	1
275	BACB30NM3K3		.. BOLT		12
280	AN960PD10		.. WASHER		12
285	NAS1805-3		.. NUT		12
290	212T3433-7		.. FLANGE ASSY-SPRT		1
295	BOE2038-0024		.. SEAL-PRESSURE APU DUCT SUPPLIER CODE: V16632 SPECIFICATION NUMBER: S210T121-24		1
300	212T3121-4		.. DUCT ASSY-		1

ILLUSTRATION ITEMS NOT ON PARTS LIST ARE NOT APPLICABLE

- ITEM NOT ILLUSTRATED

HXL

36-11-01-66

BOEING PROPRIETARY - Copyright © - Unpublished Work - See title page for details.

36-11-01
FIG. 66
PAGE 10
APR 22/08

BOEING
767
PARTS CATALOG (MAINTENANCE)

FIG ITEM	PART NUMBER	1 2 3 4 5 6 7	NOMENCLATURE	EFFECT FROM TO	UNITS PER ASSY
66 300	212T3121-5		.. DUCT ASSY- MISCELLANEOUS DATA: (212T3121-7 I/W 212T3121-5 FOR ACFT (212T3121-7 I/W QUALIFIED I/W DATA: 212T3121-6 I/W 212T3121-5 ONLY FOR ACFT NOT HAVING CF6-80A ENGINES. 212T3121-7 I/W 212T3121-5 FOR ACFT WITH CF6-80A ENGINES		1
300	212T3121-6		.. DUCT ASSY- QUALIFIED I/W DATA: 212T3121-6 I/W 212T3121-5 ONLY FOR ACFT NOT HAVING CF6-80A ENGINES.		1
300 - 400	212T3121-1 212T3004-5		.. DUCT ASSY- SHROUD INSTL- FOR NHA SEE: 21-00-00-03A		1 RF
405	212T3141-14		. SHROUD ATTACHING PARTS		1
- 420	AN960PD10L		. WASHER-		12
- 425	BRH10A3		. NUT- SUPPLIER CODE: V52828 SPECIFICATION NUMBER: BACN10JC3 OPTIONAL PART: H10-3BAC V15653 NS202101-02 V80539 RMLH9075-3W V72962 VN303A02 V92215 96-02 V80539 T6S1032J V11815 -----*-----		12 12
ILLUSTRATION ITEMS NOT ON PARTS LIST ARE NOT APPLICABLE					

- ITEM NOT ILLUSTRATED

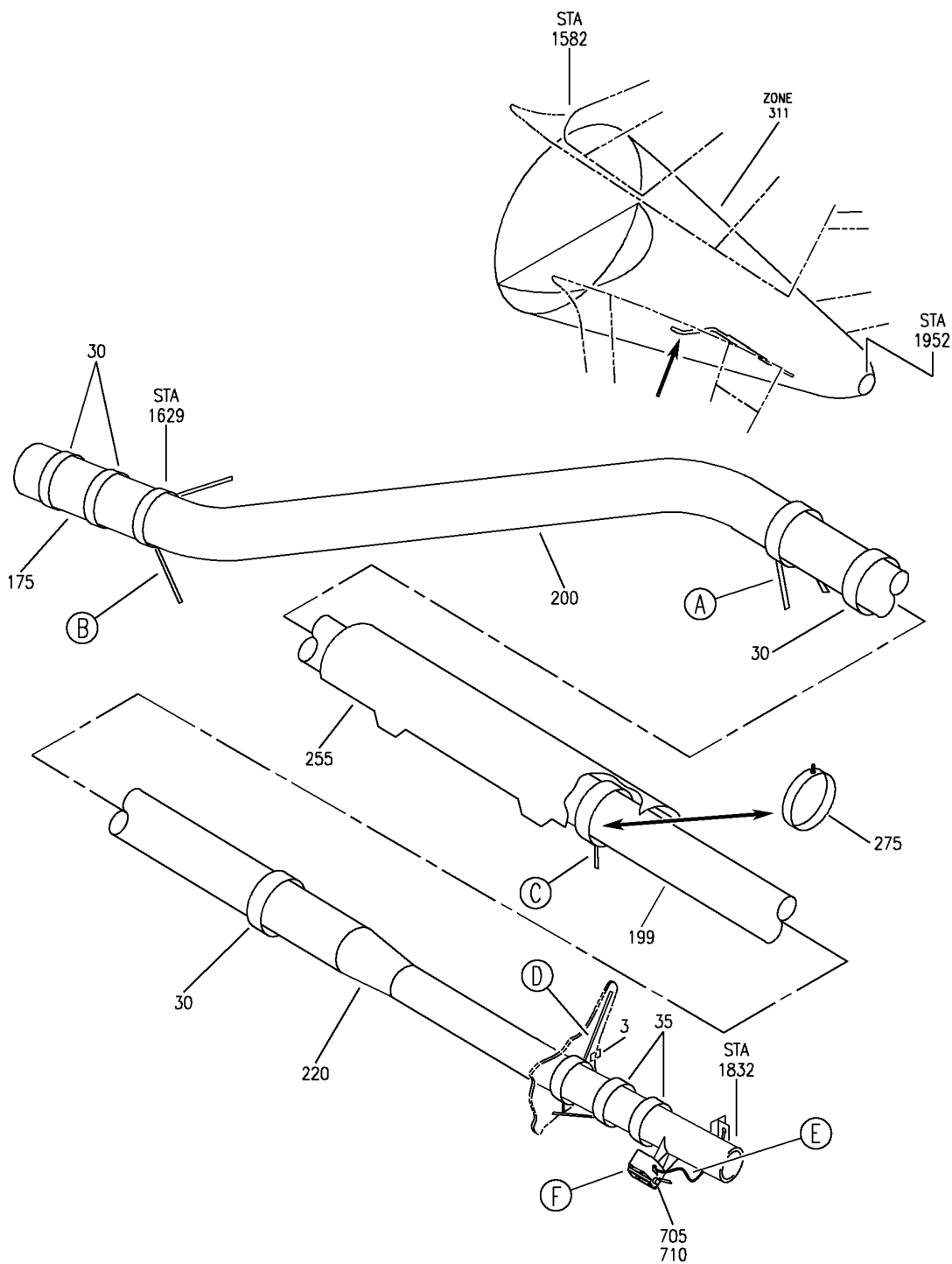
HXL

36-11-01-66

BOEING PROPRIETARY - Copyright © - Unpublished Work - See title page for details.

36-11-01
FIG. 66
PAGE 11
DEC 22/07

BOEING
767
PARTS CATALOG (MAINTENANCE)



V 36110180 SHT 1 REV 298

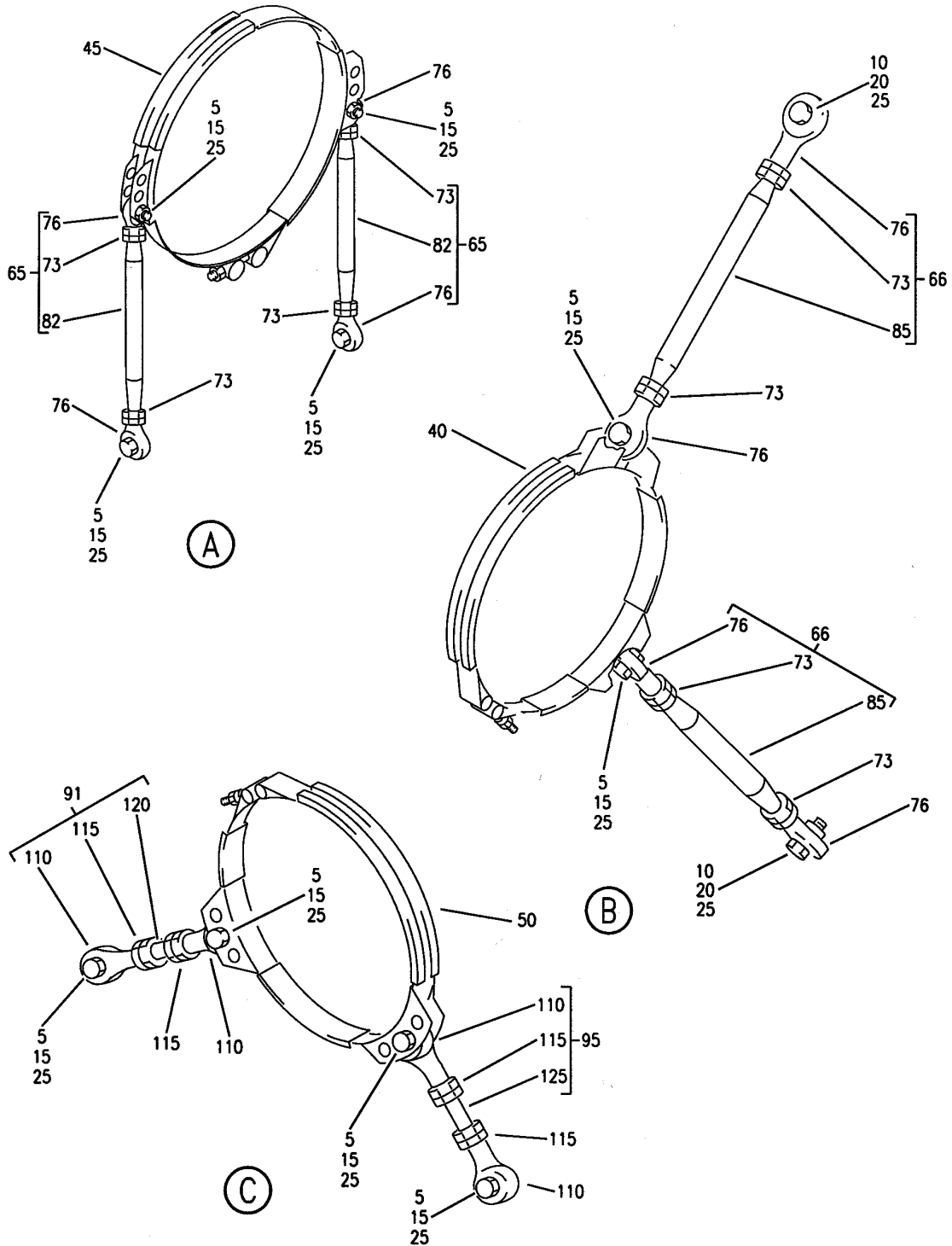
DUCT AND SHROUD INSTL-SECT. 48 AIR SUPPLY SYS
FIGURE 80 (SHEET 1)

36-11-01-80

HXL
DEC 22/06

36-11-01-80
PAGE 0

BOEING
767
PARTS CATALOG (MAINTENANCE)



V 36110180 SH1 2 REV 219

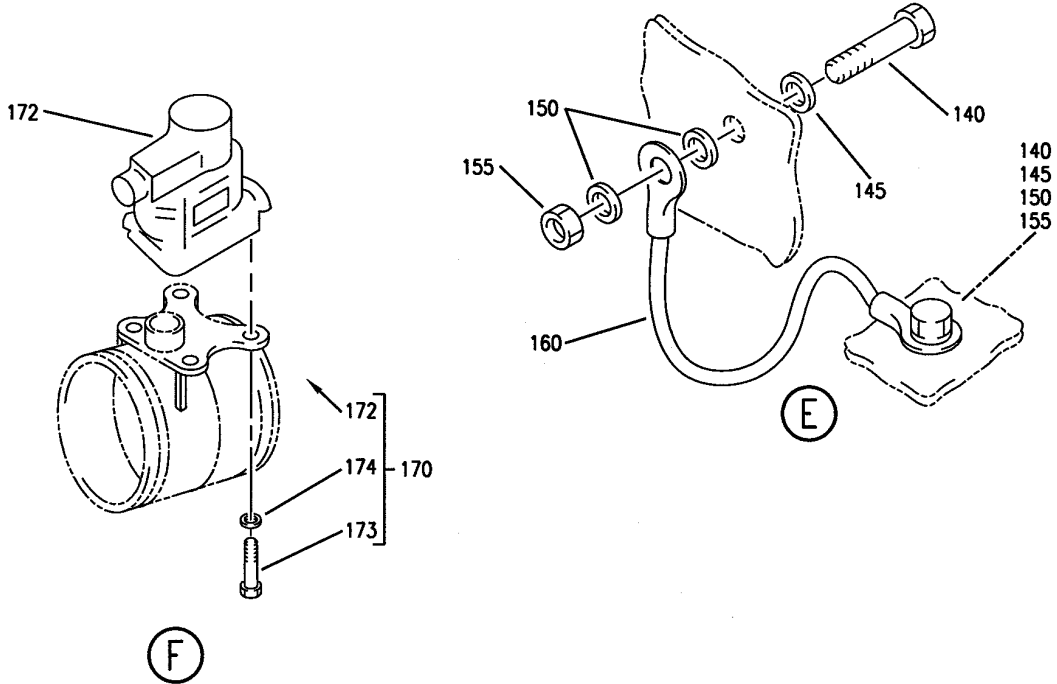
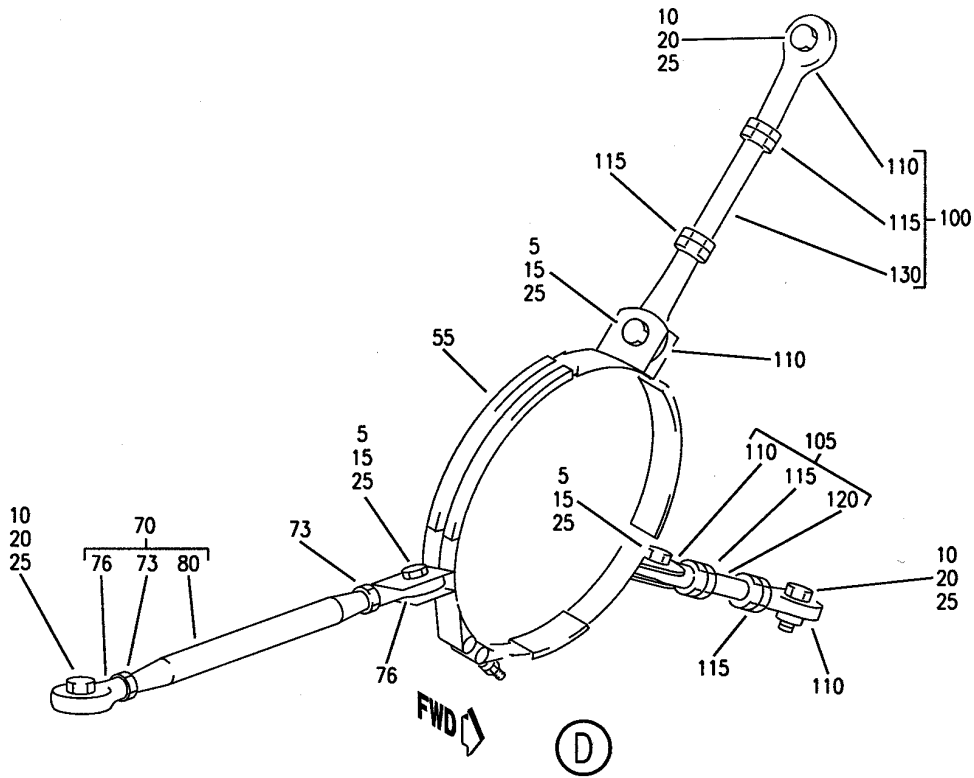
DUCT AND SHROUD INSTL-SECT. 48 AIR SUPPLY SYS
FIGURE 80 (SHEET 2)

36-11-01-80

HXL
DEC 22/06

36-11-01-80
PAGE 0A

BOEING
767
PARTS CATALOG (MAINTENANCE)



V 36110180 SHT 3 REV 219

DUCT AND SHROUD INSTL-SECT. 48 AIR SUPPLY SYS
FIGURE 80 (SHEET 3)

36-11-01-80

HXL
DEC 22/06

36-11-01-80
PAGE 0B



767

PARTS CATALOG (MAINTENANCE)

FIG ITEM	PART NUMBER	1 2 3 4 5 6 7	NOMENCLATURE	EFFECT FROM TO	UNITS PER ASSY
80			DUCT AND SHROUD INSTL-SECT. 48 AIR SUPPLY SYS		
- 1	212T3005-4		DUCT INSTL-AIR SUPPLY SYS POSITION DATA: SECT. 48 FOR NHA SEE: 21-00-00-04	163163	RF
- 1	212T3005-5		DUCT INSTL-AIR SUPPLY SYS POSITION DATA: SECT. 48 FOR NHA SEE: 21-00-00-04	155162 164999	RF
3	BAC27TEC0115		.MARKER-ALUMINUM FOIL PLACARD CONTENT: VALVE APU AIR SUPPLY SHUTOFF V47		1
5	NAS6604-9		.BOLT-		13
5	BACB30NM4K9		.BOLT-		13
10	NAS6604-11		.BOLT-		5
10	BACB30NM4K11		.BOLT-		5
15	AN960C416		.WASHER		18
25	BRH10A4		.NUT-		18
			SUPPLIER CODE: V52828 SPECIFICATION NUMBER: BACN10JC4 OPTIONAL PART: T6S428J V11815 96-048 V80539 VN303A048 V92215 RMLH9075-4W V72962 NS202101-048 V80539 H10-4BAC V15653		
25	PLH54CM		.NUT- SUPPLIER CODE: V62554 SPECIFICATION NUMBER: BACN10YR4CM OPTIONAL PART: H52732-4CM V15653		18

ILLUSTRATION ITEMS NOT ON PARTS LIST ARE NOT APPLICABLE

- ITEM NOT ILLUSTRATED

HXL

36-11-01-80

BOEING PROPRIETARY - Copyright © - Unpublished Work - See title page for details.

36-11-01
FIG. 80
PAGE 1
DEC 22/07

 **BOEING**
767
PARTS CATALOG (MAINTENANCE)

FIG ITEM	PART NUMBER	1 2 3 4 5 6 7	NOMENCLATURE	EFFECT FROM TO	UNITS PER ASSY
80					
30	14J29600		.CLAMP SUPPLIER CODE: V5T400 SPECIFICATION NUMBER: BACC10GY600 OPTIONAL PART: 4385AF600 V94581 PDVC1137600 V14242 NM102701600 V8W928		4
35	14J29450		.CLAMP- SUPPLIER CODE: V5T400 SPECIFICATION NUMBER: BACC10GY450 OPTIONAL PART: 4385AF450 V94581 PDVC1137450 V14242 NM102701450 V8W928		2
40	BACC10ES31HA32		.CLAMP		1
45	MB68864F060HHCA		.CLAMP- SUPPLIER CODE: V98625 SPECIFICATION NUMBER: BACC10FF060CAHH OPTIONAL PART: B01AF060CAHH V10234 3029FF060CAHH V94581 BC1089FF060CAHH V14242 MB68864F060CAHH V00624		1
45	BACC10HU060CAHH		.CLAMP-		1

ILLUSTRATION ITEMS NOT ON PARTS LIST ARE NOT APPLICABLE

- ITEM NOT ILLUSTRATED

HXL

36-11-01-80

BOEING PROPRIETARY - Copyright © - Unpublished Work - See title page for details.

36-11-01
FIG. 80
PAGE 2
AUG 22/08

BOEING
767
PARTS CATALOG (MAINTENANCE)

FIG ITEM	PART NUMBER	1 2 3 4 5 6 7	NOMENCLATURE	EFFECT FROM TO	UNITS PER ASSY
80					
50	MB68864F060FACF	.	CLAMP- SUPPLIER CODE: V98625 SPECIFICATION NUMBER: BACC10FF060CFFA OPTIONAL PART: B01AF060CFFA V10234 3029FF060CFFA V94581 BC1089FF060CFFA V14242 MB68864F060CFFA V00624		1
50	BACC10HU060CFFA	.	CLAMP-		1
55	BACC10ES00FC46	.	CLAMP-		1
55	BACC10HN00FC46	.	CLAMP-		1
65	212T3126-5	.	ROD ASSY-		2
66	212T3126-15	.	ROD ASSY		2
70	212T3126-17	.	ROD ASSY		1
73	AN316-5R	..	NUT		2
76	MS21242S04	..	BEARING- OPTIONAL PART: MS21242S04K		2
76	MS21242S04K	..	BEARING- OPTIONAL PART: MS21242S04		2
79	212T3126-16	..	ROD- USED ON: 212T3126-15		1
82	212T3126-6	..	ROD- USED ON: 212T3126-5		1
85	212T3126-18	..	ROD- USED ON: 212T3126-17		1
91	212T3105-21	.	ROD ASSY-		1
95	212T3105-16	.	ROD ASSY		1
100	212T3105-5	.	ROD ASSY		1
105	212T3105-15	.	ROD ASSY		1
110	MS21243S04	..	BEARING		2
115	AN316-5R	..	NUT- USED ON: 212T3105-5 212T3105-15 212T3105-16		2
118	AN316-5R	..	NUT- USED ON: 212T3105-21		1
ILLUSTRATION ITEMS NOT ON PARTS LIST ARE NOT APPLICABLE					

- ITEM NOT ILLUSTRATED

HXL

36-11-01-80

BOEING PROPRIETARY - Copyright © - Unpublished Work - See title page for details.

36-11-01
FIG. 80
PAGE 3
DEC 22/07



767

PARTS CATALOG (MAINTENANCE)

FIG ITEM	PART NUMBER	1 2 3 4 5 6 7	NOMENCLATURE	EFFECT FROM TO	UNITS PER ASSY
80					
120	NAS354-5-440	..	ROD- USED ON: 212T3105-15		1
125	NAS354-5-260	..	ROD- USED ON: 212T3105-16		1
130	NAS354-5-310	..	ROD- USED ON: 212T3105-5		1
136	NAS354-5-140	..	ROD- USED ON: 212T3105-21		1
140	NAS6604-4	.	BOLT-		2
145	AN960D416	.	WASHER-		2
150	AN960D416L	.	WASHER-		4
155	BRH10A4	.	NUT-		2
			SUPPLIER CODE: V52828 SPECIFICATION NUMBER: BACN10JC4 OPTIONAL PART: T6S428J V11815 96-048 V80539 VN303A048 V92215 RMLH9075-4W V72962 NS202101-048 V80539 H10-4BAC V15653		
160	940CW22-16	.	JUMPER ASSY SUPPLIER CODE: V91812 SPECIFICATION NUMBER: BACJ40AB22-16 OPTIONAL PART: 100222-16 V1FF12 RBEJ40AB22-16 V1GK47		1

ILLUSTRATION ITEMS NOT ON PARTS LIST ARE NOT APPLICABLE

- ITEM NOT ILLUSTRATED

HXL

36-11-01-80

BOEING PROPRIETARY - Copyright © - Unpublished Work - See title page for details.

36-11-01
FIG. 80
PAGE 4
DEC 22/07



767

PARTS CATALOG (MAINTENANCE)

FIG ITEM	PART NUMBER	1 2 3 4 5 6 7	NOMENCLATURE	EFFECT FROM TO	UNITS PER ASSY
80 170	2780540-101	.	VALVE ASSY-APU 4.5 IN. BLEED AIR SUPPLIER CODE: V92003 FUNCTIONAL DESCRIPTION: CONTROLS THE FLOW OF HOT AIR FROM THE APU ELECTRICAL EQUIP NUMBER: V00047 COMPONENT MAINT MANUAL REF: 36-10-10 OPTIONAL PART: 2780540-102 V92003		1
170	2780540-102	.	VALVE ASSY-APU 4.5 IN. BLEED AIR SUPPLIER CODE: V92003 FUNCTIONAL DESCRIPTION: CONTROLS THE FLOW OF HOT AIR FROM THE APU ELECTRICAL EQUIP NUMBER: V00047 OPTIONAL PART: 2780540-101 V92003		1
172	2762052-102	..	ACTUATOR ASSY- SUPPLIER CODE: V92003 CONFIG CHG DATA FROM A CMM: SUPSD BY 2812125-105 COMPONENT MAINT MANUAL REF: 36-10-14		1
172	2812125-105	..	ACTUATOR ASSY- SUPPLIER CODE: V92003 SB DATA FROM A CMM: REF SB 2760000-16-15 CONFIG CHG DATA FROM A CMM: SUPERSEDES 2762052-102 COMPONENT MAINT MANUAL REF: 36-10-11 ATTACHING PARTS		1
173	5843106-103	..	BOLT- SUPPLIER CODE: V92003		4
174	AN960C416L	..	WASHER -----*-----		4

ILLUSTRATION ITEMS NOT ON PARTS LIST ARE NOT APPLICABLE

- ITEM NOT ILLUSTRATED

36-11-01-80

36-11-01
FIG. 80
PAGE 5
DEC 22/07

HXL



767

PARTS CATALOG (MAINTENANCE)

FIG ITEM	PART NUMBER	1 2 3 4 5 6 7	NOMENCLATURE	EFFECT FROM TO	UNITS PER ASSY
80 175	3202130-1		.VALVE-CHK SUPPLIER CODE: V59364 COMPONENT MAINT MANUAL REF: 36-11-31 OPTIONAL PART: 3202130-2 V59364 3202130-3 V59364		1
175	3202130-2		.VALVE-CHK SUPPLIER CODE: V59364 COMPONENT MAINT MANUAL REF: 36-11-31 OPTIONAL PART: 3202130-3 V59364		1
175	3202130-3		.VALVE-CHK SUPPLIER CODE: V59364 FUNCTIONAL DESCRIPTION: PREVENTS AIRFLOW FROM ENGINES INTO THE APU COMPONENT MAINT MANUAL REF: 36-11-31		1
199	212T3123-7		.DUCT ASSY-		1
199	212T3123-5		.DUCT ASSY-		1
199	212T3123-9		.DUCT ASSY- MISCELLANEOUS DATA: (212T3123-13 I/W 212T3123-9 FOR ACFT WITH CF6-80A ENGINES) QUALIFIED I/W DATA: 212T3123-11 I/W 212T3123-9 ONLY FOR ACFT NOT HAVING CF6-80A ENGINES		1
200	212T3124-15		.DUCT ASSY-		1
200	212T3124-14		.DUCT ASSY-		1
200	212T3124-20		.DUCT ASSY- QUALIFIED I/W DATA: 212T3124-23 I/W 212T3124-20 ONLY FOR ACFT NOT HAVING CF6-80A ENGINES. 212T3124-27 I/W 212T3124-20 FOR ACFT WITH CF6-80A ENGINES		1

ILLUSTRATION ITEMS NOT ON PARTS LIST ARE NOT APPLICABLE

- ITEM NOT ILLUSTRATED

36-11-01-80

36-11-01
FIG. 80
PAGE 6
DEC 22/07

HXL



767

PARTS CATALOG (MAINTENANCE)

FIG ITEM	PART NUMBER	1 2 3 4 5 6 7	NOMENCLATURE	EFFECT FROM TO	UNITS PER ASSY
80					
220	212T3125-7		.DUCT ASSY-		1
- 250	212T3005-2		SHROUD INSTL-AIR SUPPLY SYS		RF
			POSITION DATA:		
			SECT. 48		
			FOR NHA SEE:		
			21-00-00-04		
255	212T3141-7		.SHROUD ASSY-		1
			ATTACHING PARTS		
- 260	NAS6603-3		.BOLT		8
- 265	BACW10P5CC		.WASHER-		8
- 270	NAS1805-3L		.NUT-		8
			-----*-----		
- 700	286T0242-001		WIRE BUNDLE ASSY		RF
705	BACC63BN14C7SN		.CONNECTOR-		1
			ELECTRICAL EQUIP NUMBER:		
			D00560		
			WIRING DIAGRAM REF:		
			361141		

ILLUSTRATION ITEMS NOT ON PARTS LIST ARE NOT APPLICABLE

- ITEM NOT ILLUSTRATED

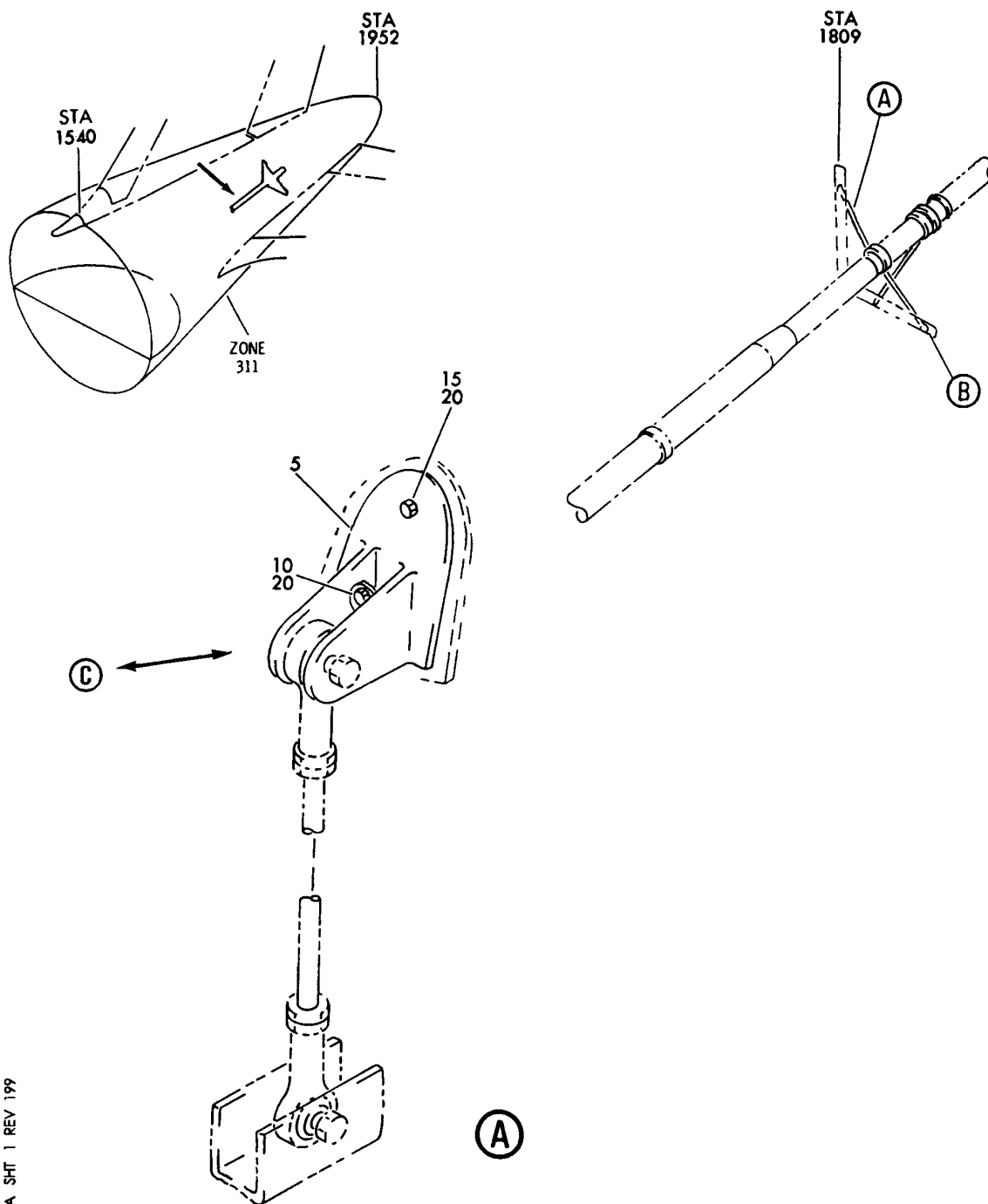
HXL

36-11-01-80

BOEING PROPRIETARY - Copyright © - Unpublished Work - See title page for details.

36-11-01
FIG. 80
PAGE 7
DEC 22/07

BOEING
767
PARTS CATALOG (MAINTENANCE)



V 36110180A SHT 1 REV 199

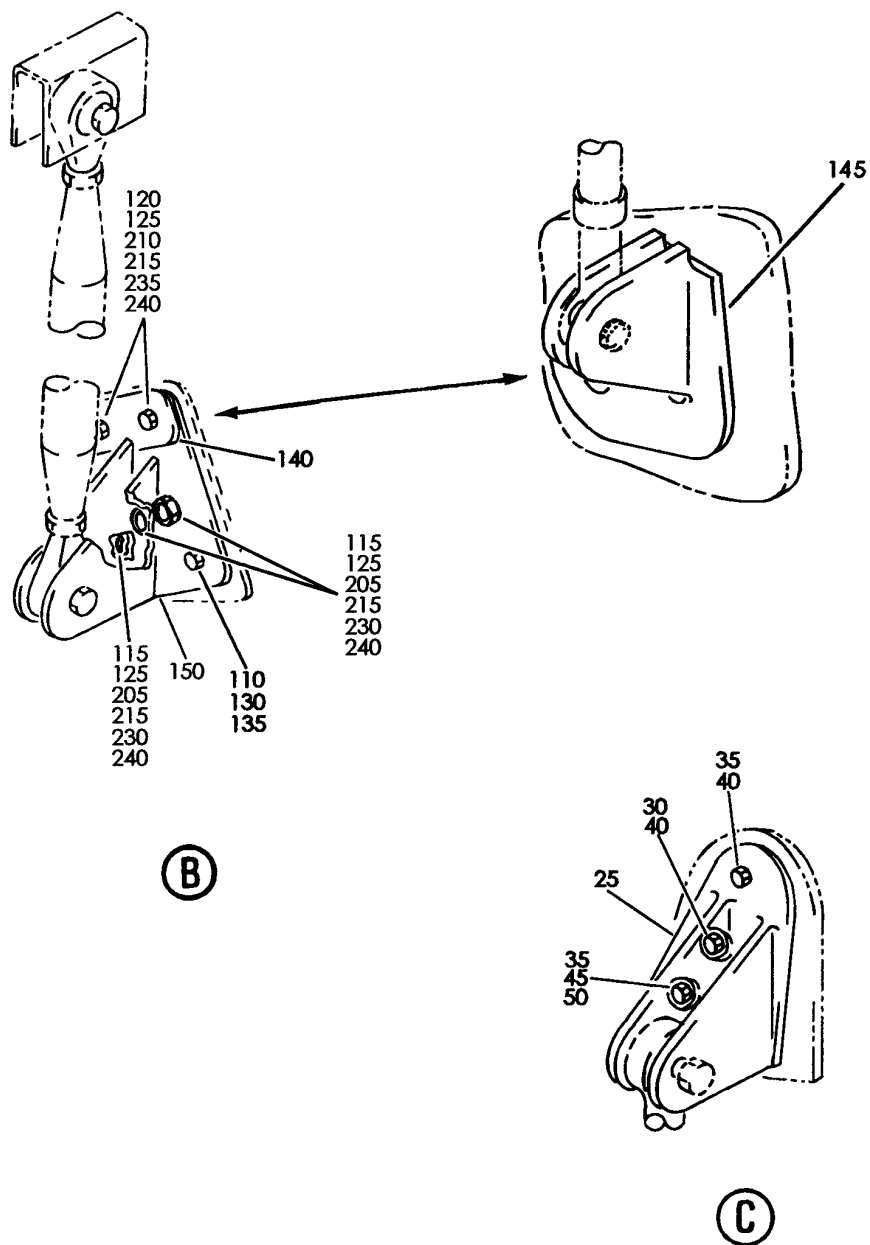
END ITEM INSTL-STA 1809.5 HORIZ STAB. PIVOT CTR BHD (PNEUMATIC ONLY) (LH)
FIGURE 80A (SHEET 1)

36-11-01-80A

HXL
DEC 22/06

36-11-01-80A
PAGE 0

BOEING
767
PARTS CATALOG (MAINTENANCE)



V 36110180A SHF 2 REV 213

END ITEM INSTL-STA 1809.5 HORIZ STAB. PIVOT CTR BHD (PNEUMATIC ONLY) (LH)
FIGURE 80A (SHEET 2)

36-11-01-80A

HXL
DEC 22/06

36-11-01-80A
PAGE 0A



767

PARTS CATALOG (MAINTENANCE)

FIG ITEM	PART NUMBER	1 2 3 4 5 6 7	NOMENCLATURE	EFFECT FROM TO	UNITS PER ASSY
80A			END ITEM INSTL-STA 1809.5 HORIZ STAB. PIVOT CTR BHD (PNEUMATIC ONLY) (LH)		
- 1	148T2740-23		END ITEM INSTL-HORIZ STAB. PIVOT CTR BHD (PNEUMATIC ONLY) POSITION DATA: STA 1809.5 LH VARIABLE DRAWING REF: 148T2740-27 148T2740-5015 148T2740-5017 FOR NHA/OTHER SYS DET SEE: 53-80-00-08		RF
5	212T3704-2		.BRACKET-APU DUCT SPRT OPTIONAL PART: 212T3704-6		1
10	HL1012AZ10-7		ATTACHING PARTS .BOLT SUPPLIER CODE: VOPTK6 SPECIFICATION NUMBER: BACB30NX10K7 OPTIONAL PART: HL12VAZ10-7 V73197 HL12VAZ10-7 V92215 HL12VAZ10-7 V97928 L802-10K7 V06725 HL12VAZ10-7 V56878 HL1012AZ10-7 V06725 HL1012AZ10-7 V06950 HL1012AZ10-7 V17446 HL1012AZ10-7 V56878 HL1012AZ10-7 V60516 HL1012AZ10-7 V73197 HL1012AZ10-7 V97928		1
ILLUSTRATION ITEMS NOT ON PARTS LIST ARE NOT APPLICABLE					

- ITEM NOT ILLUSTRATED

HXL

36-11-01-80A

BOEING PROPRIETARY - Copyright © - Unpublished Work - See title page for details.

36-11-01
FIG. 80A
PAGE 1
DEC 22/07

BOEING
767
PARTS CATALOG (MAINTENANCE)

FIG ITEM	PART NUMBER	1 2 3 4 5 6 7	NOMENCLATURE	EFFECT FROM TO	UNITS PER ASSY
80A 15	HL1012AZ10-10	.BOLT	SUPPLIER CODE: VOPTK6 SPECIFICATION NUMBER: BACB30NX10K10 OPTIONAL PART: HL12VAZ10-10 V73197 HL12VAZ10-10 V92215 HL12VAZ10-10 V97928 L802-10K10 V06725 HL12VAZ10-10 V56878 HL1012AZ10-10 V06725 HL1012AZ10-10 V06950 HL1012AZ10-10 V17446 HL1012AZ10-10 V56878 HL1012AZ10-10 V60516 HL1012AZ10-10 V73197 HL1012AZ10-10 V97928		1
R R R R R R R R R R	20 HL1187-10	.COLLAR	SUPPLIER CODE: V5M902 SPECIFICATION NUMBER: BACC30X10 OPTIONAL PART: HL1187-10 V56878 HL1187-10 V92215 HL1187-10 V73197		2
	25 212T3704-6	-----*----- .BRACKET-APU DUCT SPRT	OPTIONAL PART: 212T3704-2		1

ILLUSTRATION ITEMS NOT ON PARTS LIST ARE NOT APPLICABLE

- ITEM NOT ILLUSTRATED

HXL

36-11-01-80A

BOEING PROPRIETARY - Copyright © - Unpublished Work - See title page for details.

36-11-01
FIG. 80A
PAGE 2
AUG 22/09



767

PARTS CATALOG (MAINTENANCE)

FIG ITEM	PART NUMBER	1 2 3 4 5 6 7 NOMENCLATURE	EFFECT FROM TO	UNITS PER ASSY
80A 30	HL1012AZ10-7	ATTACHING PARTS .BOLT SUPPLIER CODE: VOPTK6 SPECIFICATION NUMBER: BACB30NX10K7 OPTIONAL PART: HL12VAZ10-7 V73197 HL12VAZ10-7 V92215 HL12VAZ10-7 V97928 L802-10K7 V06725 HL12VAZ10-7 V56878 HL1012AZ10-7 V06725 HL1012AZ10-7 V06950 HL1012AZ10-7 V17446 HL1012AZ10-7 V56878 HL1012AZ10-7 V60516 HL1012AZ10-7 V73197 HL1012AZ10-7 V97928		1

ILLUSTRATION ITEMS NOT ON PARTS LIST ARE NOT APPLICABLE

- ITEM NOT ILLUSTRATED

HXL

36-11-01-80A

BOEING PROPRIETARY - Copyright © - Unpublished Work - See title page for details.

36-11-01
FIG. 80A
PAGE 3
AUG 22/09



767

PARTS CATALOG (MAINTENANCE)

FIG ITEM	PART NUMBER	1 2 3 4 5 6 7	NOMENCLATURE	EFFECT FROM TO	UNITS PER ASSY
80A 35	HL1012AZ10-10	.BOLT	SUPPLIER CODE: VOPTK6 SPECIFICATION NUMBER: BACB30NX10K10 OPTIONAL PART: HL12VAZ10-10 V73197 HL12VAZ10-10 V92215 HL12VAZ10-10 V97928 L802-10K10 V06725 HL12VAZ10-10 V56878 HL1012AZ10-10 V06725 HL1012AZ10-10 V06950 HL1012AZ10-10 V17446 HL1012AZ10-10 V56878 HL1012AZ10-10 V60516 HL1012AZ10-10 V73197 HL1012AZ10-10 V97928		2
40	HL1187-10	.COLLAR	SUPPLIER CODE: V5M902 SPECIFICATION NUMBER: BACC30X10 OPTIONAL PART: HL1187-10 V56878 HL1187-10 V92215 HL1187-10 V73197		2
45	BACW10BP5DP	.WASHER			1

R
R
R
R
R
R
R
R
R
R

ILLUSTRATION ITEMS NOT ON PARTS LIST ARE NOT APPLICABLE

- ITEM NOT ILLUSTRATED

HXL

36-11-01-80A

BOEING PROPRIETARY - Copyright © - Unpublished Work - See title page for details.

36-11-01
 FIG. 80A
 PAGE 4
 AUG 22/09

BOEING
767
PARTS CATALOG (MAINTENANCE)

FIG ITEM	PART NUMBER	1 2 3 4 5 6 7	NOMENCLATURE	EFFECT FROM TO	UNITS PER ASSY
80A 50	BRH10C5M		.NUT SUPPLIER CODE: V52828 SPECIFICATION NUMBER: BACN10JC5CM OPTIONAL PART: T6C524JM V11815 97E054 V80539 109LH9075-5W V72962 H01-5BAC V15653		1
- 100	148T2240-16		-----*----- BULKHEAD INSTL-(PNEUMATIC ONLY) POSITION DATA: STA 1805.5 LWR FOR NHA/OTHER SYS DET SEE: 53-80-00-08		RF
110	L8008K8		.BOLT SUPPLIER CODE: V06725 SPECIFICATION NUMBER: BACB30MY8K8		1
115	L8008K5		.BOLT SUPPLIER CODE: V06725 SPECIFICATION NUMBER: BACB30MY8K5		3
120	L8008K9		.BOLT SUPPLIER CODE: V06725 SPECIFICATION NUMBER: BACB30MY8K9		2

ILLUSTRATION ITEMS NOT ON PARTS LIST ARE NOT APPLICABLE

- ITEM NOT ILLUSTRATED

HXL

36-11-01-80A

BOEING PROPRIETARY - Copyright © - Unpublished Work - See title page for details.

36-11-01
FIG. 80A
PAGE 5
APR 22/08



767

PARTS CATALOG (MAINTENANCE)

FIG ITEM	PART NUMBER	1 2 3 4 5 6 7	NOMENCLATURE	EFFECT FROM TO	UNITS PER ASSY
80A 125	HL79-8	.	COLLAR- SUPPLIER CODE: V5M902 SPECIFICATION NUMBER: BACC30M8 OPTIONAL PART: HL79-8 V73197 HL79-8 V92215 66014-8 V56878 HL79-8 V56878		5
130 135	BACW10BP4DP BRH10C4M	.	WASHER NUT SUPPLIER CODE: V52828 SPECIFICATION NUMBER: BACN10JC4CM OPTIONAL PART: T6C428JM V11815 97E48 V80539 109LH9075-4W V72962 VN303D048 V92215 H01-4BAC V15653 NS202101SE048 V80539		1 1
140 145	BACS40R008B017F 212T3704-3	.	SHIM BRACKET-APU DUCT SPRT OPTIONAL PART: 212T3704-5		1 1
150	212T3704-5	.	BRACKET-APU DUCT SPRT OPTIONAL PART: 212T3704-3		1

ILLUSTRATION ITEMS NOT ON PARTS LIST ARE NOT APPLICABLE

- ITEM NOT ILLUSTRATED

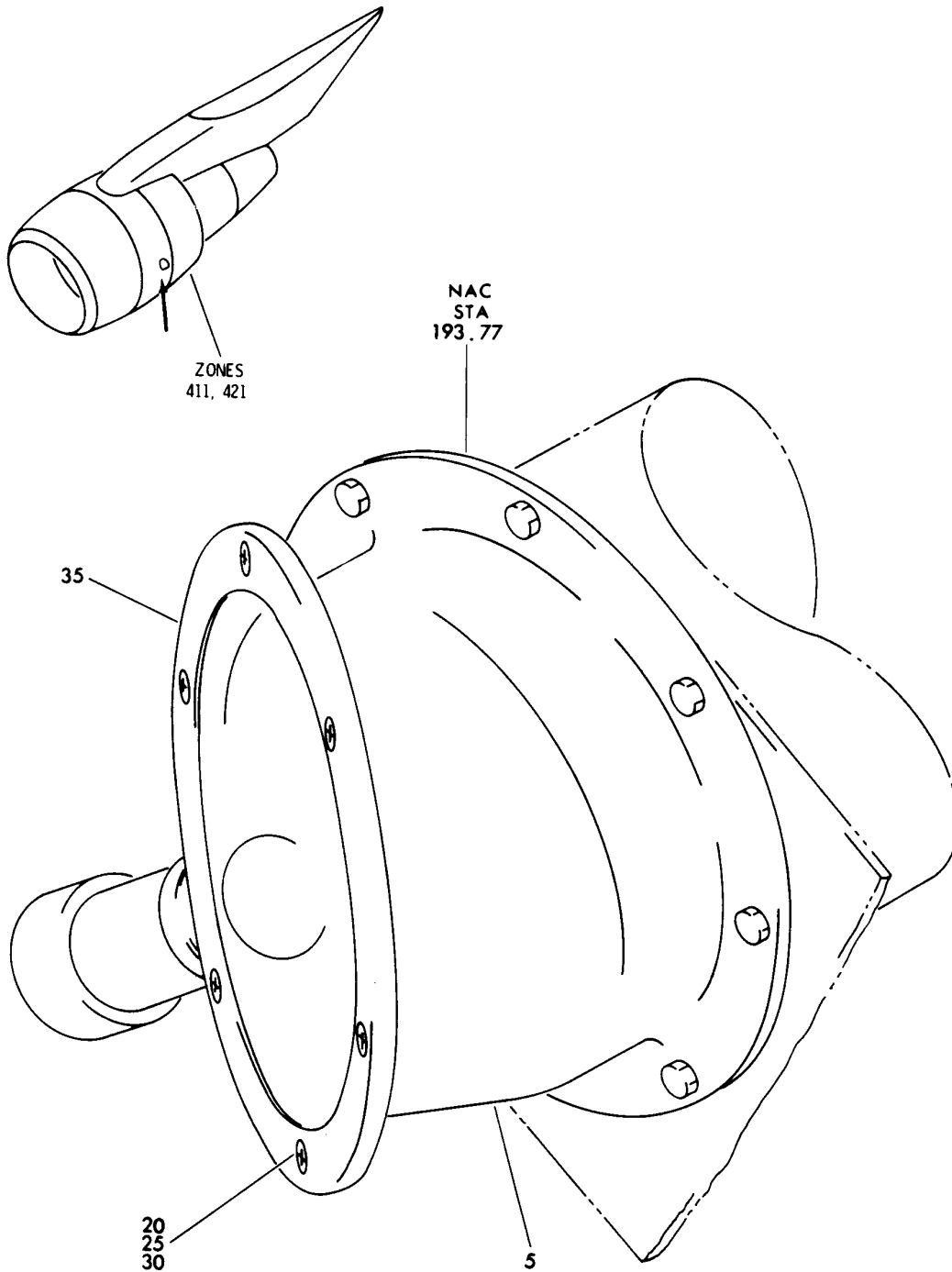
HXL

36-11-01-80A

BOEING PROPRIETARY - Copyright © - Unpublished Work - See title page for details.

36-11-01
FIG. 80A
PAGE 6
APR 22/08

BOEING
767
PARTS CATALOG (MAINTENANCE)



V 36110194 SHT 1 REV 062

DUCT INSTL-COOLING AIR INLET INTERFACE
FIGURE 94

36-11-01-94

HXL
DEC 22/06

36-11-01-94
PAGE 0



767

PARTS CATALOG (MAINTENANCE)

FIG ITEM	PART NUMBER	1 2 3 4 5 6 7	NOMENCLATURE	EFFECT FROM TO	UNITS PER ASSY
94			DUCT INSTL-COOLING AIR INLET INTERFACE		
5	332T3261-13		.DUCT ASSY		1
- 10	NAS6704U1		ATTACHING PARTS .BOLT-		8
			OPTIONAL PART: NAS6704U2		
- 10	NAS6704U2		.BOLT-		8
			OPTIONAL PART: NAS6704U1		
			-----*-----		
20	NAS8703U2		.BOLT		6
25	NAS1149C0432R		.WASHER		6
30	BRH10C3		.NUT		6
			SUPPLIER CODE: V52828		
			SPECIFICATION NUMBER: BACN10JC3C		
			OPTIONAL PART: T6C1032J		
			V11815		
			97-02		
			V80539		
			101LH9075-3W		
			V72962		
			VN303B02		
			V92215		
			NS202101S02		
			V80539		
			H31-3BAC		
			V15653		
35	332T3261-5		.PLATE		1

ILLUSTRATION ITEMS NOT ON PARTS LIST ARE NOT APPLICABLE

- ITEM NOT ILLUSTRATED

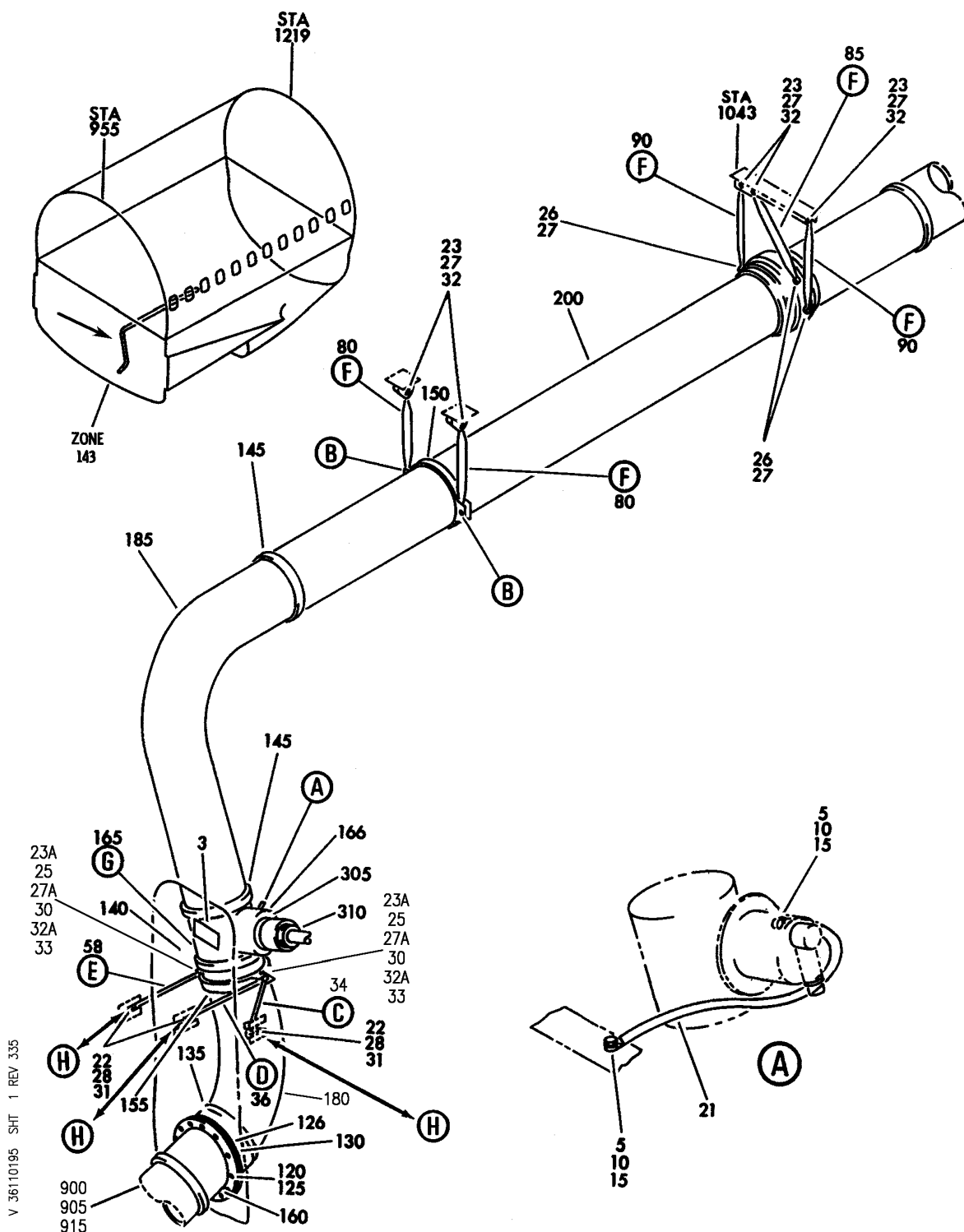
HXL

36-11-01-94

BOEING PROPRIETARY - Copyright © - Unpublished Work - See title page for details.

36-11-01
FIG. 94
PAGE 1
DEC 22/07


BOEING
 767
PARTS CATALOG (MAINTENANCE)



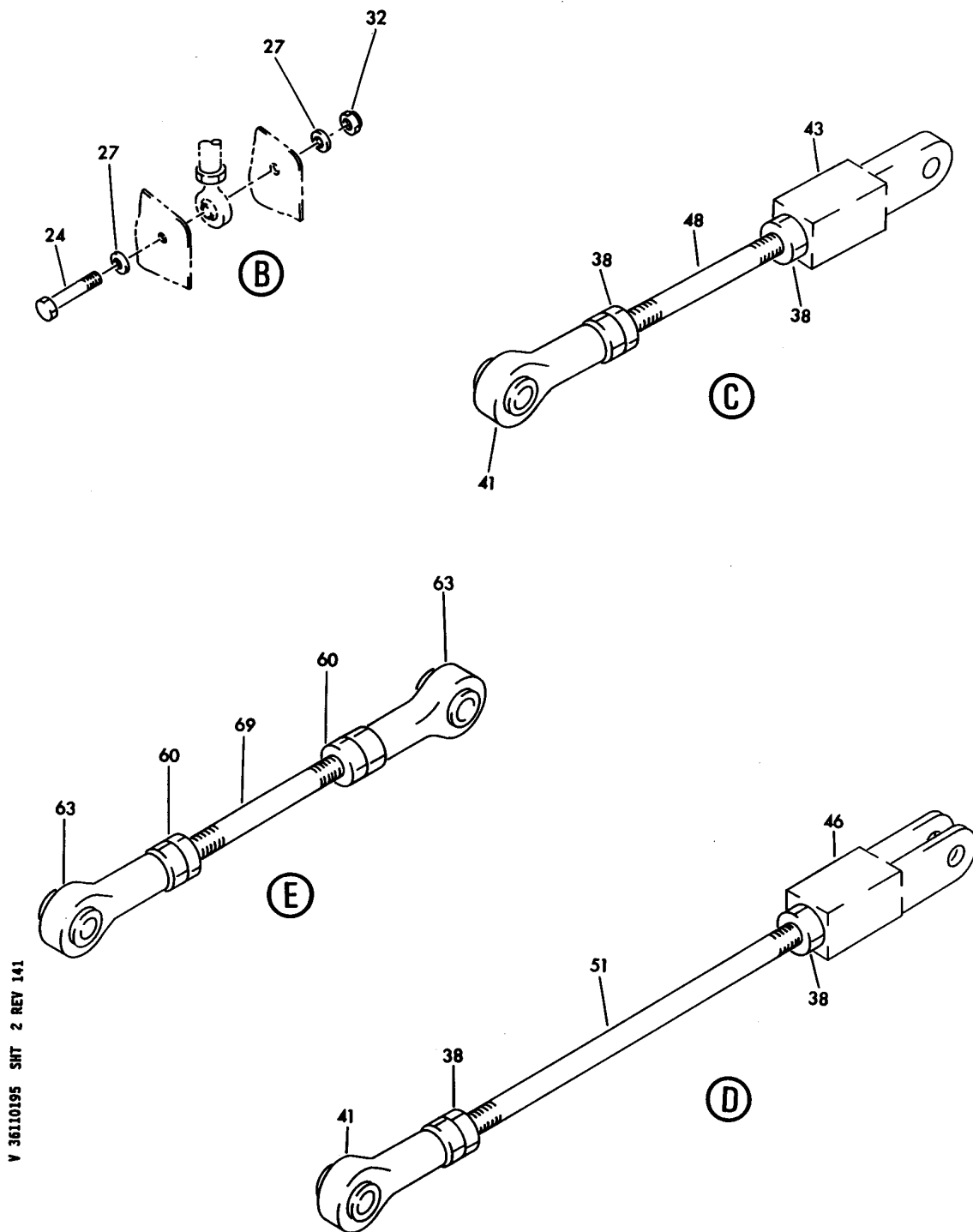
DUCT INSTL-SECT. 45 APU AIR SUPPLY SYS
 FIGURE 95 (SHEET 1)

36-11-01-95

HXL
 DEC 22/08

36-11-01-95
 PAGE 0

BOEING
767
PARTS CATALOG (MAINTENANCE)



V 36110195 SHT 2 REV 141

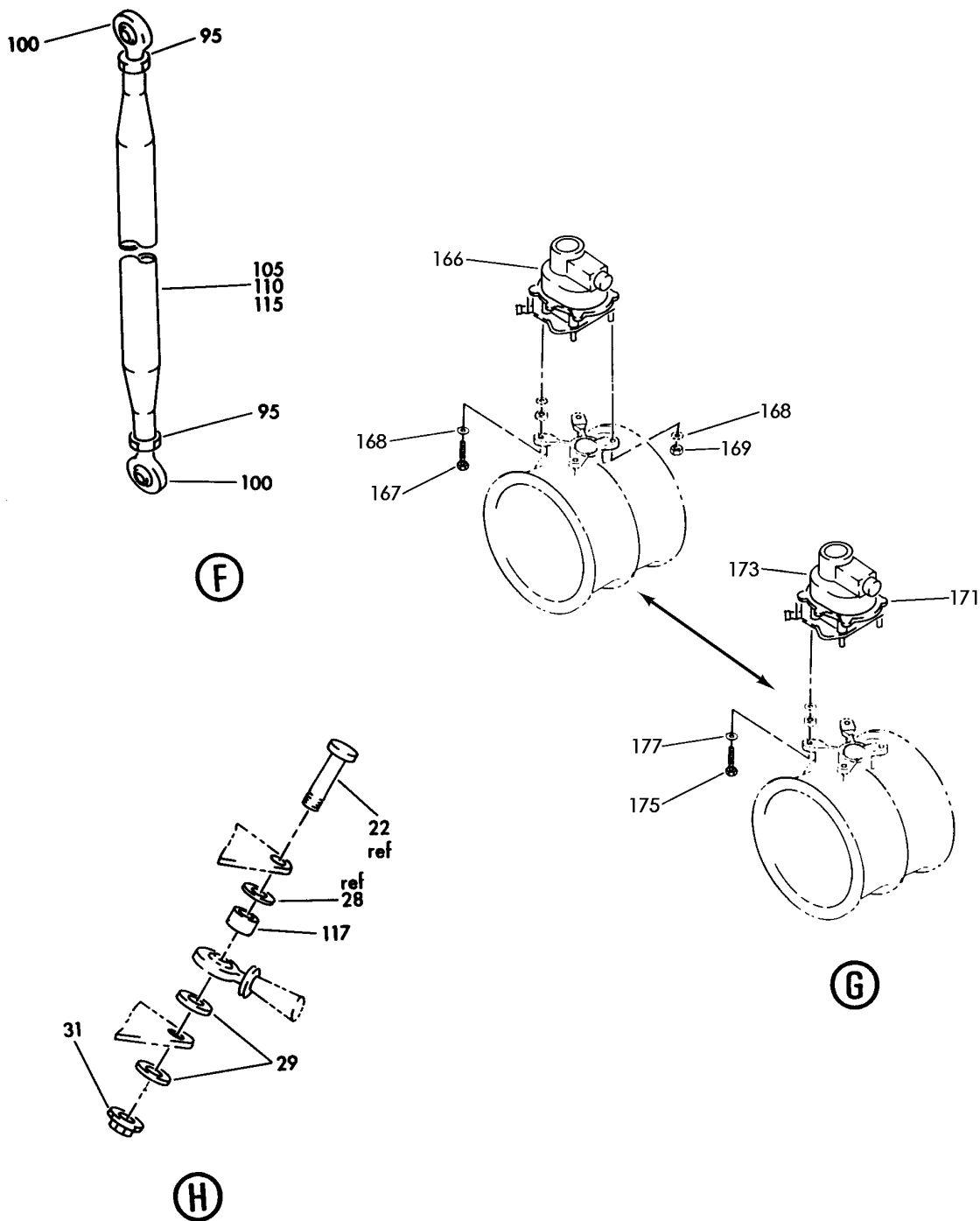
DUCT INSTL-SECT. 45 APU AIR SUPPLY SYS
FIGURE 95 (SHEET 2)

36-11-01-95

HXL
DEC 22/06

36-11-01-95
PAGE 0A

BOEING
767
PARTS CATALOG (MAINTENANCE)



V 36110195 SHT 3 REV 249

DUCT INSTL-SECT. 45 APU AIR SUPPLY SYS
FIGURE 95 (SHEET 3)

36-11-01-95

HXL
DEC 22/06

36-11-01-95
PAGE 0B



767

PARTS CATALOG (MAINTENANCE)

FIG ITEM	PART NUMBER	1 2 3 4 5 6 7	NOMENCLATURE	EFFECT FROM TO	UNITS PER ASSY
95			DUCT INSTL-SECT. 45 APU AIR SUPPLY SYS		
- 1	212T3003-1		DUCT INSTL-APU AIR SUPPLY SYS	163163	RF
			POSITION DATA: SECT. 45 FOR NHA SEE: 21-00-00-05		
- 1	212T3003-3		DUCT INSTL-APU AIR SUPPLY SYS	155162 164999	RF
			POSITION DATA: SECT. 45 FOR NHA SEE: 21-00-00-05		
	3 BAC27TEC0114		.MARKER-ALUMINUM FOIL- PLACARD CONTENT: VALVE AIR SUPPLY ISOLATION CENTER V46		1
	5 NAS564-15		.BOLT-		4
	10 AN960D416L		.WASHER-		8
	15 BRH10A4		.NUT-		4
			SUPPLIER CODE: V52828		
			SPECIFICATION NUMBER: BACN10JC4		
			OPTIONAL PART: T6S428J V11815 96-048 V80539 VN303A048 V92215 RMLH9075-4W V72962 NS202101-048 V80539 H10-4BAC V15653		
	21 BACJ40A30-10		.JUMPER ASSY		1
	22 NAS6604-10		.BOLT		3
	23 NAS6604-10		.BOLT		5
	23A NAS6604-10		.BOLT-		2
	24 NAS6604-11		.BOLT		2
	26 NAS6604-7		.BOLT		3
	27 AN960PD416L		.WASHER		12
	27A AN960PD416L		.WASHER-		2
	28 AN960PD416L		.WASHER		3

ILLUSTRATION ITEMS NOT ON PARTS LIST ARE NOT APPLICABLE

- ITEM NOT ILLUSTRATED

36-11-01-95

36-11-01
FIG. 95
PAGE 1
DEC 22/07

HXL



767

PARTS CATALOG (MAINTENANCE)

FIG ITEM	PART NUMBER	1 2 3 4 5 6 7	NOMENCLATURE	EFFECT FROM TO	UNITS PER ASSY
95 31	BRH10A4	.NUT	SUPPLIER CODE: V52828 SPECIFICATION NUMBER: BACN10JC4 OPTIONAL PART: T6S428J V11815 96-048 V80539 VN303A048 V92215 RMLH9075-4W V72962 NS202101-048 V80539 H10-4BAC V15653		3
32	BRH10A4	.NUT	SUPPLIER CODE: V52828 SPECIFICATION NUMBER: BACN10JC4 OPTIONAL PART: T6S428J V11815 96-048 V80539 VN303A048 V92215 RMLH9075-4W V72962 NS202101-048 V80539 H10-4BAC V15653		7

ILLUSTRATION ITEMS NOT ON PARTS LIST ARE NOT APPLICABLE

- ITEM NOT ILLUSTRATED

HXL

36-11-01-95

BOEING PROPRIETARY - Copyright © - Unpublished Work - See title page for details.

36-11-01
FIG. 95
PAGE 2
DEC 22/07



767

PARTS CATALOG (MAINTENANCE)

FIG ITEM	PART NUMBER	1 2 3 4 5 6 7	NOMENCLATURE	EFFECT FROM TO	UNITS PER ASSY
95 32A	BRH10A4	.NUT-	SUPPLIER CODE: V52828 SPECIFICATION NUMBER: BACN10JC4 OPTIONAL PART: T6S428J V11815 96-048 V80539 VN303A048 V92215 RMLH9075-4W V72962 NS202101-048 V80539 H10-4BAC V15653		2
34	212T3136-3	.ROD ASSY			1
36	212T3136-4	.ROD ASSY			1
38	AN316-5R	..NUT			2
41	M81935-2-4	..BEARING-			1
43	212T3705-1	..END-	USED ON: 212T3136-3		1
46	212T3705-2	..END-	USED ON: 212T3136-4		1
48	NAS354-5-720	..ROD-	USED ON: 212T3136-3		1
51	NAS354-5-400	..ROD-	USED ON: 212T3136-4		1
58	212T3105-20	.ROD ASSY			1
60	AN316-5R	..NUT			2
63	MS21243S04	..BEARING			2
69	NAS354-5-470	..ROD-	USED ON: 212T3105-20		1
80	212T3126-5	.ROD ASSY-			2
85	212T3126-25	.ROD ASSY			1
90	212T3126-23	.ROD ASSY			2
95	AN316-5R	..NUT			2
100	MS21242S04	..BEARING-	OPTIONAL PART: MS21242S04K		2

ILLUSTRATION ITEMS NOT ON PARTS LIST ARE NOT APPLICABLE

- ITEM NOT ILLUSTRATED

36-11-01-95

36-11-01
FIG. 95
PAGE 3
DEC 22/06

HXL



767

PARTS CATALOG (MAINTENANCE)

FIG ITEM	PART NUMBER	1 2 3 4 5 6 7	NOMENCLATURE	EFFECT FROM TO	UNITS PER ASSY
95					
100	MS21242S04K	..	BEARING- OPTIONAL PART: MS21242S04		2
105	212T3126-6	..	ROD- USED ON: 212T3126-5		1
110	212T3126-26	..	ROD- USED ON: 212T3126-25		1
115	212T3126-24	..	ROD- USED ON: 212T3126-23		1
120	NAS6603-4	.	BOLT-		12
125	AN960PD10	.	WASHER		12
126	212T3440-3	.	SPACER		1
130	212T3440-2	.	RING-		1
135	BACC10BN700LR	.	CLAMP-		1
140	14J29600S00S	.	CLAMP SUPPLIER CODE: V5T400 SPECIFICATION NUMBER: BACC10GY600S OPTIONAL PART: NH102711600 V8W928 VC1333A600 V14242 PDVC1137600S V14242		1
145	14J29600	.	CLAMP SUPPLIER CODE: V5T400 SPECIFICATION NUMBER: BACC10GY600 OPTIONAL PART: 4385AF600 V94581 PDVC1137600 V14242 NM102701600 V8W928		2

ILLUSTRATION ITEMS NOT ON PARTS LIST ARE NOT APPLICABLE

- ITEM NOT ILLUSTRATED

HXL

36-11-01-95

BOEING PROPRIETARY - Copyright © - Unpublished Work - See title page for details.

36-11-01
FIG. 95
PAGE 4
AUG 22/09



767

PARTS CATALOG (MAINTENANCE)

FIG ITEM	PART NUMBER	1 2 3 4 5 6 7	NOMENCLATURE	EFFECT FROM TO	UNITS PER ASSY
95 150	MB68864F060JACA	.CLAMP-	SUPPLIER CODE: V98625 SPECIFICATION NUMBER: BACC10FF060CAJA OPTIONAL PART: B01AF060CAJA V10234 3029FF060CAJA V94581 BC1089FF060CAJA V14242 MB68864F060CAJA V00624		1
150	BACC10HU060CAJA	.CLAMP-			1
155	212T3407-1	.CLAMP			1
160	BOE2038-0006	.SEAL-APU DUCT VAPOR	SUPPLIER CODE: V16632 SPECIFICATION NUMBER: S210T121-6		1
165	2780539-101	.VALVE ASSY-BLEED AIR	MANIFOLD SUPPLIER CODE: V92003 SB DATA FROM A CMM: PRE SB 2780539-36-19 RWK SB 2780539-36-27 RWK SB 2780539-36-31 CONFIG CHG DATA FROM A CMM: SUPSD BY 2780539-102 SUPSD BY 2780539-103 ELECTRICAL EQUIP NUMBER: V00046 COMPONENT MAINT MANUAL REF: 36-10-12 OPTIONAL PART: 2780539-102 V92003	163163	1

ILLUSTRATION ITEMS NOT ON PARTS LIST ARE NOT APPLICABLE

- ITEM NOT ILLUSTRATED

HXL

36-11-01-95

BOEING PROPRIETARY - Copyright © - Unpublished Work - See title page for details.

36-11-01
FIG. 95
PAGE 5
AUG 22/09



767

PARTS CATALOG (MAINTENANCE)

FIG ITEM	PART NUMBER	1 2 3 4 5 6 7	NOMENCLATURE	EFFECT FROM TO	UNITS PER ASSY
95 165	2780539-102		.VALVE ASSY-ISOLATION SUPPLIER CODE: V92003 SB DATA FROM A CMM: RWK SB 2780539-36-27 RWK SB 2780539-36-31 CONFIG CHG DATA FROM A CMM: SUPERSEDES 2780539-101 SUPSD BY 2780539-103 ELECTRICAL EQUIP NUMBER: V00046 COMPONENT MAINT MANUAL REF: 36-10-12 OPTIONAL PART: 2780539-101 V92003	163163	1
165	2780539-103		.VALVE ASSY-ISOLATION SUPPLIER CODE: V92003 FUNCTIONAL DESCRIPTION: CHECKS AIR FLOW DOWNSTREAM OF ISOLATION VALVES SB DATA FROM A CMM: POST SB 2780539-36-19 RWK SB 2780539-36-27 RWK SB 2780539-36-31 PRE SB 2780539-36-32 CONFIG CHG DATA FROM A CMM: SUPERSEDES 2780539-101 SUPERSEDES 2780539-102 ELECTRICAL EQUIP NUMBER: V00046 COMPONENT MAINT MANUAL REF: 36-10-12		1

ILLUSTRATION ITEMS NOT ON PARTS LIST ARE NOT APPLICABLE

- ITEM NOT ILLUSTRATED

HXL

36-11-01-95

BOEING PROPRIETARY - Copyright © - Unpublished Work - See title page for details.

36-11-01
FIG. 95
PAGE 6
AUG 22/09



767

PARTS CATALOG (MAINTENANCE)

FIG ITEM	PART NUMBER	1 2 3 4 5 6 7	NOMENCLATURE	EFFECT FROM TO	UNITS PER ASSY
R R R R R R R R R R R R	95 165	2780539-104	.VALVE ASSY-ISOLATION SUPPLIER CODE: V92003 FUNCTIONAL DESCRIPTION: CHECKS AIR FLOW DOWNSTREAM OF ISOLATION VALVES SB DATA FROM A CMM: POST SB 2780539-36-32 ELECTRICAL EQUIP NUMBER: V00046 COMPONENT MAINT MANUAL REF: 36-10-12 OPTIONAL PART: 2780539-103 V92003		1
	165	2780539-105	.VALVE ASSY- SUPPLIER CODE: V92003 FUNCTIONAL DESCRIPTION: CHECKS AIR FLOW DOWNSTREAM OF ISOLATION VALVES COMPONENT MAINT MANUAL REF: 36-10-12 POST SERVICE BULLETIN: 2780539-36-033 V92003		1
	165	2780539-106	.VALVE ASSY- SUPPLIER CODE: V92003 COMPONENT MAINT MANUAL REF: 36-10-12		1
	165	2780539-107	.VALVE ASSY-ISOLATION SUPPLIER CODE: V92003 ELECTRICAL EQUIP NUMBER: V00046 COMPONENT MAINT MANUAL REF: 36-10-12		1

ILLUSTRATION ITEMS NOT ON PARTS LIST ARE NOT APPLICABLE

- ITEM NOT ILLUSTRATED

HXL

36-11-01-95

BOEING PROPRIETARY - Copyright © - Unpublished Work - See title page for details.

36-11-01
FIG. 95
PAGE 7
AUG 22/09



767

PARTS CATALOG (MAINTENANCE)

FIG ITEM	PART NUMBER	1 2 3 4 5 6 7	NOMENCLATURE	EFFECT FROM TO	UNITS PER ASSY
95 166	2762052-103		..ACTUATOR ASSY- SUPPLIER CODE: V92003 SB DATA FROM A CMM: RWK SB 2780539-36-31 CONFIG CHG DATA FROM A CMM: SUPSD BY 2812125-103 COMPONENT MAINT MANUAL REF: 36-10-06 USED ON: 2780539-101 2780539-102		1
166	2812125-103		..ACTUATOR ASSY- SUPPLIER CODE: V92003 SB DATA FROM A CMM: RWK SB 2780539-36-31 CONFIG CHG DATA FROM A CMM: SUPERSEDES 2762052-103 COMPONENT MAINT MANUAL REF: 36-10-11 USED ON: 2780539-101 2780539-102		1
166	2812125-103		..ACTUATOR ASSY- SUPPLIER CODE: V92003 SB DATA FROM A CMM: PRE SB 2780539-36-32 COMPONENT MAINT MANUAL REF: 36-10-11 USED ON: 2780539-103 ATTACHING PARTS		1
167	AN4CH6A		..BOLT- CONFIG CHG DATA FROM A CMM: SUPSD BY 5843106-104		2
167	5843106-104		..BOLT- SUPPLIER CODE: V92003 CONFIG CHG DATA FROM A CMM: SUPERSEDES AN4CH6A		2
168	AN960C416L		..WASHER		4
169	2773470-101		..NUT- SUPPLIER CODE: V92003 OPTIONAL PART: NAS509-4C		2

ILLUSTRATION ITEMS NOT ON PARTS LIST ARE NOT APPLICABLE

- ITEM NOT ILLUSTRATED

36-11-01-95

36-11-01
FIG. 95
PAGE 8
AUG 22/09

HXL

 **BOEING**
767
PARTS CATALOG (MAINTENANCE)

FIG ITEM	PART NUMBER	1 2 3 4 5 6 7	NOMENCLATURE	EFFECT FROM TO	UNITS PER ASSY
95 169	NAS509-4C		..NUT- OPTIONAL PART: 2773470-101 V92003 -----*-----		2
171	2812125-106		..ACTUATOR ASSY- SUPPLIER CODE: V92003 SB DATA FROM A CMM: POST SB 2780539-36-32 CONFIG CHG DATA FROM A CMM: ALTERNATE TO 2812125-103 MISCELLANEOUS DATA: ORDER WITH 5823188-101 COMPONENT MAINT MANUAL REF: 36-10-11 USED ON: 2780539-103		1
171	2812125-106		..ACTUATOR ASSY- SUPPLIER CODE: V92003 MISCELLANEOUS DATA: ORDER WITH 5823188-101 COMPONENT MAINT MANUAL REF: 36-10-11 USED ON: 2780539-104		1
173	5823188-101		..PLATE-MTG SUPPLIER CODE: V92003 MISCELLANEOUS DATA: ORDER WITH 2812125-106 USED ON: 2780539-103 2780539-104 ATTACHING PARTS		1
175	5843106-104		..BOLT- SUPPLIER CODE: V92003		4
177	AN960C416L		..WASHER -----*-----		4
180	212T3138-1		.DUCT ASSY-	155162 164999	1
180	212T3138-4		.DUCT ASSY-	155162 164999	1

ILLUSTRATION ITEMS NOT ON PARTS LIST ARE NOT APPLICABLE

— ITEM NOT ILLUSTRATED

HXL

36-11-01-95

BOEING PROPRIETARY - Copyright © - Unpublished Work - See title page for details.

36-11-01
FIG. 95
PAGE 9
AUG 22/09



767

PARTS CATALOG (MAINTENANCE)

FIG ITEM	PART NUMBER	1 2 3 4 5 6 7	NOMENCLATURE	EFFECT FROM TO	UNITS PER ASSY
95 180	212T3138-7		. DUCT ASSY- QUALIFIED I/W DATA: 212T3138-8 MAY ONLY BE USED FOR 767-200/-300 NON CF6-80A APPLICATIONS 212T3138-9 MAY BE USED FOR 767-200/-300 CF6-80A AND NON-CF6-80A APPLICATION SERVICE BULLETIN OPT DATA: 212T3138-9	155162 164999	1
180	212T3138-9		. DUCT ASSY- QUALIFIED I/W DATA: 212T3138-9 MAY BE USED FOR 767-200/-300 CF6-80A AND NON-CF6-80A APPLICATIONS SERVICE BULLETIN OPT DATA: 212T3138-7 POST ALERT SB: 36A0041R4	163163	1
180	212T3138-12		. DUCT ASSY- SERVICE BULLETIN OPT DATA: 212T3138-9	163163	1
185	212T3139-1		. DUCT ASSY- OPTIONAL PART: 212T3139-4		1
185	212T3139-4		. DUCT ASSY- OPTIONAL PART: 212T3139-1	163163	1
185	212T3139-7		. DUCT ASSY- QUALIFIED I/W DATA: 212T3139-8 I/W 212T3139-7 ONLY FOR ACFT NOT HAVING CF6-80A ENGINES. 212T3139-9 I/W 212T3139-7 FOR ACFT WITH CF6-80A ENGINES	155162 164999	1
200	212T3140-9		. DUCT ASSY- OPTIONAL PART: 212T3140-10		1
200	212T3140-10		. DUCT ASSY- OPTIONAL PART: 212T3140-9		1
- 300	286T0922-001		WIRE BUNDLE ASSY		RF

ILLUSTRATION ITEMS NOT ON PARTS LIST ARE NOT APPLICABLE

- ITEM NOT ILLUSTRATED

36-11-01-95

36-11-01
FIG. 95
PAGE 10
AUG 22/09

HXL

BOEING PROPRIETARY - Copyright © - Unpublished Work - See title page for details.



767

PARTS CATALOG (MAINTENANCE)

FIG ITEM	PART NUMBER	1 2 3 4 5 6 7	NOMENCLATURE	EFFECT FROM TO	UNITS PER ASSY
95 305	BCCREF5975		.ADAPTER- SUPPLIER CODE: V06324 OVERLENGTH PART NUMBER: 710ES012M14-12-62A ELECTRICAL EQUIP NUMBER: D00418T WIRING DIAGRAM REF: 361131		1
310	BACC63BN14-7SN		.CONNECTOR- ELECTRICAL EQUIP NUMBER: D00418 WIRING DIAGRAM REF: 361131		1
905			ILLUSTRATION REFERENCE: DUCT INSTL-BODY CROSSOVER AIR SUPPLY SYS (DUCTS ONLY) 36-11-01-10		RF

ILLUSTRATION ITEMS NOT ON PARTS LIST ARE NOT APPLICABLE

- ITEM NOT ILLUSTRATED

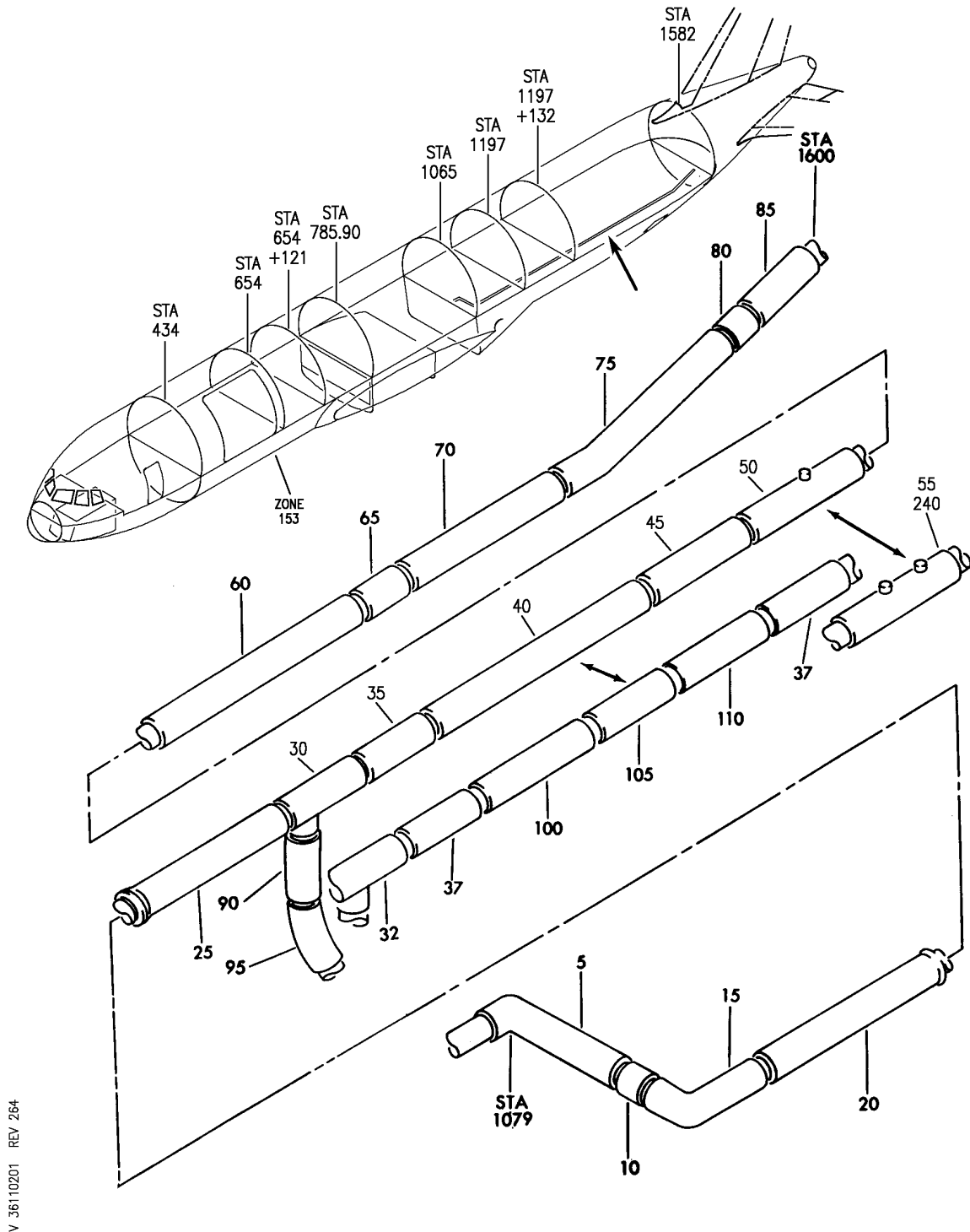
HXL

36-11-01-95

BOEING PROPRIETARY - Copyright © - Unpublished Work - See title page for details.

36-11-01
FIG. 95
PAGE 11
AUG 22/09

BOEING
767
PARTS CATALOG (MAINTENANCE)



V 36110201 REV 264

INSULATION INSTL-APU DUCT AIR SUPPLY SYS
FIGURE 1

36-11-02-01

HXL
DEC 22/06

36-11-02-01
PAGE 0



767

PARTS CATALOG (MAINTENANCE)

FIG ITEM	PART NUMBER	1 2 3 4 5 6 7	NOMENCLATURE	EFFECT FROM TO	UNITS PER ASSY
1			INSULATION INSTL-APU DUCT AIR SUPPLY SYS		
- 1	212T3008-23		INSULATION INSTL-APU DUCT AIR SUPPLY SYS FOR NHA SEE: 21-00-00-03A		RF
5	212T3008-18		.BLANKET-INSULATION		1
10	212T3008-17		.BLANKET-INSULATION		1
15	212T3008-16		.BLANKET-INSULATION		1
20	212T3008-15		.BLANKET-INSULATION		1
25	212T3008-14		.BLANKET-INSULATION		1
32	212T3008-12		.BLANKET-INSULATION		1
37	212T3008-11		.BLANKET-INSULATION		2
40	212T3008-10		.BLANKET-INSULATION		1
45	212T3008-9		.BLANKET-INSULATION		1
55	212T3008-20		.BLANKET-INSULATION		1
60	212T3008-7		.BLANKET-INSULATION		1
65	212T3008-6		.BLANKET-INSULATION		1
70	212T3008-5		.BLANKET-INSULATION		1
75	212T3008-4		.BLANKET-INSULATION		1
80	212T3008-3		.BLANKET-INSULATION		1
85	212T3008-2		.BLANKET-INSULATION		1
90	212T3008-13		.BLANKET-INSULATION		1
95	212T3008-21		.BLANKET-INSULATION		1
100	212T3008-24		.BLANKET-INSULATION		1
105	212T3008-25		.BLANKET-INSULATION		1
110	212T3008-26		.BLANKET-INSULATION		1

ILLUSTRATION ITEMS NOT ON PARTS LIST ARE NOT APPLICABLE

- ITEM NOT ILLUSTRATED

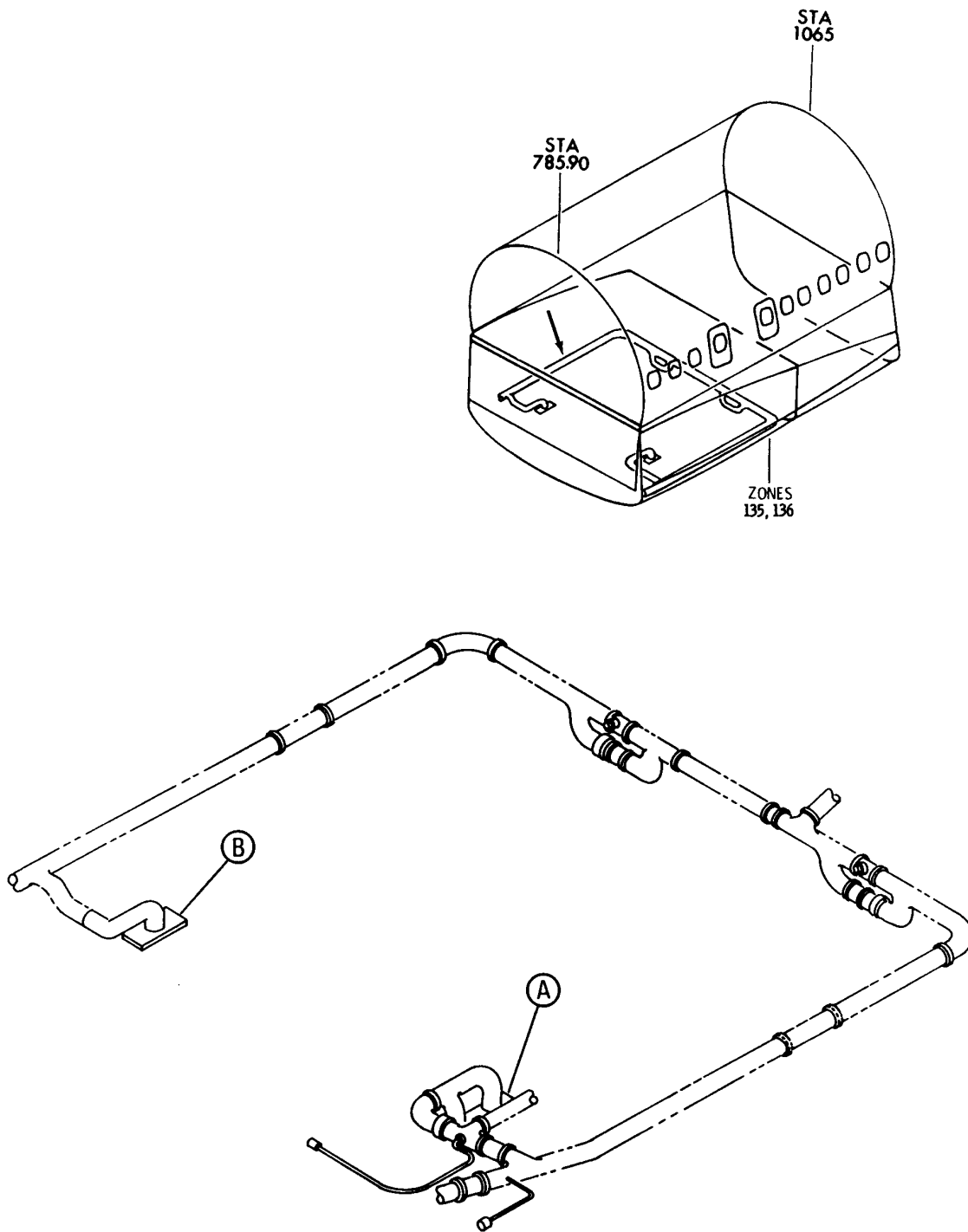
HXL

36-11-02-01

BOEING PROPRIETARY - Copyright © - Unpublished Work - See title page for details.

36-11-02
FIG. 01
PAGE 1
DEC 22/06

BOEING
767
PARTS CATALOG (MAINTENANCE)



V 36110301 SHT 1 REV 123

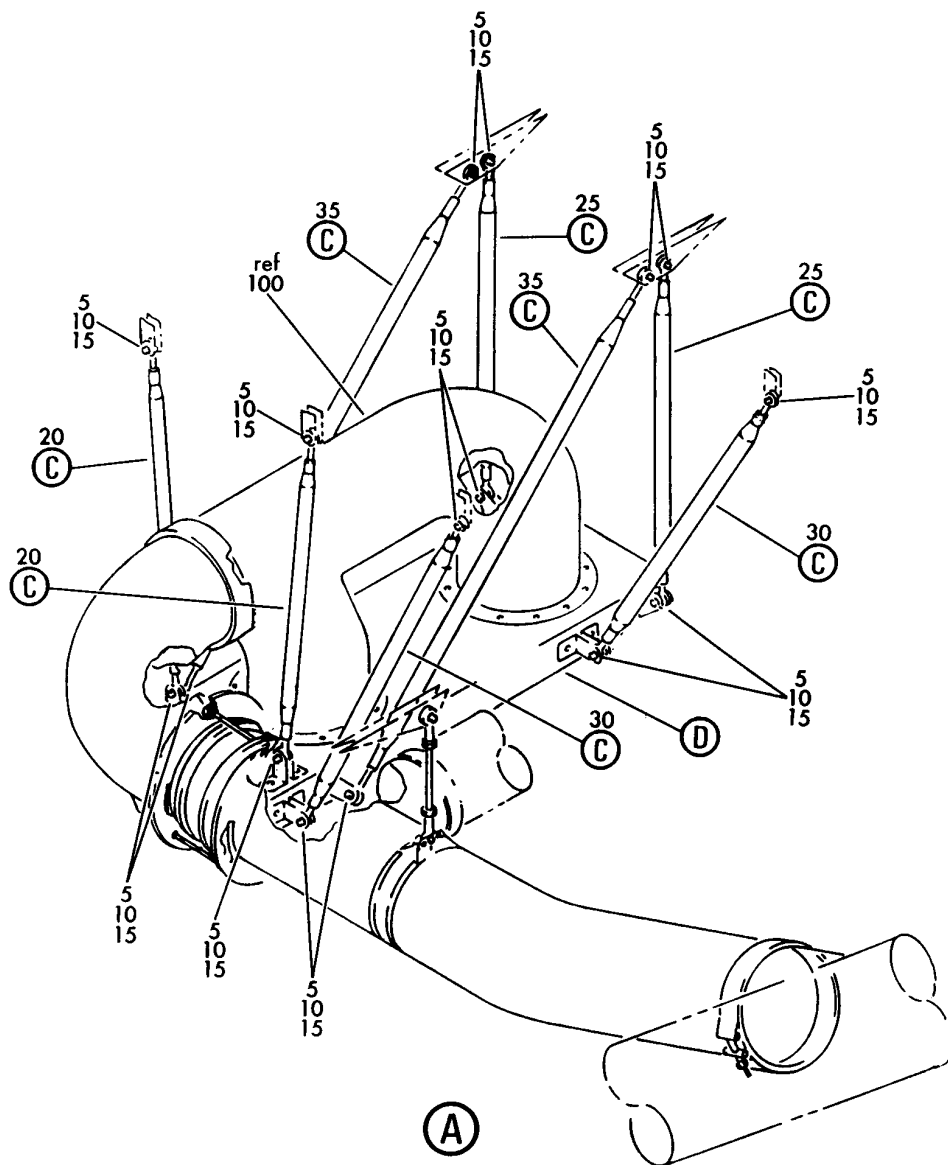
DUCT INSTL-BODY CROSSOVER AIR SUPPLY SYSTEM (GROUND AIR CONNECTOR ONLY)
FIGURE 1 (SHEET 1)

HXL
DEC 22/06

36-11-03-01

36-11-03-01
PAGE 0

BOEING
767
PARTS CATALOG (MAINTENANCE)



V 36110301 SHT 2 REV 123

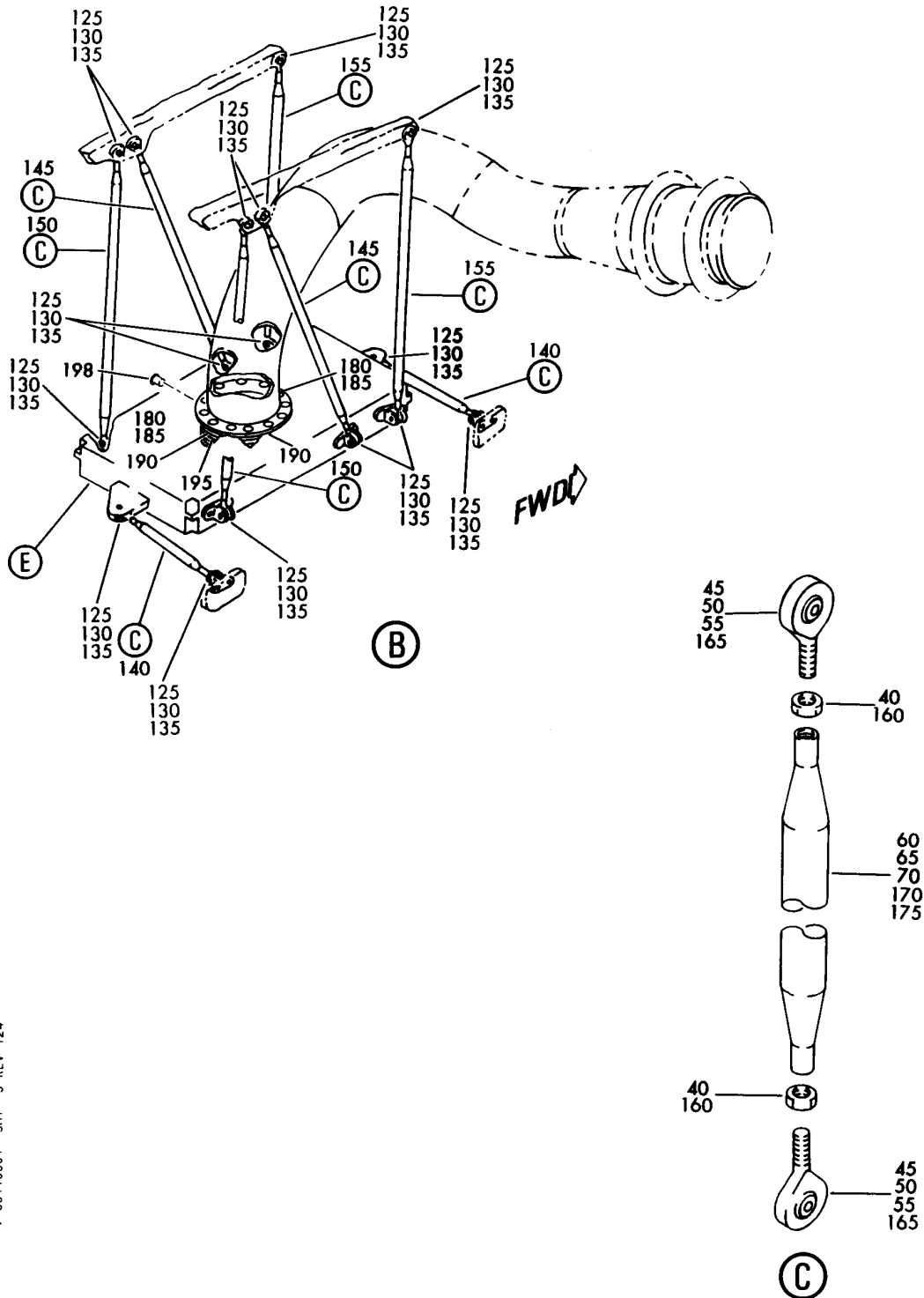
DUCT INSTL-BODY CROSSOVER AIR SUPPLY SYSTEM (GROUND AIR CONNECTOR ONLY)
FIGURE 1 (SHEET 2)

36-11-03-01

HXL
DEC 22/06

36-11-03-01
PAGE 0A

BOEING
767
PARTS CATALOG (MAINTENANCE)



V 36110301 SHT 3 REV 124

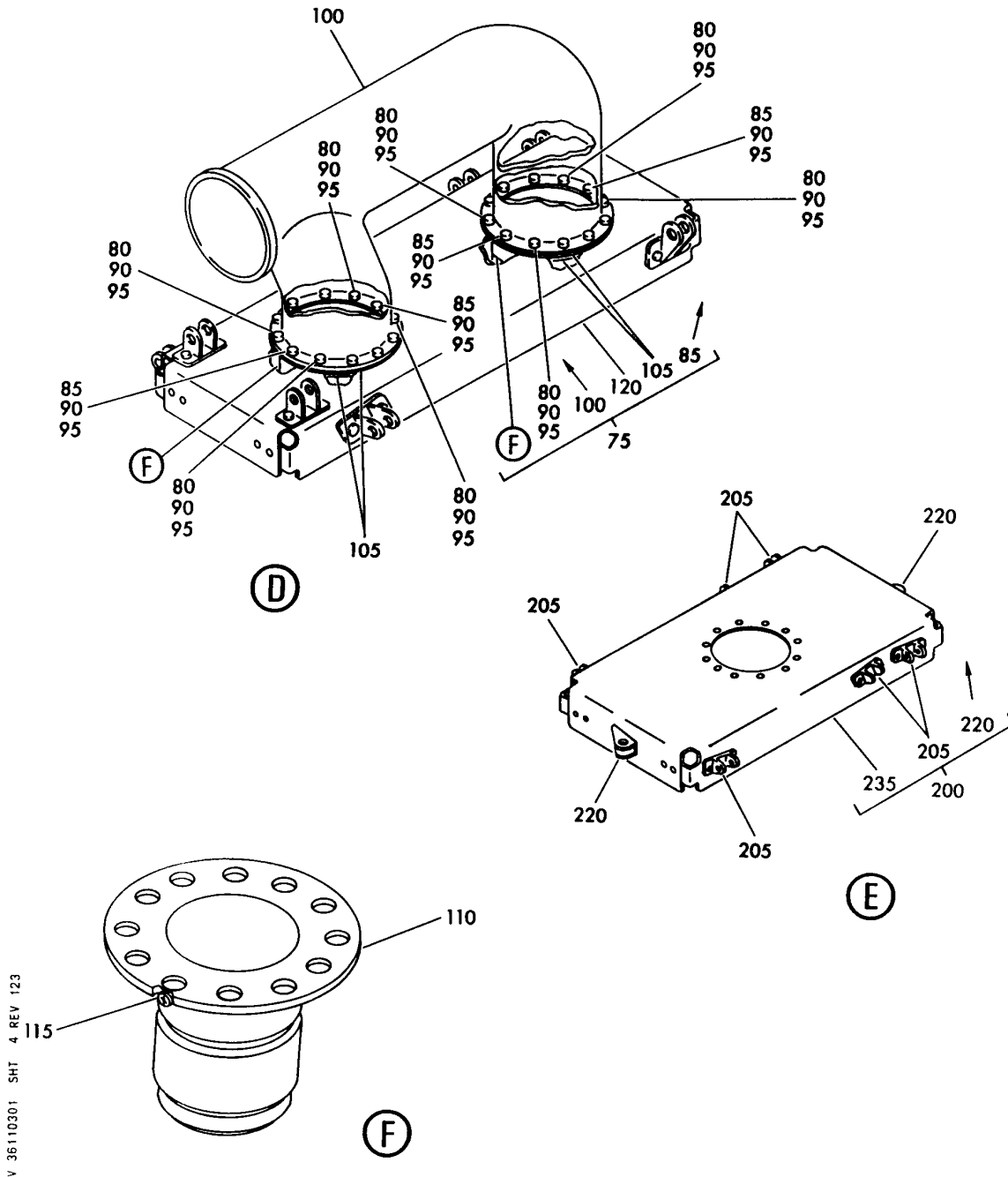
DUCT INSTL-BODY CROSSOVER AIR SUPPLY SYSTEM (GROUND AIR CONNECTOR ONLY)
FIGURE 1 (SHEET 3)

36-11-03-01

HXL
DEC 22/06

36-11-03-01
PAGE 0B

BOEING
767
PARTS CATALOG (MAINTENANCE)



V 36110301 SHT 4 REV 123

DUCT INSTL-BODY CROSSOVER AIR SUPPLY SYSTEM (GROUND AIR CONNECTOR ONLY)
FIGURE 1 (SHEET 4)

36-11-03-01

HXL
DEC 22/06

36-11-03-01
PAGE 0C



767

PARTS CATALOG (MAINTENANCE)

FIG ITEM	PART NUMBER	1 2 3 4 5 6 7	NOMENCLATURE	EFFECT FROM TO	UNITS PER ASSY
1			DUCT INSTL-BODY CROSSOVER AIR SUPPLY SYSTEM (GROUND AIR CONNECTOR ONLY)		
- 1	212T3002-22		DUCT INSTL-BODY CROSSOVER AIR SUPPLY SYSTEM (GROUND AIR CONNECTOR ONLY) FOR NHA/OTHER SYS DET SEE: 21-00-00-06		RF
5	NAS6604-10	.BOLT			16
10	AN960PD416L	.WASHER			16
15	NAS1804-4	.NUT			16
20	212T3126-43	.ROD ASSY-			2
		OPTIONAL PART:	212T3126-36		
20	212T3126-36	.ROD ASSY-			2
		OPTIONAL PART:	212T3126-43		
25	212T3126-45	.ROD ASSY-			2
		OPTIONAL PART:	212T3126-44		
25	212T3126-44	.ROD ASSY-			2
		OPTIONAL PART:	212T3126-45		
30	212T3126-47	.ROD ASSY-			2
35	212T3126-31	.ROD ASSY-			2
40	AN316-5R	..NUT-			2
		USED ON:	212T3126-31		
			212T3126-47		
45	MS21242S04	..BEARING-			2
		USED ON:	212T3126-47		
50	MS21242S04	..BEARING-			2
		OPTIONAL PART:	MS21242S04K		
		USED ON:	212T3126-31		
		USED ON:	212T3126-44		
50	MS21242S04K	..BEARING-			2
		OPTIONAL PART:	MS21242S04		
		USED ON:	212T3126-31		
			212T3126-44		

ILLUSTRATION ITEMS NOT ON PARTS LIST ARE NOT APPLICABLE

- ITEM NOT ILLUSTRATED

36-11-03-01

36-11-03
FIG. 01
PAGE 1
DEC 22/08

HXL

 **BOEING**
767
PARTS CATALOG (MAINTENANCE)

FIG ITEM	PART NUMBER	1 2 3 4 5 6 7	NOMENCLATURE	EFFECT FROM TO	UNITS PER ASSY
1					
55	MS21242S04	..	BEARING- USED ON: 212T3126-43		2
55	212T3126-35	..	ROD END- USED ON: 212T3126-36 212T3126-45		2
60	65B41247-118	..	ROD- USED ON: 212T3126-43 212T3126-44		1
60	212T3126-34	..	ROD- USED ON: 212T3126-36 212T3126-45		1
65	212T3126-46	..	ROD- USED ON: 212T3126-47		1
70	212T3126-32	..	ROD- USED ON: 212T3126-31		1
75	212T3129-9	.	PAN ASSY-		1
80	NAS6604-5	..	BOLT-		20
85	NAS6604H5	..	SCREW-		4
90	AN960JD416	..	WASHER		24
95	BRH10A4	..	NUT SUPPLIER CODE: V52828 SPECIFICATION NUMBER: BACN10JC4 OPTIONAL PART: T6S428J V11815 96-048 V80539 VN303A048 V92215 RMLH9075-4W V72962 NS202101-048 V80539 H10-4BAC V15653		24
100	212T3130-7	..	DUCT ASSY-		1
100	212T3130-17	..	DUCT ASSY-		1
105	66-2396	..	GASKET-		4
105	66-2396-1	..	GASKET-		4

ILLUSTRATION ITEMS NOT ON PARTS LIST ARE NOT APPLICABLE

— ITEM NOT ILLUSTRATED

HXL

36-11-03-01

BOEING PROPRIETARY - Copyright © - Unpublished Work - See title page for details.

36-11-03
FIG. 01
PAGE 2
DEC 22/07



767

PARTS CATALOG (MAINTENANCE)

FIG ITEM	PART NUMBER	1 2 3 4 5 6 7	NOMENCLATURE	EFFECT FROM TO	UNITS PER ASSY
1					
110	4663-8		.. VALVE ASSY-NIPPLE CHECK AIR SPL Y UNDER WING SUPPLIER CODE: V86831 FUNCTIONAL DESCRIPTION: PREVENTS REVERSE AIR FLOW COMPONENT MAINT MANUAL REF: 80-00-05 OPTIONAL PART: M913-1 V81833		2
110	M913-1		.. VALVE ASSY- SUPPLIER CODE: V81833 MISCELLANEOUS DATA: (M913-1 IS I/W 4663-1 AND 4665-1. M913-1 IS I/W 4663-5 AND 4665-8 ON 737-300, -400, -500 AND 757 AIRPLANES. 4663-5 AND 4665-8 ARE NOT APPROVED FOR USE ON AIRPLANES WITH JT8D ENGINES) COMPONENT MAINT MANUAL REF: 80-00-05 OPTIONAL PART: 4663-8 V86831		2
115	2154-0012		... SCREW- SUPPLIER CODE: V86831		1
120	212T3129-5		.. PAN ASSY-		1

ILLUSTRATION ITEMS NOT ON PARTS LIST ARE NOT APPLICABLE

- ITEM NOT ILLUSTRATED

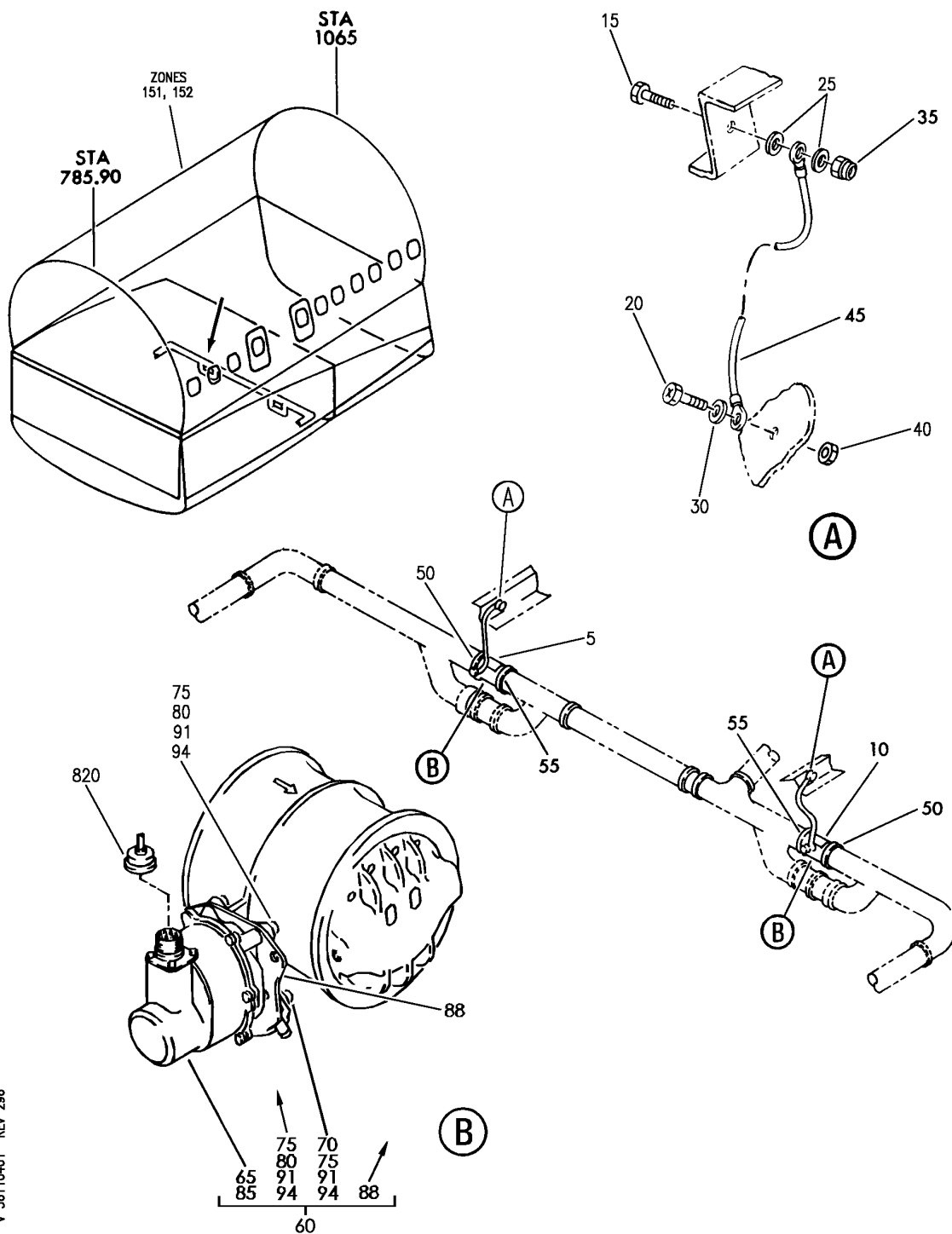
HXL

36-11-03-01

BOEING PROPRIETARY - Copyright © - Unpublished Work - See title page for details.

36-11-03
FIG. 01
PAGE 3
DEC 22/07

BOEING
767
PARTS CATALOG (MAINTENANCE)



V 36110401 REV 296

DUCT INSTL-BODY CROSSOVER AIR SUPPLY SYSTEM (ISOLATION VALVE ONLY)

FIGURE 1

36-11-04-01

HXL
DEC 22/06

36-11-04-01
PAGE 0



767

PARTS CATALOG (MAINTENANCE)

FIG ITEM	PART NUMBER	1 2 3 4 5 6 7	NOMENCLATURE	EFFECT FROM TO	UNITS PER ASSY
1			DUCT INSTL-BODY CROSSOVER AIR SUPPLY SYSTEM (ISOLATION VALVE ONLY)		
- 1	212T3002-22		DUCT INSTL-BODY CROSSOVER AIR SUPPLY SYSTEM (ISOLATION VALVE ONLY) FOR NHA/OTHER SYS DET SEE: 21-00-00-06		RF
5	BAC27TEC0113		.MARKER-ALUMINUM FOIL PLACARD CONTENT: VALVE AIR SUPPLY ISOLATION, (R) V45		1
10	BAC27TEC0112		.MARKER-ALUMINUM FOIL PLACARD CONTENT: VALVE AIR SUPPLY ISOLATION (L) V44		1
15	NAS563-15		.BOLT-		2
20	NAS564-15		.BOLT-		2
25	AN960D10L		.WASHER		4
30	AN960D416L		.WASHER		2
35	BRH10A3		.NUT		2
			SUPPLIER CODE: V52828 SPECIFICATION NUMBER: BACN10JC3 OPTIONAL PART: H10-3BAC V15653 NS202101-02 V80539 RMLH9075-3W V72962 VN303A02 V92215 96-02 V80539 T6S1032J V11815		

ILLUSTRATION ITEMS NOT ON PARTS LIST ARE NOT APPLICABLE

- ITEM NOT ILLUSTRATED

HXL

36-11-04-01

BOEING PROPRIETARY - Copyright © - Unpublished Work - See title page for details.

36-11-04
FIG. 01
PAGE 1
DEC 22/07



767

PARTS CATALOG (MAINTENANCE)

FIG ITEM	PART NUMBER	1 2 3 4 5 6 7	NOMENCLATURE	EFFECT FROM TO	UNITS PER ASSY
1 40	BRH10A4		.NUT SUPPLIER CODE: V52828 SPECIFICATION NUMBER: BACN10JC4 OPTIONAL PART: T6S428J V11815 96-048 V80539 VN303A048 V92215 RMLH9075-4W V72962 NS202101-048 V80539 H10-4BAC V15653		2
45	940CW21-15		.JUMPER ASSY- SUPPLIER CODE: V91812 SPECIFICATION NUMBER: BACJ40AB21-15 OPTIONAL PART: 100221-15 V1FF12 RBEJ40AB21-15 V1GK47		2
50	14J29600		.CLAMP- SUPPLIER CODE: V5T400 SPECIFICATION NUMBER: BACC10GY600 OPTIONAL PART: 4385AF600 V94581 PDVC1137600 V14242 NM102701600 V8W928		2

ILLUSTRATION ITEMS NOT ON PARTS LIST ARE NOT APPLICABLE

- ITEM NOT ILLUSTRATED

HXL

36-11-04-01

BOEING PROPRIETARY - Copyright © - Unpublished Work - See title page for details.

36-11-04
FIG. 01
PAGE 2
DEC 22/06



767

PARTS CATALOG (MAINTENANCE)

FIG ITEM	PART NUMBER	1 2 3 4 5 6 7	NOMENCLATURE	EFFECT FROM TO	UNITS PER ASSY
1 55	14J29600S00S		.CLAMP SUPPLIER CODE: V5T400 SPECIFICATION NUMBER: BACC10GY600S OPTIONAL PART: NH102711600 V8W928 VC1333A600 V14242 PDVC1137600S V14242		2
60	2780539-101		.VALVE ASSY-ISOLATION SUPPLIER CODE: V92003 SB DATA FROM A CMM: PRE SB 2780539-36-19 RWK SB 2780539-36-27 RWK SB 2780539-36-31 CONFIG CHG DATA FROM A CMM: SUPSD BY 2780539-102 SUPSD BY 2780539-103 ELECTRICAL EQUIP NUMBER: V00044 V00045 COMPONENT MAINT MANUAL REF: 36-10-12 OPTIONAL PART: 2780539-102 V92003		2
60	2780539-102		.VALVE ASSY-ISOLATION SUPPLIER CODE: V92003 SB DATA FROM A CMM: RWK SB 2780539-36-27 RWK SB 2780539-36-31 CONFIG CHG DATA FROM A CMM: SUPERSEDES 2780539-101 SUPSD BY 2780539-103 ELECTRICAL EQUIP NUMBER: V00044 V00045 COMPONENT MAINT MANUAL REF: 36-10-12 OPTIONAL PART: 2780539-101 V92003		2

ILLUSTRATION ITEMS NOT ON PARTS LIST ARE NOT APPLICABLE

- ITEM NOT ILLUSTRATED

HXL

36-11-04-01

BOEING PROPRIETARY - Copyright © - Unpublished Work - See title page for details.

36-11-04
FIG. 01
PAGE 3
DEC 22/07



767

PARTS CATALOG (MAINTENANCE)

FIG ITEM	PART NUMBER	1 2 3 4 5 6 7	NOMENCLATURE	EFFECT FROM TO	UNITS PER ASSY
1					
60	2780539-103		.VALVE ASSY-ISOLATION SUPPLIER CODE: V92003 FUNCTIONAL DESCRIPTION: CHECKS AIR FLOW DOWNSTREAM OF ISOLATION VALVES SB DATA FROM A CMM: POST SB 2780539-36-19 RWK SB 2780539-36-27 RWK SB 2780539-36-31 PRE SB 2780539-36-32 CONFIG CHG DATA FROM A CMM: SUPERSEDES 2780539-101 SUPERSEDES 2780539-102 ELECTRICAL EQUIP NUMBER: V00044 V00045 COMPONENT MAINT MANUAL REF: 36-10-12		2
R R R R R R R R R R R	60	2780539-104	.VALVE ASSY-ISOLATION SUPPLIER CODE: V92003 FUNCTIONAL DESCRIPTION: CHECKS AIR FLOW DOWNSTREAM OF ISOLATION VALVES SB DATA FROM A CMM: POST SB 2780539-36-32 COMPONENT MAINT MANUAL REF: 36-10-12 OPTIONAL PART: 2780539-103 V92003		2
	60	2780539-105	.VALVE ASSY-ISOLATION SUPPLIER CODE: V92003 FUNCTIONAL DESCRIPTION: CHECKS AIR FLOW DOWNSTREAM OF ISOLATION VALVES ELECTRICAL EQUIP NUMBER: V00044 V00045 COMPONENT MAINT MANUAL REF: 36-10-12		2
ILLUSTRATION ITEMS NOT ON PARTS LIST ARE NOT APPLICABLE					

- ITEM NOT ILLUSTRATED

36-11-04-01

36-11-04
FIG. 01
PAGE 4
AUG 22/09

HXL



767

PARTS CATALOG (MAINTENANCE)

FIG ITEM	PART NUMBER	1 2 3 4 5 6 7	NOMENCLATURE	EFFECT FROM TO	UNITS PER ASSY
1					
60	2780539-107		. VALVE ASSY-ISOLATION SUPPLIER CODE: V92003 ELECTRICAL EQUIP NUMBER: V00044 V00045 COMPONENT MAINT MANUAL REF: 36-10-12		2
60	2780539-106		. VALVE ASSY-ISOLATION SUPPLIER CODE: V92003 ELECTRICAL EQUIP NUMBER: V00044 V00045 COMPONENT MAINT MANUAL REF: 36-10-12		2
65	2762052-103		.. ACTUATOR ASSY- SUPPLIER CODE: V92003 SB DATA FROM A CMM: RWK SB 2780539-36-31 CONFIG CHG DATA FROM A CMM: SUPSD BY 2812125-103 COMPONENT MAINT MANUAL REF: 36-10-06 USED ON: 2780539-101 2780539-102		1
65	2812125-103		.. ACTUATOR ASSY- SUPPLIER CODE: V92003 SB DATA FROM A CMM: RWK SB 2780539-36-31 CONFIG CHG DATA FROM A CMM: SUPERSEDES 2762052-103 COMPONENT MAINT MANUAL REF: 36-10-11 USED ON: 2780539-101 2780539-102		1

ILLUSTRATION ITEMS NOT ON PARTS LIST ARE NOT APPLICABLE

- ITEM NOT ILLUSTRATED

HXL

36-11-04-01

BOEING PROPRIETARY - Copyright © - Unpublished Work - See title page for details.

36-11-04
FIG. 01
PAGE 5
DEC 22/06



767

PARTS CATALOG (MAINTENANCE)

FIG ITEM	PART NUMBER	1 2 3 4 5 6 7	NOMENCLATURE	EFFECT FROM TO	UNITS PER ASSY
1					
65	2812125-103		..ACTUATOR ASSY- SUPPLIER CODE: V92003 SB DATA FROM A CMM: PRE SB 2780539-36-32 COMPONENT MAINT MANUAL REF: 36-10-11 USED ON: 2780539-103 ATTACHING PARTS		1
70	5843106-104		..BOLT- SUPPLIER CODE: V92003 CONFIG CHG DATA FROM A CMM: SUPERSEDES AN4CH6A		2
70	AN4CH6A		..BOLT- CONFIG CHG DATA FROM A CMM: SUPSD BY 5843106-104		2
75	AN960C416L		..WASHER		4
80	2773470-101		..NUT- SUPPLIER CODE: V92003 OPTIONAL PART: NAS509-4C		2
80	NAS509-4C		..NUT- OPTIONAL PART: 2773470-101 V92003 -----*-----		2
85	2812125-106		..ACTUATOR ASSY- SUPPLIER CODE: V92003 MISCELLANEOUS DATA: ORDER WITH 5823188-101 COMPONENT MAINT MANUAL REF: 36-10-11 OPTIONAL PART: 2812125-105 V92003 USED ON: 2780539-104		1

ILLUSTRATION ITEMS NOT ON PARTS LIST ARE NOT APPLICABLE

- ITEM NOT ILLUSTRATED

HXL

36-11-04-01

BOEING PROPRIETARY - Copyright © - Unpublished Work - See title page for details.

36-11-04
FIG. 01
PAGE 6
DEC 22/06



767

PARTS CATALOG (MAINTENANCE)

FIG ITEM	PART NUMBER	1 2 3 4 5 6 7	NOMENCLATURE	EFFECT FROM TO	UNITS PER ASSY
1					
85	2812125-106		..ACTUATOR ASSY- SUPPLIER CODE: V92003 SB DATA FROM A CMM: POST SB 2780539-36-32 CONFIG CHG DATA FROM A CMM: ALTERNATE TO 2812125-103 MISCELLANEOUS DATA: ORDER WITH 5823188-101 COMPONENT MAINT MANUAL REF: 36-10-11 OPTIONAL PART: 2812125-107 V92003 USED ON: 2780539-103		1
85	2812125-107		..ACTUATOR ASSY- SUPPLIER CODE: V92003 COMPONENT MAINT MANUAL REF: 36-10-11 OPTIONAL PART: 2812125-106 V92003 USED ON: 2780539-105		1
88	5823188-101		..PLATE-MTG SUPPLIER CODE: V92003 MISCELLANEOUS DATA: ORDER WITH 2812125-106 USED ON: 2780539-103 2780539-104 2780539-105 ATTACHING PARTS		1
91	5843106-104		..BOLT- SUPPLIER CODE: V92003		4
94	AN960C416L		..WASHER -----*-----		4
- 800	286T0612-101		WIRE BUNDLE ASSY		RF
- 810	286T0938-102		WIRE BUNDLE ASSY		RF

ILLUSTRATION ITEMS NOT ON PARTS LIST ARE NOT APPLICABLE

- ITEM NOT ILLUSTRATED

36-11-04-01

36-11-04
FIG. 01
PAGE 7
DEC 22/06

HXL



767
PARTS CATALOG (MAINTENANCE)

FIG ITEM	PART NUMBER	1 2 3 4 5 6 7	NOMENCLATURE	EFFECT FROM TO	UNITS PER ASSY
1 820	BACC63BN14C7SN		.CONNECTOR- ELECTRICAL EQUIP NUMBER: D01162 D01282 WIRING DIAGRAM REF: 361111 361121		1

ILLUSTRATION ITEMS NOT ON PARTS LIST ARE NOT APPLICABLE

- ITEM NOT ILLUSTRATED

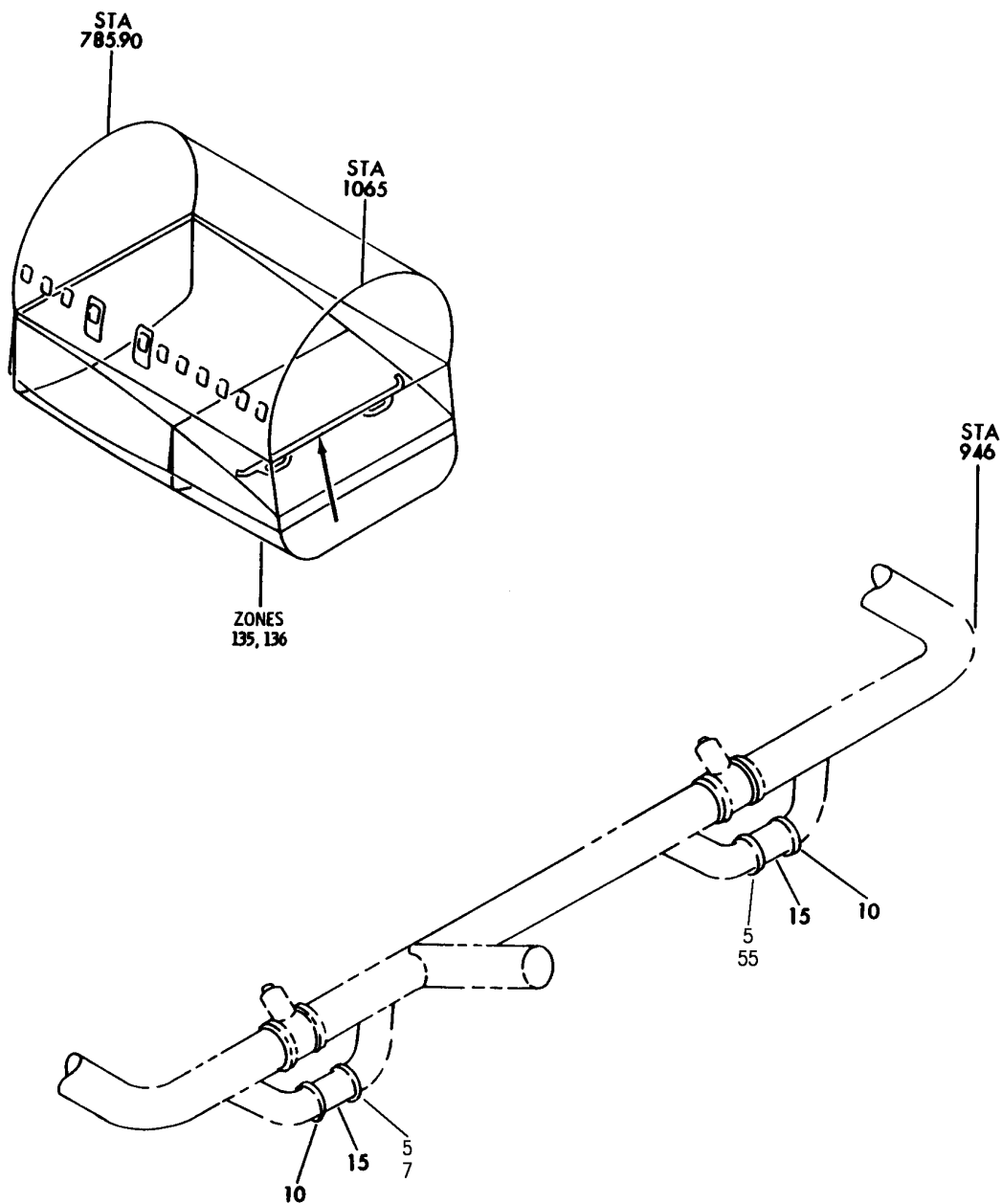
HXL

36-11-04-01

BOEING PROPRIETARY - Copyright © - Unpublished Work - See title page for details.

36-11-04
FIG. 01
PAGE 8
DEC 22/06

BOEING
767
PARTS CATALOG (MAINTENANCE)



V 36110501 REV 314

DUCT INSTL-BODY CROSSOVER AIR SUPPLY SYSTEM (ISOLATION BYPASS CHECK VALVES ONLY)

FIGURE 1

36-11-05-01

HXL
APR 22/07

36-11-05-01
PAGE 0



767

PARTS CATALOG (MAINTENANCE)

FIG ITEM	PART NUMBER	1 2 3 4 5 6 7	NOMENCLATURE	EFFECT FROM TO	UNITS PER ASSY
1			DUCT INSTL-BODY CROSSOVER AIR SUPPLY SYSTEM (ISOLATION BYPASS CHECK VALVES ONLY)		
- 1	212T3002-22		DUCT INSTL-BODY CROSSOVER AIR SUPPLY SYSTEM (ISOLATION BYPASS CHECK VALVES ONLY)		RF
5	14J29450S		FOR NHA/OTHER SYS DET SEE: 21-00-00-06 .CLAMP- SUPPLIER CODE: V5T400 SPECIFICATION NUMBER: BACC10GY450S OPTIONAL PART: VC1333A450 V14242 PDVC1137450S V14242 NH102711450 V8W928		2
10	14J29500		.CLAMP- SUPPLIER CODE: V5T400 SPECIFICATION NUMBER: BACC10GY500 OPTIONAL PART: 4385AF500 V94581 PDVC1137500 V14242 NM102701500 V8W928		2
15	732-11750-01		.VALVE- SUPPLIER CODE: VS4096 COMPONENT MAINT MANUAL REF: 36-11-01 OPTIONAL PART: 732-11750-02 VS4096		2

ILLUSTRATION ITEMS NOT ON PARTS LIST ARE NOT APPLICABLE

- ITEM NOT ILLUSTRATED

HXL

36-11-05-01

BOEING PROPRIETARY - Copyright © - Unpublished Work - See title page for details.

36-11-05
FIG. 01
PAGE 1
DEC 22/07



767

PARTS CATALOG (MAINTENANCE)

FIG ITEM	PART NUMBER	1 2 3 4 5 6 7	NOMENCLATURE	EFFECT FROM TO	UNITS PER ASSY
1 15	732-11750-02		. VALVE- SUPPLIER CODE: VS4096 COMPONENT MAINT MANUAL REF: 36-11-01 OPTIONAL PART: 732-11750-01 VS4096 732-11750-03 VS4096		2
15	732-11750-03		. VALVE- SUPPLIER CODE: VS4096 COMPONENT MAINT MANUAL REF: 36-11-01 OPTIONAL PART: 732-11750-02 VS4096		2

ILLUSTRATION ITEMS NOT ON PARTS LIST ARE NOT APPLICABLE

- ITEM NOT ILLUSTRATED

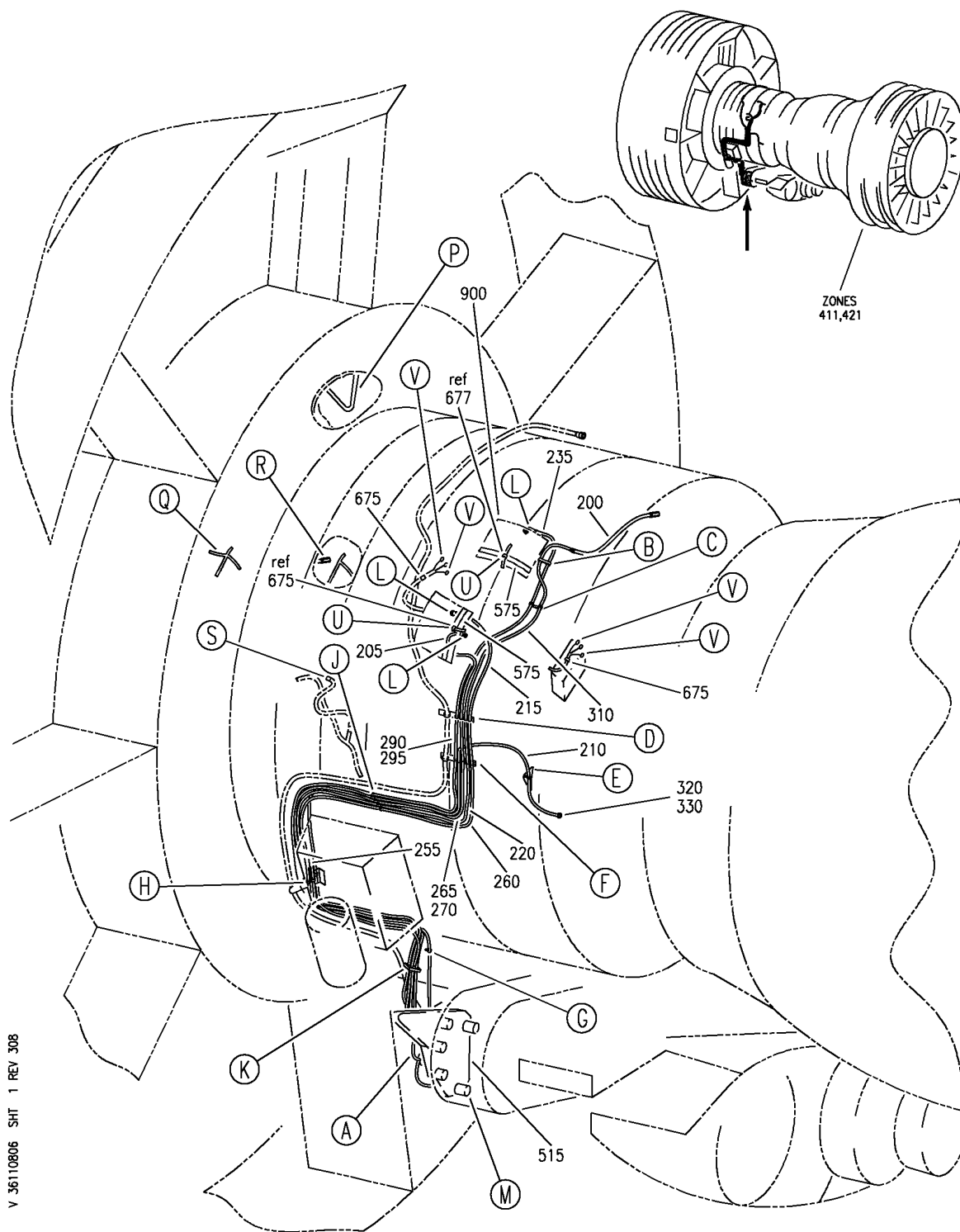
HXL

36-11-05-01

BOEING PROPRIETARY - Copyright © - Unpublished Work - See title page for details.

36-11-05
FIG. 01
PAGE 2
DEC 22/07

BOEING
767
PARTS CATALOG (MAINTENANCE)



V 36110806 SHT 1 REV 308

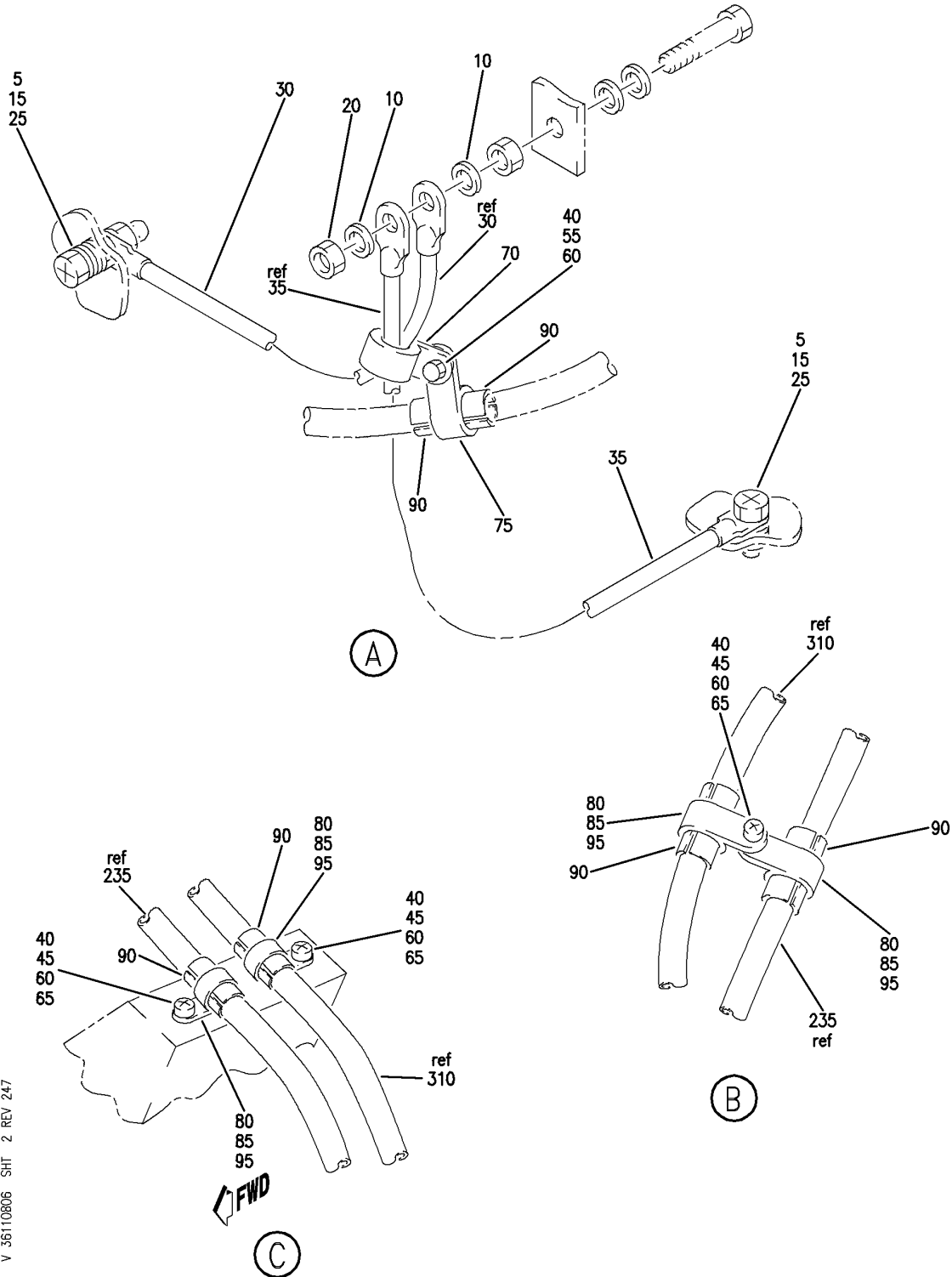
CONTROLLER AND WIRING INSTL-PW4000 ENVIRONMENTAL CONT SYS (DISTRIBUTION ONLY)
FIGURE 6 (SHEET 1)

36-11-08-06

HXL
DEC 22/06

36-11-08-06
PAGE 0

BOEING
767
PARTS CATALOG (MAINTENANCE)



V 36110806 SH1 2 REV 247

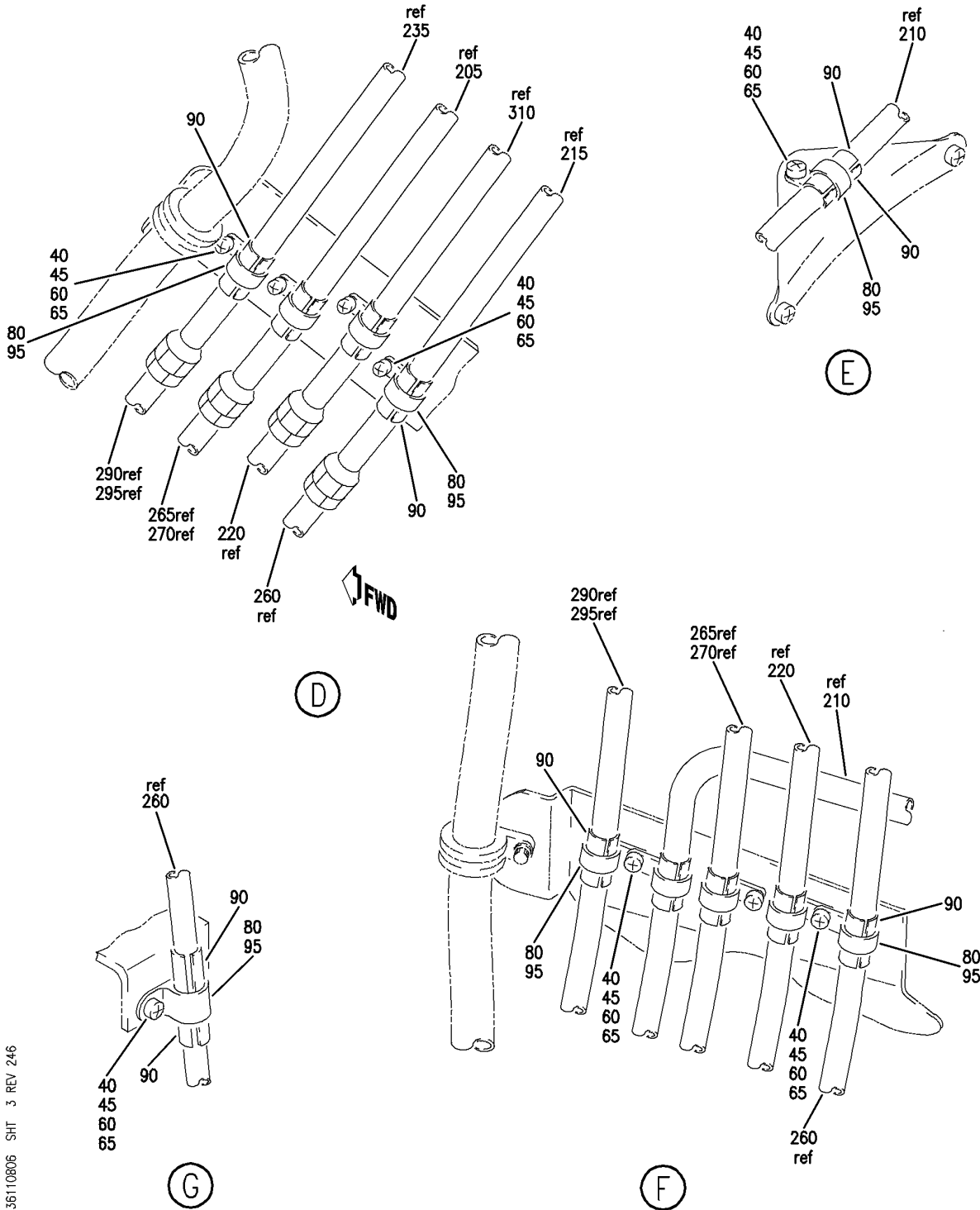
CONTROLLER AND WIRING INSTL-PW4000 ENVIRONMENTAL CONT SYS (DISTRIBUTION ONLY)
FIGURE 6 (SHEET 2)

36-11-08-06

HXL
DEC 22/06

36-11-08-06
PAGE 0A

BOEING
767
PARTS CATALOG (MAINTENANCE)



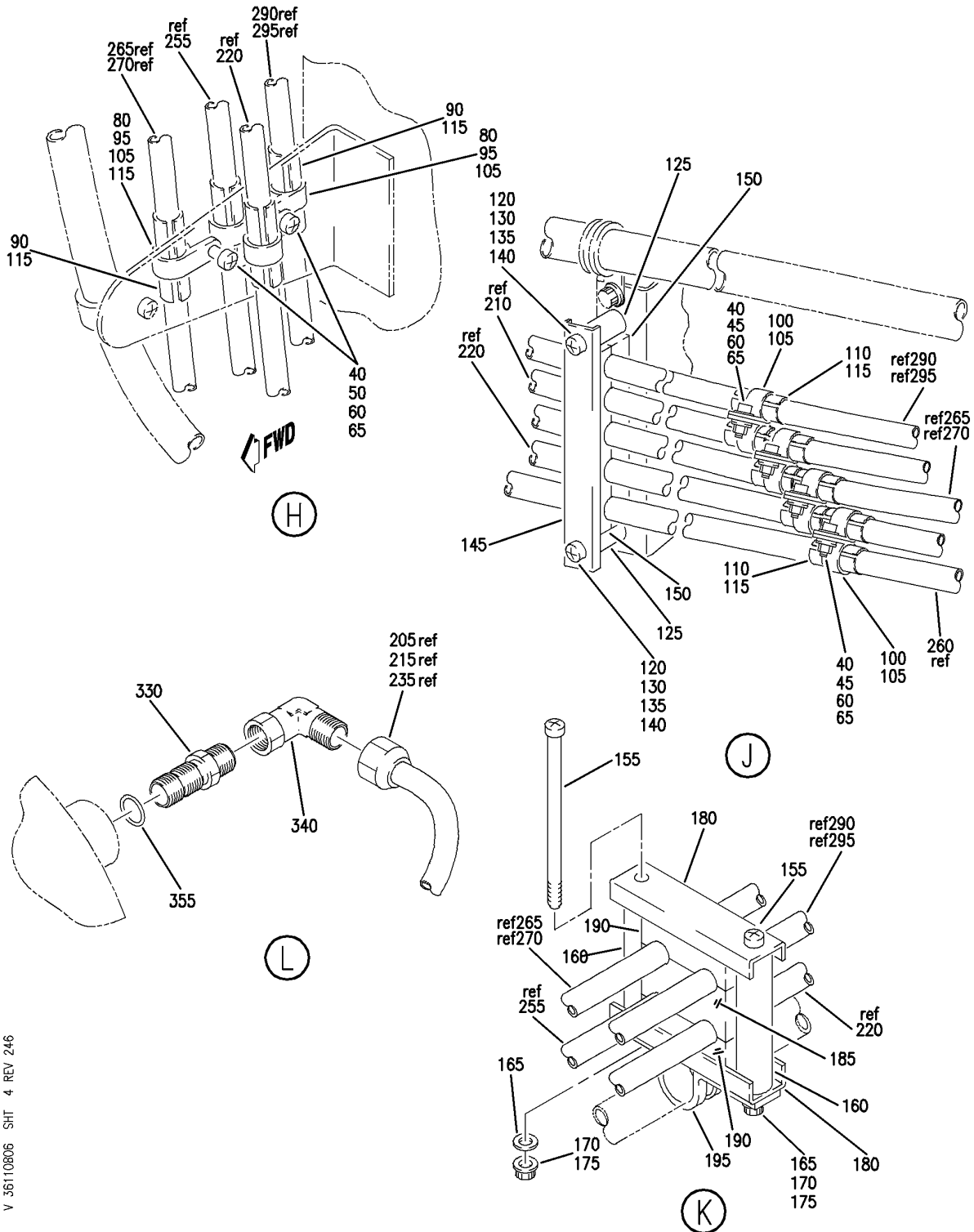
CONTROLLER AND WIRING INSTL-PW4000 ENVIRONMENTAL CONT SYS (DISTRIBUTION ONLY)
FIGURE 6 (SHEET 3)

36-11-08-06

HXL
DEC 22/06

36-11-08-06
PAGE 0B

BOEING
767
PARTS CATALOG (MAINTENANCE)



V 36110806 SH1 4 REV 246

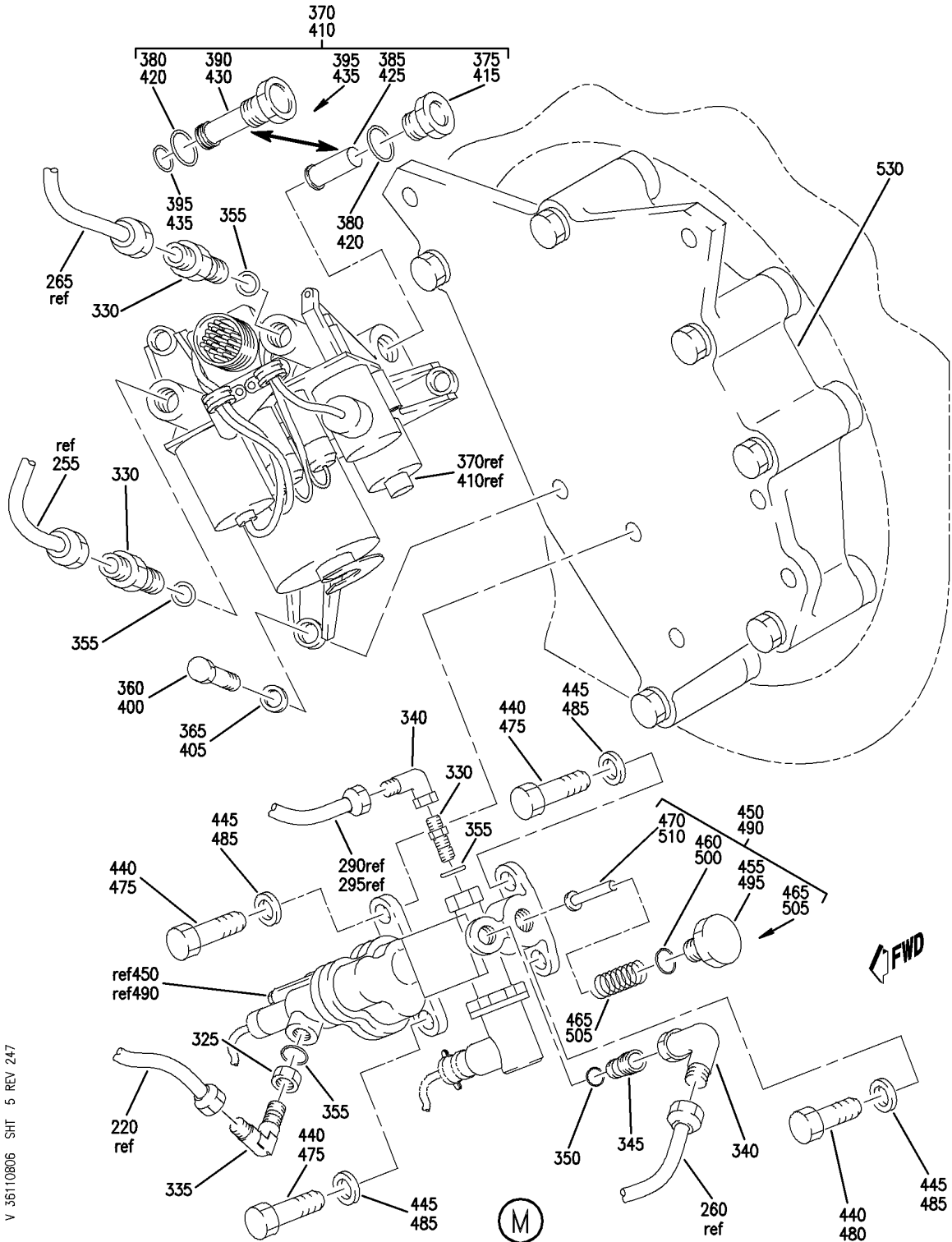
CONTROLLER AND WIRING INSTL-PW4000 ENVIRONMENTAL CONT SYS (DISTRIBUTION ONLY)
FIGURE 6 (SHEET 4)

36-11-08-06

HXL
DEC 22/06

36-11-08-06
PAGE 0C


BOEING
 767
PARTS CATALOG (MAINTENANCE)



V 36110806 SHIT 5 REV 247

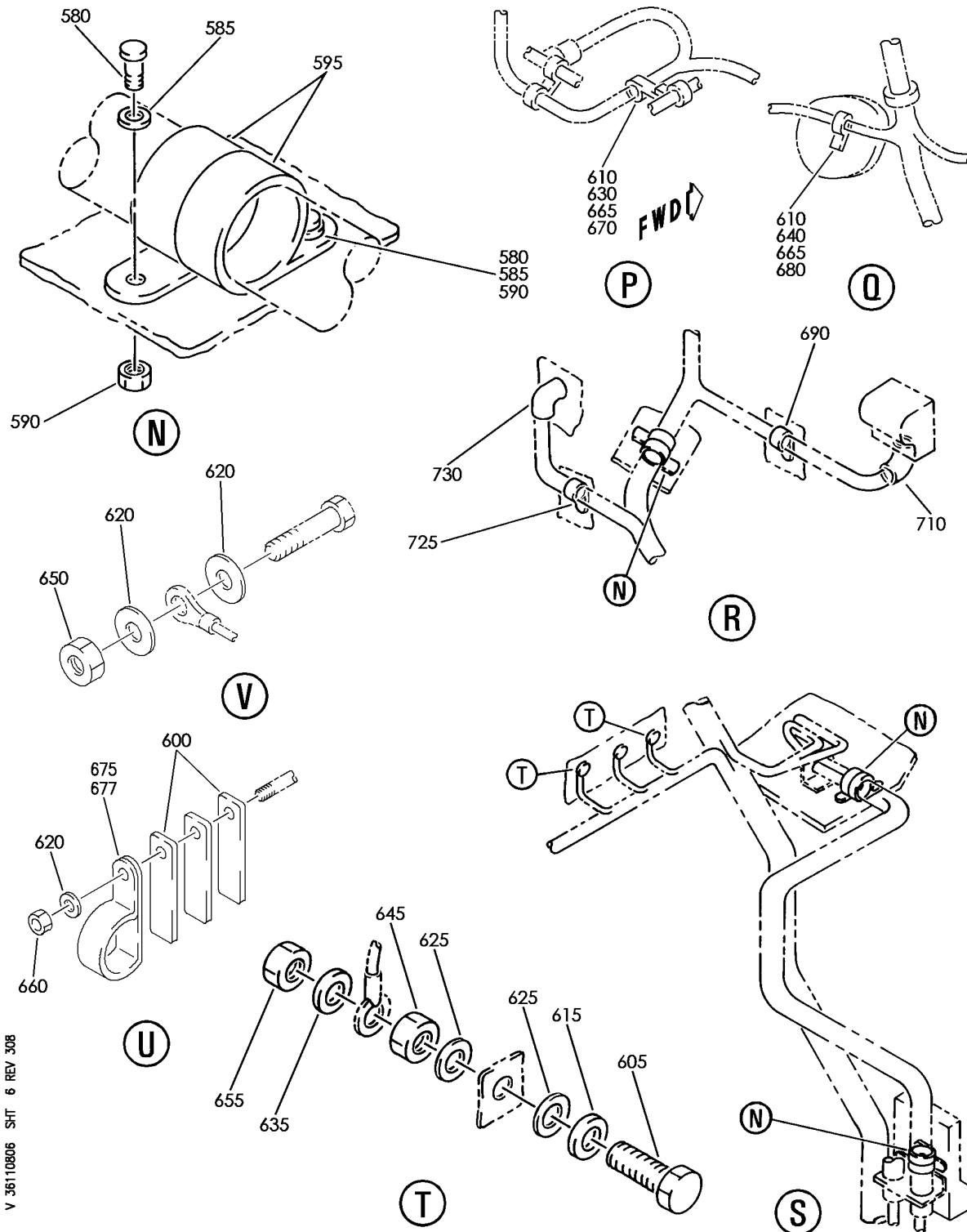
CONTROLLER AND WIRING INSTL-PW4000 ENVIRONMENTAL CONT SYS (DISTRIBUTION ONLY)
 FIGURE 6 (SHEET 5)

36-11-08-06

HXL
DEC 22/06

36-11-08-06
 PAGE 0D

BOEING
767
PARTS CATALOG (MAINTENANCE)



V 36110806 SHT 6 REV 308

CONTROLLER AND WIRING INSTL-PW4000 ENVIRONMENTAL CONT SYS (DISTRIBUTION ONLY)
FIGURE 6 (SHEET 6)

HXL
DEC 22/06

36-11-08-06

36-11-08-06
PAGE 0E



767

PARTS CATALOG (MAINTENANCE)

FIG ITEM	PART NUMBER	1 2 3 4 5 6 7	NOMENCLATURE	EFFECT FROM TO	UNITS PER ASSY
6			CONTROLLER AND WIRING INSTL-PW4000 ENVIRONMENTAL CONT SYS (DISTRIBUTION ONLY)		
- 1	332T4340-1		CONTROLLER INSTL-PW4000 ENVIRONMENTAL CONT SYS FOR NHA SEE: 71-00-51-02		RF
5	NAS1802-4-6		.SCREW		2
10	AN960C10L		.WASHER		2
15	AN960C416L		.WASHER		2
20	BRH10C3M		.NUT-		1
			SUPPLIER CODE: V52828 SPECIFICATION NUMBER: BACN10JC3CM OPTIONAL PART: T6C1032JM V11815 97E02 V80539 109LH9075-3W V72962 VN303D02 V92215 NS202101SE02 V80539 H01-3BAC V15653 BACN10YR3CM BACN10YR3C		
20	PLH53CM		.NUT- SUPPLIER CODE: VF0224 SPECIFICATION NUMBER: BACN10YR3CM OPTIONAL PART: H52732-3CM V15653 BACN10JC3CM BACN10YR3C		1

ILLUSTRATION ITEMS NOT ON PARTS LIST ARE NOT APPLICABLE

- ITEM NOT ILLUSTRATED

HXL

36-11-08-06

BOEING PROPRIETARY - Copyright © - Unpublished Work - See title page for details.

36-11-08
FIG. 06
PAGE 1
DEC 22/08



767

PARTS CATALOG (MAINTENANCE)

FIG ITEM	PART NUMBER	1 2 3 4 5 6 7	NOMENCLATURE	EFFECT FROM TO	UNITS PER ASSY
6 20	PLH53C		.NUT- SUPPLIER CODE: V62554 SPECIFICATION NUMBER: BACN10YR3C OPTIONAL PART: H52732-3C V15653 BACN10YR3CM BACN10JC3CM		1
25	BRH10C4M		.NUT- SUPPLIER CODE: V52828 SPECIFICATION NUMBER: BACN10JC4CM OPTIONAL PART: T6C428JM V11815 97E48 V80539 109LH9075-4W V72962 VN303D048 V92215 H01-4BAC V15653 NS202101SE048 V80539 BACN10YR4CM BACN10YR4C		2
25	PLH54CM		.NUT- SUPPLIER CODE: V62554 SPECIFICATION NUMBER: BACN10YR4CM OPTIONAL PART: H52732-4CM V15653 BACN10JC4CM BACN10YR4C		2

ILLUSTRATION ITEMS NOT ON PARTS LIST ARE NOT APPLICABLE

- ITEM NOT ILLUSTRATED

HXL

36-11-08-06

BOEING PROPRIETARY - Copyright © - Unpublished Work - See title page for details.

36-11-08
FIG. 06
PAGE 2
DEC 22/07



767

PARTS CATALOG (MAINTENANCE)

FIG ITEM	PART NUMBER	1 2 3 4 5 6 7	NOMENCLATURE	EFFECT FROM TO	UNITS PER ASSY
6					
25	PLH54C		.NUT- SUPPLIER CODE: V62554 SPECIFICATION NUMBER: BACN10YR4C OPTIONAL PART: H52732-4C V15653 BACN10YR4CM BACN10JC4CM		2
30	100545-9		.JUMPER ASSY SUPPLIER CODE: V1FF12 SPECIFICATION NUMBER: BACJ40AD45-9 OPTIONAL PART: RBEJ40AD45-9 V1GK47		1
35	100545-14		.JUMPER ASSY SUPPLIER CODE: V1FF12 SPECIFICATION NUMBER: BACJ40AD45-14 OPTIONAL PART: RBEJ40AD45-14 V1GK47		1
40	NAS1802-3-7		.SCREW		19
55	AN960C10L		.WASHER		1
60	BRH10C3M		.NUT- SUPPLIER CODE: V52828 SPECIFICATION NUMBER: BACN10JC3CM OPTIONAL PART: T6C1032JM V11815 97E02 V80539 109LH9075-3W V72962 VN303D02 V92215 NS202101SE02 V80539 H01-3BAC V15653 BACN10YR3CM BACN10YR3C		19
ILLUSTRATION ITEMS NOT ON PARTS LIST ARE NOT APPLICABLE					

- ITEM NOT ILLUSTRATED

36-11-08-06

36-11-08
FIG. 06
PAGE 3
DEC 22/07

HXL



767

PARTS CATALOG (MAINTENANCE)

FIG ITEM	PART NUMBER	1 2 3 4 5 6 7	NOMENCLATURE	EFFECT FROM TO	UNITS PER ASSY
6					
60	PLH53CM	.NUT-	SUPPLIER CODE: VF0224 SPECIFICATION NUMBER: BACN10YR3CM OPTIONAL PART: H52732-3CM V15653 BACN10JC3CM BACN10YR3C		19
60	PLH53C	.NUT-	SUPPLIER CODE: V62554 SPECIFICATION NUMBER: BACN10YR3C OPTIONAL PART: H52732-3C V15653 BACN10YR3CM BACN10JC3CM		19
70	BACC10HS3	.CLAMP			1
75	BACC10HS6	.CLAMP			1
80	BACC10GT3-06	.CLAMP ASSY-	QUALIFIED OPTIONAL DATA: (BACC10GT1-06 AND (2) BACC10GT2-06 OPT TO BACC10GT3-06)		19
85	BACC10GT1-06	.CLAMP ASSY-	QUALIFIED OPTIONAL DATA: (BACC10GT1-06 AND (2) BACC10GT2-06 OPT TO BACC10GT3-06)		19
90	BACC10GT2-06	.CLAMP SHELL-	QUALIFIED OPTIONAL DATA: (BACC10GT1-06 AND (2) BACC10GT2-06 OPT TO BACC10GT3-06)		40
100	S500-6	.CLAMP	SUPPLIER CODE: V18076 SPECIFICATION NUMBER: BACC10HS06 OPTIONAL PART: 490-06RPB V83930 025029-06 V84971 44LC17H6PB V22175		8

ILLUSTRATION ITEMS NOT ON PARTS LIST ARE NOT APPLICABLE

- ITEM NOT ILLUSTRATED

36-11-08-06

36-11-08
FIG. 06
PAGE 4
DEC 22/08

HXL

BOEING
767
PARTS CATALOG (MAINTENANCE)

FIG ITEM	PART NUMBER	1 2 3 4 5 6 7	NOMENCLATURE	EFFECT FROM TO	UNITS PER ASSY
6					
110	BACC10GT2-06	.	CLAMPSELL		16
120	NAS1801-3-21	.	SCREW- ATTACHING PARTS		2
125	NAS43DD3-55	.	SPACER- -----*-----		2
130	AN960JD10L	.	WASHER-		2
135	BRH10C3M	.	NUT- SUPPLIER CODE: V52828 SPECIFICATION NUMBER: BACN10JC3CM OPTIONAL PART: T6C1032JM V11815 97E02 V80539 109LH9075-3W V72962 VN303D02 V92215 NS202101SE02 V80539 H01-3BAC V15653 BACN10YR3CM BACN10YR3C ATTACHING PARTS		2
135	PLH53CM	.	NUT- SUPPLIER CODE: VF0224 SPECIFICATION NUMBER: BACN10YR3CM OPTIONAL PART: H52732-3CM V15653 BACN10JC3CM BACN10YR3C -----*-----		2
135	PLH53C	.	NUT- SUPPLIER CODE: V62554 SPECIFICATION NUMBER: BACN10YR3C OPTIONAL PART: H52732-3C V15653 BACN10YR3CM BACN10JC3CM		2
145	312T3106-136	.	CHANNEL-		1

ILLUSTRATION ITEMS NOT ON PARTS LIST ARE NOT APPLICABLE

- ITEM NOT ILLUSTRATED

HXL

36-11-08-06

BOEING PROPRIETARY - Copyright © - Unpublished Work - See title page for details.

36-11-08
FIG. 06
PAGE 5
DEC 22/08



767

PARTS CATALOG (MAINTENANCE)

FIG ITEM	PART NUMBER	1 2 3 4 5 6 7	NOMENCLATURE	EFFECT FROM TO	UNITS PER ASSY
6					
145	312T3106-100	.	CHANNEL-		1
150	312T3106-104	.	BLOCK-HALF		2
155	NAS1801-3-35	.	SCREW-		2
160	NAS43DD3-102	.	SPACER-		2
165	AN960JD10L	.	WASHER-		2
170	BRH10C3M	.	NUT-		2
			SUPPLIER CODE: V52828		
			SPECIFICATION NUMBER: BACN10JC3CM		
			OPTIONAL PART: T6C1032JM		
			V11815		
			97E02		
			V80539		
			109LH9075-3W		
			V72962		
			VN303D02		
			V92215		
			NS202101SE02		
			V80539		
			H01-3BAC		
			V15653		
			BACN10YR3CM		
			BACN10YR3C		
170	PLH53CM	.	NUT-		2
			SUPPLIER CODE: VF0224		
			SPECIFICATION NUMBER: BACN10YR3CM		
			OPTIONAL PART: H52732-3CM		
			V15653		
			BACN10JC3CM		
			BACN10YR3C		
170	PLH53C	.	NUT-		2
			SUPPLIER CODE: V62554		
			SPECIFICATION NUMBER: BACN10YR3C		
			OPTIONAL PART: H52732-3C		
			V15653		
			BACN10JC3CM		
			BACN10YR3CM		
180	65B80254-158	.	CHANNEL-		2
185	65B80254-115	.	BLOCK-		1
190	65B80254-67	.	BLOCK-		2

ILLUSTRATION ITEMS NOT ON PARTS LIST ARE NOT APPLICABLE

- ITEM NOT ILLUSTRATED

36-11-08-06

36-11-08
FIG. 06
PAGE 6
DEC 22/08

HXL

BOEING
767
PARTS CATALOG (MAINTENANCE)

FIG ITEM	PART NUMBER	1 2 3 4 5 6 7	NOMENCLATURE	EFFECT FROM TO	UNITS PER ASSY
6					
- 240	AP2097H06	..	SLEEVE SUPPLIER CODE: V01673 SPECIFICATION NUMBER: BACS13BX06H OPTIONAL PART: 2-02903-06H V11328 35235V06 V08199 AFP175V06 V30974 DBOS13BX06H V14798		1
- 245	MS21921-6J	..	NUT		1
- 250	35056V06	..	UNION SUPPLIER CODE: V08199 SPECIFICATION NUMBER: BACU24AB6H OPTIONAL PART: 2-01027-6H V11328 31875-6H V14397 4671097H6 V50948 AP1004H06 V01673 AFP941H6 V30974 DBOU24AB6H V14798		1
R R R R R R R R R	255	332T4340-9	.TUBE ASSY-HIGH PRESSURE CONT SUPPLY POSITION DATA: LWR TUBING MATERIAL: GUBING CRES 21-6-9 BMS7-185 F-25.01 0.375IN OD 0.020IN WALL 30.0IN LG SPARES ORDER MATERIAL CODE: 3278024200		1

ILLUSTRATION ITEMS NOT ON PARTS LIST ARE NOT APPLICABLE

- ITEM NOT ILLUSTRATED

HXL

36-11-08-06

BOEING PROPRIETARY - Copyright © - Unpublished Work - See title page for details.

36-11-08
FIG. 06
PAGE 9
AUG 22/09

 **BOEING**
767
PARTS CATALOG (MAINTENANCE)

FIG ITEM	PART NUMBER	1 2 3 4 5 6 7	NOMENCLATURE	EFFECT FROM TO	UNITS PER ASSY
6 - 285	35056V06		.. UNION SUPPLIER CODE: V08199 SPECIFICATION NUMBER: BACU24AB6H OPTIONAL PART: 2-01027-6H V11328 31875-6H V14397 4671097H6 V50948 AP1004H06 V01673 AFP941H6 V30974 DBOU24AB6H V14798		1
R R R R R R R R R	290 332T4340-7		. TUBE ASSY-PRESSURE RELIEF VALVE ACTR POSITION DATA: LWR TUBING MATERIAL: TUBING CRES 21-6-9 BMS7-185 F-25.01 0.375IN OD 0.020IN WALL 64.0IN LG SPARES ORDER MATERIAL CODE: 3278024200		1
- 300	AP2097H06		.. SLEEVE SUPPLIER CODE: V01673 SPECIFICATION NUMBER: BACS13BX06H OPTIONAL PART: 2-02903-06H V11328 35235V06 V08199 AFP175V06 V30974 DBOS13BX06H V14798		2
- 305	MS21921-6J		.. NUT		2

ILLUSTRATION ITEMS NOT ON PARTS LIST ARE NOT APPLICABLE

- ITEM NOT ILLUSTRATED

HXL

36-11-08-06

BOEING PROPRIETARY - Copyright © - Unpublished Work - See title page for details.

36-11-08
FIG. 06
PAGE 11
AUG 22/09

BOEING
767
PARTS CATALOG (MAINTENANCE)

FIG ITEM	PART NUMBER	1 2 3 4 5 6 7	NOMENCLATURE	EFFECT FROM TO	UNITS PER ASSY
R R R R R R R R	6 310	332T4340-5	.TUBE ASSY-PRESSURE RELIEF VALVE REGULATED PRESSURE POSITION DATA: UPR TUBING MATERIAL: TUBING CRES 21-6-9 BMS7-185 F-25.01 0.375IN OD 0.020IN WALL 36.0IN LG SPARES ORDER MATERIAL CODE: 3278024200		1
	- 315	35056V06	..UNION SUPPLIER CODE: V08199 SPECIFICATION NUMBER: BACU24AB6H OPTIONAL PART: 2-01027-6H V11328 31875-6H V14397 4671097H6 V50948 AP1004H06 V01673 AFP941H6 V30974 DBOU24AB6H V14798		2
	320	AN960C916	.WASHER		1
	325	AN924-6J	.NUT		1
	330	MS21902J6	.UNION		7
	335	MS21926J6	.ELBOW		1
ILLUSTRATION ITEMS NOT ON PARTS LIST ARE NOT APPLICABLE					

- ITEM NOT ILLUSTRATED

36-11-08-06

36-11-08
FIG. 06
PAGE 12
AUG 22/09

HXL



767

PARTS CATALOG (MAINTENANCE)

FIG ITEM	PART NUMBER	1 2 3 4 5 6 7	NOMENCLATURE	EFFECT FROM TO	UNITS PER ASSY
6 340	AP1010M0606	.	ELBOW SUPPLIER CODE: V01673 SPECIFICATION NUMBER: BACE21AW0606M OPTIONAL PART: AP1010-0606M V01673 DB0E21AW0606M V14798 ER10633M0606 V88334 FER1569-0606M V14397 W30833-0606M V11328 4671114-0606M V50948 AFP334-0606M V30974 DB0E21AW0606M V61498 US2109-0606M V50808 AFP344-0606M V30974		5
345	MS21916J6-4	.	REDUCER		1
350	R1131-904	.	PACKING SUPPLIER CODE: V57268 SPECIFICATION NUMBER: BACP11K4 OPTIONAL PART: 3-904S383-70 V02697 1090-04 V95272 150701-04 V95272 AS568-904S32 V11314		1

ILLUSTRATION ITEMS NOT ON PARTS LIST ARE NOT APPLICABLE

- ITEM NOT ILLUSTRATED

HXL

36-11-08-06

BOEING PROPRIETARY - Copyright © - Unpublished Work - See title page for details.

36-11-08
FIG. 06
PAGE 13
AUG 22/09



767

PARTS CATALOG (MAINTENANCE)

FIG ITEM	PART NUMBER	1 2 3 4 5 6 7	NOMENCLATURE	EFFECT FROM TO	UNITS PER ASSY
6 355	R1131-906		.PACKING SUPPLIER CODE: V57268 SPECIFICATION NUMBER: BACP11K6 OPTIONAL PART: 3-906S383-70 V02697 1090-06 V95272 150701-06 V95272 AS568-906S32 V11314		7
360	NAS6704-8		.BOLT		3
365	BACW10BN4SC		.WASHER		3
370	773289-3		.CONTROLLER ASSY-HIGH PRESSURE VALVE SUPPLIER CODE: V73030 SPECIFICATION NUMBER: S210T120-22 COMPONENT MAINT MANUAL REF: 36-12-02 OPTIONAL PART: 773289-5 V73030		1
370	773289-5		.CONTROLLER ASSY-HIGH PRESSURE VALVE SUPPLIER CODE: V73030 SPECIFICATION NUMBER: S210T120-22 ELECTRICAL EQUIP NUMBER: M00495 COMPONENT MAINT MANUAL REF: 36-12-02 OPTIONAL PART: 773289-3 V73030		1

ILLUSTRATION ITEMS NOT ON PARTS LIST ARE NOT APPLICABLE

- ITEM NOT ILLUSTRATED

HXL

36-11-08-06

BOEING PROPRIETARY - Copyright © - Unpublished Work - See title page for details.

36-11-08
FIG. 06
PAGE 14
AUG 22/09



767

PARTS CATALOG (MAINTENANCE)

FIG ITEM	PART NUMBER	1 2 3 4 5 6 7	NOMENCLATURE	EFFECT FROM TO	UNITS PER ASSY
6 370	773289-7		.CONTROLLER ASSY-HIGH PRESSURE VALVE SUPPLIER CODE: V73030 SPECIFICATION NUMBER: S210T120-32 COMPONENT MAINT MANUAL REF: 36-12-02 OPTIONAL PART: 773289-11 V73030		1
370	773289-11		.CONTROLLER ASSY-HIGH PRESSURE VALVE SUPPLIER CODE: V73030 SPECIFICATION NUMBER: S210T120-32 COMPONENT MAINT MANUAL REF: 36-12-02 OPTIONAL PART: 773289-7 V73030		1
370	773289-15		.CONTROLLER ASSY-HIGH PRESSURE VALVE SUPPLIER CODE: V73030 FUNCTIONAL DESCRIPTION: AUTOMATIC SWITCHING BETWEEN INTERMEDIATE AND HIGH PRESSURE BLEED SOURCE SPECIFICATION NUMBER: S210T120-52 COMPONENT MAINT MANUAL REF: 36-12-02		1
375	740489-4		..PLUG-SCR THREADED SUPPLIER CODE: V73030		1
380	69494J910		..PACKING-PREFORMED SUPPLIER CODE: V73030		1
385	727604-4		..FILTER-AIR SUPPLIER CODE: V73030 SB DATA FROM A CMM: PRE SB 36-130 PRE SB 36-2113		1
ILLUSTRATION ITEMS NOT ON PARTS LIST ARE NOT APPLICABLE					

- ITEM NOT ILLUSTRATED

36-11-08-06

36-11-08
FIG. 06
PAGE 15
AUG 22/09

HXL



767

PARTS CATALOG (MAINTENANCE)

FIG ITEM	PART NUMBER	1 2 3 4 5 6 7	NOMENCLATURE	EFFECT FROM TO	UNITS PER ASSY
6 390	808492-1		.. FILTER-AIR SUPPLIER CODE: V73030 SB DATA FROM A CMM: POST SB 36-130 POST SB 36-2113		1
395	69494J112		.. PACKING-PREFORMED SUPPLIER CODE: V73030 SB DATA FROM A CMM: POST SB 36-130 POST 36-2113 USED WITH: 808492-1		1
440	NAS6704-11		. BOLT		4
445	BACW10BN4SC		. WASHER		4
450	792755-6		. CONTROLLER ASSY-PRESSURE REGULATING VALVE SUPPLIER CODE: V73030 SPECIFICATION NUMBER: S210T120-162 ELECTRICAL EQUIP NUMBER: M07200 COMPONENT MAINT MANUAL REF: 36-12-10		1
450	792755-8		. CONTROLLER ASSY-PRESSURE REGULATING VALVE SUPPLIER CODE: V73030 SPECIFICATION NUMBER: S210T120-182 ELECTRICAL EQUIP NUMBER: M07200 OPTIONAL PART: 792755-12 V73030 POST SERVICE BULLETIN: 36-0029R4 POST SERVICE BULLETIN: 36-2083R2 V73030		1

R
R
R
R
R
R
R
R
R

ILLUSTRATION ITEMS NOT ON PARTS LIST ARE NOT APPLICABLE

- ITEM NOT ILLUSTRATED

36-11-08-06

36-11-08
FIG. 06
PAGE 16
AUG 22/09

HXL



767

PARTS CATALOG (MAINTENANCE)

FIG ITEM	PART NUMBER	1 2 3 4 5 6 7	NOMENCLATURE	EFFECT FROM TO	UNITS PER ASSY
6 450	792755-12		.CONTROLLER ASSY-PRESSURE REGULATING VALVE SUPPLIER CODE: V73030 SPECIFICATION NUMBER: S210T120-182 ELECTRICAL EQUIP NUMBER: M07200 COMPONENT MAINT MANUAL REF: 36-12-10 OPTIONAL PART: 792755-8 V73030		1
450	792755-14		.CONTROLLER ASSY-PRESSURE R VALVE SUPPLIER CODE: V73030 SPECIFICATION NUMBER: S210T120-222 COMPONENT MAINT MANUAL REF: 36-12-10 OPTIONAL PART: 792755-16 V73030		1
450	792755-16		.CONTROLLER ASSY-PRESSURE R VALVE SUPPLIER CODE: V73030 SPECIFICATION NUMBER: S210T120-222 COMPONENT MAINT MANUAL REF: 36-12-10 OPTIONAL PART: 792755-14 V73030		1
455	AN814-6DL		..PLUG		1
460	69494J906		..PACKING-PREFORMED SUPPLIER CODE: V73030		1
465	788090-1		..SPRING-HELICAL CPRSN SUPPLIER CODE: V73030		1
470	728872-2		..SEAT AND FILTER-VALVE SUPPLIER CODE: V73030 CONFIG CHG DATA FROM A CMM: SUPERSEDED BY 728872-3		1
ILLUSTRATION ITEMS NOT ON PARTS LIST ARE NOT APPLICABLE					

- ITEM NOT ILLUSTRATED

36-11-08-06

36-11-08
FIG. 06
PAGE 17
AUG 22/09

HXL

BOEING
767
PARTS CATALOG (MAINTENANCE)

FIG ITEM	PART NUMBER	1 2 3 4 5 6 7	NOMENCLATURE	EFFECT FROM TO	UNITS PER ASSY
6 470	728872-3		.. SEAT AND FILTER-VALVE SUPPLIER CODE: V73030 CONFIG CHG DATA FROM A CMM: SUPSDS 728872-2		1
515	332T4341-1		. BRACKET ASSY ATTACHING PARTS		1
- 520	NAS6706-36		. BOLT		5
- 525	BACW10BN6SC		. WASHER		5
			-----*-----		
- 570	332T4240-6		WIRING INSTL-ENGINE BUILD-UP (DISTRIBUTION ONLY) VARIABLE DRAWING REF: 332T4240-5007 332T4240-8 FOR NHA/OTHER SYS DET SEE: 71-00-51-02		RF
580	NAS1802-3		. SCREW- SIZE DETERMINED ON INSTL.		6
585	AN960C10L		. WASHER		AR
590	PLH53C		. NUT- SUPPLIER CODE: V62554 SPECIFICATION NUMBER: BACN10YR3C OPTIONAL PART: H52732-3C V15653 BACN10JC3CM BACN10YR3CM BACN10JC3C		6
ILLUSTRATION ITEMS NOT ON PARTS LIST ARE NOT APPLICABLE					

- ITEM NOT ILLUSTRATED

HXL

36-11-08-06

BOEING PROPRIETARY - Copyright © - Unpublished Work - See title page for details.

36-11-08
FIG. 06
PAGE 18
AUG 22/09



767

PARTS CATALOG (MAINTENANCE)

FIG ITEM	PART NUMBER	1 2 3 4 5 6 7	NOMENCLATURE	EFFECT FROM TO	UNITS PER ASSY
6 590	BRH10C3		.NUT- SUPPLIER CODE: V52828 SPECIFICATION NUMBER: BACN10JC3C OPTIONAL PART: T6C1032J V11815 97-02 V80539 101LH9075-3W V72962 VN303B02 V92215 NS202101S02 V80539 H31-3BAC V15653 BACN10JC3CM BACN10YR3CM BACN10YR3C		6
590	BRH10C3M		.NUT- SUPPLIER CODE: V52828 SPECIFICATION NUMBER: BACN10JC3CM OPTIONAL PART: T6C1032JM V11815 97E02 V80539 109LH9075-3W V72962 VN303D02 V92215 NS202101SE02 V80539 H01-3BAC V15653 BACN10JC3C BACN10YR3CM BACN10YR3C		6

ILLUSTRATION ITEMS NOT ON PARTS LIST ARE NOT APPLICABLE

- ITEM NOT ILLUSTRATED

HXL

36-11-08-06

BOEING PROPRIETARY - Copyright © - Unpublished Work - See title page for details.

36-11-08
FIG. 06
PAGE 19
AUG 22/09



767

PARTS CATALOG (MAINTENANCE)

FIG ITEM	PART NUMBER	1 2 3 4 5 6 7	NOMENCLATURE	EFFECT FROM TO	UNITS PER ASSY
6 590	PLH53CM		.NUT- SUPPLIER CODE: VF0224 SPECIFICATION NUMBER: BACN10YR3CM OPTIONAL PART: H52732-3CM V15653 BACN10JC3CM BACN10JC3C BACN10YR3C		6
595	BACC10GU		.CLAMP- SIZE DETERMINED ON INSTL.		6
605	NAS1802-3		.SCREW- SIZE DETERMINED ON INSTL.		3
615	MS35338-138		.WASHER		3
625	AN960C10L		.WASHER		6
635	AN960C10		.WASHER		3
645	MS35650-304		.NUT		3
655	PLH53C		.NUT- SUPPLIER CODE: V62554 SPECIFICATION NUMBER: BACN10YR3C OPTIONAL PART: H52732-3C V15653 BACN10JC3CM BACN10YR3CM BACN10JC3C		3

ILLUSTRATION ITEMS NOT ON PARTS LIST ARE NOT APPLICABLE

- ITEM NOT ILLUSTRATED

HXL

36-11-08-06

BOEING PROPRIETARY - Copyright © - Unpublished Work - See title page for details.

36-11-08
FIG. 06
PAGE 20
AUG 22/09



767

PARTS CATALOG (MAINTENANCE)

FIG ITEM	PART NUMBER	1 2 3 4 5 6 7	NOMENCLATURE	EFFECT FROM TO	UNITS PER ASSY
6 655	BRH10C3		.NUT- SUPPLIER CODE: V52828 SPECIFICATION NUMBER: BACN10JC3C OPTIONAL PART: T6C1032J V11815 97-02 V80539 101LH9075-3W V72962 VN303B02 V92215 NS202101S02 V80539 H31-3BAC V15653 BACN10JC3CM BACN10YR3CM BACN10YR3C		3
655	BRH10C3M		.NUT- SUPPLIER CODE: V52828 SPECIFICATION NUMBER: BACN10JC3CM OPTIONAL PART: T6C1032JM V11815 97E02 V80539 109LH9075-3W V72962 VN303D02 V92215 NS202101SE02 V80539 H01-3BAC V15653 BACN10JC3C BACN10YR3CM BACN10YR3C		3

ILLUSTRATION ITEMS NOT ON PARTS LIST ARE NOT APPLICABLE

- ITEM NOT ILLUSTRATED

HXL

36-11-08-06

BOEING PROPRIETARY - Copyright © - Unpublished Work - See title page for details.

36-11-08
FIG. 06
PAGE 21
AUG 22/09



767

PARTS CATALOG (MAINTENANCE)

FIG ITEM	PART NUMBER	1 2 3 4 5 6 7	NOMENCLATURE	EFFECT FROM TO	UNITS PER ASSY
6 655	PLH53CM		.NUT- SUPPLIER CODE: VF0224 SPECIFICATION NUMBER: BACN10YR3CM OPTIONAL PART: H52732-3CM V15653 BACN10JC3CM BACN10JC3C BACN10YR3C		3
- 685 690	286T3508-042 G899414S		.WIRE BUNDLE ASSY ..CLAMP- SUPPLIER CODE: V06324 SPECIFICATION NUMBER: BACC10HE14A OPTIONAL PART: G8994M14S V06324 S2252-14-30S V07418 900-555L14-10 V31461 6000-124-11-14 V14283 ELECTRICAL EQUIP NUMBER: D11116T WIRING DIAGRAM REF: 361111		RF 1
710	R071014B7SNL		..CONNECTOR- SUPPLIER CODE: V41118 SPECIFICATION NUMBER: BACC63BP14B7SNL ELECTRICAL EQUIP NUMBER: D11116 WIRING DIAGRAM REF: 361111		1
- 720	286T3510-043		.WIRE BUNDLE ASSY		1

ILLUSTRATION ITEMS NOT ON PARTS LIST ARE NOT APPLICABLE

- ITEM NOT ILLUSTRATED

HXL

36-11-08-06

BOEING PROPRIETARY - Copyright © - Unpublished Work - See title page for details.

36-11-08
FIG. 06
PAGE 22
AUG 22/09



767

PARTS CATALOG (MAINTENANCE)

FIG ITEM	PART NUMBER	1 2 3 4 5 6 7	NOMENCLATURE	EFFECT FROM TO	UNITS PER ASSY
6 725	G899418S		.. CLAMP- SUPPLIER CODE: V06324 SPECIFICATION NUMBER: BACC10HE18A OPTIONAL PART: G8994M18S V06324 S2252-18-30S V07418 900-555L18-10 V31461 6000-124-1118 V14283 ELECTRICAL EQUIP NUMBER: D10984T WIRING DIAGRAM REF: 361161		1
730	R071018B14SNL		.. PLUG- SUPPLIER CODE: V41118 SPECIFICATION NUMBER: BCRE9289 OVERLENGTH PART NUMBER: BACC63BP18B14SNL ELECTRICAL EQUIP NUMBER: D10984 WIRING DIAGRAM REF: 361161		1
900			ILLUSTRATION REFERENCE: DUCT INSTL-PNEU BLEED SYS 36-11-01-05		RF

ILLUSTRATION ITEMS NOT ON PARTS LIST ARE NOT APPLICABLE

- ITEM NOT ILLUSTRATED

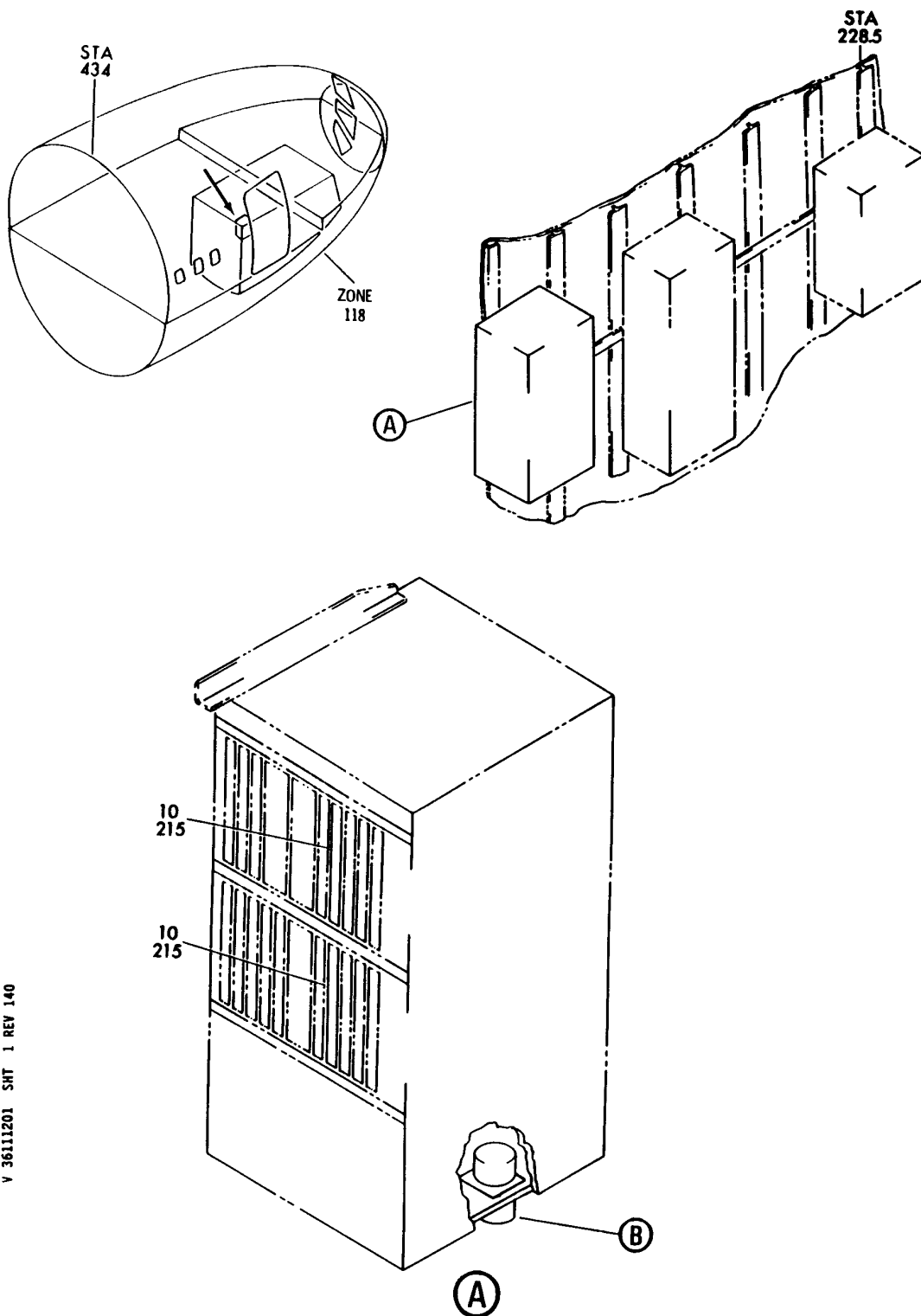
HXL

36-11-08-06

BOEING PROPRIETARY - Copyright © - Unpublished Work - See title page for details.

36-11-08
 FIG. 06
 PAGE 23
 AUG 22/09

BOEING
767
PARTS CATALOG (MAINTENANCE)



V 3611201 SHT 1 REV 140

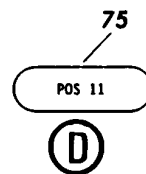
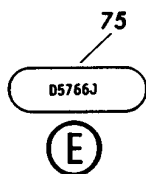
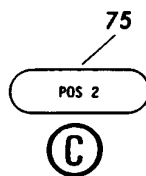
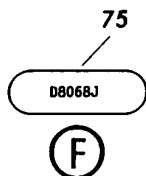
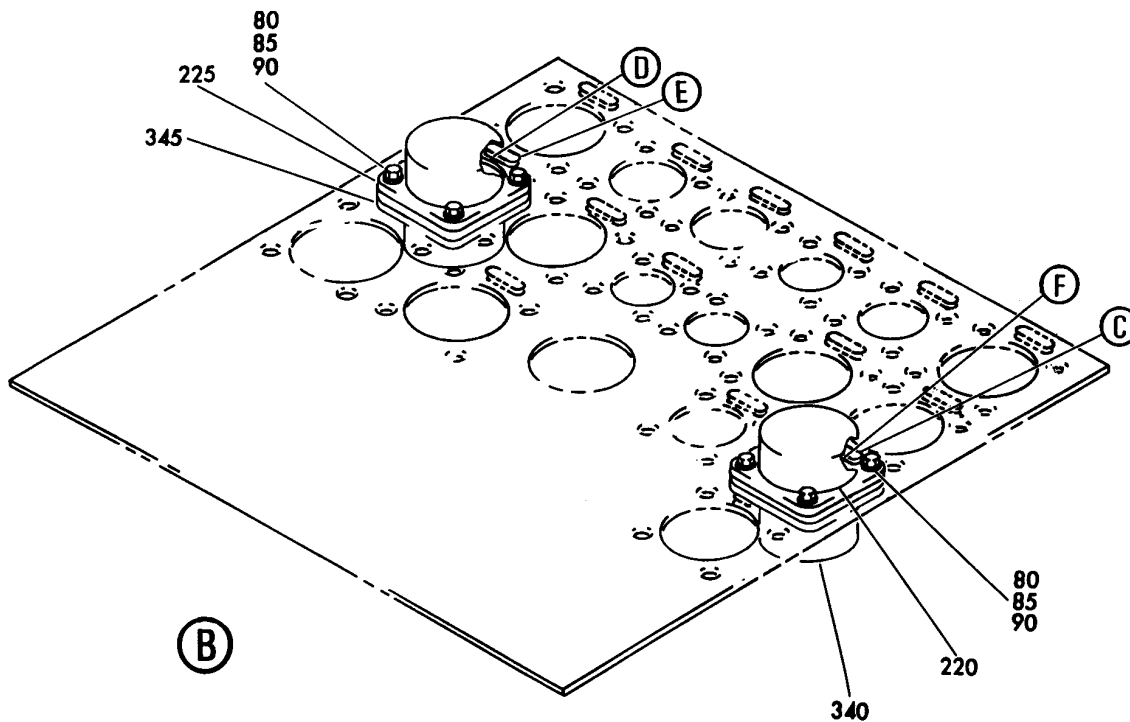
CARD FILE AND BOX INSTL-R FWD EQPT CTR (P50) (PNEUMATIC ONLY)
FIGURE 1 (SHEET 1)

36-11-12-01

HXL
DEC 22/06

36-11-12-01
PAGE 0

BOEING
767
PARTS CATALOG (MAINTENANCE)



V 36111201 SHT 2 REV 140

CARD FILE AND BOX INSTL-R FWD EQPT CTR (P50) (PNEUMATIC ONLY)
FIGURE 1 (SHEET 2)

36-11-12-01

HXL
DEC 22/06

36-11-12-01
PAGE 0A



767

PARTS CATALOG (MAINTENANCE)

FIG ITEM	PART NUMBER	1 2 3 4 5 6 7	NOMENCLATURE	EFFECT FROM TO	UNITS PER ASSY
1			CARD FILE AND BOX INSTL-R FWD EQPT CTR (P50) (PNEUMATIC ONLY)		
- 1	284T0049-16		CARD FILE AND BOX INSTL- FWD EQPT CTR P50 (PNEUMATIC ONLY) POSITION DATA: R VARIABLE DRAWING REF: 284T0049-5224 284T0049-5311 FOR NHA/OTHER SYS DET SEE: 24-00-58-01E		RF
10	285T1115-15		.PRINTED CIRCUIT ASSY-BLEED AIR CONT STATIC SENSITIVE PART SUPPLIER CODE: V89954 ELECTRICAL EQUIP NUMBER: M00859 M00860 COMPONENT MAINT MANUAL REF: 36-11-57 POST SERVICE BULLETIN: 36-0026 FOR DETAILS SEE: 11-36-15-04		2
- 51	285T0006-46		.FILE ASSY-ELECTRICAL SYS CARD P50	163999	RF
- 51	285T0006-60		.FILE ASSY-ELECTRICAL SYS CARD P50	155162	RF
75	BAC27TEX3311		..DECALSET-INCLUDES DECALS IDENTIFIED ON THE ILLUSTRATION		RF
80	NAS1801-04-5		..SCREW		8
85	NAS620A4L		..WASHER		AR

ILLUSTRATION ITEMS NOT ON PARTS LIST ARE NOT APPLICABLE

- ITEM NOT ILLUSTRATED

HXL

36-11-12-01

BOEING PROPRIETARY - Copyright © - Unpublished Work - See title page for details.

36-11-12
FIG. 01
PAGE 1
DEC 22/07

 **BOEING**
767
PARTS CATALOG (MAINTENANCE)

FIG ITEM	PART NUMBER	1 2 3 4 5 6 7	NOMENCLATURE	EFFECT FROM TO	UNITS PER ASSY
1 90	BRH10A04	..	NUT SUPPLIER CODE: V52828 SPECIFICATION NUMBER: BACN10JCO4 OPTIONAL PART: NS202101-40 V80539 RMLH9075-40W V72962 VN303A40 V92215 96-40 V80539 T6S440J V11815 H10-04BAC V15653		8
- 200	286T1078-140	..	WIRE BUNDLE ASSY		RF
- 205	286T1080-140	..	WIRE BUNDLE ASSY		RF
- 210	141-1775-01	...	CONTACT CAVITY- SUPPLIER CODE: V26742 SPECIFICATION NUMBER: BACC47EM1 OPTIONAL PART: 96S2222 V03877 290381-01 V16512 200080-001 V03877 ELECTRICAL EQUIP NUMBER: D01886U D01876U WIRING DIAGRAM REF: 361151 361152		2
ILLUSTRATION ITEMS NOT ON PARTS LIST ARE NOT APPLICABLE					

- ITEM NOT ILLUSTRATED

HXL

36-11-12-01

BOEING PROPRIETARY - Copyright © - Unpublished Work - See title page for details.

36-11-12
FIG. 01
PAGE 2
DEC 22/07



767

PARTS CATALOG (MAINTENANCE)

FIG ITEM	PART NUMBER	1 2 3 4 5 6 7	NOMENCLATURE	EFFECT FROM TO	UNITS PER ASSY
1 215	300052-001		...CONNECTOR- SUPPLIER CODE: V0D9V3 SPECIFICATION NUMBER: BACC65L66 OPTIONAL PART: 200620-01 V16512 300052-001 V03877 192-366-0010 V26742 S1009-00833 V03877 ELECTRICAL EQUIP NUMBER: D01886 D01876 WIRING DIAGRAM REF: 361151 361152		1
220	BACC45FN22-55S7		...RECEPTACLE- ELECTRICAL EQUIP NUMBER: D08068J WIRING DIAGRAM REF: 361151		1
225	BACC45FN22-55P9		...CONNECTOR- ELECTRICAL EQUIP NUMBER: D05766J WIRING DIAGRAM REF: 361152		1
- 300	286T0506-120		WIRE BUNDLE ASSY		RF
- 320	286T0572-120		WIRE BUNDLE ASSY		RF
340	BACC45FN22-55P7		.CONNECTOR- ELECTRICAL EQUIP NUMBER: D08068P WIRING DIAGRAM REF: 215322		1
345	BACC45FN22-55S9		.CONNECTOR- ELECTRICAL EQUIP NUMBER: D05766P WIRING DIAGRAM REF: 361152		1
- 370	BACC45FN22-55P7		.CONNECTOR- ELECTRICAL EQUIP NUMBER: D08068P WIRING DIAGRAM REF: 215322 POST SERVICE BULLETIN: 36-0026R2		1

ILLUSTRATION ITEMS NOT ON PARTS LIST ARE NOT APPLICABLE

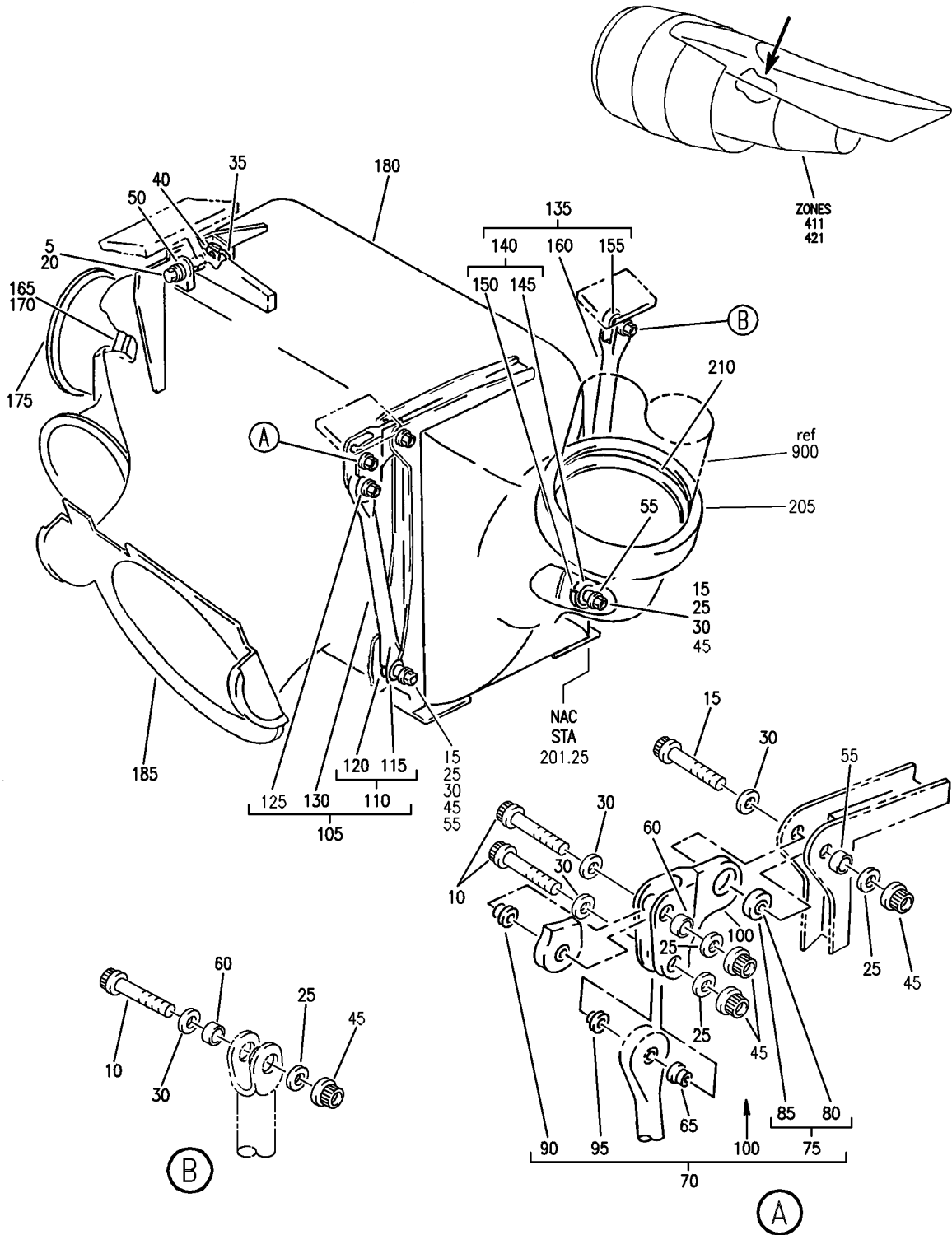
- ITEM NOT ILLUSTRATED

36-11-12-01

36-11-12
FIG. 01
PAGE 3
DEC 22/07

HXL

BOEING
767
PARTS CATALOG (MAINTENANCE)



V 3611502 REV 245

PRECOOLER INSTL-ENG BLEED AIR SYS
FIGURE 2

36-11-15-02

HXL
DEC 22/06

36-11-15-02
PAGE 0



767

PARTS CATALOG (MAINTENANCE)

FIG ITEM	PART NUMBER	1 2 3 4 5 6 7	NOMENCLATURE	EFFECT FROM TO	UNITS PER ASSY
2			PRECOOLER INSTL-ENG BLEED AIR SYS		
- 1	312T3200-6		PRECOOLER INSTL-ENG BLEED AIR SYS FOR NHA SEE: 54-00-51-02		RF
	5 BACB30PN8-28		.BOLT-		1
	5 BACB30PN8C28		.BOLT-		1
	10 BACB30PN6-16		.BOLT-		3
	10 BACB30PN6C16		.BOLT-		3
	15 BACB30PN6-24		.BOLT-		3
	15 BACB30PN6C24		.BOLT-		3
	20 BACW10BP8ACU		.WASHER-		1
	25 AN960C616L		.WASHER-		6
	30 BACW10BP6ACU		.WASHER-		6
	35 NAS578-8A		.RETAINER-		1
	40 NAS577B8A		.NUT-		1
	45 NAS1805-6P		.NUT-		6
	50 312T3205-1		.BUSHING-		1
	55 312T3205-2		.BUSHING-		3
	60 BACB28Y6E028		.BUSHING-		2
	65 312T3254-3		.BUSHING-		1
	70 312T3216-34		.LINK ASSY-		1
	75 P20670		..BEARING ASSY-SPHER PLAIN METAL TO METAL SUPPLIER CODE: V57606 SPECIFICATION NUMBER: S302T001-207 OPTIONAL PART: VTB04500 V06710 AMB6-170 VS0352 LHSSTM6BAC V73134 USED ON: 312T3216-34		1
	80 P20671		...BALL- SUPPLIER CODE: V57606		1
	85 P20672		...RACE- SUPPLIER CODE: V57606		1
	90 312T3254-1		..BUSHING-FLANGED		1
	95 312T3254-2		..BUSHING-FLANGED		1
ILLUSTRATION ITEMS NOT ON PARTS LIST ARE NOT APPLICABLE					

- ITEM NOT ILLUSTRATED

36-11-15-02

36-11-15
FIG. 02
PAGE 1
APR 22/07

HXL



767

PARTS CATALOG (MAINTENANCE)

FIG ITEM	PART NUMBER	1 2 3 4 5 6 7	NOMENCLATURE	EFFECT FROM TO	UNITS PER ASSY
2					
100	312T3216-35	..	CRANK		1
105	312T3216-26	.LINK	ASSY-		1
110	P20670	..	BEARING ASSY-SPHER PLAIN METAL TO METAL SUPPLIER CODE: V57606 SPECIFICATION NUMBER: S302T001-207 OPTIONAL PART: VTB04500 V06710 AMB6-170 VS0352 LHSSTM6BAC V73134		1
115	P20671	...	BALL- SUPPLIER CODE: V57606		1
120	P20672	...	RACE- SUPPLIER CODE: V57606		1
125	BACB28Y6E028	..	BUSHING-		1
130	312T3216-27	..	LINK		1
135	312T3216-28	.LINK	ASSY-		1
135	312T3216-39	.LINK	ASSY-		1
140	P20670	..	BEARING ASSY-SPHER PLAIN METAL TO METAL SUPPLIER CODE: V57606 SPECIFICATION NUMBER: S302T001-207 OPTIONAL PART: VTB04500 V06710 AMB6-170 VS0352 LHSSTM6BAC V73134		1
145	P20671	...	BALL- SUPPLIER CODE: V57606		1

ILLUSTRATION ITEMS NOT ON PARTS LIST ARE NOT APPLICABLE

- ITEM NOT ILLUSTRATED

36-11-15-02

36-11-15
FIG. 02
PAGE 2
APR 22/07

HXL



767

PARTS CATALOG (MAINTENANCE)

FIG ITEM	PART NUMBER	1 2 3 4 5 6 7	NOMENCLATURE	EFFECT FROM TO	UNITS PER ASSY
2					
150	P20672		. . . RACE- SUPPLIER CODE: V57606		1
155	312T3254-1		. . BUSHING-FLANGED		1
160	312T3216-29		. . LINK		1
165	2703-550		. COUPLING- SUPPLIER CODE: V15284 OPTIONAL PART: AS1895-4-550 VR1025-550 V15284 VR1047-550 V15284		1
165	AS1895-4-550		. COUPLING- OPTIONAL PART: 2703-550 V15284 VR1025-550 V15284 VR1047-550 V15284		1
165	VR1025-550		. COUPLING- SUPPLIER CODE: V15284 OPTIONAL PART: 2703-550 V15284 VR1047-550 V15284		1
165	VR1047-550		. COUPLING- SUPPLIER CODE: V15284 OPTIONAL PART: 2703-550 V15284 VR1025-550 V15284 AS1895-4-550		1
170	2873-550		. SEAL- SUPPLIER CODE: V15284		1
170	AS1895-7-550		. SEAL- SUPPLIER CODE: V15284		1
175	312T4311-1		. DUCT ASSY-FLEX		1

ILLUSTRATION ITEMS NOT ON PARTS LIST ARE NOT APPLICABLE

- ITEM NOT ILLUSTRATED

36-11-15-02

36-11-15
FIG. 02
PAGE 3
APR 22/09

HXL



767

PARTS CATALOG (MAINTENANCE)

FIG ITEM	PART NUMBER	1 2 3 4 5 6 7	NOMENCLATURE	EFFECT FROM TO	UNITS PER ASSY
2 180	792940-3		.PRECOOLER-AIR SUPPLY SYS ENVIRONMENTAL CONT PW4000 SUPPLIER CODE: V73030 SPECIFICATION NUMBER: S210T120-114 OPTIONAL PART: V73030 OPTIONAL PART: 792940-1 V73030		1
180	792940-4		.PRECOOLER-AIR SUPPLY SYS ENVIRONMENTAL CONT PW4000 SUPPLIER CODE: V73030 SPECIFICATION NUMBER: S210T120-114 COMPONENT MAINT MANUAL REF: 36-12-11 OPTIONAL PART: V73030 OPTIONAL PART: 792940-1 V73030		1
180	792940-5		.PRECOOLER-AIR SUPPLY SYS ENVIRONMENTAL CONT PW4000 SUPPLIER CODE: V73030 SPECIFICATION NUMBER: S210T120-124 COMPONENT MAINT MANUAL REF: 36-12-11		1
205	2703-600		.COUPLING- SUPPLIER CODE: V15284 OPTIONAL PART: AS1895-4-600 V15284 VR1025-600 V15284		1

ILLUSTRATION ITEMS NOT ON PARTS LIST ARE NOT APPLICABLE

- ITEM NOT ILLUSTRATED

HXL

36-11-15-02

BOEING PROPRIETARY - Copyright © - Unpublished Work - See title page for details.

36-11-15
FIG. 02
PAGE 4
APR 22/09



767

PARTS CATALOG (MAINTENANCE)

FIG ITEM	PART NUMBER	1 2 3 4 5 6 7	NOMENCLATURE	EFFECT FROM TO	UNITS PER ASSY
2					
205	AS1895-4-600	.	COUPLING- SUPPLIER CODE: V15284 OPTIONAL PART: 2703-600 V15284 VR1025-600 V15284		1
205	VR1025-600	.	COUPLING- SUPPLIER CODE: V15284 OPTIONAL PART: AS1895-4-600 V15284 2703-600 V15284		1
205	AS18954-600	.	COUPLING- OPTIONAL PART: 2703-600 V15284 VR1025-600 V15284		1
210	2873-600	.	SEAL- SUPPLIER CODE: V15284		1
210	AS1895-7-600	.	SEAL- SUPPLIER CODE: V15284		1
900			ILLUSTRATION REFERENCE: DUCT AND WIRING INSTL-STRUT PNEU 36-11-01-01		RF

ILLUSTRATION ITEMS NOT ON PARTS LIST ARE NOT APPLICABLE

- ITEM NOT ILLUSTRATED

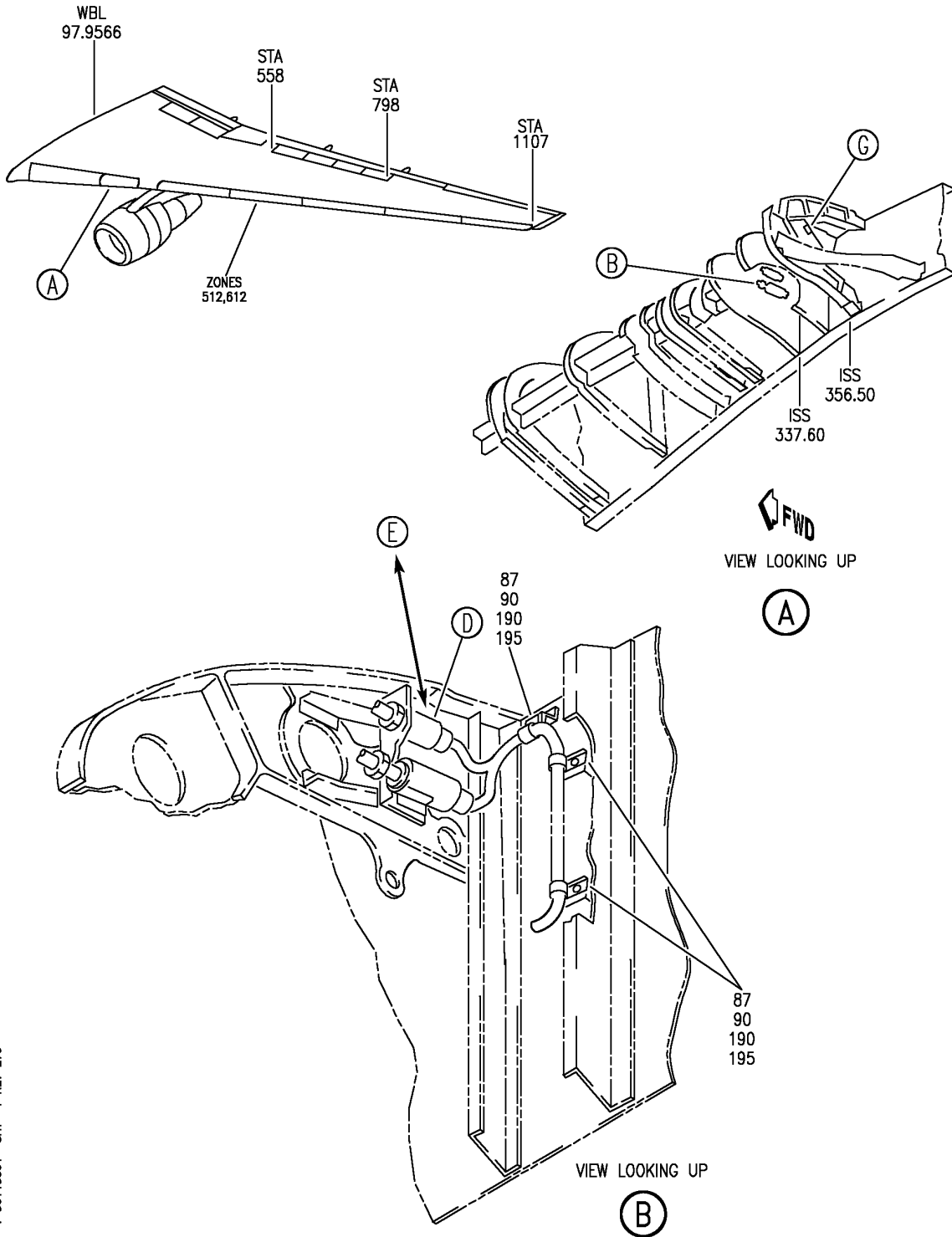
HXL

36-11-15-02

BOEING PROPRIETARY - Copyright © - Unpublished Work - See title page for details.

36-11-15
FIG. 02
PAGE 5
APR 22/09

BOEING
767
PARTS CATALOG (MAINTENANCE)



V 36115001 SHT 1 REV 279

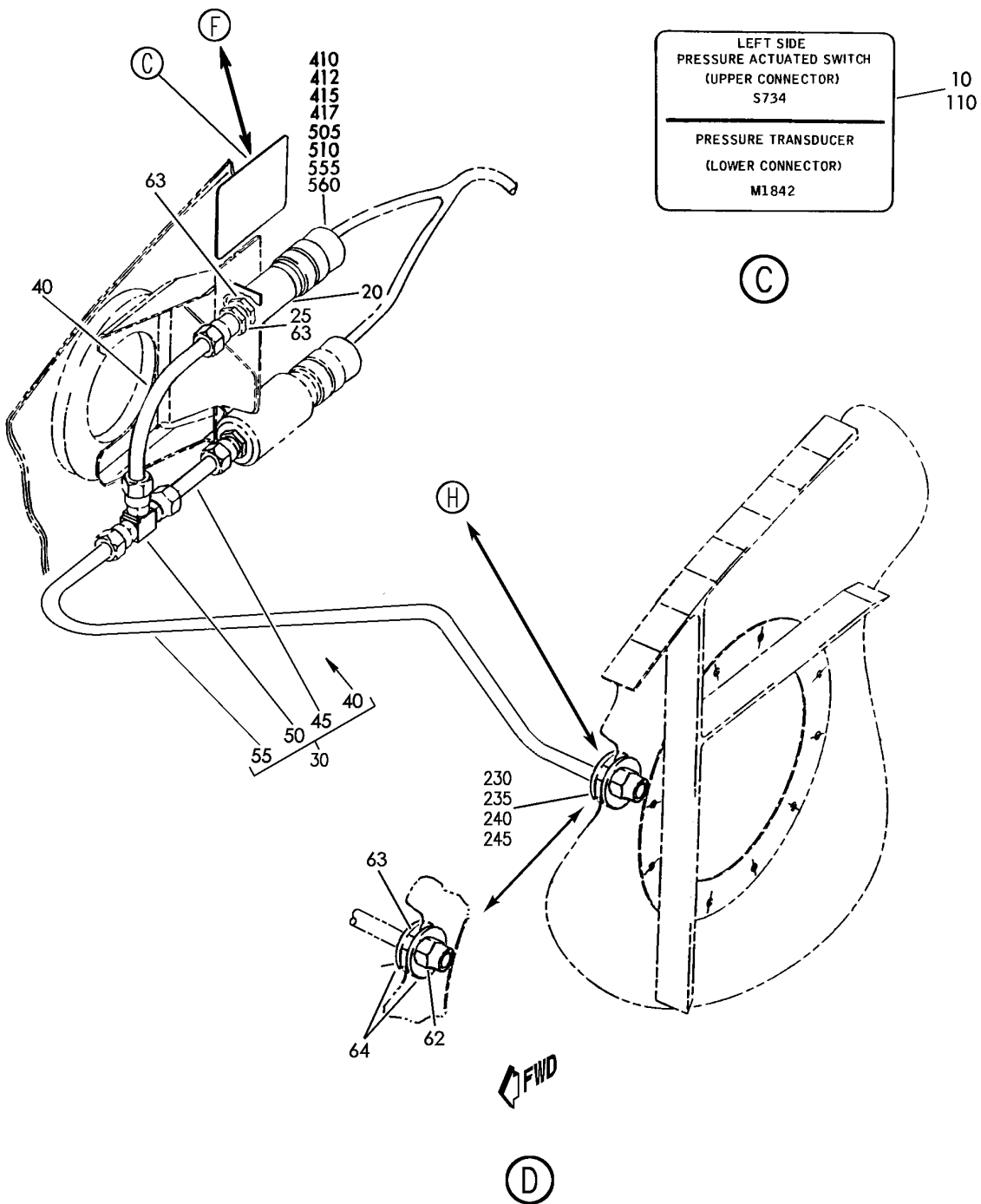
SENSING, PLUG AND WIRING INSTL-WING LE CF6-80C2 AND PW4000 ENGINES (PNEUMATIC DISTRIBUTION ONLY)
FIGURE 1 (SHEET 1)

HXL
DEC 22/06

36-11-50-01

36-11-50-01
PAGE 0

BOEING
767
PARTS CATALOG (MAINTENANCE)



V 36115001 SH1 2 REV 279

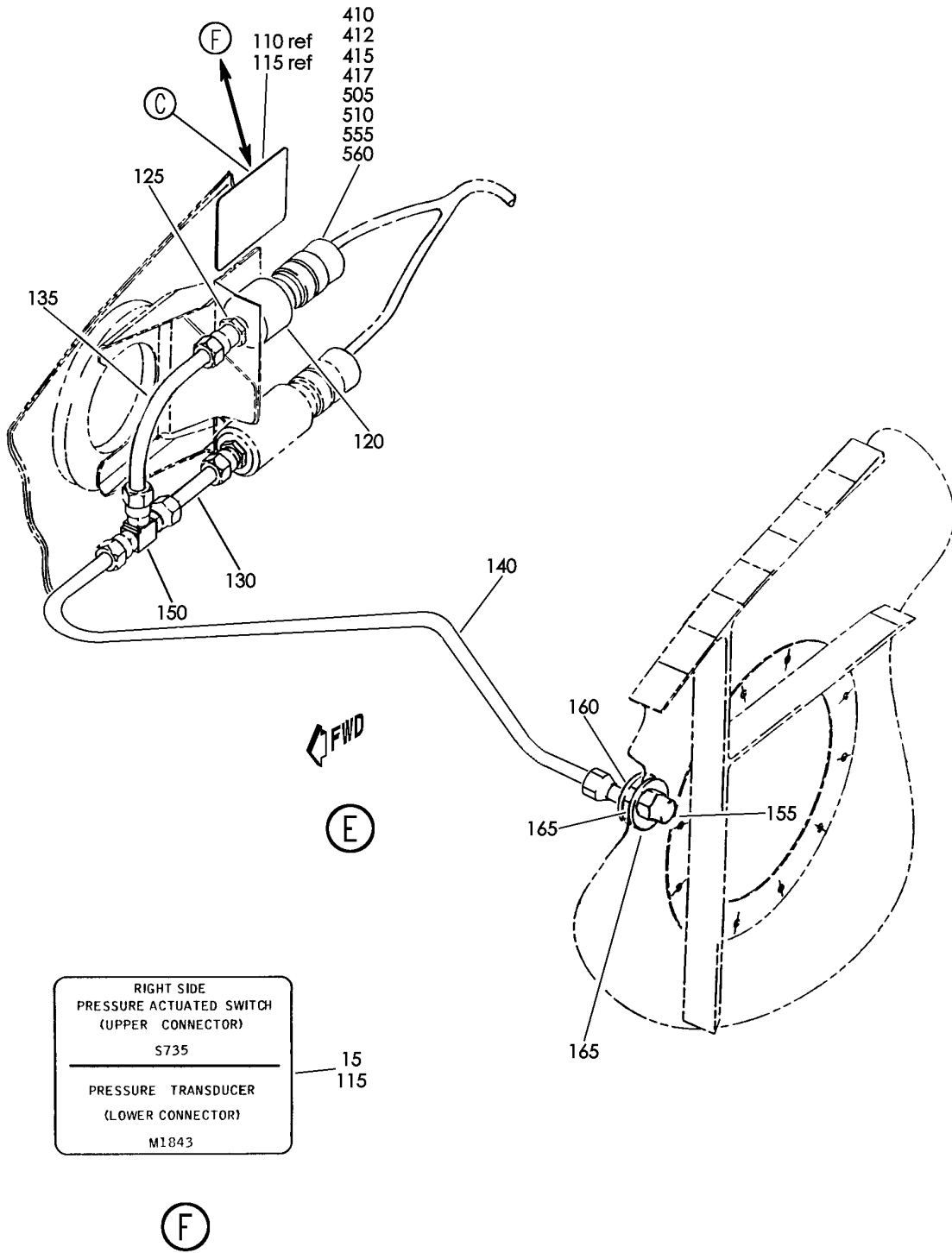
SENSING, PLUG AND WIRING INSTL-WING LE CF6-80C2 AND PW4000 ENGINES (PNEUMATIC DISTRIBUTION ONLY)
FIGURE 1 (SHEET 2)

36-11-50-01

HXL
DEC 22/06

36-11-50-01
PAGE 0A

BOEING
767
PARTS CATALOG (MAINTENANCE)



V 36115001 SHT 3 REV 279

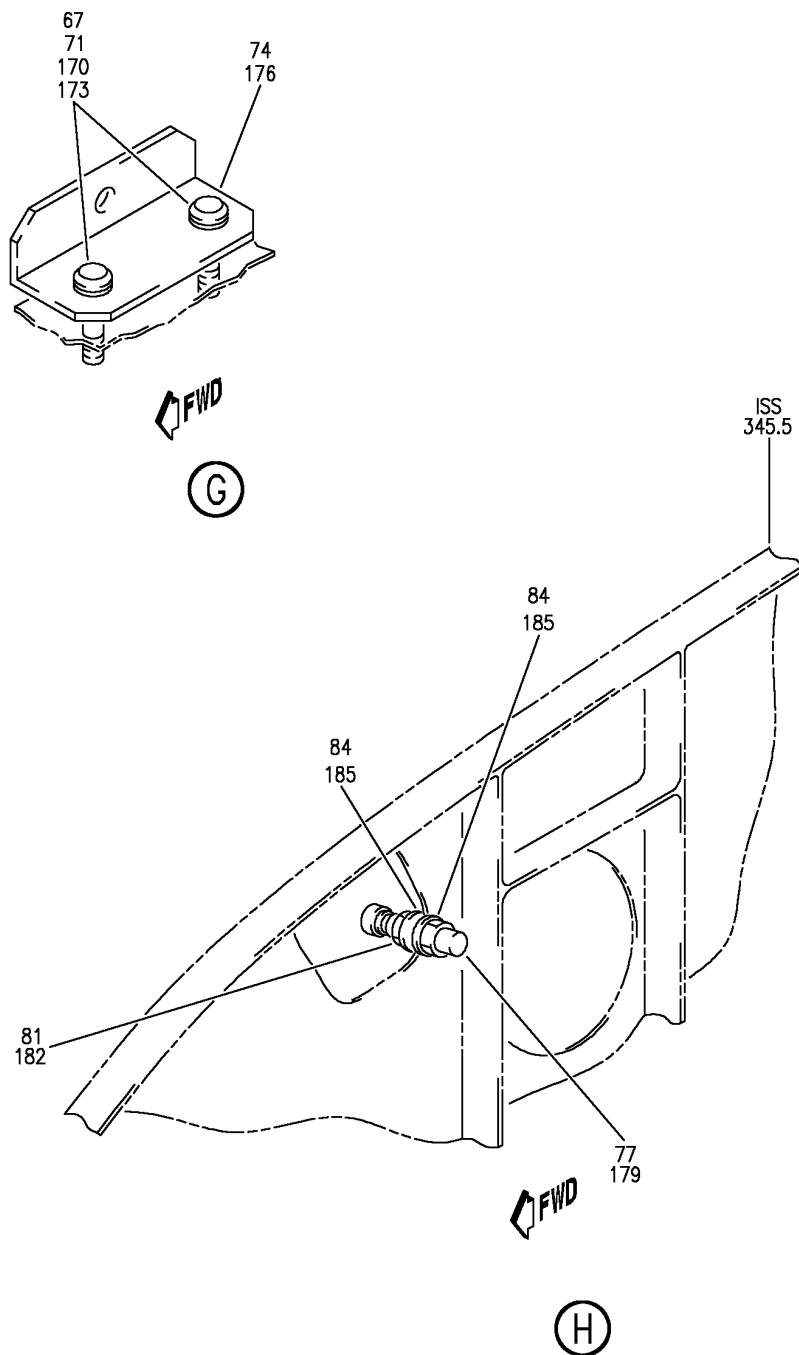
SENSING, PLUG AND WIRING INSTL-WING LE CF6-80C2 AND PW4000 ENGINES (PNEUMATIC DISTRIBUTION ONLY)
FIGURE 1 (SHEET 3)

HXL
DEC 22/06

36-11-50-01

36-11-50-01
PAGE 0B

BOEING
767
PARTS CATALOG (MAINTENANCE)



V 36115001 SH1 4 REV 279

SENSING, PLUG AND WIRING INSTL-WING LE CF6-80C2 AND PW4000 ENGINES (PNEUMATIC DISTRIBUTION ONLY)
FIGURE 1 (SHEET 4)

HXL
DEC 22/06

36-11-50-01

36-11-50-01
PAGE 0C



767

PARTS CATALOG (MAINTENANCE)

FIG ITEM	PART NUMBER	1 2 3 4 5 6 7	NOMENCLATURE	EFFECT FROM TO	UNITS PER ASSY
1			SENSING, PLUG AND WIRING INSTL-WING LE CF6-80C2 AND PW4000 ENGINES (PNEUMATIC DISTRIBUTION ONLY)		
- 100	212T9003-3		SENSING INSTL-WING LEADING EDGE PW4000 ENGINE (PNEUMATIC DISTRIBUTION ONLY) POSITION DATA: LH POST SERVICE BULLETIN: 36-0029R4 FOR NHA/ADDITIONAL DET SEE: 21-00-00-06		RF
- 105	212T9003-4		SENSING INSTL-WING LEADING EDGE PW4000 ENGINE (PNEUMATIC DISTRIBUTION ONLY) POSITION DATA: RH POST SERVICE BULLETIN: 36-0029R4 FOR NHA/ADDITIONAL DET SEE: 21-00-00-06		RF
110	BAC27TEC0294		.MARKER-ALUMINUM FOIL PLACARD CONTENT: LEFT SIDE PRESSURE ACTUATED SWITCH (UPPER CONNECTOR) S734 POST SERVICE BULLETIN: 36-0029R4		1
115	BAC27TEC0295		.MARKER-ALUMINUM FOIL PLACARD CONTENT: RIGHT SIDE PRESSURE ACTUATED SWITCH (UPPER CONNECTOR) S735 POST SERVICE BULLETIN: 36-0029R4		1

ILLUSTRATION ITEMS NOT ON PARTS LIST ARE NOT APPLICABLE

- ITEM NOT ILLUSTRATED

HXL

36-11-50-01

BOEING PROPRIETARY - Copyright © - Unpublished Work - See title page for details.

36-11-50
FIG. 01
PAGE 1
DEC 22/07



767

PARTS CATALOG (MAINTENANCE)

FIG ITEM	PART NUMBER	1 2 3 4 5 6 7	NOMENCLATURE	EFFECT FROM TO	UNITS PER ASSY
1 120	21SN41-83A		. SWITCH-PRESSURE SUPPLIER CODE: V02750 SPECIFICATION NUMBER: S210U122-3 ELECTRICAL EQUIP NUMBER: S00734 S00735 OPTIONAL PART: 21SN41-83 V02750 POST SERVICE BULLETIN: 36-0029R4		1
125	AN924-6J		. NUT- POST SERVICE BULLETIN: 36-0029R4		1
130	212T3905-1		. TUBE ASSY- TUBING MATERIAL: .375 IN. OD X .02 IN. WALL X 2.70 IN. LG STAINLESS STEEL TUBING POST SERVICE BULLETIN: 36-0029R4		1
- 132	AP2097H06		.. SLEEVE SUPPLIER CODE: V01673 SPECIFICATION NUMBER: BACS13BX06H OPTIONAL PART: 2-02903-06H V11328 35235V06 V08199 AFP175V06 V30974 DBOS13BX06H V14798		2
- 133 135	BACN10YE6 212T3905-2		.. NUT . TUBE ASSY- POST SERVICE BULLETIN: 36-0029R4		2 1

ILLUSTRATION ITEMS NOT ON PARTS LIST ARE NOT APPLICABLE

- ITEM NOT ILLUSTRATED

HXL

36-11-50-01

BOEING PROPRIETARY - Copyright © - Unpublished Work - See title page for details.

36-11-50
FIG. 01
PAGE 2
DEC 22/07



767

PARTS CATALOG (MAINTENANCE)

FIG ITEM	PART NUMBER	1 2 3 4 5 6 7	NOMENCLATURE	EFFECT FROM TO	UNITS PER ASSY
1 140	212T3905-5		.TUBE ASSY- POSITION DATA: LH TUBING MATERIAL: .375 IN. OD X .02 IN. WALL X 24.20 IN. LG STAINLESS STEEL TUBING POST SERVICE BULLETIN: 36-0029R4		1
- 145	212T3905-6		.TUBE ASSY- POSITION DATA: RH TUBING MATERIAL: .375 IN. OD X .02 IN. WALL X 24.00 IN. LG STAINLESS STEEL TUBING POST SERVICE BULLETIN: 36-0029R4		1
- 147	AP2097H06		..SLEEVE SUPPLIER CODE: V01673 SPECIFICATION NUMBER: BACS13BX06H OPTIONAL PART: 2-02903-06H V11328 35235V06 V08199 AFP175V06 V30974 DBOS13BX06H V14798		2
- 148	BACN10YE6		..NUT		2
150	BACT16BL060606J		.TEE- POST SERVICE BULLETIN: 36-0029R4		1
155	MS21924J6		.UNION- POST SERVICE BULLETIN: 36-0029R4		1
160	AN924-6J		.NUT- POST SERVICE BULLETIN: 36-0029R4		1
165	AN960JD916L		.WASHER- POST SERVICE BULLETIN: 36-0029R4		2
170	BACB30NT3K3		.BOLT- POST SERVICE BULLETIN: 36-0029R4		2

ILLUSTRATION ITEMS NOT ON PARTS LIST ARE NOT APPLICABLE

- ITEM NOT ILLUSTRATED

36-11-50-01

36-11-50
FIG. 01
PAGE 3
DEC 22/07

HXL



767

PARTS CATALOG (MAINTENANCE)

FIG ITEM	PART NUMBER	1 2 3 4 5 6 7	NOMENCLATURE	EFFECT FROM TO	UNITS PER ASSY
1					
173	AN960-10L		.WASHER- POST SERVICE BULLETIN: 36-0029R4		1
176	312T4801-12		.BRACKET- POST SERVICE BULLETIN: 36-0029R4		1
179	MS21924J6		.UNION- POST SERVICE BULLETIN: 36-0029R4		1
182	AN924-6J		.NUT- POST SERVICE BULLETIN: 36-0029R4		1
185	AN960JD916L		.WASHER- POST SERVICE BULLETIN: 36-0029R4		2
190	NAS1801-3-8		.SCREW- POST SERVICE BULLETIN: 36-0029R4		3
195	S717-102		.CLAMP- SUPPLIER CODE: V18076 SPECIFICATION NUMBER: BACC10GU102 OPTIONAL PART: 534CS102 V83930 JM44LC39S102RG V22175 POST SERVICE BULLETIN: 36-0029R4		3
- 300	312T4210-15		WIRING INSTL-ELECTRICAL STRUT (DISTRIBUTION ONLY) POSITION DATA: LH VARIABLE DRAWING REF: 312T4210-5009 FOR NHA/OTHER SYS DET SEE: 54-00-51-02		RF
- 305	312T4210-16		WIRING INSTL-ELECTRICAL STRUT (DISTRIBUTION ONLY) POSITION DATA: RH VARIABLE DRAWING REF: 312T4210-5010 FOR NHA/OTHER SYS DET SEE: 54-00-51-02		RF
ILLUSTRATION ITEMS NOT ON PARTS LIST ARE NOT APPLICABLE					

- ITEM NOT ILLUSTRATED

36-11-50-01

36-11-50
FIG. 01
PAGE 4
DEC 22/08

HXL



767

PARTS CATALOG (MAINTENANCE)

FIG ITEM	PART NUMBER	1 2 3 4 5 6 7	NOMENCLATURE	EFFECT FROM TO	UNITS PER ASSY
1					
- 400	286T0356-112		.WIRE BUNDLE ASSY- POSITION DATA: LH SIDE		RF
- 405	286T0376-112		.WIRE BUNDLE ASSY- POSITION DATA: RH SIDE		RF
- 407	286T0406-100		.WIRE BUNDLE ASSY- POST SERVICE BULLETIN: 36-0029R4		RF
410	G899310S		..CLAMP- SUPPLIER CODE: V06324 SPECIFICATION NUMBER: BACC10HD10A OPTIONAL PART: G8993M10S V06324 S2251-10-30S V07418 6000-123-0110 V14283 900-555F10-10 V31461 POSITION DATA: LH SIDE ELECTRICAL EQUIP NUMBER: D11158T WIRING DIAGRAM REF: 361162		1
412	G899310S		..CLAMP- SUPPLIER CODE: V06324 SPECIFICATION NUMBER: BACC10HD10A OPTIONAL PART: G8993M10S V06324 S2251-10-30S V07418 6000-123-0110 V14283 900-555F10-10 V31461 POSITION DATA: RH SIDE ELECTRICAL EQUIP NUMBER: D13022T WIRING DIAGRAM REF: 361162		1
ILLUSTRATION ITEMS NOT ON PARTS LIST ARE NOT APPLICABLE					

- ITEM NOT ILLUSTRATED

36-11-50-01

36-11-50
FIG. 01
PAGE 5
DEC 22/07

HXL



767

PARTS CATALOG (MAINTENANCE)

FIG ITEM	PART NUMBER	1 2 3 4 5 6 7	NOMENCLATURE	EFFECT FROM TO	UNITS PER ASSY
1 415	R071010B5SNL		.. PLUG- SUPPLIER CODE: V41118 SPECIFICATION NUMBER: BACC63BP10B5SNL POSITION DATA: LH SIDE ELECTRICAL EQUIP NUMBER: D11158 WIRING DIAGRAM REF: 361161		1
417	R071010B5SNL		.. PLUG- SUPPLIER CODE: V41118 SPECIFICATION NUMBER: BACC63BP10B5SNL POSITION DATA: RH SIDE ELECTRICAL EQUIP NUMBER: D13022 WIRING DIAGRAM REF: 361162		1
- 420	BACC63BN24F30S9		.. RECEPTACLE- POSITION DATA: LH SIDE ELECTRICAL EQUIP NUMBER: D04212J WIRING DIAGRAM REF: 361311 POST SERVICE BULLETIN: 36-0029R4		1
- 425	BACC63BN24F30S9		.. RECEPTACLE- POSITION DATA: RH SIDE ELECTRICAL EQUIP NUMBER: D04252J WIRING DIAGRAM REF: 783621 POST SERVICE BULLETIN: 36-0029R4		1

ILLUSTRATION ITEMS NOT ON PARTS LIST ARE NOT APPLICABLE

- ITEM NOT ILLUSTRATED

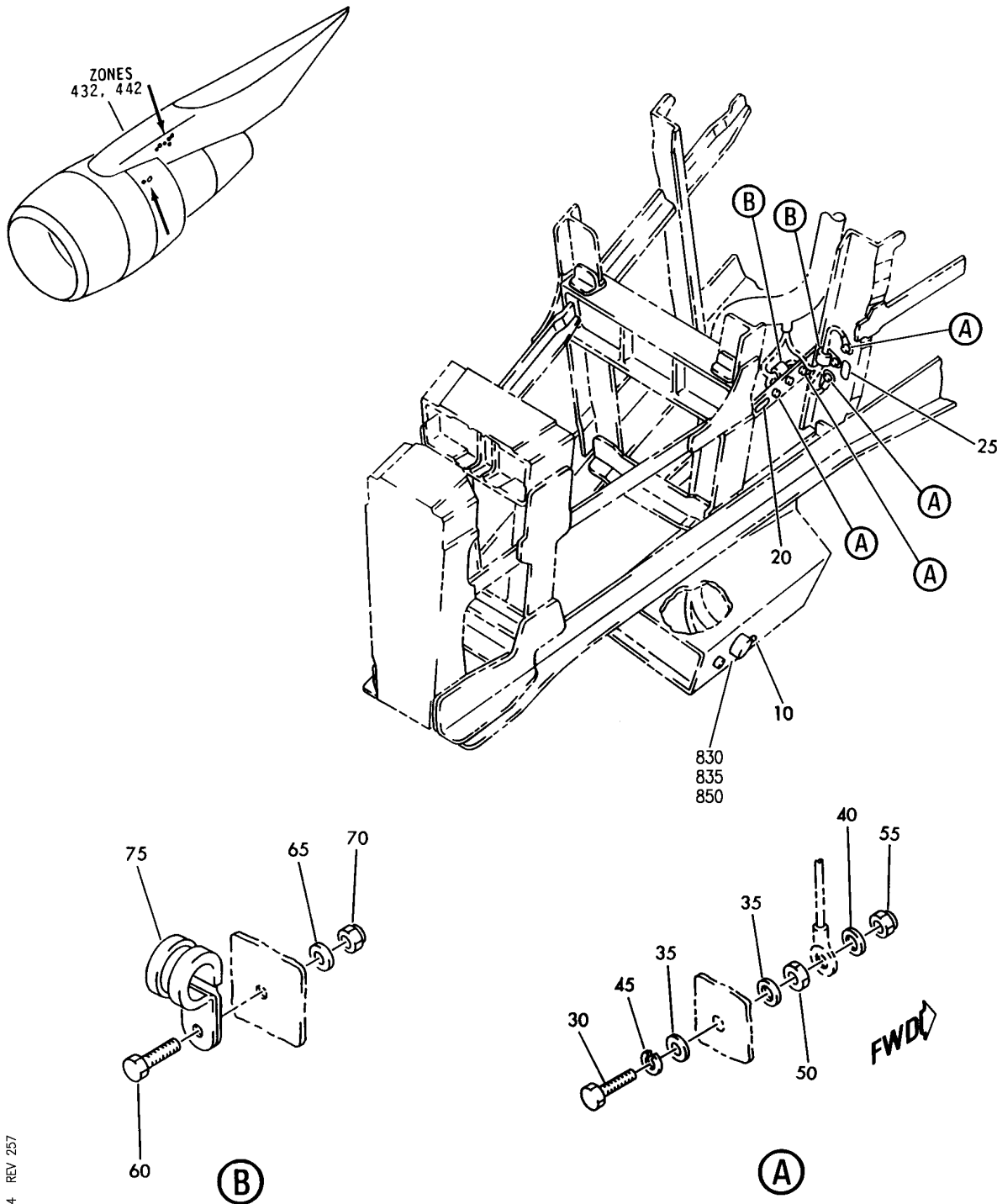
HXL

36-11-50-01

BOEING PROPRIETARY - Copyright © - Unpublished Work - See title page for details.

36-11-50
FIG. 01
PAGE 6
DEC 22/07

BOEING
767
PARTS CATALOG (MAINTENANCE)



V. 36115004 REV 257

WIRING INSTL-ELECTRICAL STRUT (DISTRIBUTION ONLY)
FIGURE 4

36-11-50-04

HXL
DEC 22/06

36-11-50-04
PAGE 0

BOEING
767
PARTS CATALOG (MAINTENANCE)

FIG ITEM	PART NUMBER	1 2 3 4 5 6 7	NOMENCLATURE	EFFECT FROM TO	UNITS PER ASSY
4			WIRING INSTL-ELECTRICAL STRUT (DISTRIBUTION ONLY)		
- 1	312T4210-15		WIRING INSTL-ELECTRICAL STRUT (DISTRIBUTION ONLY) POSITION DATA: LH VARIABLE DRAWING REF: 312T4210-5009 FOR NHA/OTHER SYS DET SEE: 54-00-51-02		RF
10	BAC27TPP0076		.MARKER-ALUMINUM FOIL POSITION DATA: LH SIDE PLACARD CONTENT: 3		1
20	BAC27TPP0378		.MARKER-ALUMINUM FOIL POSITION DATA: LH SIDE PLACARD CONTENT: GD5206S		1
25	BAC27TPP0379		.MARKER-ALUMINUM FOIL POSITION DATA: LH SIDE PLACARD CONTENT: GD5208S		1
30	NAS1801-3		.SCREW- SIZE DETERMINED ON INSTL.		4
35	NAS1149D0316H		.WASHER-		8
40	NAS1149D0363H		.WASHER-		4
45	MS35338-43		.WASHER		4
50	MS35650-305S		.NUT		4
55	H52732-3		.NUT- SUPPLIER CODE: V15653 SPECIFICATION NUMBER: BACN10YR3 OPTIONAL PART: T6113C1032 V11815 LH3858-3 V72962		4
60	NAS1801-3		.SCREW- SIZE DETERMINED ON INSTL.		2
65	NAS1149D0332J		.WASHER-		AR
70	MS21042L3		.NUT		2
75	BACC10GU		.CLAMP- SIZE DETERMINED ON INSTL.		2
ILLUSTRATION ITEMS NOT ON PARTS LIST ARE NOT APPLICABLE					

R
R
R
R
R
R
R
R
R
R

- ITEM NOT ILLUSTRATED

36-11-50-04

36-11-50
FIG. 04
PAGE 1
AUG 22/09

HXL



767

PARTS CATALOG (MAINTENANCE)

FIG ITEM	PART NUMBER	1 2 3 4 5 6 7	NOMENCLATURE	EFFECT FROM TO	UNITS PER ASSY
4					
- 825	286T0356-112		.WIRE BUNDLE ASSY- POSITION DATA: LH SIDE		1
830	620AS028Z124L		..CLAMP- SUPPLIER CODE: V06324 SPECIFICATION NUMBER: BACC10KA24 OPTIONAL PART: S3819-24-30S V07418 ELECTRICAL EQUIP NUMBER: D04208JK		1
835	BACC63BT24B30S6		..RECEPTACLE- ELECTRICAL EQUIP NUMBER: D04208J WIRING DIAGRAM REF: 361111		1

ILLUSTRATION ITEMS NOT ON PARTS LIST ARE NOT APPLICABLE

- ITEM NOT ILLUSTRATED

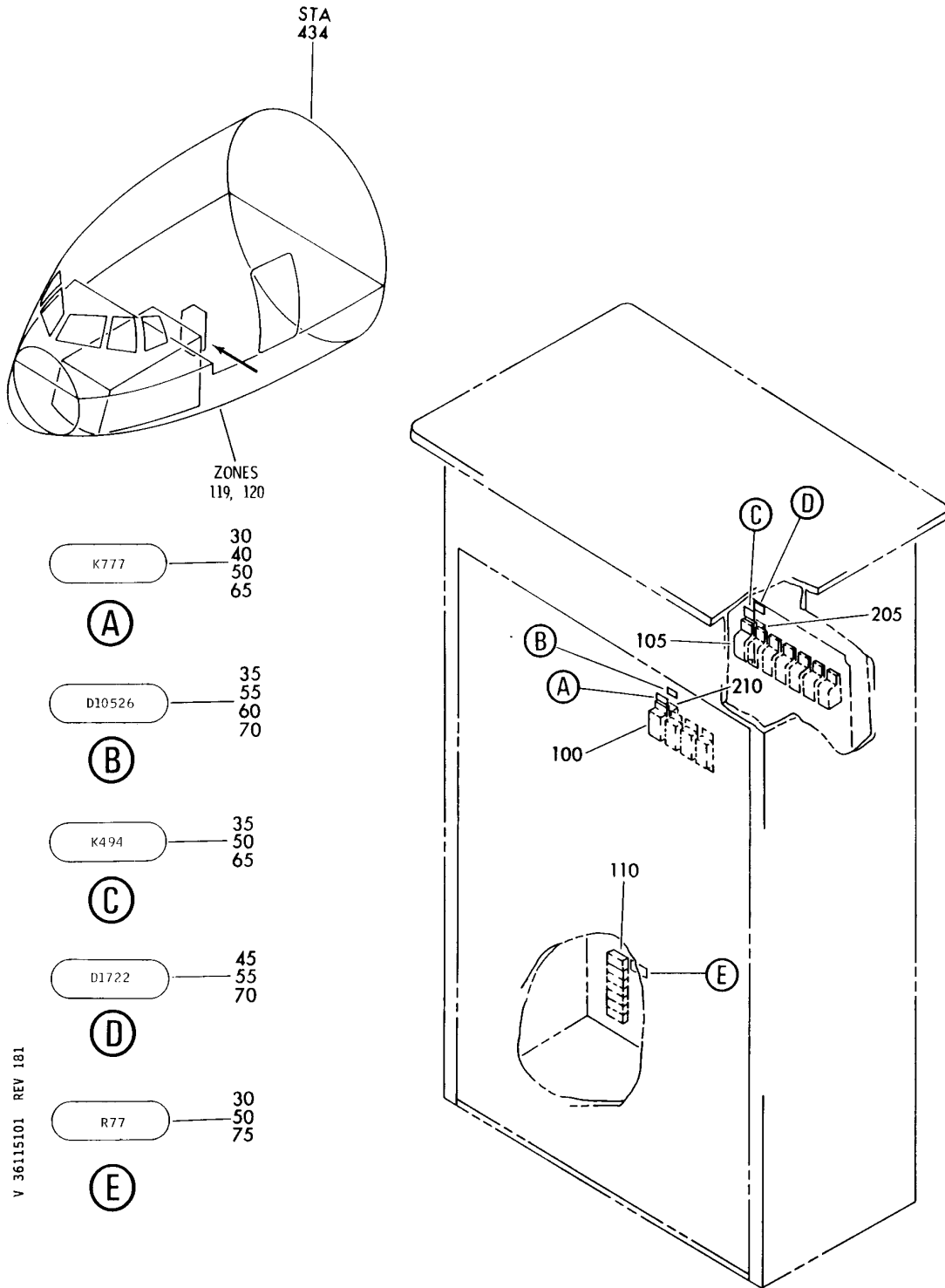
HXL

36-11-50-04

BOEING PROPRIETARY - Copyright © - Unpublished Work - See title page for details.

36-11-50
FIG. 04
PAGE 2
AUG 22/09

BOEING
767
PARTS CATALOG (MAINTENANCE)



EQUIPMENT ASSY-P33 MISC ELEC PNL FWD (PNEUMATIC ONLY)
FIGURE 1

36-11-51-01



767

PARTS CATALOG (MAINTENANCE)

FIG ITEM	PART NUMBER	1 2 3 4 5 6 7	NOMENCLATURE	EFFECT FROM TO	UNITS PER ASSY
1			EQUIPMENT ASSY-P33 MISC ELEC PNL FWD (PNEUMATIC ONLY)		
- 9	284T0189-155		EQUIPMENT ASSY-P33 MISC ELEC PNL (PNEUMATIC ONLY) POSITION DATA: FWD FOR NHA/OTHER SYS DET SEE: 25-50-51-01	163999	RF
- 11	284T0189-183		EQUIPMENT ASSY-P33 MISC ELEC PNL (PNEUMATIC ONLY) POSITION DATA: FWD FOR NHA/OTHER SYS DET SEE: 25-50-51-01	155162	RF
50	BAC27TEX4201		.DECALSET-INCLUDES DECALS IDENTIFIED ON THE ILLUSTRATION		RF
55	BAC27TEX4203		.DECALSET-INCLUDES DECALS IDENTIFIED ON THE ILLUSTRATION		RF
60	BAC27TEX4206		.DECALSET-INCLUDES DECALS IDENTIFIED ON THE ILLUSTRATION		RF
100	W460F1A		.RELAY- SUPPLIER CODE: VF0219 SPECIFICATION NUMBER: BACR13CE2 OPTIONAL PART: 3SAH5-13-4K1 V01526 3SAH1326A2 V01526 ELECTRICAL EQUIP NUMBER: K00777		1

ILLUSTRATION ITEMS NOT ON PARTS LIST ARE NOT APPLICABLE

- ITEM NOT ILLUSTRATED

HXL

36-11-51-01

BOEING PROPRIETARY - Copyright © - Unpublished Work - See title page for details.

36-11-51
FIG. 01
PAGE 1
DEC 22/07



767

PARTS CATALOG (MAINTENANCE)

FIG ITEM	PART NUMBER	1 2 3 4 5 6 7	NOMENCLATURE	EFFECT FROM TO	UNITS PER ASSY
1 105	ES410-1538		.RELAY- SUPPLIER CODE: V99699 SPECIFICATION NUMBER: BACR13CG2AB OPTIONAL PART: KD4L018 V35344 BR230DS0115 V56623 KD4L036 V58657 FCA410-63 V78290 ELECTRICAL EQUIP NUMBER: K00494		1
110	YHLZD30		.DIODE- SUPPLIER CODE: V09922 ELECTRICAL EQUIP NUMBER: R00077 OPTIONAL PART: YHLZD9 V09922		1
110	YHLZD9		.DIODE- SUPPLIER CODE: V09922 ELECTRICAL EQUIP NUMBER: R00077 OPTIONAL PART: YHLZD30 V09922		1
- 200 205	286T0144-300 BACS16W1		.WIRE BUNDLE ASSY ..SOCKET- ELECTRICAL EQUIP NUMBER: D01722 WIRING DIAGRAM REF: 361141		RF 1

ILLUSTRATION ITEMS NOT ON PARTS LIST ARE NOT APPLICABLE

- ITEM NOT ILLUSTRATED

HXL

36-11-51-01

BOEING PROPRIETARY - Copyright © - Unpublished Work - See title page for details.

36-11-51
FIG. 01
PAGE 2
DEC 22/06



767

PARTS CATALOG (MAINTENANCE)

FIG ITEM	PART NUMBER	1 2 3 4 5 6 7	NOMENCLATURE	EFFECT FROM TO	UNITS PER ASSY
1 210	RSE120027		.. SOCKET- SUPPLIER CODE: V58982 SPECIFICATION NUMBER: BACS16AF1 OPTIONAL PART: 451120-027 V58982 ELECTRICAL EQUIP NUMBER: D10526 WIRING DIAGRAM REF: 361141		1

ILLUSTRATION ITEMS NOT ON PARTS LIST ARE NOT APPLICABLE

- ITEM NOT ILLUSTRATED

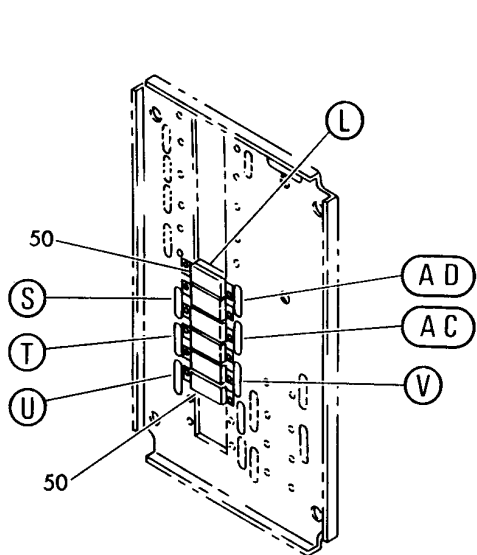
HXL

36-11-51-01

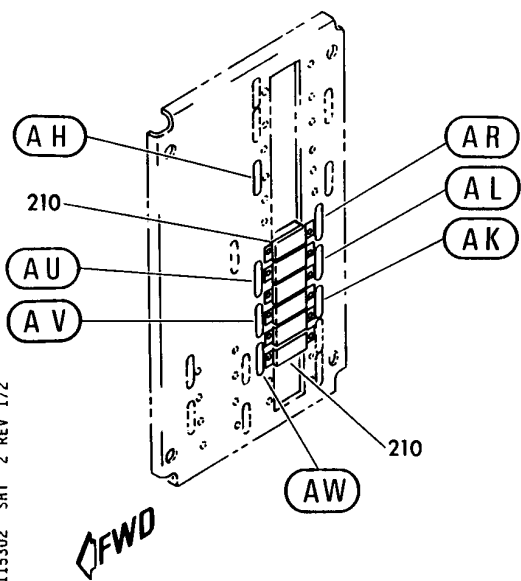
BOEING PROPRIETARY - Copyright © - Unpublished Work - See title page for details.

36-11-51
FIG. 01
PAGE 3
DEC 22/06

BOEING
767
PARTS CATALOG (MAINTENANCE)

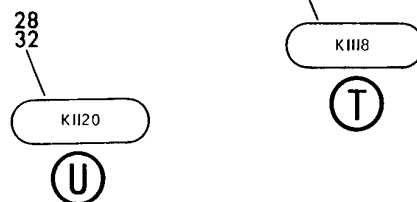
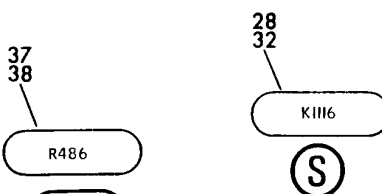
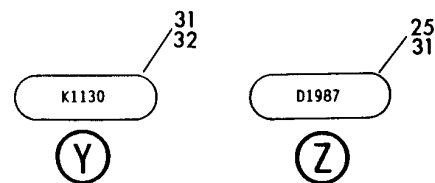
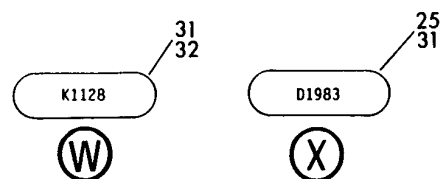
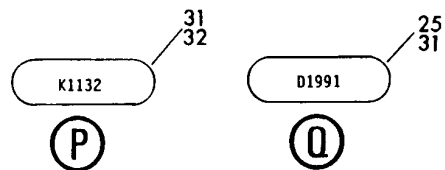
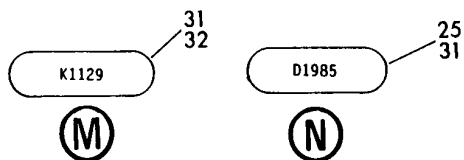


(K)



(L)

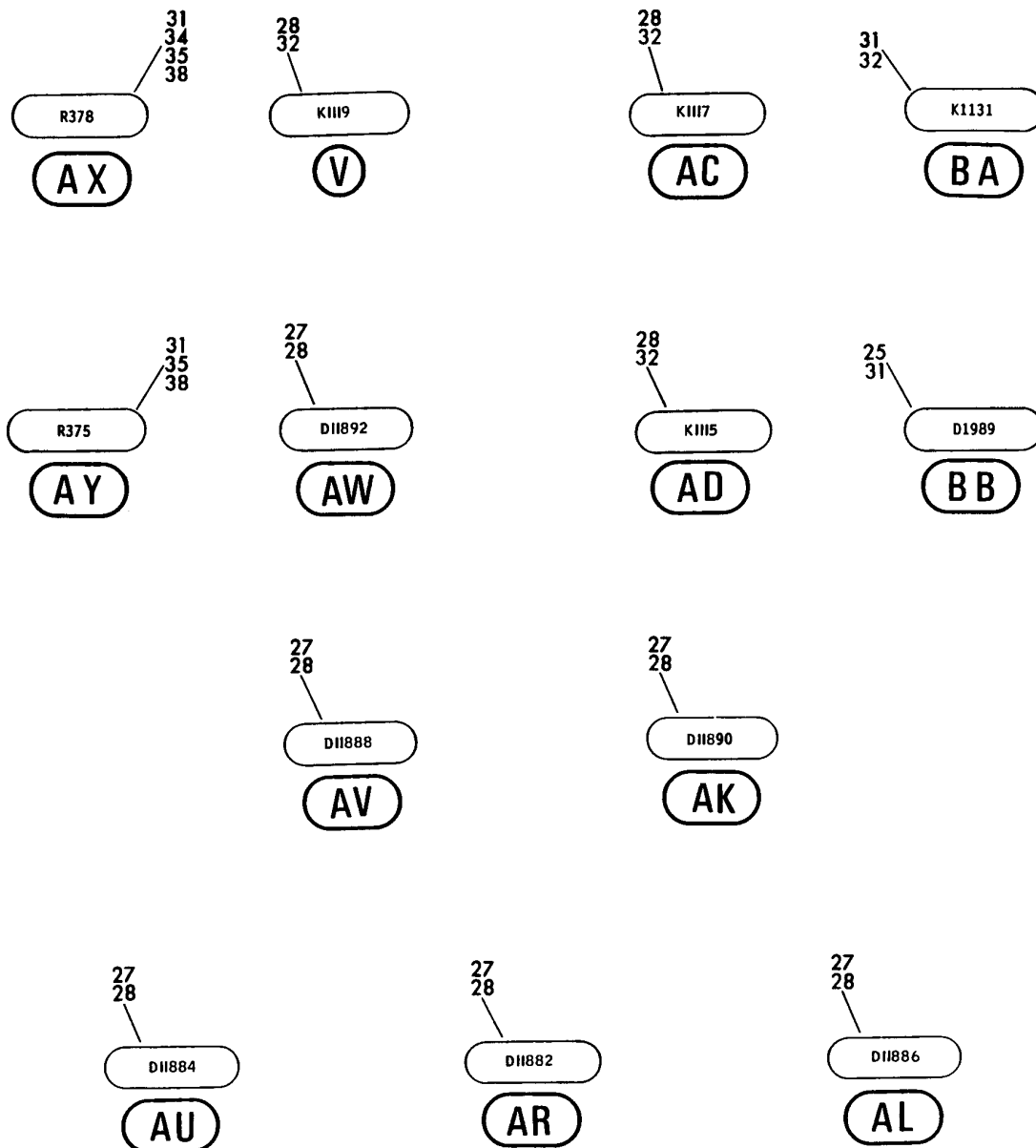
V 36115302 SHT 2 REV 172



EQUIPMENT ASSY-P36 MISC ELEC PNL L (PNEUMATIC ONLY)
FIGURE 2 (SHEET 2)

36-11-53-02

BOEING
767
PARTS CATALOG (MAINTENANCE)



V 36115302 SHT 3 REV 150

EQUIPMENT ASSY-P36 MISC ELEC PNL L (PNEUMATIC ONLY)
FIGURE 2 (SHEET 3)

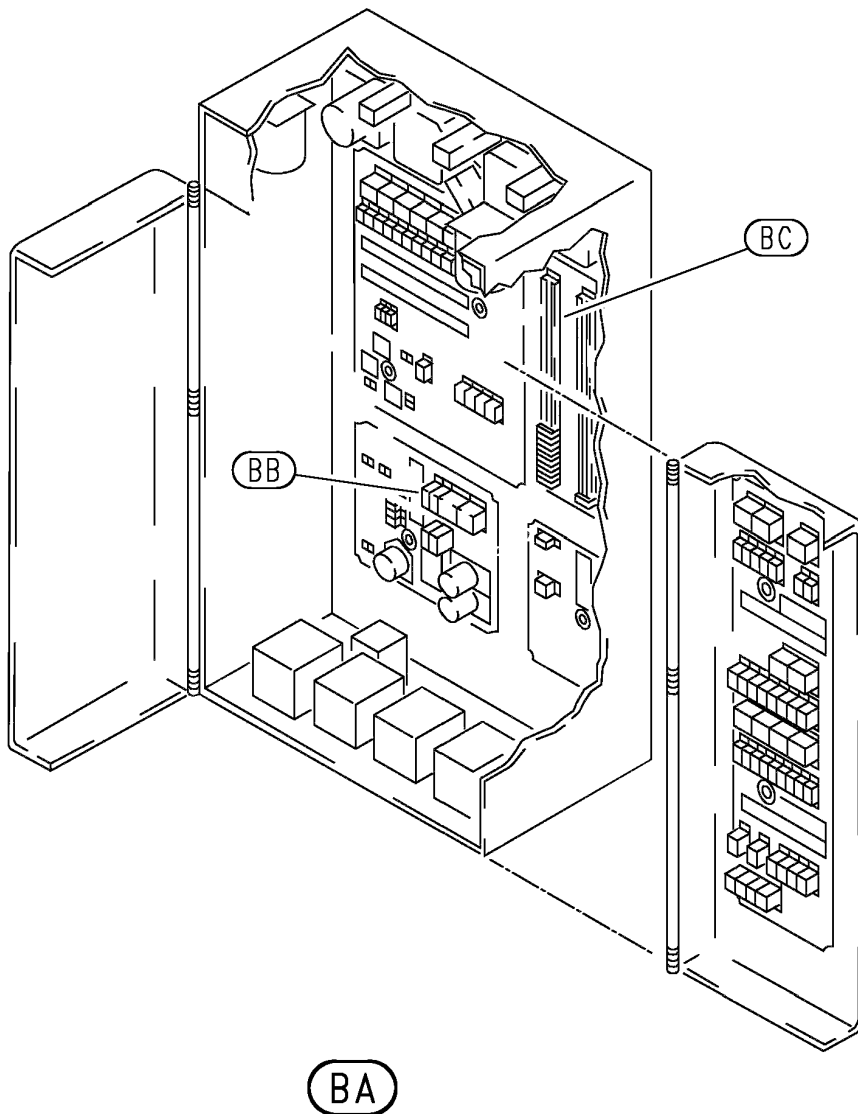
36-11-53-02

HXL
DEC 22/06

36-11-53-02
PAGE 0B

BOEING PROPRIETARY - Copyright © - Unpublished Work - See title page for details.

BOEING
767
PARTS CATALOG (MAINTENANCE)



V 36115302 SH1 4 REV 343

EQUIPMENT ASSY-P36 MISC ELEC PNL L (PNEUMATIC ONLY)
FIGURE 2 (SHEET 4)

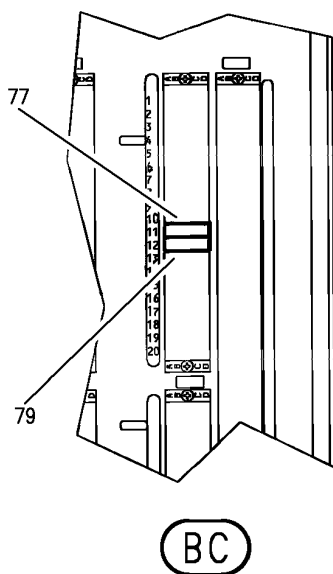
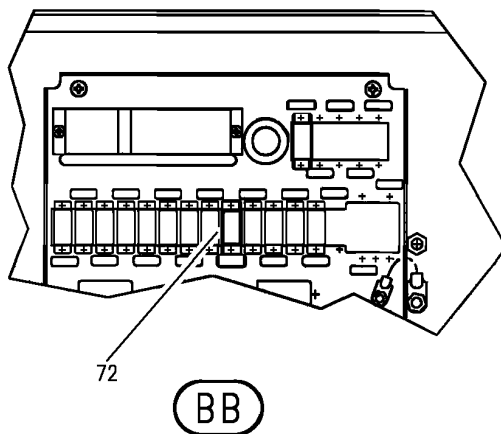
36-11-53-02

HXL
AUG 22/09

36-11-53-02
PAGE 0C

BOEING PROPRIETARY - Copyright © - Unpublished Work - See title page for details.

BOEING
767
PARTS CATALOG (MAINTENANCE)



V 36115302 SH1 5 REV 343

EQUIPMENT ASSY-P36 MISC ELEC PNL L (PNEUMATIC ONLY)
FIGURE 2 (SHEET 5)

36-11-53-02

HXL
AUG 22/09

36-11-53-02
PAGE 0D

BOEING PROPRIETARY - Copyright © - Unpublished Work - See title page for details.

 **BOEING**
767
PARTS CATALOG (MAINTENANCE)

FIG ITEM	PART NUMBER	1 2 3 4 5 6 7	NOMENCLATURE	EFFECT FROM TO	UNITS PER ASSY
2			EQUIPMENT ASSY-P36 MISC ELEC PNL L (PNEUMATIC ONLY)		
- 10	284T0187-167		EQUIPMENT ASSY-P36 MISC ELEC PNL (PNEUMATIC ONLY) POSITION DATA: L FOR NHA/OTHER SYS DET SEE: 53-11-70-03	155162	RF
- 12	284T0187-205		EQUIPMENT ASSY-P36 MISC ELEC PNL (PNEUMATIC ONLY) POSITION DATA: L FOR NHA/OTHER SYS DET SEE: 53-11-70-03	163163	RF
- 13	284T0187-212		EQUIPMENT ASSY-P36 MISC ELEC PNL (PNEUMATIC ONLY) POSITION DATA: L FOR NHA/OTHER SYS DET SEE: 53-11-70-03	164999	RF
25	BAC27TEX3726		.DECALSET-INCLUDES DECALS IDENTIFIED ON THE ILLUSTRATION OPTIONAL PART: BAC27TEX4186		RF
25	BAC27TEX4186		.DECALSET-INCLUDES DECALS IDENTIFIED ON THE ILLUSTRATION OPTIONAL PART: BAC27TEX3726		RF
27	BAC27TEX4187		.DECALSET-INCLUDES DECALS IDENTIFIED ON THE ILLUSTRATION		RF
28	BAC27TEX4016		.DECALSET-INCLUDES DECALS IDENTIFIED ON THE ILLUSTRATION		1
30	BAC27TEX4180		.DECALSET-INCLUDES DECALS IDENTIFIED ON THE ILLUSTRATION		RF
32	BAC27TEX4181		.DECALSET-INCLUDES DECALS IDENTIFIED ON THE ILLUSTRATION OPTIONAL PART: BAC27TEX4188		RF
ILLUSTRATION ITEMS NOT ON PARTS LIST ARE NOT APPLICABLE					

- ITEM NOT ILLUSTRATED

HXL

36-11-53-02

BOEING PROPRIETARY - Copyright © - Unpublished Work - See title page for details.

36-11-53
FIG. 02
PAGE 1
DEC 22/07



767

PARTS CATALOG (MAINTENANCE)

FIG ITEM	PART NUMBER	1 2 3 4 5 6 7	NOMENCLATURE	EFFECT FROM TO	UNITS PER ASSY
2	35 BAC27TEX4188		.DECALSET-INCLUDES DECALS IDENTIFIED ON THE ILLUSTRATION OPTIONAL PART: BAC27TEX3729 BAC27TEX4181		RF
	37 BAC27TEX4701		.DECAL- PLACARD CONTENT: R486 POST SERVICE BULLETIN: 36-0029R3		1
	40 ES210-1632		.RELAY- SUPPLIER CODE: V99699 SPECIFICATION NUMBER: BACR13CF2AB OPTIONAL PART: JD4L018 V35344 JD4L031 V35344 BR246S0111 V56623 BR64S105 V56623 FCA210-71 V78290 61GB2319-1A320 V98927 ELECTRICAL EQUIP NUMBER: K00010 K00016 K00021 K00022		4
	45 YHLZD9		.DIODE- SUPPLIER CODE: V09922 ELECTRICAL EQUIP NUMBER: R00239 OPTIONAL PART: YHLZD30 V09922		1

ILLUSTRATION ITEMS NOT ON PARTS LIST ARE NOT APPLICABLE

- ITEM NOT ILLUSTRATED

HXL

36-11-53-02

BOEING PROPRIETARY - Copyright © - Unpublished Work - See title page for details.

36-11-53
FIG. 02
PAGE 2
DEC 22/07



767

PARTS CATALOG (MAINTENANCE)

FIG ITEM	PART NUMBER	1 2 3 4 5 6 7	NOMENCLATURE	EFFECT FROM TO	UNITS PER ASSY
2					
45	YHLZD30		.DIODE- SUPPLIER CODE: V09922 ELECTRICAL EQUIP NUMBER: R00239 OPTIONAL PART: YHLZD9 V09922		1
47	YHLZD30		.DIODE- SUPPLIER CODE: V09922 ELECTRICAL EQUIP NUMBER: R00486 WIRING DIAGRAM REF: 361161 POST SERVICE BULLETIN: 36-0029R3		1
- 200	286T0176-300		.WIRE BUNDLE ASSY		RF
205	RSF116200		..SOCKET- SUPPLIER CODE: V58982 SPECIFICATION NUMBER: BACS16X1A OPTIONAL PART: 102-006-1 V09922 000300-1538 V05574 ELECTRICAL EQUIP NUMBER: D03474 D03476 D03478 D03480 WIRING DIAGRAM REF: 361111 361131		4

ILLUSTRATION ITEMS NOT ON PARTS LIST ARE NOT APPLICABLE

- ITEM NOT ILLUSTRATED

HXL

36-11-53-02

BOEING PROPRIETARY - Copyright © - Unpublished Work - See title page for details.

36-11-53
FIG. 02
PAGE 3
DEC 22/07



767

PARTS CATALOG (MAINTENANCE)

FIG ITEM	PART NUMBER	1 2 3 4 5 6 7	NOMENCLATURE	EFFECT FROM TO	UNITS PER ASSY
2 210	RSE120026		.. SOCKET- SUPPLIER CODE: V58982 SPECIFICATION NUMBER: BACS16AG1 OPTIONAL PART: 451120-026 V58982 ELECTRICAL EQUIP NUMBER: D11882 D11884 D11886 D11888 D11890 D11892 WIRING DIAGRAM REF: 361151 361161		6
215	RSF116200		.. SOCKET- SUPPLIER CODE: V58982 SPECIFICATION NUMBER: BACS16X1A OPTIONAL PART: 102-006-1 V09922 000300-1538 V05574 ELECTRICAL EQUIP NUMBER: D01983 D01989 D01991 WIRING DIAGRAM REF: 361161		3
- 270	BACC45FN22-55S6		.. CONNECTOR- ELECTRICAL EQUIP NUMBER: D04662J WIRING DIAGRAM REF: 282211 POST SERVICE BULLETIN: 36-0026R2		1
- 275	BACC45FN24-61S		.. CONNECTOR- ELECTRICAL EQUIP NUMBER: D04904J WIRING DIAGRAM REF: 215111 POST SERVICE BULLETIN: 36-0026R2		1

ILLUSTRATION ITEMS NOT ON PARTS LIST ARE NOT APPLICABLE

- ITEM NOT ILLUSTRATED

36-11-53-02

36-11-53
 FIG. 02
 PAGE 4
 DEC 22/07

HXL



767

PARTS CATALOG (MAINTENANCE)

FIG ITEM	PART NUMBER	1 2 3 4 5 6 7	NOMENCLATURE	EFFECT FROM TO	UNITS PER ASSY
2					
- 280	BACC45FN20-41P7		.CONNECTOR- ELECTRICAL EQUIP NUMBER: D05780J WIRING DIAGRAM REF: 361161 POST SERVICE BULLETIN: 36-0026R2		1
- 300	286T0572-120		.WIRE BUNDLE ASSY- POST SERVICE BULLETIN: 36-0026R2		RF
- 305	BACC45FT22-55P6		.CONNECTOR- ELECTRICAL EQUIP NUMBER: D04662P WIRING DIAGRAM REF: 282211		1
ILLUSTRATION ITEMS NOT ON PARTS LIST ARE NOT APPLICABLE					

- ITEM NOT ILLUSTRATED

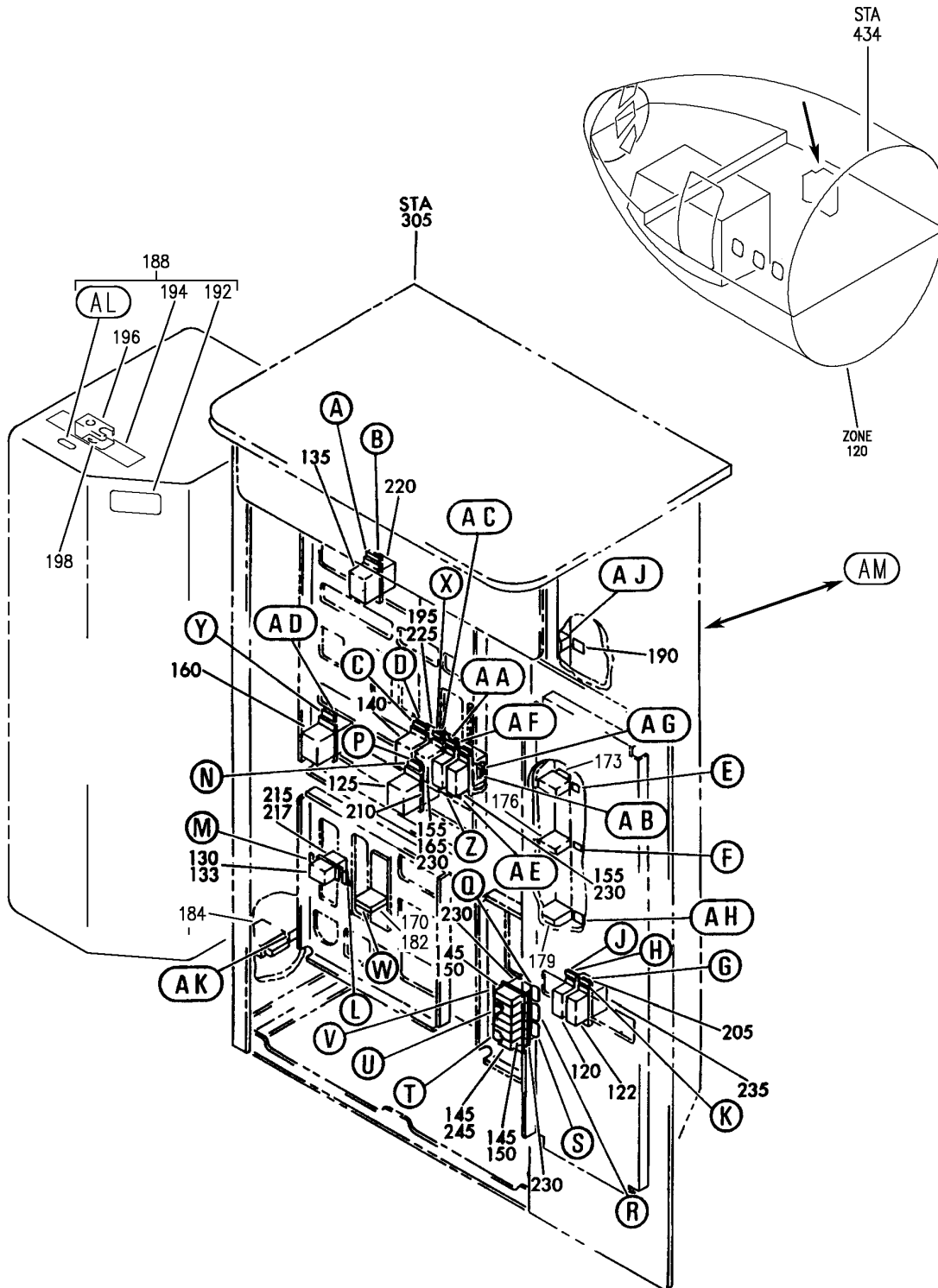
HXL

36-11-53-02

BOEING PROPRIETARY - Copyright © - Unpublished Work - See title page for details.

36-11-53
FIG. 02
PAGE 5
DEC 22/07

BOEING
767
PARTS CATALOG (MAINTENANCE)



V 36115306 SHT 1 REV 343

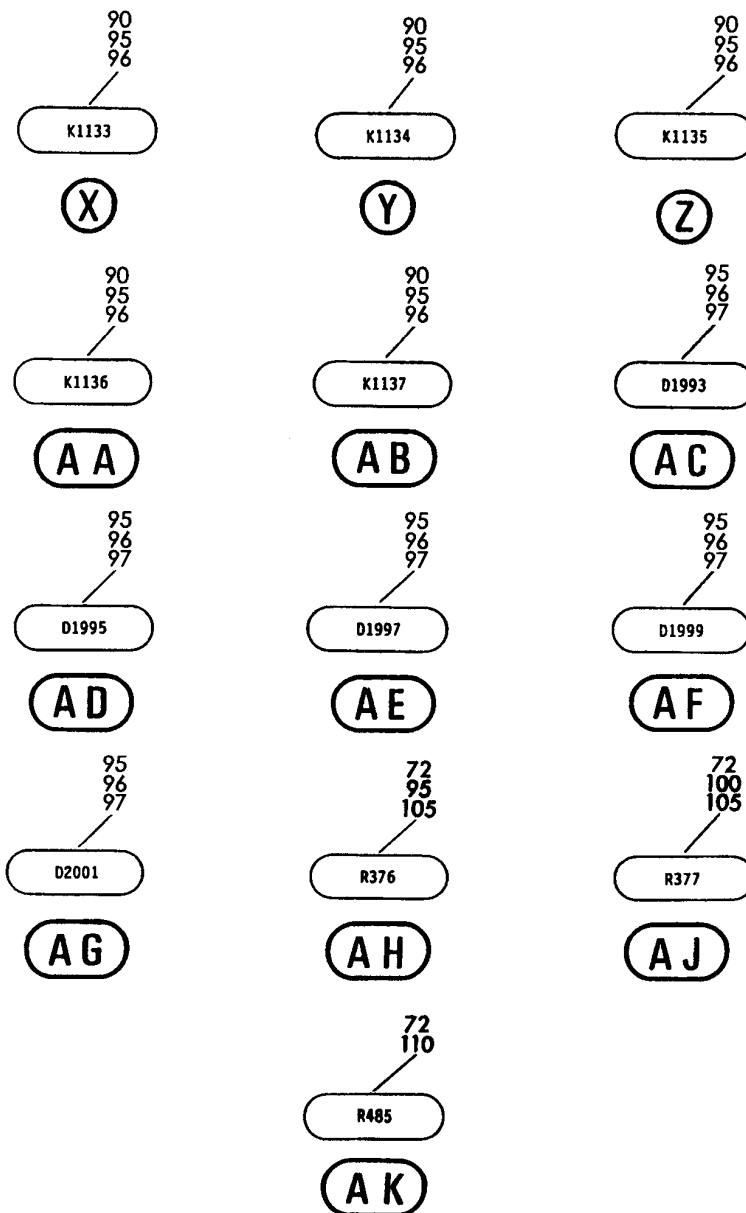
EQUIPMENT ASSY-P37 MISC ELC PNL R (PNEUMATIC ONLY)
FIGURE 6 (SHEET 1)

36-11-53-06

HXL
AUG 22/09

36-11-53-06
PAGE 0

BOEING
767
PARTS CATALOG (MAINTENANCE)



V 36115306 SHT 2 REV 214

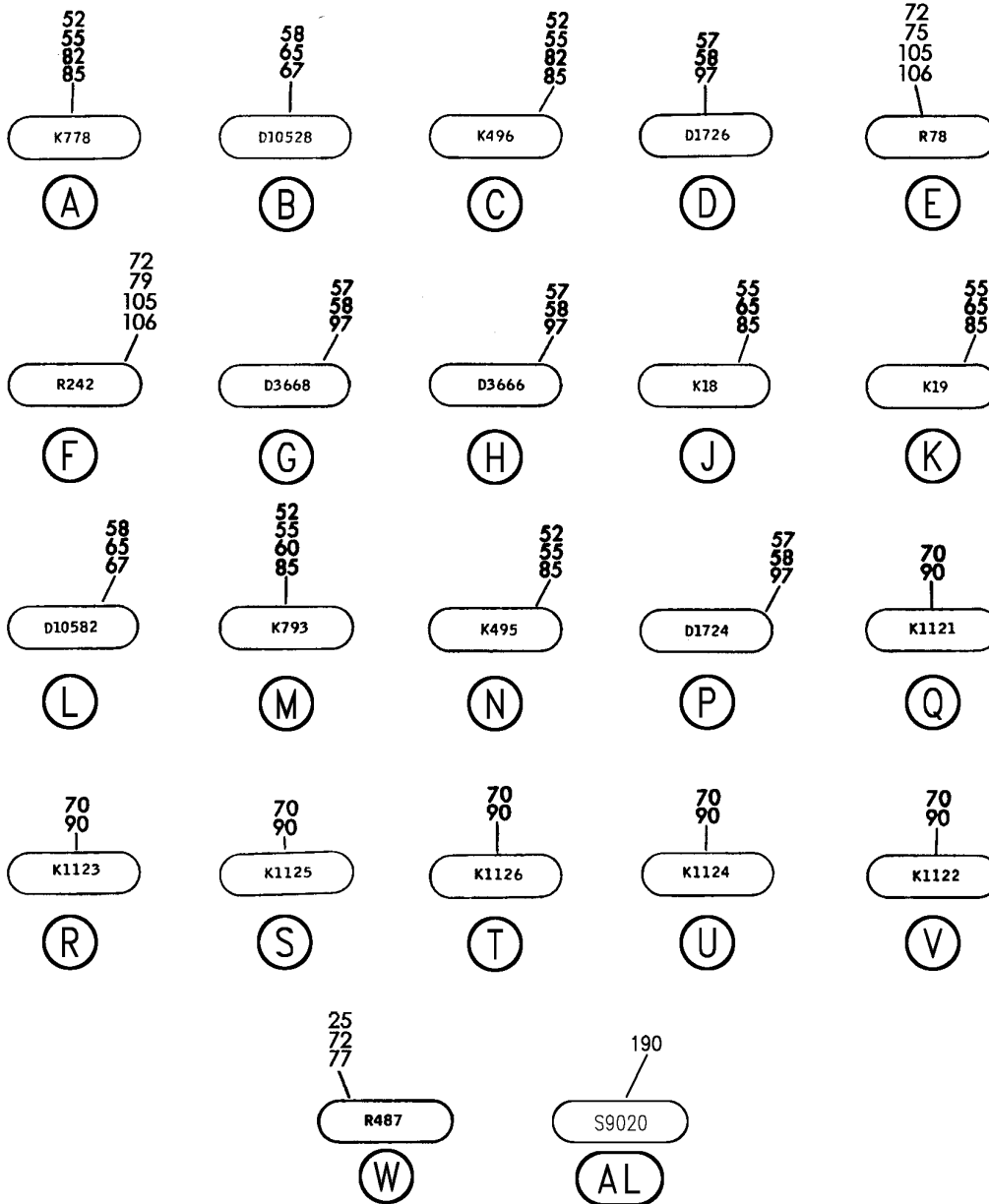
EQUIPMENT ASSY-P37 MISC ELC PNL R (PNEUMATIC ONLY)
FIGURE 6 (SHEET 2)

36-11-53-06

HXL
DEC 22/06

36-11-53-06
PAGE 0A

BOEING
767
PARTS CATALOG (MAINTENANCE)



V 36115306 SH-T 3 REV 262

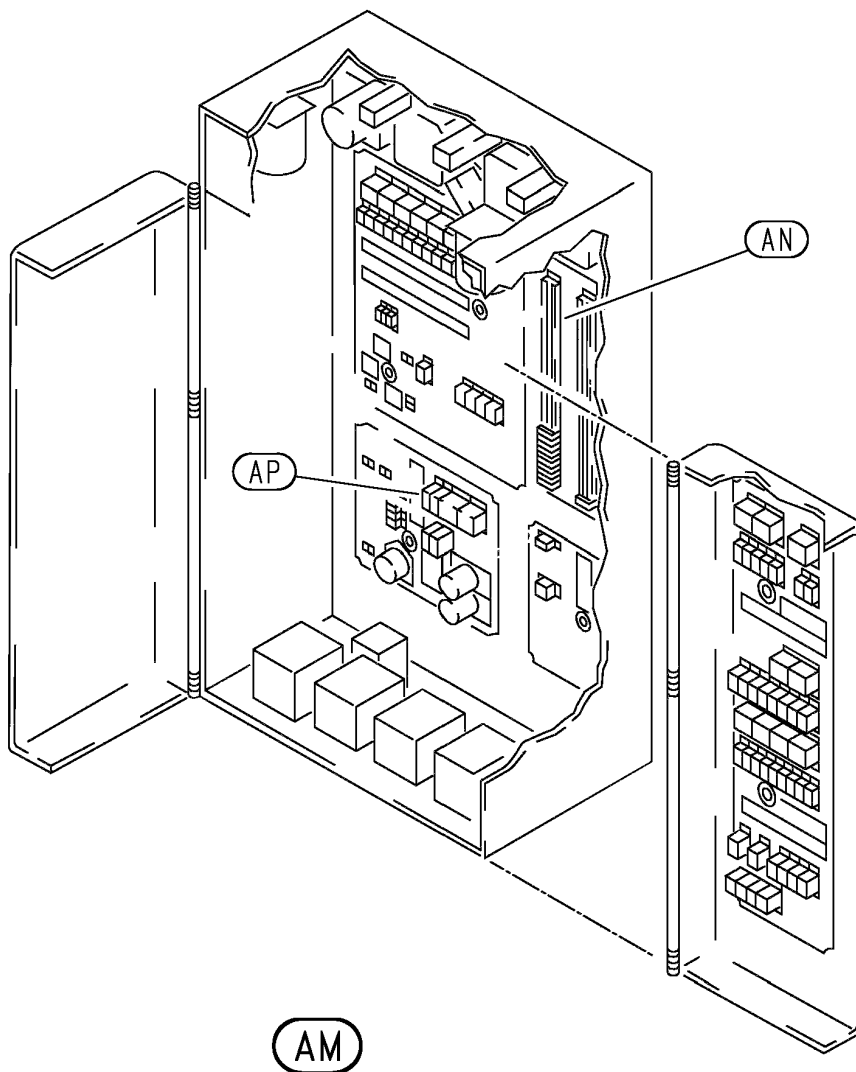
EQUIPMENT ASSY-P37 MISC ELC PNL R (PNEUMATIC ONLY)
FIGURE 6 (SHEET 3)

36-11-53-06

HXL
DEC 22/06

36-11-53-06
PAGE 0B

BOEING
767
PARTS CATALOG (MAINTENANCE)



V 36115306 SH1 4 REV 343

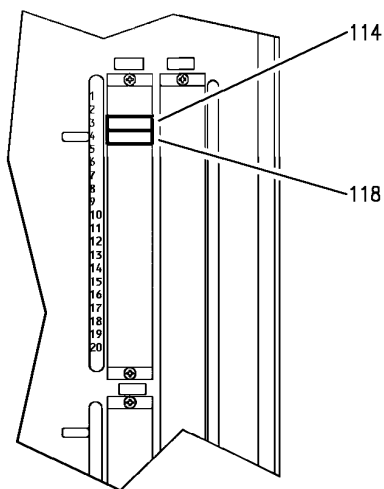
EQUIPMENT ASSY-P37 MISC ELC PNL R (PNEUMATIC ONLY)
FIGURE 6 (SHEET 4)

36-11-53-06

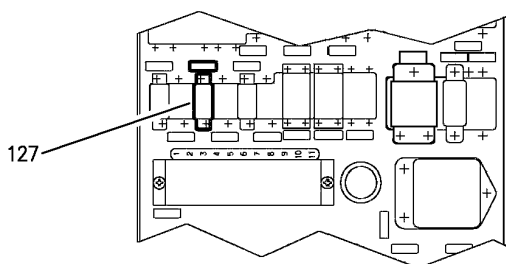
HXL
AUG 22/09

36-11-53-06
PAGE 0C

BOEING
767
PARTS CATALOG (MAINTENANCE)



AN



AP

V 36115306 SHT 5 REV 343

EQUIPMENT ASSY-P37 MISC ELC PNL R (PNEUMATIC ONLY)
FIGURE 6 (SHEET 5)

36-11-53-06

HXL
AUG 22/09

36-11-53-06
PAGE 0D

 **BOEING**
767
PARTS CATALOG (MAINTENANCE)

FIG ITEM	PART NUMBER	1 2 3 4 5 6 7	NOMENCLATURE	EFFECT FROM TO	UNITS PER ASSY
6			EQUIPMENT ASSY-P37 MISC ELC PNL R (PNEUMATIC ONLY)		
- 9	284T0188-157		EQUIPMENT ASSY-P37 MISC ELEC PNL (PNEUMATIC ONLY) POSITION DATA: R FOR NHA/OTHER SYS DET SEE: 53-11-70-05	155162	RF
- 10	284T0188-172		EQUIPMENT ASSY-P37 MISC ELEC PNL (PNEUMATIC ONLY) POSITION DATA: R FOR NHA/OTHER SYS DET SEE: 53-11-70-05	163163	RF
- 11	284T0188-194		EQUIPMENT ASSY-P37 MISC ELEC PNL (PNEUMATIC ONLY) POSITION DATA: R FOR NHA/OTHER SYS DET SEE: 53-11-70-05	164999	RF
25	BAC27TEX4702		.DECAL-INCLUDES DECALS IDENTIFIED ON THE ILLUSTRATION PLACARD CONTENT: R487 POST SERVICE BULLETIN: 36-0029R3		RF
67	BAC27TEX4190		.DECALSET-INCLUDES DECALS IDENTIFIED ON THE ILLUSTRATION		RF
85	BAC27TEX4184		.DECALSET-INCLUDES DECALS IDENTIFIED ON THE ILLUSTRATION		RF
90	BAC27TEX4185		.DECALSET-INCLUDES DECALS IDENTIFIED ON THE ILLUSTRATION		RF
97	BAC27TEX4189		.DECALSET-INCLUDES DECALS IDENTIFIED ON THE ILLUSTRATION		RF
106	BAC27TEX4192		.DECALSET- MISCELLANEOUS DATA: INCLUDES THE FOLLOWING R78, R242 REWORKED BY SB: 36-0026R1		1
ILLUSTRATION ITEMS NOT ON PARTS LIST ARE NOT APPLICABLE					

- ITEM NOT ILLUSTRATED

HXL

36-11-53-06

BOEING PROPRIETARY - Copyright © - Unpublished Work - See title page for details.

36-11-53
FIG. 06
PAGE 1
DEC 22/07



767

PARTS CATALOG (MAINTENANCE)

FIG ITEM	PART NUMBER	1 2 3 4 5 6 7	NOMENCLATURE	EFFECT FROM TO	UNITS PER ASSY
6 120	ES210-1632		.RELAY- SUPPLIER CODE: V99699 SPECIFICATION NUMBER: BACR13CF2AB OPTIONAL PART: JD4L018 V35344 JD4L031 V35344 BR246S0111 V56623 BR64S105 V56623 FCA210-71 V78290 61GB2319-1A320 V98927 ELECTRICAL EQUIP NUMBER: K00018		1
122	ES210-1632		.RELAY- SUPPLIER CODE: V99699 SPECIFICATION NUMBER: BACR13CF2AB OPTIONAL PART: JD4L018 V35344 JD4L031 V35344 BR246S0111 V56623 BR64S105 V56623 FCA210-71 V78290 61GB2319-1A320 V98927 ELECTRICAL EQUIP NUMBER: K00019		1

ILLUSTRATION ITEMS NOT ON PARTS LIST ARE NOT APPLICABLE

- ITEM NOT ILLUSTRATED

HXL

36-11-53-06

BOEING PROPRIETARY - Copyright © - Unpublished Work - See title page for details.

36-11-53
FIG. 06
PAGE 2
DEC 22/07



767

PARTS CATALOG (MAINTENANCE)

FIG ITEM	PART NUMBER	1 2 3 4 5 6 7	NOMENCLATURE	EFFECT FROM TO	UNITS PER ASSY
6 125	ES410-1538		.RELAY- SUPPLIER CODE: V99699 SPECIFICATION NUMBER: BACR13CG2AB OPTIONAL PART: KD4L018 V35344 BR230DS0115 V56623 KD4L036 V58657 FCA410-63 V78290 ELECTRICAL EQUIP NUMBER: K00495		1
135	W460F1A		.RELAY- SUPPLIER CODE: VF0219 SPECIFICATION NUMBER: BACR13CE2 OPTIONAL PART: 3SAH5-13-4K1 V01526 3SAH1326A2 V01526 ELECTRICAL EQUIP NUMBER: K00778		1
140	ES410-1538		.RELAY- SUPPLIER CODE: V99699 SPECIFICATION NUMBER: BACR13CG2AB OPTIONAL PART: KD4L018 V35344 BR230DS0115 V56623 KD4L036 V58657 FCA410-63 V78290 ELECTRICAL EQUIP NUMBER: K00496		1

ILLUSTRATION ITEMS NOT ON PARTS LIST ARE NOT APPLICABLE

- ITEM NOT ILLUSTRATED

HXL

36-11-53-06

BOEING PROPRIETARY - Copyright © - Unpublished Work - See title page for details.

36-11-53
FIG. 06
PAGE 3
DEC 22/07



767

PARTS CATALOG (MAINTENANCE)

FIG ITEM	PART NUMBER	1 2 3 4 5 6 7	NOMENCLATURE	EFFECT FROM TO	UNITS PER ASSY
6 170	YHLZD30	.DIODE-	SUPPLIER CODE: V09922 ELECTRICAL EQUIP NUMBER: R00487 POST SERVICE BULLETIN: 36-0029R3		1
173	YHLZD30	.DIODE-	SUPPLIER CODE: V09922 ELECTRICAL EQUIP NUMBER: R00078 OPTIONAL PART: YHLZD9 V09922		1
173	YHLZD9	.DIODE-	SUPPLIER CODE: V09922 ELECTRICAL EQUIP NUMBER: R00078 OPTIONAL PART: YHLZD30 V09922		1
176	YHLZD30	.DIODE-	SUPPLIER CODE: V09922 ELECTRICAL EQUIP NUMBER: R00242 OPTIONAL PART: YHLZD9 V09922		1
176	YHLZD9	.DIODE-	SUPPLIER CODE: V09922 ELECTRICAL EQUIP NUMBER: R00242 OPTIONAL PART: YHLZD30 V09922		1
- 200	286T0192-300	.WIRE BUNDLE ASSY			RF

ILLUSTRATION ITEMS NOT ON PARTS LIST ARE NOT APPLICABLE

- ITEM NOT ILLUSTRATED

HXL

36-11-53-06

BOEING PROPRIETARY - Copyright © - Unpublished Work - See title page for details.

36-11-53
FIG. 06
PAGE 4
DEC 22/07



767

PARTS CATALOG (MAINTENANCE)

FIG ITEM	PART NUMBER	1 2 3 4 5 6 7	NOMENCLATURE	EFFECT FROM TO	UNITS PER ASSY
6 205	RSF116200		.. SOCKET- SUPPLIER CODE: V58982 SPECIFICATION NUMBER: BACS16X1A OPTIONAL PART: 102-006-1 V09922 000300-1538 V05574 ELECTRICAL EQUIP NUMBER: D03666 WIRING DIAGRAM REF: 362111		1
210	BACS16W1		.. SOCKET- ELECTRICAL EQUIP NUMBER: D01724 WIRING DIAGRAM REF: 361141		1
220	RSE120027		.. SOCKET- SUPPLIER CODE: V58982 SPECIFICATION NUMBER: BACS16AF1 OPTIONAL PART: 451120-027 V58982 ELECTRICAL EQUIP NUMBER: D10528 WIRING DIAGRAM REF: 361152		1
225	BACS16W1		.. SOCKET- ELECTRICAL EQUIP NUMBER: D01726 WIRING DIAGRAM REF: 361141		1

ILLUSTRATION ITEMS NOT ON PARTS LIST ARE NOT APPLICABLE

- ITEM NOT ILLUSTRATED

HXL

36-11-53-06

BOEING PROPRIETARY - Copyright © - Unpublished Work - See title page for details.

36-11-53
 FIG. 06
 PAGE 5
 DEC 22/07



767

PARTS CATALOG (MAINTENANCE)

FIG ITEM	PART NUMBER	1 2 3 4 5 6 7	NOMENCLATURE	EFFECT FROM TO	UNITS PER ASSY
6 230	451120-026		.. SOCKET- SUPPLIER CODE: V03743 ELECTRICAL EQUIP NUMBER: D11894 D11896 D11898 D11900 D11902 D11904 D01993 D01999 D02001 WIRING DIAGRAM REF: 361152 361162		9
235	RSF116200		.. SOCKET- SUPPLIER CODE: V58982 SPECIFICATION NUMBER: BACS16X1A OPTIONAL PART: 102-006-1 V09922 000300-1538 V05574 ELECTRICAL EQUIP NUMBER: D03668 WIRING DIAGRAM REF: 362111		1
- 300	BACC45FN16-24P7		.CONNECTOR- ELECTRICAL EQUIP NUMBER: D06076J WIRING DIAGRAM REF: 215121 POST SERVICE BULLETIN: 36-0026R2		1
- 305	BACC45FN21-61P8		.CONNECTOR- ELECTRICAL EQUIP NUMBER: D05768J WIRING DIAGRAM REF: 361152 POST SERVICE BULLETIN: 36-0026R2		1

ILLUSTRATION ITEMS NOT ON PARTS LIST ARE NOT APPLICABLE

- ITEM NOT ILLUSTRATED

HXL

36-11-53-06

BOEING PROPRIETARY - Copyright © - Unpublished Work - See title page for details.

36-11-53
 FIG. 06
 PAGE 6
 DEC 22/07



767

PARTS CATALOG (MAINTENANCE)

FIG ITEM	PART NUMBER	1 2 3 4 5 6 7	NOMENCLATURE	EFFECT FROM TO	UNITS PER ASSY
6 - 320	BACC45FN18-14P9		.CONNECTOR- ELECTRICAL EQUIP NUMBER: D05602J WIRING DIAGRAM REF: 215815 POST SERVICE BULLETIN: 36-0026R2		1

ILLUSTRATION ITEMS NOT ON PARTS LIST ARE NOT APPLICABLE

- ITEM NOT ILLUSTRATED

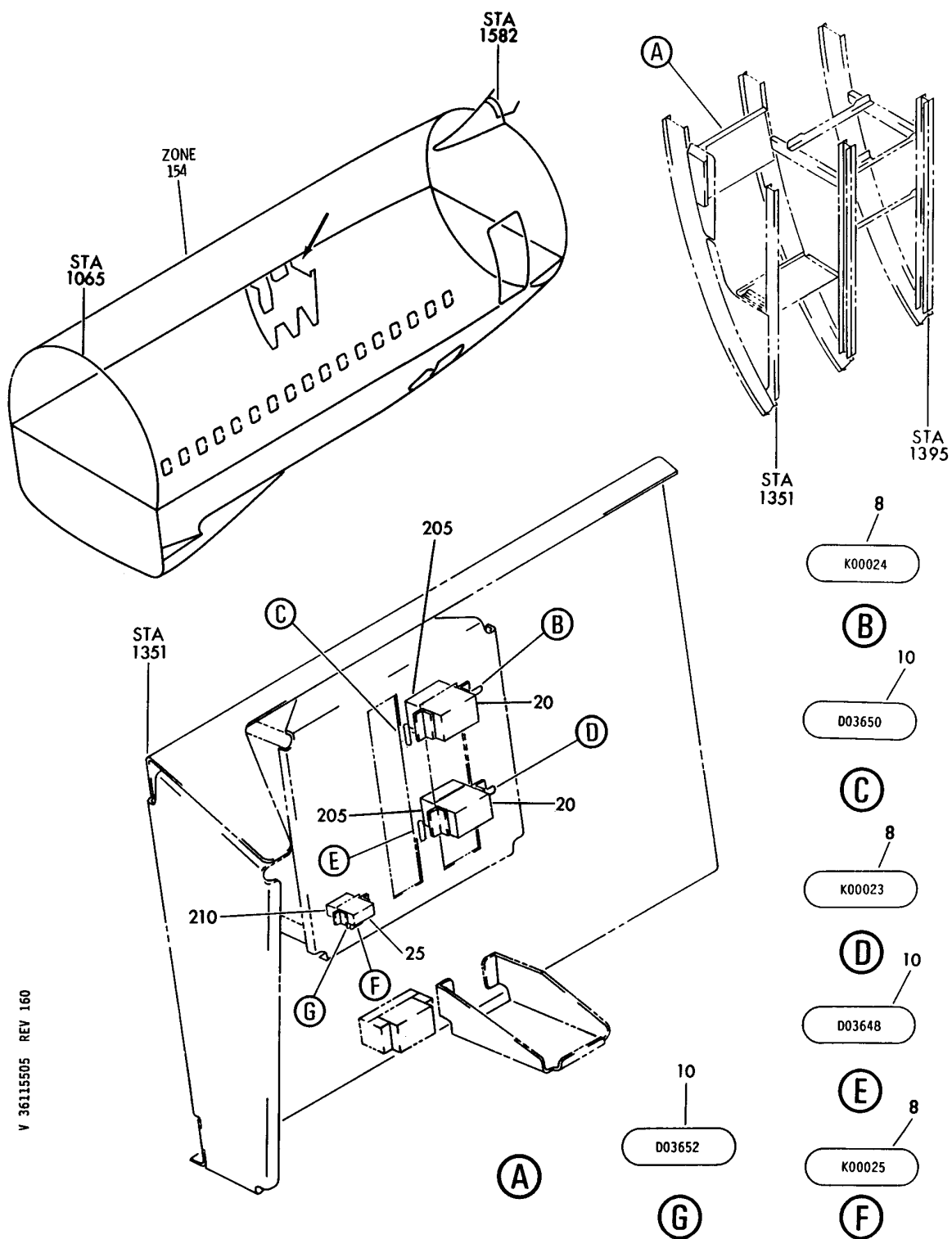
HXL

36-11-53-06

BOEING PROPRIETARY - Copyright © - Unpublished Work - See title page for details.

36-11-53
FIG. 06
PAGE 7
DEC 22/07

BOEING
767
PARTS CATALOG (MAINTENANCE)



V 36115505 REV 160

EQUIPMENT ASSY-AFT EQPT CTR E6 RACK P49 (PNEUMATIC ONLY)
FIGURE 5

36-11-55-05

HXL
DEC 22/06

36-11-55-05
PAGE 0



767

PARTS CATALOG (MAINTENANCE)

FIG ITEM	PART NUMBER	1 2 3 4 5 6 7	NOMENCLATURE	EFFECT FROM TO	UNITS PER ASSY
5			EQUIPMENT ASSY-AFT EQPT CTR E6 RACK P49 (PNEUMATIC ONLY)		
- 1	284T1149-15		EQUIPMENT ASSY-EQPT CTR E6 RACK P49 (PNEUMATIC ONLY) POSITION DATA: AFT FOR NHA/OTHER SYS DET SEE: 25-71-40-05		RF
8	BAC27TEX3245		.DECALSET-INCLUDES DECALS IDENTIFIED ON THE ILLUSTRATION		RF
10	BAC27TEX3251		.DECALSET-INCLUDES DECALS IDENTIFIED ON THE ILLUSTRATION		RF
20	ES410-1538		.RELAY- SUPPLIER CODE: V99699 SPECIFICATION NUMBER: BACR13CG2AB OPTIONAL PART: KD4L018 V35344 BR230DS0115 V56623 KD4L036 V58657 FCA410-63 V78290 ELECTRICAL EQUIP NUMBER: K00023 K00024		2
25	W460F1A		.RELAY- SUPPLIER CODE: VF0219 SPECIFICATION NUMBER: BACR13CE2 OPTIONAL PART: 3SAH5-13-4K1 V01526 3SAH1326A2 V01526 ELECTRICAL EQUIP NUMBER: K00025		1
- 200	286T0030-101		.WIRE BUNDLE ASSY		RF

ILLUSTRATION ITEMS NOT ON PARTS LIST ARE NOT APPLICABLE

- ITEM NOT ILLUSTRATED

36-11-55-05

36-11-55
FIG. 05
PAGE 1
DEC 22/07

HXL



767

PARTS CATALOG (MAINTENANCE)

FIG ITEM	PART NUMBER	1 2 3 4 5 6 7	NOMENCLATURE	EFFECT FROM TO	UNITS PER ASSY
5 205	BACS16W1		.. SOCKET- ELECTRICAL EQUIP NUMBER: D03648 D03650 WIRING DIAGRAM REF: 361141		2
210	RSE120027		.. SOCKET- SUPPLIER CODE: V58982 SPECIFICATION NUMBER: BACS16AF1 OPTIONAL PART: 451120-027 V58982 ELECTRICAL EQUIP NUMBER: D03652 WIRING DIAGRAM REF: 361141		1

ILLUSTRATION ITEMS NOT ON PARTS LIST ARE NOT APPLICABLE

- ITEM NOT ILLUSTRATED

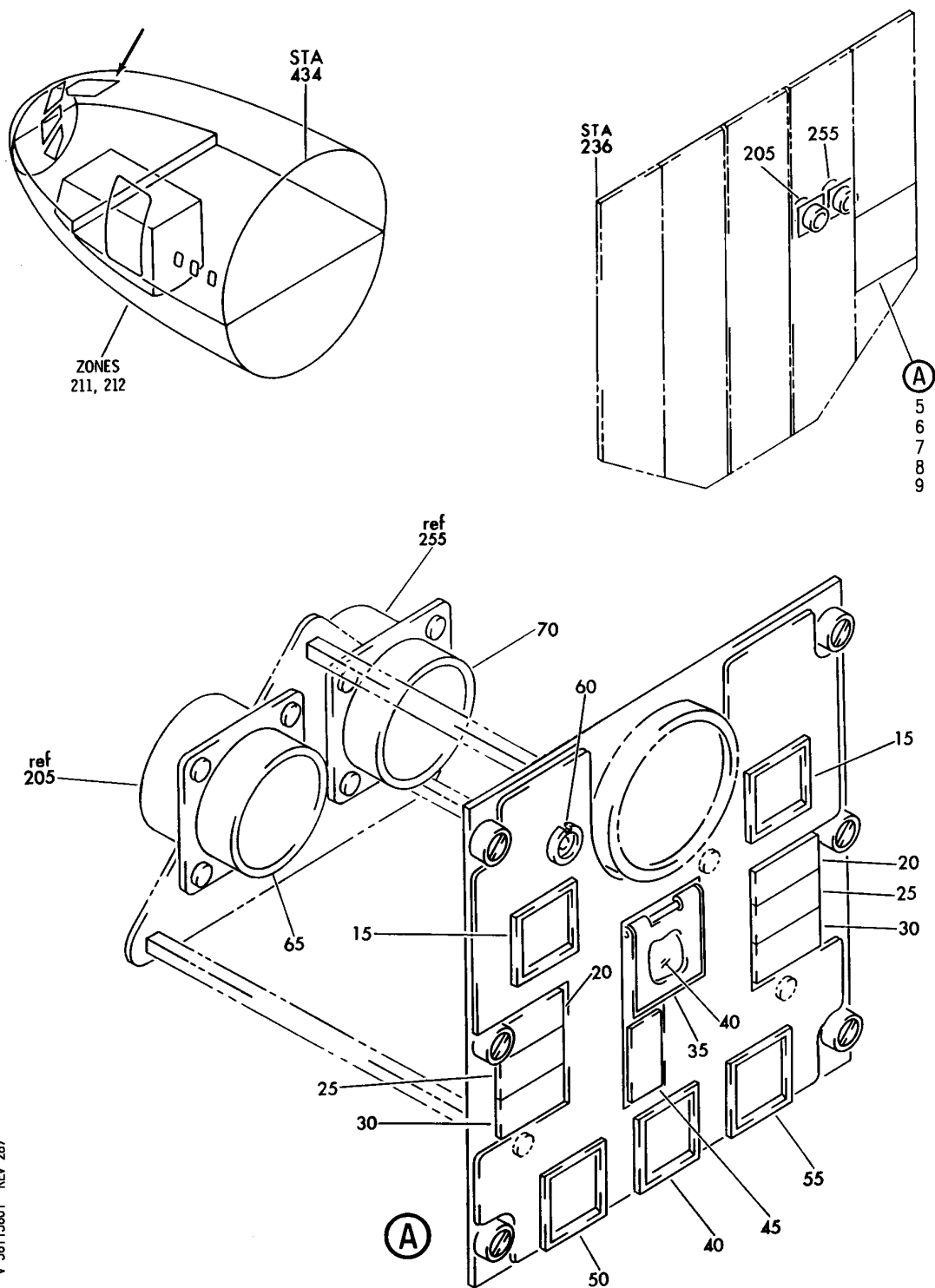
HXL

36-11-55-05

BOEING PROPRIETARY - Copyright © - Unpublished Work - See title page for details.

36-11-55
FIG. 05
PAGE 2
DEC 22/07

BOEING
767
PARTS CATALOG (MAINTENANCE)



V 36115601 REV 287

PANEL INSTL-OVHD (AIR SUPPLY DISTRIBUTION SYSTEM ONLY)
FIGURE 1

36-11-56-01

HXL
DEC 22/06

36-11-56-01
PAGE 0



767

PARTS CATALOG (MAINTENANCE)

FIG ITEM	PART NUMBER	1 2 3 4 5 6 7	NOMENCLATURE	EFFECT FROM TO	UNITS PER ASSY
1			PANEL INSTL-OVHD (AIR SUPPLY DISTRIBUTION SYSTEM ONLY)		
- 1	233T3100-1		PANEL INSTL-OVHD (AIR SUPPLY DISTRIBUTION SYSTEM ONLY) VARIABLE DRAWING REF: 233T3100-5048 FOR NHA/OTHER SYS DET SEE: 25-10-00-03		RF
7	233T3237-1304		.PANEL ASSY-BLEED AIR CONT SUPPLIER CODE: V89954 COMPONENT MAINT MANUAL REF: 36-11-54 POST ALERT SB: 33A0087 33A0087R1 POST COMPONENT SB: 233T3237-36-04 233T3237-36-04R1		RF
- 10	233T3237-17		..PANEL ASSY- SUPPLIER CODE: V89954 MISCELLANEOUS DATA: (REQUIRED FOR ETOPS) ELECTRICAL EQUIP NUMBER: M00015 COMPONENT MAINT MANUAL REF: 36-11-54		1
- 10	233T3237-27		..PANEL ASSY- SUPPLIER CODE: V89954 MISCELLANEOUS DATA: (REQUIRED FOR ETOPS) (THE 233T3237-304 PANEL ASSY IS I/W THE 233T3237-27 PANEL ASSY T/W THE S233T100-1051 LIGHTPLATE.) ELECTRICAL EQUIP NUMBER: M00015 COMPONENT MAINT MANUAL REF: 36-11-54 QUALIFIED I/W DATA: 233T3237-27 I/W -25 SUBJECT TO CUSTOMER PREFERENCE		1
ILLUSTRATION ITEMS NOT ON PARTS LIST ARE NOT APPLICABLE					

- ITEM NOT ILLUSTRATED

36-11-56-01

36-11-56
FIG. 01
PAGE 1
APR 22/09

HXL



767

PARTS CATALOG (MAINTENANCE)

FIG ITEM	PART NUMBER	1 2 3 4 5 6 7	NOMENCLATURE	EFFECT FROM TO	UNITS PER ASSY
1					
- 11	233T3237-1027		.. PANEL ASSY- SUPPLIER CODE: V89954 ELECTRICAL EQUIP NUMBER: M00015 COMPONENT MAINT MANUAL REF: 36-11-54 POST ALERT SB: 33A0087 33A0087R1 POST COMPONENT SB: 233T3237-36-04 233T3237-36-04R1		1
15	BCREF7686		... SWITCH ASSY-LIGHTED PUSH BUTTON IND VALVE SUPPLIER CODE: V81590 OVERLENGTH PART NUMBER: 433-673-1001-1074 SPECIFICATION NUMBER: S231T290-1074 USED ON: 233T3237-13 233T3237-14 233T3237-15 233T3237-16 233T3237-17 233T3237-18 233T3237-1014 233T3237-1016 FOR DETAILS SEE: 33-13-75-16		2

ILLUSTRATION ITEMS NOT ON PARTS LIST ARE NOT APPLICABLE

- ITEM NOT ILLUSTRATED

HXL

36-11-56-01

BOEING PROPRIETARY - Copyright © - Unpublished Work - See title page for details.

36-11-56
 FIG. 01
 PAGE 2
 APR 22/09



767

PARTS CATALOG (MAINTENANCE)

FIG ITEM	PART NUMBER	1 2 3 4 5 6 7	NOMENCLATURE	EFFECT FROM TO	UNITS PER ASSY
1 15	BCREFA0533		<p>...SWITCH ASSY-LIGHTED PUSH BUTTON IND VALVE SUPPLIER CODE: V81590 OVERLENGTH PART NUMBER: 433-673-1004-4074 SPECIFICATION NUMBER: S231T290-4074 MISCELLANEOUS DATA: WHEN REPLACING THE PUSHBUTTON SWITCH ASSY OR THE MASTER MODULE WITHIN, VERIFY THAT A CONFIG D MASTER MODULE P/N 13206-001 IS INSTALLED IN LIEU OF ANY EARLIER CONFIGURATION MASTER MODULES. OPTIONAL PART: S231T290-5074 V96182 USED ON: 233T3237-19 233T3237-21 233T3237-24 233T3237-25 233T3237-27 233T3237-30 233T3237-1019 233T3237-1021 233T3237-1025 FOR DETAILS SEE: 33-13-75-36</p>		2
15	851-30768-2074		<p>...SWITCH ASSY-LIGHTED PUSH BUTTON IND VALVE SUPPLIER CODE: V96182 SPECIFICATION NUMBER: S231T290-2074 USED ON: 233T3237-5 233T3237-7 233T3237-10 233T3237-1010 FOR DETAILS SEE: 33-13-75-06</p>		2

ILLUSTRATION ITEMS NOT ON PARTS LIST ARE NOT APPLICABLE

- ITEM NOT ILLUSTRATED

HXL

36-11-56-01

BOEING PROPRIETARY - Copyright © - Unpublished Work - See title page for details.

36-11-56
 FIG. 01
 PAGE 3
 APR 22/09



767

PARTS CATALOG (MAINTENANCE)

FIG ITEM	PART NUMBER	1 2 3 4 5 6 7	NOMENCLATURE	EFFECT FROM TO	UNITS PER ASSY
1	15 851-30768-3074		...SWITCH ASSY-LIGHTED PUSH BUTTON IND VALVE SUPPLIER CODE: V96182 SPECIFICATION NUMBER: S231T290-3074 USED ON: 233T3237-13 233T3237-14 233T3237-15 233T3237-16 233T3237-17 233T3237-18 233T3237-1014 233T3237-1016 FOR DETAILS SEE: 33-13-75-26		2
	15 S231T290-5074		...SWITCH ASSY-LIGHTED PUSH BUTTON IND VALVE SUPPLIER CODE: V96182 OPTIONAL PART: BCREFA0533 V81590 USED ON: 233T3237-21 233T3237-24 233T3237-27 233T3237-30 233T3237-32 233T3237-1021		2

ILLUSTRATION ITEMS NOT ON PARTS LIST ARE NOT APPLICABLE

- ITEM NOT ILLUSTRATED

HXL

36-11-56-01

BOEING PROPRIETARY - Copyright © - Unpublished Work - See title page for details.

36-11-56
 FIG. 01
 PAGE 4
 AUG 22/09

BOEING
767
PARTS CATALOG (MAINTENANCE)

FIG ITEM	PART NUMBER	1 2 3 4 5 6 7	NOMENCLATURE	EFFECT FROM TO	UNITS PER ASSY
R R	1 15	4336731004-4274	...SWITCH ASSY-LIGHTED PUSH BUTTON IND VALVE SUPPLIER CODE: V81590 SPECIFICATION NUMBER: S231T290-4274 MISCELLANEOUS DATA: WHEN REPLACING THE PUSHBUTTON SWITCH ASSY OR THE MASTER MODULE WITHIN, VERIFY THAT A CONFIG D MASTER MODULE P/N 13206-001 IS INSTALLED IN LIEU OF ANY EARLIER CONFIGURATION MASTER MODULES. COMPONENT MAINT MANUAL REF: 33-10-22 FOR DETAILS SEE: 33-13-75-31C		2
	20	BCREF6203	...LIGHT ASSY-DUCT LEAK IND SUPPLIER CODE: V81590 OVERLENGTH PART NUMBER: 434-674-1005-1272 SPECIFICATION NUMBER: S231T300-1272 OPTIONAL PART: BCREF8588 V81590 FOR DETAILS SEE: 33-16-02-02		2

ILLUSTRATION ITEMS NOT ON PARTS LIST ARE NOT APPLICABLE

- ITEM NOT ILLUSTRATED

HXL

36-11-56-01

BOEING PROPRIETARY - Copyright © - Unpublished Work - See title page for details.

36-11-56
FIG. 01
PAGE 5
AUG 22/09



767

PARTS CATALOG (MAINTENANCE)

FIG ITEM	PART NUMBER	1 2 3 4 5 6 7	NOMENCLATURE	EFFECT FROM TO	UNITS PER ASSY
1 20	BCREF8588		...LIGHT ASSY-DUCT LEAK IND SUPPLIER CODE: V81590 OVERLENGTH PART NUMBER: 434-674-1031-2272 SPECIFICATION NUMBER: S231T300-2272 OPTIONAL PART: BCREf6203 V81590 USED ON: 233T3237-15 233T3237-16 233T3237-17 233T3237-18 233T3237-19 233T3237-21 233T3237-24 233T3237-25 233T3237-26 233T3237-27 233T3237-30 233T3237-44 233T3237-47 FOR DETAILS SEE: 33-16-02-03		2
25	BCREF6204		...LIGHT ASSY-BLEED IND SUPPLIER CODE: V81590 OVERLENGTH PART NUMBER: 434-674-1005-1273 SPECIFICATION NUMBER: S231T300-1273 OPTIONAL PART: BCREf8589 V81590 FOR DETAILS SEE: 33-16-02-02		2

ILLUSTRATION ITEMS NOT ON PARTS LIST ARE NOT APPLICABLE

- ITEM NOT ILLUSTRATED

HXL

36-11-56-01

BOEING PROPRIETARY - Copyright © - Unpublished Work - See title page for details.

36-11-56
 FIG. 01
 PAGE 6
 AUG 22/09



767

PARTS CATALOG (MAINTENANCE)

FIG ITEM	PART NUMBER	1 2 3 4 5 6 7	NOMENCLATURE	EFFECT FROM TO	UNITS PER ASSY
1 25	BCREF8589		...LIGHT ASSY-BLEED IND SUPPLIER CODE: V81590 OVERLENGTH PART NUMBER: 434-674-1031-2273 SPECIFICATION NUMBER: S231T300-2273 OPTIONAL PART: BCREf6204 V81590 USED ON: 233T3237-15 233T3237-16 233T3237-17 233T3237-18 233T3237-19 233T3237-21 233T3237-24 233T3237-25 233T3237-26 233T3237-27 233T3237-30 233T3237-44 233T3237-47 FOR DETAILS SEE: 33-16-02-03		2
30	BCREF6113		...LIGHT ASSY-0VHT IND SUPPLIER CODE: V81590 OVERLENGTH PART NUMBER: 434-674-1005-1086 SPECIFICATION NUMBER: S231T300-1086 OPTIONAL PART: BCREf8540 V81590 FOR DETAILS SEE: 33-16-02-02		2

ILLUSTRATION ITEMS NOT ON PARTS LIST ARE NOT APPLICABLE

- ITEM NOT ILLUSTRATED

HXL

36-11-56-01

BOEING PROPRIETARY - Copyright © - Unpublished Work - See title page for details.

36-11-56
 FIG. 01
 PAGE 7
 AUG 22/09



PARTS CATALOG (MAINTENANCE)

FIG ITEM	PART NUMBER	1 2 3 4 5 6 7	NOMENCLATURE	EFFECT FROM TO	UNITS PER ASSY
1 30	BCREF8540		...LIGHT ASSY-OVHT IND SUPPLIER CODE: V81590 OVERLENGTH PART NUMBER: 434-674-1031-2086 SPECIFICATION NUMBER: S231T300-2086 OPTIONAL PART: BCRE6113 V81590 FOR DETAILS SEE: 33-16-02-03		2
35	433-100-004		...GUARD-SWITCH SUPPLIER CODE: V81590 SPECIFICATION NUMBER: S231T290-823 USED ON: 233T3237-13 233T3237-14 233T3237-15 233T3237-16 233T3237-17 233T3237-18 233T3237-19 233T3237-21 233T3237-24 233T3237-25 233T3237-27 233T3237-30 233T3237-1014 233T3237-1016 233T3237-1019 233T3237-1021 233T3237-1025		1

ILLUSTRATION ITEMS NOT ON PARTS LIST ARE NOT APPLICABLE

- ITEM NOT ILLUSTRATED

HXL

36-11-56-01

BOEING PROPRIETARY - Copyright © - Unpublished Work - See title page for details.

36-11-56
 FIG. 01
 PAGE 8
 AUG 22/09



767

PARTS CATALOG (MAINTENANCE)

FIG ITEM	PART NUMBER	1 2 3 4 5 6 7	NOMENCLATURE	EFFECT FROM TO	UNITS PER ASSY
1	40 BCREFA0834		<p>...SWITCH ASSY-LIGHTED PUSH BUTTON IND VALVE SUPPLIER CODE: V81590 OVERLENGTH PART NUMBER: 433-673-1001-1019 SPECIFICATION NUMBER: S231T290-1019 USED ON: 233T3237-13 233T3237-14 233T3237-15 233T3237-16 233T3237-17 233T3237-18 233T3237-1014 233T3237-1016 233T3237-1017 FOR DETAILS SEE: 33-13-75-13</p>		2
	40 BCREFA0834		<p>...SWITCH ASSY-LIGHTED PUSH BUTTON IND VALVE SUPPLIER CODE: V81590 OVERLENGTH PART NUMBER: 433-673-1004-4019 SPECIFICATION NUMBER: S231T290-4019 OPTIONAL PART: S231T290-5019 V96182 FOR DETAILS SEE: 33-13-75-33</p>		2
	40 851-30768-2019		<p>...SWITCH ASSY-LIGHTED PUSH BUTTON IND VALVE SUPPLIER CODE: V96182 SPECIFICATION NUMBER: S231T290-2019 QUALIFIED I/W DATA: 851-30768-2019 TOGETHER WITH 851-30768-803 OR -813 SWITCHGUARD I/W BCREFA0834 OR S231T290-5019 T/W 433-100-004 SWITCHGUARD FOR DETAILS SEE: 33-13-75-03</p>		2

ILLUSTRATION ITEMS NOT ON PARTS LIST ARE NOT APPLICABLE

- ITEM NOT ILLUSTRATED

HXL

36-11-56-01

BOEING PROPRIETARY - Copyright © - Unpublished Work - See title page for details.

36-11-56
 FIG. 01
 PAGE 9
 AUG 22/09


BOEING
 767
PARTS CATALOG (MAINTENANCE)

FIG ITEM	PART NUMBER	1 2 3 4 5 6 7	NOMENCLATURE	EFFECT FROM TO	UNITS PER ASSY
1	40 851-30768-3019		...SWITCH ASSY-LIGHTED PUSH BUTTON IND VALVE SUPPLIER CODE: V96182 SPECIFICATION NUMBER: S231T290-3019 FOR DETAILS SEE: 33-13-75-23		2
	40 S231T290-5019		...SWITCH ASSY-LIGHTED PUSH BUTTON IND VALVE SUPPLIER CODE: V96182 QUALIFIED I/W DATA: 851-30768-2019 TOGETHER WITH 851-30768-803 OR -813 SWITCHGUARD I/W BCREF7685 BCREFA0834 OR S231T290-5019 T/W 433-100-004 SWITCHGUARD OPTIONAL PART: BCREFA0834 V81590		2
	40 4336731004-4219		...SWITCH ASSY-LIGHTED PUSH BUTTON IND VALVE SUPPLIER CODE: V81590 SPECIFICATION NUMBER: S231T290-4219 MISCELLANEOUS DATA: WHEN REPLACING THE PUSHBUTTON SWITCH ASSY OR THE MASTER MODULE WITHIN, VERIFY THAT A CONFIG D MASTER MODULE P/N 13206-001 IS INSTALLED IN LIEU OF ANY EARLIER CONFIGURATION MASTER MODULES. COMPONENT MAINT MANUAL REF: 33-10-22 USED ON: 233T3237-44 233T3237-47 FOR DETAILS SEE: 33-13-75-31C		2

R
R
R
R
R
R
R
R
R
R
R
R
R
R
R
R
R
R
R
R
R
R

ILLUSTRATION ITEMS NOT ON PARTS LIST ARE NOT APPLICABLE

- ITEM NOT ILLUSTRATED

36-11-56-01

36-11-56
 FIG. 01
 PAGE 10
 AUG 22/09

HXL



767

PARTS CATALOG (MAINTENANCE)

FIG ITEM	PART NUMBER	1 2 3 4 5 6 7	NOMENCLATURE	EFFECT FROM TO	UNITS PER ASSY
1	45 BCREf6330		...LIGHT ASSY-DUCT LEAK IND SUPPLIER CODE: V81590 OVERLENGTH PART NUMBER: 434-674-1005-1286 SPECIFICATION NUMBER: S231T300-1286 OPTIONAL PART: BCREf8591 V81590 FOR DETAILS SEE: 33-16-02-02		1
	45 BCREf8591		...LIGHT ASSY-DUCT LEAK IND SUPPLIER CODE: V81590 OVERLENGTH PART NUMBER: 434-674-1031-2286 SPECIFICATION NUMBER: S231T300-2286 OPTIONAL PART: BCREf6330 V81590 USED ON: 233T3237-15 233T3237-16 233T3237-17 233T3237-18 233T3237-19 233T3237-21 233T3237-24 233T3237-25 233T3237-27 233T3237-30 233T3237-1016 233T3237-1019 233T3237-1021 233T3237-1025 FOR DETAILS SEE: 33-16-02-03		1

ILLUSTRATION ITEMS NOT ON PARTS LIST ARE NOT APPLICABLE

- ITEM NOT ILLUSTRATED

HXL

36-11-56-01

BOEING PROPRIETARY - Copyright © - Unpublished Work - See title page for details.

36-11-56
 FIG. 01
 PAGE 11
 AUG 22/09



767

PARTS CATALOG (MAINTENANCE)

FIG ITEM	PART NUMBER	1 2 3 4 5 6 7 NOMENCLATURE	EFFECT FROM TO	UNITS PER ASSY
1 50	BCREF7614	<p>...SWITCH ASSY-LIGHTED PUSH BUTTON IND OFF SUPPLIER CODE: V81590 OVERLENGTH PART NUMBER: 433-673-1001-1030 SPECIFICATION NUMBER: S231T290-1030 MISCELLANEOUS DATA: WHEN REPLACING THE PUSHBUTTON SWITCH ASSY OR THE MASTER MODULE WITHIN, VERIFY THAT A CONFIG D MASTER MODULE P/N 13206-001 IS INSTALLED IN LIEU OF ANY EARLIER CONFIGURATION MASTER MODULES. USED ON: 233T3237-13 233T3237-14 233T3237-15 233T3237-16 233T3237-17 233T3237-18 233T3237-1014 233T3237-1016 FOR DETAILS SEE: 33-13-75-13</p>		1

ILLUSTRATION ITEMS NOT ON PARTS LIST ARE NOT APPLICABLE

- ITEM NOT ILLUSTRATED

HXL

36-11-56-01

BOEING PROPRIETARY - Copyright © - Unpublished Work - See title page for details.

36-11-56
 FIG. 01
 PAGE 12
 AUG 22/09



767

PARTS CATALOG (MAINTENANCE)

FIG ITEM	PART NUMBER	1 2 3 4 5 6 7	NOMENCLATURE	EFFECT FROM TO	UNITS PER ASSY
1 50	BCREFA0513		<p>...SWITCH ASSY-LIGHTED PUSH BUTTON IND OFF SUPPLIER CODE: V81590 OVERLENGTH PART NUMBER: 433-673-1004-4030 SPECIFICATION NUMBER: S231T290-4030 MISCELLANEOUS DATA: WHEN REPLACING THE PUSHBUTTON SWITCH ASSY OR THE MASTER MODULE WITHIN, VERIFY THAT A CONFIG D MASTER MODULE P/N 13206-001 IS INSTALLED IN LIEU OF ANY EARLIER CONFIGURATION MASTER MODULES. OPTIONAL PART: S231T290-5030 V96182 USED ON: 233T3237-19 233T3237-21 233T3237-24 233T3237-25 233T3237-27 233T3237-30 233T3237-32 233T3237-1019 233T3237-1021 233T3237-1025 REWORKED BY COMPONENT SB: 233T3237-36-04 FOR DETAILS SEE: 33-13-75-33</p>		1
50	851-30768-2030		<p>...SWITCH ASSY-LIGHTED PUSH BUTTON IND OFF SUPPLIER CODE: V96182 SPECIFICATION NUMBER: S231T290-2030 USED ON: 233T3237-5 233T3237-7 233T3237-10 233T3237-1010 FOR DETAILS SEE: 33-13-75-03</p>		1

ILLUSTRATION ITEMS NOT ON PARTS LIST ARE NOT APPLICABLE

- ITEM NOT ILLUSTRATED

HXL

36-11-56-01

BOEING PROPRIETARY - Copyright © - Unpublished Work - See title page for details.

36-11-56
 FIG. 01
 PAGE 13
 AUG 22/09



767

PARTS CATALOG (MAINTENANCE)

FIG ITEM	PART NUMBER	1 2 3 4 5 6 7	NOMENCLATURE	EFFECT FROM TO	UNITS PER ASSY
1	50 851-30768-3030		...SWITCH ASSY-LIGHTED PUSH BUTTON IND OFF SUPPLIER CODE: V96182 SPECIFICATION NUMBER: S231T290-3030 USED ON: 233T3237-13 233T3237-14 233T3237-15 233T3237-16 233T3237-17 233T3237-18 233T3237-1014 233T3237-1016 FOR DETAILS SEE: 33-13-75-23		1
	50 S231T290-5030		...SWITCH ASSY-LIGHTED PUSH BUTTON IND OFF SUPPLIER CODE: V96182 OPTIONAL PART: BCREFA0513 V81590 USED ON: 233T3237-19 233T3237-21 233T3237-24 233T3237-25 233T3237-27 233T3237-30 233T3237-32 233T3237-1019 233T3237-1021 233T3237-1025		1

ILLUSTRATION ITEMS NOT ON PARTS LIST ARE NOT APPLICABLE

- ITEM NOT ILLUSTRATED

HXL

36-11-56-01

BOEING PROPRIETARY - Copyright © - Unpublished Work - See title page for details.

36-11-56
 FIG. 01
 PAGE 14
 AUG 22/09

BOEING
767
PARTS CATALOG (MAINTENANCE)

FIG ITEM	PART NUMBER	1 2 3 4 5 6 7	NOMENCLATURE	EFFECT FROM TO	UNITS PER ASSY
1 50	4336731004-4230		...SWITCH ASSY-LIGHTED PUSH BUTTON IND OFF SUPPLIER CODE: V81590 SPECIFICATION NUMBER: S231T290-4230 MISCELLANEOUS DATA: WHEN REPLACING THE PUSHBUTTON SWITCH ASSY OR THE MASTER MODULE WITHIN, VERIFY THAT A CONFIG D MASTER MODULE P/N 13206-001 IS INSTALLED IN LIEU OF ANY EARLIER CONFIGURATION MASTER MODULES. COMPONENT MAINT MANUAL REF: 33-10-22 USED ON: 233T3237-44 233T3237-47 FOR DETAILS SEE: 33-13-75-31C		1
	55 BCRE7605		...SWITCH ASSY-LIGHTED PUSH BUTTON IND OFF SUPPLIER CODE: V81590 OVERLENGTH PART NUMBER: 433-673-1001-1013 SPECIFICATION NUMBER: S231T290-1013 MISCELLANEOUS DATA: WHEN REPLACING THE PUSHBUTTON SWITCH ASSY OR THE MASTER MODULE WITHIN, VERIFY THAT A CONFIG D MASTER MODULE P/N 13206-001 IS INSTALLED IN LIEU OF ANY EARLIER CONFIGURATION MASTER MODULES. USED ON: 233T3237-1017 FOR DETAILS SEE: 33-13-75-12		1

ILLUSTRATION ITEMS NOT ON PARTS LIST ARE NOT APPLICABLE

- ITEM NOT ILLUSTRATED

HXL

36-11-56-01

BOEING PROPRIETARY - Copyright © - Unpublished Work - See title page for details.

36-11-56
FIG. 01
PAGE 15
AUG 22/09



767

PARTS CATALOG (MAINTENANCE)

FIG ITEM	PART NUMBER	1 2 3 4 5 6 7	NOMENCLATURE	EFFECT FROM TO	UNITS PER ASSY
1 55	BCREFA0504		...SWITCH ASSY-LIGHTED PUSH BUTTON IND OFF SUPPLIER CODE: V81590 OVERLENGTH PART NUMBER: 433-673-1004-4013 SPECIFICATION NUMBER: S231T290-4013 MISCELLANEOUS DATA: WHEN REPLACING THE PUSHBUTTON SWITCH ASSY OR THE MASTER MODULE WITHIN, VERIFY THAT A CONFIG D MASTER MODULE P/N 13206-001 IS INSTALLED IN LIEU OF ANY EARLIER CONFIGURATION MASTER MODULES. OPTIONAL PART: S231T290-5013 V96182 REWORKED BY COMPONENT SB: 233T3237-36-04 FOR DETAILS SEE: 33-13-75-32		1
55	851-30768-2013		...SWITCH ASSY-LIGHTED PUSH BUTTON IND OFF SUPPLIER CODE: V96182 SPECIFICATION NUMBER: S231T290-2013 FOR DETAILS SEE: 33-13-75-02		1
55	851-30768-3013		...SWITCH ASSY-LIGHTED PUSH BUTTON IND OFF SUPPLIER CODE: V96182 SPECIFICATION NUMBER: S231T290-3013 FOR DETAILS SEE: 33-13-75-22		1
55	S231T290-5013		...SWITCH ASSY-LIGHTED PUSH BUTTON IND OFF SUPPLIER CODE: V96182 OPTIONAL PART: BCREFA0504 V81590		1

ILLUSTRATION ITEMS NOT ON PARTS LIST ARE NOT APPLICABLE

- ITEM NOT ILLUSTRATED

HXL

36-11-56-01

BOEING PROPRIETARY - Copyright © - Unpublished Work - See title page for details.

36-11-56
 FIG. 01
 PAGE 16
 AUG 22/09

 **BOEING**
767
PARTS CATALOG (MAINTENANCE)

FIG ITEM	PART NUMBER	1 2 3 4 5 6 7	NOMENCLATURE	EFFECT FROM TO	UNITS PER ASSY
1					
R	55	4336731004-4213	...SWITCH ASSY-LIGHTED PUSH BUTTON IND OFF SUPPLIER CODE: V81590 SPECIFICATION NUMBER: S231T290-4213 MISCELLANEOUS DATA: WHEN REPLACING THE PUSHBUTTON SWITCH ASSY OR THE MASTER MODULE WITHIN, VERIFY THAT A CONFIG D MASTER MODULE P/N 13206-001 IS INSTALLED IN LIEU OF ANY EARLIER CONFIGURATION MASTER MODULES. COMPONENT MAINT MANUAL REF: 33-10-22 USED ON: 233T3237-44 233T3237-47 FOR DETAILS SEE: 33-13-75-31C		1
R	60	800000121-1	...CONNECTOR-PWR SUPPLIER CODE: V05617		1
R	65	BACC45FN22-55P8	...CONNECTOR-		1
R	70	BACC45FN22-55P9	...CONNECTOR- ATTACHING PARTS		1
R	- 75	NAS1801-04-5	...SCREW		4
R	- 80	K19798-04	...NUT SUPPLIER CODE: V15653 SPECIFICATION NUMBER: BACN10NW1 OPTIONAL PART: RMA4812-160-40 V72962 293162 V60119 -----*-----		4
R	- 85	M39029-1-16-20	...CONTACT		AR
R	- 200	286T0062-300	WIRE BUNDLE ASSY		RF
R	205	BACC45FT22A55S8	.CONNECTOR- ELECTRICAL EQUIP NUMBER: D01316 WIRING DIAGRAM REF: 361131		1
R	- 250	286T0066-300	WIRE BUNDLE ASSY		RF

ILLUSTRATION ITEMS NOT ON PARTS LIST ARE NOT APPLICABLE

- ITEM NOT ILLUSTRATED

HXL

36-11-56-01

BOEING PROPRIETARY - Copyright © - Unpublished Work - See title page for details.

36-11-56
FIG. 01
PAGE 17
AUG 22/09



767

PARTS CATALOG (MAINTENANCE)

FIG ITEM	PART NUMBER	1 2 3 4 5 6 7	NOMENCLATURE	EFFECT FROM TO	UNITS PER ASSY
1 255	BACC45FT22A55S9		.CONNECTOR- ELECTRICAL EQUIP NUMBER: D01348 WIRING DIAGRAM REF: 361121		1

ILLUSTRATION ITEMS NOT ON PARTS LIST ARE NOT APPLICABLE

- ITEM NOT ILLUSTRATED

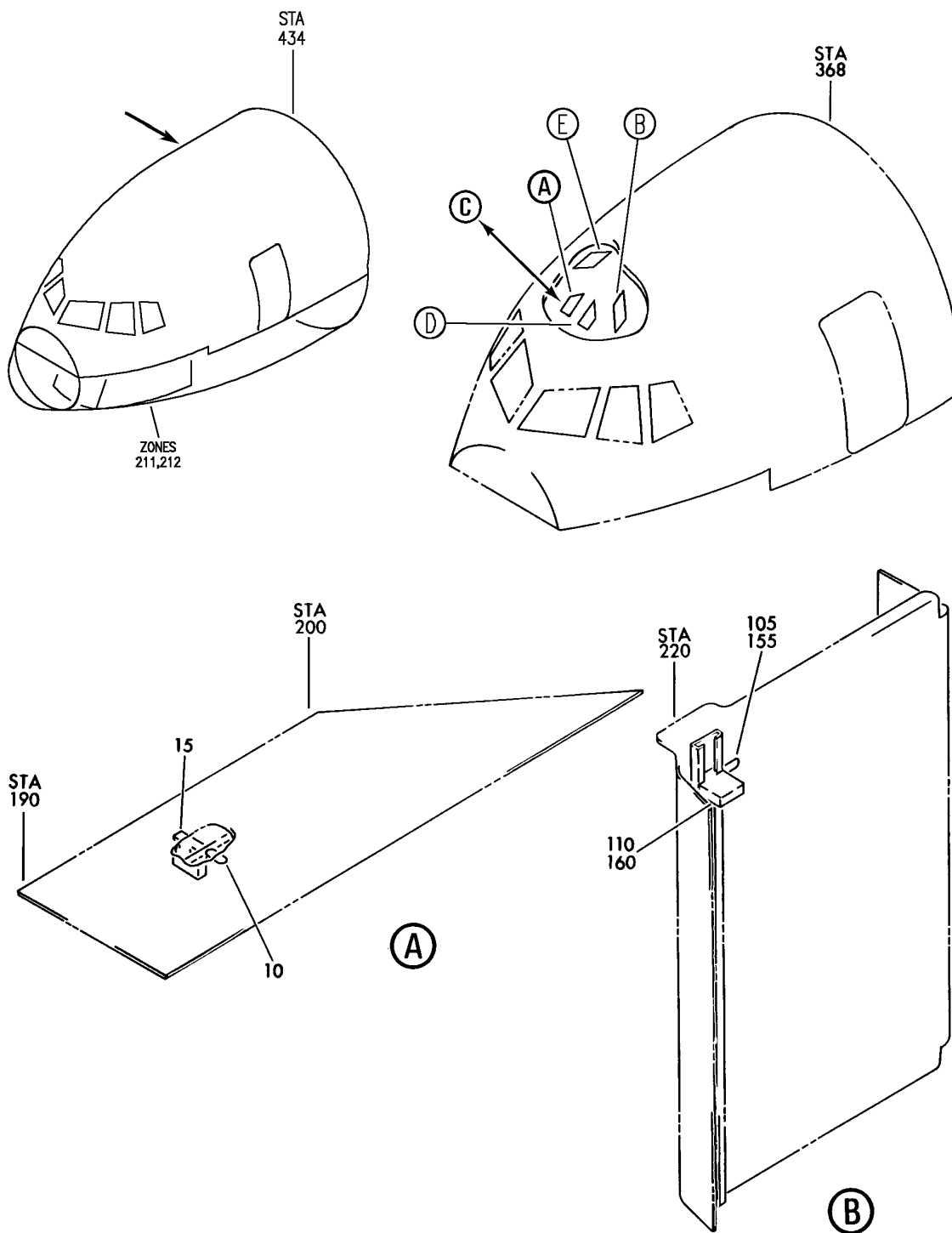
HXL

36-11-56-01

BOEING PROPRIETARY - Copyright © - Unpublished Work - See title page for details.

36-11-56
FIG. 01
PAGE 18
AUG 22/09

BOEING
767
PARTS CATALOG (MAINTENANCE)



V 36117001 SHT 1 REV 338

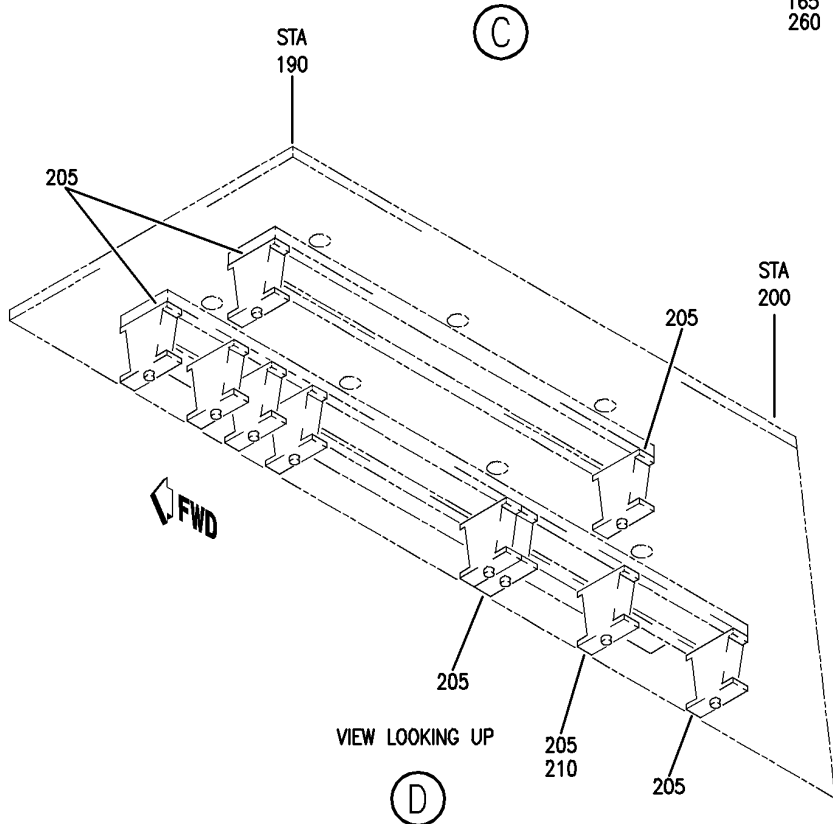
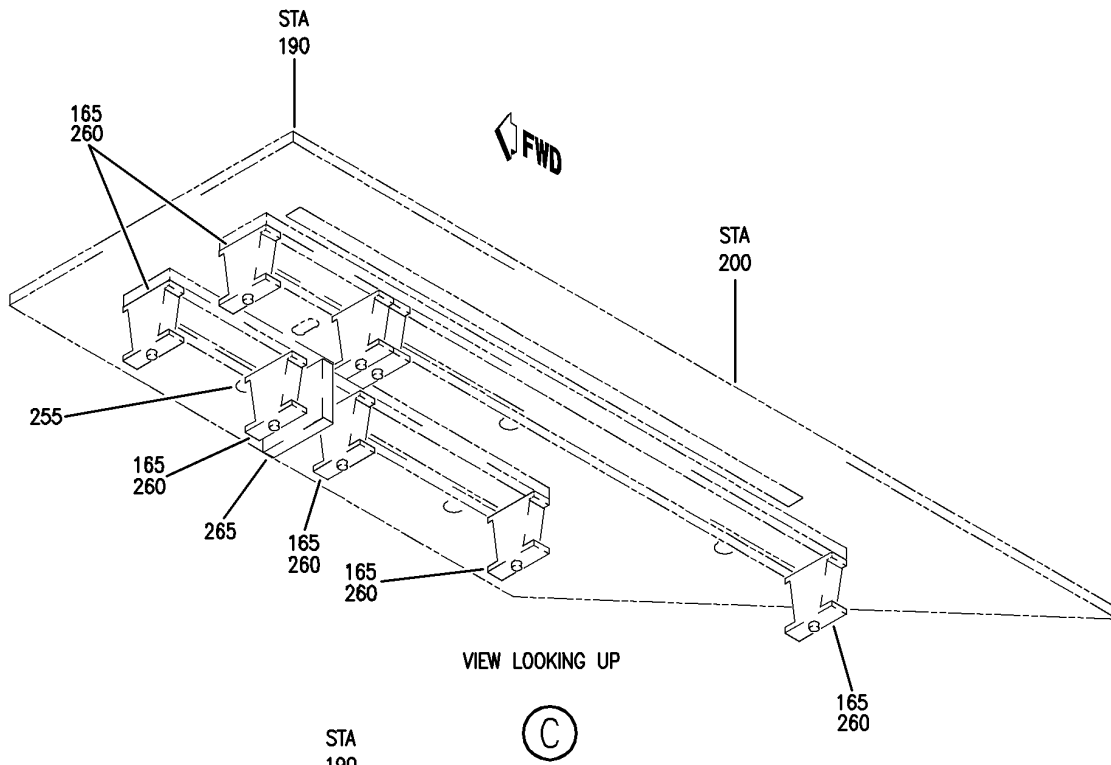
PROVISION INSTL-SECT. 41 DIODES UPR WIRE (PNEUMATIC ONLY)
FIGURE 1 (SHEET 1)

36-11-70-01

HXL
APR 22/09

36-11-70-01
PAGE 0

BOEING
767
PARTS CATALOG (MAINTENANCE)



V. 36117001 SH1 2 REV 252

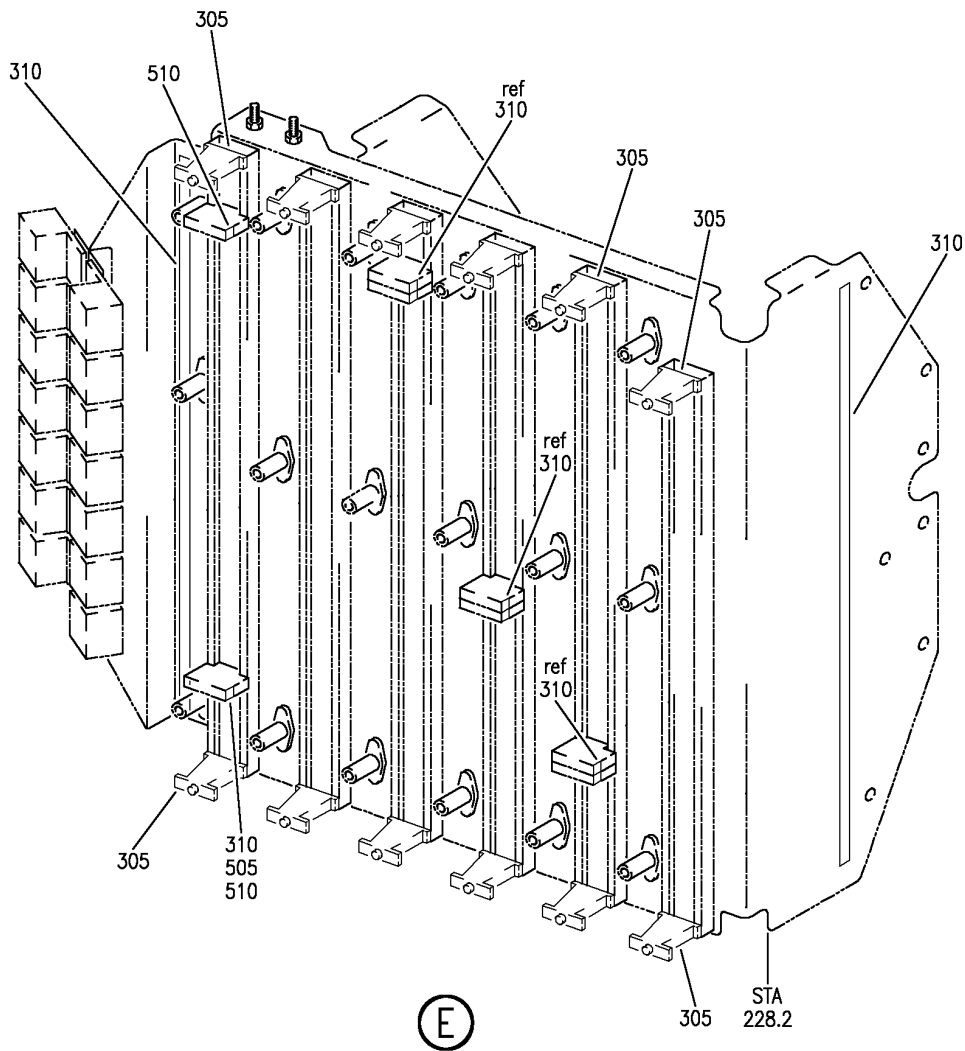
PROVISION INSTL-SECT. 41 DIODES UPR WIRE (PNEUMATIC ONLY)
FIGURE 1 (SHEET 2)

36-11-70-01

HXL
DEC 22/06

36-11-70-01
PAGE 0A

BOEING
767
PARTS CATALOG (MAINTENANCE)



V 36117001 SH1 3 REV 264

PROVISION INSTL-SECT. 41 DIODES UPR WIRE (PNEUMATIC ONLY)
FIGURE 1 (SHEET 3)

36-11-70-01

HXL
DEC 22/06

36-11-70-01
PAGE 0B



767

PARTS CATALOG (MAINTENANCE)

FIG ITEM	PART NUMBER	1 2 3 4 5 6 7	NOMENCLATURE	EFFECT FROM TO	UNITS PER ASSY
1			PROVISION INSTL-SECT. 41 DIODES UPR WIRE (PNEUMATIC ONLY)		
- 1	287T4163-3		PROVISION INSTL-DIODES WIRE (PNEUMATIC ONLY) POSITION DATA: SECT. 41 UPR FOR NHA/OTHER SYS DET SEE: 24-00-57-02		RF
10	BAC27TEX3004		.DECAL- PLACARD CONTENT: R186		1
15	YHLZD30		.DIODE- SUPPLIER CODE: V09922 ELECTRICAL EQUIP NUMBER: R00186		1
ILLUSTRATION ITEMS NOT ON PARTS LIST ARE NOT APPLICABLE					

- ITEM NOT ILLUSTRATED

HXL

36-11-70-01

BOEING PROPRIETARY - Copyright © - Unpublished Work - See title page for details.

36-11-70
FIG. 01
PAGE 1
DEC 22/07