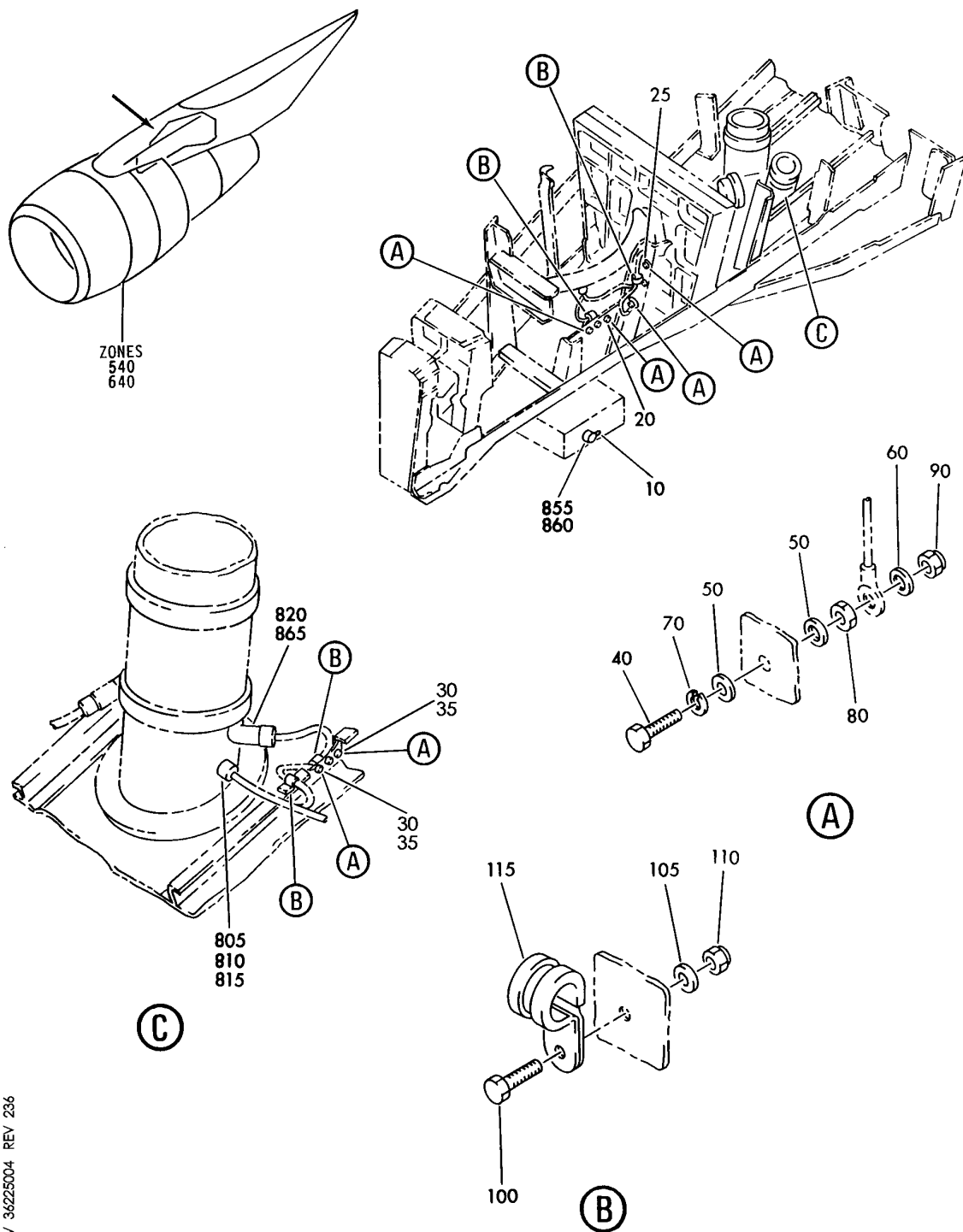


AIR SUPPLY TEMPERATURE INDICATING SYSTEM

HXL
DEC 22/06

36-22-00
SECTION TITLE
PAGE 1

BOEING
767
PARTS CATALOG (MAINTENANCE)



WIRING INSTL-ELECTRICAL STRUT (AIR SUPPLY TEMPERATURE INDICATING SYSTEM ONLY)
FIGURE 4

HXL
DEC 22/06

36-22-50-04

36-22-50-04
PAGE 0



767

PARTS CATALOG (MAINTENANCE)

FIG ITEM	PART NUMBER	1 2 3 4 5 6 7	NOMENCLATURE	EFFECT FROM TO	UNITS PER ASSY
4			WIRING INSTL-ELECTRICAL STRUT (AIR SUPPLY TEMPERATURE INDICATING SYSTEM ONLY)		
- 1	312T4210-15		WIRING INSTL-ELECTRICAL STRUT (AIR SUPPLY TEMPERATURE INDICATING SYSTEM ONLY) POSITION DATA: LH VARIABLE DRAWING REF: 312T4210-5009 FOR NHA/OTHER SYS DET SEE: 54-00-51-02		RF
- 5	312T4210-16		WIRING INSTL-ELECTRICAL STRUT (AIR SUPPLY TEMPERATURE INDICATING SYSTEM ONLY) POSITION DATA: RH VARIABLE DRAWING REF: 312T4210-5010 FOR NHA/OTHER SYS DET SEE: 54-00-51-02		RF
10	BAC27TPP0076		.MARKER-ALUMINUM FOIL POSITION DATA: RH SIDE PLACARD CONTENT: 3		1
20	BAC27TPP0395		.MARKER-ALUMINUM FOIL POSITION DATA: RH SIDE PLACARD CONTENT: GD5272S		1
25	BAC27TPP0396		.MARKER-ALUMINUM FOIL POSITION DATA: RH SIDE PLACARD CONTENT: GD5274S		1
30	BAC27TPP0475		.MARKER-ALUMINUM FOIL POSITION DATA: LH SIDE PLACARD CONTENT: GD5422DC		2
35	BAC27TPP0484		.MARKER-ALUMINUM FOIL POSITION DATA: RH SIDE PLACARD CONTENT: GD5424DC		2

ILLUSTRATION ITEMS NOT ON PARTS LIST ARE NOT APPLICABLE

- ITEM NOT ILLUSTRATED

36-22-50-04

36-22-50
FIG. 04
PAGE 1
DEC 22/07

HXL

BOEING
767
PARTS CATALOG (MAINTENANCE)

FIG ITEM	PART NUMBER	1 2 3 4 5 6 7	NOMENCLATURE	EFFECT FROM TO	UNITS PER ASSY
4 R R R R R R R R R R R R R	40	NAS1801-3	.SCREW- SIZE DETERMINED ON INSTL.		6
	50	NAS1149D0316H	.WASHER-		12
	60	NAS1149D0363H	.WASHER-		6
	70	MS35338-43	.WASHER		6
	80	MS35650-305S	.NUT		6
	90	H52732-3	.NUT- SUPPLIER CODE: V15653 SPECIFICATION NUMBER: BACN10YR3 OPTIONAL PART: T6113C1032 V11815 LH3858-3 V72962 POSITION DATA: RH SIDE		6
	100	NAS1801-3	.SCREW- SIZE DETERMINED ON INSTL.		4
	105	NAS1149D0332J	.WASHER-		4
	110	MS21042L3	.NUT		4
	115	BACC10GU	.CLAMP- SIZE DETERMINED ON INSTL.		4
	- 800	286T0356-112	.WIRE BUNDLE ASSY- POSITION DATA: LH SIDE		1
	810	G899310S	..CLAMP- SUPPLIER CODE: V06324 SPECIFICATION NUMBER: BACC10HD10A OPTIONAL PART: G8993M10S V06324 S2251-10-30S V07418 6000-123-0110 V14283 900-555F10-10 V31461 ELECTRICAL EQUIP NUMBER: D11352T WIRING DIAGRAM REF: 362211		1

ILLUSTRATION ITEMS NOT ON PARTS LIST ARE NOT APPLICABLE

- ITEM NOT ILLUSTRATED

HXL

36-22-50-04

BOEING PROPRIETARY - Copyright © - Unpublished Work - See title page for details.

36-22-50
FIG. 04
PAGE 2
AUG 22/09



767

PARTS CATALOG (MAINTENANCE)

FIG ITEM	PART NUMBER	1 2 3 4 5 6 7	NOMENCLATURE	EFFECT FROM TO	UNITS PER ASSY
4 815	BCREFA1503		..CONNECTOR- SUPPLIER CODE: V13556 OVERLENGTH PART NUMBER: CN0966A10S20SN000 ELECTRICAL EQUIP NUMBER: D11352 WIRING DIAGRAM REF: 362211		1
820	FRF6E10SL3S01		..PLUG- SUPPLIER CODE: V71468 ELECTRICAL EQUIP NUMBER: D01840 WIRING DIAGRAM REF: 362221		1
- 850	286T0376-112		.WIRE BUNDLE ASSY- POSITION DATA: RH SIDE		1
855	G899324S		..CLAMP- SUPPLIER CODE: V06324 SPECIFICATION NUMBER: BACC10HD24A OPTIONAL PART: G8993M24S V06324 S2251-24-30S V07418 6000-123-0124 V14283 900-555F24-10 V31461 ELECTRICAL EQUIP NUMBER: D04258J WIRING DIAGRAM REF: 361321		1
860	BACC63BT24B3S06		..RECEPTACLE- ELECTRICAL EQUIP NUMBER: D04258J WIRING DIAGRAM REF: 361321		1
865	FRF6E10SL3S01		..PLUG- SUPPLIER CODE: V71468 ELECTRICAL EQUIP NUMBER: D01842 WIRING DIAGRAM REF: 362221		1

ILLUSTRATION ITEMS NOT ON PARTS LIST ARE NOT APPLICABLE

- ITEM NOT ILLUSTRATED

HXL

36-22-50-04

BOEING PROPRIETARY - Copyright © - Unpublished Work - See title page for details.

36-22-50
FIG. 04
PAGE 3
AUG 22/09