

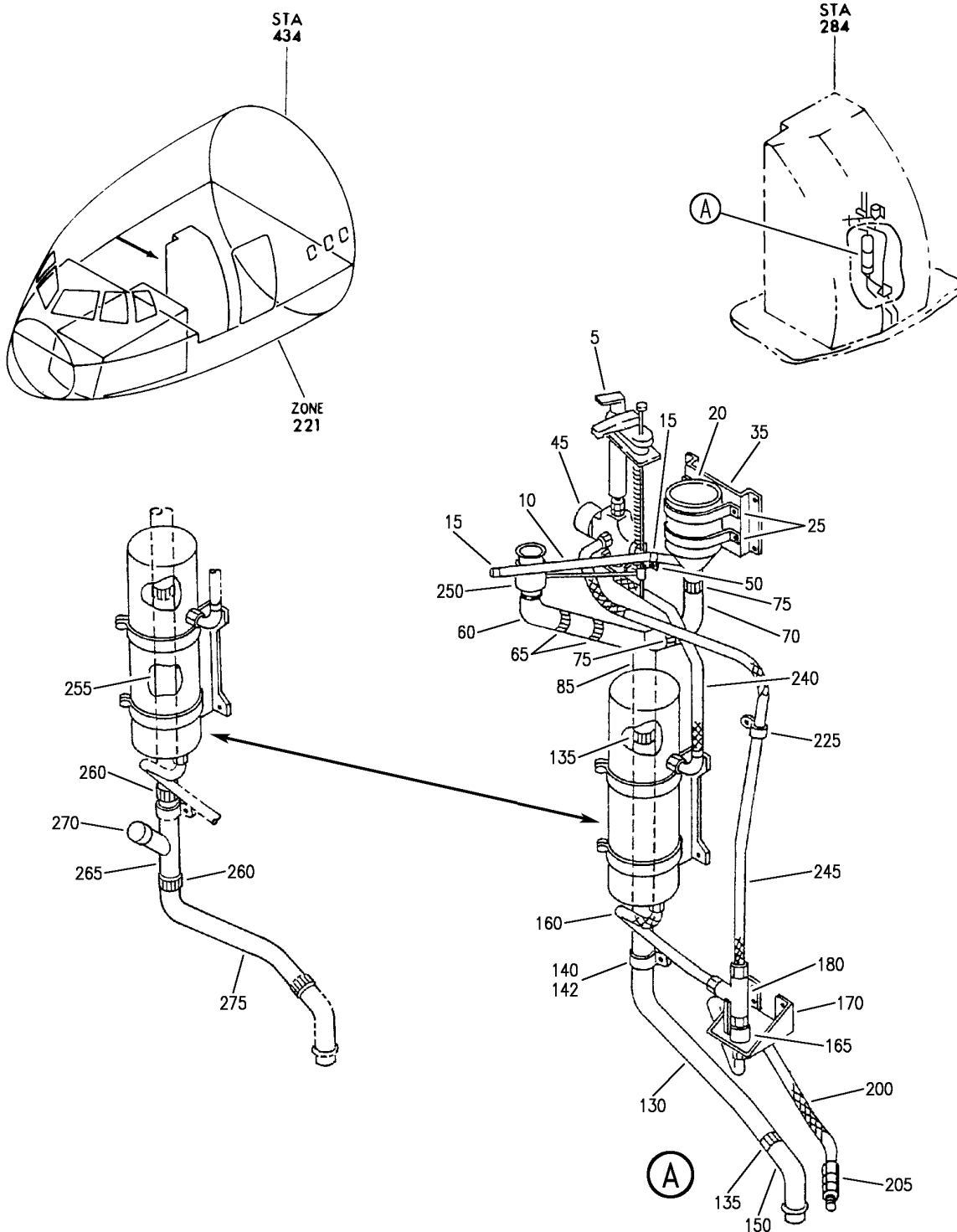
 **BOEING**
767
PARTS CATALOG (MAINTENANCE)

WATER/WASTE-GENERAL

HXL
DEC 22/06

38-00-00
SECTION TITLE
PAGE 1

BOEING
767
PARTS CATALOG (MAINTENANCE)



V 38005111 REV 303

WATER SYSTEM INSTL-FWD LAV
FIGURE 11

38-00-51-11

HXL
DEC 22/06

38-00-51-11
PAGE 0



767

PARTS CATALOG (MAINTENANCE)

FIG ITEM	PART NUMBER	1 2 3 4 5 6 7	NOMENCLATURE	EFFECT FROM TO	UNITS PER ASSY
11					
- 1	BS061810-21		WATER SYSTEM INSTL-FWD LAV SYSTEM INSTL-SINK WATER LAV F1 SUPPLIER CODE: VS5065 FOR NHA SEE: 25-41-01-32B		RF
5	MD080810-2		.FAUCET ASSY- SUPPLIER CODE: VS5065 FOR DETAILS SEE: 38-11-06-03		1
10	JMS0206-6-022		.HOSE-DRAIN SUPPLIER CODE: VS5065 CONFIG CHG DATA FROM A CMM: SUPSD BY JMS0206-6-023		1
10	JMS0206-6-023		.HOSE-DRAIN SUPPLIER CODE: VS5065 CONFIG CHG DATA FROM A CMM: SUPERSEDES JMS0206-6-022		1
15	MH6		.CLAMP- SUPPLIER CODE: V35871		2
20	B0040849-1		.MUFFLER- SUPPLIER CODE: VS5065		1
25	JM44LC13WD48R		.CLAMP SUPPLIER CODE: V22175 SPECIFICATION NUMBER: BACC10GE48A OPTIONAL PART: S369WHD48 V18076 TA12C32WD48 V84971 509A48 V83930		2
- 30	MS27039C1-06		ATTACHING PARTS .SCREW -----*-----		4
35	BS061809-1		.BRACKET-MUFFLER SUPPLIER CODE: VS5065		1
- 40	MS35206-241		ATTACHING PARTS .SCREW -----*-----		4

ILLUSTRATION ITEMS NOT ON PARTS LIST ARE NOT APPLICABLE

- ITEM NOT ILLUSTRATED

38-00-51-11

38-00-51
FIG. 11
PAGE 1
DEC 22/07

HXL

BOEING
767
PARTS CATALOG (MAINTENANCE)

FIG ITEM	PART NUMBER	1 2 3 4 5 6 7	NOMENCLATURE	EFFECT FROM TO	UNITS PER ASSY
11					
45	BS060825-1		.VALVE-TEMP CONT SUPPLIER CODE: VS5065 SB DATA FROM A CMM: PRE SL SL-R6-007		1
45	BS060825-11		.VALVE-TEMP CONT SUPPLIER CODE: VS5065 SB DATA FROM A CMM: POST SL SL-R6-007		1
50	BS060807-3		.BRACKET-VALVE SUPPLIER CODE: VS5065 ATTACHING PARTS		1
- 55	MS35206-242		.SCREW -----*-----		2
60	BS061817-1		.HOSE-DRAIN SUPPLIER CODE: VS5065 CONFIG CHG DATA FROM A CMM: SUPSD BY JMS0206-3A013		1
60	JMS0206-3A013		.HOSE-DRAIN SUPPLIER CODE: VS5065 CONFIG CHG DATA FROM A CMM: SUPERSEDES BS061817-1		1
65	AN737TW44		.CLAMP		2
70	JMS0206-3A023		.HOSE-DRAIN SUPPLIER CODE: VS5065 CONFIG CHG DATA FROM A CMM: SUPERSEDES JMS0206-3A020		1
70	JMS0206-3A020		.HOSE-DRAIN SUPPLIER CODE: VS5065 CONFIG CHG DATA FROM A CMM: SUPSD BY JMS0206-3A023		1
75	MH16		.CLAMP- SUPPLIER CODE: V35871		2
85	BS061802-11		.JOINT-HOSE SUPPLIER CODE: VS5065		1
- 90	BACC10DK16		.CLAMP ATTACHING PARTS		1
- 95	MS27039C1-06		.SCREW -----*-----		1

ILLUSTRATION ITEMS NOT ON PARTS LIST ARE NOT APPLICABLE

- ITEM NOT ILLUSTRATED

HXL

38-00-51-11

BOEING PROPRIETARY - Copyright © - Unpublished Work - See title page for details.

38-00-51
FIG. 11
PAGE 2
DEC 22/07

 **BOEING**
767
PARTS CATALOG (MAINTENANCE)

FIG ITEM	PART NUMBER	1 2 3 4 5 6 7	NOMENCLATURE	EFFECT FROM TO	UNITS PER ASSY
11					
130	JMS0206-3A085SS	.HOSE-DRAIN	SUPPLIER CODE: VS5065 SB DATA FROM A CMM: PRE SB B0060-25-1098		1
135	MH16	.CLAMP-	SUPPLIER CODE: V35871		2
140	BACC10DK18	.CLAMP-	SB DATA FROM A CMM: PRE SB B0060-25-1098		1
142	BACC10DK16	.CLAMP-	SB DATA FROM A CMM: POST SB B0060-25-1098		1
- 145	MS27039C1-06	.SCREW	ATTACHING PARTS		1
150	BS062801-31	.JOINT-HOSE	SUPPLIER CODE: VS5065 ATTACHING PARTS		1
- 155	MS35206-241	.SCREW	ATTACHING PARTS		3
160	A1600-348	.HOSE-FLEXIBLE	SUPPLIER CODE: V98441 SPECIFICATION NUMBER: 60B50403-348		1
165	J6LO	.VALVE-SHUT OFF	SUPPLIER CODE: VS5065 CONFIG CHG DATA FROM A CMM: SUPERSEDES JMS2202-8-6		1
165	JMS2202-8-6	.VALVE-SHUT OFF	SUPPLIER CODE: VS5065 CONFIG CHG DATA FROM A CMM: SUPSD BY J6LO		1
170	BS061804-5	.BRACKET-	SUPPLIER CODE: VS5065 ATTACHING PARTS		1
- 175	MS35207-241	.SCREW	ATTACHING PARTS		4

ILLUSTRATION ITEMS NOT ON PARTS LIST ARE NOT APPLICABLE

- ITEM NOT ILLUSTRATED

HXL

38-00-51-11

BOEING PROPRIETARY - Copyright © - Unpublished Work - See title page for details.

38-00-51
FIG. 11
PAGE 3
DEC 22/07



767

PARTS CATALOG (MAINTENANCE)

FIG ITEM	PART NUMBER	1 2 3 4 5 6 7	NOMENCLATURE	EFFECT FROM TO	UNITS PER ASSY
11 180	DB0T16AY060606J	. TEE	SUPPLIER CODE: V14798 SPECIFICATION NUMBER: BACT16AY060606J OPTIONAL PART: ER10604J060606 V88334 W30804J060606 V11328 4671113-060606J V30780		1
- 185	BS061805-3	. WASHER-	SUPPLIER CODE: VS5065		1
- 190	AN924-6J	. NUT			1
- 195	AN960KD916	. WASHER			1
200	R29282-6-0114	. HOSE-FLEX	SUPPLIER CODE: V50599 SPECIFICATION NUMBER: 10-61998-188 OPTIONAL PART: A1650-188 V98441		1
205	APX832J0806	. UNION-	SUPPLIER CODE: V01673 SPECIFICATION NUMBER: BACU24AA0806J OPTIONAL PART: ER832-0806J V50948 LER832-0806J V11328 2-010890806J V11328 AFP238-0806J V30974 APX832-0806J V01673 DB0U24AA0806J V61498 FER1579-0806J V14397 US2113-0806J V50808		1
- 210	AN924-8J	. NUT			1
- 215	AN960KD1216	. WASHER			1

ILLUSTRATION ITEMS NOT ON PARTS LIST ARE NOT APPLICABLE

- ITEM NOT ILLUSTRATED

38-00-51-11

38-00-51
FIG. 11
PAGE 4
DEC 22/07

HXL



767

PARTS CATALOG (MAINTENANCE)

FIG ITEM	PART NUMBER	1 2 3 4 5 6 7	NOMENCLATURE	EFFECT FROM TO	UNITS PER ASSY
11					
- 220	BS061805-5		.WASHER- SUPPLIER CODE: VS5065		1
225	BACC10DK8		.CLAMP ATTACHING PARTS		1
- 230	MS35206-248		.SCREW		1
- 235	AN960-8L		.WASHER		1
			-----*-----		
240	A1650-635		.HOSE ASSY-FLEX SUPPLIER CODE: V98441 SPECIFICATION NUMBER: 10-61998-635		1
245	A1650-710		.HOSE-FLEX SUPPLIER CODE: V98441 SPECIFICATION NUMBER: 10-61998-710		1
250	600440-1		.DRAIN ASSY-VALVE SUPPLIER CODE: V80477 COMPONENT MAINT MANUAL REF: 38-11-01 FOR DETAILS SEE: 38-11-50-01		1
255	JMS0206-3A033SS		.HOSE-DRAIN SUPPLIER CODE: VS5065 SB DATA FROM A CMM: POST SB B0060-25-1098		1
260	MH16		.CLAMP- SUPPLIER CODE: V35871 SB DATA FROM A CMM: POST SB B0060-25-1098		2
265	OWW5020A13G01		.FITTING-CLEAN OUT SUPPLIER CODE: VS5065 SB DATA FROM A CMM: POST SB B0060-25-1098		1
270	OWW0010A01M01		.CAP- SUPPLIER CODE: VS5065 SB DATA FROM A CMM: POST SB B0060-25-1098		1

ILLUSTRATION ITEMS NOT ON PARTS LIST ARE NOT APPLICABLE

- ITEM NOT ILLUSTRATED

38-00-51-11

38-00-51
FIG. 11
PAGE 5
DEC 22/07

HXL

BOEING PROPRIETARY - Copyright © - Unpublished Work - See title page for details.



767
PARTS CATALOG (MAINTENANCE)

FIG ITEM	PART NUMBER	1 2 3 4 5 6 7	NOMENCLATURE	EFFECT FROM TO	UNITS PER ASSY
11 275	JMS0206-3A045SS		.HOSE-DRAIN SUPPLIER CODE: VS5065 SB DATA FROM A CMM: POST SB B0060-25-1098		1

ILLUSTRATION ITEMS NOT ON PARTS LIST ARE NOT APPLICABLE

- ITEM NOT ILLUSTRATED

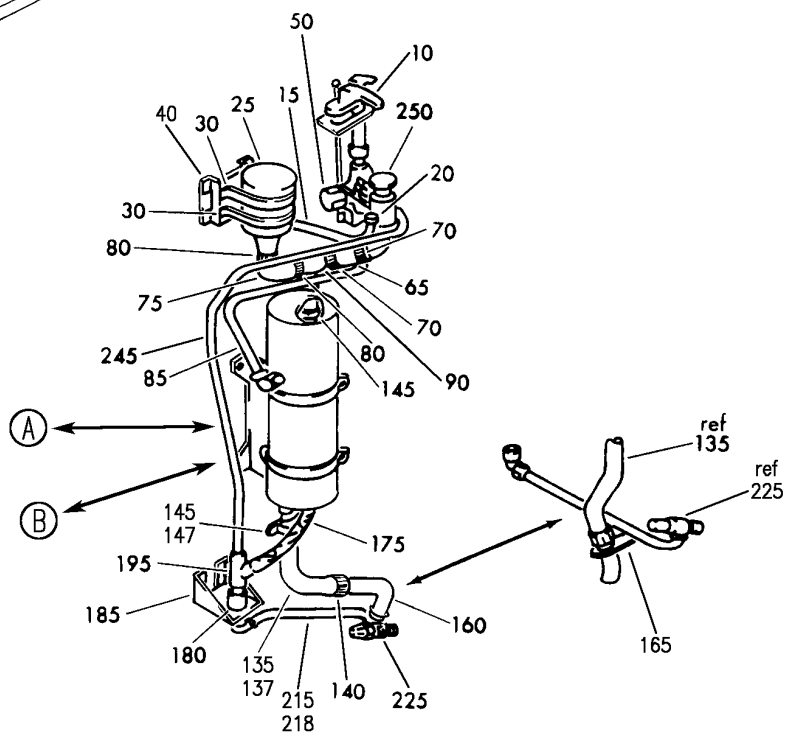
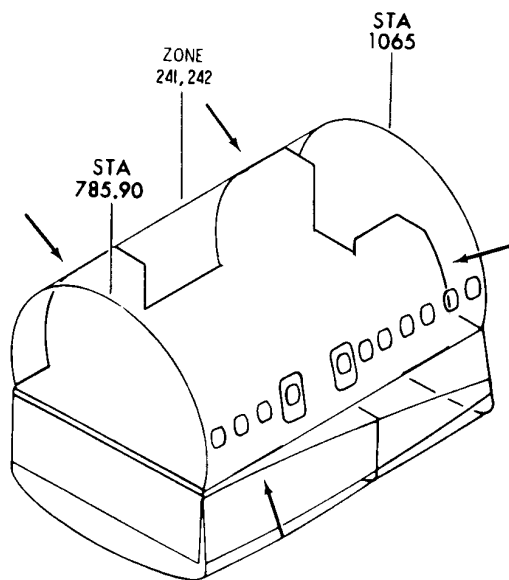
HXL

38-00-51-11

BOEING PROPRIETARY - Copyright © - Unpublished Work - See title page for details.

38-00-51
FIG. 11
PAGE 6
DEC 22/07

BOEING
767
PARTS CATALOG (MAINTENANCE)



V 38005112 SH1 1 REV 303

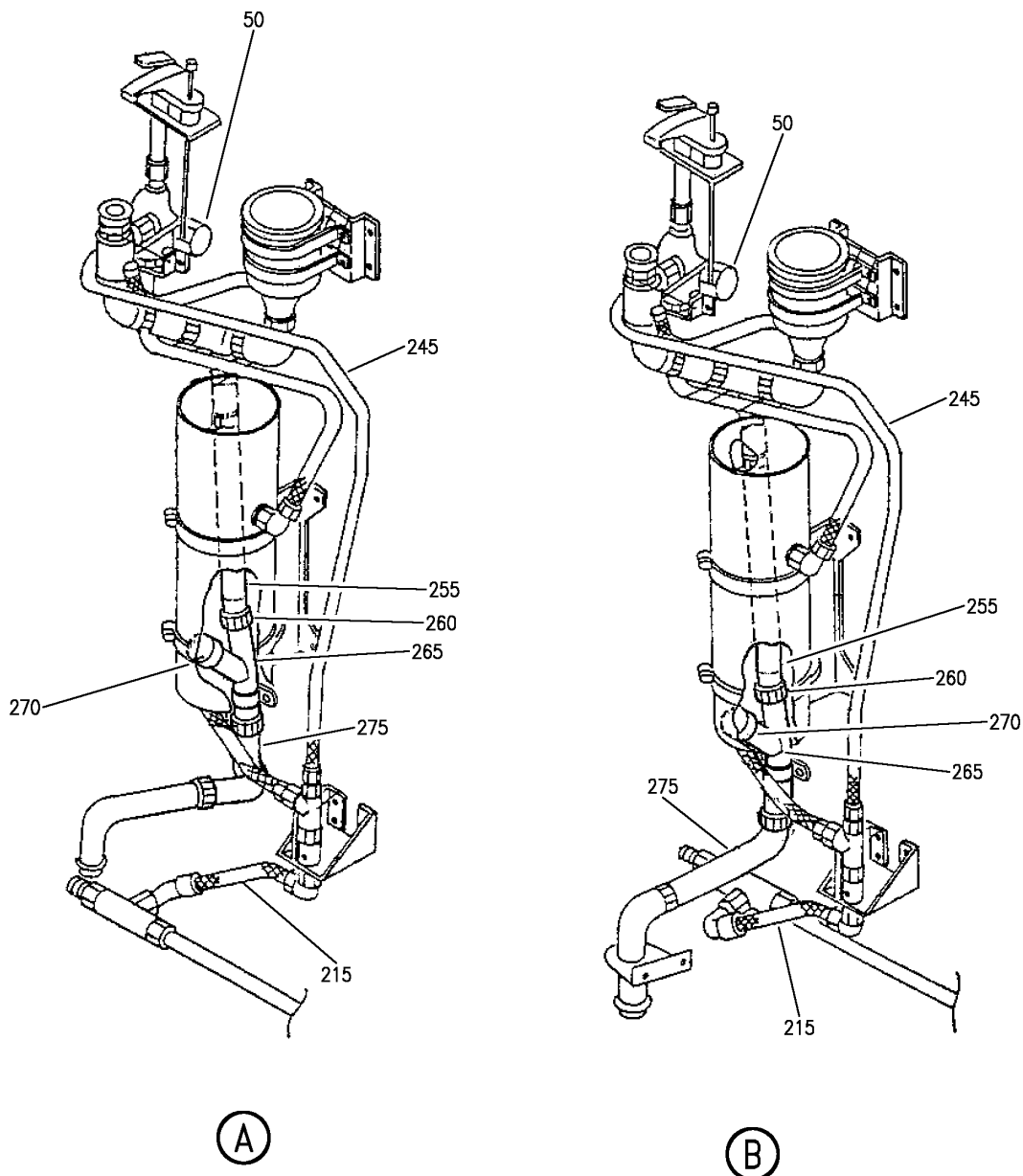
WATER SYSTEM INSTL-SINK MID SIDE LAV
FIGURE 12 (SHEET 1)

38-00-51-12

HXL
DEC 22/06

38-00-51-12
PAGE 0

BOEING
767
PARTS CATALOG (MAINTENANCE)



V 38005112 SH1 2 REV 279

WATER SYSTEM INSTL-SINK MID SIDE LAV
FIGURE 12 (SHEET 2)

38-00-51-12

HXL
DEC 22/06

38-00-51-12
PAGE 0A



767

PARTS CATALOG (MAINTENANCE)

FIG ITEM	PART NUMBER	1 2 3 4 5 6 7	NOMENCLATURE	EFFECT FROM TO	UNITS PER ASSY
12			WATER SYSTEM INSTL-SINK MID SIDE LAV		
- 1	BS063810-51		SYSTEM INSTL-WATER AND DRAIN LAV MS17 SUPPLIER CODE: VS5065 FOR NHA SEE: 25-41-03-46B		RF
- 3	BS063810-61		SYSTEM INSTL-WATER AND DRAIN, LAV MS15 SUPPLIER CODE: VS5065 FOR NHA SEE: 25-41-03-46B		RF
- 5	BS063810-52		SYSTEM INSTL-WATER AND DRAIN LAV MS18 SUPPLIER CODE: VS5065 FOR NHA SEE: 25-41-03-46B		RF
- 7	BS063810-62		SYSTEM INSTL-WATER AND DRAIN, LAV MS16 SUPPLIER CODE: VS5065 FOR NHA SEE: 25-41-03-46B		RF
10	MD080810-2		.FAUCET ASSY-SINGLE CONTROL LAV MS15 AND MS17 SUPPLIER CODE: VS5065 FOR DETAILS SEE: 38-11-06-03		1
- 12	MD080810-1		.FAUCET ASSY-SINGLE CONTROL LAV MS16 AND MS18 SUPPLIER CODE: VS5065 FOR DETAILS SEE: 38-11-06-03		1
15	JMS0206-6-019		.HOSE-DRAIN SUPPLIER CODE: VS5065		1
20	MH6		.CLAMP- SUPPLIER CODE: V35871		2
25	B0040849-1		.MUFFLER- SUPPLIER CODE: VS5065		1

ILLUSTRATION ITEMS NOT ON PARTS LIST ARE NOT APPLICABLE

- ITEM NOT ILLUSTRATED

38-00-51-12

38-00-51
FIG. 12
PAGE 1
DEC 22/07

HXL

 **BOEING**
767
PARTS CATALOG (MAINTENANCE)

FIG ITEM	PART NUMBER	1 2 3 4 5 6 7	NOMENCLATURE	EFFECT FROM TO	UNITS PER ASSY
12					
30	JM44LC13WD48R		.CLAMP SUPPLIER CODE: V22175 SPECIFICATION NUMBER: BACC10GE48A OPTIONAL PART: S369WHD48 V18076 TA12C32WD48 V84971 509A48 V83930		2
- 35	MS27039C1-06		.SCREW		4
40	BS061809-1		.BRACKET-MUFFLER LAV MS15 AND MS17 SUPPLIER CODE: VS5065		1
- 43	BS061809-2		.BRACKET-MUFFLER LAV MS16 AND MS18 SUPPLIER CODE: VS5065		1
- 45	MS35206-241		ATTACHING PARTS .SCREW		4
50	BS060825-11		-----*----- .VALVE-TEMP CONT SUPPLIER CODE: VS5065 SB DATA FROM A CMM: POST SL SL-R6-007		1
50	BS060825-1		.VALVE-TEMP CONT SUPPLIER CODE: VS5065 SB DATA FROM A CMM: PRE SL SL-R6-007		1
55	BS060807-5		.BRACKET-VALVE SUPPLIER CODE: VS5065		1
- 60	MS35206-242		.SCREW		2
65	BS061817-1		.HOSE-DRAIN SUPPLIER CODE: VS5065		1
70	MH16		.CLAMP- SUPPLIER CODE: V35871		2
75	JMS0206-3A020		.HOSE-DRAIN SUPPLIER CODE: VS5065		1

ILLUSTRATION ITEMS NOT ON PARTS LIST ARE NOT APPLICABLE

- ITEM NOT ILLUSTRATED

HXL

38-00-51-12

BOEING PROPRIETARY - Copyright © - Unpublished Work - See title page for details.

38-00-51
FIG. 12
PAGE 2
DEC 22/07

 **BOEING**
767
PARTS CATALOG (MAINTENANCE)

FIG ITEM	PART NUMBER	1 2 3 4 5 6 7	NOMENCLATURE	EFFECT FROM TO	UNITS PER ASSY
12					
80	MH16		.CLAMP- SUPPLIER CODE: V35871		2
85	A1650-755		.HOSE ASSY-FLEXIBLE SUPPLIER CODE: V98441 SPECIFICATION NUMBER: 10-61998-755		1
90	BS061802-11		.JOINT-HOSE SUPPLIER CODE: VS5065		1
- 95	BACC10DK16		.CLAMP ATTACHING PARTS		1
- 100	MS35206-243		.SCREW		1
			-----*-----		
135	JMS0206-3A070SS		.HOSE-DRAIN, LAV MS15 AND MS16 SUPPLIER CODE: VS5065 SB DATA FROM A CMM: PRE SB B0060-25-1098		1
137	JMS0206-3A065SS		.HOSE-DRAIN, LAV MS17 AND MS18 SUPPLIER CODE: VS5065 SB DATA FROM A CMM: PRE SB B0060-25-1098		1
140	MH16		.CLAMP- SUPPLIER CODE: V35871		2
145	BACC10DK18		.CLAMP- SB DATA FROM A CMM: PRE SB B00060-25-1098		1
147	BACC10DK16		.CLAMP- SB DATA FROM A CMM: POST SB B0060-2501098 ATTACHING PARTS		1
- 150	MS35206-243		.SCREW		1
- 155	AN960-8		.WASHER		1
			-----*-----		
160	BS062801-81		.JOINT-HOSE LAV MS15 SUPPLIER CODE: VS5065		1
- 162	BS062801-82		.JOINT-HOSE LAV MS16 SUPPLIER CODE: VS5065		1
165	BS062801-72		.JOINT-HOSE LAV MS17 SUPPLIER CODE: VS5065		1

ILLUSTRATION ITEMS NOT ON PARTS LIST ARE NOT APPLICABLE

- ITEM NOT ILLUSTRATED

HXL

38-00-51-12

BOEING PROPRIETARY - Copyright © - Unpublished Work - See title page for details.

38-00-51
FIG. 12
PAGE 3
DEC 22/07

 **BOEING**
767
PARTS CATALOG (MAINTENANCE)

FIG ITEM	PART NUMBER	1 2 3 4 5 6 7	NOMENCLATURE	EFFECT FROM TO	UNITS PER ASSY
12					
- 167	BS062801-71		. JOINT-HOSE LAV MS18 SUPPLIER CODE: VS5065 ATTACHING PARTS		1
- 170	MS35206-243		. SCREW -----*-----		2
175	A1600-348		. HOSE-FLEXIBLE SUPPLIER CODE: V98441 SPECIFICATION NUMBER: 60B50403-348		1
180	J6LO		. VALVE-SHUTOFF SUPPLIER CODE: VS5065 CONFIG CHG DATA FROM A CMM: SUPSDS JMS2202-8-6		1
180	JMS2202-8-6		. VALVE-SHUT OFF SUPPLIER CODE: VS5065 CONFIG CHG DATA FROM A CMM: SUPSD BY J6LO		1
185	BS061804-3		. BRACKET- SUPPLIER CODE: VS5065 ATTACHING PARTS		1
- 190	MS35207-241		. SCREW -----*-----		4
195	DB0T16AY060606J		. TEE- SUPPLIER CODE: V14798 SPECIFICATION NUMBER: BACT16AY060606J OPTIONAL PART: ER10604J060606 V88334 W30804J060606 V11328 4671113-060606J V30780		1
- 200	BS061805-3		. WASHER- SUPPLIER CODE: VS5065		1
- 205	AN924-6J		. NUT		1
- 210	AN960KD916		. WASHER		1

ILLUSTRATION ITEMS NOT ON PARTS LIST ARE NOT APPLICABLE

- ITEM NOT ILLUSTRATED

HXL

38-00-51-12

BOEING PROPRIETARY - Copyright © - Unpublished Work - See title page for details.

38-00-51
FIG. 12
PAGE 4
DEC 22/07



767

PARTS CATALOG (MAINTENANCE)

FIG ITEM	PART NUMBER	1 2 3 4 5 6 7	NOMENCLATURE	EFFECT FROM TO	UNITS PER ASSY
12 215	A1600-348		.HOSE-FLEXIBLE, LAV MS17 AND MS18 SUPPLIER CODE: V98441 SPECIFICATION NUMBER: 60B50403-348 CONFIG CHG DATA FROM A CMM: SUPERSEDES BCREf49642		1
215	Bcref49642		.HOSE ASSY-FLEXIBLE, LAV MS17 AND MS18 SUPPLIER CODE: V98441 OVERLENGTH PART NUMBER: SF12038-6CR10-00 CONFIG CHG DATA FROM A CMM: SUPSD BY A1600-348		1
- 217	A1650-704		.HOSE-FLEXIBLE LAV MS16 SUPPLIER CODE: V98441 SPECIFICATION NUMBER: 10-61998-704 OPTIONAL PART: 78001-704 V24984		1
218	A1650-199		.HOSE ASSY-FLEX, LAV MS15 SUPPLIER CODE: V98441 SPECIFICATION NUMBER: 10-61998-199		1

ILLUSTRATION ITEMS NOT ON PARTS LIST ARE NOT APPLICABLE

- ITEM NOT ILLUSTRATED

HXL

38-00-51-12

BOEING PROPRIETARY - Copyright © - Unpublished Work - See title page for details.

38-00-51
FIG. 12
PAGE 5
DEC 22/07



767

PARTS CATALOG (MAINTENANCE)

FIG ITEM	PART NUMBER	1 2 3 4 5 6 7	NOMENCLATURE	EFFECT FROM TO	UNITS PER ASSY
12 225	APX804J080806	. TEE-	SUPPLIER CODE: V01673 SPECIFICATION NUMBER: BACT16AX080806J OPTIONAL PART: APX804-080806J V01673 DBOT16AX080806J V14798 ER804-080806J V50948 FER1551-080806J V14397 NAF1844-080806J V52930 US1929-080806J V50808 ER804-080806J V88334 LER804A080806J V11328 AFP329-080806J V30974		1
- 230	AN924-8J	. NUT			1
- 235	AN936A1216	. WASHER-MS17 AND MS18			1
- 237	AN960KD1216	. WASHER-MS15 AND MS16			1
- 240	BS061805-5	. WASHER-	SUPPLIER CODE: VS5065		1
245	A1650-660	. HOSE ASSY-FLEXIBLE	SUPPLIER CODE: V98441 SPECIFICATION NUMBER: 10-61998-660		1
250	600440-1	. DRAIN ASSY-VALVE	SUPPLIER CODE: V80477 COMPONENT MAINT MANUAL REF: 38-11-01 FOR DETAILS SEE: 38-11-50-01		1
255	JMS0206-3A030SS	. HOSE-DRAIN	SUPPLIER CODE: VS5065 SB DATA FROM A CMM: POST SB B0060-25-1098		1

ILLUSTRATION ITEMS NOT ON PARTS LIST ARE NOT APPLICABLE

- ITEM NOT ILLUSTRATED

38-00-51-12

38-00-51
FIG. 12
PAGE 6
DEC 22/07

HXL



767

PARTS CATALOG (MAINTENANCE)

FIG ITEM	PART NUMBER	1 2 3 4 5 6 7	NOMENCLATURE	EFFECT FROM TO	UNITS PER ASSY
12 260	MH16		.CLAMP- SUPPLIER CODE: V35871 SB DATA FROM A CMM: POST SB B0060-25-1098		2
265	OWW5020A12G01		.FITTING-CLEAN OUT, LAV MS15 AND MS17 SUPPLIER CODE: VS5065 SB DATA FROM A CMM: POST SB B0060-25-1098		1
- 267	OWW5020A12G02		.FITTING-CLEAN OUT, LAV LAV MS16 AND MS18 SUPPLIER CODE: VS5065 SB DATA FROM A CMM: POST SB B0060-25-1098		1
270	OWW0010A01M01		.CAP- SUPPLIER CODE: VS5065 SB DATA FROM A CMM: POST SB B0060-25-1098		1
275	JMS0206-3A030SS		.HOSE-DRAIN, LAV MS15 AND MS16 SUPPLIER CODE: VS5065 SB DATA FROM A CMM: POST SB B0060-25-1098		1
- 277	JMS0206-3A025SS		.HOSE-DRAIN, LAV MS17 AND MS18 SUPPLIER CODE: VS5065 SB DATA FROM A CMM: POST SB B0060-25-1098		1

ILLUSTRATION ITEMS NOT ON PARTS LIST ARE NOT APPLICABLE

- ITEM NOT ILLUSTRATED

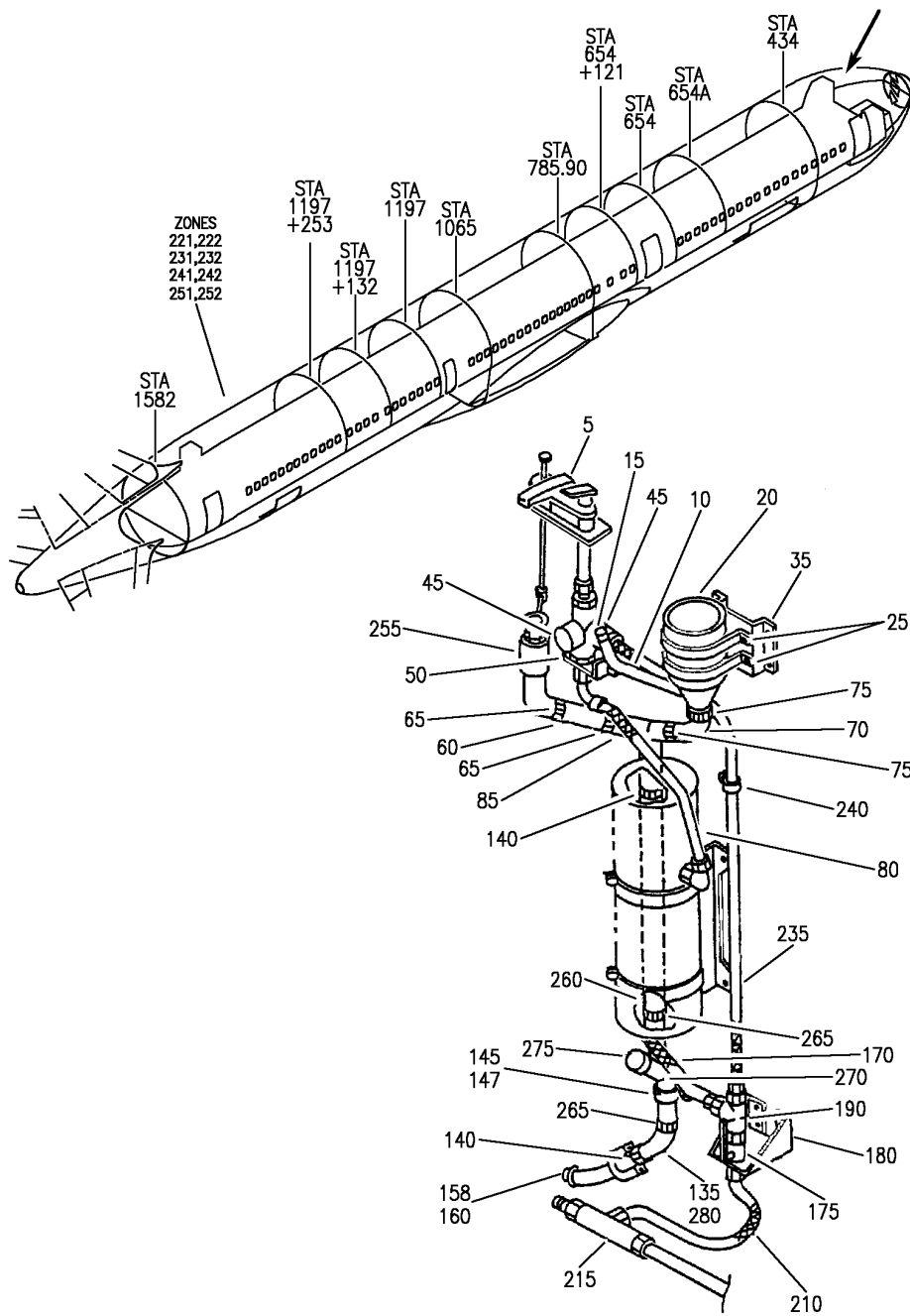
HXL

38-00-51-12

BOEING PROPRIETARY - Copyright © - Unpublished Work - See title page for details.

38-00-51
FIG. 12
PAGE 7
DEC 22/07

BOEING
767
PARTS CATALOG (MAINTENANCE)



V 38005113 REV 304

WATER SYSTEM INSTL-SINK MID LAV
FIGURE 13

38-00-51-13

HXL
DEC 22/06

38-00-51-13
PAGE 0



767

PARTS CATALOG (MAINTENANCE)

FIG ITEM	PART NUMBER	1 2 3 4 5 6 7	NOMENCLATURE	EFFECT FROM TO	UNITS PER ASSY
13			WATER SYSTEM INSTL-SINK MID LAV		
- 1	BS066810-71		WATER SYSTEM INSTL-SINK LAV M31 AND M32 (WATER/WASTE ONLY) SUPPLIER CODE: VS5065 FOR NHA/OTHER SYS DET SEE: 25-41-03-52		RF
5	MD080810-1		.FAUCET ASSY- SUPPLIER CODE: VS5065 FOR DETAILS SEE: 38-11-06-03		1
10	JMS0206-6-019SS		.HOSE-DRAIN SUPPLIER CODE: VS5065		1
15	MH6		.CLAMP- SUPPLIER CODE: V35871		2
20	B0040849-1		.MUFFLER- SUPPLIER CODE: VS5065		1
25	JM44LC13WD48R		.CLAMP SUPPLIER CODE: V22175 SPECIFICATION NUMBER: BACC10GE48A OPTIONAL PART: S369WHD48 V18076 TA12C32WD48 V84971 509A48 V83930		2
- 30	MS27039C1-06		ATTACHING PARTS .SCREW -----*-----		4
35	BS061809-1		.BRACKET-MUFFLER SUPPLIER CODE: VS5065		1
- 40	MS35206-241		ATTACHING PARTS .SCREW -----*-----		4
45	BS060825-11		.VALVE-TEMP CONT SUPPLIER CODE: VS5065 SB DATA FROM A CMM: POST SL SL-R6-007		1

ILLUSTRATION ITEMS NOT ON PARTS LIST ARE NOT APPLICABLE

- ITEM NOT ILLUSTRATED

38-00-51-13

38-00-51
FIG. 13
PAGE 1
DEC 22/07

HXL

BOEING
767
PARTS CATALOG (MAINTENANCE)

FIG ITEM	PART NUMBER	1 2 3 4 5 6 7	NOMENCLATURE	EFFECT FROM TO	UNITS PER ASSY
13					
45	BS060825-1		.VALVE-TEMP CONT SUPPLIER CODE: VS5065 CONFIG CHG DATA FROM A CMM: PRE SL SL-R6-007		1
50	BS060807-5		.BRACKET-VALVE SUPPLIER CODE: VS5065 ATTACHING PARTS		1
- 55	MS35206-242		.SCREW -----*-----		2
60	BS061817-1		.HOSE-DRAIN SUPPLIER CODE: VS5065 CONFIG CHG DATA FROM A CMM: SUPSD BY JMS0206-3A013		1
60	JMS0206-3A013		.HOSE-DRAIN SUPPLIER CODE: VS5065 CONFIG CHG DATA FROM A CMM: SUPERSEDES BS061817-1		1
65	MH16		.CLAMP- SUPPLIER CODE: V35871		2
70	JMS0206-3A020		.HOSE-DRAIN SUPPLIER CODE: VS5065		1
75	MH16		.CLAMP- SUPPLIER CODE: V35871		2
80	A1650-755		.HOSE ASSY-FLEXIBLE SUPPLIER CODE: V98441 SPECIFICATION NUMBER: 10-61998-755		1
85	BS061802-11		.JOINT-HOSE SUPPLIER CODE: VS5065		1
- 90	BACC10DK16		.CLAMP ATTACHING PARTS		1
- 95	MS35206-243		.SCREW -----*-----		1
135	JMS0206-3A060SS		.HOSE-DRAIN SUPPLIER CODE: VS5065 SB DATA FROM A CMM: PRE SB B0060-25-1098		1

ILLUSTRATION ITEMS NOT ON PARTS LIST ARE NOT APPLICABLE

- ITEM NOT ILLUSTRATED

HXL

38-00-51-13

BOEING PROPRIETARY - Copyright © - Unpublished Work - See title page for details.

38-00-51
FIG. 13
PAGE 2
DEC 22/07



767

PARTS CATALOG (MAINTENANCE)

FIG ITEM	PART NUMBER	1 2 3 4 5 6 7	NOMENCLATURE	EFFECT FROM TO	UNITS PER ASSY
13					
140	MH16		.CLAMP- SUPPLIER CODE: V35871		2
145	BACC10DK18		.CLAMP- CONFIG CHG DATA FROM A CMM: PRE SB B0060-25-1098		1
147	BACC10DK16		.CLAMP- SB DATA FROM A CMM: POST SB B0060-25-1098		1
- 150	MS35206-243		ATTACHING PARTS .SCREW		1
- 155	AN960-8		.WASHER-		1
			-----*-----		
160	BS062801-52		.JOINT-HOSE SUPPLIER CODE: VS5065		1
			ATTACHING PARTS		
- 165	MS35206-243		.SCREW		2
			-----*-----		
170	A1600-348		.HOSE-FLEXIBLE SUPPLIER CODE: V98441		1
			SPECIFICATION NUMBER: 60B50403-348		
175	J6LO		.VALVE-SHUTOFF SUPPLIER CODE: VS5065		1
			CONFIG CHG DATA FROM A CMM: SUPSDS JMS2202-8-6		
175	JMS2202-8-6		.VALVE-SHUT OFF SUPPLIER CODE: VS5065		1
			CONFIG CHG DATA FROM A CMM: SUPSD BY J6LO		
180	BS061804-3		.BRACKET- SUPPLIER CODE: VS5065		1
			ATTACHING PARTS		
- 185	MS35207-241		.SCREW		4
			-----*-----		

ILLUSTRATION ITEMS NOT ON PARTS LIST ARE NOT APPLICABLE

- ITEM NOT ILLUSTRATED

38-00-51-13

38-00-51
FIG. 13
PAGE 3
DEC 22/07

HXL

BOEING PROPRIETARY - Copyright © - Unpublished Work - See title page for details.



767

PARTS CATALOG (MAINTENANCE)

FIG ITEM	PART NUMBER	1 2 3 4 5 6 7	NOMENCLATURE	EFFECT FROM TO	UNITS PER ASSY
13 190	DB0T16AY060606J		. TEE- SUPPLIER CODE: V14798 SPECIFICATION NUMBER: BACT16AY060606J OPTIONAL PART: ER10604J060606 V88334 W30804J060606 V11328 4671113-060606J V30780		1
- 195	BS061805-3		. WASHER- SUPPLIER CODE: VS5065		1
- 200	AN924-6J		. NUT		1
- 205	AN960KD916		. WASHER		1
210	A1650-704		. HOSE-FLEXIBLE SUPPLIER CODE: V98441 SPECIFICATION NUMBER: 10-61998-704 OPTIONAL PART: 78001-704 V24984		1
215	APX804J080806		. TEE- SUPPLIER CODE: V01673 SPECIFICATION NUMBER: BACT16AX080806J OPTIONAL PART: APX804-080806J V01673 DB0T16AX080806J V14798 ER804-080806J V50948 FER1551-080806J V14397 NAF1844-080806J V52930 US1929-080806J V50808 ER804-080806J V88334 LER804A080806J V11328 AFP329-080806J V30974		1

ILLUSTRATION ITEMS NOT ON PARTS LIST ARE NOT APPLICABLE

- ITEM NOT ILLUSTRATED

38-00-51-13

38-00-51
FIG. 13
PAGE 4
DEC 22/07

HXL



767

PARTS CATALOG (MAINTENANCE)

FIG ITEM	PART NUMBER	1 2 3 4 5 6 7	NOMENCLATURE	EFFECT FROM TO	UNITS PER ASSY
13					
- 220	AN924-8J	.	NUT		1
- 225	AN936A1216	.	WASHER		1
- 230	BS061805-5	.	WASHER-		1
			SUPPLIER CODE: VS5065		
235	78001-660	.	HOSE ASSY-FLEXIBLE		1
			SUPPLIER CODE: V24984 SPECIFICATION NUMBER: 10-61998-660		
240	BACC10DK8	.	CLAMP		1
			ATTACHING PARTS		
- 245	MS35206-243	.	SCREW		1
- 250	AN960-8L	.	WASHER		1
			-----*-----		
255	600440-1	.	DRAIN ASSY-		1
			SUPPLIER CODE: V80477 COMPONENT MAINT MANUAL REF: 38-11-01 FOR DETAILS SEE: 38-11-50-01		
260	JMS0206-3A030SS	.	HOSE-DRAIN		1
			SUPPLIER CODE: VS5065 SB DATA FROM A CMM: POST SB B0060-25-1098		
265	MH16	.	CLAMP-		2
			SUPPLIER CODE: V35871 SB DATA FROM A CMM: POST SB B0060-25-1098		
270	OWW5020A10G01	.	FITTING-CLEAN OUT		1
			SUPPLIER CODE: VS5065 SB DATA FROM A CMM: POST SB B0060-25-1098		
275	OWW0010A01M01	.	CAP-DRAIN		1
			SUPPLIER CODE: VS5065 SB DATA FROM A CMM: POST SB B0060-25-1098		
280	JMS0206-3A015SS	.	HOSE-DRAIN		1
			SUPPLIER CODE: VS5065 SB DATA FROM A CMM: POST SB B0060-25-1098		

ILLUSTRATION ITEMS NOT ON PARTS LIST ARE NOT APPLICABLE

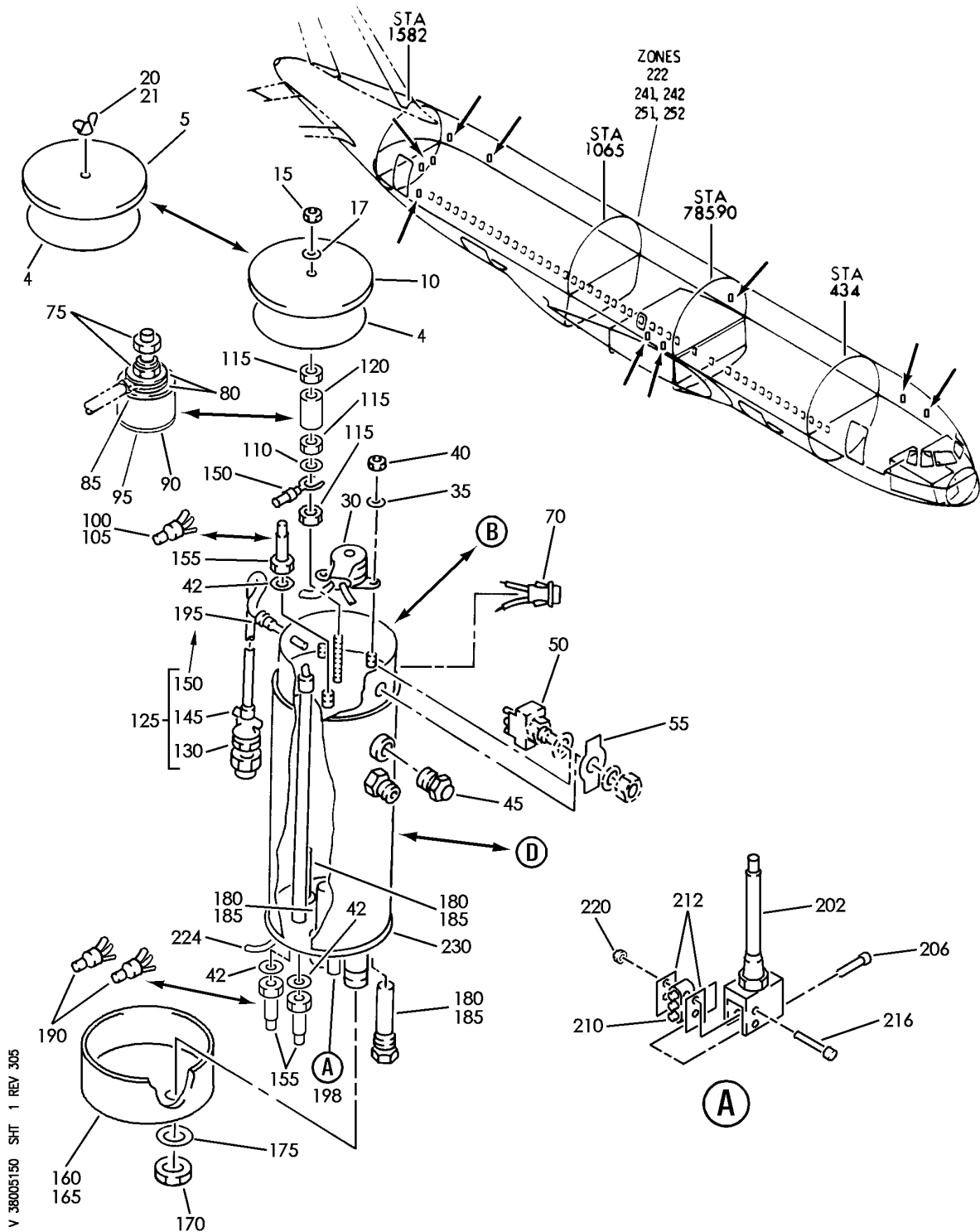
- ITEM NOT ILLUSTRATED

38-00-51-13

38-00-51
FIG. 13
PAGE 5
DEC 22/07

HXL


BOEING
 767
PARTS CATALOG (MAINTENANCE)



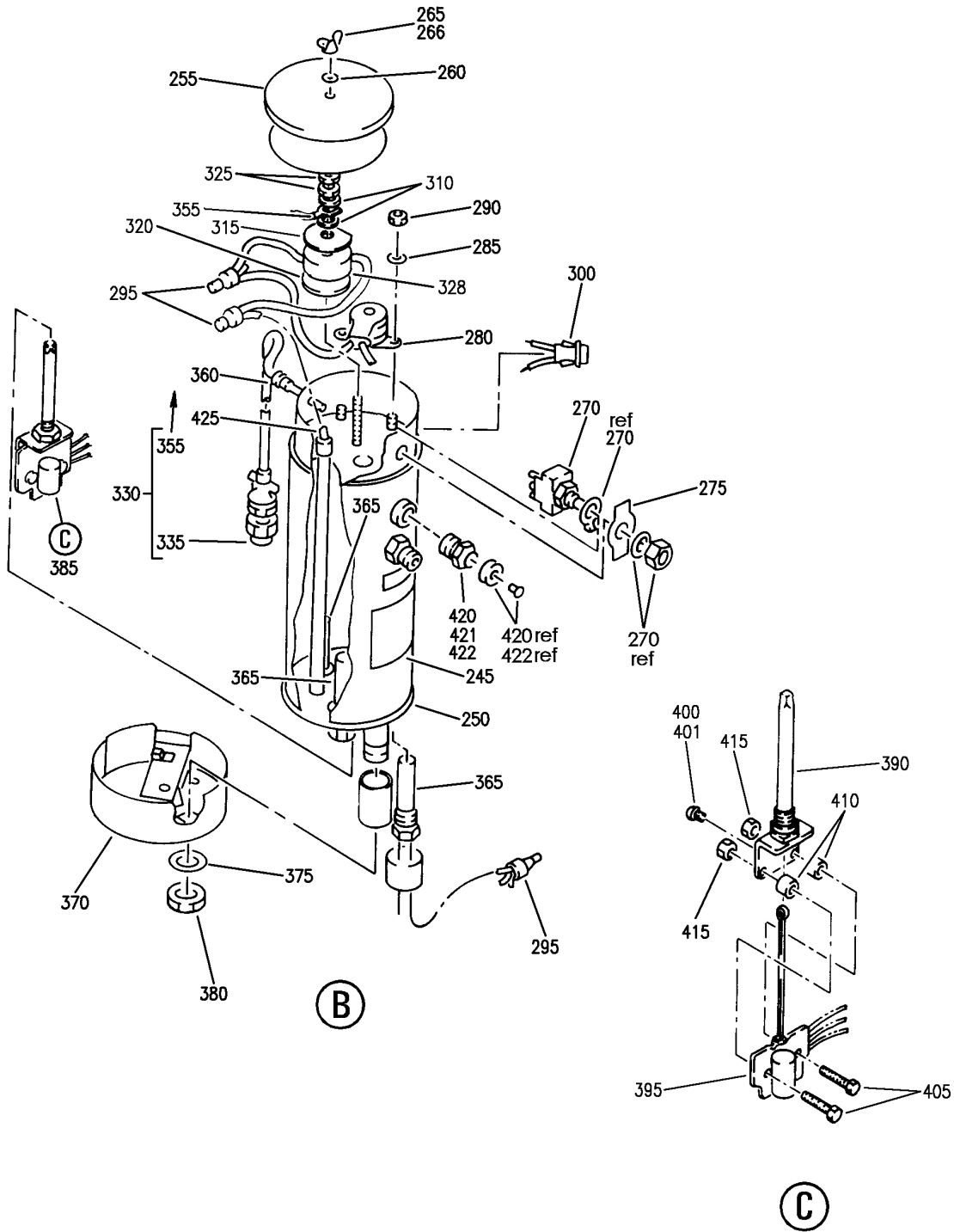
HEATER ASSY-WATER
 FIGURE 50 (SHEET 1)

38-00-51-50

HXL
 AUG 22/09

38-00-51-50
 PAGE 0


BOEING
 767
PARTS CATALOG (MAINTENANCE)



V 38005150 SHT 2 REV 267

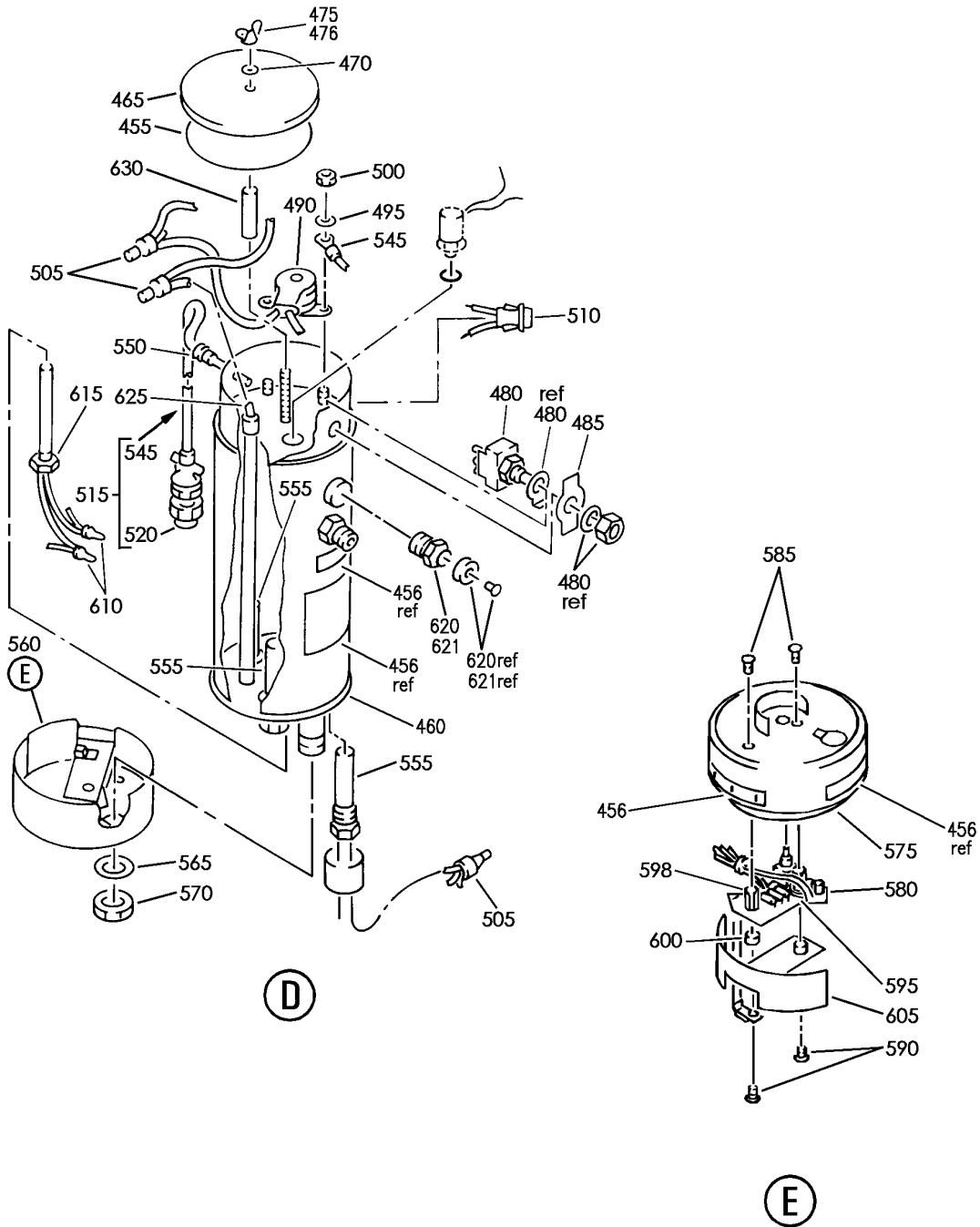
HEATER ASSY-WATER
FIGURE 50 (SHEET 2)

38-00-51-50

HXL
AUG 22/09

38-00-51-50
PAGE 0A


BOEING
 767
PARTS CATALOG (MAINTENANCE)



V 38005150 SHT 3 REV 299

HEATER ASSY-WATER
 FIGURE 50 (SHEET 3)

38-00-51-50

HXL
AUG 22/09

38-00-51-50
 PAGE 0B



767

PARTS CATALOG (MAINTENANCE)

FIG ITEM	PART NUMBER	1 2 3 4 5 6 7	NOMENCLATURE	EFFECT FROM TO	UNITS PER ASSY
50			HEATER ASSY-WATER		
R			HEATER ASSY-WATER		
R	- 240	24E507040G01	SUPPLIER CODE: VOAJJO		RF
R			SPECIFICATION NUMBER: 60B50064-2		
R			COMPONENT MAINT MANUAL REF: 38-13-51		
R			FOR NHA SEE: 38-13-50-51A		
R	245	24C507097P02	.PLACARD-SCHEMATIC		1
R			SUPPLIER CODE: VOAJJO		
R	250	8921385G1	.TANK ASSY-WATER		1
R			SUPPLIER CODE: VOAJJO		
R	255	24C506586P1	.COVER-		1
R			SUPPLIER CODE: V13545		
R			POSITION DATA: TOP		
R			OPTIONAL PART: 8921469P3		
R			VOAJJO		
R	255	8921469P3	.COVER-		1
R			SUPPLIER CODE: VOAJJO		
R			POSITION DATA: TOP		
R			OPTIONAL PART: 24C506586P1		
R			VOAJJO		
R			ATTACHING PARTS		
R	260	110-316	.WASHER-		1
R			SUPPLIER CODE: V86579		
R	265	MS35426-26	.NUT-		1
R			CONFIG CHG DATA FROM A CMM: SUPSD BY 601032		
R	265	601032	.NUT-		1
R			SUPPLIER CODE: V06641		
R			CONFIG CHG DATA FROM A CMM: SUPERSEDES MS35426-26		
R			OPTIONAL PART: 0601032WNA		
R			V40970		

ILLUSTRATION ITEMS NOT ON PARTS LIST ARE NOT APPLICABLE

- ITEM NOT ILLUSTRATED

38-00-51-50

38-00-51
FIG. 50
PAGE 1
AUG 22/09

HXL



767

PARTS CATALOG (MAINTENANCE)

FIG ITEM	PART NUMBER	1 2 3 4 5 6 7	NOMENCLATURE	EFFECT FROM TO	UNITS PER ASSY
R R R R R R	50 265 0601032WNA		.WINGNUT- SUPPLIER CODE: V13545 OPTIONAL PART: 601032 VOAJJO -----*-----		1
R R R R R R	270 8822K21		.SWITCH-TG SUPPLIER CODE: V55841 OPTIONAL PART: MS35059-24		1
R R R R R R	270 MS35059-24		.SWITCH-TG OPTIONAL PART: 8822K21 V27191		1
R R R R R R	275 30-5632-4		.PLATE-ON/OFF SUPPLIER CODE: V27191		1
R R R R R R	280 24B506591P1		.THERMOSTAT-MANUAL RESET SUPPLIER CODE: VOAJJO ATTACHING PARTS		1
R R R R R R	285 AN960C6L 290 22FT632		.WASHER .NUT- SUPPLIER CODE: V80539 -----*-----		2 2
R R R R R R	295 35653		.SPLICE-CLOSED END SUPPLIER CODE: V00779		5
R R R R R R	300 24B506590P1		.LIGHT-IND SUPPLIER CODE: VOAJJO		1
R R R R R R	310 AN960C10L 315 24B507081P01		.WASHER .WASHER-INSULATING SUPPLIER CODE: VOAJJO		2 1
R R R R R R	320 24B507081P02		.WASHER- SUPPLIER CODE: VOAJJO		1
R R R R R R	325 22FT1032		.NUT- SUPPLIER CODE: V80539		2
R R R R R R	328 24B507067P01		.INDUCTOR- SUPPLIER CODE: VOAJJO		1

ILLUSTRATION ITEMS NOT ON PARTS LIST ARE NOT APPLICABLE

- ITEM NOT ILLUSTRATED

38-00-51-50

38-00-51
FIG. 50
PAGE 2
AUG 22/09

HXL



767

PARTS CATALOG (MAINTENANCE)

FIG ITEM	PART NUMBER	1 2 3 4 5 6 7	NOMENCLATURE	EFFECT FROM TO	UNITS PER ASSY
50					
R	330	24C506588G1	.LEAD ASSY-CONN. SUPPLIER CODE: VOAJJO		1
R					
R	335	BACC45FT14C7P	..PLUG- QUALIFIED OPTIONAL DATA: BACC45FT14C7P OPT TO BACC45FT14-7P USED WITH M3902931-229, MS27291-3 AND MS27488-16		1
R					
R	335	BACC45FT14-7P	..CONNECTOR- QUALIFIED OPTIONAL DATA: BACC45FT14C7P OPT TO BACC45FT14-7P USED WITH M3902931-229, MS27291-3 AND MS27488-16		1
R					
R	- 340	M3902931-229	..PLUG-PIN QUALIFIED OPTIONAL DATA: BACC45FT14C7P OPT TO BACC45FT14-7P USED WITH M3902931-229, MS27291-3 AND MS27488-16		7
R					
R	- 345	MS27291-3	..SUPPORT-CABLE QUALIFIED OPTIONAL DATA: BACC45FT14C7P OPT TO BACC45FT14-7P USED WITH M3902931-229, MS27291-3 AND MS27488-16		1
R					
R	- 350	MS27488-16	..PLUG- QUALIFIED OPTIONAL DATA: BACC45FT14C7P OPT TO BACC45FT14-7P USED WITH M3902931-229, MS27291-3 AND MS27488-16		4
R					
R	355	32054	..TERMINAL-SPADE SUPPLIER CODE: V00779 OPTIONAL PART: 32051 V00779		1
R					
R	355	32051	..TERMINAL-SPADE SUPPLIER CODE: V00779 OPTIONAL PART: 32054 V00779		1
R					
R	360	SR5P4	.RELIEF-BLACK STRAIN SUPPLIER CODE: V28520		1
R					

ILLUSTRATION ITEMS NOT ON PARTS LIST ARE NOT APPLICABLE

- ITEM NOT ILLUSTRATED

38-00-51-50

38-00-51
FIG. 50
PAGE 3
AUG 22/09

HXL

 **BOEING**
767
PARTS CATALOG (MAINTENANCE)

FIG ITEM	PART NUMBER	1 2 3 4 5 6 7	NOMENCLATURE	EFFECT FROM TO	UNITS PER ASSY
50					
R	365	24D507239P01	.HEATER-CARTRIDGE		3
R			SUPPLIER CODE:		
R			VOAJJO		
R	370	24C506593P2	.COVER-		1
R			SUPPLIER CODE:		
R			VOAJJO		
R			POSITION DATA:		
R			BOTTOM		
R			ATTACHING PARTS		
R	375	AN960PD916L	.WASHER-		1
R			CONFIG CHG DATA FROM A CMM:		
R			SUPSD BY NAS1149D0916J		
R	375	NAS1149D0916J	.WASHER-		1
R			CONFIG CHG DATA FROM A CMM:		
R			SUPERSEDES AN960PD916L		
R	380	8921475P2	.NUT-		1
R			SUPPLIER CODE:		
R			VOAJJO		
R			CONFIG CHG DATA FROM A CMM:		
R			SUPSD BY 8921475P3		
R	380	8921475P3	.NUT-		1
R			SUPPLIER CODE:		
R			VOAJJO		
R			CONFIG CHG DATA FROM A CMM:		
R			SUPERSEDES 8921475P2		
R			-----*-----		
R	385	24D507039G02	.THERMOSTAT ASSY-ELECT.		1
R			SUPPLIER CODE:		
R			VOAJJO		
R	390	24D507002G01	..FRAME ASSY-		1
R			SUPPLIER CODE:		
R			VOAJJO		
R	395	24D507078G02	..BOARD ASSY-CKT		1
R			SUPPLIER CODE:		
R			VOAJJO		
R			ATTACHING PARTS		
R	400	MS35231-13	..SCREW-		1
R			CONFIG CHG DATA FROM A CMM:		
R			REPLD BY MS35214-12		
R	400	MS35214-12	..SCREW-		1
R			CONFIG CHG DATA FROM A CMM:		
R			REPLS MS35231-13		
R			OPTIONAL PART:		
R			MS35214-12C		
R	400	MS35214-12C	..SCREW-		1
R			OPTIONAL PART:		
R			MS35214-12		
R	405	MS35275-218	..SCREW		2

ILLUSTRATION ITEMS NOT ON PARTS LIST ARE NOT APPLICABLE

- ITEM NOT ILLUSTRATED

HXL

38-00-51-50

BOEING PROPRIETARY - Copyright © - Unpublished Work - See title page for details.

38-00-51
FIG. 50
PAGE 4
AUG 22/09



767

PARTS CATALOG (MAINTENANCE)

FIG ITEM	PART NUMBER	1 2 3 4 5 6 7	NOMENCLATURE	EFFECT FROM TO	UNITS PER ASSY
50					
R	410	24B507007P01	.. SPACER- SUPPLIER CODE: VOAJJO		2
R	415	MS21043-04	.. NUT -----*-----		2
R	420	D532B2M140	. VALVE-RELIEF SUPPLIER CODE: V91816 SB DATA FROM A CMM: PRE SB 24E507040-38-2 CONFIG CHG DATA FROM A CMM: SUPSD BY D532T2M140		1
R	420	D532T2M140	. VALVE-RELIEF SUPPLIER CODE: V91816 SB DATA FROM A CMM: PRE SB 24E507040-38-2 CONFIG CHG DATA FROM A CMM: SUPERSEDES D532B2M140 SUPSD BY 2E1922-2 OPTIONAL PART: D532T1-2M140 V91816		1
R	420	D532T1-2M140	. VALVE-RELIEF SUPPLIER CODE: V91816 SB DATA FROM A CMM: PRE SB 24E507040-38-2 CONFIG CHG DATA FROM A CMM: SUPSD BY 2E1922-2 OPTIONAL PART: D532T2M140 V91816		1
R	420	2E1922-2	. VALVE-RELIEF SUPPLIER CODE: VOAJJO SB DATA FROM A CMM: POST SB 24E507040-38-2 CONFIG CHG DATA FROM A CMM: SUPERSEDES D532T2M140 SUPERSEDES D532T1-2M140		1
R	425	24C506589G3	. WIRE ASSY- SUPPLIER CODE: VOAJJO		1

ILLUSTRATION ITEMS NOT ON PARTS LIST ARE NOT APPLICABLE

- ITEM NOT ILLUSTRATED

38-00-51-50

38-00-51
FIG. 50
PAGE 5
AUG 22/09

HXL

 **BOEING**
767
PARTS CATALOG (MAINTENANCE)

FIG ITEM	PART NUMBER	1 2 3 4 5 6 7	NOMENCLATURE	EFFECT FROM TO	UNITS PER ASSY
50					
R - 450	24E507040G04		HEATER ASSY-WATER SUPPLIER CODE: VOAJJO SPECIFICATION NUMBER: 60B50064-4 COMPONENT MAINT MANUAL REF: 38-13-51 FOR NHA SEE: 38-13-50-51A		R F
R					
R					
R					
R					
R					
R	455	24C507097P04	.PLACARD-SCHEMATIC SUPPLIER CODE: VOAJJO		1
R					
R	456	24C508444X901	.LABEL PACK ASSY- SUPPLIER CODE: VOAJJO		1
R					
R	460	8921385G1	.TANK ASSY-WATER SUPPLIER CODE: VOAJJO		1
R					
R	465	24C506586P1	.COVER-TOP SUPPLIER CODE: V13545 OPTIONAL PART: 8921469P3 VOAJJO		1
R					
R	465	8921469P3	.COVER-TOP SUPPLIER CODE: VOAJJO OPTIONAL PART: 24C506586P1 VOAJJO		1
R					
R			ATTACHING PARTS		
R	470	110-316	.WASHER- SUPPLIER CODE: V86579		1
R					
R	475	MS35426-26	.NUT- CONFIG CHG DATA FROM A CMM: SUPSD BY 601032		1
R					
R	475	601032	.NUT- SUPPLIER CODE: V06641 CONFIG CHG DATA FROM A CMM: SUPERSEDES MS35426-26 OPTIONAL PART: 0601032WNA V40970		1
R					
R					
R					
R					
R					

- ITEM NOT ILLUSTRATED

38-00-51-50

38-00-51
FIG. 50
PAGE 6
AUG 22/09

HXL

 **BOEING**
767
PARTS CATALOG (MAINTENANCE)

FIG ITEM	PART NUMBER	1 2 3 4 5 6 7	NOMENCLATURE	EFFECT FROM TO	UNITS PER ASSY
R R R R R R	50 475 0601032WNA		.WINGNUT- SUPPLIER CODE: V13545 OPTIONAL PART: 601032 V06641 -----*-----		1
R R R R R R	480 8822K21		.SWITCH-TG SUPPLIER CODE: V55841 OPTIONAL PART: MS35059-24		1
R R R R R R	480 MS35059-24		.SWITCH-TG OPTIONAL PART: 8822K21 VOAJJO		1
R R R R R R	485 30-5632-4		.PLATE-ON/OFF SUPPLIER CODE: V27191		1
R R R R R R	490 24B506591P4		.THERMOSTAT-MANUAL RESET SUPPLIER CODE: VOAJJO ATTACHING PARTS		1
R R R R R R	495 AN960C6L 500 22FT632		.WASHER .NUT- SUPPLIER CODE: V80539 -----*-----		2 2
R R R R R R	505 35653		.SPLICE-CLOSED END SUPPLIER CODE: V00779		3
R R R R R R	510 24B506590P1		.LIGHT-IND SUPPLIER CODE: VOAJJO		1
R R R R R R	515 24C506588G3		.LEAD ASSY-CONN. SUPPLIER CODE: VOAJJO		1
R R R R R R	520 BACC45FT14C7P		..PLUG- QUALIFIED OPTIONAL DATA: BACC45FT14C7P OPT TO BACC45FT14-7P USED WITH M3902931-229, MS27291-3 AND MS27488-16		1
R R R R R R	520 BACC45FT14-7P		..CONNECTOR- QUALIFIED OPTIONAL DATA: BACC45FT14C7P OPT TO BACC45FT14-7P USED WITH M3902931-229, MS27291-3 AND MS27488-16		1

ILLUSTRATION ITEMS NOT ON PARTS LIST ARE NOT APPLICABLE

- ITEM NOT ILLUSTRATED

HXL

38-00-51-50

BOEING PROPRIETARY - Copyright © - Unpublished Work - See title page for details.

38-00-51
FIG. 50
PAGE 7
AUG 22/09



767

PARTS CATALOG (MAINTENANCE)

FIG ITEM	PART NUMBER	1 2 3 4 5 6 7	NOMENCLATURE	EFFECT FROM TO	UNITS PER ASSY
50					
- 525	M3902931-229		.. PLUG-PIN QUALIFIED OPTIONAL DATA: BACC45FT14C7P OPT TO BACC45FT14-7P USED WITH M3902931-229, MS27291-3 AND MS27488-16		7
- 530	MS27291-3		.. SUPPORT-CABLE QUALIFIED OPTIONAL DATA: BACC45FT14C7P OPT TO BACC45FT14-7P USED WITH M3902931-229, MS27291-3 AND MS27488-16		1
- 540	MS27488-16		.. PLUG- QUALIFIED OPTIONAL DATA: BACC45FT14C7P OPT TO BACC45FT14-7P USED WITH M3902931-229, MS27291-3 AND MS27488-16		4
545	36151		.. TERMINAL-RING SUPPLIER CODE: V00779		1
550	SR5P4		.RELIEF-BLACK STRAIN SUPPLIER CODE: V28520		1
555	24D507239P01		.HEATER-CARTRIDGE SUPPLIER CODE: VOAJJO		3
560	24D508442G1		.COVER ASSY- SUPPLIER CODE: VOAJJO OPTIONAL PART: 24D508442G2 VOAJJO		1
560	24D508442G2		.COVER ASSY- SUPPLIER CODE: VOAJJO OPTIONAL PART: 24D508442G1 VOAJJO		1
565	AN960PD916L		ATTACHING PARTS .WASHER- CONFIG CHG DATA FROM A CMM: SUPSD BY NAS1149D0916J		1
565	NAS1149D0916J		.WASHER- CONFIG CHG DATA FROM A CMM: SUPERSEDES AN960PD916L		1

ILLUSTRATION ITEMS NOT ON PARTS LIST ARE NOT APPLICABLE

- ITEM NOT ILLUSTRATED

HXL

38-00-51-50

BOEING PROPRIETARY - Copyright © - Unpublished Work - See title page for details.

38-00-51
FIG. 50
PAGE 8
AUG 22/09

 **BOEING**
767
PARTS CATALOG (MAINTENANCE)

FIG ITEM	PART NUMBER	1 2 3 4 5 6 7	NOMENCLATURE	EFFECT FROM TO	UNITS PER ASSY
50					
R	570	8921475P2	.NUT-		1
R			SUPPLIER CODE:		
R			VOAJJO		
R			CONFIG CHG DATA FROM A CMM:		
R			SUPSD BY 8921475P3		
R	570	8921475P3	.NUT-		1
R			SUPPLIER CODE:		
R			VOAJJO		
R			CONFIG CHG DATA FROM A CMM:		
R			SUPERSEDES 8921475P2		
			-----*-----		
R	575	24C506593P3	..COVER-BOTTOM		1
R			SUPPLIER CODE:		
R			VOAJJO		
R	580	24D508439G1	..CIRCUIT ASSY-ELECT.		1
R			THERMO		
R			SUPPLIER CODE:		
R			VOAJJO		
			ATTACHING PARTS		
R	585	MS51957-27	..SCREW		2
R	590	MS51957-31	..SCREW		2
R	595	5610-14-15	..WASHER-		1
R			SUPPLIER CODE:		
R			V86928		
R			OPTIONAL PART:		
R			8921369P1		
R			VOAJJO		
R	595	8921369P1	..WASHER-		1
R			SUPPLIER CODE:		
R			VOAJJO		
R			OPTIONAL PART:		
R			5610-14-15		
R			V86928		
R	600	9389B	..SPACER-		1
R			SUPPLIER CODE:		
R			V91967		
R			OPTIONAL PART:		
R			A1301-140-24		
R			VOGCW4		
R	600	A1301-140-24	..SPACER-		1
R			SUPPLIER CODE:		
R			VOGCW4		
R			OPTIONAL PART:		
R			9389B		
R			V91967		
			-----*-----		
R	605	24C508429G1	..HEAT SINK-		1
R			SUPPLIER CODE:		
R			VOAJJO		

ILLUSTRATION ITEMS NOT ON PARTS LIST ARE NOT APPLICABLE

- ITEM NOT ILLUSTRATED

HXL

38-00-51-50

BOEING PROPRIETARY - Copyright © - Unpublished Work - See title page for details.

38-00-51
FIG. 50
PAGE 9
AUG 22/09



767
PARTS CATALOG (MAINTENANCE)

FIG ITEM	PART NUMBER	1 2 3 4 5 6 7	NOMENCLATURE	EFFECT FROM TO	UNITS PER ASSY
50					
R R	610 34304		. SPLICE-CLOSED END SUPPLIER CODE: V00779		3
	615 24B508385P1		. PROBE ASSY- SUPPLIER CODE: VOAJJO		1
	620 D532T2M140		. VALVE-RELIEF SUPPLIER CODE: V91816 SB DATA FROM A CMM: PRE SB 24E507040-38-2 CONFIG CHG DATA FROM A CMM: SUPSD BY 2E1922-2 OPTIONAL PART: D532T1-2M140 V91816		1
	620 D532T1-2M140		. VALVE-RELIEF SUPPLIER CODE: V91816 SB DATA FROM A CMM: PRE SB 24E507040-38-2 CONFIG CHG DATA FROM A CMM: SUPSD BY 2E1922-2 OPTIONAL PART: D532T2M140 V91816		1
	620 2E1922-2		. VALVE-RELIEF SUPPLIER CODE: VOAJJO SB DATA FROM A CMM: POST SB 24E5017040-38-2 CONFIG CHG DATA FROM A CMM: SUPERSEDES D532T2M140		1
	625 24C506589G4		. WIRE ASSY-FEED-THRU SUPPLIER CODE: VOAJJO		1
	630 BCREP16097		. SPACER- SUPPLIER CODE: VOGCW4 OVERLENGTH PART NUMBER: N1320-192-OUL94V0		1

ILLUSTRATION ITEMS NOT ON PARTS LIST ARE NOT APPLICABLE

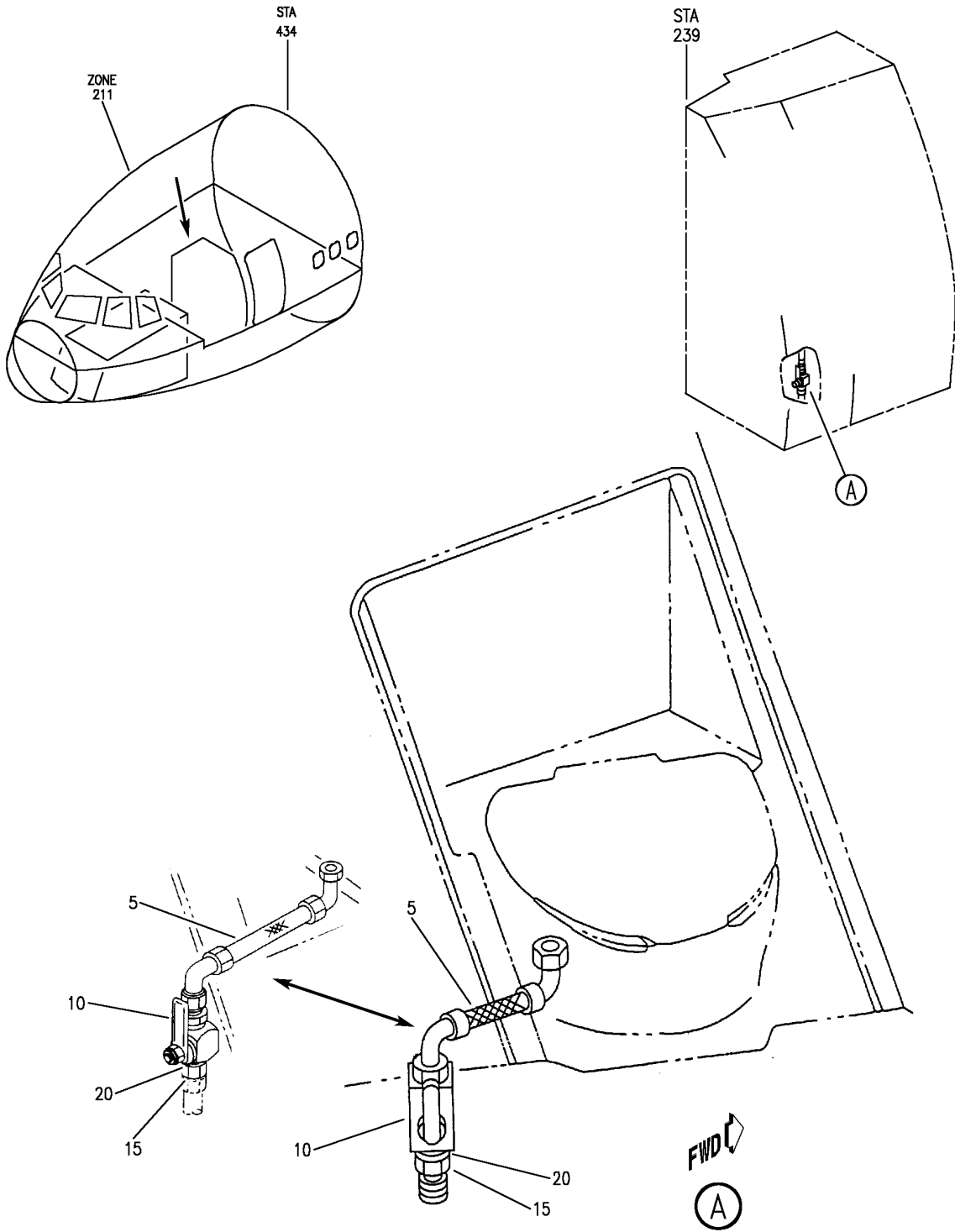
- ITEM NOT ILLUSTRATED

HXL

38-00-51-50

38-00-51
FIG. 50
PAGE 10
AUG 22/09

BOEING
767
PARTS CATALOG (MAINTENANCE)



V 38006008 REV 309

WATER SYSTEM INSTL-RINSE
FIGURE 8

38-00-60-08

HXL
DEC 22/06

38-00-60-08
PAGE 0



767

PARTS CATALOG (MAINTENANCE)

FIG ITEM	PART NUMBER	1 2 3 4 5 6 7	NOMENCLATURE	EFFECT FROM TO	UNITS PER ASSY
8					
- 1	BS061850-1		WATER SYSTEM INSTL-RINSE WATER SYSTEM INSTL-RINSE LAV F1 SUPPLIER CODE: VS5065 FOR NHA SEE: 25-41-01-32B		RF
5	A1650-535		.HOSE-FLEXIBLE SUPPLIER CODE: V98441 SPECIFICATION NUMBER: 10-61998-535		1
10	8D168		.VALVE-SHUT OFF SUPPLIER CODE: V82829 SPECIFICATION NUMBER: 10-61267-8 CONFIG CHG DATA FROM A CMM: SUPSD BY JMS2202-8-8		1
10	JMS2202-8-8		.VALVE-SHUT OFF SUPPLIER CODE: VS5065 CONFIG CHG DATA FROM A CMM: SUPERSEDES 8D168 SUPSD BY J8LS		1
10	J8LS		.VALVE-SHUT OFF SUPPLIER CODE: VS5065 CONFIG CHG DATA FROM A CMM: SUPERSEDES JMS2202-8-8		1
15	AN924-8J		.NUT		1
20	AN960KD1216		.WASHER-		1

ILLUSTRATION ITEMS NOT ON PARTS LIST ARE NOT APPLICABLE

- ITEM NOT ILLUSTRATED

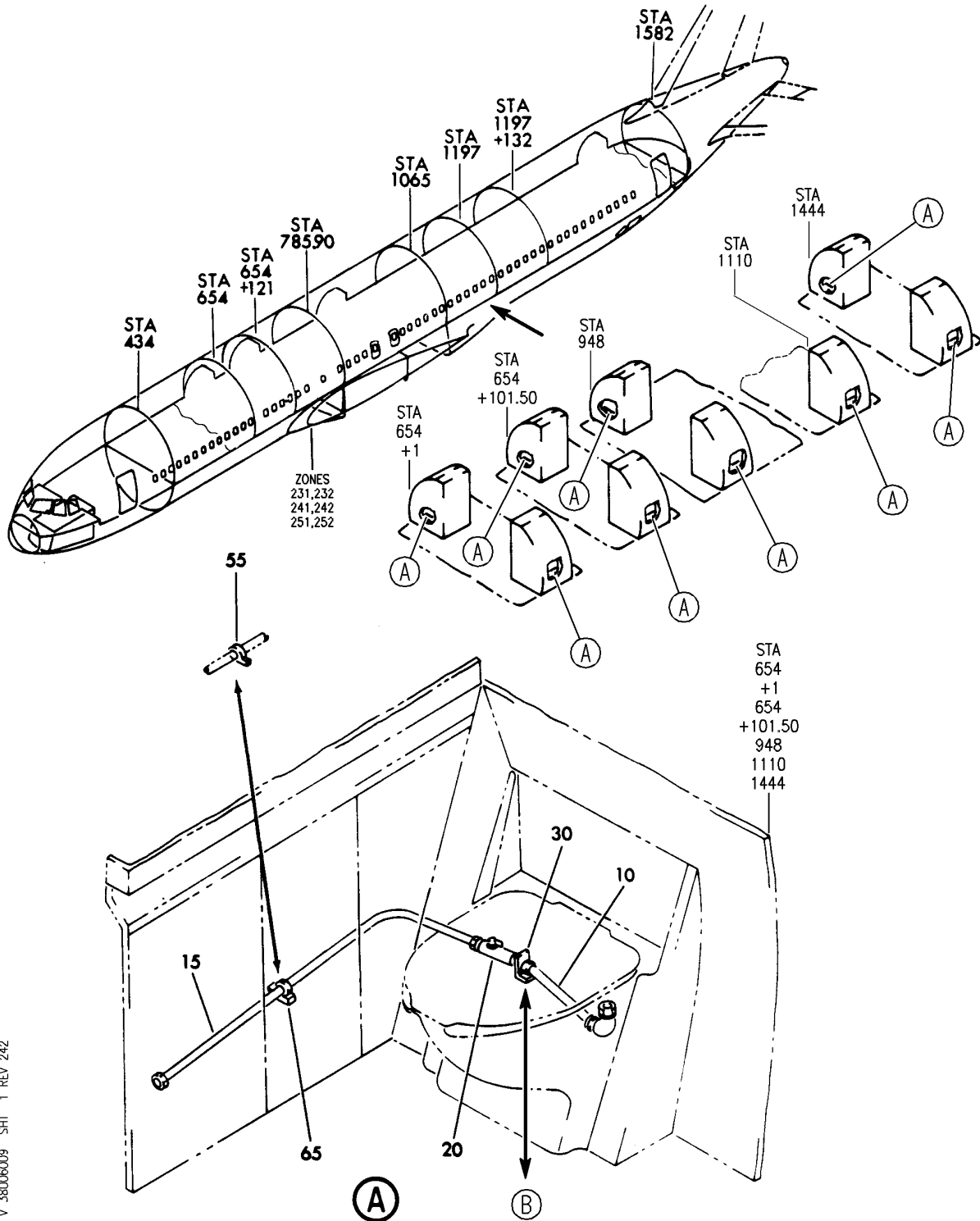
HXL

38-00-60-08

BOEING PROPRIETARY - Copyright © - Unpublished Work - See title page for details.

38-00-60
FIG. 08
PAGE 1
DEC 22/07

BOEING
767
PARTS CATALOG (MAINTENANCE)



V. 38006009 SHT 1 REV 242

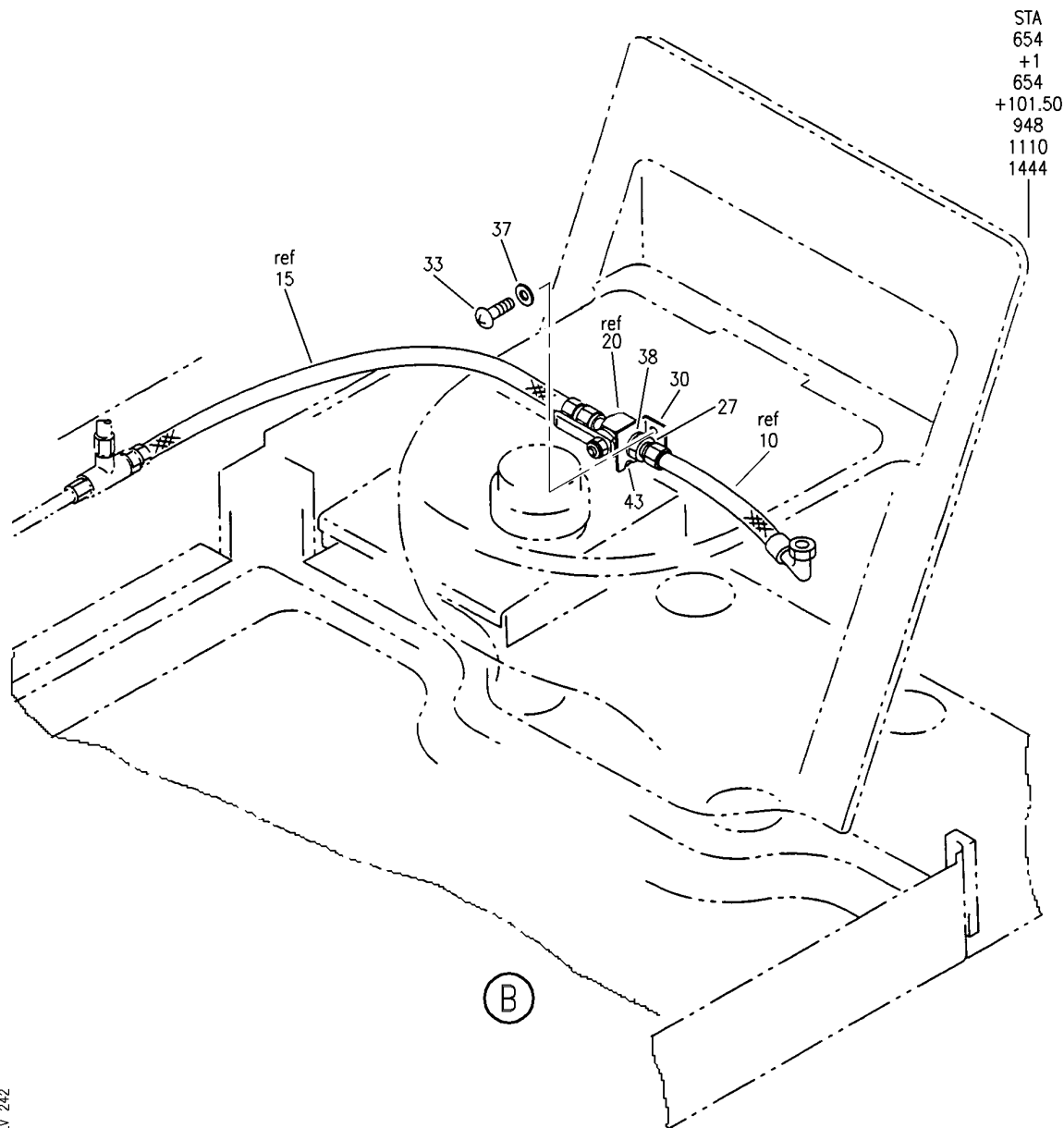
WATER SYSTEM INSTL-RINSE
FIGURE 9 (SHEET 1)

38-00-60-09

HXL
DEC 22/06

38-00-60-09
PAGE 0

BOEING
767
PARTS CATALOG (MAINTENANCE)



V. 38006009 SHT 2 REV 242

WATER SYSTEM INSTL-RINSE
FIGURE 9 (SHEET 2)

38-00-60-09

HXL
DEC 22/06

38-00-60-09
PAGE 0A



767

PARTS CATALOG (MAINTENANCE)

FIG ITEM	PART NUMBER	1 2 3 4 5 6 7	NOMENCLATURE	EFFECT FROM TO	UNITS PER ASSY
9					
- 1	BS063850-31		WATER SYSTEM INSTL-RINSE WATER SYSTEM INSTL-RINSE LAV MS15 SUPPLIER CODE: VS5065 FOR NHA SEE: 25-41-03-46B		RF
- 5	BS063850-32		SYSTEM INSTL-RINSE WATER LAV MS16 SUPPLIER CODE: VS5065 FOR NHA SEE: 25-41-03-46B		RF
- 8	BS063850-41		SYSTEM INSTL-RINSE WATER LAV MS17 SUPPLIER CODE: VS5065 FOR NHA SEE: 25-41-03-46B		RF
- 9	BS063850-42		SYSTEM INSTL-RINSE WATER LAV MS18 SUPPLIER CODE: VS5065 FOR NHA SEE: 25-41-03-46B		RF
10	78001-344		.HOSE-FLEX SUPPLIER CODE: V24984 SPECIFICATION NUMBER: 10-61998-344 OPTIONAL PART: A1650-344 V03925		1
15	A1650-23		.HOSE-FLEX SUPPLIER CODE: V98441 SPECIFICATION NUMBER: 10-61998-23 OPTIONAL PART: AE706493-23 V00624 78001-23 V24984 R29280-8-0264 V50599		1

ILLUSTRATION ITEMS NOT ON PARTS LIST ARE NOT APPLICABLE

- ITEM NOT ILLUSTRATED

38-00-60-09

38-00-60
FIG. 09
PAGE 1
DEC 22/07

HXL



767

PARTS CATALOG (MAINTENANCE)

FIG ITEM	PART NUMBER	1 2 3 4 5 6 7	NOMENCLATURE	EFFECT FROM TO	UNITS PER ASSY
9					
20	8D168		.VALVE-SHUT OFF, LAV MS21, MS22, A3 AND A4 LAV MS15, MS16, MS17 AND MS18 SUPPLIER CODE: V82829 SPECIFICATION NUMBER: 10-61267-8 CONFIG CHG DATA FROM A CMM: SUPSD BY JMS2202-8-8		1
20	J8LS		.VALVE-SHUTOFF SUPPLIER CODE: VS5065 CONFIG CHG DATA FROM A CMM: SUPERSEDES JMS2202-8-8		1
20	JMS2202-8-8		.VALVE-SHUTOFF SUPPLIER CODE: VS5065 CONFIG CHG DATA FROM A CMM: SUPSD BY J8LS SUPERSEDES 8D168		1
- 25	AN924-8J		ATTACHING PARTS .NUT -----*-----		1
30	BS066852-9		.BRACKET-LAV MS11, MS12, MS25 AND A3 MS15, MS16, MS17, MS18 SUPPLIER CODE: VS5065 ATTACHING PARTS		1
- 34	MS51957-41		.SCREW		2
- 35	AN960KD1216		.WASHER		1
- 39	AN960-8		.WASHER		2
- 40	BS061805-5		.WASHER- SUPPLIER CODE: VS5065 -----*-----		1
55	BACC10DK10		.CLAMP-LAV MS17 AND MS18 ATTACHING PARTS		2
- 60	MS27039C1-04		.SCREW -----*-----		2
65	BS063801-1		.BRACKET-MTG LAV MS15 AND MS16 SUPPLIER CODE: VS5065 ATTACHING PARTS		1
- 70	MS51957-41		.SCREW-LAV MS15 AND MS16 -----*-----		2

ILLUSTRATION ITEMS NOT ON PARTS LIST ARE NOT APPLICABLE

- ITEM NOT ILLUSTRATED

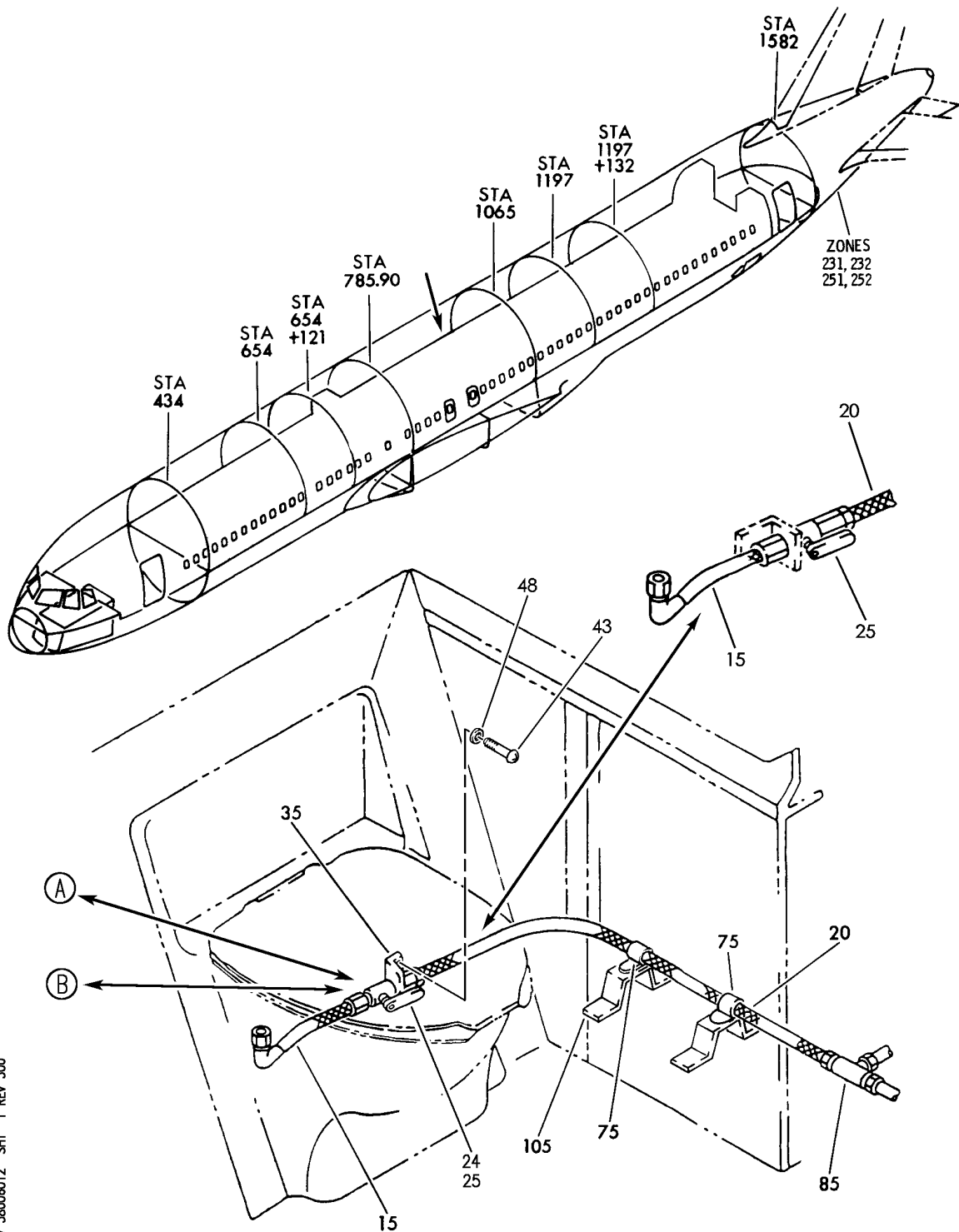
38-00-60-09

38-00-60
FIG. 09
PAGE 2
DEC 22/07

HXL

BOEING PROPRIETARY - Copyright © - Unpublished Work - See title page for details.

BOEING
767
PARTS CATALOG (MAINTENANCE)



V 38006012 SHT 1 REV 300

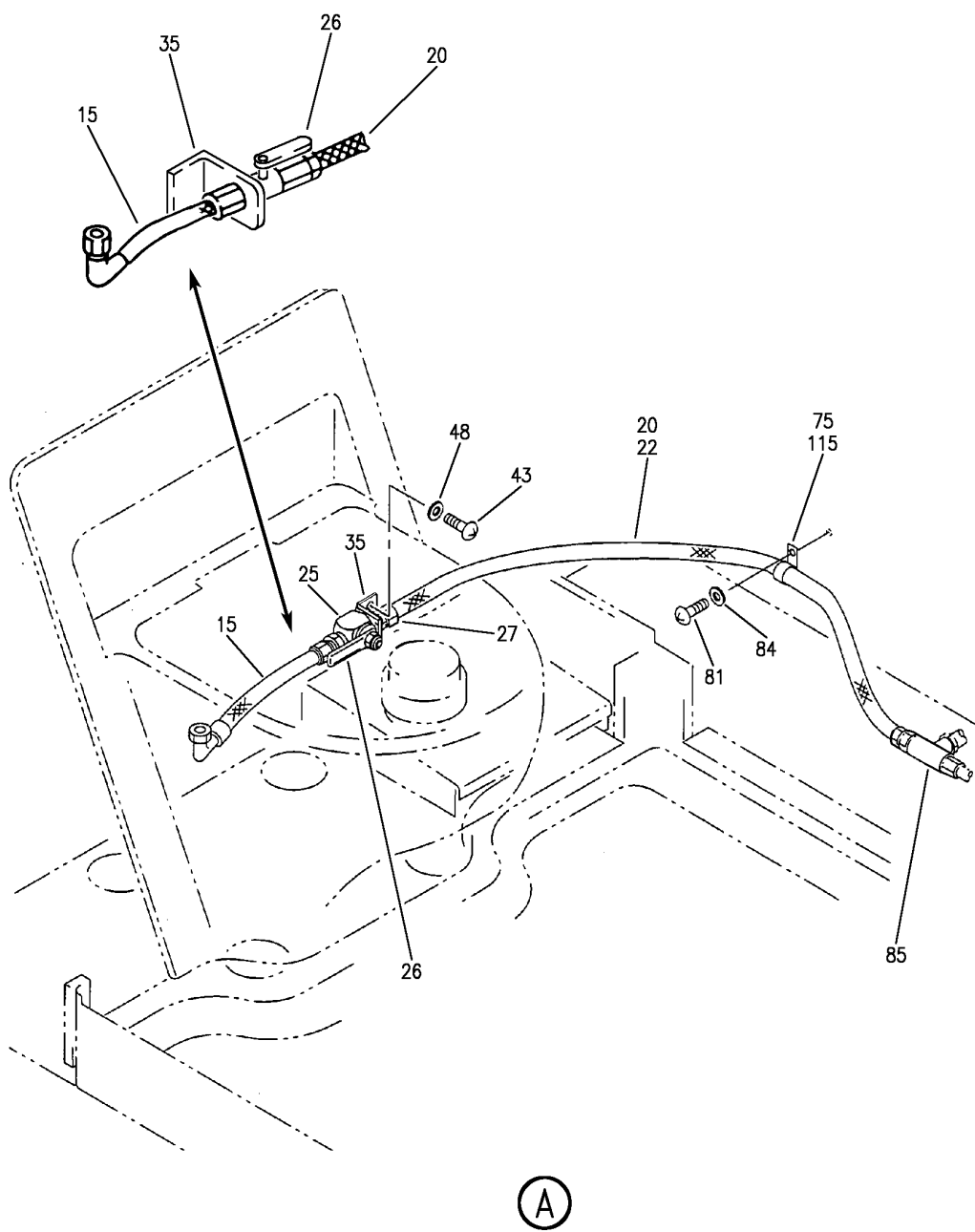
WATER SYSTEM INSTL-RINSE
FIGURE 12 (SHEET 1)

38-00-60-12

HXL
DEC 22/06

38-00-60-12
PAGE 0

BOEING
767
PARTS CATALOG (MAINTENANCE)



V 38006012 SHT 2 REV 277

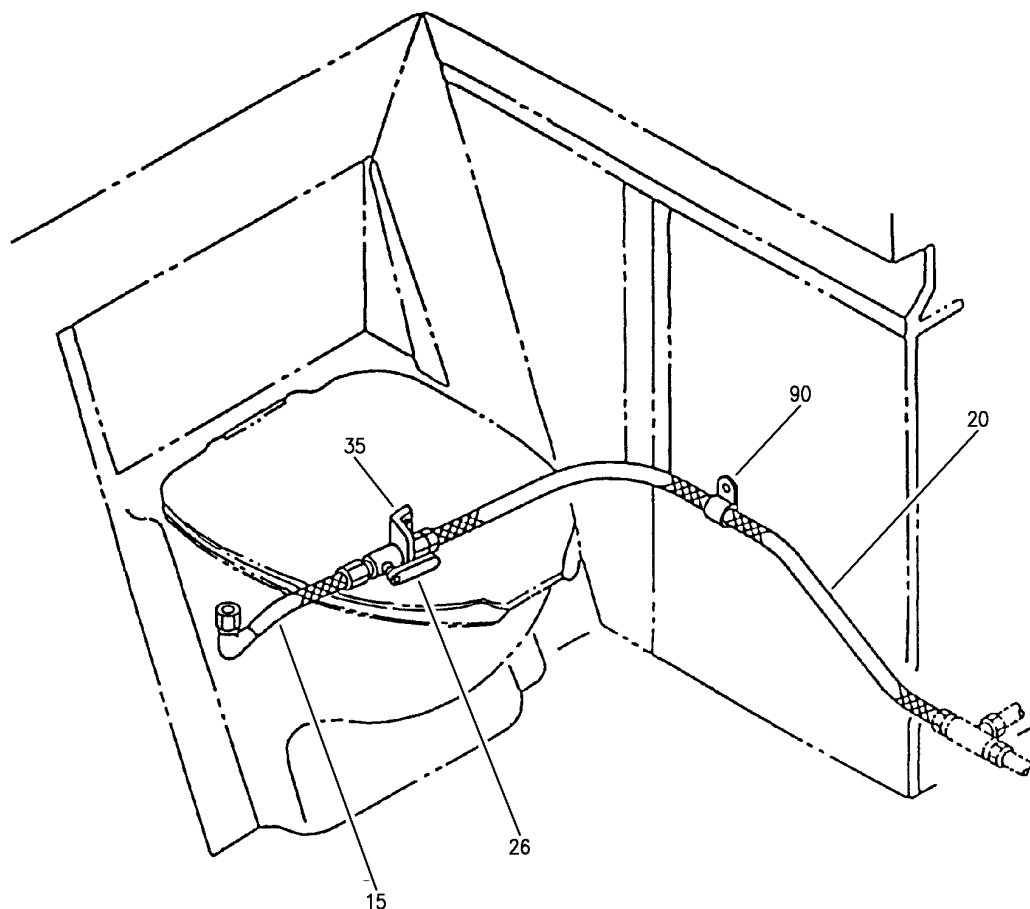
WATER SYSTEM INSTL-RINSE
FIGURE 12 (SHEET 2)

38-00-60-12

HXL
DEC 22/06

38-00-60-12
PAGE 0A

BOEING
767
PARTS CATALOG (MAINTENANCE)



(B)

V 38006012 SH1 3 REV 300

WATER SYSTEM INSTL-RINSE
FIGURE 12 (SHEET 3)

38-00-60-12

HXL
DEC 22/06

38-00-60-12
PAGE 0B



767

PARTS CATALOG (MAINTENANCE)

FIG ITEM	PART NUMBER	1 2 3 4 5 6 7	NOMENCLATURE	EFFECT FROM TO	UNITS PER ASSY
12					
- 10	BS066850-21		WATER SYSTEM INSTL-RINSE WATER SYSTEM INSTL-RINSE LAV M31 AND M32 SUPPLIER CODE: VS5065 FOR NHA SEE: 25-41-03-52		RF
15	78001-344		.HOSE-FLEXIBLE SUPPLIER CODE: V24984 SPECIFICATION NUMBER: 10-61998-344 OPTIONAL PART: A1650-344 V03925		1
20	A1650-23		.HOSE-FLEXIBLE SUPPLIER CODE: V98441 SPECIFICATION NUMBER: 10-61998-23 OPTIONAL PART: AE706493-23 V00624 78001-23 V24984 R29280-8-0264 V50599		1
24	8D168		.VALVE-SHUTOFF LAV MS1 AND MS2 M31 AND M32 A3 AND A4 SUPPLIER CODE: V82829 SPECIFICATION NUMBER: 10-61267-8 CONFIG CHG DATA FROM A CMM: SUPSD BY JMS2202-8-8		1
24	JMS2202-8-8		.VALVE-SHUTOFF LAV MS1 AND MS2 M31 AND M32 A3 AND A4 SUPPLIER CODE: VS5065 CONFIG CHG DATA FROM A CMM: SUPERSEDES 8D168 SUPSD BY J8LS		1

ILLUSTRATION ITEMS NOT ON PARTS LIST ARE NOT APPLICABLE

- ITEM NOT ILLUSTRATED

38-00-60-12

38-00-60
FIG. 12
PAGE 1
DEC 22/07

HXL



767

PARTS CATALOG (MAINTENANCE)

FIG ITEM	PART NUMBER	1 2 3 4 5 6 7	NOMENCLATURE	EFFECT FROM TO	UNITS PER ASSY
12					
24	J8LS		. VALVE-SHUTOFF LAV MS1 AND MS2 M31 AND M32 A3 AND A4 SUPPLIER CODE: VS5065 CONFIG CHG DATA FROM A CMM: SUPERSEDES JMS2202-8-8		1
- 30	AN924-8J		. NUT		1
35	BS066852-9		. BRACKET-LAV MS9 AND MS10 M31 AND M32 MS11 AND MS12 MS21 AND MS22 SUPPLIER CODE: VS5065 ATTACHING PARTS		1
- 40	MS51957-41		. SCREW-		2
- 45	AN960-8		. WASHER-		2
- 50	AN960KD1216		. WASHER- OPTIONAL PART: NAS1149D1290K		1
- 50	NAS1149D1290K		. WASHER- LAV A1, A2, FS9, MS3, AND MS4 LAV FS9, MS11, MS12, A3 AND A4 OPTIONAL PART: AN960KD1216		1
- 70	BS061805-5		-----*----- . WASHER- SUPPLIER CODE: VS5065		1
75	BACC10DK10		. CLAMP ATTACHING PARTS		2
- 80	MS27039C1-04		. SCREW- -----*-----		2

ILLUSTRATION ITEMS NOT ON PARTS LIST ARE NOT APPLICABLE

- ITEM NOT ILLUSTRATED

38-00-60-12

38-00-60
FIG. 12
PAGE 2
DEC 22/07

HXL



767

PARTS CATALOG (MAINTENANCE)

FIG ITEM	PART NUMBER	1 2 3 4 5 6 7 NOMENCLATURE	EFFECT FROM TO	UNITS PER ASSY
12 85	APX804J080806	. TEE SUPPLIER CODE: V01673 SPECIFICATION NUMBER: BACT16AX080806J OPTIONAL PART: APX804-080806J V01673 DBOT16AX080806J V14798 ER804-080806J V50948 FER1551-080806J V14397 NAF1844-080806J V52930 US1929-080806J V50808 ER804-080806J V88334 LER804A080806J V11328 AFP329-080806J V30974		1

ILLUSTRATION ITEMS NOT ON PARTS LIST ARE NOT APPLICABLE

- ITEM NOT ILLUSTRATED

HXL

38-00-60-12

BOEING PROPRIETARY - Copyright © - Unpublished Work - See title page for details.

38-00-60
 FIG. 12
 PAGE 3
 DEC 22/07