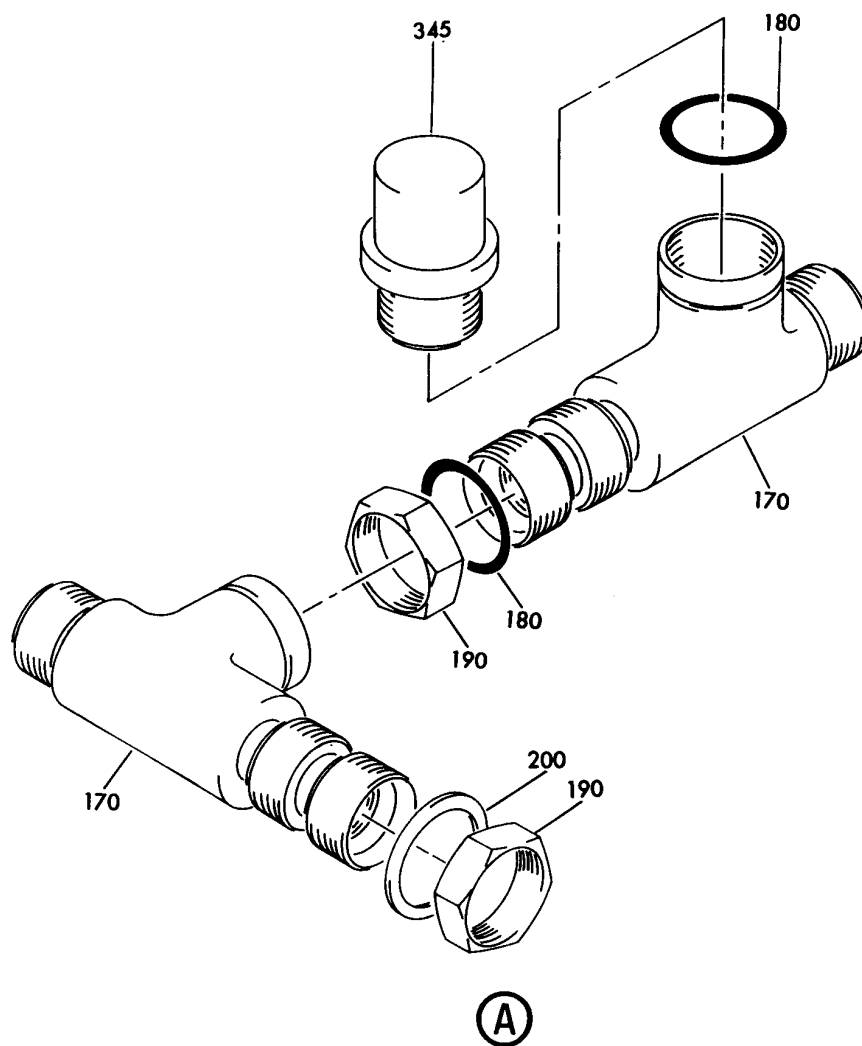


WATER TANK PRESSURIZATION

HXL
DEC 22/06

38-15-00
SECTION TITLE
PAGE 1

BOEING
767
PARTS CATALOG (MAINTENANCE)



V 38150104 SHT 2 REV 123

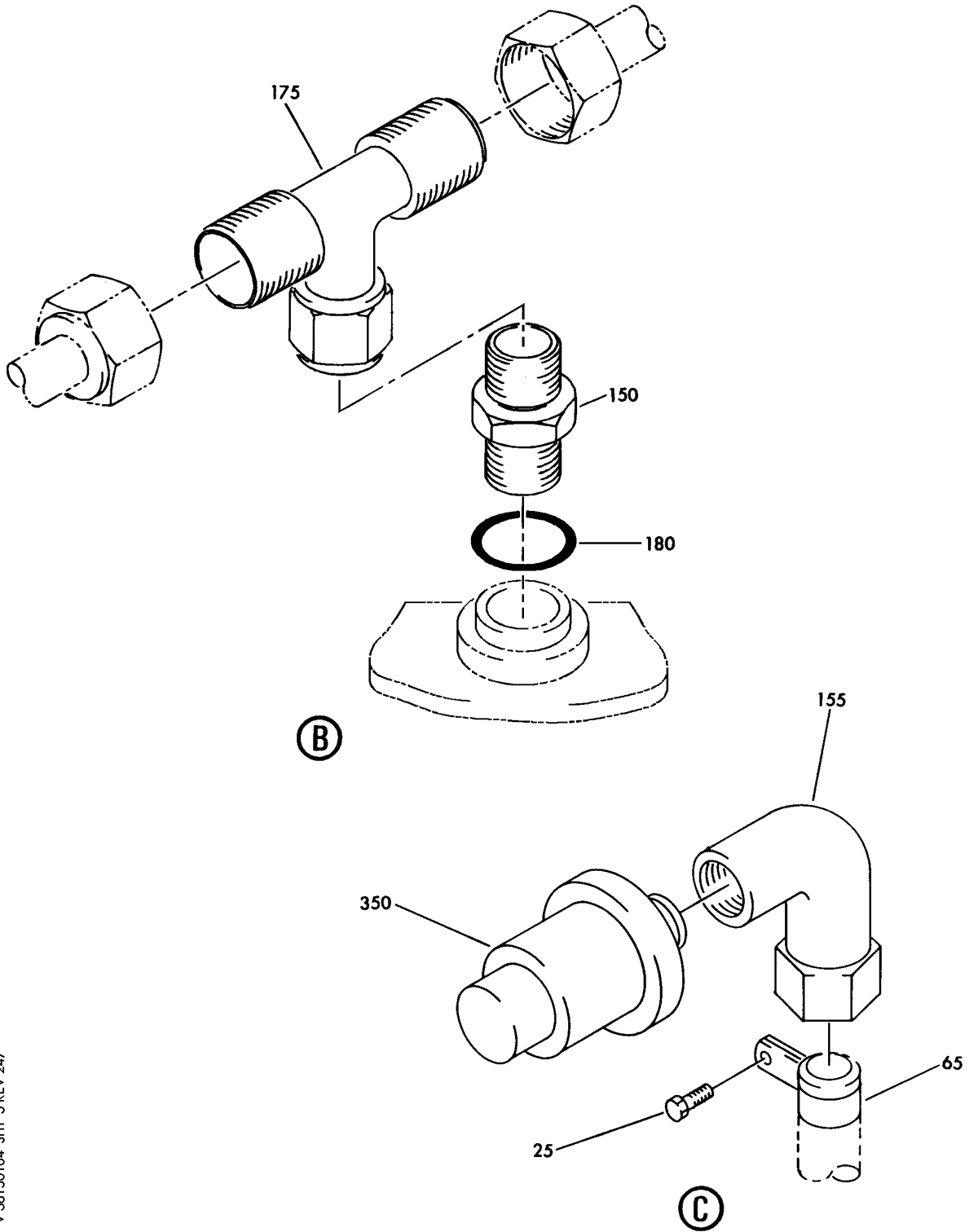
PRESSURIZATION INSTL-POTABLE WATER SYS (WATER/ WASTE ONLY)
FIGURE 4 (SHEET 2)

38-15-01-04

HXL
DEC 22/06

38-15-01-04
PAGE 0A

BOEING
767
PARTS CATALOG (MAINTENANCE)



V 38150104 SHT 3 REV 247

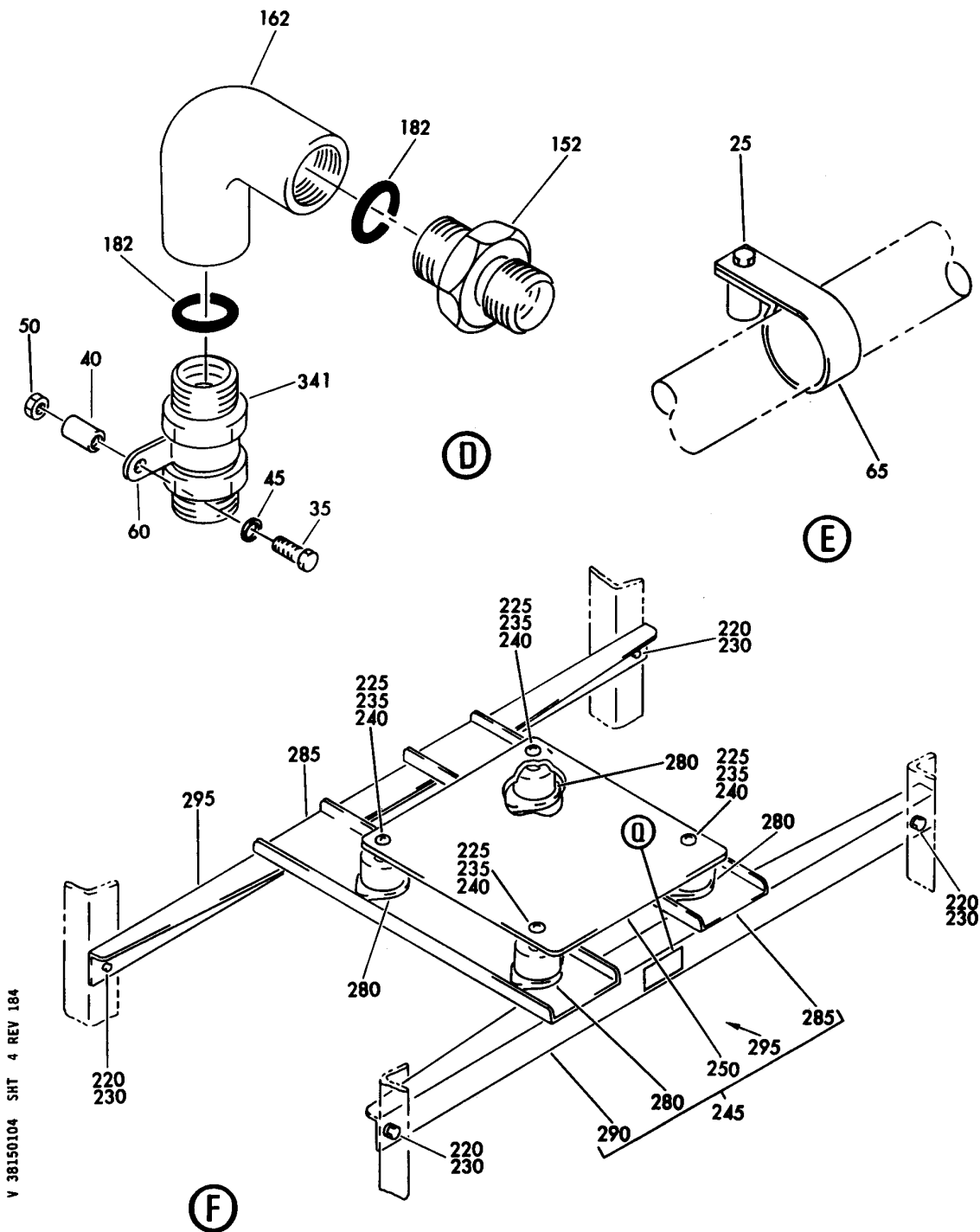
PRESSURIZATION INSTL-POTABLE WATER SYS (WATER/ WASTE ONLY)
FIGURE 4 (SHEET 3)

38-15-01-04

HXL
DEC 22/06

38-15-01-04
PAGE 0B

BOEING
767
PARTS CATALOG (MAINTENANCE)



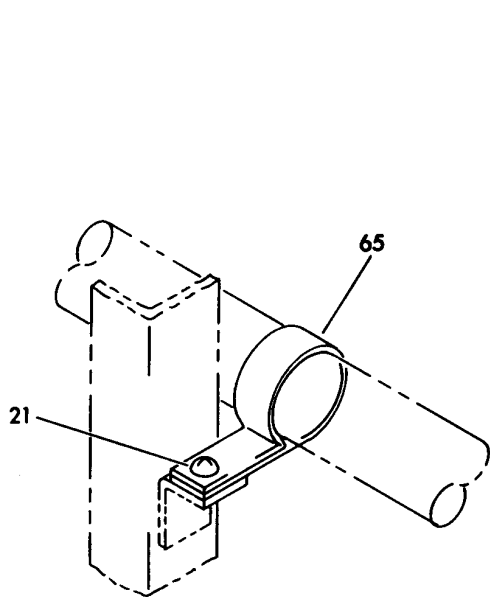
PRESSURIZATION INSTL-POTABLE WATER SYS (WATER/ WASTE ONLY)
FIGURE 4 (SHEET 4)

38-15-01-04

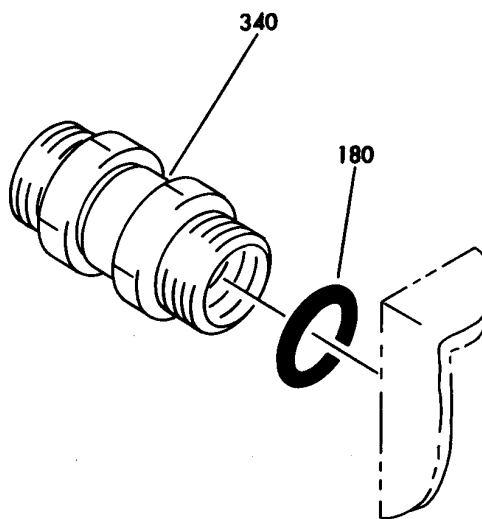
HXL
DEC 22/06

38-15-01-04
PAGE 0C

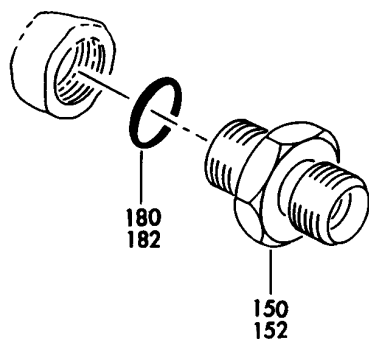
BOEING
767
PARTS CATALOG (MAINTENANCE)



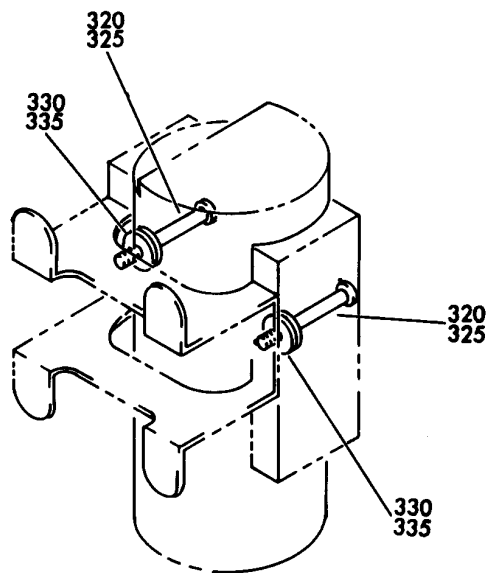
(G)



(H)



(K)



(J)

V 38150104 SHT 5 REV 184

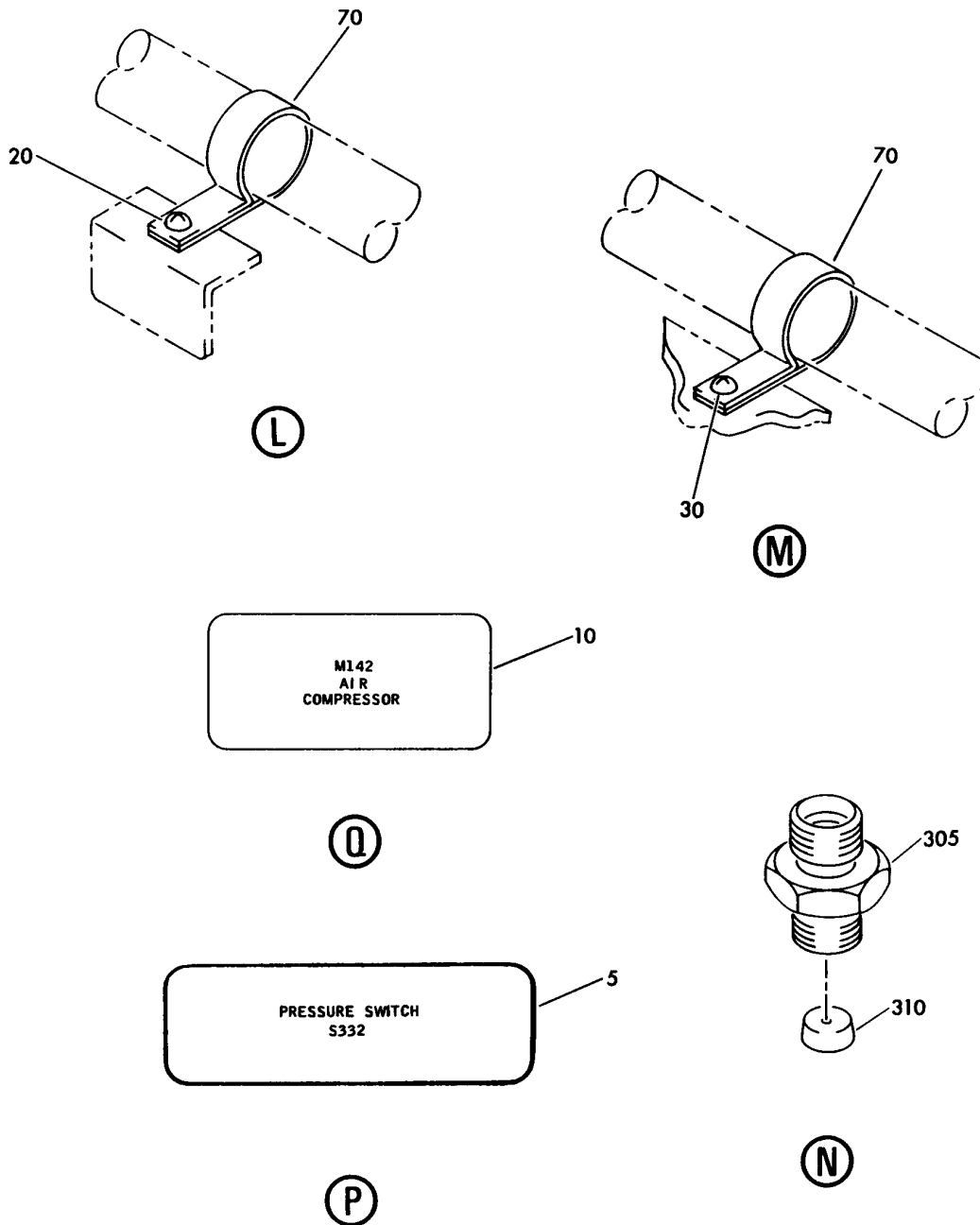
PRESSURIZATION INSTL-POTABLE WATER SYS (WATER/ WASTE ONLY)
FIGURE 4 (SHEET 5)

38-15-01-04

HXL
DEC 22/06

38-15-01-04
PAGE 0D

BOEING
767
PARTS CATALOG (MAINTENANCE)



V 38150104 SHT 6 REV 123

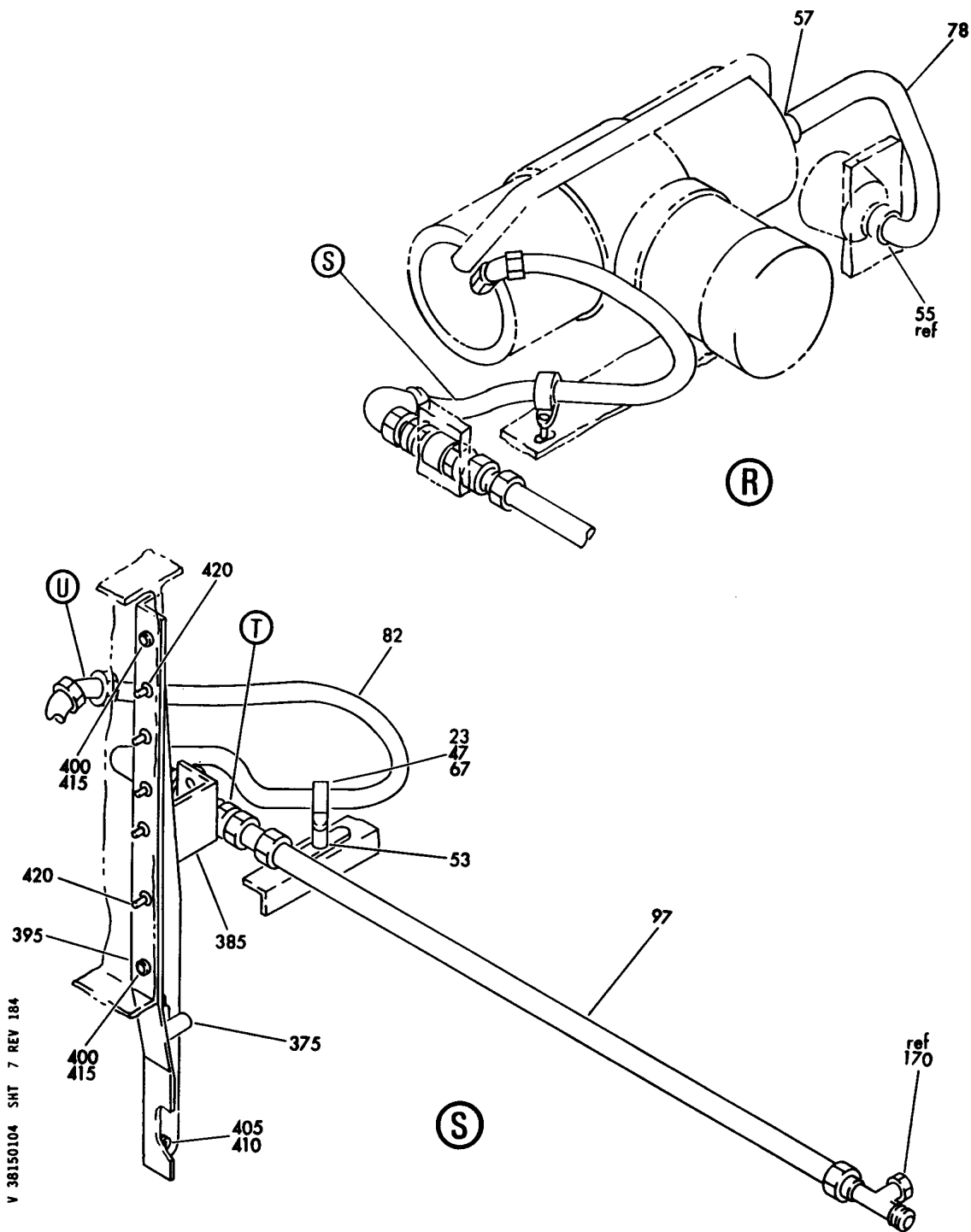
PRESSURIZATION INSTL-POTABLE WATER SYS (WATER/ WASTE ONLY)
FIGURE 4 (SHEET 6)

38-15-01-04

HXL
DEC 22/06

38-15-01-04
PAGE 0E

BOEING
767
PARTS CATALOG (MAINTENANCE)



V 38150104 SHT 7 REV 184

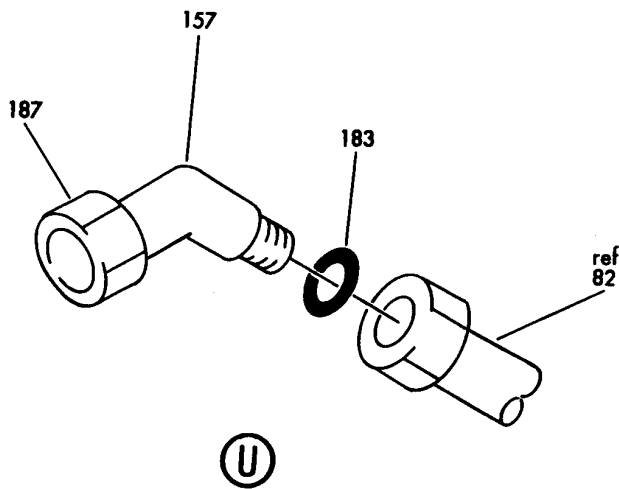
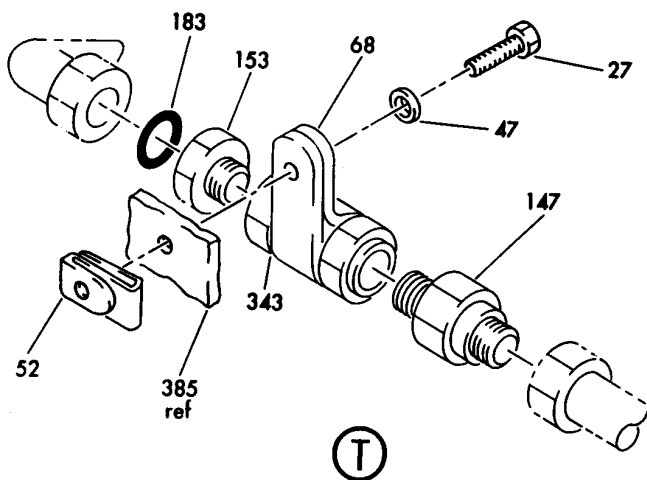
PRESSURIZATION INSTL-POTABLE WATER SYS (WATER/ WASTE ONLY)
FIGURE 4 (SHEET 7)

38-15-01-04

HXL
DEC 22/06

38-15-01-04
PAGE OF

BOEING
767
PARTS CATALOG (MAINTENANCE)



V 38150104 SHT 8 REV 184

PRESSURIZATION INSTL-POTABLE WATER SYS (WATER/ WASTE ONLY)
FIGURE 4 (SHEET 8)

38-15-01-04

HXL
DEC 22/06

38-15-01-04
PAGE 06



767

PARTS CATALOG (MAINTENANCE)

FIG ITEM	PART NUMBER	1 2 3 4 5 6 7	NOMENCLATURE	EFFECT FROM TO	UNITS PER ASSY
4			PRESSURIZATION INSTL- POTABLE WATER SYS (WATER/ WASTE ONLY)		
- 1	417T2037-371		PRESSURIZATION INSTL- POTABLE WATER SYS (WATER/ WASTE ONLY) FOR NHA SEE: 25-20-00-17E		RF
5	BAC27TPPS1369		.MARKER-ALUMINUM FOIL- PLACARD CONTENT: PRESSURE SWITCH S332		1
10	BAC27TPPS1370		.MARKER-ALUMINUM FOIL- PLACARD CONTENT: M142-AIR COMPRESSOR		1
15	BACT11SA9S		.TAPE-IDENTIFICATION		AR
20	NAS1801-3-8		.SCREW		AR
21	NAS1801-3-8		.SCREW-		AR
25	NAS1801-3-10		.SCREW-		AR
30	NAS1801-3-12		.SCREW		AR
35	NAS1801-3-14		.SCREW-		AR
40	NAS43DD3-32N		.SPACER-		AR
45	AN960JD10LL		.WASHER-		AR
45	AN960PD10LL		.WASHER-		AR
45	AN960KD10LL		.WASHER-		AR
50	MS21042L3		.NUT-		AR
55	NAS1922-0100-3		.CLAMP-		1
60	JM44LC13WS23R		.CLAMP- SUPPLIER CODE: V22175 SPECIFICATION NUMBER: BACC10GE23 OPTIONAL PART: TA12C32WS23 V84971 509S23 V83930 S714WH23 V18076		1
65	BACC10DK6		.CLAMP-		2

ILLUSTRATION ITEMS NOT ON PARTS LIST ARE NOT APPLICABLE

- ITEM NOT ILLUSTRATED

HXL

38-15-01-04

BOEING PROPRIETARY - Copyright © - Unpublished Work - See title page for details.

38-15-01
FIG. 04
PAGE 1
DEC 22/07



767

PARTS CATALOG (MAINTENANCE)

FIG ITEM	PART NUMBER	1 2 3 4 5 6 7	NOMENCLATURE	EFFECT FROM TO	UNITS PER ASSY
4					
70	S500-6		.CLAMP SUPPLIER CODE: V18076 SPECIFICATION NUMBER: BACC10HS06 OPTIONAL PART: 490-06RPB V83930 025029-06 V84971 44LC17H6PB V22175		2
75	69-27191-509		.HOSE-		1
80	A1600-19		.HOSE ASSY- SUPPLIER CODE: V98441 SPECIFICATION NUMBER: 60B50403-19 OPTIONAL PART: 73035-19 V24984		1
85	R29280-6-0096		.HOSE ASSY- SUPPLIER CODE: V50599 SPECIFICATION NUMBER: 10-61998-366 OPTIONAL PART: A1650-366 V03925		1
90	417T2037-114		.TUBE ASSY		1
95	417T2037-340		.TUBE ASSY		1
100	417T2037-365		.TUBE ASSY-		1
105	417T2037-106		.TUBE ASSY		1
110	417T2037-353		.TUBE ASSY-		1
115	417T2037-335		.TUBE ASSY-		1
- 120	AP2097H06		..SLEEVE SUPPLIER CODE: V01673 SPECIFICATION NUMBER: BACS13BX06H OPTIONAL PART: 2-02903-06H V11328 35235V06 V08199 AFP175V06 V30974 DB0S13BX06H V14798		2

ILLUSTRATION ITEMS NOT ON PARTS LIST ARE NOT APPLICABLE

- ITEM NOT ILLUSTRATED

38-15-01-04

38-15-01
FIG. 04
PAGE 2
DEC 22/07

HXL



767

PARTS CATALOG (MAINTENANCE)

FIG ITEM	PART NUMBER	1 2 3 4 5 6 7	NOMENCLATURE	EFFECT FROM TO	UNITS PER ASSY
4					
- 125	MS21921-6J	..	NUT		2
130	417T2037-362	.TUBE	ASSY		1
- 135	AP2097H06	..	SLEEVE		1
			SUPPLIER CODE: V01673		
			SPECIFICATION NUMBER: BACS13BX06H		
			OPTIONAL PART: 2-02903-06H		
			V11328		
			35235V06		
			V08199		
			AFP175V06		
			V30974		
			DBOS13BX06H		
			V14798		
- 140	MS21921-6J	..	NUT		1
- 145	35056V06	..	UNION		1
			SUPPLIER CODE: V08199		
			SPECIFICATION NUMBER: BACU24AB6H		
			OPTIONAL PART: 2-01027-6H		
			V11328		
			31875-6H		
			V14397		
			4671097H6		
			V50948		
			AP1004H06		
			V01673		
			AFP941H6		
			V30974		
			DBOU24AB6H		
			V14798		
150	MS21902J6	.UNION			1
152	MS21902J6	.UNION-			4
155	NAS1762J0606	.ELBOW			2
160	AN939J6	.ELBOW			1
162	AN939J6	.ELBOW-			1
165	69B55695-2	.ADAPTER-			1
170	MS21910J6	.TEE			2
175	NAS1764J060606	.TEE			1
180	MS28778-6	.PACKING			5
182	MS28778-6	.PACKING-			4
185	AN924-8D	.NUT-			1
190	AN924-6J	.NUT			2
195	BACW10P194L	.WASHER-			1
200	AN960JD916	.WASHER-			1

ILLUSTRATION ITEMS NOT ON PARTS LIST ARE NOT APPLICABLE

- ITEM NOT ILLUSTRATED

38-15-01-04

38-15-01
FIG. 04
PAGE 3
DEC 22/07

HXL



767

PARTS CATALOG (MAINTENANCE)

FIG ITEM	PART NUMBER	1 2 3 4 5 6 7	NOMENCLATURE	EFFECT FROM TO	UNITS PER ASSY
4					
200	AN960PD916	.	WASHER-		1
200	AN960KD916	.	WASHER-		1
205	417T2068-20	.	BRACKET		1
			ATTACHING PARTS		
- 210	NAS6603P2	.	BOLT		2
- 215	AN960JD10LL	.	WASHER		2
			-----*-----		
220	BACB3ONE3-2	.	BOLT-HEX HEAD		4
225	BACB3ONE4-8	.	BOLT-HEX HEAD		4
230	AN960JD10LL	.	WASHER-		4
230	AN960PD10LL	.	WASHER-		4
230	AN960KD10LL	.	WASHER-		4
235	AN960JD416	.	WASHER-		4
235	AN960PD416	.	WASHER-		4
235	AN960KD416	.	WASHER-		4
240	MS21042L3	.	NUT		4
245	417T2050-2	.	SUPPORT ASSY-CPRSR		1
250	417T2048-7	..	PLATE		1
			ATTACHING PARTS		
- 255	NAS1801-08-8	..	SCREW		4
- 260	AN960PD8L	..	WASHER-		4
- 260	AN960JD8L	..	WASHER-		4
- 260	AN960KD8L	..	WASHER-		4
- 265	NAS1801-08-8	..	SCREW		8
- 270	AN960PD8L	..	WASHER-		8
- 270	AN960JD8L	..	WASHER-		8
- 270	AN960KD8L	..	WASHER-		8
- 275	BRH10A08	..	NUT		8
			SUPPLIER CODE:		
			V52828		
			SPECIFICATION NUMBER:		
			BACN10JCO8		
			OPTIONAL PART:		
			H10-08BAC		
			V15653		
			NS202101-82		
			V80539		
			RMLH9075-82W		
			V72962		
			VN303A82		
			V92215		
			96-82		
			V80539		
			T6S832J		
			V11815		
			-----*-----		
280	T22AB5	..	SHOCKMOUNT-		4
			SUPPLIER CODE:		
			V13636		
			ILLUSTRATION ITEMS NOT ON PARTS LIST ARE NOT APPLICABLE		

- ITEM NOT ILLUSTRATED

38-15-01-04

38-15-01
FIG. 04
PAGE 4
DEC 22/07

HXL



767

PARTS CATALOG (MAINTENANCE)

FIG ITEM	PART NUMBER	1 2 3 4 5 6 7	NOMENCLATURE	EFFECT FROM TO	UNITS PER ASSY
4					
285	417T2049-1	..	BRACKET		2
290	417T2048-8	..	BRACKET ASSY		1
295	417T2048-27	..	BRACKET ASSY		1
300	417T2060-1	.	RESTRICTOR ASSY		1
305	MS21902-6S	..	UNION		1
310	417T2060-2	..	ORIFICE		1
315	7585982	.	FILTER ASSY-AIR SUPPLIER CODE: V05228 FOR DETAILS SEE: 38-15-02-01		1
316	7585982	.	FILTER ASSY-AIR SUPPLIER CODE: V05228 FOR DETAILS SEE: 38-15-02-01 ATTACHING PARTS		1
320	NAS1801-4-34	.	BOLT		2
325	NAS1801-4-40	.	SCREW		1
330	AN960JD416	.	WASHER-		2
330	AN960PD416	.	WASHER-		2
330	AN960KD416	.	WASHER-		2
335	NAS43DD4-40	.	SPACER		1
			-----*-----		
340	Z00CV00-4	.	VALVE-CHECK SUPPLIER CODE: V91816 MISCELLANEOUS DATA: APU BLEED AIR CHECK VALVE POTABLE WATER SYSTEM		1
341	Z00CV00-4	.	VALVE-CHECK SUPPLIER CODE: V91816 MISCELLANEOUS DATA: APU BLEED AIR CHECK VALVE POTABLE WATER SYSTEM		1
345	D524TP6D60	.	VALVE-RELIEF SUPPLIER CODE: V91816 PRE ALERT SB: 38A0051		1
345	RV05-362	.	VALVE-RELIEF SUPPLIER CODE: V91816 POST ALERT SB: 38A0051		1
ILLUSTRATION ITEMS NOT ON PARTS LIST ARE NOT APPLICABLE					

- ITEM NOT ILLUSTRATED

38-15-01-04

38-15-01
FIG. 04
PAGE 5
DEC 22/07

HXL



767

PARTS CATALOG (MAINTENANCE)

FIG ITEM	PART NUMBER	1 2 3 4 5 6 7	NOMENCLATURE	EFFECT FROM TO	UNITS PER ASSY
4 350	1G390		.SWITCH-PRESSURE POTABLE WATER SYSTEM SUPPLIER CODE: V09049 SPECIFICATION NUMBER: 60B50024-3 ELECTRICAL EQUIP NUMBER: S00332		1
350	1G409		.SWITCH-PRESSURE SUPPLIER CODE: V09049 SPECIFICATION NUMBER: 10-62205-4 ELECTRICAL EQUIP NUMBER: S00332		1
350	1G376		.SWITCH-PRESSURE SUPPLIER CODE: V09049 SPECIFICATION NUMBER: 60B50024-2 ELECTRICAL EQUIP NUMBER: S00332		1
355	28823-1		.COMPRESSOR ASSY-POTABLE WATER SYS AIR SUPPLIER CODE: V07649 SPECIFICATION NUMBER: 60B50012-6 MISCELLANEOUS DATA: 28823-1 R/B 28823-7 IN- CORPORATE:BOEING SERVICE BULLETIN 767-38-0030 PLUS DWG 417T2037 GN 4 28823-1 R/B 28823-5 IN- CORPORATE:BOEING SERVICE BULLETIN 767-38-0030 ELECTRICAL EQUIP NUMBER: M00142 COMPONENT MAINT MANUAL REF: 38-15-11 FOR DETAILS SEE: 38-15-01-51		1
355	28823-5		.COMPRESSOR ASSY-POTABLE WATER SYS AIR SUPPLIER CODE: V07649 SPECIFICATION NUMBER: 60B50012-8 MISCELLANEOUS DATA:		1

ILLUSTRATION ITEMS NOT ON PARTS LIST ARE NOT APPLICABLE

- ITEM NOT ILLUSTRATED

38-15-01-04

38-15-01
FIG. 04
PAGE 6
DEC 22/07

HXL



767

PARTS CATALOG (MAINTENANCE)

FIG ITEM	PART NUMBER	1 2 3 4 5 6 7 NOMENCLATURE	EFFECT FROM TO	UNITS PER ASSY
4 355		<p>28823-1 R/B 28823-7 INCORPORATE:BOEING SERVICE BULLETIN 767-38-0030 PLUS DWG 417T2037 GN 4 28823-1 R/B 28823-5 INCORPORATE:BOEING SERVICE BULLETIN 767-38-0030 ELECTRICAL EQUIP NUMBER: M00142 COMPONENT MAINT MANUAL REF: 38-15-11 QUALIFIED I/W DATA: 417N2601-16 OR 28823-7 (60B50012-9) COMPRESSOR MAY REPLACE 28823-5 (60B50012-8) COMPRESSOR BY REMOVING THE NAS1801-08-8 SCREWS AND AN960PD8L WASHERS FROM THE 417T2040-7 MOUNTING PLATE. REMOVE THE 76367 INLET FILTER, 69B55695-2 ADAPTER, BACW10P19L WASHERS, 69-27191-509 HOSE AND NAS1922-0100-3 CLAMPS AND DISCARD. INSTALL THE 417N2601-16 OR 28823-7 (60B50012-9) USING BACS12GU08K16 SCREWS AND NAS1149DN832J WASHERS BEING SURE TO APPLY RETAINING COMPOUND MEETING MIL-R-46082, MIL-S-22473 AND MIL-S-46163 PER BAC5011.THE 28823-5 (60B50012-8) COMPRESSOR MAY REPLACE 417N2601-16 OR 28823-7 (60B50012-9) COMPRESSOR BY REPLACING THE COMPRESSOR MOUNTING SCREWS WITH BACS12GU08K12 SCREWS AND NAS1149DN816J WASHERS. INSTALL THE 28823-5 (60B50012-8) USING BACB30NE4-8 BOLTS, AN960JD416 WASHERS AND</p>		

ILLUSTRATION ITEMS NOT ON PARTS LIST ARE NOT APPLICABLE

- ITEM NOT ILLUSTRATED

38-15-01-04

38-15-01
 FIG. 04
 PAGE 7
 DEC 22/07

HXL



767

PARTS CATALOG (MAINTENANCE)

FIG ITEM	PART NUMBER	1 2 3 4 5 6 7	NOMENCLATURE	EFFECT FROM TO	UNITS PER ASSY
4 355			MS21042L3 NUTS. REMOVE THE 44367 INLET FILTER FROM THE 417N2601-16 OR 28823-7 (60B50012-9) AND INSTALL ON THE 28823-5 (60B50012-8) USING A NEW O-RING. FOR DETAILS SEE: 38-15-01-51		
425	76367	.	FILTER ASSY- SUPPLIER CODE: V55799		1
430	79030	..	CARTRIDGE- SUPPLIER CODE: V55799		1
ILLUSTRATION ITEMS NOT ON PARTS LIST ARE NOT APPLICABLE					

- ITEM NOT ILLUSTRATED

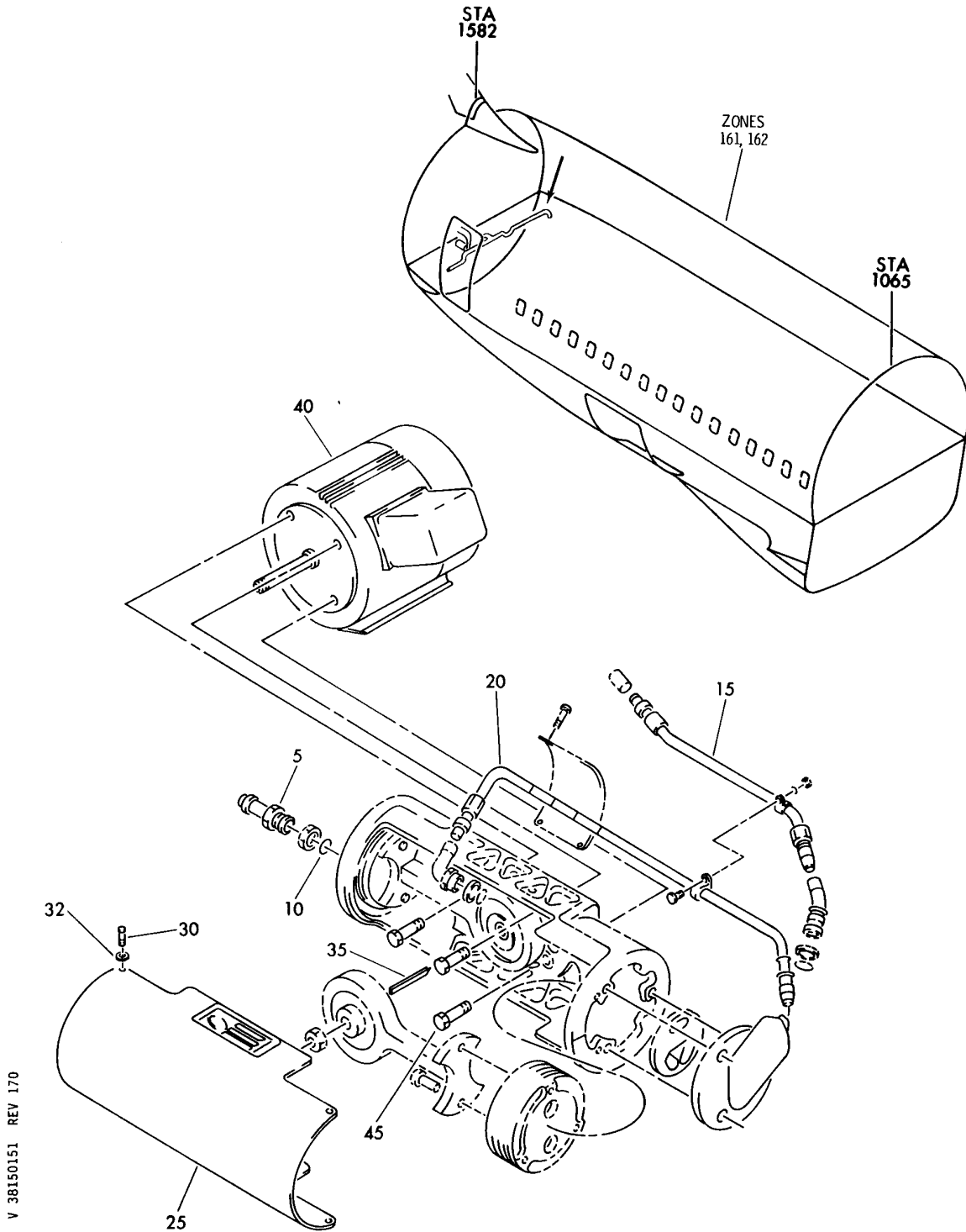
HXL

38-15-01-04

BOEING PROPRIETARY - Copyright © - Unpublished Work - See title page for details.

38-15-01
FIG. 04
PAGE 8
DEC 22/07

BOEING
767
PARTS CATALOG (MAINTENANCE)



V 38150151 REV 170

COMPRESSOR ASSY-POTABLE WATER SYS AIR
FIGURE 51

38-15-01-51

HXL
DEC 22/06

38-15-01-51
PAGE 0



767

PARTS CATALOG (MAINTENANCE)

FIG ITEM	PART NUMBER	1 2 3 4 5 6 7	NOMENCLATURE	EFFECT FROM TO	UNITS PER ASSY
51					
- 1	28823-1		COMPRESSOR ASSY-POTABLE WATER SYS AIR COMPRESSOR ASSY-POTABLE WATER SYS AIR SUPPLIER CODE: V07649 SPECIFICATION NUMBER: 60B50012-6 MISCELLANEOUS DATA: 28823-1 R/B 28823-7 IN- CORPORATE:BOEING SERVICE BULLETIN 767-38-0030 PLUS DWG 417T2037 GN 4 28823-1 R/B 28823-5 IN- CORPORATE:BOEING SERVICE BULLETIN 767-38-0030 ELECTRICAL EQUIP NUMBER: M00142 COMPONENT MAINT MANUAL REF: 38-15-11 FOR NHA SEE: 38-15-01-04		RF
- 1	28823-5		COMPRESSOR ASSY-POTABLE WATER SYS AIR SUPPLIER CODE: V07649 SPECIFICATION NUMBER: 60B50012-8 MISCELLANEOUS DATA: 28823-1 R/B 28823-7 INCORPORATE:BOEING SERVICE BULLETIN 767-38- 0030 PLUS DWG 417T2037 GN 4 28823-1 R/B 28823-5 INCORPORATE:BOEING SERVICE BULLETIN 767-38- 0030 ELECTRICAL EQUIP NUMBER: M00142 COMPONENT MAINT MANUAL REF: 38-15-11 QUALIFIED I/W DATA: 417N2601-16 OR 28823-7 (60B50012-9) COMPRESSOR MAY REPLACE 28823-5 (60B50012-8) COMPRESSOR BY REMOVING THE NAS1801-08-8 SCREWS AND AN960PD8L WASHERS FROM		RF
ILLUSTRATION ITEMS NOT ON PARTS LIST ARE NOT APPLICABLE					

- ITEM NOT ILLUSTRATED

38-15-01-51

38-15-01
FIG. 51
PAGE 1
DEC 22/07

HXL



767

PARTS CATALOG (MAINTENANCE)

FIG ITEM	PART NUMBER	1 2 3 4 5 6 7	NOMENCLATURE	EFFECT FROM TO	UNITS PER ASSY
51 1			<p>THE 417T2040-7 MOUNTING PLATE. REMOVE THE 76367 INLET FILTER, 69B55695-2 ADAPTER, BACW10P19L WASHERS, 69-27191-509 HOSE AND NAS1922-0100-3 CLAMPS AND DISCARD. INSTALL THE 417N2601-16 OR 28823-7 (60B50012-9) USING BACS12GU08K16 SCREWS AND NAS1149DN832J WASHERS BEING SURE TO APPLY RETAINING COMPOUND MEETING MIL-R-46082, MIL-S-22473 AND MIL-S-46163 PER BAC5011. THE 28823-5 (60B50012-8) COMPRESSOR MAY REPLACE 417N2601-16 OR 28823-7 (60B50012-9) COMPRESSOR BY REPLACING THE COMPRESSOR MOUNTING SCREWS WITH BACS12GU08K12 SCREWS AND NAS1149DN816J WASHERS. INSTALL THE 28823-5 (60B50012-8) USING BACB30NE4-8 BOLTS, AN960JD416 WASHERS AND MS21042L3 NUTS. REMOVE THE 44367 INLET FILTER FROM THE 417N2601-16 OR 28823-7 (60B50012-9) AND INSTALL ON THE 28823-5 (60B50012-8) USING A NEW O-RING.</p> <p>FOR NHA SEE: 38-15-01-04</p> <p>. FITTING-HOSE END ALUMINUM . PACKING-</p> <p>SUPPLIER CODE: V95272</p>		
5 10	AN841-8D 150701-8				1 1

ILLUSTRATION ITEMS NOT ON PARTS LIST ARE NOT APPLICABLE

- ITEM NOT ILLUSTRATED

38-15-01-51

38-15-01
FIG. 51
PAGE 2
DEC 22/07

HXL



767

PARTS CATALOG (MAINTENANCE)

FIG ITEM	PART NUMBER	1 2 3 4 5 6 7	NOMENCLATURE	EFFECT FROM TO	UNITS PER ASSY
51					
15	40089		.TUBE ASSY-OUTPUT SUPPLIER CODE: V07649 OPTIONAL PART: 40748 V07649 43057 V07649		1
15	40748		.TUBE ASSY-OUTPUT SUPPLIER CODE: V07649 OPTIONAL PART: 40089 V07649 43057 V07649		1
15	43057		.TUBE ASSY-OUTPUT SUPPLIER CODE: V07649 OPTIONAL PART: 40089 V07649 40748 V07649		1
20	40088		.MANIFOLD ASSY-CROSSOVER SUPPLIER CODE: V07649 OPTIONAL PART: 40749 V07649 43920 V07649		1
20	40749		.MANIFOLD ASSY-CROSSOVER SUPPLIER CODE: V07649 OPTIONAL PART: 40088 V07649 43920 V07649		1
20	43920		.MANIFOLD ASSY-CROSSOVER SUPPLIER CODE: V07649 OPTIONAL PART: 40088 V07649 40749 V07649		1

ILLUSTRATION ITEMS NOT ON PARTS LIST ARE NOT APPLICABLE

- ITEM NOT ILLUSTRATED

HXL

38-15-01-51

BOEING PROPRIETARY - Copyright © - Unpublished Work - See title page for details.

38-15-01
FIG. 51
PAGE 3
DEC 22/07



767

PARTS CATALOG (MAINTENANCE)

FIG ITEM	PART NUMBER	1 2 3 4 5 6 7	NOMENCLATURE	EFFECT FROM TO	UNITS PER ASSY
51					
25	31070		.COVER- SUPPLIER CODE: V07649		1
30	30214		ATTACHING PARTS .SCREW-FIL HD 6-32 X 1-4 SUPPLIER CODE: V07649		8
32	30222		.WASHER-FLAT NO. 6 SUPPLIER CODE: V07649		8
35	41875		-----*----- .KEY-.186 IN. X 1.75 IN. SUPPLIER CODE: V07649		1
40	443MC45A		.MOTOR- SUPPLIER CODE: V00462		1
			OPTIONAL PART: 5019D100-1 V72121 G033CN469 V95270		
40	5019D100-1		.MOTOR- SUPPLIER CODE: V72121		1
			OPTIONAL PART: 443MC45A V00462 G033CN469 V95270		
40	G033CN469		.MOTOR- SUPPLIER CODE: V95270		1
			OPTIONAL PART: 443MC45A V00462 5019D100-1 V72121		
45	30211		.SCREW-HEX HD 5-16-24 X 3-4 SUPPLIER CODE: V07649		4

ILLUSTRATION ITEMS NOT ON PARTS LIST ARE NOT APPLICABLE

- ITEM NOT ILLUSTRATED

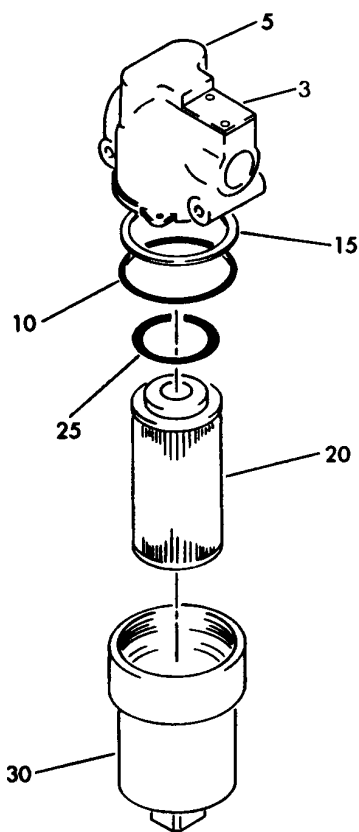
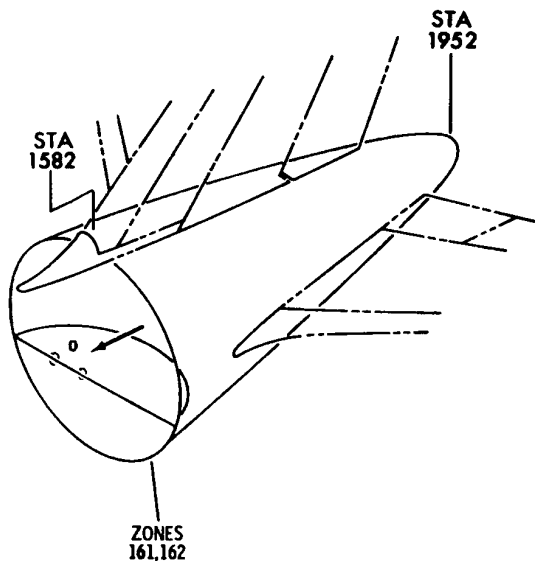
HXL

38-15-01-51

BOEING PROPRIETARY - Copyright © - Unpublished Work - See title page for details.

38-15-01
FIG. 51
PAGE 4
DEC 22/07

BOEING
767
PARTS CATALOG (MAINTENANCE)



V 38150201 REV 202

FILTER ASSY-AIR
FIGURE 1

38-15-02-01

HXL
DEC 22/06

38-15-02-01
PAGE 0



767

PARTS CATALOG (MAINTENANCE)

FIG ITEM	PART NUMBER	1 2 3 4 5 6 7	NOMENCLATURE	EFFECT FROM TO	UNITS PER ASSY
1					
- 1	7585982		FILTER ASSY-AIR FILTER ASSY-AIR SUPPLIER CODE: V05228 FOR NHA SEE: 38-15-01-04		RF
3	7586011		.NAMEPLATE- SUPPLIER CODE: V05228		1
- 4	30743		ATTACHING PARTS .SCREW- SUPPLIER CODE: V05228		2
5	7581598		-----*----- .HEAD- SUPPLIER CODE: V05228		1
10	7582481		.PACKING- SUPPLIER CODE: V05228		1
15	32152		.RING-RTNR SUPPLIER CODE: V05228		1
20	7586010		.ELEMENT- SUPPLIER CODE: V05228 FOR ELEMENT MAINTENANCE USE FILTER MAINT KIT DEFINED IN FILTER MAINT KIT LIST. FILTER MAINTENANCE KIT REF: 654T0035-7		1
25	7582480		..PACKING- SUPPLIER CODE: V05228		1
30	30053-3		.CASE- SUPPLIER CODE: V05228		1

ILLUSTRATION ITEMS NOT ON PARTS LIST ARE NOT APPLICABLE

- ITEM NOT ILLUSTRATED

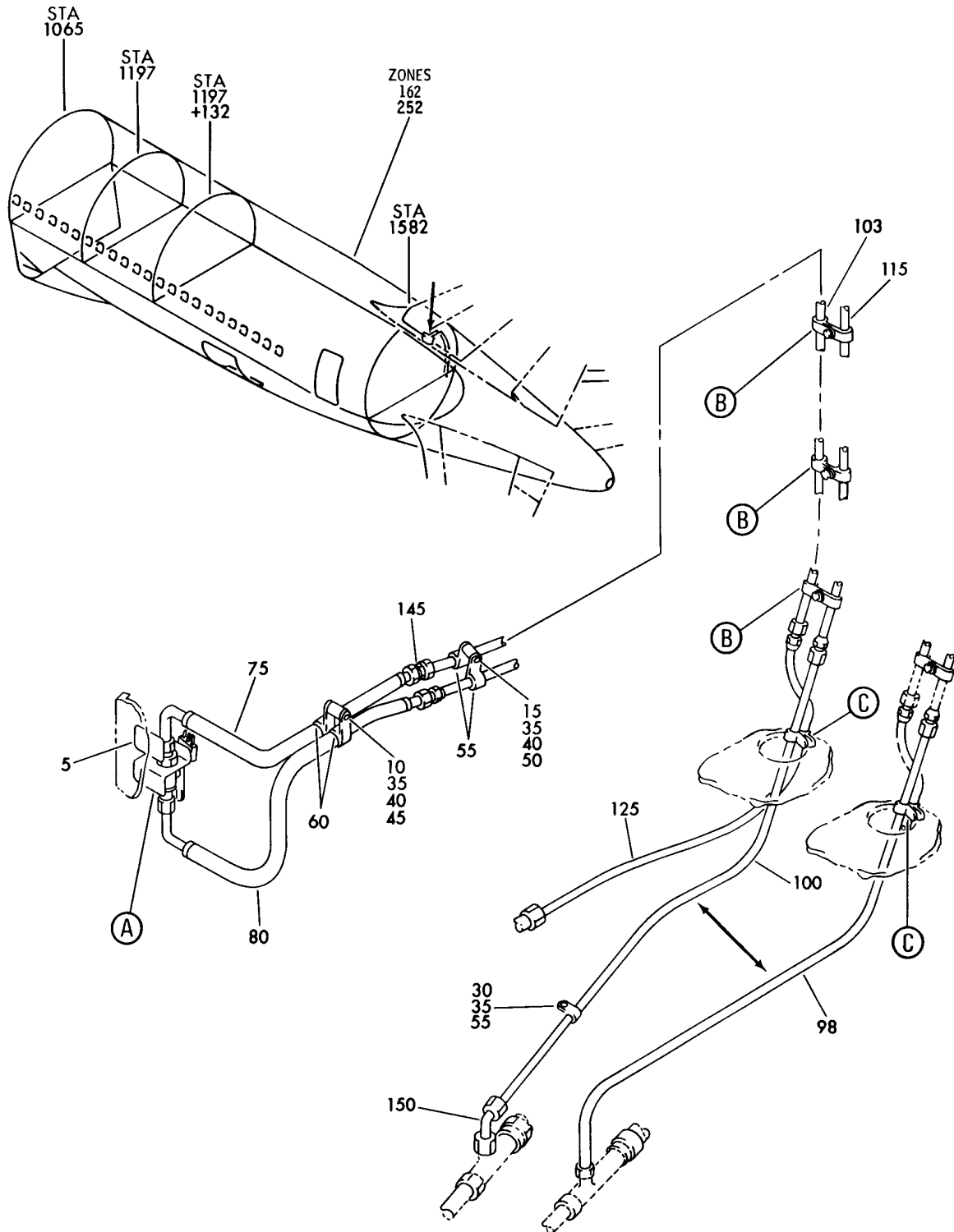
HXL

38-15-02-01

BOEING PROPRIETARY - Copyright © - Unpublished Work - See title page for details.

38-15-02
FIG. 01
PAGE 1
DEC 22/07

BOEING
767
PARTS CATALOG (MAINTENANCE)



V 38150903 SHT 1 REV 168

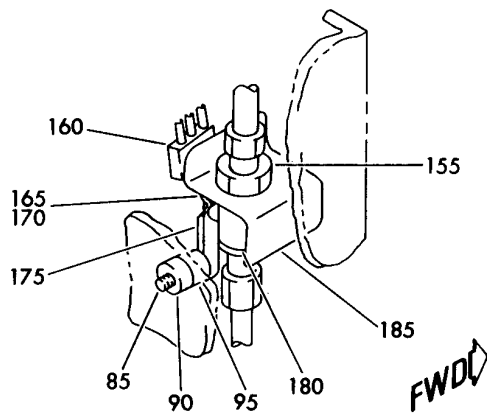
VALVE INSTL-DEPRESSURIZATION (WATER/WASTE ONLY)
FIGURE 3 (SHEET 1)

38-15-09-03

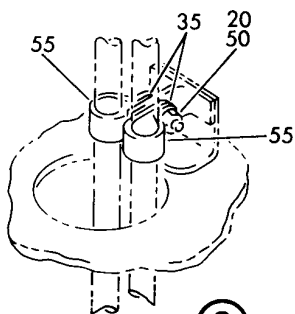
HXL
DEC 22/06

38-15-09-03
PAGE 0

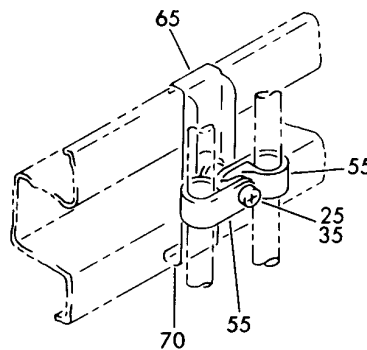
BOEING
767
PARTS CATALOG (MAINTENANCE)



(A)



(C)



(B)

V 38150903 SHT 2 REV 168

VALVE INSTL-DEPRESSURIZATION (WATER/WASTE ONLY)
FIGURE 3 (SHEET 2)

38-15-09-03

HXL
DEC 22/06

38-15-09-03
PAGE 0A



767

PARTS CATALOG (MAINTENANCE)

FIG ITEM	PART NUMBER	1 2 3 4 5 6 7	NOMENCLATURE	EFFECT FROM TO	UNITS PER ASSY
3			VALVE INSTL- DEPRESSURIZATION (WATER/WASTE ONLY)		
- 1	417T2126-11		VALVE INSTL- DEPRESSURIZATION (WATER/WASTE ONLY)		RF
	5 BAC27TPPS1213		.MARKER-ALUMINUM FOIL PLACARD CONTENT: S333 COMPRESSOR INTERLOCK SWITCH		1
	10 NAS1801-3-22		.SCREW		1
	15 NAS1801-3-20		.SCREW		1
	20 NAS1801-3-13		.SCREW-		1
	25 NAS1801-3-12		.SCREW		3
	30 NAS1801-3-11		.SCREW-		1
	35 AN960JD10L		.WASHER		15
	40 NAS43DD3-32		.SPACER		2
	45 NAS43DD3-8		.SPACER		1
	50 MS21042L3		.NUT		2
	55 BACC10DK6		.CLAMP		11
	60 BACC10DK7		.CLAMP-		2
	65 S38J1		.ATTACHMENT- SUPPLIER CODE: V59237 SPECIFICATION NUMBER: BACS38J1 OPTIONAL PART: 30187-2 V26835		3
	65 69-64155-1		.SUPPORT-		3
	70 S38J2		.STRAP- SUPPLIER CODE: V59237 SPECIFICATION NUMBER: BACS38J2 OPTIONAL PART: 30187-3 V26835		3
	75 A1600-158		.HOSE ASSY- SUPPLIER CODE: V98441 SPECIFICATION NUMBER: 60B50403-158 OPTIONAL PART: 73035-158 V24984		1

ILLUSTRATION ITEMS NOT ON PARTS LIST ARE NOT APPLICABLE

- ITEM NOT ILLUSTRATED

38-15-09-03

38-15-09
FIG. 03
PAGE 1
APR 22/09

HXL

 **BOEING**
767
PARTS CATALOG (MAINTENANCE)

FIG ITEM	PART NUMBER	1 2 3 4 5 6 7	NOMENCLATURE	EFFECT FROM TO	UNITS PER ASSY
3					
80	A1600-179		.HOSE ASSY- SUPPLIER CODE: V98441 SPECIFICATION NUMBER: 60B50403-179 OPTIONAL PART: 73035-179 V24984		1
85	NAS1801-3-17		.SCREW		1
90	417T2126-12		.BUMPER		1
95	417T2126-13		.BUMPER		1
100	417T2126-5		.TUBE ASSY-		1
103	417T2126-9		.TUBE ASSY-		1
- 105	AP2097H06		..SLEEVE SUPPLIER CODE: V01673 SPECIFICATION NUMBER: BACS13BX06H OPTIONAL PART: 2-02903-06H V11328 35235V06 V08199 AFP175V06 V30974 DBOS13BX06H V14798		2
- 110	MS21921-6J		..NUT		2
115	417T2126-6		.TUBE ASSY-		1
- 120	35056V06		..UNION SUPPLIER CODE: V08199 SPECIFICATION NUMBER: BACU24AB6H OPTIONAL PART: 2-01027-6H V11328 31875-6H V14397 4671097H6 V50948 AP1004H06 V01673 AFP941H6 V30974 DBOU24AB6H V14798		2
125	417T2126-8		.TUBE ASSY-		1

ILLUSTRATION ITEMS NOT ON PARTS LIST ARE NOT APPLICABLE

- ITEM NOT ILLUSTRATED

HXL

38-15-09-03

BOEING PROPRIETARY - Copyright © - Unpublished Work - See title page for details.

38-15-09
FIG. 03
PAGE 2
DEC 22/07



767

PARTS CATALOG (MAINTENANCE)

FIG ITEM	PART NUMBER	1 2 3 4 5 6 7	NOMENCLATURE	EFFECT FROM TO	UNITS PER ASSY
3					
- 130	AP2097H06		.. SLEEVE- SUPPLIER CODE: V01673 SPECIFICATION NUMBER: BACS13BX06H OPTIONAL PART: 2-02903-06H V11328 35235V06 V08199 AFP175V06 V30974 DBOS13BX06H V14798		1
- 135	MS21921-6J		.. NUT		1
- 140	35056V06		.. UNION SUPPLIER CODE: V08199 SPECIFICATION NUMBER: BACU24AB6H OPTIONAL PART: 2-01027-6H V11328 31875-6H V14397 4671097H6 V50948 AP1004H06 V01673 AFP941H6 V30974 DBOU24AB6H V14798		1
145	MS21902J6		. UNION		1
150	NAS1762J0606		. ELBOW		1
155	AN924-6J		. NUT		1
160	8AS193		. SWITCH- SUPPLIER CODE: V91929 ELECTRICAL EQUIP NUMBER: S00333		1
165	NAS601-7P		. SCREW		1
170	AN960C6		. WASHER		1
175	417T2127-8		. HANDLE- QUALIFIED OPTIONAL DATA: (6D187-6 WITH 417T2127-8 HANDLE INSTALLED IS OPT TO 6D187-11)		1
ILLUSTRATION ITEMS NOT ON PARTS LIST ARE NOT APPLICABLE					

- ITEM NOT ILLUSTRATED

38-15-09-03

38-15-09
FIG. 03
PAGE 3
DEC 22/07

HXL



767

PARTS CATALOG (MAINTENANCE)

FIG ITEM	PART NUMBER	1 2 3 4 5 6 7	NOMENCLATURE	EFFECT FROM TO	UNITS PER ASSY
3 180	6D187-6		.VALVE- SUPPLIER CODE: V82829 SPECIFICATION NUMBER: 10-61267-6 QUALIFIED I/W DATA: 6D187-6 TOGETHER WITH 417T2127-8 HANDLE IS I/W 6D187-11 QUALIFIED OPTIONAL DATA: (6D187-6 WITH 417T2127-8 HANDLE INSTALLED IS OPT TO 6D187-11) OPTIONAL PART: 6D187-3 V82829		1
180	6D187-11		.VALVE- SUPPLIER CODE: V82829 SPECIFICATION NUMBER: 10-61267-9 QUALIFIED I/W DATA: 6D187-6 TOGETHER WITH 417T2127-8 HANDLE IS I/W 6D187-11 QUALIFIED OPTIONAL DATA: (6D187-6 WITH 417T2127-8 HANDLE INSTALLED IS OPT TO 6D187-11) OPTIONAL PART: 6D187-11C3 V82829		1
185	417T2127-7		.BRACKET ASSY ATTACHING PARTS		1
- 190	NAS6603-1		.BOLT		2
- 195	AN960JD10L		.WASHER -----*-----		2

ILLUSTRATION ITEMS NOT ON PARTS LIST ARE NOT APPLICABLE

- ITEM NOT ILLUSTRATED

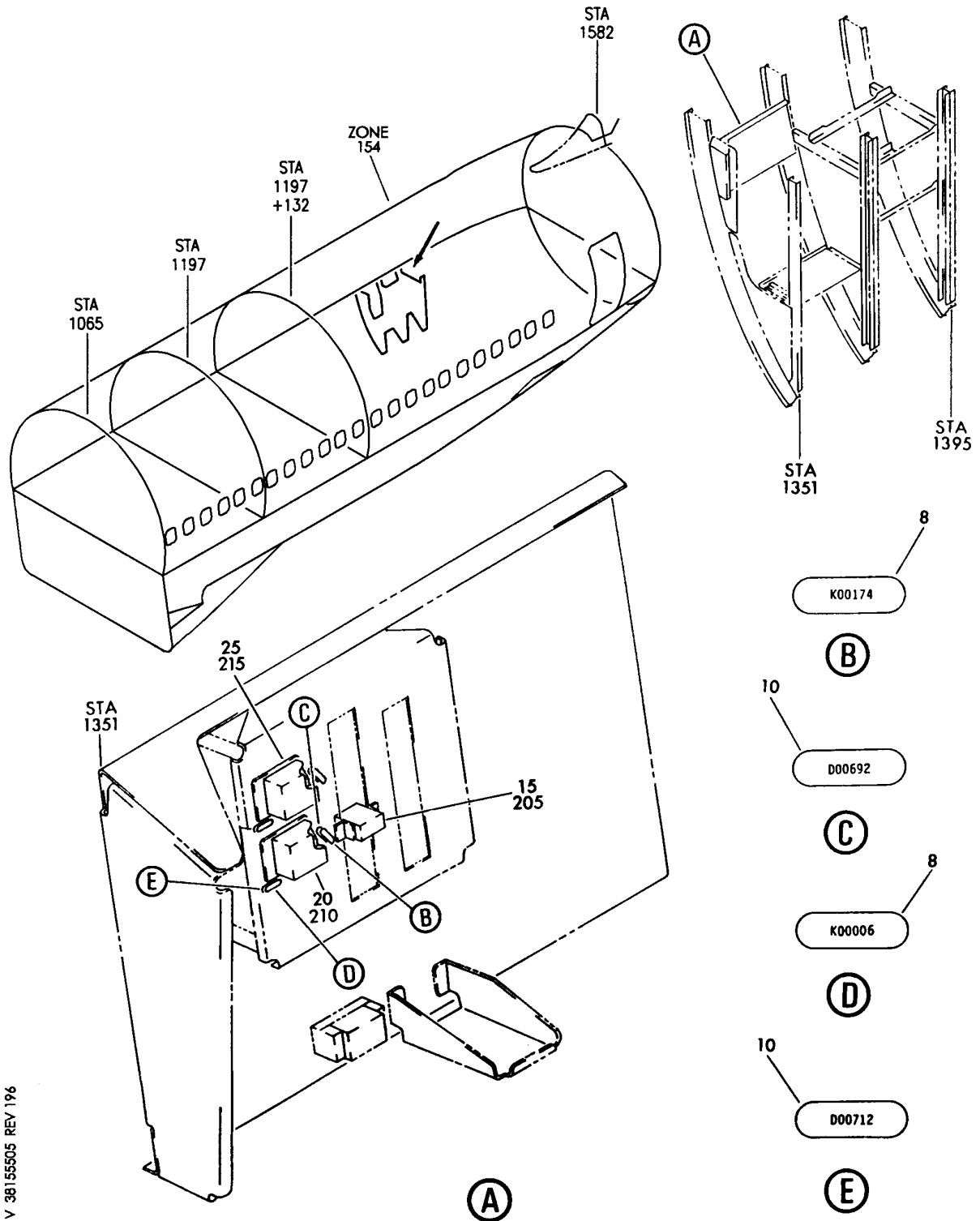
HXL

38-15-09-03

BOEING PROPRIETARY - Copyright © - Unpublished Work - See title page for details.

38-15-09
FIG. 03
PAGE 4
DEC 22/07

BOEING
767
PARTS CATALOG (MAINTENANCE)



V 38155505 REV 196

EQUIPMENT ASSY-AFT EQPT CTR E6 RACK P49 (POTABLE WATER ONLY)
FIGURE 5

38-15-55-05

HXL
DEC 22/06

38-15-55-05
PAGE 0



767

PARTS CATALOG (MAINTENANCE)

FIG ITEM	PART NUMBER	1 2 3 4 5 6 7	NOMENCLATURE	EFFECT FROM TO	UNITS PER ASSY
5			EQUIPMENT ASSY-AFT EQPT CTR E6 RACK P49 (POTABLE WATER ONLY)		
- 1	284T1149-15		EQUIPMENT ASSY-EQPT CTR E6 RACK P49 (POTABLE WATER ONLY) POSITION DATA: AFT FOR NHA/OTHER SYS DET SEE: 25-71-40-05		RF
8	BAC27TEX3245		.DECALSET-INCLUDES DECALS IDENTIFIED ON THE ILLUSTRATION		RF
10	BAC27TEX3251		.DECALSET-INCLUDES DECALS IDENTIFIED ON THE ILLUSTRATION		RF
15	ES210-1632		.RELAY- SUPPLIER CODE: V99699 SPECIFICATION NUMBER: BACR13CF2AB OPTIONAL PART: JD4L018 V35344 JD4L031 V35344 BR246S0111 V56623 BR64S105 V56623 FCA210-71 V78290 61GB2319-1A320 V98927 ELECTRICAL EQUIP NUMBER: K00174		1
ILLUSTRATION ITEMS NOT ON PARTS LIST ARE NOT APPLICABLE					

- ITEM NOT ILLUSTRATED

HXL

38-15-55-05

BOEING PROPRIETARY - Copyright © - Unpublished Work - See title page for details.

38-15-55
FIG. 05
PAGE 1
APR 22/08



767

PARTS CATALOG (MAINTENANCE)

FIG ITEM	PART NUMBER	1 2 3 4 5 6 7	NOMENCLATURE	EFFECT FROM TO	UNITS PER ASSY
5 20	FCC400-8		.RELAY- SUPPLIER CODE: V00213 SPECIFICATION NUMBER: 10-60450-6 ELECTRICAL EQUIP NUMBER: K00006 OPTIONAL PART: A410-159673-06 V73949 9524-8208 V35344 9524-10214 V58657		1
20	9524-10214		.RELAY- SUPPLIER CODE: V58657 SPECIFICATION NUMBER: 10-60450-6 ELECTRICAL EQUIP NUMBER: K00006 OPTIONAL PART: A410-159673-06 V73949 9524-8208 V35344 FCC400-8 V00213		1
- 200 205	286T0030-101 RSF116200		.WIRE BUNDLE ASSY .. SOCKET- SUPPLIER CODE: V58982 SPECIFICATION NUMBER: BACS16X1A OPTIONAL PART: 102-006-1 V09922 000300-1538 V05574 ELECTRICAL EQUIP NUMBER: D00692 WIRING DIAGRAM REF: 381511		RF 1

ILLUSTRATION ITEMS NOT ON PARTS LIST ARE NOT APPLICABLE

- ITEM NOT ILLUSTRATED

38-15-55-05

HXL

BOEING PROPRIETARY - Copyright © - Unpublished Work - See title page for details.

38-15-55
FIG. 05
PAGE 2
APR 22/08



767

PARTS CATALOG (MAINTENANCE)

FIG ITEM	PART NUMBER	1 2 3 4 5 6 7	NOMENCLATURE	EFFECT FROM TO	UNITS PER ASSY
5 210	000300-0445		. . SOCKET- SUPPLIER CODE: V05574 SPECIFICATION NUMBER: 10-60450-5 ELECTRICAL EQUIP NUMBER: D00712 WIRING DIAGRAM REF: 381511 OPTIONAL PART: 105-100-02 V26742 82164-1F V12054		1

ILLUSTRATION ITEMS NOT ON PARTS LIST ARE NOT APPLICABLE

- ITEM NOT ILLUSTRATED

HXL

38-15-55-05

BOEING PROPRIETARY - Copyright © - Unpublished Work - See title page for details.

38-15-55
FIG. 05
PAGE 3
APR 22/08