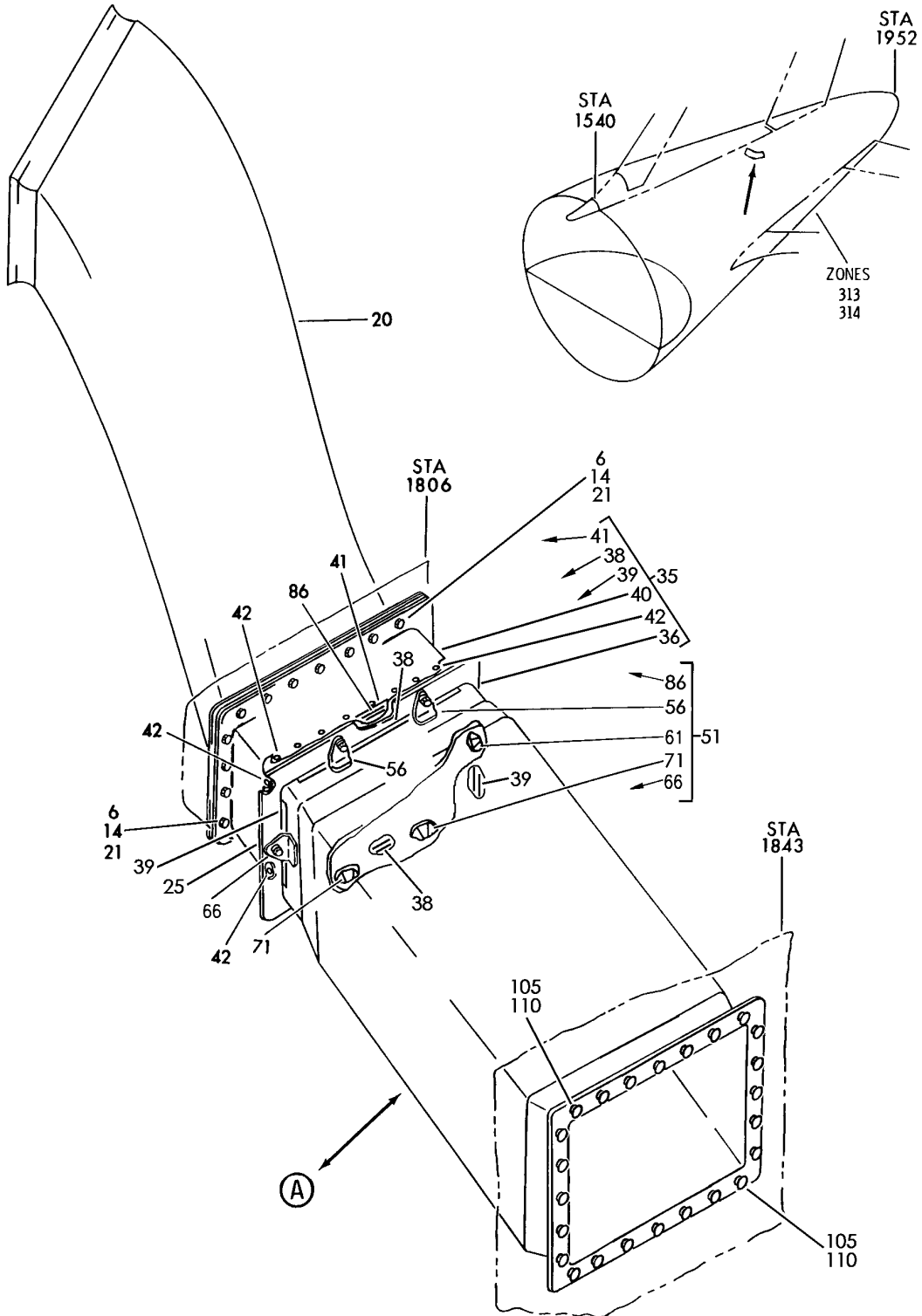


## APU AIR INTAKE

HXL  
DEC 22/06

49-15-00  
SECTION TITLE  
PAGE 1

**BOEING**  
767  
PARTS CATALOG (MAINTENANCE)



V 49150101 SH1 1 REV 250

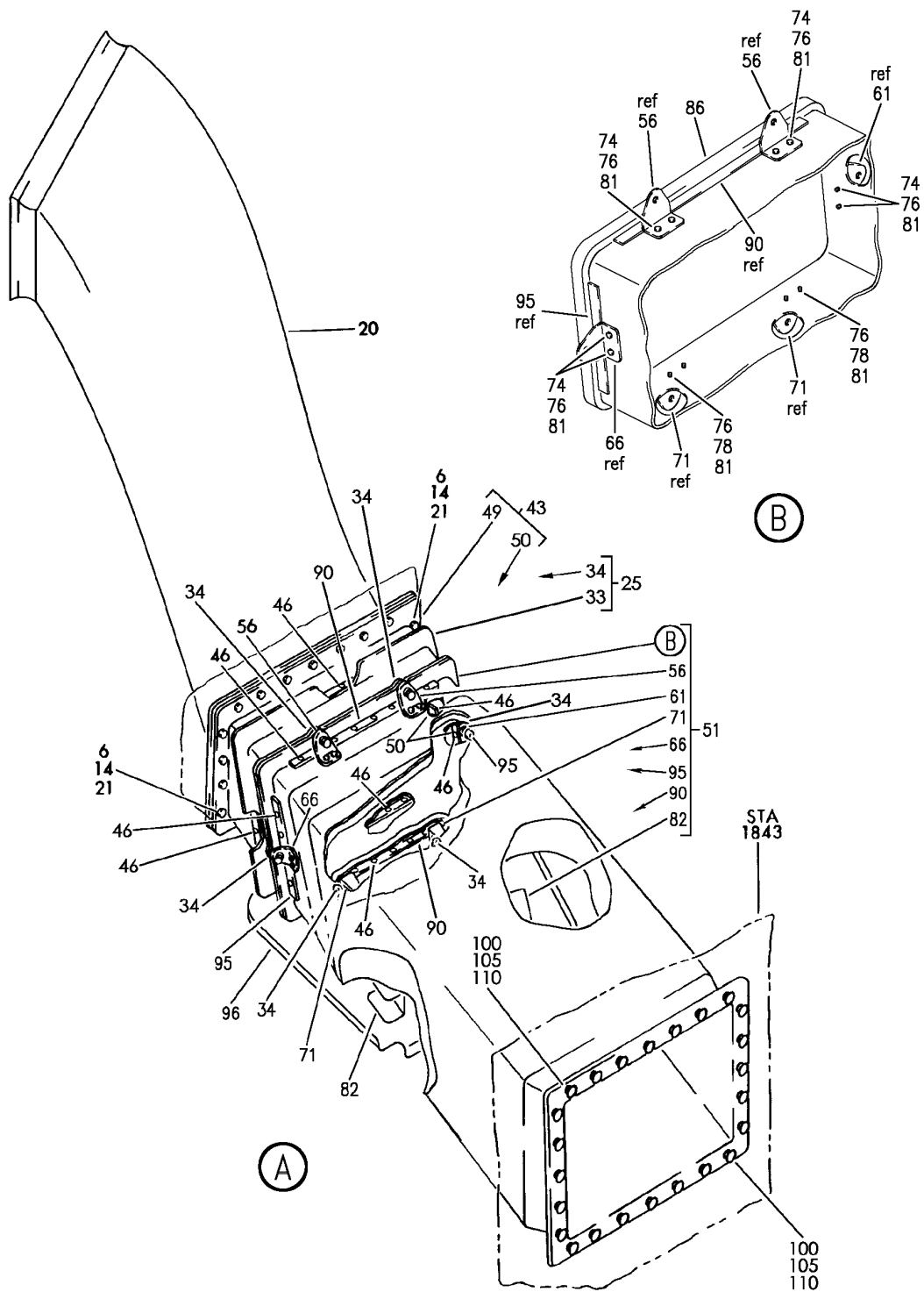
DUCT INSTL-APU SYS INTAKE  
FIGURE 1 (SHEET 1)

**49-15-01-01**

HXL  
DEC 22/06

49-15-01-01  
PAGE 0

**BOEING**  
767  
PARTS CATALOG (MAINTENANCE)



V 49150101 SHT 2 REV 298

DUCT INSTL-APU SYS INTAKE  
FIGURE 1 (SHEET 2)

**49-15-01-01**

HXL  
DEC 22/06

49-15-01-01  
PAGE 0A



767

PARTS CATALOG (MAINTENANCE)

FIG ITEM	PART NUMBER	1 2 3 4 5 6 7	NOMENCLATURE	EFFECT FROM TO	UNITS PER ASSY
1			DUCT INSTL-APU SYS INTAKE		
- 1	353T0200-3		DUCT INSTL-APU SYS INTAKE FOR NHA SEE: 49-00-01-01		RF
6	NAS6604-6		.BOLT- USED ON: 353T0200-2 353T0200-3		22
14	NAS1149D0463J		.WASHER-		22
20	353T0201-20		.DUCT ASSY- OPTIONAL PART: 353T0201-15		1
20	353T0201-15		.DUCT ASSY- OPTIONAL PART: 353T0201-20		1
21	MF53049-4		..NUTPLATE- SUPPLIER CODE: V15653 SPECIFICATION NUMBER: BACN10JN4 OPTIONAL PART: BRFM20A4 V52828 MF1000-4BAC V15653 NS103218-048 V80539 RMF9201M4 V72962 VN252A048 V92215 T8124S4S V11815 USED ON: 353T0201-15		22

ILLUSTRATION ITEMS NOT ON PARTS LIST ARE NOT APPLICABLE

- ITEM NOT ILLUSTRATED

HXL

49-15-01-01

BOEING PROPRIETARY - Copyright © - Unpublished Work - See title page for details.

49-15-01  
FIG. 01  
PAGE 1  
APR 22/09



767

PARTS CATALOG (MAINTENANCE)

FIG ITEM	PART NUMBER	1 2 3 4 5 6 7	NOMENCLATURE	EFFECT FROM TO	UNITS PER ASSY
1 21	MF53050-4DL	..	NUT- SUPPLIER CODE: V15653 SPECIFICATION NUMBER: BACN10JN4CM OPTIONAL PART: BRFM20C4M V52828 MF1001-4BAC V15653 NS103218SE048 V80539 VN252D048 V92215 109F9201M4 V72962 T8125C4C V11815 BACN10YF42C BACN10YF41C USED ON: 353T0201-20		22
21	BACN10YF42C	..	NUT- OPTIONAL PART: BACN10JN4CM BACN10YF41C USED ON: 353T0201-20		22
21	BACN10YF41C	..	NUT- OPTIONAL PART: BACN10JN4CM BACN10YF42C USED ON: 353T0201-20		22
- 23	AF5141-3-3	..	RIVET- SUPPLIER CODE: V53551 SPECIFICATION NUMBER: BACR15DR3A3 OPTIONAL PART: RV541A3-3 V98996 CCR264CS3-3TT V11815 USED ON: 353T0201-20		44

ILLUSTRATION ITEMS NOT ON PARTS LIST ARE NOT APPLICABLE

- ITEM NOT ILLUSTRATED

49-15-01-01

HXL

BOEING PROPRIETARY - Copyright © - Unpublished Work - See title page for details.

49-15-01  
FIG. 01  
PAGE 2  
DEC 22/06

**BOEING**  
767  
**PARTS CATALOG (MAINTENANCE)**

FIG ITEM	PART NUMBER	1 2 3 4 5 6 7	NOMENCLATURE	EFFECT FROM TO	UNITS PER ASSY
1					
- 23	AF5141-3-5		..RIVET- SUPPLIER CODE: V53551 SPECIFICATION NUMBER: BACR15DR3A5 OPTIONAL PART: RV541A3-5 V98996 CCR264CS3-5TT V11815 USED ON: 353T0201-15 -----*-----		44
	25 353T0254-4		.RING ASSY-SEAL USED ON: 353T0200-3 ATTACHING PARTS		1
- 28	NAS6604-3		.BOLT- USED ON: 353T0200-2 353T0200-3 -----*-----		6
	43 353T0253-3		.ADAPTER ASSY- USED ON: 353T0200-3		1
	46 BACR15BA4A		..RIVET- SIZE DETERMINED ON INSTL.		24
	47 353T0258-5		..RETAINER-SEAL QUALIFIED OPTIONAL DATA: 353T0258-1 TOGETHER WITH 353T0258-2 OPTIONAL TO 353T0258-5 TOGETHER WITH 353T0258-6.		2
	48 353T0258-6		..RETAINER-SEAL QUALIFIED OPTIONAL DATA: 353T0258-1 TOGETHER WITH 353T0258-2 OPTIONAL TO 353T0258-5 TOGETHER WITH 353T0258-6.		2
	49 353T0253-1		..BOND ASSY-		1
	50 353T0253-2		..SEAL-		1
	51 015T1729-10		.DUCT ASSY- ALTERED FROM PART NUMBER: 353T0252-5 SERVICE BULLETIN OPT DATA: 015T1729-11 353T0252-11 POST ALERT SB: 49A0035R1		1
ILLUSTRATION ITEMS NOT ON PARTS LIST ARE NOT APPLICABLE					

- ITEM NOT ILLUSTRATED

# 49-15-01-01

49-15-01  
FIG. 01  
PAGE 3  
APR 22/09

HXL

BOEING PROPRIETARY - Copyright © - Unpublished Work - See title page for details.

**BOEING**  
767  
**PARTS CATALOG (MAINTENANCE)**

FIG ITEM	PART NUMBER	1 2 3 4 5 6 7	NOMENCLATURE	EFFECT FROM TO	UNITS PER ASSY
1	51 015T1729-11		.DUCT ASSY- ALTERED FROM PART NUMBER: 353T0252-6 SERVICE BULLETIN OPT DATA: 015T1729-10 353T0252-11 POST ALERT SB: 49A0035R1		1
	51 353T0252-11		.DUCT ASSY- SERVICE BULLETIN OPT DATA: 015T1729-10 015T1729-11 POST ALERT SB: 49A0035R1		1
-	53 NAS6604-3		ATTACHING PARTS .BOLT- USED ON: 353T0200-2 353T0200-3 -----*-----		24
	56 353T0256-1		..CLIP		2
	61 353T0256-4		..CLIP-		1
	66 353T0256-3		..CLIP		1
	71 015T1729-4		..CLIP- POST ALERT SB: 49A0035 ATTACHING PARTS		2
R R R R R	74 HL1012AZ5-3		..BOLT SUPPLIER CODE: V60516 SPECIFICATION NUMBER: BACB30NX5HK3		8
	78 HL1012AZ5-3		..BOLT- SUPPLIER CODE: V60516 SPECIFICATION NUMBER: BACB30NX5HK3 POST ALERT SB: 49A0035		4

ILLUSTRATION ITEMS NOT ON PARTS LIST ARE NOT APPLICABLE

- ITEM NOT ILLUSTRATED

HXL

49-15-01-01

BOEING PROPRIETARY - Copyright © - Unpublished Work - See title page for details.

49-15-01  
FIG. 01  
PAGE 4  
AUG 22/09

 **BOEING**  
767  
**PARTS CATALOG (MAINTENANCE)**

FIG ITEM	PART NUMBER	1 2 3 4 5 6 7	NOMENCLATURE	EFFECT FROM TO	UNITS PER ASSY
1	81 HL97KG5		.. COLLAR SUPPLIER CODE: V5M902 SPECIFICATION NUMBER: BACC30AB5C OPTIONAL PART: HL97PB5 V5M902 HL97PB5 V56878 HL97KG5 V73197 HL97KG5 V56878 HL97PB V73197		12
	82 353T0256-6		-----*----- .. BRACKET ASSY- POST ALERT SB: 49A0035 ATTACHING PARTS		2
-	83 BACB30NM3K2		.. BOLT- POST ALERT SB: 49A0035		4
-	84 NAS1149C0332R		.. WASHER- POST ALERT SB: 49A0035		4
	86 353T0252-4		-----*----- .. SEAL- USED ON: 353T0252-5		1
	86 353T0252-7		.. SEAL- USED ON: 353T0252-6		1
	90 353T0258-5		.. RETAINER-SEAL QUALIFIED OPTIONAL DATA: 353T0258-1 TOGETHER WITH 353T0258-2 OPTIONAL TO 353T0258-5 TOGETHER WITH 353T0258-6.		2
	95 353T0258-6		.. RETAINER-SEAL QUALIFIED OPTIONAL DATA: 353T0258-1 TOGETHER WITH 353T0258-2 OPTIONAL TO 353T0258-5 TOGETHER WITH 353T0258-6.		2
	96 353T0263-2		. DRIPSHIELD ASSY- POST ALERT SB: 49A0035R1		1

ILLUSTRATION ITEMS NOT ON PARTS LIST ARE NOT APPLICABLE

- ITEM NOT ILLUSTRATED

HXL

# 49-15-01-01

BOEING PROPRIETARY - Copyright © - Unpublished Work - See title page for details.

49-15-01  
FIG. 01  
PAGE 5  
AUG 22/09





**767  
PARTS CATALOG (MAINTENANCE)**

FIG ITEM	PART NUMBER	1 2 3 4 5 6 7	NOMENCLATURE	EFFECT FROM TO	UNITS PER ASSY
1			ATTACHING PARTS		
- 97	BACB30NM3K2		.BOLT- POST ALERT SB: 49A0035		4
- 98	NAS1149D0316J		.WASHER- POST ALERT SB: 49A0035		4
- 100	353T0200-4		.FILLER-RADIUS OPTIONAL PART: NAS1149D0463J		24
			-----*-----		
105	NAS1149D0463J		.WASHER- OPTIONAL PART: 353T0200-4		24

ILLUSTRATION ITEMS NOT ON PARTS LIST ARE NOT APPLICABLE

- ITEM NOT ILLUSTRATED

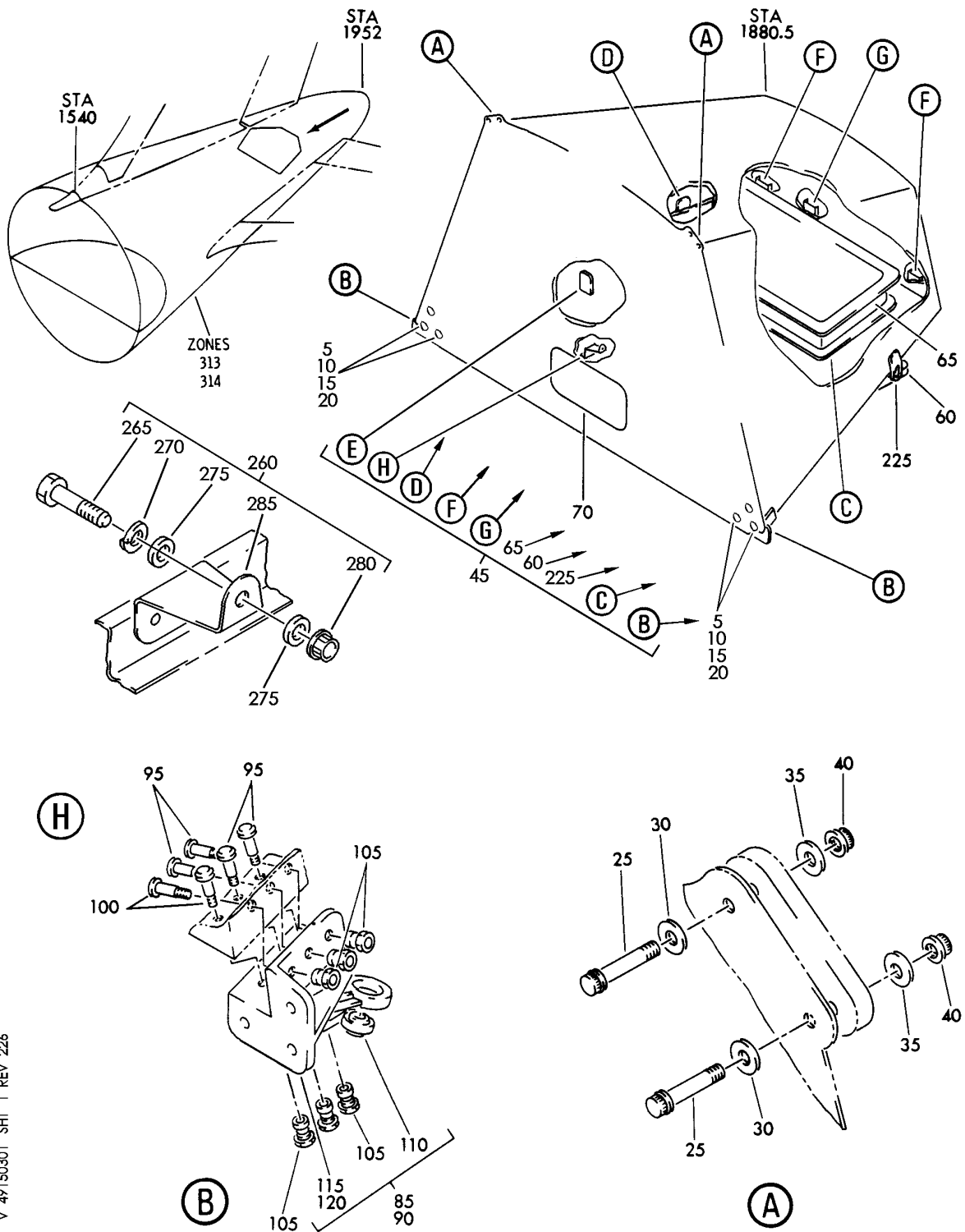
HXL

# 49-15-01-01

BOEING PROPRIETARY - Copyright © - Unpublished Work - See title page for details.

49-15-01  
FIG. 01  
PAGE 6  
AUG 22/09

**BOEING**  
767  
PARTS CATALOG (MAINTENANCE)



V 49150301 SHT 1 REV 226

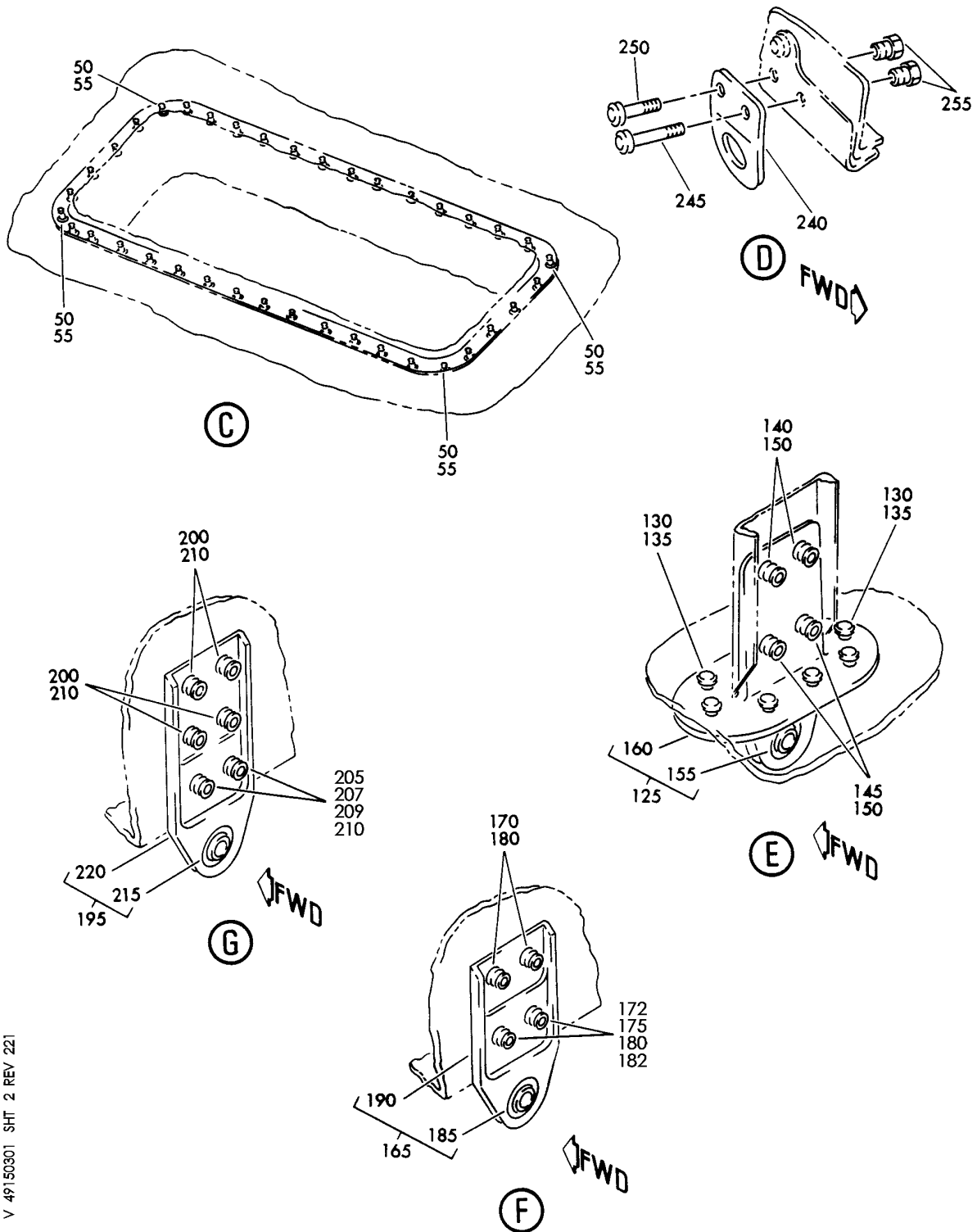
PLENUM INSTL-AUX PWR SYS  
FIGURE 1 (SHEET 1)

**49-15-03-01**

HXL  
DEC 22/06

49-15-03-01  
PAGE 0

**BOEING**  
767  
PARTS CATALOG (MAINTENANCE)



V 49150301 SHT 2 REV 221

PLENUM INSTL-AUX PWR SYS  
FIGURE 1 (SHEET 2)

**49-15-03-01**

HXL  
DEC 22/06

49-15-03-01  
PAGE 0A



**BOEING**  
767  
**PARTS CATALOG (MAINTENANCE)**

FIG ITEM	PART NUMBER	1 2 3 4 5 6 7	NOMENCLATURE	EFFECT FROM TO	UNITS PER ASSY
1					
R	40	BH00303-5	.NUT SUPPLIER CODE: V27238 SPECIFICATION NUMBER: BACN10HR5CS OPTIONAL PART: H39953-5 V15653 109LH9031-5 V72962 67832AS524 V56878 SL7059C524 V11815 BMN5024CPD35 V97928 SL705095 V11815 109LH90315 V72962 67832AS5 V56878 CR5908-5 VF0224 BMN10HRCPD3-5 V97928		4
R	45	353T0400-134	.PLENUM ASSY-	163163	1
R	45	353T0400-195	.PLENUM ASSY-	155162	1
R	50	BACB30LK3U2	..BOLT-	164999	38
R	55	AN960C10L	..WASHER		38
R	60	353T0400-118	..DUCT ASSY		1
R	65	353T0400-186	..BELLMOUTH ASSY- QUALIFIED I/W DATA: 353T0400-199,-148,-186 ARE I/W EXCEPT FOR ETOPS WHERE -186 IS APPROVED AND -119 AND -148 ARE TEMPORORILY APPROVED UNTIL S.B 767-49-0010 IS INCORPORATED.		1
R	70	353T0400-32	..DOOR-ACCESS ATTACHING PARTS		1
R	- 75	BACB30LK3U1	..BOLT		14
R	- 80	AN960C10L	..WASHER -----*-----		14
R	85	353T0402-11	..BRACKET ASSY-SPRT POSITION DATA: LWR LH		1
ILLUSTRATION ITEMS NOT ON PARTS LIST ARE NOT APPLICABLE					

- ITEM NOT ILLUSTRATED

# 49-15-03-01

49-15-03  
FIG. 01  
PAGE 2  
AUG 22/09

HXL



 **BOEING**  
767  
**PARTS CATALOG (MAINTENANCE)**

FIG ITEM	PART NUMBER	1 2 3 4 5 6 7	NOMENCLATURE	EFFECT FROM TO	UNITS PER ASSY
1 105	HL97DU6		.. COLLAR- SUPPLIER CODE: V73197 SPECIFICATION NUMBER: BACC30AB6S OPTIONAL PART: HL97DU6 V56878 HL97DU6 V5M902		12
110	AG5VCR12		-----*----- ... BEARING SUPPLIER CODE: V15860 SPECIFICATION NUMBER: BACB10AG5M OPTIONAL PART: BSSN5422SM2 V81376 HSBG5-117M V02758 KSBG5-25CRD5 V97613 NG5FM V73134 NC5G2DM V56644 03-505-05E035 V09455 BNG5ME111 V16746 ABG5V5-12 VS0352		1
115	353T0402-13		... BRACKET- POSITION DATA: LH SIDE		1
- 120	353T0402-14		... BRACKET- POSITION DATA: RH SIDE		1
125	353T0404-1		.. BRACKET ASSY-VERT. STRUT POSITION DATA: FRONT		1

ILLUSTRATION ITEMS NOT ON PARTS LIST ARE NOT APPLICABLE

- ITEM NOT ILLUSTRATED

HXL

# 49-15-03-01

BOEING PROPRIETARY - Copyright © - Unpublished Work - See title page for details.

49-15-03  
FIG. 01  
PAGE 4  
APR 22/09

**BOEING**  
767  
**PARTS CATALOG (MAINTENANCE)**

FIG ITEM	PART NUMBER	1 2 3 4 5 6 7	NOMENCLATURE	EFFECT FROM TO	UNITS PER ASSY
1			ATTACHING PARTS		
R	130		.. BOLT-		8
R			SUPPLIER CODE:		
R			VD7928		
R			SPECIFICATION NUMBER:		
R			BACB30FM5A3U		
R			OPTIONAL PART:		
R			67067-5A3U		
R			V56878		
R			HL40-5-3		
R			V56878		
R			HL40-5-3		
R			V73197		
R			HL40-5-3		
R			V80539		
R			HL40-5-3		
R			V92215		
R			HL40-5-2		
R			V08524		
	135		.. COLLAR-		8
			SUPPLIER CODE:		
			V73197		
			SPECIFICATION NUMBER:		
			BACC30AB5S		
			OPTIONAL PART:		
			HL97DU5		
			V56878		
			HL97DU5		
			V5M902		
R	140		.. BOLT		2
R			SUPPLIER CODE:		
R			V97928		
R			SPECIFICATION NUMBER:		
R			BACB30FM6A3U		
R			OPTIONAL PART:		
R			67067-6A3U		
R			V56878		
R			HL40-6-3		
R			V56878		
R			HL40-6-3		
R			V73197		
R			HL40-6-3		
R			V80539		
R			HL40-6-3		
R			V92215		
R			HL40-6-3		
R			V08524		

ILLUSTRATION ITEMS NOT ON PARTS LIST ARE NOT APPLICABLE

- ITEM NOT ILLUSTRATED

HXL

49-15-03-01

BOEING PROPRIETARY - Copyright © - Unpublished Work - See title page for details.

49-15-03  
FIG. 01  
PAGE 5  
AUG 22/09





767

PARTS CATALOG (MAINTENANCE)

FIG ITEM	PART NUMBER	1 2 3 4 5 6 7	NOMENCLATURE	EFFECT FROM TO	UNITS PER ASSY
1	145 HL40-6-4		.. BOLT SUPPLIER CODE: V97928 SPECIFICATION NUMBER: BACB30FM6A4U OPTIONAL PART: 67067-6A4U V56878 HL40-6-4 V56878 HL40-6-4 V73197 HL40-6-4 V80539 HL40-6-4 V92215 HL40-6-4 V08524		2
	150 HL97DU6		.. COLLAR- SUPPLIER CODE: V73197 SPECIFICATION NUMBER: BACC30AB6S OPTIONAL PART: HL97DU6 V56878 HL97DU6 V5M902 -----*-----		4

ILLUSTRATION ITEMS NOT ON PARTS LIST ARE NOT APPLICABLE

- ITEM NOT ILLUSTRATED

HXL

49-15-03-01

BOEING PROPRIETARY - Copyright © - Unpublished Work - See title page for details.

49-15-03  
 FIG. 01  
 PAGE 6  
 AUG 22/09

 **BOEING**  
767  
**PARTS CATALOG (MAINTENANCE)**

FIG ITEM	PART NUMBER	1 2 3 4 5 6 7	NOMENCLATURE	EFFECT FROM TO	UNITS PER ASSY
1 155	AG5VCR12		... BEARING SUPPLIER CODE: V15860 SPECIFICATION NUMBER: BACB10AG5M OPTIONAL PART: BSSN5422SM2 V81376 HSBG5-117M V02758 KSBG5-25CRD5 V97613 NG5FM V73134 NC5G2DM V56644 03-505-05E035 V09455 BNG5ME111 V16746 ABG5V5-12 VS0352		1
160	353T0404-2		... BRACKET		1
165	353T0401-1		.. BRACKET ASSY-STRUT SPRT POSITION DATA: REAR ATTACHING PARTS		2
170	HL40-6-2		.. BOLT SUPPLIER CODE: V97928 SPECIFICATION NUMBER: BACB30FM6A2U OPTIONAL PART: 67067-6A2U V56878 HL40-6-2 V56878 HL40-6-2 V73197 HL40-6-2 V80539 HL40-6-2 V92215 HL40-6-2 V08524		4

R  
R  
R  
R  
R  
R  
R  
R  
R  
R  
R  
R  
R  
R  
R  
R  
R  
R  
R  
R  
R  
R

ILLUSTRATION ITEMS NOT ON PARTS LIST ARE NOT APPLICABLE

- ITEM NOT ILLUSTRATED

# 49-15-03-01

49-15-03  
FIG. 01  
PAGE 7  
AUG 22/09

HXL



767

PARTS CATALOG (MAINTENANCE)

FIG ITEM	PART NUMBER	1 2 3 4 5 6 7	NOMENCLATURE	EFFECT FROM TO	UNITS PER ASSY
1 175	HL40-6-4		.. BOLT SUPPLIER CODE: V97928 SPECIFICATION NUMBER: BACB30FM6A4U OPTIONAL PART: 67067-6A4U V56878 HL40-6-4 V56878 HL40-6-4 V73197 HL40-6-4 V80539 HL40-6-4 V92215 HL40-6-4 V08524		4
	180	HL97DU6	.. COLLAR- SUPPLIER CODE: V73197 SPECIFICATION NUMBER: BACC30AB6S OPTIONAL PART: HL97DU6 V56878 HL97DU6 V5M902 -----*-----		8

ILLUSTRATION ITEMS NOT ON PARTS LIST ARE NOT APPLICABLE

- ITEM NOT ILLUSTRATED

HXL

49-15-03-01

BOEING PROPRIETARY - Copyright © - Unpublished Work - See title page for details.

49-15-03  
 FIG. 01  
 PAGE 8  
 AUG 22/09

**BOEING**  
767  
**PARTS CATALOG (MAINTENANCE)**

FIG ITEM	PART NUMBER	1 2 3 4 5 6 7	NOMENCLATURE	EFFECT FROM TO	UNITS PER ASSY
1 185	AG5VCR12		. . . BEARING SUPPLIER CODE: V15860 SPECIFICATION NUMBER: BACB10AG5M OPTIONAL PART: BSSN5422SM2 V81376 HSBG5-117M V02758 KSBG5-25CRD5 V97613 NG5FM V73134 NC5G2DM V56644 03-505-05E035 V09455 BNG5ME111 V16746 ABG5V5-12 VS0352		1
190	353T0401-2		. . . BRACKET		1
195	353T0405-1		.. BRACKET ASSY-LATERAL STRUT SPRT		1
200	HL40-6-2		ATTACHING PARTS .. BOLT SUPPLIER CODE: V97928 SPECIFICATION NUMBER: BACB30FM6A2U OPTIONAL PART: 67067-6A2U V56878 HL40-6-2 V56878 HL40-6-2 V73197 HL40-6-2 V80539 HL40-6-2 V92215 HL40-6-2 V08524		4

R  
R  
R  
R  
R  
R  
R  
R  
R  
R  
R  
R  
R  
R  
R  
R  
R  
R  
R  
R  
R  
R

ILLUSTRATION ITEMS NOT ON PARTS LIST ARE NOT APPLICABLE

- ITEM NOT ILLUSTRATED

# 49-15-03-01

49-15-03  
FIG. 01  
PAGE 9  
AUG 22/09

HXL



767

PARTS CATALOG (MAINTENANCE)

FIG ITEM	PART NUMBER	1 2 3 4 5 6 7	NOMENCLATURE	EFFECT FROM TO	UNITS PER ASSY
1	205	HL40-6-4	.. BOLT SUPPLIER CODE: V97928 SPECIFICATION NUMBER: BACB30FM6A4U OPTIONAL PART: 67067-6A4U V56878 HL40-6-4 V56878 HL40-6-4 V73197 HL40-6-4 V80539 HL40-6-4 V92215 HL40-6-4 V08524		2
	210	HL97DU6	.. COLLAR- SUPPLIER CODE: V73197 SPECIFICATION NUMBER: BACC30AB6S OPTIONAL PART: HL97DU6 V56878 HL97DU6 V5M902 -----*-----		6

ILLUSTRATION ITEMS NOT ON PARTS LIST ARE NOT APPLICABLE

- ITEM NOT ILLUSTRATED

HXL

49-15-03-01

BOEING PROPRIETARY - Copyright © - Unpublished Work - See title page for details.

49-15-03  
 FIG. 01  
 PAGE 10  
 AUG 22/09



767

PARTS CATALOG (MAINTENANCE)

FIG ITEM	PART NUMBER	1 2 3 4 5 6 7	NOMENCLATURE	EFFECT FROM TO	UNITS PER ASSY
1 215	AG5VCR12		... BEARING SUPPLIER CODE: V15860 SPECIFICATION NUMBER: BACB10AG5M OPTIONAL PART: BSSN5422SM2 V81376 HSBG5-117M V02758 KSBG5-25CRD5 V97613 NG5FM V73134 NC5G2DM V56644 03-505-05E035 V09455 BNG5ME111 V16746 ABG5V5-12 VS0352		1
220	353T0405-2		... BRACKET		1
225	353T0400-75		.. FITTING-APU HOIST OPTIONAL PART: 353T0400-189	163163	1
225	353T0400-189		.. FITTING-APU HOIST OPTIONAL PART: 353T0400-75	163163	1
225	353T0400-193		.. FITTING-APU HOIST	155162 164999	1

ILLUSTRATION ITEMS NOT ON PARTS LIST ARE NOT APPLICABLE

- ITEM NOT ILLUSTRATED

HXL

49-15-03-01

BOEING PROPRIETARY - Copyright © - Unpublished Work - See title page for details.

49-15-03  
FIG. 01  
PAGE 11  
AUG 22/09

**BOEING**  
767  
**PARTS CATALOG (MAINTENANCE)**

FIG ITEM	PART NUMBER	1 2 3 4 5 6 7	NOMENCLATURE	EFFECT FROM TO	UNITS PER ASSY
1			ATTACHING PARTS		
R R R R R R R R R R R R R R R	- 230 HL40-6-3		.. BOLT SUPPLIER CODE: V97928 SPECIFICATION NUMBER: BACB30FM6A3U OPTIONAL PART: 67067-6A3U V56878 HL40-6-3 V56878 HL40-6-3 V73197 HL40-6-3 V80539 HL40-6-3 V92215 HL40-6-3 V08524		2
	- 235 HL97DU6		.. COLLAR- SUPPLIER CODE: V73197 SPECIFICATION NUMBER: BACC30AB6S OPTIONAL PART: HL97DU6 V56878 HL97DU6 V5M902		2
	240 353T0400-76		.. FITTING-APU HOIST OPTIONAL PART: 353T0400-190		1
	240 353T0400-190		.. FITTING-APU HOIST OPTIONAL PART: 353T0400-76		1
-----*-----					
ILLUSTRATION ITEMS NOT ON PARTS LIST ARE NOT APPLICABLE					

- ITEM NOT ILLUSTRATED

HXL

# 49-15-03-01

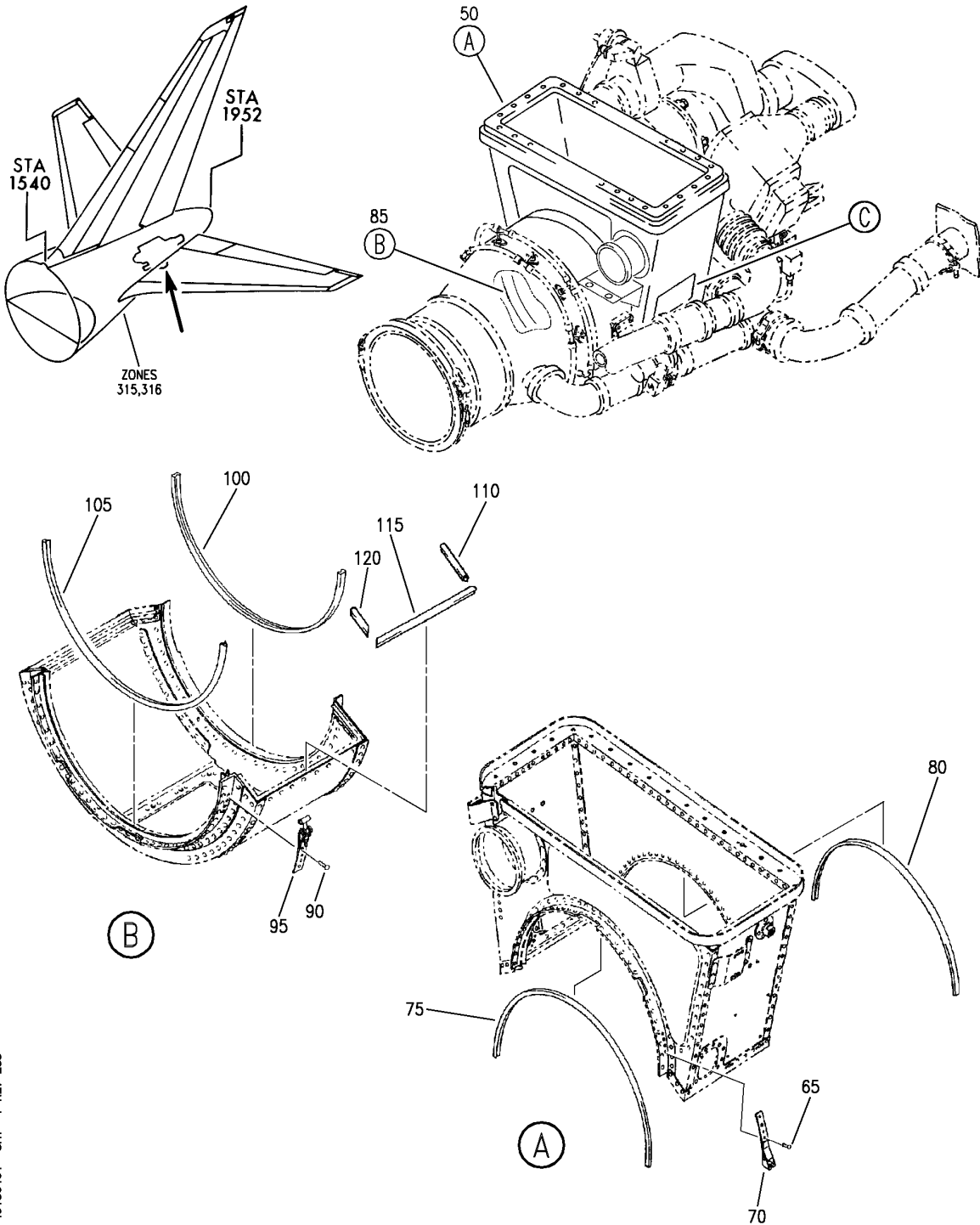
BOEING PROPRIETARY - Copyright © - Unpublished Work - See title page for details.

49-15-03  
FIG. 01  
PAGE 12  
AUG 22/09





**BOEING**  
767  
PARTS CATALOG (MAINTENANCE)



V 49150401 SHT 1 REV 255

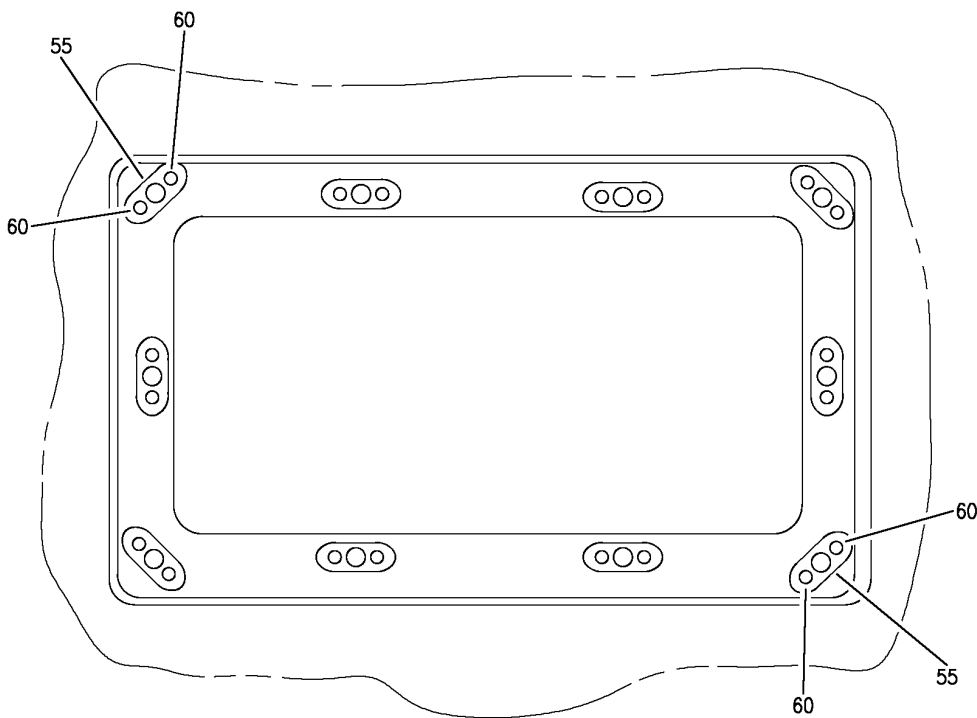
ENGINE ASSY-GAS TURB (APU AIR INTAKE PLENUM ONLY) FLANGE SEAL  
FIGURE 1 (SHEET 1)

**49-15-04-01**

HXL  
DEC 22/06

49-15-04-01  
PAGE 0

**BOEING**  
767  
PARTS CATALOG (MAINTENANCE)



(C)

V 49150401 SH1 2 REV 255

ENGINE ASSY-GAS TURB (APU AIR INTAKE PLENUM ONLY) FLANGE SEAL  
FIGURE 1 (SHEET 2)

**49-15-04-01**

HXL  
DEC 22/06

49-15-04-01  
PAGE 0A



767

PARTS CATALOG (MAINTENANCE)

FIG ITEM	PART NUMBER	1 2 3 4 5 6 7 NOMENCLATURE	EFFECT FROM TO	UNITS PER ASSY
1  - 10	3800298-1-1	ENGINE ASSY-GAS TURB (APU AIR INTAKE PLENUM ONLY) FLANGE SEAL ENGINE ASSY-GAS TURB (APU AIR INTAKE PLENUM ONLY) FLANGE SEAL MODEL GTCP331-200ER SUPPLIER CODE: V99193 SPECIFICATION NUMBER: S351T020-200 COMPONENT MAINT MANUAL REF: 49-22-11 QUALIFIED I/W DATA: S351T020-200 (3800298-1-1) AND S351T020-205 (3800298-1-6) ARE INTERCHANGEABLE WITH THE INCORPORATION OF S/B 767-49-0025 S351T020-200 (3800298-1-1) AND S351T020-206 (3800298-1-7/3800298-1) ARE INTERCHANGEABLE WITH THE INCORPORATION OF ALLIED SIGNAL S/B GTCP331-49-7081 FOR NHA/OTHER SYS DET SEE: 49-11-00-01		RF
ILLUSTRATION ITEMS NOT ON PARTS LIST ARE NOT APPLICABLE				

- ITEM NOT ILLUSTRATED

HXL

49-15-04-01

BOEING PROPRIETARY - Copyright © - Unpublished Work - See title page for details.

49-15-04  
 FIG. 01  
 PAGE 1  
 DEC 22/06



767

PARTS CATALOG (MAINTENANCE)

FIG ITEM	PART NUMBER	1 2 3 4 5 6 7 NOMENCLATURE	EFFECT FROM TO	UNITS PER ASSY
1 - 10	3800298-1-2	ENGINE ASSY-GAS TURB (APU AIR INTAKE PLENUM ONLY) FLANGE SEAL MODEL GTCP331-200ER SUPPLIER CODE: V99193 SPECIFICATION NUMBER: S351T020-201 CONFIG CHG DATA FROM A CMM: REPLS 3800298-1-1 COMPONENT MAINT MANUAL REF: 49-22-11 QUALIFIED I/W DATA: S351T020-201 (3800298-1-2) AND S351T020-205 (3800298-1-6) ARE INTERCHANGEABLE WITH THE INCORPORATION OF S/B 767-49-0025 S351T020-201 (3800298-1-2) AND S351T020-206 (3800298-1-7/3800298-1) ARE INTERCHANGEABLE WITH THE INCORPORATION OF ALLIED SIGNAL S/B GTCP331-49-7081 FOR NHA/OTHER SYS DET SEE: 49-11-00-01		RF

ILLUSTRATION ITEMS NOT ON PARTS LIST ARE NOT APPLICABLE

- ITEM NOT ILLUSTRATED

HXL

49-15-04-01

BOEING PROPRIETARY - Copyright © - Unpublished Work - See title page for details.

49-15-04  
 FIG. 01  
 PAGE 2  
 DEC 22/06



767

PARTS CATALOG (MAINTENANCE)

FIG ITEM	PART NUMBER	1 2 3 4 5 6 7 NOMENCLATURE	EFFECT FROM TO	UNITS PER ASSY
1 - 10	3800298-1-3	ENGINE ASSY-GAS TURB (APU AIR INTAKE PLENUM ONLY) FLANGE SEAL MODEL GTCP331-200ER SUPPLIER CODE: V99193 SPECIFICATION NUMBER: S351T020-202 CONFIG CHG DATA FROM A CMM: REPLS 3800298-1-2 COMPONENT MAINT MANUAL REF: 49-22-11 QUALIFIED I/W DATA: S351T020-202 (3800298-1-3) AND S351T020-205 (3800298-1-6) ARE INTERCHANGEABLE WITH THE INCORPORATION OF S/B 767-49-0025 S351T020-202 (3800298-1-3) AND S351T020-206 (3800298-1-7/3800298-1) ARE INTERCHANGEABLE WITH THE INCORPORATION OF ALLIED SIGNAL S/B GTCP331-49-7081 FOR NHA/OTHER SYS DET SEE: 49-11-00-01		RF

ILLUSTRATION ITEMS NOT ON PARTS LIST ARE NOT APPLICABLE

- ITEM NOT ILLUSTRATED

HXL

49-15-04-01

BOEING PROPRIETARY - Copyright © - Unpublished Work - See title page for details.

49-15-04  
 FIG. 01  
 PAGE 3  
 DEC 22/06



767

PARTS CATALOG (MAINTENANCE)

FIG ITEM	PART NUMBER	1 2 3 4 5 6 7 NOMENCLATURE	EFFECT FROM TO	UNITS PER ASSY
1 - 10	3800298-1-4	ENGINE ASSY-GAS TURB (APU AIR INTAKE PLENUM ONLY) FLANGE SEAL MODEL GTCP331-200ER SUPPLIER CODE: V99193 SPECIFICATION NUMBER: S351T020-203 CONFIG CHG DATA FROM A CMM: REPLS 3800298-1-3 COMPONENT MAINT MANUAL REF: 49-22-11 QUALIFIED I/W DATA: S351T020-203 (3800298-1-4) AND S351T020-205 (3800298-1-6) ARE INTERCHANGEABLE WITH THE INCORPORATION OF S/B 767-49-0025 S351T020-203 (3800298-1-4) AND S351T020-206 (3800298-1-7/3800298-1) ARE INTERCHANGEABLE WITH THE INCORPORATION OF ALLIED SIGNAL S/B GTCP331-49-7081 FOR NHA/OTHER SYS DET SEE: 49-11-00-01		RF

ILLUSTRATION ITEMS NOT ON PARTS LIST ARE NOT APPLICABLE

- ITEM NOT ILLUSTRATED

HXL

49-15-04-01

BOEING PROPRIETARY - Copyright © - Unpublished Work - See title page for details.

49-15-04  
 FIG. 01  
 PAGE 4  
 DEC 22/06



767

PARTS CATALOG (MAINTENANCE)

FIG ITEM	PART NUMBER	1 2 3 4 5 6 7	NOMENCLATURE	EFFECT FROM TO	UNITS PER ASSY
1 - 10	3800298-1-5		ENGINE ASSY-GAS TURB (APU AIR INTAKE PLENUM ONLY) FLANGE SEAL MODEL GTCP331-200ER SUPPLIER CODE: V99193 SPECIFICATION NUMBER: S351T020-204 CONFIG CHG DATA FROM A CMM: REPLS 3800298-1-4 COMPONENT MAINT MANUAL REF: 49-22-11 QUALIFIED I/W DATA: S351T020-204 (3800298-1-5) AND S351T020-206 (3800298-1-7/3800298-1) ARE INTERCHANGEABLE WITH THE INCORPORATION OF ALLIED SIGNAL S/B GTCP331-49-7081 S351T020-204 (3800298-1-5) AND S351T020-205 (3800298-1-6) ARE INTERCHANGEABLE WITH THE INCORPORATION OF S/B 767-49-0025 FOR NHA/OTHER SYS DET SEE: 49-11-00-01		RF
- 10	3800298-1-6		ENGINE ASSY-GAS TURB (APU AIR INTAKE PLENUM ONLY) FLANGE SEAL MODEL GTCP331-200ER SUPPLIER CODE: V99193 SPECIFICATION NUMBER: S351T020-205 CONFIG CHG DATA FROM A CMM: REPLS 3800298-1-5 COMPONENT MAINT MANUAL REF: 49-22-11 QUALIFIED I/W DATA: S351T020-204 (3800298-1-5) AND S351T020-205 (3800298-1-6) ARE		RF

ILLUSTRATION ITEMS NOT ON PARTS LIST ARE NOT APPLICABLE

- ITEM NOT ILLUSTRATED

49-15-04-01

49-15-04  
FIG. 01  
PAGE 5  
DEC 22/06

HXL



767

PARTS CATALOG (MAINTENANCE)

FIG ITEM	PART NUMBER	1 2 3 4 5 6 7 NOMENCLATURE	EFFECT FROM TO	UNITS PER ASSY
1 10		INTERCHANGEABLE WITH THE INCORPORATION OF S/B 767-49-0025 S351T020-203 (3800298-1-4) AND S351T020-205 (3800298-1-6) ARE INTERCHANGEABLE WITH INCORPORATION OF S/B 767-49-0025 S351T020-202 (3800298-1-3) AND S351T020-205 (3800298-1-6) ARE INTERCHANGEABLE WITH THE INCORPORATION OF S/B 767-49-0025 S351T020-201 (3800298-1-2) AND S351T020-205 (3800298-1-6) ARE INTERCHANGEABLE WITH THE INCORPORATION OF S/B 767-49-0025 S351T020-200 (3800298-1-1) AND S351T020-205 (3800298-1-6) ARE INTERCHANGEABLE WITH THE INCORPORATION OF S/B 767-49-0025 FOR NHA/OTHER SYS DET SEE: 49-11-00-01		
- 15	3800298-1-7	ENGINE ASSY-GAS TURB (APU AIR INTAKE PLENUM ONLY) FLANGE SEAL MODEL GTCP331-200ER SUPPLIER CODE: V99193 SPECIFICATION NUMBER: S351T020-206 CONFIG CHG DATA FROM A CMM: REPLS 3800298-1-6 ELECTRICAL EQUIP NUMBER: M00967 COMPONENT MAINT MANUAL REF: 49-22-11 QUALIFIED I/W DATA:  ILLUSTRATION ITEMS NOT ON PARTS LIST ARE NOT APPLICABLE		RF

- ITEM NOT ILLUSTRATED

49-15-04-01

49-15-04  
 FIG. 01  
 PAGE 6  
 DEC 22/06

HXL





767

PARTS CATALOG (MAINTENANCE)

FIG ITEM	PART NUMBER	1 2 3 4 5 6 7	NOMENCLATURE	EFFECT FROM TO	UNITS PER ASSY
1 15			<p>S351T020-203 (3800298-1-4) AND S351T020-206 (3800298-1-7/3800298-1) ARE INTERCHANGEABLE WITH THE INCORPORATION OF ALLIED SIGNAL S/B GTCP331-49-7081. S351T020-204 (3800298-1-5) AND S351T020-206 (3800298-1-7/3800298-1) ARE INTERCHANGEABLE WITH THE INCORPORATION OF ALLIED SIGNAL S/B GTCP331-49-7081. S351T020-202 (3800298-1-3) AND S351T020-206 (3800298-1-7/3800298-1) ARE INTERCHANGEABLE WITH THE INCORPORATION OF ALLIED SIGNAL S/B GTCP331-49-7081 S351T020-201 (3800298-1-2) AND S351T020-206 (3800298-1-7/3800298-1) ARE INTERCHANGEABLE WITH THE INCORPORATION OF ALLIED SIGNAL S/B GTCP331-49-7081 S351T020-200 (3800298-1-1) AND S351T020-206 (3800298-1-7/3800298-1) ARE INTERCHANGEABLE WITH THE INCORPORATION OF ALLIED SIGNAL S/B GTCP331-49-7081</p> <p>OPTIONAL PART: 3800298-1 V99193 FOR NHA/OTHER SYS DET SEE: 49-11-00-01</p>		
- 15	3800298-1		<p>ENGINE ASSY-GAS TURB (APU AIR INTAKE PLENUM ONLY) FLANGE SEAL</p>		RF
ILLUSTRATION ITEMS NOT ON PARTS LIST ARE NOT APPLICABLE					

- ITEM NOT ILLUSTRATED

49-15-04-01

49-15-04  
FIG. 01  
PAGE 7  
DEC 22/06

HXL



767

PARTS CATALOG (MAINTENANCE)

FIG ITEM	PART NUMBER	1 2 3 4 5 6 7 NOMENCLATURE	EFFECT FROM TO	UNITS PER ASSY
1		<p>SUPPLIER CODE: V99193</p> <p>SPECIFICATION NUMBER: S351T020-206</p> <p>COMPONENT MAINT MANUAL REF: 49-22-11</p> <p>QUALIFIED I/W DATA: S351T020-204 (3800298-1-5) AND S351T020-206 (3800298-1-7/3800298-1) ARE INTERCHANGEABLE WITH THE INCORPORATION OF ALLIED SIGNAL S/B GTCP331-49-7081 S351T020-203 (3800298-1-4) AND S351T020-206 (3800298-1-7/3800298-1) ARE INTERCHANGEABLE WITH THE INCORPORATION OF ALLIED SIGNAL S/B GTCP331-49-7081. S351T020-202 (3800298-1-3) AND S351T020-206 (3800298-1-7/3800298-1) ARE INTERCHANGEABLE WITH THE INCORPORATION OF ALLIED SIGNAL S/B GTCP331-49-7081 S351T020-201 (3800298-1-2) AND S351T020-206 (3800298-1-7/3800298-1) ARE INTERCHANGEABLE WITH THE INCORPORATION OF ALLIED SIGNAL S/B GTCP331-49-7081 S351T020-200 (3800298-1-1) AND S351T020-206 (3800298-1-7/3800298-1) ARE INTERCHANGEABLE WITH THE INCORPORATION OF ALLIED SIGNAL S/B GTCP331-49-7081</p> <p>OPTIONAL PART: 3800298-1-7</p> <p>ILLUSTRATION ITEMS NOT ON PARTS LIST ARE NOT APPLICABLE</p>		

- ITEM NOT ILLUSTRATED

49-15-04-01

49-15-04  
FIG. 01  
PAGE 8  
DEC 22/06

HXL



767

PARTS CATALOG (MAINTENANCE)

FIG ITEM	PART NUMBER	1 2 3 4 5 6 7	NOMENCLATURE	EFFECT FROM TO	UNITS PER ASSY
1					
15			V99193 FOR NHA/OTHER SYS DET SEE: 49-11-00-01		
50	3810213-5		.PLENUM-HALF INLET SUPPLIER CODE: V99193 POSITION DATA: UPR SB DATA FROM A CMM: POST SB 49-5490 PRE SB 49-7496 CONFIG CHG DATA FROM A CMM: REPLS 3810213-2 REPLS 3810213-3 REPLS 3810213-4 REPLD BY 3810213-6 REPLD BY 3810213-8 USED ON: 3800298-1-1 3800298-1-2 3800298-1-3 3800298-1-4 3800298-1-5 3800298-1-6 3800298-1-7		1
50	3810213-6		.PLENUM-HALF INLET SUPPLIER CODE: V99193 POSITION DATA: UPR SB DATA FROM A CMM: PRE SB 49-7496 CONFIG CHG DATA FROM A CMM: REPLS 3810213-5 REPLD BY 3810213-8		1
50	3810213-7		.PLENUM-HALF INLET SUPPLIER CODE: V99193 POSITION DATA: UPR SB DATA FROM A CMM: POST SB 49-5784 PRE SB 49-7496 CONFIG CHG DATA FROM A CMM: REPLS 3810213-5 REPLS 3810213-6 REPLD BY 3810213-8		1
ILLUSTRATION ITEMS NOT ON PARTS LIST ARE NOT APPLICABLE					

- ITEM NOT ILLUSTRATED

49-15-04-01

49-15-04  
FIG. 01  
PAGE 9  
DEC 22/06

HXL



767

PARTS CATALOG (MAINTENANCE)

FIG ITEM	PART NUMBER	1 2 3 4 5 6 7	NOMENCLATURE	EFFECT FROM TO	UNITS PER ASSY
1					
50	3810213-8		.PLENUM-HALF INLET SUPPLIER CODE: V99193 POSITION DATA: UPR SB DATA FROM A CMM: POST SPB 49-7391 PRE SB 49-7496 CONFIG CHG DATA FROM A CMM: REPLS 3810213-7 REPLD BY 3810213-9		1
50	3810213-9		.PLENUM-HALF INLET SUPPLIER CODE: V99193 POSITION DATA: UPR SB DATA FROM A CMM: POST SB 49-7496 CONFIG CHG DATA FROM A CMM: REPLS 3810213-8		1
50	3810213-10		.PLENUM-HALF INLET SUPPLIER CODE: V99193 POSITION DATA: UPR SB DATA FROM A CMM: POST SB 49-7496 CONFIG CHG DATA FROM A CMM: REPLS 3810213-5 REPLS 3810213-6 REPLS 3810213-7 USED ON: 3800298-1-1 3800298-1-2 3800298-1-3 3800298-1-4 3800298-1-5 3800298-1-6 3800298-1-7		1
55	631-502-9102		..RECEPTACLE- SUPPLIER CODE: V99193 POST SERVICE BULLETIN: GTCP331-49-7496R1 V99193		10

ILLUSTRATION ITEMS NOT ON PARTS LIST ARE NOT APPLICABLE

- ITEM NOT ILLUSTRATED

49-15-04-01

49-15-04  
FIG. 01  
PAGE 10  
DEC 22/06

HXL



767

PARTS CATALOG (MAINTENANCE)

FIG ITEM	PART NUMBER	1 2 3 4 5 6 7	NOMENCLATURE	EFFECT FROM TO	UNITS PER ASSY
1			ATTACHING PARTS		
60	MS20427M3-4		.. RIVET- POST SERVICE BULLETIN: GTCP331-49-7496R1 V99193 -----*-----		20
65	MS20615-4M4		.. RIVET		16
70	MB5317S52N325		.. STRAP- SUPPLIER CODE: V98625 OPTIONAL PART: 680-514-9102 V99193		4
70	680-514-9102		.. STRAP- SUPPLIER CODE: V99193 OPTIONAL PART: MB5317S52N325 V98625		4
75	3810143-1		.. SEAL- SUPPLIER CODE: V99193		1
80	3844056-1		.. SEAL-HEATSHIELD SUPPLIER CODE: V99193 OPTIONAL PART: 3844037-1 V99193 3844056-2 V99193		1
80	3844037-1		.. SEAL-HEATSHIELD SUPPLIER CODE: V99193 OPTIONAL PART: 3844056-1 V99193		1
80	3844056-2		.. SEAL-HEATSHIELD SUPPLIER CODE: V99193 OPTIONAL PART: 3844056-1 V99193		1

ILLUSTRATION ITEMS NOT ON PARTS LIST ARE NOT APPLICABLE

- ITEM NOT ILLUSTRATED

49-15-04-01

49-15-04  
FIG. 01  
PAGE 11  
DEC 22/06

HXL



767

PARTS CATALOG (MAINTENANCE)

FIG ITEM	PART NUMBER	1 2 3 4 5 6 7	NOMENCLATURE	EFFECT FROM TO	UNITS PER ASSY
1 85	3810214-3		.PLENUM-HALF INLET SUPPLIER CODE: V99193 POSITION DATA: LWR SB DATA FROM A CMM: POST SPB GTE0252 PRE SB 49-5601 CONFIG CHG DATA FROM A CMM: REPLS 3810214-2 USED ON: 3800298-1-1 3800298-1-2 3800298-1-3 3800298-1-4 3800298-1-5 3800298-1-6 3800298-1-7		1
85	3810214-5		.PLENUM-HALF INLET SUPPLIER CODE: V99193 POSITION DATA: LWR SB DATA FROM A CMM: POST SB 49-5966 CONFIG CHG DATA FROM A CMM: REPLS 3810214-4		1
85	3810214-4		.PLENUM-HALF INLET SUPPLIER CODE: V99193 POSITION DATA: LWR SB DATA FROM A CMM: POST SB 49-5601 PRE SB 49-5966 CONFIG CHG DATA FROM A CMM: REPLD BY 3810214-5		1
90	MS20427M4-4		..RIVET		16
95	MB5319S52N325V		..STRAP- SUPPLIER CODE: V98625 OPTIONAL PART: 680-514-9002 V99193		4

ILLUSTRATION ITEMS NOT ON PARTS LIST ARE NOT APPLICABLE

- ITEM NOT ILLUSTRATED

49-15-04-01

49-15-04  
FIG. 01  
PAGE 12  
DEC 22/06

HXL

 **BOEING**  
767  
**PARTS CATALOG (MAINTENANCE)**

FIG ITEM	PART NUMBER	1 2 3 4 5 6 7	NOMENCLATURE	EFFECT FROM TO	UNITS PER ASSY
1					
95	680-514-9002	..	STRAP- SUPPLIER CODE: V99193 OPTIONAL PART: MB5319S52N325V V98625		4
100	3844056-1	..	SEAL-HEATSHIELD SUPPLIER CODE: V99193 OPTIONAL PART: 3844037-1 V99193 3844056-2 V99193		1
100	3844056-2	..	SEAL-HEATSHIELD SUPPLIER CODE: V99193 OPTIONAL PART: 3844056-1 V99193		1
100	3844037-1	..	SEAL-HEATSHIELD SUPPLIER CODE: V99193 OPTIONAL PART: 3844056-1 V99193		1
105	3810143-2	..	SEAL- SUPPLIER CODE: V99193 SB DATA FROM A CMM: POST SPB GTE0252 CONFIG CHG DATA FROM A CMM: REPLS 3810143-1		1
105	3810143-1	..	SEAL- SUPPLIER CODE: V99193 SB DATA FROM A CMM: PRE SPB GTE0252 CONFIG CHG DATA FROM A CMM: REPLD BY 3810143-2		1
110	S9082-11L0034	..	SEAL- SUPPLIER CODE: V99193		2
115	S9082-11L0100	..	SEAL- SUPPLIER CODE: V99193		2
120	S9082-11L0023	..	SEAL- SUPPLIER CODE: V99193		2

ILLUSTRATION ITEMS NOT ON PARTS LIST ARE NOT APPLICABLE

— ITEM NOT ILLUSTRATED

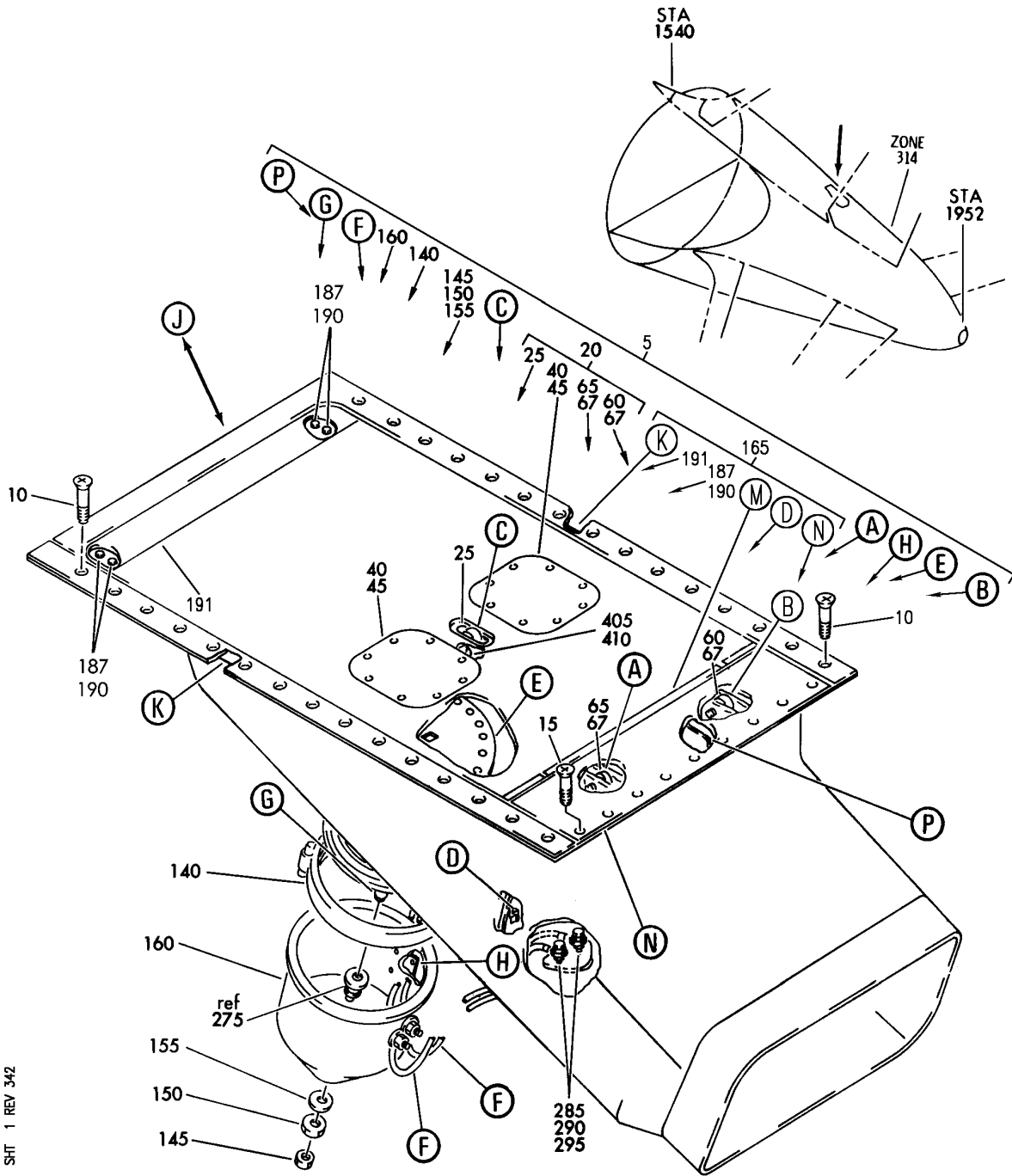
HXL

# 49-15-04-01

BOEING PROPRIETARY - Copyright © - Unpublished Work - See title page for details.

49-15-04  
FIG. 01  
PAGE 13  
DEC 22/06

**BOEING**  
767  
PARTS CATALOG (MAINTENANCE)



V 49150501 SHT 1 REV 342

PORT AND DOOR INSTL-AUX PWR SYS INTAKE  
FIGURE 1 (SHEET 1)

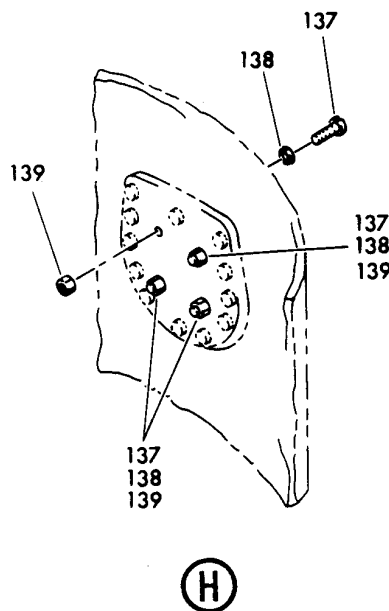
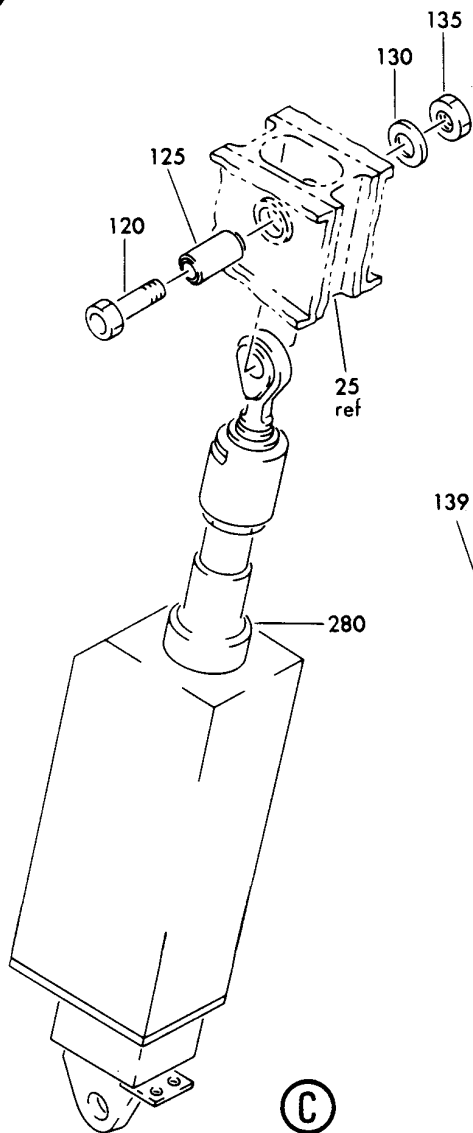
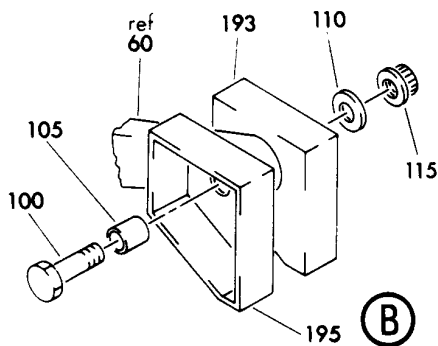
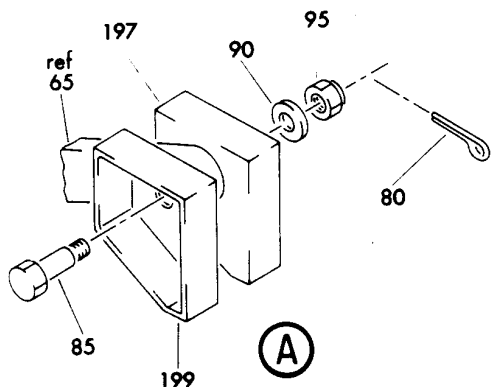
**49-15-05-01**

HXL  
AUG 22/09

49-15-05-01  
PAGE 0



**BOEING**  
767  
PARTS CATALOG (MAINTENANCE)



V 49150501 SHT 2 REV 030

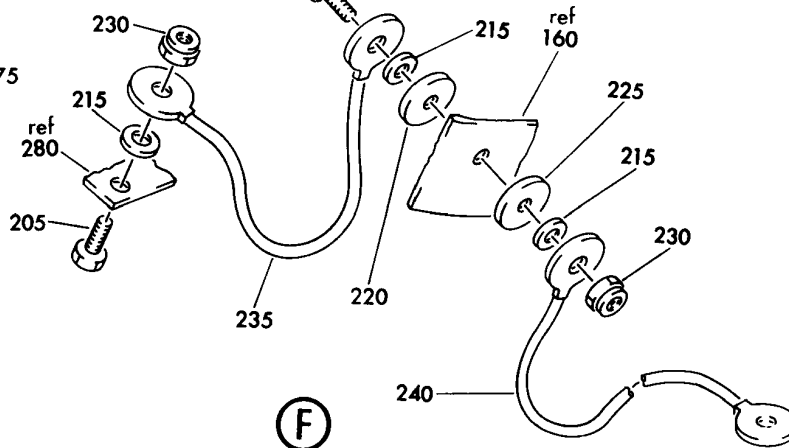
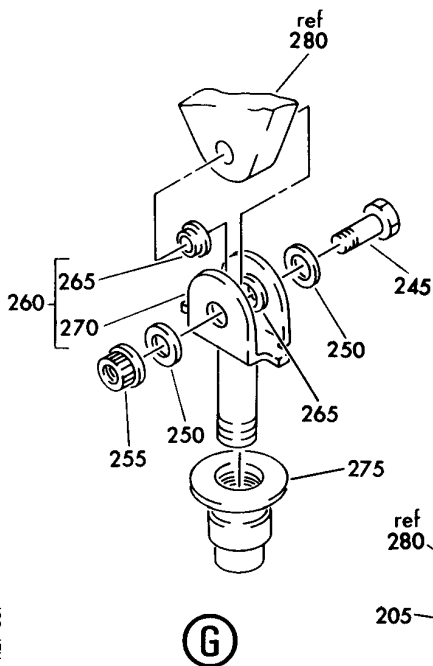
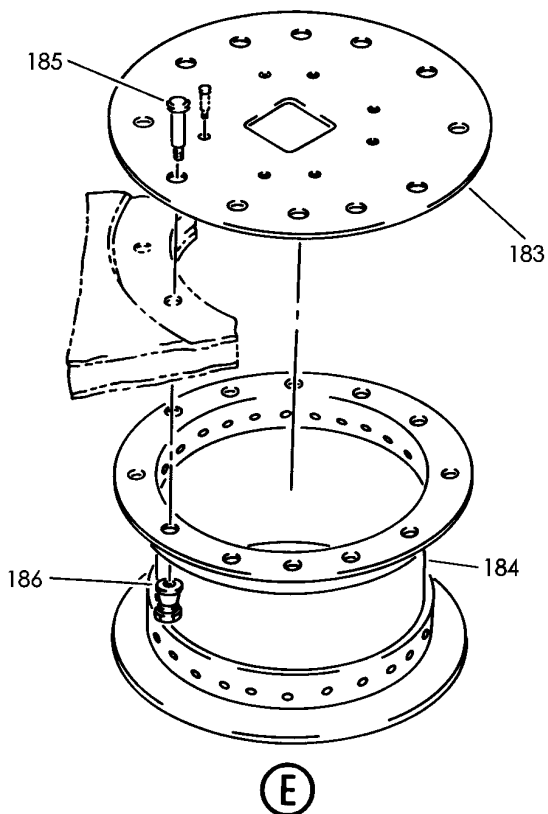
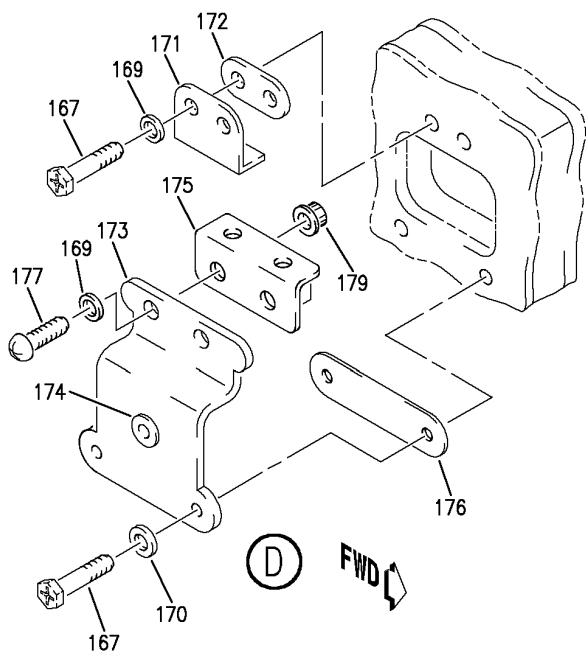
PORT AND DOOR INSTL-AUX PWR SYS INTAKE  
FIGURE 1 (SHEET 2)

**49-15-05-01**

HXL  
DEC 22/06

49-15-05-01  
PAGE 0A


**BOEING**  
 767  
**PARTS CATALOG (MAINTENANCE)**



V 49150501 SHT 3 REV 337

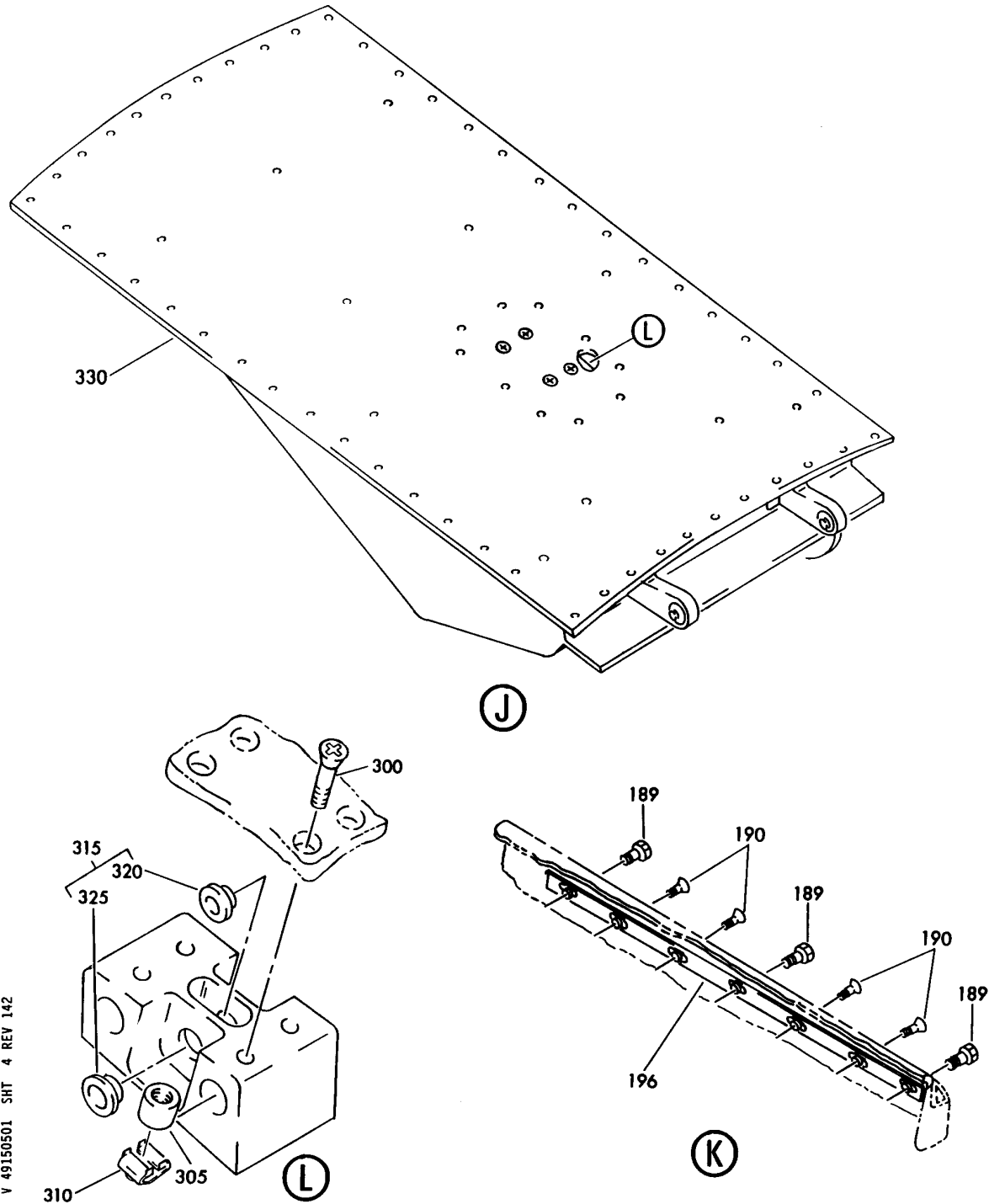
PORT AND DOOR INSTL-AUX PWR SYS INTAKE  
FIGURE 1 (SHEET 3)

**49-15-05-01**

HXL  
APR 22/09

49-15-05-01  
PAGE 0B

**BOEING**  
767  
PARTS CATALOG (MAINTENANCE)



V 49150501 SHT 4 REV 142

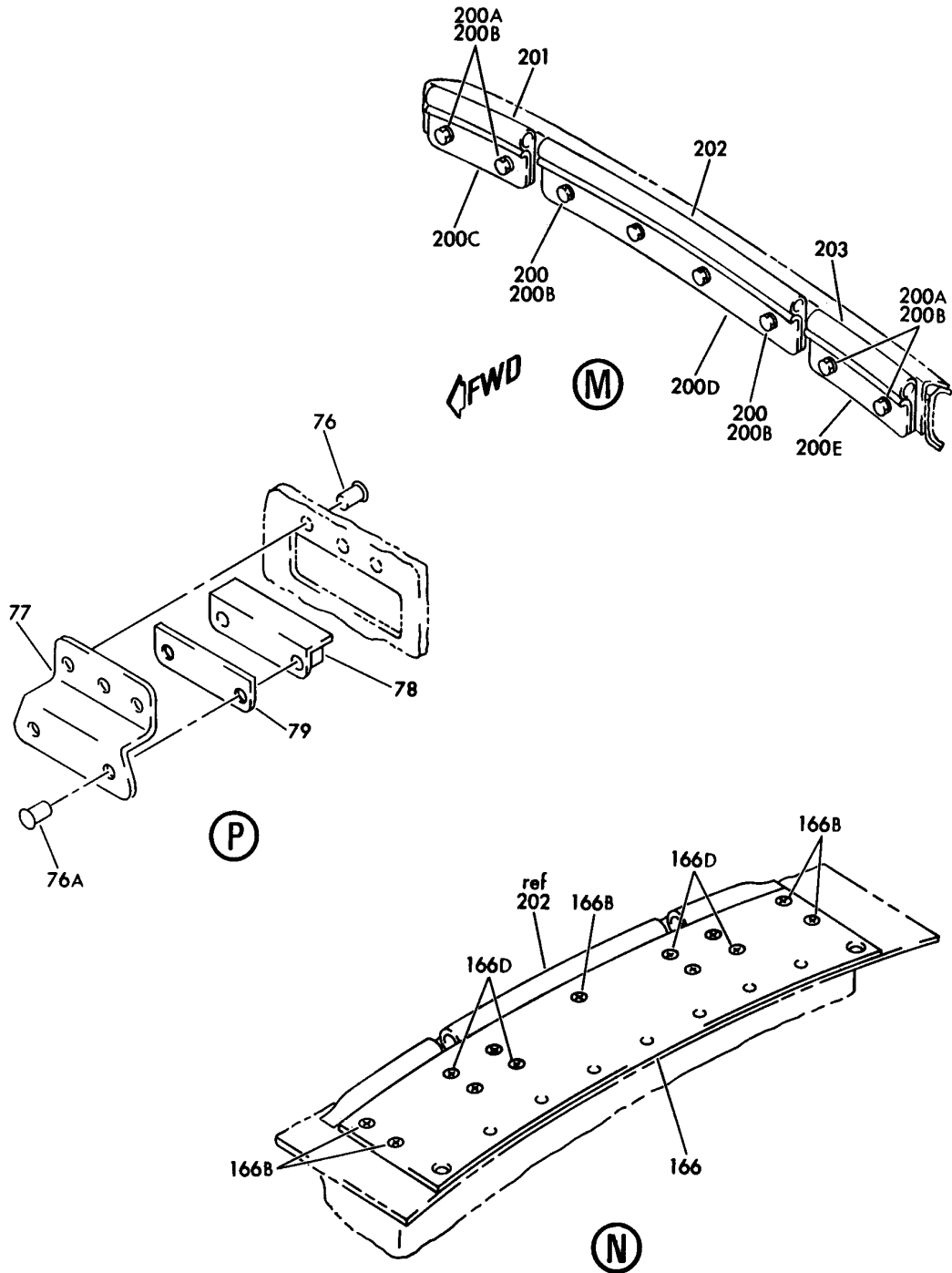
PORT AND DOOR INSTL-AUX PWR SYS INTAKE  
FIGURE 1 (SHEET 4)

**49-15-05-01**

HXL  
DEC 22/06

49-15-05-01  
PAGE 0C

**BOEING**  
767  
PARTS CATALOG (MAINTENANCE)



V 49150501 SHT 5 REV 166

PORT AND DOOR INSTL-AUX PWR SYS INTAKE  
FIGURE 1 (SHEET 5)

**49-15-05-01**

HXL  
DEC 22/06

49-15-05-01  
PAGE 0D







767

PARTS CATALOG (MAINTENANCE)

FIG ITEM	PART NUMBER	1 2 3 4 5 6 7	NOMENCLATURE	EFFECT FROM TO	UNITS PER ASSY
R R R R R R R R R R R R	1 5	353T0100-31	.PORT AND DOOR ASSY- (AIRBORNE AUXILIARY POWER ONLY) COMPONENT MAINT MANUAL REF: 49-15-12 FUNCTIONAL REFERENCE: PLACARDS AND MARKINGS FOR DETAILS SEE 11-21-16-04 ATTACHING PARTS		1
	10	BACB30LR3-4	.BOLT-		30
	15	BACB30LR3-5	.BOLT-		9
			-----*-----		
	67	353T0104-11	..FITTING ASSY-HINGE OPTIONAL PART: 353T0104-13		2
	67	353T0104-13	..FITTING ASSY-HINGE OPTIONAL PART: 353T0104-11 ATTACHING PARTS		2
	- 70	BACB30NM3K4	..BOLT-		8
	- 75	BACW10BN3AC	..WASHER		8
			-----*-----		
	76	BACR15BA4D	..RIVET		3
	76A	BACR15FT4AD	..RIVET		2
	77	353T0115-40	..BRACKET- USED ON: 353T0100-6 353T0100-11 353T0100-12		1
	77	353T0115-75	..BRACKET- USED ON: 353T0100-13 353T0100-14 353T0100-15 353T0100-21 353T0100-27 353T0100-31		1
78	8112-0401	..ACTUATOR-MAGNETIC SUPPLIER CODE: V99564 SPECIFICATION NUMBER: 60B40018-32		1	
79	BACS40R005E016F	..SHIM-		1	

ILLUSTRATION ITEMS NOT ON PARTS LIST ARE NOT APPLICABLE

- ITEM NOT ILLUSTRATED

49-15-05-01

49-15-05  
FIG. 01  
PAGE 3  
AUG 22/09

HXL



767

PARTS CATALOG (MAINTENANCE)

FIG ITEM	PART NUMBER	1 2 3 4 5 6 7	NOMENCLATURE	EFFECT FROM TO	UNITS PER ASSY
1					
80	MS24665-134		..PIN- USED ON: 353T0100-3 353T0100-4 353T0100-6 353T0100-9 353T0100-11 353T0100-12 353T0100-13 353T0100-14 353T0100-15		1
80	BACP18BC02C06P		..PIN- USED ON: 353T0100-21 353T0100-27 353T0100-31		1
85	BACB30PW5D15		..BOLT-		1
90	AN960-416		..WASHER- USED ON: 353T0100-3 353T0100-4 353T0100-6 353T0100-9 353T0100-11 353T0100-12 353T0100-13 353T0100-14 353T0100-15		1
90	NAS1149E0432P		..WASHER- USED ON: 353T0100-21 353T0100-27 353T0100-31		1
95	PHCR54CDBACN		..NUT- SUPPLIER CODE: VF0224 SPECIFICATION NUMBER: BACN11N4CD USED ON: 353T0100-3 353T0100-4 353T0100-6 353T0100-9 353T0100-11 353T0100-12 353T0100-13 353T0100-14 353T0100-15		1

ILLUSTRATION ITEMS NOT ON PARTS LIST ARE NOT APPLICABLE

- ITEM NOT ILLUSTRATED

49-15-05-01

49-15-05  
FIG. 01  
PAGE 4  
AUG 22/09

HXL

BOEING PROPRIETARY - Copyright © - Unpublished Work - See title page for details.





767

PARTS CATALOG (MAINTENANCE)

FIG ITEM	PART NUMBER	1 2 3 4 5 6 7	NOMENCLATURE	EFFECT FROM TO	UNITS PER ASSY
1	95 BACN10JD4		..NUT- USED ON: 353T0100-3 353T0100-4 353T0100-6 353T0100-9 353T0100-11 353T0100-12 353T0100-13 353T0100-14 353T0100-15		1
	95 BACN10JD4CD		..NUT- USED ON: 353T0100-21 353T0100-27 353T0100-31		1
	100 NAS6705-14		..BOLT- USED ON: 353T0100-3 353T0100-4 353T0100-6 353T0100-9 353T0100-11 353T0100-12 353T0100-13 353T0100-14 353T0100-15		1
	100 BACB30LM5-14		..BOLT- USED ON: 353T0100-21 353T0100-27 353T0100-31		1
	105 BACB28AK05-30		..BUSHING-		1
	110 BACW10BP5AP		..WASHER- USED ON: 353T0100-6 353T0100-11 353T0100-12 353T0100-13 353T0100-14 353T0100-15		1
	110 BACW10BP5DP		..WASHER- USED ON: 353T0100-21 353T0100-27 353T0100-31		1

ILLUSTRATION ITEMS NOT ON PARTS LIST ARE NOT APPLICABLE

- ITEM NOT ILLUSTRATED

49-15-05-01

49-15-05  
FIG. 01  
PAGE 5  
AUG 22/09

HXL

BOEING PROPRIETARY - Copyright © - Unpublished Work - See title page for details.



767

PARTS CATALOG (MAINTENANCE)

FIG ITEM	PART NUMBER	1 2 3 4 5 6 7	NOMENCLATURE	EFFECT FROM TO	UNITS PER ASSY
1					
115	NAS1805-5L	..	NUT- USED ON: 353T0100-6 353T0100-11 353T0100-12 353T0100-13 353T0100-14 353T0100-15		1
115	BACN11Z5CD	..	NUT- USED ON: 353T0100-21 353T0100-27 353T0100-31		1
120	NAS6705-15	..	BOLT- USED ON: 353T0100-6 353T0100-11 353T0100-12 353T0100-13 353T0100-14 353T0100-15		1
120	BACB30LM5-15	..	BOLT- USED ON: 353T0100-21 353T0100-27 353T0100-31		1
125	BACB28AK05-032	..	BUSHING- USED ON: 353T0100-6 353T0100-11 353T0100-12 353T0100-13 353T0100-14 353T0100-15 353T0100-21 353T0100-27 353T0100-31		1
130	BACW10BP5AP	..	WASHER- USED ON: 353T0100-6 353T0100-11 353T0100-12 353T0100-13 353T0100-14 353T0100-15		1

ILLUSTRATION ITEMS NOT ON PARTS LIST ARE NOT APPLICABLE

- ITEM NOT ILLUSTRATED

49-15-05-01

49-15-05  
FIG. 01  
PAGE 6  
AUG 22/09

HXL

BOEING PROPRIETARY - Copyright © - Unpublished Work - See title page for details.



767

PARTS CATALOG (MAINTENANCE)

FIG ITEM	PART NUMBER	1 2 3 4 5 6 7	NOMENCLATURE	EFFECT FROM TO	UNITS PER ASSY
1					
130	BACW10BP5DP		.. WASHER- USED ON: 353T0100-21 353T0100-27 353T0100-31		1
135	NAS1805-5L		.. NUT- USED ON: 353T0100-6 353T0100-11 353T0100-12 353T0100-13 353T0100-14 353T0100-15		1
135	BACN11Z5CD		.. NUT- USED ON: 353T0100-21 353T0100-27 353T0100-31		1
137	BACS12BE04C5		.. SCREW- USED ON: 353T0100-3 353T0100-4 353T0100-6 353T0100-9 353T0100-11 353T0100-12 353T0100-13 353T0100-14 353T0100-15		4
137	BACS12CK04-5		.. SCREW- USED ON: 353T0100-21 353T0100-27 353T0100-31		4
138	NAS1149DN432J		.. WASHER		4
139	MS21042L04		.. NUT- USED ON: 353T0100-6 353T0100-11 353T0100-12 353T0100-13 353T0100-14 353T0100-15		4

ILLUSTRATION ITEMS NOT ON PARTS LIST ARE NOT APPLICABLE

- ITEM NOT ILLUSTRATED

HXL

49-15-05-01

BOEING PROPRIETARY - Copyright © - Unpublished Work - See title page for details.

49-15-05  
FIG. 01  
PAGE 7  
AUG 22/09



767

PARTS CATALOG (MAINTENANCE)

FIG ITEM	PART NUMBER	1 2 3 4 5 6 7	NOMENCLATURE	EFFECT FROM TO	UNITS PER ASSY
1 139	PLH504CD		..NUT- SUPPLIER CODE: VF0224 SPECIFICATION NUMBER: BACN10YR04CD OPTIONAL PART: H52732-04CD V15653 USED ON: 353T0100-3 353T0100-4 353T0100-9 353T0100-21 353T0100-27 353T0100-31		4
140	4566-800		..CLAMP- SUPPLIER CODE: V00624		1
145	NAS509-6		..NUT- USED ON: 353T0100-3 353T0100-4 353T0100-6 353T0100-9 353T0100-11 353T0100-12 353T0100-13 353T0100-14 353T0100-15		1
145	BACN11U6CM1		..NUT- USED ON: 353T0100-21 353T0100-27 353T0100-31		1
150	NAS1423-12		..NUT- USED ON: 353T0100-3 353T0100-4 353T0100-6 353T0100-9 353T0100-11 353T0100-12 353T0100-13 353T0100-14 353T0100-15		1

ILLUSTRATION ITEMS NOT ON PARTS LIST ARE NOT APPLICABLE

- ITEM NOT ILLUSTRATED

HXL

49-15-05-01

BOEING PROPRIETARY - Copyright © - Unpublished Work - See title page for details.

49-15-05  
 FIG. 01  
 PAGE 8  
 AUG 22/09

**BOEING**  
767  
**PARTS CATALOG (MAINTENANCE)**

FIG ITEM	PART NUMBER	1 2 3 4 5 6 7	NOMENCLATURE	EFFECT FROM TO	UNITS PER ASSY
1					
150	BACN11U12CM2		..NUT- USED ON: 353T0100-21 353T0100-27 353T0100-31		1
155	AN960C1216L		..WASHER- USED ON: 353T0100-3 353T0100-4 353T0100-6 353T0100-9 353T0100-11 353T0100-12 353T0100-13 353T0100-14 353T0100-15		1
155	NAS1149E1232P		..WASHER- USED ON: 353T0100-21 353T0100-27 353T0100-31		1
160	353T0107-4		..CONTAINER ASSY- POSITION DATA: LWR FOR DETAILS SEE: 11-21-15-01		1
165	353T0106-5		..PORT ASSY- USED ON: 353T0100-6 353T0100-9	163163	1
165	353T0106-7		..PORT ASSY- USED ON: 353T0100-11		1
165	353T0106-8		..PORT ASSY- USED ON: 353T0100-12 353T0100-13		1
165	353T0106-9		..PORT ASSY- USED ON: 353T0100-14		1
165	353T0106-11		..PORT ASSY- USED ON: 353T0100-15		1
165	353T0106-15		..PORT ASSY- USED ON: 353T0100-21 353T0100-27		1
ILLUSTRATION ITEMS NOT ON PARTS LIST ARE NOT APPLICABLE					

R  
R  
R  
R  
R  
R  
R  
R  
R  
R  
R  
R  
R  
R  
R  
R  
R  
R  
R  
R  
R  
R

- ITEM NOT ILLUSTRATED

49-15-05-01

49-15-05  
FIG. 01  
PAGE 9  
AUG 22/09

HXL

**BOEING**  
767  
**PARTS CATALOG (MAINTENANCE)**

FIG ITEM	PART NUMBER	1 2 3 4 5 6 7	NOMENCLATURE	EFFECT FROM TO	UNITS PER ASSY
R R R	1 165	353T0106-17	..PORT ASSY- USED ON: 353T0100-31		1
	166	353T0116-1	...PANEL-COVER USED ON: 353T0106-1 353T0106-3 353T0106-5 353T0106-7 353T0106-8		1
	-166A	353T0116-10	...FAIRING-COVER USED ON: 353T0106-9 ATTACHING PARTS		1
	166B	BACB30LR3-3	...BOLT-		5
	166D	BACB30LR3-4	...BOLT- -----*-----		8
	167	NAS1801-3-5	...SCREW		4
	169	AN960PD10L	...WASHER-		4
	170	NAS1149D0316J	...WASHER		2
	171	353T0115-41	...BRACKET-SENSOR		1
	172	BACS40R08C16F	...SHIM		1
	173	353T0115-72	...BRACKET-SENSOR		1
	174	RR2002-2B2	....GROMMET SUPPLIER CODE: V57268 SPECIFICATION NUMBER: BACG20AF2B2 OPTIONAL PART: G6940-2B2 V75345 SZ6924-2B2 V95272 701-2B2 V07096 E2B2 V60980 H2B2 V60980		1
	175	8102-0401	...SENSOR- SUPPLIER CODE: V99564 SPECIFICATION NUMBER: 60B40018-42 ELECTRICAL EQUIP NUMBER: S00506 OPTIONAL PART: 8102-0402 V99564		1

ILLUSTRATION ITEMS NOT ON PARTS LIST ARE NOT APPLICABLE

- ITEM NOT ILLUSTRATED

HXL

49-15-05-01

BOEING PROPRIETARY - Copyright © - Unpublished Work - See title page for details.

49-15-05  
FIG. 01  
PAGE 10  
AUG 22/09



**PARTS CATALOG (MAINTENANCE)**

FIG ITEM	PART NUMBER	1 2 3 4 5 6 7	NOMENCLATURE	EFFECT FROM TO	UNITS PER ASSY
1 175	8102-0402		... SENSOR- SUPPLIER CODE: V99564 SPECIFICATION NUMBER: 60B40018-43 ELECTRICAL EQUIP NUMBER: S00506 OPTIONAL PART: 8102-0401 V99564		1
176	BACS40R008C021F		... SHIM		1
177	NAS600-5		... SCREW-		2
179	BRH10A04		... NUT SUPPLIER CODE: V52828 SPECIFICATION NUMBER: BACN10JC04 OPTIONAL PART: NS202101-40 V80539 RMLH9075-40W V72962 VN303A40 V92215 96-40 V80539 T6S440J V11815 H10-04BAC V15653		2
179	BRH10C04D		... NUT SUPPLIER CODE: V52828 SPECIFICATION NUMBER: BACN10JC04CD OPTIONAL PART: H51650-04BAC V15653 102LH9075-40W V72962 NS202486-40 V80539 T6C440JCD V11815		2

ILLUSTRATION ITEMS NOT ON PARTS LIST ARE NOT APPLICABLE

- ITEM NOT ILLUSTRATED

HXL

**49-15-05-01**

BOEING PROPRIETARY - Copyright © - Unpublished Work - See title page for details.

49-15-05  
FIG. 01  
PAGE 11  
AUG 22/09



767

PARTS CATALOG (MAINTENANCE)

FIG ITEM	PART NUMBER	1 2 3 4 5 6 7	NOMENCLATURE	EFFECT FROM TO	UNITS PER ASSY
1 183	353T0117-1		...SEAL ASSY- USED ON: 353T0106-1 353T0106-3 353T0106-5 353T0106-7 353T0106-8 353T0106-9		1
183	353T0118-5		...PLATE- OPTIONAL PART: 353T0118-6 USED ON: 353T0106-11 353T0106-15 353T0106-17		1
183	353T0118-6		...PLATE- OPTIONAL PART: 353T0118-5 USED ON: 353T0106-15 353T0106-17		1
184	353T0108-1		...CONTAINER ASSY- POSITION DATA: UPR		1

ILLUSTRATION ITEMS NOT ON PARTS LIST ARE NOT APPLICABLE

- ITEM NOT ILLUSTRATED

HXL

49-15-05-01

BOEING PROPRIETARY - Copyright © - Unpublished Work - See title page for details.

49-15-05  
FIG. 01  
PAGE 12  
AUG 22/09





767

PARTS CATALOG (MAINTENANCE)

FIG ITEM	PART NUMBER	1 2 3 4 5 6 7 NOMENCLATURE	EFFECT FROM TO	UNITS PER ASSY
1  185	HL1012AZ6-18	ATTACHING PARTS ... BOLT- SUPPLIER CODE: V97928 SPECIFICATION NUMBER: BACB30NX6K18 OPTIONAL PART: HL12VAZ6-18 V73197 HL12VAZ6-18 V92215 HL12VAZ6-18 V97928 L802-6K18 V06725 HL12VAZ6-18 V56878 HL1012AZ6-18 VOPTK6 HL1012AZ6-18 V06725 HL1012AZ6-18 V06950 HL1012AZ6-18 V17446 HL1012AZ6-18 V56878 HL1012AZ6-18 V60516 HL1012AZ6-18 V73197 USED ON: 353T0106-1 353T0106-3 353T0106-5		20

ILLUSTRATION ITEMS NOT ON PARTS LIST ARE NOT APPLICABLE

- ITEM NOT ILLUSTRATED

HXL

49-15-05-01

BOEING PROPRIETARY - Copyright © - Unpublished Work - See title page for details.

49-15-05  
 FIG. 01  
 PAGE 13  
 APR 22/09



767

PARTS CATALOG (MAINTENANCE)

FIG ITEM	PART NUMBER	1 2 3 4 5 6 7 NOMENCLATURE	EFFECT FROM TO	UNITS PER ASSY
1 185	HL1012AZ6-20	...BOLT- SUPPLIER CODE: V97928 SPECIFICATION NUMBER: BACB30NX6K20 OPTIONAL PART: HL12VAZ6-20 V73197 HL12VAZ6-20 V92215 HL12VAZ6-20 V97928 L802-6K20 V06725 HL12VAZ6-20 V56878 HL1012AZ6-20 VOPTK6 HL1012AZ6-20 V06725 HL1012AZ6-20 V06950 HL1012AZ6-20 V17446 HL1012AZ6-20 V56878 HL1012AZ6-20 V60516 HL1012AZ6-20 V73197 USED ON: 353T0106-7 353T0106-8 353T0106-9 353T0106-11		20

ILLUSTRATION ITEMS NOT ON PARTS LIST ARE NOT APPLICABLE

- ITEM NOT ILLUSTRATED

HXL

49-15-05-01

BOEING PROPRIETARY - Copyright © - Unpublished Work - See title page for details.

49-15-05  
 FIG. 01  
 PAGE 14  
 APR 22/09



767

PARTS CATALOG (MAINTENANCE)

FIG ITEM	PART NUMBER	1 2 3 4 5 6 7 NOMENCLATURE	EFFECT FROM TO	UNITS PER ASSY
1 185	HL1012AZ6-22	. . . BOLT- SUPPLIER CODE: V97928 SPECIFICATION NUMBER: BACB30NX6K22 OPTIONAL PART: HL12VAZ6-22 V73197 HL12VAZ6-22 V92215 HL12VAZ6-22 V97928 L802-6K22 V06725 HL12BSX6-22 V56878 HL1012AZ6-22 VOPTK6 HL1012AZ6-22 V06725 HL1012AZ6-22 V06950 HL1012AZ6-22 V17446 HL1012AZ6-22 V56878 HL1012AZ6-22 V60516 HL1012AZ6-22 V73197 USED ON: 353T0106-15 353T0106-17		20

ILLUSTRATION ITEMS NOT ON PARTS LIST ARE NOT APPLICABLE

- ITEM NOT ILLUSTRATED

HXL

49-15-05-01

BOEING PROPRIETARY - Copyright © - Unpublished Work - See title page for details.

49-15-05  
 FIG. 01  
 PAGE 15  
 APR 22/09



 **BOEING**  
767  
**PARTS CATALOG (MAINTENANCE)**

FIG ITEM	PART NUMBER	1 2 3 4 5 6 7	NOMENCLATURE	EFFECT FROM TO	UNITS PER ASSY
1					
R 190	NAS1802-3-9	...	BOLT-		12
191	353T0110-10	...	SEAL ASSY-DOOR		1
R 193	353T0101-1	...	FITTING ASSY-HINGE		1
R 195	353T0101-2	...	FITTING ASSY-HINGE		1
R 196	353T0120-1	...	CHANNEL ASSY-		2
R 197	353T0101-3	...	FITTING ASSY-HINGE		1
R 199	353T0101-4	...	FITTING ASSY-HINGE		1
R 200	NAS6603H5	...	BOLT-		4
R 200A	NAS6603H6	...	BOLT-		4
R 200B	AN960PD10L	...	WASHER-		8
R 200C	353T0115-32	...	RETAINER-SEAL		1
R 200D	353T0115-35	...	RETAINER-SEAL		1
R 200E	353T0115-36	...	RETAINER-SEAL		1
R 201	353T0115-50	...	SEAL-		1
			MANUFACTURED FROM: EXTR RUBBER BAC1530-3 X 3.8 SPARES ORDER MATERIAL CODE: 5279003000		
R 202	353T0115-42	...	SEAL-		1
			MANUFACTURED FROM: EXTR RUBBER BAC1530-3 X 7.5 SPARES ORDER MATERIAL CODE: 5279003000		
R 203	353T0115-49	...	SEAL-		1
			MANUFACTURED FROM: EXTR RUBBER BAC1530-3 X 3.8 SPARES ORDER MATERIAL CODE: 5279003000		
R 205	NAS563-15	..	BOLT-		2
			USED ON: 353T0100-3 353T0100-4 353T0100-6 353T0100-9 353T0100-11 353T0100-12 353T0100-13 353T0100-14 353T0100-15		
R 205	BACB30LM3-2	..	BOLT-		2
			USED ON: 353T0100-21 353T0100-27 353T0100-31		
ILLUSTRATION ITEMS NOT ON PARTS LIST ARE NOT APPLICABLE					

- ITEM NOT ILLUSTRATED

HXL

# 49-15-05-01

BOEING PROPRIETARY - Copyright © - Unpublished Work - See title page for details.

49-15-05  
FIG. 01  
PAGE 17  
AUG 22/09



767

PARTS CATALOG (MAINTENANCE)

FIG ITEM	PART NUMBER	1 2 3 4 5 6 7	NOMENCLATURE	EFFECT FROM TO	UNITS PER ASSY
1					
210	NAS563-25		.. BOLT- USED ON: 353T0100-3 353T0100-4 353T0100-6 353T0100-9 353T0100-11 353T0100-12 353T0100-13 353T0100-14 353T0100-15		2
210	BACB30LM3-7		.. BOLT- USED ON: 353T0100-21 353T0100-27 353T0100-31		2
215	AN960D10L		.. WASHER- USED ON: 353T0100-3 353T0100-4 353T0100-6 353T0100-9 353T0100-11 353T0100-12 353T0100-13 353T0100-14 353T0100-15		6
215	NAS1149D0316H		.. WASHER- USED ON: 353T0100-21 353T0100-27 353T0100-31		6
220	353T0151-1		.. SPACER		1
225	353T0151-2		.. SPACER		1
230	MS21042L3		.. NUT- USED ON: 353T0100-6 353T0100-11 353T0100-12 353T0100-13 353T0100-14 353T0100-15		4

ILLUSTRATION ITEMS NOT ON PARTS LIST ARE NOT APPLICABLE

- ITEM NOT ILLUSTRATED

49-15-05-01

49-15-05  
FIG. 01  
PAGE 18  
AUG 22/09

HXL

BOEING PROPRIETARY - Copyright © - Unpublished Work - See title page for details.



767

PARTS CATALOG (MAINTENANCE)

FIG ITEM	PART NUMBER	1 2 3 4 5 6 7	NOMENCLATURE	EFFECT FROM TO	UNITS PER ASSY
1 230	PLH53CD		..NUT- SUPPLIER CODE: VF0224 SPECIFICATION NUMBER: BACN10YR3CD OPTIONAL PART: H52732-3CD V15653 USED ON: 353T0100-21 353T0100-27 353T0100-31		4
235	740D10-16		..JUMPER ASSY SUPPLIER CODE: V91812 SPECIFICATION NUMBER: BACJ40D10-16		2
240	RBEJ40D10-28		..JUMPER ASSY SUPPLIER CODE: V1GK47 SPECIFICATION NUMBER: BACJ40D10-28 OPTIONAL PART: 4E28E V79550		2
245	NAS6705-11		..BOLT- USED ON: 353T0100-3 353T0100-4 353T0100-6 353T0100-9 353T0100-11 353T0100-12 353T0100-13 353T0100-14 353T0100-15		1
245	BACB30LM5-11		..BOLT- USED ON: 353T0100-21 353T0100-27 353T0100-31		1

R  
R  
R  
R  
R  
R  
R  
R

ILLUSTRATION ITEMS NOT ON PARTS LIST ARE NOT APPLICABLE

- ITEM NOT ILLUSTRATED

49-15-05-01

49-15-05  
FIG. 01  
PAGE 19  
AUG 22/09

HXL



767

PARTS CATALOG (MAINTENANCE)

FIG ITEM	PART NUMBER	1 2 3 4 5 6 7	NOMENCLATURE	EFFECT FROM TO	UNITS PER ASSY
1					
250	AN960-516L		.. WASHER- USED ON: 353T0100-3 353T0100-4 353T0100-6 353T0100-9 353T0100-11 353T0100-12 353T0100-13 353T0100-14 353T0100-15		2
250	NAS1149E0532P		.. WASHER- USED ON: 353T0100-21 353T0100-27 353T0100-31		2
255	NAS1805-5L		.. NUT- USED ON: 353T0100-6 353T0100-11 353T0100-12 353T0100-13 353T0100-14 353T0100-15		1
255	BACN11Z5CD		.. NUT- USED ON: 353T0100-21 353T0100-27 353T0100-31		1
260	353T0103-3		.. FITTING ASSY-FORK		1
265	BACB28X5E006		... BUSHING		2
270	353T0103-4		... FITTING		1
275	353T0150-1		.. NUT		1

ILLUSTRATION ITEMS NOT ON PARTS LIST ARE NOT APPLICABLE

- ITEM NOT ILLUSTRATED

HXL

49-15-05-01

BOEING PROPRIETARY - Copyright © - Unpublished Work - See title page for details.

49-15-05  
FIG. 01  
PAGE 20  
AUG 22/09





767

PARTS CATALOG (MAINTENANCE)

FIG ITEM	PART NUMBER	1 2 3 4 5 6 7 NOMENCLATURE	EFFECT FROM TO	UNITS PER ASSY
1 280	732-13870-10	<p>.. ACTUATOR ASSY-  SUPPLIER CODE:  VS4096  SPECIFICATION NUMBER:  S353T010-6  ELECTRICAL EQUIP NUMBER:  M00406  COMPONENT MAINT MANUAL REF:  49-15-04  QUALIFIED I/W DATA:  732-13870-15  (S353T010-11) CAN  REPLACE OR BE REPLACED  BY 732-13870-10 OR  732-13870-6 (S353T010-6)  WITH THE EXCEPTION OF  EUROPEAN AND AUSTRALIAN  AIRLINES WHERE  732-13870-15  (S353T010-11) CAN  REPLACE BUT NOT BE  REPLACED BY 732-13870-10  OR 732-13870-6  OPTIONAL PART:  732-13870-06  VS4096  USED ON:  353T0100-4  353T0100-6  353T0100-9  353T0100-11  353T0100-12  353T0100-13  353T0100-14  353T0100-15  353T0100-21</p>		1

ILLUSTRATION ITEMS NOT ON PARTS LIST ARE NOT APPLICABLE

- ITEM NOT ILLUSTRATED

HXL

49-15-05-01

BOEING PROPRIETARY - Copyright © - Unpublished Work - See title page for details.

49-15-05  
FIG. 01  
PAGE 21  
AUG 22/09



767

PARTS CATALOG (MAINTENANCE)

FIG ITEM	PART NUMBER	1 2 3 4 5 6 7 NOMENCLATURE	EFFECT FROM TO	UNITS PER ASSY
1 280	732-13870-06	<p>.. ACTUATOR ASSY-            SUPPLIER CODE:            VS4096            SPECIFICATION NUMBER:            S353T010-6            ELECTRICAL EQUIP NUMBER:            M00406            COMPONENT MAINT MANUAL REF:            49-15-04            QUALIFIED I/W DATA:            732-13870-15            (S353T010-11) CAN            REPLACE OR BE REPLACED            BY 732-13870-10 OR            732-13870-6 (S353T010-6)            WITH THE EXCEPTION OF            EUROPEAN AND AUSTRALIAN            AIRLINES WHERE            732-13870-15            (S353T010-11) CAN            REPLACE BUT NOT BE            REPLACED BY 732-13870-10            OR 732-13870-6            OPTIONAL PART:            732-13870-10            VS4096            USED ON:            353T0100-4            353T0100-6            353T0100-9            353T0100-11            353T0100-12            353T0100-13            353T0100-14            353T0100-15            353T0100-21</p>		1

ILLUSTRATION ITEMS NOT ON PARTS LIST ARE NOT APPLICABLE

- ITEM NOT ILLUSTRATED

HXL

49-15-05-01

BOEING PROPRIETARY - Copyright © - Unpublished Work - See title page for details.

49-15-05  
 FIG. 01  
 PAGE 22  
 AUG 22/09



767

PARTS CATALOG (MAINTENANCE)

FIG ITEM	PART NUMBER	1 2 3 4 5 6 7	NOMENCLATURE	EFFECT FROM TO	UNITS PER ASSY
1 280	732-13870-15		..ACTUATOR ASSY- SUPPLIER CODE: VS4096 SPECIFICATION NUMBER: S353T010-11 ELECTRICAL EQUIP NUMBER: M00406 COMPONENT MAINT MANUAL REF: 49-15-04 QUALIFIED I/W DATA: 732-13870-15 (S353T010-11) CAN REPLACE OR BE REPLACED BY 732-13870-10 OR 732-13870-6 (S353T010-6) WITH THE EXCEPTION OF EUROPEAN AND AUSTRALIAN AIRLINES WHERE 732-13870-15 (S353T010-11) CAN REPLACE BUT NOT BE REPLACED BY 732-13870-10 OR 732-13870-6 USED ON: 353T0100-27 353T0100-31		1
285	NAS563-15		..BOLT- USED ON: 353T0100-3 353T0100-4 353T0100-6 353T0100-9 353T0100-11 353T0100-12 353T0100-13 353T0100-14 353T0100-15		2
285	BACB30LM3-2		..BOLT- USED ON: 353T0100-21 353T0100-27 353T0100-31		2

ILLUSTRATION ITEMS NOT ON PARTS LIST ARE NOT APPLICABLE

- ITEM NOT ILLUSTRATED

HXL

49-15-05-01

BOEING PROPRIETARY - Copyright © - Unpublished Work - See title page for details.

49-15-05  
 FIG. 01  
 PAGE 23  
 AUG 22/09



767

PARTS CATALOG (MAINTENANCE)

FIG ITEM	PART NUMBER	1 2 3 4 5 6 7	NOMENCLATURE	EFFECT FROM TO	UNITS PER ASSY
1 290	AN960D10L		.. WASHER- USED ON: 353T0100-3 353T0100-4 353T0100-6 353T0100-9 353T0100-11 353T0100-12 353T0100-13 353T0100-14 353T0100-15		2
290	NAS1149D0316H		.. WASHER- USED ON: 353T0100-21 353T0100-27 353T0100-31		2
295	MS21042L3		.. NUT- USED ON: 353T0100-6 353T0100-11 353T0100-12 353T0100-13 353T0100-14 353T0100-15		2
295	PLH53CD		.. NUT- SUPPLIER CODE: VFO224 SPECIFICATION NUMBER: BACN10YR3CD OPTIONAL PART: H52732-3CD V15653 USED ON: 353T0100-21 353T0100-27 353T0100-31		2
300	BACB30LH4-10		.. BOLT-		4
305	NAS577B4A		.. NUT- USED ON: 353T0100-6 353T0100-9 353T0100-11 353T0100-12 353T0100-13 353T0100-14 353T0100-15		4

ILLUSTRATION ITEMS NOT ON PARTS LIST ARE NOT APPLICABLE

- ITEM NOT ILLUSTRATED

49-15-05-01

49-15-05  
FIG. 01  
PAGE 24  
AUG 22/09

HXL

BOEING PROPRIETARY - Copyright © - Unpublished Work - See title page for details.



767

PARTS CATALOG (MAINTENANCE)

FIG ITEM	PART NUMBER	1 2 3 4 5 6 7	NOMENCLATURE	EFFECT FROM TO	UNITS PER ASSY
R R R R R	1 305	BACN10ZC4CD	..NUT- USED ON: 353T0100-21 353T0100-27 353T0100-31		4
	310	NAS578-4A	..RETAINER- USED ON: 353T0100-6 353T0100-9 353T0100-11 353T0100-12 353T0100-13 353T0100-14 353T0100-15		4
	310	SLR4001-4AC	..RETAINER- SUPPLIER CODE: V97393 SPECIFICATION NUMBER: BACR10AL4AC OPTIONAL PART: SLR50-4AC V97393 USED ON: 353T0100-21 353T0100-27 353T0100-31		4
	315	353T0102-6	..FITTING ASSY		1
	320	BACB28AP05P015	...BUSHING		1
	325	BACB28X7M015	...BUSHING		1
	330	353T0109-8	..DOOR ASSY- QUALIFIED I/W DATA: 353T0109-10 DOOR ASSY PLUS (1) 353T0102-6 FTG ASSY WITH (1) NAS6705-15 BOLT, (1) NAS1805-5L NUT, (1) BACW10BP5AP WASHER, (4) BACB30LH4-10 BOLT, (4) NAS577B4A BARREL NUT, (4) NAS578-4A RETAINER, PLUS (2) 353T0104-13 HINGE WITH (8) BACB30NM3K4 BOLT, (8) BACW10BN3AC WASHER, (1) 353T0153-1 SPACER, (20) BACB30NX6K20 HYLOK, (20) BACC30M6 COLLAR.	163163	1
ILLUSTRATION ITEMS NOT ON PARTS LIST ARE NOT APPLICABLE					

- ITEM NOT ILLUSTRATED

49-15-05-01

49-15-05  
FIG. 01  
PAGE 25  
AUG 22/09

HXL



767

PARTS CATALOG (MAINTENANCE)

FIG ITEM	PART NUMBER	1 2 3 4 5 6 7	NOMENCLATURE	EFFECT FROM TO	UNITS PER ASSY
1 330	353T0109-10		.. DOOR ASSY- QUALIFIED I/W DATA: FOR SPARES USE 353T0109-10 DOOR ASSY PLUS (1) 353T0102-6 FTG ASSY WITH (1) NAS6705-15 BOLT, (1) NAS1805-5L NUT, (1) BACW10BP5AP WASHER, (4) BACB30LH4-10 BOLT, (4) NAS577B4A BARREL NUT, (4) NAS578-4A RETAINER, PLUS (2) 353T0104-13 HINGE WITH (8) BACB30NM3K4 BOLT, (8) BACW10BN3AC WASHER, (1) 353T0153-1 SPACER, (20) BACB30NX6K20 HYLOK, (20) BACC30M6 COLLAR. USED ON: 353T0100-11 353T0100-12 353T0100-13 353T0100-14 353T0100-15 353T0100-21 353T0100-27 353T0100-31		1
- 400 405	286T0242-001 S3819-18-65		WIRE BUNDLE ASSY .CLAMP- SUPPLIER CODE: V07418 SPECIFICATION NUMBER: BACC10KD18 OPTIONAL PART: 620AS028NF18L V06324 ELECTRICAL EQUIP NUMBER: D00502T WIRING DIAGRAM REF: 491511		RF 1

ILLUSTRATION ITEMS NOT ON PARTS LIST ARE NOT APPLICABLE

- ITEM NOT ILLUSTRATED

HXL

49-15-05-01

BOEING PROPRIETARY - Copyright © - Unpublished Work - See title page for details.

49-15-05  
FIG. 01  
PAGE 26  
AUG 22/09



767

PARTS CATALOG (MAINTENANCE)

FIG ITEM	PART NUMBER	1 2 3 4 5 6 7	NOMENCLATURE	EFFECT FROM TO	UNITS PER ASSY
1 410	CN096618R14SNL		.CONNECTOR- SUPPLIER CODE: V13556 SPECIFICATION NUMBER: BCREF5955 OPTIONAL PART: ZZY18R14SNL V49367 48-06R18R14SNL V02660 OVERLENGTH PART NUMBER: BACC63BP18R14SNL ELECTRICAL EQUIP NUMBER: D00502 WIRING DIAGRAM REF: 491511		1

ILLUSTRATION ITEMS NOT ON PARTS LIST ARE NOT APPLICABLE

- ITEM NOT ILLUSTRATED

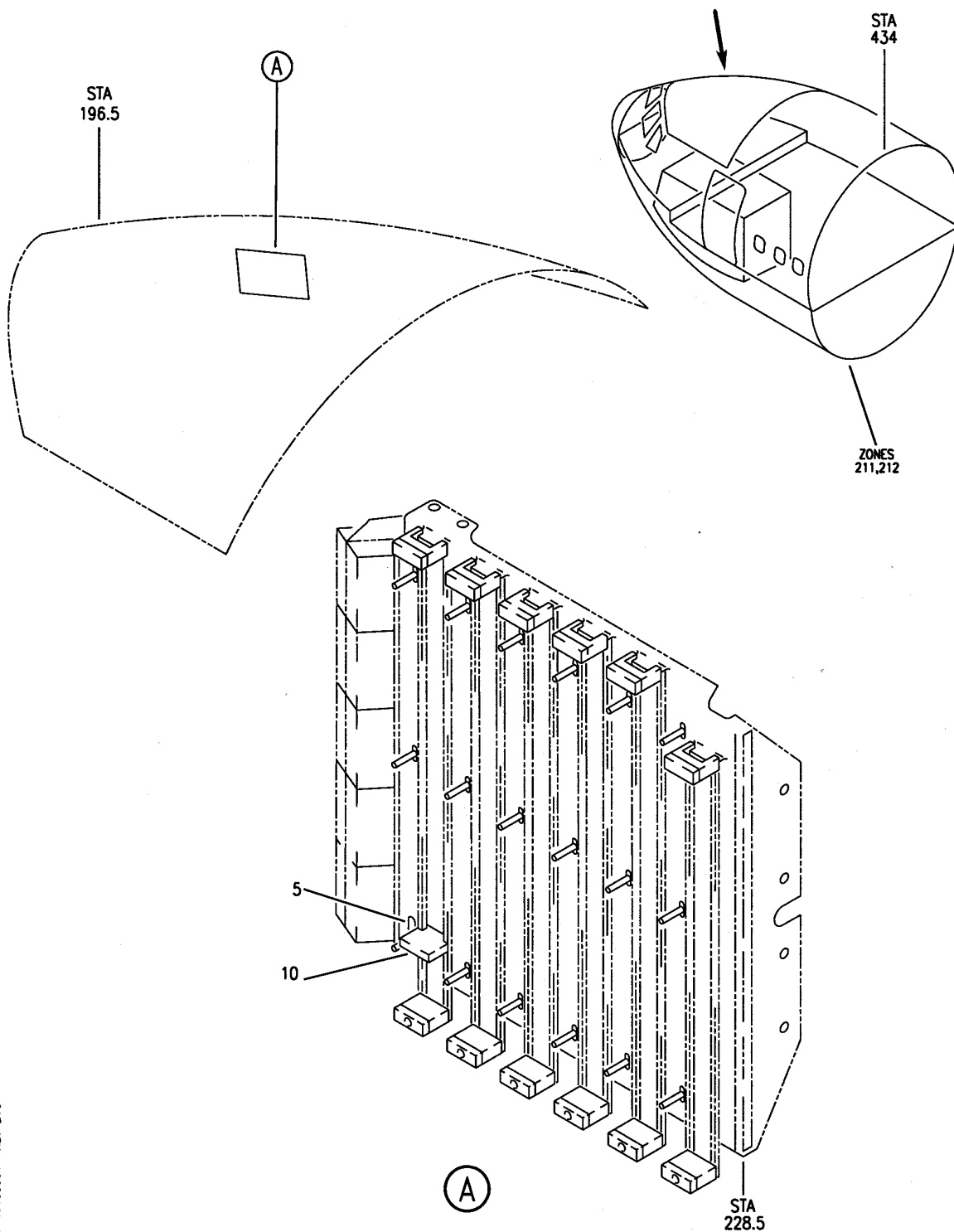
HXL

49-15-05-01

BOEING PROPRIETARY - Copyright © - Unpublished Work - See title page for details.

49-15-05  
FIG. 01  
PAGE 27  
AUG 22/09

**BOEING**  
767  
PARTS CATALOG (MAINTENANCE)



V 49155001 REV 216

PROVISION INSTL-SECT. 41 UPR DIODES WIRE (AUXILIARY POWER UNIT ONLY)  
FIGURE 1

**49-15-50-01**

HXL  
DEC 22/06

49-15-50-01  
PAGE 0





767

PARTS CATALOG (MAINTENANCE)

FIG ITEM	PART NUMBER	1 2 3 4 5 6 7	NOMENCLATURE	EFFECT FROM TO	UNITS PER ASSY
1			PROVISION INSTL-SECT. 41 UPR DIODES WIRE (AUXILIARY POWER UNIT ONLY)		
- 1	287T4163-1		PROVISION INSTL-DIODES WIRE (AUXILIARY POWER UNIT ONLY)		RF
			POSITION DATA: SECT. 41 UPR FOR NHA/OTHER SYS DET SEE: 24-00-57-02		
5	015T1493-2		.MARKER- POST SERVICE BULLETIN: 24-0103		1
10	YHLZD29		.DIODE- SUPPLIER CODE: V09922 ELECTRICAL EQUIP NUMBER: R00824 POST SERVICE BULLETIN: 24-0103		1
ILLUSTRATION ITEMS NOT ON PARTS LIST ARE NOT APPLICABLE					

- ITEM NOT ILLUSTRATED

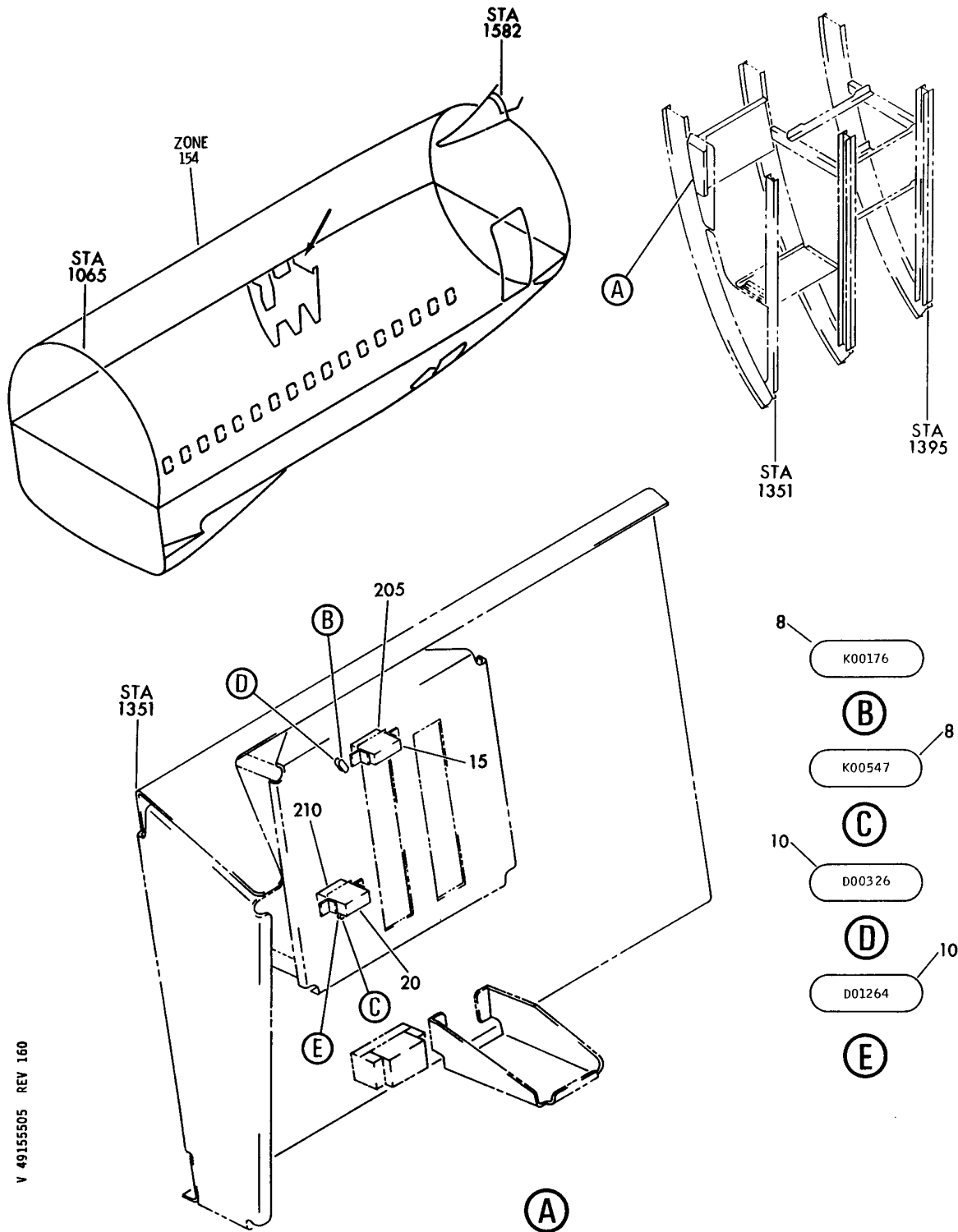
HXL

49-15-50-01

BOEING PROPRIETARY - Copyright © - Unpublished Work - See title page for details.

49-15-50  
FIG. 01  
PAGE 1  
AUG 22/08

**BOEING**  
767  
PARTS CATALOG (MAINTENANCE)



V 49155505 REV 160

EQUIPMENT ASSY-AFT EQPT CTR E6 RACK P49 (POWER PLANT ONLY)  
FIGURE 5

**49-15-55-05**

HXL  
DEC 22/06

49-15-55-05  
PAGE 0



767

PARTS CATALOG (MAINTENANCE)

FIG ITEM	PART NUMBER	1 2 3 4 5 6 7	NOMENCLATURE	EFFECT FROM TO	UNITS PER ASSY
5			EQUIPMENT ASSY-AFT EQPT CTR E6 RACK P49 (POWER PLANT ONLY)		
- 1	284T1149-15		EQUIPMENT ASSY-EQPT CTR E6 RACK P49 (POWER PLANT ONLY) POSITION DATA: AFT FOR NHA/OTHER SYS DET SEE: 25-71-40-05		RF
8	BAC27TEX3245		.DECALSET-INCLUDES DECALS IDENTIFIED ON THE ILLUSTRATION		RF
10	BAC27TEX3251		.DECALSET-INCLUDES DECALS IDENTIFIED ON THE ILLUSTRATION		RF
15	E210-1631		.RELAY- SUPPLIER CODE: V99699 SPECIFICATION NUMBER: BACR13CF2A OPTIONAL PART: BR246S0112 V56623 FCA210-70 V78290 E215-1050 V99699 JD4A017 V35344 BR64S104 V56623 61GB19-1A320 V98927 ELECTRICAL EQUIP NUMBER: K00176		1
ILLUSTRATION ITEMS NOT ON PARTS LIST ARE NOT APPLICABLE					

- ITEM NOT ILLUSTRATED

HXL

49-15-55-05

BOEING PROPRIETARY - Copyright © - Unpublished Work - See title page for details.

49-15-55  
FIG. 05  
PAGE 1  
DEC 22/07



767

PARTS CATALOG (MAINTENANCE)

FIG ITEM	PART NUMBER	1 2 3 4 5 6 7	NOMENCLATURE	EFFECT FROM TO	UNITS PER ASSY
5	20 W260F4AM11		.RELAY- SUPPLIER CODE: VF0219 SPECIFICATION NUMBER: BACR13CD2 OPTIONAL PART: BR16S233 V09026 EE4AA005 V35344 3SAV1338A2 V01526 HFW1206K03 V58614 HFW1204K01 V71482 ELECTRICAL EQUIP NUMBER: K00547		1
- 200	286T1050-101		.WIRE BUNDLE ASSY		RF
205	RSF116200		..SOCKET- SUPPLIER CODE: V58982 SPECIFICATION NUMBER: BACS16X1A OPTIONAL PART: 102-006-1 V09922 000300-1538 V05574 ELECTRICAL EQUIP NUMBER: D00326 WIRING DIAGRAM REF: 491511		1
210	RSE120026		..SOCKET- SUPPLIER CODE: V58982 SPECIFICATION NUMBER: BACS16AG1 OPTIONAL PART: 451120-026 V58982 ELECTRICAL EQUIP NUMBER: D01264 WIRING DIAGRAM REF: 491511		1

ILLUSTRATION ITEMS NOT ON PARTS LIST ARE NOT APPLICABLE

- ITEM NOT ILLUSTRATED

49-15-55-05

49-15-55  
FIG. 05  
PAGE 2  
DEC 22/06

HXL