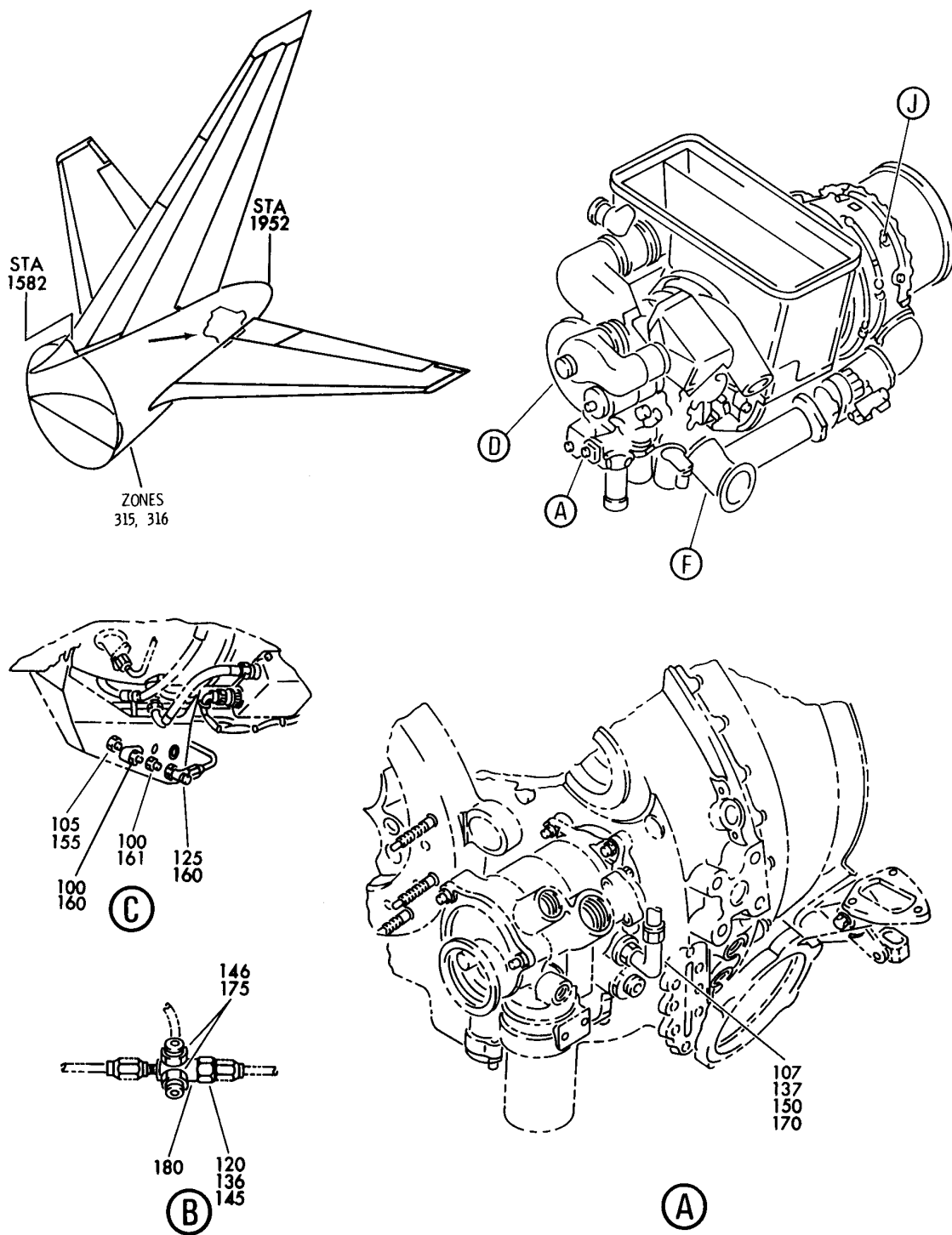


APU DRAINS AND VENTS

HXL
DEC 22/06

49-16-00
SECTION TITLE
PAGE 1

BOEING
767
PARTS CATALOG (MAINTENANCE)



V 49160001 SHT 1 REV 252

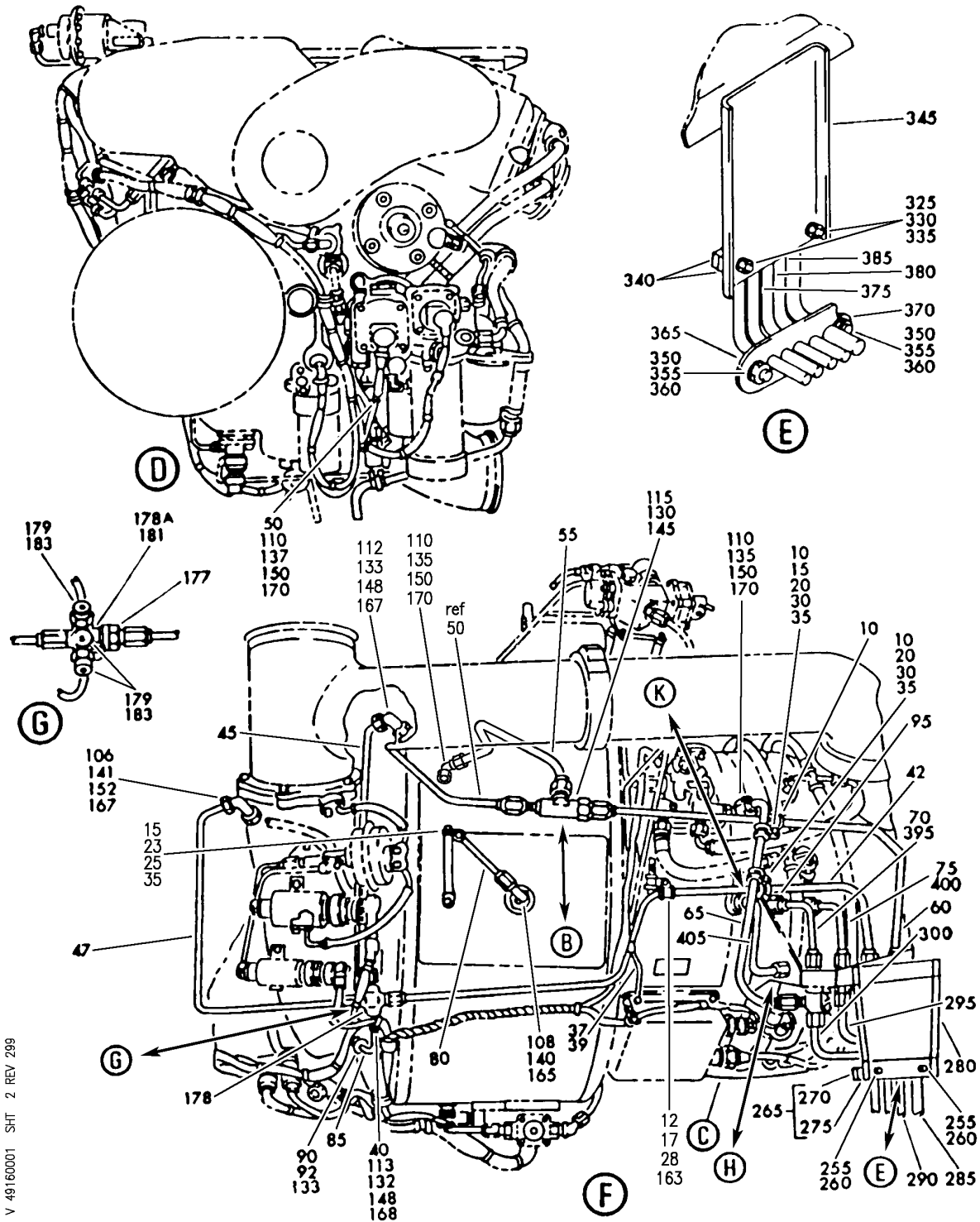
AUXILIARY POWER UNIT ASSY-AUXILIARY POWER SYS (APU DRAINS AND VENTS ONLY)
FIGURE 1 (SHEET 1)

49-16-00-01

HXL
DEC 22/06

49-16-00-01
PAGE 0

BOEING
767
PARTS CATALOG (MAINTENANCE)



V 49160001 SHT 2 REV 299

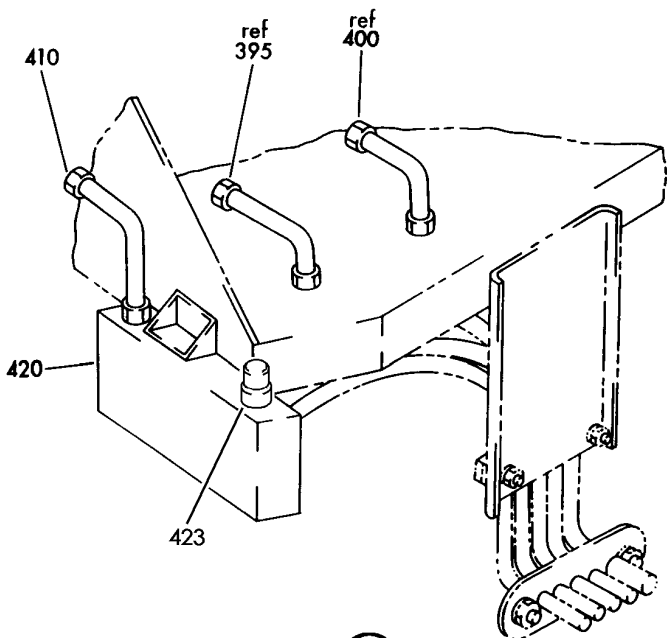
AUXILIARY POWER UNIT ASSY-AUXILIARY POWER SYS (APU DRAINS AND VENTS ONLY)
FIGURE 1 (SHEET 2)

HXL
DEC 22/06

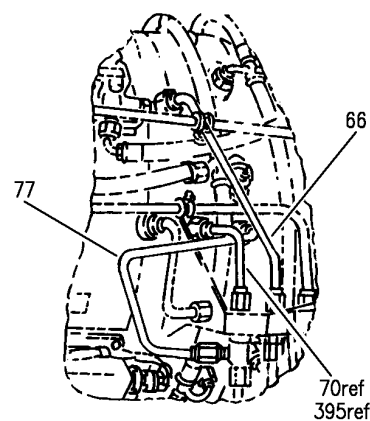
49-16-00-01

49-16-00-01
PAGE 0A

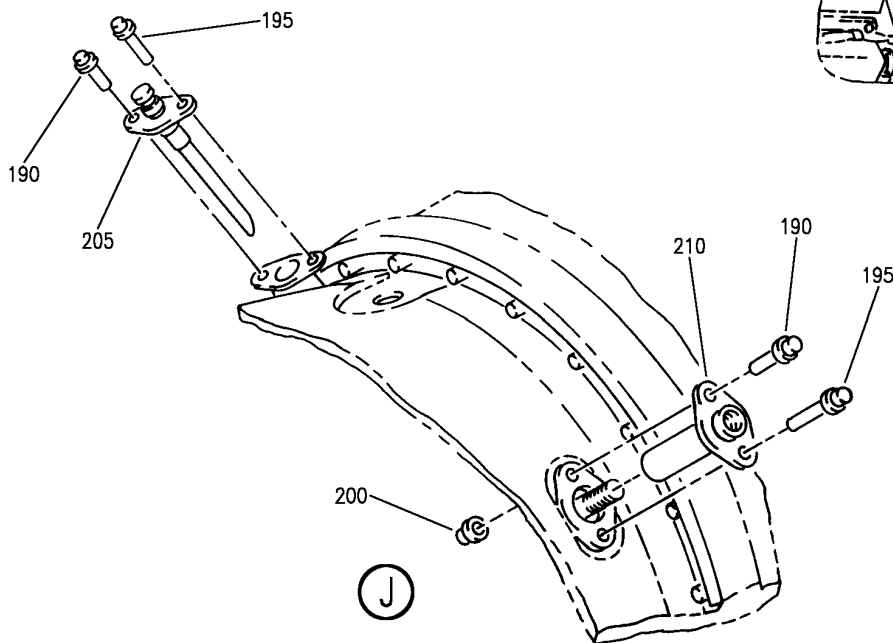
BOEING
767
PARTS CATALOG (MAINTENANCE)



(H)



(K)



(J)

V 49160001 SHT 3 REV 343

AUXILIARY POWER UNIT ASSY-AUXILIARY POWER SYS (APU DRAINS AND VENTS ONLY)
FIGURE 1 (SHEET 3)

49-16-00-01

HXL
AUG 22/09

49-16-00-01
PAGE 0B



767

PARTS CATALOG (MAINTENANCE)

FIG ITEM	PART NUMBER	1 2 3 4 5 6 7 NOMENCLATURE	EFFECT FROM TO	UNITS PER ASSY
1 - 5	3800298-1-5	<p>AUXILIARY POWER UNIT ASSY- AUXILIARY POWER SYS (APU DRAINS AND VENTS ONLY) ENGINE ASSY-GAS TURB (APU DRAINS AND VENTS ONLY) SUPPLIER CODE: V99193 SPECIFICATION NUMBER: S351T020-204 CONFIG CHG DATA FROM A CMM: REPL BY 3800298-1-6 COMPONENT MAINT MANUAL REF: 49-22-11 QUALIFIED I/W DATA: S351T020-204 (3800298-1-5) AND S351T020-205 (3800298-1-6) ARE INTERCHANGEABLE WITH THE INCORPORATION OF ALLIED SIGNAL S/B GTCP331-49-7081 S351T020-204 (3800298-1-5) AND S351T020-206 (3800298-1-7/3800298-1) ARE INTERCHANGEABLE WITH THE INCORPORATION OF ALLIED SIGNAL S/B GTCP331-49-7081 FOR NHA/OTHER SYS DET SEE: 49-11-00-01</p>		RF

ILLUSTRATION ITEMS NOT ON PARTS LIST ARE NOT APPLICABLE

- ITEM NOT ILLUSTRATED

HXL

49-16-00-01

BOEING PROPRIETARY - Copyright © - Unpublished Work - See title page for details.

49-16-00
FIG. 01
PAGE 1
DEC 22/06



767

PARTS CATALOG (MAINTENANCE)

FIG ITEM	PART NUMBER	1 2 3 4 5 6 7 NOMENCLATURE	EFFECT FROM TO	UNITS PER ASSY
1 - 5	3800298-1-1	ENGINE ASSY-GAS TURB (APU DRAINS AND VENTS ONLY) SUPPLIER CODE: V99193 SPECIFICATION NUMBER: S351T020-200 COMPONENT MAINT MANUAL REF: 49-22-11 QUALIFIED I/W DATA: S351T020-200 (3800298-1-1) AND S351T020-206 (3800298-1-7/3800298-1) ARE INTERCHANGEABLE WITH THE INCORPORATION OF ALLIED SIGNAL S/B GTCP331-49-7081 S351T020-200 (3800298-1-1) AND S351T020-205 (3800298-1-6) ARE INTERCHANGEABLE WITH THE INCORPORATION OF S/B 767-49-0025 FOR NHA/OTHER SYS DET SEE: 49-11-00-01		RF

ILLUSTRATION ITEMS NOT ON PARTS LIST ARE NOT APPLICABLE

- ITEM NOT ILLUSTRATED

HXL

49-16-00-01

BOEING PROPRIETARY - Copyright © - Unpublished Work - See title page for details.

49-16-00
 FIG. 01
 PAGE 2
 DEC 22/06



767

PARTS CATALOG (MAINTENANCE)

FIG ITEM	PART NUMBER	1 2 3 4 5 6 7 NOMENCLATURE	EFFECT FROM TO	UNITS PER ASSY
1 - 5	3800298-1-2	ENGINE ASSY-GAS TURB MODEL GTCP331-200ER (APU DRAINS AND VENTS ONLY) SUPPLIER CODE: V99193 SPECIFICATION NUMBER: S351T020-201 CONFIG CHG DATA FROM A CMM: REPLS 3800298-1-1 COMPONENT MAINT MANUAL REF: 49-22-11 QUALIFIED I/W DATA: S351T020-201 (3800298-1-2) AND S351T020-205 (3800298-1-6) ARE INTERCHANGEABLE WITH THE INCORPORATION OF S/B 767-49-0025 S351T020-201 (3800298-1-2) AND S351T020-206 (3800298-1-7/3800298-1) ARE INTERCHANGEABLE WITH THE INCORPORATION OF ALLIED SIGNAL S/B GTCP331-49-7081 FOR NHA/OTHER SYS DET SEE: 49-11-00-01		RF

ILLUSTRATION ITEMS NOT ON PARTS LIST ARE NOT APPLICABLE

- ITEM NOT ILLUSTRATED

HXL

49-16-00-01

BOEING PROPRIETARY - Copyright © - Unpublished Work - See title page for details.

49-16-00
 FIG. 01
 PAGE 3
 DEC 22/06



767

PARTS CATALOG (MAINTENANCE)

FIG ITEM	PART NUMBER	1 2 3 4 5 6 7 NOMENCLATURE	EFFECT FROM TO	UNITS PER ASSY
1 - 5	3800298-1-3	ENGINE ASSY-GAS TURB MODEL GTCP331-200ER (APU DRAINS AND VENTS ONLY) SUPPLIER CODE: V99193 SPECIFICATION NUMBER: S351T020-202 CONFIG CHG DATA FROM A CMM: REPLS 3800298-1-2 COMPONENT MAINT MANUAL REF: 49-22-11 QUALIFIED I/W DATA: S351T020-202 (3800298-1-3) AND S351T020-205 (3800298-1-6) ARE INTERCHANGEABLE WITH THE INCORPORATION OF S/B 767-49-0025 S351T020-202 (3800298-1-3) AND S351T020-206 (3800298-1-7/3800298-1) ARE INTERCHANGEABLE WITH THE INCORPORATION OF ALLIED SIGNAL S/B GTCP331-49-7081 FOR NHA/OTHER SYS DET SEE: 49-11-00-01		RF

ILLUSTRATION ITEMS NOT ON PARTS LIST ARE NOT APPLICABLE

- ITEM NOT ILLUSTRATED

HXL

49-16-00-01

BOEING PROPRIETARY - Copyright © - Unpublished Work - See title page for details.

49-16-00
 FIG. 01
 PAGE 4
 DEC 22/06



767

PARTS CATALOG (MAINTENANCE)

FIG ITEM	PART NUMBER	1 2 3 4 5 6 7 NOMENCLATURE	EFFECT FROM TO	UNITS PER ASSY
1 - 5	3800298-1-4	ENGINE ASSY-GAS TURB MODEL GTCP331-200ER (APU DRAINS AND VENTS ONLY) SUPPLIER CODE: V99193 SPECIFICATION NUMBER: S351T020-203 CONFIG CHG DATA FROM A CMM: REPLS 3800298-1-3 COMPONENT MAINT MANUAL REF: 49-22-11 QUALIFIED I/W DATA: S351T020-203 (3800298-1-4) AND S351T020-206 (3800298-1-7/3800298-1) ARE INTERCHANGEABLE WITH THE INCORPORATION ALLIED SIGNAL S/B GTCP331-49-7081 3800298-1-4/S351T020-203 AND 3800298-1-6/S351T020-205 ARE INTERCHANGEABLE WITH THE INCORPORATION OF ALLIED SIGNAL S/B GTCP331-49-7081 FOR NHA/OTHER SYS DET SEE: 49-11-00-01		RF

ILLUSTRATION ITEMS NOT ON PARTS LIST ARE NOT APPLICABLE

- ITEM NOT ILLUSTRATED

HXL

49-16-00-01

BOEING PROPRIETARY - Copyright © - Unpublished Work - See title page for details.

49-16-00
 FIG. 01
 PAGE 5
 DEC 22/06



767

PARTS CATALOG (MAINTENANCE)

FIG ITEM	PART NUMBER	1 2 3 4 5 6 7	NOMENCLATURE	EFFECT FROM TO	UNITS PER ASSY
1 - 5	3800298-1-6		ENGINE ASSY-GAS TURB (APU DRAINS AND VENTS ONLY) SUPPLIER CODE: V99193 SPECIFICATION NUMBER: S351T020-205 CONFIG CHG DATA FROM A CMM: REPLACES 3800298-1-5 COMPONENT MAINT MANUAL REF: 49-22-11 QUALIFIED I/W DATA: S351T020-203 (3800298-1-4) AND S351T020-205 (3800298-1-6) ARE INTERCHANGEABLE WITH THE INCORPORATION OF S/B 767-49-0025 S351T020-204 (3800298-1-5) AND S351T020-205 (3800298-1-6) ARE INTERCHANGEABLE WITH THE INCORPORATION OF S/B 767-49-0025 S351T020-202 (3800298-1-3) AND S351T020-205 (3800298-1-6) ARE INTERCHANGEABLE WITH THE INCORPORATION OF S/B 767-49-0025 S351T020-201 (3800298-1-2) AND S351T020-205 (3800298-1-6) ARE INTERCHANGEABLE WITH THE INCORPORATION OF S/B 767-49-0025 S351T020-200 (3800298-1-1) AND S351T020-205 (3800298-1-6) ARE INTERCHANGEABLE WITH THE INCORPORATION OF S/B 767-49-0025 FOR NHA/OTHER SYS DET SEE: 49-11-00-01		RF
- 6	3800298-1-7		ENGINE ASSY-GAS TURB		RF

ILLUSTRATION ITEMS NOT ON PARTS LIST ARE NOT APPLICABLE

- ITEM NOT ILLUSTRATED

49-16-00-01

49-16-00
 FIG. 01
 PAGE 6
 DEC 22/06

HXL



767

PARTS CATALOG (MAINTENANCE)

FIG ITEM	PART NUMBER	1 2 3 4 5 6 7 NOMENCLATURE	EFFECT FROM TO	UNITS PER ASSY
1 6		<p>MODEL GTCP331-200ER (APU DRAINS AND VENTS ONLY) SUPPLIER CODE: V99193 SPECIFICATION NUMBER: S351T020-206 CONFIG CHG DATA FROM A CMM: REPLS 3800298-1-6 ELECTRICAL EQUIP NUMBER: M00967 COMPONENT MAINT MANUAL REF: 49-22-11 QUALIFIED I/W DATA: S351T020-203 (3800298-1-4) AND S351T020-206 (3800298-1-7/3800298-1) ARE INTERCHANGEABLE WITH THE INCORPORATION OF ALLIED SIGNAL S/B GTCP331-49-7081 S351T020-204 (3800298-1-5) AND S351T020-206 (3800298-1-7/3800298-1) ARE INTERCHANGEABLE WITH THE INCORPORATION OF ALLIED SIGNAL S/B GTCP331-49-7081 S351T020-202 (3800298-1-3) AND S351T020-206 (3800298-1-7/3800298-1) ARE INTERCHANGEABLE WITH THE INCORPORATION OF ALLIED SIGNAL S/B GTCP331-49-7081 S351T020-201 (3800298-1-2) AND S351T020-206 (3800298-1-7/3800298-1) ARE INTERCHANGEABLE WITH THE INCORPORATION OF ALLIED SIGNAL S/B GTCP331-49-7081 S351T020-200 (3800298-1-1) AND S351T020-206 (3800298-1-7/3800298-1)</p> <p>ILLUSTRATION ITEMS NOT ON PARTS LIST ARE NOT APPLICABLE</p>		

- ITEM NOT ILLUSTRATED

49-16-00-01

49-16-00
FIG. 01
PAGE 7
DEC 22/06

HXL



767

PARTS CATALOG (MAINTENANCE)

FIG ITEM	PART NUMBER	1 2 3 4 5 6 7	NOMENCLATURE	EFFECT FROM TO	UNITS PER ASSY
1 6			<p>ARE INTERCHANGEABLE WITH THE INCORPORATION OF ALLIED SIGNAL S/B GTCP331-49-7081</p> <p>OPTIONAL PART: 3800298-1 V99193</p> <p>OPTIONAL PART: 3800298-1 V99193</p> <p>FOR NHA/OTHER SYS DET SEE: 49-11-00-01</p>		
- 6	3800298-1		<p>ENGINE ASSY-GAS TURB (APU DRAINS AND VENTS ONLY)</p> <p>SUPPLIER CODE: V99193</p> <p>SPECIFICATION NUMBER: S351T020-206</p> <p>COMPONENT MAINT MANUAL REF: 49-22-11</p> <p>QUALIFIED I/W DATA: S351T020-203 (3800298-1-4) AND S351T020-206 (3800298-1-7/3800298-1)</p> <p>ARE INTERCHANGEABLE WITH THE INCORPORATION OF ALLIED SIGNAL S/B GTCP331-49-7081. S351T020-204 (3800298-1-5) AND S351T020-206 (3800298-1-7/3800298-1)</p> <p>ARE INTERCHANGEABLE WITH THE INCORPORATION OF ALLIED SIGNAL S/B GTCP331-49-7081. S351T020-202 (3800298-1-3) AND S351T020-206 (3800298-1-7/3800298-1)</p> <p>ARE INTERCHANGEABLE WITH THE INCORPORATION OF ALLIED SIGNAL S/B GTCP331-49-7081 S351T020-201 (3800298-1-2) AND S351T020-206 (3800298-1-7/3800298-1)</p>		RF

ILLUSTRATION ITEMS NOT ON PARTS LIST ARE NOT APPLICABLE

- ITEM NOT ILLUSTRATED

49-16-00-01

49-16-00
FIG. 01
PAGE 8
DEC 22/06

HXL



767

PARTS CATALOG (MAINTENANCE)

FIG ITEM	PART NUMBER	1 2 3 4 5 6 7	NOMENCLATURE	EFFECT FROM TO	UNITS PER ASSY
1 6			<p>ARE INTERCHANGEABLE WITH THE INCORPORATION OF ALLIED SIGNAL S/B GTCP331-49-7081. S351T020-200 (3800298-1-1) AND S351T020-206 (3800298-1-7/3800298-1) ARE INTERCHANGEABLE WITH THE INCORPORATION OF ALLIED SIGNAL S/B GTCP331-49-7081</p> <p>OPTIONAL PART: 3800298-1-7 V99193</p> <p>OPTIONAL PART: 3800298-1-7 V99193</p> <p>FOR NHA/OTHER SYS DET SEE: 49-11-00-01</p>		
10	TA12C59WTH6HB		<p>.CLAMP- SUPPLIER CODE: V84971 OPTIONAL PART: JM44LC43H6WC V22175 211-577-9006 V99193</p>		3
10	JM44LC43H6WC		<p>.CLAMP- SUPPLIER CODE: V22175 SB DATA FROM A CMM: POST SPB GTE1046 OPTIONAL PART: TA12C59WTH6HB V84971 211-501-9656 V99193</p>		3
10	211-577-9006		<p>.CLAMP- SUPPLIER CODE: V99193 OPTIONAL PART: TA12C59WTH6HB V84971</p>		3

ILLUSTRATION ITEMS NOT ON PARTS LIST ARE NOT APPLICABLE

- ITEM NOT ILLUSTRATED

HXL

49-16-00-01

BOEING PROPRIETARY - Copyright © - Unpublished Work - See title page for details.

49-16-00
FIG. 01
PAGE 9
DEC 22/06



767

PARTS CATALOG (MAINTENANCE)

FIG ITEM	PART NUMBER	1 2 3 4 5 6 7	NOMENCLATURE	EFFECT FROM TO	UNITS PER ASSY
1					
10	211-501-9656	.CLAMP-	SUPPLIER CODE: V99193 OPTIONAL PART: JM44LC43H6WC V22175		3
12	TA12C59WTH6HB	.CLAMP-	SUPPLIER CODE: V84971 OPTIONAL PART: JM44LC43H6WC V22175 211-577-9006 V99193		1
12	JM44LC43H6WC	.CLAMP-	SUPPLIER CODE: V22175 SB DATA FROM A CMM: POST SPB GTE1046 OPTIONAL PART: TA12C59WTH6HB V84971 211-501-9656 V99193		1
12	211-577-9006	.CLAMP-	SUPPLIER CODE: V99193 OPTIONAL PART: TA12C59WTH6HB V84971		1
12	211-501-9656	.CLAMP-	SUPPLIER CODE: V99193 OPTIONAL PART: JM44LC43H6WC V22175		1
15	TA12C59WTH8HB	.CLAMP-	SUPPLIER CODE: V84971 OPTIONAL PART: JM44LC43H8WC V22175 211-577-9008 V99193		2

ILLUSTRATION ITEMS NOT ON PARTS LIST ARE NOT APPLICABLE

- ITEM NOT ILLUSTRATED

HXL

49-16-00-01

BOEING PROPRIETARY - Copyright © - Unpublished Work - See title page for details.

49-16-00
FIG. 01
PAGE 10
DEC 22/06



767

PARTS CATALOG (MAINTENANCE)

FIG ITEM	PART NUMBER	1 2 3 4 5 6 7	NOMENCLATURE	EFFECT FROM TO	UNITS PER ASSY
1					
15	JM44LC28WH8GF		.CLAMP- SUPPLIER CODE: V22175 OPTIONAL PART: 211-501-9758 V99193 USED ON: 3800298-1-1 3800298-1-2 3800298-1-3 3800298-1-4 3800298-1-5 3800298-1-6		2
15	JM44LC43H8WC		.CLAMP- SUPPLIER CODE: V22175 SB DATA FROM A CMM: POST SPB GTE 1046 OPTIONAL PART: TA12C59WTH8HB V84971 211-501-9658 V99193		2
15	211-577-9008		.CLAMP- SUPPLIER CODE: V99193 OPTIONAL PART: TA12C59WTH8HB V84971		2
15	211-501-9758		.CLAMP- SUPPLIER CODE: V99193 OPTIONAL PART: JM44LC28WH8GF V22175		2
15	211-501-9658		.CLAMP- SUPPLIER CODE: V99193 OPTIONAL PART: JM44LC43H8WC V22175		2
17	TA12C59TH3HB		.CLAMP- SUPPLIER CODE: V84971 OPTIONAL PART: JM44LC43H3WC V22175 211-577-9003 V99193		1

ILLUSTRATION ITEMS NOT ON PARTS LIST ARE NOT APPLICABLE

- ITEM NOT ILLUSTRATED

49-16-00-01

49-16-00
FIG. 01
PAGE 11
DEC 22/06

HXL



767

PARTS CATALOG (MAINTENANCE)

FIG ITEM	PART NUMBER	1 2 3 4 5 6 7	NOMENCLATURE	EFFECT FROM TO	UNITS PER ASSY
1					
17	JM44LC43H3WC		.CLAMP- SUPPLIER CODE: V22175 SB DATA FROM A CMM: POST SPB GTE1046 OPTIONAL PART: TA12C59TH3HB V84971 211-501-9653 V99193		1
17	211-577-9003		.CLAMP- SUPPLIER CODE: V99193 OPTIONAL PART: TA12C59TH3HB V84971		1
17	211-501-9653		.CLAMP- SUPPLIER CODE: V99193 OPTIONAL PART: JM44LC43H3WC V22175		1
20	MS21279-05		ATTACHING PARTS .BOLT- SB DATA FROM A CMM: PRE SPB GTE0252 CONFIG CHG DATA FROM A CMM: REPLD BY MS21279-15 OPTIONAL PART: MS9556-15		2
20	MS21279-15		.BOLT- SB DATA FROM A CMM: POST SPB GTE0252 CONFIG CHG DATA FROM A CMM: REPLS MS21279-05 OPTIONAL PART: MS9556-15		2
20	MS9556-15		-----*----- .BOLT- SB DATA FROM A CMM: POST SPB GTE0292 PRE SB 49-7081 CONFIG CHG DATA FROM A CMM: REPLD BY MS9556-05 OPTIONAL PART: MS21279-05 MS21279-15		2

ILLUSTRATION ITEMS NOT ON PARTS LIST ARE NOT APPLICABLE

- ITEM NOT ILLUSTRATED

49-16-00-01

49-16-00
FIG. 01
PAGE 12
DEC 22/06

HXL

BOEING PROPRIETARY - Copyright © - Unpublished Work - See title page for details.



767

PARTS CATALOG (MAINTENANCE)

FIG ITEM	PART NUMBER	1 2 3 4 5 6 7	NOMENCLATURE	EFFECT FROM TO	UNITS PER ASSY
1					
23	3882704-1		.SUPPORT- SUPPLIER CODE: V99193		1
25	MS21279-05		ATTACHING PARTS .BOLT- OPTIONAL PART: MS9556-05		1
25	MS9556-05		.BOLT- SB DATA FROM A CMM: POST SPB GTE0292 OPTIONAL PART: MS21279-05		1
28	MS9556-05		.BOLT		1
30	NAS43DD3-40		.SPACER- SB DATA FROM A CMM: DELETED BY SB 49-7081		2
35	MS21043-3		.NUT -----*-----		3
37	MS21279-05		.BOLT- OPTIONAL PART: MS9556-05		1
37	MS9556-05		.BOLT- SB DATA FROM A CMM: POST SPB GTE0292		1
39	MS25083-7BB6		.JUMPER-		1
40	3880365-1		.TUBE-BRG VENT SUPPLIER CODE: V99193 POSITION DATA: FWD SB DATA FROM A CMM: POST SPB GTE0252 CONFIG CHG DATA FROM A CMM: REPLS 3880259-1		1
40	3880658-1		.TUBE-BRG VENT SUPPLIER CODE: V99193 POSITION DATA: FWD SB DATA FROM A CMM: PRE SB 49-5634 CONFIG CHG DATA FROM A CMM: REPLD BY 3611159-1		1

ILLUSTRATION ITEMS NOT ON PARTS LIST ARE NOT APPLICABLE

- ITEM NOT ILLUSTRATED

HXL

49-16-00-01

BOEING PROPRIETARY - Copyright © - Unpublished Work - See title page for details.

49-16-00
FIG. 01
PAGE 13
AUG 22/08



767

PARTS CATALOG (MAINTENANCE)

FIG ITEM	PART NUMBER	1 2 3 4 5 6 7	NOMENCLATURE	EFFECT FROM TO	UNITS PER ASSY
1	40 3611159-1		.TUBE-BRG VENT SUPPLIER CODE: V99193 POSITION DATA: FWD SB DATA FROM A CMM: POST SB 49-5634 PRE SB 49-5840 CONFIG CHG DATA FROM A CMM: REPLS 3880658-1 REPLD BY 3614747-1		1
	40 3614747-1		.TUBE-BRG VENT SUPPLIER CODE: V99193 POSITION DATA: FWD SB DATA FROM A CMM: POST SB 49-5840 CONFIG CHG DATA FROM A CMM: REPLS 3611159-1		1
	42 3880460-1		.TUBE-CROSS TO DRAIN BRKT VENT SUPPLIER CODE: V99193 SB DATA FROM A CMM: PRE SB 49-5634 PRE SB 49-5793 CONFIG CHG DATA FROM A CMM: REPLD BY 3880648-1		1
	42 3880648-1		.TUBE-CROSS TO VENT SUPPLIER CODE: V99193 SB DATA FROM A CMM: POST SB 49-5634 POST SB 49-5793 POST SB 49-5840 CONFIG CHG DATA FROM A CMM: REPLS 3880262-1, 3880460-1		1
	45 3880257-1		.TUBE-BRG VENT SUPPLIER CODE: V99193 POSITION DATA: MID SB DATA FROM A CMM: PRE SB 49-5840 CONFIG CHG DATA FROM A CMM: REPLD BY 3880438-1		1

ILLUSTRATION ITEMS NOT ON PARTS LIST ARE NOT APPLICABLE

- ITEM NOT ILLUSTRATED

HXL

49-16-00-01

BOEING PROPRIETARY - Copyright © - Unpublished Work - See title page for details.

49-16-00
FIG. 01
PAGE 14
DEC 22/06



767

PARTS CATALOG (MAINTENANCE)

FIG ITEM	PART NUMBER	1 2 3 4 5 6 7	NOMENCLATURE	EFFECT FROM TO	UNITS PER ASSY
1					
45	3880363-1		.TUBE-BRG VENT SUPPLIER CODE: V99193 POSITION DATA: MID SB DATA FROM A CMM: PRE SB 49-5634 PRE SB 49-5793 CONFIG CHG DATA FROM A CMM: REPLD BY 3880438-1		1
45	3880438-1		.TUBE-BRG VENT SUPPLIER CODE: V99193 POSITION DATA: MID SB DATA FROM A CMM: POST SB 49-5634 POST SB 49-5793 POST SB 49-5840 CONFIG CHG DATA FROM A CMM: REPLS 3880257-1, 3880363-1 USED ON: 3800298-1-1 3800298-1-2		1
47	3611159-1		.TUBE-LOAD CPRSR SUPPLIER CODE: V99193 SB DATA FROM A CMM: POST SB 49-5634 CONFIG CHG DATA FROM A CMM: REPLS 3880658-1 USED ON: 3800298-1-1 3800298-1-2 3800298-1-3 3800298-1-4 3800298-1-5 3800298-1-6		1
ILLUSTRATION ITEMS NOT ON PARTS LIST ARE NOT APPLICABLE					

- ITEM NOT ILLUSTRATED

49-16-00-01

49-16-00
FIG. 01
PAGE 15
DEC 22/06

HXL



767

PARTS CATALOG (MAINTENANCE)

FIG ITEM	PART NUMBER	1 2 3 4 5 6 7	NOMENCLATURE	EFFECT FROM TO	UNITS PER ASSY
1 47	3880658-1		.TUBE-LOAD CPRSR SUPPLIER CODE: V99193 SB DATA FROM A CMM: PRE SB 49-5634 CONFIG CHG DATA FROM A CMM: REPLD BY 3611159-1 USED ON: 3800298-1-1 3800298-1-2 3800298-1-3 3800298-1-4 3800298-1-5 3800298-1-6		1
50	3882559-1		.TUBE-FUEL CONT DRAIN SUPPLIER CODE: V99193 SB DATA FROM A CMM: PRE SB 49-6797 CONFIG CHG DATA FROM A CMM: REPLD BY 3883728-1 USED ON: 3800298-1-1 3800298-1-2 3800298-1-3 3800298-1-4 3800298-1-5 3800298-1-6		1
50	3883728-1		.TUBE-FUEL CONT DRAIN SUPPLIER CODE: V99193 SB DATA FROM A CMM: POST SB 49-6797 CONFIG CHG DATA FROM A CMM: REPLS 3882559-1 USED ON: 3800298-1-1 3800298-1-2 3800298-1-3 3800298-1-4 3800298-1-5 3800298-1-6		1

ILLUSTRATION ITEMS NOT ON PARTS LIST ARE NOT APPLICABLE

- ITEM NOT ILLUSTRATED

HXL

49-16-00-01

BOEING PROPRIETARY - Copyright © - Unpublished Work - See title page for details.

49-16-00
FIG. 01
PAGE 16
DEC 22/06



767

PARTS CATALOG (MAINTENANCE)

FIG ITEM	PART NUMBER	1 2 3 4 5 6 7	NOMENCLATURE	EFFECT FROM TO	UNITS PER ASSY
1 55	3882558-1		.TUBE-ACTR DRAIN SUPPLIER CODE: V99193 USED ON: 3800298-1-1 3800298-1-2 3800298-1-3 3800298-1-4 3800298-1-5 3800298-1-6 3800298-1-7 3800298-1 381326-2 381326-2-1 381326-2-2 381326-2-3 381326-2-4 381364-1 381364-1-1 381364-1-2 381364-1-3		1
60	3882533-1		.TUBE-FUEL CONT ACTR DRAIN SUPPLIER CODE: V99193		1
65	3882527-1		.TUBE-FLOW DIVIDER DRAIN SUPPLIER CODE: V99193 SB DATA FROM A CMM: PRE SB 49-7081 CONFIG CHG DATA FROM A CMM: REPLD BY 3883861-1		1
66	3883861-1		.TUBE-FLOW DIVIDER DRAIN SUPPLIER CODE: V99193 SB DATA FROM A CMM: POST SB 49-7081 CONFIG CHG DATA FROM A CMM: REPLS 3882527-1		1
70	3882530-1		.TUBE-HEAT SHLD DRAIN SUPPLIER CODE: V99193 SB DATA FROM A CMM: POST SPB GTE0252 CONFIG CHG DATA FROM A CMM: REPLS 3882703-1		1

ILLUSTRATION ITEMS NOT ON PARTS LIST ARE NOT APPLICABLE

- ITEM NOT ILLUSTRATED

49-16-00-01

49-16-00
FIG. 01
PAGE 17
DEC 22/06

HXL



767

PARTS CATALOG (MAINTENANCE)

FIG ITEM	PART NUMBER	1 2 3 4 5 6 7	NOMENCLATURE	EFFECT FROM TO	UNITS PER ASSY
1					
70	3882703-1		.TUBE-HEAT SHLD DRAIN SUPPLIER CODE: V99193 SB DATA FROM A CMM: PRE SPB GTE0252 PRE SB 49-7091 CONFIG CHG DATA FROM A CMM: REPLD BY 3882530-1 REPLD BY 3883859-1		1
70	3883859-1		.TUBE-HEAT SHLD DRAIN SUPPLIER CODE: V99193 SB DATA FROM A CMM: POST SB 49-7081 CONFIG CHG DATA FROM A CMM: REPLS 3882530-1		1
75	3882529-1		.TUBE-TURB PLENUM SUPPLIER CODE: V99193 SB DATA FROM A CMM: PRE SB 49-7081 CONFIG CHG DATA FROM A CMM: REPLD BY 3883860-1		1
77	3883860-1		.TUBE-TURB PLENUM SUPPLIER CODE: V99193 SB DATA FROM A CMM: POST SB 49-7081 CONFIG CHG DATA FROM A CMM: REPLS 3882529-1		1
80	3882531-1		.TUBE-INLET PLENUM DRAIN SUPPLIER CODE: V99193 SB DATA FROM A CMM: PRE SB 49-5634 PRE SB 49-5765 PRE SB 49-5793 CONFIG CHG DATA FROM A CMM: REPLD BY 3882513-1		1
80	3882513-1		.TUBE-INLET PLENUM DRAIN SUPPLIER CODE: V99193 SB DATA FROM A CMM: POST SB 49-5634 POST SB 49-5765 POST SB 49-5793 CONFIG CHG DATA FROM A CMM: REPLS 3882531-1		1

ILLUSTRATION ITEMS NOT ON PARTS LIST ARE NOT APPLICABLE

- ITEM NOT ILLUSTRATED

49-16-00-01

49-16-00
FIG. 01
PAGE 18
DEC 22/06

HXL



767

PARTS CATALOG (MAINTENANCE)

FIG ITEM	PART NUMBER	1 2 3 4 5 6 7	NOMENCLATURE	EFFECT FROM TO	UNITS PER ASSY
1					
85	3880258-1		.TUBE-BRG VENT SUPPLIER CODE: V99193 POSITION DATA: MID SB DATA FROM A CMM: PRE SB 49-5840 CONFIG CHG DATA FROM A CMM: REPLD BY 3880568-1		1
85	3880364-1		.TUBE-BRG VENT SUPPLIER CODE: V99193 POSITION DATA: MID SB DATA FROM A CMM: PRE SB 49-5634 PRE SB 49-5793 CONFIG CHG DATA FROM A CMM: REPLD BY 3880568-1		1
85	3880568-1		.TUBE-BRG VENT SUPPLIER CODE: V99193 POSITION DATA: MID SB DATA FROM A CMM: POST SB 49-5634 POST SB 49-5793 POST SB 49-5840 CONFIG CHG DATA FROM A CMM: REPLS 3880258-1, 3880364-1		1
90	MS21902W4		.UNION- SB DATA FROM A CMM: PRE SB 49-5634 PRE SB 49-5765 PRE SB 49-5793 CONFIG CHG DATA FROM A CMM: REPLD BY MS21902J4		1
90	MS21902J4		.UNION- SB DATA FROM A CMM: POST SB 49-5634 POST SB 49-5765 POST SB 49-5793 CONFIG CHG DATA FROM A CMM: REPLS MS21902W4		1

ILLUSTRATION ITEMS NOT ON PARTS LIST ARE NOT APPLICABLE

- ITEM NOT ILLUSTRATED

49-16-00-01

49-16-00
FIG. 01
PAGE 19
DEC 22/06

HXL



767

PARTS CATALOG (MAINTENANCE)

FIG ITEM	PART NUMBER	1 2 3 4 5 6 7	NOMENCLATURE	EFFECT FROM TO	UNITS PER ASSY
1					
92	MS21902W8		.UNION- SB DATA FROM A CMM: PRE SB 49-5634 PRE SB 49-5765 PRE SB 49-5793 CONFIG CHG DATA FROM A CMM: REPLD BY MS21902J8		1
92	MS21902J8		.UNION- SB DATA FROM A CMM: POST SB 49-5634 POST SB 49-5765 POST SB 49-5793 CONFIG CHG DATA FROM A CMM: REPLS MS21902W8		1
95	MS21902J6		.UNION		1
100	MS21924J6		.UNION		2
105	MS21924J8		.UNION- SB DATA FROM A CMM: PRE SPB GTE0252 CONFIG CHG DATA FROM A CMM: REPLD BY MS21924J6		1
105	MS21924J6		.UNION- SB DATA FROM A CMM: POST SPB GTE0252 CONFIG CHG DATA FROM A CMM: REPLS MS21924J8		1
106	MS21907J4		.ELBOW- SB DATA FROM A CMM: POST SB 49-5634 POST SB 49-5793 USED ON: 381364-1 381364-1-1 381364-1-2 381364-1-3 3800298-1-1 3800298-1-2 3800298-1-3 3800298-1-4 3800298-1-5 3800298-1-6 3800298-1-7 3800298-1		1
ILLUSTRATION ITEMS NOT ON PARTS LIST ARE NOT APPLICABLE					

- ITEM NOT ILLUSTRATED

49-16-00-01

49-16-00
FIG. 01
PAGE 20
DEC 22/06

HXL



767

PARTS CATALOG (MAINTENANCE)

FIG ITEM	PART NUMBER	1 2 3 4 5 6 7	NOMENCLATURE	EFFECT FROM TO	UNITS PER ASSY
1					
107	MS21908W6		.ELBOW- SB DATA FROM A CMM: PRE SB 49-5634 PRE SB 49-5765 PRE SB 49-5793 CONFIG CHG DATA FROM A CMM: REPLD BY MS21908J6		1
107	MS21908J6		.ELBOW- SB DATA FROM A CMM: POST SB 49-5634 POST SB 49-5765 POST SB 49-5793 CONFIG CHG DATA FROM A CMM: REPLS MS21908W6		1
108	MS21908J8		.ELBOW		1
110	MS21908J6		.ELBOW		3
112	MS21908W4		.ELBOW- SB DATA FROM A CMM: PRE SB 49-5765 PRE SPB GTE0252 CONFIG CHG DATA FROM A CMM: REPLD BY MS21902J4 REPLD BY MS21907W4		1
112	MS21907W4		.ELBOW- SB DATA FROM A CMM: POST SPB GTE0252 PRE SB 49-5634 PRE SB 49-5765 PRE SB 49-5793 CONFIG CHG DATA FROM A CMM: REPLS MS21908W4 REPLD BY MS21907J4		1
112	MS21907J4		.ELBOW- SB DATA FROM A CMM: POST SB 49-5634 POST SB 49-5765 POST SB 49-5793 CONFIG CHG DATA FROM A CMM: REPLS MS21907W4		1
113	MS21908J4		.ELBOW- SB DATA FROM A CMM: POST SB 49-5634 POST SB 49-5765 POST SB 49-5793 CONFIG CHG DATA FROM A CMM: REPLS MS21908W4		1

ILLUSTRATION ITEMS NOT ON PARTS LIST ARE NOT APPLICABLE

- ITEM NOT ILLUSTRATED

49-16-00-01

HXL

BOEING PROPRIETARY - Copyright © - Unpublished Work - See title page for details.

49-16-00
FIG. 01
PAGE 21
DEC 22/06

 **BOEING**
767
PARTS CATALOG (MAINTENANCE)

FIG ITEM	PART NUMBER	1 2 3 4 5 6 7	NOMENCLATURE	EFFECT FROM TO	UNITS PER ASSY
1					
113	MS21908W4		.ELBOW- SB DATA FROM A CMM: PRE SB 49-5634 PRE SB 49-5765 PRE SB 49-5793 CONFIG CHG DATA FROM A CMM: REPLD BY MS21908J4		1
120	MS21916J8-6		.REDUCER- USED ON: 381364-1 381364-1-1 381364-1-2 381364-1-3 3800298-1-1 3800298-1-2 3800298-1-3 3800298-1-4 3800298-1-5 3800298-1-6 3800298-1-7 3800298-1		1
125	MS21912J6		.TEE		1
133	S9413-554		.PACKING- SUPPLIER CODE: V99193 OPTIONAL PART: M83248-1-904		2
133	M83248-1-904		.PACKING- OPTIONAL PART: S9413-554 V99193		2
135	S9412-556		.PACKING- SUPPLIER CODE: V99193 OPTIONAL PART: M25988-2-906		2
135	M25988-2-906		.PACKING- OPTIONAL PART: S9412-556 V99193		2
136	S9412-558		.PACKING- SUPPLIER CODE: V99193 OPTIONAL PART: M25988-2-908		1
136	M25988-2-908		.PACKING- OPTIONAL PART: S9412-558 V99193		1
ILLUSTRATION ITEMS NOT ON PARTS LIST ARE NOT APPLICABLE					

- ITEM NOT ILLUSTRATED

HXL

49-16-00-01

BOEING PROPRIETARY - Copyright © - Unpublished Work - See title page for details.

49-16-00
FIG. 01
PAGE 22
DEC 22/06



767

PARTS CATALOG (MAINTENANCE)

FIG ITEM	PART NUMBER	1 2 3 4 5 6 7	NOMENCLATURE	EFFECT FROM TO	UNITS PER ASSY
1					
137	S9413-556		.PACKING- SUPPLIER CODE: V99193 OPTIONAL PART: M83248-1-906		2
137	M83248-1-906		.PACKING- OPTIONAL PART: S9413-556 V99193		2
140	S9412-558		.PACKING- SUPPLIER CODE: V99193 OPTIONAL PART: M25988-2-908		1
140	M25988-2-908		.PACKING- OPTIONAL PART: S9412-558 V99193		1
141	S8990-604		.PACKING- SUPPLIER CODE: V59364 OPTIONAL PART: MS9385-04		1
141	MS9385-04		.PACKING-		1
- 142	MS35769-11		.GASKET- SB DATA FROM A CMM: POST SPB GTE0252 PRE SPB GTE0576 CONFIG CHG DATA FROM A CMM: REPLS S9412-556 REPLD BY MS35769-10		1
- 142	MS35769-10		.GASKET- SB DATA FROM A CMM: POST SPB GTE0576 CONFIG CHG DATA FROM A CMM: REPLS MS35769-11		1
143	S9412-556		.PACKING- SUPPLIER CODE: V99193 SB DATA FROM A CMM: PRE SPB GTE0252 CONFIG CHG DATA FROM A CMM: REPLD BY MS35769-11 OPTIONAL PART: M25988-2-906		1
143	M25988-2-906		.PACKING- OPTIONAL PART: S9412-556 V99193		1

ILLUSTRATION ITEMS NOT ON PARTS LIST ARE NOT APPLICABLE

- ITEM NOT ILLUSTRATED

49-16-00-01

49-16-00
FIG. 01
PAGE 23
DEC 22/06

HXL



767

PARTS CATALOG (MAINTENANCE)

FIG ITEM	PART NUMBER	1 2 3 4 5 6 7	NOMENCLATURE	EFFECT FROM TO	UNITS PER ASSY
1 146	S9412-556		.PACKING- SUPPLIER CODE: V99193 OPTIONAL PART: M25988-2-906 USED ON: 381364-1 381364-1-1 381364-1-2 381364-1-3 3800298-1-1 3800298-1-2 3800298-1-3 3800298-1-4 3800298-1-5 3800298-1-6		2
146	M25988-2-906		.PACKING- OPTIONAL PART: S9412-556 V99193 USED ON: 381364-1 381364-1-1 381364-1-2 381364-1-3 3800298-1-1 3800298-1-2 3800298-1-3 3800298-1-4 3800298-1-5 3800298-1-6 3800298-1-7 3800298-1		2
148	AN6289D4		.NUT- SB DATA FROM A CMM: PRE SB 49-5634 PRE SB 49-5765 PRE SB 49-5793 CONFIG CHG DATA FROM A CMM: REPLD BY AN6289J4		2
148	AN6289J4		.NUT- SB DATA FROM A CMM: POST SB 49-5634 POST SB 49-5765 POST SB 49-5793 CONFIG CHG DATA FROM A CMM: REPLS AN6289D4		2

ILLUSTRATION ITEMS NOT ON PARTS LIST ARE NOT APPLICABLE

- ITEM NOT ILLUSTRATED

HXL

49-16-00-01

BOEING PROPRIETARY - Copyright © - Unpublished Work - See title page for details.

49-16-00
FIG. 01
PAGE 24
DEC 22/06



767

PARTS CATALOG (MAINTENANCE)

FIG ITEM	PART NUMBER	1 2 3 4 5 6 7	NOMENCLATURE	EFFECT FROM TO	UNITS PER ASSY
1					
150	AN6289D6	.NUT-	SB DATA FROM A CMM: PRE SB 49-5634 PRE SB 49-5765 PRE SB 49-5793 CONFIG CHG DATA FROM A CMM: REPLD BY AN6289J6		4
150	AN6289J6	.NUT-	SB DATA FROM A CMM: POST SB 49-5634 POST SB 49-5765 POST SB 49-5793 CONFIG CHG DATA FROM A CMM: REPLS AN6289D6		4
152	AN6289J4	.NUT-	SB DATA FROM A CMM: POST SB 49-5634 POST SB 49-5793 USED ON: 381364-1 381364-1-1 381364-1-2 381364-1-3 3800298-1-1 3800298-1-3 3800298-1-4 3800298-1-5 3800298-1-6 3800298-1-7 3800298-1		1
155	AN924-8D	.NUT-	SB DATA FROM A CMM: PRE SB 49-5765 PRE SPB GTE0252 CONFIG CHG DATA FROM A CMM: REPLD BY AN924-8J REPLD BY AN924-6D		1
155	AN924-6D	.NUT-	SB DATA FROM A CMM: POST SPB GTE0252 PRE SB 49-5634 PRE SB 49-5793 CONFIG CHG DATA FROM A CMM: REPLS AN924-8D REPLD BY AN924-6J		1

ILLUSTRATION ITEMS NOT ON PARTS LIST ARE NOT APPLICABLE

- ITEM NOT ILLUSTRATED

HXL

49-16-00-01

BOEING PROPRIETARY - Copyright © - Unpublished Work - See title page for details.

49-16-00
FIG. 01
PAGE 25
DEC 22/06



767

PARTS CATALOG (MAINTENANCE)

FIG ITEM	PART NUMBER	1 2 3 4 5 6 7	NOMENCLATURE	EFFECT FROM TO	UNITS PER ASSY
1 155	AN924-6J		.NUT- SB DATA FROM A CMM: POST SB 49-5634 POST SB 49-5793 CONFIG CHG DATA FROM A CMM: REPLS AN924-6D USED ON: 381364-1 381364-1-1 381364-1-2 381364-1-3 3800298-1-1 3800298-1-2 3800298-1-3 3800298-1-4 3800298-1-5 3800298-1-6 3800298-1-7 3800298-1		1
160	AN924-6D		.NUT- SB DATA FROM A CMM: PRE SB 49-5634 PRE SB 49-5765 PRE SB 49-5793 CONFIG CHG DATA FROM A CMM: REPLD BY AN924-6J		2
160	AN924-6J		.NUT- SB DATA FROM A CMM: POST SB 49-5634 POST SB 49-5765 POST SB 49-5793 CONFIG CHG DATA FROM A CMM: REPLS AN924-6D		2
161	AN924-60		.NUT- CONFIG CHG DATA FROM A CMM: REPLD BY AN924-6D		1
161	AN924-6D		.NUT- SB DATA FROM A CMM: PRE SB 49-5634 PRE SB 49-5765 PRE SB 49-5793 CONFIG CHG DATA FROM A CMM: REPLS AN924-60 REPLD BY AN924-6J		1

ILLUSTRATION ITEMS NOT ON PARTS LIST ARE NOT APPLICABLE

- ITEM NOT ILLUSTRATED

49-16-00-01

49-16-00
FIG. 01
PAGE 26
DEC 22/06

HXL

BOEING PROPRIETARY - Copyright © - Unpublished Work - See title page for details.



767

PARTS CATALOG (MAINTENANCE)

FIG ITEM	PART NUMBER	1 2 3 4 5 6 7	NOMENCLATURE	EFFECT FROM TO	UNITS PER ASSY
1 161	AN924-6J	.NUT-	SB DATA FROM A CMM: POST SB 49-5634 POST SB 49-5765 POST SB 49-5793 CONFIG CHG DATA FROM A CMM: REPLS AN924-6D		1
163	MS21044C3	.NUT			1
165	AN924-8D	.NUT-	SB DATA FROM A CMM: PRE SB 49-5634 PRE SB 49-5765 PRE SB 49-5793 CONFIG CHG DATA FROM A CMM: REPLD BY AN924-8J		1
165	AN924-8J	.NUT-	SB DATA FROM A CMM: POST SB 49-5634 POST SB 49-5765 POST SB 49-5793 CONFIG CHG DATA FROM A CMM: REPLS AN924-8D		1
167	MS28773-04	.RETAINER			2
170	MS28773-06	.RETAINER			4
175	A161A	.VALVE-	SUPPLIER CODE: V97484 OPTIONAL PART: 771-549-9202 V99193 USED ON: 381364-1 381364-1-1 381364-1-2 381364-1-3 3800298-1-1 3800298-1-2 3800298-1-3 3800298-1-4 3800298-1-5 3800298-1-6 3800298-1-7 3800298-1		2
175	771-549-9202	.VALVE-	SUPPLIER CODE: V99193 OPTIONAL PART: A161A V97484		2

ILLUSTRATION ITEMS NOT ON PARTS LIST ARE NOT APPLICABLE

- ITEM NOT ILLUSTRATED

49-16-00-01

49-16-00
FIG. 01
PAGE 27
DEC 22/06

HXL



767

PARTS CATALOG (MAINTENANCE)

FIG ITEM	PART NUMBER	1 2 3 4 5 6 7	NOMENCLATURE	EFFECT FROM TO	UNITS PER ASSY
1 177	M83248-1-906		.PACKING- OPTIONAL PART: S9413-556 V99193 USED ON: 381364-1 381364-1-1 381364-1-2 381364-1-3 3800298-1-1 3800298-1-2 3800298-1-3 3800298-1-4 3800298-1-5 3800298-1-6 3800298-1-7 3800298-1		1
177	S9413-556		.PACKING- SUPPLIER CODE: V99193 OPTIONAL PART: M83248-1-906 USED ON: 381364-1 381364-1-1 381364-1-2 381364-1-3 3800298-1-1 3800298-1-2 3800298-1-3 3800298-1-4 3800298-1-5 3800298-1-6		1
178A	3880360-2		.FITTING-DRAIN SUPPLIER CODE: V99193 SB DATA FROM A CMM: POST SB 49-5840 CONFIG CHG DATA FROM A CMM: REPLS 3880239-2		1

ILLUSTRATION ITEMS NOT ON PARTS LIST ARE NOT APPLICABLE

- ITEM NOT ILLUSTRATED

HXL

49-16-00-01

BOEING PROPRIETARY - Copyright © - Unpublished Work - See title page for details.

49-16-00
FIG. 01
PAGE 28
DEC 22/06



767

PARTS CATALOG (MAINTENANCE)

FIG ITEM	PART NUMBER	1 2 3 4 5 6 7	NOMENCLATURE	EFFECT FROM TO	UNITS PER ASSY
1 179	A161A		. VALVE- SUPPLIER CODE: V97484 OPTIONAL PART: 771-549-9202 V99193 USED ON: 381364-1 381364-1-1 381364-1-2 381364-1-3 3800298-1-1 3800298-1-2 3800298-1-3 3800298-1-4 3800298-1-5 3800298-1-6 3800298-1-7 3800298-1		3
179	771-549-9202		. VALVE- SUPPLIER CODE: V99193 OPTIONAL PART: A161A V97484		3
180	3882695-1		. FITTING- SUPPLIER CODE: V99193 USED ON: 381364-1 381364-1-1 381364-1-2 381364-1-3 3800298-1-1 3800298-1-2 3800298-1-3 3800298-1-4 3800298-1-5 3800298-1-6 3800298-1-7 3800298-1		1

ILLUSTRATION ITEMS NOT ON PARTS LIST ARE NOT APPLICABLE

- ITEM NOT ILLUSTRATED

HXL

49-16-00-01

BOEING PROPRIETARY - Copyright © - Unpublished Work - See title page for details.

49-16-00
FIG. 01
PAGE 29
DEC 22/06



767

PARTS CATALOG (MAINTENANCE)

FIG ITEM	PART NUMBER	1 2 3 4 5 6 7	NOMENCLATURE	EFFECT FROM TO	UNITS PER ASSY
1 181	MS21279-20		.BOLT- OPTIONAL PART: MS9556-20 USED ON: 381364-1 381364-1-1 381364-1-2 381364-1-3 3800298-1-1 3800298-1-2 3800298-1-3 3800298-1-4 3800298-1-5 3800298-1-6		1
181	MS9556-20		.BOLT- SB DATA FROM A CMM: POST SPB GTE0306 OPTIONAL PART: MS21279-20 USED ON: 381364-1 381364-1-1 381364-1-2 381364-1-3 3800298-1-1 3800298-1-2 3800298-1-3 3800298-1-4 3800298-1-5 3800298-1-6		1
183	S9412-556		.PACKING- SUPPLIER CODE: V99193 OPTIONAL PART: M25988-2-906 USED ON: 381364-1 381364-1-1 381364-1-2 381364-1-3 3800298-1-1 3800298-1-2 3800298-1-3 3800298-1-4 3800298-1-5 3800298-1-6		3

ILLUSTRATION ITEMS NOT ON PARTS LIST ARE NOT APPLICABLE

- ITEM NOT ILLUSTRATED

HXL

49-16-00-01

BOEING PROPRIETARY - Copyright © - Unpublished Work - See title page for details.

49-16-00
FIG. 01
PAGE 30
DEC 22/06



767

PARTS CATALOG (MAINTENANCE)

FIG ITEM	PART NUMBER	1 2 3 4 5 6 7	NOMENCLATURE	EFFECT FROM TO	UNITS PER ASSY
1 183	M25988-2-906		.PACKING- OPTIONAL PART: S9412-556 V99193 USED ON: 381364-1 381364-1-1 381364-1-2 381364-1-3 3800298-1-1 3800298-1-2 3800298-1-3 3800298-1-4 3800298-1-5 3800298-1-6		3
R R R R R	190 MS21279-06		.BOLT- POST AIRLINE MOD: PCRO3 VPIE		6
R R R R R	190 MS9556-06		.BOLT- SB DATA FROM A CMM: POST SPB GTE0306 SERVICE BULLETIN OPT DATA: MS21279-06 POST AIRLINE MOD: PCRO3 VPIE		6
R R R R R	195 MS9556-07		.BOLT- POST AIRLINE MOD: PCRO3 VPIE		3
R R R R R	200 MS21043-3		.NUT- POST AIRLINE MOD: PCRO3 VPIE		6
R R R R R	205 3880305-1		.TUBE-VENT SUPPLIER CODE: V99139 POST AIRLINE MOD: PCRO3 VPIE		1

ILLUSTRATION ITEMS NOT ON PARTS LIST ARE NOT APPLICABLE

- ITEM NOT ILLUSTRATED

49-16-00-01

49-16-00
FIG. 01
PAGE 31
AUG 22/09

HXL



767

PARTS CATALOG (MAINTENANCE)

FIG ITEM	PART NUMBER	1 2 3 4 5 6 7	NOMENCLATURE	EFFECT FROM TO	UNITS PER ASSY
1	3880170-1		.SHIELD ASSY-OIL RETURN SUPPLIER CODE: V99139 SB DATA FROM A CMM: PRE SB 49-5366 CONFIG CHG DATA FROM A CMM: SUPSD BY 3880170-3 POST AIRLINE MOD: PCRO3 VPIE		2
210	3880170-3		.SHIELD ASSY-OIL RETURN SUPPLIER CODE: V99139 SB DATA FROM A CMM: POST SB 49-5366 CONFIG CHG DATA FROM A CMM: SUPERSEDES 3880170-1 POST AIRLINE MOD: PCRO3 VPIE		2
- 240	351T0300-41		AUXILIARY POWER UNIT ASSY- (APU DRAINS AND VENTS ONLY) COMPONENT MAINT MANUAL REF: 49-11-11 FOR NHA/OTHER SYS DET SEE: 49-11-00-01		RF
- 240	351T0300-45		AUXILIARY POWER UNIT ASSY- (APU DRAINS AND VENTS ONLY) COMPONENT MAINT MANUAL REF: 49-11-11 FOR NHA/OTHER SYS DET SEE: 49-11-00-01		RF
- 240	351T0300-48		AUXILIARY POWER UNIT ASSY- (APU DRAINS AND VENTS ONLY) COMPONENT MAINT MANUAL REF: 49-11-11 FOR NHA/OTHER SYS DET SEE: 49-11-00-01		RF
- 240	351T0300-51		AUXILIARY POWER UNIT ASSY- VARIABLE (APU DRAINS AND VENTS ONLY) COMPONENT MAINT MANUAL REF: 49-11-11 FOR NHA/OTHER SYS DET SEE: 49-11-00-01		RF

ILLUSTRATION ITEMS NOT ON PARTS LIST ARE NOT APPLICABLE

- ITEM NOT ILLUSTRATED

49-16-00-01

49-16-00
FIG. 01
PAGE 32
AUG 22/09

HXL



767

PARTS CATALOG (MAINTENANCE)

FIG ITEM	PART NUMBER	1 2 3 4 5 6 7	NOMENCLATURE	EFFECT FROM TO	UNITS PER ASSY
1					
- 240	351T0300-53		AUXILIARY POWER UNIT ASSY-VARIABLE (APU DRAINS AND VENTS ONLY) COMPONENT MAINT MANUAL REF: 49-11-11 FOR NHA/OTHER SYS DET SEE: 49-11-00-01		RF
- 245	351T0300-55		AUXILIARY POWER UNIT ASSY-VARIABLE (APU DRAINS AND VENTS ONLY) COMPONENT MAINT MANUAL REF: 49-11-11 FOR NHA/OTHER SYS DET SEE: 49-11-00-01		RF
- 245	351T0300-58		AUXILIARY POWER UNIT ASSY-VARIABLE (APU DRAINS AND VENTS ONLY) COMPONENT MAINT MANUAL REF: 49-11-11 FOR NHA/OTHER SYS DET SEE: 49-11-00-01		RF
- 245	351T0300-60		AUXILIARY POWER UNIT ASSY-VARIABLE (APU DRAINS AND VENTS ONLY) COMPONENT MAINT MANUAL REF: 49-11-11 FOR NHA/OTHER SYS DET SEE: 49-11-00-01		RF
- 250	356T0200-1		.DRAIN ASSY-		1
255	NAS6703-22		..SCREW		2
260	AN960XC10L		..WASHER		2
265	356T0203-1		..SUPPORT ASSY		1
270	356T0203-2		...HALF-SPRT		1
275	356T0203-3		...HALF-SPRT		1
280	356T0201-1		..BRACKET ASSY		1
285	356T0202-19		..TUBE ASSY		1
290	356T0202-18		..TUBE ASSY-		1
295	356T0202-20		..TUBE ASSY-		1
300	356T0202-17		..TUBE ASSY-		1

ILLUSTRATION ITEMS NOT ON PARTS LIST ARE NOT APPLICABLE

- ITEM NOT ILLUSTRATED

49-16-00-01

49-16-00
FIG. 01
PAGE 33
AUG 22/09

HXL



767

PARTS CATALOG (MAINTENANCE)

FIG ITEM	PART NUMBER	1 2 3 4 5 6 7	NOMENCLATURE	EFFECT FROM TO	UNITS PER ASSY
1					
- 305	AP2097HP06		...SLEEVE- SUPPLIER CODE: V01673 SPECIFICATION NUMBER: BACS13BX06HP OPTIONAL PART: 2-02903-06HP V11328 35235VN06 V08199 AFP175V06P V30974 DB0S13BX06HP V14798 USED ON: 356T0202-17 356T0202-18 356T0202-20 356T0202-24 356T0202-25 356T0202-26		1
- 305	AP2097HP08		...SLEEVE- SUPPLIER CODE: V01673 SPECIFICATION NUMBER: BACS13BX08HP OPTIONAL PART: 2-02903-08HP V11328 35235VN08 V08199 AFP175V08P V30974 DB0S13BX08HP V14798 USED ON: 356T0202-19		1
- 307	MS21921-6J		...NUT- USED ON: 356T0202-17 356T0202-18 356T0202-20 356T0202-24 356T0202-25 356T0202-26		1
- 307	MS21921-8J		...NUT- USED ON: 356T0202-19		1

ILLUSTRATION ITEMS NOT ON PARTS LIST ARE NOT APPLICABLE

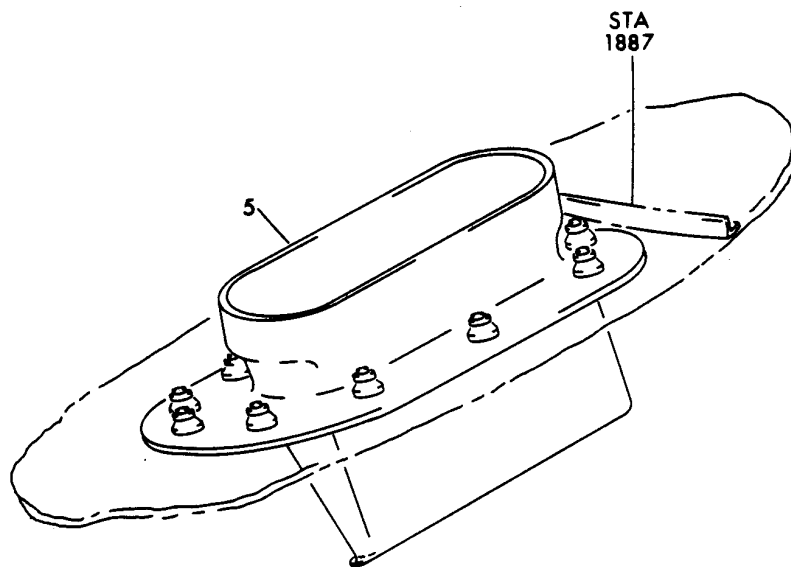
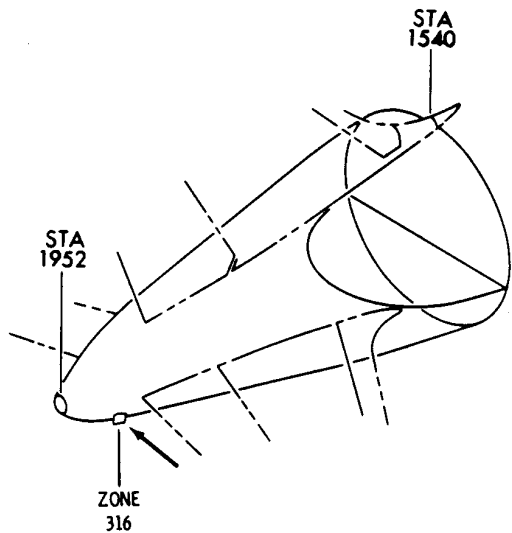
- ITEM NOT ILLUSTRATED

49-16-00-01

49-16-00
 FIG. 01
 PAGE 34
 AUG 22/09

HXL

BOEING
767
PARTS CATALOG (MAINTENANCE)



V 49180101 SH1 1 REV 006

MAST INSTL- AUX PWR SYS DRAIN
FIGURE 1

49-16-01-01

HXL
DEC 22/06

49-16-01-01
PAGE 0

BOEING
767
PARTS CATALOG (MAINTENANCE)

FIG ITEM	PART NUMBER	1 2 3 4 5 6 7	NOMENCLATURE	EFFECT FROM TO	UNITS PER ASSY
1			MAST INSTL- AUX PWR SYS DRAIN		
- 1	356T0100-1		MAST INSTL-AUX PWR SYS DRAIN FOR NHA SEE: 49-00-01-01		RF
	5 356T0101-1		.MAST ATTACHING PARTS		1
- 10	HL441UC5-4		.BOLT SUPPLIER CODE: V60516 SPECIFICATION NUMBER: BACB30FM5A4 OPTIONAL PART: HL440UC5-4 V73197 HL440UC5-4 V92215 HL440UC5-4 V97928 HL440UC5-4 V80539 67067-5A4 V56878 HL440UC5-4 V08524 HL440UC5-4 V56878		12
- 15	HL70-5		.COLLAR SUPPLIER CODE: V5M902 SPECIFICATION NUMBER: BACC30M5 OPTIONAL PART: HL70-5 V73197 HL70-5 V92215 66014-5 V56878 HL70-5 V56878 -----*-----		12
ILLUSTRATION ITEMS NOT ON PARTS LIST ARE NOT APPLICABLE					

- ITEM NOT ILLUSTRATED

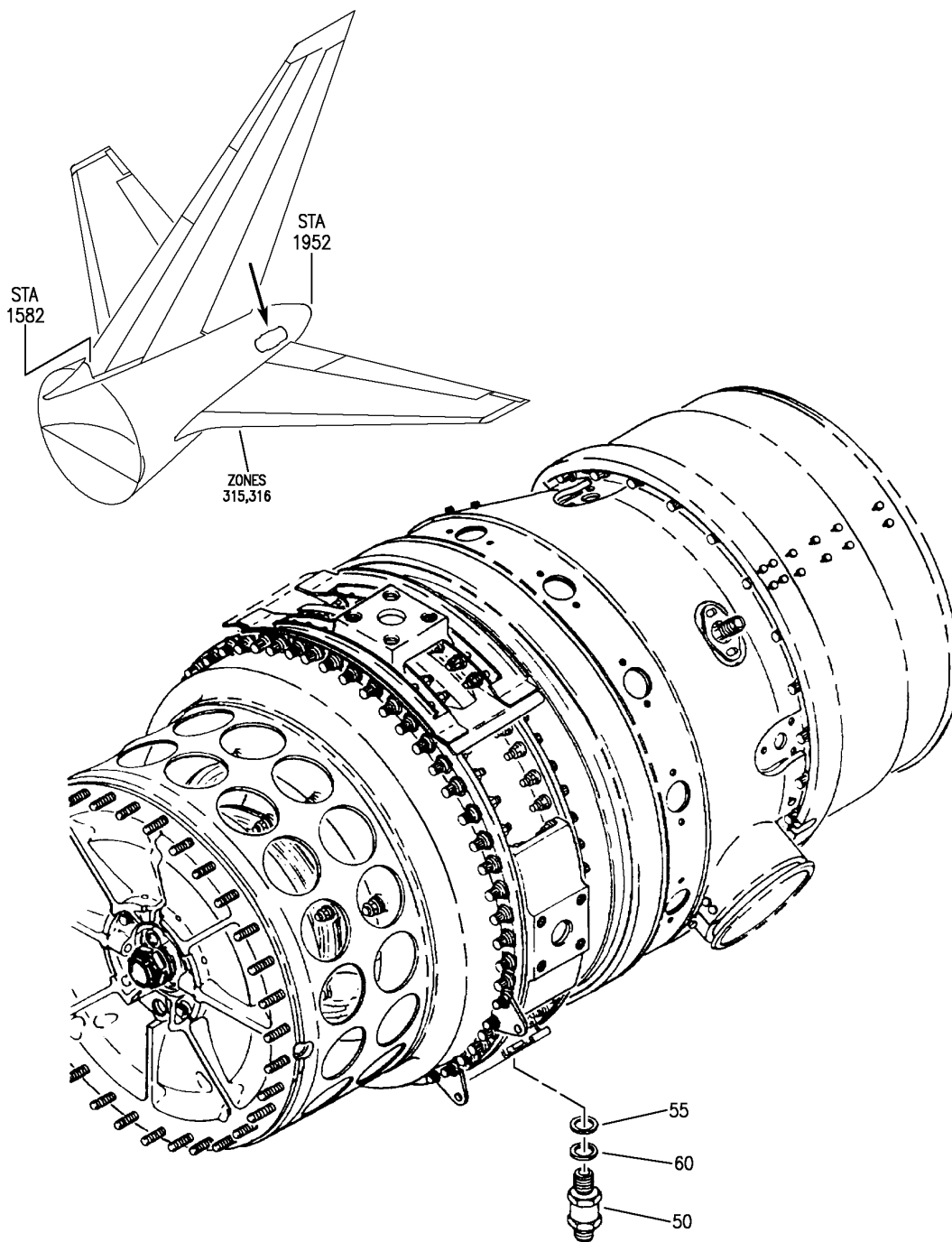
HXL

49-16-01-01

BOEING PROPRIETARY - Copyright © - Unpublished Work - See title page for details.

49-16-01
FIG. 01
PAGE 1
AUG 22/08

BOEING
767
PARTS CATALOG (MAINTENANCE)



V 49160102 REV 252

ENGINE ASSY-GAS TURB (APU COMBUSTOR PRESSURE RELIEF VALVE ONLY)
FIGURE 2

49-16-01-02

HXL
DEC 22/06

49-16-01-02
PAGE 0



767

PARTS CATALOG (MAINTENANCE)

FIG ITEM	PART NUMBER	1 2 3 4 5 6 7 NOMENCLATURE	EFFECT FROM TO	UNITS PER ASSY
2 - 10	3800298-1-1	ENGINE ASSY-GAS TURB (APU COMBUSTOR PRESSURE RELIEF VALVE ONLY) ENGINE ASSY-GAS TURB (APU COMBUSTOR PRESSURE RELIEF VALVE ONLY) MODEL GTCP331-200ER SUPPLIER CODE: V99193 SPECIFICATION NUMBER: S351T020-200 COMPONENT MAINT MANUAL REF: 49-22-11 QUALIFIED I/W DATA: S351T020-200 (3800298-1-1) AND S351T020-205 (3800298-1-6) ARE INTERCHANGEABLE WITH THE INCORPORATION OF S/B 767-49-0025 S351T020-200 (3800298-1-1) AND S351T020-206 (3800298-1-7/3800298-1) ARE INTERCHANGEABLE WITH THE INCORPORATION OF ALLIED SIGNAL S/B GTCP331-49-7081 FOR NHA/OTHER SYS DET SEE: 49-11-00-01		RF

ILLUSTRATION ITEMS NOT ON PARTS LIST ARE NOT APPLICABLE

- ITEM NOT ILLUSTRATED

HXL

49-16-01-02

BOEING PROPRIETARY - Copyright © - Unpublished Work - See title page for details.

49-16-01
 FIG. 02
 PAGE 1
 DEC 22/06



767

PARTS CATALOG (MAINTENANCE)

FIG ITEM	PART NUMBER	1 2 3 4 5 6 7 NOMENCLATURE	EFFECT FROM TO	UNITS PER ASSY
2 - 10	3800298-1-2	ENGINE ASSY-GAS TURB (APU COMBUSTOR PRESSURE RELIEF VALVE ONLY) MODEL GTCP331-200ER SUPPLIER CODE: V99193 SPECIFICATION NUMBER: S351T020-201 CONFIG CHG DATA FROM A CMM: REPLS 3800298-1-1 COMPONENT MAINT MANUAL REF: 49-22-11 QUALIFIED I/W DATA: S351T020-201 (3800298-1-2) AND S351T020-205 (3800298-1-6) ARE INTERCHANGEABLE WITH THE INCORPORATION OF S/B 767-49-0025 S351T020-201 (3800298-1-2) AND S351T020-206 (3800298-1-7/3800298-1) ARE INTERCHANGEABLE WITH THE INCORPORATION OF ALLIED SIGNAL S/B GTCP331-49-7081 FOR NHA/OTHER SYS DET SEE: 49-11-00-01		RF

ILLUSTRATION ITEMS NOT ON PARTS LIST ARE NOT APPLICABLE

- ITEM NOT ILLUSTRATED

HXL

49-16-01-02

BOEING PROPRIETARY - Copyright © - Unpublished Work - See title page for details.

49-16-01
 FIG. 02
 PAGE 2
 DEC 22/06



767

PARTS CATALOG (MAINTENANCE)

FIG ITEM	PART NUMBER	1 2 3 4 5 6 7 NOMENCLATURE	EFFECT FROM TO	UNITS PER ASSY
2 - 10	3800298-1-3	ENGINE ASSY-GAS TURB (APU COMBUSTOR PRESSURE RELIEF VALVE ONLY) MODEL GTCP331-200ER SUPPLIER CODE: V99193 SPECIFICATION NUMBER: S351T020-202 CONFIG CHG DATA FROM A CMM: REPLS 3800298-1-2 COMPONENT MAINT MANUAL REF: 49-22-11 QUALIFIED I/W DATA: S351T020-202 (3800298-1-3) AND S351T020-205 (3800298-1-6) ARE INTERCHANGEABLE WITH THE INCORPORATION OF S/B 767-49-0025 S351T020-202 (3800298-1-3) AND S351T020-206 (3800298-1-7/3800298-1) ARE INTERCHANGEABLE WITH AGE INCORPORATION OF ALLIED SIGNAL S/B GTCP331-49-7081 FOR NHA/OTHER SYS DET SEE: 49-11-00-01		RF

ILLUSTRATION ITEMS NOT ON PARTS LIST ARE NOT APPLICABLE

- ITEM NOT ILLUSTRATED

HXL

49-16-01-02

BOEING PROPRIETARY - Copyright © - Unpublished Work - See title page for details.

49-16-01
 FIG. 02
 PAGE 3
 DEC 22/06



767

PARTS CATALOG (MAINTENANCE)

FIG ITEM	PART NUMBER	1 2 3 4 5 6 7 NOMENCLATURE	EFFECT FROM TO	UNITS PER ASSY
2 - 10	3800298-1-4	ENGINE ASSY-GAS TURB (APU COMBUSTOR PRESSURE RELIEF VALVE ONLY) MODEL GTCP331-200ER SUPPLIER CODE: V99193 SPECIFICATION NUMBER: S351T020-203 CONFIG CHG DATA FROM A CMM: REPLS 3800298-1-3 COMPONENT MAINT MANUAL REF: 49-22-11 QUALIFIED I/W DATA: S351T020-203 (3800298-1-4) AND S351T020-205 (3800298-1-6) ARE INTERCHANGEABLE WITH THE INCORPORATION OF S/B 767-49-0025 S351T020-203 (3800298-1-4) AND S351T020-206 (3800298-1-7/3800298-1) ARE INTERCHANGEABLE WITH THE INCORPORATION OF ALLIED SIGNAL S/B GTCP331-49-7081 FOR NHA/OTHER SYS DET SEE: 49-11-00-01		RF

ILLUSTRATION ITEMS NOT ON PARTS LIST ARE NOT APPLICABLE

- ITEM NOT ILLUSTRATED

HXL

49-16-01-02

BOEING PROPRIETARY - Copyright © - Unpublished Work - See title page for details.

49-16-01
 FIG. 02
 PAGE 4
 DEC 22/06



767

PARTS CATALOG (MAINTENANCE)

FIG ITEM	PART NUMBER	1 2 3 4 5 6 7	NOMENCLATURE	EFFECT FROM TO	UNITS PER ASSY
2 - 10	3800298-1-5		ENGINE ASSY-GAS TURB (APU COMBUSTOR PRESSURE RELIEF VALVE ONLY) MODEL GTCP331-200ER SUPPLIER CODE: V99193 SPECIFICATION NUMBER: S351T020-204 CONFIG CHG DATA FROM A CMM: REPLS 3800298-1-4 COMPONENT MAINT MANUAL REF: 49-22-11 QUALIFIED I/W DATA: S351T020-204 (3800298-1-5) AND S351T020-206 (3800298-1-7/3800298-1) ARE INTERCHANGEABLE WITH THE INCORPORATION OF ALLIED SIGNAL S/B GTCP331-49-7081 S351T020-204 (3800298-1-5) AND S351T020-205 (3800298-1-6) ARE INTERCHANGEABLE WITH THE INCORPORATION OF S/B 767-49-0025 FOR NHA/OTHER SYS DET SEE: 49-11-00-01		RF
- 10	3800298-1-6		ENGINE ASSY-GAS TURB (APU COMBUSTOR PRESSURE RELIEF VALVE ONLY) MODEL GTCP331-200ER SUPPLIER CODE: V99193 SPECIFICATION NUMBER: S351T020-205 CONFIG CHG DATA FROM A CMM: REPLS 3800298-1-5 COMPONENT MAINT MANUAL REF: 49-22-11 QUALIFIED I/W DATA: S351T020-204 (3800298-1-5) AND S351T020-205 (3800298-1-6) ARE INTERCHANGEABLE WITH THE INCORPORATION OF S/B		RF

ILLUSTRATION ITEMS NOT ON PARTS LIST ARE NOT APPLICABLE

- ITEM NOT ILLUSTRATED

49-16-01-02

49-16-01
FIG. 02
PAGE 5
DEC 22/06

HXL



767

PARTS CATALOG (MAINTENANCE)

FIG ITEM	PART NUMBER	1 2 3 4 5 6 7 NOMENCLATURE	EFFECT FROM TO	UNITS PER ASSY
2 10		767-49-0025 S351T020-203 (3800298-1-4) AND S351T020-205 (3800298-1-6) ARE INTERCHANGEABLE WITH INCORPORATION OF S/B 767-49-0025 S351T020-202 (3800298-1-3) AND S351T020-205 (3800298-1-6) ARE INTERCHANGEABLE WITH THE INCORPORATION OF S/B 767-49-0025 S351T020-201 (3800298-1-2) AND S351T020-205 (3800298-1-6) ARE INTERCHANGEABLE WITH THE INCORPORATION OF S/B 767-49-0025 S351T020-200 (3800298-1-1) AND S351T020-205 (3800298-1-6) ARE INTERCHANGEABLE WITH THE INCORPORATION OF S/B 767-49-0025 FOR NHA/OTHER SYS DET SEE: 49-11-00-01		
- 15	3800298-1-7	ENGINE ASSY-GAS TURB (APU COMBUSTOR PRESSURE RELIEF VALVE ONLY) MODEL GTCP331-200ER SUPPLIER CODE: V99193 SPECIFICATION NUMBER: S351T020-206 CONFIG CHG DATA FROM A CMM: REPLS 3800298-1-6 ELECTRICAL EQUIP NUMBER: M00967 COMPONENT MAINT MANUAL REF: 49-22-11 QUALIFIED I/W DATA: S351T020-203 (3800298-1-4) AND S351T020-206 ILLUSTRATION ITEMS NOT ON PARTS LIST ARE NOT APPLICABLE		RF

- ITEM NOT ILLUSTRATED

49-16-01-02

49-16-01
 FIG. 02
 PAGE 6
 DEC 22/06

HXL

BOEING
767
PARTS CATALOG (MAINTENANCE)

FIG ITEM	PART NUMBER	1 2 3 4 5 6 7	NOMENCLATURE	EFFECT FROM TO	UNITS PER ASSY
2 15			<p>(3800298-1-7/3800298-1) ARE INTERCHANGEABLE WITH THE INCORPORATION OF ALLIED SIGNAL S/B GTCP331-49-7081. S351T020-204 (3800298-1-5) AND S351T020-206 (3800298-1-7/3800298-1) ARE INTERCHANGEABLE WITH THE INCORPORATION OF ALLIED SIGNAL S/B GTCP331-49-7081. S351T020-202 (3800298-1-3) AND S351T020-206 (3800298-1-7/3800298-1) ARE INTERCHANGEABLE WITH THE INCORPORATION OF ALLIED SIGNAL S/B GTCP331-49-7081 S351T020-201 (3800298-1-2) AND S351T020-206 (3800298-1-7/3800298-1) ARE INTERCHANGEABLE WITH THE INCORPORATION OF ALLIED SIGNAL S/B GTCP331-49-7081 S351T020-200 (3800298-1-1) AND S351T020-206 (3800298-1-7/3800298-1) ARE INTERCHANGEABLE WITH THE INCORPORATION OF ALLIED SIGNAL S/B GTCP331-49-7081</p> <p>OPTIONAL PART: 3800298-1 V99193 FOR NHA/OTHER SYS DET SEE: 49-11-00-01</p>		
- 15	3800298-1		<p>ENGINE ASSY-GAS TURB (APU COMBUSTOR PRESSURE RELIEF VALVE ONLY) SUPPLIER CODE: V99193 SPECIFICATION NUMBER: S351T020-206</p>		RF
ILLUSTRATION ITEMS NOT ON PARTS LIST ARE NOT APPLICABLE					

- ITEM NOT ILLUSTRATED

HXL

49-16-01-02

BOEING PROPRIETARY - Copyright © - Unpublished Work - See title page for details.

49-16-01
FIG. 02
PAGE 7
DEC 22/06



767

PARTS CATALOG (MAINTENANCE)

FIG ITEM	PART NUMBER	1 2 3 4 5 6 7 NOMENCLATURE	EFFECT FROM TO	UNITS PER ASSY
2		<p>COMPONENT MAINT MANUAL REF: 49-22-11</p> <p>QUALIFIED I/W DATA: S351T020-204 (3800298-1-5) AND S351T020-206 (3800298-1-7/3800298-1) ARE INTERCHANGEABLE WITH THE INCORPORATION OF ALLIED SIGNAL S/B GTCP331-49-7081 S351T020-203 (3800298-1-4) AND S351T020-206 (3800298-1-7/3800298-1) ARE INTERCHANGEABLE WITH THE INCORPORATION OF ALLIED SIGNAL S/B GTCP331-49-7081. S351T020-202 (3800298-1-3) AND S351T020-206 (3800298-1-7/3800298-1) ARE INTERCHANGEABLE WITH THE INCORPORATION OF ALLIED SIGNAL S/B GTCP331-49-7081 S351T020-201 (3800298-1-2) AND S351T020-206 (3800298-1-7/3800298-1) ARE INTERCHANGEABLE WITH THE INCORPORATION OF ALLIED SIGNAL S/B GTCP331-49-7081 S351T020-200 (3800298-1-1) AND S351T020-206 (3800298-1-7/3800298-1) ARE INTERCHANGEABLE WITH THE INCORPORATION OF ALLIED SIGNAL S/B GTCP331-49-7081</p> <p>OPTIONAL PART: 3800298-1-7 V99193</p> <p>FOR NHA/OTHER SYS DET SEE: 49-11-00-01</p> <p>ILLUSTRATION ITEMS NOT ON PARTS LIST ARE NOT APPLICABLE</p>		

- ITEM NOT ILLUSTRATED

49-16-01-02

49-16-01
FIG. 02
PAGE 8
DEC 22/06

HXL



767

PARTS CATALOG (MAINTENANCE)

FIG ITEM	PART NUMBER	1 2 3 4 5 6 7	NOMENCLATURE	EFFECT FROM TO	UNITS PER ASSY
2					
50	968214-6		.VALVE ASSY- SUPPLIER CODE: V99193 COMPONENT MAINT MANUAL REF: 49-31-09		1
55	3888052-2		.GASKET- SUPPLIER CODE: V99193 SB DATA FROM A CMM: PRE SPB GTE0574 CONFIG CHG DATA FROM A CMM: REPLD BY 3612628-2		1
55	3612628-2		.GASKET- SUPPLIER CODE: V99193 SB DATA FROM A CMM: POST SPB GTE0574 CONFIG CHG DATA FROM A CMM: REPLS 3888052-2		1
60	AN960C916L		.WASHER-		1

ILLUSTRATION ITEMS NOT ON PARTS LIST ARE NOT APPLICABLE

- ITEM NOT ILLUSTRATED

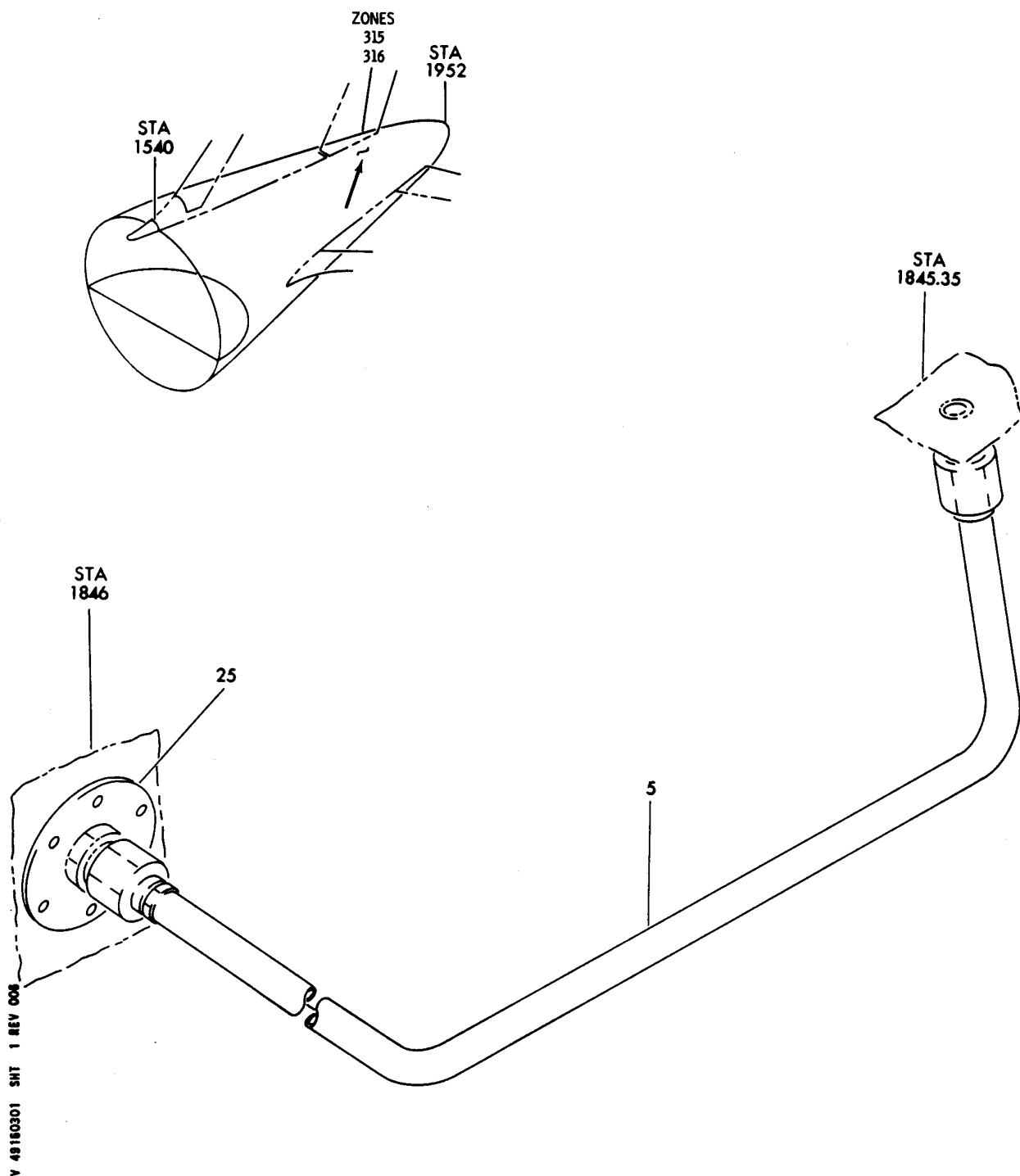
HXL

49-16-01-02

BOEING PROPRIETARY - Copyright © - Unpublished Work - See title page for details.

49-16-01
FIG. 02
PAGE 9
DEC 22/06

BOEING
767
PARTS CATALOG (MAINTENANCE)



DRAIN INSTL-AUX PWR SYS PLENUM
FIGURE 1

49-16-03-01

HXL
DEC 22/06

49-16-03-01
PAGE 0

 **BOEING**
767
PARTS CATALOG (MAINTENANCE)

FIG ITEM	PART NUMBER	1 2 3 4 5 6 7	NOMENCLATURE	EFFECT FROM TO	UNITS PER ASSY
1			DRAIN INSTL-AUX PWR SYS PLENUM		
- 1	356T0300-1		DRAIN INSTL-AUX PWR SYS PLENUM FOR NHA SEE: 49-00-01-01		RF
5	356T0301-1		.TUBE ASSY		1
- 10	AP2097HP08		..SLEEVE SUPPLIER CODE: V01673 SPECIFICATION NUMBER: BACS13BX08HP OPTIONAL PART: 2-02903-08HP V11328 35235VN08 V08199 AFP175V08P V30974 DBOS13BX08HP V14798		2
- 15	MS21921-8D		..NUT		1
- 20	MS21921-8S		..NUT		1
25	AP1036D08-3		.FLANGE- SUPPLIER CODE: V01673 SPECIFICATION NUMBER: BACF22R8-3 OPTIONAL PART: 2-03500D8-3 V11328 31774-8-3 V14397 DB0F22R8-3 V61498 4120-565698-3 V50948 ER01778-3 V88334 AFP402-8-3 V30974 BACF22P8		1
ILLUSTRATION ITEMS NOT ON PARTS LIST ARE NOT APPLICABLE					

- ITEM NOT ILLUSTRATED

HXL

49-16-03-01

BOEING PROPRIETARY - Copyright © - Unpublished Work - See title page for details.

49-16-03
FIG. 01
PAGE 1
DEC 22/06



767

PARTS CATALOG (MAINTENANCE)

FIG ITEM	PART NUMBER	1 2 3 4 5 6 7	NOMENCLATURE	EFFECT FROM TO	UNITS PER ASSY
1 25	DB0F22P8		. FLANGE- SUPPLIER CODE: V14798 SPECIFICATION NUMBER: BACF22P8 OPTIONAL PART: 2-03501D8 V11328 ER01758 V79470 4120-565688 V50948 AP1035D08 V01673 AFP421P8 V30974 BACF22R8-3 ATTACHING PARTS		1
- 30	BACR15BB4AD		. RIVET- SIZE DETERMINED ON INSTL. -----*-----		8

ILLUSTRATION ITEMS NOT ON PARTS LIST ARE NOT APPLICABLE

- ITEM NOT ILLUSTRATED

HXL

49-16-03-01

BOEING PROPRIETARY - Copyright © - Unpublished Work - See title page for details.

49-16-03
FIG. 01
PAGE 2
DEC 22/06