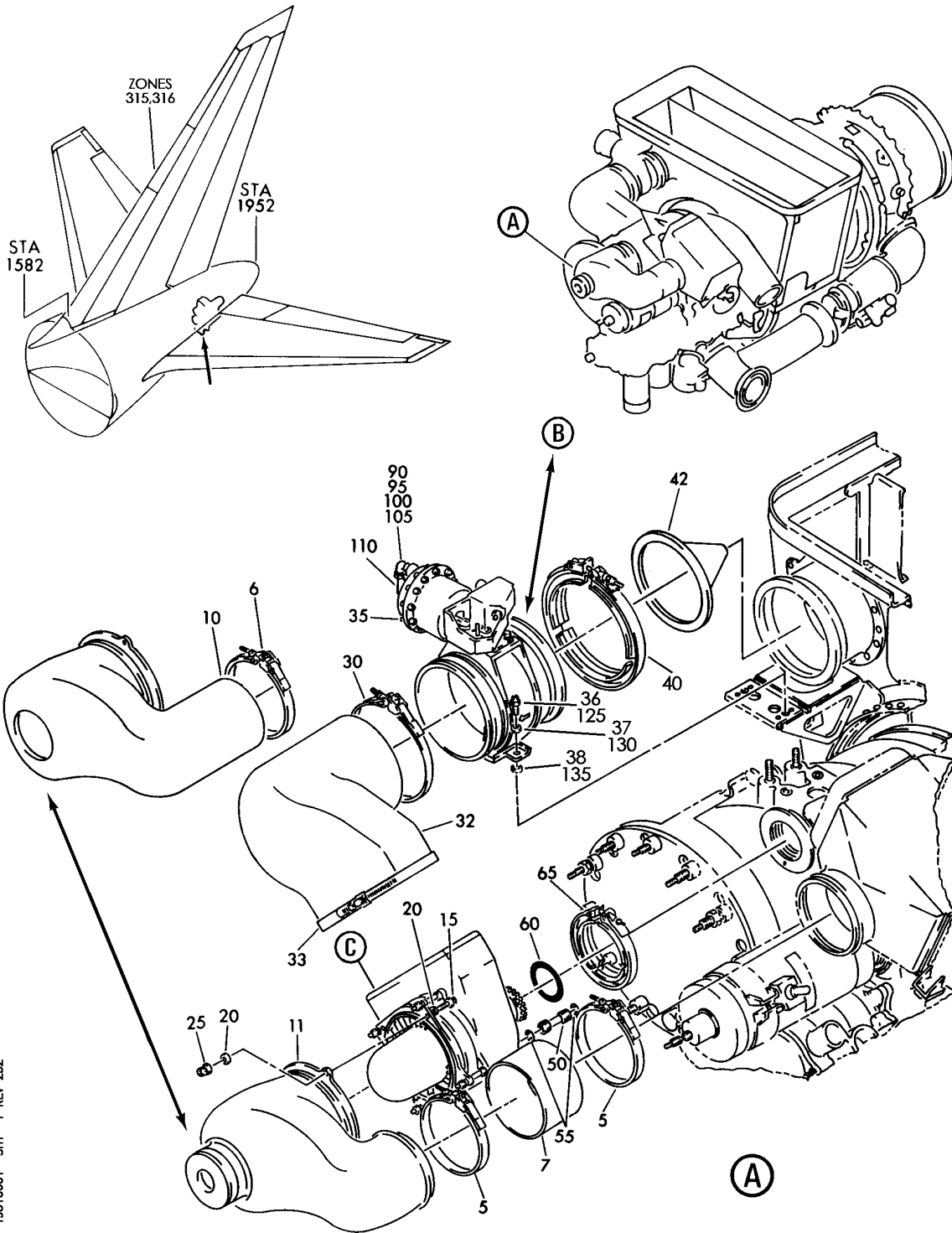


APU COOLING AIR SYSTEM

HXL
DEC 22/06

49-51-00
SECTION TITLE
PAGE 1

BOEING
767
PARTS CATALOG (MAINTENANCE)



V 49510001 SHT 1 REV 252

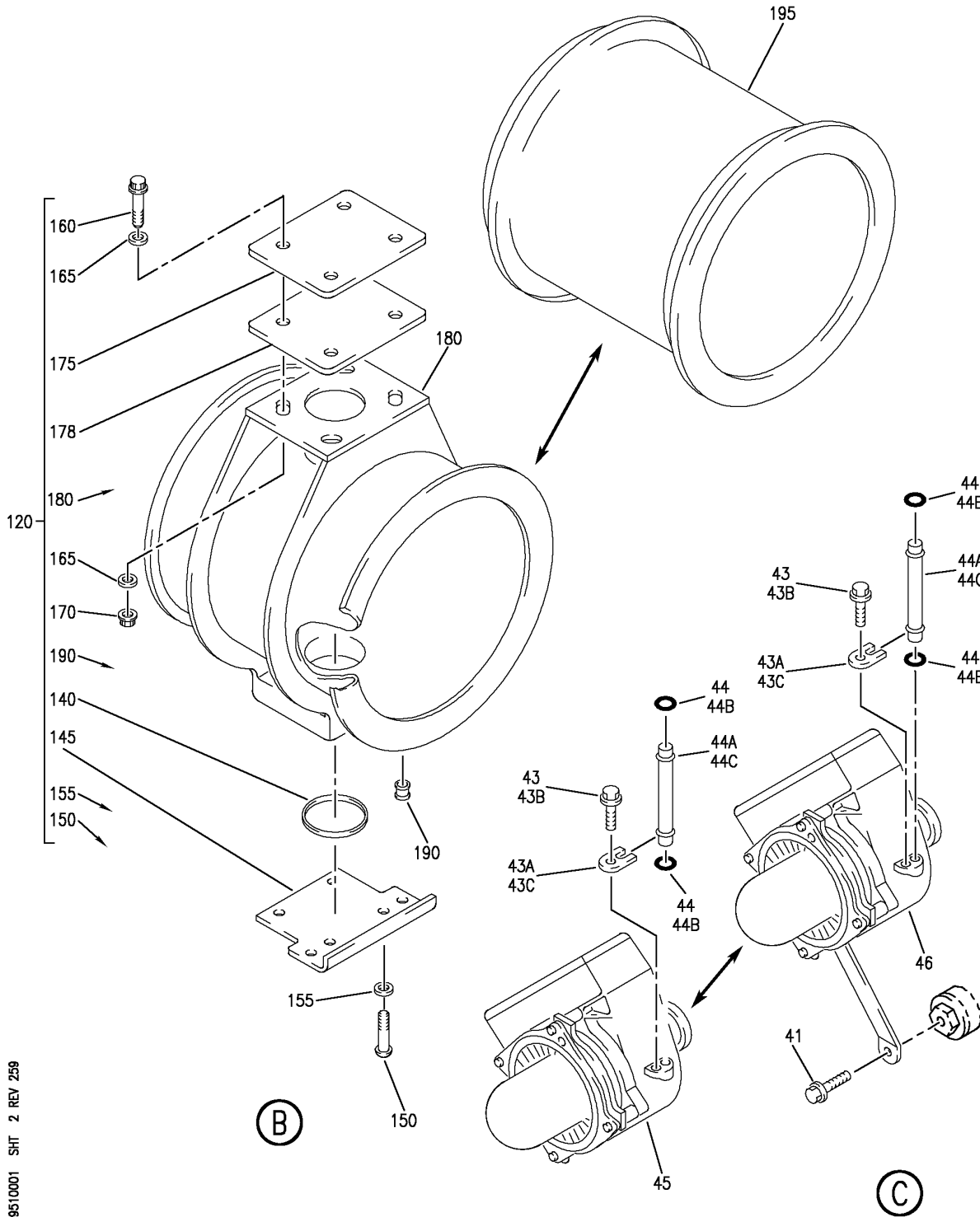
ENGINE ASSY-GAS TURB (APU COOLING AIR SYSTEM ONLY)
FIGURE 1 (SHEET 1)

49-51-00-01

HXL
DEC 22/06

49-51-00-01
PAGE 0

BOEING
767
PARTS CATALOG (MAINTENANCE)



V 49510001 SHT 2 REV 259

ENGINE ASSY-GAS TURB (APU COOLING AIR SYSTEM ONLY)
FIGURE 1 (SHEET 2)

49-51-00-01

HXL
DEC 22/06

49-51-00-01
PAGE 0A



767

PARTS CATALOG (MAINTENANCE)

FIG ITEM	PART NUMBER	1 2 3 4 5 6 7 NOMENCLATURE	EFFECT FROM TO	UNITS PER ASSY
1		ENGINE ASSY-GAS TURB (APU COOLING AIR SYSTEM ONLY)		

ILLUSTRATION ITEMS NOT ON PARTS LIST ARE NOT APPLICABLE

- ITEM NOT ILLUSTRATED

HXL

49-51-00-01

BOEING PROPRIETARY - Copyright © - Unpublished Work - See title page for details.

49-51-00
FIG. 01
PAGE 1
DEC 22/06



767

PARTS CATALOG (MAINTENANCE)

FIG ITEM	PART NUMBER	1 2 3 4 5 6 7 NOMENCLATURE	EFFECT FROM TO	UNITS PER ASSY
1 - 1	3800298-1-6	ENGINE ASSY-GAS TURB (APU COOLING AIR SYSTEM ONLY) SUPPLIER CODE: V99193 SPECIFICATION NUMBER: S351T020-205 CONFIG CHG DATA FROM A CMM: REPLACES 3800298-1-5 COMPONENT MAINT MANUAL REF: 49-22-11 QUALIFIED I/W DATA: S351T020-203 C3800298-1-4) AND S351T020-205 (3800298-1-6) ARE INTERCHANGEABLE WITH THE INCORPORATION OF S/B 767-49-0025 S351T020-204 (3800298-1-5) AND S351T020-205 (3800298-1-6) ARE INTERCHANGEABLE WITH INCORPORATION OF S/B 767-49-0025 S351T020-202 (3800298-1-3) AND S351T020-205 (3800298-1-6) ARE INTERCHANGEABLE WITH THE INCORPORATION OF S/B 767-49-0025 S351T020-201 (3800298-1-2) AND S351T020-205 (3800298-1-6) ARE INTERCHANGEABLE WITH THE INCORPORATION OF S/B 767-49-0025 S351T020-200 (3800298-1-1) AND S351T020-205 (3800298-1-6) ARE INTERCHANGEABLE WITH THE INCORPORATION OF S/B 767-49-0025 FOR NHA/OTHER SYS DET SEE: 49-11-00-01 ILLUSTRATION ITEMS NOT ON PARTS LIST ARE NOT APPLICABLE		RF

- ITEM NOT ILLUSTRATED

49-51-00-01

49-51-00
 FIG. 01
 PAGE 2
 DEC 22/06

HXL



767

PARTS CATALOG (MAINTENANCE)

FIG ITEM	PART NUMBER	1 2 3 4 5 6 7 NOMENCLATURE	EFFECT FROM TO	UNITS PER ASSY
1 - 1	3800298-1-1	ENGINE ASSY-GAS TURB (APU COOLING AIR SYSTEM ONLY) SUPPLIER CODE: V99193 SPECIFICATION NUMBER: S351T020-200 COMPONENT MAINT MANUAL REF: 49-22-11 QUALIFIED I/W DATA: S351T020-200 (3800298-1-1) AND S351T020-205 (3800298-1-6) ARE INTERCHANGEABLE WITH THE INCORPORATION OF S/B 767-49-0025 S351T020-200 (3800298-1-1) AND S351T020-206 (3800298-1-7/3800298-1) ARE INTERCHANGEABLE WITH THE INCORPORATION OF ALLIED SIGNAL S/B GTCP331-49-7081 FOR NHA/OTHER SYS DET SEE: 49-11-00-01		RF

ILLUSTRATION ITEMS NOT ON PARTS LIST ARE NOT APPLICABLE

- ITEM NOT ILLUSTRATED

HXL

49-51-00-01

BOEING PROPRIETARY - Copyright © - Unpublished Work - See title page for details.

49-51-00
 FIG. 01
 PAGE 3
 DEC 22/06



767

PARTS CATALOG (MAINTENANCE)

FIG ITEM	PART NUMBER	1 2 3 4 5 6 7 NOMENCLATURE	EFFECT FROM TO	UNITS PER ASSY
1 - 1	3800298-1-2	ENGINE ASSY-GAS TURB MODEL GTCP331-200ER (APU COOLING AIR SYSTEM ONLY) SUPPLIER CODE: V99193 SPECIFICATION NUMBER: S351T020-201 CONFIG CHG DATA FROM A CMM: REPLS 3800298-1-1 COMPONENT MAINT MANUAL REF: 49-22-11 QUALIFIED I/W DATA: S351T020-201 (3800298-1-2) AND S351T020-205 (3800298-1-6) ARE INTERCHANGEABLE WITH THE INCORPORATION OF S/B 767-49-0025 S351T020-201 (3800298-1-2) AND S351T020-206 (3800298-1-7/3800298-1) ARE INTERCHANGEABLE WITH THE INCORPORATION OF ALLIED SIGNAL S/B GTCP331-49-7081 FOR NHA/OTHER SYS DET SEE: 49-11-00-01		RF

ILLUSTRATION ITEMS NOT ON PARTS LIST ARE NOT APPLICABLE

- ITEM NOT ILLUSTRATED

HXL

49-51-00-01

BOEING PROPRIETARY - Copyright © - Unpublished Work - See title page for details.

49-51-00
 FIG. 01
 PAGE 4
 DEC 22/06



767

PARTS CATALOG (MAINTENANCE)

FIG ITEM	PART NUMBER	1 2 3 4 5 6 7 NOMENCLATURE	EFFECT FROM TO	UNITS PER ASSY
1 - 1	3800298-1-3	ENGINE ASSY-GAS TURB MODEL GTCP331-200ER (APU COOLING AIR SYSTEM ONLY) SUPPLIER CODE: V99193 SPECIFICATION NUMBER: S351T020-202 CONFIG CHG DATA FROM A CMM: REPLS 3800298-1-2 COMPONENT MAINT MANUAL REF: 49-22-11 QUALIFIED I/W DATA: S351T020-202 (3800298-1-3) AND S351T020-205 (3800298-1-6) ARE INTERCHANGEABLE WITH THE INCORPORATION OF S/B 767-49-0025 S351T020-202 (3800298-1-3) AND S351T020-206 (3800298-1-7/3800298-1) ARE INTERCHANGEABLE WITH THE INCORPORATION OF ALLIED SIGNAL S/B GTCP331-49-7081 FOR NHA/OTHER SYS DET SEE: 49-11-00-01		RF

ILLUSTRATION ITEMS NOT ON PARTS LIST ARE NOT APPLICABLE

- ITEM NOT ILLUSTRATED

HXL

49-51-00-01

BOEING PROPRIETARY - Copyright © - Unpublished Work - See title page for details.

49-51-00
 FIG. 01
 PAGE 5
 DEC 22/06



767

PARTS CATALOG (MAINTENANCE)

FIG ITEM	PART NUMBER	1 2 3 4 5 6 7 NOMENCLATURE	EFFECT FROM TO	UNITS PER ASSY
1 - 1	3800298-1-4	ENGINE ASSY-GAS TURB MODEL GTCP331-200ER (APU COOLING AIR SYSTEM ONLY) SUPPLIER CODE: V99193 SPECIFICATION NUMBER: S351T020-203 CONFIG CHG DATA FROM A CMM: REPLS 3800298-1-3 COMPONENT MAINT MANUAL REF: 49-22-11 QUALIFIED I/W DATA: S351T020-203 (3800298-1-4) AND S351T020-206 (3800298-1-7/3800298-1) ARE INTERCHANGEABLE WITH THE INCORPORATION OF ALLIED SIGNAL S/B GTCP331-49-7081 3800298-1-4/S351T020-203 AND 3800298-1-6/S351T020-205 ARE INTERCHANGEABLE WITH THE INCORPORATION OF ALLIED SIGNAL S/B GTCP331-49-7081 FOR NHA/OTHER SYS DET SEE: 49-11-00-01		RF

ILLUSTRATION ITEMS NOT ON PARTS LIST ARE NOT APPLICABLE

- ITEM NOT ILLUSTRATED

HXL

49-51-00-01

BOEING PROPRIETARY - Copyright © - Unpublished Work - See title page for details.

49-51-00
 FIG. 01
 PAGE 6
 DEC 22/06



767

PARTS CATALOG (MAINTENANCE)

FIG ITEM	PART NUMBER	1 2 3 4 5 6 7	NOMENCLATURE	EFFECT FROM TO	UNITS PER ASSY
1					
- 1	3800298-1-5		ENGINE ASSY-GAS TURB (APU COOLING AIR SYSTEM ONLY) SUPPLIER CODE: V99193 SPECIFICATION NUMBER: S351T020-204 CONFIG CHG DATA FROM A CMM: REPLS 3800298-1-4 COMPONENT MAINT MANUAL REF: 49-22-11 QUALIFIED I/W DATA: S351T020-204 (3800298-1-5) AND S351T020-205 (3800298-1-6) ARE INTERCHANGEABLE WITH THE INCORPORATION OF ALLIED SIGNAL S/B GTCP331-49-7081 S351T020-204 (3800298-1-5) AND S351T020-206 (3800298-1-7/3800298-1) ARE INTERCHANGEABLE WITH THE INCORPORATION OF ALLIED SIGNAL S/B GTCP331-49-7081 FOR NHA/OTHER SYS DET SEE: 49-11-00-01		RF
- 2	3800298-1-7		ENGINE ASSY-GAS TURB MODEL GTCP331-200ER (APU COOLING AIR SYSTEM ONLY) SUPPLIER CODE: V99193 SPECIFICATION NUMBER: S351T020-206 CONFIG CHG DATA FROM A CMM: REPLS 3800298-1-6 ELECTRICAL EQUIP NUMBER: M00967 COMPONENT MAINT MANUAL REF: 49-22-11 QUALIFIED I/W DATA: S351T020-203 (3800298-1-4) AND S351T020-206 (3800298-1-7/3800298-1) ARE INTERCHANGEABLE WITH THE INCORPORATION OF		RF
ILLUSTRATION ITEMS NOT ON PARTS LIST ARE NOT APPLICABLE					

- ITEM NOT ILLUSTRATED

49-51-00-01

49-51-00
FIG. 01
PAGE 7
DEC 22/06

HXL



767

PARTS CATALOG (MAINTENANCE)

FIG ITEM	PART NUMBER	1 2 3 4 5 6 7 NOMENCLATURE	EFFECT FROM TO	UNITS PER ASSY
1 2		ALLIED SIGNAL S/B GTCP331-49-7081 S351T020-204 (3800298-1-5) AND S351T020-206 (3800298-1-7/3800298-1) ARE INTERCHANGEABLE WITH THE INCORPORATION OF ALLIED SIGNAL S/B GTCP331-49-7081 S351T020-202 (3800298-1-3) AND S351T020-206 (3800298-1-7/3800298-1) ARE INTERCHANGEABLE WITH THE INCORPORATION OF ALLIED SIGNAL S/B GTCP331-49-7081 S351T020-201 (3800298-1-2) AND S351T020-206 (3800298-1-7/3800298-1) ARE INTERCHANGEABLE WITH THE INCORPORATION OF ALLIED SIGNAL S/B GTCP331-49-7081 S351T020-200 (3800298-1-1) AND S351T020-206 (3800298-1-7/3800298-1) ARE INTERCHANGEABLE WITH THE INCORPORATION OF ALLIED SIGNAL S/B GTCP331-49-7081 OPTIONAL PART: 3800298-1 V99193 FOR NHA/OTHER SYS DET SEE: 49-11-00-01		
-	2 3800298-1	ENGINE ASSY-GAS TURB (APU COOLING AIR SYSTEM ONLY) SUPPLIER CODE: V99193 SPECIFICATION NUMBER: S351T020-206 COMPONENT MAINT MANUAL REF: 49-22-11 QUALIFIED I/W DATA: S351T020-204 ILLUSTRATION ITEMS NOT ON PARTS LIST ARE NOT APPLICABLE		RF

- ITEM NOT ILLUSTRATED

49-51-00-01

49-51-00
 FIG. 01
 PAGE 8
 DEC 22/06

HXL



767

PARTS CATALOG (MAINTENANCE)

FIG ITEM	PART NUMBER	1 2 3 4 5 6 7 NOMENCLATURE	EFFECT FROM TO	UNITS PER ASSY
1 2		<p>(3800298-1-5) AND S351T020-206 (3800298-1-7/3800298-1) ARE INTERCHANGEABLE WITH THE INCORPORATION OF S351T020-203 (3800298-1-4) AND S351T020-203 (3800298-1-4) AND S351T020-206 (3800298-1-7/3800298-1) ARE INTERCHANGEABLE WITH THE INCORPORATION OF ALLIED SIGNAL S/B GTCP331-49-7081. S351T020-202 (3800298-1-3) AND S351T020-206 (3800298-1-7/3800298-1) ARE INTERCHANGEABLE WITH THE INCORPORATION OF ALLIED SIGNAL S/B GTCP331-49-7081 S351T020-201 (3800298-1-2) AND S351T020-206 (3800298-1-7/3800298-1) ARE INTERCHANGEABLE WITH THE INCORPORATION OF ALLIED SIGNAL S/B GTCP331-49-7081 S351T020-200 (3800298-1-1) AND S351T020-206 (3800298-1-7/3800298-1) ARE INTERCHANGEABLE WITH THE INCORPORATION OF ALLIED SIGNAL S/B GTCP331-49-7081 OPTIONAL PART: 3800298-1-7 V99193 FOR NHA/OTHER SYS DET SEE: 49-11-00-01</p>		

ILLUSTRATION ITEMS NOT ON PARTS LIST ARE NOT APPLICABLE

- ITEM NOT ILLUSTRATED

HXL

49-51-00-01

BOEING PROPRIETARY - Copyright © - Unpublished Work - See title page for details.

49-51-00
FIG. 01
PAGE 9
DEC 22/06



767

PARTS CATALOG (MAINTENANCE)

FIG ITEM	PART NUMBER	1 2 3 4 5 6 7	NOMENCLATURE	EFFECT FROM TO	UNITS PER ASSY
1	5 QS200M64S		.CLAMP- SUPPLIER CODE: V08484 SB DATA FROM A CMM: PRE SB 49-5416 OPTIONAL PART: 211-528-9017 V99193 USED WITH: 3884213-1		2
	5 211-528-9017		.CLAMP- SUPPLIER CODE: V99193 SB DATA FROM A CMM: PRE SB 49-5416 OPTIONAL PART: QS200M64S V08484		2
	6 QS200M64S		.CLAMP- SUPPLIER CODE: V08484 SB DATA FROM A CMM: POST SB 49-5416 OPTIONAL PART: 211-528-9017 V99193		1
	6 211-528-9017		.CLAMP- SUPPLIER CODE: V99193 SB DATA FROM A CMM: POST SB 49-5416 OPTIONAL PART: QS200M64S V08484		1
	7 3884213-1		.DUCT-OIL SUPPLIER CODE: V99193		1

ILLUSTRATION ITEMS NOT ON PARTS LIST ARE NOT APPLICABLE

- ITEM NOT ILLUSTRATED

HXL

49-51-00-01

BOEING PROPRIETARY - Copyright © - Unpublished Work - See title page for details.

49-51-00
FIG. 01
PAGE 10
DEC 22/06

 **BOEING**
767
PARTS CATALOG (MAINTENANCE)

FIG ITEM	PART NUMBER	1 2 3 4 5 6 7	NOMENCLATURE	EFFECT FROM TO	UNITS PER ASSY
1 10	3882721-1		. DUCT-FAN DISCH SUPPLIER CODE: V99193 SB DATA FROM A CMM: POST SB 49-5416 PRE SPB GTE0551 CONFIG CHG DATA FROM A CMM: SUPERSEDES 3863203-2 REPLD BY 3882721-3 USED ON: 381326-2 381326-2-1 381326-2-2 381326-2-3 381364-1-1 381364-1-2		1
10	3882721-3		. DUCT-FAN DISCH SUPPLIER CODE: V99193 SB DATA FROM A CMM: POST SPB GTE0551 CONFIG CHG DATA FROM A CMM: REPLS 3882721-1 USED ON: 3800298-1-2 3800298-1-3 3800298-1-4 3800298-1-7 381326-2-4		1
11	3862203-2		. DUCT-FAN DISCH SUPPLIER CODE: V99193 SB DATA FROM A CMM: PRE SB 49-5416 CONFIG CHG DATA FROM A CMM: SUPSD BY 3882721-1 ATTACHING PARTS		1
15	MS21279-07		. BOLT- OPTIONAL PART: MS9556-07		4
15	MS9556-07		. BOLT- SB DATA FROM A CMM: POST SPB GTE0293 PRE SB 49-5416 OPTIONAL PART: MS21279-07		4
15	MS9556-08		. BOLT- SB DATA FROM A CMM: POST SB 49-5416		4

ILLUSTRATION ITEMS NOT ON PARTS LIST ARE NOT APPLICABLE

- ITEM NOT ILLUSTRATED

HXL

49-51-00-01

BOEING PROPRIETARY - Copyright © - Unpublished Work - See title page for details.

49-51-00
FIG. 01
PAGE 11
DEC 22/06

BOEING
767
PARTS CATALOG (MAINTENANCE)

FIG ITEM	PART NUMBER	1 2 3 4 5 6 7	NOMENCLATURE	EFFECT FROM TO	UNITS PER ASSY
1	20 NAS620C10L		.WASHER- SB DATA FROM A CMM: POST SPB GTE0252		8
	25 MS21043-3		.NUT -----*-----		4
	30 QS200M80S		.CLAMP- SUPPLIER CODE: V08484 OPTIONAL PART: 211-528-9019 V99193		1
	32 3862202-2		.DUCT-FAN INLET SUPPLIER CODE: V99193 SB DATA FROM A CMM: PRE SPB GTE0627 CONFIG CHG DATA FROM A CMM: REPLD BY 3613961-1 USED ON: 381326-2 381326-2-1 381326-2-2 381326-2-3 381364-1-1 381364-1-2		1
	32 3613961-1		.DUCT-FAN INLET SUPPLIER CODE: V99193 SB DATA FROM A CMM: POST SPB GTE0627 CONFIG CHG DATA FROM A CMM: REPLS 3862202-2 USED ON: 3800298-1-2 3800298-1-3 3800298-1-4 3800298-1-7 381326-2-4		1
	33 3862168-1		.CLAMP-DR TYPE DUCT WORM SUPPLIER CODE: V99193		1
ILLUSTRATION ITEMS NOT ON PARTS LIST ARE NOT APPLICABLE					

— ITEM NOT ILLUSTRATED

HXL

49-51-00-01

BOEING PROPRIETARY - Copyright © - Unpublished Work - See title page for details.

49-51-00
FIG. 01
PAGE 12
DEC 22/06



767

PARTS CATALOG (MAINTENANCE)

FIG ITEM	PART NUMBER	1 2 3 4 5 6 7	NOMENCLATURE	EFFECT FROM TO	UNITS PER ASSY
1					
35	397728-4-1		.VALVE ASSY-5 IN. DIA PNEU SHUTOFF BUTTERFLY SUPPLIER CODE: V59364 SB DATA FROM A CMM: PRE SB 49-5526 COMPONENT MAINT MANUAL REF: 49-51-05 OPTIONAL PART: 397728-6-1 V59364 USED ON: 381326-2 381326-2-1 381364-1-1		1
35	397728-6-1		.VALVE ASSY-5 IN. DIA PNEU SHUTOFF BUTTERFLY SUPPLIER CODE: V59364 SB DATA FROM A CMM: POST SB 49-5526 PRE SB 49-6994 COMPONENT MAINT MANUAL REF: 49-51-05 OPTIONAL PART: 397728-4-1 V59364 USED ON: 3800298-1-2 3800298-1-3 3800298-1-4 381326-2-2 381326-2-3 381364-1-2		1
35	397728-8		.VALVE ASSY-5 IN. DIA PNEU SHUTOFF BUTTERFLY SUPPLIER CODE: V59364 SB DATA FROM A CMM: POST SB 49-7181 COMPONENT MAINT MANUAL REF: 49-51-05		1
36	MS21279-07		ATTACHING PARTS .BOLT- OPTIONAL PART: MS9556-07		2

ILLUSTRATION ITEMS NOT ON PARTS LIST ARE NOT APPLICABLE

- ITEM NOT ILLUSTRATED

49-51-00-01

49-51-00
FIG. 01
PAGE 13
DEC 22/06

HXL



767

PARTS CATALOG (MAINTENANCE)

FIG ITEM	PART NUMBER	1 2 3 4 5 6 7	NOMENCLATURE	EFFECT FROM TO	UNITS PER ASSY
1					
36	MS9556-07		.BOLT- SB DATA FROM A CMM: POST SPB GTE0293 OPTIONAL PART: MS21279-07		2
37	NAS620C10L		.WASHER-		2
38	NAS620C10L		.WASHER- -----*-----		AR
40	24540-500		.COUPLING- SUPPLIER CODE: V00624 OPTIONAL PART: 234-538-9500 V99193 U3356S1-500 V94581		1
40	U3356S1-500		.COUPLING- SUPPLIER CODE: V98625 OPTIONAL PART: 24540-500 V98625 234-538-9500 V99193		1
42	3810196-1		.SCREEN-OIL CLR FAN INLET SUPPLIER CODE: V99193		1
45	3862160-5		.FAN ASSY- SUPPLIER CODE: V99193 NOT APPROVED FOR ETOPS AFTER INCORP OF SB: GTCP331-49-5720 V99193 GTCP331-49-5729 V99193 SB DATA FROM A CMM: POST SB 49-5546 PRE SB 49-5841 CONFIG CHG DATA FROM A CMM: REPLD BY 3614416-1 REPLS 3862160-3, -4 MISCELLANEOUS DATA: (ETOPS REQUIRED) COMPONENT MAINT MANUAL REF: 49-51-69 USED ON: 381364-1-2 381326-2-2		1
ILLUSTRATION ITEMS NOT ON PARTS LIST ARE NOT APPLICABLE					

- ITEM NOT ILLUSTRATED

49-51-00-01

49-51-00
FIG. 01
PAGE 14
DEC 22/06

HXL



767

PARTS CATALOG (MAINTENANCE)

FIG ITEM	PART NUMBER	1 2 3 4 5 6 7	NOMENCLATURE	EFFECT FROM TO	UNITS PER ASSY
1					
45	3862160-3		. FAN ASSY- SUPPLIER CODE: V99193 NOT APPROVED FOR ETOPS. SB DATA FROM A CMM: PRE SB 49-5522 PRE SB 49-5546 CONFIG CHG DATA FROM A CMM: REPLD BY 3862160-5 COMPONENT MAINT MANUAL REF: 49-51-69		1
45	3862160-4		. FAN ASSY- SUPPLIER CODE: V99193 NOT APPROVED FOR ETOPS AFTER INCORP OF SB: GTCP331-49-5720 V99193 GTCP331-49-5729 V99193 SB DATA FROM A CMM: POST SB 49-5522 PRE SB 49-5546 CONFIG CHG DATA FROM A CMM: REPLD BY 3862160-5 COMPONENT MAINT MANUAL REF: 49-51-69		1
45	3862160-10		. FAN ASSY- SUPPLIER CODE: V99193 SB DATA FROM A CMM: POST SB 49A5715 POST SB 49A5715 PRE SB 49-5841 CONFIG CHG DATA FROM A CMM: REWORKED FROM PN 3862160-5 REPLD BY 3614416-1 COMPONENT MAINT MANUAL REF: 49-51-69		RF
ILLUSTRATION ITEMS NOT ON PARTS LIST ARE NOT APPLICABLE					

- ITEM NOT ILLUSTRATED

49-51-00-01

49-51-00
FIG. 01
PAGE 15
DEC 22/06

HXL



767

PARTS CATALOG (MAINTENANCE)

FIG ITEM	PART NUMBER	1 2 3 4 5 6 7	NOMENCLATURE	EFFECT FROM TO	UNITS PER ASSY
1					
45	3862160-9		.FAN ASSY- SUPPLIER CODE: V99193 SB DATA FROM A CMM: POST SB 49-A5715 PRE SB 49-5841 CONFIG CHG DATA FROM A CMM: REPLS 3862160-5 REPLD BY 3614416-1 COMPONENT MAINT MANUAL REF: 49-51-69 USED ON: 3800298-1-2		1
45	3614416-2		.FAN ASSY- SUPPLIER CODE: V99193 SB DATA FROM A CMM: POST SB 49-6938 PRE SB 49-7272 CONFIG CHG DATA FROM A CMM: REPLS 3814416-1 REPL BY 3616959-6 COMPONENT MAINT MANUAL REF: 49-51-71		1
46	3616959-6		.FAN ASSY- SUPPLIER CODE: V99193 SB DATA FROM A CMM: POST SB 49-7272 CONFIG CHG DATA FROM A CMM: REPLS 3614416-2 REPLS 3614416-1 COMPONENT MAINT MANUAL REF: 49-52-37 USED ON: 381326-2-4		1
50	3862165-1		.TUBE-XFR SUPPLIER CODE: V99193		1
55	S9413-012		.PACKING- SUPPLIER CODE: V99193 OPTIONAL PART: M83248-1-012		2
55	M83248-1-012		.PACKING- OPTIONAL PART: S9413-012 V99198		2

ILLUSTRATION ITEMS NOT ON PARTS LIST ARE NOT APPLICABLE

- ITEM NOT ILLUSTRATED

49-51-00-01

49-51-00
FIG. 01
PAGE 16
DEC 22/06

HXL



767

PARTS CATALOG (MAINTENANCE)

FIG ITEM	PART NUMBER	1 2 3 4 5 6 7	NOMENCLATURE	EFFECT FROM TO	UNITS PER ASSY
1					
60	S9413-133		.PACKING- SUPPLIER CODE: V99193 OPTIONAL PART: M83248-1-133		1
60	M83248-1-133		.PACKING- OPTIONAL PART: S9413-133 V99198		2
65	34J34-3-0346-1		.COUPLING- SUPPLIER CODE: V59364 OPTIONAL PART: 234-517-9101 V99193		1
65	234-517-9101		.COUPLING- SUPPLIER CODE: V99193 OPTIONAL PART: 34J34-3-0346-1 V59364		1
90	AN6289D4		.NUT- SB DATA FROM A CMM: PRE SB 49-5634 PRE SB 49-5765 PRE SB 49-5793 PRE SB 49-7391 CONFIG CHG DATA FROM A CMM: REPLD BY AN6289J4		1
90	AN6289J4		.NUT- SB DATA FROM A CMM: POST SB 49-5634 POST SB 49-5765 POST SB 49-5793 PRE SB 49-7192 PRE SB 49-7391 CONFIG CHG DATA FROM A CMM: REPLS AN6289D4		1
95	MS21908W4		.ELBOW- SB DATA FROM A CMM: PRE SB 49-5634 PRE SB 49-5765 PRE SB 49-5793 CONFIG CHG DATA FROM A CMM: REPLD BY MS21908J4		1

ILLUSTRATION ITEMS NOT ON PARTS LIST ARE NOT APPLICABLE

- ITEM NOT ILLUSTRATED

49-51-00-01

49-51-00
FIG. 01
PAGE 17
DEC 22/06

HXL



767

PARTS CATALOG (MAINTENANCE)

FIG ITEM	PART NUMBER	1 2 3 4 5 6 7	NOMENCLATURE	EFFECT FROM TO	UNITS PER ASSY
1	95 MS21908J4		.ELBOW- SB DATA FROM A CMM: POST SB 49-5634 POST SB 49-5765 POST SB 49-5793 PRE SB 49-7192 PRE SB 49-7391 CONFIG CHG DATA FROM A CMM: REPLS MS21908W4		1
	100 MS28773-04		.RETAINER- SB DATA FROM A CMM: PRE SB 49-7192 PRE SB 49-7391		1
	105 S8990-604		.PACKING- SUPPLIER CODE: V59364 SB DATA FROM A CMM: PRE SB 49-7192 PRE SB 49-7391 OPTIONAL PART: MS9385-04		1
	105 MS9385-04		.PACKING- SB DATA FROM A CMM: PRE SB 49-7192 PRE SB 49-7391 OPTIONAL PART: S8990-604 V59364		1
	110 3884227-1		.TUBE-FAN VALVE SUPPLIER CODE: V99193 SB DATA FROM A CMM: PRE SB 49-7192 PRE SB 49-7391		1
	110 3617000-1		.TUBE-FAN VALVE SUPPLIER CODE: V99193 SB DATA FROM A CMM: POST SB 49-7192 PRE SB 49-7391		1
	120 3617459-1		.VALVE ASSY-BODY SUPPLIER CODE: V99193 SB DATA FROM A CMM: POST SB 49-7392 SERVICE BULLETIN OPT DATA: 3617394-1 V99193		1

ILLUSTRATION ITEMS NOT ON PARTS LIST ARE NOT APPLICABLE

- ITEM NOT ILLUSTRATED

49-51-00-01

49-51-00
FIG. 01
PAGE 18
DEC 22/06

HXL

BOEING
767
PARTS CATALOG (MAINTENANCE)

FIG ITEM	PART NUMBER	1 2 3 4 5 6 7	NOMENCLATURE	EFFECT FROM TO	UNITS PER ASSY
1			ATTACHING PARTS		
125	MS9556-07		.BOLT- POST SERVICE BULLETIN: SPB-GTE0293 V99193		2
130	NAS620C10L		.WASHER-		2
135	NAS620C10L		.WASHER-		AR
			-----*-----		
140	S8990-028		..PACKING- SUPPLIER CODE: V99193 SB DATA FROM A CMM: POST SB 49-7392 PRE SB 49-7391		1
145	885088-1		..RETAINER-SPR SUPPLIER CODE: V99193 SB DATA FROM A CMM: POST SB 49-7392 PRE SB 49-7391		1
150	MS51958-63		ATTACHING PARTS ..SCREW- SB DATA FROM A CMM: POST SB 49-7392 PRE SB 49-7391		4
155	AN960C10L		..WASHER- SB DATA FROM A CMM: POST SB 49-7392 PRE SB 49-7391		4
			-----*-----		
160	MS9565-07		..BOLT- SB DATA FROM A CMM: POST SB 49-7392 PRE SB 49-7391		4
165	AN960C10L		..WASHER- SB DATA FROM A CMM: POST SB 49-7392 PRE SB 49-7391		8
170	S9431-3		..NUT- SUPPLIER CODE: V99193 SB DATA FROM A CMM: POST SB 49-7392 PRE SB 49-7391		4

ILLUSTRATION ITEMS NOT ON PARTS LIST ARE NOT APPLICABLE

— ITEM NOT ILLUSTRATED

HXL

49-51-00-01

BOEING PROPRIETARY - Copyright © - Unpublished Work - See title page for details.

49-51-00
FIG. 01
PAGE 19
DEC 22/06



767

PARTS CATALOG (MAINTENANCE)

FIG ITEM	PART NUMBER	1 2 3 4 5 6 7	NOMENCLATURE	EFFECT FROM TO	UNITS PER ASSY
1 175	3617451-1		..COVER- SUPPLIER CODE: V99193 SB DATA FROM A CMM: POST SB 49-7392 PRE SB 49-7391		1
178	3617452-1		..GASKET- SUPPLIER CODE: V99193 SB DATA FROM A CMM: POST SB 49-7392 PRE SB 49-7391		1
190	MS21209F1-15		..INSERT- SB DATA FROM A CMM: POST SB 49-7392 PRE SB 49-7391		4
195	3617394-1		.COOLING FAN DUCT- SUPPLIER CODE: V99193 SB DATA FROM A CMM: POST SB 49-7391 SERVICE BULLETIN OPT DATA: 3617459-1 V99193		1

ILLUSTRATION ITEMS NOT ON PARTS LIST ARE NOT APPLICABLE

- ITEM NOT ILLUSTRATED

49-51-00-01

49-51-00
FIG. 01
PAGE 20
DEC 22/06

HXL

BOEING PROPRIETARY - Copyright © - Unpublished Work - See title page for details.

BOEING
767
PARTS CATALOG (MAINTENANCE)

FIG ITEM	PART NUMBER	1 2 3 4 5 6 7	NOMENCLATURE	EFFECT FROM TO	UNITS PER ASSY
1			PORT INSTL-AUX PWR SYS COOLING AIR DISCH		
- 1	355T1100-1		PORT INSTL-AUX PWR SYS COOLING AIR DISCH FOR NHA SEE: 49-00-01-01		RF
5	NAS1805-3L		.NUT		1
15	NAS1149D0363J		.WASHER-		1
30	NAS6603-4		.BOLT		1
35	BACB19F12		.BLOCK		1
40	BACC15AN12		.CLIP		1
42	BACW10P44AL		.WASHER		1
45	15559-400-1		.CLAMP-		1
			SUPPLIER CODE: V00671		
			SPECIFICATION NUMBER: BACC10AG400AG		
			OPTIONAL PART: 16862A412 V98625 BUP11S412S V94581		
50	355T1101-1		.PORT ATTACHING PARTS		1
55	BACS12CK3-7		.SCREW		14
60	NAS1149D0316J		.WASHER-		26
65	BRH10C3M		.NUT- SUPPLIER CODE: V52828 SPECIFICATION NUMBER: BACN10JC3CM OPTIONAL PART: T6C1032JM V11815 97E02 V80539 109LH9075-3W V72962 VN303D02 V92215 NS202101SE02 V80539 H01-3BAC V15653 MS21042L3		12
65	MS21042L3		.NUT- OPTIONAL PART: BACN10JC3CM -----*-----		12
ILLUSTRATION ITEMS NOT ON PARTS LIST ARE NOT APPLICABLE					

- ITEM NOT ILLUSTRATED

HXL

49-51-51-01

BOEING PROPRIETARY - Copyright © - Unpublished Work - See title page for details.

49-51-51
FIG. 01
PAGE 1
DEC 22/06