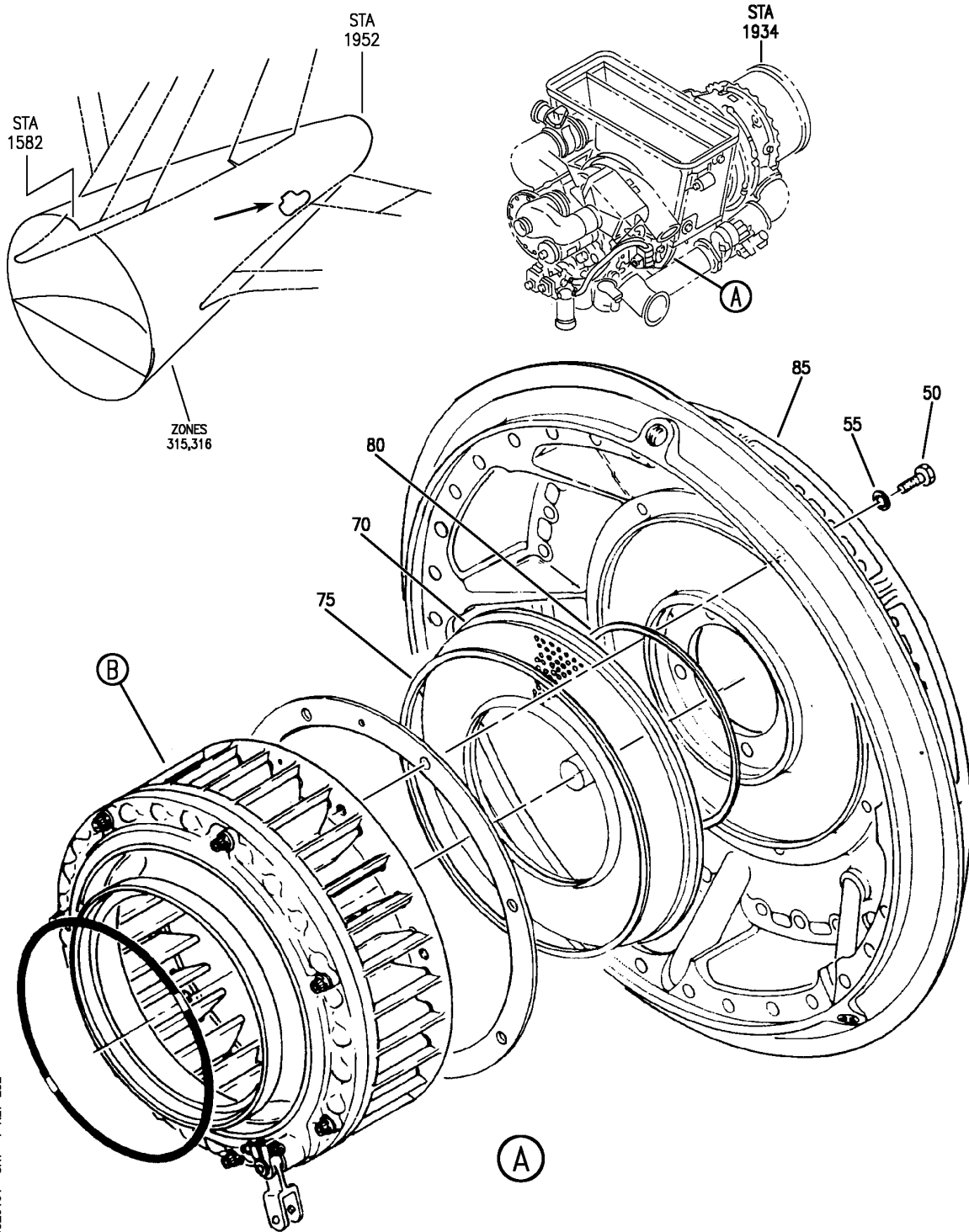


APU AIR SUPPLY SYSTEM

HXL
DEC 22/06

49-52-00
SECTION TITLE
PAGE 1

BOEING
767
PARTS CATALOG (MAINTENANCE)



V 49520101 SHT 1 REV 252

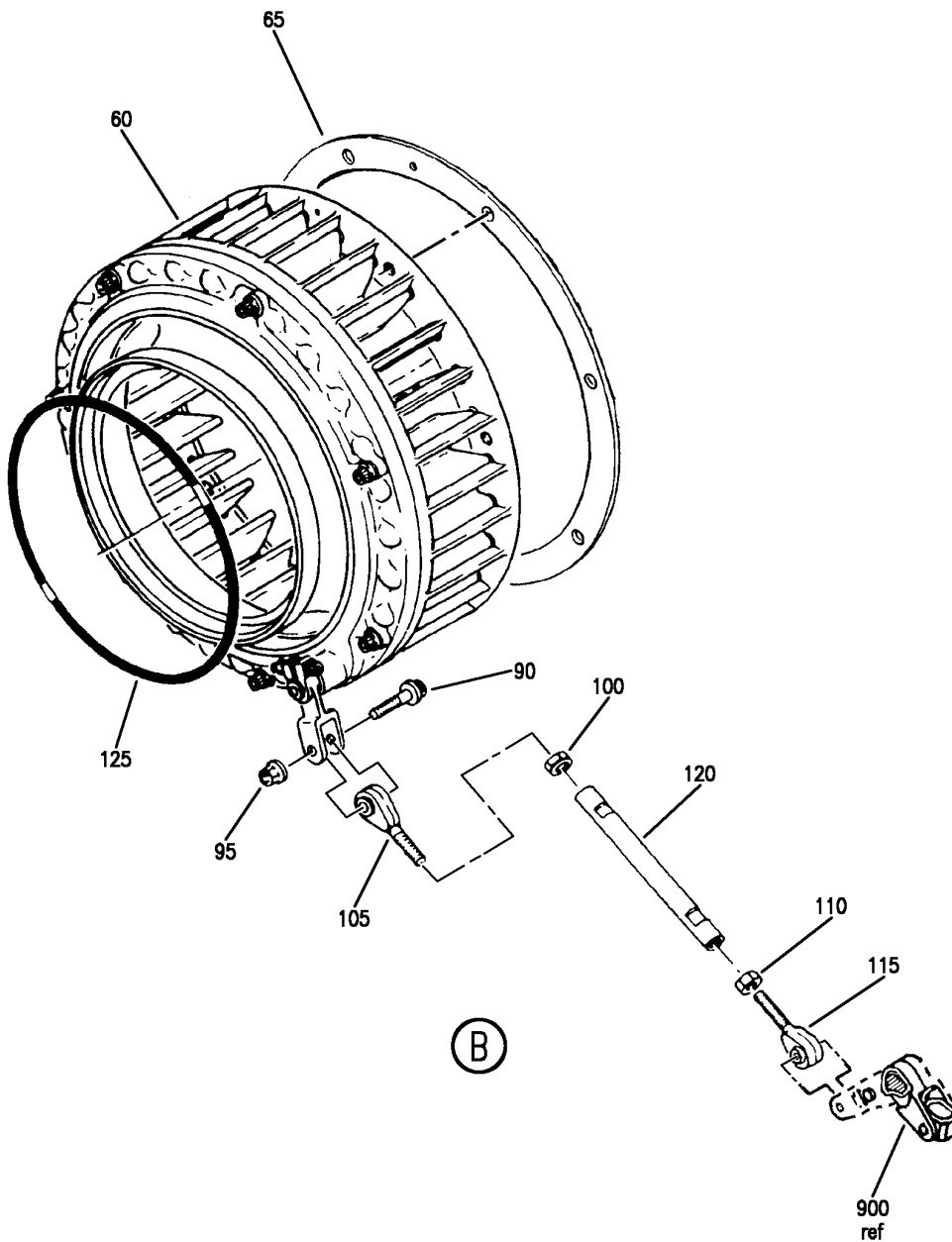
ENGINE ASSY-GAS TURB (APU INLET GUIDE VANE LINKAGE ROD END BEARING ONLY)
FIGURE 1 (SHEET 1)

49-52-01-01

HXL
DEC 22/06

49-52-01-01
PAGE 0

BOEING
767
PARTS CATALOG (MAINTENANCE)



V 49520101 SHT 2 REV 252

ENGINE ASSY-GAS TURB (APU INLET GUIDE VANE LINKAGE ROD END BEARING ONLY)
FIGURE 1 (SHEET 2)

HXL
DEC 22/06

49-52-01-01

49-52-01-01
PAGE 0A



767

PARTS CATALOG (MAINTENANCE)

FIG ITEM	PART NUMBER	1 2 3 4 5 6 7 NOMENCLATURE	EFFECT FROM TO	UNITS PER ASSY
1 - 10	3800298-1-1	ENGINE ASSY-GAS TURB (APU INLET GUIDE VANE LINKAGE ROD END BEARING ONLY) ENGINE ASSY-GAS TURB (APU INLET GUIDE VANE LINKAGE ROD END BEARING ONLY) MODEL GTCP331-200ER SUPPLIER CODE: V99193 SPECIFICATION NUMBER: S351T020-200 COMPONENT MAINT MANUAL REF: 49-22-11 QUALIFIED I/W DATA: S351T020-200 (3800298-1-1) AND S351T020-205 (3800298-1-6) ARE INTERCHANGEABLE WITH THE INCORPORATION OF S/B 767-49-0025 S351T020-200 (3800298-1-1) AND S351T020-206 (3800298-1-7/3800298-1) ARE INTERCHANGEABLE WITH THE INCORPORATION OF ALLIED SIGNAL S/B GTCP331-49-7081 FOR NHA/OTHER SYS DET SEE: 49-11-00-01		RF

ILLUSTRATION ITEMS NOT ON PARTS LIST ARE NOT APPLICABLE

- ITEM NOT ILLUSTRATED

HXL

49-52-01-01

BOEING PROPRIETARY - Copyright © - Unpublished Work - See title page for details.

49-52-01
 FIG. 01
 PAGE 1
 DEC 22/06



767

PARTS CATALOG (MAINTENANCE)

FIG ITEM	PART NUMBER	1 2 3 4 5 6 7 NOMENCLATURE	EFFECT FROM TO	UNITS PER ASSY
1 - 10	3800298-1-2	ENGINE ASSY-GAS TURB (APU INLET GUIDE VANE LINKAGE ROD END BEARING ONLY) MODEL GTCP331-200ER SUPPLIER CODE: V99193 SPECIFICATION NUMBER: S351T020-201 CONFIG CHG DATA FROM A CMM: REPLS 3800298-1-1 COMPONENT MAINT MANUAL REF: 49-22-11 QUALIFIED I/W DATA: S351T020-201 (3800298-1-2) AND S351T020-205 (3800298-1-6) ARE INTERCHANGEABLE WITH THE INCORPORATION OF S/B 767-49-0025 S351T020-201 (3800298-1-2) AND S351T020-206 (3800298-1-7/3800298-1) ARE INTERCHANGEABLE WITH THE INCORPORATION OF ALLIED SIGNAL S/B GTCP331-49-7081 FOR NHA/OTHER SYS DET SEE: 49-11-00-01		RF

ILLUSTRATION ITEMS NOT ON PARTS LIST ARE NOT APPLICABLE

- ITEM NOT ILLUSTRATED

HXL

49-52-01-01

BOEING PROPRIETARY - Copyright © - Unpublished Work - See title page for details.

49-52-01
 FIG. 01
 PAGE 2
 DEC 22/06



767

PARTS CATALOG (MAINTENANCE)

FIG ITEM	PART NUMBER	1 2 3 4 5 6 7 NOMENCLATURE	EFFECT FROM TO	UNITS PER ASSY
1 - 10	3800298-1-3	ENGINE ASSY-GAS TURB (APU INLET GUIDE VANE LINKAGE ROD END BEARING ONLY) MODEL GTCP331-200ER SUPPLIER CODE: V99193 SPECIFICATION NUMBER: S351T020-202 CONFIG CHG DATA FROM A CMM: REPLS 3800298-1-2 COMPONENT MAINT MANUAL REF: 49-22-11 QUALIFIED I/W DATA: S351T020-202 (3800298-1-3) AND S351T020-205 (3800298-1-6) ARE INTERCHANGEABLE WITH THE INCORPORATION OF S/B 767-49-0025 S351T020-202 (3800298-1-3) AND S351T020-206 (3800298-1-7/3800298-1) ARE INTERCHANGEABLE WITH THE INCORPORATION OF ALLIED SIGNAL S/B GTCP331-49-7081 FOR NHA/OTHER SYS DET SEE: 49-11-00-01		RF

ILLUSTRATION ITEMS NOT ON PARTS LIST ARE NOT APPLICABLE

- ITEM NOT ILLUSTRATED

HXL

49-52-01-01

BOEING PROPRIETARY - Copyright © - Unpublished Work - See title page for details.

49-52-01
 FIG. 01
 PAGE 3
 DEC 22/06



767

PARTS CATALOG (MAINTENANCE)

FIG ITEM	PART NUMBER	1 2 3 4 5 6 7 NOMENCLATURE	EFFECT FROM TO	UNITS PER ASSY
1 - 10	3800298-1-4	ENGINE ASSY-GAS TURB (APU INLET GUIDE VANE LINKAGE ROD END BEARING ONLY) MODEL GTCP331-200ER SUPPLIER CODE: V99193 SPECIFICATION NUMBER: S351T020-203 CONFIG CHG DATA FROM A CMM: REPLS 3800298-1-3 COMPONENT MAINT MANUAL REF: 49-22-11 QUALIFIED I/W DATA: S351T020-203 (3800298-1-4) AND S351T020-205 (3800298-1-6) ARE INTERCHANGEABLE WITH THE INCORPORATION OF S/B 767-49-0025 S351T020-203 (3800298-1-4) AND S351T020-206 (3800298-1-7/3800298-1) ARE INTERCHANGEABLE WITH THE INCORPORATION OF ALLIED SIGNAL S/B GTCP331-49-7081 FOR NHA/OTHER SYS DET SEE: 49-11-00-01		RF

ILLUSTRATION ITEMS NOT ON PARTS LIST ARE NOT APPLICABLE

- ITEM NOT ILLUSTRATED

HXL

49-52-01-01

BOEING PROPRIETARY - Copyright © - Unpublished Work - See title page for details.

49-52-01
 FIG. 01
 PAGE 4
 DEC 22/06



767

PARTS CATALOG (MAINTENANCE)

FIG ITEM	PART NUMBER	1 2 3 4 5 6 7	NOMENCLATURE	EFFECT FROM TO	UNITS PER ASSY
1 - 10	3800298-1-5		ENGINE ASSY-GAS TURB (APU INLET GUIDE VANE LINKAGE ROD END BEARING ONLY) MODEL GTCP331-200ER SUPPLIER CODE: V99193 SPECIFICATION NUMBER: S351T020-204 CONFIG CHG DATA FROM A CMM: REPLS 3800298-1-4 COMPONENT MAINT MANUAL REF: 49-22-11 QUALIFIED I/W DATA: S351T020-204 (3800298-1-5) AND S351T020-206 (3800298-1-7/3800298-1) ARE INTERCHANGEABLE WITH THE INCORPORATION OF ALLIED SIGNAL S/B GTCP331-49-7081 S351T020-204 (3800298-1-5) AND S351T020-205 (3800298-1-6) ARE INTERCHANGEABLE WITH THE INCORPORATION OF S/B 767-49-0025 FOR NHA/OTHER SYS DET SEE: 49-11-00-01		RF
- 10	3800298-1-6		ENGINE ASSY-GAS TURB (APU INLET GUIDE VANE LINKAGE ROD END BEARING ONLY) MODEL GTCP331-200ER SUPPLIER CODE: V99193 SPECIFICATION NUMBER: S351T020-205 CONFIG CHG DATA FROM A CMM: REPLS 3800298-1-5 COMPONENT MAINT MANUAL REF: 49-22-11 QUALIFIED I/W DATA: S351T020-204 (3800298-1-5) AND S351T020-205 (3800298-1-6) ARE		RF

ILLUSTRATION ITEMS NOT ON PARTS LIST ARE NOT APPLICABLE

- ITEM NOT ILLUSTRATED

49-52-01-01

49-52-01
FIG. 01
PAGE 5
DEC 22/06

HXL



767

PARTS CATALOG (MAINTENANCE)

FIG ITEM	PART NUMBER	1 2 3 4 5 6 7 NOMENCLATURE	EFFECT FROM TO	UNITS PER ASSY
1 10		INTERCHANGEABLE WITH THE INCORPORATION OF S/B 767-49-0025 S351T020-203 (3800298-1-4) AND S351T020-205 (3800298-1-6) ARE INTERCHANGEABLE WITH INCORPORATION OF S/B 767-49-0025 S351T020-202 (3800298-1-3) AND S351T020-205 (3800298-1-6) ARE INTERCHANGEABLE WITH THE INCORPORATION OF S/B 767-49-0025 S351T020-201 (3800298-1-2) AND S351T020-205 (3800298-1-6) ARE INTERCHANGEABLE WITH THE INCORPORATION OF S/B 767-49-0025 S351T020-200 (3800298-1-1) AND S351T020-205 (3800298-1-6) ARE INTERCHANGEABLE WITH THE INCORPORATION OF S/B 767-49-0025 FOR NHA/OTHER SYS DET SEE: 49-11-00-01		
- 15	3800298-1-7	ENGINE ASSY-GAS TURB (APU INLET GUIDE VANE LINKAGE ROD END BEARING ONLY) MODEL GTCP331-200ER SUPPLIER CODE: V99193 SPECIFICATION NUMBER: S351T020-206 CONFIG CHG DATA FROM A CMM: REPLS 3800298-1-6 ELECTRICAL EQUIP NUMBER: M00967 COMPONENT MAINT MANUAL REF: 49-22-11 QUALIFIED I/W DATA: ILLUSTRATION ITEMS NOT ON PARTS LIST ARE NOT APPLICABLE		RF

- ITEM NOT ILLUSTRATED

49-52-01-01

49-52-01
 FIG. 01
 PAGE 6
 DEC 22/06

HXL



767

PARTS CATALOG (MAINTENANCE)

FIG ITEM	PART NUMBER	1 2 3 4 5 6 7	NOMENCLATURE	EFFECT FROM TO	UNITS PER ASSY
1 15			<p>S351T020-203 (3800298-1-4) AND S351T020-206 (3800298-1-7/3800298-1) ARE INTERCHANGEABLE WITH THE INCORPORATION OF ALLIED SIGNAL S/B GTCP331-49-7081. S351T020-204 (3800298-1-5) AND S351T020-206 (3800298-1-7/3800298-1) ARE INTERCHANGEABLE WITH THE INCORPORATION OF ALLIED SIGNAL S/B GTCP331-49-7081. S351T020-202 (3800298-1-3) AND S351T020-206 (3800298-1-7/3800298-1) ARE INTERCHANGEABLE WITH THE INCORPORATION OF ALLIED SIGNAL S/B GTCP331-49-7081 S351T020-201 (3800298-1-2) AND S351T020-206 (3800298-1-7/3800298-1) ARE INTERCHANGEABLE WITH THE INCORPORATION OF ALLIED SIGNAL S/B GTCP331-49-7081 S351T020-200 (3800298-1-1) AND S351T020-206 (3800298-1-7/3800298-1) ARE INTERCHANGEABLE WITH THE INCORPORATION OF ALLIED SIGNAL S/B GTCP331-49-7081 OPTIONAL PART: 3800298-1 V99193 FOR NHA/OTHER SYS DET SEE: 49-11-00-01 ENGINE ASSY-GAS TURB (APU INLET GUIDE VANE LINKAGE ROD END BEARING ONLY)</p>		
- 15	3800298-1		<p>ILLUSTRATION ITEMS NOT ON PARTS LIST ARE NOT APPLICABLE</p>		RF

- ITEM NOT ILLUSTRATED

49-52-01-01

49-52-01
 FIG. 01
 PAGE 7
 DEC 22/06

HXL



767

PARTS CATALOG (MAINTENANCE)

FIG ITEM	PART NUMBER	1 2 3 4 5 6 7 NOMENCLATURE	EFFECT FROM TO	UNITS PER ASSY
1		<p>SUPPLIER CODE: V99193</p> <p>SPECIFICATION NUMBER: S351T020-206</p> <p>COMPONENT MAINT MANUAL REF: 49-22-11</p> <p>QUALIFIED I/W DATA: S351T020-204 (3800298-1-5) AND S351T020-206 (3800298-1-7/3800298-1) ARE INTERCHANGEABLE WITH THE INCORPORATION OF ALLIED SIGNAL S/B GTCP331-49-7081 S351T020-203 (3800298-1-4) AND S351T020-206 (3800298-1-7/3800298-1) ARE INTERCHANGEABLE WITH THE INCORPORATION OF ALLIED SIGNAL S/B GTCP331-49-7081. S351T020-202 (3800298-1-3) AND S351T020-206 (3800298-1-7/3800298-1) ARE INTERCHANGEABLE WITH THE INCORPORATION OF ALLIED SIGNAL S/B GTCP331-49-7081 S351T020-201 (3800298-1-2) AND S351T020-206 (3800298-1-7/3800298-1) ARE INTERCHANGEABLE WITH THE INCORPORATION OF ALLIED SIGNAL S/B GTCP331-49-7081 S351T020-200 (3800298-1-1) AND S351T020-206 (3800298-1-7/3800298-1) ARE INTERCHANGEABLE WITH THE INCORPORATION OF ALLIED SIGNAL S/B GTCP331-49-7081</p> <p>OPTIONAL PART: 3800298-1-7</p> <p>ILLUSTRATION ITEMS NOT ON PARTS LIST ARE NOT APPLICABLE</p>		

- ITEM NOT ILLUSTRATED

49-52-01-01

49-52-01
FIG. 01
PAGE 8
DEC 22/06

HXL



767

PARTS CATALOG (MAINTENANCE)

FIG ITEM	PART NUMBER	1 2 3 4 5 6 7	NOMENCLATURE	EFFECT FROM TO	UNITS PER ASSY
1			V99193		
15			FOR NHA/OTHER SYS DET SEE: 49-11-00-01		
50	MS9489-07		.BOLT		7
55	600-3030-10-0S		.PACKING-WITH RTNR SUPPLIER CODE: V83259 CONFIG CHG DATA FROM A CMM: REPLD BY 600-3130-10-0S OPTIONAL PART: 583-515-9002 V99193		7
55	583-515-9002		.PACKING-WITH RTNR SUPPLIER CODE: V99193 OPTIONAL PART: 600-3030-10-0S V83259		7
55	600-3130-10-0S		.PACKING-WITH RTNR SUPPLIER CODE: V83259 CONFIG CHG DATA FROM A CMM: REPLS 600-3030-10-0S OPTIONAL PART: 583-523-9002 V99193		7
55	583-523-9002		.PACKING-WITH RTNR SUPPLIER CODE: V99193 OPTIONAL PART: 600-3130-10-0S V83259		7
60	3810231-2		.VANE ASSY-VAR SUPPLIER CODE: V99193 SB DATA FROM A CMM: PRE SB 49-5480 PRE SB 49-5499		1
60	3810231-6		.VANE ASSY-VAR SUPPLIER CODE: V99193 SB DATA FROM A CMM: POST SB 49-5480 PRE SB 49-5499		1

ILLUSTRATION ITEMS NOT ON PARTS LIST ARE NOT APPLICABLE

- ITEM NOT ILLUSTRATED

49-52-01-01

49-52-01
FIG. 01
PAGE 9
DEC 22/06

HXL



767

PARTS CATALOG (MAINTENANCE)

FIG ITEM	PART NUMBER	1 2 3 4 5 6 7	NOMENCLATURE	EFFECT FROM TO	UNITS PER ASSY
1					
60	3810231-10		.VANE ASSY-VAR SUPPLIER CODE: V99193 NOT APPROVED FOR ETOPS AFTER INCORP OF SB: 49-5712 V99193 SB DATA FROM A CMM: POST SB 49-5480 POST SB 49-5499		1
60	3810231-12		.VANE ASSY-VAR SUPPLIER CODE: V99193 NOT APPROVED FOR ETOPS AFTER INCORP OF SB: 49-5712 V99193 SB DATA FROM A CMM: POST SB 49-5617 PRE SB 49-5712		1
60	3810231-17		.VANE ASSY-VAR SUPPLIER CODE: V99193 SB DATA FROM A CMM: POST SB 49-5712 PRE SB 49-6948 CONFIG CHG DATA FROM A CMM: REPLD BY 3810231-21		1
60	3810231-21		.VANE ASSY-VAR SUPPLIER CODE: V99193 SB DATA FROM A CMM: POST SB 49-6948 CONFIG CHG DATA FROM A CMM: REPLS 3810231-17		1
65	3826105-1		.WASHER- SUPPLIER CODE: V99193 SB DATA FROM A CMM: PRE SPB GTE0628 CONFIG CHG DATA FROM A CMM: REPLD BY 3826105-2		1
65	3826105-2		.WASHER- SUPPLIER CODE: V99193 SB DATA FROM A CMM: POST SPB GTE0628 CONFIG CHG DATA FROM A CMM: REPLS 3826105-1		1

ILLUSTRATION ITEMS NOT ON PARTS LIST ARE NOT APPLICABLE

- ITEM NOT ILLUSTRATED

49-52-01-01

49-52-01
FIG. 01
PAGE 10
DEC 22/06

HXL



767

PARTS CATALOG (MAINTENANCE)

FIG ITEM	PART NUMBER	1 2 3 4 5 6 7	NOMENCLATURE	EFFECT FROM TO	UNITS PER ASSY
1					
70	3810210-2		.INSERT-SOUND ATTEN SUPPLIER CODE: V99193 SB DATA FROM A CMM: PRE SB 49-5518 CONFIG CHG DATA FROM A CMM: SUPSD BY 3810210-4		1
70	3810149-1		.INSERT-SOUND ATTEN SUPPLIER CODE: V99193 SB DATA FROM A CMM: PRE SB 49-5518 CONFIG CHG DATA FROM A CMM: SUPSD BY 3810210-4		1
70	3810210-4		.INSERT-SOUND ATTEN SUPPLIER CODE: V99193 SB DATA FROM A CMM: POST SB 49-5518 CONFIG CHG DATA FROM A CMM: SUPERSEDES 3810210-2 SUPERSEDES 3810149-1		1
75	3810251-4		.WASHER-SCUFF SUPPLIER CODE: V99193 SB DATA FROM A CMM: POST SB 49-5518		1
80	3810251-3		.WASHER-SCUFF SUPPLIER CODE: V99193 SB DATA FROM A CMM: POST SB 49-5518		1
85	3810176-3		.HOUSING ASSY- SUPPLIER CODE: V99193 SB DATA FROM A CMM: POST SB 49-5415 PRE SB 49-5518 CONFIG CHG DATA FROM A CMM: REPLD BY 3810176-7		1
85	3810176-7		.HOUSING ASSY- SUPPLIER CODE: V99193 SB DATA FROM A CMM: POST SB 49-5518 CONFIG CHG DATA FROM A CMM: REPLD BY 3810176-9 REPLS 3810176-3		1

ILLUSTRATION ITEMS NOT ON PARTS LIST ARE NOT APPLICABLE

- ITEM NOT ILLUSTRATED

49-52-01-01

49-52-01
FIG. 01
PAGE 11
DEC 22/06

HXL



767

PARTS CATALOG (MAINTENANCE)

FIG ITEM	PART NUMBER	1 2 3 4 5 6 7	NOMENCLATURE	EFFECT FROM TO	UNITS PER ASSY
1					
85	3810176-9		.HOUSING ASSY- SUPPLIER CODE: V99193 CONFIG CHG DATA FROM A CMM: REPLS 3810176-7		1
90	EWB0420-3-8		.BOLT- SUPPLIER CODE: V56878 OPTIONAL PART: 145-530-9209 V99193		1
90	145-530-9209		.BOLT- SUPPLIER CODE: V99193 OPTIONAL PART: EWB0420-3-8 V56878		1
95	MS21043-3		.NUT		1
100	MS9360-09		.NUT		1
105	3826166-1		.BEARING-END ROD SUPPLIER CODE: V99193 SB DATA FROM A CMM: PRE SB 49-5577 CONFIG CHG DATA FROM A CMM: REPLD BY HMR3M		1
105	HMR3M		.BEARING-END ROD SUPPLIER CODE: V73134 SB DATA FROM A CMM: POST SB 49-5577 CONFIG CHG DATA FROM A CMM: REPLS 3826166-1 OPTIONAL PART: 137-542-9500 V99193		1
105	137-542-9500		.BEARING-END ROD SUPPLIER CODE: V99193 OPTIONAL PART: HMR3M V73134		1
110	MS9360-09		.NUT		1

ILLUSTRATION ITEMS NOT ON PARTS LIST ARE NOT APPLICABLE

- ITEM NOT ILLUSTRATED

49-52-01-01

49-52-01
FIG. 01
PAGE 12
DEC 22/06

HXL

BOEING PROPRIETARY - Copyright © - Unpublished Work - See title page for details.



767

PARTS CATALOG (MAINTENANCE)

FIG ITEM	PART NUMBER	1 2 3 4 5 6 7	NOMENCLATURE	EFFECT FROM TO	UNITS PER ASSY
1					
115	3826166-1		.BEARING-ACTR END ROD SUPPLIER CODE: V99193 SB DATA FROM A CMM: PRE SB 49-5577 CONFIG CHG DATA FROM A CMM: REPLD BY HMR3M		1
115	HMR3M		.BEARING-ACTR END ROD SUPPLIER CODE: V73134 SB DATA FROM A CMM: POST SB 49-5577 PRE SPB GTE0573 CONFIG CHG DATA FROM A CMM: REPLS 3826166-1 REPLD BY MSSE3AR OPTIONAL PART: 137-542-9500 V99193		1
115	137-542-9500		.BEARING-ACTR END ROD SUPPLIER CODE: V99193 OPTIONAL PART: HMR3M V73134		1
115	MSSE3AR		.BEARING-ACTR END ROD SUPPLIER CODE: V73134 SB DATA FROM A CMM: POST SPB GTE0573 CONFIG CHG DATA FROM A CMM: REPLS MSSR3AR OPTIONAL PART: 137-542-9501 V99193		1
115	137-542-9501		.BEARING-ACTR END ROD SUPPLIER CODE: V99193 OPTIONAL PART: MSSE3AR V73134		1
120	3826153-1		.ROD-CONNECTING SUPPLIER CODE: V99193 SB DATA FROM A CMM: PRE SPB GTE0252 CONFIG CHG DATA FROM A CMM: REPLD BY 3826153-2		1

ILLUSTRATION ITEMS NOT ON PARTS LIST ARE NOT APPLICABLE

- ITEM NOT ILLUSTRATED

49-52-01-01

49-52-01
FIG. 01
PAGE 13
DEC 22/06

HXL



767

PARTS CATALOG (MAINTENANCE)

FIG ITEM	PART NUMBER	1 2 3 4 5 6 7	NOMENCLATURE	EFFECT FROM TO	UNITS PER ASSY
1 120	3826153-2		.ROD-CONNECTING SUPPLIER CODE: V99193 SB DATA FROM A CMM: POST SPB GTE0252 CONFIG CHG DATA FROM A CMM: REPLS 3826153-1		1
125	S9413-163		.PACKING- SUPPLIER CODE: V99193 OPTIONAL PART: M83248-1-163		1
125	M83248-1-163		.PACKING- OPTIONAL PART: S9413-163 V99193		1
- 130	3822077-1		.TIE SHAFT ASSY- SUPPLIER CODE: V99193 SB DATA FROM A CMM: PRE SB 49-5428 CONFIG CHG DATA FROM A CMM: SUPSD BY 3822077-2		1
- 130	3822077-2		.TIE SHAFT ASSY- SUPPLIER CODE: V99193 NOT APPROVED FOR ETOPS AFTER INCORP OF SB: 49-5827 V99193 SB DATA FROM A CMM: POST SB 49-5428 PRE SB 49-5827 PRE SB 49-6697 CONFIG CHG DATA FROM A CMM: SUPERSEDES 3822077-1		1
- 130	3822077-4		.TIE SHAFT ASSY- SUPPLIER CODE: V99193 SB DATA FROM A CMM: POST SB 49-5827 PRE SB 49-6697 CONFIG CHG DATA FROM A CMM: REPLS 3822077-2		1

ILLUSTRATION ITEMS NOT ON PARTS LIST ARE NOT APPLICABLE

- ITEM NOT ILLUSTRATED

49-52-01-01

49-52-01
FIG. 01
PAGE 14
DEC 22/06

HXL



767

PARTS CATALOG (MAINTENANCE)

FIG ITEM	PART NUMBER	1 2 3 4 5 6 7	NOMENCLATURE	EFFECT FROM TO	UNITS PER ASSY
1					
- 130	3822077-5		.TIE SHAFT ASSY- SUPPLIER CODE: V99193 SB DATA FROM A CMM: POST SB 49-6697 CONFIG CHG DATA FROM A CMM: REPLS 3822077-2 REPLS 3822077-4		1
- 135	3822078-1		..COUPLING-SPLINED SUPPLIER CODE: V99193 SB DATA FROM A CMM: PRE SB 49-5827 PRE SB 49-6697 CONFIG CHG DATA FROM A CMM: REPLD BY 3613607-1 REPLD BY 3822078-3		1
- 135	3613607-1		..COUPLING-SPLINED SUPPLIER CODE: V99193 SB DATA FROM A CMM: POST SB 49-5827 POST SB 49-6697 CONFIG CHG DATA FROM A CMM: REPLS 3822078-1		1
- 135	3822078-3		..COUPLING-SPLINED SUPPLIER CODE: V99193 SB DATA FROM A CMM: POST SB 49-6697 CONFIG CHG DATA FROM A CMM: REPLS 3822078-1 REPLS 3613607-1		1
900			ILLUSTRATION REFERENCE: ENGINE ASSY-GAS TURB (APU INLET GUIDE VANE LINKAGE BELLCRANK ONLY) 49-52-03-01		RF
ILLUSTRATION ITEMS NOT ON PARTS LIST ARE NOT APPLICABLE					

- ITEM NOT ILLUSTRATED

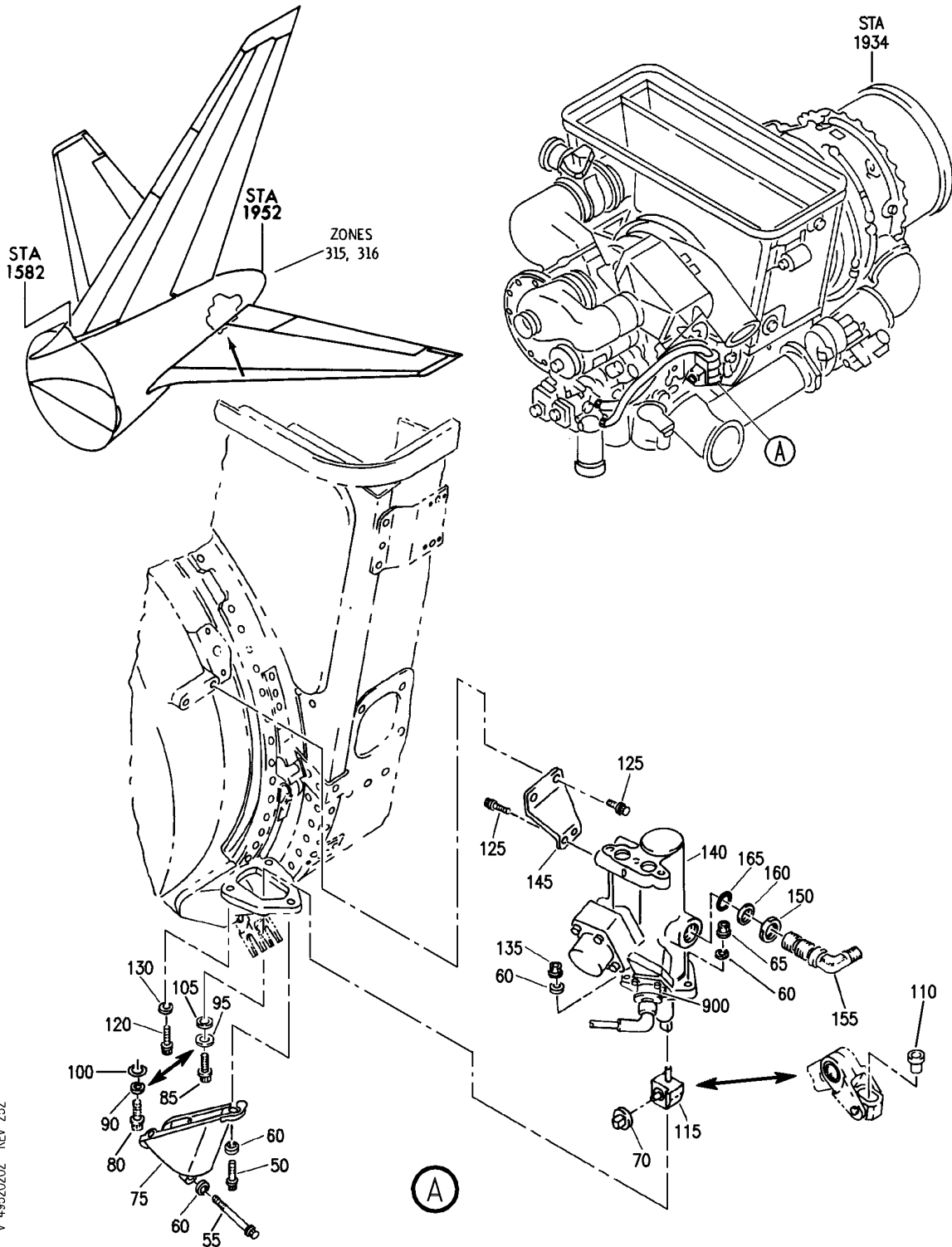
HXL

49-52-01-01

BOEING PROPRIETARY - Copyright © - Unpublished Work - See title page for details.

49-52-01
FIG. 01
PAGE 15
DEC 22/06

BOEING
767
PARTS CATALOG (MAINTENANCE)



V 49520202 REV 252

ENGINE ASSY-GAS TURB (APU INLET GUIDE VANE ACTUATOR ONLY)
FIGURE 2

49-52-02-02

HXL
DEC 22/06

49-52-02-02
PAGE 0



767

PARTS CATALOG (MAINTENANCE)

FIG ITEM	PART NUMBER	1 2 3 4 5 6 7 NOMENCLATURE	EFFECT FROM TO	UNITS PER ASSY
2 - 10	3800298-1-1	ENGINE ASSY-GAS TURB (APU INLET GUIDE VANE ACTUATOR ONLY) ENGINE ASSY-GAS TURB (APU INLET GUIDE VANE ACTUATOR ONLY) MODEL GTCP331-200ER SUPPLIER CODE: V99193 SPECIFICATION NUMBER: S351T020-200 COMPONENT MAINT MANUAL REF: 49-22-11 QUALIFIED I/W DATA: S351T020-200 (3800298-1-1) AND S351T020-205 (3800298-1-6) ARE INTERCHANGEABLE WITH THE INCORPORATION OF S/B 767-49-0025 S351T020-200 (3800298-1-1) AND S351T020-206 (3800298-1-7/3800298-1) ARE INTERCHANGEABLE WITH THE INCORPORATION OF ALLIED SIGNAL S/B GTCP331-49-7081 FOR NHA/OTHER SYS DET SEE: 49-11-00-01		RF

ILLUSTRATION ITEMS NOT ON PARTS LIST ARE NOT APPLICABLE

- ITEM NOT ILLUSTRATED

HXL

49-52-02-02

BOEING PROPRIETARY - Copyright © - Unpublished Work - See title page for details.

49-52-02
 FIG. 02
 PAGE 1
 DEC 22/06



767

PARTS CATALOG (MAINTENANCE)

FIG ITEM	PART NUMBER	1 2 3 4 5 6 7 NOMENCLATURE	EFFECT FROM TO	UNITS PER ASSY
2 - 10	3800298-1-2	ENGINE ASSY-GAS TURB (APU INLET GUIDE VANE ACTUATOR ONLY) MODEL GTCP331-200ER SUPPLIER CODE: V99193 SPECIFICATION NUMBER: S351T020-201 CONFIG CHG DATA FROM A CMM: REPLS 3800298-1-1 COMPONENT MAINT MANUAL REF: 49-22-11 QUALIFIED I/W DATA: S351T020-201 (3800298-1-2) AND S351T020-205 (3800298-1-6) ARE INTERCHANGEABLE WITH THE INCORPORATION OF S/B 767-49-0025 S351T020-201 (3800298-1-2) AND S351T020-206 (3800298-1-7/3800298-1) ARE INTERCHANGEABLE WITH THE INCORPORATION OF ALLIED SIGNAL S/B GTCP331-49-7081 FOR NHA/OTHER SYS DET SEE: 49-11-00-01		RF

ILLUSTRATION ITEMS NOT ON PARTS LIST ARE NOT APPLICABLE

- ITEM NOT ILLUSTRATED

HXL

49-52-02-02

BOEING PROPRIETARY - Copyright © - Unpublished Work - See title page for details.

49-52-02
 FIG. 02
 PAGE 2
 DEC 22/06



767

PARTS CATALOG (MAINTENANCE)

FIG ITEM	PART NUMBER	1 2 3 4 5 6 7	NOMENCLATURE	EFFECT FROM TO	UNITS PER ASSY
2 - 10	3800298-1-3		ENGINE ASSY-GAS TURB (APU INLET GUIDE VANE ACTUATOR ONLY) MODEL GTCP331-200ER SUPPLIER CODE: V99193 SPECIFICATION NUMBER: S351T020-202 CONFIG CHG DATA FROM A CMM: REPLS 3800298-1-2 COMPONENT MAINT MANUAL REF: 49-22-11 QUALIFIED I/W DATA: S351T020-202 (3800298-1-3) AND S351T020-205 (3800298-1-6) ARE INTERCHANGEABLE WITH THE INCORPORATION OF S/B 767-49-0025 S351T020-202 (3800298-1-3) AND S351T020-206 (3800298-1-7/3800298-1) ARE INTERCHANGEABLE WITH THE INCORPORATION OF ALLIED SIGNAL S/B GTCP331-49-7081 FOR NHA/OTHER SYS DET SEE: 49-11-00-01		RF

ILLUSTRATION ITEMS NOT ON PARTS LIST ARE NOT APPLICABLE

- ITEM NOT ILLUSTRATED

HXL

49-52-02-02

BOEING PROPRIETARY - Copyright © - Unpublished Work - See title page for details.

49-52-02
FIG. 02
PAGE 3
DEC 22/06



767

PARTS CATALOG (MAINTENANCE)

FIG ITEM	PART NUMBER	1 2 3 4 5 6 7 NOMENCLATURE	EFFECT FROM TO	UNITS PER ASSY
2 - 10	3800298-1-4	ENGINE ASSY-GAS TURB (APU INLET GUIDE VANE ACTUATOR ONLY) MODEL GTCP331-200ER SUPPLIER CODE: V99193 SPECIFICATION NUMBER: S351T020-203 CONFIG CHG DATA FROM A CMM: REPLS 3800298-1-3 COMPONENT MAINT MANUAL REF: 49-22-11 QUALIFIED I/W DATA: S351T020-203 (3800298-1-4) AND S351T020-205 (3800298-1-6) ARE INTERCHANGEABLE WITH THE INCORPORATION OF S/B 767-49-0025 S351T020-203 (3800298-1-4) AND S351T020-206 (3800298-1-7/3800298-1) ARE INTERCHANGEABLE WITH THE INCORPORATION OF ALLIED SIGNAL S/B GTCP331-49-7081 FOR NHA/OTHER SYS DET SEE: 49-11-00-01		RF

ILLUSTRATION ITEMS NOT ON PARTS LIST ARE NOT APPLICABLE

- ITEM NOT ILLUSTRATED

HXL

49-52-02-02

BOEING PROPRIETARY - Copyright © - Unpublished Work - See title page for details.

49-52-02
 FIG. 02
 PAGE 4
 DEC 22/06



767

PARTS CATALOG (MAINTENANCE)

FIG ITEM	PART NUMBER	1 2 3 4 5 6 7	NOMENCLATURE	EFFECT FROM TO	UNITS PER ASSY
2 - 10	3800298-1-5		ENGINE ASSY-GAS TURB (APU INLET GUIDE VANE ACTUATOR ONLY) MODEL GTCP331-200ER SUPPLIER CODE: V99193 SPECIFICATION NUMBER: S351T020-204 CONFIG CHG DATA FROM A CMM: REPLS 3800298-1-4 COMPONENT MAINT MANUAL REF: 49-22-11 QUALIFIED I/W DATA: S351T020-204 (3800298-1-5) AND S351T020-206 (3800298-1-7/3800298-1) ARE INTERCHANGEABLE WITH THE INCORPORATION OF ALLIED SIGNAL S/B GTCP331-49-7081 S351T020-204 (3800298-1-5) AND S351T020-205 (3800298-1-6) ARE INTERCHANGEABLE WITH THE INCORPORATION OF S/B 767-49-0025 FOR NHA/OTHER SYS DET SEE: 49-11-00-01		RF
- 10	3800298-1-6		ENGINE ASSY-GAS TURB (APU INLET GUIDE VANE ACTUATOR ONLY) MODEL GTCP331-200ER SUPPLIER CODE: V99193 SPECIFICATION NUMBER: S351T020-205 CONFIG CHG DATA FROM A CMM: REPLS 3800298-1-5 COMPONENT MAINT MANUAL REF: 49-22-11 QUALIFIED I/W DATA: S351T020-204 (3800298-1-5) AND S351T020-205 (3800298-1-6) ARE INTERCHANGEABLE WITH THE INCORPORATION OF S/B		RF

ILLUSTRATION ITEMS NOT ON PARTS LIST ARE NOT APPLICABLE

- ITEM NOT ILLUSTRATED

49-52-02-02

49-52-02
FIG. 02
PAGE 5
DEC 22/06

HXL



767

PARTS CATALOG (MAINTENANCE)

FIG ITEM	PART NUMBER	1 2 3 4 5 6 7 NOMENCLATURE	EFFECT FROM TO	UNITS PER ASSY
2 10		767-49-0025 S351T020-203 (3800298-1-4) AND S351T020-205 (3800298-1-6) ARE INTERCHANGEABLE WITH INCORPORATION OF S/B 767-49-0025 S351T020-202 (3800298-1-3) AND S351T020-205 (3800298-1-6) ARE INTERCHANGEABLE WITH THE INCORPORATION OF S/B 767-49-0025 S351T020-201 (3800298-1-2) AND S351T020-205 (3800298-1-6) ARE INTERCHANGEABLE WITH THE INCORPORATION OF S/B 767-49-0025 S351T020-200 (3800298-1-1) AND S351T020-205 (3800298-1-6) ARE INTERCHANGEABLE WITH THE INCORPORATION OF S/B 767-49-0025 FOR NHA/OTHER SYS DET SEE: 49-11-00-01		
- 15	3800298-1-7	ENGINE ASSY-GAS TURB (APU INLET GUIDE VANE ACTUATOR ONLY) MODEL GTCP331-200ER SUPPLIER CODE: V99193 SPECIFICATION NUMBER: S351T020-206 CONFIG CHG DATA FROM A CMM: REPLS 3800298-1-6 ELECTRICAL EQUIP NUMBER: M00967 COMPONENT MAINT MANUAL REF: 49-22-11 QUALIFIED I/W DATA: S351T020-203 (3800298-1-4) AND S351T020-206 ILLUSTRATION ITEMS NOT ON PARTS LIST ARE NOT APPLICABLE		RF

- ITEM NOT ILLUSTRATED

49-52-02-02

49-52-02
 FIG. 02
 PAGE 6
 DEC 22/06

HXL



767

PARTS CATALOG (MAINTENANCE)

FIG ITEM	PART NUMBER	1 2 3 4 5 6 7 NOMENCLATURE	EFFECT FROM TO	UNITS PER ASSY
2 15		<p>(3800298-1-7/3800298-1) ARE INTERCHANGEABLE WITH THE INCORPORATION OF ALLIED SIGNAL S/B GTCP331-49-7081. S351T020-204 (3800298-1-5) AND S351T020-206 (3800298-1-7/3800298-1) ARE INTERCHANGEABLE WITH THE INCORPORATION OF ALLIED SIGNAL S/B GTCP331-49-7081. S351T020-202 (3800298-1-3) AND S351T020-206 (3800298-1-7/3800298-1) ARE INTERCHANGEABLE WITH THE INCORPORATION OF ALLIED SIGNAL S/B GTCP331-49-7081 S351T020-201 (3800298-1-2) AND S351T020-206 (3800298-1-7/3800298-1) ARE INTERCHANGEABLE WITH THE INCORPORATION OF ALLIED SIGNAL S/B GTCP331-49-7081 S351T020-200 (3800298-1-1) AND S351T020-206 (3800298-1-7/3800298-1) ARE INTERCHANGEABLE WITH THE INCORPORATION OF ALLIED SIGNAL S/B GTCP331-49-7081</p>		
- 15	3800298-1	<p>OPTIONAL PART: 3800298-1 V99193 FOR NHA/OTHER SYS DET SEE: 49-11-00-01 ENGINE ASSY-GAS TURB (APU INLET GUIDE VANE ACTUATOR ONLY) SUPPLIER CODE: V99193 SPECIFICATION NUMBER: S351T020-206</p>		RF

ILLUSTRATION ITEMS NOT ON PARTS LIST ARE NOT APPLICABLE

- ITEM NOT ILLUSTRATED

49-52-02-02

HXL

BOEING PROPRIETARY - Copyright © - Unpublished Work - See title page for details.

49-52-02
FIG. 02
PAGE 7
DEC 22/06



PARTS CATALOG (MAINTENANCE)

FIG ITEM	PART NUMBER	1 2 3 4 5 6 7 NOMENCLATURE	EFFECT FROM TO	UNITS PER ASSY
2		<p>COMPONENT MAINT MANUAL REF: 49-22-11</p> <p>QUALIFIED I/W DATA: S351T020-204 (3800298-1-5) AND S351T020-206 (3800298-1-7/3800298-1) ARE INTERCHANGEABLE WITH THE INCORPORATION OF ALLIED SIGNAL S/B GTCP331-49-7081 S351T020-203 (3800298-1-4) AND S351T020-206 (3800298-1-7/3800298-1) ARE INTERCHANGEABLE WITH THE INCORPORATION OF ALLIED SIGNAL S/B GTCP331-49-7081. S351T020-202 (3800298-1-3) AND S351T020-206 (3800298-1-7/3800298-1) ARE INTERCHANGEABLE WITH THE INCORPORATION OF ALLIED SIGNAL S/B GTCP331-49-7081 S351T020-201 (3800298-1-2) AND S351T020-206 (3800298-1-7/3800298-1) ARE INTERCHANGEABLE WITH THE INCORPORATION OF ALLIED SIGNAL S/B GTCP331-49-7081 S351T020-200 (3800298-1-1) AND S351T020-206 (3800298-1-7/3800298-1) ARE INTERCHANGEABLE WITH THE INCORPORATION OF ALLIED SIGNAL S/B GTCP331-49-7081</p> <p>OPTIONAL PART: 3800298-1-7 V99193</p> <p>FOR NHA/OTHER SYS DET SEE: 49-11-00-01</p> <p>ILLUSTRATION ITEMS NOT ON PARTS LIST ARE NOT APPLICABLE</p>		

- ITEM NOT ILLUSTRATED

49-52-02-02

49-52-02
FIG. 02
PAGE 8
DEC 22/06

HXL



767

PARTS CATALOG (MAINTENANCE)

FIG ITEM	PART NUMBER	1 2 3 4 5 6 7	NOMENCLATURE	EFFECT FROM TO	UNITS PER ASSY
2					
50	MS21280-19		.BOLT- OPTIONAL PART: MS9557-19		1
50	MS9557-19		.BOLT- SB DATA FROM A CMM: POST SPB GTE0306 OPTIONAL PART: MS21280-19		1
55	MS21280-37		.BOLT- OPTIONAL PART: MS9557-37		1
55	MS9557-37		.BOLT- SB DATA FROM A CMM: POST SPB GTE0306 OPTIONAL PART: MS21280-37		1
60	NAS620C416L		.WASHER		4
65	MS21043-4		.NUT		4
70	3826381-2		.BUSHING-VESPEL SUPPLIER CODE: V99193 NOT APPROVED FOR ETOPS. SB DATA FROM A CMM: POST SB 49-5597 CONFIG CHG DATA FROM A CMM: REPLD BY 3826381-3		2
70	3826381-3		.BUSHING-VESPEL SUPPLIER CODE: V99193 SB DATA FROM A CMM: POST SB 49-5597 CONFIG CHG DATA FROM A CMM: REPLS 3826381-2		2
75	3826251-1		.COVER-IGVA MTG BRKT SUPPLIER CODE: V99193 SB DATA FROM A CMM: PRE SPB GTE0252 CONFIG CHG DATA FROM A CMM: REPLD BY 3826251-2		1
75	3826251-2		.COVER-IGVA MTG BRKT SUPPLIER CODE: V99193 SB DATA FROM A CMM: POST SPB GTE0252 CONFIG CHG DATA FROM A CMM: REPLS 3826251-1		1

ILLUSTRATION ITEMS NOT ON PARTS LIST ARE NOT APPLICABLE

- ITEM NOT ILLUSTRATED

49-52-02-02

49-52-02
FIG. 02
PAGE 9
DEC 22/06

HXL

BOEING PROPRIETARY - Copyright © - Unpublished Work - See title page for details.



767

PARTS CATALOG (MAINTENANCE)

FIG ITEM	PART NUMBER	1 2 3 4 5 6 7	NOMENCLATURE	EFFECT FROM TO	UNITS PER ASSY
2					
80	MS21280-15		.BOLT- SB DATA FROM A CMM: PRE SB 49-5454 PRE SB 49-5597 CONFIG CHG DATA FROM A CMM: SUPSD BY MS9490-15		1
85	MS9490-15		.BOLT- SB DATA FROM A CMM: PRE SB 49-5597 POST SB 49-5454 CONFIG CHG DATA FROM A CMM: SUPERSEDES MS21280-15		1
90	AN960C416L		.WASHER- SB DATA FROM A CMM: PRE SB 49-5454 CONFIG CHG DATA FROM A CMM: SUPSD BY S8157BW114-063		1
95	S8157BW114-063		.WASHER- SUPPLIER CODE: V99193 SB DATA FROM A CMM: PRE SB 49-5597 POST SB 49-5454 CONFIG CHG DATA FROM A CMM: SUPERSEDES AN960C416L		1
100	S8154-136H005		.WASHER-SPCL SUPPLIER CODE: V99193 SB DATA FROM A CMM: PRE SB 49-5454 POST SB 49-5597 CONFIG CHG DATA FROM A CMM: SUPSD BY S8154-181C010		AR
105	S8154-136H003		.WASHER-SPCL SUPPLIER CODE: V99193 SB DATA FROM A CMM: PRE SB 49-5454 PRE SB 49-5597 CONFIG CHG DATA FROM A CMM: SUPSD BY S8154-181C012		AR
105	S8154-181C010		.WASHER-SPCL SUPPLIER CODE: V99193 SB DATA FROM A CMM: PRE SB 49-5597 POST SB 49-5454 CONFIG CHG DATA FROM A CMM: SUPERSEDES S8154-136H005		AR

ILLUSTRATION ITEMS NOT ON PARTS LIST ARE NOT APPLICABLE

- ITEM NOT ILLUSTRATED

49-52-02-02

49-52-02
FIG. 02
PAGE 10
DEC 22/06

HXL



767

PARTS CATALOG (MAINTENANCE)

FIG ITEM	PART NUMBER	1 2 3 4 5 6 7	NOMENCLATURE	EFFECT FROM TO	UNITS PER ASSY
2 105	S8154-181C012		.WASHER-SPCL SUPPLIER CODE: V99193 SB DATA FROM A CMM: PRE SB 49-5597 POST SB 49-5454 CONFIG CHG DATA FROM A CMM: SUPERSEDES S8154-136H003		AR
105	S8154-181C016		.WASHER-SPCL SUPPLIER CODE: V99193 SB DATA FROM A CMM: PRE SB 49-5597 POST SB 49-5454		AR
110	3826165-1		.BUSHING-TRUN SLEEVE SUPPLIER CODE: V99193 SB DATA FROM A CMM: PRE SB 49-5454 PRE SB 49-5597 CONFIG CHG DATA FROM A CMM: SUPSD BY 3826165-2 REPLD BY 3826383-1		1
110	3826165-2		.BUSHING-TRUN SLEEVE SUPPLIER CODE: V99193 SB DATA FROM A CMM: PRE SB 49-5597 POST SB 49-5454 CONFIG CHG DATA FROM A CMM: SUPERSEDES 3826165-1 REPLD BY 3826383-1		1
115	3826383-1		.BLOCK ASSY-TRUN SUPPLIER CODE: V99193 NOT APPROVED FOR ETOPS WITHOUT INCORP OF SB: 49-5597 V99193 SB DATA FROM A CMM: POST SB 49-5597 CONFIG CHG DATA FROM A CMM: REPLS 3826165-1 REPLS 3826165-2 REPLD BY 3826383-2		1

ILLUSTRATION ITEMS NOT ON PARTS LIST ARE NOT APPLICABLE

- ITEM NOT ILLUSTRATED

49-52-02-02

49-52-02
FIG. 02
PAGE 11
DEC 22/06

HXL



767

PARTS CATALOG (MAINTENANCE)

FIG ITEM	PART NUMBER	1 2 3 4 5 6 7	NOMENCLATURE	EFFECT FROM TO	UNITS PER ASSY
2					
115	3826383-2		.BLOCK ASSY-TRUN SUPPLIER CODE: V99193 SB DATA FROM A CMM: POST SB 49-5597 CONFIG CHG DATA FROM A CMM: REPLS 3826383-1		1
115	3826383-3		.BLOCK ASSY-TRUN SUPPLIER CODE: V99193 SB DATA FROM A CMM: POST SB 49-5597		1
120	MS21280-16		.BOLT- OPTIONAL PART: MS9557-16		2
120	MS9557-16		.BOLT- SB DATA FROM A CMM: POST SPB GTE0306 OPTIONAL PART: MS21280-16		2
125	MS21279-05		.BOLT- OPTIONAL PART: MS9556-05		4
125	MS9556-05		.BOLT- SB DATA FROM A CMM: POST SPB GTE0293 OPTIONAL PART: MS21279-05		4
130	NAS620C416L		.WASHER		2
135	MS21043-4		.NUT		2
140	3790076-103		.ACTUATOR-INLET GUIDE VANE SUPPLIER CODE: V92003 SB DATA FROM A CMM: PRE SB 49-5971 COMPONENT MAINT MANUAL REF: 49-50-03 OPTIONAL PART: 3886070-2 V92003		1

ILLUSTRATION ITEMS NOT ON PARTS LIST ARE NOT APPLICABLE

- ITEM NOT ILLUSTRATED

HXL

49-52-02-02

BOEING PROPRIETARY - Copyright © - Unpublished Work - See title page for details.

49-52-02
FIG. 02
PAGE 12
DEC 22/06



767

PARTS CATALOG (MAINTENANCE)

FIG ITEM	PART NUMBER	1 2 3 4 5 6 7	NOMENCLATURE	EFFECT FROM TO	UNITS PER ASSY
2 140	3790076-105		.ACTUATOR-INLET GUIDE VANE SUPPLIER CODE: V92003 SB DATA FROM A CMM: PRE SB 49-5971 COMPONENT MAINT MANUAL REF: 49-50-03 OPTIONAL PART: 3886070-4 V92003		1
140	3886070-2		.ACTUATOR-INLET GUIDE VANE SUPPLIER CODE: V92003 COMPONENT MAINT MANUAL REF: 49-50-03 OPTIONAL PART: 3790076-103 V3H892		1
140	3886070-4		.ACTUATOR-INLET GUIDE VANE SUPPLIER CODE: V92003 COMPONENT MAINT MANUAL REF: 49-50-03 OPTIONAL PART: 3790076-105 V3H892		1
140	A64847-5		.ACTUATOR-INLET GUIDE VANE SUPPLIER CODE: V94697 SB DATA FROM A CMM: POST SB 49-5971 COMPONENT MAINT MANUAL REF: 49-50-03 OPTIONAL PART: 3886167-3 V99193 PRE SERVICE BULLETIN: A64847-49-04 V94697		1

ILLUSTRATION ITEMS NOT ON PARTS LIST ARE NOT APPLICABLE

- ITEM NOT ILLUSTRATED

49-52-02-02

49-52-02
FIG. 02
PAGE 13
DEC 22/06

HXL



767

PARTS CATALOG (MAINTENANCE)

FIG ITEM	PART NUMBER	1 2 3 4 5 6 7	NOMENCLATURE	EFFECT FROM TO	UNITS PER ASSY
2 140	3886167-3		.ACTUATOR-INLET GUIDE VANE SUPPLIER CODE: V99193 COMPONENT MAINT MANUAL REF: 49-50-03 OPTIONAL PART: A64847-5 V94697		1
140	A64847-006		.ACTUATOR-INLET GUIDE VANE SUPPLIER CODE: V94697 COMPONENT MAINT MANUAL REF: 49-50-03 POST SERVICE BULLETIN: A64847-49-04 V94697		1
145	3826227-1		.BRACKET-IGVA MTG SUPPLIER CODE: V99193		1
150	AN6289D6		.NUT- SB DATA FROM A CMM: PRE SB 49-5634 PRE SB 49-5765 PRE SB 49-5793 CONFIG CHG DATA FROM A CMM: REPLD BY AN6289J6		1
150	AN6289J6		.NUT- SB DATA FROM A CMM: POST SB 49-5634 POST SB 49-5765 POST SB 49-5793 CONFIG CHG DATA FROM A CMM: REPLS AN6289D6		1
155	MS21908J6		.ELBOW		1
160	MS28773-06		.RETAINER		1
165	S9412-556		.PACKING- SUPPLIER CODE: V99193 OPTIONAL PART: M25988-2-906		1
165	M25988-2-906		.PACKING- OPTIONAL PART: S9412-556 V99193		1

ILLUSTRATION ITEMS NOT ON PARTS LIST ARE NOT APPLICABLE

- ITEM NOT ILLUSTRATED

49-52-02-02

49-52-02
FIG. 02
PAGE 14
DEC 22/06

HXL



767

PARTS CATALOG (MAINTENANCE)

FIG ITEM	PART NUMBER	1 2 3 4 5 6 7	NOMENCLATURE	EFFECT FROM TO	UNITS PER ASSY
2 900			ILLUSTRATION REFERENCE: ENGINE ASSY-GAS TURB (APU HARNESS ONLY) 49-14-00-05		RF
905			ILLUSTRATION REFERENCE: ENGINE ASSY-GAS TURB (APU LOW OIL PRESSURE SWITCH ONLY) 49-94-02-01		RF
910			ILLUSTRATION REFERENCE: ENGINE ASSY-GAS TURB (APU INLET GUIDE VANE ACTUATOR ONLY) 49-52-02-02		RF
ILLUSTRATION ITEMS NOT ON PARTS LIST ARE NOT APPLICABLE					

- ITEM NOT ILLUSTRATED

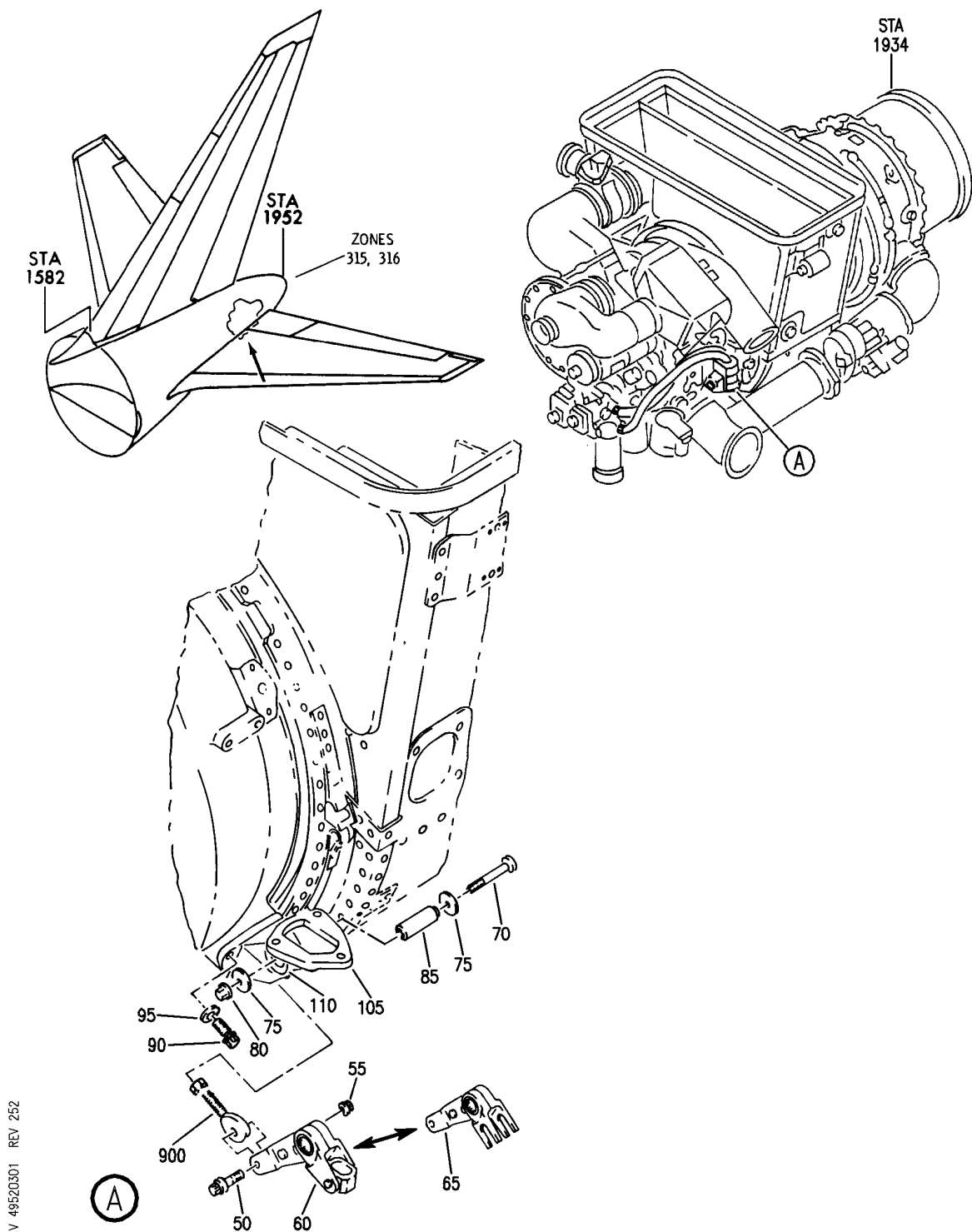
HXL

49-52-02-02

BOEING PROPRIETARY - Copyright © - Unpublished Work - See title page for details.

49-52-02
FIG. 02
PAGE 15
DEC 22/06

BOEING
767
PARTS CATALOG (MAINTENANCE)



V 49520301 REV 252

ENGINE ASSY-GAS TURB (APU INLET GUIDE VANE LINKAGE BELLCRANK ONLY)
FIGURE 1

49-52-03-01

HXL
DEC 22/06

49-52-03-01
PAGE 0



767

PARTS CATALOG (MAINTENANCE)

FIG ITEM	PART NUMBER	1 2 3 4 5 6 7 NOMENCLATURE	EFFECT FROM TO	UNITS PER ASSY
1 - 10	3800298-1-1	ENGINE ASSY-GAS TURB (APU INLET GUIDE VANE LINKAGE BELLCRANK ONLY) ENGINE ASSY-GAS TURB (APU INLET GUIDE VANE LINKAGE BELLCRANK ONLY) MODEL GTCP331-200ER SUPPLIER CODE: V99193 SPECIFICATION NUMBER: S351T020-200 COMPONENT MAINT MANUAL REF: 49-22-11 QUALIFIED I/W DATA: S351T020-200 (3800298-1-1) AND S351T020-205 (3800298-1-6) ARE INTERCHANGEABLE WITH THE INCORPORATION OF S/B 767-49-0025 S351T020-200 (3800298-1-1) AND S351T020-206 (3800298-1-7/3800298-1) ARE INTERCHANGEABLE WITH THE INCORPORATION OF ALLIED SIGNAL S/B GTCP331-49-7081 FOR NHA/OTHER SYS DET SEE: 49-11-00-01		RF

ILLUSTRATION ITEMS NOT ON PARTS LIST ARE NOT APPLICABLE

- ITEM NOT ILLUSTRATED

HXL

49-52-03-01

BOEING PROPRIETARY - Copyright © - Unpublished Work - See title page for details.

49-52-03
 FIG. 01
 PAGE 1
 DEC 22/06



767

PARTS CATALOG (MAINTENANCE)

FIG ITEM	PART NUMBER	1 2 3 4 5 6 7	NOMENCLATURE	EFFECT FROM TO	UNITS PER ASSY
1 - 10	3800298-1-2		ENGINE ASSY-GAS TURB (APU INLET GUIDE VANE LINKAGE BELLCRANK ONLY) MODEL GTCP331-200ER SUPPLIER CODE: V99193 SPECIFICATION NUMBER: S351T020-201 CONFIG CHG DATA FROM A CMM: REPLS 3800298-1-1 COMPONENT MAINT MANUAL REF: 49-22-11 QUALIFIED I/W DATA: S351T020-201 (3800298-1-2) AND S351T020-205 (3800298-1-6) ARE INTERCHANGEABLE WITH THE INCORPORATION OF S/B 767-49-0025 S351T020-201 (3800298-1-2) AND S351T020-206 (3800298-1-7/3800298-1) ARE INTERCHANGEABLE WITH THE INCORPORATION OF ALLIED SIGNAL S/B GTCP331-49-7081 FOR NHA/OTHER SYS DET SEE: 49-11-00-01		RF

ILLUSTRATION ITEMS NOT ON PARTS LIST ARE NOT APPLICABLE

- ITEM NOT ILLUSTRATED

HXL

49-52-03-01

BOEING PROPRIETARY - Copyright © - Unpublished Work - See title page for details.

49-52-03
FIG. 01
PAGE 2
DEC 22/06



767

PARTS CATALOG (MAINTENANCE)

FIG ITEM	PART NUMBER	1 2 3 4 5 6 7 NOMENCLATURE	EFFECT FROM TO	UNITS PER ASSY
1 - 10	3800298-1-3	ENGINE ASSY-GAS TURB (APU INLET GUIDE VANE LINKAGE BELLCRANK ONLY) MODEL GTCP331-200ER SUPPLIER CODE: V99193 SPECIFICATION NUMBER: S351T020-202 CONFIG CHG DATA FROM A CMM: REPLS 3800298-1-2 COMPONENT MAINT MANUAL REF: 49-22-11 QUALIFIED I/W DATA: S351T020-202 (3800298-1-3) AND S351T020-205 (3800298-1-6) ARE INTERCHANGEABLE WITH THE INCORPORATION OF S/B 767-49-0025 S351T020-202 (3800298-1-3) AND S351T020-206 (3800298-1-7/3800298-1) ARE INTERCHANGEABLE WITH THE INCORPORATION OF ALLIED SIGNAL S/B GTCP331-49-7081 FOR NHA/OTHER SYS DET SEE: 49-11-00-01		RF

ILLUSTRATION ITEMS NOT ON PARTS LIST ARE NOT APPLICABLE

- ITEM NOT ILLUSTRATED

HXL

49-52-03-01

BOEING PROPRIETARY - Copyright © - Unpublished Work - See title page for details.

49-52-03
 FIG. 01
 PAGE 3
 DEC 22/06



767

PARTS CATALOG (MAINTENANCE)

FIG ITEM	PART NUMBER	1 2 3 4 5 6 7 NOMENCLATURE	EFFECT FROM TO	UNITS PER ASSY
1 - 10	3800298-1-4	ENGINE ASSY-GAS TURB (APU INLET GUIDE VANE LINKAGE BELLCRANK ONLY) MODEL GTCP331-200ER SUPPLIER CODE: V99193 SPECIFICATION NUMBER: S351T020-203 CONFIG CHG DATA FROM A CMM: REPLS 3800298-1-3 COMPONENT MAINT MANUAL REF: 49-22-11 QUALIFIED I/W DATA: S351T020-203 (3800298-1-4) AND S351T020-205 (3800298-1-6) ARE INTERCHANGEABLE WITH THE INCORPORATION OF S/B 767-49-0025 S351T020-203 (3800298-1-4) AND S351T020-206 (3800298-1-7/3800298-1) ARE INTERCHANGEABLE WITH THE INCORPORATION OF ALLIED SIGNAL S/B GTCP331-49-7081 FOR NHA/OTHER SYS DET SEE: 49-11-00-01		RF

ILLUSTRATION ITEMS NOT ON PARTS LIST ARE NOT APPLICABLE

- ITEM NOT ILLUSTRATED

HXL

49-52-03-01

BOEING PROPRIETARY - Copyright © - Unpublished Work - See title page for details.

49-52-03
 FIG. 01
 PAGE 4
 DEC 22/06



767

PARTS CATALOG (MAINTENANCE)

FIG ITEM	PART NUMBER	1 2 3 4 5 6 7	NOMENCLATURE	EFFECT FROM TO	UNITS PER ASSY
1					
- 10	3800298-1-5		ENGINE ASSY-GAS TURB (APU INLET GUIDE VANE LINKAGE BELLCRANK ONLY) MODEL GTCP331-200ER SUPPLIER CODE: V99193 SPECIFICATION NUMBER: S351T020-204 CONFIG CHG DATA FROM A CMM: REPLS 3800298-1-4 COMPONENT MAINT MANUAL REF: 49-22-11 QUALIFIED I/W DATA: S351T020-204 (3800298-1-5) AND S351T020-206 (3800298-1-7/3800298-1) ARE INTERCHANGEABLE WITH THE INCORPORATION OF ALLIED SIGNAL S/B GTCP331-49-7081 S351T020-204 (3800298-1-5) AND S351T020-205 (3800298-1-6) ARE INTERCHANGEABLE WITH THE INCORPORATION OF S/B 767-49-0025 FOR NHA/OTHER SYS DET SEE: 49-11-00-01		RF
- 10	3800298-1-6		ENGINE ASSY-GAS TURB (APU INLET GUIDE VANE LINKAGE BELLCRANK ONLY) MODEL GTCP331-200ER SUPPLIER CODE: V99193 SPECIFICATION NUMBER: S351T020-205 CONFIG CHG DATA FROM A CMM: REPLS 3800298-1-5 COMPONENT MAINT MANUAL REF: 49-22-11 QUALIFIED I/W DATA: S351T020-204 (3800298-1-5) AND S351T020-205 (3800298-1-6) ARE INTERCHANGEABLE WITH THE INCORPORATION OF S/B		RF
ILLUSTRATION ITEMS NOT ON PARTS LIST ARE NOT APPLICABLE					

- ITEM NOT ILLUSTRATED

49-52-03-01

49-52-03
FIG. 01
PAGE 5
DEC 22/06

HXL



767

PARTS CATALOG (MAINTENANCE)

FIG ITEM	PART NUMBER	1 2 3 4 5 6 7 NOMENCLATURE	EFFECT FROM TO	UNITS PER ASSY
1 10		767-49-0025 S351T020-203 (3800298-1-4) AND S351T020-205 (3800298-1-6) ARE INTERCHANGEABLE WITH INCORPORATION OF S/B 767-49-0025 S351T020-202 (3800298-1-3) AND S351T020-205 (3800298-1-6) ARE INTERCHANGEABLE WITH THE INCORPORATION OF S/B 767-49-0025 S351T020-201 (3800298-1-2) AND S351T020-205 (3800298-1-6) ARE INTERCHANGEABLE WITH THE INCORPORATION OF S/B 767-49-0025 S351T020-200 (3800298-1-1) AND S351T020-205 (3800298-1-6) ARE INTERCHANGEABLE WITH THE INCORPORATION OF S/B 767-49-0025 FOR NHA/OTHER SYS DET SEE: 49-11-00-01		
- 15	3800298-1-6	ENGINE ASSY-GAS TURB (APU INLET GUIDE VANE LINKAGE BELLCRANK ONLY) MODEL GTCP331-200ER SUPPLIER CODE: V99193 SPECIFICATION NUMBER: S351T020-205 CONFIG CHG DATA FROM A CMM: REPLS 3800298-1-5 COMPONENT MAINT MANUAL REF: 49-22-11 QUALIFIED I/W DATA: S351T020-203 (3800298-1-4) AND S351T020-205 (3800298-1-6) ARE INTERCHANGEABLE WITH THE ILLUSTRATION ITEMS NOT ON PARTS LIST ARE NOT APPLICABLE		RF

- ITEM NOT ILLUSTRATED

49-52-03-01

49-52-03
 FIG. 01
 PAGE 6
 DEC 22/06

HXL



767

PARTS CATALOG (MAINTENANCE)

FIG ITEM	PART NUMBER	1 2 3 4 5 6 7 NOMENCLATURE	EFFECT FROM TO	UNITS PER ASSY
1 15		INCORPORATION OF ALLIED SIGNAL S/B GTCP331-49-7081. S351T020-204 (3800298-1-5) AND S351T020-205 (3800298-1-6) ARE INTERCHANGEABLE WITH THE INCORPORATION OF ALLIED SIGNAL S/B GTCP331-49-7081. S351T020-202 (3800298-1-3) AND S351T020-205 (3800298-1-6) ARE INTERCHANGEABLE WITH THE INCORPORATION OF ALLIED SIGNAL S/B GTCP331-49-7081. S351T020-201 (3800298-1-2) AND S351T020-205 (3800298-1-6) ARE INTERCHANGEABLE WITH THE INCORPORATION OF ALLIED SIGNAL S/B GTCP331-49-7081. S351T020-200 (3800298-1-1) AND S351T020-205 (3800298-1-6) ARE INTERCHANGEABLE WITH THE INCORPORATION OF ALLIED SIGNAL S/B GTCP331-49-7081. FOR NHA/OTHER SYS DET SEE: 49-11-00-01		
- 15	3800298-1-7	ENGINE ASSY-GAS TURB (APU INLET GUIDE VANE LINKAGE BELLCRANK ONLY) MODEL GTCP331-200ER SUPPLIER CODE: V99193 SPECIFICATION NUMBER: S351T020-206 CONFIG CHG DATA FROM A CMM: REPLS 3800298-1-6 ELECTRICAL EQUIP NUMBER: M00967 ILLUSTRATION ITEMS NOT ON PARTS LIST ARE NOT APPLICABLE		RF

- ITEM NOT ILLUSTRATED

49-52-03-01

49-52-03
 FIG. 01
 PAGE 7
 DEC 22/06

HXL



767

PARTS CATALOG (MAINTENANCE)

FIG ITEM	PART NUMBER	1 2 3 4 5 6 7 NOMENCLATURE	EFFECT FROM TO	UNITS PER ASSY
1		COMPONENT MAINT MANUAL REF: 49-22-11 QUALIFIED I/W DATA: S351T020-203 (3800298-1-4) AND S351T020-206 (3800298-1-7/3800298-1) ARE INTERCHANGEABLE WITH THE INCORPORATION OF ALLIED SIGNAL S/B GTCP331-49-7081. S351T020-204 (3800298-1-5) AND S351T020-206 (3800298-1-7/3800298-1) ARE INTERCHANGEABLE WITH THE INCORPORATION OF ALLIED SIGNAL S/B GTCP331-49-7081. S351T020-202 (3800298-1-3) AND S351T020-206 (3800298-1-7/3800298-1) ARE INTERCHANGEABLE WITH THE INCORPORATION OF ALLIED SIGNAL S/B GTCP331-49-7081 S351T020-201 (3800298-1-2) AND S351T020-206 (3800298-1-7/3800298-1) ARE INTERCHANGEABLE WITH THE INCORPORATION OF ALLIED SIGNAL S/B GTCP331-49-7081 S351T020-200 (3800298-1-1) AND S351T020-206 (3800298-1-7/3800298-1) ARE INTERCHANGEABLE WITH THE INCORPORATION OF ALLIED SIGNAL S/B GTCP331-49-7081 OPTIONAL PART: 3800298-1 V99193 FOR NHA/OTHER SYS DET SEE: 49-11-00-01 ENGINE ASSY-GAS TURB		
- 15	3800298-1	ENGINE ASSY-GAS TURB ILLUSTRATION ITEMS NOT ON PARTS LIST ARE NOT APPLICABLE		RF

- ITEM NOT ILLUSTRATED

49-52-03-01

49-52-03
 FIG. 01
 PAGE 8
 DEC 22/06

HXL



767

PARTS CATALOG (MAINTENANCE)

FIG ITEM	PART NUMBER	1 2 3 4 5 6 7 NOMENCLATURE	EFFECT FROM TO	UNITS PER ASSY
1 15		<p>(APU INLET GUIDE VANE LINKAGE BELLCRANK ONLY) SUPPLIER CODE: V99193 SPECIFICATION NUMBER: S351T020-206 COMPONENT MAINT MANUAL REF: 49-22-11 QUALIFIED I/W DATA: S351T020-204 (3800298-1-5) AND S351T020-206 (3800298-1-7/3800298-1) ARE INTERCHANGEABLE WITH THE INCORPORATION OF ALLIED SIGNAL S/B GTCP331-49-7081 S351T020-203 (3800298-1-4) AND S351T020-206 (3800298-1-7/3800298-1) ARE INTERCHANGEABLE WITH THE INCORPORATION OF ALLIED SIGNAL S/B GTCP331-49-7081. S351T020-202 (3800298-1-3) AND S351T020-206 (3800298-1-7/3800298-1) ARE INTERCHANGEABLE WITH THE INCORPORATION OF ALLIED SIGNAL S/B GTCP331-49-7081 S351T020-201 (3800298-1-2) AND S351T020-206 (3800298-1-7/3800298-1) ARE INTERCHANGEABLE WITH THE INCORPORATION OF ALLIED SIGNAL S/B GTCP331-49-7081 S351T020-200 (3800298-1-1) AND S351T020-206 (3800298-1-7/3800298-1) ARE INTERCHANGEABLE WITH THE INCORPORATION OF ALLIED SIGNAL S/B GTCP331-49-7081</p> <p>ILLUSTRATION ITEMS NOT ON PARTS LIST ARE NOT APPLICABLE</p>		

- ITEM NOT ILLUSTRATED

49-52-03-01

49-52-03
FIG. 01
PAGE 9
DEC 22/06

HXL



767

PARTS CATALOG (MAINTENANCE)

FIG ITEM	PART NUMBER	1 2 3 4 5 6 7	NOMENCLATURE	EFFECT FROM TO	UNITS PER ASSY
1			OPTIONAL PART: 3800298-1-7 V99193 FOR NHA/OTHER SYS DET SEE: 49-11-00-01		
50	EWB0420-3-8		.BOLT- SUPPLIER CODE: V56878 OPTIONAL PART: 145-530-9209 V99193		1
50	145-530-9209		.BOLT- SUPPLIER CODE: V99193 OPTIONAL PART: EWB0420-3-8 V56878		1
55	MS21043-3		.NUT		1
60	3826150-1		.BELLCRANK-ACTR SUPPLIER CODE: V99193 NOT APPROVED FOR ETOPS AFTER INCORP OF SB: GTCP331-49-5597 V99193 SB DATA FROM A CMM: PRE SB 49-5480 PRE SB 49-5577		1
60	3826150-2		.BELLCRANK-ACTR SUPPLIER CODE: V99193 NOT APPROVED FOR ETOPS AFTER INCORP OF SB: GTCP331-49-5597 V99193 SB DATA FROM A CMM: PRE SB 49-5597 POST SB 49-5480 POST SB 49-5577 CONFIG CHG DATA FROM A CMM: REPLD BY 3826150-3		1

ILLUSTRATION ITEMS NOT ON PARTS LIST ARE NOT APPLICABLE

- ITEM NOT ILLUSTRATED

HXL

49-52-03-01

BOEING PROPRIETARY - Copyright © - Unpublished Work - See title page for details.

49-52-03
FIG. 01
PAGE 10
DEC 22/06



767

PARTS CATALOG (MAINTENANCE)

FIG ITEM	PART NUMBER	1 2 3 4 5 6 7	NOMENCLATURE	EFFECT FROM TO	UNITS PER ASSY
1					
65	3826150-3		.BELLCRANK-ACTR SUPPLIER CODE: V99193 SB DATA FROM A CMM: POST SB 49-5597 PRE SB 49-6530 CONFIG CHG DATA FROM A CMM: REPLS 3826150-2 REPLD BY 3826527-2 OPTIONAL PART: 3826527-1 V99193		1
65	3826527-1		.BELLCRANK ASSY-ACTR SUPPLIER CODE: V99193 SB DATA FROM A CMM: POST SPB GTE0773 OPTIONAL PART: 3826150-3 V99193		1
65	3826527-2		.BELLCRANK ASSY-ACTR SUPPLIER CODE: V99193 SB DATA FROM A CMM: POST SB 49-6530 CONFIG CHG DATA FROM A CMM: REPLS 3826150-3		1
70	MS9489-26		.BOLT		1
75	S9011G67-032		.WASHER- SUPPLIER CODE: V99193		2
80	MS21043-3		.NUT		1
85	3826158-1		.SHAFT-ACTR SUPPLIER CODE: V99193		1
90	MS21280-10		.BOLT- CONFIG CHG DATA FROM A CMM: REPLD BY MS16996-23		2
90	MS16996-23		.BOLT- CONFIG CHG DATA FROM A CMM: REPLS MS21280-10		2
95	NAS620C416L		.WASHER		2
- 100	MS9360-09		.NUT		1
105	3826154-1		.MOUNT-DRIVER CPRSR-ACTR SUPPLIER CODE: V99193		1
110	3826159-1		..BUSHING- SUPPLIER CODE: V99193		2

ILLUSTRATION ITEMS NOT ON PARTS LIST ARE NOT APPLICABLE

- ITEM NOT ILLUSTRATED

49-52-03-01

49-52-03
FIG. 01
PAGE 11
DEC 22/06

HXL



767
PARTS CATALOG (MAINTENANCE)

FIG ITEM	PART NUMBER	1 2 3 4 5 6 7	NOMENCLATURE	EFFECT FROM TO	UNITS PER ASSY
1 900			ILLUSTRATION REFERENCE: ENGINE ASSY-GAS TURB (APU INLET GUIDE VANE LINKAGE ROD END BEARING ONLY) 49-52-01-01		R F

ILLUSTRATION ITEMS NOT ON PARTS LIST ARE NOT APPLICABLE

- ITEM NOT ILLUSTRATED

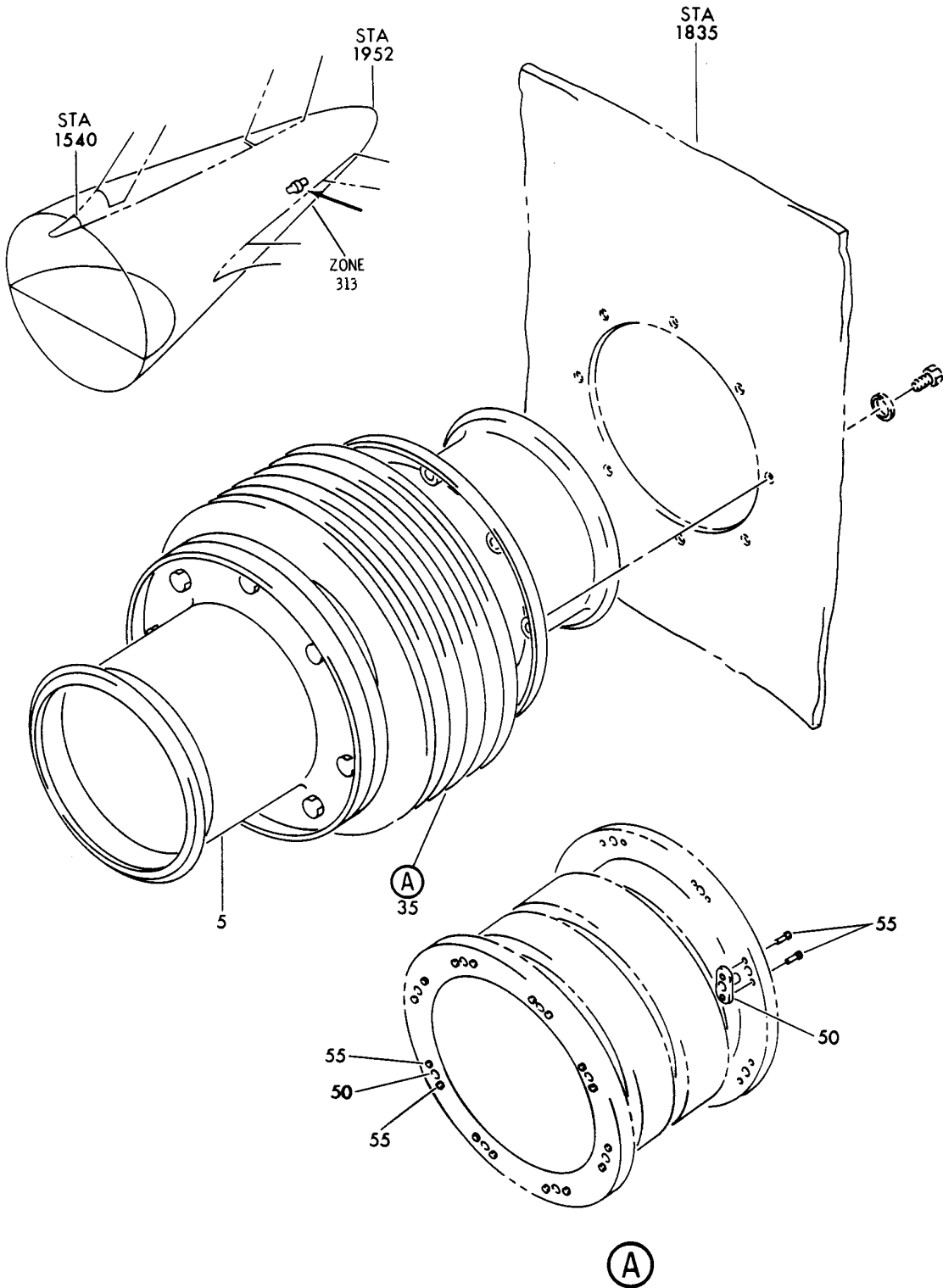
HXL

49-52-03-01

BOEING PROPRIETARY - Copyright © - Unpublished Work - See title page for details.

49-52-03
FIG. 01
PAGE 12
DEC 22/06

BOEING
767
PARTS CATALOG (MAINTENANCE)



V 49525101 SHT 1 REV 018

DUCT INSTL-COMPRESSED AIR AUX PWR SYS
FIGURE 1

49-52-51-01

HXL
DEC 22/06

49-52-51-01
PAGE 0



767

PARTS CATALOG (MAINTENANCE)

FIG ITEM	PART NUMBER	1 2 3 4 5 6 7	NOMENCLATURE	EFFECT FROM TO	UNITS PER ASSY
1			DUCT INSTL-COMPRESSED AIR AUX PWR SYS		
- 1	355T3200-1		DUCT INSTL-COMPRESSED AIR AUX PWR SYS FOR NHA SEE: 49-00-01-01		RF
	5 355T3201-1		. DUCT ASSY ATTACHING PARTS		1
- 10	NAS6703U1		. BOLT		8
- 15	AN960C10L		. WASHER		8
	35 13736-1		-----*----- . SEAL ASSY-AUX PWR SYS PNEU DUCT BELLOWS SUPPLIER CODE: V70628 FUNCTIONAL DESCRIPTION: CARRIES COMPRESSED AIR FLOW FROM APU TO PNEUMATIC SYSTEM. SPECIFICATION NUMBER: S355T320-1 ATTACHING PARTS		1
- 40	NAS6703U1		. BOLT		8
- 45	AN960C10L		. WASHER		8
	50 BRF200C3M		-----*----- . . NUTPLATE SUPPLIER CODE: V52828 SPECIFICATION NUMBER: BACN10JR3CFM OPTIONAL PART: F5001-3BAC V15653 NS103203SE02 V80539 VN152D1-02 V92215 109F9201-3 V72962 T8092C1032 V11815 ATTACHING PARTS		16
	55 BACR15CE3M3		. . RIVET -----*-----		32

ILLUSTRATION ITEMS NOT ON PARTS LIST ARE NOT APPLICABLE

- ITEM NOT ILLUSTRATED

HXL

49-52-51-01

BOEING PROPRIETARY - Copyright © - Unpublished Work - See title page for details.

49-52-51
FIG. 01
PAGE 1
DEC 22/06