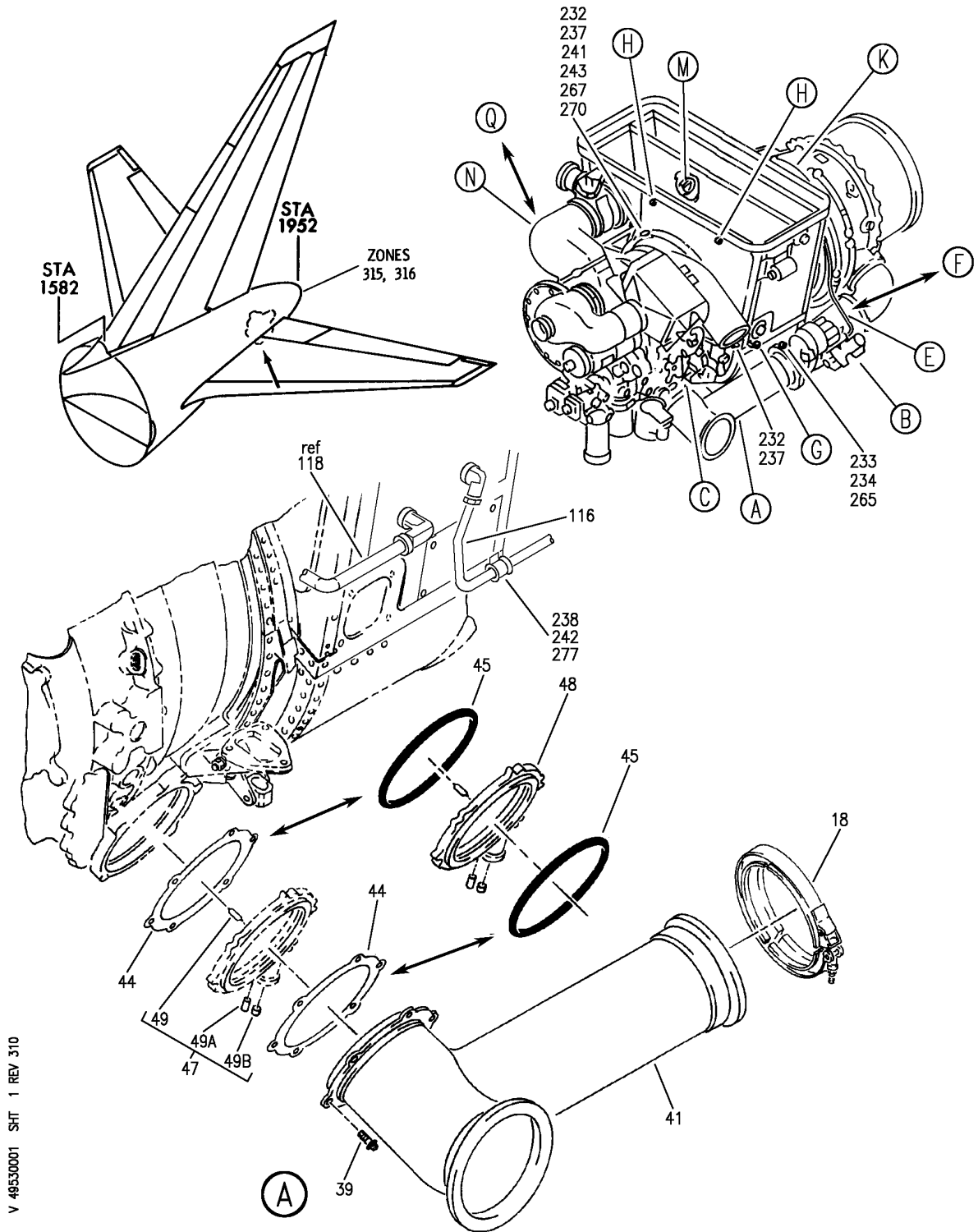


## APU SURGE BLEED SYSTEM

HXL  
DEC 22/06

49-53-00  
SECTION TITLE  
PAGE 1

**BOEING**  
767  
PARTS CATALOG (MAINTENANCE)



V 49530001 SHT 1 REV 310

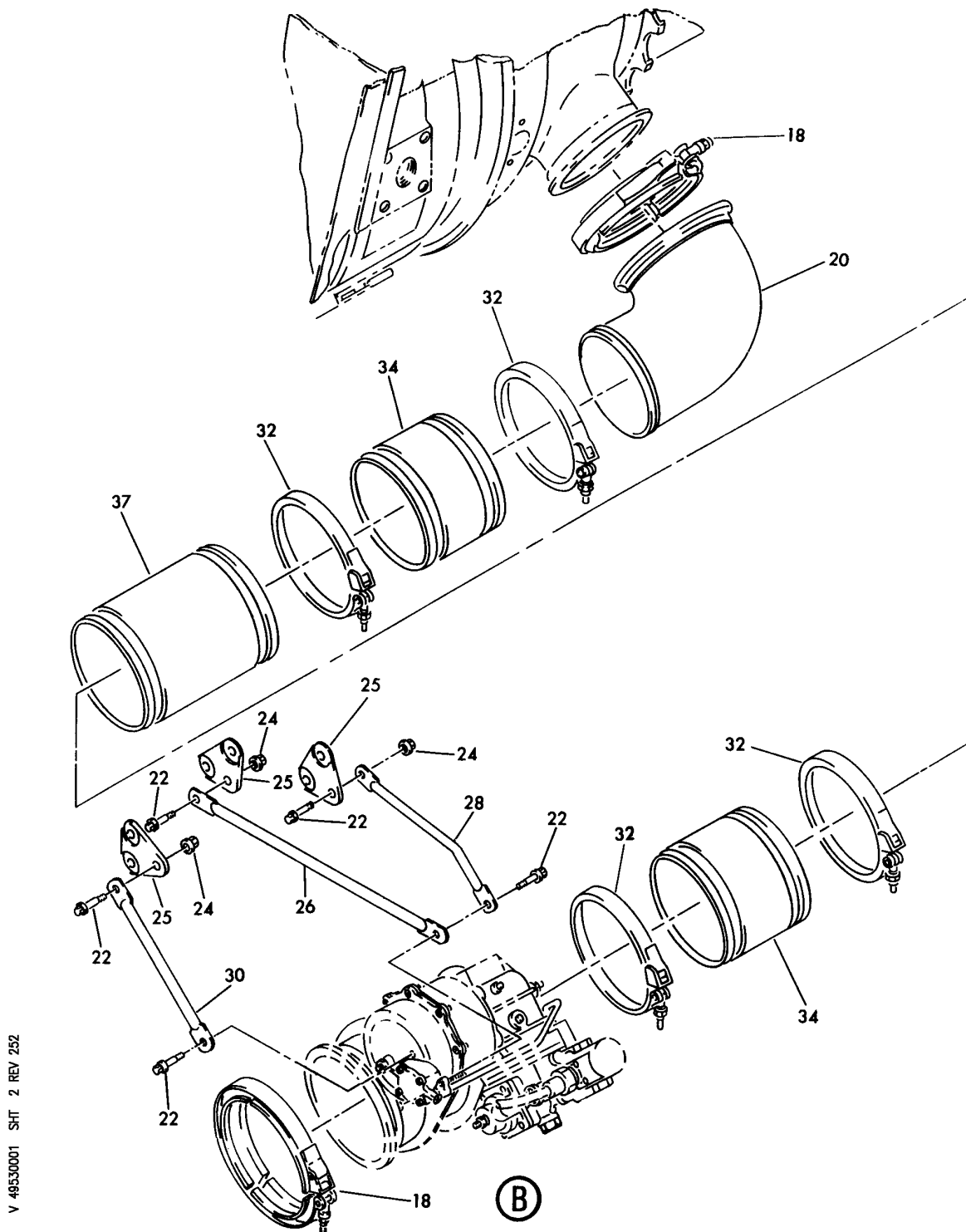
ENGINE ASSY-GAS TURB (APU SURGE BLEED SYSTEM ONLY)  
FIGURE 1 (SHEET 1)

**49-53-00-01**

HXL  
DEC 22/06

49-53-00-01  
PAGE 0

**BOEING**  
767  
PARTS CATALOG (MAINTENANCE)



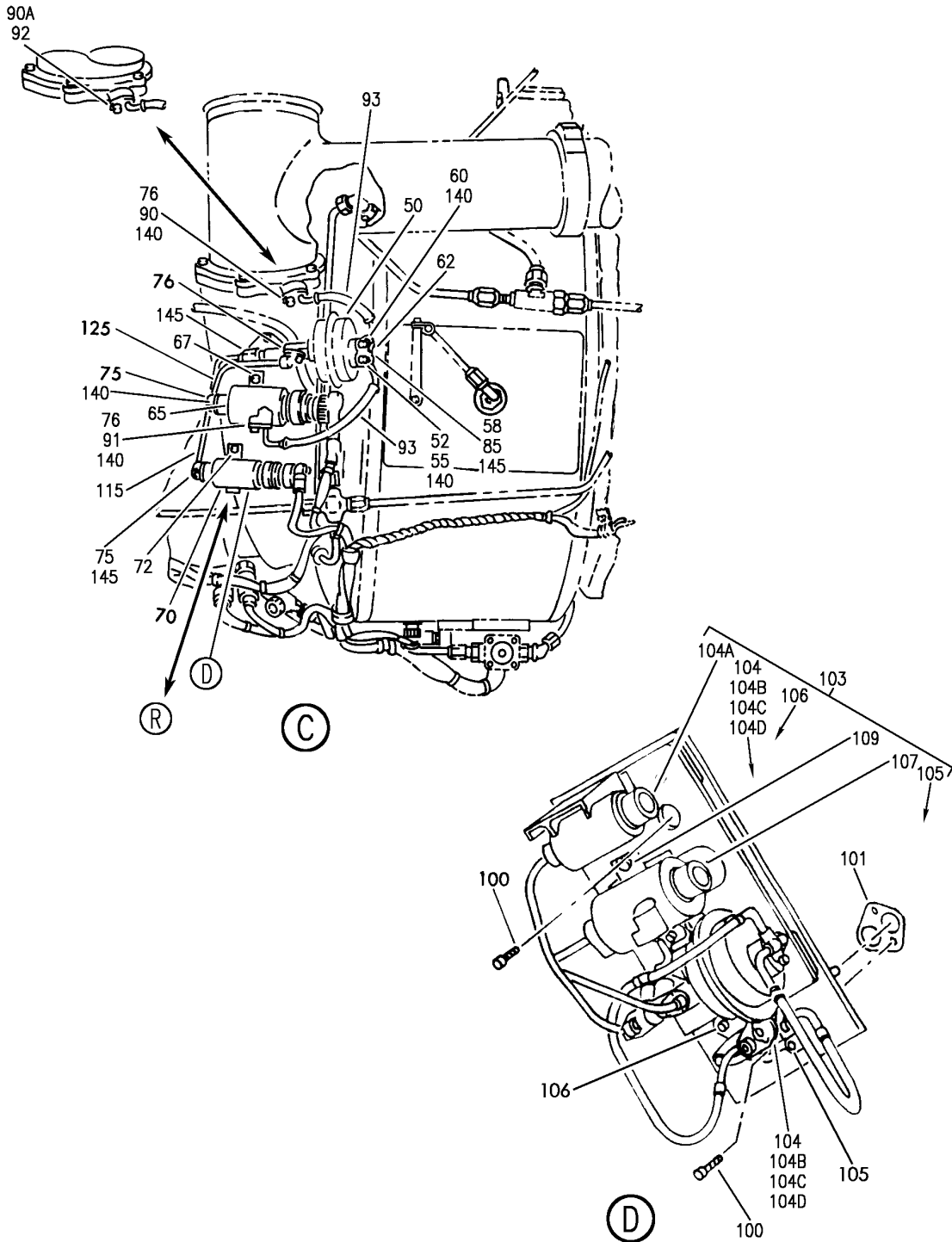
ENGINE ASSY-GAS TURB (APU SURGE BLEED SYSTEM ONLY)  
FIGURE 1 (SHEET 2)

**49-53-00-01**

HXL  
DEC 22/06

49-53-00-01  
PAGE 0A

**BOEING**  
767  
**PARTS CATALOG (MAINTENANCE)**



V 49530001 SH1 3 REV 303

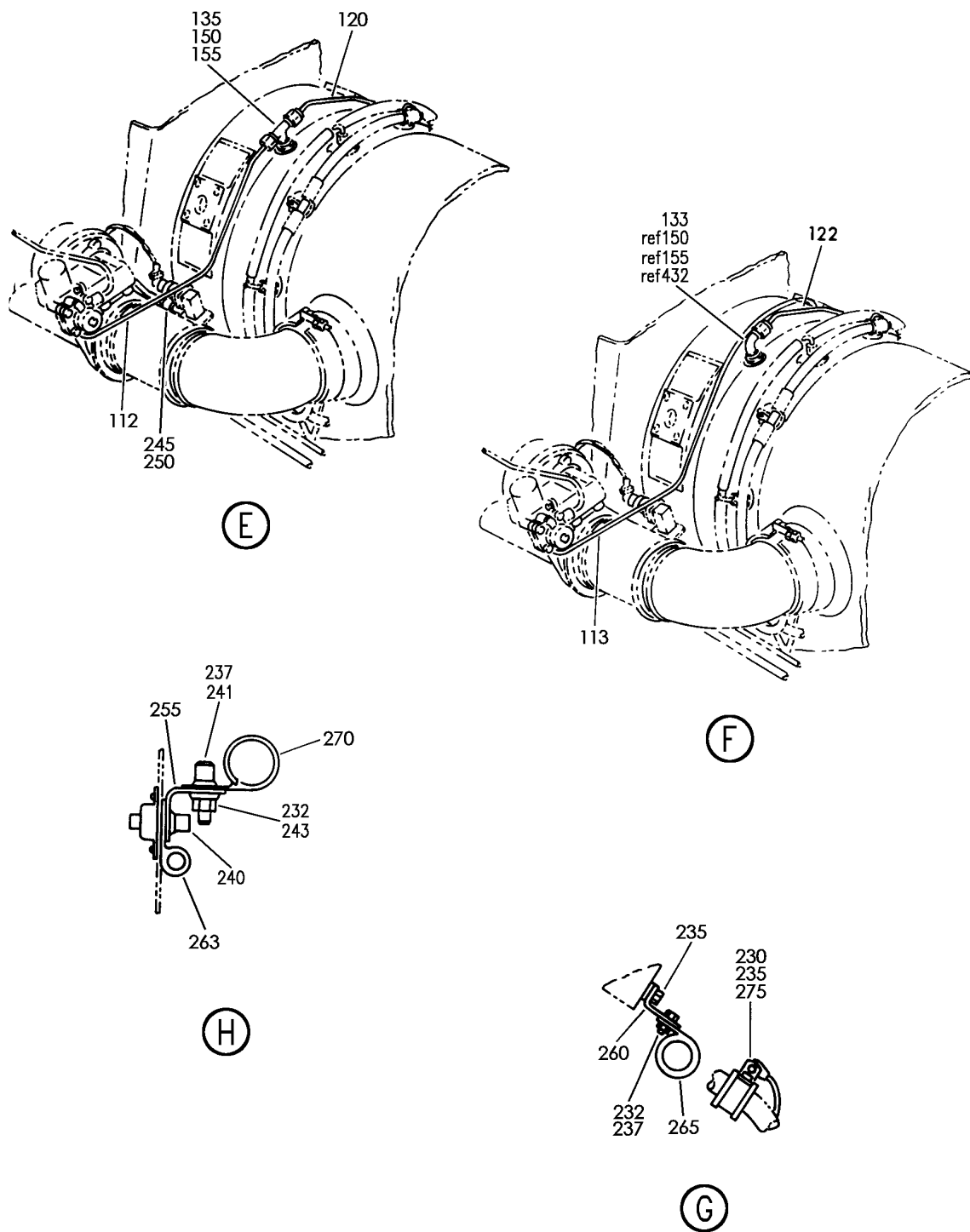
ENGINE ASSY-GAS TURB (APU SURGE BLEED SYSTEM ONLY)  
FIGURE 1 (SHEET 3)

**49-53-00-01**

HXL  
DEC 22/06

49-53-00-01  
PAGE 0B

**BOEING**  
767  
PARTS CATALOG (MAINTENANCE)



V 49530001 SH1 4 REV 252

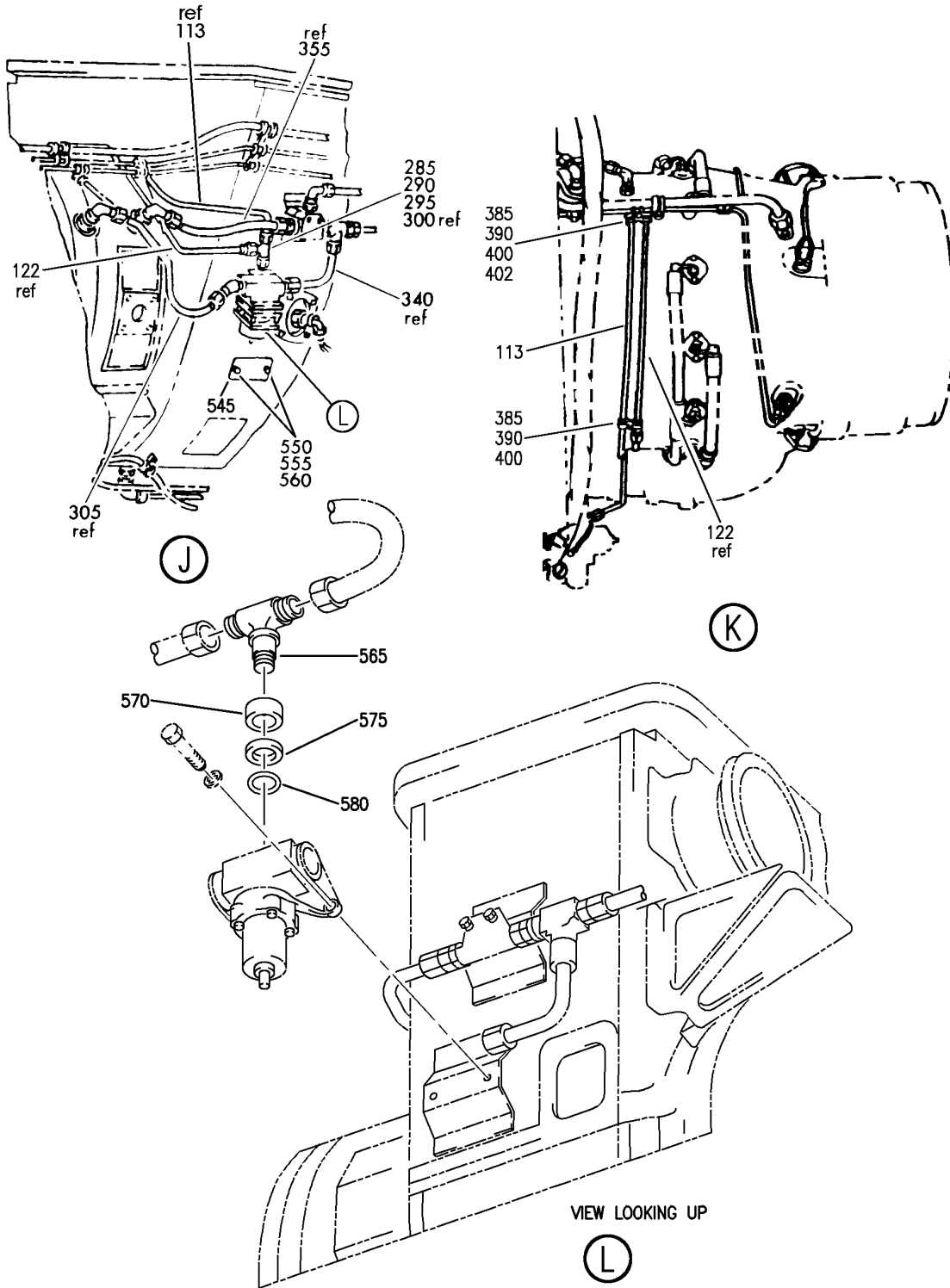
ENGINE ASSY-GAS TURB (APU SURGE BLEED SYSTEM ONLY)  
FIGURE 1 (SHEET 4)

**49-53-00-01**

HXL  
DEC 22/06

49-53-00-01  
PAGE 0C


**BOEING**  
 767  
**PARTS CATALOG (MAINTENANCE)**



V 49530001 SHT 5 REV 298

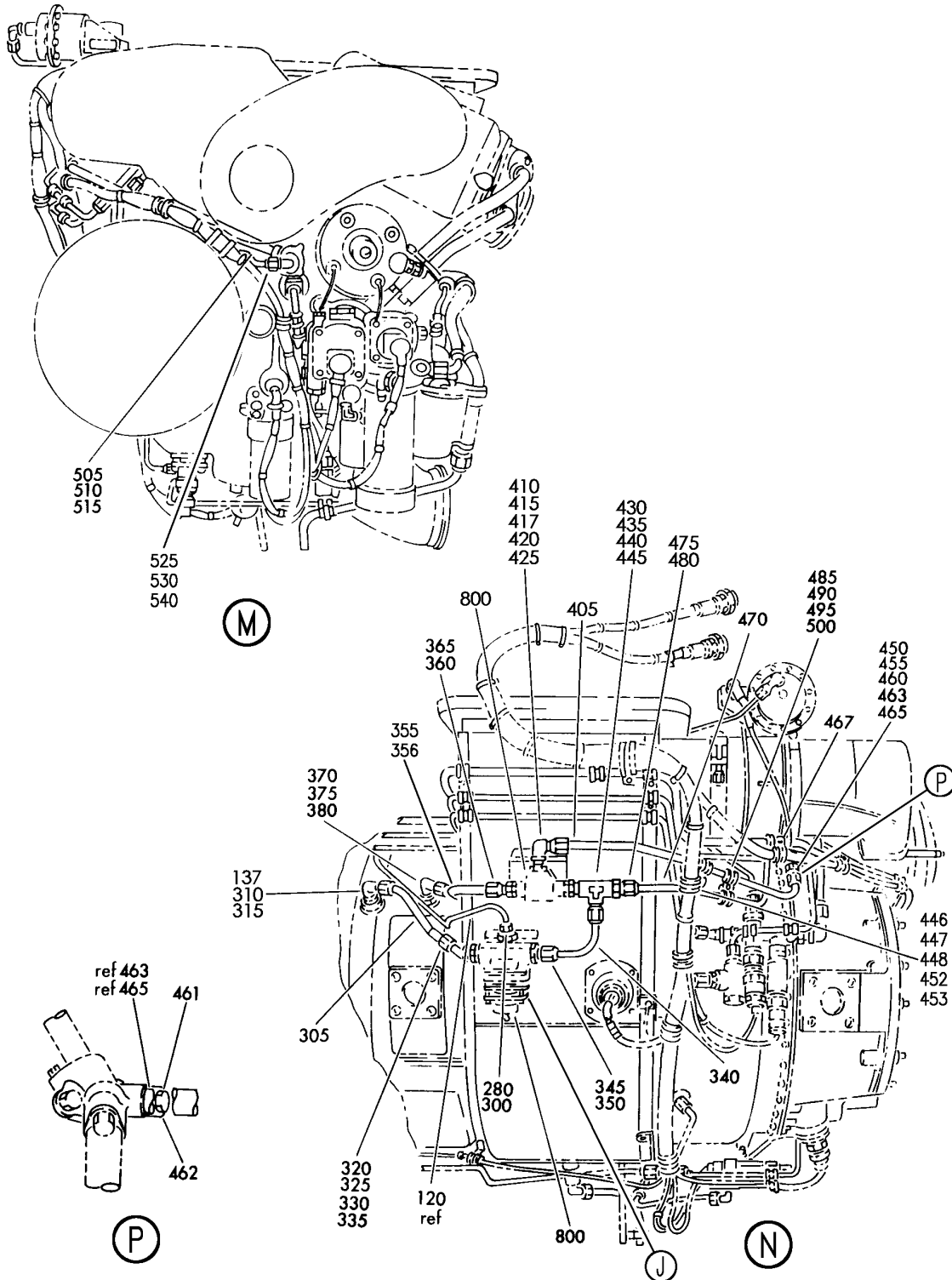
ENGINE ASSY-GAS TURB (APU SURGE BLEED SYSTEM ONLY)  
 FIGURE 1 (SHEET 5)

**49-53-00-01**

HXL  
DEC 22/06

49-53-00-01  
 PAGE 0D

**BOEING**  
767  
PARTS CATALOG (MAINTENANCE)



V 49530001 SHT 6 REV 298

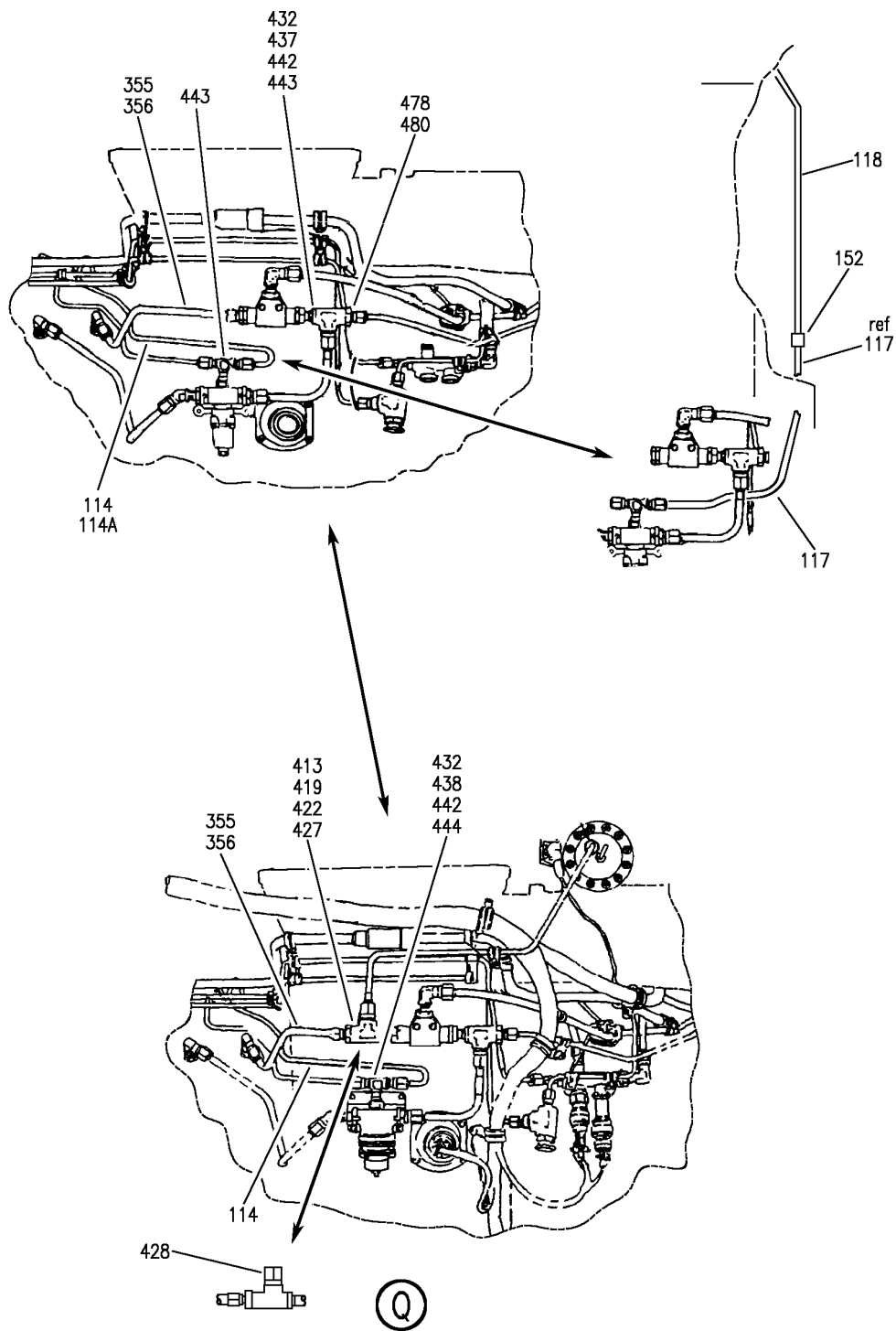
ENGINE ASSY-GAS TURB (APU SURGE BLEED SYSTEM ONLY)  
FIGURE 1 (SHEET 6)

**49-53-00-01**

HXL  
DEC 22/06

49-53-00-01  
PAGE 0E

**BOEING**  
767  
PARTS CATALOG (MAINTENANCE)



V 49530001 SH-T 7 REV 310

ENGINE ASSY-GAS TURB (APU SURGE BLEED SYSTEM ONLY)  
FIGURE 1 (SHEET 7)

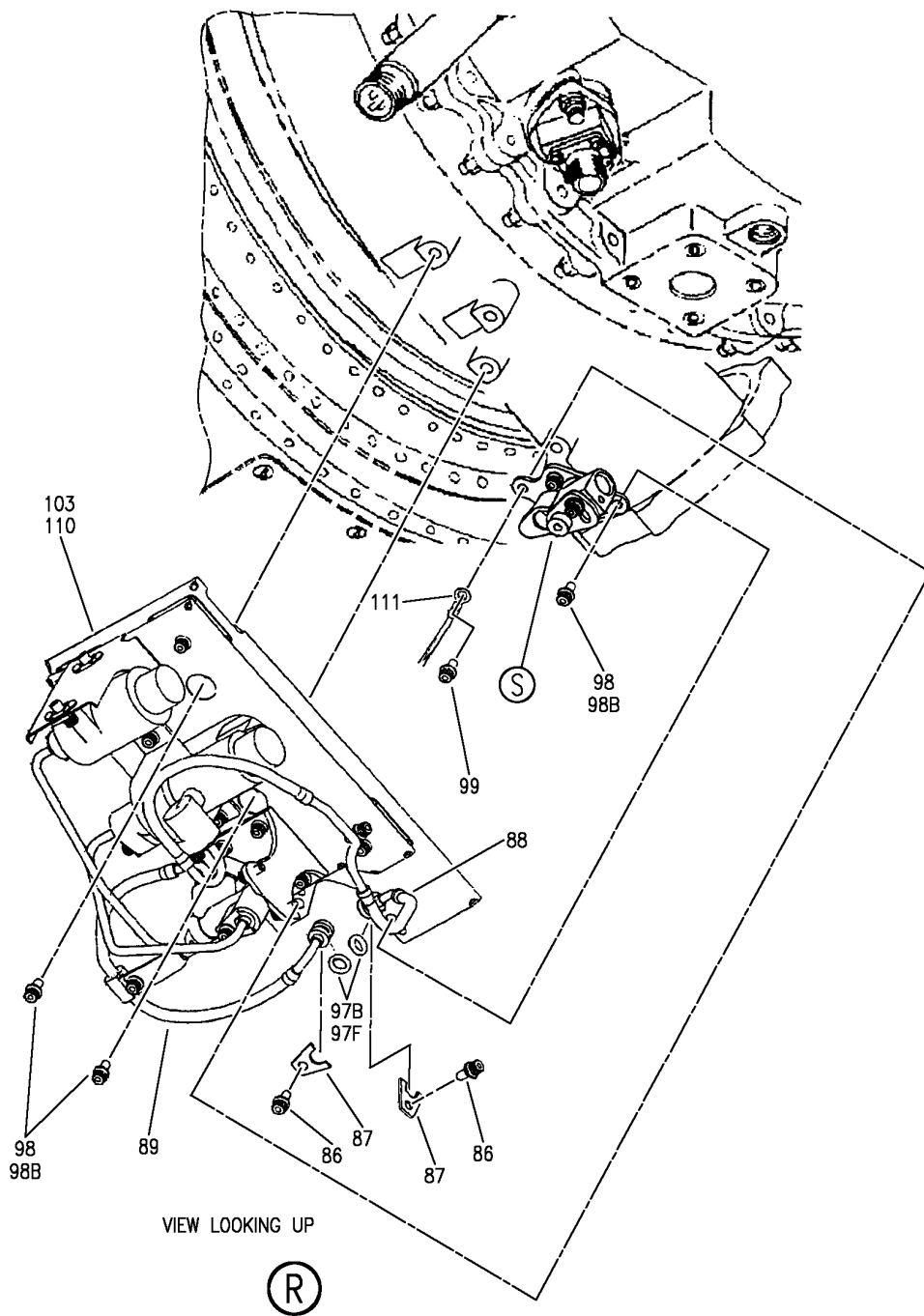
**49-53-00-01**

HXL  
DEC 22/06

49-53-00-01  
PAGE OF



**BOEING**  
767  
PARTS CATALOG (MAINTENANCE)



V 49530001 SHT 8 REV 303

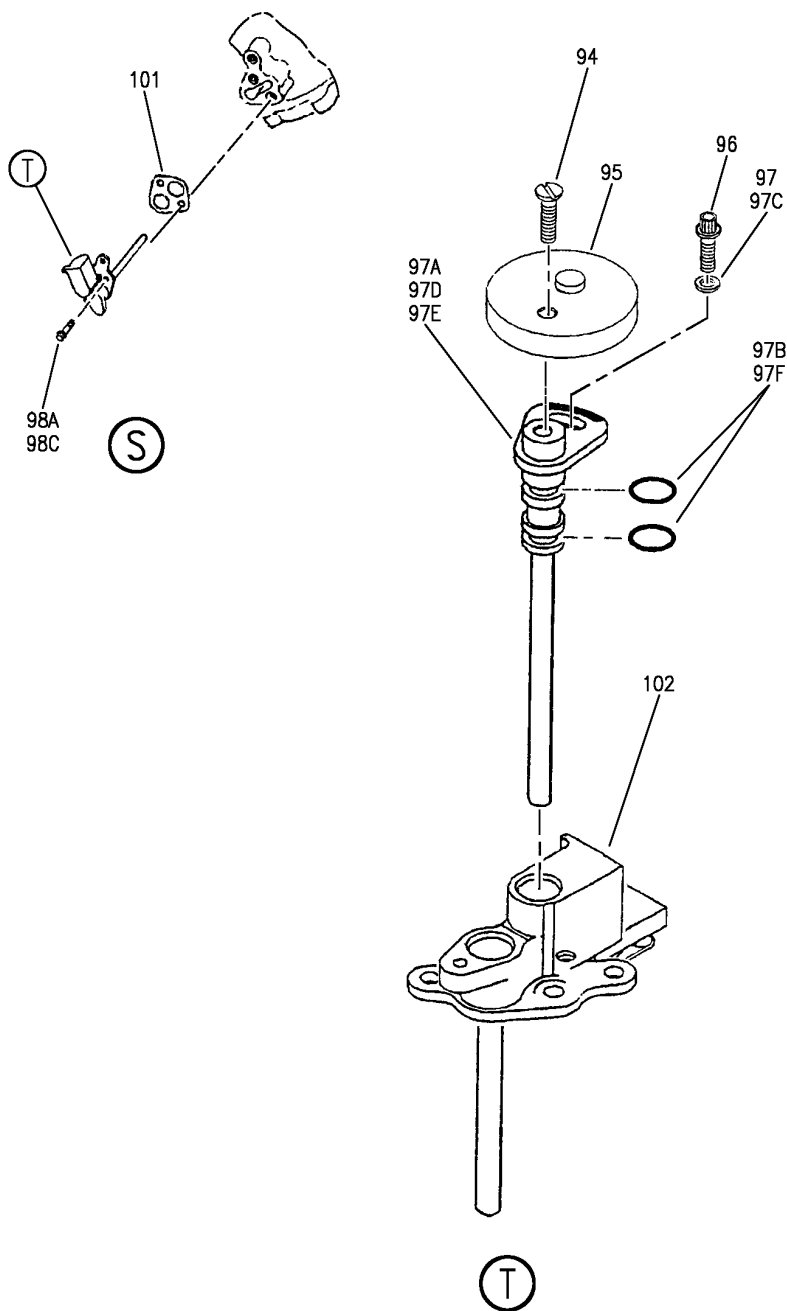
ENGINE ASSY-GAS TURB (APU SURGE BLEED SYSTEM ONLY)  
FIGURE 1 (SHEET 8)

**49-53-00-01**

HXL  
DEC 22/06

49-53-00-01  
PAGE 08

**BOEING**  
767  
PARTS CATALOG (MAINTENANCE)



V 49530001 SH-T 9 REV 303

ENGINE ASSY-GAS TURB (APU SURGE BLEED SYSTEM ONLY)  
FIGURE 1 (SHEET 9)

**49-53-00-01**

HXL  
DEC 22/06

49-53-00-01  
PAGE 0H



767

PARTS CATALOG (MAINTENANCE)

FIG ITEM	PART NUMBER	1 2 3 4 5 6 7 NOMENCLATURE	EFFECT FROM TO	UNITS PER ASSY
1  - 1	3800298-1-1	ENGINE ASSY-GAS TURB (APU SURGE BLEED SYSTEM ONLY) ENGINE ASSY-GAS TURB (APU SURGE BLEED SYSTEM ONLY) SUPPLIER CODE: V99193 SPECIFICATION NUMBER: S351T020-200 COMPONENT MAINT MANUAL REF: 49-22-11 QUALIFIED I/W DATA: S351T020-200 (3800298-1-1) AND S351T020-205 (3800298-1-6) ARE INTERCHANGEABLE WITH THE INCORPORATION OF S/B 767-49-0025 S351T020-200 (3800298-1-1) AND S351T020-206 (3800298-1-7/3800298-1) ARE INTERCHANGEABLE WITH THE INCORPORATION OF ALLIED SIGNAL S/B GTCP331-49-7081. FOR NHA/OTHER SYS DET SEE: 49-11-00-01		RF

ILLUSTRATION ITEMS NOT ON PARTS LIST ARE NOT APPLICABLE

- ITEM NOT ILLUSTRATED

HXL

49-53-00-01

BOEING PROPRIETARY - Copyright © - Unpublished Work - See title page for details.

49-53-00  
 FIG. 01  
 PAGE 1  
 DEC 22/06



767

PARTS CATALOG (MAINTENANCE)

FIG ITEM	PART NUMBER	1 2 3 4 5 6 7 NOMENCLATURE	EFFECT FROM TO	UNITS PER ASSY
1 - 1	3800298-1-2	ENGINE ASSY-GAS TURB MODEL GTCP331-200ER (APU SURGE BLEED SYSTEM ONLY) SUPPLIER CODE: V99193 SPECIFICATION NUMBER: S351T020-201 CONFIG CHG DATA FROM A CMM: REPLS 3800298-1-1 COMPONENT MAINT MANUAL REF: 49-22-11 QUALIFIED I/W DATA: S351T020-201 (3800298-1-2) AND S351T020-205 (3800298-1-6) ARE INTERCHANGEABLE WITH THE INCORPORATION OF S/B 767-49-0025 S351T020-201 (3800298-1-2) AND S351T020-206 (3800298-1-7/3800298-1) ARE INTERCHANGEABLE WITH THE INCORPORATION OF ALLIED SIGNAL S/B GTCP331-49-7081. FOR NHA/OTHER SYS DET SEE: 49-11-00-01		RF

ILLUSTRATION ITEMS NOT ON PARTS LIST ARE NOT APPLICABLE

- ITEM NOT ILLUSTRATED

HXL

49-53-00-01

BOEING PROPRIETARY - Copyright © - Unpublished Work - See title page for details.

49-53-00  
 FIG. 01  
 PAGE 2  
 DEC 22/06



767

PARTS CATALOG (MAINTENANCE)

FIG ITEM	PART NUMBER	1 2 3 4 5 6 7 NOMENCLATURE	EFFECT FROM TO	UNITS PER ASSY
1 - 1	3800298-1-3	ENGINE ASSY-GAS TURB MODEL GTCP331-200ER (APU SURGE BLEED SYSTEM ONLY) SUPPLIER CODE: V99193 SPECIFICATION NUMBER: S351T020-202 CONFIG CHG DATA FROM A CMM: REPLS 3800298-1-2 COMPONENT MAINT MANUAL REF: 49-22-11 QUALIFIED I/W DATA: S351T020-202 (3800298-1-3) AND S351T020-205 (3800298-1-6) ARE INTERCHANGEABLE WITH THE INCORPORATION OF S/B 767-49-0025 S351T020-202 (3800298-1-3) AND S351T020-206 (3800298-1-7/3800298-1) ARE INTERCHANGEABLE WITH THE INCORPORATION OF ALLIED SIGNAL S/B GTCP331-49-7081. FOR NHA/OTHER SYS DET SEE: 49-11-00-01		RF

ILLUSTRATION ITEMS NOT ON PARTS LIST ARE NOT APPLICABLE

- ITEM NOT ILLUSTRATED

HXL

49-53-00-01

BOEING PROPRIETARY - Copyright © - Unpublished Work - See title page for details.

49-53-00  
 FIG. 01  
 PAGE 3  
 DEC 22/06



767

PARTS CATALOG (MAINTENANCE)

FIG ITEM	PART NUMBER	1 2 3 4 5 6 7 NOMENCLATURE	EFFECT FROM TO	UNITS PER ASSY
1 - 1	3800298-1-4	ENGINE ASSY-GAS TURB MODEL GTCP331-200ER (APU SURGE BLEED SYSTEM ONLY) SUPPLIER CODE: V99193 SPECIFICATION NUMBER: S351T020-203 CONFIG CHG DATA FROM A CMM: REPLS 3800298-1-3 COMPONENT MAINT MANUAL REF: 49-22-11 QUALIFIED I/W DATA: S351T020-203 (3800298-1-4) AND S351T020-206 (3800298-1-7/3800298-1) ARE INTERCHANGEABLE WITH THE INCORPORATION OF ALLIED SIGNAL S/B GTCP331-49-7081. S351T020-203 (3800298-1-4) AND S351T020-205 (3800298-1-6) ARE INTERCHANGEABLE WITH THE INCORPORATION OF SB 767-49-0025 FOR NHA/OTHER SYS DET SEE: 49-11-00-01		RF

ILLUSTRATION ITEMS NOT ON PARTS LIST ARE NOT APPLICABLE

- ITEM NOT ILLUSTRATED

HXL

49-53-00-01

BOEING PROPRIETARY - Copyright © - Unpublished Work - See title page for details.

49-53-00  
 FIG. 01  
 PAGE 4  
 DEC 22/06



767

PARTS CATALOG (MAINTENANCE)

FIG ITEM	PART NUMBER	1 2 3 4 5 6 7	NOMENCLATURE	EFFECT FROM TO	UNITS PER ASSY
1					
- 1	3800298-1-5		ENGINE ASSY-GAS TURB (APU SURGE BLEED SYSTEM ONLY) SUPPLIER CODE: V99193 SPECIFICATION NUMBER: S351T020-204 CONFIG CHG DATA FROM A CMM: REPLS 3800298-1-4 COMPONENT MAINT MANUAL REF: 49-22-11 QUALIFIED I/W DATA: S351T020-204 (3800298-1-5) AND S351T020-205 (3800298-1-6) ARE INTERCHANGEABLE WITH THE INCORPORATION OF S/B 767-49-0025 S351T020-204 (3800298-1-5) AND S351T020-206 (3800298-1-7/3800298-1) ARE INTERCHANGEABLE WITH THE INCORPORATION OF ALLIED SIGNAL S/B GTCP331-49-7081 FOR NHA/OTHER SYS DET SEE: 49-11-00-01		RF
- 2	3800298-1-7		ENGINE ASSY-GAS TURB MODEL GTCP331-200ER (APU SURGE BLEED SYSTEM ONLY) SUPPLIER CODE: V99193 SPECIFICATION NUMBER: S351T020-206 CONFIG CHG DATA FROM A CMM: REPLS 3800298-1-6 ELECTRICAL EQUIP NUMBER: M00967 COMPONENT MAINT MANUAL REF: 49-22-11 QUALIFIED I/W DATA: S351T020-203 (3800298-1-4) AND S351T020-206 (3800298-1-7/3800298-1) ARE INTERCHANGEABLE WITH THE INCORPORATION OF ALLIED SIGNAL S/B		RF
ILLUSTRATION ITEMS NOT ON PARTS LIST ARE NOT APPLICABLE					

- ITEM NOT ILLUSTRATED

49-53-00-01

49-53-00  
FIG. 01  
PAGE 5  
DEC 22/06

HXL

 **BOEING**  
767  
**PARTS CATALOG (MAINTENANCE)**

FIG ITEM	PART NUMBER	1 2 3 4 5 6 7	NOMENCLATURE	EFFECT FROM TO	UNITS PER ASSY
1 2			<p>GTCP331-49-7081. S351T020-204 (3800298-1-5) AND S351T020-206 (3800298-1-7/3800298-1) ARE INTERCHANGEABLE WITH THE INCORPORATION OF ALLIED SIGNAL S/B GTCP331-49-7081. S351T020-202 (3800298-1-3) AND S351T020-206 (3800298-1-7/3800298-1) ARE INTERCHANGEABLE WITH THE INCORPORATION OF ALLIED SIGNAL S/B GTCP331-49-7081. S351T020-201 (3800298-1-2) AND S351T020-206 (3800298-1-7/3800298-1) ARE INTERCHANGEABLE WITH THE INCORPORATION OF ALLIED SIGNAL S/B GTCP331-49-7081. S351T020-200 (3800298-1-1) AND S351T020-206 (3800298-1-7/3800298-1) ARE INTERCHANGEABLE WITH THE INCORPORATION OF ALLIED SIGNAL S/B GTCP331-49-7081.</p> <p>OPTIONAL PART: 3800298-1 V99193 FOR NHA/OTHER SYS DET SEE: 49-11-00-01</p> <p>ENGINE ASSY-GAS TURB (APU SURGE BLEED SYSTEM ONLY) SUPPLIER CODE: V99193 SPECIFICATION NUMBER: S351T020-206 ELECTRICAL EQUIP NUMBER: M00967 COMPONENT MAINT MANUAL REF: 49-22-11 QUALIFIED I/W DATA:</p> <p style="text-align: center;">ILLUSTRATION ITEMS NOT ON PARTS LIST ARE NOT APPLICABLE</p>		
- 2	3800298-1		<p>OPTIONAL PART: 3800298-1 V99193 FOR NHA/OTHER SYS DET SEE: 49-11-00-01</p> <p>ENGINE ASSY-GAS TURB (APU SURGE BLEED SYSTEM ONLY) SUPPLIER CODE: V99193 SPECIFICATION NUMBER: S351T020-206 ELECTRICAL EQUIP NUMBER: M00967 COMPONENT MAINT MANUAL REF: 49-22-11 QUALIFIED I/W DATA:</p>		RF

- ITEM NOT ILLUSTRATED

HXL

# 49-53-00-01

BOEING PROPRIETARY - Copyright © - Unpublished Work - See title page for details.

49-53-00  
FIG. 01  
PAGE 6  
DEC 22/06





767

PARTS CATALOG (MAINTENANCE)

FIG ITEM	PART NUMBER	1 2 3 4 5 6 7 NOMENCLATURE	EFFECT FROM TO	UNITS PER ASSY
1 2		<p>S351T020-204            (3800298-1-5) AND            S351T020-206            (3800298-1-7/3800298-1)            ARE INTERCHANGEABLE WITH            THE INCORPORATION OF            ALLIED SIGNAL S/B            GTCP331-49-7081            S351T020-203            (3800298-1-4) AND            S351T020-206            (3800298-1-7/3800298-1)            ARE INTERCHANGEABLE WITH            THE INCORPORATION OF            ALLIED SIGNAL S/B            GTCP331-49-7081            S351T020-202            (3800298-1-3) AND            S351T020-206            (3800298-1-7/3800298-1)            ARE INTERCHANGEABLE WITH            THE INCORPORATION OF            ALLIED SIGNAL S/B            GTCP331-49-7081.            S351T020-201            (3800298-1-2) AND            S351T020-206            (3800298-1-7/3800298-1)            ARE INTERCHANGEABLE WITH            THE INCORPORATION OF            ALLIED SIGNAL S/B            GTCP331-49-7081.            S351T020-200            (3800298-1-1) AND            S351T020-206            (3800298-1-7/3800298-1)            ARE INTERCHANGEABLE WITH            THE INCORPORATION OF            ALLIED SIGNAL S/B            GTCP331-49-7081.            OPTIONAL PART:            3800298-1-7            V99193            FOR NHA/OTHER SYS DET SEE:            49-11-00-01</p>		

ILLUSTRATION ITEMS NOT ON PARTS LIST ARE NOT APPLICABLE

- ITEM NOT ILLUSTRATED

49-53-00-01

49-53-00  
 FIG. 01  
 PAGE 7  
 DEC 22/06

HXL



767

PARTS CATALOG (MAINTENANCE)

FIG ITEM	PART NUMBER	1 2 3 4 5 6 7 NOMENCLATURE	EFFECT FROM TO	UNITS PER ASSY
1 2	3800298-1-6	ENGINE ASSY-GAS TURB (APU SURGE BLEED SYSTEM ONLY) SUPPLIER CODE: V99193 SPECIFICATION NUMBER: S351T020-205 CONFIG CHG DATA FROM A CMM: REPLACES 3800298-1-5 COMPONENT MAINT MANUAL REF: 49-22-11 QUALIFIED I/W DATA: S351T020-204 (3800298-1-5) AND S351T020-205 (3800298-1-6) ARE INTERCHANGEABLE WITH THE INCORPORATION OF S/B 767-49-0025 S351T020-203 (3800298-1-4) AND S351T020-205 (3800298-1-6) ARE INTERCHANGEABLE WITH THE INCORPORATION OF S/B 767-49-0025 S351T020-202 (3800298-1-3) AND S351T020-205 (3800298-1-6) ARE INTERCHANGEABLE WITH THE INCORPORATION OF S/B 767-49-0025 S351T020-201 (3800298-1-2) AND S351T020-205 (3800298-1-6) ARE INTERCHANGEABLE WITH THE INCORPORATION OF S/B 767-49-0025 S351T020-200 (3800298-1-1) AND S351T020-205 (3800298-1-6) ARE INTERCHANGEABLE WITH THE INCORPORATION OF S/B 767-49-0025 FOR NHA/OTHER SYS DET SEE: 49-11-00-01  ILLUSTRATION ITEMS NOT ON PARTS LIST ARE NOT APPLICABLE		RF

- ITEM NOT ILLUSTRATED

49-53-00-01

49-53-00  
 FIG. 01  
 PAGE 8  
 DEC 22/06

HXL



767

PARTS CATALOG (MAINTENANCE)

FIG ITEM	PART NUMBER	1 2 3 4 5 6 7	NOMENCLATURE	EFFECT FROM TO	UNITS PER ASSY
1					
18	55171-400		.COUPLING- SUPPLIER CODE: V00624 OPTIONAL PART: E38C37 V89513 234-517-9006 V99193		2
18	234-517-9006		.COUPLING- SUPPLIER CODE: V99193 OPTIONAL PART: 55171-400 V98625 E38C37 V89513		2
18	E38C37		.COUPLING- SUPPLIER CODE: V89513 OPTIONAL PART: 55171-400 V98625 234-517-9006 V99193		2
20	3884211-1		.DUCT-SURGE ELBOW SUPPLIER CODE: V99193 SB DATA FROM A CMM: PRE SPB GTE 1209 CONFIG CHG DATA FROM A CMM: REPL BY 3884211-2		1
20	3884211-2		.DUCT-SURGE ELBOW SUPPLIER CODE: V99193 SB DATA FROM A CMM: POST SPB GTE 1209 CONFIG CHG DATA FROM A CMM: REPLS 3884211-1		1
22	MS21279-05		.BOLT- OPTIONAL PART: MS9556-05		5
22	MS9556-05		.BOLT- SB DATA FROM A CMM: POST SPB GTE0293 OPTIONAL PART: MS21279-05		5
24	MS21043-3		.NUT		3

ILLUSTRATION ITEMS NOT ON PARTS LIST ARE NOT APPLICABLE

- ITEM NOT ILLUSTRATED

49-53-00-01

49-53-00  
FIG. 01  
PAGE 9  
DEC 22/06

HXL

BOEING PROPRIETARY - Copyright © - Unpublished Work - See title page for details.





767

PARTS CATALOG (MAINTENANCE)

FIG ITEM	PART NUMBER	1 2 3 4 5 6 7	NOMENCLATURE	EFFECT FROM TO	UNITS PER ASSY
R R R R R R R R	1 32	211-507-9117	.CLAMP- SUPPLIER CODE: V99193 OPTIONAL PART: U12-62-425SH V94581 325-62-425SH V98625 T32C62-425-5B V14242		4
	32	211-517-9017	.CLAMP- SUPPLIER CODE: V99193 OPTIONAL PART: N12-62-425SH V94581		4
R R R R R R R R	32	T32C62-425-5B	.CLAMP- SUPPLIER CODE: V14242 OPTIONAL PART: U12-62-425SH V94581 N12-62-425SH V94581 211-507-9117 V99193 325-62-425SH V00624		4
	34	3884292-2	.DUCT-AIR SURGE SUPPLIER CODE: V99193		2
	37	3884391-1	.DUCT-AIR SURGE SUPPLIER CODE: V99193 OPTIONAL PART: 3884391-2 V99193		1
	37	3884391-2	.DUCT-AIR SURGE SUPPLIER CODE: V99193 SB DATA FROM A CMM: POST SPB GTE0552 OPTIONAL PART: 3884391-1 V99193		1
	39	MS21279-16	.BOLT- OPTIONAL PART: MS9556-16		6

ILLUSTRATION ITEMS NOT ON PARTS LIST ARE NOT APPLICABLE

- ITEM NOT ILLUSTRATED

49-53-00-01

49-53-00  
FIG. 01  
PAGE 11  
AUG 22/09

HXL

 **BOEING**  
767  
**PARTS CATALOG (MAINTENANCE)**

FIG ITEM	PART NUMBER	1 2 3 4 5 6 7	NOMENCLATURE	EFFECT FROM TO	UNITS PER ASSY
1					
39	MS9556-16		.BOLT- SB DATA FROM A CMM: POST SPB GTE0293 OPTIONAL PART: MS21279-16		6
41	3884238-2		.DUCT-TEE SUPPLIER CODE: V99193 SB DATA FROM A CMM: PRE SPB GTE 1209 CONFIG CHG DATA FROM A CMM: REPLS 3884238-1 REPL BY 3884238-3		1
41	3884238-1		.DUCT-TEE SUPPLIER CODE: V99193 CONFIG CHG DATA FROM A CMM: REPLD BY 3884238-2		1
41	3884238-3		.DUCT-TEE SUPPLIER CODE: V99193 SB DATA FROM A CMM: POST SPB GTE 1209 CONFIG CHG DATA FROM A CMM: REPLS 3884238-2		1
44	3884200-2		.GASKET-TEE DUCT SUPPLIER CODE: V99193 SB DATA FROM A CMM: PRE SB 49-5440 CONFIG CHG DATA FROM A CMM: REPLS 3884200-1 USED WITH: 3884238-1 3884238-2		2
44	3884200-1		.GASKET-TEE DUCT SUPPLIER CODE: V99193 CONFIG CHG DATA FROM A CMM: REPL BY 3884200-2 USED WITH: 3884238-1 3884238-2		2
ILLUSTRATION ITEMS NOT ON PARTS LIST ARE NOT APPLICABLE					

— ITEM NOT ILLUSTRATED

HXL

# 49-53-00-01

BOEING PROPRIETARY - Copyright © - Unpublished Work - See title page for details.

49-53-00  
FIG. 01  
PAGE 12  
AUG 22/09

**BOEING**  
767  
**PARTS CATALOG (MAINTENANCE)**

FIG ITEM	PART NUMBER	1 2 3 4 5 6 7	NOMENCLATURE	EFFECT FROM TO	UNITS PER ASSY
1					
45	S8990-047		.PACKING- SUPPLIER CODE: V99193 SB DATA FROM A CMM: POST SB 49-5440 CONFIG CHG DATA FROM A CMM: REPL BY S8990-046		2
45	S8990-046		.PACKING- SUPPLIER CODE: V99193 SB DATA FROM A CMM: POST SB 49-5440 CONFIG CHG DATA FROM A CMM: REPLS S8990-047		2
47	3876087-1		.SENSOR ASSY-STATIC FLOW SUPPLIER CODE: V99193 SB DATA FROM A CMM: PRE SB 49-5440 CONFIG CHG DATA FROM A CMM: REPL BY 3876096-1 USED WITH: 3884200-1		1
48	3614673-1		.RING ASSY-SPACER SUPPLIER CODE: V99193 SB DATA FROM A CMM: POST SPB GTE1043 OPTIONAL PART: 3876096-1 V99193 USED WITH: S8990-047		1
48	3876096-1		.SENSOR ASSY-STATIC FLOW SUPPLIER CODE: V99193 SB DATA FROM A CMM: POST SB 49-5440 CONFIG CHG DATA FROM A CMM: REPLS 3876087-1 OPTIONAL PART: 3614673-1 V99193 USED WITH: S8990-047		1
49	MS16555-626		..PIN		1
49A	MS51830-201L		..INSERT		1
ILLUSTRATION ITEMS NOT ON PARTS LIST ARE NOT APPLICABLE					

— ITEM NOT ILLUSTRATED

HXL

# 49-53-00-01

BOEING PROPRIETARY - Copyright © - Unpublished Work - See title page for details.

49-53-00  
FIG. 01  
PAGE 13  
AUG 22/09



767

PARTS CATALOG (MAINTENANCE)

FIG ITEM	PART NUMBER	1 2 3 4 5 6 7	NOMENCLATURE	EFFECT FROM TO	UNITS PER ASSY
1					
49B	114355-27		..RESTRICTOR- SUPPLIER CODE: V99193		1
50	3289618-1		.CHAMBER-VAR VOL SUPPLIER CODE: V59364 SB DATA FROM A CMM: PRE SB 49-5861 CONFIG CHG DATA FROM A CMM: REPLD BY 3290594-1 PRE AIRLINE MOD: MTO-490118 VSAS		1
50	3290594-1		.CHAMBER-VAR VOL SUPPLIER CODE: V99193 SB DATA FROM A CMM: POST SB 49-5861 CONFIG CHG DATA FROM A CMM: REPLS 3289618-1 POST AIRLINE MOD: MTO-490118 VSAS		1
52	MS21279-05		ATTACHING PARTS .BOLT- SB DATA FROM A CMM: PRE SB 49-5840 OPTIONAL PART: MS9556-05		2
52	MS9556-05		.BOLT- SB DATA FROM A CMM: POST SPB GTE0293 OPTIONAL PART: MS21279-05		2
55	S8990-109		-----*----- .PACKING- SUPPLIER CODE: V99193		2
58	3876086-1		.SENSOR ASSY-FLOW SUPPLIER CODE: V99193 SB DATA FROM A CMM: PRE SB 49-5407 CONFIG CHG DATA FROM A CMM: SUPSD BY 3876086-2 ELECTRICAL EQUIP NUMBER: P00002		1

ILLUSTRATION ITEMS NOT ON PARTS LIST ARE NOT APPLICABLE

- ITEM NOT ILLUSTRATED

49-53-00-01

49-53-00  
FIG. 01  
PAGE 14  
AUG 22/09

HXL

BOEING PROPRIETARY - Copyright © - Unpublished Work - See title page for details.





767

PARTS CATALOG (MAINTENANCE)

FIG ITEM	PART NUMBER	1 2 3 4 5 6 7	NOMENCLATURE	EFFECT FROM TO	UNITS PER ASSY
1 58	3876086-2		.SENSOR ASSY-FLOW SUPPLIER CODE: V99193 SB DATA FROM A CMM: POST SB 49-5407 CONFIG CHG DATA FROM A CMM: SUPERSEDES 3876086-1 ELECTRICAL EQUIP NUMBER: P00002 ATTACHING PARTS		1
60	MS21279-05		.BOLT- OPTIONAL PART: MS9556-05		2
60	MS9556-05		.BOLT- SB DATA FROM A CMM: POST SPB GTE0293 OPTIONAL PART: MS21279-05		2
- 61	114355-58		..RESTRICTOR-FLOW SUPPLIER CODE: V99193 USED WITH: 3876086-1		1
62	3876037-1		.GASKET-FLOW SENSOR SUPPLIER CODE: V99193 SB DATA FROM A CMM: PRE SPB GTE0577 CONFIG CHG DATA FROM A CMM: REPLD BY 3876179-1		1
62	3876179-1		.GASKET-FLOW SENSOR SUPPLIER CODE: V99193 SB DATA FROM A CMM: PRE SB 49-5840 POST SPB GTE0577 CONFIG CHG DATA FROM A CMM: REPLS 3876037-1 REPLD BY 3876179-2		1
62	3876179-2		.GASKET-FLOW SENSOR SUPPLIER CODE: V99193 SB DATA FROM A CMM: POST SB 49-5840 CONFIG CHG DATA FROM A CMM: REPLS 3876179-1		1

ILLUSTRATION ITEMS NOT ON PARTS LIST ARE NOT APPLICABLE

- ITEM NOT ILLUSTRATED

49-53-00-01

49-53-00  
FIG. 01  
PAGE 15  
AUG 22/09

HXL



767

PARTS CATALOG (MAINTENANCE)

FIG ITEM	PART NUMBER	1 2 3 4 5 6 7	NOMENCLATURE	EFFECT FROM TO	UNITS PER ASSY
1 65	3876085-1		.TRANSDUCER-DIFF PRESSURE SURGE VALVE DELTA P SUPPLIER CODE: V99193 SB DATA FROM A CMM: PRE SB 49-5405 CONFIG CHG DATA FROM A CMM: REPLD BY 3876085-2		1
65	3876085-2		.TRANSDUCER-DIFF PRESSURE SURGE VALVE DELTA P SUPPLIER CODE: V99193 SB DATA FROM A CMM: POST SB 49-5405 PRE SB 49-5894 CONFIG CHG DATA FROM A CMM: REPLS 3876085-1 REPLD BY 3876085-3 PRE SERVICE BULLETIN: GTCP331-49-5894 V99193 POST AIRLINE MOD: RMIAM-3211 VACN		1
65	3876085-2		.TRANSDUCER-DIFF PRESSURE SURGE VALVE DELTA P SUPPLIER CODE: V99193 SB DATA FROM A CMM: POST SB 49-5405 PRE SB 49-5894 CONFIG CHG DATA FROM A CMM: REPLS 3876085-1 REPLD BY 3876085-3		1
65	3876085-3		.TRANSDUCER-DIFF PRESSURE SURGE VALVE DELTA P SUPPLIER CODE: V99193 SB DATA FROM A CMM: POST SB 49-5894 PRE SB 49-6679 CONFIG CHG DATA FROM A CMM: REPLS 3876085-2 REPLD BY 3876085-4		1

ILLUSTRATION ITEMS NOT ON PARTS LIST ARE NOT APPLICABLE

- ITEM NOT ILLUSTRATED

49-53-00-01

49-53-00  
FIG. 01  
PAGE 16  
AUG 22/09

HXL

 **BOEING**  
767  
**PARTS CATALOG (MAINTENANCE)**

FIG ITEM	PART NUMBER	1 2 3 4 5 6 7	NOMENCLATURE	EFFECT FROM TO	UNITS PER ASSY
1 65	3876085-4		.TRANSDUCER-DIFF PRESSURE SURGE VALVE DELTA P SUPPLIER CODE: V99193 SB DATA FROM A CMM: POST SB 49-6679 CONFIG CHG DATA FROM A CMM: REPLS 3876085-3 REPLD BY 3876085-5		1
65	3876085-2		.TRANSDUCER-DIFF PRESSURE SURGE VALVE DELTA P SUPPLIER CODE: V99193 SB DATA FROM A CMM: POST SB 49-5405 PRE SB 49-5894 CONFIG CHG DATA FROM A CMM: REPLD BY 3876085-3		1
67	MS21279-05		ATTACHING PARTS .BOLT- OPTIONAL PART: MS9556-05		2
67	MS9556-05		.BOLT- SB DATA FROM A CMM: POST SPB GTE0293 OPTIONAL PART: MS21279-05		2
70	3876084-1		-----*----- .TRANSDUCER-TOTAL PRESSURE PT SUPPLIER CODE: V99193 SB DATA FROM A CMM: PRE SB 49-6746 CONFIG CHG DATA FROM A CMM: REPL BY 3876084-2		1
70	3876084-2		.TRANSDUCER-TOTAL PRESSURE PT SUPPLIER CODE: V99193 SB DATA FROM A CMM: POST SB 49-6746 CONFIG CHG DATA FROM A CMM: REPLS 3876084-1		1
72	MS21279-05		ATTACHING PARTS .BOLT- OPTIONAL PART: MS9556-05		2

ILLUSTRATION ITEMS NOT ON PARTS LIST ARE NOT APPLICABLE

- ITEM NOT ILLUSTRATED

HXL

49-53-00-01

BOEING PROPRIETARY - Copyright © - Unpublished Work - See title page for details.

49-53-00  
FIG. 01  
PAGE 17  
AUG 22/09

 **BOEING**  
767  
**PARTS CATALOG (MAINTENANCE)**

FIG ITEM	PART NUMBER	1 2 3 4 5 6 7	NOMENCLATURE	EFFECT FROM TO	UNITS PER ASSY
1					
72	MS9556-05		.BOLT- SB DATA FROM A CMM: POST SPB GTE0293 OPTIONAL PART: MS21279-05 -----*-----		2
75	MS21288-05		.BOLT- OPTIONAL PART: MS9565-05		2
75	MS9565-05		.BOLT- SB DATA FROM A CMM: POST SPB GTE0306 OPTIONAL PART: MS21288-05		2
76	MS9565-05		.BOLT-		3
- 80	MS21288-04		.BOLT- OPTIONAL PART: MS9565-04		1
- 80	MS9565-04		.BOLT- SB DATA FROM A CMM: POST SPB GTE0306 OPTIONAL PART: MS21288-04		1
85	MS21288-05		.BOLT- OPTIONAL PART: MS9565-05		2
85	MS9565-05		.BOLT- SB DATA FROM A CMM: POST SPB GTE0306 OPTIONAL PART: MS21288-05		2
86	MS9556-04		.BOLT- SB DATA FROM A CMM: POST SB 49-7711		2
87	3614419-1		.RETAINER-TUBE SUPPLIER CODE: V99193 SB DATA FROM A CMM: POST SB 49-7711		2
88	3615873-1		.MANIFOLD- SUPPLIER CODE: V99193 SB DATA FROM A CMM: POST SB 49-7711		1
89	3614411-1		.MANIFOLD- SUPPLIER CODE: V99193 SB DATA FROM A CMM: POST SB 49-7711		1

ILLUSTRATION ITEMS NOT ON PARTS LIST ARE NOT APPLICABLE

- ITEM NOT ILLUSTRATED

HXL

49-53-00-01

BOEING PROPRIETARY - Copyright © - Unpublished Work - See title page for details.

49-53-00  
FIG. 01  
PAGE 18  
AUG 22/09



767

PARTS CATALOG (MAINTENANCE)

FIG ITEM	PART NUMBER	1 2 3 4 5 6 7	NOMENCLATURE	EFFECT FROM TO	UNITS PER ASSY
1					
90	3884297-1		.CLAMP- SUPPLIER CODE: V99193 SB DATA FROM A CMM: PRE SB 49-5840 CONFIG CHG DATA FROM A CMM: REPL BY 3614419-1		1
90A	3614419-1		.RETAINER-TUBE SUPPLIER CODE: V99193 SB DATA FROM A CMM: POST SB 49-5840 CONFIG CHG DATA FROM A CMM: REPLS 3884297-1		1
91	3884297-1		.CLAMP- SUPPLIER CODE: V99193		1
92	3614672-1		.PLUG- SUPPLIER CODE: V99193 SB DATA FROM A CMM: POST SB 49-5840		1
93	3884296-1		.HOSE-STATIC SENSOR SUPPLIER CODE: V99193 SB DATA FROM A CMM: PRE SB 49-5840		2
94	NAS1216-3E5		.SCREW- SB DATA FROM A CMM: POST SB 49-7711		1
95	3614649-1		.COVER- SUPPLIER CODE: V99193 SB DATA FROM A CMM: POST SB 49-7711		1
96	MS9565-04		.BOLT- SB DATA FROM A CMM: POST SB 49-7711		1
97	NAS1149C0332R		.WASHER- SB DATA FROM A CMM: POST SB 49-7711		1
97A	3614104-4		.SENSOR-STATIC PRESSURE SUPPLIER CODE: V99193 SB DATA FROM A CMM: POST SB 49-7711		1
97B	MS9386-109		.PACKING- SB DATA FROM A CMM: POST SB 49-7711		4

ILLUSTRATION ITEMS NOT ON PARTS LIST ARE NOT APPLICABLE

- ITEM NOT ILLUSTRATED

49-53-00-01

49-53-00  
FIG. 01  
PAGE 19  
AUG 22/09

HXL

BOEING PROPRIETARY - Copyright © - Unpublished Work - See title page for details.



767

PARTS CATALOG (MAINTENANCE)

FIG ITEM	PART NUMBER	1 2 3 4 5 6 7	NOMENCLATURE	EFFECT FROM TO	UNITS PER ASSY
1					
98	MS9556-06		.BOLT- SB DATA FROM A CMM: POST SB 49-7711		3
98A	MS9565-07		.BOLT- SB DATA FROM A CMM: POST SB 49-7711		2
99	MS9556-07		.BOLT- SB DATA FROM A CMM: POST SB 49-7711		1
100	MS21279-05		.BOLT- SB DATA FROM A CMM: POST SB 49-7711		4
101	3876179-2		.GASKET- SUPPLIER CODE: V99193 SB DATA FROM A CMM: POST SB 49-5840 PRE SB 49-7065 POST SB 49-7711 CONFIG CHG DATA FROM A CMM: REPLD BY 3876244-1		1
101	3876244-1		.GASKET- SUPPLIER CODE: V99193 SB DATA FROM A CMM: POST SB 49-7065 PRE SB 49-7711 CONFIG CHG DATA FROM A CMM: REPLS 3876179-2		1
102	3614408-1		.SENSOR ASSY-FLOW PT SUPPLIER CODE: V99193 SB DATA FROM A CMM: POST SB 49-7711		1
103	3614400-1		.MODULE-FLOW SENSING SUPPLIER CODE: V99193 SB DATA FROM A CMM: POST SB 49-5840 PRE SB 49-7065 CONFIG CHG DATA FROM A CMM: REPLD BY 3614400-7 SUPSD BY 3885081-1 COMPONENT MAINT MANUAL REF: 49-51-93		1

ILLUSTRATION ITEMS NOT ON PARTS LIST ARE NOT APPLICABLE

- ITEM NOT ILLUSTRATED

HXL

49-53-00-01

BOEING PROPRIETARY - Copyright © - Unpublished Work - See title page for details.

49-53-00  
FIG. 01  
PAGE 20  
AUG 22/09



767

PARTS CATALOG (MAINTENANCE)

FIG ITEM	PART NUMBER	1 2 3 4 5 6 7	NOMENCLATURE	EFFECT FROM TO	UNITS PER ASSY
1 103	3614400-7		.MODULE-FLOW SENSOR SUPPLIER CODE: V99193 SB DATA FROM A CMM: POST SB 49-7065 PRE SB 49-7711 CONFIG CHG DATA FROM A CMM: REPLS 3614400-1 SUPSD BY 3885081-1 COMPONENT MAINT MANUAL REF: 49-51-93		1
103	3614400-8		.MODULE-FLOW SENSOR SUPPLIER CODE: V99193 SB DATA FROM A CMM: POST SB 49-7573 PRE SB 49-7711 CONFIG CHG DATA FROM A CMM: REPLS 3614400-7 SUPSD BY 3885081-1 SERVICE BULLETIN OPT DATA: 3614400-7 V99193		1
103	3885081-1		.MODULE-FLOW SENSING SUPPLIER CODE: V99193 SB DATA FROM A CMM: POST SB 49-7711 CONFIG CHG DATA FROM A CMM: SUPERSEDES 3614400-1 SUPERSEDES 3614400-7 SUPERSEDES 3614400-8		1
104	3614408-1		..SENSOR ASSY-FLOW PT SUPPLIER CODE: V99193 SB DATA FROM A CMM: PRE SB 49-6921 USED ON: 3614400-1		1
104A	3876084-2		..TRANSDUCER-PRESSURE SUPPLIER CODE: V99193 USED ON: 3885081-1		1

ILLUSTRATION ITEMS NOT ON PARTS LIST ARE NOT APPLICABLE

- ITEM NOT ILLUSTRATED

49-53-00-01

49-53-00  
FIG. 01  
PAGE 21  
AUG 22/09

HXL



767

PARTS CATALOG (MAINTENANCE)

FIG ITEM	PART NUMBER	1 2 3 4 5 6 7	NOMENCLATURE	EFFECT FROM TO	UNITS PER ASSY
1 104B	3876243-1		.. SENSOR ASSY-TOTAL AND STATIC PRESSURE SUPPLIER CODE: V99193 SB DATA FROM A CMM: POST SB 49-6921 USED ON: 3614400-7 3614400-8 ATTACHING PARTS		1
105	MS9556-06		..BOLT-		1
106	MS9556-07		..BOLT-		1
			-----*-----		
107	3876085-4		.. TRANSDUCER-DELTA P SUPPLIER CODE: V99193 SB DATA FROM A CMM: POST SB 49-6679 CONFIG CHG DATA FROM A CMM: REPLACES 3876085-3 OPTIONAL PART: 3876085-2 V99193 3876085-3 V99193 3876085-5 V99193		1
107	3876085-2		.. TRANSDUCER-DELTA P SUPPLIER CODE: V99193 SB DATA FROM A CMM: POST SB 49-5405 PRE SB 49-5894 CONFIG CHG DATA FROM A CMM: REPLACES 3876085-1 REPLD BY 3876085-3 OPTIONAL PART: 3876085-3 V99193 3876085-4 V99193 3876085-5 V99193		1

ILLUSTRATION ITEMS NOT ON PARTS LIST ARE NOT APPLICABLE

- ITEM NOT ILLUSTRATED

49-53-00-01

49-53-00  
FIG. 01  
PAGE 22  
AUG 22/09

HXL





767

PARTS CATALOG (MAINTENANCE)

FIG ITEM	PART NUMBER	1 2 3 4 5 6 7	NOMENCLATURE	EFFECT FROM TO	UNITS PER ASSY
1 107	3876085-3		.. TRANSDUCER-DELTA P SUPPLIER CODE: V99193 SB DATA FROM A CMM: POST SB 49-5894 PRE SB 49-66679 CONFIG CHG DATA FROM A CMM: REPLACES 3876085-2 REPLD BY 3876085-4 OPTIONAL PART: 3876085-2 V99193 3876085-4 V99193 3876085-5 V99193		1
107	3876085-5		.. TRANSDUCER-DELTA P SUPPLIER CODE: V99193 SB DATA FROM A CMM: POST SB 49-7573 CONFIG CHG DATA FROM A CMM: REPLACES 3876085-4 OPTIONAL PART: 3876085-2 V99193 3876085-3 V99193 3876085-4 V99193		1
109	MS9556-06		ATTACHING PARTS .. BOLT -----*-----		2
110	3618153-1		.. PLATE ASSY-SHOCK MOUNT SUPPLIER CODE: V99193 USED ON: 3885081-1		1
110	3614406-1		.. PLATE ASSY-SHOCK MOUNT SUPPLIER CODE: V99193 USED ON: 3614400-1 3614400-7 3614400-8		1
111	MS25083-7BB4		. JUMPER- SB DATA FROM A CMM: POST SB 49-7711		1

ILLUSTRATION ITEMS NOT ON PARTS LIST ARE NOT APPLICABLE

- ITEM NOT ILLUSTRATED

49-53-00-01

49-53-00  
FIG. 01  
PAGE 23  
AUG 22/09

HXL



767

PARTS CATALOG (MAINTENANCE)

FIG ITEM	PART NUMBER	1 2 3 4 5 6 7	NOMENCLATURE	EFFECT FROM TO	UNITS PER ASSY
1					
112	3884353-1		.TUBE-PCD-SURGE VALVE SUPPLIER CODE: V99193 SB DATA FROM A CMM: PRE SB 49-5463		1
113	3884407-1		.TUBE-PCD-SURGE VALVE SUPPLIER CODE: V99193 SB DATA FROM A CMM: POST SB 49-5463 PRE SB 49-5634 PRE SB 49-5765 PRE SB 49-5793 CONFIG CHG DATA FROM A CMM: REPLD BY 3611354-1		1
113	3611354-1		.TUBE-PCD SURGE VALVE SUPPLIER CODE: V99193 SB DATA FROM A CMM: POST SB 49-5634 POST SB 49-5765 POST SB 49-5793 PRE SB 49-7192 CONFIG CHG DATA FROM A CMM: REPLS 3884407-1		1
113	3616999-1		.TUBE-PCD SURGE VALVE SUPPLIER CODE: V99193 SB DATA FROM A CMM: POST SB 49-7192		1
114	3616999-1		.TUBE-PCD SURGE VALVE SUPPLIER CODE: V99193 SB DATA FROM A CMM: POST SB 49-7192 PRE SB 49-7391		1

ILLUSTRATION ITEMS NOT ON PARTS LIST ARE NOT APPLICABLE

- ITEM NOT ILLUSTRATED

HXL

49-53-00-01

BOEING PROPRIETARY - Copyright © - Unpublished Work - See title page for details.

49-53-00  
FIG. 01  
PAGE 24  
AUG 22/09

 **BOEING**  
767  
**PARTS CATALOG (MAINTENANCE)**

FIG ITEM	PART NUMBER	1 2 3 4 5 6 7	NOMENCLATURE	EFFECT FROM TO	UNITS PER ASSY
1 114A	3616999-1		.TUBE-PCD SURGE VALVE SUPPLIER CODE: V99193 SB DATA FROM A CMM: PRE SB 49-7496 CONFIG CHG DATA FROM A CMM: REPLD BY 3617895-2 REPLD BY 3617890-1 REPLD BY 3617891-1 REPLD BY 3617894-1 REPLD BY AN815-4J USED ON: 3800298-1 3800298-1-1 3800298-1-2 3800298-1-3 3800298-1-4 3800298-1-5 3800298-1-6 3800298-1-7		1
115	3884295-1		.TUBE-TOTAL PRESSURE SENSOR SUPPLIER CODE: V99193 SB DATA FROM A CMM: PRE SB 49-5840		1
116	3617895-2		.TUBE-SCV METAL SUPPLIER CODE: V99193 SB DATA FROM A CMM: PRE SB 49-7707 POST SB 49-7496 CONFIG CHG DATA FROM A CMM: REPLS 3616999-1 USED ON: 3800298-1 3800298-1-1 3800298-1-2 3800298-1-3 3800298-1-4 3800298-1-5 3800298-1-6 3800298-1-7 PRE AIRLINE MOD: ECO F0894AX VAAT		1

ILLUSTRATION ITEMS NOT ON PARTS LIST ARE NOT APPLICABLE

- ITEM NOT ILLUSTRATED

HXL

# 49-53-00-01

BOEING PROPRIETARY - Copyright © - Unpublished Work - See title page for details.

49-53-00  
FIG. 01  
PAGE 25  
AUG 22/09



767

PARTS CATALOG (MAINTENANCE)

FIG ITEM	PART NUMBER	1 2 3 4 5 6 7	NOMENCLATURE	EFFECT FROM TO	UNITS PER ASSY
1 116	3618167-1		.TUBE-SCV METAL SUPPLIER CODE: V99193 SB DATA FROM A CMM: POST SB 49-7707 CONFIG CHG DATA FROM A CMM: REPLS 3617895-2 USED ON: 3800298-1 3800298-1-1 3800298-1-2 3800298-1-3 3800298-1-4 3800298-1-5 3800298-1-6 3800298-1-7		1
117	3617890-1		.TUBE ASSY-PCD METAL SUPPLIER CODE: V99193 SB DATA FROM A CMM: POST SB 49-7496 CONFIG CHG DATA FROM A CMM: REPLS 3616999-1 USED ON: 3800298-1 3800298-1-1 3800298-1-2 3800298-1-3 3800298-1-4 3800298-1-5 3800298-1-6 3800298-1-7 USED WITH: 3810213-10		1

ILLUSTRATION ITEMS NOT ON PARTS LIST ARE NOT APPLICABLE

- ITEM NOT ILLUSTRATED

HXL

49-53-00-01

BOEING PROPRIETARY - Copyright © - Unpublished Work - See title page for details.

49-53-00  
FIG. 01  
PAGE 26  
AUG 22/09



767

PARTS CATALOG (MAINTENANCE)

FIG ITEM	PART NUMBER	1 2 3 4 5 6 7	NOMENCLATURE	EFFECT FROM TO	UNITS PER ASSY
1 118	3617891-1		.TUBE ASSY-COOLING LOOP SUPPLIER CODE: V99193 SB DATA FROM A CMM: POST SB 49-7496 CONFIG CHG DATA FROM A CMM: REPLS 3616999-1 USED ON: 3800298-1 3800298-1-1 3800298-1-2 3800298-1-3 3800298-1-4 3800298-1-5 3800298-1-6 3800298-1-7 USED WITH: 3810213-10		1
- 119	3617894-1		.TUBE ASSY-PCD METAL SUPPLIER CODE: V99193 SB DATA FROM A CMM: POST SB 49-7496 CONFIG CHG DATA FROM A CMM: REPLS 3616999-1 USED ON: 3800298-1 3800298-1-1 3800298-1-2 3800298-1-3 3800298-1-4 3800298-1-5 3800298-1-6 3800298-1-7 USED WITH: 3810213-9		1

ILLUSTRATION ITEMS NOT ON PARTS LIST ARE NOT APPLICABLE

- ITEM NOT ILLUSTRATED

HXL

49-53-00-01

BOEING PROPRIETARY - Copyright © - Unpublished Work - See title page for details.

49-53-00  
FIG. 01  
PAGE 27  
AUG 22/09



767

PARTS CATALOG (MAINTENANCE)

FIG ITEM	PART NUMBER	1 2 3 4 5 6 7	NOMENCLATURE	EFFECT FROM TO	UNITS PER ASSY
1 122	3884413-1		.TUBE-PCD 2 SUPPLIER CODE: V99193 SB DATA FROM A CMM: POST SB 49-5463 USED ON: 3800298-1-1 3800298-1-2 3800298-1-3 3800298-1-4 3800298-1-5 3800298-1-6 3800298-1-7 3800298-1		1
122	3884258-1		.TUBE-PCD 2 SUPPLIER CODE: V99193 USED ON: 3800298-1-1 3800298-1-2 3800298-1-3 3800298-1-4 3800298-1-5 3800298-1-6 3800298-1-7 3800298-1 USED WITH: 3610683-1		1
125	3884298-1		.TUBE-DIFF PRESSURE SENSING SUPPLIER CODE: V99193 SB DATA FROM A CMM: PRE SB 49-5840		1
133	3884281-1		.FITTING-AIR SURGE CONT SUPPLIER CODE: V99193 SB DATA FROM A CMM: POST SB 49-5463 CONFIG CHG DATA FROM A CMM: MAKE FROM MS21908-4S		1
135	3884281-2		.FITTING-AIR SURGE CONT SUPPLIER CODE: V99193 SB DATA FROM A CMM: PRE SB 49-5463		1
137	3884281-3		.FITTING-AIR SURGE CONT SUPPLIER CODE: V99193		1

ILLUSTRATION ITEMS NOT ON PARTS LIST ARE NOT APPLICABLE

- ITEM NOT ILLUSTRATED

49-53-00-01

49-53-00  
FIG. 01  
PAGE 28  
AUG 22/09

HXL



767

PARTS CATALOG (MAINTENANCE)

FIG ITEM	PART NUMBER	1 2 3 4 5 6 7	NOMENCLATURE	EFFECT FROM TO	UNITS PER ASSY
1					
140	S8990-109		.PACKING- SUPPLIER CODE: V99193		4
145	S8990-010		.PACKING- SUPPLIER CODE: V59364		3
145	MS9386-010		OPTIONAL PART: MS9386-010 .PACKING- OPTIONAL PART: S8990-010 V59364		3
- 146	S8990-109		.PACKING- SUPPLIER CODE: V99193		2
150	AN6289J4		.NUT		1
152	AN815-4J		.UNION- SB DATA FROM A CMM: POST SB 49-7496 CONFIG CHG DATA FROM A CMM: REPLS 3616999-1 USED ON: 3800298-1 3800298-1-1 3800298-1-2 3800298-1-3 3800298-1-4 3800298-1-5 3800298-1-6 3800298-1-7		1
155	VD261-0006-0004		.GASKET- SUPPLIER CODE: V50398 OPTIONAL PART: 362-527-9004 V99193		1
155	362-527-9004		.GASKET- SUPPLIER CODE: V99193 OPTIONAL PART: VD261-0006-0004 V50398		1
230	MS21043-3		.NUT		1
232	MS21043-3		.NUT-		5
233	MS21043-3		.NUT-		1
233	MS21043-3		.NUT-		1

ILLUSTRATION ITEMS NOT ON PARTS LIST ARE NOT APPLICABLE

- ITEM NOT ILLUSTRATED

49-53-00-01

49-53-00  
FIG. 01  
PAGE 29  
AUG 22/09

HXL



767

PARTS CATALOG (MAINTENANCE)

FIG ITEM	PART NUMBER	1 2 3 4 5 6 7	NOMENCLATURE	EFFECT FROM TO	UNITS PER ASSY
1					
234	MS21279-05		.BOLT- SB DATA FROM A CMM: PRE SPB GTE0292 OPTIONAL PART: MS9556-05		1
234	MS9556-05		.BOLT- SB DATA FROM A CMM: POST SPB GTE0292 OPTIONAL PART: MS21279-05		1
234	MS21279-05		.BOLT- OPTIONAL PART: MS9556-05		1
234	MS9556-05		.BOLT- SB DATA FROM A CMM: POST SPB GTE0292 OPTIONAL PART: MS21279-05		1
235	MS21279-05		.BOLT- SB DATA FROM A CMM: PRE SPB GTE0292 OPTIONAL PART: MS9556-05		2
235	MS9556-05		.BOLT- SB DATA FROM A CMM: POST SPB GTE0292 OPTIONAL PART: MS21279-05		2
- 236	MS21279-05		.BOLT- OPTIONAL PART: MS9556-05		1
- 236	MS9556-05		.BOLT- SB DATA FROM A CMM: POST SPB GTE0292 OPTIONAL PART: MS21279-05		1
237	MS21279-05		.BOLT- SB DATA FROM A CMM: PRE SPB GTE0292 OPTIONAL PART: MS9556-05		5
237	MS9556-05		.BOLT- SB DATA FROM A CMM: POST SPB GTE0292 OPTIONAL PART: MS21279-05		5

ILLUSTRATION ITEMS NOT ON PARTS LIST ARE NOT APPLICABLE

- ITEM NOT ILLUSTRATED

49-53-00-01

49-53-00  
FIG. 01  
PAGE 30  
AUG 22/09

HXL

BOEING PROPRIETARY - Copyright © - Unpublished Work - See title page for details.



 **BOEING**  
767  
**PARTS CATALOG (MAINTENANCE)**

FIG ITEM	PART NUMBER	1 2 3 4 5 6 7	NOMENCLATURE	EFFECT FROM TO	UNITS PER ASSY
1 238	MS9556-10		.BOLT- SB DATA FROM A CMM: POST SB 49-7496 USED ON: 3800298-1 3800298-1-1 3800298-1-2 3800298-1-3 3800298-1-4 3800298-1-5 3800298-1-6 3800298-1-7		2
240	MS21279-06		.BOLT- OPTIONAL PART: MS9556-06		2
240	MS9556-06		.BOLT- SB DATA FROM A CMM: POST SPB GTE0292 OPTIONAL PART: MS21279-06		2
241	MS21279-05		.BOLT- OPTIONAL PART: MS9556-05		4
241	MS9556-05		.BOLT- SB DATA FROM A CMM: POST SPB GTE0292 OPTIONAL PART: MS21279-05		4
242	NAS43DD3-40		.SPACER- USED ON: 3800298-1 3800298-1-1 3800298-1-2 3800298-1-3 3800298-1-4 3800298-1-5 3800298-1-6 3800298-1-7		2
243	MS21043-3		.NUT		4
245	MS21902W4		.UNION- SB DATA FROM A CMM: PRE SB 49-5634 PRE SB 49-5765 PRE SB 49-5793 CONFIG CHG DATA FROM A CMM: REPLD BY MS21902J4		1
ILLUSTRATION ITEMS NOT ON PARTS LIST ARE NOT APPLICABLE					

— ITEM NOT ILLUSTRATED

HXL

# 49-53-00-01

BOEING PROPRIETARY - Copyright © - Unpublished Work - See title page for details.

49-53-00  
FIG. 01  
PAGE 31  
AUG 22/09

 **BOEING**  
767  
**PARTS CATALOG (MAINTENANCE)**

FIG ITEM	PART NUMBER	1 2 3 4 5 6 7	NOMENCLATURE	EFFECT FROM TO	UNITS PER ASSY
1					
245	MS21902J4		.UNION- SB DATA FROM A CMM: POST SB 49-5634 POST SB 49-5765 POST SB 49-5793 PRE SB 49-7192 CONFIG CHG DATA FROM A CMM: REPLS MS21902W4		1
250	S8990-604		.PACKING- SUPPLIER CODE: V59364 OPTIONAL PART: MS9385-04		1
250	MS9385-04		.PACKING- OPTIONAL PART: S8990-604 V99193		1
255	MS9592-006		.BRACKET		4
260	MS9592-018		.BRACKET		1
263	TA12C59TH4HB		.CLAMP- SUPPLIER CODE: V84971 OPTIONAL PART: JM44LC43H4WC V22175 211-577-9004 V99193		2
263	JM44LC43H4WC		.CLAMP- SUPPLIER CODE: V22175 SB DATA FROM A CMM: POST SPB GTE1046 PRE SB 49-7192 PRE SB 49-7391 OPTIONAL PART: TA12C59TH4HB V84971 211-501-9654 V99193		2
263	211-577-9004		.CLAMP- SUPPLIER CODE: V99193 OPTIONAL PART: TA12C59TH4HB V84971		2

ILLUSTRATION ITEMS NOT ON PARTS LIST ARE NOT APPLICABLE

- ITEM NOT ILLUSTRATED

HXL

# 49-53-00-01

BOEING PROPRIETARY - Copyright © - Unpublished Work - See title page for details.

49-53-00  
FIG. 01  
PAGE 32  
AUG 22/09



767

PARTS CATALOG (MAINTENANCE)

FIG ITEM	PART NUMBER	1 2 3 4 5 6 7	NOMENCLATURE	EFFECT FROM TO	UNITS PER ASSY
1 263	211-501-9654		.CLAMP- SUPPLIER CODE: V99193 OPTIONAL PART: JM44LC43H4WC V22175		2
- 264	TA12C59TH4HB		.CLAMP- SUPPLIER CODE: V84971 OPTIONAL PART: JM44LC43H4WC V22175 211-577-9004 V99193		2
- 264	JM44LC43H4WC		.CLAMP- SUPPLIER CODE: V22175 SB DATA FROM A CMM: POST SPB GTE1046 PRE SB 49-7192 PRE SB 49-7391 OPTIONAL PART: TA12C59TH4HB V84971 211-501-9654 V99193		2
- 264	211-577-9004		.CLAMP- SUPPLIER CODE: V99193 OPTIONAL PART: TA12C59TH4HB V84971		2
- 264	211-501-9654		.CLAMP- SUPPLIER CODE: V99193 OPTIONAL PART: JM44LC43H4WC V22175		2
265	TA12C59TH4HB		.CLAMP- SUPPLIER CODE: V84971 SB DATA FROM A CMM: PRE SPB GTE1046 OPTIONAL PART: JM44LC43H4WC V22175 211-577-9004 V99193		2

ILLUSTRATION ITEMS NOT ON PARTS LIST ARE NOT APPLICABLE

- ITEM NOT ILLUSTRATED

49-53-00-01

49-53-00  
FIG. 01  
PAGE 33  
AUG 22/09

HXL



767

PARTS CATALOG (MAINTENANCE)

FIG ITEM	PART NUMBER	1 2 3 4 5 6 7	NOMENCLATURE	EFFECT FROM TO	UNITS PER ASSY
1 265	JM44LC43H4WC		.CLAMP- SUPPLIER CODE: V22175 SB DATA FROM A CMM: POST SPB GTE1046 OPTIONAL PART: TA12C59TH4HB V84971 211-501-9654 V99193		2
265	211-577-9004		.CLAMP- SUPPLIER CODE: V99193 OPTIONAL PART: TA12C59TH4HB V84971		2
265	211-501-9654		.CLAMP- SUPPLIER CODE: V99193 OPTIONAL PART: JM44LC43H4WC V22175		2
267	TA12C59TH4HB		.CLAMP- SUPPLIER CODE: V84971 OPTIONAL PART: JM44LC43H4WC V22175 211-577-9004 V99193		1
267	JM44LC43H4WC		.CLAMP- SUPPLIER CODE: V22175 SB DATA FROM A CMM: POST SPB GTE1046 OPTIONAL PART: TA12C59TH4HB V84971 211-501-9654 V99193		1
267	211-577-9004		.CLAMP- SUPPLIER CODE: V99193 OPTIONAL PART: TA12C59TH4HB V84971		1

ILLUSTRATION ITEMS NOT ON PARTS LIST ARE NOT APPLICABLE

- ITEM NOT ILLUSTRATED

HXL

49-53-00-01

BOEING PROPRIETARY - Copyright © - Unpublished Work - See title page for details.

49-53-00  
FIG. 01  
PAGE 34  
AUG 22/09



767

PARTS CATALOG (MAINTENANCE)

FIG ITEM	PART NUMBER	1 2 3 4 5 6 7	NOMENCLATURE	EFFECT FROM TO	UNITS PER ASSY
1 267	211-501-9654		.CLAMP- SUPPLIER CODE: V99193 OPTIONAL PART: JM44LC43H4WC V22175		1
270	TA12C59WTH10HB		.CLAMP- SUPPLIER CODE: V84971 OPTIONAL PART: JM44LC43H10WC V22175 211-577-9010 V99193		5
270	JM44LC43H10WC		.CLAMP- SUPPLIER CODE: V22175 SB DATA FROM A CMM: POST SPB GTE1046 OPTIONAL PART: TA12C59TH10HB V84971 211-501-9660 V99193		5
270	211-577-9010		.CLAMP- SUPPLIER CODE: V99193 OPTIONAL PART: TA12C59WTH10HB V84971		5
270	244-501-9660		.CLAMP- SUPPLIER CODE: V99193 OPTIONAL PART: JM44LC43H10WC V22175		5
275	TA12C59WTH8HB		.CLAMP- SUPPLIER CODE: V84971 SB DATA FROM A CMM: PRE SPB GTE1046 OPTIONAL PART: JM44LC43H8WC V22175 211-577-9008 V99193		1

ILLUSTRATION ITEMS NOT ON PARTS LIST ARE NOT APPLICABLE

- ITEM NOT ILLUSTRATED

HXL

49-53-00-01

BOEING PROPRIETARY - Copyright © - Unpublished Work - See title page for details.

49-53-00  
FIG. 01  
PAGE 35  
AUG 22/09



767

PARTS CATALOG (MAINTENANCE)

FIG ITEM	PART NUMBER	1 2 3 4 5 6 7	NOMENCLATURE	EFFECT FROM TO	UNITS PER ASSY
1 275	JM44LC43H8WC		.CLAMP- SUPPLIER CODE: V22175 SB DATA FROM A CMM: POST SPB GTE1046 OPTIONAL PART: TA12C59WTH8HB V84971 211-501-9658 V99193		1
275	211-577-9008		.CLAMP- SUPPLIER CODE: V99193 OPTIONAL PART: TA12C59WTH8HB V84971		1
275	211-501-9658		.CLAMP- SUPPLIER CODE: V99193 OPTIONAL PART: JM44LC43H8WC V22175		1
277	JM44LC86WH4GF		.CLAMP- SUPPLIER CODE: V22175 SB DATA FROM A CMM: POST SB 49-7496 OPTIONAL PART: 211-592-9004 V99193 USED ON: 3800298-1 3800298-1-1 3800298-1-2 3800298-1-3 3800298-1-4 3800298-1-5 3800298-1-6 3800298-1-7		1

ILLUSTRATION ITEMS NOT ON PARTS LIST ARE NOT APPLICABLE

- ITEM NOT ILLUSTRATED

HXL

49-53-00-01

BOEING PROPRIETARY - Copyright © - Unpublished Work - See title page for details.

49-53-00  
FIG. 01  
PAGE 36  
DEC 22/06



767

PARTS CATALOG (MAINTENANCE)

FIG ITEM	PART NUMBER	1 2 3 4 5 6 7	NOMENCLATURE	EFFECT FROM TO	UNITS PER ASSY
1 280	MS21902W4		.UNION- SB DATA FROM A CMM: PRE SB 49-5463 PRE SB 49-5765 USED ON: 381364-1 381364-1-1 381364-1-2 381364-1-3 3800298-1-1 3800298-1-2 3800298-1-3 3800298-1-4 3800298-1-5 3800298-1-6 3800298-1-7 3800298-1		1
285	MS21912J4		.TEE- SB DATA FROM A CMM: POST SB 49-5634 POST SB 49-5793 CONFIG CHG DATA FROM A CMM: REPLS MS21912W4 USED ON: 381364-1 381364-1-1 381364-1-2 381364-1-3 3800298-1-1 3800298-1-2 3800298-1-3 3800298-1-4 3800298-1-5 3800298-1-6 3800298-1-7 3800298-1		1

ILLUSTRATION ITEMS NOT ON PARTS LIST ARE NOT APPLICABLE

- ITEM NOT ILLUSTRATED

HXL

49-53-00-01

BOEING PROPRIETARY - Copyright © - Unpublished Work - See title page for details.

49-53-00  
FIG. 01  
PAGE 37  
DEC 22/06



767

PARTS CATALOG (MAINTENANCE)

FIG ITEM	PART NUMBER	1 2 3 4 5 6 7	NOMENCLATURE	EFFECT FROM TO	UNITS PER ASSY
1 285	MS21912W4		.TEE- SB DATA FROM A CMM: POST SB 49-5463 PRE SB 49-5634 PRE SB 49-5793 CONFIG CHG DATA FROM A CMM: REPLD BY MS21912J4 USED ON: 381364-1 381364-1-1 381364-1-2 381364-1-3 3800298-1-1 3800298-1-2 3800298-1-3 3800298-1-4 3800298-1-5 3800298-1-6 3800298-1-7 3800298-1		1
290	AN6289D4		.NUT- SB DATA FROM A CMM: POST SB 49-5463 PRE SB 49-5634 PRE SB 49-5765 PRE SR 49-5793 CONFIG CHG DATA FROM A CMM: REPLD BY AN6289J4		1
290	AN6289J4		.NUT- SB DATA FROM A CMM: POST SB 49-5634 POST SB 49-5765 POST SB 49-5793 PRE SB 49-7192 CONFIG CHG DATA FROM A CMM: REPLS AN6289D4		1
295	MS28773-04		.RETAINER- SB DATA FROM A CMM: POST SB 49-5463 PRE SB 49-7192		1
300	S8990-604		.PACKING- SUPPLIER CODE: V59364 SB DATA FROM A CMM: PRE SB 49-7192 OPTIONAL PART: MS9385-04		1

ILLUSTRATION ITEMS NOT ON PARTS LIST ARE NOT APPLICABLE

- ITEM NOT ILLUSTRATED

49-53-00-01

49-53-00  
FIG. 01  
PAGE 38  
DEC 22/06

HXL





767

PARTS CATALOG (MAINTENANCE)

FIG ITEM	PART NUMBER	1 2 3 4 5 6 7	NOMENCLATURE	EFFECT FROM TO	UNITS PER ASSY
1 300	MS9385-04		.PACKING- SB DATA FROM A CMM: PRE SB 49-7192 OPTIONAL PART: S8990-604 V59364		1
305	3884258-1		.TUBE-PCD 2 SUPPLIER CODE: V99193		1
310	AN6289J6		.NUT		1
315	VD261-0006-0006		.GASKET- SUPPLIER CODE: V50398 OPTIONAL PART: 362-527-9006 V99193		1
315	362-527-9006		.GASKET- SUPPLIER CODE: V99193 OPTIONAL PART: VD261-0006-0006 V50398		1
320	AN6289D6		.NUT- SB DATA FROM A CMM: PRE SB 49-5634 PRE SB 49-5765 PRE SB 49-5793 CONFIG CHG DATA FROM A CMM: REPLD BY AN6289J6		1
320	AN6289J6		.NUT- SB DATA FROM A CMM: POST SB 49-5634 POST SB 49-5765 POST SB 49-5793 CONFIG CHG DATA FROM A CMM: REPLS AN6289D6		1
325	MS21907W6		.ELBOW- SB DATA FROM A CMM: PRE SB 49-5634 PRE SB 49-5765 PRE SB 49-5793 CONFIG CHG DATA FROM A CMM: REPLD BY MS21907J6		1

ILLUSTRATION ITEMS NOT ON PARTS LIST ARE NOT APPLICABLE

- ITEM NOT ILLUSTRATED

HXL

49-53-00-01

BOEING PROPRIETARY - Copyright © - Unpublished Work - See title page for details.

49-53-00  
FIG. 01  
PAGE 39  
DEC 22/06



767

PARTS CATALOG (MAINTENANCE)

FIG ITEM	PART NUMBER	1 2 3 4 5 6 7	NOMENCLATURE	EFFECT FROM TO	UNITS PER ASSY
1					
325	MS21907J6		.ELBOW- SB DATA FROM A CMM: POST SB 49-5634 POST SB 49-5765 POST SB 49-5793 CONFIG CHG DATA FROM A CMM: REPLS MS21907W6		1
330	MS28773-06		.RETAINER		1
335	S8990-606		.PACKING- SUPPLIER CODE: V99193 OPTIONAL PART: MS9385-06		1
335	MS9385-06		.PACKING- OPTIONAL PART: S8990-606 V99193		1
340	3884333-1		.TUBE-BUFFER AIR GEARBOX PRESSURE SUPPLIER CODE: V99193		1
345	MS21902W6		.UNION- SB DATA FROM A CMM: PRE SB 49-5634 PRE SB 49-5765 PRE SB 49-5793 CONFIG CHG DATA FROM A CMM: REPLD BY MS21902J6		1
345	MS21902J6		.UNION- SB DATA FROM A CMM: POST SB 49-5634 POST SB 49-5765 POST SB 49-5793 PRE SB 49-7192 CONFIG CHG DATA FROM A CMM: REPLS MS21902W6		1
350	S8990-606		.PACKING- SUPPLIER CODE: V99193 OPTIONAL PART: MS9385-06		1
350	MS9385-06		.PACKING- OPTIONAL PART: S8990-606 V99193		1

ILLUSTRATION ITEMS NOT ON PARTS LIST ARE NOT APPLICABLE

- ITEM NOT ILLUSTRATED

49-53-00-01

49-53-00  
FIG. 01  
PAGE 40  
DEC 22/06

HXL

BOEING PROPRIETARY - Copyright © - Unpublished Work - See title page for details.



767

PARTS CATALOG (MAINTENANCE)

FIG ITEM	PART NUMBER	1 2 3 4 5 6 7	NOMENCLATURE	EFFECT FROM TO	UNITS PER ASSY
1 355	3884332-1		.TUBE-PCD 1 SUPPLIER CODE: V99193 SB DATA FROM A CMM: PRE SB 49-5634 PRE SB 49-5765 PRE SB 49-5793 CONFIG CHG DATA FROM A CMM: REPLD BY 3884435-1		1
355	3884435-1		.TUBE-PCD 1 SUPPLIER CODE: V99193 SB DATA FROM A CMM: POST SB 49-5634 POST SB 49-5765 POST SB 49-5793 PRE SB 49-7192 CONFIG CHG DATA FROM A CMM: REPLS 3884332-1		1
356	3616998-1		.TUBE-PCD 1 SUPPLIER CODE: V99193 SB DATA FROM A CMM: POST SB 49-7192 PRE SB 49-7391		2
360	MS21902W6		.UNION- SB DATA FROM A CMM: PRE SB 49-5634 PRE SB 49-5765 PRE SB 49-5793 CONFIG CHG DATA FROM A CMM: REPLD BY MS21902J6		1
360	MS21902J6		.UNION- SB DATA FROM A CMM: POST SB 49-5634 POST SB 49-5765 POST SB 49-5793 CONFIG CHG DATA FROM A CMM: REPLS MS21902W6		1
365	S8990-606		.PACKING- SUPPLIER CODE: V99193 OPTIONAL PART: MS9385-06		1
365	MS9385-06		.PACKING- OPTIONAL PART: S8990-606 V99193		1
370	AN6289J6		.NUT		1

ILLUSTRATION ITEMS NOT ON PARTS LIST ARE NOT APPLICABLE

- ITEM NOT ILLUSTRATED

49-53-00-01

49-53-00  
FIG. 01  
PAGE 41  
DEC 22/06

HXL

BOEING PROPRIETARY - Copyright © - Unpublished Work - See title page for details.



767

PARTS CATALOG (MAINTENANCE)

FIG ITEM	PART NUMBER	1 2 3 4 5 6 7	NOMENCLATURE	EFFECT FROM TO	UNITS PER ASSY
1					
375	MS21908J6		.ELBOW		1
380	VD261-0006-0006		.GASKET- SUPPLIER CODE: V50398 OPTIONAL PART: 362-527-9006 V99193		1
380	362-527-9006		.GASKET- SUPPLIER CODE: V99193 OPTIONAL PART: VD261-0006-0006 V50398		1
385	MS21043-3		.NUT- SB DATA FROM A CMM: POST SB 49-5463		2
390	MS9556-05		.BOLT- SB DATA FROM A CMM: POST SB 49-5463		2
- 395	TA12C59TH4HB		.CLAMP- SUPPLIER CODE: V84971 SB DATA FROM A CMM: PRE SB 49-5463 CONFIG CHG DATA FROM A CMM: REPLD BY TA1718SS04X OPTIONAL PART: JM44LC43H4WC V22175 211-577-9004 V99193		4
- 395	JM44LC43H4WC		.CLAMP- SUPPLIER CODE: V22175 SB DATA FROM A CMM: POST SB SPB GTE1046 OPTIONAL PART: TA12C59TH4HB V84971 211-501-9654 V99193		4
- 395	211-577-9004		.CLAMP- SUPPLIER CODE: V99193 OPTIONAL PART: TA12C59TH4HB V84971		4

ILLUSTRATION ITEMS NOT ON PARTS LIST ARE NOT APPLICABLE

- ITEM NOT ILLUSTRATED

49-53-00-01

49-53-00  
FIG. 01  
PAGE 42  
DEC 22/06

HXL

BOEING PROPRIETARY - Copyright © - Unpublished Work - See title page for details.



767

PARTS CATALOG (MAINTENANCE)

FIG ITEM	PART NUMBER	1 2 3 4 5 6 7	NOMENCLATURE	EFFECT FROM TO	UNITS PER ASSY
1					
- 395	211-501-9654		.CLAMP- SUPPLIER CODE: V99193 OPTIONAL PART: JM44LC43H4WC V22175		4
400	TA1718SS04X		.CLAMP- SUPPLIER CODE: V84971 SB DATA FROM A CMM: POST SB 49-5463 CONFIG CHG DATA FROM A CMM: REPLS TA12C59TH4HB OPTIONAL PART: 211-501-9112 V99193		4
400	211-501-9112		.CLAMP- SUPPLIER CODE: V99193 OPTIONAL PART: TA1718SS04X V84971		4
402	TA12C59TH4HB		.CLAMP- SUPPLIER CODE: V84971 SB DATA FROM A CMM: POST SB 49-5463 OPTIONAL PART: 211-577-9004 V84971 JM44LC43H4WC V22175		1
402	211-577-9004		.CLAMP- SUPPLIER CODE: V84971 SB DATA FROM A CMM: POST SB 49-5463 OPTIONAL PART: TA12C59TH4HB V84971		1

ILLUSTRATION ITEMS NOT ON PARTS LIST ARE NOT APPLICABLE

- ITEM NOT ILLUSTRATED

HXL

49-53-00-01

BOEING PROPRIETARY - Copyright © - Unpublished Work - See title page for details.

49-53-00  
FIG. 01  
PAGE 43  
DEC 22/06



767

PARTS CATALOG (MAINTENANCE)

FIG ITEM	PART NUMBER	1 2 3 4 5 6 7	NOMENCLATURE	EFFECT FROM TO	UNITS PER ASSY
1					
- 403	JM44LC43H4WC		.CLAMP- SUPPLIER CODE: V22175 SB DATA FROM A CMM: POST SPB GTE1046 OPTIONAL PART: 211-501-9654 V22175 TA12C59TH4HB V84971		4
- 403	211-501-9654		.CLAMP- SUPPLIER CODE: V22175 SB DATA FROM A CMM: POST SPB GTE1046 OPTIONAL PART: JM44LC43H4WC V22175		4
405	3884335-1		.TUBE-BUFFER AIR SUPPLIER CODE: V99193 SB DATA FROM A CMM: PRE SB 49-5634 PRE SB 49-5765 PRE SB 49-5793 CONFIG CHG DATA FROM A CMM: REPLD BY 3884436-1		1
405	3884436-1		.TUBE-BUFFER AIR SUPPLIER CODE: V99193 SB DATA FROM A CMM: POST SB 49-5634 POST SB 49-5765 POST SB 49-5793 CONFIG CHG DATA FROM A CMM: REPLS 3884335-1 REPLD BY 3614788-1		1
405	3614788-1		.TUBE-BUFFER AIR SUPPLIER CODE: V99193 SB DATA FROM A CMM: POST SB49-5841 CONFIG CHG DATA FROM A CMM: REPLS 3884436-1		1

ILLUSTRATION ITEMS NOT ON PARTS LIST ARE NOT APPLICABLE

- ITEM NOT ILLUSTRATED

49-53-00-01

49-53-00  
FIG. 01  
PAGE 44  
DEC 22/06

HXL



767

PARTS CATALOG (MAINTENANCE)

FIG ITEM	PART NUMBER	1 2 3 4 5 6 7	NOMENCLATURE	EFFECT FROM TO	UNITS PER ASSY
1					
410	AN6289D6		.NUT- SB DATA FROM A CMM: PRE SB 49-5634 PRE SB 49-5765 PRE SB 49-5793 CONFIG CHG DATA FROM A CMM: REPLD BY AN6289J6		1
410	AN6289J6		.NUT- SB DATA FROM A CMM: POST SB 49-5634 POST SB 49-5765 POST SB 49-5793 CONFIG CHG DATA FROM A CMM: REPLS AN6289D6		1
413	AN6289J6		.NUT- SB DATA FROM A CMM: PRE SB 49-7391 POST SB 49-7192		1
415	MS21908W6		.ELBOW- SB DATA FROM A CMM: PRE SB 49-5634 PRE SB 49-5765 PRE SB 49-5793 CONFIG CHG DATA FROM A CMM: REPLD BY MS21908J6		1
415	MS21908J6		.ELBOW- SB DATA FROM A CMM: POST SB 49-5634 POST SB 49-5765 POST SB 49-5793 CONFIG CHG DATA FROM A CMM: REPLS MS21908W6		1
419	MS21912J6		.TEE- SB DATA FROM A CMM: POST SB 49-7192		1
420	MS28773-06		.RETAINER-		1
422	MS28773-06		.RETAINER- SB DATA FROM A CMM: PRE SB 49-7391 POST SB 49-7192		1
425	S8990-606		.PACKING- SUPPLIER CODE: V99193 OPTIONAL PART: MS9385-06		1
425	MS9385-06		.PACKING- OPTIONAL PART: S8990-606 V99193		1

ILLUSTRATION ITEMS NOT ON PARTS LIST ARE NOT APPLICABLE

- ITEM NOT ILLUSTRATED

49-53-00-01

49-53-00  
FIG. 01  
PAGE 45  
DEC 22/06

HXL

BOEING PROPRIETARY - Copyright © - Unpublished Work - See title page for details.



767

PARTS CATALOG (MAINTENANCE)

FIG ITEM	PART NUMBER	1 2 3 4 5 6 7	NOMENCLATURE	EFFECT FROM TO	UNITS PER ASSY
1					
427	S8990-606		.PACKING- SUPPLIER CODE: V99193 SB DATA FROM A CMM: PRE SB 49-7391		1
430	AN6289D6		.NUT- SB DATA FROM A CMM: PRE SB 49-5634 PRE SB 49-5765 PRE SB 49-5793 CONFIG CHG DATA FROM A CMM: REPLD BY AN6289J6		1
430	AN6289J6		.NUT- SB DATA FROM A CMM: POST SB 49-5634 POST SB 49-5765 POST SB 49-5793 CONFIG CHG DATA FROM A CMM: REPLS AN6289D6		1
432	AN6289J4		.NUT		1
435	MS21911W6		.TEE- SB DATA FROM A CMM: PRE SB 49-5634 PRE SB 49-5765 PRE SB 49-5793 CONFIG CHG DATA FROM A CMM: REPLD BY MS21911J6		1
435	MS21911J6		.TEE- SB DATA FROM A CMM: POST SB 49-5634 POST SB 49-5765 POST SB 49-5793 CONFIG CHG DATA FROM A CMM: REPLS MS21911W6		1
437	MS21911J6		.TEE- USED ON: 3800298-1 3800298-1-1 3800298-1-2 3800298-1-3 3800298-1-4 3800298-1-5 3800298-1-6 3800298-1-7		1
438	MS21912J4		.TEE		1
440	MS28773-06		.RETAINER		1
442	MS28773-04		.RETAINER		1

ILLUSTRATION ITEMS NOT ON PARTS LIST ARE NOT APPLICABLE

- ITEM NOT ILLUSTRATED

49-53-00-01

49-53-00  
FIG. 01  
PAGE 46  
DEC 22/06

HXL

BOEING PROPRIETARY - Copyright © - Unpublished Work - See title page for details.



 **BOEING**  
767  
**PARTS CATALOG (MAINTENANCE)**

FIG ITEM	PART NUMBER	1 2 3 4 5 6 7	NOMENCLATURE	EFFECT FROM TO	UNITS PER ASSY
1 443	S8990-604		.PACKING- SUPPLIER CODE: V59364 OPTIONAL PART: MS9385-04 USED ON: 3800298-1 3800298-1-1 3800298-1-2 3800298-1-3 3800298-1-4 3800298-1-5 3800298-1-6 3800298-1-7		2
443	MS9385-04		.PACKING- OPTIONAL PART: S8990-604 V99193 USED ON: 3800298-1 3800298-1-1 3800298-1-2 3800298-1-3 3800298-1-4 3800298-1-5 3800298-1-6 3800298-1-7		2
444	S8990-604		.PACKING- SUPPLIER CODE: V59364		1
445	S8990-606		.PACKING- SUPPLIER CODE: V99193 OPTIONAL PART: MS9385-06		1
445	MS9385-06		.PACKING- OPTIONAL PART: S8990-606 V99193		1
446	MS9556-05		.BOLT- USED ON: 3800298-1-1 3800298-1-2 3800298-1-3 3800298-1-4 3800298-1-5 3800298-1-6 3800298-1-7 3800298-1		1

ILLUSTRATION ITEMS NOT ON PARTS LIST ARE NOT APPLICABLE

- ITEM NOT ILLUSTRATED

HXL

49-53-00-01

BOEING PROPRIETARY - Copyright © - Unpublished Work - See title page for details.

49-53-00  
FIG. 01  
PAGE 47  
DEC 22/06



767

PARTS CATALOG (MAINTENANCE)

FIG ITEM	PART NUMBER	1 2 3 4 5 6 7	NOMENCLATURE	EFFECT FROM TO	UNITS PER ASSY
1 447	AN960C10L		.WASHER- USED ON: 3800298-1-1 3800298-1-2 3800298-1-3 3800298-1-4 3800298-1-5 3800298-1-6 3800298-1-7 3800298-1		1
448	MS21043-3		.NUT- USED ON: 3800298-1-1 3800298-1-2 3800298-1-3 3800298-1-4 3800298-1-5 3800298-1-6 3800298-1-7 3800298-1		1
450	AN6289D6		.NUT- SB DATA FROM A CMM: PRE SB 49-5634 PRE SB 49-5765 PRE SB 49-5793 CONFIG CHG DATA FROM A CMM: REPLD BY AN6289J6		1
450	AN6289J6		.NUT- SB DATA FROM A CMM: POST SB 49-5634 POST SB 49-5765 POST SB 49-5793 PRE SB 49-5841 CONFIG CHG DATA FROM A CMM: REPLS AN6289D6		1

ILLUSTRATION ITEMS NOT ON PARTS LIST ARE NOT APPLICABLE

- ITEM NOT ILLUSTRATED

HXL

49-53-00-01

BOEING PROPRIETARY - Copyright © - Unpublished Work - See title page for details.

49-53-00  
FIG. 01  
PAGE 48  
DEC 22/06



767

PARTS CATALOG (MAINTENANCE)

FIG ITEM	PART NUMBER	1 2 3 4 5 6 7	NOMENCLATURE	EFFECT FROM TO	UNITS PER ASSY
1 452	JM44LC28WH4GF		.CLAMP- SUPPLIER CODE: V22175 SB DATA FROM A CMM: PRE SB 49-7192 OPTIONAL PART: 211-501-9754 V22175 USED ON: 3800298-1-1 3800298-1-2 3800298-1-3 3800298-1-4 3800298-1-5 3800298-1-6 3800298-1-7 3800298-1		1
452	211-501-9754		.CLAMP- SUPPLIER CODE: V22175 SB DATA FROM A CMM: PRE SB 49-7192 OPTIONAL PART: JM44LC28WH4GF V22175 USED ON: 3800298-1-1 3800298-1-2 3800298-1-3 3800298-1-4 3800298-1-5 3800298-1-6 3800298-1-7 3800298-1		1
453	211-501-9661		.CLAMP- SUPPLIER CODE: V22175 OPTIONAL PART: JM44CL43H10WC V22175 USED ON: 3800298-1-1 3800298-1-2 3800298-1-3 3800298-1-4 3800298-1-5 3800298-1-6 3800298-1-7 3800298-1		1

ILLUSTRATION ITEMS NOT ON PARTS LIST ARE NOT APPLICABLE

- ITEM NOT ILLUSTRATED

49-53-00-01

49-53-00  
FIG. 01  
PAGE 49  
DEC 22/06

HXL



767

PARTS CATALOG (MAINTENANCE)

FIG ITEM	PART NUMBER	1 2 3 4 5 6 7	NOMENCLATURE	EFFECT FROM TO	UNITS PER ASSY
1 453	JM44CL43H10WC		.CLAMP- SUPPLIER CODE: V22175 OPTIONAL PART: 211-501-9661 V22175 USED ON: 3800298-1-1 3800298-1-2 3800298-1-3 3800298-1-4 3800298-1-5 3800298-1-6 3800298-1-7 3800298-1		1
455	MS21909W6		.TEE- SB DATA FROM A CMM: PRE SB 49-5634 PRE SB 49-5765 PRE SB 49-5793 CONFIG CHG DATA FROM A CMM: REPLD BY MS21909J6		1
455	MS21909J6		.TEE- SB DATA FROM A CMM: POST SB 49-5634 POST SB 49-5765 POST SB 49-5793 PRE SB 49-5841 CONFIG CHG DATA FROM A CMM: REPLS MS21909W6		1
460	MS28773-06		.RETAINER- SB DATA FROM A CMM: PRE SB 49-5841		1
461	MS16995-25		.SCREW- SB DATA FROM A CMM: POST SB 49-5841		1
462	886903-1		.RETAINER- SUPPLIER CODE: V59364 SB DATA FROM A CMM: POST SB 49-5841		1
463	3614792-1		.TUBE-CLG FAN BUFFER AIR SUPPLIER CODE: V99193 SB DATA FROM A CMM: POST SB 49-5841		1

ILLUSTRATION ITEMS NOT ON PARTS LIST ARE NOT APPLICABLE

- ITEM NOT ILLUSTRATED

49-53-00-01

49-53-00  
FIG. 01  
PAGE 50  
DEC 22/06

HXL



767

PARTS CATALOG (MAINTENANCE)

FIG ITEM	PART NUMBER	1 2 3 4 5 6 7	NOMENCLATURE	EFFECT FROM TO	UNITS PER ASSY
1 465	S8990-606		.PACKING- SUPPLIER CODE: V99193 SB DATA FROM A CMM: PRE SB 49-5841 OPTIONAL PART: MS9385-06		1
465	MS9385-06		.PACKING- OPTIONAL PART: S8990-606 V99193		1
467	3880303-1		.TUBE-OIL TRANSFER SUPPLIER CODE: V99193 SB DATA FROM A CMM: PRE SB49-5841 CONFIG CHG DATA FROM A CMM: REPLD BY 3881051-1		1
467	3881051-1		.TUBE-OIL TRANSFER SUPPLIER CODE: V99193 SB DATA FROM A CMM: POST SB49-5841 CONFIG CHG DATA FROM A CMM: REPLS 3880303-1		1
470	3884263-1		.TUBE-GEARBOX REGULATOR SUPPLIER CODE: V99193 CONFIG CHG DATA FROM A CMM: USE WITH PN 3862180-1 GRBX		1
470	3884334-1		.TUBE-GEARBOX PRESSURE REGULATOR SUPPLIER CODE: V99193 SB DATA FROM A CMM: PRE SPB GTE0252		1
470	3884384-1		.TUBE-GEARBOX PRESSURE REGULATOR SUPPLIER CODE: V99193 SB DATA FROM A CMM: POST SPB GTE0252 PRE SB 49-5634 PRE SB 49-5765 PRE SB 49-5793 CONFIG CHG DATA FROM A CMM: REPLD BY 3884437-1		1

ILLUSTRATION ITEMS NOT ON PARTS LIST ARE NOT APPLICABLE

- ITEM NOT ILLUSTRATED

49-53-00-01

49-53-00  
FIG. 01  
PAGE 51  
DEC 22/06

HXL

 **BOEING**  
767  
**PARTS CATALOG (MAINTENANCE)**

FIG ITEM	PART NUMBER	1 2 3 4 5 6 7	NOMENCLATURE	EFFECT FROM TO	UNITS PER ASSY
1 470	3884437-1		.TUBE-GEARBOX PRESSURE REGULATOR SUPPLIER CODE: V99193 SB DATA FROM A CMM: POST SB 49-5634 POST SB 49-5765 POST SB 49-5793 CONFIG CHG DATA FROM A CMM: REPLS 3884384-1		1
475	MS21916W6-4		.REDUCER- SB DATA FROM A CMM: PRE SB 49-5634 PRE SB 49-5765 PRE SB 49-5793 CONFIG CHG DATA FROM A CMM: REPLD BY MS21916J6-4		1
476	MS21916J6-4		.REDUCER- SB DATA FROM A CMM: POST SB 49-5634 POST SB 49-5765 POST SB 49-5793 CONFIG CHG DATA FROM A CMM: REPLS MS21916W6-4		1
478	MS21916J6-4		.REDUCER		1
480	S8990-606		.PACKING- SUPPLIER CODE: V99193 OPTIONAL PART: MS9385-06		2
480	MS9385-06		.PACKING- OPTIONAL PART: S8990-606 V99193		2
485	MS21043-3		.NUT		1
490	MS21279-05		.BOLT- OPTIONAL PART: MS9556-05		1
490	MS9556-05		.BOLT- SB DATA FROM A CMM: POST SPB GTE0292 OPTIONAL PART: MS21279-05		1

ILLUSTRATION ITEMS NOT ON PARTS LIST ARE NOT APPLICABLE

- ITEM NOT ILLUSTRATED

HXL

# 49-53-00-01

BOEING PROPRIETARY - Copyright © - Unpublished Work - See title page for details.

49-53-00  
FIG. 01  
PAGE 52  
DEC 22/06



767

PARTS CATALOG (MAINTENANCE)

FIG ITEM	PART NUMBER	1 2 3 4 5 6 7	NOMENCLATURE	EFFECT FROM TO	UNITS PER ASSY
1 495	TA12C59WTH6HB	.CLAMP-	SUPPLIER CODE: V84971 OPTIONAL PART: JM44LC43H6WC V22175 211-577-9006 V84971		1
495	JM44LC43H6WC	.CLAMP-	SUPPLIER CODE: V22175 SB DATA FROM A CMM: POST SPB GTE1046 OPTIONAL PART: TA12C59WTH6HB V84971 211-501-9656 V22175		1
495	211-577-9006	.CLAMP-	SUPPLIER CODE: V84971 OPTIONAL PART: TA12C59WTH6HB V84971		1
495	211-501-9656	.CLAMP-	SUPPLIER CODE: V22175 SB DATA FROM A CMM: POST SPB GTE1046 OPTIONAL PART: JM44LC43H6WC V22175		1
500	TA12C59TH4HB	.CLAMP-	SUPPLIER CODE: V84971 OPTIONAL PART: JM44LC43H4WC V22175 211-577-9004 V84971		1

ILLUSTRATION ITEMS NOT ON PARTS LIST ARE NOT APPLICABLE

- ITEM NOT ILLUSTRATED

49-53-00-01

49-53-00  
FIG. 01  
PAGE 53  
DEC 22/06

HXL



767

PARTS CATALOG (MAINTENANCE)

FIG ITEM	PART NUMBER	1 2 3 4 5 6 7	NOMENCLATURE	EFFECT FROM TO	UNITS PER ASSY
1 500	JM44LC43H4WC		.CLAMP- SUPPLIER CODE: V22175 SB DATA FROM A CMM: POST SPB GTE1046 OPTIONAL PART: TA12C59TH4HB V84971 211-501-9654 V22175		1
500	211-577-9004		.CLAMP- SUPPLIER CODE: V84971 OPTIONAL PART: TA12C59TH4HB V84971		1
500	211-501-9654		.CLAMP- SUPPLIER CODE: V22175 SB DATA FROM A CMM: POST SPB GTE1046 OPTIONAL PART: JM44LC43H4WC V22175		1
505	MS21279-06		.BOLT- SB DATA FROM A CMM: PRE SPB GTE0305 CONFIG CHG DATA FROM A CMM: REPLD BY MS9556-05		1
505	MS9556-05		.BOLT- SB DATA FROM A CMM: POST SPB GTE0305 CONFIG CHG DATA FROM A CMM: REPLS MS21279-06		1
510	3880328-1		.TUBE-GEARBOX VENT SUPPLIER CODE: V99193		1
515	S9413-113		.PACKING- SUPPLIER CODE: V99193 OPTIONAL PART: M83248-1-113		1
515	M83248-1-113		.PACKING- OPTIONAL PART: S9413-113 V99193		1

ILLUSTRATION ITEMS NOT ON PARTS LIST ARE NOT APPLICABLE

- ITEM NOT ILLUSTRATED

49-53-00-01

49-53-00  
FIG. 01  
PAGE 54  
DEC 22/06

HXL

BOEING PROPRIETARY - Copyright © - Unpublished Work - See title page for details.





767

PARTS CATALOG (MAINTENANCE)

FIG ITEM	PART NUMBER	1 2 3 4 5 6 7	NOMENCLATURE	EFFECT FROM TO	UNITS PER ASSY
1					
525	AN6289D4		.NUT- SB DATA FROM A CMM: PRE SB 49-5634 PRE SB 49-5765 PRE SB 49-5793 CONFIG CHG DATA FROM A CMM: REPLD BY AN6289J4		1
525	AN6289J4		.NUT- SB DATA FROM A CMM: POST SB 49-5634 POST SB 49-5765 POST SB 49-5793 CONFIG CHG DATA FROM A CMM: REPLS AN6289D4		1
530	MS21908W4		.ELBOW- SB DATA FROM A CMM: PRE SB 49-5634 PRE SB 49-5765 PRE SB 49-5793 CONFIG CHG DATA FROM A CMM: REPLD BY MS21908J4		1
530	MS21908J4		.ELBOW- SB DATA FROM A CMM: POST SB 49-5634 POST SB 49-5765 POST SB 49-5793 CONFIG CHG DATA FROM A CMM: REPLS MS1908W4		1
535	MS28773-04		.RETAINER		1
540	S8990-604		.PACKING- SUPPLIER CODE: V59364 SB DATA FROM A CMM: PRE SPB GTE0252 OPTIONAL PART: S9412-554 V99193		1
540	S9412-554		.PACKING- SUPPLIER CODE: V99193 SB DATA FROM A CMM: POST SPB GTE0252 OPTIONAL PART: S8990-604 V59364 M25988-2-904		1

ILLUSTRATION ITEMS NOT ON PARTS LIST ARE NOT APPLICABLE

- ITEM NOT ILLUSTRATED

49-53-00-01

49-53-00  
FIG. 01  
PAGE 55  
DEC 22/06

HXL

BOEING PROPRIETARY - Copyright © - Unpublished Work - See title page for details.



767

PARTS CATALOG (MAINTENANCE)

FIG ITEM	PART NUMBER	1 2 3 4 5 6 7	NOMENCLATURE	EFFECT FROM TO	UNITS PER ASSY
1					
540	M25988-2-904		.PACKING- OPTIONAL PART: S9412-554 V99193		1
545	S9803-3		.PLATE-IDENT SUPPLIER CODE: V99193 SB DATA FROM A CMM: POST SPB GTE0252 CONFIG CHG DATA FROM A CMM: REPLS S9017C24P2 OPTIONAL PART: S20000-1 V99193		1
545	S9017C24P2		.PLATE-IDENT SUPPLIER CODE: V99193 SB DATA FROM A CMM: PRE SPB GTE0252 CONFIG CHG DATA FROM A CMM: REPLD BY S9803-3		1
545	S20000-1		.PLATE-IDENT SUPPLIER CODE: V99193 SB DATA FROM A CMM: POST SPB GTE1107 OPTIONAL PART: S9803-3 V99193 S9803-53 V99193		1
545	S9803-53		.PLATE-IDENT SUPPLIER CODE: V99193 SB DATA FROM A CMM: PRE SPB GTE1107 OPTIONAL PART: S20000-1 V99193 S9803-3 V99193		1
550	MS24630-10		ATTACHING PARTS .SCREW- SB DATA FROM A CMM: POST SPB GTE0294 CONFIG CHG DATA FROM A CMM: REPLS MS51861-12C		2

ILLUSTRATION ITEMS NOT ON PARTS LIST ARE NOT APPLICABLE

- ITEM NOT ILLUSTRATED

HXL

49-53-00-01

BOEING PROPRIETARY - Copyright © - Unpublished Work - See title page for details.

49-53-00  
FIG. 01  
PAGE 56  
DEC 22/06



767

PARTS CATALOG (MAINTENANCE)

FIG ITEM	PART NUMBER	1 2 3 4 5 6 7	NOMENCLATURE	EFFECT FROM TO	UNITS PER ASSY
1					
550	MS51861-12C		.SCREW- SB DATA FROM A CMM: POST SPB GTE0294 CONFIG CHG DATA FROM A CMM: REPLD BY MS24630-10		2
555	AD42H		.RIVET-BLIND SUPPLIER CODE: V07707 SB DATA FROM A CMM: POST SPB GTE0252 PRE SPB GTE0294 CONFIG CHG DATA FROM A CMM: REPLS CCR274CS3-2, RV540A3-2 REPLD BY MS51861-12C OPTIONAL PART: 627-509-9102 V99193		2
555	CCR274CS3-2		.RIVET- SUPPLIER CODE: V11815 SB DATA FROM A CMM: PRE SPB GTE0252 CONFIG CHG DATA FROM A CMM: REPLD BY AD42H OPTIONAL PART: RV540A3-2 V98996 627-512-9001 V99193		2
555	RV540A3-2		.RIVET- SUPPLIER CODE: V98996 SB DATA FROM A CMM: PRE SPB GTE0252 CONFIG CHG DATA FROM A CMM: REPLD BY AD42H OPTIONAL PART: CCR274CS3-2 V11815 627-512-9001 V99193		2

ILLUSTRATION ITEMS NOT ON PARTS LIST ARE NOT APPLICABLE

- ITEM NOT ILLUSTRATED

HXL

49-53-00-01

BOEING PROPRIETARY - Copyright © - Unpublished Work - See title page for details.

49-53-00  
FIG. 01  
PAGE 57  
DEC 22/06



767

PARTS CATALOG (MAINTENANCE)

FIG ITEM	PART NUMBER	1 2 3 4 5 6 7	NOMENCLATURE	EFFECT FROM TO	UNITS PER ASSY
1 555	627-512-9001		.RIVET- SUPPLIER CODE: V99193 OPTIONAL PART: CCR274CS3-2 V11815 RV540A3-2 V98996		2
555	627-509-9102		.RIVET- SUPPLIER CODE: V99193 OPTIONAL PART: AD42H V07707		2
560	NAS620C5		.WASHER- SB DATA FROM A CMM: POST SPB GTE0294 CONFIG CHG DATA FROM A CMM: REPLS NAS620C3 REPLD BY NAS620C4L		2
560	NAS620C3		.WASHER- SB DATA FROM A CMM: PRE SPB GTE0294 CONFIG CHG DATA FROM A CMM: REPLD BY NAS620C5		2
560	NAS620C4L		.WASHER- CONFIG CHG DATA FROM A CMM: REPLS NAS620C5		2
800			-----*----- ILLUSTRATION REFERENCE: ENGINE ASSY-GAS TURB (APU AND GENERATOR LUBRICATION SYSTEM ONLY) 49-27-00-01		RF

ILLUSTRATION ITEMS NOT ON PARTS LIST ARE NOT APPLICABLE

- ITEM NOT ILLUSTRATED

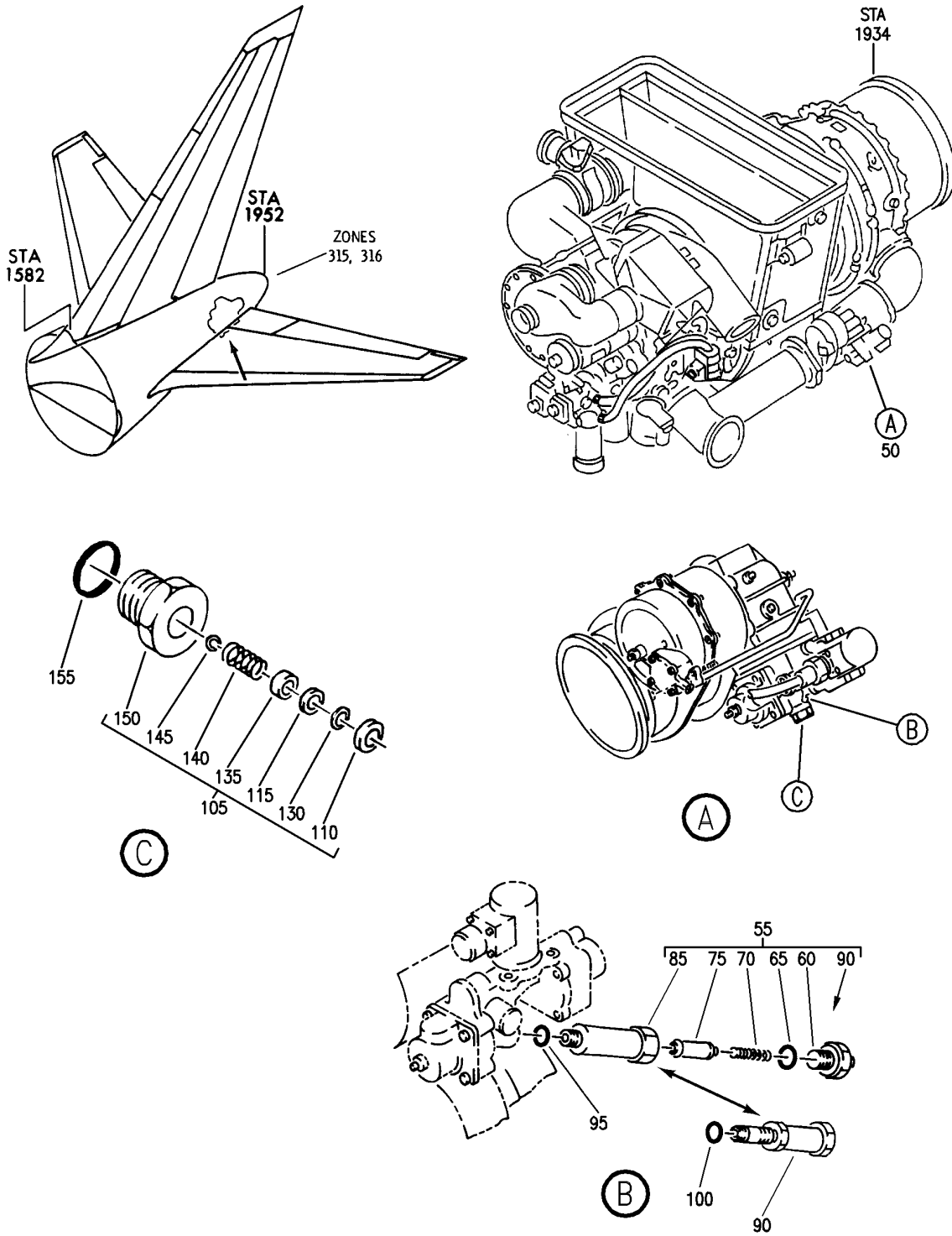
HXL

49-53-00-01

BOEING PROPRIETARY - Copyright © - Unpublished Work - See title page for details.

49-53-00  
FIG. 01  
PAGE 58  
DEC 22/06

**BOEING**  
767  
PARTS CATALOG (MAINTENANCE)



V 49530601 REV 252

ENGINE ASSY-GAS TURB (APU SURGE VALVE FILTER ELEMENT ONLY)  
FIGURE 1

**49-53-06-01**

HXL  
DEC 22/06

49-53-06-01  
PAGE 0



767

PARTS CATALOG (MAINTENANCE)

FIG ITEM	PART NUMBER	1 2 3 4 5 6 7 NOMENCLATURE	EFFECT FROM TO	UNITS PER ASSY
1  - 10	3800298-1-1	ENGINE ASSY-GAS TURB (APU SURGE VALVE FILTER ELEMENT ONLY) ENGINE ASSY-GAS TURB (APU SURGE VALVE FILTER ELEMENT ONLY) MODEL GTCP331-200ER SUPPLIER CODE: V99193 SPECIFICATION NUMBER: S351T020-200 COMPONENT MAINT MANUAL REF: 49-22-11 QUALIFIED I/W DATA: S351T020-200 (3800298-1-1) AND S351T020-205 (3800298-1-6) ARE INTERCHANGEABLE WITH THE INCORPORATION OF S/B 767-49-0025 S351T020-200 (3800298-1-1) AND S351T020-206 (3800298-1-7/3800298-1) ARE INTERCHANGEABLE WITH THE INCORPORATION OF ALLIED SIGNAL S/B GTCP331-49-7081 FOR NHA/OTHER SYS DET SEE: 49-11-00-01		RF

ILLUSTRATION ITEMS NOT ON PARTS LIST ARE NOT APPLICABLE

- ITEM NOT ILLUSTRATED

HXL

49-53-06-01

BOEING PROPRIETARY - Copyright © - Unpublished Work - See title page for details.

49-53-06  
 FIG. 01  
 PAGE 1  
 DEC 22/06



767

PARTS CATALOG (MAINTENANCE)

FIG ITEM	PART NUMBER	1 2 3 4 5 6 7 NOMENCLATURE	EFFECT FROM TO	UNITS PER ASSY
1 - 10	3800298-1-2	ENGINE ASSY-GAS TURB (APU SURGE VALVE FILTER ELEMENT ONLY) MODEL GTCP331-200ER SUPPLIER CODE: V99193 SPECIFICATION NUMBER: S351T020-201 CONFIG CHG DATA FROM A CMM: REPLS 3800298-1-1 COMPONENT MAINT MANUAL REF: 49-22-11 QUALIFIED I/W DATA: S351T020-201 (3800298-1-2) AND S351T020-205 (3800298-1-6) ARE INTERCHANGEABLE WITH THE INCORPORATION OF S/B 767-49-0025 S351T020-201 (3800298-1-2) AND S351T020-206 (3800298-1-7/3800298-1) ARE INTERCHANGEABLE WITH THE INCORPORATION OF ALLIED SIGNAL S/B GTCP331-49-7081 FOR NHA/OTHER SYS DET SEE: 49-11-00-01		RF

ILLUSTRATION ITEMS NOT ON PARTS LIST ARE NOT APPLICABLE

- ITEM NOT ILLUSTRATED

HXL

49-53-06-01

BOEING PROPRIETARY - Copyright © - Unpublished Work - See title page for details.

49-53-06  
 FIG. 01  
 PAGE 2  
 DEC 22/06



767

PARTS CATALOG (MAINTENANCE)

FIG ITEM	PART NUMBER	1 2 3 4 5 6 7 NOMENCLATURE	EFFECT FROM TO	UNITS PER ASSY
1 - 10	3800298-1-3	ENGINE ASSY-GAS TURB (APU SURGE VALVE FILTER ELEMENT ONLY) MODEL GTCP331-200ER SUPPLIER CODE: V99193 SPECIFICATION NUMBER: S351T020-202 CONFIG CHG DATA FROM A CMM: REPLS 3800298-1-2 COMPONENT MAINT MANUAL REF: 49-22-11 QUALIFIED I/W DATA: S351T020-202 (3800298-1-3) AND S351T020-205 (3800298-1-6) ARE INTERCHANGEABLE WITH THE INCORPORATION OF S/B 767-49-0025 S351T020-202 (3800298-1-3) AND S351T020-206 (3800298-1-7/3800298-1) ARE INTERCHANGEABLE WITH THE INCORPORATION OF ALLIED SIGNAL S/B GTCP331-49-7081 FOR NHA/OTHER SYS DET SEE: 49-11-00-01		RF

ILLUSTRATION ITEMS NOT ON PARTS LIST ARE NOT APPLICABLE

- ITEM NOT ILLUSTRATED

HXL

49-53-06-01

BOEING PROPRIETARY - Copyright © - Unpublished Work - See title page for details.

49-53-06  
 FIG. 01  
 PAGE 3  
 DEC 22/06





767

PARTS CATALOG (MAINTENANCE)

FIG ITEM	PART NUMBER	1 2 3 4 5 6 7 NOMENCLATURE	EFFECT FROM TO	UNITS PER ASSY
1 - 10	3800298-1-4	ENGINE ASSY-GAS TURB (APU SURGE VALVE FILTER ELEMENT ONLY) MODEL GTCP331-200ER SUPPLIER CODE: V99193 SPECIFICATION NUMBER: S351T020-203 CONFIG CHG DATA FROM A CMM: REPLS 3800298-1-3 COMPONENT MAINT MANUAL REF: 49-22-11 QUALIFIED I/W DATA: S351T020-203 (3800298-1-4) AND S351T020-205 (3800298-1-6) ARE INTERCHANGEABLE WITH THE INCORPORATION OF S/B 767-49-0025 S351T020-203 (3800298-1-4) AND S351T020-206 (3800298-1-7/3800298-1) ARE INTERCHANGEABLE WITH THE INCORPORATION OF ALLIED SIGNAL S/B GTCP331-49-7081 FOR NHA/OTHER SYS DET SEE: 49-11-00-01		RF

ILLUSTRATION ITEMS NOT ON PARTS LIST ARE NOT APPLICABLE

- ITEM NOT ILLUSTRATED

HXL

49-53-06-01

BOEING PROPRIETARY - Copyright © - Unpublished Work - See title page for details.

49-53-06  
 FIG. 01  
 PAGE 4  
 DEC 22/06



767

PARTS CATALOG (MAINTENANCE)

FIG ITEM	PART NUMBER	1 2 3 4 5 6 7	NOMENCLATURE	EFFECT FROM TO	UNITS PER ASSY
1 - 10	3800298-1-5		ENGINE ASSY-GAS TURB (APU SURGE VALVE FILTER ELEMENT ONLY) MODEL GTCP331-200ER SUPPLIER CODE: V99193 SPECIFICATION NUMBER: S351T020-204 CONFIG CHG DATA FROM A CMM: REPLS 3800298-1-4 COMPONENT MAINT MANUAL REF: 49-22-11 QUALIFIED I/W DATA: S351T020-204 (3800298-1-5) AND S351T020-206 (3800298-1-7/3800298-1) ARE INTERCHANGEABLE WITH THE INCORPORATION OF ALLIED SIGNAL S/B GTCP331-49-7081 S351T020-204 (3800298-1-5) AND S351T020-205 (3800298-1-6) ARE INTERCHANGEABLE WITH THE INCORPORATION OF S/B 767-49-0025 FOR NHA/OTHER SYS DET SEE: 49-11-00-01		RF
- 10	3800298-1-6		ENGINE ASSY-GAS TURB (APU SURGE VALVE FILTER ELEMENT ONLY) MODEL GTCP331-200ER SUPPLIER CODE: V99193 SPECIFICATION NUMBER: S351T020-205 CONFIG CHG DATA FROM A CMM: REPLS 3800298-1-5 COMPONENT MAINT MANUAL REF: 49-22-11 QUALIFIED I/W DATA: S351T020-204 (3800298-1-5) AND S351T020-205 (3800298-1-6) ARE INTERCHANGEABLE WITH THE INCORPORATION OF S/B		RF

ILLUSTRATION ITEMS NOT ON PARTS LIST ARE NOT APPLICABLE

- ITEM NOT ILLUSTRATED

49-53-06-01

49-53-06  
FIG. 01  
PAGE 5  
DEC 22/06

HXL



767

PARTS CATALOG (MAINTENANCE)

FIG ITEM	PART NUMBER	1 2 3 4 5 6 7 NOMENCLATURE	EFFECT FROM TO	UNITS PER ASSY
1 10		767-49-0025 S351T020-203 (3800298-1-4) AND S351T020-205 (3800298-1-6) ARE INTERCHANGEABLE WITH INCORPORATION OF S/B 767-49-0025 S351T020-202 (3800298-1-3) AND S351T020-205 (3800298-1-6) ARE INTERCHANGEABLE WITH THE INCORPORATION OF S/B 767-49-0025 S351T020-201 (3800298-1-2) AND S351T020-205 (3800298-1-6) ARE INTERCHANGEABLE WITH THE INCORPORATION OF S/B 767-49-0025 S351T020-200 (3800298-1-1) AND S351T020-205 (3800298-1-6) ARE INTERCHANGEABLE WITH THE INCORPORATION OF S/B 767-49-0025 FOR NHA/OTHER SYS DET SEE: 49-11-00-01		
- 15	3800298-1-7	ENGINE ASSY-GAS TURB (APU SURGE VALVE FILTER ELEMENT ONLY) MODEL GTCP331-200ER SUPPLIER CODE: V99193 SPECIFICATION NUMBER: S351T020-206 CONFIG CHG DATA FROM A CMM: REPLS 3800298-1-6 ELECTRICAL EQUIP NUMBER: M00967 COMPONENT MAINT MANUAL REF: 49-22-11 QUALIFIED I/W DATA: S351T020-203 (3800298-1-4) AND S351T020-206  ILLUSTRATION ITEMS NOT ON PARTS LIST ARE NOT APPLICABLE		RF

- ITEM NOT ILLUSTRATED

49-53-06-01

49-53-06  
 FIG. 01  
 PAGE 6  
 DEC 22/06

HXL



767

PARTS CATALOG (MAINTENANCE)

FIG ITEM	PART NUMBER	1 2 3 4 5 6 7 NOMENCLATURE	EFFECT FROM TO	UNITS PER ASSY
1 15		<p>(3800298-1-7/3800298-1) ARE INTERCHANGEABLE WITH THE INCORPORATION OF ALLIED SIGNAL S/B GTCP331-49-7081. S351T020-204 (3800298-1-5) AND S351T020-206 (3800298-1-7/3800298-1) ARE INTERCHANGEABLE WITH THE INCORPORATION OF ALLIED SIGNAL S/B GTCP331-49-7081. S351T020-202 (3800298-1-3) AND S351T020-206 (3800298-1-7/3800298-1) ARE INTERCHANGEABLE WITH THE INCORPORATION OF ALLIED SIGNAL S/B GTCP331-49-7081 S351T020-201 (3800298-1-2) AND S351T020-206 (3800298-1-7/3800298-1) ARE INTERCHANGEABLE WITH THE INCORPORATION OF ALLIED SIGNAL S/B GTCP331-49-7081 S351T020-200 (3800298-1-1) AND S351T020-206 (3800298-1-7/3800298-1) ARE INTERCHANGEABLE WITH THE INCORPORATION OF ALLIED SIGNAL S/B GTCP331-49-7081</p>		
- 15	3800298-1	<p>OPTIONAL PART: 3800298-1 V99193 FOR NHA/OTHER SYS DET SEE: 49-11-00-01 ENGINE ASSY-GAS TURB (APU SURGE VALVE FILTER ELEMENT ONLY) SUPPLIER CODE: V99193 SPECIFICATION NUMBER: S351T020-206</p>		RF

ILLUSTRATION ITEMS NOT ON PARTS LIST ARE NOT APPLICABLE

- ITEM NOT ILLUSTRATED

49-53-06-01

49-53-06  
FIG. 01  
PAGE 7  
DEC 22/06

HXL



**PARTS CATALOG (MAINTENANCE)**

FIG ITEM	PART NUMBER	1 2 3 4 5 6 7 NOMENCLATURE	EFFECT FROM TO	UNITS PER ASSY
1		<p>COMPONENT MAINT MANUAL REF: 49-22-11</p> <p>QUALIFIED I/W DATA: S351T020-204 (3800298-1-5) AND S351T020-206 (3800298-1-7/3800298-1) ARE INTERCHANGEABLE WITH THE INCORPORATION OF ALLIED SIGNAL S/B GTCP331-49-7081 S351T020-203 (3800298-1-4) AND S351T020-206 (3800298-1-7/3800298-1) ARE INTERCHANGEABLE WITH THE INCORPORATION OF ALLIED SIGNAL S/B GTCP331-49-7081. S351T020-202 (3800298-1-3) AND S351T020-206 (3800298-1-7/3800298-1) ARE INTERCHANGEABLE WITH THE INCORPORATION OF ALLIED SIGNAL S/B GTCP331-49-7081 S351T020-201 (3800298-1-2) AND S351T020-206 (3800298-1-7/3800298-1) ARE INTERCHANGEABLE WITH THE INCORPORATION OF ALLIED SIGNAL S/B GTCP331-49-7081 S351T020-200 (3800298-1-1) AND S351T020-206 (3800298-1-7/3800298-1) ARE INTERCHANGEABLE WITH THE INCORPORATION OF ALLIED SIGNAL S/B GTCP331-49-7081</p> <p>OPTIONAL PART: 3800298-1-7 V99193</p> <p>FOR NHA/OTHER SYS DET SEE: 49-11-00-01</p> <p>ILLUSTRATION ITEMS NOT ON PARTS LIST ARE NOT APPLICABLE</p>		

- ITEM NOT ILLUSTRATED

**49-53-06-01**

49-53-06  
FIG. 01  
PAGE 8  
DEC 22/06

HXL

 **BOEING**  
767  
**PARTS CATALOG (MAINTENANCE)**

FIG ITEM	PART NUMBER	1 2 3 4 5 6 7	NOMENCLATURE	EFFECT FROM TO	UNITS PER ASSY
1 50	979806-5-1		.VALVE ASSY-4 IN. DIA SURGE CONT SUPPLIER CODE: V59364 NOT APPROVED FOR ETOPS AFTER INCORP OF SB: GTCP331-49-5421 V99193 GTCP331-49-5389 V99193 SB DATA FROM A CMM: PRE SB 49-5421 CONFIG CHG DATA FROM A CMM: SUPSD BY 979806-8 COMPONENT MAINT MANUAL REF: 49-53-67		1
50	979806-6-1		.VALVE ASSY-4 IN. DIA SURGE CONT SUPPLIER CODE: V59364 NOT APPROVED FOR ETOPS AFTER INCORP OF SB: GTCP331-49-5421 V99193 GTCP331-49-5389 V99193 SB DATA FROM A CMM: PRE SB 49-5421 CONFIG CHG DATA FROM A CMM: SUPSD BY 979806-8 COMPONENT MAINT MANUAL REF: 49-53-67		1
50	979806-7		.VALVE ASSY-4 IN. DIA SURGE CONT SUPPLIER CODE: V59364 NOT APPROVED FOR ETOPS AFTER INCORP OF SB: GTCP331-49-5421 V99193 GTCP331-49-5389 V99193 SB DATA FROM A CMM: PRE SB 49-5421 CONFIG CHG DATA FROM A CMM: SUPSD BY 979806-8 COMPONENT MAINT MANUAL REF: 49-53-67		1

ILLUSTRATION ITEMS NOT ON PARTS LIST ARE NOT APPLICABLE

- ITEM NOT ILLUSTRATED

HXL

# 49-53-06-01

BOEING PROPRIETARY - Copyright © - Unpublished Work - See title page for details.

49-53-06  
FIG. 01  
PAGE 9  
DEC 22/06



767

PARTS CATALOG (MAINTENANCE)

FIG ITEM	PART NUMBER	1 2 3 4 5 6 7	NOMENCLATURE	EFFECT FROM TO	UNITS PER ASSY
1 50	979806-8		.VALVE ASSY-4 IN. DIA SURGE CONT SUPPLIER CODE: V59364 SB DATA FROM A CMM: POST SB 49-5421 PRE SB 49-5696 CONFIG CHG DATA FROM A CMM: SUPERSEDES 979806-5-1 SUPERSEDES 979806-6-1 SUPERSEDES 979806-7-1 REPLD BY 979806-9 MISCELLANEOUS DATA: ETOPS REQUIRED COMPONENT MAINT MANUAL REF: 49-53-67		1
50	979806-9		.VALVE ASSY-4 IN. DIA SURGE CONT SUPPLIER CODE: V59364 SB DATA FROM A CMM: POST SB 49-5696 PRE SB 49-5718 CONFIG CHG DATA FROM A CMM: REPLS 979806-8 REPLD BY 979806-10 COMPONENT MAINT MANUAL REF: 49-53-67		1
50	979806-10		.VALVE ASSY-4 IN. DIA SURGE CONT SUPPLIER CODE: V59364 SB DATA FROM A CMM: POST SB 49-5718 PRE SB 49-6506 CONFIG CHG DATA FROM A CMM: REPLS 979806-9 REPLD BY 979806-11 COMPONENT MAINT MANUAL REF: 49-53-67		1

ILLUSTRATION ITEMS NOT ON PARTS LIST ARE NOT APPLICABLE

- ITEM NOT ILLUSTRATED

HXL

49-53-06-01

BOEING PROPRIETARY - Copyright © - Unpublished Work - See title page for details.

49-53-06  
FIG. 01  
PAGE 10  
DEC 22/06



767

PARTS CATALOG (MAINTENANCE)

FIG ITEM	PART NUMBER	1 2 3 4 5 6 7	NOMENCLATURE	EFFECT FROM TO	UNITS PER ASSY
1 50	979806-11		. VALVE ASSY-4 IN. DIA SURGE CONT SUPPLIER CODE: V59364 SB DATA FROM A CMM: POST SB 49-6506 PRE SB 49-7498 CONFIG CHG DATA FROM A CMM: REPLS 979806-10 REPLD BY 979806-12 COMPONENT MAINT MANUAL REF: 49-53-67		1
50	979806-12		. VALVE ASSY-4 IN. DIA SURGE CONT SUPPLIER CODE: V59364 SB DATA FROM A CMM: POST SB 49-7498 CONFIG CHG DATA FROM A CMM: REPLS 979806-11		1
55	3174726-1		.. FILTER KIT- SUPPLIER CODE: V59364 USED ON: 979806-9		1
55	3174726-2		.. FILTER KIT- SUPPLIER CODE: V59364 SB DATA FROM A CMM: PRE SB 49-6504 USED ON: 979806-5-1 979806-6-1 979806-7 979806-8 979806-10		1
55	3174726-5		.. FILTER KIT- SUPPLIER CODE: V59364 SB DATA FROM A CMM: POST SB 49-6504 USED ON: 979806-11 979806-12		1

ILLUSTRATION ITEMS NOT ON PARTS LIST ARE NOT APPLICABLE

- ITEM NOT ILLUSTRATED

HXL

49-53-06-01

BOEING PROPRIETARY - Copyright © - Unpublished Work - See title page for details.

49-53-06  
FIG. 01  
PAGE 11  
DEC 22/06





767

PARTS CATALOG (MAINTENANCE)

FIG ITEM	PART NUMBER	1 2 3 4 5 6 7	NOMENCLATURE	EFFECT FROM TO	UNITS PER ASSY
1					
60	3171128-1		...REDUCER- SUPPLIER CODE: V59364 SB DATA FROM A CMM: PRE SB 49-5707 PRE SB 49-5717 USED ON: 3174726-1		1
60	3174437-1		...REDUCER- SUPPLIER CODE: V59364 SB DATA FROM A CMM: POST SB 49-5707 POST SB 49-5717 USED ON: 3174726-2 3174726-5		1
65	S8990-605		...PACKING- SUPPLIER CODE: V59364 SB DATA FROM A CMM: PRE SB 49-5707 PRE SB 49-5717 USED ON: 3174726-1		1
65	S8990-608		...PACKING- SUPPLIER CODE: V59364 SB DATA FROM A CMM: POST SB 49-5707 POST SB 49-5717 USED ON: 3174726-2 3174726-5		1
70	663466		...SPRING- SUPPLIER CODE: V59364		1
75	111790-2		...FILTER- SUPPLIER CODE: V59364 SB DATA FROM A CMM: PRE SB 49-5707 PRE SB 49-5717 USED ON: 3174726-1		1
ILLUSTRATION ITEMS NOT ON PARTS LIST ARE NOT APPLICABLE					

- ITEM NOT ILLUSTRATED

49-53-06-01

49-53-06  
FIG. 01  
PAGE 12  
DEC 22/06

HXL

**BOEING**  
767  
**PARTS CATALOG (MAINTENANCE)**

FIG ITEM	PART NUMBER	1 2 3 4 5 6 7	NOMENCLATURE	EFFECT FROM TO	UNITS PER ASSY
1	75 856504-2		... FILTER- SUPPLIER CODE: V59364 SB DATA FROM A CMM: POST SB 49-5707 POST SB 49-5717 USED ON: 3174726-2 3174726-5		1
- 80	3171127-1		... HOUSING- SUPPLIER CODE: V59364 SB DATA FROM A CMM: PRE SB 49-5707 PRE SB 49-5717 USED ON: 3174726-1		1
	85 3174438-1		... HOUSING- SUPPLIER CODE: V59364 SB DATA FROM A CMM: POST SB 49-5707 POST SB 49-5717 PRE SB 49-6504 USED ON: 3174726-2		1
	90 3175836-1		... HOUSING- SUPPLIER CODE: V59364 SB DATA FROM A CMM: POST SB 49-6504 USED ON: 3174726-5		1
	95 S8990-604		.. PACKING- SUPPLIER CODE: V59364 USED ON: 979806-5-1 979806-6-1 979806-7 979806-8 979806-9 979806-10		1

ILLUSTRATION ITEMS NOT ON PARTS LIST ARE NOT APPLICABLE

- ITEM NOT ILLUSTRATED

HXL

49-53-06-01

BOEING PROPRIETARY - Copyright © - Unpublished Work - See title page for details.

49-53-06  
FIG. 01  
PAGE 13  
DEC 22/06

 **BOEING**  
767  
**PARTS CATALOG (MAINTENANCE)**

FIG ITEM	PART NUMBER	1 2 3 4 5 6 7	NOMENCLATURE	EFFECT FROM TO	UNITS PER ASSY
1					
100	S8990-009		.. PACKING- SUPPLIER CODE: V99193 SB DATA FROM A CMM: POST SB 49-6504 USED ON: 979806-11 979806-12		1
105	97261-22		.. VALVE ASSY-RELIEF SUPPLIER CODE: V59364		1
110	MS16625-1025		... RING		1
115	S8157N82-003		... WASHER-0.003 IN. THICK SUPPLIER CODE: V59364		AR
- 120	S8157N82-005		... WASHER-0.005 IN. THICK SUPPLIER CODE: V59364		AR
- 125	S8157N82-010		... WASHER-0.010 IN. THICK SUPPLIER CODE: V59364		AR
130	91610-12		... SCREEN-FILTER SUPPLIER CODE: V59364		1
135	S8157N82-016		... WASHER-0.016 IN. THICK SUPPLIER CODE: V59364		1
140	3161192-1		... SPRING-HELICAL CPRSN SUPPLIER CODE: V59364		1
145	MS9461-05		... BALL		1
150	112044-3		... HOUSING- SUPPLIER CODE: V59364		1
155	S8990-604		.. PACKING- SUPPLIER CODE: V59364		1

ILLUSTRATION ITEMS NOT ON PARTS LIST ARE NOT APPLICABLE

- ITEM NOT ILLUSTRATED

HXL

# 49-53-06-01

BOEING PROPRIETARY - Copyright © - Unpublished Work - See title page for details.

49-53-06  
FIG. 01  
PAGE 14  
DEC 22/06