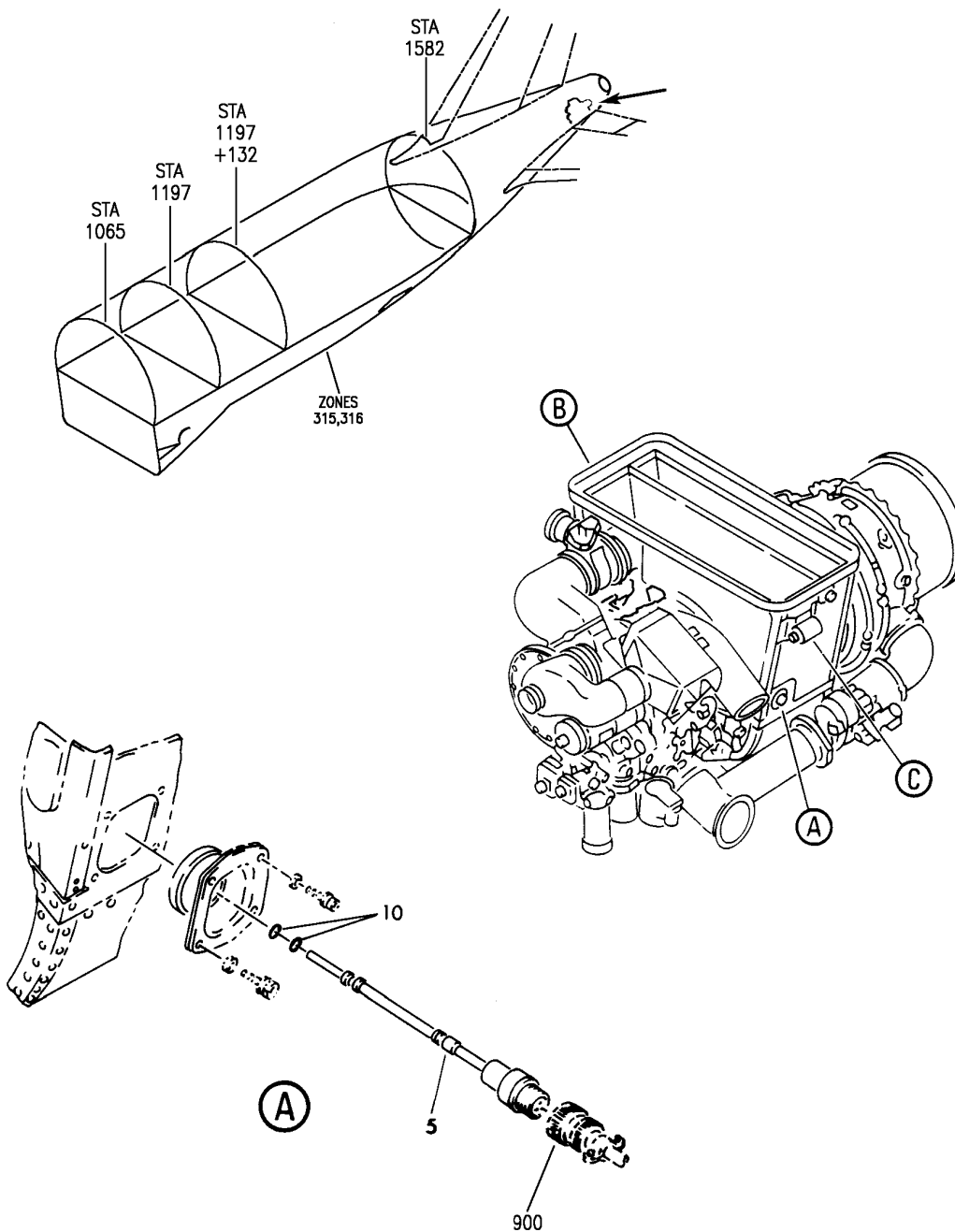


APU CONTROL SYSTEM

HXL
DEC 22/06

49-61-00
SECTION TITLE
PAGE 1

BOEING
767
PARTS CATALOG (MAINTENANCE)



V 49610001 SHT 1 REV 338

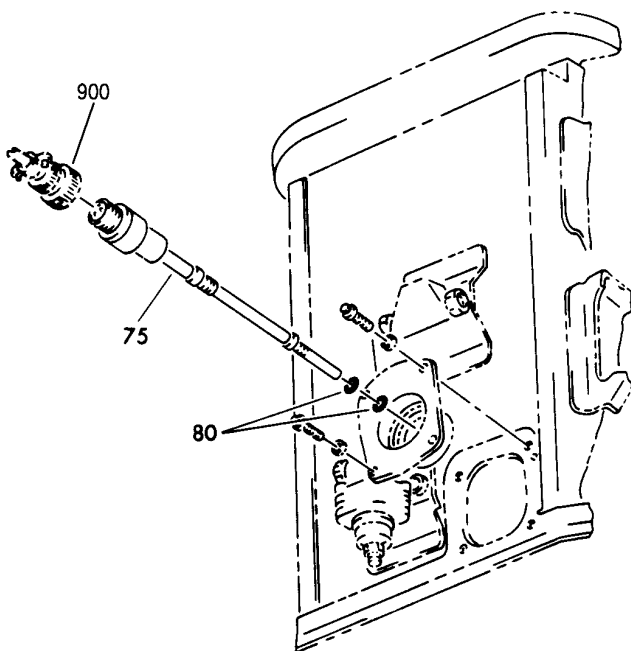
ENGINE-GAS TURB (APU CONTROL SYSTEM ONLY)
FIGURE 1 (SHEET 1)

49-61-00-01

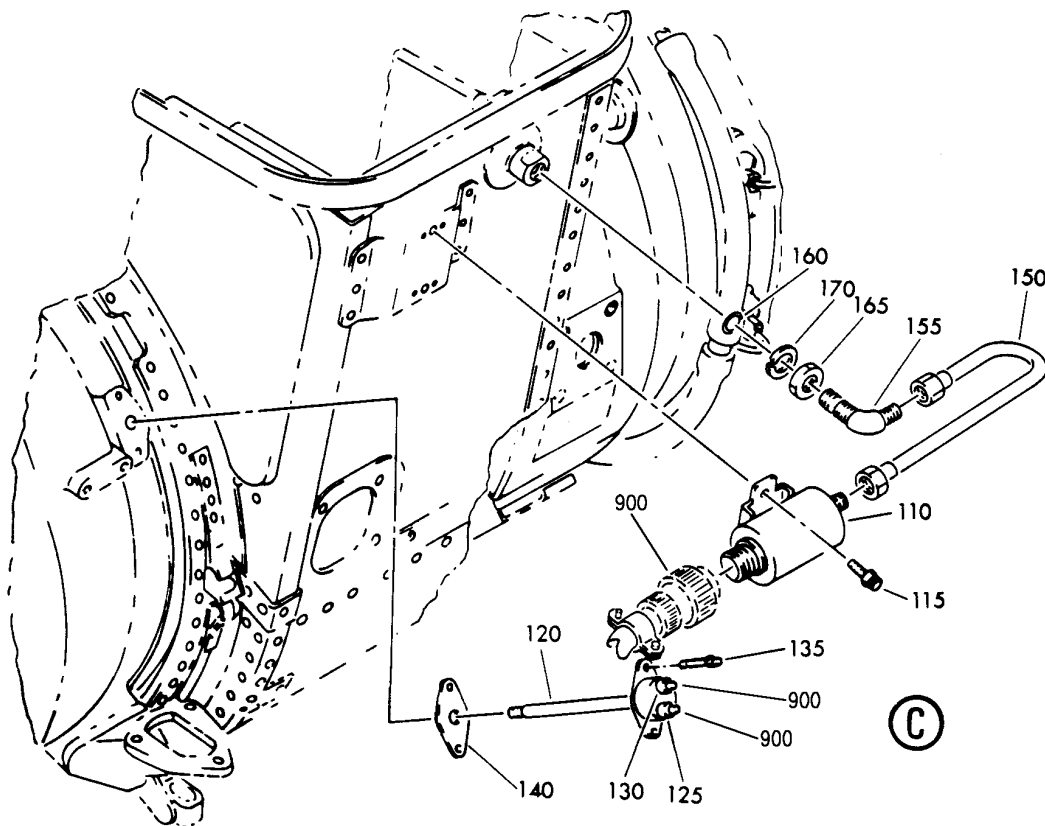
HXL
APR 22/09

49-61-00-01
PAGE 0

BOEING
767
PARTS CATALOG (MAINTENANCE)



(B)



(C)

V 49610001 SHT 2 REV 252

ENGINE-GAS TURB (APU CONTROL SYSTEM ONLY)
FIGURE 1 (SHEET 2)

49-61-00-01

HXL
DEC 22/06

49-61-00-01
PAGE 0A



767

PARTS CATALOG (MAINTENANCE)

FIG ITEM	PART NUMBER	1 2 3 4 5 6 7 NOMENCLATURE	EFFECT FROM TO	UNITS PER ASSY
1 - 1	3800298-1-1	ENGINE-GAS TURB (APU CONTROL SYSTEM ONLY) ENGINE ASSY-GAS TURB (APU CONTROL SYSTEM ONLY) SUPPLIER CODE: V99193 SPECIFICATION NUMBER: S351T020-200 COMPONENT MAINT MANUAL REF: 49-22-11 QUALIFIED I/W DATA: S351T020-200 (3800298-1-1) AND S351T020-205 (3800298-1-6) ARE INTERCHANGEABLE WITH THE INCORPORATION OF S/B 767-49-0025 S351T020-200 (3800298-1-1) AND S351T020-206 (3800298-1-7/3800298-1) ARE INTERCHANGEABLE WITH THE INCORPORATION OF ALLIED SIGNAL S/B GTCP331-49-7081 FOR NHA/OTHER SYS DET SEE: 49-11-00-01		RF

ILLUSTRATION ITEMS NOT ON PARTS LIST ARE NOT APPLICABLE

- ITEM NOT ILLUSTRATED

HXL

49-61-00-01

BOEING PROPRIETARY - Copyright © - Unpublished Work - See title page for details.

49-61-00
 FIG. 01
 PAGE 1
 DEC 22/06



767

PARTS CATALOG (MAINTENANCE)

FIG ITEM	PART NUMBER	1 2 3 4 5 6 7 NOMENCLATURE	EFFECT FROM TO	UNITS PER ASSY
1 - 1	3800298-1-2	ENGINE ASSY-GAS TURB MODEL GTCP331-200ER (APU CONTROL SYSTEM ONLY) SUPPLIER CODE: V99193 SPECIFICATION NUMBER: S351T020-201 CONFIG CHG DATA FROM A CMM: REPLS 3800298-1-1 COMPONENT MAINT MANUAL REF: 49-22-11 QUALIFIED I/W DATA: S351T020-201 (3800298-1-2) AND S351T020-205 (3800298-1-6) ARE INTERCHANGEABLE WITH THE INCORPORATION OF S/B 767-49-0025 S351T020-201 (3800298-1-2) AND S351T020-206 (3800298-1-7/3800298-1) ARE INTERCHANGEABLE WITH THE INCORPORATION OF ALLIED SIGNAL S/B GTCP331-49-7081 FOR NHA/OTHER SYS DET SEE: 49-11-00-01		RF

ILLUSTRATION ITEMS NOT ON PARTS LIST ARE NOT APPLICABLE

- ITEM NOT ILLUSTRATED

HXL

49-61-00-01

BOEING PROPRIETARY - Copyright © - Unpublished Work - See title page for details.

49-61-00
 FIG. 01
 PAGE 2
 DEC 22/06



767

PARTS CATALOG (MAINTENANCE)

FIG ITEM	PART NUMBER	1 2 3 4 5 6 7 NOMENCLATURE	EFFECT FROM TO	UNITS PER ASSY
1 - 1	3800298-1-3	ENGINE ASSY-GAS TURB MODEL GTCP331-200ER (APU CONTROL SYSTEM ONLY) SUPPLIER CODE: V99193 SPECIFICATION NUMBER: S351T020-202 CONFIG CHG DATA FROM A CMM: REPLS 3800298-1-2 COMPONENT MAINT MANUAL REF: 49-22-11 QUALIFIED I/W DATA: S351T020-202 (3800298-1-3) AND S351T020-205 (3800298-1-6) ARE INTERCHANGEABLE WITH THE INCORPORATION OF S/B 767-49-0025 S351T020-202 (3800298-1-3) AND S351T020-206 (3800298-1-7/3800298-1) ARE INTERCHANGEABLE WITH THE INCORPORATION OF ALLIED SIGNAL S/B GTCP331-49-7081 FOR NHA/OTHER SYS DET SEE: 49-11-00-01		RF

ILLUSTRATION ITEMS NOT ON PARTS LIST ARE NOT APPLICABLE

- ITEM NOT ILLUSTRATED

HXL

49-61-00-01

BOEING PROPRIETARY - Copyright © - Unpublished Work - See title page for details.

49-61-00
 FIG. 01
 PAGE 3
 DEC 22/06



767

PARTS CATALOG (MAINTENANCE)

FIG ITEM	PART NUMBER	1 2 3 4 5 6 7 NOMENCLATURE	EFFECT FROM TO	UNITS PER ASSY
1 - 1	3800298-1-4	ENGINE ASSY-GAS TURB MODEL GTCP331-200ER (APU CONTROL SYSTEM ONLY) SUPPLIER CODE: V99193 SPECIFICATION NUMBER: S351T020-203 CONFIG CHG DATA FROM A CMM: REPLS 3800298-1-3 COMPONENT MAINT MANUAL REF: 49-22-11 QUALIFIED I/W DATA: S351T020-203 (3800298-1-4) AND S351T020-206 (3800298-1-7/3800298-1) ARE INTERCHANGEABLE WITH THE INCORPORATION OF ALLIED SIGNAL S/B GTCP331-49-7081 S351T020-203 (3800298-1-4) AND S351T020-205 (3800298-1-6) ARE INTERCHANGEABLE WITH THE INCORPORATION OF S/B 767-49-0025 FOR NHA/OTHER SYS DET SEE: 49-11-00-01		RF

ILLUSTRATION ITEMS NOT ON PARTS LIST ARE NOT APPLICABLE

- ITEM NOT ILLUSTRATED

HXL

49-61-00-01

BOEING PROPRIETARY - Copyright © - Unpublished Work - See title page for details.

49-61-00
 FIG. 01
 PAGE 4
 DEC 22/06



767

PARTS CATALOG (MAINTENANCE)

FIG ITEM	PART NUMBER	1 2 3 4 5 6 7	NOMENCLATURE	EFFECT FROM TO	UNITS PER ASSY
1 - 1	3800298-1-5		ENGINE ASSY-GAS TURB (APU CONTROL SYSTEM ONLY) SUPPLIER CODE: V99193 SPECIFICATION NUMBER: S351T020-204 CONFIG CHG DATA FROM A CMM: REPLS BY 3800298-1-4 COMPONENT MAINT MANUAL REF: 49-22-11 QUALIFIED I/W DATA: S351T020-204 (3800298-1-5) AND S351T020-205 (3800298-1-6) ARE INTERCHANGEABLE WITH THE INCORPORATION OF ALLIED SIGNAL S/B GTCP331-49-7081 S351T020-204 (3800298-1-5) AND S351T020-206 (3800298-1-7/3800298-1) ARE INTERCHANGEABLE WITH THE INCORPORATION OF ALLIED SIGNAL S/B GTCP331-49-7081 FOR NHA/OTHER SYS DET SEE: 49-11-00-01		RF

ILLUSTRATION ITEMS NOT ON PARTS LIST ARE NOT APPLICABLE

- ITEM NOT ILLUSTRATED

HXL

49-61-00-01

BOEING PROPRIETARY - Copyright © - Unpublished Work - See title page for details.

49-61-00
FIG. 01
PAGE 5
DEC 22/06



767

PARTS CATALOG (MAINTENANCE)

FIG ITEM	PART NUMBER	1 2 3 4 5 6 7	NOMENCLATURE	EFFECT FROM TO	UNITS PER ASSY
1 - 2	3800298-1-6		ENGINE ASSY-GAS TURB (APU CONTROL SYSTEM ONLY) SUPPLIER CODE: V99193 SPECIFICATION NUMBER: S351T020-205 CONFIG CHG DATA FROM A CMM: REPLACES 3800298-1-5 COMPONENT MAINT MANUAL REF: 49-22-11 QUALIFIED I/W DATA: S351T020-200 (3800298-1-1) AND S351T020-205 (3800298-1-6) ARE INTERCHANGEABLE WITH THE INCORPORATION OF S/B 767-49-0025 S351T020-203 (3800298-1-4) AND S351T020-205 (3800298-1-6) ARE INTERCHANGEABLE WITH THE INCORPORATION OF S/B 767-49-0025 S351T020-204 (3800298-1-5) AND S351T020-205 (3800298-1-6) ARE INTERCHANGEABLE WITH THE INCORPORATION OF S/B 767-49-0025 S351T020-202 (3800298-1-3) AND S351T020-205 (3800298-1-6) ARE INTERCHANGEABLE WITH THE INCORPORATION OF S/B 767-49-0025 S351T020-201 (3800298-1-2) AND S351T020-205 (3800298-1-6) ARE INTERCHANGEABLE WITH THE INCORPORATION OF S/B 767-49-0025 FOR NHA/OTHER SYS DET SEE: 49-11-00-01		RF
- 2	3800298-1-7		ENGINE ASSY-GAS TURB		RF

ILLUSTRATION ITEMS NOT ON PARTS LIST ARE NOT APPLICABLE

- ITEM NOT ILLUSTRATED

49-61-00-01

49-61-00
 FIG. 01
 PAGE 6
 DEC 22/06

HXL



767

PARTS CATALOG (MAINTENANCE)

FIG ITEM	PART NUMBER	1 2 3 4 5 6 7 NOMENCLATURE	EFFECT FROM TO	UNITS PER ASSY
1 2		<p>MODEL GTCP331-200ER (APU CONTROL SYSTEM ONLY) SUPPLIER CODE: V99193 SPECIFICATION NUMBER: S351T020-206 CONFIG CHG DATA FROM A CMM: REPLS 3800298-1-6 ELECTRICAL EQUIP NUMBER: M00967 COMPONENT MAINT MANUAL REF: 49-22-11 QUALIFIED I/W DATA: S351T020-203 (3800298-1-4) AND S351T020-206 (3800298-1-7/3800298-1) ARE INTERCHANGEABLE WITH THE INCORPORATION OF ALLIED SIGNAL S/B GTCP331-49-7081 S351T020-204 (3800298-1-5) AND S351T020-206 (3800298-1-7/3800298-1) ARE INTERCHANGEABLE WITH THE INCORPORATION OF ALLIED SIGNAL S/B GTCP331-49-7081 S351T020-202 (3800298-1-3) AND S351T020-206 (3800298-1-7/3800298-1) ARE INTERCHANGEABLE WITH THE INCORPORATION OF ALLIED SIGNAL S/B GTCP331-49-7081 S351T020-201 (3800298-1-2) AND S351T020-206 (3800298-1-7/3800298-1) ARE INTERCHANGEABLE WITH THE INCORPORATION OF ALLIED SIGNAL S/B GTCP331-49-7081 S351T020-200 (3800298-1-1) AND S351T020-206 (3800298-1-7/3800298-1)</p> <p>ILLUSTRATION ITEMS NOT ON PARTS LIST ARE NOT APPLICABLE</p>		

- ITEM NOT ILLUSTRATED

49-61-00-01

49-61-00
FIG. 01
PAGE 7
DEC 22/06

HXL



767

PARTS CATALOG (MAINTENANCE)

FIG ITEM	PART NUMBER	1 2 3 4 5 6 7	NOMENCLATURE	EFFECT FROM TO	UNITS PER ASSY
1			ARE INTERCHANGEABLE WITH THE INCORPORATION OF ALLIED SIGNAL S/B GTCP331-49-7081		
2			OPTIONAL PART: 3800298-1 V99193		
			OPTIONAL PART: 3800298-1 V99193		
			FOR NHA/OTHER SYS DET SEE: 49-11-00-01		
- 2	3800298-1		ENGINE ASSY-GAS TURB (APU CONTROL SYSTEM ONLY) SUPPLIER CODE: V99193 SPECIFICATION NUMBER: S351T020-206 COMPONENT MAINT MANUAL REF: 49-22-11 QUALIFIED I/W DATA: S351T020-204 (3800298-1-5) AND S351T020-206 (3800298-1-7/3800298-1) ARE INTERCHANGEABLE WITH THE INCORPORATION OF ALLIED SIGNAL S/B GTCP331-49-7081 S351T020-203 (3800298-1-4) AND S351T020-206 (3800298-1-7/3800298-1) ARE INTERCHANGEABLE WITH THE INCORPORATION OF ALLIED SIGNAL S/B GTCP331-49-7081. S351T020-202 (3800298-1-3) AND S351T020-206 (3800298-1-7/3800298-1) ARE INTERCHANGEABLE WITH THE INCORPORATION OF ALLIED SIGNAL S/B GTCP331-49-7081 S351T020-201 (3800298-1-2) AND S351T020-206 (3800298-1-7/3800298-1)		RF
ILLUSTRATION ITEMS NOT ON PARTS LIST ARE NOT APPLICABLE					

- ITEM NOT ILLUSTRATED

49-61-00-01

49-61-00
FIG. 01
PAGE 8
DEC 22/06

HXL



767

PARTS CATALOG (MAINTENANCE)

FIG ITEM	PART NUMBER	1 2 3 4 5 6 7	NOMENCLATURE	EFFECT FROM TO	UNITS PER ASSY
1			<p>ARE INTERCHANGEABLE WITH THE INCORPORATION OF ALLIED SIGNAL S/B GTCP331-49-7081 S351T020-200 (3800298-1-1) AND S351T020-206 (3800298-1-7/3800298-1) ARE INTERCHANGEABLE WITH THE INCORPORATION OF ALLIED SIGNAL S/B GTCP331-49-7081</p> <p>OPTIONAL PART: 3800298-1-7 V99193</p> <p>OPTIONAL PART: 3800298-1-7 V99193</p> <p>FOR NHA/OTHER SYS DET SEE: 49-11-00-01</p>		
5	3876026-2		<p>.TRANSDUCER-MOTIONAL MONOPOLE, NO. 2 SPD SUPPLIER CODE: V99193 NOT APPROVED FOR ETOPS AFTER INCORP OF SB: GTCP331-49-5392 V99193 SB DATA FROM A CMM: PRE SB 49-5392 CONFIG CHG DATA FROM A CMM: SUPSD BY 3876026-3</p>		1
5	625938-3		<p>.TRANSDUCER-MOTIONAL MONOPOLE, NO. 2 SPD SUPPLIER CODE: V07217 SB DATA FROM A CMM: POST SPB GTE0403 OPTIONAL PART: 3876026-3 V99193</p>		1
ILLUSTRATION ITEMS NOT ON PARTS LIST ARE NOT APPLICABLE					

- ITEM NOT ILLUSTRATED

HXL

49-61-00-01

BOEING PROPRIETARY - Copyright © - Unpublished Work - See title page for details.

49-61-00
FIG. 01
PAGE 9
DEC 22/06



767

PARTS CATALOG (MAINTENANCE)

FIG ITEM	PART NUMBER	1 2 3 4 5 6 7	NOMENCLATURE	EFFECT FROM TO	UNITS PER ASSY
1 5	3876026-3		.TRANSDUCER-MOTIONAL MONOPOLE, NO. 2 SPD SUPPLIER CODE: V99193 SB DATA FROM A CMM: POST SB 49-5392 CONFIG CHG DATA FROM A CMM: SUPERSEDES 3876026-2 MISCELLANEOUS DATA: (ETOPS REQUIRED) OPTIONAL PART: 625938-3 V07217		1
10	S9413-012		.PACKING- SUPPLIER CODE: V99193 OPTIONAL PART: M83248-1-012		2
10	M83248-1-012		.PACKING- OPTIONAL PART: S9413-012 V99193		2
75	3876026-2		.TRANSDUCER-MOTIONAL MONOPOLE SUPPLIER CODE: V99193 NOT APPROVED FOR ETOPS AFTER INCORP OF SB: GTCP331-49-5392 V99193 SB DATA FROM A CMM: PRE SB 49-5392 CONFIG CHG DATA FROM A CMM: REPLD BY 3876026-3		1
75	625938-3		.TRANSDUCER-MOTIONAL SUPPLIER CODE: V07217 SB DATA FROM A CMM: POST SPB GTE0403 OPTIONAL PART: 3876026-3 V99193		1

ILLUSTRATION ITEMS NOT ON PARTS LIST ARE NOT APPLICABLE

- ITEM NOT ILLUSTRATED

HXL

49-61-00-01

BOEING PROPRIETARY - Copyright © - Unpublished Work - See title page for details.

49-61-00
FIG. 01
PAGE 10
DEC 22/06



767

PARTS CATALOG (MAINTENANCE)

FIG ITEM	PART NUMBER	1 2 3 4 5 6 7	NOMENCLATURE	EFFECT FROM TO	UNITS PER ASSY
1	75 3876026-3		.TRANSDUCER-MOTIONAL MONOPOLE, #1 SPD SUPPLIER CODE: V99193 SB DATA FROM A CMM: POST SB 49-5392 CONFIG CHG DATA FROM A CMM: REPLS 3876026-2 OPTIONAL PART: 625938-3 V07217		1
	80 S9413-012		.PACKING- SUPPLIER CODE: V99193 OPTIONAL PART: M83248-1-012		2
	80 M83248-1-012		.PACKING- OPTIONAL PART: S9413-012 V99193		2
	110 3876035-4		.SENSOR-CPRSR INLET PRESSURE SUPPLIER CODE: V99193 SB DATA FROM A CMM: PRE SB 49-6747 CONFIG CHG DATA FROM A CMM: REPLD BY 3876035-5 USED ON: 3800298-1-2 3800298-1-3 3800298-1-4 381326-2 381326-2-1 381326-2-2 381326-2-3 381364-1-1 381364-1-2		1
	110 3876035-5		.SENSOR-CPRSR INLET PRESS SUPPLIER CODE: V99193 SB DATA FROM A CMM: POST SB 49-6747 CONFIG CHG DATA FROM A CMM: REPLS 3876035-4 USED ON: 3800298-1-7 381326-2-4		1

ILLUSTRATION ITEMS NOT ON PARTS LIST ARE NOT APPLICABLE

- ITEM NOT ILLUSTRATED

49-61-00-01

49-61-00
FIG. 01
PAGE 11
DEC 22/06

HXL

 **BOEING**
767
PARTS CATALOG (MAINTENANCE)

FIG ITEM	PART NUMBER	1 2 3 4 5 6 7	NOMENCLATURE	EFFECT FROM TO	UNITS PER ASSY
1			ATTACHING PARTS		
115	MS21279-05		.BOLT- OPTIONAL PART: MS9556-05		2
115	MS9556-05		.BOLT- SB DATA FROM A CMM: POST SPB GTE0293 OPTIONAL PART: MS21279-05		2
120	3876072-1		-----*----- .SENSOR-DRIVEN CPRSR INLET TEMP SUPPLIER CODE: V99193 SB DATA FROM A CMM: PRE SPB GTE0252 CONFIG CHG DATA FROM A CMM: REPLD BY 3876072-2		1
120	3876072-2		.SENSOR-DRIVEN CPRSR INLET TEMP SUPPLIER CODE: V99193 SB DATA FROM A CMM: POST SPB GTE0252 CONFIG CHG DATA FROM A CMM: REPLS 3876072-1		1
122	MS21279-07		ATTACHING PARTS .BOLT- OPTIONAL PART: MS9556-07		2
122	MS9556-07		.BOLT- SB DATA FROM A CMM: POST SPB GTE0293 OPTIONAL PART: MS21279-07		2
125	F5C1032-1		-----*----- ..NUT-ALUMEL SUPPLIER CODE: V85639		1
130	F5C832-1		..NUT-CHROMEL SUPPLIER CODE: V85639		1
140	3876045-2		.GASKET-TEMP SENSOR SUPPLIER CODE: V99193 SB DATA FROM A CMM: PRE SPB GTE0577 CONFIG CHG DATA FROM A CMM: REPLD BY 3876180-1		1

ILLUSTRATION ITEMS NOT ON PARTS LIST ARE NOT APPLICABLE

- ITEM NOT ILLUSTRATED

HXL

49-61-00-01

BOEING PROPRIETARY - Copyright © - Unpublished Work - See title page for details.

49-61-00
FIG. 01
PAGE 12
DEC 22/06

BOEING
767
PARTS CATALOG (MAINTENANCE)

FIG ITEM	PART NUMBER	1 2 3 4 5 6 7	NOMENCLATURE	EFFECT FROM TO	UNITS PER ASSY
1					
140	3876180-1		.GASKET- SUPPLIER CODE: V99193 SB DATA FROM A CMM: POST SPB GTE0577 CONFIG CHG DATA FROM A CMM: REPLS 3876045-2		1
150	3884228-1		.TUBE-CPRSR INLET SUPPLIER CODE: V99193 SB DATA FROM A CMM: PRE SB 49-5634/5765/5793 CONFIG CHG DATA FROM A CMM: REPLD BY 3884433-1		1
150	3884433-1		.TUBE-CPRSR INLET SUPPLIER CODE: V99193 SB DATA FROM A CMM: POST SB 49-5634/5765/ 5793 CONFIG CHG DATA FROM A CMM: REPLS 3884228-1		1
155	MS21908W3		.ELBOW- SB DATA FROM A CMM: PRE SB 49-5634/5765/5793 CONFIG CHG DATA FROM A CMM: REPLD BY MS21908J3		1
155	MS21908J3		.ELBOW- SB DATA FROM A CMM: POST SB 49-5634/5765/ 5793 CONFIG CHG DATA FROM A CMM: REPLS MS21908W3		1
160	S8990-603		.PACKING- SUPPLIER CODE: V99193 OPTIONAL PART: MS9385-03		1
160	MS9385-03		.PACKING- OPTIONAL PART: S8990-603 V99193		1
165	AN6289D3		.NUT- SB DATA FROM A CMM: PRE SB 49-5634/5765/5793 CONFIG CHG DATA FROM A CMM: REPLD BY AN6289J3		1
ILLUSTRATION ITEMS NOT ON PARTS LIST ARE NOT APPLICABLE					

- ITEM NOT ILLUSTRATED

HXL

49-61-00-01

BOEING PROPRIETARY - Copyright © - Unpublished Work - See title page for details.

49-61-00
FIG. 01
PAGE 13
DEC 22/06



767
PARTS CATALOG (MAINTENANCE)

FIG ITEM	PART NUMBER	1 2 3 4 5 6 7	NOMENCLATURE	EFFECT FROM TO	UNITS PER ASSY
1 165	AN6289J3		.NUT- SB DATA FROM A CMM: POST SB 49-5634 POST SB 49-5765 POST SB 49-5793 CONFIG CHG DATA FROM A CMM: REPLS AN6289D3		1
170	MS28773-03		.RETAINER		1

ILLUSTRATION ITEMS NOT ON PARTS LIST ARE NOT APPLICABLE

- ITEM NOT ILLUSTRATED

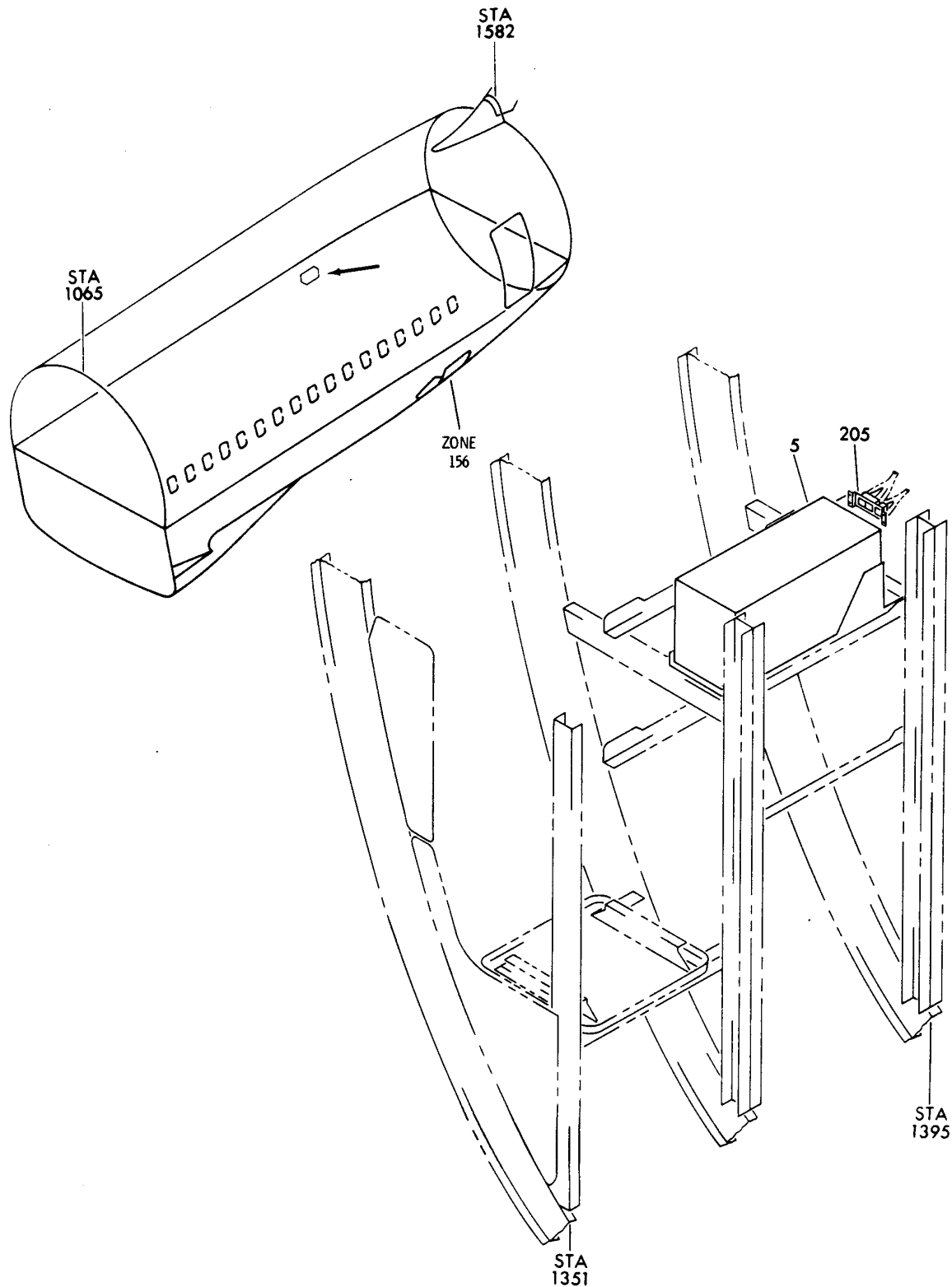
HXL

49-61-00-01

BOEING PROPRIETARY - Copyright © - Unpublished Work - See title page for details.

49-61-00
FIG. 01
PAGE 14
DEC 22/06

BOEING
767
PARTS CATALOG (MAINTENANCE)



V 49610501 SHT 1 REV 028

EQUIPMENT INSTL-AFT EQPT CTR E6 RACK (AIRBORNE AUXILIARY POWER ONLY)

FIGURE 1

49-61-05-01

HXL
DEC 22/06

49-61-05-01
PAGE 0



767

PARTS CATALOG (MAINTENANCE)

FIG ITEM	PART NUMBER	1 2 3 4 5 6 7	NOMENCLATURE	EFFECT FROM TO	UNITS PER ASSY
1			EQUIPMENT INSTL-AFT EQPT CTR E6 RACK (AIRBORNE AUXILIARY POWER ONLY)		
- 1	284T0406-1		EQUIPMENT INSTL-EQPT CTR E6 RACK (AIRBORNE AUXILIARY POWER ONLY) POSITION DATA: AFT VARIABLE DRAWING REF: 284T0406-5059 FOR NHA/OTHER SYS DET SEE: 24-00-58-01D		RF
5	2117342-11		.UNIT-APU SUPPLIER CODE: V64547 SPECIFICATION NUMBER: S351T020-16 NOT APPROVED FOR ETOPS AFTER INCORP OF SB: 2117342-49-2195 V64547 MISCELLANEOUS DATA: (USE ON 767 ER A/C) ELECTRICAL EQUIP NUMBER: M00206 COMPONENT MAINT MANUAL REF: 49-61-26 QUALIFIED I/W DATA: 2117342-10 OR -8 OR -9 2117342-11 EXCEPT 767-200 MUST HAVE 2117342-11 2117342-10 OR -8 OR -9 I/W 2117342-11 EXCEPT 767-300 MUST HAVE 2117342-11		1
5	2117342-17		.UNIT-APU SUPPLIER CODE: V64547 SPECIFICATION NUMBER: S351T020-17 NOT APPROVED FOR ETOPS AFTER INCORP OF SB: 2117342-49-2195 V64547 ELECTRICAL EQUIP NUMBER: M00206 COMPONENT MAINT MANUAL REF: 49-61-26		1

ILLUSTRATION ITEMS NOT ON PARTS LIST ARE NOT APPLICABLE

- ITEM NOT ILLUSTRATED

49-61-05-01

49-61-05
FIG. 01
PAGE 1
DEC 22/07

HXL



767

PARTS CATALOG (MAINTENANCE)

FIG ITEM	PART NUMBER	1 2 3 4 5 6 7	NOMENCLATURE	EFFECT FROM TO	UNITS PER ASSY
1					
5	2117342-18		.UNIT-APU SUPPLIER CODE: V64547 SPECIFICATION NUMBER: S351T020-18 ELECTRICAL EQUIP NUMBER: M00206 COMPONENT MAINT MANUAL REF: 49-61-26		1
5	2117342-19		.UNIT-APU SUPPLIER CODE: V64547 SPECIFICATION NUMBER: S351T020-19 MISCELLANEOUS DATA: (UPON REPLACING 2117342-18 W/ 2117342-19 INSTALL NEW BITE INSTRUCTION PLACARD BAC27TAP45) (UPON REPLACING 2117342-18 W/ 2117342-19 INSTALL NEW BITE INSTRUCTION PLACARD BAC27TAP45 OR DTY1967-1) ELECTRICAL EQUIP NUMBER: M00206 COMPONENT MAINT MANUAL REF: 49-61-26		1
5	2117342-20		.UNIT-APU SUPPLIER CODE: V64547 SPECIFICATION NUMBER: S351T020-20 ELECTRICAL EQUIP NUMBER: M00206 COMPONENT MAINT MANUAL REF: 49-61-26		1
- 200	286T0020-101		WIRE BUNDLE ASSY-(AIRBORNE AUXILIARY POWER ONLY) FOR NHA SEE: 25-71-27-01		RF

ILLUSTRATION ITEMS NOT ON PARTS LIST ARE NOT APPLICABLE

- ITEM NOT ILLUSTRATED

HXL

49-61-05-01

BOEING PROPRIETARY - Copyright © - Unpublished Work - See title page for details.

49-61-05
FIG. 01
PAGE 2
DEC 22/07



767

PARTS CATALOG (MAINTENANCE)

FIG ITEM	PART NUMBER	1 2 3 4 5 6 7	NOMENCLATURE	EFFECT FROM TO	UNITS PER ASSY
1 205	BKA21C15AA01		.CONNECTOR- SUPPLIER CODE: V71468 SPECIFICATION NUMBER: BCREF9237 OPTIONAL PART: S621C15AA01 V59610 NIC66H21C15AA01 V00779 OVERLENGTH PART NUMBER: BACC66H21C15AA01 ELECTRICAL EQUIP NUMBER: D00408 WIRING DIAGRAM REF: 496111		1

ILLUSTRATION ITEMS NOT ON PARTS LIST ARE NOT APPLICABLE

- ITEM NOT ILLUSTRATED

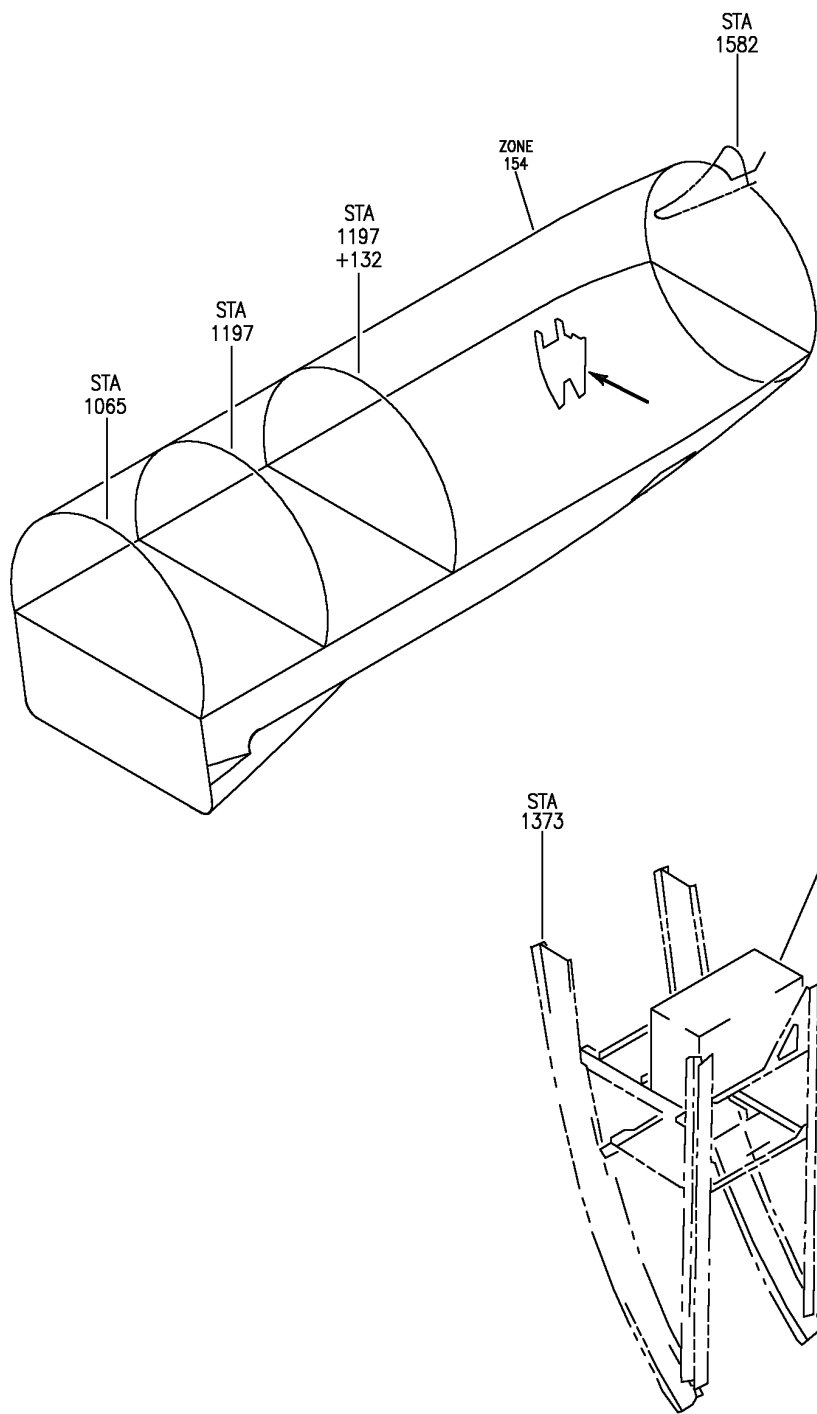
HXL

49-61-05-01

BOEING PROPRIETARY - Copyright © - Unpublished Work - See title page for details.

49-61-05
FIG. 01
PAGE 3
DEC 22/07

BOEING
767
PARTS CATALOG (MAINTENANCE)



V 49610502 REV 338

ENGINE ASSY-GAS TURB (APU ELECTRONIC CONTROL UNIT ONLY)

FIGURE 2

49-61-05-02

HXL
APR 22/09

49-61-05-02
PAGE 0



767

PARTS CATALOG (MAINTENANCE)

FIG ITEM	PART NUMBER	1 2 3 4 5 6 7 NOMENCLATURE	EFFECT FROM TO	UNITS PER ASSY
2 - 1	3800298-1-1	ENGINE ASSY-GAS TURB (APU ELECTRONIC CONTROL UNIT ONLY) ENGINE ASSY-GAS TURB (APU ELECTRONIC CONTROL UNIT ONLY) SUPPLIER CODE: V99193 SPECIFICATION NUMBER: S351T020-200 COMPONENT MAINT MANUAL REF: 49-22-11 QUALIFIED I/W DATA: S351T020-200 (3800298-1-1) AND S351T020-205 (3800298-1-6) ARE INTERCHANGEABLE WITH THE INCORPORATION OF S/B 767-49-0025 S351T020-200 (3800298-1-1) AND S351T020-206 (3800298-1-7/3800298-1) ARE INTERCHANGEABLE WITH THE INCORPORATION OF ALLIED SIGNAL S/B GTCP331-49-7081 FOR NHA/OTHER SYS DET SEE: 49-11-00-01		RF

ILLUSTRATION ITEMS NOT ON PARTS LIST ARE NOT APPLICABLE

- ITEM NOT ILLUSTRATED

HXL

49-61-05-02

BOEING PROPRIETARY - Copyright © - Unpublished Work - See title page for details.

49-61-05
 FIG. 02
 PAGE 1
 DEC 22/06



767

PARTS CATALOG (MAINTENANCE)

FIG ITEM	PART NUMBER	1 2 3 4 5 6 7 NOMENCLATURE	EFFECT FROM TO	UNITS PER ASSY
2 - 1	3800298-1-2	ENGINE ASSY-GAS TURB MODEL GTCP331-200ER (APU ELECTRONIC CONTROL UNIT ONLY) SUPPLIER CODE: V99193 SPECIFICATION NUMBER: S351T020-201 CONFIG CHG DATA FROM A CMM: REPLS 3800298-1-1 COMPONENT MAINT MANUAL REF: 49-22-11 QUALIFIED I/W DATA: S351T020-201 (3800298-1-2) AND S351T020-205 (3800298-1-6) ARE INTERCHANGEABLE WITH THE INCORPORATION OF S/B 767-49-0025 S351T020-201 (3800298-1-2) AND S351T020-206 (3800298-1-7/3800298-1) ARE INTERCHANGEABLE WITH THE INCORPORATION OF ALLIED SIGNAL S/B GTCP331-49-7081 FOR NHA/OTHER SYS DET SEE: 49-11-00-01		RF

ILLUSTRATION ITEMS NOT ON PARTS LIST ARE NOT APPLICABLE

- ITEM NOT ILLUSTRATED

HXL

49-61-05-02

BOEING PROPRIETARY - Copyright © - Unpublished Work - See title page for details.

49-61-05
 FIG. 02
 PAGE 2
 DEC 22/06



767

PARTS CATALOG (MAINTENANCE)

FIG ITEM	PART NUMBER	1 2 3 4 5 6 7 NOMENCLATURE	EFFECT FROM TO	UNITS PER ASSY
2 - 1	3800298-1-3	ENGINE ASSY-GAS TURB MODEL GTCP331-200ER (APU ELECTRONIC CONTROL UNIT ONLY) SUPPLIER CODE: V99193 SPECIFICATION NUMBER: S351T020-202 CONFIG CHG DATA FROM A CMM: REPLS 3800298-1-2 COMPONENT MAINT MANUAL REF: 49-22-11 QUALIFIED I/W DATA: S351T020-202 (3800298-1-3) AND S351T020-205 (3800298-1-6) ARE INTERCHANGEABLE WITH THE INCORPORATION OF S/B 767-49-0025 S351T020-202 (3800298-1-3) AND S351T020-206 (3800298-1-7/3800298-1) ARE INTERCHANGEABLE WITH THE INCORPORATION OF ALLIED SIGNAL S/B GTCP331-49-7081 FOR NHA/OTHER SYS DET SEE: 49-11-00-01		RF

ILLUSTRATION ITEMS NOT ON PARTS LIST ARE NOT APPLICABLE

- ITEM NOT ILLUSTRATED

HXL

49-61-05-02

BOEING PROPRIETARY - Copyright © - Unpublished Work - See title page for details.

49-61-05
 FIG. 02
 PAGE 3
 DEC 22/06



767

PARTS CATALOG (MAINTENANCE)

FIG ITEM	PART NUMBER	1 2 3 4 5 6 7 NOMENCLATURE	EFFECT FROM TO	UNITS PER ASSY
2 - 1	3800298-1-4	ENGINE ASSY-GAS TURB MODEL GTCP331-200ER (APU ELECTRONIC CONTROL UNIT ONLY) SUPPLIER CODE: V99193 SPECIFICATION NUMBER: S351T020-203 CONFIG CHG DATA FROM A CMM: REPLS 3800298-1-3 COMPONENT MAINT MANUAL REF: 49-22-11 QUALIFIED I/W DATA: S351T020-203 (3800298-1-4) AND S351T020-206 (3800298-1-7/3800298-1) ARE INTERCHANGEABLE WITH THE INCORPORATION OF ALLIED SIGNAL S/B GTCP331-49-7081 3800298-1-4/S351T020-203 AND 3800298-1-6/S351T020-205 ARE INTERCHANGEABLE WITH THE INCORPORATION OF ALLIED SIGNAL S/B GTCP331-49-7081 FOR NHA/OTHER SYS DET SEE: 49-11-00-01		RF

ILLUSTRATION ITEMS NOT ON PARTS LIST ARE NOT APPLICABLE

- ITEM NOT ILLUSTRATED

HXL

49-61-05-02

BOEING PROPRIETARY - Copyright © - Unpublished Work - See title page for details.

49-61-05
 FIG. 02
 PAGE 4
 DEC 22/06



767

PARTS CATALOG (MAINTENANCE)

FIG ITEM	PART NUMBER	1 2 3 4 5 6 7	NOMENCLATURE	EFFECT FROM TO	UNITS PER ASSY
2 - 1	3800298-1-5		ENGINE ASSY-GAS TURB (APU ELECTRONIC CONTROL UNIT ONLY) SUPPLIER CODE: V99193 SPECIFICATION NUMBER: S351T020-204 CONFIG CHG DATA FROM A CMM: REPLS BY 3800298-1-6 COMPONENT MAINT MANUAL REF: 49-22-11 QUALIFIED I/W DATA: S351T020-204 (3800298-1-5) AND S351T020-205 (3800298-1-6) ARE INTERCHANGEABLE WITH THE INCORPORATION OF ALLIED SIGNAL S/B GTCP331-49-7081 S351T020-204 (3800298-1-5) AND S351T020-206 (3800298-1-7/3800298-1) ARE INTERCHANGEABLE WITH THE INCORPORATION OF ALLIED SIGNAL S/B GTCP331-49-7081 FOR NHA/OTHER SYS DET SEE: 49-11-00-01		RF
- 2	3800298-1-6		ENGINE ASSY-GAS TURB (APU ELECTRONIC CONTROL UNIT ONLY) SUPPLIER CODE: V99193 SPECIFICATION NUMBER: S351T020-205 CONFIG CHG DATA FROM A CMM: REPLS 3800298-1-5 COMPONENT MAINT MANUAL REF: 49-22-11 QUALIFIED I/W DATA: S351T020-203 (3800298-1-4) AND S351T020-205 (3800298-1-6) ARE INTERCHANGEABLE WITH THE INCORPORATION OF S/B 767-49-0025		RF

ILLUSTRATION ITEMS NOT ON PARTS LIST ARE NOT APPLICABLE

- ITEM NOT ILLUSTRATED

49-61-05-02

49-61-05
 FIG. 02
 PAGE 5
 DEC 22/06

HXL



767

PARTS CATALOG (MAINTENANCE)

FIG ITEM	PART NUMBER	1 2 3 4 5 6 7	NOMENCLATURE	EFFECT FROM TO	UNITS PER ASSY
2			<p>S351T020-204 (3800298-1-5) AND S351T020-205 (3800298-1-6) ARE INTERCHANGEABLE WITH THE INCORPORATION OF S/B 767-49-0025 S351T020-202 (3800298-1-3) AND S351T020-205 (3800298-1-6) ARE INTERCHANGEABLE WITH THE INCORPORATION OF S/B 767-49-0025 S351T020-201 (3800298-1-2) AND S351T020-205 (3800298-1-6) ARE INTERCHANGEABLE WITH THE INCORPORATION OF S/B 767-49-0025 S351T020-200 (3800298-1-1) AND S351T020-205 (3800298-1-6) ARE INTERCHANGEABLE WITH THE INCORPORATION OF S/B 767-49-0025 FOR NHA/OTHER SYS DET SEE: 49-11-00-01</p>		
- 2	3800298-1-7		<p>ENGINE ASSY-GAS TURB MODEL GTCP331-200ER (APU ELECTRONIC CONTROL UNIT ONLY) SUPPLIER CODE: V99193 SPECIFICATION NUMBER: S351T020-206 CONFIG CHG DATA FROM A CMM: REPLS 3800298-1-6 ELECTRICAL EQUIP NUMBER: M00967 COMPONENT MAINT MANUAL REF: 49-22-11 QUALIFIED I/W DATA: S351T020-203 (3800298-1-4) AND S351T020-206 (3800298-1-7/3800298-1)</p>		RF
ILLUSTRATION ITEMS NOT ON PARTS LIST ARE NOT APPLICABLE					

- ITEM NOT ILLUSTRATED

49-61-05-02

49-61-05
 FIG. 02
 PAGE 6
 DEC 22/06

HXL



767

PARTS CATALOG (MAINTENANCE)

FIG ITEM	PART NUMBER	1 2 3 4 5 6 7 NOMENCLATURE	EFFECT FROM TO	UNITS PER ASSY
2 2		<p>ARE INTERCHANGEABLE WITH THE INCORPORATION OF ALLIED SIGNAL S/B GTCP331-49-7081 S351T020-204 (3800298-1-4) AND S351T020-206 (3800298-1-7/3800298-1) ARE INTERCHANGEABLE WITH THE INCORPORATION OF ALLIED SIGNAL S/B GTCP331-49-7081 S351T020-202 (3800298-1-3) AND S351T020-206 (3800298-1-7/3800298-1) ARE INTERCHANGEABLE WITH THE INCORPORATION OF ALLIED SIGNAL S/B GTCP331-49-7081 S351T020-201 (3800298-1-2) AND S351T020-206 (3800298-1-7/3800298-1) ARE INTERCHANGEABLE WITH THE INCORPORATION OF ALLIED SIGNAL S/B GTCP331-49-7081 S351T020-200 (3800298-1-1) AND S351T020-206 (3800298-1-7/3800298-1) ARE INTERCHANGEABLE WITH THE INCORPORATION OF ALLIED SIGNAL S/B GTCP331-49-7081 OPTIONAL PART: 3800298-1 V99193 FOR NHA/OTHER SYS DET SEE: 49-11-00-01 ENGINE ASSY-GAS TURB (APU ELECTRONIC CONTROL UNIT ONLY) SUPPLIER CODE: V99193 SPECIFICATION NUMBER: S351T020-206 COMPONENT MAINT MANUAL REF:</p>		RF

ILLUSTRATION ITEMS NOT ON PARTS LIST ARE NOT APPLICABLE

- ITEM NOT ILLUSTRATED

HXL

49-61-05-02

BOEING PROPRIETARY - Copyright © - Unpublished Work - See title page for details.

49-61-05
FIG. 02
PAGE 7
DEC 22/06



767

PARTS CATALOG (MAINTENANCE)

FIG ITEM	PART NUMBER	1 2 3 4 5 6 7 NOMENCLATURE	EFFECT FROM TO	UNITS PER ASSY
2 2		<p>49-22-11 QUALIFIED I/W DATA: S351T020-204 (3800298-1-5) AND S351T020-206 (3800298-1-7/3800298-1) ARE INTERCHANGEABLE WITH THE INCORPORATION OF ALLIED SIGNAL S/B GTCP331-49-7081. S351T020-203 (3800298-1-4) AND S351T020-206 (3800298-1-7/3800298-1) ARE INTERCHANGEABLE WITH THE INCORPORATION OF ALLIED SIGNAL S/B GTCP331-49-7081. S351T020-202 (3800298-1-3) AND S351T020-206 (3800298-1-7/3800298-1) ARE INTERCHANGEABLE WITH THE INCORPORATION OF ALLIED SIGNAL S/B GTCP331-49-7081 S351T020-201 (3800298-1-2) AND S351T020-206 (3800298-1-7/3800298-1) ARE INTERCHANGEABLE WITH THE INCORPORATION OF ALLIED SIGNAL S/B GTCP331-49-7081 S351T020-200 (3800298-1-1) AND S351T020-206 (3800298-1-7/3800298-1) ARE INTERCHANGEABLE WITH THE INCORPORATION OF ALLIED SIGNAL S/B GTCP331-49-7081 OPTIONAL PART: 3800298-1-7 V99193 FOR NHA/OTHER SYS DET SEE: 49-11-00-01</p>		

ILLUSTRATION ITEMS NOT ON PARTS LIST ARE NOT APPLICABLE

- ITEM NOT ILLUSTRATED

49-61-05-02

49-61-05
 FIG. 02
 PAGE 8
 DEC 22/06

HXL



767

PARTS CATALOG (MAINTENANCE)

FIG ITEM	PART NUMBER	1 2 3 4 5 6 7	NOMENCLATURE	EFFECT FROM TO	UNITS PER ASSY
2					
5	2117342-10		.UNIT-REMOTEY LOCATED SUPPLIER CODE: V64547 SPECIFICATION NUMBER: S351T020-14 NOT APPROVED FOR ETOPS AFTER INCORP OF SB: 2117342-49-21-95 V64547 CONFIG CHG DATA FROM A CMM: REPLD BY 2117342-11 REPLS 2117342-9 COMPONENT MAINT MANUAL REF: 49-61-26 USED ON: 3800298-1-1 3800298-1-2 3800298-1-3 3800298-1-4 3800298-1-5 3800298-1-6		1
5	2117342-11		.UNIT-REMOTEY LOCATED SUPPLIER CODE: V64547 SPECIFICATION NUMBER: S351T020-16 NOT APPROVED FOR ETOPS AFTER INCORP OF SB: 2117342-49-2195 V64547 CONFIG CHG DATA FROM A CMM: REPLS 2117342-10 REPLD BY 2117342-17 COMPONENT MAINT MANUAL REF: 49-61-26		1

ILLUSTRATION ITEMS NOT ON PARTS LIST ARE NOT APPLICABLE

- ITEM NOT ILLUSTRATED

HXL

49-61-05-02

BOEING PROPRIETARY - Copyright © - Unpublished Work - See title page for details.

49-61-05
FIG. 02
PAGE 9
DEC 22/06



767

PARTS CATALOG (MAINTENANCE)

FIG ITEM	PART NUMBER	1 2 3 4 5 6 7	NOMENCLATURE	EFFECT FROM TO	UNITS PER ASSY
2					
5	2117342-17		.UNIT-REMOTEY LOCATED SUPPLIER CODE: V64547 SPECIFICATION NUMBER: S351T020-17 NOT APPROVED FOR ETOPS AFTER INCORP OF SB: 2117342-49-2195 V64547 CONFIG CHG DATA FROM A CMM: REPLS 2117342-11 REPLD BY 2117342-18 COMPONENT MAINT MANUAL REF: 49-61-26 USED ON: 3800298-1-2		1
5	2117342-18		.UNIT-REMOTEY LOCATED SUPPLIER CODE: V64547 SPECIFICATION NUMBER: S351T020-18 CONFIG CHG DATA FROM A CMM: REPLS 2117342-17 REPLD BY 2117342-19 COMPONENT MAINT MANUAL REF: 49-61-26 USED ON: 3800298-1-3 3800298-1-4		1
5	2117342-19		.UNIT-REMOTEY LOCATED SUPPLIER CODE: V64547 SPECIFICATION NUMBER: S351T020-19 SB DATA FROM A CMM: POST SB 49-7079 PRE SPB 49-7460 CONFIG CHG DATA FROM A CMM: REPLS 2117342-18 REPLD BY 2117342-20 COMPONENT MAINT MANUAL REF: 49-61-26 USED ON: 3800298-1-7 381326-2-4		1

ILLUSTRATION ITEMS NOT ON PARTS LIST ARE NOT APPLICABLE

- ITEM NOT ILLUSTRATED

HXL

49-61-05-02

BOEING PROPRIETARY - Copyright © - Unpublished Work - See title page for details.

49-61-05
FIG. 02
PAGE 10
DEC 22/06



767
PARTS CATALOG (MAINTENANCE)

FIG ITEM	PART NUMBER	1 2 3 4 5 6 7	NOMENCLATURE	EFFECT FROM TO	UNITS PER ASSY
2 5	2117342-20		.UNIT-APU CONTROL SUPPLIER CODE: V64547 SPECIFICATION NUMBER: S351T020-20 SB DATA FROM A CMM: POST SB 49-7460 CONFIG CHG DATA FROM A CMM: REPLS 2117342-19 ELECTRICAL EQUIP NUMBER: M00206 COMPONENT MAINT MANUAL REF: 49-61-26 USED ON: 3800298-1-7 381326-2-4		1

ILLUSTRATION ITEMS NOT ON PARTS LIST ARE NOT APPLICABLE

- ITEM NOT ILLUSTRATED

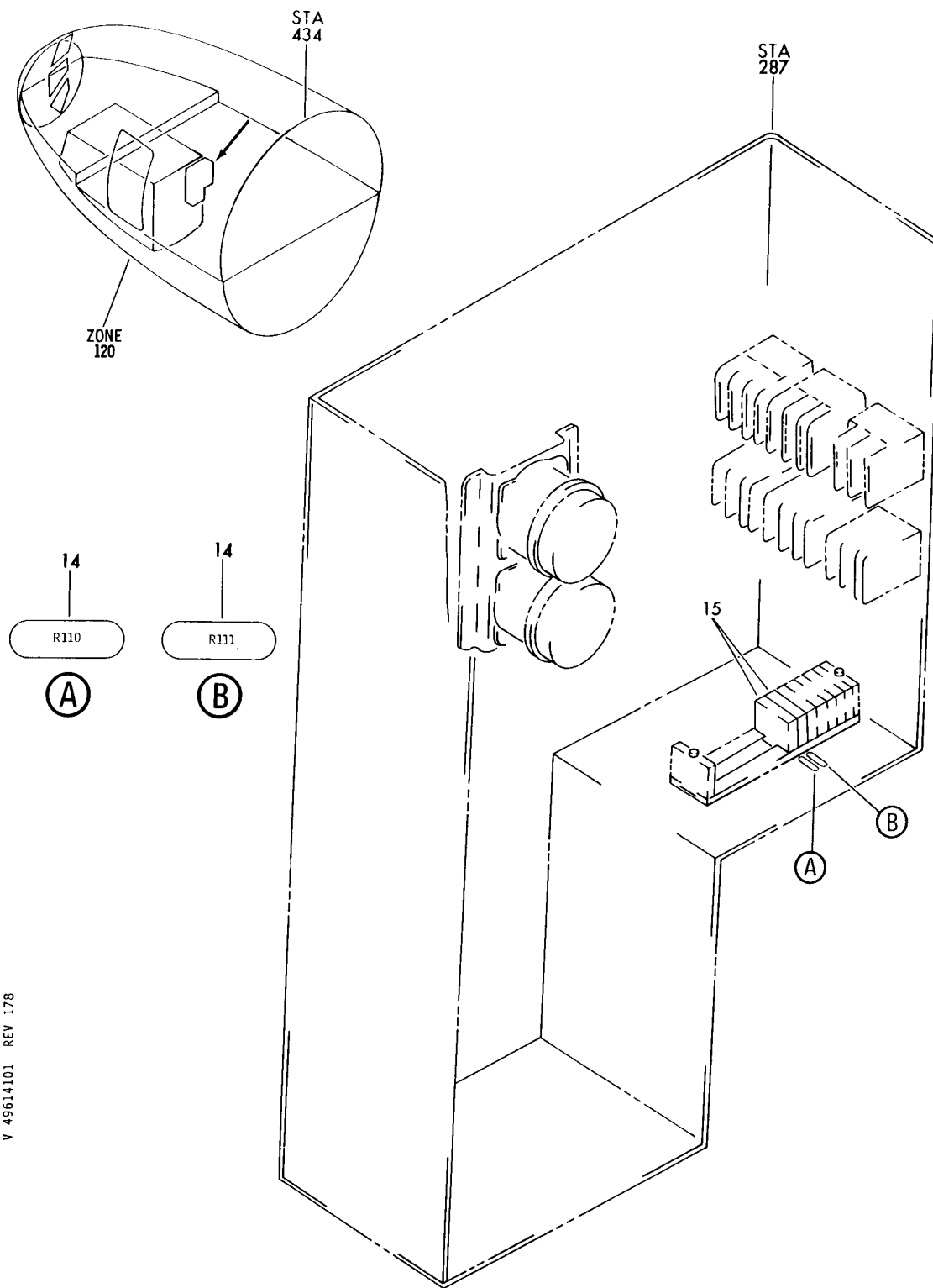
HXL

49-61-05-02

BOEING PROPRIETARY - Copyright © - Unpublished Work - See title page for details.

49-61-05
FIG. 02
PAGE 11
DEC 22/06

BOEING
767
PARTS CATALOG (MAINTENANCE)



V 49614101 REV 178

EQUIPMENT ASSY-P34 APU/EXT PWR PNL (ENGINE CONTROL ONLY)
FIGURE 1

49-61-41-01

HXL
DEC 22/06

49-61-41-01
PAGE 0



767

PARTS CATALOG (MAINTENANCE)

FIG ITEM	PART NUMBER	1 2 3 4 5 6 7	NOMENCLATURE	EFFECT FROM TO	UNITS PER ASSY
1			EQUIPMENT ASSY-P34 APU/EXT PWR PNL (ENGINE CONTROL ONLY)		
- 5	284T0175-83		EQUIPMENT ASSY-P34 APU/EXT PWR PNL (ENGINE CONTROL ONLY)		RF
- 6	284T0175-105		FOR NHA/OTHER SYS DET SEE: 53-11-70-02 EQUIPMENT ASSY-P34 APU/EXT PWR PNL (ENGINE CONTROL ONLY)	155162	RF
14	BAC27TEX3706		.DECALSET-INCLUDES DECALS IDENTIFIED ON THE ILLUSTRATION		RF
15	YHLZD30		.DIODE- SUPPLIER CODE: V09922 ELECTRICAL EQUIP NUMBER: R00110 R00111		2

ILLUSTRATION ITEMS NOT ON PARTS LIST ARE NOT APPLICABLE

- ITEM NOT ILLUSTRATED

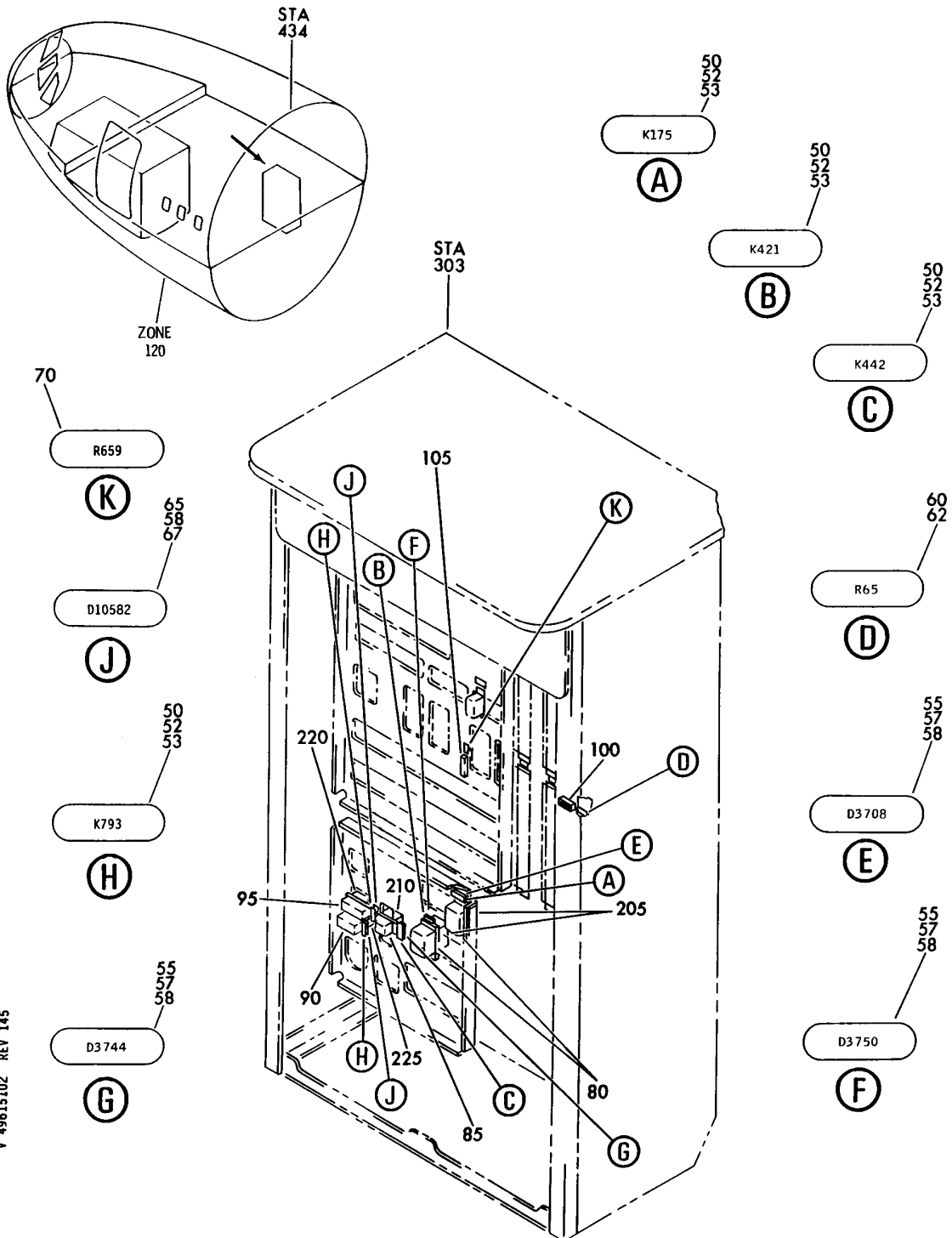
HXL

49-61-41-01

BOEING PROPRIETARY - Copyright © - Unpublished Work - See title page for details.

49-61-41
FIG. 01
PAGE 1
DEC 22/07

BOEING
767
PARTS CATALOG (MAINTENANCE)



V 49615102 REV 145

EQUIPMENT ASSY-P37 MISC ELEC PNL R (ENGINE CONTROLS ONLY)
FIGURE 2

49-61-51-02

HXL
DEC 22/06

49-61-51-02
PAGE 0



767

PARTS CATALOG (MAINTENANCE)

FIG ITEM	PART NUMBER	1 2 3 4 5 6 7	NOMENCLATURE	EFFECT FROM TO	UNITS PER ASSY
2			EQUIPMENT ASSY-P37 MISC ELEC PNL R (ENGINE CONTROLS ONLY)		
- 9	284T0188-157		EQUIPMENT ASSY-P37 MISC ELEC PNL (ENGINE CONTROLS ONLY) POSITION DATA: R FOR NHA/OTHER SYS DET SEE: 53-11-70-05	155162	RF
- 10	284T0188-172		EQUIPMENT ASSY-P37 MISC ELEC PNL (ENGINE CONTROLS ONLY) POSITION DATA: R FOR NHA/OTHER SYS DET SEE: 53-11-70-05	163163	RF
- 11	284T0188-194		EQUIPMENT ASSY-P37 MISC ELEC PNL (ENGINE CONTROLS ONLY) POSITION DATA: R FOR NHA/OTHER SYS DET SEE: 53-11-70-05	164999	RF
52	BAC27TEX4184		.DECALSET-INCLUDES DECALS IDENTIFIED ON THE ILLUSTRATION		RF
57	BAC27TEX4189		.DECALSET-INCLUDES DECALS IDENTIFIED ON THE ILLUSTRATION		RF
67	BAC27TEX4190		.DECALSET-INCLUDES DECALS IDENTIFIED ON THE ILLUSTRATION		RF
ILLUSTRATION ITEMS NOT ON PARTS LIST ARE NOT APPLICABLE					

- ITEM NOT ILLUSTRATED

HXL

49-61-51-02

BOEING PROPRIETARY - Copyright © - Unpublished Work - See title page for details.

49-61-51
FIG. 02
PAGE 1
DEC 22/07

 **BOEING**
767
PARTS CATALOG (MAINTENANCE)

FIG ITEM	PART NUMBER	1 2 3 4 5 6 7	NOMENCLATURE	EFFECT FROM TO	UNITS PER ASSY
2 80	E410-1537		.RELAY- SUPPLIER CODE: V99699 SPECIFICATION NUMBER: BACR13CG2A OPTIONAL PART: E415-1078 V99699 BR230S0116 V56623 KD4A017 V58687 FCA410-62 V78290 ELECTRICAL EQUIP NUMBER: K00175 K00421		2
85	W260F4AM11		.RELAY- SUPPLIER CODE: VF0219 SPECIFICATION NUMBER: BACR13CD2 OPTIONAL PART: BR16S233 V09026 EE4AA005 V35344 3SAV1338A2 V01526 HFW1206K03 V58614 HFW1204K01 V71482 ELECTRICAL EQUIP NUMBER: K00442		1
90	W460F1A		.RELAY- SUPPLIER CODE: VF0219 SPECIFICATION NUMBER: BACR13CE2 OPTIONAL PART: 3SAH5-13-4K1 V01526 3SAH1326A2 V01526 ELECTRICAL EQUIP NUMBER: K00793	163999	1

ILLUSTRATION ITEMS NOT ON PARTS LIST ARE NOT APPLICABLE

- ITEM NOT ILLUSTRATED

HXL

49-61-51-02

BOEING PROPRIETARY - Copyright © - Unpublished Work - See title page for details.

49-61-51
FIG. 02
PAGE 2
DEC 22/07



767

PARTS CATALOG (MAINTENANCE)

FIG ITEM	PART NUMBER	1 2 3 4 5 6 7	NOMENCLATURE	EFFECT FROM TO	UNITS PER ASSY
2 100	YHLZD30		.DIODE- SUPPLIER CODE: V09922 ELECTRICAL EQUIP NUMBER: R00065 OPTIONAL PART: YHLZD9 V09922		1
100	YHLZD9		.DIODE- SUPPLIER CODE: V09922 ELECTRICAL EQUIP NUMBER: R00065 OPTIONAL PART: YHLZD30 V09922		1
- 200 205	286T0198-300 BACS16W1		.WIRE BUNDLE ASSY ..SOCKET- ELECTRICAL EQUIP NUMBER: D03708 D03750 WIRING DIAGRAM REF: 496111		RF 2
210	RSE120026		..SOCKET- SUPPLIER CODE: V58982 SPECIFICATION NUMBER: BACS16AG1 OPTIONAL PART: 451120-026 V58982 ELECTRICAL EQUIP NUMBER: D03744 WIRING DIAGRAM REF: 496111		1
- 215 220	286T0192-300 RSE120027		.WIRE BUNDLE ASSY ..SOCKET- SUPPLIER CODE: V58982 SPECIFICATION NUMBER: BACS16AF1 OPTIONAL PART: 451120-027 V58982 ELECTRICAL EQUIP NUMBER: D10582 WIRING DIAGRAM REF: 496111	163999 163999	RF 1

ILLUSTRATION ITEMS NOT ON PARTS LIST ARE NOT APPLICABLE

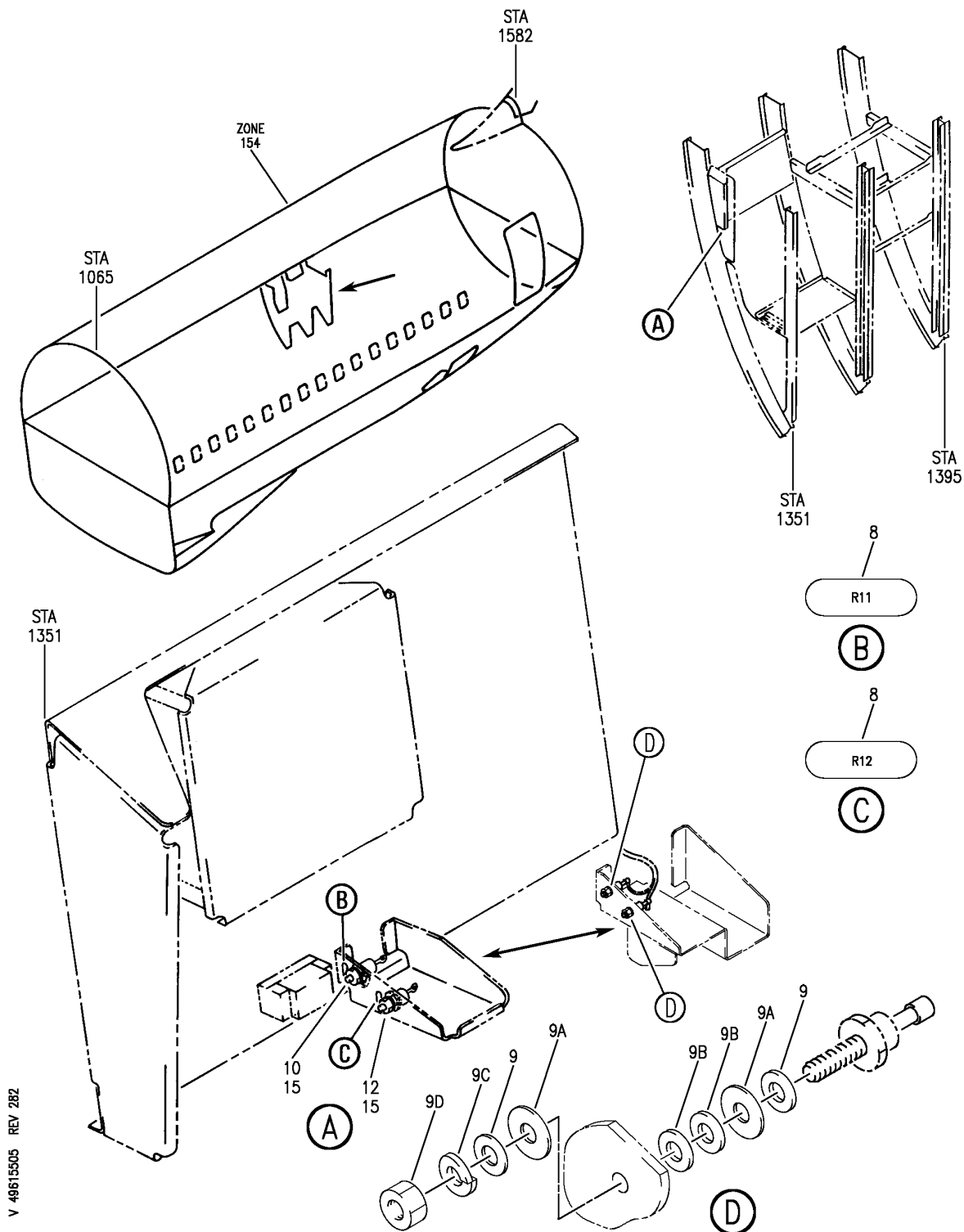
- ITEM NOT ILLUSTRATED

49-61-51-02

49-61-51
FIG. 02
PAGE 3
DEC 22/07

HXL

BOEING
767
PARTS CATALOG (MAINTENANCE)



V 49615505 REV 282

EQUIPMENT ASSY-AFT EQPT CTR E6 RACK P49 (ENGINE CONTROLS ONLY)
FIGURE 5

49-61-55-05

HXL
DEC 22/06

49-61-55-05
PAGE 0



767

PARTS CATALOG (MAINTENANCE)

FIG ITEM	PART NUMBER	1 2 3 4 5 6 7	NOMENCLATURE	EFFECT FROM TO	UNITS PER ASSY
5			EQUIPMENT ASSY-AFT EQPT CTR E6 RACK P49 (ENGINE CONTROLS ONLY)		
- 1	284T1149-15		EQUIPMENT ASSY-EQPT CTR E6 E6 RACK P49 (ENGINE CONTROLS ONLY) POSITION DATA: AFT FOR NHA/OTHER SYS DET SEE: 25-71-40-05		RF
8	BAC27TEX3245		.DECALSET-INCLUDES DECALS IDENTIFIED ON THE ILLUSTRATION		RF
10	JANTX1N1206A		.DIODE- SUPPLIER CODE: V96906 ELECTRICAL EQUIP NUMBER: R00011		1
12	JANTX1N1206A		.DIODE- SUPPLIER CODE: V96906 ELECTRICAL EQUIP NUMBER: R00012		1
15	BACK18F2		.KIT		2

ILLUSTRATION ITEMS NOT ON PARTS LIST ARE NOT APPLICABLE

- ITEM NOT ILLUSTRATED

HXL

49-61-55-05

BOEING PROPRIETARY - Copyright © - Unpublished Work - See title page for details.

49-61-55
FIG. 05
PAGE 1
DEC 22/07