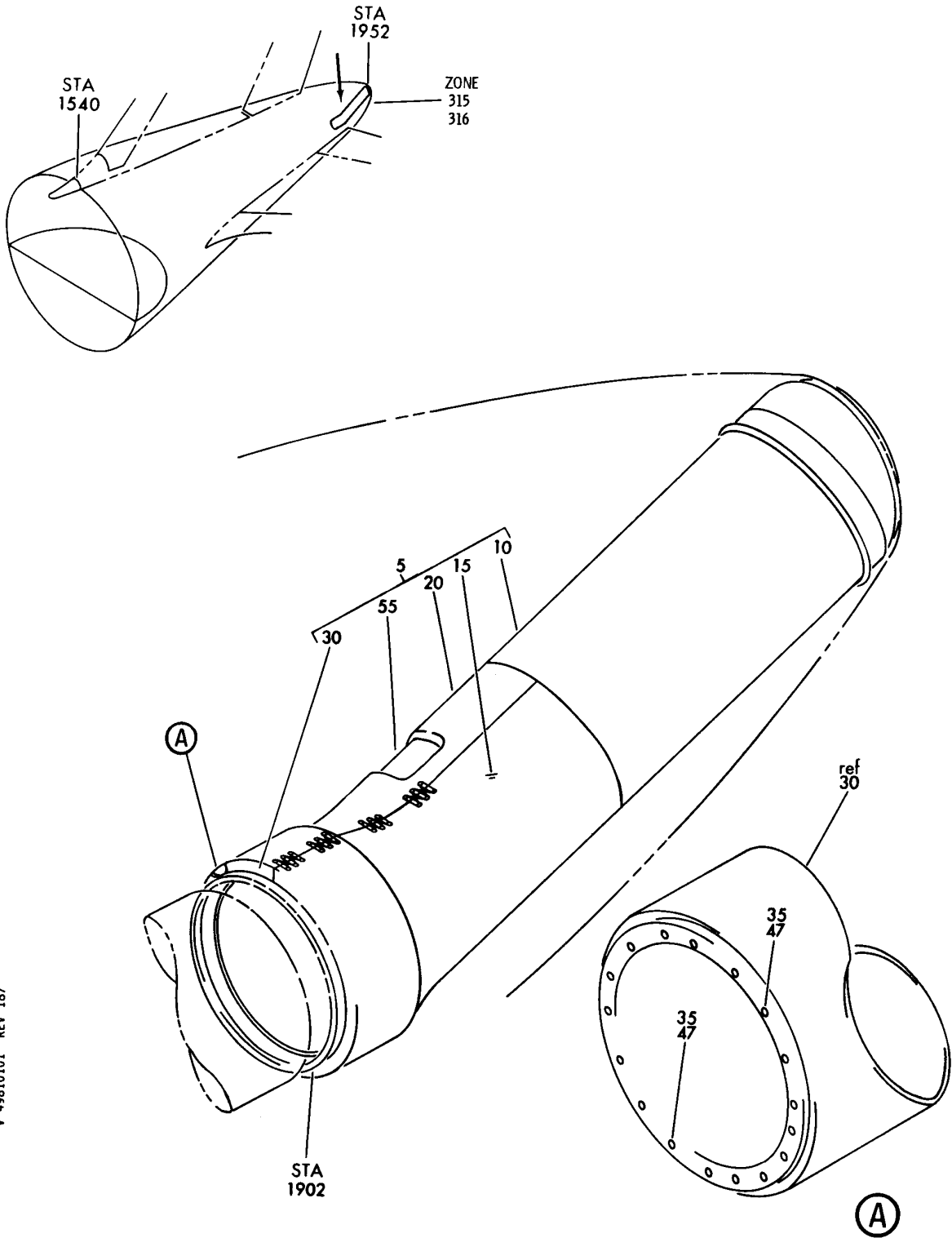


## APU EXHAUST SYSTEM

HXL  
DEC 22/06

49-81-00  
SECTION TITLE  
PAGE 1

**BOEING**  
767  
PARTS CATALOG (MAINTENANCE)



DUCT INSTL-AUX PWR SYS EXH  
FIGURE 1

**49-81-01-01**

HXL  
DEC 22/06

49-81-01-01  
PAGE 0



767

PARTS CATALOG (MAINTENANCE)

FIG ITEM	PART NUMBER	1 2 3 4 5 6 7	NOMENCLATURE	EFFECT FROM TO	UNITS PER ASSY
1			DUCT INSTL-AUX PWR SYS EXH		
- 1	354T0200-1		DUCT INSTL-AUX PWR SYS EXH FOR NHA SEE: 49-00-01-01		RF
5	354T0201-1		.DUCT ASSY-		1
5	354T0201-3		.DUCT ASSY-		1
5	354T0201-6		.DUCT ASSY-		1
5	354T0201-12		.DUCT ASSY-		1
10	400826-1		..BLANKET-AUX PWR SYS EXH DUCT THERM INSULATION SUPPLIER CODE: V70628 SPECIFICATION NUMBER: S354T010-1 OPTIONAL PART: 16H41200-1 V22013		1
15	400826-2		..BLANKET-AUX PWR SYS EXH DUCT THERM BELLOWS INSULATION SUPPLIER CODE: V70628 SPECIFICATION NUMBER: S354T010-2 OPTIONAL PART: 16H41200-2 V22013		1
20	400826-3		..BLANKET-AUX PWR SYS EXH DUCT THERM BELLOWS INSULATION SUPPLIER CODE: V70628 SPECIFICATION NUMBER: S354T010-3 OPTIONAL PART: 16H41200-3 V22013		1
30	77134		..BELLOWS ASSY-AUX PWR SYS TURB EXH DUCT SUPPLIER CODE: V92003 SPECIFICATION NUMBER: S354T020-1		1

ILLUSTRATION ITEMS NOT ON PARTS LIST ARE NOT APPLICABLE

- ITEM NOT ILLUSTRATED

49-81-01-01

49-81-01  
FIG. 01  
PAGE 1  
DEC 22/06

HXL

**BOEING**  
767  
**PARTS CATALOG (MAINTENANCE)**

FIG ITEM	PART NUMBER	1 2 3 4 5 6 7	NOMENCLATURE	EFFECT FROM TO	UNITS PER ASSY
1					
30	200-169-5001		..BELLOWS ASSY-AUX PWR SYS TURB EXH DUCT SUPPLIER CODE: V07649 SPECIFICATION NUMBER: S354T020-16 OPTIONAL PART: 77134-1 V92003 1220015001 V98769 1220015-001 V98769 ATTACHING PARTS		1
35	BACB30LJ4U3		..BOLT		17
45	NAS1149C0463R		..WASHER-		34
50	BRH10C4		..NUT SUPPLIER CODE: V52828 SPECIFICATION NUMBER: BACN10JC4C OPTIONAL PART: T6C428J V11815 97-048 V80539 101LH9075-4W V72962 VN303B048 V92215 NS202101S048 V80539 H31-4BAC V15653 -----*-----		17
55	354T0202-1		..DUCT ASSY- USED ON: 354T0201-1		1
55	354T0202-3		..DUCT ASSY- USED ON: 354T0201-3 354T0201-6		1
ILLUSTRATION ITEMS NOT ON PARTS LIST ARE NOT APPLICABLE					

- ITEM NOT ILLUSTRATED

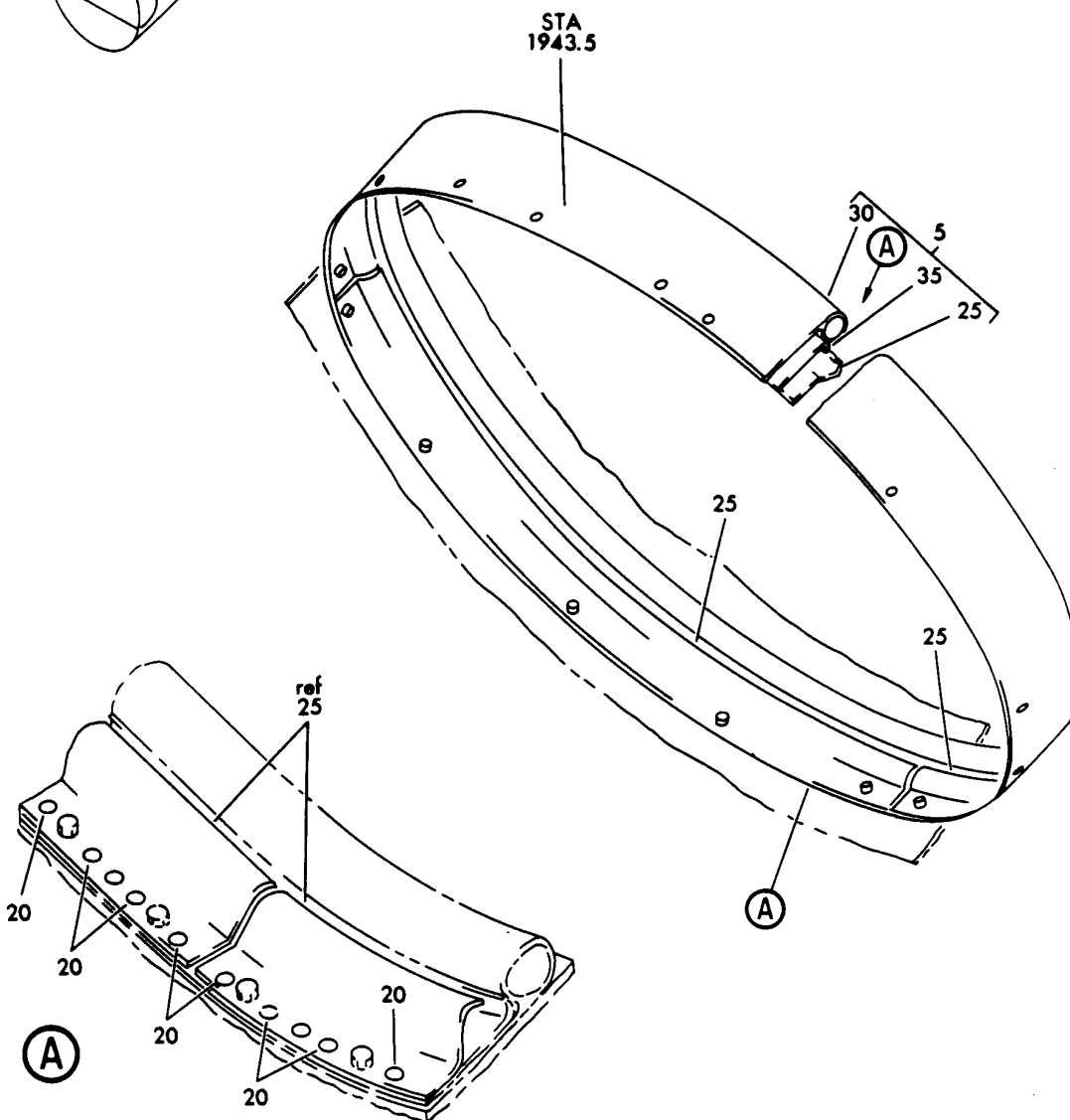
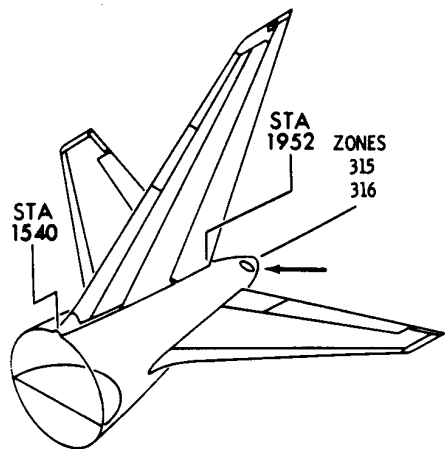
HXL

# 49-81-01-01

BOEING PROPRIETARY - Copyright © - Unpublished Work - See title page for details.

49-81-01  
FIG. 01  
PAGE 2  
DEC 22/06

**BOEING**  
767  
PARTS CATALOG (MAINTENANCE)



V 49810301 SHT 1 REV 099

RING INSTL-AUX PWR SYS SPRT  
FIGURE 1

**49-81-03-01**

HXL  
DEC 22/06

49-81-03-01  
PAGE 0



767

PARTS CATALOG (MAINTENANCE)

FIG ITEM	PART NUMBER	1 2 3 4 5 6 7	NOMENCLATURE	EFFECT FROM TO	UNITS PER ASSY
1			RING INSTL-AUX PWR SYS SPRT		
- 1	354T0100-2		RING INSTL-AUX PWR SYS SPRT FOR NHA SEE: 49-00-01-01		RF
5	354T0101-6		.RING ASSY- QUALIFIED I/W DATA: 354T0101-6 T/W 354T0101-7 MAY REPLACE 354T0101-5		1
5	354T0101-7		.RING ASSY- QUALIFIED I/W DATA: 354T0101-6 T/W 354T0101-7 MAY REPLACE 354T0101-5		1
- 10	NAS6703U4		ATTACHING PARTS .BOLT		15
- 15	AN960C10L		.WASHER -----*-----		15
20	MS20427M4		..RIVET		42
25	354T0103-2		..SPRING		3
30	354T0101-8		..SEAL- USED ON: 354T0101-6		1
30	354T0101-9		..SEAL- USED ON: 354T0101-7		1
35	354T0102-1		..RING		1

ILLUSTRATION ITEMS NOT ON PARTS LIST ARE NOT APPLICABLE

- ITEM NOT ILLUSTRATED

49-81-03-01

49-81-03  
FIG. 01  
PAGE 1  
DEC 22/06

HXL