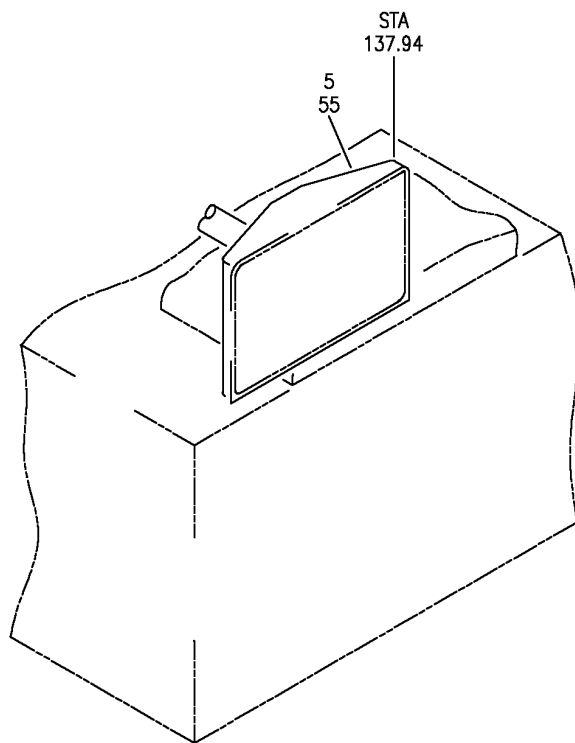
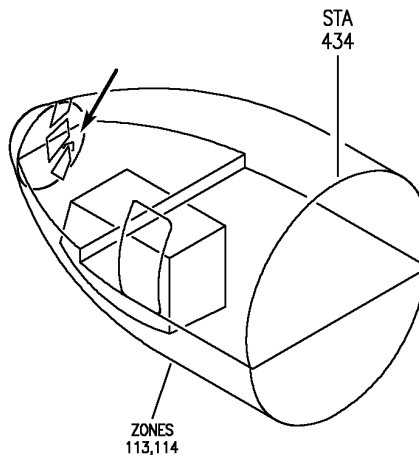


LIGHTNING STRIKE PROTECTION

HXL
DEC 22/06

51-61-00
SECTION TITLE
PAGE 1

BOEING
767
PARTS CATALOG (MAINTENANCE)



V 51610101D REV 338

DECAL INSTL-LIGHTNING STRIKE, SECT. 41 LWR (STRUCTURES ONLY)
FIGURE 1D

HXL
APR 22/09

51-61-01-01D

51-61-01-01D
PAGE 0



767

PARTS CATALOG (MAINTENANCE)

FIG ITEM	PART NUMBER	1 2 3 4 5 6 7	NOMENCLATURE	EFFECT FROM TO	UNITS PER ASSY
1D			DECAL INSTL-LIGHTNING STRIKE, SECT. 41 LWR (STRUCTURES ONLY)		
- 50	287T0072-2		DECAL INSTL-LIGHTNING STRIKE (STRUCTURES ONLY) POSITION DATA: SECT. 41 LWR FOR NHA/OTHER SYS DET SEE: 24-00-57-02		RF
55	287T0072-7		.BRACKET-		1
- 60	NAS1801-3-9		ATTACHING PARTS .SCREW- -----*-----		2

ILLUSTRATION ITEMS NOT ON PARTS LIST ARE NOT APPLICABLE

- ITEM NOT ILLUSTRATED

HXL

51-61-01-01D

BOEING PROPRIETARY - Copyright © - Unpublished Work - See title page for details.

51-61-01
FIG. 01D
PAGE 1
DEC 22/06