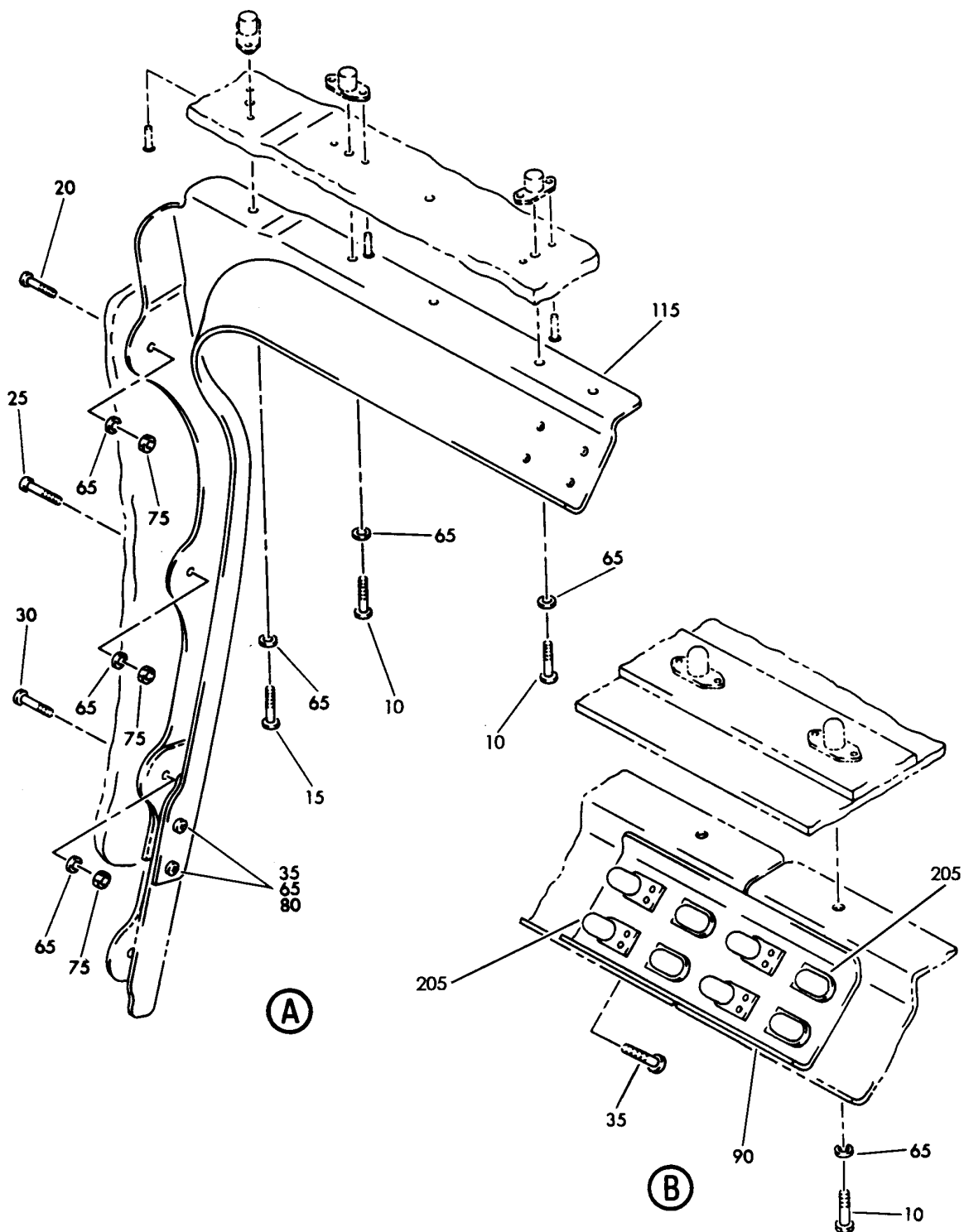


STANDARD FORWARD CARGO DOOR

HXL
DEC 22/06

52-34-00
SECTION TITLE
PAGE 1

BOEING
767
PARTS CATALOG (MAINTENANCE)



V 52340115 SHT 2 REV 212

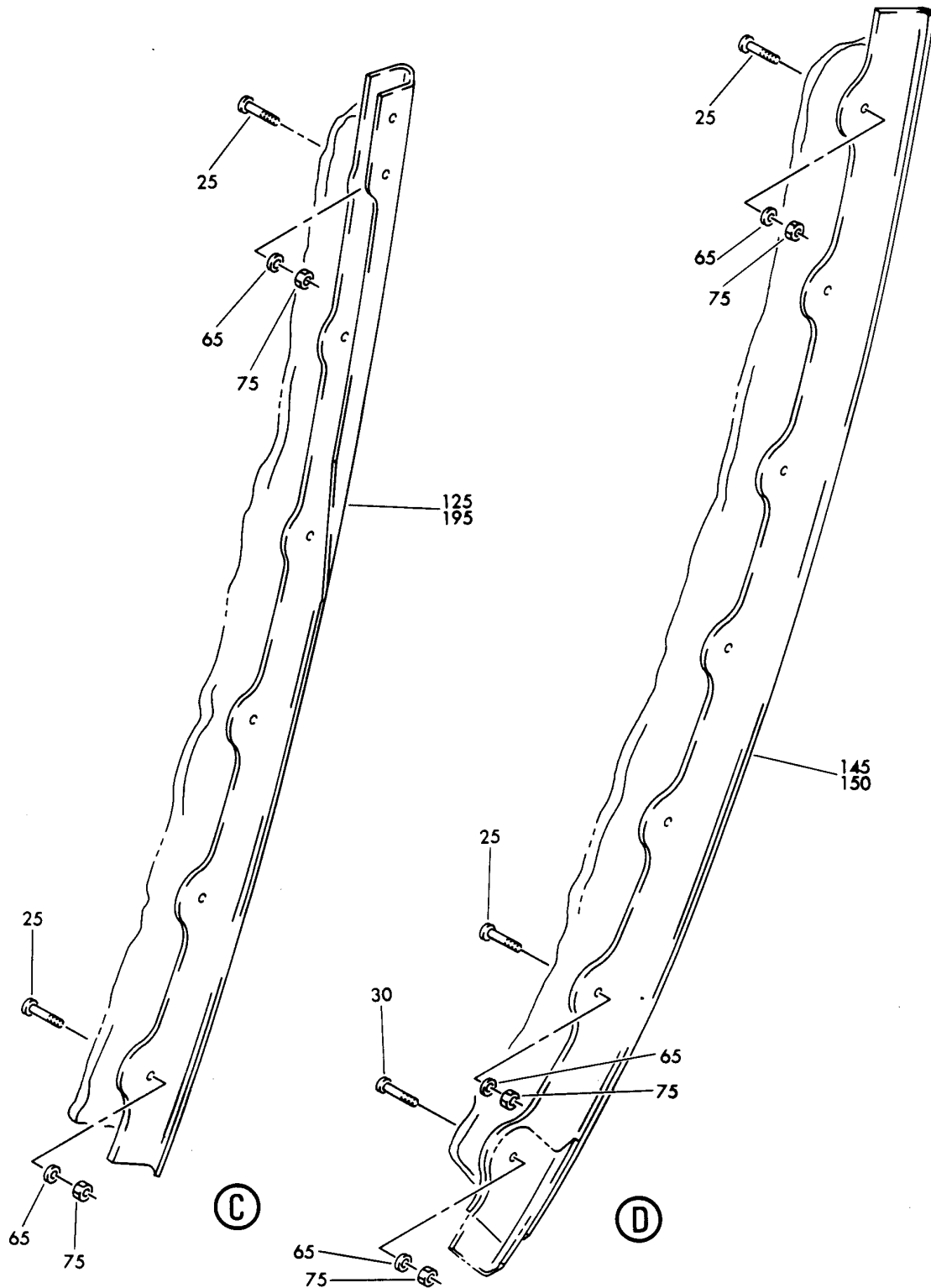
DEPRESSOR INSTL-FWD LARGE CARGO DOOR SEAL
FIGURE 15 (SHEET 2)

52-34-01-15

HXL
DEC 22/06

52-34-01-15
PAGE 0A

BOEING
767
PARTS CATALOG (MAINTENANCE)



V 52340115 SHT 3 REV 049

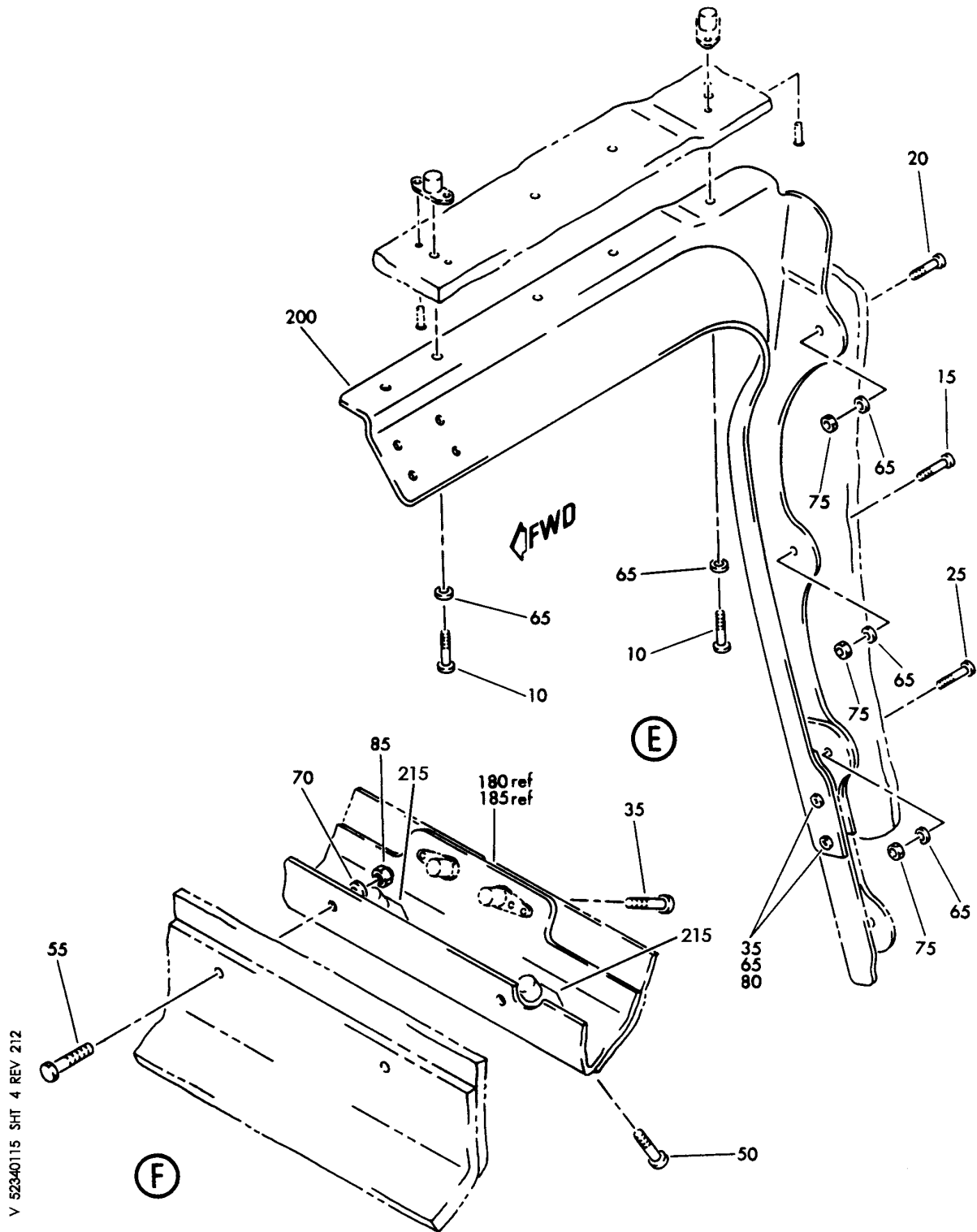
DEPRESSOR INSTL-FWD LARGE CARGO DOOR SEAL
FIGURE 15 (SHEET 3)

52-34-01-15

HXL
DEC 22/06

52-34-01-15
PAGE 0B

BOEING
767
PARTS CATALOG (MAINTENANCE)



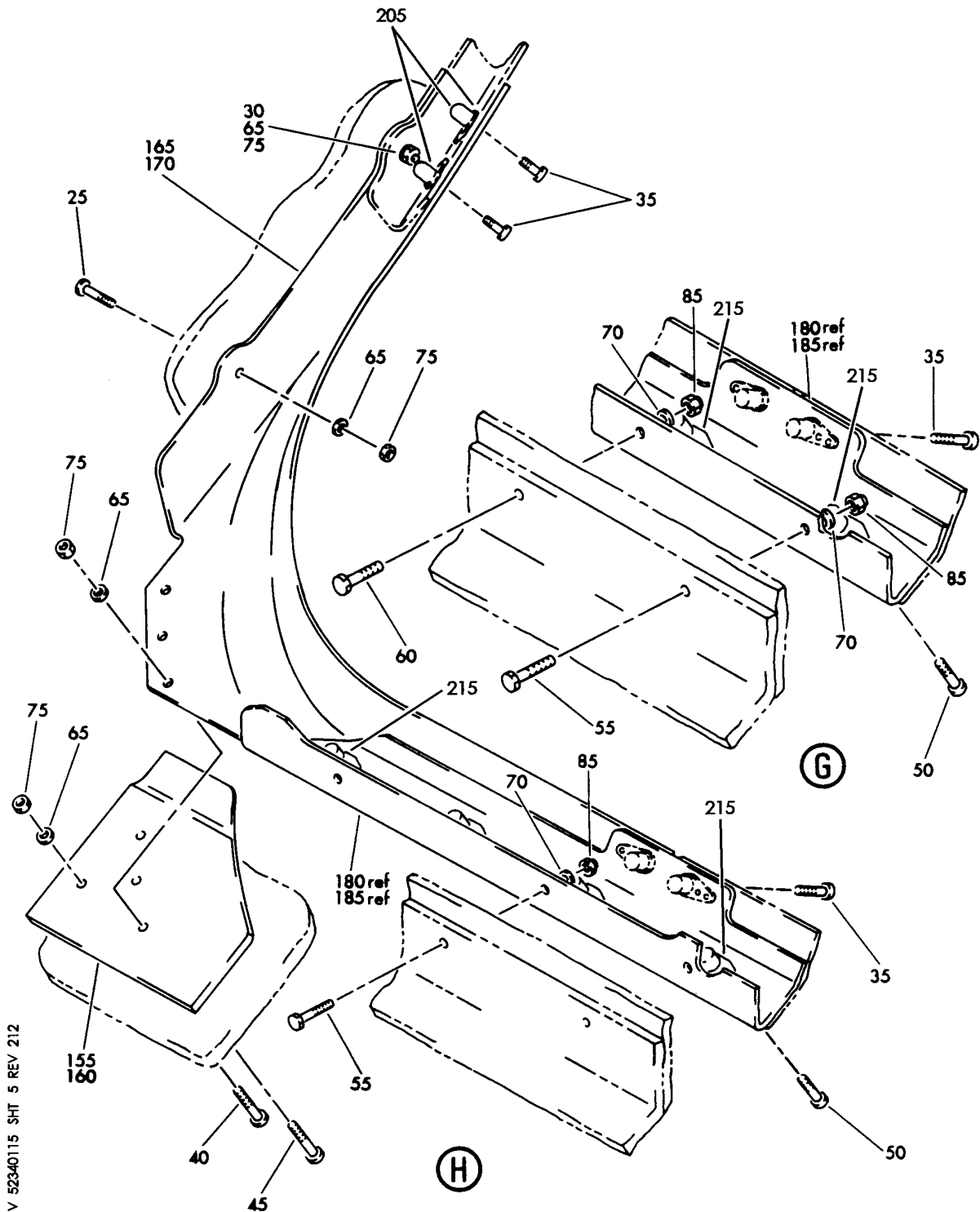
DEPRESSOR INSTL-FWD LARGE CARGO DOOR SEAL
FIGURE 15 (SHEET 4)

52-34-01-15

HXL
DEC 22/06

52-34-01-15
PAGE 0C

BOEING
767
PARTS CATALOG (MAINTENANCE)



DEPRESSOR INSTL-FWD LARGE CARGO DOOR SEAL
FIGURE 15 (SHEET 5)

52-34-01-15

HXL
DEC 22/06

52-34-01-15
PAGE 0D



767

PARTS CATALOG (MAINTENANCE)

FIG ITEM	PART NUMBER	1 2 3 4 5 6 7	NOMENCLATURE	EFFECT FROM TO	UNITS PER ASSY
15			DEPRESSOR INSTL-FWD LARGE		
- 5	143T8540-2		CARGO DOOR SEAL		
			DEPRESSOR INSTL-LARGE		RF
			CARGO DOOR SEAL		
			POSITION DATA:		
			FWD		
			FOR NHA SEE:		
			52-33-56-04		
10	BACB30NM3K4	.BOLT			47
15	BACB30NM3K6	.BOLT			2
20	BACB30NM3K5	.BOLT			2
25	BACB30NM3K7	.BOLT			28
30	BACB30NM3K8	.BOLT			5
35	BACB30NU3K3	.BOLT			58
40	BACB30NN3K9	.BOLT			2
45	BACB30NN3K10	.BOLT			6
50	BACB30NT3K3	.BOLT			39
55	BACB30NR4K10	.BOLT			22
60	BACB30NR4K7	.BOLT			1
65	AN960PD10	.WASHER			96
70	AN960PD416	.WASHER			23
75	NAS1805-3	.NUT			44
80	BRH10C3D	.NUT			4
			SUPPLIER CODE:		
			V52828		
			SPECIFICATION NUMBER:		
			BACN10JC3CD		
			OPTIONAL PART:		
			T6C1032JCD		
			V11815		
			NS202486-02		
			V80539		
			102LH9075-3W		
			V72962		
			H51650-3BAC		
			V15653		
ILLUSTRATION ITEMS NOT ON PARTS LIST ARE NOT APPLICABLE					

- ITEM NOT ILLUSTRATED

HXL

52-34-01-15

BOEING PROPRIETARY - Copyright © - Unpublished Work - See title page for details.

52-34-01
FIG. 15
PAGE 1
DEC 22/07

 **BOEING**
767
PARTS CATALOG (MAINTENANCE)

FIG ITEM	PART NUMBER	1 2 3 4 5 6 7	NOMENCLATURE	EFFECT FROM TO	UNITS PER ASSY
15					
85	BRH10C4D	.	NUT SUPPLIER CODE: V52828 SPECIFICATION NUMBER: BACN10JC4CD OPTIONAL PART: T6C428JCD V11815 NS202486-048 V80539 102LH9075-4W V72962 H51650-4BAC V15653		23
87	BACR15CE5KE	.	RIVET- SIZE DETERMINED ON INSTL.		8
90	143T8541-7	.	ANGLE-SPLICE		5
95	143T8541-5	.	DEPRESSOR		1
100	143T8541-4	.	DEPRESSOR		1
105	143T8541-3	.	DEPRESSOR		1
110	143T8541-2	.	DEPRESSOR		1
115	143T8543-7	.	DEPRESSOR		1
120	143T8541-9	.	ANGLE-SPLICE		1
125	143T8542-1	.	DEPRESSOR		1
130	143T8541-8	.	ANGLE-SPLICE		2
135	143T8541-11	.	ANGLE-SPLICE		1
140	143T8541-12	.	ANGLE-SPLICE		1
145	143T8542-3	.	DEPRESSOR-		1
145	143T8542-5	.	DEPRESSOR-		1
150	143T8542-4	.	DEPRESSOR		1
155	143T8543-9	.	ANGLE-SPLICE		1
160	143T8543-10	.	PLATE-SPLICE		1
165	143T8543-2	.	DEPRESSOR		1
170	143T8543-4	.	DEPRESSOR		1
175	143T8541-6	.	DEPRESSOR		4
185	143T8541-14	.	DEPRESSOR		1
190	143T8541-10	.	ANGLE-SPLICE		1
195	143T8542-2	.	DEPRESSOR		1
200	143T8543-8	.	DEPRESSOR		1
205	F51646-3BAC	.	NUTPLATE SUPPLIER CODE: V15653 SPECIFICATION NUMBER: BACN10JZ3B2CDM OPTIONAL PART: 102F9220-3 V72962		44
ILLUSTRATION ITEMS NOT ON PARTS LIST ARE NOT APPLICABLE					

- ITEM NOT ILLUSTRATED

HXL

52-34-01-15

BOEING PROPRIETARY - Copyright © - Unpublished Work - See title page for details.

52-34-01
FIG. 15
PAGE 2
APR 22/08



767

PARTS CATALOG (MAINTENANCE)

FIG ITEM	PART NUMBER	1 2 3 4 5 6 7	NOMENCLATURE	EFFECT FROM TO	UNITS PER ASSY
15			ATTACHING PARTS		
- 210	BACR15BA4AD		.RIVET- SIZE DETERMINED ON INSTL. -----*-----		88
215	NS202492A02		.NUTPLATE SUPPLIER CODE: V80539 SPECIFICATION NUMBER: BACN10JZ3A4CDM OPTIONAL PART: 102F9221-3 V72962 F51645-3BAC V15653		39
- 220	BACR15BA3AD		ATTACHING PARTS .RIVET- SIZE DETERMINED ON INSTL. -----*-----		78

ILLUSTRATION ITEMS NOT ON PARTS LIST ARE NOT APPLICABLE

- ITEM NOT ILLUSTRATED

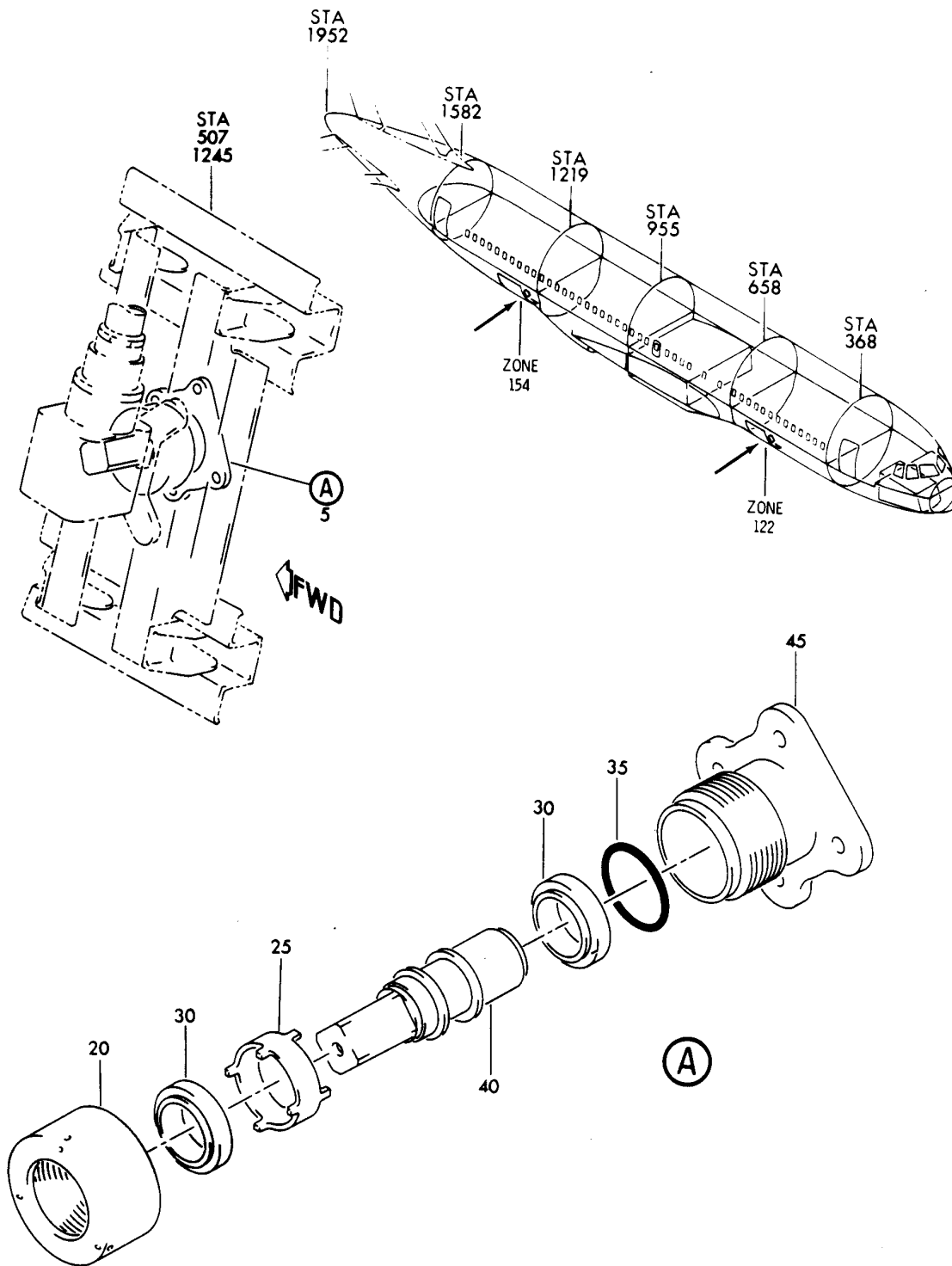
HXL

52-34-01-15

BOEING PROPRIETARY - Copyright © - Unpublished Work - See title page for details.

52-34-01
FIG. 15
PAGE 3
DEC 22/06

BOEING
767
PARTS CATALOG (MAINTENANCE)



V 52340401 SHT 1 REV 044

SUPPORT INSTL-MANUAL DRIVE GR BOX
FIGURE 1

52-34-04-01

HXL
DEC 22/06

52-34-04-01
PAGE 0



767

PARTS CATALOG (MAINTENANCE)

FIG ITEM	PART NUMBER	1 2 3 4 5 6 7	NOMENCLATURE	EFFECT FROM TO	UNITS PER ASSY
1			SUPPORT INSTL-MANUAL DRIVE GR BOX		
- 3	140T2950-2		SUPPORT INSTL-MANUAL DRIVE GR BOX POSITION DATA: STA 1245 FOR NHA SEE: 53-65-51-02		RF
5	140T2963-2		.ADAPTER ASSY ATTACHING PARTS		1
- 10	BACB30NW6K		.BOLT- SIZE DETERMINED ON INSTL.		4
- 15	BACC3M6		.COLLAR -----*-----		4
20	140T2967-1		..CAP		1
25	140T2969-1		..SLEEVE		1
30	B539DDFS428		..BEARING SUPPLIER CODE: V06144 SPECIFICATION NUMBER: BACB10CF12PP OPTIONAL PART: B539DDFS101 V06144 T339E VK8455 B539SSG27 V30163 B539DDFS428 V21335 B539DD V38443 B539-2TS V43991 B539FS101 V06144 B539DDP V21760 B539DDNJC V06144		2
35	MS29513-210		..PACKING		1
40	140T2968-1		..SHAFT		1
45	140T2952-2		..BASE-		1

ILLUSTRATION ITEMS NOT ON PARTS LIST ARE NOT APPLICABLE

- ITEM NOT ILLUSTRATED

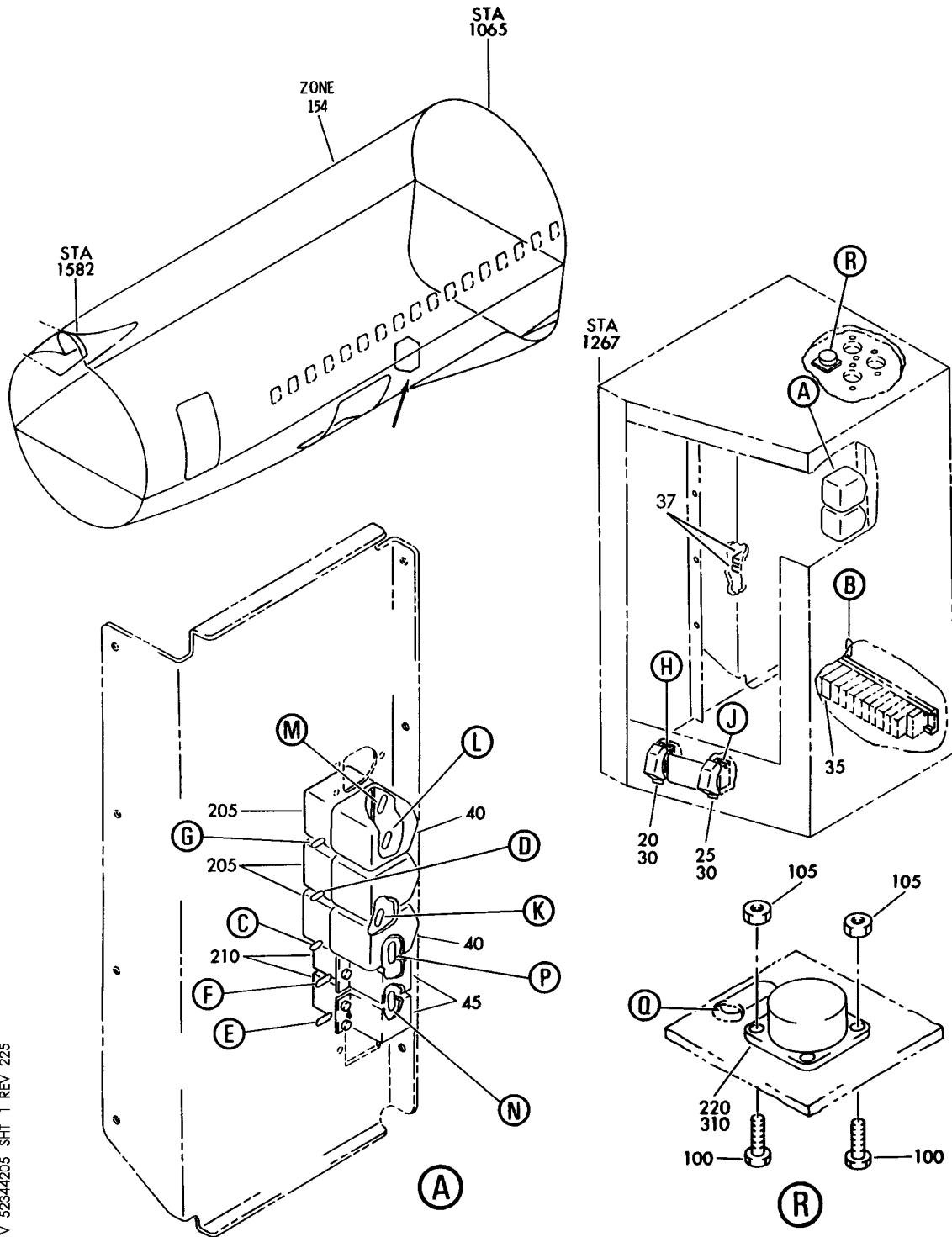
HXL

52-34-04-01

BOEING PROPRIETARY - Copyright © - Unpublished Work - See title page for details.

52-34-04
FIG. 01
PAGE 1
DEC 22/08

BOEING
767
PARTS CATALOG (MAINTENANCE)



V 52344205 SHT 1 REV 225

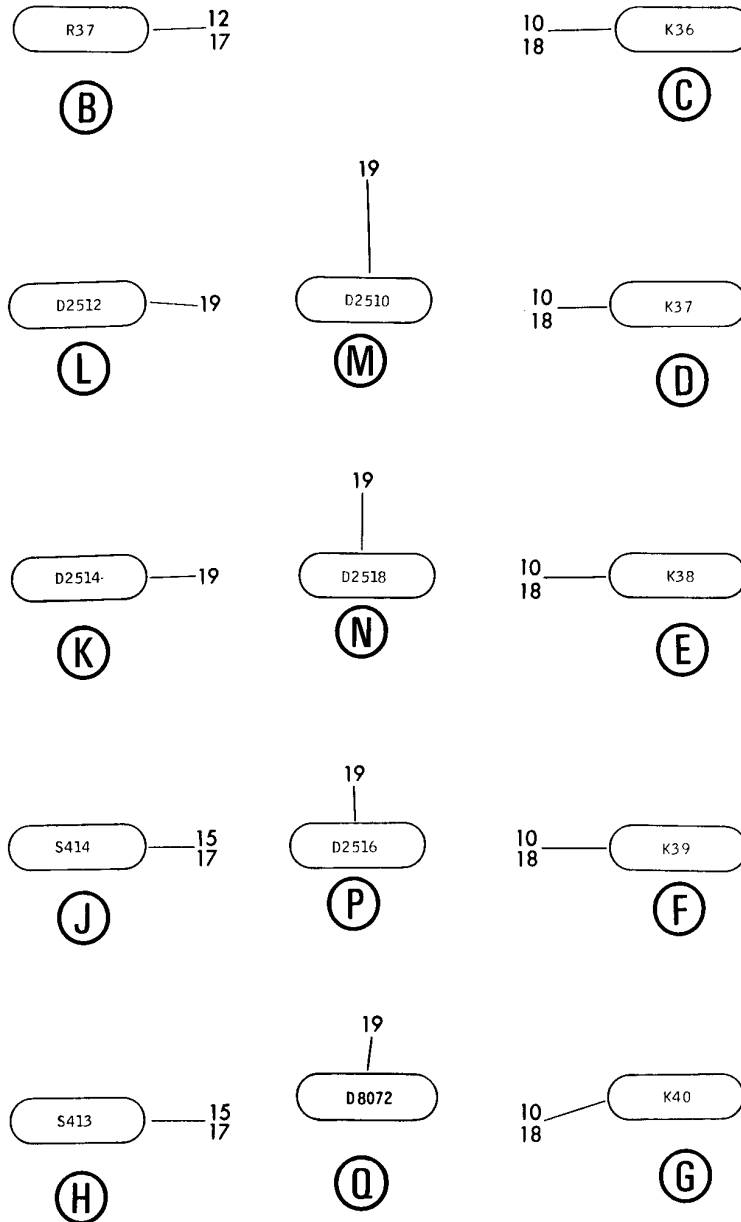
PANEL ASSY-AFT COMPT CARGO HANDLING ACCESS. (P39) (DOORS ONLY)
FIGURE 5 (SHEET 1)

52-34-42-05

HXL
DEC 22/06

52-34-42-05
PAGE 0

BOEING
767
PARTS CATALOG (MAINTENANCE)



V 52344205 SHT 2 REV 178

PANEL ASSY-AFT COMPT CARGO HANDLING ACCESS. (P39) (DOORS ONLY)
FIGURE 5 (SHEET 2)

52-34-42-05

HXL
DEC 22/06

52-34-42-05
PAGE 0A



767

PARTS CATALOG (MAINTENANCE)

FIG ITEM	PART NUMBER	1 2 3 4 5 6 7	NOMENCLATURE	EFFECT FROM TO	UNITS PER ASSY
5			PANEL ASSY-AFT COMPT CARGO HANDLING ACCESS. (P39) (DOORS ONLY)		
- 4	284T0688-64		PANEL ASSY-COMPT CARGO HANDLING ACCESS. P39 (DOORS ONLY) POSITION DATA: AFT FOR NHA/OTHER SYS DET SEE: 25-53-53-01		RF
17	BAC27TEX3794		.DECALSET-INCLUDES DECALS IDENTIFIED ON THE ILLUSTRATION		RF
18	BAC27TEX3795		.DECALSET-INCLUDES DECALS IDENTIFIED ON THE ILLUSTRATION		RF
19	BAC27TEX3796		.DECALSET-INCLUDES DECALS IDENTIFIED ON THE ILLUSTRATION		RF
20	MS27406-3		.SWITCH- ELECTRICAL EQUIP NUMBER: S00413		1
25	MS27407-3		.SWITCH- ELECTRICAL EQUIP NUMBER: S00414		1
30	NAS1072-1		.GUARD-		2
35	YHLZD30		.DIODE- SUPPLIER CODE: V09922 ELECTRICAL EQUIP NUMBER: R00037		1
40	FCC400-5		.RELAY- SUPPLIER CODE: V00213 SPECIFICATION NUMBER: 10-60450-1 ELECTRICAL EQUIP NUMBER: K00036 K00037 K00040 OPTIONAL PART: A410-159673-01 V73949 G59673-1 V73949 CC400-5 V58657		3

ILLUSTRATION ITEMS NOT ON PARTS LIST ARE NOT APPLICABLE

- ITEM NOT ILLUSTRATED

52-34-42-05

52-34-42
FIG. 05
PAGE 1
DEC 22/07

HXL



767

PARTS CATALOG (MAINTENANCE)

FIG ITEM	PART NUMBER	1 2 3 4 5 6 7	NOMENCLATURE	EFFECT FROM TO	UNITS PER ASSY
5 40	9524-6506		.RELAY- SUPPLIER CODE: V58657 SPECIFICATION NUMBER: 10-60450-1 ELECTRICAL EQUIP NUMBER: K00036 K00037 K00040 OPTIONAL PART: A410-159673-01 V73949 G59673-1 V73949 FCC400-5 V00213		3
45	E410-1537		.RELAY- SUPPLIER CODE: V99699 SPECIFICATION NUMBER: BACR13CG2A OPTIONAL PART: E415-1078 V99699 BR230S0116 V56623 KD4A017 V58687 FCA410-62 V78290 ELECTRICAL EQUIP NUMBER: K00038 K00039		2
100	NAS1801-04-6		.SCREW		2
105	K19798-04		.NUT SUPPLIER CODE: V15653 SPECIFICATION NUMBER: BACN10NW1 OPTIONAL PART: RMA4812-160-40 V72962 293162 V60119		2
- 200	286T1068-300		.WIRE BUNDLE ASSY		RF

ILLUSTRATION ITEMS NOT ON PARTS LIST ARE NOT APPLICABLE

- ITEM NOT ILLUSTRATED

HXL

52-34-42-05

BOEING PROPRIETARY - Copyright © - Unpublished Work - See title page for details.

52-34-42
FIG. 05
PAGE 2
DEC 22/07



767

PARTS CATALOG (MAINTENANCE)

FIG ITEM	PART NUMBER	1 2 3 4 5 6 7	NOMENCLATURE	EFFECT FROM TO	UNITS PER ASSY
5 205	000300-0445		.. SOCKET- SUPPLIER CODE: V05574 SPECIFICATION NUMBER: 10-60450-5 ELECTRICAL EQUIP NUMBER: D02510 D02512 D02514 WIRING DIAGRAM REF: 523511 OPTIONAL PART: 105-100-02 V26742 82164-1F V12054		3
210	BACS16W1		.. SOCKET- ELECTRICAL EQUIP NUMBER: D02516 D02518 WIRING DIAGRAM REF: 523511		2
220	BACC45FN14-15P9		.. CONNECTOR- ELECTRICAL EQUIP NUMBER: D08072J WIRING DIAGRAM REF: 523513		1
- 300	286T0916-301		WIRE BUNDLE ASSY		RF
310	BACC45FT14-15S9		.CONNECTOR- ELECTRICAL EQUIP NUMBER: D08072P WIRING DIAGRAM REF: 523512		1

ILLUSTRATION ITEMS NOT ON PARTS LIST ARE NOT APPLICABLE

- ITEM NOT ILLUSTRATED

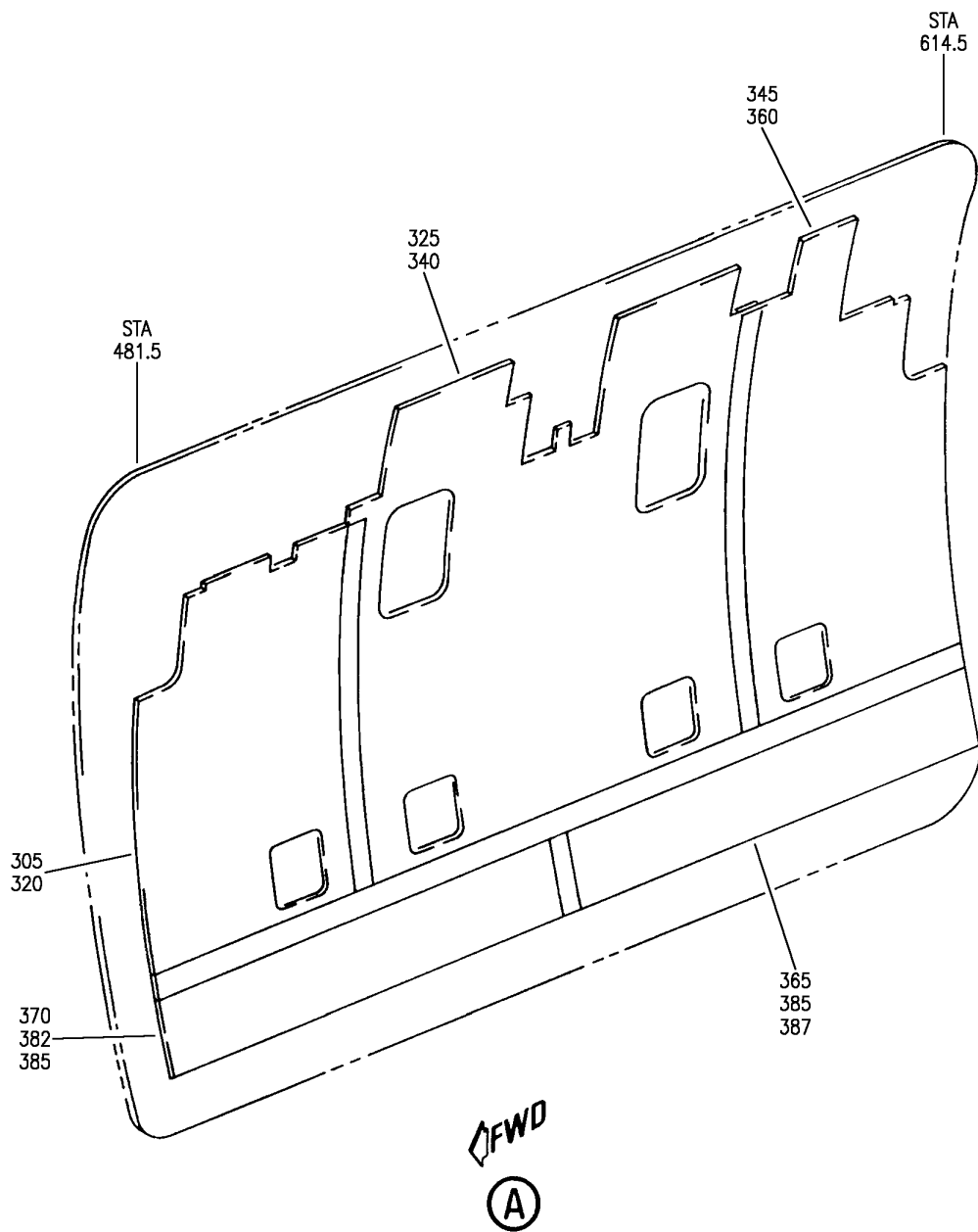
HXL

52-34-42-05

BOEING PROPRIETARY - Copyright © - Unpublished Work - See title page for details.

52-34-42
FIG. 05
PAGE 3
DEC 22/07

BOEING
767
PARTS CATALOG (MAINTENANCE)



V 52345501 SH1 2 REV 331

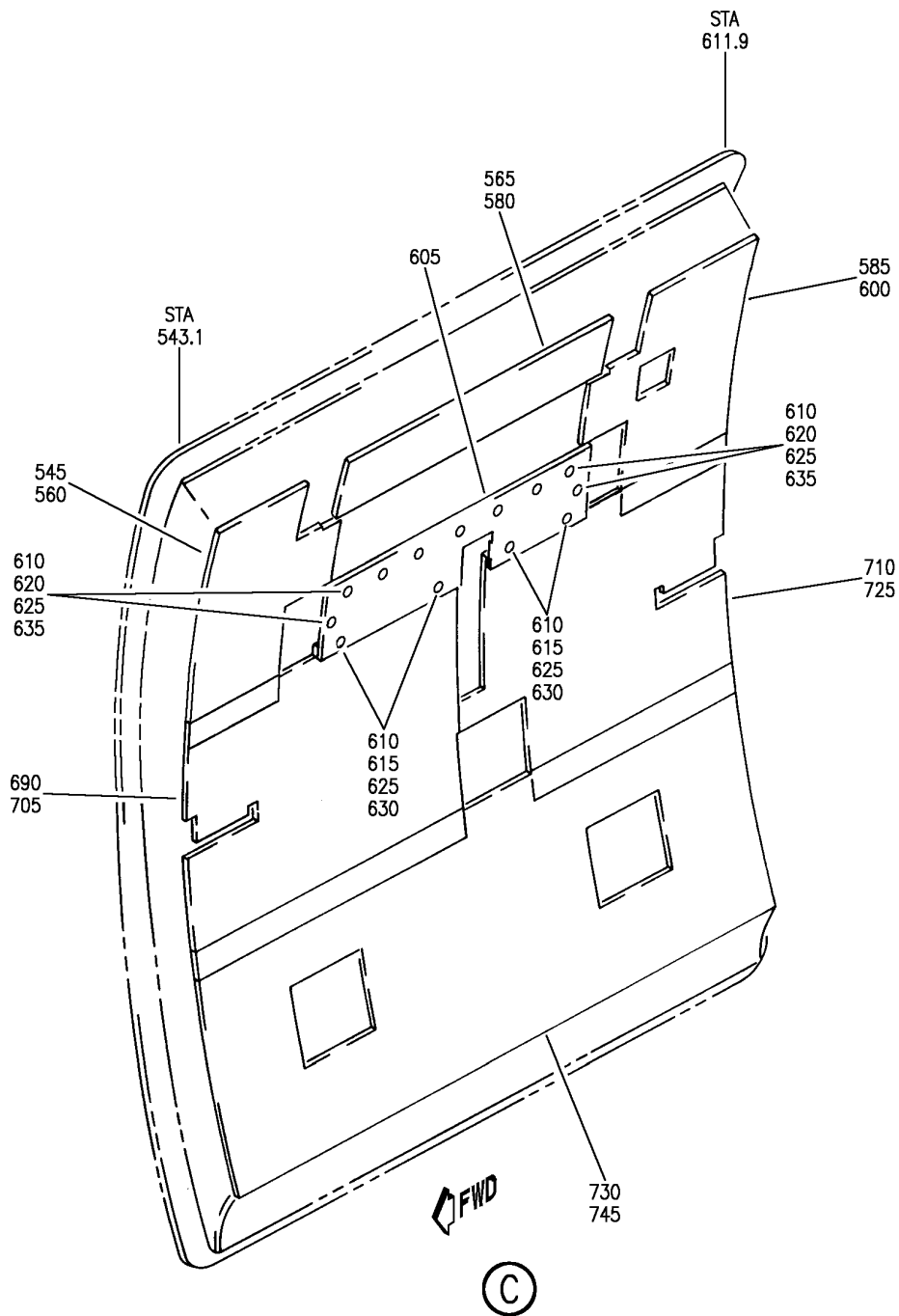
PANEL INSTL-CARGO DOOR INSULATION FOAM FWD AND AFT
FIGURE 1 (SHEET 2)

52-34-55-01

HXL
AUG 22/08

52-34-55-01
PAGE 0A

BOEING
767
PARTS CATALOG (MAINTENANCE)



V 52345501 SHT 4 REV 339

PANEL INSTL-CARGO DOOR INSULATION FOAM FWD AND AFT
FIGURE 1 (SHEET 4)

52-34-55-01

HXL
APR 22/09

52-34-55-01
PAGE 0C

BOEING
767
PARTS CATALOG (MAINTENANCE)

FIG ITEM	PART NUMBER	1 2 3 4 5 6 7	NOMENCLATURE	EFFECT FROM TO	UNITS PER ASSY
1			PANEL INSTL-CARGO DOOR INSULATION FOAM FWD AND AFT		
- 5	411T4403-11		PANEL INSTL-CARGO DOOR INSULATION FOAM POSITION DATA: SECT. 46 AFT FOR NHA SEE: 25-20-00-11D		RF
10	411T4408-1		.PANEL ASSY ATTACHING PARTS		1
15	BACS12FA3K16		.SCREW- QUALIFIED OPTIONAL DATA: (OPT BACS12N10-18) USED WITH: BACW10P44AL		6
15	CA3105-1032-18		.SCREW- SUPPLIER CODE: V73439 SPECIFICATION NUMBER: BACS12N10-18 OPTIONAL PART: CA3105-1032-18 V78189 SP1561-1032-18 V73439 QUALIFIED OPTIONAL DATA: (OPT BACS12FA3K16 USED WITH BACW10P44AL)		6
18	NAS1801-3-16		.SCREW-		6
20	BACW10P44AL		.WASHER- USED WITH: BACS12FA3K16 -----*-----		12
25	411T4408-9		..LINING		1
30	411T4408-8		..INSULATION		1
35	411T4408-104		.PANEL ASSY- ATTACHING PARTS		1
40	BACS12FA3K16		.SCREW- QUALIFIED OPTIONAL DATA: (OPT BACS12N10-18) USED WITH: BACW10P44AL		10

ILLUSTRATION ITEMS NOT ON PARTS LIST ARE NOT APPLICABLE

- ITEM NOT ILLUSTRATED

HXL

52-34-55-01

BOEING PROPRIETARY - Copyright © - Unpublished Work - See title page for details.

52-34-55
FIG. 01
PAGE 1
DEC 22/07

 **BOEING**
767
PARTS CATALOG (MAINTENANCE)

FIG ITEM	PART NUMBER	1 2 3 4 5 6 7	NOMENCLATURE	EFFECT FROM TO	UNITS PER ASSY
1					
40	CA3105-1032-18		.SCREW- SUPPLIER CODE: V73439 SPECIFICATION NUMBER: BACS12N10-18 OPTIONAL PART: CA3105-1032-18 V78189 SP1561-1032-18 V73439 QUALIFIED OPTIONAL DATA: (OPT BACS12FA3K16 USED WITH BACW10P44AL)		10
42	NAS1801-3-16		.SCREW-		2
45	BACW10P44AL		.WASHER- USED WITH: BACS12FA3K16 -----*-----		12
50	411T4408-101		..LINING-		1
55	411T4408-100		..INSULATION		1
60	411T4408-105		.PANEL ASSY- ATTACHING PARTS		1
65	BACS12FA3K16		.SCREW- QUALIFIED OPTIONAL DATA: (OPT BACS12N10-18) USED WITH: BACW10P44AL		10
65	CA3105-1032-18		.SCREW- SUPPLIER CODE: V73439 SPECIFICATION NUMBER: BACS12N10-18 OPTIONAL PART: CA3105-1032-18 V78189 SP1561-1032-18 V73439 QUALIFIED OPTIONAL DATA: (OPT BACS12FA3K16 USED WITH BACW10P44AL)		10
67	NAS1801-3-16		.SCREW-		2
70	BACW10P44AL		.WASHER- USED WITH: BACS12FA3K16 -----*-----		12
75	411T4408-103		..LINING-		1
80	411T4408-102		..INSULATION-		1
86	411T4408-85		.PANEL ASSY-		1

ILLUSTRATION ITEMS NOT ON PARTS LIST ARE NOT APPLICABLE

— ITEM NOT ILLUSTRATED

HXL

52-34-55-01

BOEING PROPRIETARY - Copyright © - Unpublished Work - See title page for details.

52-34-55
FIG. 01
PAGE 2
DEC 22/06

 **BOEING**
767
PARTS CATALOG (MAINTENANCE)

FIG ITEM	PART NUMBER	1 2 3 4 5 6 7	NOMENCLATURE	EFFECT FROM TO	UNITS PER ASSY
1			ATTACHING PARTS		
- 90	BACS12FA3K16		.SCREW- QUALIFIED OPTIONAL DATA: (OPT BACS12N10-18) USED WITH: BACW10P44AL		14
- 90	CA3105-1032-18		.SCREW- SUPPLIER CODE: V73439 SPECIFICATION NUMBER: BACS12N10-18 OPTIONAL PART: CA3105-1032-18 V78189 SP1561-1032-18 V73439 QUALIFIED OPTIONAL DATA: (OPT BACS12FA3K16 USED WITH BACW10P44AL)		14
- 95	BACW10P44AL		.WASHER- USED WITH: BACS12FA3K16 -----*-----		14
99	411T4408-87		..LINING-		1
104	411T4408-86		..INSULATION-		1
109	411T4408-88		.PANEL ASSY- ATTACHING PARTS		1
- 114	BACS12FA3K16		.SCREW- QUALIFIED OPTIONAL DATA: (OPT BACS12N10-18) USED WITH: BACW10P44AL		14
- 114	CA3105-1032-18		.SCREW- SUPPLIER CODE: V73439 SPECIFICATION NUMBER: BACS12N10-18 OPTIONAL PART: CA3105-1032-18 V78189 SP1561-1032-18 V73439 QUALIFIED OPTIONAL DATA: (OPT BACS12FA3K16 USED WITH BACW10P44AL)		14
- 119	BACW10P44AL		.WASHER- USED WITH: BACS12FA3K16 -----*-----		14

ILLUSTRATION ITEMS NOT ON PARTS LIST ARE NOT APPLICABLE

- ITEM NOT ILLUSTRATED

HXL

52-34-55-01

BOEING PROPRIETARY - Copyright © - Unpublished Work - See title page for details.

52-34-55
FIG. 01
PAGE 3
DEC 22/06

BOEING
767
PARTS CATALOG (MAINTENANCE)

FIG ITEM	PART NUMBER	1 2 3 4 5 6 7	NOMENCLATURE	EFFECT FROM TO	UNITS PER ASSY
1					
124	411T4408-90		.. LINING-		1
129	411T4408-89		.. INSULATION-		1
135	411T4408-5		. PANEL ASSY		1
135	411T4408-72		. PANEL ASSY-		1
- 140	BACS12FA3K16		ATTACHING PARTS . SCREW-		39
			QUALIFIED OPTIONAL DATA: (OPT BACS12N10-18) USED WITH: BACW10P44AL		
- 140	CA3105-1032-18		. SCREW-		39
			SUPPLIER CODE: V73439 SPECIFICATION NUMBER: BACS12N10-18 OPTIONAL PART: CA3105-1032-18 V78189 SP1561-1032-18 V73439 QUALIFIED OPTIONAL DATA: (OPT BACS12AF3K16 USED WITH BACW10P44AL)		
- 145	BACW10P44AL		. WASHER-		39
			USED WITH: BACS12FA3K16 -----*-----		
150	411T4408-17		.. LINING-		1
			USED ON: 411T4408-5		
150	411T4408-74		.. LINING-		1
155	411T4408-16		.. INSULATION-		1
			USED ON: 411T4408-5		
155	411T4408-84		.. INSULATION-		1
			USED ON: 411T4408-72		
170	411T4110-2315		. BLANKET ASSY-		1
170	411T4460-2315		. BLANKET ASSY-		1
- 171	411T2000-700		.. BLANKET ASSY-STITCHED INSULATION USED ON: 411T4460-1107 411T4460-2315		1
-171A	411T2000-601		... CLOSURE ASSY-HOOK AND LOOP		AR
-171B	N0004127	 LOOP-		1
			SUPPLIER CODE: VOGZX7		
ILLUSTRATION ITEMS NOT ON PARTS LIST ARE NOT APPLICABLE					

- ITEM NOT ILLUSTRATED

52-34-55-01

52-34-55
FIG. 01
PAGE 4
APR 22/09

HXL

BOEING PROPRIETARY - Copyright © - Unpublished Work - See title page for details.

BOEING
767
PARTS CATALOG (MAINTENANCE)

FIG ITEM	PART NUMBER	1 2 3 4 5 6 7	NOMENCLATURE	EFFECT FROM TO	UNITS PER ASSY
1					
-171C	N0004119	HOOK- SUPPLIER CODE: VOGZX7		1
-171D	MS20230GB1	...	GROMMET		AR
- 172	MS20230WB1	...	GROMMET		AR
-172A	MS27980-1N	...	BUTTON		1
-172B	MS27980-6N	...	SOCKET		1
-172C	N0004127	LOOP- SUPPLIER CODE: VOGZX7		1
-172D	N0004119	...	HOOK- SUPPLIER CODE: VOGZX7		1
- 175	BACS12FA3K16		ATTACHING PARTS .SCREW- QUALIFIED OPTIONAL DATA: (OPT BACS12N10-18) USED WITH: BACW10P44AL		7
- 175	CA3105-1032-18	.SCREW-	SUPPLIER CODE: V73439 SPECIFICATION NUMBER: BACS12N10-18 OPTIONAL PART: CA3105-1032-18 V78189 SP1561-1032-18 V73439 QUALIFIED OPTIONAL DATA: (OPT BACS12FA3K16 USED WITH BACW10P44AL)		7
- 180	BACW10P44AL	.WASHER-	USED WITH: BACS12FA3K16 -----*-----		7

ILLUSTRATION ITEMS NOT ON PARTS LIST ARE NOT APPLICABLE

- ITEM NOT ILLUSTRATED

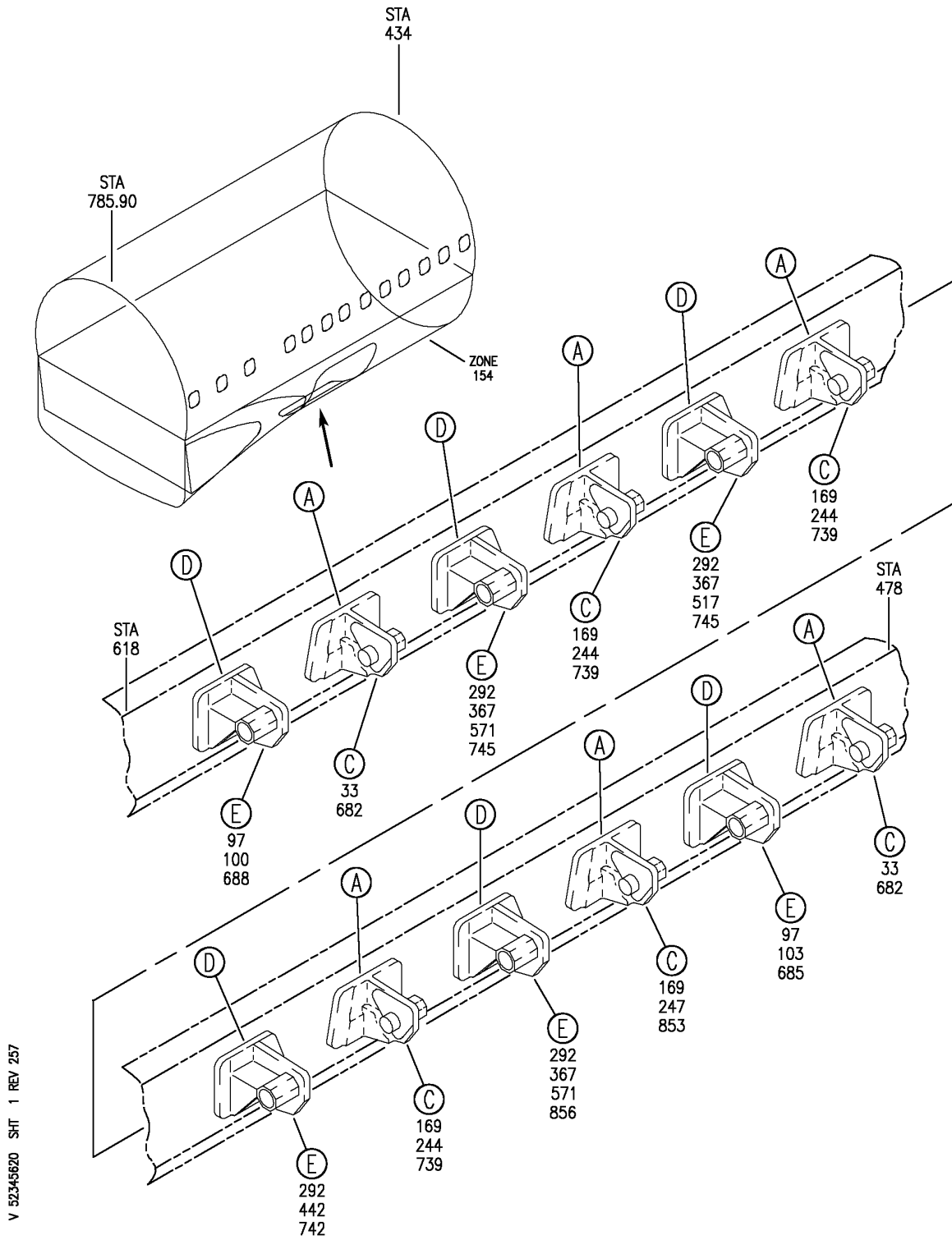
HXL

52-34-55-01

BOEING PROPRIETARY - Copyright © - Unpublished Work - See title page for details.

52-34-55
FIG. 01
PAGE 5
APR 22/09

BOEING
767
PARTS CATALOG (MAINTENANCE)



V 52345620 SHT 1 REV 257

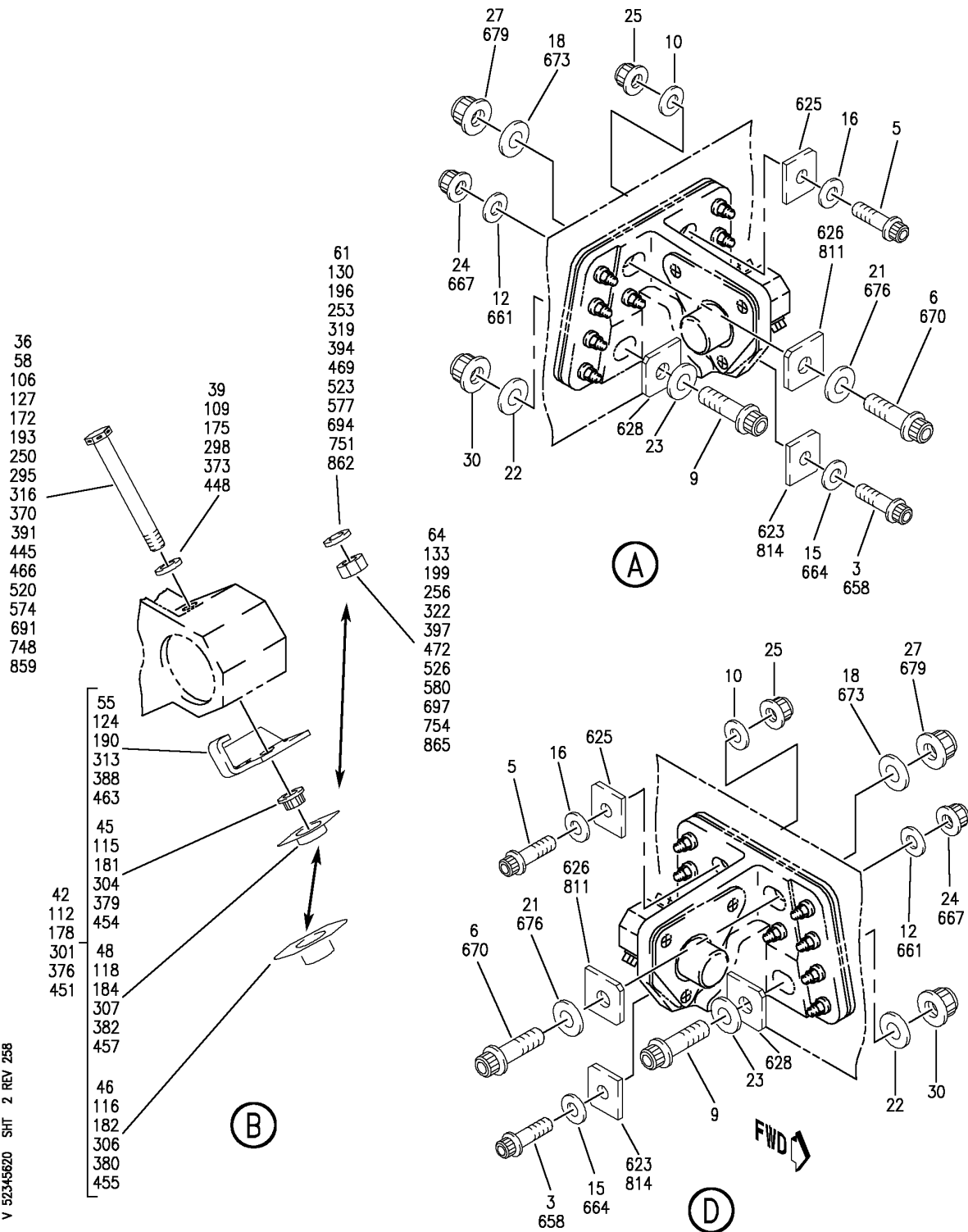
FITTING INSTL-LATCH 134 IN. CARGO DOOR
FIGURE 20 (SHEET 1)

52-34-56-20

HXL
DEC 22/06

52-34-56-20
PAGE 0

BOEING
767
PARTS CATALOG (MAINTENANCE)



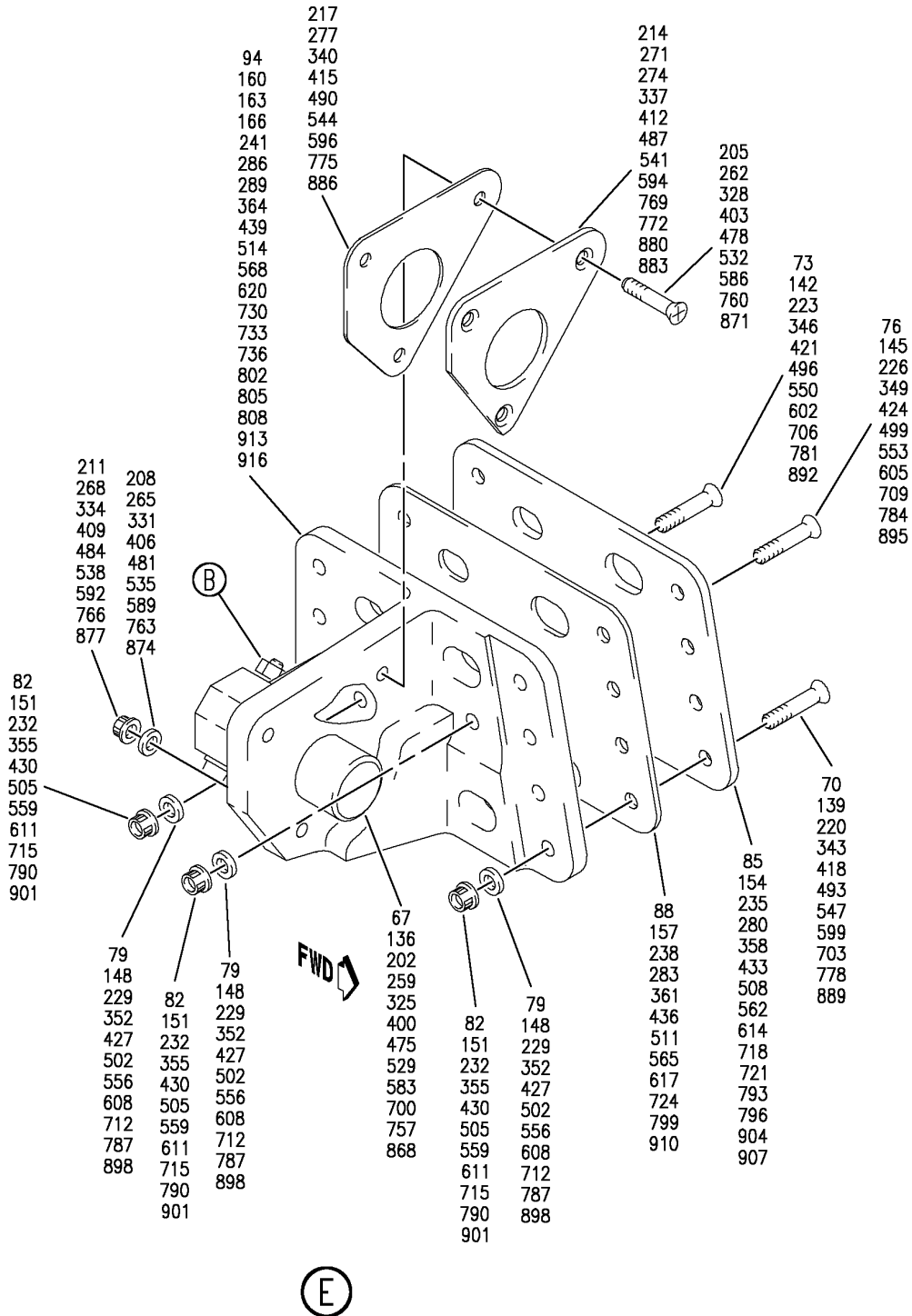
FITTING INSTL-LATCH 134 IN. CARGO DOOR
FIGURE 20 (SHEET 2)

52-34-56-20

HXL
DEC 22/06

52-34-56-20
PAGE 0A

BOEING
767
PARTS CATALOG (MAINTENANCE)



V 52345620 SH1 4 REV 257

FITTING INSTL-LATCH 134 IN. CARGO DOOR
FIGURE 20 (SHEET 4)

52-34-56-20

HXL
DEC 22/06

52-34-56-20
PAGE 0C



767

PARTS CATALOG (MAINTENANCE)

FIG ITEM	PART NUMBER	1 2 3 4 5 6 7	NOMENCLATURE	EFFECT FROM TO	UNITS PER ASSY
20					
97	143T8210-24		.FITTING ASSY- QUALIFIED I/W DATA: 143T8210-34 CAN REPLACE OR BE REPLACED BY 143T8210-24 AT STATION 608.29 ONLY; 143T8210-18 MAY REPLACE BUT NOT BE REPLACED BY 143T8210-24 AT STATION 500.29 ONLY		1
100	143T8210-16		.FITTING ASSY-		1
100	143T8210-24		.FITTING ASSY- QUALIFIED I/W DATA: 143T8210-34 CAN REPLACE OR BE REPLACED BY 143T8210-24 AT STATION 608.29 ONLY; 143T8210-18 MAY REPLACE BUT NOT BE REPLACED BY 143T8210-24 AT STATION 500.29 ONLY		1
103	143T8210-18		.FITTING ASSY- QUALIFIED I/W DATA: 143T8210-34 CAN REPLACE OR BE REPLACED BY 143T8210-24 AT STATION 608.29 ONLY; 143T8210-18 MAY REPLACE BUT NOT BE REPLACED BY 143T8210-24 AT STATION 500.29 ONLY		1
103	143T8210-26		.FITTING ASSY-		1
127	BACB30NM3K25		..BOLT-		1
130	AN960-10		..WASHER- POSITION DATA: UNDER NUT		1
133	NAS1805-3		..NUT-		1
136	143T8258-2		..PIN		1
139	BACB30NN4K8		..BOLT		8
142	BACB30NN4K9		..BOLT		1
145	BACB30NN4K10		..BOLT		1
148	AN960-416		..WASHER		10
151	NAS1805-4		..NUT		10
154	143T8217-2		..PLATE		1
157	143T8256-1		..SHIM		1
157	143T8256-1		..SHIM- USED ON: 143T8210-24 143T8210-26		1

ILLUSTRATION ITEMS NOT ON PARTS LIST ARE NOT APPLICABLE

- ITEM NOT ILLUSTRATED

52-34-56-20

52-34-56
FIG. 20
PAGE 3
AUG 22/09

HXL



767

PARTS CATALOG (MAINTENANCE)

FIG ITEM	PART NUMBER	1 2 3 4 5 6 7	NOMENCLATURE	EFFECT FROM TO	UNITS PER ASSY
20 163	143T8212-16		.. FITTING- USED ON: 143T8210-16 143T8210-24 143T8210-34		1
166	143T8212-18		.. FITTING- USED ON: 143T8210-18 143T8210-26 143T8210-36		1
169	143T8210-13		. FITTING ASSY- QUALIFIED I/W DATA: 143T8210-27 MAY REPLACE BUT NOT BE REPLACED BY 143T8210-13 FOR ALL AIRLINES AT STATIONS 509.71, 531.71, 551.71 AND 573.71 EXCEPT FOR QANTAS AT STATION 509.71. FOR QANTAS AT STATION 509.71, 143T8210-19 MAY REPLACE BUT NOT BE REPLACED BY 143T8210-13. 143T8210-19 MAY REPLACE BUT NOT BE REPLACED BY 143T8210-13 FOR STATION 509.71 FOR QANTAS ONLY; OTHERWISE 143T8210-27 MAY REPLACE 143T8210-13 FOR ALL OTHER AIRLINES AT STATION 509.71, AND 143T8210-27 MAY REPLACE 143T8210-13 FOR ALL AIRLINES AT STATIONS 531.71, 551.71 AND 573.71.		4
193	BACB30NM3K25		.. BOLT-		1
196	AN960-10		.. WASHER- POSITION DATA: UNDER NUT		1
199	NAS1805-3		.. NUT-		1
202	143T8258-2		.. PIN		1
205	BACB30NN3K9		.. BOLT		3
208	AN960-10		.. WASHER		3
211	NAS1805-3		.. NUT		3
214	143T8257-1		.. PLATE- USED ON: 143T8210-13		1

ILLUSTRATION ITEMS NOT ON PARTS LIST ARE NOT APPLICABLE

- ITEM NOT ILLUSTRATED

52-34-56-20

52-34-56
FIG. 20
PAGE 4
APR 22/09

HXL

 **BOEING**
767
PARTS CATALOG (MAINTENANCE)

FIG ITEM	PART NUMBER	1 2 3 4 5 6 7	NOMENCLATURE	EFFECT FROM TO	UNITS PER ASSY
20					
217	143T8256-2	..	SHIM		1
220	BACB30NN4K8	..	BOLT		8
223	BACB30NN4K9	..	BOLT		1
226	BACB30NN4K10	..	BOLT		1
229	AN960-416	..	WASHER		10
232	NAS1805-4	..	NUT		10
235	143T8217-1	..	PLATE		1
238	143T8256-1	..	SHIM		1
241	143T8212-13	..	FITTING		1
367	143T8210-17	.	FITTING ASSY-		3
391	BACB30NM3K25	..	BOLT-		1
394	AN960-10	..	WASHER-		1
			POSITION DATA: UNDER NUT		
397	NAS1805-3	..	NUT-		1
400	143T8258-2	..	PIN		1
403	BACB30NN3K9	..	BOLT		3
406	AN960-10	..	WASHER		3
409	NAS1805-3	..	NUT		3
412	143T8257-2	..	PLATE-		1
			USED ON: 143T8210-17		
415	143T8256-2	..	SHIM		1
418	BACB30NN4K8	..	BOLT		8
421	BACB30NN4K9	..	BOLT		1
424	BACB30NN4K10	..	BOLT		1
427	AN960-416	..	WASHER		10
430	NAS1805-4	..	NUT		10
433	143T8217-2	..	PLATE		1
436	143T8256-1	..	SHIM		1
439	143T8212-17	..	FITTING		1
442	143T8210-14	.	FITTING ASSY-		1
466	BACB30NM3K25	..	BOLT-		1
469	AN960-10	..	WASHER-		1
			POSITION DATA: UNDER NUT		
472	NAS1805-3	..	NUT-		1
475	143T8258-2	..	PIN		1
478	BACB30NN3K9	..	BOLT		3
481	AN960-10	..	WASHER		3
484	NAS1805-3	..	NUT		3
487	143T8257-2	..	PLATE-		1
			USED ON: 143T8210-14		
490	143T8256-2	..	SHIM		1
493	BACB30NN4K8	..	BOLT		8
496	BACB30NN4K9	..	BOLT		1
499	BACB30NN4K10	..	BOLT		1
502	AN960-416	..	WASHER		10

ILLUSTRATION ITEMS NOT ON PARTS LIST ARE NOT APPLICABLE

- ITEM NOT ILLUSTRATED

HXL

52-34-56-20

BOEING PROPRIETARY - Copyright © - Unpublished Work - See title page for details.

52-34-56
FIG. 20
PAGE 5
APR 22/09



767

PARTS CATALOG (MAINTENANCE)

FIG ITEM	PART NUMBER	1 2 3 4 5 6 7	NOMENCLATURE	EFFECT FROM TO	UNITS PER ASSY
20					
505	NAS1805-4	..	NUT		10
508	143T8217-2	..	PLATE		1
511	143T8256-1	..	SHIM		1
514	143T8212-14	..	FITTING		1
623	143T8261-6	.	FILLER-		12
623	143T8261-3	.	FILLER-		12
626	143T8261-1	.	FILLER-		12
			OPTIONAL PART: 143T8261-4		
626	143T8261-4	.	FILLER-		12
			OPTIONAL PART: 143T8261-1		

ILLUSTRATION ITEMS NOT ON PARTS LIST ARE NOT APPLICABLE

- ITEM NOT ILLUSTRATED

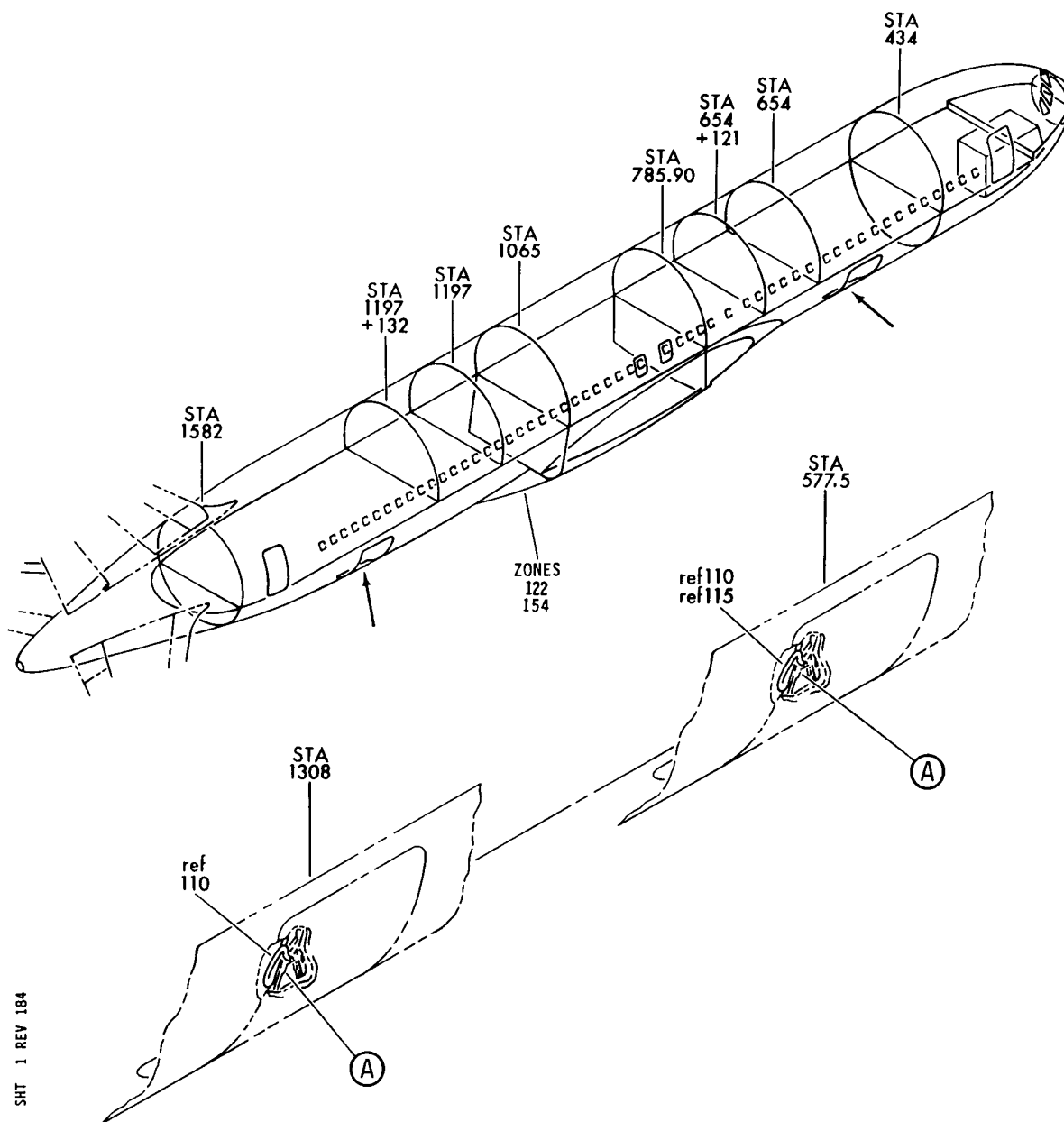
HXL

52-34-56-20

BOEING PROPRIETARY - Copyright © - Unpublished Work - See title page for details.

52-34-56
FIG. 20
PAGE 6
APR 22/09

BOEING
767
PARTS CATALOG (MAINTENANCE)



V 52345801 SHT 1 REV 184

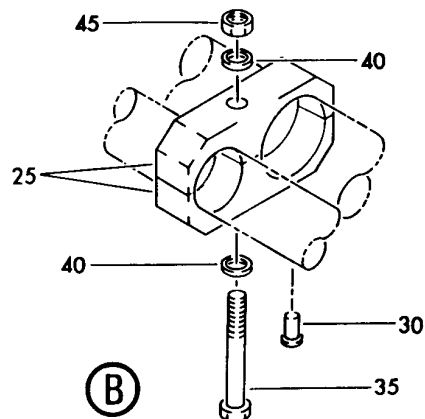
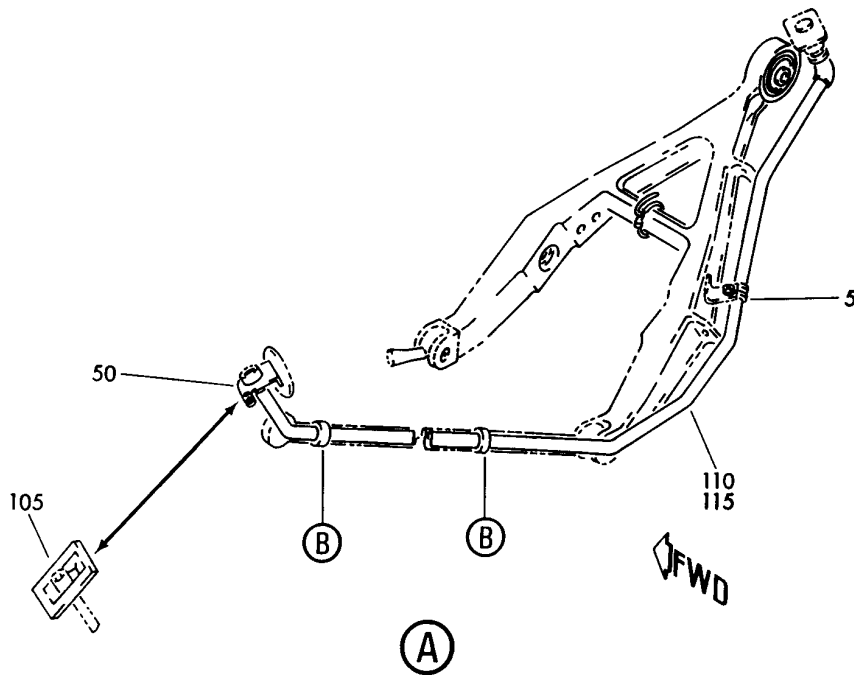
HARNESS AND PROVISION INSTL WIRE
FIGURE 1 (SHEET 1)

52-34-58-01

HXL
DEC 22/06

52-34-58-01
PAGE 0

BOEING
767
PARTS CATALOG (MAINTENANCE)



V 52345801 SHT 2 REV 184

HARNESS AND PROVISION INSTL WIRE
FIGURE 1 (SHEET 2)

52-34-58-01

HXL
DEC 22/06

52-34-58-01
PAGE 0A



767

PARTS CATALOG (MAINTENANCE)

FIG ITEM	PART NUMBER	1 2 3 4 5 6 7	NOMENCLATURE	EFFECT FROM TO	UNITS PER ASSY
1			HARNES AND PROVISION INSTL WIRE		
- 100	287T0001-1		PROVISION INSTL-WIRE MISC (DOORS ONLY) FOR NHA/OTHER SYS DET SEE: 24-00-57-02		RF
105	287T4606-3		.CUP- OPTIONAL PART: 287T4606-2		1
105	287T4606-2		.CUP- OPTIONAL PART: 287T4606-3		1
115	200511DI0463		.CONDUIT- SUPPLIER CODE: V30463 OPTIONAL PART: 23A02665 V07418		1
115	23A02665		.CONDUIT- SUPPLIER CODE: V07418 OPTIONAL PART: 200511DI0463 V30463		1

ILLUSTRATION ITEMS NOT ON PARTS LIST ARE NOT APPLICABLE

- ITEM NOT ILLUSTRATED

HXL

52-34-58-01

BOEING PROPRIETARY - Copyright © - Unpublished Work - See title page for details.

52-34-58
FIG. 01
PAGE 1
APR 22/08