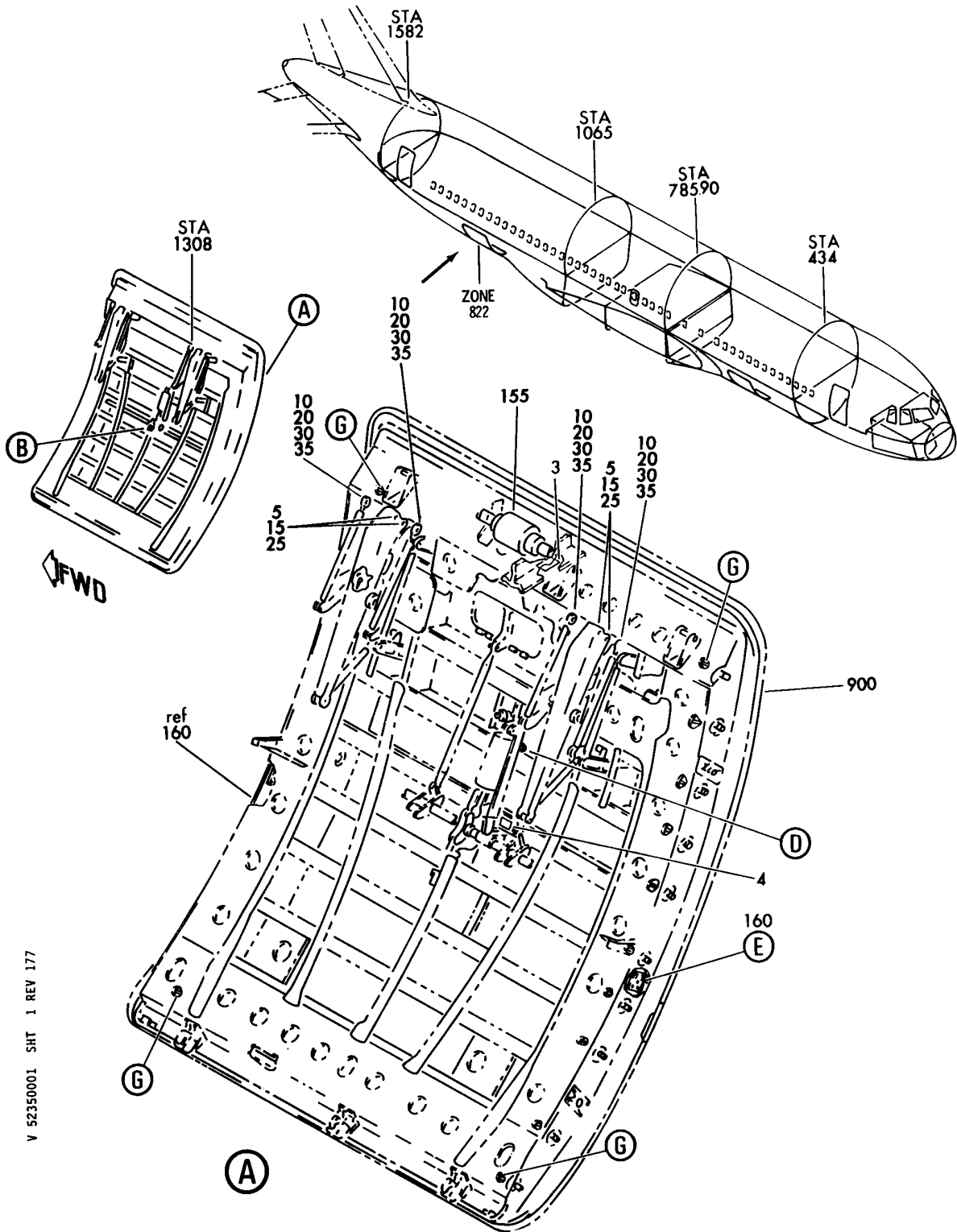


AFT CARGO DOOR

HXL
DEC 22/06

52-35-00
SECTION TITLE
PAGE 1

BOEING
767
PARTS CATALOG (MAINTENANCE)



V 52350001 SHT 1 REV 177

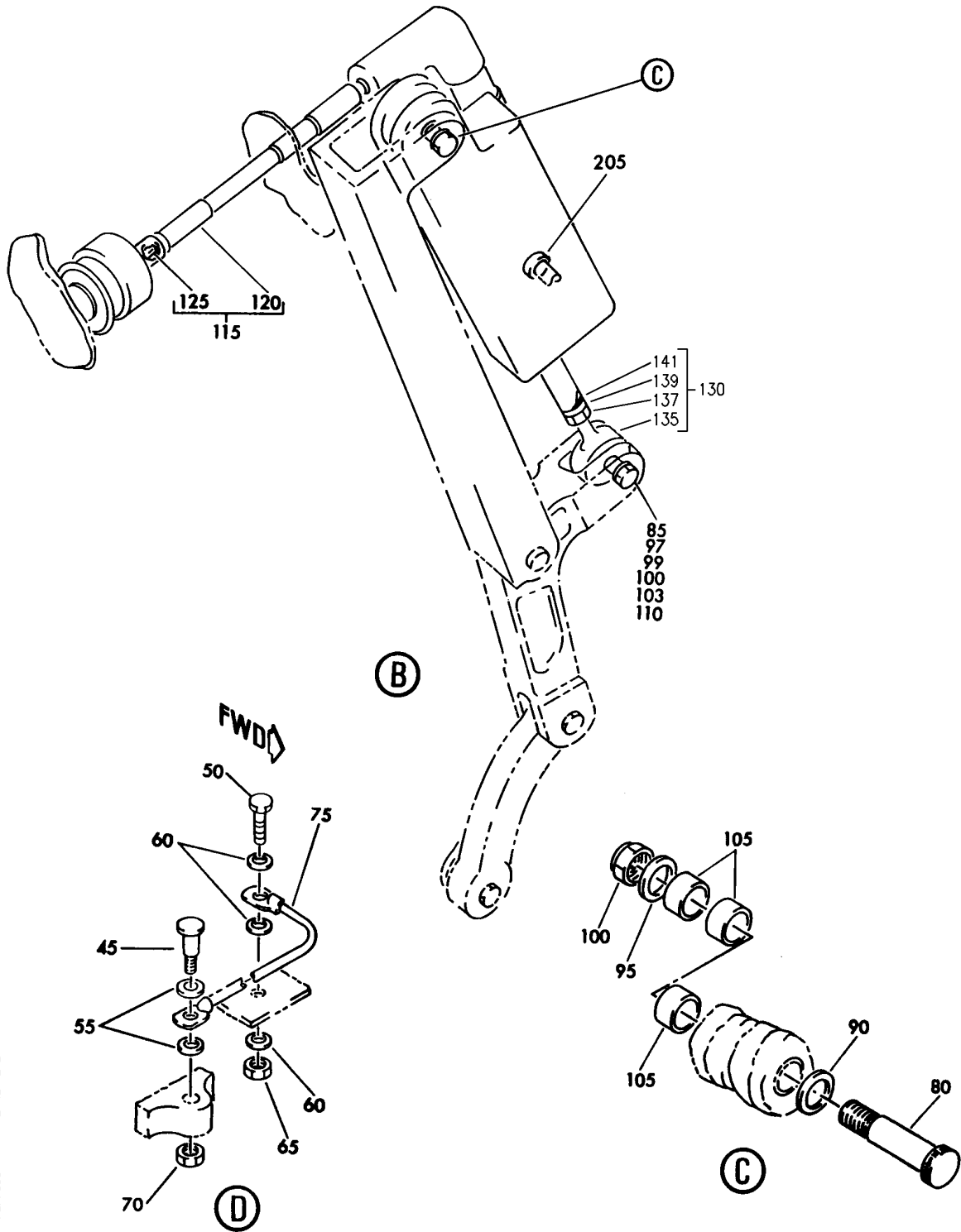
DOOR INTEGRATION-AFT CARGO
FIGURE 1 (SHEET 1)

52-35-00-01

HXL
DEC 22/06

52-35-00-01
PAGE 0

BOEING
767
PARTS CATALOG (MAINTENANCE)



V 52350001 SHT 2 REV 242

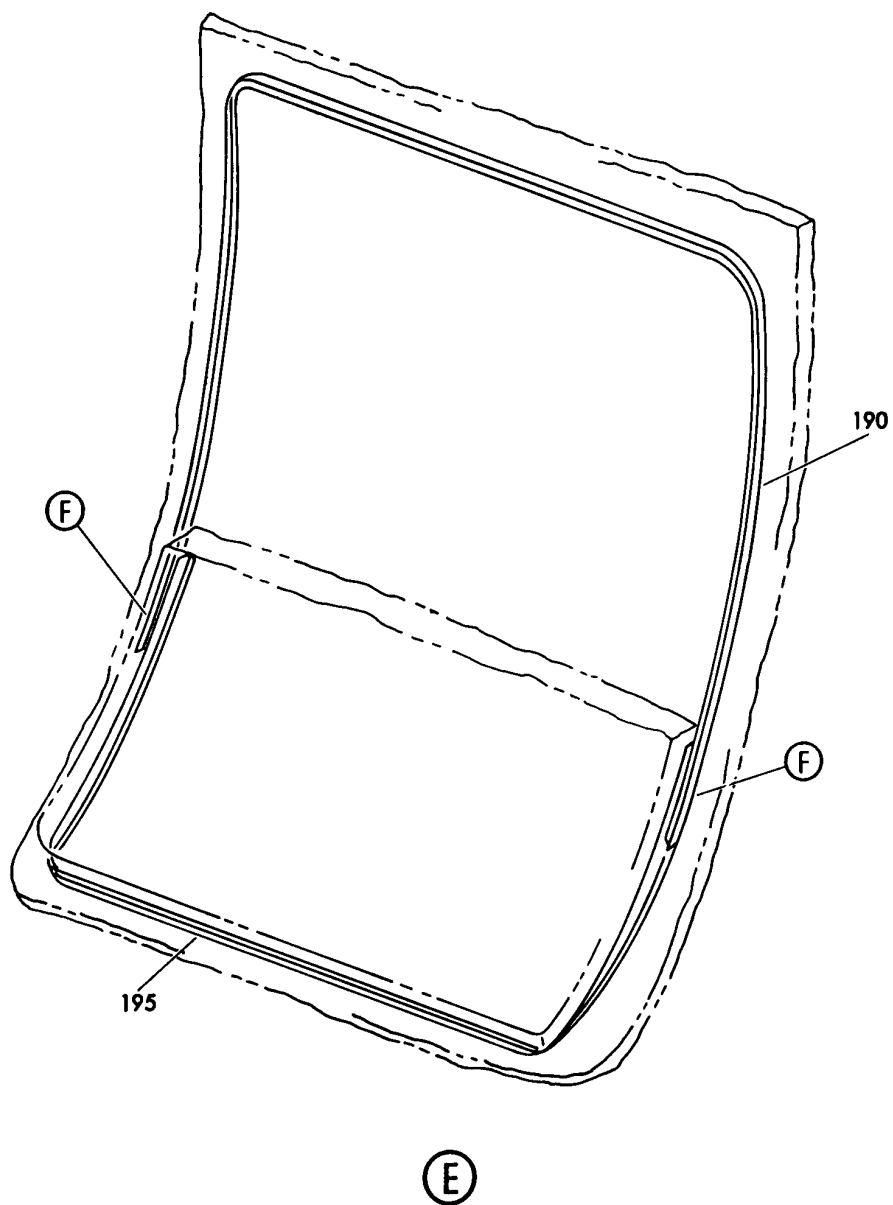
DOOR INTEGRATION-AFT CARGO
FIGURE 1 (SHEET 2)

52-35-00-01

HXL
DEC 22/06

52-35-00-01
PAGE 0A

BOEING
767
PARTS CATALOG (MAINTENANCE)



V 52350001 SHT 3 REV 173

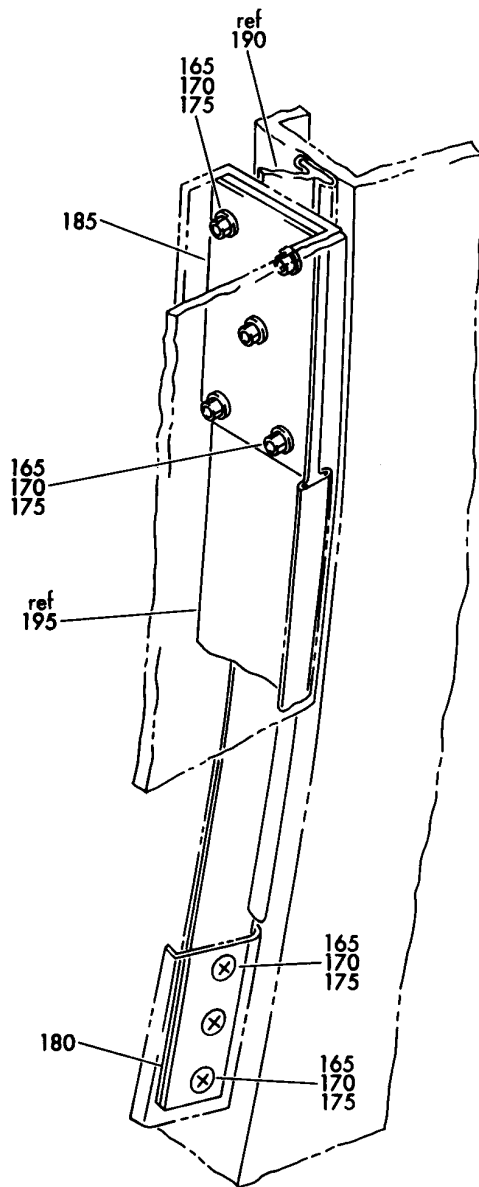
DOOR INTEGRATION-AFT CARGO
FIGURE 1 (SHEET 3)

52-35-00-01

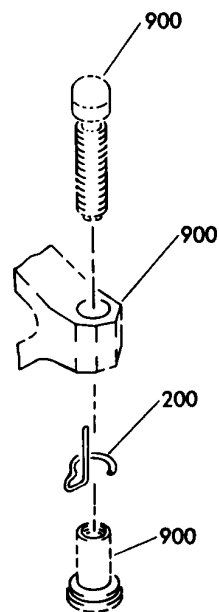
HXL
DEC 22/06

52-35-00-01
PAGE 0B

BOEING
767
PARTS CATALOG (MAINTENANCE)



(F)



(G)

V 52350001 SHT 4 REV 177

DOOR INTEGRATION-AFT CARGO
FIGURE 1 (SHEET 4)

52-35-00-01

HXL
DEC 22/06

52-35-00-01
PAGE 0C

 **BOEING**
767
PARTS CATALOG (MAINTENANCE)

FIG ITEM	PART NUMBER	1 2 3 4 5 6 7	NOMENCLATURE	EFFECT FROM TO	UNITS PER ASSY
1			DOOR INTEGRATION-AFT CARGO		
- 1	146T0620-1		DOOR INTEGRATION-CARGO POSITION DATA: AFT VARIABLE DRAWING REF: 146T0620-5003 FOR NHA SEE: 53-60-00-08		RF
5	BACB30PW10P34		.BOLT-		4
10	BACB30NR5K19		.BOLT-		4
15	AN960PD816		.WASHER-		4
20	AN960PD516		.WASHER-		4
25	BMN4122AD3-8		.NUT- SUPPLIER CODE: V97928 SPECIFICATION NUMBER: BACN10JC8 OPTIONAL PART: BMN4122A8 V85495 H10-8BAC V15653 RMLH9074-8 V72962 48FT820 V56878		4
30	BRH10A5		.NUT- SUPPLIER CODE: V52828 SPECIFICATION NUMBER: BACN10JC5 OPTIONAL PART: T6S524J V11815 96-054 V80539 RMLH9075-5W V72962 H10-5BAC V15653		4
35	BACB28AK05-036		.BUSHING-		4
- 40	140T2980-1		.DRIVE INSTL		1
45	BACB30LU4-6		..BOLT		1
50	NAS6703-5		..BOLT		1
55	AN960D416		..WASHER		2
60	AN960D10		..WASHER		3

ILLUSTRATION ITEMS NOT ON PARTS LIST ARE NOT APPLICABLE

- ITEM NOT ILLUSTRATED

HXL

52-35-00-01

BOEING PROPRIETARY - Copyright © - Unpublished Work - See title page for details.

52-35-00
FIG. 01
PAGE 1
DEC 22/08



767

PARTS CATALOG (MAINTENANCE)

FIG ITEM	PART NUMBER	1 2 3 4 5 6 7	NOMENCLATURE	EFFECT FROM TO	UNITS PER ASSY
1					
65	PLH53CD	..NUT-	SUPPLIER CODE: VF0224 SPECIFICATION NUMBER: BACN10YR3CD OPTIONAL PART: H52732-3CD V15653		1
70	PLH54CD	..NUT-	SUPPLIER CODE: VF0224 SPECIFICATION NUMBER: BACN10YR4CD OPTIONAL PART: H52732-4CD V15653		1
75	BACJ40A21-10	..JUMPER ASSY			1
80	BACB30LT4-32	..BOLT-			1
85	BACB30LT5-27	..BOLT-			1
90	AN960PD416L	..WASHER-	POSITION DATA: UNDER HEAD		1
90	AN960JD416L	..WASHER-	POSITION DATA: UNDER HEAD		1
95	AN960XC416	..WASHER-	POSITION DATA: UNDER NUT		1
97	AN960JD516L	..WASHER			1
99	AN960XC5-6	..WASHER			1
100	BRH10A4	..NUT-	SUPPLIER CODE: V52828 SPECIFICATION NUMBER: BACN10JC4 OPTIONAL PART: T6S428J V11815 96-048 V80539 VN303A048 V92215 RMLH9075-4W V72962 NS202101-048 V80539 H10-4BAC V15653		2
100	MS21042L4	..NUT-			2

ILLUSTRATION ITEMS NOT ON PARTS LIST ARE NOT APPLICABLE

- ITEM NOT ILLUSTRATED

52-35-00-01

52-35-00
FIG. 01
PAGE 2
DEC 22/08

HXL

BOEING PROPRIETARY - Copyright © - Unpublished Work - See title page for details.



767

PARTS CATALOG (MAINTENANCE)

FIG ITEM	PART NUMBER	1 2 3 4 5 6 7	NOMENCLATURE	EFFECT FROM TO	UNITS PER ASSY
1					
103	MS21042L5	..	NUT-		2
105	BACB28AK04-050	..	BUSHING-		3
105	BACB28AK04-50	..	BUSHING-		3
110	BACB28AK05-040	..	BUSHING-		1
115	140T2664-1	..	SHAFT ASSY		1
120	140313-1	...	SHAFT ASSY-		1
			SUPPLIER CODE: V72166		
125	140T2664-2	...	PLUG		1
130	664D100-5	..	ACTUATOR ASSY-LIFT AND LATCH LINEAR SUPPLIER CODE: V72121 SPECIFICATION NUMBER: S140T260-3 ELECTRICAL EQUIP NUMBER: M00632 COMPONENT MAINT MANUAL REF: 52-34-01 OPTIONAL PART: 664D100-7 V72121		1
130	664D100-7	..	ACTUATOR ASSY-LIFT AND LATCH LINEAR SUPPLIER CODE: V72121 FUNCTIONAL DESCRIPTION: ROTATES LIFT/LATCH TORQUE TUBE TO LIFT THE DOOR FOR OPENING. OPERATES MANUALLY AND ELECTRICALLY SPECIFICATION NUMBER: S140T260-4 ELECTRICAL EQUIP NUMBER: M00632 COMPONENT MAINT MANUAL REF: 52-34-01 OPTIONAL PART: 664D100-5 V72121		1
135	664SA164-1	...	ROD END- SUPPLIER CODE: V72121		1
137	NAS509-7	...	NUT		1
139	664B165-1	...	WASHER-ROD END SUPPLIER CODE: V72121		1
ILLUSTRATION ITEMS NOT ON PARTS LIST ARE NOT APPLICABLE					

- ITEM NOT ILLUSTRATED

52-35-00-01

52-35-00
FIG. 01
PAGE 3
DEC 22/07

HXL

 **BOEING**
767
PARTS CATALOG (MAINTENANCE)

FIG ITEM	PART NUMBER	1 2 3 4 5 6 7	NOMENCLATURE	EFFECT FROM TO	UNITS PER ASSY
1					
141	664SA157-1		...SEAL- SUPPLIER CODE: V72121		1
155	146T6211-3		.MECHANISM INSTL- POSITION DATA: AFT FOR DETAILS SEE: 52-35-02-02 52-35-03-02 52-35-26-02		1
160	140T6200-1		.SEAL INSTL		1
165	NAS514P832-8		..SCREW		16
170	AN960PD8		..WASHER		16
175	BRH10A08		..NUT SUPPLIER CODE: V52828 SPECIFICATION NUMBER: BACN10JCO8 OPTIONAL PART: H10-08BAC V15653 NS202101-82 V80539 RMLH9075-82W V72962 VN303A82 V92215 96-82 V80539 T6S832J V11815		16
180	140T2988-1		..PLATE		2
185	140T2988-2		..PLATE		2
190	SF15-120-11		..SEAL ASSY-CARGO DOOR SUPPLIER CODE: V50744 POSITION DATA: UPR SPECIFICATION NUMBER: S140T263-11 OPTIONAL PART: ARM5495 VK1406		1
ILLUSTRATION ITEMS NOT ON PARTS LIST ARE NOT APPLICABLE					

- ITEM NOT ILLUSTRATED

HXL

52-35-00-01

BOEING PROPRIETARY - Copyright © - Unpublished Work - See title page for details.

52-35-00
FIG. 01
PAGE 4
DEC 22/07



PARTS CATALOG (MAINTENANCE)

FIG ITEM	PART NUMBER	1 2 3 4 5 6 7	NOMENCLATURE	EFFECT FROM TO	UNITS PER ASSY
1 190	ARM5495		..SEAL ASSY-CARGO DOOR SUPPLIER CODE: VK1406 SPECIFICATION NUMBER: S140T263-11 OPTIONAL PART: SF15-120-11 V50744		1
195	SF15-120-13		..SEAL- SUPPLIER CODE: V50744 SPECIFICATION NUMBER: S140T263-13 OPTIONAL PART: ARM5496 VK1406		1
195	ARM5496		..SEAL ASSY- SUPPLIER CODE: VK1406 SPECIFICATION NUMBER: S140T263-13 OPTIONAL PART: SF15-120-13 V50744		1
200	69B00095-1		.SPRING-RTNR		20
- 203	286T0962-300		WIRE BUNDLE ASSY-CARGO DOOR		RF
205	BACC45FT10A5S		.CONNECTOR- ELECTRICAL EQUIP NUMBER: D02000 WIRING DIAGRAM REF: 523511		1
900			ILLUSTRATION REFERENCE: DOOR ASSY-AFT CARGO 52-35-00-03		RF

ILLUSTRATION ITEMS NOT ON PARTS LIST ARE NOT APPLICABLE

- ITEM NOT ILLUSTRATED

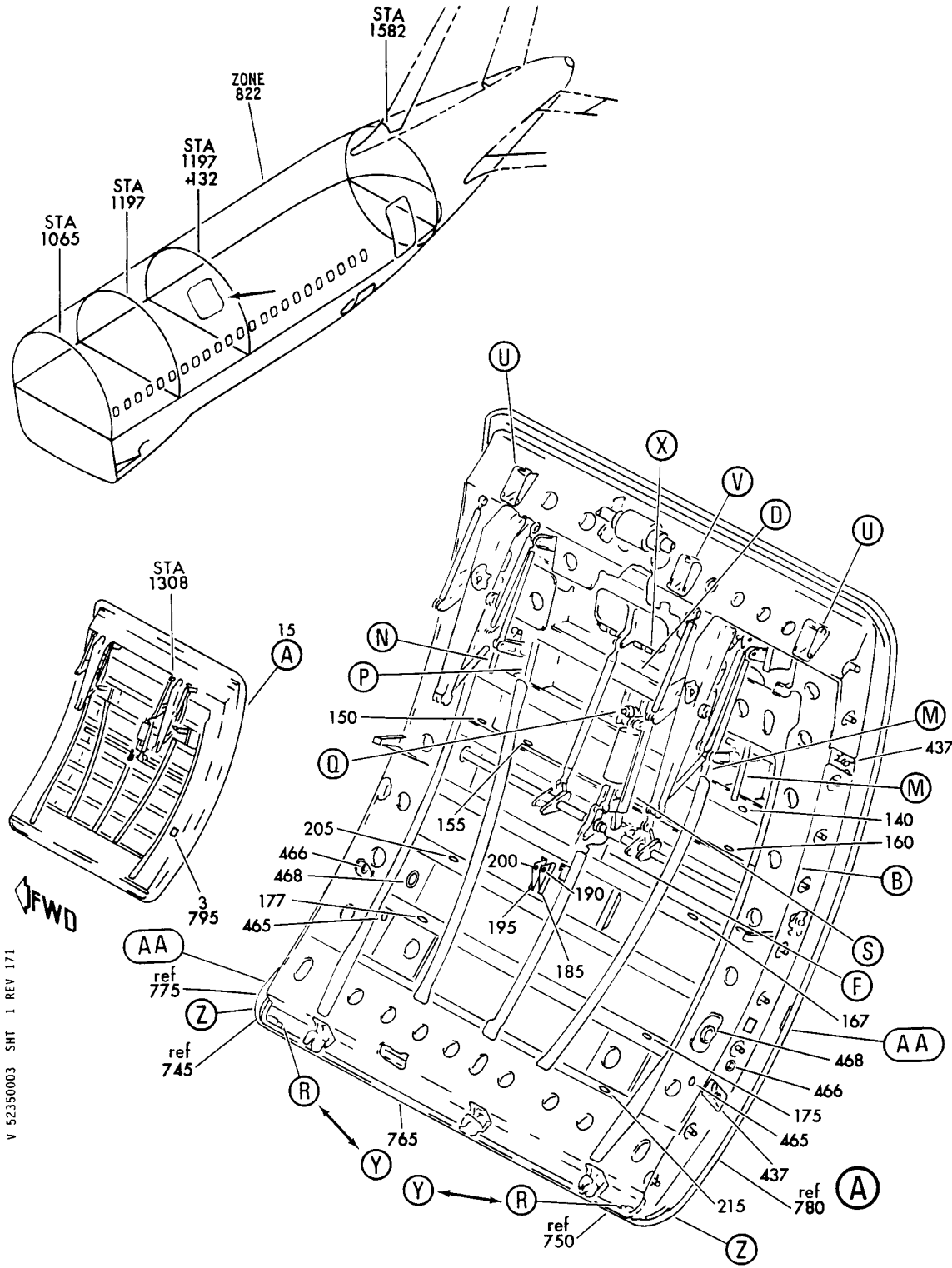
HXL

52-35-00-01

BOEING PROPRIETARY - Copyright © - Unpublished Work - See title page for details.

52-35-00
FIG. 01
PAGE 5
DEC 22/07

BOEING
767
PARTS CATALOG (MAINTENANCE)



V 52350003 SHT 1 REV 171

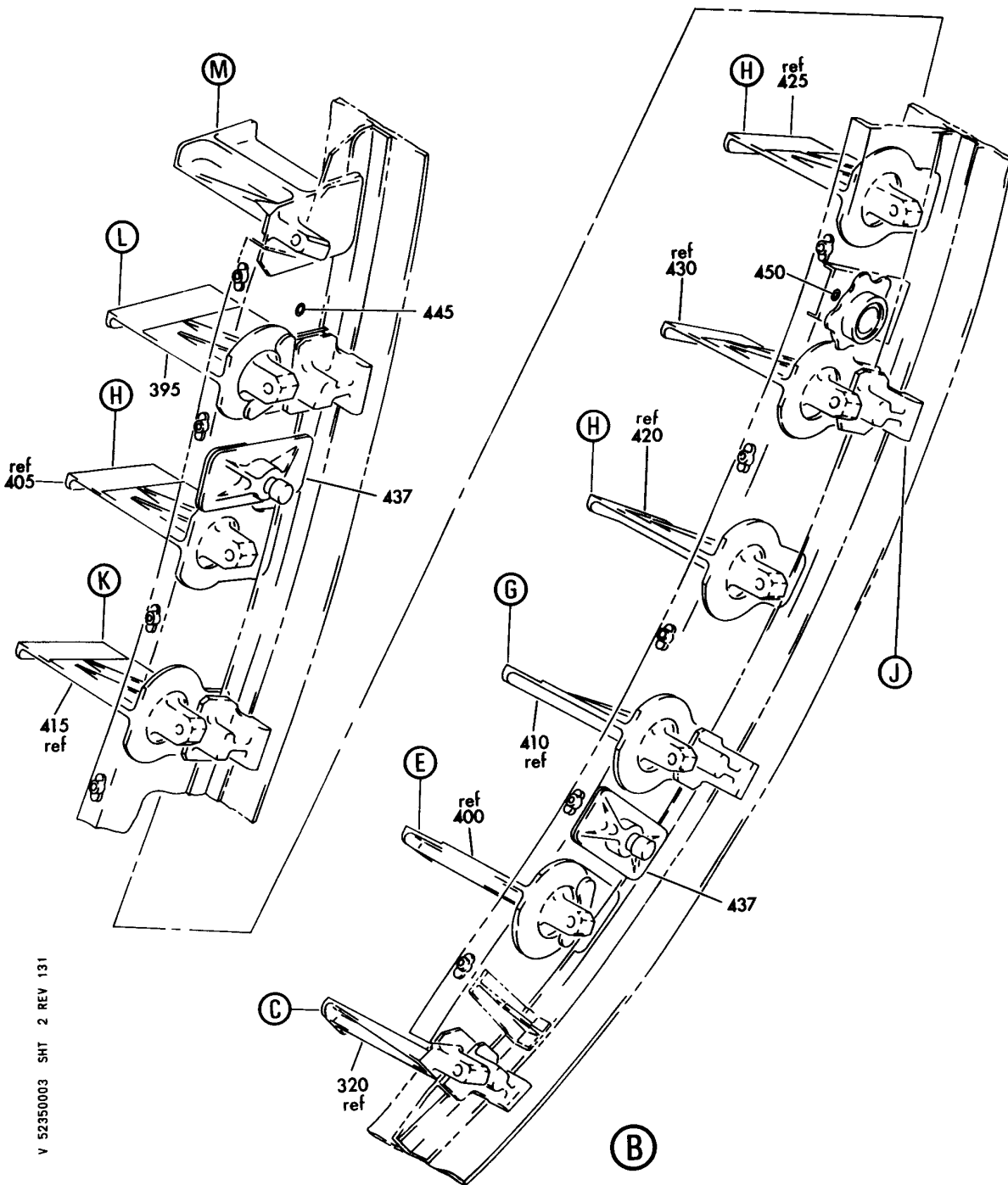
DOOR ASSY-AFT CARGO
FIGURE 3 (SHEET 1)

52-35-00-03

HXL
DEC 22/06

52-35-00-03
PAGE 0

BOEING
767
PARTS CATALOG (MAINTENANCE)



V 52350003 SHT 2 REV 131

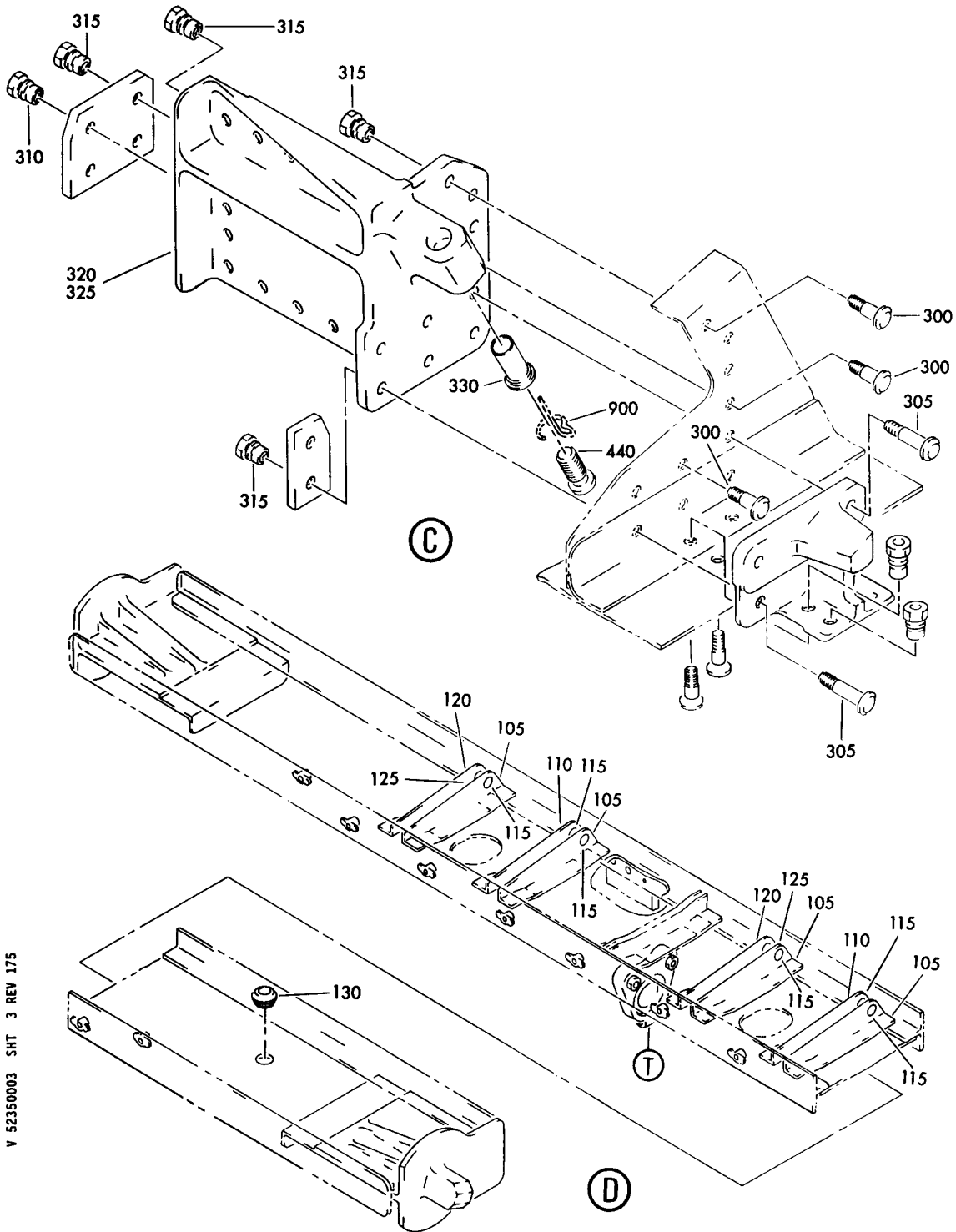
DOOR ASSY-AFT CARGO
FIGURE 3 (SHEET 2)

52-35-00-03

HXL
DEC 22/06

52-35-00-03
PAGE 0A

BOEING
767
PARTS CATALOG (MAINTENANCE)



V 52350003 SHT 3 REV 175

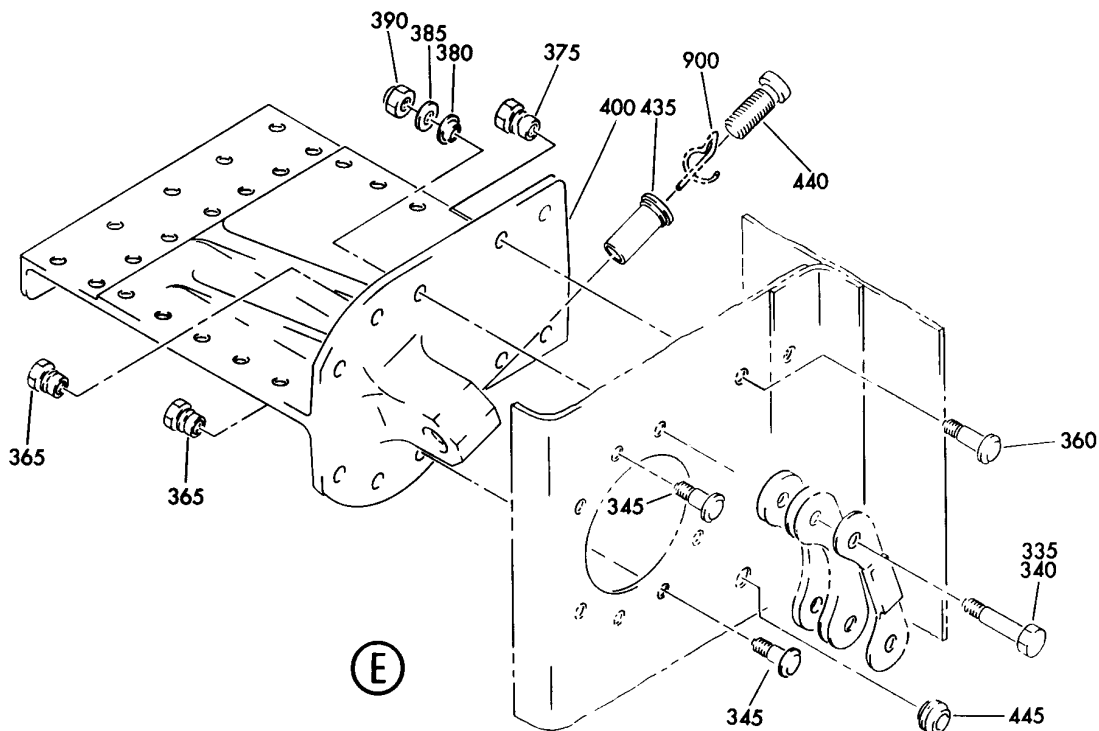
DOOR ASSY-AFT CARGO
FIGURE 3 (SHEET 3)

52-35-00-03

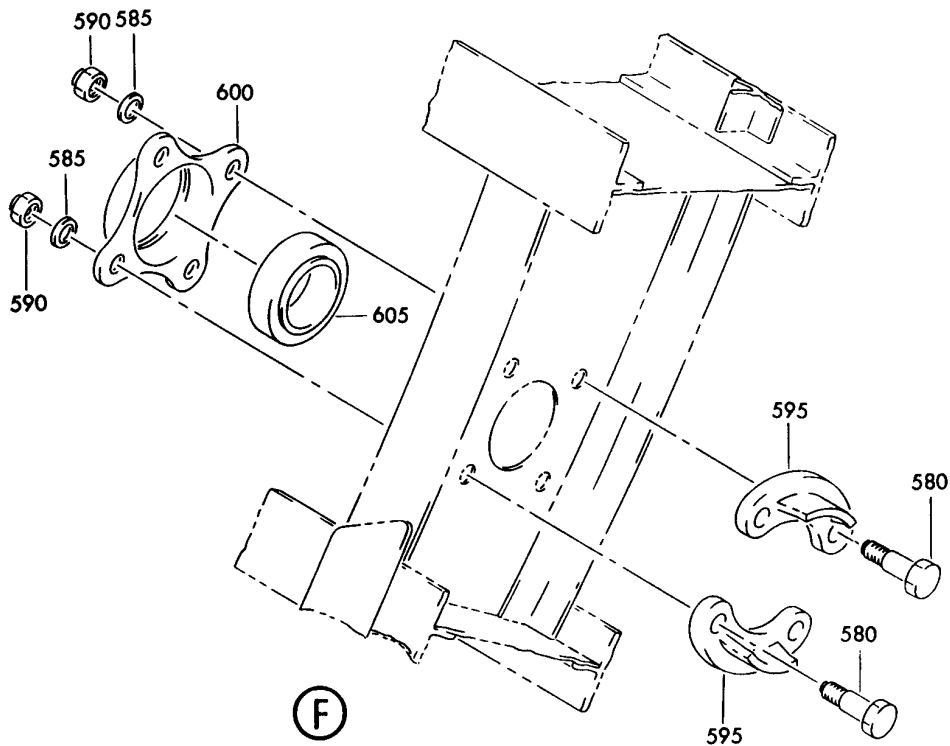
HXL
DEC 22/06

52-35-00-03
PAGE 0B

BOEING
767
PARTS CATALOG (MAINTENANCE)



(E)



(F)

V 52350003 SHT 4 REV 175

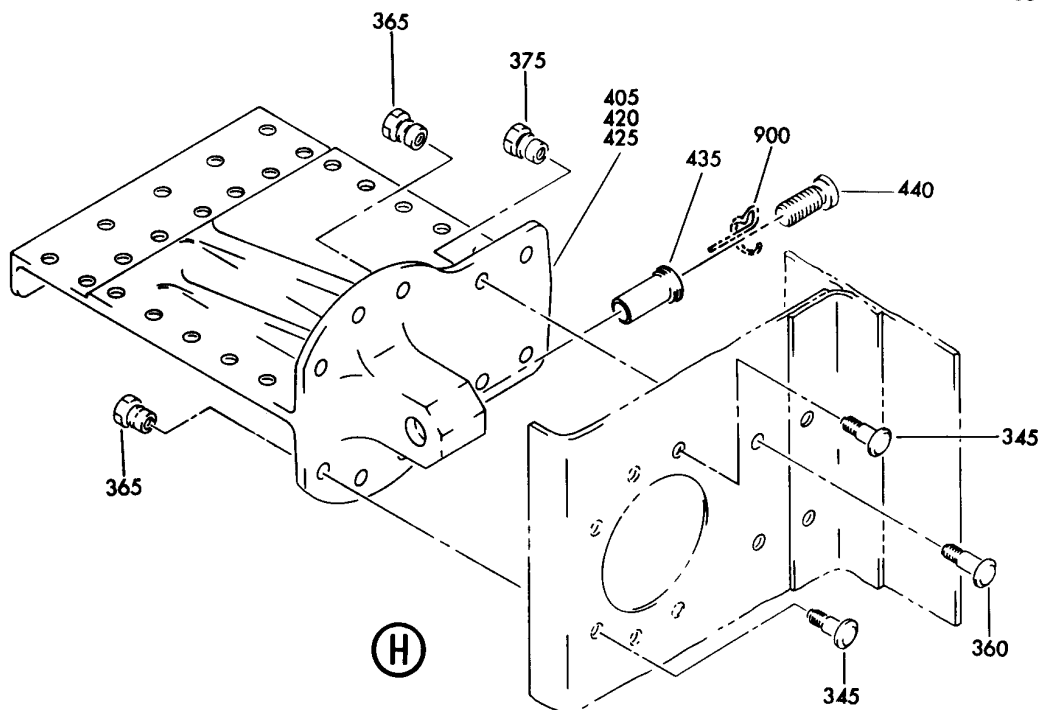
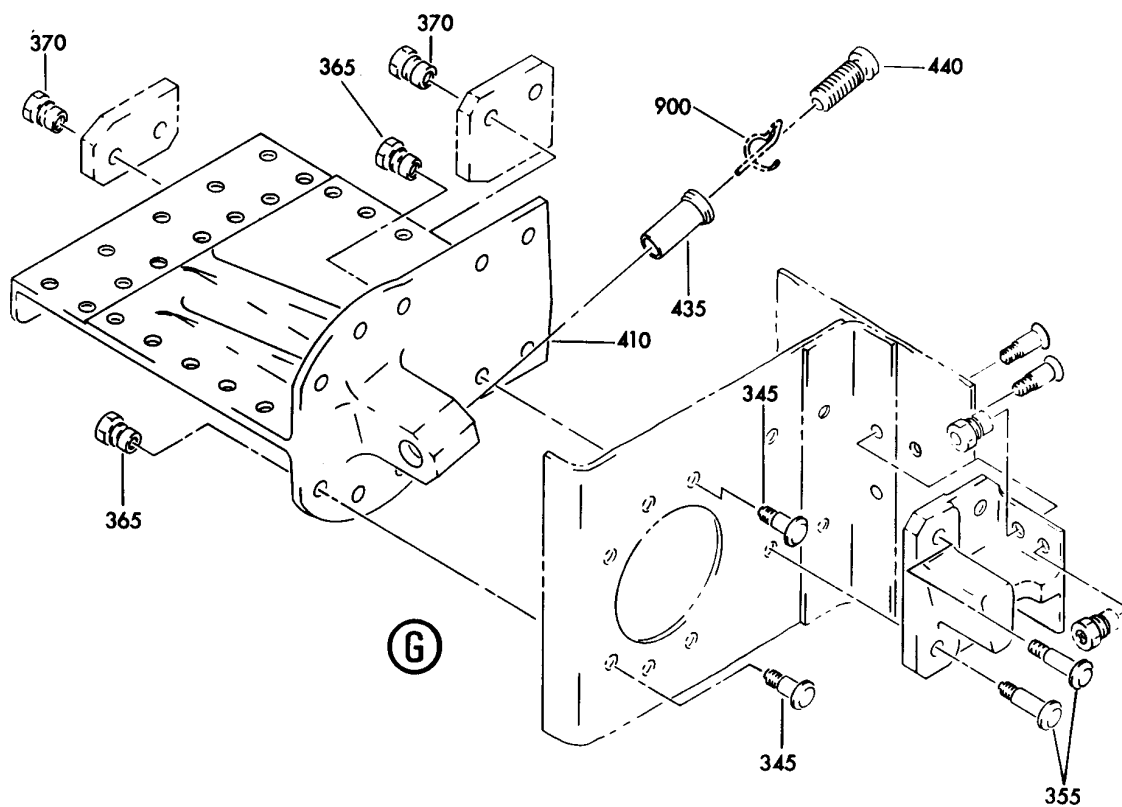
DOOR ASSY-AFT CARGO
FIGURE 3 (SHEET 4)

52-35-00-03

HXL
DEC 22/06

52-35-00-03
PAGE 0C

BOEING
767
PARTS CATALOG (MAINTENANCE)



V 52350003 SH1 5 REV 175

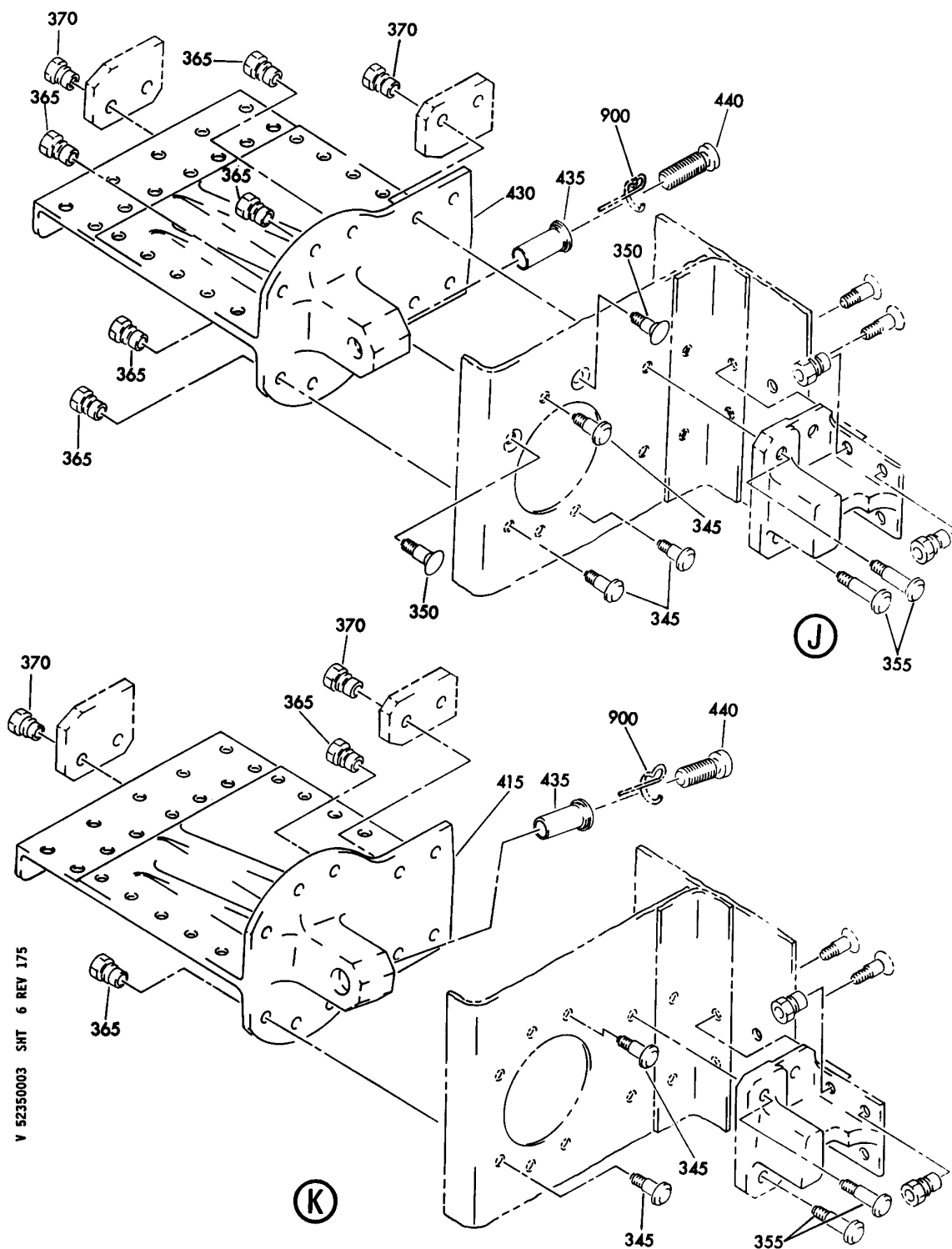
DOOR ASSY-AFT CARGO
FIGURE 3 (SHEET 5)

52-35-00-03

HXL
DEC 22/06

52-35-00-03
PAGE 0D

BOEING
767
PARTS CATALOG (MAINTENANCE)



V 52350003 SHT 6 REV 175

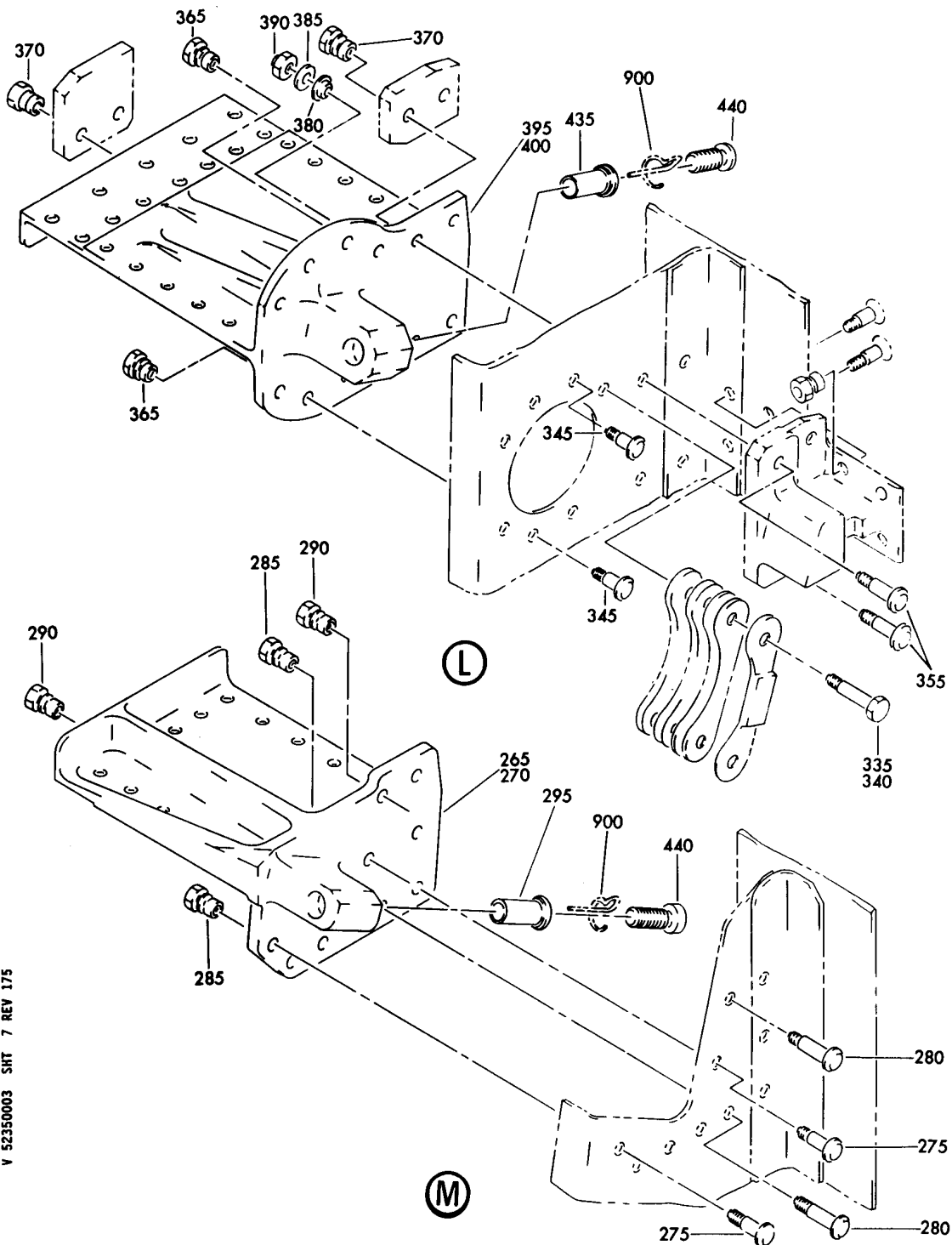
DOOR ASSY-AFT CARGO
FIGURE 3 (SHEET 6)

52-35-00-03

HXL
DEC 22/06

52-35-00-03
PAGE 0E


BOEING
 767
PARTS CATALOG (MAINTENANCE)



V 52350003 SHY 7 REV 175

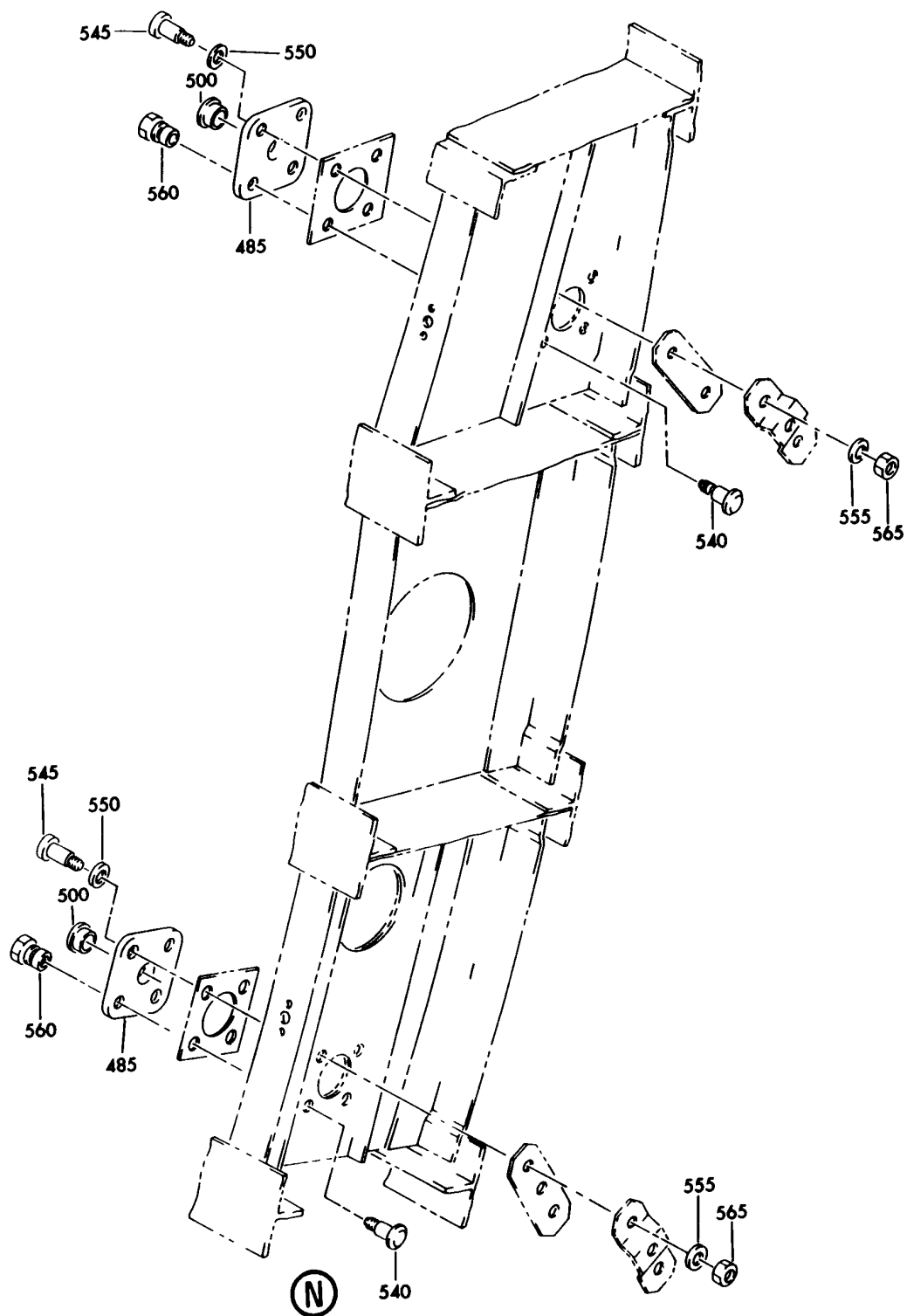
DOOR ASSY-AFT CARGO
FIGURE 3 (SHEET 7)

52-35-00-03

HXL
DEC 22/06

52-35-00-03
PAGE OF

BOEING
767
PARTS CATALOG (MAINTENANCE)



V 52350003 SHT 8 REV 131

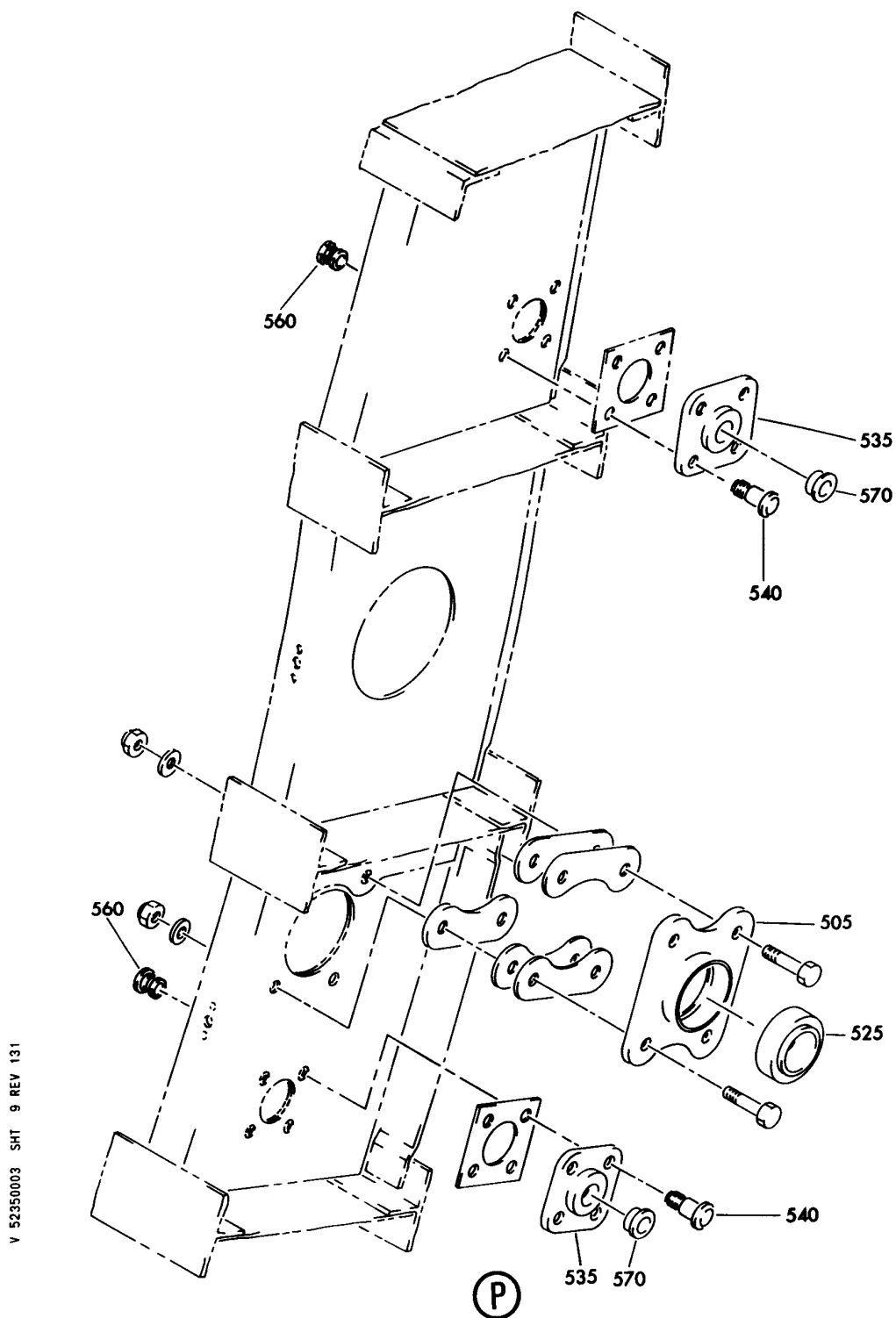
DOOR ASSY-AFT CARGO
FIGURE 3 (SHEET 8)

52-35-00-03

HXL
DEC 22/06

52-35-00-03
PAGE 0G

BOEING
767
PARTS CATALOG (MAINTENANCE)



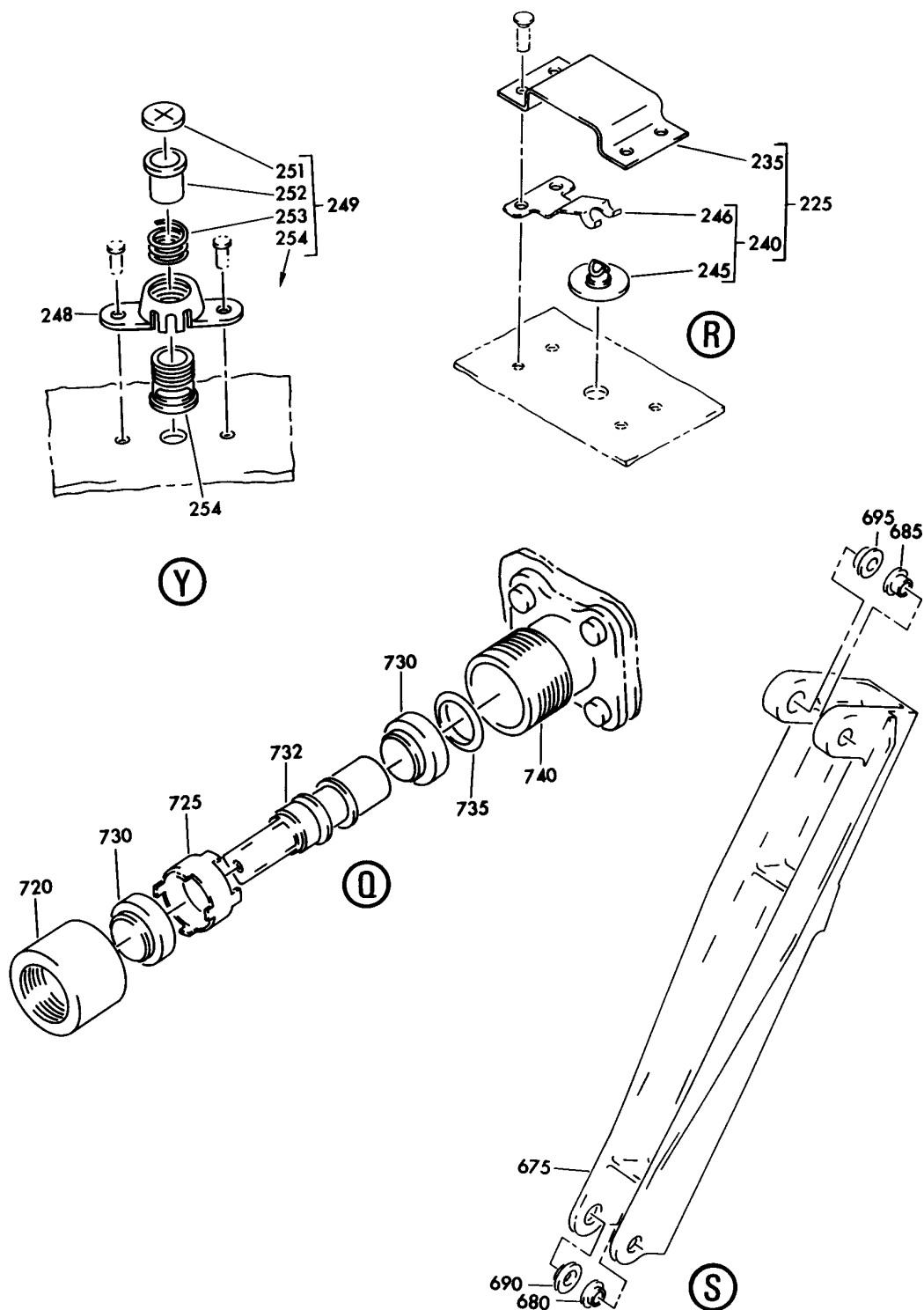
DOOR ASSY-AFT CARGO
FIGURE 3 (SHEET 9)

52-35-00-03

HXL
DEC 22/06

52-35-00-03
PAGE 0H

BOEING
767
PARTS CATALOG (MAINTENANCE)



V 52350003 SHT 10 REV 131

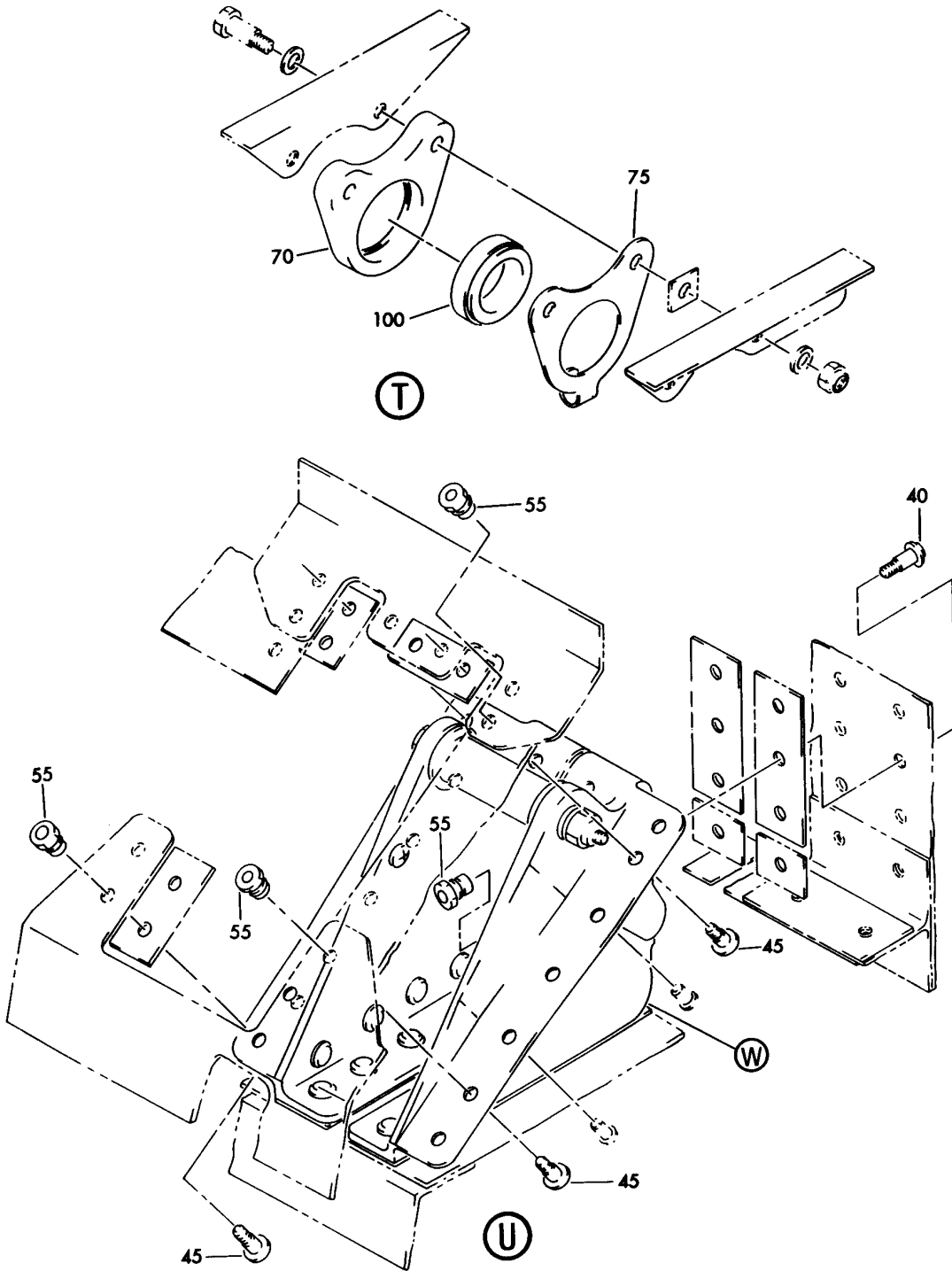
DOOR ASSY-AFT CARGO
FIGURE 3 (SHEET 10)

52-35-00-03

HXL
DEC 22/06

52-35-00-03
PAGE 01

BOEING
767
PARTS CATALOG (MAINTENANCE)



V 52350003 SHT 11 REV 131

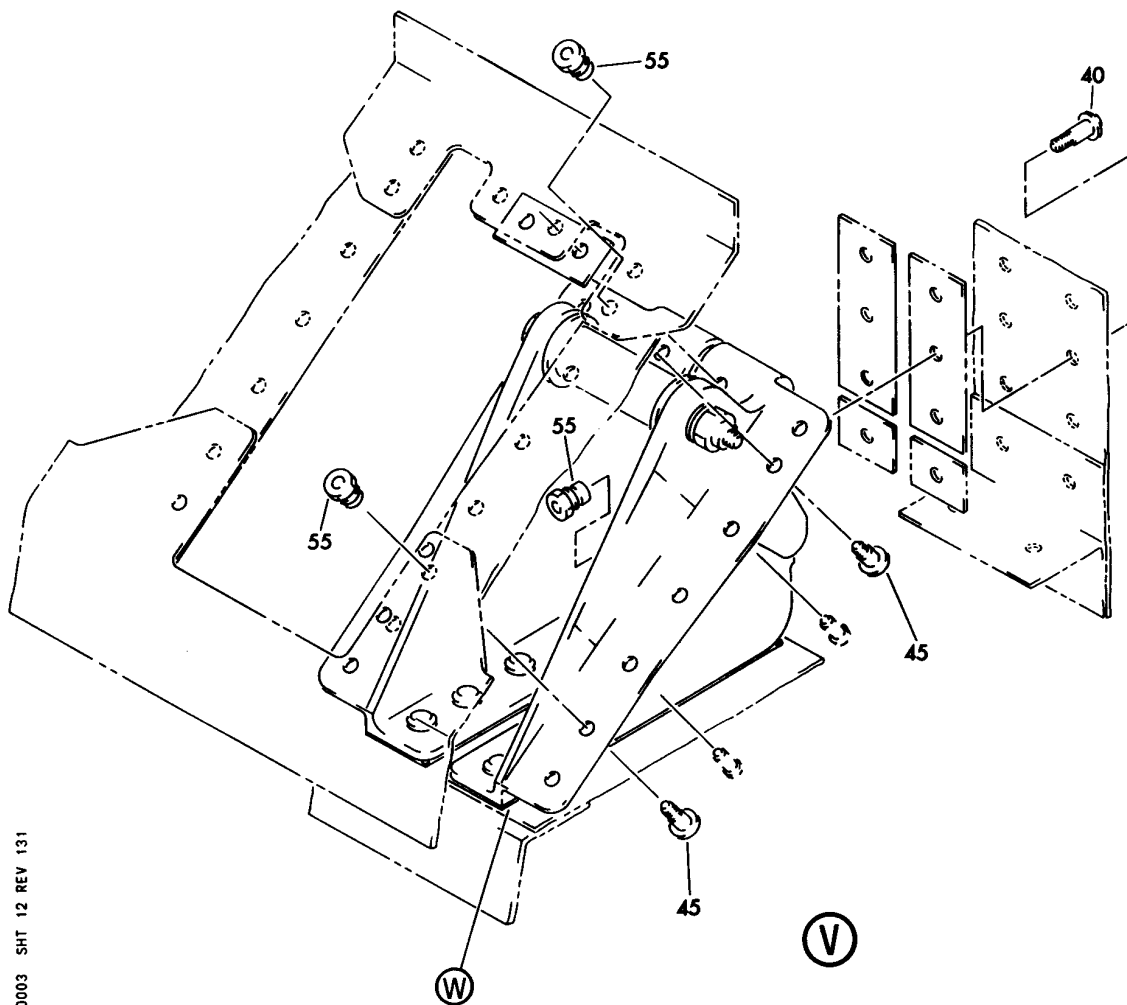
DOOR ASSY-AFT CARGO
FIGURE 3 (SHEET 11)

52-35-00-03

HXL
DEC 22/06

52-35-00-03
PAGE 0J

BOEING
767
PARTS CATALOG (MAINTENANCE)



V 52350003 SHT 12 REV 131

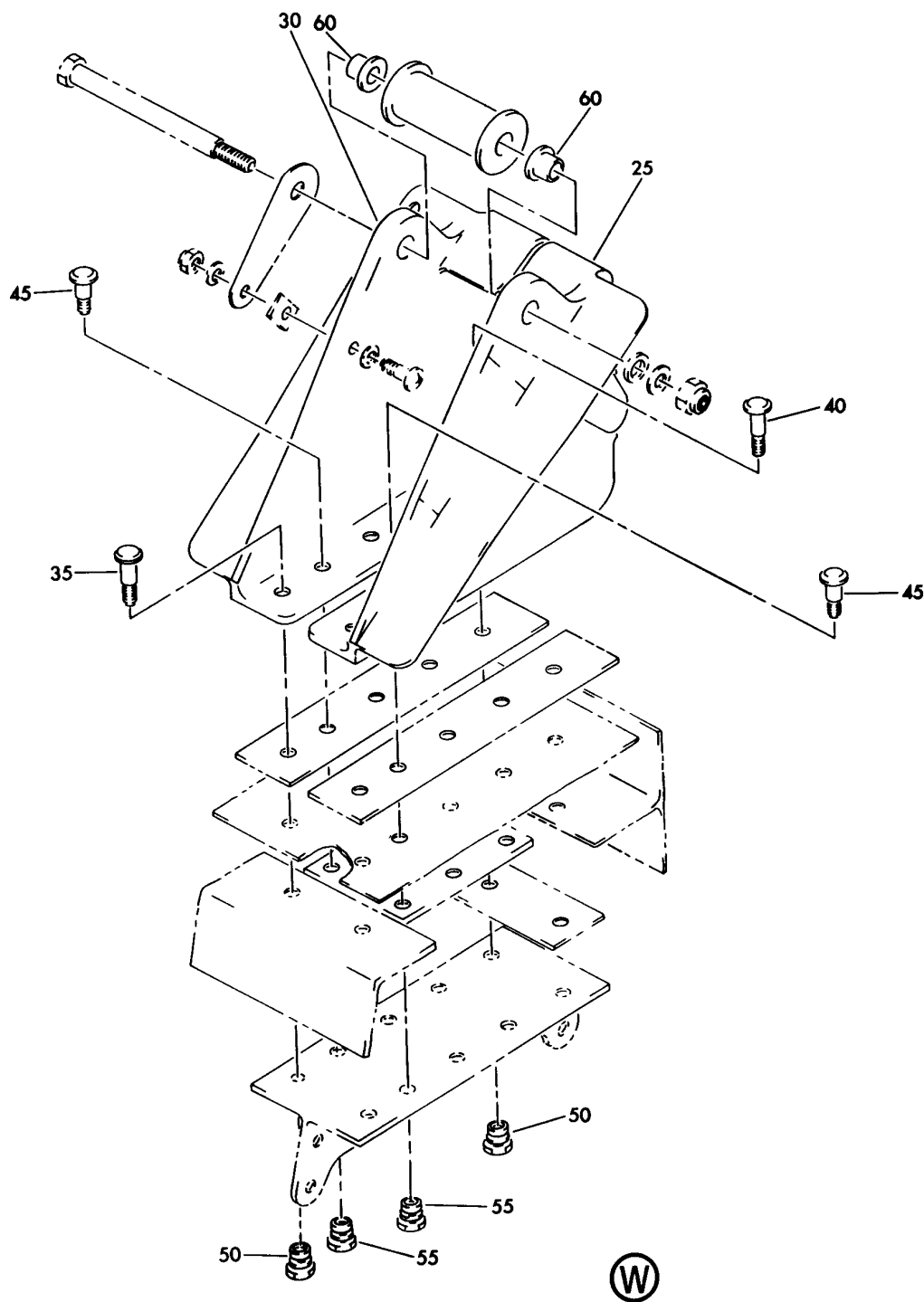
DOOR ASSY-AFT CARGO
FIGURE 3 (SHEET 12)

52-35-00-03

HXL
DEC 22/06

52-35-00-03
PAGE 0K

BOEING
767
PARTS CATALOG (MAINTENANCE)



V 52350003 SHT 13 REV 131

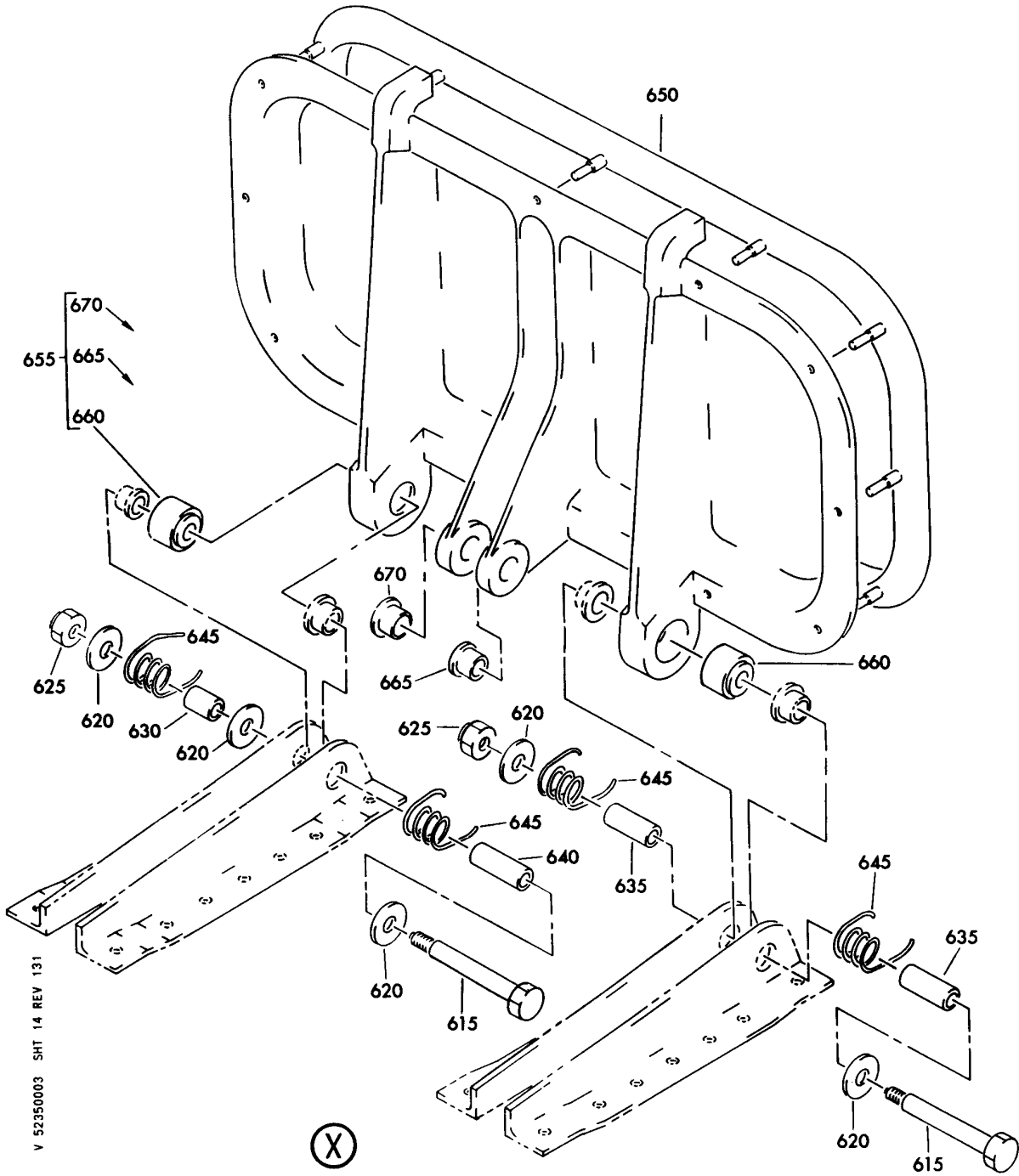
DOOR ASSY-AFT CARGO
FIGURE 3 (SHEET 13)

52-35-00-03

HXL
DEC 22/06

52-35-00-03
PAGE 01

BOEING
767
PARTS CATALOG (MAINTENANCE)



V 52350003 SHT 14 REV 131

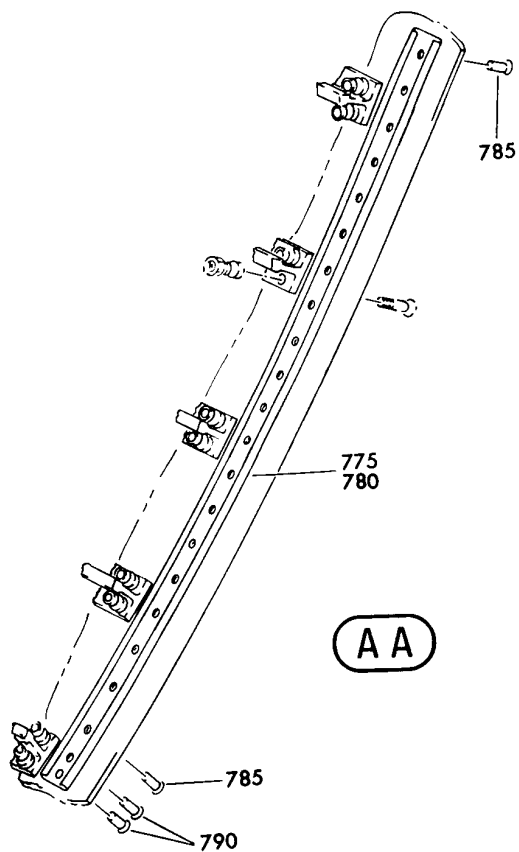
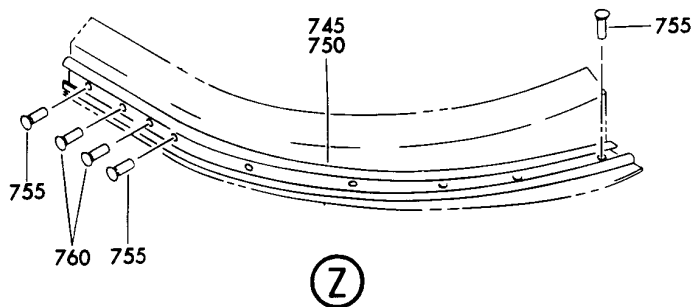
DOOR ASSY-AFT CARGO
FIGURE 3 (SHEET 14)

52-35-00-03

HXL
DEC 22/06

52-35-00-03
PAGE 0M

BOEING
767
PARTS CATALOG (MAINTENANCE)



V 52350003 SHT 15 REV 171

DOOR ASSY-AFT CARGO
FIGURE 3 (SHEET 15)

52-35-00-03

HXL
DEC 22/06

52-35-00-03
PAGE ON

BOEING
767
PARTS CATALOG (MAINTENANCE)

FIG ITEM	PART NUMBER	1 2 3 4 5 6 7	NOMENCLATURE	EFFECT FROM TO	UNITS PER ASSY
3					
- 1	140T2700-2		DOOR ASSY-AFT CARGO DOOR ASSY-CARGO POSITION DATA: AFT ACCESS PANEL NUMBER: 822 COMPONENT MAINT MANUAL REF: 52-34-01 FOR NHA SEE: 53-60-00-08		RF
- 1	140T2700-5		DOOR ASSY-CARGO VARIABLE POSITION DATA: AFT COMPONENT MAINT MANUAL REF: 52-34-01 VARIABLE DRAWING REF: 140T2700-5028 FOR NHA SEE: 53-60-00-08		RF
- 1	140T2700-7		DOOR ASSY-CARGO VARIABLE POSITION DATA: AFT COMPONENT MAINT MANUAL REF: 52-34-01 FOR NHA SEE: 53-60-00-08		RF
- 3	MS27253F2		.PLATE		1
- 5	140T2899-4		.MECHANISM INSTL-HINGE FOR DETAILS SEE: 52-35-04-01		1
- 10	140T2900-6		.MECHANISM INSTL-HINGE FOR DETAILS SEE: 52-35-00-04		1
15	140T2600-20		.STRUCTURE ASSY- VARIABLE DRAWING REF: 140T2600-5001 140T2600-5002 USED ON: 140T2700-5		1
15	140T2600-25		.STRUCTURE ASSY- USED ON: 140T2700-7		1
- 20	140T2601-30		..BEAM INSTL		1
25	140T2634-1		...FITTING ASSY-SPRT		3
30	140T2634-2		...FITTING ASSY-SPRT ATTACHING PARTS		3
35	BACB30NX8K		...BOLT- SIZE DETERMINED ON INSTL.		12

ILLUSTRATION ITEMS NOT ON PARTS LIST ARE NOT APPLICABLE

- ITEM NOT ILLUSTRATED

HXL

52-35-00-03

BOEING PROPRIETARY - Copyright © - Unpublished Work - See title page for details.

52-35-00
FIG. 03
PAGE 1
DEC 22/07



767

PARTS CATALOG (MAINTENANCE)

FIG ITEM	PART NUMBER	1 2 3 4 5 6 7	NOMENCLATURE	EFFECT FROM TO	UNITS PER ASSY
3					
40	BACB30NW6K	...	BOLT- SIZE DETERMINED ON INSTL.		24
45	BACB30MY6K	...	BOLT- SIZE DETERMINED ON INSTL.		18
50	HL1187-8	...	COLLAR SUPPLIER CODE: V5M902 SPECIFICATION NUMBER: BACC30X8 OPTIONAL PART: HL87-8 V92215 HL87-8 V73197 HL1187-8 V56878 HL1187-8 V92215 HL87-8 V56878 HL1187-8 V73197		12
55	HL79-6	...	COLLAR SUPPLIER CODE: V5M902 SPECIFICATION NUMBER: BACC30M6 OPTIONAL PART: HL79-6 V73197 HL79-6 V92215 66014-6 V56878 HL79-6 V56878		42
60	BACB28X6M036	BUSHING		1
- 65	140T2603-1	..	BEAM INSTL		1
70	140T2623-1	...	SUPPORT-BRG		1
75	140T2603-17	...	RETAINER-BRG		1
			ATTACHING PARTS		
- 80	BACB30NR4K13	...	BOLT		2
- 85	AN960PD416	...	WASHER		2
- 90	AN960PD416L	...	WASHER		2
-----*-----					
ILLUSTRATION ITEMS NOT ON PARTS LIST ARE NOT APPLICABLE					

- ITEM NOT ILLUSTRATED

52-35-00-03

52-35-00
FIG. 03
PAGE 2
DEC 22/07

HXL

BOEING PROPRIETARY - Copyright © - Unpublished Work - See title page for details.



767

PARTS CATALOG (MAINTENANCE)

FIG ITEM	PART NUMBER	1 2 3 4 5 6 7	NOMENCLATURE	EFFECT FROM TO	UNITS PER ASSY
3					
- 95	BRH10A4		...NUT SUPPLIER CODE: V52828 SPECIFICATION NUMBER: BACN10JC4 OPTIONAL PART: T6S428J V11815 96-048 V80539 VN303A048 V92215 RMLH9075-4W V72962 NS202101-048 V80539 H10-4BAC V15653 -----*-----		2
100	KP21BSD610		...BEARING SUPPLIER CODE: V83086 SPECIFICATION NUMBER: BACB10BW21 OPTIONAL PART: KP21B2TS V43991 KP21B V38443 LLKP21B V38443 KP21BG27 V30163 KP21BFS428 V21335 KP21BLY196 V40920 KP21BFS428 V06144 KP21B V06144 KP21BNJC V06144		1
105	140T2603-9		...SUPPORT ASSY		4
110	140T2603-10		...SUPPORT ASSY		2
115	BACB28X6M015	BUSHING		1
120	140T2603-11		...SUPPORT ASSY		2
125	BACB28X4C015	BUSHING		1
130	NAS1368N16B		...GROMMET		1

ILLUSTRATION ITEMS NOT ON PARTS LIST ARE NOT APPLICABLE

- ITEM NOT ILLUSTRATED

52-35-00-03

52-35-00
 FIG. 03
 PAGE 3
 APR 22/09

HXL

BOEING PROPRIETARY - Copyright © - Unpublished Work - See title page for details.



767

PARTS CATALOG (MAINTENANCE)

FIG ITEM	PART NUMBER	1 2 3 4 5 6 7	NOMENCLATURE	EFFECT FROM TO	UNITS PER ASSY
3					
- 135	140T2604-1	..	BEAM INSTL		1
140	NAS1368N16B	...	GROMMET		1
- 145	140T2605-1	..	BEAM INSTL		1
150	NAS1368N6A	...	GROMMET		1
155	NAS1368N8A	...	GROMMET		1
160	NAS1368N8B	...	GROMMET		1
- 165	140T2606-1	..	BEAM INSTL-		1
			VARIABLE DRAWING REF: 140T2600-5003		
- 165	140T2606-8	..	BEAM INSTL-		1
			USED ON: 140T2600-25		
167	NAS1368N8B	...	GROMMET		1
- 170	140T2608-5	..	BEAM INSTL		1
175	NAS1368N8B	...	GROMMET		1
177	NAS1368N8B	...	GROMMET-		1
- 180	140T2607-1	..	BEAM INSTL		1
185	140T2607-5	...	SUPPORT ASSY		1
190	BACB28X4C014	BUSHING		1
195	140T2607-6	...	SUPPORT ASSY		1
200	BACB28X6M014	BUSHING		1
205	NAS1368N8B	...	GROMMET		1
- 210	140T2609-5	..	BEAM INSTL		1
215	NAS1368N6A	...	GROMMET		1
- 220	140T2610-35	..	BEAM INSTL-		1
			USED ON: 140T2600-25		
- 247	140T2610-33	..	BEAM INSTL		1
248	140N2021-1	...	RETAINER-		2
249	140N2022-1	...	VALVE ASSY-DRAIN ATTACHING PARTS		2
- 250	BACR15BA4D	...	RIVET-		4
			SIZE DETERMINED ON INSTL. -----*-----		
251	140N2022-4	CAP		1
252	140N2022-3	PLUNGER		1
253	140N2020-1	SPRING		1
254	140N2022-2	HOUSING		1
- 255	140T2611-59	..	FRAME INSTL-SIDE VARIABLE		1
- 260	140T2611-60	..	FRAME INSTL-SIDE VARIABLE		1

ILLUSTRATION ITEMS NOT ON PARTS LIST ARE NOT APPLICABLE

- ITEM NOT ILLUSTRATED

52-35-00-03

52-35-00
FIG. 03
PAGE 4
APR 22/09

HXL

BOEING PROPRIETARY - Copyright © - Unpublished Work - See title page for details.

 **BOEING**
767
PARTS CATALOG (MAINTENANCE)

FIG ITEM	PART NUMBER	1 2 3 4 5 6 7	NOMENCLATURE	EFFECT FROM TO	UNITS PER ASSY
3 265	140T2630-1		... FITTING ASSY-STOP OPTIONAL PART: 140T2630-5 USED ON: 140T2611-3 140T2611-31 140T2611-51 140T2611-55 140T2611-59		1
270	140T2630-2		... FITTING ASSY-STOP OPTIONAL PART: 140T2630-6 USED ON: 140T2611-4 140T2611-32 140T2611-52 140T2611-56 140T2611-60 ATTACHING PARTS		1
275	BACB30MY6K		... BOLT- SIZE DETERMINED ON INSTL.		10
280	BACB30MY8K		... BOLT- SIZE DETERMINED ON INSTL.		10
285	HL82-6APBW		... COLLAR SUPPLIER CODE: V5M902 SPECIFICATION NUMBER: BACC30AG6 OPTIONAL PART: HL82-6APBW V92215 HL82-6APBW V56878 HL82-6APBW V73197		10
290	HL82-8APBW		... COLLAR SUPPLIER CODE: V5M902 SPECIFICATION NUMBER: BACC30AG8 OPTIONAL PART: HL82-8APBW V92215 HL82-8APBW V56878 HL82-8APBW V73197		10
295	140T2643-6		-----*----- BUSHING		1

ILLUSTRATION ITEMS NOT ON PARTS LIST ARE NOT APPLICABLE

— ITEM NOT ILLUSTRATED

HXL

52-35-00-03

BOEING PROPRIETARY - Copyright © - Unpublished Work - See title page for details.

52-35-00
FIG. 03
PAGE 5
APR 22/09



767

PARTS CATALOG (MAINTENANCE)

FIG ITEM	PART NUMBER	1 2 3 4 5 6 7	NOMENCLATURE	EFFECT FROM TO	UNITS PER ASSY
3					
300	BACB30MY6K	...	BOLT- SIZE DETERMINED ON INSTL.		8
305	BACB30NX8K	...	BOLT- SIZE DETERMINED ON INSTL.		8
310	HL82-6APBW	...	COLLAR SUPPLIER CODE: V5M902 SPECIFICATION NUMBER: BACC30AG6 OPTIONAL PART: HL82-6APBW V92215 HL82-6APBW V56878 HL82-6APBW V73197		8
315	HL1187-8	...	COLLAR SUPPLIER CODE: V5M902 SPECIFICATION NUMBER: BACC30X8 OPTIONAL PART: HL87-8 V92215 HL87-8 V73197 HL1187-8 V56878 HL1187-8 V92215 HL87-8 V56878 HL1187-8 V73197		8
320	140T2630-27	...	FITTING ASSY-STOP OPTIONAL PART: 140T2630-29 USED ON: 140T261-3 140T261-31 140T261-51 140T261-29		1
325	140T2630-36	...	FITTING ASSY-STOP USED ON: 140T2611-32 140T2611-52 140T2611-60		1
330	140T2643-6	BUSHING		1
335	BACB30NM3K10	...	BOLT		4
ILLUSTRATION ITEMS NOT ON PARTS LIST ARE NOT APPLICABLE					

- ITEM NOT ILLUSTRATED

52-35-00-03

52-35-00
FIG. 03
PAGE 6
APR 22/09

HXL



767

PARTS CATALOG (MAINTENANCE)

FIG ITEM	PART NUMBER	1 2 3 4 5 6 7	NOMENCLATURE	EFFECT FROM TO	UNITS PER ASSY
3					
340	BACB30NM3K12	...	BOLT		4
345	BACB30MY6K	...	BOLT- SIZE DETERMINED ON INSTL.		44
350	BACB30NW6K	...	BOLT- SIZE DETERMINED ON INSTL.		2
355	BACB30NX8K	...	BOLT- SIZE DETERMINED ON INSTL.		16
360	BACB30MY8K	...	BOLT- SIZE DETERMINED ON INSTL.		16
365	HL82-6APBW	...	COLLAR SUPPLIER CODE: V5M902 SPECIFICATION NUMBER: BACC30AG6 OPTIONAL PART: HL82-6APBW V92215 HL82-6APBW V56878 HL82-6APBW V73197		46
370	HL1187-8	...	COLLAR SUPPLIER CODE: V5M902 SPECIFICATION NUMBER: BACC30X8 OPTIONAL PART: HL87-8 V92215 HL87-8 V73197 HL1187-8 V56878 HL1187-8 V92215 HL87-8 V56878 HL1187-8 V73197		16
ILLUSTRATION ITEMS NOT ON PARTS LIST ARE NOT APPLICABLE					

- ITEM NOT ILLUSTRATED

52-35-00-03

52-35-00
FIG. 03
PAGE 7
APR 22/09

HXL



767

PARTS CATALOG (MAINTENANCE)

FIG ITEM	PART NUMBER	1 2 3 4 5 6 7	NOMENCLATURE	EFFECT FROM TO	UNITS PER ASSY
3					
375	HL82-8APBW	...	COLLAR SUPPLIER CODE: V5M902 SPECIFICATION NUMBER: BACC30AG8 OPTIONAL PART: HL82-8APBW V92215 HL82-8APBW V56878 HL82-8APBW V73197		16
380	K29646-3S	...	WASHER SUPPLIER CODE: V15653 SPECIFICATION NUMBER: BACW10CA3CVS OPTIONAL PART: 70186-3S V56878 922005-3 V60119 942005-3 V60119		4
385	K29913-3S	...	WASHER SUPPLIER CODE: V15653 SPECIFICATION NUMBER: BACW10CA3CCS OPTIONAL PART: 70189-3S V56878 922006-3 V60119 942006-3 V60119		4
ILLUSTRATION ITEMS NOT ON PARTS LIST ARE NOT APPLICABLE					

- ITEM NOT ILLUSTRATED

HXL

52-35-00-03

BOEING PROPRIETARY - Copyright © - Unpublished Work - See title page for details.

52-35-00
FIG. 03
PAGE 8
APR 22/09

 **BOEING**
767
PARTS CATALOG (MAINTENANCE)

FIG ITEM	PART NUMBER	1 2 3 4 5 6 7	NOMENCLATURE	EFFECT FROM TO	UNITS PER ASSY
3					
390	BRH10A3		...NUT SUPPLIER CODE: V52828 SPECIFICATION NUMBER: BACN10JC3 OPTIONAL PART: H10-3BAC V15653 NS202101-02 V80539 RMLH9075-3W V72962 VN303A02 V92215 96-02 V80539 T6S1032J V11815		4
395	140T2631-1		...FITTING ASSY-STOP OPTIONAL PART: 140T2631-9		1
400	140T2631-2		...FITTING ASSY-STOP OPTIONAL PART: 140T2631-10		1
405	140T2631-3		...FITTING ASSY-STOP		1
410	140T2631-4		...FITTING ASSY-STOP OPTIONAL PART: 140T2631-12		1
415	140T2631-5		...FITTING ASSY-STOP OPTIONAL PART: 140T2631-13		1
420	140T2631-6		...FITTING ASSY-STOP OPTIONAL PART: 140T2631-14		1
425	140T2631-7		...FITTING ASSY-STOP OPTIONAL PART: 140T2631-15		1
430	140T2631-8		...FITTING ASSY-STOP OPTIONAL PART: 140T2631-16		1
435	140T2643-5	BUSHING		1
437	140T2638-1		...FITTING ASSY-		4
437	140T2638-2		...FITTING ASSY- OPTIONAL PART: 140T2638-1 V81505		4
440	140T2639-1		...PIN		10
445	NAS1368N6A		...GROMMET		1

ILLUSTRATION ITEMS NOT ON PARTS LIST ARE NOT APPLICABLE

- ITEM NOT ILLUSTRATED

HXL

52-35-00-03

BOEING PROPRIETARY - Copyright © - Unpublished Work - See title page for details.

52-35-00
FIG. 03
PAGE 9
APR 22/09

BOEING
767
PARTS CATALOG (MAINTENANCE)

FIG ITEM	PART NUMBER	1 2 3 4 5 6 7	NOMENCLATURE	EFFECT FROM TO	UNITS PER ASSY
3					
450	NAS1368N6C		...GROMMET- USED ON: 140T2611-4 140T2611-32 140T2611-52		1
- 455	140T2612-85		..INTERCOSTAL INSTL		1
- 460	140T2612-86		..INTERCOSTAL INSTL		1
465	NAS1368N6A		...GROMMET		1
468	BACG20AD0960		...GROMMET-		1
- 470	140T2612-3		..INTERCOSTAL INSTL		1
- 475	140T2612-4		..INTERCOSTAL INSTL		1
- 480	140T2612-75		..INTERCOSTAL INSTL		1
485	140T2626-1		...PLATE ASSY-BRG ATTACHING PARTS		2
- 490	BACB30MY6K		...BOLT- SIZE DETERMINED ON INSTL.		4
- 495	HL79-6		...COLLAR SUPPLIER CODE: V5M902 SPECIFICATION NUMBER: BACC30M6 OPTIONAL PART: HL79-6 V73197 HL79-6 V92215 66014-6 V56878 HL79-6 V56878 -----*-----		4
500	BACB28X5M023	BUSHING		1
505	140T2624-1		...SUPPORT-BRG ATTACHING PARTS		1
- 510	BACB30NR4K7		...BOLT		4
- 516	AN960PD416L		...WASHER		4

ILLUSTRATION ITEMS NOT ON PARTS LIST ARE NOT APPLICABLE

- ITEM NOT ILLUSTRATED

HXL

52-35-00-03

BOEING PROPRIETARY - Copyright © - Unpublished Work - See title page for details.

52-35-00
FIG. 03
PAGE 10
APR 22/09



767

PARTS CATALOG (MAINTENANCE)

FIG ITEM	PART NUMBER	1 2 3 4 5 6 7	NOMENCLATURE	EFFECT FROM TO	UNITS PER ASSY
3 - 520	BRH10A4		...NUT SUPPLIER CODE: V52828 SPECIFICATION NUMBER: BACN10JC4 OPTIONAL PART: T6S428J V11815 96-048 V80539 VN303A048 V92215 RMLH9075-4W V72962 NS202101-048 V80539 H10-4BAC V15653 -----*-----		4
525	KP21BSD610		...BEARING SUPPLIER CODE: V83086 SPECIFICATION NUMBER: BACB10BW21 OPTIONAL PART: KP21B2TS V43991 KP21B V38443 LLKP21B V38443 KP21BG27 V30163 KP21BFS428 V21335 KP21BLY196 V40920 KP21BFS428 V06144 KP21B V06144 KP21BNJC V06144		1
- 530	140T2612-5		..INTERCOSTAL INSTL		1
535	140T2626-1		...PLATE ASSY-BRG ATTACHING PARTS		2
540	BACB30MY6K		...BOLT- SIZE DETERMINED ON INSTL.		2
545	NAS623-3-7		...SCREW		2

ILLUSTRATION ITEMS NOT ON PARTS LIST ARE NOT APPLICABLE

- ITEM NOT ILLUSTRATED

52-35-00-03

52-35-00
FIG. 03
PAGE 11
APR 22/09

HXL

BOEING
767
PARTS CATALOG (MAINTENANCE)

FIG ITEM	PART NUMBER	1 2 3 4 5 6 7	NOMENCLATURE	EFFECT FROM TO	UNITS PER ASSY
3					
550	AN960PD10	...	WASHER		2
555	AN960PD10L	...	WASHER		2
560	HL79-6	...	COLLAR		2
			SUPPLIER CODE: V5M902		
			SPECIFICATION NUMBER: BACC30M6		
			OPTIONAL PART: HL79-6		
			V73197		
			HL79-6		
			V92215		
			66014-6		
			V56878		
			HL79-6		
			V56878		
565	BRH10A3	...	NUT		2
			SUPPLIER CODE: V52828		
			SPECIFICATION NUMBER: BACN10JC3		
			OPTIONAL PART: H10-3BAC		
			V15653		
			NS202101-02		
			V80539		
			RMLH9075-3W		
			V72962		
			VN303A02		
			V92215		
			96-02		
			V80539		
			T6S1032J		
			V11815		
			-----*-----		
570	BACB28X5M023	BUSHING		1
- 575	140T2612-9	..	INTERCOSTAL INSTL		1
580	BACB30NR4K7	...	BOLT		4
585	AN960PD416	...	WASHER		4

ILLUSTRATION ITEMS NOT ON PARTS LIST ARE NOT APPLICABLE

- ITEM NOT ILLUSTRATED

HXL

52-35-00-03

BOEING PROPRIETARY - Copyright © - Unpublished Work - See title page for details.

52-35-00
FIG. 03
PAGE 12
APR 22/09



767

PARTS CATALOG (MAINTENANCE)

FIG ITEM	PART NUMBER	1 2 3 4 5 6 7	NOMENCLATURE	EFFECT FROM TO	UNITS PER ASSY
3 590	BRH10A4	...	NUT SUPPLIER CODE: V52828 SPECIFICATION NUMBER: BACN10JC4 OPTIONAL PART: T6S428J V11815 96-048 V80539 VN303A048 V92215 RMLH9075-4W V72962 NS202101-048 V80539 H10-4BAC V15653		4
595	140T2622-3	...	STOP- OPTIONAL PART: 140T2622-5		2
600	140T2629-1	...	SUPPORT-BRG		1
605	KP21BSD610	...	BEARING SUPPLIER CODE: V83086 SPECIFICATION NUMBER: BACB10BW21 OPTIONAL PART: KP21B2TS V43991 KP21B V38443 LLKP21B V38443 KP21BG27 V30163 KP21BFS428 V21335 KP21BLY196 V40920 KP21BFS428 V06144 KP21B V06144 KP21BNJC V06144		1
- 610	140T2615-1	..	DOOR INSTL-VENT		1
615	BACB30NR4K34	...	BOLT		2
620	BACW10P10AL	...	WASHER		2

ILLUSTRATION ITEMS NOT ON PARTS LIST ARE NOT APPLICABLE

- ITEM NOT ILLUSTRATED

52-35-00-03

52-35-00
FIG. 03
PAGE 13
APR 22/09

HXL



767

PARTS CATALOG (MAINTENANCE)

FIG ITEM	PART NUMBER	1 2 3 4 5 6 7	NOMENCLATURE	EFFECT FROM TO	UNITS PER ASSY
3 625	BRH10A4	...	NUT SUPPLIER CODE: V52828 SPECIFICATION NUMBER: BACN10JC4 OPTIONAL PART: T6S428J V11815 96-048 V80539 VN303A048 V92215 RMLH9075-4W V72962 NS202101-048 V80539 H10-4BAC V15653		2
630	BACB28Y4E060	...	BUSHING		1
635	BACB28Y4E093	...	BUSHING		2
640	BACB28Y4E103	...	BUSHING		1
645	140T2628-1	...	SPRING		4
650	140T2617-1	...	SEAL-DOOR		1
655	140T2616-4	...	DOOR ASSY		1

ILLUSTRATION ITEMS NOT ON PARTS LIST ARE NOT APPLICABLE

- ITEM NOT ILLUSTRATED

HXL

52-35-00-03

BOEING PROPRIETARY - Copyright © - Unpublished Work - See title page for details.

52-35-00
FIG. 03
PAGE 14
APR 22/09

BOEING
767
PARTS CATALOG (MAINTENANCE)

FIG ITEM	PART NUMBER	1 2 3 4 5 6 7	NOMENCLATURE	EFFECT FROM TO	UNITS PER ASSY
3 660	KP4AFS428	BEARING SUPPLIER CODE: V06144 SPECIFICATION NUMBER: BACB10BX4 OPTIONAL PART: KP4AFS428 V21335 KP4A2TS V43991 LLKP4A V38443 KP4AG27 V30163 KP4A V38443 KP4ALY196 V40920 KP4ASD610 V83086 CS204E VK8455 KP4A V21760 KP4ANJC V06144		2
665	BACB28X4C024	BUSHING		1
670	BACB28X6M024	BUSHING		1
675	140T2627-1	..	FITTING ASSY-LIFT/LATCH		1
680	BACB28X4C014	...	BUSHING		1
685	BACB28X4C035	...	BUSHING		1
690	BACB28X6M014	...	BUSHING		1
695	BACB28X6M035	...	BUSHING		1
- 700	140T2652-1	..	RECEPTACLE INSTL		1
705	140T2963-2	...	ADAPTER ASSY		1
- 710	BACB30NW6K	...	BOLT- SIZE DETERMINED ON INSTL.		4

ILLUSTRATION ITEMS NOT ON PARTS LIST ARE NOT APPLICABLE

- ITEM NOT ILLUSTRATED

HXL

52-35-00-03

BOEING PROPRIETARY - Copyright © - Unpublished Work - See title page for details.

52-35-00
FIG. 03
PAGE 15
APR 22/09



767

PARTS CATALOG (MAINTENANCE)

FIG ITEM	PART NUMBER	1 2 3 4 5 6 7	NOMENCLATURE	EFFECT FROM TO	UNITS PER ASSY
3 - 715	HL79-6		... COLLAR SUPPLIER CODE: V5M902 SPECIFICATION NUMBER: BACC30M6 OPTIONAL PART: HL79-6 V73197 HL79-6 V92215 66014-6 V56878 HL79-6 V56878 -----*-----		4
720	140T2967-1	 CAP		1
725	140T2969-1	 SLEEVE		1
730	B539DDFS428	 BEARING SUPPLIER CODE: V06144 SPECIFICATION NUMBER: BACB10CF12PP OPTIONAL PART: B539DDFS101 V06144 T339E VK8455 B539SSG27 V30163 B539DDFS428 V21335 B539DD V38443 B539-2TS V43991 B539FS101 V06144 B539DDP V21760 B539DDNJC V06144		2
735	M83248-1-210	 PACKING		1
740	140T2952-2	 BASE		1
745	140T2982-17		.. RETAINER		1
750	140T2982-18		.. RETAINER		1
755	BACR15FV4KE		ATTACHING PARTS .. RIVET- SIZE DETERMINED ON INSTL.		14

ILLUSTRATION ITEMS NOT ON PARTS LIST ARE NOT APPLICABLE

- ITEM NOT ILLUSTRATED

52-35-00-03

52-35-00
 FIG. 03
 PAGE 16
 APR 22/09

HXL



767

PARTS CATALOG (MAINTENANCE)

FIG ITEM	PART NUMBER	1 2 3 4 5 6 7	NOMENCLATURE	EFFECT FROM TO	UNITS PER ASSY
3					
760	BACR15FV5KE		..RIVET- SIZE DETERMINED ON INSTL. -----*-----		4
765	140T2982-35		..RETAINER ATTACHING PARTS		1
- 770	BACR15FV4KE		..RIVET- SIZE DETERMINED ON INSTL. -----*-----		25
775	140T2982-15		..RETAINER		1
780	140T2982-16		..RETAINER ATTACHING PARTS		1
785	BACR15FV4KE		..RIVET- SIZE DETERMINED ON INSTL.		40
790	BACR15FV5KE		..RIVET- SIZE DETERMINED ON INSTL. -----*-----		4
795	MS27253F2		.PLATE-I.D.		1
900			ILLUSTRATION REFERENCE: DOOR INTEGRATION-AFT CARGO 52-35-00-01		RF

ILLUSTRATION ITEMS NOT ON PARTS LIST ARE NOT APPLICABLE

- ITEM NOT ILLUSTRATED

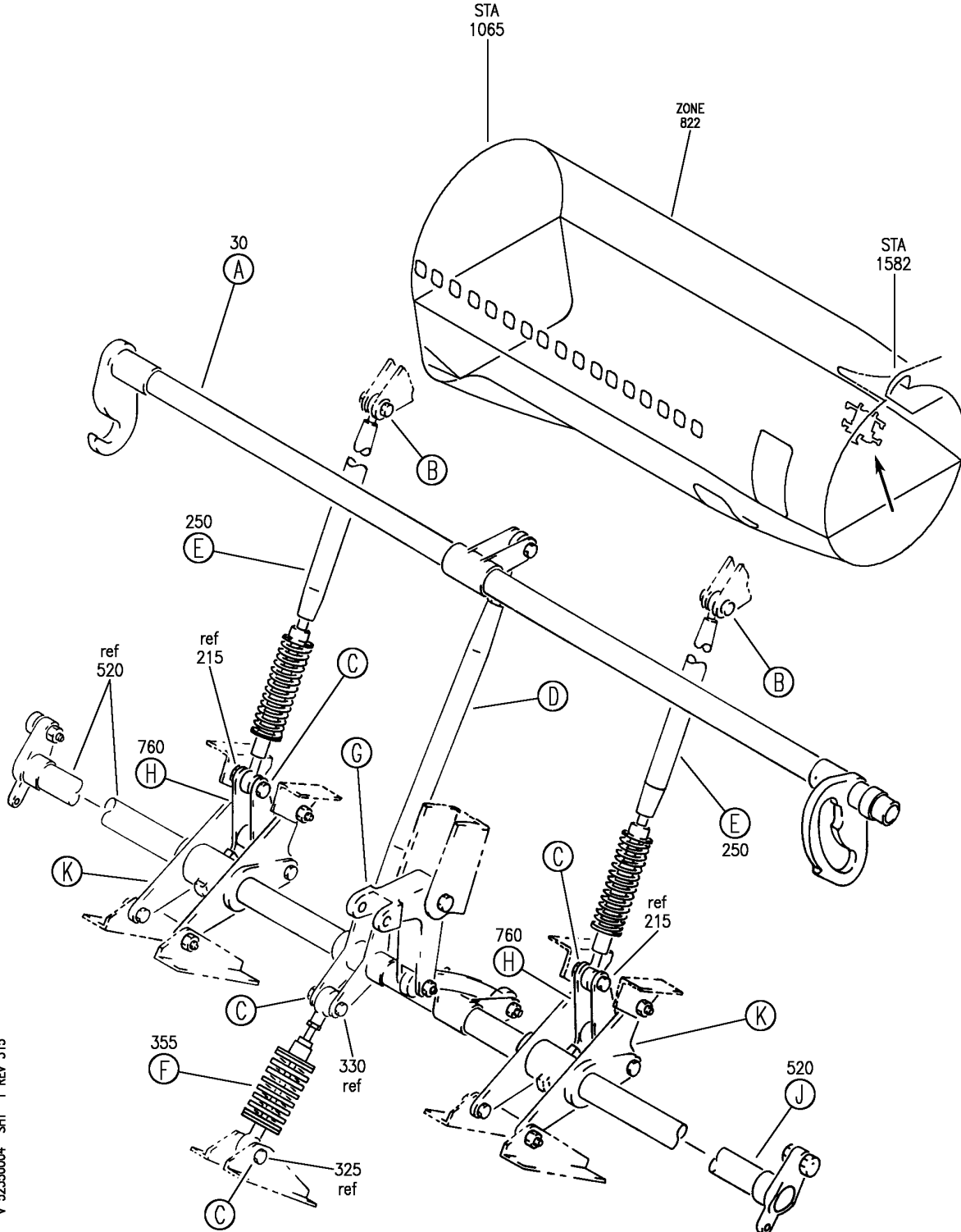
HXL

52-35-00-03

BOEING PROPRIETARY - Copyright © - Unpublished Work - See title page for details.

52-35-00
FIG. 03
PAGE 17
APR 22/09

BOEING
767
PARTS CATALOG (MAINTENANCE)



V 52350004 SHT 1 REV 315

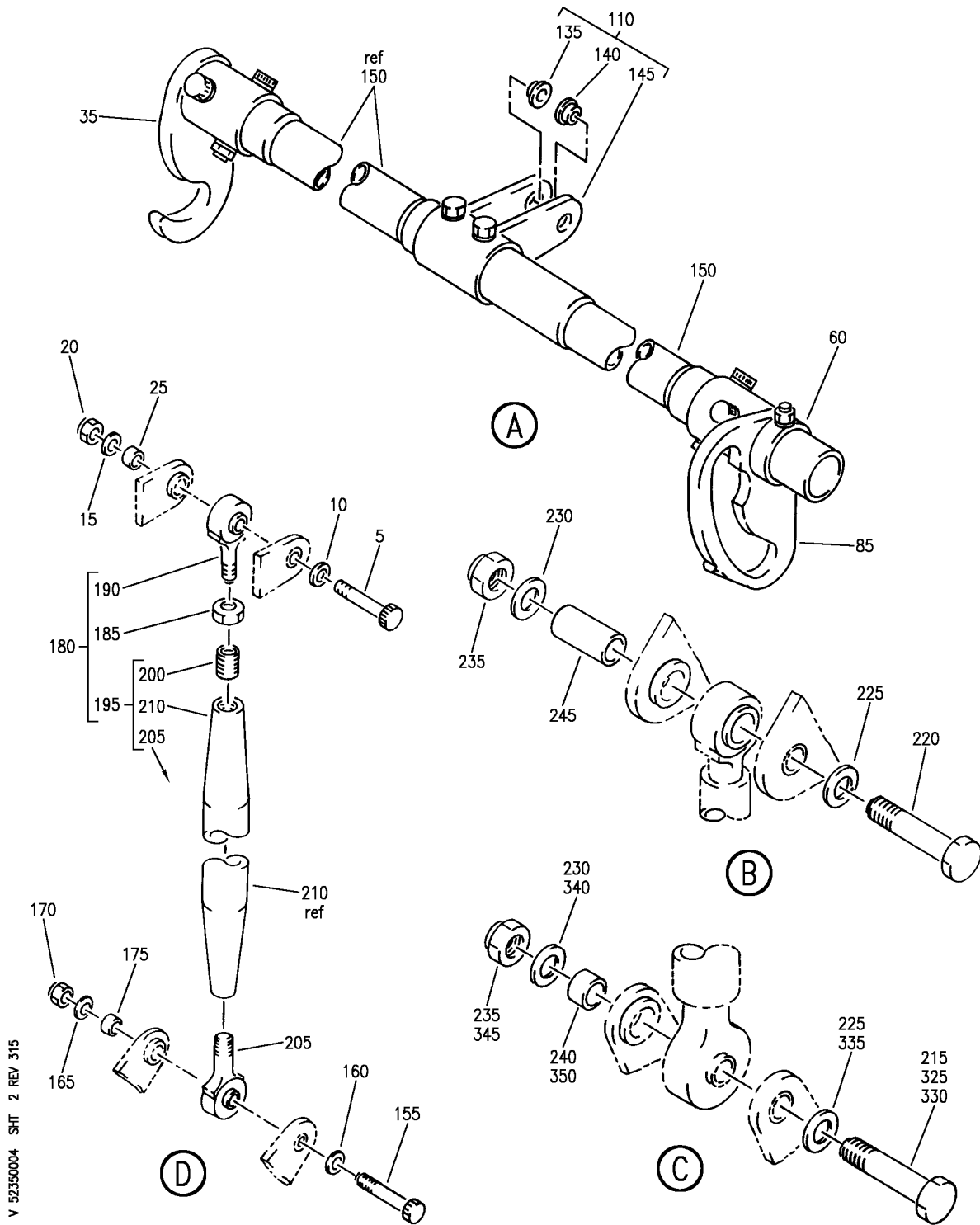
MECHANISM INSTL-AFT CARGO DOOR LIFT/LATCH
FIGURE 4 (SHEET 1)

52-35-00-04

HXL
APR 22/07

52-35-00-04
PAGE 0


BOEING
 767
PARTS CATALOG (MAINTENANCE)



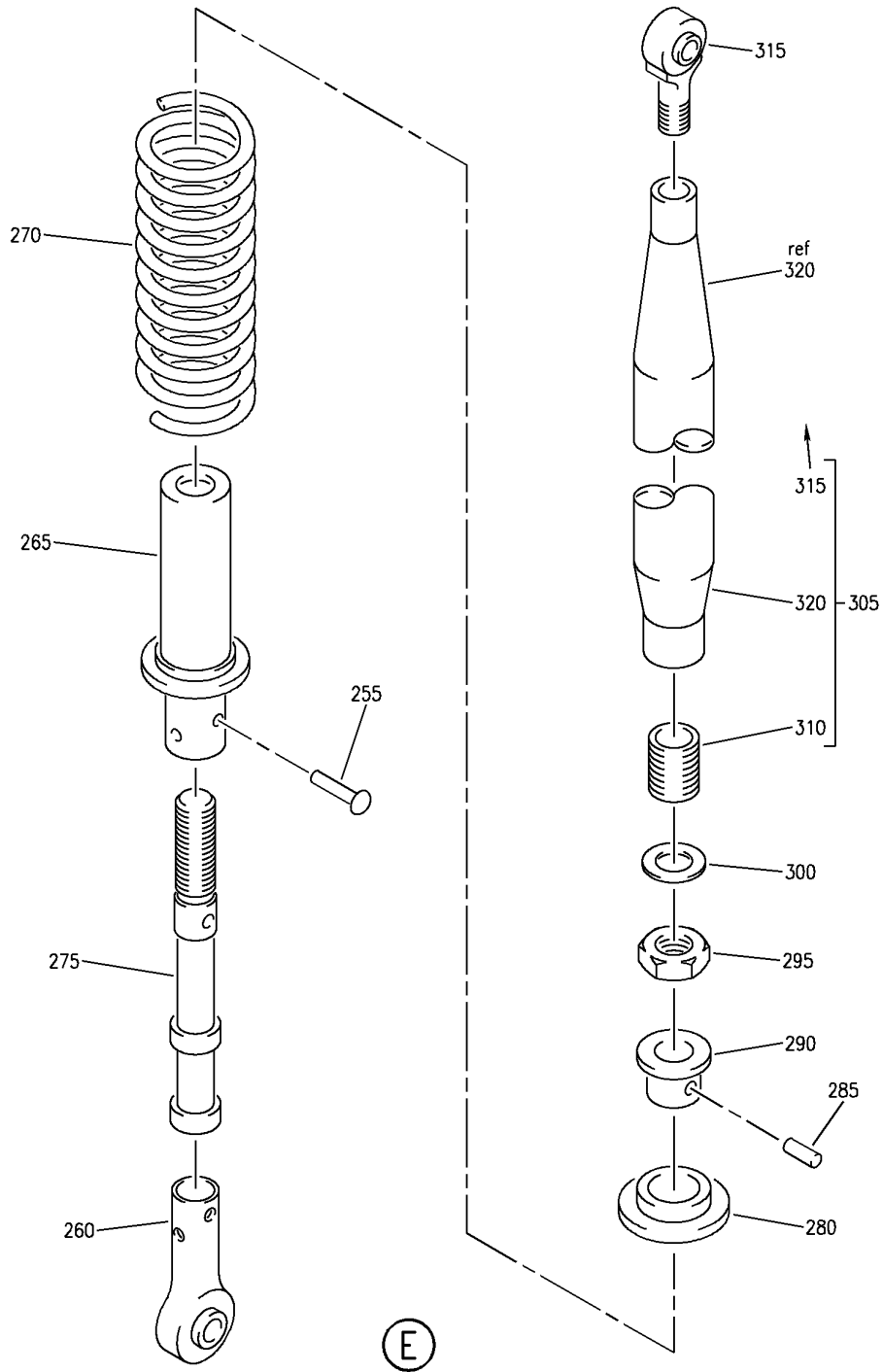
MECHANISM INSTL-AFT CARGO DOOR LIFT/LATCH
 FIGURE 4 (SHEET 2)

52-35-00-04

HXL
 APR 22/07

52-35-00-04
 PAGE 0A

BOEING
767
PARTS CATALOG (MAINTENANCE)



V 52350004 SHT 3 REV 315

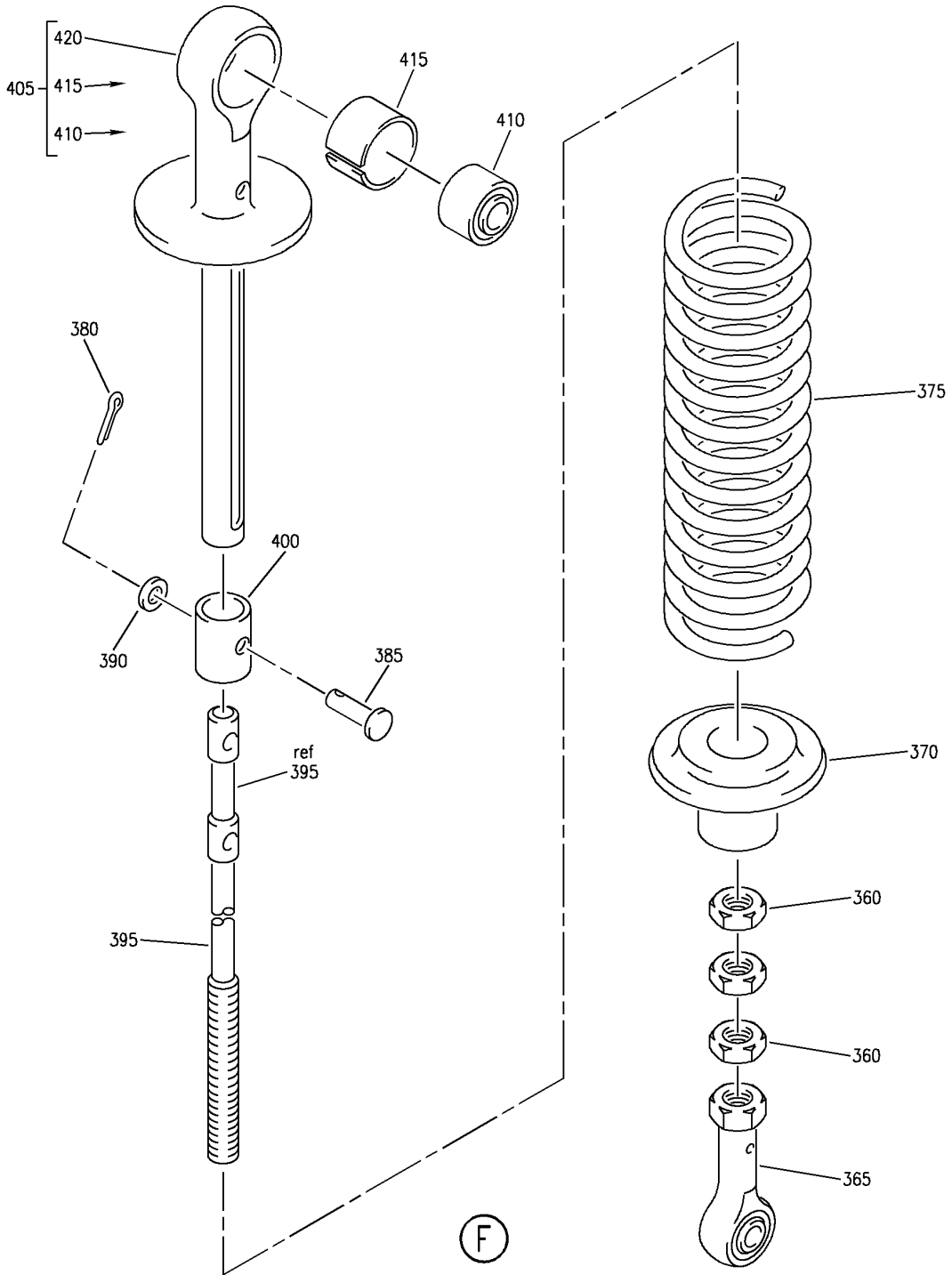
MECHANISM INSTL-AFT CARGO DOOR LIFT/LATCH
FIGURE 4 (SHEET 3)

52-35-00-04

HXL
APR 22/07

52-35-00-04
PAGE 0B

BOEING
767
PARTS CATALOG (MAINTENANCE)



V 52350004 SHT 4 REV 315

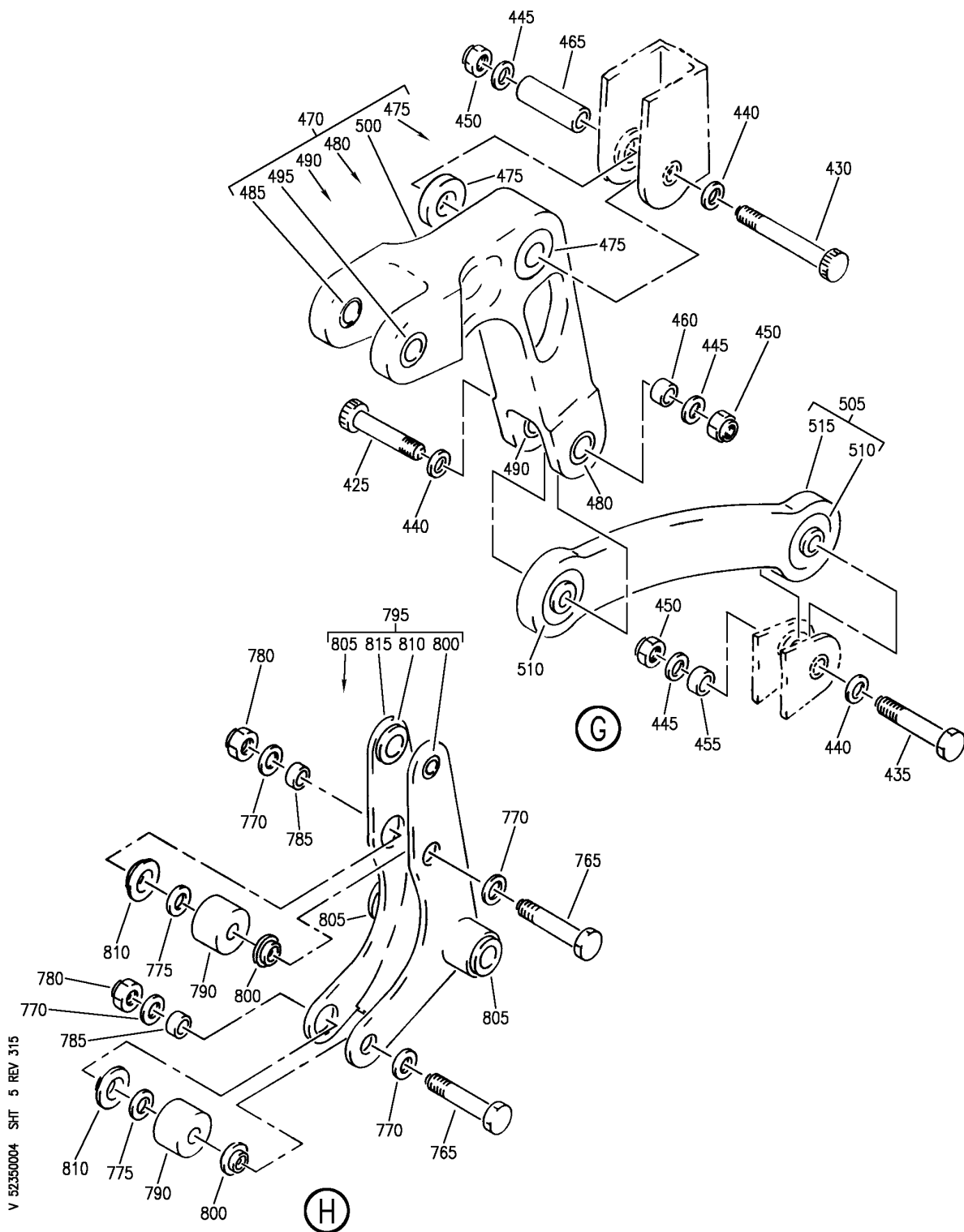
MECHANISM INSTL-AFT CARGO DOOR LIFT/LATCH
FIGURE 4 (SHEET 4)

52-35-00-04

HXL
APR 22/07

52-35-00-04
PAGE 0C

BOEING
767
PARTS CATALOG (MAINTENANCE)



V 52350004 SHT 5 REV 315

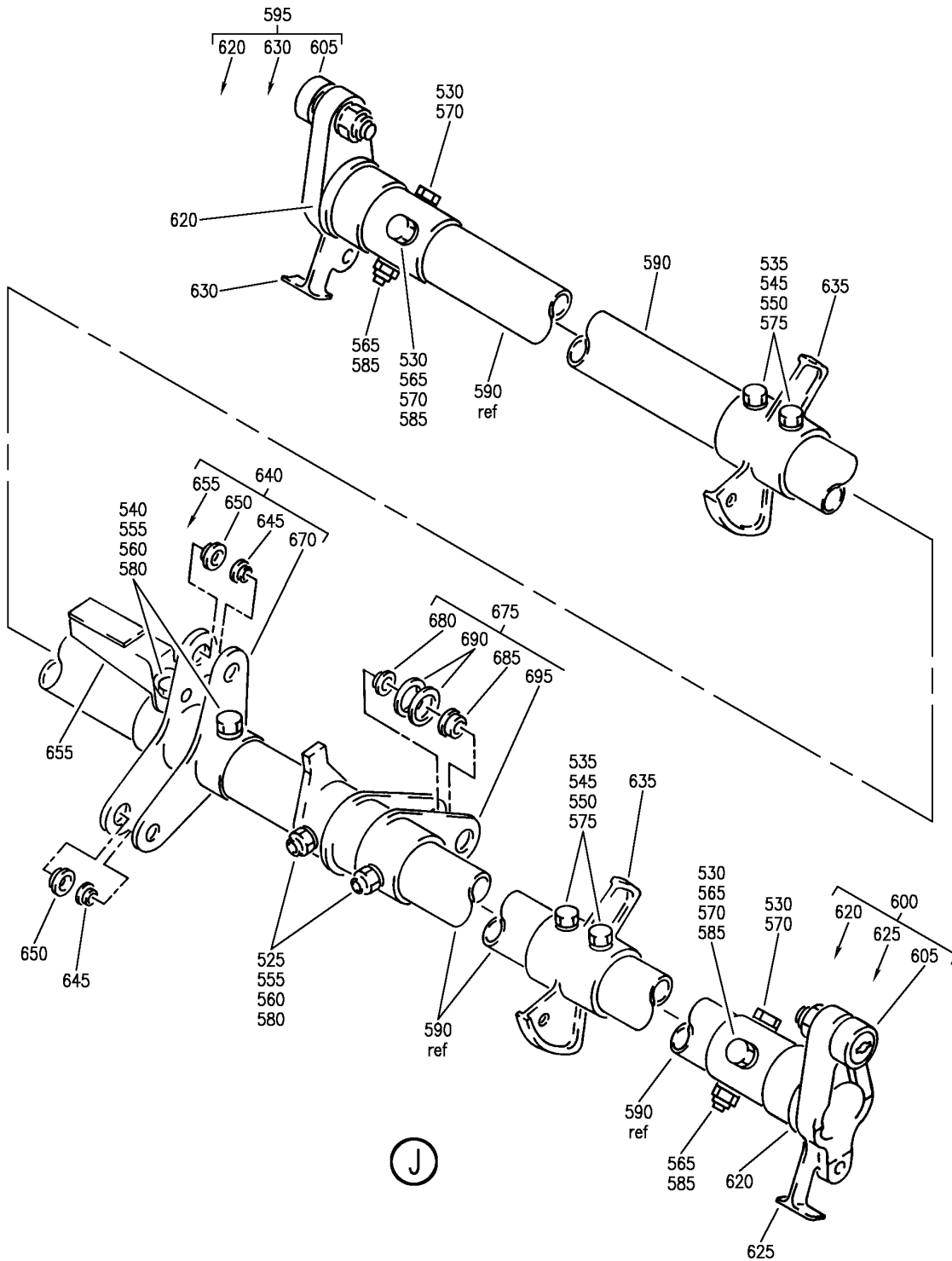
MECHANISM INSTL-AFT CARGO DOOR LIFT/LATCH
FIGURE 4 (SHEET 5)

52-35-00-04

HXL
APR 22/07

52-35-00-04
PAGE 0D


BOEING
 767
PARTS CATALOG (MAINTENANCE)



V 52350004 SHT 6 REV 315

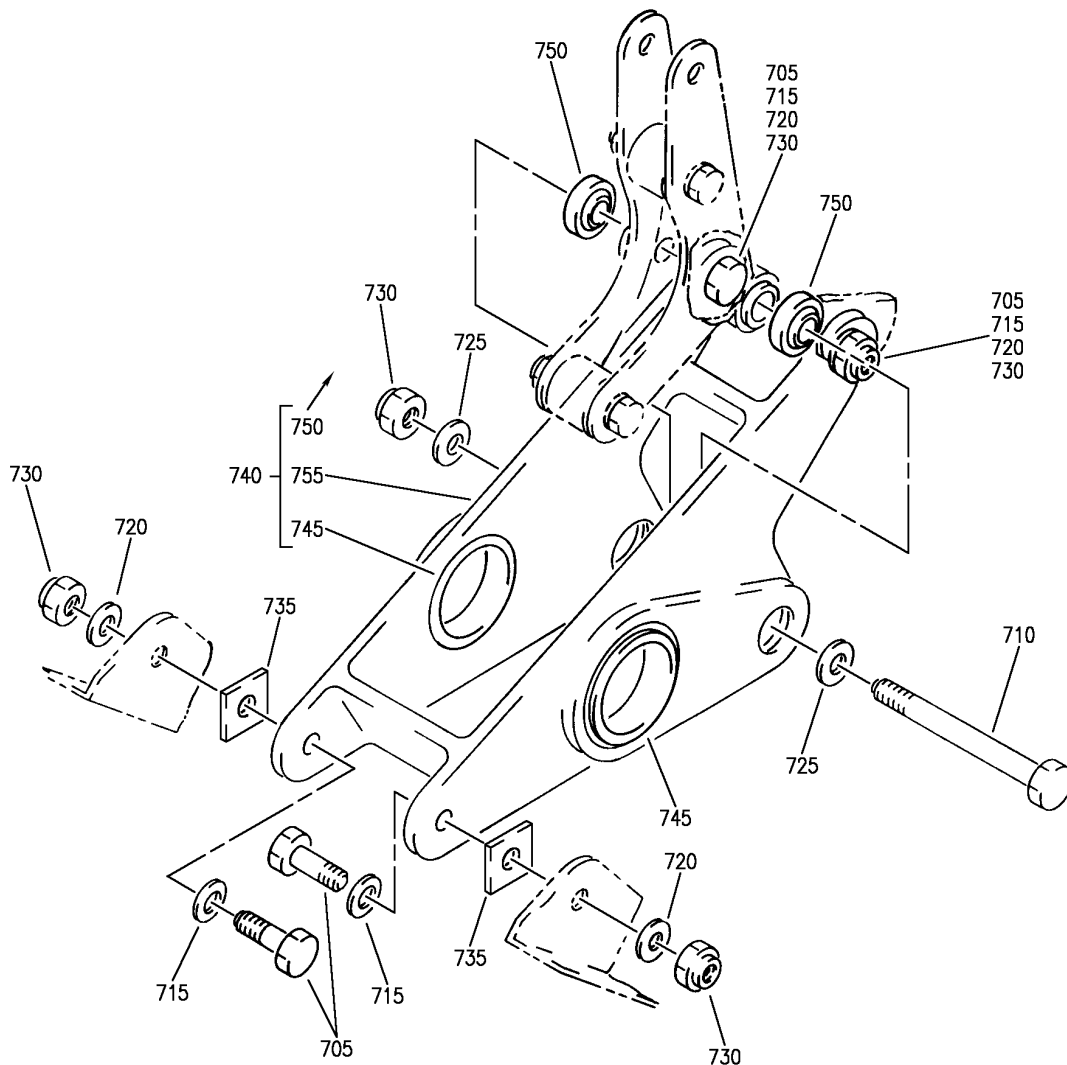
MECHANISM INSTL-AFT CARGO DOOR LIFT/LATCH
FIGURE 4 (SHEET 6)

52-35-00-04

HXL
APR 22/07

52-35-00-04
PAGE 0E

BOEING
767
PARTS CATALOG (MAINTENANCE)



(K)

V 52350004 SHT 7 REV 315

MECHANISM INSTL-AFT CARGO DOOR LIFT/LATCH
FIGURE 4 (SHEET 7)

52-35-00-04

HXL
APR 22/07

52-35-00-04
PAGE OF



767

PARTS CATALOG (MAINTENANCE)

FIG ITEM	PART NUMBER	1 2 3 4 5 6 7	NOMENCLATURE	EFFECT FROM TO	UNITS PER ASSY
4			MECHANISM INSTL-AFT CARGO DOOR LIFT/LATCH		
- 1	140T2900-6		MECHANISM INSTL-CARGO DOOR LIFT/LATCH POSITION DATA: AFT FOR NHA SEE: 52-35-00-03		RF
5	BACB30LT4-20		.BOLT		1
10	AN960PD416L		.WASHER		1
15	AN960C416		.WASHER		1
20	BRH10A4		.NUT		1
			SUPPLIER CODE: V52828 SPECIFICATION NUMBER: BACN10JC4 OPTIONAL PART: T6S428J V11815 96-048 V80539 VN303A048 V92215 RMLH9075-4W V72962 NS202101-048 V80539 H10-4BAC V15653		
25	BACB28AK04-034		.BUSHING		1
30	140T2917-4		.TUBE ASSY-LOCKOUT TORQUE OPTIONAL PART: 140T2917-6		1
30	140T2917-6		.TUBE ASSY-LOCKOUT TORQUE OPTIONAL PART: 140T2917-4		1
30	140T2917-6		.TUBE ASSY-LOCKOUT TORQUE OPTIONAL PART: 140T2917-4		1
35	140T2913-4		..CAM- USED ON: 140T2917-4		1
35	140T2992-2		..CAM- USED ON: 140T2917-6		1
			ATTACHING PARTS		
- 40	BACB30LT3-25		..BOLT		2
- 45	AN960PD10L		..WASHER		2
- 50	AN960PD10		..WASHER		2
ILLUSTRATION ITEMS NOT ON PARTS LIST ARE NOT APPLICABLE					

- ITEM NOT ILLUSTRATED

52-35-00-04

52-35-00
FIG. 04
PAGE 1
APR 22/07

HXL

BOEING
767
PARTS CATALOG (MAINTENANCE)

FIG ITEM	PART NUMBER	1 2 3 4 5 6 7	NOMENCLATURE	EFFECT FROM TO	UNITS PER ASSY
4					
- 55	BRH10A3		.. NUT SUPPLIER CODE: V52828 SPECIFICATION NUMBER: BACN10JC3 OPTIONAL PART: H10-3BAC V15653 NS202101-02 V80539 RMLH9075-3W V72962 VN303A02 V92215 96-02 V80539 T6S1032J V11815 -----*-----		2
60	140T2657-1		.. SLEEVE-BRG ATTACHING PARTS		1
- 65	NAS623-3-4		.. SCREW		1
- 70	AN960PD10L		.. WASHER- POSITION DATA: UNDER HEAD		1
- 75	AN960PD10		.. WASHER		1
- 80	BRH10A3		.. NUT SUPPLIER CODE: V52828 SPECIFICATION NUMBER: BACN10JC3 OPTIONAL PART: H10-3BAC V15653 NS202101-02 V80539 RMLH9075-3W V72962 VN303A02 V92215 96-02 V80539 T6S1032J V11815 -----*-----		1
85	140T2919-3		.. CAM ATTACHING PARTS		1
- 90	BACB30LT3-25		.. BOLT		2
- 95	AN960PD10L		.. WASHER		2
ILLUSTRATION ITEMS NOT ON PARTS LIST ARE NOT APPLICABLE					

- ITEM NOT ILLUSTRATED

HXL

52-35-00-04

BOEING PROPRIETARY - Copyright © - Unpublished Work - See title page for details.

52-35-00
FIG. 04
PAGE 2
APR 22/07



767

PARTS CATALOG (MAINTENANCE)

FIG ITEM	PART NUMBER	1 2 3 4 5 6 7	NOMENCLATURE	EFFECT FROM TO	UNITS PER ASSY
4					
- 100	AN960PD10	..	WASHER		2
- 105	BACN10JC	..	NUT-		2
			-----*-----		
110	140T2911-1	..	CRANK ASSY		1
			ATTACHING PARTS		
- 115	BACB30NR4K25	..	BOLT		2
- 120	AN960PD416L	..	WASHER		2
- 125	AN960PD416	..	WASHER		2
- 130	BRH10A4	..	NUT		2
			SUPPLIER CODE:		
			V52828		
			SPECIFICATION NUMBER:		
			BACN10JC4		
			OPTIONAL PART:		
			T6S428J		
			V11815		
			96-048		
			V80539		
			VN303A048		
			V92215		
			RMLH9075-4W		
			V72962		
			NS202101-048		
			V80539		
			H10-4BAC		
			V15653		
			-----*-----		
135	BACB28X4C020	...	BUSHING		1
140	BACB28X6M020	...	BUSHING		1
145	140T2911-2	...	CRANK		1
150	140T2912-2	..	TUBE		1
155	BACB30LT4-18	.	BOLT		1
160	AN960PD416L	.	WASHER		1
165	AN960C416	.	WASHER		1

ILLUSTRATION ITEMS NOT ON PARTS LIST ARE NOT APPLICABLE

- ITEM NOT ILLUSTRATED

HXL

52-35-00-04

BOEING PROPRIETARY - Copyright © - Unpublished Work - See title page for details.

52-35-00
FIG. 04
PAGE 3
AUG 22/09

 **BOEING**
767
PARTS CATALOG (MAINTENANCE)

FIG ITEM	PART NUMBER	1 2 3 4 5 6 7	NOMENCLATURE	EFFECT FROM TO	UNITS PER ASSY
4 170	BRH10A4	.NUT	SUPPLIER CODE: V52828 SPECIFICATION NUMBER: BACN10JC4 OPTIONAL PART: T6S428J V11815 96-048 V80539 VN303A048 V92215 RMLH9075-4W V72962 NS202101-048 V80539 H10-4BAC V15653		1
175	BACB28AK04-027	.BUSHING			1
180	140T2910-3	.ROD ASSY-LOCKOUT CONT			1
185	NAS1423-6	..NUT			1
190	SM4-6N4	..BEARING-ROLLER	SUPPLIER CODE: V77896 OPTIONAL PART: SM4-6N V77896		1
190	SM4-6N	..BEARING-ROLLER	SUPPLIER CODE: V77896 OPTIONAL PART: SM4-6N4 V77896		1
195	140T2924-12	..TUBE ASSY-SWAGED			1
200	141T6171-12	...INSERT-PUSH ROD			1
205	140T2924-9	...BEARING			1
210	140T2924-6	...TUBE			1
215	BACB30NR4K16	.BOLT			2
220	BACB30NR4K19	.BOLT			2
225	AN960PD416L	.WASHER			4
230	AN960C416	.WASHER			4

ILLUSTRATION ITEMS NOT ON PARTS LIST ARE NOT APPLICABLE

— ITEM NOT ILLUSTRATED

HXL

52-35-00-04

BOEING PROPRIETARY - Copyright © - Unpublished Work - See title page for details.

52-35-00
FIG. 04
PAGE 4
APR 22/07



767

PARTS CATALOG (MAINTENANCE)

FIG ITEM	PART NUMBER	1 2 3 4 5 6 7	NOMENCLATURE	EFFECT FROM TO	UNITS PER ASSY
4 235	BRH10A4	.NUT	SUPPLIER CODE: V52828 SPECIFICATION NUMBER: BACN10JC4 OPTIONAL PART: T6S428J V11815 96-048 V80539 VN303A048 V92215 RMLH9075-4W V72962 NS202101-048 V80539 H10-4BAC V15653		4
240	BACB28AK04-023	.BUSHING			2
245	BACB28AK04-042	.BUSHING			2
250	140T2934-2	.ROD ASSY-VENT DOOR PUSH			2
255	MS20515-4M16	..RIVET			2
260	SPH4-10B4	..BEARING-	SUPPLIER CODE: V77896		1
265	140T2933-1	..SUPPORT-LWR			1
270	140T2974-1	..SPRING			1
275	140T2972-2	..SUPPORT			1
280	140T2973-1	..RETAINER-SPR			1
285	MS16562-223	..PIN			1
290	140T2976-1	..KEEPER			1
295	NAS1423-8	..NUT			1
300	NAS513-8	..WASHER			1
305	140T2924-2	..TUBE ASSY-SWAGED			1
310	141T6171-5	...INSERT-PUSH ROD			1
315	140T2924-8	...BEARING			1
320	140T2924-5	...TUBE			1
325	BACB30NR4K19	.BOLT			1
330	BACB30NR4K18	.BOLT			1
335	AN960PD416L	.WASHER			2
340	AN960C416	.WASHER			2

ILLUSTRATION ITEMS NOT ON PARTS LIST ARE NOT APPLICABLE

- ITEM NOT ILLUSTRATED

52-35-00-04

52-35-00
FIG. 04
PAGE 5
APR 22/07

HXL

BOEING PROPRIETARY - Copyright © - Unpublished Work - See title page for details.



767

PARTS CATALOG (MAINTENANCE)

FIG ITEM	PART NUMBER	1 2 3 4 5 6 7	NOMENCLATURE	EFFECT FROM TO	UNITS PER ASSY
4 345	BRH10A4	.NUT	SUPPLIER CODE: V52828 SPECIFICATION NUMBER: BACN10JC4 OPTIONAL PART: T6S428J V11815 96-048 V80539 VN303A048 V92215 RMLH9075-4W V72962 NS202101-048 V80539 H10-4BAC V15653		2
350	BACB28AK04-027	.BUSHING			2
355	140T2941-1	.BUNGEE ASSY-	COMPONENT MAINT MANUAL REF: 52-34-05 OPTIONAL PART: 140T2941-2		1
355	140T2941-2	.BUNGEE ASSY-	COMPONENT MAINT MANUAL REF: 52-34-05 OPTIONAL PART: 140T2941-1		1
360	NAS509-5	..NUT			3

ILLUSTRATION ITEMS NOT ON PARTS LIST ARE NOT APPLICABLE

- ITEM NOT ILLUSTRATED

HXL

52-35-00-04

BOEING PROPRIETARY - Copyright © - Unpublished Work - See title page for details.

52-35-00
FIG. 04
PAGE 6
APR 22/07

 **BOEING**
767
PARTS CATALOG (MAINTENANCE)

FIG ITEM	PART NUMBER	1 2 3 4 5 6 7	NOMENCLATURE	EFFECT FROM TO	UNITS PER ASSY
4 365	REP4F5FS428		.. BEARING SUPPLIER CODE: V73134 SPECIFICATION NUMBER: BACB10AE4 OPTIONAL PART: REP4F5FS428 V21335 REP4F5-3 V38443 REP4F5E9171 V21335 HHRE4F5-1 V38443 ABR4F6G VS0350 ABR4F112 VS0352 REB4F5-12 V92563 DBF4-5A1-501 V73134 DBF4-5A1-501 V77896 ABR3F6B V15860 REP4F5-6J V73134		1
370	140T2959-1		.. RETAINER		1
375	140T2944-1		.. SPRING		1
380	MS24665-69		.. PIN		1
385	MS20392-1C23		.. PIN		1
390	AN960PD4		.. WASHER		1
395	140T2943-1		.. ROD-BUNGEE		1
400	140T2978-1		.. SLEEVE-PIN SPRT		1
405	140T2942-1		.. END ASSY- USED ON: 140T2941-1		1
405	140T2997-1		.. END ASSY- USED ON: 140T2941-2		1

ILLUSTRATION ITEMS NOT ON PARTS LIST ARE NOT APPLICABLE

- ITEM NOT ILLUSTRATED

HXL

52-35-00-04

BOEING PROPRIETARY - Copyright © - Unpublished Work - See title page for details.

52-35-00
FIG. 04
PAGE 7
APR 22/09



767

PARTS CATALOG (MAINTENANCE)

FIG ITEM	PART NUMBER	1 2 3 4 5 6 7	NOMENCLATURE	EFFECT FROM TO	UNITS PER ASSY
4					
410	DSP45D610	...	BEARING SUPPLIER CODE: V83086 SPECIFICATION NUMBER: BACB10CA4 OPTIONAL PART: DSP4FS428 V21335 HHDSP4 V38443 DSP4 V38443		1
415	140T2977-1	...	SLEEVE		1
420	140T2942-2	...	ROD- USED ON: 140T2942-1		1
420	140T2997-2	...	ROD- USED ON: 140T2997-2		1
425	BACB30LT4-19	.	BOLT		1
435	BACB30NR4K16	.	BOLT		1
440	AN960C416	.	WASHER		3
445	AN960PD416L	.	WASHER		3
450	BRH10A4	.	NUT SUPPLIER CODE: V52828 SPECIFICATION NUMBER: BACN10JC4 OPTIONAL PART: T6S428J V11815 96-048 V80539 VN303A048 V92215 RMLH9075-4W V72962 NS202101-048 V80539 H10-4BAC V15653		3
455	BACB28AK04-027	.	BUSHING		1
460	BACB28AK04-036	.	BUSHING		1
465	BACB28AK04-127	.	BUSHING		1
470	140T2904-3	.	CRANK ASSY-ACTR		1

ILLUSTRATION ITEMS NOT ON PARTS LIST ARE NOT APPLICABLE

- ITEM NOT ILLUSTRATED

52-35-00-04

52-35-00
FIG. 04
PAGE 8
APR 22/07

HXL

BOEING PROPRIETARY - Copyright © - Unpublished Work - See title page for details.



767

PARTS CATALOG (MAINTENANCE)

FIG ITEM	PART NUMBER	1 2 3 4 5 6 7	NOMENCLATURE	EFFECT FROM TO	UNITS PER ASSY
4 475	KP6AFS428		.. BEARING SUPPLIER CODE: V06144 SPECIFICATION NUMBER: BACB10BX6 OPTIONAL PART: KP6AFS428 V21335 KP6A2TS V43991 LLKP6A V38443 KP6AG27 V30163 KP6A V38443 KP6BLY196 V40920 KP6BSD610 V83086 CS206E VK8455 KP6A V21760 KP6ANJC V06144		2
480	BACB28X4C023		.. BUSHING		1
485	BACB28X5C027		.. BUSHING		1
490	BACB28X6M023		.. BUSHING		1
495	BACB28X7M027		.. BUSHING		1
505	140T2905-1		. LINK ASSY-DRIVE		1
510	ASR4-30		.. BEARING SUPPLIER CODE: VS0352 SPECIFICATION NUMBER: BACB10CK4 OPTIONAL PART: SA4-16A4 V77896 SA4-16A55 V77896		2
515	140T2905-2		.. LINK		1
520	140T2918-11		. TUBE ASSY-TORQUE OPTIONAL PART: 140T2918-12		1
520	140T2918-12		. TUBE ASSY-TORQUE OPTIONAL PART: 140T2918-11		1
525	BACB30LT4-27		.. BOLT		2

ILLUSTRATION ITEMS NOT ON PARTS LIST ARE NOT APPLICABLE

- ITEM NOT ILLUSTRATED

52-35-00-04

52-35-00
 FIG. 04
 PAGE 9
 APR 22/09

HXL

BOEING PROPRIETARY - Copyright © - Unpublished Work - See title page for details.



767

PARTS CATALOG (MAINTENANCE)

FIG ITEM	PART NUMBER	1 2 3 4 5 6 7	NOMENCLATURE	EFFECT FROM TO	UNITS PER ASSY
4					
530	BACB30LT5-24	..	BOLT		4
535	BACB30NM3K25	..	BOLT		4
540	BACB30NR4K25	..	BOLT		2
545	AN960PD10	..	WASHER		4
550	AN960PD10L	..	WASHER		4
555	AN960PD416	..	WASHER		4
560	AN960PD416L	..	WASHER		4
565	AN960PD516	..	WASHER		4
570	AN960PD516L	..	WASHER		4
580	BRH10A4	..	NUT		4
			SUPPLIER CODE: V52828		
			SPECIFICATION NUMBER: BACN10JC4		
			OPTIONAL PART: T6S428J		
			V11815		
			96-048		
			V80539		
			VN303A048		
			V92215		
			RMLH9075-4W		
			V72962		
			NS202101-048		
			V80539		
			H10-4BAC		
			V15653		
585	BRH10A5	..	NUT		4
			SUPPLIER CODE: V52828		
			SPECIFICATION NUMBER: BACN10JC5		
			OPTIONAL PART: T6S524J		
			V11815		
			96-054		
			V80539		
			RMLH9075-5W		
			V72962		
			H10-5BAC		
			V15653		
590	140T2901-2	..	TUBE		1

ILLUSTRATION ITEMS NOT ON PARTS LIST ARE NOT APPLICABLE

- ITEM NOT ILLUSTRATED

HXL

52-35-00-04

BOEING PROPRIETARY - Copyright © - Unpublished Work - See title page for details.

52-35-00
FIG. 04
PAGE 10
APR 22/09



767

PARTS CATALOG (MAINTENANCE)

FIG ITEM	PART NUMBER	1 2 3 4 5 6 7	NOMENCLATURE	EFFECT FROM TO	UNITS PER ASSY
4					
595	140T2903-19	..	CRANK ASSY-LATCH OPTIONAL PART: 140T2903-17 USED ON: 140T2918-7 140T2918-9 140T2918-11 140T2918-12		1
595	140T2903-17	..	CRANK ASSY-LATCH OPTIONAL PART: 140T2903-19 USED ON: 140T2918-7 140T2918-9 140T2918-11 140T2918-12		1
600	140T2903-20	..	CRANK ASSY-LATCH OPTIONAL PART: 140T2903-18 USED ON: 140T2918-7 140T2918-9 140T2918-11 140T2918-12		1
600	140T2903-18	..	CRANK ASSY-LATCH OPTIONAL PART: 140T2903-20 USED ON: 140T2918-7 140T2918-9 140T2918-11 140T2918-12		1
600	140T2903-16	..	CRANK ASSY-LATCH USED ON: 140T2918-10		1
605	HRS5CFR11	...	FOLLOWER-CAM SUPPLIER CODE: V07484 SPECIFICATION NUMBER: BACB10AF7F11HS OPTIONAL PART: HRS5CFR11 V92563 HRS5CFR11 V60380		1
- 610	AN960C716L	...	ATTACHING PARTS WASHER		AR

ILLUSTRATION ITEMS NOT ON PARTS LIST ARE NOT APPLICABLE

- ITEM NOT ILLUSTRATED

52-35-00-04

52-35-00
FIG. 04
PAGE 11
APR 22/09

HXL

BOEING PROPRIETARY - Copyright © - Unpublished Work - See title page for details.

 **BOEING**
767
PARTS CATALOG (MAINTENANCE)

FIG ITEM	PART NUMBER	1 2 3 4 5 6 7	NOMENCLATURE	EFFECT FROM TO	UNITS PER ASSY
4 - 615	BRH10A7		...NUT SUPPLIER CODE: V52828 SPECIFICATION NUMBER: BACN10JC7 OPTIONAL PART: H10-7BAC V15653 RMLH9075-7 V72962 96-070 V80539 -----*-----		1
620	140T2964-1		...SPACER-LATCH CRANK		1
625	140T2903-13		...CRANK- MISCELLANEOUS DATA: (MATCHED SET) (ORDER NHA 140T2903) USED ON: 140T2903-17		1
625	140T2903-21		...CRANK- MISCELLANEOUS DATA: (MATCHED SET) (ORDER NHA 140T2903) USED ON: 140T2903-19		1
630	140T2903-10		...CRANK- MISCELLANEOUS DATA: (MATCHED SET) (ORDER NHA 140T2903) USED ON: 140T2903-16		1
630	140T2903-14		...CRANK- MISCELLANEOUS DATA: (MATCHED SET) (ORDER NHA 140T2903) USED ON: 140T2903-18		1
630	140T2903-22		...CRANK- MISCELLANEOUS DATA: (MATCHED SET) (ORDER NHA 140T2903) USED ON: 140T2903-20		1
635	140T2996-1		..CAM- USED ON: 140T2918-7 140T2918-12		2

ILLUSTRATION ITEMS NOT ON PARTS LIST ARE NOT APPLICABLE

- ITEM NOT ILLUSTRATED

HXL

52-35-00-04

BOEING PROPRIETARY - Copyright © - Unpublished Work - See title page for details.

52-35-00
FIG. 04
PAGE 12
APR 22/07

 **BOEING**
767
PARTS CATALOG (MAINTENANCE)

FIG ITEM	PART NUMBER	1 2 3 4 5 6 7	NOMENCLATURE	EFFECT FROM TO	UNITS PER ASSY
4					
635	140T2930-2	..	CAM- USED ON: 140T2918-9 140T2918-10 140T2918-11		2
640	140T2940-3	..	CRANK ASSY-BUNGEE USED ON: 140T2918-11		1
640	140T2994-4	..	CRANK ASSY-BUNGEE USED ON: 140T2918-12		1
645	BACB28X4C014	...	BUSHING		2
650	BACB28X6M014	...	BUSHING		2
655	284T0471-2	...	TARGET ASSY- USED ON: 140T2994-4 140T2940-3		1
- 660	L8005K4	...	ATTACHING PARTS BOLT SUPPLIER CODE: V06725 SPECIFICATION NUMBER: BACB30MY5K4		2
- 665	HL70-5	...	COLLAR SUPPLIER CODE: V5M902 SPECIFICATION NUMBER: BACC30M5 OPTIONAL PART: HL70-5 V73197 HL70-5 V92215 66014-5 V56878 HL70-5 V56878 -----*-----		2
670	140T2994-2	...	CRANK- USED ON: 140T2994-4 140T2994-1		1
670	140T2940-2	...	CRANK- USED ON: 140T2940-3 140T2940-1		1

ILLUSTRATION ITEMS NOT ON PARTS LIST ARE NOT APPLICABLE

- ITEM NOT ILLUSTRATED

HXL

52-35-00-04

BOEING PROPRIETARY - Copyright © - Unpublished Work - See title page for details.

52-35-00
FIG. 04
PAGE 13
APR 22/08

BOEING
767
PARTS CATALOG (MAINTENANCE)

FIG ITEM	PART NUMBER	1 2 3 4 5 6 7	NOMENCLATURE	EFFECT FROM TO	UNITS PER ASSY
4					
675	140T2998-1	..	CRANK ASSY-DRIVE USED ON: 140T2918-12 140T2918-7		1
675	140T2906-3	..	CRANK ASSY-DRIVE USED ON: 140T2918-9 140T2918-10 140T2918-11		1
680	BACB28X4C014	...	BUSHING		1
685	BACB28X6M014	...	BUSHING		1
690	66-18992-1	...	WASHER- MANUFACTURED FROM: TEFLON SH AMS3651 MATL QTY: 0.01, MATL UOM: SF MATL DIMENSIONS: 0.062 IN 1.2 IN 1.2 IN (5150628250)		2
695	140T2998-2	...	CRANK- USED ON: 140T2998-1		1
695	140T2906-4	...	CRANK- USED ON: 140T2906-3		1
705	BACB30NR4K6	.	BOLT		8
710	BACB30NR4K44	.	BOLT		2
715	AN960PD416L	.	WASHER		8
720	AN960PD416	.	WASHER		8
725	AN960C416	.	WASHER		4
730	BRH10A4	.	NUT		10
			SUPPLIER CODE: V52828 SPECIFICATION NUMBER: BACN10JC4 OPTIONAL PART: T6S428J V11815 96-048 V80539 VN303A048 V92215 RMLH9075-4W V72962 NS202101-048 V80539 H10-4BAC V15653		
735	BACS40R09C10F	.	SHIM		8
740	140T2936-1	.	FITTING ASSY-SPRT		2
ILLUSTRATION ITEMS NOT ON PARTS LIST ARE NOT APPLICABLE					

R
R
R
R
R
R
R

- ITEM NOT ILLUSTRATED

52-35-00-04

52-35-00
FIG. 04
PAGE 14
AUG 22/09

HXL



767

PARTS CATALOG (MAINTENANCE)

FIG ITEM	PART NUMBER	1 2 3 4 5 6 7 NOMENCLATURE	EFFECT FROM TO	UNITS PER ASSY
4 745	MB542DDFS428	.. BEARING SUPPLIER CODE: V06144 SPECIFICATION NUMBER: BACB10AS21 OPTIONAL PART: LLMB542 V38443 MB542-2TS V43991 MB542DDFS428 V21335 MB542TT V43991 MB542DDG20 V38443 MT342E VK8455 MB542DDL196 V40920 MB542DD V06144 MB542DDNJC V06144 MB542DDSD610 V83086		2

ILLUSTRATION ITEMS NOT ON PARTS LIST ARE NOT APPLICABLE

- ITEM NOT ILLUSTRATED

HXL

52-35-00-04

BOEING PROPRIETARY - Copyright © - Unpublished Work - See title page for details.

52-35-00
 FIG. 04
 PAGE 15
 APR 22/09



767

PARTS CATALOG (MAINTENANCE)

FIG ITEM	PART NUMBER	1 2 3 4 5 6 7	NOMENCLATURE	EFFECT FROM TO	UNITS PER ASSY
4 750	KP4AFS428		.. BEARING SUPPLIER CODE: V06144 SPECIFICATION NUMBER: BACB10BX4 OPTIONAL PART: KP4AFS428 V21335 KP4A2TS V43991 LLKP4A V38443 KP4AG27 V30163 KP4A V38443 KP4ALY196 V40920 KP4ASD610 V83086 CS204E VK8455 KP4A V21760 KP4ANJC V06144		2
755	140T2936-2		.. FITTING		1
760	140T2975-1		. CRANK ASSY-VENT DOOR OPTIONAL PART: 140T2975-2		2
760	140T2975-2		. CRANK ASSY-VENT DOOR OPTIONAL PART: 140T2975-1		2
765	BACB30NR4K16		.. BOLT		2
770	AN960PD416L		.. WASHER		4
775	AN960C416		.. WASHER		2

ILLUSTRATION ITEMS NOT ON PARTS LIST ARE NOT APPLICABLE

- ITEM NOT ILLUSTRATED

52-35-00-04

52-35-00
FIG. 04
PAGE 16
DEC 22/08

HXL

 **BOEING**
767
PARTS CATALOG (MAINTENANCE)

FIG ITEM	PART NUMBER	1 2 3 4 5 6 7	NOMENCLATURE	EFFECT FROM TO	UNITS PER ASSY
4 780	BRH10A4	..	NUT SUPPLIER CODE: V52828 SPECIFICATION NUMBER: BACN10JC4 OPTIONAL PART: T6S428J V11815 96-048 V80539 VN303A048 V92215 RMLH9075-4W V72962 NS202101-048 V80539 H10-4BAC V15653		2
785	BACB28AK04-023	..	BUSHING		2
790	YCRS12CP	..	BEARING- SUPPLIER CODE: V60380 OPTIONAL PART: CYR34SCP V82364		2
790	CYR34SCP	..	BEARING- SUPPLIER CODE: V82634 OPTIONAL PART: YCRS12CP V60380		2
795	140T2931-1	..	CRANK ASSY- USED ON: 140T2975-1		1
795	140T2993-1	..	CRANK ASSY- USED ON: 140T2975-2		1
800	BACB28X4C010	...	BUSHING		3
805	BACB28X4C025	...	BUSHING		2
810	BACB28X6M010	...	BUSHING		3
815	140T2931-2	...	CRANK- USED ON: 140T2931-1		1
815	140T2993-2	...	CRANK- USED ON: 140T2993-1		1

ILLUSTRATION ITEMS NOT ON PARTS LIST ARE NOT APPLICABLE

— ITEM NOT ILLUSTRATED

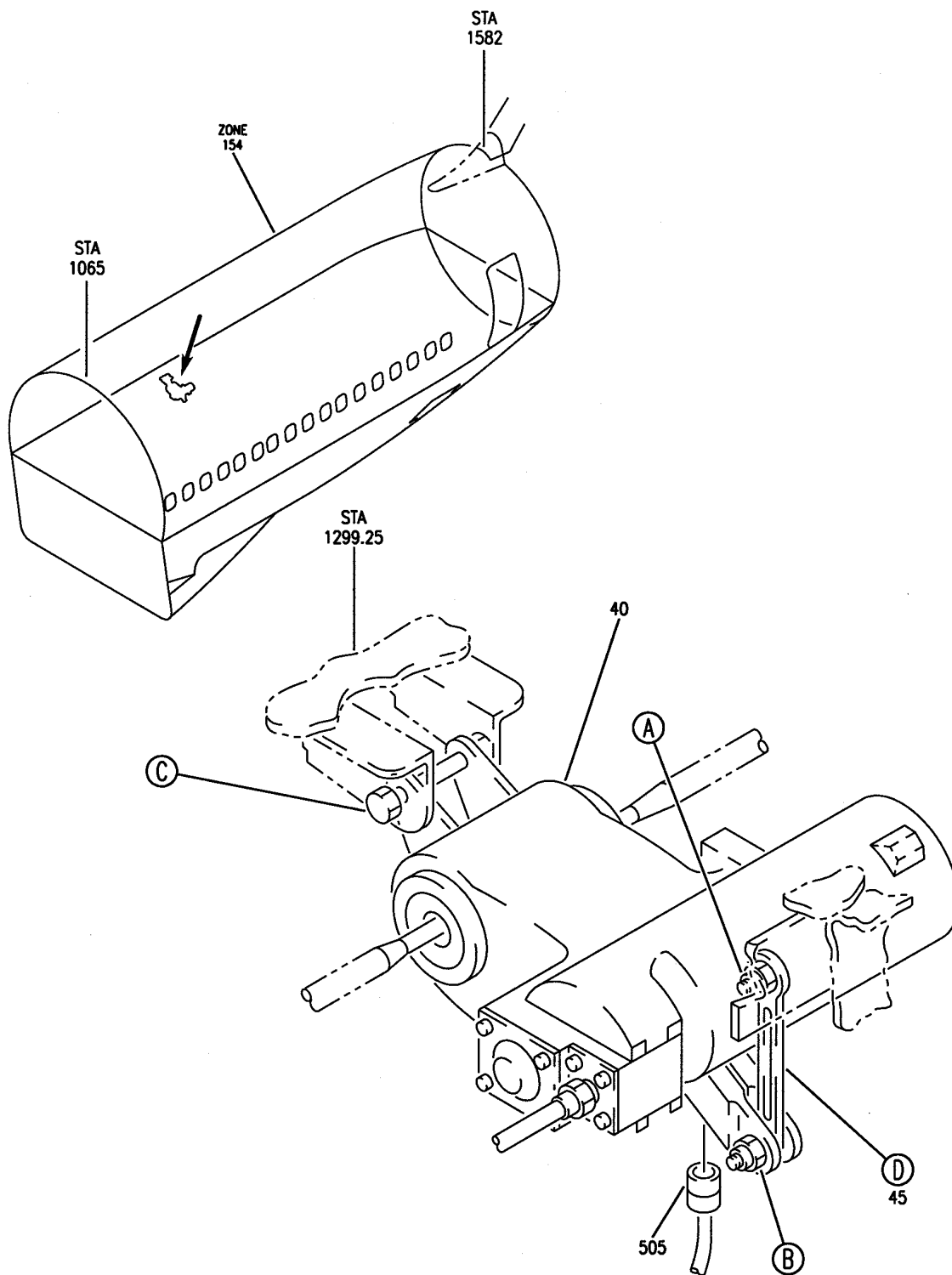
HXL

52-35-00-04

BOEING PROPRIETARY - Copyright © - Unpublished Work - See title page for details.

52-35-00
FIG. 04
PAGE 17
DEC 22/08

BOEING
767
PARTS CATALOG (MAINTENANCE)



V 52.350202 SHT 1 REV 227

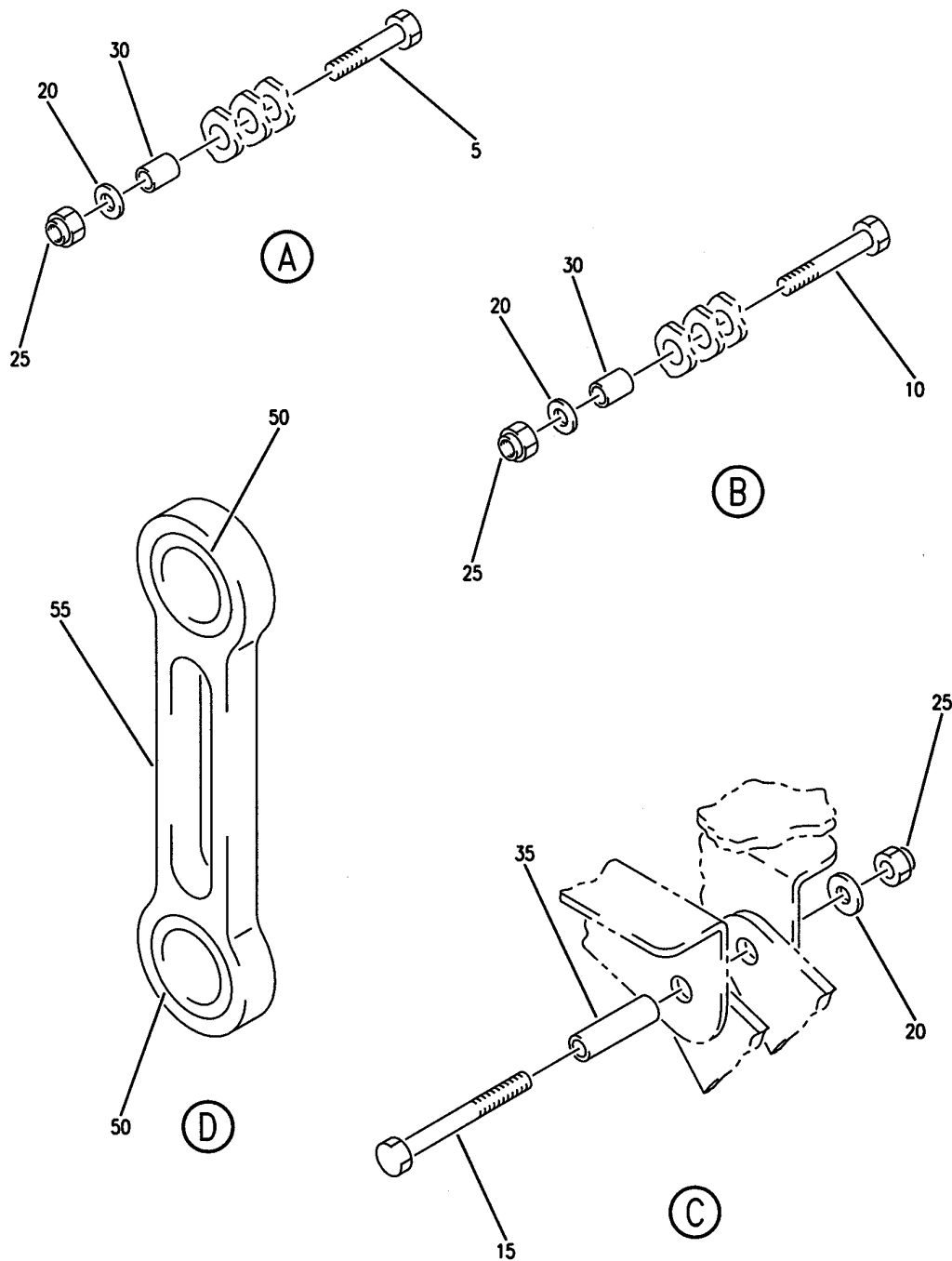
MECHANISM INSTL-AFT CARGO (STANDARD AFT CARGO DOOR HINGE POWER UNIT ONLY)
FIGURE 2 (SHEET 1)

52-35-02-02

HXL
DEC 22/06

52-35-02-02
PAGE 0

BOEING
767
PARTS CATALOG (MAINTENANCE)



V 52350202 SHT 2 REV 227

MECHANISM INSTL-AFT CARGO (STANDARD AFT CARGO DOOR HINGE POWER UNIT ONLY)
FIGURE 2 (SHEET 2)

52-35-02-02

HXL
DEC 22/06

52-35-02-02
PAGE 0A



767

PARTS CATALOG (MAINTENANCE)

FIG ITEM	PART NUMBER	1 2 3 4 5 6 7	NOMENCLATURE	EFFECT FROM TO	UNITS PER ASSY
2			MECHANISM INSTL-AFT CARGO (STANDARD AFT CARGO DOOR HINGE POWER UNIT ONLY)		
- 1	146T6211-3		MECHANISM INSTL-CARGO DOOR (STANDARD AFT CARGO DOOR HINGE POWER UNIT ONLY)		RF
			POSITION DATA: AFT FOR NHA/ADDITIONAL DET SEE: 52-35-00-01		
5	BACB30NR4K16	.BOLT			1
10	BACB30NR4K18	.BOLT-			1
15	BACB30NR4K53	.BOLT-			1
20	NAS1149D0463J	.WASHER-			3
25	BRH10C4D	.NUT-			3
			SUPPLIER CODE: V52828 SPECIFICATION NUMBER: BACN10JC4CD OPTIONAL PART: T6C428JCD V11815 NS202486-048 V80539 102LH9075-4W V72962 H51650-4BAC V15653		
30	BACB28AK04-040	.BUSHING-			2
35	BACB28AK04-313	.BUSHING-			1
40	732-13650-03	.POWER UNIT-			1
			SUPPLIER CODE: VS4096 SPECIFICATION NUMBER: S140T261-3 ELECTRICAL EQUIP NUMBER: M00631 COMPONENT MAINT MANUAL REF: 52-34-01		

ILLUSTRATION ITEMS NOT ON PARTS LIST ARE NOT APPLICABLE

- ITEM NOT ILLUSTRATED

52-35-02-02

52-35-02
FIG. 02
PAGE 1
DEC 22/06

HXL



767

PARTS CATALOG (MAINTENANCE)

FIG ITEM	PART NUMBER	1 2 3 4 5 6 7	NOMENCLATURE	EFFECT FROM TO	UNITS PER ASSY
2	40 732-13650-09		.POWER UNIT- SUPPLIER CODE: VS4096 SPECIFICATION NUMBER: S140T261-9 ELECTRICAL EQUIP NUMBER: M00631 COMPONENT MAINT MANUAL REF: 52-34-04 OPTIONAL PART: 732-13650-11 VS4096		1
	40 732-13650-11		.POWER UNIT- SUPPLIER CODE: VS4096 FUNCTIONAL DESCRIPTION: POWER UNIT DRIVES ACTUATOR TO OPEN CARGO DOOR SPECIFICATION NUMBER: S140T261-11 ELECTRICAL EQUIP NUMBER: M00631 COMPONENT MAINT MANUAL REF: 52-34-06 OPTIONAL PART: 732-13650-14 VS4096 OPTIONAL PART: 732-13650-09 VS4096 POST SERVICE BULLETIN: 732-13650-52-3 VS4096		1

ILLUSTRATION ITEMS NOT ON PARTS LIST ARE NOT APPLICABLE

- ITEM NOT ILLUSTRATED

HXL

52-35-02-02

BOEING PROPRIETARY - Copyright © - Unpublished Work - See title page for details.

52-35-02
FIG. 02
PAGE 2
DEC 22/06



767

PARTS CATALOG (MAINTENANCE)

FIG ITEM	PART NUMBER	1 2 3 4 5 6 7	NOMENCLATURE	EFFECT FROM TO	UNITS PER ASSY
2					
40	732-13650-14		.POWER UNIT- SUPPLIER CODE: VS4096 FUNCTIONAL DESCRIPTION: POWER UNIT DRIVES ACTUATOR TO OPEN CARGO DOOR SPECIFICATION NUMBER: S140T261-11 ELECTRICAL EQUIP NUMBER: M00631 OPTIONAL PART: 732-13650-11 VS4096 OPTIONAL PART: 732-13650-09 VS4096		1
45	140T2971-1		.LINK ASSY		1
50	MS14101-4		..BEARING		2
55	140T2971-2		..LINK		1
- 500	286T0662		WIRE BUNDLE ASSY- POSITION DATA: AFT		RF
505	BACC45FT10A5S		.CONNECTOR- ELECTRICAL EQUIP NUMBER: D01994 D01998 WIRING DIAGRAM REF: 523411 523511		1

ILLUSTRATION ITEMS NOT ON PARTS LIST ARE NOT APPLICABLE

- ITEM NOT ILLUSTRATED

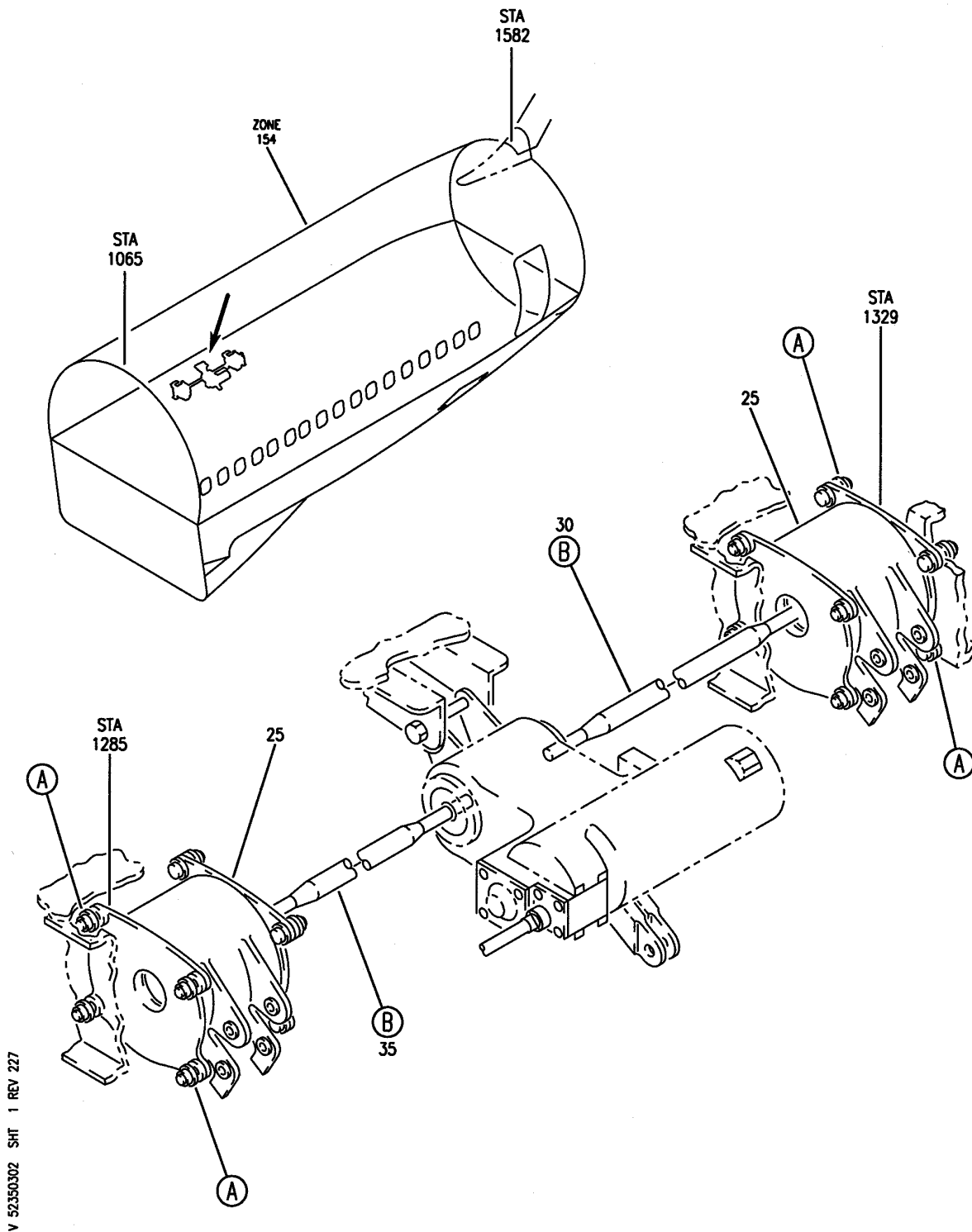
HXL

52-35-02-02

BOEING PROPRIETARY - Copyright © - Unpublished Work - See title page for details.

52-35-02
FIG. 02
PAGE 3
DEC 22/06

BOEING
767
PARTS CATALOG (MAINTENANCE)



V 52350302 SHT 1 REV 227

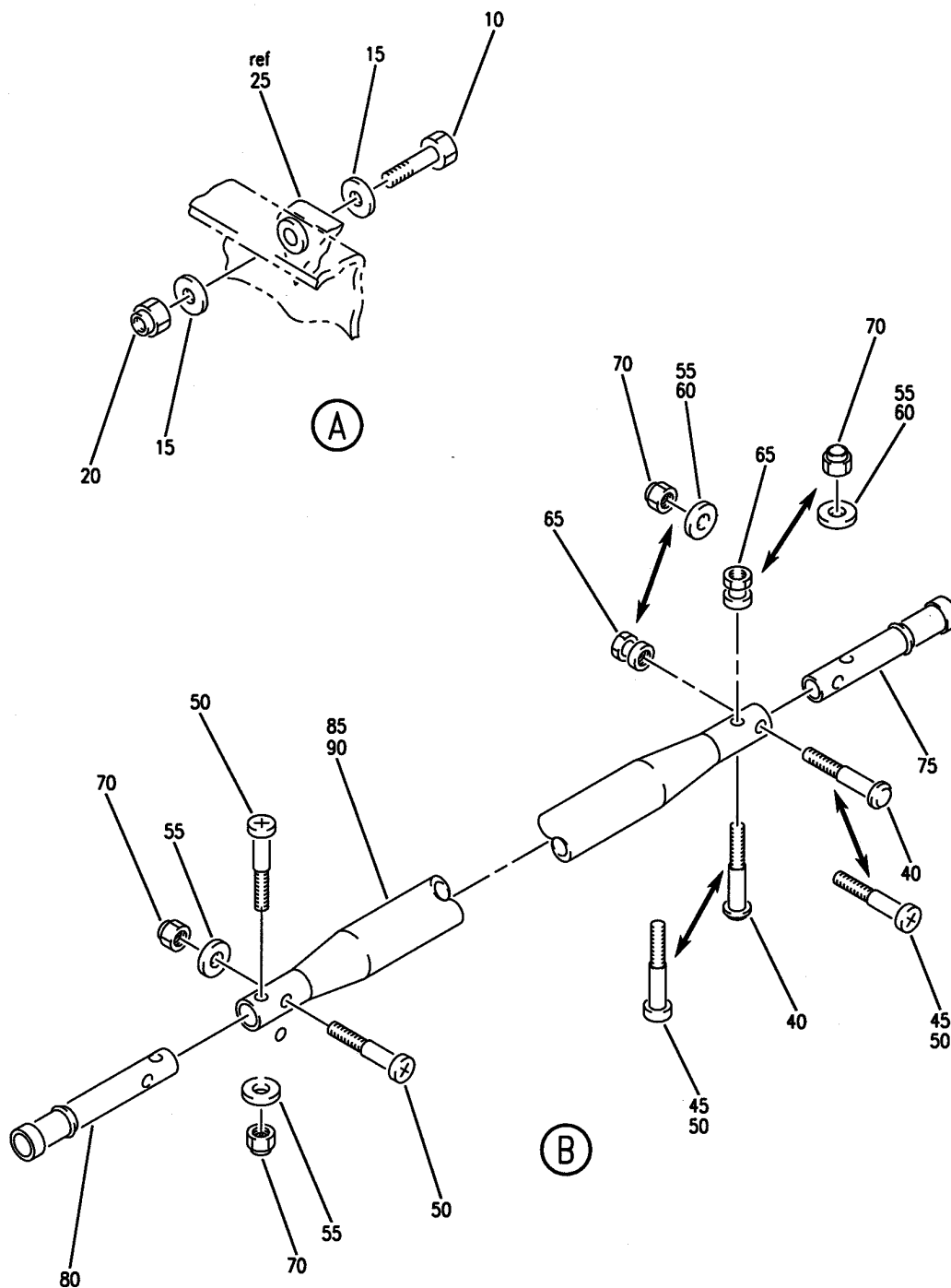
MECHANISM INSTL-AFT CARGO (STANDARD AFT CARGO DOOR ROTARY ACTUATOR ONLY)
FIGURE 2 (SHEET 1)

52-35-03-02

HXL
DEC 22/06

52-35-03-02
PAGE 0

BOEING
767
PARTS CATALOG (MAINTENANCE)



V 52350302 SHT 2 REV 227

MECHANISM INSTL-AFT CARGO (STANDARD AFT CARGO DOOR ROTARY ACTUATOR ONLY)
FIGURE 2 (SHEET 2)

52-35-03-02

HXL
DEC 22/06

52-35-03-02
PAGE 0A



767

PARTS CATALOG (MAINTENANCE)

FIG ITEM	PART NUMBER	1 2 3 4 5 6 7	NOMENCLATURE	EFFECT FROM TO	UNITS PER ASSY
2			MECHANISM INSTL-AFT CARGO (STANDARD AFT CARGO DOOR ROTARY ACTUATOR ONLY)		
- 1	146T6211-3		MECHANISM INSTL-CARGO DOOR (STANDARD AFT CARGO DOOR ROTARY ACTUATOR ONLY)		RF
			POSITION DATA: AFT FOR NHA/ADDITIONAL DET SEE: 52-35-00-01		
10	BACB30NM5K9		.BOLT-		16
15	BACW10BN5AC		.WASHER-		32
20	NAS1805-5L		.NUT-		16
25	2022536-7		.ACTUATOR- SUPPLIER CODE: V70210 SPECIFICATION NUMBER: S140T262-3 COMPONENT MAINT MANUAL REF: 52-34-04 QUALIFIED I/W DATA: 2022536-7 R/B 185450-2 IW=2 IF ACTUATOR IS REPLACED AT BOTH FORWARD AND AFT LOCATION ON THE CARGO DOOR. SHIM AS NEEDED QUALIFIED OPTIONAL DATA: (140T2937-5 TOGETHER WITH S140T262-3 OPT TO 140T2937-9 TOGETHER WITH S140T262-4. 140T2937-6 TOGETHER WITH S140T262-3 OPT TO 140T2937-10 TOGETHER WITH S140T262-4) OPTIONAL PART: 2022536-6 V70210 USED WITH: 140T2937-5 140T2937-6		2
ILLUSTRATION ITEMS NOT ON PARTS LIST ARE NOT APPLICABLE					

- ITEM NOT ILLUSTRATED

52-35-03-02

52-35-03
FIG. 02
PAGE 1
APR 22/07

HXL



767

PARTS CATALOG (MAINTENANCE)

FIG ITEM	PART NUMBER	1 2 3 4 5 6 7 NOMENCLATURE	EFFECT FROM TO	UNITS PER ASSY
2 25	2022536-6	.ACTUATOR- SUPPLIER CODE: V70210 SPECIFICATION NUMBER: S140T262-3 COMPONENT MAINT MANUAL REF: 52-34-04 QUALIFIED I/W DATA: 2022536-6 R/B 185450-2 IF ACTUATOR IS REPLACED AT BOTH FORWARD AND AFT LOCATION ON THE CARGO DOOR. SHIM AS NEEDED QUALIFIED OPTIONAL DATA: (140T2937-5 TOGETHER WITH S140T262-3 OPT TO 140T2937-9 TOGETHER WITH S140T262-4, 140T2937-6 TOGETHER WITH S140T262-3 OPT TO 140T2937-10 TOGETHER WITH S140T262-4) OPTIONAL PART: 2022536-7 V70210 USED WITH: 140T2937-5 140T2937-6		2

ILLUSTRATION ITEMS NOT ON PARTS LIST ARE NOT APPLICABLE

- ITEM NOT ILLUSTRATED

HXL

52-35-03-02

BOEING PROPRIETARY - Copyright © - Unpublished Work - See title page for details.

52-35-03
 FIG. 02
 PAGE 2
 DEC 22/06



767

PARTS CATALOG (MAINTENANCE)

FIG ITEM	PART NUMBER	1 2 3 4 5 6 7	NOMENCLATURE	EFFECT FROM TO	UNITS PER ASSY
2	25 2048150-1		.ACTUATOR- SUPPLIER CODE: V70210 SPECIFICATION NUMBER: S140T262-4 COMPONENT MAINT MANUAL REF: 52-34-06 QUALIFIED I/W DATA: 2048150-1 R/B 185450-2 IW=2 IF ACTUATOR IS REPLACED AT BOTH FORWARD AND AFT LOCATION ON THE CARGO DOOR. SHIM AS NEEDED QUALIFIED OPTIONAL DATA: (140T2937-5 TOGETHER WITH S140T262-3 OPT TO 140T2937-9 TOGETHER WITH S140T262-4, 140T2937-6 TOGETHER WITH S140T262-3 OPT TO 140T2937-10 TOGETHER WITH S140T262-4) USED WITH: 140T2937-9 140T2937-10		2
	30 140T2937-5		.SHAFT ASSY- USED WITH: 2022536-6 2022536-7		1
	30 140T2937-9		.SHAFT ASSY- USED WITH: 2048150-1		1
	35 140T2937-10		.SHAFT ASSY- USED WITH: 2048150-1		1
	50 BACB30NT3K13		..BOLT- USED ON: 140T2937-9 140T2937-10		4
	55 AN960PD10		..WASHER- USED ON: 140T2937-9 140T2937-10		4

ILLUSTRATION ITEMS NOT ON PARTS LIST ARE NOT APPLICABLE

- ITEM NOT ILLUSTRATED

52-35-03-02

52-35-03
FIG. 02
PAGE 3
DEC 22/06

HXL



767

PARTS CATALOG (MAINTENANCE)

FIG ITEM	PART NUMBER	1 2 3 4 5 6 7	NOMENCLATURE	EFFECT FROM TO	UNITS PER ASSY
2	70 BRH10A3		..NUT- SUPPLIER CODE: V52828 SPECIFICATION NUMBER: BACN10JC3 OPTIONAL PART: H10-3BAC V15653 NS202101-02 V80539 RMLH9075-3W V72962 VN303A02 V92215 96-02 V80539 T6S1032J V11815 USED ON: 140T2937-9 140T2937-10		4
	75 140T2953-2		..FITTING- USED ON: 140T2937-9 140T2937-10		1
	80 140T2965-3		..FITTING- USED ON: 140T2937-9 140T2937-10		1
	85 140T2970-6		..TUBE- USED ON: 140T2937-5 140T2937-9		1
	90 140T2970-2		..TUBE- USED ON: 140T2937-6 140T2937-10		1

ILLUSTRATION ITEMS NOT ON PARTS LIST ARE NOT APPLICABLE

- ITEM NOT ILLUSTRATED

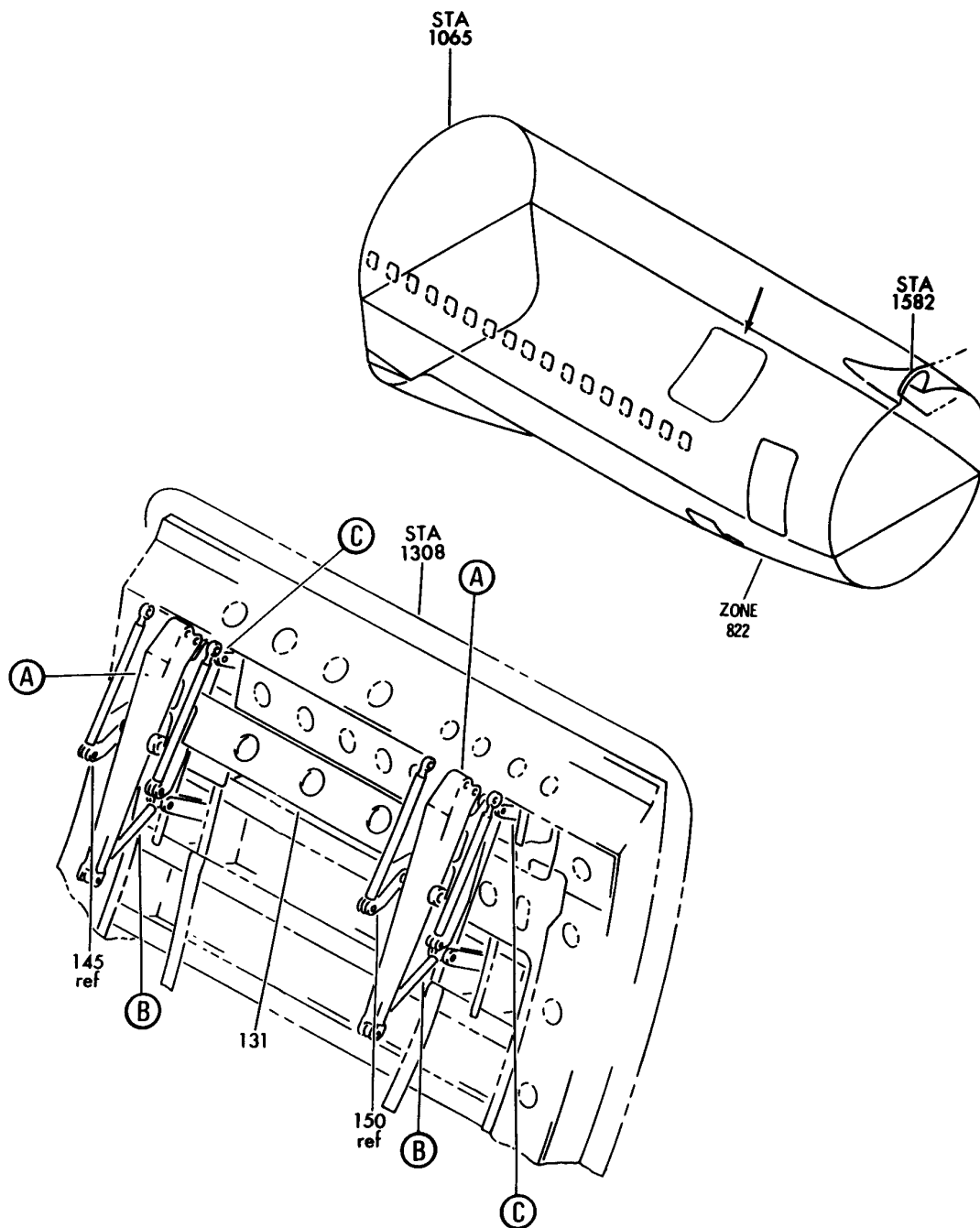
52-35-03-02

52-35-03
 FIG. 02
 PAGE 4
 DEC 22/06

HXL

BOEING PROPRIETARY - Copyright © - Unpublished Work - See title page for details.

BOEING
767
PARTS CATALOG (MAINTENANCE)



V 52350401 SHT 1 REV 131

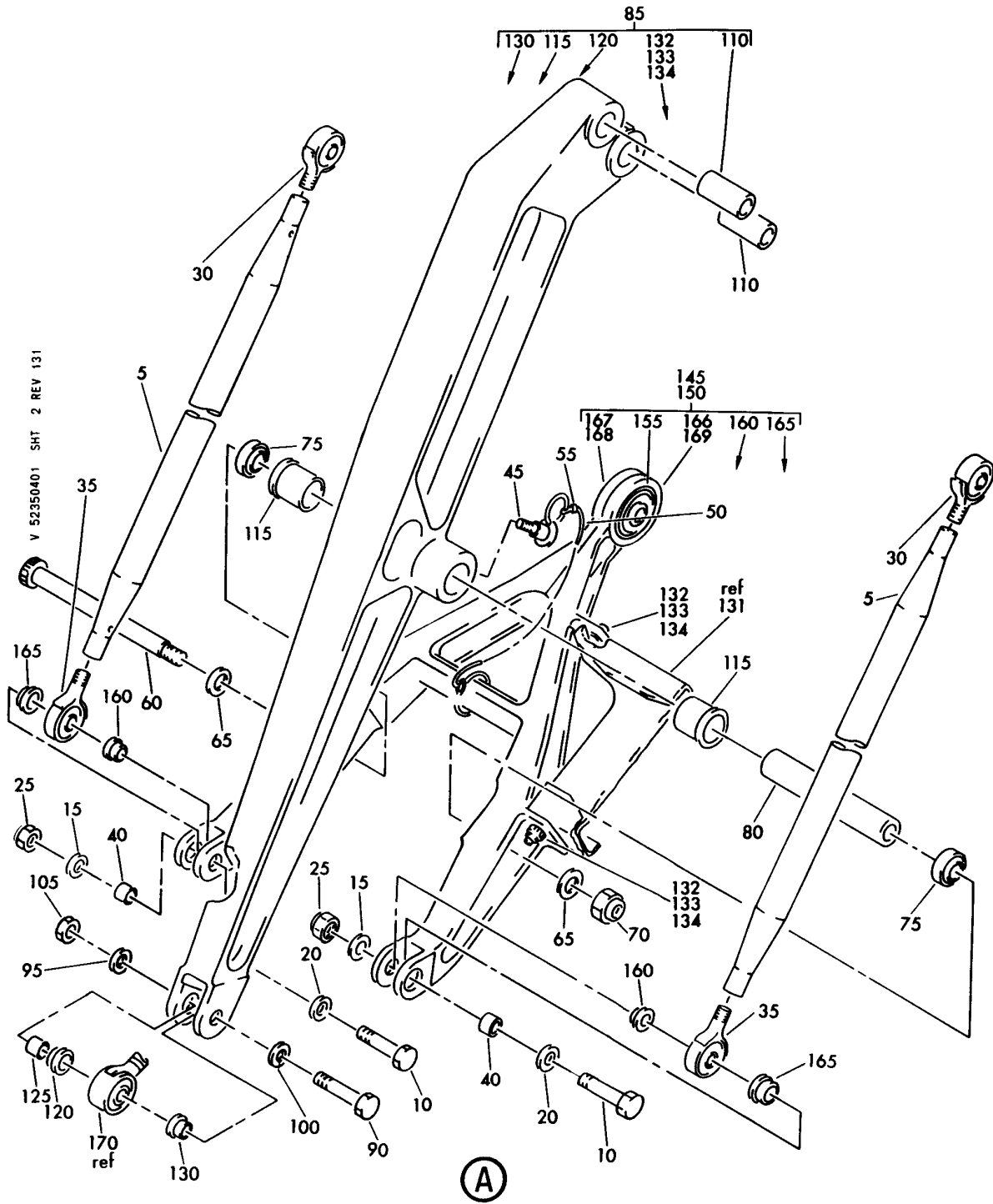
MECHANISM INSTL-AFT CARGO DOOR HINGE
FIGURE 1 (SHEET 1)

52-35-04-01

HXL
DEC 22/06

52-35-04-01
PAGE 0

BOEING
767
PARTS CATALOG (MAINTENANCE)



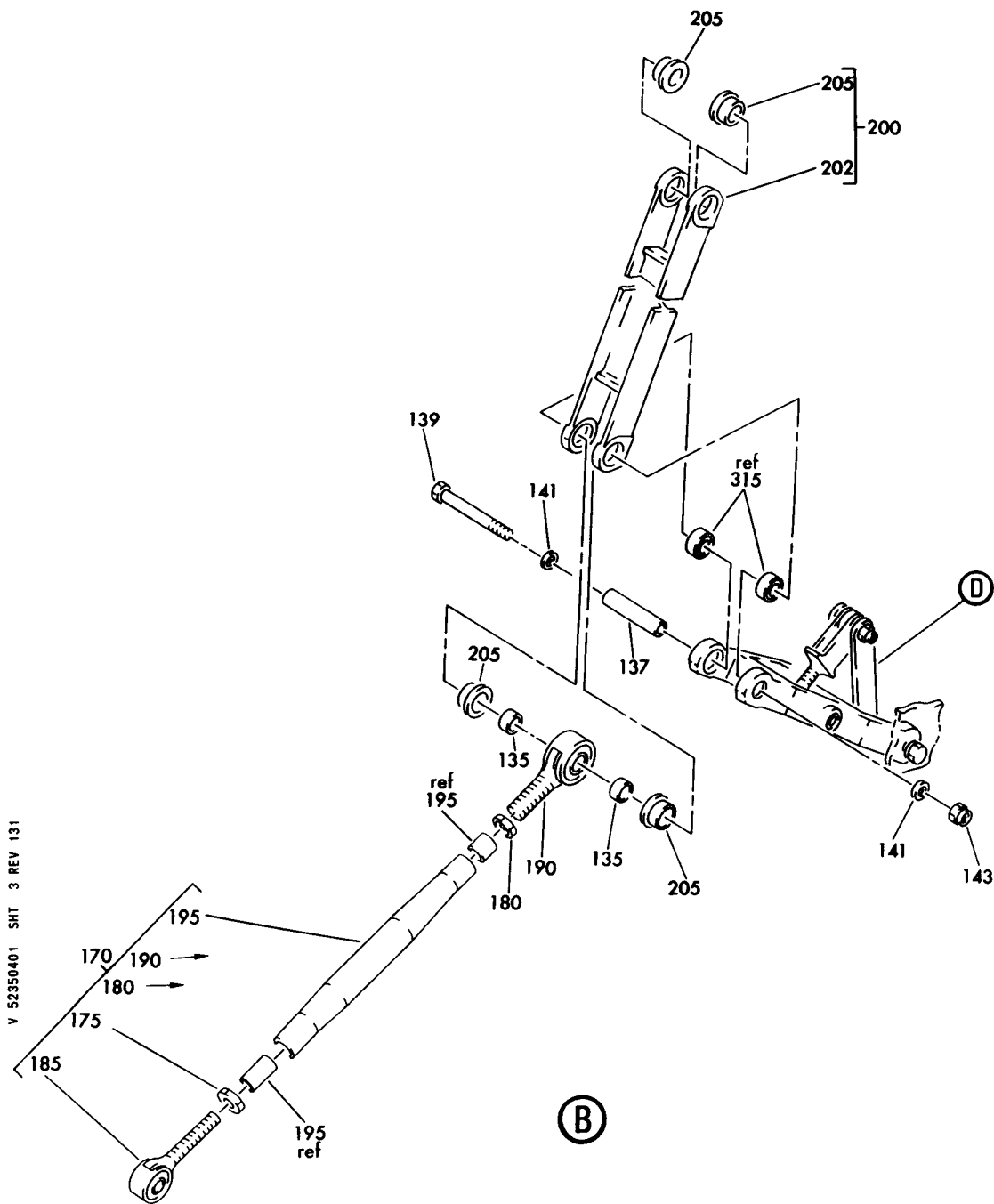
MECHANISM INSTL-AFT CARGO DOOR HINGE
FIGURE 1 (SHEET 2)

52-35-04-01

HXL
DEC 22/06

52-35-04-01
PAGE 0A

BOEING
767
PARTS CATALOG (MAINTENANCE)



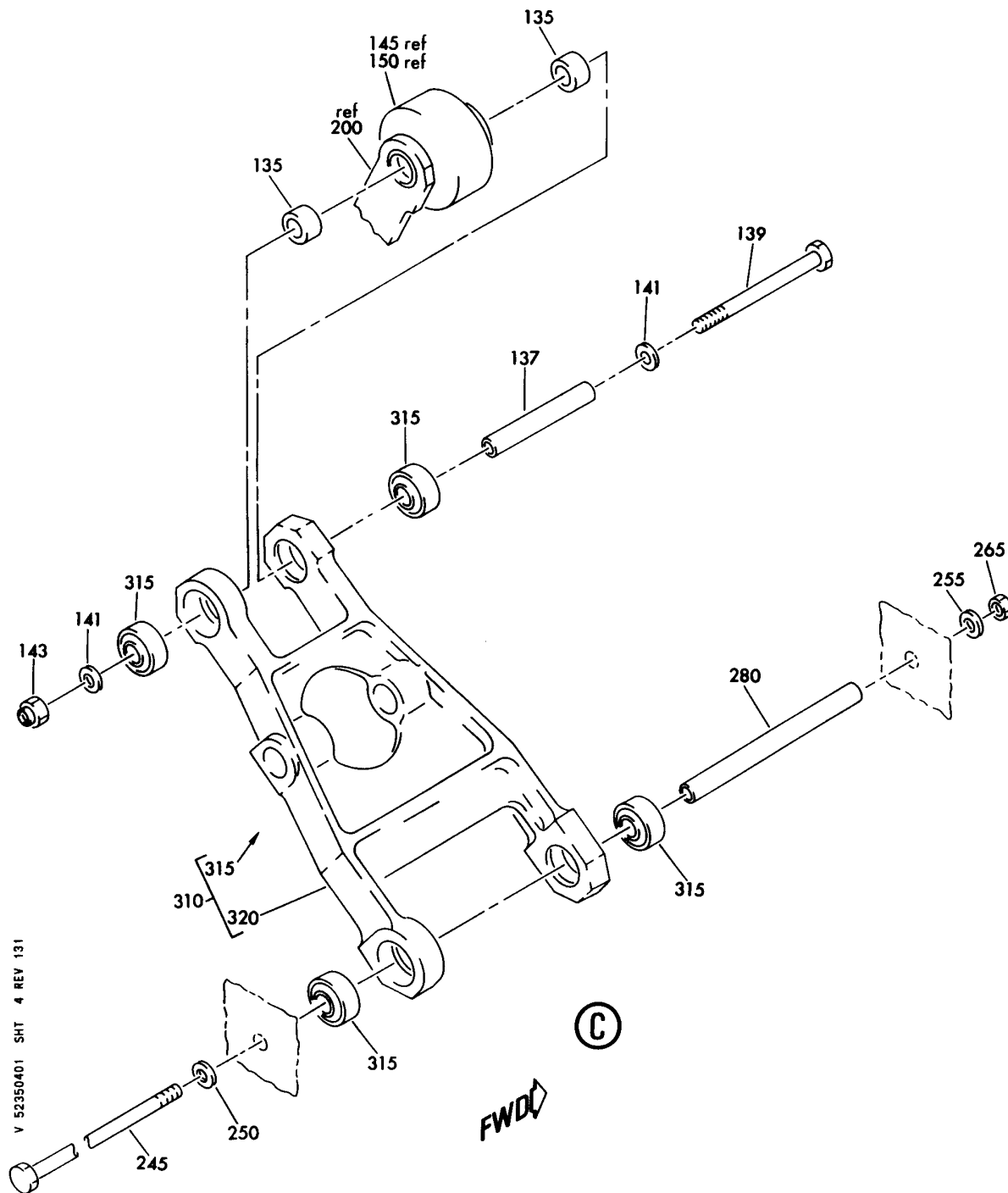
MECHANISM INSTL-AFT CARGO DOOR HINGE
FIGURE 1 (SHEET 3)

52-35-04-01

HXL
DEC 22/06

52-35-04-01
PAGE 0B

BOEING
767
PARTS CATALOG (MAINTENANCE)



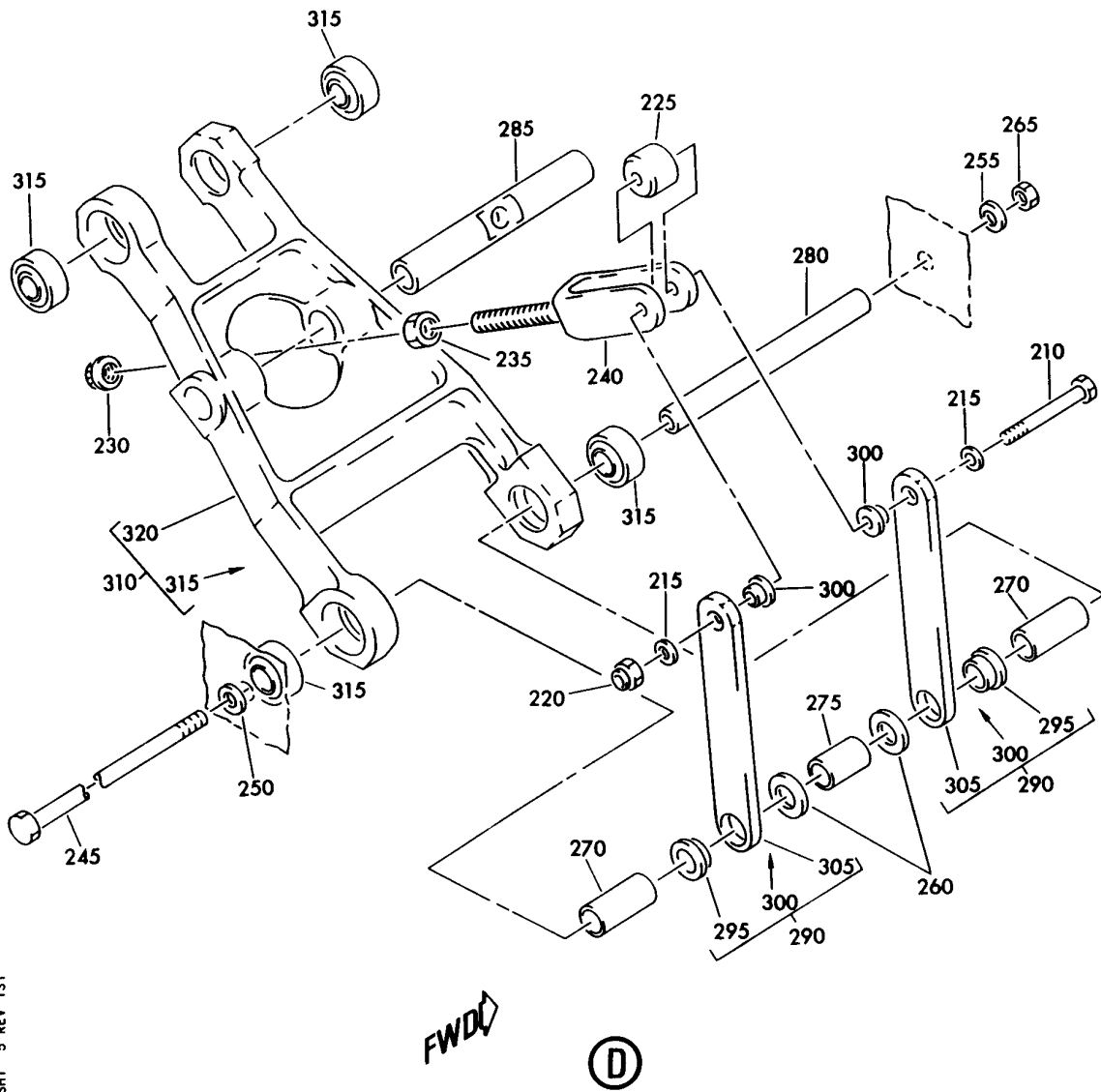
MECHANISM INSTL-AFT CARGO DOOR HINGE
FIGURE 1 (SHEET 4)

52-35-04-01

HXL
DEC 22/06

52-35-04-01
PAGE 0C

BOEING
767
PARTS CATALOG (MAINTENANCE)



V 52350401 SHT 5 REV 131

MECHANISM INSTL-AFT CARGO DOOR HINGE
FIGURE 1 (SHEET 5)

52-35-04-01

HXL
DEC 22/06

52-35-04-01
PAGE 0D



767

PARTS CATALOG (MAINTENANCE)

FIG ITEM	PART NUMBER	1 2 3 4 5 6 7	NOMENCLATURE	EFFECT FROM TO	UNITS PER ASSY
1			MECHANISM INSTL-AFT CARGO DOOR HINGE		
- 1	140T2899-4		MECHANISM INSTL-CARGO DOOR HINGE POSITION DATA: AFT FOR NHA SEE: 52-35-00-03		RF
5	140T2928-1		.ROD ASSY-PROGRAMING		4
10	BACB30NR5K19		.BOLT		4
15	AN960C516		.WASHER		4
20	AN960PD516L		.WASHER		4
25	BRH10A5		.NUT SUPPLIER CODE: V52828 SPECIFICATION NUMBER: BACN10JCS OPTIONAL PART: T6S524J V11815 96-054 V80539 RMLH9075-5W V72962 H10-5BAC V15653		4
30	140T2928-3		..BEARING-ROLLER		1
35	140T2928-4		..BEARING-ROLLER		1
40	BACB28AK05-035		.BUSHING		4
45	BLC4BA05SF		.PIN- SUPPLIER CODE: V84256 OPTIONAL PART: LG4CBA0500F V83014		2
45	LG4CBA0500F		.PIN- SUPPLIER CODE: V83014 OPTIONAL PART: BVC4BA05SF V84256		2
60	BACB30LT8U104		.BOLT		2
65	BACW10P253S		.WASHER		4

ILLUSTRATION ITEMS NOT ON PARTS LIST ARE NOT APPLICABLE

- ITEM NOT ILLUSTRATED

52-35-04-01

52-35-04
FIG. 01
PAGE 1
DEC 22/06

HXL

 **BOEING**
767
PARTS CATALOG (MAINTENANCE)

FIG ITEM	PART NUMBER	1 2 3 4 5 6 7	NOMENCLATURE	EFFECT FROM TO	UNITS PER ASSY
1					
70	BMN4122AD3-8	.NUT	SUPPLIER CODE: V97928 SPECIFICATION NUMBER: BACN10JC8 OPTIONAL PART: BMN4122A8 V85495 H10-8BAC V15653 RMLH9074-8 V72962 48FT820 V56878		2
75	KP8AFS428	.BEARING	SUPPLIER CODE: V06144 SPECIFICATION NUMBER: BACB10BX8 OPTIONAL PART: KP8AFS428 V21335 KP8A2TS V43991 LLKP8A V38443 KP8AG27 V30163 KP8A V38443 KP8BSD610 V83086 CS208E VK8455 KP8A V21760 KP8ANJC V06144 KP8ALY196 V40920		4
80	140T2958-2	.TUBE			2
85	140T2926-1	.ARM ASSY-	OPTIONAL PART: 140T2926-5		2
		ATTACHING PARTS			
90	BACB30NR5K25	.BOLT			2
95	AN960C516	.WASHER			2
100	AN960PD516L	.WASHER			2

ILLUSTRATION ITEMS NOT ON PARTS LIST ARE NOT APPLICABLE

- ITEM NOT ILLUSTRATED

HXL

52-35-04-01

BOEING PROPRIETARY - Copyright © - Unpublished Work - See title page for details.

52-35-04
FIG. 01
PAGE 2
APR 22/09

 **BOEING**
767
PARTS CATALOG (MAINTENANCE)

FIG ITEM	PART NUMBER	1 2 3 4 5 6 7	NOMENCLATURE	EFFECT FROM TO	UNITS PER ASSY
1 105	BRH10A5		.NUT SUPPLIER CODE: V52828 SPECIFICATION NUMBER: BACN10JC5 OPTIONAL PART: T6S524J V11815 96-054 V80539 RMLH9075-5W V72962 H10-5BAC V15653 -----*-----		2
110	BACB28Y10M149		..BUSHING		2
115	BACB28X16M100		..BUSHING		2
120	BACB28AM07B024		..BUSHING		1
125	BACB28AK05-043		..BUSHING		1
130	BACB28AP05P025		..BUSHING		1
131	140T2898-1		.BEAM ASSY ATTACHING PARTS		1
132	BACB30NR4K6		.BOLT		4
133	AN960PD416		.WASHER		4
134	BRH10A4		.NUT SUPPLIER CODE: V52828 SPECIFICATION NUMBER: BACN10JC4 OPTIONAL PART: T6S428J V11815 96-048 V80539 VN303A048 V92215 RMLH9075-4W V72962 NS202101-048 V80539 H10-4BAC V15653 -----*-----		4
135	BACB28AK08-032		.BUSHING		8
137	140T2925-4		.BUSHING-		4
139	BACB30NR5K40		.BOLT-		4
141	BACW10P117S		.WASHER-		8

ILLUSTRATION ITEMS NOT ON PARTS LIST ARE NOT APPLICABLE

- ITEM NOT ILLUSTRATED

HXL

52-35-04-01

BOEING PROPRIETARY - Copyright © - Unpublished Work - See title page for details.

52-35-04
FIG. 01
PAGE 3
DEC 22/06



767

PARTS CATALOG (MAINTENANCE)

FIG ITEM	PART NUMBER	1 2 3 4 5 6 7	NOMENCLATURE	EFFECT FROM TO	UNITS PER ASSY
1 143	BRH10A5	.	NUT SUPPLIER CODE: V52828 SPECIFICATION NUMBER: BACN10JCS OPTIONAL PART: T6S524J V11815 96-054 V80539 RMLH9075-5W V72962 H10-5BAC V15653		4
145	140T2946-1	.	ARM ASSY-SCISSORS OPTIONAL PART: 140T2946-3		1
150	140T2946-2	.	ARM ASSY-SCISSORS OPTIONAL PART: 140T2946-4		1
155	DAS8-27A1-514	..	BEARING- SUPPLIER CODE: V77896 SPECIFICATION NUMBER: BACB10CH80C OPTIONAL PART: ASRD8CH30B VS0352 DAS8-27A48 V77896 DAS8-27A52 V77896 ASRD8C30B VS0352 BACB10CH80		1

ILLUSTRATION ITEMS NOT ON PARTS LIST ARE NOT APPLICABLE

- ITEM NOT ILLUSTRATED

HXL

52-35-04-01

BOEING PROPRIETARY - Copyright © - Unpublished Work - See title page for details.

52-35-04
FIG. 01
PAGE 4
DEC 22/06

 **BOEING**
767
PARTS CATALOG (MAINTENANCE)

FIG ITEM	PART NUMBER	1 2 3 4 5 6 7	NOMENCLATURE	EFFECT FROM TO	UNITS PER ASSY
1					
155	DAS8-27A1-513	..	BEARING- SUPPLIER CODE: V77896 SPECIFICATION NUMBER: BACB10CH80 OPTIONAL PART: ASRD8H30B VS0352 DAS8-27A4 V77896 DAS8-27A51 V77896 ASRD8-30B VS0352 BACB10CH80C		1
160	BACB28X5C022	..	BUSHING- OPTIONAL PART: BACB28X5C023		2
160	BACB28X5C023	..	BUSHING- OPTIONAL PART: BACB28X5C022		2
165	BACB28X7M022	..	BUSHING		2
166	140T2927-1	..	ARM- USED ON: 140T2946-1		1
167	140T2927-4	..	ARM- USED ON: 140T2946-1		1
168	140T2927-2	..	ARM- USED ON: 140T2946-2		1
169	140T2927-3	..	ARM- USED ON: 140T2946-2		1
170	140T2923-3	.	ROD ASSY-ADJUSTMENT		2
175	NAS1423-8	..	NUT		1
180	140T2990-1	..	NUT		1
185	140T2923-4	..	BEARING		1
190	DM8-10A4	..	BEARING- SUPPLIER CODE: V77896		1
195	140T2924-14	..	TUBE ASSY-SWAGED		1
200	140T2920-1	.	HINGE ASSY-LINK OPTIONAL PART: 140T2920-5		2
202	140T2920-2	..	HINGE-LINK		1
205	BACB28X11M022	..	BUSHING		4
210	BACB30NR4K21	.	BOLT		2
215	AN960PD416L	.	WASHER		4
ILLUSTRATION ITEMS NOT ON PARTS LIST ARE NOT APPLICABLE					

- ITEM NOT ILLUSTRATED

52-35-04-01

52-35-04
FIG. 01
PAGE 5
DEC 22/06

HXL

BOEING PROPRIETARY - Copyright © - Unpublished Work - See title page for details.

 **BOEING**
767
PARTS CATALOG (MAINTENANCE)

FIG ITEM	PART NUMBER	1 2 3 4 5 6 7	NOMENCLATURE	EFFECT FROM TO	UNITS PER ASSY
1 220	BRH10A4	.NUT	SUPPLIER CODE: V52828 SPECIFICATION NUMBER: BACN10JC4 OPTIONAL PART: T6S428J V11815 96-048 V80539 VN303A048 V92215 RMLH9075-4W V72962 NS202101-048 V80539 H10-4BAC V15653		2
225	YCRS14CP	.CAM-FOLLOWER	SUPPLIER CODE: V60380 OPTIONAL PART: CYR78SCP V82634		2
225	CYR78SCP	.CAM-CAM	SUPPLIER CODE: V82634 OPTIONAL PART: YCRS14CP V60380		2
230	BACN10GW6	.NUT			2
235	NAS509-6	.NUT			2
240	140T2916-3	.CLEVIS-ADJUSTABLE			2
245	BACB30NR5K79	.BOLT			4
250	AN960PD516L	.WASHER			4
255	AN960PD516	.WASHER			4
260	AN960PD816L	.WASHER			4

ILLUSTRATION ITEMS NOT ON PARTS LIST ARE NOT APPLICABLE

- ITEM NOT ILLUSTRATED

HXL

52-35-04-01

BOEING PROPRIETARY - Copyright © - Unpublished Work - See title page for details.

52-35-04
FIG. 01
PAGE 6
DEC 22/06



767

PARTS CATALOG (MAINTENANCE)

FIG ITEM	PART NUMBER	1 2 3 4 5 6 7	NOMENCLATURE	EFFECT FROM TO	UNITS PER ASSY
1 265	BRH10A5		.NUT SUPPLIER CODE: V52828 SPECIFICATION NUMBER: BACN10JC5 OPTIONAL PART: T6S524J V11815 96-054 V80539 RMLH9075-5W V72962 H10-5BAC V15653		4
270	NAS43HT8-67		.SPACER		4
275	NAS43HT8-60		.SPACER		2
280	140T2925-3		.BUSHING		4
285	140T2948-1		.PIN ASSY		2
290	140T2914-1		.SUPPORT ASSY-ROLLER		4
295	BACB28W8B012		..BUSHING		1
300	BACB28X4C012		..BUSHING		1
305	140T2914-2		..SUPPORT		1
310	140T2921-1		.LINK ASSY-LIFT OPTIONAL PART: 140T2921-4		4

ILLUSTRATION ITEMS NOT ON PARTS LIST ARE NOT APPLICABLE

- ITEM NOT ILLUSTRATED

HXL

52-35-04-01

BOEING PROPRIETARY - Copyright © - Unpublished Work - See title page for details.

52-35-04
FIG. 01
PAGE 7
APR 22/09



767

PARTS CATALOG (MAINTENANCE)

FIG ITEM	PART NUMBER	1 2 3 4 5 6 7	NOMENCLATURE	EFFECT FROM TO	UNITS PER ASSY
1 315	KP8AFS428		.. BEARING SUPPLIER CODE: V06144 SPECIFICATION NUMBER: BACB10BX8 OPTIONAL PART: KP8AFS428 V21335 KP8A2TS V43991 LLKP8A V38443 KP8AG27 V30163 KP8A V38443 KP8BSD610 V83086 CS208E VK8455 KP8A V21760 KP8ANJC V06144 KP8ALY196 V40920		4
320	140T2921-2		.. LIFT-LINK		1

ILLUSTRATION ITEMS NOT ON PARTS LIST ARE NOT APPLICABLE

- ITEM NOT ILLUSTRATED

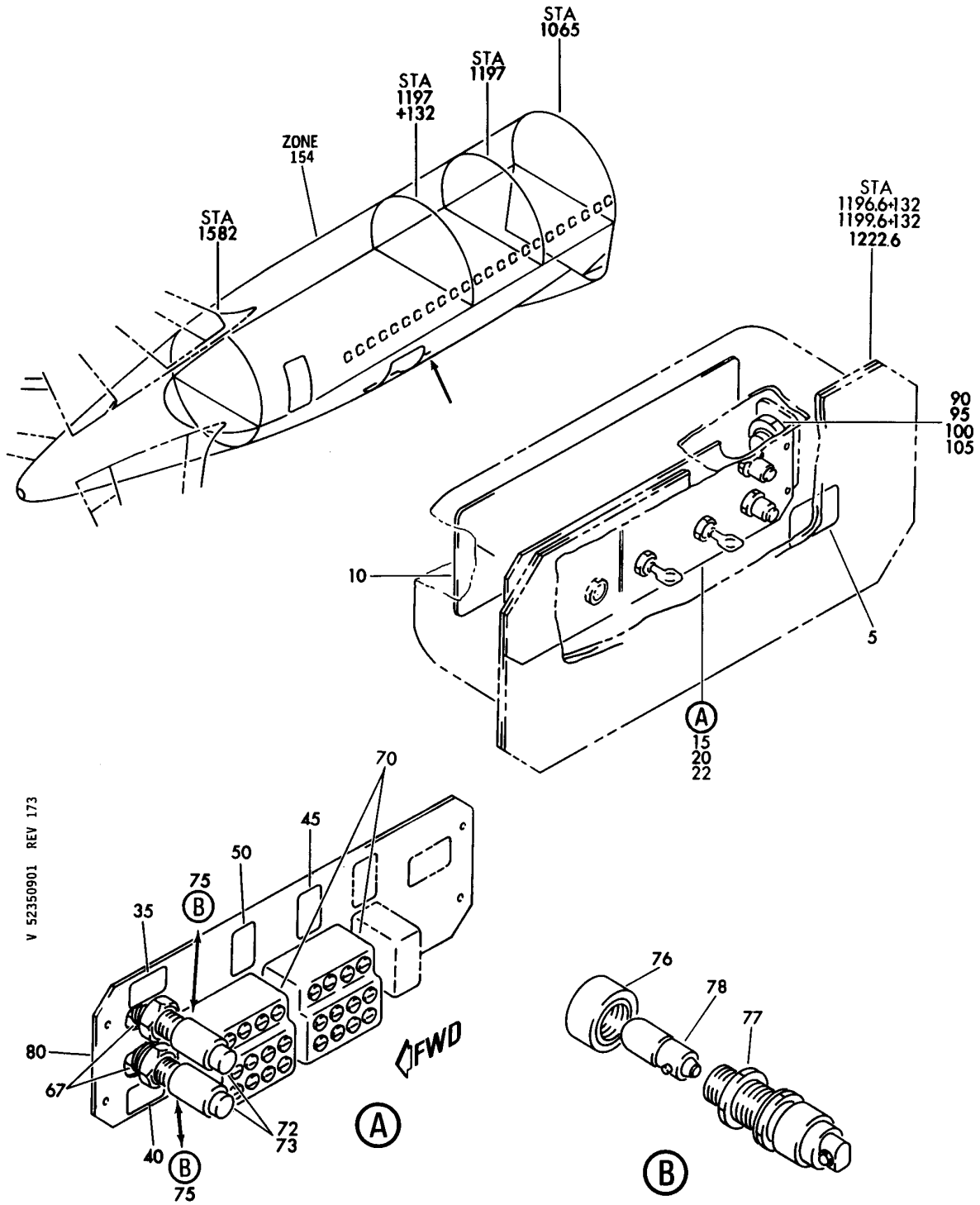
HXL

52-35-04-01

BOEING PROPRIETARY - Copyright © - Unpublished Work - See title page for details.

52-35-04
 FIG. 01
 PAGE 8
 APR 22/09

BOEING
767
PARTS CATALOG (MAINTENANCE)



V 52350901 REV 173

PANEL INSTL-CARGO DOOR ACTUATION CONT AFT P44
FIGURE 1

52-35-09-01

HXL
DEC 22/06

52-35-09-01
PAGE 0



767

PARTS CATALOG (MAINTENANCE)

FIG ITEM	PART NUMBER	1 2 3 4 5 6 7	NOMENCLATURE	EFFECT FROM TO	UNITS PER ASSY
1			PANEL INSTL-CARGO DOOR ACTUATION CONT AFT P44		
- 1	284T0271-2		PANEL INSTL-CARGO DOOR ACTUATION CONT P44 POSITION DATA: AFT VARIABLE DRAWING REF: 284T0271-5010 FOR NHA SEE: 24-00-58-01A		RF
	5 BAC27TEX0815		.MARKER-ALUMINUM FOIL PLACARD CONTENT: P44		1
	10 284T0271-3		.INSULATION		1
	15 284T0566-2		.PANEL ASSY-(DOORS ONLY) ELECTRICAL EQUIP NUMBER: P00044 FUNCTIONAL REFERENCE: LIGHTS FOR DETAILS SEE 33-31-59-01 33-37-55-01 PLACARDS AND MARKINGS FOR DETAILS SEE 11-38-09-01		1
	15 284T0566-7		.PANEL ASSY-(DOORS ONLY) ELECTRICAL EQUIP NUMBER: P00044 FUNCTIONAL REFERENCE: LIGHTS FOR DETAILS SEE 33-31-59-01 33-37-55-01 PLACARDS AND MARKINGS FOR DETAILS SEE 11-38-09-01		1
- 25	NAS1801-3-8		ATTACHING PARTS .SCREW		4
	35 BAC27TEX0799		-----*----- ..MARKER-ALUMINUM FOIL PLACARD CONTENT: L598		1
	40 BAC27TEX0801		..MARKER-ALUMINUM FOIL PLACARD CONTENT: L600		1
	45 BAC27TEX2009		..MARKER-ALUMINUM FOIL PLACARD CONTENT: S510		1

ILLUSTRATION ITEMS NOT ON PARTS LIST ARE NOT APPLICABLE

- ITEM NOT ILLUSTRATED

52-35-09-01

52-35-09
FIG. 01
PAGE 1
DEC 22/06

HXL



767

PARTS CATALOG (MAINTENANCE)

FIG ITEM	PART NUMBER	1 2 3 4 5 6 7	NOMENCLATURE	EFFECT FROM TO	UNITS PER ASSY
1					
50	BAC27TEX2011		..MARKER-ALUMINUM FOIL PLACARD CONTENT: S512		1
67	MS35338-40		.WASHER		6
70	4TL82-72		..SWITCH- SUPPLIER CODE: V91929 ELECTRICAL EQUIP NUMBER: S00510 S00512		2
72	1864		..BULB- SUPPLIER CODE: V71744 MISCELLANEOUS DATA: (04-92782-5 TOGETHER WITH 1864 BULB IS I/W 04-92782-5-1864) ELECTRICAL EQUIP NUMBER: L00598T L00600T QUALIFIED OPTIONAL DATA: (ONE (1) 04-92782-5 (V76854) PLUS ONE (1) 1864 (V08806) OPTIONAL TO 04-92782-5-1864 (V76854))		2
73	04-92782-5		..LIGHT ASSY- SUPPLIER CODE: V79692 ELECTRICAL EQUIP NUMBER: L00598 L00600 QUALIFIED I/W DATA: 04-92782-5 TOGETHER WITH 1864 BULB IS I/W 04-92782-5-1864. QUALIFIED OPTIONAL DATA: (ONE (1) 04-92782-5 (V76854) PLUS ONE (1) 1864 (V08806) OPTIONAL TO 04-92782-5-1834 (V76854)) USED WITH: 1864		2
ILLUSTRATION ITEMS NOT ON PARTS LIST ARE NOT APPLICABLE					

- ITEM NOT ILLUSTRATED

52-35-09-01

52-35-09
FIG. 01
PAGE 2
APR 22/08

HXL



767

PARTS CATALOG (MAINTENANCE)

FIG ITEM	PART NUMBER	1 2 3 4 5 6 7	NOMENCLATURE	EFFECT FROM TO	UNITS PER ASSY
1					
73	5-86556-819	..	LIGHT- SUPPLIER CODE: V76854 ELECTRICAL EQUIP NUMBER: L00598 L00600		2
75	BCREF2562	..	LIGHT ASSY- SUPPLIER CODE: V79692 OVERLENGTH PART NUMBER: 04-92782-7TL1864 ELECTRICAL EQUIP NUMBER: L00598 L00600		2
75	04-92782-5-1864	..	LIGHT ASSY- SUPPLIER CODE: V79692 ELECTRICAL EQUIP NUMBER: L00598 L00600 QUALIFIED I/W DATA: 04-92782-5 TOGETHER WITH 1864 BULB IS I/W 04-92782-5-1864. QUALIFIED OPTIONAL DATA: (ONE (1) 04-92782-5 (V76854) PLUS ONE (1) 1864 (V08806) OPTIONAL TO 04-92782-5-1864 (V76854))		2
76	4-8883-504	...	CAP ASSY- SUPPLIER CODE: V76854 USED ON: 04-92782-5-1864		1
77	4-6921-159	...	BASE ASSY- SUPPLIER CODE: V76854 USED ON: 04-92782-5-1864		1
78	1864	...	BULB- SUPPLIER CODE: V71744 USED ON: 04-92782-5-1864		1
80	284T0566-3	..	PANEL-		1
90	MS16624-1087	.	RING		1
95	BACS45B70	.	SEAL		1
100	BACS45B71	.	SEAL		1

ILLUSTRATION ITEMS NOT ON PARTS LIST ARE NOT APPLICABLE

- ITEM NOT ILLUSTRATED

52-35-09-01

52-35-09
FIG. 01
PAGE 3
APR 22/08

HXL

BOEING PROPRIETARY - Copyright © - Unpublished Work - See title page for details.



767

PARTS CATALOG (MAINTENANCE)

FIG ITEM	PART NUMBER	1 2 3 4 5 6 7	NOMENCLATURE	EFFECT FROM TO	UNITS PER ASSY
1 105	BACS45B1	.	SEAL		2

ILLUSTRATION ITEMS NOT ON PARTS LIST ARE NOT APPLICABLE

- ITEM NOT ILLUSTRATED

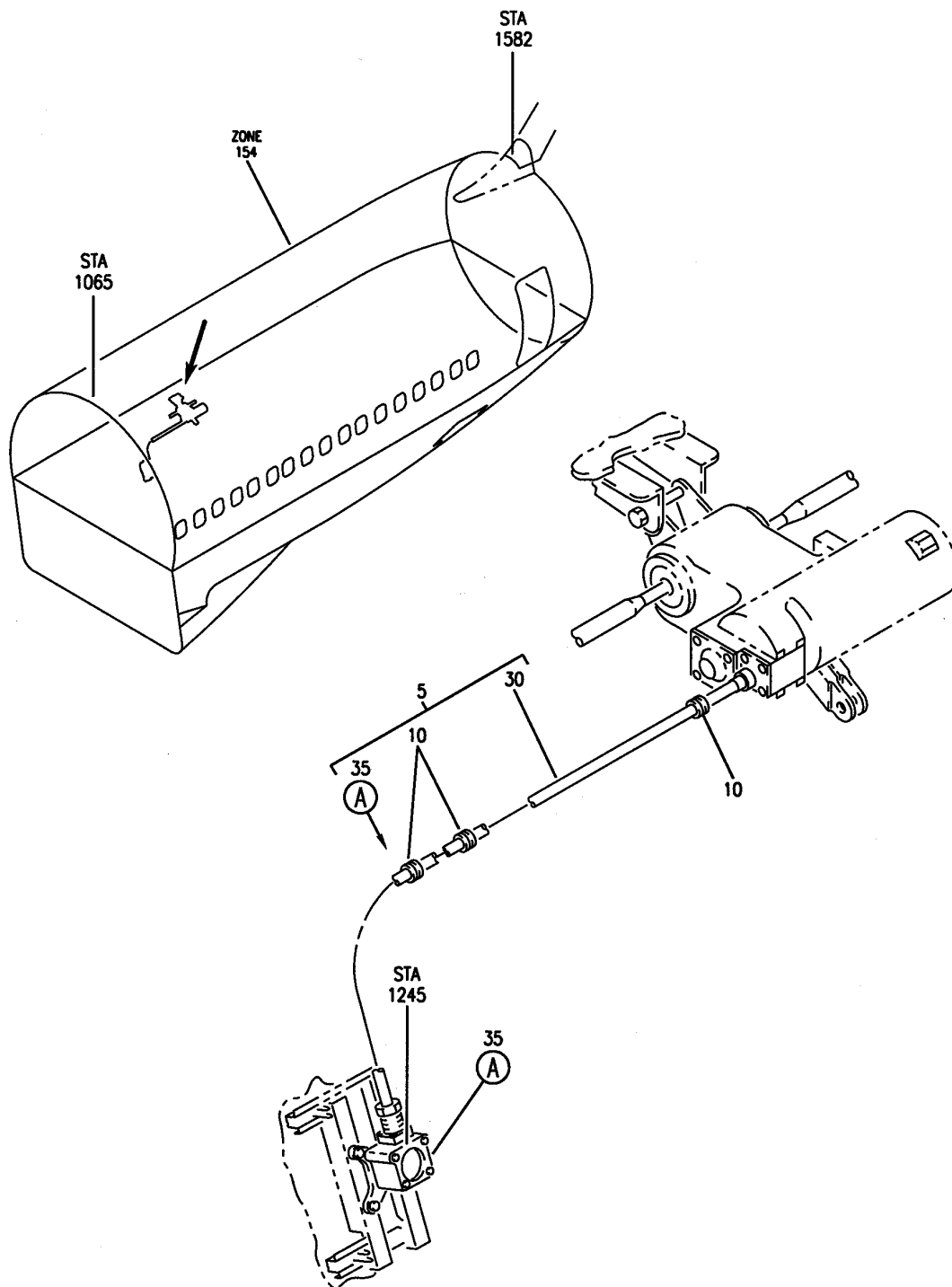
HXL

52-35-09-01

BOEING PROPRIETARY - Copyright © - Unpublished Work - See title page for details.

52-35-09
FIG. 01
PAGE 4
DEC 22/06

BOEING
767
PARTS CATALOG (MAINTENANCE)



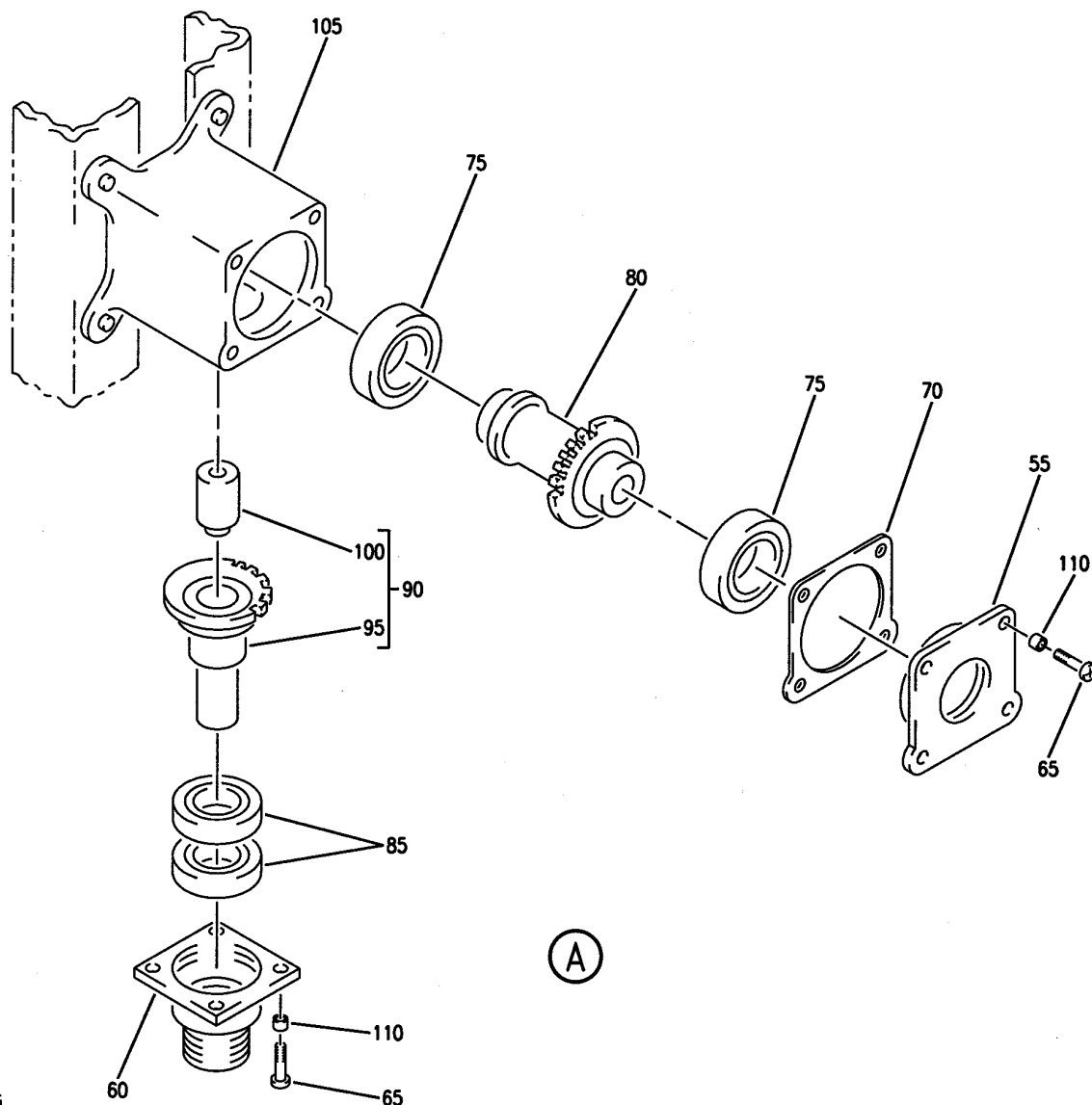
V 52352602 SHT 1 REV 227

MECHANISM INSTL-AFT CARGO (STANDARD AFT CARGO DOOR MANUAL DRIVE FLEXIBLE SHAFT ONLY)
FIGURE 2 (SHEET 1)

HXL
DEC 22/06

52-35-26-02

52-35-26-02
PAGE 0



V 52352602 SHT 2 REV 227

MECHANISM INSTL-AFT CARGO (STANDARD AFT CARGO DOOR MANUAL DRIVE FLEXIBLE SHAFT ONLY)
FIGURE 2 (SHEET 2)

HXL
DEC 22/06

52-35-26-02

52-35-26-02
PAGE 0A

BOEING
767
PARTS CATALOG (MAINTENANCE)

FIG ITEM	PART NUMBER	1 2 3 4 5 6 7	NOMENCLATURE	EFFECT FROM TO	UNITS PER ASSY
2			MECHANISM INSTL-AFT CARGO (STANDARD AFT CARGO DOOR MANUAL DRIVE FLEXIBLE SHAFT ONLY)		
- 1	146T6211-3		MECHANISM INSTL-CARGO DOOR (STANDARD AFT CARGO DOOR MANUAL DRIVE FLEXIBLE SHAFT ONLY) POSITION DATA: AFT FOR NHA/ADDITIONAL DET SEE: 52-35-00-01		RF
5	146T6212-1		.DRIVE INSTL		1
10	JM44LC13WD14R		..CLAMP SUPPLIER CODE: V22175 SPECIFICATION NUMBER: BACC10GE14A OPTIONAL PART: TA12C32WD14 V84971 509A14 V83930 S369WDH14 V18076		3
- 15	NAS603-7P		ATTACHING PARTS ..SCREW		3
- 20	AN960PD10L		..WASHER		3
- 25	BRH10A3		..NUT SUPPLIER CODE: V52828 SPECIFICATION NUMBER: BACN10JC3 OPTIONAL PART: H10-3BAC V15653 NS202101-02 V80539 RMLH9075-3W V72962 VN303A02 V92215 96-02 V80539 T6S1032J V11815		3
			-----*-----		
			ILLUSTRATION ITEMS NOT ON PARTS LIST ARE NOT APPLICABLE		

- ITEM NOT ILLUSTRATED

HXL

52-35-26-02

BOEING PROPRIETARY - Copyright © - Unpublished Work - See title page for details.

52-35-26
FIG. 02
PAGE 1
DEC 22/06



767

PARTS CATALOG (MAINTENANCE)

FIG ITEM	PART NUMBER	1 2 3 4 5 6 7	NOMENCLATURE	EFFECT FROM TO	UNITS PER ASSY
2					
30	140312-7		.. SHAFT- SUPPLIER CODE: V72166 SPECIFICATION NUMBER: S140T264-7		1
35	65B83637-6		.. GEARBOX ASSY- COMPONENT MAINT MANUAL REF: 52-34-22 ATTACHING PARTS		1
- 40	BACB30NM3K4		.. BOLT		4
- 45	AN960PD10L		.. WASHER		4
- 50	BRH10A3		.. NUT SUPPLIER CODE: V52828 SPECIFICATION NUMBER: BACN10JC3 OPTIONAL PART: H10-3BAC V15653 NS202101-02 V80539 RMLH9075-3W V72962 VN303A02 V92215 96-02 V80539 T6S1032J V11815 -----*-----		4
55	69B83423-1		... CAP		1
60	69B83424-1		... CAP		1
65	MS24677-8		... SCREW		8
70	65B83640-6		... SHIM		1

ILLUSTRATION ITEMS NOT ON PARTS LIST ARE NOT APPLICABLE

- ITEM NOT ILLUSTRATED

HXL

52-35-26-02

BOEING PROPRIETARY - Copyright © - Unpublished Work - See title page for details.

52-35-26
FIG. 02
PAGE 2
DEC 22/06



767

PARTS CATALOG (MAINTENANCE)

FIG ITEM	PART NUMBER	1 2 3 4 5 6 7	NOMENCLATURE	EFFECT FROM TO	UNITS PER ASSY
2 75	B540DDFS428		... BEARING SUPPLIER CODE: V21335 SPECIFICATION NUMBER: BACB10CF14PP OPTIONAL PART: B540-2TS V43991 B540SSG27 V30163 T340E VK8455 B540DDFS101 V06144 B540DD V38443 B540FS101 V06144 B540DDP V21760 B540DDNJC V06144 B540DDFS428 V06144		1
80	65B83639-1		... GEAR		1
85	B539DDFS428		... BEARING SUPPLIER CODE: V06144 SPECIFICATION NUMBER: BACB10CF12PP OPTIONAL PART: B539DDFS101 V06144 T339E VK8455 B539SSG27 V30163 B539DDFS428 V21335 B539DD V38443 B539-2TS V43991 B539FS101 V06144 B539DDP V21760 B539DDNJC V06144		2

ILLUSTRATION ITEMS NOT ON PARTS LIST ARE NOT APPLICABLE

- ITEM NOT ILLUSTRATED

52-35-26-02

52-35-26
 FIG. 02
 PAGE 3
 APR 22/09

HXL



767
PARTS CATALOG (MAINTENANCE)

FIG ITEM	PART NUMBER	1 2 3 4 5 6 7	NOMENCLATURE	EFFECT FROM TO	UNITS PER ASSY
2					
90	65B83637-7		...GEAR ASSY		1
95	65B83639-2	GEAR		1
100	69B84018-2	PLUG		1
105	65B83638-1		...HOUSING ASSY		1
110	MS21209C0620	INSERT		8

ILLUSTRATION ITEMS NOT ON PARTS LIST ARE NOT APPLICABLE

- ITEM NOT ILLUSTRATED

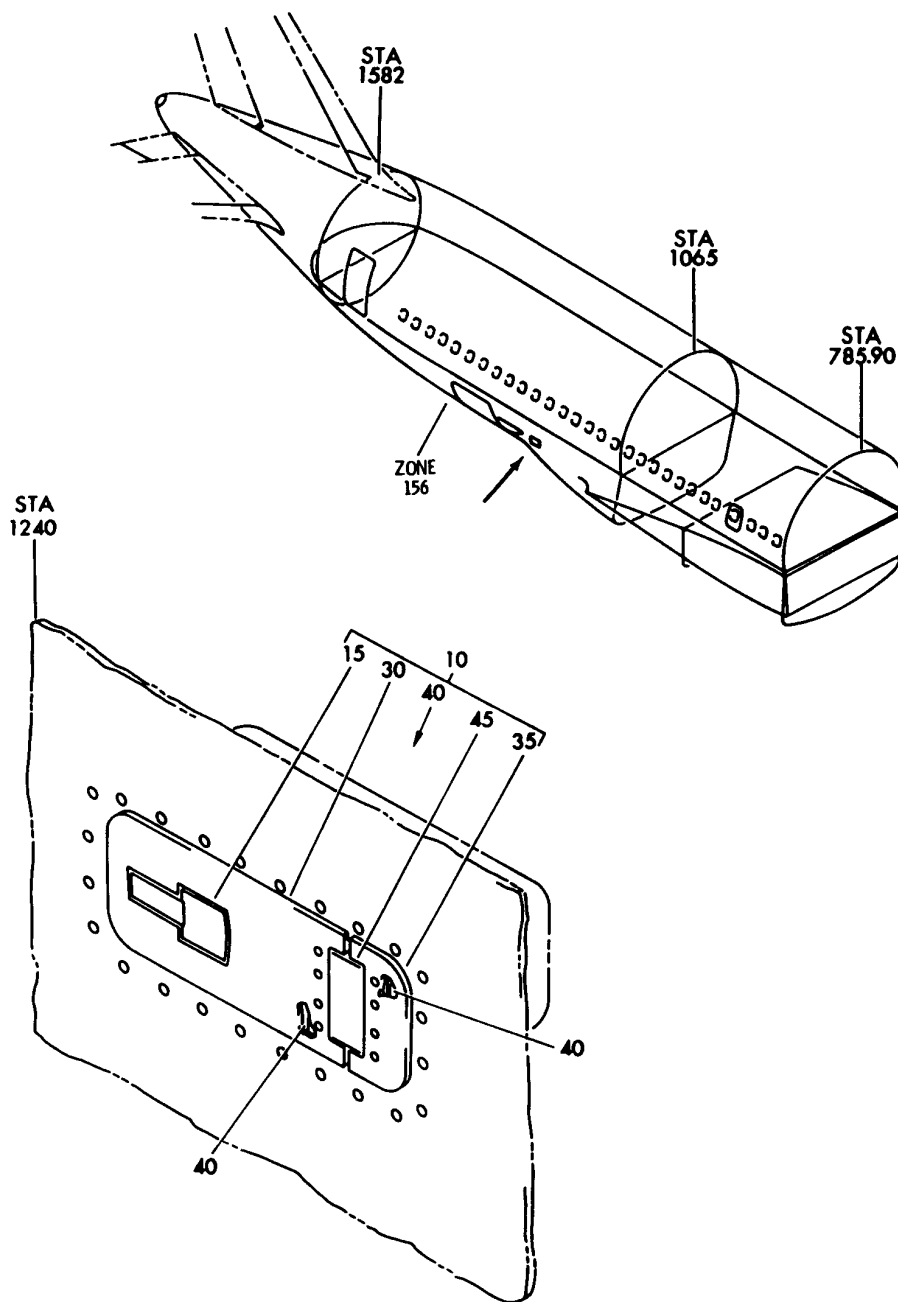
HXL

52-35-26-02

BOEING PROPRIETARY - Copyright © - Unpublished Work - See title page for details.

52-35-26
FIG. 02
PAGE 4
APR 22/09

BOEING
767
PARTS CATALOG (MAINTENANCE)



V 52354205 REV 131

PAN ASSY-CARGO DOOR CONT SWITCH AFT
FIGURE 5

52-35-42-05

HXL
DEC 22/06

52-35-42-05
PAGE 0

BOEING
767
PARTS CATALOG (MAINTENANCE)

FIG ITEM	PART NUMBER	1 2 3 4 5 6 7	NOMENCLATURE	EFFECT FROM TO	UNITS PER ASSY
5			PAN ASSY-CARGO DOOR CONT SWITCH AFT		
- 1	146T3514-12		PAN ASSY-CARGO DOOR CONT SWITCH POSITION DATA: AFT FOR NHA SEE: 53-65-51-02		RF
10	146T3514-8		.DOOR ASSY-		1
10	146T3514-10		.DOOR ASSY-		1
15	H5040A125-250		..LATCH SUPPLIER CODE: V83014 SPECIFICATION NUMBER: BACL10U8		1
- 20	BACR15BA6AD		ATTACHING PARTS ..RIVET- SIZE DETERMINED ON INSTL. -----*-----		4
30	146T3516-4		..DOOR ATTACHING PARTS		1
- 32	BACR15BA4AD		..RIVET- SIZE DETERMINED ON INSTL. -----*-----		4
35	146T3516-5		..FILLER ATTACHING PARTS		1
- 37	BACR15BA4AD		..RIVET- SIZE DETERMINED ON INSTL. -----*-----		4
40	BACS40R04A25F		..SHIM		2
45	H6100K2186		..HINGE ASSY- SUPPLIER CODE: V83014 USED ON: 146T3514-8		1
45	146T3514-11		..HINGE ASSY- USED ON: 146T3514-10		1

ILLUSTRATION ITEMS NOT ON PARTS LIST ARE NOT APPLICABLE

- ITEM NOT ILLUSTRATED

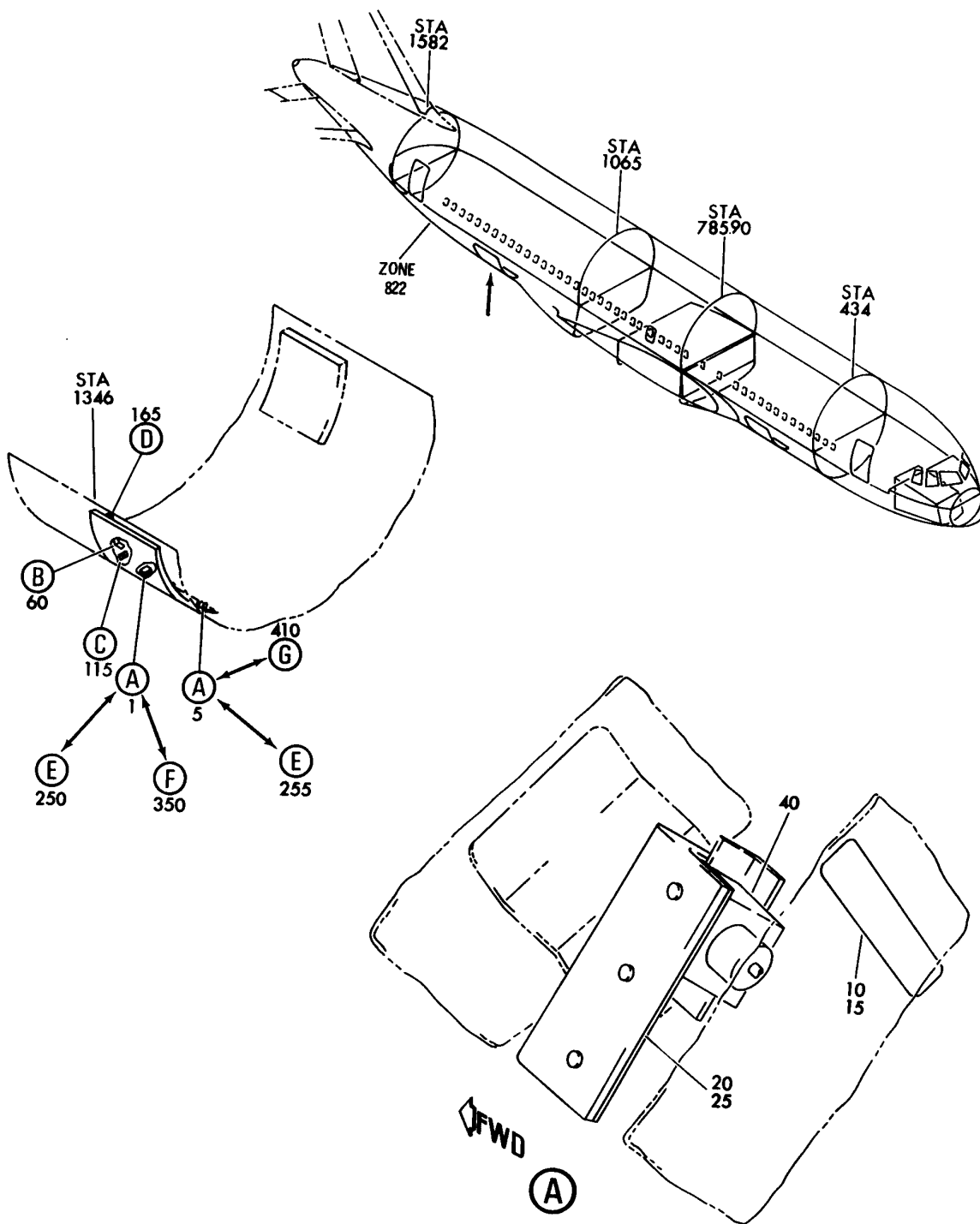
HXL

52-35-42-05

BOEING PROPRIETARY - Copyright © - Unpublished Work - See title page for details.

52-35-42
FIG. 05
PAGE 1
DEC 22/06

BOEING
767
PARTS CATALOG (MAINTENANCE)



V 52354301 SHT 1 REV 131

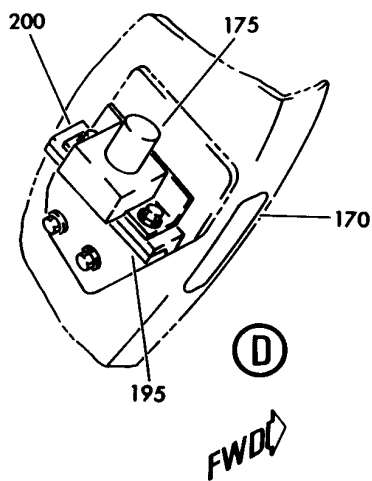
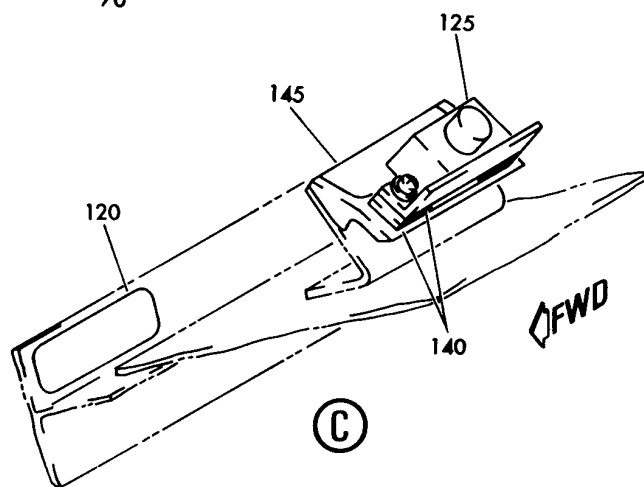
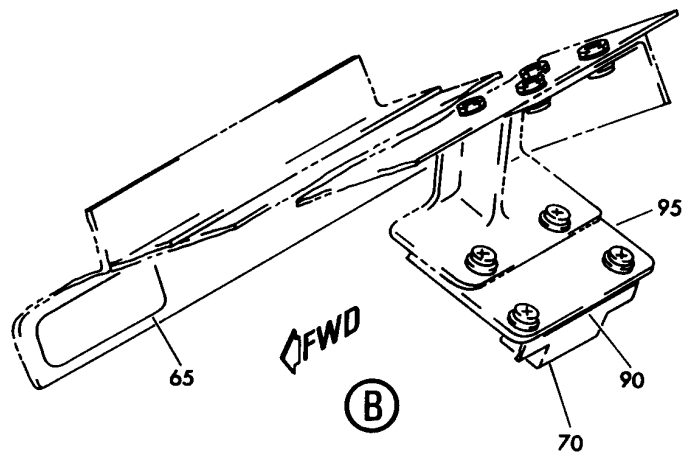
SENSOR INSTL-AFT CARGO DOOR
FIGURE 1 (SHEET 1)

52-35-43-01

HXL
DEC 22/06

52-35-43-01
PAGE 0

BOEING
767
PARTS CATALOG (MAINTENANCE)



V 52354301 SHT 2 REV 131

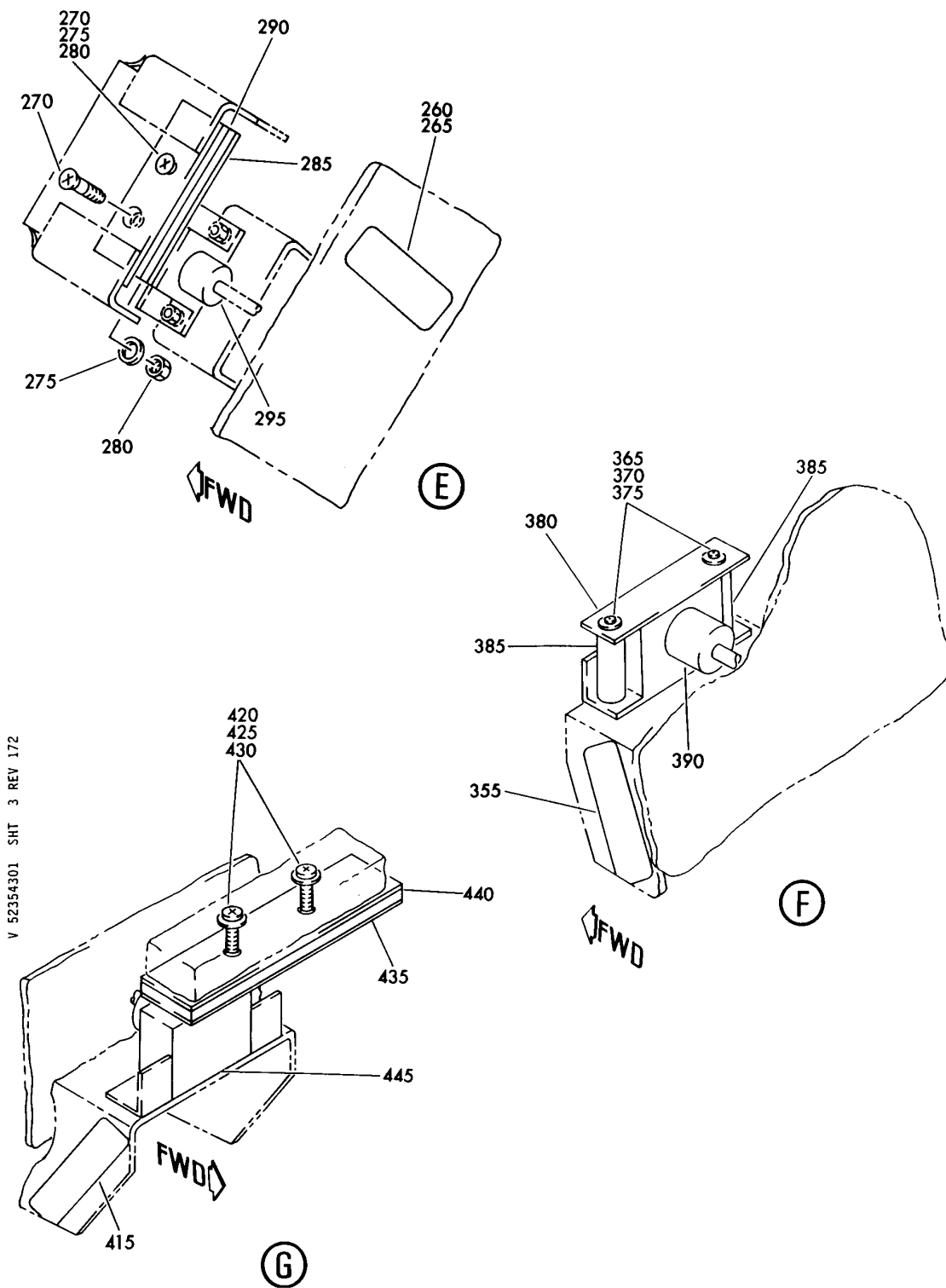
SENSOR INSTL-AFT CARGO DOOR
FIGURE 1 (SHEET 2)

52-35-43-01

HXL
DEC 22/06

52-35-43-01
PAGE 0A

BOEING
767
PARTS CATALOG (MAINTENANCE)



V 52354301 SHT 3 REV 172

SENSOR INSTL-AFT CARGO DOOR
FIGURE 1 (SHEET 3)

52-35-43-01

HXL
DEC 22/06

52-35-43-01
PAGE 0B



767

PARTS CATALOG (MAINTENANCE)

FIG ITEM	PART NUMBER	1 2 3 4 5 6 7	NOMENCLATURE	EFFECT FROM TO	UNITS PER ASSY
1					
60	284T0241-10		SENSOR INSTL-AFT CARGO DOOR SENSOR INSTL-CARGO DOOR POSITION DATA: AFT FOR NHA SEE: 24-00-58-01B		RF
65	BAC27TEX0925		.DECAL- PLACARD CONTENT: S161		1
70	8-345-03		.SENSOR-PROXIMITY SWITCH SYS SUPPLIER CODE: V08748 SPECIFICATION NUMBER: S283T006-10 ELECTRICAL EQUIP NUMBER: S00161 QUALIFIED I/W DATA: PART NUMBERS S283T006-2/8-344-01, S283T006-3/8-348-01, S283T006-5/8-345-01, S283T006-7/8-344-03, S283T006-8/8-348-02, S283T006-10/8-345-02/ 8-345-03, S283T006-22/8-518-01 AND S283T006-28/8-716-01 ARE INTERCHANGEABLE DEPENDING ON THE APPLICATION. SEE NHA'S AND 767 PRR B12900-50, 767-SL-32-020, 767-SL-32-058A, 767-SL-32-087 AND 767-SL-32-076 FOR MORE DETAILS. PART NUMBERS S283T006-2/8-344-01, S283T006-5/8-345-01, S283T006-7/8-344-03, S283T006-10/8-345-02 8-345-03, S283T006-22/8-518-01, S283T006-33/8-935-01 ARE INTERCHANGEABLE. PLEASE SEE INTERCHANGEABLE PARTS DRAWING 280T9001 FOR SPECIFIC USAGE		1
ILLUSTRATION ITEMS NOT ON PARTS LIST ARE NOT APPLICABLE					

- ITEM NOT ILLUSTRATED

52-35-43-01

52-35-43
FIG. 01
PAGE 1
DEC 22/06

HXL



767

PARTS CATALOG (MAINTENANCE)

FIG ITEM	PART NUMBER	1 2 3 4 5 6 7	NOMENCLATURE	EFFECT FROM TO	UNITS PER ASSY
1 70			DETAILS. OPTIONAL PART: 8-345-02 V08748 OPTIONAL PART: 8-344-01 V08748 8-344-03 V08748 8-345-01 V08748		
70	8-344-01		.SENSOR-PROXIMITY SWITCH SYS SUPPLIER CODE: V08748 SPECIFICATION NUMBER: S283T006-2 ELECTRICAL EQUIP NUMBER: S00161 QUALIFIED I/W DATA: PART NUMBERS S283T006-2/8-344-01, S283T006-3/8-348-01, S283T006-5/8-345-01, S283T006-7/8-344-03, S283T006-8/8-348-02, S283T006-10/8-345-02/ 8-345-03, S283T006-22/8-518-01 AND S283T006-28/8-716-01 ARE INTERCHANGEABLE DEPENDING ON THE APPLICATION. SEE NHA'S AND 767 PRR B12900-50, 767-SL-32-020, 767-SL-32-058A, 767-SL-32-087 AND 767-SL-32-076 FOR MORE DETAILS. PART NUMBERS S283T006-2/8-344-01, S283T006-5/8-345-01, S283T006-7/8-344-03, S283T006-10/8-345-02 8-345-03, S283T006-22/8-518-01, S283T006-33/8-935-01 ARE INTERCHANGEABLE. PLEASE SEE INTERCHANGEABLE		1
ILLUSTRATION ITEMS NOT ON PARTS LIST ARE NOT APPLICABLE					

- ITEM NOT ILLUSTRATED

52-35-43-01

52-35-43
 FIG. 01
 PAGE 2
 DEC 22/06

HXL



767

PARTS CATALOG (MAINTENANCE)

FIG ITEM	PART NUMBER	1 2 3 4 5 6 7 NOMENCLATURE	EFFECT FROM TO	UNITS PER ASSY
1 70		PARTS DRAWING 280T9001 FOR SPECIFIC USAGE DETAILS. OPTIONAL PART: 8-344-03 V08748 8-345-01 V08748 8-345-03 V08748 8-345-02 V08748		
70	8-344-03	. SENSOR-PROXIMITY SWITCH SYS SUPPLIER CODE: V08748 SPECIFICATION NUMBER: S283T006-7 ELECTRICAL EQUIP NUMBER: S00161 QUALIFIED I/W DATA: PART NUMBERS S283T006-2/8-344-01, S283T006-3/8-348-01, S283T006-5/8-345-01, S283T006-7/8-344-03, S283T006-8/8-348-02, S283T006-10/8-345-02/ 8-345-03, S283T006-22/8-518-01 AND S283T006-28/8-716-01 ARE INTERCHANGEABLE DEPENDING ON THE APPLICATION. SEE NHA'S AND 767 PRR B12900-50, 767-SL-32-020, 767-SL-32-058A, 767-SL-32-087 AND 767-SL-32-076 FOR MORE DETAILS. PART NUMBERS S283T006-2/8-344-01, S283T006-5/8-345-01, S283T006-7/8-344-03, S283T006-10/8-345-02 8-345-03, S283T006-22/8-518-01, S283T006-33/8-935-01 ARE INTERCHANGEABLE. PLEASE ILLUSTRATION ITEMS NOT ON PARTS LIST ARE NOT APPLICABLE		1

- ITEM NOT ILLUSTRATED

52-35-43-01

52-35-43
 FIG. 01
 PAGE 3
 APR 22/07

HXL



767

PARTS CATALOG (MAINTENANCE)

FIG ITEM	PART NUMBER	1 2 3 4 5 6 7	NOMENCLATURE	EFFECT FROM TO	UNITS PER ASSY
1 70			SEE INTERCHANGEABLE PARTS DRAWING 280T9001 FOR SPECIFIC USAGE DETAILS. 8-935-01 CAN REPLACE OR BE REPLACED BY 8-344-03. 8-935-01 CANNOT BE USED ON THRUST REVERSER OR ENGINES. OPTIONAL PART: 8-344-02 V08748 OPTIONAL PART: 8-344-01 V08748 8-345-01 V08748 8-345-03 V08748 8-345-02 V08748		
70	8-345-01		. SENSOR-PROXIMITY SWITCH SYS SUPPLIER CODE: V08748 SPECIFICATION NUMBER: S283T006-5 ELECTRICAL EQUIP NUMBER: S00161 QUALIFIED I/W DATA: PART NUMBERS S283T006-2/8-344-01, S283T006-3/8-348-01, S283T006-5/8-345-01, S283T006-7/8-344-03, S283T006-8/8-348-02, S283T006-10/8-345-02/ 8-345-03, S283T006-22/8-518-01 AND S283T006-28/8-716-01 ARE INTERCHANGEABLE DEPENDING ON THE APPLICATION. SEE NHA'S AND 767 PRR B12900-50, 767-SL-32-020, 767-SL-32-058A, 767-SL-32-087 AND 767-SL-32-076 FOR MORE DETAILS.		1

ILLUSTRATION ITEMS NOT ON PARTS LIST ARE NOT APPLICABLE

- ITEM NOT ILLUSTRATED

52-35-43-01

52-35-43
 FIG. 01
 PAGE 4
 APR 22/07

HXL



767

PARTS CATALOG (MAINTENANCE)

FIG ITEM	PART NUMBER	1 2 3 4 5 6 7 NOMENCLATURE	EFFECT FROM TO	UNITS PER ASSY
1 70		PART NUMBERS S283T006-2/8-344-01, S283T006-5/8-345-01, S283T006-7/8-344-03, S283T006-10/8-345-02 8-345-03, S283T006-22/8-518-01, S283T006-33/8-935-01 ARE INTERCHANGEABLE. PLEASE SEE INTERCHANGEABLE PARTS DRAWING 280T9001 FOR SPECIFIC USAGE DETAILS. OPTIONAL PART: 8-344-01 V08748 8-344-03 V08748 8-345-03 V08748 8-345-02 V08748		
70	8-345-02	.SENSOR-PROXIMITY SWITCH SYS SUPPLIER CODE: V08748 SPECIFICATION NUMBER: S283T006-10 ELECTRICAL EQUIP NUMBER: S00161 QUALIFIED I/W DATA: PART NUMBERS S283T006-2/8-344-01, S283T006-3/8-348-01, S283T006-5/8-345-01, S283T006-7/8-344-03, S283T006-8/8-348-02, S283T006-10/8-345-02/ 8-345-03, S283T006-22/8-518-01 AND S283T006-28/8-716-01 ARE INTERCHANGEABLE DEPENDING ON THE APPLICATION. SEE NHA'S AND 767 PRR B12900-50, 767-SL-32-020, 767-SL-32-058A, 767-SL-32-087 AND 767-SL-32-076 FOR MORE		1

ILLUSTRATION ITEMS NOT ON PARTS LIST ARE NOT APPLICABLE

- ITEM NOT ILLUSTRATED

HXL

52-35-43-01

BOEING PROPRIETARY - Copyright © - Unpublished Work - See title page for details.

52-35-43
 FIG. 01
 PAGE 5
 APR 22/07

BOEING
767
PARTS CATALOG (MAINTENANCE)

FIG ITEM	PART NUMBER	1 2 3 4 5 6 7	NOMENCLATURE	EFFECT FROM TO	UNITS PER ASSY
1 70			DETAILS. PART NUMBERS S283T006-2/8-344-01, S283T006-5/8-345-01, S283T006-7/8-344-03, S283T006-10/8-345-02 8-345-03, S283T006-22/8-518-01, S283T006-33/8-935-01 ARE INTERCHANGEABLE. PLEASE SEE INTERCHANGEABLE PARTS DRAWING 280T9001 FOR SPECIFIC USAGE DETAILS. OPTIONAL PART: 8-345-03 V08748 OPTIONAL PART: 8-345-01 V08748 8-344-03 V08748 8-344-01 V08748 ATTACHING PARTS .SCREW .WASHER .NUT SUPPLIER CODE: V52828 SPECIFICATION NUMBER: BACN10JC3 OPTIONAL PART: H10-3BAC V15653 NS202101-02 V80539 RMLH9075-3W V72962 VN303A02 V92215 96-02 V80539 T6S1032J V11815 -----*-----		
- 75	NAS1801-3-9		.SCREW		2
- 80	AN960PD10L		.WASHER		2
- 85	BRH10A3		.NUT		2
90	284T0278-1		.SHIM		1
95	284T0534-1		.PLATE		1
ILLUSTRATION ITEMS NOT ON PARTS LIST ARE NOT APPLICABLE					

- ITEM NOT ILLUSTRATED

HXL

52-35-43-01

BOEING PROPRIETARY - Copyright © - Unpublished Work - See title page for details.

52-35-43
FIG. 01
PAGE 6
APR 22/07

 **BOEING**
767
PARTS CATALOG (MAINTENANCE)

FIG ITEM	PART NUMBER	1 2 3 4 5 6 7	NOMENCLATURE	EFFECT FROM TO	UNITS PER ASSY
1			ATTACHING PARTS		
- 100	NAS1801-3-8	.	SCREW		2
- 105	AN960PD10L	.	WASHER		2
- 110	BRH10A3	.	NUT		2
			SUPPLIER CODE: V52828		
			SPECIFICATION NUMBER: BACN10JC3		
			OPTIONAL PART: H10-3BAC		
			V15653		
			NS202101-02		
			V80539		
			RMLH9075-3W		
			V72962		
			VN303A02		
			V92215		
			96-02		
			V80539		
			T6S1032J		
			V11815		
			-----*-----		
115	284T0241-11		SENSOR INSTL-CARGO DOOR POSITION DATA: AFT FOR NHA SEE: 24-00-58-01B		RF
120	BAC27TEX0927	.	DECAL- PLACARD CONTENT: S157		1
125	8-345-03	.	SENSOR-PROXIMITY SWITCH SYS SUPPLIER CODE: V08748 SPECIFICATION NUMBER: S283T006-10 ELECTRICAL EQUIP NUMBER: S00157 QUALIFIED I/W DATA: PART NUMBERS S283T006-2/8-344-01, S283T006-3/8-348-01, S283T006-5/8-345-01, S283T006-7/8-344-03, S283T006-8/8-348-02, S283T006-10/8-345-02/ 8-345-03, S283T006-22/8-518-01 AND S283T006-28/8-716-01 ARE		1
			ILLUSTRATION ITEMS NOT ON PARTS LIST ARE NOT APPLICABLE		

- ITEM NOT ILLUSTRATED

HXL

52-35-43-01

BOEING PROPRIETARY - Copyright © - Unpublished Work - See title page for details.

52-35-43
FIG. 01
PAGE 7
APR 22/07



767

PARTS CATALOG (MAINTENANCE)

FIG ITEM	PART NUMBER	1 2 3 4 5 6 7 NOMENCLATURE	EFFECT FROM TO	UNITS PER ASSY
1 125		INTERCHANGEABLE DEPENDING ON THE APPLICATION. SEE NHA'S AND 767 PRR B12900-50, 767-SL-32-020, 767-SL-32-058A, 767-SL-32-087 AND 767-SL-32-076 FOR MORE DETAILS. PART NUMBERS S283T006-2/8-344-01, S283T006-5/8-345-01, S283T006-7/8-344-03, S283T006-10/8-345-02 8-345-03, S283T006-22/8-518-01, S283T006-33/8-935-01 ARE INTERCHANGEABLE. PLEASE SEE INTERCHANGEABLE PARTS DRAWING 280T9001 FOR SPECIFIC USAGE DETAILS. OPTIONAL PART: 8-345-02 V08748 OPTIONAL PART: 8-344-01 V08748 8-344-03 V08748 8-345-01 V08748		
125	8-344-01	.SENSOR-PROXIMITY SWITCH SYS SUPPLIER CODE: V08748 SPECIFICATION NUMBER: S283T006-2 ELECTRICAL EQUIP NUMBER: S00157 QUALIFIED I/W DATA: PART NUMBERS S283T006-2/8-344-01, S283T006-3/8-348-01, S283T006-5/8-345-01, S283T006-7/8-344-03, S283T006-8/8-348-02, S283T006-10/8-345-02/ 8-345-03, ILLUSTRATION ITEMS NOT ON PARTS LIST ARE NOT APPLICABLE		1

- ITEM NOT ILLUSTRATED

52-35-43-01

52-35-43
 FIG. 01
 PAGE 8
 APR 22/07

HXL



767

PARTS CATALOG (MAINTENANCE)

FIG ITEM	PART NUMBER	1 2 3 4 5 6 7 NOMENCLATURE	EFFECT FROM TO	UNITS PER ASSY
1 125		<p>S283T006-22/8-518-01 AND S283T006-28/8-716-01 ARE INTERCHANGEABLE DEPENDING ON THE APPLICATION. SEE NHA'S AND 767 PRR B12900-50, 767-SL-32-020, 767-SL-32-058A, 767-SL-32-087 AND 767-SL-32-076 FOR MORE DETAILS. PART NUMBERS S283T006-2/8-344-01, S283T006-5/8-345-01, S283T006-7/8-344-03, S283T006-10/8-345-02 8-345-03, S283T006-22/8-518-01, S283T006-33/8-935-01 ARE INTERCHANGEABLE. PLEASE SEE INTERCHANGEABLE PARTS DRAWING 280T9001 FOR SPECIFIC USAGE DETAILS. OPTIONAL PART: 8-344-03 V08748 8-345-01 V08748 8-345-03 V08748 8-345-02 V08748</p>		
125	8-344-03	<p>. SENSOR-PROXIMITY SWITCH SYS SUPPLIER CODE: V08748 SPECIFICATION NUMBER: S283T006-7 ELECTRICAL EQUIP NUMBER: S00157 QUALIFIED I/W DATA: PART NUMBERS S283T006-2/8-344-01, S283T006-3/8-348-01, S283T006-5/8-345-01, S283T006-7/8-344-03, S283T006-8/8-348-02, S283T006-10/8-345-02/</p>		1

ILLUSTRATION ITEMS NOT ON PARTS LIST ARE NOT APPLICABLE

- ITEM NOT ILLUSTRATED

HXL

52-35-43-01

BOEING PROPRIETARY - Copyright © - Unpublished Work - See title page for details.

52-35-43
FIG. 01
PAGE 9
APR 22/07

 **BOEING**
767
PARTS CATALOG (MAINTENANCE)

FIG ITEM	PART NUMBER	1 2 3 4 5 6 7	NOMENCLATURE	EFFECT FROM TO	UNITS PER ASSY
1 125			<p>8-345-03, S283T006-22/8-518-01 AND S283T006-28/8-716-01 ARE INTERCHANGEABLE DEPENDING ON THE APPLICATION. SEE NHA'S AND 767 PRR B12900-50, 767-SL-32-020, 767-SL-32-058A, 767-SL-32-087 AND 767-SL-32-076 FOR MORE DETAILS. PART NUMBERS S283T006-2/8-344-01, S283T006-5/8-345-01, S283T006-7/8-344-03, S283T006-10/8-345-02 8-345-03, S283T006-22/8-518-01, S283T006-33/8-935-01 ARE INTERCHANGEABLE. PLEASE SEE INTERCHANGEABLE PARTS DRAWING 280T9001 FOR SPECIFIC USAGE DETAILS. 8-935-01 CAN REPLACE OR BE REPLACED BY 8-344-03. 8-935-01 CANNOT BE USED ON THRUST REVERSER OR ENGINES. OPTIONAL PART: 8-344-02 V08748 OPTIONAL PART: 8-344-01 V08748 8-345-01 V08748 8-345-03 V08748 8-345-02 V08748</p>		
125	8-345-01		<p>. SENSOR-PROXIMITY SWITCH SYS SUPPLIER CODE: V08748 SPECIFICATION NUMBER: S283T006-5 ELECTRICAL EQUIP NUMBER:</p> <p style="font-size: small;">ILLUSTRATION ITEMS NOT ON PARTS LIST ARE NOT APPLICABLE</p>		1

— ITEM NOT ILLUSTRATED

HXL

52-35-43-01

BOEING PROPRIETARY - Copyright © - Unpublished Work - See title page for details.

52-35-43
FIG. 01
PAGE 10
APR 22/07



767

PARTS CATALOG (MAINTENANCE)

FIG ITEM	PART NUMBER	1 2 3 4 5 6 7 NOMENCLATURE	EFFECT FROM TO	UNITS PER ASSY
1 125		<p>S00157 QUALIFIED I/W DATA: PART NUMBERS S283T006-2/8-344-01, S283T006-3/8-348-01, S283T006-5/8-345-01, S283T006-7/8-344-03, S283T006-8/8-348-02, S283T006-10/8-345-02/ 8-345-03, S283T006-22/8-518-01 AND S283T006-28/8-716-01 ARE INTERCHANGEABLE DEPENDING ON THE APPLICATION. SEE NHA'S AND 767 PRR B12900-50, 767-SL-32-020, 767-SL-32-058A, 767-SL-32-087 AND 767-SL-32-076 FOR MORE DETAILS. PART NUMBERS S283T006-2/8-344-01, S283T006-5/8-345-01, S283T006-7/8-344-03, S283T006-10/8-345-02 8-345-03, S283T006-22/8-518-01, S283T006-33/8-935-01 ARE INTERCHANGEABLE. PLEASE SEE INTERCHANGEABLE PARTS DRAWING 280T9001 FOR SPECIFIC USAGE DETAILS. OPTIONAL PART: 8-344-01 V08748 8-344-03 V08748 8-345-03 V08748 8-345-02 V08748</p>		
125	8-345-02	<p>.SENSOR-PROXIMITY SWITCH SYS SUPPLIER CODE: V08748 SPECIFICATION NUMBER: S283T006-10</p>		1

ILLUSTRATION ITEMS NOT ON PARTS LIST ARE NOT APPLICABLE

- ITEM NOT ILLUSTRATED

52-35-43-01

52-35-43
 FIG. 01
 PAGE 11
 APR 22/07

HXL



767

PARTS CATALOG (MAINTENANCE)

FIG ITEM	PART NUMBER	1 2 3 4 5 6 7 NOMENCLATURE	EFFECT FROM TO	UNITS PER ASSY
1		<p>ELECTRICAL EQUIP NUMBER: S00157</p> <p>QUALIFIED I/W DATA: PART NUMBERS S283T006-2/8-344-01, S283T006-3/8-348-01, S283T006-5/8-345-01, S283T006-7/8-344-03, S283T006-8/8-348-02, S283T006-10/8-345-02/ 8-345-03, S283T006-22/8-518-01 AND S283T006-28/8-716-01 ARE INTERCHANGEABLE DEPENDING ON THE APPLICATION. SEE NHA'S AND 767 PRR B12900-50, 767-SL-32-020, 767-SL-32-058A, 767-SL-32-087 AND 767-SL-32-076 FOR MORE DETAILS. PART NUMBERS S283T006-2/8-344-01, S283T006-5/8-345-01, S283T006-7/8-344-03, S283T006-10/8-345-02 8-345-03, S283T006-22/8-518-01, S283T006-33/8-935-01 ARE INTERCHANGEABLE. PLEASE SEE INTERCHANGEABLE PARTS DRAWING 280T9001 FOR SPECIFIC USAGE DETAILS. OPTIONAL PART: 8-345-03 V08748 OPTIONAL PART: 8-345-01 V08748 8-344-03 V08748 8-344-01 V08748 ATTACHING PARTS .SCREW .WASHER -----*-----</p>		
- 130	NAS1801-3-10			2
- 135	AN960PD10L			2
ILLUSTRATION ITEMS NOT ON PARTS LIST ARE NOT APPLICABLE				

- ITEM NOT ILLUSTRATED

52-35-43-01

52-35-43
FIG. 01
PAGE 12
APR 22/07

HXL



767

PARTS CATALOG (MAINTENANCE)

FIG ITEM	PART NUMBER	1 2 3 4 5 6 7	NOMENCLATURE	EFFECT FROM TO	UNITS PER ASSY
1					
140	284T0278-1		.SHIM		2
145	284T0277-8		.BRACKET ASSY- ATTACHING PARTS		1
- 150	NAS1801-3-8		.SCREW		2
- 155	AN960PD10L		.WASHER		2
			-----*-----		
165	284T0241-14		SENSOR INSTL-CARGO DOOR POSITION DATA: AFT FOR NHA SEE: 24-00-58-01B		RF
170	BAC27TEX0921		.DECAL- PLACARD CONTENT: S158		1
175	8-345-03		.SENSOR-PROXIMITY SWITCH SYS SUPPLIER CODE: V08748 SPECIFICATION NUMBER: S283T006-10 ELECTRICAL EQUIP NUMBER: S00158 QUALIFIED I/W DATA: PART NUMBERS S283T006-2/8-344-01, S283T006-3/8-348-01, S283T006-5/8-345-01, S283T006-7/8-344-03, S283T006-8/8-348-02, S283T006-10/8-345-02/ 8-345-03, S283T006-22/8-518-01 AND S283T006-28/8-716-01 ARE INTERCHANGEABLE DEPENDING ON THE APPLICATION. SEE NHA'S AND 767 PRR B12900-50, 767-SL-32-020, 767-SL-32-058A, 767-SL-32-087 AND 767-SL-32-076 FOR MORE DETAILS. PART NUMBERS S283T006-2/8-344-01, S283T006-5/8-345-01, S283T006-7/8-344-03, S283T006-10/8-345-02 8-345-03, S283T006-22/8-518-01,		1
ILLUSTRATION ITEMS NOT ON PARTS LIST ARE NOT APPLICABLE					

- ITEM NOT ILLUSTRATED

52-35-43-01

52-35-43
FIG. 01
PAGE 13
APR 22/07

HXL



767

PARTS CATALOG (MAINTENANCE)

FIG ITEM	PART NUMBER	1 2 3 4 5 6 7 NOMENCLATURE	EFFECT FROM TO	UNITS PER ASSY
1 175		<p>S283T006-33/8-935-01 ARE INTERCHANGEABLE. PLEASE SEE INTERCHANGEABLE PARTS DRAWING 280T9001 FOR SPECIFIC USAGE DETAILS.</p> <p>OPTIONAL PART: 8-345-02 V08748</p> <p>OPTIONAL PART: 8-344-01 V08748 8-344-03 V08748 8-345-01 V08748</p>		
175	8-344-01	<p>.SENSOR-PROXIMITY SWITCH SYS SUPPLIER CODE: V08748 SPECIFICATION NUMBER: S283T006-2 ELECTRICAL EQUIP NUMBER: S00158 QUALIFIED I/W DATA: PART NUMBERS S283T006-2/8-344-01, S283T006-3/8-348-01, S283T006-5/8-345-01, S283T006-7/8-344-03, S283T006-8/8-348-02, S283T006-10/8-345-02/ 8-345-03, S283T006-22/8-518-01 AND S283T006-28/8-716-01 ARE INTERCHANGEABLE DEPENDING ON THE APPLICATION. SEE NHA'S AND 767 PRR B12900-50, 767-SL-32-020, 767-SL-32-058A, 767-SL-32-087 AND 767-SL-32-076 FOR MORE DETAILS. PART NUMBERS S283T006-2/8-344-01, S283T006-5/8-345-01, S283T006-7/8-344-03, S283T006-10/8-345-02</p>		1

ILLUSTRATION ITEMS NOT ON PARTS LIST ARE NOT APPLICABLE

- ITEM NOT ILLUSTRATED

52-35-43-01

52-35-43
FIG. 01
PAGE 14
APR 22/07

HXL



767

PARTS CATALOG (MAINTENANCE)

FIG ITEM	PART NUMBER	1 2 3 4 5 6 7 NOMENCLATURE	EFFECT FROM TO	UNITS PER ASSY
1 175	8-344-03	<p>8-345-03, S283T006-22/8-518-01, S283T006-33/8-935-01 ARE INTERCHANGEABLE. PLEASE SEE INTERCHANGEABLE PARTS DRAWING 280T9001 FOR SPECIFIC USAGE DETAILS. OPTIONAL PART: 8-345-01 V08748 8-344-03 V08748 8-345-03 V08748 8-345-02 V08748</p> <p>. SENSOR-PROXIMITY SWITCH SYS SUPPLIER CODE: V08748 SPECIFICATION NUMBER: S283T006-7 ELECTRICAL EQUIP NUMBER: S00158 QUALIFIED I/W DATA: PART NUMBERS S283T006-2/8-344-01, S283T006-3/8-348-01, S283T006-5/8-345-01, S283T006-7/8-344-03, S283T006-8/8-348-02, S283T006-10/8-345-02/ 8-345-03, S283T006-22/8-518-01 AND S283T006-28/8-716-01 ARE INTERCHANGEABLE DEPENDING ON THE APPLICATION. SEE NHA'S AND 767 PRR B12900-50, 767-SL-32-020, 767-SL-32-058A, 767-SL-32-087 AND 767-SL-32-076 FOR MORE DETAILS. PART NUMBERS S283T006-2/8-344-01, S283T006-5/8-345-01, S283T006-7/8-344-03,</p>		1

ILLUSTRATION ITEMS NOT ON PARTS LIST ARE NOT APPLICABLE

- ITEM NOT ILLUSTRATED

52-35-43-01

52-35-43
FIG. 01
PAGE 15
APR 22/07

HXL



767

PARTS CATALOG (MAINTENANCE)

FIG ITEM	PART NUMBER	1 2 3 4 5 6 7 NOMENCLATURE	EFFECT FROM TO	UNITS PER ASSY
1 175		<p>S283T006-10/8-345-02 8-345-03, S283T006-22/8-518-01, S283T006-33/8-935-01 ARE INTERCHANGEABLE. PLEASE SEE INTERCHANGEABLE PARTS DRAWING 280T9001 FOR SPECIFIC USAGE DETAILS. 8-935-01 CAN REPLACE OR BE REPLACED BY 8-344-03. 8-935-01 CANNOT BE USED ON THRUST REVERSER OR ENGINES. OPTIONAL PART: 8-344-02 V08748 OPTIONAL PART: 8-344-01 V08748 8-345-01 V08748 8-345-03 V08748 8-345-02 V08748</p> <p>175 8-345-01 . SENSOR-PROXIMITY SWITCH SYS SUPPLIER CODE: V08748 SPECIFICATION NUMBER: S283T006-5 ELECTRICAL EQUIP NUMBER: S00158 QUALIFIED I/W DATA: PART NUMBERS S283T006-2/8-344-01, S283T006-3/8-348-01, S283T006-5/8-345-01, S283T006-7/8-344-03, S283T006-8/8-348-02, S283T006-10/8-345-02/ 8-345-03, S283T006-22/8-518-01 AND S283T006-28/8-716-01 ARE INTERCHANGEABLE DEPENDING ON THE APPLICATION. SEE NHA'S AND 767 PRR B12900-50,</p>		1

ILLUSTRATION ITEMS NOT ON PARTS LIST ARE NOT APPLICABLE

- ITEM NOT ILLUSTRATED

HXL

52-35-43-01

BOEING PROPRIETARY - Copyright © - Unpublished Work - See title page for details.

52-35-43
FIG. 01
PAGE 16
APR 22/07



767

PARTS CATALOG (MAINTENANCE)

FIG ITEM	PART NUMBER	1 2 3 4 5 6 7 NOMENCLATURE	EFFECT FROM TO	UNITS PER ASSY
1 175		767-SL-32-020, 767-SL-32-058A, 767-SL-32-087 AND 767-SL-32-076 FOR MORE DETAILS. PART NUMBERS S283T006-2/8-344-01, S283T006-5/8-345-01, S283T006-7/8-344-03, S283T006-10/8-345-02 8-345-03, S283T006-22/8-518-01, S283T006-33/8-935-01 ARE INTERCHANGEABLE. PLEASE SEE INTERCHANGEABLE PARTS DRAWING 280T9001 FOR SPECIFIC USAGE DETAILS. OPTIONAL PART: 8-344-01 V08748 8-344-03 V08748 8-345-03 V08748 8-345-02 V08748		
175	8-345-02	.SENSOR-PROXIMITY SWITCH SYS SUPPLIER CODE: V08748 SPECIFICATION NUMBER: S283T006-10 ELECTRICAL EQUIP NUMBER: S00158 QUALIFIED I/W DATA: PART NUMBERS S283T006-2/8-344-01, S283T006-3/8-348-01, S283T006-5/8-345-01, S283T006-7/8-344-03, S283T006-8/8-348-02, S283T006-10/8-345-02/ 8-345-03, S283T006-22/8-518-01 AND S283T006-28/8-716-01 ARE INTERCHANGEABLE DEPENDING ON THE APPLICATION. SEE NHA'S ILLUSTRATION ITEMS NOT ON PARTS LIST ARE NOT APPLICABLE		1

- ITEM NOT ILLUSTRATED

52-35-43-01

52-35-43
 FIG. 01
 PAGE 17
 APR 22/07

HXL



767

PARTS CATALOG (MAINTENANCE)

FIG ITEM	PART NUMBER	1 2 3 4 5 6 7 NOMENCLATURE	EFFECT FROM TO	UNITS PER ASSY
1 175		AND 767 PRR B12900-50, 767-SL-32-020, 767-SL-32-058A, 767-SL-32-087 AND 767-SL-32-076 FOR MORE DETAILS. PART NUMBERS S283T006-2/8-344-01, S283T006-5/8-345-01, S283T006-7/8-344-03, S283T006-10/8-345-02 8-345-03, S283T006-22/8-518-01, S283T006-33/8-935-01 ARE INTERCHANGEABLE. PLEASE SEE INTERCHANGEABLE PARTS DRAWING 280T9001 FOR SPECIFIC USAGE DETAILS. OPTIONAL PART: 8-345-03 V08748 OPTIONAL PART: 8-345-01 V08748 8-344-03 V08748 8-344-01 V08748 ATTACHING PARTS		
- 180	NAS1351C3-10	.SCREW		2
- 185	AN960PD10L	.WASHER		2

ILLUSTRATION ITEMS NOT ON PARTS LIST ARE NOT APPLICABLE

- ITEM NOT ILLUSTRATED

HXL

52-35-43-01

BOEING PROPRIETARY - Copyright © - Unpublished Work - See title page for details.

52-35-43
 FIG. 01
 PAGE 18
 APR 22/07

 **BOEING**
767
PARTS CATALOG (MAINTENANCE)

FIG ITEM	PART NUMBER	1 2 3 4 5 6 7	NOMENCLATURE	EFFECT FROM TO	UNITS PER ASSY
1 - 190	BRH10A3		.NUT SUPPLIER CODE: V52828 SPECIFICATION NUMBER: BACN10JC3 OPTIONAL PART: H10-3BAC V15653 NS202101-02 V80539 RMLH9075-3W V72962 VN303A02 V92215 96-02 V80539 T6S1032J V11815 -----*-----		2
195	284T0858-2		.FILLER		1
200	284T0858-3		.ANGLE- ATTACHING PARTS		1
- 205	NAS1801-3-9		.SCREW		2
- 210	AN960PD10L		.WASHER -----*-----		2
410	284T0241-13		SENSOR INSTL-CARGO DOOR POSITION DATA: AFT VARIABLE DRAWING REF: 284T0241-5019 FOR NHA SEE: 24-00-58-01B		RF
415	BAC27TEX0931		.DECAL- PLACARD CONTENT: S160		1
420	NAS514P632-17		.SCREW- OPTIONAL PART: NAS514P632-18		2
420	NAS514P632-18		.SCREW- OPTIONAL PART: NAS514P632-17		2
425	AN960PD10L		.WASHER		2

ILLUSTRATION ITEMS NOT ON PARTS LIST ARE NOT APPLICABLE

- ITEM NOT ILLUSTRATED

HXL

52-35-43-01

BOEING PROPRIETARY - Copyright © - Unpublished Work - See title page for details.

52-35-43
FIG. 01
PAGE 19
APR 22/07



767

PARTS CATALOG (MAINTENANCE)

FIG ITEM	PART NUMBER	1 2 3 4 5 6 7	NOMENCLATURE	EFFECT FROM TO	UNITS PER ASSY
1 430	BRH10A06		.NUT SUPPLIER CODE: V52828 SPECIFICATION NUMBER: BACN10JC06 OPTIONAL PART: H10-06BAC V15653 RMLH9075-62W V72962 VN303A62 V92215 96-62 V80539 NS202101-62 V80539 T6S632J V11815		2
435	284T0887-12		.TARGET		1
440	284T0887-11		.FILLER		AR
445	8-345-03		.SENSOR-PROXIMITY SWITCH SYS SUPPLIER CODE: V08748 SPECIFICATION NUMBER: S283T006-10 ELECTRICAL EQUIP NUMBER: S00159 S00160 QUALIFIED I/W DATA: PART NUMBERS S283T006-2/8-344-01, S283T006-3/8-348-01, S283T006-5/8-345-01, S283T006-7/8-344-03, S283T006-8/8-348-02, S283T006-10/8-345-02/ 8-345-03, S283T006-22/8-518-01 AND S283T006-28/8-716-01 ARE INTERCHANGEABLE DEPENDING ON THE APPLICATION. SEE NHA'S AND 767 PRR B12900-50, 767-SL-32-020, 767-SL-32-058A, 767-SL-32-087 AND 767-SL-32-076 FOR MORE DETAILS.		1
ILLUSTRATION ITEMS NOT ON PARTS LIST ARE NOT APPLICABLE					

- ITEM NOT ILLUSTRATED

52-35-43-01

52-35-43
FIG. 01
PAGE 20
APR 22/07

HXL



767

PARTS CATALOG (MAINTENANCE)

FIG ITEM	PART NUMBER	1 2 3 4 5 6 7	NOMENCLATURE	EFFECT FROM TO	UNITS PER ASSY
1 445			PART NUMBERS S283T006-2/8-344-01, S283T006-5/8-345-01, S283T006-7/8-344-03, S283T006-10/8-345-02 8-345-03, S283T006-22/8-518-01, S283T006-33/8-935-01 ARE INTERCHANGEABLE. PLEASE SEE INTERCHANGEABLE PARTS DRAWING 280T9001 FOR SPECIFIC USAGE DETAILS. OPTIONAL PART: 8-345-02 V08748 OPTIONAL PART: 8-344-01 V08748 8-344-03 V08748 8-345-01 V08748 . SENSOR-PROXIMITY SWITCH SYS SUPPLIER CODE: V08748 SPECIFICATION NUMBER: S283T006-2 ELECTRICAL EQUIP NUMBER: S00159 S00160 QUALIFIED I/W DATA: PART NUMBERS S283T006-2/8-344-01, S283T006-3/8-348-01, S283T006-5/8-345-01, S283T006-7/8-344-03, S283T006-8/8-348-02, S283T006-10/8-345-02/ 8-345-03, S283T006-22/8-518-01 AND S283T006-28/8-716-01 ARE INTERCHANGEABLE DEPENDING ON THE APPLICATION. SEE NHA'S AND 767 PRR B12900-50, 767-SL-32-020, 767-SL-32-058A, ILLUSTRATION ITEMS NOT ON PARTS LIST ARE NOT APPLICABLE		1
445	8-344-01				

- ITEM NOT ILLUSTRATED

52-35-43-01

52-35-43
 FIG. 01
 PAGE 21
 APR 22/07

HXL



767

PARTS CATALOG (MAINTENANCE)

FIG ITEM	PART NUMBER	1 2 3 4 5 6 7 NOMENCLATURE	EFFECT FROM TO	UNITS PER ASSY
1 445		<p>767-SL-32-087 AND 767-SL-32-076 FOR MORE DETAILS. PART NUMBERS S283T006-2/8-344-01, S283T006-5/8-345-01, S283T006-7/8-344-03, S283T006-10/8-345-02 8-345-03, S283T006-22/8-518-01, S283T006-33/8-935-01 ARE INTERCHANGEABLE. PLEASE SEE INTERCHANGEABLE PARTS DRAWING 280T9001 FOR SPECIFIC USAGE DETAILS. OPTIONAL PART: 8-345-01 V08748 8-344-03 V08748 8-345-03 V08748 8-345-02 V08748</p> <p>445 8-344-03 . SENSOR-PROXIMITY SWITCH SYS SUPPLIER CODE: V08748 SPECIFICATION NUMBER: S283T006-7 ELECTRICAL EQUIP NUMBER: S00159 S00160 QUALIFIED I/W DATA: PART NUMBERS S283T006-2/8-344-01, S283T006-3/8-348-01, S283T006-5/8-345-01, S283T006-7/8-344-03, S283T006-8/8-348-02, S283T006-10/8-345-02/ 8-345-03, S283T006-22/8-518-01 AND S283T006-28/8-716-01 ARE INTERCHANGEABLE DEPENDING ON THE APPLICATION. SEE NHA'S AND 767 PRR B12900-50,</p>		1

ILLUSTRATION ITEMS NOT ON PARTS LIST ARE NOT APPLICABLE

- ITEM NOT ILLUSTRATED

HXL

52-35-43-01

BOEING PROPRIETARY - Copyright © - Unpublished Work - See title page for details.

52-35-43
FIG. 01
PAGE 22
APR 22/07

 **BOEING**
767
PARTS CATALOG (MAINTENANCE)

FIG ITEM	PART NUMBER	1 2 3 4 5 6 7 NOMENCLATURE	EFFECT FROM TO	UNITS PER ASSY
1 445		767-SL-32-020, 767-SL-32-058A, 767-SL-32-087 AND 767-SL-32-076 FOR MORE DETAILS. PART NUMBERS S283T006-2/8-344-01, S283T006-5/8-345-01, S283T006-7/8-344-03, S283T006-10/8-345-02 8-345-03, S283T006-22/8-518-01, S283T006-33/8-935-01 ARE INTERCHANGEABLE. PLEASE SEE INTERCHANGEABLE PARTS DRAWING 280T9001 FOR SPECIFIC USAGE DETAILS. 8-935-01 CAN REPLACE OR BE REPLACED BY 8-344-03. 8-935-01 CANNOT BE USED ON THRUST REVERSER OR ENGINES. OPTIONAL PART: 8-344-02 V08748 OPTIONAL PART: 8-344-01 V08748 8-345-01 V08748 8-345-03 V08748 8-345-02 V08748		
445	8-345-01	.SENSOR-PROXIMITY SWITCH SYS SUPPLIER CODE: V08748 SPECIFICATION NUMBER: S283T006-5 ELECTRICAL EQUIP NUMBER: S00159 S00160 QUALIFIED I/W DATA: PART NUMBERS S283T006-2/8-344-01, S283T006-3/8-348-01, S283T006-5/8-345-01, ILLUSTRATION ITEMS NOT ON PARTS LIST ARE NOT APPLICABLE		1

— ITEM NOT ILLUSTRATED

HXL

52-35-43-01

BOEING PROPRIETARY - Copyright © - Unpublished Work - See title page for details.

52-35-43
FIG. 01
PAGE 23
APR 22/07



767

PARTS CATALOG (MAINTENANCE)

FIG ITEM	PART NUMBER	1 2 3 4 5 6 7 NOMENCLATURE	EFFECT FROM TO	UNITS PER ASSY
1 445		<p>S283T006-7/8-344-03, S283T006-8/8-348-02, S283T006-10/8-345-02/ 8-345-03, S283T006-22/8-518-01 AND S283T006-28/8-716-01 ARE INTERCHANGEABLE DEPENDING ON THE APPLICATION. SEE NHA'S AND 767 PRR B12900-50, 767-SL-32-020, 767-SL-32-058A, 767-SL-32-087 AND 767-SL-32-076 FOR MORE DETAILS. PART NUMBERS S283T006-2/8-344-01, S283T006-5/8-345-01, S283T006-7/8-344-03, S283T006-10/8-345-02 8-345-03, S283T006-22/8-518-01, S283T006-33/8-935-01 ARE INTERCHANGEABLE. PLEASE SEE INTERCHANGEABLE PARTS DRAWING 280T9001 FOR SPECIFIC USAGE DETAILS. OPTIONAL PART: 8-344-01 V08748 8-344-03 V08748 8-345-03 V08748 8-345-02 V08748</p>		
445	8-345-02	<p>.SENSOR-PROXIMITY SWITCH SYS SUPPLIER CODE: V08748 SPECIFICATION NUMBER: S283T006-10 ELECTRICAL EQUIP NUMBER: S00159 S00160 QUALIFIED I/W DATA: PART NUMBERS S283T006-2/8-344-01,</p>		1

ILLUSTRATION ITEMS NOT ON PARTS LIST ARE NOT APPLICABLE

- ITEM NOT ILLUSTRATED

52-35-43-01

HXL

BOEING PROPRIETARY - Copyright © - Unpublished Work - See title page for details.

52-35-43
FIG. 01
PAGE 24
APR 22/07



767

PARTS CATALOG (MAINTENANCE)

FIG ITEM	PART NUMBER	1 2 3 4 5 6 7 NOMENCLATURE	EFFECT FROM TO	UNITS PER ASSY
1 445		<p>S283T006-3/8-348-01, S283T006-5/8-345-01, S283T006-7/8-344-03, S283T006-8/8-348-02, S283T006-10/8-345-02/ 8-345-03, S283T006-22/8-518-01 AND S283T006-28/8-716-01 ARE INTERCHANGEABLE DEPENDING ON THE APPLICATION. SEE NHA'S AND 767 PRR B12900-50, 767-SL-32-020, 767-SL-32-058A, 767-SL-32-087 AND 767-SL-32-076 FOR MORE DETAILS. PART NUMBERS S283T006-2/8-344-01, S283T006-5/8-345-01, S283T006-7/8-344-03, S283T006-10/8-345-02 8-345-03, S283T006-22/8-518-01, S283T006-33/8-935-01 ARE INTERCHANGEABLE. PLEASE SEE INTERCHANGEABLE PARTS DRAWING 280T9001 FOR SPECIFIC USAGE DETAILS. OPTIONAL PART: 8-345-03 V08748 OPTIONAL PART: 8-345-01 V08748 8-344-03 V08748 8-344-01 V08748 ATTACHING PARTS .SCREW .WASHER</p>		
- 450	NAS1801-3-8			2
- 455	AN960PD10L			2

ILLUSTRATION ITEMS NOT ON PARTS LIST ARE NOT APPLICABLE

- ITEM NOT ILLUSTRATED

HXL

52-35-43-01

BOEING PROPRIETARY - Copyright © - Unpublished Work - See title page for details.

52-35-43
 FIG. 01
 PAGE 25
 APR 22/07



767

PARTS CATALOG (MAINTENANCE)

FIG ITEM	PART NUMBER	1 2 3 4 5 6 7 NOMENCLATURE	EFFECT FROM TO	UNITS PER ASSY
1 - 460	BRH10A3	.NUT SUPPLIER CODE: V52828 SPECIFICATION NUMBER: BACN10JC3 OPTIONAL PART: H10-3BAC V15653 NS202101-02 V80539 RMLH9075-3W V72962 VN303A02 V92215 96-02 V80539 T6S1032J V11815 -----*-----		2

ILLUSTRATION ITEMS NOT ON PARTS LIST ARE NOT APPLICABLE

- ITEM NOT ILLUSTRATED

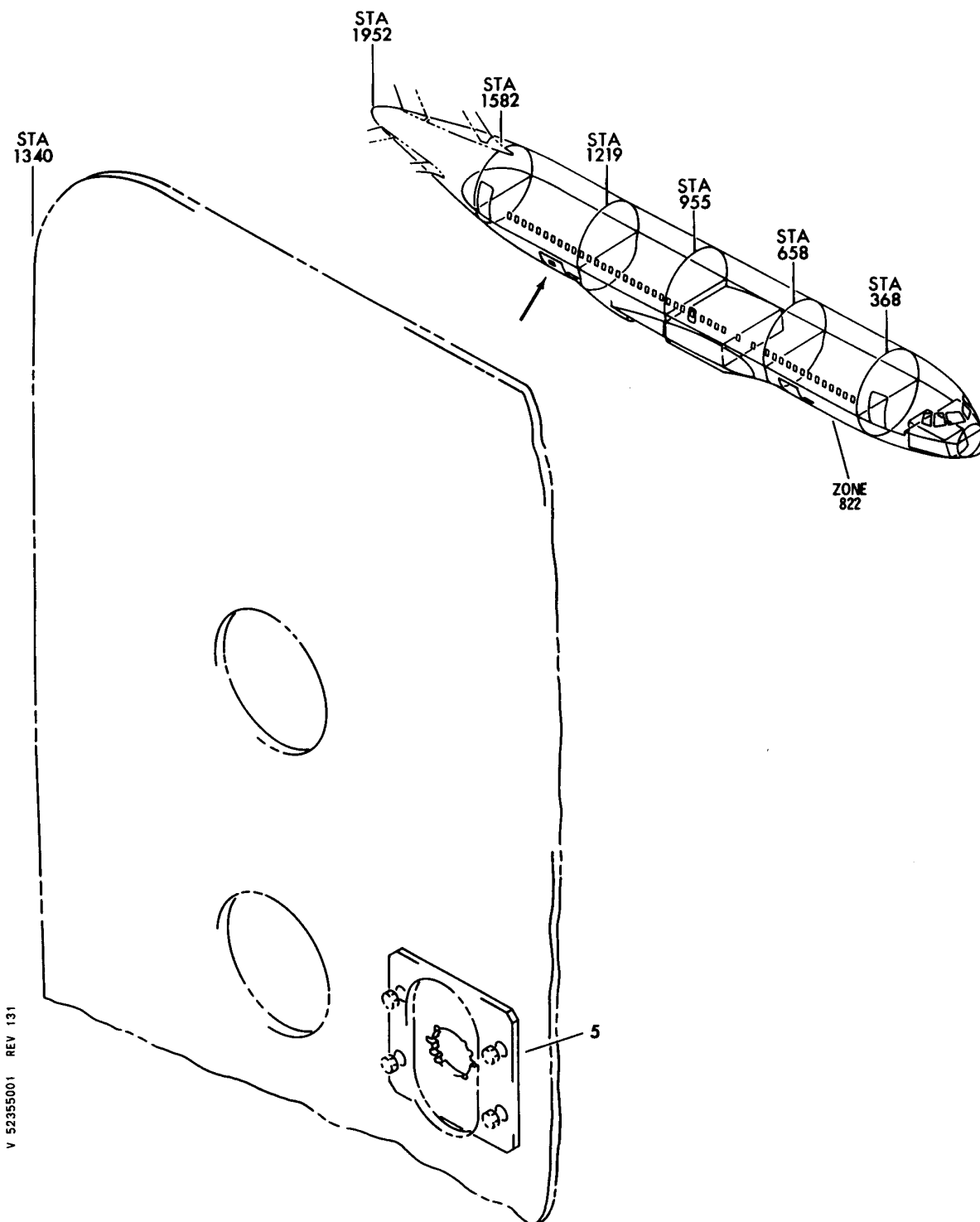
HXL

52-35-43-01

BOEING PROPRIETARY - Copyright © - Unpublished Work - See title page for details.

52-35-43
 FIG. 01
 PAGE 26
 APR 22/07

BOEING
767
PARTS CATALOG (MAINTENANCE)



V 52355001 REV 131

PLATE INSTL-AFT CARGO DOOR COMPT ELECTRICAL DISC.

FIGURE 1

52-35-50-01

HXL
DEC 22/06

52-35-50-01
PAGE 0



767

PARTS CATALOG (MAINTENANCE)

FIG ITEM	PART NUMBER	1 2 3 4 5 6 7	NOMENCLATURE	EFFECT FROM TO	UNITS PER ASSY
1			PLATE INSTL-AFT CARGO DOOR COMPT ELECTRICAL DISC.		
- 1	287T4303-2		PLATE INSTL-CARGO DOOR COMPT ELECTRICAL DISC. POSITION DATA: AFT FOR NHA SEE: 24-00-57-01		RF
	5 287T0014-248		.PLATE ATTACHING PARTS		1
- 10	NAS1801-3-7		.SCREW		4
- 15	AN960PD10L		.WASHER -----*-----		4

ILLUSTRATION ITEMS NOT ON PARTS LIST ARE NOT APPLICABLE

- ITEM NOT ILLUSTRATED

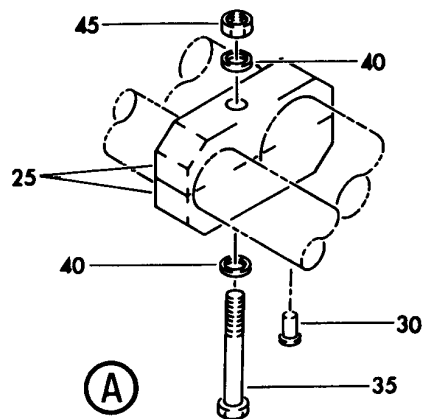
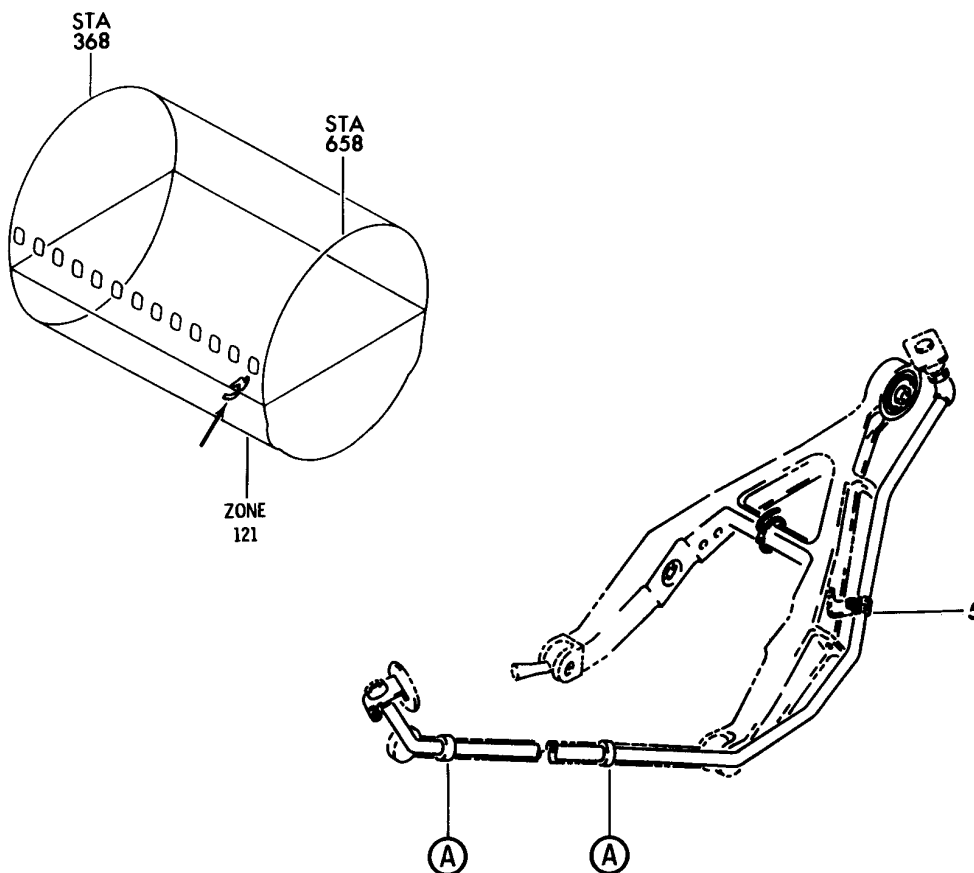
HXL

52-35-50-01

BOEING PROPRIETARY - Copyright © - Unpublished Work - See title page for details.

52-35-50
FIG. 01
PAGE 1
DEC 22/06

BOEING
767
PARTS CATALOG (MAINTENANCE)



V 52355005 REV 131

HARNES INSTL-AFT STD DOOR COMPT HINGE WIRE
FIGURE 5

52-35-50-05

HXL
DEC 22/06

52-35-50-05
PAGE 0



767

PARTS CATALOG (MAINTENANCE)

FIG ITEM	PART NUMBER	1 2 3 4 5 6 7	NOMENCLATURE	EFFECT FROM TO	UNITS PER ASSY
5			HARNESS INSTL-AFT STD DOOR COMPT HINGE WIRE		
- 1	287T4305-2		HARNESS INSTL-STD DOOR COMPT HINGE WIRE POSITION DATA: AFT FOR NHA SEE: 24-00-57-01		RF
5	JM44LC13WH12R		.CLAMP SUPPLIER CODE: V22175 SPECIFICATION NUMBER: BACC10GE12C OPTIONAL PART: S369WHSS12 V18076 TA12C32WH12 V84971 509SS12 V83930		1
- 10	NAS1801-3-5		ATTACHING PARTS .SCREW		1
- 15	AN960PD10L		.WASHER		1
- 20	BRH10A3		.NUT SUPPLIER CODE: V52828 SPECIFICATION NUMBER: BACN10JC3 OPTIONAL PART: H10-3BAC V15653 NS202101-02 V80539 RMLH9075-3W V72962 VN303A02 V92215 96-02 V80539 T6S1032J V11815		1
25	287T4310-1		-----*----- .CLAMP-ELECTRICAL CONDUIT ATTACHING PARTS		4
30	NAS1398D4-2		.RIVET		2
35	NAS1801-3-26		.SCREW		2
40	AN960PD10L		.WASHER		4

ILLUSTRATION ITEMS NOT ON PARTS LIST ARE NOT APPLICABLE

- ITEM NOT ILLUSTRATED

52-35-50-05

52-35-50
FIG. 05
PAGE 1
DEC 22/06

HXL



767

PARTS CATALOG (MAINTENANCE)

FIG ITEM	PART NUMBER	1 2 3 4 5 6 7 NOMENCLATURE	EFFECT FROM TO	UNITS PER ASSY
5 45	BRH10A3	.NUT SUPPLIER CODE: V52828 SPECIFICATION NUMBER: BACN10JC3 OPTIONAL PART: H10-3BAC V15653 NS202101-02 V80539 RMLH9075-3W V72962 VN303A02 V92215 96-02 V80539 T6S1032J V11815 -----*-----		2

ILLUSTRATION ITEMS NOT ON PARTS LIST ARE NOT APPLICABLE

- ITEM NOT ILLUSTRATED

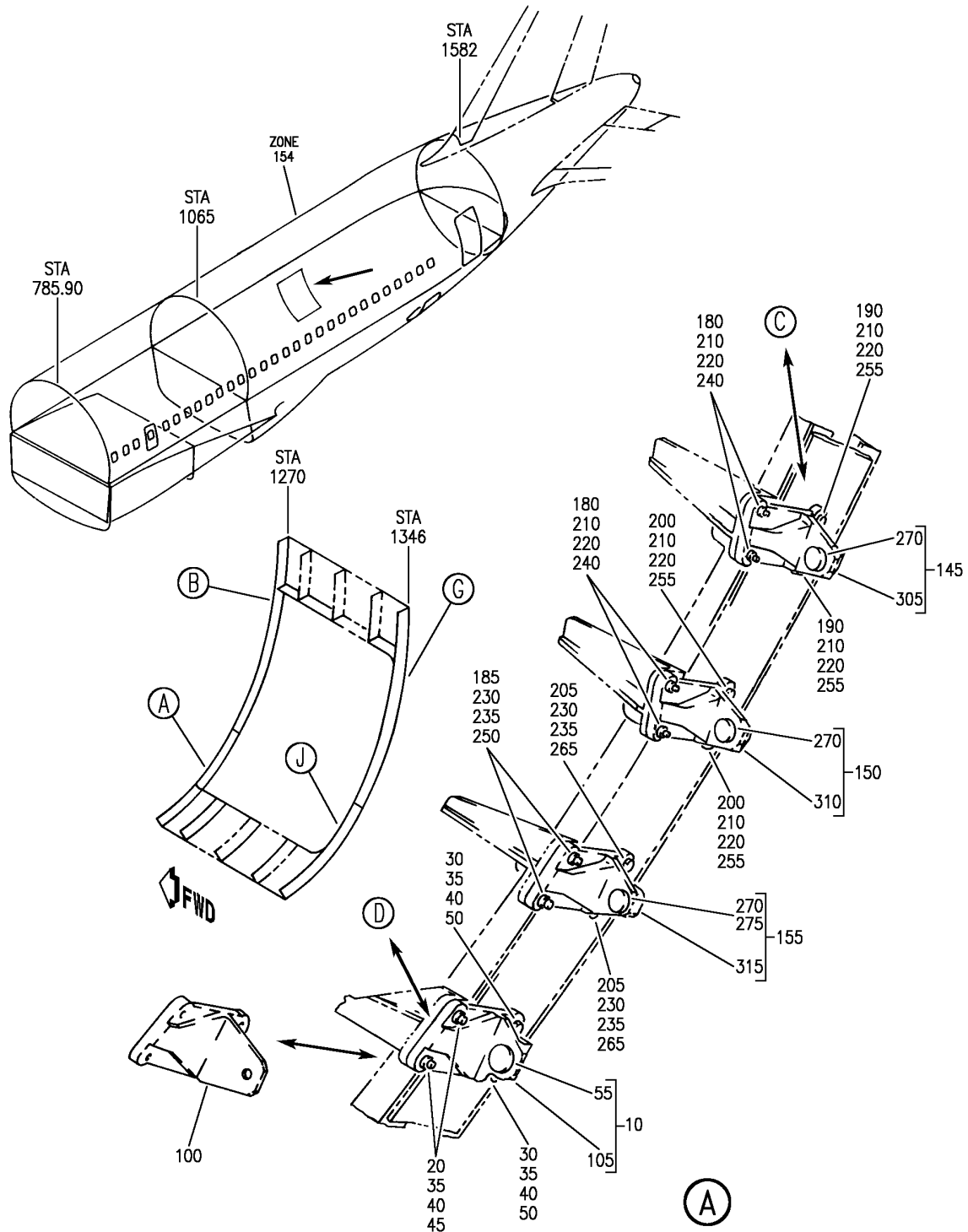
HXL

52-35-50-05

BOEING PROPRIETARY - Copyright © - Unpublished Work - See title page for details.

52-35-50
 FIG. 05
 PAGE 2
 DEC 22/06

BOEING
767
PARTS CATALOG (MAINTENANCE)



V 52355301 SHT 1 REV 294

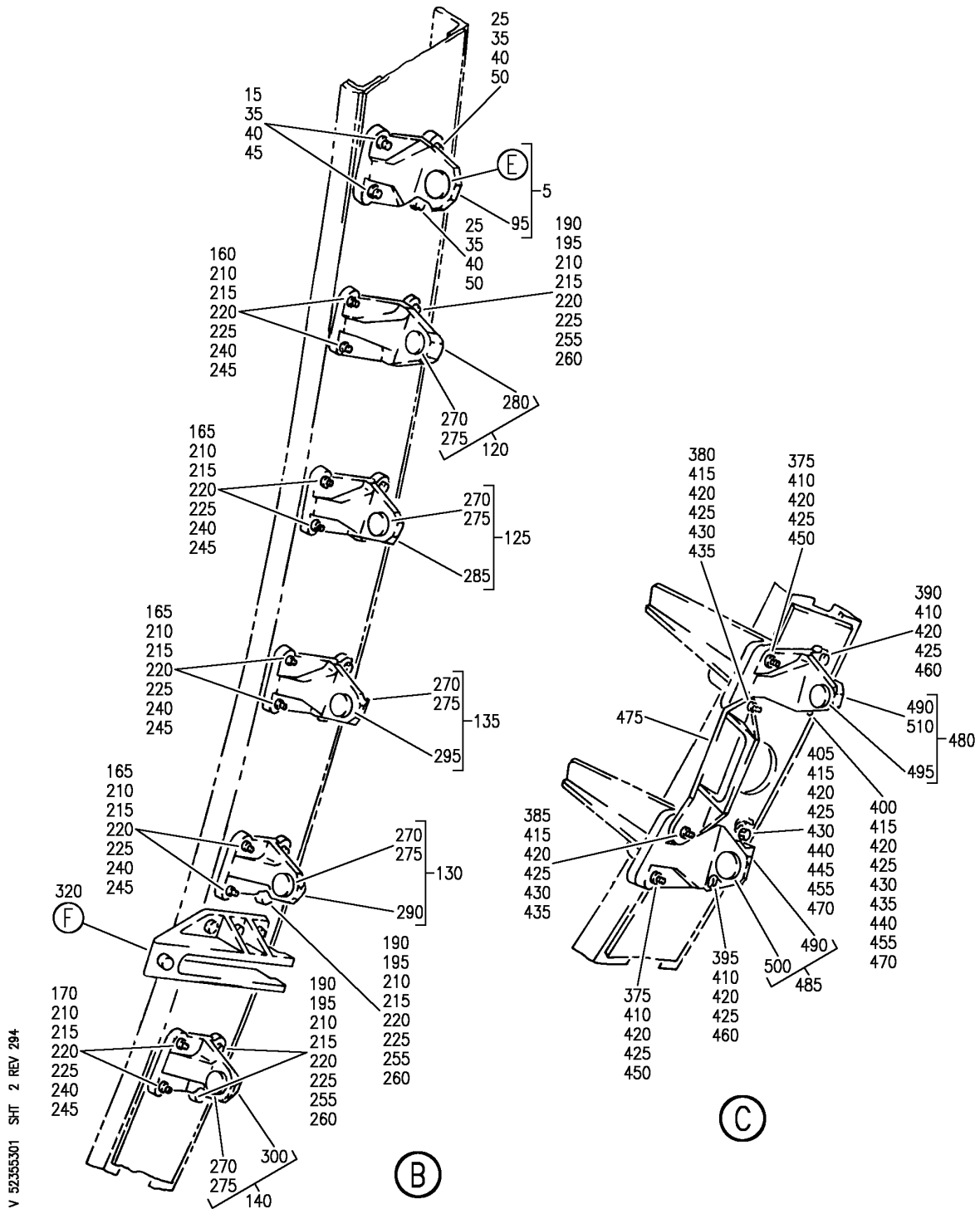
SEGMENT ASSY-FRAME STA 1270 AND 1346 AFT CARGO
FIGURE 1 (SHEET 1)

52-35-53-01

HXL
DEC 22/06

52-35-53-01
PAGE 0

BOEING
767
PARTS CATALOG (MAINTENANCE)



V 52355301 SH1 2 REV 294

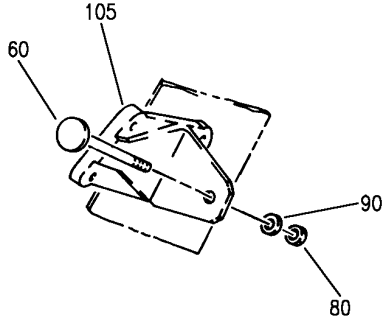
SEGMENT ASSY-FRAME STA 1270 AND 1346 AFT CARGO
FIGURE 1 (SHEET 2)

52-35-53-01

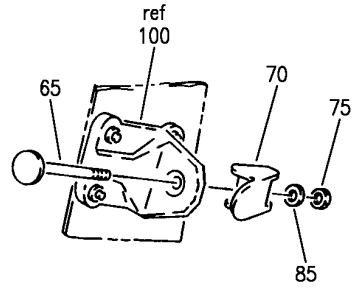
HXL
DEC 22/06

52-35-53-01
PAGE 0A

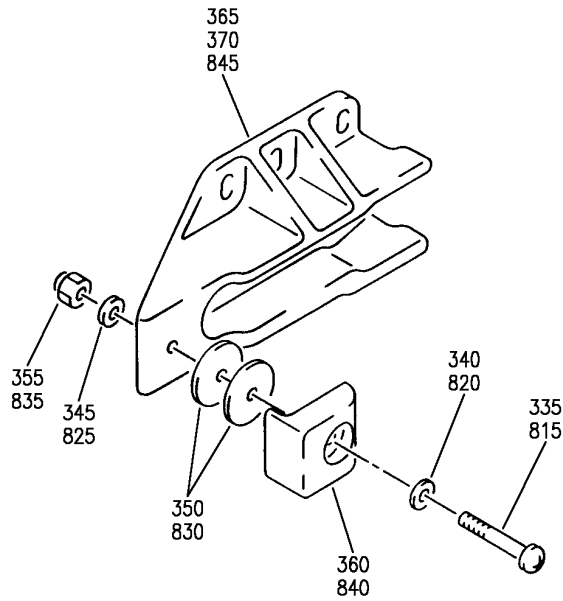
BOEING
767
PARTS CATALOG (MAINTENANCE)



(D)



(E)



(F)

V 52355301 SH1 3 REV 294

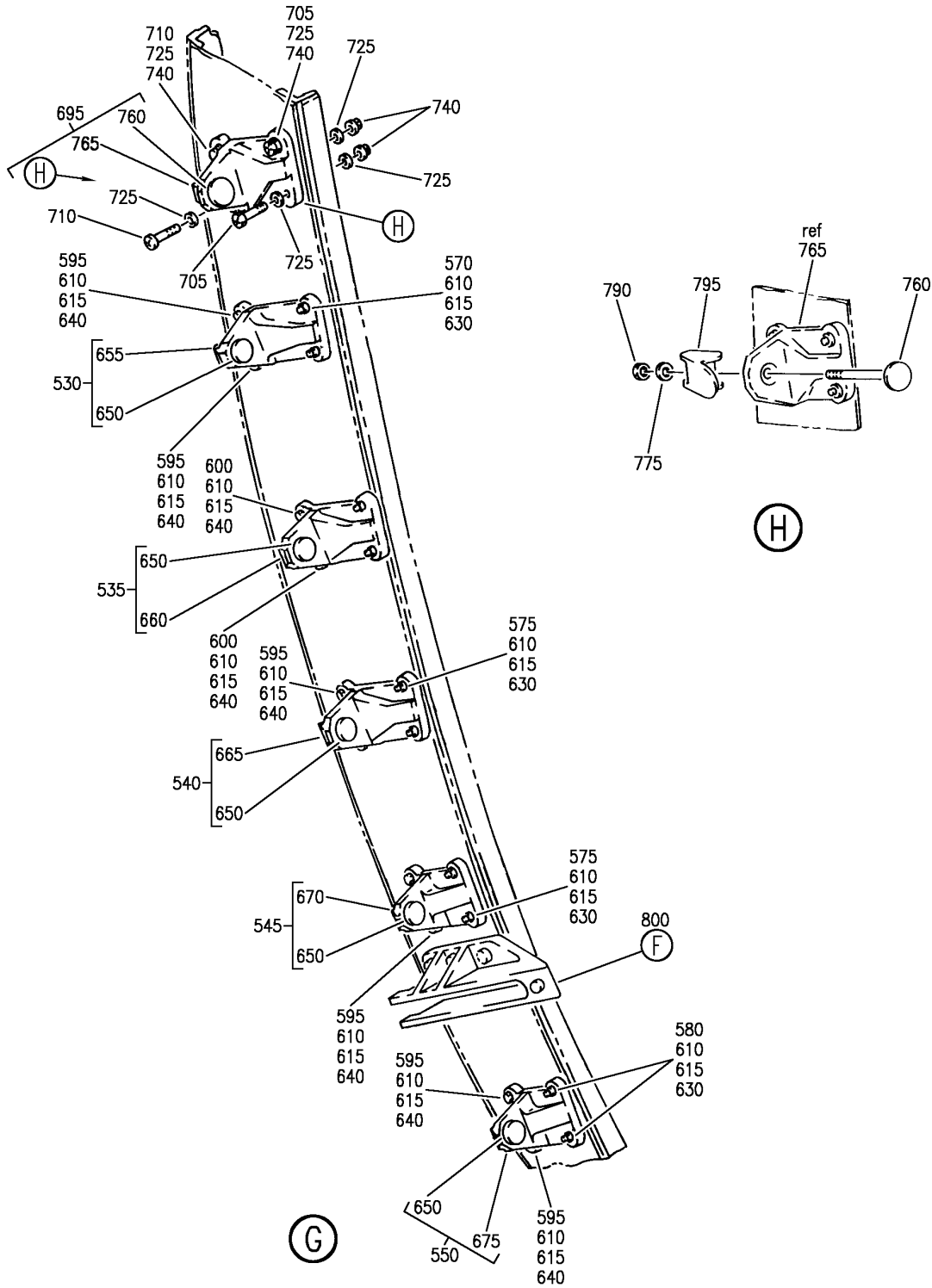
SEGMENT ASSY-FRAME STA 1270 AND 1346 AFT CARGO
FIGURE 1 (SHEET 3)

52-35-53-01

HXL
DEC 22/06

52-35-53-01
PAGE 0B

BOEING
767
PARTS CATALOG (MAINTENANCE)



V 52355301 SH1 4 REV 294

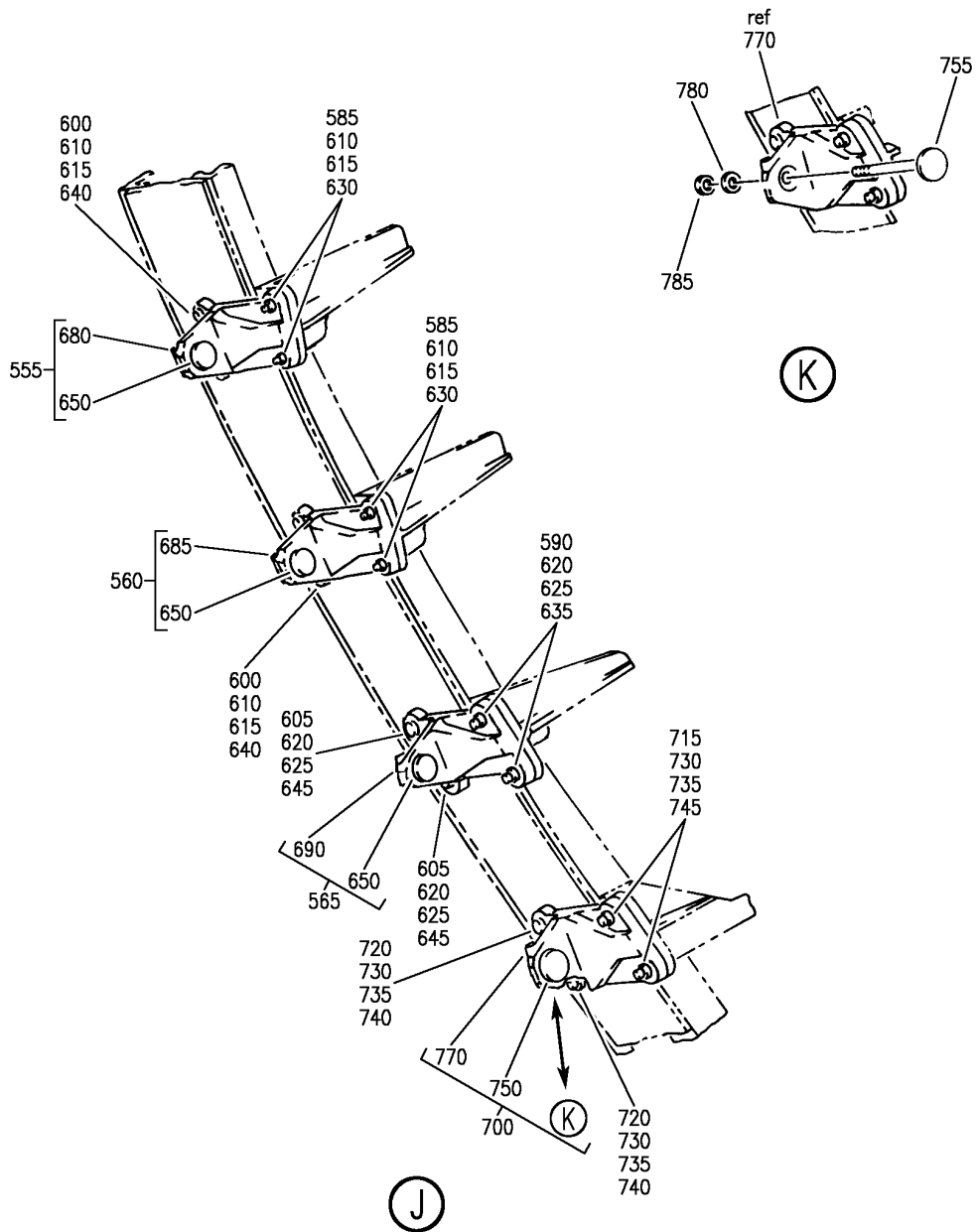
SEGMENT ASSY-FRAME STA 1270 AND 1346 AFT CARGO
FIGURE 1 (SHEET 4)

52-35-53-01

HXL
DEC 22/06

52-35-53-01
PAGE 0C

BOEING
767
PARTS CATALOG (MAINTENANCE)



V 52355301 SH1 5 REV 294

SEGMENT ASSY-FRAME STA 1270 AND 1346 AFT CARGO
FIGURE 1 (SHEET 5)

52-35-53-01

HXL
DEC 22/06

52-35-53-01
PAGE 0D

 **BOEING**
767
PARTS CATALOG (MAINTENANCE)

FIG ITEM	PART NUMBER	1 2 3 4 5 6 7	NOMENCLATURE	EFFECT FROM TO	UNITS PER ASSY
1			SEGMENT ASSY-FRAME STA 1270 AND 1346 AFT CARGO		
- 1	146T1580-33		SEGMENT ASSY- POSITION DATA: STA 1270 VARIABLE DRAWING REF: 146T1580-7001 FOR NHA SEE: 53-65-51-02		RF
5	140T2112-51		.FITTING ASSY-DOOR STOP		1
10	140T2112-65		.FITTING ASSY-DOOR STOP		1
15	BACB30LE5K21		.BOLT- USED WITH: 140T2114-1 140T2112-1 140T2112-51		2
20	BACB30LE5K18		.BOLT- USED WITH: 140T2112-15 140T2112-65 140T2114-33		2
25	BACB30NM5K17		.BOLT- USED WITH: 140T2114-1 140T2112-1 140T2112-51		2
30	BACB30NM5K18		.BOLT- USED WITH: 140T2114-33 140T2112-15 140T2112-65		2
35	BACW10BP5CD		.WASHER- MISCELLANEOUS DATA: UNDER HEAD		8
40	BACW10BP5P		.WASHER- MISCELLANEOUS DATA: UNDER NUT		8
ILLUSTRATION ITEMS NOT ON PARTS LIST ARE NOT APPLICABLE					

- ITEM NOT ILLUSTRATED

HXL

52-35-53-01

BOEING PROPRIETARY - Copyright © - Unpublished Work - See title page for details.

52-35-53
FIG. 01
PAGE 1
DEC 22/06


BOEING
 767
PARTS CATALOG (MAINTENANCE)

FIG ITEM	PART NUMBER	1 2 3 4 5 6 7	NOMENCLATURE	EFFECT FROM TO	UNITS PER ASSY
1 R	45	CR5906-5	.NUT- SUPPLIER CODE: VF0224 SPECIFICATION NUMBER: BACN10HR5 OPTIONAL PART: BH00302-5 V27238 H965 V15653 RMLH225 V72962 VAL280095 V06710 678325 V56878 H96-5 V15653 RMLH22-5 V72962 SL7058S524 V11815 67832-524 V56878 BMNN10HR5 V97928 USED WITH: BACB30LE5-21 BACB30LE5K21 BACB30LE5-18 BACB30LE5K18		4
	50	NAS1804-5	.NUT- USED WITH: BACB30NM5K17 BACB30NM5K18 -----*-----		4
	60	140T2127-2	.. PLATE-BRG USED ON: 140T2112-65		1
	65	140T2127-1	.. PLATE-BRG USED ON: 140T2112-51		1
	70	140T2126-1	.. GUARD- USED ON: 140T2112-51		1
ILLUSTRATION ITEMS NOT ON PARTS LIST ARE NOT APPLICABLE					

— ITEM NOT ILLUSTRATED

HXL

52-35-53-01

BOEING PROPRIETARY - Copyright © - Unpublished Work - See title page for details.

52-35-53
 FIG. 01
 PAGE 2
 AUG 22/09

 **BOEING**
767
PARTS CATALOG (MAINTENANCE)

FIG ITEM	PART NUMBER	1 2 3 4 5 6 7	NOMENCLATURE	EFFECT FROM TO	UNITS PER ASSY
1	75 BRH10A3		..NUT- SUPPLIER CODE: V52828 SPECIFICATION NUMBER: BACN10JC3 OPTIONAL PART: H10-3BAC V15653 NS202101-02 V80539 RMLH9075-3W V72962 VN303A02 V92215 96-02 V80539 T6S1032J V11815 USED ON: 140T2112-51		1
	85 BACW10P42S		..WASHER- USED ON: 140T2112-51		1
	95 140T2114-17		..FITTING- OPTIONAL PART: 140T2112-17 USED ON: 140T2114-1 140T2112-51		1
	95 140T2112-17		..FITTING- OPTIONAL PART: 140T2114-17 USED ON: 140T2112-1 140T2112-51		1
	100 140T2112-79		..FITTING- OPTIONAL PART: 140T2114-51 USED ON: 140T2112-65		1
	100 140T2114-51		..FITTING- OPTIONAL PART: 140T2112-79 USED ON: 140T2112-65		1
	120 140T2112-53		.FITTING ASSY-DOOR STOP		1
	125 140T2112-56		.FITTING ASSY-DOOR STOP		1
	130 140T2112-59		.FITTING ASSY-DOOR STOP		1
	135 140T2112-58		.FITTING ASSY-DOOR STOP		1

ILLUSTRATION ITEMS NOT ON PARTS LIST ARE NOT APPLICABLE

— ITEM NOT ILLUSTRATED

HXL

52-35-53-01

BOEING PROPRIETARY - Copyright © - Unpublished Work - See title page for details.

52-35-53
FIG. 01
PAGE 3
DEC 22/06

 **BOEING**
767
PARTS CATALOG (MAINTENANCE)

FIG ITEM	PART NUMBER	1 2 3 4 5 6 7	NOMENCLATURE	EFFECT FROM TO	UNITS PER ASSY
1					
140	140T2112-60	.	FITTING ASSY-DOOR STOP		1
145	140T2112-61	.	FITTING ASSY-DOOR STOP		1
150	140T2112-55	.	FITTING ASSY-DOOR STOP		1
155	140T2112-63	.	FITTING ASSY-DOOR STOP		1
			ATTACHING PARTS		
160	BACB30LE4K17	.	BOLT-		2
			USED WITH:		
			140T2112-3		
			140T2114-3		
165	BACB30LE4K18	.	BOLT-		6
			USED WITH:		
			140T2114-6		
			140T2114-8		
			140T2114-9		
			140T2112-6		
			140T2112-8		
			140T2112-9		
170	BACB30LE4K19	.	BOLT-		2
			USED WITH:		
			140T2112-10		
			140T2114-10		
185	BACB30LE5K15	.	BOLT-		2
			USED WITH:		
			140T2114-13		
			140T2112-13		
195	BACB30NM4K15	.	BOLT-		10
			USED WITH:		
			140T2114-3		
			140T2114-6		
			140T2114-8		
			140T2114-9		
			140T2114-10		
			140T2112-3		
			140T2112-6		
			140T2112-8		
			140T2112-9		
			140T2112-10		
205	BACB30NM5K16	.	BOLT-		2
			USED WITH:		
			140T2114-13		
			140T2112-13		

ILLUSTRATION ITEMS NOT ON PARTS LIST ARE NOT APPLICABLE

— ITEM NOT ILLUSTRATED

HXL

52-35-53-01

BOEING PROPRIETARY - Copyright © - Unpublished Work - See title page for details.

52-35-53
FIG. 01
PAGE 4
DEC 22/06



767

PARTS CATALOG (MAINTENANCE)

FIG ITEM	PART NUMBER	1 2 3 4 5 6 7	NOMENCLATURE	EFFECT FROM TO	UNITS PER ASSY
1	215	BACW10BP4CD	.WASHER- MISCELLANEOUS DATA: UNDER HEAD USED WITH: BACB30LE4-17 BACB30LE4K17 BACB30LE4K18 BACB30LE4-19 BACB30LE4K19 BACB30LE4-14 BACB30NM4K15		20
	225	BACW10BP4DP	.WASHER- MISCELLANEOUS DATA: UNDER NUT USED WITH: BACB30LE4-17 BACB30LE4K17 BACB30LE4K18 BACB30LE4-19 BACB30LE4K19 BACB30LE4-14 BACB30NM4K15		20
	230	BACW10BP5CD	.WASHER- MISCELLANEOUS DATA: UNDER HEAD USED WITH: BACB30LE5-15 BACB30LE5K15 BACB30NM5K16		4
	235	BACW10BP5P	.WASHER- MISCELLANEOUS DATA: UNDER HEAD USED WITH: BACB30LE5-15 BACB30LE5K15 BACB30NM5K16		4

ILLUSTRATION ITEMS NOT ON PARTS LIST ARE NOT APPLICABLE

- ITEM NOT ILLUSTRATED

52-35-53-01

52-35-53
FIG. 01
PAGE 5
DEC 22/06

HXL

BOEING PROPRIETARY - Copyright © - Unpublished Work - See title page for details.

BOEING
767
PARTS CATALOG (MAINTENANCE)

FIG ITEM	PART NUMBER	1 2 3 4 5 6 7	NOMENCLATURE	EFFECT FROM TO	UNITS PER ASSY
R R	1 250	CR5906-5	.NUT- SUPPLIER CODE: VF0224 SPECIFICATION NUMBER: BACN10HR5 OPTIONAL PART: BH00302-5 V27238 H965 V15653 RMLH225 V72962 VAL280095 V06710 678325 V56878 H96-5 V15653 RMLH22-5 V72962 SL7058S524 V11815 67832-524 V56878 BMNN10HR5 V97928 USED WITH: BACB30LE5-15 BACB30LE5K15		2
	260	NAS1804-4	.NUT- USED WITH: BACB30NM4K15 BACB30NM4K16		10
	265	NAS1804-5	.NUT- USED WITH: BACB30NM5K16		2
	270	140T2127-3	-----*----- .. PLATE-BRG USED ON: 140T2112-53 140T2112-55 140T2112-56 140T2112-58 140T2112-59 140T2112-60 140T2112-61 140T2112-63		1

ILLUSTRATION ITEMS NOT ON PARTS LIST ARE NOT APPLICABLE

- ITEM NOT ILLUSTRATED

52-35-53-01

52-35-53
FIG. 01
PAGE 7
AUG 22/09

HXL



767

PARTS CATALOG (MAINTENANCE)

FIG ITEM	PART NUMBER	1 2 3 4 5 6 7	NOMENCLATURE	EFFECT FROM TO	UNITS PER ASSY
1					
280	140T2112-67	..	FITTING- OPTIONAL PART: 140T2114-39 USED ON: 140T2112-53		1
280	140T2114-39	..	FITTING- OPTIONAL PART: 140T2112-67 USED ON: 140T2112-53		1
285	140T2112-70	..	FITTING- OPTIONAL PART: 140T2114-42 USED ON: 140T2112-56		1
285	140T2114-42	..	FITTING- OPTIONAL PART: 140T2112-70 USED ON: 140T2112-56		1
290	140T2112-73	..	FITTING- OPTIONAL PART: 140T2114-47 USED ON: 140T2112-59		1
290	140T2114-47	..	FITTING- OPTIONAL PART: 140T2112-73 USED ON: 140T2112-59		1
295	140T2112-72	..	FITTING- OPTIONAL PART: 140T2114-44 USED ON: 140T2112-58		1
295	140T2114-44	..	FITTING- OPTIONAL PART: 140T2112-72 USED ON: 140T2112-58		1
300	140T2112-74	..	FITTING- OPTIONAL PART: 140T2114-48 USED ON: 140T2112-60		1

ILLUSTRATION ITEMS NOT ON PARTS LIST ARE NOT APPLICABLE

- ITEM NOT ILLUSTRATED

52-35-53-01

52-35-53
FIG. 01
PAGE 8
DEC 22/06

HXL

BOEING PROPRIETARY - Copyright © - Unpublished Work - See title page for details.



767

PARTS CATALOG (MAINTENANCE)

FIG ITEM	PART NUMBER	1 2 3 4 5 6 7	NOMENCLATURE	EFFECT FROM TO	UNITS PER ASSY
1					
300	140T2114-48	..	FITTING- OPTIONAL PART: 140T2112-74 USED ON: 140T2112-60		1
305	140T2112-75	..	FITTING- OPTIONAL PART: 140T2114-45 USED ON: 140T2112-61		1
305	140T2114-45	..	FITTING- OPTIONAL PART: 140T2112-75 USED ON: 140T2112-61		1
310	140T2112-69	..	FITTING- OPTIONAL PART: 140T2114-41 USED ON: 140T2112-55		1
310	140T2114-41	..	FITTING- OPTIONAL PART: 140T2112-69 USED ON: 140T2112-55		1
315	140T2112-77	..	FITTING- OPTIONAL PART: 140T2114-49 USED ON: 140T2112-63		1
315	140T2114-49	..	FITTING- OPTIONAL PART: 140T2112-77 USED ON: 140T2112-63		1
320	140T2907-17	.	FITTING ASSY ATTACHING PARTS		1
- 325	BACB30NR4K17	.	BOLT		6
- 330	AN960PD416	.	WASHER		6
			-----*-----		
335	NAS623-4-9	..	SCREW		1
340	AN960PD416L	..	WASHER- MISCELLANEOUS DATA: UNDER HEAD		1
345	AN960PD416	..	WASHER- MISCELLANEOUS DATA: UNDER NUT		1
350	AN970-4	..	WASHER		2

ILLUSTRATION ITEMS NOT ON PARTS LIST ARE NOT APPLICABLE

- ITEM NOT ILLUSTRATED

52-35-53-01

52-35-53
FIG. 01
PAGE 9
DEC 22/06

HXL

BOEING PROPRIETARY - Copyright © - Unpublished Work - See title page for details.

BOEING
767
PARTS CATALOG (MAINTENANCE)

FIG ITEM	PART NUMBER	1 2 3 4 5 6 7	NOMENCLATURE	EFFECT FROM TO	UNITS PER ASSY
1 355	BRH10A4		..NUT SUPPLIER CODE: V52828 SPECIFICATION NUMBER: BACN10JC4 OPTIONAL PART: T6S428J V11815 96-048 V80539 VN303A048 V92215 RMLH9075-4W V72962 NS202101-048 V80539 H10-4BAC V15653		1
360	140T2961-2		..GUIDE-CENTERING		1
365	140T2907-11		..FITTING		1
375	BACB30LE4K14		.BOLT- USED WITH: 140T2112-11 140T2112-5		2
380	BACB30LE4K23		.BOLT- USED WITH: 140T2112-11		1
385	BACB30LE4K21		.BOLT- USED WITH: 140T2112-5		1
390	BACB30NM4K15		.BOLT- USED WITH: 140T2112-11		1
395	BACB30NM4K16		.BOLT- USED WITH: 140T2112-5		1
400	BACB30NM4K27		.BOLT- USED WITH: 140T2112-11		1
405	BACB30NM4K25		.BOLT- USED WITH: 140T2112-5		1
410	BACW10BP4CD		.WASHER- MISCELLANEOUS DATA: UNDER HEAD USED WITH: BACB30LE4K14 BACB30NM4K15 BACB30NM4K16		4

ILLUSTRATION ITEMS NOT ON PARTS LIST ARE NOT APPLICABLE

- ITEM NOT ILLUSTRATED

HXL

52-35-53-01

BOEING PROPRIETARY - Copyright © - Unpublished Work - See title page for details.

52-35-53
FIG. 01
PAGE 10
DEC 22/06



767

PARTS CATALOG (MAINTENANCE)

FIG ITEM	PART NUMBER	1 2 3 4 5 6 7	NOMENCLATURE	EFFECT FROM TO	UNITS PER ASSY
1 415	BACW10BP4CD		.WASHER- MISCELLANEOUS DATA: UNDER HEAD USED WITH: BACB30LE4K23 BACB30LE4K21 BACB30NM4K25 BACB30NM4K27		4
420	BACW10BP4DP		.WASHER- MISCELLANEOUS DATA: UNDER HEAD USED WITH: BACB30LE4K14 BACB30NM4K15 BACB30NM4K16 BACB30LE4K21 BACB30NM4K25 BACB30LE4K23 BACB30NM4K27		8
430	BACW10P71S		.WASHER- USED WITH: BACB30LE4K23 BACB30NM4K27 BACB30LE4K21 BACB30NM4K25		6
435	NAS42HT8-22		.SPACER- USED WITH: 140T2112-11		2
440	284T1188-2		.SPACER- USED WITH: 140T2112-11 140T2112-5		2

ILLUSTRATION ITEMS NOT ON PARTS LIST ARE NOT APPLICABLE

- ITEM NOT ILLUSTRATED

HXL

52-35-53-01

BOEING PROPRIETARY - Copyright © - Unpublished Work - See title page for details.

52-35-53
FIG. 01
PAGE 11
DEC 22/06



**767
PARTS CATALOG (MAINTENANCE)**

FIG ITEM	PART NUMBER	1 2 3 4 5 6 7	NOMENCLATURE	EFFECT FROM TO	UNITS PER ASSY
1	CR5906-4		.NUT-		2
R	450		SUPPLIER CODE:		
R			VF0224		
R			SPECIFICATION NUMBER:		
R			BACN10HR4		
R			OPTIONAL PART:		
R			SL7058S428		
R			V11815		
R			67832-428		
R			V56878		
R			BH00302-4		
R			V27238		
R			H964		
R			V15653		
R			RMLH224		
R			V72962		
R			VAL280094		
R			V06710		
R			678324		
R			V56878		
R			H96-4		
R			V15653		
R			RMLH22-4		
R			V72962		
R			BMNN10HR4		
R			V97928		
R			USED WITH:		
R			BACB30LE4K14		
ILLUSTRATION ITEMS NOT ON PARTS LIST ARE NOT APPLICABLE					

— ITEM NOT ILLUSTRATED

HXL

52-35-53-01

BOEING PROPRIETARY - Copyright © - Unpublished Work - See title page for details.

52-35-53
FIG. 01
PAGE 12
AUG 22/09

 **BOEING**
767
PARTS CATALOG (MAINTENANCE)

FIG ITEM	PART NUMBER	1 2 3 4 5 6 7	NOMENCLATURE	EFFECT FROM TO	UNITS PER ASSY
R R R R R R R R R R R R R R	1 455	CR5906-4	.NUT- SUPPLIER CODE: VF0224 SPECIFICATION NUMBER: BACN10HR4 OPTIONAL PART: SL7058S428 V11815 67832-428 V56878 BH00302-4 V27238 H964 V15653 RMLH224 V72962 VAL280094 V06710 678324 V56878 H96-4 V15653 RMLH22-4 V72962 BMNN10HR4 V97928 USED WITH: BACB30NM4K27 BACB30NM4K25		2
	460	NAS1804-4	.NUT- USED WITH: BACB30NM4K15 BACB30NM4K16		2
	470	NAS1804-4	.NUT- USED WITH: BACB30NM4K27 BACB30NM4K25		2
	475	284T0895-4	.BRACKET-		1
	480	140T2112-11	.FITTING ASSY-DOOR STOP		1
	480	140T2112-61	.FITTING ASSY-DOOR STOP		1
	480	140T2114-11	.FITTING ASSY-DOOR STOP		1
	485	140T2112-5	.FITTING ASSY-DOOR STOP		1
	485	140T2112-55	.FITTING ASSY-DOOR STOP		1
	485	140T2114-5	.FITTING ASSY-DOOR STOP		1
	490	140T2113-1	..PLATE-BRG PRE SERVICE BULLETIN: 52-0039		1
	490	140T2127-3	..PLATE-BRG		1

ILLUSTRATION ITEMS NOT ON PARTS LIST ARE NOT APPLICABLE

— ITEM NOT ILLUSTRATED

52-35-53-01

52-35-53
FIG. 01
PAGE 13
AUG 22/09

HXL

BOEING PROPRIETARY - Copyright © - Unpublished Work - See title page for details.

 **BOEING**
767
PARTS CATALOG (MAINTENANCE)

FIG ITEM	PART NUMBER	1 2 3 4 5 6 7	NOMENCLATURE	EFFECT FROM TO	UNITS PER ASSY
1					
495	140T2112-27	..	FITTING- USED ON: 140T2112-11		1
500	140T2112-21	..	FITTING- OPTIONAL PART: 140T2114-21 USED ON: 140T2112-5		1
500	140T2114-21	..	FITTING- OPTIONAL PART: 140T2112-21 USED ON: 140T2112-5		1
505	140T2112-69	..	FITTING- OPTIONAL PART: 140T2114-41 USED ON: 140T2112-55		1
505	140T2114-41	..	FITTING- OPTIONAL PART: 140T2112-69 USED ON: 140T2112-55		1
510	140T2112-75	..	FITTING- OPTIONAL PART: 140T2114-45 USED ON: 140T2112-61		1
510	140T2114-45	..	FITTING- OPTIONAL PART: 140T2112-75 USED ON: 140T2112-61		1
- 525	146T1581-24		SEGMENT ASSY- POSITION DATA: STA 1346 VARIABLE DRAWING REF: 146T1581-7001 FOR NHA SEE: 53-65-51-02		RF
530	140T2112-54	.	FITTING ASSY-DOOR STOP		1
535	140T2112-55	.	FITTING ASSY-DOOR STOP		1
540	140T2112-57	.	FITTING ASSY-DOOR STOP		1
545	140T2112-59	.	FITTING ASSY-DOOR STOP		1
550	140T2112-60	.	FITTING ASSY-DOOR STOP		1
555	140T2112-62	.	FITTING ASSY-DOOR STOP		1
560	140T2112-56	.	FITTING ASSY-DOOR STOP		1
565	140T2112-64	.	FITTING ASSY-DOOR STOP		1

ILLUSTRATION ITEMS NOT ON PARTS LIST ARE NOT APPLICABLE

- ITEM NOT ILLUSTRATED

HXL

52-35-53-01

BOEING PROPRIETARY - Copyright © - Unpublished Work - See title page for details.

52-35-53
FIG. 01
PAGE 14
AUG 22/09



767

PARTS CATALOG (MAINTENANCE)

FIG ITEM	PART NUMBER	1 2 3 4 5 6 7	NOMENCLATURE	EFFECT FROM TO	UNITS PER ASSY
1			ATTACHING PARTS		
570	BACB30LE4K17		.BOLT- USED WITH: 140T2112-4 140T2112-54		2
575	BACB30LE4K18		.BOLT- USED WITH: 140T2114-5 140T2114-7 140T2114-9 140T2112-5 140T2112-7 140T2112-9 140T2112-55 140T2112-57 140T2112-59		6
580	BACB30LE4K19		.BOLT- USED WITH: 140T2112-10 140T2112-60		2
585	BACB30LE4K14		-----*----- .BOLT- USED WITH: 140T2112-6 140T2112-12 140T2112-56 140T2112-62		4
590	BACB30LE5K15		ATTACHING PARTS .BOLT- USED WITH: 140T2112-14 140T2112-64		2
595	BACB30NM4K14		.BOLT- USED WITH: 140T2114-4 140T2114-7 140T2114-9 140T2114-10 140T2112-4 140T2112-7 140T2112-9 140T2112-10 140T2112-54 140T2112-57 140T2112-59 140T2112-60		8

ILLUSTRATION ITEMS NOT ON PARTS LIST ARE NOT APPLICABLE

- ITEM NOT ILLUSTRATED

HXL

52-35-53-01

BOEING PROPRIETARY - Copyright © - Unpublished Work - See title page for details.

52-35-53
FIG. 01
PAGE 15
DEC 22/06



767

PARTS CATALOG (MAINTENANCE)

FIG ITEM	PART NUMBER	1 2 3 4 5 6 7	NOMENCLATURE	EFFECT FROM TO	UNITS PER ASSY
1 600	BACB30NM4K15		.BOLT- USED WITH: 140T2114-5 140T2114-12 140T2114-6 140T2112-5 140T2112-6 140T2112-12 140T2112-55 140T2112-56 140T2112-62		6
605	BACB30NM5K16		.BOLT- USED WITH: 140T2114-14 140T2112-14 140T2112-64		2
610	BACW10BP4CD		.WASHER- MISCELLANEOUS DATA: UNDER HEAD USED WITH: BACB30LE4-17 BACB30LE4K17 BACB30LE4K18 BACB30LE4-19 BACB30LE4K19 BACB30LE4-14 BACB30LE4K14 BACB30NM4K14 BACB30NM4K15		28
615	BACW10BP4P		.WASHER- MISCELLANEOUS DATA: UNDER HEAD USED WITH: BACB30LE4-17 BACB30LE4K17 BACB30LE4K18 BACB30LE4-19 BACB30LE4K19 BACB30LE4-14 BACB30LE4K14 BACB30NM4K14 BACB30NM4K15		28

ILLUSTRATION ITEMS NOT ON PARTS LIST ARE NOT APPLICABLE

- ITEM NOT ILLUSTRATED

52-35-53-01

52-35-53
FIG. 01
PAGE 16
DEC 22/06

HXL

BOEING PROPRIETARY - Copyright © - Unpublished Work - See title page for details.



767

PARTS CATALOG (MAINTENANCE)

FIG ITEM	PART NUMBER	1 2 3 4 5 6 7 NOMENCLATURE	EFFECT FROM TO	UNITS PER ASSY
1 620	BACW10BP5CD	.WASHER- MISCELLANEOUS DATA: UNDER HEAD USED WITH: BACB30LE5-15 BACB30LE5K15 BACB30NM5K16		4
625	BACW10BP5P	-----*----- .WASHER- MISCELLANEOUS DATA: UNDER NUT USED WITH: BACB30LE5-15 BACB30LE5K15 BACB30NM5K16		4

ILLUSTRATION ITEMS NOT ON PARTS LIST ARE NOT APPLICABLE

- ITEM NOT ILLUSTRATED

HXL

52-35-53-01

BOEING PROPRIETARY - Copyright © - Unpublished Work - See title page for details.

52-35-53
 FIG. 01
 PAGE 17
 DEC 22/06

BOEING
767
PARTS CATALOG (MAINTENANCE)

FIG ITEM	PART NUMBER	1 2 3 4 5 6 7	NOMENCLATURE	EFFECT FROM TO	UNITS PER ASSY
1	630 CR5906-4		ATTACHING PARTS .NUT- SUPPLIER CODE: VF0224 SPECIFICATION NUMBER: BACN10HR4 OPTIONAL PART: SL7058S428 V11815 67832-428 V56878 BH00302-4 V27238 H964 V15653 RMLH224 V72962 VAL280094 V06710 678324 V56878 H96-4 V15653 RMLH22-4 V72962 BMNN10HR4 V97928 USED WITH: BACB30LE4-17 BACB30LE4K17 BACB30LE4K18 BACB30LE4-19 BACB30LE4K19 BACB30LE4-14 BACB30LE4K14		14

ILLUSTRATION ITEMS NOT ON PARTS LIST ARE NOT APPLICABLE

- ITEM NOT ILLUSTRATED

HXL

52-35-53-01

52-35-53
FIG. 01
PAGE 18
AUG 22/09

BOEING PROPRIETARY - Copyright © - Unpublished Work - See title page for details.

 **BOEING**
767
PARTS CATALOG (MAINTENANCE)

FIG ITEM	PART NUMBER	1 2 3 4 5 6 7	NOMENCLATURE	EFFECT FROM TO	UNITS PER ASSY	
R R	1 635	CR5906-5	.NUT- SUPPLIER CODE: VF0224 SPECIFICATION NUMBER: BACN10HR5 OPTIONAL PART: BH00302-5 V27238 H965 V15653 RMLH225 V72962 VAL280095 V06710 678325 V56878 H96-5 V15653 RMLH22-5 V72962 SL7058S524 V11815 67832-524 V56878 BMNN10HR5 V97928 USED WITH: BACB30LE5-15 BACB30LE5K15		2	
	640	NAS1804-4	.NUT- USED WITH: BACB30NM4K14 BACB30NM4K15		14	
	645	NAS1804-5	.NUT- USED WITH: BACB30NM5K16		2	
	650	140T2127-3	..PLATE-BRG		1	
	655	140T2114-40	..FITTING- OPTIONAL PART: 140T2112-68 USED ON: 140T2112-54		1	
	655	140T2114-40	..FITTING- OPTIONAL PART: 140T2112-68 USED ON: 140T2112-54		1	
	-----*-----					
	ILLUSTRATION ITEMS NOT ON PARTS LIST ARE NOT APPLICABLE					

— ITEM NOT ILLUSTRATED

52-35-53-01

52-35-53
FIG. 01
PAGE 19
AUG 22/09

HXL



767

PARTS CATALOG (MAINTENANCE)

FIG ITEM	PART NUMBER	1 2 3 4 5 6 7	NOMENCLATURE	EFFECT FROM TO	UNITS PER ASSY
1					
660	140T2112-69	..	FITTING- OPTIONAL PART: 140T2114-41 USED ON: 140T2112-55		1
660	140T2114-41	..	FITTING- OPTIONAL PART: 140T2112-69 USED ON: 140T2112-55		1
665	140T2112-71	..	FITTING- OPTIONAL PART: 140T2114-43 USED ON: 140T2112-57		1
665	140T2114-43	..	FITTING- OPTIONAL PART: 140T2112-71 USED ON: 140T2112-57		1
670	140T2112-73	..	FITTING- OPTIONAL PART: 140T2114-47 USED ON: 140T2112-59		1
670	140T2114-47	..	FITTING- OPTIONAL PART: 140T2112-73 USED ON: 140T2112-59		1
675	140T2112-74	..	FITTING- OPTIONAL PART: 140T2114-48 USED ON: 140T2112-60		1
675	140T2114-48	..	FITTING- OPTIONAL PART: 140T2112-74 USED ON: 140T2112-60		1
680	140T2112-76	..	FITTING- OPTIONAL PART: 140T2114-46 USED ON: 140T2112-62		1

ILLUSTRATION ITEMS NOT ON PARTS LIST ARE NOT APPLICABLE

- ITEM NOT ILLUSTRATED

52-35-53-01

52-35-53
FIG. 01
PAGE 20
AUG 22/09

HXL

BOEING PROPRIETARY - Copyright © - Unpublished Work - See title page for details.

 **BOEING**
767
PARTS CATALOG (MAINTENANCE)

FIG ITEM	PART NUMBER	1 2 3 4 5 6 7	NOMENCLATURE	EFFECT FROM TO	UNITS PER ASSY
1					
680	140T2114-46	..	FITTING- OPTIONAL PART: 140T2112-76 USED ON: 140T2112-62		1
685	140T2112-70	..	FITTING- OPTIONAL PART: 140T2114-42 USED ON: 140T2112-56		1
685	140T2114-42	..	FITTING- OPTIONAL PART: 140T2112-70 USED ON: 140T2112-56		1
690	140T2112-78	..	FITTING- OPTIONAL PART: 140T2114-50 USED ON: 140T2112-64		1
690	140T2114-50	..	FITTING- OPTIONAL PART: 140T2112-78 USED ON: 140T2112-64		1
695	140T2112-52	.	FITTING ASSY-DOOR STOP		1
700	140T2112-66	.	FITTING ASSY-DOOR STOP		1
705	AN5-15A	.	BOLT- USED WITH: 140T2112-2 140T2112-52 140T2114-2		2
710	AN5-13A	.	BOLT- USED WITH: 140T2112-2 140T2112-52 140T2114-2		2
715	BACB30LE5K17	.	BOLT- USED WITH: 140T2112-16 140T2112-66		2
720	BACB30NM5K18	.	BOLT- USED WITH: 140T2112-16 140T2112-66 140T2114-34		2

ILLUSTRATION ITEMS NOT ON PARTS LIST ARE NOT APPLICABLE

— ITEM NOT ILLUSTRATED

HXL

52-35-53-01

BOEING PROPRIETARY - Copyright © - Unpublished Work - See title page for details.

52-35-53
FIG. 01
PAGE 21
AUG 22/09



767

PARTS CATALOG (MAINTENANCE)

FIG ITEM	PART NUMBER	1 2 3 4 5 6 7	NOMENCLATURE	EFFECT FROM TO	UNITS PER ASSY
1					
725	AN960PD516L		.WASHER- USED WITH: AN5-15A AN5-13A		8
730	BACW10BP5CD		.WASHER- MISCELLANEOUS DATA: UNDER HEAD USED WITH: BACB30LE5-17 BACB30LE5K17 BACB30NM5K18		4
735	BACW10BP5P		.WASHER- MISCELLANEOUS DATA: UNDER NUT USED WITH: BACB30LE5-17 BACB30LE5K17 BACB30NM5K18		4
740	NAS1804-5		.NUT- USED WITH: AN5-15A AN5-13A BACB30NM5K18		6
ILLUSTRATION ITEMS NOT ON PARTS LIST ARE NOT APPLICABLE					

- ITEM NOT ILLUSTRATED

HXL

52-35-53-01

BOEING PROPRIETARY - Copyright © - Unpublished Work - See title page for details.

52-35-53
FIG. 01
PAGE 22
AUG 22/09

 **BOEING**
767
PARTS CATALOG (MAINTENANCE)

FIG ITEM	PART NUMBER	1 2 3 4 5 6 7	NOMENCLATURE	EFFECT FROM TO	UNITS PER ASSY
1					
765	140T2112-18		.. FITTING- OPTIONAL PART: 140T2114-18 USED ON: 140T2112-2 140T2112-52		1
770	140T2112-80		.. FITTING- OPTIONAL PART: 140T2114-52 USED ON: 140T2112-66		1
770	140T2114-52		.. FITTING- OPTIONAL PART: 140T2112-80 USED ON: 140T2112-66		1
775	BACW10P42S		.. WASHER- USED ON: 140T2112-52		1
790	BRH10A3		.. NUT- SUPPLIER CODE: V52828 SPECIFICATION NUMBER: BACN10JC3 OPTIONAL PART: H10-3BAC V15653 NS202101-02 V80539 RMLH9075-3W V72962 VN303A02 V92215 96-02 V80539 T6S1032J V11815 USED ON: 140T2112-52		1
795	140T2126-1		.. GUARD- USED ON: 140T2112-52		1
800	140T2907-18		. FITTING ASSY ATTACHING PARTS		1
- 805	BACB30NR4K17		. BOLT		6
- 810	AN960PD416		. WASHER -----*-----		6
815	NAS623-4-9		.. SCREW		1

ILLUSTRATION ITEMS NOT ON PARTS LIST ARE NOT APPLICABLE

- ITEM NOT ILLUSTRATED

HXL

52-35-53-01

BOEING PROPRIETARY - Copyright © - Unpublished Work - See title page for details.

52-35-53
FIG. 01
PAGE 24
DEC 22/06



767

PARTS CATALOG (MAINTENANCE)

FIG ITEM	PART NUMBER	1 2 3 4 5 6 7	NOMENCLATURE	EFFECT FROM TO	UNITS PER ASSY
1					
820	AN960PD416L		.. WASHER- MISCELLANEOUS DATA: UNDER HEAD		1
825	AN960PD416		.. WASHER- MISCELLANEOUS DATA: UNDER NUT		1
830	AN970-4		.. WASHER		2
835	BRH10A4		.. NUT SUPPLIER CODE: V52828 SPECIFICATION NUMBER: BACN10JC4 OPTIONAL PART: T6S428J V11815 96-048 V80539 VN303A048 V92215 RMLH9075-4W V72962 NS202101-048 V80539 H10-4BAC V15653		1
840	140T2961-2		.. GUIDE-CENTERING		1
845	140T2907-12		.. FITTING		1
ILLUSTRATION ITEMS NOT ON PARTS LIST ARE NOT APPLICABLE					

- ITEM NOT ILLUSTRATED

HXL

52-35-53-01

BOEING PROPRIETARY - Copyright © - Unpublished Work - See title page for details.

52-35-53
FIG. 01
PAGE 25
DEC 22/06