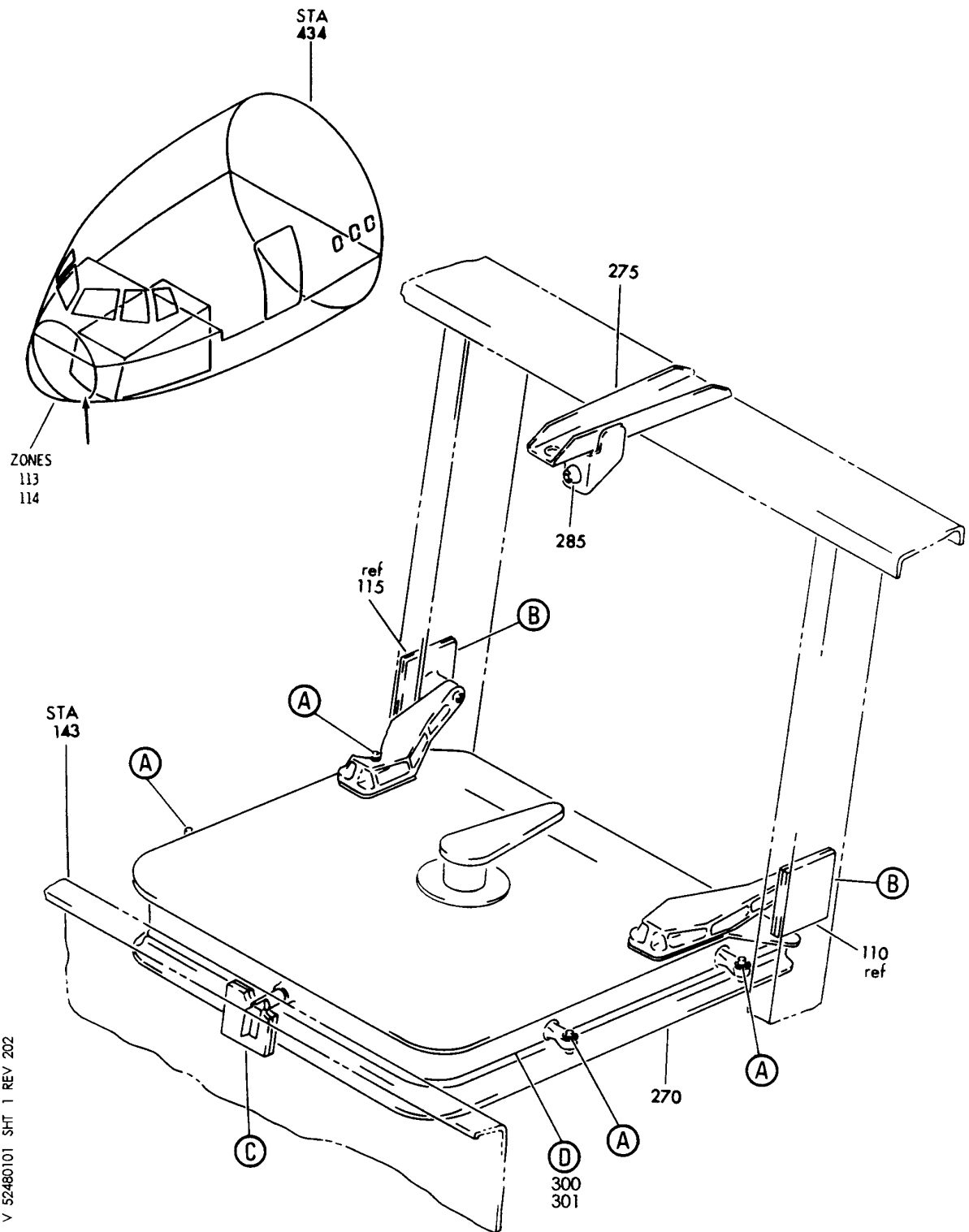


## EQUIPMENT COMPARTMENTS EXTERIOR DOORS

HXL  
DEC 22/06

52-48-00  
SECTION TITLE  
PAGE 1

**BOEING**  
767  
PARTS CATALOG (MAINTENANCE)



V 52480101 SHT 1 REV 202

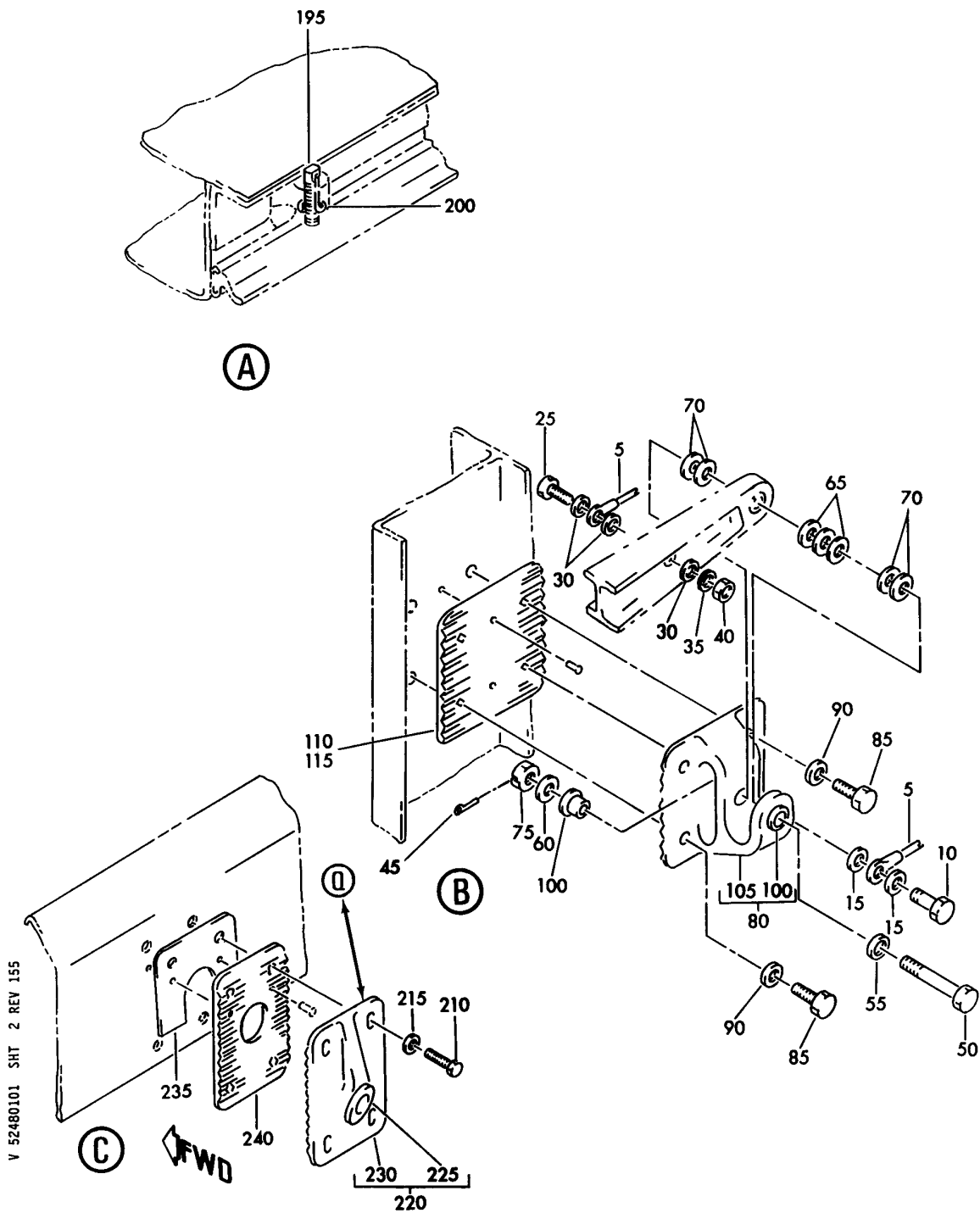
DOOR INSTL-FWD ACCESS  
FIGURE 1 (SHEET 1)

**52-48-01-01**

HXL  
DEC 22/06

52-48-01-01  
PAGE 0

**BOEING**  
767  
PARTS CATALOG (MAINTENANCE)



V 52480101 SHT 2 REV 155

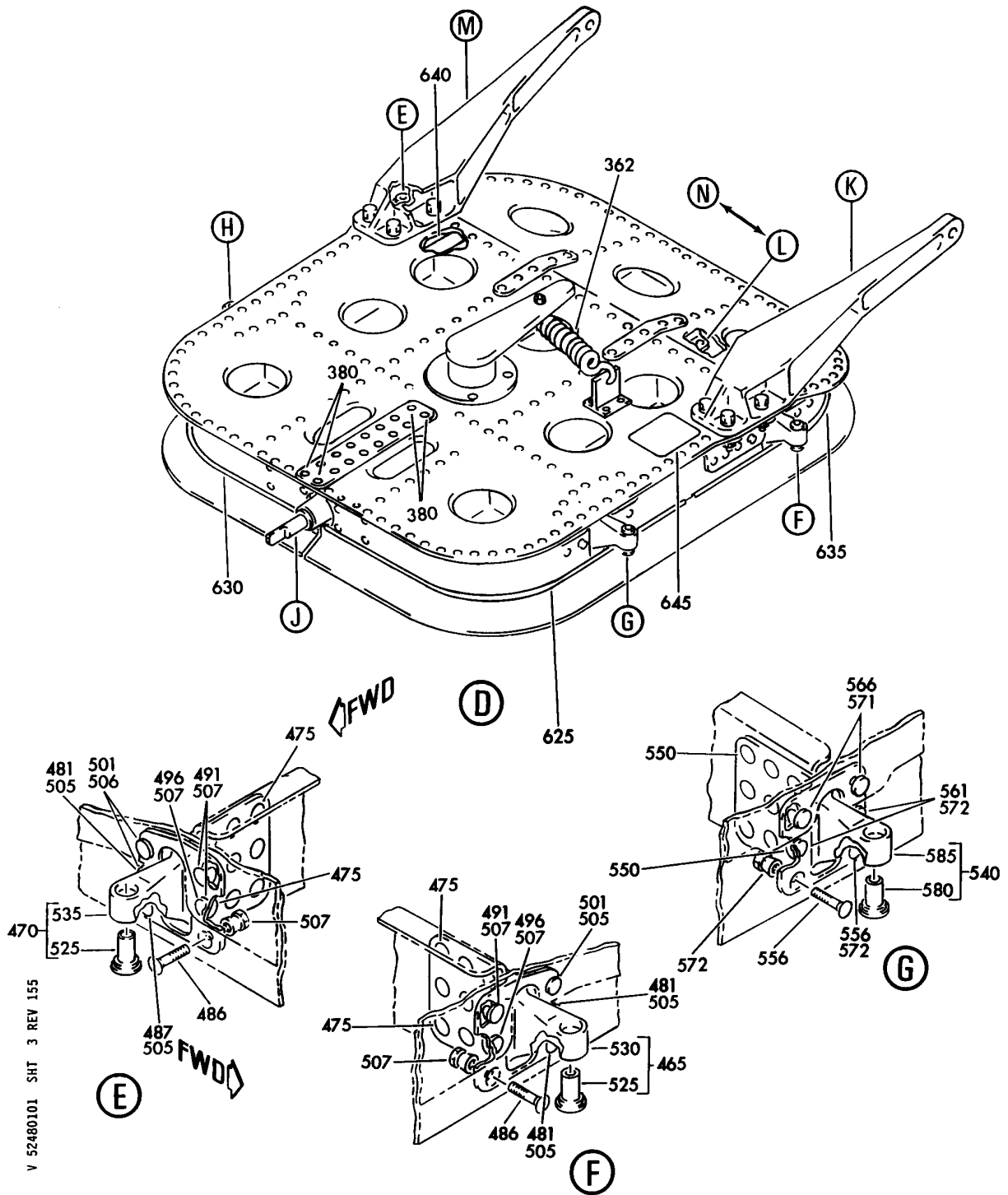
DOOR INSTL-FWD ACCESS  
FIGURE 1 (SHEET 2)

**52-48-01-01**

HXL  
DEC 22/06

52-48-01-01  
PAGE 0A

**BOEING**  
767  
PARTS CATALOG (MAINTENANCE)



V 52480101 SHT 3 REV 155

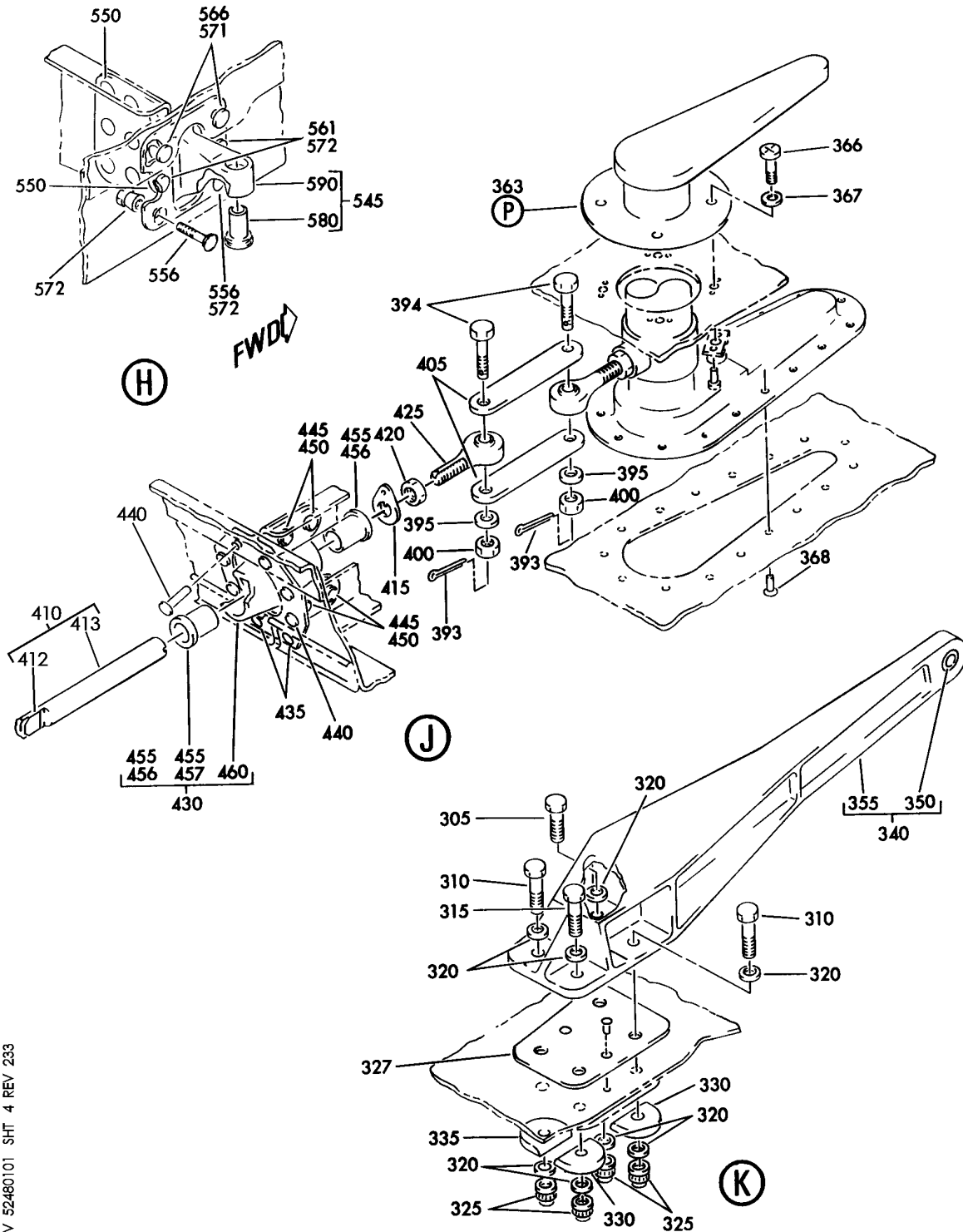
DOOR INSTL-FWD ACCESS  
FIGURE 1 (SHEET 3)

**52-48-01-01**

HXL  
DEC 22/06

52-48-01-01  
PAGE 0B


**BOEING**  
 767  
**PARTS CATALOG (MAINTENANCE)**



V 52480101 SHT 4 REV 233

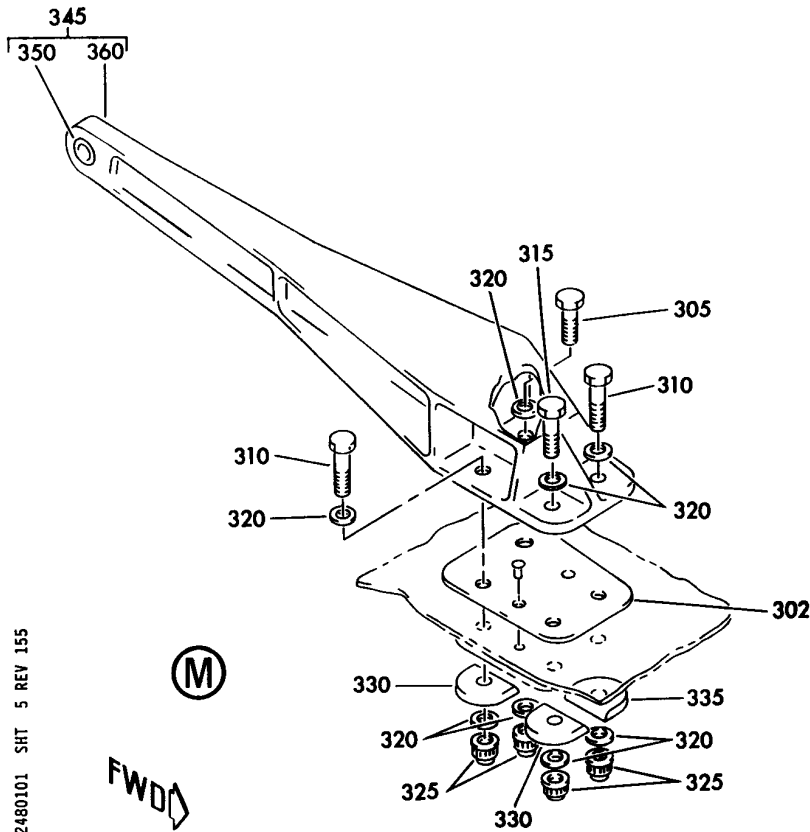
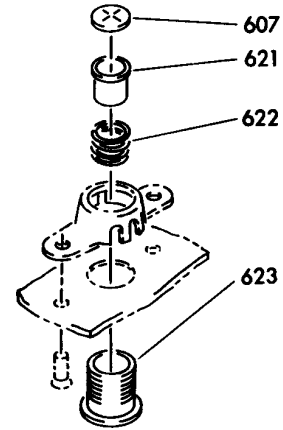
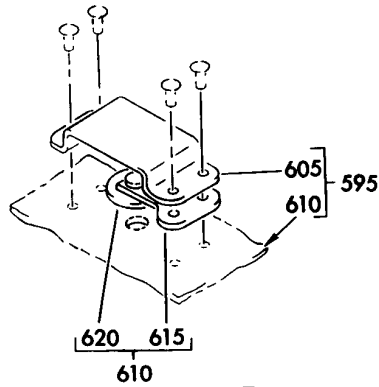
DOOR INSTL-FWD ACCESS  
FIGURE 1 (SHEET 4)

**52-48-01-01**

HXL  
DEC 22/06

52-48-01-01  
PAGE 0C

**BOEING**  
767  
PARTS CATALOG (MAINTENANCE)



V 52480101 SH1 5 REV 155

FWD

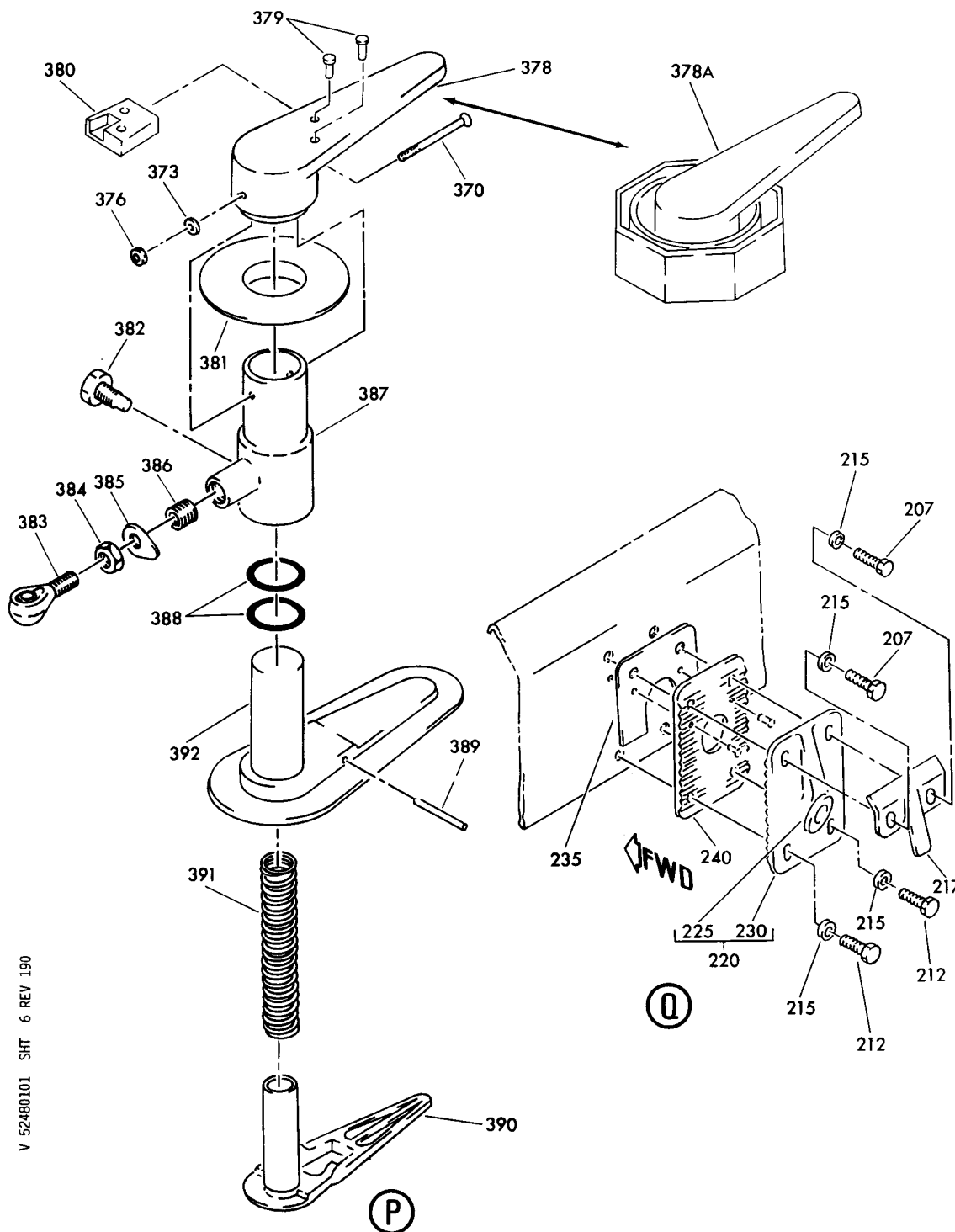
DOOR INSTL-FWD ACCESS  
FIGURE 1 (SHEET 5)

**52-48-01-01**

HXL  
DEC 22/06

52-48-01-01  
PAGE 0D

**BOEING**  
767  
PARTS CATALOG (MAINTENANCE)



V 52480101 SHT 6 REV 190

DOOR INSTL-FWD ACCESS  
FIGURE 1 (SHEET 6)

**52-48-01-01**

HXL  
DEC 22/06

52-48-01-01  
PAGE 0E

 **BOEING**  
767  
**PARTS CATALOG (MAINTENANCE)**

FIG ITEM	PART NUMBER	1 2 3 4 5 6 7	NOMENCLATURE	EFFECT FROM TO	UNITS PER ASSY
1			DOOR INSTL-FWD ACCESS		
- 1	141T6400-16		DOOR INSTL-ACCESS POSITION DATA: FWD VARIABLE DRAWING REF: 141T6400-5005 141T6400-7001 FOR NHA SEE: 53-10-54-01D		RF
5	BACJ40A21-6		.JUMPER ASSY		2
			ATTACHING PARTS		
10	BACB30LJ4-7		.BOLT		2
15	AN960-416L		.WASHER		4
25	NAS1801-3-9		.SCREW-		2
30	AN960-10L		.WASHER		6
35	MS35338-43		.WASHER		2
40	PLH53CD		.NUT-		2
			SUPPLIER CODE: VF0224		
			SPECIFICATION NUMBER: BACN10YR3CD		
			OPTIONAL PART: H52732-3CD V15653		
			-----*-----		
45	MS24665-153		.PIN		2
50	BACB30PU5D22		.BOLT		2
55	AN960C516		.WASHER		2
60	AN960C416		.WASHER		2
65	AN960JD516		.WASHER-		6
70	AN960JD516L		.WASHER-		8
75	BACN10JD4AU		.NUT		2
80	141T6410-1		.SUPPORT ASSY-HINGE		2
			ATTACHING PARTS		
- 85	BACB30LJ4-7		.BOLT		6
- 90	AN960-416		.WASHER		6
			-----*-----		
100	BACB28X5M021		..BUSHING		2
105	141T6410-2		..SUPPORT		1
110	141T6414-5		.PLATE-SERRATED		1
115	141T6414-6		.PLATE-SERRATED		1
195	141T6412-1		.PIN-STOP		4
200	141T6413-1		.RETAINER-STOP		4
210	BACB30NR3K9		.BOLT-		4
215	AN960-10		.WASHER		4

ILLUSTRATION ITEMS NOT ON PARTS LIST ARE NOT APPLICABLE

- ITEM NOT ILLUSTRATED

HXL

52-48-01-01

BOEING PROPRIETARY - Copyright © - Unpublished Work - See title page for details.

52-48-01  
FIG. 01  
PAGE 1  
DEC 22/08





767

PARTS CATALOG (MAINTENANCE)

FIG ITEM	PART NUMBER	1 2 3 4 5 6 7	NOMENCLATURE	EFFECT FROM TO	UNITS PER ASSY
1 220	141T6411-4		. FITTING ASSY-LATCH QUALIFIED I/W DATA: 141T6411-10 TOGETHER WITH 141T6414-8 PLATE AND 141T6428-2 GUARD AND 141T6422-52 FILLER AND (4) 141T6422-53 WASHERS CAN REPLACE BUT NOT BE REPLACED BY 141T6411-4 TOGETHER WITH 141T6414-1 PLATE AND 141T6428-1 GUARD AND 141T6422-34 FILLER AND (4) NAS1149F0363P WASHERS. OPTIONAL PART: 141T6411-5		1
220	141T6411-5		. FITTING ASSY-LATCH OPTIONAL PART: 141T6411-4		1
225	141T6411-7		.. BUSHING- USED ON: 141T6411-5		1
225	141T6411-8		.. BUSHING- ALTERED FROM PART NUMBER: BACB28X10M020 USED ON: 141T6411-4		1
230	141T6411-2		.. FITTING- USED ON: 141T6411-1 141T6411-5		1
230	141T6411-6		.. FITTING- OPTIONAL PART: 141T6411-9 USED ON: 141T6411-4		1
230	141T6411-9		.. FITTING- OPTIONAL PART: 141T6411-6 USED ON: 141T6411-4		1
235	141T6422-34		. FILLER		1
240	141T6414-1		. PLATE-SERRATED ATTACHING PARTS		1
- 245	BACR15BA6KE		. RIVET- SIZE DETERMINED ON INSTL. -----*-----		2

ILLUSTRATION ITEMS NOT ON PARTS LIST ARE NOT APPLICABLE

- ITEM NOT ILLUSTRATED

52-48-01-01

52-48-01  
FIG. 01  
PAGE 2  
DEC 22/06

HXL

BOEING PROPRIETARY - Copyright © - Unpublished Work - See title page for details.

**BOEING**  
767  
**PARTS CATALOG (MAINTENANCE)**

FIG ITEM	PART NUMBER	1 2 3 4 5 6 7	NOMENCLATURE	EFFECT FROM TO	UNITS PER ASSY
1					
270	88D10204-5		.SEAL-ACCESS SUPPLIER CODE: V60980 POSITION DATA: FWD SPECIFICATION NUMBER: S140T263-5 OPTIONAL PART: 8304-5 V11960		1
275	141T6415-1		.HOLD OPEN ASSY ATTACHING PARTS		1
- 280	BACR15FT6KE		.RIVET- SIZE DETERMINED ON INSTL. -----*-----		3
285	18W		..BUMPER- SUPPLIER CODE: V70485 ATTACHING PARTS		1
- 290	NAS623-3-6		..SCREW		1
- 295	BRH10A3		..NUT SUPPLIER CODE: V52828 SPECIFICATION NUMBER: BACN10JC3 OPTIONAL PART: H10-3BAC V15653 NS202101-02 V80539 RMLH9075-3W V72962 VN303A02 V92215 96-02 V80539 T6S1032J V11815 -----*-----		1
ILLUSTRATION ITEMS NOT ON PARTS LIST ARE NOT APPLICABLE					

- ITEM NOT ILLUSTRATED

HXL

# 52-48-01-01

BOEING PROPRIETARY - Copyright © - Unpublished Work - See title page for details.

52-48-01  
FIG. 01  
PAGE 3  
DEC 22/07



**PARTS CATALOG (MAINTENANCE)**

FIG ITEM	PART NUMBER	1 2 3 4 5 6 7	NOMENCLATURE	EFFECT FROM TO	UNITS PER ASSY
1 300	141T6401-23		.DOOR ASSY- ACCESS PANEL NUMBER: 113AL COMPONENT MAINT MANUAL REF: 52-48-42 QUALIFIED I/W DATA: 141T6401-55 TOGETHER WITH DRAIN VALVE ASSY 140N2022-1 MAY REPLACE ALL OTHER PREVIOUS FORWARD ACCESS DOORS, FULLY INTERCHANGEABLE. FOR SPARES PROCURE: 141T6401-33		1
300	141T6401-55		.DOOR ASSY- POSITION DATA: FWD ACCESS PANEL NUMBER: 113AL COMPONENT MAINT MANUAL REF: 52-48-42 VARIABLE DRAWING REF: 141T6401-7003 QUALIFIED I/W DATA: 141T6401-55 TOGETHER WITH DRAIN VALVE ASSY 140N2022-1 MAY REPLACE ALL OTHER PREVIOUS FORWARD ACCESS DOORS, FULLY INTERCHANGEABLE.		1
300	141T6401-56		.DOOR ASSY- POSITION DATA: FWD COMPONENT MAINT MANUAL REF: 52-48-42		1
300	141T6401-25		.DOOR ASSY- ACCESS PANEL NUMBER: 113AL COMPONENT MAINT MANUAL REF: 52-48-42		1

ILLUSTRATION ITEMS NOT ON PARTS LIST ARE NOT APPLICABLE

- ITEM NOT ILLUSTRATED

HXL

# 52-48-01-01

BOEING PROPRIETARY - Copyright © - Unpublished Work - See title page for details.

52-48-01  
FIG. 01  
PAGE 4  
DEC 22/06



767

PARTS CATALOG (MAINTENANCE)

FIG ITEM	PART NUMBER	1 2 3 4 5 6 7	NOMENCLATURE	EFFECT FROM TO	UNITS PER ASSY
1 300	141T6401-27		.DOOR ASSY- ACCESS PANEL NUMBER: 113AL COMPONENT MAINT MANUAL REF: 52-48-42 QUALIFIED I/W DATA: 141T6401-55 TOGETHER WITH DRAIN VALVE ASSY 140N2022-1 MAY REPLACE ALL OTHER PREVIOUS FORWARD ACCESS DOORS, FULLY INTERCHANGEABLE.		1
300	141T6401-35		.DOOR ASSY-REWORK ACCESS PANEL NUMBER: 113AL COMPONENT MAINT MANUAL REF: 52-48-42 QUALIFIED I/W DATA: 141T6401-55 TOGETHER WITH DRAIN VALVE ASSY 140N2022-1 MAY REPLACE ALL OTHER PREVIOUS FORWARD ACCESS DOORS, FULLY INTERCHANGEABLE.		1
300	141T6401-36		.DOOR ASSY-REWORK ACCESS PANEL NUMBER: 113AL COMPONENT MAINT MANUAL REF: 52-48-42 QUALIFIED I/W DATA: 141T6401-55 TOGETHER WITH DRAIN VALVE ASSY 140N2022-1 MAY REPLACE ALL OTHER PREVIOUS FORWARD ACCESS DOORS, FULLY INTERCHANGEABLE.		1
300	141T6401-37		.DOOR ASSY-REWORK ACCESS PANEL NUMBER: 113AL COMPONENT MAINT MANUAL REF: 52-48-42 QUALIFIED I/W DATA: 141T6401-55 TOGETHER WITH DRAIN VALVE ASSY 140N2022-1 MAY REPLACE ALL OTHER PREVIOUS FORWARD ACCESS DOORS, FULLY INTERCHANGEABLE.		1

ILLUSTRATION ITEMS NOT ON PARTS LIST ARE NOT APPLICABLE

- ITEM NOT ILLUSTRATED

52-48-01-01

52-48-01  
FIG. 01  
PAGE 5  
DEC 22/06

HXL



767

PARTS CATALOG (MAINTENANCE)

FIG ITEM	PART NUMBER	1 2 3 4 5 6 7	NOMENCLATURE	EFFECT FROM TO	UNITS PER ASSY
1 300	141T6401-43		.DOOR ASSY- ACCESS PANEL NUMBER: 113AL COMPONENT MAINT MANUAL REF: 52-48-42 QUALIFIED I/W DATA: 141T6401-55 TOGETHER WITH DRAIN VALVE ASSY 140N2022-1 MAY REPLACE ALL OTHER PREVIOUS FORWARD ACCESS DOORS, FULLY INTERCHANGEABLE.		1
300	141T6401-44		.DOOR ASSY- MISCELLANEOUS DATA: USE OF THIS PART NEGATES THE INTENT OF SB 52-0050 ACCESS PANEL NUMBER: 113AL COMPONENT MAINT MANUAL REF: 52-48-42 QUALIFIED I/W DATA: 141T6401-55 TOGETHER WITH DRAIN VALVE ASSY 140N2022-1 MAY REPLACE ALL OTHER PREVIOUS FORWARD ACCESS DOORS, FULLY INTERCHANGEABLE.		1
300	141T6401-45		.DOOR ASSY- MISCELLANEOUS DATA: USE OF THIS PART NEGATES THE INTENT OF SB 52-0050 ACCESS PANEL NUMBER: 113AL COMPONENT MAINT MANUAL REF: 52-48-42 VARIABLE DRAWING REF: 141T6401-7001 QUALIFIED I/W DATA: 141T6401-55 TOGETHER WITH DRAIN VALVE ASSY 140N2022-1 MAY REPLACE ALL OTHER PREVIOUS FORWARD ACCESS DOORS, FULLY INTERCHANGEABLE.		1

ILLUSTRATION ITEMS NOT ON PARTS LIST ARE NOT APPLICABLE

- ITEM NOT ILLUSTRATED

52-48-01-01

52-48-01  
FIG. 01  
PAGE 6  
DEC 22/06

HXL



767

PARTS CATALOG (MAINTENANCE)

FIG ITEM	PART NUMBER	1 2 3 4 5 6 7	NOMENCLATURE	EFFECT FROM TO	UNITS PER ASSY
1 300	141T6401-46		.DOOR ASSY-REWORK ACCESS PANEL NUMBER: 113AL COMPONENT MAINT MANUAL REF: 52-48-42 QUALIFIED I/W DATA: 141T6401-55 TOGETHER WITH DRAIN VALVE ASSY 140N2022-1 MAY REPLACE ALL OTHER PREVIOUS FORWARD ACCESS DOORS, FULLY INTERCHANGEABLE.		1
300	141T6401-48		.DOOR ASSY- ACCESS PANEL NUMBER: 113AL COMPONENT MAINT MANUAL REF: 52-48-42 VARIABLE DRAWING REF: 141T6401-7002 QUALIFIED I/W DATA: 141T6401-55 TOGETHER WITH DRAIN VALVE ASSY 140N2022-1 MAY REPLACE ALL OTHER PREVIOUS FORWARD ACCESS DOORS, FULLY INTERCHANGEABLE.		1
300	141T6401-49		.DOOR ASSY- ACCESS PANEL NUMBER: 113AL COMPONENT MAINT MANUAL REF: 52-48-42 VARIABLE DRAWING REF: 141T6401-7002 QUALIFIED I/W DATA: 141T6401-55 TOGETHER WITH DRAIN VALVE ASSY 140N2022-1 MAY REPLACE ALL OTHER PREVIOUS FORWARD ACCESS DOORS, FULLY INTERCHANGEABLE.		1

ILLUSTRATION ITEMS NOT ON PARTS LIST ARE NOT APPLICABLE

- ITEM NOT ILLUSTRATED

HXL

52-48-01-01

BOEING PROPRIETARY - Copyright © - Unpublished Work - See title page for details.

52-48-01  
FIG. 01  
PAGE 7  
DEC 22/06



767

PARTS CATALOG (MAINTENANCE)

FIG ITEM	PART NUMBER	1 2 3 4 5 6 7	NOMENCLATURE	EFFECT FROM TO	UNITS PER ASSY
1 300	141T6401-50		.DOOR ASSY- ACCESS PANEL NUMBER: 113AL COMPONENT MAINT MANUAL REF: 52-48-42 VARIABLE DRAWING REF: 141T6401-7002 QUALIFIED I/W DATA: 141T6401-55 TOGETHER WITH DRAIN VALVE ASSY 140N2022-1 MAY REPLACE ALL OTHER PREVIOUS FORWARD ACCESS DOORS, FULLY INTERCHANGEABLE.		1
300	141T6401-28		.DOOR ASSY- ACCESS PANEL NUMBER: 113AL COMPONENT MAINT MANUAL REF: 52-48-42 REWORK DRAWING REF: 141T6401-37 FOR SPARES PROCURE: 141T6401-43		1
301	141T6401-52		.DOOR ASSY- ACCESS PANEL NUMBER: 113AL COMPONENT MAINT MANUAL REF: 52-48-42 VARIABLE DRAWING REF: 141T6401-7002 QUALIFIED I/W DATA: 141T6401-55 TOGETHER WITH DRAIN VALVE ASSY 140N2022-1 MAY REPLACE ALL OTHER PREVIOUS FORWARD ACCESS DOORS, FULLY INTERCHANGEABLE.		1

ILLUSTRATION ITEMS NOT ON PARTS LIST ARE NOT APPLICABLE

- ITEM NOT ILLUSTRATED

HXL

52-48-01-01

BOEING PROPRIETARY - Copyright © - Unpublished Work - See title page for details.

52-48-01  
FIG. 01  
PAGE 8  
DEC 22/06

 **BOEING**  
767  
**PARTS CATALOG (MAINTENANCE)**

FIG ITEM	PART NUMBER	1 2 3 4 5 6 7	NOMENCLATURE	EFFECT FROM TO	UNITS PER ASSY
1 301	141T6401-24		. DOOR ASSY- ACCESS PANEL NUMBER: 113AL COMPONENT MAINT MANUAL REF: 52-48-42 QUALIFIED I/W DATA: 141T6401-55 TOGETHER WITH DRAIN VALVE ASSY 140N2022-1 MAY REPLACE ALL OTHER PREVIOUS FORWARD ACCESS DOORS, FULLY INTERCHANGEABLE. FOR SPARES PROCURE: 141T6401-31		1
301	141T6401-34		. DOOR ASSY-REWORK ACCESS PANEL NUMBER: 113AL COMPONENT MAINT MANUAL REF: 52-48-42 QUALIFIED I/W DATA: 141T6401-55 TOGETHER WITH DRAIN VALVE ASSY 140N2022-1 MAY REPLACE ALL OTHER PREVIOUS FORWARD ACCESS DOORS, FULLY INTERCHANGEABLE.		1
301	141T6401-54		. DOOR ASSY- ACCESS PANEL NUMBER: 113AL COMPONENT MAINT MANUAL REF: 52-48-42 VARIABLE DRAWING REF: 141T6401-7003 QUALIFIED I/W DATA: 141T6401-55 TOGETHER WITH DRAIN VALVE ASSY 140N2022-1 MAY REPLACE ALL OTHER PREVIOUS FORWARD ACCESS DOORS, FULLY INTERCHANGEABLE.		1
305	BACB30NM4K11		.. BOLT		2
310	BACB30NM4K12		.. BOLT		4
315	BACB30NM4K14		.. BOLT		2
320	AN960-416		.. WASHER		16
325	NAS1805-4		.. NUT		8
330	141T6422-30		.. FILLER-RADIUS		4
335	141T6422-33		.. FILLER-RADIUS		2
340	141T6409-1		.. ARM ASSY-HINGE		1
ILLUSTRATION ITEMS NOT ON PARTS LIST ARE NOT APPLICABLE					

- ITEM NOT ILLUSTRATED

HXL

# 52-48-01-01

BOEING PROPRIETARY - Copyright © - Unpublished Work - See title page for details.

52-48-01  
FIG. 01  
PAGE 9  
DEC 22/06



 **BOEING**  
767  
**PARTS CATALOG (MAINTENANCE)**

FIG ITEM	PART NUMBER	1 2 3 4 5 6 7	NOMENCLATURE	EFFECT FROM TO	UNITS PER ASSY
1					
345	141T6409-8		.. ARM ASSY-HINGE USED ON: 141T6401-24 141T6401-34		1
345	141T6409-2		.. ARM ASSY-HINGE USED ON: 141T6401-23 141T6401-25 141T6401-27 141T6401-28 141T6401-35 141T6401-36 141T6401-37 141T6401-43 141T6401-44 141T6401-45 141T6401-48		1
350	BACB28Y5M037		... BUSHING		1
355	141T6409-3		... ARM- USED ON: 141T6409-1		1
360	141T6409-10		... ARM- USED ON: 141T6409-8		1
360	141T6409-4		... ARM- USED ON: 141T6409-2		1
363	H2860-5		.. HANDLE ASSY-ACCESS DOOR SUPPLIER CODE: V83014 POSITION DATA: FWD SPECIFICATION NUMBER: S141T640-3 COMPONENT MAINT MANUAL REF: 52-48-02		1
363	H2860-13		.. HANDLE ASSY-ACCESS DOOR SUPPLIER CODE: V83014 POSITION DATA: FWD SPECIFICATION NUMBER: S141T640-5 COMPONENT MAINT MANUAL REF: 52-48-02		1
366	NAS623-3-3		ATTACHING PARTS .. SCREW-		4
367	AN960PD10		.. WASHER-		4
ILLUSTRATION ITEMS NOT ON PARTS LIST ARE NOT APPLICABLE					

- ITEM NOT ILLUSTRATED

HXL

# 52-48-01-01

BOEING PROPRIETARY - Copyright © - Unpublished Work - See title page for details.

52-48-01  
FIG. 01  
PAGE 10  
DEC 22/06

**BOEING**  
767  
**PARTS CATALOG (MAINTENANCE)**

FIG ITEM	PART NUMBER	1 2 3 4 5 6 7	NOMENCLATURE	EFFECT FROM TO	UNITS PER ASSY
1					
368	BACR15CE5KE	..	RIVET- SIZE DETERMINED ON INSTL. -----*-----		16
370	AN23-32A	...	BOLT		1
373	AN960PD10	...	WASHER- (SUPSD BY AN960JD10)		1
373	AN960JD10	...	WASHER- (SUPERSEDES AN960PD10)		1
376	BRH10A3	...	NUT- SUPPLIER CODE: V52828 SPECIFICATION NUMBER: BACN10JC3 OPTIONAL PART: H10-3BAC V15653 NS202101-02 V80539 RMLH9075-3W V72962 VN303A02 V92215 96-02 V80539 T6S1032J V11815 (SUPSD BY MS21042L3)		1
376	MS21042L3	...	NUT- (SUPERSEDES BACN10JC3)		1
378	100257-3	...	HANDLE-INSIDE SUPPLIER CODE: V83014 USED ON: H2860-5		1
378A	100257-5	...	HANDLE-INSIDE SUPPLIER CODE: V83014 USED ON: H2860-13		1
381	H31-15	...	COLLAR-INSIDE (SUPSD BY H31-15-1) SUPPLIER CODE: V83014		1
381	H31-15-1	...	COLLAR-INSIDE (SUPERSEDES H31-15) SUPPLIER CODE: V83014		1

R  
R  
R  
R  
R

ILLUSTRATION ITEMS NOT ON PARTS LIST ARE NOT APPLICABLE

- ITEM NOT ILLUSTRATED

# 52-48-01-01

52-48-01  
FIG. 01  
PAGE 11  
AUG 22/09

HXL

BOEING PROPRIETARY - Copyright © - Unpublished Work - See title page for details.

 **BOEING**  
767  
**PARTS CATALOG (MAINTENANCE)**

FIG ITEM	PART NUMBER	1 2 3 4 5 6 7	NOMENCLATURE	EFFECT FROM TO	UNITS PER ASSY
1					
382	H29-5	...	PIN-ACTR SUPPLIER CODE: V83014		1
383	AR4EFN501W	...	ROD END- SUPPLIER CODE: V50294		1
384	NAS1423-5	...	NUT		1
385	NAS1193E5CP	...	LOCKING DEVICE		1
386	1191-5CN0625	...	INSERT-HELI-COIL SUPPLIER CODE: V26014		1
387	113720-5	...	ACTUATOR- SUPPLIER CODE: V83014		1
388	Q4216-559N	...	RING-QUAD SUPPLIER CODE: V07322 CONFIG CHG DATA FROM A CMM: SUPSD BY Q4218-559N		2
388	Q4218-559N	...	RING-QUAD SUPPLIER CODE: V07322 CONFIG CHG DATA FROM A CMM: SUPERSEDES Q4216-559N		2
389	HSP115A094-1650	...	PIN- SUPPLIER CODE: V83014		1
390	H29-300	...	HANDLE ASSY- SUPPLIER CODE: V83014		1
391	101284-1	...	SPRING- SUPPLIER CODE: V83014		1
392	113719-1	...	HOUSING- SUPPLIER CODE: V83014		1
393	BACP18BC02A06P	..	PIN-		2
394	BACB30NR4DK12	..	BOLT		2
395	AN960C416	..	WASHER		2
400	BACN10JD4AU	..	NUT		2
405	141T6421-1	..	LINK-LATCH USED ON: 141T6401-23 141T6401-24 141T6401-34 141T6401-35 141T6401-36		2
ILLUSTRATION ITEMS NOT ON PARTS LIST ARE NOT APPLICABLE					

- ITEM NOT ILLUSTRATED

HXL

# 52-48-01-01

BOEING PROPRIETARY - Copyright © - Unpublished Work - See title page for details.

52-48-01  
FIG. 01  
PAGE 12  
DEC 22/06

 **BOEING**  
767  
**PARTS CATALOG (MAINTENANCE)**

FIG ITEM	PART NUMBER	1 2 3 4 5 6 7	NOMENCLATURE	EFFECT FROM TO	UNITS PER ASSY
1					
405	141T6322-1		.. LINK-LATCH USED ON: 141T6401-27 141T6401-37 141T6401-43 141T6401-44		2
410	141T6407-1		.. PIN-LATCH USED ON: 141T6401-23 141T6401-24		1
410	141T6407-2		.. PIN-LATCH USED ON: 141T6401-27 141T6401-43 141T6401-44 141T6401-45 141T6401-48 141T6401-49 141T6401-50 141T6401-52		1
410	141T6407-3		.. PIN ASSY-LATCH USED ON: 141T6401-54		1
412	141T6307-6		... SENSOR-TARGET		1
413	141T6407-2		... PIN-LATCH		1
415	NAS1193K5C		.. LOCKING DEVICE-		1
420	NAS1423-5		.. NUT		1
425	M81935-1-4K		.. BEARING-		1
430	141T6406-4		.. FITTING ASSY-LATCH ATTACHING PARTS		1
435	BACR15CE5KE		.. RIVET- SIZE DETERMINED ON INSTL. -----*-----		2
440	BACR15FT5KE		.. RIVET- SIZE DETERMINED ON INSTL.		6

ILLUSTRATION ITEMS NOT ON PARTS LIST ARE NOT APPLICABLE

— ITEM NOT ILLUSTRATED

HXL

# 52-48-01-01

BOEING PROPRIETARY - Copyright © - Unpublished Work - See title page for details.

52-48-01  
FIG. 01  
PAGE 13  
DEC 22/06



767

PARTS CATALOG (MAINTENANCE)

FIG ITEM	PART NUMBER	1 2 3 4 5 6 7 NOMENCLATURE	EFFECT FROM TO	UNITS PER ASSY
1  445	HL1012AZ6-4	ATTACHING PARTS .. BOLT SUPPLIER CODE: V97928 SPECIFICATION NUMBER: BACB30NX6K4 OPTIONAL PART: HL12VAZ6-4 V73197 HL12VAZ6-4 V92215 HL12VAZ6-4 V97928 L802-6K4 V06725 HL12VAZ6-4 V56878 HL1012AZ6-4 V0PTK6 HL1012AZ6-4 V06725 HL1012AZ6-4 V06950 HL1012AZ6-4 V17446 HL1012AZ6-4 V56878 HL1012AZ6-4 V60516 HL1012AZ6-4 V73197 -----*-----		4

ILLUSTRATION ITEMS NOT ON PARTS LIST ARE NOT APPLICABLE

- ITEM NOT ILLUSTRATED

HXL

52-48-01-01

BOEING PROPRIETARY - Copyright © - Unpublished Work - See title page for details.

52-48-01  
 FIG. 01  
 PAGE 14  
 DEC 22/06



767

PARTS CATALOG (MAINTENANCE)

FIG ITEM	PART NUMBER	1 2 3 4 5 6 7	NOMENCLATURE	EFFECT FROM TO	UNITS PER ASSY
1 450	HL1187-6	..	COLLAR SUPPLIER CODE: V5M902 SPECIFICATION NUMBER: BACC30X6 OPTIONAL PART: HL87-6 V92215 HL87-6 V73197 HL1187-6 V56878 HL1187-6 V92215 HL87-6 V56878 HL1187-6 V73197		4
456	BACB28X8M075	...	BUSHING		1
457	BACB28X8M120	...	BUSHING		1
460	141T6406-2	...	FITTING		1
465	141T6404-1	..	FITTING ASSY-STOP		1
470	141T6404-2	..	FITTING ASSY-STOP		1
475	BACT15FT6KE	..	RIVET- SIZE DETERMINED ON INSTL.		18
480	L8005K4	..	BOLT SUPPLIER CODE: V06725 SPECIFICATION NUMBER: BACB30MY5K4		4
485	L8006K7	..	BOLT SUPPLIER CODE: V06725 SPECIFICATION NUMBER: BACB30MY6K7		2

ILLUSTRATION ITEMS NOT ON PARTS LIST ARE NOT APPLICABLE

- ITEM NOT ILLUSTRATED

HXL

52-48-01-01

BOEING PROPRIETARY - Copyright © - Unpublished Work - See title page for details.

52-48-01  
FIG. 01  
PAGE 15  
APR 22/08



767

PARTS CATALOG (MAINTENANCE)

FIG ITEM	PART NUMBER	1 2 3 4 5 6 7	NOMENCLATURE	EFFECT FROM TO	UNITS PER ASSY
1 490	HL11VAZ6-4		..BOLT SUPPLIER CODE: V60516 SPECIFICATION NUMBER: BACB30NW6K4 OPTIONAL PART: B30NW6K4 V97928 HL11VAZ6-4 V73197 HL11VAZ6-4 V92215 HL11VAZ6-4 V97928 L803-6K4 V06725 HL11VAZ6-4 V0PTK6 HL11VAZ6-4 V56878		2
495	HL11VAZ6-7		..BOLT SUPPLIER CODE: V60516 SPECIFICATION NUMBER: BACB30NW6K7 OPTIONAL PART: B30NW6K7 V97928 HL11VAZ6-7 V73197 HL11VAZ6-7 V92215 HL11VAZ6-7 V97928 L803-6K7 V06725 HL11VAZ6-7 V0PTK6 HL11VAZ6-7 V56878		2

ILLUSTRATION ITEMS NOT ON PARTS LIST ARE NOT APPLICABLE

- ITEM NOT ILLUSTRATED

HXL

52-48-01-01

BOEING PROPRIETARY - Copyright © - Unpublished Work - See title page for details.

52-48-01  
 FIG. 01  
 PAGE 16  
 APR 22/08



767

PARTS CATALOG (MAINTENANCE)

FIG ITEM	PART NUMBER	1 2 3 4 5 6 7	NOMENCLATURE	EFFECT FROM TO	UNITS PER ASSY
1 500	HL11VAZ5-4		.. BOLT SUPPLIER CODE: V60516 SPECIFICATION NUMBER: BACB30NW5K4 OPTIONAL PART: B30NW5K4 V97928 HL11VAZ5-4 V73197 HL11VAZ5-4 V92215 HL11VAZ5-4 V97928 L803-5K4 V06725 HL11VAZ5-4 V0PTK6 HL11VAZ5-4 V56878		2
505	HL82-5APBW		.. COLLAR SUPPLIER CODE: V73197 SPECIFICATION NUMBER: BACC30AG5 OPTIONAL PART: HL82-5APBW V56878		4
510	HL82-6APBW		.. COLLAR SUPPLIER CODE: V5M902 SPECIFICATION NUMBER: BACC30AG6 OPTIONAL PART: HL82-6APBW V92215 HL82-6APBW V56878 HL82-6APBW V73197		2

ILLUSTRATION ITEMS NOT ON PARTS LIST ARE NOT APPLICABLE

- ITEM NOT ILLUSTRATED

HXL

52-48-01-01

BOEING PROPRIETARY - Copyright © - Unpublished Work - See title page for details.

52-48-01  
 FIG. 01  
 PAGE 17  
 APR 22/08





767

PARTS CATALOG (MAINTENANCE)

FIG ITEM	PART NUMBER	1 2 3 4 5 6 7	NOMENCLATURE	EFFECT FROM TO	UNITS PER ASSY
1 515	HL79-6		.. COLLAR SUPPLIER CODE: V5M902 SPECIFICATION NUMBER: BACC30M6 OPTIONAL PART: HL79-6 V73197 HL79-6 V92215 66014-6 V56878 HL79-6 V56878		4
520	HL70-5		.. COLLAR SUPPLIER CODE: V5M902 SPECIFICATION NUMBER: BACC30M5 OPTIONAL PART: HL70-5 V73197 HL70-5 V92215 66014-5 V56878 HL70-5 V56878 -----*-----		2
525	141T6408-1		... BUSHING		1
530	141T6404-5		... FITTING- USED ON: 141T6404-1		1
535	141T6404-6		... FITTING- USED ON: 141T6404-2		1
540	141T6404-3		.. FITTING ASSY-STOP		1
545	141T6404-4		.. FITTING ASSY-STOP ATTACHING PARTS		1
550	BACR15FT6KE		.. RIVET-		18
555	L8006K7		SIZE DETERMINED ON INSTL. .. BOLT SUPPLIER CODE: V06725 SPECIFICATION NUMBER: BACB30MY6K7		4

ILLUSTRATION ITEMS NOT ON PARTS LIST ARE NOT APPLICABLE

- ITEM NOT ILLUSTRATED

52-48-01-01

52-48-01  
 FIG. 01  
 PAGE 18  
 APR 22/08

HXL

**BOEING**  
767  
**PARTS CATALOG (MAINTENANCE)**

FIG ITEM	PART NUMBER	1 2 3 4 5 6 7	NOMENCLATURE	EFFECT FROM TO	UNITS PER ASSY
1 560	L8006K4		.. BOLT SUPPLIER CODE: V06725 SPECIFICATION NUMBER: BACB30MY6K4 -----*-----		4
565	HL11VAZ5-4		.. BOLT SUPPLIER CODE: V60516 SPECIFICATION NUMBER: BACB30NW5K4 OPTIONAL PART: B30NW5K4 V97928 HL11VAZ5-4 V73197 HL11VAZ5-4 V92215 HL11VAZ5-4 V97928 L803-5K4 V06725 HL11VAZ5-4 V0PTK6 HL11VAZ5-4 V56878 ATTACHING PARTS		4
570	HL82-6APBW		.. COLLAR SUPPLIER CODE: V5M902 SPECIFICATION NUMBER: BACC30AG6 OPTIONAL PART: HL82-6APBW V92215 HL82-6APBW V56878 HL82-6APBW V73197		8

ILLUSTRATION ITEMS NOT ON PARTS LIST ARE NOT APPLICABLE

— ITEM NOT ILLUSTRATED

HXL

# 52-48-01-01

BOEING PROPRIETARY - Copyright © - Unpublished Work - See title page for details.

52-48-01  
FIG. 01  
PAGE 19  
APR 22/08



767

PARTS CATALOG (MAINTENANCE)

FIG ITEM	PART NUMBER	1 2 3 4 5 6 7	NOMENCLATURE	EFFECT FROM TO	UNITS PER ASSY
1 575	HL70-5		.. COLLAR SUPPLIER CODE: V5M902 SPECIFICATION NUMBER: BACC30M5 OPTIONAL PART: HL70-5 V73197 HL70-5 V92215 66014-5 V56878 HL70-5 V56878		4
580	141T6408-1		... BUSHING -----*-----		1
585	141T6404-7		... FITTING- OPTIONAL PART: 141T6404-9 USED ON: 141T6404-3		1
585	141T6404-9		... FITTING- OPTIONAL PART: 141T6404-7 USED ON: 141T6404-3		1
590	141T6404-8		... FITTING- OPTIONAL PART: 141T6404-10 USED ON: 141T6404-4		1
590	141T6404-10		... FITTING- OPTIONAL PART: 141T6404-8 USED ON: 141T6404-4		1

ILLUSTRATION ITEMS NOT ON PARTS LIST ARE NOT APPLICABLE

- ITEM NOT ILLUSTRATED

HXL

52-48-01-01

BOEING PROPRIETARY - Copyright © - Unpublished Work - See title page for details.

52-48-01  
 FIG. 01  
 PAGE 20  
 AUG 22/09



767

PARTS CATALOG (MAINTENANCE)

FIG ITEM	PART NUMBER	1 2 3 4 5 6 7	NOMENCLATURE	EFFECT FROM TO	UNITS PER ASSY
R R R R R R R R R R R R R R R	1 595	140T2810-6	.. VALVE ASSY-DRAIN MISCELLANEOUS DATA: 140T2810Y6 IS THE SAME AS 140T2810-6 EXCEPT INCLUDE #40 PILOTS AT ALL FASTENER LOCATIONS USED ON: 141T6401-23 141T6401-24 141T6401-27 141T6401-34 141T6401-35 141T6401-36 141T6401-37		1
	595	140N2022-1	.. VALVE ASSY-DRAIN USED ON: 141T6401-43 141T6401-44 ATTACHING PARTS		1
	- 600	BACR15CE4KE	.. RIVET- SIZE DETERMINED ON INSTL. USED WITH: 140T2810-6		4
	- 602	BACR15CE4KE	.. RIVET- SIZE DETERMINED ON INSTL. USED WITH: 140N2022-1		2
	605	140T2810-7	-----*----- ... COVER- USED ON: 140T2810-6		1
	607	140N2022-4	... CAP- USED ON: 140N2022-1		1
	610	69-68855-3	... VALVE ASSY-SPR USED ON: 140T2810-6		1
	615	69-68855-4	.... SPRING		1
	620	69-68856-1	.... VALVE		1
	621	140N2022-3	... PLUNGER- USED ON: 140N2022-1		1
	622	140N2020-1	... SPRING- USED ON: 140N2022-1		1
	623	140N2022-2	... HOUSING- USED ON: 140N2022-1		1
	625	141T6420-1	.. SEAL-RTNR		1

ILLUSTRATION ITEMS NOT ON PARTS LIST ARE NOT APPLICABLE

- ITEM NOT ILLUSTRATED

52-48-01-01

52-48-01  
FIG. 01  
PAGE 21  
AUG 22/09

HXL



767

PARTS CATALOG (MAINTENANCE)

FIG ITEM	PART NUMBER	1 2 3 4 5 6 7 NOMENCLATURE	EFFECT FROM TO	UNITS PER ASSY
1	630 141T6420-2 635 141T6420-3 640 141T6420-4 645 MS27253F3	.. SEAL-RTNR .. SEAL-RTNR .. SEAL-RTNR .. PLATE		1 1 1 1

ILLUSTRATION ITEMS NOT ON PARTS LIST ARE NOT APPLICABLE

- ITEM NOT ILLUSTRATED

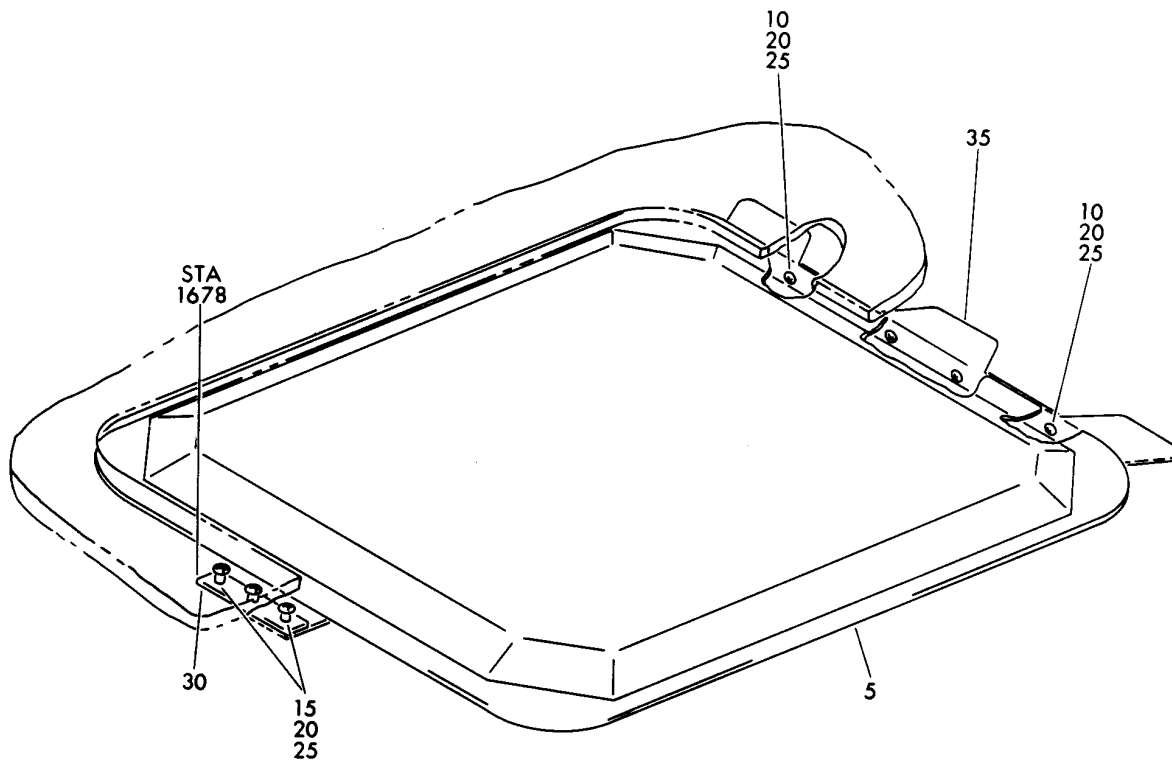
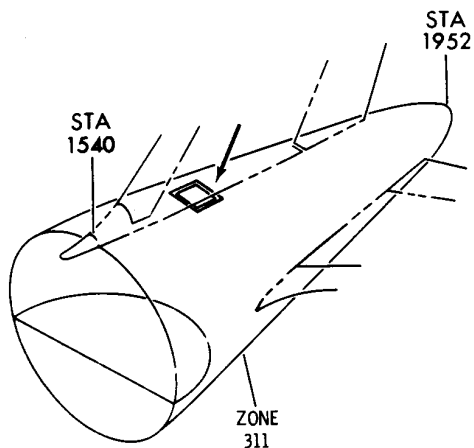
HXL

52-48-01-01

BOEING PROPRIETARY - Copyright © - Unpublished Work - See title page for details.

52-48-01  
FIG. 01  
PAGE 22  
AUG 22/09

**BOEING**  
767  
PARTS CATALOG (MAINTENANCE)



V 52480301 SHT 1 REV 003

DOOR INSTL-SECT. 48 FIN ACCESS  
FIGURE 1

**52-48-03-01**

HXL  
DEC 22/06

52-48-03-01  
PAGE 0



767

PARTS CATALOG (MAINTENANCE)

FIG ITEM	PART NUMBER	1 2 3 4 5 6 7	NOMENCLATURE	EFFECT FROM TO	UNITS PER ASSY
1			DOOR INSTL-SECT. 48 FIN ACCESS		
- 1	148T6700-3		DOOR INSTL-FIN ACCESS POSITION DATA: SECT. 48 FOR NHA SEE: 53-80-51-01		RF
5	148T6702-6		.DOOR ASSY- ACCESS PANEL NUMBER: 311AZ		1
10	BACB30LK2-2		ATTACHING PARTS .BOLT		4
15	BACB30LK2-6		.BOLT-		3
20	AN960PD8L		.WASHER		7
25	MS21042L08		.NUT-		7
			-----*-----		
30	BACF3F008M030NN		.FILLER-		1
35	148T6703-1		.ANGLE-ATTACH		1

ILLUSTRATION ITEMS NOT ON PARTS LIST ARE NOT APPLICABLE

- ITEM NOT ILLUSTRATED

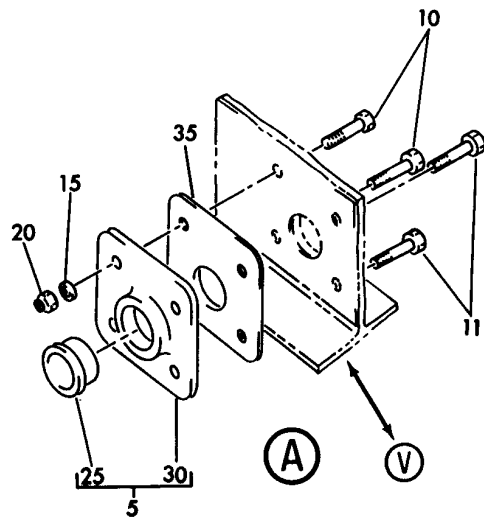
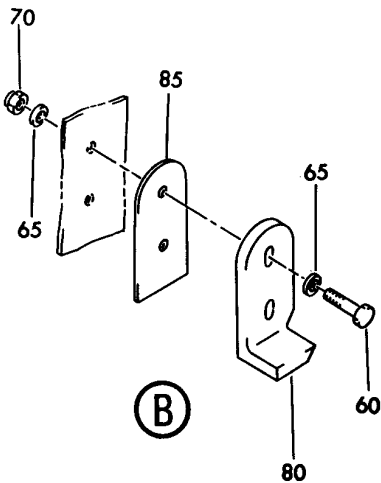
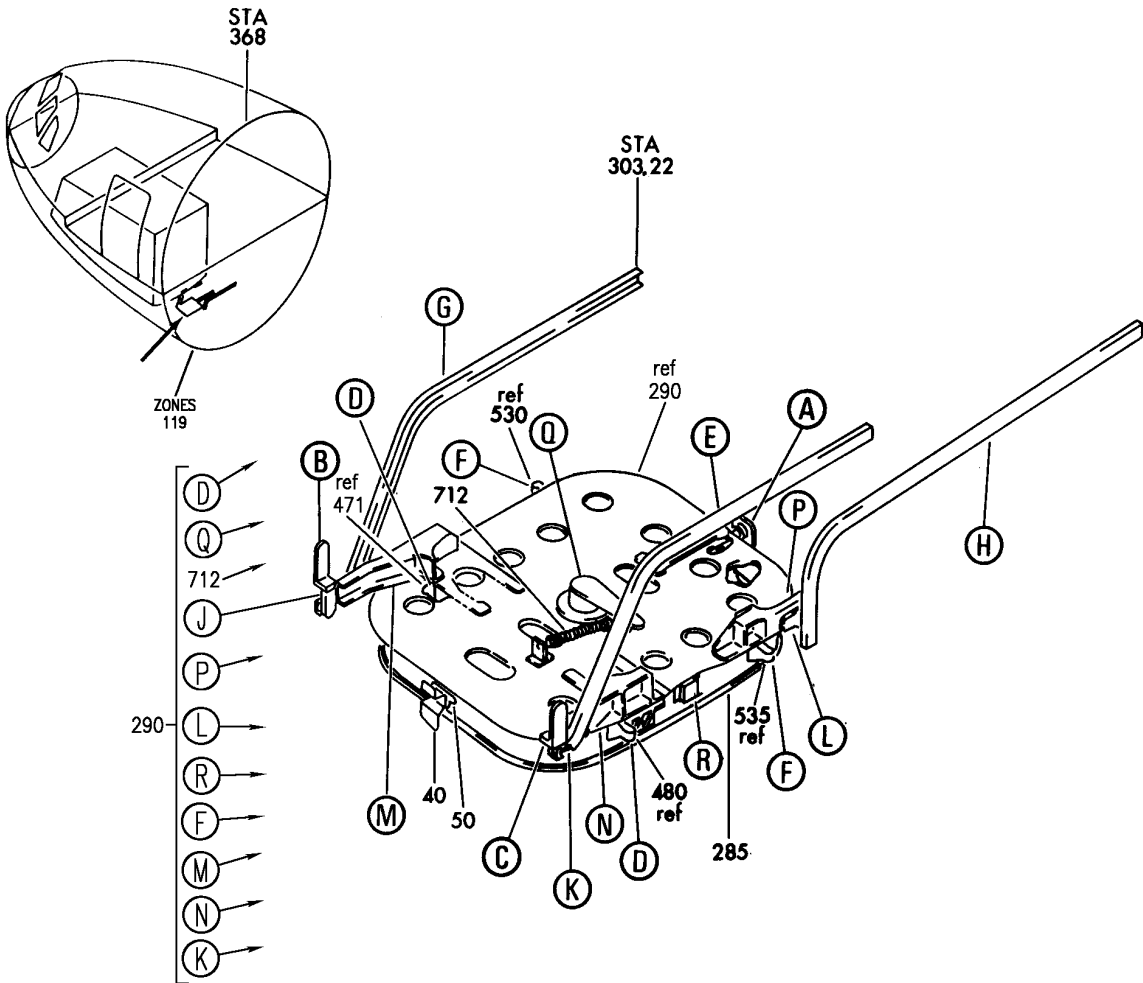
HXL

52-48-03-01

BOEING PROPRIETARY - Copyright © - Unpublished Work - See title page for details.

52-48-03  
FIG. 01  
PAGE 1  
DEC 22/06

**BOEING**  
767  
PARTS CATALOG (MAINTENANCE)



V 52480401 SHT 1 REV 271

DOOR INSTL-ELECTRONICS ACCESS  
FIGURE 1 (SHEET 1)

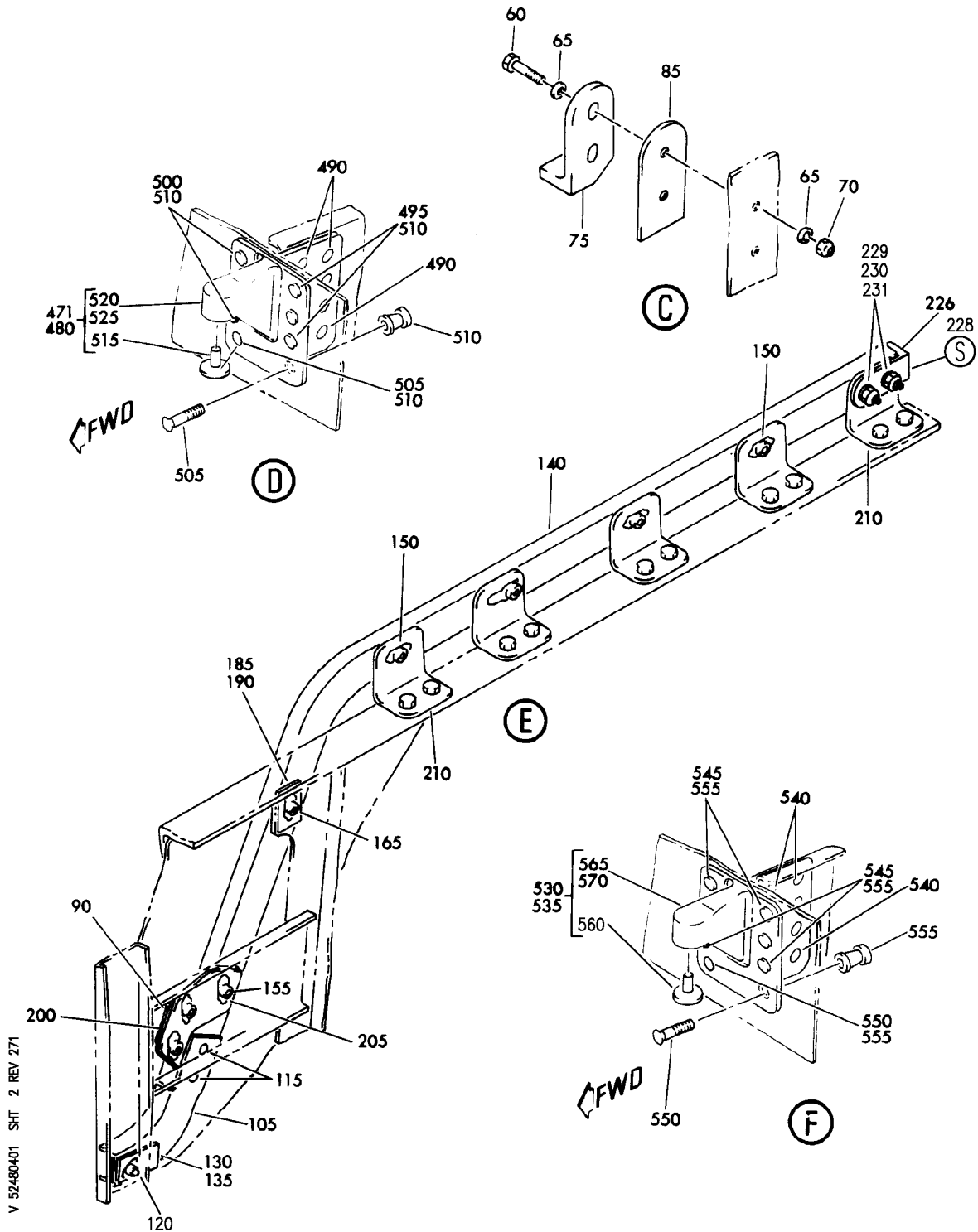
**52-48-04-01**

HXL  
DEC 22/06

52-48-04-01  
PAGE 0



**BOEING**  
767  
PARTS CATALOG (MAINTENANCE)



V 52480401 SHT 2 REV 271

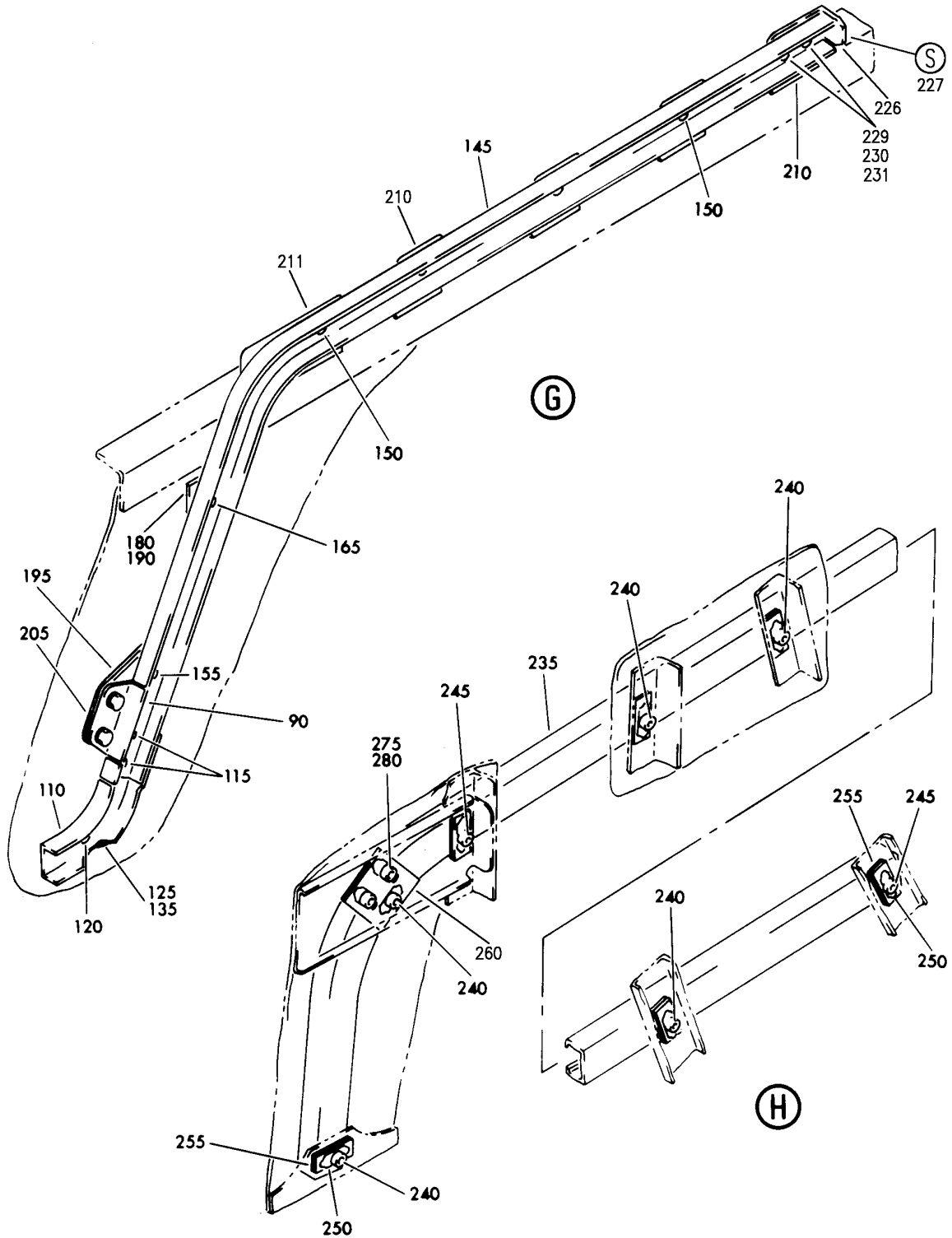
DOOR INSTL-ELECTRONICS ACCESS  
FIGURE 1 (SHEET 2)

**52-48-04-01**

HXL  
DEC 22/06

52-48-04-01  
PAGE 0A

**BOEING**  
767  
PARTS CATALOG (MAINTENANCE)



V 52480401 SHT 3 REV 271

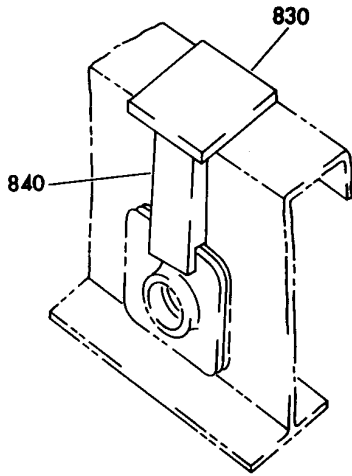
DOOR INSTL-ELECTRONICS ACCESS  
FIGURE 1 (SHEET 3)

**52-48-04-01**

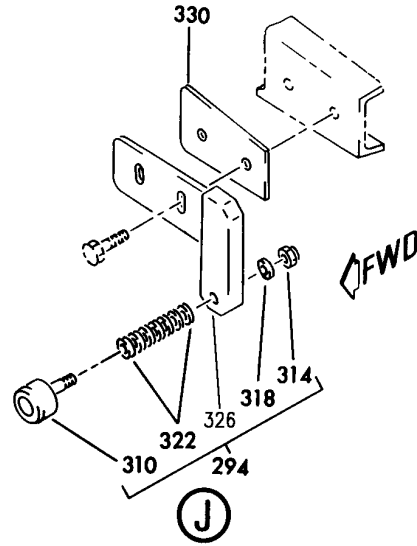
HXL  
DEC 22/06

52-48-04-01  
PAGE 0B

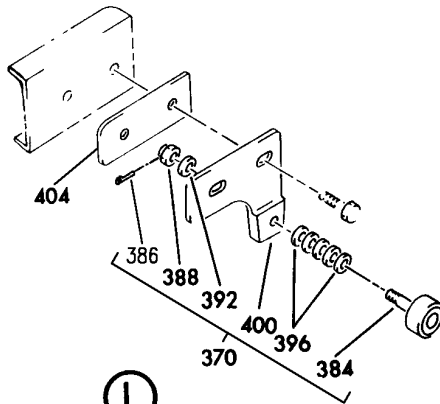
**BOEING**  
767  
PARTS CATALOG (MAINTENANCE)



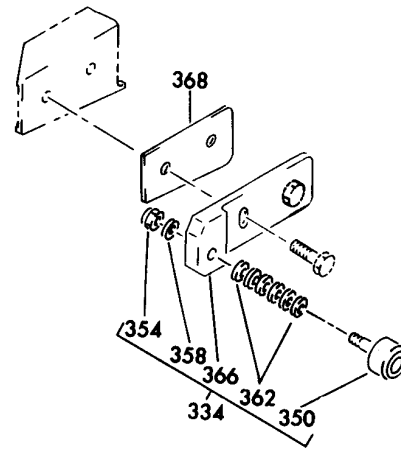
(V)



(J)



(L)



(K)

V 52480401 SH1 4 REV 271

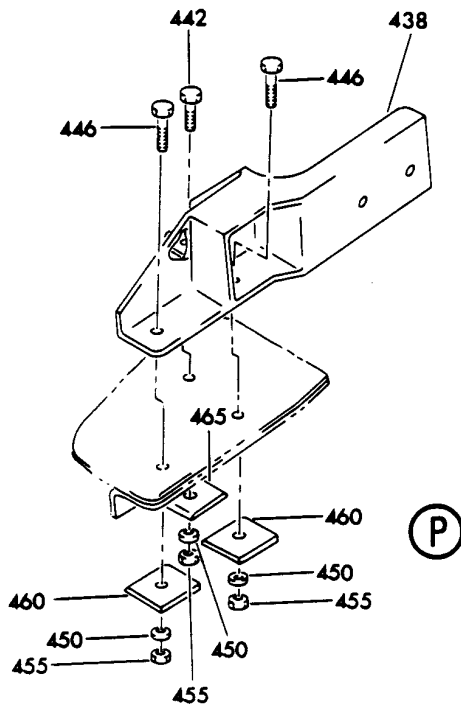
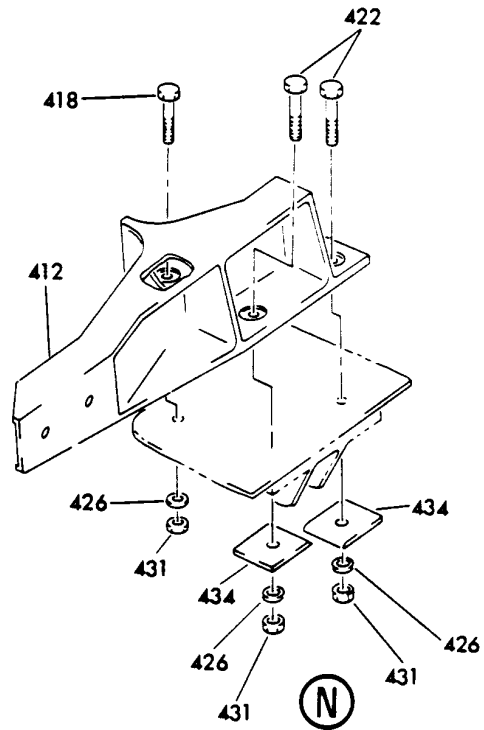
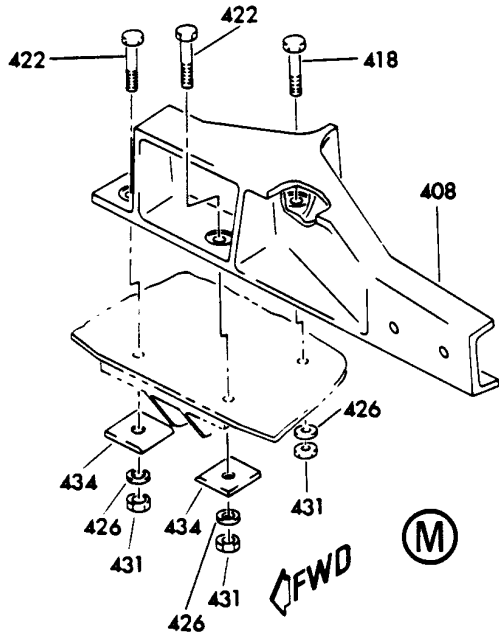
DOOR INSTL-ELECTRONICS ACCESS  
FIGURE 1 (SHEET 4)

**52-48-04-01**

HXL  
DEC 22/06

52-48-04-01  
PAGE 0C

**BOEING**  
767  
PARTS CATALOG (MAINTENANCE)



V 52480401 SHT 5 REV 028

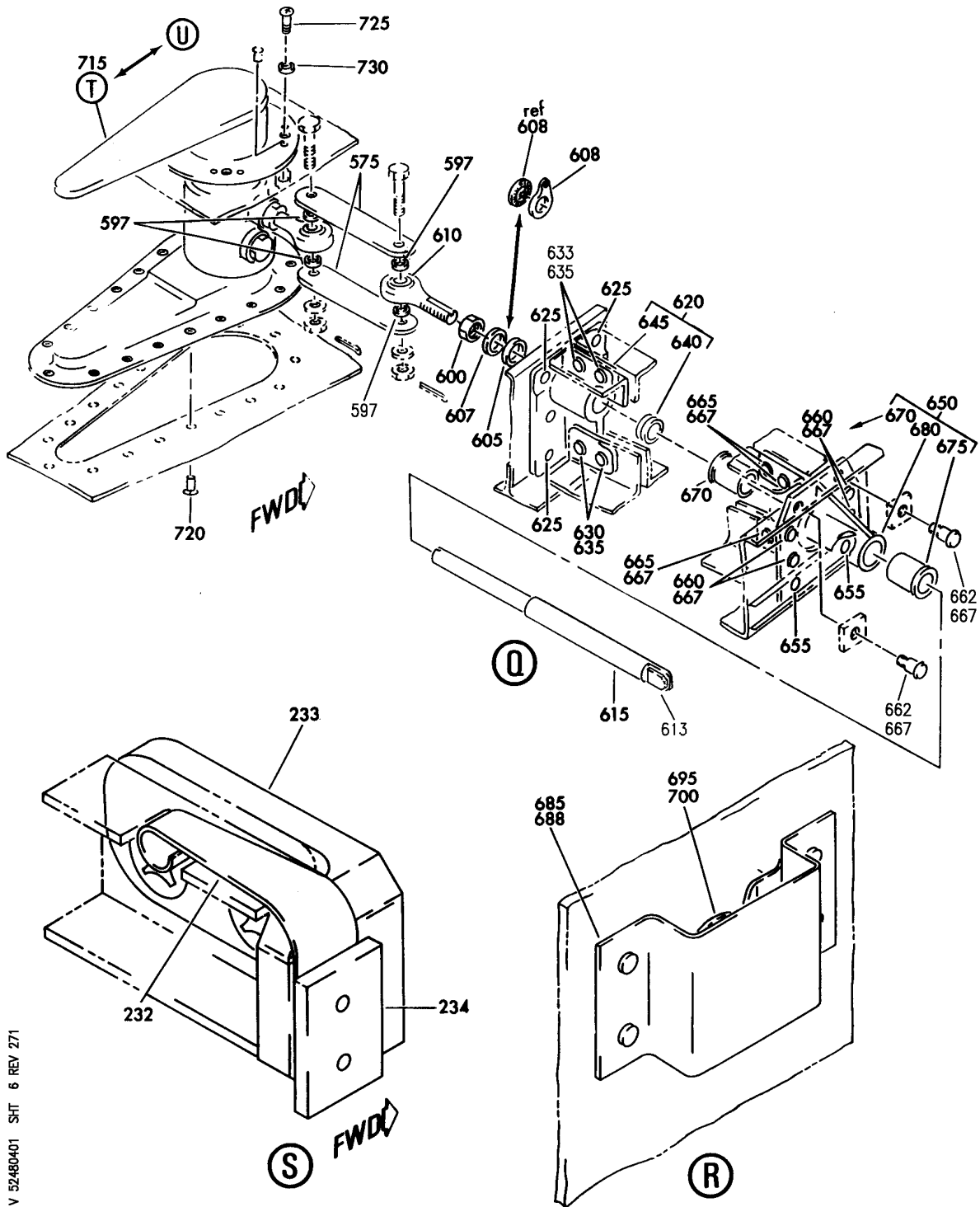
DOOR INSTL-ELECTRONICS ACCESS  
FIGURE 1 (SHEET 5)

**52-48-04-01**

HXL  
DEC 22/06

52-48-04-01  
PAGE 0D


**BOEING**  
 767  
**PARTS CATALOG (MAINTENANCE)**



V 52480401 SHT 6 REV 271

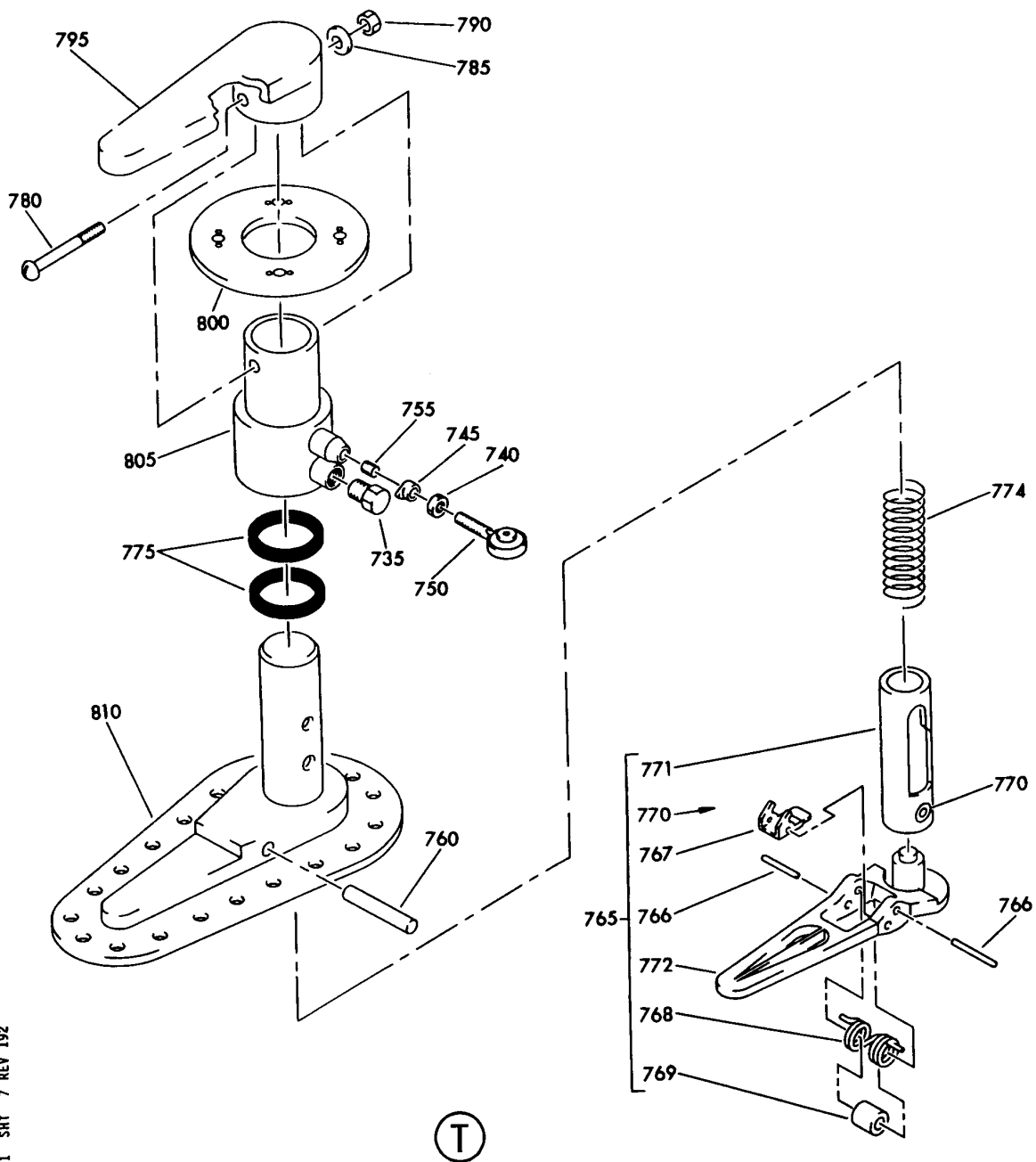
DOOR INSTL-ELECTRONICS ACCESS  
FIGURE 1 (SHEET 6)

**52-48-04-01**

HXL  
DEC 22/06

52-48-04-01  
PAGE 0E

**BOEING**  
767  
PARTS CATALOG (MAINTENANCE)



V 52480401 SHT 7 REV 192

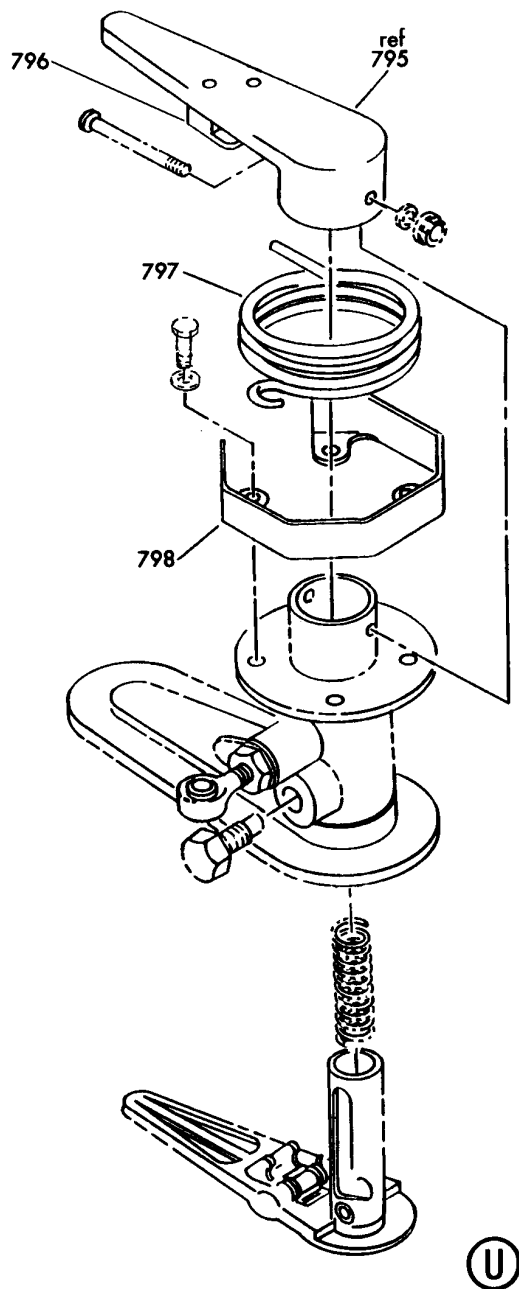
DOOR INSTL-ELECTRONICS ACCESS  
FIGURE 1 (SHEET 7)

**52-48-04-01**

HXL  
DEC 22/06

52-48-04-01  
PAGE OF

**BOEING**  
767  
PARTS CATALOG (MAINTENANCE)



V 52480401 SHT 8 REV 192

DOOR INSTL-ELECTRONICS ACCESS  
FIGURE 1 (SHEET 8)

**52-48-04-01**

HXL  
DEC 22/06

52-48-04-01  
PAGE 06

 **BOEING**  
767  
**PARTS CATALOG (MAINTENANCE)**

FIG ITEM	PART NUMBER	1 2 3 4 5 6 7	NOMENCLATURE	EFFECT FROM TO	UNITS PER ASSY
1			DOOR INSTL- ELECTRONICS ACCESS		
- 1	141T6300-14		DOOR INSTL-ELECTRONICS ACCESS VARIABLE DRAWING REF: 141T6300-5002 141T6300-7001 FOR NHA SEE: 53-10-54-01D	163999	RF
- 1	141T6300-15		DOOR INSTL-ELECTRONICS ACCESS VARIABLE DRAWING REF: 141T6300-5004 141T6300-7002 FOR NHA SEE: 53-10-54-01D	155162	RF
5	141T6306-15		.FITTING ASSY-LATCH ATTACHING PARTS		1
10	BACB30NR4K8		.BOLT-		2
10	BACB30MS4K8		.BOLT-		2
11	BACB30MS4K8		.BOLT-		2
15	NAS1149F0463P		.WASHER-		4
20	PLH54CD		.NUT-  SUPPLIER CODE: VF0224 SPECIFICATION NUMBER: BACN10YR4CD OPTIONAL PART: H52732-4CD V15653  -----*-----		4
30	141T6306-16		..FITTING-		1
35	141T6313-3		.PLATE-LATCH SERRATED		1
40	141T6325-27		.BRACKET-GROUNDING ATTACHING PARTS		1
- 45	BACR15FT5KEC		.RIVET- SIZE DETERMINED ON INSTL.  -----*-----		2
50	141T6325-24		.SPRING-GROUNDING ATTACHING PARTS		1
- 55	BACR15FT5KEC		.RIVET- SIZE DETERMINED ON INSTL.  -----*-----		2
60	BACB30NR4K14		.BOLT-		4
65	NAS1149F0463P		.WASHER-		8

ILLUSTRATION ITEMS NOT ON PARTS LIST ARE NOT APPLICABLE

- ITEM NOT ILLUSTRATED

HXL

52-48-04-01

BOEING PROPRIETARY - Copyright © - Unpublished Work - See title page for details.

52-48-04  
FIG. 01  
PAGE 1  
DEC 22/08



**BOEING**  
767  
**PARTS CATALOG (MAINTENANCE)**

FIG ITEM	PART NUMBER	1 2 3 4 5 6 7	NOMENCLATURE	EFFECT FROM TO	UNITS PER ASSY
1					
70	PLH54CD		.NUT- SUPPLIER CODE: VF0224 SPECIFICATION NUMBER: BACN10YR4CD OPTIONAL PART: H52732-4CD V15653		4
75	141T6319-1		.STOP		1
80	141T6319-2		.STOP		1
85	141T6313-2		.PLATE-STOP SERRATED		2
90	141T6314-1		.CLIP-TRACK ATTACHING PARTS		2
- 95	BACB30NR3K5		.BOLT-		4
- 100	NAS1149F0363P		.WASHER- -----*-----		4
105	141T6321-1		.FITTING-TRACK		1
110	141T6321-2		.FITTING-TRACK ATTACHING PARTS		1
115	BACR15CE5KE		.RIVET- SIZE DETERMINED ON INSTL.		4
120	BACB30NN3K5		.BOLT- -----*-----		2
125	BACF3F007L012NG		.FILLER-		2
130	BACF3F007H012NG		.FILLER-		1
135	BACS40R07D12F		.SHIM		2
140	141T6316-501		.TRACK-	163999	1
140	141T6316-503		.TRACK-		1
145	141T6316-502		.TRACK-	163999	1
145	141T6316-504		.TRACK- ATTACHING PARTS		1
150	BACB30NN3K3		.BOLT-		8
155	BACB30NN3K5		.BOLT-		2
165	BACB30NN3K7		.BOLT- -----*-----		2
180	BACF3F009L012NG		.FILLER-		2
185	BACF3F009H012NG		.FILLER-		1
190	BACS40R09D12F		.SHIM		2
195	141T6325-21		.FILLER		2
200	141T6325-22		.FILLER		1
205	141T6325-23		.SHIM		2
210	141T6300-2		.CLIP		9
211	141T6300-11		.CLIP ATTACHING PARTS		1
- 215	BACB30NR3K5		.BOLT-		22
- 220	NAS1149F0363P		.WASHER-		22

ILLUSTRATION ITEMS NOT ON PARTS LIST ARE NOT APPLICABLE

- ITEM NOT ILLUSTRATED

HXL

52-48-04-01

BOEING PROPRIETARY - Copyright © - Unpublished Work - See title page for details.

52-48-04  
FIG. 01  
PAGE 2  
DEC 22/08

 **BOEING**  
767  
**PARTS CATALOG (MAINTENANCE)**

FIG ITEM	PART NUMBER	1 2 3 4 5 6 7	NOMENCLATURE	EFFECT FROM TO	UNITS PER ASSY
1					
- 225	PLH53CD		.NUT- SUPPLIER CODE: VF0224 SPECIFICATION NUMBER: BACN10YR3CD OPTIONAL PART: H52732-3CD V15653 -----*-----		22
227	141T6331-1		.SPRING ASSY- POSITION DATA: FWD		1
228	141T6331-2		.SPRING ASSY- POSITION DATA: AFT ATTACHING PARTS		1
229	BACB30NN3K6		.BOLT		4
230	NAS1149F0363P		.WASHER-		4
231	PLH53CD		.NUT- SUPPLIER CODE: VF0224 SPECIFICATION NUMBER: BACN10YR3CD OPTIONAL PART: H52732-3CD V15653 -----*-----		4
232	141T6330-1		..SPRING		1
233	141T6325-35		..ANGLE- POSITION DATA: FWD		1
233	141T6325-36		..ANGLE- POSITION DATA: AFT		1
234	141T6325-34		..PLATE		1
235	141T6316-4		.TRACK- OPTIONAL PART: 141T6316-7	163999	1
235	141T6316-7		.TRACK- OPTIONAL PART: 141T6316-4 ATTACHING PARTS		1
240	BACB30NN3K5		.BOLT-		5
245	BACB30NN3K6		.BOLT-		2
250	BACF3F005H011NG		.FILLER-		6
255	BACS40R05D11F		.SHIM		6
260	141T6314-2		.CLIP-TRACK		1

ILLUSTRATION ITEMS NOT ON PARTS LIST ARE NOT APPLICABLE

- ITEM NOT ILLUSTRATED

HXL

52-48-04-01

BOEING PROPRIETARY - Copyright © - Unpublished Work - See title page for details.

52-48-04  
FIG. 01  
PAGE 3  
DEC 22/08

 **BOEING**  
767  
**PARTS CATALOG (MAINTENANCE)**

FIG ITEM	PART NUMBER	1 2 3 4 5 6 7	NOMENCLATURE	EFFECT FROM TO	UNITS PER ASSY
1			ATTACHING PARTS		
- 265	BACB30NR3K5		.BOLT-		2
- 270	NAS1149F0363P		.WASHER-		2
			-----*-----		
275	BACF3F015H017NG		.FILLER-		1
280	BACS40R15D17F		.SHIM		1
285	8304-111		.SEAL-		1
			SUPPLIER CODE: V11960		
			SPECIFICATION NUMBER: S140T263-111		
285	8304-116		.SEAL-		1
			SUPPLIER CODE: V11960		
			SPECIFICATION NUMBER: S140T263-116		
			OPTIONAL PART: 88D10204-116		
			V60980		
285	88D10204-116		.SEAL-		1
			SUPPLIER CODE: V60980		
			SPECIFICATION NUMBER: S140T263-116		
			OPTIONAL PART: 8304-116		
			V11960		
290	141T6301-54		.DOOR ASSY-		1
			ACCESS PANEL NUMBER: 119AL		
			COMPONENT MAINT MANUAL REF: 52-48-12		
			REWORKED BY SB: 52-0070		
290	141T6301-58		.DOOR ASSY-		1
			COMPONENT MAINT MANUAL REF: 52-48-12		
290	141T6301-60		.DOOR ASSY-		1
			ACCESS PANEL NUMBER: 119AL		
			COMPONENT MAINT MANUAL REF: 52-48-12		
290	141T6301-64		.DOOR ASSY-REWORK		1
			ACCESS PANEL NUMBER: 119AL		
			COMPONENT MAINT MANUAL REF: 52-48-12		

ILLUSTRATION ITEMS NOT ON PARTS LIST ARE NOT APPLICABLE

- ITEM NOT ILLUSTRATED

HXL

# 52-48-04-01

BOEING PROPRIETARY - Copyright © - Unpublished Work - See title page for details.

52-48-04  
FIG. 01  
PAGE 4  
DEC 22/07

 **BOEING**  
767  
**PARTS CATALOG (MAINTENANCE)**

FIG ITEM	PART NUMBER	1 2 3 4 5 6 7	NOMENCLATURE	EFFECT FROM TO	UNITS PER ASSY
1					
290	141T6301-62		.DOOR ASSY-REWORK ACCESS PANEL NUMBER: 119AL COMPONENT MAINT MANUAL REF: 52-48-12 REWORKED BY SB: 52-0070		1
290	141T6301-63		.DOOR ASSY-REWORK ACCESS PANEL NUMBER: 119AL COMPONENT MAINT MANUAL REF: 52-48-12 REWORKED BY SB: 52-0070		1
290	141T6301-68		.DOOR ASSY- ACCESS PANEL NUMBER: 119AL COMPONENT MAINT MANUAL REF: 52-48-12 REWORKED BY SB: 52-0070		1
290	141T6301-70		.DOOR ASSY- ACCESS PANEL NUMBER: 119AL COMPONENT MAINT MANUAL REF: 52-48-12 REWORKED BY SB: 52-0070		1
290	141T6301-71		.DOOR ASSY- ACCESS PANEL NUMBER: 119AL COMPONENT MAINT MANUAL REF: 52-48-12 REWORKED BY SB: 52-0070		1
290	141T6301-72		.DOOR ASSY- ACCESS PANEL NUMBER: 119AL COMPONENT MAINT MANUAL REF: 52-48-12 REWORKED BY SB: 52-0070		1
290	141T6301-74		.DOOR ASSY- ACCESS PANEL NUMBER: 119AL COMPONENT MAINT MANUAL REF: 52-48-12 REWORKED BY SB: 52-0070		1
ILLUSTRATION ITEMS NOT ON PARTS LIST ARE NOT APPLICABLE					

- ITEM NOT ILLUSTRATED

HXL

# 52-48-04-01

BOEING PROPRIETARY - Copyright © - Unpublished Work - See title page for details.

52-48-04  
FIG. 01  
PAGE 5  
DEC 22/07



767

PARTS CATALOG (MAINTENANCE)

FIG ITEM	PART NUMBER	1 2 3 4 5 6 7	NOMENCLATURE	EFFECT FROM TO	UNITS PER ASSY
1					
290	141T6301-75	.	DOOR ASSY- ACCESS PANEL NUMBER: 119AL COMPONENT MAINT MANUAL REF: 52-48-12 REWORKED BY SB: 52-0070		1
290	141T6301-77	.	DOOR ASSY- ACCESS PANEL NUMBER: 119AL COMPONENT MAINT MANUAL REF: 52-48-12		1
290	141T6301-78	.	DOOR ASSY- ACCESS PANEL NUMBER: 119AL COMPONENT MAINT MANUAL REF: 52-48-12 QUALIFIED I/W DATA: 141T6301-79 TOGETHER WITH DRAIN VALVE AY 140N2022-1 IS FULLY INTERCHANGEABLE WITH 141T6301-78. 141T6301-80 TOGETHER WITH DRAIN VALVE AY 140N2022-1 IS FULLY INTERCHANGEABLE WITH 141T6301-78. POST SERVICE BULLETIN: 52-0070		1
294	141T6320-10	..	ROLLER ASSY-TRACK ATTACHING PARTS		1
- 298	BACB30NM4K6	..	BOLT		2
- 302	NAS1149D0463J	..	WASHER-		2
- 306	NAS1805-4	..	NUT		2
			-----*-----		
310	CC55615	...	ROLLER ASSY- SUPPLIER CODE: V60380		2
310	CF2808	...	ROLLER ASSY- SUPPLIER CODE: V82634 ATTACHING PARTS		2
314	BACN10JD103	...	NUT-		1
318	AN960PD10	...	WASHER		1
322	AN960PD10L	...	WASHER		7
			-----*-----		
326	141T6320-4	...	FITTING		1
330	141T6313-8	..	PLATE-SERRATED		1

ILLUSTRATION ITEMS NOT ON PARTS LIST ARE NOT APPLICABLE

- ITEM NOT ILLUSTRATED

52-48-04-01

52-48-04  
FIG. 01  
PAGE 6  
DEC 22/07

HXL

BOEING PROPRIETARY - Copyright © - Unpublished Work - See title page for details.

 **BOEING**  
767  
**PARTS CATALOG (MAINTENANCE)**

FIG ITEM	PART NUMBER	1 2 3 4 5 6 7	NOMENCLATURE	EFFECT FROM TO	UNITS PER ASSY
1					
334	141T6320-8	..	ROLLER ASSY-TRACK ATTACHING PARTS		1
- 338	BACB30NM4K7	..	BOLT- OPTIONAL PART: BACB30VT8K7		2
- 338	HST10AG8-7	..	BOLT- SUPPLIER CODE: VOPTK6 SPECIFICATION NUMBER: BACB30VT8K7 OPTIONAL PART: HST10AG8-7 V06725 HST10AG8-7 V56878 HST10AG8-7 V73197 WC10K8-7 V60516 BACB30NM4K7		2
- 342	NAS1149D0463J	..	WASHER-		2
- 346	NAS1805-4	..	NUT- OPTIONAL PART: BACN10YZ4		2
- 346	CR6124-4	..	NUT- SUPPLIER CODE: V62554 SPECIFICATION NUMBER: BACN10YZ4 OPTIONAL PART: NAS1805-4 -----*-----		2
350	CC55615	...	ROLLER ASSY- SUPPLIER CODE: V60380		1
350	CF2808	...	ROLLER ASSY- SUPPLIER CODE: V82634 ATTACHING PARTS		1
354	BACN10JD103	...	NUT		1
358	AN960PD10	...	WASHER		1
362	AN960PD10L	...	WASHER -----*-----		6
366	141T6320-5	...	FITTING		1
368	141T6313-7	..	PLATE-SERRATED		1
370	141T6320-9	..	ROLLER ASSY-TRACK		1
370	141T6320-13	..	ROLLER ASSY-TRACK		1
ILLUSTRATION ITEMS NOT ON PARTS LIST ARE NOT APPLICABLE					

- ITEM NOT ILLUSTRATED

HXL

# 52-48-04-01

BOEING PROPRIETARY - Copyright © - Unpublished Work - See title page for details.

52-48-04  
FIG. 01  
PAGE 7  
APR 22/08

 **BOEING**  
767  
**PARTS CATALOG (MAINTENANCE)**

FIG ITEM	PART NUMBER	1 2 3 4 5 6 7	NOMENCLATURE	EFFECT FROM TO	UNITS PER ASSY
1			ATTACHING PARTS		
- 375	HL1012AZ8-5	..	BOLT- SUPPLIER CODE: VOPTK6 SPECIFICATION NUMBER: BACB30NX8K5 OPTIONAL PART: HL12VAZ8-5 V73197 HL12VAZ8-5 V92215 HL12VAZ8-5 V97928 L802-8K5 V06725 HL12VAZ8-5 V56878 HL1012AZ8-5 V06725 HL1012AZ8-5 V06950 HL1012AZ8-5 V17446 HL1012AZ8-5 V56878 HL1012AZ8-5 V60516 HL1012AZ8-5 V73197 HL1012AZ8-5 V97928		2
- 378	NAS1149D0463J	..	WASHER-		2
- 381	NAS1805-4L	..	NUT-		2
			-----*-----		
384	CC55614	...	ROLLER ASSY- SUPPLIER CODE: V60380 USED ON: 141T6320-9		1
384	CC55615	...	ROLLER ASSY- SUPPLIER CODE: V60380 USED ON: 141T6320-13		1
384	CF2808	...	ROLLER ASSY- SUPPLIER CODE: V82634		1
386	MS24665-153	...	PIN		1
ILLUSTRATION ITEMS NOT ON PARTS LIST ARE NOT APPLICABLE					

- ITEM NOT ILLUSTRATED

HXL

# 52-48-04-01

BOEING PROPRIETARY - Copyright © - Unpublished Work - See title page for details.

52-48-04  
FIG. 01  
PAGE 8  
DEC 22/06

 **BOEING**  
767  
**PARTS CATALOG (MAINTENANCE)**

FIG ITEM	PART NUMBER	1 2 3 4 5 6 7	NOMENCLATURE	EFFECT FROM TO	UNITS PER ASSY
1			ATTACHING PARTS		
388	BACN10JD103	...	NUT-		1
392	AN960PD10	...	WASHER		1
396	AN960PD10L	...	WASHER		5
			-----*-----		
400	141T6320-6	...	FITTING		1
404	141T6313-6	..	PLATE-SERRATED		1
408	141T6311-1	..	SUPPORT-ROLLER		1
			OPTIONAL PART: 141T6311-3		
408	141T6311-3	..	SUPPORT-ROLLER		1
			OPTIONAL PART: 141T6311-1		
412	141T6310-1	..	SUPPORT-ROLLER		1
			OPTIONAL PART: 141T6310-3		
412	141T6310-3	..	SUPPORT-ROLLER		1
			OPTIONAL PART: 141T6310-1		
			ATTACHING PARTS		
418	BACB30NM4K10	..	BOLT		2
422	BACB30NM4K12	..	BOLT		4
426	NAS1149D0463J	..	WASHER-		6
431	NAS1805-4L	..	NUT-		6
			-----*-----		
434	141T6325-26	..	FILLER		4
438	141T6309-1	..	SUPPORT-ROLLER		1
			ATTACHING PARTS		
442	BACB30NM4K4	..	BOLT		1
446	BACB30NM4K5	..	BOLT		2
450	NAS1149D0463J	..	WASHER-		3
455	NAS1805-4L	..	NUT-		3
			-----*-----		
460	141T6301-42	..	FILLER		2
465	141T6301-43	..	FILLER		1
471	141T6304-2	..	FITTING ASSY-STOP		1
480	141T6304-3	..	FITTING ASSY-STOP		1
			ATTACHING PARTS		
490	BACR15FT6KEC	..	RIVET-		16
			SIZE DETERMINED ON INSTL.		

ILLUSTRATION ITEMS NOT ON PARTS LIST ARE NOT APPLICABLE

- ITEM NOT ILLUSTRATED

HXL

52-48-04-01

BOEING PROPRIETARY - Copyright © - Unpublished Work - See title page for details.

52-48-04  
FIG. 01  
PAGE 9  
DEC 22/06





767

PARTS CATALOG (MAINTENANCE)

FIG ITEM	PART NUMBER	1 2 3 4 5 6 7	NOMENCLATURE	EFFECT FROM TO	UNITS PER ASSY
1 495	HST10AG5-4		..BOLT- SUPPLIER CODE: VOPTK6 SPECIFICATION NUMBER: BACB30VT5K4 OPTIONAL PART: HST10AG5-4 V06725 HST10AG5-4 V56878 HST10AG5-4 V73197		6
500	HST10AG5-6		..BOLT- SUPPLIER CODE: VOPTK6 SPECIFICATION NUMBER: BACB30VT5K6 OPTIONAL PART: HST10AG5-6 V06725 HST10AG5-6 V56878 HST10AG5-6 V73197		6
505	HST11AG5-5		..BOLT- SUPPLIER CODE: V06725 SPECIFICATION NUMBER: BACB30VU5K5 OPTIONAL PART: HST11AG5-5 V73197 HST11AG5-5 VOPTK6 HST11AG5-5 V56878		4
510	HST82CY5APBW		..COLLAR- SUPPLIER CODE: V73197 SPECIFICATION NUMBER: BACC30BQ5 OPTIONAL PART: HST825AW V56878 HST825AW V73197 HST82CY5APBW V56878 -----*-----		16

ILLUSTRATION ITEMS NOT ON PARTS LIST ARE NOT APPLICABLE

- ITEM NOT ILLUSTRATED

52-48-04-01

52-48-04  
 FIG. 01  
 PAGE 10  
 DEC 22/06

HXL

 **BOEING**  
767  
**PARTS CATALOG (MAINTENANCE)**

FIG ITEM	PART NUMBER	1 2 3 4 5 6 7	NOMENCLATURE	EFFECT FROM TO	UNITS PER ASSY
1					
515	141T8212-9	...	PLATE		1
520	141T6304-6	...	FITTING- OPTIONAL PART: 141T6304-12 USED ON: 141T6304-2		1
520	141T6304-12	...	FITTING- OPTIONAL PART: 141T6304-6 USED ON: 141T6304-2		1
525	141T6304-7	...	FITTING- OPTIONAL PART: 141T6304-10 USED ON: 141T6304-3		1
525	141T6304-10	...	FITTING- OPTIONAL PART: 141T6304-7 USED ON: 141T6304-3		1
530	141T6304-1	..	FITTING ASSY-STOP		1
535	141T6304-4	..	FITTING ASSY-STOP		1
540	BACR15FT6KEC	..	RIVET- SIZE DETERMINED ON INSTL.		16
545	HST10AG5-4	..	BOLT- SUPPLIER CODE: VOPTK6 SPECIFICATION NUMBER: BACB30VT5K4 OPTIONAL PART: HST10AG5-4 V06725 HST10AG5-4 V56878 HST10AG5-4 V73197		12

ILLUSTRATION ITEMS NOT ON PARTS LIST ARE NOT APPLICABLE

- ITEM NOT ILLUSTRATED

HXL

52-48-04-01

BOEING PROPRIETARY - Copyright © - Unpublished Work - See title page for details.

52-48-04  
FIG. 01  
PAGE 11  
DEC 22/06

 **BOEING**  
767  
**PARTS CATALOG (MAINTENANCE)**

FIG ITEM	PART NUMBER	1 2 3 4 5 6 7	NOMENCLATURE	EFFECT FROM TO	UNITS PER ASSY
1	550 HST11AG5-4		..BOLT- SUPPLIER CODE: V06725 SPECIFICATION NUMBER: BACB30VU5K4 OPTIONAL PART: HST11AG5-4 V73197 HST11AG5-4 VOPTK6 HST11AG5-4 V56878		4
R	555 BACC30BL5		..COLLAR- -----*-----		16
	560 141T8212-9		...PLATE		1
	565 141T6304-5		...FITTING- OPTIONAL PART: 141T6304-11		1
	565 141T6304-11		...FITTING- OPTIONAL PART: 141T6304-5 USED ON: 141T6304-1		1
	570 141T6304-8		...FITTING- OPTIONAL PART: 141T6304-9 USED ON: 141T6304-4		1
	570 141T6304-9		...FITTING- OPTIONAL PART: 141T6304-8 USED ON: 141T6304-4		1
	575 141T6322-1		..LINK-LATCH ATTACHING PARTS		2
-	580 BACP18BC02A06P		..PIN-		2
-	585 BACB30NM4DK12		..BOLT		2
-	590 NAS1149D0463P		..WASHER-		2
-	595 BACN10JD104AU		..NUT -----*-----		2
	597 141T6423-1		..SPACER		4
	600 NAS1423-5		..NUT		1
	605 NAS1193K5-2		..WASHER		1
	607 141T6301-69		..WASHER-		1
	610 M81935-1-4K		..BEARING-		1
	615 141T6307-5		..PIN-LATCH POST SERVICE BULLETIN: 52-0070		1
	620 141T6308-1		..FITTING ASSY-LATCH		1

ILLUSTRATION ITEMS NOT ON PARTS LIST ARE NOT APPLICABLE

- ITEM NOT ILLUSTRATED

HXL

52-48-04-01

BOEING PROPRIETARY - Copyright © - Unpublished Work - See title page for details.

52-48-04  
FIG. 01  
PAGE 12  
AUG 22/09



767

PARTS CATALOG (MAINTENANCE)

FIG ITEM	PART NUMBER	1 2 3 4 5 6 7	NOMENCLATURE	EFFECT FROM TO	UNITS PER ASSY
1			ATTACHING PARTS		
625	BACR15FT5KEC	..	RIVET- SIZE DETERMINED ON INSTL.		6
630	HST10AG5-8	..	BOLT- SUPPLIER CODE: VOPTK6 SPECIFICATION NUMBER: BACB30VT5K8 OPTIONAL PART: HST10AG5-8 V06725 HST10AG5-8 V56878 HST10AG5-8 V73197 -----*-----		2
633	HST10AG5-9	..	BOLT SUPPLIER CODE: VOPTK6 SPECIFICATION NUMBER: BACB30VT5K9 OPTIONAL PART: HST10AG5-9 V06725 HST10AG5-9 V56878 HST10AG5-9 V73197		2
635	HL70-5	..	ATTACHING PARTS COLLAR SUPPLIER CODE: V5M902 SPECIFICATION NUMBER: BACC30M5 OPTIONAL PART: HL70-5 V73197 HL70-5 V92215 66014-5 V56878 HL70-5 V56878 -----*-----		4
640	BACB28X7M020	...	BUSHING		1
645	141T6308-2	...	FITTING		1
650	141T6312-1	..	FITTING ASSY-LATCH		1
ILLUSTRATION ITEMS NOT ON PARTS LIST ARE NOT APPLICABLE					

- ITEM NOT ILLUSTRATED

52-48-04-01

52-48-04  
FIG. 01  
PAGE 13  
AUG 22/09

HXL

**BOEING**  
767  
**PARTS CATALOG (MAINTENANCE)**

FIG ITEM	PART NUMBER	1 2 3 4 5 6 7	NOMENCLATURE	EFFECT FROM TO	UNITS PER ASSY
1			ATTACHING PARTS		
655	BACR15CE5KEC	..	RIVET- SIZE DETERMINED ON INSTL.		2
660	HST10AG5-3	..	BOLT- SUPPLIER CODE: VOPTK6 SPECIFICATION NUMBER: BACB30VT5K3 OPTIONAL PART: HST10AG5-3 V06725 HST10AG5-3 V56878 HST10AG5-3 V73197		4
662	HST10AG5-5	..	-----*----- BOLT SUPPLIER CODE: VOPTK6 SPECIFICATION NUMBER: BACB30VT5K5 OPTIONAL PART: HST10AG5-5 V06725 HST10AG5-5 V56878 HST10AG5-5 V73197		2
665	HST10AG5-8	..	ATTACHING PARTS BOLT- SUPPLIER CODE: VOPTK6 SPECIFICATION NUMBER: BACB30VT5K8 OPTIONAL PART: HST10AG5-8 V06725 HST10AG5-8 V56878 HST10AG5-8 V73197		4
R 667	BACC30BL5	..	COLLAR- -----*-----		10
670	BACB28X8M060	...	BUSHING		1
675	BACB28X8M075	...	BUSHING		1
680	141T6312-2	...	FITTING		1
688	140N2022-1	..	VALVE ASSY-DRAIN		1

ILLUSTRATION ITEMS NOT ON PARTS LIST ARE NOT APPLICABLE

- ITEM NOT ILLUSTRATED

HXL

52-48-04-01

BOEING PROPRIETARY - Copyright © - Unpublished Work - See title page for details.

52-48-04  
FIG. 01  
PAGE 14  
AUG 22/09

**BOEING**  
767  
**PARTS CATALOG (MAINTENANCE)**

FIG ITEM	PART NUMBER	1 2 3 4 5 6 7	NOMENCLATURE	EFFECT FROM TO	UNITS PER ASSY
1			ATTACHING PARTS		
- 692	BACR15CE4KE		..RIVET- SIZE DETERMINED ON INSTL. -----*-----		2
R	715		..HANDLE ASSY- SUPPLIER CODE: V83014 SPECIFICATION NUMBER: S141T630-2 COMPONENT MAINT MANUAL REF: 52-48-03		1
R					
R					
R					
R					
R					
	715		..HANDLE ASSY- SUPPLIER CODE: V83014 SPECIFICATION NUMBER: S141T630-3 COMPONENT MAINT MANUAL REF: 52-48-03		1
	720		BACR15CE5KE ..RIVET- SIZE DETERMINED ON INSTL.		18
	725		NAS623-3-2 ..SCREW-		4
	730		AN960PD10 ..WASHER- -----*-----		4
	735		H29-5 ...PIN-ACTUATOR SUPPLIER CODE: V83014		1
	740		NAS1423-5 ...NUT		1
	745		NAS1193E5CP ...LOCKING DEVICE		1
	750		AR4EFN501W ...ROD END- SUPPLIER CODE: V50294		1
	755		1191-5CN0625 ...INSERT- SUPPLIER CODE: V26014		1
	760		HSP115A094-1650 ...PIN- SUPPLIER CODE: V83014		1
	765		H29-31 ...HANDLE ASSY- SUPPLIER CODE: V83014 POSITION DATA: OUTSIDE USED ON: H2857-3		1
ILLUSTRATION ITEMS NOT ON PARTS LIST ARE NOT APPLICABLE					

- ITEM NOT ILLUSTRATED

HXL

**52-48-04-01**

BOEING PROPRIETARY - Copyright © - Unpublished Work - See title page for details.

52-48-04  
FIG. 01  
PAGE 15  
AUG 22/09



767

PARTS CATALOG (MAINTENANCE)

FIG ITEM	PART NUMBER	1 2 3 4 5 6 7	NOMENCLATURE	EFFECT FROM TO	UNITS PER ASSY
1					
765	H29-300		...HANDLE ASSY- SUPPLIER CODE: V83014 POSITION DATA: OUTSIDE USED ON: H2857-5		1
766	HSP115P094-1400		....PIN- SUPPLIER CODE: V83014		1
767	100939-1		....TRIGGER- SUPPLIER CODE: V83014		1
768	H29-12A		....SPRING- SUPPLIER CODE: V83014		1
769	HSP800A12		....SPACER- SUPPLIER CODE: V83014		1
770	H29-8		....PIN-(MATCHED SET) SUPPLIER CODE: V83014		1
771	H29-3		....SLEEVE-(MATCHED SET) SUPPLIER CODE: V83014 USED ON: H29-31		1
771	103545-1		....SLEEVE-(MATCHED SET) SUPPLIER CODE: V83014 USED ON: H29-300		1
772	100937-1		....HANDLE-(MATCHED SET) SUPPLIER CODE: V83014		1
774	101284-1		...SPRING- SUPPLIER CODE: V83014		1
775	Q4217-559N		...RING-QUAD SUPPLIER CODE: V07322		2
780	AN23-32A		...BOLT-		1
785	AN960PD10		...WASHER- CONFIG CHG DATA FROM A CMM: SUPSD BY AN960JD10		1
785	AN960JD10		...WASHER- CONFIG CHG DATA FROM A CMM: SUPERSEDES AN960PD10		1

ILLUSTRATION ITEMS NOT ON PARTS LIST ARE NOT APPLICABLE

- ITEM NOT ILLUSTRATED

52-48-04-01

52-48-04  
FIG. 01  
PAGE 16  
AUG 22/09

HXL

BOEING PROPRIETARY - Copyright © - Unpublished Work - See title page for details.



**767  
PARTS CATALOG (MAINTENANCE)**

FIG ITEM	PART NUMBER	1 2 3 4 5 6 7	NOMENCLATURE	EFFECT FROM TO	UNITS PER ASSY
1 790	BRH10A3		...NUT- SUPPLIER CODE: V52828 SPECIFICATION NUMBER: BACN10JC3 OPTIONAL PART: H10-3BAC V15653 NS202101-02 V80539 RMLH9075-3W V72962 VN303A02 V92215 96-02 V80539 T6S1032J V11815 MS21042L3		1
790	MS21042L3		...NUT- OPTIONAL PART: BACN10JC3		1
795	100257-3		...HANDLE- SUPPLIER CODE: V83014 POSITION DATA: INSIDE USED ON: H2857-3		1
795	100257-5		...HANDLE- SUPPLIER CODE: V83014 POSITION DATA: INSIDE USED ON: H2857-5		1
796	116587-1		...SPACER- SUPPLIER CODE: V83014 USED ON: H2857-5		1
797	116588-1		...SPRING-TORSION SUPPLIER CODE: V83014 USED ON: H2857-5		1

ILLUSTRATION ITEMS NOT ON PARTS LIST ARE NOT APPLICABLE

- ITEM NOT ILLUSTRATED

# 52-48-04-01

52-48-04  
FIG. 01  
PAGE 17  
AUG 22/09

HXL





767

PARTS CATALOG (MAINTENANCE)

FIG ITEM	PART NUMBER	1 2 3 4 5 6 7	NOMENCLATURE	EFFECT FROM TO	UNITS PER ASSY
1					
798	116585-1		...RETAINER- SUPPLIER CODE: V83014 USED ON: H2857-5		1
800	H31-15		...COLLAR- SUPPLIER CODE: V83014 CONFIG CHG DATA FROM A CMM: SUPSD BY H31-15-1		1
800	H31-15-1		...COLLAR- SUPPLIER CODE: V83014 CONFIG CHG DATA FROM A CMM: SUPERSEDES H31-15		1
805	113720-7		...ACTUATOR- SUPPLIER CODE: V83014		1
810	113719-1		...HOUSING- SUPPLIER CODE: V83014		1
830	141T6300-8		.GUARD ATTACHING PARTS		1
- 835	BACR15BA5ADN		.RIVET- SIZE DETERMINED ON INSTL. -----*-----		2
840	141T6300-9		.GUARD ATTACHING PARTS		1
- 845	BACR15BA5AD		.RIVET- -----*-----		2

ILLUSTRATION ITEMS NOT ON PARTS LIST ARE NOT APPLICABLE

- ITEM NOT ILLUSTRATED

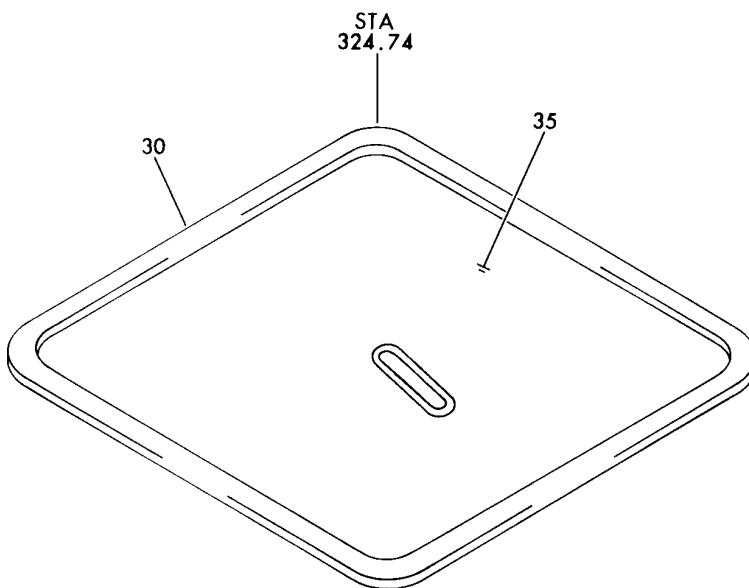
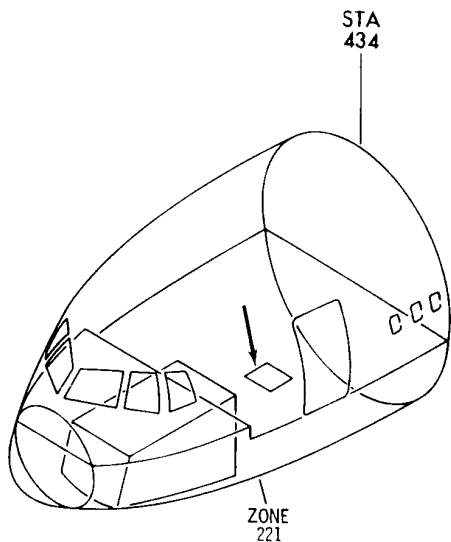
HXL

52-48-04-01

BOEING PROPRIETARY - Copyright © - Unpublished Work - See title page for details.

52-48-04  
FIG. 01  
PAGE 18  
AUG 22/09

**BOEING**  
767  
PARTS CATALOG (MAINTENANCE)



V 52480501 REV 181

PANEL ASSY-MAIN DECK ACCESS, SECT. 41 E/E BAY  
FIGURE 1

**52-48-05-01**

HXL  
DEC 22/06

52-48-05-01  
PAGE 0

**BOEING**  
767  
**PARTS CATALOG (MAINTENANCE)**

FIG ITEM	PART NUMBER	1 2 3 4 5 6 7	NOMENCLATURE	EFFECT FROM TO	UNITS PER ASSY
1			PANEL ASSY-MAIN DECK ACCESS, SECT. 41 E/E BAY		
- 1	141T5383-1		PANEL ASSY-ACCESS, E/E BAY POSITION DATA: MAIN DECK SECT. 41		RF
- 1	141T5383-6		PANEL ASSY-ACCESS, E/E BAY POSITION DATA: MAIN DECK SECT. 41		RF
- 5	TL20050-101		.MECHANISM ASSY- SUPPLIER CODE: V29372 SPECIFICATION NUMBER: S141T538-1 COMPONENT MAINT MANUAL REF: 52-48-01 FOR DETAILS SEE: 52-11-25-06B ATTACHING PARTS		1
- 10	BACS12ER3K16		.SCREW		13
- 15	NAS1149D0332J		.WASHER		13
- 20	SL5107A3-410		.SPACER- SUPPLIER CODE: V97393		13
- 25	NAS1804-3		.NUT		13
			-----*-----		
	30 141T5384-1		.SEAL		1
	35 141T5383-2		.PANEL- USED ON: 141T5383-1		1
	35 141T5383-7		.PANEL- USED ON: 141T5383-6 141T5383-10		1

ILLUSTRATION ITEMS NOT ON PARTS LIST ARE NOT APPLICABLE

- ITEM NOT ILLUSTRATED

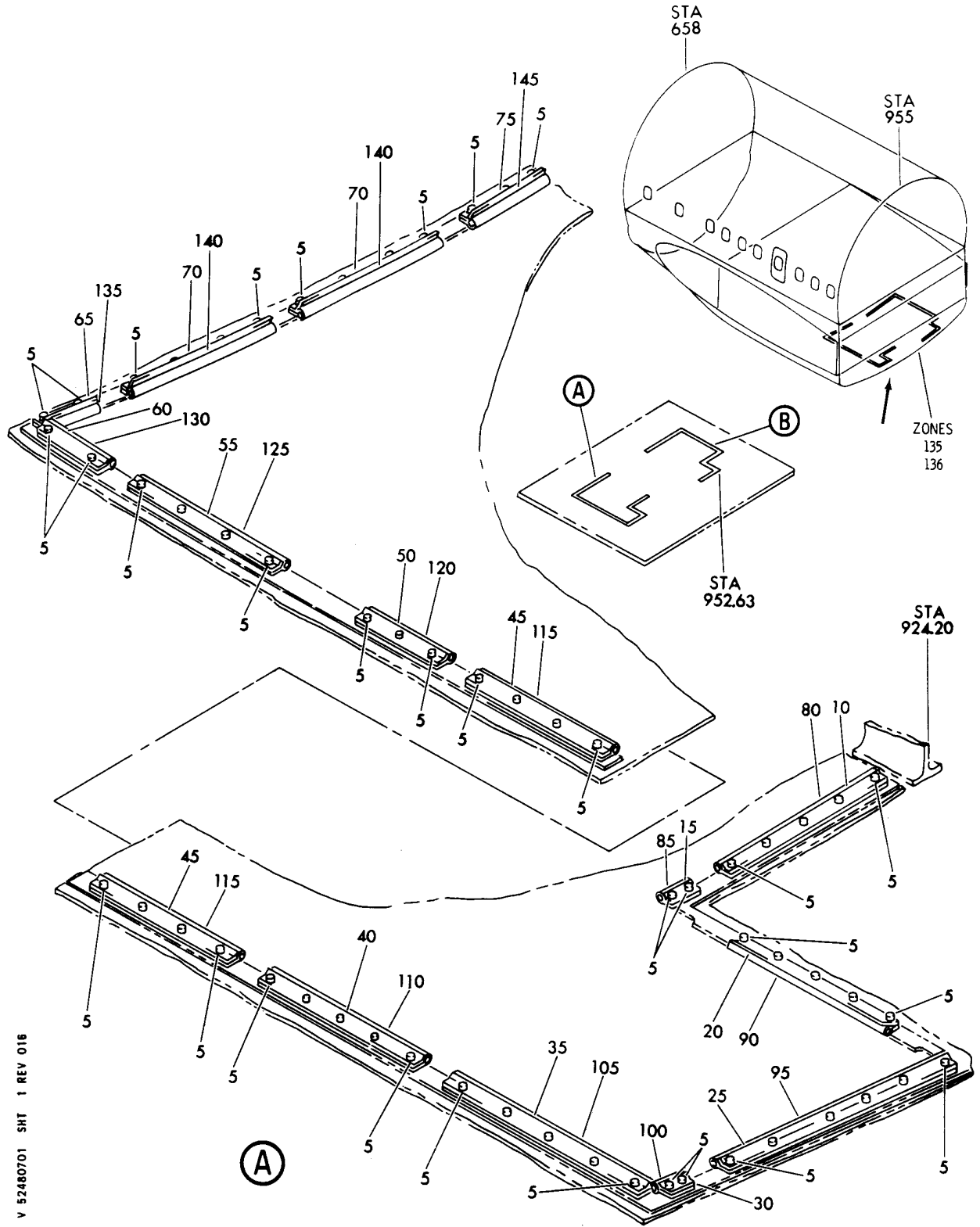
HXL

52-48-05-01

BOEING PROPRIETARY - Copyright © - Unpublished Work - See title page for details.

52-48-05  
FIG. 01  
PAGE 1  
DEC 22/07

**BOEING**  
767  
PARTS CATALOG (MAINTENANCE)



V 52480701 SHT 1 REV 016

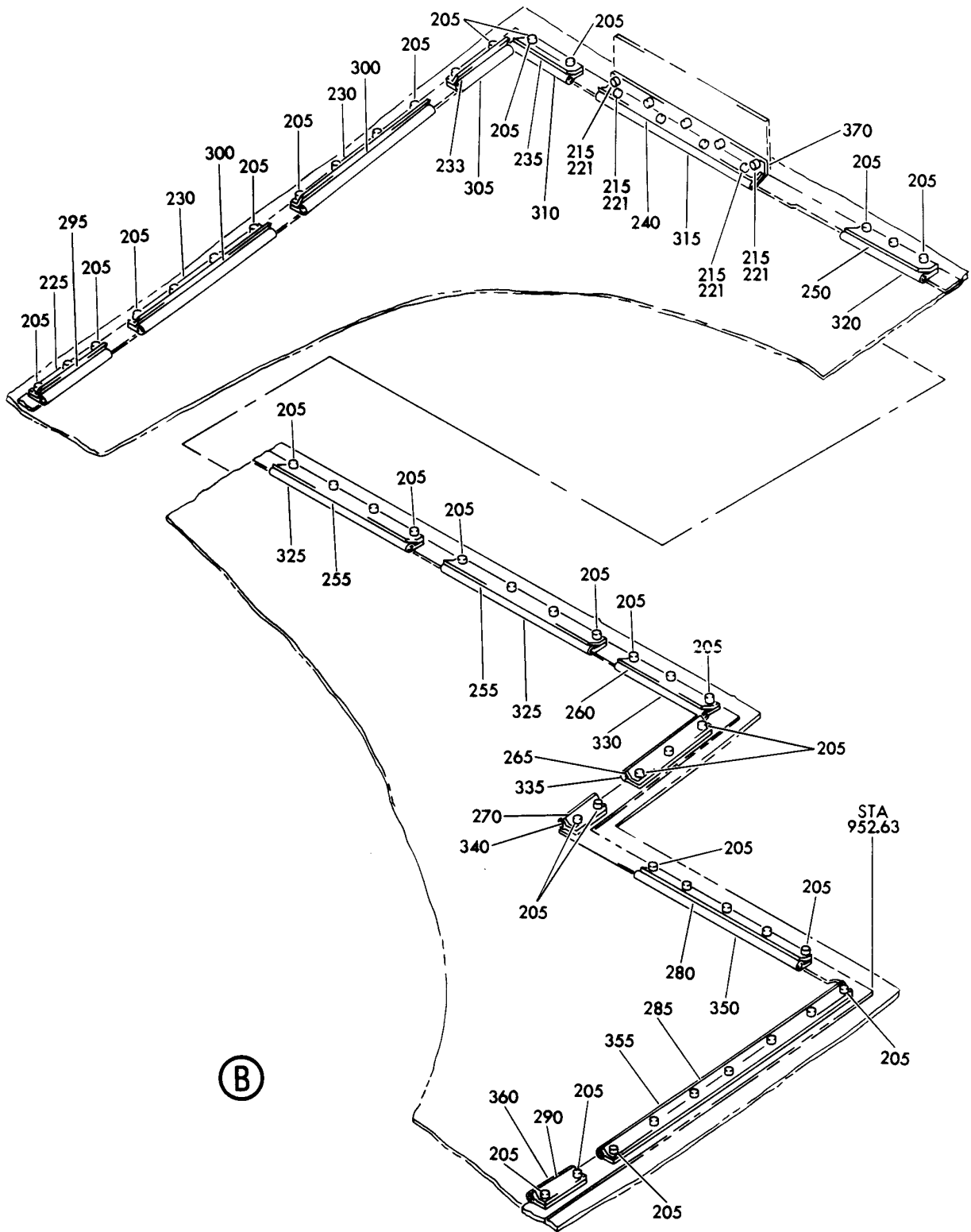
SEAL INSTL-UNDERWING FAIRING ENVIRONMENTAL CONT SYS DOOR  
FIGURE 1 (SHEET 1)

**52-48-07-01**

HXL  
DEC 22/06

52-48-07-01  
PAGE 0

**BOEING**  
767  
PARTS CATALOG (MAINTENANCE)



V 52480701 JHT 2 REV 0222

SEAL INSTL-UNDERWING FAIRING ENVIRONMENTAL CONT SYS DOOR  
FIGURE 1 (SHEET 2)

**52-48-07-01**

HXL  
DEC 22/06

52-48-07-01  
PAGE 0A

 **BOEING**  
**767**  
**PARTS CATALOG (MAINTENANCE)**

FIG ITEM	PART NUMBER	1 2 3 4 5 6 7	NOMENCLATURE	EFFECT FROM TO	UNITS PER ASSY
1			SEAL INSTL-UNDERWING FAIRING ENVIRONMENTAL CONT SYS DOOR		
- 1	149T7213-1		SEAL INSTL-UNDERWING FAIRING ENVIRONMENTAL CONT SYS DOOR POSITION DATA: LH FOR NHA SEE: 53-36-56-01		RF
5	BACB30LH2-2		.BOLT-		60
10	149T7213-23		.DEPRESSOR		1
15	149T7213-24		.DEPRESSOR		1
20	149T7213-26		.DEPRESSOR		1
25	149T7213-27		.DEPRESSOR		1
30	149T7213-28		.DEPRESSOR		1
35	149T7213-29		.DEPRESSOR		1
40	149T7213-30		.DEPRESSOR		1
45	149T7213-31		.DEPRESSOR		2
50	149T7213-49		.DEPRESSOR		1
55	149T7213-32		.DEPRESSOR		1
60	149T7213-33		.DEPRESSOR		1
65	149T7213-35		.DEPRESSOR		1
70	149T7213-34		.DEPRESSOR		2
75	149T7213-37		.DEPRESSOR		1
80	149T7213-3		.SEAL- MANUFACTURED FROM: EXTR RUBBER F25.01 10-60754-19 X 14.7 IN (5287000190)		1
85	149T7213-4		.SEAL- MANUFACTURED FROM: EXTR RUBBER F25.01 10-60754-19 X 3.2 IN (5287000190)		1
90	149T7213-6		.SEAL- MANUFACTURED FROM: EXTR RUBBER F25.01 10-60754-19 X 15.9 IN (5287000190)		1
95	149T7213-7		.SEAL- MANUFACTURED FROM: EXTR RUBBER F25.01 10-60754-19 X 22.3 IN (5287000190)		1

R  
R  
R  
R  
R  
R  
R  
R  
R  
R  
R  
R  
R  
R  
R

ILLUSTRATION ITEMS NOT ON PARTS LIST ARE NOT APPLICABLE

- ITEM NOT ILLUSTRATED

HXL

**52-48-07-01**

BOEING PROPRIETARY - Copyright © - Unpublished Work - See title page for details.

52-48-07  
FIG. 01  
PAGE 1  
AUG 22/09

**BOEING**  
767  
**PARTS CATALOG (MAINTENANCE)**

FIG ITEM	PART NUMBER	1 2 3 4 5 6 7	NOMENCLATURE	EFFECT FROM TO	UNITS PER ASSY
1					
R	100		.SEAL- MANUFACTURED FROM: EXTR RUBBER F25.01 10-60754-19 X 2.8 IN (5287000190)		1
R					
R					
R					
R	105		.SEAL- MANUFACTURED FROM: EXTR RUBBER F25.01 10-60754-19 X 17.9 IN (5287000190)		1
R					
R					
R					
R	110		.SEAL- MANUFACTURED FROM: EXTR RUBBER F25.01 10-60754-19 X 15.4 IN (5287000190)		1
R					
R					
R					
R	115		.SEAL- MANUFACTURED FROM: EXTR RUBBER F25.01 10-60754-19 X 13.4 IN (5287000190)		2
R					
R					
R					
R	120		.SEAL- MANUFACTURED FROM: EXTR RUBBER F25.01 10-60754-19 X 7.9 IN (5287000190)		1
R					
R					
R					
R	125		.SEAL- MANUFACTURED FROM: EXTR RUBBER F25.01 10-60754-19 X 14.4 IN (5287000190)		1
R					
R					
R					
R	130		.SEAL- MANUFACTURED FROM: EXTR RUBBER F25.01 10-60754-19 X 5.9 IN (5287000190)		1
R					
R					
R					
R	135		.SEAL- MANUFACTURED FROM: EXTR RUBBER F25.01 10-60754-19 X 4.9 IN (5287000190)		1
R					
R					
R					
R	140		.SEAL- MANUFACTURED FROM: EXTR RUBBER F25.01 10-60754-19 X 14.2 IN (5287000190)		2
R					
R					
R					

ILLUSTRATION ITEMS NOT ON PARTS LIST ARE NOT APPLICABLE

- ITEM NOT ILLUSTRATED

HXL

**52-48-07-01**

52-48-07  
FIG. 01  
PAGE 2  
AUG 22/09

 **BOEING**  
767  
**PARTS CATALOG (MAINTENANCE)**

FIG ITEM	PART NUMBER	1 2 3 4 5 6 7	NOMENCLATURE	EFFECT FROM TO	UNITS PER ASSY	
R R R R R	1					
	145	149T7213-17	.SEAL-		1	
			MANUFACTURED FROM:			
			EXTR RUBBER			
			F25.01 10-60754-19 X			
			6.4 IN (5287000190)			
	-	200	149T7213-2	SEAL INSTL-UNDERWING		RF
			FAIRING ENVIRONMENTAL			
			CONT SYS DOOR			
			POSITION DATA:			
		RH				
		FOR NHA SEE:				
		53-36-56-01				
	205	BACB30LH2-2	.BOLT-		48	
	215	BACB30LK2-2	.BOLT-		9	
	221	AN960PD8L	.WASHER		9	
	225	149T7213-37	.DEPRESSOR		1	
	230	149T7213-34	.DEPRESSOR		2	
	233	149T7213-35	.DEPRESSOR		1	
	235	149T7213-33	.DEPRESSOR		1	
	240	149T7213-32	.DEPRESSOR		1	
	250	149T7213-49	.DEPRESSOR		1	
	255	149T7213-31	.DEPRESSOR		2	
	260	149T7213-25	.DEPRESSOR		1	
	265	149T7213-40	.DEPRESSOR		1	
	270	149T7213-42	.DEPRESSOR		1	
	280	149T7213-26	.DEPRESSOR		1	
	285	149T7213-39	.DEPRESSOR		1	
	290	149T7213-38	.DEPRESSOR		1	
	295	149T7213-17	.SEAL-		1	
			MANUFACTURED FROM:			
			EXTR RUBBER			
			F25.01 10-60754-19 X			
			6.4 IN (5287000190)			
R R R R R R R R R R	300	149T7213-14	.SEAL-		2	
			MANUFACTURED FROM:			
			EXTR RUBBER			
			F25.01 10-60754-19 X			
			14.2 IN (5287000190)			
	305	149T7213-15	.SEAL-		1	
			MANUFACTURED FROM:			
			EXTR RUBBER			
			F25.01 10-60754-19 X			
			4.9 IN (5287000190)			
310	149T7213-13	.SEAL-		1		
		MANUFACTURED FROM:				
		EXTR RUBBER				
		F25.01 10-60754-19 X				
		5.9 IN (5287000190)				

ILLUSTRATION ITEMS NOT ON PARTS LIST ARE NOT APPLICABLE

- ITEM NOT ILLUSTRATED

HXL

52-48-07-01

52-48-07  
FIG. 01  
PAGE 3  
AUG 22/09



 **BOEING**  
767  
**PARTS CATALOG (MAINTENANCE)**

FIG ITEM	PART NUMBER	1 2 3 4 5 6 7	NOMENCLATURE	EFFECT FROM TO	UNITS PER ASSY
1					
R	315	149T7213-12	.SEAL- MANUFACTURED FROM: EXTR RUBBER F25.01 10-60754-19 X 14.4 IN (5287000190)		1
R					
R					
R					
R					
R	320	149T7213-45	.SEAL- MANUFACTURED FROM: EXTR RUBBER F25.01 10-60754-19 X 7.9 IN (5287000190)		1
R					
R					
R					
R					
R	325	149T7213-11	.SEAL- MANUFACTURED FROM: EXTR RUBBER F25.01 10-60754-19 X 13.4 IN (5287000190)		2
R					
R					
R					
R					
R	330	149T7213-5	.SEAL- MANUFACTURED FROM: EXTR RUBBER F25.01 10-60754-19 X 8.8 IN (5287000190)		1
R					
R					
R					
R					
R	335	149T7213-20	.SEAL- MANUFACTURED FROM: EXTR RUBBER F25.01 10-60754-19 X 8.2 IN (5287000190)		1
R					
R					
R					
R					
R	340	149T7213-22	.SEAL- MANUFACTURED FROM: EXTR RUBBER F25.01 10-60754-19 X 3.6 IN (5287000190)		1
R					
R					
R					
R					
R	350	149T7213-6	.SEAL- MANUFACTURED FROM: EXTR RUBBER F25.01 10-60754-19 X 15.9 IN (5287000190)		1
R					
R					
R					
R					
R	355	149T7213-19	.SEAL- MANUFACTURED FROM: EXTR RUBBER F25.01 10-60754-19 25.8 IN (5287000190)		1
R					
R					
R					
R					
R	360	149T7213-18	.SEAL- MANUFACTURED FROM: EXTR RUBBER F25.01 10-60754-19 X 4.6 IN.		1
	370	149T7213-48	.SUPPORT		1

ILLUSTRATION ITEMS NOT ON PARTS LIST ARE NOT APPLICABLE

— ITEM NOT ILLUSTRATED

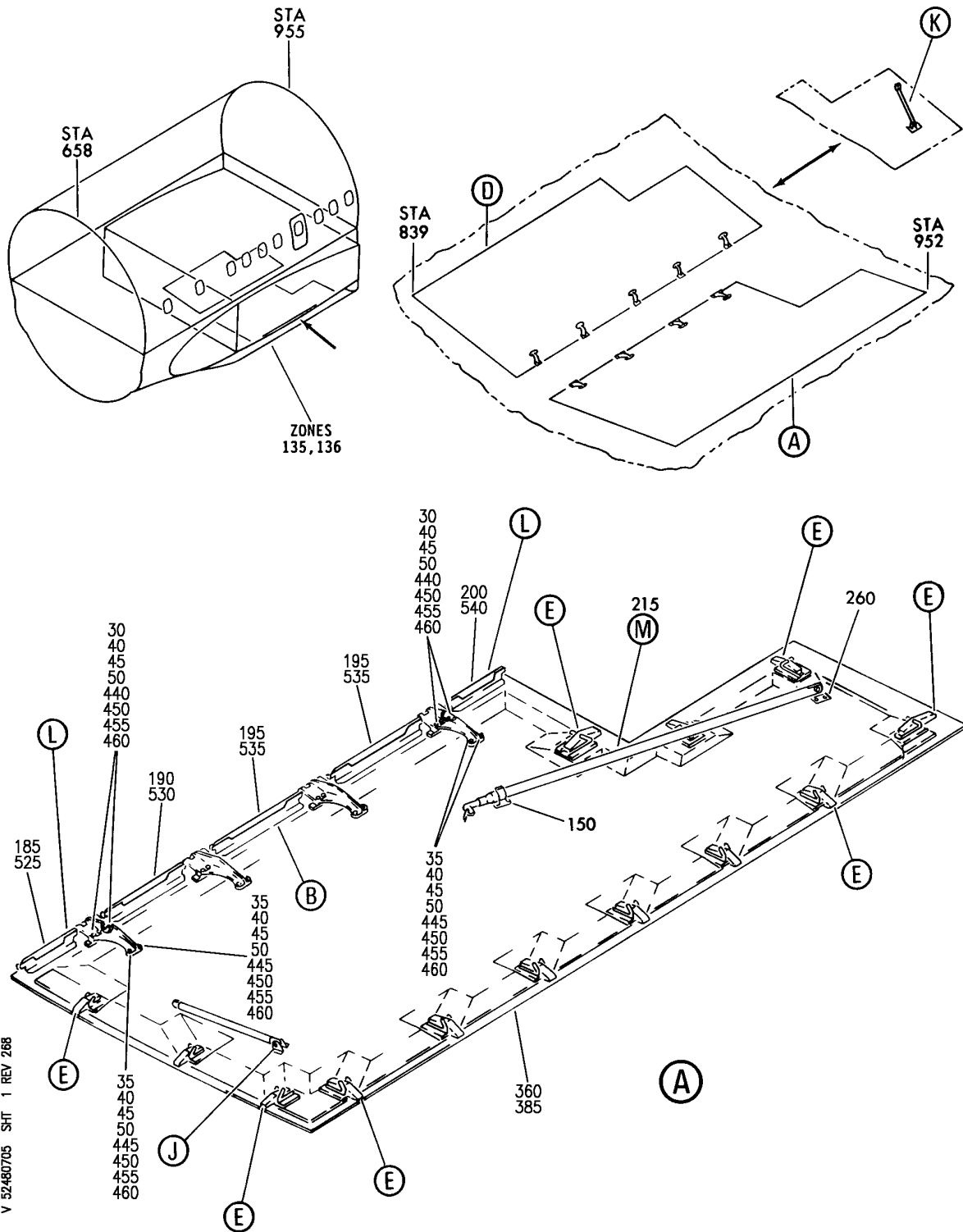
HXL

# 52-48-07-01

BOEING PROPRIETARY - Copyright © - Unpublished Work - See title page for details.

52-48-07  
FIG. 01  
PAGE 4  
AUG 22/09


**BOEING**  
 767  
**PARTS CATALOG (MAINTENANCE)**



V 52-480705 SHT 1 REV 268

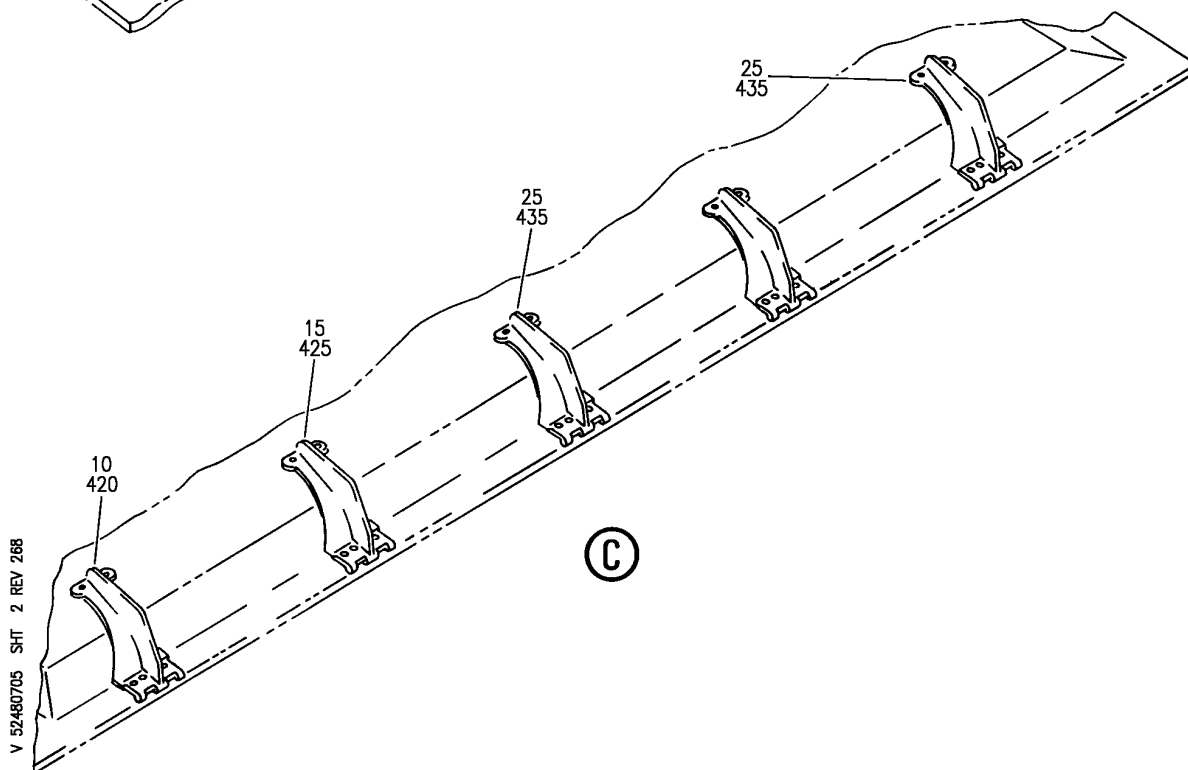
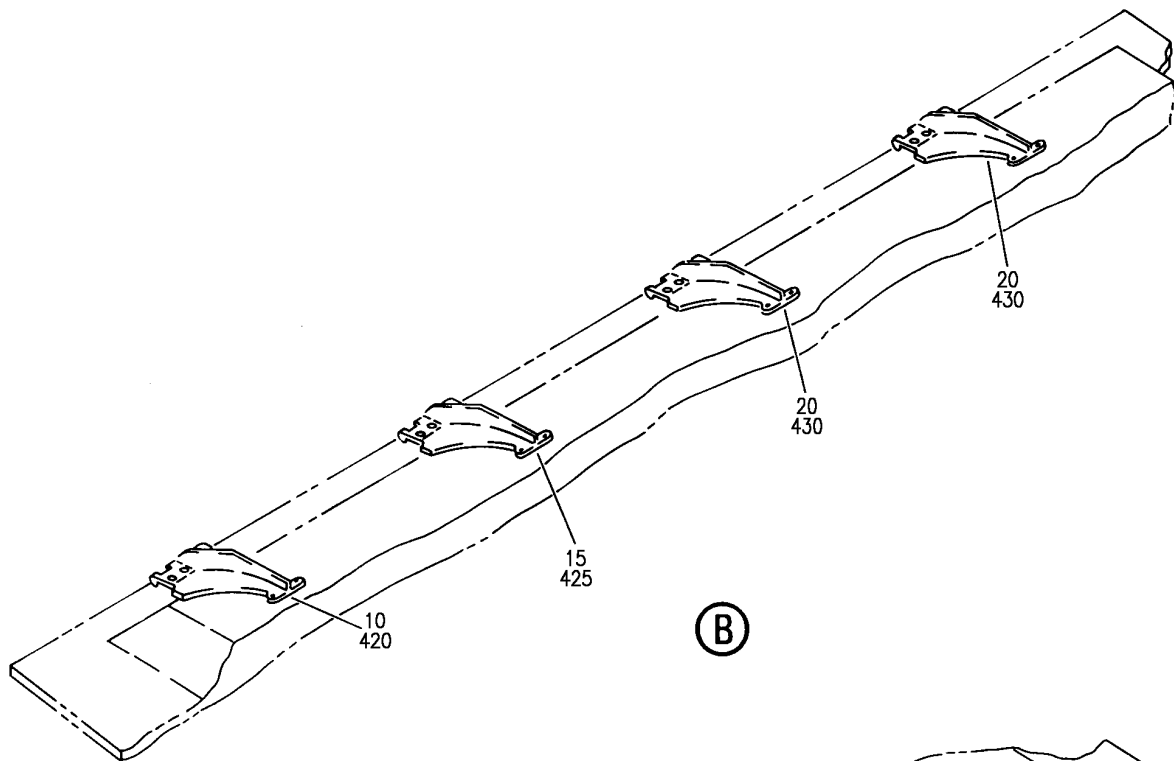
DOOR ASSY-UNDERWING FAIRING ENVIRONMENTAL CONT SYS  
 FIGURE 5 (SHEET 1)

**52-48-07-05**

HXL  
 DEC 22/06

52-48-07-05  
 PAGE 0

**BOEING**  
767  
PARTS CATALOG (MAINTENANCE)



V 52-480705 SHT 2 REV 268

DOOR ASSY-UNDERWING FAIRING ENVIRONMENTAL CONT SYS  
FIGURE 5 (SHEET 2)

**52-48-07-05**

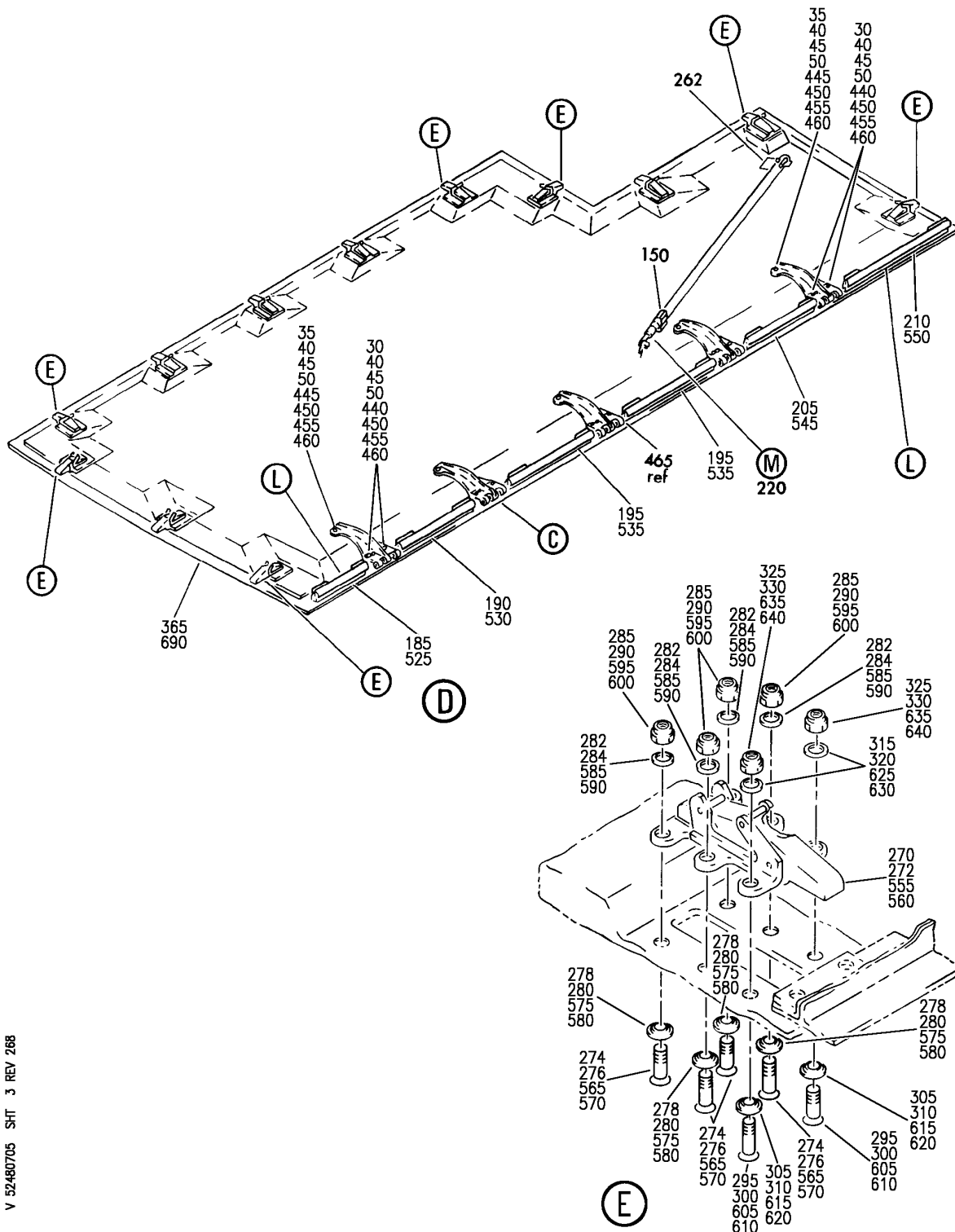
HXL  
DEC 22/06

52-48-07-05  
PAGE 0A

# BOEING

## 767

### PARTS CATALOG (MAINTENANCE)



V 52-480705 SHT 3 REV 268

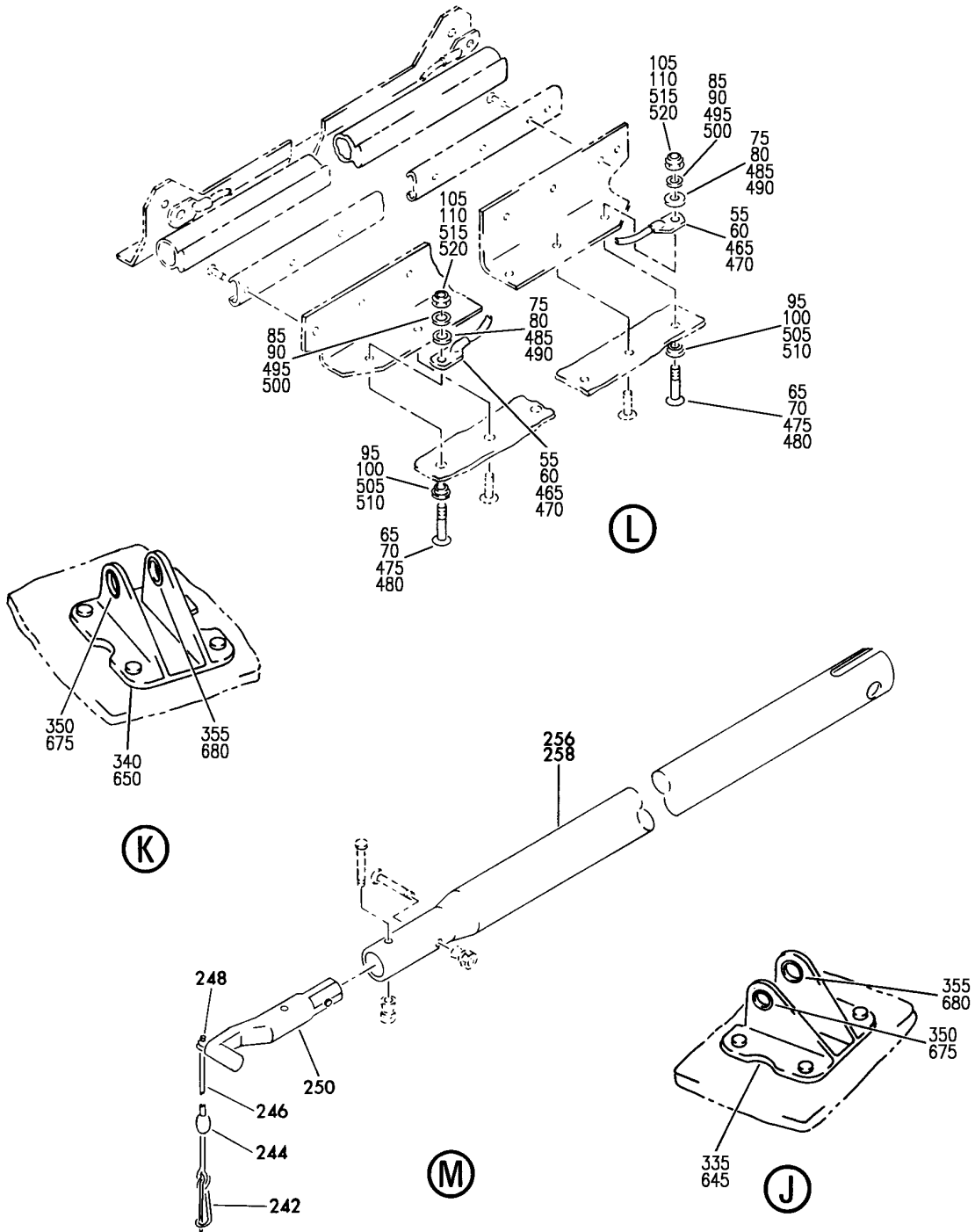
DOOR ASSY-UNDERWING FAIRING ENVIRONMENTAL CONT SYS  
FIGURE 5 (SHEET 3)

# 52-48-07-05

HXL  
DEC 22/06

52-48-07-05  
PAGE 0B

**BOEING**  
767  
PARTS CATALOG (MAINTENANCE)



V 52-480705 SH-T 4 REV 268

DOOR ASSY-UNDERWING FAIRING ENVIRONMENTAL CONT SYS  
FIGURE 5 (SHEET 4)

**52-48-07-05**

HXL  
DEC 22/06

52-48-07-05  
PAGE 0C



767

PARTS CATALOG (MAINTENANCE)

FIG ITEM	PART NUMBER	1 2 3 4 5 6 7	NOMENCLATURE	EFFECT FROM TO	UNITS PER ASSY
5			DOOR ASSY-UNDERWING FAIRING ENVIRONMENTAL CONT SYS		
- 1	149T7210-1		DOOR ASSY-UNDERWING FAIRING ENVIRONMENTAL CONT SYS POSITION DATA: LH ACCESS PANEL NUMBER: 193NL COMPONENT MAINT MANUAL REF: 52-48-51 VARIABLE DRAWING REF: 149T7210-7001 FOR NHA SEE: 53-00-54-01		RF
- 1	149T7210-63		DOOR ASSY-UNDERWING FAIRING ENVIRONMENTAL CONT SYS POSITION DATA: LH ACCESS PANEL NUMBER: 193NL COMPONENT MAINT MANUAL REF: 52-48-51 VARIABLE DRAWING REF: 149T7210-7001 FOR NHA SEE: 53-00-54-01		RF
- 5	149T7210-2		DOOR ASSY-UNDERWING FAIRING ENVIRONMENTAL CONT SYS POSITION DATA: RH ACCESS PANEL NUMBER: 194LR COMPONENT MAINT MANUAL REF: 52-48-51 VARIABLE DRAWING REF: 149T7210-7002 FOR NHA SEE: 53-00-54-01		RF

ILLUSTRATION ITEMS NOT ON PARTS LIST ARE NOT APPLICABLE

- ITEM NOT ILLUSTRATED

HXL

52-48-07-05

BOEING PROPRIETARY - Copyright © - Unpublished Work - See title page for details.

52-48-07  
FIG. 05  
PAGE 1  
DEC 22/06

**BOEING**  
767  
**PARTS CATALOG (MAINTENANCE)**

FIG ITEM	PART NUMBER	1 2 3 4 5 6 7	NOMENCLATURE	EFFECT FROM TO	UNITS PER ASSY
5					
- 5	149T7210-64		DOOR ASSY-UNDERWING FAIRING ENVIRONMENTAL CONT SYS POSITION DATA: RH ACCESS PANEL NUMBER: 194LR COMPONENT MAINT MANUAL REF: 52-48-51 VARIABLE DRAWING REF: 149T7210-7002 FOR NHA SEE: 53-00-54-01		RF
10	149T7212-1		.FITTING ASSY-HINGE		1
15	149T7212-2		.FITTING ASSY-HINGE		1
20	149T7212-3		.FITTING ASSY-HINGE POSITION DATA: LH SIDE		2
25	149T7212-3		.FITTING ASSY-HINGE POSITION DATA: RH SIDE ATTACHING PARTS		3
30	BACB30LR3-8		.BOLT		4
35	BACB30LH3-25		.BOLT		2
40	BACW10UC10P		.WASHER		6
45	AN960PD10		.WASHER		6
50	BRH10C3D		.NUT- SUPPLIER CODE: V52828 SPECIFICATION NUMBER: BACN10JC3CD OPTIONAL PART: T6C1032JCD V11815 NS202486-02 V80539 102LH9075-3W V72962 H51650-3BAC V15653		6
			-----*-----		
55	BACJ40A20-8		.JUMPER ASSY- POSITION DATA: LH SIDE		10
60	BACJ40A20-8		.JUMPER ASSY- POSITION DATA: RH SIDE		12
ILLUSTRATION ITEMS NOT ON PARTS LIST ARE NOT APPLICABLE					

- ITEM NOT ILLUSTRATED

HXL

**52-48-07-05**

BOEING PROPRIETARY - Copyright © - Unpublished Work - See title page for details.

52-48-07  
FIG. 05  
PAGE 2  
AUG 22/08



767

PARTS CATALOG (MAINTENANCE)

FIG ITEM	PART NUMBER	1 2 3 4 5 6 7	NOMENCLATURE	EFFECT FROM TO	UNITS PER ASSY
5			ATTACHING PARTS		
65	BACB30LH3-3		.BOLT- POSITION DATA: LH SIDE		10
70	BACB30LH3-3		.BOLT- POSITION DATA: RH SIDE		12
75	AN960-10L		.WASHER- POSITION DATA: LH SIDE		10
80	AN960-10L		.WASHER- POSITION DATA: RH SIDE		12
85	AN960D10L		.WASHER- POSITION DATA: LH SIDE		10
90	AN960D10L		.WASHER- POSITION DATA: RH SIDE		12
95	BACW10UC10P		.WASHER- POSITION DATA: LH SIDE		10
100	BACW10UC10P		.WASHER- POSITION DATA: RH SIDE		12
105	BRH10C3D		.NUT- SUPPLIER CODE: V52828 SPECIFICATION NUMBER: BACN10JC3CD OPTIONAL PART: T6C1032JCD V11815 NS202486-02 V80539 102LH9075-3W V72962 H51650-3BAC V15653 POSITION DATA: LH SIDE		10

ILLUSTRATION ITEMS NOT ON PARTS LIST ARE NOT APPLICABLE

- ITEM NOT ILLUSTRATED

52-48-07-05

52-48-07  
FIG. 05  
PAGE 3  
DEC 22/06

HXL





767

PARTS CATALOG (MAINTENANCE)

FIG ITEM	PART NUMBER	1 2 3 4 5 6 7	NOMENCLATURE	EFFECT FROM TO	UNITS PER ASSY
5 110	BRH10C3D		.NUT- SUPPLIER CODE: V52828 SPECIFICATION NUMBER: BACN10JC3CD OPTIONAL PART: T6C1032JCD V11815 NS202486-02 V80539 102LH9075-3W V72962 H51650-3BAC V15653 POSITION DATA: RH SIDE -----*-----		12
R R	185	149T7210-30	.SEAL- MANUFACTURED FROM: EXTR RUBBER F25.01 BAC1530-47 X 9.4 IN (5279047000)		1
	190	149T7210-31	.SEAL- MANUFACTURED FROM: EXTR RUBBER F25.01 BAC1530-47 X 13.8 IN (5279047000)		1
	195	149T7210-32	.SEAL- MANUFACTURED FROM: EXTR RUBBER F25.01 BAC1530-47 X 15.5 IN (5279047000)		2
	200	149T7210-33	.SEAL- POSITION DATA: LH SIDE MANUFACTURED FROM: EXTR RUBBER F25.01 BAC1530-47 X 9.6 IN (5279047000)		1
	205	149T7210-34	.SEAL- POSITION DATA: RH SIDE MANUFACTURED FROM: EXTR RUBBER F25.01 BAC1530-47 X 12.5 IN (5279047000)		1
ILLUSTRATION ITEMS NOT ON PARTS LIST ARE NOT APPLICABLE					

- ITEM NOT ILLUSTRATED

52-48-07-05

52-48-07  
FIG. 05  
PAGE 4  
AUG 22/09

HXL

 **BOEING**  
767  
**PARTS CATALOG (MAINTENANCE)**

FIG ITEM	PART NUMBER	1 2 3 4 5 6 7	NOMENCLATURE	EFFECT FROM TO	UNITS PER ASSY
R R R R R R R	5 210	149T7210-35	.SEAL- POSITION DATA: RH SIDE MANUFACTURED FROM: EXTR RUBBER F25.01 BAC1530-47 X 21.2 IN (5279047000)		1
	270	H2911-1	.LATCH- SUPPLIER CODE: V83014 POSITION DATA: LH SIDE SPECIFICATION NUMBER: 10-61334-7 OPTIONAL PART: 9285-7 V84256		13
	272	H2911-1	.LATCH- SUPPLIER CODE: V83014 POSITION DATA: LH SIDE SPECIFICATION NUMBER: 10-61334-7 OPTIONAL PART: 9285-7 V84256		12
	274	BACB30LH2-6	ATTACHING PARTS .BOLT- POSITION DATA: LH SIDE		52
	276	BACB30LH2-6	.BOLT- POSITION DATA: LH SIDE		48
	278	BACW10UC8P	.WASHER- POSITION DATA: LH SIDE		52
	280	BACW10UC8P	.WASHER- POSITION DATA: RH SIDE		48
	282	AN960PD8L	.WASHER- POSITION DATA: LH SIDE		52
	284	AN960PD8L	.WASHER- POSITION DATA: RH SIDE		48
	ILLUSTRATION ITEMS NOT ON PARTS LIST ARE NOT APPLICABLE				

- ITEM NOT ILLUSTRATED

HXL

# 52-48-07-05

BOEING PROPRIETARY - Copyright © - Unpublished Work - See title page for details.

52-48-07  
FIG. 05  
PAGE 5  
AUG 22/09



**767  
PARTS CATALOG (MAINTENANCE)**

FIG ITEM	PART NUMBER	1 2 3 4 5 6 7	NOMENCLATURE	EFFECT FROM TO	UNITS PER ASSY
5 285	BRH10A08		.NUT- SUPPLIER CODE: V52828 SPECIFICATION NUMBER: BACN10JC08 OPTIONAL PART: H10-08BAC V15653 NS202101-82 V80539 RMLH9075-82W V72962 VN303A82 V92215 96-82 V80539 T6S832J V11815 POSITION DATA: LH SIDE BACN10JC08CD		52
285	BRH10C08D		.NUT- SUPPLIER CODE: V52828 SPECIFICATION NUMBER: BACN10JC08CD OPTIONAL PART: H51650-08BAC V15653 102LH9075-82W V72962 NS202486-82 V80539 T6C832JCD V11815 POSITION DATA: LH SIDE BACN10JC08		52

ILLUSTRATION ITEMS NOT ON PARTS LIST ARE NOT APPLICABLE

- ITEM NOT ILLUSTRATED

HXL

# 52-48-07-05

BOEING PROPRIETARY - Copyright © - Unpublished Work - See title page for details.

52-48-07  
FIG. 05  
PAGE 6  
DEC 22/08



767

PARTS CATALOG (MAINTENANCE)

FIG ITEM	PART NUMBER	1 2 3 4 5 6 7	NOMENCLATURE	EFFECT FROM TO	UNITS PER ASSY
5 290	BRH10A08		.NUT- SUPPLIER CODE: V52828 SPECIFICATION NUMBER: BACN10JC08 OPTIONAL PART: H10-08BAC V15653 NS202101-82 V80539 RMLH9075-82W V72962 VN303A82 V92215 96-82 V80539 T6S832J V11815 POSITION DATA: RH SIDE BACN10JC08CD		48
290	BRH10C08D		.NUT- SUPPLIER CODE: V52828 SPECIFICATION NUMBER: BACN10JC08CD OPTIONAL PART: H51650-08BAC V15653 102LH9075-82W V72962 NS202486-82 V80539 T6C832JCD V11815 POSITION DATA: RH SIDE BACN10JC08		48
295	BACB30LH3-6		.BOLT- POSITION DATA: LH SIDE		26
300	BACB30LH3-6		.BOLT-(RH SIDE)		24
305	BACW10UC10P		.WASHER- POSITION DATA: LH SIDE		26
310	BACW10UC10P		.WASHER- POSITION DATA: RH SIDE		24

ILLUSTRATION ITEMS NOT ON PARTS LIST ARE NOT APPLICABLE

- ITEM NOT ILLUSTRATED

52-48-07-05

52-48-07  
FIG. 05  
PAGE 7  
DEC 22/08

HXL



767

PARTS CATALOG (MAINTENANCE)

FIG ITEM	PART NUMBER	1 2 3 4 5 6 7	NOMENCLATURE	EFFECT FROM TO	UNITS PER ASSY
5					
315	AN960PD10L		.WASHER- POSITION DATA: LH SIDE		26
320	AN960PD10L		.WASHER- POSITION DATA: RH SIDE		24
325	BRH10A3		.NUT- SUPPLIER CODE: V52828 SPECIFICATION NUMBER: BACN10JC3 OPTIONAL PART: H10-3BAC V15653 NS202101-02 V80539 RMLH9075-3W V72962 VN303A02 V92215 96-02 V80539 T6S1032J V11815 POSITION DATA: LH SIDE BACN10JC3CD		26
325	BRH10C3D		.NUT- SUPPLIER CODE: V52828 SPECIFICATION NUMBER: BACN10JC3CD OPTIONAL PART: T6C1032JCD V11815 NS202486-02 V80539 102LH9075-3W V72962 H51650-3BAC V15653 POSITION DATA: LH SIDE BACN10JC3		26

ILLUSTRATION ITEMS NOT ON PARTS LIST ARE NOT APPLICABLE

- ITEM NOT ILLUSTRATED

HXL

52-48-07-05

BOEING PROPRIETARY - Copyright © - Unpublished Work - See title page for details.

52-48-07  
FIG. 05  
PAGE 8  
DEC 22/08



767

PARTS CATALOG (MAINTENANCE)

FIG ITEM	PART NUMBER	1 2 3 4 5 6 7	NOMENCLATURE	EFFECT FROM TO	UNITS PER ASSY
5 330	BRH10A3		.NUT- SUPPLIER CODE: V52828 SPECIFICATION NUMBER: BACN10JC3 OPTIONAL PART: H10-3BAC V15653 NS202101-02 V80539 RMLH9075-3W V72962 VN303A02 V92215 96-02 V80539 T6S1032J V11815 POSITION DATA: RH SIDE BACN10JC3CD		24
330	BRH10C3D		.NUT- SUPPLIER CODE: V52828 SPECIFICATION NUMBER: BACN10JC3CD OPTIONAL PART: T6C1032JCD V11815 NS202486-02 V80539 102LH9075-3W V72962 H51650-3BAC V15653 POSITION DATA: RH SIDE BACN10JC3		24
335	149T7217-1		-----*----- .FITTING ASSY-STRUT ATTACH POSITION DATA: LH SIDE		1
340	149T7217-2		.FITTING ASSY-STRUT ATTACH POSITION DATA: RH SIDE		1
- 342	BACB30LH3-25		ATTACHING PARTS .BOLT		4
- 344	BACW10UC10P		.WASHER		4
- 346	AN960PD10L		.WASHER		4

ILLUSTRATION ITEMS NOT ON PARTS LIST ARE NOT APPLICABLE

- ITEM NOT ILLUSTRATED

52-48-07-05

52-48-07  
FIG. 05  
PAGE 9  
DEC 22/08

HXL

**BOEING**  
767  
**PARTS CATALOG (MAINTENANCE)**

FIG ITEM	PART NUMBER	1 2 3 4 5 6 7	NOMENCLATURE	EFFECT FROM TO	UNITS PER ASSY
5 - 348	BRH10C3D		.NUT SUPPLIER CODE: V52828 SPECIFICATION NUMBER: BACN10JC3CD OPTIONAL PART: T6C1032JCD V11815 NS202486-02 V80539 102LH9075-3W V72962 H51650-3BAC V15653 -----*-----		4
350	149T7221-1		..BUSHING		1
355	BACB28AM06B013A		..BUSHING		1
360	149T7210-47		.BOND ASSY- POSITION DATA: LH SIDE		1
365	149T7210-48		.BOND ASSY- POSITION DATA: RH SIDE		1

ILLUSTRATION ITEMS NOT ON PARTS LIST ARE NOT APPLICABLE

- ITEM NOT ILLUSTRATED

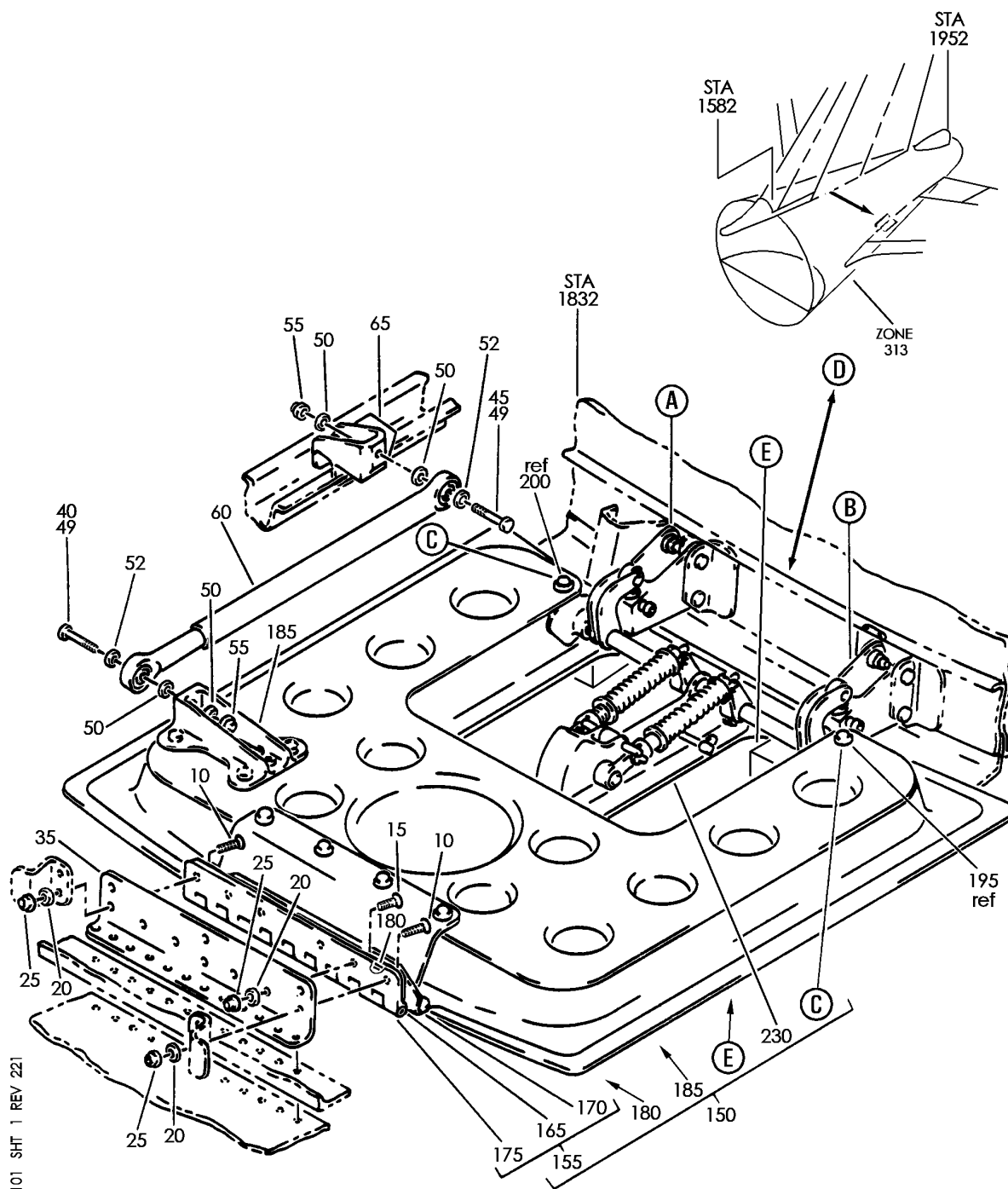
HXL

52-48-07-05

BOEING PROPRIETARY - Copyright © - Unpublished Work - See title page for details.

52-48-07  
FIG. 05  
PAGE 10  
DEC 22/08

**BOEING**  
767  
PARTS CATALOG (MAINTENANCE)



V 52481101 SHT 1 REV 221

DOOR INSTL-SECT. 48 CONT BAY ACCESS  
FIGURE 1 (SHEET 1)

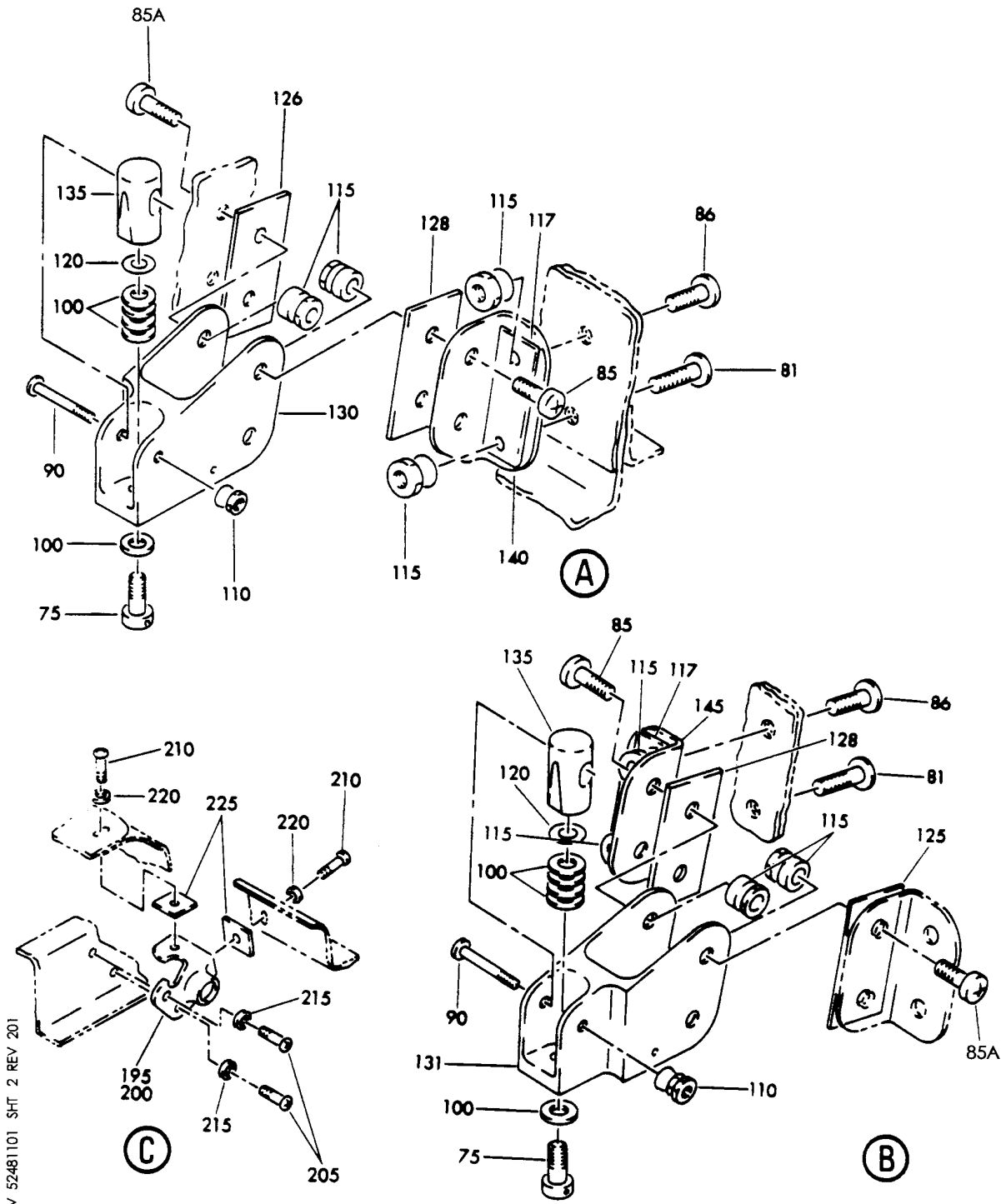
**52-48-11-01**

HXL  
DEC 22/06

52-48-11-01  
PAGE 0



**BOEING**  
767  
PARTS CATALOG (MAINTENANCE)



V 52481101 SHF 2 REV 201

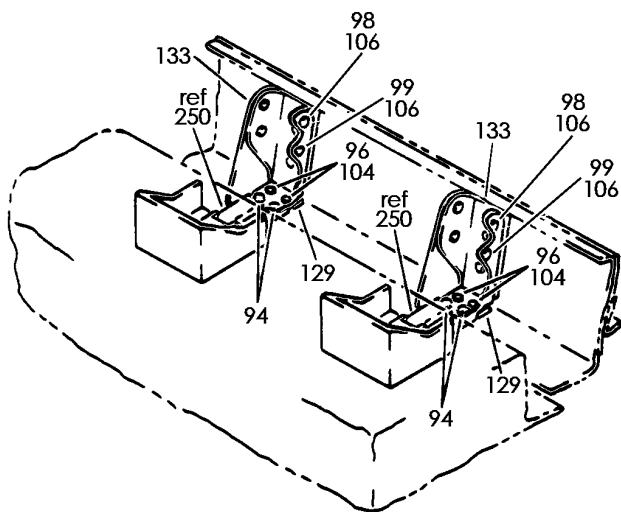
DOOR INSTL-SECT. 48 CONT BAY ACCESS  
FIGURE 1 (SHEET 2)

**52-48-11-01**

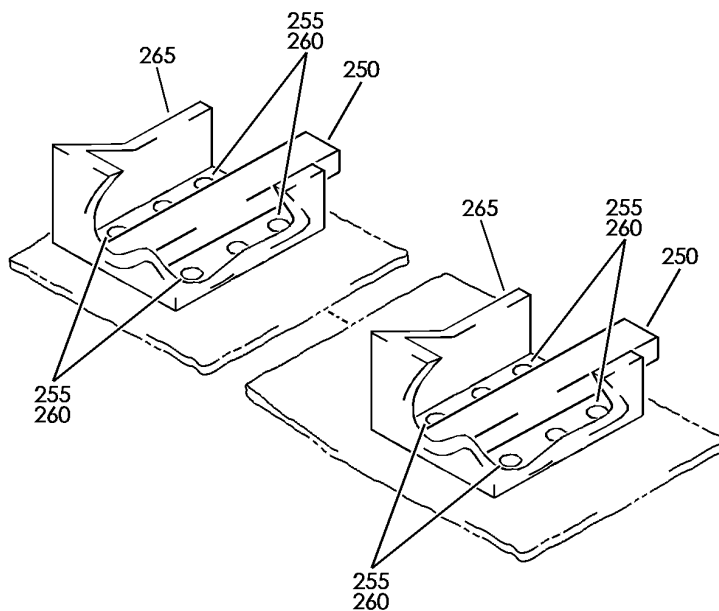
HXL  
DEC 22/06

52-48-11-01  
PAGE 0A

**BOEING**  
767  
PARTS CATALOG (MAINTENANCE)



(D)



(E)

V 52481101 SHT 3 REV 254

DOOR INSTL-SECT. 48 CONT BAY ACCESS  
FIGURE 1 (SHEET 3)

**52-48-11-01**

HXL  
DEC 22/06

52-48-11-01  
PAGE 0B



767

PARTS CATALOG (MAINTENANCE)

FIG ITEM	PART NUMBER	1 2 3 4 5 6 7	NOMENCLATURE	EFFECT FROM TO	UNITS PER ASSY
1			DOOR INSTL-SECT. 48 CONT BAY ACCESS		
- 1	148T6600-2		DOOR INSTL-CONT BAY ACCESS POSITION DATA: SECT. 48 FOR NHA SEE: 53-81-55-01		RF
10	BACB30LH4-5		.BOLT		2
15	BACB30LH4-4		.BOLT		4
20	AN960PD10		.WASHER		6
25	MS21042L4		.NUT-		6
35	148T6609-9		.ANGLE-MTG		1
40	NAS6604-11		.BOLT		1
45	NAS6604-15		.BOLT-		1
50	AN960JD416		.WASHER-		4
52	BACW10Q4		.WASHER		2
55	MS21042L4		.NUT-		2
60	53728-23		.STRUT ASSY-18.60 IN. SVCE AND CONT ACCESS DOORS APU HOLD OPEN SUPPLIER CODE: V84256 SPECIFICATION NUMBER: S148T651-3 OPTIONAL PART: 53728-13 V84256		1
65	148T6608-2		.PIVOT-FTG		1
94	BACR15FT5AD		.RIVET- SIZE DETERMINED ON INSTL.		4
96	HST10AG5-5		.BOLT SUPPLIER CODE: VOPTK6 SPECIFICATION NUMBER: BACB30VT5K5 OPTIONAL PART: HST10AG5-5 V06725 HST10AG5-5 V56878 HST10AG5-5 V73197		4

ILLUSTRATION ITEMS NOT ON PARTS LIST ARE NOT APPLICABLE

- ITEM NOT ILLUSTRATED

HXL

52-48-11-01

BOEING PROPRIETARY - Copyright © - Unpublished Work - See title page for details.

52-48-11  
FIG. 01  
PAGE 1  
DEC 22/06

 **BOEING**  
767  
**PARTS CATALOG (MAINTENANCE)**

FIG ITEM	PART NUMBER	1 2 3 4 5 6 7	NOMENCLATURE	EFFECT FROM TO	UNITS PER ASSY
1	98 HST10AG6-5		.BOLT SUPPLIER CODE: VOPTK6 SPECIFICATION NUMBER: BACB30VT6K5 OPTIONAL PART: HST10AG6-5 V06725 HST10AG6-5 V56878 HST10AG6-5 V73197 WC10K6-5 V60516		2
	99 HST10AG6-6		.BOLT SUPPLIER CODE: VOPTK6 SPECIFICATION NUMBER: BACB30VT6K6 OPTIONAL PART: HST10AG6-6 V06725 HST10AG6-6 V56878 HST10AG6-6 V73197 WC10K6-6 V60516		2
R	104 BACC30BL5		.COLLAR		4
R	106 BACC30BL6		.COLLAR		4
	129 BACS40R14C16F		.SHIM-		2
	133 148T6606-18		.BRACKET-		2
	150 148T6602-3		.DOOR ASSY- ACCESS PANEL NUMBER: 313AL COMPONENT MAINT MANUAL REF: 52-48-61		1
	155 148T6404-2		..HINGE ASSY- FOR SPARES PROCURE: 654T0513-1076 ATTACHING PARTS		1
-	160 BACB30LH4-4		..BOLT -----*-----		6
	165 148T6404-6		...PIN- OPTIONAL PART: MS20253P5-950		1
	165 MS20253P5-950		...PIN- OPTIONAL PART: 148T6404-6		1

ILLUSTRATION ITEMS NOT ON PARTS LIST ARE NOT APPLICABLE

- ITEM NOT ILLUSTRATED

HXL

# 52-48-11-01

BOEING PROPRIETARY - Copyright © - Unpublished Work - See title page for details.

52-48-11  
FIG. 01  
PAGE 2  
AUG 22/09



767

PARTS CATALOG (MAINTENANCE)

FIG ITEM	PART NUMBER	1 2 3 4 5 6 7	NOMENCLATURE	EFFECT FROM TO	UNITS PER ASSY
1					
170	148T6404-3	...	HINGE HALF		1
175	148T6404-4	...	HINGE HALF		1
180	BACS40R10E85F	..	SHIM		1
185	148T6607-1	..	FITTING-PIVOT		1
			ATTACHING PARTS		
- 190	BACB30LK4-3	..	BOLT		4
			-----*-----		
250	H712-5-188-370	..	LATCH ASSY-		2
			SUPPLIER CODE:		
			V83014		
			COMPONENT MAINT MANUAL REF:		
			52-40-02		
			ATTACHING PARTS		
255	HL1012AZ6-4	..	BOLT-		12
			SUPPLIER CODE:		
			V97928		
			SPECIFICATION NUMBER:		
			BACB30NX6K4		
			OPTIONAL PART:		
			HL12VAZ6-4		
			V73197		
			HL12VAZ6-4		
			V92215		
			HL12VAZ6-4		
			V97928		
			L802-6K4		
			V06725		
			HL12VAZ6-4		
			V56878		
			HL1012AZ6-4		
			V0PTK6		
			HL1012AZ6-4		
			V06725		
			HL1012AZ6-4		
			V06950		
			HL1012AZ6-4		
			V17446		
			HL1012AZ6-4		
			V56878		
			HL1012AZ6-4		
			V60516		
			HL1012AZ6-4		
			V73197		

ILLUSTRATION ITEMS NOT ON PARTS LIST ARE NOT APPLICABLE

- ITEM NOT ILLUSTRATED

HXL

52-48-11-01

BOEING PROPRIETARY - Copyright © - Unpublished Work - See title page for details.

52-48-11  
FIG. 01  
PAGE 3  
AUG 22/09



767

PARTS CATALOG (MAINTENANCE)

FIG ITEM	PART NUMBER	1 2 3 4 5 6 7 NOMENCLATURE	EFFECT FROM TO	UNITS PER ASSY
1 260	HL1187-6	. . COLLAR- SUPPLIER CODE: V5M902 SPECIFICATION NUMBER: BACC30X6 OPTIONAL PART: HL87-6 V92215 HL87-6 V73197 HL1187-6 V56878 HL1187-6 V92215 HL87-6 V56878 HL1187-6 V73197 -----*-----		12

ILLUSTRATION ITEMS NOT ON PARTS LIST ARE NOT APPLICABLE

- ITEM NOT ILLUSTRATED

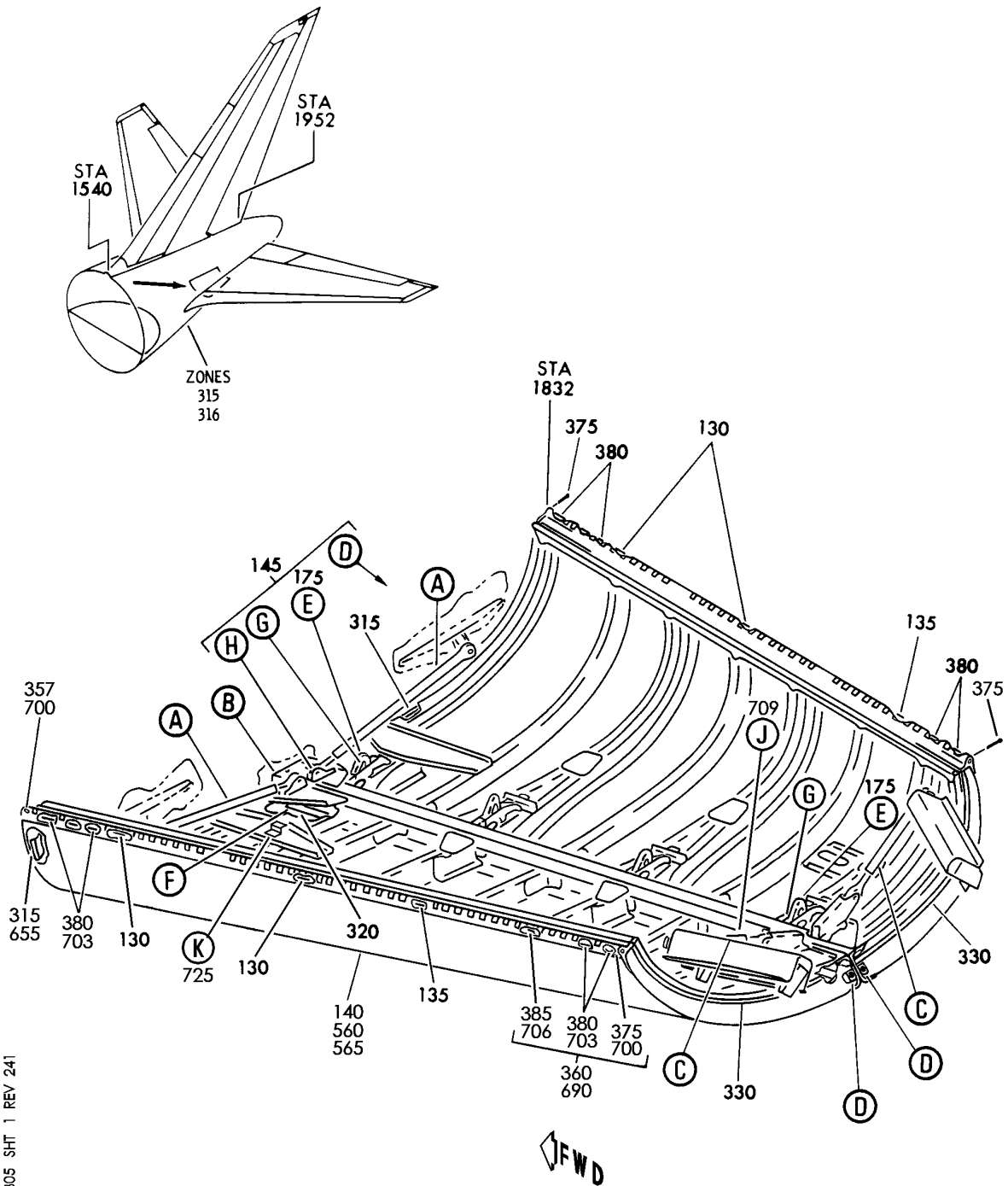
HXL

52-48-11-01

BOEING PROPRIETARY - Copyright © - Unpublished Work - See title page for details.

52-48-11  
 FIG. 01  
 PAGE 4  
 AUG 22/09

**BOEING**  
767  
PARTS CATALOG (MAINTENANCE)



V 52481305 SHT 1 REV 241

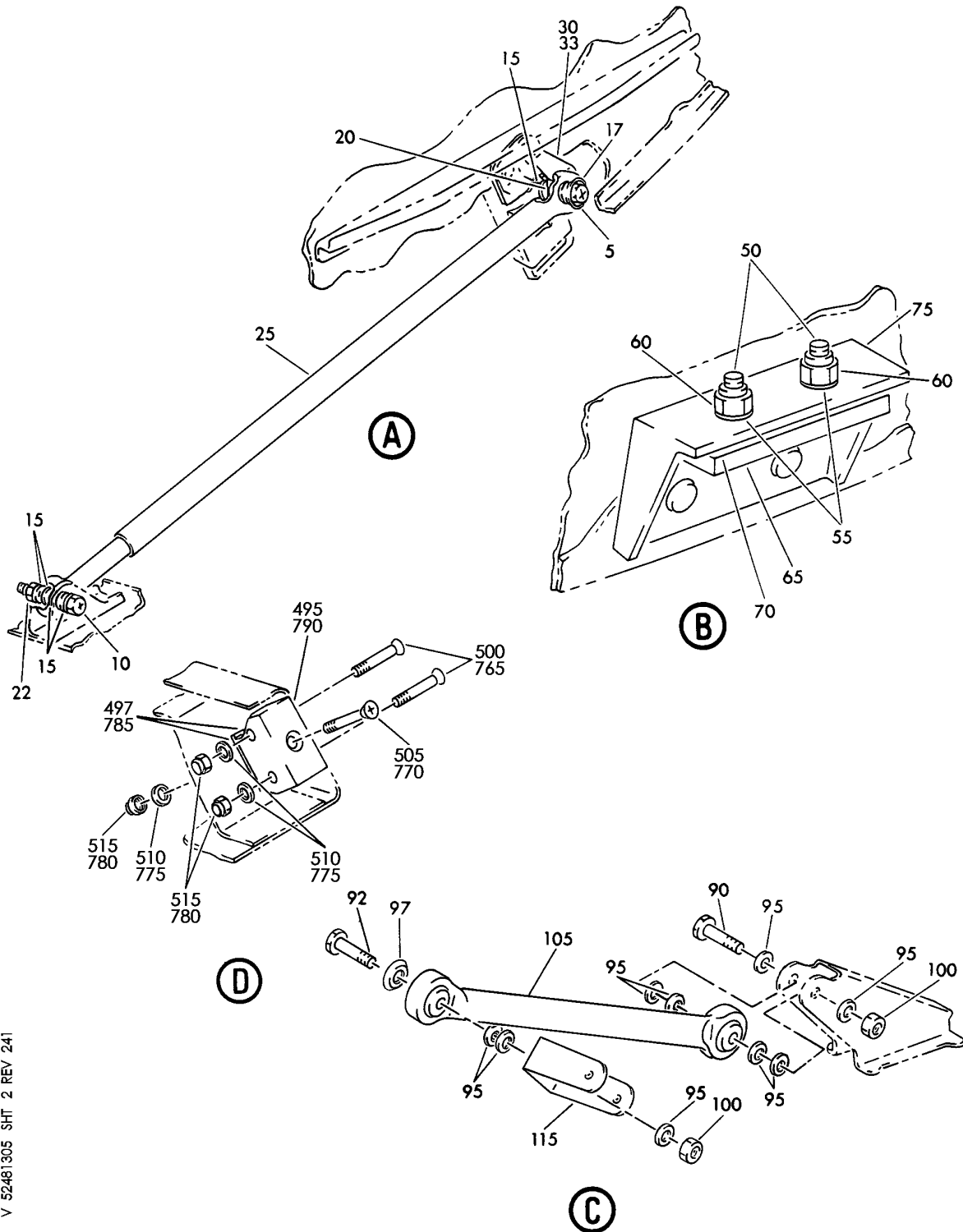
DOOR INSTL-SECT. 48 APU ACCESS  
FIGURE 5 (SHEET 1)

**52-48-13-05**

HXL  
DEC 22/06

52-48-13-05  
PAGE 0

**BOEING**  
767  
PARTS CATALOG (MAINTENANCE)



V 52481305 SHT 2 REV 241

DOOR INSTL-SECT. 48 APU ACCESS  
FIGURE 5 (SHEET 2)

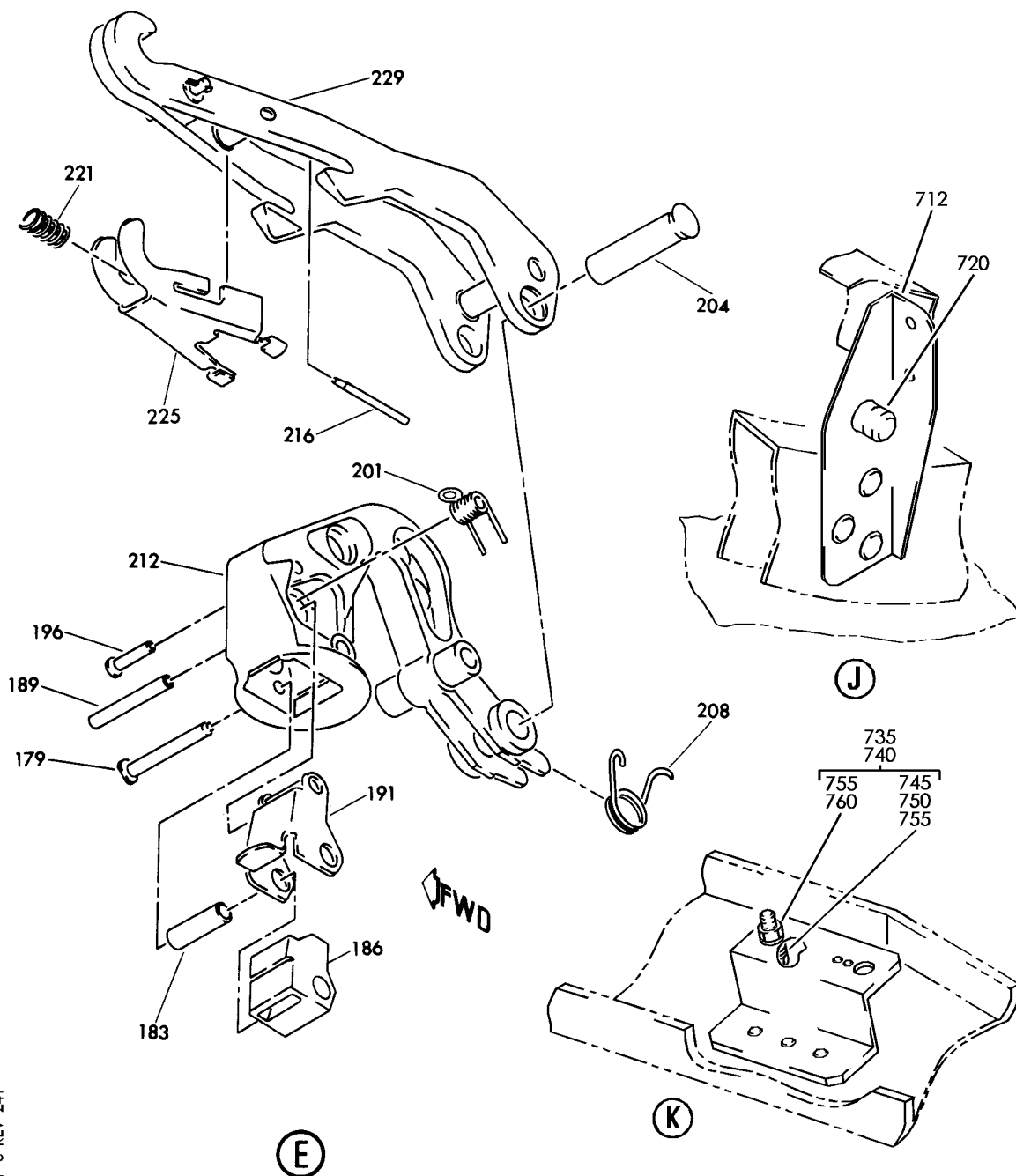
**52-48-13-05**

HXL  
DEC 22/06

52-48-13-05  
PAGE 0A



**BOEING**  
767  
PARTS CATALOG (MAINTENANCE)



V 52481305 SHT 3 REV 241

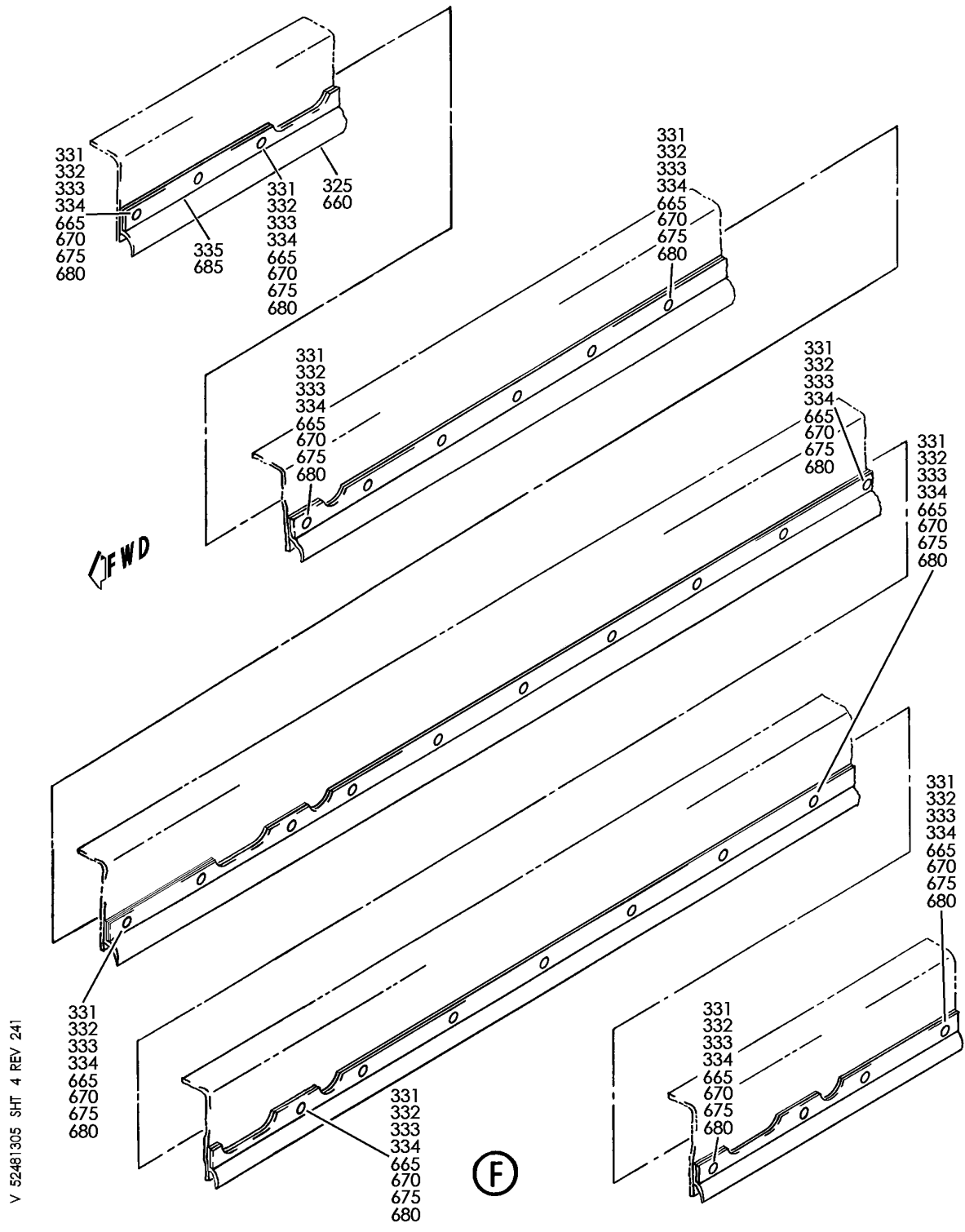
DOOR INSTL-SECT. 48 APU ACCESS  
FIGURE 5 (SHEET 3)

**52-48-13-05**

HXL  
DEC 22/06

52-48-13-05  
PAGE 0B

**BOEING**  
767  
PARTS CATALOG (MAINTENANCE)



V 52481305 SHT 4 REV 241

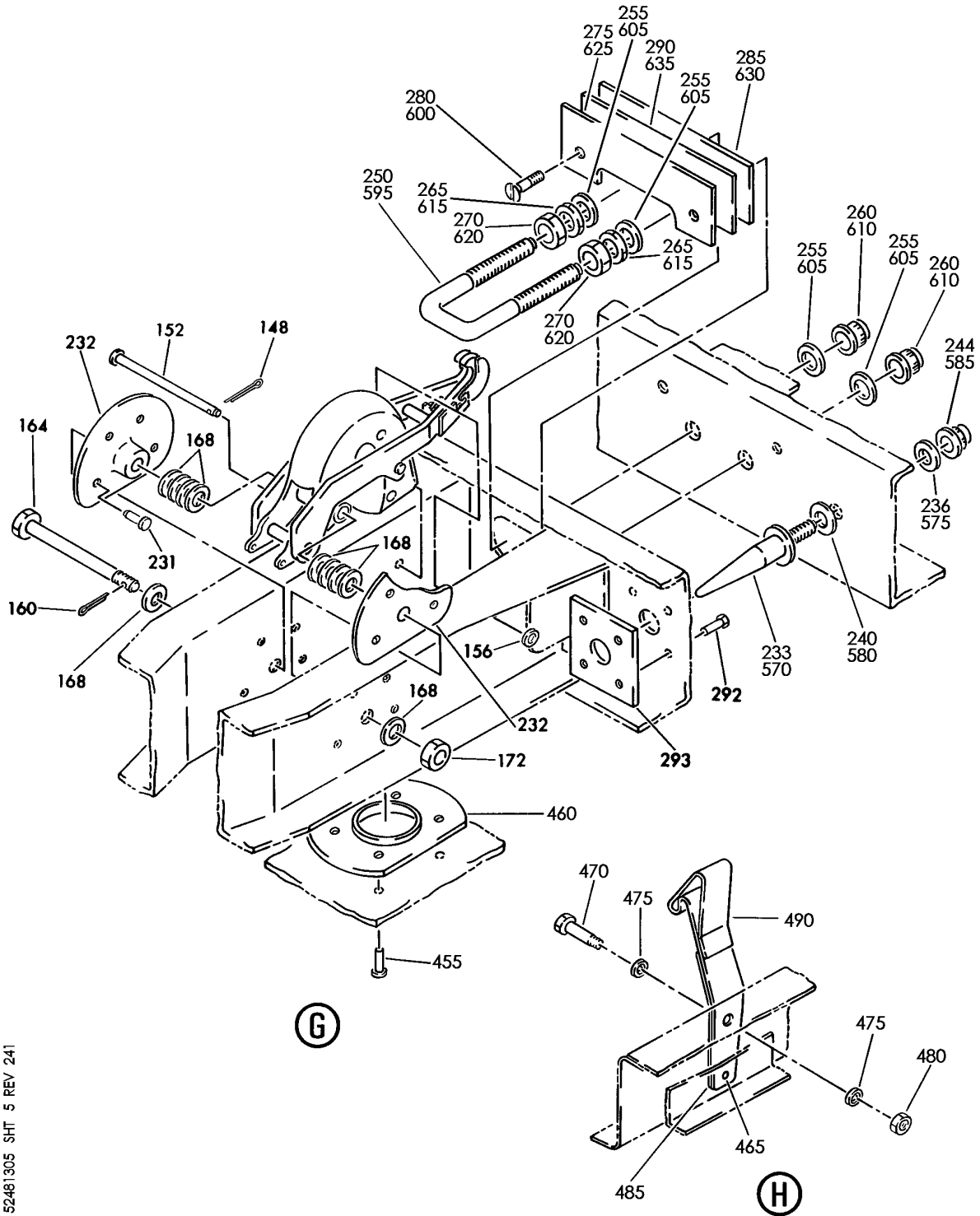
DOOR INSTL-SECT. 48 APU ACCESS  
FIGURE 5 (SHEET 4)

**52-48-13-05**

HXL  
DEC 22/06

52-48-13-05  
PAGE 0C

**BOEING**  
767  
PARTS CATALOG (MAINTENANCE)



V 52481305 SHT 5 REV 241

DOOR INSTL-SECT. 48 APU ACCESS  
FIGURE 5 (SHEET 5)

**52-48-13-05**

HXL  
DEC 22/06

52-48-13-05  
PAGE 0D

 **BOEING**  
767  
**PARTS CATALOG (MAINTENANCE)**

FIG ITEM	PART NUMBER	1 2 3 4 5 6 7	NOMENCLATURE	EFFECT FROM TO	UNITS PER ASSY
5			DOOR INSTL-SECT. 48 APU ACCESS		
- 1	148T6500-1		DOOR INSTL-APU ACCESS POSITION DATA: SECT. 48 FOR NHA SEE: 53-81-55-01		RF
5	NAS6704-10		.BOLT		2
10	NAS6704-15		.BOLT		2
15	AN960PD416		.WASHER		12
17	BACW10Q4		.WASHER		2
20	AN960PD416L		.WASHER		2
22	BRH10A4		.NUT		2
			SUPPLIER CODE: V52828 SPECIFICATION NUMBER: BACN10JC4 OPTIONAL PART: T6S428J V11815 96-048 V80539 VN303A048 V92215 RMLH9075-4W V72962 NS202101-048 V80539 H10-4BAC V15653		
25	53728-32		.STRUT ASSY-HOLD OPEN SUPPLIER CODE: V84256 SPECIFICATION NUMBER: S148T651-6 OPTIONAL PART: 53728-22 V84256		2
25	53728-22		.STRUT ASSY-HOLD OPEN SUPPLIER CODE: V84256 SPECIFICATION NUMBER: S148T651-4 OPTIONAL PART: 53728-12 V84256 OPTIONAL PART: 53728-32 V84256		2
ILLUSTRATION ITEMS NOT ON PARTS LIST ARE NOT APPLICABLE					

- ITEM NOT ILLUSTRATED

HXL

# 52-48-13-05

BOEING PROPRIETARY - Copyright © - Unpublished Work - See title page for details.

52-48-13  
FIG. 05  
PAGE 1  
DEC 22/07



767

PARTS CATALOG (MAINTENANCE)

FIG ITEM	PART NUMBER	1 2 3 4 5 6 7	NOMENCLATURE	EFFECT FROM TO	UNITS PER ASSY
5					
25	53728-12		.STRUT ASSY-HOLD OPEN SUPPLIER CODE: V84256 SPECIFICATION NUMBER: S148T651-4 OPTIONAL PART: 53728-22 V84256		2
30	148T6515-5		.FITTING ASSY-PIVOT		1
33	148T6515-4		.FITTING ASSY-PIVOT ATTACHING PARTS		1
- 35	HL1012AZ8-4		.BOLT SUPPLIER CODE: VOPTK6 SPECIFICATION NUMBER: BACB30NX8K4 OPTIONAL PART: HL12VAZ8-4 V73197 HL12VAZ8-4 V92215 HL12VAZ8-4 V97928 L802-8K4 V06725 HL12VAZ8-4 V56878 HL1012AZ8-4 V06725 HL1012AZ8-4 V06950 HL1012AZ8-4 V17446 HL1012AZ8-4 V56878 HL1012AZ8-4 V60516 HL1012AZ8-4 V73197 HL1012AZ8-4 V97928		8
- 37	BACF3F08D17		. FILLER		2

ILLUSTRATION ITEMS NOT ON PARTS LIST ARE NOT APPLICABLE

- ITEM NOT ILLUSTRATED

HXL

52-48-13-05

BOEING PROPRIETARY - Copyright © - Unpublished Work - See title page for details.

52-48-13  
FIG. 05  
PAGE 2  
DEC 22/07



767

PARTS CATALOG (MAINTENANCE)

FIG ITEM	PART NUMBER	1 2 3 4 5 6 7	NOMENCLATURE	EFFECT FROM TO	UNITS PER ASSY
5 - 40	HL1187-8		.COLLAR SUPPLIER CODE: V5M902 SPECIFICATION NUMBER: BACC30X8 OPTIONAL PART: HL87-8 V92215 HL87-8 V73197 HL1187-8 V56878 HL1187-8 V92215 HL87-8 V56878 HL1187-8 V73197 -----*-----		8
50	BACB30LR4-5		.BOLT		2
55	AN960PD416		.WASHER		2
60	BRH10A4		.NUT SUPPLIER CODE: V52828 SPECIFICATION NUMBER: BACN10JC4 OPTIONAL PART: T6S428J V11815 96-048 V80539 VN303A048 V92215 RMLH9075-4W V72962 NS202101-048 V80539 H10-4BAC V15653		2
65	148T6517-1		.PAD		1
70	BACS40R08B25F		.SHIM-		1
75	148T6513-1		.FITTING-DOOR STOP POSITION DATA: FWD		1

ILLUSTRATION ITEMS NOT ON PARTS LIST ARE NOT APPLICABLE

- ITEM NOT ILLUSTRATED

HXL

52-48-13-05

BOEING PROPRIETARY - Copyright © - Unpublished Work - See title page for details.

52-48-13  
FIG. 05  
PAGE 3  
DEC 22/07



767

PARTS CATALOG (MAINTENANCE)

FIG ITEM	PART NUMBER	1 2 3 4 5 6 7 NOMENCLATURE	EFFECT FROM TO	UNITS PER ASSY
5 - 80	HL1012AZ8-4	ATTACHING PARTS .BOLT SUPPLIER CODE: VOPTK6 SPECIFICATION NUMBER: BACB30NX8K4 OPTIONAL PART: HL12VAZ8-4 V73197 HL12VAZ8-4 V92215 HL12VAZ8-4 V97928 L802-8K4 V06725 HL12VAZ8-4 V56878 HL1012AZ8-4 V06725 HL1012AZ8-4 V06950 HL1012AZ8-4 V17446 HL1012AZ8-4 V56878 HL1012AZ8-4 V60516 HL1012AZ8-4 V73197 HL1012AZ8-4 V97928		4

ILLUSTRATION ITEMS NOT ON PARTS LIST ARE NOT APPLICABLE

- ITEM NOT ILLUSTRATED

HXL

52-48-13-05

BOEING PROPRIETARY - Copyright © - Unpublished Work - See title page for details.

52-48-13  
 FIG. 05  
 PAGE 4  
 DEC 22/07

 **BOEING**  
767  
**PARTS CATALOG (MAINTENANCE)**

FIG ITEM	PART NUMBER	1 2 3 4 5 6 7	NOMENCLATURE	EFFECT FROM TO	UNITS PER ASSY
5 - 85	HL1187-8		.COLLAR SUPPLIER CODE: V5M902 SPECIFICATION NUMBER: BACC30X8 OPTIONAL PART: HL87-8 V92215 HL87-8 V73197 HL1187-8 V56878 HL1187-8 V92215 HL87-8 V56878 HL1187-8 V73197 -----*-----		4
90	BACB30LM4-15		.BOLT-		2
92	NAS6704-15		.BOLT-		2
95	AN960PD416		.WASHER-		18
97	BACW10Q4		.WASHER-		2
100	BRH10A4		.NUT- SUPPLIER CODE: V52828 SPECIFICATION NUMBER: BACN10JC4 OPTIONAL PART: T6S428J V11815 96-048 V80539 VN303A048 V92215 RMLH9075-4W V72962 NS202101-048 V80539 H10-4BAC V15653		4
105	53728-23		.STRUT ASSY-HOLD OPEN SUPPLIER CODE: V84256 SPECIFICATION NUMBER: S148T651-3 OPTIONAL PART: 53728-13 V84256		2
ILLUSTRATION ITEMS NOT ON PARTS LIST ARE NOT APPLICABLE					

- ITEM NOT ILLUSTRATED

HXL

**52-48-13-05**

BOEING PROPRIETARY - Copyright © - Unpublished Work - See title page for details.

52-48-13  
FIG. 05  
PAGE 5  
DEC 22/07



**BOEING**  
767  
**PARTS CATALOG (MAINTENANCE)**

FIG ITEM	PART NUMBER	1 2 3 4 5 6 7	NOMENCLATURE	EFFECT FROM TO	UNITS PER ASSY
5					
- 110	148T6564-1		.PIVOT INSTL-		1
115	148T6563-1		..FITTING		2
			ATTACHING PARTS		
- 120	L8006K2		..BOLT		8
			SUPPLIER CODE:		
			V06725		
			SPECIFICATION NUMBER:		
			BACB30MY6K2		
- 125	HL79-6		..COLLAR		8
			SUPPLIER CODE:		
			V5M902		
			SPECIFICATION NUMBER:		
			BACC30M6		
			OPTIONAL PART:		
			HL79-6		
			V73197		
			HL79-6		
			V92215		
			66014-6		
			V56878		
			HL79-6		
			V56878		
			-----*-----		
130	MS20253-2-2150		.PIN		4
135	MS20253-2-2630		.PIN		2
140	148T6550-1		.DOOR ASSY-		1
			POSITION DATA:		
			LH		
			ACCESS PANEL NUMBER:		
			315AL		
			COMPONENT MAINT MANUAL REF:		
			52-48-33		
			QUALIFIED I/W DATA:		
			148T6550-1 T/W (QTY 2)		
			S148T651-3 STRUTS R/B		
			148T6550-3 ONE-WAY FWD.		
			148T6550-3 ONE-WAY FWD		
			I/W		
ILLUSTRATION ITEMS NOT ON PARTS LIST ARE NOT APPLICABLE					

- ITEM NOT ILLUSTRATED

HXL

**52-48-13-05**

BOEING PROPRIETARY - Copyright © - Unpublished Work - See title page for details.

52-48-13  
FIG. 05  
PAGE 6  
APR 22/08



767  
PARTS CATALOG (MAINTENANCE)

FIG ITEM	PART NUMBER	1 2 3 4 5 6 7	NOMENCLATURE	EFFECT FROM TO	UNITS PER ASSY
5 145	148T6550-2		. DOOR ASSY- POSITION DATA: RH ACCESS PANEL NUMBER: 316AR COMPONENT MAINT MANUAL REF: 52-48-33 QUALIFIED I/W DATA: 148T6550-2 T/W (QTY 2) S148T651-3 STRUTS R/B 148T6550-4 ONE-WAY FWD IW		1
148	MS24665-132		.. PIN		4
152	MS20392-2C63		.. PIN		4
156	AN960PD10		.. WASHER		4
160	MS24665-134		.. PIN		4
164	NAS6704D30		.. BOLT		4
168	AN960PD416L		.. WASHER		40
172	BACN10JD4		.. NUT-		4
172	PHCR54CDBACN		.. NUT- SUPPLIER CODE: VFO224 SPECIFICATION NUMBER: BACN11N4CD		4
R R R R R R R R R R R R R R R R	175	H245-9	.. LATCH ASSY- SUPPLIER CODE: V83014 POSITION DATA: RH SIDE FUNCTIONAL DESCRIPTION: THE DEVICE TO HOLD A DOOR CLOSED SPECIFICATION NUMBER: 10-60401-6 COMPONENT MAINT MANUAL REF: 71-11-13		4
	175	H245-7	.. LATCH ASSY- SUPPLIER CODE: V83014 POSITION DATA: RH SIDE SPECIFICATION NUMBER: 10-60401-6 COMPONENT MAINT MANUAL REF: 71-11-13		4
ILLUSTRATION ITEMS NOT ON PARTS LIST ARE NOT APPLICABLE					

- ITEM NOT ILLUSTRATED

HXL

52-48-13-05

BOEING PROPRIETARY - Copyright © - Unpublished Work - See title page for details.

52-48-13  
FIG. 05  
PAGE 7  
AUG 22/09

 **BOEING**  
767  
**PARTS CATALOG (MAINTENANCE)**

FIG ITEM	PART NUMBER	1 2 3 4 5 6 7	NOMENCLATURE	EFFECT FROM TO	UNITS PER ASSY
R R R R R R R R R R R R R	5 175	TL10185-103	.. LATCH ASSY- SUPPLIER CODE: V57606 POSITION DATA: RH SIDE SPECIFICATION NUMBER: 10-60401-6		4
	179	102727-1	...RIVET- SUPPLIER CODE: V83014		1
	183	102515-1	...BUSHING-ACTR SUPPLIER CODE: V83014		1
	186	102510-1	...TRIGGER- SUPPLIER CODE: V83014		1
	189	102516-1	...PIN-HOOK UP SUPPLIER CODE: V83014		1
	191	102511-1	...INDICATOR ASSY- SUPPLIER CODE: V83014		1
	196	HSP124C437	...RIVET-3/32 BRAZIER HEAD SUPPLIER CODE: V83014		1
	201	102221-3	...SPRING- SUPPLIER CODE: V83014		1
	204	BCREF6475	...RIVET- SUPPLIER CODE: V83014 OVERLENGTH PART NUMBER: HSP148-1-249-925 OPTIONAL PART: HSP148A249-925 V83014		1
	204	HSP148A249-925	...RIVET- SUPPLIER CODE: V83014 OPTIONAL PART: BCREF6475 V83014		1
	208	104041-3	...SPRING- SUPPLIER CODE: V83014		1
	212	102133-7	...HANDLE- SUPPLIER CODE: V83014		1

ILLUSTRATION ITEMS NOT ON PARTS LIST ARE NOT APPLICABLE

— ITEM NOT ILLUSTRATED

# 52-48-13-05

52-48-13  
FIG. 05  
PAGE 8  
AUG 22/09

HXL

BOEING PROPRIETARY - Copyright © - Unpublished Work - See title page for details.



767

PARTS CATALOG (MAINTENANCE)

FIG ITEM	PART NUMBER	1 2 3 4 5 6 7	NOMENCLATURE	EFFECT FROM TO	UNITS PER ASSY
5					
216	106396-1	...	PIN-SPR GUIDE SUPPLIER CODE: V83014		1
221	106395-1	...	SPRING- SUPPLIER CODE: V83014		1
225	113493-1	...	SAFETY-HOOK LATCH SUPPLIER CODE: V83014		1
229	102514-5	...	HOOK ASSY- SUPPLIER CODE: V83014		1
231	BACR15FT5KE	..	RIVET- POSITION DATA: RH SIDE SIZE DETERMINED ON INSTL.		32
232	148T6560-1	..	FITTING-LATCH PIVOT POSITION DATA: RH SIDE		8
233	69B00855-1	..	PIN- POSITION DATA: LH SIDE		4
236	AN960PD416	..	WASHER		4
240	NAS549ML516	..	WASHER		4

ILLUSTRATION ITEMS NOT ON PARTS LIST ARE NOT APPLICABLE

- ITEM NOT ILLUSTRATED

HXL

52-48-13-05

BOEING PROPRIETARY - Copyright © - Unpublished Work - See title page for details.

52-48-13  
FIG. 05  
PAGE 9  
AUG 22/09

## PARTS CATALOG (MAINTENANCE)

FIG ITEM	PART NUMBER	1 2 3 4 5 6 7 NOMENCLATURE	EFFECT FROM TO	UNITS PER ASSY	
R R R R R R R R R R R R R R R R R	5 244 CR5906-4	. . NUT- SUPPLIER CODE: VF0224 SPECIFICATION NUMBER: BACN10HR4 OPTIONAL PART: SL7058S428 V11815 67832-428 V56878 BH00302-4 V27238 H964 V15653 RMLH224 V72962 VAL280094 V06710 678324 V56878 H96-4 V15653 RMLH22-4 V72962 BMNN10HR4 V97928 BACN10HR4CD		4	
	ILLUSTRATION ITEMS NOT ON PARTS LIST ARE NOT APPLICABLE				

- ITEM NOT ILLUSTRATED

HXL

# 52-48-13-05

**BOEING**  
767  
**PARTS CATALOG (MAINTENANCE)**

FIG ITEM	PART NUMBER	1 2 3 4 5 6 7	NOMENCLATURE	EFFECT FROM TO	UNITS PER ASSY
5 244	BMN5024CWD34	..NUT-	SUPPLIER CODE: V97928		4
			SPECIFICATION NUMBER: BACN10HR4CD		
			OPTIONAL PART: H51560-4 V15653 102CH9031-4 V72962 SL7108C428 V11815 67832CD428 V56878 BMN5024CWD3-4 V97928 BH00303CM4 V27238 SL7108C4 V11815 VCU0005D4 V06710 102LH90314 V72962 67832CD4 V56878 H964CD V15653 RMLH224CD V72962 VAL280094CD V06710 678324CD V56878 CR6030-4 VF0224 BACN10HR4		
250	69B00940-1	..BOLT-	POSITION DATA: LH SIDE		4
255	AN960PD516	..WASHER			16

ILLUSTRATION ITEMS NOT ON PARTS LIST ARE NOT APPLICABLE

- ITEM NOT ILLUSTRATED

HXL

52-48-13-05

BOEING PROPRIETARY - Copyright © - Unpublished Work - See title page for details.

52-48-13  
FIG. 05  
PAGE 11  
AUG 22/09

 **BOEING**  
767  
**PARTS CATALOG (MAINTENANCE)**

FIG ITEM	PART NUMBER	1 2 3 4 5 6 7	NOMENCLATURE	EFFECT FROM TO	UNITS PER ASSY
5 260	CR5906-5		..NUT- SUPPLIER CODE: VF0224 SPECIFICATION NUMBER: BACN10HR5 OPTIONAL PART: BH00302-5 V27238 H965 V15653 RMLH225 V72962 VAL280095 V06710 678325 V56878 H96-5 V15653 RMLH22-5 V72962 SL7058S524 V11815 67832-524 V56878 BMNN10HR5 V97928 BACN10HR5CD		8
ILLUSTRATION ITEMS NOT ON PARTS LIST ARE NOT APPLICABLE					

R  
R  
R  
R  
R  
R  
R  
R  
R  
R  
R  
R  
R  
R  
R  
R  
R  
R  
R  
R  
R  
R  
R  
R

- ITEM NOT ILLUSTRATED

# 52-48-13-05

52-48-13  
FIG. 05  
PAGE 12  
AUG 22/09

HXL

 **BOEING**  
767  
**PARTS CATALOG (MAINTENANCE)**

FIG ITEM	PART NUMBER	1 2 3 4 5 6 7	NOMENCLATURE	EFFECT FROM TO	UNITS PER ASSY
R R R R R R R R R R	5 260	BH00303CM5	..NUT- SUPPLIER CODE: V27238 SPECIFICATION NUMBER: BACN10HR5CD OPTIONAL PART: H51560-5 V15653 67832CD524 V56878 102LH9031-5 V72962 SL7108C524 V11815 BMN5024CWD35 V97928 SL7108C5 V11815 VCU0005D5 V06710 102LH90315 V72962 BMN10HRCWD3-5 V97928 67832CD5 V56878 CR6030-5 VF0224 BACN10HR5		8
	265	AN316-5R	..NUT		8
	270	NAS509-5	..NUT		8
	275	65B02771-69	..PLATE- POSITION DATA: LH SIDE		4
	280	NAS514P1032-10P	..SCREW		8
	285	148T6559-30	..SHIM- POSITION DATA: LH SIDE		4
	290	148T6559-31	..SHIM- POSITION DATA: LH SIDE		4
	292	BACR15CE5KE	..RIVET- POSITION DATA: RH SIDE SIZE DETERMINED ON INSTL.		16
	293	65B02771-77	..PLATE- POSITION DATA: RH SIDE		4
	ILLUSTRATION ITEMS NOT ON PARTS LIST ARE NOT APPLICABLE				

- ITEM NOT ILLUSTRATED

# 52-48-13-05

52-48-13  
FIG. 05  
PAGE 13  
AUG 22/09

HXL



**BOEING**  
767  
**PARTS CATALOG (MAINTENANCE)**

FIG ITEM	PART NUMBER	1 2 3 4 5 6 7	NOMENCLATURE	EFFECT FROM TO	UNITS PER ASSY
5					
- 295	148T6551-1	..	STRUCTURE ASSY- POSITION DATA: LH SIDE		1
- 300	148T6551-2	..	STRUCTURE ASSY- POSITION DATA: RH SIDE		1
- 305	148T6566-1	...	SEAL INSTL- POSITION DATA: LH SIDE		1
- 310	148T6566-2	...	SEAL INSTL- POSITION DATA: RH SIDE		1
R R R R R R R R R R R R R R R R R R R	315	....	SEAL- MANUFACTURED FROM: EXTR RUBBER BAC1530-19 X 39.0 IN SPARES ORDER MATERIAL CODE: 5279019000		1
	320	....	SEAL-(LH SIDE) MANUFACTURED FROM: EXTR RUBBER 10-60754-115 X 33.66 IN SPARES ORDER MATERIAL CODE: 5287001150		1
	325	....	SEAL- POSITION DATA: LH SIDE MANUFACTURED FROM: EXTR RUBBER 10-60754-115 X 40.22 IN SPARES ORDER MATERIAL CODE: 5287001150		1
	330	....	SEAL- MANUFACTURED FROM: EXTR RUBBER BAC1530-141 X 25.0 IN OPT BAC1530-19 X 25.0 SPARES ORDER MATERIAL CODE: 5279019000		1
	331	....	SCREW- POSITION DATA: LH SIDE		30
	332	....	WASHER- POSITION DATA: LH SIDE		30

ILLUSTRATION ITEMS NOT ON PARTS LIST ARE NOT APPLICABLE

- ITEM NOT ILLUSTRATED

# 52-48-13-05

HXL

BOEING PROPRIETARY - Copyright © - Unpublished Work - See title page for details.

52-48-13  
FIG. 05  
PAGE 14  
AUG 22/09

 **BOEING**  
767  
**PARTS CATALOG (MAINTENANCE)**

FIG ITEM	PART NUMBER	1 2 3 4 5 6 7	NOMENCLATURE	EFFECT FROM TO	UNITS PER ASSY
5 333	BRH10A08	.....	NUT- SUPPLIER CODE: V52828 SPECIFICATION NUMBER: BACN10JC08 OPTIONAL PART: H10-08BAC V15653 NS202101-82 V80539 RMLH9075-82W V72962 VN303A82 V92215 96-82 V80539 T6S832J V11815 POSITION DATA: LH SIDE		30
334	NAS43DD3-4	.....	SPACER- POSITION DATA: LH SIDE		30
335	148T6559-34	.....	RETAINER-SEAL POSITION DATA: LH SIDE		1
360	148T6511-19	...	HINGE ASSY- POSITION DATA: LH SIDE		1
- 365	148T6511-20	...	HINGE ASSY- POSITION DATA: RH SIDE		1
- 370	BACR15FT5AD	...	RIVET- SIZE DETERMINED ON INSTL. -----*-----		93
375	MS16562-191	.....	PIN		2
380	148T8223-1	.....	BUSHING		5
385	148T6511-21	.....	FITTING- POSITION DATA: LH SIDE		1
- 390	148T6511-22	.....	FITTING- POSITION DATA: RH SIDE		1
455	BACR15FT4AD	..	RIVET- POSITION DATA: RH SIDE SIZE DETERMINED ON INSTL.		16

ILLUSTRATION ITEMS NOT ON PARTS LIST ARE NOT APPLICABLE

- ITEM NOT ILLUSTRATED

HXL

52-48-13-05

BOEING PROPRIETARY - Copyright © - Unpublished Work - See title page for details.

52-48-13  
FIG. 05  
PAGE 15  
APR 22/08

 **BOEING**  
767  
**PARTS CATALOG (MAINTENANCE)**

FIG ITEM	PART NUMBER	1 2 3 4 5 6 7	NOMENCLATURE	EFFECT FROM TO	UNITS PER ASSY
5					
460	148T6567-1	..	SCUPPER- POSITION DATA: RH SIDE		4
465	BACR15FT5AD	..	RIVET- SIZE DETERMINED ON INSTL.		1
470	BACB30LK3-3	..	BOLT		1
475	AN960PD10	..	WASHER		2
480	BRH10A3	..	NUT SUPPLIER CODE: V52828 SPECIFICATION NUMBER: BACN10JC3 OPTIONAL PART: H10-3BAC V15653 NS202101-02 V80539 RMLH9075-3W V72962 VN303A02 V92215 96-02 V80539 T6S1032J V11815		1
485	148T6568-3	..	GUARD- POSITION DATA: RH SIDE		1
490	148T6569-1	..	LATCH-DETENT POSITION DATA: RH SIDE		1
495	148T6514-1	..	STOP- POSITION DATA: AFT		1
497	BACS40R10B14F	..	SHIM ATTACHING PARTS		AR

ILLUSTRATION ITEMS NOT ON PARTS LIST ARE NOT APPLICABLE

— ITEM NOT ILLUSTRATED

HXL

# 52-48-13-05

BOEING PROPRIETARY - Copyright © - Unpublished Work - See title page for details.

52-48-13  
FIG. 05  
PAGE 16  
APR 22/08



767

PARTS CATALOG (MAINTENANCE)

FIG ITEM	PART NUMBER	1 2 3 4 5 6 7	NOMENCLATURE	EFFECT FROM TO	UNITS PER ASSY
5 500	HL19PB8-19	..	BOLT SUPPLIER CODE: V60516 SPECIFICATION NUMBER: BACB30FN8-19 OPTIONAL PART: HL19PB8-19 V73197 HL19PB8-19 V92215 HL19PB8-19 V97928 62547-8-19 V56878 HL19PB8-19 V80539 HL19PB8-19 V08524 HL19PB8-19 V56878		2
505	BACB30LR4-20	..	BOLT		1
510	AN960PD416L	..	WASHER		3
515	BRH10A4	..	NUT SUPPLIER CODE: V52828 SPECIFICATION NUMBER: BACN10JC4 OPTIONAL PART: T6S428J V11815 96-048 V80539 VN303A048 V92215 RMLH9075-4W V72962 NS202101-048 V80539 H10-4BAC V15653 -----*-----		3

ILLUSTRATION ITEMS NOT ON PARTS LIST ARE NOT APPLICABLE

- ITEM NOT ILLUSTRATED

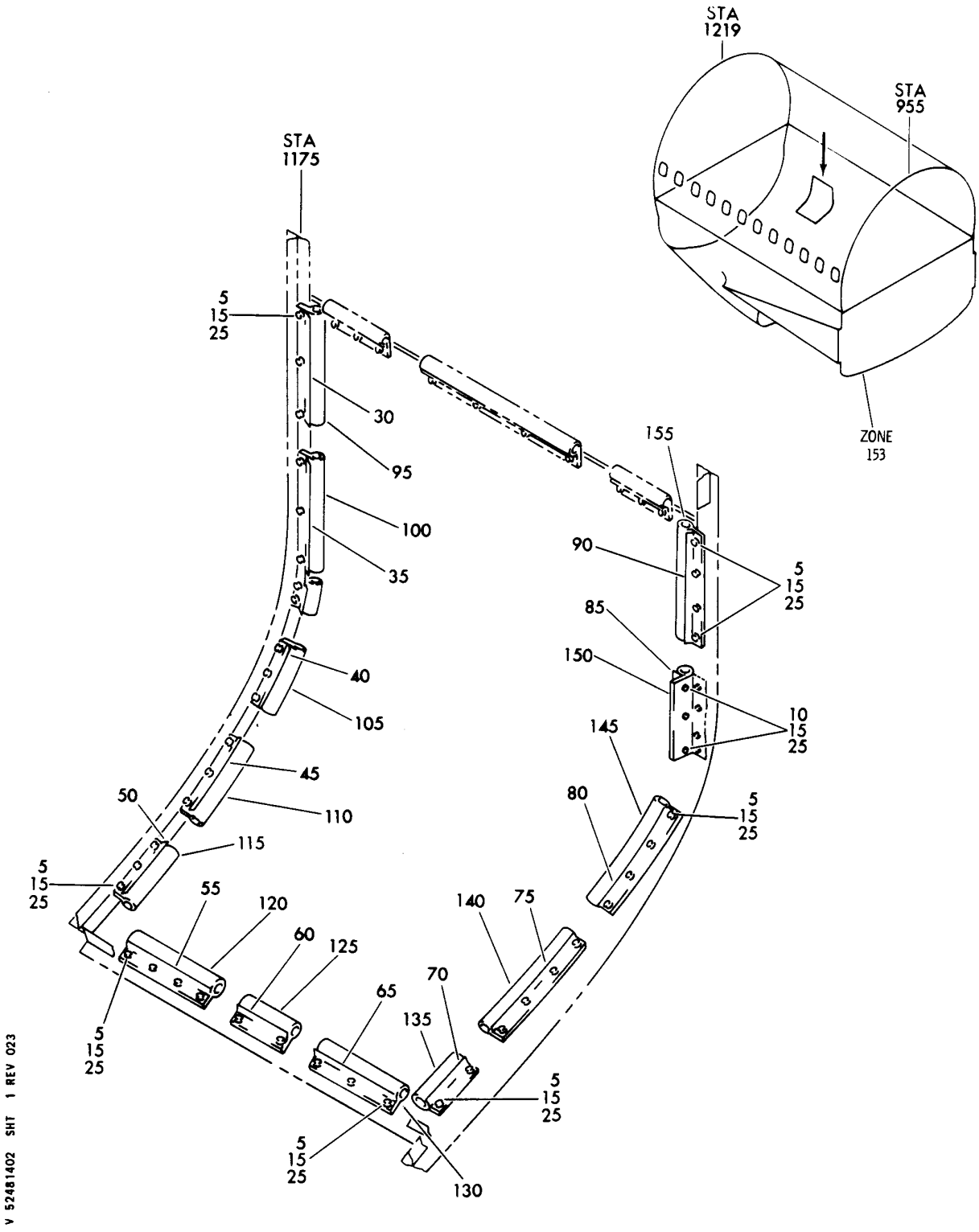
HXL

52-48-13-05

BOEING PROPRIETARY - Copyright © - Unpublished Work - See title page for details.

52-48-13  
FIG. 05  
PAGE 17  
AUG 22/08

**BOEING**  
767  
PARTS CATALOG (MAINTENANCE)



SEAL INSTL-AFT FAIRING AIR DRIVEN PUMP ACCESS DOOR  
FIGURE 2

**52-48-14-02**

HXL  
DEC 22/06

52-48-14-02  
PAGE 0



767

PARTS CATALOG (MAINTENANCE)

FIG ITEM	PART NUMBER	1 2 3 4 5 6 7	NOMENCLATURE	EFFECT FROM TO	UNITS PER ASSY
2			SEAL INSTL-AFT FAIRING AIR DRIVEN PUMP ACCESS DOOR		
- 1	149T7634-34		SEAL INSTL-FAIRING AIR DRIVEN PUMP ACCESS DOOR POSITION DATA: AFT FOR NHA SEE: 53-66-59-01		RF
5	BACB30LH2-2		.BOLT-		40
10	BACB30LK2-2		.BOLT		3
15	AN960PD8		.WASHER-		46
25	BRH10C08D		.NUT SUPPLIER CODE: V52828 SPECIFICATION NUMBER: BACN10JC08CD OPTIONAL PART: H51650-08BAC V15653 102LH9075-82W V72962 NS202486-82 V80539 T6C832JCD V11815		43
30	149T7634-15		.DEPRESSOR		1
35	149T7634-14		.DEPRESSOR		1
40	149T7634-13		.DEPRESSOR		1
45	149T7634-12		.DEPRESSOR		1
50	149T7634-11		.DEPRESSOR		1
55	149T7634-31		.DEPRESSOR		1
60	149T7634-45		.DEPRESSOR		1
65	149T7634-44		.DEPRESSOR		1
70	149T7634-43		.DEPRESSOR		1
75	149T7634-42		.DEPRESSOR		1
80	149T7634-41		.DEPRESSOR		1
85	149T7634-47		.DEPRESSOR		1
90	149T7634-5		.DEPRESSOR		1
95	149T7634-30		.SEAL- MANUFACTURED FROM: EXTR RUBBER F25.01 BAC1530-24 X 7.8 IN (5279024000)		1
100	149T7634-29		.SEAL- MANUFACTURED FROM: EXTR RUBBER F25.01 BAC1530-24 X 10.9 IN (5279024000)		1

R  
R  
R  
R  
R  
R  
R  
R  
R

ILLUSTRATION ITEMS NOT ON PARTS LIST ARE NOT APPLICABLE

- ITEM NOT ILLUSTRATED

52-48-14-02

52-48-14  
FIG. 02  
PAGE 1  
AUG 22/09

HXL



767

## PARTS CATALOG (MAINTENANCE)

FIG ITEM	PART NUMBER	1 2 3 4 5 6 7	NOMENCLATURE	EFFECT FROM TO	UNITS PER ASSY
R R R R R R R R R R	2 105	149T7634-28	.SEAL- MANUFACTURED FROM: EXTR RUBBER F25.01 BAC1530-24 X 5.9 IN (5279024000)		1
	110	149T7634-27	.SEAL- MANUFACTURED FROM: EXTR RUBBER F25.01 BAC1530-24 X 6.4 IN (5279024000)		1
	115	149T7634-26	.SEAL- MANUFACTURED FROM: EXTR RUBBER F25.01 BAC1530-24 X 5.2 IN (5279024000)		1
	120	149T7634-25	.SEAL- MANUFACTURED FROM: EXTR RUBBER F25.01 10-60754-19 X 7.7 IN (5287000190)		1
	125	149T7634-40	.SEAL- MANUFACTURED FROM: EXTR RUBBER F25.01 10-60754-19 X 4.2 IN (5287000190)		1
	130	149T7634-39	.SEAL- MANUFACTURED FROM: EXTR RUBBER F25.01 10-60754-19 X 6.7 IN (5287000190)		1
	135	149T7634-38	.SEAL- MANUFACTURED FROM: EXTR RUBBER F25.01 10-60754-19 X 3.7 IN (5287000190)		1
	140	149T7634-37	.SEAL- MANUFACTURED FROM: EXTR RUBBER F25.01 10-60754-19 X 9.5 IN (5287000190)		1
	145	149T7634-36	.SEAL- MANUFACTURED FROM: EXTR RUBBER F25.01 10-60754-19 X 9.1 IN (5287000190)		1

ILLUSTRATION ITEMS NOT ON PARTS LIST ARE NOT APPLICABLE

— ITEM NOT ILLUSTRATED

HXL

52-48-14-02

BOEING PROPRIETARY - Copyright © - Unpublished Work - See title page for details.

52-48-14  
FIG. 02  
PAGE 2  
AUG 22/09



**767  
PARTS CATALOG (MAINTENANCE)**

FIG ITEM	PART NUMBER	1 2 3 4 5 6 7	NOMENCLATURE	EFFECT FROM TO	UNITS PER ASSY
2 150	149T7634-46		.SEAL- MANUFACTURED FROM: EXTR RUBBER F25.01 10-60754-24 X 5.0 IN.		1
	155 149T7634-19		.SEAL- MANUFACTURED FROM: EXTR RUBBER F25.01 10-60754-19 X 7.8 IN (5287000190)		1

R  
R  
R  
R  
R

ILLUSTRATION ITEMS NOT ON PARTS LIST ARE NOT APPLICABLE

- ITEM NOT ILLUSTRATED

HXL

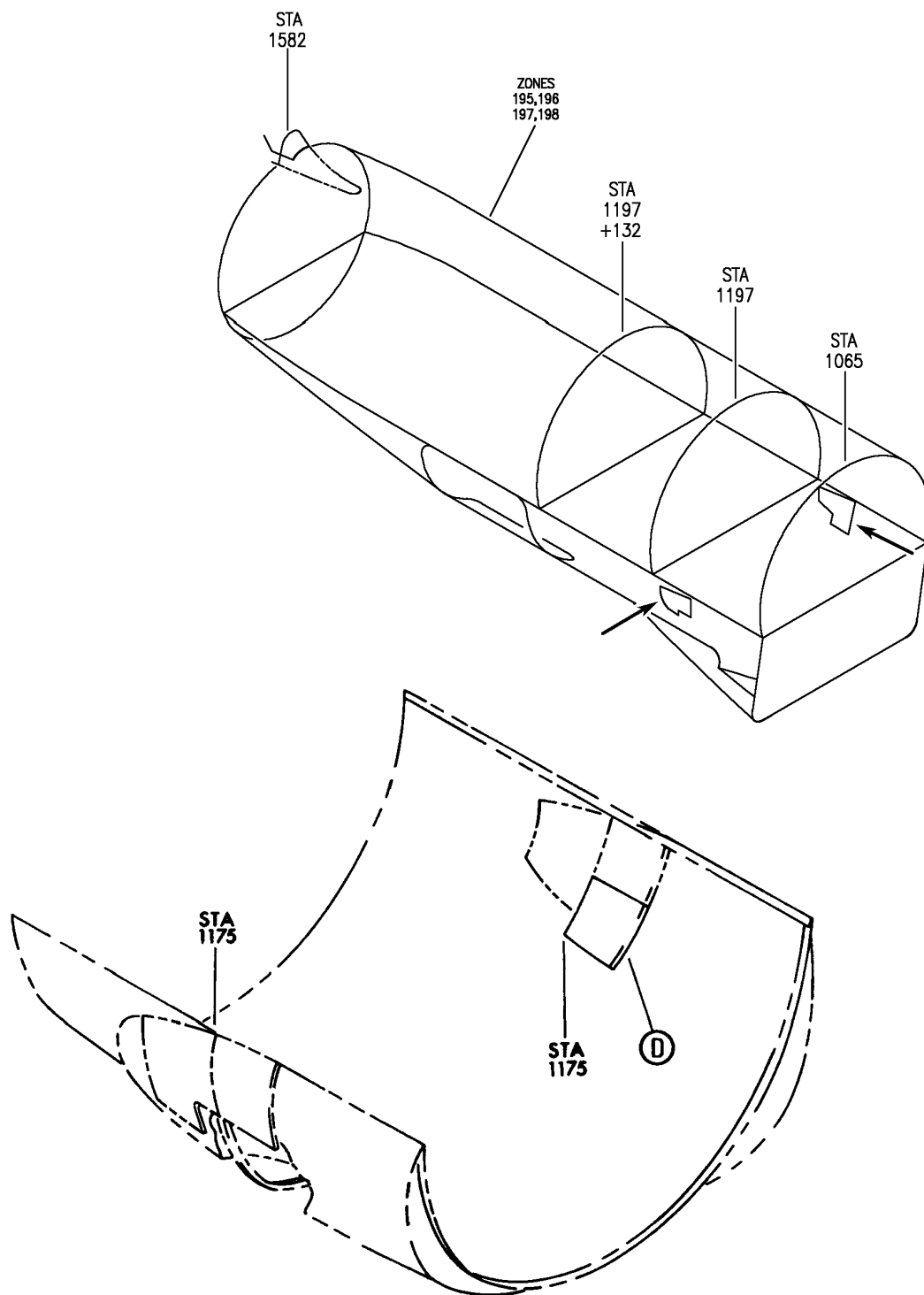
# 52-48-14-02

BOEING PROPRIETARY - Copyright © - Unpublished Work - See title page for details.

52-48-14  
FIG. 02  
PAGE 3  
AUG 22/09



**BOEING**  
767  
PARTS CATALOG (MAINTENANCE)



V 52481406 SHT 1 REV 339

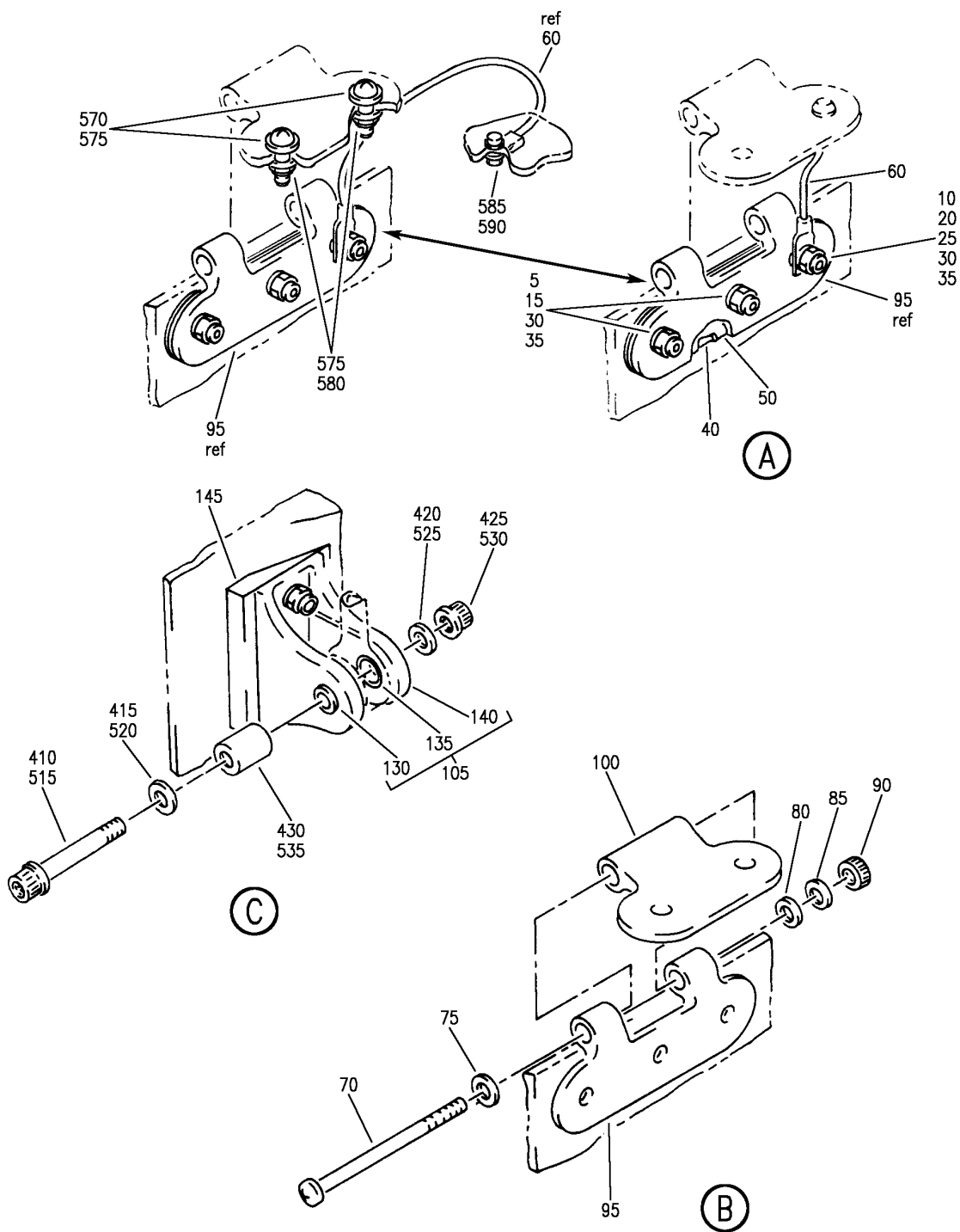
DOOR ASSY AND PANEL INTEGRATION-AFT  
FIGURE 6 (SHEET 1)

**52-48-14-06**

HXL  
APR 22/09

52-48-14-06  
PAGE 0

**BOEING**  
767  
**PARTS CATALOG (MAINTENANCE)**



V 52481406 SH1 2 REV 296

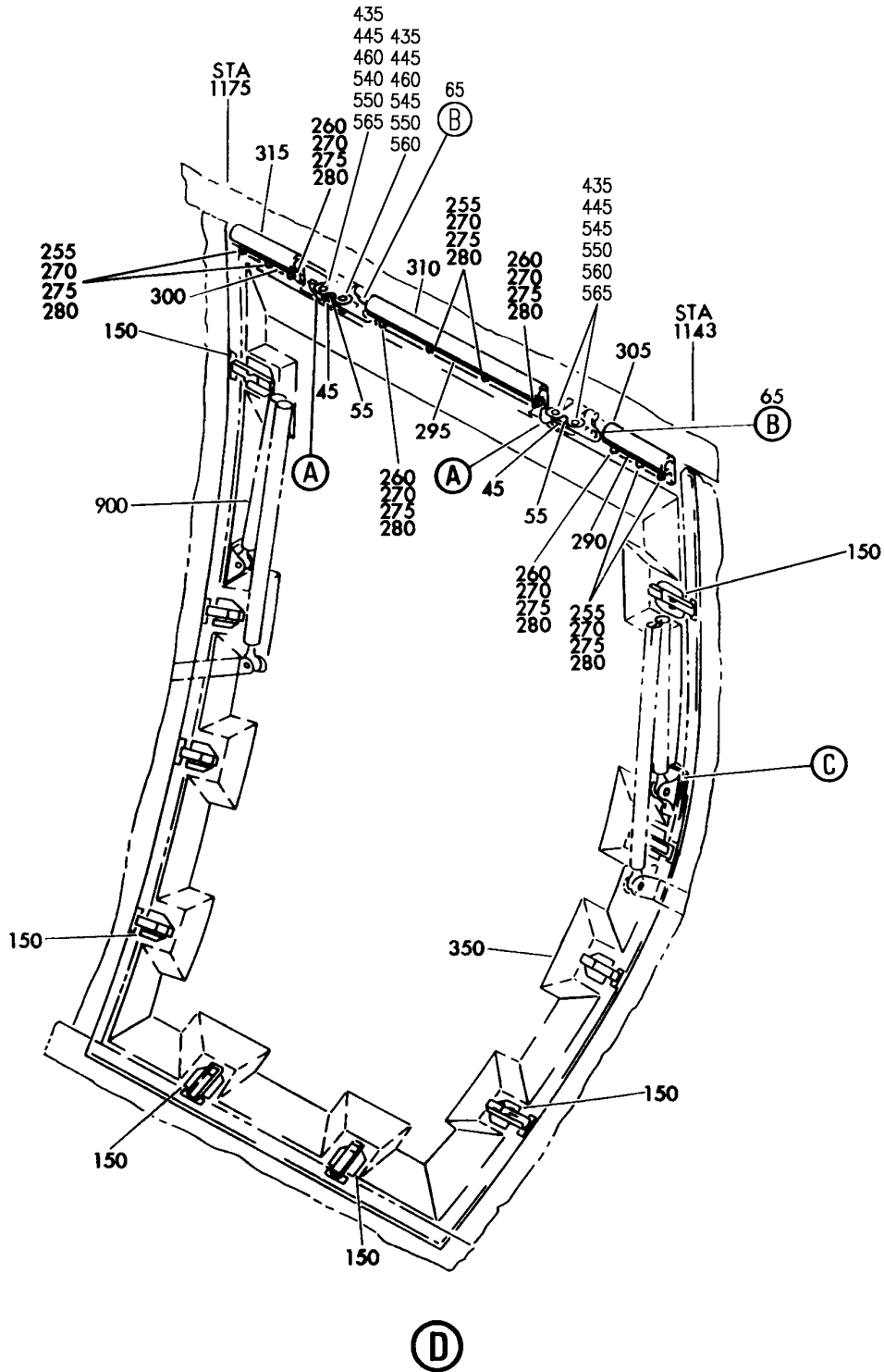
DOOR ASSY AND PANEL INTEGRATION-AFT  
FIGURE 6 (SHEET 2)

**52-48-14-06**

HXL  
DEC 22/06

52-48-14-06  
PAGE 0A

**BOEING**  
**767**  
**PARTS CATALOG (MAINTENANCE)**



V 52481406 SH-T 3 REV 279

DOOR ASSY AND PANEL INTEGRATION-AFT  
 FIGURE 6 (SHEET 3)

**52-48-14-06**

HXL  
 DEC 22/06

52-48-14-06  
 PAGE 0B



767

PARTS CATALOG (MAINTENANCE)

FIG ITEM	PART NUMBER	1 2 3 4 5 6 7	NOMENCLATURE	EFFECT FROM TO	UNITS PER ASSY
6			DOOR ASSY AND PANEL INTEGRATION-AFT		
- 1	149T7608-1		DOOR ASSY-FAIRING AIR DRIVEN PUMP ACCESS POSITION DATA: AFT LH FOR SPARES PROCURE: 654T0513-897 FOR NHA SEE: 53-00-54-01		RF
- 1	149T7608-6		DOOR ASSY-FAIRING AIR DRIVEN PUMP ACCESS POSITION DATA: AFT LH FOR SPARES PROCURE: 654T0513-897 FOR NHA SEE: 53-00-54-01		RF
5	BACB30LH3-8		.BOLT-		4
10	BACB30LH3-9		.BOLT-		2
15	AN960PD10		.WASHER-		4
20	AN960D10L		.WASHER		2
25	AN960-10L		.WASHER		2
30	BACW10UC10P		.WASHER		6
35	BRH10C3D		.NUT		6
			SUPPLIER CODE: V52828 SPECIFICATION NUMBER: BACN10JC3CD OPTIONAL PART: T6C1032JCD V11815 NS202486-02 V80539 102LH9075-3W V72962 H51650-3BAC V15653		
40	BACS40R10B32F		.SHIM-		2
45	BACS40R10C24F		.SHIM-		2
50	149T7610-5		.SHIM		2
55	149T7644-1		.SHIM		2

ILLUSTRATION ITEMS NOT ON PARTS LIST ARE NOT APPLICABLE

- ITEM NOT ILLUSTRATED

52-48-14-06

52-48-14  
FIG. 06  
PAGE 1  
DEC 22/08

HXL

BOEING PROPRIETARY - Copyright © - Unpublished Work - See title page for details.

 **BOEING**  
767  
**PARTS CATALOG (MAINTENANCE)**

FIG ITEM	PART NUMBER	1 2 3 4 5 6 7	NOMENCLATURE	EFFECT FROM TO	UNITS PER ASSY
6					
60	740A21-4		. JUMPER ASSY- SUPPLIER CODE: V91812 SPECIFICATION NUMBER: BACJ40A21-4 OPTIONAL PART: TJEJ40A21-4 V33483 RBEJ21-4 V1GK47		2
65	149T7651-3		.HINGE ASSY		2
70	149T7652-1		..PIN		1
75	BACW10CT6D		..WASHER		1
80	AN960PD10		..WASHER		1
85	AN960PD10L		..WASHER		1
90	BACN10JD103AU		..NUT		1
95	149T7638-1		..HINGE HALF		1
100	149T7638-2		..HINGE HALF		1
105	149T7641-1		.FITTING ASSY ATTACHING PARTS		1
- 110	BACB30LH3-10		.BOLT		2
- 115	BACW10UC10P		.WASHER		2
- 120	AS46-3		.WASHER SUPPLIER CODE: V10630 SPECIFICATION NUMBER: BACW10AU3 OPTIONAL PART: K19701P3 V15653 53488W1032 V56878 6073-0 V72962 TLN1020L3W V08524		2
- 125	H19700P3		.NUT SUPPLIER CODE: V15653 SPECIFICATION NUMBER: BACN10MT3 OPTIONAL PART: 52LH6073-02 V72962 TLN1020L3N V97928 53488N1032 V56878 -----*-----		2
ILLUSTRATION ITEMS NOT ON PARTS LIST ARE NOT APPLICABLE					

- ITEM NOT ILLUSTRATED

HXL

52-48-14-06

BOEING PROPRIETARY - Copyright © - Unpublished Work - See title page for details.

52-48-14  
FIG. 06  
PAGE 2  
DEC 22/08



767

PARTS CATALOG (MAINTENANCE)

FIG ITEM	PART NUMBER	1 2 3 4 5 6 7	NOMENCLATURE	EFFECT FROM TO	UNITS PER ASSY
6					
130	BACB28X3C012	..	BUSHING		1
135	BACB28AM05B012A	..	BUSHING		1
140	149T7641-2	..	FITTING		1
145	149T7610-6	.	FILLER		1
150	H503-1-125-312	.	LATCH		10
			SUPPLIER CODE: V83014		
			SPECIFICATION NUMBER: BACL10AJ2		
			OPTIONAL PART: 43640-107 V29372		
			ATTACHING PARTS		
- 155	BACB30LH2-3	.	BOLT		40
- 160	AN960PD8	.	WASHER		40
- 165	BACW10UC8P	.	WASHER		40
- 170	BRH10C08D	.	NUT		40
			SUPPLIER CODE: V52828		
			SPECIFICATION NUMBER: BACN10JCO8CD		
			OPTIONAL PART: H51650-08BAC V15653 102LH9075-82W V72962 NS202486-82 V80539 T6C832JCD V11815		
			-----*-----		
- 250	149T7634-35	.	SEAL INSTL		1
255	BACB30LH2-2	..	BOLT-		6
260	BACB30LH2-4	..	BOLT-		4
270	AN960PD8	..	WASHER-		10
275	BACW10UC8P	..	WASHER		10

ILLUSTRATION ITEMS NOT ON PARTS LIST ARE NOT APPLICABLE

- ITEM NOT ILLUSTRATED

HXL

52-48-14-06

BOEING PROPRIETARY - Copyright © - Unpublished Work - See title page for details.

52-48-14  
FIG. 06  
PAGE 3  
DEC 22/08

**BOEING**  
767  
**PARTS CATALOG (MAINTENANCE)**

FIG ITEM	PART NUMBER	1 2 3 4 5 6 7	NOMENCLATURE	EFFECT FROM TO	UNITS PER ASSY
6 280	BRH10C08D		..NUT SUPPLIER CODE: V52828 SPECIFICATION NUMBER: BACN10JC08CD OPTIONAL PART: H51650-08BAC V15653 102LH9075-82W V72962 NS202486-82 V80539 T6C832JCD V11815		10
	290 149T7634-2		..DEPRESSOR		1
	295 149T7634-3		..DEPRESSOR		1
	300 149T7634-4		..DEPRESSOR		1
	305 149T7634-16		..SEAL- MANUFACTURED FROM: EXTR RUBBER F25.01 10-60754-36 X 5.4 IN (5287000360)		1
	310 149T7634-17		..SEAL- MANUFACTURED FROM: EXTR RUBBER F25.01 10-60754-36 X 13.3 IN (5287000360)		1
	315 149T7634-18		..SEAL- MANUFACTURED FROM: EXTR RUBBER F25.01 10-60754-36 X 5.0 IN (5287000360)		1
	350 149T7608-5		.BOND ASSY-		1
- 400	149T0047-1		AFT PANEL INTEGRATION- FAIRING POSITION DATA: AFT OF WHL WELL LH VARIABLE DRAWING REF: 149T0047-5007 149T0047-7001 FOR NHA SEE: 53-00-54-01		RF
	410 BACB30LE3U16		.BOLT		1
	415 BACW10BP3APU		.WASHER		1
	420 BACW10BP3CD		.WASHER		1

ILLUSTRATION ITEMS NOT ON PARTS LIST ARE NOT APPLICABLE

- ITEM NOT ILLUSTRATED

HXL

**52-48-14-06**

BOEING PROPRIETARY - Copyright © - Unpublished Work - See title page for details.

52-48-14  
FIG. 06  
PAGE 4  
AUG 22/09



767

PARTS CATALOG (MAINTENANCE)

FIG ITEM	PART NUMBER	1 2 3 4 5 6 7	NOMENCLATURE	EFFECT FROM TO	UNITS PER ASSY
6 425	CR59083	.NUT	SUPPLIER CODE: V62554 SPECIFICATION NUMBER: BACN10HR3CS OPTIONAL PART: H39953-3 V15653 SL7059C1032 V11815 109LH9031-3 V72962 67832AS1032 V56878 BMN5024CPD3-3 V08524 BH00303-3 V27238 BMN10HRCPD3-3 V97928 BH003033 V27238 BMN5024CPD33 V97928 SL705093 V11815 109LH90313 V72962 67832AS3 V56878		1
430	BACB28Y3C070	.BUSHING			1
435	BACB30LK4-9	.BOLT-	OPTIONAL PART: BACB30NT4V9		1
435	BACB30NT4V9	.BOLT-	OPTIONAL PART: BACB30LK4-9		1
440	BACB30LK4-10	.BOLT-	OPTIONAL PART: BACB30NT4V10		1
440	BACB30NT4V10	.BOLT-	OPTIONAL PART: BACB30LK4-10		1
445	AN960PD416L	.WASHER			2
450	AN960D416L	.WASHER			6
455	AN960-416L	.WASHER			3

ILLUSTRATION ITEMS NOT ON PARTS LIST ARE NOT APPLICABLE

- ITEM NOT ILLUSTRATED

52-48-14-06

52-48-14  
FIG. 06  
PAGE 5  
DEC 22/08

HXL





767

PARTS CATALOG (MAINTENANCE)

FIG ITEM	PART NUMBER	1 2 3 4 5 6 7	NOMENCLATURE	EFFECT FROM TO	UNITS PER ASSY
6 460	BRH10C4D		.NUT SUPPLIER CODE: V52828 SPECIFICATION NUMBER: BACN10JC4CD OPTIONAL PART: T6C428JCD V11815 NS202486-048 V80539 102LH9075-4W V72962 H51650-4BAC V15653		4
900			ILLUSTRATION REFERENCE: STRUCTURE ASSY-AFT OF WHL WELL SECT. 49 FAIRING SPRT 53-66-59-01		

ILLUSTRATION ITEMS NOT ON PARTS LIST ARE NOT APPLICABLE

- ITEM NOT ILLUSTRATED

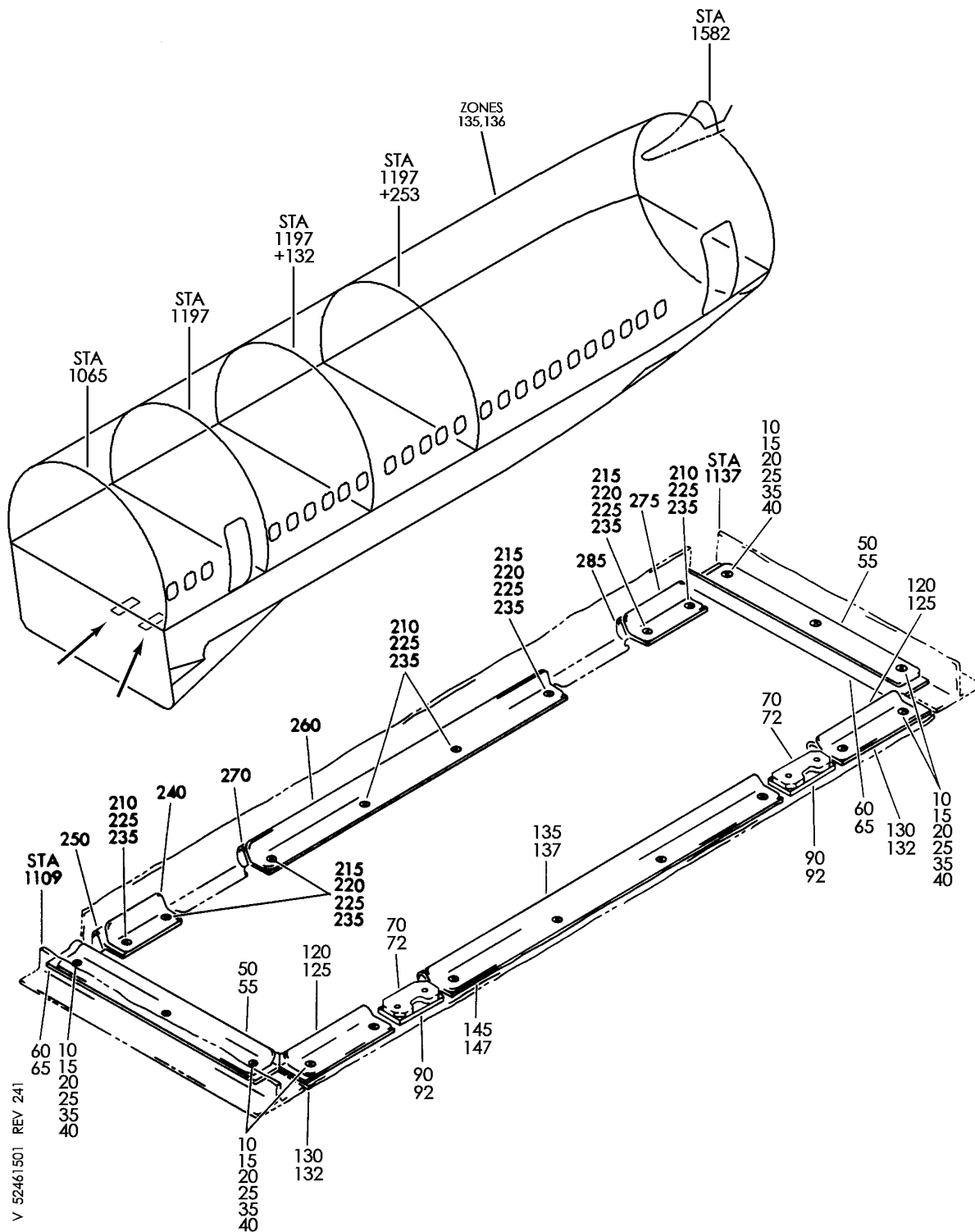
HXL

52-48-14-06

BOEING PROPRIETARY - Copyright © - Unpublished Work - See title page for details.

52-48-14  
FIG. 06  
PAGE 6  
DEC 22/08

**BOEING**  
767  
PARTS CATALOG (MAINTENANCE)



SEAL INSTL-AFT FAIRING MLG DOOR GND CONT ACCESS DOOR  
FIGURE 1

**52-48-15-01**

HXL  
DEC 22/06

52-48-15-01  
PAGE 0



767

PARTS CATALOG (MAINTENANCE)

FIG ITEM	PART NUMBER	1 2 3 4 5 6 7	NOMENCLATURE	EFFECT FROM TO	UNITS PER ASSY
1			SEAL INSTL-AFT FAIRING MLG DOOR GND CONT ACCESS DOOR		
- 1	149T7633-1		SEAL INSTL-FAIRING MLG DOOR GND CONT ACCESS DOOR POSITION DATA: AFT LH FOR NHA SEE: 53-66-59-01		RF
- 5	149T7633-2		SEAL INSTL-FAIRING MLG DOOR GND CONT ACCESS DOOR POSITION DATA: AFT RH FOR NHA SEE: 53-66-59-01		RF
10	BACB30LH2-2		.BOLT-		14
20	AN960PD8		.WASHER		14
35	BRH10C08D		.NUT SUPPLIER CODE: V52828 SPECIFICATION NUMBER: BACN10JC08CD OPTIONAL PART: H51650-08BAC V15653 102LH9075-82W V72962 NS202486-82 V80539 T6C832JCD V11815		14
50	149T7633-9		.DEPRESSOR-		2
60	149T7633-3		.SEAL- MANUFACTURED FROM: EXTR RUBBER F25.01 10-60754-19 X 8.5 IN (5287000190)		2
70	149T7643-1		.BLOCK-BRG MANUFACTURED FROM: SH LAM PHENOLIC LP509A GRADE C .063 X .80 X 2.60 IN. ATTACHING PARTS		2
- 75	BACB30LH2-2		.BOLT-		4
- 80	AN960PD8		.WASHER		4

R  
R  
R  
R  
R

ILLUSTRATION ITEMS NOT ON PARTS LIST ARE NOT APPLICABLE

- ITEM NOT ILLUSTRATED

52-48-15-01

52-48-15  
FIG. 01  
PAGE 1  
AUG 22/09

HXL

 **BOEING**  
767  
**PARTS CATALOG (MAINTENANCE)**

FIG ITEM	PART NUMBER	1 2 3 4 5 6 7	NOMENCLATURE	EFFECT FROM TO	UNITS PER ASSY
1					
- 85	BRH10C08D		.NUT SUPPLIER CODE: V52828 SPECIFICATION NUMBER: BACN10JC08CD OPTIONAL PART: H51650-08BAC V15653 102LH9075-82W V72962 NS202486-82 V80539 T6C832JCD V11815 -----*-----		4
	90 BACS40R07C22F		.SHIM		2
	120 149T7633-11		.DEPRESSOR-		2
	130 149T7633-6		.SEAL- MANUFACTURED FROM: EXTR RUBBER F25.01 10-60754-19 X 4.0 IN (5287000190)		2
	135 149T7633-13		.DEPRESSOR-		1
	145 149T7633-5		.SEAL- MANUFACTURED FROM: EXTR RUBBER F25.01 10-60754-19 X 14.0 IN (5287000190)		1
- 200	149T7633-27		SEAL INSTL-FAIRING MLG DOOR GND CONT ACCESS DOOR POSITION DATA: AFT LH FOR NHA SEE: 52-49-15-01		RF
- 205	149T7633-28		SEAL INSTL-FAIRING MLG DOOR GND CONT ACCESS DOOR POSITION DATA: AFT RH FOR NHA SEE: 52-49-15-01		RF
	210 BACB30LH2-2		.BOLT-		4
	215 BACB30LH2-4		.BOLT-		4
	220 AN960PD8		.WASHER		4
	225 BACW10UC8P		.WASHER		8

ILLUSTRATION ITEMS NOT ON PARTS LIST ARE NOT APPLICABLE

- ITEM NOT ILLUSTRATED

HXL

# 52-48-15-01

BOEING PROPRIETARY - Copyright © - Unpublished Work - See title page for details.

52-48-15  
FIG. 01  
PAGE 2  
AUG 22/09

**BOEING**  
767  
**PARTS CATALOG (MAINTENANCE)**

FIG ITEM	PART NUMBER	1 2 3 4 5 6 7	NOMENCLATURE	EFFECT FROM TO	UNITS PER ASSY
1					
235	BRH10C08D		.NUT- SUPPLIER CODE: V52828 SPECIFICATION NUMBER: BACN10JC08CD OPTIONAL PART: H51650-08BAC V15653 102LH9075-82W V72962 NS202486-82 V80539 T6C832JCD V11815		8
240	149T7633-19		.DEPRESSOR-		1
- 245	149T7633-20		.DEPRESSOR-		1
250	149T7633-8		.SEAL- POSITION DATA: LH SIDE MANUFACTURED FROM: EXTR RUBBER F25.01 10-60754-36 X 3.0 IN (5287000360)		1
- 255	149T7633-26		.SEAL- POSITION DATA: RH SIDE MANUFACTURED FROM: EXTR RUBBER F25.01 10-60754-36 X 3.1 IN (5287000360)		1
260	149T7633-21		.DEPRESSOR-		1
270	149T7633-4		.SEAL- MANUFACTURED FROM: EXTR RUBBER F25.01 10-60754-36 X 13.0 IN (5287000360)		1
285	149T7633-7		.SEAL- POSITION DATA: LH SIDE MANUFACTURED FROM: EXTR RUBBER F25.01 10-60754-36 X 3.0 IN (5287000360)		1
ILLUSTRATION ITEMS NOT ON PARTS LIST ARE NOT APPLICABLE					

- ITEM NOT ILLUSTRATED

HXL

# 52-48-15-01

BOEING PROPRIETARY - Copyright © - Unpublished Work - See title page for details.

52-48-15  
FIG. 01  
PAGE 3  
AUG 22/09



767

PARTS CATALOG (MAINTENANCE)

FIG ITEM	PART NUMBER	1 2 3 4 5 6 7	NOMENCLATURE	EFFECT FROM TO	UNITS PER ASSY
1 - 290	149T7633-25		.SEAL- POSITION DATA: RH SIDE MANUFACTURED FROM: EXTR RUBBER F25.01 10-60754-36 X 3.1 IN (5287000360)		1

R  
R  
R  
R  
R  
R  
R

ILLUSTRATION ITEMS NOT ON PARTS LIST ARE NOT APPLICABLE

- ITEM NOT ILLUSTRATED

HXL

52-48-15-01

BOEING PROPRIETARY - Copyright © - Unpublished Work - See title page for details.

52-48-15  
FIG. 01  
PAGE 4  
AUG 22/09