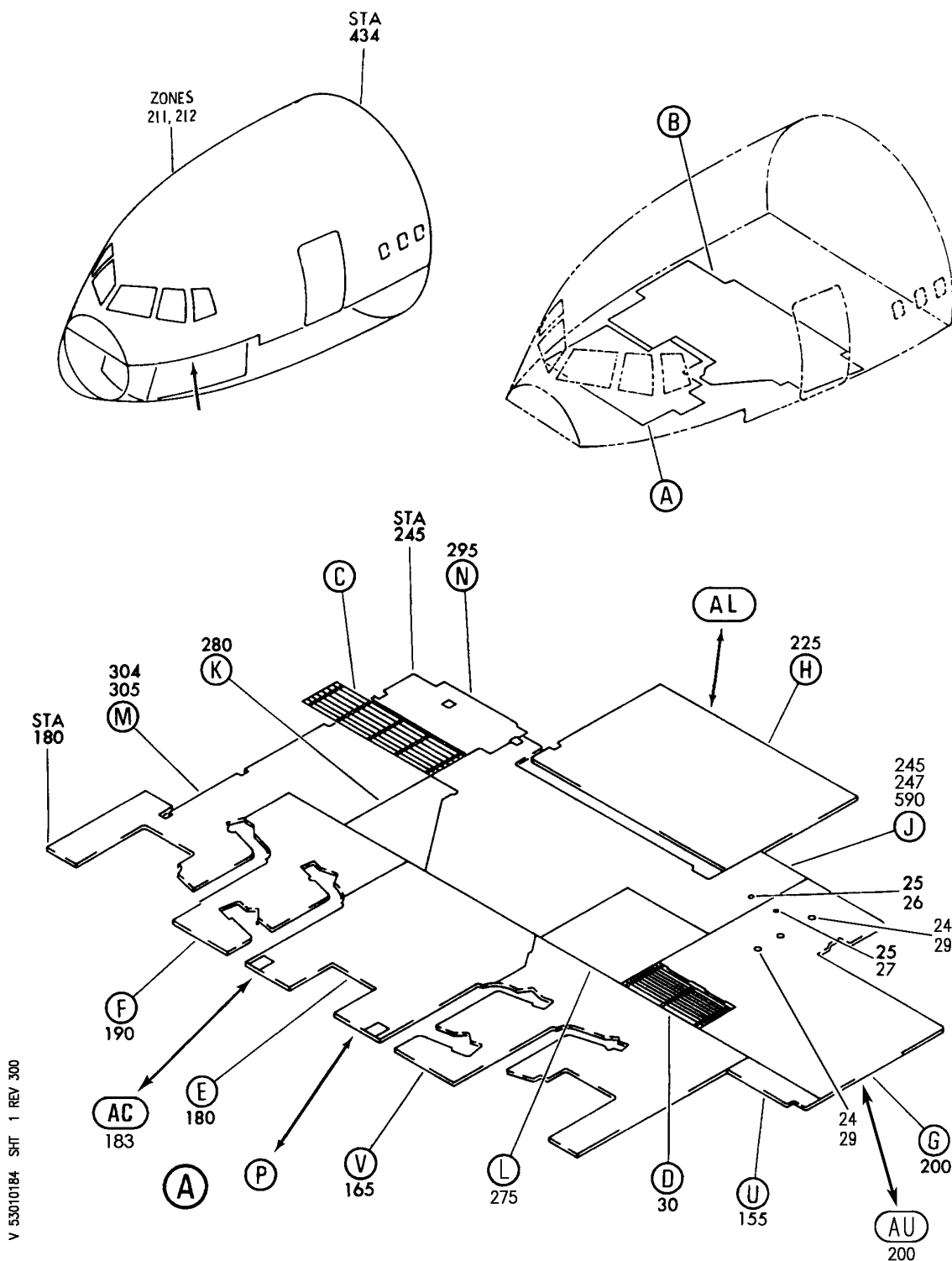


## FLOOR PANELS

HXL  
DEC 22/06

53-01-00  
SECTION TITLE  
PAGE 1

**BOEING**  
767  
PARTS CATALOG (MAINTENANCE)



V 53010184 SHT 1 REV 300

PANEL INSTL-SECT. 41 CAB. FLOOR  
FIGURE 84 (SHEET 1)

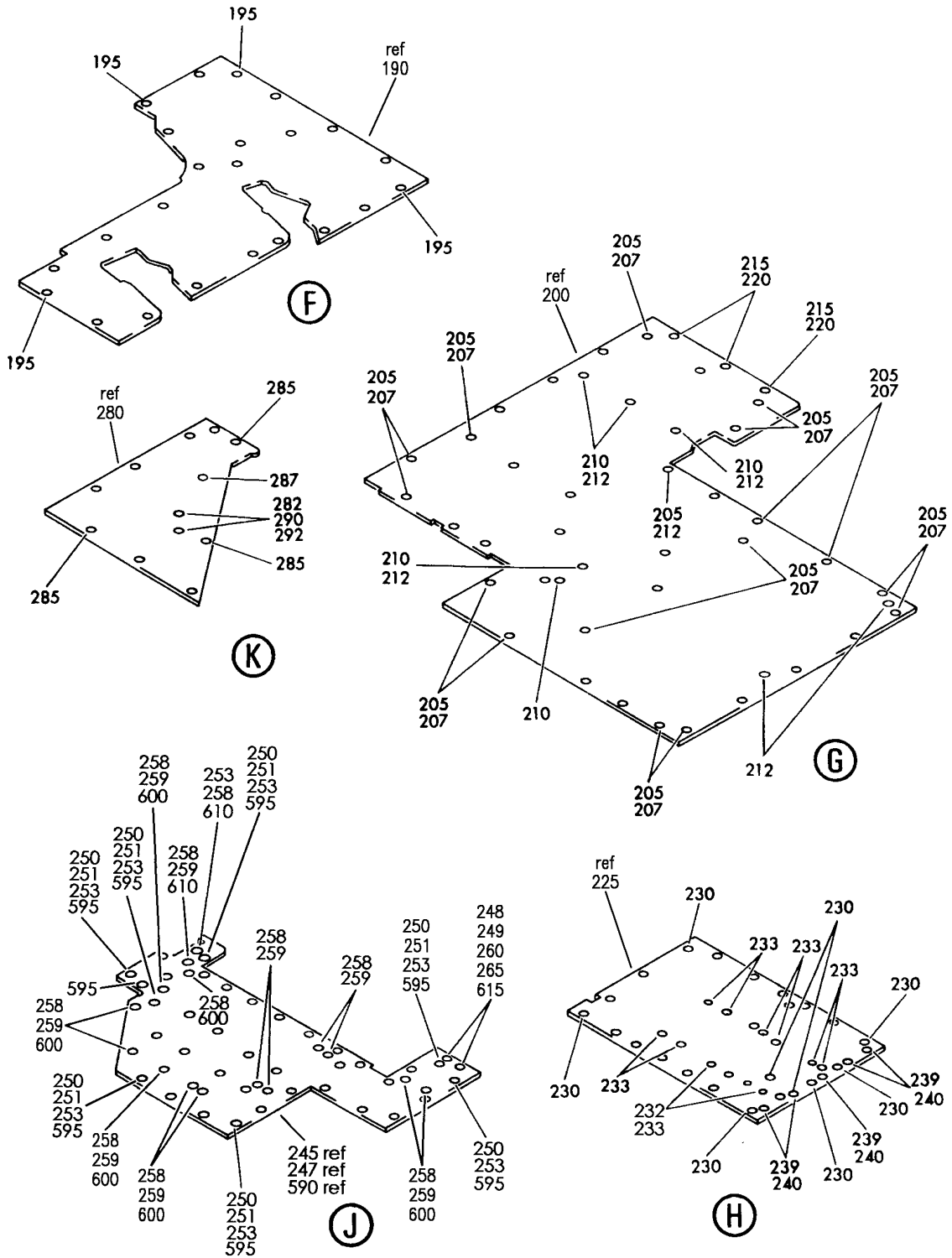
**53-01-01-84**

HXL  
DEC 22/06

53-01-01-84  
PAGE 0




**BOEING**  
 767  
**PARTS CATALOG (MAINTENANCE)**



V 53010184 SHT. 3 REV 300

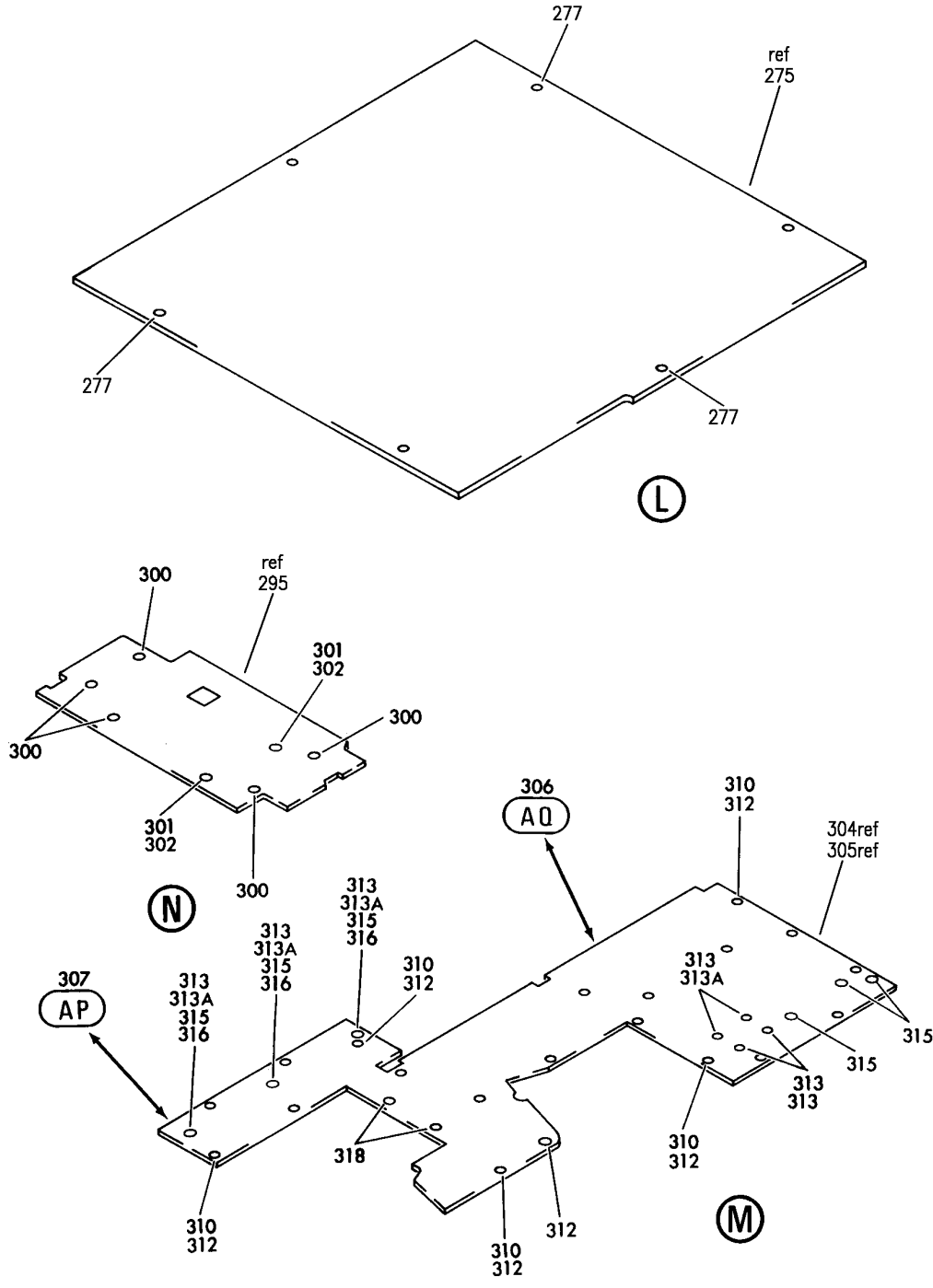
PANEL INSTL-SECT. 41 CAB. FLOOR  
 FIGURE 84 (SHEET 3)

**53-01-01-84**

HXL  
 DEC 22/06

53-01-01-84  
 PAGE 0B

**BOEING**  
767  
PARTS CATALOG (MAINTENANCE)



V 53010184 SHT 4 REV 300

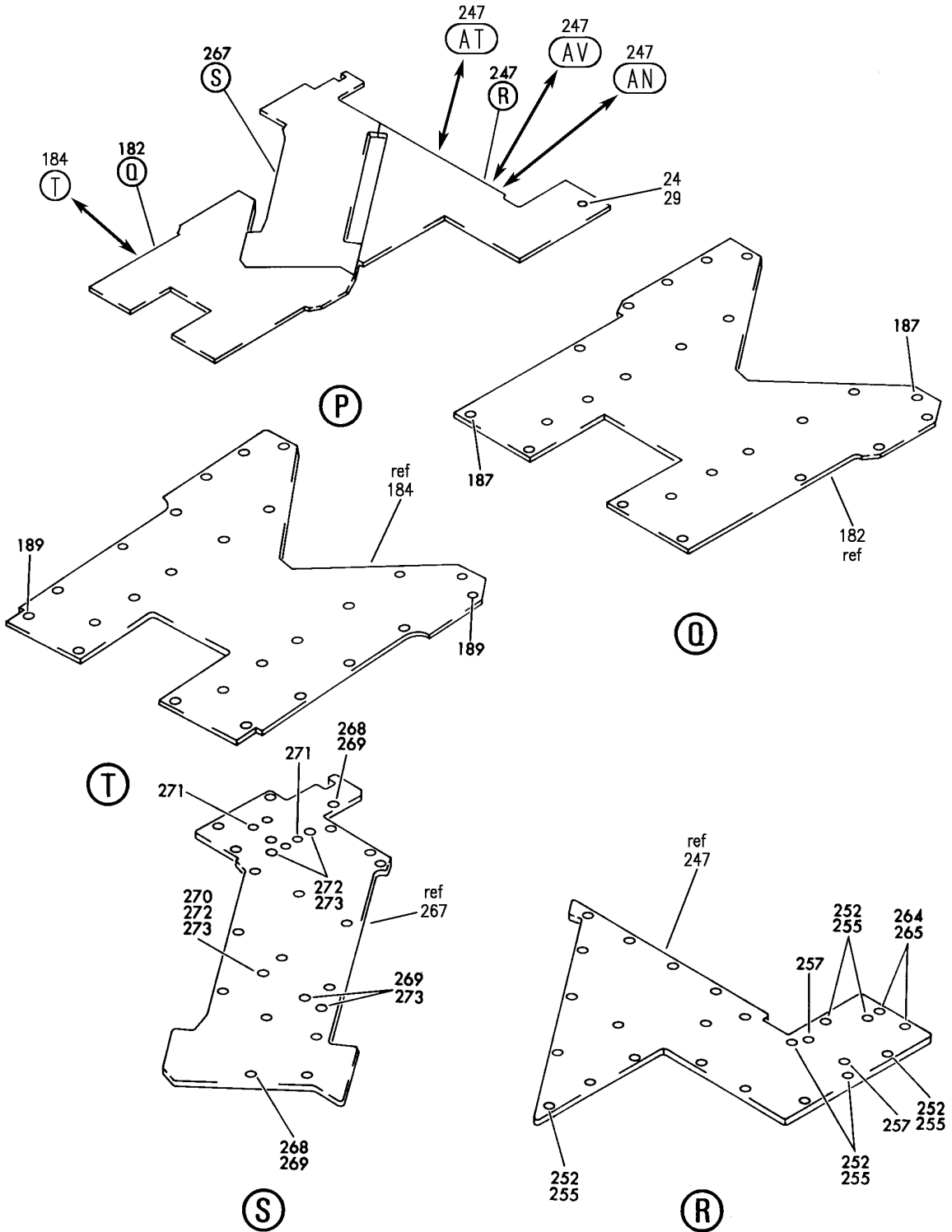
PANEL INSTL-SECT. 41 CAB. FLOOR  
FIGURE 84 (SHEET 4)

**53-01-01-84**

HXL  
DEC 22/06

53-01-01-84  
PAGE 0C

**BOEING**  
767  
**PARTS CATALOG (MAINTENANCE)**



V 53010184 SH1 5 REV 300

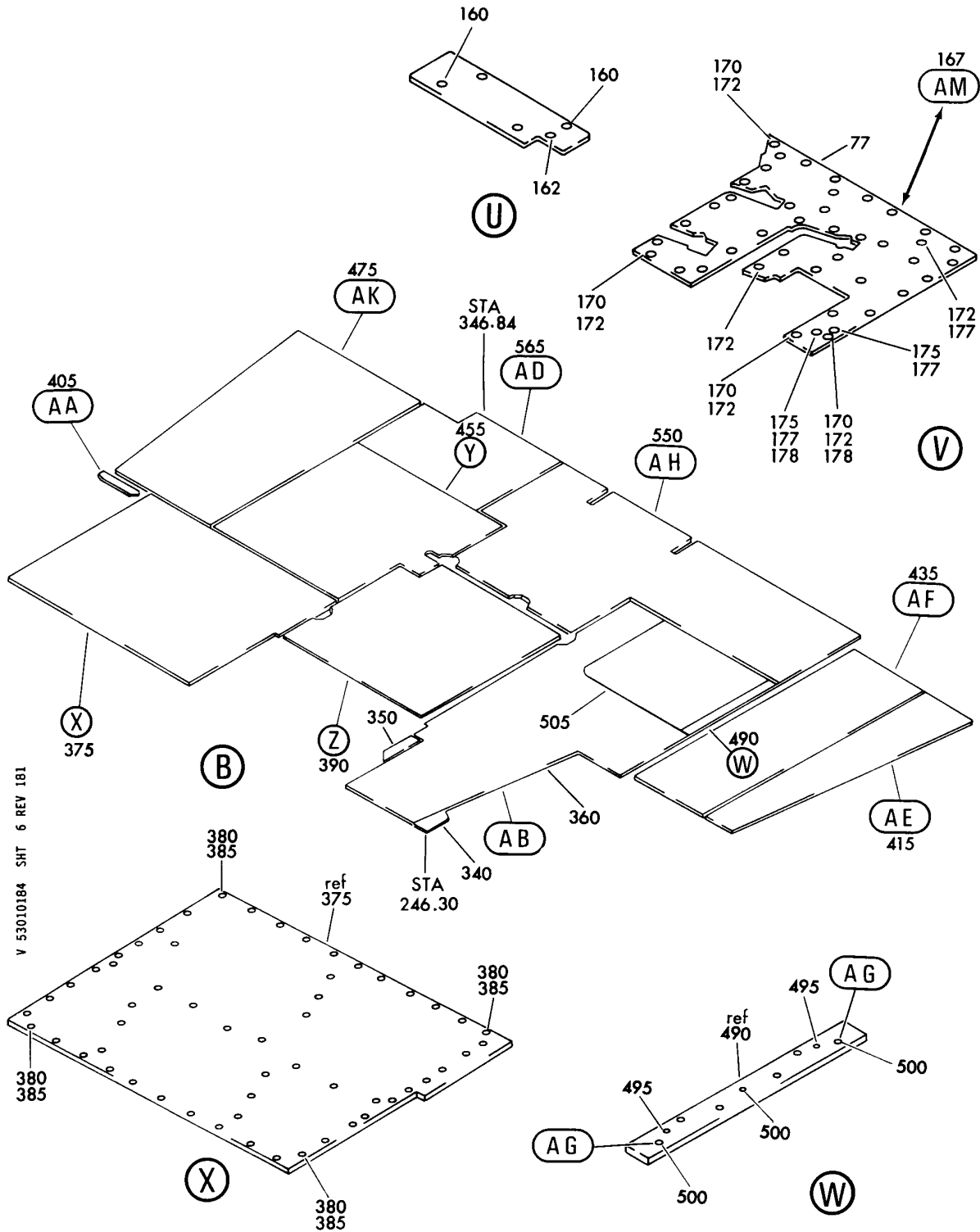
PANEL INSTL-SECT. 41 CAB. FLOOR  
FIGURE 84 (SHEET 5)

# 53-01-01-84

HXL  
DEC 22/06

53-01-01-84  
PAGE 0D

**BOEING**  
767  
PARTS CATALOG (MAINTENANCE)



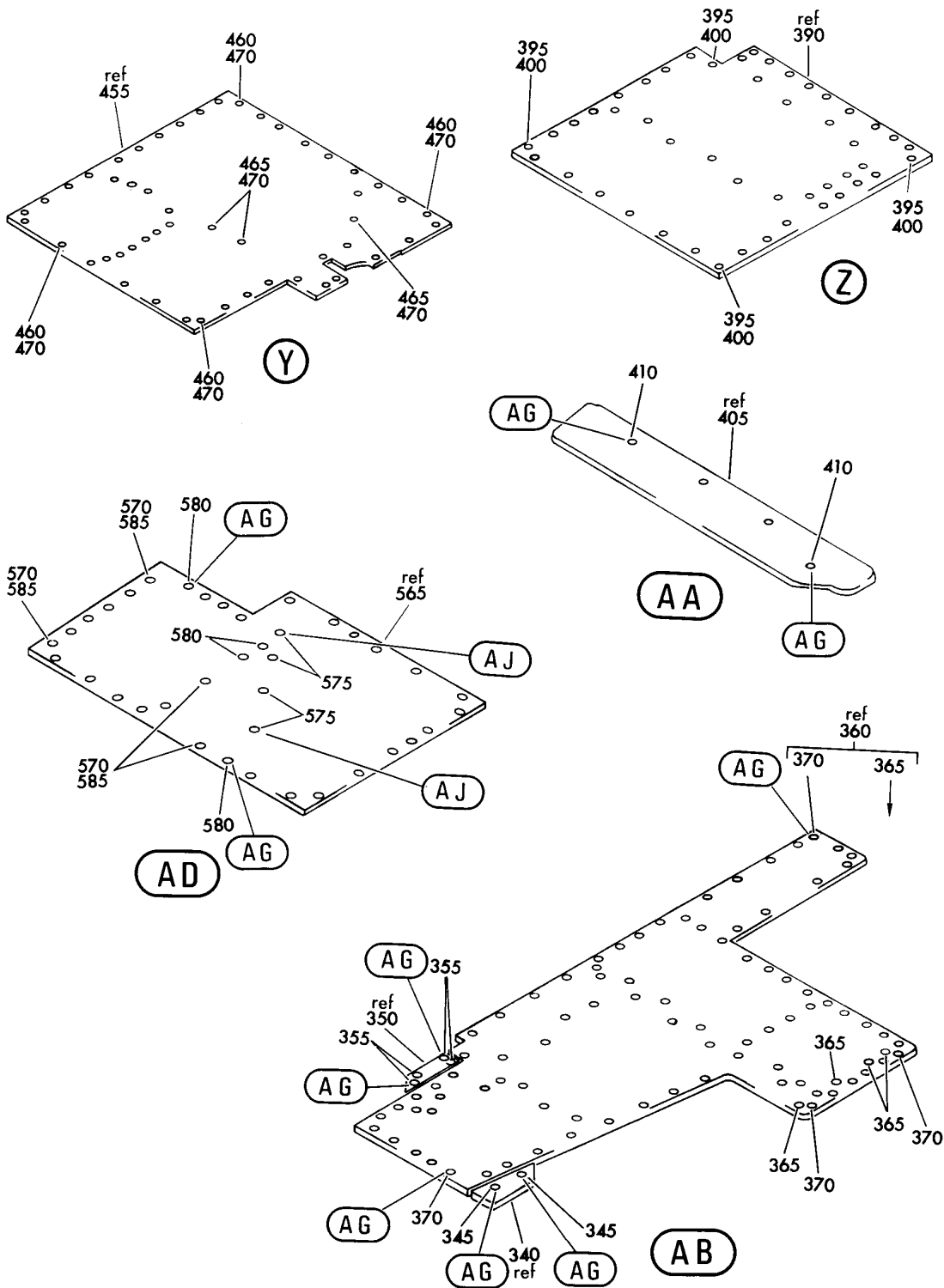
PANEL INSTL-SECT. 41 CAB. FLOOR  
FIGURE 84 (SHEET 6)

**53-01-01-84**

HXL  
DEC 22/06

53-01-01-84  
PAGE 0E

**BOEING**  
767  
PARTS CATALOG (MAINTENANCE)



V 53010184 SHT 7 REV 181

PANEL INSTL-SECT. 41 CAB. FLOOR  
FIGURE 84 (SHEET 7)

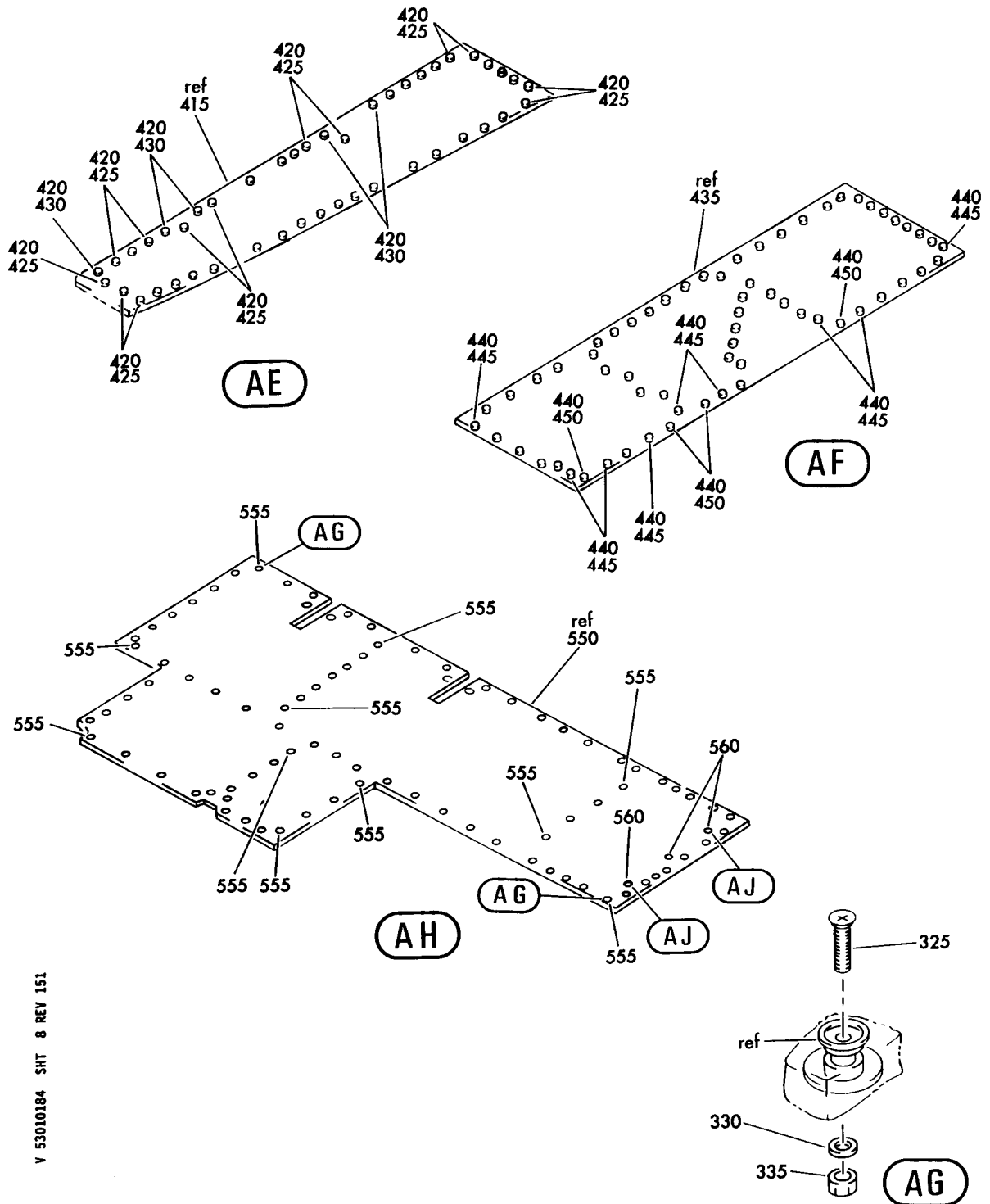
53-01-01-84

HXL  
DEC 22/06

53-01-01-84  
PAGE OF



**BOEING**  
767  
PARTS CATALOG (MAINTENANCE)



V 53010184 SHT 8 REV 151

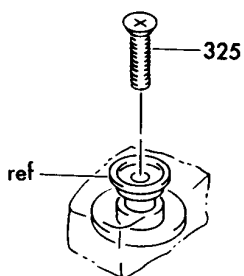
PANEL INSTL-SECT. 41 CAB. FLOOR  
FIGURE 84 (SHEET 8)

53-01-01-84

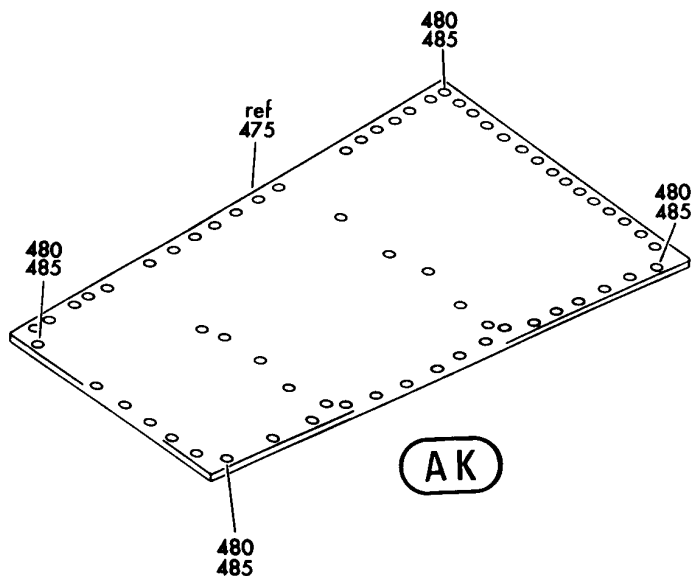
HXL  
DEC 22/06

53-01-01-84  
PAGE 0G

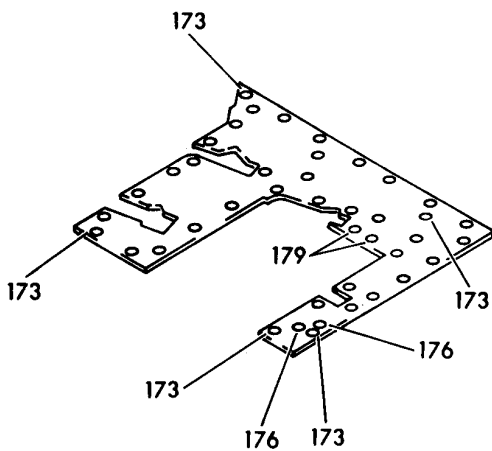
**BOEING**  
767  
PARTS CATALOG (MAINTENANCE)



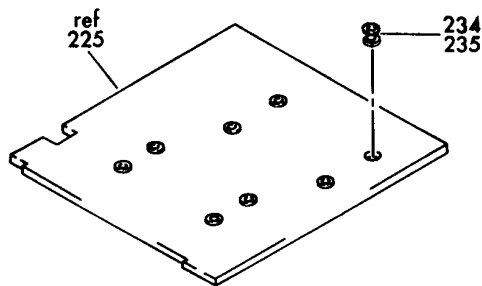
AJ



AK



AM



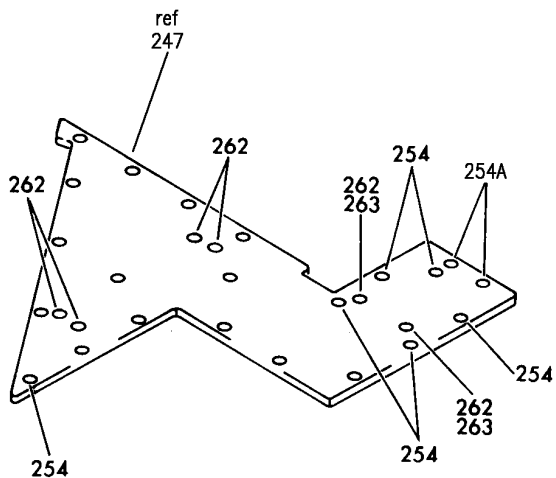
AL

V 53010184 SHT 9 REV 179

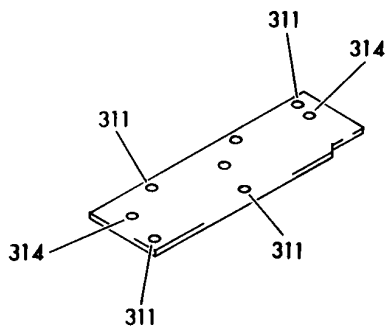
PANEL INSTL-SECT. 41 CAB. FLOOR  
FIGURE 84 (SHEET 9)

**53-01-01-84**

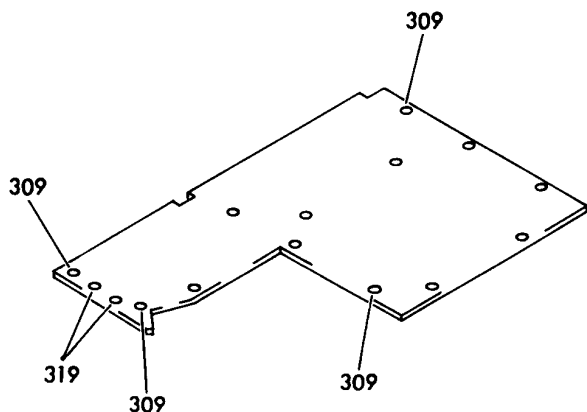
**BOEING**  
767  
PARTS CATALOG (MAINTENANCE)



AN



AP



AQ

V 53010184 SHT 10 REV 300

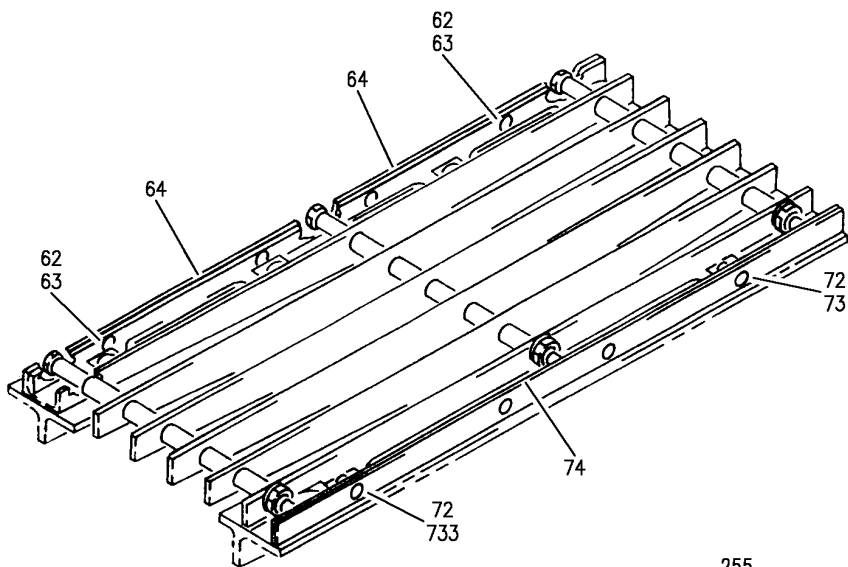
PANEL INSTL-SECT. 41 CAB. FLOOR  
FIGURE 84 (SHEET 10)

**53-01-01-84**

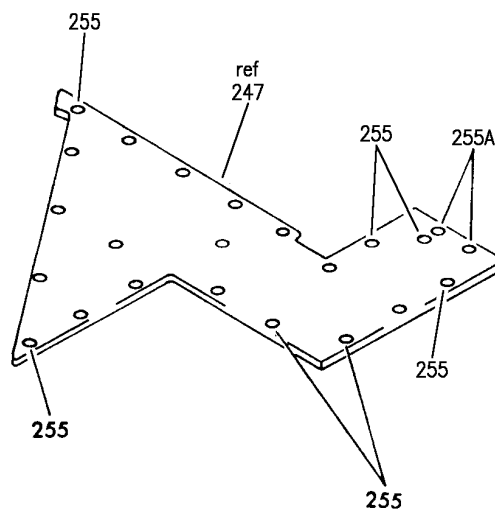
HXL  
DEC 22/06

53-01-01-84  
PAGE 01

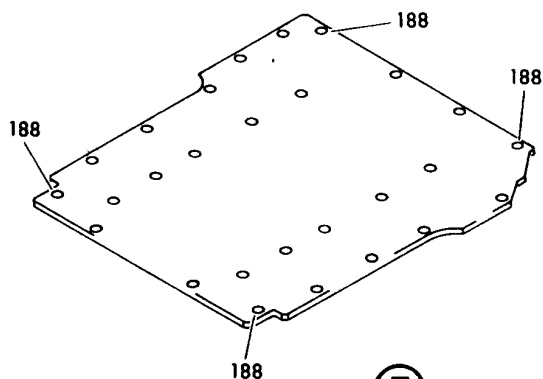
**BOEING**  
767  
PARTS CATALOG (MAINTENANCE)



FWD  
AS



AT



T

V 53010184 SHT 11 REV 315

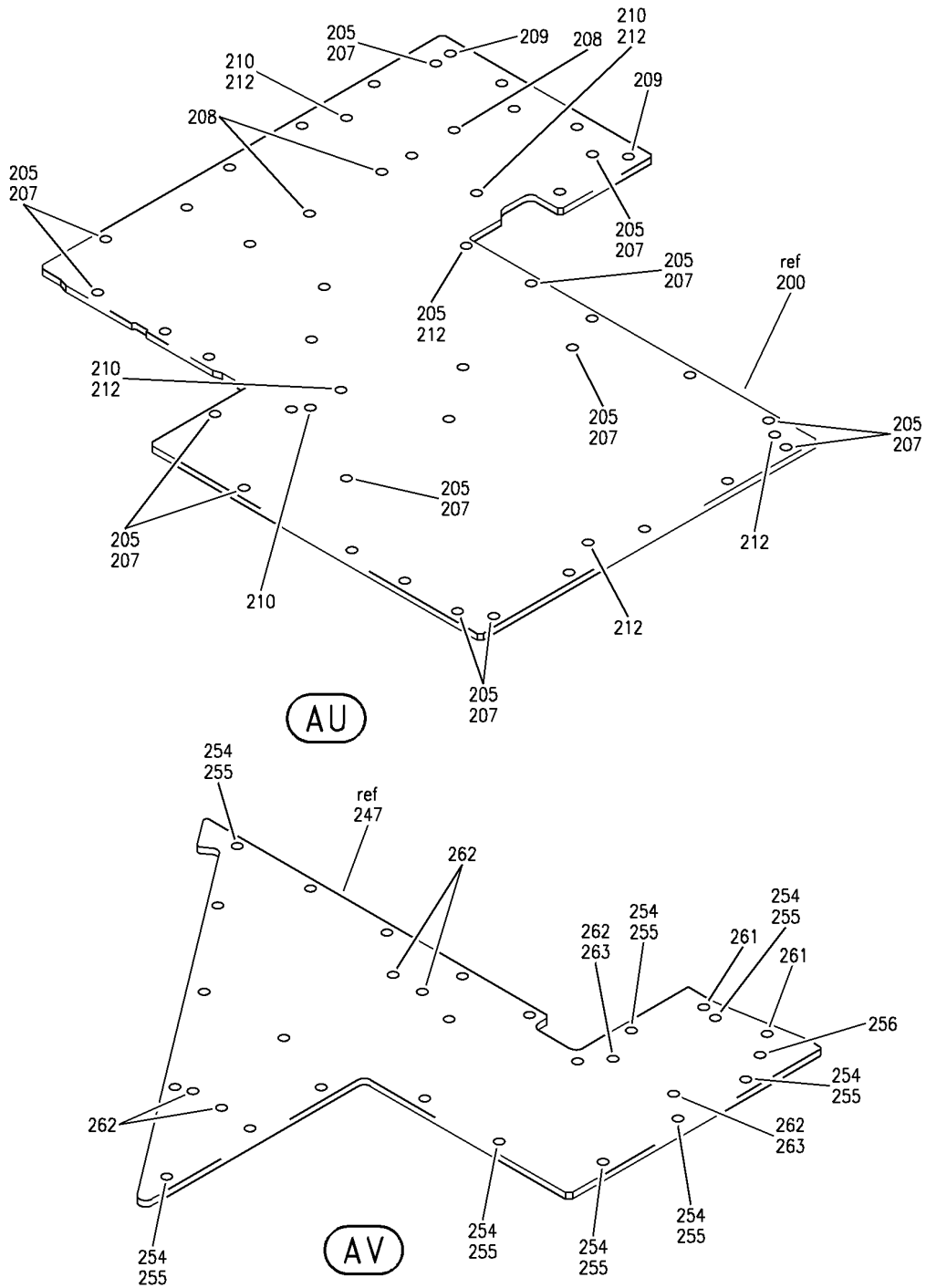
PANEL INSTL-SECT. 41 CAB. FLOOR  
FIGURE 84 (SHEET 11)

**53-01-01-84**

HXL  
APR 22/07

53-01-01-84  
PAGE 0J

**BOEING**  
767  
PARTS CATALOG (MAINTENANCE)



V 53010184 SHT 12 REV 300

PANEL INSTL-SECT. 41 CAB. FLOOR  
FIGURE 84 (SHEET 12)

**53-01-01-84**

HXL  
DEC 22/06

53-01-01-84  
PAGE OK



767

PARTS CATALOG (MAINTENANCE)

FIG ITEM	PART NUMBER	1 2 3 4 5 6 7	NOMENCLATURE	EFFECT FROM TO	UNITS PER ASSY
84			PANEL INSTL-SECT. 41 CAB. FLOOR		
- 1	141T5820-26		PANEL INSTL-CAB. FLOOR POSITION DATA: SECT. 41 VARIABLE DRAWING REF: 141T5820-5055 141T5820-5056 FOR NHA SEE: 53-10-00-08		RF
5	NAS6603-4		.BOLT- OPTIONAL PART: NAS1801-3-10		5
5	NAS1801-3-10		.SCREW- OPTIONAL PART: NAS6603-4		5
7	NAS6603-4		.BOLT- OPTIONAL PART: NAS1801-3-10		6
7	NAS1801-3-10		.SCREW- OPTIONAL PART: NAS6603-4		6
10	NAS623-3-2		.SCREW		3
13	NAS1149D0332J		.WASHER		8
15	AN960PD10L		.WASHER		6
20	BRC600-10-3		.NUT- SUPPLIER CODE: V52828 SPECIFICATION NUMBER: BACN10YD2 OPTIONAL PART: 130121 V60119		14
25	BACS12GP3K15		.SCREW		AR
26	BRC600-8-3		.NUT- SUPPLIER CODE: V52828 SPECIFICATION NUMBER: BACN10YD1 OPTIONAL PART: 130120 V60119 QUALIFIED OPTIONAL DATA: (OPT BACN10YD2 FOR GAGES .020-.090, OPTIONAL TO BACN10KF3CD NUTPLATE OR BACN10JR3CFD NUTPLATE).		AR
ILLUSTRATION ITEMS NOT ON PARTS LIST ARE NOT APPLICABLE					

- ITEM NOT ILLUSTRATED

53-01-01-84

53-01-01  
FIG. 84  
PAGE 1  
DEC 22/07

HXL



767

PARTS CATALOG (MAINTENANCE)

FIG ITEM	PART NUMBER	1 2 3 4 5 6 7	NOMENCLATURE	EFFECT FROM TO	UNITS PER ASSY
84 26	BRC600-10-3	.NUT-	SUPPLIER CODE: V52828 SPECIFICATION NUMBER: BACN10YD2 OPTIONAL PART: 130121 V60119 QUALIFIED OPTIONAL DATA: (OPT BACN10YD1 FOR GAGES .020-.090, OPTIONAL TO BACN10KF3CD NUTPLATE OR BACN10JR3CFD NUTPLATE).		AR
26	BRC600-10G3	.NUT-	SUPPLIER CODE: V52828 SPECIFICATION NUMBER: BACN10YD3 OPTIONAL PART: 130122 V60119 QUALIFIED OPTIONAL DATA: (OPT BACN10YD4 FOR GAGES .091-.150, OPTIONAL TO BACN10KF3CD NUTPLATE OR BACN10JR3CFD NUTPLATE).		AR
26	BRC600-8G3	.NUT-	SUPPLIER CODE: V52828 SPECIFICATION NUMBER: BACN10YD4 OPTIONAL PART: 130123 V60119 QUALIFIED OPTIONAL DATA: (OPT BACN10YD3 FOR GAGES .091-.150, OPTIONAL TO BACN10KF3CD NUTPLATE OR BACN10JR3CFD NUTPLATE).		AR

ILLUSTRATION ITEMS NOT ON PARTS LIST ARE NOT APPLICABLE

- ITEM NOT ILLUSTRATED

53-01-01-84

53-01-01  
FIG. 84  
PAGE 2  
DEC 22/07

HXL



767

PARTS CATALOG (MAINTENANCE)

FIG ITEM	PART NUMBER	1 2 3 4 5 6 7	NOMENCLATURE	EFFECT FROM TO	UNITS PER ASSY
84 26	BRC600-12-3	.NUT-	SUPPLIER CODE: V52828 SPECIFICATION NUMBER: BACN10YD6 OPTIONAL PART: 130125 V60119 QUALIFIED OPTIONAL DATA: (GAGES FOR .140-.230 OPTIONAL TO BACN10KF3CD NUTPLATE OR BACN10JR3CFD NUTPLATE).		AR
27	BR3000C3D	.NUTPLATE-	SUPPLIER CODE: V52828 SPECIFICATION NUMBER: BACN10KF3CD OPTIONAL PART: K51598-3BAC V15653 NS202441-02 V80539 QUALIFIED OPTIONAL DATA: (BACN10KF3CD OPTIONAL TO BACN10JR3CFD OPTIONAL TO CLIP-ON NUTS (BACN10YD1 THRU BACN10YD4, BACN10YD6)		AR
27	BRF200C3D	.NUTPLATE-	SUPPLIER CODE: V52828 SPECIFICATION NUMBER: BACN10JR3CFD OPTIONAL PART: K51602-3BAC V15653 NS202476-02 V80539 102F9201-3 V72962 T8092C1032CD V11815 QUALIFIED OPTIONAL DATA: (BACN10JR3CFD OPTIONAL TO BACN10KF3CD OPTIONAL TO CLIP-ON NUTS (BACN10YD1 THRU BACN10YD4, BACN10YD6)		AR

ILLUSTRATION ITEMS NOT ON PARTS LIST ARE NOT APPLICABLE

- ITEM NOT ILLUSTRATED

53-01-01-84

53-01-01  
FIG. 84  
PAGE 3  
DEC 22/07

HXL





767

PARTS CATALOG (MAINTENANCE)

FIG ITEM	PART NUMBER	1 2 3 4 5 6 7	NOMENCLATURE	EFFECT FROM TO	UNITS PER ASSY
84			ATTACHING PARTS		
- 28	BACR15BA3AD		.RIVET- SIZE DETERMINED ON INSTL. USED WITH: BACN10JR3CFD -----*-----		AR
30	141T5825-77		.GRATING ASSY-		1
30	141T5825-86		.GRATING ASSY-		1
30	141T5825-87		.GRATING ASSY- OPTIONAL PART: 141T5825-91		1
30	141T5825-91		.GRATING ASSY- OPTIONAL PART: 141T5825-87		1
35	NAS6603-91		..BOLT		3
40	NAS43DD3-53		..SPACER		15
45	AN960-10L		..WASHER		3
50	NAS1804-3		..NUT		3
55	141T5825-81		..STRIP- USED ON: 141T5825-77		1
60	BACR15BA4D		ATTACHING PARTS ..RIVET- SIZE DETERMINED ON INSTL.		3
62	BACB30LU3		..BOLT- USED ON: 141T5825-86		4
63	BACN10GW3		..NUT- USED ON: 141T5825-86 -----*-----		4
64	BACS40R004E058F		..SHIM- USED ON: 141T5825-86 141T5825-87 141T5825-91		2
65	141T5825-82		..STRIP- USED ON: 141T5825-77		1
70	BACR15BA4D		ATTACHING PARTS ..RIVET- SIZE DETERMINED ON INSTL.		5
72	BACB30LU3		..BOLT- USED ON: 141T5825-86		4
73	BACN10GW3		..NUT- USED ON: 141T5825-86 -----*-----		4

ILLUSTRATION ITEMS NOT ON PARTS LIST ARE NOT APPLICABLE

- ITEM NOT ILLUSTRATED

53-01-01-84

53-01-01  
FIG. 84  
PAGE 4  
DEC 22/07

HXL

BOEING PROPRIETARY - Copyright © - Unpublished Work - See title page for details.

 **BOEING**  
767  
**PARTS CATALOG (MAINTENANCE)**

FIG ITEM	PART NUMBER	1 2 3 4 5 6 7	NOMENCLATURE	EFFECT FROM TO	UNITS PER ASSY
84					
74	BACS40R004E145F	..	SHIM- USED ON: 141T5825-86 141T5825-87 141T5825-91		AR
75	141T5830-7	..	MESH- USED ON: 141T5825-77		1
75	141T5830-9	..	MESH- USED ON: 141T5825-86		1
75	141T5830-10	..	MESH- USED ON: 141T5825-87		1
75	141T5830-11	..	MESH- USED ON: 141T5825-91		1
80	141T5825-79	..	CHANNEL- USED ON: 141T5825-77 141T5825-86		1
80	141T5825-89	..	CHANNEL- USED ON: 141T5825-87 141T5825-91		1
85	141T5825-78	..	GRATE- USED ON: 141T5825-77 141T5825-86		4
85	141T5825-88	..	GRATE- USED ON: 141T5825-87 141T5825-91		4
90	141T5825-80	..	CHANNEL- USED ON: 141T5825-77 141T5825-86		1
90	141T5825-90	..	CHANNEL- USED ON: 141T5825-87 141T5825-91		1
95	141T5825-85	.	GRATING ASSY-		1
100	NAS6603-99	..	BOLT		5
105	AN960-10L	..	WASHER		5
110	NAS1804-3	..	NUT		5
115	NAS43DD3-57	..	SPACER		25
120	NAS43DD3-39	..	SPACER		5
125	141T5825-28	..	STRIP		2
130	141T5830-8	..	MESH-		1
ILLUSTRATION ITEMS NOT ON PARTS LIST ARE NOT APPLICABLE					

- ITEM NOT ILLUSTRATED

# 53-01-01-84

53-01-01  
FIG. 84  
PAGE 5  
DEC 22/07

HXL

BOEING PROPRIETARY - Copyright © - Unpublished Work - See title page for details.

 **BOEING**  
767  
**PARTS CATALOG (MAINTENANCE)**

FIG ITEM	PART NUMBER	1 2 3 4 5 6 7	NOMENCLATURE	EFFECT FROM TO	UNITS PER ASSY
84					
135	141T5825-5	..	FILLER		5
137	141T5825-84	..	FILLER		1
140	141T5825-4	..	ANGLE		1
145	141T5825-2	..	GRATE		5
150	141T5825-33	..	ANGLE		1
155	141T5931-8	.	PANEL ASSY-		1
160	SL5107A3-410	..	SPACER-		AR
			SUPPLIER CODE: V97393		
165	141T5926-7	.	PANEL ASSY-		1
172	SL5107A3-410	..	SPACER-		AR
			SUPPLIER CODE: V97393		
175	SL6146A3-35	..	INSERT-		AR
			SUPPLIER CODE: V97393		
184	141T5926-5	.	PANEL ASSY-		1
189	SL5107A3-410	..	SPACER-		AR
			SUPPLIER CODE: V97393		
190	141T5926-3	.	PANEL ASSY-		1
195	SL5107A3-410	..	SPACER-		AR
			SUPPLIER CODE: V97393		
200	141T5931-6	.	PANEL ASSY-		1
205	SL5107A3-410	..	SPACER-		AR
			SUPPLIER CODE: V97393		
210	SL6146A3-35	..	INSERT-		AR
			SUPPLIER CODE: V97393		
215	SM3F3A	..	SPACER-		3
			SUPPLIER CODE: V97393		
220	SMG3F3A	..	GROMMET-		3
			SUPPLIER CODE: V97393		
247	141T5923-10	.	PANEL ASSY-	163163	1
247	141T5923-12	.	PANEL ASSY-	155162	1
				164999	
254	SL5107A3-410	..	SPACER-	155162	AR
			SUPPLIER CODE: V97393	164999	
254A	SL5107A3-410	..	SPACER-	155162	AR
			SUPPLIER CODE: V97393	164999	
255	SL5107A3-410	..	SPACER-	163163	AR
			SUPPLIER CODE: V97393		

ILLUSTRATION ITEMS NOT ON PARTS LIST ARE NOT APPLICABLE

— ITEM NOT ILLUSTRATED

HXL

# 53-01-01-84

BOEING PROPRIETARY - Copyright © - Unpublished Work - See title page for details.

53-01-01  
FIG. 84  
PAGE 6  
DEC 22/07

 **BOEING**  
767  
**PARTS CATALOG (MAINTENANCE)**

FIG ITEM	PART NUMBER	1 2 3 4 5 6 7	NOMENCLATURE	EFFECT FROM TO	UNITS PER ASSY
84 255A	SL5107A3-410	..	SPACER- SUPPLIER CODE: V97393	163163	AR
262	SL2334-3A3	..	INSERT- SUPPLIER CODE: V97393		AR
267	141T5923-9	.	PANEL ASSY-		1
269	SL5107A3-410	..	SPACER- SUPPLIER CODE: V97393		AR
273	SL2334-3A3	..	INSERT- SUPPLIER CODE: V97393		AR
275	141T5931-18	.	PANEL ASSY-		1
277	SL5107A3-410	..	SPACER- SUPPLIER CODE: V97393		AR
280	141T5923-7	.	PANEL ASSY-		1
282	SL2334-3A3	..	INSERT- SUPPLIER CODE: V97393		AR
285	SL5107A3-410	..	SPACER- SUPPLIER CODE: V97393		AR
295	141T5926-12	.	PANEL ASSY-		1
300	SL5107A3-410	..	SPACER- SUPPLIER CODE: V97393		AR
305	141T5926-8	.	PANEL ASSY-		1
312	SL5107A3-410	..	SPACER- SUPPLIER CODE: V97393		AR
316	SL6146A3-35	..	INSERT- SUPPLIER CODE: V97393		AR

ILLUSTRATION ITEMS NOT ON PARTS LIST ARE NOT APPLICABLE

— ITEM NOT ILLUSTRATED

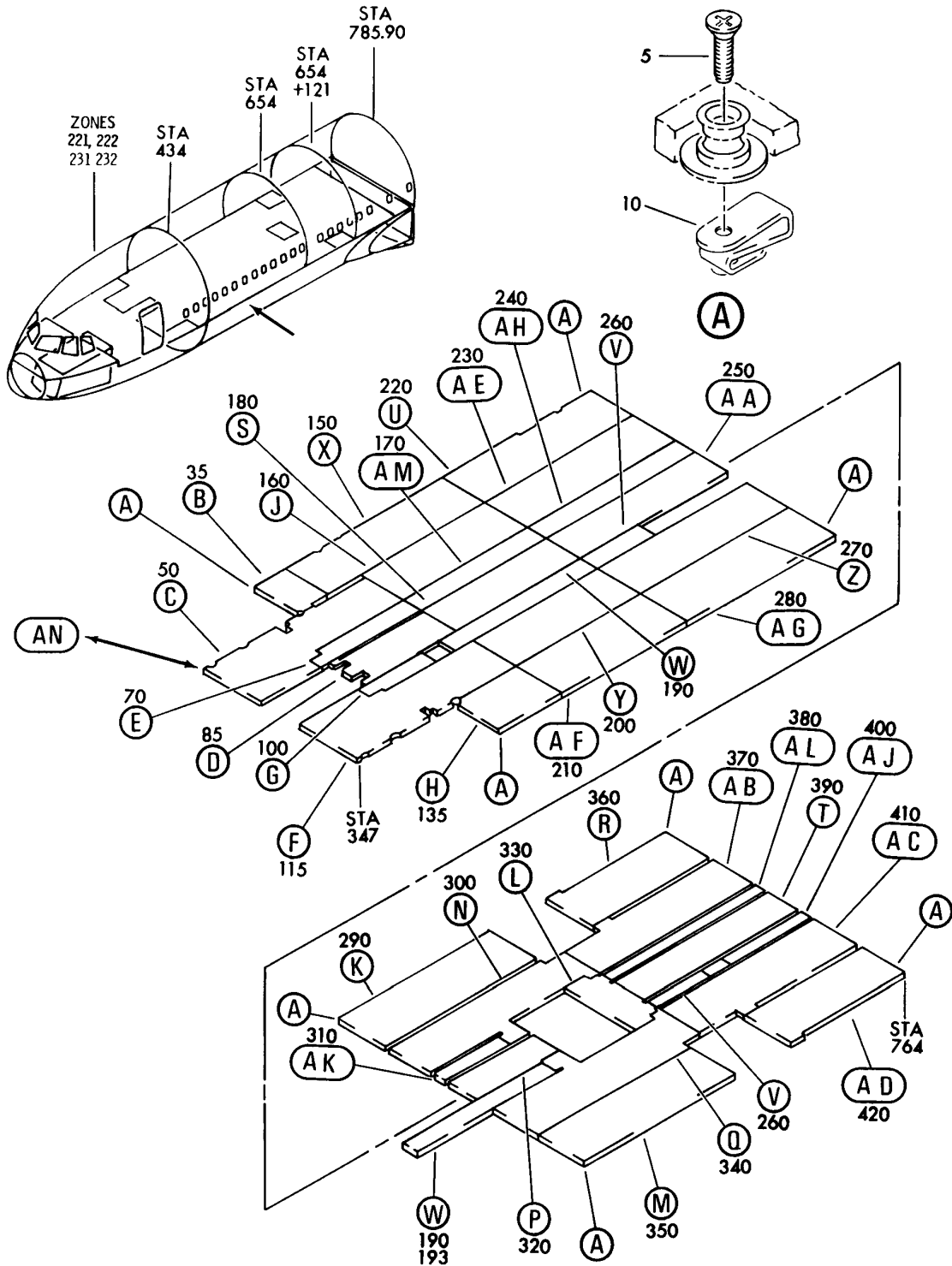
HXL

# 53-01-01-84

BOEING PROPRIETARY - Copyright © - Unpublished Work - See title page for details.

53-01-01  
FIG. 84  
PAGE 7  
DEC 22/08


**BOEING**  
 767  
**PARTS CATALOG (MAINTENANCE)**



V 53010221 SH1 1 REV 339

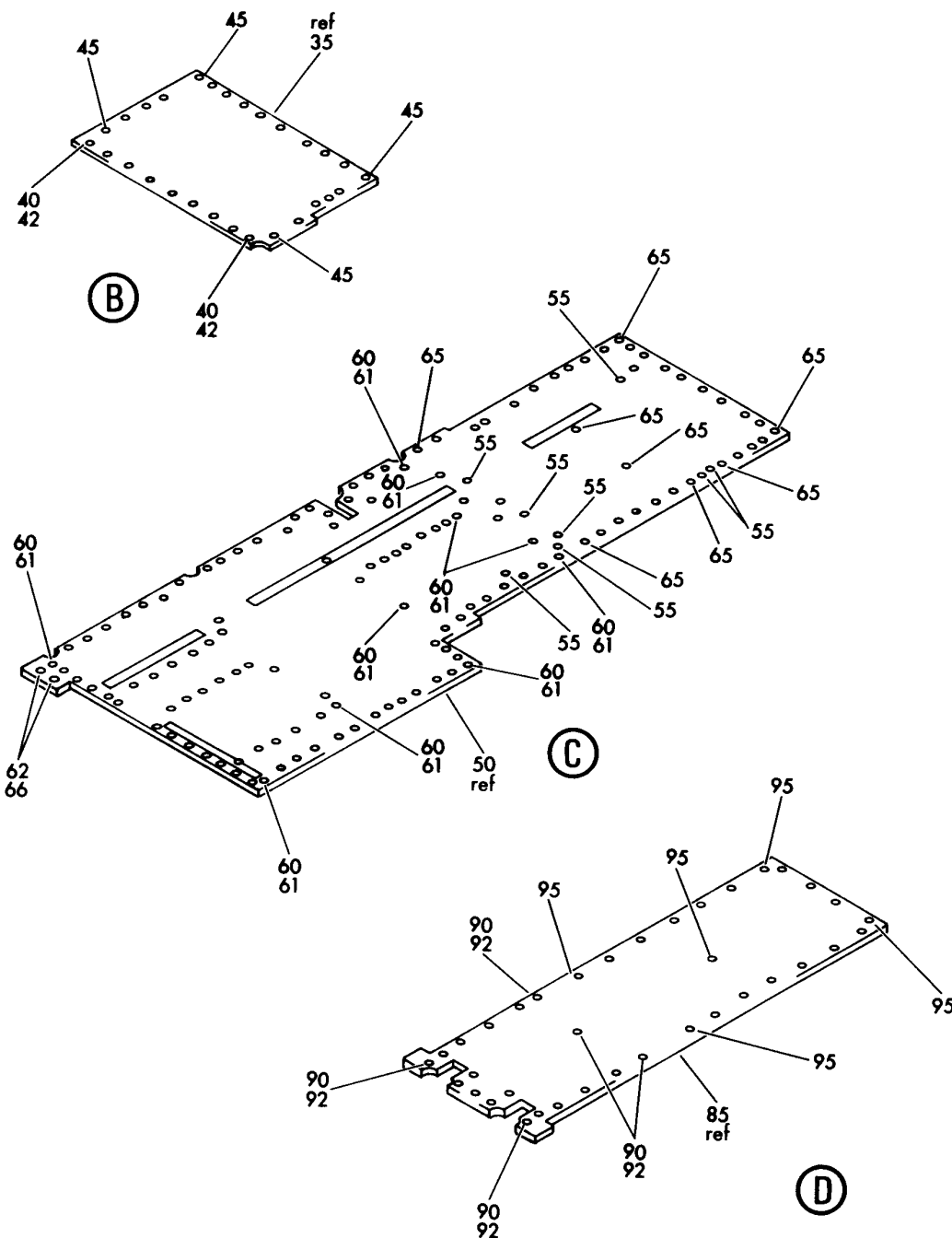
PANEL INSTL-SECT. 43 FLOOR SAS  
FIGURE 21 (SHEET 1)

# 53-01-02-21

HXL  
APR 22/09

53-01-02-21  
PAGE 0

**BOEING**  
767  
PARTS CATALOG (MAINTENANCE)



V 53010221 SHT 2 REV 116

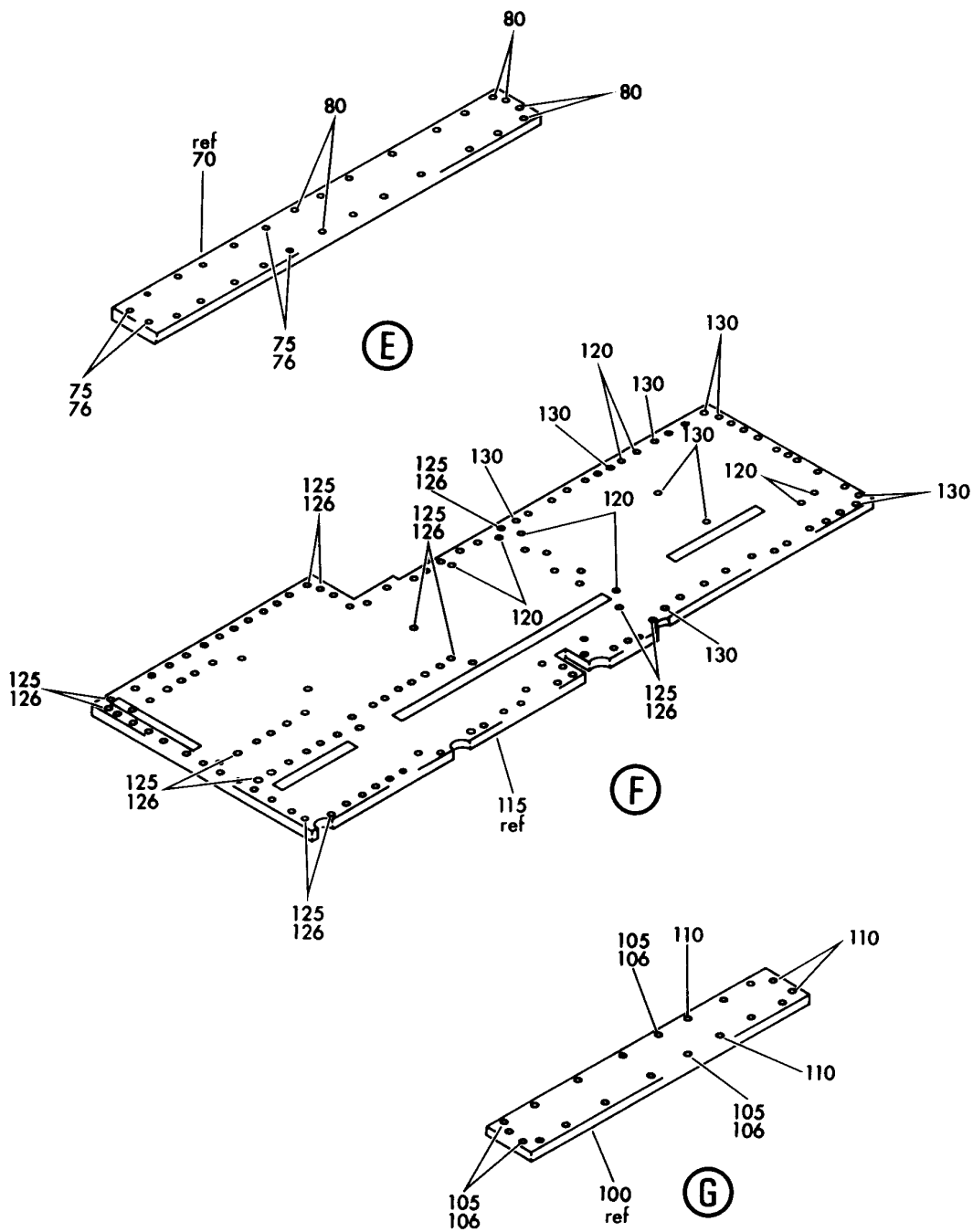
PANEL INSTL-SECT. 43 FLOOR SAS  
FIGURE 21 (SHEET 2)

**53-01-02-21**

HXL  
DEC 22/06

53-01-02-21  
PAGE 0A

**BOEING**  
767  
PARTS CATALOG (MAINTENANCE)



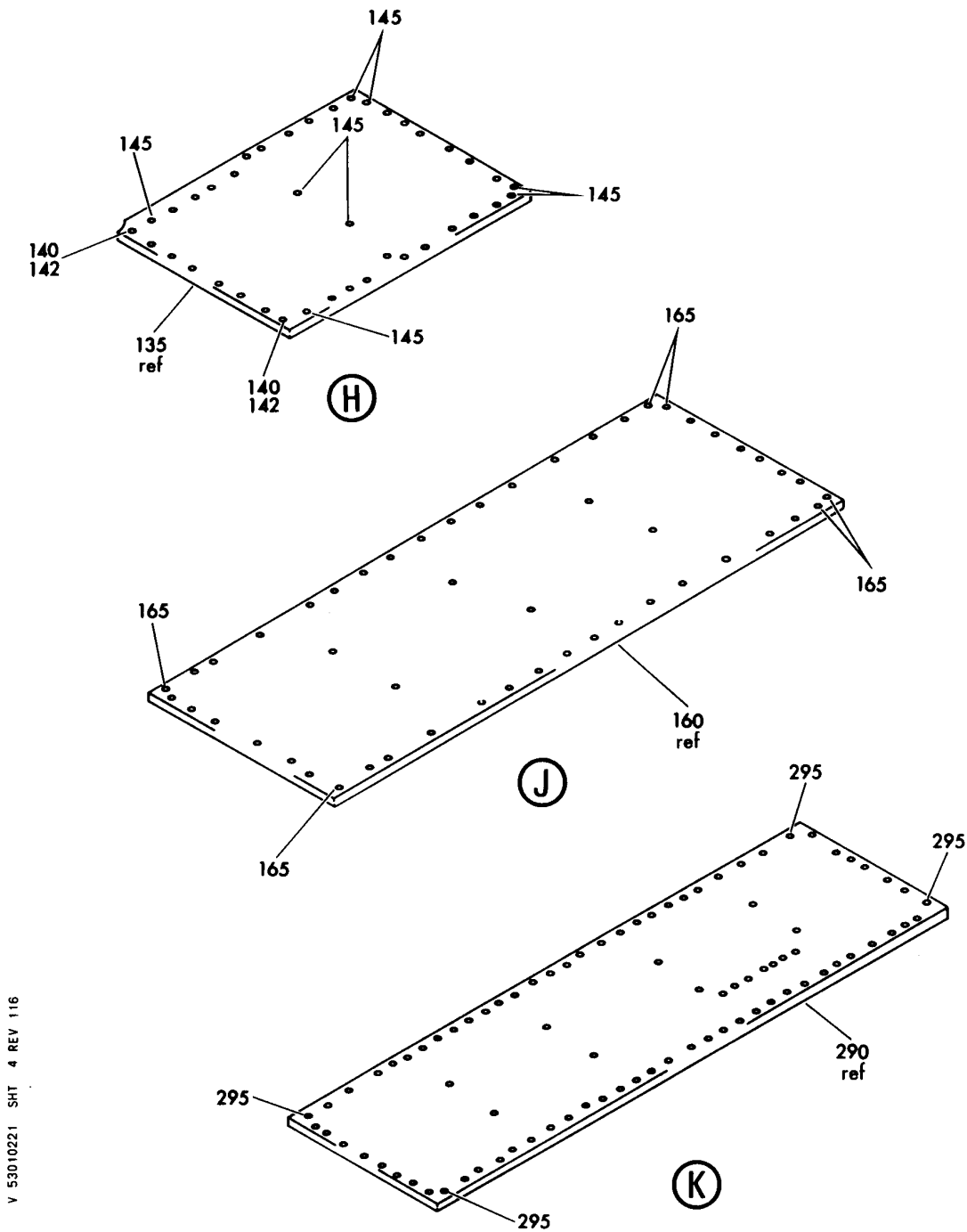
V 53010221 SHT 3 REV 116

PANEL INSTL-SECT. 43 FLOOR SAS  
FIGURE 21 (SHEET 3)

**53-01-02-21**

HXL  
DEC 22/06

53-01-02-21  
PAGE 0B



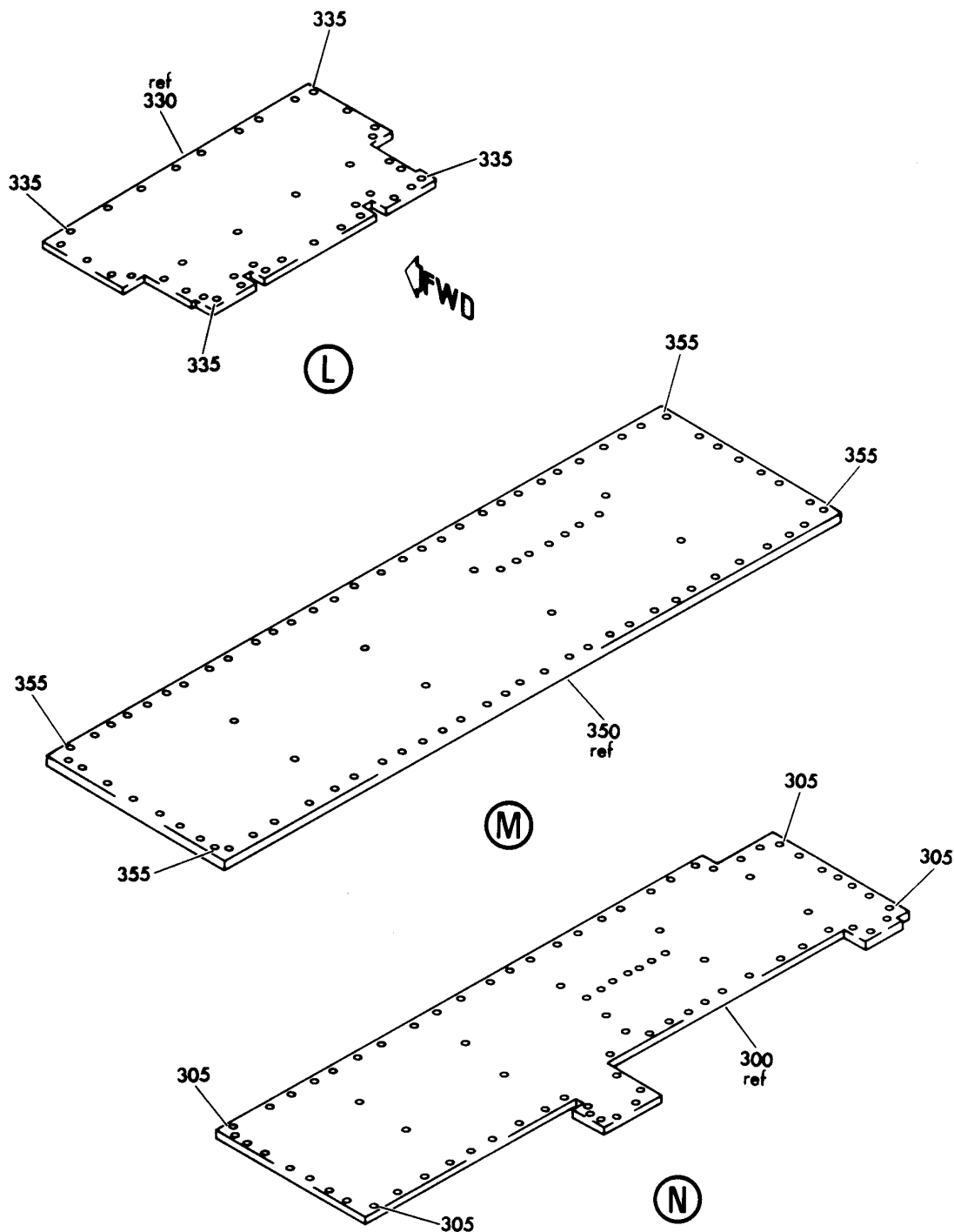
V 53010221 SHT 4 REV 116

PANEL INSTL-SECT. 43 FLOOR SAS  
FIGURE 21 (SHEET 4)

**53-01-02-21**



**BOEING**  
767  
PARTS CATALOG (MAINTENANCE)



V 53010221 SHT 5 REV 098

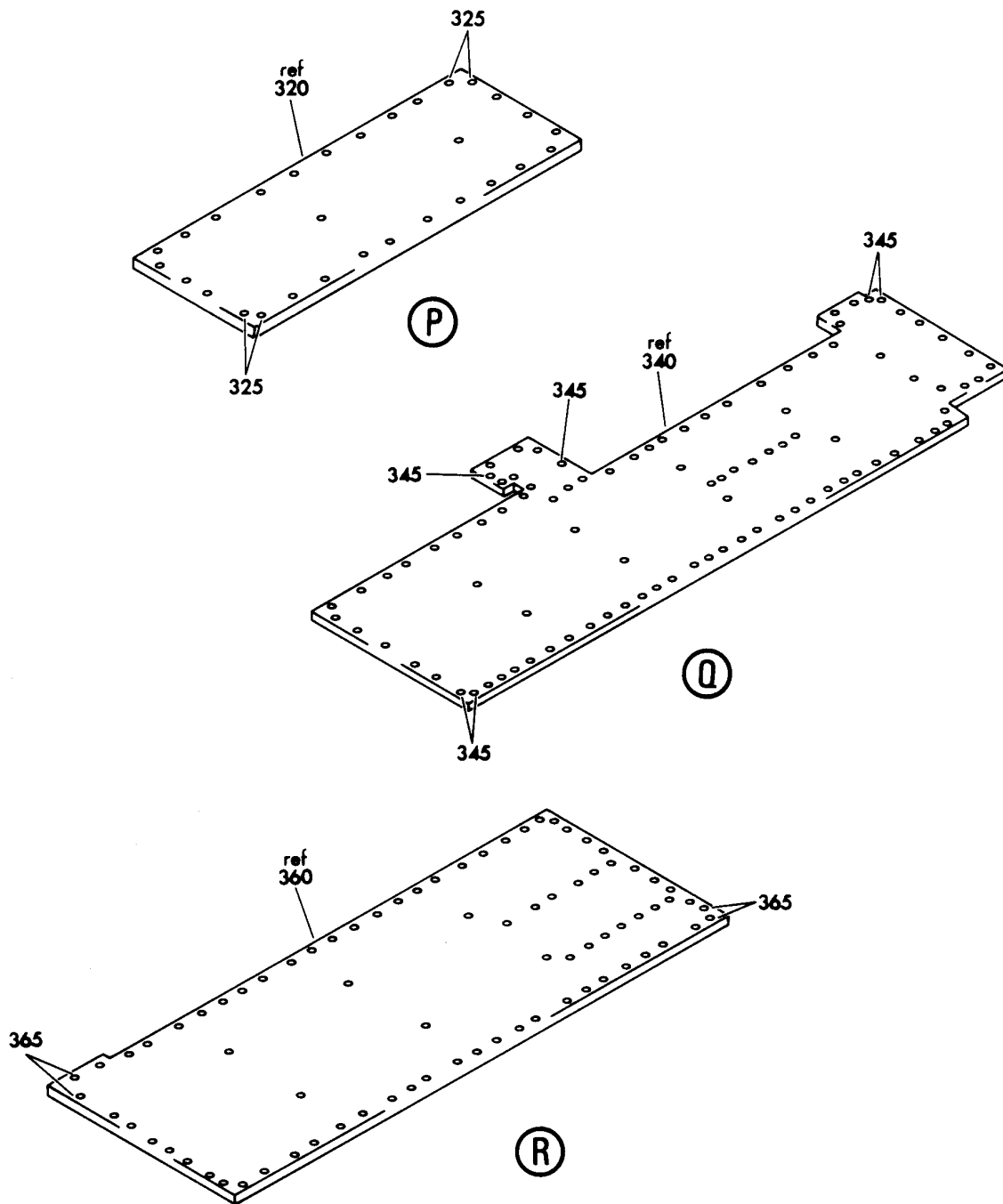
PANEL INSTL-SECT. 43 FLOOR SAS  
FIGURE 21 (SHEET 5)

**53-01-02-21**

HXL  
DEC 22/06

53-01-02-21  
PAGE 0D

**BOEING**  
767  
PARTS CATALOG (MAINTENANCE)



V 53010221 SHT 6 REV 098

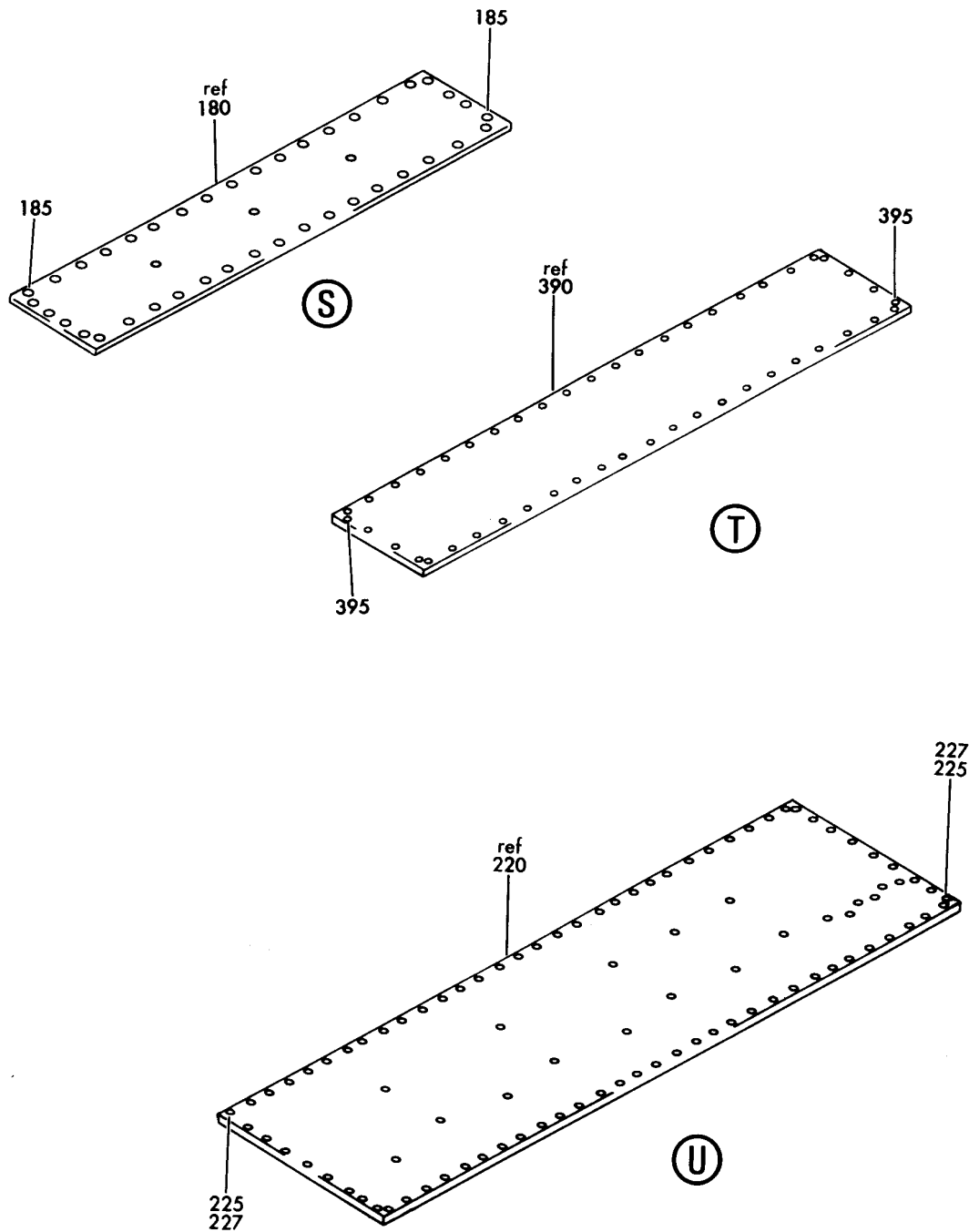
PANEL INSTL-SECT. 43 FLOOR SAS  
FIGURE 21 (SHEET 6)

**53-01-02-21**

HXL  
DEC 22/06

53-01-02-21  
PAGE 0E

**BOEING**  
767  
PARTS CATALOG (MAINTENANCE)



V 53010221 SHT 7 REV 111

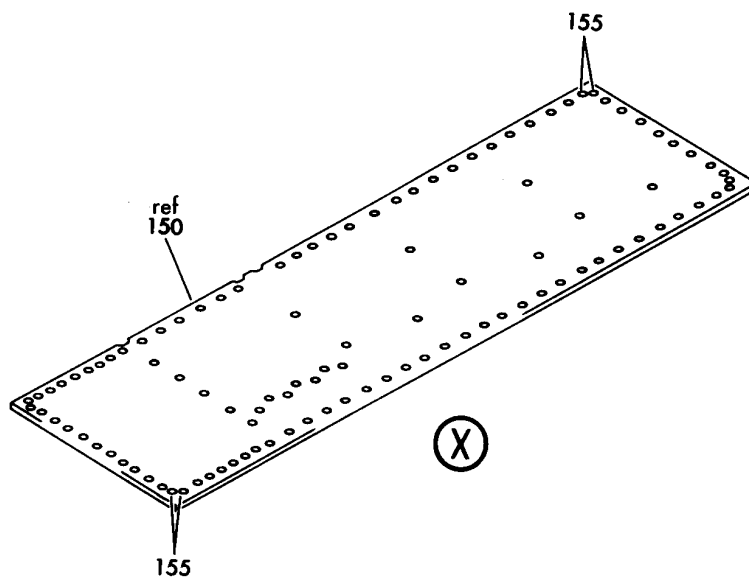
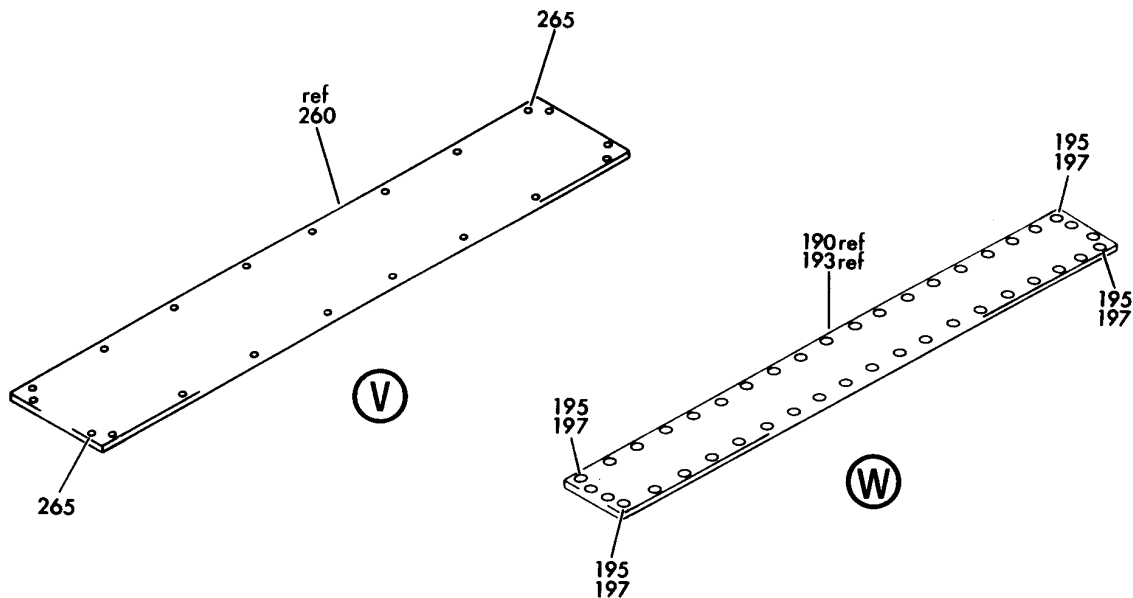
PANEL INSTL-SECT. 43 FLOOR SAS  
FIGURE 21 (SHEET 7)

**53-01-02-21**

HXL  
DEC 22/06

53-01-02-21  
PAGE OF

**BOEING**  
767  
PARTS CATALOG (MAINTENANCE)



V 53010221 SHT 8 REV 111

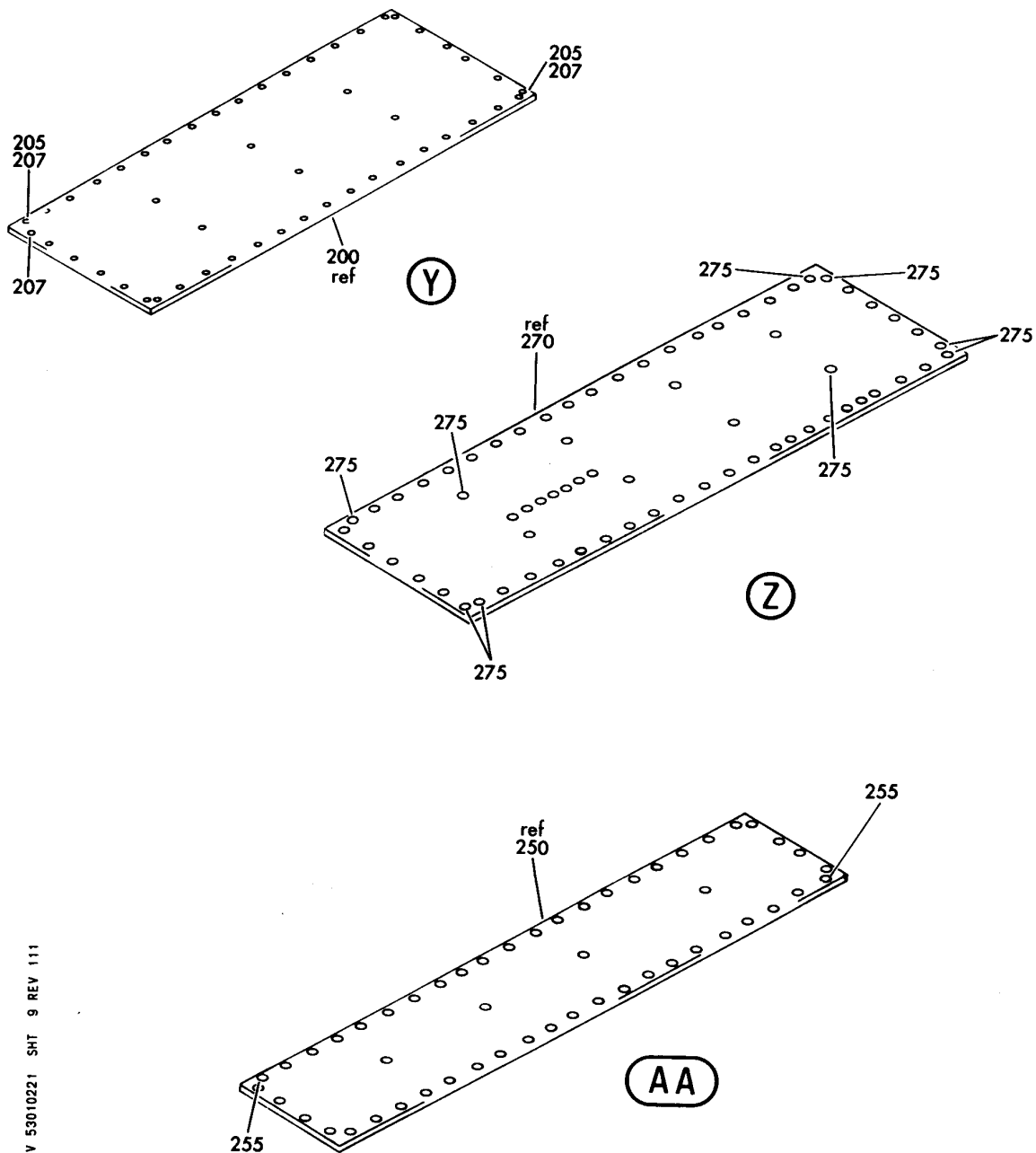
PANEL INSTL-SECT. 43 FLOOR SAS  
FIGURE 21 (SHEET 8)

**53-01-02-21**

HXL  
DEC 22/06

53-01-02-21  
PAGE 06

**BOEING**  
767  
PARTS CATALOG (MAINTENANCE)



V 53010221 SHT 9 REV 111

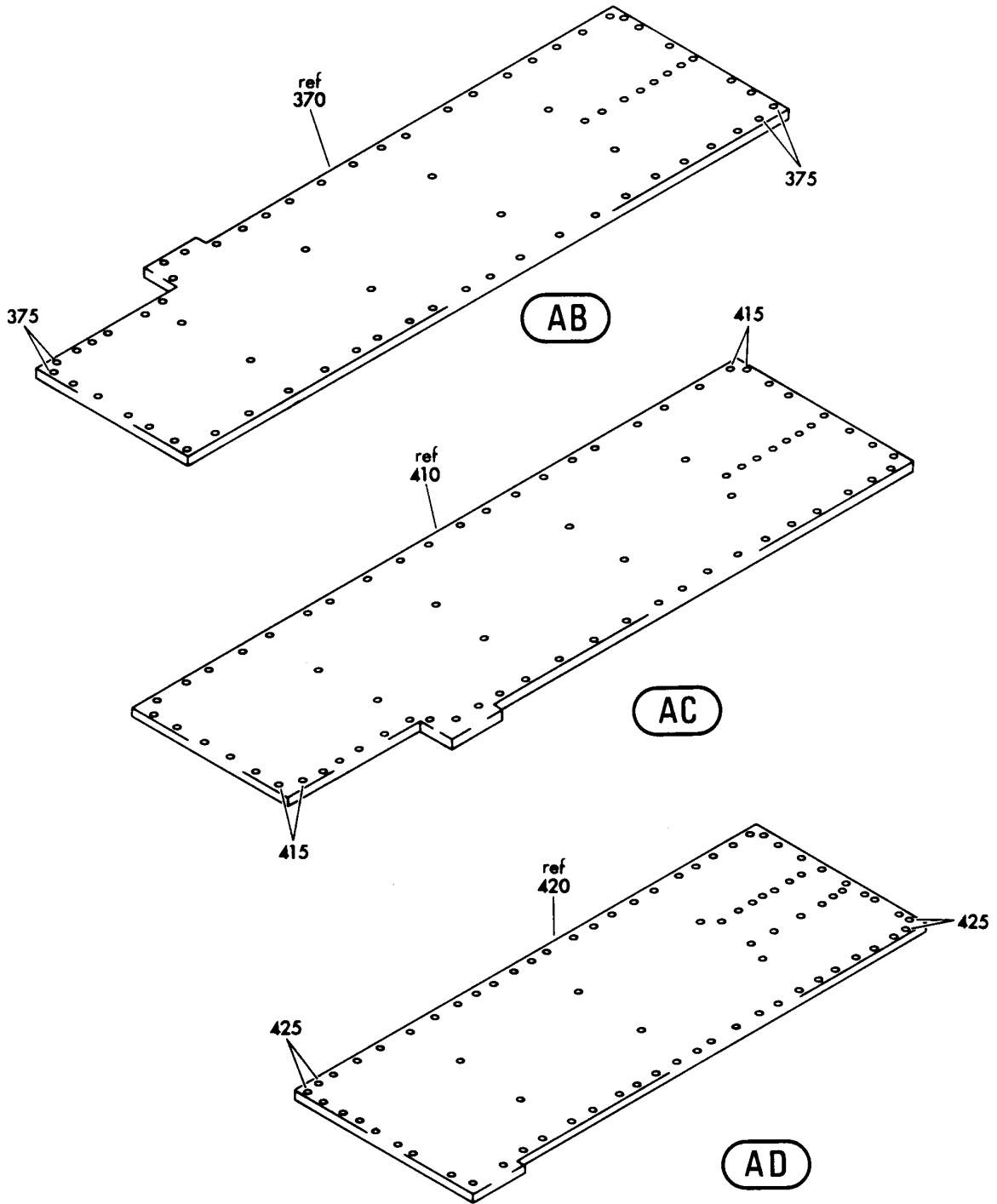
PANEL INSTL-SECT. 43 FLOOR SAS  
FIGURE 21 (SHEET 9)

**53-01-02-21**

HXL  
DEC 22/06

53-01-02-21  
PAGE 0H

**BOEING**  
767  
PARTS CATALOG (MAINTENANCE)



V 53010221 SHT 10 REV 098

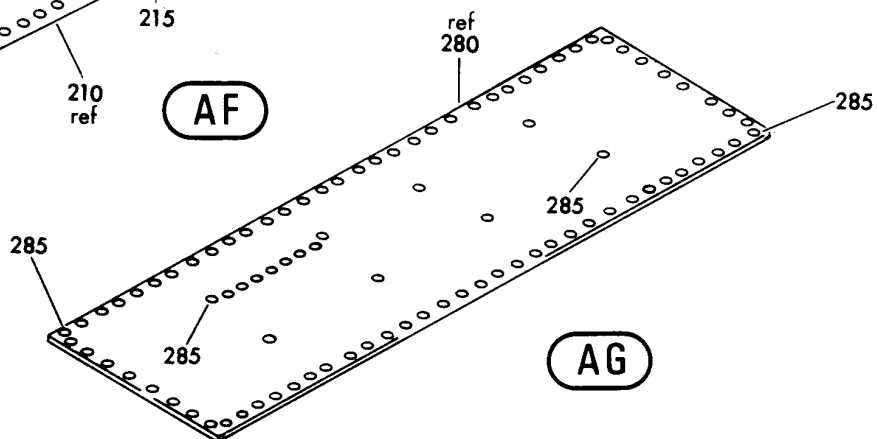
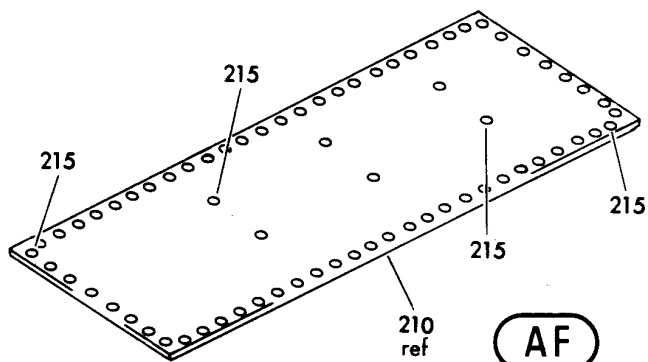
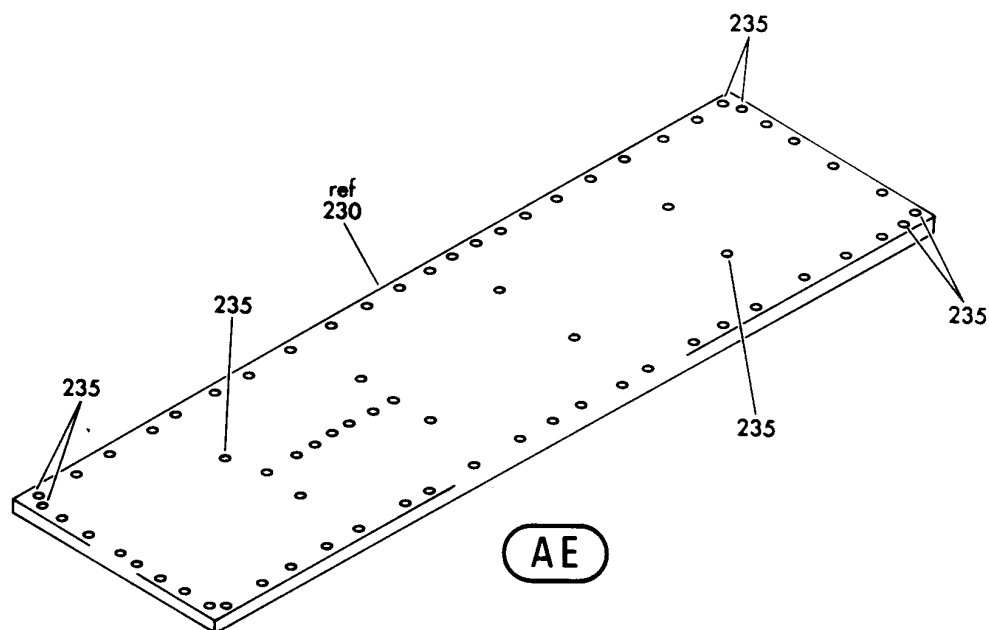
PANEL INSTL-SECT. 43 FLOOR SAS  
FIGURE 21 (SHEET 10)

**53-01-02-21**

HXL  
DEC 22/06

53-01-02-21  
PAGE 01

**BOEING**  
767  
PARTS CATALOG (MAINTENANCE)



V 53010221 SHT 11 REV 098

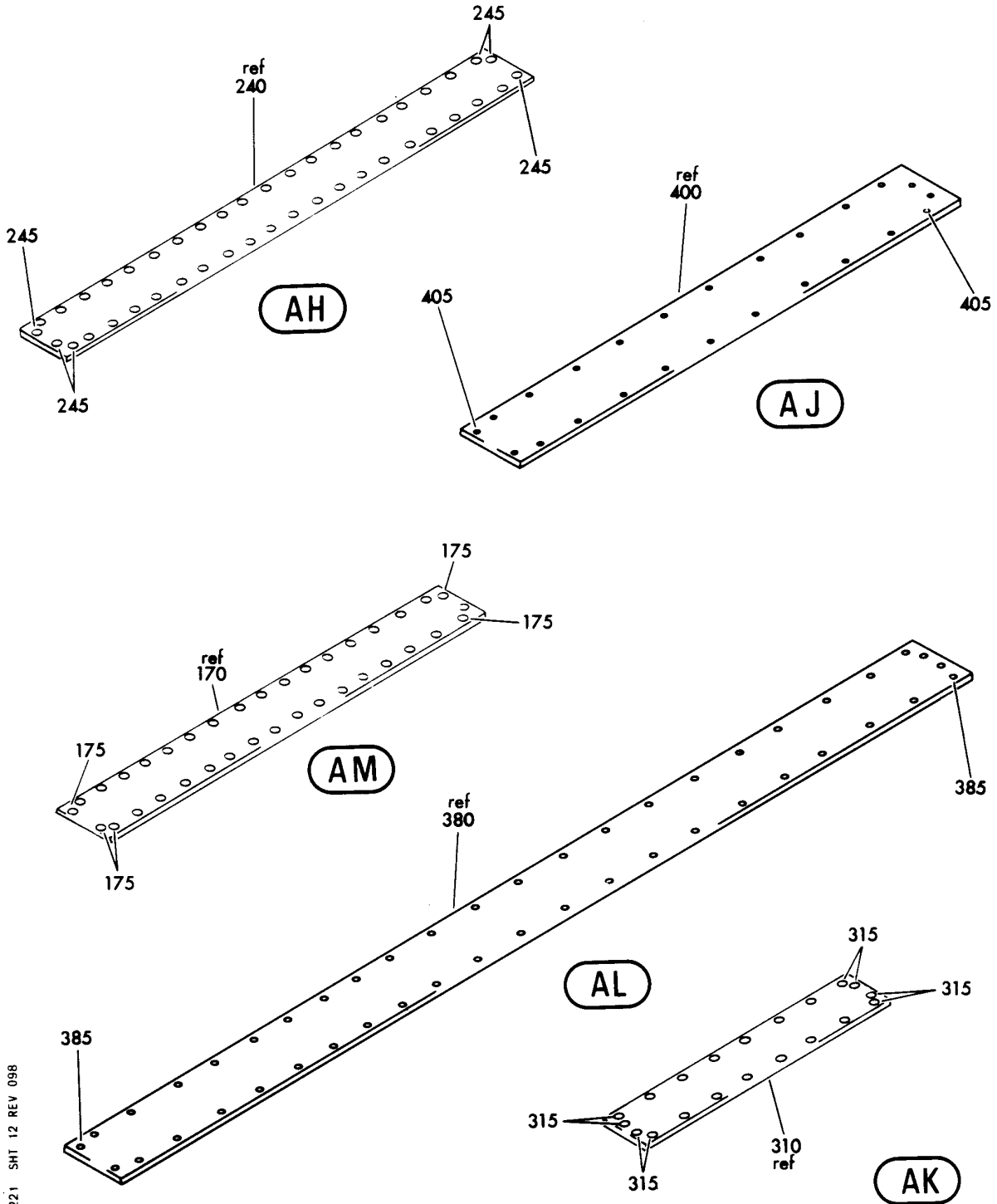
PANEL INSTL-SECT. 43 FLOOR SAS  
FIGURE 21 (SHEET 11)

**53-01-02-21**

HXL  
DEC 22/06

53-01-02-21  
PAGE 0J

**BOEING**  
767  
PARTS CATALOG (MAINTENANCE)



V 53010221 SHT 12 REV 098

PANEL INSTL-SECT. 43 FLOOR SAS  
FIGURE 21 (SHEET 12)

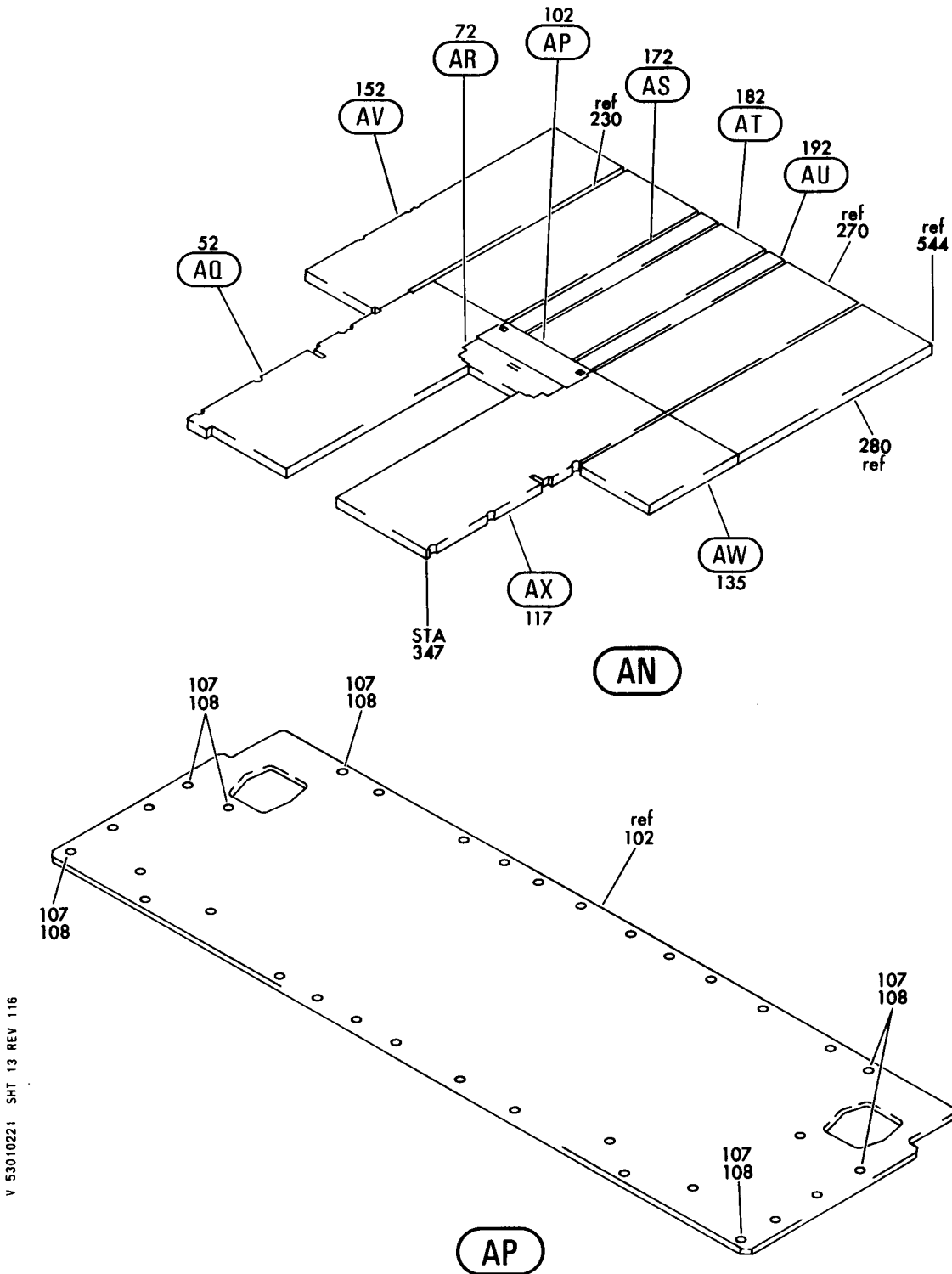
**53-01-02-21**

HXL  
DEC 22/06

53-01-02-21  
PAGE OK



**BOEING**  
767  
PARTS CATALOG (MAINTENANCE)



V 53010221 SHT 13 REV 116

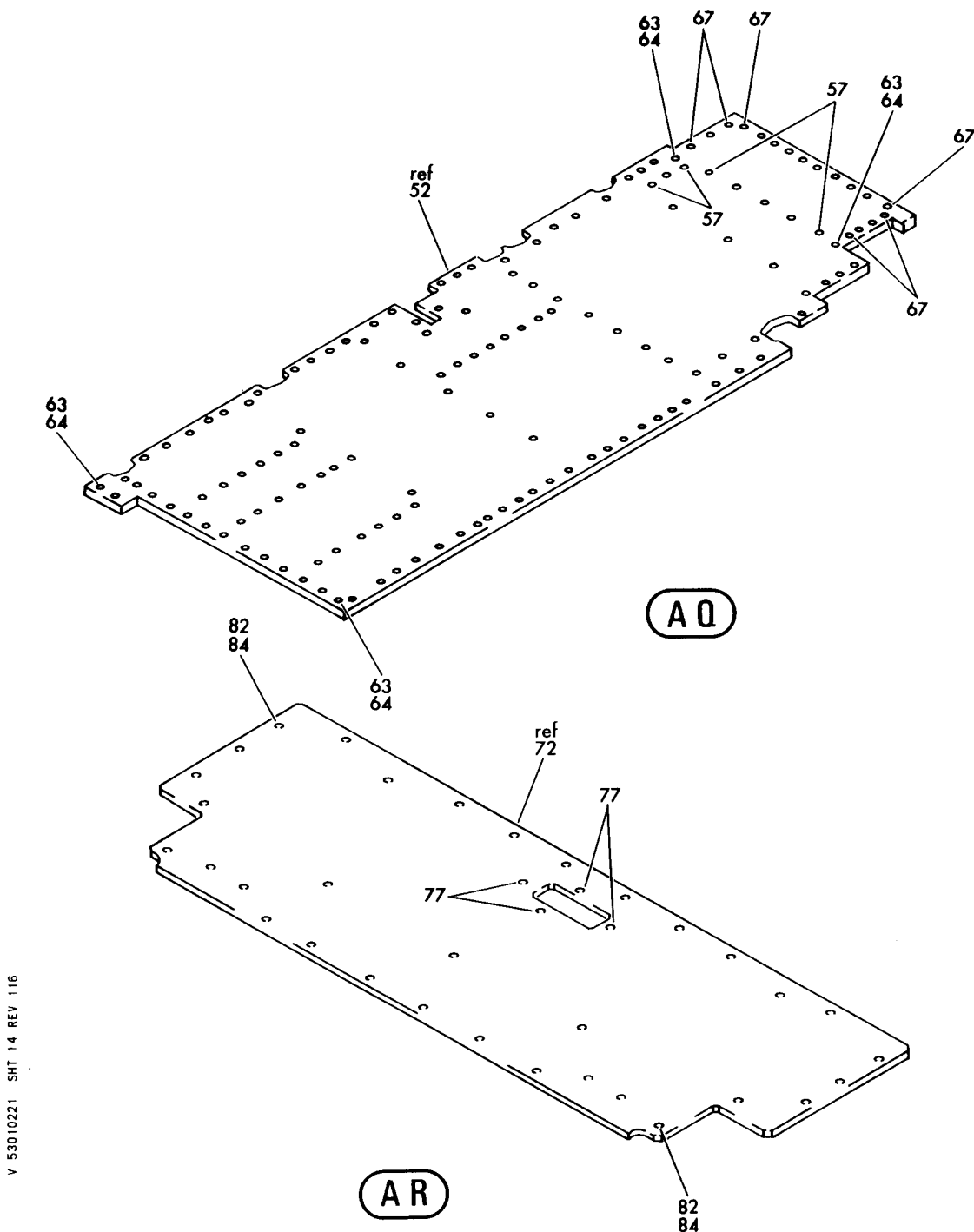
PANEL INSTL-SECT. 43 FLOOR SAS  
FIGURE 21 (SHEET 13)

**53-01-02-21**

HXL  
DEC 22/06

53-01-02-21  
PAGE 0L

**BOEING**  
767  
PARTS CATALOG (MAINTENANCE)



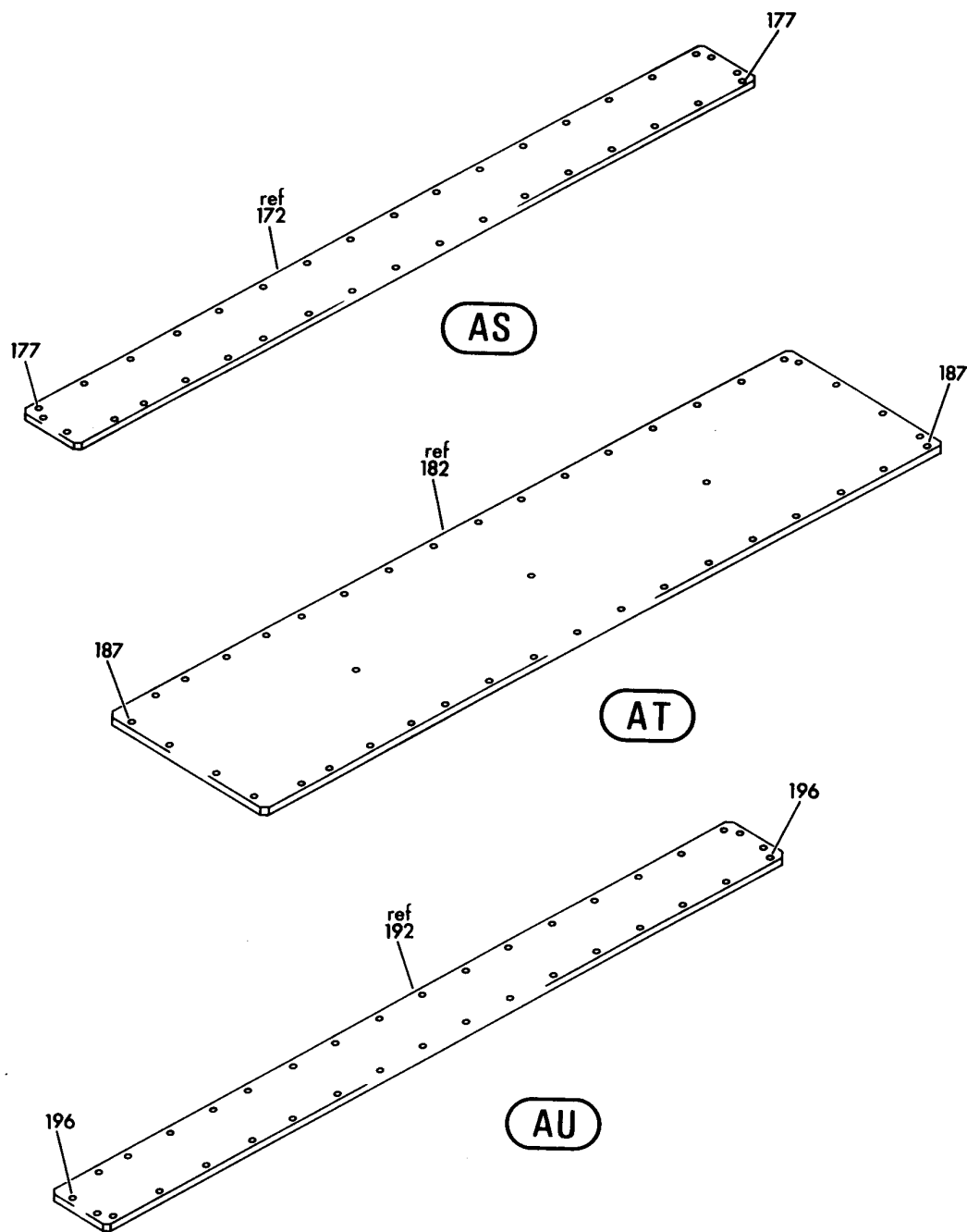
V 53010221 SHT 14 REV 116

PANEL INSTL-SECT. 43 FLOOR SAS  
FIGURE 21 (SHEET 14)

**53-01-02-21**

HXL  
DEC 22/06

53-01-02-21  
PAGE 0M



V 53010221 SHT 15 REV 110

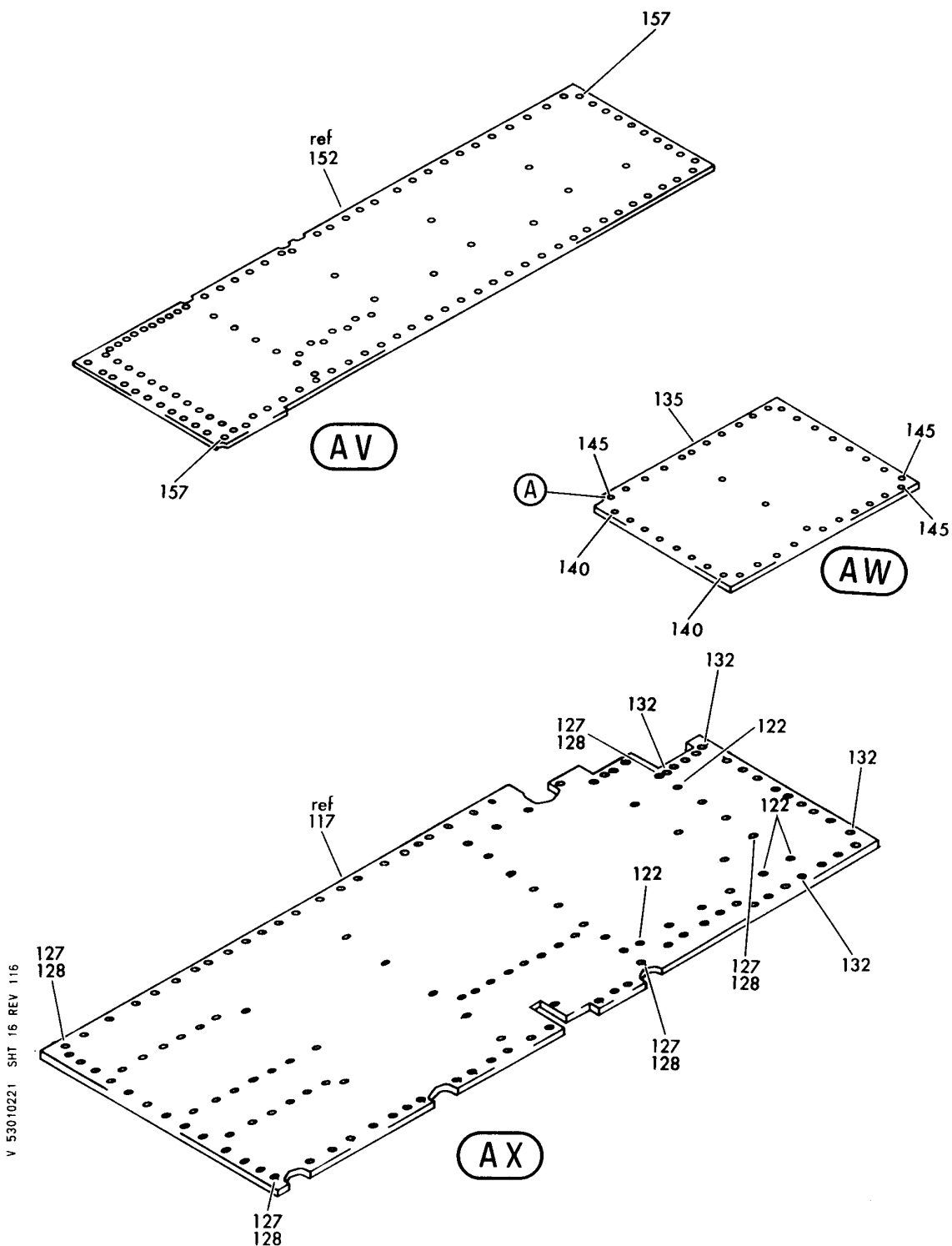
PANEL INSTL-SECT. 43 FLOOR SAS  
FIGURE 21 (SHEET 15)

**53-01-02-21**

HXL  
DEC 22/06

53-01-02-21  
PAGE ON

**BOEING**  
767  
PARTS CATALOG (MAINTENANCE)



PANEL INSTL-SECT. 43 FLOOR SAS  
FIGURE 21 (SHEET 16)

**53-01-02-21**

HXL  
DEC 22/06

53-01-02-21  
PAGE 00



767

PARTS CATALOG (MAINTENANCE)

FIG ITEM	PART NUMBER	1 2 3 4 5 6 7	NOMENCLATURE	EFFECT FROM TO	UNITS PER ASSY
21			PANEL INSTL-SECT. 43 FLOOR SAS		
- 1	143T5831-2		PANEL INSTL-FLOOR SAS POSITION DATA: SECT. 43 VARIABLE DRAWING REF: 143T5831-5013 FOR NHA SEE: 53-30-00-08	155162	RF
- 1	143T5831-4		PANEL INSTL-FLOOR SAS POSITION DATA: SECT. 43 VARIABLE DRAWING REF: 143T5831-5005 143T5831-5006 FOR NHA SEE: 53-30-00-08	163999	RF
5	BACS12GP3K15		.SCREW		AR
10	BACN11K1		.NUT- MISCELLANEOUS DATA: (FOR GAGES .020-.150)		AR
10	BACN11K3		.NUT- MISCELLANEOUS DATA: (FOR GAGES .140-.230)		AR
35	143T5889-15		.PANEL ASSY		1
40	SL6146A3-35		..INSERT- SUPPLIER CODE: V97393		AR
42	81207-3-14		..SETSCREW- SUPPLIER CODE: V80539		AR
42	94075-3K14		..SETSCREW- SUPPLIER CODE: V80539		AR
45	SL5107A3-410		..SPACER- SUPPLIER CODE: V97393		AR
50	143T5889-68		.PANEL ASSY-	155162	1
52	143T5885-64		.PANEL ASSY-	163999	1
55	SL2334-3A3		..INSERT- SUPPLIER CODE: V97393	155162	10
57	SL2334-3A3		..INSERT- SUPPLIER CODE: V97393	163999	8
60	SL6146A3-35		..INSERT- SUPPLIER CODE: V97393	155162	AR

ILLUSTRATION ITEMS NOT ON PARTS LIST ARE NOT APPLICABLE

- ITEM NOT ILLUSTRATED

53-01-02-21

53-01-02  
FIG. 21  
PAGE 1  
AUG 22/08

HXL

 **BOEING**  
767  
**PARTS CATALOG (MAINTENANCE)**

FIG ITEM	PART NUMBER	1 2 3 4 5 6 7	NOMENCLATURE	EFFECT FROM TO	UNITS PER ASSY
21					
61	81207-3-14	..	SETSCREW- SUPPLIER CODE: V80539	155162	AR
61	94075-3K14	..	SETSCREW- SUPPLIER CODE: V80539	155162	AR
62	SL6146A3-35	..	INSERT- SUPPLIER CODE: V97393	155162	AR
63	SL6146A3-35	..	INSERT- SUPPLIER CODE: V97393	163999	AR
64	81207-3-14	..	SETSCREW- SUPPLIER CODE: V80539	163999	AR
64	94075-3K14	..	SETSCREW- SUPPLIER CODE: V80539	163999	AR
65	SL5107A3-410	..	SPACER- SUPPLIER CODE: V97393	155162	AR
66	81207-3-14	..	SETSCREW- SUPPLIER CODE: V80539	155162	AR
66	94075-3K14	..	SETSCREW- SUPPLIER CODE: V80539	155162	AR
67	SL5107A3-410	..	SPACER- SUPPLIER CODE: V97393	163999	AR
70	143T5889-31	.	PANEL ASSY-	155162	1
72	143T5885-21	.	PANEL ASSY-	163999	1
75	SL6146A3-35	..	INSERT- SUPPLIER CODE: V97393	155162	AR
76	81207-3-14	..	SETSCREW- SUPPLIER CODE: V80539	155162	AR
76	94075-3K14	..	SETSCREW- SUPPLIER CODE: V80539	155162	AR
77	SL2334-3A3	..	INSERT- SUPPLIER CODE: V97393	163999	4
80	SL5107A3-410	..	SPACER- SUPPLIER CODE: V97393	155162	AR

ILLUSTRATION ITEMS NOT ON PARTS LIST ARE NOT APPLICABLE

— ITEM NOT ILLUSTRATED

HXL

# 53-01-02-21

BOEING PROPRIETARY - Copyright © - Unpublished Work - See title page for details.

53-01-02  
FIG. 21  
PAGE 2  
AUG 22/08



767

PARTS CATALOG (MAINTENANCE)

FIG ITEM	PART NUMBER	1 2 3 4 5 6 7	NOMENCLATURE	EFFECT FROM TO	UNITS PER ASSY
21					
82	SL6146A3-35	..	INSERT- SUPPLIER CODE: V97393	163999	AR
84	81207-3-14	..	SETSCREW- SUPPLIER CODE: V80539	163999	AR
84	94075-3K14	..	SETSCREW- SUPPLIER CODE: V80539	163999	AR
85	143T5889-17	.	PANEL ASSY	155162	1
90	SL6146A3-35	..	INSERT- SUPPLIER CODE: V97393	155162	AR
92	81207-3-14	..	SETSCREW- SUPPLIER CODE: V80539	155162	AR
92	94075-3K14	..	SETSCREW- SUPPLIER CODE: V80539	155162	AR
95	SL5107A3-410	..	SPACER- SUPPLIER CODE: V97393	155162	AR
100	143T5889-88	.	PANEL ASSY-	155162	1
102	143T5885-22	.	PANEL ASSY-	163999	1
105	SL6146A3-35	..	INSERT- SUPPLIER CODE: V97393	155162	AR
106	81207-3-14	..	SETSCREW- SUPPLIER CODE: V80539	155162	AR
106	94075-3K14	..	SETSCREW- SUPPLIER CODE: V80539	155162	AR
107	SL6146A3-35	..	INSERT- SUPPLIER CODE: V97393	163999	AR
108	81207-3-14	..	SETSCREW- SUPPLIER CODE: V80539	163999	AR
108	94075-3K14	..	SETSCREW- SUPPLIER CODE: V80539	163999	AR
110	SL5107A3-410	..	SPACER- SUPPLIER CODE: V97393	155162	AR
115	143T5889-69	.	PANEL ASSY-	155162	1
117	143T5885-19	.	PANEL ASSY-	163999	1

ILLUSTRATION ITEMS NOT ON PARTS LIST ARE NOT APPLICABLE

- ITEM NOT ILLUSTRATED

53-01-02-21

53-01-02  
FIG. 21  
PAGE 3  
AUG 22/08

HXL

BOEING PROPRIETARY - Copyright © - Unpublished Work - See title page for details.



767

PARTS CATALOG (MAINTENANCE)

FIG ITEM	PART NUMBER	1 2 3 4 5 6 7	NOMENCLATURE	EFFECT FROM TO	UNITS PER ASSY
21					
120	SL2334-3A3	..	INSERT- SUPPLIER CODE: V97393	155162	10
122	SL2334-3A3	..	INSERT- SUPPLIER CODE: V97393	163999	10
125	SL6146A3-35	..	INSERT- SUPPLIER CODE: V97393	155162	AR
126	81207-3-14	..	SETSCREW- SUPPLIER CODE: V80539	155162	AR
126	94075-3K14	..	SETSCREW- SUPPLIER CODE: V80539	155162	AR
127	SL6146A3-35	..	INSERT- SUPPLIER CODE: V97393	163999	AR
128	81207-3-14	..	SETSCREW- SUPPLIER CODE: V80539	163999	AR
128	94075-3K14	..	SETSCREW- SUPPLIER CODE: V80539	163999	AR
130	SL5107A3-410	..	SPACER- SUPPLIER CODE: V97393	155162	AR
132	SL5107A3-410	..	SPACER- SUPPLIER CODE: V97393	163999	AR
135	143T5889-19	.	PANEL ASSY		1
140	SL6146A3-35	..	INSERT- SUPPLIER CODE: V97393		AR
142	81207-3-14	..	SETSCREW- SUPPLIER CODE: V80539		AR
142	94075-3K14	..	SETSCREW- SUPPLIER CODE: V80539		AR
145	SL5107A3-410	..	SPACER- SUPPLIER CODE: V97393	155162	AR
150	143T5898-128	.	PANEL ASSY-	155162	1
152	143T5887-56	.	PANEL ASSY-	163999	1
155	SL5107A3-410	..	SPACER- SUPPLIER CODE: V97393	155162	AR

ILLUSTRATION ITEMS NOT ON PARTS LIST ARE NOT APPLICABLE

- ITEM NOT ILLUSTRATED

53-01-02-21

53-01-02  
FIG. 21  
PAGE 4  
AUG 22/08

HXL

BOEING PROPRIETARY - Copyright © - Unpublished Work - See title page for details.





767

PARTS CATALOG (MAINTENANCE)

FIG ITEM	PART NUMBER	1 2 3 4 5 6 7	NOMENCLATURE	EFFECT FROM TO	UNITS PER ASSY
21					
157	SL5107A3-410	..	SPACER- SUPPLIER CODE: V97393	163999	AR
160	143T5892-65	.	PANEL ASSY-	155162	1
162	143T5892-89	.	PANEL ASSY-	163999	1
165	SL5107A3-410	..	SPACER- SUPPLIER CODE: V97393	155162	AR
165	SL5107A3-410	..	SPACER- SUPPLIER CODE: V97393	163999	AR
170	143T5892-96	.	PANEL ASSY-	155162	1
172	143T5885-75	.	PANEL ASSY-	163999	1
175	SL5107A3-410	..	SPACER- SUPPLIER CODE: V97393	155162	AR
177	SL5107A3-410	..	SPACER- SUPPLIER CODE: V97393	163999	AR
180	143T5899-136	.	PANEL ASSY-	155162	1
182	143T5885-25	.	PANEL ASSY-	163999	1
185	SL5107A3-410	..	SPACER- SUPPLIER CODE: V97393	155162	AR
187	SL5107A3-410	..	SPACER- SUPPLIER CODE: V97393	163999	AR
190	143T5899-154	.	PANEL ASSY-	155162	2
192	143T5885-74	.	PANEL ASSY-	163999	1
193	143T5899-154	.	PANEL ASSY	163999	1
195	SL5107A3-410	..	SPACER- SUPPLIER CODE: V97393	155162	AR
197	SL5107A3-410	..	SPACER- SUPPLIER CODE: V97393	163999	AR
200	143T5887-52	.	PANEL ASSY-	155162	1
207	SL5107A3-410	..	SPACER- SUPPLIER CODE: V97393	155162	AR
210	143T5892-93	.	PANEL ASSY-		1
215	SL5107A3-410	..	SPACER- SUPPLIER CODE: V97393		AR
220	143T5893-116	.	PANEL ASSY-	155162 164999	1
220	143T5899-208	.	PANEL ASSY-	163163	1

ILLUSTRATION ITEMS NOT ON PARTS LIST ARE NOT APPLICABLE

- ITEM NOT ILLUSTRATED

53-01-02-21

53-01-02  
FIG. 21  
PAGE 5  
AUG 22/08

HXL



767

PARTS CATALOG (MAINTENANCE)

FIG ITEM	PART NUMBER	1 2 3 4 5 6 7	NOMENCLATURE	EFFECT FROM TO	UNITS PER ASSY
21					
227	SL5107A3-410	..	SPACER- SUPPLIER CODE: V97393		AR
230	143T5892-88	.	PANEL ASSY-		1
235	SL5107A3-410	..	SPACER- SUPPLIER CODE: V97393		AR
240	143T5899-156	.	PANEL ASSY-		1
245	SL5107A3-410	..	SPACER- SUPPLIER CODE: V97393		AR
250	143T5899-143	.	PANEL ASSY-		1
255	SL5107A3-410	..	SPACER- SUPPLIER CODE: V97393		AR
260	143T5899-141	.	PANEL ASSY-		2
265	SL5107A3-410	..	SPACER- SUPPLIER CODE: V97393		AR
270	143T5899-145	.	PANEL ASSY-	163163	1
270	143T5885-58	.	PANEL ASSY-	155162	1
				164999	
275	SL5107A3-410	..	SPACER- SUPPLIER CODE: V97393		AR
280	143T5899-146	.	PANEL ASSY-		1
285	SL5107A3-410	..	SPACER- SUPPLIER CODE: V97393		AR
290	143T5889-63	.	PANEL ASSY-		1
295	SL5107A3-410	..	SPACER- SUPPLIER CODE: V97393		AR
300	143T5889-21	.	PANEL ASSY		1
305	SL5107A3-410	..	SPACER- SUPPLIER CODE: V97393		AR
310	143T5887-69	.	PANEL ASSY-		1
315	SL5107A3-410	..	SPACER- SUPPLIER CODE: V97393		AR
320	143T5889-64	.	PANEL ASSY-		1
325	SL5107A3-410	..	SPACER- SUPPLIER CODE: V97393		AR
330	143T5889-23	.	PANEL ASSY		1
335	SL5107A3-410	..	SPACER- SUPPLIER CODE: V97393		AR

ILLUSTRATION ITEMS NOT ON PARTS LIST ARE NOT APPLICABLE

- ITEM NOT ILLUSTRATED

53-01-02-21

53-01-02  
FIG. 21  
PAGE 6  
AUG 22/08

HXL



767

PARTS CATALOG (MAINTENANCE)

FIG ITEM	PART NUMBER	1 2 3 4 5 6 7	NOMENCLATURE	EFFECT FROM TO	UNITS PER ASSY
21					
340	143T5889-24		.PANEL ASSY		1
345	SL5107A3-410		..SPACER-		AR
			SUPPLIER CODE:		
			V97393		
350	143T5889-65		.PANEL ASSY-		1
355	SL5107A3-410		..SPACER-		AR
			SUPPLIER CODE:		
			V97393		
360	143T5889-66		.PANEL ASSY-		1
365	SL5107A3-410		..SPACER-		AR
			SUPPLIER CODE:		
			V97393		
370	143T5889-27		.PANEL ASSY	155162	1
375	SL5107A3-410		..SPACER-	155162	AR
			SUPPLIER CODE:		
			V97393		
380	143T5892-90		.PANEL ASSY-		1
385	SL5107A3-410		..SPACER-		AR
			SUPPLIER CODE:		
			V97393		
390	143T5899-158		.PANEL ASSY-		1
395	SL5107A3-410		..SPACER-		AR
			SUPPLIER CODE:		
			V97393		
400	143T5892-68		.PANEL ASSY-		1
405	SL5107A3-410		..SPACER-		AR
			SUPPLIER CODE:		
			V97393		
410	143T5889-28		.PANEL ASSY		1
415	SL5107A3-410		..SPACER-		AR
			SUPPLIER CODE:		
			V97393		
420	143T5889-67		.PANEL ASSY-		1
425	SL5107A3-410		..SPACER-		AR
			SUPPLIER CODE:		
			V97393		

ILLUSTRATION ITEMS NOT ON PARTS LIST ARE NOT APPLICABLE

- ITEM NOT ILLUSTRATED

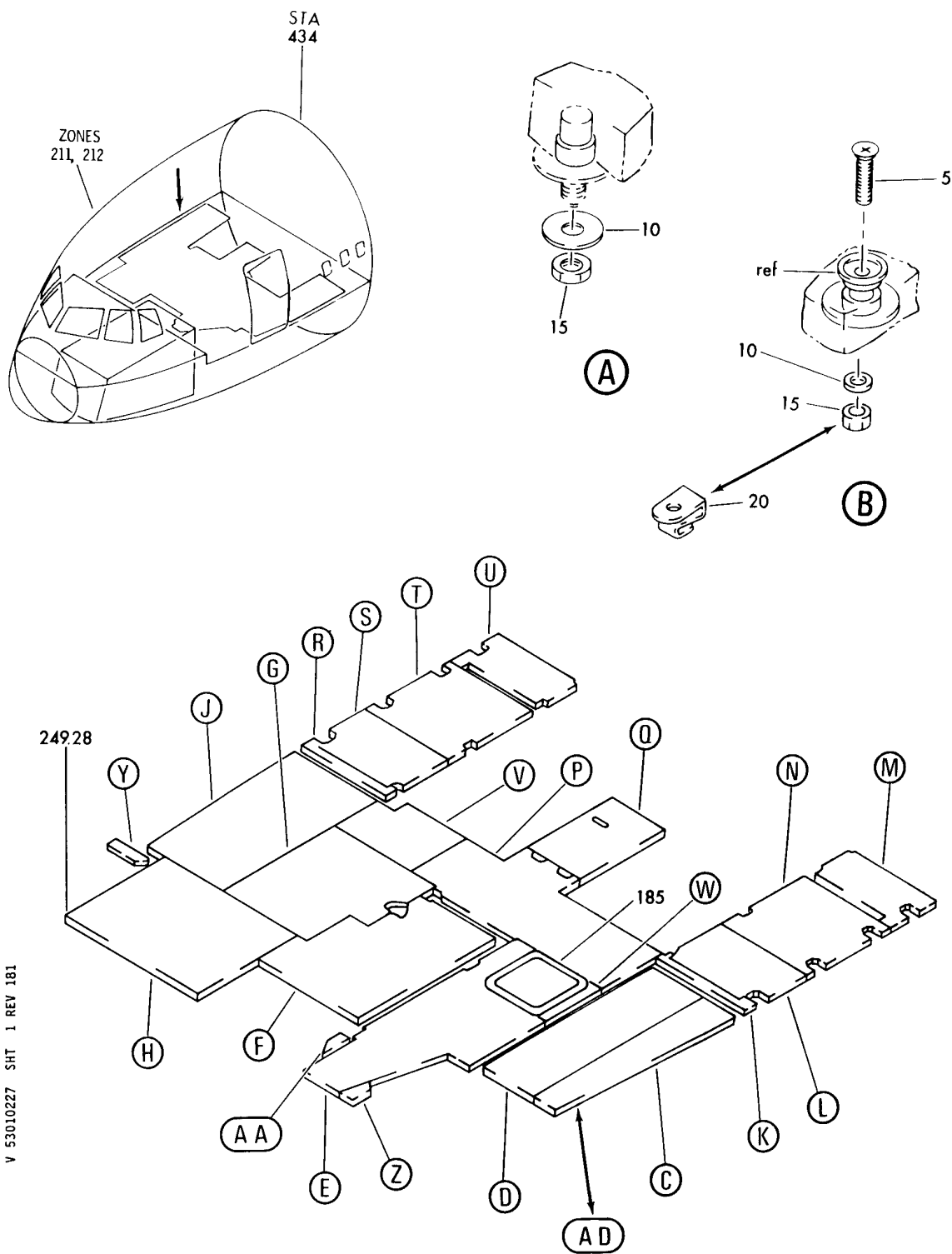
53-01-02-21

53-01-02  
FIG. 21  
PAGE 7  
AUG 22/08

HXL

BOEING PROPRIETARY - Copyright © - Unpublished Work - See title page for details.

**BOEING**  
767  
PARTS CATALOG (MAINTENANCE)



V 53010227 SHT 1 REV 181

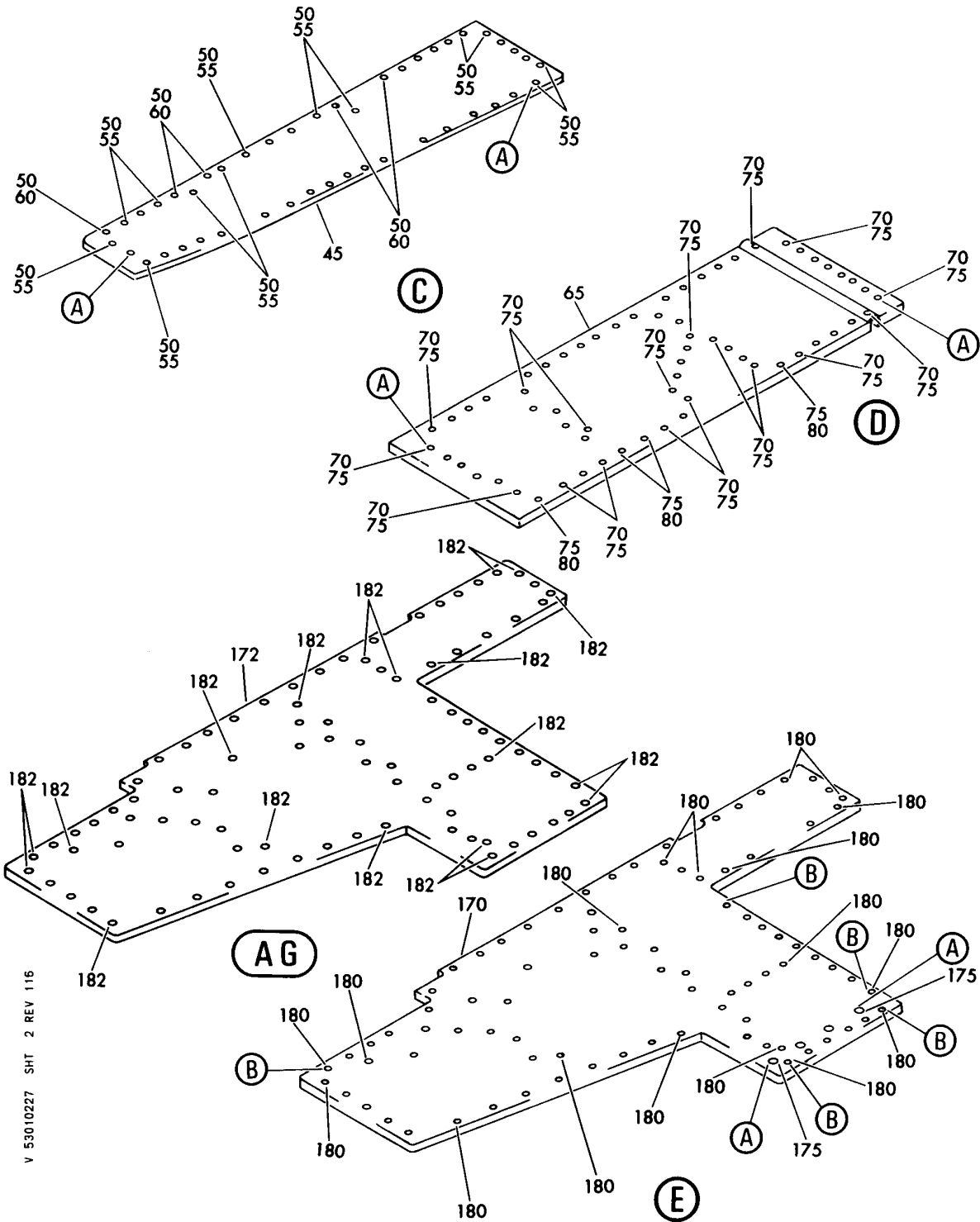
PANEL INSTL-SECT. 41 FLOOR SAS  
FIGURE 27 (SHEET 1)

**53-01-02-27**

HXL  
DEC 22/06

53-01-02-27  
PAGE 0

**BOEING**  
767  
PARTS CATALOG (MAINTENANCE)



V 53010227 SH1 2 REV 116

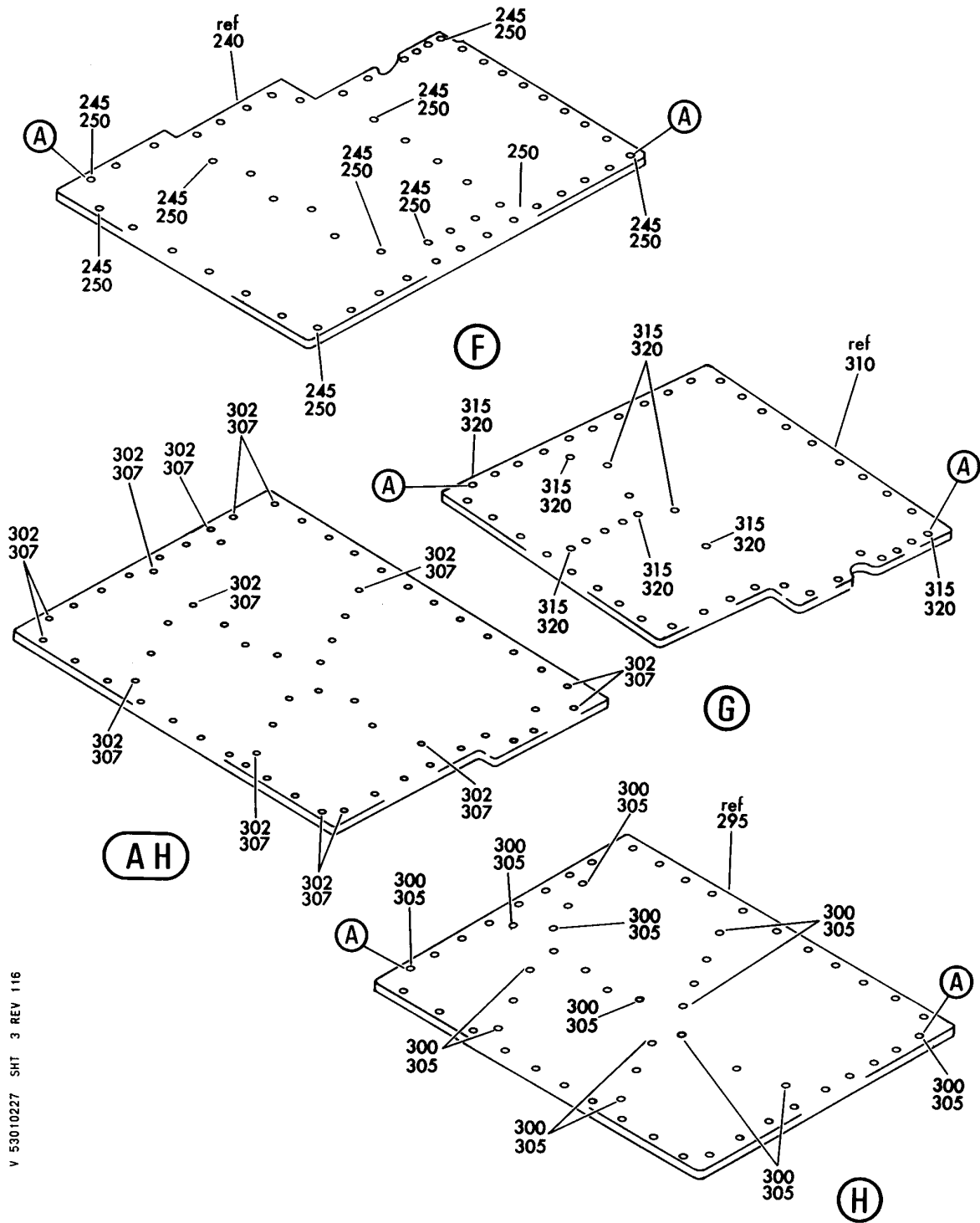
PANEL INSTL-SECT. 41 FLOOR SAS  
FIGURE 27 (SHEET 2)

**53-01-02-27**

HXL  
DEC 22/06

53-01-02-27  
PAGE 0A

**BOEING**  
767  
PARTS CATALOG (MAINTENANCE)



V 53010227 SHT 3 REV 116

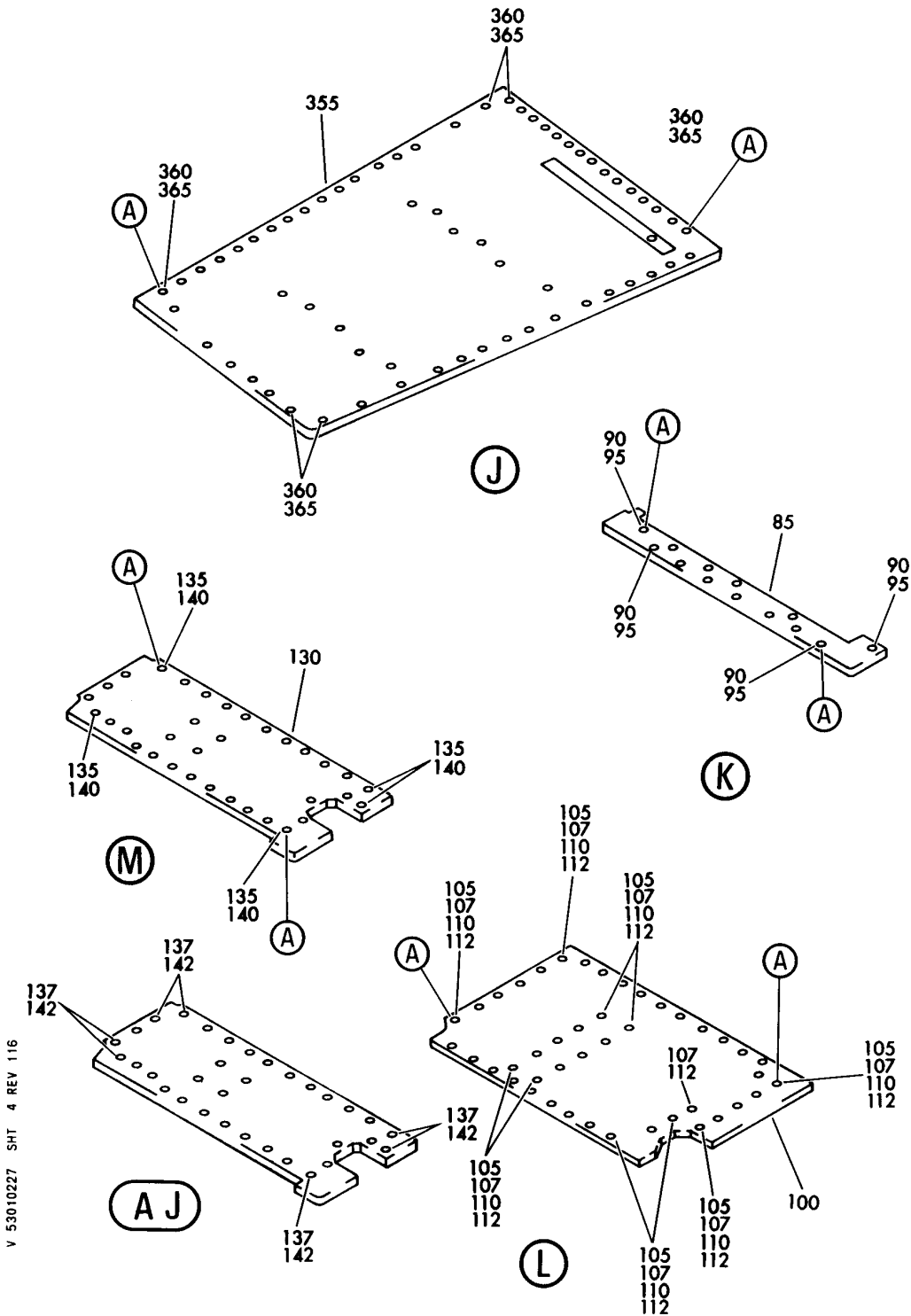
PANEL INSTL-SECT. 41 FLOOR SAS  
FIGURE 27 (SHEET 3)

53-01-02-27

HXL  
DEC 22/06

53-01-02-27  
PAGE 0B

**BOEING**  
767  
PARTS CATALOG (MAINTENANCE)



V 53010227 SHT 4 REV 116

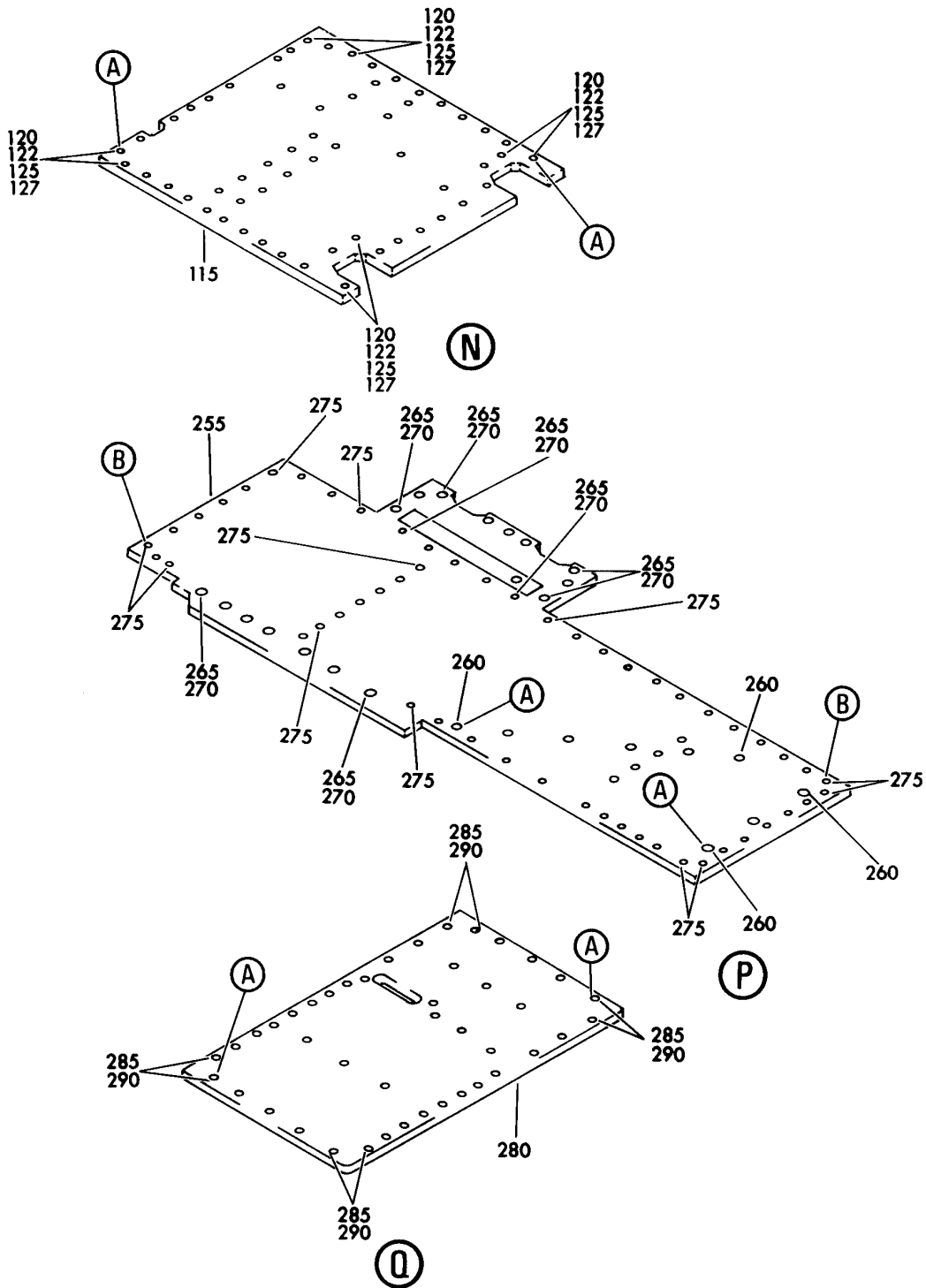
PANEL INSTL-SECT. 41 FLOOR SAS  
FIGURE 27 (SHEET 4)

53-01-02-27

HXL  
DEC 22/06

53-01-02-27  
PAGE 0C

**BOEING**  
767  
PARTS CATALOG (MAINTENANCE)



V 53010227 SHT 5 REV 116

PANEL INSTL-SECT. 41 FLOOR SAS  
FIGURE 27 (SHEET 5)

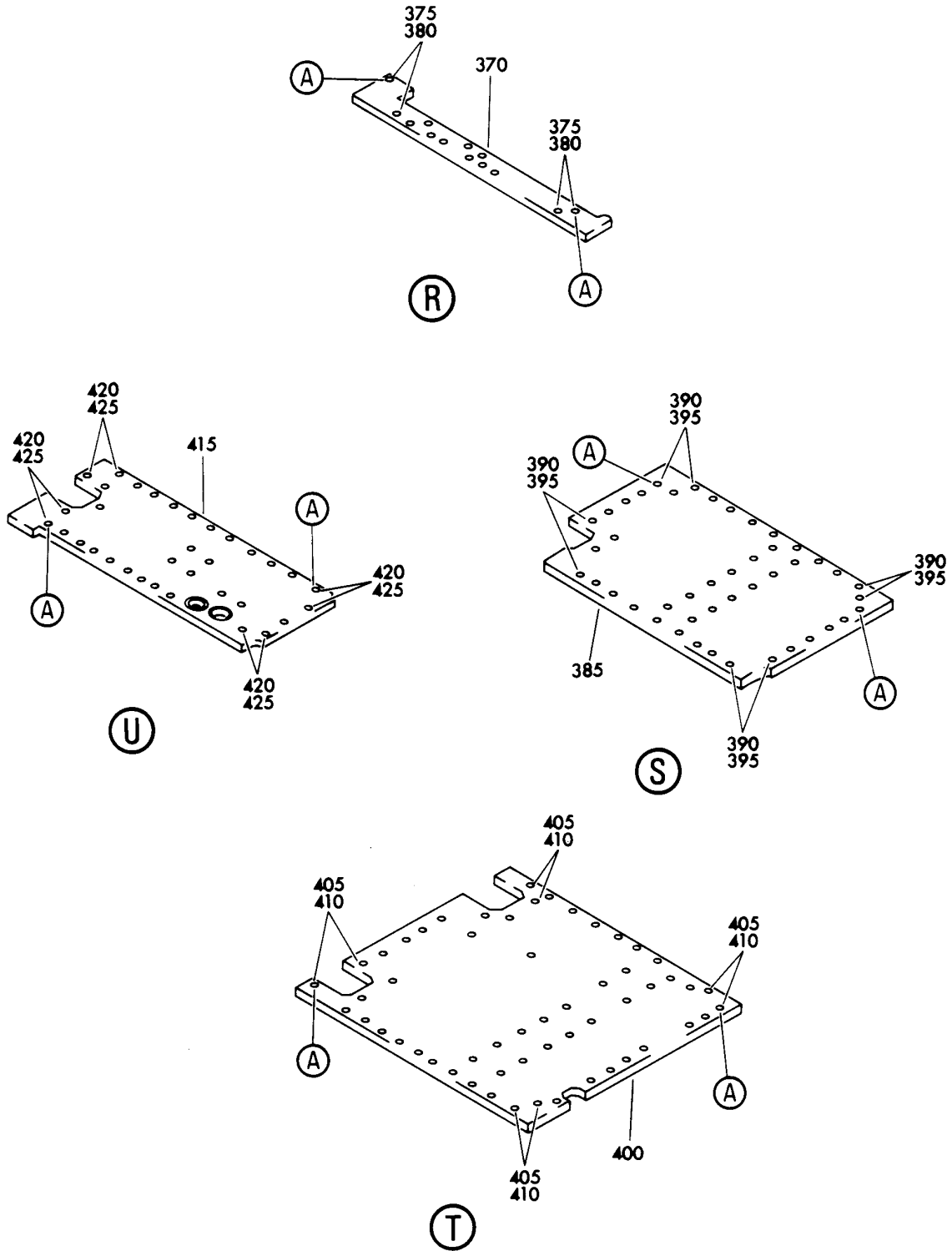
53-01-02-27

HXL  
DEC 22/06

53-01-02-27  
PAGE 0D



**BOEING**  
767  
PARTS CATALOG (MAINTENANCE)



V 53010227 SHT 6 REV 087

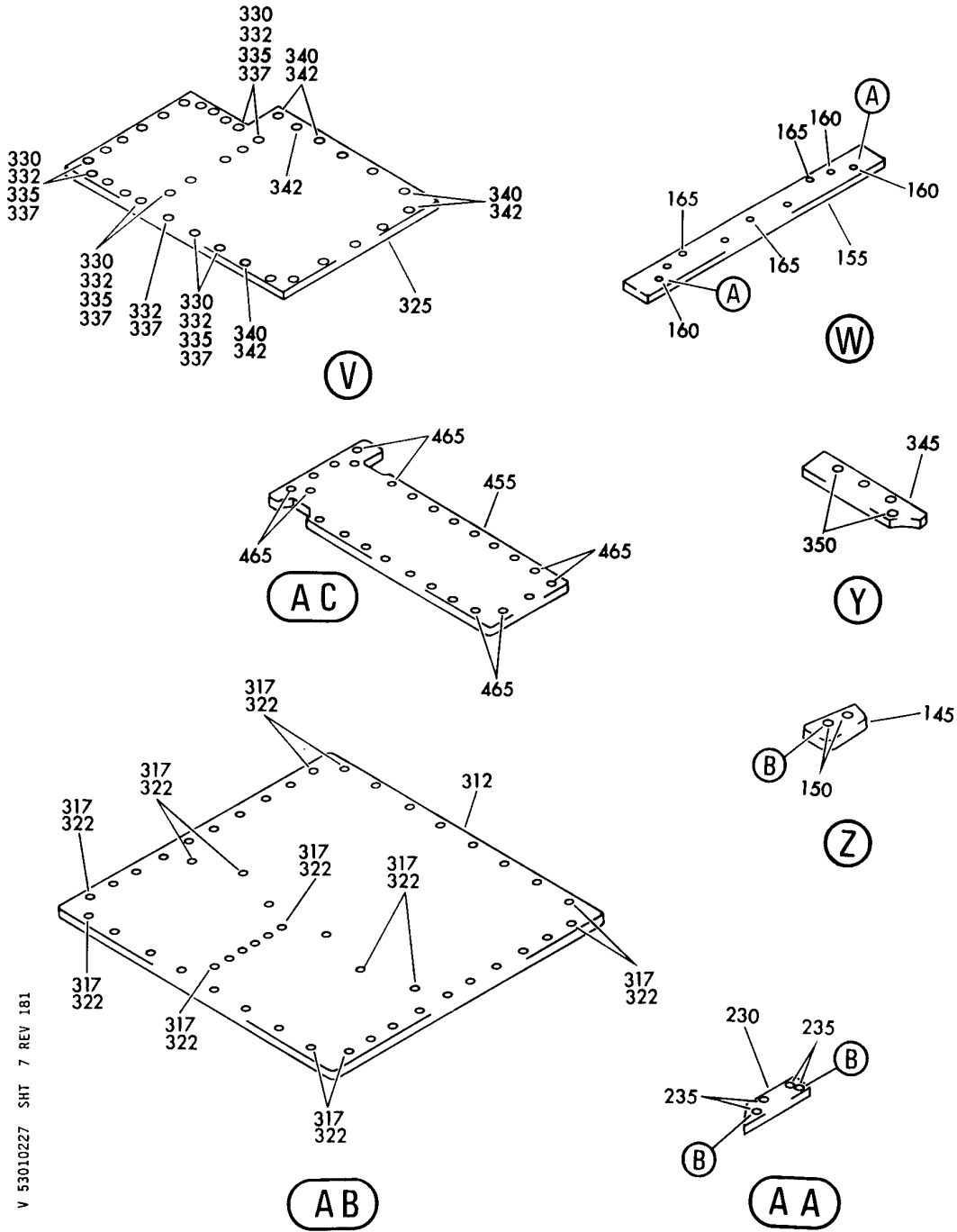
PANEL INSTL-SECT. 41 FLOOR SAS  
FIGURE 27 (SHEET 6)

**53-01-02-27**

HXL  
DEC 22/06

53-01-02-27  
PAGE 0E

**BOEING**  
767  
PARTS CATALOG (MAINTENANCE)



V 53010227 SHT 7 REV 181

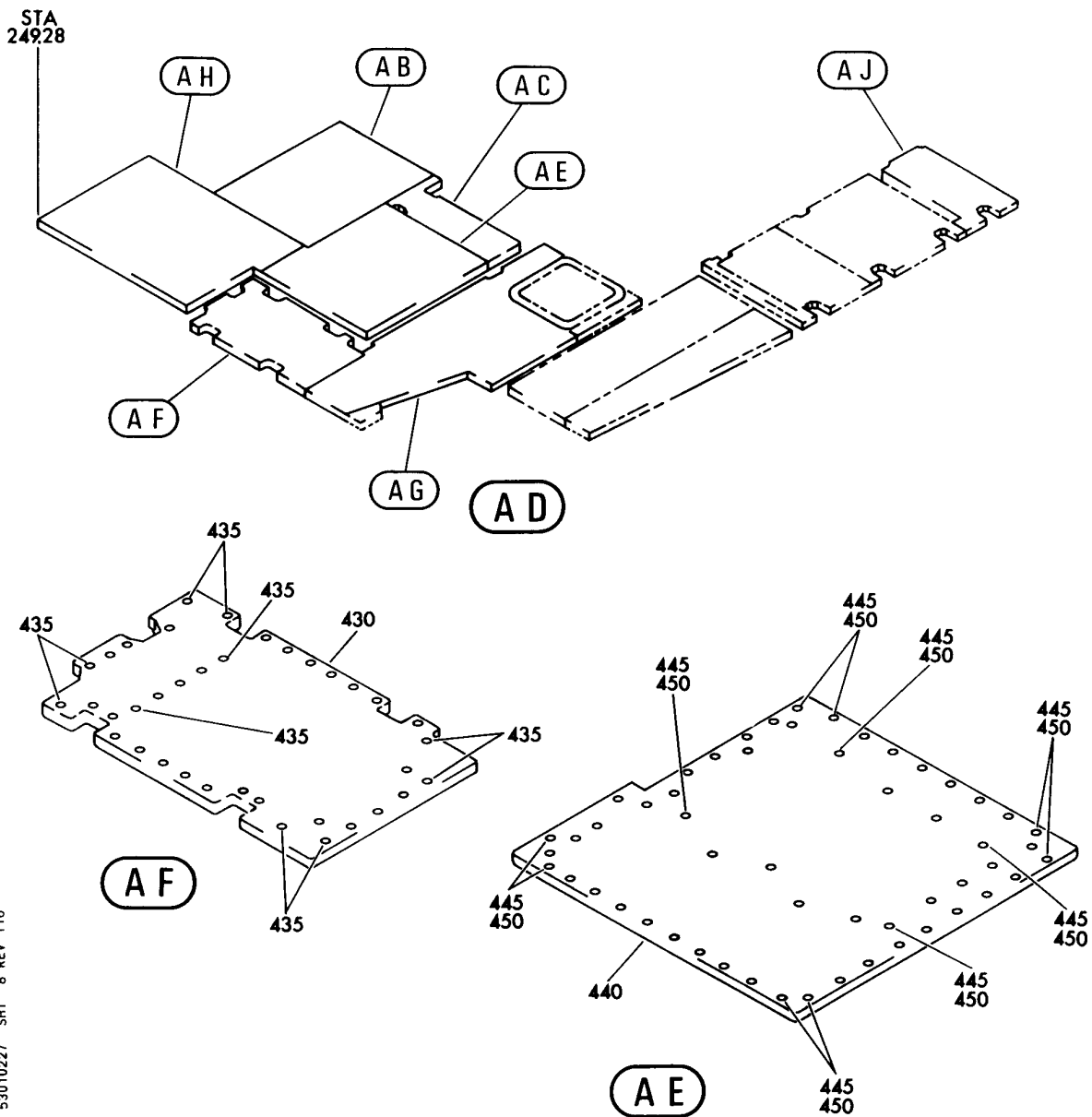
PANEL INSTL-SECT. 41 FLOOR SAS  
FIGURE 27 (SHEET 7)

53-01-02-27

HXL  
DEC 22/06

53-01-02-27  
PAGE OF

**BOEING**  
767  
PARTS CATALOG (MAINTENANCE)



V 530 10227 SHT 8 REV 116

PANEL INSTL-SECT. 41 FLOOR SAS  
FIGURE 27 (SHEET 8)

**53-01-02-27**

HXL  
DEC 22/06

53-01-02-27  
PAGE 0G



767

PARTS CATALOG (MAINTENANCE)

FIG ITEM	PART NUMBER	1 2 3 4 5 6 7	NOMENCLATURE	EFFECT FROM TO	UNITS PER ASSY
27			PANEL INSTL-SECT. 41 FLOOR SAS	155162	
- 1	141T5855-4		PANEL INSTL-FLOOR SAS POSITION DATA: SECT. 41 VARIABLE DRAWING REF: 141T5855-5010 FOR NHA SEE: 53-10-00-08	155162	RF
5	BACS12GP3K15		.SCREW	155162	AR
10	BACW10P388GE		.WASHER-	155162	AR
15	BRH10C3M		.NUT SUPPLIER CODE: V52828 SPECIFICATION NUMBER: BACN10JC3CM OPTIONAL PART: T6C1032JM V11815 97E02 V80539 109LH9075-3W V72962 VN303D02 V92215 NS202101SE02 V80539 H01-3BAC V15653	155162	AR
20	BACN11K1		.NUT- MISCELLANEOUS DATA: (FOR GAGES .020-.150)	155162	AR
20	BACN11K3		.NUT- MISCELLANEOUS DATA: (FOR GAGES .140-.230)	155162	AR
45	141T5390-58		.PANEL ASSY-	155162	1
50	SL6146A3-35		..INSERT- SUPPLIER CODE: V97393	155162	AR
55	81207-3-14		..SETSCREW- SUPPLIER CODE: V80539	155162	AR
55	94075-3K14		..SETSCREW- SUPPLIER CODE: V80539	155162	AR
60	81207-3-19		..SETSCREW- SUPPLIER CODE: V80539	155162	5
65	141T5922-44		.PANEL ASSY	155162	1

ILLUSTRATION ITEMS NOT ON PARTS LIST ARE NOT APPLICABLE

- ITEM NOT ILLUSTRATED

53-01-02-27

53-01-02  
FIG. 27  
PAGE 1  
AUG 22/08

HXL

 **BOEING**  
767  
**PARTS CATALOG (MAINTENANCE)**

FIG ITEM	PART NUMBER	1 2 3 4 5 6 7	NOMENCLATURE	EFFECT FROM TO	UNITS PER ASSY
27					
70	81207-3-14	..	SETSCREW- SUPPLIER CODE: V80539	155162	AR
70	94075-3K14	..	SETSCREW- SUPPLIER CODE: V80539	155162	AR
75	SL6146A3-35	..	INSERT- SUPPLIER CODE: V97393	155162	AR
80	81207-3-19	..	SETSCREW- SUPPLIER CODE: V80539	155162	4
85	141T5922-51	.	PANEL ASSY	155162	1
90	81207-3-14	..	SETSCREW- SUPPLIER CODE: V80539	155162	AR
90	94075-3K14	..	SETSCREW- SUPPLIER CODE: V80539	155162	AR
95	SL6146A3-35	..	INSERT- SUPPLIER CODE: V97393	155162	AR
100	141T5922-72	.	PANEL ASSY-	155162	1
107	81207-3-14	..	SETSCREW- SUPPLIER CODE: V80539	155162	AR
107	94075-3K14	..	SETSCREW- SUPPLIER CODE: V80539	155162	AR
112	SL6146A3-35	..	INSERT- SUPPLIER CODE: V97393	155162	AR
115	141T5896-35	.	PANEL ASSY-	155162	1
122	81207-3-14	..	SETSCREW- SUPPLIER CODE: V80539	155162	AR
122	94075-3K14	..	SETSCREW- SUPPLIER CODE: V80539	155162	AR
127	SL6146A3-35	..	INSERT- SUPPLIER CODE: V97393	155162	AR
130	141T5897-43	.	PANEL ASSY-	155162	1
137	81207-3-14	..	SETSCREW- SUPPLIER CODE: V80539	155162	AR
137	94075-3K14	..	SETSCREW- SUPPLIER CODE: V80539	155162	AR

ILLUSTRATION ITEMS NOT ON PARTS LIST ARE NOT APPLICABLE

— ITEM NOT ILLUSTRATED

HXL

**53-01-02-27**

53-01-02  
FIG. 27  
PAGE 2  
AUG 22/08

BOEING PROPRIETARY - Copyright © - Unpublished Work - See title page for details.



767

PARTS CATALOG (MAINTENANCE)

FIG ITEM	PART NUMBER	1 2 3 4 5 6 7	NOMENCLATURE	EFFECT FROM TO	UNITS PER ASSY
27					
142	SL6146A3-35	..	INSERT- SUPPLIER CODE: V97393	155162	AR
145	141T3990-11	.	PANEL ASSY	155162	1
150	SL5107A3-410	..	SPACER- SUPPLIER CODE: V97393	155162	AR
155	141T5388-24	.	PANEL ASSY	155162	1
160	SL5107A3-410	..	SPACER- SUPPLIER CODE: V97393	155162	6
165	SL6146A3-35	..	INSERT- SUPPLIER CODE: V97393	155162	3
172	141T5897-9	.	PANEL ASSY-	155162	1
175	SL2334-3A3	..	INSERT- SUPPLIER CODE: V97393	155162	4
182	SL5107A3-410	..	SPACER- SUPPLIER CODE: V97393	155162	AR
185	141T5383-6	.	PANEL ASSY-ACCESS FOR DETAILS SEE: 52-48-05-01	155162	1
255	141T5896-31	.	PANEL ASSY-	155162	1
260	SL2334-3A3	..	INSERT- SUPPLIER CODE: V97393	155162	9
265	81207-3-14	..	SETSCREW- SUPPLIER CODE: V80539	155162	AR
265	94075-3K14	..	SETSCREW- SUPPLIER CODE: V80539	155162	AR
270	SL6146A3-35	..	INSERT- SUPPLIER CODE: V97393	155162	AR
275	SL5107A3-410	..	SPACER- SUPPLIER CODE: V97393	155162	AR
280	141T5922-50	.	PANEL ASSY	155162	1
285	81207-3-14	..	SETSCREW- SUPPLIER CODE: V80539	155162	AR
285	94075-3K14	..	SETSCREW- SUPPLIER CODE: V80539	155162	AR

ILLUSTRATION ITEMS NOT ON PARTS LIST ARE NOT APPLICABLE

- ITEM NOT ILLUSTRATED

53-01-02-27

53-01-02  
FIG. 27  
PAGE 3  
AUG 22/08

HXL

BOEING PROPRIETARY - Copyright © - Unpublished Work - See title page for details.

 **BOEING**  
767  
**PARTS CATALOG (MAINTENANCE)**

FIG ITEM	PART NUMBER	1 2 3 4 5 6 7	NOMENCLATURE	EFFECT FROM TO	UNITS PER ASSY
27					
290	SL6146A3-35	..	INSERT- SUPPLIER CODE: V97393	155162	AR
295	141T5896-30	.PANEL ASSY-		155162	1
302	81207-3-14	..	SETSCREW- SUPPLIER CODE: V80539	155162	AR
302	94075-3K14	..	SETSCREW- SUPPLIER CODE: V80539	155162	AR
307	SL6146A3-35	..	INSERT- SUPPLIER CODE: V97393	155162	AR
312	141T5896-33	.PANEL ASSY-		155162	1
317	81207-3-14	..	SETSCREW- SUPPLIER CODE: V80539	155162	AR
317	94075-3K14	..	SETSCREW- SUPPLIER CODE: V80539	155162	AR
322	SL6146A3-35	..	INSERT- SUPPLIER CODE: V97393	155162	AR
325	141T5897-13	.PANEL ASSY-		155162	1
332	81207-3-14	..	SETSCREW- SUPPLIER CODE: V80539	155162	AR
332	94075-3K14	..	SETSCREW- SUPPLIER CODE: V80539	155162	AR
337	SL6146A3-35	..	INSERT- SUPPLIER CODE: V97393	155162	AR
342	SL5107A3-410	..	SPACER- SUPPLIER CODE: V97393	155162	AR
345	141T3990-21	.PANEL ASSY		155162	1
350	SL5107A3-410	..	SPACER- SUPPLIER CODE: V97393	155162	AR
355	141T5922-48	.PANEL ASSY		155162	1
360	81207-3-14	..	SETSCREW- SUPPLIER CODE: V80539	155162	AR
360	94075-3K14	..	SETSCREW- SUPPLIER CODE: V80539	155162	AR

ILLUSTRATION ITEMS NOT ON PARTS LIST ARE NOT APPLICABLE

— ITEM NOT ILLUSTRATED

HXL

# 53-01-02-27

BOEING PROPRIETARY - Copyright © - Unpublished Work - See title page for details.

53-01-02  
FIG. 27  
PAGE 4  
AUG 22/08

 **BOEING**  
767  
**PARTS CATALOG (MAINTENANCE)**

FIG ITEM	PART NUMBER	1 2 3 4 5 6 7	NOMENCLATURE	EFFECT FROM TO	UNITS PER ASSY
27					
365	SL6146A3-35	..	INSERT- SUPPLIER CODE: V97393	155162	AR
370	141T5922-52	.	PANEL ASSY	155162	1
375	81207-3-14	..	SETSCREW- SUPPLIER CODE: V80539	155162	AR
380	SL6146A3-35	..	INSERT- SUPPLIER CODE: V97393	155162	AR
385	141T5922-73	.	PANEL ASSY-	155162	1
390	81207-3-14	..	SETSCREW- SUPPLIER CODE: V80539	155162	AR
390	94075-3K14	..	SETSCREW- SUPPLIER CODE: V80539	155162	AR
395	SL6146A3-35	..	INSERT- SUPPLIER CODE: V97393	155162	AR
400	141T5897-46	.	PANEL ASSY-	155162	1
405	81207-3-14	..	SETSCREW- SUPPLIER CODE: V80539	155162	AR
405	94075-3K14	..	SETSCREW- SUPPLIER CODE: V80539	155162	AR
410	SL6146A3-35	..	INSERT- SUPPLIER CODE: V97393	155162	AR
415	141T5922-58	.	PANEL ASSY	155162	1
420	81207-3-14	..	SETSCREW- SUPPLIER CODE: V80539	155162	AR
420	94075-3K14	..	SETSCREW- SUPPLIER CODE: V80539	155162	AR
425	SL6146A3-35	..	INSERT- SUPPLIER CODE: V97393	155162	AR
430	141T5898-33	.	PANEL ASSY-FLOOR	155162	1
435	SL5107A3-410	..	SPACER- SUPPLIER CODE: V97393	155162	AR
440	141T5896-32	.	PANEL ASSY-FLOOR	155162	1
445	81207-3-14	..	SETSCREW- SUPPLIER CODE: V80539	155162	AR

ILLUSTRATION ITEMS NOT ON PARTS LIST ARE NOT APPLICABLE

- ITEM NOT ILLUSTRATED

HXL

# 53-01-02-27

BOEING PROPRIETARY - Copyright © - Unpublished Work - See title page for details.

53-01-02  
FIG. 27  
PAGE 5  
AUG 22/08





767

PARTS CATALOG (MAINTENANCE)

FIG ITEM	PART NUMBER	1 2 3 4 5 6 7	NOMENCLATURE	EFFECT FROM TO	UNITS PER ASSY
27					
445	94075-3K14	..	SETSCREW- SUPPLIER CODE: V80539	155162	AR
450	SL6146A3-35	..	INSERT- SUPPLIER CODE: V97393	155162	AR
455	141T5896-34	.	PANEL ASSY-FLOOR	155162	1
460	81207-3-14	..	SETSCREW- SUPPLIER CODE: V80539	155162	AR
460	94075-3K14	..	SETSCREW- SUPPLIER CODE: V80539	155162	AR
465	SL6146A3-35	..	INSERT- SUPPLIER CODE: V97393	155162	AR

ILLUSTRATION ITEMS NOT ON PARTS LIST ARE NOT APPLICABLE

- ITEM NOT ILLUSTRATED

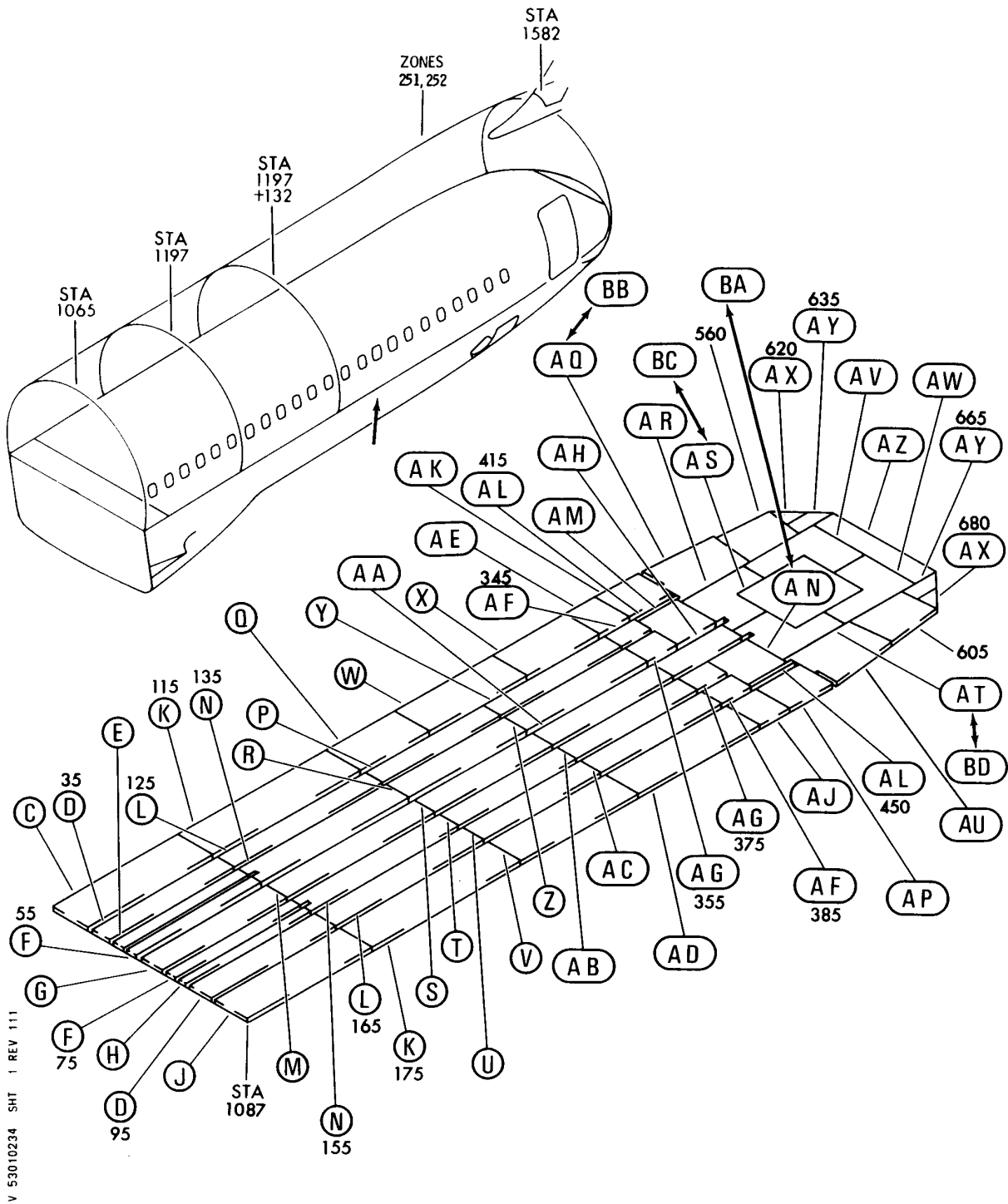
HXL

53-01-02-27

BOEING PROPRIETARY - Copyright © - Unpublished Work - See title page for details.

53-01-02  
FIG. 27  
PAGE 6  
AUG 22/08

**BOEING**  
767  
PARTS CATALOG (MAINTENANCE)



V 53010234 SHT 1 REV 111

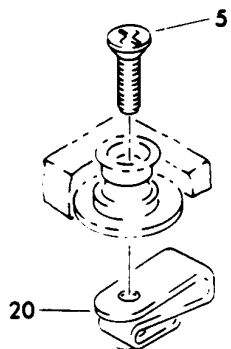
PANEL INSTL- SECT. 46 SAS FLOOR  
FIGURE 34 (SHEET 1)

**53-01-02-34**

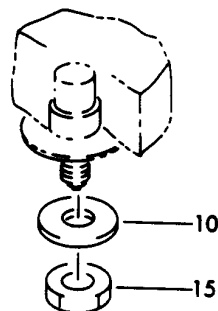
HXL  
DEC 22/06

53-01-02-34  
PAGE 0

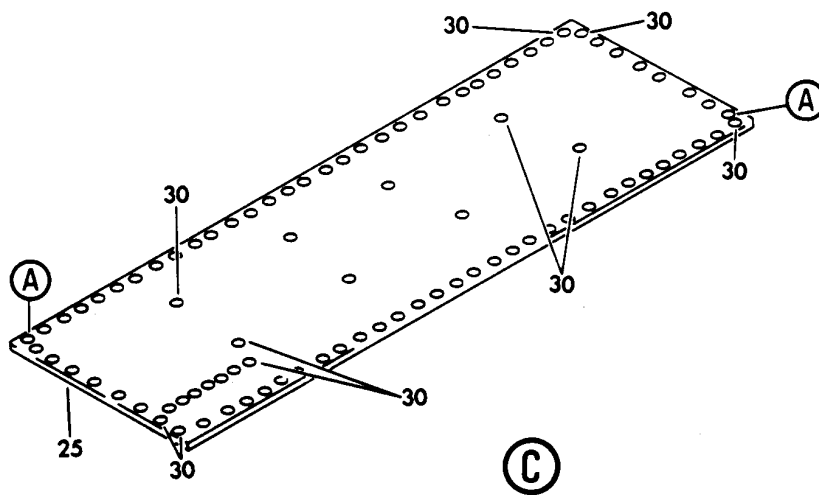
**BOEING**  
767  
PARTS CATALOG (MAINTENANCE)



(A)



(B)



(C)

V 53010234 SH1 2 REV 099

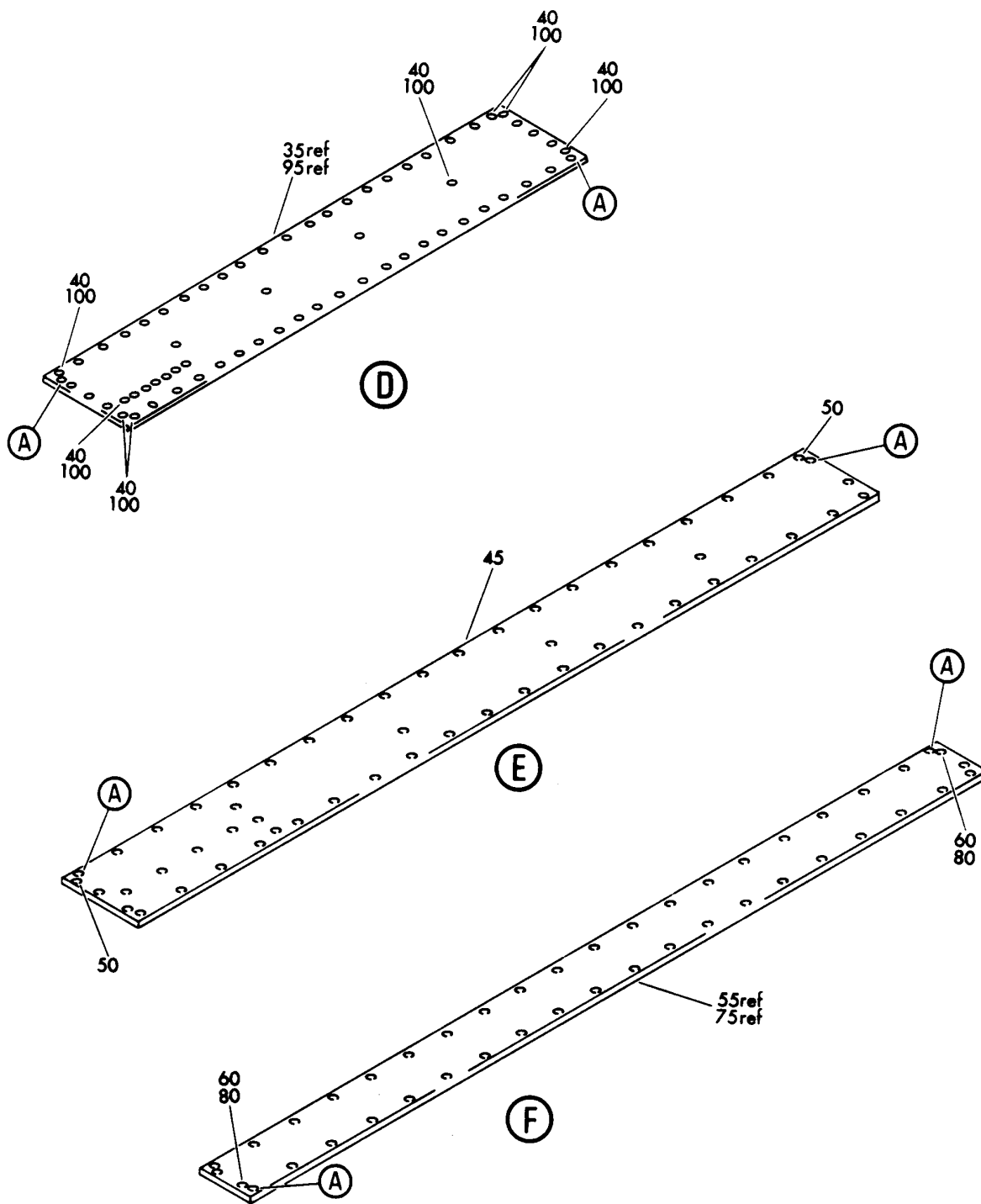
PANEL INSTL- SECT. 46 SAS FLOOR  
FIGURE 34 (SHEET 2)

**53-01-02-34**

HXL  
DEC 22/06

53-01-02-34  
PAGE 0A

**BOEING**  
767  
PARTS CATALOG (MAINTENANCE)



V 53010234 SH1 3 REV 099

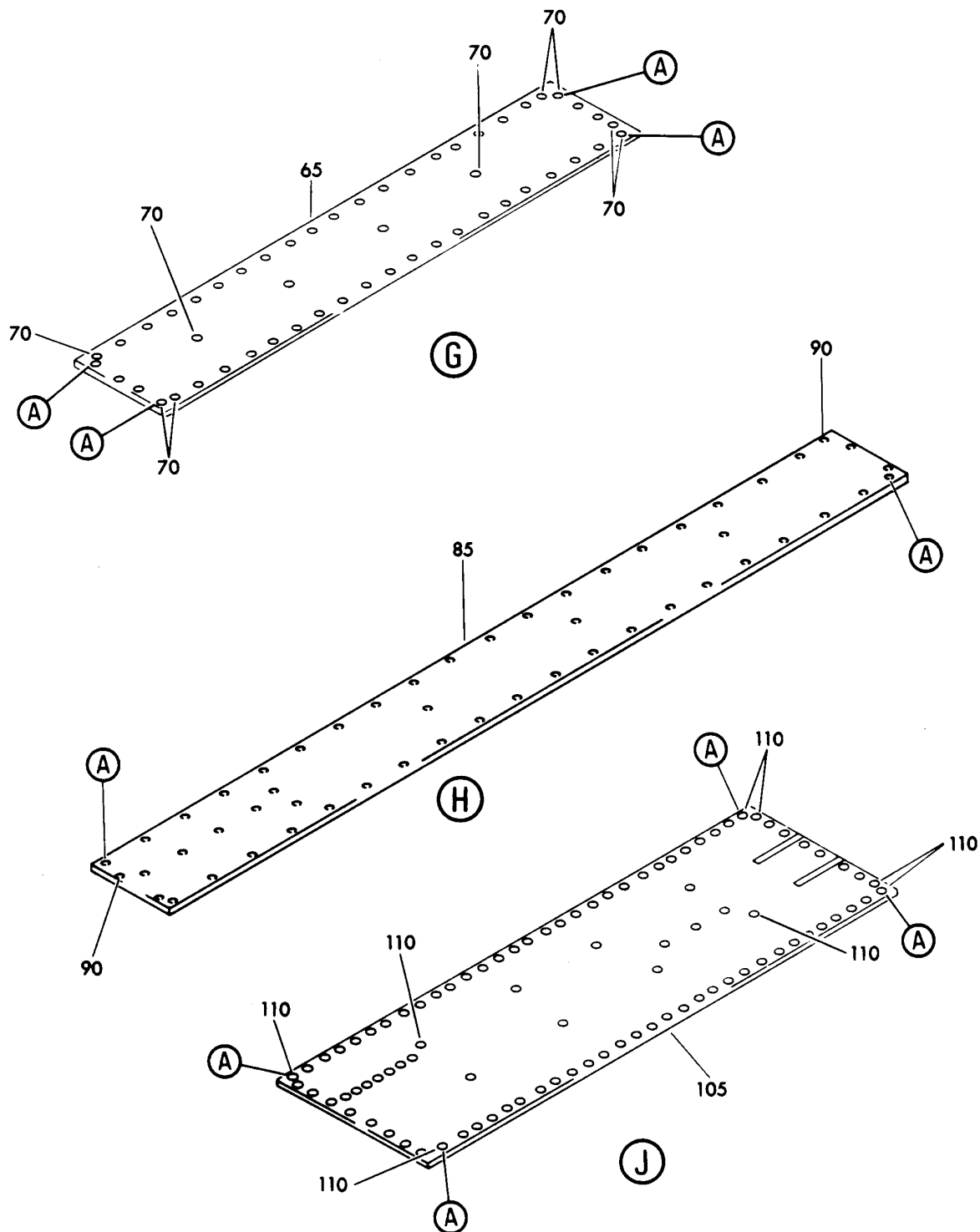
PANEL INSTL- SECT. 46 SAS FLOOR  
FIGURE 34 (SHEET 3)

**53-01-02-34**

HXL  
DEC 22/06

53-01-02-34  
PAGE 0B

**BOEING**  
767  
PARTS CATALOG (MAINTENANCE)



V 53010234 SHT 4 REV 096

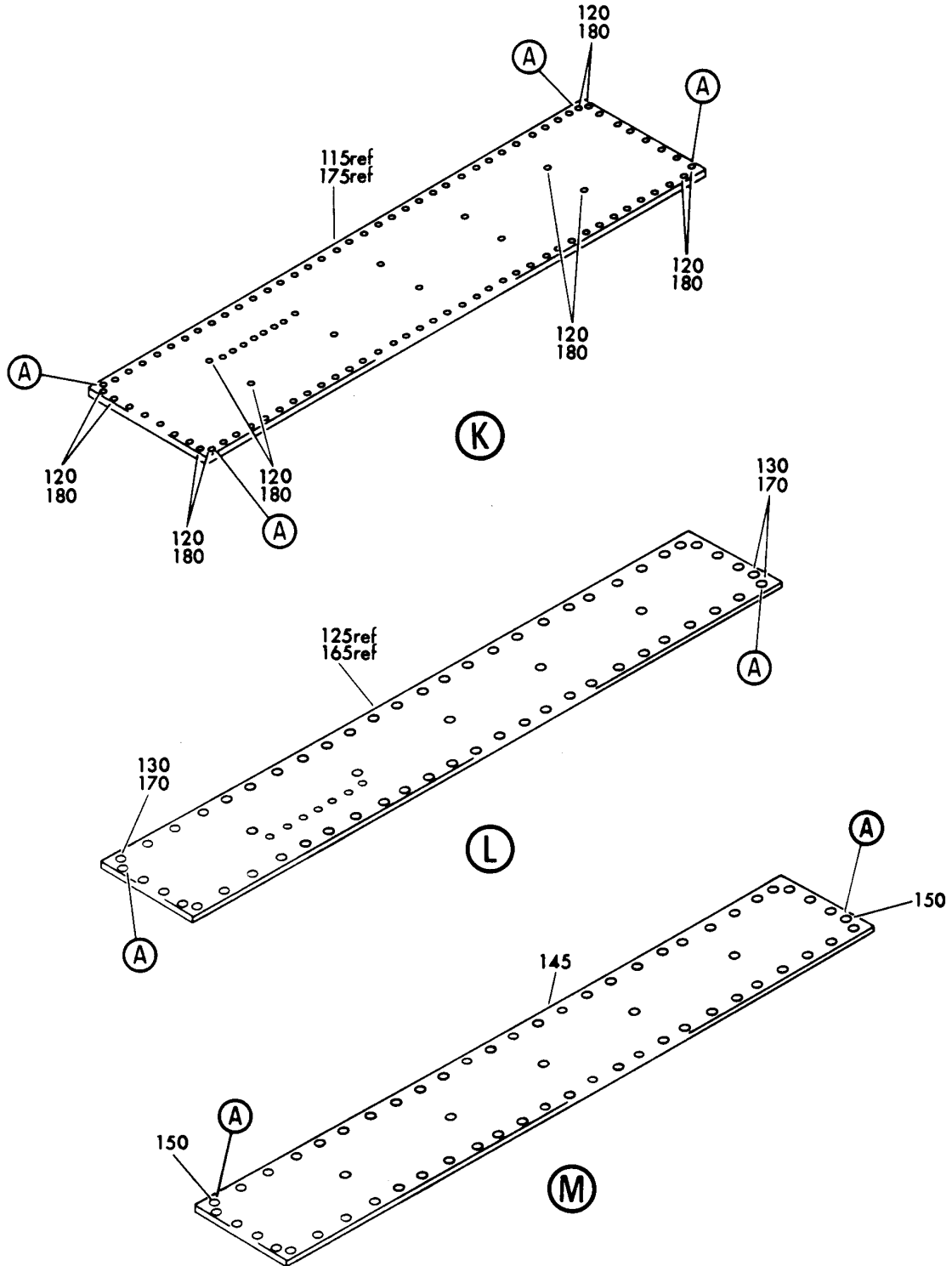
PANEL INSTL- SECT. 46 SAS FLOOR  
FIGURE 34 (SHEET 4)

**53-01-02-34**

HXL  
DEC 22/06

53-01-02-34  
PAGE 0C

**BOEING**  
767  
PARTS CATALOG (MAINTENANCE)



V 53010234 SHT 5 REV 059

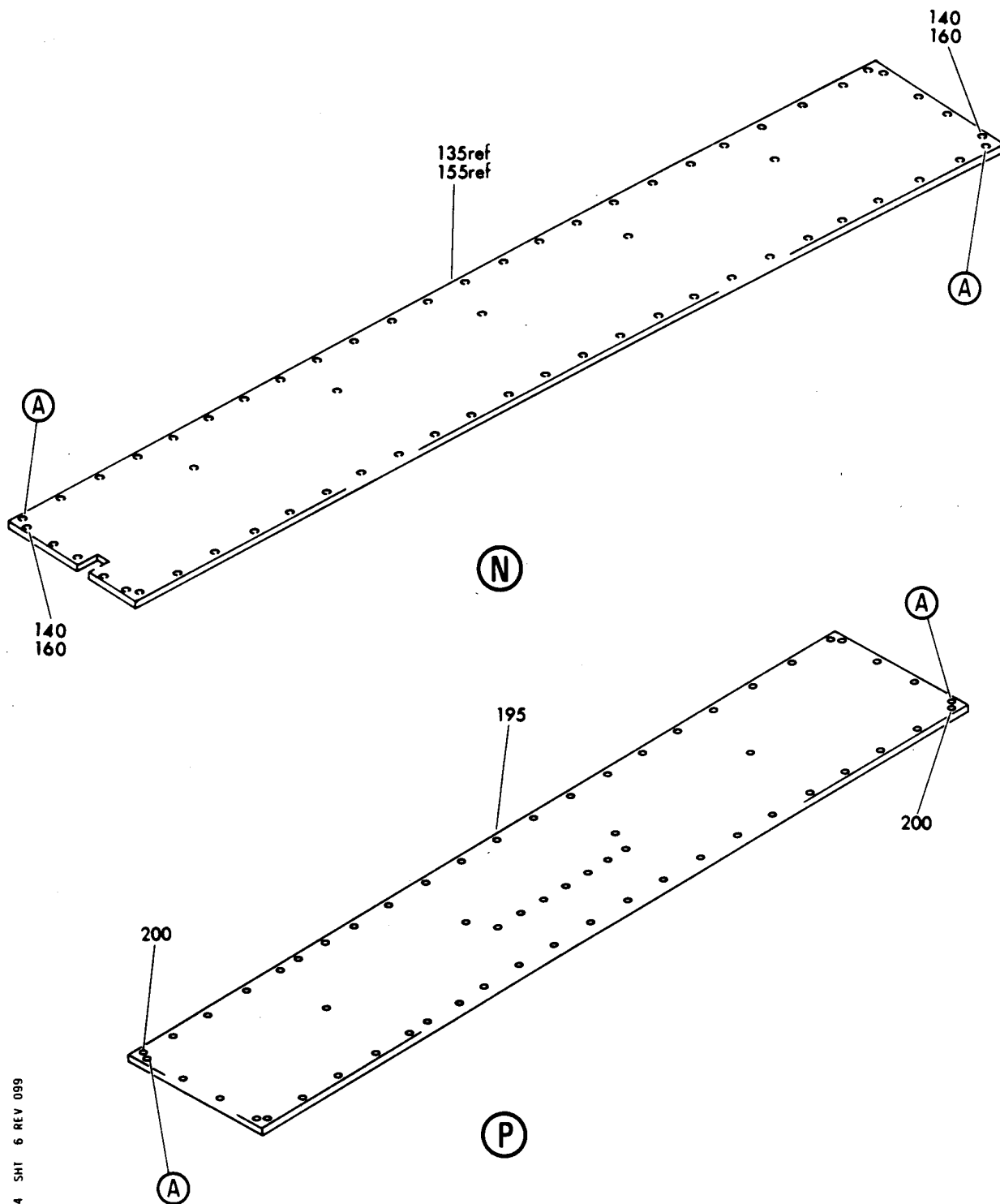
PANEL INSTL- SECT. 46 SAS FLOOR  
FIGURE 34 (SHEET 5)

**53-01-02-34**

HXL  
DEC 22/06

53-01-02-34  
PAGE 0D

**BOEING**  
767  
PARTS CATALOG (MAINTENANCE)



V 53010234 SHT 6 REV 099

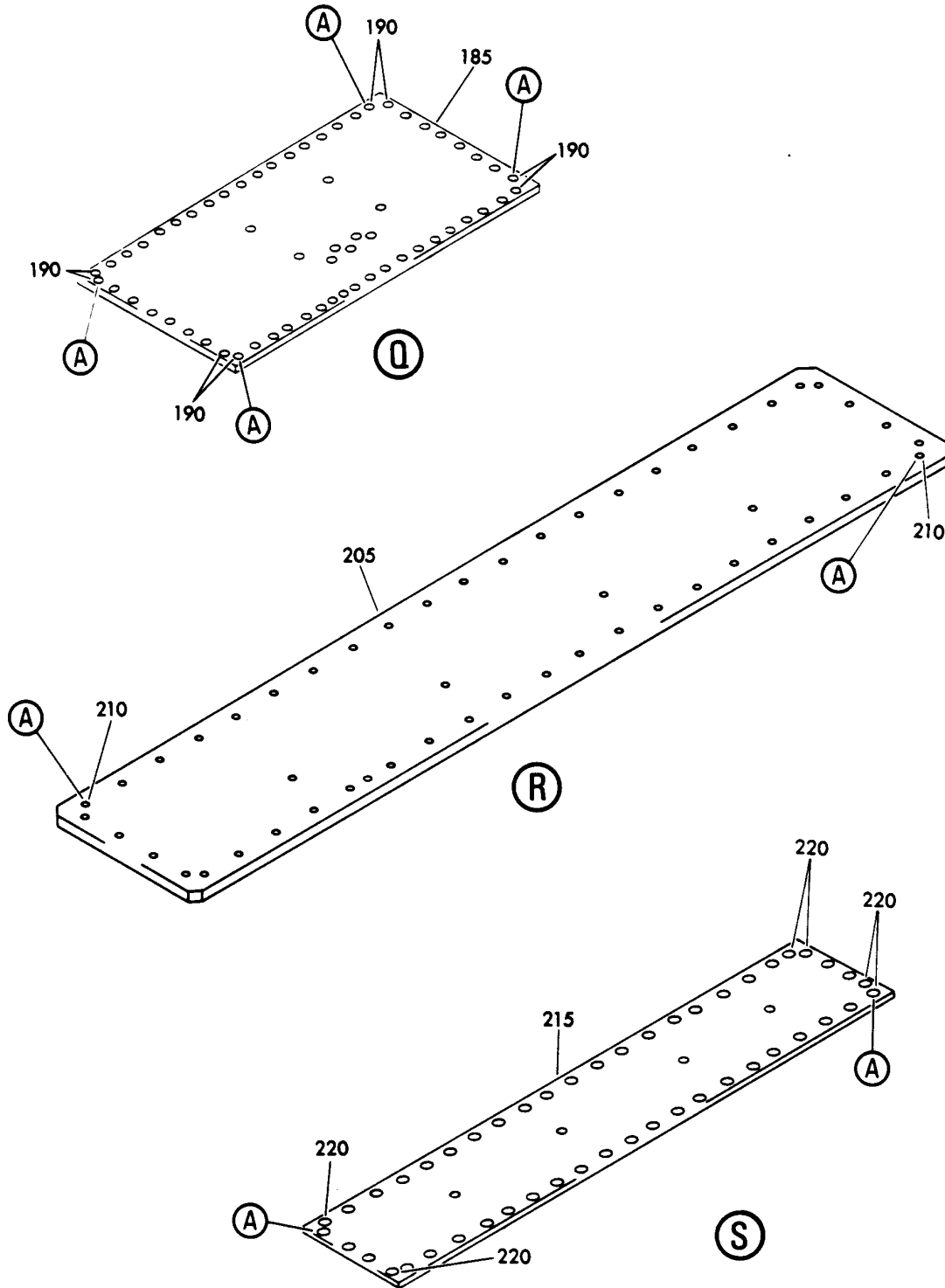
PANEL INSTL- SECT. 46 SAS FLOOR  
FIGURE 34 (SHEET 6)

**53-01-02-34**

HXL  
DEC 22/06

53-01-02-34  
PAGE 0E

**BOEING**  
767  
PARTS CATALOG (MAINTENANCE)



V 53010234 SHT 7 REV 099

PANEL INSTL- SECT. 46 SAS FLOOR  
FIGURE 34 (SHEET 7)

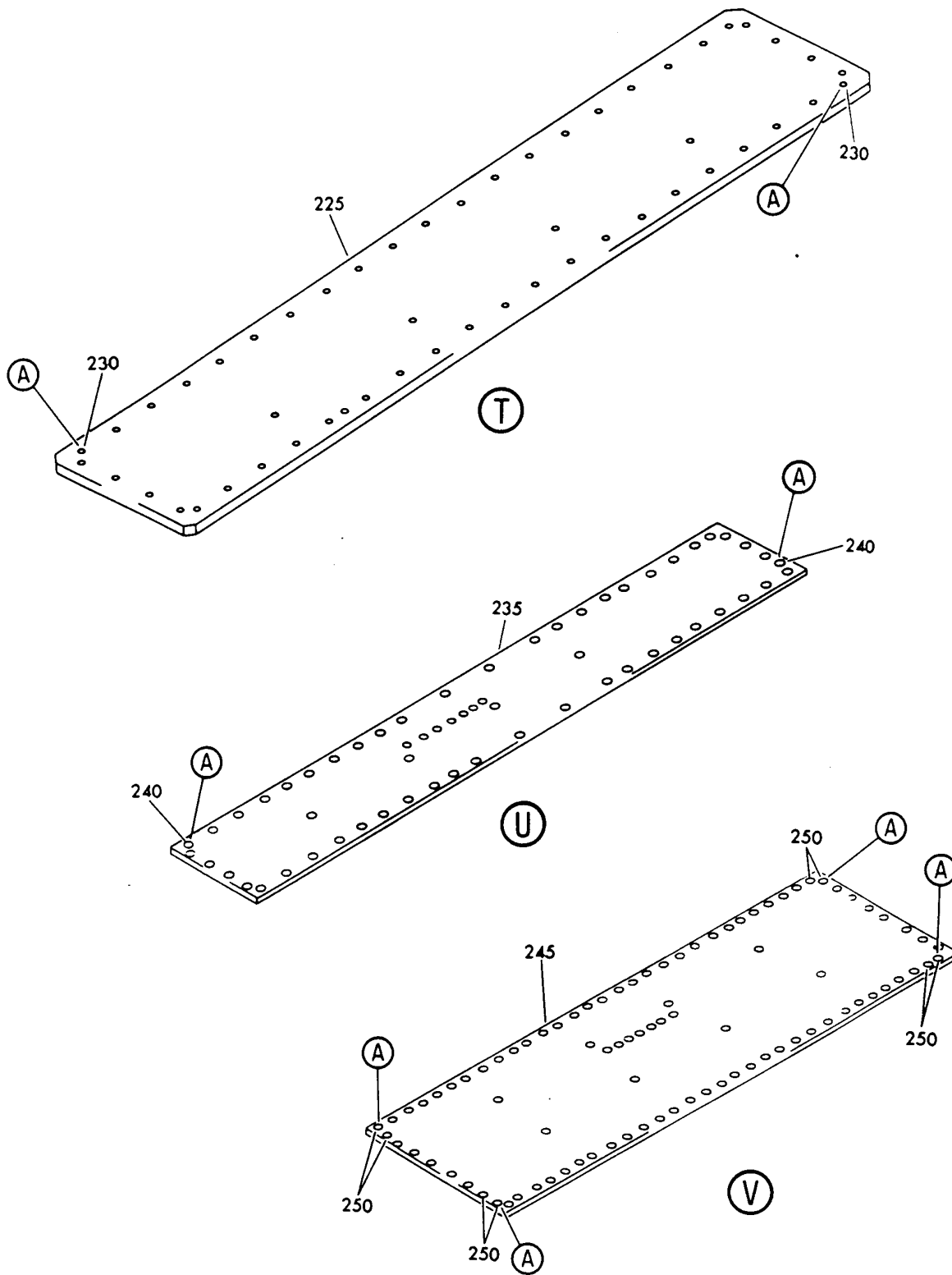
**53-01-02-34**

HXL  
DEC 22/06

53-01-02-34  
PAGE OF



**BOEING**  
767  
PARTS CATALOG (MAINTENANCE)



V 53010234 SH1 8 REV 099

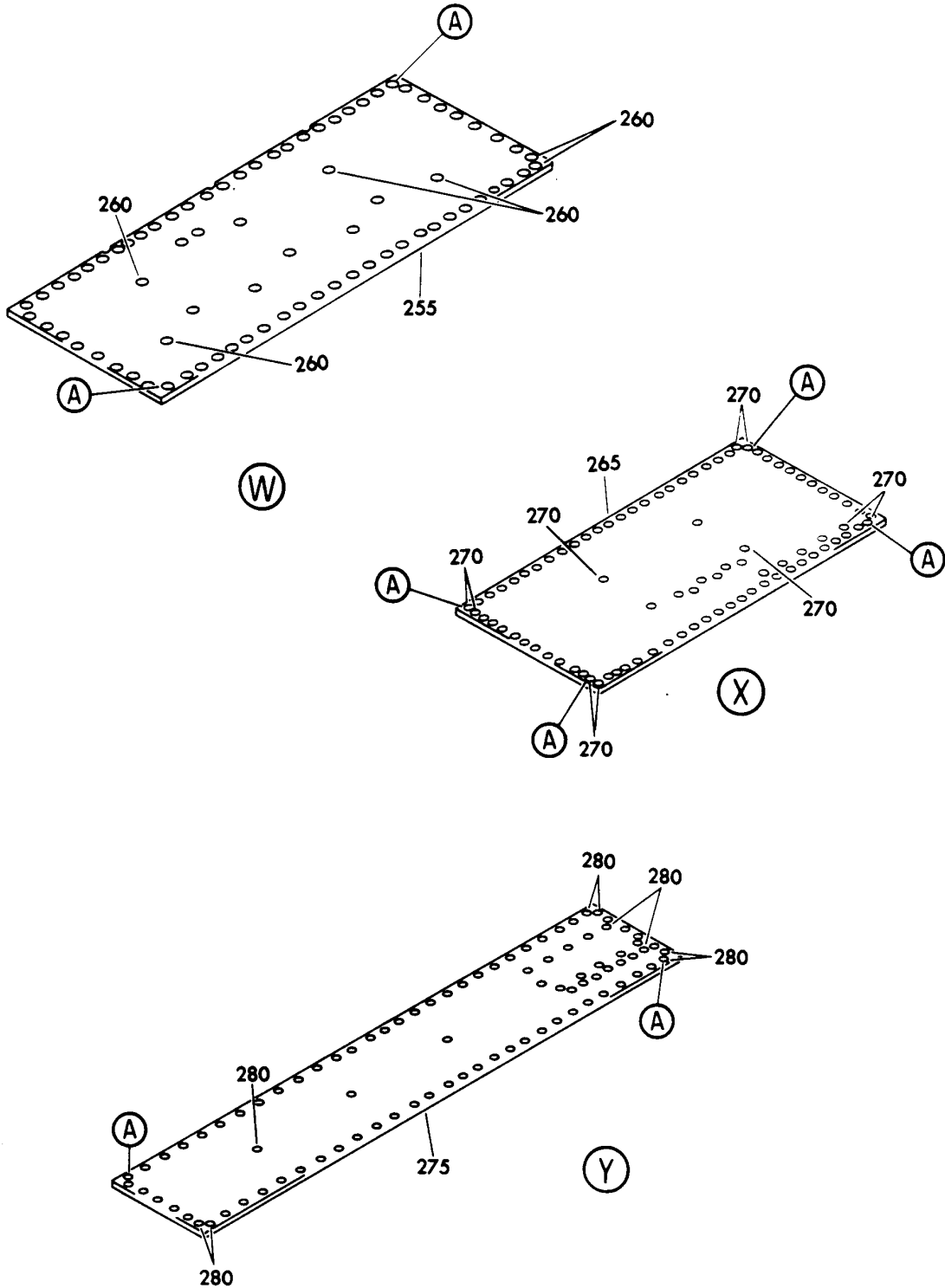
PANEL INSTL- SECT. 46 SAS FLOOR  
FIGURE 34 (SHEET 8)

**53-01-02-34**

HXL  
DEC 22/06

53-01-02-34  
PAGE 06

**BOEING**  
767  
PARTS CATALOG (MAINTENANCE)



V 53010234 SHT 9 REV 099

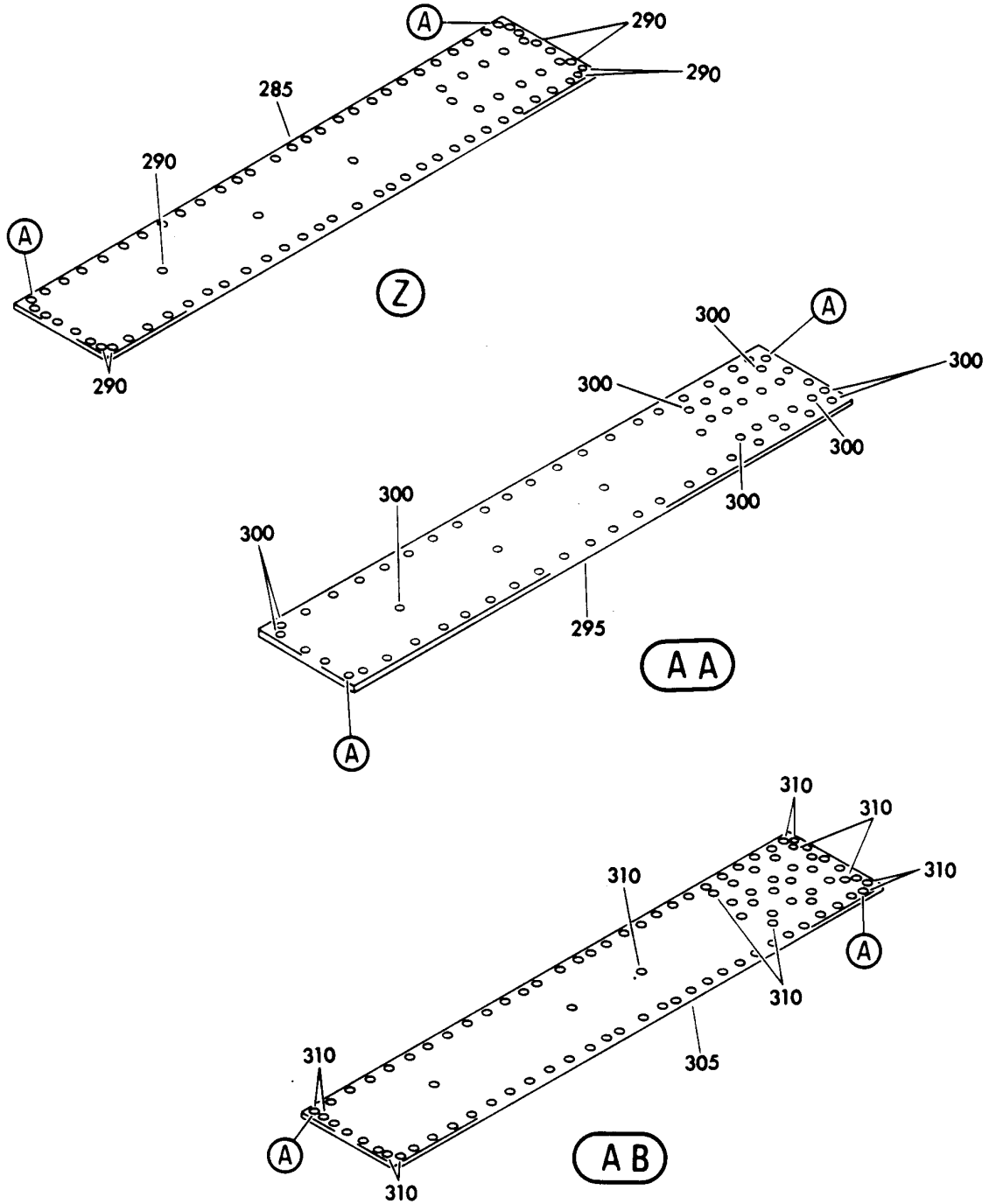
PANEL INSTL- SECT. 46 SAS FLOOR  
FIGURE 34 (SHEET 9)

**53-01-02-34**

HXL  
DEC 22/06

53-01-02-34  
PAGE 0H

**BOEING**  
767  
PARTS CATALOG (MAINTENANCE)



V 53010234 SHT 10 REV 099

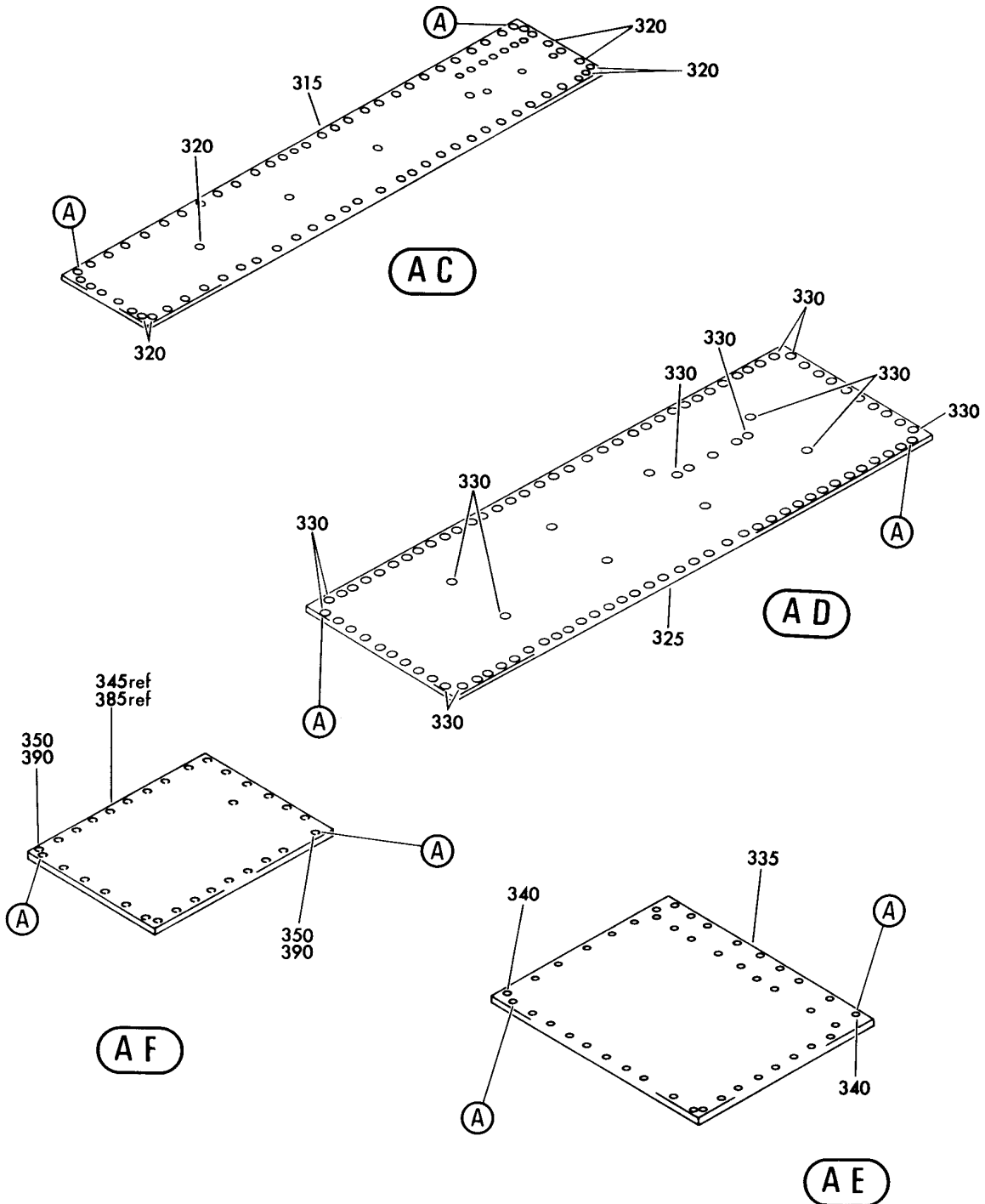
PANEL INSTL- SECT. 46 SAS FLOOR  
FIGURE 34 (SHEET 10)

**53-01-02-34**

HXL  
DEC 22/06

53-01-02-34  
PAGE 01

**BOEING**  
767  
PARTS CATALOG (MAINTENANCE)



V 53010234 SHT 11 REV 107

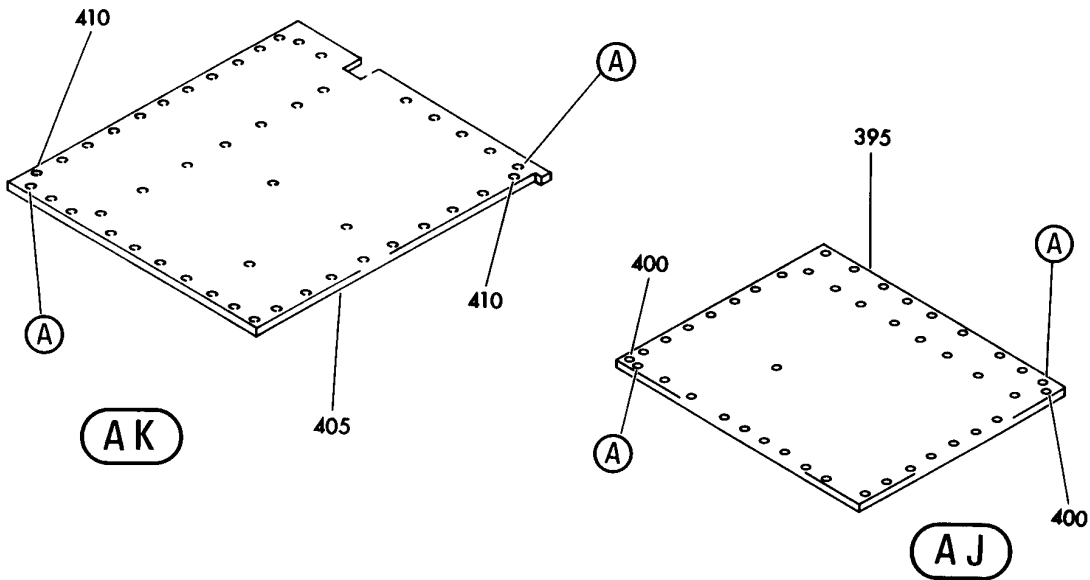
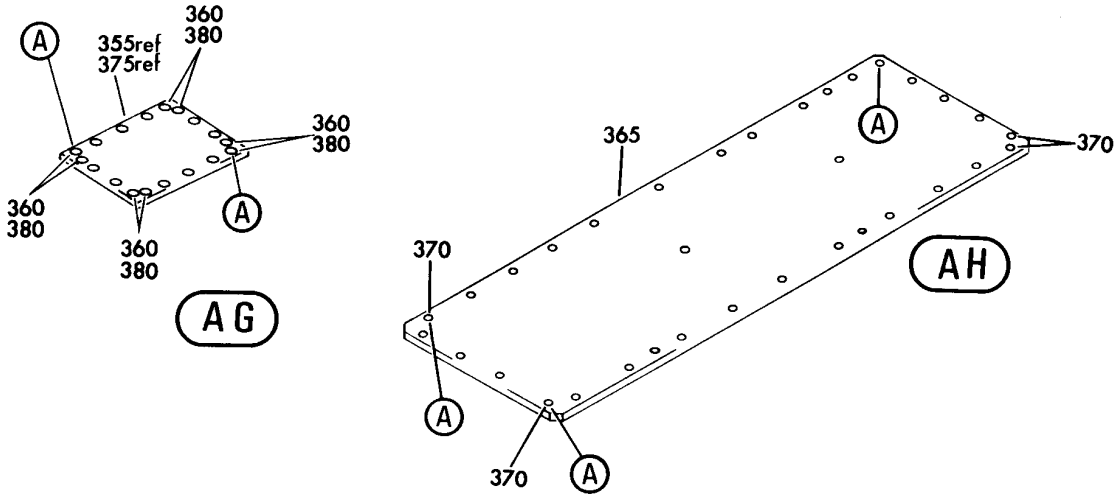
PANEL INSTL- SECT. 46 SAS FLOOR  
FIGURE 34 (SHEET 11)

**53-01-02-34**

HXL  
DEC 22/06

53-01-02-34  
PAGE 0J

**BOEING**  
767  
PARTS CATALOG (MAINTENANCE)



V 53010234 SHT 12 REV 107

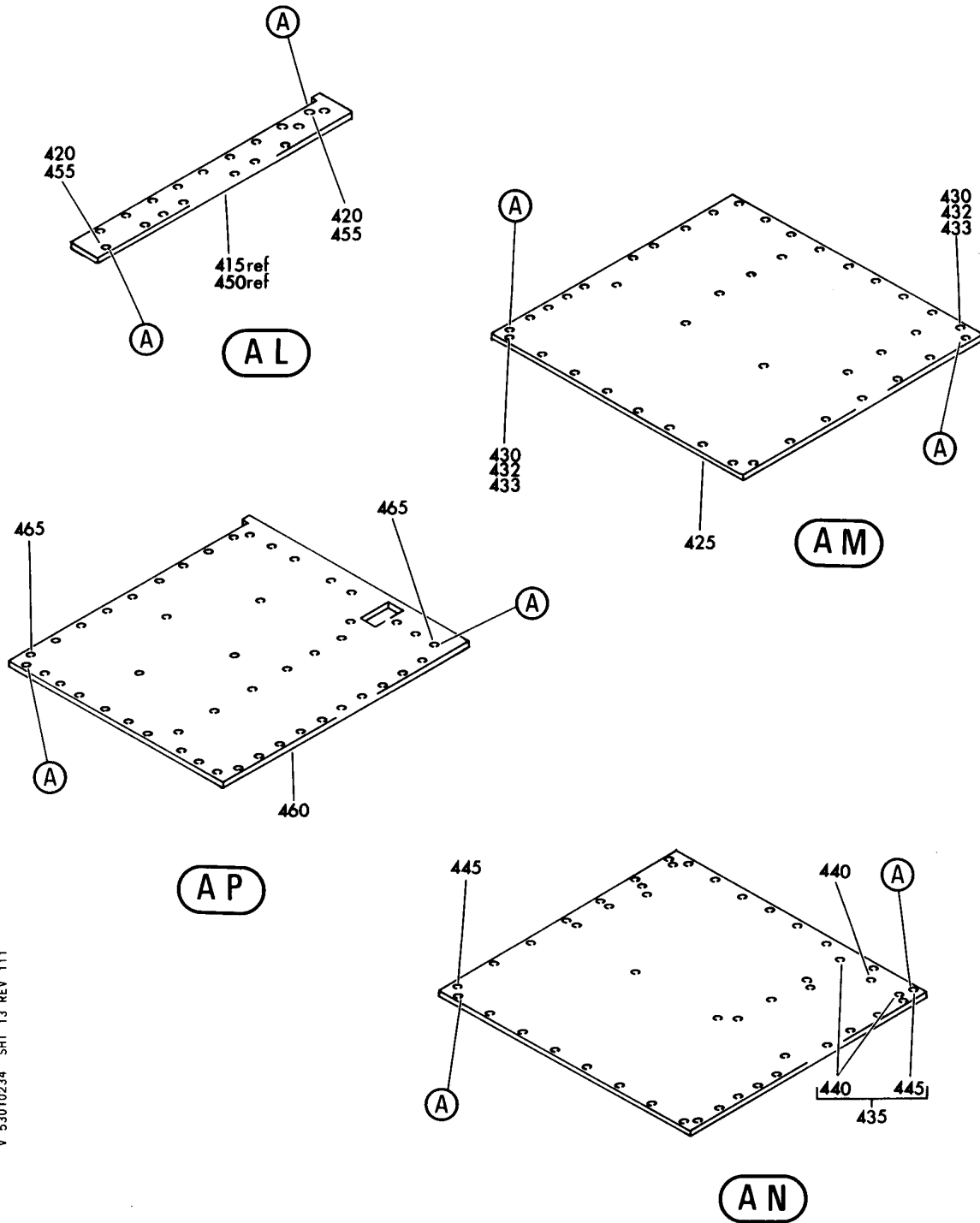
PANEL INSTL- SECT. 46 SAS FLOOR  
FIGURE 34 (SHEET 12)

**53-01-02-34**

HXL  
DEC 22/06

53-01-02-34  
PAGE OK

**BOEING**  
767  
PARTS CATALOG (MAINTENANCE)



V 53010234 SHT 13 REV 111

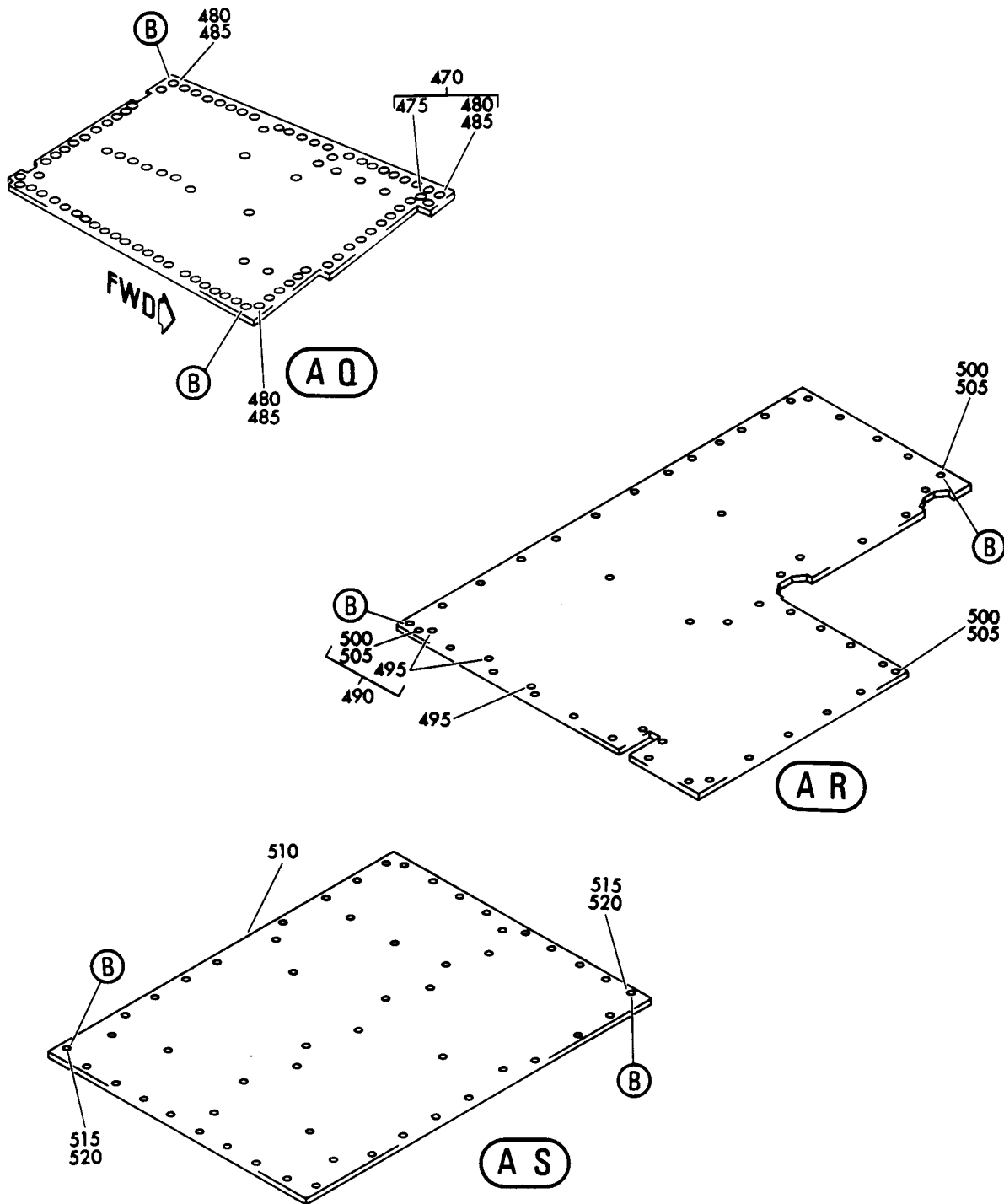
PANEL INSTL- SECT. 46 SAS FLOOR  
FIGURE 34 (SHEET 13)

**53-01-02-34**

HXL  
DEC 22/06

53-01-02-34  
PAGE 01

**BOEING**  
767  
PARTS CATALOG (MAINTENANCE)



V 53010234 SH1 14 REV 099

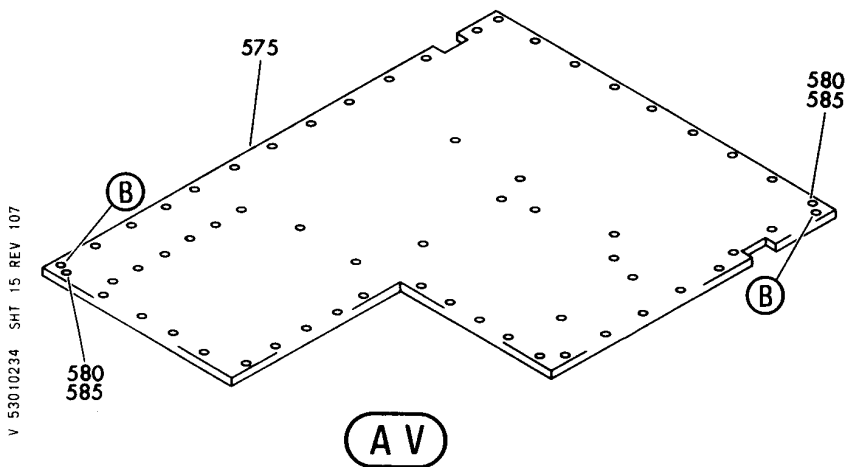
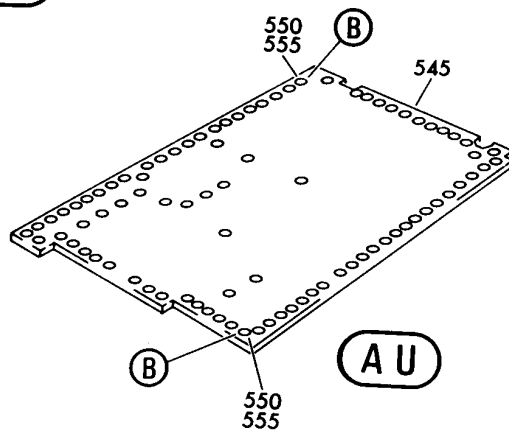
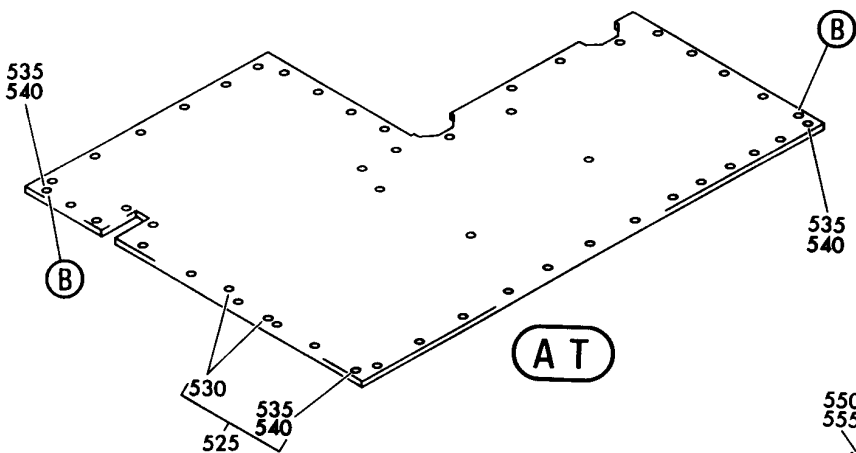
PANEL INSTL- SECT. 46 SAS FLOOR  
FIGURE 34 (SHEET 14)

**53-01-02-34**

HXL  
DEC 22/06

53-01-02-34  
PAGE 0M

**BOEING**  
767  
PARTS CATALOG (MAINTENANCE)



V 53010234 SHT 15 REV 107

PANEL INSTL- SECT. 46 SAS FLOOR  
FIGURE 34 (SHEET 15)

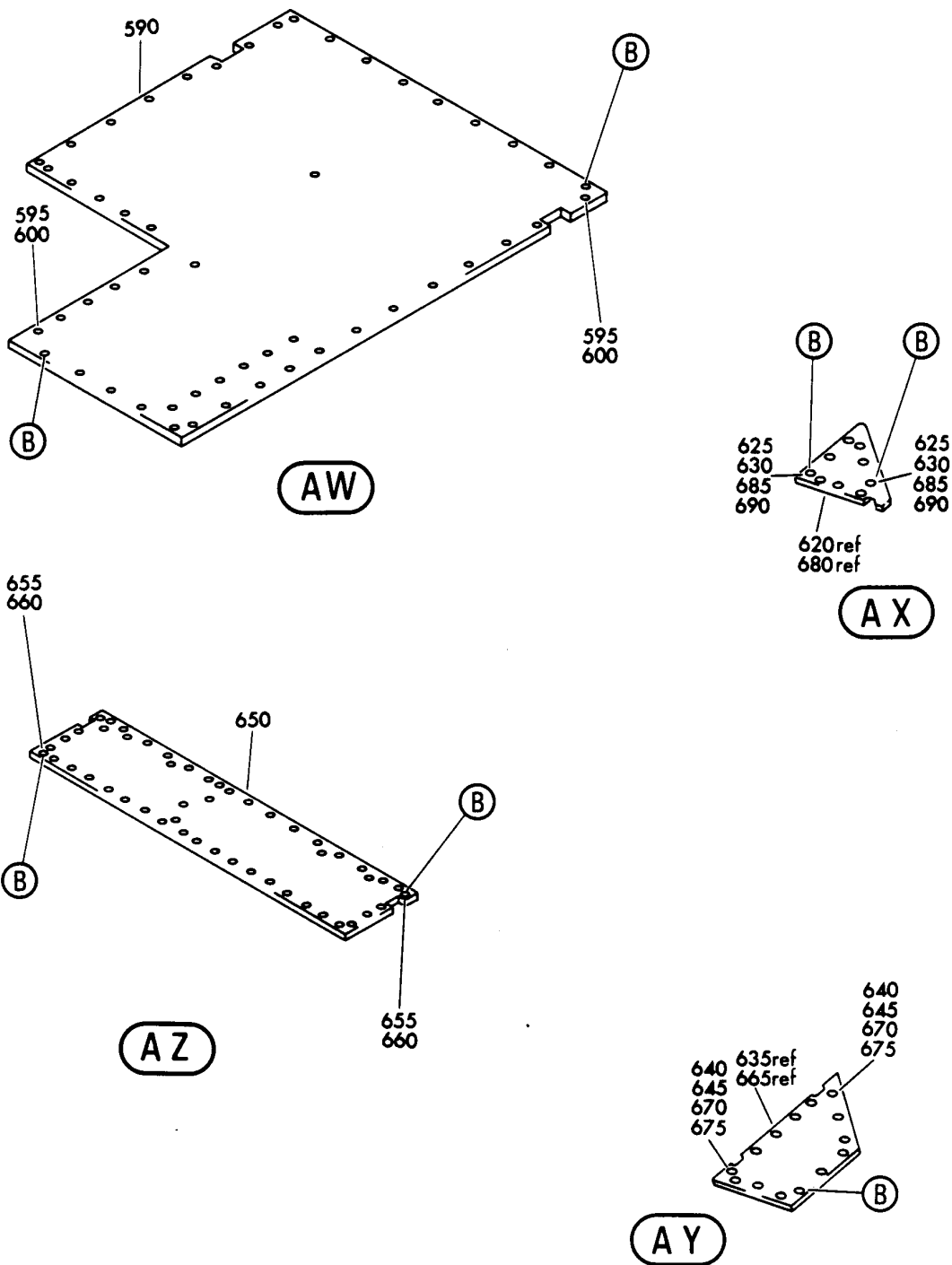
HXL  
DEC 22/06

**53-01-02-34**

53-01-02-34  
PAGE ON



**BOEING**  
767  
PARTS CATALOG (MAINTENANCE)



V 53010234 SH1 16 REV 099

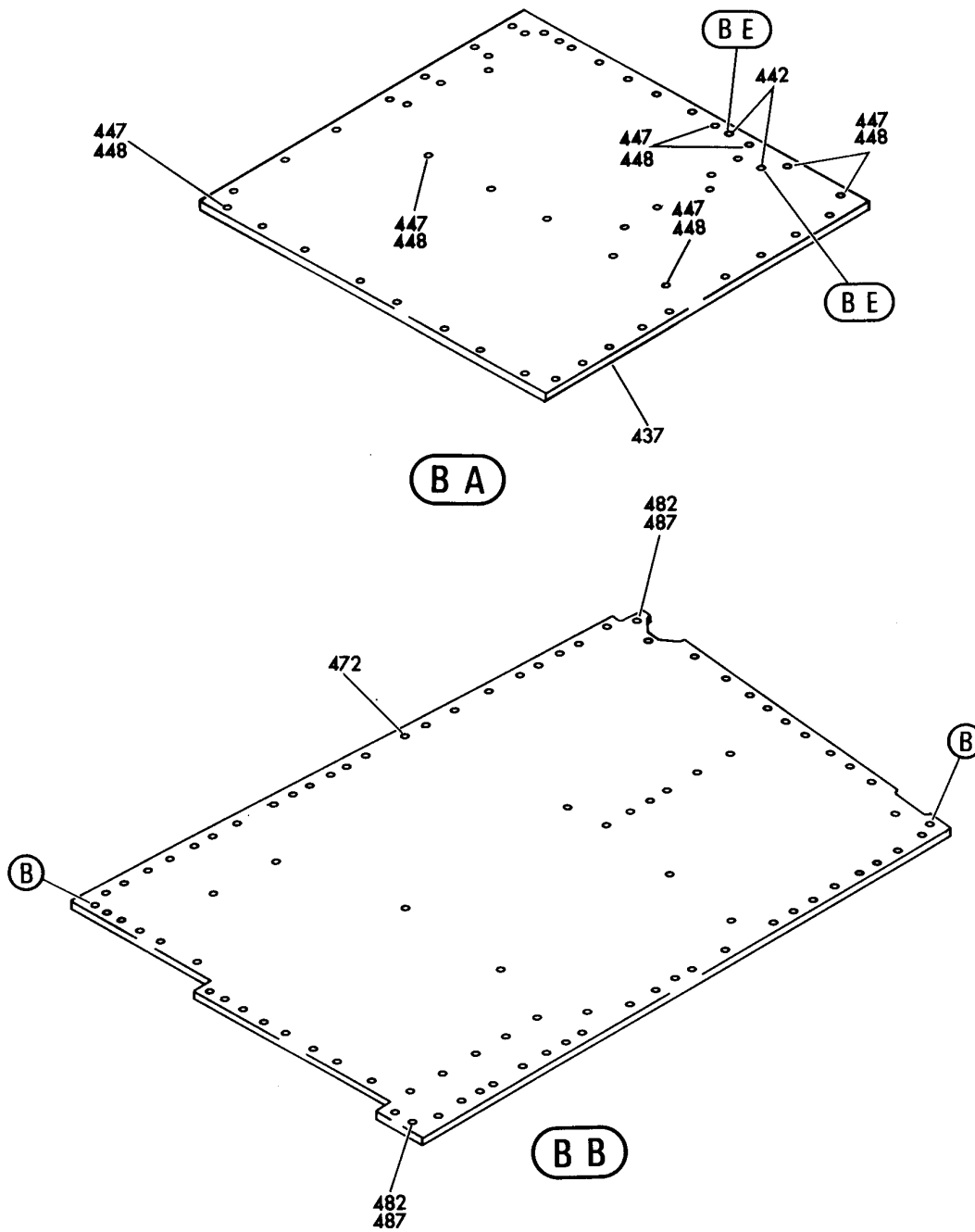
PANEL INSTL- SECT. 46 SAS FLOOR  
FIGURE 34 (SHEET 16)

**53-01-02-34**

HXL  
DEC 22/06

53-01-02-34  
PAGE 00

**BOEING**  
767  
PARTS CATALOG (MAINTENANCE)



V 53010234 SHT 17 REV 111

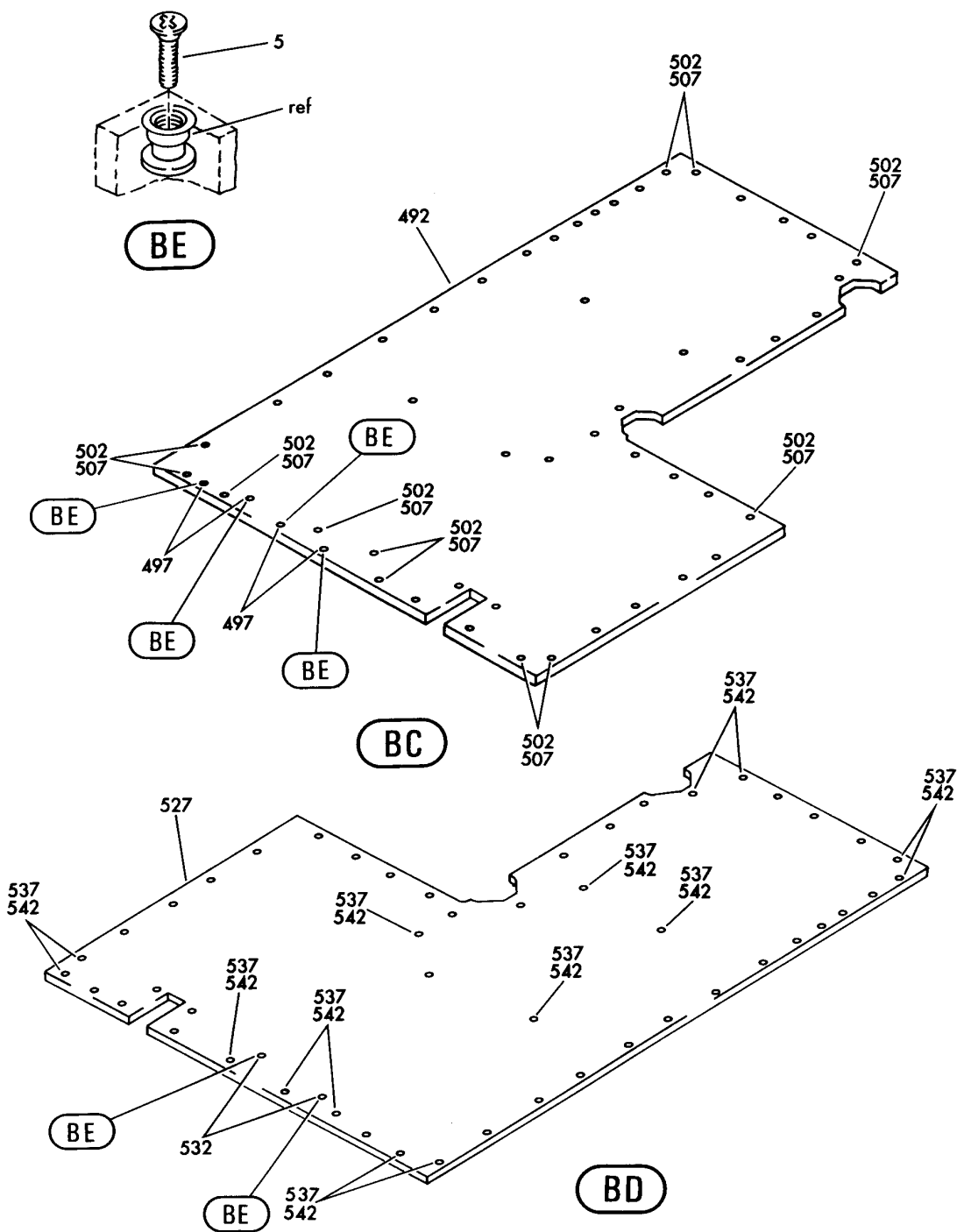
PANEL INSTL- SECT. 46 SAS FLOOR  
FIGURE 34 (SHEET 17)

**53-01-02-34**

HXL  
DEC 22/06

53-01-02-34  
PAGE 0P


**BOEING**  
 767  
**PARTS CATALOG (MAINTENANCE)**



V 53010234 SHT 18 REV 111

PANEL INSTL- SECT. 46 SAS FLOOR  
 FIGURE 34 (SHEET 18)

**53-01-02-34**

HXL  
DEC 22/06

53-01-02-34  
 PAGE 00



767

PARTS CATALOG (MAINTENANCE)

FIG ITEM	PART NUMBER	1 2 3 4 5 6 7	NOMENCLATURE	EFFECT FROM TO	UNITS PER ASSY
34			PANEL INSTL- SECT. 46 SAS FLOOR	155163	
- 1	146T5833-2		PANEL INSTL-SAS POSITION DATA: SECT. 46 FOR NHA SEE: 53-60-00-08	155162	RF
- 1	146T5833-4		PANEL INSTL-SAS POSITION DATA: SECT. 46 FOR NHA SEE: 53-60-00-08	163163	RF
5	BACS12GP3K15		.SCREW	155163	AR
10	BACW10P350GE		.WASHER	155163	AR
15	BRH10C3M		.NUT	155163	AR
			SUPPLIER CODE: V52828 SPECIFICATION NUMBER: BACN10JC3CM OPTIONAL PART: T6C1032JM V11815 97E02 V80539 109LH9075-3W V72962 VN303D02 V92215 NS202101SE02 V80539 H01-3BAC V15653		
20	BRC600-8-3		.NUT- SUPPLIER CODE: V52828 SPECIFICATION NUMBER: BACN10YD1 OPTIONAL PART: 130120 V60119 QUALIFIED OPTIONAL DATA: (OPT BACN10YD2 FOR GAGES .020-.090)	155163	AR

ILLUSTRATION ITEMS NOT ON PARTS LIST ARE NOT APPLICABLE

- ITEM NOT ILLUSTRATED

HXL

53-01-02-34

BOEING PROPRIETARY - Copyright © - Unpublished Work - See title page for details.

53-01-02  
FIG. 34  
PAGE 1  
DEC 22/06

**BOEING**  
767  
**PARTS CATALOG (MAINTENANCE)**

FIG ITEM	PART NUMBER	1 2 3 4 5 6 7	NOMENCLATURE	EFFECT FROM TO	UNITS PER ASSY
34					
20	BRC600-10-3	.NUT-	SUPPLIER CODE: V52828 SPECIFICATION NUMBER: BACN10YD2 OPTIONAL PART: 130121 V60119 QUALIFIED OPTIONAL DATA: (OPT BACN10YD1 FOR GAGES .020-.090)	155163	AR
20	BRC600-10G3	.NUT-	SUPPLIER CODE: V52828 SPECIFICATION NUMBER: BACN10YD3 OPTIONAL PART: 130122 V60119 QUALIFIED OPTIONAL DATA: (OPT BACN10YD4 FOR GAGES .091-.150)	155163	AR
20	BRC600-8G3	.NUT-	SUPPLIER CODE: V52828 SPECIFICATION NUMBER: BACN10YD4 OPTIONAL PART: 130123 V60119 QUALIFIED OPTIONAL DATA: (OPT BACN10YD3 FOR GAGES .091-.150)	155163	AR
20	BRC600-12-3	.NUT-	SUPPLIER CODE: V52828 SPECIFICATION NUMBER: BACN10YD6 OPTIONAL PART: 130125 V60119 MISCELLANEOUS DATA: (FOR GAGES .150-.230)	155163	AR
25	146T5892-27	.PANEL ASSY-		155163	1
30	SL5107A3-410	..SPACER-	SUPPLIER CODE: V97393	155163	AR
35	146T5898-190	.PANEL ASSY-		155163	1

ILLUSTRATION ITEMS NOT ON PARTS LIST ARE NOT APPLICABLE

- ITEM NOT ILLUSTRATED

HXL

53-01-02-34

BOEING PROPRIETARY - Copyright © - Unpublished Work - See title page for details.

53-01-02  
FIG. 34  
PAGE 2  
DEC 22/06



767

PARTS CATALOG (MAINTENANCE)

FIG ITEM	PART NUMBER	1 2 3 4 5 6 7	NOMENCLATURE	EFFECT FROM TO	UNITS PER ASSY
34					
40	SL5107A3-410	..	SPACER- SUPPLIER CODE: V97393	155163	AR
45	146T5882-51	.PANEL	ASSY-	155163	1
50	SL5107A3-410	..	SPACER- SUPPLIER CODE: V97393	155163	AR
55	146T5882-52	.PANEL	ASSY-	155163	1
60	SL5107A3-410	..	SPACER- SUPPLIER CODE: V97393	155163	AR
65	146T5892-28	.PANEL	ASSY-	155163	1
70	SL5107A3-410	..	SPACER- SUPPLIER CODE: V97393	155163	AR
75	146T5882-53	.PANEL	ASSY-	155163	1
80	SL5107A3-410	..	SPACER- SUPPLIER CODE: V97393	155163	AR
85	146T5884-137	.PANEL	ASSY-	155163	1
90	SL5107A3-410	..	SPACER- SUPPLIER CODE: V97393	155163	AR
95	146T5898-193	.PANEL	ASSY-	155163	1
100	SL5107A3-410	..	SPACER- SUPPLIER CODE: V97393	155163	AR
105	146T5892-30	.PANEL	ASSY-	155163	1
110	SL5107A3-410	..	SPACER- SUPPLIER CODE: V97393	155163	AR
115	146T5888-101	.PANEL	ASSY-	155163	1
120	SL5107A3-410	..	SPACER- SUPPLIER CODE: V97393	155163	AR
125	146T5884-138	.PANEL	ASSY-	155163	1
130	SL5107A3-410	..	SPACER- SUPPLIER CODE: V97393	155163	AR
135	146T5882-154	.PANEL	ASSY-	155163	1
140	SL5107A3-410	..	SPACER- SUPPLIER CODE: V97393	155163	AR
145	146T5888-103	.PANEL	ASSY-	155163	1
150	SL5107A3-410	..	SPACER- SUPPLIER CODE: V97393	155163	AR
155	146T5882-155	.PANEL	ASSY-	155163	1

ILLUSTRATION ITEMS NOT ON PARTS LIST ARE NOT APPLICABLE

- ITEM NOT ILLUSTRATED

53-01-02-34

53-01-02  
FIG. 34  
PAGE 3  
DEC 22/06

HXL

 **BOEING**  
767  
**PARTS CATALOG (MAINTENANCE)**

FIG ITEM	PART NUMBER	1 2 3 4 5 6 7	NOMENCLATURE	EFFECT FROM TO	UNITS PER ASSY
34					
160	SL5107A3-410	..	SPACER- SUPPLIER CODE: V97393	155163	AR
165	146T5884-141	.	PANEL ASSY-	155163	1
170	SL5107A3-410	..	SPACER- SUPPLIER CODE: V97393	155163	AR
175	146T5888-105	.	PANEL ASSY-	155163	1
180	SL5107A3-410	..	SPACER- SUPPLIER CODE: V97393	155163	AR
185	146T5888-129	.	PANEL ASSY-	155163	1
190	SL5107A3-410	..	SPACER- SUPPLIER CODE: V97393	155163	AR
195	146T5883-143	.	PANEL ASSY-	155163	1
200	SL5107A3-410	..	SPACER- SUPPLIER CODE: V97393	155163	AR
205	146T5883-140	.	PANEL ASSY-	155163	1
210	SL5107A3-410	..	SPACER- SUPPLIER CODE: V97393	155163	AR
215	146T5899-173	.	PANEL ASSY-	155163	1
220	SL5107A3-410	..	SPACER- SUPPLIER CODE: V97393	155163	AR
225	146T5883-139	.	PANEL ASSY-	155163	1
230	SL5107A3-410	..	SPACER- SUPPLIER CODE: V97393	155163	AR
235	146T5883-138	.	PANEL ASSY-	155163	1
240	SL5107A3-410	..	SPACER- SUPPLIER CODE: V97393	155163	AR
245	146T5888-131	.	PANEL ASSY-	155163	1
250	SL5107A3-410	..	SPACER- SUPPLIER CODE: V97393	155163	AR
255	146T5882-156	.	PANEL ASSY-	155163	1
260	SL5107A3-410	..	SPACER- SUPPLIER CODE: V97393	155163	AR
265	146T5882-157	.	PANEL ASSY-	155163	1
270	SL5107A3-410	..	SPACER- SUPPLIER CODE: V97393	155163	AR
275	146T5884-142	.	PANEL ASSY-	155163	1

ILLUSTRATION ITEMS NOT ON PARTS LIST ARE NOT APPLICABLE

— ITEM NOT ILLUSTRATED

HXL

**53-01-02-34**

BOEING PROPRIETARY - Copyright © - Unpublished Work - See title page for details.

53-01-02  
FIG. 34  
PAGE 4  
DEC 22/06



767

PARTS CATALOG (MAINTENANCE)

FIG ITEM	PART NUMBER	1 2 3 4 5 6 7	NOMENCLATURE	EFFECT FROM TO	UNITS PER ASSY
34					
280	SL5107A3-410	..	SPACER- SUPPLIER CODE: V97393	155163	AR
285	146T5898-191	.PANEL	ASSY-	155163	1
290	SL5107A3-410	..	SPACER- SUPPLIER CODE: V97393	155163	AR
295	146T5899-176	.PANEL	ASSY-	155163	1
300	SL5107A3-410	..	SPACER- SUPPLIER CODE: V97393	155163	AR
305	146T5898-192	.PANEL	ASSY-	155163	1
310	SL5107A3-410	..	SPACER- SUPPLIER CODE: V97393	155163	AR
315	146T5882-158	.PANEL	ASSY-	155163	1
320	SL5107A3-410	..	SPACER- SUPPLIER CODE: V97393	155163	AR
325	146T5899-178	.PANEL	ASSY-	155163	1
330	SL5107A3-410	..	SPACER- SUPPLIER CODE: V97393	155163	AR
335	146T5882-161	.PANEL	ASSY-	155163	1
340	SL5107A3-410	..	SPACER- SUPPLIER CODE: V97393	155163	AR
345	146T5882-159	.PANEL	ASSY-	155163	1
350	SL5107A3-410	..	SPACER- SUPPLIER CODE: V97393	155163	AR
355	146T5884-113	.PANEL	ASSY-	155163	1
360	SL5107A3-410	..	SPACER- SUPPLIER CODE: V97393	155163	AR
365	146T5884-133	.PANEL	ASSY-	155163	1
370	SL5107A3-410	..	SPACER- SUPPLIER CODE: V97393	155163	AR
375	146T5884-109	.PANEL	ASSY-	155163	1
380	SL5107A3-410	..	SPACER- SUPPLIER CODE: V97393	155163	AR
385	146T5881-155	.PANEL	ASSY-	155163	1
390	SL5107A3-410	..	SPACER- SUPPLIER CODE: V97393	155163	AR
395	146T5882-162	.PANEL	ASSY-	155163	1

ILLUSTRATION ITEMS NOT ON PARTS LIST ARE NOT APPLICABLE

- ITEM NOT ILLUSTRATED

53-01-02-34

53-01-02  
FIG. 34  
PAGE 5  
DEC 22/06

HXL

BOEING PROPRIETARY - Copyright © - Unpublished Work - See title page for details.





767

PARTS CATALOG (MAINTENANCE)

FIG ITEM	PART NUMBER	1 2 3 4 5 6 7	NOMENCLATURE	EFFECT FROM TO	UNITS PER ASSY
34					
400	SL5107A3-410	..	SPACER- SUPPLIER CODE: V97393	155163	AR
405	146T5884-150	.PANEL	ASSY-	155163	1
410	SL5107A3-410	..	SPACER- SUPPLIER CODE: V97393	155163	AR
415	146T5884-124	.PANEL	ASSY-	155163	1
420	SL5107A3-410	..	SPACER- SUPPLIER CODE: V97393	155163	AR
425	146T5882-163	.PANEL	ASSY-	155162	1
425	146T5878-22	.PANEL	ASSY-	163163	1
430	SL5107A3-410	..	SPACER- SUPPLIER CODE: V97393	155162	AR
432	94075-3K14	..	SETSCREW- SUPPLIER CODE: V56878	163163	AR
433	SL6146A3-35	..	INSERT- SUPPLIER CODE: V97393	163163	AR
435	146T5884-111	.PANEL	ASSY-	155162	1
437	146T5878-23	.PANEL	ASSY-	163163	1
440	SL2334-3A3	..	INSERT- SUPPLIER CODE: V97393	155162	AR
442	SL2334-3A3	..	INSERT- SUPPLIER CODE: V97393	163163	AR
445	SL5107A3-410	..	SPACER- SUPPLIER CODE: V97393	155162	AR
447	81207-3-14	..	SETSCREW- SUPPLIER CODE: V80539	163163	AR
447	94075-3K14	..	SETSCREW- SUPPLIER CODE: V80539	163163	AR
448	SL6146A3-35	..	INSERT- SUPPLIER CODE: V97393	163163	AR
450	146T5884-123	.PANEL	ASSY-	155163	1
455	SL5107A3-410	..	SPACER- SUPPLIER CODE: V97393	155163	AR
460	146T5884-121	.PANEL	ASSY-	155163	1

ILLUSTRATION ITEMS NOT ON PARTS LIST ARE NOT APPLICABLE

- ITEM NOT ILLUSTRATED

53-01-02-34

53-01-02  
FIG. 34  
PAGE 6  
AUG 22/08

HXL

BOEING PROPRIETARY - Copyright © - Unpublished Work - See title page for details.

 **BOEING**  
767  
**PARTS CATALOG (MAINTENANCE)**

FIG ITEM	PART NUMBER	1 2 3 4 5 6 7	NOMENCLATURE	EFFECT FROM TO	UNITS PER ASSY
34					
465	SL5107A3-410	..	SPACER- SUPPLIER CODE: V97393	155163	AR
470	146T5884-32	. .	PANEL ASSY-	155162	1
472	146T5878-32	. .	PANEL ASSY-	163163	1
475	SL2334-3A3	..	INSERT- SUPPLIER CODE: V97393	155162	AR
480	81207-3-14	..	SETSCREW- SUPPLIER CODE: V80539	155162	AR
480	94075-3K14	..	SETSCREW- SUPPLIER CODE: V80539	155162	AR
482	81207-3-14	..	SETSCREW- SUPPLIER CODE: V80539	163163	AR
482	94075-3K14	..	SETSCREW- SUPPLIER CODE: V80539	163163	AR
485	SL6146A3-35	..	INSERT- SUPPLIER CODE: V97393	155162	AR
487	SL6146A3-35	..	INSERT- SUPPLIER CODE: V97393	163163	AR
490	146T5884-26	. .	PANEL ASSY-	155162	1
492	146T5878-28	. .	PANEL ASSY-	163163	1
495	SL2334-3A3	..	INSERT- SUPPLIER CODE: V97393	155162	AR
497	SL2334-3A3	..	INSERT- SUPPLIER CODE: V97393	163163	AR
500	81207-3-14	..	SETSCREW- SUPPLIER CODE: V80539	155162	AR
500	94075-3K14	..	SETSCREW- SUPPLIER CODE: V80539	155162	AR
502	81207-3-14	..	SETSCREW- SUPPLIER CODE: V80539	163163	AR
502	94075-3K14	..	SETSCREW- SUPPLIER CODE: V80539	163163	AR
505	SL6146A3-35	..	INSERT- SUPPLIER CODE: V97393	155162	AR

ILLUSTRATION ITEMS NOT ON PARTS LIST ARE NOT APPLICABLE

— ITEM NOT ILLUSTRATED

HXL

# 53-01-02-34

53-01-02  
FIG. 34  
PAGE 7  
AUG 22/08

 **BOEING**  
767  
**PARTS CATALOG (MAINTENANCE)**

FIG ITEM	PART NUMBER	1 2 3 4 5 6 7	NOMENCLATURE	EFFECT FROM TO	UNITS PER ASSY
34					
507	SL6146A3-35	..	INSERT- SUPPLIER CODE: V97393	163163	AR
510	146T5882-64	.	PANEL ASSY-	155163	1
515	81207-3-14	..	SETSCREW- SUPPLIER CODE: V80539	155163	AR
515	94075-3K14	..	SETSCREW- SUPPLIER CODE: V80539	155163	AR
520	SL6146A3-35	..	INSERT- SUPPLIER CODE: V97393	155163	AR
525	146T5882-68	.	PANEL ASSY-	155162	1
527	146T5878-29	.	PANEL ASSY-	163163	1
530	SL2334-3A3	..	INSERT- SUPPLIER CODE: V97393	155162	AR
532	SL2334-3A3	..	INSERT- SUPPLIER CODE: V97393	163163	AR
535	81207-3-14	..	SETSCREW- SUPPLIER CODE: V80539	155162	AR
535	94075-3K14	..	SETSCREW- SUPPLIER CODE: V80539	155162	AR
537	81207-3-14	..	SETSCREW- SUPPLIER CODE: V80539	163163	AR
537	94075-3K14	..	SETSCREW- SUPPLIER CODE: V80539	163163	AR
540	SL6146A3-35	..	INSERT- SUPPLIER CODE: V97393	155162	AR
542	SL6146A3-35	..	INSERT- SUPPLIER CODE: V97393	163163	AR
545	146T5884-31	.	PANEL ASSY-	155162	1
545	146T5878-31	.	PANEL ASSY-	163163	1
550	81207-3-14	..	SETSCREW- SUPPLIER CODE: V80539	155163	AR
550	94075-3K14	..	SETSCREW- SUPPLIER CODE: V80539	155163	AR

ILLUSTRATION ITEMS NOT ON PARTS LIST ARE NOT APPLICABLE

— ITEM NOT ILLUSTRATED

HXL

# 53-01-02-34

BOEING PROPRIETARY - Copyright © - Unpublished Work - See title page for details.

53-01-02  
FIG. 34  
PAGE 8  
AUG 22/08



767

PARTS CATALOG (MAINTENANCE)

FIG ITEM	PART NUMBER	1 2 3 4 5 6 7	NOMENCLATURE	EFFECT FROM TO	UNITS PER ASSY
34					
555	SL6146A3-35	..	INSERT- SUPPLIER CODE: V97393	155163	AR
560	146T5897-137	.	PANEL ASSY	155163	1
565	81207-3-14	..	SETSCREW- SUPPLIER CODE: V80539	155163	AR
- 565	94075-3K14	..	SETSCREW- SUPPLIER CODE: V80539	155163	AR
- 570	SL6146A3-35	..	INSERT- SUPPLIER CODE: V97393	155163	AR
575	146T5884-145	.	PANEL ASSY-	155163	1
580	81207-3-14	..	SETSCREW- SUPPLIER CODE: V80539	155163	AR
580	94075-3K14	..	SETSCREW- SUPPLIER CODE: V80539	155163	AR
585	SL6146A3-35	..	INSERT- SUPPLIER CODE: V97393	155163	AR
590	146T5884-27	.	PANEL ASSY	155163	1
595	81207-3-14	..	SETSCREW- SUPPLIER CODE: V80539	155163	AR
595	94075-3K14	..	SETSCREW- SUPPLIER CODE: V80539	155163	AR
600	SL6146A3-35	..	INSERT- SUPPLIER CODE: V97393	155163	AR
605	146T5897-138	.	PANEL ASSY	155163	1
610	81207-3-14	..	SETSCREW- SUPPLIER CODE: V80539	155163	AR
- 610	94075-3K14	..	SETSCREW- SUPPLIER CODE: V80539	155163	AR
- 615	SL6146A3-35	..	INSERT- SUPPLIER CODE: V97393	155163	AR
620	146T5897-60	.	PANEL ASSY	155163	1
625	81207-3-14	..	SETSCREW- SUPPLIER CODE: V80539	155163	AR

ILLUSTRATION ITEMS NOT ON PARTS LIST ARE NOT APPLICABLE

- ITEM NOT ILLUSTRATED

53-01-02-34

53-01-02  
FIG. 34  
PAGE 9  
AUG 22/08

HXL



767

PARTS CATALOG (MAINTENANCE)

FIG ITEM	PART NUMBER	1 2 3 4 5 6 7	NOMENCLATURE	EFFECT FROM TO	UNITS PER ASSY
34					
625	94075-3K14	..	SETSCREW- SUPPLIER CODE: V80539	155163	AR
630	SL6146A3-35	..	INSERT- SUPPLIER CODE: V97393	155163	AR
635	146T5897-61	.	PANEL ASSY	155163	1
640	81207-3-14	..	SETSCREW- SUPPLIER CODE: V80539	155163	AR
640	94075-3K14	..	SETSCREW- SUPPLIER CODE: V80539	155163	AR
645	SL6146A3-35	..	INSERT- SUPPLIER CODE: V97393	155163	AR
650	146T5884-30	.	PANEL ASSY-	155163	1
655	81207-3-14	..	SETSCREW- SUPPLIER CODE: V80539	155163	AR
655	94075-3K14	..	SETSCREW- SUPPLIER CODE: V80539	155163	AR
660	SL6146A3-35	..	INSERT- SUPPLIER CODE: V97393	155163	AR
665	146T5897-62	.	PANEL ASSY	155163	1
670	81207-3-14	..	SETSCREW- SUPPLIER CODE: V80539	155163	AR
670	94075-3K14	..	SETSCREW- SUPPLIER CODE: V80539	155163	AR
675	SL6146A3-35	..	INSERT- SUPPLIER CODE: V97393	155163	AR
680	146T5897-63	.	PANEL ASSY	155163	1
685	81207-3-14	..	SETSCREW- SUPPLIER CODE: V80539	155163	AR
685	94075-3K14	..	SETSCREW- SUPPLIER CODE: V80539	155163	AR
690	SL6146A3-35	..	INSERT- SUPPLIER CODE: V97393	155163	AR

ILLUSTRATION ITEMS NOT ON PARTS LIST ARE NOT APPLICABLE

- ITEM NOT ILLUSTRATED

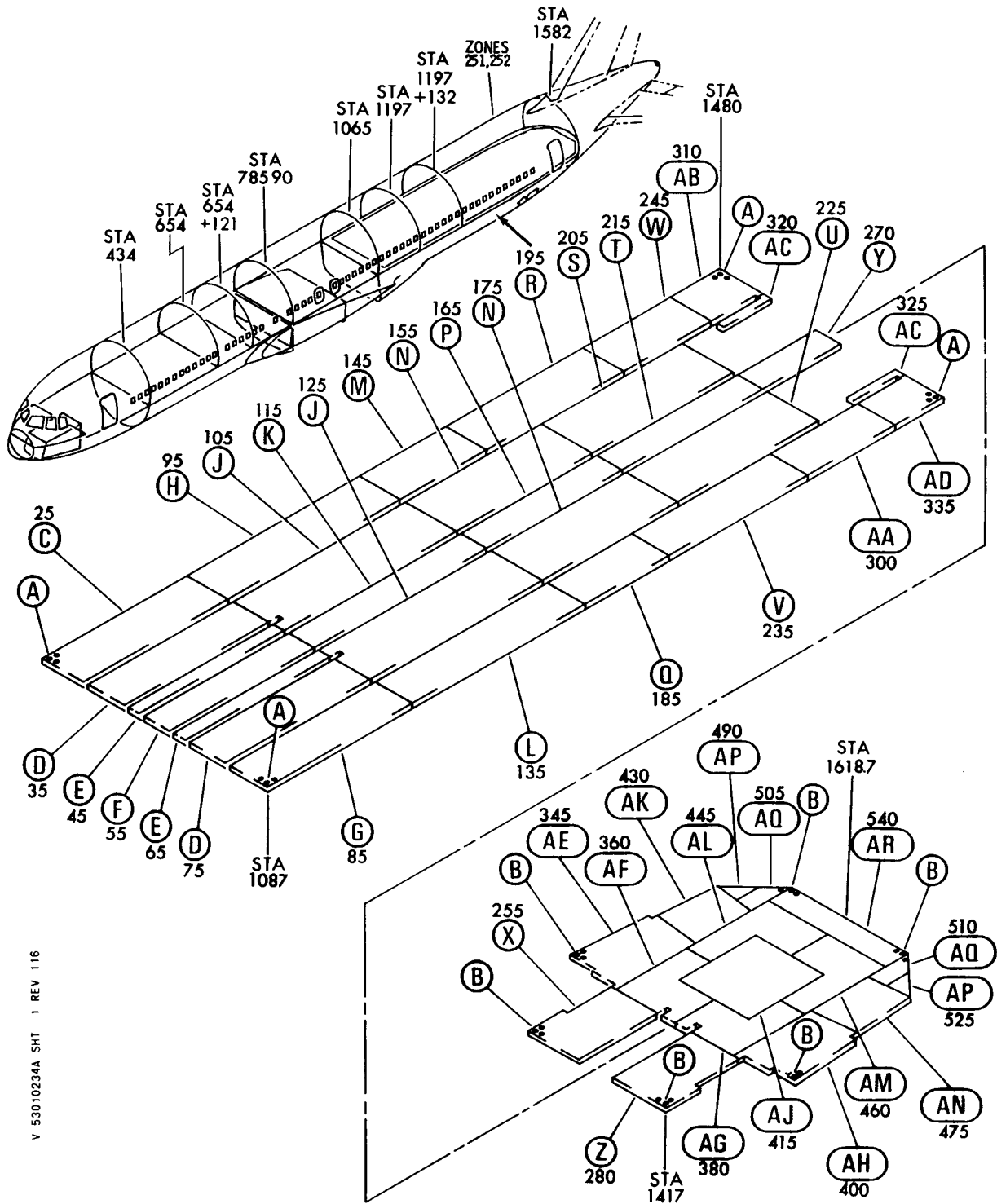
HXL

53-01-02-34

BOEING PROPRIETARY - Copyright © - Unpublished Work - See title page for details.

53-01-02  
FIG. 34  
PAGE 10  
AUG 22/08

**BOEING**  
767  
PARTS CATALOG (MAINTENANCE)



V 53010234A SHT 1 REV 116

PANEL INSTL-SECT. 46 FLOOR SAS  
FIGURE 34A (SHEET 1)

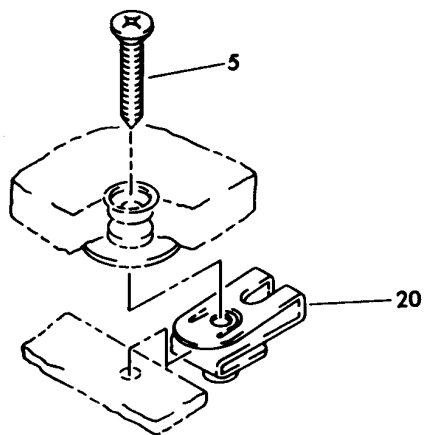
**53-01-02-34A**

HXL  
DEC 22/06

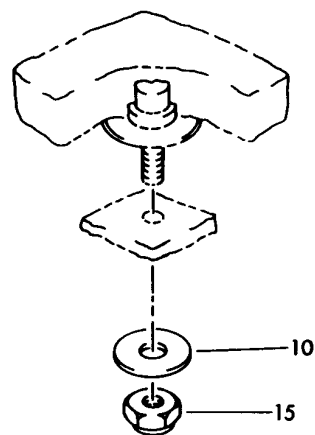
53-01-02-34A  
PAGE 0

BOEING PROPRIETARY - Copyright © - Unpublished Work - See title page for details.

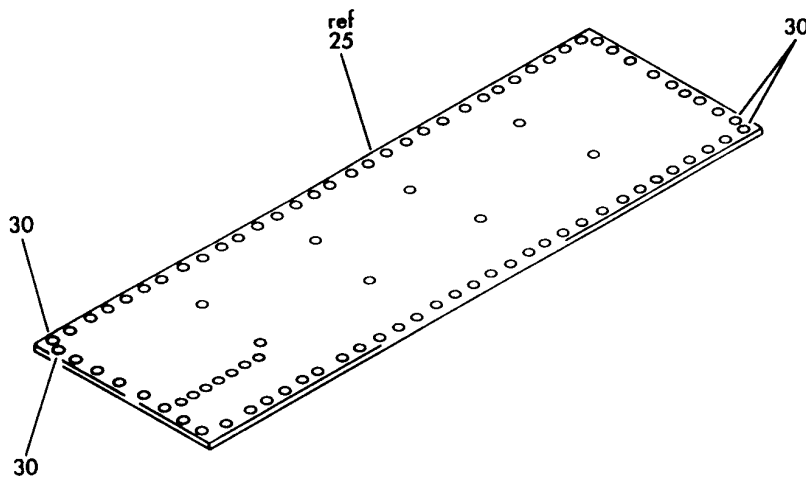
**BOEING**  
767  
PARTS CATALOG (MAINTENANCE)



(A)



(B)



(C)

V 53010234A SHT 2 REV 116

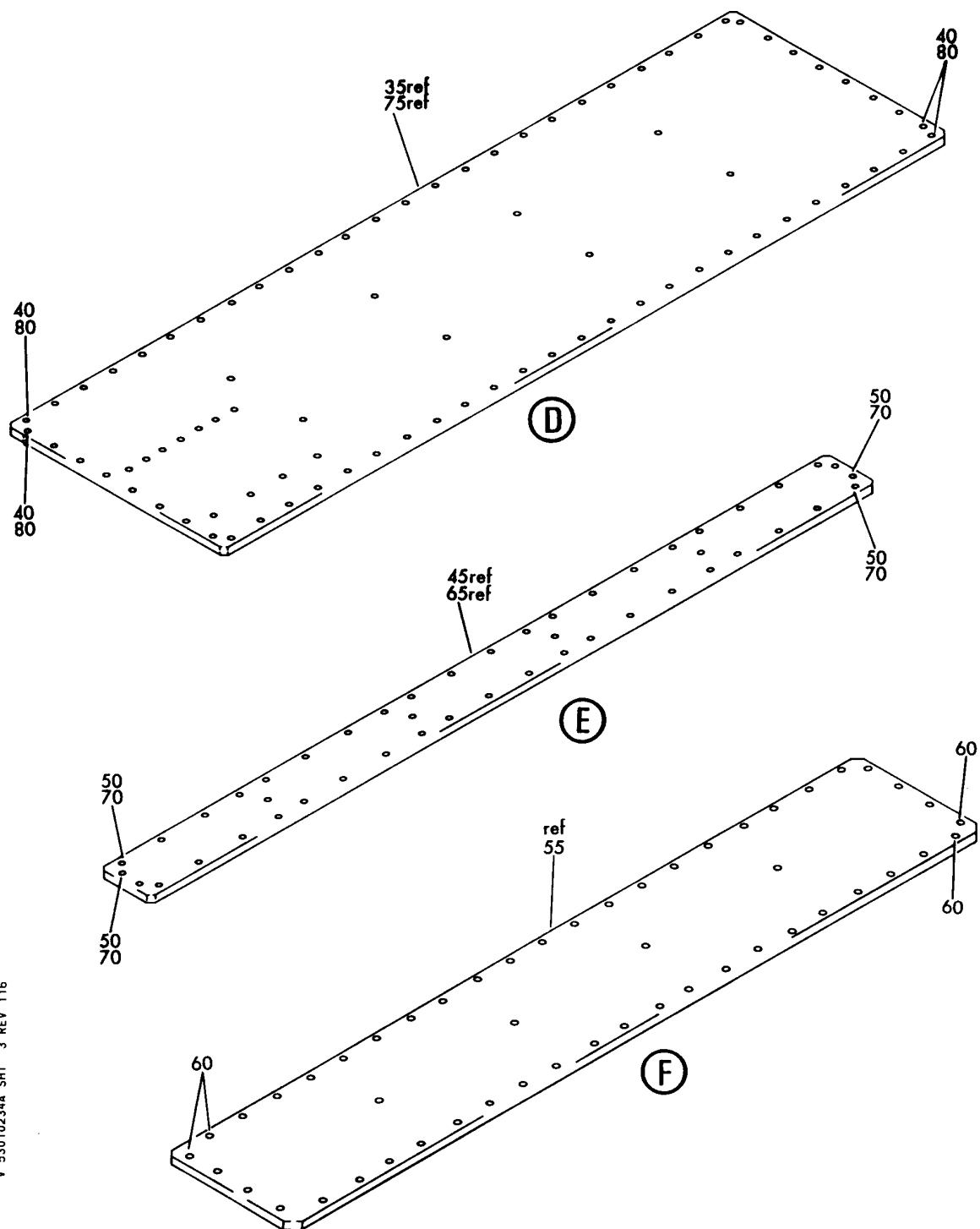
PANEL INSTL-SECT. 46 FLOOR SAS  
FIGURE 34A (SHEET 2)

**53-01-02-34A**

HXL  
DEC 22/06

53-01-02-34A  
PAGE 0A

**BOEING**  
767  
PARTS CATALOG (MAINTENANCE)



V 53010234A SHT 3 REV 116

PANEL INSTL-SECT. 46 FLOOR SAS  
FIGURE 34A (SHEET 3)

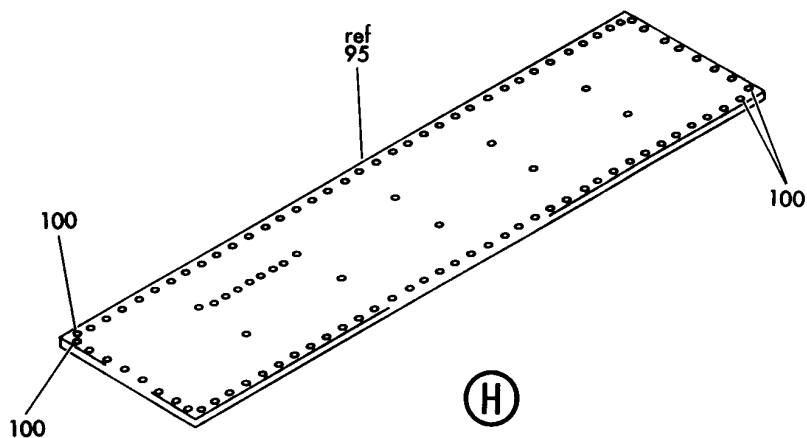
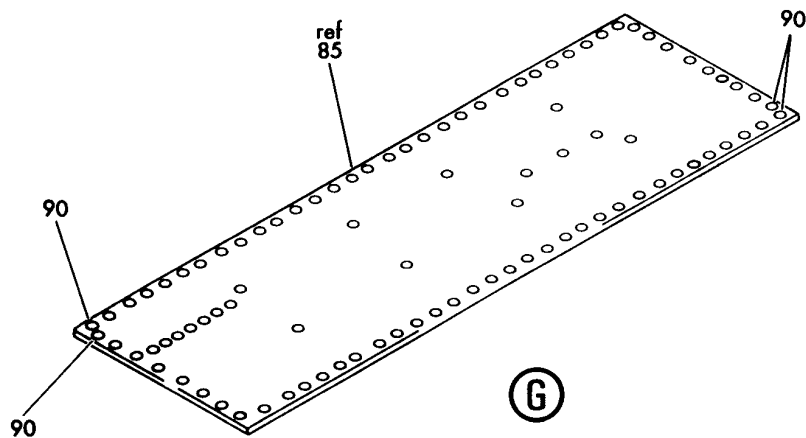
**53-01-02-34A**

HXL  
DEC 22/06

53-01-02-34A  
PAGE 0B



**BOEING**  
767  
PARTS CATALOG (MAINTENANCE)



V 53010234A SHT 4 REV 116

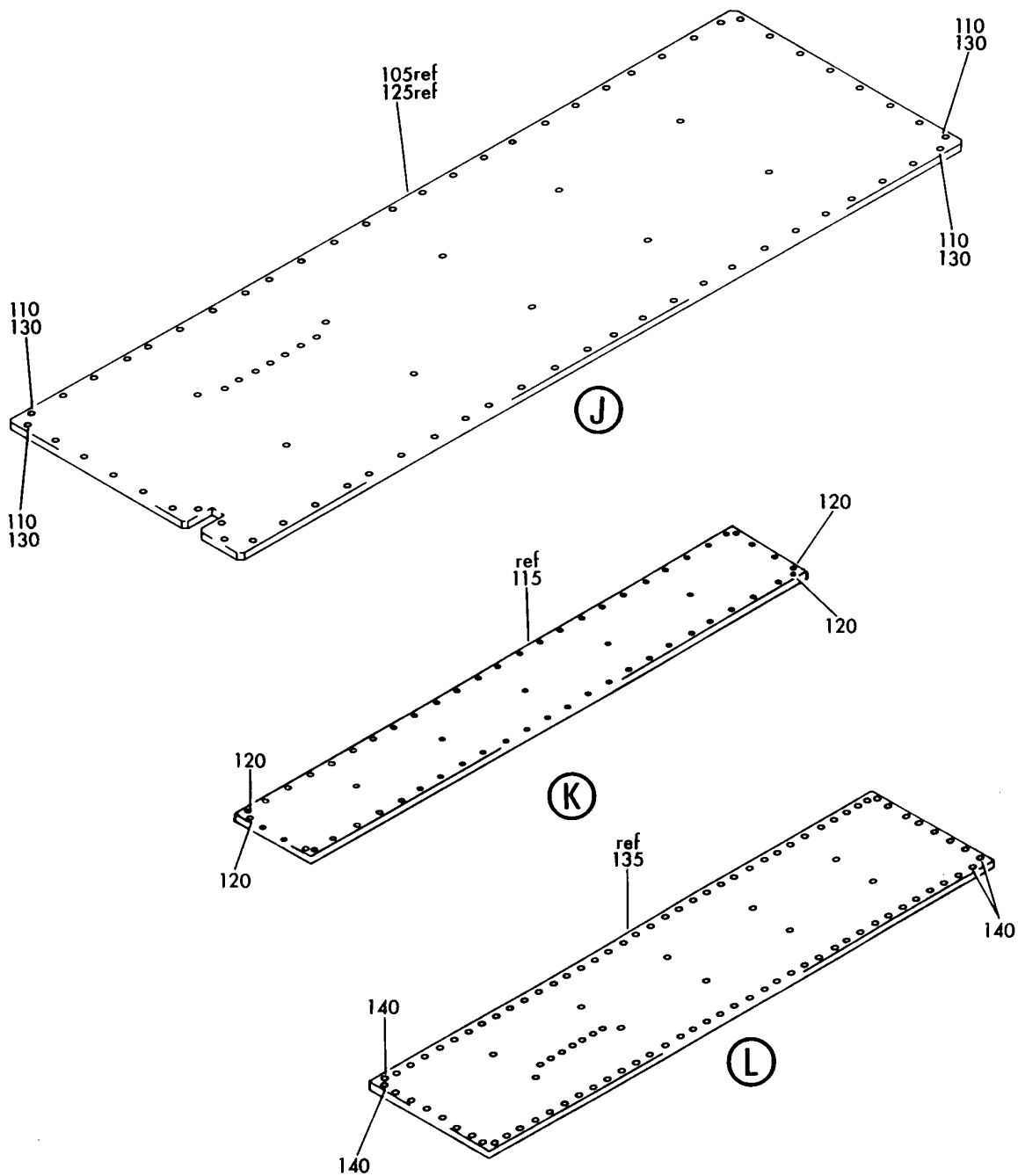
PANEL INSTL-SECT. 46 FLOOR SAS  
FIGURE 34A (SHEET 4)

**53-01-02-34A**

HXL  
DEC 22/06

53-01-02-34A  
PAGE 0C

**BOEING**  
767  
PARTS CATALOG (MAINTENANCE)



V 53010234A SHT 5 REV 116

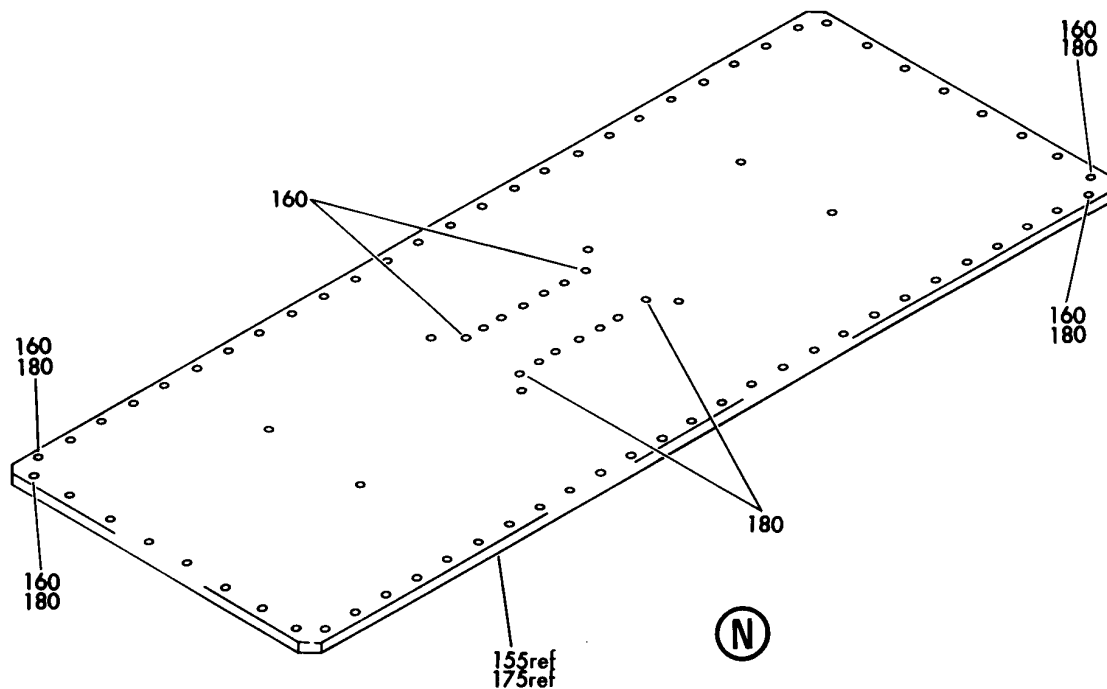
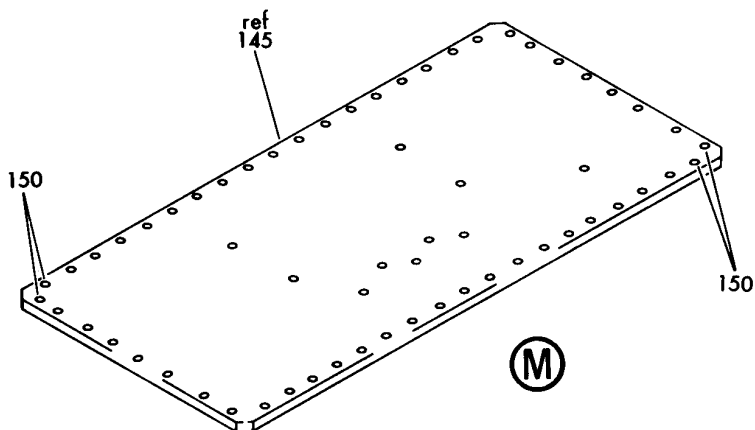
PANEL INSTL-SECT. 46 FLOOR SAS  
FIGURE 34A (SHEET 5)

**53-01-02-34A**

HXL  
DEC 22/06

53-01-02-34A  
PAGE 0D

**BOEING**  
767  
PARTS CATALOG (MAINTENANCE)



V 53010234A SHT 6 REV 116

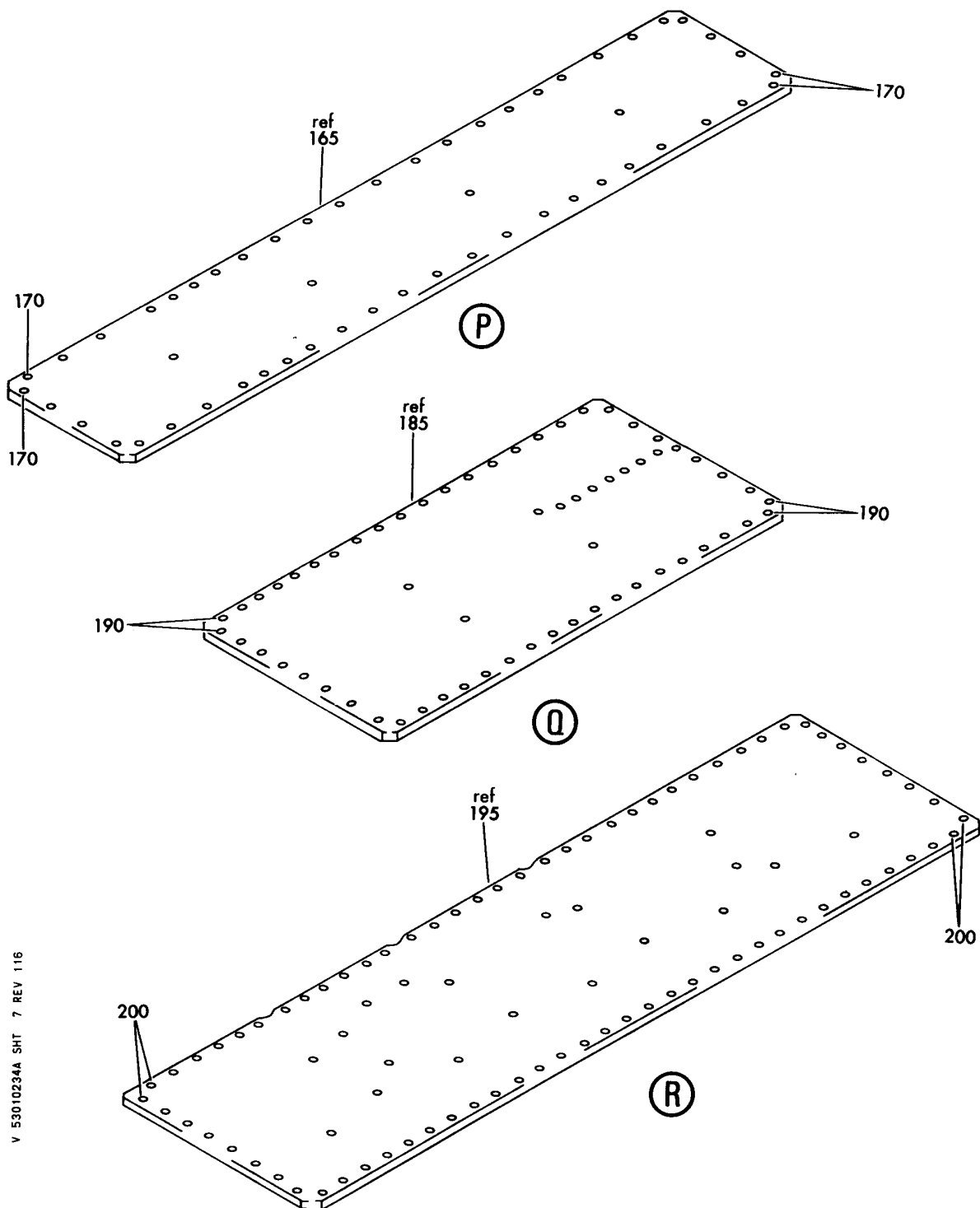
PANEL INSTL-SECT. 46 FLOOR SAS  
FIGURE 34A (SHEET 6)

**53-01-02-34A**

HXL  
DEC 22/06

53-01-02-34A  
PAGE 0E

**BOEING**  
767  
PARTS CATALOG (MAINTENANCE)



V 53010234A SHT 7 REV 116

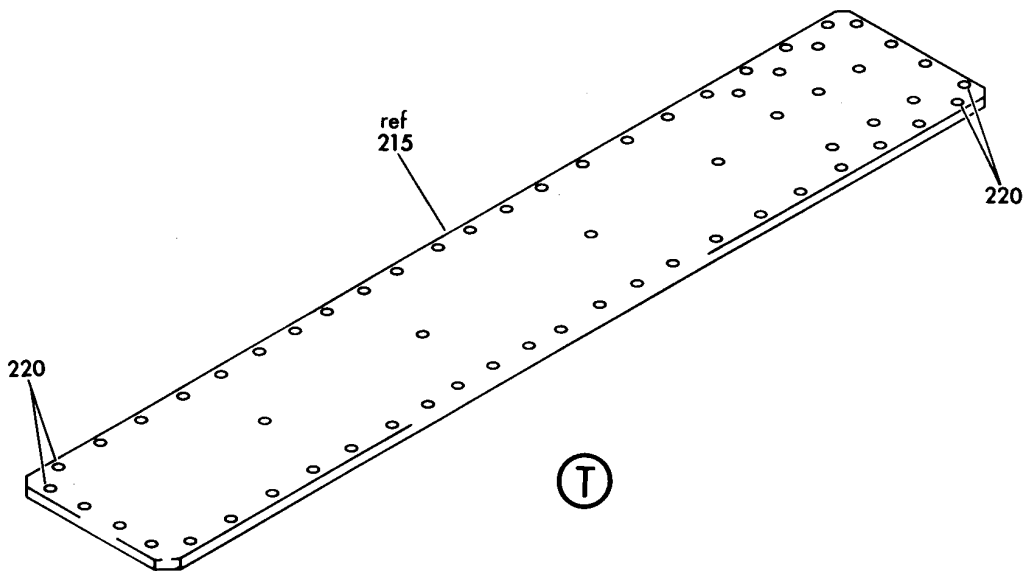
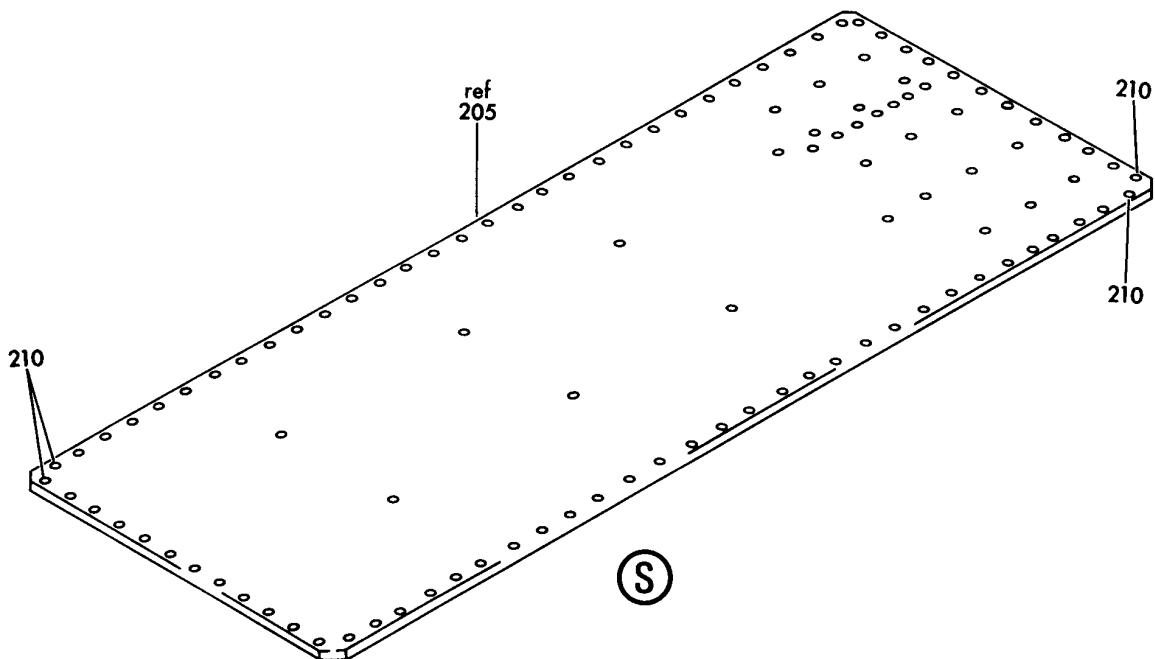
PANEL INSTL-SECT. 46 FLOOR SAS  
FIGURE 34A (SHEET 7)

**53-01-02-34A**

HXL  
DEC 22/06

53-01-02-34A  
PAGE OF

**BOEING**  
767  
PARTS CATALOG (MAINTENANCE)



V 53010234A SHT 8 REV 116

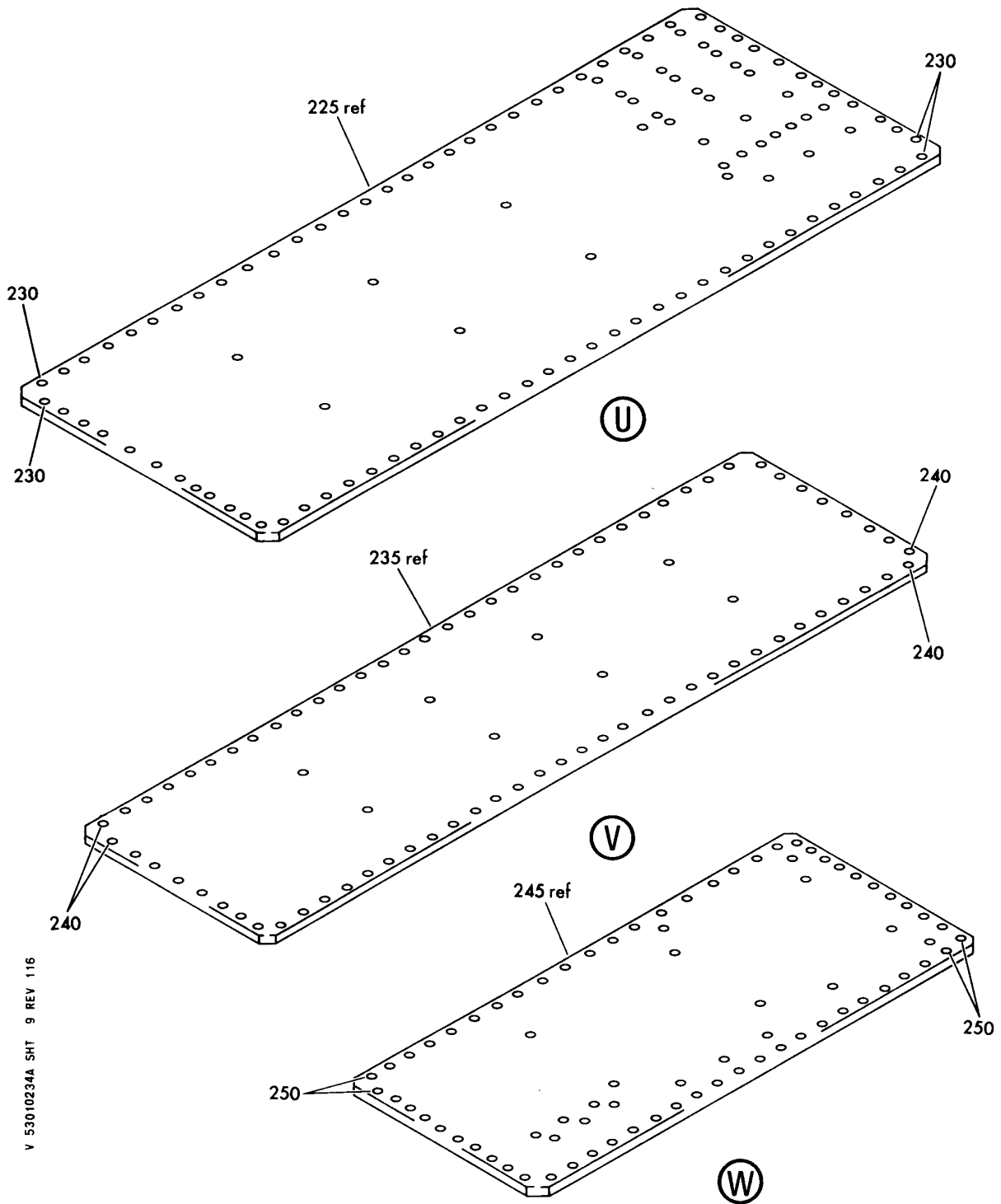
PANEL INSTL-SECT. 46 FLOOR SAS  
FIGURE 34A (SHEET 8)

**53-01-02-34A**

HXL  
DEC 22/06

53-01-02-34A  
PAGE 06

**BOEING**  
767  
PARTS CATALOG (MAINTENANCE)



V 53010234A SHT 9 REV 116

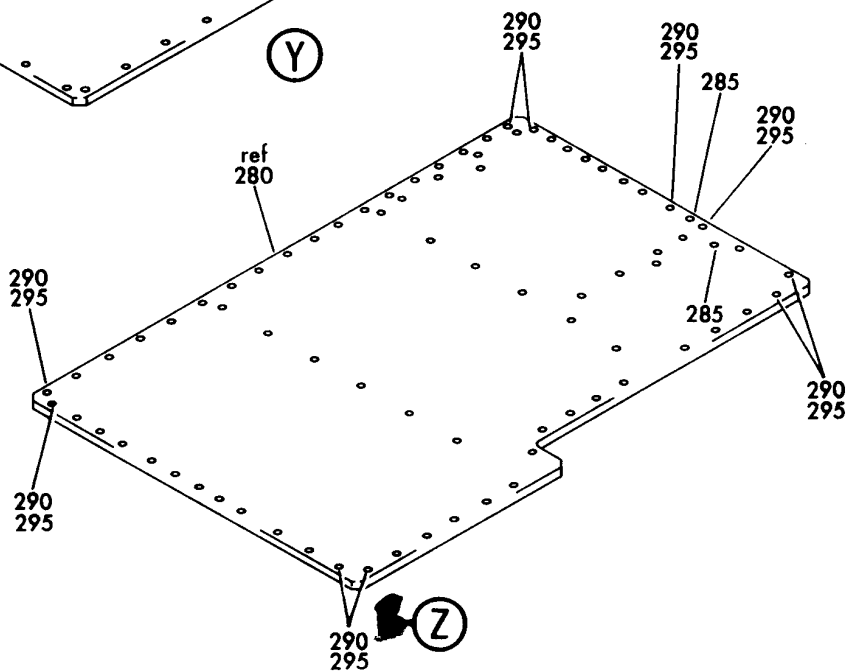
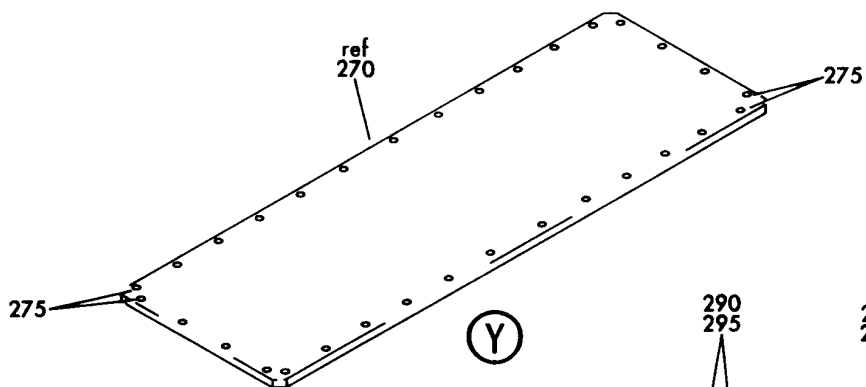
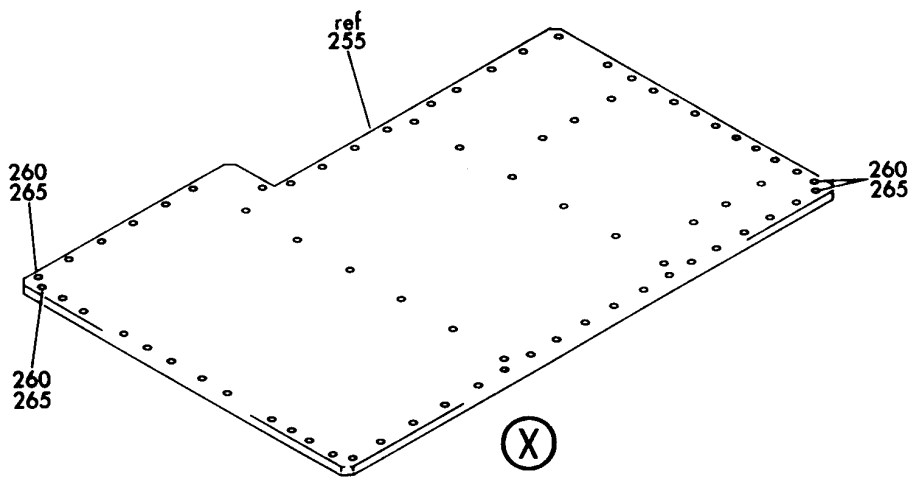
PANEL INSTL-SECT. 46 FLOOR SAS  
FIGURE 34A (SHEET 9)

**53-01-02-34A**

HXL  
DEC 22/06

53-01-02-34A  
PAGE 0H

**BOEING**  
767  
PARTS CATALOG (MAINTENANCE)



V 53010234A SHT 10 REV 116

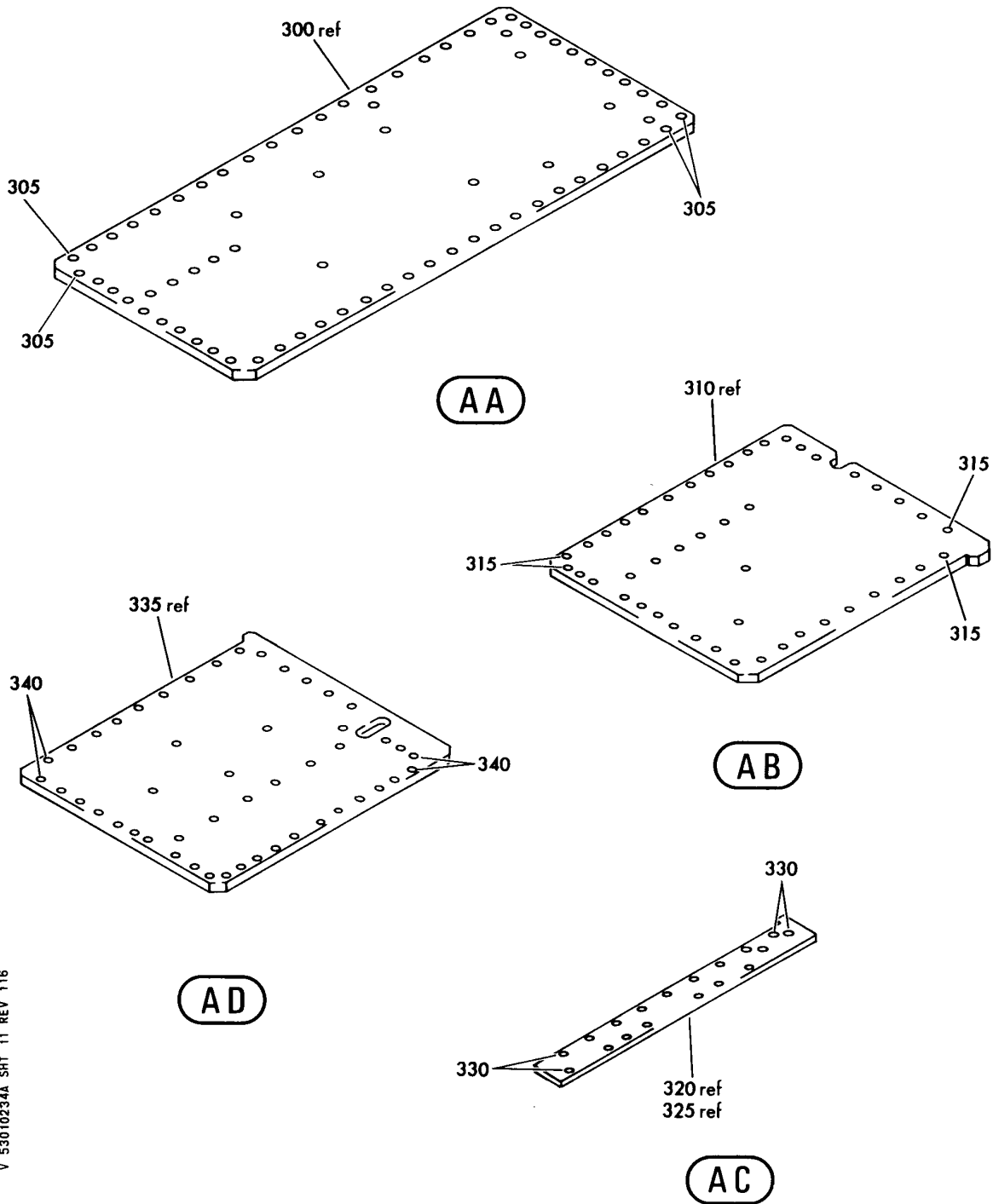
PANEL INSTL-SECT. 46 FLOOR SAS  
FIGURE 34A (SHEET 10)

**53-01-02-34A**

HXL  
DEC 22/06

53-01-02-34A  
PAGE 01

**BOEING**  
767  
PARTS CATALOG (MAINTENANCE)



V 53010234A SHT 11 REV 116

PANEL INSTL-SECT. 46 FLOOR SAS  
FIGURE 34A (SHEET 11)

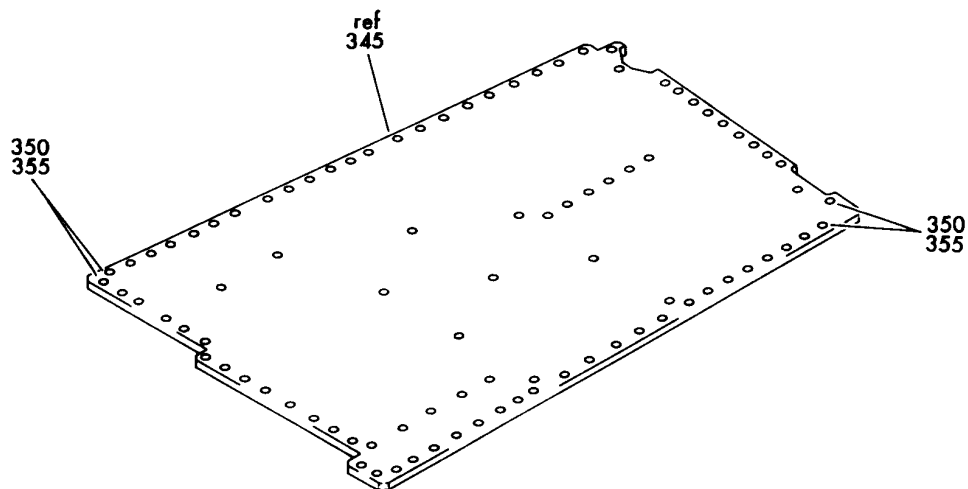
**53-01-02-34A**

HXL  
DEC 22/06

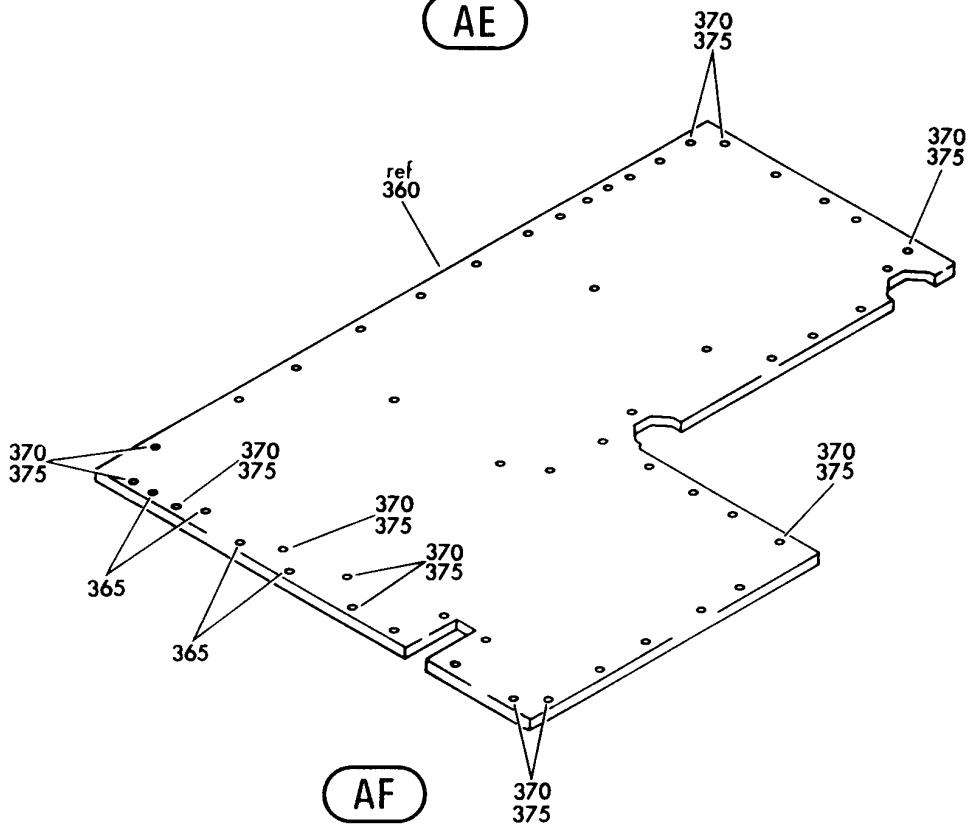
53-01-02-34A  
PAGE 0J



**BOEING**  
767  
PARTS CATALOG (MAINTENANCE)



AE



AF

V 53010234A SHT 12 REV 1116

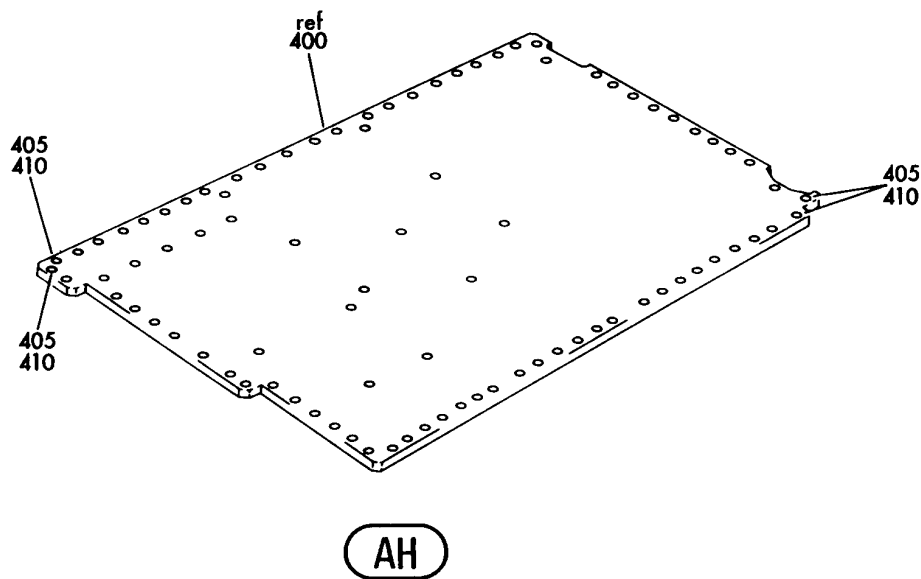
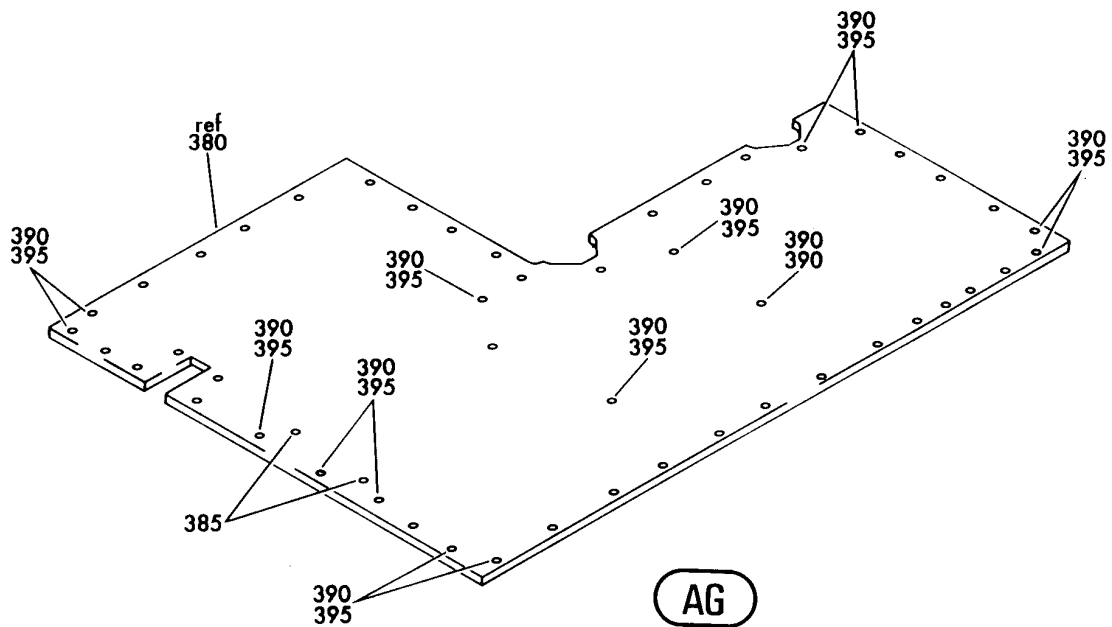
PANEL INSTL-SECT. 46 FLOOR SAS  
FIGURE 34A (SHEET 12)

**53-01-02-34A**

HXL  
DEC 22/06

53-01-02-34A  
PAGE OK

**BOEING**  
767  
PARTS CATALOG (MAINTENANCE)



V 53010234A SHT 13 REV 116

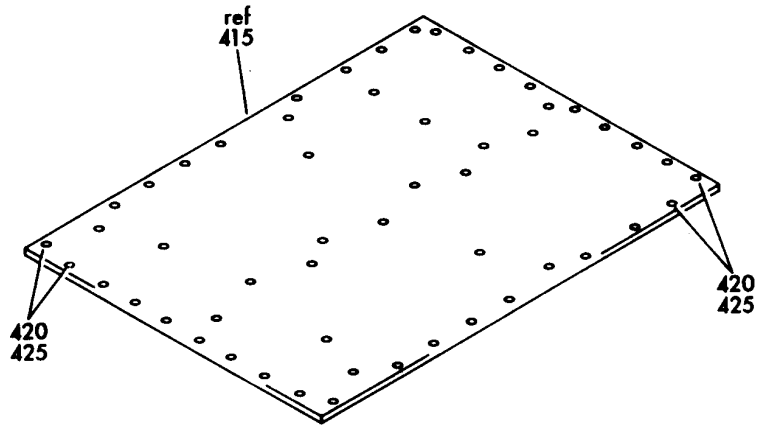
PANEL INSTL-SECT. 46 FLOOR SAS  
FIGURE 34A (SHEET 13)

**53-01-02-34A**

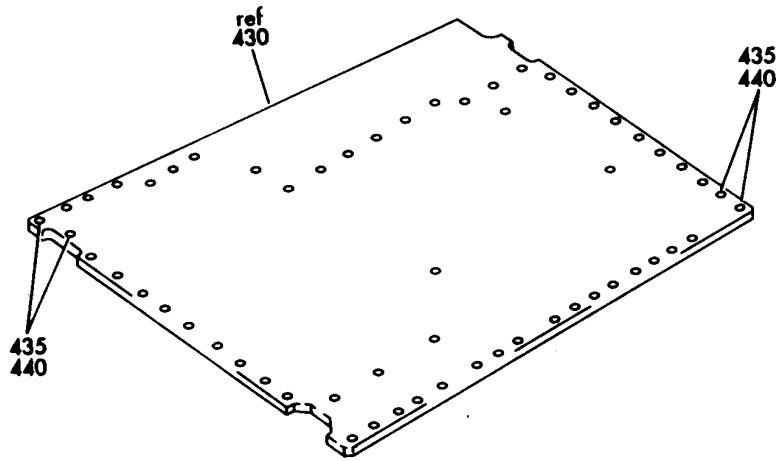
HXL  
DEC 22/06

53-01-02-34A  
PAGE 01

**BOEING**  
767  
PARTS CATALOG (MAINTENANCE)



AJ



AK

V 53010234A SHT 14 REV 116

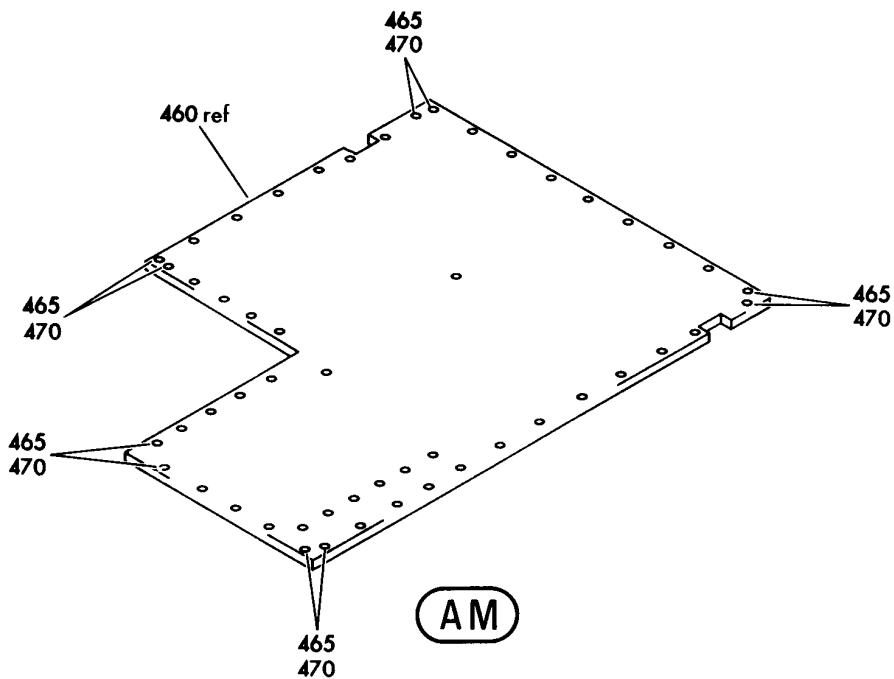
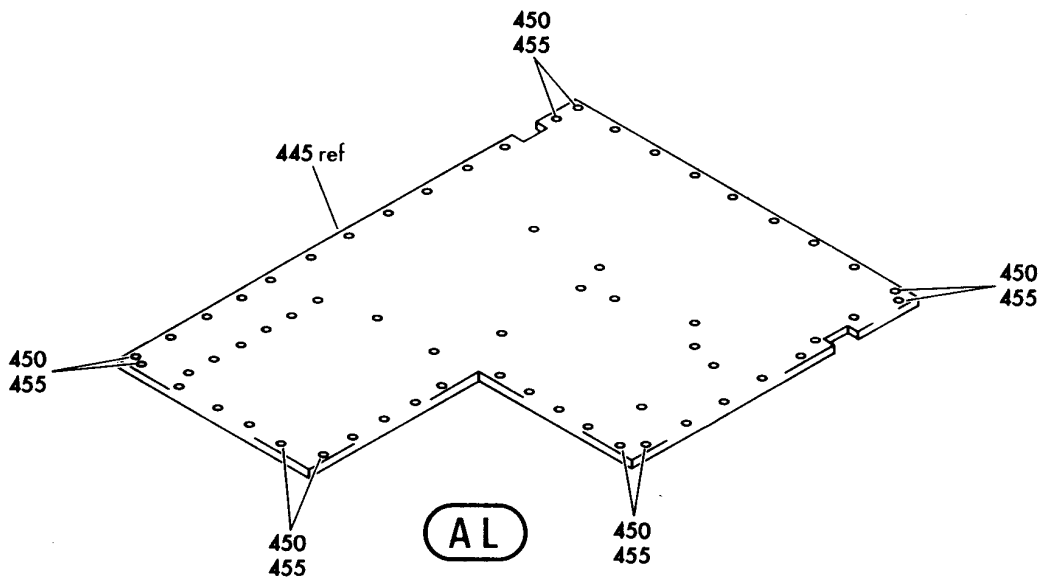
PANEL INSTL-SECT. 46 FLOOR SAS  
FIGURE 34A (SHEET 14)

**53-01-02-34A**

HXL  
DEC 22/06

53-01-02-34A  
PAGE 0M

**BOEING**  
767  
PARTS CATALOG (MAINTENANCE)



V 53010234A SHT 15 REV 116

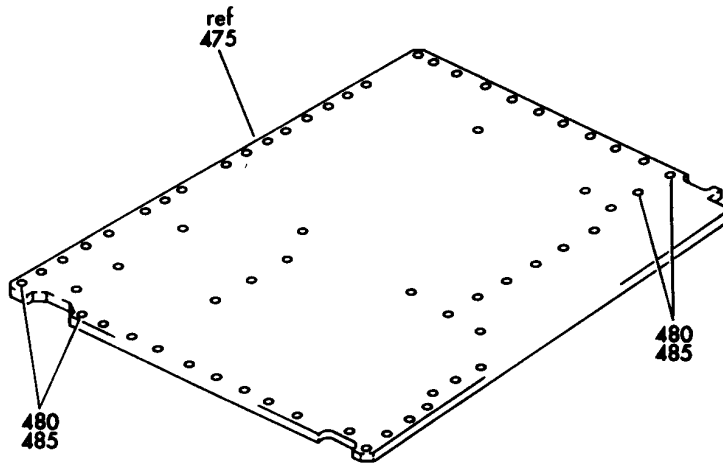
PANEL INSTL-SECT. 46 FLOOR SAS  
FIGURE 34A (SHEET 15)

**53-01-02-34A**

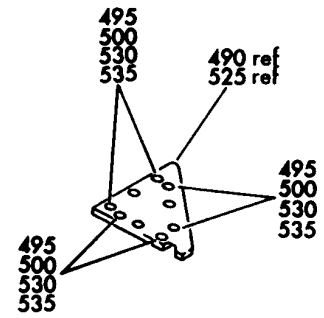
HXL  
DEC 22/06

53-01-02-34A  
PAGE ON

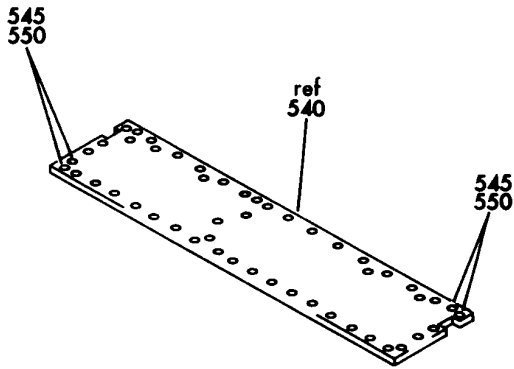
**BOEING**  
767  
PARTS CATALOG (MAINTENANCE)



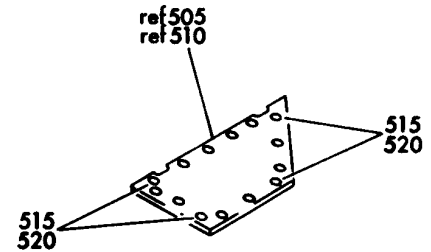
AN



AP



AR



AQ

V 53010234A SHT 16 REV 116

PANEL INSTL-SECT. 46 FLOOR SAS  
FIGURE 34A (SHEET 16)

**53-01-02-34A**

HXL  
DEC 22/06

53-01-02-34A  
PAGE 00

 **BOEING**  
767  
**PARTS CATALOG (MAINTENANCE)**

FIG ITEM	PART NUMBER	1 2 3 4 5 6 7	NOMENCLATURE	EFFECT FROM TO	UNITS PER ASSY
34A			PANEL INSTL-SECT. 46 FLOOR SAS	164999	
- 1	146T5833-5		PANEL INSTL-SAS POSITION DATA: SECT. 46 FOR NHA SEE: 53-60-00-08	164999	RF
5	BACS12GP3K15		.SCREW	164999	AR
10	BACW10P350GE		.WASHER	164999	AR
15	BRH10C3M		.NUT SUPPLIER CODE: V52828 SPECIFICATION NUMBER: BACN10JC3CM OPTIONAL PART: T6C1032JM V11815 97E02 V80539 109LH9075-3W V72962 VN303D02 V92215 NS202101SE02 V80539 H01-3BAC V15653	164999	AR
20	BRC600-8-3		.NUT- SUPPLIER CODE: V52828 SPECIFICATION NUMBER: BACN10YD1 OPTIONAL PART: 130120 V60119 QUALIFIED OPTIONAL DATA: (OPT BACN10YD2 FOR GAGES .020-.090)	164999	AR
20	BRC600-10-3		.NUT- SUPPLIER CODE: V52828 SPECIFICATION NUMBER: BACN10YD2 OPTIONAL PART: 130121 V60119 QUALIFIED OPTIONAL DATA: (OPT BACN10YD1 FOR GAGES .020-.090)	164999	AR
ILLUSTRATION ITEMS NOT ON PARTS LIST ARE NOT APPLICABLE					

- ITEM NOT ILLUSTRATED

HXL

53-01-02-34A

BOEING PROPRIETARY - Copyright © - Unpublished Work - See title page for details.

53-01-02  
FIG. 34A  
PAGE 1  
DEC 22/07



767

PARTS CATALOG (MAINTENANCE)

FIG ITEM	PART NUMBER	1 2 3 4 5 6 7	NOMENCLATURE	EFFECT FROM TO	UNITS PER ASSY
34A 20	BRC600-10G3	.NUT-	SUPPLIER CODE: V52828 SPECIFICATION NUMBER: BACN10YD3 OPTIONAL PART: 130122 V60119 QUALIFIED OPTIONAL DATA: (OPT BACN10YD4 FOR GAGES .091-.150)	164999	AR
20	BRC600-8G3	.NUT-	SUPPLIER CODE: V52828 SPECIFICATION NUMBER: BACN10YD4 OPTIONAL PART: 130123 V60119 QUALIFIED OPTIONAL DATA: (OPT BACN10YD3 FOR GAGES .091-.150)	164999	AR
20	BRC600-12-3	.NUT-	SUPPLIER CODE: V52828 SPECIFICATION NUMBER: BACN10YD6 OPTIONAL PART: 130125 V60119 MISCELLANEOUS DATA: (FOR GAGES .140-.230)	164999	AR
25	146T5879-62	.PANEL ASSY		164999	1
30	SL5107A3-410	..SPACER-	SUPPLIER CODE: V97393	164999	AR
35	146T5878-16	.PANEL ASSY		164999	1
40	SL5107A3-410	..SPACER-	SUPPLIER CODE: V97393	164999	AR
45	146T5878-18	.PANEL ASSY		164999	1
50	SL5107A3-410	..SPACER-	SUPPLIER CODE: V97393	164999	AR
55	146T5880-19	.PANEL ASSY		164999	1
60	SL5107A3-410	..SPACER-	SUPPLIER CODE: V97393	164999	AR
65	146T5878-19	.PANEL ASSY		164999	1

ILLUSTRATION ITEMS NOT ON PARTS LIST ARE NOT APPLICABLE

- ITEM NOT ILLUSTRATED

53-01-02-34A

53-01-02  
FIG. 34A  
PAGE 2  
DEC 22/07

HXL

BOEING PROPRIETARY - Copyright © - Unpublished Work - See title page for details.

 **BOEING**  
767  
**PARTS CATALOG (MAINTENANCE)**

FIG ITEM	PART NUMBER	1 2 3 4 5 6 7	NOMENCLATURE	EFFECT FROM TO	UNITS PER ASSY
34A					
70	SL5107A3-410	..	SPACER- SUPPLIER CODE: V97393	164999	AR
75	146T5878-17	.	PANEL ASSY	164999	1
80	SL5107A3-410	..	SPACER- SUPPLIER CODE: V97393	164999	AR
85	146T5880-1	.	PANEL ASSY	164999	1
90	SL5107A3-410	..	SPACER- SUPPLIER CODE: V97393	164999	AR
95	146T5880-6	.	PANEL ASSY	164999	1
100	SL5107A3-410	..	SPACER- SUPPLIER CODE: V97393	164999	AR
105	146T5878-68	.	PANEL ASSY-	164999	1
110	SL5107A3-410	..	SPACER- SUPPLIER CODE: V97393	164999	AR
115	146T5880-20	.	PANEL ASSY	164999	1
120	SL5107A3-410	..	SPACER- SUPPLIER CODE: V97393	164999	AR
125	146T5878-69	.	PANEL ASSY-	164999	1
130	SL5107A3-410	..	SPACER- SUPPLIER CODE: V97393	164999	AR
135	146T5880-5	.	PANEL ASSY	164999	1
140	SL5107A3-410	..	SPACER- SUPPLIER CODE: V97393	164999	AR
145	146T5880-10	.	PANEL ASSY	164999	1
150	SL5107A3-410	..	SPACER- SUPPLIER CODE: V97393	164999	AR
155	146T5880-37	.	PANEL ASSY	164999	1
160	SL5107A3-410	..	SPACER- SUPPLIER CODE: V97393	164999	AR
165	146T5880-21	.	PANEL ASSY	164999	1
170	SL5107A3-410	..	SPACER- SUPPLIER CODE: V97393	164999	AR
175	146T5880-11	.	PANEL ASSY	164999	1
180	SL5107A3-410	..	SPACER- SUPPLIER CODE: V97393	164999	AR
185	146T5880-9	.	PANEL ASSY	164999	1

ILLUSTRATION ITEMS NOT ON PARTS LIST ARE NOT APPLICABLE

— ITEM NOT ILLUSTRATED

# 53-01-02-34A

53-01-02  
FIG. 34A  
PAGE 3  
DEC 22/07

HXL

BOEING PROPRIETARY - Copyright © - Unpublished Work - See title page for details.





767

PARTS CATALOG (MAINTENANCE)

FIG ITEM	PART NUMBER	1 2 3 4 5 6 7	NOMENCLATURE	EFFECT FROM TO	UNITS PER ASSY
34A 190	SL5107A3-410	..	SPACER- SUPPLIER CODE: V97393	164999	AR
195	146T5880-14	.PANEL ASSY		164999	1
200	SL5107A3-410	..	SPACER- SUPPLIER CODE: V97393	164999	AR
205	146T5880-38	.PANEL ASSY		164999	1
210	SL5107A3-410	..	SPACER- SUPPLIER CODE: V97393	164999	AR
215	146T5880-22	.PANEL ASSY		164999	1
220	SL5107A3-410	..	SPACER- SUPPLIER CODE: V97393	164999	AR
225	146T5880-15	.PANEL ASSY		164999	1
230	SL5107A3-410	..	SPACER- SUPPLIER CODE: V97393	164999	AR
235	146T5880-13	.PANEL ASSY		164999	1
240	SL5107A3-410	..	SPACER- SUPPLIER CODE: V97393	164999	AR
245	146T5879-83	.PANEL ASSY		164999	1
250	SL5107A3-410	..	SPACER- SUPPLIER CODE: V97393	164999	AR
255	146T5878-26	.PANEL ASSY		164999	1
260	SL6146A3-35	..	INSERT- SUPPLIER CODE: V97393	164999	AR
265	81207-3-14	..	SETSCREW- SUPPLIER CODE: V80539	164999	AR
265	94075-3K14	..	SETSCREW- SUPPLIER CODE: V80539	164999	AR
270	146T5878-30	.PANEL ASSY		164999	1
275	SL5107A3-410	..	SPACER- SUPPLIER CODE: V97393	164999	AR
280	146T5878-27	.PANEL ASSY		164999	1
285	SL2334-3A3	..	INSERT- SUPPLIER CODE: V97393	164999	2
290	SL6146A3-35	..	INSERT- SUPPLIER CODE: V97393	164999	AR

ILLUSTRATION ITEMS NOT ON PARTS LIST ARE NOT APPLICABLE

- ITEM NOT ILLUSTRATED

53-01-02-34A

53-01-02  
FIG. 34A  
PAGE 4  
AUG 22/08

HXL

BOEING PROPRIETARY - Copyright © - Unpublished Work - See title page for details.



767

PARTS CATALOG (MAINTENANCE)

FIG ITEM	PART NUMBER	1 2 3 4 5 6 7	NOMENCLATURE	EFFECT FROM TO	UNITS PER ASSY
34A 295	81207-3-14	..	SETSCREW- SUPPLIER CODE: V80539	164999	AR
295	94075-3K14	..	SETSCREW- SUPPLIER CODE: V80539	164999	AR
300	146T5879-82	.	PANEL ASSY	164999	1
305	SL5107A3-410	..	SPACER- SUPPLIER CODE: V97393	164999	AR
310	146T5879-50	.	PANEL ASSY	164999	1
315	SL5107A3-410	..	SPACER- SUPPLIER CODE: V97393	164999	AR
320	146T5884-124	.	PANEL ASSY	164999	1
325	146T5884-123	.	PANEL ASSY	164999	1
330	SL5107A3-410	..	SPACER- SUPPLIER CODE: V97393	164999	18
335	146T5879-49	.	PANEL ASSY	164999	1
340	SL5107A3-410	..	SPACER- SUPPLIER CODE: V97393	164999	AR
345	146T5878-62	.	PANEL ASSY	164999	1
350	SL6146A3-35	..	INSERT- SUPPLIER CODE: V97393	164999	AR
355	81207-3-14	..	SETSCREW- SUPPLIER CODE: V80539	164999	AR
355	94075-3K14	..	SETSCREW- SUPPLIER CODE: V80539	164999	AR
360	146T5878-28	.	PANEL ASSY	164999	1
365	SL2334-3A3	..	INSERT- SUPPLIER CODE: V97393	164999	4
370	SL6146A3-35	..	INSERT- SUPPLIER CODE: V97393	164999	AR
375	81207-3-14	..	SETSCREW- SUPPLIER CODE: V80539	164999	AR
375	94075-3K14	..	SETSCREW- SUPPLIER CODE: V50539	164999	AR
380	146T5878-29	.	PANEL ASSY	164999	1

ILLUSTRATION ITEMS NOT ON PARTS LIST ARE NOT APPLICABLE

- ITEM NOT ILLUSTRATED

53-01-02-34A

53-01-02  
FIG. 34A  
PAGE 5  
AUG 22/08

HXL

BOEING PROPRIETARY - Copyright © - Unpublished Work - See title page for details.

 **BOEING**  
767  
**PARTS CATALOG (MAINTENANCE)**

FIG ITEM	PART NUMBER	1 2 3 4 5 6 7	NOMENCLATURE	EFFECT FROM TO	UNITS PER ASSY
34A 385	SL2334-3A3	..	INSERT- SUPPLIER CODE: V97393	164999	2
390	SL6146A3-35	..	INSERT- SUPPLIER CODE: V97393	164999	AR
395	81207-3-14	..	SETSCREW- SUPPLIER CODE: V80539	164999	AR
395	94075-3K14	..	SETSCREW- SUPPLIER CODE: V80539	164999	AR
400	146T5878-63	.	PANEL ASSY	164999	1
405	SL6146A3-35	..	INSERT- SUPPLIER CODE: V97393	164999	AR
410	81207-3-14	..	SETSCREW- SUPPLIER CODE: V80539	164999	AR
410	94075-3K14	..	SETSCREW- SUPPLIER CODE: V80539	164999	AR
415	146T5882-64	.	PANEL ASSY	164999	1
420	SL6146A3-35	..	INSERT- SUPPLIER CODE: V97393	164999	AR
425	81207-3-14	..	SETSCREW- SUPPLIER CODE: V80539	164999	AR
425	94075-3K14	..	SETSCREW- SUPPLIER CODE: V80539	164999	AR
430	146T5897-137	.	PANEL ASSY	164999	1
435	SL6146A3-35	..	INSERT- SUPPLIER CODE: V97393	164999	AR
440	81207-3-14	..	SETSCREW- SUPPLIER CODE: V80539	164999	AR
440	94075-3K14	..	SETSCREW- SUPPLIER CODE: V80539	164999	AR
445	146T5884-145	.	PANEL ASSY	164999	1
450	SL6146A3-35	..	INSERT- SUPPLIER CODE: V97393	164999	AR
455	81207-3-14	..	SETSCREW- SUPPLIER CODE: V80539	164999	AR

ILLUSTRATION ITEMS NOT ON PARTS LIST ARE NOT APPLICABLE

— ITEM NOT ILLUSTRATED

HXL

# 53-01-02-34A

BOEING PROPRIETARY - Copyright © - Unpublished Work - See title page for details.

53-01-02  
FIG. 34A  
PAGE 6  
AUG 22/08

 **BOEING**  
767  
**PARTS CATALOG (MAINTENANCE)**

FIG ITEM	PART NUMBER	1 2 3 4 5 6 7	NOMENCLATURE	EFFECT FROM TO	UNITS PER ASSY
34A					
455	94075-3K14	..	SETSCREW- SUPPLIER CODE: V80539	164999	AR
460	146T5884-27	.	PANEL ASSY	164999	1
465	SL6146A3-35	..	INSERT- SUPPLIER CODE: V97393	164999	AR
470	81207-3-14	..	SETSCREW- SUPPLIER CODE: V80539	164999	AR
470	94075-3K14	..	SETSCREW- SUPPLIER CODE: V80539	164999	AR
475	146T5897-138	.	PANEL ASSY	164999	1
480	SL6146A3-35	..	INSERT- SUPPLIER CODE: V97393	164999	AR
485	81207-3-14	..	SETSCREW- SUPPLIER CODE: V80539	164999	AR
485	94075-3K14	..	SETSCREW- SUPPLIER CODE: V80539	164999	AR
490	146T5897-60	.	PANEL ASSY	164999	1
495	SL6146A3-35	..	INSERT- SUPPLIER CODE: V97393	164999	AR
500	81207-3-14	..	SETSCREW- SUPPLIER CODE: V80539	164999	AR
500	94075-3K14	..	SETSCREW- SUPPLIER CODE: V80539	164999	AR
505	146T5897-61	.	PANEL ASSY	164999	1
510	146T5897-62	.	PANEL ASSY	164999	1
515	SL6146A3-35	..	INSERT- SUPPLIER CODE: V97393	164999	14
520	81207-3-14	..	SETSCREW- SUPPLIER CODE: V80539	164999	AR
520	94075-3K14	..	SETSCREW- SUPPLIER CODE: V80539	164999	14
525	146T5897-63	.	PANEL ASSY	164999	1
530	SL6146A3-35	..	INSERT- SUPPLIER CODE: V97393	164999	AR

ILLUSTRATION ITEMS NOT ON PARTS LIST ARE NOT APPLICABLE

— ITEM NOT ILLUSTRATED

HXL

# 53-01-02-34A

BOEING PROPRIETARY - Copyright © - Unpublished Work - See title page for details.

53-01-02  
FIG. 34A  
PAGE 7  
AUG 22/08



767

PARTS CATALOG (MAINTENANCE)

FIG ITEM	PART NUMBER	1 2 3 4 5 6 7	NOMENCLATURE	EFFECT FROM TO	UNITS PER ASSY
34A 535	81207-3-14	..	SETSCREW- SUPPLIER CODE: V80539	164999	AR
535	94075-3K14	..	SETSCREW- SUPPLIER CODE: V80539	164999	AR
540	146T5884-30	.	PANEL ASSY	164999	1
545	SL6146A3-35	..	INSERT- SUPPLIER CODE: V97393	164999	AR
550	81207-3-14	..	SETSCREW- SUPPLIER CODE: V80539	164999	AR
550	94075-3K14	..	SETSCREW- SUPPLIER CODE: V80539	164999	AR

ILLUSTRATION ITEMS NOT ON PARTS LIST ARE NOT APPLICABLE

- ITEM NOT ILLUSTRATED

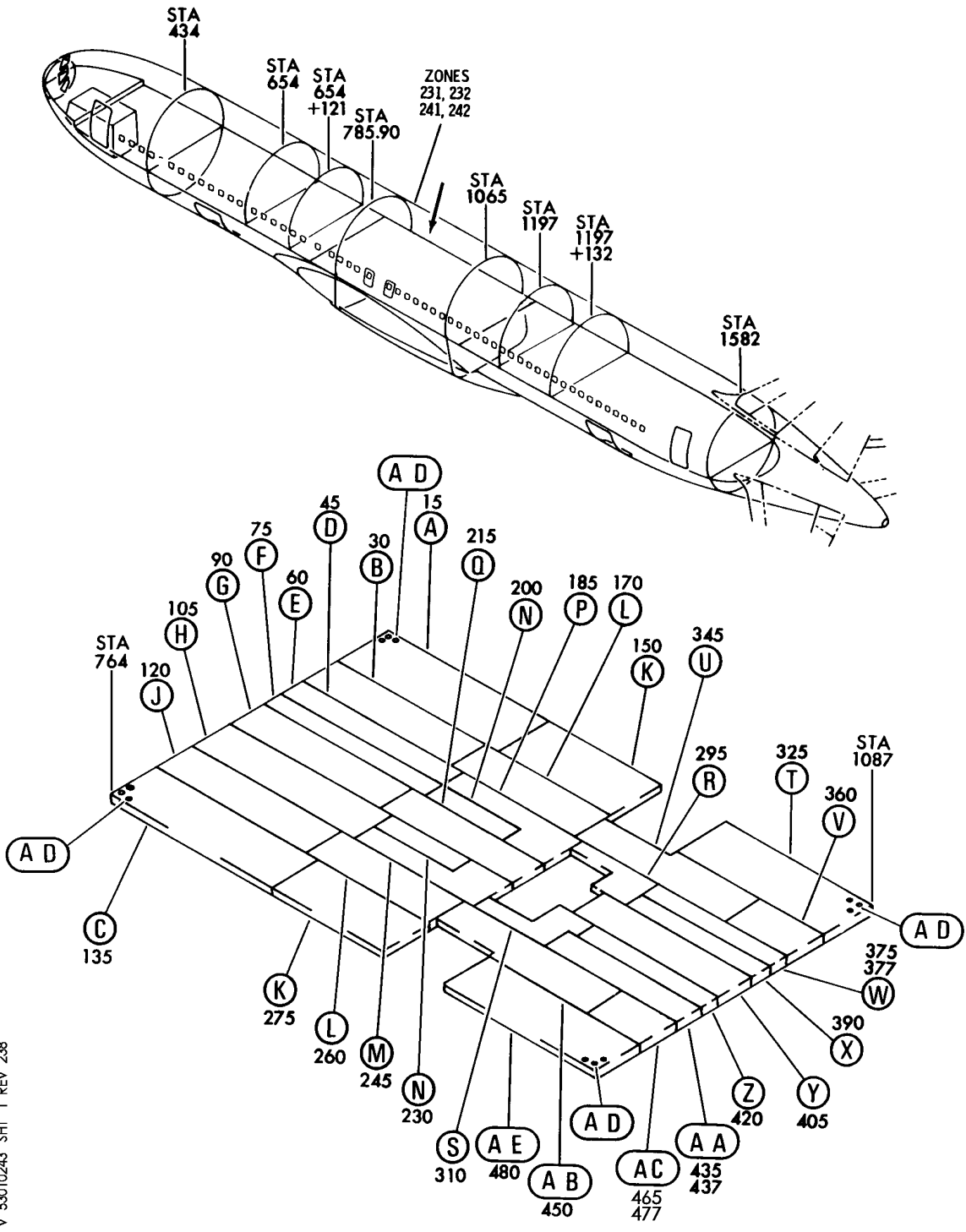
HXL

**53-01-02-34A**

BOEING PROPRIETARY - Copyright © - Unpublished Work - See title page for details.

53-01-02  
FIG. 34A  
PAGE 8  
AUG 22/08

**BOEING**  
767  
PARTS CATALOG (MAINTENANCE)



V 53010243 SHT 1 REV 238

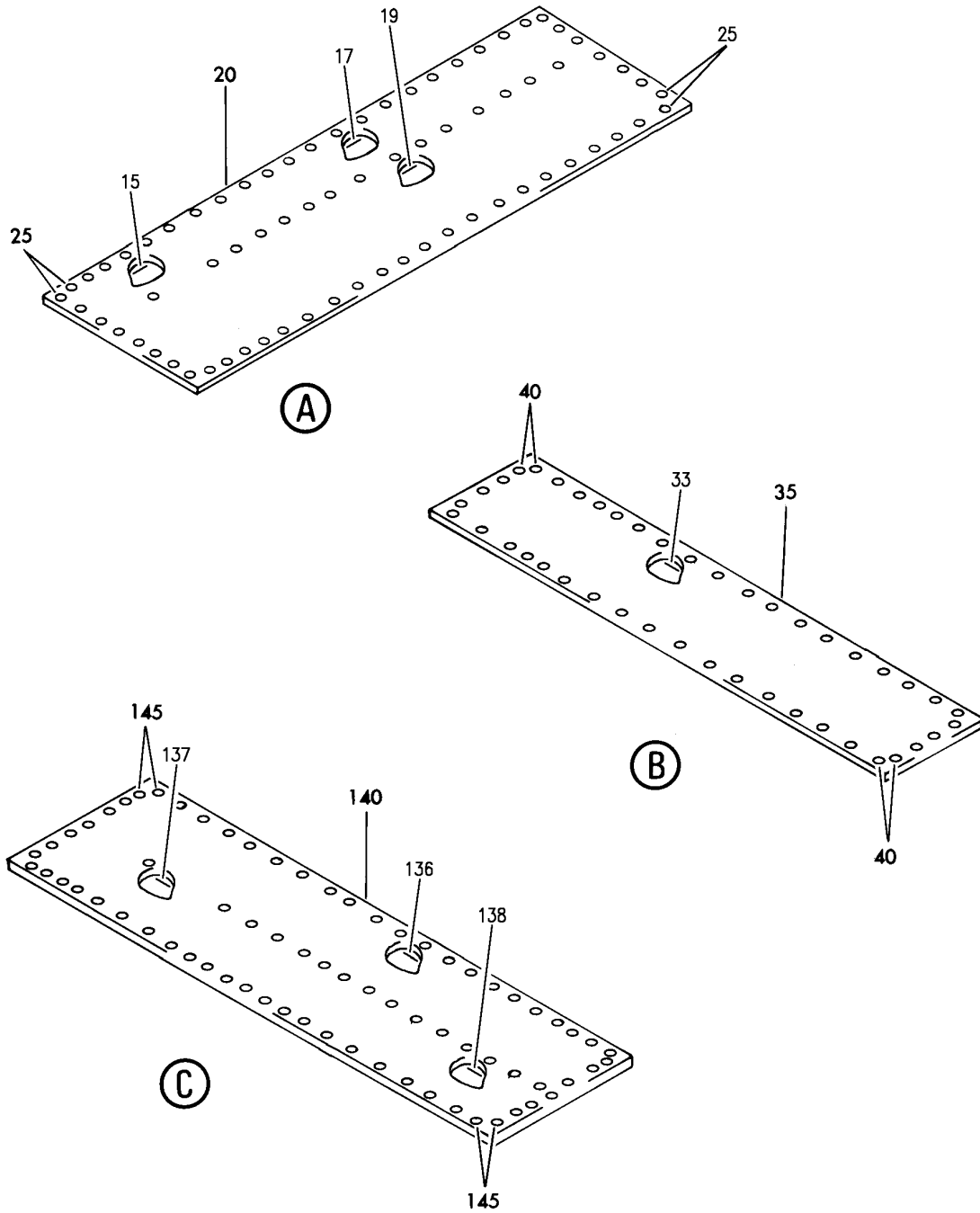
PANEL INSTL-SECT. 45 FLOOR SAS  
FIGURE 43 (SHEET 1)

53-01-02-43

HXL  
DEC 22/06

53-01-02-43  
PAGE 0

**BOEING**  
767  
PARTS CATALOG (MAINTENANCE)



V 53010243 SHT 2 REV 336

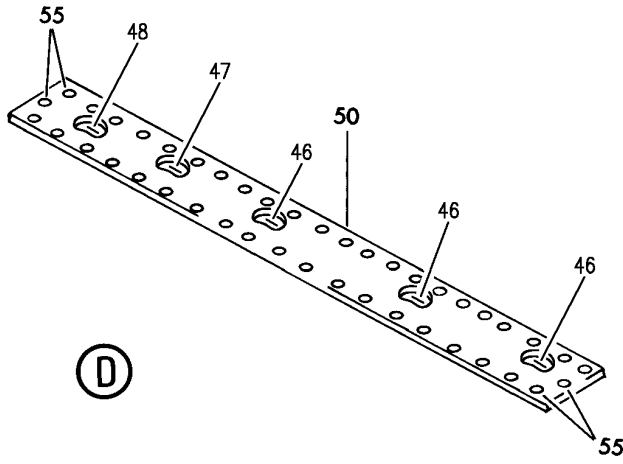
PANEL INSTL-SECT. 45 FLOOR SAS  
FIGURE 43 (SHEET 2)

**53-01-02-43**

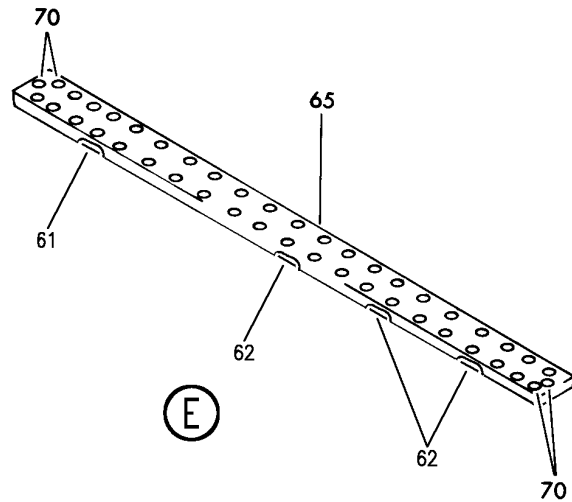
HXL  
APR 22/09

53-01-02-43  
PAGE 0A

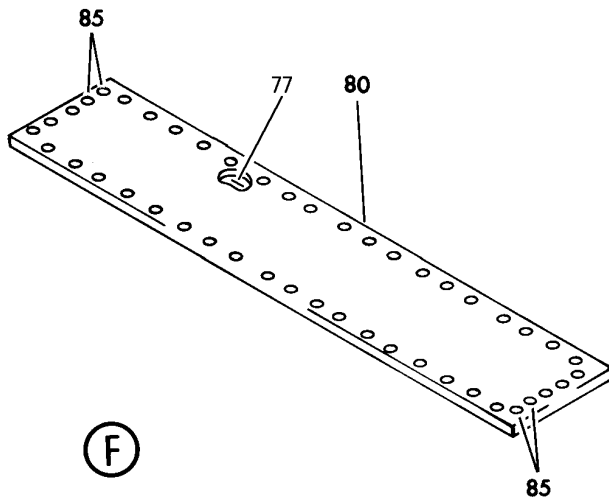
**BOEING**  
767  
PARTS CATALOG (MAINTENANCE)



(D)



(E)



(F)

V 53010243 SH1 3 REV 336

PANEL INSTL-SECT. 45 FLOOR SAS  
FIGURE 43 (SHEET 3)

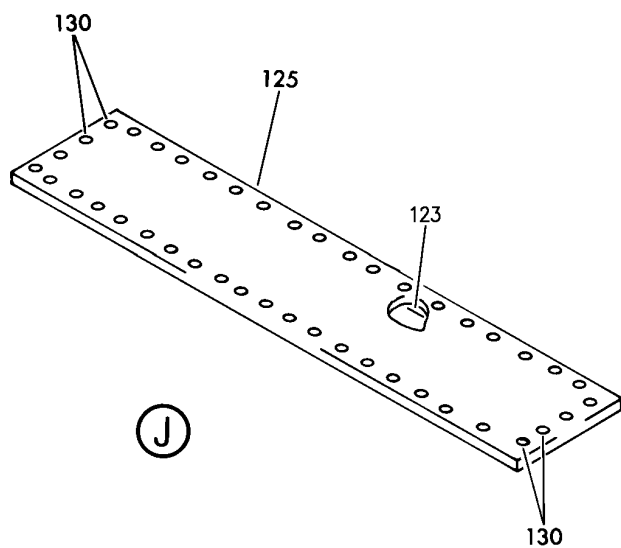
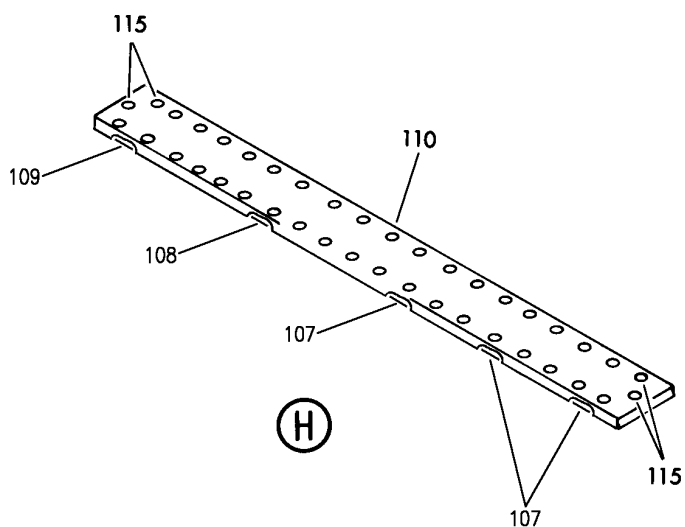
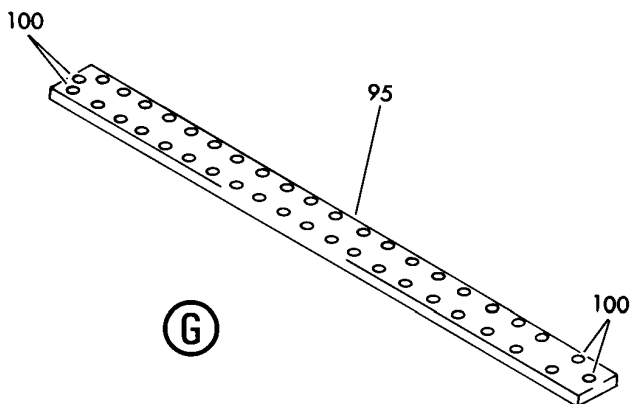
**53-01-02-43**

HXL  
APR 22/09

53-01-02-43  
PAGE 0B



**BOEING**  
767  
PARTS CATALOG (MAINTENANCE)



V 53010243 SHT 4 REV 336

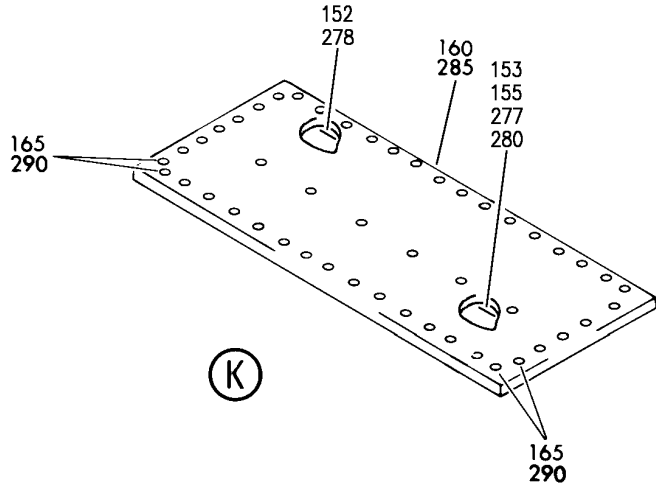
PANEL INSTL-SECT. 45 FLOOR SAS  
FIGURE 43 (SHEET 4)

HXL  
APR 22/09

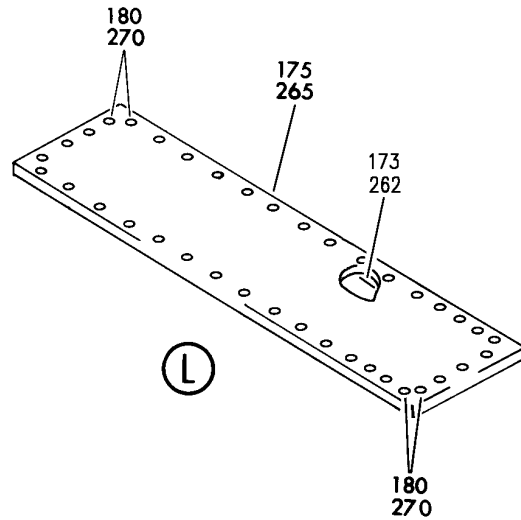
**53-01-02-43**

53-01-02-43  
PAGE 0C

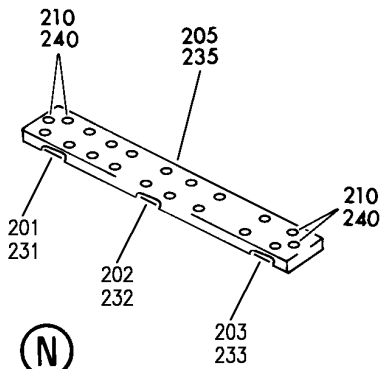
**BOEING**  
767  
PARTS CATALOG (MAINTENANCE)



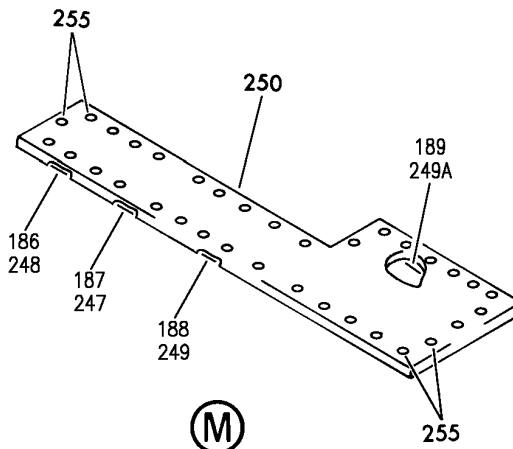
(K)



(L)



(N)



(M)

V 53010243 SH1 5 REV 336

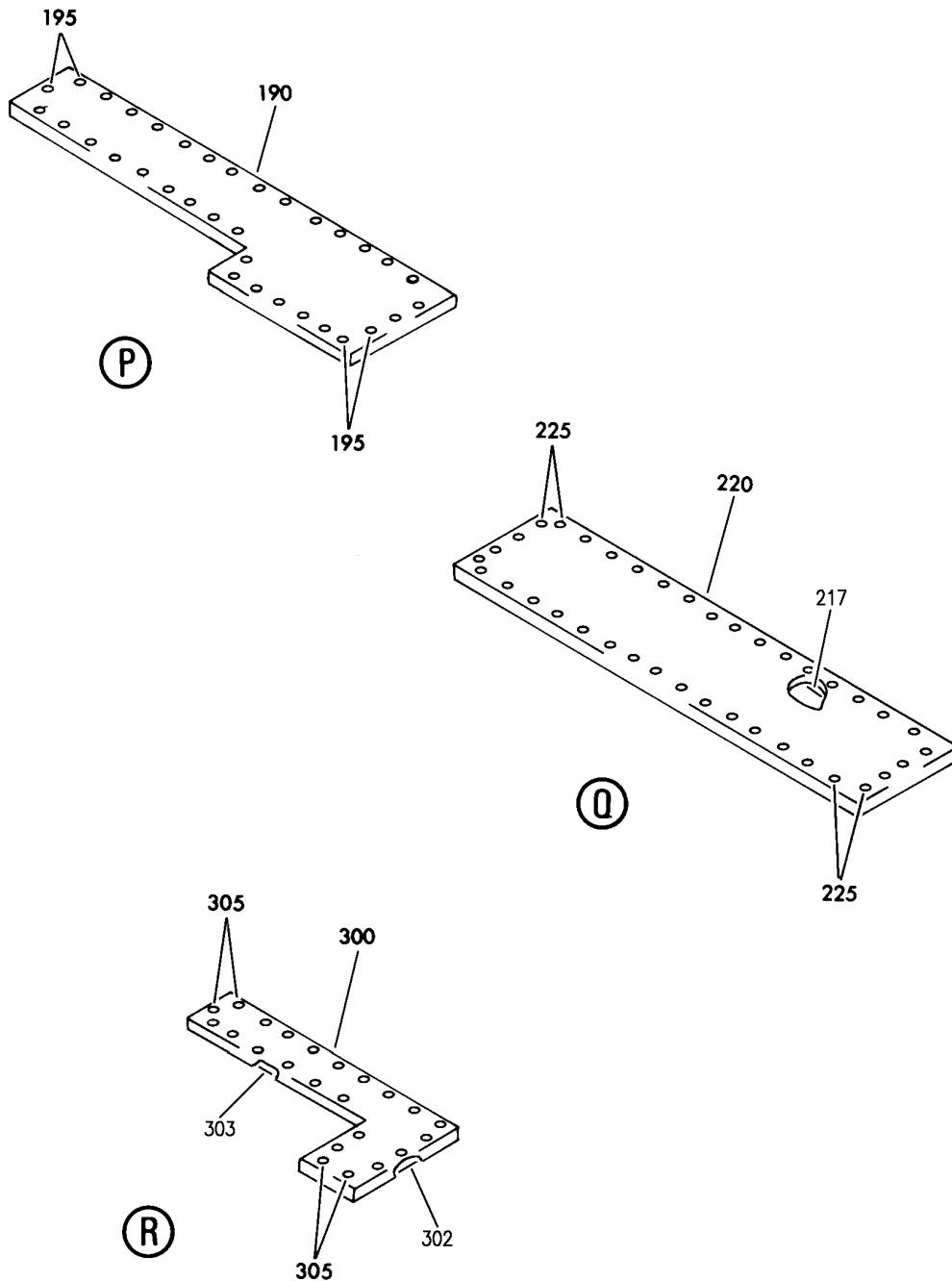
PANEL INSTL-SECT. 45 FLOOR SAS  
FIGURE 43 (SHEET 5)

**53-01-02-43**

HXL  
APR 22/09

53-01-02-43  
PAGE 0D

**BOEING**  
767  
PARTS CATALOG (MAINTENANCE)



V 53010243 SHT 6 REV 336

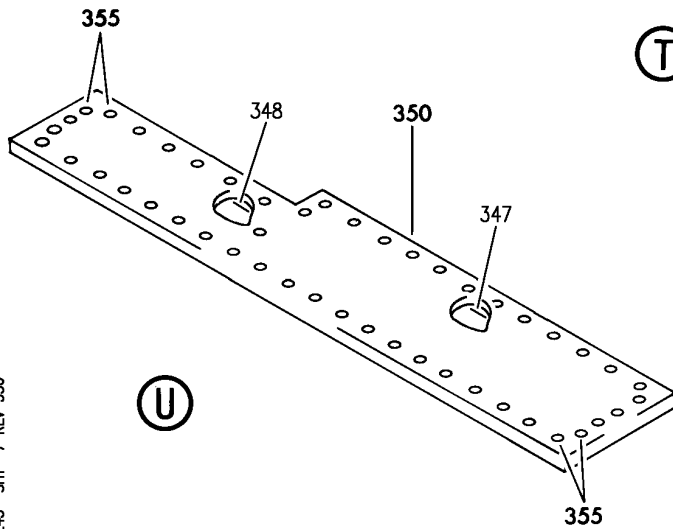
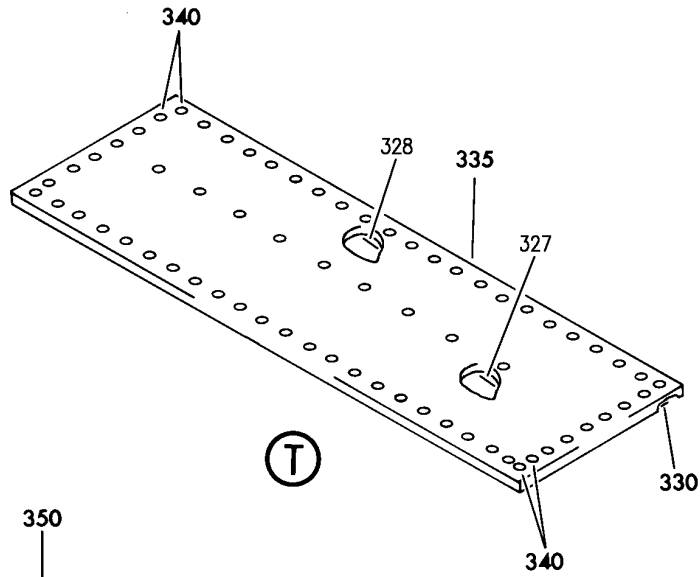
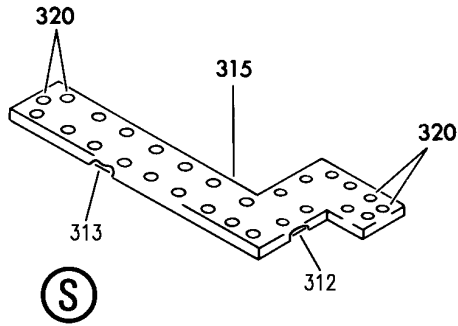
PANEL INSTL-SECT. 45 FLOOR SAS  
FIGURE 43 (SHEET 6)

**53-01-02-43**

HXL  
APR 22/09

53-01-02-43  
PAGE 0E

**BOEING**  
767  
PARTS CATALOG (MAINTENANCE)



V 53010243 SHIT 7 REV 336

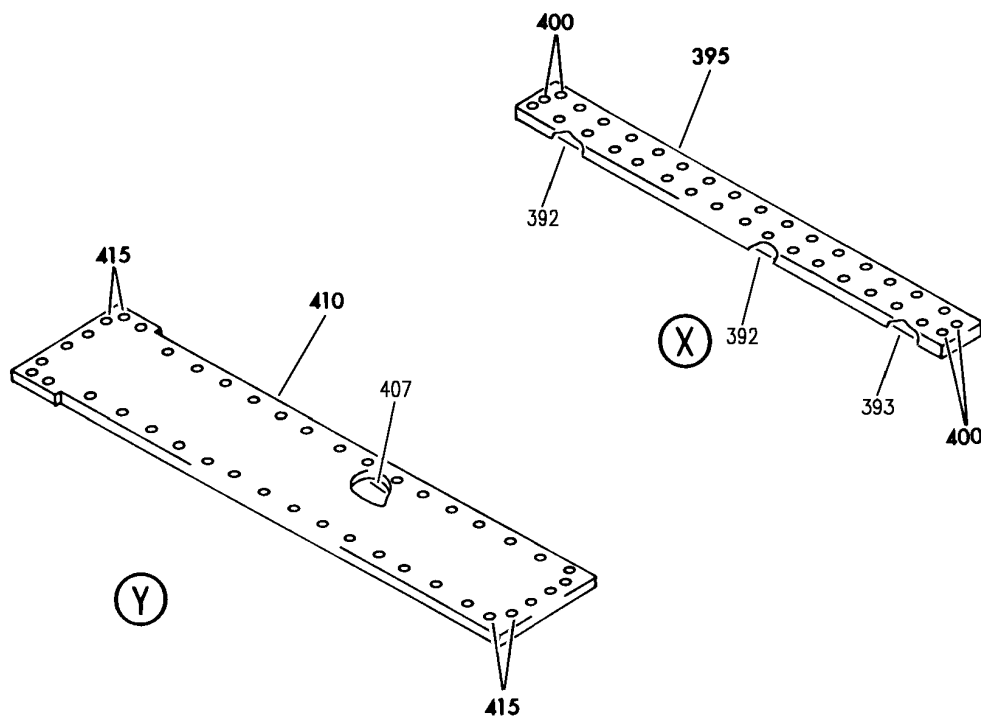
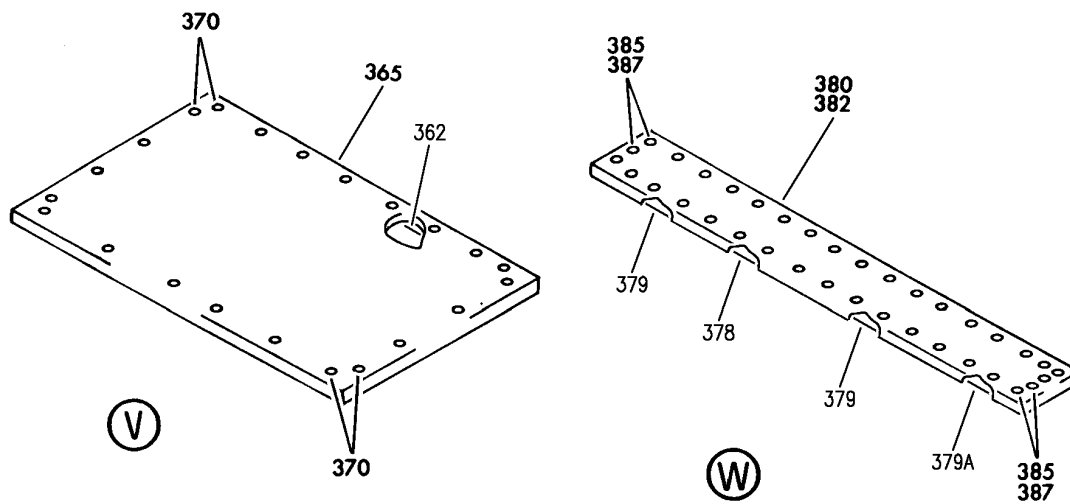
PANEL INSTL-SECT. 45 FLOOR SAS  
FIGURE 43 (SHEET 7)

**53-01-02-43**

HXL  
APR 22/09

53-01-02-43  
PAGE OF

**BOEING**  
767  
PARTS CATALOG (MAINTENANCE)



V 53010243 SHT 8 REV 336

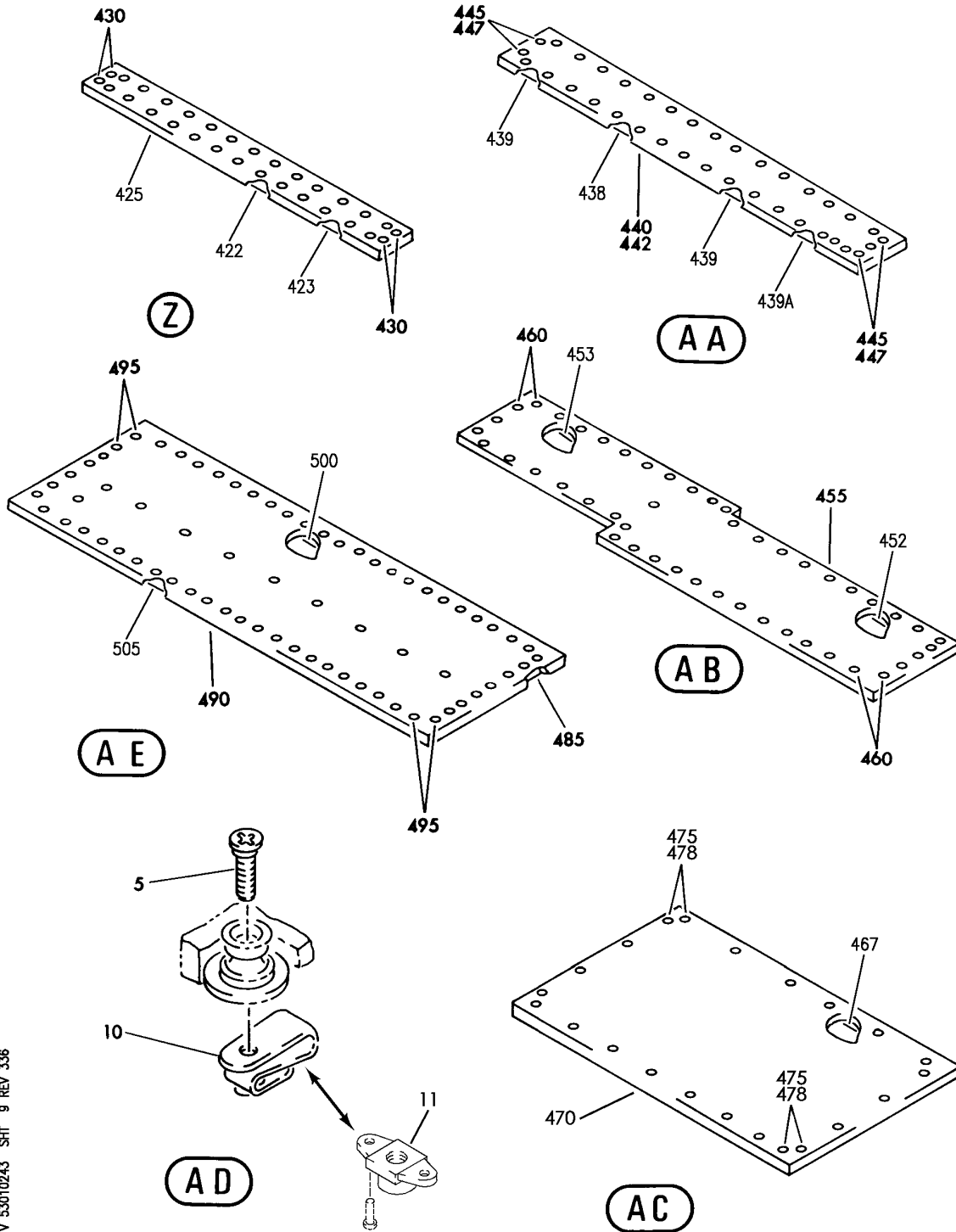
PANEL INSTL-SECT. 45 FLOOR SAS  
FIGURE 43 (SHEET 8)

**53-01-02-43**

HXL  
APR 22/09

53-01-02-43  
PAGE 06


**BOEING**  
 767  
**PARTS CATALOG (MAINTENANCE)**



V 53010243 SH 9 REV 336

PANEL INSTL-SECT. 45 FLOOR SAS  
 FIGURE 43 (SHEET 9)

**53-01-02-43**

HXL  
APR 22/09

53-01-02-43  
 PAGE 0H



**PARTS CATALOG (MAINTENANCE)**

FIG ITEM	PART NUMBER	1 2 3 4 5 6 7	NOMENCLATURE	EFFECT FROM TO	UNITS PER ASSY
43			PANEL INSTL-SECT. 45 FLOOR SAS		
- 1	145T5831-2		PANEL INSTL-FLOOR SAS POSITION DATA: SECT. 45 VARIABLE DRAWING REF: 145T5831-5003 FOR NHA SEE: 53-50-00-08	155163	RF
- 1	145T5831-4		PANEL INSTL-FLOOR SAS POSITION DATA: SECT. 45 VARIABLE DRAWING REF: 145T5831-5005 FOR NHA SEE: 53-50-00-08	164999	RF
5	BACS12GP3K15		.SCREW		AR
10	BACN11K1		.NUT- MISCELLANEOUS DATA: GAGES .020-.150) QUALIFIED OPTIONAL DATA: (BACN11K1 NUT OR BACN11K3 NUT OPTIONAL TO BACN10JR3F NUTPLATE AND BACR15BA3AD ATTACHING RIVETS (SIZE TO BE DETERMINED BY NHA 145T5831))		AR
10	BACN11K3		.NUT- MISCELLANEOUS DATA: GAGES .140-.230) QUALIFIED OPTIONAL DATA: (BACN11K1 NUT OR BACN11K3 NUT OPTIONAL TO BACN10JR3F NUTPLATE AND BACR15BA3AD ATTACHING RIVETS (SIZE TO BE DETERMINED BY NHA 145T5831))		AR

ILLUSTRATION ITEMS NOT ON PARTS LIST ARE NOT APPLICABLE

- ITEM NOT ILLUSTRATED

HXL

**53-01-02-43**

BOEING PROPRIETARY - Copyright © - Unpublished Work - See title page for details.

53-01-02  
FIG. 43  
PAGE 1  
DEC 22/07



767

PARTS CATALOG (MAINTENANCE)

FIG ITEM	PART NUMBER	1 2 3 4 5 6 7	NOMENCLATURE	EFFECT FROM TO	UNITS PER ASSY
43 11	BRF200A3		.NUTPLATE- SUPPLIER CODE: V52828 SPECIFICATION NUMBER: BACN10JR3F OPTIONAL PART: NS103203-02 V80539 RMF9201-3 V72962 VN152A1-02 V92215 T8091S1032 V11815 F5000-3BAC V15653 QUALIFIED OPTIONAL DATA: (BACN11K1 NUT OR BACN11K3 NUT OPTIONAL TO BACN10JR3F NUTPLATE AND BACR15BA3AD ATTACHING RIVETS (SIZE TO BE DETERMINED BY NHA 145T5831)) ATTACHING PARTS		AR
- 12	BACR15BA3AD		.RIVET- QUALIFIED OPTIONAL DATA: (BACN11K1 NUT OR BACN11K3 NUT OPTIONAL TO BACN10JR3F NUTPLATE AND BACR15BA3AD ATTACHING RIVETS (SIZE TO BE DETERMINED BY NHA 145T5831)) -----*-----		AR
15	145T5888-172		.PANEL ASSY-INSULATED		1
17	145T5890-20		..INSULATION-		1
17	145T5890-1020		..INSULATION-		1
18	145T5890-15		..INSULATION		1
19	145T5890-18		..INSULATION-		1
19	145T5890-1018		..INSULATION-		1
20	145T5899-135		..PANEL ASSY		1
25	SL5107A3-410		...SPACER- SUPPLIER CODE: V97393		AR
30	145T5888-174		.PANEL ASSY-INSULATED		1
33	145T5890-38		..INSULATION		1
35	145T5899-133		..PANEL ASSY		1

ILLUSTRATION ITEMS NOT ON PARTS LIST ARE NOT APPLICABLE

- ITEM NOT ILLUSTRATED

53-01-02-43

53-01-02  
FIG. 43  
PAGE 2  
APR 22/09

HXL



 **BOEING**  
767  
**PARTS CATALOG (MAINTENANCE)**

FIG ITEM	PART NUMBER	1 2 3 4 5 6 7	NOMENCLATURE	EFFECT FROM TO	UNITS PER ASSY
43					
40	SL5107A3-410	...	SPACER- SUPPLIER CODE: V97393		AR
45	145T5883-78	.	PANEL ASSY-INSULATED		1
46	145T5880-26	..	INSULATION		3
47	145T5880-30	..	INSULATION		1
48	145T5880-37	..	INSULATION		1
50	145T5884-70	..	PANEL ASSY		1
55	SL5107A3-410	...	SPACER- SUPPLIER CODE: V97393		AR
60	145T5883-79	.	PANEL ASSY-INSULATED		1
61	145T5880-22	..	INSULATION		1
62	145T5880-41	..	INSULATION		3
65	145T5884-71	..	PANEL ASSY		1
70	SL5107A3-410	...	SPACER- SUPPLIER CODE: V97393		AR
75	145T5889-134	.	PANEL ASSY-INSULATED		1
77	145T5890-40	..	INSULATION-		1
77	145T5890-1040	..	INSULATION-		1
80	145T5896-113	..	PANEL ASSY		1
85	SL5107A3-410	...	SPACER- SUPPLIER CODE: V97393		AR
90	145T5883-80	.	PANEL ASSY-INSULATED		1
95	145T5884-72	..	PANEL ASSY		1
100	SL5107A3-410	...	SPACER- SUPPLIER CODE: V97393		AR
105	145T5883-81	.	PANEL ASSY-INSULATED		1
107	145T5880-26	..	INSULATION		3
108	145T5880-30	..	INSULATION		1
109	145T5880-37	..	INSULATION		1
110	145T5884-73	..	PANEL ASSY		1
115	SL5107A3-410	...	SPACER- SUPPLIER CODE: V97393		AR
120	145T5888-171	.	PANEL ASSY-INSULATED		1
123	145T5890-37	..	INSULATION		1
125	145T5899-132	..	PANEL ASSY		1
130	SL5107A3-410	...	SPACER- SUPPLIER CODE: V97393		AR
135	145T5888-140	.	PANEL ASSY-INSULATED		1
136	145T5890-15	..	INSULATION-		1
136	145T4880-7	..	INSULATION-		1
137	145T5890-17	..	INSULATION-		1
137	145T4890-2	..	INSULATION-		1

ILLUSTRATION ITEMS NOT ON PARTS LIST ARE NOT APPLICABLE

— ITEM NOT ILLUSTRATED

HXL

# 53-01-02-43

BOEING PROPRIETARY - Copyright © - Unpublished Work - See title page for details.

53-01-02  
FIG. 43  
PAGE 3  
APR 22/09

 **BOEING**  
767  
**PARTS CATALOG (MAINTENANCE)**

FIG ITEM	PART NUMBER	1 2 3 4 5 6 7	NOMENCLATURE	EFFECT FROM TO	UNITS PER ASSY
43					
138	145T5890-19	..	INSULATION-		1
138	145T4890-1	..	INSULATION-		1
140	145T5899-124	..	PANEL ASSY-		1
145	SL5107A3-410	...	SPACER-		AR
			SUPPLIER CODE: V97393		
150	145T5883-69	.	PANEL ASSY-INSULATED		1
152	145T5880-34	..	INSULATION		1
153	145T5880-35	..	INSULATION		1
155	145T5883-27	..	SHIELD		1
160	145T5884-74	..	PANEL ASSY		1
165	SL5107A3-410	...	SPACER-		AR
			SUPPLIER CODE: V97393		
170	145T5883-70	.	PANEL ASSY-INSULATED		1
173	145T5880-36	..	INSULATION		1
175	145T5884-75	..	PANEL ASSY		1
180	SL5107A3-410	...	SPACER-		AR
			SUPPLIER CODE: V97393		
185	145T5883-16	.	PANEL ASSY-INSULATED		1
186	145T5880-26	..	INSULATION		1
187	145T5880-38	..	INSULATION		1
188	145T5880-39	..	INSULATION		1
189	145T5880-40	..	INSULATION		1
190	145T5884-18	..	PANEL ASSY		1
195	SL5107A3-410	...	SPACER-		AR
			SUPPLIER CODE: V97393		
200	145T5883-72	.	PANEL ASSY-INSULATED		1
201	145T5880-41	..	INSULATION		1
202	145T5880-42	..	INSULATION		1
203	145T5880-43	..	INSULATION		1
205	145T5884-77	..	PANEL ASSY		1
210	SL5107A3-410	...	SPACER-		AR
			SUPPLIER CODE: V97393		
215	145T5883-18	.	PANEL ASSY-INSULATED		1
217	145T5880-44	..	INSULATION		1
220	145T5884-20	..	PANEL ASSY		1
225	SL5107A3-410	...	SPACER-		AR
			SUPPLIER CODE: V97393		
230	145T5883-74	.	PANEL ASSY-INSULATED		1
231	145T5880-41	..	INSULATION		1
232	145T5880-42	..	INSULATION		1
233	145T5880-43	..	INSULATION		1
235	145T5884-79	..	PANEL ASSY		1

ILLUSTRATION ITEMS NOT ON PARTS LIST ARE NOT APPLICABLE

- ITEM NOT ILLUSTRATED

HXL

# 53-01-02-43

BOEING PROPRIETARY - Copyright © - Unpublished Work - See title page for details.

53-01-02  
FIG. 43  
PAGE 4  
APR 22/09



767

PARTS CATALOG (MAINTENANCE)

FIG ITEM	PART NUMBER	1 2 3 4 5 6 7	NOMENCLATURE	EFFECT FROM TO	UNITS PER ASSY
43					
240	SL5107A3-410	...	SPACER- SUPPLIER CODE: V97393		AR
245	145T5883-20	.	PANEL ASSY-INSULATED		1
247	145T5880-38	..	INSULATION-		1
247	145T5880-1038	..	INSULATION-		1
248	145T5880-26	..	INSULATION		1
249	145T5880-39	..	INSULATION		1
249A	145T5880-40	..	INSULATION		1
250	145T5884-22	..	PANEL ASSY		1
255	SL5107A3-410	...	SPACER- SUPPLIER CODE: V97393		AR
260	145T5883-76	.	PANEL ASSY-INSULATED		1
262	145T5880-36	..	INSULATION		1
265	145T5884-81	..	PANEL ASSY		1
270	SL5107A3-410	...	SPACER- SUPPLIER CODE: V97393		AR
275	145T5883-77	.	PANEL ASSY-INSULATED		1
277	145T5880-34	..	INSULATION		1
278	145T5880-35	..	INSULATION		1
280	145T5883-28	..	SHIELD		1
285	145T5884-82	..	PANEL ASSY		1
290	SL5107A3-410	...	SPACER- SUPPLIER CODE: V97393		AR
295	145T5883-12	.	PANEL ASSY-INSULATED		1
300	145T5884-27	..	PANEL ASSY		1
302	145T5880-27	..	INSULATION		1
303	145T5880-28	..	INSULATION		1
305	SL5107A3-410	...	SPACER- SUPPLIER CODE: V97393		AR
310	145T5883-13	.	PANEL ASSY-INSULATED		1
312	145T5880-27	..	INSULATION		1
313	145T5880-28	..	INSULATION		1
315	145T5884-32	..	PANEL ASSY		1
320	SL5107A3-410	...	SPACER- SUPPLIER CODE: V97393		AR
325	145T5883-65	.	PANEL ASSY-INSULATED		1
327	145T5880-18	..	INSULATION		1
328	145T5880-33	..	INSULATION		1
330	145T5883-29	..	SHIELD		1
335	145T5884-83	..	PANEL ASSY		1
340	SL5107A3-410	...	SPACER- SUPPLIER CODE: V97393		AR

ILLUSTRATION ITEMS NOT ON PARTS LIST ARE NOT APPLICABLE

- ITEM NOT ILLUSTRATED

53-01-02-43

53-01-02  
FIG. 43  
PAGE 5  
APR 22/09

HXL

 **BOEING**  
767  
**PARTS CATALOG (MAINTENANCE)**

FIG ITEM	PART NUMBER	1 2 3 4 5 6 7	NOMENCLATURE	EFFECT FROM TO	UNITS PER ASSY
43					
345	145T5883-5	.	PANEL ASSY-INSULATED		1
347	145T5880-20	..	INSULATION		1
348	145T5880-21	..	INSULATION		1
350	145T5884-26	..	PANEL ASSY		1
355	SL5107A3-410	...	SPACER-		AR
			SUPPLIER CODE: V97393		
360	145T5888-120	.	PANEL ASSY-INSULATED		1
362	145T5890-10	..	INSULATION		1
365	145T5897-176	..	PANEL ASSY		1
370	SL5107A3-410	...	SPACER-		AR
			SUPPLIER CODE: V97393		
375	145T5883-61	.	PANEL ASSY-INSULATED	155163	1
377	145T5883-128	.	PANEL ASSY-INSULATED	164999	1
378	145T5880-23	..	INSULATION		1
379	145T5880-24	..	INSULATION		2
379A	145T5880-25	..	INSULATION		1
380	145T5884-86	..	PANEL ASSY-	155163	1
382	145T5878-32	..	PANEL ASSY-	164999	1
385	SL5107A3-410	...	SPACER-	155163	AR
			SUPPLIER CODE: V97393		
387	SL5107A3-410	...	SPACER-	164999	AR
			SUPPLIER CODE: V97393		
390	145T5883-63	.	PANEL ASSY-INSULATED		1
392	145T5880-31	..	INSULATION		2
393	145T5880-32	..	INSULATION		1
395	145T5884-87	..	PANEL ASSY		1
400	SL5107A3-410	...	SPACER-		AR
			SUPPLIER CODE: V97393		
405	145T5883-66	.	PANEL ASSY-INSULATED		1
407	145T5880-29	..	INSULATION-		1
407	145T5880-1029	..	INSULATION-		1
410	145T5884-88	..	PANEL ASSY		1
415	SL5107A3-410	...	SPACER-		AR
			SUPPLIER CODE: V97393		
420	145T5883-64	.	PANEL ASSY-INSULATED		1
422	145T5880-31	..	INSULATION		1
423	145T5880-32	..	INSULATION		1
425	145T5884-89	..	PANEL ASSY		1
430	SL5107A3-410	...	SPACER-		AR
			SUPPLIER CODE: V97393		
435	145T5883-62	.	PANEL ASSY-INSULATED	155163	1
437	145T5883-127	.	PANEL ASSY-INSULATED	164999	1

ILLUSTRATION ITEMS NOT ON PARTS LIST ARE NOT APPLICABLE

— ITEM NOT ILLUSTRATED

HXL

# 53-01-02-43

BOEING PROPRIETARY - Copyright © - Unpublished Work - See title page for details.

53-01-02  
FIG. 43  
PAGE 6  
APR 22/09



767

PARTS CATALOG (MAINTENANCE)

FIG ITEM	PART NUMBER	1 2 3 4 5 6 7	NOMENCLATURE	EFFECT FROM TO	UNITS PER ASSY
43					
438	145T5880-23	..	INSULATION		1
439	145T5880-24	..	INSULATION		2
439A	145T5880-25	..	INSULATION		1
440	145T5884-91	..	PANEL ASSY-	155163	1
442	145T5878-33	..	PANEL ASSY-	164999	1
445	SL5107A3-410	...	SPACER-	155163	AR
			SUPPLIER CODE: V97393		
447	SL5107A3-410	...	SPACER-	164999	AR
			SUPPLIER CODE: V97393		
450	145T5883-4	.	PANEL ASSY-INSULATED		1
452	145T5880-20	..	INSULATION		1
453	145T5880-21	..	INSULATION		1
455	145T5884-34	..	PANEL ASSY		1
460	SL5107A3-410	...	SPACER-		AR
			SUPPLIER CODE: V97393		
467	145T5890-59	..	INSULATION		1
477	145T5888-124	.	PANEL ASSY-INSULATED		1
478	SL5107A3-410	..	SPACER-		AR
			SUPPLIER CODE: V97393		
480	145T5883-58	.	PANEL ASSY-INSULATED		1
485	145T5883-30	..	SHIELD		1
490	145T5884-93	..	PANEL ASSY		1
495	SL5107A3-410	...	SPACER-		AR
			SUPPLIER CODE: V97393		
500	145T5880-18	..	INSULATION		1
505	145T5880-19	..	INSULATION		1

ILLUSTRATION ITEMS NOT ON PARTS LIST ARE NOT APPLICABLE

- ITEM NOT ILLUSTRATED

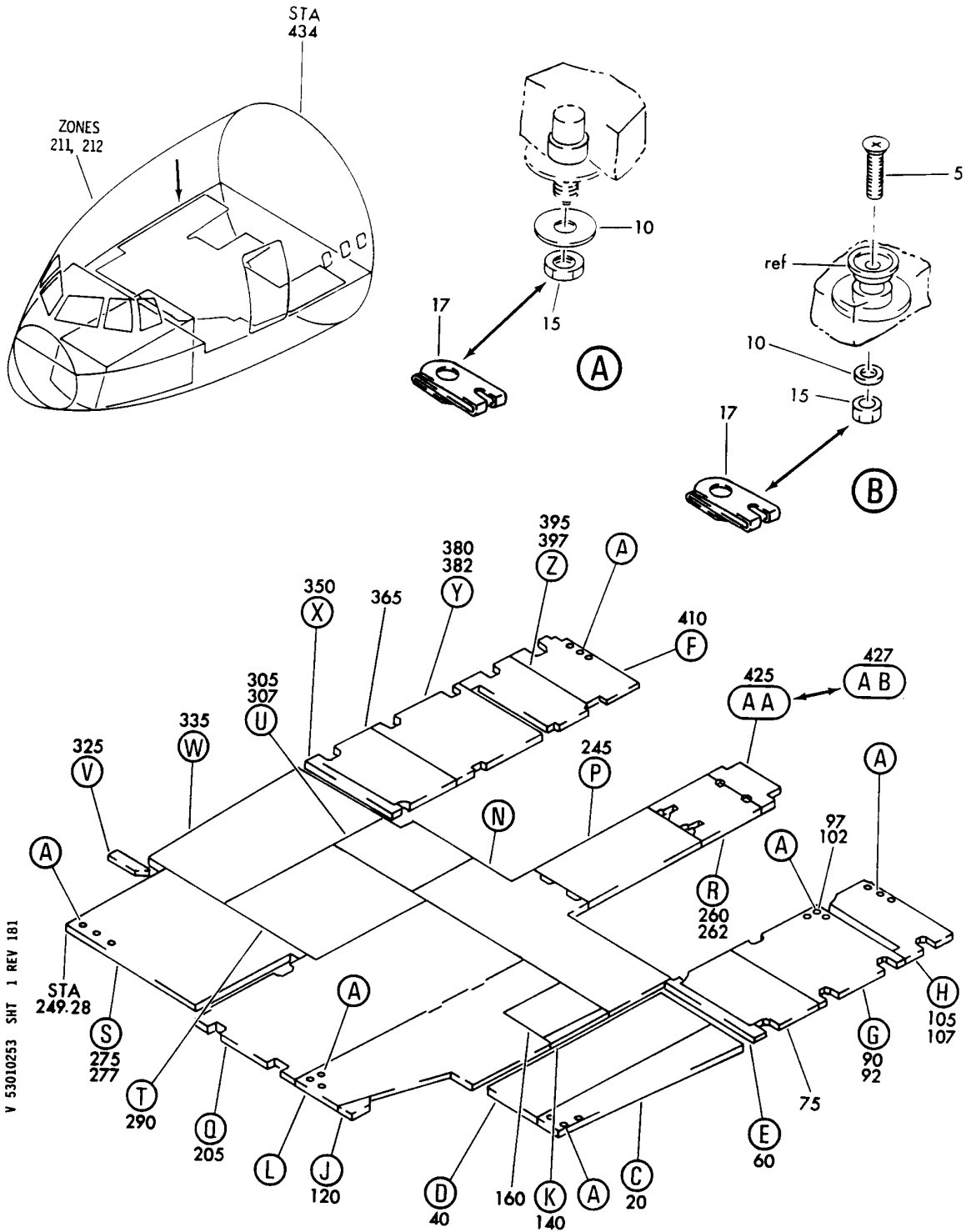
53-01-02-43

53-01-02  
FIG. 43  
PAGE 7  
APR 22/09

HXL

BOEING PROPRIETARY - Copyright © - Unpublished Work - See title page for details.

**BOEING**  
767  
PARTS CATALOG (MAINTENANCE)



V 53010253 SHT 1 REV 181

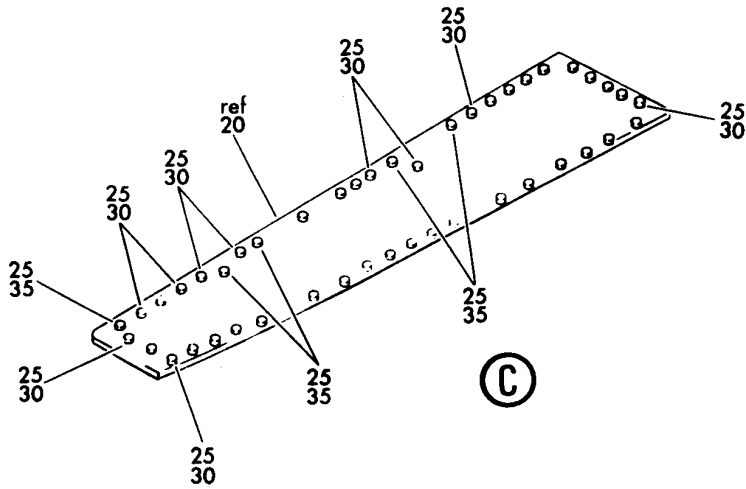
PANEL INSTL-SECT. 41 FLOOR SAS  
FIGURE 53 (SHEET 1)

**53-01-02-53**

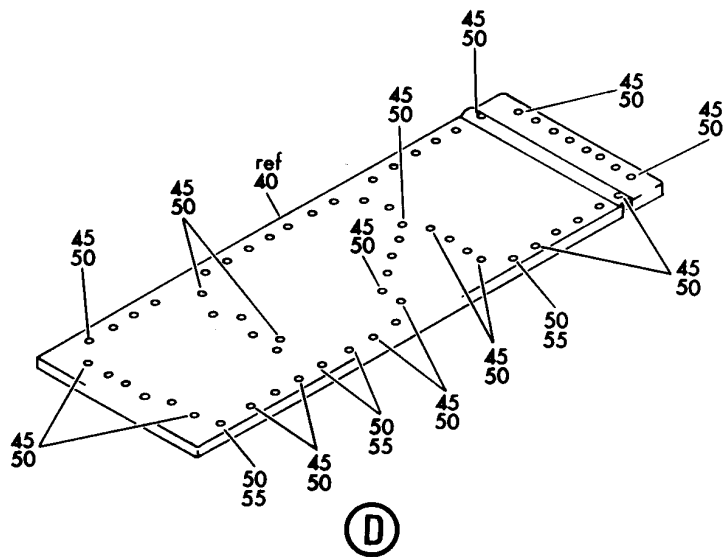
HXL  
DEC 22/06

53-01-02-53  
PAGE 0

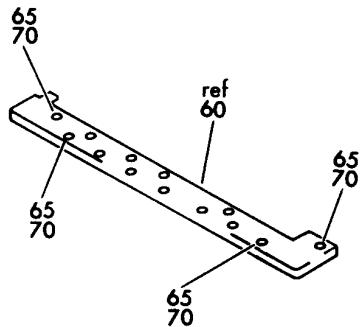
**BOEING**  
767  
PARTS CATALOG (MAINTENANCE)



(C)



(D)



(E)

V 53010253 SHT 2 REV 106

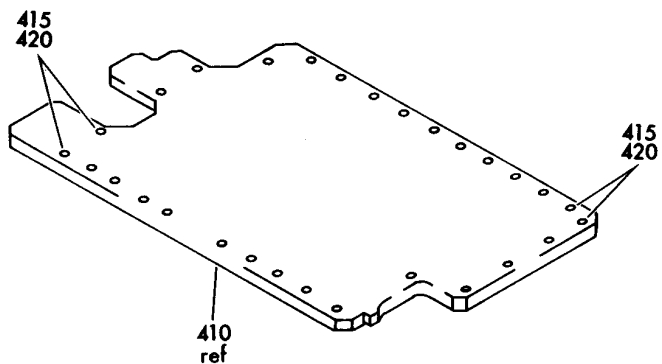
PANEL INSTL-SECT. 41 FLOOR SAS  
FIGURE 53 (SHEET 2)

**53-01-02-53**

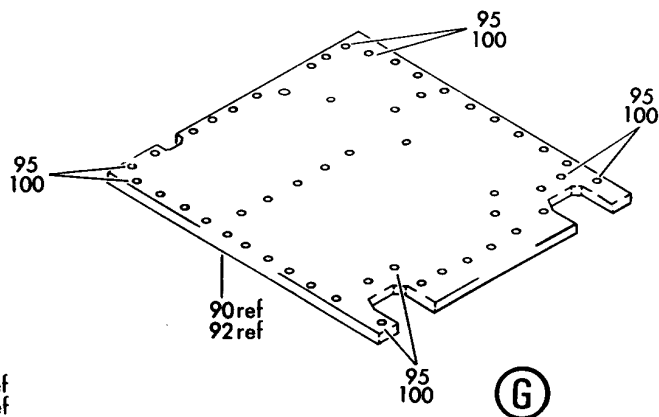
HXL  
DEC 22/06

53-01-02-53  
PAGE 0A

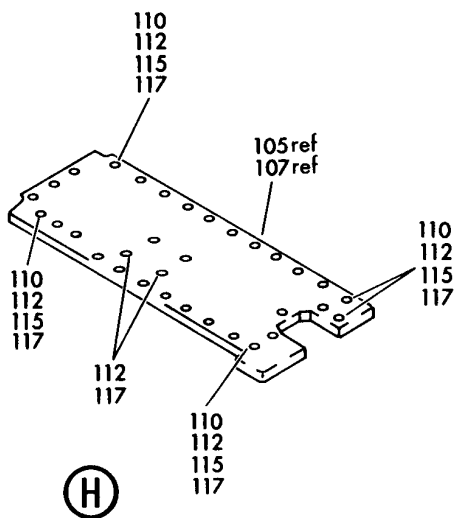
**BOEING**  
767  
PARTS CATALOG (MAINTENANCE)



(F)



(G)



(H)

V 53010253 SHT 3 REV 109

PANEL INSTL-SECT. 41 FLOOR SAS  
FIGURE 53 (SHEET 3)

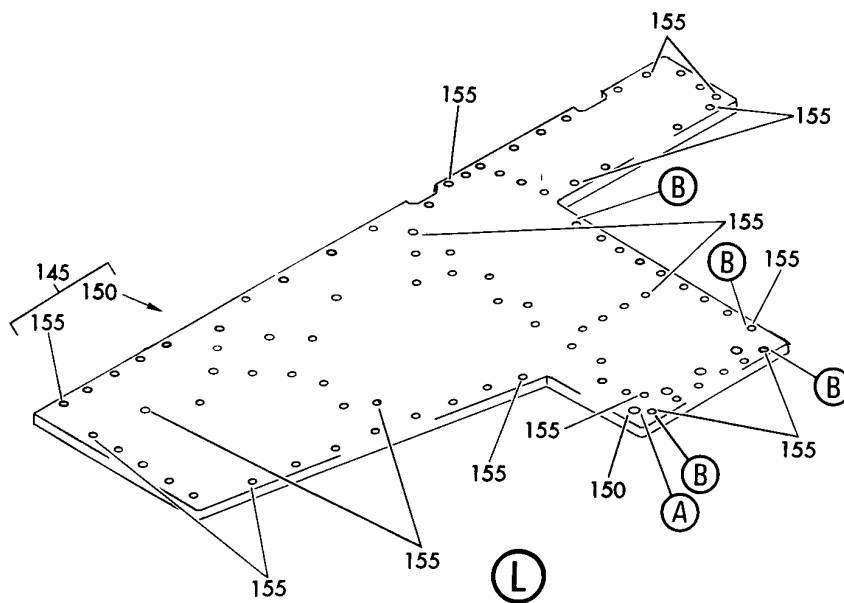
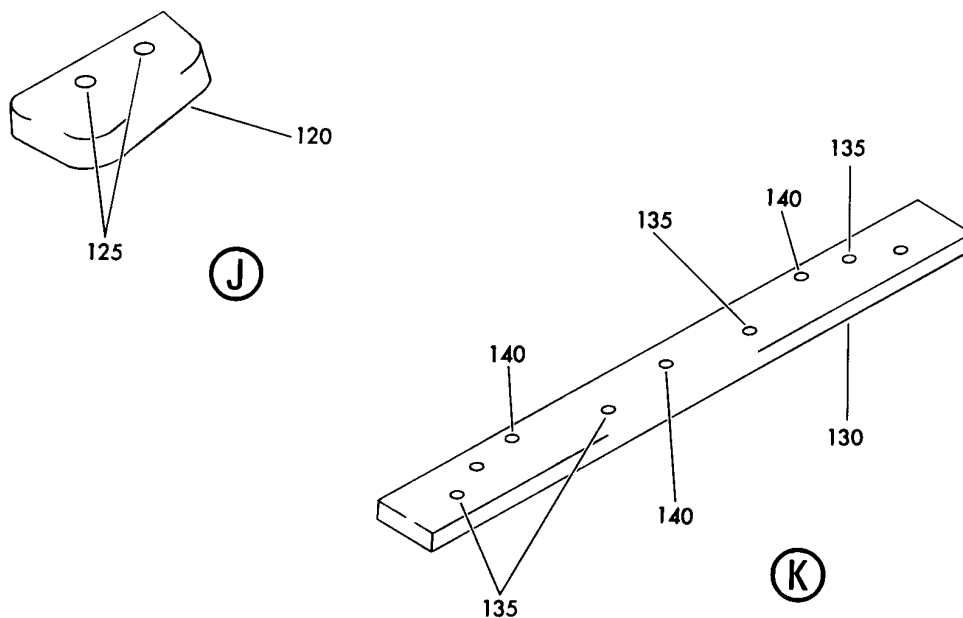
**53-01-02-53**

HXL  
DEC 22/06

53-01-02-53  
PAGE 0B



**BOEING**  
767  
PARTS CATALOG (MAINTENANCE)



V 53010253 SHT 4 REV 181

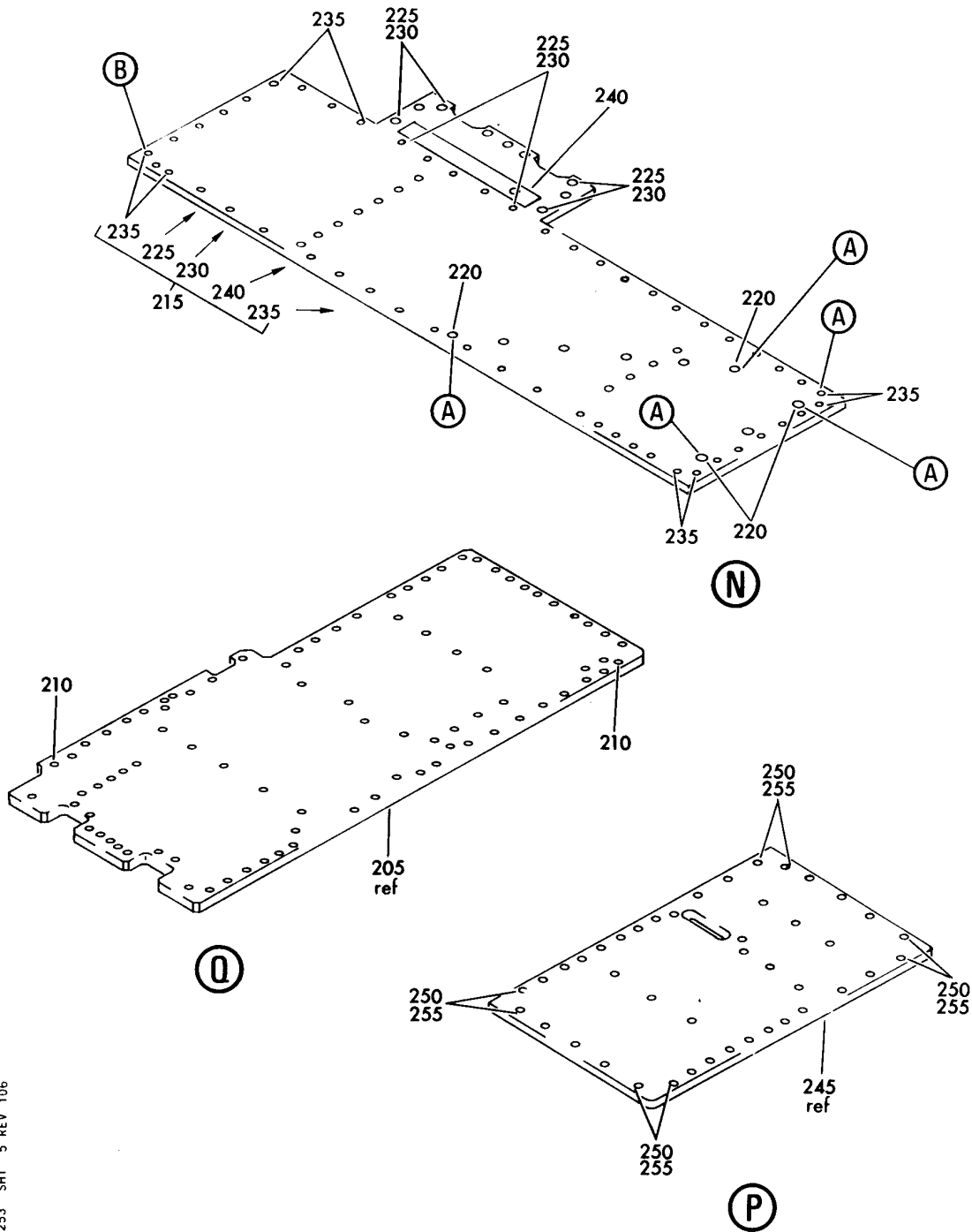
PANEL INSTL-SECT. 41 FLOOR SAS  
FIGURE 53 (SHEET 4)

**53-01-02-53**

HXL  
DEC 22/06

53-01-02-53  
PAGE 0C

**BOEING**  
767  
PARTS CATALOG (MAINTENANCE)



53010253 SHT 5 REV 106

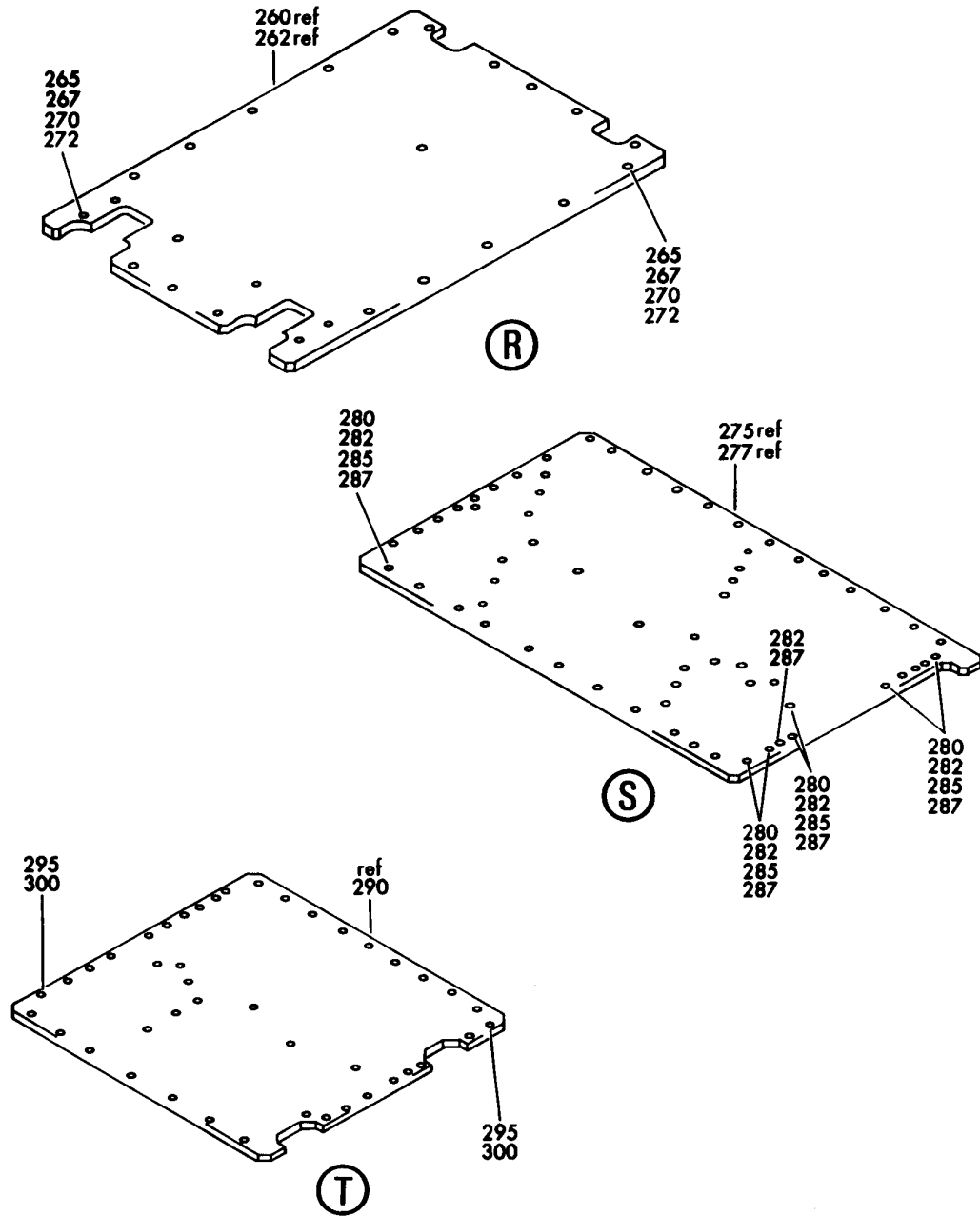
PANEL INSTL-SECT. 41 FLOOR SAS  
FIGURE 53 (SHEET 5)

**53-01-02-53**

HXL  
DEC 22/06

53-01-02-53  
PAGE 0D

**BOEING**  
767  
PARTS CATALOG (MAINTENANCE)



V 53010253 SHT 6 REV 113

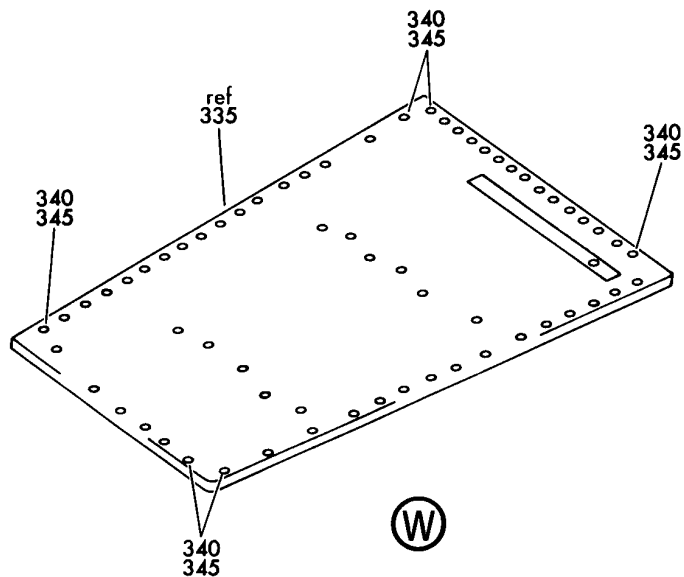
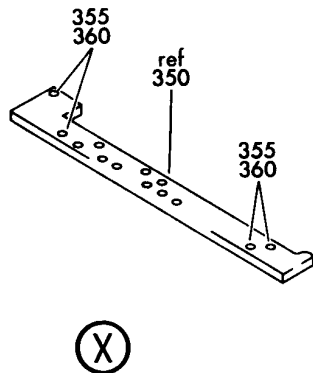
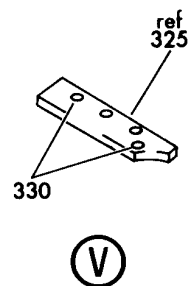
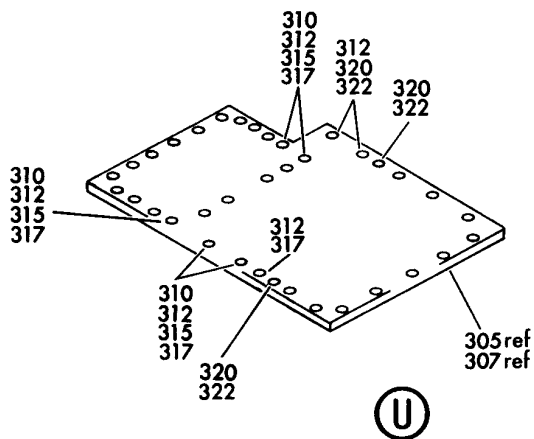
PANEL INSTL-SECT. 41 FLOOR SAS  
FIGURE 53 (SHEET 6)

**53-01-02-53**

HXL  
DEC 22/06

53-01-02-53  
PAGE 0E

**BOEING**  
767  
PARTS CATALOG (MAINTENANCE)



V 53010253 SHT 7 REV 112

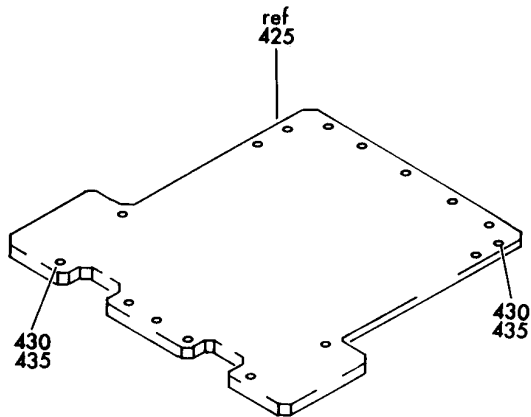
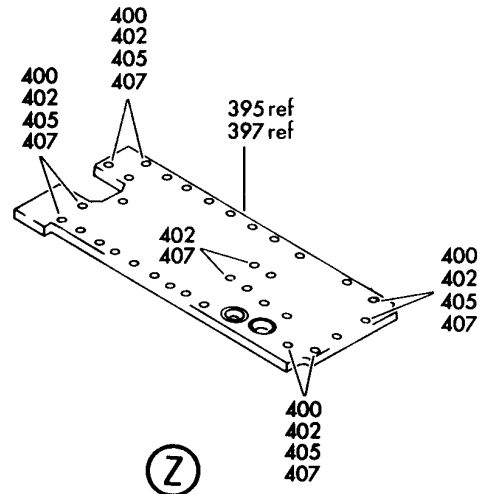
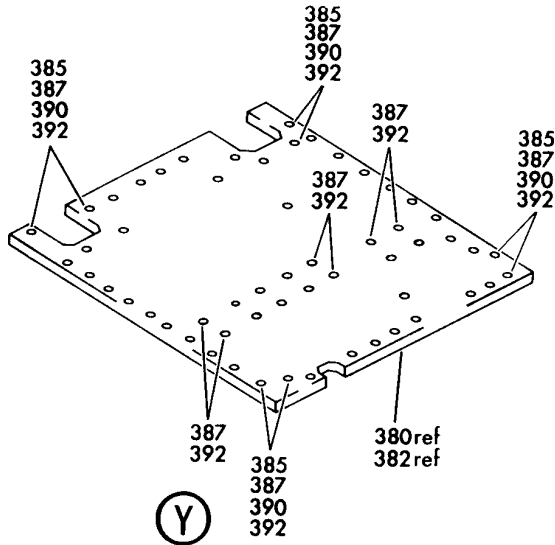
PANEL INSTL-SECT. 41 FLOOR SAS  
FIGURE 53 (SHEET 7)

**53-01-02-53**

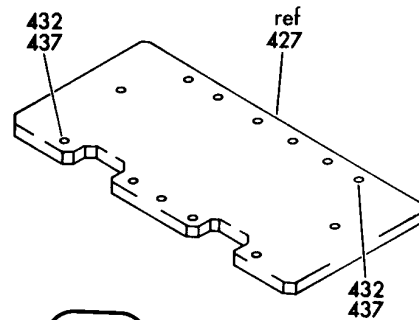
HXL  
DEC 22/06

53-01-02-53  
PAGE OF

**BOEING**  
767  
PARTS CATALOG (MAINTENANCE)



AA



AB

V 53010253 SHT 8 REV 109

PANEL INSTL-SECT. 41 FLOOR SAS  
FIGURE 53 (SHEET 8)

53-01-02-53

HXL  
DEC 22/06

53-01-02-53  
PAGE 06



767

PARTS CATALOG (MAINTENANCE)

FIG ITEM	PART NUMBER	1 2 3 4 5 6 7	NOMENCLATURE	EFFECT FROM TO	UNITS PER ASSY
53			PANEL INSTL-SECT. 41 FLOOR SAS	163999	
1	141T5855-3		PANEL INSTL-FLOOR SAS POSITION DATA: SECT. 41 VARIABLE DRAWING REF: 141T5855-5007 FOR NHA SEE: 53-10-00-08	163999	RF
5	BACS12GP3K15		.SCREW	163999	AR
10	BACW10P388GE		.WASHER-	163999	AR
15	BRH10C3M		.NUT SUPPLIER CODE: V52828 SPECIFICATION NUMBER: BACN10JC3CM OPTIONAL PART: T6C1032JM V11815 97E02 V80539 109LH9075-3W V72962 VN303D02 V92215 NS202101SE02 V80539 H01-3BAC V15653	163999	AR
17	BACN11K1		.NUT- MISCELLANEOUS DATA: (FOR GAGES .020-.150)	163999	AR
17	BACN11K3		.NUT- MISCELLANEOUS DATA: (FOR GAGES .140-.230)	163999	AR
20	141T5390-53		.PANEL ASSY-	163999	1
25	SL6146A3-35		..INSERT- SUPPLIER CODE: V97393	163999	AR
30	81207-3-14		..SETSCREW- SUPPLIER CODE: V80539	163999	AR
30	94075-3K14		..SETSCREW- SUPPLIER CODE: V80539	163999	AR
35	81207-3-19		..SETSCREW- SUPPLIER CODE: V80539	163999	5
40	141T5898-49		.PANEL ASSY-	163999	1

ILLUSTRATION ITEMS NOT ON PARTS LIST ARE NOT APPLICABLE

- ITEM NOT ILLUSTRATED

53-01-02-53

53-01-02  
FIG. 53  
PAGE 1  
AUG 22/08

HXL

 **BOEING**  
767  
**PARTS CATALOG (MAINTENANCE)**

FIG ITEM	PART NUMBER	1 2 3 4 5 6 7	NOMENCLATURE	EFFECT FROM TO	UNITS PER ASSY
53					
45	81207-3-14	..	SETSCREW- SUPPLIER CODE: V80539	163999	AR
45	94075-3K14	..	SETSCREW- SUPPLIER CODE: V80539	163999	AR
50	SL6146A3-35	..	INSERT- SUPPLIER CODE: V97393	163999	AR
55	81207-3-19	..	SETSCREW- SUPPLIER CODE: V80539	163999	4
60	141T5922-51	.	PANEL ASSY	163999	1
65	81207-3-14	..	SETSCREW- SUPPLIER CODE: V80539	163999	AR
65	94075-3K14	..	SETSCREW- SUPPLIER CODE: V80539	163999	AR
70	SL6146A3-35	..	INSERT- SUPPLIER CODE: V97393	163999	AR
75	141T5922-72	.	PANEL ASSY	163999	1
92	141T5897-44	.	PANEL ASSY	163999	1
- 97	81207-3-14	..	SETSCREW- SUPPLIER CODE: V80539	163999	AR
- 97	94075-3K14	..	SETSCREW- SUPPLIER CODE: V80539	163999	AR
- 102	SL6146A3-35	..	INSERT- SUPPLIER CODE: V97393	163999	AR
107	141T5897-43	.	PANEL ASSY	163999	1
112	81207-3-14	..	SETSCREW- SUPPLIER CODE: V80539	163999	AR
112	94075-3K14	..	SETSCREW- SUPPLIER CODE: V80539	163999	AR
117	SL6146A3-35	..	INSERT- SUPPLIER CODE: V97393	163999	AR
120	141T3990-11	.	PANEL ASSY	163999	1
125	SL5107A3-410	..	SPACER- SUPPLIER CODE: V97393	163999	AR
130	141T5388-24	.	PANEL ASSY	163999	1

ILLUSTRATION ITEMS NOT ON PARTS LIST ARE NOT APPLICABLE

- ITEM NOT ILLUSTRATED

# 53-01-02-53

53-01-02  
FIG. 53  
PAGE 2  
AUG 22/08

HXL

BOEING PROPRIETARY - Copyright © - Unpublished Work - See title page for details.



767

PARTS CATALOG (MAINTENANCE)

FIG ITEM	PART NUMBER	1 2 3 4 5 6 7	NOMENCLATURE	EFFECT FROM TO	UNITS PER ASSY
53					
135	SL5107A3-410	..	SPACER- SUPPLIER CODE: V97393	163999	6
140	SL6146A3-35	..	INSERT- SUPPLIER CODE: V97393	163999	3
145	141T5898-38	.	PANEL ASSY	163999	1
150	81207-3-14	..	SETSCREW- SUPPLIER CODE: V80539	163999	AR
150	94075-3K14	..	SETSCREW- SUPPLIER CODE: V80539	163999	AR
155	SL5107A3-410	..	SPACER- SUPPLIER CODE: V97393	163999	AR
160	141T5383-6	.	PANEL ASSY-ACCESS FOR DETAILS SEE: 52-48-05-01	163999	1
205	141T5898-15	.	PANEL ASSY	163999	1
210	SL5107A3-410	..	SPACER- SUPPLIER CODE: V97393	163999	AR
215	141T5898-41	.	PANEL ASSY	163999	1
220	SL2334-3A3	..	INSERT- SUPPLIER CODE: V97393	163999	AR
225	81207-3-14	..	SETSCREW- SUPPLIER CODE: V80539	163999	AR
225	94075-3K14	..	SETSCREW- SUPPLIER CODE: V80539	163999	AR
230	SL6146A3-35	..	INSERT- SUPPLIER CODE: V97393	163999	AR
235	SL5107A3-410	..	SPACER- SUPPLIER CODE: V97393	163999	AR
240	6004-3	..	LIGHT ASSY-GALLEY SUPPLIER CODE: V32890	163999	1
245	141T5922-50	.	PANEL ASSY	163999	1
250	81207-3-14	..	SETSCREW- SUPPLIER CODE: V80539	163999	AR
250	94075-3K14	..	SETSCREW- SUPPLIER CODE: V80539	163999	AR

ILLUSTRATION ITEMS NOT ON PARTS LIST ARE NOT APPLICABLE

- ITEM NOT ILLUSTRATED

53-01-02-53

53-01-02  
FIG. 53  
PAGE 3  
AUG 22/08

HXL

BOEING PROPRIETARY - Copyright © - Unpublished Work - See title page for details.





767

PARTS CATALOG (MAINTENANCE)

FIG ITEM	PART NUMBER	1 2 3 4 5 6 7	NOMENCLATURE	EFFECT FROM TO	UNITS PER ASSY
53					
255	SL6146A3-35	..	INSERT- SUPPLIER CODE: V97393	163999	AR
262	141T5896-51	.	PANEL ASSY-	163999	1
267	81207-3-14	..	SETSCREW- SUPPLIER CODE: V80539	163999	AR
267	94075-3K14	..	SETSCREW- SUPPLIER CODE: V80539	163999	AR
272	SL6146A3-35	..	INSERT- SUPPLIER CODE: V97393	163999	AR
277	141T5897-49	.	PANEL ASSY	163999	1
282	81207-3-14	..	SETSCREW- SUPPLIER CODE: V80539	163999	AR
282	94075-3K14	..	SETSCREW- SUPPLIER CODE: V80539	163999	AR
287	SL6146A3-35	..	INSERT- SUPPLIER CODE: V97393	163999	AR
290	141T5898-40	.	PANEL ASSY	163999	1
295	81207-3-14	..	SETSCREW- SUPPLIER CODE: V80539	163999	AR
295	94075-3K14	..	SETSCREW- SUPPLIER CODE: V80539	163999	AR
300	SL6146A3-35	..	INSERT- SUPPLIER CODE: V97393	163999	AR
307	141T5897-13	.	PANEL ASSY	163999	1
312	81207-3-14	..	SETSCREW- SUPPLIER CODE: V80539	163999	AR
312	94075-3K14	..	SETSCREW- SUPPLIER CODE: V80539	163999	AR
317	SL6146A3-35	..	INSERT- SUPPLIER CODE: V97393	163999	AR
322	SL5107A3-410	..	SPACER- SUPPLIER CODE: V97393	163999	AR
325	141T3990-21	.	PANEL ASSY	163999	1

ILLUSTRATION ITEMS NOT ON PARTS LIST ARE NOT APPLICABLE

- ITEM NOT ILLUSTRATED

53-01-02-53

53-01-02  
FIG. 53  
PAGE 4  
AUG 22/08

HXL

BOEING PROPRIETARY - Copyright © - Unpublished Work - See title page for details.



767

PARTS CATALOG (MAINTENANCE)

FIG ITEM	PART NUMBER	1 2 3 4 5 6 7	NOMENCLATURE	EFFECT FROM TO	UNITS PER ASSY
53					
330	SL5107A3-410	..	SPACER- SUPPLIER CODE: V97393	163999	AR
335	141T5898-50	.PANEL ASSY-		163999	1
340	81207-3-14	..	SETSCREW- SUPPLIER CODE: V80539	163999	AR
340	94075-3K14	..	SETSCREW- SUPPLIER CODE: V80539	163999	AR
345	SL6146A3-35	..	INSERT- SUPPLIER CODE: V97393	163999	AR
350	141T5922-52	.PANEL ASSY		163999	1
355	81207-3-14	..	SETSCREW- SUPPLIER CODE: V80539	163999	AR
355	94075-3K14	..	SETSCREW- SUPPLIER CODE: V80539	163999	AR
360	SL6146A3-35	..	INSERT- SUPPLIER CODE: V97393	163999	AR
365	141T5922-73	.PANEL ASSY		163999	1
382	141T5897-46	.PANEL ASSY		163999	1
387	81207-3-14	..	SETSCREW- SUPPLIER CODE: V80539	163999	AR
387	94075-3K14	..	SETSCREW- SUPPLIER CODE: V80539	163999	AR
392	SL6146A3-35	..	INSERT- SUPPLIER CODE: V97393	163999	AR
397	141T5897-45	.PANEL ASSY		163999	1
402	81207-3-14	..	SETSCREW- SUPPLIER CODE: V80539	163999	AR
402	94075-3K14	..	SETSCREW- SUPPLIER CODE: V80539	163999	AR
407	SL6146A3-35	..	INSERT- SUPPLIER CODE: V97393	163999	AR
410	141T5898-53	.PANEL ASSY-		163999	1
415	81207-3-14	..	SETSCREW- SUPPLIER CODE: V80539	163999	AR

ILLUSTRATION ITEMS NOT ON PARTS LIST ARE NOT APPLICABLE

- ITEM NOT ILLUSTRATED

53-01-02-53

53-01-02  
FIG. 53  
PAGE 5  
AUG 22/08

HXL



767

PARTS CATALOG (MAINTENANCE)

FIG ITEM	PART NUMBER	1 2 3 4 5 6 7	NOMENCLATURE	EFFECT FROM TO	UNITS PER ASSY
53					
415	94075-3K14	..	SETSCREW- SUPPLIER CODE: V80539	163999	AR
420	SL6146A3-35	..	INSERT- SUPPLIER CODE: V97393	163999	AR
427	141T5897-58	.	PANEL ASSY-	163999	1
432	81207-3-14	..	SETSCREW- SUPPLIER CODE: V80539	163999	AR
432	94075-3K14	..	SETSCREW- SUPPLIER CODE: V80539	163999	AR
437	SL6146A3-35	..	INSERT- SUPPLIER CODE: V97393	163999	AR

ILLUSTRATION ITEMS NOT ON PARTS LIST ARE NOT APPLICABLE

- ITEM NOT ILLUSTRATED

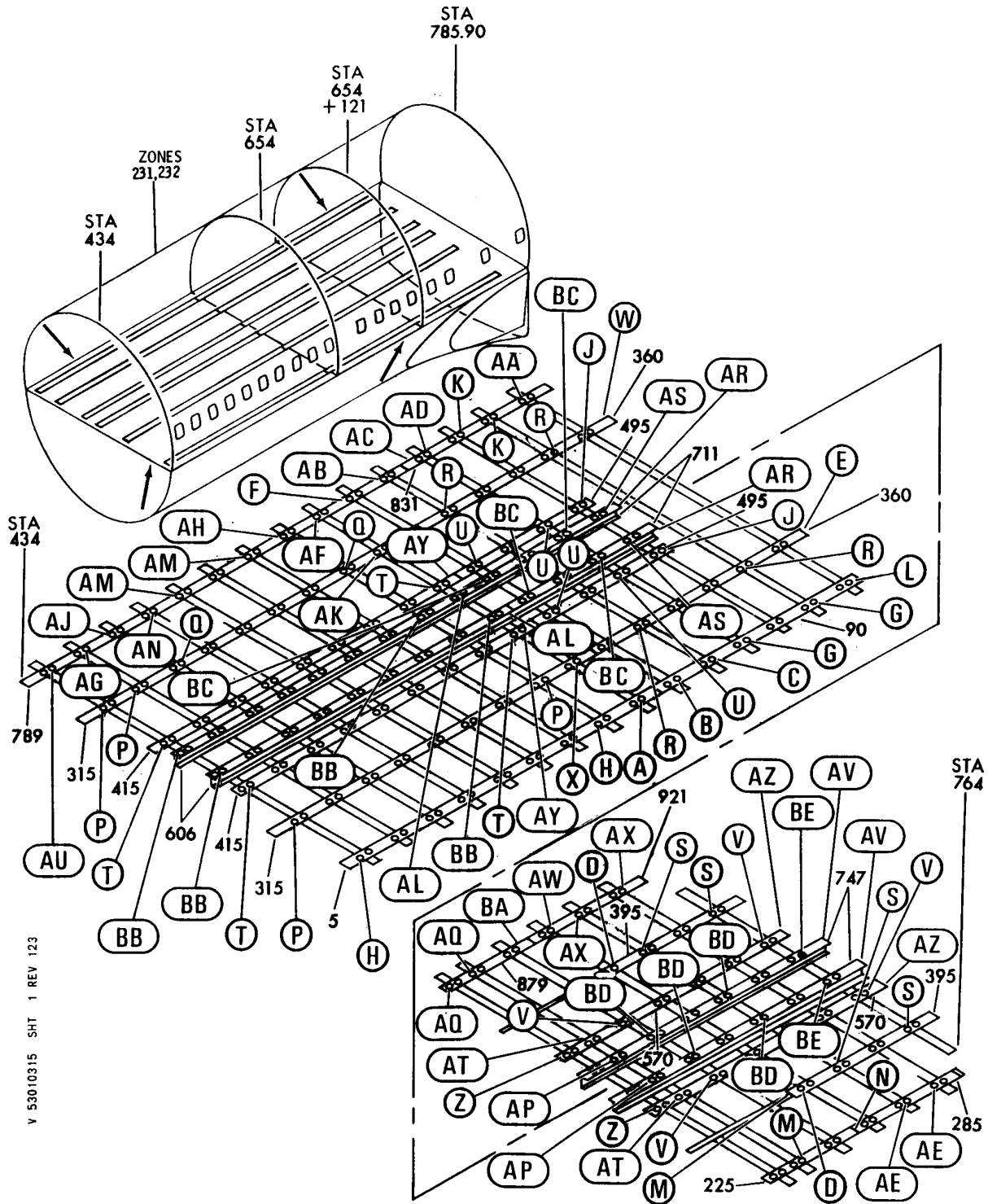
HXL

53-01-02-53

BOEING PROPRIETARY - Copyright © - Unpublished Work - See title page for details.

53-01-02  
FIG. 53  
PAGE 6  
AUG 22/08

**BOEING**  
767  
PARTS CATALOG (MAINTENANCE)



V 53010315 SHT 1 REV 123

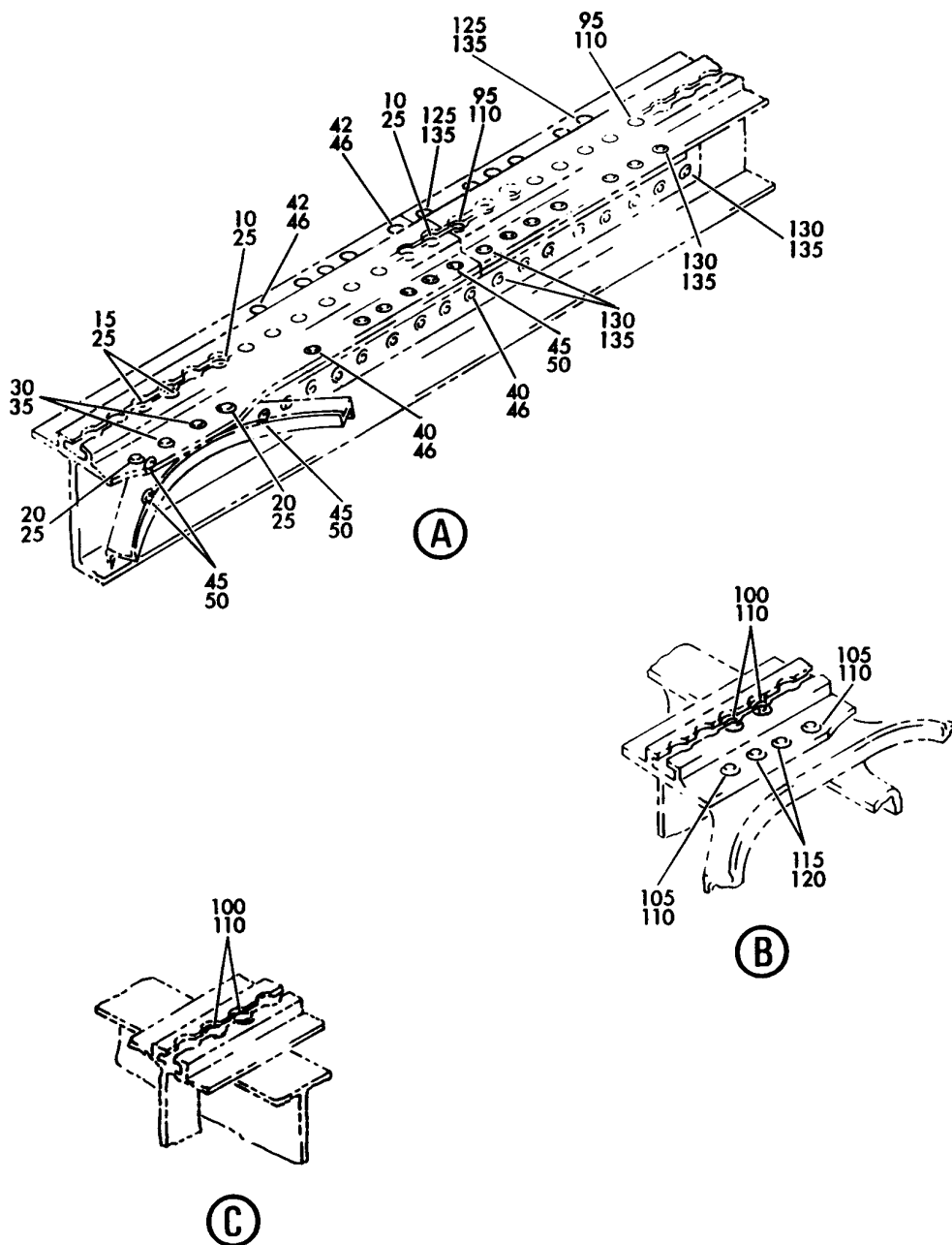
FLOOR SYSTEM INSTL-SECT. 43 (PASSENGER SEAT TRACKS ONLY)  
FIGURE 15 (SHEET 1)

# 53-01-03-15

HXL  
DEC 22/06

53-01-03-15  
PAGE 0

**BOEING**  
767  
PARTS CATALOG (MAINTENANCE)



V 53010315 SHT 2 REV 123

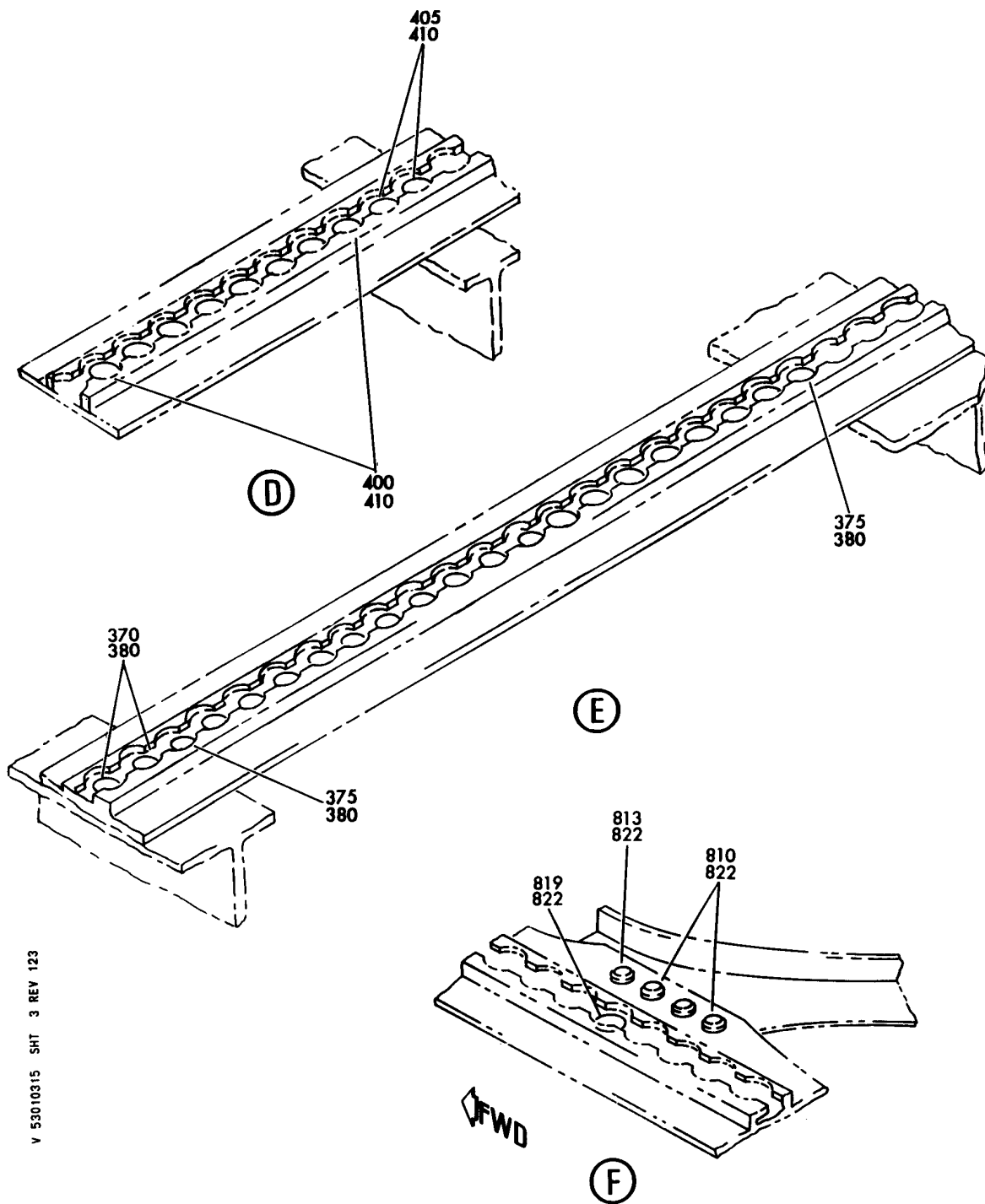
FLOOR SYSTEM INSTL-SECT. 43 (PASSENGER SEAT TRACKS ONLY)  
FIGURE 15 (SHEET 2)

**53-01-03-15**

HXL  
DEC 22/06

53-01-03-15  
PAGE 0A

**BOEING**  
767  
PARTS CATALOG (MAINTENANCE)



V 53010315 SHT 3 REV 123

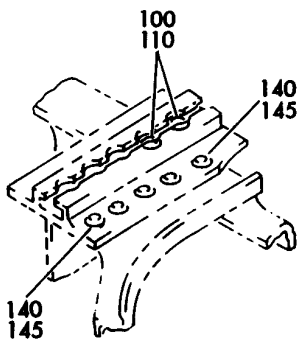
FLOOR SYSTEM INSTL-SECT. 43 (PASSENGER SEAT TRACKS ONLY)  
FIGURE 15 (SHEET 3)

**53-01-03-15**

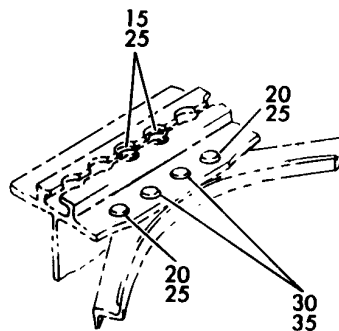
HXL  
DEC 22/06

53-01-03-15  
PAGE 0B

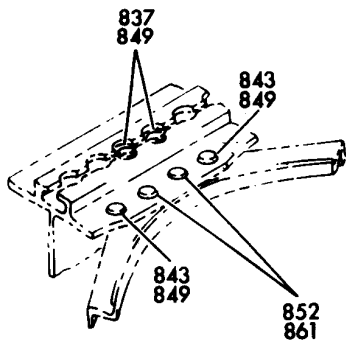
**BOEING**  
767  
PARTS CATALOG (MAINTENANCE)



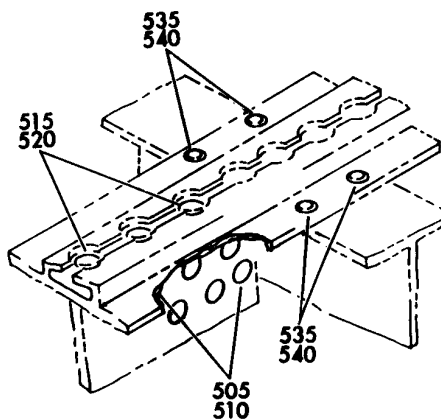
(G)



(H)



(K)



(J)

V 53010315 SHT 4 REV 123

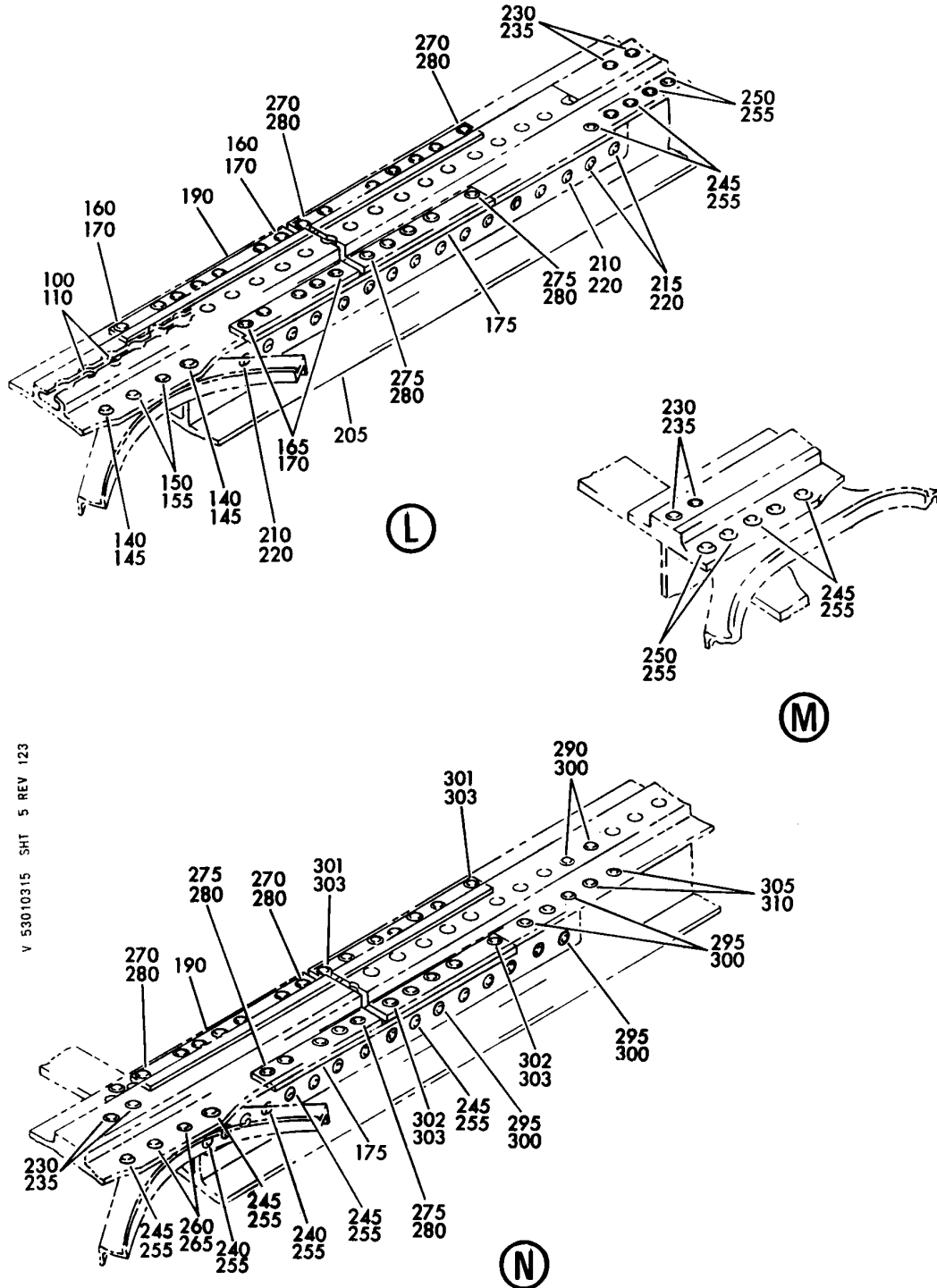
FLOOR SYSTEM INSTL-SECT. 43 (PASSENGER SEAT TRACKS ONLY)  
FIGURE 15 (SHEET 4)

**53-01-03-15**

HXL  
DEC 22/06

53-01-03-15  
PAGE 0C


**BOEING**  
 767  
**PARTS CATALOG (MAINTENANCE)**



V 53010315 SHT 5 REV 123

FLOOR SYSTEM INSTL-SECT. 43 (PASSENGER SEAT TRACKS ONLY)  
 FIGURE 15 (SHEET 5)

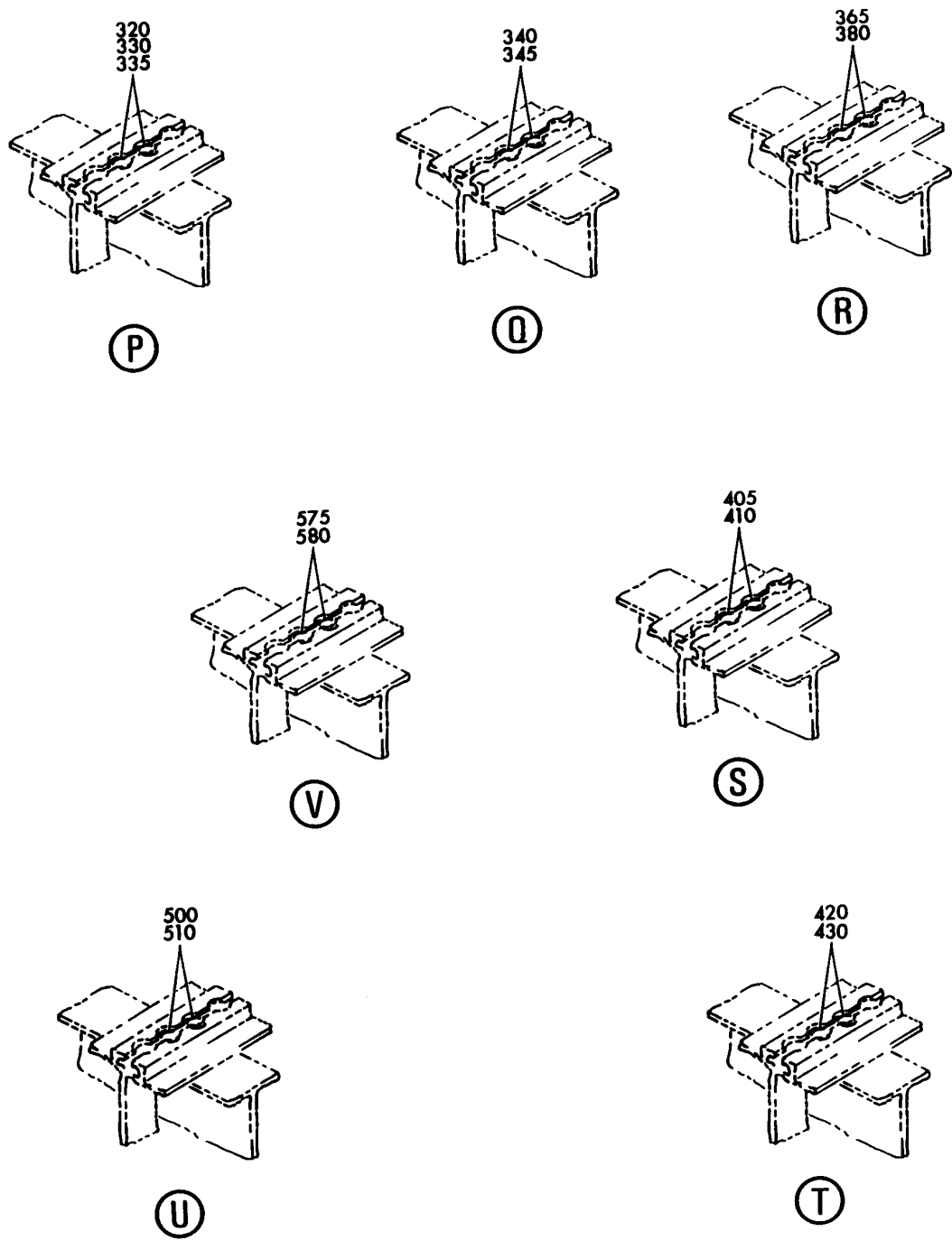
**53-01-03-15**

HXL  
DEC 22/06

53-01-03-15  
 PAGE 0D



**BOEING**  
767  
PARTS CATALOG (MAINTENANCE)



V 53010315 SHT 6 REV 123

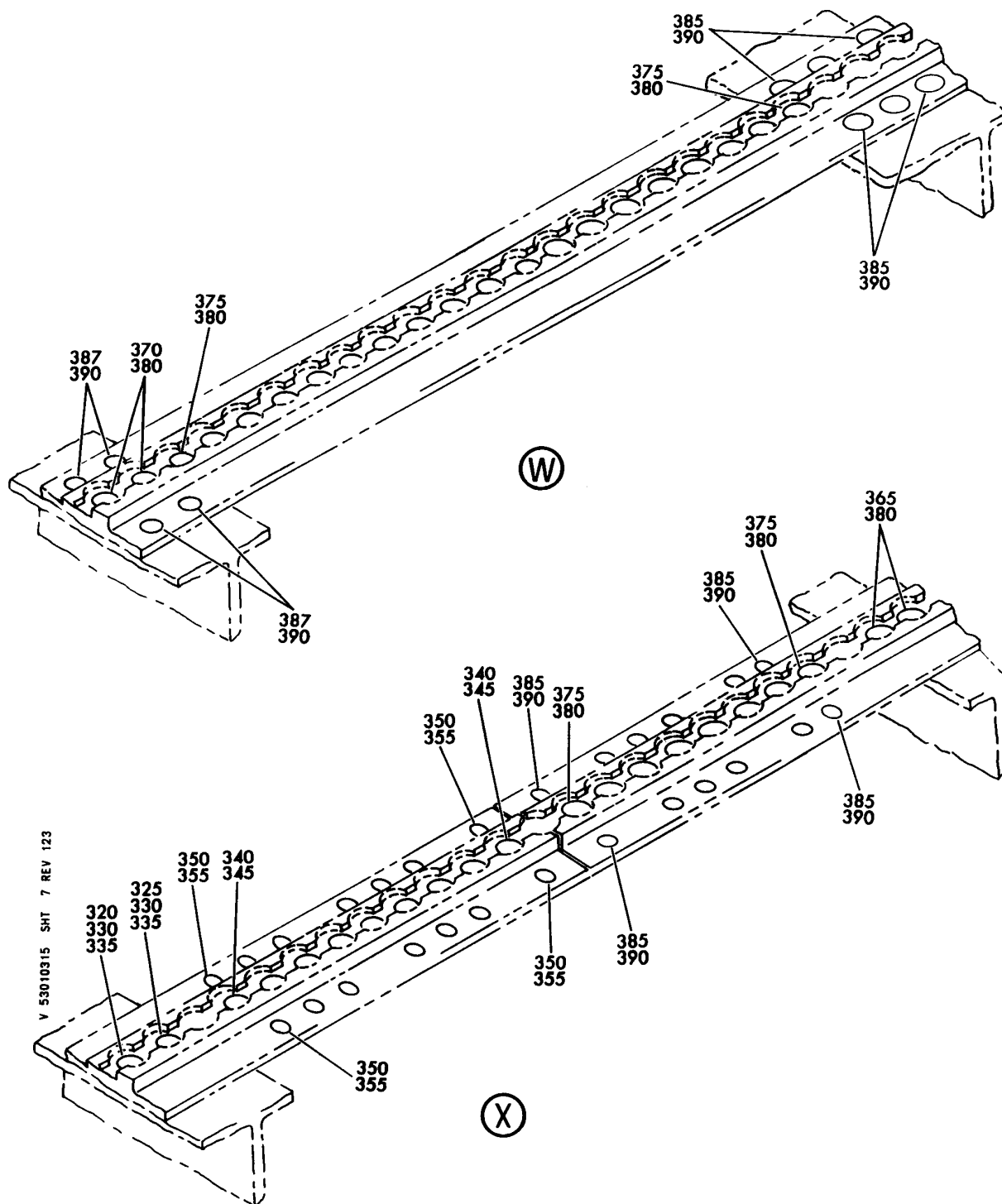
FLOOR SYSTEM INSTL-SECT. 43 (PASSENGER SEAT TRACKS ONLY)  
FIGURE 15 (SHEET 6)

**53-01-03-15**

HXL  
DEC 22/06

53-01-03-15  
PAGE 0E

**BOEING**  
767  
PARTS CATALOG (MAINTENANCE)



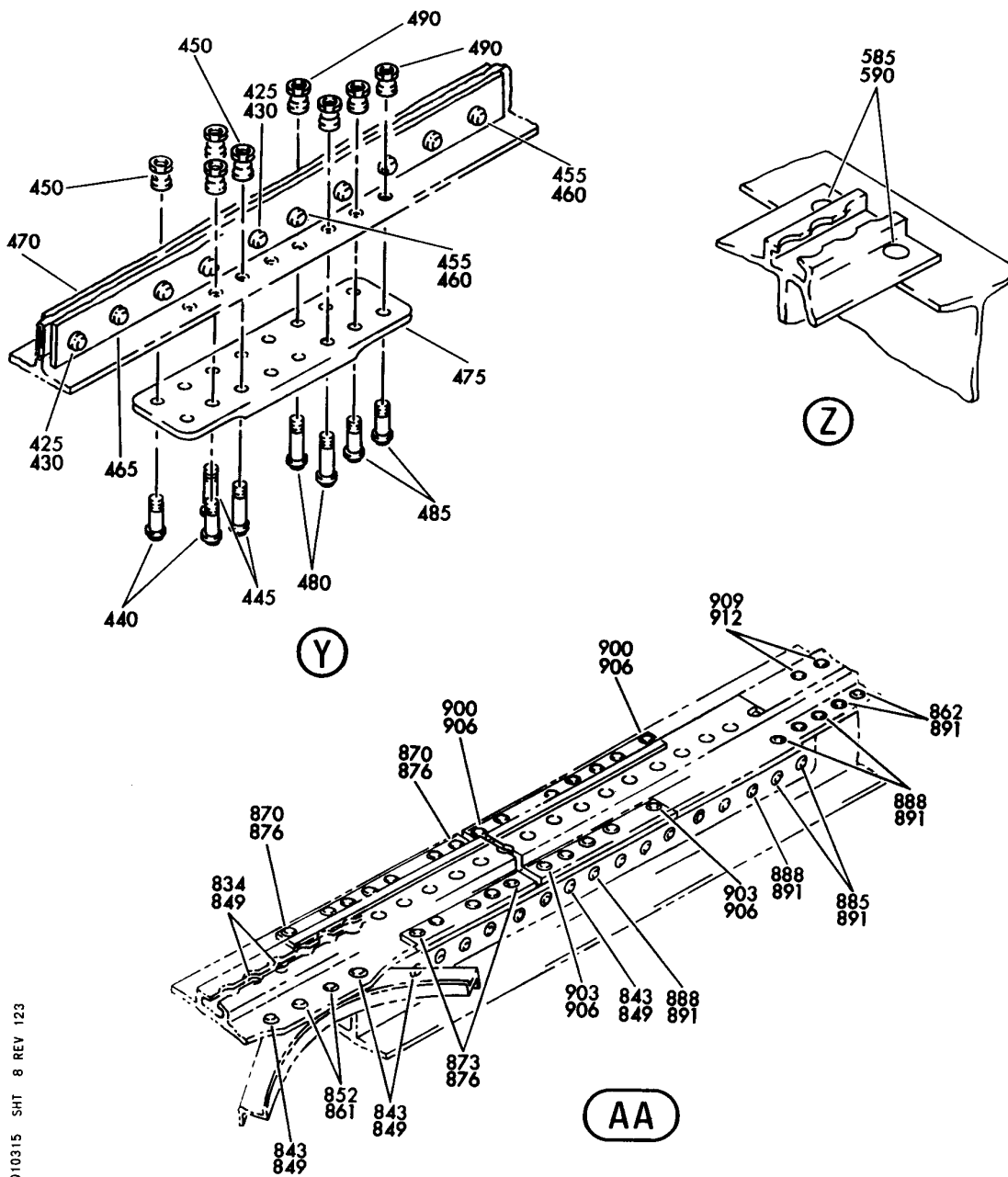
FLOOR SYSTEM INSTL-SECT. 43 (PASSENGER SEAT TRACKS ONLY)  
FIGURE 15 (SHEET 7)

**53-01-03-15**

HXL  
DEC 22/06

53-01-03-15  
PAGE OF


**BOEING**  
 767  
**PARTS CATALOG (MAINTENANCE)**



V 53010315 SH1 8 REV 123

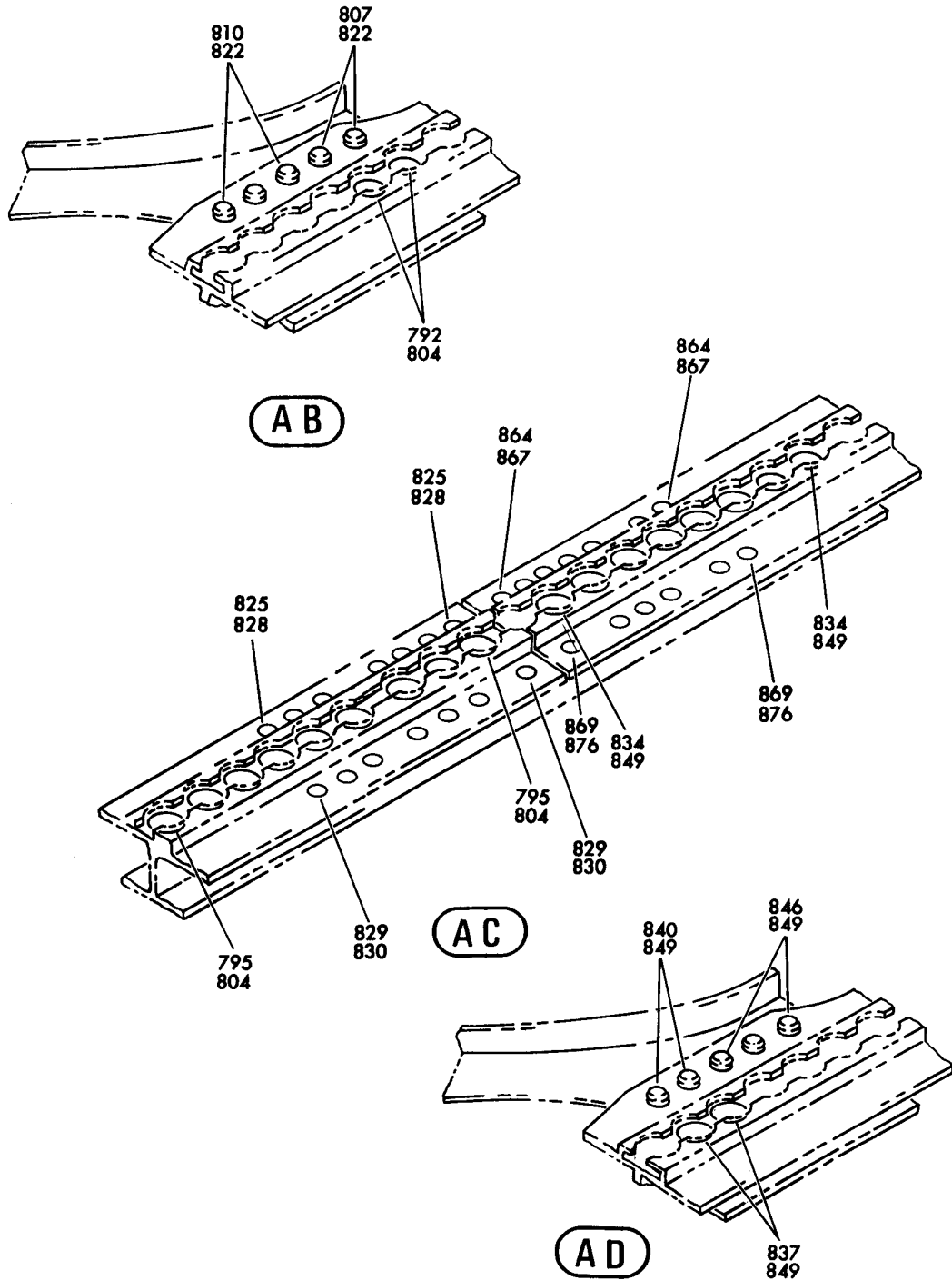
FLOOR SYSTEM INSTL-SECT. 43 (PASSENGER SEAT TRACKS ONLY)  
 FIGURE 15 (SHEET 8)

**53-01-03-15**

HXL  
DEC 22/06

53-01-03-15  
 PAGE 0G

**BOEING**  
767  
PARTS CATALOG (MAINTENANCE)



V 53010315 SHT 9 REV 123

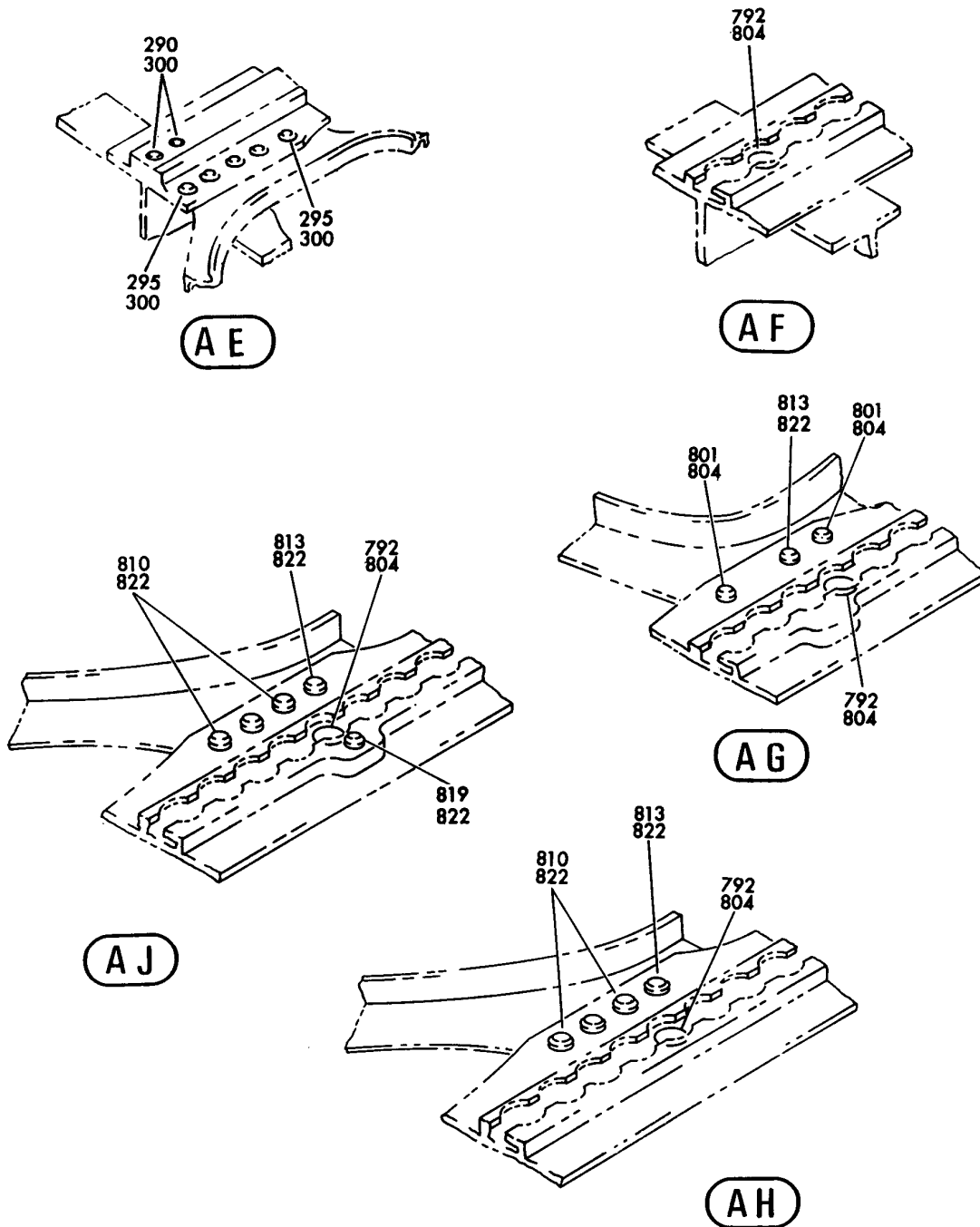
FLOOR SYSTEM INSTL-SECT. 43 (PASSENGER SEAT TRACKS ONLY)  
FIGURE 15 (SHEET 9)

**53-01-03-15**

HXL  
DEC 22/06

53-01-03-15  
PAGE 0H

**BOEING**  
767  
PARTS CATALOG (MAINTENANCE)



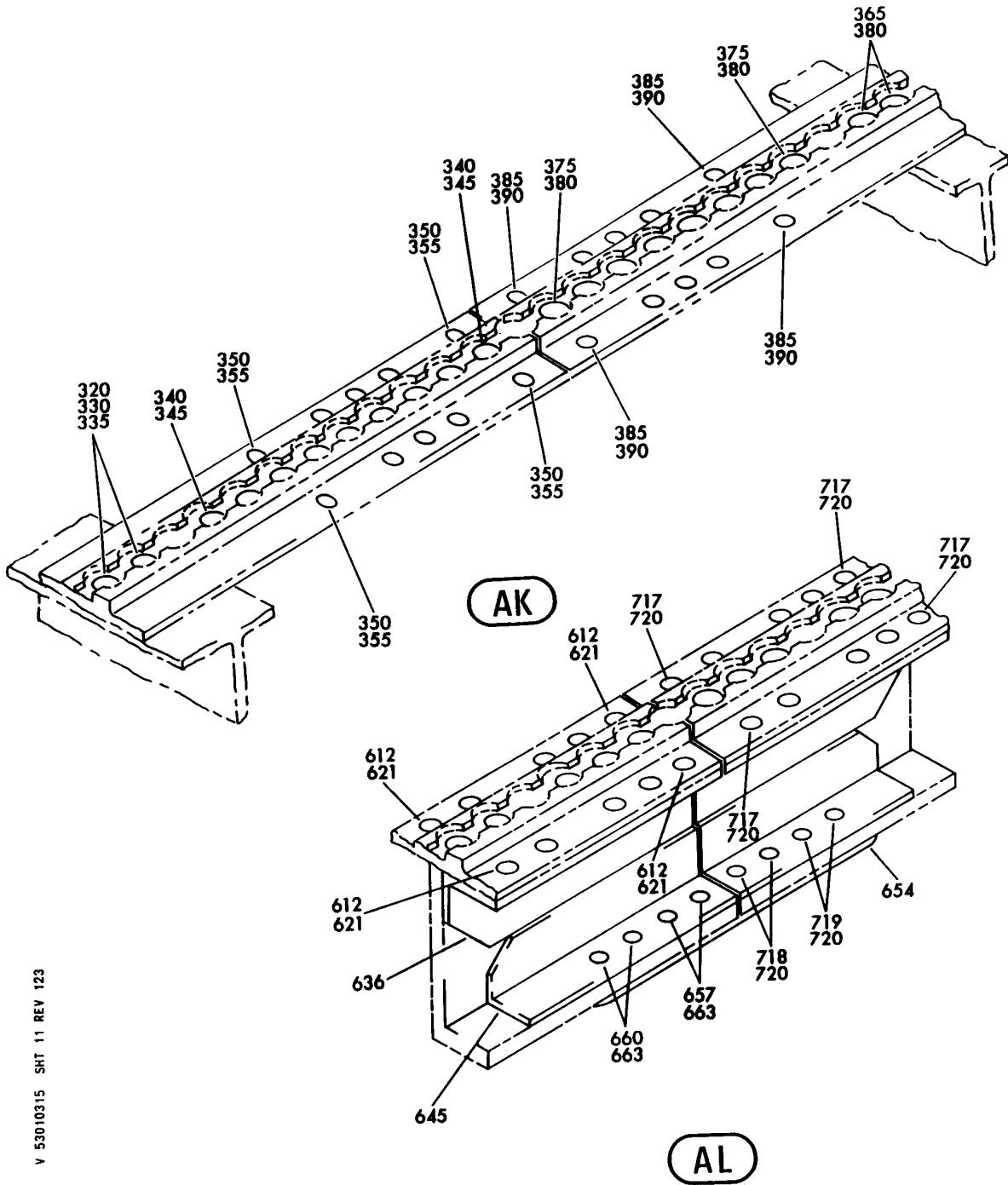
V 53010315 SHT 10 REV 123

FLOOR SYSTEM INSTL-SECT. 43 (PASSENGER SEAT TRACKS ONLY)  
FIGURE 15 (SHEET 10)

**53-01-03-15**

HXL  
DEC 22/06

53-01-03-15  
PAGE 01



V 53010315 SHT 11 REV 123

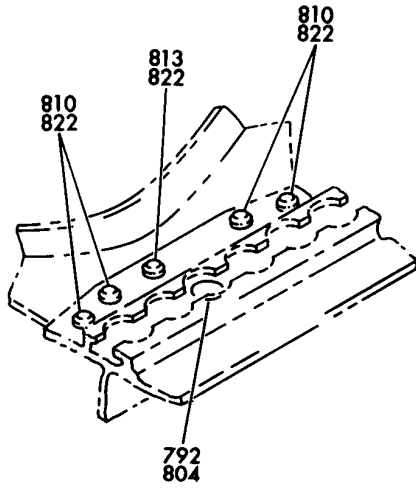
FLOOR SYSTEM INSTL-SECT. 43 (PASSENGER SEAT TRACKS ONLY)  
FIGURE 15 (SHEET 11)

**53-01-03-15**

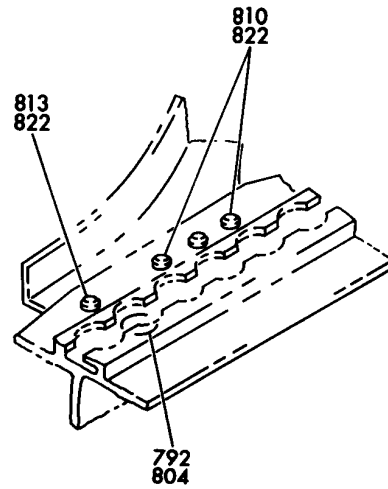
HXL  
DEC 22/06

53-01-03-15  
PAGE 0J

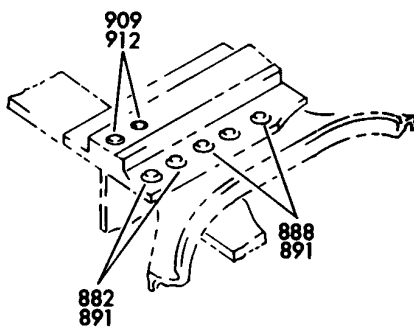
**BOEING**  
767  
PARTS CATALOG (MAINTENANCE)



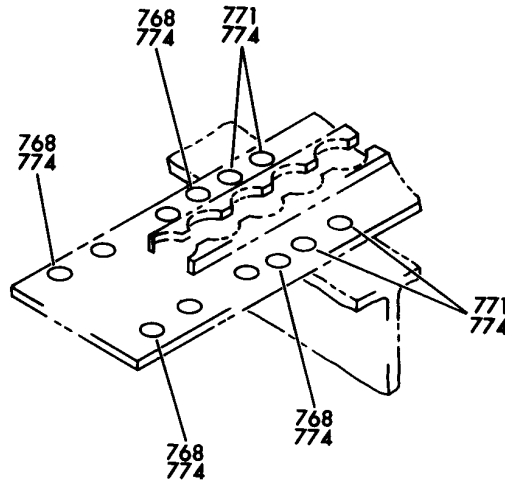
AM



AN



AQ



AP

V 53010315 SHT 12 REV 123

FLOOR SYSTEM INSTL-SECT. 43 (PASSENGER SEAT TRACKS ONLY)  
FIGURE 15 (SHEET 12)

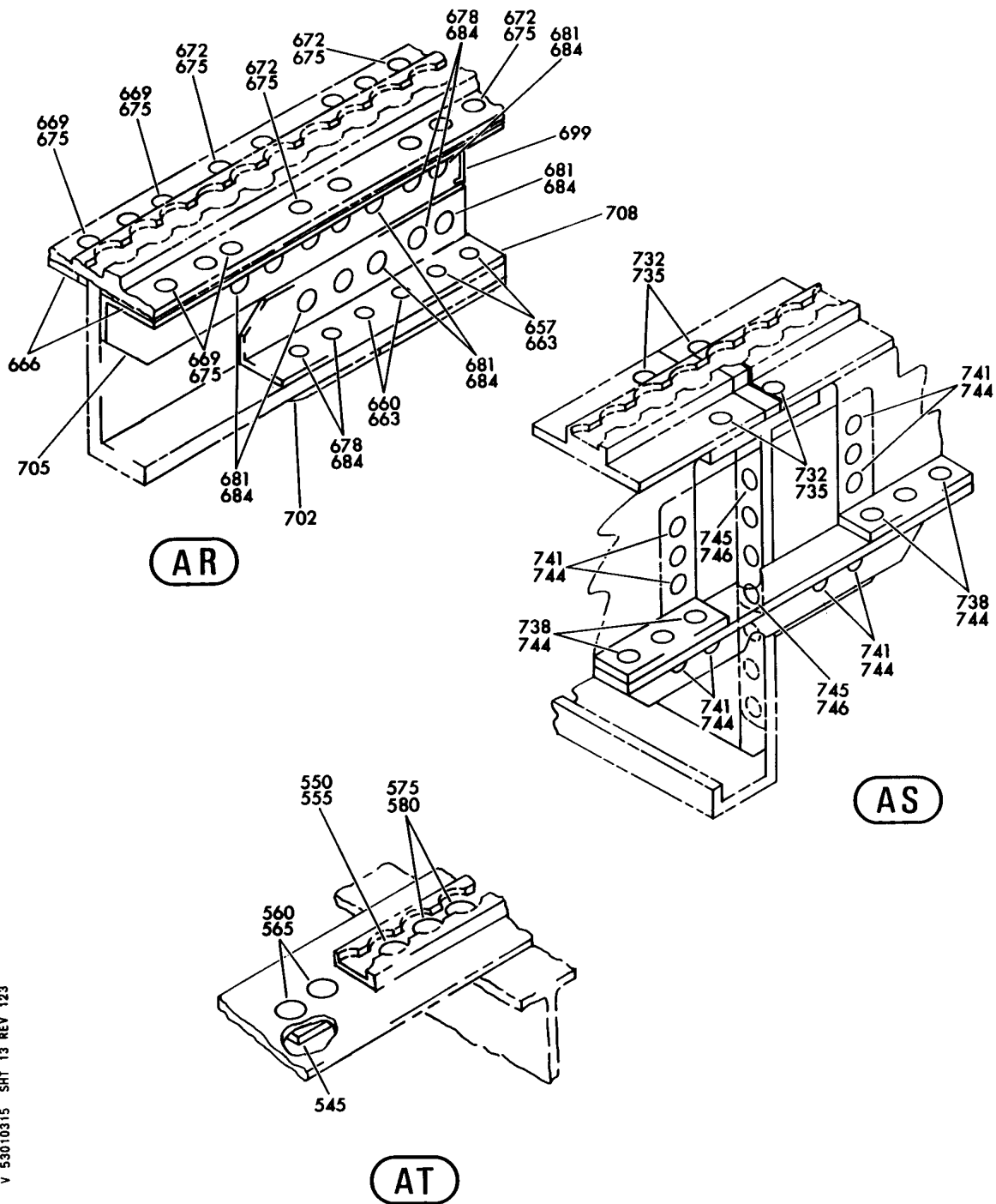
**53-01-03-15**

HXL  
DEC 22/06

53-01-03-15  
PAGE OK

BOEING PROPRIETARY - Copyright © - Unpublished Work - See title page for details.


**BOEING**  
 767  
**PARTS CATALOG (MAINTENANCE)**



V 53010315 SH1 13 REV 123

FLOOR SYSTEM INSTL-SECT. 43 (PASSENGER SEAT TRACKS ONLY)  
 FIGURE 15 (SHEET 13)

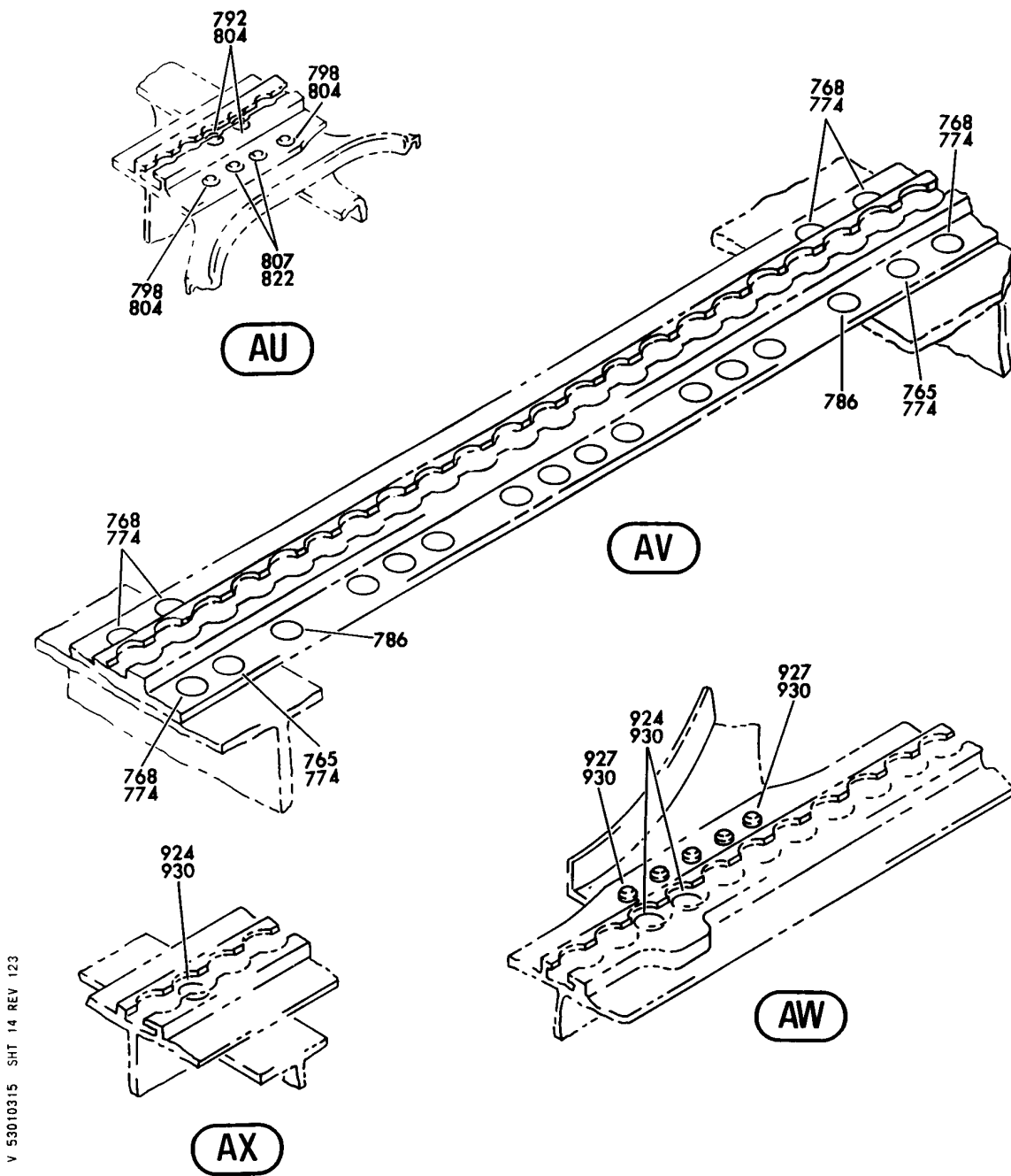
**53-01-03-15**

HXL  
 DEC 22/06

53-01-03-15  
 PAGE 01



**BOEING**  
767  
PARTS CATALOG (MAINTENANCE)



V 53010315 SHT 14 REV 123

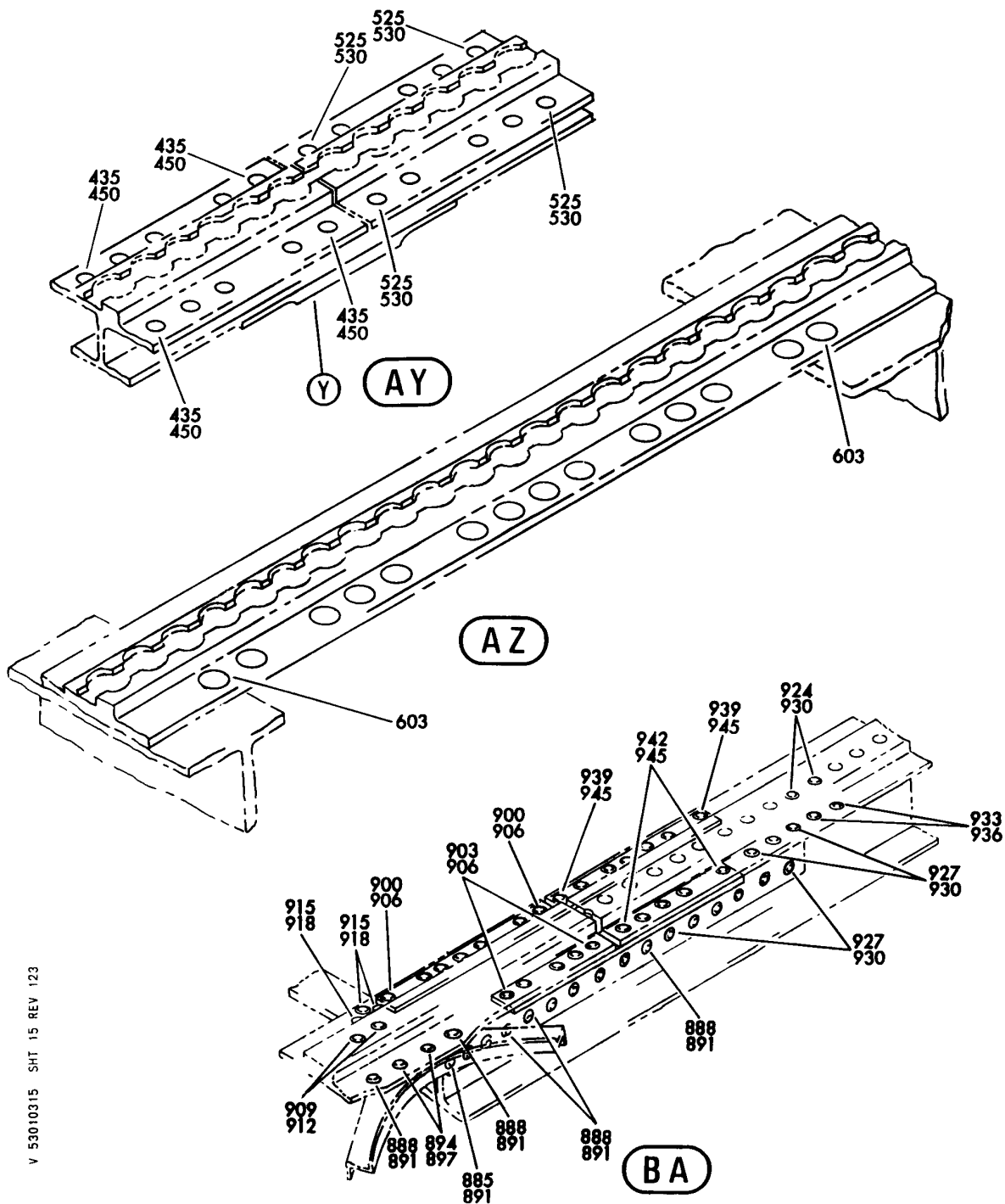
FLOOR SYSTEM INSTL-SECT. 43 (PASSENGER SEAT TRACKS ONLY)  
FIGURE 15 (SHEET 14)

**53-01-03-15**

HXL  
DEC 22/06

53-01-03-15  
PAGE 0M

**BOEING**  
767  
PARTS CATALOG (MAINTENANCE)



V 53010315 SHT 15 REV 123

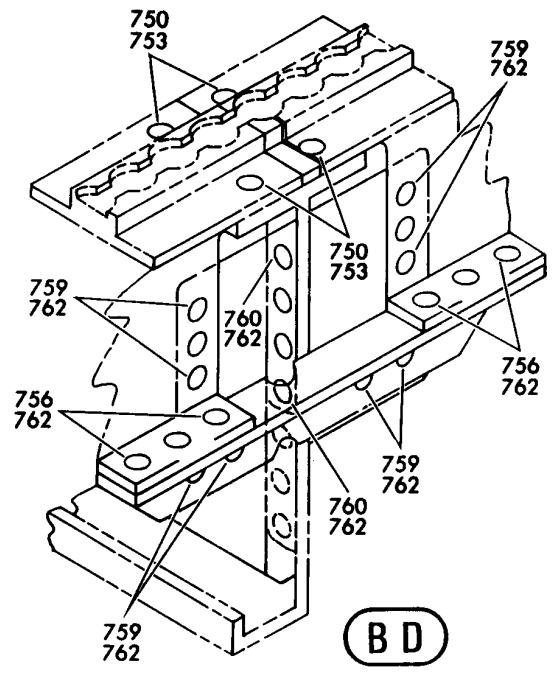
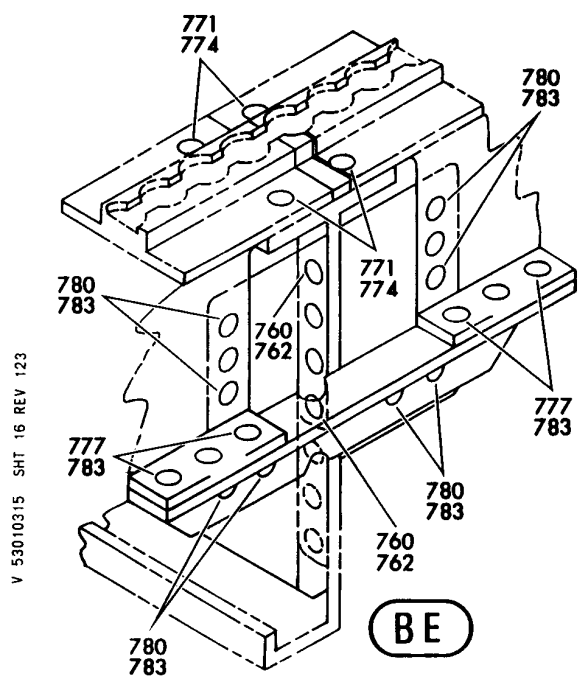
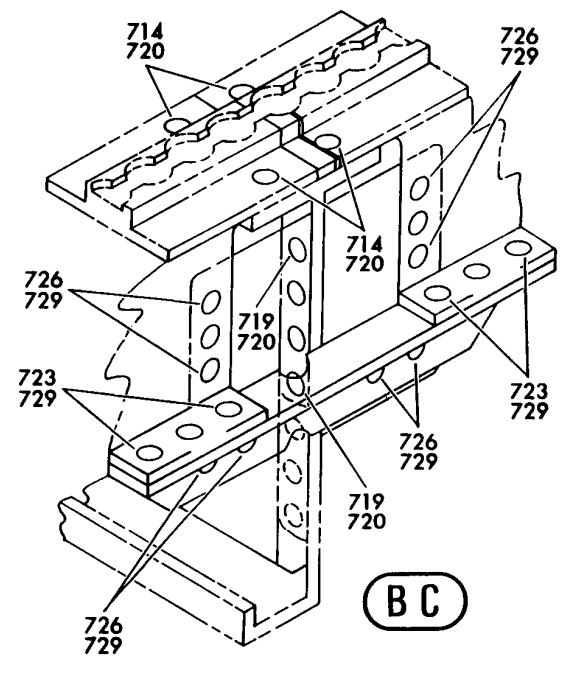
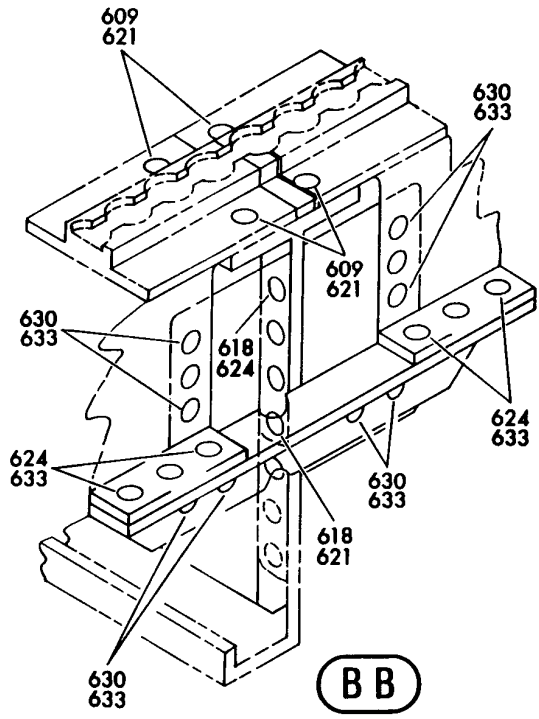
FLOOR SYSTEM INSTL-SECT. 43 (PASSENGER SEAT TRACKS ONLY)  
FIGURE 15 (SHEET 15)

**53-01-03-15**

HXL  
DEC 22/06

53-01-03-15  
PAGE ON


**BOEING**  
 767  
**PARTS CATALOG (MAINTENANCE)**



V 53010315 SHT 16 REV 123

FLOOR SYSTEM INSTL-SECT. 43 (PASSENGER SEAT TRACKS ONLY)  
 FIGURE 15 (SHEET 16)

**53-01-03-15**

HXL  
DEC 22/06

53-01-03-15  
 PAGE 00



767

PARTS CATALOG (MAINTENANCE)

FIG ITEM	PART NUMBER	1 2 3 4 5 6 7	NOMENCLATURE	EFFECT FROM TO	UNITS PER ASSY
15			FLOOR SYSTEM INSTL-SECT. 43 (PASSENGER SEAT TRACKS ONLY)	155162	
- 1	143T5200-48		FLOOR SYSTEM INSTL- (PASSENGER SEAT TRACKS ONLY) POSITION DATA: SECT. 43 VARIABLE DRAWING REF: 143T5200-5086 FOR NHA/OTHER SYS DET SEE: 53-30-00-08	155162	RF
5	143T5214-2		.TRACK-SEAT	155162	1
10	HL13VAZ8-7		.BOLT SUPPLIER CODE: V56878 SPECIFICATION NUMBER: BACB30NY8K7 OPTIONAL PART: HL13VAZ8-7 V73197 HL13VAZ8-7 V92215 HL13VAZ8-7 V97928 L801-8K7 V06725 HL13VAZ8-7 V60516 L801-8K7 VOPTK6 HL13VAZ8-7 V17446 HL1013AZ8-7 V60516	155162	9
ILLUSTRATION ITEMS NOT ON PARTS LIST ARE NOT APPLICABLE					

- ITEM NOT ILLUSTRATED

HXL

53-01-03-15

BOEING PROPRIETARY - Copyright © - Unpublished Work - See title page for details.

53-01-03  
FIG. 15  
PAGE 1  
APR 22/08



767

PARTS CATALOG (MAINTENANCE)

FIG ITEM	PART NUMBER	1 2 3 4 5 6 7 NOMENCLATURE	EFFECT FROM TO	UNITS PER ASSY
15 15	HL13VAZ8-5	.BOLT SUPPLIER CODE: V56878 SPECIFICATION NUMBER: BACB30NY8K5 OPTIONAL PART: HL13VAZ8-5 V73197 HL13VAZ8-5 V92215 HL13VAZ8-5 V97928 L801-8K5 V06725 HL13VAZ8-5 V60516 L801-8K5 VOPTK6 HL13VAZ8-5 V17446 HL1013AZ8-5 V60516	155162	18

ILLUSTRATION ITEMS NOT ON PARTS LIST ARE NOT APPLICABLE

- ITEM NOT ILLUSTRATED

HXL

53-01-03-15

BOEING PROPRIETARY - Copyright © - Unpublished Work - See title page for details.

53-01-03  
FIG. 15  
PAGE 2  
APR 22/08



767

PARTS CATALOG (MAINTENANCE)

FIG ITEM	PART NUMBER	1 2 3 4 5 6 7	NOMENCLATURE	EFFECT FROM TO	UNITS PER ASSY
15 20	HL1012AZ8-3	.BOLT	SUPPLIER CODE: VOPTK6 SPECIFICATION NUMBER: BACB30NX8K3 OPTIONAL PART: HL12VAZ8-3 V73197 HL12VAZ8-3 V92215 HL12VAZ8-3 V97928 L802-8K3 V06725 HL12VAZ8-3 V56878 HL1012AZ8-3 V06725 HL1012AZ8-3 V06950 HL1012AZ8-3 V17446 HL1012AZ8-3 V56878 HL1012AZ8-3 V60516 HL1012AZ8-3 V73197 HL1012AZ8-3 V97928	155162	18
25	HL1187-8	.COLLAR	SUPPLIER CODE: V5M902 SPECIFICATION NUMBER: BACC30X8 OPTIONAL PART: HL87-8 V92215 HL87-8 V73197 HL1187-8 V56878 HL1187-8 V92215 HL87-8 V56878 HL1187-8 V73197	155162	45

ILLUSTRATION ITEMS NOT ON PARTS LIST ARE NOT APPLICABLE

- ITEM NOT ILLUSTRATED

53-01-03-15

53-01-03  
 FIG. 15  
 PAGE 3  
 DEC 22/06

HXL



767

PARTS CATALOG (MAINTENANCE)

FIG ITEM	PART NUMBER	1 2 3 4 5 6 7	NOMENCLATURE	EFFECT FROM TO	UNITS PER ASSY
15 30	HL1012AZ6-5	.BOLT	SUPPLIER CODE: V97928 SPECIFICATION NUMBER: BACB30NX6K5 OPTIONAL PART: HL12VAZ6-5 V73197 HL12VAZ6-5 V92215 HL12VAZ6-5 V97928 L802-6K5 V06725 HL12VAZ6-5 V56878 HL1012AZ6-5 VOPTK6 HL1012AZ6-5 V06725 HL1012AZ6-5 V06950 HL1012AZ6-5 V17446 HL1012AZ6-5 V56878 HL1012AZ6-5 V60516 HL1012AZ6-5 V73197	155162	18
35	HL1187-6	.COLLAR	SUPPLIER CODE: V5M902 SPECIFICATION NUMBER: BACC30X6 OPTIONAL PART: HL87-6 V92215 HL87-6 V73197 HL1187-6 V56878 HL1187-6 V92215 HL87-6 V56878 HL1187-6 V73197	155162	18

ILLUSTRATION ITEMS NOT ON PARTS LIST ARE NOT APPLICABLE

- ITEM NOT ILLUSTRATED

HXL

53-01-03-15

BOEING PROPRIETARY - Copyright © - Unpublished Work - See title page for details.

53-01-03  
 FIG. 15  
 PAGE 4  
 DEC 22/06

 **BOEING**  
767  
**PARTS CATALOG (MAINTENANCE)**

FIG ITEM	PART NUMBER	1 2 3 4 5 6 7	NOMENCLATURE	EFFECT FROM TO	UNITS PER ASSY
15					
40	HST10AG6-3		.BOLT- SUPPLIER CODE: VOPTK6 SPECIFICATION NUMBER: BACB30VT6K3 OPTIONAL PART: HST10AG6-3 V06725 HST10AG6-3 V56878 HST10AG6-3 V73197 WC10K6-3 V60516 -----*-----	155162	8
42	BACB30VU6K		.BOLT	155162	5
46	BACC30BL6		.COLLAR	155162	11
90	143T5215-18		.TRACK-SEAT ATTACHING PARTS	155162	1
95	HL13VAZ8-7		.BOLT SUPPLIER CODE: V56878 SPECIFICATION NUMBER: BACB30NY8K7 OPTIONAL PART: HL13VAZ8-7 V73197 HL13VAZ8-7 V92215 HL13VAZ8-7 V97928 L801-8K7 V06725 HL13VAZ8-7 V60516 L801-8K7 VOPTK6 HL13VAZ8-7 V17446 HL1013AZ8-7 V60516	155162	8
ILLUSTRATION ITEMS NOT ON PARTS LIST ARE NOT APPLICABLE					

— ITEM NOT ILLUSTRATED

HXL

# 53-01-03-15

BOEING PROPRIETARY - Copyright © - Unpublished Work - See title page for details.

53-01-03  
FIG. 15  
PAGE 5  
AUG 22/09





767

PARTS CATALOG (MAINTENANCE)

FIG ITEM	PART NUMBER	1 2 3 4 5 6 7	NOMENCLATURE	EFFECT FROM TO	UNITS PER ASSY
15 100	HL13VAZ8-5		.BOLT SUPPLIER CODE: V56878 SPECIFICATION NUMBER: BACB30NY8K5 OPTIONAL PART: HL13VAZ8-5 V73197 HL13VAZ8-5 V92215 HL13VAZ8-5 V97928 L801-8K5 V06725 HL13VAZ8-5 V60516 L801-8K5 VOPTK6 HL13VAZ8-5 V17446 HL1013AZ8-5 V60516	155162	12

ILLUSTRATION ITEMS NOT ON PARTS LIST ARE NOT APPLICABLE

- ITEM NOT ILLUSTRATED

HXL

53-01-03-15

BOEING PROPRIETARY - Copyright © - Unpublished Work - See title page for details.

53-01-03  
FIG. 15  
PAGE 6  
AUG 22/09



767

PARTS CATALOG (MAINTENANCE)

FIG ITEM	PART NUMBER	1 2 3 4 5 6 7	NOMENCLATURE	EFFECT FROM TO	UNITS PER ASSY
15 105	HL1012AZ8-3	.BOLT	SUPPLIER CODE: VOPTK6 SPECIFICATION NUMBER: BACB30NX8K3 OPTIONAL PART: HL12VAZ8-3 V73197 HL12VAZ8-3 V92215 HL12VAZ8-3 V97928 L802-8K3 V06725 HL12VAZ8-3 V56878 HL1012AZ8-3 V06725 HL1012AZ8-3 V06950 HL1012AZ8-3 V17446 HL1012AZ8-3 V56878 HL1012AZ8-3 V60516 HL1012AZ8-3 V73197 HL1012AZ8-3 V97928	155162	6
110	HL1187-8	.COLLAR	SUPPLIER CODE: V5M902 SPECIFICATION NUMBER: BACC30X8 OPTIONAL PART: HL87-8 V92215 HL87-8 V73197 HL1187-8 V56878 HL1187-8 V92215 HL87-8 V56878 HL1187-8 V73197	155162	26

ILLUSTRATION ITEMS NOT ON PARTS LIST ARE NOT APPLICABLE

- ITEM NOT ILLUSTRATED

HXL

53-01-03-15

BOEING PROPRIETARY - Copyright © - Unpublished Work - See title page for details.

53-01-03  
 FIG. 15  
 PAGE 7  
 DEC 22/06

**BOEING**  
767  
**PARTS CATALOG (MAINTENANCE)**

FIG ITEM	PART NUMBER	1 2 3 4 5 6 7	NOMENCLATURE	EFFECT FROM TO	UNITS PER ASSY
15 115	HL1012AZ6-5	.	BOLT SUPPLIER CODE: V97928 SPECIFICATION NUMBER: BACB30NX6K5 OPTIONAL PART: HL12VAZ6-5 V73197 HL12VAZ6-5 V92215 HL12VAZ6-5 V97928 L802-6K5 V06725 HL12VAZ6-5 V56878 HL1012AZ6-5 VOPTK6 HL1012AZ6-5 V06725 HL1012AZ6-5 V06950 HL1012AZ6-5 V17446 HL1012AZ6-5 V56878 HL1012AZ6-5 V60516 HL1012AZ6-5 V73197	155162	6
120	HL1187-6	.	COLLAR SUPPLIER CODE: V5M902 SPECIFICATION NUMBER: BACC30X6 OPTIONAL PART: HL87-6 V92215 HL87-6 V73197 HL1187-6 V56878 HL1187-6 V92215 HL87-6 V56878 HL1187-6 V73197	155162	6

ILLUSTRATION ITEMS NOT ON PARTS LIST ARE NOT APPLICABLE

- ITEM NOT ILLUSTRATED

HXL

53-01-03-15

BOEING PROPRIETARY - Copyright © - Unpublished Work - See title page for details.

53-01-03  
FIG. 15  
PAGE 8  
DEC 22/06



767

PARTS CATALOG (MAINTENANCE)

FIG ITEM	PART NUMBER	1 2 3 4 5 6 7	NOMENCLATURE	EFFECT FROM TO	UNITS PER ASSY
15 125	HL11VAZ6-3	.BOLT	SUPPLIER CODE: V60516 SPECIFICATION NUMBER: BACB30NW6K3 OPTIONAL PART: B30NW6K3 V97928 HL11VAZ6-3 V73197 HL11VAZ6-3 V92215 HL11VAZ6-3 V97928 L803-6K3 V06725 HL11VAZ6-3 VOPTK6 HL11VAZ6-3 V56878	155162	6
130	L8006K3	.BOLT	SUPPLIER CODE: V06725 SPECIFICATION NUMBER: BACB30MY6K3	155162	7
135	HL79-6	.COLLAR	SUPPLIER CODE: V5M902 SPECIFICATION NUMBER: BACC30M6 OPTIONAL PART: HL79-6 V73197 HL79-6 V92215 66014-6 V56878 HL79-6 V56878	155162	13

ILLUSTRATION ITEMS NOT ON PARTS LIST ARE NOT APPLICABLE

- ITEM NOT ILLUSTRATED

HXL

53-01-03-15

BOEING PROPRIETARY - Copyright © - Unpublished Work - See title page for details.

53-01-03  
FIG. 15  
PAGE 9  
APR 22/08

 **BOEING**  
767  
**PARTS CATALOG (MAINTENANCE)**

FIG ITEM	PART NUMBER	1 2 3 4 5 6 7	NOMENCLATURE	EFFECT FROM TO	UNITS PER ASSY
15 140	HL1012AZ8-4	.BOLT	SUPPLIER CODE: VOPTK6 SPECIFICATION NUMBER: BACB30NX8K4 OPTIONAL PART: HL12VAZ8-4 V73197 HL12VAZ8-4 V92215 HL12VAZ8-4 V97928 L802-8K4 V06725 HL12VAZ8-4 V56878 HL1012AZ8-4 V06725 HL1012AZ8-4 V06950 HL1012AZ8-4 V17446 HL1012AZ8-4 V56878 HL1012AZ8-4 V60516 HL1012AZ8-4 V73197 HL1012AZ8-4 V97928	155162	14
145	HL1187-8	.COLLAR	SUPPLIER CODE: V5M902 SPECIFICATION NUMBER: BACC30X8 OPTIONAL PART: HL87-8 V92215 HL87-8 V73197 HL1187-8 V56878 HL1187-8 V92215 HL87-8 V56878 HL1187-8 V73197	155162	14

ILLUSTRATION ITEMS NOT ON PARTS LIST ARE NOT APPLICABLE

- ITEM NOT ILLUSTRATED

HXL

53-01-03-15

BOEING PROPRIETARY - Copyright © - Unpublished Work - See title page for details.

53-01-03  
FIG. 15  
PAGE 10  
DEC 22/06

**BOEING**  
767  
**PARTS CATALOG (MAINTENANCE)**

FIG ITEM	PART NUMBER	1 2 3 4 5 6 7	NOMENCLATURE	EFFECT FROM TO	UNITS PER ASSY
15 150	HL1012AZ6-6		.BOLT SUPPLIER CODE: V97928 SPECIFICATION NUMBER: BACB30NX6K6 OPTIONAL PART: HL12VAZ6-6 V73197 HL12VAZ6-6 V92215 HL12VAZ6-6 V97928 L802-6K6 V06725 HL12VAZ6-6 V56878 HL1012AZ6-6 VOPTK6 HL1012AZ6-6 V06725 HL1012AZ6-6 V06950 HL1012AZ6-6 V17446 HL1012AZ6-6 V56878 HL1012AZ6-6 V60516 HL1012AZ6-6 V73197	155162	2
155	HL1187-6		.COLLAR SUPPLIER CODE: V5M902 SPECIFICATION NUMBER: BACC30X6 OPTIONAL PART: HL87-6 V92215 HL87-6 V73197 HL1187-6 V56878 HL1187-6 V92215 HL87-6 V56878 HL1187-6 V73197	155162	2

ILLUSTRATION ITEMS NOT ON PARTS LIST ARE NOT APPLICABLE

- ITEM NOT ILLUSTRATED

HXL

53-01-03-15

BOEING PROPRIETARY - Copyright © - Unpublished Work - See title page for details.

53-01-03  
FIG. 15  
PAGE 11  
DEC 22/06

 **BOEING**  
767  
**PARTS CATALOG (MAINTENANCE)**

FIG ITEM	PART NUMBER	1 2 3 4 5 6 7	NOMENCLATURE	EFFECT FROM TO	UNITS PER ASSY
15					
160	HST11AG6-4	.BOLT	SUPPLIER CODE: V06725 SPECIFICATION NUMBER: BACB30VU6K4 OPTIONAL PART: HST11AG6-4 V73197 HST11AG6-4 VOPTK6 HST11AG6-4 V56878	155162	6
165	HST10AG6-5	.BOLT	SUPPLIER CODE: VOPTK6 SPECIFICATION NUMBER: BACB30VT6K5 OPTIONAL PART: HST10AG6-5 V06725 HST10AG6-5 V56878 HST10AG6-5 V73197 WC10K6-5 V60516	155162	5
R 170	BACC30BL6	.COLLAR	-----*-----	155162	11
175	143T5203-115	.STRAP-	ATTACHING PARTS	155162	4
- 180	HST10AG6-5	.BOLT	SUPPLIER CODE: VOPTK6 SPECIFICATION NUMBER: BACB30VT6K5 OPTIONAL PART: HST10AG6-5 V06725 HST10AG6-5 V56878 HST10AG6-5 V73197 WC10K6-5 V60516	155162	20
R - 185	BACC30BL6	.COLLAR	-----*-----	155162	20
190	143T5203-77	.STRAP		155162	2

ILLUSTRATION ITEMS NOT ON PARTS LIST ARE NOT APPLICABLE

- ITEM NOT ILLUSTRATED

HXL

53-01-03-15

BOEING PROPRIETARY - Copyright © - Unpublished Work - See title page for details.

53-01-03  
FIG. 15  
PAGE 12  
AUG 22/09

**BOEING**  
767  
**PARTS CATALOG (MAINTENANCE)**

FIG ITEM	PART NUMBER	1 2 3 4 5 6 7	NOMENCLATURE	EFFECT FROM TO	UNITS PER ASSY
15			ATTACHING PARTS		
- 195	HST11AG6-4		.BOLT SUPPLIER CODE: V06725 SPECIFICATION NUMBER: BACB30VU6K4 OPTIONAL PART: HST11AG6-4 V73197 HST11AG6-4 VOPTK6 HST11AG6-4 V56878	155162	28
R - 200	BACC3OBL6		.COLLAR -----*-----	155162	28
205	140T2512-26		.TEE ATTACHING PARTS	155162	4
210	HL1012AZ8-4		.BOLT SUPPLIER CODE: VOPTK6 SPECIFICATION NUMBER: BACB30NX8K4 OPTIONAL PART: HL12VAZ8-4 V73197 HL12VAZ8-4 V92215 HL12VAZ8-4 V97928 L802-8K4 V06725 HL12VAZ8-4 V56878 HL1012AZ8-4 V06725 HL1012AZ8-4 V06950 HL1012AZ8-4 V17446 HL1012AZ8-4 V56878 HL1012AZ8-4 V60516 HL1012AZ8-4 V73197 HL1012AZ8-4 V97928	155162	52
ILLUSTRATION ITEMS NOT ON PARTS LIST ARE NOT APPLICABLE					

- ITEM NOT ILLUSTRATED

HXL

53-01-03-15

BOEING PROPRIETARY - Copyright © - Unpublished Work - See title page for details.

53-01-03  
FIG. 15  
PAGE 13  
AUG 22/09



**BOEING**  
767  
**PARTS CATALOG (MAINTENANCE)**

FIG ITEM	PART NUMBER	1 2 3 4 5 6 7	NOMENCLATURE	EFFECT FROM TO	UNITS PER ASSY
15 215	HL1012AZ8-5		.BOLT SUPPLIER CODE: VOPTK6 SPECIFICATION NUMBER: BACB30NX8K5 OPTIONAL PART: HL12VAZ8-5 V73197 HL12VAZ8-5 V92215 HL12VAZ8-5 V97928 L802-8K5 V06725 HL12VAZ8-5 V56878 HL1012AZ8-5 V06725 HL1012AZ8-5 V06950 HL1012AZ8-5 V17446 HL1012AZ8-5 V56878 HL1012AZ8-5 V60516 HL1012AZ8-5 V73197 HL1012AZ8-5 V97928	155162	12
220	HL1187-8		.COLLAR SUPPLIER CODE: V5M902 SPECIFICATION NUMBER: BACC30X8 OPTIONAL PART: HL87-8 V92215 HL87-8 V73197 HL1187-8 V56878 HL1187-8 V92215 HL87-8 V56878 HL1187-8 V73197 -----*-----	155162	64
ILLUSTRATION ITEMS NOT ON PARTS LIST ARE NOT APPLICABLE					

— ITEM NOT ILLUSTRATED

HXL

53-01-03-15

BOEING PROPRIETARY - Copyright © - Unpublished Work - See title page for details.

53-01-03  
FIG. 15  
PAGE 14  
AUG 22/09



767

PARTS CATALOG (MAINTENANCE)

FIG ITEM	PART NUMBER	1 2 3 4 5 6 7	NOMENCLATURE	EFFECT FROM TO	UNITS PER ASSY
15					
225	143T5215-19		.TRACK-SEAT ATTACHING PARTS	155162	1
230	HST11AG8-5		.BOLT SUPPLIER CODE: VOPTK6 SPECIFICATION NUMBER: BACB30VU8K5 OPTIONAL PART: HST11AG8-5 V73197 HST11AG8-5 V56878 HST11AG8-5 V06725	155162	6
R 235	BACC30BL8		.COLLAR	155162	6
240	HL1012AZ8-5		.BOLT SUPPLIER CODE: VOPTK6 SPECIFICATION NUMBER: BACB30NX8K5 OPTIONAL PART: HL12VAZ8-5 V73197 HL12VAZ8-5 V92215 HL12VAZ8-5 V97928 L802-8K5 V06725 HL12VAZ8-5 V56878 HL1012AZ8-5 V06725 HL1012AZ8-5 V06950 HL1012AZ8-5 V17446 HL1012AZ8-5 V56878 HL1012AZ8-5 V60516 HL1012AZ8-5 V73197 HL1012AZ8-5 V97928	155162	6
ILLUSTRATION ITEMS NOT ON PARTS LIST ARE NOT APPLICABLE					

- ITEM NOT ILLUSTRATED

53-01-03-15

53-01-03  
FIG. 15  
PAGE 15  
AUG 22/09

HXL



767

PARTS CATALOG (MAINTENANCE)

FIG ITEM	PART NUMBER	1 2 3 4 5 6 7 NOMENCLATURE	EFFECT FROM TO	UNITS PER ASSY
15 245	HL1012AZ8-4	.BOLT SUPPLIER CODE: VOPTK6 SPECIFICATION NUMBER: BACB30NX8K4 OPTIONAL PART: HL12VAZ8-4 V73197 HL12VAZ8-4 V92215 HL12VAZ8-4 V97928 L802-8K4 V06725 HL12VAZ8-4 V56878 HL1012AZ8-4 V06725 HL1012AZ8-4 V06950 HL1012AZ8-4 V17446 HL1012AZ8-4 V56878 HL1012AZ8-4 V60516 HL1012AZ8-4 V73197 HL1012AZ8-4 V97928	155162	21

ILLUSTRATION ITEMS NOT ON PARTS LIST ARE NOT APPLICABLE

- ITEM NOT ILLUSTRATED

HXL

53-01-03-15

BOEING PROPRIETARY - Copyright © - Unpublished Work - See title page for details.

53-01-03  
 FIG. 15  
 PAGE 16  
 AUG 22/09



767

PARTS CATALOG (MAINTENANCE)

FIG ITEM	PART NUMBER	1 2 3 4 5 6 7	NOMENCLATURE	EFFECT FROM TO	UNITS PER ASSY
15 250	HL1012AZ8-6	.BOLT	SUPPLIER CODE: VOPTK6 SPECIFICATION NUMBER: BACB30NX8K6 OPTIONAL PART: HL12VAZ8-6 V73197 HL12VAZ8-6 V92215 HL12VAZ8-6 V97928 L802-8K6 V06725 HL12VAZ8-6 V56878 HL1012AZ8-6 V06725 HL1012AZ8-6 V06950 HL1012AZ8-6 V17446 HL1012AZ8-6 V56878 HL1012AZ8-6 V60516 HL1012AZ8-6 V73197 HL1012AZ8-6 V97928	155162	4
255	HL1187-8	.COLLAR	SUPPLIER CODE: V5M902 SPECIFICATION NUMBER: BACC30X8 OPTIONAL PART: HL87-8 V92215 HL87-8 V73197 HL1187-8 V56878 HL1187-8 V92215 HL87-8 V56878 HL1187-8 V73197	155162	22

ILLUSTRATION ITEMS NOT ON PARTS LIST ARE NOT APPLICABLE

- ITEM NOT ILLUSTRATED

HXL

53-01-03-15

BOEING PROPRIETARY - Copyright © - Unpublished Work - See title page for details.

53-01-03  
 FIG. 15  
 PAGE 17  
 AUG 22/09



767

PARTS CATALOG (MAINTENANCE)

FIG ITEM	PART NUMBER	1 2 3 4 5 6 7	NOMENCLATURE	EFFECT FROM TO	UNITS PER ASSY
15 260	HL1012AZ6-6	.BOLT	SUPPLIER CODE: V97928 SPECIFICATION NUMBER: BACB30NX6K6 OPTIONAL PART: HL12VAZ6-6 V73197 HL12VAZ6-6 V92215 HL12VAZ6-6 V97928 L802-6K6 V06725 HL12VAZ6-6 V56878 HL1012AZ6-6 VOPTK6 HL1012AZ6-6 V06725 HL1012AZ6-6 V06950 HL1012AZ6-6 V17446 HL1012AZ6-6 V56878 HL1012AZ6-6 V60516 HL1012AZ6-6 V73197	155162	2
265	HL1187-6	.COLLAR	SUPPLIER CODE: V5M902 SPECIFICATION NUMBER: BACC30X6 OPTIONAL PART: HL87-6 V92215 HL87-6 V73197 HL1187-6 V56878 HL1187-6 V92215 HL87-6 V56878 HL1187-6 V73197	155162	2

ILLUSTRATION ITEMS NOT ON PARTS LIST ARE NOT APPLICABLE

- ITEM NOT ILLUSTRATED

HXL

53-01-03-15

BOEING PROPRIETARY - Copyright © - Unpublished Work - See title page for details.

53-01-03  
 FIG. 15  
 PAGE 18  
 AUG 22/09



767

PARTS CATALOG (MAINTENANCE)

FIG ITEM	PART NUMBER	1 2 3 4 5 6 7	NOMENCLATURE	EFFECT FROM TO	UNITS PER ASSY
15 270	HST11AG6-4		.BOLT SUPPLIER CODE: V06725 SPECIFICATION NUMBER: BACB30VU6K4 OPTIONAL PART: HST11AG6-4 V73197 HST11AG6-4 VOPTK6 HST11AG6-4 V56878	155162	14
275	HST10AG6-5		.BOLT SUPPLIER CODE: VOPTK6 SPECIFICATION NUMBER: BACB30VT6K5 OPTIONAL PART: HST10AG6-5 V06725 HST10AG6-5 V56878 HST10AG6-5 V73197 WC10K6-5 V60516	155162	10
R 280	BACC3OBL6		.COLLAR -----*-----	155162	12
285	143T5215-20		.TRACK-SEAT	155162	1

ILLUSTRATION ITEMS NOT ON PARTS LIST ARE NOT APPLICABLE

- ITEM NOT ILLUSTRATED

HXL

53-01-03-15

BOEING PROPRIETARY - Copyright © - Unpublished Work - See title page for details.

53-01-03  
FIG. 15  
PAGE 19  
AUG 22/09



767

PARTS CATALOG (MAINTENANCE)

FIG ITEM	PART NUMBER	1 2 3 4 5 6 7 NOMENCLATURE	EFFECT FROM TO	UNITS PER ASSY
15  290	HL13VAZ8-5	ATTACHING PARTS .BOLT SUPPLIER CODE: V56878 SPECIFICATION NUMBER: BACB30NY8K5 OPTIONAL PART: HL13VAZ8-5 V73197 HL13VAZ8-5 V92215 HL13VAZ8-5 V97928 L801-8K5 V06725 HL13VAZ8-5 V60516 L801-8K5 VOPTK6 HL13VAZ8-5 V17446 HL1013AZ8-5 V60516	155162	6

ILLUSTRATION ITEMS NOT ON PARTS LIST ARE NOT APPLICABLE

- ITEM NOT ILLUSTRATED

HXL

**53-01-03-15**

BOEING PROPRIETARY - Copyright © - Unpublished Work - See title page for details.

53-01-03  
FIG. 15  
PAGE 20  
AUG 22/09



767

PARTS CATALOG (MAINTENANCE)

FIG ITEM	PART NUMBER	1 2 3 4 5 6 7	NOMENCLATURE	EFFECT FROM TO	UNITS PER ASSY
15 295	HL1012AZ8-4	.BOLT	SUPPLIER CODE: VOPTK6 SPECIFICATION NUMBER: BACB30NX8K4 OPTIONAL PART: HL12VAZ8-4 V73197 HL12VAZ8-4 V92215 HL12VAZ8-4 V97928 L802-8K4 V06725 HL12VAZ8-4 V56878 HL1012AZ8-4 V06725 HL1012AZ8-4 V06950 HL1012AZ8-4 V17446 HL1012AZ8-4 V56878 HL1012AZ8-4 V60516 HL1012AZ8-4 V73197 HL1012AZ8-4 V97928	155162	13
300	HL1187-8	.COLLAR	SUPPLIER CODE: V5M902 SPECIFICATION NUMBER: BACC30X8 OPTIONAL PART: HL87-8 V92215 HL87-8 V73197 HL1187-8 V56878 HL1187-8 V92215 HL87-8 V56878 HL1187-8 V73197 -----*-----	155162	19

ILLUSTRATION ITEMS NOT ON PARTS LIST ARE NOT APPLICABLE

- ITEM NOT ILLUSTRATED

53-01-03-15

53-01-03  
 FIG. 15  
 PAGE 21  
 AUG 22/09

HXL



**BOEING**  
767  
**PARTS CATALOG (MAINTENANCE)**

FIG ITEM	PART NUMBER	1 2 3 4 5 6 7	NOMENCLATURE	EFFECT FROM TO	UNITS PER ASSY
15 301	HST11AG6-4		.BOLT SUPPLIER CODE: V06725 SPECIFICATION NUMBER: BACB30VU6K4 OPTIONAL PART: HST11AG6-4 V73197 HST11AG6-4 VOPTK6 HST11AG6-4 V56878	155162	7
R	302		.BOLT	155162	5
	303	BACB30BL6	.COLLAR ATTACHING PARTS	155162	12
	305	HL1012AZ6-6	.BOLT SUPPLIER CODE: V97928 SPECIFICATION NUMBER: BACB30NX6K6 OPTIONAL PART: HL12VAZ6-6 V73197 HL12VAZ6-6 V92215 HL12VAZ6-6 V97928 L802-6K6 V06725 HL12VAZ6-6 V56878 HL1012AZ6-6 VOPTK6 HL1012AZ6-6 V06725 HL1012AZ6-6 V06950 HL1012AZ6-6 V17446 HL1012AZ6-6 V56878 HL1012AZ6-6 V60516 HL1012AZ6-6 V73197	155162	2
ILLUSTRATION ITEMS NOT ON PARTS LIST ARE NOT APPLICABLE					

— ITEM NOT ILLUSTRATED

HXL

53-01-03-15

BOEING PROPRIETARY - Copyright © - Unpublished Work - See title page for details.

53-01-03  
FIG. 15  
PAGE 22  
AUG 22/09



767

PARTS CATALOG (MAINTENANCE)

FIG ITEM	PART NUMBER	1 2 3 4 5 6 7	NOMENCLATURE	EFFECT FROM TO	UNITS PER ASSY
15 310	HL1187-6		.COLLAR SUPPLIER CODE: V5M902 SPECIFICATION NUMBER: BACC30X6 OPTIONAL PART: HL87-6 V92215 HL87-6 V73197 HL1187-6 V56878 HL1187-6 V92215 HL87-6 V56878 HL1187-6 V73197	155162	2
315	143T5212-20		-----*----- .TRACK-SEAT ATTACHING PARTS	155162	2
320	BACB30LU4-9		.BOLT	155162	34
325	BACB30LU4-8		.BOLT	155162	2
330	AN960JD416		.WASHER	155162	36
335	NAS1804-4		.NUT	155162	36
340	HL13VAZ8-7		.BOLT SUPPLIER CODE: V56878 SPECIFICATION NUMBER: BACB30NY8K7 OPTIONAL PART: HL13VAZ8-7 V73197 HL13VAZ8-7 V92215 HL13VAZ8-7 V97928 L801-8K7 V06725 HL13VAZ8-7 V60516 L801-8K7 VOPTK6 HL13VAZ8-7 V17446 HL1013AZ8-7 V60516	155162	18

ILLUSTRATION ITEMS NOT ON PARTS LIST ARE NOT APPLICABLE

- ITEM NOT ILLUSTRATED

53-01-03-15

53-01-03  
FIG. 15  
PAGE 23  
AUG 22/09

HXL



767

PARTS CATALOG (MAINTENANCE)

FIG ITEM	PART NUMBER	1 2 3 4 5 6 7	NOMENCLATURE	EFFECT FROM TO	UNITS PER ASSY
15 345	HL1187-8		.COLLAR SUPPLIER CODE: V5M902 SPECIFICATION NUMBER: BACC30X8 OPTIONAL PART: HL87-8 V92215 HL87-8 V73197 HL1187-8 V56878 HL1187-8 V92215 HL87-8 V56878 HL1187-8 V73197	155162	18
350	HST11AG6-3		.BOLT SUPPLIER CODE: V06725 SPECIFICATION NUMBER: BACB30VU6K3 OPTIONAL PART: HST11AG6-3 V73197 HST11AG6-3 V56878 HST11AG6-3 VOPTK6	155162	28
R 355	BACC30BL6		.COLLAR -----*-----	155162	28
360	143T5213-19		.TRACK-SEAT	155162	2

ILLUSTRATION ITEMS NOT ON PARTS LIST ARE NOT APPLICABLE

- ITEM NOT ILLUSTRATED

HXL

53-01-03-15

BOEING PROPRIETARY - Copyright © - Unpublished Work - See title page for details.

53-01-03  
FIG. 15  
PAGE 24  
AUG 22/09



767

PARTS CATALOG (MAINTENANCE)

FIG ITEM	PART NUMBER	1 2 3 4 5 6 7	NOMENCLATURE	EFFECT FROM TO	UNITS PER ASSY
15			ATTACHING PARTS		
365	HL13VAZ8-5		.BOLT SUPPLIER CODE: V56878 SPECIFICATION NUMBER: BACB30NY8K5 OPTIONAL PART: HL13VAZ8-5 V73197 HL13VAZ8-5 V92215 HL13VAZ8-5 V97928 L801-8K5 V06725 HL13VAZ8-5 V60516 L801-8K5 VOPTK6 HL13VAZ8-5 V17446 HL1013AZ8-5 V60516	155162	20
370	HL1013AZ8-6		.BOLT SUPPLIER CODE: V60156 SPECIFICATION NUMBER: BACB30NY8K6 OPTIONAL PART: HL13VAZ8-6 V73197 HL13VAZ8-6 V92215 HL13VAZ8-6 V97928 L801-8K6 V06725 HL13VAZ8-6 V60516 L801-8K6 VOPTK6 HL13VAZ8-6 V17446 HL13VAZ8-6 V56878	155162	4
ILLUSTRATION ITEMS NOT ON PARTS LIST ARE NOT APPLICABLE					

- ITEM NOT ILLUSTRATED

HXL

53-01-03-15

BOEING PROPRIETARY - Copyright © - Unpublished Work - See title page for details.

53-01-03  
FIG. 15  
PAGE 25  
AUG 22/09



767

PARTS CATALOG (MAINTENANCE)

FIG ITEM	PART NUMBER	1 2 3 4 5 6 7	NOMENCLATURE	EFFECT FROM TO	UNITS PER ASSY
15 375	HL13VAZ8-7	.BOLT	SUPPLIER CODE: V56878 SPECIFICATION NUMBER: BACB30NY8K7 OPTIONAL PART: HL13VAZ8-7 V73197 HL13VAZ8-7 V92215 HL13VAZ8-7 V97928 L801-8K7 V06725 HL13VAZ8-7 V60516 L801-8K7 VOPTK6 HL13VAZ8-7 V17446 HL1013AZ8-7 V60516	155162	38
380	HL1187-8	.COLLAR	SUPPLIER CODE: V5M902 SPECIFICATION NUMBER: BACC30X8 OPTIONAL PART: HL87-8 V92215 HL87-8 V73197 HL1187-8 V56878 HL1187-8 V92215 HL87-8 V56878 HL1187-8 V73197	155162	62

ILLUSTRATION ITEMS NOT ON PARTS LIST ARE NOT APPLICABLE

- ITEM NOT ILLUSTRATED

HXL

53-01-03-15

BOEING PROPRIETARY - Copyright © - Unpublished Work - See title page for details.

53-01-03  
 FIG. 15  
 PAGE 26  
 AUG 22/09



767

PARTS CATALOG (MAINTENANCE)

FIG ITEM	PART NUMBER	1 2 3 4 5 6 7	NOMENCLATURE	EFFECT FROM TO	UNITS PER ASSY
15 385	HST11AG6-4		.BOLT SUPPLIER CODE: V06725 SPECIFICATION NUMBER: BACB30VU6K4 OPTIONAL PART: HST11AG6-4 V73197 HST11AG6-4 VOPTK6 HST11AG6-4 V56878	155162	8
387	HST11AG6-5		-----*----- .BOLT SUPPLIER CODE: V06725 SPECIFICATION NUMBER: BACB30VU6K5 OPTIONAL PART: HST11AG6-5 V73197 HST11AG6-5 V56878 HST11AG6-5 VOPTK6	155162	4
R 390	BACC3OBL6		ATTACHING PARTS .COLLAR	155162	8
395	143T5213-20		-----*----- .TRACK-SEAT	155162	2

ILLUSTRATION ITEMS NOT ON PARTS LIST ARE NOT APPLICABLE

- ITEM NOT ILLUSTRATED

HXL

53-01-03-15

BOEING PROPRIETARY - Copyright © - Unpublished Work - See title page for details.

53-01-03  
FIG. 15  
PAGE 27  
AUG 22/09



**767  
PARTS CATALOG (MAINTENANCE)**

FIG ITEM	PART NUMBER	1 2 3 4 5 6 7	NOMENCLATURE	EFFECT FROM TO	UNITS PER ASSY
15			ATTACHING PARTS		
400	HL1013AZ8-6		.BOLT SUPPLIER CODE: V60156 SPECIFICATION NUMBER: BACB30NY8K6 OPTIONAL PART: HL13VAZ8-6 V73197 HL13VAZ8-6 V92215 HL13VAZ8-6 V97928 L801-8K6 V06725 HL13VAZ8-6 V60516 L801-8K6 VOPTK6 HL13VAZ8-6 V17446 HL13VAZ8-6 V56878	155162	16
405	HL13VAZ8-5		.BOLT SUPPLIER CODE: V56878 SPECIFICATION NUMBER: BACB30NY8K5 OPTIONAL PART: HL13VAZ8-5 V73197 HL13VAZ8-5 V92215 HL13VAZ8-5 V97928 L801-8K5 V06725 HL13VAZ8-5 V60516 L801-8K5 VOPTK6 HL13VAZ8-5 V17446 HL1013AZ8-5 V60516	155162	16
ILLUSTRATION ITEMS NOT ON PARTS LIST ARE NOT APPLICABLE					

- ITEM NOT ILLUSTRATED

HXL

# 53-01-03-15

BOEING PROPRIETARY - Copyright © - Unpublished Work - See title page for details.

53-01-03  
FIG. 15  
PAGE 28  
AUG 22/09



767

PARTS CATALOG (MAINTENANCE)

FIG ITEM	PART NUMBER	1 2 3 4 5 6 7	NOMENCLATURE	EFFECT FROM TO	UNITS PER ASSY
15 410	HL1187-8		.COLLAR SUPPLIER CODE: V5M902 SPECIFICATION NUMBER: BACC30X8 OPTIONAL PART: HL87-8 V92215 HL87-8 V73197 HL1187-8 V56878 HL1187-8 V92215 HL87-8 V56878 HL1187-8 V73197	155162	32
415	143T5212-7		-----*----- .TRACK-SEAT ATTACHING PARTS	155162	2
420	HL13VAZ8-5		.BOLT SUPPLIER CODE: V56878 SPECIFICATION NUMBER: BACB30NY8K5 OPTIONAL PART: HL13VAZ8-5 V73197 HL13VAZ8-5 V92215 HL13VAZ8-5 V97928 L801-8K5 V06725 HL13VAZ8-5 V60516 L801-8K5 VOPTK6 HL13VAZ8-5 V17446 HL1013AZ8-5 V60516	155162	36

ILLUSTRATION ITEMS NOT ON PARTS LIST ARE NOT APPLICABLE

- ITEM NOT ILLUSTRATED

HXL

53-01-03-15

BOEING PROPRIETARY - Copyright © - Unpublished Work - See title page for details.

53-01-03  
FIG. 15  
PAGE 29  
AUG 22/09



**BOEING**  
767  
**PARTS CATALOG (MAINTENANCE)**

FIG ITEM	PART NUMBER	1 2 3 4 5 6 7	NOMENCLATURE	EFFECT FROM TO	UNITS PER ASSY
15 425	HL1012AZ8-5		.BOLT SUPPLIER CODE: VOPTK6 SPECIFICATION NUMBER: BACB30NX8K5 OPTIONAL PART: HL12VAZ8-5 V73197 HL12VAZ8-5 V92215 HL12VAZ8-5 V97928 L802-8K5 V06725 HL12VAZ8-5 V56878 HL1012AZ8-5 V06725 HL1012AZ8-5 V06950 HL1012AZ8-5 V17446 HL1012AZ8-5 V56878 HL1012AZ8-5 V60516 HL1012AZ8-5 V73197 HL1012AZ8-5 V97928	155162	10
430	HL1187-8		.COLLAR SUPPLIER CODE: V5M902 SPECIFICATION NUMBER: BACC30X8 OPTIONAL PART: HL87-8 V92215 HL87-8 V73197 HL1187-8 V56878 HL1187-8 V92215 HL87-8 V56878 HL1187-8 V73197	155162	46

ILLUSTRATION ITEMS NOT ON PARTS LIST ARE NOT APPLICABLE

- ITEM NOT ILLUSTRATED

HXL

53-01-03-15

BOEING PROPRIETARY - Copyright © - Unpublished Work - See title page for details.

53-01-03  
FIG. 15  
PAGE 30  
AUG 22/09

**BOEING**  
767  
**PARTS CATALOG (MAINTENANCE)**

FIG ITEM	PART NUMBER	1 2 3 4 5 6 7	NOMENCLATURE	EFFECT FROM TO	UNITS PER ASSY
15 435	HL11VAZ6-3		.BOLT SUPPLIER CODE: V60516 SPECIFICATION NUMBER: BACB30NW6K3 OPTIONAL PART: B30NW6K3 V97928 HL11VAZ6-3 V73197 HL11VAZ6-3 V92215 HL11VAZ6-3 V97928 L803-6K3 V06725 HL11VAZ6-3 VOPTK6 HL11VAZ6-3 V56878	155162	20
440	L8006K5		.BOLT SUPPLIER CODE: V06725 SPECIFICATION NUMBER: BACB30MY6K5	155162	8
445	L8006K7		.BOLT SUPPLIER CODE: V06725 SPECIFICATION NUMBER: BACB30MY6K7	155162	8
450	HL79-6		.COLLAR SUPPLIER CODE: V5M902 SPECIFICATION NUMBER: BACC30M6 OPTIONAL PART: HL79-6 V73197 HL79-6 V92215 66014-6 V56878 HL79-6 V56878 -----*	155162	36

ILLUSTRATION ITEMS NOT ON PARTS LIST ARE NOT APPLICABLE

— ITEM NOT ILLUSTRATED

HXL

53-01-03-15

BOEING PROPRIETARY - Copyright © - Unpublished Work - See title page for details.

53-01-03  
FIG. 15  
PAGE 31  
AUG 22/09

**BOEING**  
767  
**PARTS CATALOG (MAINTENANCE)**

FIG ITEM	PART NUMBER	1 2 3 4 5 6 7	NOMENCLATURE	EFFECT FROM TO	UNITS PER ASSY
15 455	HL1012AZ8-5		.BOLT SUPPLIER CODE: VOPTK6 SPECIFICATION NUMBER: BACB30NX8K5 OPTIONAL PART: HL12VAZ8-5 V73197 HL12VAZ8-5 V92215 HL12VAZ8-5 V97928 L802-8K5 V06725 HL12VAZ8-5 V56878 HL1012AZ8-5 V06725 HL1012AZ8-5 V06950 HL1012AZ8-5 V17446 HL1012AZ8-5 V56878 HL1012AZ8-5 V60516 HL1012AZ8-5 V73197 HL1012AZ8-5 V97928	155162	10
460	HL1187-8		.COLLAR SUPPLIER CODE: V5M902 SPECIFICATION NUMBER: BACC30X8 OPTIONAL PART: HL87-8 V92215 HL87-8 V73197 HL1187-8 V56878 HL1187-8 V92215 HL87-8 V56878 HL1187-8 V73197	155162	10
465	140T2512-12		.ANGLE	155162	2

ILLUSTRATION ITEMS NOT ON PARTS LIST ARE NOT APPLICABLE

— ITEM NOT ILLUSTRATED

HXL

# 53-01-03-15

BOEING PROPRIETARY - Copyright © - Unpublished Work - See title page for details.

53-01-03  
FIG. 15  
PAGE 32  
AUG 22/09



767

PARTS CATALOG (MAINTENANCE)

FIG ITEM	PART NUMBER	1 2 3 4 5 6 7	NOMENCLATURE	EFFECT FROM TO	UNITS PER ASSY
15					
470	140T2512-13	.	ANGLE	155162	2
475	140T2511-2	.	PLATE	155162	2
			ATTACHING PARTS		
480	L8006K7	.	BOLT	155162	8
			SUPPLIER CODE: V06725		
			SPECIFICATION NUMBER: BACB30MY6K7		
485	L8006K5	.	BOLT	155162	8
			SUPPLIER CODE: V06725		
			SPECIFICATION NUMBER: BACB30MY6K5		
490	HL79-6	.	COLLAR	155162	16
			SUPPLIER CODE: V5M902		
			SPECIFICATION NUMBER: BACC30M6		
			OPTIONAL PART: HL79-6 V73197 HL79-6 V92215 66014-6 V56878 HL79-6 V56878		
			-----*-----		
495	143T5221-6	.	TRACK-SEAT	155162	2

ILLUSTRATION ITEMS NOT ON PARTS LIST ARE NOT APPLICABLE

- ITEM NOT ILLUSTRATED

HXL

53-01-03-15

BOEING PROPRIETARY - Copyright © - Unpublished Work - See title page for details.

53-01-03  
FIG. 15  
PAGE 33  
AUG 22/09



767

PARTS CATALOG (MAINTENANCE)

FIG ITEM	PART NUMBER	1 2 3 4 5 6 7 NOMENCLATURE	EFFECT FROM TO	UNITS PER ASSY
15  500	HL13VAZ8-5	ATTACHING PARTS .BOLT SUPPLIER CODE: V56878 SPECIFICATION NUMBER: BACB30NY8K5 OPTIONAL PART: HL13VAZ8-5 V73197 HL13VAZ8-5 V92215 HL13VAZ8-5 V97928 L801-8K5 V06725 HL13VAZ8-5 V60516 L801-8K5 V0PTK6 HL13VAZ8-5 V17446 HL1013AZ8-5 V60516	155162	22

ILLUSTRATION ITEMS NOT ON PARTS LIST ARE NOT APPLICABLE

- ITEM NOT ILLUSTRATED

HXL

53-01-03-15

BOEING PROPRIETARY - Copyright © - Unpublished Work - See title page for details.

53-01-03  
FIG. 15  
PAGE 34  
AUG 22/09



767

PARTS CATALOG (MAINTENANCE)

FIG ITEM	PART NUMBER	1 2 3 4 5 6 7	NOMENCLATURE	EFFECT FROM TO	UNITS PER ASSY
15 505	HL1012AZ8-3	.BOLT	SUPPLIER CODE: VOPTK6 SPECIFICATION NUMBER: BACB30NX8K3 OPTIONAL PART: HL12VAZ8-3 V73197 HL12VAZ8-3 V92215 HL12VAZ8-3 V97928 L802-8K3 V06725 HL12VAZ8-3 V56878 HL1012AZ8-3 V06725 HL1012AZ8-3 V06950 HL1012AZ8-3 V17446 HL1012AZ8-3 V56878 HL1012AZ8-3 V60516 HL1012AZ8-3 V73197 HL1012AZ8-3 V97928	155162	6
510	HL1187-8	.COLLAR	SUPPLIER CODE: V5M902 SPECIFICATION NUMBER: BACC30X8 OPTIONAL PART: HL87-8 V92215 HL87-8 V73197 HL1187-8 V56878 HL1187-8 V92215 HL87-8 V56878 HL1187-8 V73197	155162	28

ILLUSTRATION ITEMS NOT ON PARTS LIST ARE NOT APPLICABLE

- ITEM NOT ILLUSTRATED

HXL

53-01-03-15

BOEING PROPRIETARY - Copyright © - Unpublished Work - See title page for details.

53-01-03  
 FIG. 15  
 PAGE 35  
 AUG 22/09



767

PARTS CATALOG (MAINTENANCE)

FIG ITEM	PART NUMBER	1 2 3 4 5 6 7	NOMENCLATURE	EFFECT FROM TO	UNITS PER ASSY
15 515	HL1012AZ6-6	.BOLT	SUPPLIER CODE: V97928 SPECIFICATION NUMBER: BACB30NX6K6 OPTIONAL PART: HL12VAZ6-6 V73197 HL12VAZ6-6 V92215 HL12VAZ6-6 V97928 L802-6K6 V06725 HL12VAZ6-6 V56878 HL1012AZ6-6 VOPTK6 HL1012AZ6-6 V06725 HL1012AZ6-6 V06950 HL1012AZ6-6 V17446 HL1012AZ6-6 V56878 HL1012AZ6-6 V60516 HL1012AZ6-6 V73197	155162	6
520	HL1187-6	.COLLAR	SUPPLIER CODE: V5M902 SPECIFICATION NUMBER: BACC30X6 OPTIONAL PART: HL87-6 V92215 HL87-6 V73197 HL1187-6 V56878 HL1187-6 V92215 HL87-6 V56878 HL1187-6 V73197	155162	6

ILLUSTRATION ITEMS NOT ON PARTS LIST ARE NOT APPLICABLE

- ITEM NOT ILLUSTRATED

53-01-03-15

53-01-03  
 FIG. 15  
 PAGE 36  
 AUG 22/09

HXL

 **BOEING**  
767  
**PARTS CATALOG (MAINTENANCE)**

FIG ITEM	PART NUMBER	1 2 3 4 5 6 7	NOMENCLATURE	EFFECT FROM TO	UNITS PER ASSY
15 525	HL11VAZ6-3		.BOLT SUPPLIER CODE: V60516 SPECIFICATION NUMBER: BACB30NW6K3 OPTIONAL PART: B30NW6K3 V97928 HL11VAZ6-3 V73197 HL11VAZ6-3 V92215 HL11VAZ6-3 V97928 L803-6K3 V06725 HL11VAZ6-3 VOPTK6 HL11VAZ6-3 V56878	155162	20
530	HL79-6		.COLLAR SUPPLIER CODE: V5M902 SPECIFICATION NUMBER: BACC30M6 OPTIONAL PART: HL79-6 V73197 HL79-6 V92215 66014-6 V56878 HL79-6 V56878	155162	20
535	HST11AG6-3		.BOLT SUPPLIER CODE: V06725 SPECIFICATION NUMBER: BACB30VU6K3 OPTIONAL PART: HST11AG6-3 V73197 HST11AG6-3 V56878 HST11AG6-3 VOPTK6	155162	8
R 540	BACC30BL6		.COLLAR	155162	8
545	140T2512-27		-----*----- . FILLER-RADIUS	155162	2

ILLUSTRATION ITEMS NOT ON PARTS LIST ARE NOT APPLICABLE

- ITEM NOT ILLUSTRATED

HXL

53-01-03-15

BOEING PROPRIETARY - Copyright © - Unpublished Work - See title page for details.

53-01-03  
FIG. 15  
PAGE 37  
AUG 22/09





767

PARTS CATALOG (MAINTENANCE)

FIG ITEM	PART NUMBER	1 2 3 4 5 6 7	NOMENCLATURE	EFFECT FROM TO	UNITS PER ASSY
15			ATTACHING PARTS		
550	HL1013AZ8-6		.BOLT SUPPLIER CODE: V60156 SPECIFICATION NUMBER: BACB30NY8K6 OPTIONAL PART: HL13VAZ8-6 V73197 HL13VAZ8-6 V92215 HL13VAZ8-6 V97928 L801-8K6 V06725 HL13VAZ8-6 V60516 L801-8K6 VOPTK6 HL13VAZ8-6 V17446 HL13VAZ8-6 V56878	155162	2
555	HL1187-8		.COLLAR SUPPLIER CODE: V5M902 SPECIFICATION NUMBER: BACC30X8 OPTIONAL PART: HL87-8 V92215 HL87-8 V73197 HL1187-8 V56878 HL1187-8 V92215 HL87-8 V56878 HL1187-8 V73197	155162	2

ILLUSTRATION ITEMS NOT ON PARTS LIST ARE NOT APPLICABLE

- ITEM NOT ILLUSTRATED

HXL

53-01-03-15

BOEING PROPRIETARY - Copyright © - Unpublished Work - See title page for details.

53-01-03  
FIG. 15  
PAGE 38  
AUG 22/09



767

PARTS CATALOG (MAINTENANCE)

FIG ITEM	PART NUMBER	1 2 3 4 5 6 7	NOMENCLATURE	EFFECT FROM TO	UNITS PER ASSY
15 560	HST11AG8-5		.BOLT SUPPLIER CODE: VOPTK6 SPECIFICATION NUMBER: BACB30VU8K5 OPTIONAL PART: HST11AG8-5 V73197 HST11AG8-5 V56878 HST11AG8-5 V06725	155162	4
R 565	BACC3OBL8		.COLLAR -----*-----	155162	4
570	143T5221-7		.TRACK-SEAT ATTACHING PARTS	155162	2
575	HL13VAZ8-5		.BOLT SUPPLIER CODE: V56878 SPECIFICATION NUMBER: BACB30NY8K5 OPTIONAL PART: HL13VAZ8-5 V73197 HL13VAZ8-5 V92215 HL13VAZ8-5 V97928 L801-8K5 V06725 HL13VAZ8-5 V60516 L801-8K5 VOPTK6 HL13VAZ8-5 V17446 HL1013AZ8-5 V60516	155162	24

ILLUSTRATION ITEMS NOT ON PARTS LIST ARE NOT APPLICABLE

- ITEM NOT ILLUSTRATED

HXL

53-01-03-15

BOEING PROPRIETARY - Copyright © - Unpublished Work - See title page for details.

53-01-03  
FIG. 15  
PAGE 39  
AUG 22/09



767

PARTS CATALOG (MAINTENANCE)

FIG ITEM	PART NUMBER	1 2 3 4 5 6 7	NOMENCLATURE	EFFECT FROM TO	UNITS PER ASSY
15 580	HL1187-8		.COLLAR SUPPLIER CODE: V5M902 SPECIFICATION NUMBER: BACC30X8 OPTIONAL PART: HL87-8 V92215 HL87-8 V73197 HL1187-8 V56878 HL1187-8 V92215 HL87-8 V56878 HL1187-8 V73197	155162	24
585	HST11AG6-3		.BOLT SUPPLIER CODE: V06725 SPECIFICATION NUMBER: BACB30VU6K3 OPTIONAL PART: HST11AG6-3 V73197 HST11AG6-3 V56878 HST11AG6-3 VOPTK6	155162	4
R 590	BACC30BL6		.COLLAR	155162	4
603	BACR15CE6KE		.RIVET- SIZE DETERMINED ON INSTL. -----*-----	155162	26
606	143T5210-2		.TRACK-SEAT	155162	2

ILLUSTRATION ITEMS NOT ON PARTS LIST ARE NOT APPLICABLE

- ITEM NOT ILLUSTRATED

HXL

53-01-03-15

BOEING PROPRIETARY - Copyright © - Unpublished Work - See title page for details.

53-01-03  
FIG. 15  
PAGE 40  
AUG 22/09



767

PARTS CATALOG (MAINTENANCE)

FIG ITEM	PART NUMBER	1 2 3 4 5 6 7	NOMENCLATURE	EFFECT FROM TO	UNITS PER ASSY
15			ATTACHING PARTS		
609	HL11VAZ6-4		.BOLT SUPPLIER CODE: V60516 SPECIFICATION NUMBER: BACB30NW6K4 OPTIONAL PART: B30NW6K4 V97928 HL11VAZ6-4 V73197 HL11VAZ6-4 V92215 HL11VAZ6-4 V97928 L803-6K4 V06725 HL11VAZ6-4 VOPTK6 HL11VAZ6-4 V56878	155162	72
612	HL11VAZ6-3		.BOLT SUPPLIER CODE: V60516 SPECIFICATION NUMBER: BACB30NW6K3 OPTIONAL PART: B30NW6K3 V97928 HL11VAZ6-3 V73197 HL11VAZ6-3 V92215 HL11VAZ6-3 V97928 L803-6K3 V06725 HL11VAZ6-3 VOPTK6 HL11VAZ6-3 V56878	155162	20
618	L8006K5		.BOLT SUPPLIER CODE: V06725 SPECIFICATION NUMBER: BACB30MY6K5	155162	4

ILLUSTRATION ITEMS NOT ON PARTS LIST ARE NOT APPLICABLE

- ITEM NOT ILLUSTRATED

HXL

53-01-03-15

BOEING PROPRIETARY - Copyright © - Unpublished Work - See title page for details.

53-01-03  
FIG. 15  
PAGE 41  
AUG 22/09

**BOEING**  
767  
**PARTS CATALOG (MAINTENANCE)**

FIG ITEM	PART NUMBER	1 2 3 4 5 6 7	NOMENCLATURE	EFFECT FROM TO	UNITS PER ASSY
15 621	HL79-6		.COLLAR SUPPLIER CODE: V5M902 SPECIFICATION NUMBER: BACC30M6 OPTIONAL PART: HL79-6 V73197 HL79-6 V92215 66014-6 V56878 HL79-6 V56878	155162	100
624	L8008K6		.BOLT SUPPLIER CODE: V06725 SPECIFICATION NUMBER: BACB30MY8K6	155162	104
630	L8008K3		.BOLT SUPPLIER CODE: V06725 SPECIFICATION NUMBER: BACB30MY8K3	155162	104
633	HL79-8		.COLLAR SUPPLIER CODE: V5M902 SPECIFICATION NUMBER: BACC30M8 OPTIONAL PART: HL79-8 V73197 HL79-8 V92215 66014-8 V56878 HL79-8 V56878	155162	232
636	140T2512-3		-----*----- .ANGLE ATTACHING PARTS	155162	2
- 639	L8008K5		.BOLT SUPPLIER CODE: V06725 SPECIFICATION NUMBER: BACB30MY8K5	155162	14

ILLUSTRATION ITEMS NOT ON PARTS LIST ARE NOT APPLICABLE

- ITEM NOT ILLUSTRATED

HXL

53-01-03-15

BOEING PROPRIETARY - Copyright © - Unpublished Work - See title page for details.

53-01-03  
FIG. 15  
PAGE 42  
AUG 22/09

**BOEING**  
767  
**PARTS CATALOG (MAINTENANCE)**

FIG ITEM	PART NUMBER	1 2 3 4 5 6 7	NOMENCLATURE	EFFECT FROM TO	UNITS PER ASSY
15 - 642	HL79-8		.COLLAR SUPPLIER CODE: V5M902 SPECIFICATION NUMBER: BACC30M8 OPTIONAL PART: HL79-8 V73197 HL79-8 V92215 66014-8 V56878 HL79-8 V56878 -----*-----	155162	14
645	140T2512-2		.ANGLE ATTACHING PARTS	155162	2
- 648	L8008K5		.BOLT SUPPLIER CODE: V06725 SPECIFICATION NUMBER: BACB30MY8K5	155162	10
- 651	HL79-8		.COLLAR SUPPLIER CODE: V5M902 SPECIFICATION NUMBER: BACC30M8 OPTIONAL PART: HL79-8 V73197 HL79-8 V92215 66014-8 V56878 HL79-8 V56878 -----*-----	155162	10
654	140T2511-1		.PLATE ATTACHING PARTS	155162	2
657	L8006K6		.BOLT SUPPLIER CODE: V06725 SPECIFICATION NUMBER: BACB30MY6K6	155162	4
660	L8006K5		.BOLT SUPPLIER CODE: V06725 SPECIFICATION NUMBER: BACB30MY6K5	155162	4

ILLUSTRATION ITEMS NOT ON PARTS LIST ARE NOT APPLICABLE

- ITEM NOT ILLUSTRATED

HXL

53-01-03-15

BOEING PROPRIETARY - Copyright © - Unpublished Work - See title page for details.

53-01-03  
FIG. 15  
PAGE 43  
AUG 22/09



767

PARTS CATALOG (MAINTENANCE)

FIG ITEM	PART NUMBER	1 2 3 4 5 6 7	NOMENCLATURE	EFFECT FROM TO	UNITS PER ASSY
15 663	HL79-6		. COLLAR SUPPLIER CODE: V5M902 SPECIFICATION NUMBER: BACC30M6 OPTIONAL PART: HL79-6 V73197 HL79-6 V92215 66014-6 V56878 HL79-6 V56878 -----*-----	155162	8
666	BACF3F010R093NG		. FILLER ATTACHING PARTS	155162	4
669	HST11AG6-4		. BOLT- SUPPLIER CODE: V06725 SPECIFICATION NUMBER: BACB30VU6K4 OPTIONAL PART: HST11AG6-4 V73197 HST11AG6-4 VOPTK6 HST11AG6-4 V56878	155162	12
672	HST11AG6-5		. BOLT SUPPLIER CODE: V06725 SPECIFICATION NUMBER: BACB30VU6K5 OPTIONAL PART: HST11AG6-5 V73197 HST11AG6-5 V56878 HST11AG6-5 VOPTK6	155162	20
R 675	BACC30BL6		. COLLAR -----*-----	155162	32

ILLUSTRATION ITEMS NOT ON PARTS LIST ARE NOT APPLICABLE

- ITEM NOT ILLUSTRATED

53-01-03-15

53-01-03  
FIG. 15  
PAGE 44  
AUG 22/09

HXL



767

PARTS CATALOG (MAINTENANCE)

FIG ITEM	PART NUMBER	1 2 3 4 5 6 7	NOMENCLATURE	EFFECT FROM TO	UNITS PER ASSY
15 678	HST10AG8-8	.BOLT	SUPPLIER CODE: VOPTK6 SPECIFICATION NUMBER: BACB30VT8K8 OPTIONAL PART: HST10AG8-8 V06725 HST10AG8-8 V56878 HST10AG8-8 V73197 WC10K8-8 V60516	155162	4
681	HST10AG8-5	.BOLT	SUPPLIER CODE: VOPTK6 SPECIFICATION NUMBER: BACB30VT8K5 OPTIONAL PART: HST10AG8-5 V06725 HST10AG8-5 V56878 HST10AG8-5 V73197 WC10K8-5 V60516	155162	20
R 684	BACC3OBL8	.COLLAR		155162	24
687	HST10AG6-8	.BOLT	SUPPLIER CODE: VOPTK6 SPECIFICATION NUMBER: BACB30VT6K8 OPTIONAL PART: HST10AG6-8 V06725 HST10AG6-8 V56878 HST10AG6-8 V73197 WC10K6-6 V60516	155162	4
699	143T5202-26	.ANGLE-SPLICE		155162	2
702	143T5202-30	.ANGLE-SPLICE		155162	2
705	BACF3F012C072NG	.FILLER-		155162	2
708	BACF3F012C056NG	.FILLER-		155162	2
711	143T5211-19	.TRACK-SEAT		155162	2

ILLUSTRATION ITEMS NOT ON PARTS LIST ARE NOT APPLICABLE

- ITEM NOT ILLUSTRATED

53-01-03-15

53-01-03  
FIG. 15  
PAGE 45  
AUG 22/09

HXL





767

PARTS CATALOG (MAINTENANCE)

FIG ITEM	PART NUMBER	1 2 3 4 5 6 7	NOMENCLATURE	EFFECT FROM TO	UNITS PER ASSY
15			ATTACHING PARTS		
714	HL11VAZ6-4		.BOLT SUPPLIER CODE: V60516 SPECIFICATION NUMBER: BACB30NW6K4 OPTIONAL PART: B30NW6K4 V97928 HL11VAZ6-4 V73197 HL11VAZ6-4 V92215 HL11VAZ6-4 V97928 L803-6K4 V06725 HL11VAZ6-4 VOPTK6 HL11VAZ6-4 V56878	155162	24
717	HL11VAZ6-3		.BOLT SUPPLIER CODE: V60516 SPECIFICATION NUMBER: BACB30NW6K3 OPTIONAL PART: B30NW6K3 V97928 HL11VAZ6-3 V73197 HL11VAZ6-3 V92215 HL11VAZ6-3 V97928 L803-6K3 V06725 HL11VAZ6-3 VOPTK6 HL11VAZ6-3 V56878	155162	20
718	L8006K6		.BOLT SUPPLIER CODE: V06725 SPECIFICATION NUMBER: BACB30MY6K6	155162	4

ILLUSTRATION ITEMS NOT ON PARTS LIST ARE NOT APPLICABLE

- ITEM NOT ILLUSTRATED

HXL

53-01-03-15

BOEING PROPRIETARY - Copyright © - Unpublished Work - See title page for details.

53-01-03  
FIG. 15  
PAGE 46  
AUG 22/09



767

PARTS CATALOG (MAINTENANCE)

FIG ITEM	PART NUMBER	1 2 3 4 5 6 7	NOMENCLATURE	EFFECT FROM TO	UNITS PER ASSY
15 719	L8006K5		.BOLT SUPPLIER CODE: V06725 SPECIFICATION NUMBER: BACB30MY6K5	155162	28
720	HL79-6		.COLLAR SUPPLIER CODE: V5M902 SPECIFICATION NUMBER: BACC30M6 OPTIONAL PART: HL79-6 V73197 HL79-6 V92215 66014-6 V56878 HL79-6 V56878	155162	44
723	L8008K6		.BOLT SUPPLIER CODE: V06725 SPECIFICATION NUMBER: BACB30MY8K6	155162	36
726	L8008K3		.BOLT SUPPLIER CODE: V06725 SPECIFICATION NUMBER: BACB30MY8K3	155162	36
729	HL79-8		.COLLAR SUPPLIER CODE: V5M902 SPECIFICATION NUMBER: BACC30M8 OPTIONAL PART: HL79-8 V73197 HL79-8 V92215 66014-8 V56878 HL79-8 V56878	155162	72

ILLUSTRATION ITEMS NOT ON PARTS LIST ARE NOT APPLICABLE

- ITEM NOT ILLUSTRATED

HXL

53-01-03-15

BOEING PROPRIETARY - Copyright © - Unpublished Work - See title page for details.

53-01-03  
FIG. 15  
PAGE 47  
AUG 22/09

**BOEING**  
767  
**PARTS CATALOG (MAINTENANCE)**

FIG ITEM	PART NUMBER	1 2 3 4 5 6 7	NOMENCLATURE	EFFECT FROM TO	UNITS PER ASSY
15 732	HST11AG6-3		.BOLT SUPPLIER CODE: V06725 SPECIFICATION NUMBER: BACB30VU6K3 OPTIONAL PART: HST11AG6-3 V73197 HST11AG6-3 V56878 HST11AG6-3 VOPTK6	155162	8
R 735 738	BACC30BL6 HST10AG8-6		.COLLAR .BOLT SUPPLIER CODE: VOPTK6 SPECIFICATION NUMBER: BACB30VT8K6 OPTIONAL PART: HST10AG8-6 V06725 HST10AG8-6 V56878 HST10AG8-6 V73197 WC10K8-6 V60516	155162 155162	8 12
741	HST10AG8-3		.BOLT SUPPLIER CODE: VOPTK6 SPECIFICATION NUMBER: BACB30VT8K3 OPTIONAL PART: HST10AG8-3 V06725 HST10AG8-3 V56878 HST10AG8-3 V73197 WC10K8-3 V60516	155162	12
R 744 745	BACC30BL8 L8006K5		.COLLAR .BOLT SUPPLIER CODE: V06725 SPECIFICATION NUMBER: BACB30MY6K5 -----*-----	155162 155162	24 8

ILLUSTRATION ITEMS NOT ON PARTS LIST ARE NOT APPLICABLE

- ITEM NOT ILLUSTRATED

HXL

53-01-03-15

BOEING PROPRIETARY - Copyright © - Unpublished Work - See title page for details.

53-01-03  
FIG. 15  
PAGE 48  
AUG 22/09



767

PARTS CATALOG (MAINTENANCE)

FIG ITEM	PART NUMBER	1 2 3 4 5 6 7	NOMENCLATURE	EFFECT FROM TO	UNITS PER ASSY
15 746	HL79-6		. COLLAR SUPPLIER CODE: V5M902 SPECIFICATION NUMBER: BACC30M6 OPTIONAL PART: HL79-6 V73197 HL79-6 V92215 66014-6 V56878 HL79-6 V56878	155162	8
747	143T5211-20		. TRACK-SEAT ATTACHING PARTS	155162	2
750	HL11VAZ6-4		. BOLT SUPPLIER CODE: V60516 SPECIFICATION NUMBER: BACB30NW6K4 OPTIONAL PART: B30NW6K4 V97928 HL11VAZ6-4 V73197 HL11VAZ6-4 V92215 HL11VAZ6-4 V97928 L803-6K4 V06725 HL11VAZ6-4 VOPTK6 HL11VAZ6-4 V56878	155162	24

ILLUSTRATION ITEMS NOT ON PARTS LIST ARE NOT APPLICABLE

- ITEM NOT ILLUSTRATED

HXL

53-01-03-15

BOEING PROPRIETARY - Copyright © - Unpublished Work - See title page for details.

53-01-03  
FIG. 15  
PAGE 49  
AUG 22/09

 **BOEING**  
767  
**PARTS CATALOG (MAINTENANCE)**

FIG ITEM	PART NUMBER	1 2 3 4 5 6 7	NOMENCLATURE	EFFECT FROM TO	UNITS PER ASSY
15 753	HL79-6		.COLLAR SUPPLIER CODE: V5M902 SPECIFICATION NUMBER: BACC30M6 OPTIONAL PART: HL79-6 V73197 HL79-6 V92215 66014-6 V56878 HL79-6 V56878	155162	24
756	L8008K6		.BOLT SUPPLIER CODE: V06725 SPECIFICATION NUMBER: BACB30MY8K6	155162	36
759	L8008K3		.BOLT SUPPLIER CODE: V06725 SPECIFICATION NUMBER: BACB30MY8K3	155162	36
760	L8006K5		.BOLT SUPPLIER CODE: V06725 SPECIFICATION NUMBER: BACB30MY8K5	155162	32
762	HL79-8		.COLLAR SUPPLIER CODE: V5M902 SPECIFICATION NUMBER: BACC30M8 OPTIONAL PART: HL79-8 V73197 HL79-8 V92215 66014-8 V56878 HL79-8 V56878	155162	72

ILLUSTRATION ITEMS NOT ON PARTS LIST ARE NOT APPLICABLE

- ITEM NOT ILLUSTRATED

HXL

53-01-03-15

BOEING PROPRIETARY - Copyright © - Unpublished Work - See title page for details.

53-01-03  
FIG. 15  
PAGE 50  
AUG 22/09



767

PARTS CATALOG (MAINTENANCE)

FIG ITEM	PART NUMBER	1 2 3 4 5 6 7	NOMENCLATURE	EFFECT FROM TO	UNITS PER ASSY
15 765	HST11AG6-5		.BOLT SUPPLIER CODE: V06725 SPECIFICATION NUMBER: BACB30VU6K5 OPTIONAL PART: HST11AG6-5 V73197 HST11AG6-5 V56878 HST11AG6-5 VOPTK6	155162	4
768	HST11AG6-4		.BOLT SUPPLIER CODE: V06725 SPECIFICATION NUMBER: BACB30VU6K4 OPTIONAL PART: HST11AG6-4 V73197 HST11AG6-4 VOPTK6 HST11AG6-4 V56878	155162	28
771	HST11AG6-3		.BOLT SUPPLIER CODE: V06725 SPECIFICATION NUMBER: BACB30VU6K3 OPTIONAL PART: HST11AG6-3 V73197 HST11AG6-3 V56878 HST11AG6-3 VOPTK6	155162	8
R 774	BACC30BL6		.COLLAR	155162	40

ILLUSTRATION ITEMS NOT ON PARTS LIST ARE NOT APPLICABLE

- ITEM NOT ILLUSTRATED

HXL

53-01-03-15

BOEING PROPRIETARY - Copyright © - Unpublished Work - See title page for details.

53-01-03  
FIG. 15  
PAGE 51  
AUG 22/09



767

PARTS CATALOG (MAINTENANCE)

FIG ITEM	PART NUMBER	1 2 3 4 5 6 7	NOMENCLATURE	EFFECT FROM TO	UNITS PER ASSY
15 777	HST10AG8-6	.BOLT	SUPPLIER CODE: VOPTK6 SPECIFICATION NUMBER: BACB30VT8K6 OPTIONAL PART: HST10AG8-6 V06725 HST10AG8-6 V56878 HST10AG8-6 V73197 WC10K8-6 V60516	155162	12
780	HST10AG8-3	.BOLT	SUPPLIER CODE: VOPTK6 SPECIFICATION NUMBER: BACB30VT8K3 OPTIONAL PART: HST10AG8-3 V06725 HST10AG8-3 V56878 HST10AG8-3 V73197 WC10K8-3 V60516	155162	12
R 783	BACC30BL8	.COLLAR		155162	24
786	BACR15CE6KE	.RIVET-	SIZE DETERMINED ON INSTL. -----*-----	155162	24
789	143T5217-5	.TRACK-SEAT		155162	1

ILLUSTRATION ITEMS NOT ON PARTS LIST ARE NOT APPLICABLE

- ITEM NOT ILLUSTRATED

HXL

53-01-03-15

BOEING PROPRIETARY - Copyright © - Unpublished Work - See title page for details.

53-01-03  
FIG. 15  
PAGE 52  
AUG 22/09



767

PARTS CATALOG (MAINTENANCE)

FIG ITEM	PART NUMBER	1 2 3 4 5 6 7	NOMENCLATURE	EFFECT FROM TO	UNITS PER ASSY
15			ATTACHING PARTS		
792	HL13VAZ8-5		.BOLT SUPPLIER CODE: V56878 SPECIFICATION NUMBER: BACB30NY8K5 OPTIONAL PART: HL13VAZ8-5 V73197 HL13VAZ8-5 V92215 HL13VAZ8-5 V97928 L801-8K5 V06725 HL13VAZ8-5 V60516 L801-8K5 VOPTK6 HL13VAZ8-5 V17446 HL1013AZ8-5 V60516	155162	12
795	HL13VAZ8-7		.BOLT SUPPLIER CODE: V56878 SPECIFICATION NUMBER: BACB30NY8K7 OPTIONAL PART: HL13VAZ8-7 V73197 HL13VAZ8-7 V92215 HL13VAZ8-7 V97928 L801-8K7 V06725 HL13VAZ8-7 V60516 L801-8K7 VOPTK6 HL13VAZ8-7 V17446 HL1013AZ8-7 V60516	155162	9
ILLUSTRATION ITEMS NOT ON PARTS LIST ARE NOT APPLICABLE					

- ITEM NOT ILLUSTRATED

HXL

53-01-03-15

BOEING PROPRIETARY - Copyright © - Unpublished Work - See title page for details.

53-01-03  
FIG. 15  
PAGE 53  
AUG 22/09





767

PARTS CATALOG (MAINTENANCE)

FIG ITEM	PART NUMBER	1 2 3 4 5 6 7 NOMENCLATURE	EFFECT FROM TO	UNITS PER ASSY
15 798	HL1012AZ8-3	.BOLT SUPPLIER CODE: VOPTK6 SPECIFICATION NUMBER: BACB30NX8K3 OPTIONAL PART: HL12VAZ8-3 V73197 HL12VAZ8-3 V92215 HL12VAZ8-3 V97928 L802-8K3 V06725 HL12VAZ8-3 V56878 HL1012AZ8-3 V06725 HL1012AZ8-3 V06950 HL1012AZ8-3 V17446 HL1012AZ8-3 V56878 HL1012AZ8-3 V60516 HL1012AZ8-3 V73197 HL1012AZ8-3 V97928	155162	2

ILLUSTRATION ITEMS NOT ON PARTS LIST ARE NOT APPLICABLE

- ITEM NOT ILLUSTRATED

HXL

53-01-03-15

BOEING PROPRIETARY - Copyright © - Unpublished Work - See title page for details.

53-01-03  
 FIG. 15  
 PAGE 54  
 AUG 22/09

 **BOEING**  
767  
**PARTS CATALOG (MAINTENANCE)**

FIG ITEM	PART NUMBER	1 2 3 4 5 6 7	NOMENCLATURE	EFFECT FROM TO	UNITS PER ASSY
15 801	HL1012AZ8-4	.BOLT	SUPPLIER CODE: VOPTK6 SPECIFICATION NUMBER: BACB30NX8K4 OPTIONAL PART: HL12VAZ8-4 V73197 HL12VAZ8-4 V92215 HL12VAZ8-4 V97928 L802-8K4 V06725 HL12VAZ8-4 V56878 HL1012AZ8-4 V06725 HL1012AZ8-4 V06950 HL1012AZ8-4 V17446 HL1012AZ8-4 V56878 HL1012AZ8-4 V60516 HL1012AZ8-4 V73197 HL1012AZ8-4 V97928	155162	2
804	HL1187-8	.COLLAR	SUPPLIER CODE: V5M902 SPECIFICATION NUMBER: BACC30X8 OPTIONAL PART: HL87-8 V92215 HL87-8 V73197 HL1187-8 V56878 HL1187-8 V92215 HL87-8 V56878 HL1187-8 V73197	155162	25

ILLUSTRATION ITEMS NOT ON PARTS LIST ARE NOT APPLICABLE

- ITEM NOT ILLUSTRATED

HXL

53-01-03-15

BOEING PROPRIETARY - Copyright © - Unpublished Work - See title page for details.

53-01-03  
FIG. 15  
PAGE 55  
AUG 22/09



767

PARTS CATALOG (MAINTENANCE)

FIG ITEM	PART NUMBER	1 2 3 4 5 6 7 NOMENCLATURE	EFFECT FROM TO	UNITS PER ASSY
15 807	HL1012AZ6-5	.BOLT SUPPLIER CODE: V97928 SPECIFICATION NUMBER: BACB30NX6K5 OPTIONAL PART: HL12VAZ6-5 V73197 HL12VAZ6-5 V92215 HL12VAZ6-5 V97928 L802-6K5 V06725 HL12VAZ6-5 V56878 HL1012AZ6-5 V0PTK6 HL1012AZ6-5 V06725 HL1012AZ6-5 V06950 HL1012AZ6-5 V17446 HL1012AZ6-5 V56878 HL1012AZ6-5 V60516 HL1012AZ6-5 V73197	155162	5

ILLUSTRATION ITEMS NOT ON PARTS LIST ARE NOT APPLICABLE

- ITEM NOT ILLUSTRATED

HXL

53-01-03-15

BOEING PROPRIETARY - Copyright © - Unpublished Work - See title page for details.

53-01-03  
 FIG. 15  
 PAGE 56  
 AUG 22/09



767

PARTS CATALOG (MAINTENANCE)

FIG ITEM	PART NUMBER	1 2 3 4 5 6 7 NOMENCLATURE	EFFECT FROM TO	UNITS PER ASSY
15 810	HL1012AZ6-4	.BOLT SUPPLIER CODE: V97928 SPECIFICATION NUMBER: BACB30NX6K4 OPTIONAL PART: HL12VAZ6-4 V73197 HL12VAZ6-4 V92215 HL12VAZ6-4 V97928 L802-6K4 V06725 HL12VAZ6-4 V56878 HL1012AZ6-4 V0PTK6 HL1012AZ6-4 V06725 HL1012AZ6-4 V06950 HL1012AZ6-4 V17446 HL1012AZ6-4 V56878 HL1012AZ6-4 V60516 HL1012AZ6-4 V73197	155162	27

ILLUSTRATION ITEMS NOT ON PARTS LIST ARE NOT APPLICABLE

- ITEM NOT ILLUSTRATED

HXL

53-01-03-15

BOEING PROPRIETARY - Copyright © - Unpublished Work - See title page for details.

53-01-03  
 FIG. 15  
 PAGE 57  
 AUG 22/09



767

PARTS CATALOG (MAINTENANCE)

FIG ITEM	PART NUMBER	1 2 3 4 5 6 7 NOMENCLATURE	EFFECT FROM TO	UNITS PER ASSY
15 813	HL1012AZ6-6	.BOLT SUPPLIER CODE: V97928 SPECIFICATION NUMBER: BACB30NX6K6 OPTIONAL PART: HL12VAZ6-6 V73197 HL12VAZ6-6 V92215 HL12VAZ6-6 V97928 L802-6K6 V06725 HL12VAZ6-6 V56878 HL1012AZ6-6 V0PTK6 HL1012AZ6-6 V06725 HL1012AZ6-6 V06950 HL1012AZ6-6 V17446 HL1012AZ6-6 V56878 HL1012AZ6-6 V60516 HL1012AZ6-6 V73197	155162	8
ILLUSTRATION ITEMS NOT ON PARTS LIST ARE NOT APPLICABLE				

- ITEM NOT ILLUSTRATED

HXL

**53-01-03-15**

BOEING PROPRIETARY - Copyright © - Unpublished Work - See title page for details.

53-01-03  
 FIG. 15  
 PAGE 58  
 AUG 22/09

**BOEING**  
767  
**PARTS CATALOG (MAINTENANCE)**

FIG ITEM	PART NUMBER	1 2 3 4 5 6 7	NOMENCLATURE	EFFECT FROM TO	UNITS PER ASSY	
R R R R R R R R R R R R R R R	15 819	HL13VAZ6-5	.BOLT SUPPLIER CODE: V56878 SPECIFICATION NUMBER: BACB30NY6K5 OPTIONAL PART: HL13VAZ6-5 V73197 HL13VAZ6-5 V92215 HL13VAZ6-5 V97928 L801-6K5 V06725 HL13VAZ6-5 V60516 L801-6K5 VOPTK6 HL13VAZ6-5 V17446 HL1013AZ6-5 V60516	155162	1	
	822	HL1187-6	.COLLAR SUPPLIER CODE: V5M902 SPECIFICATION NUMBER: BACC30X6 OPTIONAL PART: HL87-6 V92215 HL87-6 V73197 HL1187-6 V56878 HL1187-6 V92215 HL87-6 V56878 HL1187-6 V73197	155162	48	
	825	L8006K3	.BOLT SUPPLIER CODE: V06725 SPECIFICATION NUMBER: BACB30MY6K3	155162	7	
	ILLUSTRATION ITEMS NOT ON PARTS LIST ARE NOT APPLICABLE					

— ITEM NOT ILLUSTRATED

HXL

# 53-01-03-15

BOEING PROPRIETARY - Copyright © - Unpublished Work - See title page for details.

53-01-03  
FIG. 15  
PAGE 59  
AUG 22/09



767

PARTS CATALOG (MAINTENANCE)

FIG ITEM	PART NUMBER	1 2 3 4 5 6 7	NOMENCLATURE	EFFECT FROM TO	UNITS PER ASSY
15 828	HL79-6		.COLLAR SUPPLIER CODE: V5M902 SPECIFICATION NUMBER: BACC30M6 OPTIONAL PART: HL79-6 V73197 HL79-6 V92215 66014-6 V56878 HL79-6 V56878	155162	7
829	HST11AG6-3		-----*----- .BOLT SUPPLIER CODE: V06725 SPECIFICATION NUMBER: BACB30VU6K3 OPTIONAL PART: HST11AG6-3 V73197 HST11AG6-3 V56878 HST11AG6-3 VOPTK6	155162	7
R 830	BACC30BL6		.COLLAR	155162	7
831	143T5218-18		.TRACK-SEAT	155162	1

ILLUSTRATION ITEMS NOT ON PARTS LIST ARE NOT APPLICABLE

- ITEM NOT ILLUSTRATED

HXL

53-01-03-15

BOEING PROPRIETARY - Copyright © - Unpublished Work - See title page for details.

53-01-03  
FIG. 15  
PAGE 60  
AUG 22/09

 **BOEING**  
767  
**PARTS CATALOG (MAINTENANCE)**

FIG ITEM	PART NUMBER	1 2 3 4 5 6 7	NOMENCLATURE	EFFECT FROM TO	UNITS PER ASSY
15			ATTACHING PARTS		
834	HL13VAZ8-7		.BOLT SUPPLIER CODE: V56878 SPECIFICATION NUMBER: BACB30NY8K7 OPTIONAL PART: HL13VAZ8-7 V73197 HL13VAZ8-7 V92215 HL13VAZ8-7 V97928 L801-8K7 V06725 HL13VAZ8-7 V60516 L801-8K7 VOPTK6 HL13VAZ8-7 V17446 HL1013AZ8-7 V60516	155162	8
837	HL13VAZ8-5		.BOLT SUPPLIER CODE: V56878 SPECIFICATION NUMBER: BACB30NY8K5 OPTIONAL PART: HL13VAZ8-5 V73197 HL13VAZ8-5 V92215 HL13VAZ8-5 V97928 L801-8K5 V06725 HL13VAZ8-5 V60516 L801-8K5 VOPTK6 HL13VAZ8-5 V17446 HL1013AZ8-5 V60516	155162	8
ILLUSTRATION ITEMS NOT ON PARTS LIST ARE NOT APPLICABLE					

— ITEM NOT ILLUSTRATED

HXL

53-01-03-15

BOEING PROPRIETARY - Copyright © - Unpublished Work - See title page for details.

53-01-03  
FIG. 15  
PAGE 61  
AUG 22/09





767

PARTS CATALOG (MAINTENANCE)

FIG ITEM	PART NUMBER	1 2 3 4 5 6 7 NOMENCLATURE	EFFECT FROM TO	UNITS PER ASSY
15 840	HL1012AZ8-5	.BOLT SUPPLIER CODE: VOPTK6 SPECIFICATION NUMBER: BACB30NX8K5 OPTIONAL PART: HL12VAZ8-5 V73197 HL12VAZ8-5 V92215 HL12VAZ8-5 V97928 L802-8K5 V06725 HL12VAZ8-5 V56878 HL1012AZ8-5 V06725 HL1012AZ8-5 V06950 HL1012AZ8-5 V17446 HL1012AZ8-5 V56878 HL1012AZ8-5 V60516 HL1012AZ8-5 V73197 HL1012AZ8-5 V97928	155162	2

ILLUSTRATION ITEMS NOT ON PARTS LIST ARE NOT APPLICABLE

- ITEM NOT ILLUSTRATED

HXL

53-01-03-15

BOEING PROPRIETARY - Copyright © - Unpublished Work - See title page for details.

53-01-03  
 FIG. 15  
 PAGE 62  
 AUG 22/09



767

PARTS CATALOG (MAINTENANCE)

FIG ITEM	PART NUMBER	1 2 3 4 5 6 7 NOMENCLATURE	EFFECT FROM TO	UNITS PER ASSY
15 843	HL1012AZ8-4	.BOLT SUPPLIER CODE: VOPTK6 SPECIFICATION NUMBER: BACB30NX8K4 OPTIONAL PART: HL12VAZ8-4 V73197 HL12VAZ8-4 V92215 HL12VAZ8-4 V97928 L802-8K4 V06725 HL12VAZ8-4 V56878 HL1012AZ8-4 V06725 HL1012AZ8-4 V06950 HL1012AZ8-4 V17446 HL1012AZ8-4 V56878 HL1012AZ8-4 V60516 HL1012AZ8-4 V73197 HL1012AZ8-4 V97928	155162	9

ILLUSTRATION ITEMS NOT ON PARTS LIST ARE NOT APPLICABLE

- ITEM NOT ILLUSTRATED

HXL

53-01-03-15

BOEING PROPRIETARY - Copyright © - Unpublished Work - See title page for details.

53-01-03  
 FIG. 15  
 PAGE 63  
 AUG 22/09



767

PARTS CATALOG (MAINTENANCE)

FIG ITEM	PART NUMBER	1 2 3 4 5 6 7	NOMENCLATURE	EFFECT FROM TO	UNITS PER ASSY
15 846	HL1012AZ8-3	.BOLT	SUPPLIER CODE: VOPTK6 SPECIFICATION NUMBER: BACB30NX8K3 OPTIONAL PART: HL12VAZ8-3 V73197 HL12VAZ8-3 V92215 HL12VAZ8-3 V97928 L802-8K3 V06725 HL12VAZ8-3 V56878 HL1012AZ8-3 V06725 HL1012AZ8-3 V06950 HL1012AZ8-3 V17446 HL1012AZ8-3 V56878 HL1012AZ8-3 V60516 HL1012AZ8-3 V73197 HL1012AZ8-3 V97928	155162	7
849	HL1187-8	.COLLAR	SUPPLIER CODE: V5M902 SPECIFICATION NUMBER: BACC30X8 OPTIONAL PART: HL87-8 V92215 HL87-8 V73197 HL1187-8 V56878 HL1187-8 V92215 HL87-8 V56878 HL1187-8 V73197	155162	34

ILLUSTRATION ITEMS NOT ON PARTS LIST ARE NOT APPLICABLE

- ITEM NOT ILLUSTRATED

HXL

53-01-03-15

BOEING PROPRIETARY - Copyright © - Unpublished Work - See title page for details.

53-01-03  
 FIG. 15  
 PAGE 64  
 AUG 22/09



767

PARTS CATALOG (MAINTENANCE)

FIG ITEM	PART NUMBER	1 2 3 4 5 6 7	NOMENCLATURE	EFFECT FROM TO	UNITS PER ASSY
15 852	HL1012AZ6-6	.BOLT	SUPPLIER CODE: V97928 SPECIFICATION NUMBER: BACB30NX6K6 OPTIONAL PART: HL12VAZ6-6 V73197 HL12VAZ6-6 V92215 HL12VAZ6-6 V97928 L802-6K6 V06725 HL12VAZ6-6 V56878 HL1012AZ6-6 VOPTK6 HL1012AZ6-6 V06725 HL1012AZ6-6 V06950 HL1012AZ6-6 V17446 HL1012AZ6-6 V56878 HL1012AZ6-6 V60516 HL1012AZ6-6 V73197	155162	2
861	HL1187-6	.COLLAR	SUPPLIER CODE: V5M902 SPECIFICATION NUMBER: BACC30X6 OPTIONAL PART: HL87-6 V92215 HL87-6 V73197 HL1187-6 V56878 HL1187-6 V92215 HL87-6 V56878 HL1187-6 V73197	155162	12

ILLUSTRATION ITEMS NOT ON PARTS LIST ARE NOT APPLICABLE

- ITEM NOT ILLUSTRATED

53-01-03-15

53-01-03  
 FIG. 15  
 PAGE 65  
 AUG 22/09

HXL

**BOEING**  
767  
**PARTS CATALOG (MAINTENANCE)**

FIG ITEM	PART NUMBER	1 2 3 4 5 6 7	NOMENCLATURE	EFFECT FROM TO	UNITS PER ASSY
15 864	L8006K3		.BOLT SUPPLIER CODE: V06725 SPECIFICATION NUMBER: BACB30MY6K3	155162	7
867	HL79-6		.COLLAR SUPPLIER CODE: V5M902 SPECIFICATION NUMBER: BACC30M6 OPTIONAL PART: HL79-6 V73197 HL79-6 V92215 66014-6 V56878 HL79-6 V56878	155162	7
869	HST11AG6-3		-----*----- .BOLT SUPPLIER CODE: V06725 SPECIFICATION NUMBER: BACB30VU6K3 OPTIONAL PART: HST11AG6-3 V73197 HST11AG6-3 V56878 HST11AG6-3 VOPTK6	155162	6
870	HST11AG6-4		ATTACHING PARTS .BOLT SUPPLIER CODE: V06725 SPECIFICATION NUMBER: BACB30VU6K4 OPTIONAL PART: HST11AG6-4 V73197 HST11AG6-4 VOPTK6 HST11AG6-4 V56878	155162	7

ILLUSTRATION ITEMS NOT ON PARTS LIST ARE NOT APPLICABLE

- ITEM NOT ILLUSTRATED

HXL

53-01-03-15

BOEING PROPRIETARY - Copyright © - Unpublished Work - See title page for details.

53-01-03  
FIG. 15  
PAGE 66  
AUG 22/09

**BOEING**  
767  
**PARTS CATALOG (MAINTENANCE)**

FIG ITEM	PART NUMBER	1 2 3 4 5 6 7	NOMENCLATURE	EFFECT FROM TO	UNITS PER ASSY
15 873	HST10AG6-5		.BOLT SUPPLIER CODE: VOPTK6 SPECIFICATION NUMBER: BACB30VT6K5 OPTIONAL PART: HST10AG6-5 V06725 HST10AG6-5 V56878 HST10AG6-5 V73197 WC10K6-5 V60516	155162	5
R 876	BACC30BL6		.COLLAR -----*-----	155162	12
879	143T5218-19		.TRACK-SEAT ATTACHING PARTS	155162	1
882	HL1012AZ8-6		.BOLT SUPPLIER CODE: VOPTK6 SPECIFICATION NUMBER: BACB30NX8K6 OPTIONAL PART: HL12VAZ8-6 V73197 HL12VAZ8-6 V92215 HL12VAZ8-6 V97928 L802-8K6 V06725 HL12VAZ8-6 V56878 HL1012AZ8-6 V06725 HL1012AZ8-6 V06950 HL1012AZ8-6 V17446 HL1012AZ8-6 V56878 HL1012AZ8-6 V60516 HL1012AZ8-6 V73197 HL1012AZ8-6 V97928	155162	4
ILLUSTRATION ITEMS NOT ON PARTS LIST ARE NOT APPLICABLE					

— ITEM NOT ILLUSTRATED

HXL

53-01-03-15

BOEING PROPRIETARY - Copyright © - Unpublished Work - See title page for details.

53-01-03  
FIG. 15  
PAGE 67  
AUG 22/09



767

PARTS CATALOG (MAINTENANCE)

FIG ITEM	PART NUMBER	1 2 3 4 5 6 7 NOMENCLATURE	EFFECT FROM TO	UNITS PER ASSY
15 885	HL1012AZ8-5	.BOLT SUPPLIER CODE: VOPTK6 SPECIFICATION NUMBER: BACB30NX8K5 OPTIONAL PART: HL12VAZ8-5 V73197 HL12VAZ8-5 V92215 HL12VAZ8-5 V97928 L802-8K5 V06725 HL12VAZ8-5 V56878 HL1012AZ8-5 V06725 HL1012AZ8-5 V06950 HL1012AZ8-5 V17446 HL1012AZ8-5 V56878 HL1012AZ8-5 V60516 HL1012AZ8-5 V73197 HL1012AZ8-5 V97928	155162	4

ILLUSTRATION ITEMS NOT ON PARTS LIST ARE NOT APPLICABLE

- ITEM NOT ILLUSTRATED

HXL

53-01-03-15

BOEING PROPRIETARY - Copyright © - Unpublished Work - See title page for details.

53-01-03  
 FIG. 15  
 PAGE 68  
 AUG 22/09



767

PARTS CATALOG (MAINTENANCE)

FIG ITEM	PART NUMBER	1 2 3 4 5 6 7	NOMENCLATURE	EFFECT FROM TO	UNITS PER ASSY
15 888	HL1012AZ8-4	.BOLT	SUPPLIER CODE: VOPTK6 SPECIFICATION NUMBER: BACB30NX8K4 OPTIONAL PART: HL12VAZ8-4 V73197 HL12VAZ8-4 V92215 HL12VAZ8-4 V97928 L802-8K4 V06725 HL12VAZ8-4 V56878 HL1012AZ8-4 V06725 HL1012AZ8-4 V06950 HL1012AZ8-4 V17446 HL1012AZ8-4 V56878 HL1012AZ8-4 V60516 HL1012AZ8-4 V73197 HL1012AZ8-4 V97928	155162	14
891	HL1187-8	.COLLAR	SUPPLIER CODE: V5M902 SPECIFICATION NUMBER: BACC30X8 OPTIONAL PART: HL87-8 V92215 HL87-8 V73197 HL1187-8 V56878 HL1187-8 V92215 HL87-8 V56878 HL1187-8 V73197	155162	22

ILLUSTRATION ITEMS NOT ON PARTS LIST ARE NOT APPLICABLE

- ITEM NOT ILLUSTRATED

53-01-03-15

53-01-03  
 FIG. 15  
 PAGE 69  
 AUG 22/09

HXL



 **BOEING**  
767  
**PARTS CATALOG (MAINTENANCE)**

FIG ITEM	PART NUMBER	1 2 3 4 5 6 7	NOMENCLATURE	EFFECT FROM TO	UNITS PER ASSY
15 894	HL1012AZ6-6	.BOLT	SUPPLIER CODE: V97928 SPECIFICATION NUMBER: BACB30NX6K6 OPTIONAL PART: HL12VAZ6-6 V73197 HL12VAZ6-6 V92215 HL12VAZ6-6 V97928 L802-6K6 V06725 HL12VAZ6-6 V56878 HL1012AZ6-6 VOPTK6 HL1012AZ6-6 V06725 HL1012AZ6-6 V06950 HL1012AZ6-6 V17446 HL1012AZ6-6 V56878 HL1012AZ6-6 V60516 HL1012AZ6-6 V73197	155162	2
897	HL1187-6	.COLLAR	SUPPLIER CODE: V5M902 SPECIFICATION NUMBER: BACC30X6 OPTIONAL PART: HL87-6 V92215 HL87-6 V73197 HL1187-6 V56878 HL1187-6 V92215 HL87-6 V56878 HL1187-6 V73197	155162	2

ILLUSTRATION ITEMS NOT ON PARTS LIST ARE NOT APPLICABLE

- ITEM NOT ILLUSTRATED

HXL

53-01-03-15

BOEING PROPRIETARY - Copyright © - Unpublished Work - See title page for details.

53-01-03  
FIG. 15  
PAGE 70  
AUG 22/09



767

PARTS CATALOG (MAINTENANCE)

FIG ITEM	PART NUMBER	1 2 3 4 5 6 7	NOMENCLATURE	EFFECT FROM TO	UNITS PER ASSY
15 900	HST11AG6-4	.BOLT	SUPPLIER CODE: V06725 SPECIFICATION NUMBER: BACB30VU6K4 OPTIONAL PART: HST11AG6-4 V73197 HST11AG6-4 VOPTK6 HST11AG6-4 V56878	155162	7
903	HST10AG6-5	.BOLT	SUPPLIER CODE: VOPTK6 SPECIFICATION NUMBER: BACB30VT6K5 OPTIONAL PART: HST10AG6-5 V06725 HST10AG6-5 V56878 HST10AG6-5 V73197 WC10K6-5 V60516	155162	5
R 906	BACC30BL6	.COLLAR		155162	12
909	HST11AG8-5	.BOLT	SUPPLIER CODE: VOPTK6 SPECIFICATION NUMBER: BACB30VU8K5 OPTIONAL PART: HST11AG8-5 V73197 HST11AG8-5 V56878 HST11AG8-5 V06725	155162	6
R 912	BACC30BL8	.COLLAR		155162	6

ILLUSTRATION ITEMS NOT ON PARTS LIST ARE NOT APPLICABLE

- ITEM NOT ILLUSTRATED

53-01-03-15

53-01-03  
FIG. 15  
PAGE 71  
AUG 22/09

HXL



767

PARTS CATALOG (MAINTENANCE)

FIG ITEM	PART NUMBER	1 2 3 4 5 6 7	NOMENCLATURE	EFFECT FROM TO	UNITS PER ASSY
15 915	HST11AG6-2		.BOLT SUPPLIER CODE: V06725 SPECIFICATION NUMBER: BACB30VU6K2 OPTIONAL PART: HST11AG6-2 V73197 HST11AG6-2 VOPTK6 HST11AG6-2 V56878	155162	3
918	HST1094KP6		.COLLAR SUPPLIER CODE: V73197 SPECIFICATION NUMBER: BACC30BS6 -----*-----	155162	3
921	143T5218-20		.TRACK-SEAT ATTACHING PARTS	155162	1
924	HL13VAZ8-5		.BOLT SUPPLIER CODE: V56878 SPECIFICATION NUMBER: BACB30NY8K5 OPTIONAL PART: HL13VAZ8-5 V73197 HL13VAZ8-5 V92215 HL13VAZ8-5 V97928 L801-8K5 V06725 HL13VAZ8-5 V60516 L801-8K5 VOPTK6 HL13VAZ8-5 V17446 HL1013AZ8-5 V60516	155162	6

ILLUSTRATION ITEMS NOT ON PARTS LIST ARE NOT APPLICABLE

- ITEM NOT ILLUSTRATED

HXL

53-01-03-15

BOEING PROPRIETARY - Copyright © - Unpublished Work - See title page for details.

53-01-03  
FIG. 15  
PAGE 72  
AUG 22/09



**767  
PARTS CATALOG (MAINTENANCE)**

FIG ITEM	PART NUMBER	1 2 3 4 5 6 7	NOMENCLATURE	EFFECT FROM TO	UNITS PER ASSY
15 927	HL1012AZ8-4	.BOLT	SUPPLIER CODE: VOPTK6 SPECIFICATION NUMBER: BACB30NX8K4 OPTIONAL PART: HL12VAZ8-4 V73197 HL12VAZ8-4 V92215 HL12VAZ8-4 V97928 L802-8K4 V06725 HL12VAZ8-4 V56878 HL1012AZ8-4 V06725 HL1012AZ8-4 V06950 HL1012AZ8-4 V17446 HL1012AZ8-4 V56878 HL1012AZ8-4 V60516 HL1012AZ8-4 V73197 HL1012AZ8-4 V97928	155162	13
930	HL1187-8	.COLLAR	SUPPLIER CODE: V5M902 SPECIFICATION NUMBER: BACC30X8 OPTIONAL PART: HL87-8 V92215 HL87-8 V73197 HL1187-8 V56878 HL1187-8 V92215 HL87-8 V56878 HL1187-8 V73197	155162	19

ILLUSTRATION ITEMS NOT ON PARTS LIST ARE NOT APPLICABLE

— ITEM NOT ILLUSTRATED

HXL

# 53-01-03-15

BOEING PROPRIETARY - Copyright © - Unpublished Work - See title page for details.

53-01-03  
FIG. 15  
PAGE 73  
AUG 22/09



767

PARTS CATALOG (MAINTENANCE)

FIG ITEM	PART NUMBER	1 2 3 4 5 6 7	NOMENCLATURE	EFFECT FROM TO	UNITS PER ASSY
15 933	HL1012AZ6-6		.BOLT SUPPLIER CODE: V97928 SPECIFICATION NUMBER: BACB30NX6K6 OPTIONAL PART: HL12VAZ6-6 V73197 HL12VAZ6-6 V92215 HL12VAZ6-6 V97928 L802-6K6 V06725 HL12VAZ6-6 V56878 HL1012AZ6-6 VOPTK6 HL1012AZ6-6 V06725 HL1012AZ6-6 V06950 HL1012AZ6-6 V17446 HL1012AZ6-6 V56878 HL1012AZ6-6 V60516 HL1012AZ6-6 V73197	155162	2
936	HL1187-6		.COLLAR SUPPLIER CODE: V5M902 SPECIFICATION NUMBER: BACC30X6 OPTIONAL PART: HL87-6 V92215 HL87-6 V73197 HL1187-6 V56878 HL1187-6 V92215 HL87-6 V56878 HL1187-6 V73197 -----*-----	155162	2

ILLUSTRATION ITEMS NOT ON PARTS LIST ARE NOT APPLICABLE

- ITEM NOT ILLUSTRATED

HXL

53-01-03-15

BOEING PROPRIETARY - Copyright © - Unpublished Work - See title page for details.

53-01-03  
FIG. 15  
PAGE 74  
AUG 22/09



767

PARTS CATALOG (MAINTENANCE)

FIG ITEM	PART NUMBER	1 2 3 4 5 6 7	NOMENCLATURE	EFFECT FROM TO	UNITS PER ASSY
15 939	HST11AG6-4	.BOLT	SUPPLIER CODE: V06725 SPECIFICATION NUMBER: BACB30VU6K4 OPTIONAL PART: HST11AG6-4 V73197 HST11AG6-4 VOPTK6 HST11AG6-4 V56878	155162	7
942	HST10AG6-5	.BOLT	SUPPLIER CODE: VOPTK6 SPECIFICATION NUMBER: BACB30VT6K5 OPTIONAL PART: HST10AG6-5 V06725 HST10AG6-5 V56878 HST10AG6-5 V73197 WC10K6-5 V60516	155162	5
R 945	BACC30BL6	.COLLAR		155162	12

ILLUSTRATION ITEMS NOT ON PARTS LIST ARE NOT APPLICABLE

- ITEM NOT ILLUSTRATED

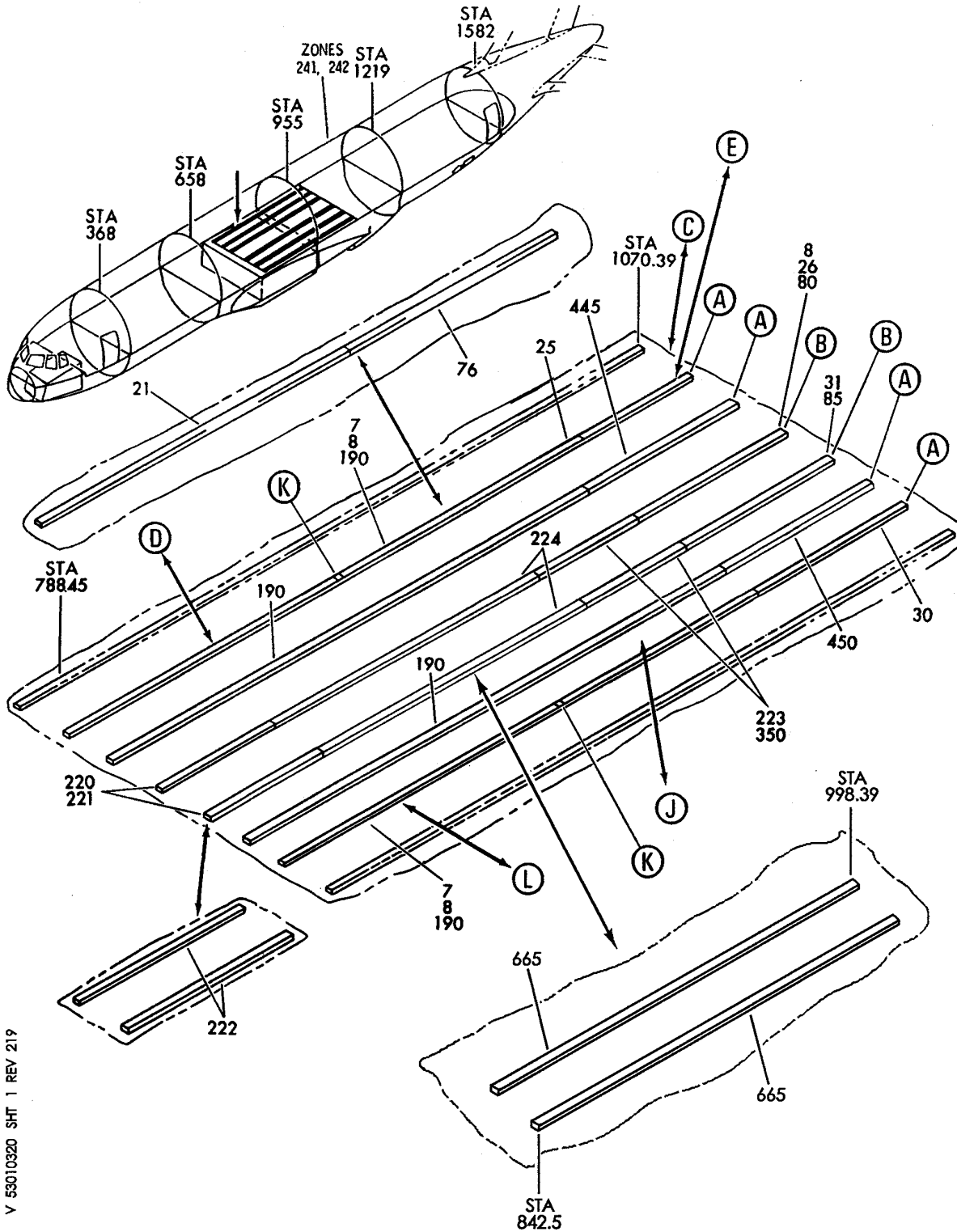
HXL

53-01-03-15

BOEING PROPRIETARY - Copyright © - Unpublished Work - See title page for details.

53-01-03  
FIG. 15  
PAGE 75  
AUG 22/09

**BOEING**  
767  
PARTS CATALOG (MAINTENANCE)



V 53010320 SHT 1 REV 219

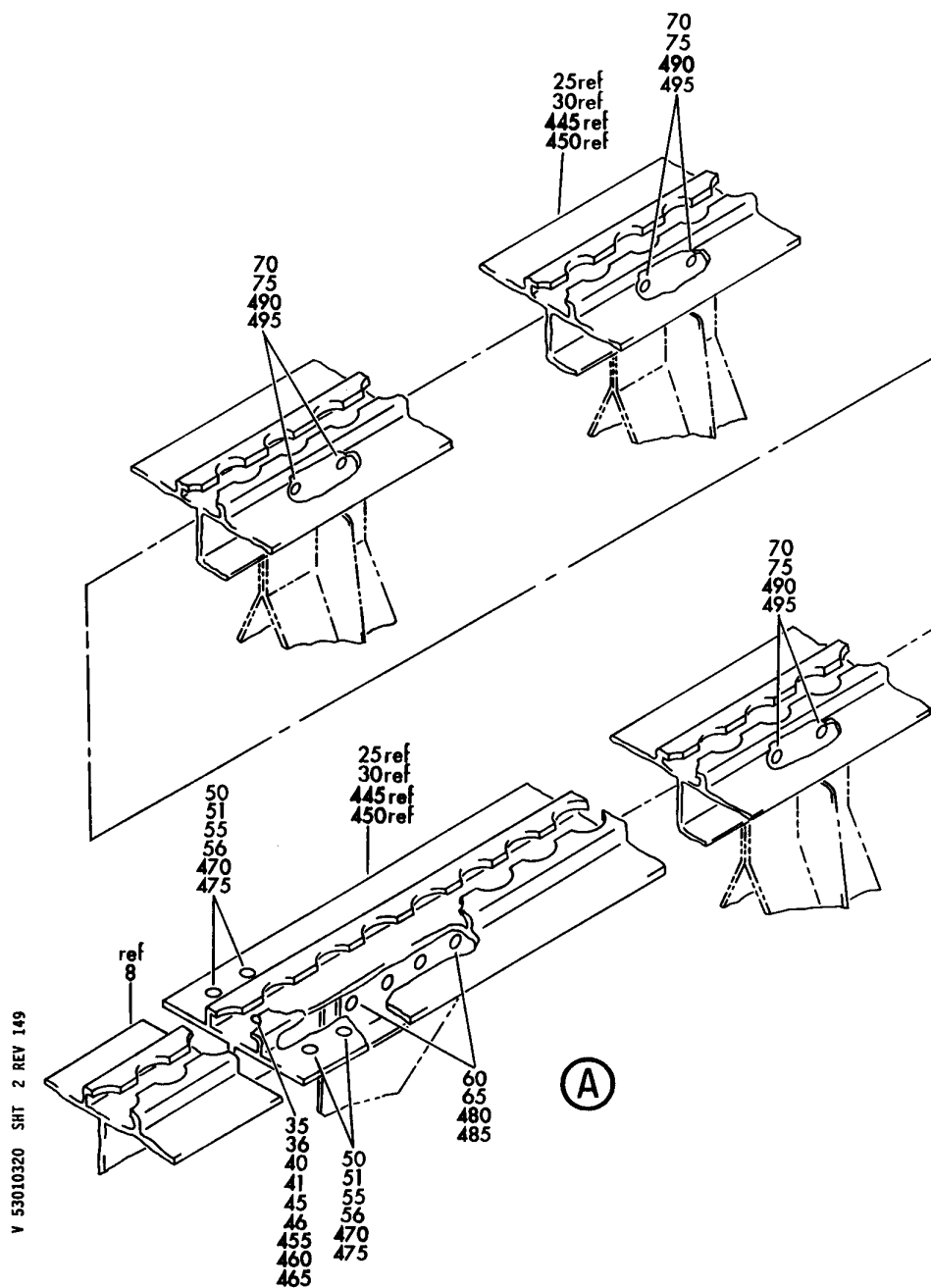
TRACK INSTL-SECT. 45 SEAT BL 11.00 PRESSURE DECK BL 33.00 AND BL 54.75  
FIGURE 20 (SHEET 1)

**53-01-03-20**

HXL  
DEC 22/06

53-01-03-20  
PAGE 0

**BOEING**  
767  
PARTS CATALOG (MAINTENANCE)



V 53010320 SHT 2 REV 149

TRACK INSTL-SECT. 45 SEAT BL 11.00 PRESSURE DECK BL 33.00 AND BL 54.75  
FIGURE 20 (SHEET 2)

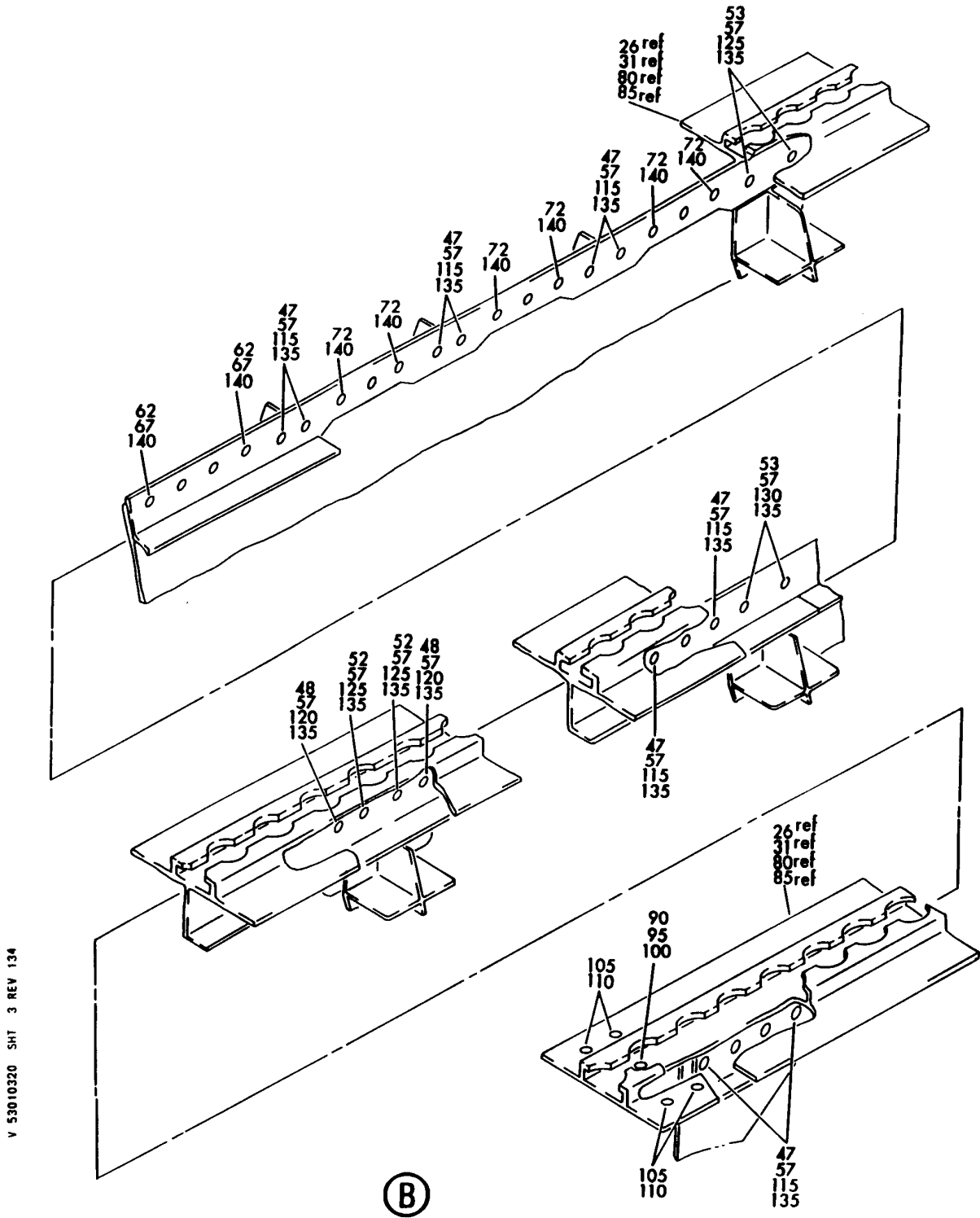
HXL  
DEC 22/06

**53-01-03-20**

53-01-03-20  
PAGE 0A



**BOEING**  
767  
PARTS CATALOG (MAINTENANCE)



V 53010320 SHT 3 REV 134

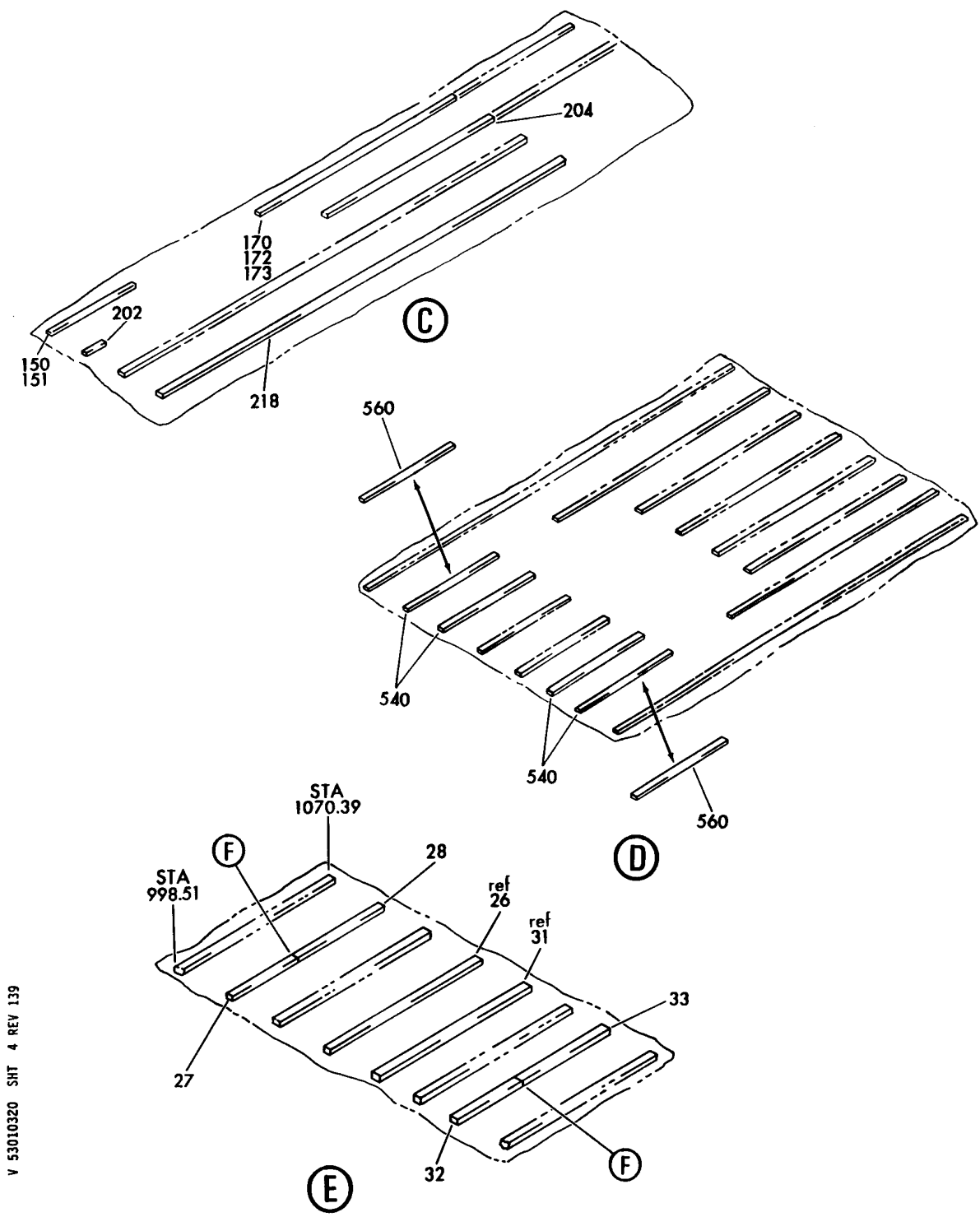
TRACK INSTL-SECT. 45 SEAT BL 11.00 PRESSURE DECK BL 33.00 AND BL 54.75  
FIGURE 20 (SHEET 3)

**53-01-03-20**

HXL  
DEC 22/06

53-01-03-20  
PAGE 0B

**BOEING**  
767  
PARTS CATALOG (MAINTENANCE)



V 53010320 SHIT 4 REV 139

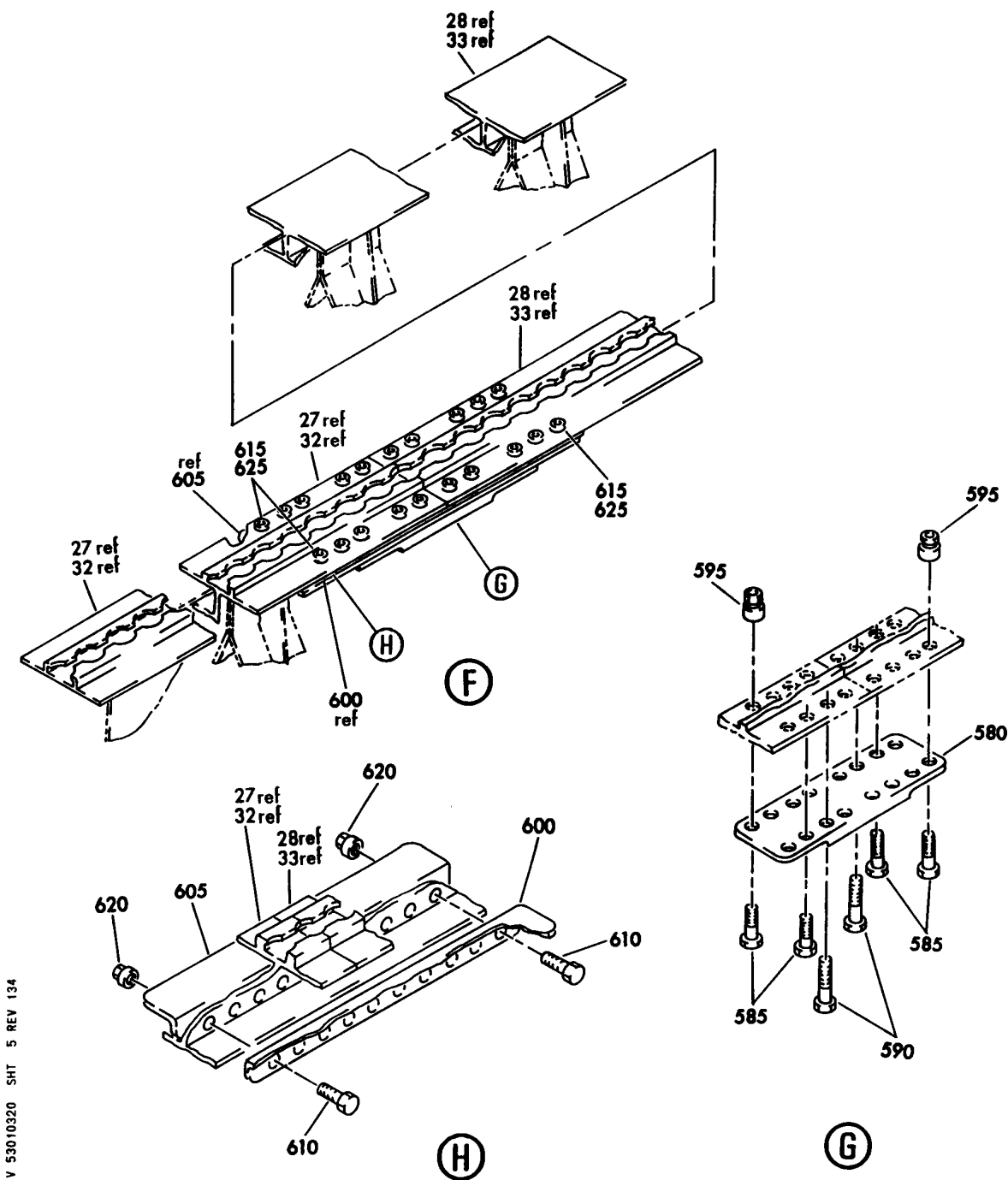
TRACK INSTL-SECT. 45 SEAT BL 11.00 PRESSURE DECK BL 33.00 AND BL 54.75  
FIGURE 20 (SHEET 4)

HXL  
DEC 22/06

**53-01-03-20**

53-01-03-20  
PAGE 0C


**BOEING**  
 767  
 PARTS CATALOG (MAINTENANCE)



V 53010320 SHT 5 REV 134

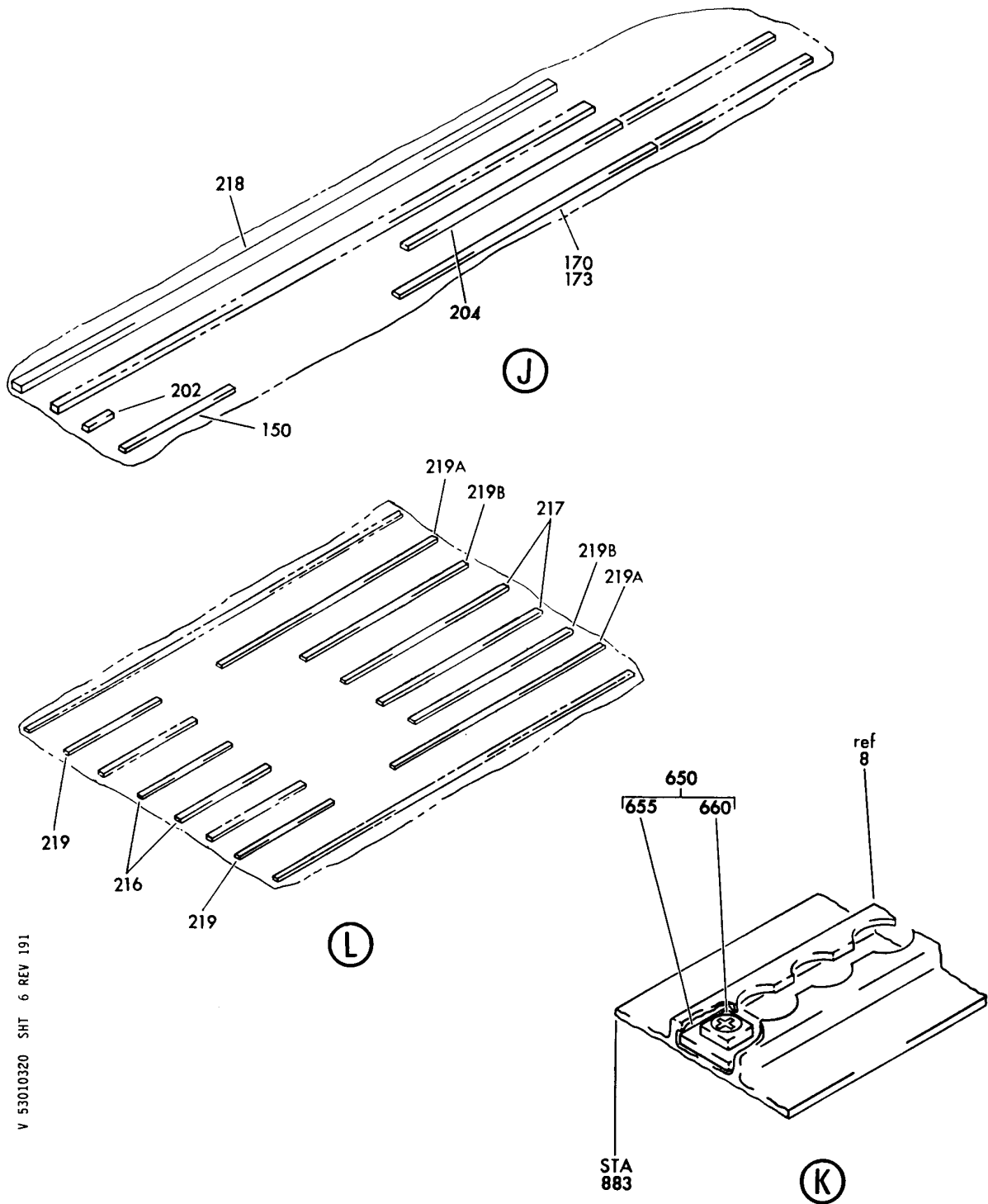
TRACK INSTL-SECT. 45 SEAT BL 11.00 PRESSURE DECK BL 33.00 AND BL 54.75  
 FIGURE 20 (SHEET 5)

53-01-03-20

HXL  
DEC 22/06

53-01-03-20  
PAGE 0D

**BOEING**  
767  
PARTS CATALOG (MAINTENANCE)



V 53010320 SHT 6 REV 191

TRACK INSTL-SECT. 45 SEAT BL 11.00 PRESSURE DECK BL 33.00 AND BL 54.75  
FIGURE 20 (SHEET 6)

HXL  
DEC 22/06

**53-01-03-20**

53-01-03-20  
PAGE 0E



767

PARTS CATALOG (MAINTENANCE)

FIG ITEM	PART NUMBER	1 2 3 4 5 6 7	NOMENCLATURE	EFFECT FROM TO	UNITS PER ASSY
20			TRACK INSTL-SECT. 45 SEAT BL 11.00 PRESSURE DECK BL 33.00 AND BL 54.75		
- 2	145T5200-47		TRACK INSTL-SEAT PRESSURE DECK POSITION DATA: SECT. 45 BL 11.00, BL 33.00 AND BL 54.75 FOR NHA SEE: 53-50-00-08	163163	RF
- 4	145T5200-69		TRACK INSTL-SEAT PRESSURE DECK POSITION DATA: SECT. 45 BL 11.00, BL 33.00 AND BL 54.75 FOR NHA SEE: 53-50-00-08	155162	RF
- 4	145T5200-81		TRACK INSTL-SEAT PRESSURE DECK POSITION DATA: SECT. 45 BL 11.00, BL 33.00 AND BL 54.75 FOR NHA SEE: 53-50-00-08	164999	RF
25	145T5214-4		.TRACK-SEAT		1
25	145T5214-12		.TRACK-SEAT		1
26	145T5214-14		.TRACK-SEAT		1
30	145T5214-3		.TRACK-SEAT		1
30	145T5214-11		.TRACK-SEAT		1
31	145T5214-13		.TRACK-SEAT		1
			ATTACHING PARTS		
35	BACB30LU5-5		.BOLT-		2
35	BACB30NN5K5		.BOLT- OPTIONAL PART: BACB30LU5-5	155162	2
36	BACB30LU5-5		.BOLT		4
36	BACB30NN5K5		.BOLT- OPTIONAL PART: BACB30LU5-5	155162	4
40	AN960PD516		.WASHER		2
41	AN960PD516		.WASHER		4
45	BACN10GW5		.NUT		2
46	BACN10GW5		.NUT		4

ILLUSTRATION ITEMS NOT ON PARTS LIST ARE NOT APPLICABLE

- ITEM NOT ILLUSTRATED

53-01-03-20

53-01-03  
FIG. 20  
PAGE 1  
DEC 22/07

HXL



767

PARTS CATALOG (MAINTENANCE)

FIG ITEM	PART NUMBER	1 2 3 4 5 6 7 NOMENCLATURE	EFFECT FROM TO	UNITS PER ASSY
20 47	HL1012AZ8-4	.BOLT SUPPLIER CODE: VOPTK6 SPECIFICATION NUMBER: BACB30NX8K4 OPTIONAL PART: HL12VAZ8-4 V73197 HL12VAZ8-4 V92215 HL12VAZ8-4 V97928 L802-8K4 V06725 HL12VAZ8-4 V56878 HL1012AZ8-4 V06725 HL1012AZ8-4 V06950 HL1012AZ8-4 V17446 HL1012AZ8-4 V56878 HL1012AZ8-4 V60516 HL1012AZ8-4 V73197 HL1012AZ8-4 V97928		26

ILLUSTRATION ITEMS NOT ON PARTS LIST ARE NOT APPLICABLE

- ITEM NOT ILLUSTRATED

HXL

53-01-03-20

BOEING PROPRIETARY - Copyright © - Unpublished Work - See title page for details.

53-01-03  
 FIG. 20  
 PAGE 2  
 DEC 22/07



767

PARTS CATALOG (MAINTENANCE)

FIG ITEM	PART NUMBER	1 2 3 4 5 6 7 NOMENCLATURE	EFFECT FROM TO	UNITS PER ASSY
20 48	HL1012AZ8-3	.BOLT SUPPLIER CODE: VOPTK6 SPECIFICATION NUMBER: BACB30NX8K3 OPTIONAL PART: HL12VAZ8-3 V73197 HL12VAZ8-3 V92215 HL12VAZ8-3 V97928 L802-8K3 V06725 HL12VAZ8-3 V56878 HL1012AZ8-3 V06725 HL1012AZ8-3 V06950 HL1012AZ8-3 V17446 HL1012AZ8-3 V56878 HL1012AZ8-3 V60516 HL1012AZ8-3 V73197 HL1012AZ8-3 V97928		4

ILLUSTRATION ITEMS NOT ON PARTS LIST ARE NOT APPLICABLE

- ITEM NOT ILLUSTRATED

HXL

53-01-03-20

BOEING PROPRIETARY - Copyright © - Unpublished Work - See title page for details.

53-01-03  
 FIG. 20  
 PAGE 3  
 DEC 22/07



767

PARTS CATALOG (MAINTENANCE)

FIG ITEM	PART NUMBER	1 2 3 4 5 6 7	NOMENCLATURE	EFFECT FROM TO	UNITS PER ASSY
20					
50	HL11VAZ8-3	.BOLT	SUPPLIER CODE: V60516 SPECIFICATION NUMBER: BACB30NW8K3 OPTIONAL PART: B30NW8K3 V97928 HL11VAZ8-3 V73197 HL11VAZ8-3 V92215 HL11VAZ8-3 V97928 L803-8K3 V06725 HL11VAZ8-3 VOPTK6 HL11VAZ8-3 V56878		8
51	HL11VAZ8-3	.BOLT	SUPPLIER CODE: V60516 SPECIFICATION NUMBER: BACB30NW8K3 OPTIONAL PART: B30NW8K3 V97928 HL11VAZ8-3 V73197 HL11VAZ8-3 V92215 HL11VAZ8-3 V97928 L803-8K3 V06725 HL11VAZ8-3 VOPTK6 HL11VAZ8-3 V56878		16

ILLUSTRATION ITEMS NOT ON PARTS LIST ARE NOT APPLICABLE

- ITEM NOT ILLUSTRATED

HXL

53-01-03-20

BOEING PROPRIETARY - Copyright © - Unpublished Work - See title page for details.

53-01-03  
 FIG. 20  
 PAGE 4  
 DEC 22/07





767

PARTS CATALOG (MAINTENANCE)

FIG ITEM	PART NUMBER	1 2 3 4 5 6 7 NOMENCLATURE	EFFECT FROM TO	UNITS PER ASSY
20 52	HL1012AZ8-8	.BOLT SUPPLIER CODE: VOPTK6 SPECIFICATION NUMBER: BACB30NX8K8 OPTIONAL PART: HL12VAZ8-8 V73197 HL12VAZ8-8 V92215 HL12VAZ8-8 V97928 L802-8K8 V06725 HL12VAZ8-8 V56878 HL1012AZ8-8 V06725 HL1012AZ8-8 V06950 HL1012AZ8-8 V17446 HL1012AZ8-8 V56878 HL1012AZ8-8 V60516 HL1012AZ8-8 V73197 HL1012AZ8-8 V97928		4

ILLUSTRATION ITEMS NOT ON PARTS LIST ARE NOT APPLICABLE

- ITEM NOT ILLUSTRATED

HXL

53-01-03-20

BOEING PROPRIETARY - Copyright © - Unpublished Work - See title page for details.

53-01-03  
 FIG. 20  
 PAGE 5  
 DEC 22/07



767

PARTS CATALOG (MAINTENANCE)

FIG ITEM	PART NUMBER	1 2 3 4 5 6 7	NOMENCLATURE	EFFECT FROM TO	UNITS PER ASSY
20 53	HL1012AZ8-9		.BOLT SUPPLIER CODE: VOPTK6 SPECIFICATION NUMBER: BACB30NX8K9 OPTIONAL PART: HL12VAZ8-9 V73197 HL12VAZ8-9 V92215 HL12VAZ8-9 V97928 L802-8K9 V06725 HL12VAZ8-9 V56878 HL1012AZ8-9 V06725 HL1012AZ8-9 V06950 HL1012AZ8-9 V17446 HL1012AZ8-9 V56878 HL1012AZ8-9 V60516 HL1012AZ8-9 V73197 HL1012AZ8-9 V97928		8
55	HL79-8		.COLLAR SUPPLIER CODE: V5M902 SPECIFICATION NUMBER: BACC30M8 OPTIONAL PART: HL79-8 V73197 HL79-8 V92215 66014-8 V56878 HL79-8 V56878		8

ILLUSTRATION ITEMS NOT ON PARTS LIST ARE NOT APPLICABLE

- ITEM NOT ILLUSTRATED

53-01-03-20

53-01-03  
FIG. 20  
PAGE 6  
DEC 22/07

HXL



767

PARTS CATALOG (MAINTENANCE)

FIG ITEM	PART NUMBER	1 2 3 4 5 6 7	NOMENCLATURE	EFFECT FROM TO	UNITS PER ASSY
20 56	HL79-8		.COLLAR SUPPLIER CODE: V5M902 SPECIFICATION NUMBER: BACC30M8 OPTIONAL PART: HL79-8 V73197 HL79-8 V92215 66014-8 V56878 HL79-8 V56878		16
57	HL1187-8		.COLLAR SUPPLIER CODE: V5M902 SPECIFICATION NUMBER: BACC30X8 OPTIONAL PART: HL87-8 V92215 HL87-8 V73197 HL1187-8 V56878 HL1187-8 V92215 HL87-8 V56878 HL1187-8 V73197		42

ILLUSTRATION ITEMS NOT ON PARTS LIST ARE NOT APPLICABLE

- ITEM NOT ILLUSTRATED

HXL

53-01-03-20

BOEING PROPRIETARY - Copyright © - Unpublished Work - See title page for details.

53-01-03  
FIG. 20  
PAGE 7  
DEC 22/07



767

PARTS CATALOG (MAINTENANCE)

FIG ITEM	PART NUMBER	1 2 3 4 5 6 7 NOMENCLATURE	EFFECT FROM TO	UNITS PER ASSY
20 60	HL1012AZ8-4	.BOLT SUPPLIER CODE: VOPTK6 SPECIFICATION NUMBER: BACB30NX8K4 OPTIONAL PART: HL12VAZ8-4 V73197 HL12VAZ8-4 V92215 HL12VAZ8-4 V97928 L802-8K4 V06725 HL12VAZ8-4 V56878 HL1012AZ8-4 V06725 HL1012AZ8-4 V06950 HL1012AZ8-4 V17446 HL1012AZ8-4 V56878 HL1012AZ8-4 V60516 HL1012AZ8-4 V73197 HL1012AZ8-4 V97928		8

ILLUSTRATION ITEMS NOT ON PARTS LIST ARE NOT APPLICABLE

- ITEM NOT ILLUSTRATED

HXL

53-01-03-20

BOEING PROPRIETARY - Copyright © - Unpublished Work - See title page for details.

53-01-03  
FIG. 20  
PAGE 8  
DEC 22/06



767

PARTS CATALOG (MAINTENANCE)

FIG ITEM	PART NUMBER	1 2 3 4 5 6 7	NOMENCLATURE	EFFECT FROM TO	UNITS PER ASSY
20 62	HL1012AZ6-3	.BOLT	SUPPLIER CODE: V97928 SPECIFICATION NUMBER: BACB30NX6K3 OPTIONAL PART: HL12VAZ6-3 V73197 HL12VAZ6-3 V92215 HL12VAZ6-3 V97928 L802-6K3 V06725 HL12VAZ6-3 V56878 HL1012AZ6-3 VOPTK6 HL1012AZ6-3 V06725 HL1012AZ6-3 V06950 HL1012AZ6-3 V17446 HL1012AZ6-3 V56878 HL1012AZ6-3 V60516 HL1012AZ6-3 V73197		8
65	HL1187-8	.COLLAR	SUPPLIER CODE: V5M902 SPECIFICATION NUMBER: BACC30X8 OPTIONAL PART: HL87-8 V92215 HL87-8 V73197 HL1187-8 V56878 HL1187-8 V92215 HL87-8 V56878 HL1187-8 V73197		8

ILLUSTRATION ITEMS NOT ON PARTS LIST ARE NOT APPLICABLE

- ITEM NOT ILLUSTRATED

HXL

53-01-03-20

BOEING PROPRIETARY - Copyright © - Unpublished Work - See title page for details.

53-01-03  
 FIG. 20  
 PAGE 9  
 DEC 22/07



767

PARTS CATALOG (MAINTENANCE)

FIG ITEM	PART NUMBER	1 2 3 4 5 6 7	NOMENCLATURE	EFFECT FROM TO	UNITS PER ASSY
20 67	HL1187-6		.COLLAR SUPPLIER CODE: V5M902 SPECIFICATION NUMBER: BACC30X6 OPTIONAL PART: HL87-6 V92215 HL87-6 V73197 HL1187-6 V56878 HL1187-6 V92215 HL87-6 V56878 HL1187-6 V73197		8
70	HL1012AZ8-3		.BOLT SUPPLIER CODE: VOPTK6 SPECIFICATION NUMBER: BACB30NX8K3 OPTIONAL PART: HL12VAZ8-3 V73197 HL12VAZ8-3 V92215 HL12VAZ8-3 V97928 L802-8K3 V06725 HL12VAZ8-3 V56878 HL1012AZ8-3 V06725 HL1012AZ8-3 V06950 HL1012AZ8-3 V17446 HL1012AZ8-3 V56878 HL1012AZ8-3 V60516 HL1012AZ8-3 V73197 HL1012AZ8-3 V97928		12
72	BACR15FT6KE3		.RIVET		18

ILLUSTRATION ITEMS NOT ON PARTS LIST ARE NOT APPLICABLE

- ITEM NOT ILLUSTRATED

53-01-03-20

53-01-03  
FIG. 20  
PAGE 10  
DEC 22/07

HXL

**BOEING**  
767  
**PARTS CATALOG (MAINTENANCE)**

FIG ITEM	PART NUMBER	1 2 3 4 5 6 7	NOMENCLATURE	EFFECT FROM TO	UNITS PER ASSY
20 75	HL1187-8		.COLLAR SUPPLIER CODE: V5M902 SPECIFICATION NUMBER: BACC30X8 OPTIONAL PART: HL87-8 V92215 HL87-8 V73197 HL1187-8 V56878 HL1187-8 V92215 HL87-8 V56878 HL1187-8 V73197 -----*-----		12
152	145T5212-19		.TRACK-SEAT ATTACHING PARTS		1
- 158	BACB30LU5-5		.BOLT		45
- 158	BACB30NN5K5		.BOLT- OPTIONAL PART: BACB30LU5-5	155162	45
- 163	AN960PD516		.WASHER		45
- 168	BACN10GW5		.NUT		45
223	145T5210-28		.TRACK-SEAT ATTACHING PARTS		2
- 252	BACB30LU5-6		.BOLT		94
- 252	BACB30NN5K6		.BOLT- OPTIONAL PART: BACB30LU5-6	155162	94
- 292	AN960PD516		.WASHER		94
- 332	BACN10GW5		.NUT		94
445	145T5214-12		.TRACK-SEAT	155163	1
450	145T5214-11		.TRACK-SEAT ATTACHING PARTS	155163	1
455	BACB30LU5-5		.BOLT	155163	2
455	BACB30NN5K5		.BOLT- OPTIONAL PART: BACB30LU5-5	155162	2
460	AN960PD516		.WASHER	155163	2
465	BACN10GW5		.NUT	155163	2

ILLUSTRATION ITEMS NOT ON PARTS LIST ARE NOT APPLICABLE

- ITEM NOT ILLUSTRATED

HXL

**53-01-03-20**

BOEING PROPRIETARY - Copyright © - Unpublished Work - See title page for details.

53-01-03  
FIG. 20  
PAGE 11  
DEC 22/07



767

PARTS CATALOG (MAINTENANCE)

FIG ITEM	PART NUMBER	1 2 3 4 5 6 7	NOMENCLATURE	EFFECT FROM TO	UNITS PER ASSY
20 470	HL11VAZ8-3	.BOLT	SUPPLIER CODE: V60516 SPECIFICATION NUMBER: BACB30NW8K3 OPTIONAL PART: B30NW8K3 V97928 HL11VAZ8-3 V73197 HL11VAZ8-3 V92215 HL11VAZ8-3 V97928 L803-8K3 V06725 HL11VAZ8-3 VOPTK6 HL11VAZ8-3 V56878	155163	8
475	HL79-8	.COLLAR	SUPPLIER CODE: V5M902 SPECIFICATION NUMBER: BACC30M8 OPTIONAL PART: HL79-8 V73197 HL79-8 V92215 66014-8 V56878 HL79-8 V56878	155163	8

ILLUSTRATION ITEMS NOT ON PARTS LIST ARE NOT APPLICABLE

- ITEM NOT ILLUSTRATED

HXL

53-01-03-20

BOEING PROPRIETARY - Copyright © - Unpublished Work - See title page for details.

53-01-03  
FIG. 20  
PAGE 12  
DEC 22/07





767

PARTS CATALOG (MAINTENANCE)

FIG ITEM	PART NUMBER	1 2 3 4 5 6 7	NOMENCLATURE	EFFECT FROM TO	UNITS PER ASSY
20 480	HL1012AZ8-4	.BOLT	SUPPLIER CODE: VOPTK6 SPECIFICATION NUMBER: BACB30NX8K4 OPTIONAL PART: HL12VAZ8-4 V73197 HL12VAZ8-4 V92215 HL12VAZ8-4 V97928 L802-8K4 V06725 HL12VAZ8-4 V56878 HL1012AZ8-4 V06725 HL1012AZ8-4 V06950 HL1012AZ8-4 V17446 HL1012AZ8-4 V56878 HL1012AZ8-4 V60516 HL1012AZ8-4 V73197 HL1012AZ8-4 V97928	155163	8
485	HL1187-8	.COLLAR	SUPPLIER CODE: V5M902 SPECIFICATION NUMBER: BACC30X8 OPTIONAL PART: HL87-8 V92215 HL87-8 V73197 HL1187-8 V56878 HL1187-8 V92215 HL87-8 V56878 HL1187-8 V73197	155163	8

ILLUSTRATION ITEMS NOT ON PARTS LIST ARE NOT APPLICABLE

- ITEM NOT ILLUSTRATED

HXL

53-01-03-20

BOEING PROPRIETARY - Copyright © - Unpublished Work - See title page for details.

53-01-03  
 FIG. 20  
 PAGE 13  
 DEC 22/07



767

PARTS CATALOG (MAINTENANCE)

FIG ITEM	PART NUMBER	1 2 3 4 5 6 7	NOMENCLATURE	EFFECT FROM TO	UNITS PER ASSY
20 490	HL1012AZ8-3	.BOLT	SUPPLIER CODE: VOPTK6 SPECIFICATION NUMBER: BACB30NX8K3 OPTIONAL PART: HL12VAZ8-3 V73197 HL12VAZ8-3 V92215 HL12VAZ8-3 V97928 L802-8K3 V06725 HL12VAZ8-3 V56878 HL1012AZ8-3 V06725 HL1012AZ8-3 V06950 HL1012AZ8-3 V17446 HL1012AZ8-3 V56878 HL1012AZ8-3 V60516 HL1012AZ8-3 V73197 HL1012AZ8-3 V97928	155163	12
495	HL1187-8	.COLLAR	SUPPLIER CODE: V5M902 SPECIFICATION NUMBER: BACC30X8 OPTIONAL PART: HL87-8 V92215 HL87-8 V73197 HL1187-8 V56878 HL1187-8 V92215 HL87-8 V56878 HL1187-8 V73197 -----*-----	155163	12

ILLUSTRATION ITEMS NOT ON PARTS LIST ARE NOT APPLICABLE

- ITEM NOT ILLUSTRATED

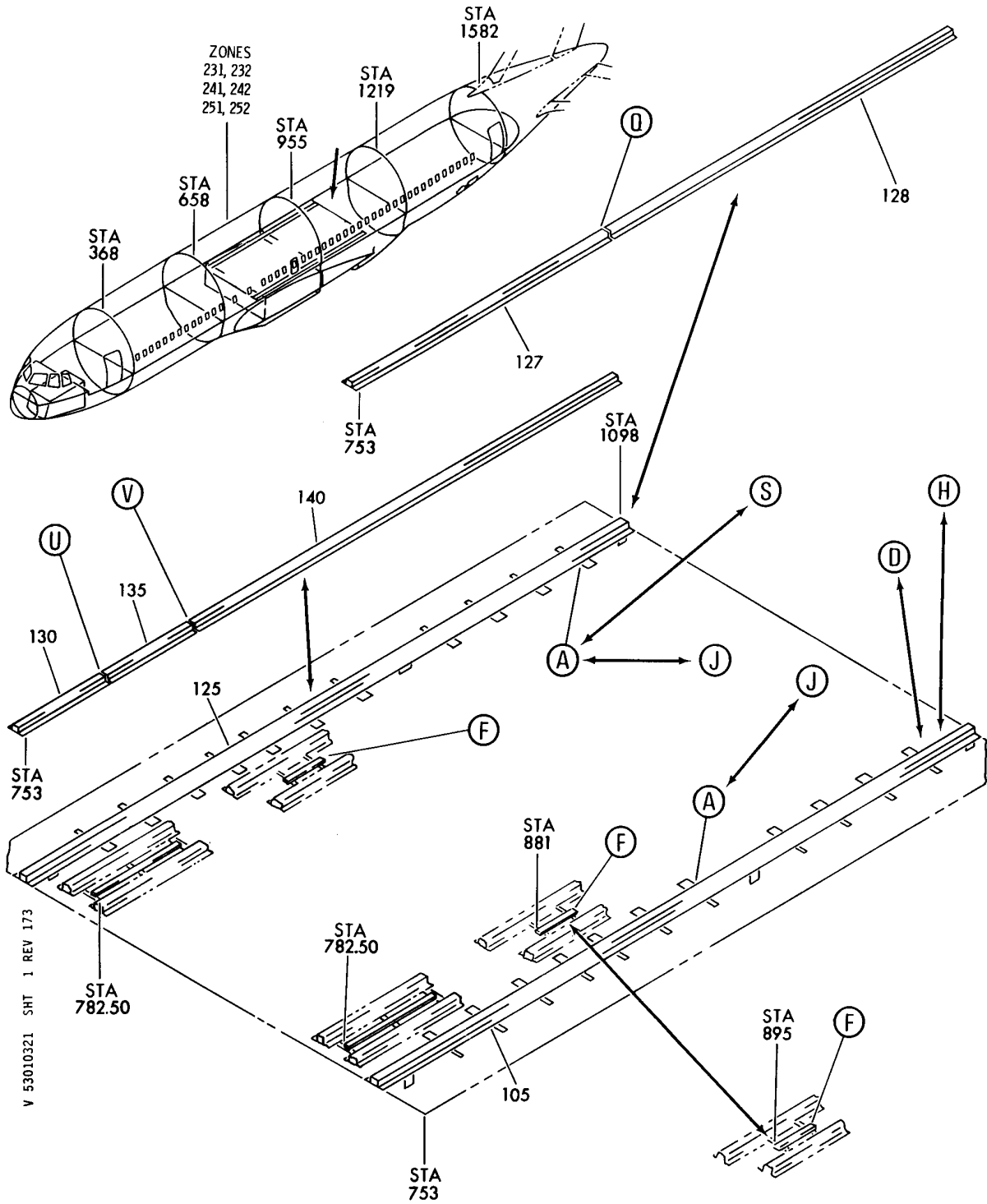
HXL

53-01-03-20

BOEING PROPRIETARY - Copyright © - Unpublished Work - See title page for details.

53-01-03  
 FIG. 20  
 PAGE 14  
 DEC 22/07

**BOEING**  
767  
PARTS CATALOG (MAINTENANCE)



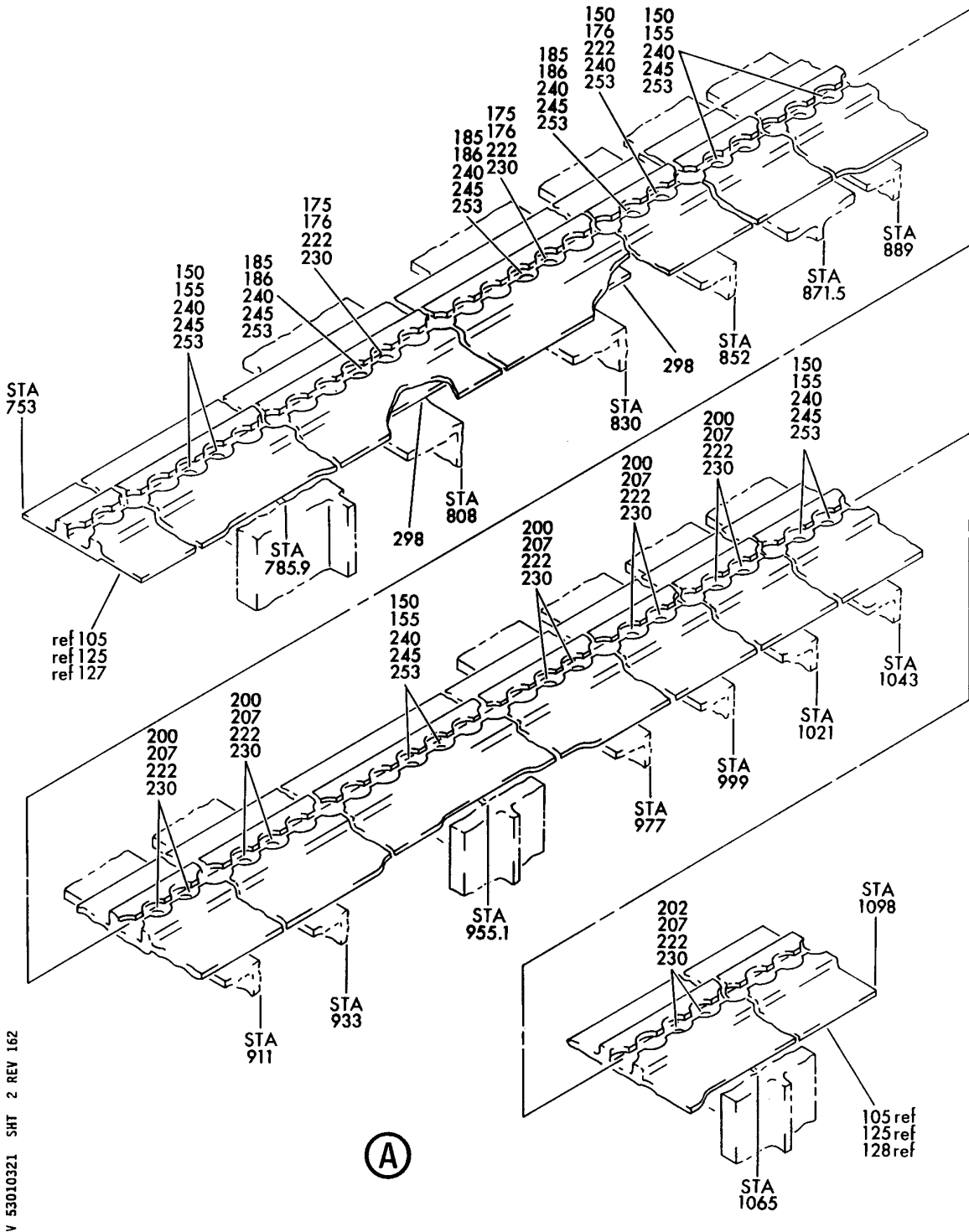
TRACK INSTL-SEAT, BL 88.50 STA 773.45 TO STA 1070.45  
FIGURE 21 (SHEET 1)

**53-01-03-21**

HXL  
DEC 22/06

53-01-03-21  
PAGE 0


**BOEING**  
 767  
**PARTS CATALOG (MAINTENANCE)**



V 53010321 SHT 2 REV 162

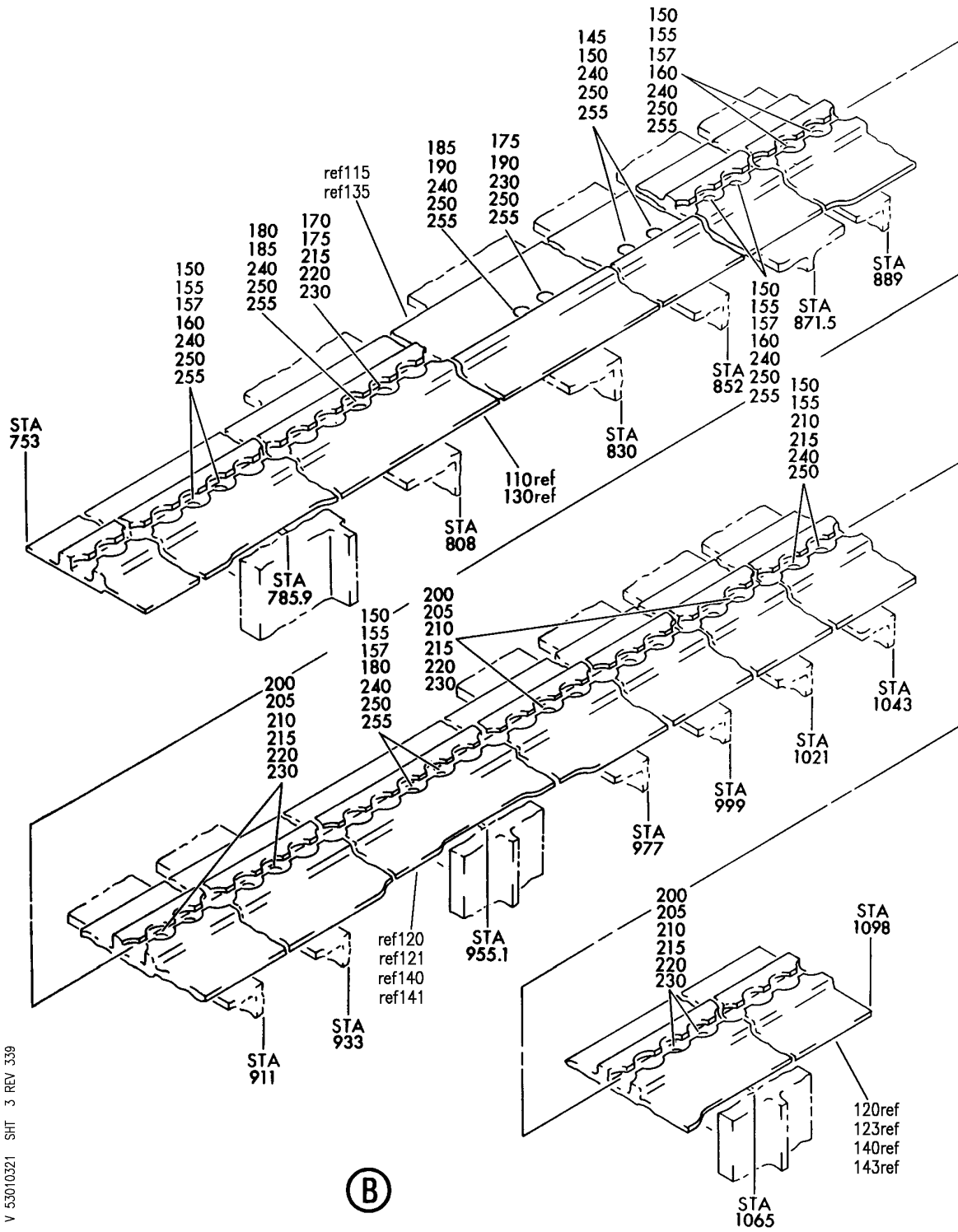
TRACK INSTL-SEAT, BL 88.50 STA 773.45 TO STA 1070.45  
 FIGURE 21 (SHEET 2)

**53-01-03-21**

HXL  
DEC 22/06

53-01-03-21  
 PAGE 0A

**BOEING**  
767  
**PARTS CATALOG (MAINTENANCE)**



V 53010321 SH1 3 REV 339

TRACK INSTL-SEAT, BL 88.50 STA 773.45 TO STA 1070.45  
FIGURE 21 (SHEET 3)

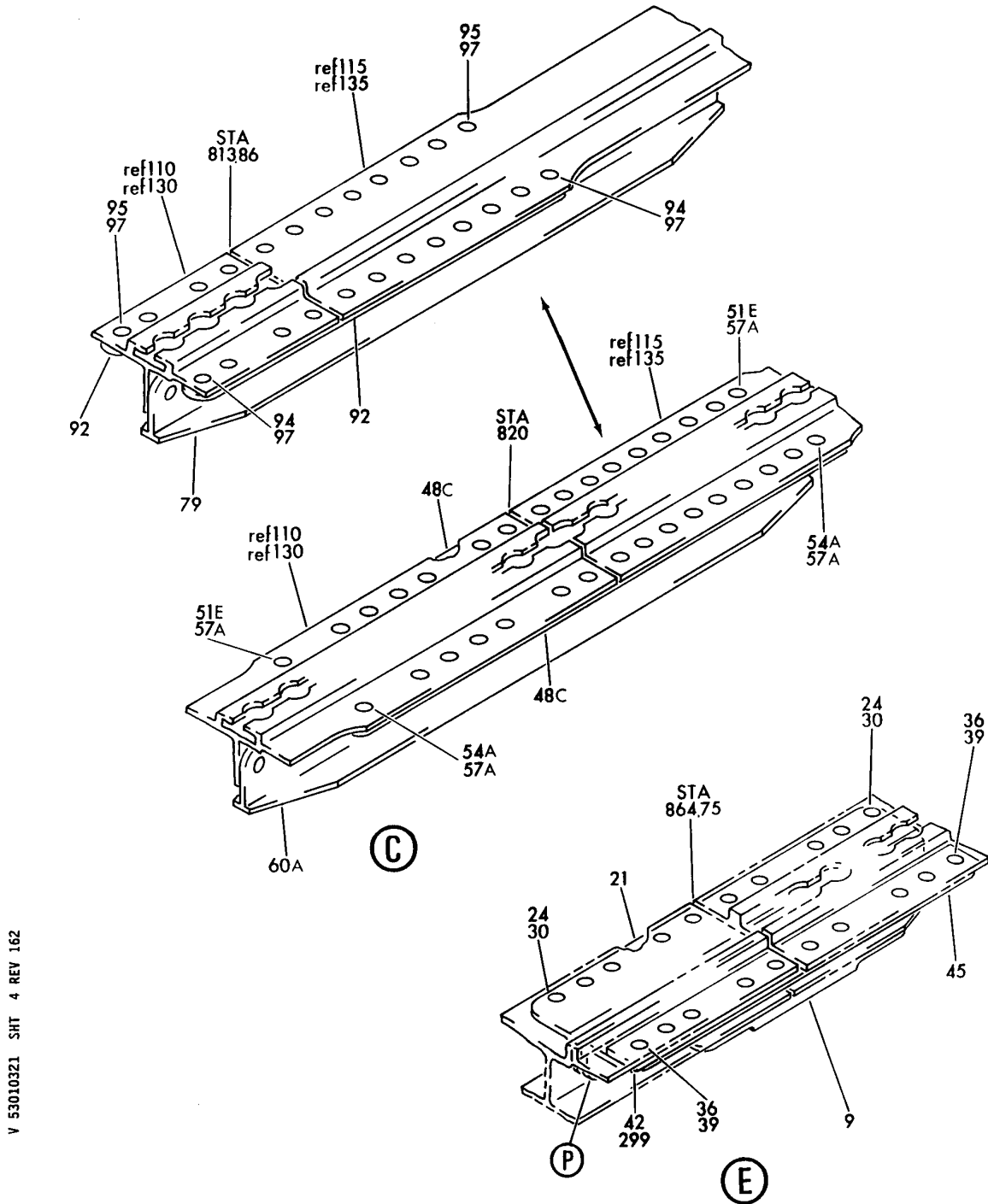
**53-01-03-21**

HXL  
APR 22/09

53-01-03-21  
PAGE 0B

BOEING PROPRIETARY - Copyright © - Unpublished Work - See title page for details.

**BOEING**  
767  
PARTS CATALOG (MAINTENANCE)



V 53010321 SHT 4 REV 162

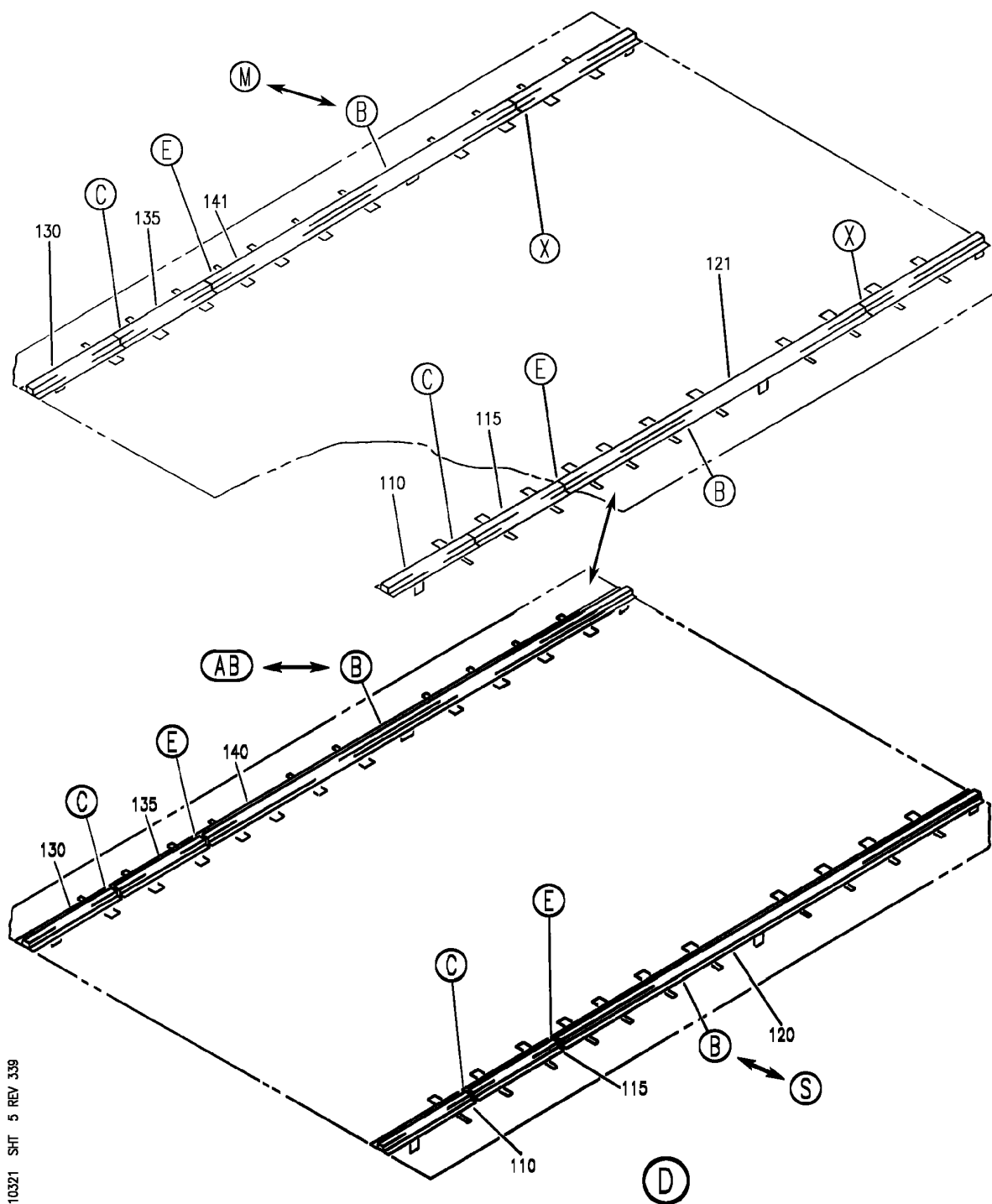
TRACK INSTL-SEAT, BL 88.50 STA 773.45 TO STA 1070.45  
FIGURE 21 (SHEET 4)

**53-01-03-21**

HXL  
DEC 22/06

53-01-03-21  
PAGE 0C

**BOEING**  
767  
PARTS CATALOG (MAINTENANCE)



V 53010321 SHT 5 REV 339

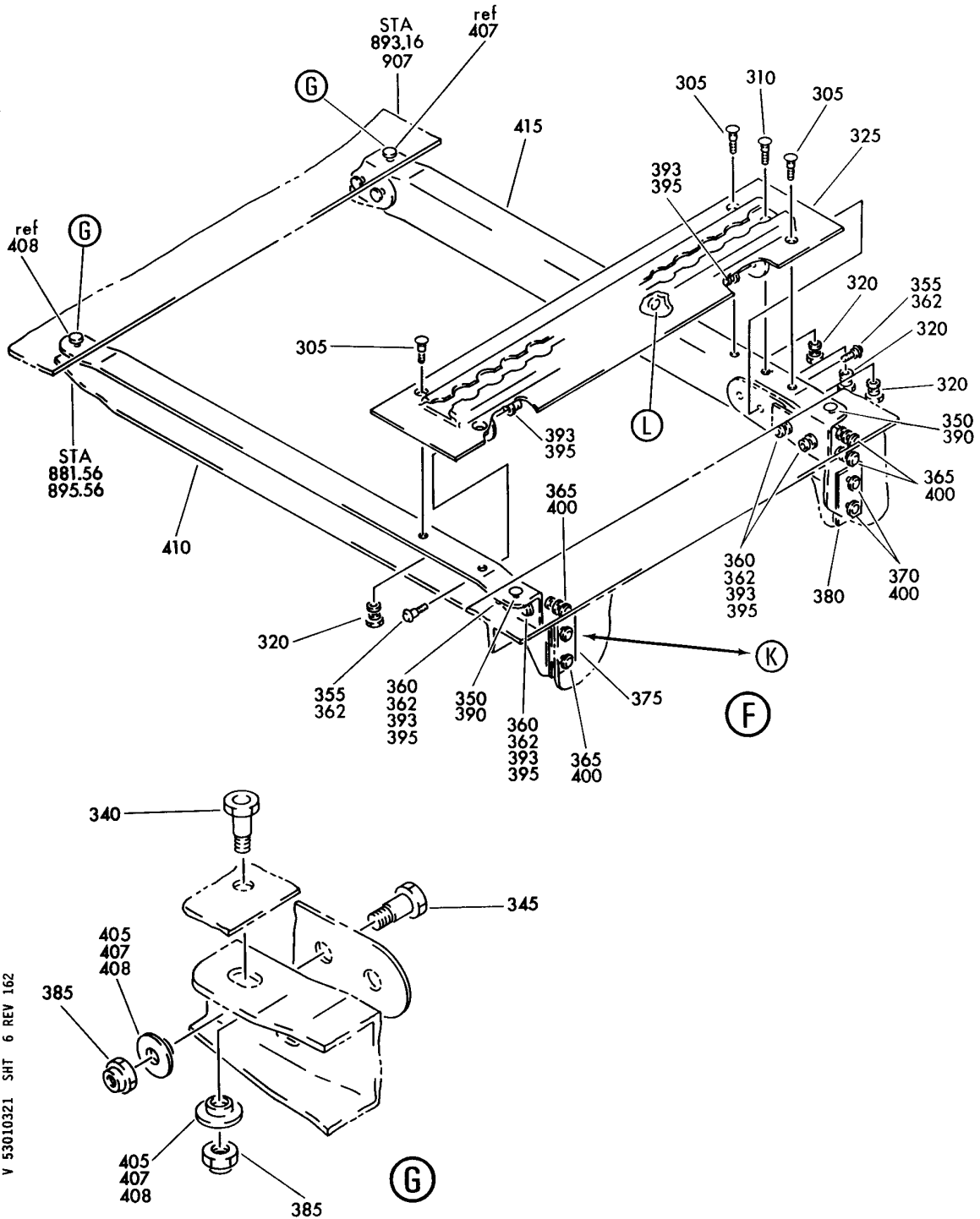
TRACK INSTL-SEAT, BL 88.50 STA 773.45 TO STA 1070.45  
FIGURE 21 (SHEET 5)

**53-01-03-21**

HXL  
APR 22/09

53-01-03-21  
PAGE 0D

**BOEING**  
767  
PARTS CATALOG (MAINTENANCE)



V 53010321 SHT 6 REV 162

TRACK INSTL-SEAT, BL 88.50 STA 773.45 TO STA 1070.45  
FIGURE 21 (SHEET 6)

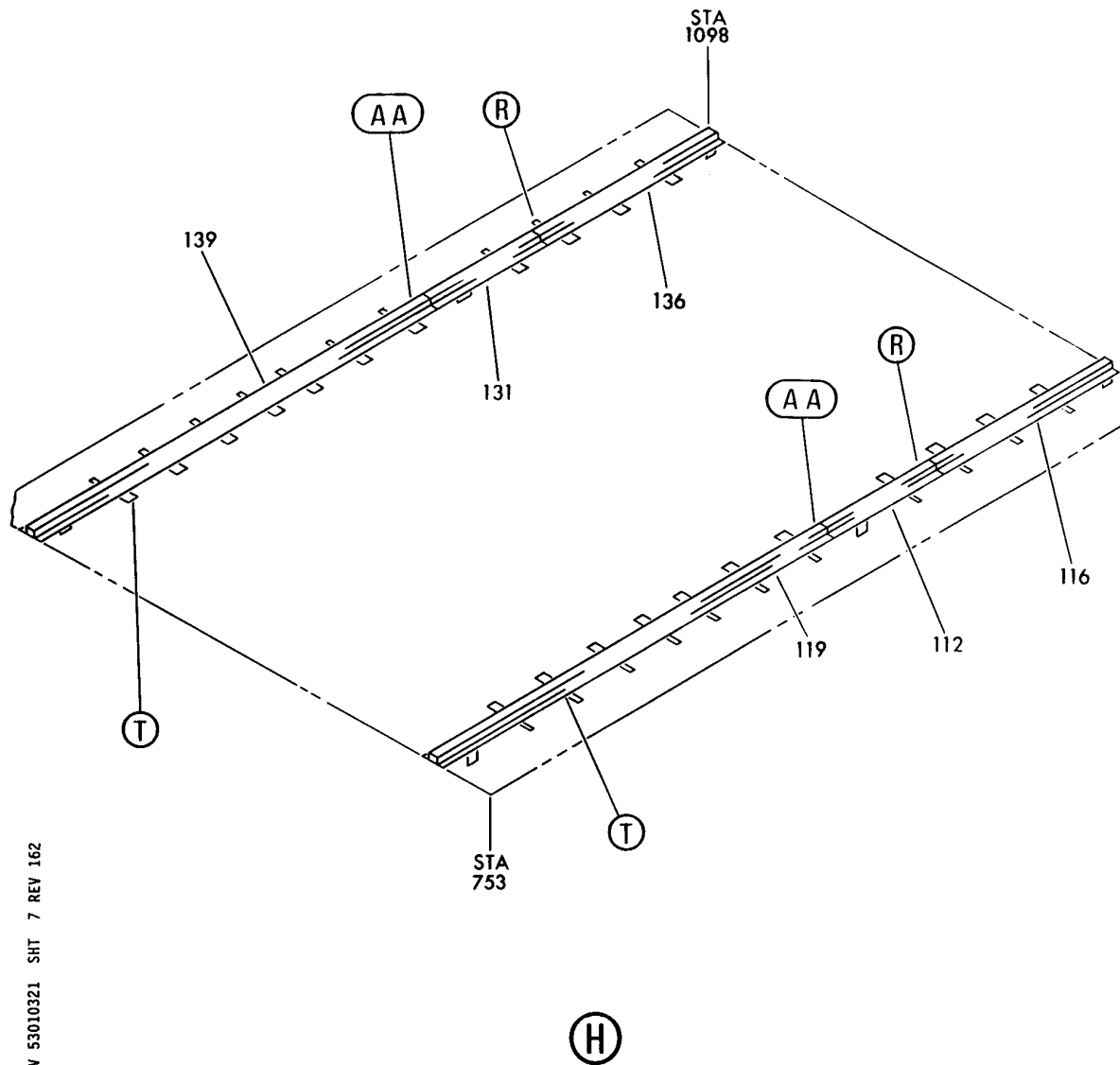
**53-01-03-21**

HXL  
DEC 22/06

53-01-03-21  
PAGE 0E



**BOEING**  
767  
PARTS CATALOG (MAINTENANCE)



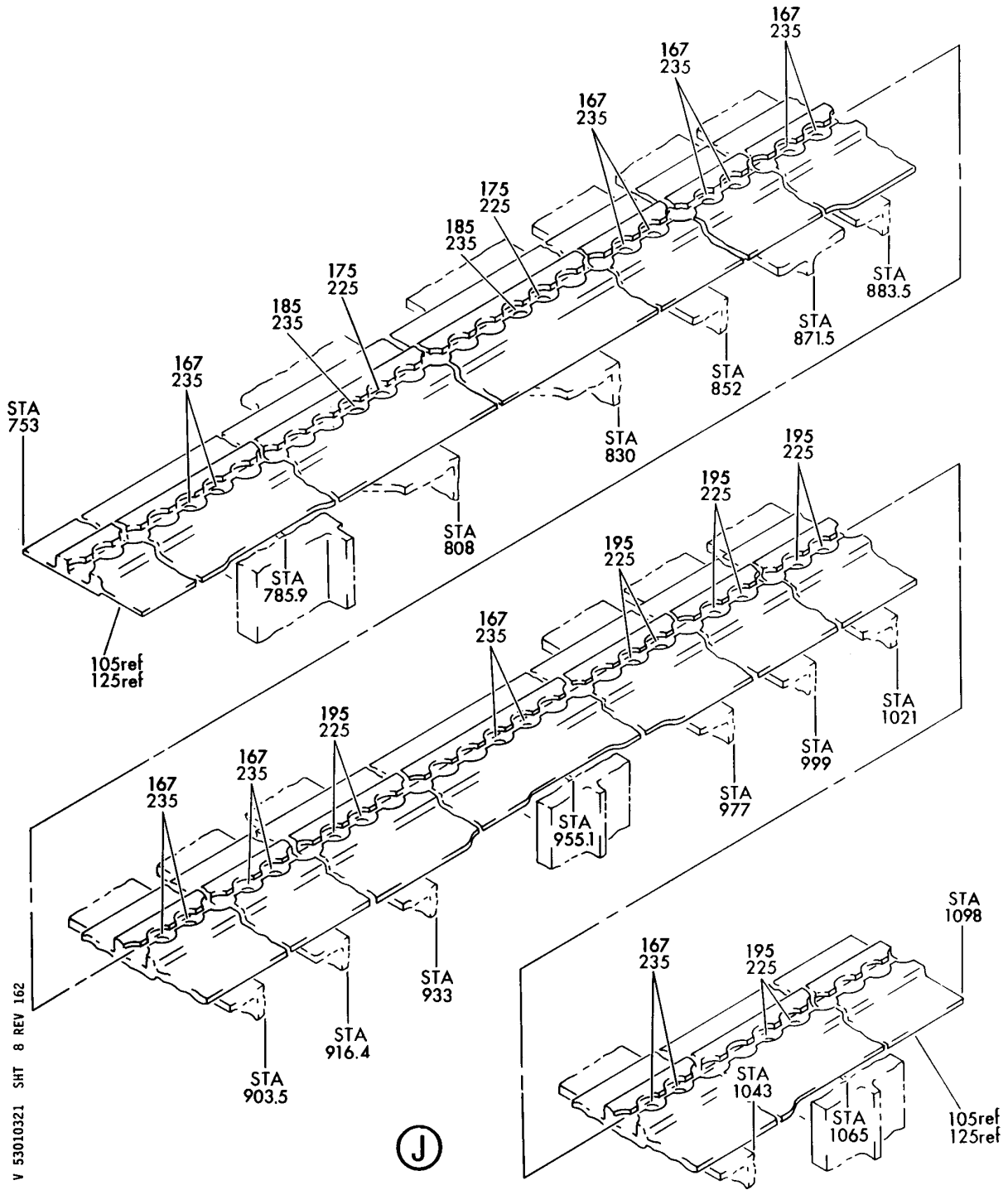
TRACK INSTL-SEAT, BL 88.50 STA 773.45 TO STA 1070.45  
FIGURE 21 (SHEET 7)

**53-01-03-21**

HXL  
DEC 22/06

53-01-03-21  
PAGE OF


**BOEING**  
 767  
**PARTS CATALOG (MAINTENANCE)**



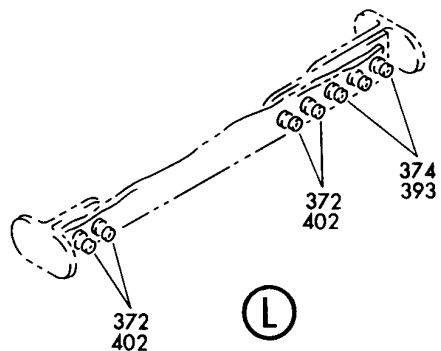
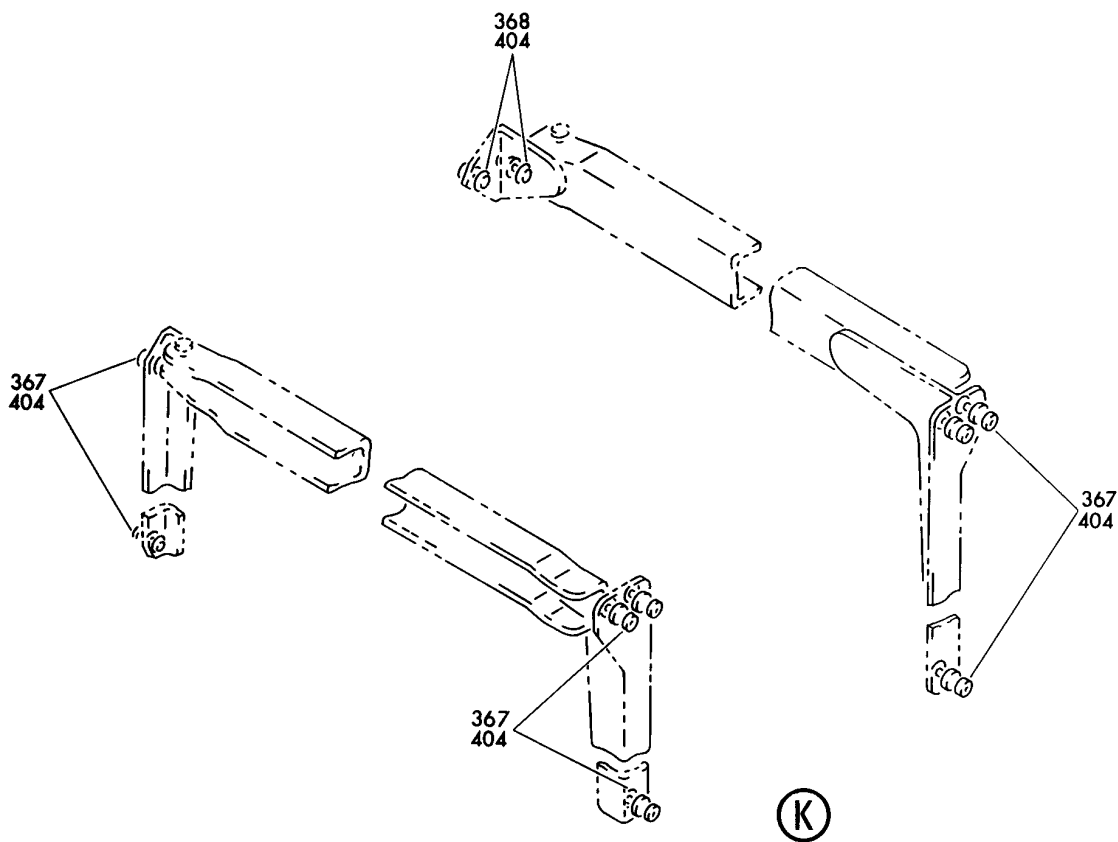
TRACK INSTL-SEAT, BL 88.50 STA 773.45 TO STA 1070.45  
 FIGURE 21 (SHEET 8)

**53-01-03-21**

HXL  
DEC 22/06

53-01-03-21  
PAGE 0G

**BOEING**  
767  
PARTS CATALOG (MAINTENANCE)



V 53010321 SHT 9 REV 162

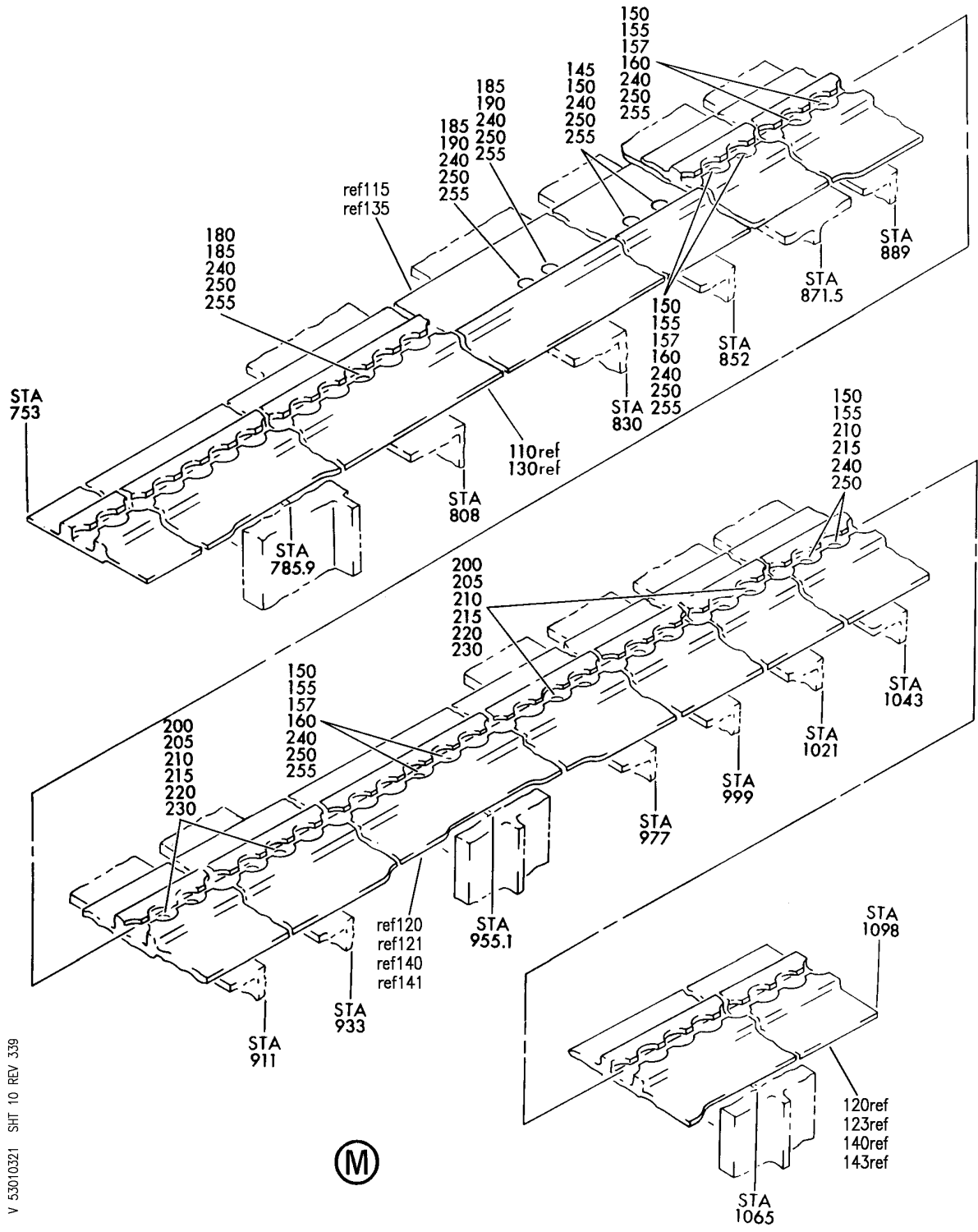
TRACK INSTL-SEAT, BL 88.50 STA 773.45 TO STA 1070.45  
FIGURE 21 (SHEET 9)

**53-01-03-21**

HXL  
DEC 22/06

53-01-03-21  
PAGE 0H


**BOEING**  
 767  
**PARTS CATALOG (MAINTENANCE)**



V 53010321 SHT 10 REV 339

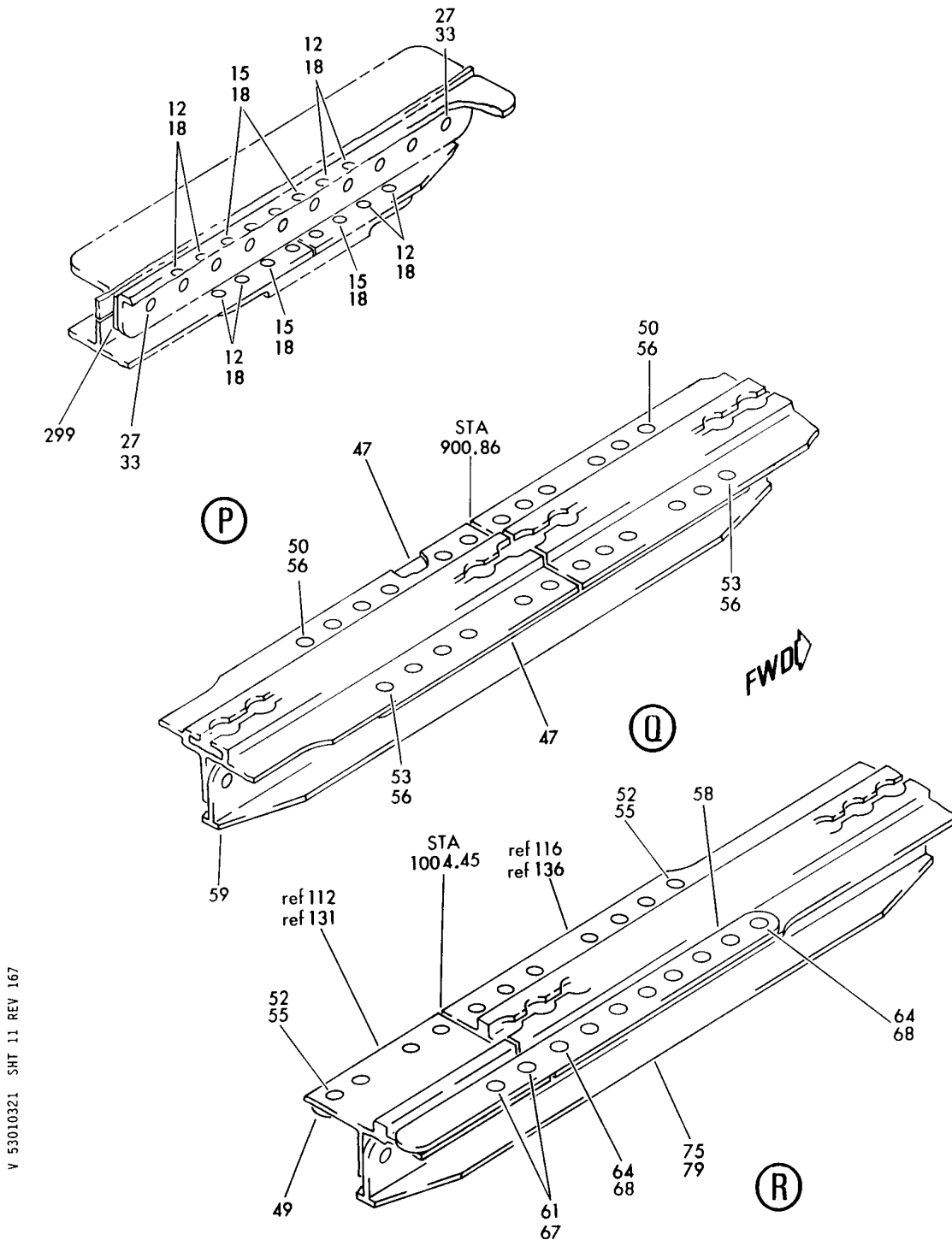
TRACK INSTL-SEAT, BL 88.50 STA 773.45 TO STA 1070.45  
 FIGURE 21 (SHEET 10)

**53-01-03-21**

HXL  
APR 22/09

53-01-03-21  
 PAGE 01

**BOEING**  
767  
PARTS CATALOG (MAINTENANCE)



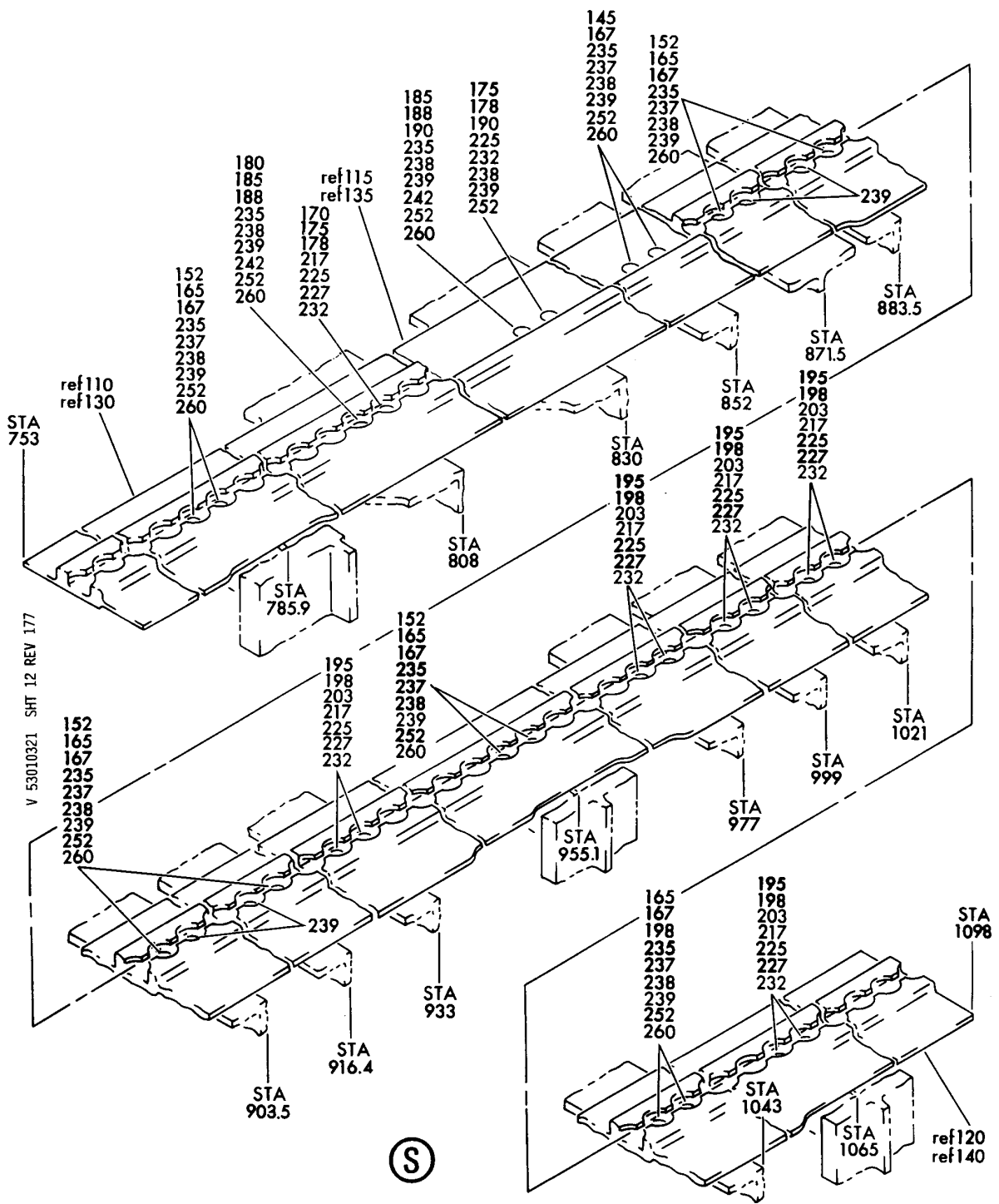
TRACK INSTL-SEAT, BL 88.50 STA 773.45 TO STA 1070.45  
FIGURE 21 (SHEET 11)

**53-01-03-21**

HXL  
DEC 22/06

53-01-03-21  
PAGE 0J

**BOEING**  
767  
PARTS CATALOG (MAINTENANCE)



V 53010321 SHT 12 REV 177



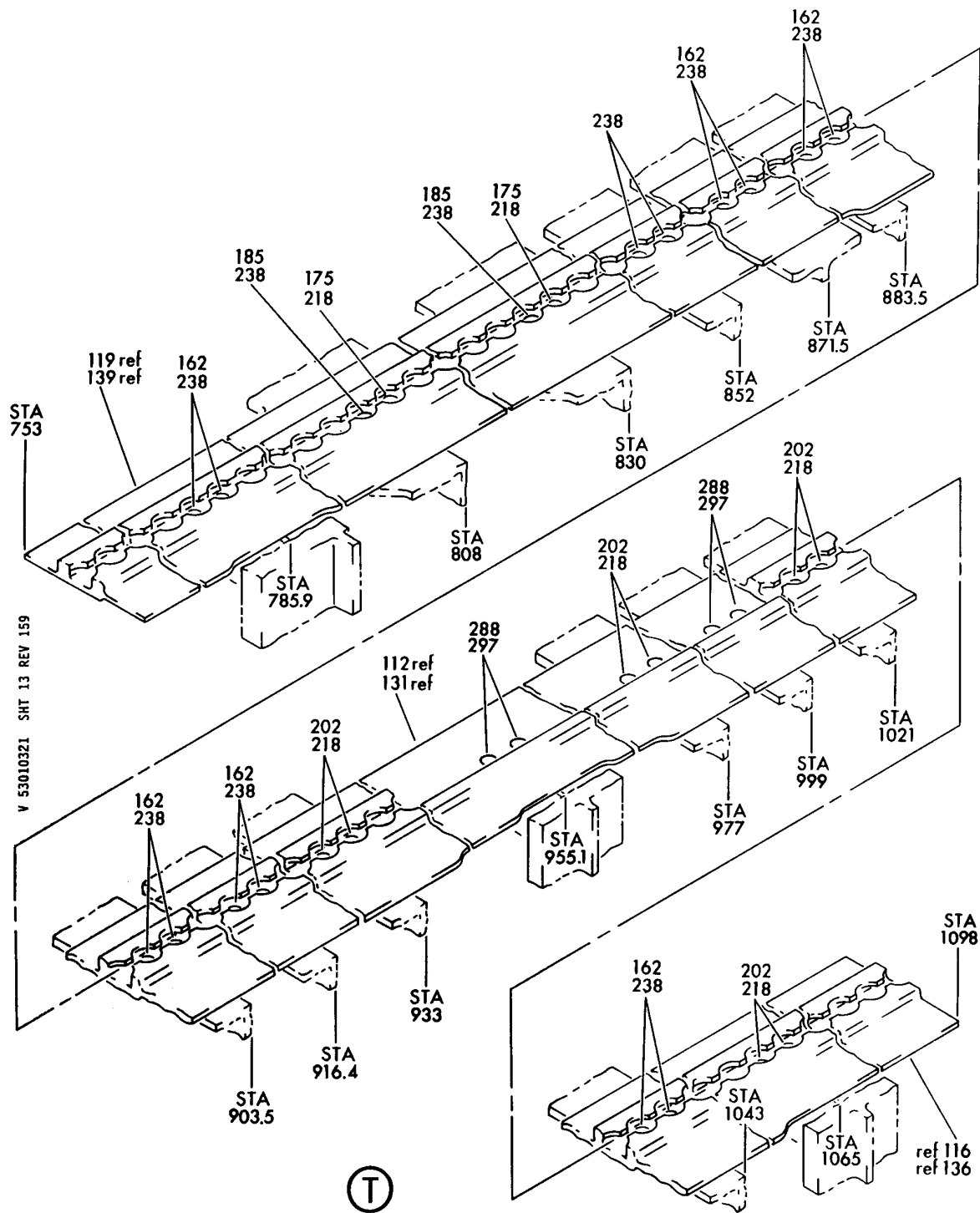
TRACK INSTL-SEAT, BL 88.50 STA 773.45 TO STA 1070.45  
FIGURE 21 (SHEET 12)

# 53-01-03-21

HXL  
DEC 22/06

53-01-03-21  
PAGE OK

**BOEING**  
767  
PARTS CATALOG (MAINTENANCE)



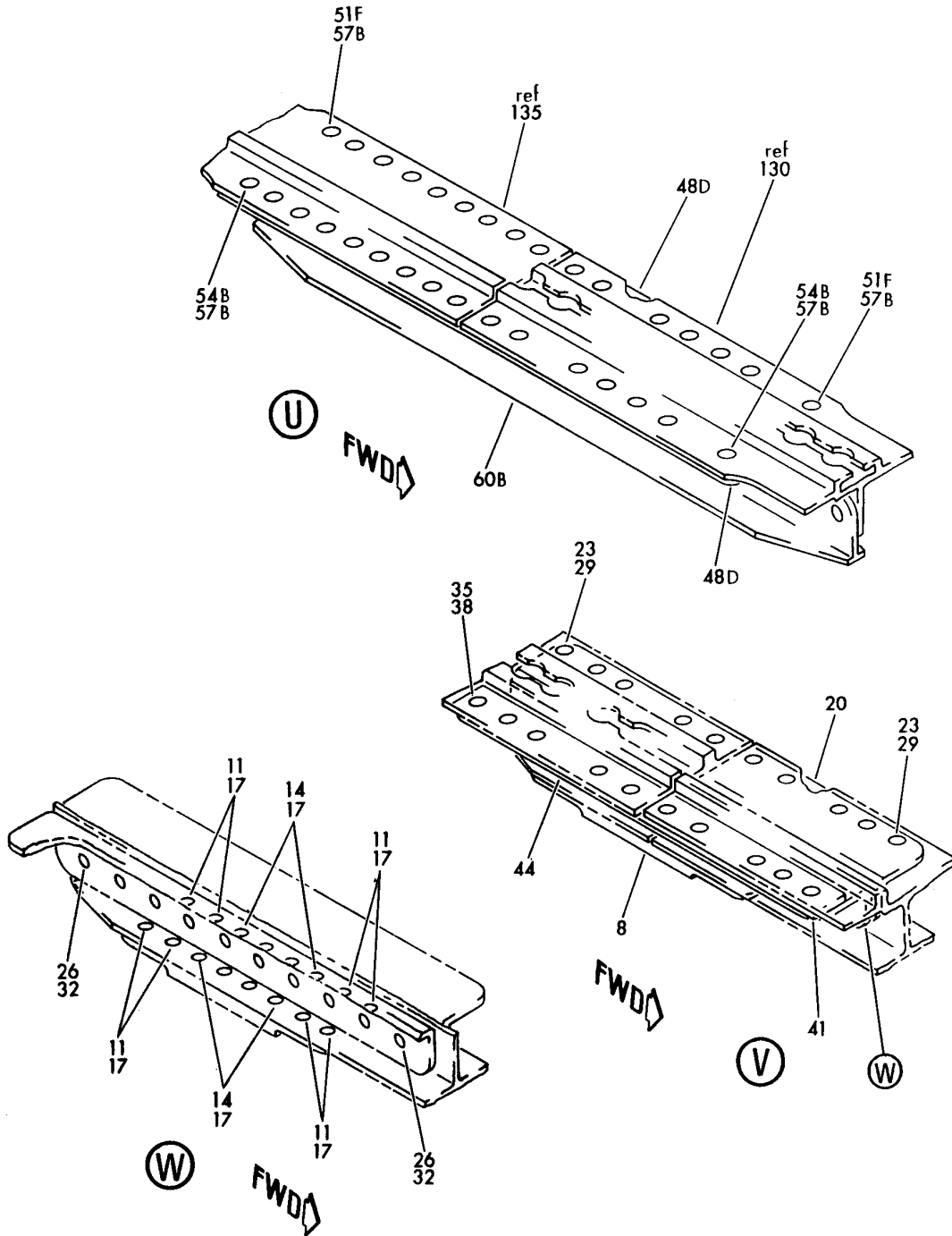
TRACK INSTL-SEAT, BL 88.50 STA 773.45 TO STA 1070.45  
FIGURE 21 (SHEET 13)

**53-01-03-21**

HXL  
DEC 22/06

53-01-03-21  
PAGE 01

**BOEING**  
767  
PARTS CATALOG (MAINTENANCE)



V 53010321 SHT 14 REV 159

TRACK INSTL-SEAT, BL 88.50 STA 773.45 TO STA 1070.45  
FIGURE 21 (SHEET 14)

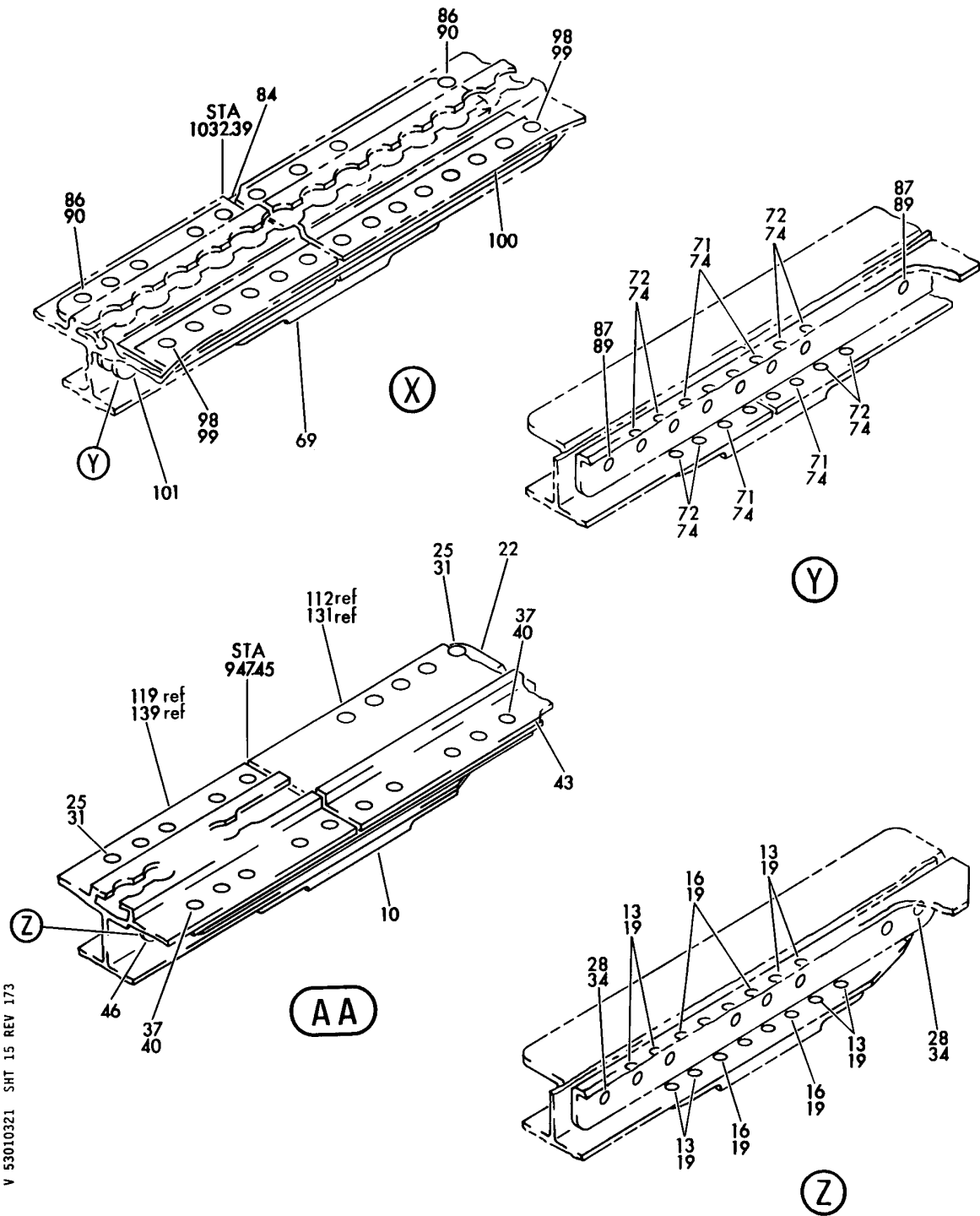
**53-01-03-21**

HXL  
DEC 22/06

53-01-03-21  
PAGE 0M



**BOEING**  
767  
PARTS CATALOG (MAINTENANCE)



V 53010321 SHT 15 REV 173

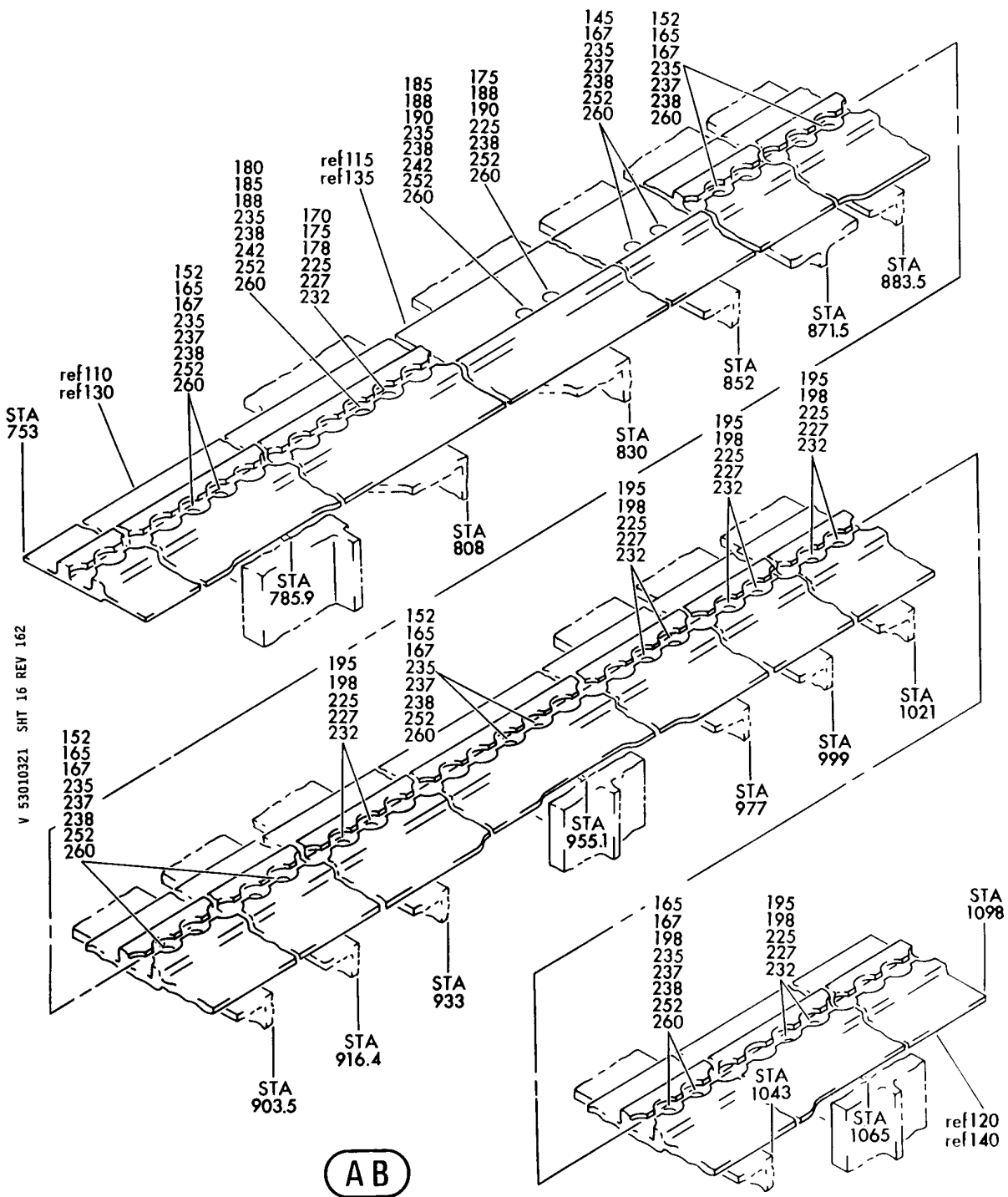
TRACK INSTL-SEAT, BL 88.50 STA 773.45 TO STA 1070.45  
FIGURE 21 (SHEET 15)

**53-01-03-21**

HXL  
DEC 22/06

53-01-03-21  
PAGE ON

**BOEING**  
767  
**PARTS CATALOG (MAINTENANCE)**



V 53010321 SHT 16 REV 162

TRACK INSTL-SEAT, BL 88.50 STA 773.45 TO STA 1070.45  
FIGURE 21 (SHEET 16)

**53-01-03-21**

HXL  
DEC 22/06

53-01-03-21  
PAGE 00



767

PARTS CATALOG (MAINTENANCE)

FIG ITEM	PART NUMBER	1 2 3 4 5 6 7	NOMENCLATURE	EFFECT FROM TO	UNITS PER ASSY
21			TRACK INSTL-SEAT, BL 88.50 STA 773.45 TO STA 1070.45		
- 2	145T5201-33		TRACK INSTL-SEAT POSITION DATA: BL 88.50 STA 773.45 TO STA 1070.45 FOR NHA SEE: 53-50-00-08		RF
10	140T2511-2		.PLATE		2
13	HL1012AZ6-5		.BOLT SUPPLIER CODE: V97928 SPECIFICATION NUMBER: BACB30NX6K5 OPTIONAL PART: HL12VAZ6-5 V73197 HL12VAZ6-5 V92215 HL12VAZ6-5 V97928 L802-6K5 V06725 HL12VAZ6-5 V56878 HL1012AZ6-5 VOPTK6 HL1012AZ6-5 V06725 HL1012AZ6-5 V06950 HL1012AZ6-5 V17446 HL1012AZ6-5 V56878 HL1012AZ6-5 V60516 HL1012AZ6-5 V73197		16
ILLUSTRATION ITEMS NOT ON PARTS LIST ARE NOT APPLICABLE					

- ITEM NOT ILLUSTRATED

53-01-03-21

53-01-03  
FIG. 21  
PAGE 1  
DEC 22/07

HXL

**BOEING**  
767  
**PARTS CATALOG (MAINTENANCE)**

FIG ITEM	PART NUMBER	1 2 3 4 5 6 7	NOMENCLATURE	EFFECT FROM TO	UNITS PER ASSY
21 16	HL1012AZ6-7		.BOLT SUPPLIER CODE: V97928 SPECIFICATION NUMBER: BACB30NX6K7 OPTIONAL PART: HL12VAZ6-7 V73197 HL12VAZ6-7 V92215 HL12VAZ6-7 V97928 L802-6K7 V06725 HL12VAZ6-7 V56878 HL1012AZ6-7 VOPTK6 HL1012AZ6-7 V06725 HL1012AZ6-7 V06950 HL1012AZ6-7 V17446 HL1012AZ6-7 V56878 HL1012AZ6-7 V60516 HL1012AZ6-7 V73197		16
19	HL1187-6		.COLLAR SUPPLIER CODE: V5M902 SPECIFICATION NUMBER: BACC30X6 OPTIONAL PART: HL87-6 V92215 HL87-6 V73197 HL1187-6 V56878 HL1187-6 V92215 HL87-6 V56878 HL1187-6 V73197 -----*-----		32
ILLUSTRATION ITEMS NOT ON PARTS LIST ARE NOT APPLICABLE					

— ITEM NOT ILLUSTRATED

HXL

53-01-03-21

BOEING PROPRIETARY - Copyright © - Unpublished Work - See title page for details.

53-01-03  
FIG. 21  
PAGE 2  
DEC 22/07



767

PARTS CATALOG (MAINTENANCE)

FIG ITEM	PART NUMBER	1 2 3 4 5 6 7	NOMENCLATURE	EFFECT FROM TO	UNITS PER ASSY
21					
22	145T5205-63		. ANGLE ATTACHING PARTS		2
25	HST11AG6-3		. BOLT SUPPLIER CODE: V06725 SPECIFICATION NUMBER: BACB30VU6K3 OPTIONAL PART: HST11AG6-3 V73197 HST11AG6-3 V56878 HST11AG6-3 VOPTK6		20
28	HL1012AZ8-5		. BOLT SUPPLIER CODE: VOPTK6 SPECIFICATION NUMBER: BACB30NX8K5 OPTIONAL PART: HL12VAZ8-5 V73197 HL12VAZ8-5 V92215 HL12VAZ8-5 V97928 L802-8K5 V06725 HL12VAZ8-5 V56878 HL1012AZ8-5 V06725 HL1012AZ8-5 V06950 HL1012AZ8-5 V17446 HL1012AZ8-5 V56878 HL1012AZ8-5 V60516 HL1012AZ8-5 V73197 HL1012AZ8-5 V97928		16
R 31	BACC30BL6		. COLLAR		20

ILLUSTRATION ITEMS NOT ON PARTS LIST ARE NOT APPLICABLE

- ITEM NOT ILLUSTRATED

HXL

53-01-03-21

BOEING PROPRIETARY - Copyright © - Unpublished Work - See title page for details.

53-01-03  
FIG. 21  
PAGE 3  
AUG 22/09

 **BOEING**  
767  
**PARTS CATALOG (MAINTENANCE)**

FIG ITEM	PART NUMBER	1 2 3 4 5 6 7	NOMENCLATURE	EFFECT FROM TO	UNITS PER ASSY
21					
34	HL1187-8		.COLLAR SUPPLIER CODE: V5M902 SPECIFICATION NUMBER: BACC30X8 OPTIONAL PART: HL87-8 V92215 HL87-8 V73197 HL1187-8 V56878 HL1187-8 V92215 HL87-8 V56878 HL1187-8 V73197		16
			-----*-----		
37	HST11AG6-6		.BOLT SUPPLIER CODE: V06725 SPECIFICATION NUMBER: BACB30VU6K6 OPTIONAL PART: HST11AG6-6 V73197 HST11AG6-6 V56878 HST11AG6-6 VOPTK6		20
R 40	BACC30BL6		.COLLAR		20
43	BACF3F007L102NG		.FILLER		2
46	145T5205-65		.ANGLE		2
49	145T5201-35		.STRAP		2
			ATTACHING PARTS		
52	HST11AG6-4		.BOLT SUPPLIER CODE: V06725 SPECIFICATION NUMBER: BACB30VU6K4 OPTIONAL PART: HST11AG6-4 V73197 HST11AG6-4 VOPTK6 HST11AG6-4 V56878		22
ILLUSTRATION ITEMS NOT ON PARTS LIST ARE NOT APPLICABLE					

— ITEM NOT ILLUSTRATED

HXL

# 53-01-03-21

BOEING PROPRIETARY - Copyright © - Unpublished Work - See title page for details.

53-01-03  
FIG. 21  
PAGE 4  
AUG 22/09

 **BOEING**  
767  
**PARTS CATALOG (MAINTENANCE)**

FIG ITEM	PART NUMBER	1 2 3 4 5 6 7	NOMENCLATURE	EFFECT FROM TO	UNITS PER ASSY
21					
55	BACB30BL6	.	COLLAR		22
58	145T5201-34	-----*-----	.STRAP		2
61	HL13VAZ8-5	.	ATTACHING PARTS BOLT		4
			SUPPLIER CODE: V56878 SPECIFICATION NUMBER: BACB30NY8K5 OPTIONAL PART: HL13VAZ8-5 V73197 HL13VAZ8-5 V92215 HL13VAZ8-5 V97928 L801-8K5 V06725 HL13VAZ8-5 V60516 L801-8K5 VOPTK6 HL13VAZ8-5 V17446 HL1013AZ8-5 V60516		
R R	64	HL13VAZ6-5	.BOLT		16
			SUPPLIER CODE: V56878 SPECIFICATION NUMBER: BACB30NY6K5 OPTIONAL PART: HL13VAZ6-5 V73197 HL13VAZ6-5 V92215 HL13VAZ6-5 V97928 L801-6K5 V06725 HL13VAZ6-5 V60516 L801-6K5 VOPTK6 HL13VAZ6-5 V17446 HL1013AZ6-5 V60516		
67	BACB30X8	.	COLLAR		4

ILLUSTRATION ITEMS NOT ON PARTS LIST ARE NOT APPLICABLE

— ITEM NOT ILLUSTRATED

HXL

# 53-01-03-21

53-01-03  
FIG. 21  
PAGE 5  
AUG 22/09



767

PARTS CATALOG (MAINTENANCE)

FIG ITEM	PART NUMBER	1 2 3 4 5 6 7	NOMENCLATURE	EFFECT FROM TO	UNITS PER ASSY
21					
68	BACB30X6	.	COLLAR		16
		-----*			
75	145T5201-14	.	SPLICE		2
			ATTACHING PARTS		
- 76	HL1012AZ8-5	.	BOLT		34
			SUPPLIER CODE: VOPTK6		
			SPECIFICATION NUMBER: BACB30NX8K5		
			OPTIONAL PART: HL12VAZ8-5		
			V73197		
			HL12VAZ8-5		
			V92215		
			HL12VAZ8-5		
			V97928		
			L802-8K5		
			V06725		
			HL12VAZ8-5		
			V56878		
			HL1012AZ8-5		
			V06725		
			HL1012AZ8-5		
			V06950		
			HL1012AZ8-5		
			V17446		
			HL1012AZ8-5		
			V56878		
			HL1012AZ8-5		
			V60516		
			HL1012AZ8-5		
			V73197		
			HL1012AZ8-5		
			V97928		

ILLUSTRATION ITEMS NOT ON PARTS LIST ARE NOT APPLICABLE

- ITEM NOT ILLUSTRATED

HXL

53-01-03-21

BOEING PROPRIETARY - Copyright © - Unpublished Work - See title page for details.

53-01-03  
FIG. 21  
PAGE 6  
AUG 22/09



 **BOEING**  
767  
**PARTS CATALOG (MAINTENANCE)**

FIG ITEM	PART NUMBER	1 2 3 4 5 6 7	NOMENCLATURE	EFFECT FROM TO	UNITS PER ASSY
21 - 77	HL1187-8		.COLLAR SUPPLIER CODE: V5M902 SPECIFICATION NUMBER: BACC30X8 OPTIONAL PART: HL87-8 V92215 HL87-8 V73197 HL1187-8 V56878 HL1187-8 V92215 HL87-8 V56878 HL1187-8 V73197 -----*-----		34
112	145T5213-53		.TRACK		1
116	145T5213-55		.TRACK-		1
119	145T5213-57		.TRACK-		1
131	145T5213-54		.TRACK-		1
136	145T5213-56		.TRACK-		1
139	145T5213-58		.TRACK-		1
			ATTACHING PARTS		
145	HL61-8-4		.BOLT- SUPPLIER CODE: V92215		4
162	HL61-8-5		.BOLT- SUPPLIER CODE: V92215		24

ILLUSTRATION ITEMS NOT ON PARTS LIST ARE NOT APPLICABLE

- ITEM NOT ILLUSTRATED

HXL

53-01-03-21

BOEING PROPRIETARY - Copyright © - Unpublished Work - See title page for details.

53-01-03  
FIG. 21  
PAGE 7  
AUG 22/09



767

PARTS CATALOG (MAINTENANCE)

FIG ITEM	PART NUMBER	1 2 3 4 5 6 7	NOMENCLATURE	EFFECT FROM TO	UNITS PER ASSY
21 170	HL1013AZ8-11	.BOLT	SUPPLIER CODE: V60516 SPECIFICATION NUMBER: BACB30NY8K11 OPTIONAL PART: HL13VAZ8-11 V73197 HL13VAZ8-11 V92215 HL13VAZ8-11 V97928 L801-8K11 V06725 HL13VAZ8-11 V60516 L801-8K11 VOPTK6 HL13VAZ8-11 V17446 HL13VAZ8-11 V56878		2
180	HL61-8-11	.BOLT-	SUPPLIER CODE: V92215		2
190	HL61-8-10	.BOLT-	SUPPLIER CODE: V92215		4

ILLUSTRATION ITEMS NOT ON PARTS LIST ARE NOT APPLICABLE

- ITEM NOT ILLUSTRATED

HXL

53-01-03-21

BOEING PROPRIETARY - Copyright © - Unpublished Work - See title page for details.

53-01-03  
FIG. 21  
PAGE 8  
AUG 22/09



767

PARTS CATALOG (MAINTENANCE)

FIG ITEM	PART NUMBER	1 2 3 4 5 6 7	NOMENCLATURE	EFFECT FROM TO	UNITS PER ASSY
21 202	HL13VAZ8-5	.BOLT	SUPPLIER CODE: V56878 SPECIFICATION NUMBER: BACB30NY8K5 OPTIONAL PART: HL13VAZ8-5 V73197 HL13VAZ8-5 V92215 HL13VAZ8-5 V97928 L801-8K5 V06725 HL13VAZ8-5 V60516 L801-8K5 VOPTK6 HL13VAZ8-5 V17446 HL1013AZ8-5 V60516		16
216	HL1187-8	.COLLAR	SUPPLIER CODE: V5M902 SPECIFICATION NUMBER: BACC30X8 OPTIONAL PART: HL87-8 V92215 HL87-8 V73197 HL1187-8 V56878 HL1187-8 V92215 HL87-8 V56878 HL1187-8 V73197		18

ILLUSTRATION ITEMS NOT ON PARTS LIST ARE NOT APPLICABLE

- ITEM NOT ILLUSTRATED

HXL

53-01-03-21

BOEING PROPRIETARY - Copyright © - Unpublished Work - See title page for details.

53-01-03  
 FIG. 21  
 PAGE 9  
 AUG 22/09



767

PARTS CATALOG (MAINTENANCE)

FIG ITEM	PART NUMBER	1 2 3 4 5 6 7	NOMENCLATURE	EFFECT FROM TO	UNITS PER ASSY
21 238	HL97DU8		. COLLAR SUPPLIER CODE: V73197 SPECIFICATION NUMBER: BACC30AB8S OPTIONAL PART: HL97DU8 V56878 HL97DU8 V5M902		34
288	HST11AG8-5		. BOLT SUPPLIER CODE: VOPTK6 SPECIFICATION NUMBER: BACB30VU8K5 OPTIONAL PART: HST11AG8-5 V73197 HST11AG8-5 V56878 HST11AG8-5 V06725		8
R 297	BACC30BL8		. COLLAR- -----*-----		8

ILLUSTRATION ITEMS NOT ON PARTS LIST ARE NOT APPLICABLE

- ITEM NOT ILLUSTRATED

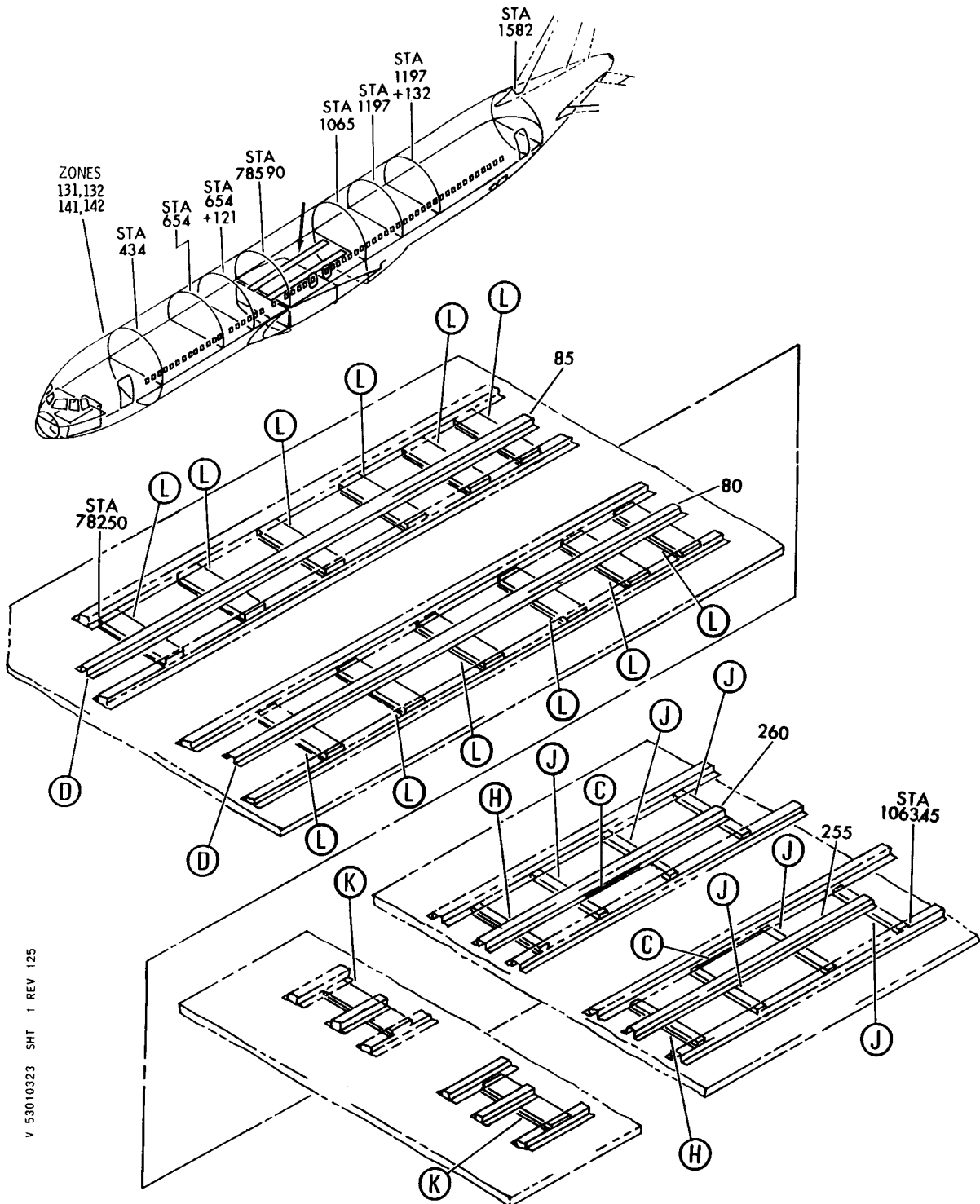
HXL

53-01-03-21

BOEING PROPRIETARY - Copyright © - Unpublished Work - See title page for details.

53-01-03  
FIG. 21  
PAGE 10  
AUG 22/09

**BOEING**  
767  
PARTS CATALOG (MAINTENANCE)



V 53010323 SHT 1 REV 125

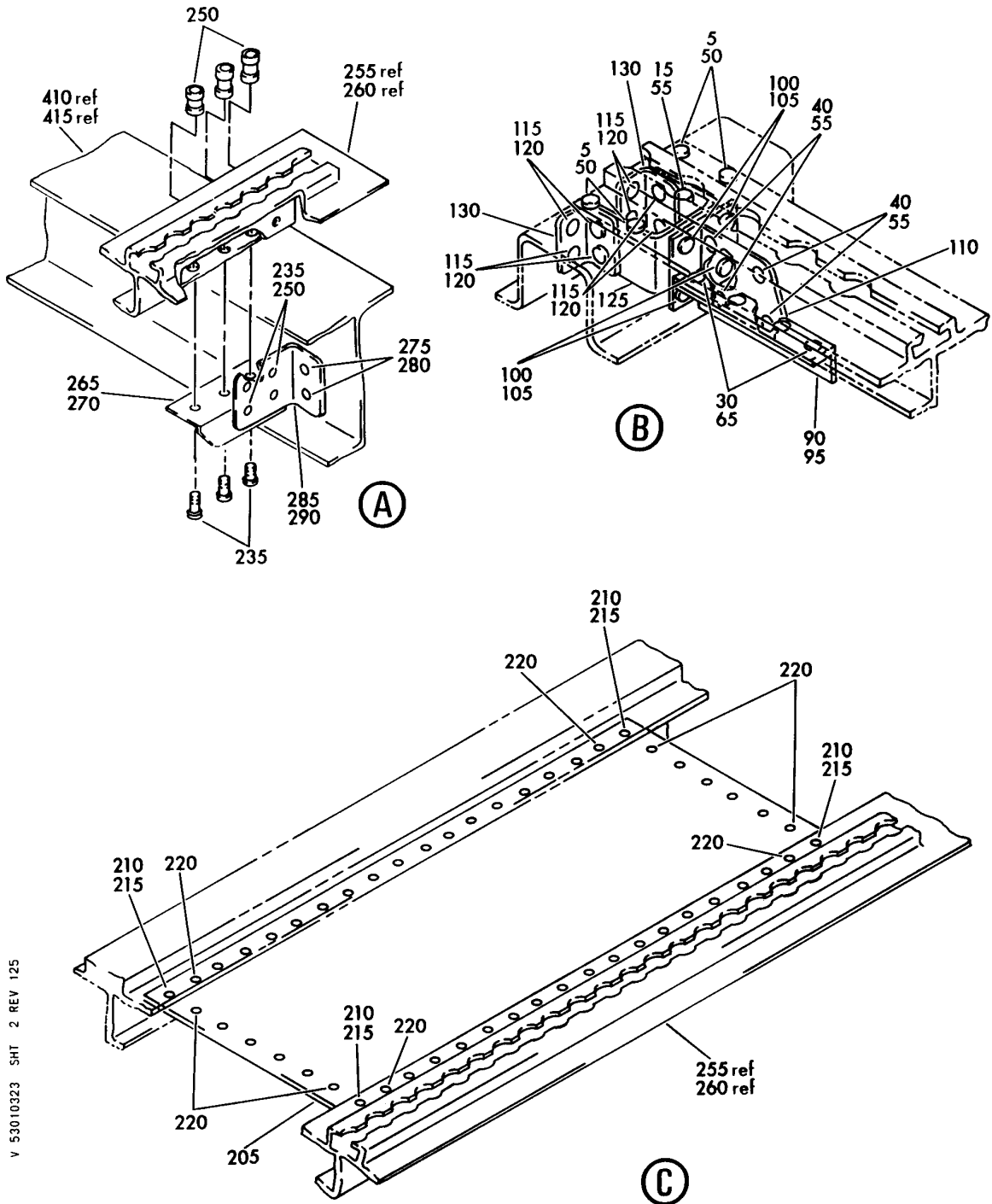
TRACK INSTL-BL 20.00 STA 782.50 TO STA 1070.45 SEAT  
FIGURE 23 (SHEET 1)

53-01-03-23

HXL  
DEC 22/06

53-01-03-23  
PAGE 0


**BOEING**  
 767  
**PARTS CATALOG (MAINTENANCE)**



V 53010323 SHT 2 REV 125

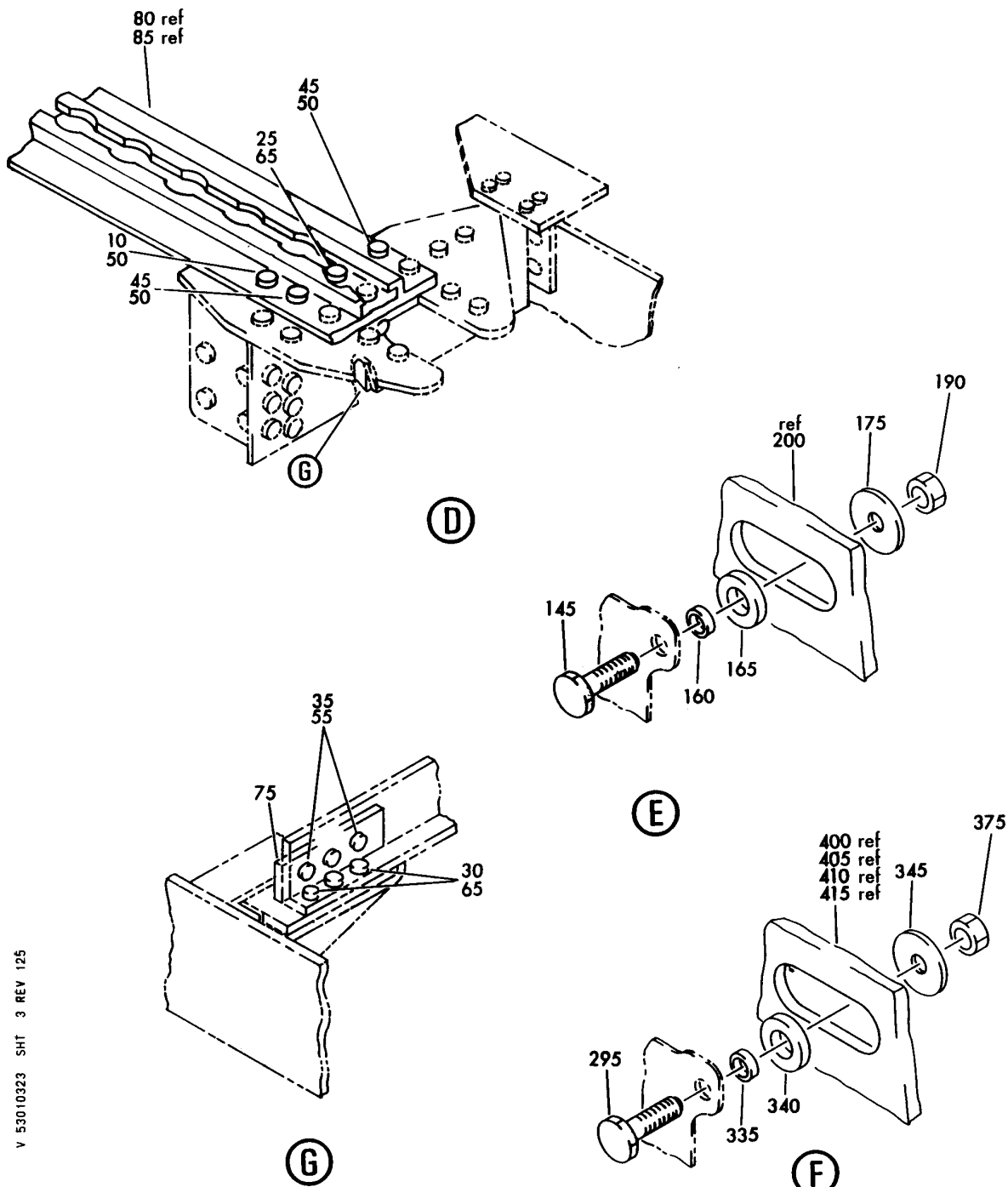
TRACK INSTL-BL 20.00 STA 782.50 TO STA 1070.45 SEAT  
 FIGURE 23 (SHEET 2)

**53-01-03-23**

HXL  
 DEC 22/06

53-01-03-23  
 PAGE 0A

**BOEING**  
767  
PARTS CATALOG (MAINTENANCE)



V 53010323 SH1 3 REV 125

TRACK INSTL-BL 20.00 STA 782.50 TO STA 1070.45 SEAT  
FIGURE 23 (SHEET 3)

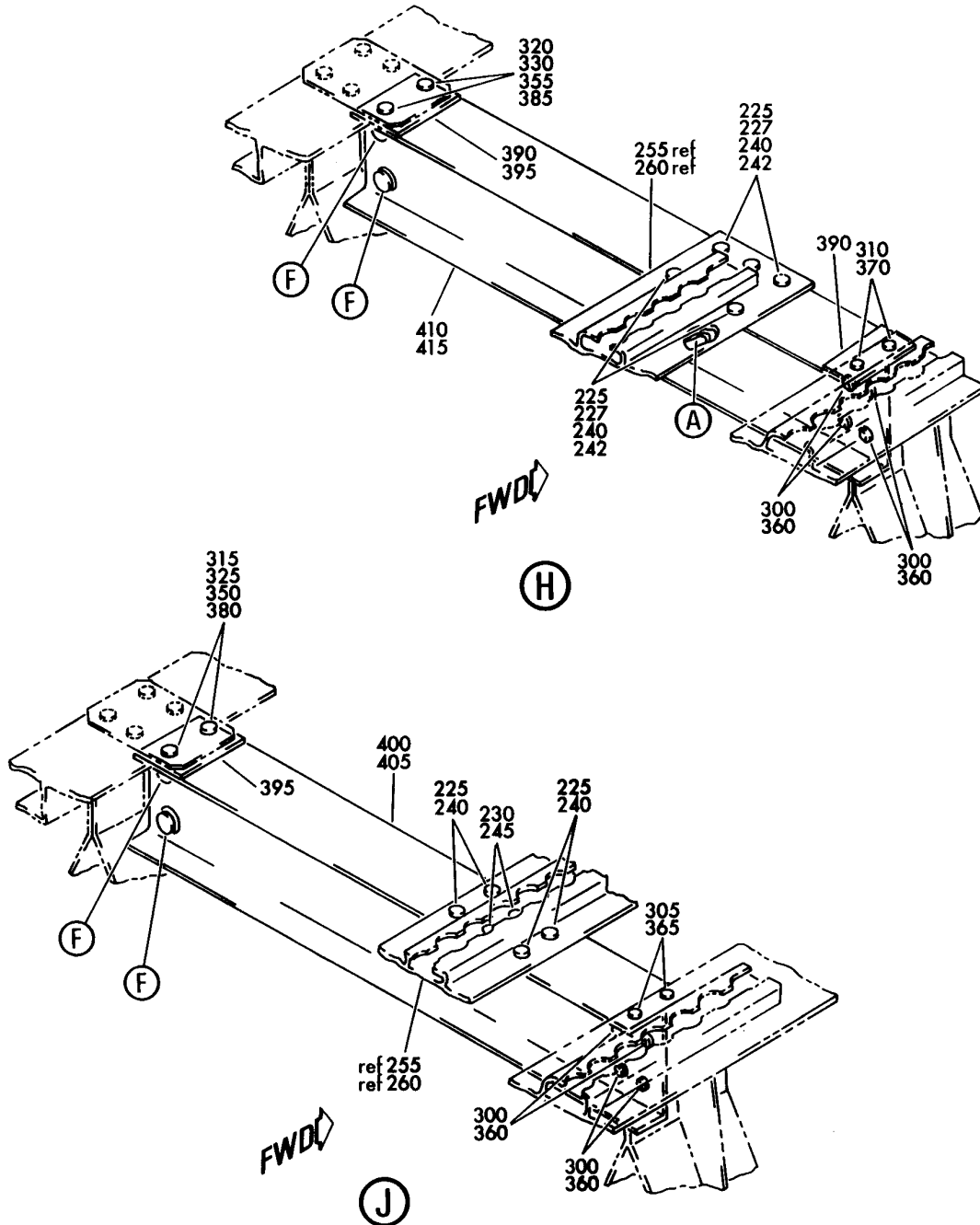
**53-01-03-23**

HXL  
DEC 22/06

53-01-03-23  
PAGE 0B

BOEING PROPRIETARY - Copyright © - Unpublished Work - See title page for details.

**BOEING**  
 767  
 PARTS CATALOG (MAINTENANCE)



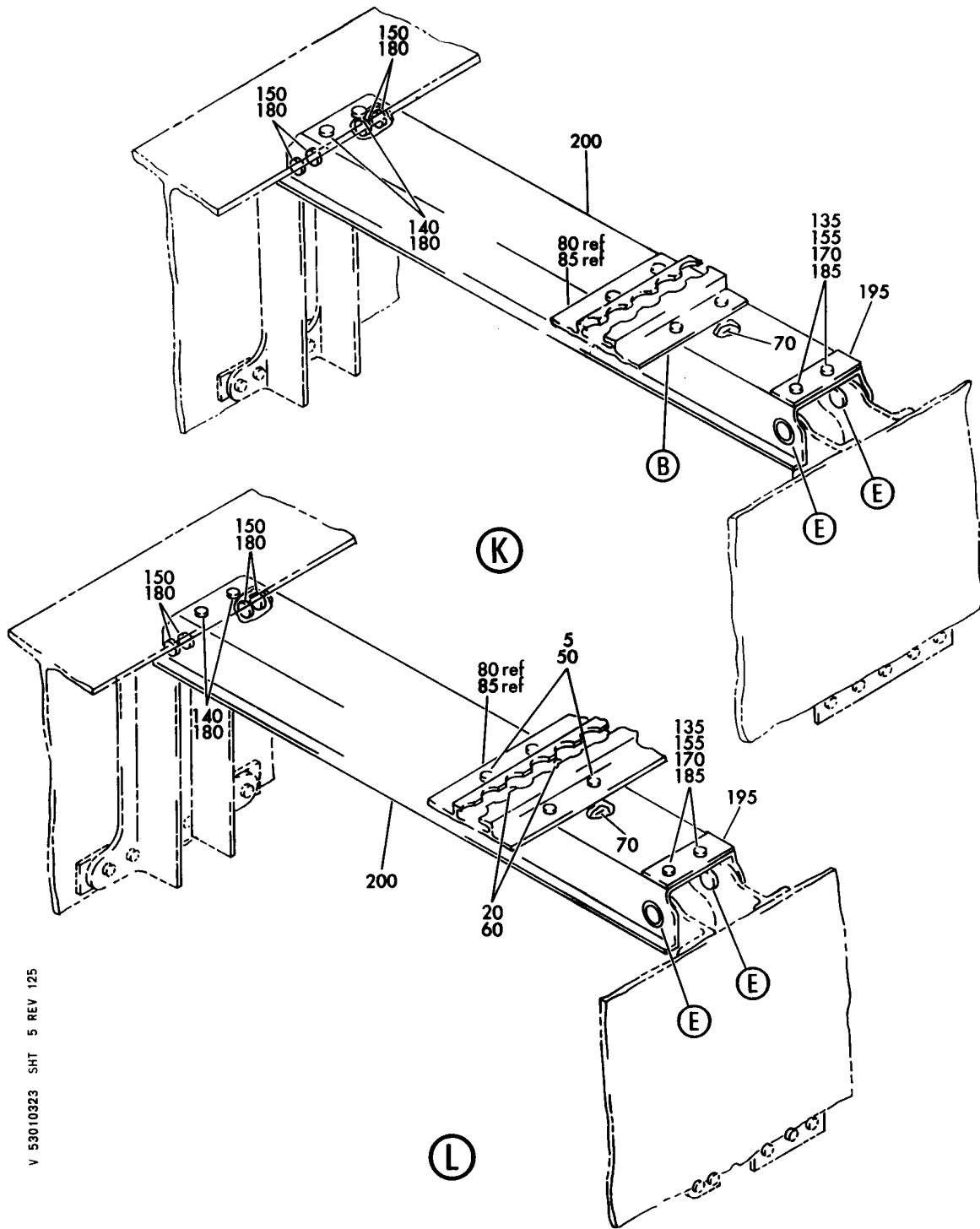
V 53010323 SH 4 REV 125

TRACK INSTL-BL 20.00 STA 782.50 TO STA 1070.45 SEAT  
 FIGURE 23 (SHEET 4)

**53-01-03-23**



**BOEING**  
767  
PARTS CATALOG (MAINTENANCE)



V 53010323 SHT 5 REV 125

TRACK INSTL-BL 20.00 STA 782.50 TO STA 1070.45 SEAT  
FIGURE 23 (SHEET 5)

**53-01-03-23**

HXL  
DEC 22/06

53-01-03-23  
PAGE 0D



767

PARTS CATALOG (MAINTENANCE)

FIG ITEM	PART NUMBER	1 2 3 4 5 6 7	NOMENCLATURE	EFFECT FROM TO	UNITS PER ASSY
23			TRACK INSTL-BL 20.00 STA 782.50 TO STA 1070.45 SEAT		
- 1	145T5223-2		TRACK INSTL-SEAT POSITION DATA: BS 20.00 STA 782.50 TO STA 1070.45 FOR NHA SEE: 53-50-00-08		RF
5	HST11AG6-6		.BOLT SUPPLIER CODE: V06725 SPECIFICATION NUMBER: BACB30VU6K6 OPTIONAL PART: HST11AG6-6 V73197 HST11AG6-6 V56878 HST11AG6-6 VOPTK6		56
10	HST11AG6-3		.BOLT SUPPLIER CODE: V06725 SPECIFICATION NUMBER: BACB30VU6K3 OPTIONAL PART: HST11AG6-3 V73197 HST11AG6-3 V56878 HST11AG6-3 VOPTK6		2

ILLUSTRATION ITEMS NOT ON PARTS LIST ARE NOT APPLICABLE

- ITEM NOT ILLUSTRATED

HXL

53-01-03-23

BOEING PROPRIETARY - Copyright © - Unpublished Work - See title page for details.

53-01-03  
FIG. 23  
PAGE 1  
DEC 22/07

**BOEING**  
767  
**PARTS CATALOG (MAINTENANCE)**

FIG ITEM	PART NUMBER	1 2 3 4 5 6 7	NOMENCLATURE	EFFECT FROM TO	UNITS PER ASSY
23 15	HL13VAZ8-7		.BOLT SUPPLIER CODE: V56878 SPECIFICATION NUMBER: BACB30NY8K7 OPTIONAL PART: HL13VAZ8-7 V73197 HL13VAZ8-7 V92215 HL13VAZ8-7 V97928 L801-8K7 V06725 HL13VAZ8-7 V60516 L801-8K7 VOPTK6 HL13VAZ8-7 V17446 HL1013AZ8-7 V60516		2
20	HL61-8-7		.BOLT- SUPPLIER CODE: V92215		24
25	HL13VAZ6-5		.BOLT SUPPLIER CODE: V56878 SPECIFICATION NUMBER: BACB30NY6K5 OPTIONAL PART: HL13VAZ6-5 V73197 HL13VAZ6-5 V92215 HL13VAZ6-5 V97928 L801-6K5 V06725 HL13VAZ6-5 V60516 L801-6K5 VOPTK6 HL13VAZ6-5 V17446 HL1013AZ6-5 V60516		2
ILLUSTRATION ITEMS NOT ON PARTS LIST ARE NOT APPLICABLE					

R  
R  
R  
R  
R  
R  
R  
R  
R  
R  
R  
R  
R  
R  
R  
R  
R  
R  
R  
R  
R  
R

- ITEM NOT ILLUSTRATED

53-01-03-23

53-01-03  
FIG. 23  
PAGE 2  
AUG 22/09

HXL



767

PARTS CATALOG (MAINTENANCE)

FIG ITEM	PART NUMBER	1 2 3 4 5 6 7 NOMENCLATURE	EFFECT FROM TO	UNITS PER ASSY
23 30	HL1012AZ6-4	.BOLT SUPPLIER CODE: V97928 SPECIFICATION NUMBER: BACB30NX6K4 OPTIONAL PART: HL12VAZ6-4 V73197 HL12VAZ6-4 V92215 HL12VAZ6-4 V97928 L802-6K4 V06725 HL12VAZ6-4 V56878 HL1012AZ6-4 V0PTK6 HL1012AZ6-4 V06725 HL1012AZ6-4 V06950 HL1012AZ6-4 V17446 HL1012AZ6-4 V56878 HL1012AZ6-4 V60516 HL1012AZ6-4 V73197		14

ILLUSTRATION ITEMS NOT ON PARTS LIST ARE NOT APPLICABLE

- ITEM NOT ILLUSTRATED

HXL

53-01-03-23

BOEING PROPRIETARY - Copyright © - Unpublished Work - See title page for details.

53-01-03  
FIG. 23  
PAGE 3  
DEC 22/07



767

PARTS CATALOG (MAINTENANCE)

FIG ITEM	PART NUMBER	1 2 3 4 5 6 7	NOMENCLATURE	EFFECT FROM TO	UNITS PER ASSY
23 35	HL1012AZ8-7		.BOLT SUPPLIER CODE: VOPTK6 SPECIFICATION NUMBER: BACB30NX8K7 OPTIONAL PART: HL12VAZ8-7 V73197 HL12VAZ8-7 V92215 HL12VAZ8-7 V97928 L802-8K7 V06725 HL12VAZ8-7 V56878 HL1012AZ8-7 V06725 HL1012AZ8-7 V06950 HL1012AZ8-7 V17446 HL1012AZ8-7 V56878 HL1012AZ8-7 V60516 HL1012AZ8-7 V73197 HL1012AZ8-7 V97928		6
ILLUSTRATION ITEMS NOT ON PARTS LIST ARE NOT APPLICABLE					

- ITEM NOT ILLUSTRATED

53-01-03-23

53-01-03  
 FIG. 23  
 PAGE 4  
 DEC 22/07

HXL



767

PARTS CATALOG (MAINTENANCE)

FIG ITEM	PART NUMBER	1 2 3 4 5 6 7	NOMENCLATURE	EFFECT FROM TO	UNITS PER ASSY
23 40	HL1012AZ8-3		.BOLT SUPPLIER CODE: VOPTK6 SPECIFICATION NUMBER: BACB30NX8K3 OPTIONAL PART: HL12VAZ8-3 V73197 HL12VAZ8-3 V92215 HL12VAZ8-3 V97928 L802-8K3 V06725 HL12VAZ8-3 V56878 HL1012AZ8-3 V06725 HL1012AZ8-3 V06950 HL1012AZ8-3 V17446 HL1012AZ8-3 V56878 HL1012AZ8-3 V60516 HL1012AZ8-3 V73197 HL1012AZ8-3 V97928		8
45	HST11AG6-4		.BOLT SUPPLIER CODE: V06725 SPECIFICATION NUMBER: BACB30VU6K4 OPTIONAL PART: HST11AG6-4 V73197 HST11AG6-4 VOPTK6 HST11AG6-4 V56878		4
R 50	BACC30BL6		.COLLAR		62

ILLUSTRATION ITEMS NOT ON PARTS LIST ARE NOT APPLICABLE

- ITEM NOT ILLUSTRATED

HXL

53-01-03-23

BOEING PROPRIETARY - Copyright © - Unpublished Work - See title page for details.

53-01-03  
FIG. 23  
PAGE 5  
AUG 22/09



767

PARTS CATALOG (MAINTENANCE)

FIG ITEM	PART NUMBER	1 2 3 4 5 6 7	NOMENCLATURE	EFFECT FROM TO	UNITS PER ASSY
23 55	HL1187-8		.COLLAR SUPPLIER CODE: V5M902 SPECIFICATION NUMBER: BACC30X8 OPTIONAL PART: HL87-8 V92215 HL87-8 V73197 HL1187-8 V56878 HL1187-8 V92215 HL87-8 V56878 HL1187-8 V73197		16
60	HL97DU8		.COLLAR SUPPLIER CODE: V73197 SPECIFICATION NUMBER: BACC30AB8S OPTIONAL PART: HL97DU8 V56878 HL97DU8 V5M902		24
65	HL1187-6		.COLLAR SUPPLIER CODE: V5M902 SPECIFICATION NUMBER: BACC30X6 OPTIONAL PART: HL87-6 V92215 HL87-6 V73197 HL1187-6 V56878 HL1187-6 V92215 HL87-6 V56878 HL1187-6 V73197		16
70	145T5205-55		.FILLER		14
75	145T5218-30		.FILLER		2

ILLUSTRATION ITEMS NOT ON PARTS LIST ARE NOT APPLICABLE

- ITEM NOT ILLUSTRATED

53-01-03-23

53-01-03  
FIG. 23  
PAGE 6  
AUG 22/09

HXL

 **BOEING**  
767  
**PARTS CATALOG (MAINTENANCE)**

FIG ITEM	PART NUMBER	1 2 3 4 5 6 7	NOMENCLATURE	EFFECT FROM TO	UNITS PER ASSY
23					
80	145T5217-3		.TRACK-SEAT POSITION DATA: LH SIDE		1
85	145T5217-4		.TRACK-SEAT POSITION DATA: RH SIDE		1
90	145T5205-51		.ANGLE-STIFFENER POSITION DATA: LH SIDE		1
95	145T5205-52		.ANGLE-STIFFENER POSITION DATA: RH SIDE		1
100	HST10AG6-5		.BOLT SUPPLIER CODE: VOPTK6 SPECIFICATION NUMBER: BACB30VT6K5 OPTIONAL PART: HST10AG6-5 V06725 HST10AG6-5 V56878 HST10AG6-5 V73197 WC10K6-5 V60516		8
R 105	BACC30BL6		.COLLAR		8
110	145T5205-53		.TEE-STIFFENER		2
115	HST10AG6-3		.BOLT SUPPLIER CODE: VOPTK6 SPECIFICATION NUMBER: BACB30VT6K3 OPTIONAL PART: HST10AG6-3 V06725 HST10AG6-3 V56878 HST10AG6-3 V73197 WC10K6-3 V60516		16
R 120	BACC30BL6		.COLLAR		16
125	145T5204-42		.CHANNEL		2
130	145T5205-76		.ANGLE		4
135	BACB30VF3K4		.BOLT		28

ILLUSTRATION ITEMS NOT ON PARTS LIST ARE NOT APPLICABLE

— ITEM NOT ILLUSTRATED

HXL

# 53-01-03-23

BOEING PROPRIETARY - Copyright © - Unpublished Work - See title page for details.

53-01-03  
FIG. 23  
PAGE 7  
AUG 22/09





767

PARTS CATALOG (MAINTENANCE)

FIG ITEM	PART NUMBER	1 2 3 4 5 6 7	NOMENCLATURE	EFFECT FROM TO	UNITS PER ASSY
23 140	HST11AG6-3	.BOLT	SUPPLIER CODE: V06725 SPECIFICATION NUMBER: BACB30VU6K3 OPTIONAL PART: HST11AG6-3 V73197 HST11AG6-3 V56878 HST11AG6-3 VOPTK6		28
145	BACB30NM3K4	.BOLT			28
150	HST10AG6-3	.BOLT	SUPPLIER CODE: VOPTK6 SPECIFICATION NUMBER: BACB30VT6K3 OPTIONAL PART: HST10AG6-3 V06725 HST10AG6-3 V56878 HST10AG6-3 V73197 WC10K6-3 V60516		56
155	NAS43DD3-7	.SPACER			28
160	BACB28AK03-010	.BUSHING-	OPTIONAL PART: BACB28AK03-014		28
160	BACB28AK03-014	.BUSHING-	OPTIONAL PART: BACB28AK03-010		28
165	140T2515-1	.BUSHING			28
170	AN960JD10	.WASHER			28
175	145T5205-56	.WASHER			28
180	BACC30BL6	.COLLAR			84

ILLUSTRATION ITEMS NOT ON PARTS LIST ARE NOT APPLICABLE

- ITEM NOT ILLUSTRATED

HXL

53-01-03-23

BOEING PROPRIETARY - Copyright © - Unpublished Work - See title page for details.

53-01-03  
FIG. 23  
PAGE 8  
AUG 22/09

**BOEING**  
767  
**PARTS CATALOG (MAINTENANCE)**

FIG ITEM	PART NUMBER	1 2 3 4 5 6 7	NOMENCLATURE	EFFECT FROM TO	UNITS PER ASSY
23 185	BRH10C3D		.NUT SUPPLIER CODE: V52828 SPECIFICATION NUMBER: BACN10JC3CD OPTIONAL PART: T6C1032JCD V11815 NS202486-02 V80539 102LH9075-3W V72962 H51650-3BAC V15653		28
190	NAS1805-3L		.NUT		28
195	145T5706-9		.STRIP-RUB		14
200	145T5204-41		.INTERCOSTAL		14
205	145T5204-43		.SHEAR-WEB ATTACHING PARTS		2
210	HST11AG6-4		.BOLT SUPPLIER CODE: V06725 SPECIFICATION NUMBER: BACB30VU6K4 OPTIONAL PART: HST11AG6-4 V73197 HST11AG6-4 VOPTK6 HST11AG6-4 V56878		8
R 215	BACC30BL6		.COLLAR		8
220	BACR15CE6AD		.RIVET- SIZE DETERMINED ON INSTL. -----*-----		92
225	HST11AG6-4		.BOLT SUPPLIER CODE: V06725 SPECIFICATION NUMBER: BACB30VU6K4 OPTIONAL PART: HST11AG6-4 V73197 HST11AG6-4 VOPTK6 HST11AG6-4 V56878		34

ILLUSTRATION ITEMS NOT ON PARTS LIST ARE NOT APPLICABLE

- ITEM NOT ILLUSTRATED

HXL

53-01-03-23

BOEING PROPRIETARY - Copyright © - Unpublished Work - See title page for details.

53-01-03  
FIG. 23  
PAGE 9  
AUG 22/09



767

PARTS CATALOG (MAINTENANCE)

FIG ITEM	PART NUMBER	1 2 3 4 5 6 7	NOMENCLATURE	EFFECT FROM TO	UNITS PER ASSY
23 235	HL1012AZ6-4		.BOLT SUPPLIER CODE: V97928 SPECIFICATION NUMBER: BACB30NX6K4 OPTIONAL PART: HL12VAZ6-4 V73197 HL12VAZ6-4 V92215 HL12VAZ6-4 V97928 L802-6K4 V06725 HL12VAZ6-4 V56878 HL1012AZ6-4 VOPTK6 HL1012AZ6-4 V06725 HL1012AZ6-4 V06950 HL1012AZ6-4 V17446 HL1012AZ6-4 V56878 HL1012AZ6-4 V60516 HL1012AZ6-4 V73197		14
R 240	BACC30BL6		.COLLAR		34
250	HL1187-6		.COLLAR SUPPLIER CODE: V5M902 SPECIFICATION NUMBER: BACC30X6 OPTIONAL PART: HL87-6 V92215 HL87-6 V73197 HL1187-6 V56878 HL1187-6 V92215 HL87-6 V56878 HL1187-6 V73197		14
ILLUSTRATION ITEMS NOT ON PARTS LIST ARE NOT APPLICABLE					

- ITEM NOT ILLUSTRATED

53-01-03-23

53-01-03  
FIG. 23  
PAGE 10  
AUG 22/09

HXL



767

PARTS CATALOG (MAINTENANCE)

FIG ITEM	PART NUMBER	1 2 3 4 5 6 7	NOMENCLATURE	EFFECT FROM TO	UNITS PER ASSY
23					
255	145T5217-5	.	TRACK-SEAT POSITION DATA: LH SIDE		1
260	145T5217-6	.	TRACK-SEAT POSITION DATA: RH SIDE		1
265	145T5205-69	.	ANGLE- POSITION DATA: LH SIDE		1
270	145T5205-70	.	ANGLE- POSITION DATA: RH SIDE		1
275	HL1012AZ8-4	.	BOLT SUPPLIER CODE: VOPTK6 SPECIFICATION NUMBER: BACB30NX8K4 OPTIONAL PART: HL12VAZ8-4 V73197 HL12VAZ8-4 V92215 HL12VAZ8-4 V97928 L802-8K4 V06725 HL12VAZ8-4 V56878 HL1012AZ8-4 V06725 HL1012AZ8-4 V06950 HL1012AZ8-4 V17446 HL1012AZ8-4 V56878 HL1012AZ8-4 V60516 HL1012AZ8-4 V73197 HL1012AZ8-4 V97928		4
ILLUSTRATION ITEMS NOT ON PARTS LIST ARE NOT APPLICABLE					

- ITEM NOT ILLUSTRATED

53-01-03-23

53-01-03  
FIG. 23  
PAGE 11  
AUG 22/09

HXL



767

PARTS CATALOG (MAINTENANCE)

FIG ITEM	PART NUMBER	1 2 3 4 5 6 7	NOMENCLATURE	EFFECT FROM TO	UNITS PER ASSY
23 280	HL1187-8		.COLLAR SUPPLIER CODE: V5M902 SPECIFICATION NUMBER: BACC30X8 OPTIONAL PART: HL87-8 V92215 HL87-8 V73197 HL1187-8 V56878 HL1187-8 V92215 HL87-8 V56878 HL1187-8 V73197		4
285	145T5205-74		.ANGLE- POSITION DATA: LH SIDE		1
290	145T5205-81		.ANGLE- POSITION DATA: RH SIDE		1
295	BACB30NM3K4		.BOLT		16

ILLUSTRATION ITEMS NOT ON PARTS LIST ARE NOT APPLICABLE

- ITEM NOT ILLUSTRATED

HXL

53-01-03-23

BOEING PROPRIETARY - Copyright © - Unpublished Work - See title page for details.

53-01-03  
FIG. 23  
PAGE 12  
AUG 22/09



767

PARTS CATALOG (MAINTENANCE)

FIG ITEM	PART NUMBER	1 2 3 4 5 6 7	NOMENCLATURE	EFFECT FROM TO	UNITS PER ASSY
23 300	HL1012AZ8-4		.BOLT SUPPLIER CODE: VOPTK6 SPECIFICATION NUMBER: BACB30NX8K4 OPTIONAL PART: HL12VAZ8-4 V73197 HL12VAZ8-4 V92215 HL12VAZ8-4 V97928 L802-8K4 V06725 HL12VAZ8-4 V56878 HL1012AZ8-4 V06725 HL1012AZ8-4 V06950 HL1012AZ8-4 V17446 HL1012AZ8-4 V56878 HL1012AZ8-4 V60516 HL1012AZ8-4 V73197 HL1012AZ8-4 V97928		32
305	HST11AG6-3		.BOLT SUPPLIER CODE: V06725 SPECIFICATION NUMBER: BACB30VU6K3 OPTIONAL PART: HST11AG6-3 V73197 HST11AG6-3 V56878 HST11AG6-3 VOPTK6		12

ILLUSTRATION ITEMS NOT ON PARTS LIST ARE NOT APPLICABLE

- ITEM NOT ILLUSTRATED

HXL

53-01-03-23

BOEING PROPRIETARY - Copyright © - Unpublished Work - See title page for details.

53-01-03  
FIG. 23  
PAGE 13  
AUG 22/09



767

PARTS CATALOG (MAINTENANCE)

FIG ITEM	PART NUMBER	1 2 3 4 5 6 7	NOMENCLATURE	EFFECT FROM TO	UNITS PER ASSY
23 310	HST11AG8-8	.BOLT	SUPPLIER CODE: VOPTK6 SPECIFICATION NUMBER: BACB30VU8K8 OPTIONAL PART: HST11AG8-8 V73197 HST11AG8-8 V56878 HST11AG8-8 V06725		4
315	BACB30VF3K4	.BOLT			12
320	BACB30VF4K10	.BOLT			4
325	NAS43DD3-9	.SPACER			12
330	NAS43DD4-9	.SPACER			4
335	BACB28AK03-010	.BUSHING-	OPTIONAL PART: BACB28AK03-014		16
335	BACB28AK03-014	.BUSHING-	OPTIONAL PART: BACB28AK03-010		16
340	140T2515-1	.BUSHING			16
345	145T5205-56	.WASHER			16
350	AN960JD10	.WASHER			12
355	AN960JD416	.WASHER			4
360	HL1187-8	.COLLAR	SUPPLIER CODE: V5M902 SPECIFICATION NUMBER: BACC30X8 OPTIONAL PART: HL87-8 V92215 HL87-8 V73197 HL1187-8 V56878 HL1187-8 V92215 HL87-8 V56878 HL1187-8 V73197		32
R R	365	BACC30BL6	.COLLAR		12
	370	BACC30BL8	.COLLAR		4
	375	NAS1805-3L	.NUT		16

ILLUSTRATION ITEMS NOT ON PARTS LIST ARE NOT APPLICABLE

- ITEM NOT ILLUSTRATED

53-01-03-23

53-01-03  
FIG. 23  
PAGE 14  
AUG 22/09

HXL

 **BOEING**  
767  
**PARTS CATALOG (MAINTENANCE)**

FIG ITEM	PART NUMBER	1 2 3 4 5 6 7	NOMENCLATURE	EFFECT FROM TO	UNITS PER ASSY
23 380	BRH10C3D	.NUT	SUPPLIER CODE: V52828 SPECIFICATION NUMBER: BACN10JC3CD OPTIONAL PART: T6C1032JCD V11815 NS202486-02 V80539 102LH9075-3W V72962 H51650-3BAC V15653		12
385	BRH10C4D	.NUT	SUPPLIER CODE: V52828 SPECIFICATION NUMBER: BACN10JC4CD OPTIONAL PART: T6C428JCD V11815 NS202486-048 V80539 102LH9075-4W V72962 H51650-4BAC V15653		4
390	BACF3H11VF020AG	.FILLER			4
395	145T5706-8	.STRIP-RUB			8
400	145T5205-59	.INTERCOSTAL- POSITION DATA: LH SIDE			3
405	145T5205-60	.INTERCOSTAL- POSITION DATA: RH SIDE			3
410	145T5205-61	.INTERCOSTAL- POSITION DATA: LH SIDE			1
415	145T5205-62	.INTERCOSTAL- POSITION DATA: RH SIDE			1

ILLUSTRATION ITEMS NOT ON PARTS LIST ARE NOT APPLICABLE

— ITEM NOT ILLUSTRATED

HXL

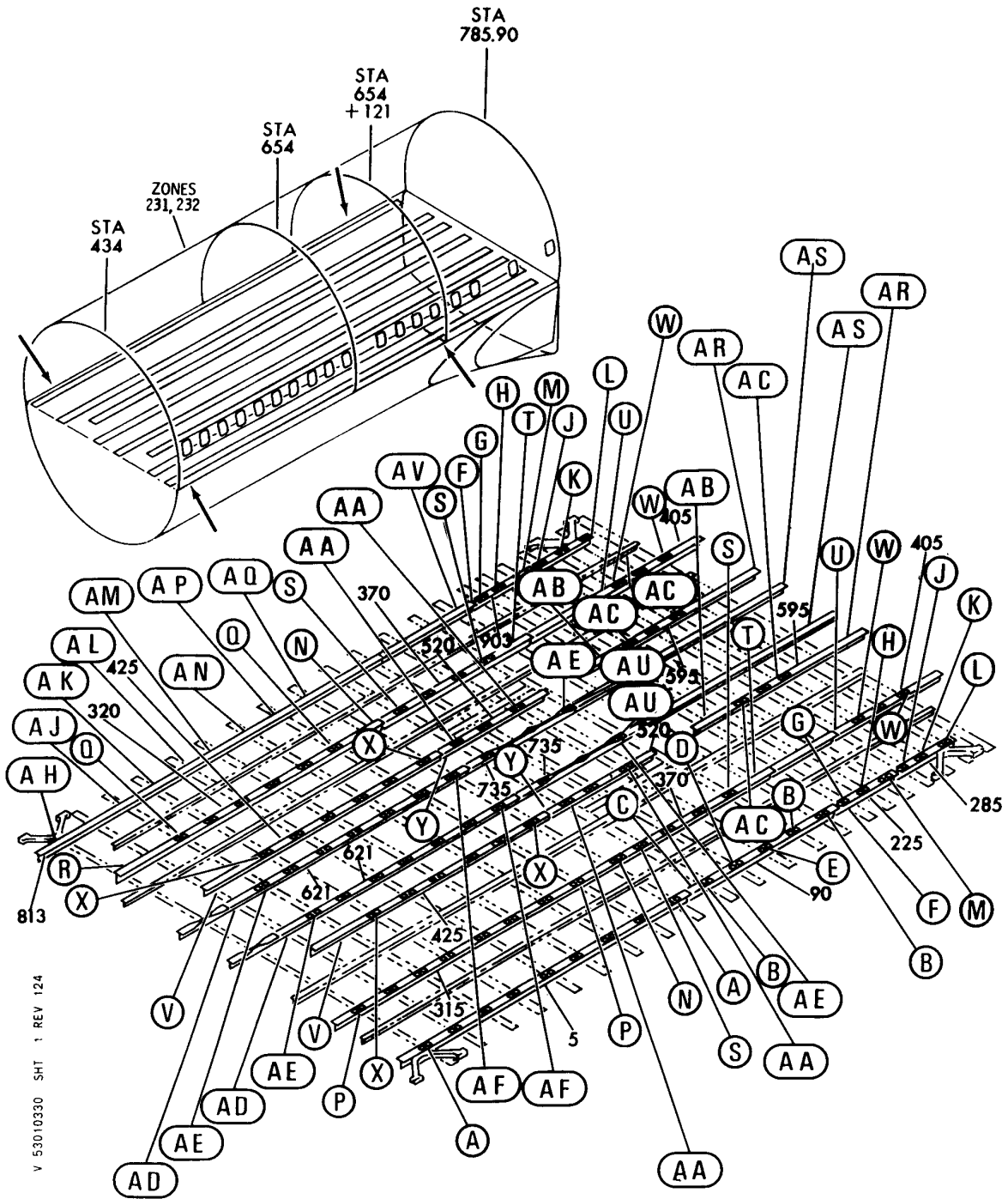
# 53-01-03-23

BOEING PROPRIETARY - Copyright © - Unpublished Work - See title page for details.

53-01-03  
FIG. 23  
PAGE 15  
AUG 22/09



**BOEING**  
767  
PARTS CATALOG (MAINTENANCE)



V 53010330 SHT 1 REV 124

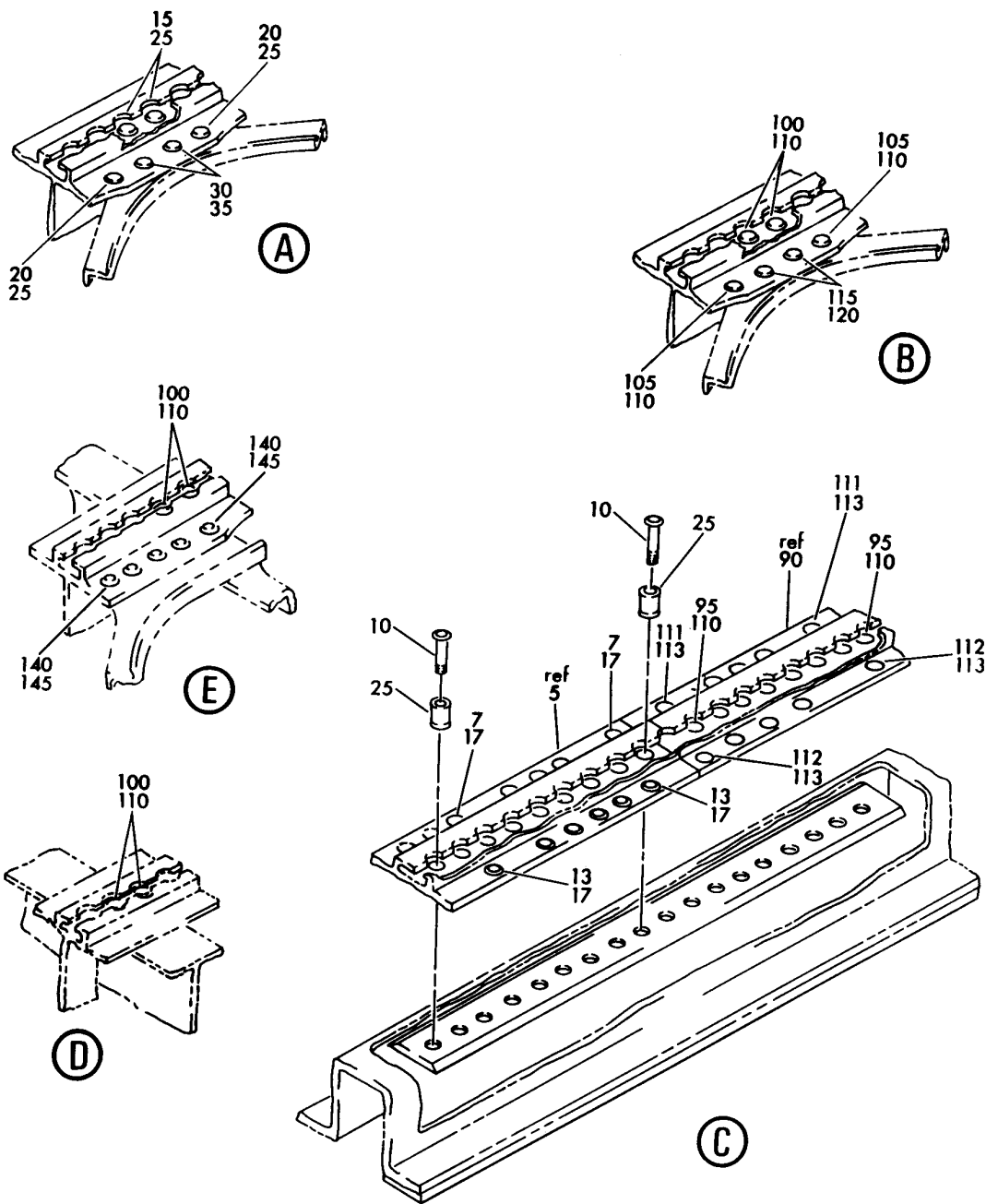
FLOOR SYSTEM INSTL-SECT. 43 (PASSENGER SEAT TRACKS ONLY)  
FIGURE 30 (SHEET 1)

**53-01-03-30**

HXL  
DEC 22/06

53-01-03-30  
PAGE 0

**BOEING**  
767  
PARTS CATALOG (MAINTENANCE)



V 53010330 SH1 2 REV 124

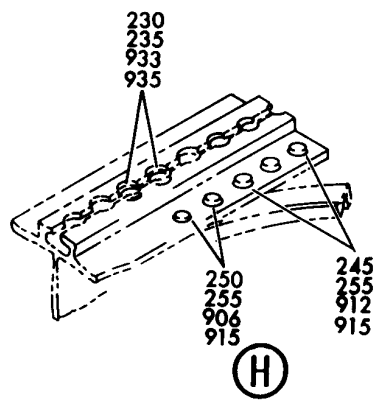
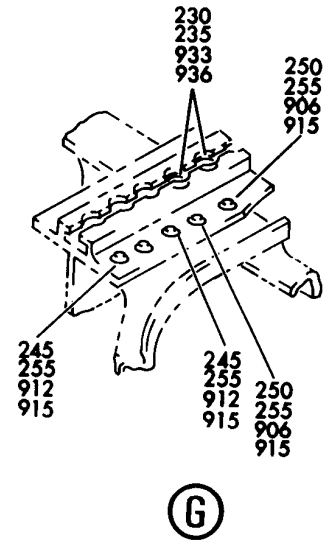
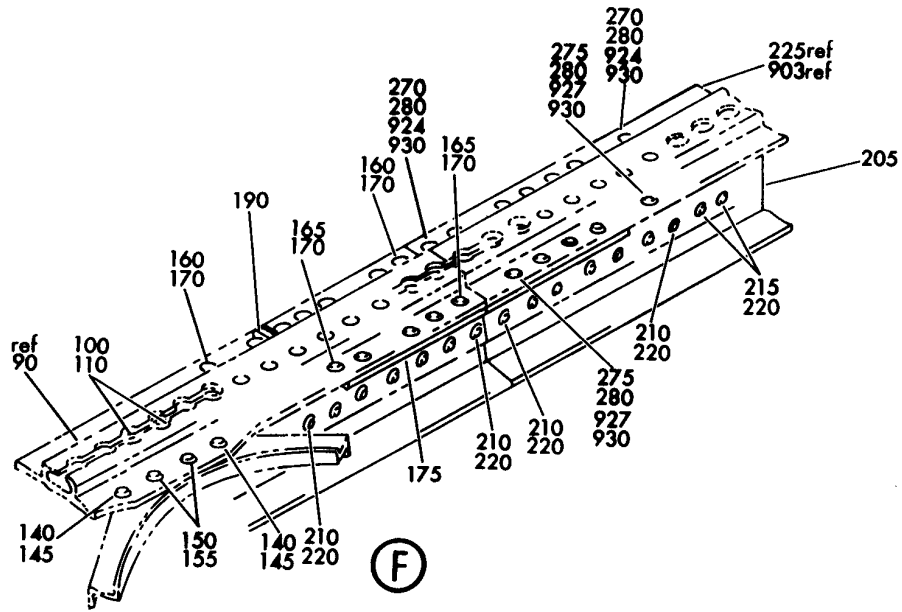
FLOOR SYSTEM INSTL-SECT. 43 (PASSENGER SEAT TRACKS ONLY)  
FIGURE 30 (SHEET 2)

**53-01-03-30**

HXL  
DEC 22/06

53-01-03-30  
PAGE 0A

**BOEING**  
767  
PARTS CATALOG (MAINTENANCE)



V 53010330 SHT 3 REV 124

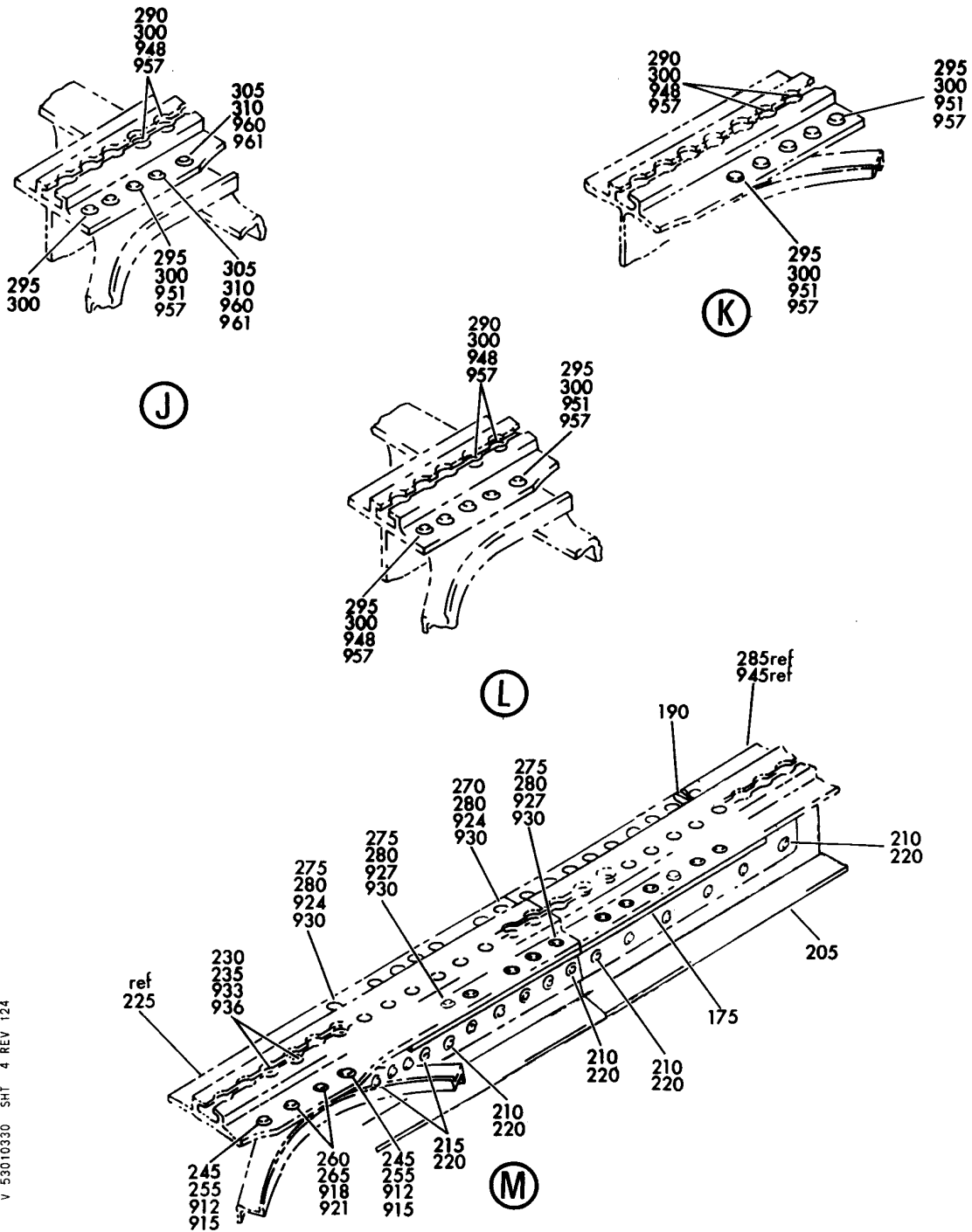
FLOOR SYSTEM INSTL-SECT. 43 (PASSENGER SEAT TRACKS ONLY)  
FIGURE 30 (SHEET 3)

**53-01-03-30**

HXL  
DEC 22/06

53-01-03-30  
PAGE 0B

**BOEING**  
767  
PARTS CATALOG (MAINTENANCE)



V 53010330 SHT 4 REV 124

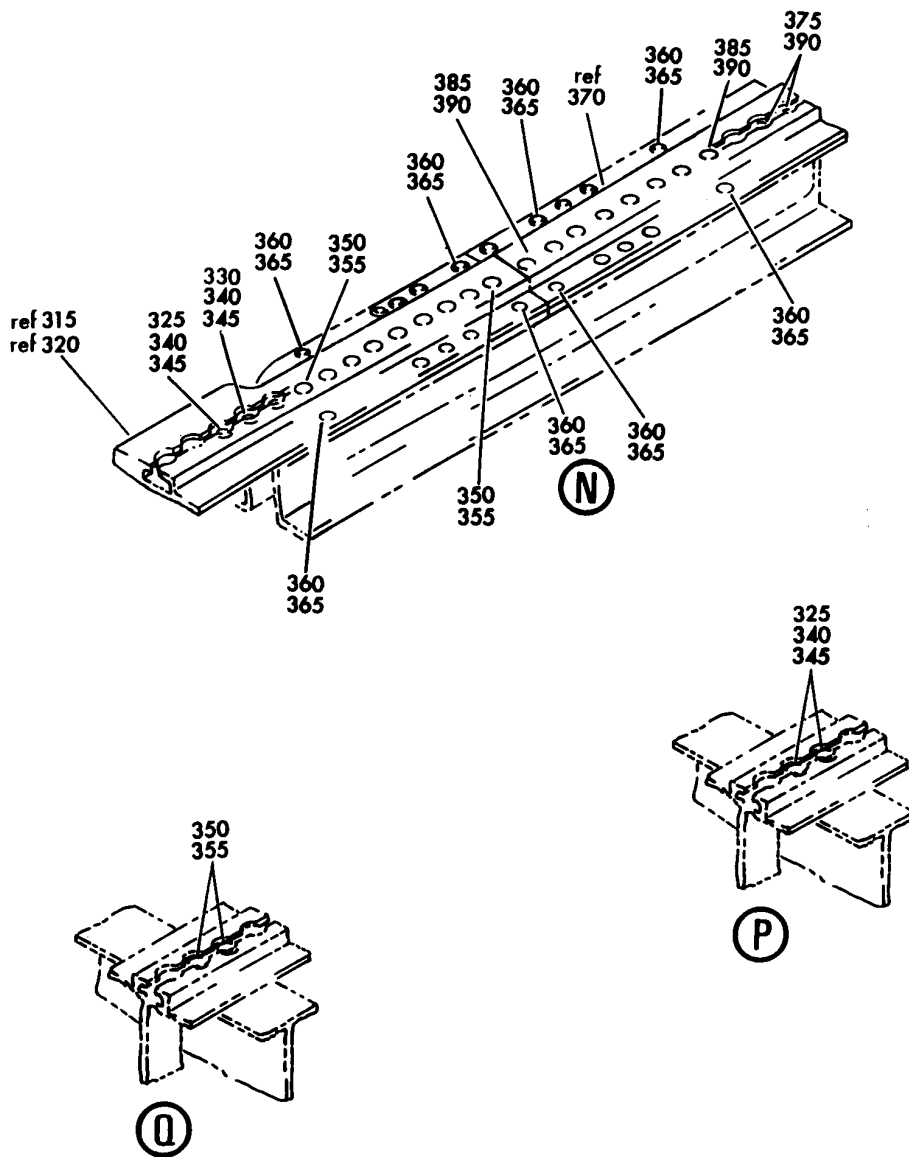
FLOOR SYSTEM INSTL-SECT. 43 (PASSENGER SEAT TRACKS ONLY)  
FIGURE 30 (SHEET 4)

53-01-03-30

HXL  
DEC 22/06

53-01-03-30  
PAGE 0C

**BOEING**  
767  
PARTS CATALOG (MAINTENANCE)



V 53010330 SHT 5 REV 124

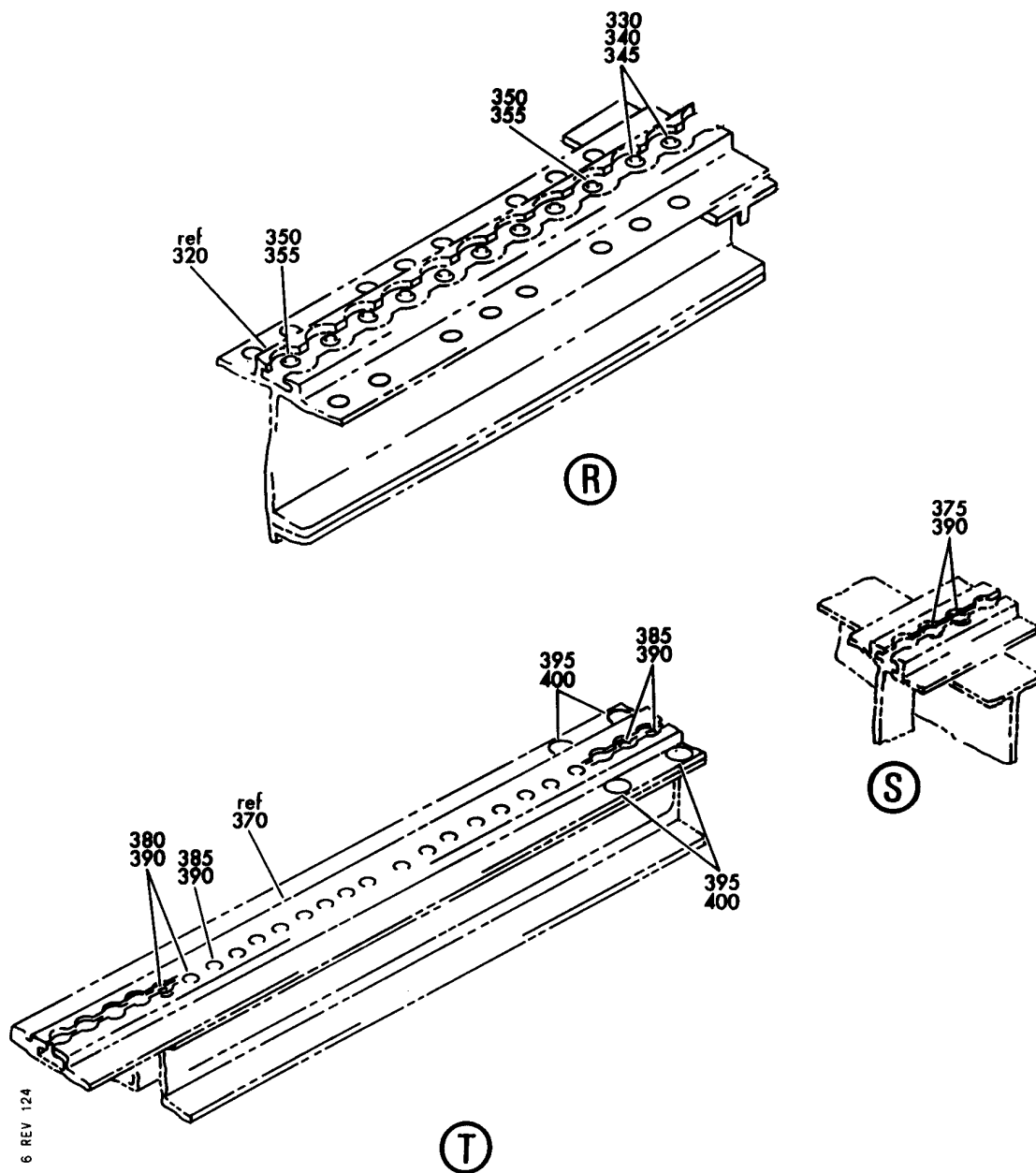
FLOOR SYSTEM INSTL-SECT. 43 (PASSENGER SEAT TRACKS ONLY)  
FIGURE 30 (SHEET 5)

**53-01-03-30**

HXL  
DEC 22/06

53-01-03-30  
PAGE 0D

**BOEING**  
767  
PARTS CATALOG (MAINTENANCE)



V 53010330 SHT 6 REV 124

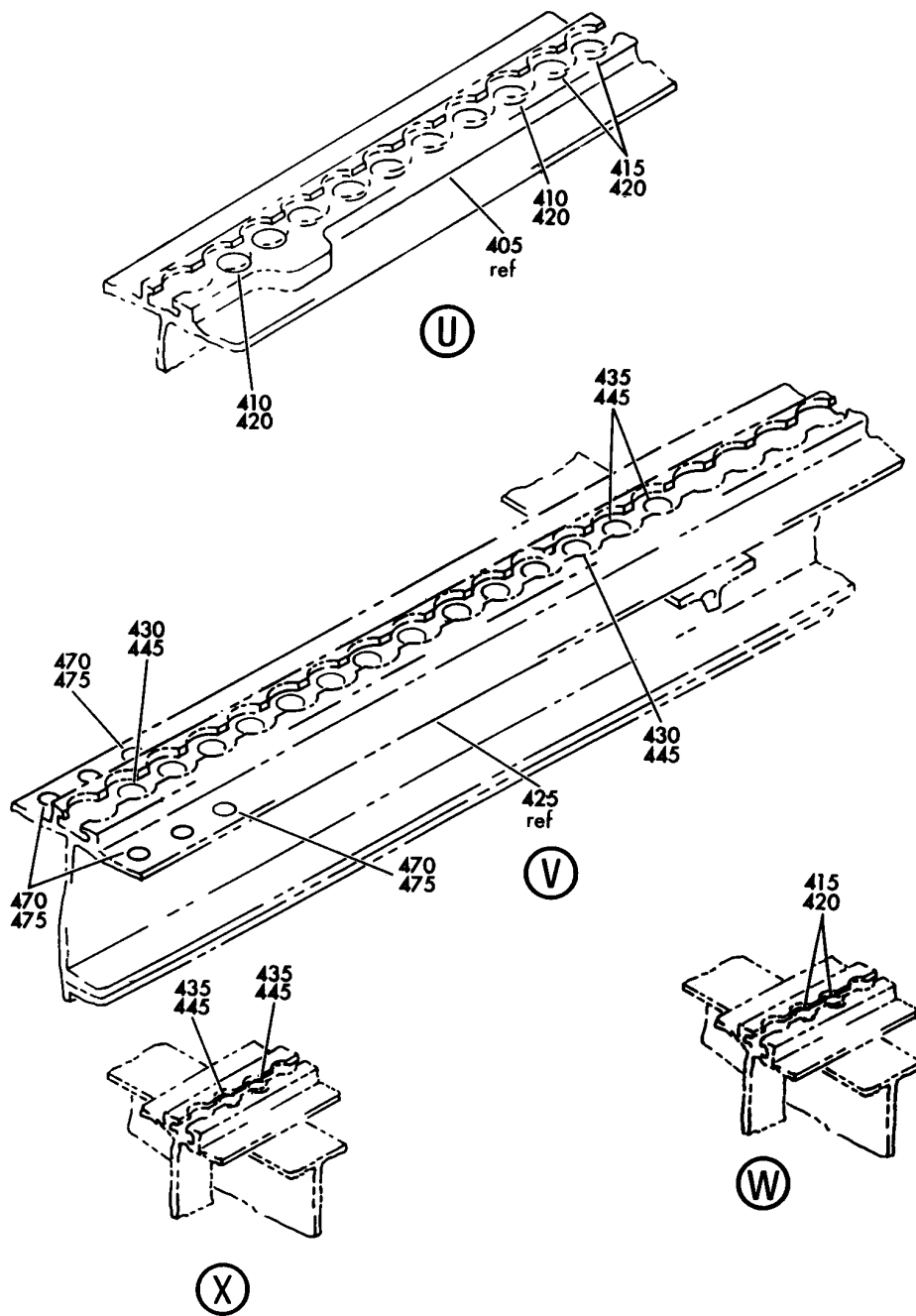
FLOOR SYSTEM INSTL-SECT. 43 (PASSENGER SEAT TRACKS ONLY)  
FIGURE 30 (SHEET 6)

**53-01-03-30**

HXL  
DEC 22/06

53-01-03-30  
PAGE 0E

**BOEING**  
767  
PARTS CATALOG (MAINTENANCE)



V 53010330 SHT 7 REV 124

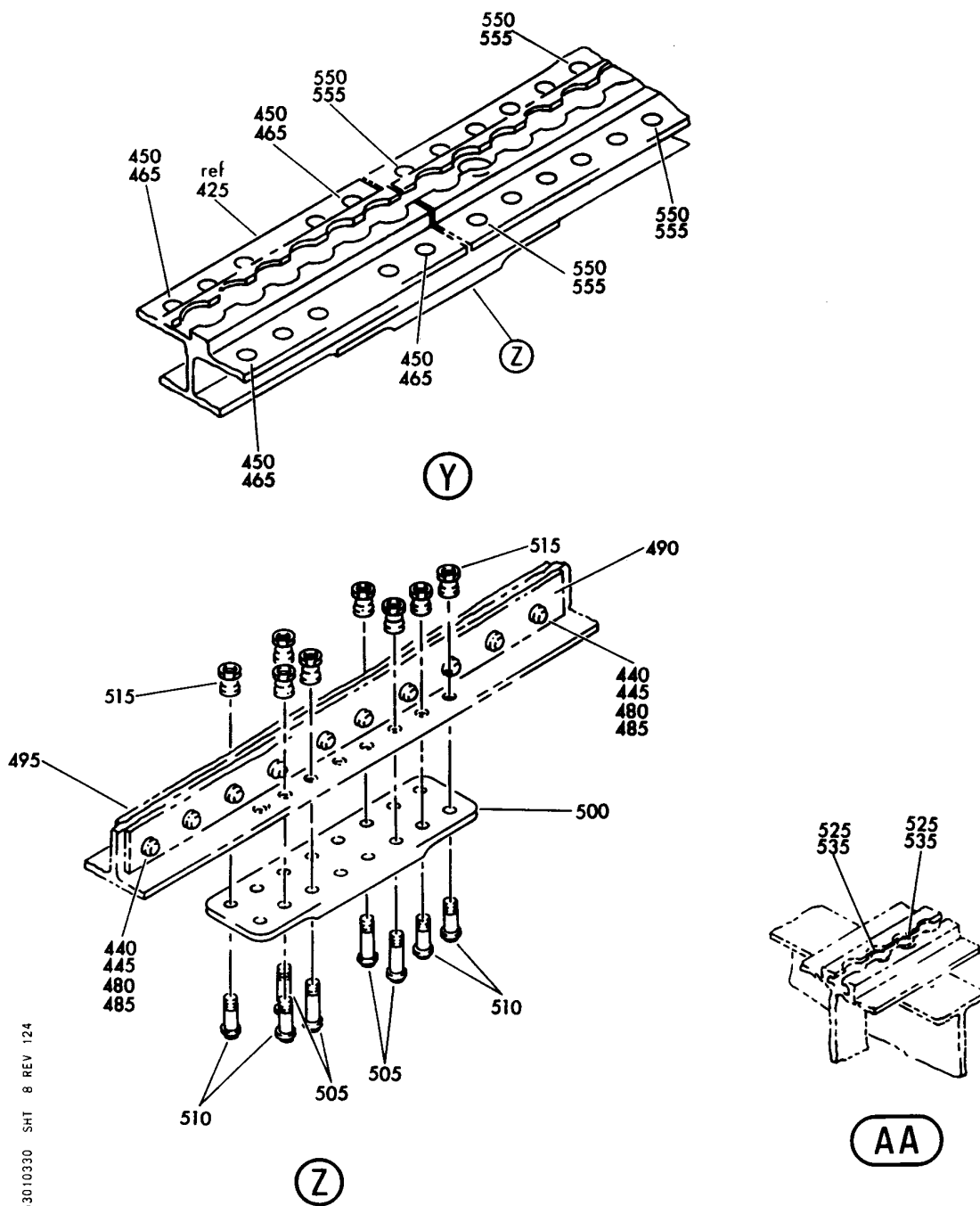
FLOOR SYSTEM INSTL-SECT. 43 (PASSENGER SEAT TRACKS ONLY)  
FIGURE 30 (SHEET 7)

**53-01-03-30**

HXL  
DEC 22/06

53-01-03-30  
PAGE OF

**BOEING**  
767  
PARTS CATALOG (MAINTENANCE)



V 53010330 SHT 8 REV 124

FLOOR SYSTEM INSTL-SECT. 43 (PASSENGER SEAT TRACKS ONLY)  
FIGURE 30 (SHEET 8)

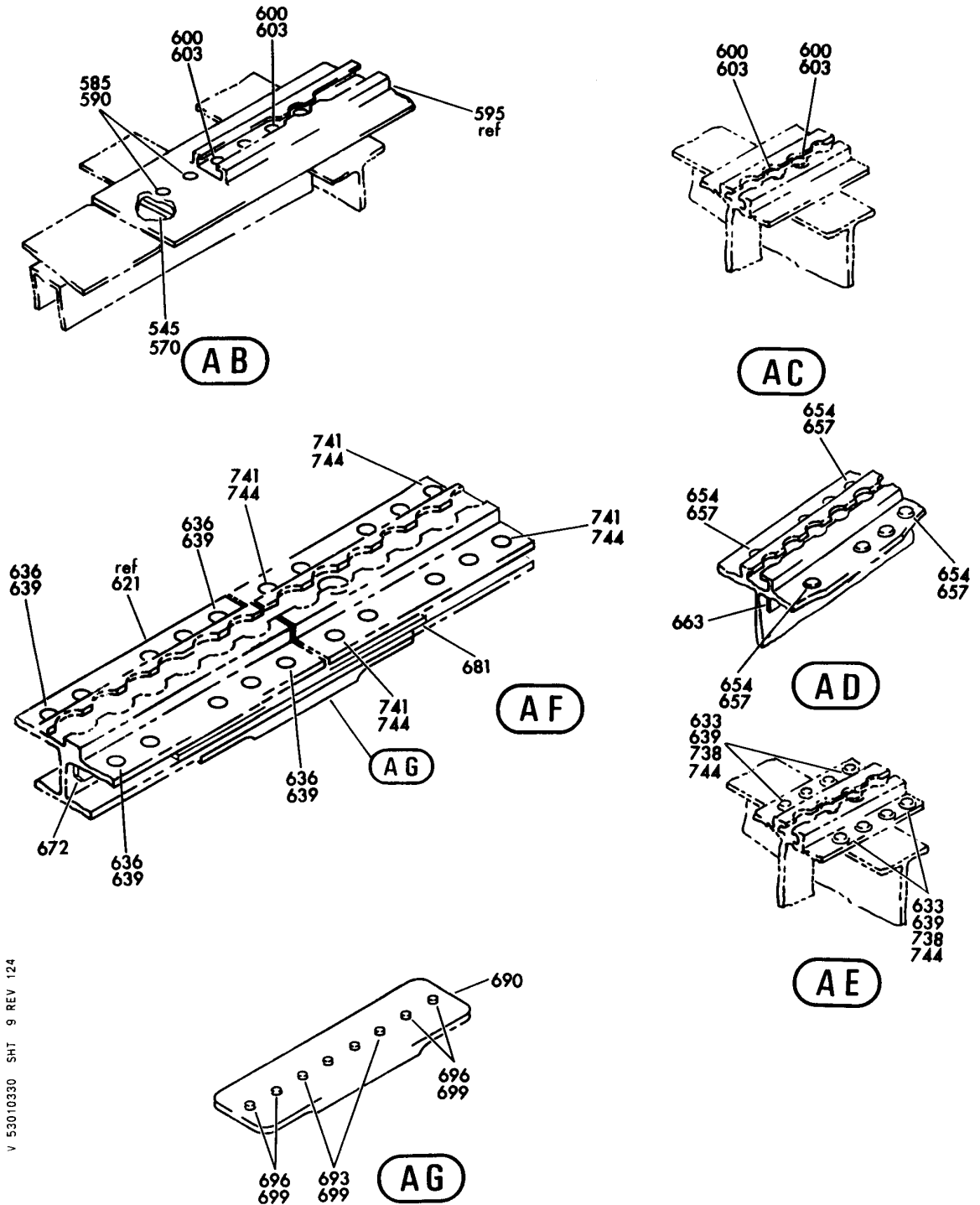
**53-01-03-30**

HXL  
DEC 22/06

53-01-03-30  
PAGE 08



**BOEING**  
767  
PARTS CATALOG (MAINTENANCE)



V 53010330 SHT 9 REV 124

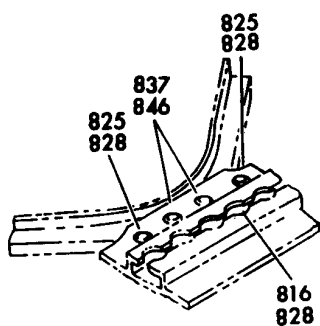
FLOOR SYSTEM INSTL-SECT. 43 (PASSENGER SEAT TRACKS ONLY)  
FIGURE 30 (SHEET 9)

**53-01-03-30**

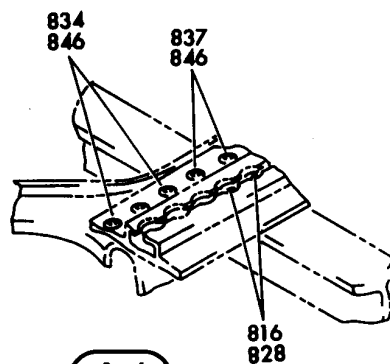
HXL  
DEC 22/06

53-01-03-30  
PAGE 0H

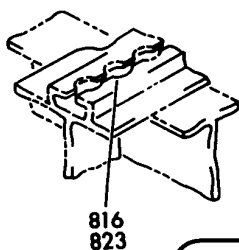
**BOEING**  
767  
PARTS CATALOG (MAINTENANCE)



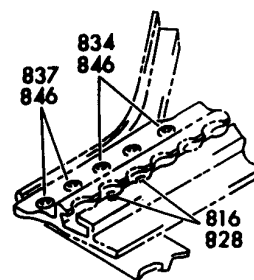
AH



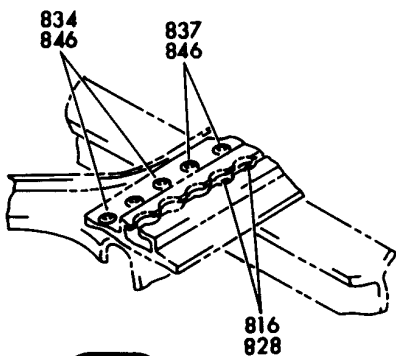
AJ



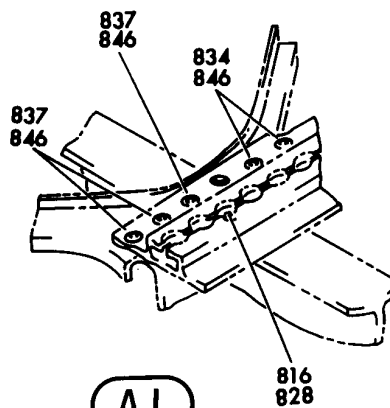
AN



AK



AM



AL

V 53010330 SHT 10 REV 124

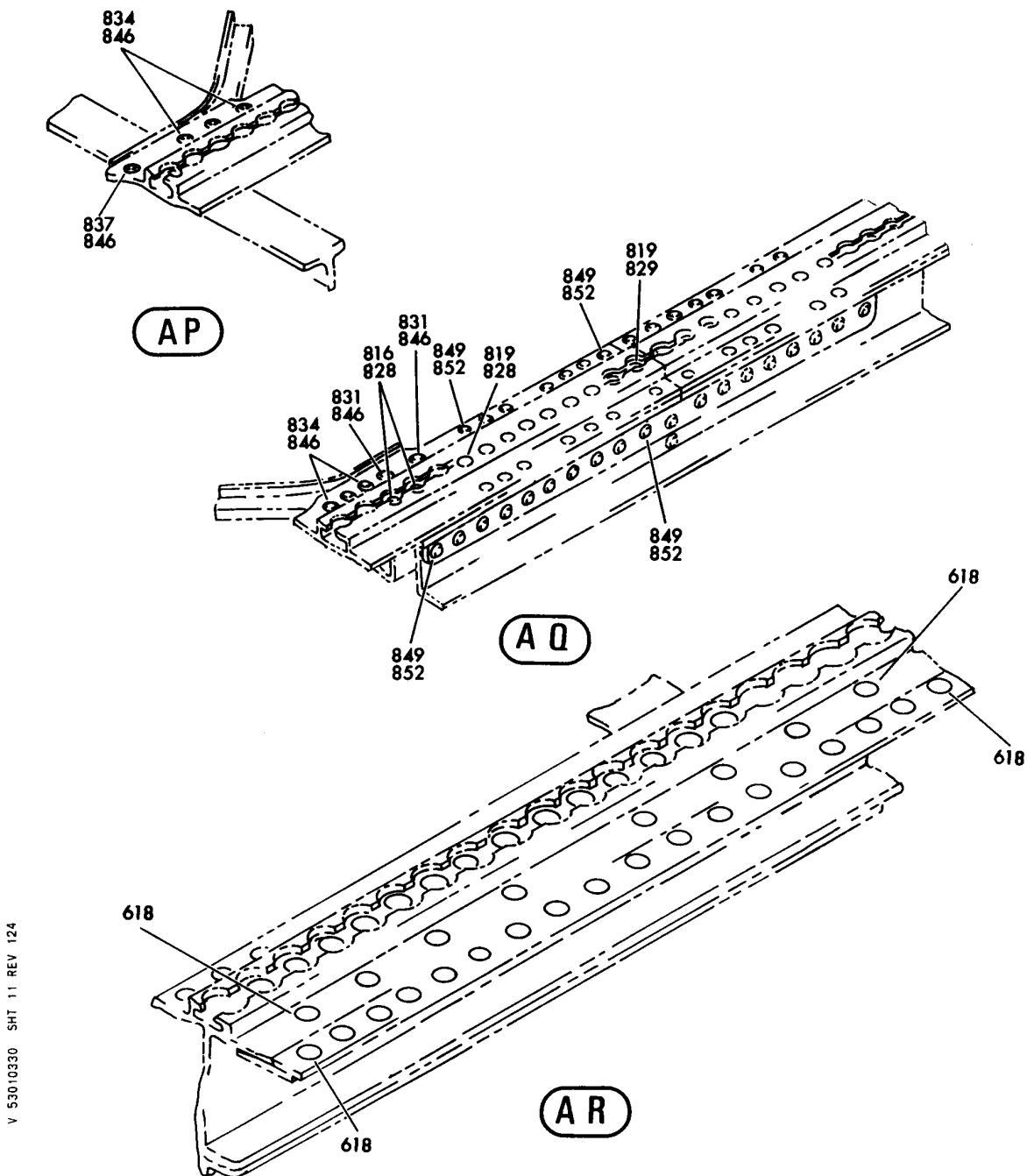
FLOOR SYSTEM INSTL-SECT. 43 (PASSENGER SEAT TRACKS ONLY)  
FIGURE 30 (SHEET 10)

**53-01-03-30**

HXL  
DEC 22/06

53-01-03-30  
PAGE 01

**BOEING**  
767  
PARTS CATALOG (MAINTENANCE)



V 53010330 SHT 11 REV 124

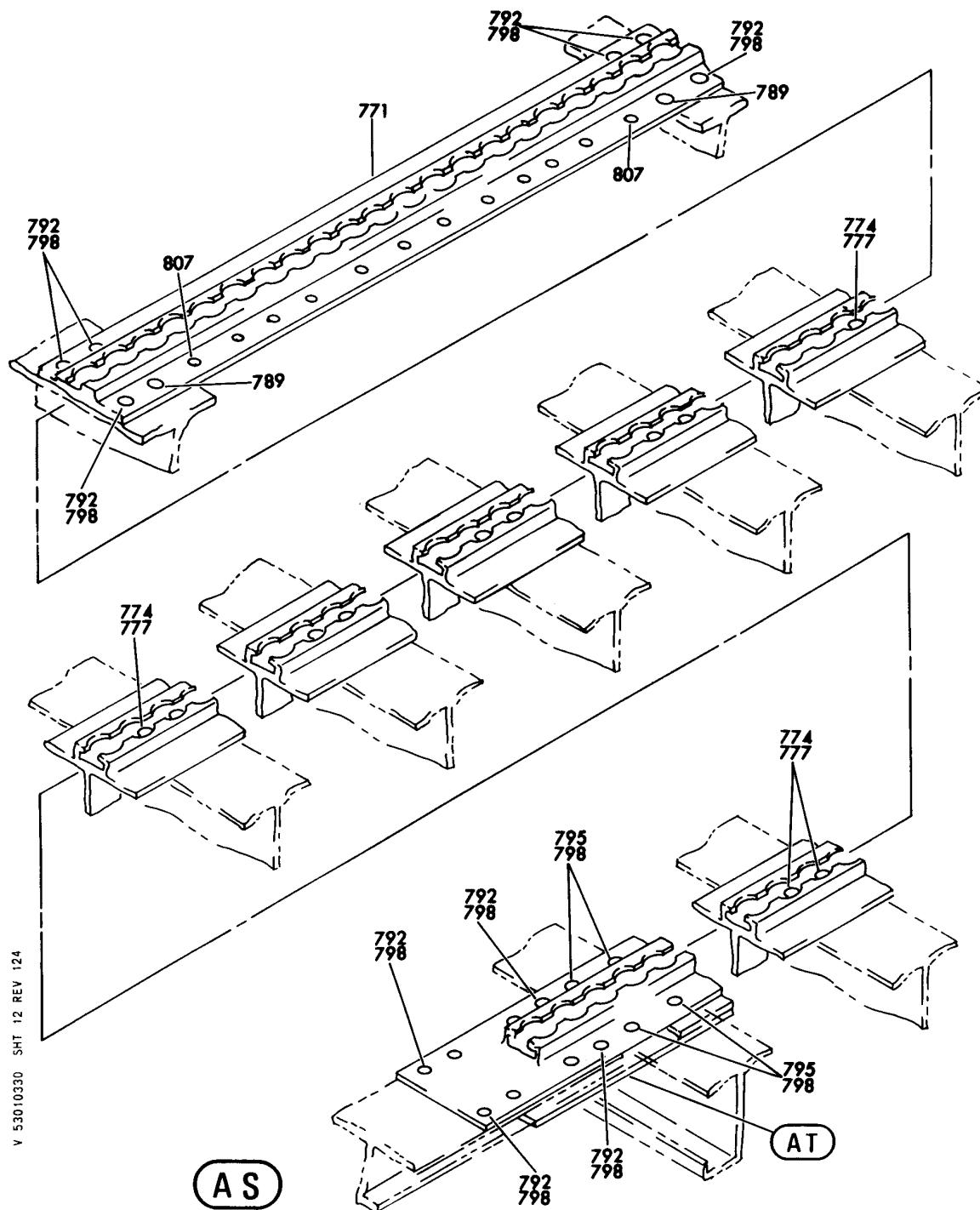
FLOOR SYSTEM INSTL-SECT. 43 (PASSENGER SEAT TRACKS ONLY)  
FIGURE 30 (SHEET 11)

**53-01-03-30**

HXL  
DEC 22/06

53-01-03-30  
PAGE 0J

**BOEING**  
767  
PARTS CATALOG (MAINTENANCE)



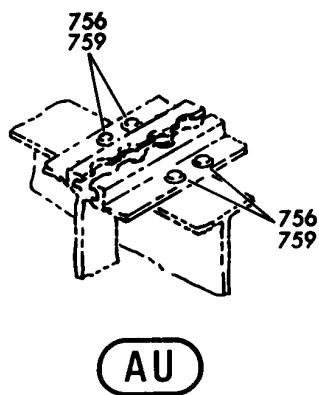
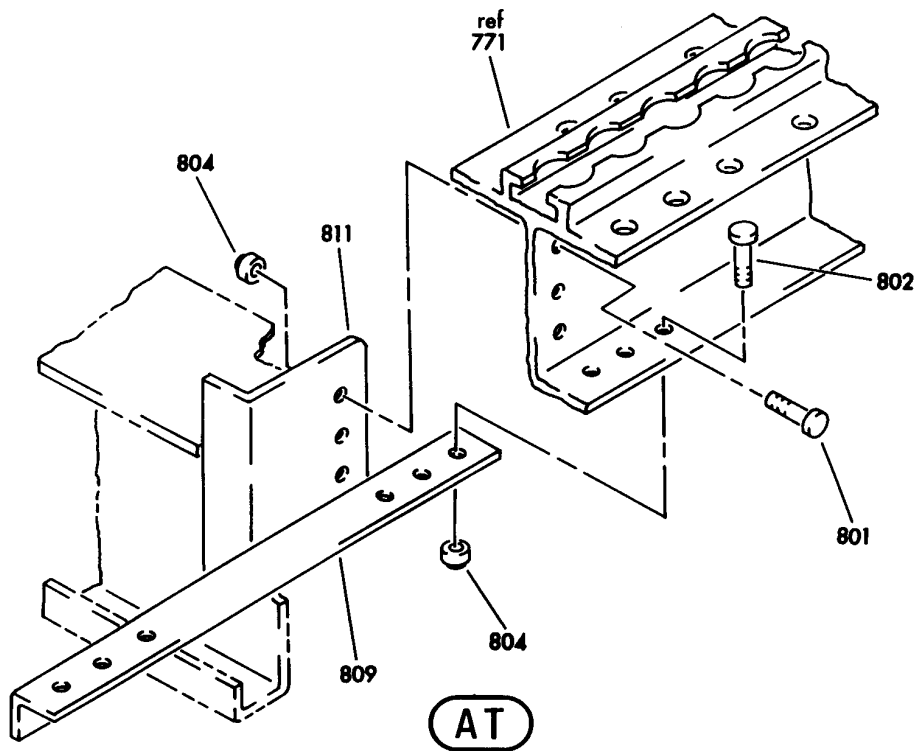
FLOOR SYSTEM INSTL-SECT. 43 (PASSENGER SEAT TRACKS ONLY)  
FIGURE 30 (SHEET 12)

**53-01-03-30**

HXL  
DEC 22/06

53-01-03-30  
PAGE OK

**BOEING**  
767  
PARTS CATALOG (MAINTENANCE)



V 53010330 SHT 13 REV 124

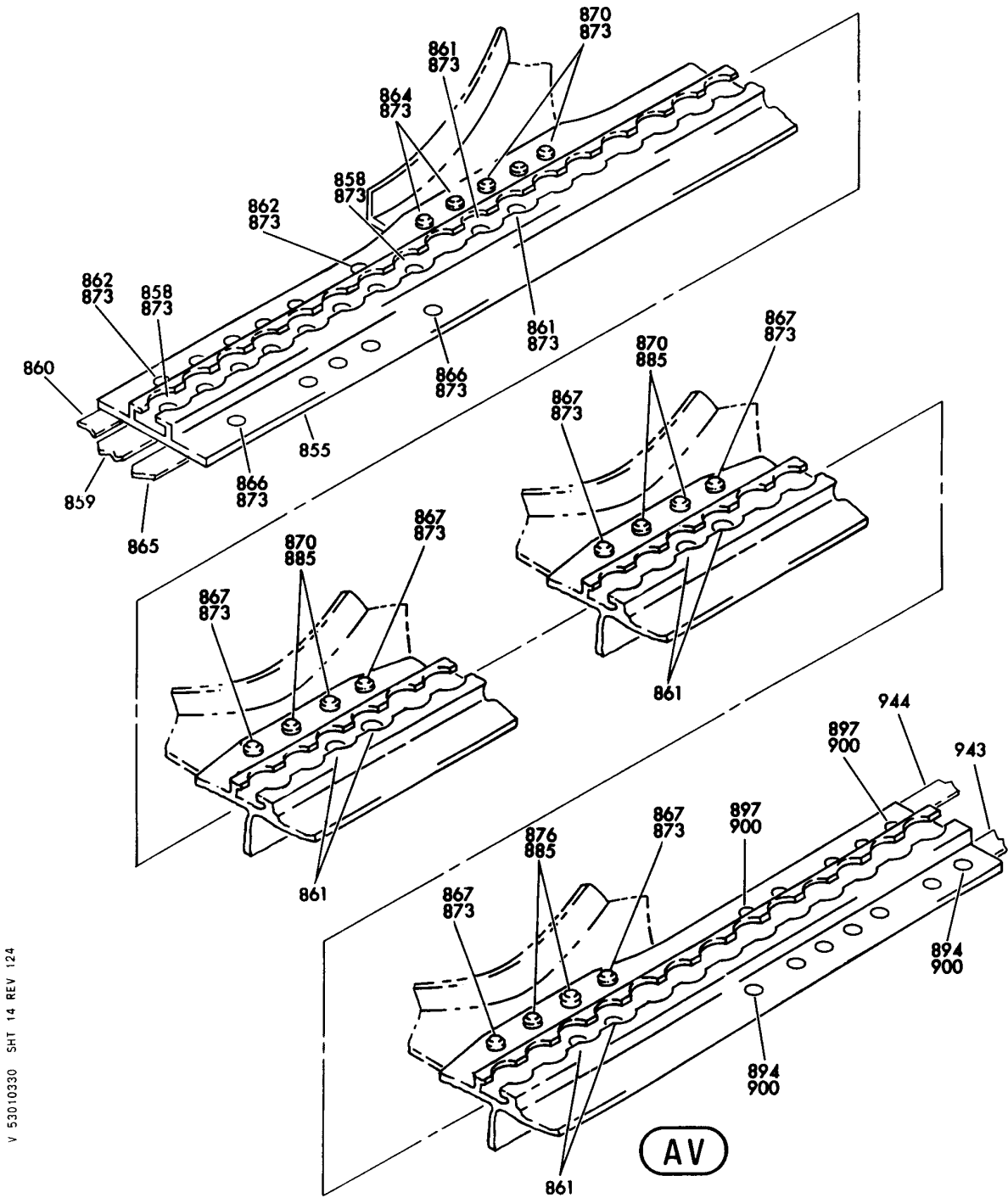
FLOOR SYSTEM INSTL-SECT. 43 (PASSENGER SEAT TRACKS ONLY)  
FIGURE 30 (SHEET 13)

**53-01-03-30**

HXL  
DEC 22/06

53-01-03-30  
PAGE 01

**BOEING**  
767  
PARTS CATALOG (MAINTENANCE)



V 53010330 SHT 14 REV 124

FLOOR SYSTEM INSTL-SECT. 43 (PASSENGER SEAT TRACKS ONLY)  
FIGURE 30 (SHEET 14)

**53-01-03-30**

HXL  
DEC 22/06

53-01-03-30  
PAGE 0M



767

PARTS CATALOG (MAINTENANCE)

FIG ITEM	PART NUMBER	1 2 3 4 5 6 7	NOMENCLATURE	EFFECT FROM TO	UNITS PER ASSY
30			FLOOR SYSTEM INSTL-SECT. 43 (PASSENGER SEAT TRACKS ONLY)	163999	
- 1	143T5200-65		FLOOR SYSTEM INSTL- (PASSENGER SEAT TRACKS ONLY) POSITION DATA: SECT. 43 VARIABLE DRAWING REF: 143T5200-5139 FOR NHA/OTHER SYS DET SEE: 53-30-00-08	163999	RF
5	143T5214-2		.TRACK-SEAT ATTACHING PARTS	163999	1
7	BACB30VU6K		.BOLT- SIZE DETERMINED ON INSTL.	163999	5
10	HL13VAZ8-7		.BOLT SUPPLIER CODE: V56878 SPECIFICATION NUMBER: BACB30NY8K7 OPTIONAL PART: HL13VAZ8-7 V73197 HL13VAZ8-7 V92215 HL13VAZ8-7 V97928 L801-8K7 V06725 HL13VAZ8-7 V60516 L801-8K7 VOPTK6 HL13VAZ8-7 V17446 HL1013AZ8-7 V60516	163999	9
ILLUSTRATION ITEMS NOT ON PARTS LIST ARE NOT APPLICABLE					

- ITEM NOT ILLUSTRATED

HXL

53-01-03-30

BOEING PROPRIETARY - Copyright © - Unpublished Work - See title page for details.

53-01-03  
FIG. 30  
PAGE 1  
APR 22/08



767

PARTS CATALOG (MAINTENANCE)

FIG ITEM	PART NUMBER	1 2 3 4 5 6 7	NOMENCLATURE	EFFECT FROM TO	UNITS PER ASSY
30 13	HST10AG6-3	.BOLT	SUPPLIER CODE: VOPTK6 SPECIFICATION NUMBER: BACB30VT6K3 OPTIONAL PART: HST10AG6-3 V06725 HST10AG6-3 V56878 HST10AG6-3 V73197 WC10K6-3 V60516	163999	8
15	HL13VAZ8-5	.BOLT	SUPPLIER CODE: V56878 SPECIFICATION NUMBER: BACB30NY8K5 OPTIONAL PART: HL13VAZ8-5 V73197 HL13VAZ8-5 V92215 HL13VAZ8-5 V97928 L801-8K5 V06725 HL13VAZ8-5 V60516 L801-8K5 VOPTK6 HL13VAZ8-5 V17446 HL1013AZ8-5 V60516	163999	18
R 17	BACC30BL6	.COLLAR		163999	13

ILLUSTRATION ITEMS NOT ON PARTS LIST ARE NOT APPLICABLE

- ITEM NOT ILLUSTRATED

HXL

53-01-03-30

BOEING PROPRIETARY - Copyright © - Unpublished Work - See title page for details.

53-01-03  
FIG. 30  
PAGE 2  
AUG 22/09



**BOEING**  
767  
**PARTS CATALOG (MAINTENANCE)**

FIG ITEM	PART NUMBER	1 2 3 4 5 6 7	NOMENCLATURE	EFFECT FROM TO	UNITS PER ASSY
30 20	HL1012AZ8-3	.BOLT	SUPPLIER CODE: VOPTK6 SPECIFICATION NUMBER: BACB30NX8K3 OPTIONAL PART: HL12VAZ8-3 V73197 HL12VAZ8-3 V92215 HL12VAZ8-3 V97928 L802-8K3 V06725 HL12VAZ8-3 V56878 HL1012AZ8-3 V06725 HL1012AZ8-3 V06950 HL1012AZ8-3 V17446 HL1012AZ8-3 V56878 HL1012AZ8-3 V60516 HL1012AZ8-3 V73197 HL1012AZ8-3 V97928	163999	18
25	HL1187-8	.COLLAR	SUPPLIER CODE: V5M902 SPECIFICATION NUMBER: BACC30X8 OPTIONAL PART: HL87-8 V92215 HL87-8 V73197 HL1187-8 V56878 HL1187-8 V92215 HL87-8 V56878 HL1187-8 V73197	163999	45

ILLUSTRATION ITEMS NOT ON PARTS LIST ARE NOT APPLICABLE

- ITEM NOT ILLUSTRATED

HXL

53-01-03-30

BOEING PROPRIETARY - Copyright © - Unpublished Work - See title page for details.

53-01-03  
FIG. 30  
PAGE 3  
DEC 22/07



767

PARTS CATALOG (MAINTENANCE)

FIG ITEM	PART NUMBER	1 2 3 4 5 6 7	NOMENCLATURE	EFFECT FROM TO	UNITS PER ASSY
30	HL1012AZ6-5	.BOLT	SUPPLIER CODE: V97928 SPECIFICATION NUMBER: BACB30NX6K5 OPTIONAL PART: HL12VAZ6-5 V73197 HL12VAZ6-5 V92215 HL12VAZ6-5 V97928 L802-6K5 V06725 HL12VAZ6-5 V56878 HL1012AZ6-5 VOPTK6 HL1012AZ6-5 V06725 HL1012AZ6-5 V06950 HL1012AZ6-5 V17446 HL1012AZ6-5 V56878 HL1012AZ6-5 V60516 HL1012AZ6-5 V73197	163999	18
35	HL1187-6	.COLLAR	SUPPLIER CODE: V5M902 SPECIFICATION NUMBER: BACC30X6 OPTIONAL PART: HL87-6 V92215 HL87-6 V73197 HL1187-6 V56878 HL1187-6 V92215 HL87-6 V56878 HL1187-6 V73197 -----*	163999	18

ILLUSTRATION ITEMS NOT ON PARTS LIST ARE NOT APPLICABLE

- ITEM NOT ILLUSTRATED

HXL

53-01-03-30

BOEING PROPRIETARY - Copyright © - Unpublished Work - See title page for details.

53-01-03  
FIG. 30  
PAGE 4  
DEC 22/07



767

PARTS CATALOG (MAINTENANCE)

FIG ITEM	PART NUMBER	1 2 3 4 5 6 7	NOMENCLATURE	EFFECT FROM TO	UNITS PER ASSY
30					
90	143T5215-18		.TRACK-SEAT ATTACHING PARTS	163999	1
95	HL13VAZ8-7		.BOLT SUPPLIER CODE: V56878 SPECIFICATION NUMBER: BACB30NY8K7 OPTIONAL PART: HL13VAZ8-7 V73197 HL13VAZ8-7 V92215 HL13VAZ8-7 V97928 L801-8K7 V06725 HL13VAZ8-7 V60516 L801-8K7 VOPTK6 HL13VAZ8-7 V17446 HL1013AZ8-7 V60516	163999	8
100	HL13VAZ8-5		.BOLT SUPPLIER CODE: V56878 SPECIFICATION NUMBER: BACB30NY8K5 OPTIONAL PART: HL13VAZ8-5 V73197 HL13VAZ8-5 V92215 HL13VAZ8-5 V97928 L801-8K5 V06725 HL13VAZ8-5 V60516 L801-8K5 VOPTK6 HL13VAZ8-5 V17446 HL1013AZ8-5 V60516	163999	12
ILLUSTRATION ITEMS NOT ON PARTS LIST ARE NOT APPLICABLE					

- ITEM NOT ILLUSTRATED

HXL

53-01-03-30

BOEING PROPRIETARY - Copyright © - Unpublished Work - See title page for details.

53-01-03  
FIG. 30  
PAGE 5  
APR 22/08



767

PARTS CATALOG (MAINTENANCE)

FIG ITEM	PART NUMBER	1 2 3 4 5 6 7	NOMENCLATURE	EFFECT FROM TO	UNITS PER ASSY
30 105	HL1012AZ8-3	.BOLT	SUPPLIER CODE: VOPTK6 SPECIFICATION NUMBER: BACB30NX8K3 OPTIONAL PART: HL12VAZ8-3 V73197 HL12VAZ8-3 V92215 HL12VAZ8-3 V97928 L802-8K3 V06725 HL12VAZ8-3 V56878 HL1012AZ8-3 V06725 HL1012AZ8-3 V06950 HL1012AZ8-3 V17446 HL1012AZ8-3 V56878 HL1012AZ8-3 V60516 HL1012AZ8-3 V73197 HL1012AZ8-3 V97928	163999	6
110	HL1187-8	.COLLAR	SUPPLIER CODE: V5M902 SPECIFICATION NUMBER: BACC30X8 OPTIONAL PART: HL87-8 V92215 HL87-8 V73197 HL1187-8 V56878 HL1187-8 V92215 HL87-8 V56878 HL1187-8 V73197	163999	26

ILLUSTRATION ITEMS NOT ON PARTS LIST ARE NOT APPLICABLE

- ITEM NOT ILLUSTRATED

53-01-03-30

53-01-03  
 FIG. 30  
 PAGE 6  
 DEC 22/07

HXL



767

PARTS CATALOG (MAINTENANCE)

FIG ITEM	PART NUMBER	1 2 3 4 5 6 7	NOMENCLATURE	EFFECT FROM TO	UNITS PER ASSY
30 115	HL1012AZ6-5	.BOLT	SUPPLIER CODE: V97928 SPECIFICATION NUMBER: BACB30NX6K5 OPTIONAL PART: HL12VAZ6-5 V73197 HL12VAZ6-5 V92215 HL12VAZ6-5 V97928 L802-6K5 V06725 HL12VAZ6-5 V56878 HL1012AZ6-5 VOPTK6 HL1012AZ6-5 V06725 HL1012AZ6-5 V06950 HL1012AZ6-5 V17446 HL1012AZ6-5 V56878 HL1012AZ6-5 V60516 HL1012AZ6-5 V73197	163999	6
120	HL1187-6	.COLLAR	SUPPLIER CODE: V5M902 SPECIFICATION NUMBER: BACC30X6 OPTIONAL PART: HL87-6 V92215 HL87-6 V73197 HL1187-6 V56878 HL1187-6 V92215 HL87-6 V56878 HL1187-6 V73197	163999	6

ILLUSTRATION ITEMS NOT ON PARTS LIST ARE NOT APPLICABLE

- ITEM NOT ILLUSTRATED

HXL

53-01-03-30

BOEING PROPRIETARY - Copyright © - Unpublished Work - See title page for details.

53-01-03  
 FIG. 30  
 PAGE 7  
 DEC 22/07



767

PARTS CATALOG (MAINTENANCE)

FIG ITEM	PART NUMBER	1 2 3 4 5 6 7	NOMENCLATURE	EFFECT FROM TO	UNITS PER ASSY
30 125	HL11VAZ6-3	.BOLT	SUPPLIER CODE: V60516 SPECIFICATION NUMBER: BACB30NW6K3 OPTIONAL PART: B30NW6K3 V97928 HL11VAZ6-3 V73197 HL11VAZ6-3 V92215 HL11VAZ6-3 V97928 L803-6K3 V06725 HL11VAZ6-3 VOPTK6 HL11VAZ6-3 V56878	163999	6
130	L8006K3	.BOLT	SUPPLIER CODE: V06725 SPECIFICATION NUMBER: BACB30MY6K3	163999	7
135	HL79-6	.COLLAR	SUPPLIER CODE: V5M902 SPECIFICATION NUMBER: BACC30M6 OPTIONAL PART: HL79-6 V73197 HL79-6 V92215 66014-6 V56878 HL79-6 V56878	163999	13

ILLUSTRATION ITEMS NOT ON PARTS LIST ARE NOT APPLICABLE

- ITEM NOT ILLUSTRATED

HXL

53-01-03-30

BOEING PROPRIETARY - Copyright © - Unpublished Work - See title page for details.

53-01-03  
FIG. 30  
PAGE 8  
APR 22/08



767

PARTS CATALOG (MAINTENANCE)

FIG ITEM	PART NUMBER	1 2 3 4 5 6 7	NOMENCLATURE	EFFECT FROM TO	UNITS PER ASSY
30 140	HL1012AZ8-4	.BOLT	SUPPLIER CODE: VOPTK6 SPECIFICATION NUMBER: BACB30NX8K4 OPTIONAL PART: HL12VAZ8-4 V73197 HL12VAZ8-4 V92215 HL12VAZ8-4 V97928 L802-8K4 V06725 HL12VAZ8-4 V56878 HL1012AZ8-4 V06725 HL1012AZ8-4 V06950 HL1012AZ8-4 V17446 HL1012AZ8-4 V56878 HL1012AZ8-4 V60516 HL1012AZ8-4 V73197 HL1012AZ8-4 V97928	163999	14
145	HL1187-8	.COLLAR	SUPPLIER CODE: V5M902 SPECIFICATION NUMBER: BACC30X8 OPTIONAL PART: HL87-8 V92215 HL87-8 V73197 HL1187-8 V56878 HL1187-8 V92215 HL87-8 V56878 HL1187-8 V73197	163999	14

ILLUSTRATION ITEMS NOT ON PARTS LIST ARE NOT APPLICABLE

- ITEM NOT ILLUSTRATED

HXL

53-01-03-30

BOEING PROPRIETARY - Copyright © - Unpublished Work - See title page for details.

53-01-03  
 FIG. 30  
 PAGE 9  
 DEC 22/07



767

PARTS CATALOG (MAINTENANCE)

FIG ITEM	PART NUMBER	1 2 3 4 5 6 7	NOMENCLATURE	EFFECT FROM TO	UNITS PER ASSY
30 150	HL1012AZ6-6		.BOLT SUPPLIER CODE: V97928 SPECIFICATION NUMBER: BACB30NX6K6 OPTIONAL PART: HL12VAZ6-6 V73197 HL12VAZ6-6 V92215 HL12VAZ6-6 V97928 L802-6K6 V06725 HL12VAZ6-6 V56878 HL1012AZ6-6 VOPTK6 HL1012AZ6-6 V06725 HL1012AZ6-6 V06950 HL1012AZ6-6 V17446 HL1012AZ6-6 V56878 HL1012AZ6-6 V60516 HL1012AZ6-6 V73197	163999	2
155	HL1187-6		.COLLAR SUPPLIER CODE: V5M902 SPECIFICATION NUMBER: BACC30X6 OPTIONAL PART: HL87-6 V92215 HL87-6 V73197 HL1187-6 V56878 HL1187-6 V92215 HL87-6 V56878 HL1187-6 V73197	163999	2

ILLUSTRATION ITEMS NOT ON PARTS LIST ARE NOT APPLICABLE

- ITEM NOT ILLUSTRATED

HXL

53-01-03-30

BOEING PROPRIETARY - Copyright © - Unpublished Work - See title page for details.

53-01-03  
FIG. 30  
PAGE 10  
DEC 22/07





767

PARTS CATALOG (MAINTENANCE)

FIG ITEM	PART NUMBER	1 2 3 4 5 6 7	NOMENCLATURE	EFFECT FROM TO	UNITS PER ASSY
30					
160	HST11AG6-4	.BOLT	SUPPLIER CODE: V06725 SPECIFICATION NUMBER: BACB30VU6K4 OPTIONAL PART: HST11AG6-4 V73197 HST11AG6-4 VOPTK6 HST11AG6-4 V56878	163999	6
165	HST10AG6-5	.BOLT	SUPPLIER CODE: VOPTK6 SPECIFICATION NUMBER: BACB30VT6K5 OPTIONAL PART: HST10AG6-5 V06725 HST10AG6-5 V56878 HST10AG6-5 V73197 WC10K6-5 V60516	163999	5
R 170	BACC30BL6	.COLLAR	-----*-----	163999	11
175	143T5203-115	.STRAP-	ATTACHING PARTS	163999	4
- 180	HST10AG6-5	.BOLT	SUPPLIER CODE: VOPTK6 SPECIFICATION NUMBER: BACB30VT6K5 OPTIONAL PART: HST10AG6-5 V06725 HST10AG6-5 V56878 HST10AG6-5 V73197 WC10K6-5 V60516	163999	20
R - 185	BACC30BL6	.COLLAR	-----*-----	163999	20
190	143T5203-77	.STRAP		163999	4

ILLUSTRATION ITEMS NOT ON PARTS LIST ARE NOT APPLICABLE

- ITEM NOT ILLUSTRATED

53-01-03-30

53-01-03  
FIG. 30  
PAGE 11  
AUG 22/09

HXL



767

PARTS CATALOG (MAINTENANCE)

FIG ITEM	PART NUMBER	1 2 3 4 5 6 7	NOMENCLATURE	EFFECT FROM TO	UNITS PER ASSY
30			ATTACHING PARTS		
- 195	HST11AG6-4	.	BOLT SUPPLIER CODE: V06725 SPECIFICATION NUMBER: BACB30VU6K4 OPTIONAL PART: HST11AG6-4 V73197 HST11AG6-4 VOPTK6 HST11AG6-4 V56878	163999	28
R - 200	BACC3OBL6	.	COLLAR -----*-----	163999	28
205	140T2512-26	.	TEE	163999	4
210	HL1012AZ8-4	.	BOLT SUPPLIER CODE: VOPTK6 SPECIFICATION NUMBER: BACB30NX8K4 OPTIONAL PART: HL12VAZ8-4 V73197 HL12VAZ8-4 V92215 HL12VAZ8-4 V97928 L802-8K4 V06725 HL12VAZ8-4 V56878 HL1012AZ8-4 V06725 HL1012AZ8-4 V06950 HL1012AZ8-4 V17446 HL1012AZ8-4 V56878 HL1012AZ8-4 V60516 HL1012AZ8-4 V73197 HL1012AZ8-4 V97928	163999	52
ILLUSTRATION ITEMS NOT ON PARTS LIST ARE NOT APPLICABLE					

- ITEM NOT ILLUSTRATED

53-01-03-30

53-01-03  
FIG. 30  
PAGE 12  
AUG 22/09

HXL



767

PARTS CATALOG (MAINTENANCE)

FIG ITEM	PART NUMBER	1 2 3 4 5 6 7	NOMENCLATURE	EFFECT FROM TO	UNITS PER ASSY
30 215	HL1012AZ8-5	.BOLT	SUPPLIER CODE: VOPTK6 SPECIFICATION NUMBER: BACB30NX8K5 OPTIONAL PART: HL12VAZ8-5 V73197 HL12VAZ8-5 V92215 HL12VAZ8-5 V97928 L802-8K5 V06725 HL12VAZ8-5 V56878 HL1012AZ8-5 V06725 HL1012AZ8-5 V06950 HL1012AZ8-5 V17446 HL1012AZ8-5 V56878 HL1012AZ8-5 V60516 HL1012AZ8-5 V73197 HL1012AZ8-5 V97928	163999	12
220	HL1187-8	.COLLAR	SUPPLIER CODE: V5M902 SPECIFICATION NUMBER: BACC30X8 OPTIONAL PART: HL87-8 V92215 HL87-8 V73197 HL1187-8 V56878 HL1187-8 V92215 HL87-8 V56878 HL1187-8 V73197 -----*-----	163999	64

ILLUSTRATION ITEMS NOT ON PARTS LIST ARE NOT APPLICABLE

- ITEM NOT ILLUSTRATED

HXL

53-01-03-30

BOEING PROPRIETARY - Copyright © - Unpublished Work - See title page for details.

53-01-03  
 FIG. 30  
 PAGE 13  
 AUG 22/09



767

PARTS CATALOG (MAINTENANCE)

FIG ITEM	PART NUMBER	1 2 3 4 5 6 7	NOMENCLATURE	EFFECT FROM TO	UNITS PER ASSY
30					
225	143T5215-19		.TRACK-SEAT ATTACHING PARTS	163999	1
230	HST11AG8-5		.BOLT SUPPLIER CODE: VOPTK6 SPECIFICATION NUMBER: BACB30VU8K5 OPTIONAL PART: HST11AG8-5 V73197 HST11AG8-5 V56878 HST11AG8-5 V06725	163999	6
R 235	BACC30BL8		.COLLAR	163999	6
240	HL1012AZ8-5		.BOLT SUPPLIER CODE: VOPTK6 SPECIFICATION NUMBER: BACB30NX8K5 OPTIONAL PART: HL12VAZ8-5 V73197 HL12VAZ8-5 V92215 HL12VAZ8-5 V97928 L802-8K5 V06725 HL12VAZ8-5 V56878 HL1012AZ8-5 V06725 HL1012AZ8-5 V06950 HL1012AZ8-5 V17446 HL1012AZ8-5 V56878 HL1012AZ8-5 V60516 HL1012AZ8-5 V73197 HL1012AZ8-5 V97928	163999	4
ILLUSTRATION ITEMS NOT ON PARTS LIST ARE NOT APPLICABLE					

- ITEM NOT ILLUSTRATED

53-01-03-30

53-01-03  
FIG. 30  
PAGE 14  
AUG 22/09

HXL



767

PARTS CATALOG (MAINTENANCE)

FIG ITEM	PART NUMBER	1 2 3 4 5 6 7 NOMENCLATURE	EFFECT FROM TO	UNITS PER ASSY
30 245	HL1012AZ8-4	.BOLT SUPPLIER CODE: VOPTK6 SPECIFICATION NUMBER: BACB30NX8K4 OPTIONAL PART: HL12VAZ8-4 V73197 HL12VAZ8-4 V92215 HL12VAZ8-4 V97928 L802-8K4 V06725 HL12VAZ8-4 V56878 HL1012AZ8-4 V06725 HL1012AZ8-4 V06950 HL1012AZ8-4 V17446 HL1012AZ8-4 V56878 HL1012AZ8-4 V60516 HL1012AZ8-4 V73197 HL1012AZ8-4 V97928	163999	14

ILLUSTRATION ITEMS NOT ON PARTS LIST ARE NOT APPLICABLE

- ITEM NOT ILLUSTRATED

HXL

53-01-03-30

BOEING PROPRIETARY - Copyright © - Unpublished Work - See title page for details.

53-01-03  
FIG. 30  
PAGE 15  
AUG 22/09



767

PARTS CATALOG (MAINTENANCE)

FIG ITEM	PART NUMBER	1 2 3 4 5 6 7	NOMENCLATURE	EFFECT FROM TO	UNITS PER ASSY
30 250	HL1012AZ8-6	.BOLT	SUPPLIER CODE: VOPTK6 SPECIFICATION NUMBER: BACB30NX8K6 OPTIONAL PART: HL12VAZ8-6 V73197 HL12VAZ8-6 V92215 HL12VAZ8-6 V97928 L802-8K6 V06725 HL12VAZ8-6 V56878 HL1012AZ8-6 V06725 HL1012AZ8-6 V06950 HL1012AZ8-6 V17446 HL1012AZ8-6 V56878 HL1012AZ8-6 V60516 HL1012AZ8-6 V73197 HL1012AZ8-6 V97928	163999	4
255	HL1187-8	.COLLAR	SUPPLIER CODE: V5M902 SPECIFICATION NUMBER: BACC30X8 OPTIONAL PART: HL87-8 V92215 HL87-8 V73197 HL1187-8 V56878 HL1187-8 V92215 HL87-8 V56878 HL1187-8 V73197	163999	22

ILLUSTRATION ITEMS NOT ON PARTS LIST ARE NOT APPLICABLE

- ITEM NOT ILLUSTRATED

53-01-03-30

53-01-03  
 FIG. 30  
 PAGE 16  
 AUG 22/09

HXL



767

PARTS CATALOG (MAINTENANCE)

FIG ITEM	PART NUMBER	1 2 3 4 5 6 7	NOMENCLATURE	EFFECT FROM TO	UNITS PER ASSY
30 260	HL1012AZ6-6	.BOLT	SUPPLIER CODE: V97928 SPECIFICATION NUMBER: BACB30NX6K6 OPTIONAL PART: HL12VAZ6-6 V73197 HL12VAZ6-6 V92215 HL12VAZ6-6 V97928 L802-6K6 V06725 HL12VAZ6-6 V56878 HL1012AZ6-6 VOPTK6 HL1012AZ6-6 V06725 HL1012AZ6-6 V06950 HL1012AZ6-6 V17446 HL1012AZ6-6 V56878 HL1012AZ6-6 V60516 HL1012AZ6-6 V73197	163999	2
265	HL1187-6	.COLLAR	SUPPLIER CODE: V5M902 SPECIFICATION NUMBER: BACC30X6 OPTIONAL PART: HL87-6 V92215 HL87-6 V73197 HL1187-6 V56878 HL1187-6 V92215 HL87-6 V56878 HL1187-6 V73197	163999	2

ILLUSTRATION ITEMS NOT ON PARTS LIST ARE NOT APPLICABLE

- ITEM NOT ILLUSTRATED

HXL

53-01-03-30

BOEING PROPRIETARY - Copyright © - Unpublished Work - See title page for details.

53-01-03  
 FIG. 30  
 PAGE 17  
 AUG 22/09



767

PARTS CATALOG (MAINTENANCE)

FIG ITEM	PART NUMBER	1 2 3 4 5 6 7	NOMENCLATURE	EFFECT FROM TO	UNITS PER ASSY
30 270	HST11AG6-4		.BOLT SUPPLIER CODE: V06725 SPECIFICATION NUMBER: BACB30VU6K4 OPTIONAL PART: HST11AG6-4 V73197 HST11AG6-4 VOPTK6 HST11AG6-4 V56878	163999	7
275	HST10AG6-5		.BOLT SUPPLIER CODE: VOPTK6 SPECIFICATION NUMBER: BACB30VT6K5 OPTIONAL PART: HST10AG6-5 V06725 HST10AG6-5 V56878 HST10AG6-5 V73197 WC10K6-5 V60516	163999	5
R 280	BACC30BL6		.COLLAR -----*-----	163999	12
285	143T5215-20		.TRACK-SEAT	163999	1

ILLUSTRATION ITEMS NOT ON PARTS LIST ARE NOT APPLICABLE

- ITEM NOT ILLUSTRATED

HXL

53-01-03-30

BOEING PROPRIETARY - Copyright © - Unpublished Work - See title page for details.

53-01-03  
FIG. 30  
PAGE 18  
AUG 22/09





767

PARTS CATALOG (MAINTENANCE)

FIG ITEM	PART NUMBER	1 2 3 4 5 6 7 NOMENCLATURE	EFFECT FROM TO	UNITS PER ASSY
30  290	HL13VAZ8-5	ATTACHING PARTS .BOLT SUPPLIER CODE: V56878 SPECIFICATION NUMBER: BACB30NY8K5 OPTIONAL PART: HL13VAZ8-5 V73197 HL13VAZ8-5 V92215 HL13VAZ8-5 V97928 L801-8K5 V06725 HL13VAZ8-5 V60516 L801-8K5 VOPTK6 HL13VAZ8-5 V17446 HL1013AZ8-5 V60516	163999	6

ILLUSTRATION ITEMS NOT ON PARTS LIST ARE NOT APPLICABLE

- ITEM NOT ILLUSTRATED

HXL

**53-01-03-30**

BOEING PROPRIETARY - Copyright © - Unpublished Work - See title page for details.

53-01-03  
FIG. 30  
PAGE 19  
AUG 22/09

**BOEING**  
767  
**PARTS CATALOG (MAINTENANCE)**

FIG ITEM	PART NUMBER	1 2 3 4 5 6 7	NOMENCLATURE	EFFECT FROM TO	UNITS PER ASSY
30 295	HL1012AZ8-4	.BOLT	SUPPLIER CODE: VOPTK6 SPECIFICATION NUMBER: BACB30NX8K4 OPTIONAL PART: HL12VAZ8-4 V73197 HL12VAZ8-4 V92215 HL12VAZ8-4 V97928 L802-8K4 V06725 HL12VAZ8-4 V56878 HL1012AZ8-4 V06725 HL1012AZ8-4 V06950 HL1012AZ8-4 V17446 HL1012AZ8-4 V56878 HL1012AZ8-4 V60516 HL1012AZ8-4 V73197 HL1012AZ8-4 V97928	163999	13
300	HL1187-8	.COLLAR	SUPPLIER CODE: V5M902 SPECIFICATION NUMBER: BACC30X8 OPTIONAL PART: HL87-8 V92215 HL87-8 V73197 HL1187-8 V56878 HL1187-8 V92215 HL87-8 V56878 HL1187-8 V73197	163999	19

ILLUSTRATION ITEMS NOT ON PARTS LIST ARE NOT APPLICABLE

- ITEM NOT ILLUSTRATED

HXL

53-01-03-30

BOEING PROPRIETARY - Copyright © - Unpublished Work - See title page for details.

53-01-03  
FIG. 30  
PAGE 20  
AUG 22/09



767

PARTS CATALOG (MAINTENANCE)

FIG ITEM	PART NUMBER	1 2 3 4 5 6 7	NOMENCLATURE	EFFECT FROM TO	UNITS PER ASSY
30 305	HL1012AZ6-6	.BOLT	SUPPLIER CODE: V97928 SPECIFICATION NUMBER: BACB30NX6K6 OPTIONAL PART: HL12VAZ6-6 V73197 HL12VAZ6-6 V92215 HL12VAZ6-6 V97928 L802-6K6 V06725 HL12VAZ6-6 V56878 HL1012AZ6-6 VOPTK6 HL1012AZ6-6 V06725 HL1012AZ6-6 V06950 HL1012AZ6-6 V17446 HL1012AZ6-6 V56878 HL1012AZ6-6 V60516 HL1012AZ6-6 V73197	163999	2
310	HL1187-6	.COLLAR	SUPPLIER CODE: V5M902 SPECIFICATION NUMBER: BACC30X6 OPTIONAL PART: HL87-6 V92215 HL87-6 V73197 HL1187-6 V56878 HL1187-6 V92215 HL87-6 V56878 HL1187-6 V73197 -----*-----	163999	2

ILLUSTRATION ITEMS NOT ON PARTS LIST ARE NOT APPLICABLE

- ITEM NOT ILLUSTRATED

53-01-03-30

53-01-03  
 FIG. 30  
 PAGE 21  
 AUG 22/09

HXL



767

PARTS CATALOG (MAINTENANCE)

FIG ITEM	PART NUMBER	1 2 3 4 5 6 7	NOMENCLATURE	EFFECT FROM TO	UNITS PER ASSY
30					
315	143T5212-20	.	TRACK-SEAT	163999	1
320	143T5212-29	.	TRACK-SEAT	163999	1
			ATTACHING PARTS		
325	BACB30LU4-9	.	BOLT	163999	18
330	BACB30LU4-8	.	BOLT	163999	4
335	BACB30LU4-7	.	BOLT	163999	12
340	AN960JD416	.	WASHER	163999	34
345	NAS1804-4	.	NUT	163999	34
350	HL13VAZ8-7	.	BOLT	163999	27
			SUPPLIER CODE: V56878		
			SPECIFICATION NUMBER: BACB30NY8K7		
			OPTIONAL PART: HL13VAZ8-7		
			V73197		
			HL13VAZ8-7		
			V92215		
			HL13VAZ8-7		
			V97928		
			L801-8K7		
			V06725		
			HL13VAZ8-7		
			V60516		
			L801-8K7		
			V0PTK6		
			HL13VAZ8-7		
			V17446		
			HL1013AZ8-7		
			V60516		
355	HL1187-8	.	COLLAR	163999	27
			SUPPLIER CODE: V5M902		
			SPECIFICATION NUMBER: BACC30X8		
			OPTIONAL PART: HL87-8		
			V92215		
			HL87-8		
			V73197		
			HL1187-8		
			V56878		
			HL1187-8		
			V92215		
			HL87-8		
			V56878		
			HL1187-8		
			V73197		

ILLUSTRATION ITEMS NOT ON PARTS LIST ARE NOT APPLICABLE

- ITEM NOT ILLUSTRATED

53-01-03-30

53-01-03  
FIG. 30  
PAGE 22  
AUG 22/09

HXL

BOEING PROPRIETARY - Copyright © - Unpublished Work - See title page for details.

**BOEING**  
767  
**PARTS CATALOG (MAINTENANCE)**

FIG ITEM	PART NUMBER	1 2 3 4 5 6 7	NOMENCLATURE	EFFECT FROM TO	UNITS PER ASSY
30 360	HST11AG6-3		.BOLT SUPPLIER CODE: V06725 SPECIFICATION NUMBER: BACB30VU6K3 OPTIONAL PART: HST11AG6-3 V73197 HST11AG6-3 V56878 HST11AG6-3 VOPTK6	163999	28
R 365	BACC30BL6		.COLLAR -----*-----	163999	28
370	143T5213-19		.TRACK-SEAT ATTACHING PARTS	163999	2
375	HL13VAZ8-5		.BOLT SUPPLIER CODE: V56878 SPECIFICATION NUMBER: BACB30NY8K5 OPTIONAL PART: HL13VAZ8-5 V73197 HL13VAZ8-5 V92215 HL13VAZ8-5 V97928 L801-8K5 V06725 HL13VAZ8-5 V60516 L801-8K5 VOPTK6 HL13VAZ8-5 V17446 HL1013AZ8-5 V60516	163999	20

ILLUSTRATION ITEMS NOT ON PARTS LIST ARE NOT APPLICABLE

- ITEM NOT ILLUSTRATED

HXL

53-01-03-30

BOEING PROPRIETARY - Copyright © - Unpublished Work - See title page for details.

53-01-03  
FIG. 30  
PAGE 23  
AUG 22/09



767

PARTS CATALOG (MAINTENANCE)

FIG ITEM	PART NUMBER	1 2 3 4 5 6 7	NOMENCLATURE	EFFECT FROM TO	UNITS PER ASSY
30 380	HL1013AZ8-6	.BOLT	SUPPLIER CODE: V60156 SPECIFICATION NUMBER: BACB30NY8K6 OPTIONAL PART: HL13VAZ8-6 V73197 HL13VAZ8-6 V92215 HL13VAZ8-6 V97928 L801-8K6 V06725 HL13VAZ8-6 V60516 L801-8K6 VOPTK6 HL13VAZ8-6 V17446 HL13VAZ8-6 V56878	163999	4
385	HL13VAZ8-7	.BOLT	SUPPLIER CODE: V56878 SPECIFICATION NUMBER: BACB30NY8K7 OPTIONAL PART: HL13VAZ8-7 V73197 HL13VAZ8-7 V92215 HL13VAZ8-7 V97928 L801-8K7 V06725 HL13VAZ8-7 V60516 L801-8K7 VOPTK6 HL13VAZ8-7 V17446 HL1013AZ8-7 V60516	163999	38

ILLUSTRATION ITEMS NOT ON PARTS LIST ARE NOT APPLICABLE

- ITEM NOT ILLUSTRATED

HXL

53-01-03-30

BOEING PROPRIETARY - Copyright © - Unpublished Work - See title page for details.

53-01-03  
 FIG. 30  
 PAGE 24  
 AUG 22/09



767

PARTS CATALOG (MAINTENANCE)

FIG ITEM	PART NUMBER	1 2 3 4 5 6 7	NOMENCLATURE	EFFECT FROM TO	UNITS PER ASSY
30 390	HL1187-8		.COLLAR SUPPLIER CODE: V5M902 SPECIFICATION NUMBER: BACC30X8 OPTIONAL PART: HL87-8 V92215 HL87-8 V73197 HL1187-8 V56878 HL1187-8 V92215 HL87-8 V56878 HL1187-8 V73197	163999	62
395	HST11AG6-4		.BOLT SUPPLIER CODE: V06725 SPECIFICATION NUMBER: BACB30VU6K4 OPTIONAL PART: HST11AG6-4 V73197 HST11AG6-4 VOPTK6 HST11AG6-4 V56878	163999	8
R 400	BACC30BL6		.COLLAR -----*-----	163999	8
405	143T5213-20		.TRACK-SEAT	163999	2

ILLUSTRATION ITEMS NOT ON PARTS LIST ARE NOT APPLICABLE

- ITEM NOT ILLUSTRATED

HXL

53-01-03-30

BOEING PROPRIETARY - Copyright © - Unpublished Work - See title page for details.

53-01-03  
FIG. 30  
PAGE 25  
AUG 22/09



767

PARTS CATALOG (MAINTENANCE)

FIG ITEM	PART NUMBER	1 2 3 4 5 6 7	NOMENCLATURE	EFFECT FROM TO	UNITS PER ASSY
30			ATTACHING PARTS		
410	HL1013AZ8-6		.BOLT SUPPLIER CODE: V60156 SPECIFICATION NUMBER: BACB30NY8K6 OPTIONAL PART: HL13VAZ8-6 V73197 HL13VAZ8-6 V92215 HL13VAZ8-6 V97928 L801-8K6 V06725 HL13VAZ8-6 V60516 L801-8K6 VOPTK6 HL13VAZ8-6 V17446 HL13VAZ8-6 V56878	163999	16
415	HL13VAZ8-5		.BOLT SUPPLIER CODE: V56878 SPECIFICATION NUMBER: BACB30NY8K5 OPTIONAL PART: HL13VAZ8-5 V73197 HL13VAZ8-5 V92215 HL13VAZ8-5 V97928 L801-8K5 V06725 HL13VAZ8-5 V60516 L801-8K5 VOPTK6 HL13VAZ8-5 V17446 HL1013AZ8-5 V60516	163999	16
ILLUSTRATION ITEMS NOT ON PARTS LIST ARE NOT APPLICABLE					

- ITEM NOT ILLUSTRATED

53-01-03-30

53-01-03  
FIG. 30  
PAGE 26  
AUG 22/09

HXL



**BOEING**  
767  
**PARTS CATALOG (MAINTENANCE)**

FIG ITEM	PART NUMBER	1 2 3 4 5 6 7	NOMENCLATURE	EFFECT FROM TO	UNITS PER ASSY
30 420	HL1187-8		.COLLAR SUPPLIER CODE: V5M902 SPECIFICATION NUMBER: BACC30X8 OPTIONAL PART: HL87-8 V92215 HL87-8 V73197 HL1187-8 V56878 HL1187-8 V92215 HL87-8 V56878 HL1187-8 V73197	163999	32
425	143T5212-30		-----*----- .TRACK-SEAT ATTACHING PARTS	163999	2
430	HL1013AZ8-6		.BOLT SUPPLIER CODE: V60156 SPECIFICATION NUMBER: BACB30NY8K6 OPTIONAL PART: HL13VAZ8-6 V73197 HL13VAZ8-6 V92215 HL13VAZ8-6 V97928 L801-8K6 V06725 HL13VAZ8-6 V60516 L801-8K6 VOPTK6 HL13VAZ8-6 V17446 HL13VAZ8-6 V56878	163999	24

ILLUSTRATION ITEMS NOT ON PARTS LIST ARE NOT APPLICABLE

- ITEM NOT ILLUSTRATED

HXL

53-01-03-30

BOEING PROPRIETARY - Copyright © - Unpublished Work - See title page for details.

53-01-03  
FIG. 30  
PAGE 27  
AUG 22/09



767

PARTS CATALOG (MAINTENANCE)

FIG ITEM	PART NUMBER	1 2 3 4 5 6 7	NOMENCLATURE	EFFECT FROM TO	UNITS PER ASSY
30 435	HL13VAZ8-5		.BOLT SUPPLIER CODE: V56878 SPECIFICATION NUMBER: BACB30NY8K5 OPTIONAL PART: HL13VAZ8-5 V73197 HL13VAZ8-5 V92215 HL13VAZ8-5 V97928 L801-8K5 V06725 HL13VAZ8-5 V60516 L801-8K5 VOPTK6 HL13VAZ8-5 V17446 HL1013AZ8-5 V60516	163999	28

ILLUSTRATION ITEMS NOT ON PARTS LIST ARE NOT APPLICABLE

- ITEM NOT ILLUSTRATED

HXL

53-01-03-30

BOEING PROPRIETARY - Copyright © - Unpublished Work - See title page for details.

53-01-03  
FIG. 30  
PAGE 28  
AUG 22/09



767

PARTS CATALOG (MAINTENANCE)

FIG ITEM	PART NUMBER	1 2 3 4 5 6 7	NOMENCLATURE	EFFECT FROM TO	UNITS PER ASSY
30 440	HL1012AZ8-5	.BOLT	SUPPLIER CODE: VOPTK6 SPECIFICATION NUMBER: BACB30NX8K5 OPTIONAL PART: HL12VAZ8-5 V73197 HL12VAZ8-5 V92215 HL12VAZ8-5 V97928 L802-8K5 V06725 HL12VAZ8-5 V56878 HL1012AZ8-5 V06725 HL1012AZ8-5 V06950 HL1012AZ8-5 V17446 HL1012AZ8-5 V56878 HL1012AZ8-5 V60516 HL1012AZ8-5 V73197 HL1012AZ8-5 V97928	163999	10
445	HL1187-8	.COLLAR	SUPPLIER CODE: V5M902 SPECIFICATION NUMBER: BACC30X8 OPTIONAL PART: HL87-8 V92215 HL87-8 V73197 HL1187-8 V56878 HL1187-8 V92215 HL87-8 V56878 HL1187-8 V73197	163999	62

ILLUSTRATION ITEMS NOT ON PARTS LIST ARE NOT APPLICABLE

- ITEM NOT ILLUSTRATED

53-01-03-30

53-01-03  
 FIG. 30  
 PAGE 29  
 AUG 22/09

HXL



767

PARTS CATALOG (MAINTENANCE)

FIG ITEM	PART NUMBER	1 2 3 4 5 6 7	NOMENCLATURE	EFFECT FROM TO	UNITS PER ASSY
30 450	HL11VAZ6-3	.BOLT	SUPPLIER CODE: V60516 SPECIFICATION NUMBER: BACB30NW6K3 OPTIONAL PART: B30NW6K3 V97928 HL11VAZ6-3 V73197 HL11VAZ6-3 V92215 HL11VAZ6-3 V97928 L803-6K3 V06725 HL11VAZ6-3 VOPTK6 HL11VAZ6-3 V56878	163999	20
455	L8006K7	.BOLT	SUPPLIER CODE: V06725 SPECIFICATION NUMBER: BACB30MY6K7	163999	8
460	L8006K5	.BOLT	SUPPLIER CODE: V06725 SPECIFICATION NUMBER: BACB30MY6K5	163999	8
465	HL79-6	.COLLAR	SUPPLIER CODE: V5M902 SPECIFICATION NUMBER: BACC30M6 OPTIONAL PART: HL79-6 V73197 HL79-6 V92215 66014-6 V56878 HL79-6 V56878	163999	36

ILLUSTRATION ITEMS NOT ON PARTS LIST ARE NOT APPLICABLE

- ITEM NOT ILLUSTRATED

HXL

53-01-03-30

BOEING PROPRIETARY - Copyright © - Unpublished Work - See title page for details.

53-01-03  
FIG. 30  
PAGE 30  
AUG 22/09

 **BOEING**  
767  
**PARTS CATALOG (MAINTENANCE)**

FIG ITEM	PART NUMBER	1 2 3 4 5 6 7	NOMENCLATURE	EFFECT FROM TO	UNITS PER ASSY
30 470	HST11AG6-3	.BOLT	SUPPLIER CODE: V06725 SPECIFICATION NUMBER: BACB30VU6K3 OPTIONAL PART: HST11AG6-3 V73197 HST11AG6-3 V56878 HST11AG6-3 VOPTK6	163999	12
R 475	BACC30BL6	.COLLAR	-----*-----	163999	12
480	HL1012AZ8-5	.BOLT	SUPPLIER CODE: VOPTK6 SPECIFICATION NUMBER: BACB30NX8K5 OPTIONAL PART: HL12VAZ8-5 V73197 HL12VAZ8-5 V92215 HL12VAZ8-5 V97928 L802-8K5 V06725 HL12VAZ8-5 V56878 HL1012AZ8-5 V06725 HL1012AZ8-5 V06950 HL1012AZ8-5 V17446 HL1012AZ8-5 V56878 HL1012AZ8-5 V60516 HL1012AZ8-5 V73197 HL1012AZ8-5 V97928	163999	10

ILLUSTRATION ITEMS NOT ON PARTS LIST ARE NOT APPLICABLE

- ITEM NOT ILLUSTRATED

HXL

53-01-03-30

BOEING PROPRIETARY - Copyright © - Unpublished Work - See title page for details.

53-01-03  
FIG. 30  
PAGE 31  
AUG 22/09

**BOEING**  
767  
**PARTS CATALOG (MAINTENANCE)**

FIG ITEM	PART NUMBER	1 2 3 4 5 6 7	NOMENCLATURE	EFFECT FROM TO	UNITS PER ASSY
30 485	HL1187-8		.COLLAR SUPPLIER CODE: V5M902 SPECIFICATION NUMBER: BACC30X8 OPTIONAL PART: HL87-8 V92215 HL87-8 V73197 HL1187-8 V56878 HL1187-8 V92215 HL87-8 V56878 HL1187-8 V73197	163999	10
490	140T2512-12		.ANGLE	163999	2
495	140T2512-13		.ANGLE	163999	2
500	140T2511-2		.PLATE	163999	2
505	L8006K7		ATTACHING PARTS .BOLT SUPPLIER CODE: V06725 SPECIFICATION NUMBER: BACB30MY6K7	163999	8
510	L8006K5		.BOLT SUPPLIER CODE: V06725 SPECIFICATION NUMBER: BACB30MY6K5	163999	8
515	HL79-6		.COLLAR SUPPLIER CODE: V5M902 SPECIFICATION NUMBER: BACC30M6 OPTIONAL PART: HL79-6 V73197 HL79-6 V92215 66014-6 V56878 HL79-6 V56878	163999	16
520	143T5221-6		-----*----- .TRACK-SEAT	163999	2

ILLUSTRATION ITEMS NOT ON PARTS LIST ARE NOT APPLICABLE

- ITEM NOT ILLUSTRATED

HXL

53-01-03-30

BOEING PROPRIETARY - Copyright © - Unpublished Work - See title page for details.

53-01-03  
FIG. 30  
PAGE 32  
AUG 22/09



767

PARTS CATALOG (MAINTENANCE)

FIG ITEM	PART NUMBER	1 2 3 4 5 6 7 NOMENCLATURE	EFFECT FROM TO	UNITS PER ASSY
30  525	HL13VAZ8-5	ATTACHING PARTS .BOLT SUPPLIER CODE: V56878 SPECIFICATION NUMBER: BACB30NY8K5 OPTIONAL PART: HL13VAZ8-5 V73197 HL13VAZ8-5 V92215 HL13VAZ8-5 V97928 L801-8K5 V06725 HL13VAZ8-5 V60516 L801-8K5 VOPTK6 HL13VAZ8-5 V17446 HL1013AZ8-5 V60516	163999	22

ILLUSTRATION ITEMS NOT ON PARTS LIST ARE NOT APPLICABLE

- ITEM NOT ILLUSTRATED

HXL

**53-01-03-30**

BOEING PROPRIETARY - Copyright © - Unpublished Work - See title page for details.

53-01-03  
FIG. 30  
PAGE 33  
AUG 22/09



767

PARTS CATALOG (MAINTENANCE)

FIG ITEM	PART NUMBER	1 2 3 4 5 6 7	NOMENCLATURE	EFFECT FROM TO	UNITS PER ASSY
30 530	HL1012AZ8-3	.BOLT	SUPPLIER CODE: VOPTK6 SPECIFICATION NUMBER: BACB30NX8K3 OPTIONAL PART: HL12VAZ8-3 V73197 HL12VAZ8-3 V92215 HL12VAZ8-3 V97928 L802-8K3 V06725 HL12VAZ8-3 V56878 HL1012AZ8-3 V06725 HL1012AZ8-3 V06950 HL1012AZ8-3 V17446 HL1012AZ8-3 V56878 HL1012AZ8-3 V60516 HL1012AZ8-3 V73197 HL1012AZ8-3 V97928	163999	6
535	HL1187-8	.COLLAR	SUPPLIER CODE: V5M902 SPECIFICATION NUMBER: BACC30X8 OPTIONAL PART: HL87-8 V92215 HL87-8 V73197 HL1187-8 V56878 HL1187-8 V92215 HL87-8 V56878 HL1187-8 V73197	163999	28

ILLUSTRATION ITEMS NOT ON PARTS LIST ARE NOT APPLICABLE

- ITEM NOT ILLUSTRATED

53-01-03-30

53-01-03  
 FIG. 30  
 PAGE 34  
 AUG 22/09

HXL





767

PARTS CATALOG (MAINTENANCE)

FIG ITEM	PART NUMBER	1 2 3 4 5 6 7	NOMENCLATURE	EFFECT FROM TO	UNITS PER ASSY
30 540	HL1012AZ6-6		.BOLT SUPPLIER CODE: V97928 SPECIFICATION NUMBER: BACB30NX6K6 OPTIONAL PART: HL12VAZ6-6 V73197 HL12VAZ6-6 V92215 HL12VAZ6-6 V97928 L802-6K6 V06725 HL12VAZ6-6 V56878 HL1012AZ6-6 VOPTK6 HL1012AZ6-6 V06725 HL1012AZ6-6 V06950 HL1012AZ6-6 V17446 HL1012AZ6-6 V56878 HL1012AZ6-6 V60516 HL1012AZ6-6 V73197	163999	6
545	140T2512-27		-----*----- . FILLER-RADIUS	163999	2

ILLUSTRATION ITEMS NOT ON PARTS LIST ARE NOT APPLICABLE

- ITEM NOT ILLUSTRATED

HXL

53-01-03-30

BOEING PROPRIETARY - Copyright © - Unpublished Work - See title page for details.

53-01-03  
FIG. 30  
PAGE 35  
AUG 22/09

 **BOEING**  
767  
**PARTS CATALOG (MAINTENANCE)**

FIG ITEM	PART NUMBER	1 2 3 4 5 6 7	NOMENCLATURE	EFFECT FROM TO	UNITS PER ASSY
30			ATTACHING PARTS		
550	HL11VAZ6-3		.BOLT SUPPLIER CODE: V60516 SPECIFICATION NUMBER: BACB30NW6K3 OPTIONAL PART: B30NW6K3 V97928 HL11VAZ6-3 V73197 HL11VAZ6-3 V92215 HL11VAZ6-3 V97928 L803-6K3 V06725 HL11VAZ6-3 VOPTK6 HL11VAZ6-3 V56878	163999	20
555	HL79-6		.COLLAR SUPPLIER CODE: V5M902 SPECIFICATION NUMBER: BACC30M6 OPTIONAL PART: HL79-6 V73197 HL79-6 V92215 66014-6 V56878 HL79-6 V56878	163999	20
560	HST11AG6-3		.BOLT SUPPLIER CODE: V06725 SPECIFICATION NUMBER: BACB30VU6K3 OPTIONAL PART: HST11AG6-3 V73197 HST11AG6-3 V56878 HST11AG6-3 VOPTK6	163999	8
R 565	BACC30BL6		.COLLAR -----*-----	163999	8
ILLUSTRATION ITEMS NOT ON PARTS LIST ARE NOT APPLICABLE					

— ITEM NOT ILLUSTRATED

HXL

53-01-03-30

BOEING PROPRIETARY - Copyright © - Unpublished Work - See title page for details.

53-01-03  
FIG. 30  
PAGE 36  
AUG 22/09



767

PARTS CATALOG (MAINTENANCE)

FIG ITEM	PART NUMBER	1 2 3 4 5 6 7	NOMENCLATURE	EFFECT FROM TO	UNITS PER ASSY
30					
570	140T2512-27	.	FILLER-RADIUS ATTACHING PARTS	163999	2
575	HL1013AZ8-6	.	BOLT SUPPLIER CODE: V60156 SPECIFICATION NUMBER: BACB30NY8K6 OPTIONAL PART: HL13VAZ8-6 V73197 HL13VAZ8-6 V92215 HL13VAZ8-6 V97928 L801-8K6 V06725 HL13VAZ8-6 V60516 L801-8K6 VOPTK6 HL13VAZ8-6 V17446 HL13VAZ8-6 V56878	163999	2
580	HL1187-8	.	COLLAR SUPPLIER CODE: V5M902 SPECIFICATION NUMBER: BACC30X8 OPTIONAL PART: HL87-8 V92215 HL87-8 V73197 HL1187-8 V56878 HL1187-8 V92215 HL87-8 V56878 HL1187-8 V73197	163999	2

ILLUSTRATION ITEMS NOT ON PARTS LIST ARE NOT APPLICABLE

- ITEM NOT ILLUSTRATED

HXL

53-01-03-30

BOEING PROPRIETARY - Copyright © - Unpublished Work - See title page for details.

53-01-03  
FIG. 30  
PAGE 37  
AUG 22/09

**BOEING**  
767  
**PARTS CATALOG (MAINTENANCE)**

FIG ITEM	PART NUMBER	1 2 3 4 5 6 7	NOMENCLATURE	EFFECT FROM TO	UNITS PER ASSY
30 585	HST11AG8-5		.BOLT SUPPLIER CODE: VOPTK6 SPECIFICATION NUMBER: BACB30VU8K5 OPTIONAL PART: HST11AG8-5 V73197 HST11AG8-5 V56878 HST11AG8-5 V06725	163999	4
R 590	BACC3OBL8		.COLLAR -----*-----	163999	4
595	143T5221-7		.TRACK-SEAT ATTACHING PARTS	163999	2
600	HL13VAZ8-5		.BOLT SUPPLIER CODE: V56878 SPECIFICATION NUMBER: BACB30NY8K5 OPTIONAL PART: HL13VAZ8-5 V73197 HL13VAZ8-5 V92215 HL13VAZ8-5 V97928 L801-8K5 V06725 HL13VAZ8-5 V60516 L801-8K5 VOPTK6 HL13VAZ8-5 V17446 HL1013AZ8-5 V60516	163999	24
ILLUSTRATION ITEMS NOT ON PARTS LIST ARE NOT APPLICABLE					

— ITEM NOT ILLUSTRATED

HXL

53-01-03-30

BOEING PROPRIETARY - Copyright © - Unpublished Work - See title page for details.

53-01-03  
FIG. 30  
PAGE 38  
AUG 22/09

 **BOEING**  
767  
**PARTS CATALOG (MAINTENANCE)**

FIG ITEM	PART NUMBER	1 2 3 4 5 6 7	NOMENCLATURE	EFFECT FROM TO	UNITS PER ASSY
30 603	HL1187-8		.COLLAR SUPPLIER CODE: V5M902 SPECIFICATION NUMBER: BACC30X8 OPTIONAL PART: HL87-8 V92215 HL87-8 V73197 HL1187-8 V56878 HL1187-8 V92215 HL87-8 V56878 HL1187-8 V73197	163999	24
606	HST11AG6-3		.BOLT SUPPLIER CODE: V06725 SPECIFICATION NUMBER: BACB30VU6K3 OPTIONAL PART: HST11AG6-3 V73197 HST11AG6-3 V56878 HST11AG6-3 VOPTK6	163999	4
R 609	BACC30BL6		.COLLAR	163999	4
612	HST11AG8-3		.BOLT SUPPLIER CODE: VOPTK6 SPECIFICATION NUMBER: BACB30VU8K3 OPTIONAL PART: HST11AG8-3 V73197 HST11AG8-3 V56878 HST11AG8-3 V06725	163999	10
R 615	BACC30BL8		.COLLAR	163999	10
618	BACR15CE6KE		.RIVET- SIZE DETERMINED ON INSTL. -----*-----	163999	26
621	143T5210-10		.TRACK-SEAT	163999	2

ILLUSTRATION ITEMS NOT ON PARTS LIST ARE NOT APPLICABLE

- ITEM NOT ILLUSTRATED

HXL

53-01-03-30

BOEING PROPRIETARY - Copyright © - Unpublished Work - See title page for details.

53-01-03  
FIG. 30  
PAGE 39  
AUG 22/09



767

PARTS CATALOG (MAINTENANCE)

FIG ITEM	PART NUMBER	1 2 3 4 5 6 7	NOMENCLATURE	EFFECT FROM TO	UNITS PER ASSY
30			ATTACHING PARTS		
624	L8008K6	.	BOLT SUPPLIER CODE: V06725 SPECIFICATION NUMBER: BACB30MY8K6	163999	84
627	L8008K3	.	BOLT SUPPLIER CODE: V06725 SPECIFICATION NUMBER: BACB30MY8K3	163999	84
630	HL79-8	.	COLLAR SUPPLIER CODE: V5M902 SPECIFICATION NUMBER: BACC30M8 OPTIONAL PART: HL79-8 V73197 HL79-8 V92215 66014-8 V56878 HL79-8 V56878	163999	168
633	HL11VAZ6-4	.	BOLT SUPPLIER CODE: V60516 SPECIFICATION NUMBER: BACB30NW6K4 OPTIONAL PART: B30NW6K4 V97928 HL11VAZ6-4 V73197 HL11VAZ6-4 V92215 HL11VAZ6-4 V97928 L803-6K4 V06725 HL11VAZ6-4 VOPTK6 HL11VAZ6-4 V56878	163999	56
ILLUSTRATION ITEMS NOT ON PARTS LIST ARE NOT APPLICABLE					

- ITEM NOT ILLUSTRATED

53-01-03-30

53-01-03  
FIG. 30  
PAGE 40  
AUG 22/09

HXL



**767  
PARTS CATALOG (MAINTENANCE)**

FIG ITEM	PART NUMBER	1 2 3 4 5 6 7	NOMENCLATURE	EFFECT FROM TO	UNITS PER ASSY
30 636	HL11VAZ6-3		.BOLT SUPPLIER CODE: V60516 SPECIFICATION NUMBER: BACB30NW6K3 OPTIONAL PART: B30NW6K3 V97928 HL11VAZ6-3 V73197 HL11VAZ6-3 V92215 HL11VAZ6-3 V97928 L803-6K3 V06725 HL11VAZ6-3 VOPTK6 HL11VAZ6-3 V56878	163999	20
639	HL79-6		.COLLAR SUPPLIER CODE: V5M902 SPECIFICATION NUMBER: BACC30M6 OPTIONAL PART: HL79-6 V73197 HL79-6 V92215 66014-6 V56878 HL79-6 V56878	163999	76
642	HST10AG8-6		.BOLT SUPPLIER CODE: VOPTK6 SPECIFICATION NUMBER: BACB30VT8K6 OPTIONAL PART: HST10AG8-6 V06725 HST10AG8-6 V56878 HST10AG8-6 V73197 WC10K8-6 V60516	163999	6

ILLUSTRATION ITEMS NOT ON PARTS LIST ARE NOT APPLICABLE

— ITEM NOT ILLUSTRATED

HXL

# 53-01-03-30

BOEING PROPRIETARY - Copyright © - Unpublished Work - See title page for details.

53-01-03  
FIG. 30  
PAGE 41  
AUG 22/09



767

PARTS CATALOG (MAINTENANCE)

FIG ITEM	PART NUMBER	1 2 3 4 5 6 7	NOMENCLATURE	EFFECT FROM TO	UNITS PER ASSY
30 645	HST10AG8-5	.BOLT	SUPPLIER CODE: VOPTK6 SPECIFICATION NUMBER: BACB30VT8K5 OPTIONAL PART: HST10AG8-5 V06725 HST10AG8-5 V56878 HST10AG8-5 V73197 WC10K8-5 V60516	163999	2
648	HST10AG8-3	.BOLT	SUPPLIER CODE: VOPTK6 SPECIFICATION NUMBER: BACB30VT8K3 OPTIONAL PART: HST10AG8-3 V06725 HST10AG8-3 V56878 HST10AG8-3 V73197 WC10K8-3 V60516	163999	4
R 651	BACC30BL8	.COLLAR		163999	12
654	HST11AG6-4	.BOLT	SUPPLIER CODE: V06725 SPECIFICATION NUMBER: BACB30VU6K4 OPTIONAL PART: HST11AG6-4 V73197 HST11AG6-4 VOPTK6 HST11AG6-4 V56878	163999	16
R 657	BACC30BL6	.COLLAR		163999	16
663	BACF3F010K062NG	.FILLER	-----*-----	163999	2

ILLUSTRATION ITEMS NOT ON PARTS LIST ARE NOT APPLICABLE

- ITEM NOT ILLUSTRATED

53-01-03-30

53-01-03  
FIG. 30  
PAGE 42  
AUG 22/09

HXL



 **BOEING**  
767  
**PARTS CATALOG (MAINTENANCE)**

FIG ITEM	PART NUMBER	1 2 3 4 5 6 7	NOMENCLATURE	EFFECT FROM TO	UNITS PER ASSY
30			ATTACHING PARTS		
- 666	HST10AG6-5		.BOLT SUPPLIER CODE: VOPTK6 SPECIFICATION NUMBER: BACB30VT6K5 OPTIONAL PART: HST10AG6-5 V06725 HST10AG6-5 V56878 HST10AG6-5 V73197 WC10K6-5 V60516	163999	14
R - 669	BACC30BL6		.COLLAR -----*-----	163999	14
672	140T2512-3		.ANGLE ATTACHING PARTS	163999	2
- 675	L8008K5		.BOLT SUPPLIER CODE: V06725 SPECIFICATION NUMBER: BACB30MY8K5	163999	14
- 678	HL79-8		.COLLAR SUPPLIER CODE: V5M902 SPECIFICATION NUMBER: BACC30M8 OPTIONAL PART: HL79-8 V73197 HL79-8 V92215 66014-8 V56878 HL79-8 V56878 -----*-----	163999	14
681	140T2512-2		.ANGLE ATTACHING PARTS	163999	2
- 684	L8008K5		.BOLT SUPPLIER CODE: V06725 SPECIFICATION NUMBER: BACB30MY8K5	163999	10

ILLUSTRATION ITEMS NOT ON PARTS LIST ARE NOT APPLICABLE

- ITEM NOT ILLUSTRATED

HXL

53-01-03-30

BOEING PROPRIETARY - Copyright © - Unpublished Work - See title page for details.

53-01-03  
FIG. 30  
PAGE 43  
AUG 22/09



767

PARTS CATALOG (MAINTENANCE)

FIG ITEM	PART NUMBER	1 2 3 4 5 6 7	NOMENCLATURE	EFFECT FROM TO	UNITS PER ASSY
30 - 687	HL79-8		.COLLAR SUPPLIER CODE: V5M902 SPECIFICATION NUMBER: BACC30M8 OPTIONAL PART: HL79-8 V73197 HL79-8 V92215 66014-8 V56878 HL79-8 V56878 -----*-----	163999	10
690	140T2511-1		.PLATE ATTACHING PARTS	163999	2
693	L8006K6		.BOLT SUPPLIER CODE: V06725 SPECIFICATION NUMBER: BACB30MY6K6	163999	4
696	L8006K5		.BOLT SUPPLIER CODE: V06725 SPECIFICATION NUMBER: BACB30MY6K5	163999	4
699	HL79-6		.COLLAR SUPPLIER CODE: V5M902 SPECIFICATION NUMBER: BACC30M6 OPTIONAL PART: HL79-6 V73197 HL79-6 V92215 66014-6 V56878 HL79-6 V56878 -----*-----	163999	8

ILLUSTRATION ITEMS NOT ON PARTS LIST ARE NOT APPLICABLE

- ITEM NOT ILLUSTRATED

HXL

53-01-03-30

BOEING PROPRIETARY - Copyright © - Unpublished Work - See title page for details.

53-01-03  
FIG. 30  
PAGE 44  
AUG 22/09



767

PARTS CATALOG (MAINTENANCE)

FIG ITEM	PART NUMBER	1 2 3 4 5 6 7	NOMENCLATURE	EFFECT FROM TO	UNITS PER ASSY
30 702	HST10AG8-8	.BOLT	SUPPLIER CODE: VOPTK6 SPECIFICATION NUMBER: BACB30VT8K8 OPTIONAL PART: HST10AG8-8 V06725 HST10AG8-8 V56878 HST10AG8-8 V73197 WC10K8-8 V60516	163999	4
705	HST10AG8-5	.BOLT	SUPPLIER CODE: VOPTK6 SPECIFICATION NUMBER: BACB30VT8K5 OPTIONAL PART: HST10AG8-5 V06725 HST10AG8-5 V56878 HST10AG8-5 V73197 WC10K8-5 V60516	163999	20
R 708	BACC3OBL8	.COLLAR		163999	24
711	HST10AG6-8	.BOLT	SUPPLIER CODE: VOPTK6 SPECIFICATION NUMBER: BACB30VT6K8 OPTIONAL PART: HST10AG6-8 V06725 HST10AG6-8 V56878 HST10AG6-8 V73197 WC10K6-6 V60516	163999	4

ILLUSTRATION ITEMS NOT ON PARTS LIST ARE NOT APPLICABLE

- ITEM NOT ILLUSTRATED

HXL

53-01-03-30

BOEING PROPRIETARY - Copyright © - Unpublished Work - See title page for details.

53-01-03  
FIG. 30  
PAGE 45  
AUG 22/09



767

PARTS CATALOG (MAINTENANCE)

FIG ITEM	PART NUMBER	1 2 3 4 5 6 7	NOMENCLATURE	EFFECT FROM TO	UNITS PER ASSY
30 714	HST10AG6-7	.BOLT	SUPPLIER CODE: VOPTK6 SPECIFICATION NUMBER: BACB30VT6K7 OPTIONAL PART: HST10AG6-7 V06725 HST10AG6-7 V56878 HST10AG6-7 V73197 WC10K6-7 V60516	163999	4
717	HST10AG6-5	.BOLT	SUPPLIER CODE: VOPTK6 SPECIFICATION NUMBER: BACB30VT6K5 OPTIONAL PART: HST10AG6-5 V06725 HST10AG6-5 V56878 HST10AG6-5 V73197 WC10K6-5 V60516	163999	4
R 720	BACC30BL6	.COLLAR		163999	12
723	143T5202-26	.ANGLE-SPLICE		163999	2
726	143T5202-30	.ANGLE-SPLICE		163999	2
729	BACF3F010R069NG	.FILLER		163999	2
732	BACF3F010R056NG	.FILLER		163999	2
735	143T5211-19	.TRACK-SEAT		163999	2

ILLUSTRATION ITEMS NOT ON PARTS LIST ARE NOT APPLICABLE

- ITEM NOT ILLUSTRATED

HXL

53-01-03-30

BOEING PROPRIETARY - Copyright © - Unpublished Work - See title page for details.

53-01-03  
FIG. 30  
PAGE 46  
AUG 22/09



767

PARTS CATALOG (MAINTENANCE)

FIG ITEM	PART NUMBER	1 2 3 4 5 6 7	NOMENCLATURE	EFFECT FROM TO	UNITS PER ASSY
30			ATTACHING PARTS		
738	HL11VAZ6-4		.BOLT SUPPLIER CODE: V60516 SPECIFICATION NUMBER: BACB30NW6K4 OPTIONAL PART: B30NW6K4 V97928 HL11VAZ6-4 V73197 HL11VAZ6-4 V92215 HL11VAZ6-4 V97928 L803-6K4 V06725 HL11VAZ6-4 VOPTK6 HL11VAZ6-4 V56878	163999	24
741	HL11VAZ6-3		.BOLT SUPPLIER CODE: V60516 SPECIFICATION NUMBER: BACB30NW6K3 OPTIONAL PART: B30NW6K3 V97928 HL11VAZ6-3 V73197 HL11VAZ6-3 V92215 HL11VAZ6-3 V97928 L803-6K3 V06725 HL11VAZ6-3 VOPTK6 HL11VAZ6-3 V56878	163999	20

ILLUSTRATION ITEMS NOT ON PARTS LIST ARE NOT APPLICABLE

- ITEM NOT ILLUSTRATED

HXL

53-01-03-30

BOEING PROPRIETARY - Copyright © - Unpublished Work - See title page for details.

53-01-03  
FIG. 30  
PAGE 47  
AUG 22/09



767

PARTS CATALOG (MAINTENANCE)

FIG ITEM	PART NUMBER	1 2 3 4 5 6 7	NOMENCLATURE	EFFECT FROM TO	UNITS PER ASSY
30 744	HL79-6		.COLLAR SUPPLIER CODE: V5M902 SPECIFICATION NUMBER: BACC30M6 OPTIONAL PART: HL79-6 V73197 HL79-6 V92215 66014-6 V56878 HL79-6 V56878	163999	44
747	L8008K6		.BOLT SUPPLIER CODE: V06725 SPECIFICATION NUMBER: BACB30MY8K6	163999	36
750	L8008K3		.BOLT SUPPLIER CODE: V06725 SPECIFICATION NUMBER: BACB30MY8K3	163999	36
753	HL79-8		.COLLAR SUPPLIER CODE: V5M902 SPECIFICATION NUMBER: BACC30M8 OPTIONAL PART: HL79-8 V73197 HL79-8 V92215 66014-8 V56878 HL79-8 V56878	163999	72

ILLUSTRATION ITEMS NOT ON PARTS LIST ARE NOT APPLICABLE

- ITEM NOT ILLUSTRATED

HXL

53-01-03-30

BOEING PROPRIETARY - Copyright © - Unpublished Work - See title page for details.

53-01-03  
FIG. 30  
PAGE 48  
AUG 22/09

 **BOEING**  
767  
**PARTS CATALOG (MAINTENANCE)**

FIG ITEM	PART NUMBER	1 2 3 4 5 6 7	NOMENCLATURE	EFFECT FROM TO	UNITS PER ASSY
30 756	HST11AG6-3		.BOLT SUPPLIER CODE: V06725 SPECIFICATION NUMBER: BACB30VU6K3 OPTIONAL PART: HST11AG6-3 V73197 HST11AG6-3 V56878 HST11AG6-3 VOPTK6	163999	8
R 759 762	BACC3OBL6 HST10AG8-6		.COLLAR .BOLT SUPPLIER CODE: VOPTK6 SPECIFICATION NUMBER: BACB30VT8K6 OPTIONAL PART: HST10AG8-6 V06725 HST10AG8-6 V56878 HST10AG8-6 V73197 WC10K8-6 V60516	163999 163999	8 12
765	HST10AG8-3		.BOLT SUPPLIER CODE: VOPTK6 SPECIFICATION NUMBER: BACB30VT8K3 OPTIONAL PART: HST10AG8-3 V06725 HST10AG8-3 V56878 HST10AG8-3 V73197 WC10K8-3 V60516	163999	12
R 768	BACC3OBL8		.COLLAR	163999	24
771	143T5211-20		-----*----- .TRACK-SEAT	163999	2

ILLUSTRATION ITEMS NOT ON PARTS LIST ARE NOT APPLICABLE

- ITEM NOT ILLUSTRATED

HXL

53-01-03-30

BOEING PROPRIETARY - Copyright © - Unpublished Work - See title page for details.

53-01-03  
FIG. 30  
PAGE 49  
AUG 22/09



**767  
PARTS CATALOG (MAINTENANCE)**

FIG ITEM	PART NUMBER	1 2 3 4 5 6 7	NOMENCLATURE	EFFECT FROM TO	UNITS PER ASSY
30			ATTACHING PARTS		
774	HL11VAZ6-4		.BOLT SUPPLIER CODE: V60516 SPECIFICATION NUMBER: BACB30NW6K4 OPTIONAL PART: B30NW6K4 V97928 HL11VAZ6-4 V73197 HL11VAZ6-4 V92215 HL11VAZ6-4 V97928 L803-6K4 V06725 HL11VAZ6-4 VOPTK6 HL11VAZ6-4 V56878	163999	24
777	HL79-6		.COLLAR SUPPLIER CODE: V5M902 SPECIFICATION NUMBER: BACC30M6 OPTIONAL PART: HL79-6 V73197 HL79-6 V92215 66014-6 V56878 HL79-6 V56878	163999	24
780	L8008K6		.BOLT SUPPLIER CODE: V06725 SPECIFICATION NUMBER: BACB30MY8K6	163999	36
783	L8008K3		.BOLT SUPPLIER CODE: V06725 SPECIFICATION NUMBER: BACB30MY8K3	163999	36
ILLUSTRATION ITEMS NOT ON PARTS LIST ARE NOT APPLICABLE					

— ITEM NOT ILLUSTRATED

HXL

# 53-01-03-30

BOEING PROPRIETARY - Copyright © - Unpublished Work - See title page for details.

53-01-03  
FIG. 30  
PAGE 50  
AUG 22/09





767

PARTS CATALOG (MAINTENANCE)

FIG ITEM	PART NUMBER	1 2 3 4 5 6 7	NOMENCLATURE	EFFECT FROM TO	UNITS PER ASSY
30 786	HL79-8		.COLLAR SUPPLIER CODE: V5M902 SPECIFICATION NUMBER: BACC30M8 OPTIONAL PART: HL79-8 V73197 HL79-8 V92215 66014-8 V56878 HL79-8 V56878	163999	72
789	HST11AG6-5		.BOLT SUPPLIER CODE: V06725 SPECIFICATION NUMBER: BACB30VU6K5 OPTIONAL PART: HST11AG6-5 V73197 HST11AG6-5 V56878 HST11AG6-5 VOPTK6	163999	4
792	HST11AG6-4		.BOLT SUPPLIER CODE: V06725 SPECIFICATION NUMBER: BACB30VU6K4 OPTIONAL PART: HST11AG6-4 V73197 HST11AG6-4 VOPTK6 HST11AG6-4 V56878	163999	28

ILLUSTRATION ITEMS NOT ON PARTS LIST ARE NOT APPLICABLE

- ITEM NOT ILLUSTRATED

HXL

53-01-03-30

BOEING PROPRIETARY - Copyright © - Unpublished Work - See title page for details.

53-01-03  
FIG. 30  
PAGE 51  
AUG 22/09



767

PARTS CATALOG (MAINTENANCE)

FIG ITEM	PART NUMBER	1 2 3 4 5 6 7	NOMENCLATURE	EFFECT FROM TO	UNITS PER ASSY
30 795	HST11AG6-3		.BOLT SUPPLIER CODE: V06725 SPECIFICATION NUMBER: BACB30VU6K3 OPTIONAL PART: HST11AG6-3 V73197 HST11AG6-3 V56878 HST11AG6-3 VOPTK6	163999	8
R 798	BACC30BL6		.COLLAR	163999	40
801	HST10AG8-3		.BOLT SUPPLIER CODE: VOPTK6 SPECIFICATION NUMBER: BACB30VT8K3 OPTIONAL PART: HST10AG8-3 V06725 HST10AG8-3 V56878 HST10AG8-3 V73197 WC10K8-3 V60516	163999	12
R 804	BACC30BL8		.COLLAR	163999	24
807	BACR15CE6KE		.RIVET- SIZE DETERMINED ON INSTL. -----*-----	163999	24
813	143T5217-5		.TRACK-SEAT	163999	1

ILLUSTRATION ITEMS NOT ON PARTS LIST ARE NOT APPLICABLE

- ITEM NOT ILLUSTRATED

HXL

53-01-03-30

BOEING PROPRIETARY - Copyright © - Unpublished Work - See title page for details.

53-01-03  
FIG. 30  
PAGE 52  
AUG 22/09



767

PARTS CATALOG (MAINTENANCE)

FIG ITEM	PART NUMBER	1 2 3 4 5 6 7	NOMENCLATURE	EFFECT FROM TO	UNITS PER ASSY
30			ATTACHING PARTS		
816	HL13VAZ8-5		.BOLT SUPPLIER CODE: V56878 SPECIFICATION NUMBER: BACB30NY8K5 OPTIONAL PART: HL13VAZ8-5 V73197 HL13VAZ8-5 V92215 HL13VAZ8-5 V97928 L801-8K5 V06725 HL13VAZ8-5 V60516 L801-8K5 VOPTK6 HL13VAZ8-5 V17446 HL1013AZ8-5 V60516	163999	12
819	HL13VAZ8-7		.BOLT SUPPLIER CODE: V56878 SPECIFICATION NUMBER: BACB30NY8K7 OPTIONAL PART: HL13VAZ8-7 V73197 HL13VAZ8-7 V92215 HL13VAZ8-7 V97928 L801-8K7 V06725 HL13VAZ8-7 V60516 L801-8K7 VOPTK6 HL13VAZ8-7 V17446 HL1013AZ8-7 V60516	163999	9
ILLUSTRATION ITEMS NOT ON PARTS LIST ARE NOT APPLICABLE					

- ITEM NOT ILLUSTRATED

53-01-03-30

53-01-03  
FIG. 30  
PAGE 53  
AUG 22/09

HXL



767

PARTS CATALOG (MAINTENANCE)

FIG ITEM	PART NUMBER	1 2 3 4 5 6 7	NOMENCLATURE	EFFECT FROM TO	UNITS PER ASSY
30 822	HL1012AZ8-3	.	BOLT SUPPLIER CODE: VOPTK6 SPECIFICATION NUMBER: BACB30NX8K3 OPTIONAL PART: HL12VAZ8-3 V73197 HL12VAZ8-3 V92215 HL12VAZ8-3 V97928 L802-8K3 V06725 HL12VAZ8-3 V56878 HL1012AZ8-3 V06725 HL1012AZ8-3 V06950 HL1012AZ8-3 V17446 HL1012AZ8-3 V56878 HL1012AZ8-3 V60516 HL1012AZ8-3 V73197 HL1012AZ8-3 V97928	163999	2
ILLUSTRATION ITEMS NOT ON PARTS LIST ARE NOT APPLICABLE					

- ITEM NOT ILLUSTRATED

**53-01-03-30**

53-01-03  
 FIG. 30  
 PAGE 54  
 AUG 22/09

HXL



767

PARTS CATALOG (MAINTENANCE)

FIG ITEM	PART NUMBER	1 2 3 4 5 6 7	NOMENCLATURE	EFFECT FROM TO	UNITS PER ASSY
30 825	HL1012AZ8-4	.BOLT	SUPPLIER CODE: VOPTK6 SPECIFICATION NUMBER: BACB30NX8K4 OPTIONAL PART: HL12VAZ8-4 V73197 HL12VAZ8-4 V92215 HL12VAZ8-4 V97928 L802-8K4 V06725 HL12VAZ8-4 V56878 HL1012AZ8-4 V06725 HL1012AZ8-4 V06950 HL1012AZ8-4 V17446 HL1012AZ8-4 V56878 HL1012AZ8-4 V60516 HL1012AZ8-4 V73197 HL1012AZ8-4 V97928	163999	2
828	HL1187-8	.COLLAR	SUPPLIER CODE: V5M902 SPECIFICATION NUMBER: BACC30X8 OPTIONAL PART: HL87-8 V92215 HL87-8 V73197 HL1187-8 V56878 HL1187-8 V92215 HL87-8 V56878 HL1187-8 V73197	163999	25

ILLUSTRATION ITEMS NOT ON PARTS LIST ARE NOT APPLICABLE

- ITEM NOT ILLUSTRATED

53-01-03-30

53-01-03  
 FIG. 30  
 PAGE 55  
 AUG 22/09

HXL



767

PARTS CATALOG (MAINTENANCE)

FIG ITEM	PART NUMBER	1 2 3 4 5 6 7 NOMENCLATURE	EFFECT FROM TO	UNITS PER ASSY
30 831	HL1012AZ6-5	.BOLT SUPPLIER CODE: V97928 SPECIFICATION NUMBER: BACB30NX6K5 OPTIONAL PART: HL12VAZ6-5 V73197 HL12VAZ6-5 V92215 HL12VAZ6-5 V97928 L802-6K5 V06725 HL12VAZ6-5 V56878 HL1012AZ6-5 V0PTK6 HL1012AZ6-5 V06725 HL1012AZ6-5 V06950 HL1012AZ6-5 V17446 HL1012AZ6-5 V56878 HL1012AZ6-5 V60516 HL1012AZ6-5 V73197	163999	5

ILLUSTRATION ITEMS NOT ON PARTS LIST ARE NOT APPLICABLE

- ITEM NOT ILLUSTRATED

HXL

**53-01-03-30**

BOEING PROPRIETARY - Copyright © - Unpublished Work - See title page for details.

53-01-03  
 FIG. 30  
 PAGE 56  
 AUG 22/09



767

PARTS CATALOG (MAINTENANCE)

FIG ITEM	PART NUMBER	1 2 3 4 5 6 7 NOMENCLATURE	EFFECT FROM TO	UNITS PER ASSY
30 834	HL1012AZ6-4	.BOLT SUPPLIER CODE: V97928 SPECIFICATION NUMBER: BACB30NX6K4 OPTIONAL PART: HL12VAZ6-4 V73197 HL12VAZ6-4 V92215 HL12VAZ6-4 V97928 L802-6K4 V06725 HL12VAZ6-4 V56878 HL1012AZ6-4 V0PTK6 HL1012AZ6-4 V06725 HL1012AZ6-4 V06950 HL1012AZ6-4 V17446 HL1012AZ6-4 V56878 HL1012AZ6-4 V60516 HL1012AZ6-4 V73197	163999	27

ILLUSTRATION ITEMS NOT ON PARTS LIST ARE NOT APPLICABLE

- ITEM NOT ILLUSTRATED

HXL

**53-01-03-30**

BOEING PROPRIETARY - Copyright © - Unpublished Work - See title page for details.

53-01-03  
FIG. 30  
PAGE 57  
AUG 22/09



767

PARTS CATALOG (MAINTENANCE)

FIG ITEM	PART NUMBER	1 2 3 4 5 6 7 NOMENCLATURE	EFFECT FROM TO	UNITS PER ASSY
30 837	HL1012AZ6-6	.BOLT SUPPLIER CODE: V97928 SPECIFICATION NUMBER: BACB30NX6K6 OPTIONAL PART: HL12VAZ6-6 V73197 HL12VAZ6-6 V92215 HL12VAZ6-6 V97928 L802-6K6 V06725 HL12VAZ6-6 V56878 HL1012AZ6-6 V0PTK6 HL1012AZ6-6 V06725 HL1012AZ6-6 V06950 HL1012AZ6-6 V17446 HL1012AZ6-6 V56878 HL1012AZ6-6 V60516 HL1012AZ6-6 V73197	163999	8

ILLUSTRATION ITEMS NOT ON PARTS LIST ARE NOT APPLICABLE

- ITEM NOT ILLUSTRATED

HXL

53-01-03-30

BOEING PROPRIETARY - Copyright © - Unpublished Work - See title page for details.

53-01-03  
 FIG. 30  
 PAGE 58  
 AUG 22/09



**BOEING**  
767  
**PARTS CATALOG (MAINTENANCE)**

FIG ITEM	PART NUMBER	1 2 3 4 5 6 7	NOMENCLATURE	EFFECT FROM TO	UNITS PER ASSY
30 840	HL13VAZ6-3		.BOLT SUPPLIER CODE: V56878 SPECIFICATION NUMBER: BACB30NY6K3 OPTIONAL PART: HL13VAZ6-3 V73197 HL13VAZ6-3 V92215 HL13VAZ6-3 V97928 L801-6K3 V06725 HL13VAZ6-3 V60516 L801-6K3 VOPTK6 HL13VAZ6-3 V17446	163999	7
843	HL13VAZ6-5		.BOLT SUPPLIER CODE: V56878 SPECIFICATION NUMBER: BACB30NY6K5 OPTIONAL PART: HL13VAZ6-5 V73197 HL13VAZ6-5 V92215 HL13VAZ6-5 V97928 L801-6K5 V06725 HL13VAZ6-5 V60516 L801-6K5 VOPTK6 HL13VAZ6-5 V17446 HL1013AZ6-5 V60516	163999	1

R  
R  
R  
R  
R  
R  
R  
R  
R  
R  
R  
R  
R  
R  
R  
R  
R  
R  
R  
R  
R  
R

ILLUSTRATION ITEMS NOT ON PARTS LIST ARE NOT APPLICABLE

- ITEM NOT ILLUSTRATED

53-01-03-30

53-01-03  
FIG. 30  
PAGE 59  
AUG 22/09

HXL



767

PARTS CATALOG (MAINTENANCE)

FIG ITEM	PART NUMBER	1 2 3 4 5 6 7	NOMENCLATURE	EFFECT FROM TO	UNITS PER ASSY
30 846	HL1187-6		.COLLAR SUPPLIER CODE: V5M902 SPECIFICATION NUMBER: BACC30X6 OPTIONAL PART: HL87-6 V92215 HL87-6 V73197 HL1187-6 V56878 HL1187-6 V92215 HL87-6 V56878 HL1187-6 V73197	163999	48
849	L8006K3		.BOLT SUPPLIER CODE: V06725 SPECIFICATION NUMBER: BACB30MY6K3	163999	7
852	HL79-6		.COLLAR SUPPLIER CODE: V5M902 SPECIFICATION NUMBER: BACC30M6 OPTIONAL PART: HL79-6 V73197 HL79-6 V92215 66014-6 V56878 HL79-6 V56878	163999	7
855	143T5218-18		-----*----- .TRACK-SEAT	163999	1

ILLUSTRATION ITEMS NOT ON PARTS LIST ARE NOT APPLICABLE

- ITEM NOT ILLUSTRATED

HXL

53-01-03-30

BOEING PROPRIETARY - Copyright © - Unpublished Work - See title page for details.

53-01-03  
FIG. 30  
PAGE 60  
AUG 22/09



767

PARTS CATALOG (MAINTENANCE)

FIG ITEM	PART NUMBER	1 2 3 4 5 6 7	NOMENCLATURE	EFFECT FROM TO	UNITS PER ASSY
30			ATTACHING PARTS		
858	HL13VAZ8-7		.BOLT SUPPLIER CODE: V56878 SPECIFICATION NUMBER: BACB30NY8K7 OPTIONAL PART: HL13VAZ8-7 V73197 HL13VAZ8-7 V92215 HL13VAZ8-7 V97928 L801-8K7 V06725 HL13VAZ8-7 V60516 L801-8K7 VOPTK6 HL13VAZ8-7 V17446 HL1013AZ8-7 V60516	163999	8
861	HL13VAZ8-5		.BOLT SUPPLIER CODE: V56878 SPECIFICATION NUMBER: BACB30NY8K5 OPTIONAL PART: HL13VAZ8-5 V73197 HL13VAZ8-5 V92215 HL13VAZ8-5 V97928 L801-8K5 V06725 HL13VAZ8-5 V60516 L801-8K5 VOPTK6 HL13VAZ8-5 V17446 HL1013AZ8-5 V60516	163999	8

ILLUSTRATION ITEMS NOT ON PARTS LIST ARE NOT APPLICABLE

- ITEM NOT ILLUSTRATED

HXL

53-01-03-30

BOEING PROPRIETARY - Copyright © - Unpublished Work - See title page for details.

53-01-03  
FIG. 30  
PAGE 61  
AUG 22/09



767

PARTS CATALOG (MAINTENANCE)

FIG ITEM	PART NUMBER	1 2 3 4 5 6 7 NOMENCLATURE	EFFECT FROM TO	UNITS PER ASSY
30 864	HL1012AZ8-5	.BOLT SUPPLIER CODE: VOPTK6 SPECIFICATION NUMBER: BACB30NX8K5 OPTIONAL PART: HL12VAZ8-5 V73197 HL12VAZ8-5 V92215 HL12VAZ8-5 V97928 L802-8K5 V06725 HL12VAZ8-5 V56878 HL1012AZ8-5 V06725 HL1012AZ8-5 V06950 HL1012AZ8-5 V17446 HL1012AZ8-5 V56878 HL1012AZ8-5 V60516 HL1012AZ8-5 V73197 HL1012AZ8-5 V97928	163999	2

ILLUSTRATION ITEMS NOT ON PARTS LIST ARE NOT APPLICABLE

- ITEM NOT ILLUSTRATED

HXL

53-01-03-30

BOEING PROPRIETARY - Copyright © - Unpublished Work - See title page for details.

53-01-03  
 FIG. 30  
 PAGE 62  
 AUG 22/09



767

PARTS CATALOG (MAINTENANCE)

FIG ITEM	PART NUMBER	1 2 3 4 5 6 7	NOMENCLATURE	EFFECT FROM TO	UNITS PER ASSY
30 867	HL1012AZ8-4	.	BOLT SUPPLIER CODE: VOPTK6 SPECIFICATION NUMBER: BACB30NX8K4 OPTIONAL PART: HL12VAZ8-4 V73197 HL12VAZ8-4 V92215 HL12VAZ8-4 V97928 L802-8K4 V06725 HL12VAZ8-4 V56878 HL1012AZ8-4 V06725 HL1012AZ8-4 V06950 HL1012AZ8-4 V17446 HL1012AZ8-4 V56878 HL1012AZ8-4 V60516 HL1012AZ8-4 V73197 HL1012AZ8-4 V97928	163999	9
ILLUSTRATION ITEMS NOT ON PARTS LIST ARE NOT APPLICABLE					

- ITEM NOT ILLUSTRATED

HXL

53-01-03-30

BOEING PROPRIETARY - Copyright © - Unpublished Work - See title page for details.

53-01-03  
 FIG. 30  
 PAGE 63  
 AUG 22/09



767

PARTS CATALOG (MAINTENANCE)

FIG ITEM	PART NUMBER	1 2 3 4 5 6 7	NOMENCLATURE	EFFECT FROM TO	UNITS PER ASSY
30 870	HL1012AZ8-3	.BOLT	SUPPLIER CODE: VOPTK6 SPECIFICATION NUMBER: BACB30NX8K3 OPTIONAL PART: HL12VAZ8-3 V73197 HL12VAZ8-3 V92215 HL12VAZ8-3 V97928 L802-8K3 V06725 HL12VAZ8-3 V56878 HL1012AZ8-3 V06725 HL1012AZ8-3 V06950 HL1012AZ8-3 V17446 HL1012AZ8-3 V56878 HL1012AZ8-3 V60516 HL1012AZ8-3 V73197 HL1012AZ8-3 V97928	163999	7
873	HL1187-8	.COLLAR	SUPPLIER CODE: V5M902 SPECIFICATION NUMBER: BACC30X8 OPTIONAL PART: HL87-8 V92215 HL87-8 V73197 HL1187-8 V56878 HL1187-8 V92215 HL87-8 V56878 HL1187-8 V73197	163999	34

ILLUSTRATION ITEMS NOT ON PARTS LIST ARE NOT APPLICABLE

- ITEM NOT ILLUSTRATED

HXL

53-01-03-30

BOEING PROPRIETARY - Copyright © - Unpublished Work - See title page for details.

53-01-03  
 FIG. 30  
 PAGE 64  
 AUG 22/09



767

PARTS CATALOG (MAINTENANCE)

FIG ITEM	PART NUMBER	1 2 3 4 5 6 7 NOMENCLATURE	EFFECT FROM TO	UNITS PER ASSY
30 876	HL1012AZ6-6	.BOLT SUPPLIER CODE: V97928 SPECIFICATION NUMBER: BACB30NX6K6 OPTIONAL PART: HL12VAZ6-6 V73197 HL12VAZ6-6 V92215 HL12VAZ6-6 V97928 L802-6K6 V06725 HL12VAZ6-6 V56878 HL1012AZ6-6 V0PTK6 HL1012AZ6-6 V06725 HL1012AZ6-6 V06950 HL1012AZ6-6 V17446 HL1012AZ6-6 V56878 HL1012AZ6-6 V60516 HL1012AZ6-6 V73197	163999	2

ILLUSTRATION ITEMS NOT ON PARTS LIST ARE NOT APPLICABLE

- ITEM NOT ILLUSTRATED

HXL

53-01-03-30

BOEING PROPRIETARY - Copyright © - Unpublished Work - See title page for details.

53-01-03  
 FIG. 30  
 PAGE 65  
 AUG 22/09



767

PARTS CATALOG (MAINTENANCE)

FIG ITEM	PART NUMBER	1 2 3 4 5 6 7 NOMENCLATURE	EFFECT FROM TO	UNITS PER ASSY
30 879	HL1012AZ6-5	.BOLT SUPPLIER CODE: V97928 SPECIFICATION NUMBER: BACB30NX6K5 OPTIONAL PART: HL12VAZ6-5 V73197 HL12VAZ6-5 V92215 HL12VAZ6-5 V97928 L802-6K5 V06725 HL12VAZ6-5 V56878 HL1012AZ6-5 V0PTK6 HL1012AZ6-5 V06725 HL1012AZ6-5 V06950 HL1012AZ6-5 V17446 HL1012AZ6-5 V56878 HL1012AZ6-5 V60516 HL1012AZ6-5 V73197	163999	4

ILLUSTRATION ITEMS NOT ON PARTS LIST ARE NOT APPLICABLE

- ITEM NOT ILLUSTRATED

HXL

**53-01-03-30**

BOEING PROPRIETARY - Copyright © - Unpublished Work - See title page for details.

53-01-03  
 FIG. 30  
 PAGE 66  
 AUG 22/09





767

PARTS CATALOG (MAINTENANCE)

FIG ITEM	PART NUMBER	1 2 3 4 5 6 7	NOMENCLATURE	EFFECT FROM TO	UNITS PER ASSY
30 882	HL13VAZ6-3		.BOLT SUPPLIER CODE: V56878 SPECIFICATION NUMBER: BACB30NY6K3 OPTIONAL PART: HL13VAZ6-3 V73197 HL13VAZ6-3 V92215 HL13VAZ6-3 V97928 L801-6K3 V06725 HL13VAZ6-3 V60516 L801-6K3 VOPTK6 HL13VAZ6-3 V17446	163999	6
885	HL1187-6		.COLLAR SUPPLIER CODE: V5M902 SPECIFICATION NUMBER: BACC30X6 OPTIONAL PART: HL87-6 V92215 HL87-6 V73197 HL1187-6 V56878 HL1187-6 V92215 HL87-6 V56878 HL1187-6 V73197	163999	12
888	L8006K3		.BOLT SUPPLIER CODE: V06725 SPECIFICATION NUMBER: BACB30MY6K3	163999	7

ILLUSTRATION ITEMS NOT ON PARTS LIST ARE NOT APPLICABLE

- ITEM NOT ILLUSTRATED

HXL

53-01-03-30

BOEING PROPRIETARY - Copyright © - Unpublished Work - See title page for details.

53-01-03  
FIG. 30  
PAGE 67  
AUG 22/09



767

PARTS CATALOG (MAINTENANCE)

FIG ITEM	PART NUMBER	1 2 3 4 5 6 7	NOMENCLATURE	EFFECT FROM TO	UNITS PER ASSY
30 891	HL79-6		. COLLAR SUPPLIER CODE: V5M902 SPECIFICATION NUMBER: BACC30M6 OPTIONAL PART: HL79-6 V73197 HL79-6 V92215 66014-6 V56878 HL79-6 V56878	163999	7
894	HST11AG6-4		. BOLT SUPPLIER CODE: V06725 SPECIFICATION NUMBER: BACB30VU6K4 OPTIONAL PART: HST11AG6-4 V73197 HST11AG6-4 VOPTK6 HST11AG6-4 V56878	163999	7
897	HST10AG6-5		. BOLT SUPPLIER CODE: VOPTK6 SPECIFICATION NUMBER: BACB30VT6K5 OPTIONAL PART: HST10AG6-5 V06725 HST10AG6-5 V56878 HST10AG6-5 V73197 WC10K6-5 V60516	163999	5
R 900	BACC30BL6		. COLLAR	163999	12
903	143T5218-19		-----*----- . TRACK-SEAT	163999	1

ILLUSTRATION ITEMS NOT ON PARTS LIST ARE NOT APPLICABLE

- ITEM NOT ILLUSTRATED

53-01-03-30

53-01-03  
FIG. 30  
PAGE 68  
AUG 22/09

HXL

BOEING PROPRIETARY - Copyright © - Unpublished Work - See title page for details.



767

PARTS CATALOG (MAINTENANCE)

FIG ITEM	PART NUMBER	1 2 3 4 5 6 7 NOMENCLATURE	EFFECT FROM TO	UNITS PER ASSY
30  906	HL1012AZ8-6	ATTACHING PARTS .BOLT SUPPLIER CODE: VOPTK6 SPECIFICATION NUMBER: BACB30NX8K6 OPTIONAL PART: HL12VAZ8-6 V73197 HL12VAZ8-6 V92215 HL12VAZ8-6 V97928 L802-8K6 V06725 HL12VAZ8-6 V56878 HL1012AZ8-6 V06725 HL1012AZ8-6 V06950 HL1012AZ8-6 V17446 HL1012AZ8-6 V56878 HL1012AZ8-6 V60516 HL1012AZ8-6 V73197 HL1012AZ8-6 V97928	163999	4

ILLUSTRATION ITEMS NOT ON PARTS LIST ARE NOT APPLICABLE

- ITEM NOT ILLUSTRATED

HXL

**53-01-03-30**

BOEING PROPRIETARY - Copyright © - Unpublished Work - See title page for details.

53-01-03  
FIG. 30  
PAGE 69  
AUG 22/09



767

PARTS CATALOG (MAINTENANCE)

FIG ITEM	PART NUMBER	1 2 3 4 5 6 7 NOMENCLATURE	EFFECT FROM TO	UNITS PER ASSY
30 909	HL1012AZ8-5	.BOLT SUPPLIER CODE: VOPTK6 SPECIFICATION NUMBER: BACB30NX8K5 OPTIONAL PART: HL12VAZ8-5 V73197 HL12VAZ8-5 V92215 HL12VAZ8-5 V97928 L802-8K5 V06725 HL12VAZ8-5 V56878 HL1012AZ8-5 V06725 HL1012AZ8-5 V06950 HL1012AZ8-5 V17446 HL1012AZ8-5 V56878 HL1012AZ8-5 V60516 HL1012AZ8-5 V73197 HL1012AZ8-5 V97928	163999	4

ILLUSTRATION ITEMS NOT ON PARTS LIST ARE NOT APPLICABLE

- ITEM NOT ILLUSTRATED

HXL

53-01-03-30

BOEING PROPRIETARY - Copyright © - Unpublished Work - See title page for details.

53-01-03  
FIG. 30  
PAGE 70  
AUG 22/09



767

PARTS CATALOG (MAINTENANCE)

FIG ITEM	PART NUMBER	1 2 3 4 5 6 7	NOMENCLATURE	EFFECT FROM TO	UNITS PER ASSY
30 912	HL1012AZ8-4	.BOLT	SUPPLIER CODE: VOPTK6 SPECIFICATION NUMBER: BACB30NX8K4 OPTIONAL PART: HL12VAZ8-4 V73197 HL12VAZ8-4 V92215 HL12VAZ8-4 V97928 L802-8K4 V06725 HL12VAZ8-4 V56878 HL1012AZ8-4 V06725 HL1012AZ8-4 V06950 HL1012AZ8-4 V17446 HL1012AZ8-4 V56878 HL1012AZ8-4 V60516 HL1012AZ8-4 V73197 HL1012AZ8-4 V97928	163999	14
915	HL1187-8	.COLLAR	SUPPLIER CODE: V5M902 SPECIFICATION NUMBER: BACC30X8 OPTIONAL PART: HL87-8 V92215 HL87-8 V73197 HL1187-8 V56878 HL1187-8 V92215 HL87-8 V56878 HL1187-8 V73197	163999	22

ILLUSTRATION ITEMS NOT ON PARTS LIST ARE NOT APPLICABLE

- ITEM NOT ILLUSTRATED

53-01-03-30

53-01-03  
 FIG. 30  
 PAGE 71  
 AUG 22/09

HXL

**BOEING**  
767  
**PARTS CATALOG (MAINTENANCE)**

FIG ITEM	PART NUMBER	1 2 3 4 5 6 7	NOMENCLATURE	EFFECT FROM TO	UNITS PER ASSY
30 918	HL1012AZ6-6		.BOLT SUPPLIER CODE: V97928 SPECIFICATION NUMBER: BACB30NX6K6 OPTIONAL PART: HL12VAZ6-6 V73197 HL12VAZ6-6 V92215 HL12VAZ6-6 V97928 L802-6K6 V06725 HL12VAZ6-6 V56878 HL1012AZ6-6 VOPTK6 HL1012AZ6-6 V06725 HL1012AZ6-6 V06950 HL1012AZ6-6 V17446 HL1012AZ6-6 V56878 HL1012AZ6-6 V60516 HL1012AZ6-6 V73197	163999	2
921	HL1187-6		.COLLAR SUPPLIER CODE: V5M902 SPECIFICATION NUMBER: BACC30X6 OPTIONAL PART: HL87-6 V92215 HL87-6 V73197 HL1187-6 V56878 HL1187-6 V92215 HL87-6 V56878 HL1187-6 V73197	163999	2

ILLUSTRATION ITEMS NOT ON PARTS LIST ARE NOT APPLICABLE

- ITEM NOT ILLUSTRATED

HXL

53-01-03-30

BOEING PROPRIETARY - Copyright © - Unpublished Work - See title page for details.

53-01-03  
FIG. 30  
PAGE 72  
AUG 22/09



767

PARTS CATALOG (MAINTENANCE)

FIG ITEM	PART NUMBER	1 2 3 4 5 6 7	NOMENCLATURE	EFFECT FROM TO	UNITS PER ASSY
30 924	HST11AG6-4	.BOLT	SUPPLIER CODE: V06725 SPECIFICATION NUMBER: BACB30VU6K4 OPTIONAL PART: HST11AG6-4 V73197 HST11AG6-4 VOPTK6 HST11AG6-4 V56878	163999	7
927	HST10AG6-5	.BOLT	SUPPLIER CODE: VOPTK6 SPECIFICATION NUMBER: BACB30VT6K5 OPTIONAL PART: HST10AG6-5 V06725 HST10AG6-5 V56878 HST10AG6-5 V73197 WC10K6-5 V60516	163999	5
R 930	BACC30BL6	.COLLAR		163999	12
933	HST11AG8-5	.BOLT	SUPPLIER CODE: VOPTK6 SPECIFICATION NUMBER: BACB30VU8K5 OPTIONAL PART: HST11AG8-5 V73197 HST11AG8-5 V56878 HST11AG8-5 V06725	163999	6
R 936	BACC30BL8	.COLLAR		163999	6

ILLUSTRATION ITEMS NOT ON PARTS LIST ARE NOT APPLICABLE

- ITEM NOT ILLUSTRATED

53-01-03-30

53-01-03  
FIG. 30  
PAGE 73  
AUG 22/09

HXL



767

PARTS CATALOG (MAINTENANCE)

FIG ITEM	PART NUMBER	1 2 3 4 5 6 7	NOMENCLATURE	EFFECT FROM TO	UNITS PER ASSY
30 939	HST11AG6-2	.BOLT	SUPPLIER CODE: V06725 SPECIFICATION NUMBER: BACB30VU6K2 OPTIONAL PART: HST11AG6-2 V73197 HST11AG6-2 VOPTK6 HST11AG6-2 V56878	163999	3
942	HST1094KP6	.COLLAR	SUPPLIER CODE: V73197 SPECIFICATION NUMBER: BACC30BS6 -----*-----	163999	3
945	143T5218-20	.TRACK-SEAT	ATTACHING PARTS	163999	1
948	HL13VAZ8-5	.BOLT	SUPPLIER CODE: V56878 SPECIFICATION NUMBER: BACB30NY8K5 OPTIONAL PART: HL13VAZ8-5 V73197 HL13VAZ8-5 V92215 HL13VAZ8-5 V97928 L801-8K5 V06725 HL13VAZ8-5 V60516 L801-8K5 VOPTK6 HL13VAZ8-5 V17446 HL1013AZ8-5 V60516	163999	6

ILLUSTRATION ITEMS NOT ON PARTS LIST ARE NOT APPLICABLE

- ITEM NOT ILLUSTRATED

HXL

53-01-03-30

BOEING PROPRIETARY - Copyright © - Unpublished Work - See title page for details.

53-01-03  
FIG. 30  
PAGE 74  
AUG 22/09





767

PARTS CATALOG (MAINTENANCE)

FIG ITEM	PART NUMBER	1 2 3 4 5 6 7 NOMENCLATURE	EFFECT FROM TO	UNITS PER ASSY
30 951	HL1012AZ8-4	.BOLT SUPPLIER CODE: VOPTK6 SPECIFICATION NUMBER: BACB30NX8K4 OPTIONAL PART: HL12VAZ8-4 V73197 HL12VAZ8-4 V92215 HL12VAZ8-4 V97928 L802-8K4 V06725 HL12VAZ8-4 V56878 HL1012AZ8-4 V06725 HL1012AZ8-4 V06950 HL1012AZ8-4 V17446 HL1012AZ8-4 V56878 HL1012AZ8-4 V60516 HL1012AZ8-4 V73197 HL1012AZ8-4 V97928	163999	13

ILLUSTRATION ITEMS NOT ON PARTS LIST ARE NOT APPLICABLE

- ITEM NOT ILLUSTRATED

HXL

53-01-03-30

BOEING PROPRIETARY - Copyright © - Unpublished Work - See title page for details.

53-01-03  
 FIG. 30  
 PAGE 75  
 AUG 22/09



767

PARTS CATALOG (MAINTENANCE)

FIG ITEM	PART NUMBER	1 2 3 4 5 6 7	NOMENCLATURE	EFFECT FROM TO	UNITS PER ASSY
30 954	HL1012AZ8-4	.BOLT	SUPPLIER CODE: VOPTK6 SPECIFICATION NUMBER: BACB30NX8K4 OPTIONAL PART: HL12VAZ8-4 V73197 HL12VAZ8-4 V92215 HL12VAZ8-4 V97928 L802-8K4 V06725 HL12VAZ8-4 V56878 HL1012AZ8-4 V06725 HL1012AZ8-4 V06950 HL1012AZ8-4 V17446 HL1012AZ8-4 V56878 HL1012AZ8-4 V60516 HL1012AZ8-4 V73197 HL1012AZ8-4 V97928	163999	13
957	HL1187-8	.COLLAR	SUPPLIER CODE: V5M902 SPECIFICATION NUMBER: BACC30X8 OPTIONAL PART: HL87-8 V92215 HL87-8 V73197 HL1187-8 V56878 HL1187-8 V92215 HL87-8 V56878 HL1187-8 V73197	163999	19

ILLUSTRATION ITEMS NOT ON PARTS LIST ARE NOT APPLICABLE

- ITEM NOT ILLUSTRATED

53-01-03-30

53-01-03  
 FIG. 30  
 PAGE 76  
 AUG 22/09

HXL



767

PARTS CATALOG (MAINTENANCE)

FIG ITEM	PART NUMBER	1 2 3 4 5 6 7 NOMENCLATURE	EFFECT FROM TO	UNITS PER ASSY
30 960	HL1187-6	. COLLAR SUPPLIER CODE: V5M902 SPECIFICATION NUMBER: BACC30X6 OPTIONAL PART: HL87-6 V92215 HL87-6 V73197 HL1187-6 V56878 HL1187-6 V92215 HL87-6 V56878 HL1187-6 V73197 -----*-----	163999	2

ILLUSTRATION ITEMS NOT ON PARTS LIST ARE NOT APPLICABLE

- ITEM NOT ILLUSTRATED

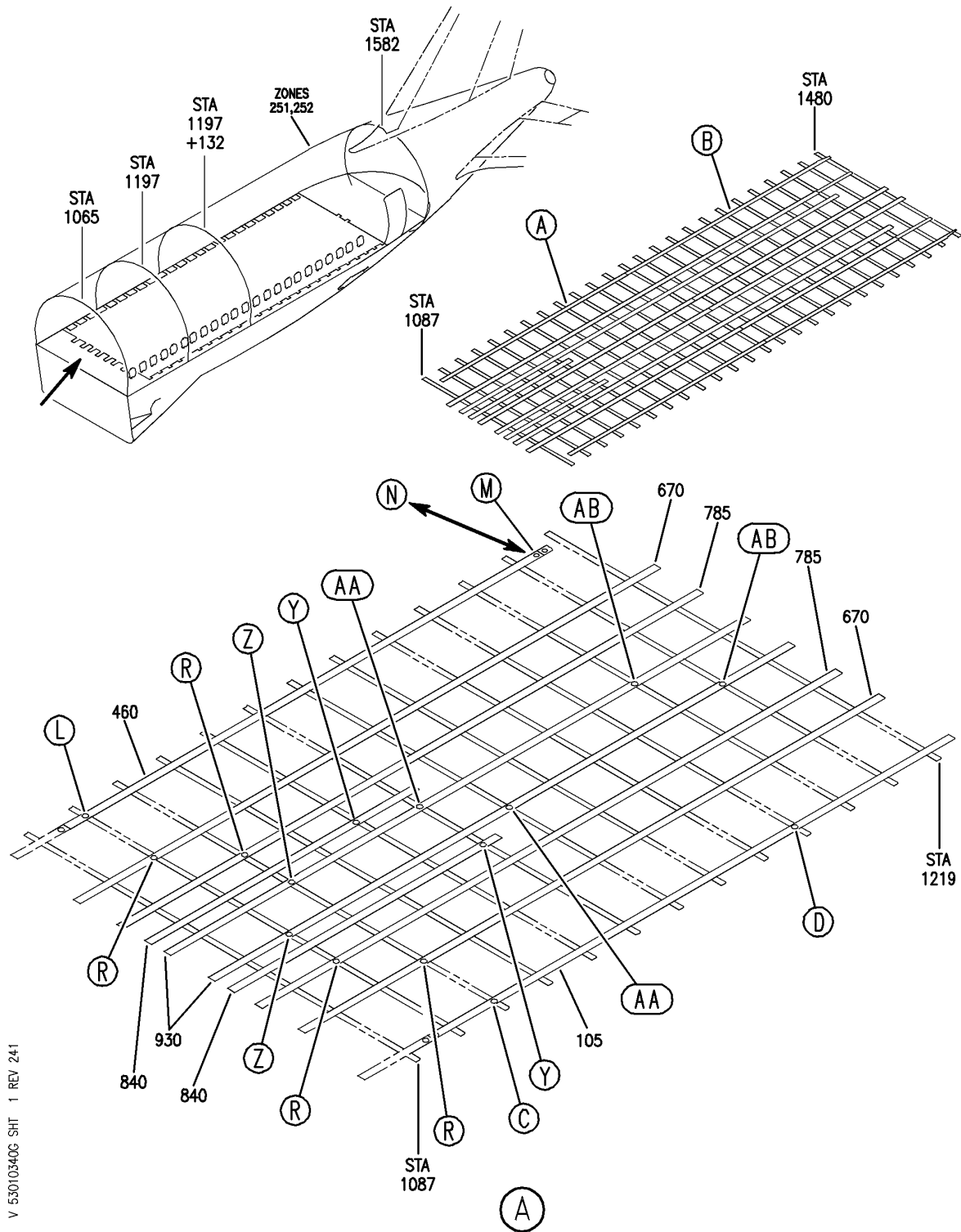
HXL

**53-01-03-30**

BOEING PROPRIETARY - Copyright © - Unpublished Work - See title page for details.

53-01-03  
 FIG. 30  
 PAGE 77  
 AUG 22/09


**BOEING**  
 767  
**PARTS CATALOG (MAINTENANCE)**



V 53010340G SHT 1 REV 241

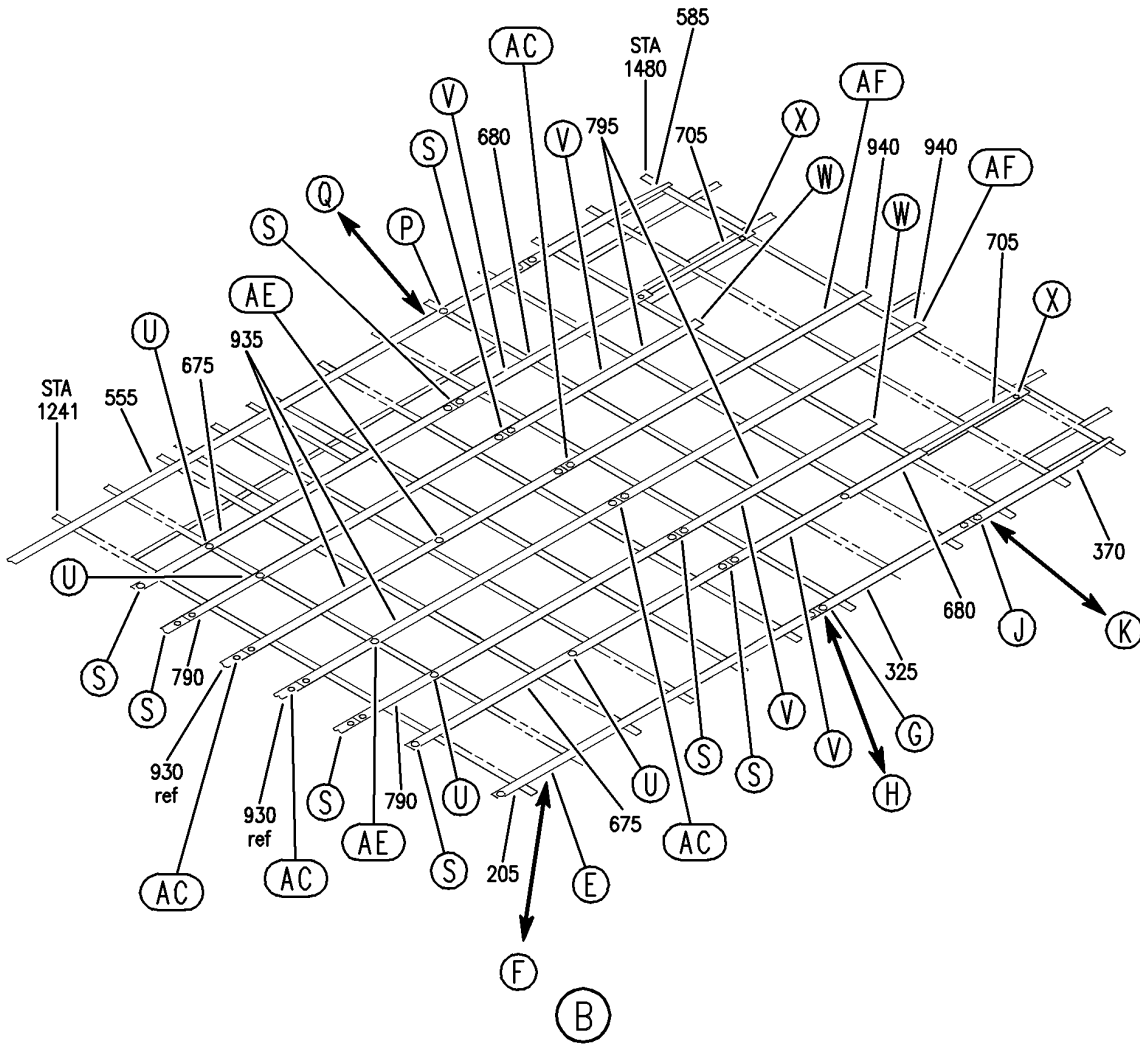
FLOOR SYSTEM INSTL (SEAT TRACKS ONLY) SECT. 46  
 FIGURE 40G (SHEET 1)

**53-01-03-40G**

HXL  
DEC 22/06

53-01-03-40G  
 PAGE 0

**BOEING**  
767  
PARTS CATALOG (MAINTENANCE)



V 53010340G SHT 2 REV 241

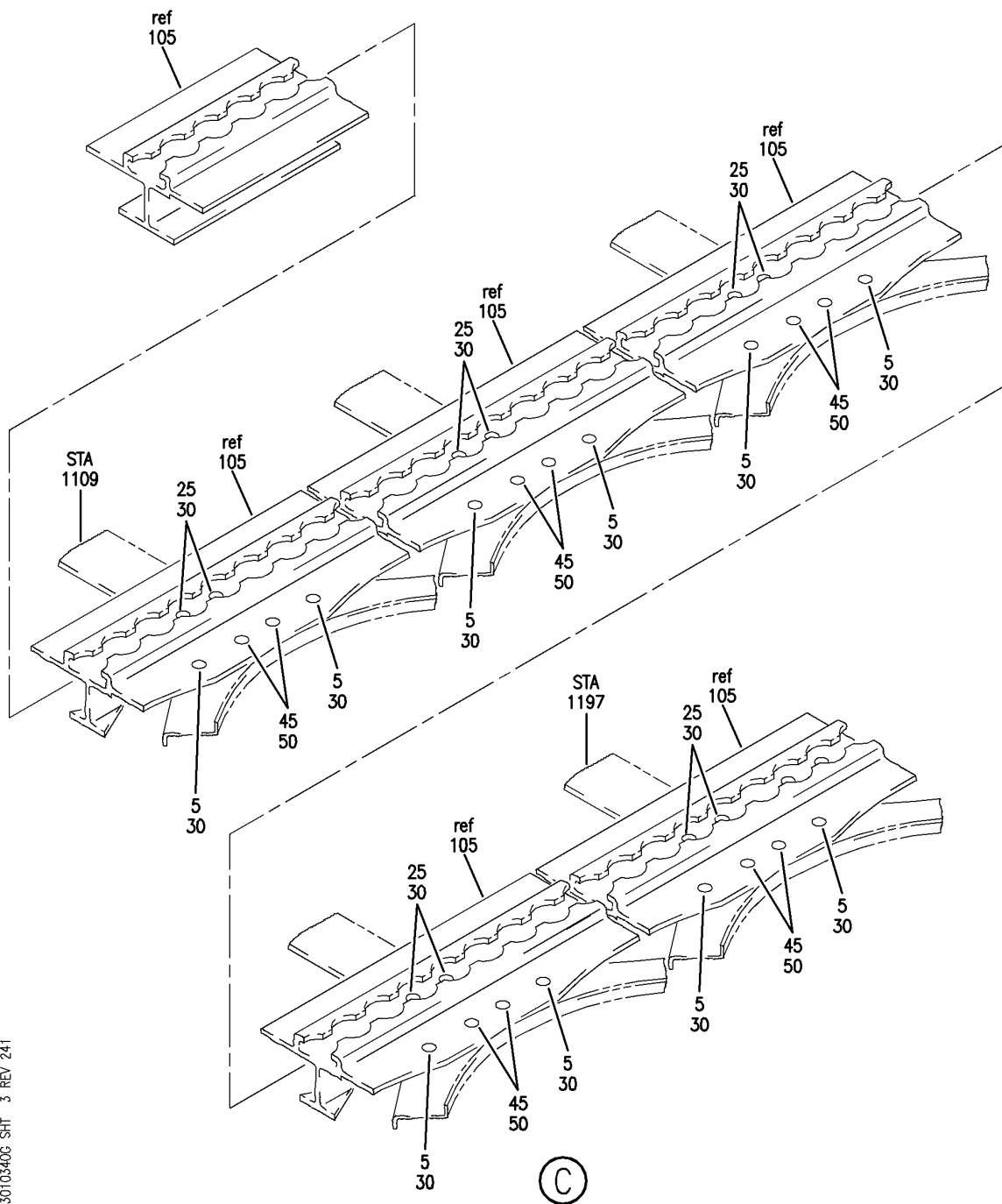
FLOOR SYSTEM INSTL (SEAT TRACKS ONLY) SECT. 46  
FIGURE 40G (SHEET 2)

**53-01-03-40G**

HXL  
DEC 22/06

53-01-03-40G  
PAGE 0A

**BOEING**  
767  
PARTS CATALOG (MAINTENANCE)



V 53010340G SHT 3 REV 241

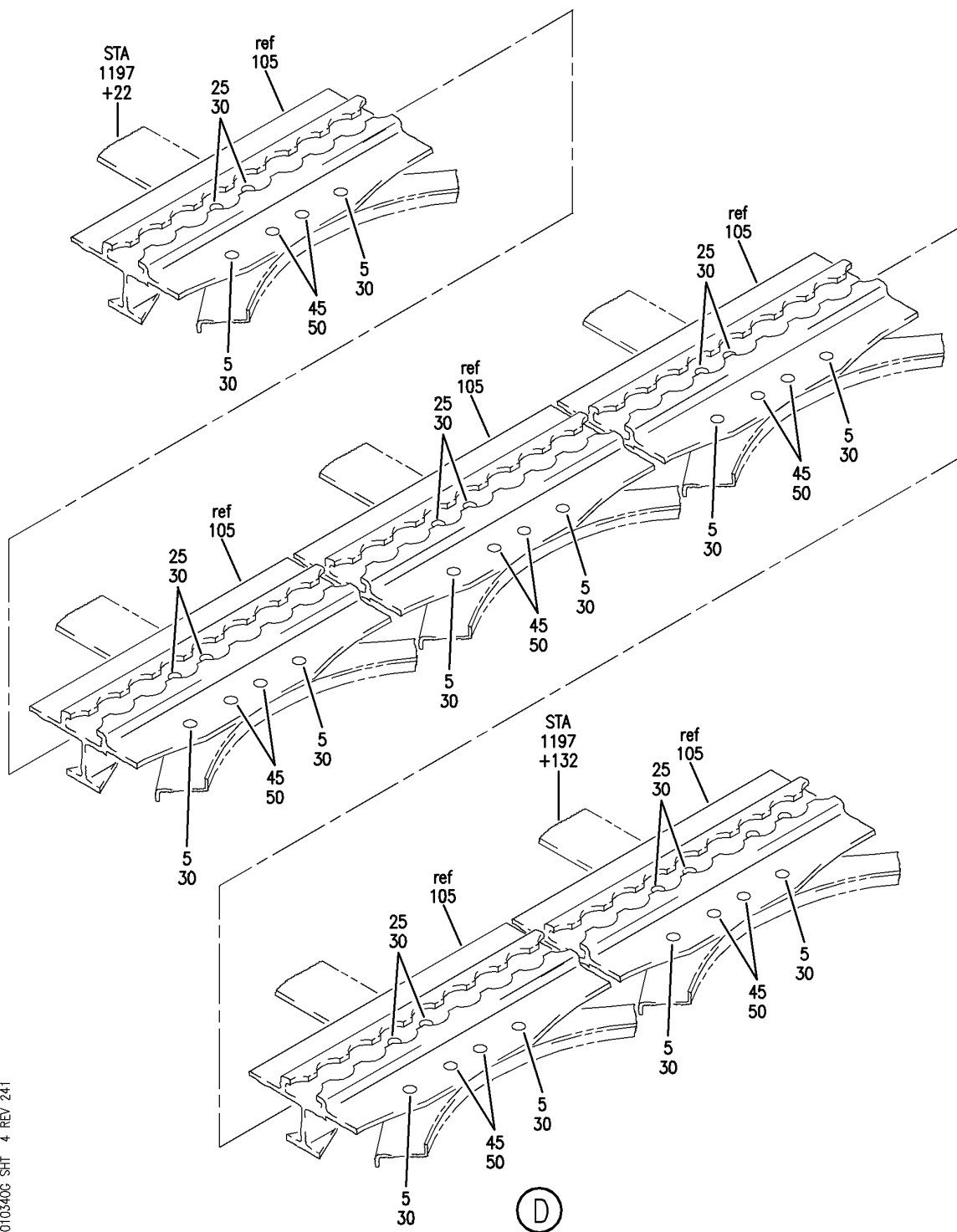
FLOOR SYSTEM INSTL (SEAT TRACKS ONLY) SECT. 46  
FIGURE 40G (SHEET 3)

**53-01-03-40G**

HXL  
DEC 22/06

53-01-03-40G  
PAGE 0B


**BOEING**  
 767  
**PARTS CATALOG (MAINTENANCE)**



V 53010340G SHT 4 REV 241

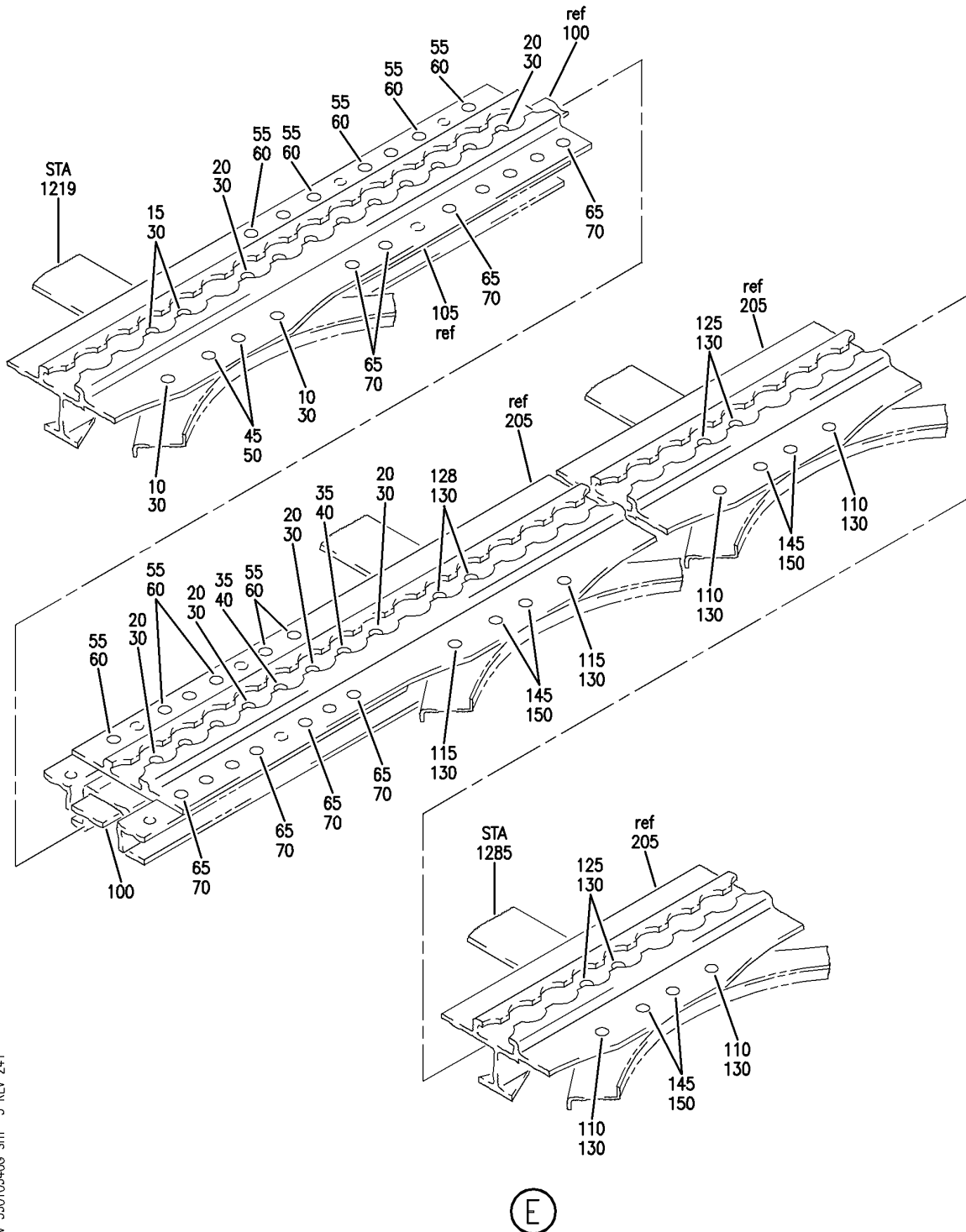
FLOOR SYSTEM INSTL (SEAT TRACKS ONLY) SECT. 46  
 FIGURE 40G (SHEET 4)

**53-01-03-40G**

HXL  
DEC 22/06

53-01-03-40G  
 PAGE 0C


**BOEING**  
 767  
**PARTS CATALOG (MAINTENANCE)**



V 53010340G SHT 5 REV 241

FLOOR SYSTEM INSTL (SEAT TRACKS ONLY) SECT. 46  
 FIGURE 40G (SHEET 5)

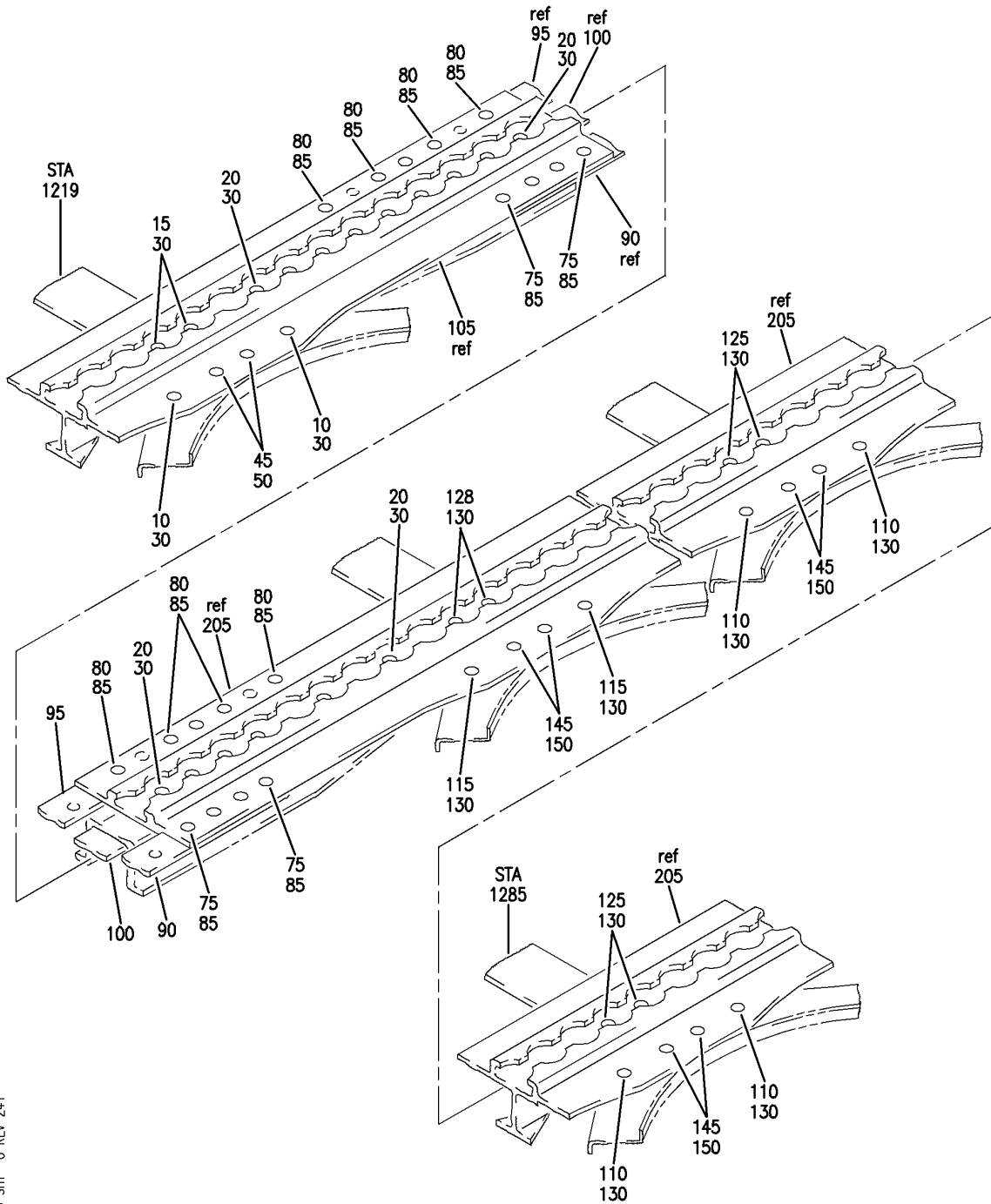
**53-01-03-40G**

HXL  
DEC 22/06

53-01-03-40G  
 PAGE 0D




**BOEING**  
 767  
**PARTS CATALOG (MAINTENANCE)**



F

V 53010340G SHT 6 REV 241

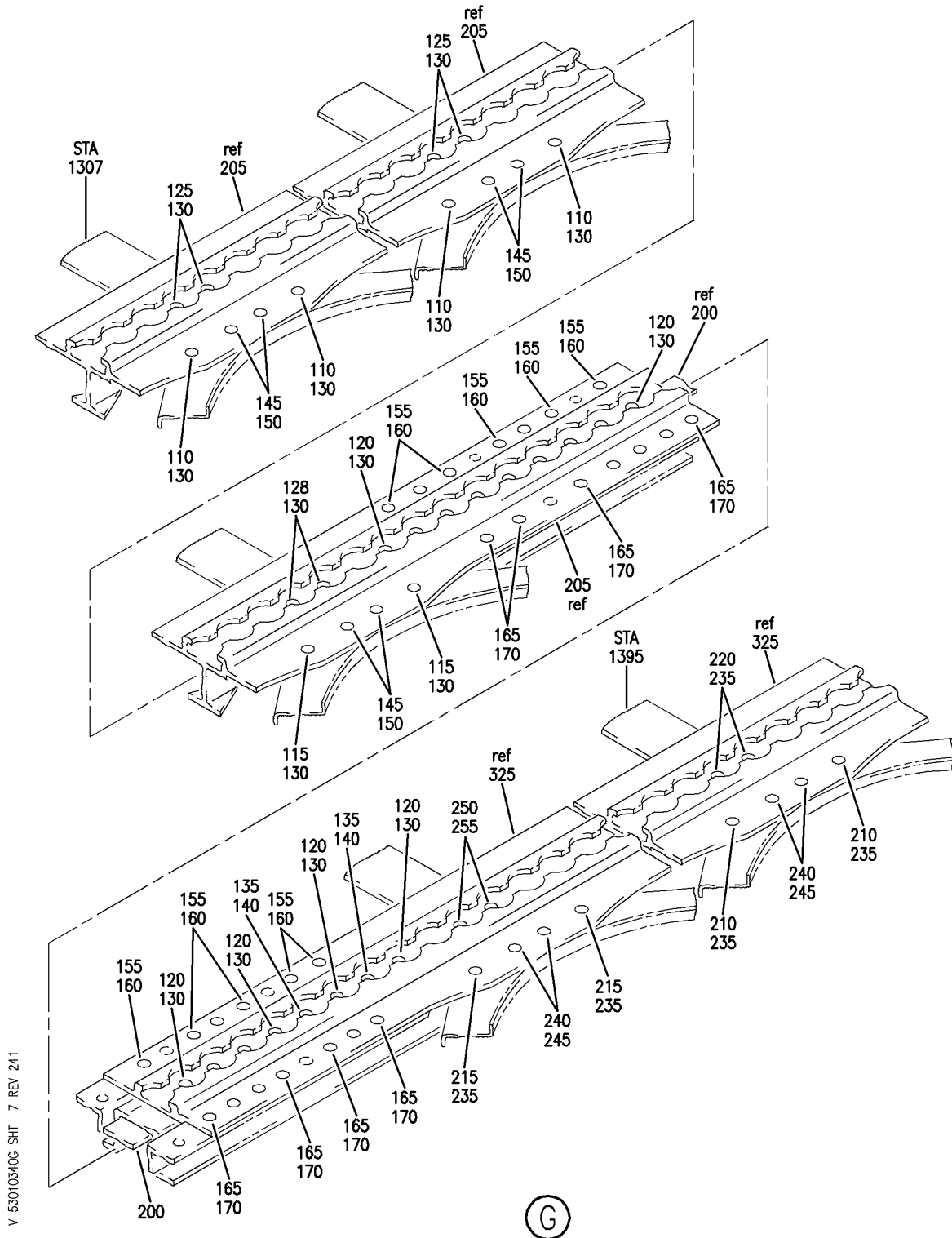
FLOOR SYSTEM INSTL (SEAT TRACKS ONLY) SECT. 46  
 FIGURE 40G (SHEET 6)

**53-01-03-40G**

HXL  
DEC 22/06

53-01-03-40G  
 PAGE 0E


  
**767**
  
**PARTS CATALOG (MAINTENANCE)**



V 53010340G SHT 7 REV 241

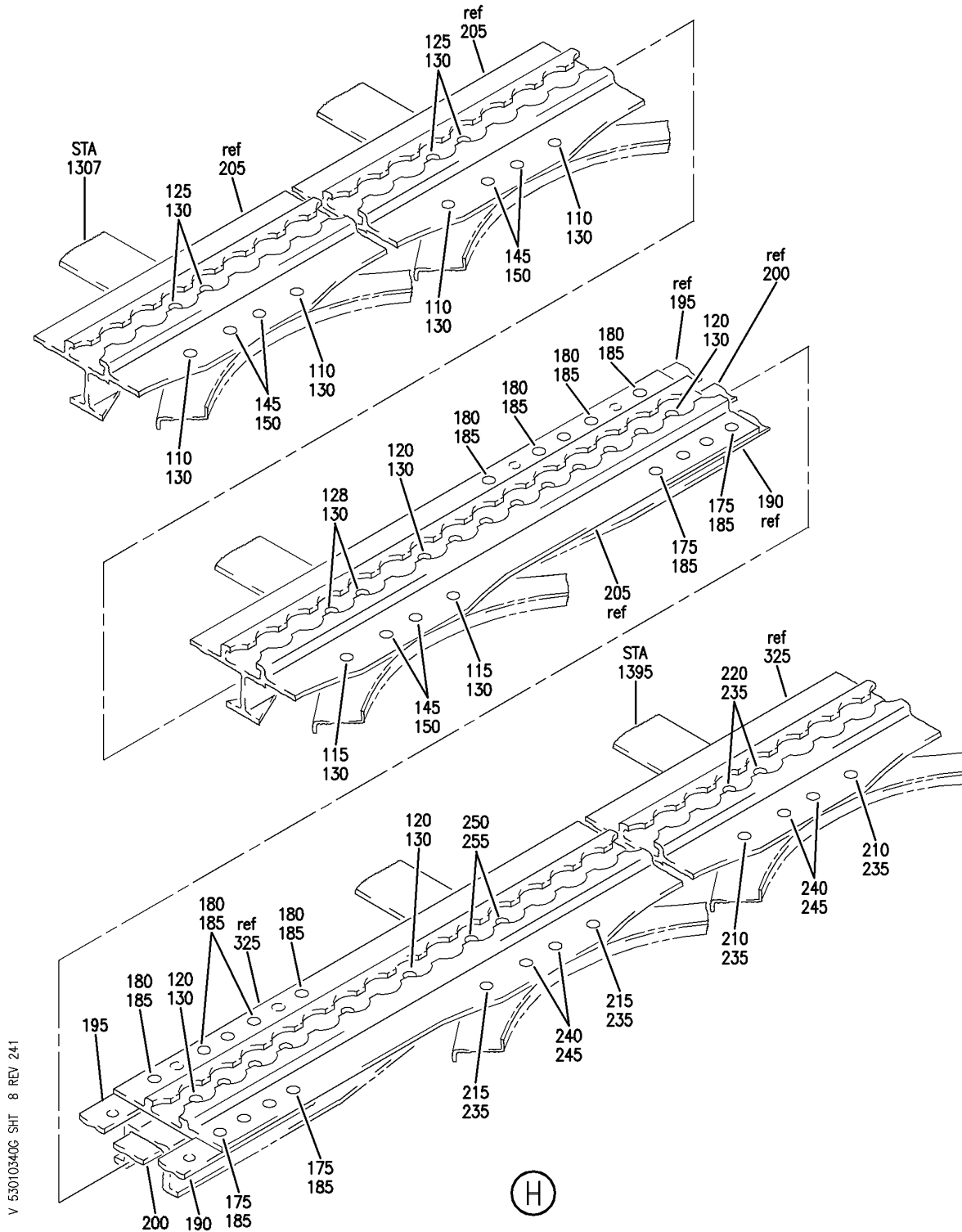
FLOOR SYSTEM INSTL (SEAT TRACKS ONLY) SECT. 46  
 FIGURE 40G (SHEET 7)

**53-01-03-40G**

HXL  
DEC 22/06

53-01-03-40G  
 PAGE OF


  
**767**
  
**PARTS CATALOG (MAINTENANCE)**



V 53010340G SHT 8 REV 241

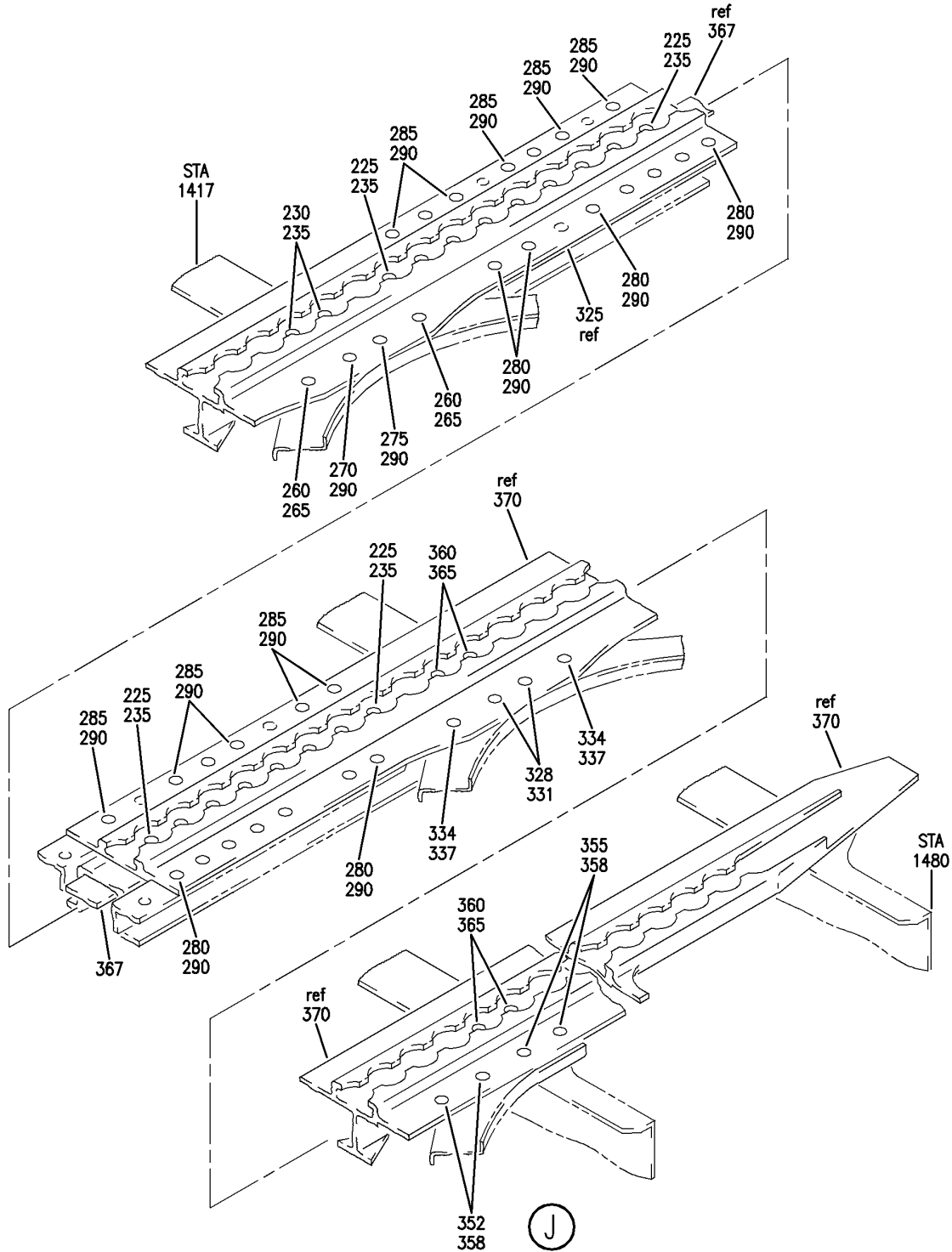
FLOOR SYSTEM INSTL (SEAT TRACKS ONLY) SECT. 46  
 FIGURE 40G (SHEET 8)

**53-01-03-40G**

HXL  
 DEC 22/06

53-01-03-40G  
 PAGE 0G

**BOEING**  
767  
PARTS CATALOG (MAINTENANCE)



V 53010340G SHT 9 REV 241

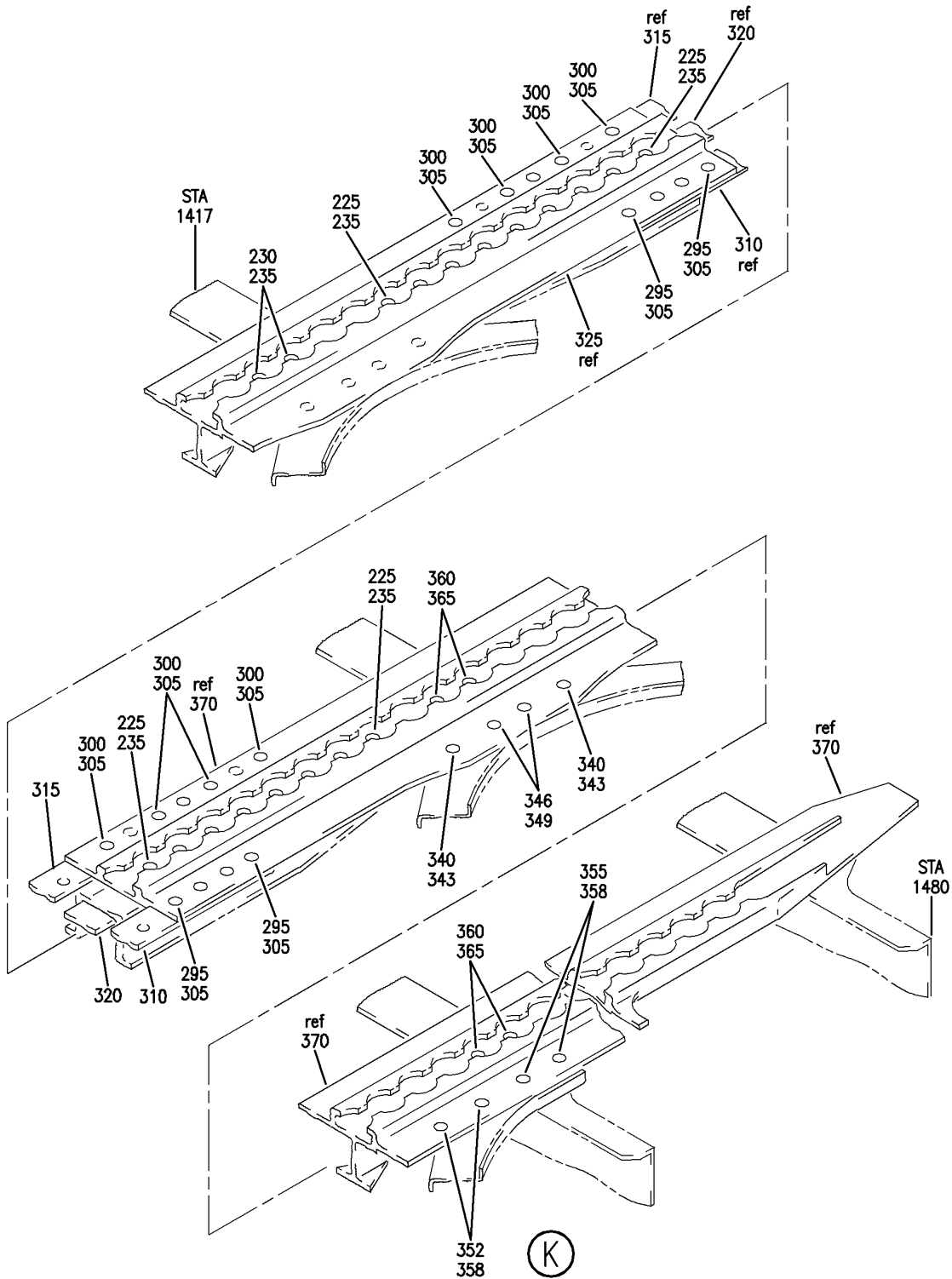
FLOOR SYSTEM INSTL (SEAT TRACKS ONLY) SECT. 46  
FIGURE 40G (SHEET 9)

**53-01-03-40G**

HXL  
DEC 22/06

53-01-03-40G  
PAGE 0H

**BOEING**  
767  
PARTS CATALOG (MAINTENANCE)



V 53010340G SHT 10 REV 241

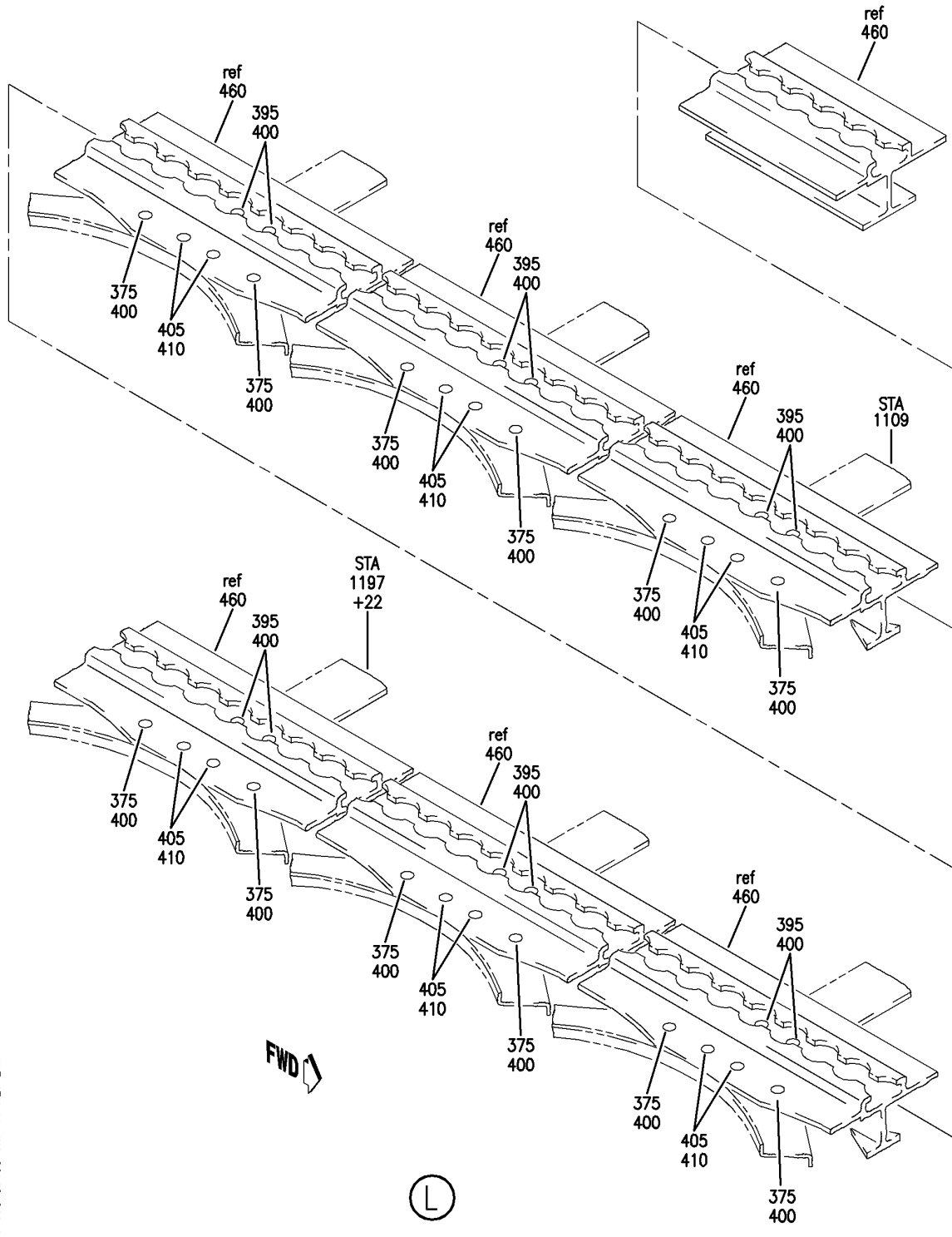
FLOOR SYSTEM INSTL (SEAT TRACKS ONLY) SECT. 46  
FIGURE 40G (SHEET 10)

**53-01-03-40G**

HXL  
DEC 22/06

53-01-03-40G  
PAGE 01

**BOEING**  
767  
PARTS CATALOG (MAINTENANCE)



V 53010340G SHT 11 REV 241

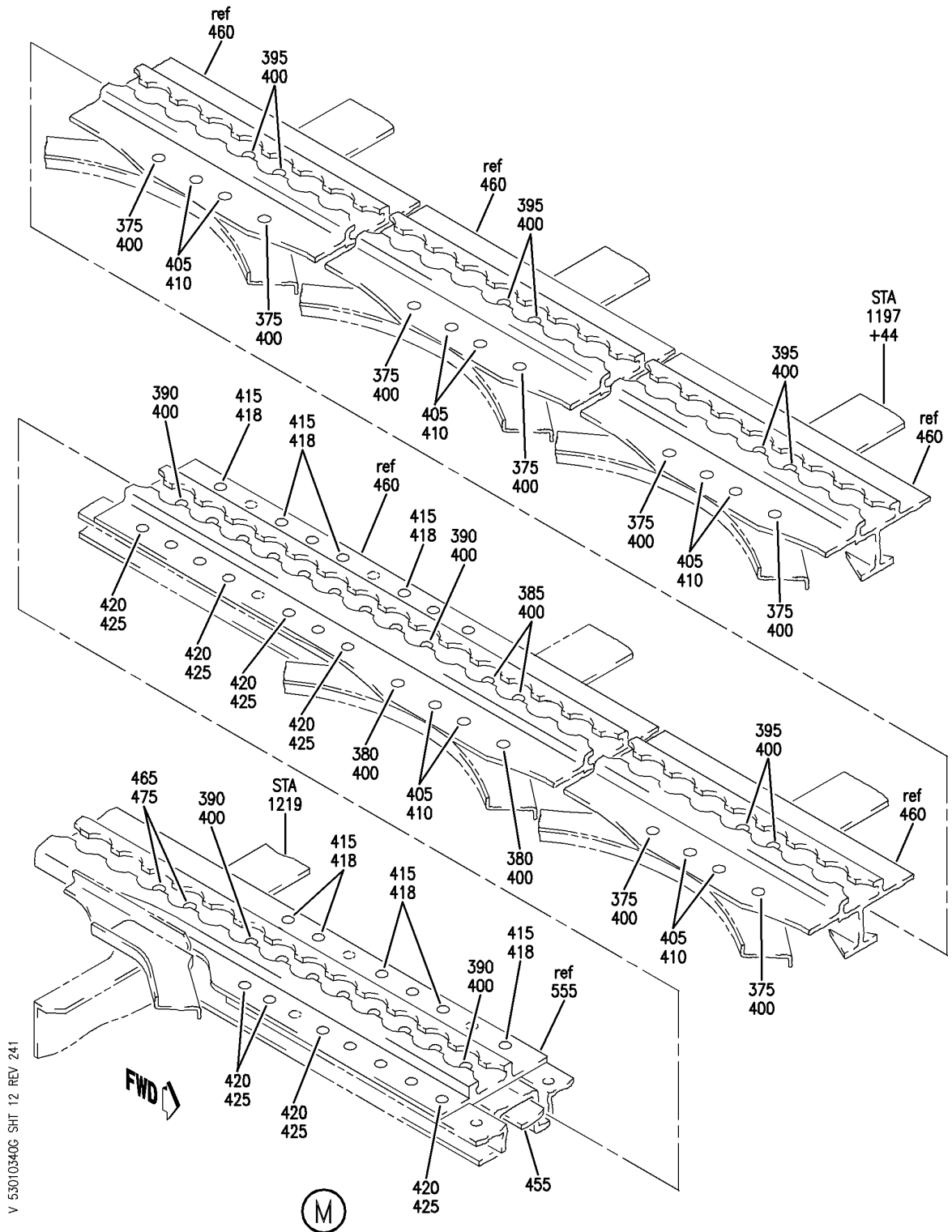
FLOOR SYSTEM INSTL (SEAT TRACKS ONLY) SECT. 46  
FIGURE 40G (SHEET 11)

**53-01-03-40G**

HXL  
DEC 22/06

53-01-03-40G  
PAGE 0J


**BOEING**  
 767  
**PARTS CATALOG (MAINTENANCE)**



V 53010340G SHT 12 REV 241

FLOOR SYSTEM INSTL (SEAT TRACKS ONLY) SECT. 46  
 FIGURE 40G (SHEET 12)

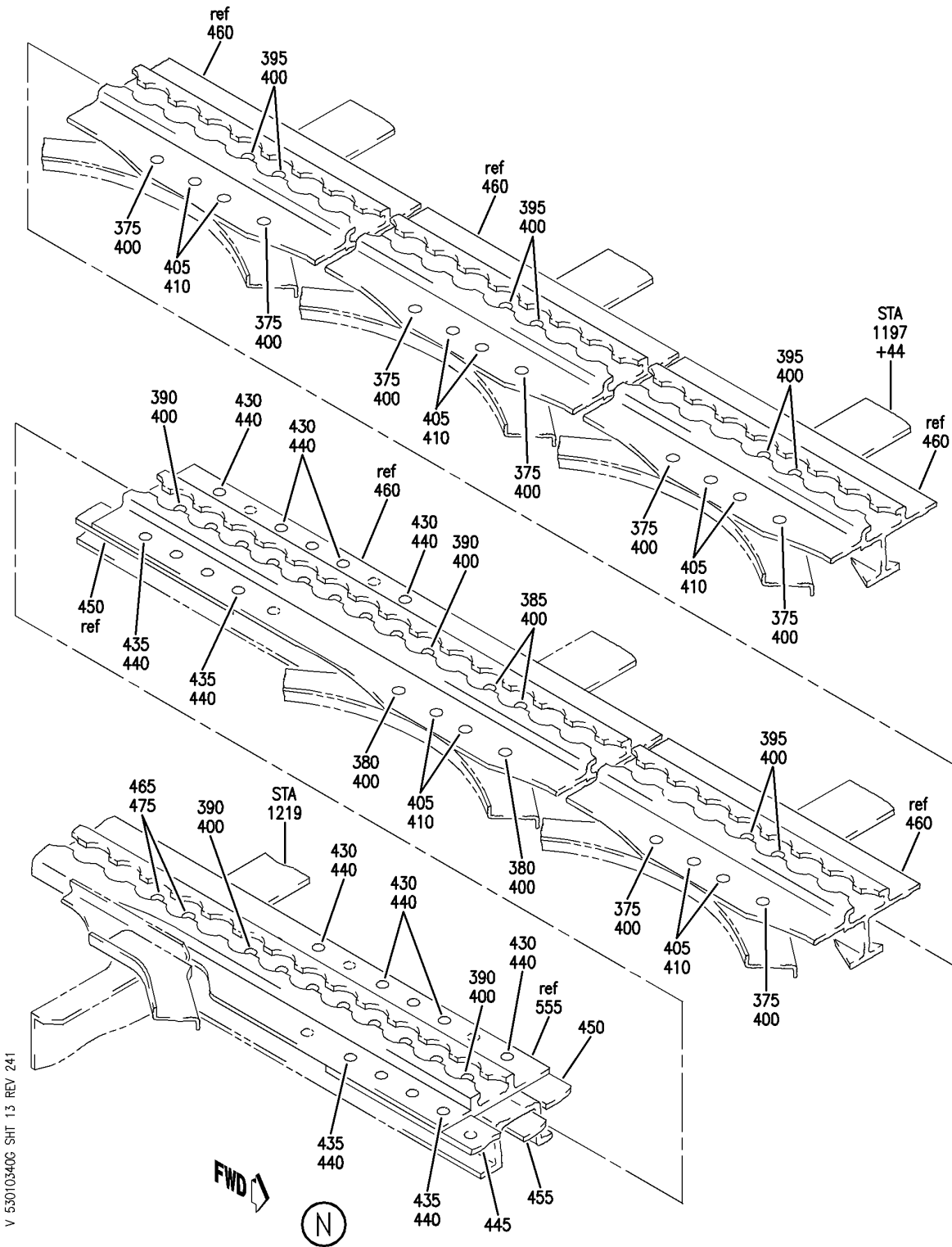
**53-01-03-40G**

HXL  
DEC 22/06

53-01-03-40G  
PAGE OK

BOEING PROPRIETARY - Copyright © - Unpublished Work - See title page for details.


**BOEING**  
 767  
**PARTS CATALOG (MAINTENANCE)**



V 53010340G SHT 13 REV 241

FLOOR SYSTEM INSTL (SEAT TRACKS ONLY) SECT. 46  
 FIGURE 40G (SHEET 13)

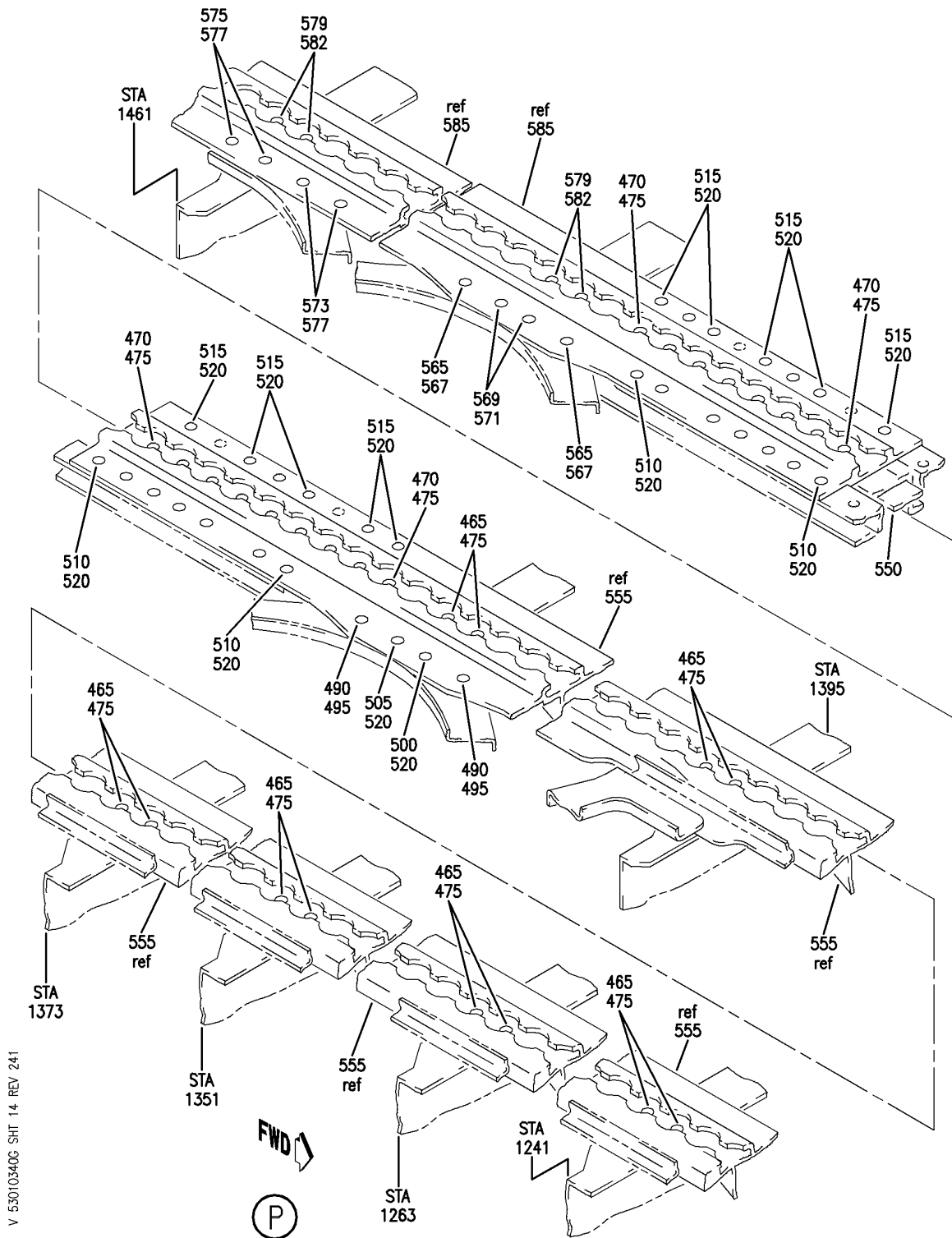
**53-01-03-40G**

HXL  
DEC 22/06

53-01-03-40G  
PAGE 01



**BOEING**  
767  
PARTS CATALOG (MAINTENANCE)



V 53010340G SHT 14 REV 241

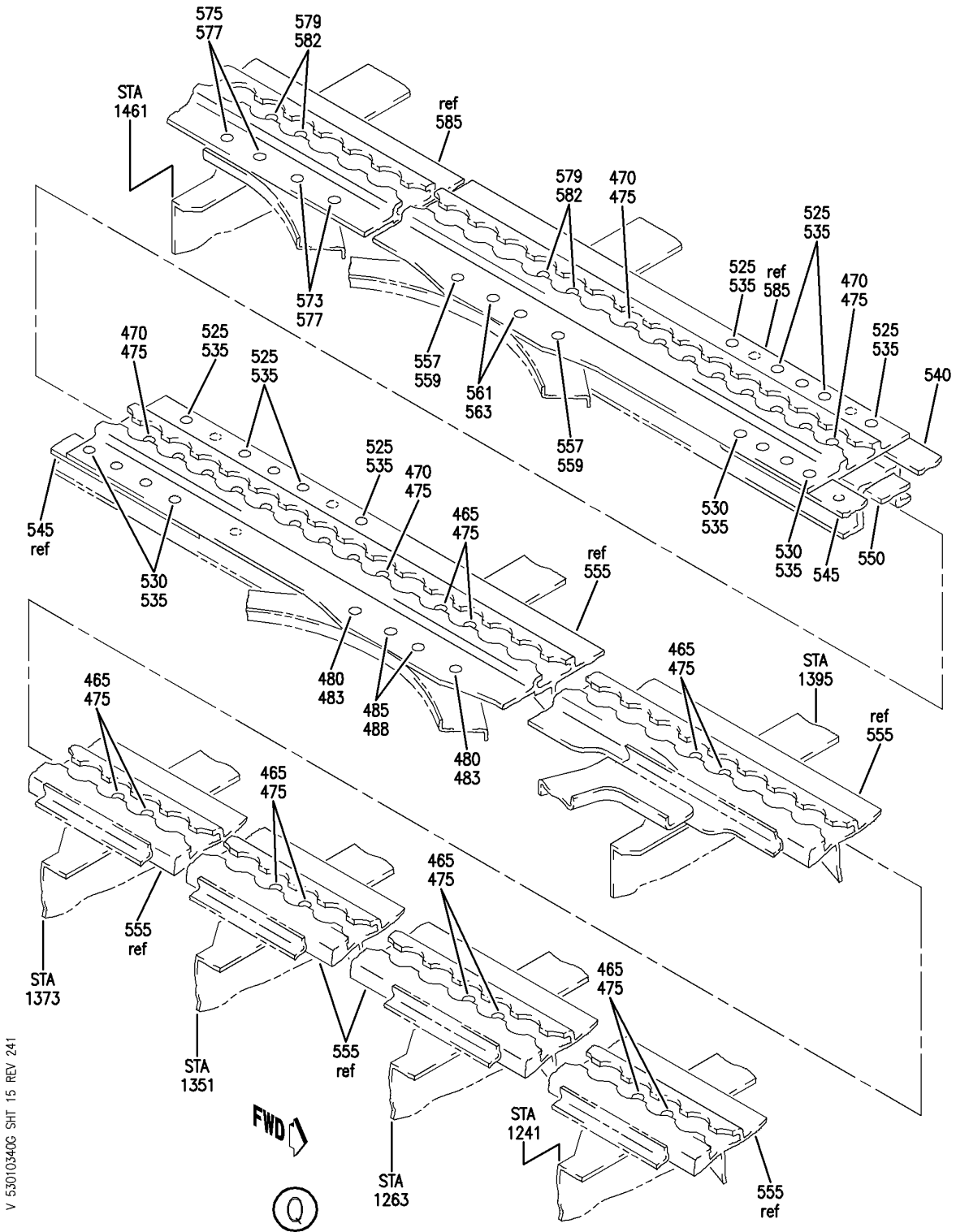
FLOOR SYSTEM INSTL (SEAT TRACKS ONLY) SECT. 46  
FIGURE 40G (SHEET 14)

**53-01-03-40G**

HXL  
DEC 22/06

53-01-03-40G  
PAGE 0M

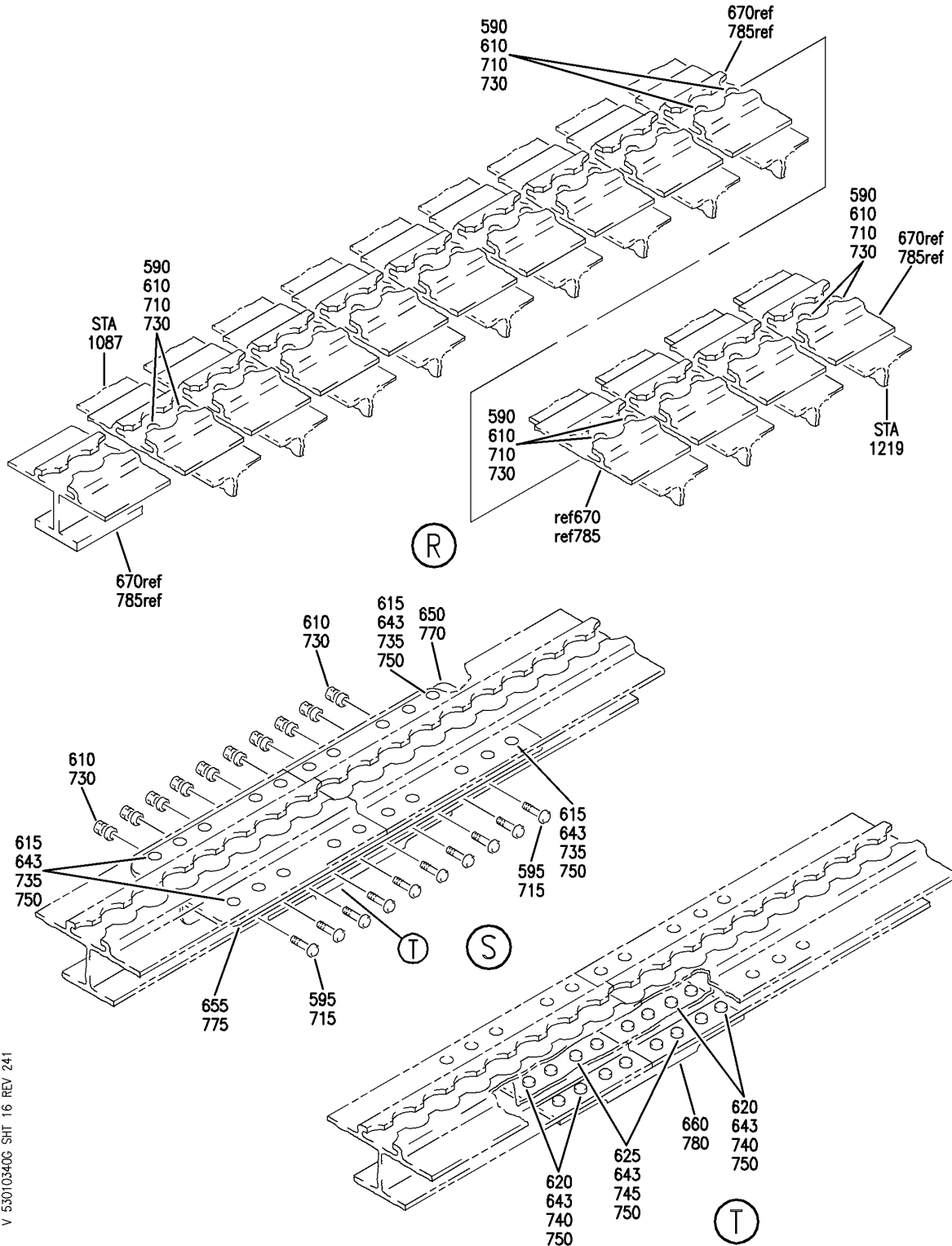
**BOEING**  
767  
PARTS CATALOG (MAINTENANCE)



FLOOR SYSTEM INSTL (SEAT TRACKS ONLY) SECT. 46  
FIGURE 40G (SHEET 15)

**53-01-03-40G**

**BOEING**  
767  
PARTS CATALOG (MAINTENANCE)



V 53010340G SHT 16 REV 241

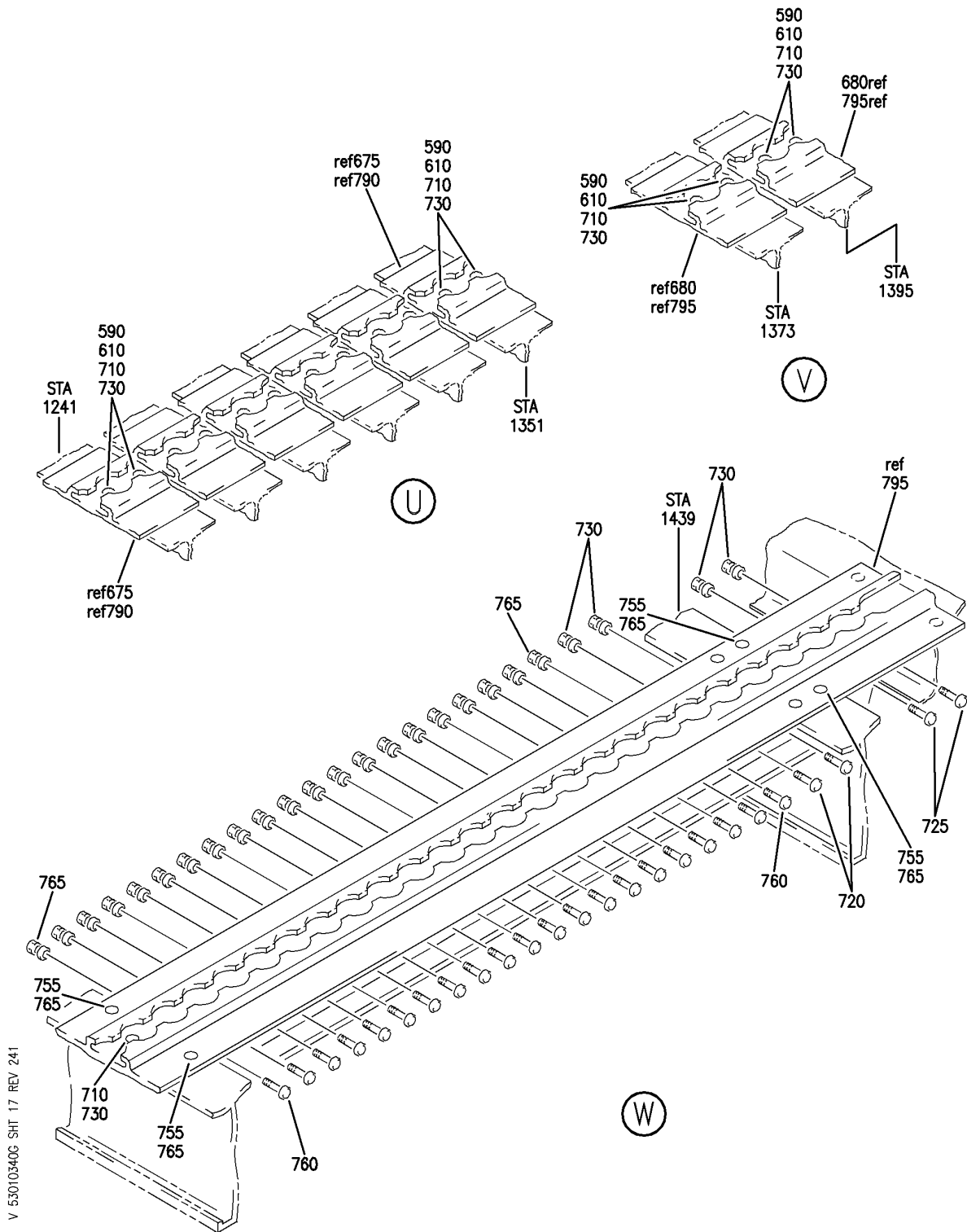
FLOOR SYSTEM INSTL (SEAT TRACKS ONLY) SECT. 46  
FIGURE 40G (SHEET 16)

**53-01-03-40G**

HXL  
DEC 22/06

53-01-03-40G  
PAGE 00

**BOEING**  
767  
**PARTS CATALOG (MAINTENANCE)**



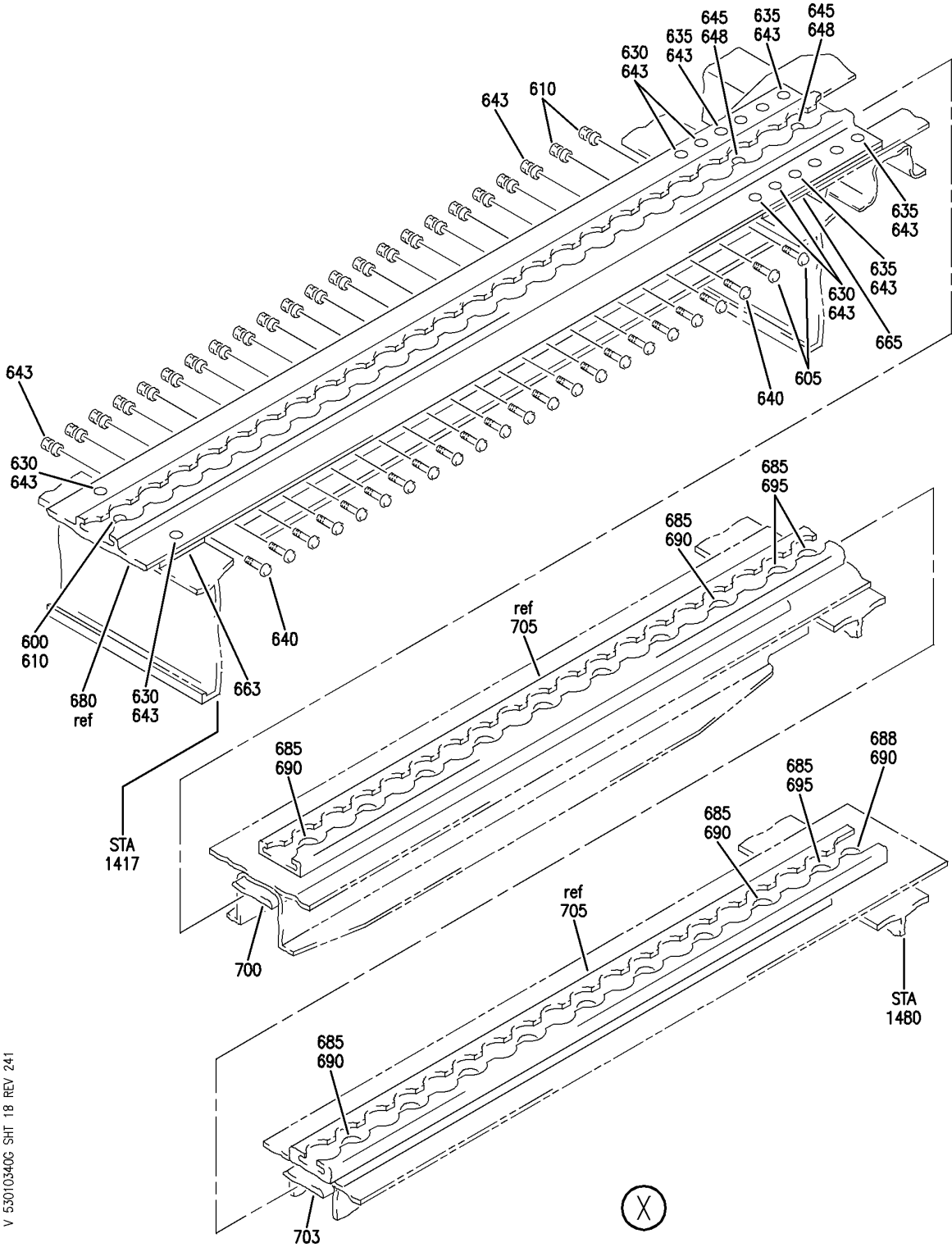
FLOOR SYSTEM INSTL (SEAT TRACKS ONLY) SECT. 46  
FIGURE 40G (SHEET 17)

**53-01-03-40G**

HXL  
DEC 22/06

53-01-03-40G  
PAGE 0P

**BOEING**  
767  
**PARTS CATALOG (MAINTENANCE)**



V 53010340G SHT 18 REV 241

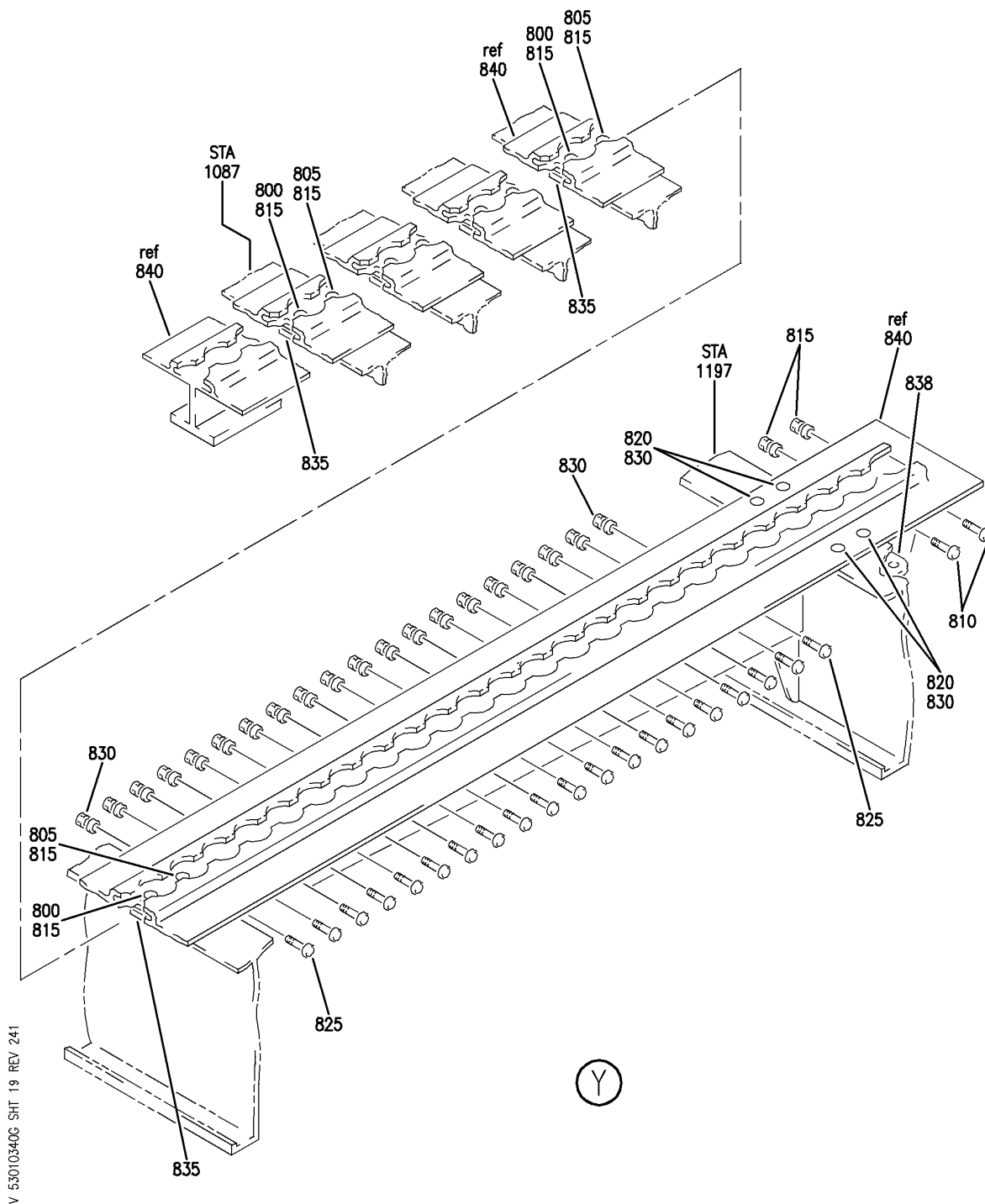
FLOOR SYSTEM INSTL (SEAT TRACKS ONLY) SECT. 46  
FIGURE 40G (SHEET 18)

**53-01-03-40G**

HXL  
DEC 22/06

53-01-03-40G  
PAGE 00

**BOEING**  
767  
PARTS CATALOG (MAINTENANCE)



V 53010340G SHT 19 REV 241

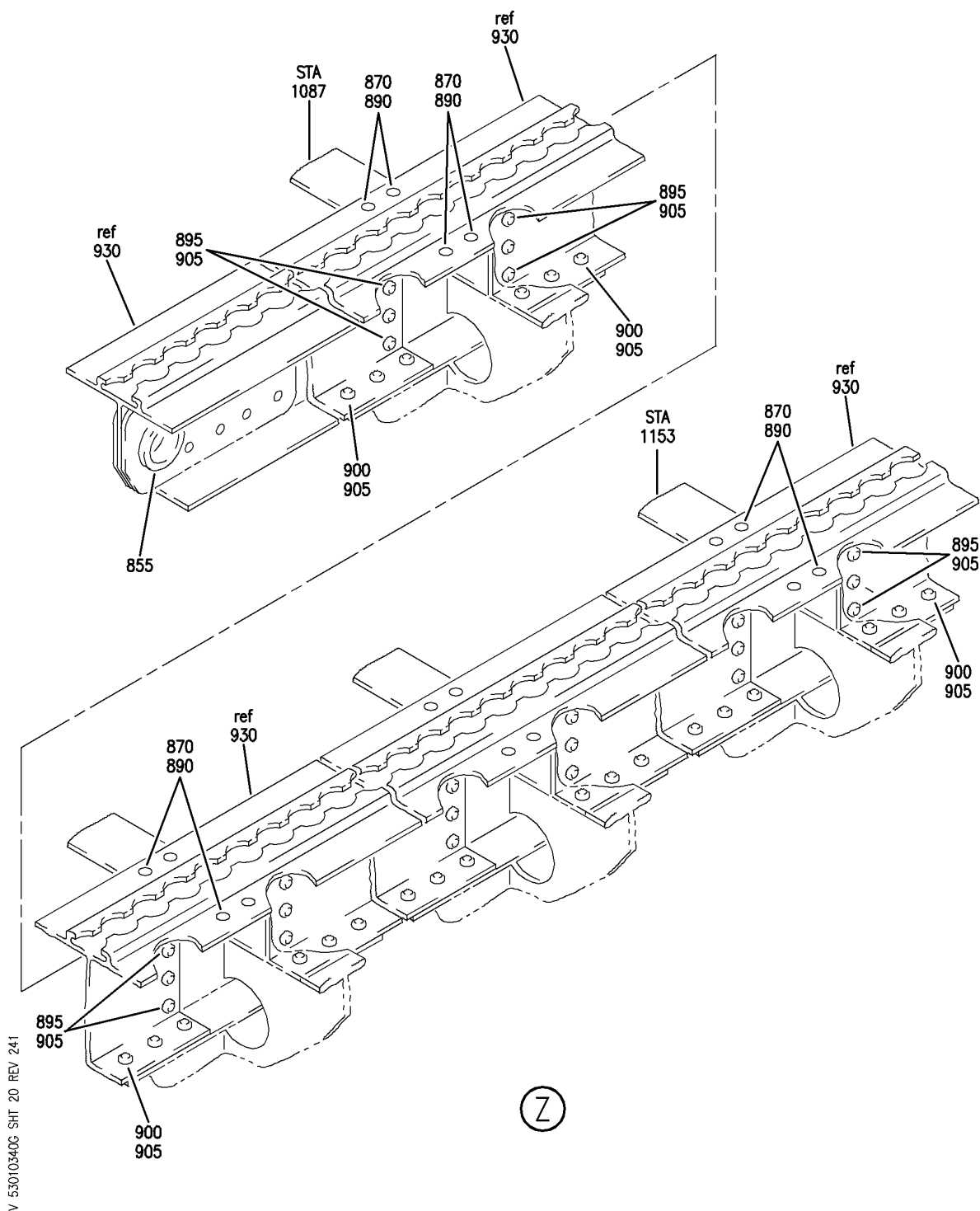
FLOOR SYSTEM INSTL (SEAT TRACKS ONLY) SECT. 46  
FIGURE 40G (SHEET 19)

**53-01-03-40G**

HXL  
DEC 22/06

53-01-03-40G  
PAGE OR

**BOEING**  
767  
PARTS CATALOG (MAINTENANCE)



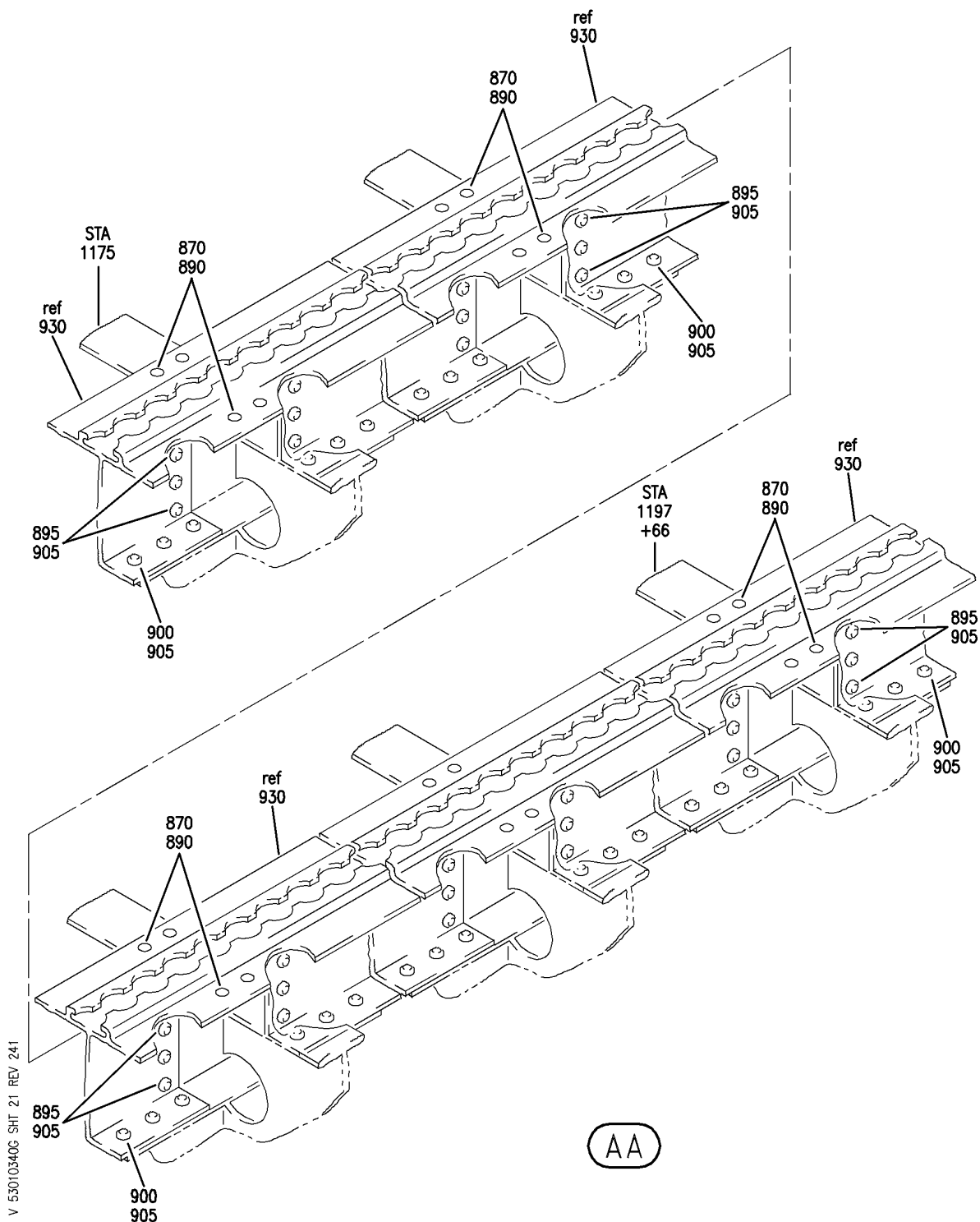
FLOOR SYSTEM INSTL (SEAT TRACKS ONLY) SECT. 46  
FIGURE 40G (SHEET 20)

**53-01-03-40G**

HXL  
DEC 22/06

53-01-03-40G  
PAGE 05

**BOEING**  
767  
PARTS CATALOG (MAINTENANCE)



FLOOR SYSTEM INSTL (SEAT TRACKS ONLY) SECT. 46  
FIGURE 40G (SHEET 21)

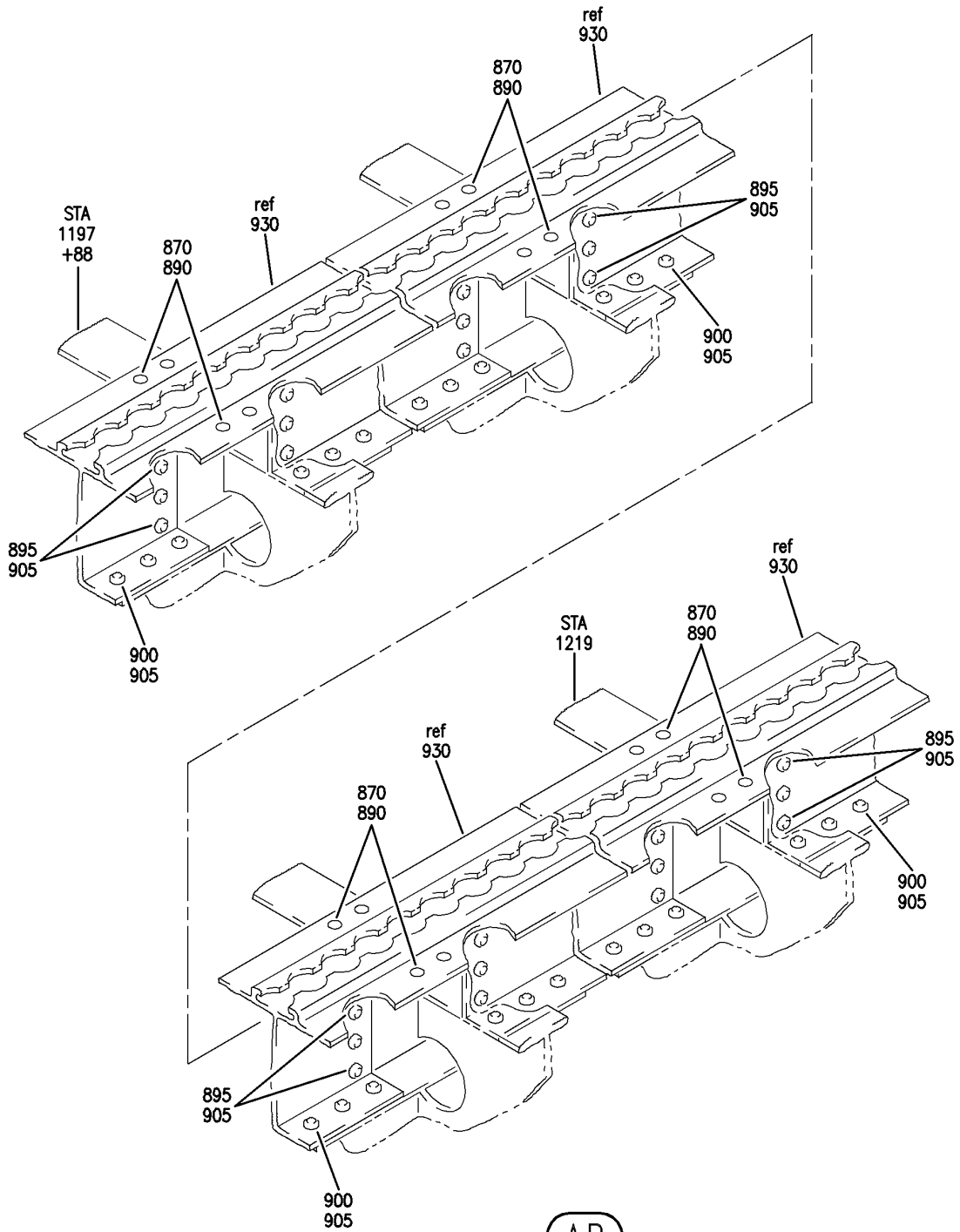
**53-01-03-40G**

HXL  
DEC 22/06

53-01-03-40G  
PAGE 0T



**BOEING**  
767  
PARTS CATALOG (MAINTENANCE)



AB

V 53010340G SHT 22 REV 241

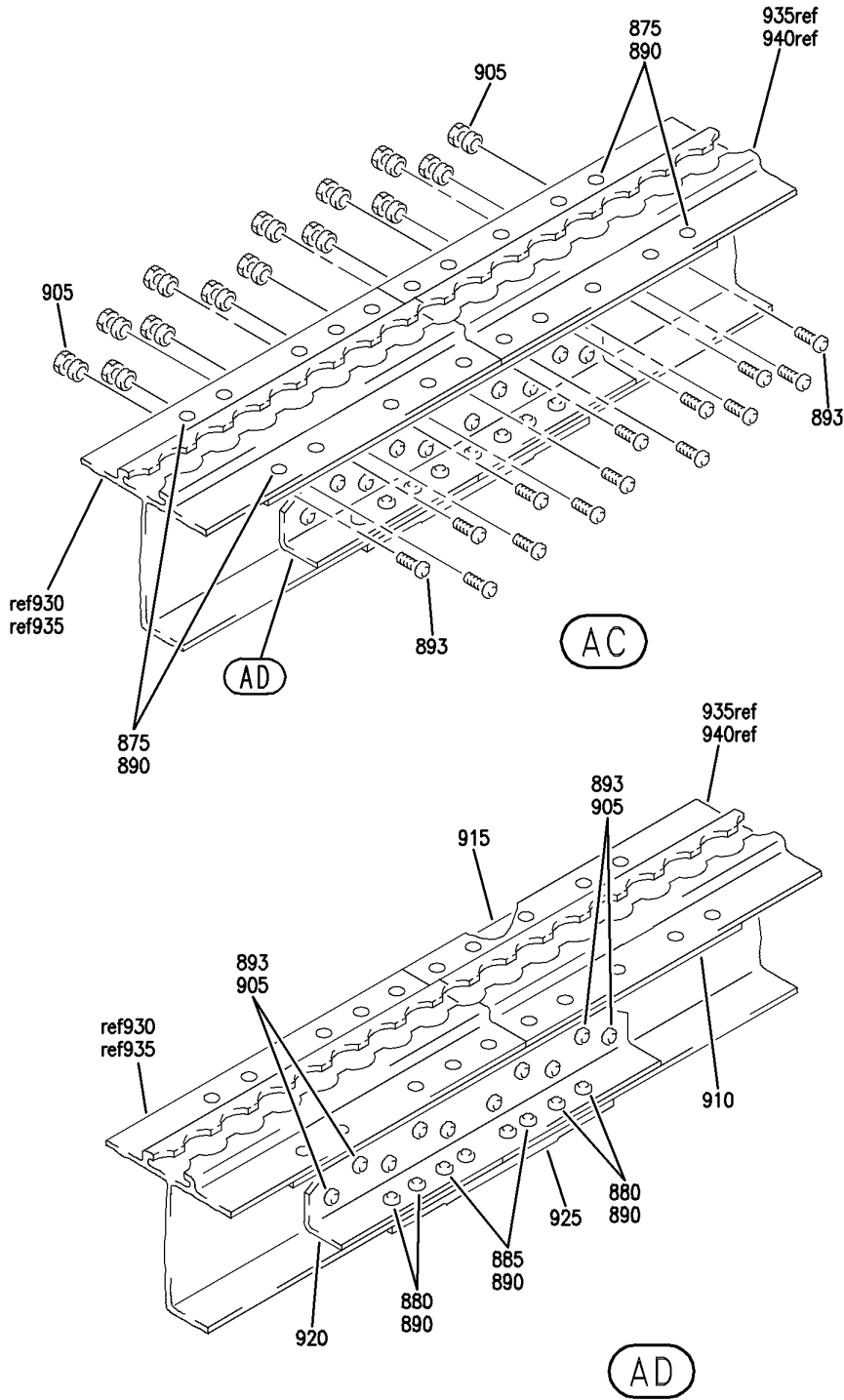
FLOOR SYSTEM INSTL (SEAT TRACKS ONLY) SECT. 46  
FIGURE 40G (SHEET 22)

**53-01-03-40G**

HXL  
DEC 22/06

53-01-03-40G  
PAGE 0U

**BOEING**  
**767**  
**PARTS CATALOG (MAINTENANCE)**



V 53010340G SHT 23 REV 241

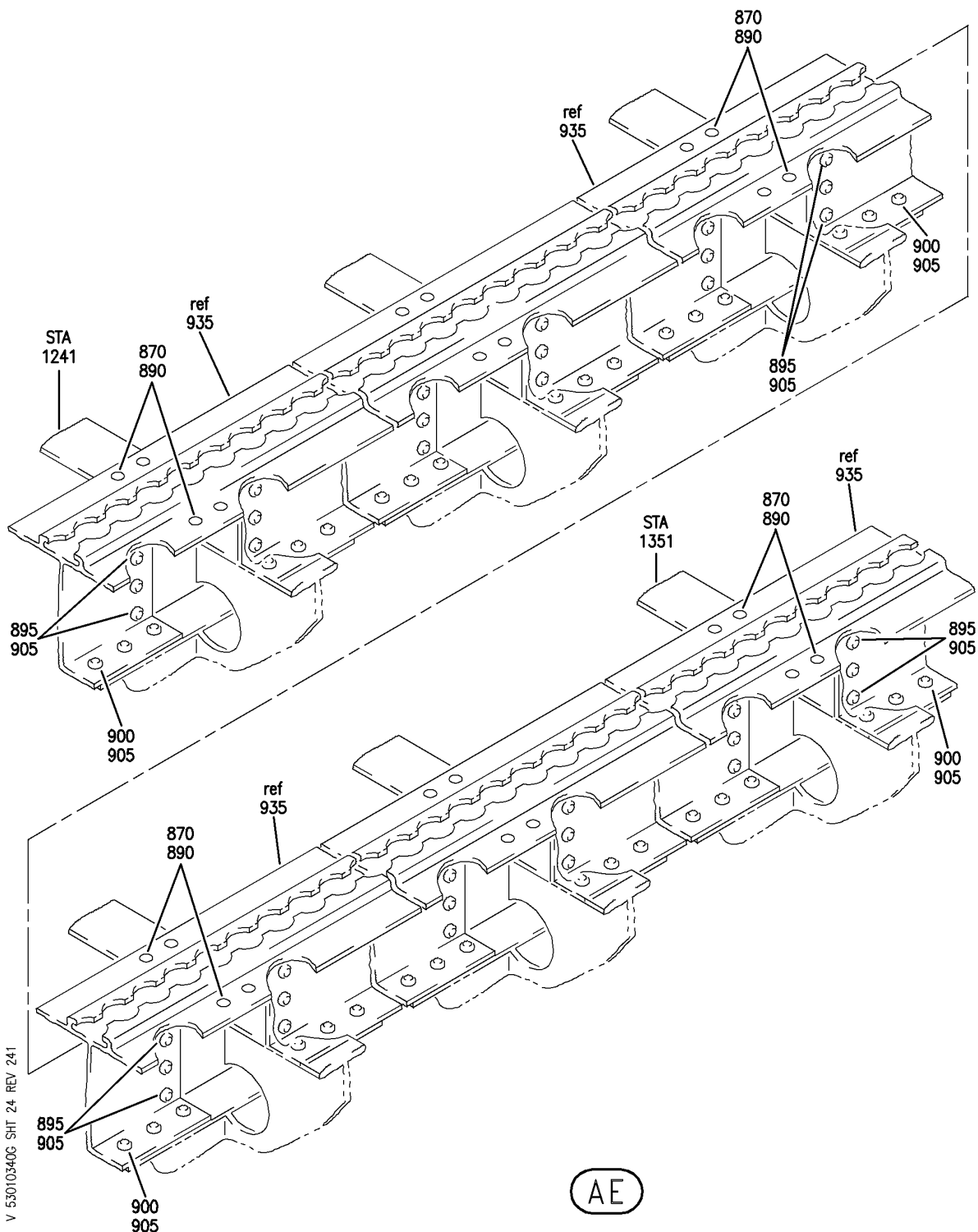
FLOOR SYSTEM INSTL (SEAT TRACKS ONLY) SECT. 46  
 FIGURE 40G (SHEET 23)

**53-01-03-40G**

HXL  
 DEC 22/06

53-01-03-40G  
 PAGE 0V

**BOEING**  
767  
PARTS CATALOG (MAINTENANCE)



V 53010340G SHT 24 REV 241

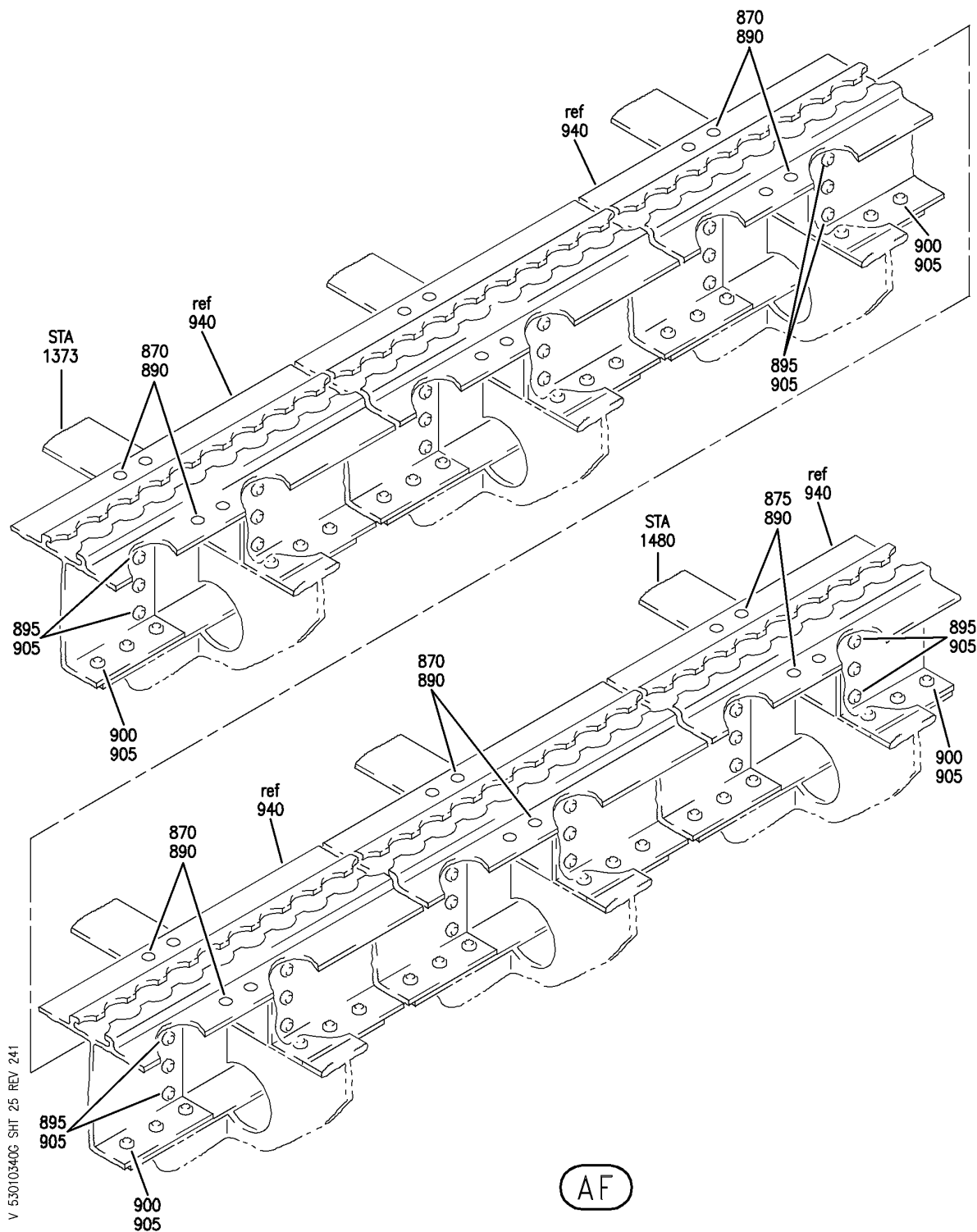
FLOOR SYSTEM INSTL (SEAT TRACKS ONLY) SECT. 46  
FIGURE 40G (SHEET 24)

**53-01-03-40G**

HXL  
DEC 22/06

53-01-03-40G  
PAGE 0W

**BOEING**  
767  
PARTS CATALOG (MAINTENANCE)



V 53010340G SHT 25 REV 241

FLOOR SYSTEM INSTL (SEAT TRACKS ONLY) SECT. 46  
FIGURE 40G (SHEET 25)

**53-01-03-40G**

HXL  
DEC 22/06

53-01-03-40G  
PAGE 0X



767

PARTS CATALOG (MAINTENANCE)

FIG ITEM	PART NUMBER	1 2 3 4 5 6 7	NOMENCLATURE	EFFECT FROM TO	UNITS PER ASSY
40G			FLOOR SYSTEM INSTL (SEAT TRACKS ONLY) SECT. 46		
- 1	146T5200-49		FLOOR SYSTEM INSTL- (SEAT TRACKS ONLY) POSITION DATA: SECT. 46 VARIABLE DRAWING REF: 146T5200-5113 146T5200-5188	155163	RF
- 1	146T5200-68		FLOOR SYSTEM INSTL- (SEAT TRACKS ONLY) POSITION DATA: SECT. 46 VARIABLE DRAWING REF: 146T5200-5174	164999	RF
5	HL1012AZ8-3		.BOLT SUPPLIER CODE: VOPTK6 SPECIFICATION NUMBER: BACB30NX8K3 OPTIONAL PART: HL12VAZ8-3 V73197 HL12VAZ8-3 V92215 HL12VAZ8-3 V97928 L802-8K3 V06725 HL12VAZ8-3 V56878 HL1012AZ8-3 V06725 HL1012AZ8-3 V06950 HL1012AZ8-3 V17446 HL1012AZ8-3 V56878 HL1012AZ8-3 V60516 HL1012AZ8-3 V73197 HL1012AZ8-3 V97928		22
ILLUSTRATION ITEMS NOT ON PARTS LIST ARE NOT APPLICABLE					

- ITEM NOT ILLUSTRATED

53-01-03-40G

53-01-03  
FIG. 40G  
PAGE 1  
DEC 22/07

HXL



767

PARTS CATALOG (MAINTENANCE)

FIG ITEM	PART NUMBER	1 2 3 4 5 6 7 NOMENCLATURE	EFFECT FROM TO	UNITS PER ASSY
40G 10	HL1012AZ8-3	.BOLT SUPPLIER CODE: VOPTK6 SPECIFICATION NUMBER: BACB30NX8K3 OPTIONAL PART: HL12VAZ8-3 V73197 HL12VAZ8-3 V92215 HL12VAZ8-3 V97928 L802-8K3 V06725 HL12VAZ8-3 V56878 HL1012AZ8-3 V06725 HL1012AZ8-3 V06950 HL1012AZ8-3 V17446 HL1012AZ8-3 V56878 HL1012AZ8-3 V60516 HL1012AZ8-3 V73197 HL1012AZ8-3 V97928		2

ILLUSTRATION ITEMS NOT ON PARTS LIST ARE NOT APPLICABLE

- ITEM NOT ILLUSTRATED

HXL

**53-01-03-40G**

BOEING PROPRIETARY - Copyright © - Unpublished Work - See title page for details.

53-01-03  
 FIG. 40G  
 PAGE 2  
 DEC 22/07



**767  
PARTS CATALOG (MAINTENANCE)**

FIG ITEM	PART NUMBER	1 2 3 4 5 6 7	NOMENCLATURE	EFFECT FROM TO	UNITS PER ASSY
40G 15	HL13VAZ8-5		.BOLT SUPPLIER CODE: V56878 SPECIFICATION NUMBER: BACB30NY8K5 OPTIONAL PART: HL13VAZ8-5 V73197 HL13VAZ8-5 V92215 HL13VAZ8-5 V97928 L801-8K5 V06725 HL13VAZ8-5 V60516 L801-8K5 VOPTK6 HL13VAZ8-5 V17446 HL1013AZ8-5 V60516		2
20	HL13VAZ8-7		.BOLT SUPPLIER CODE: V56878 SPECIFICATION NUMBER: BACB30NY8K7 OPTIONAL PART: HL13VAZ8-7 V73197 HL13VAZ8-7 V92215 HL13VAZ8-7 V97928 L801-8K7 V06725 HL13VAZ8-7 V60516 L801-8K7 VOPTK6 HL13VAZ8-7 V17446 HL1013AZ8-7 V60516		15
25	BACB30NY8K		.BOLT- SIZE DETERMINED ON INSTL.		22

ILLUSTRATION ITEMS NOT ON PARTS LIST ARE NOT APPLICABLE

- ITEM NOT ILLUSTRATED

HXL

# 53-01-03-40G

BOEING PROPRIETARY - Copyright © - Unpublished Work - See title page for details.

53-01-03  
FIG. 40G  
PAGE 3  
APR 22/08



767

PARTS CATALOG (MAINTENANCE)

FIG ITEM	PART NUMBER	1 2 3 4 5 6 7	NOMENCLATURE	EFFECT FROM TO	UNITS PER ASSY
40G 30	HL1187-8		.COLLAR SUPPLIER CODE: V5M902 SPECIFICATION NUMBER: BACC30X8 OPTIONAL PART: HL87-8 V92215 HL87-8 V73197 HL1187-8 V56878 HL1187-8 V92215 HL87-8 V56878 HL1187-8 V73197		63
35	HL13VAZ8-7		.BOLT SUPPLIER CODE: V56878 SPECIFICATION NUMBER: BACB30NY8K7 OPTIONAL PART: HL13VAZ8-7 V73197 HL13VAZ8-7 V92215 HL13VAZ8-7 V97928 L801-8K7 V06725 HL13VAZ8-7 V60516 L801-8K7 VOPTK6 HL13VAZ8-7 V17446 HL1013AZ8-7 V60516		2

ILLUSTRATION ITEMS NOT ON PARTS LIST ARE NOT APPLICABLE

- ITEM NOT ILLUSTRATED

HXL

53-01-03-40G

BOEING PROPRIETARY - Copyright © - Unpublished Work - See title page for details.

53-01-03  
FIG. 40G  
PAGE 4  
APR 22/08





767

PARTS CATALOG (MAINTENANCE)

FIG ITEM	PART NUMBER	1 2 3 4 5 6 7	NOMENCLATURE	EFFECT FROM TO	UNITS PER ASSY
40G 40	HL1187-8		.COLLAR SUPPLIER CODE: V5M902 SPECIFICATION NUMBER: BACC30X8 OPTIONAL PART: HL87-8 V92215 HL87-8 V73197 HL1187-8 V56878 HL1187-8 V92215 HL87-8 V56878 HL1187-8 V73197		2
45	HL1012AZ6-5		.BOLT SUPPLIER CODE: V97928 SPECIFICATION NUMBER: BACB30NX6K5 OPTIONAL PART: HL12VAZ6-5 V73197 HL12VAZ6-5 V92215 HL12VAZ6-5 V97928 L802-6K5 V06725 HL12VAZ6-5 V56878 HL1012AZ6-5 V0PTK6 HL1012AZ6-5 V06725 HL1012AZ6-5 V06950 HL1012AZ6-5 V17446 HL1012AZ6-5 V56878 HL1012AZ6-5 V60516 HL1012AZ6-5 V73197		24
ILLUSTRATION ITEMS NOT ON PARTS LIST ARE NOT APPLICABLE					

- ITEM NOT ILLUSTRATED

HXL

53-01-03-40G

BOEING PROPRIETARY - Copyright © - Unpublished Work - See title page for details.

53-01-03  
FIG. 40G  
PAGE 5  
DEC 22/07



767

PARTS CATALOG (MAINTENANCE)

FIG ITEM	PART NUMBER	1 2 3 4 5 6 7	NOMENCLATURE	EFFECT FROM TO	UNITS PER ASSY
40G 50	HL1187-6		.COLLAR SUPPLIER CODE: V5M902 SPECIFICATION NUMBER: BACC30X6 OPTIONAL PART: HL87-6 V92215 HL87-6 V73197 HL1187-6 V56878 HL1187-6 V92215 HL87-6 V56878 HL1187-6 V73197		24
55	HL13VAZ6-3		.BOLT SUPPLIER CODE: V56878 SPECIFICATION NUMBER: BACB30NY6K3 OPTIONAL PART: HL13VAZ6-3 V73197 HL13VAZ6-3 V92215 HL13VAZ6-3 V97928 L801-6K3 V06725 HL13VAZ6-3 V60516 L801-6K3 VOPTK6 HL13VAZ6-3 V17446		13

ILLUSTRATION ITEMS NOT ON PARTS LIST ARE NOT APPLICABLE

- ITEM NOT ILLUSTRATED

HXL

53-01-03-40G

BOEING PROPRIETARY - Copyright © - Unpublished Work - See title page for details.

53-01-03  
FIG. 40G  
PAGE 6  
DEC 22/07

 **BOEING**  
767  
**PARTS CATALOG (MAINTENANCE)**

FIG ITEM	PART NUMBER	1 2 3 4 5 6 7	NOMENCLATURE	EFFECT FROM TO	UNITS PER ASSY
40G 60	HL1187-6		.COLLAR SUPPLIER CODE: V5M902 SPECIFICATION NUMBER: BACC30X6 OPTIONAL PART: HL87-6 V92215 HL87-6 V73197 HL1187-6 V56878 HL1187-6 V92215 HL87-6 V56878 HL1187-6 V73197		13
65	L8006K4		.BOLT SUPPLIER CODE: V06725 SPECIFICATION NUMBER: BACB30MY6K4		14
70	HL79-6		.COLLAR SUPPLIER CODE: V5M902 SPECIFICATION NUMBER: BACC30M6 OPTIONAL PART: HL79-6 V73197 HL79-6 V92215 66014-6 V56878 HL79-6 V56878		14
100	140T2512-49		.FILLER		1
105	146T5214-2		.TRACK-SEAT POSITION DATA: LBL 88.5		1

ILLUSTRATION ITEMS NOT ON PARTS LIST ARE NOT APPLICABLE

- ITEM NOT ILLUSTRATED

HXL

# 53-01-03-40G

BOEING PROPRIETARY - Copyright © - Unpublished Work - See title page for details.

53-01-03  
FIG. 40G  
PAGE 7  
APR 22/08



767

PARTS CATALOG (MAINTENANCE)

FIG ITEM	PART NUMBER	1 2 3 4 5 6 7 NOMENCLATURE	EFFECT FROM TO	UNITS PER ASSY
40G 110	HL1012AZ8-3	.BOLT SUPPLIER CODE: VOPTK6 SPECIFICATION NUMBER: BACB30NX8K3 OPTIONAL PART: HL12VAZ8-3 V73197 HL12VAZ8-3 V92215 HL12VAZ8-3 V97928 L802-8K3 V06725 HL12VAZ8-3 V56878 HL1012AZ8-3 V06725 HL1012AZ8-3 V06950 HL1012AZ8-3 V17446 HL1012AZ8-3 V56878 HL1012AZ8-3 V60516 HL1012AZ8-3 V73197 HL1012AZ8-3 V97928		8

ILLUSTRATION ITEMS NOT ON PARTS LIST ARE NOT APPLICABLE

- ITEM NOT ILLUSTRATED

HXL

**53-01-03-40G**

BOEING PROPRIETARY - Copyright © - Unpublished Work - See title page for details.

53-01-03  
 FIG. 40G  
 PAGE 8  
 DEC 22/07



767

PARTS CATALOG (MAINTENANCE)

FIG ITEM	PART NUMBER	1 2 3 4 5 6 7 NOMENCLATURE	EFFECT FROM TO	UNITS PER ASSY
40G 115	HL1012AZ8-3	.BOLT SUPPLIER CODE: VOPTK6 SPECIFICATION NUMBER: BACB30NX8K3 OPTIONAL PART: HL12VAZ8-3 V73197 HL12VAZ8-3 V92215 HL12VAZ8-3 V97928 L802-8K3 V06725 HL12VAZ8-3 V56878 HL1012AZ8-3 V06725 HL1012AZ8-3 V06950 HL1012AZ8-3 V17446 HL1012AZ8-3 V56878 HL1012AZ8-3 V60516 HL1012AZ8-3 V73197 HL1012AZ8-3 V97928		4

ILLUSTRATION ITEMS NOT ON PARTS LIST ARE NOT APPLICABLE

- ITEM NOT ILLUSTRATED

HXL

**53-01-03-40G**

BOEING PROPRIETARY - Copyright © - Unpublished Work - See title page for details.

53-01-03  
 FIG. 40G  
 PAGE 9  
 DEC 22/07

**BOEING**  
767  
**PARTS CATALOG (MAINTENANCE)**

FIG ITEM	PART NUMBER	1 2 3 4 5 6 7	NOMENCLATURE	EFFECT FROM TO	UNITS PER ASSY
40G 120	HL13VAZ8-7		.BOLT SUPPLIER CODE: V56878 SPECIFICATION NUMBER: BACB30NY8K7 OPTIONAL PART: HL13VAZ8-7 V73197 HL13VAZ8-7 V92215 HL13VAZ8-7 V97928 L801-8K7 V06725 HL13VAZ8-7 V60516 L801-8K7 VOPTK6 HL13VAZ8-7 V17446 HL1013AZ8-7 V60516		15
125	BACB30NY8K		.BOLT- SIZE DETERMINED ON INSTL.		8
128	HL13VAZ8-5		.BOLT SUPPLIER CODE: V56878 SPECIFICATION NUMBER: BACB30NY8K5 OPTIONAL PART: HL13VAZ8-5 V73197 HL13VAZ8-5 V92215 HL13VAZ8-5 V97928 L801-8K5 V06725 HL13VAZ8-5 V60516 L801-8K5 VOPTK6 HL13VAZ8-5 V17446 HL1013AZ8-5 V60516		4

ILLUSTRATION ITEMS NOT ON PARTS LIST ARE NOT APPLICABLE

- ITEM NOT ILLUSTRATED

HXL

53-01-03-40G

BOEING PROPRIETARY - Copyright © - Unpublished Work - See title page for details.

53-01-03  
FIG. 40G  
PAGE 10  
APR 22/08



767

PARTS CATALOG (MAINTENANCE)

FIG ITEM	PART NUMBER	1 2 3 4 5 6 7	NOMENCLATURE	EFFECT FROM TO	UNITS PER ASSY
40G 130	HL1187-8		.COLLAR SUPPLIER CODE: V5M902 SPECIFICATION NUMBER: BACC30X8 OPTIONAL PART: HL87-8 V92215 HL87-8 V73197 HL1187-8 V56878 HL1187-8 V92215 HL87-8 V56878 HL1187-8 V73197		39
135	HL13VAZ8-7		.BOLT SUPPLIER CODE: V56878 SPECIFICATION NUMBER: BACB30NY8K7 OPTIONAL PART: HL13VAZ8-7 V73197 HL13VAZ8-7 V92215 HL13VAZ8-7 V97928 L801-8K7 V06725 HL13VAZ8-7 V60516 L801-8K7 VOPTK6 HL13VAZ8-7 V17446 HL1013AZ8-7 V60516		2

ILLUSTRATION ITEMS NOT ON PARTS LIST ARE NOT APPLICABLE

- ITEM NOT ILLUSTRATED

HXL

53-01-03-40G

BOEING PROPRIETARY - Copyright © - Unpublished Work - See title page for details.

53-01-03  
FIG. 40G  
PAGE 11  
APR 22/08



**767  
PARTS CATALOG (MAINTENANCE)**

FIG ITEM	PART NUMBER	1 2 3 4 5 6 7	NOMENCLATURE	EFFECT FROM TO	UNITS PER ASSY
40G 140	HL1187-8		.COLLAR SUPPLIER CODE: V5M902 SPECIFICATION NUMBER: BACC30X8 OPTIONAL PART: HL87-8 V92215 HL87-8 V73197 HL1187-8 V56878 HL1187-8 V92215 HL87-8 V56878 HL1187-8 V73197		2
145	HL1012AZ6-5		.BOLT SUPPLIER CODE: V97928 SPECIFICATION NUMBER: BACB30NX6K5 OPTIONAL PART: HL12VAZ6-5 V73197 HL12VAZ6-5 V92215 HL12VAZ6-5 V97928 L802-6K5 V06725 HL12VAZ6-5 V56878 HL1012AZ6-5 V0PTK6 HL1012AZ6-5 V06725 HL1012AZ6-5 V06950 HL1012AZ6-5 V17446 HL1012AZ6-5 V56878 HL1012AZ6-5 V60516 HL1012AZ6-5 V73197		12
ILLUSTRATION ITEMS NOT ON PARTS LIST ARE NOT APPLICABLE					

- ITEM NOT ILLUSTRATED

HXL

# 53-01-03-40G

BOEING PROPRIETARY - Copyright © - Unpublished Work - See title page for details.

53-01-03  
FIG. 40G  
PAGE 12  
DEC 22/07





767

PARTS CATALOG (MAINTENANCE)

FIG ITEM	PART NUMBER	1 2 3 4 5 6 7	NOMENCLATURE	EFFECT FROM TO	UNITS PER ASSY
40G 150	HL1187-6		.COLLAR SUPPLIER CODE: V5M902 SPECIFICATION NUMBER: BACC30X6 OPTIONAL PART: HL87-6 V92215 HL87-6 V73197 HL1187-6 V56878 HL1187-6 V92215 HL87-6 V56878 HL1187-6 V73197		12
155	HL13VAZ6-3		.BOLT SUPPLIER CODE: V56878 SPECIFICATION NUMBER: BACB30NY6K3 OPTIONAL PART: HL13VAZ6-3 V73197 HL13VAZ6-3 V92215 HL13VAZ6-3 V97928 L801-6K3 V06725 HL13VAZ6-3 V60516 L801-6K3 VOPTK6 HL13VAZ6-3 V17446		13

ILLUSTRATION ITEMS NOT ON PARTS LIST ARE NOT APPLICABLE

- ITEM NOT ILLUSTRATED

HXL

53-01-03-40G

BOEING PROPRIETARY - Copyright © - Unpublished Work - See title page for details.

53-01-03  
FIG. 40G  
PAGE 13  
DEC 22/07



767

PARTS CATALOG (MAINTENANCE)

FIG ITEM	PART NUMBER	1 2 3 4 5 6 7	NOMENCLATURE	EFFECT FROM TO	UNITS PER ASSY
40G 160	HL1187-6		.COLLAR SUPPLIER CODE: V5M902 SPECIFICATION NUMBER: BACC30X6 OPTIONAL PART: HL87-6 V92215 HL87-6 V73197 HL1187-6 V56878 HL1187-6 V92215 HL87-6 V56878 HL1187-6 V73197		13
165	L8006K4		.BOLT SUPPLIER CODE: V06725 SPECIFICATION NUMBER: BACB30MY6K4		14
170	HL79-6		.COLLAR SUPPLIER CODE: V5M902 SPECIFICATION NUMBER: BACC30M6 OPTIONAL PART: HL79-6 V73197 HL79-6 V92215 66014-6 V56878 HL79-6 V56878		14
200	140T2512-49		.FILLER		1

ILLUSTRATION ITEMS NOT ON PARTS LIST ARE NOT APPLICABLE

- ITEM NOT ILLUSTRATED

HXL

53-01-03-40G

BOEING PROPRIETARY - Copyright © - Unpublished Work - See title page for details.

53-01-03  
FIG. 40G  
PAGE 14  
APR 22/08



767

PARTS CATALOG (MAINTENANCE)

FIG ITEM	PART NUMBER	1 2 3 4 5 6 7 NOMENCLATURE	EFFECT FROM TO	UNITS PER ASSY
40G 210	HL1012AZ8-3	.BOLT SUPPLIER CODE: VOPTK6 SPECIFICATION NUMBER: BACB30NX8K3 OPTIONAL PART: HL12VAZ8-3 V73197 HL12VAZ8-3 V92215 HL12VAZ8-3 V97928 L802-8K3 V06725 HL12VAZ8-3 V56878 HL1012AZ8-3 V06725 HL1012AZ8-3 V06950 HL1012AZ8-3 V17446 HL1012AZ8-3 V56878 HL1012AZ8-3 V60516 HL1012AZ8-3 V73197 HL1012AZ8-3 V97928		2

ILLUSTRATION ITEMS NOT ON PARTS LIST ARE NOT APPLICABLE

- ITEM NOT ILLUSTRATED

HXL

**53-01-03-40G**

BOEING PROPRIETARY - Copyright © - Unpublished Work - See title page for details.

53-01-03  
 FIG. 40G  
 PAGE 15  
 DEC 22/07



**767  
PARTS CATALOG (MAINTENANCE)**

FIG ITEM	PART NUMBER	1 2 3 4 5 6 7	NOMENCLATURE	EFFECT FROM TO	UNITS PER ASSY
40G 215	HL1012AZ8-3	.BOLT	SUPPLIER CODE: VOPTK6 SPECIFICATION NUMBER: BACB30NX8K3 OPTIONAL PART: HL12VAZ8-3 V73197 HL12VAZ8-3 V92215 HL12VAZ8-3 V97928 L802-8K3 V06725 HL12VAZ8-3 V56878 HL1012AZ8-3 V06725 HL1012AZ8-3 V06950 HL1012AZ8-3 V17446 HL1012AZ8-3 V56878 HL1012AZ8-3 V60516 HL1012AZ8-3 V73197 HL1012AZ8-3 V97928		2
220	BACB30NY8K	.BOLT-	SIZE DETERMINED ON INSTL.		2

ILLUSTRATION ITEMS NOT ON PARTS LIST ARE NOT APPLICABLE

- ITEM NOT ILLUSTRATED

HXL

# 53-01-03-40G

BOEING PROPRIETARY - Copyright © - Unpublished Work - See title page for details.

53-01-03  
FIG. 40G  
PAGE 16  
DEC 22/07



**767  
PARTS CATALOG (MAINTENANCE)**

FIG ITEM	PART NUMBER	1 2 3 4 5 6 7	NOMENCLATURE	EFFECT FROM TO	UNITS PER ASSY
40G 225	HL13VAZ8-7	.BOLT	SUPPLIER CODE: V56878 SPECIFICATION NUMBER: BACB30NY8K7 OPTIONAL PART: HL13VAZ8-7 V73197 HL13VAZ8-7 V92215 HL13VAZ8-7 V97928 L801-8K7 V06725 HL13VAZ8-7 V60516 L801-8K7 VOPTK6 HL13VAZ8-7 V17446 HL1013AZ8-7 V60516		17
230	HL13VAZ8-5	.BOLT	SUPPLIER CODE: V56878 SPECIFICATION NUMBER: BACB30NY8K5 OPTIONAL PART: HL13VAZ8-5 V73197 HL13VAZ8-5 V92215 HL13VAZ8-5 V97928 L801-8K5 V06725 HL13VAZ8-5 V60516 L801-8K5 VOPTK6 HL13VAZ8-5 V17446 HL1013AZ8-5 V60516		2

ILLUSTRATION ITEMS NOT ON PARTS LIST ARE NOT APPLICABLE

— ITEM NOT ILLUSTRATED

HXL

# 53-01-03-40G

BOEING PROPRIETARY - Copyright © - Unpublished Work - See title page for details.

53-01-03  
FIG. 40G  
PAGE 17  
APR 22/08



767

PARTS CATALOG (MAINTENANCE)

FIG ITEM	PART NUMBER	1 2 3 4 5 6 7	NOMENCLATURE	EFFECT FROM TO	UNITS PER ASSY
40G 235	HL1187-8		.COLLAR SUPPLIER CODE: V5M902 SPECIFICATION NUMBER: BACC30X8 OPTIONAL PART: HL87-8 V92215 HL87-8 V73197 HL1187-8 V56878 HL1187-8 V92215 HL87-8 V56878 HL1187-8 V73197		25
240	HL1012AZ6-5		.BOLT SUPPLIER CODE: V97928 SPECIFICATION NUMBER: BACB30NX6K5 OPTIONAL PART: HL12VAZ6-5 V73197 HL12VAZ6-5 V92215 HL12VAZ6-5 V97928 L802-6K5 V06725 HL12VAZ6-5 V56878 HL1012AZ6-5 V0PTK6 HL1012AZ6-5 V06725 HL1012AZ6-5 V06950 HL1012AZ6-5 V17446 HL1012AZ6-5 V56878 HL1012AZ6-5 V60516 HL1012AZ6-5 V73197		4

ILLUSTRATION ITEMS NOT ON PARTS LIST ARE NOT APPLICABLE

- ITEM NOT ILLUSTRATED

HXL

53-01-03-40G

BOEING PROPRIETARY - Copyright © - Unpublished Work - See title page for details.

53-01-03  
FIG. 40G  
PAGE 18  
DEC 22/07

 **BOEING**  
767  
**PARTS CATALOG (MAINTENANCE)**

FIG ITEM	PART NUMBER	1 2 3 4 5 6 7	NOMENCLATURE	EFFECT FROM TO	UNITS PER ASSY
40G 245	HL1187-6		.COLLAR SUPPLIER CODE: V5M902 SPECIFICATION NUMBER: BACC30X6 OPTIONAL PART: HL87-6 V92215 HL87-6 V73197 HL1187-6 V56878 HL1187-6 V92215 HL87-6 V56878 HL1187-6 V73197		4
250	HL13VAZ8-5		.BOLT SUPPLIER CODE: V56878 SPECIFICATION NUMBER: BACB30NY8K5 OPTIONAL PART: HL13VAZ8-5 V73197 HL13VAZ8-5 V92215 HL13VAZ8-5 V97928 L801-8K5 V06725 HL13VAZ8-5 V60516 L801-8K5 VOPTK6 HL13VAZ8-5 V17446 HL1013AZ8-5 V60516		2

ILLUSTRATION ITEMS NOT ON PARTS LIST ARE NOT APPLICABLE

- ITEM NOT ILLUSTRATED

HXL

53-01-03-40G

BOEING PROPRIETARY - Copyright © - Unpublished Work - See title page for details.

53-01-03  
FIG. 40G  
PAGE 19  
APR 22/08

 **BOEING**  
767  
**PARTS CATALOG (MAINTENANCE)**

FIG ITEM	PART NUMBER	1 2 3 4 5 6 7	NOMENCLATURE	EFFECT FROM TO	UNITS PER ASSY
40G 255	HL1187-8		.COLLAR SUPPLIER CODE: V5M902 SPECIFICATION NUMBER: BACC30X8 OPTIONAL PART: HL87-8 V92215 HL87-8 V73197 HL1187-8 V56878 HL1187-8 V92215 HL87-8 V56878 HL1187-8 V73197		2
260	L8008K3		.BOLT SUPPLIER CODE: V06725 SPECIFICATION NUMBER: BACB30MY8K3		2
265	HL79-8		.COLLAR SUPPLIER CODE: V5M902 SPECIFICATION NUMBER: BACC30M8 OPTIONAL PART: HL79-8 V73197 HL79-8 V92215 66014-8 V56878 HL79-8 V56878		2
270	L8006K5		.BOLT SUPPLIER CODE: V06725 SPECIFICATION NUMBER: BACB30MY6K5		1
275	L8006K7		.BOLT SUPPLIER CODE: V06725 SPECIFICATION NUMBER: BACB30MY6K7		1

ILLUSTRATION ITEMS NOT ON PARTS LIST ARE NOT APPLICABLE

- ITEM NOT ILLUSTRATED

HXL

53-01-03-40G

BOEING PROPRIETARY - Copyright © - Unpublished Work - See title page for details.

53-01-03  
FIG. 40G  
PAGE 20  
APR 22/08



**BOEING**  
767  
**PARTS CATALOG (MAINTENANCE)**

FIG ITEM	PART NUMBER	1 2 3 4 5 6 7	NOMENCLATURE	EFFECT FROM TO	UNITS PER ASSY
40G 280	L8006K4		.BOLT SUPPLIER CODE: V06725 SPECIFICATION NUMBER: BACB30MY6K4		14
285	BACB30NW6K		.BOLT- SIZE DETERMINED ON INSTL.		13
290	HL79-6		.COLLAR SUPPLIER CODE: V5M902 SPECIFICATION NUMBER: BACC30M6 OPTIONAL PART: HL79-6 V73197 HL79-6 V92215 66014-6 V56878 HL79-6 V56878		29
320	140T2512-49		.FILLER		1
325	146T5215-3		.TRACK-SEAT POSITION DATA: LBL 88.5		1
328	L8006K5		.BOLT SUPPLIER CODE: V06725 SPECIFICATION NUMBER: BACB30MY6K5		2
331	HL79-6		.COLLAR SUPPLIER CODE: V5M902 SPECIFICATION NUMBER: BACC30M6 OPTIONAL PART: HL79-6 V73197 HL79-6 V92215 66014-6 V56878 HL79-6 V56878		2
334	L8008K3		.BOLT SUPPLIER CODE: V06725 SPECIFICATION NUMBER: BACB30MY8K3		2

ILLUSTRATION ITEMS NOT ON PARTS LIST ARE NOT APPLICABLE

- ITEM NOT ILLUSTRATED

HXL

53-01-03-40G

BOEING PROPRIETARY - Copyright © - Unpublished Work - See title page for details.

53-01-03  
FIG. 40G  
PAGE 21  
APR 22/08



**767  
PARTS CATALOG (MAINTENANCE)**

FIG ITEM	PART NUMBER	1 2 3 4 5 6 7	NOMENCLATURE	EFFECT FROM TO	UNITS PER ASSY
40G 337	HL79-8		.COLLAR SUPPLIER CODE: V5M902 SPECIFICATION NUMBER: BACC30M8 OPTIONAL PART: HL79-8 V73197 HL79-8 V92215 66014-8 V56878 HL79-8 V56878		2
352	L8006K6		.BOLT SUPPLIER CODE: V06725 SPECIFICATION NUMBER: BACB30MY6K6		2
355	L8006K7		.BOLT SUPPLIER CODE: V06725 SPECIFICATION NUMBER: BACB30MY6K7		2
358	HL79-6		.COLLAR SUPPLIER CODE: V5M902 SPECIFICATION NUMBER: BACC30M6 OPTIONAL PART: HL79-6 V73197 HL79-6 V92215 66014-6 V56878 HL79-6 V56878		4

ILLUSTRATION ITEMS NOT ON PARTS LIST ARE NOT APPLICABLE

— ITEM NOT ILLUSTRATED

HXL

# 53-01-03-40G

BOEING PROPRIETARY - Copyright © - Unpublished Work - See title page for details.

53-01-03  
FIG. 40G  
PAGE 22  
APR 22/08



767

PARTS CATALOG (MAINTENANCE)

FIG ITEM	PART NUMBER	1 2 3 4 5 6 7	NOMENCLATURE	EFFECT FROM TO	UNITS PER ASSY
40G 360	HL13VAZ8-5		.BOLT SUPPLIER CODE: V56878 SPECIFICATION NUMBER: BACB30NY8K5 OPTIONAL PART: HL13VAZ8-5 V73197 HL13VAZ8-5 V92215 HL13VAZ8-5 V97928 L801-8K5 V06725 HL13VAZ8-5 V60516 L801-8K5 VOPTK6 HL13VAZ8-5 V17446 HL1013AZ8-5 V60516		4
365	HL1187-8		.COLLAR SUPPLIER CODE: V5M902 SPECIFICATION NUMBER: BACC30X8 OPTIONAL PART: HL87-8 V92215 HL87-8 V73197 HL1187-8 V56878 HL1187-8 V92215 HL87-8 V56878 HL1187-8 V73197		4
367	140T2512-49		.FILLER		1
370	146T5222-5		.TRACK-SEAT POSITION DATA: LBL 88.5		1

ILLUSTRATION ITEMS NOT ON PARTS LIST ARE NOT APPLICABLE

- ITEM NOT ILLUSTRATED

53-01-03-40G

53-01-03  
FIG. 40G  
PAGE 23  
APR 22/08

HXL

BOEING PROPRIETARY - Copyright © - Unpublished Work - See title page for details.



**767  
PARTS CATALOG (MAINTENANCE)**

FIG ITEM	PART NUMBER	1 2 3 4 5 6 7 NOMENCLATURE	EFFECT FROM TO	UNITS PER ASSY
40G 375	HL1012AZ8-3	.BOLT SUPPLIER CODE: VOPTK6 SPECIFICATION NUMBER: BACB30NX8K3 OPTIONAL PART: HL12VAZ8-3 V73197 HL12VAZ8-3 V92215 HL12VAZ8-3 V97928 L802-8K3 V06725 HL12VAZ8-3 V56878 HL1012AZ8-3 V06725 HL1012AZ8-3 V06950 HL1012AZ8-3 V17446 HL1012AZ8-3 V56878 HL1012AZ8-3 V60516 HL1012AZ8-3 V73197 HL1012AZ8-3 V97928		20

ILLUSTRATION ITEMS NOT ON PARTS LIST ARE NOT APPLICABLE

— ITEM NOT ILLUSTRATED

HXL

# 53-01-03-40G

BOEING PROPRIETARY - Copyright © - Unpublished Work - See title page for details.

53-01-03  
FIG. 40G  
PAGE 24  
DEC 22/07



767

PARTS CATALOG (MAINTENANCE)

FIG ITEM	PART NUMBER	1 2 3 4 5 6 7 NOMENCLATURE	EFFECT FROM TO	UNITS PER ASSY
40G 380	HL1012AZ8-3	.BOLT SUPPLIER CODE: VOPTK6 SPECIFICATION NUMBER: BACB30NX8K3 OPTIONAL PART: HL12VAZ8-3 V73197 HL12VAZ8-3 V92215 HL12VAZ8-3 V97928 L802-8K3 V06725 HL12VAZ8-3 V56878 HL1012AZ8-3 V06725 HL1012AZ8-3 V06950 HL1012AZ8-3 V17446 HL1012AZ8-3 V56878 HL1012AZ8-3 V60516 HL1012AZ8-3 V73197 HL1012AZ8-3 V97928		2

ILLUSTRATION ITEMS NOT ON PARTS LIST ARE NOT APPLICABLE

- ITEM NOT ILLUSTRATED

HXL

**53-01-03-40G**

BOEING PROPRIETARY - Copyright © - Unpublished Work - See title page for details.

53-01-03  
 FIG. 40G  
 PAGE 25  
 DEC 22/07



**767  
PARTS CATALOG (MAINTENANCE)**

FIG ITEM	PART NUMBER	1 2 3 4 5 6 7	NOMENCLATURE	EFFECT FROM TO	UNITS PER ASSY
40G 385	HL13VAZ8-5		.BOLT SUPPLIER CODE: V56878 SPECIFICATION NUMBER: BACB30NY8K5 OPTIONAL PART: HL13VAZ8-5 V73197 HL13VAZ8-5 V92215 HL13VAZ8-5 V97928 L801-8K5 V06725 HL13VAZ8-5 V60516 L801-8K5 VOPTK6 HL13VAZ8-5 V17446 HL1013AZ8-5 V60516		2
390	HL13VAZ8-7		.BOLT SUPPLIER CODE: V56878 SPECIFICATION NUMBER: BACB30NY8K7 OPTIONAL PART: HL13VAZ8-7 V73197 HL13VAZ8-7 V92215 HL13VAZ8-7 V97928 L801-8K7 V06725 HL13VAZ8-7 V60516 L801-8K7 VOPTK6 HL13VAZ8-7 V17446 HL1013AZ8-7 V60516		17
395	BACB30NY8K		.BOLT- SIZE DETERMINED ON INSTL.		20

ILLUSTRATION ITEMS NOT ON PARTS LIST ARE NOT APPLICABLE

- ITEM NOT ILLUSTRATED

HXL

# 53-01-03-40G

BOEING PROPRIETARY - Copyright © - Unpublished Work - See title page for details.

53-01-03  
FIG. 40G  
PAGE 26  
APR 22/08



767

PARTS CATALOG (MAINTENANCE)

FIG ITEM	PART NUMBER	1 2 3 4 5 6 7	NOMENCLATURE	EFFECT FROM TO	UNITS PER ASSY
40G 400	HL1187-8		.COLLAR SUPPLIER CODE: V5M902 SPECIFICATION NUMBER: BACC30X8 OPTIONAL PART: HL87-8 V92215 HL87-8 V73197 HL1187-8 V56878 HL1187-8 V92215 HL87-8 V56878 HL1187-8 V73197		61
405	HL1012AZ6-5		.BOLT SUPPLIER CODE: V97928 SPECIFICATION NUMBER: BACB30NX6K5 OPTIONAL PART: HL12VAZ6-5 V73197 HL12VAZ6-5 V92215 HL12VAZ6-5 V97928 L802-6K5 V06725 HL12VAZ6-5 V56878 HL1012AZ6-5 V0PTK6 HL1012AZ6-5 V06725 HL1012AZ6-5 V06950 HL1012AZ6-5 V17446 HL1012AZ6-5 V56878 HL1012AZ6-5 V60516 HL1012AZ6-5 V73197		22

ILLUSTRATION ITEMS NOT ON PARTS LIST ARE NOT APPLICABLE

- ITEM NOT ILLUSTRATED

HXL

53-01-03-40G

BOEING PROPRIETARY - Copyright © - Unpublished Work - See title page for details.

53-01-03  
FIG. 40G  
PAGE 27  
DEC 22/07



767

PARTS CATALOG (MAINTENANCE)

FIG ITEM	PART NUMBER	1 2 3 4 5 6 7	NOMENCLATURE	EFFECT FROM TO	UNITS PER ASSY
40G 410	HL1187-6		.COLLAR SUPPLIER CODE: V5M902 SPECIFICATION NUMBER: BACC30X6 OPTIONAL PART: HL87-6 V92215 HL87-6 V73197 HL1187-6 V56878 HL1187-6 V92215 HL87-6 V56878 HL1187-6 V73197		22
415	HL13VAZ6-3		.BOLT SUPPLIER CODE: V56878 SPECIFICATION NUMBER: BACB30NY6K3 OPTIONAL PART: HL13VAZ6-3 V73197 HL13VAZ6-3 V92215 HL13VAZ6-3 V97928 L801-6K3 V06725 HL13VAZ6-3 V60516 L801-6K3 VOPTK6 HL13VAZ6-3 V17446		13

ILLUSTRATION ITEMS NOT ON PARTS LIST ARE NOT APPLICABLE

- ITEM NOT ILLUSTRATED

HXL

53-01-03-40G

BOEING PROPRIETARY - Copyright © - Unpublished Work - See title page for details.

53-01-03  
FIG. 40G  
PAGE 28  
DEC 22/07



 **BOEING**  
767  
**PARTS CATALOG (MAINTENANCE)**

FIG ITEM	PART NUMBER	1 2 3 4 5 6 7	NOMENCLATURE	EFFECT FROM TO	UNITS PER ASSY
40G 418	HL1187-6		.COLLAR SUPPLIER CODE: V5M902 SPECIFICATION NUMBER: BACC30X6 OPTIONAL PART: HL87-6 V92215 HL87-6 V73197 HL1187-6 V56878 HL1187-6 V92215 HL87-6 V56878 HL1187-6 V73197		13
420	L8006K4		.BOLT SUPPLIER CODE: V06725 SPECIFICATION NUMBER: BACB30MY6K4		14
425	HL79-6		.COLLAR SUPPLIER CODE: V5M902 SPECIFICATION NUMBER: BACC30M6 OPTIONAL PART: HL79-6 V73197 HL79-6 V92215 66014-6 V56878 HL79-6 V56878		14
455	140T2512-49		.FILLER		1
460	146T5216-4		.TRACK-SEAT POSITION DATA: RBL 88.5		1

ILLUSTRATION ITEMS NOT ON PARTS LIST ARE NOT APPLICABLE

- ITEM NOT ILLUSTRATED

HXL

53-01-03-40G

BOEING PROPRIETARY - Copyright © - Unpublished Work - See title page for details.

53-01-03  
FIG. 40G  
PAGE 29  
APR 22/08



**767  
PARTS CATALOG (MAINTENANCE)**

FIG ITEM	PART NUMBER	1 2 3 4 5 6 7	NOMENCLATURE	EFFECT FROM TO	UNITS PER ASSY
40G 465	HL13VAZ8-5		.BOLT SUPPLIER CODE: V56878 SPECIFICATION NUMBER: BACB30NY8K5 OPTIONAL PART: HL13VAZ8-5 V73197 HL13VAZ8-5 V92215 HL13VAZ8-5 V97928 L801-8K5 V06725 HL13VAZ8-5 V60516 L801-8K5 VOPTK6 HL13VAZ8-5 V17446 HL1013AZ8-5 V60516		14
470	HL13VAZ8-7		.BOLT SUPPLIER CODE: V56878 SPECIFICATION NUMBER: BACB30NY8K7 OPTIONAL PART: HL13VAZ8-7 V73197 HL13VAZ8-7 V92215 HL13VAZ8-7 V97928 L801-8K7 V06725 HL13VAZ8-7 V60516 L801-8K7 VOPTK6 HL13VAZ8-7 V17446 HL1013AZ8-7 V60516		17
475	BACB30X8		.COLLAR		31

ILLUSTRATION ITEMS NOT ON PARTS LIST ARE NOT APPLICABLE

— ITEM NOT ILLUSTRATED

HXL

# 53-01-03-40G

BOEING PROPRIETARY - Copyright © - Unpublished Work - See title page for details.

53-01-03  
FIG. 40G  
PAGE 30  
APR 22/08

 **BOEING**  
767  
**PARTS CATALOG (MAINTENANCE)**

FIG ITEM	PART NUMBER	1 2 3 4 5 6 7	NOMENCLATURE	EFFECT FROM TO	UNITS PER ASSY
40G 490	L8008K3	.	BOLT SUPPLIER CODE: V06725 SPECIFICATION NUMBER: BACB30MY8K3		2
495	HL79-8	.	COLLAR SUPPLIER CODE: V5M902 SPECIFICATION NUMBER: BACC30M8 OPTIONAL PART: HL79-8 V73197 HL79-8 V92215 66014-8 V56878 HL79-8 V56878		2
500	L8006K5	.	BOLT SUPPLIER CODE: V06725 SPECIFICATION NUMBER: BACB30MY6K5		1
505	L8006K7	.	BOLT SUPPLIER CODE: V06725 SPECIFICATION NUMBER: BACB30MY6K7		1
510	L8006K4	.	BOLT SUPPLIER CODE: V06725 SPECIFICATION NUMBER: BACB30MY6K4		14
515 520	BACB30NW6K HL79-6	.	BOLT COLLAR SUPPLIER CODE: V5M902 SPECIFICATION NUMBER: BACC30M6 OPTIONAL PART: HL79-6 V73197 HL79-6 V92215 66014-6 V56878 HL79-6 V56878		13 29
ILLUSTRATION ITEMS NOT ON PARTS LIST ARE NOT APPLICABLE					

— ITEM NOT ILLUSTRATED

HXL

53-01-03-40G

BOEING PROPRIETARY - Copyright © - Unpublished Work - See title page for details.

53-01-03  
FIG. 40G  
PAGE 31  
APR 22/08

 **BOEING**  
767  
**PARTS CATALOG (MAINTENANCE)**

FIG ITEM	PART NUMBER	1 2 3 4 5 6 7	NOMENCLATURE	EFFECT FROM TO	UNITS PER ASSY
40G					
550	140T2512-49		. FILLER		1
555	146T5217-4		. TRACK-SEAT		1
			POSITION DATA: RBL 88.5		
565	L8008K3		. BOLT		2
			SUPPLIER CODE: V06725		
			SPECIFICATION NUMBER: BACB30MY8K3		
567	HL79-8		. COLLAR		2
			SUPPLIER CODE: V5M902		
			SPECIFICATION NUMBER: BACC30M8		
			OPTIONAL PART: HL79-8 V73197 HL79-8 V92215 66014-8 V56878 HL79-8 V56878		
569	L8006K5		. BOLT		2
			SUPPLIER CODE: V06725		
			SPECIFICATION NUMBER: BACB30MY6K5		
571	HL79-6		. COLLAR		2
			SUPPLIER CODE: V5M902		
			SPECIFICATION NUMBER: BACC30M6		
			OPTIONAL PART: HL79-6 V73197 HL79-6 V92215 66014-6 V56878 HL79-6 V56878		
573	L8006K6		. BOLT		2
			SUPPLIER CODE: V06725		
			SPECIFICATION NUMBER: BACB30MY6K6		

ILLUSTRATION ITEMS NOT ON PARTS LIST ARE NOT APPLICABLE

- ITEM NOT ILLUSTRATED

HXL

53-01-03-40G

BOEING PROPRIETARY - Copyright © - Unpublished Work - See title page for details.

53-01-03  
FIG. 40G  
PAGE 32  
APR 22/08

 **BOEING**  
767  
**PARTS CATALOG (MAINTENANCE)**

FIG ITEM	PART NUMBER	1 2 3 4 5 6 7	NOMENCLATURE	EFFECT FROM TO	UNITS PER ASSY
40G 575	L8006K7		.BOLT SUPPLIER CODE: V06725 SPECIFICATION NUMBER: BACB30MY6K7		2
577	HL79-6		.COLLAR SUPPLIER CODE: V5M902 SPECIFICATION NUMBER: BACC30M6 OPTIONAL PART: HL79-6 V73197 HL79-6 V92215 66014-6 V56878 HL79-6 V56878		4
579	HL13VAZ8-5		.BOLT SUPPLIER CODE: V56878 SPECIFICATION NUMBER: BACB30NY8K5 OPTIONAL PART: HL13VAZ8-5 V73197 HL13VAZ8-5 V92215 HL13VAZ8-5 V97928 L801-8K5 V06725 HL13VAZ8-5 V60516 L801-8K5 VOPTK6 HL13VAZ8-5 V17446 HL1013AZ8-5 V60516		4

ILLUSTRATION ITEMS NOT ON PARTS LIST ARE NOT APPLICABLE

- ITEM NOT ILLUSTRATED

HXL

53-01-03-40G

BOEING PROPRIETARY - Copyright © - Unpublished Work - See title page for details.

53-01-03  
FIG. 40G  
PAGE 33  
APR 22/08



767

PARTS CATALOG (MAINTENANCE)

FIG ITEM	PART NUMBER	1 2 3 4 5 6 7	NOMENCLATURE	EFFECT FROM TO	UNITS PER ASSY
40G 582	HL1187-8		. COLLAR SUPPLIER CODE: V5M902 SPECIFICATION NUMBER: BACC30X8 OPTIONAL PART: HL87-8 V92215 HL87-8 V73197 HL1187-8 V56878 HL1187-8 V92215 HL87-8 V56878 HL1187-8 V73197		4
585	146T5222-4		. TRACK-SEAT		1
590	HL13VAZ8-5		. BOLT SUPPLIER CODE: V56878 SPECIFICATION NUMBER: BACB30NY8K5 OPTIONAL PART: HL13VAZ8-5 V73197 HL13VAZ8-5 V92215 HL13VAZ8-5 V97928 L801-8K5 V06725 HL13VAZ8-5 V60516 L801-8K5 VOPTK6 HL13VAZ8-5 V17446 HL1013AZ8-5 V60516		84

ILLUSTRATION ITEMS NOT ON PARTS LIST ARE NOT APPLICABLE

- ITEM NOT ILLUSTRATED

HXL

53-01-03-40G

BOEING PROPRIETARY - Copyright © - Unpublished Work - See title page for details.

53-01-03  
FIG. 40G  
PAGE 34  
APR 22/08



767

PARTS CATALOG (MAINTENANCE)

FIG ITEM	PART NUMBER	1 2 3 4 5 6 7 NOMENCLATURE	EFFECT FROM TO	UNITS PER ASSY
40G 595	HL1012AZ8-5	.BOLT SUPPLIER CODE: VOPTK6 SPECIFICATION NUMBER: BACB30NX8K5 OPTIONAL PART: HL12VAZ8-5 V73197 HL12VAZ8-5 V92215 HL12VAZ8-5 V97928 L802-8K5 V06725 HL12VAZ8-5 V56878 HL1012AZ8-5 V06725 HL1012AZ8-5 V06950 HL1012AZ8-5 V17446 HL1012AZ8-5 V56878 HL1012AZ8-5 V60516 HL1012AZ8-5 V73197 HL1012AZ8-5 V97928		40

ILLUSTRATION ITEMS NOT ON PARTS LIST ARE NOT APPLICABLE

- ITEM NOT ILLUSTRATED

HXL

**53-01-03-40G**

BOEING PROPRIETARY - Copyright © - Unpublished Work - See title page for details.

53-01-03  
 FIG. 40G  
 PAGE 35  
 DEC 22/07



767

PARTS CATALOG (MAINTENANCE)

FIG ITEM	PART NUMBER	1 2 3 4 5 6 7 NOMENCLATURE	EFFECT FROM TO	UNITS PER ASSY
40G 600	HL1013AZ8-6	.BOLT SUPPLIER CODE: V60156 SPECIFICATION NUMBER: BACB30NY8K6 OPTIONAL PART: HL13VAZ8-6 V73197 HL13VAZ8-6 V92215 HL13VAZ8-6 V97928 L801-8K6 V06725 HL13VAZ8-6 V60516 L801-8K6 V0PTK6 HL13VAZ8-6 V17446 HL13VAZ8-6 V56878		2

ILLUSTRATION ITEMS NOT ON PARTS LIST ARE NOT APPLICABLE

- ITEM NOT ILLUSTRATED

HXL

**53-01-03-40G**

BOEING PROPRIETARY - Copyright © - Unpublished Work - See title page for details.

53-01-03  
 FIG. 40G  
 PAGE 36  
 DEC 22/08





767

PARTS CATALOG (MAINTENANCE)

FIG ITEM	PART NUMBER	1 2 3 4 5 6 7	NOMENCLATURE	EFFECT FROM TO	UNITS PER ASSY
40G 605	HL1012AZ8-6		.BOLT SUPPLIER CODE: VOPTK6 SPECIFICATION NUMBER: BACB30NX8K6 OPTIONAL PART: HL12VAZ8-6 V73197 HL12VAZ8-6 V92215 HL12VAZ8-6 V97928 L802-8K6 V06725 HL12VAZ8-6 V56878 HL1012AZ8-6 V06725 HL1012AZ8-6 V06950 HL1012AZ8-6 V17446 HL1012AZ8-6 V56878 HL1012AZ8-6 V60516 HL1012AZ8-6 V73197 HL1012AZ8-6 V97928		4
610	HL1187-8		.COLLAR SUPPLIER CODE: V5M902 SPECIFICATION NUMBER: BACC30X8 OPTIONAL PART: HL87-8 V92215 HL87-8 V73197 HL1187-8 V56878 HL1187-8 V92215 HL87-8 V56878 HL1187-8 V73197		130

ILLUSTRATION ITEMS NOT ON PARTS LIST ARE NOT APPLICABLE

- ITEM NOT ILLUSTRATED

HXL

53-01-03-40G

BOEING PROPRIETARY - Copyright © - Unpublished Work - See title page for details.

53-01-03  
FIG. 40G  
PAGE 37  
DEC 22/07



767

PARTS CATALOG (MAINTENANCE)

FIG ITEM	PART NUMBER	1 2 3 4 5 6 7	NOMENCLATURE	EFFECT FROM TO	UNITS PER ASSY
40G 615	HST11AG6-3	.BOLT	SUPPLIER CODE: V06725 SPECIFICATION NUMBER: BACB30VU6K3 OPTIONAL PART: HST11AG6-3 V73197 HST11AG6-3 V56878 HST11AG6-3 VOPTK6		80
620	HST10AG6-5	.BOLT	SUPPLIER CODE: VOPTK6 SPECIFICATION NUMBER: BACB30VT6K5 OPTIONAL PART: HST10AG6-5 V06725 HST10AG6-5 V56878 HST10AG6-5 V73197 WC10K6-5 V60516		32
625	HST10AG6-7	.BOLT	SUPPLIER CODE: VOPTK6 SPECIFICATION NUMBER: BACB30VT6K7 OPTIONAL PART: HST10AG6-7 V06725 HST10AG6-7 V56878 HST10AG6-7 V73197 WC10K6-7 V60516		32

ILLUSTRATION ITEMS NOT ON PARTS LIST ARE NOT APPLICABLE

- ITEM NOT ILLUSTRATED

HXL

53-01-03-40G

BOEING PROPRIETARY - Copyright © - Unpublished Work - See title page for details.

53-01-03  
FIG. 40G  
PAGE 38  
APR 22/08

 **BOEING**  
767  
**PARTS CATALOG (MAINTENANCE)**

FIG ITEM	PART NUMBER	1 2 3 4 5 6 7	NOMENCLATURE	EFFECT FROM TO	UNITS PER ASSY
40G 630	HST11AG6-5		.BOLT SUPPLIER CODE: V06725 SPECIFICATION NUMBER: BACB30VU6K5 OPTIONAL PART: HST11AG6-5 V73197 HST11AG6-5 V56878 HST11AG6-5 VOPTK6		12
635	HST11AG6-4		.BOLT SUPPLIER CODE: V06725 SPECIFICATION NUMBER: BACB30VU6K4 OPTIONAL PART: HST11AG6-4 V73197 HST11AG6-4 VOPTK6 HST11AG6-4 V56878		16
640	HST10AG6-3		.BOLT SUPPLIER CODE: VOPTK6 SPECIFICATION NUMBER: BACB30VT6K3 OPTIONAL PART: HST10AG6-3 V06725 HST10AG6-3 V56878 HST10AG6-3 V73197 WC10K6-3 V60516		42
R 643	BACC3OBL6		.COLLAR		214

ILLUSTRATION ITEMS NOT ON PARTS LIST ARE NOT APPLICABLE

- ITEM NOT ILLUSTRATED

HXL

53-01-03-40G

BOEING PROPRIETARY - Copyright © - Unpublished Work - See title page for details.

53-01-03  
FIG. 40G  
PAGE 39  
AUG 22/09

 **BOEING**  
767  
**PARTS CATALOG (MAINTENANCE)**

FIG ITEM	PART NUMBER	1 2 3 4 5 6 7	NOMENCLATURE	EFFECT FROM TO	UNITS PER ASSY
40G 645	HL13VAZ6-7		.BOLT SUPPLIER CODE: V56878 SPECIFICATION NUMBER: BACB30NY6K7 OPTIONAL PART: HL13VAZ6-7 V73197 HL13VAZ6-7 V92215 HL13VAZ6-7 V97928 L801-6K7 V06725 HL13VAZ6-7 V60516 HL13VAZ6-7 V17446 L801-6K7 VOPTK6		4
648	HL1187-6		.COLLAR SUPPLIER CODE: V5M902 SPECIFICATION NUMBER: BACC30X6 OPTIONAL PART: HL87-6 V92215 HL87-6 V73197 HL1187-6 V56878 HL1187-6 V92215 HL87-6 V56878 HL1187-6 V73197		4
650	140T2512-13		.ANGLE		4
655	140T2512-12		.ANGLE		4
660	140T2511-2		.PLATE		4
663	BACF3F034D020NG		.FILLER		2
665	BACF3F054K034NG		.FILLER		2
670	146T5212-3		.TRACK-SEAT POSITION DATA: BL 54.75		2
675	146T5212-6		.TRACK-SEAT POSITION DATA: BL 54.75		2

ILLUSTRATION ITEMS NOT ON PARTS LIST ARE NOT APPLICABLE

- ITEM NOT ILLUSTRATED

HXL

53-01-03-40G

BOEING PROPRIETARY - Copyright © - Unpublished Work - See title page for details.

53-01-03  
FIG. 40G  
PAGE 40  
AUG 22/09



767

PARTS CATALOG (MAINTENANCE)

FIG ITEM	PART NUMBER	1 2 3 4 5 6 7	NOMENCLATURE	EFFECT FROM TO	UNITS PER ASSY
40G 680	146T5213-14		.TRACK-SEAT POSITION DATA: BL 54.75		2
685	BACB30NN4K8		.BOLT		38
688	BACB30NN4K9		.BOLT		2
690	MF19058-4-2BAC		.NUTPLATE SUPPLIER CODE: V15653 SPECIFICATION NUMBER: BACN10YF42		34
695	MF19058-4-4BAC		.NUTPLATE SUPPLIER CODE: V15653 SPECIFICATION NUMBER: BACN10YF44		6
- 698	BACR15CE3AD		ATTACHING PARTS .RIVET- SIZE DETERMINED ON INSTL. -----*-----		80
700	140T2512-28		.FILLER		2
703	140T2512-29		.FILLER		2
705	146T5218-7		.TRACK-SEAT POSITION DATA: BL 54.75		2
710	HL13VAZ8-5		.BOLT SUPPLIER CODE: V56878 SPECIFICATION NUMBER: BACB30NY8K5 OPTIONAL PART: HL13VAZ8-5 V73197 HL13VAZ8-5 V92215 HL13VAZ8-5 V97928 L801-8K5 V06725 HL13VAZ8-5 V60516 L801-8K5 VOPTK6 HL13VAZ8-5 V17446 HL1013AZ8-5 V60516	155163	86

ILLUSTRATION ITEMS NOT ON PARTS LIST ARE NOT APPLICABLE

- ITEM NOT ILLUSTRATED

53-01-03-40G

53-01-03  
FIG. 40G  
PAGE 41  
AUG 22/09

HXL

BOEING PROPRIETARY - Copyright © - Unpublished Work - See title page for details.



767

PARTS CATALOG (MAINTENANCE)

FIG ITEM	PART NUMBER	1 2 3 4 5 6 7 NOMENCLATURE	EFFECT FROM TO	UNITS PER ASSY
40G 715	HL1012AZ8-5	.BOLT SUPPLIER CODE: VOPTK6 SPECIFICATION NUMBER: BACB30NX8K5 OPTIONAL PART: HL12VAZ8-5 V73197 HL12VAZ8-5 V92215 HL12VAZ8-5 V97928 L802-8K5 V06725 HL12VAZ8-5 V56878 HL1012AZ8-5 V06725 HL1012AZ8-5 V06950 HL1012AZ8-5 V17446 HL1012AZ8-5 V56878 HL1012AZ8-5 V60516 HL1012AZ8-5 V73197 HL1012AZ8-5 V97928	155163	40

ILLUSTRATION ITEMS NOT ON PARTS LIST ARE NOT APPLICABLE

- ITEM NOT ILLUSTRATED

HXL

**53-01-03-40G**

BOEING PROPRIETARY - Copyright © - Unpublished Work - See title page for details.

53-01-03  
 FIG. 40G  
 PAGE 42  
 AUG 22/09



767

PARTS CATALOG (MAINTENANCE)

FIG ITEM	PART NUMBER	1 2 3 4 5 6 7 NOMENCLATURE	EFFECT FROM TO	UNITS PER ASSY
40G 720	HL1012AZ8-4	.BOLT SUPPLIER CODE: VOPTK6 SPECIFICATION NUMBER: BACB30NX8K4 OPTIONAL PART: HL12VAZ8-4 V73197 HL12VAZ8-4 V92215 HL12VAZ8-4 V97928 L802-8K4 V06725 HL12VAZ8-4 V56878 HL1012AZ8-4 V06725 HL1012AZ8-4 V06950 HL1012AZ8-4 V17446 HL1012AZ8-4 V56878 HL1012AZ8-4 V60516 HL1012AZ8-4 V73197 HL1012AZ8-4 V97928	155163	4

ILLUSTRATION ITEMS NOT ON PARTS LIST ARE NOT APPLICABLE

- ITEM NOT ILLUSTRATED

HXL

**53-01-03-40G**

BOEING PROPRIETARY - Copyright © - Unpublished Work - See title page for details.

53-01-03  
 FIG. 40G  
 PAGE 43  
 AUG 22/09



767

PARTS CATALOG (MAINTENANCE)

FIG ITEM	PART NUMBER	1 2 3 4 5 6 7	NOMENCLATURE	EFFECT FROM TO	UNITS PER ASSY
40G 725	HL1012AZ8-3	.BOLT	SUPPLIER CODE: VOPTK6 SPECIFICATION NUMBER: BACB30NX8K3 OPTIONAL PART: HL12VAZ8-3 V73197 HL12VAZ8-3 V92215 HL12VAZ8-3 V97928 L802-8K3 V06725 HL12VAZ8-3 V56878 HL1012AZ8-3 V06725 HL1012AZ8-3 V06950 HL1012AZ8-3 V17446 HL1012AZ8-3 V56878 HL1012AZ8-3 V60516 HL1012AZ8-3 V73197 HL1012AZ8-3 V97928	155163	4
730	HL1187-8	.COLLAR	SUPPLIER CODE: V5M902 SPECIFICATION NUMBER: BACC30X8 OPTIONAL PART: HL87-8 V92215 HL87-8 V73197 HL1187-8 V56878 HL1187-8 V92215 HL87-8 V56878 HL1187-8 V73197	155163	134

ILLUSTRATION ITEMS NOT ON PARTS LIST ARE NOT APPLICABLE

- ITEM NOT ILLUSTRATED

HXL

53-01-03-40G

BOEING PROPRIETARY - Copyright © - Unpublished Work - See title page for details.

53-01-03  
 FIG. 40G  
 PAGE 44  
 AUG 22/09





767

PARTS CATALOG (MAINTENANCE)

FIG ITEM	PART NUMBER	1 2 3 4 5 6 7	NOMENCLATURE	EFFECT FROM TO	UNITS PER ASSY
40G 735	HST11AG6-3		.BOLT SUPPLIER CODE: V06725 SPECIFICATION NUMBER: BACB30VU6K3 OPTIONAL PART: HST11AG6-3 V73197 HST11AG6-3 V56878 HST11AG6-3 VOPTK6	155163	80
740	HST10AG6-5		.BOLT SUPPLIER CODE: VOPTK6 SPECIFICATION NUMBER: BACB30VT6K5 OPTIONAL PART: HST10AG6-5 V06725 HST10AG6-5 V56878 HST10AG6-5 V73197 WC10K6-5 V60516	155163	32
745	HST10AG6-7		.BOLT SUPPLIER CODE: VOPTK6 SPECIFICATION NUMBER: BACB30VT6K7 OPTIONAL PART: HST10AG6-7 V06725 HST10AG6-7 V56878 HST10AG6-7 V73197 WC10K6-7 V60516	155163	32
R 750	BACC30BL6		.COLLAR	155163	144

ILLUSTRATION ITEMS NOT ON PARTS LIST ARE NOT APPLICABLE

- ITEM NOT ILLUSTRATED

HXL

53-01-03-40G

BOEING PROPRIETARY - Copyright © - Unpublished Work - See title page for details.

53-01-03  
FIG. 40G  
PAGE 45  
AUG 22/09



**767  
PARTS CATALOG (MAINTENANCE)**

FIG ITEM	PART NUMBER	1 2 3 4 5 6 7	NOMENCLATURE	EFFECT FROM TO	UNITS PER ASSY
40G 755	HL11VAZ6-3	.	BOLT SUPPLIER CODE: V60516 SPECIFICATION NUMBER: BACB30NW6K3 OPTIONAL PART: B30NW6K3 V97928 HL11VAZ6-3 V73197 HL11VAZ6-3 V92215 HL11VAZ6-3 V97928 L803-6K3 V06725 HL11VAZ6-3 VOPTK6 HL11VAZ6-3 V56878	155163	12
760	L8006K3	.	BOLT SUPPLIER CODE: V06725 SPECIFICATION NUMBER: BACB30MY6K3	155163	42
765	HL79-6	.	COLLAR SUPPLIER CODE: V5M902 SPECIFICATION NUMBER: BACC30M6 OPTIONAL PART: HL79-6 V73197 HL79-6 V92215 66014-6 V56878 HL79-6 V56878	155163	54
770	140T2512-13	.	ANGLE	155163	4
775	140T2512-12	.	ANGLE	155163	4
780	140T2511-2	.	PLATE	155163	4
785	146T5212-4	.	SEAT TRACK- POSITION DATA: BL 33	155163	2
790	146T5212-7	.	SEAT TRACK- POSITION DATA: BL 33	155163	2

ILLUSTRATION ITEMS NOT ON PARTS LIST ARE NOT APPLICABLE

- ITEM NOT ILLUSTRATED

# 53-01-03-40G

53-01-03  
FIG. 40G  
PAGE 46  
AUG 22/09

HXL

BOEING PROPRIETARY - Copyright © - Unpublished Work - See title page for details.



767

PARTS CATALOG (MAINTENANCE)

FIG ITEM	PART NUMBER	1 2 3 4 5 6 7	NOMENCLATURE	EFFECT FROM TO	UNITS PER ASSY
40G 795	146T5213-10		.TRACK-SEAT POSITION DATA: BL 33	155163	2
800	HL13VAZ8-8		.BOLT SUPPLIER CODE: V56878 SPECIFICATION NUMBER: BACB30NY8K8 OPTIONAL PART: HL13VAZ8-8 V73197 HL13VAZ8-8 V92215 HL13VAZ8-8 V97928 L801-8K8 V06725 HL13VAZ8-8 V60516 L801-8K8 VOPTK6 HL13VAZ8-8 V17446 HL1013AZ8-8 V60516		10
805	HL1013AZ8-6		.BOLT SUPPLIER CODE: V60156 SPECIFICATION NUMBER: BACB30NY8K6 OPTIONAL PART: HL13VAZ8-6 V73197 HL13VAZ8-6 V92215 HL13VAZ8-6 V97928 L801-8K6 V06725 HL13VAZ8-6 V60516 L801-8K6 VOPTK6 HL13VAZ8-6 V17446 HL13VAZ8-6 V56878		10

ILLUSTRATION ITEMS NOT ON PARTS LIST ARE NOT APPLICABLE

- ITEM NOT ILLUSTRATED

HXL

53-01-03-40G

BOEING PROPRIETARY - Copyright © - Unpublished Work - See title page for details.

53-01-03  
FIG. 40G  
PAGE 47  
AUG 22/09



767

PARTS CATALOG (MAINTENANCE)

FIG ITEM	PART NUMBER	1 2 3 4 5 6 7	NOMENCLATURE	EFFECT FROM TO	UNITS PER ASSY
40G 810	HL1012AZ8-3		.BOLT SUPPLIER CODE: VOPTK6 SPECIFICATION NUMBER: BACB30NX8K3 OPTIONAL PART: HL12VAZ8-3 V73197 HL12VAZ8-3 V92215 HL12VAZ8-3 V97928 L802-8K3 V06725 HL12VAZ8-3 V56878 HL1012AZ8-3 V06725 HL1012AZ8-3 V06950 HL1012AZ8-3 V17446 HL1012AZ8-3 V56878 HL1012AZ8-3 V60516 HL1012AZ8-3 V73197 HL1012AZ8-3 V97928		4
815	HL1187-8		.COLLAR SUPPLIER CODE: V5M902 SPECIFICATION NUMBER: BACC30X8 OPTIONAL PART: HL87-8 V92215 HL87-8 V73197 HL1187-8 V56878 HL1187-8 V92215 HL87-8 V56878 HL1187-8 V73197		24

ILLUSTRATION ITEMS NOT ON PARTS LIST ARE NOT APPLICABLE

- ITEM NOT ILLUSTRATED

HXL

53-01-03-40G

BOEING PROPRIETARY - Copyright © - Unpublished Work - See title page for details.

53-01-03  
FIG. 40G  
PAGE 48  
AUG 22/09

 **BOEING**  
767  
**PARTS CATALOG (MAINTENANCE)**

FIG ITEM	PART NUMBER	1 2 3 4 5 6 7	NOMENCLATURE	EFFECT FROM TO	UNITS PER ASSY
R	40G 820	HST11AG6-3	.BOLT SUPPLIER CODE: V06725 SPECIFICATION NUMBER: BACB30VU6K3 OPTIONAL PART: HST11AG6-3 V73197 HST11AG6-3 V56878 HST11AG6-3 VOPTK6		8
	825	HST10AG6-3	.BOLT SUPPLIER CODE: VOPTK6 SPECIFICATION NUMBER: BACB30VT6K3 OPTIONAL PART: HST10AG6-3 V06725 HST10AG6-3 V56878 HST10AG6-3 V73197 WC10K6-3 V60516		40
	830	BACC30BL6	.COLLAR		48
	835	140T2523-5	.FILLER		10
	838	BACF3F008E048NG	.FILLER		2
	840	146T5213-15	.TRACK-SEAT POSITION DATA: BL 20		2
	855	BACB28U11B040	.BUSHING		2
	870	HST10AG6-4	.BOLT SUPPLIER CODE: V06725 SPECIFICATION NUMBER: BACB30VT6K4 OPTIONAL PART: HST10AG6-4 V73197 HST10AG6-4 V56878 HST10AG6-4 VOPTK6 WC10K6-4 V60516		192
	ILLUSTRATION ITEMS NOT ON PARTS LIST ARE NOT APPLICABLE				

- ITEM NOT ILLUSTRATED

HXL

53-01-03-40G

BOEING PROPRIETARY - Copyright © - Unpublished Work - See title page for details.

53-01-03  
FIG. 40G  
PAGE 49  
AUG 22/09



**767  
PARTS CATALOG (MAINTENANCE)**

FIG ITEM	PART NUMBER	1 2 3 4 5 6 7	NOMENCLATURE	EFFECT FROM TO	UNITS PER ASSY
40G 875	HST11AG6-3		.BOLT SUPPLIER CODE: V06725 SPECIFICATION NUMBER: BACB30VU6K3 OPTIONAL PART: HST11AG6-3 V73197 HST11AG6-3 V56878 HST11AG6-3 VOPTK6		88
880	HST10AG6-5		.BOLT SUPPLIER CODE: VOPTK6 SPECIFICATION NUMBER: BACB30VT6K5 OPTIONAL PART: HST10AG6-5 V06725 HST10AG6-5 V56878 HST10AG6-5 V73197 WC10K6-5 V60516		16
885	HST10AG6-6		.BOLT SUPPLIER CODE: VOPTK6 SPECIFICATION NUMBER: BACB30VT6K6 OPTIONAL PART: HST10AG6-6 V06725 HST10AG6-6 V56878 HST10AG6-6 V73197 WC10K6-6 V60516		16
R 890	BACC30BL6		.COLLAR		312

ILLUSTRATION ITEMS NOT ON PARTS LIST ARE NOT APPLICABLE

— ITEM NOT ILLUSTRATED

HXL

# 53-01-03-40G

BOEING PROPRIETARY - Copyright © - Unpublished Work - See title page for details.

53-01-03  
FIG. 40G  
PAGE 50  
AUG 22/09



767

PARTS CATALOG (MAINTENANCE)

FIG ITEM	PART NUMBER	1 2 3 4 5 6 7	NOMENCLATURE	EFFECT FROM TO	UNITS PER ASSY
40G 893	HST10AG8-5	.BOLT	SUPPLIER CODE: VOPTK6 SPECIFICATION NUMBER: BACB30VT8K5 OPTIONAL PART: HST10AG8-5 V06725 HST10AG8-5 V56878 HST10AG8-5 V73197 WC10K8-5 V60516		96
895	HST10AG8-3	.BOLT	SUPPLIER CODE: VOPTK6 SPECIFICATION NUMBER: BACB30VT8K3 OPTIONAL PART: HST10AG8-3 V06725 HST10AG8-3 V56878 HST10AG8-3 V73197 WC10K8-3 V60516		300
900	HST10AG8-6	.BOLT	SUPPLIER CODE: VOPTK6 SPECIFICATION NUMBER: BACB30VT8K6 OPTIONAL PART: HST10AG8-6 V06725 HST10AG8-6 V56878 HST10AG8-6 V73197 WC10K8-6 V60516		300
R 905	BACC30BL8	.COLLAR			696
910	140T2512-3	.ANGLE			4
915	140T2513-96	.ANGLE			4
920	140T2512-2	.ANGLE			4
925	140T2511-1	.PLATE			4

ILLUSTRATION ITEMS NOT ON PARTS LIST ARE NOT APPLICABLE

- ITEM NOT ILLUSTRATED

HXL

53-01-03-40G

BOEING PROPRIETARY - Copyright © - Unpublished Work - See title page for details.

53-01-03  
FIG. 40G  
PAGE 51  
AUG 22/09



767

PARTS CATALOG (MAINTENANCE)

FIG ITEM	PART NUMBER	1 2 3 4 5 6 7	NOMENCLATURE	EFFECT FROM TO	UNITS PER ASSY
40G 930	146T5210-2		.TRACK-SEAT POSITION DATA: BL 11		2
930	146T5210-5		.TRACK-SEAT POSITION DATA: BL 11		2
935	146T5210-4		.TRACK-SEAT POSITION DATA: BL 11		2
940	146T5211-22		.TRACK-SEAT POSITION DATA: BL 11		2

ILLUSTRATION ITEMS NOT ON PARTS LIST ARE NOT APPLICABLE

- ITEM NOT ILLUSTRATED

HXL

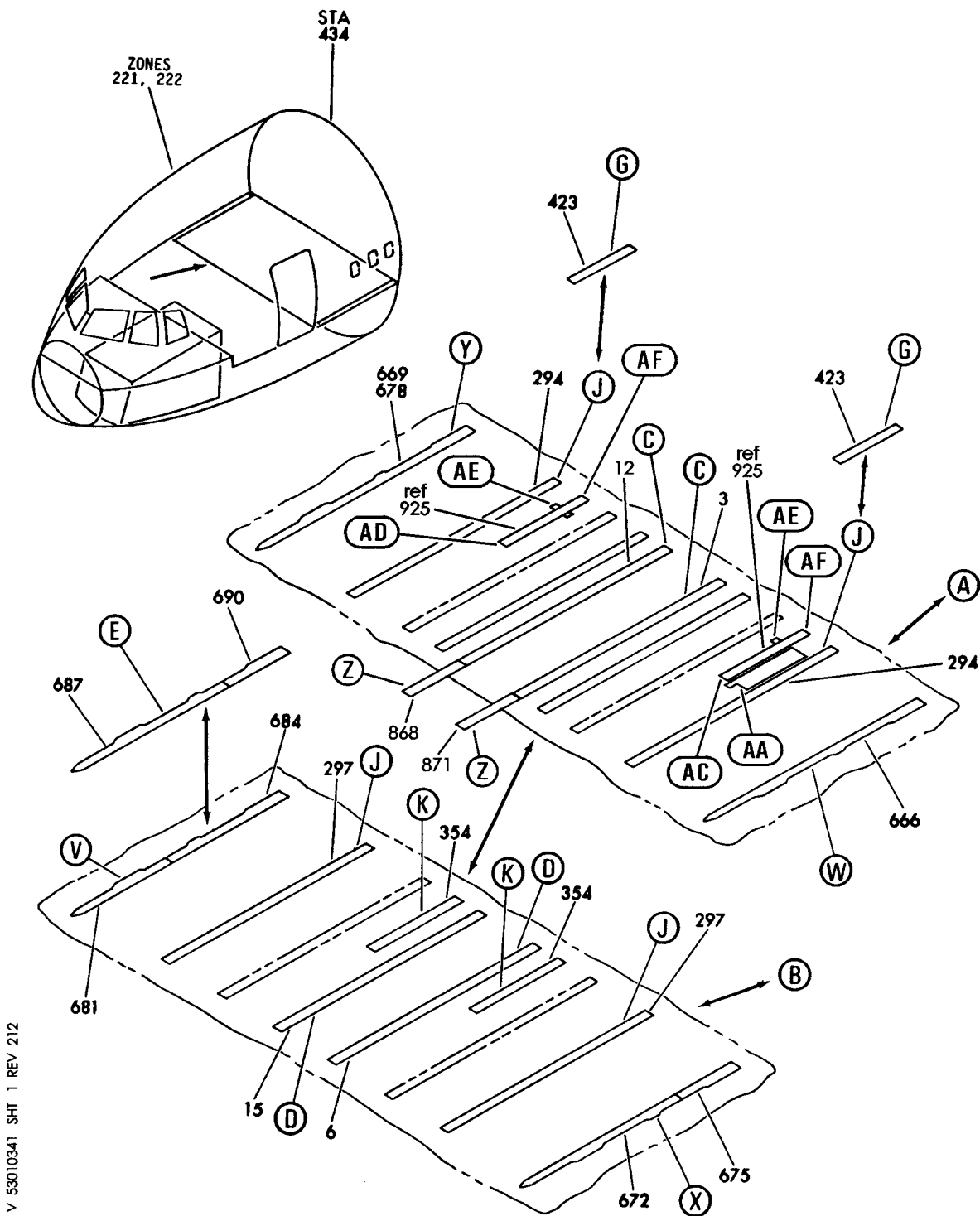
53-01-03-40G

BOEING PROPRIETARY - Copyright © - Unpublished Work - See title page for details.

53-01-03  
FIG. 40G  
PAGE 52  
AUG 22/09



**BOEING**  
767  
PARTS CATALOG (MAINTENANCE)

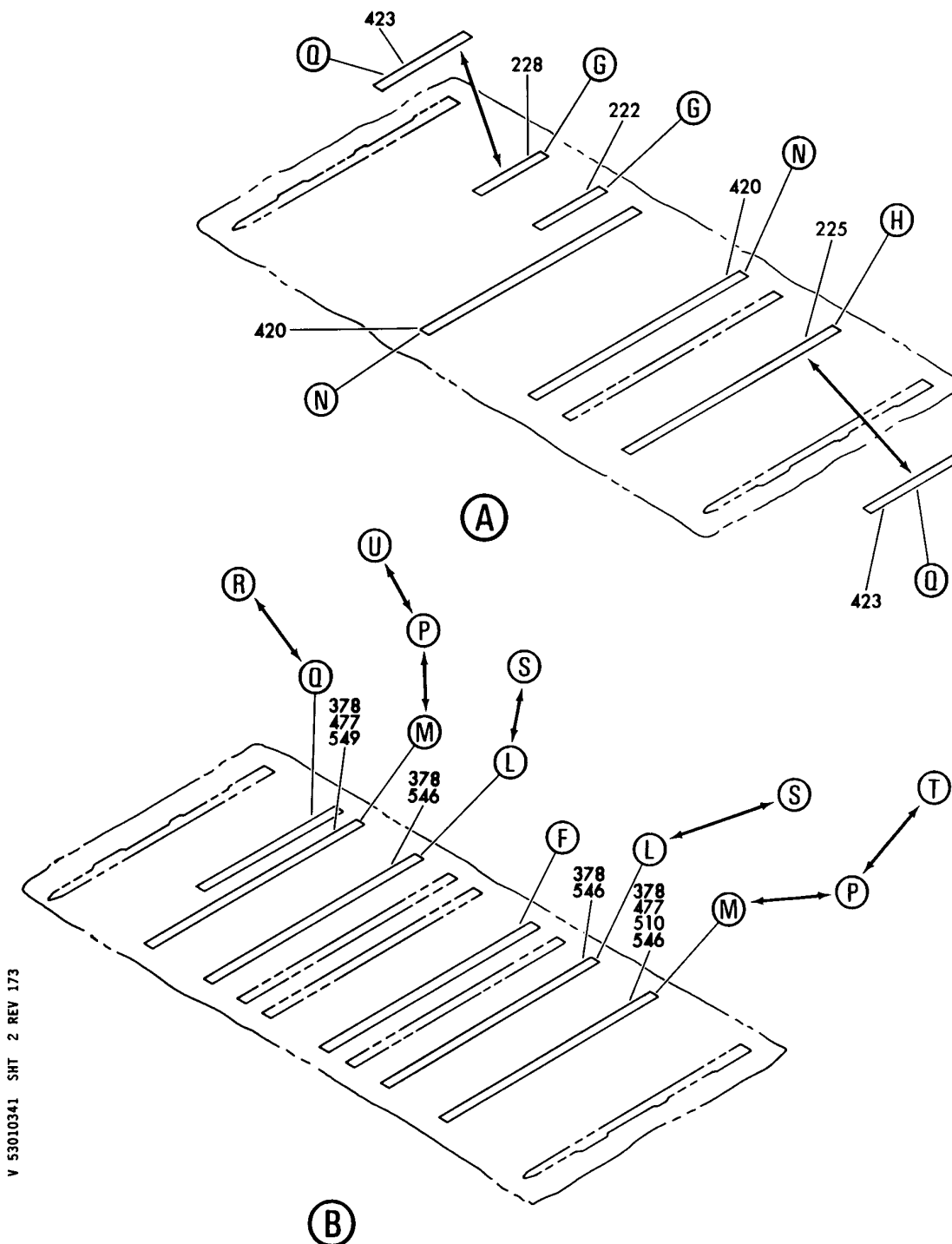


V 53010341 SHT 1 REV 212

TRACK INSTL-SEAT BS 321.70 TO 423.45  
FIGURE 41 (SHEET 1)

**53-01-03-41**

**BOEING**  
767  
PARTS CATALOG (MAINTENANCE)



V 53010341 SHT 2 REV 173

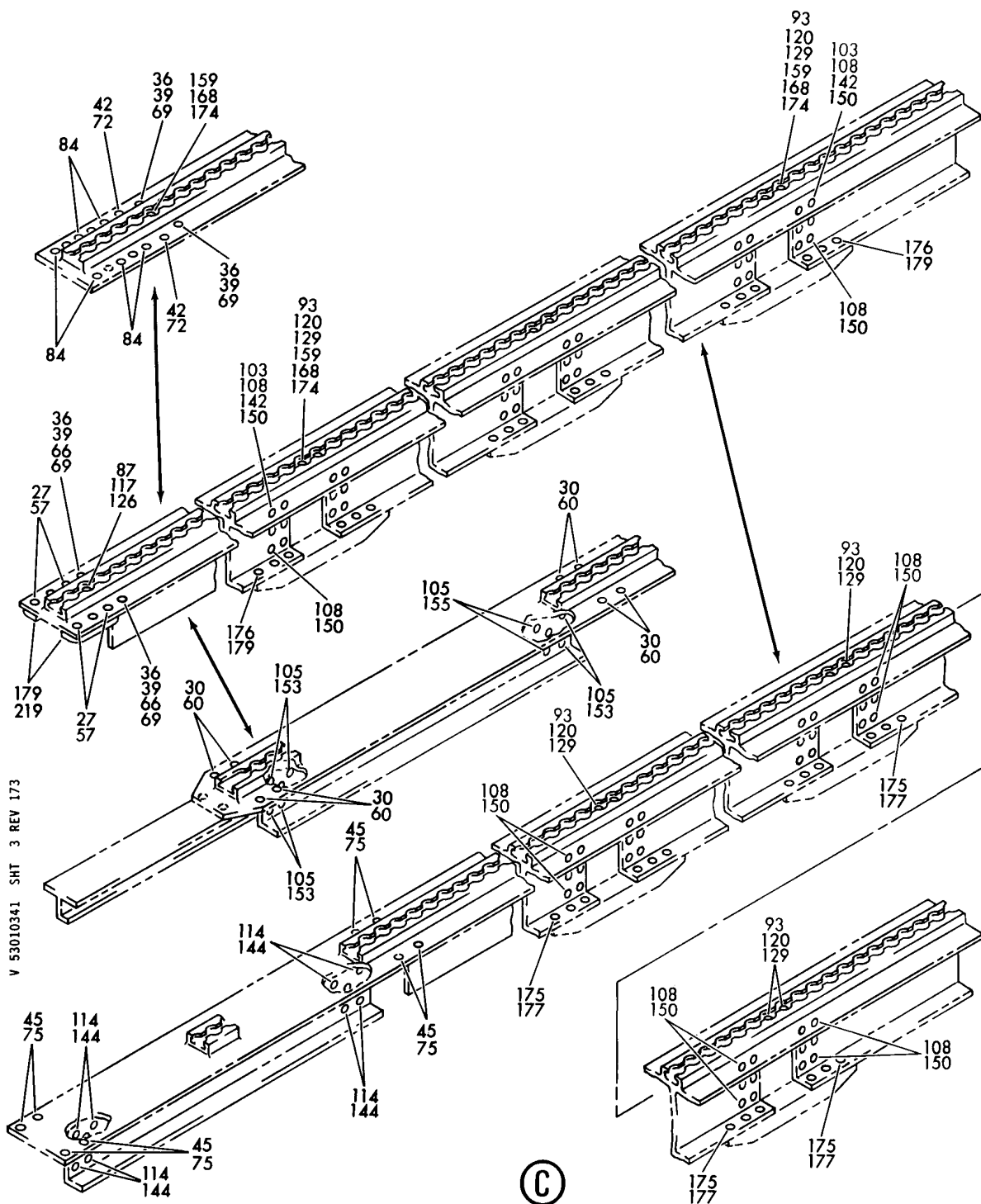
TRACK INSTL-SEAT BS 321.70 TO 423.45  
FIGURE 41 (SHEET 2)

**53-01-03-41**

HXL  
DEC 22/06

53-01-03-41  
PAGE 0A


**BOEING**  
 767  
**PARTS CATALOG (MAINTENANCE)**



V 53010341 SHT 3 REV 173

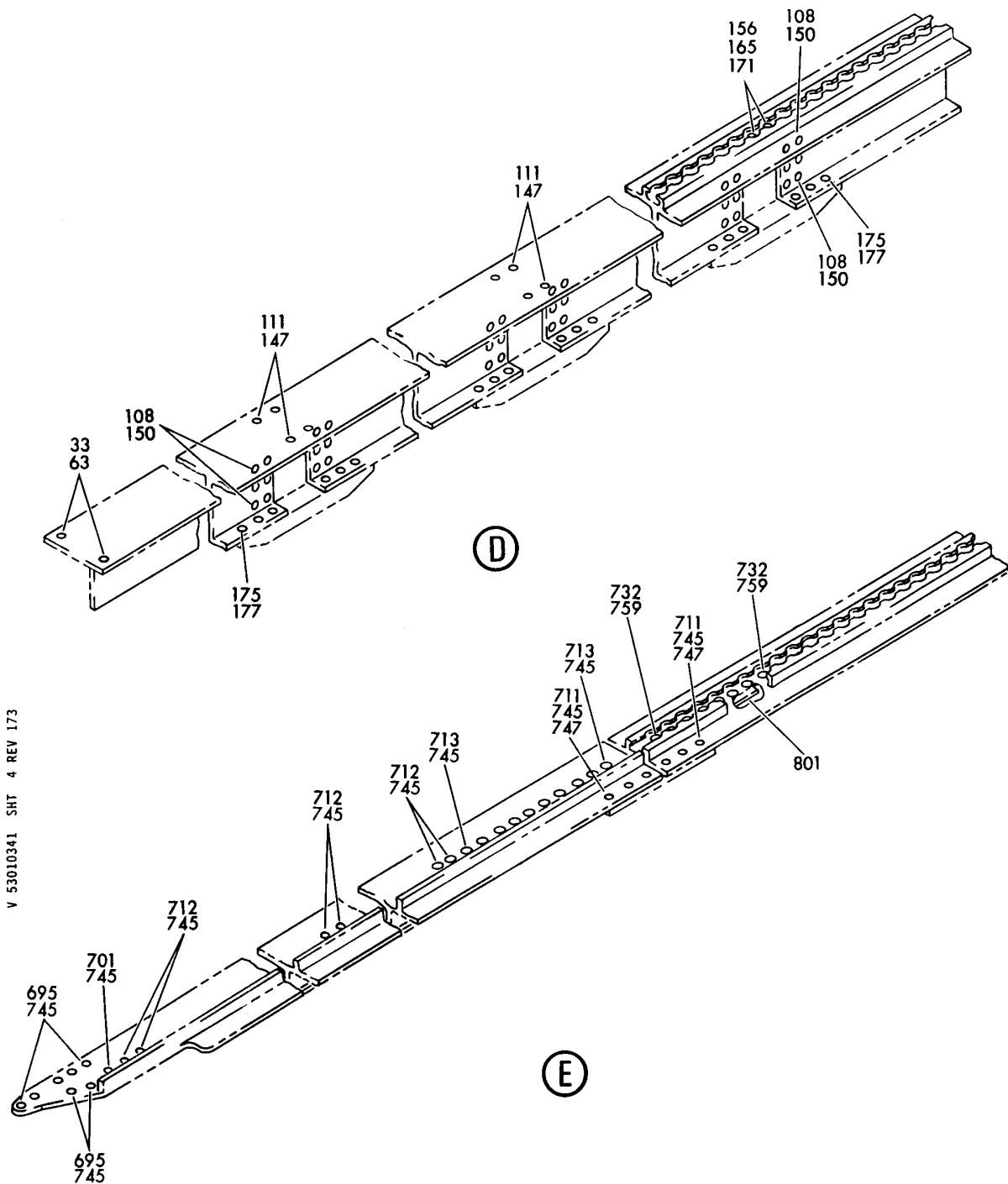
TRACK INSTL-SEAT BS 321.70 TO 423.45  
 FIGURE 41 (SHEET 3)

# 53-01-03-41

HXL  
DEC 22/06

53-01-03-41  
 PAGE 0B

**BOEING**  
767  
PARTS CATALOG (MAINTENANCE)



V 53010341 SH1 4 REV 173

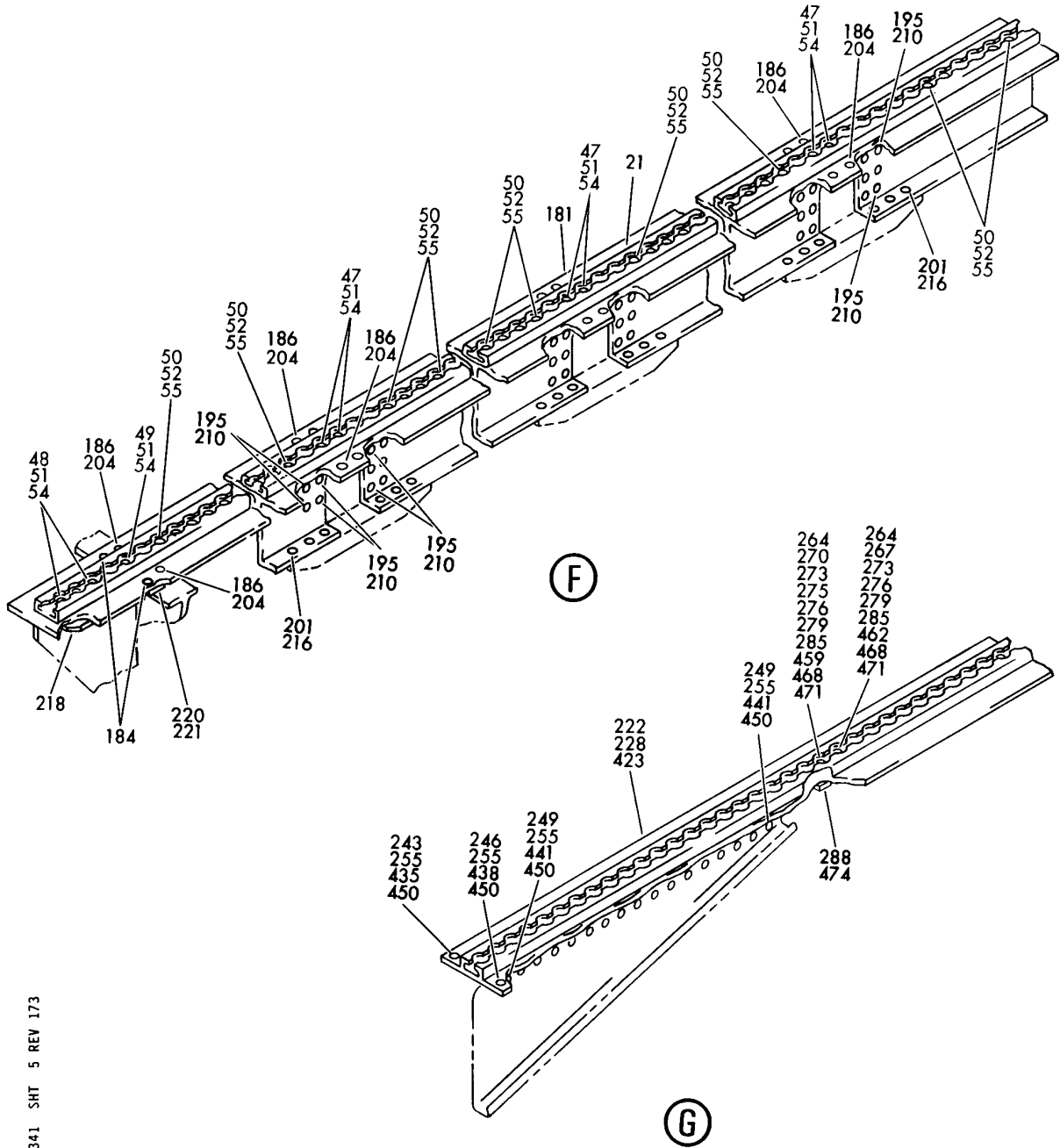
TRACK INSTL-SEAT BS 321.70 TO 423.45  
FIGURE 41 (SHEET 4)

**53-01-03-41**

HXL  
DEC 22/06

53-01-03-41  
PAGE 0C

**BOEING**  
767  
PARTS CATALOG (MAINTENANCE)



V 53010341 SHT 5 REV 173

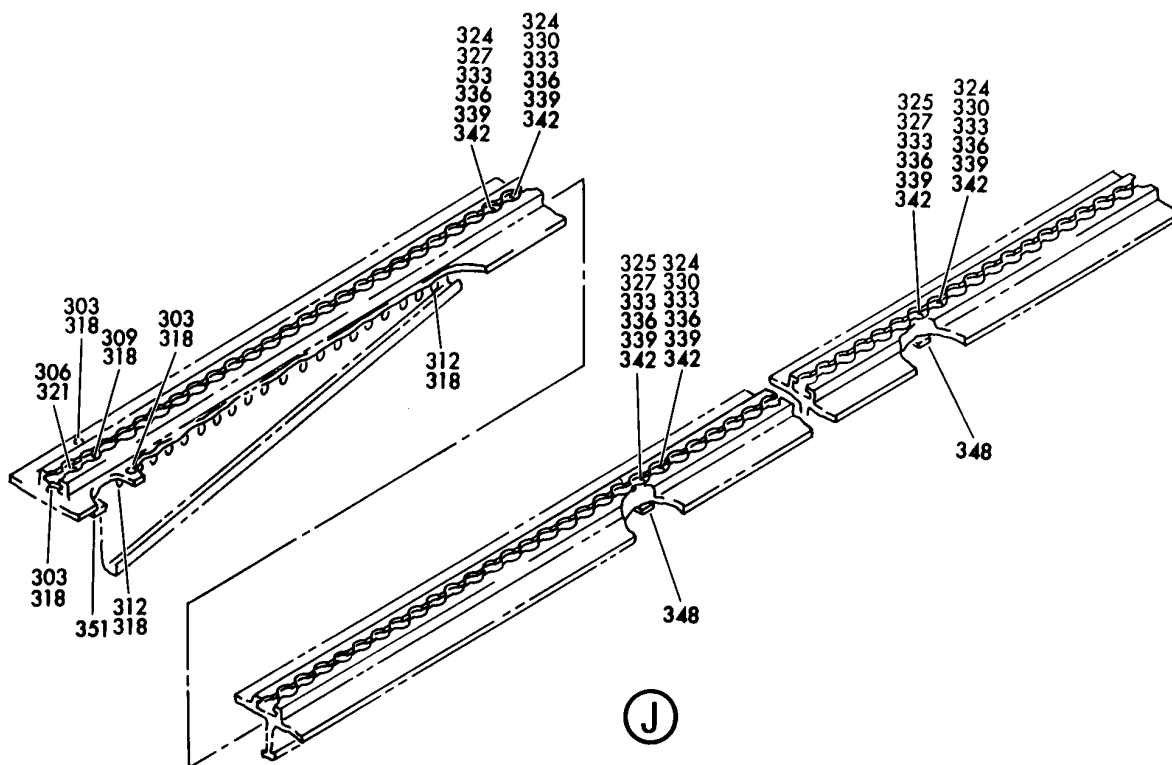
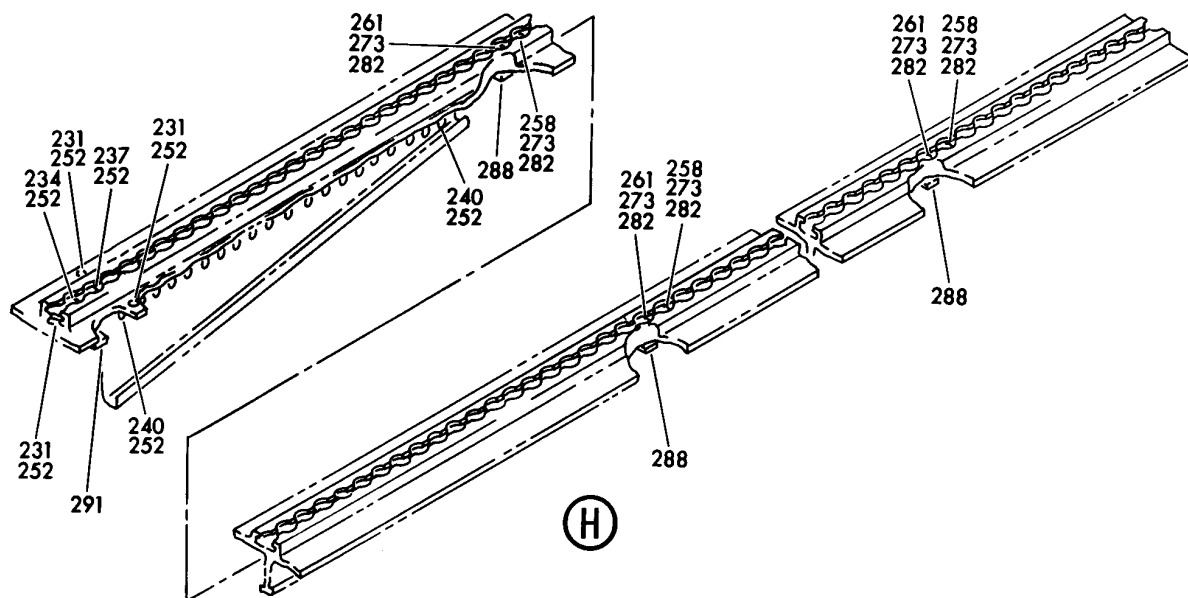
TRACK INSTL-SEAT BS 321.70 TO 423.45  
FIGURE 41 (SHEET 5)

**53-01-03-41**

HXL  
DEC 22/06

53-01-03-41  
PAGE 0D

**BOEING**  
767  
PARTS CATALOG (MAINTENANCE)



V 53010341 SHT 6 REV 173

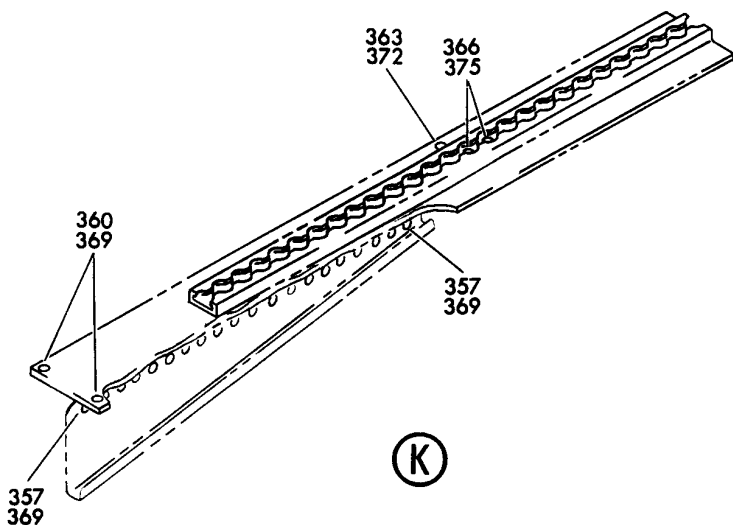
TRACK INSTL-SEAT BS 321.70 TO 423.45  
FIGURE 41 (SHEET 6)

**53-01-03-41**

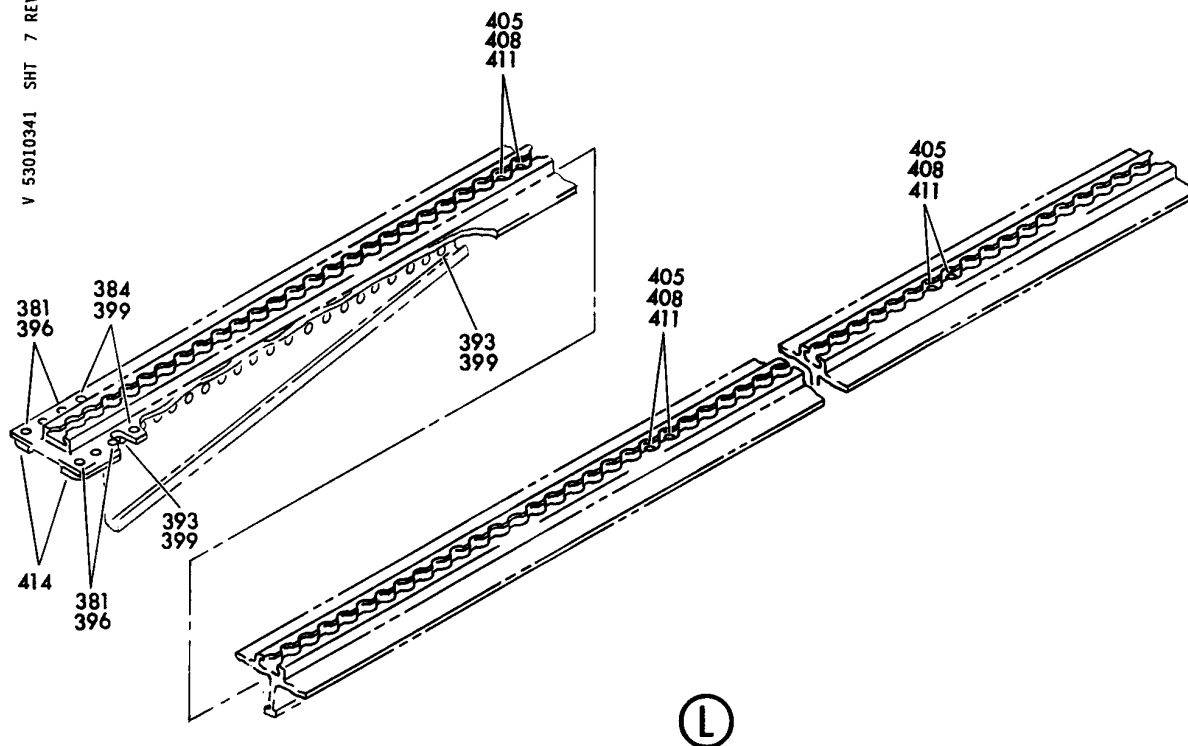
HXL  
DEC 22/06

53-01-03-41  
PAGE 0E

**BOEING**  
767  
PARTS CATALOG (MAINTENANCE)



V 53010341 SHT 7 REV 159.



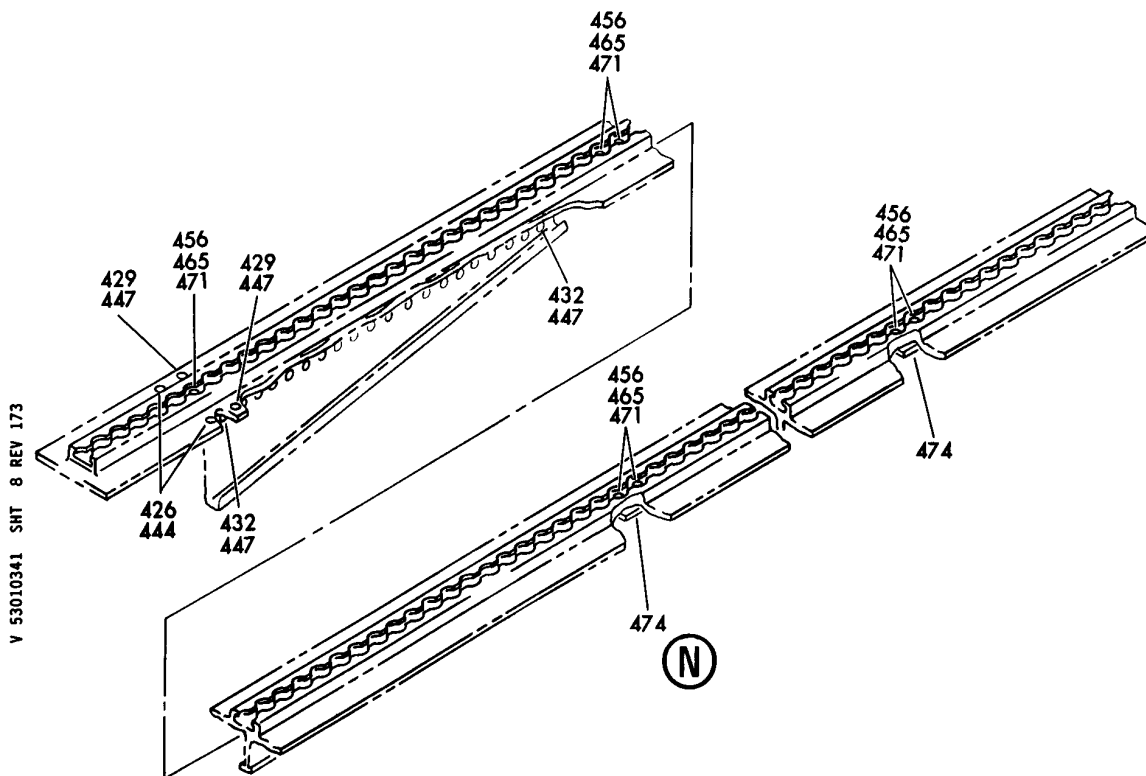
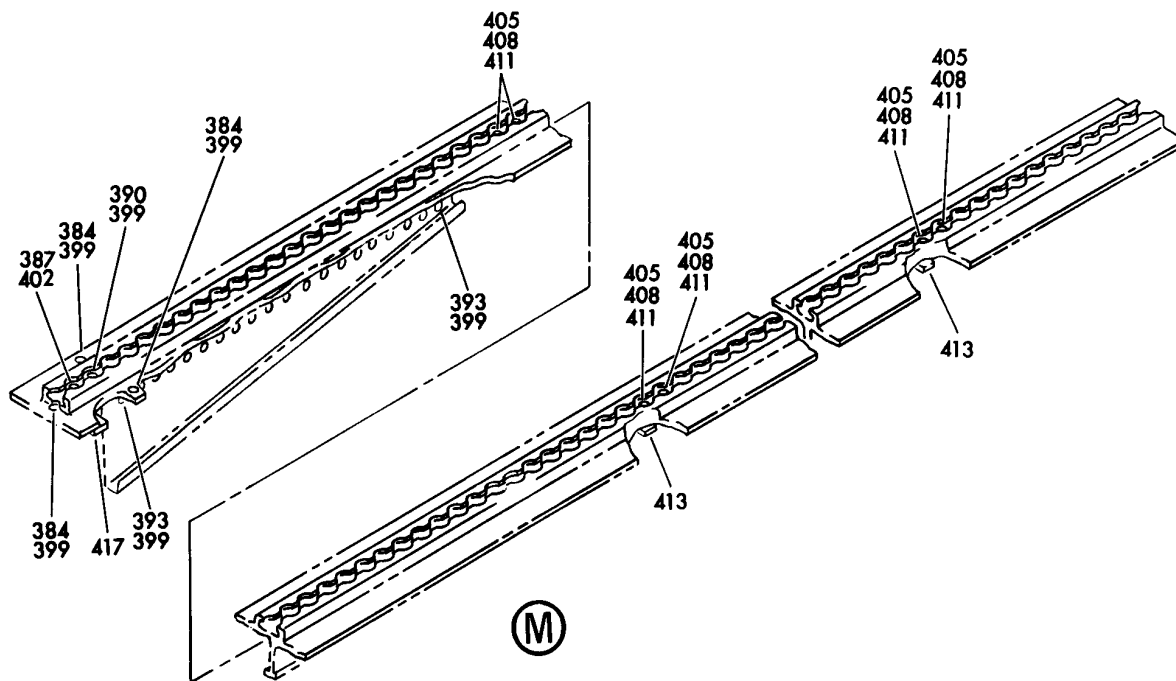
TRACK INSTL-SEAT BS 321.70 TO 423.45  
FIGURE 41 (SHEET 7)

**53-01-03-41**

HXL  
DEC 22/06

53-01-03-41  
PAGE OF

**BOEING**  
767  
PARTS CATALOG (MAINTENANCE)



V 53010341 SHT 8 REV 173

TRACK INSTL-SEAT BS 321.70 TO 423.45  
FIGURE 41 (SHEET 8)

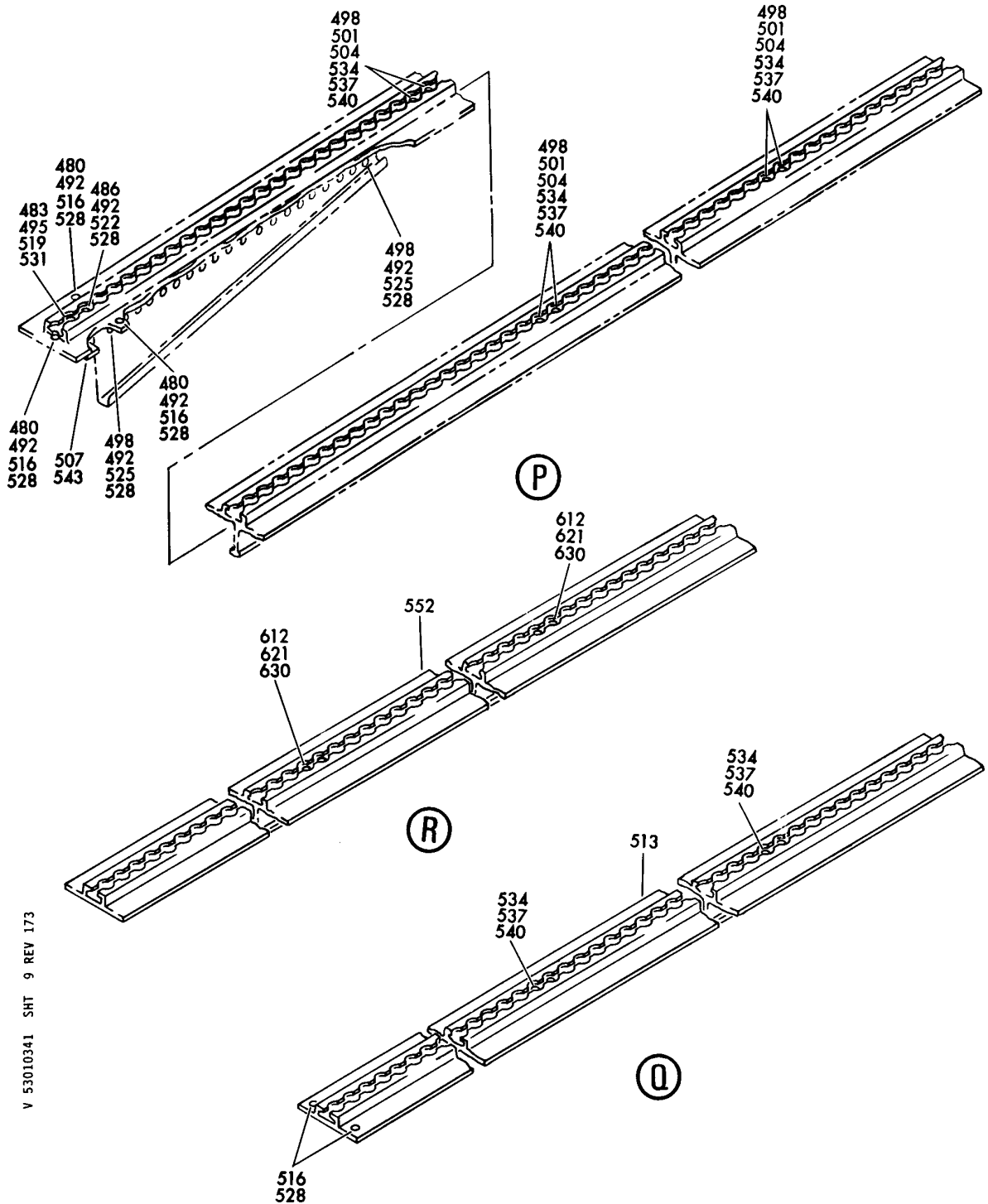
**53-01-03-41**

HXL  
DEC 22/06

53-01-03-41  
PAGE 06



**BOEING**  
767  
PARTS CATALOG (MAINTENANCE)



V 53010341 SHT 9 REV 173

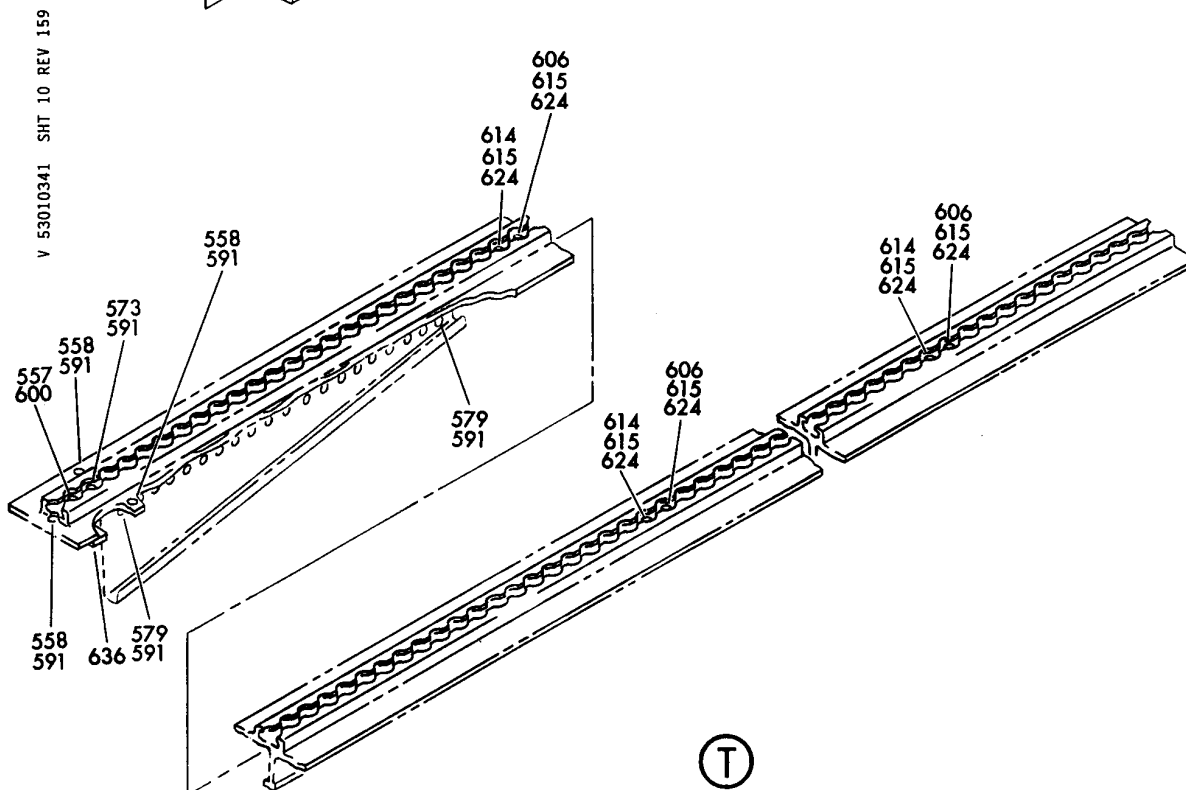
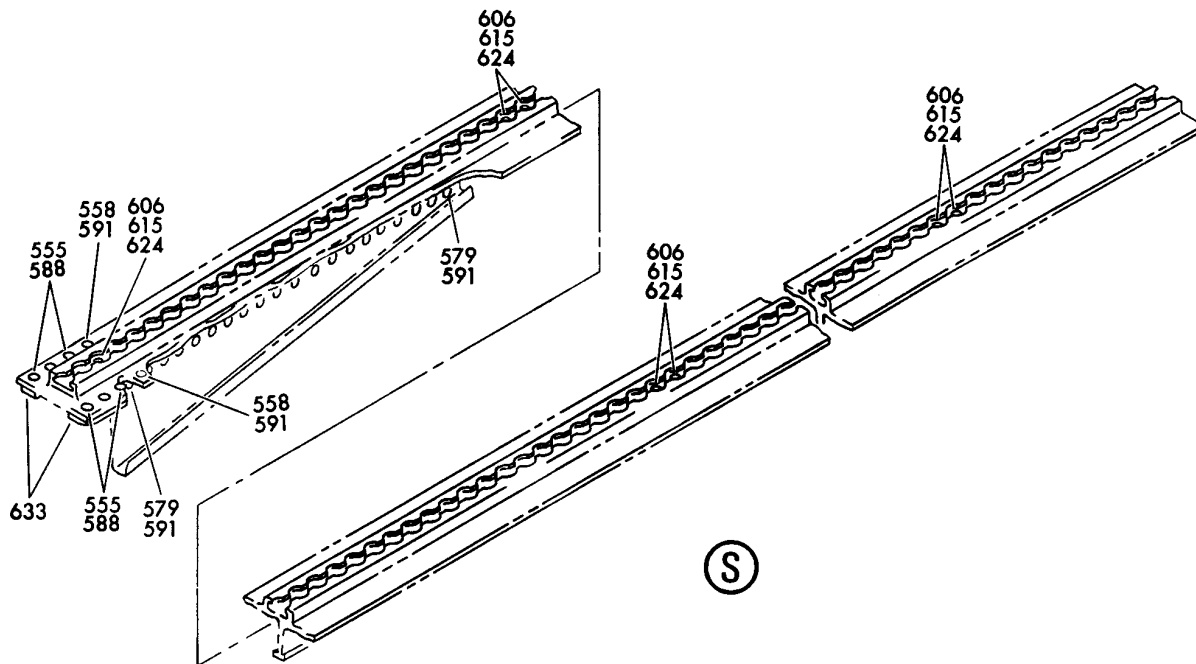
TRACK INSTL-SEAT BS 321.70 TO 423.45  
FIGURE 41 (SHEET 9)

**53-01-03-41**

HXL  
DEC 22/06

53-01-03-41  
PAGE 0H

**BOEING**  
767  
PARTS CATALOG (MAINTENANCE)



V 53010341 SHT 10 REV 159

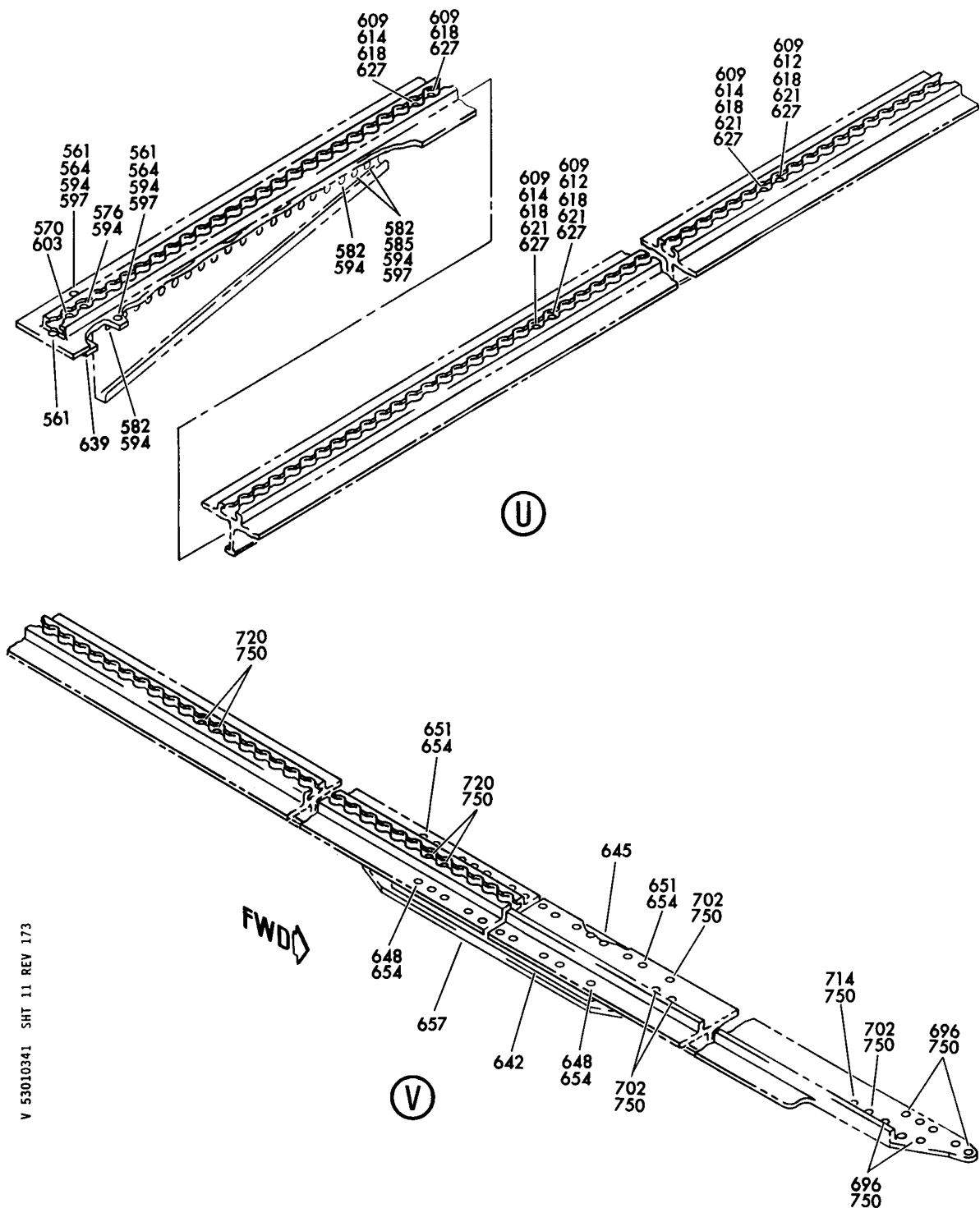
TRACK INSTL-SEAT BS 321.70 TO 423.45  
FIGURE 41 (SHEET 10)

**53-01-03-41**

HXL  
DEC 22/06

53-01-03-41  
PAGE 01

**BOEING**  
767  
PARTS CATALOG (MAINTENANCE)



V 53010341 SHT 11 REV 173

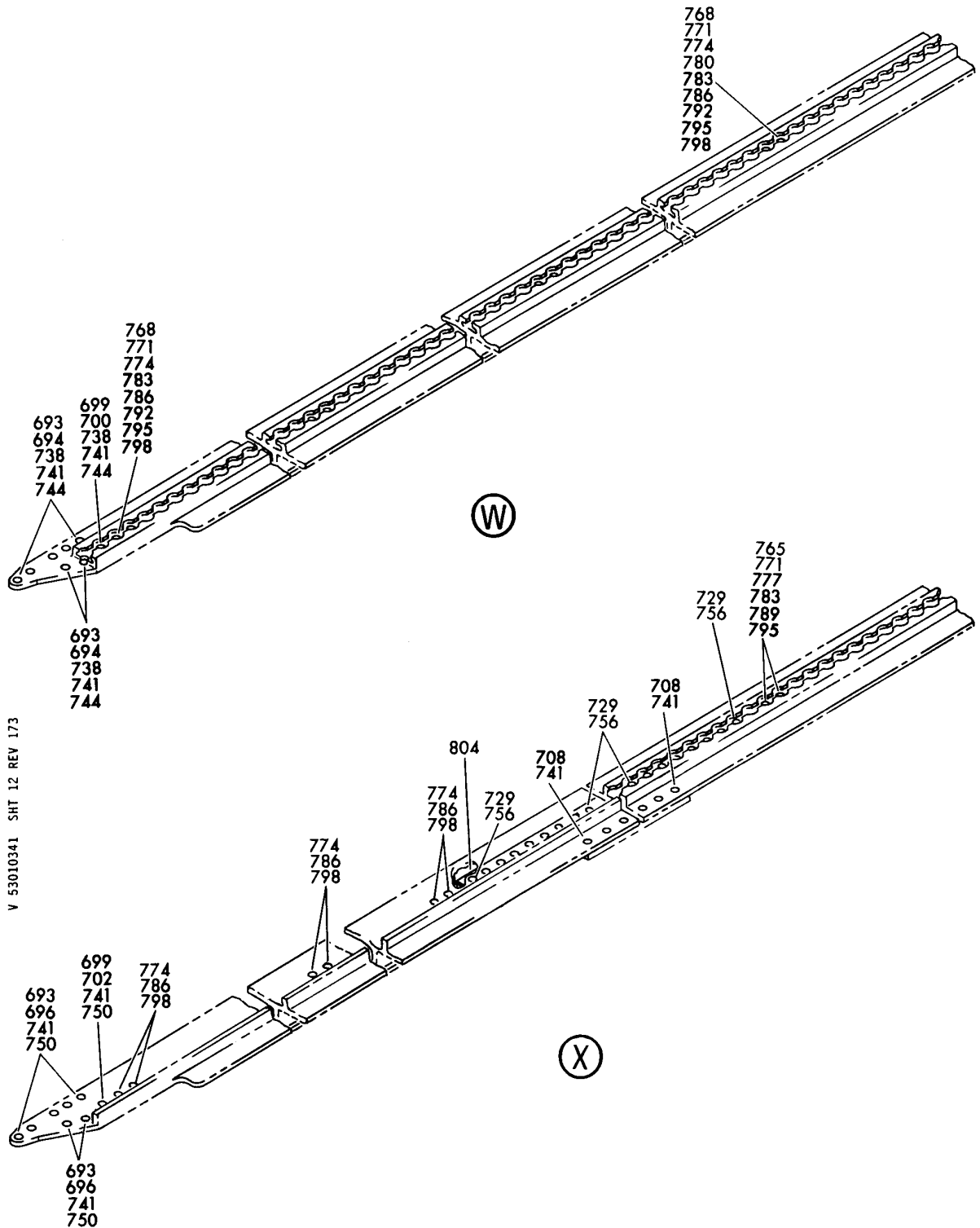
TRACK INSTL-SEAT BS 321.70 TO 423.45  
FIGURE 41 (SHEET 11)

**53-01-03-41**

HXL  
DEC 22/06

53-01-03-41  
PAGE 0J

**BOEING**  
767  
PARTS CATALOG (MAINTENANCE)



V 53010341 SHT 12 REV 173

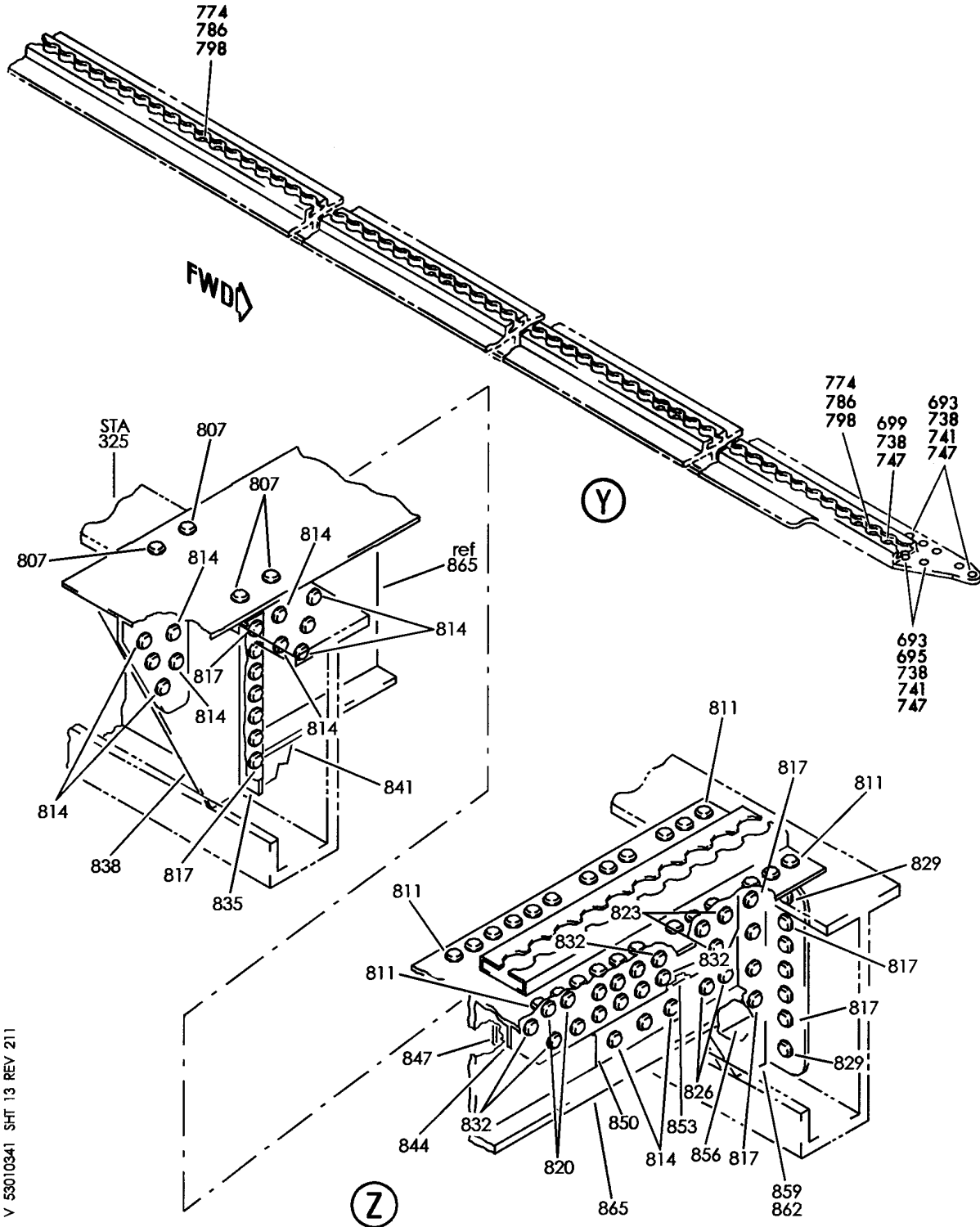
TRACK INSTL-SEAT BS 321.70 TO 423.45  
FIGURE 41 (SHEET 12)

**53-01-03-41**

HXL  
DEC 22/06

53-01-03-41  
PAGE 0K


**BOEING**  
 767  
**PARTS CATALOG (MAINTENANCE)**



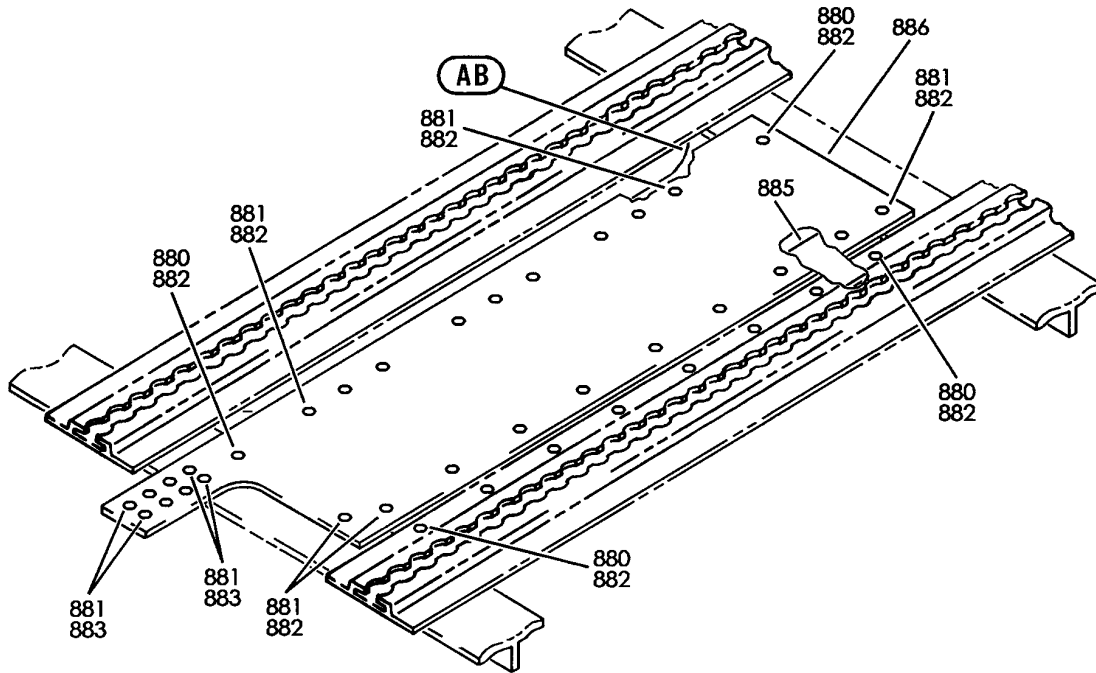
TRACK INSTL-SEAT BS 321.70 TO 423.45  
 FIGURE 41 (SHEET 13)

**53-01-03-41**

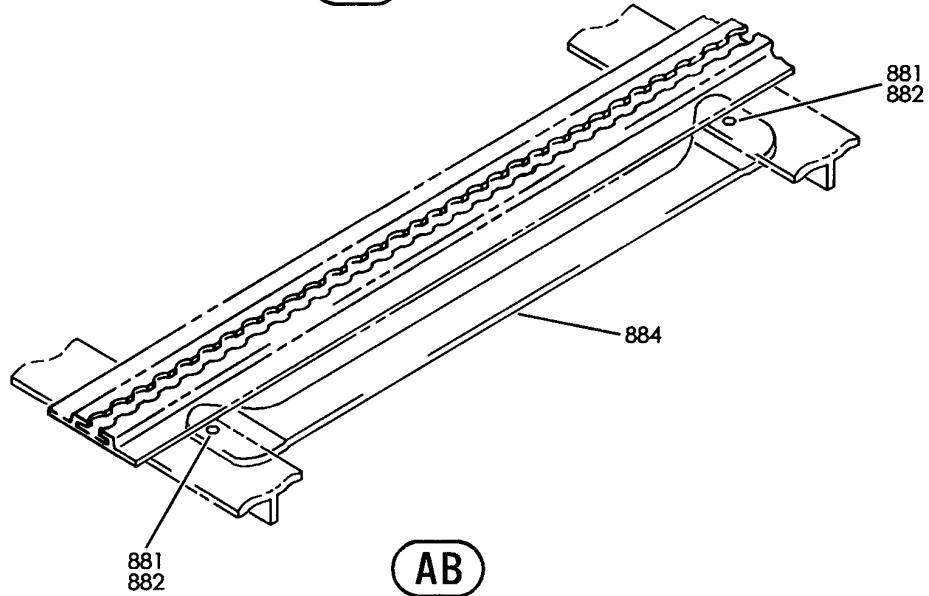
HXL  
 DEC 22/06

53-01-03-41  
 PAGE 01

**BOEING**  
767  
PARTS CATALOG (MAINTENANCE)



AA



AB

V 53010341 SHT 14 REV 212

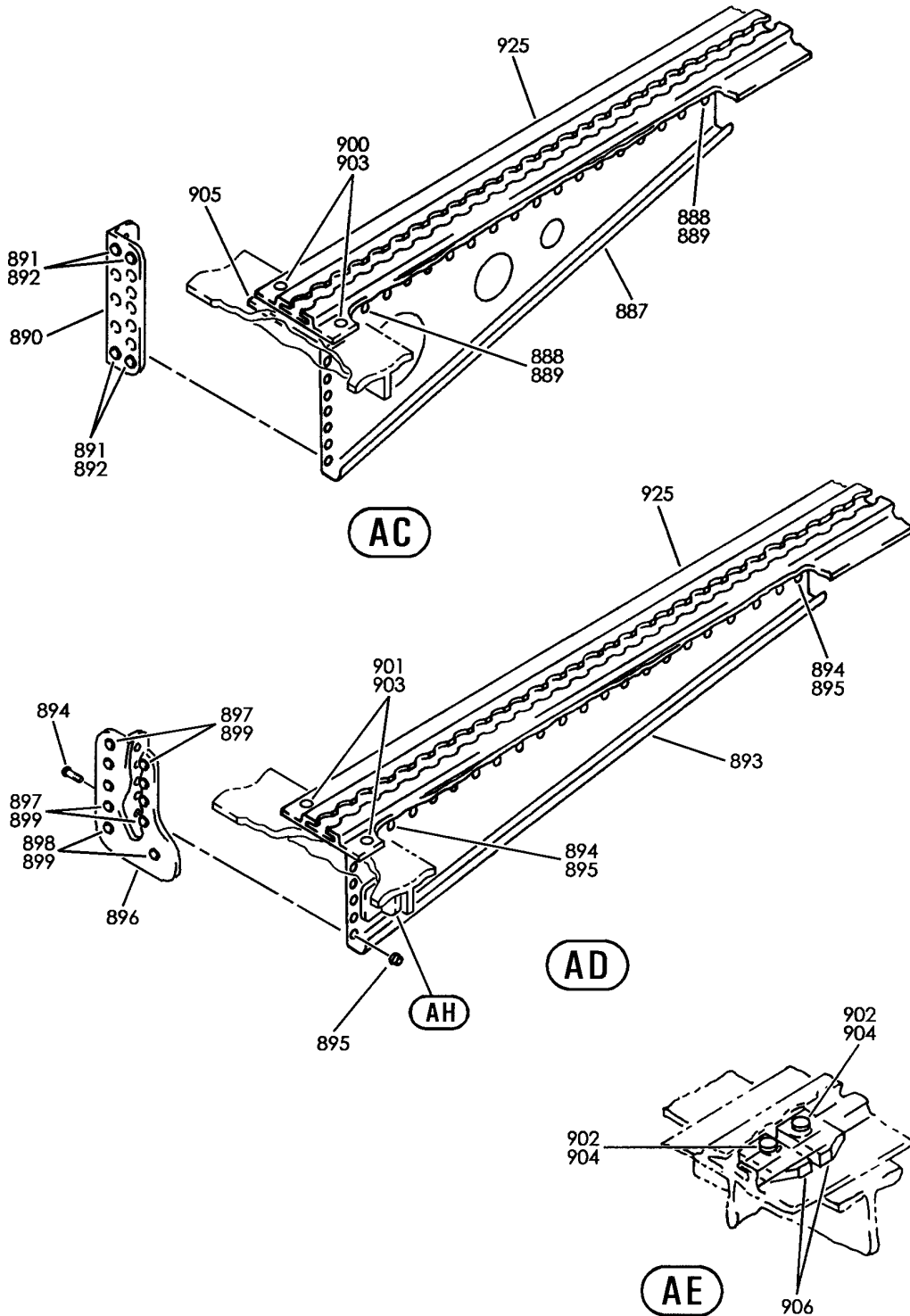
TRACK INSTL-SEAT BS 321.70 TO 423.45  
FIGURE 41 (SHEET 14)

**53-01-03-41**

HXL  
DEC 22/06

53-01-03-41  
PAGE 0M

**BOEING**  
767  
PARTS CATALOG (MAINTENANCE)



V 53010341 SHT 15 REV 212

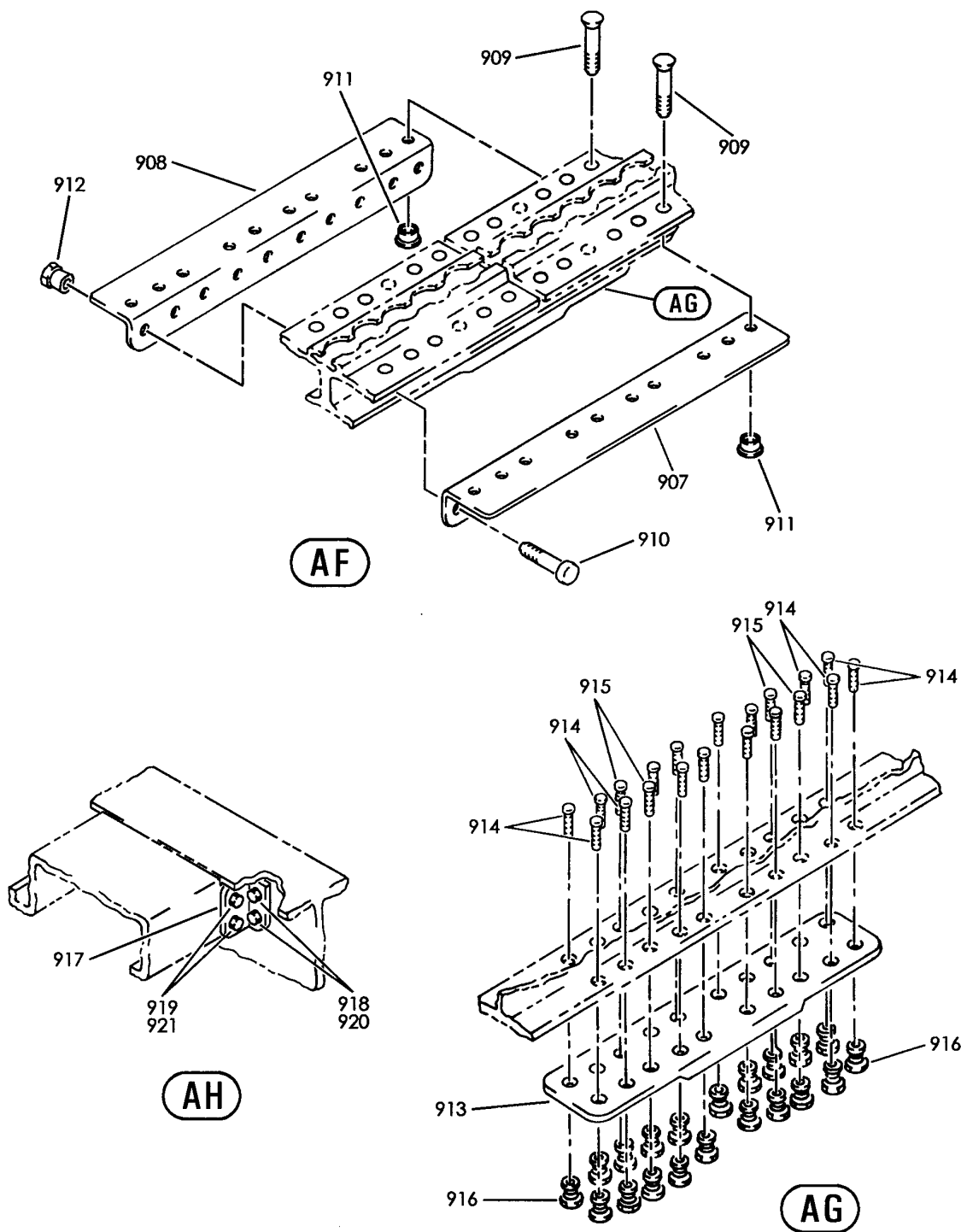
TRACK INSTL-SEAT BS 321.70 TO 423.45  
FIGURE 41 (SHEET 15)

**53-01-03-41**

HXL  
DEC 22/06

53-01-03-41  
PAGE ON

**BOEING**  
767  
PARTS CATALOG (MAINTENANCE)



V 53010341 SHT 16 REV 212

TRACK INSTL-SEAT BS 321.70 TO 423.45  
FIGURE 41 (SHEET 16)

**53-01-03-41**

HXL  
DEC 22/06

53-01-03-41  
PAGE 00



 **BOEING**  
767  
**PARTS CATALOG (MAINTENANCE)**

FIG ITEM	PART NUMBER	1 2 3 4 5 6 7	NOMENCLATURE	EFFECT FROM TO	UNITS PER ASSY
41			TRACK INSTL-SEAT BS 321.70 TO 423.45	155162	
- 1	141T5120-78		TRACK INSTL-SEAT POSITION DATA: BS 344.50 TO 423.45 FOR NHA SEE: 53-00-53-15B	155162	RF
6	141T5121-81		.TRACK-	155162	1
15	141T5121-82		.TRACK-	155162	1
33	HST11AG6-3		ATTACHING PARTS .BOLT SUPPLIER CODE: V06725 SPECIFICATION NUMBER: BACB30VU6K3 OPTIONAL PART: HST11AG6-3 V73197 HST11AG6-3 V56878 HST11AG6-3 VOPTK6	155162	4
R 63	BACC3OBL6		.COLLAR	155162	4
108	HST10AG6-3		.BOLT SUPPLIER CODE: VOPTK6 SPECIFICATION NUMBER: BACB30VT6K3 OPTIONAL PART: HST10AG6-3 V06725 HST10AG6-3 V56878 HST10AG6-3 V73197 WC10K6-3 V60516	155162	72
111	HST11AG6-4		.BOLT SUPPLIER CODE: V06725 SPECIFICATION NUMBER: BACB30VU6K4 OPTIONAL PART: HST11AG6-4 V73197 HST11AG6-4 VOPTK6 HST11AG6-4 V56878	155162	16

ILLUSTRATION ITEMS NOT ON PARTS LIST ARE NOT APPLICABLE

- ITEM NOT ILLUSTRATED

HXL

53-01-03-41

BOEING PROPRIETARY - Copyright © - Unpublished Work - See title page for details.

53-01-03  
FIG. 41  
PAGE 1  
AUG 22/09



767

PARTS CATALOG (MAINTENANCE)

FIG ITEM	PART NUMBER	1 2 3 4 5 6 7	NOMENCLATURE	EFFECT FROM TO	UNITS PER ASSY
41					
147	BACC30BL6	.	COLLAR	155162	16
150	BACC30BL6	.	COLLAR-	155162	72
156	BACB30NN4K5	.	BOLT	155162	4
165	AN960JD416	.	WASHER-	155162	4
165	AN960PD416	.	WASHER-	155162	4
171	NAS1805-4L	.	NUT	155162	4
175	L8008K6	.	BOLT	155162	36
			SUPPLIER CODE: V06725		
			SPECIFICATION NUMBER: BACB30MY8K6		
177	HL79-8	.	COLLAR	155162	36
			SUPPLIER CODE: V5M902		
			SPECIFICATION NUMBER: BACC30M8		
			OPTIONAL PART: HL79-8 V73197 HL79-8 V92215 66014-8 V56878 HL79-8 V56878		
			-----*-----		
354	141T5121-80	.	TRACK	155162	2
			ATTACHING PARTS		
357	HST10AG6-3	.	BOLT	155162	40
			SUPPLIER CODE: VOPTK6		
			SPECIFICATION NUMBER: BACB30VT6K3		
			OPTIONAL PART: HST10AG6-3 V06725 HST10AG6-3 V56878 HST10AG6-3 V73197 WC10K6-3 V60516		

ILLUSTRATION ITEMS NOT ON PARTS LIST ARE NOT APPLICABLE

- ITEM NOT ILLUSTRATED

HXL

53-01-03-41

BOEING PROPRIETARY - Copyright © - Unpublished Work - See title page for details.

53-01-03  
FIG. 41  
PAGE 2  
AUG 22/09



767

PARTS CATALOG (MAINTENANCE)

FIG ITEM	PART NUMBER	1 2 3 4 5 6 7	NOMENCLATURE	EFFECT FROM TO	UNITS PER ASSY
41 360	HST11AG6-4	.BOLT	SUPPLIER CODE: V06725 SPECIFICATION NUMBER: BACB30VU6K4 OPTIONAL PART: HST11AG6-4 V73197 HST11AG6-4 VOPTK6 HST11AG6-4 V56878	155162	4
363	HL11VAZ6-3	.BOLT	SUPPLIER CODE: V60516 SPECIFICATION NUMBER: BACB30NW6K3 OPTIONAL PART: B30NW6K3 V97928 HL11VAZ6-3 V73197 HL11VAZ6-3 V92215 HL11VAZ6-3 V97928 L803-6K3 V06725 HL11VAZ6-3 VOPTK6 HL11VAZ6-3 V56878	155162	2

ILLUSTRATION ITEMS NOT ON PARTS LIST ARE NOT APPLICABLE

- ITEM NOT ILLUSTRATED

HXL

53-01-03-41

BOEING PROPRIETARY - Copyright © - Unpublished Work - See title page for details.

53-01-03  
FIG. 41  
PAGE 3  
AUG 22/09



767

PARTS CATALOG (MAINTENANCE)

FIG ITEM	PART NUMBER	1 2 3 4 5 6 7	NOMENCLATURE	EFFECT FROM TO	UNITS PER ASSY
41 366	HL11VAZ8-4	.BOLT	SUPPLIER CODE: V60516 SPECIFICATION NUMBER: BACB30NW8K4 OPTIONAL PART: B30NW8K4 V97928 HL11VAZ8-4 V73197 HL11VAZ8-4 V92215 HL11VAZ8-4 V97928 L803-8K4 V06725 HL11VAZ8-4 VOPTK6 HL11VAZ8-4 V56878	155162	4
R 369	BACC30BL6	.COLLAR		155162	44
372	HL79-6	.COLLAR	SUPPLIER CODE: V5M902 SPECIFICATION NUMBER: BACC30M6 OPTIONAL PART: HL79-6 V73197 HL79-6 V92215 66014-6 V56878 HL79-6 V56878	155162	2

ILLUSTRATION ITEMS NOT ON PARTS LIST ARE NOT APPLICABLE

- ITEM NOT ILLUSTRATED

HXL

53-01-03-41

BOEING PROPRIETARY - Copyright © - Unpublished Work - See title page for details.

53-01-03  
FIG. 41  
PAGE 4  
AUG 22/09



767

PARTS CATALOG (MAINTENANCE)

FIG ITEM	PART NUMBER	1 2 3 4 5 6 7	NOMENCLATURE	EFFECT FROM TO	UNITS PER ASSY
41 375	HL79-8		.COLLAR SUPPLIER CODE: V5M902 SPECIFICATION NUMBER: BACC30M8 OPTIONAL PART: HL79-8 V73197 HL79-8 V92215 66014-8 V56878 HL79-8 V56878 -----*-----	155162	4
666	141T5121-78		.TRACK-	155162	1
678	141T5121-79		.TRACK- ATTACHING PARTS	155162	1
693	HL11VAZ6-3		.BOLT SUPPLIER CODE: V60516 SPECIFICATION NUMBER: BACB30NW6K3 OPTIONAL PART: B30NW6K3 V97928 HL11VAZ6-3 V73197 HL11VAZ6-3 V92215 HL11VAZ6-3 V97928 L803-6K3 V06725 HL11VAZ6-3 VOPTK6 HL11VAZ6-3 V56878	155162	14

ILLUSTRATION ITEMS NOT ON PARTS LIST ARE NOT APPLICABLE

- ITEM NOT ILLUSTRATED

HXL

53-01-03-41

BOEING PROPRIETARY - Copyright © - Unpublished Work - See title page for details.

53-01-03  
FIG. 41  
PAGE 5  
AUG 22/09



767

PARTS CATALOG (MAINTENANCE)

FIG ITEM	PART NUMBER	1 2 3 4 5 6 7	NOMENCLATURE	EFFECT FROM TO	UNITS PER ASSY
41 699	HL11VAZ6-4	.BOLT	SUPPLIER CODE: V60516 SPECIFICATION NUMBER: BACB30NW6K4 OPTIONAL PART: B30NW6K4 V97928 HL11VAZ6-4 V73197 HL11VAZ6-4 V92215 HL11VAZ6-4 V97928 L803-6K4 V06725 HL11VAZ6-4 VOPTK6 HL11VAZ6-4 V56878	155162	2
774	BACB30NN4K5	.BOLT		155162	16
786	AN960PD416	.WASHER		155162	16
798	NAS1805-4	.NUT		155162	16
		-----*			

ILLUSTRATION ITEMS NOT ON PARTS LIST ARE NOT APPLICABLE

- ITEM NOT ILLUSTRATED

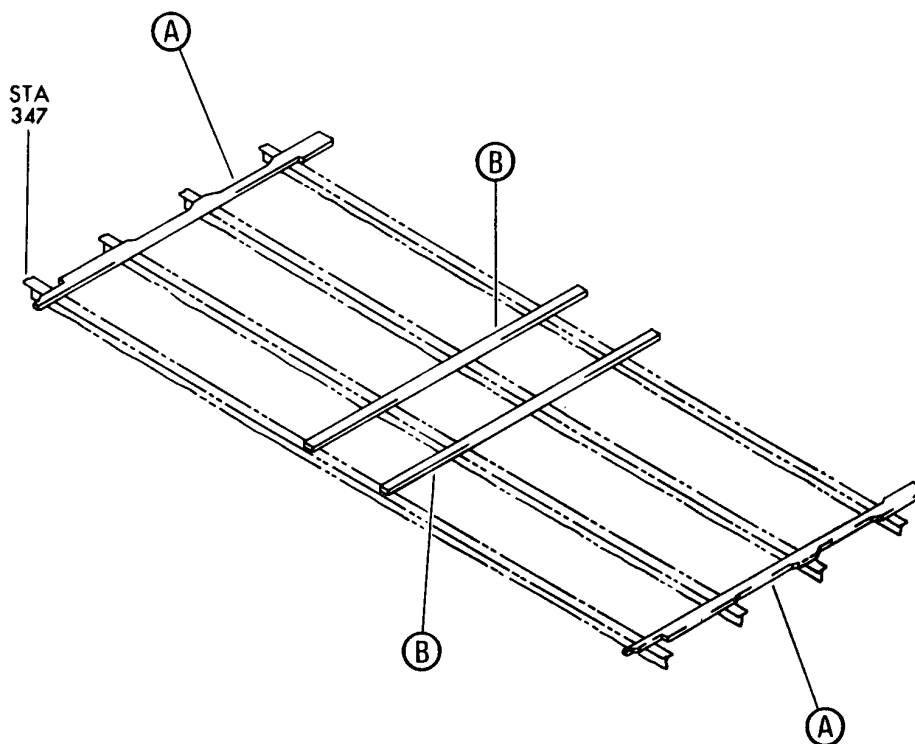
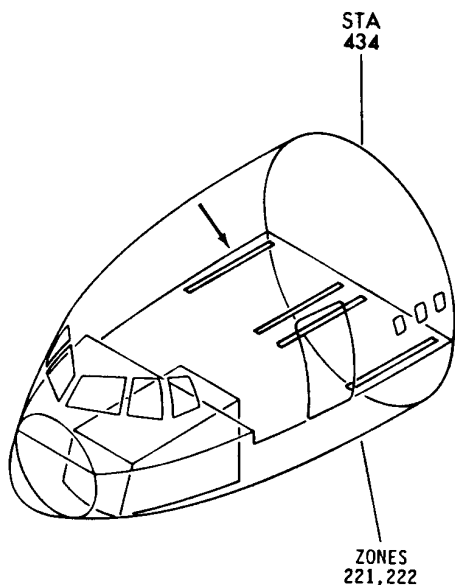
HXL

53-01-03-41

BOEING PROPRIETARY - Copyright © - Unpublished Work - See title page for details.

53-01-03  
FIG. 41  
PAGE 6  
AUG 22/09

**BOEING**  
767  
PARTS CATALOG (MAINTENANCE)



V 53010343E SHT 1 REV 188

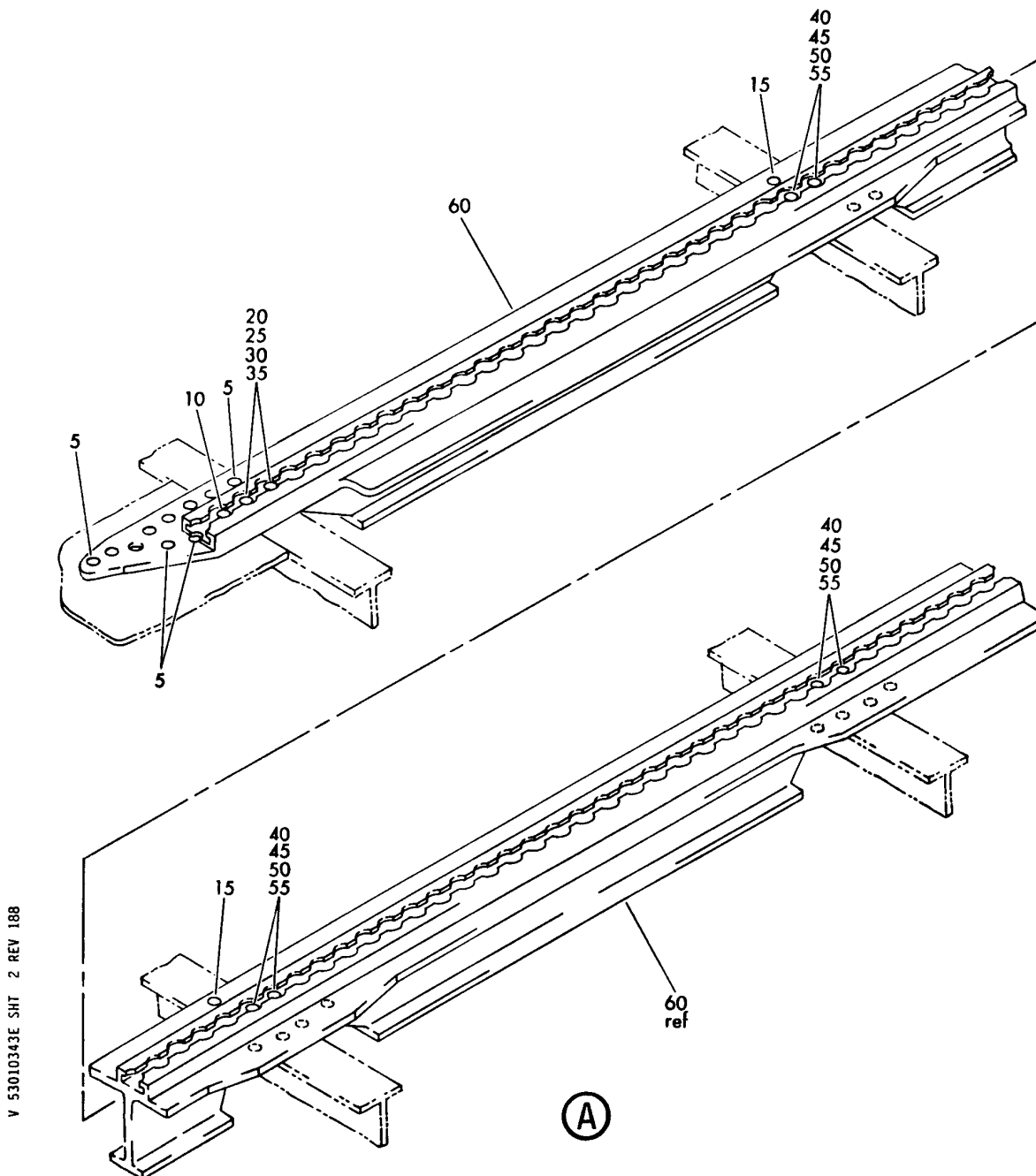
TRACK INSTL-SEAT SECT. 41 STA 344.50 TO STA 423.45  
FIGURE 43E (SHEET 1)

**53-01-03-43E**

HXL  
DEC 22/06

53-01-03-43E  
PAGE 0

**BOEING**  
767  
PARTS CATALOG (MAINTENANCE)



TRACK INSTL-SEAT SECT. 41 STA 344.50 TO STA 423.45  
FIGURE 43E (SHEET 2)

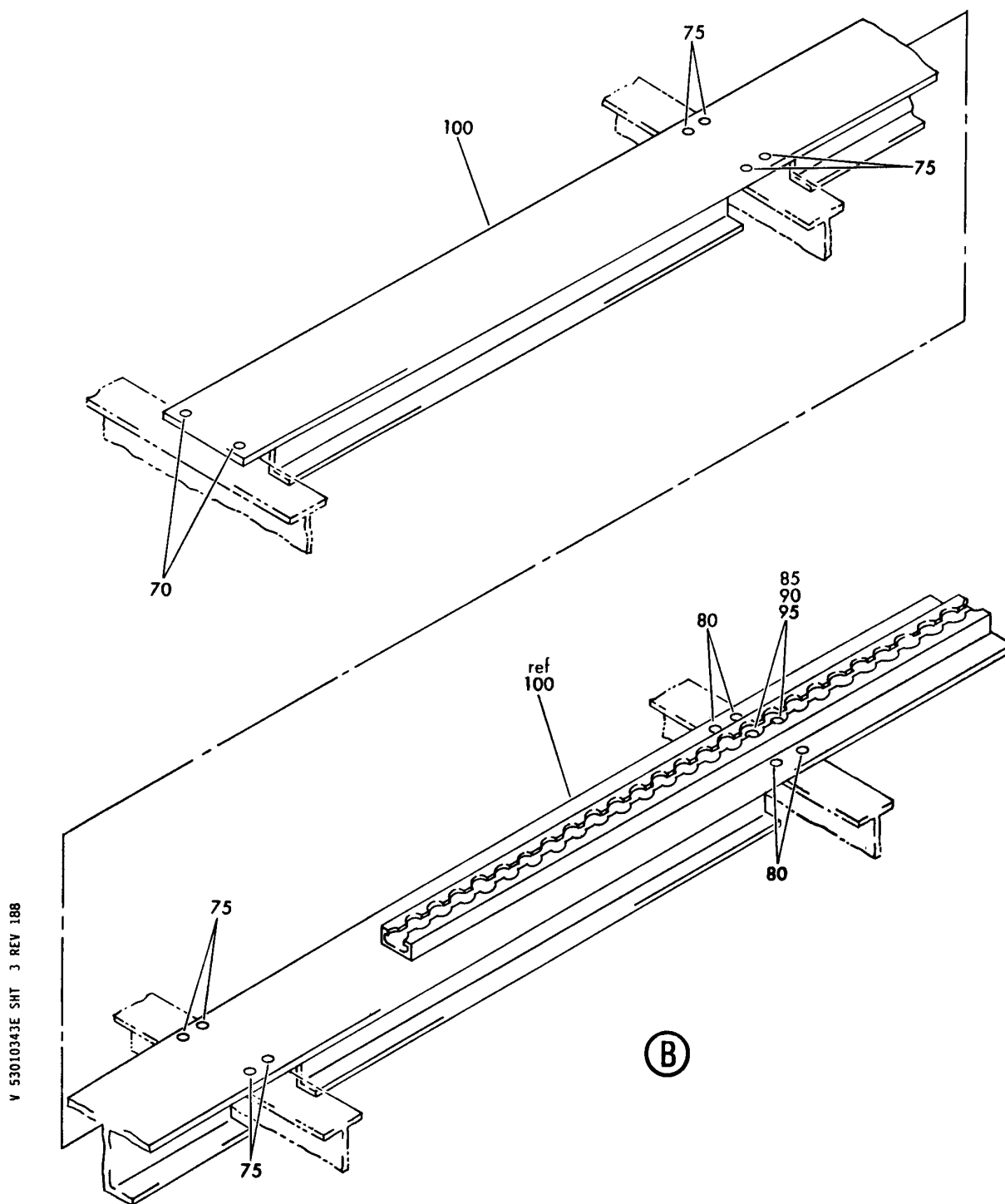
**53-01-03-43E**

HXL  
DEC 22/06

53-01-03-43E  
PAGE 0A



**BOEING**  
767  
PARTS CATALOG (MAINTENANCE)



TRACK INSTL-SEAT SECT. 41 STA 344.50 TO STA 423.45  
FIGURE 43E (SHEET 3)

**53-01-03-43E**

HXL  
DEC 22/06

53-01-03-43E  
PAGE 0B



767

PARTS CATALOG (MAINTENANCE)

FIG ITEM	PART NUMBER	1 2 3 4 5 6 7	NOMENCLATURE	EFFECT FROM TO	UNITS PER ASSY
43E			TRACK INSTL-SEAT	163999	
- 1	141T5120-83		SECT. 41 STA 344.50 TO STA 423.45		
			TRACK INSTL-SEAT	163999	RF
			POSITION DATA:		
			SECT. 41 STA 344.50 TO STA 423.45		
			FOR NHA SEE:		
			53-00-53-15B		
5	HL11VAZ6-3		.BOLT	163999	18
			SUPPLIER CODE:		
			V60516		
			SPECIFICATION NUMBER:		
			BACB30NW6K3		
			OPTIONAL PART:		
			B30NW6K3		
			V97928		
			HL11VAZ6-3		
			V73197		
			HL11VAZ6-3		
			V92215		
			HL11VAZ6-3		
			V97928		
			L803-6K3		
			V06725		
			HL11VAZ6-3		
			VOPTK6		
			HL11VAZ6-3		
			V56878		
10	HL11VAZ6-4		.BOLT	163999	2
			SUPPLIER CODE:		
			V60516		
			SPECIFICATION NUMBER:		
			BACB30NW6K4		
			OPTIONAL PART:		
			B30NW6K4		
			V97928		
			HL11VAZ6-4		
			V73197		
			HL11VAZ6-4		
			V92215		
			HL11VAZ6-4		
			V97928		
			L803-6K4		
			V06725		
			HL11VAZ6-4		
			VOPTK6		
			HL11VAZ6-4		
			V56878		

ILLUSTRATION ITEMS NOT ON PARTS LIST ARE NOT APPLICABLE

- ITEM NOT ILLUSTRATED

HXL

53-01-03-43E

BOEING PROPRIETARY - Copyright © - Unpublished Work - See title page for details.

53-01-03  
FIG. 43E  
PAGE 1  
DEC 22/07



767

PARTS CATALOG (MAINTENANCE)

FIG ITEM	PART NUMBER	1 2 3 4 5 6 7	NOMENCLATURE	EFFECT FROM TO	UNITS PER ASSY
43E 15	HST11AG6-3	.BOLT	SUPPLIER CODE: V06725 SPECIFICATION NUMBER: BACB30VU6K3 OPTIONAL PART: HST11AG6-3 V73197 HST11AG6-3 V56878 HST11AG6-3 VOPTK6	163999	4
20	BACB30VU6K	.BOLT		163999	4
40	BACB30VU8K	.BOLT		163999	12
60	141T5121-79	.TRACK-	POSITION DATA: LH	163999	1
- 65	141T5121-78	.TRACK-	POSITION DATA: RH	163999	1
70	HST11AG6-3	.BOLT	SUPPLIER CODE: V06725 SPECIFICATION NUMBER: BACB30VU6K3 OPTIONAL PART: HST11AG6-3 V73197 HST11AG6-3 V56878 HST11AG6-3 VOPTK6	163999	4
75	HST11AG6-4	.BOLT	SUPPLIER CODE: V06725 SPECIFICATION NUMBER: BACB30VU6K4 OPTIONAL PART: HST11AG6-4 V73197 HST11AG6-4 VOPTK6 HST11AG6-4 V56878	163999	16

ILLUSTRATION ITEMS NOT ON PARTS LIST ARE NOT APPLICABLE

- ITEM NOT ILLUSTRATED

HXL

53-01-03-43E

BOEING PROPRIETARY - Copyright © - Unpublished Work - See title page for details.

53-01-03  
FIG. 43E  
PAGE 2  
DEC 22/07



767

PARTS CATALOG (MAINTENANCE)

FIG ITEM	PART NUMBER	1 2 3 4 5 6 7	NOMENCLATURE	EFFECT FROM TO	UNITS PER ASSY
43E 80	HST11AG6-4	.BOLT	SUPPLIER CODE: V06725 SPECIFICATION NUMBER: BACB30VU6K4 OPTIONAL PART: HST11AG6-4 V73197 HST11AG6-4 VOPTK6 HST11AG6-4 V56878	163999	8
100	141T5121-87	.TRACK-	POSITION DATA: LH	163999	1
- 105	141T5121-86	.TRACK-	POSITION DATA: RH	163999	1

ILLUSTRATION ITEMS NOT ON PARTS LIST ARE NOT APPLICABLE

- ITEM NOT ILLUSTRATED

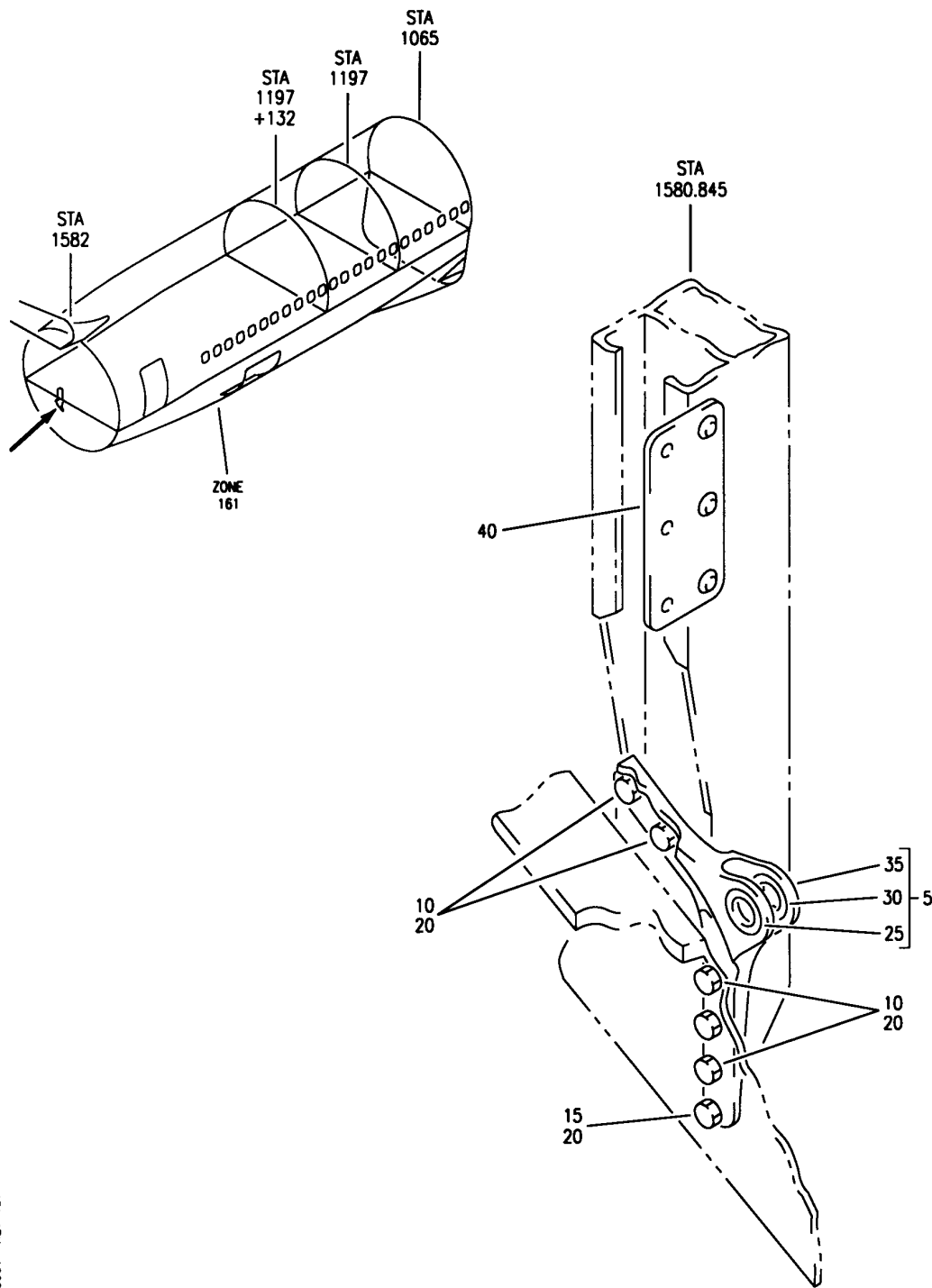
HXL

53-01-03-43E

BOEING PROPRIETARY - Copyright © - Unpublished Work - See title page for details.

53-01-03  
FIG. 43E  
PAGE 3  
DEC 22/07

**BOEING**  
767  
PARTS CATALOG (MAINTENANCE)



V 53015001 REV 187

FLOOR SYSTEM INTEGRATION SECT. 46/48  
FIGURE 1

**53-01-50-01**

HXL  
DEC 22/06

53-01-50-01  
PAGE 0

**BOEING**  
767  
**PARTS CATALOG (MAINTENANCE)**

FIG ITEM	PART NUMBER	1 2 3 4 5 6 7	NOMENCLATURE	EFFECT FROM TO	UNITS PER ASSY
1			FLOOR SYSTEM INTEGRATION SECT. 46/48		
- 1	140T0540-5		FLOOR INTEGRATION- POSITION DATA: SECT. 46/48 FOR NHA SEE: 53-00-00-08		RF
5	417T1327-1		.SUPPORT ASSY ATTACHING PARTS		1
10	HST10AG6-4		.BOLT SUPPLIER CODE: V06725 SPECIFICATION NUMBER: BACB30VT6K4 OPTIONAL PART: HST10AG6-4 V73197 HST10AG6-4 V56878 HST10AG6-4 VOPTK6 WC10K6-4 V60516		5
15	HST10AG6-6		.BOLT SUPPLIER CODE: VOPTK6 SPECIFICATION NUMBER: BACB30VT6K6 OPTIONAL PART: HST10AG6-6 V06725 HST10AG6-6 V56878 HST10AG6-6 V73197 WC10K6-6 V60516		1
20	BACC30BL6		.COLLAR -----*-----		6
25	BACB28AM07B011A		..BUSHING		1
30	BACB28AP05P011		..BUSHING		1
35	417T1327-7		..SUPPORT		1
40	272T4632-1		.PLATE ATTACHING PARTS		1
- 45	BACR15FT5AD		.RIVET- SIZE DETERMINED ON INSTL. -----*-----		3
ILLUSTRATION ITEMS NOT ON PARTS LIST ARE NOT APPLICABLE					

- ITEM NOT ILLUSTRATED

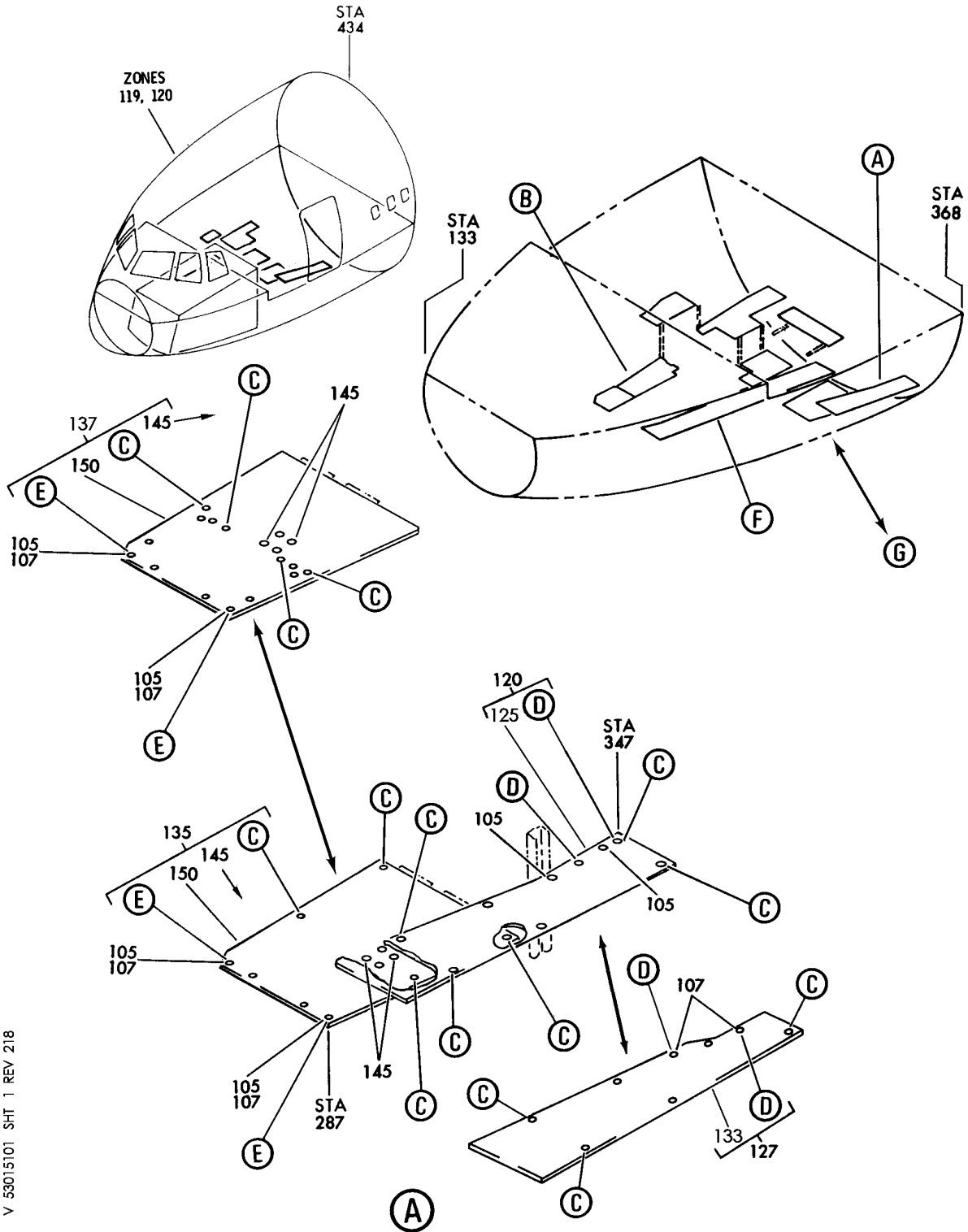
HXL

53-01-50-01

BOEING PROPRIETARY - Copyright © - Unpublished Work - See title page for details.

53-01-50  
FIG. 01  
PAGE 1  
APR 22/09

**BOEING**  
767  
PARTS CATALOG (MAINTENANCE)



V 53015101 SHT 1 REV 218

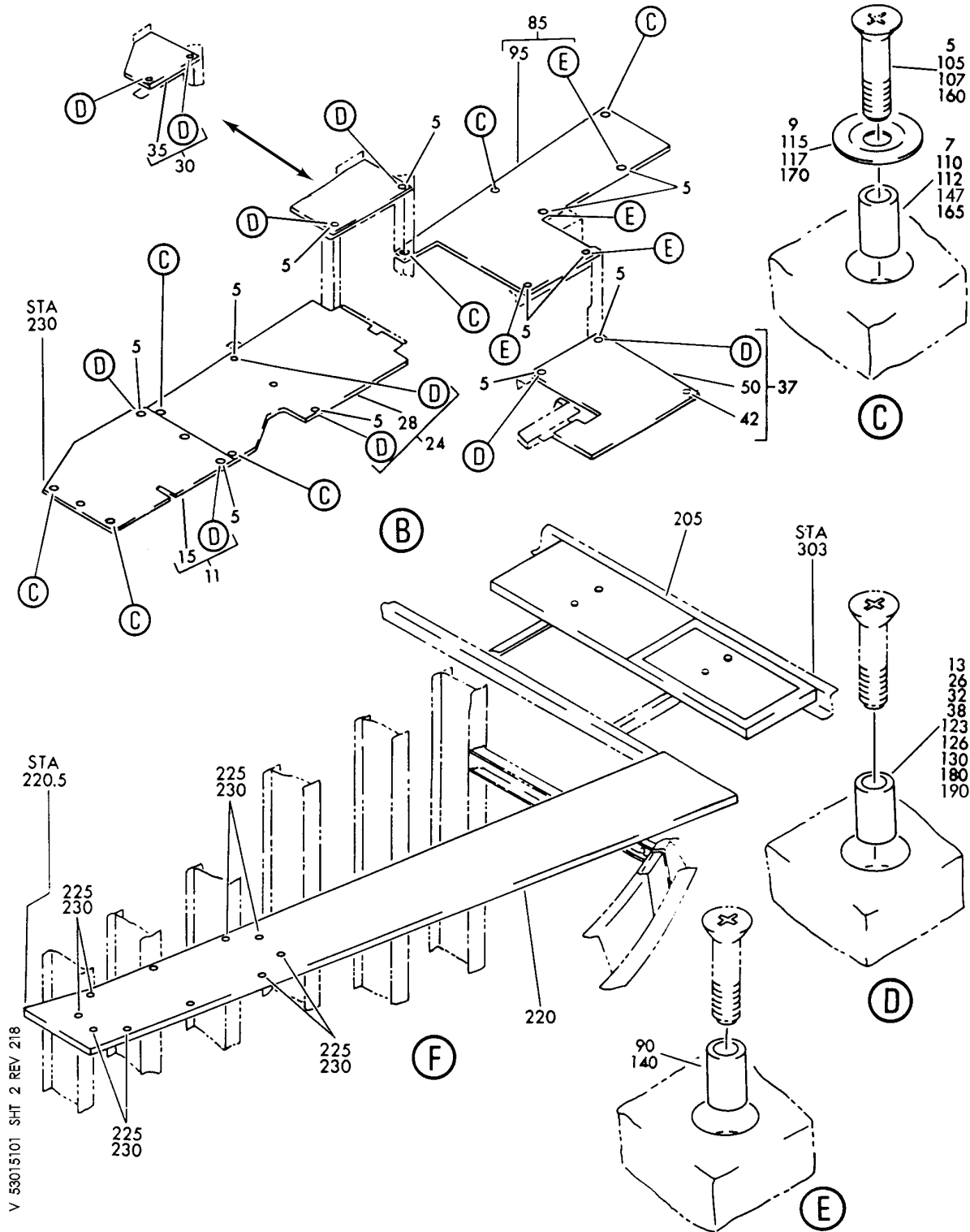
PANEL INSTL-MAIN EQPT CTR FLOOR  
FIGURE 1 (SHEET 1)

**53-01-51-01**

HXL  
DEC 22/06

53-01-51-01  
PAGE 0

**BOEING**  
767  
PARTS CATALOG (MAINTENANCE)



V 53015101 SHT 2 REV 218

PANEL INSTL-MAIN EQPT CTR FLOOR  
FIGURE 1 (SHEET 2)

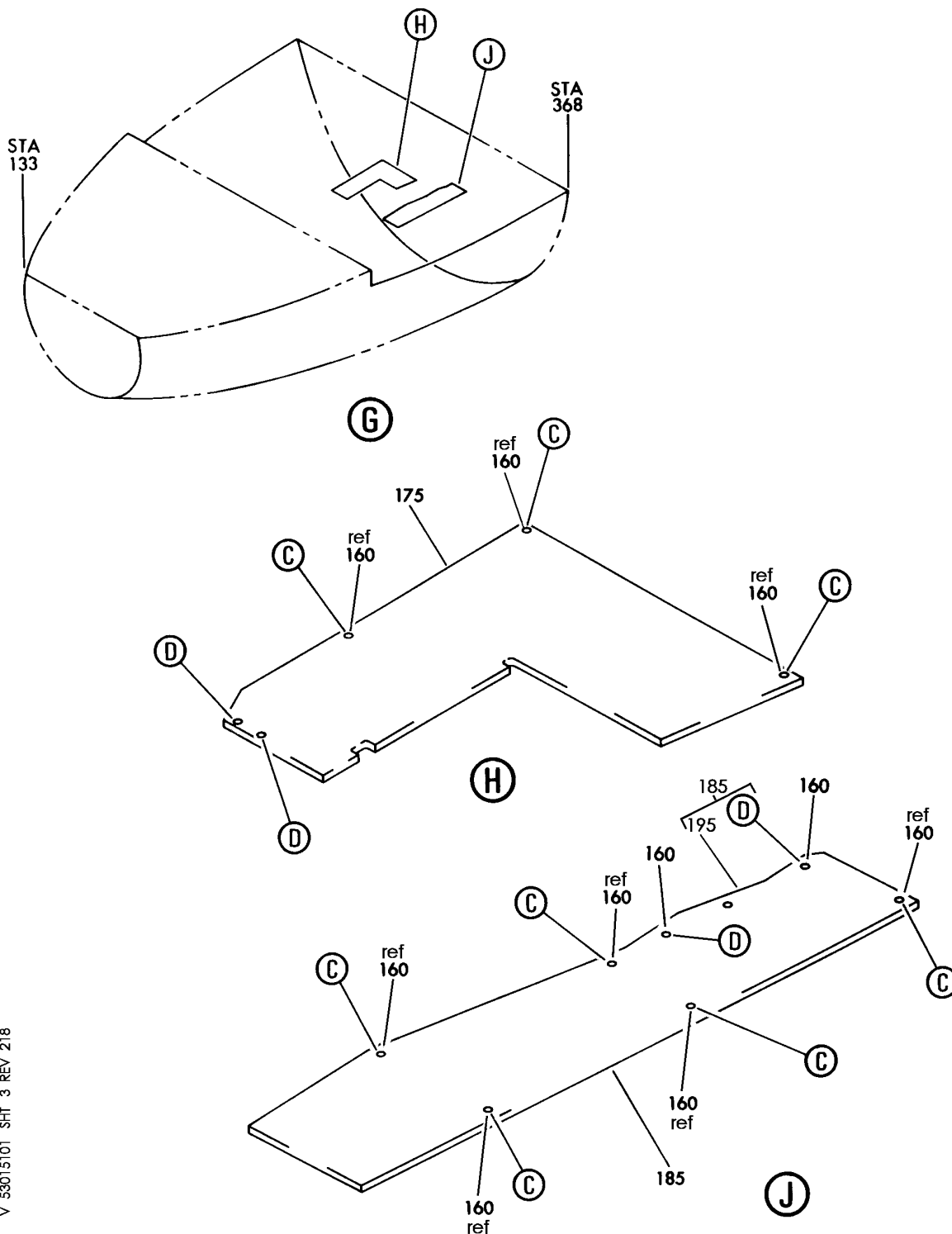
**53-01-51-01**

HXL  
DEC 22/06

53-01-51-01  
PAGE 0A



**BOEING**  
767  
PARTS CATALOG (MAINTENANCE)



V 53015101 SHT 3 REV 218

PANEL INSTL-MAIN EQPT CTR FLOOR  
FIGURE 1 (SHEET 3)

**53-01-51-01**

HXL  
DEC 22/06

53-01-51-01  
PAGE 0B

 **BOEING**  
767  
**PARTS CATALOG (MAINTENANCE)**

FIG ITEM	PART NUMBER	1 2 3 4 5 6 7	NOMENCLATURE	EFFECT FROM TO	UNITS PER ASSY
1			PANEL INSTL-MAIN EQPT CTR FLOOR		
- 1	284T0290-3		PANEL INSTL-MAIN EQPT CTR FLOOR POSITION DATA: RH VARIABLE DRAWING REF: 284T0290-5002 FOR NHA SEE: 24-00-58-01A		RF
5	NAS514P1032-14	.SCREW			22
7	NAS43HT3-27	.SPACER			8
9	BACW10UC102P	.WASHER			8
11	284T0292-21	.PANEL ASSY-			1
13	SL5107A3-410	..SPACER-	SUPPLIER CODE: V97393		3
15	284T0292-22	..PANEL ASSY-			1
24	284T0292-30	.PANEL ASSY-			1
26	SL5107A3-410	..SPACER-	SUPPLIER CODE: V97393		3
28	284T0292-31	..PANEL ASSY-			1
30	284T0292-15	.PANEL ASSY-			1
32	SL5107A3-410	..SPACER-	SUPPLIER CODE: V97393		2
35	284T0292-16	..PANEL ASSY-			1
37	284T0292-12	.PANEL ASSY			1
38	SL5107A3-410	..SPACER-	SUPPLIER CODE: V97393		2
42	NAS1834-4-400	..SPACER-			1
50	284T0292-11	..PANEL			1
85	284T0291-9	.PANEL ASSY-			1
90	SL5107A3-410	..SPACER-	SUPPLIER CODE: V97393		4
95	284T0291-10	..PANEL ASSY-			1
- 100	284T0290-4		PANEL INSTL-MAIN EQPT CTR FLOOR POSITION DATA: LH VARIABLE DRAWING REF: 284T0290-5004 FOR NHA SEE: 24-00-58-01A		RF
107	NAS514P1032-14	.SCREW			16
112	NAS43HT3-27	.SPACER			9

ILLUSTRATION ITEMS NOT ON PARTS LIST ARE NOT APPLICABLE

- ITEM NOT ILLUSTRATED

HXL

# 53-01-51-01

BOEING PROPRIETARY - Copyright © - Unpublished Work - See title page for details.

53-01-51  
FIG. 01  
PAGE 1  
DEC 22/07



767

PARTS CATALOG (MAINTENANCE)

FIG ITEM	PART NUMBER	1 2 3 4 5 6 7	NOMENCLATURE	EFFECT FROM TO	UNITS PER ASSY
1					
117	BACW10UC102P	.	WASHER		9
127	284T0292-20	.	PANEL ASSY-		1
130	SL5107A3-410	..	SPACER-		3
			SUPPLIER CODE: V97393		
133	284T0292-19	..	PANEL ASSY		1
135	284T0291-8	.	PANEL ASSY-		1
140	SL5107A3-410	..	SPACER-		4
			SUPPLIER CODE: V97393		
145	SL618-3A	..	INSERT-		4
			SUPPLIER CODE: V97393		
145	D137HF395	...	INSERT-		4
			SUPPLIER CODE: V29372		
150	284T0291-7	..	PANEL ASSY-		1

ILLUSTRATION ITEMS NOT ON PARTS LIST ARE NOT APPLICABLE

- ITEM NOT ILLUSTRATED

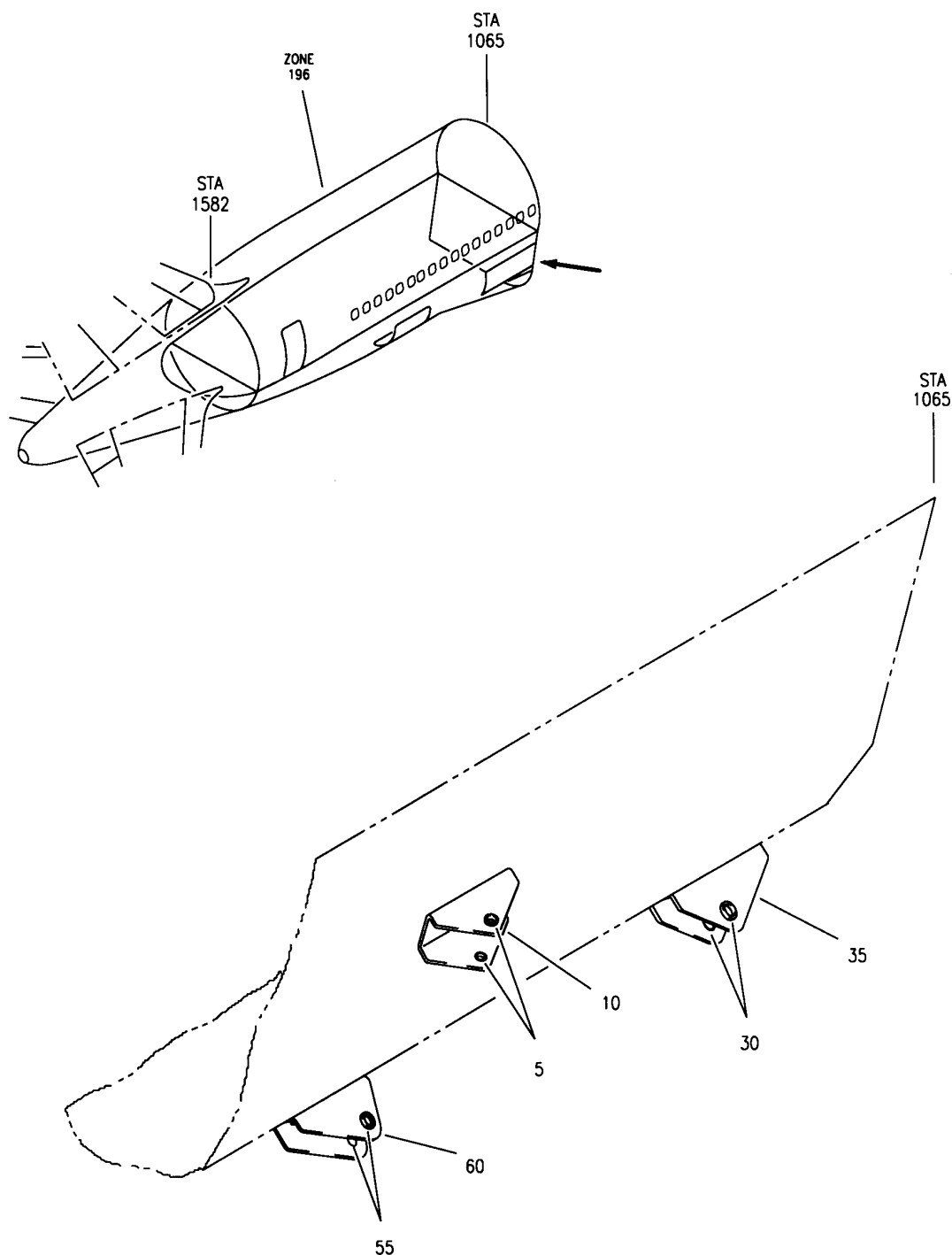
HXL

53-01-51-01

BOEING PROPRIETARY - Copyright © - Unpublished Work - See title page for details.

53-01-51  
FIG. 01  
PAGE 2  
DEC 22/07

**BOEING**  
767  
PARTS CATALOG (MAINTENANCE)



V 53015102 REV 186

SUPPORT ASSY-SECT. 49 UPR AFT EXHAUST DUCT AIR DRIVEN PUMP  
FIGURE 2

**53-01-51-02**

HXL  
DEC 22/06

53-01-51-02  
PAGE 0



767

PARTS CATALOG (MAINTENANCE)

FIG ITEM	PART NUMBER	1 2 3 4 5 6 7	NOMENCLATURE	EFFECT FROM TO	UNITS PER ASSY
2			SUPPORT ASSY-SECT. 49 UPR AFT EXHAUST DUCT AIR DRIVEN PUMP		
- 1	271T0125-5		SUPPORT ASSY-EXH DUCT AIR DRIVEN PUMP POSITION DATA: SECT. 49 UPR AFT FOR NHA SEE: 53-65-54-02		RF
	5 BACB28X4C006		.BUSHING		2
	10 271T0125-6		.SUPPORT		1
- 25	271T0126-1		SUPPORT ASSY-EXH DUCT AIR DRIVEN PUMP POSITION DATA: SECT. 49 LWR FWD FOR NHA SEE: 53-65-54-02		RF
	30 BACB28X4C006		.BUSHING		2
	35 271T0126-2		.BRACKET		1
- 50	271T0127-1		BRACKET ASSY-EXH DUCT AIR DRIVEN PUMP POSITION DATA: SECT. 49 LWR FWD FOR NHA SEE: 53-65-54-02		RF
	55 BACB28X4C006		.BUSHING		2
60	271T0128-2		.SUPPORT		1

ILLUSTRATION ITEMS NOT ON PARTS LIST ARE NOT APPLICABLE

- ITEM NOT ILLUSTRATED

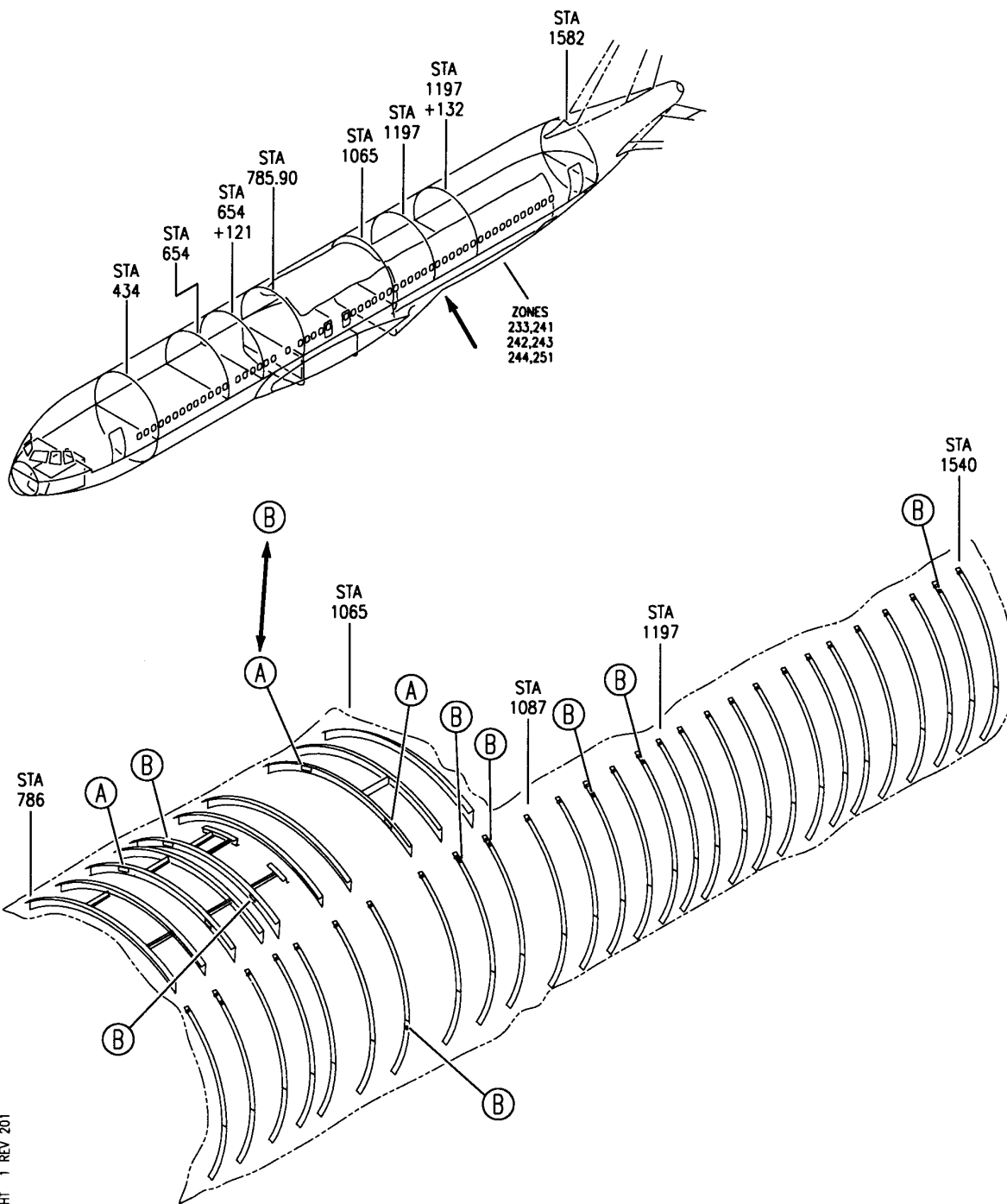
HXL

53-01-51-02

BOEING PROPRIETARY - Copyright © - Unpublished Work - See title page for details.

53-01-51  
FIG. 02  
PAGE 1  
DEC 22/06

**BOEING**  
767  
PARTS CATALOG (MAINTENANCE)



V 53015103 SHT 1 REV 201

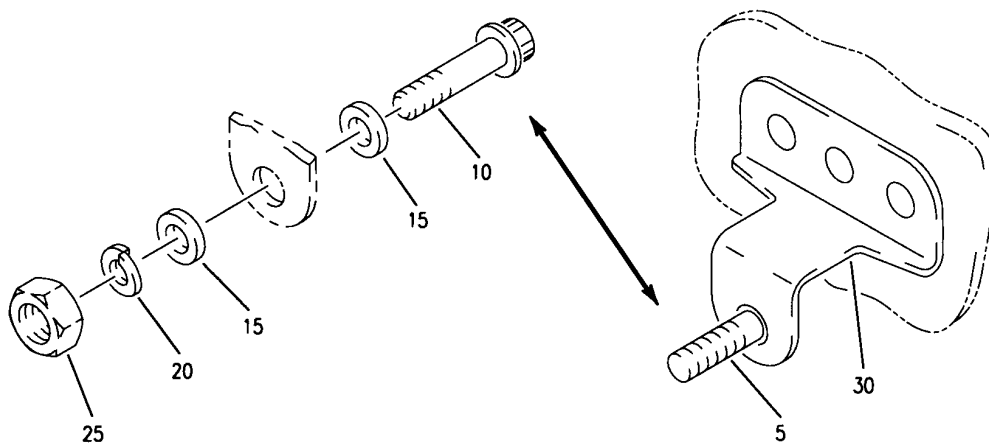
STUD ASSY-GND MULTI SECT.  
FIGURE 3 (SHEET 1)

**53-01-51-03**

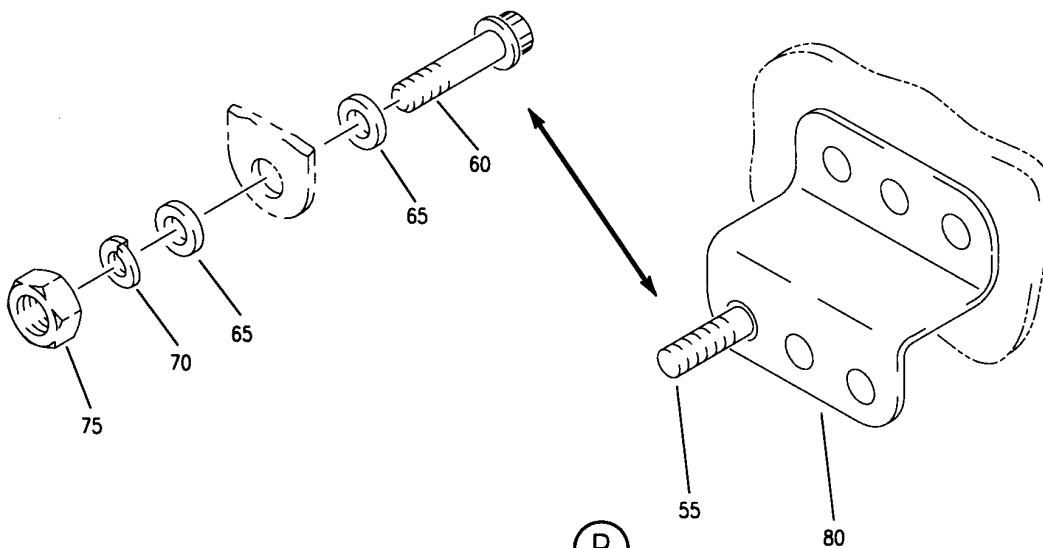
HXL  
DEC 22/06

53-01-51-03  
PAGE 0

**BOEING**  
767  
PARTS CATALOG (MAINTENANCE)



(A)



(B)

V 53015103 SHT 2 REV 201

STUD ASSY-GND MULTI SECT.  
FIGURE 3 (SHEET 2)

**53-01-51-03**

HXL  
DEC 22/06

53-01-51-03  
PAGE 0A



767

PARTS CATALOG (MAINTENANCE)

FIG ITEM	PART NUMBER	1 2 3 4 5 6 7	NOMENCLATURE	EFFECT FROM TO	UNITS PER ASSY
3			STUD ASSY-GND MULTI SECT.		
- 50	287T4507-3		STUD ASSY-GND FOR NHA SEE: 53-61-53-02		RF
55	VNS1924CA1-8		.STUD- SUPPLIER CODE: V5M902 SPECIFICATION NUMBER: BACS53B1EA1 OPTIONAL PART: VNS1924CA3-1-8 V92215 QUALIFIED OPTIONAL DATA: NAS1801-3-12, AN960D10L (2), MS35338-43, AND MS35650-305T TOGETHER ARE OPTIONAL TO BACS53B1EA1.		1
60	NAS1801-3-12		.SCREW- QUALIFIED OPTIONAL DATA: NAS1801-3-12, AN960D10L (2), MS35338-43, AND MS35650-305T TOGETHER ARE OPTIONAL TO BACS53B1EA1.		1
65	AN960D10L		.WASHER- QUALIFIED OPTIONAL DATA: NAS1801-3-12, AN960D10L (2), MS35338-43, AND MS35650-305T TOGETHER ARE OPTIONAL TO BACS53B1EA1.		2
70	MS35338-43		.WASHER- QUALIFIED OPTIONAL DATA: NAS1801-3-12, AN960D10L (2), MS35338-43, AND MS35650-305T TOGETHER ARE OPTIONAL TO BACS53B1EA1.		1
75	MS35650-305T		.NUT- QUALIFIED OPTIONAL DATA: NAS1801-3-12, AN960D10L (2), MS35338-43, AND MS35650-305T TOGETHER ARE OPTIONAL TO BACS53B1EA1.		1
80	287T4507-4		.BRACKET		1

ILLUSTRATION ITEMS NOT ON PARTS LIST ARE NOT APPLICABLE

- ITEM NOT ILLUSTRATED

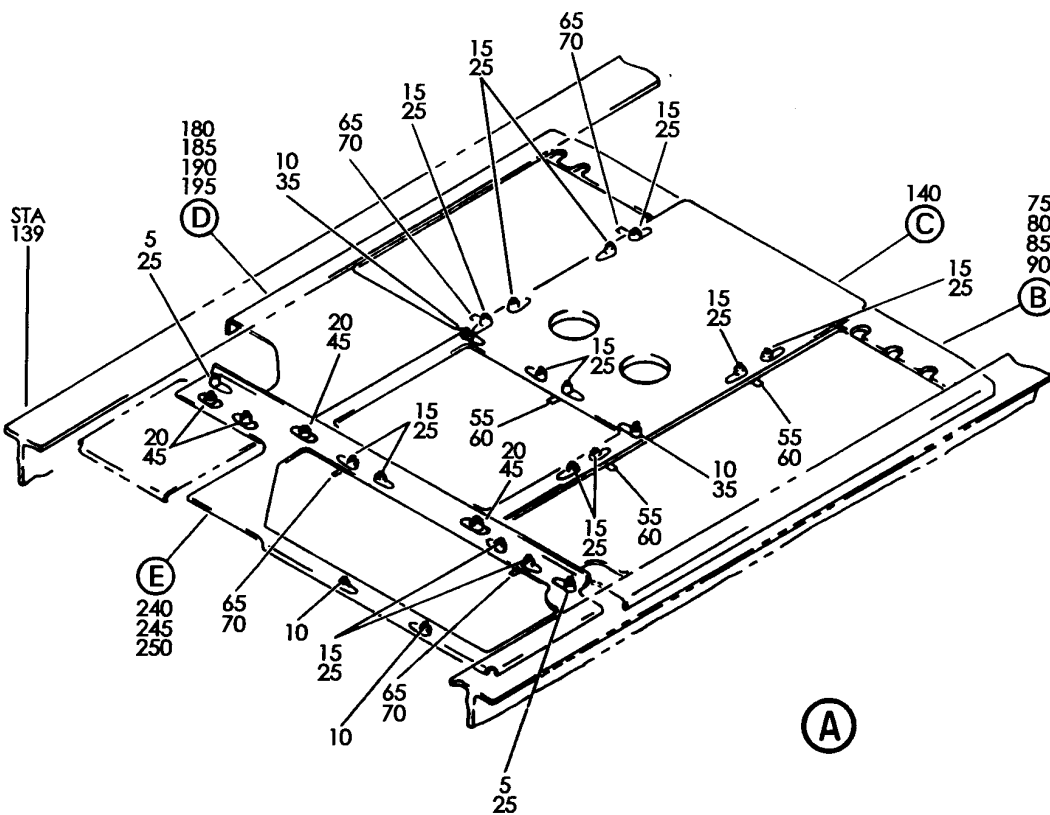
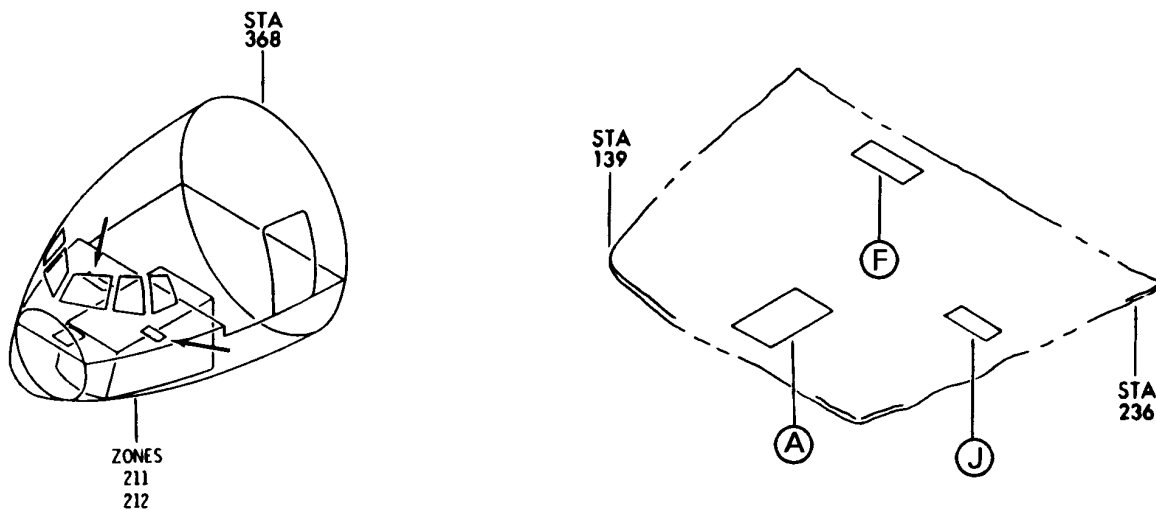
53-01-51-03

53-01-51  
FIG. 03  
PAGE 1  
DEC 22/06

HXL



**BOEING**  
767  
PARTS CATALOG (MAINTENANCE)



V 53015202 SHT 1 REV 195

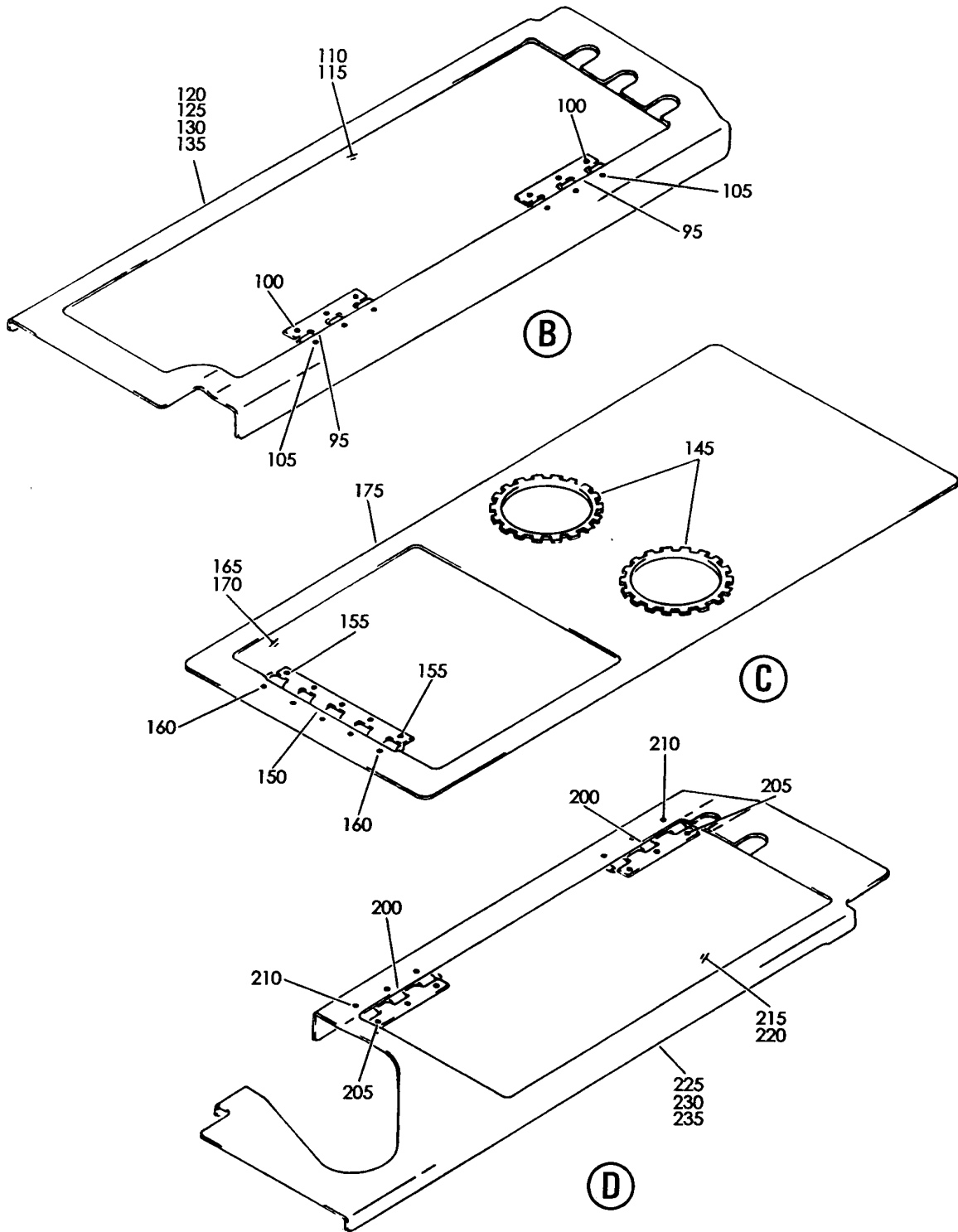
PANEL INSTL-CAB. FLOOR BLOWOUT  
FIGURE 2 (SHEET 1)

**53-01-52-02**

HXL  
DEC 22/06

53-01-52-02  
PAGE 0

**BOEING**  
767  
PARTS CATALOG (MAINTENANCE)



V 53015202 SHT 2 REV 195

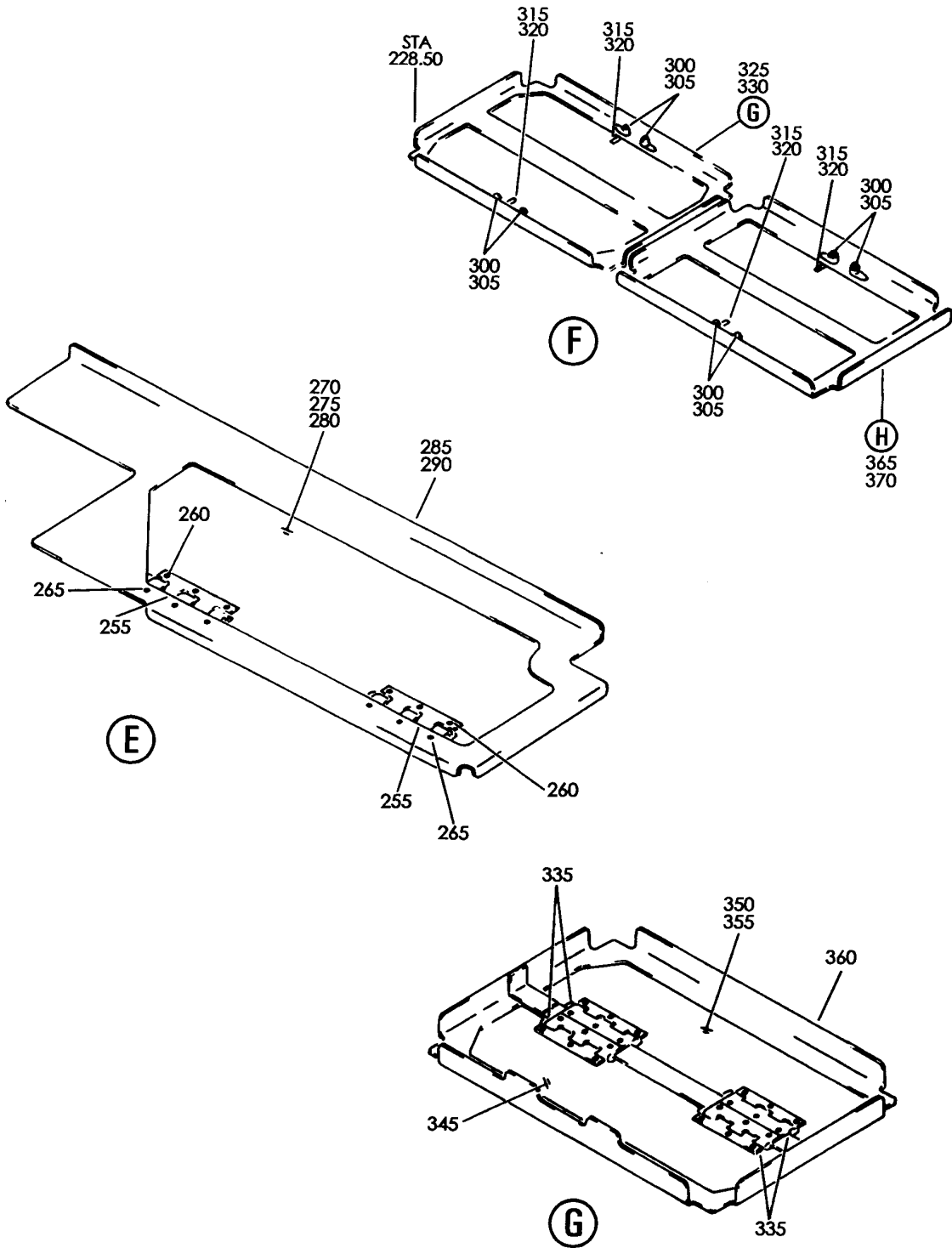
PANEL INSTL-CAB. FLOOR BLOWOUT  
FIGURE 2 (SHEET 2)

**53-01-52-02**

HXL  
DEC 22/06

53-01-52-02  
PAGE 0A

**BOEING**  
767  
PARTS CATALOG (MAINTENANCE)



V 53015202 SHT 3 REV 195

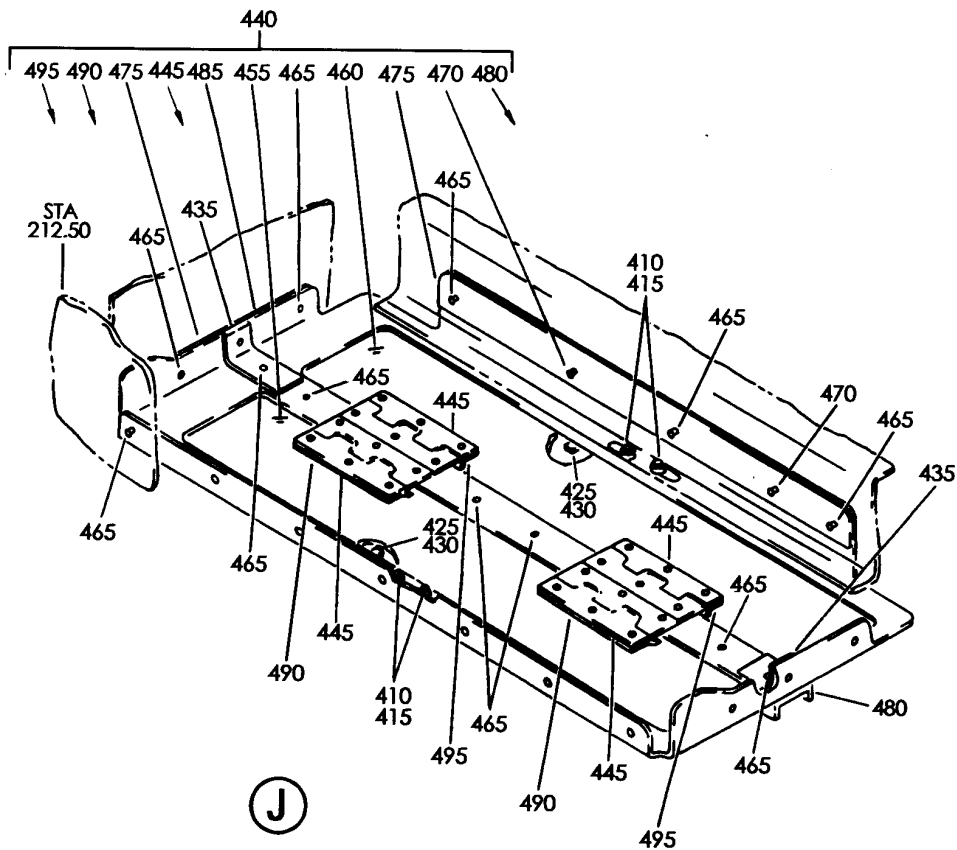
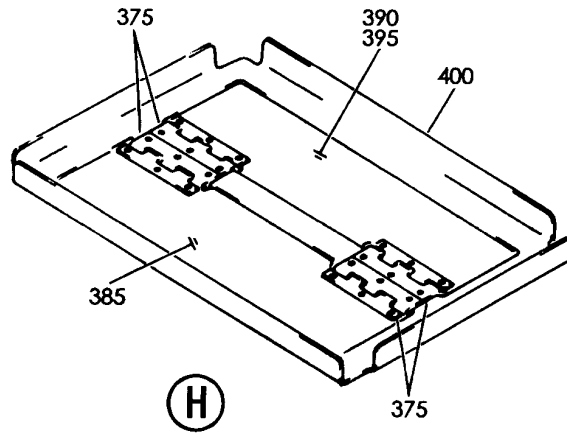
PANEL INSTL-CAB. FLOOR BLOWOUT  
FIGURE 2 (SHEET 3)

**53-01-52-02**

HXL  
DEC 22/06

53-01-52-02  
PAGE 0B

**BOEING**  
767  
PARTS CATALOG (MAINTENANCE)



V 53015202 SHT 4 REV 195

PANEL INSTL-CAB. FLOOR BLOWOUT  
FIGURE 2 (SHEET 4)

**53-01-52-02**

HXL  
DEC 22/06

53-01-52-02  
PAGE 0C

**BOEING**  
767  
**PARTS CATALOG (MAINTENANCE)**

FIG ITEM	PART NUMBER	1 2 3 4 5 6 7	NOMENCLATURE	EFFECT FROM TO	UNITS PER ASSY
2			PANEL INSTL-CAB. FLOOR BLOWOUT		
- 1	141T5824-1		PANEL INSTL-CAB. FLOOR BLOWOUT POSITION DATA: STA 139 VARIABLE DRAWING REF: 141T5824-5002 141T5824-5003 FOR NHA SEE: 53-13-03-01		RF
55	141T5824-12		.CLIP ASSY- OPTIONAL PART: 141T5824-86	163999	3
60	141T5824-86		.CLIP ASSY- OPTIONAL PART: 141T5824-12	163999	3
65	141T5824-13		.CLIP ASSY- OPTIONAL PART: 141T5824-87	163999	4
70	141T5824-87		.CLIP ASSY- OPTIONAL PART: 141T5824-13	163999	4
80	141T5824-103		.PANEL ASSY		1
110	141T5824-50		..DOOR- OPTIONAL PART: 141T5824-90		1
125	141T5824-104		..PANEL		1
185	141T5824-54		.PANEL ASSY-		1
200	141T5824-37		..HINGE		2
205	BACR15BB3AD		ATTACHING PARTS ..RIVET-		6
210	BACR15BA3AD		..RIVET- SIZE DETERMINED ON INSTL.		6
215	141T5824-51		-----*----- ..DOOR- OPTIONAL PART: 141T5824-88		1
220	141T5824-88		..DOOR- OPTIONAL PART: 141T5824-51		1
230	141T5824-48		..PANEL- USED ON: 141T5824-54		1
240	141T5824-105		.PANEL ASSY	163999	1
245	141T5824-108		.PANEL ASSY	155162	1

ILLUSTRATION ITEMS NOT ON PARTS LIST ARE NOT APPLICABLE

- ITEM NOT ILLUSTRATED

HXL

53-01-52-02

BOEING PROPRIETARY - Copyright © - Unpublished Work - See title page for details.

53-01-52  
FIG. 02  
PAGE 1  
DEC 22/07



767

PARTS CATALOG (MAINTENANCE)

FIG ITEM	PART NUMBER	1 2 3 4 5 6 7	NOMENCLATURE	EFFECT FROM TO	UNITS PER ASSY
2					
270	141T5824-106	..	DOOR- OPTIONAL PART: 141T5824-107		1
275	141T5824-107	..	DOOR- OPTIONAL PART: 141T5824-106		1
285	141T5824-76	..	PANEL		1
- 295	141T5824-2		PANEL INSTL-CAB. FLOOR BLOWOUT POSITION DATA: STA 228 FOR NHA SEE: 53-13-03-01		RF
300	NAS1801-3-8	.	SCREW		8
305	F2000-3	.	NUTPLATE SUPPLIER CODE: V15653 SPECIFICATION NUMBER: BACN10KB3F OPTIONAL PART: NS103185-02 V80539 RMF9207-3 V72962 T8114S1032S V11815 VN151A1-02 V92215 BRF100A3 V52828		8
- 310	BACR15BA3AD	..	ATTACHING PARTS RIVET- SIZE DETERMINED ON INSTL. -----*-----		16
315	141T5824-13	.	CLIP ASSY- OPTIONAL PART: 141T5824-87		4
320	141T5824-87	.	CLIP ASSY- OPTIONAL PART: 141T5824-13		4
330	141T5824-503	.	PANEL ASSY		1
335	141T5824-37	..	HINGE ATTACHING PARTS		4
- 340	BACR15BB3AD	..	RIVET- SIZE DETERMINED ON INSTL. -----*-----		24
345	141T5824-92	..	DOOR		1
355	141T5824-501	..	DOOR		1
360	141T5824-18	..	PANEL		1

ILLUSTRATION ITEMS NOT ON PARTS LIST ARE NOT APPLICABLE

- ITEM NOT ILLUSTRATED

53-01-52-02

53-01-52  
FIG. 02  
PAGE 2  
DEC 22/07

HXL

BOEING PROPRIETARY - Copyright © - Unpublished Work - See title page for details.

**BOEING**  
767  
**PARTS CATALOG (MAINTENANCE)**

FIG ITEM	PART NUMBER	1 2 3 4 5 6 7	NOMENCLATURE	EFFECT FROM TO	UNITS PER ASSY
2					
370	141T5824-504		.PANEL ASSY		1
375	141T5824-37		..HINGE		4
			ATTACHING PARTS		
- 380	BACR15BB3AD		..RIVET-		24
			SIZE DETERMINED ON INSTL.		
			-----*-----		
385	141T5824-93		..DOOR		1
395	141T5824-502		..DOOR		1
400	141T5824-79		..PANEL		1
- 405	141T5824-57		PANEL INSTL-CAB. FLOOR		RF
			BLOWOUT		
			POSITION DATA:		
			STA 212.5		
			FOR NHA SEE:		
			53-13-03-01		
410	NAS6603-1		.BOLT		4
415	F2000-3		.NUTPLATE		4
			SUPPLIER CODE:		
			V15653		
			SPECIFICATION NUMBER:		
			BACN10KB3F		
			OPTIONAL PART:		
			NS103185-02		
			V80539		
			RMF9207-3		
			V72962		
			T8114S1032S		
			V11815		
			VN151A1-02		
			V92215		
			BRF100A3		
			V52828		
			ATTACHING PARTS		
- 420	BACR15BA3AD		..RIVET-		8
			SIZE DETERMINED ON INSTL.		
			-----*-----		
425	141T5824-13		.CLIP ASSY-		2
			OPTIONAL PART:		
			141T5824-87		
430	141T5824-87		.CLIP ASSY-		2
			OPTIONAL PART:		
			141T5824-13		
435	141T5824-40		.CLIP		2
440	141T5824-83		.PANEL ASSY		1
445	141T5824-37		..HINGE		4
			ATTACHING PARTS		
- 450	BACR15BB3AD		..RIVET-		24
			SIZE DETERMINED ON INSTL.		
			-----*-----		

ILLUSTRATION ITEMS NOT ON PARTS LIST ARE NOT APPLICABLE

- ITEM NOT ILLUSTRATED

HXL

53-01-52-02

BOEING PROPRIETARY - Copyright © - Unpublished Work - See title page for details.

53-01-52  
FIG. 02  
PAGE 3  
DEC 22/07



767

PARTS CATALOG (MAINTENANCE)

FIG ITEM	PART NUMBER	1 2 3 4 5 6 7	NOMENCLATURE	EFFECT FROM TO	UNITS PER ASSY
2					
455	141T5824-59	..	DOOR		1
460	141T5824-60	..	DOOR		1
465	BACR15BB4AD	..	RIVET-		22
			SIZE DETERMINED ON INSTL.		
470	BACR15FT6KE	..	RIVET-		2
			SIZE DETERMINED ON INSTL.		
475	BACS40R008C105F	..	SHIM		2
480	141T5824-62	..	CHANNEL		1
485	141T5824-84	..	PANEL		1
490	141T5824-73	..	ANGLE-STOP		2
495	141T5824-74	..	ANGLE-STOP		2
ILLUSTRATION ITEMS NOT ON PARTS LIST ARE NOT APPLICABLE					

- ITEM NOT ILLUSTRATED

HXL

53-01-52-02

BOEING PROPRIETARY - Copyright © - Unpublished Work - See title page for details.

53-01-52  
FIG. 02  
PAGE 4  
DEC 22/07