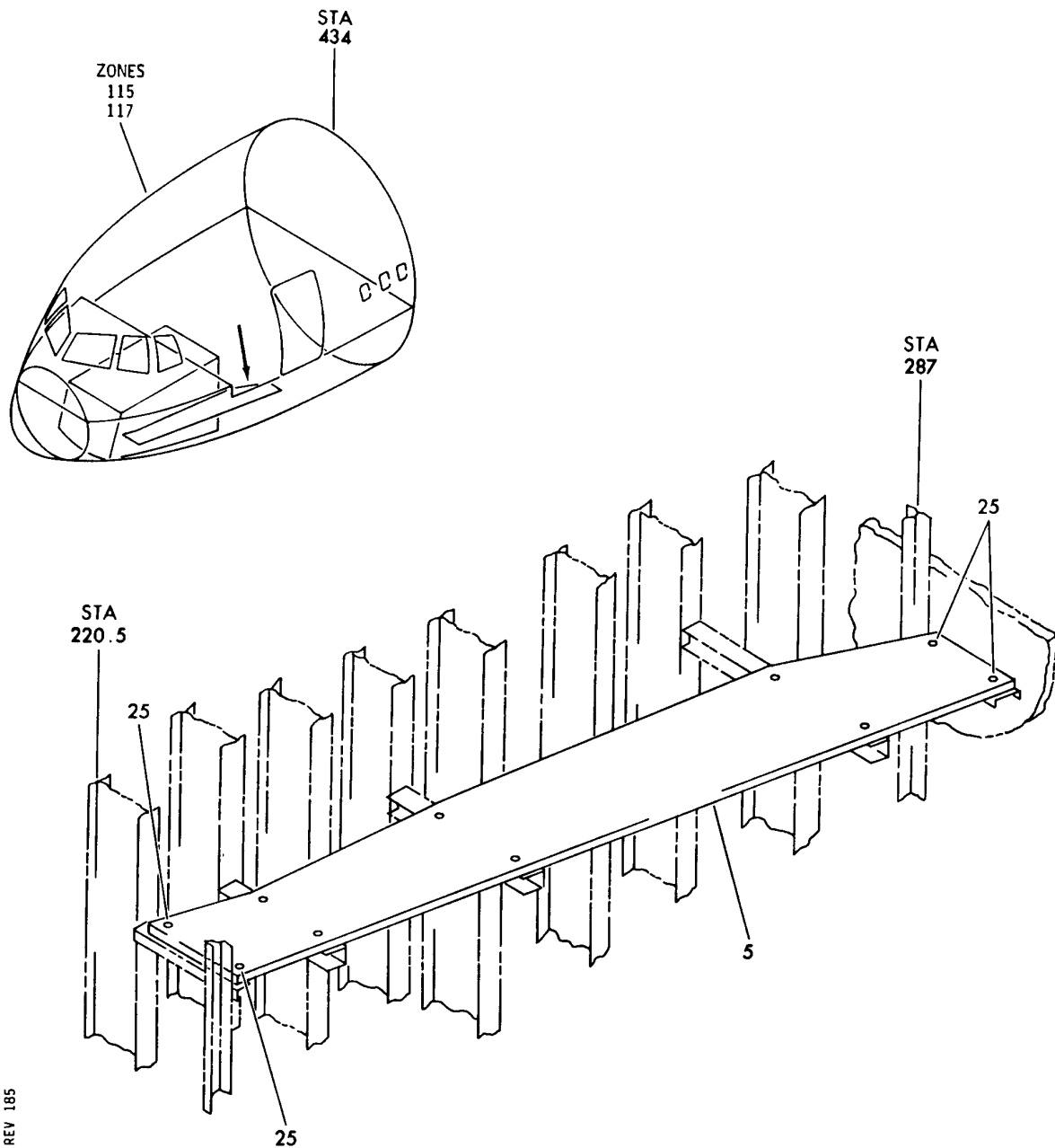


AUXILIARY STRUCTURE

BOEING
767
PARTS CATALOG (MAINTENANCE)



V 53140001 REV 185

WALKWAY INSTL STA. 220.5 TO STA. 287.0 LH
FIGURE 1

53-14-00-01

HXL
DEC 22/06

53-14-00-01
PAGE 0



767

PARTS CATALOG (MAINTENANCE)

FIG ITEM	PART NUMBER	1 2 3 4 5 6 7	NOMENCLATURE	EFFECT FROM TO	UNITS PER ASSY
1			WALKWAY INSTL STA. 220.5 TO STA. 287.0 LH		
- 1	141T2940-1		WALKWAY INSTL- POSITION DATA: STA. 220.5 TO STA. 287.0 LH FOR NHA SEE: 53-10-54-01D		RF
5	141T2941-1		.WALKWAY ASSY ATTACHING PARTS		1
- 10	NAS514P428-14		.SCREW		10
- 15	AN960PD10		.WASHER		10
- 20	BRH10C4M		.NUT		10
			SUPPLIER CODE: V52828 SPECIFICATION NUMBER: BACN10JC4CM OPTIONAL PART: T6C428JM V11815 97E48 V80539 109LH9075-4W V72962 VN303D048 V92215 H01-4BAC V15653 NS202101SE048 V80539		
			-----*-----		
25	SL5107A4-410		..SPACER- SUPPLIER CODE: V97393		10

ILLUSTRATION ITEMS NOT ON PARTS LIST ARE NOT APPLICABLE

- ITEM NOT ILLUSTRATED

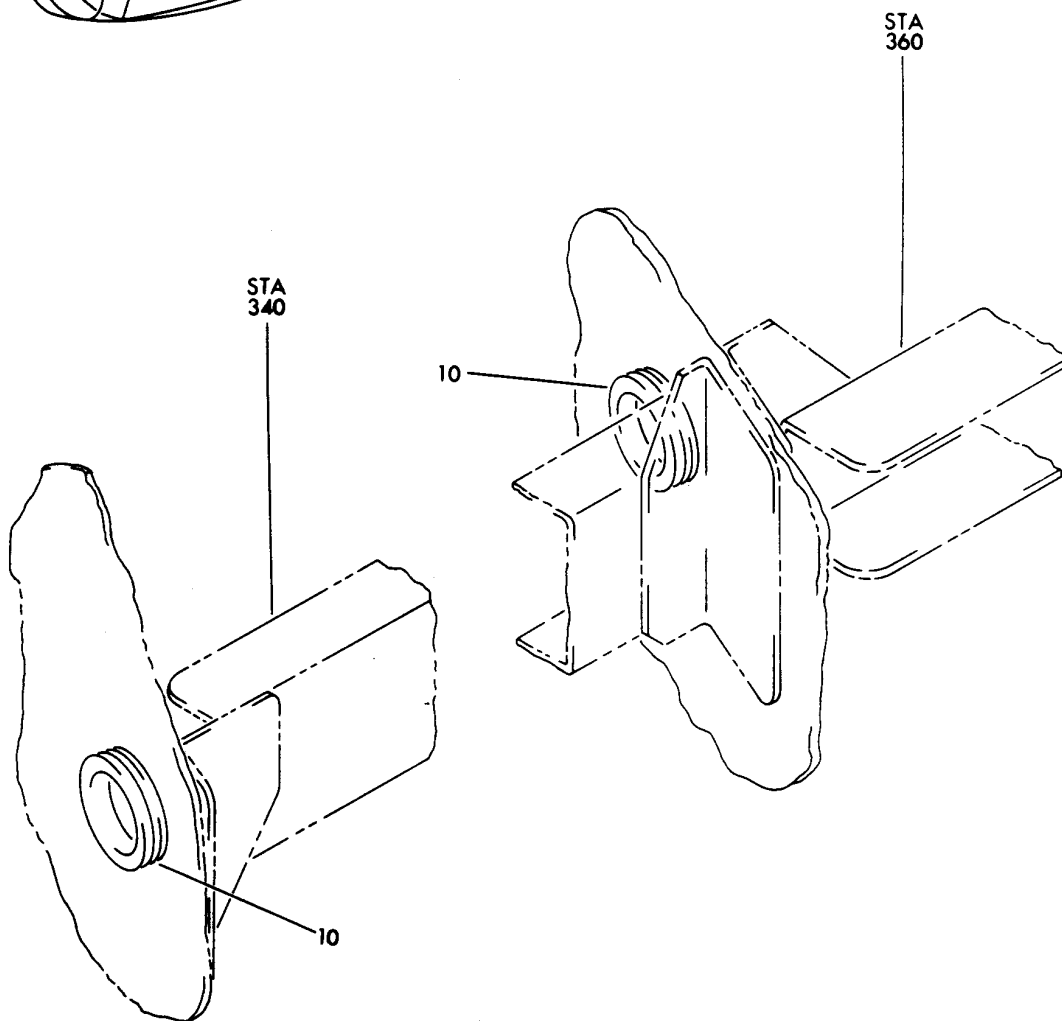
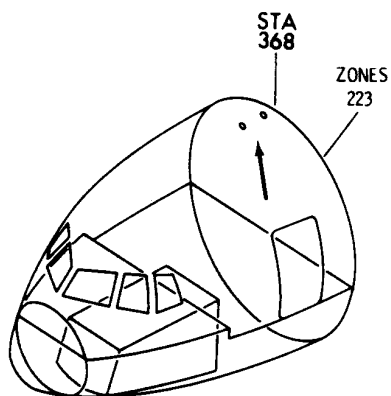
HXL

53-14-00-01

BOEING PROPRIETARY - Copyright © - Unpublished Work - See title page for details.

53-14-00
FIG. 01
PAGE 1
DEC 22/06

BOEING
767
PARTS CATALOG (MAINTENANCE)



V 53145101 SHT 1 REV 011

INTERCOSTAL INSTL-SECT. 41 PASS. DOOR CTR BAL PULLEY (LH)
FIGURE 1

53-14-51-01

HXL
DEC 22/06

53-14-51-01
PAGE 0



767

PARTS CATALOG (MAINTENANCE)

FIG ITEM	PART NUMBER	1 2 3 4 5 6 7	NOMENCLATURE	EFFECT FROM TO	UNITS PER ASSY
1			INTERCOSTAL INSTL-SECT. 41 PASS. DOOR CTR BAL PULLEY (LH)		
- 1	258T3200-1		INTERCOSTAL INSTL-PASS. DOOR BAL PULLEY POSITION DATA: SECT. 41 CTR LH VARIABLE DRAWING REF: 258T3200-5001 FOR NHA SEE: 53-10-55-01A		RF
10	NAS557-16C		.GROMMET		2

ILLUSTRATION ITEMS NOT ON PARTS LIST ARE NOT APPLICABLE

- ITEM NOT ILLUSTRATED

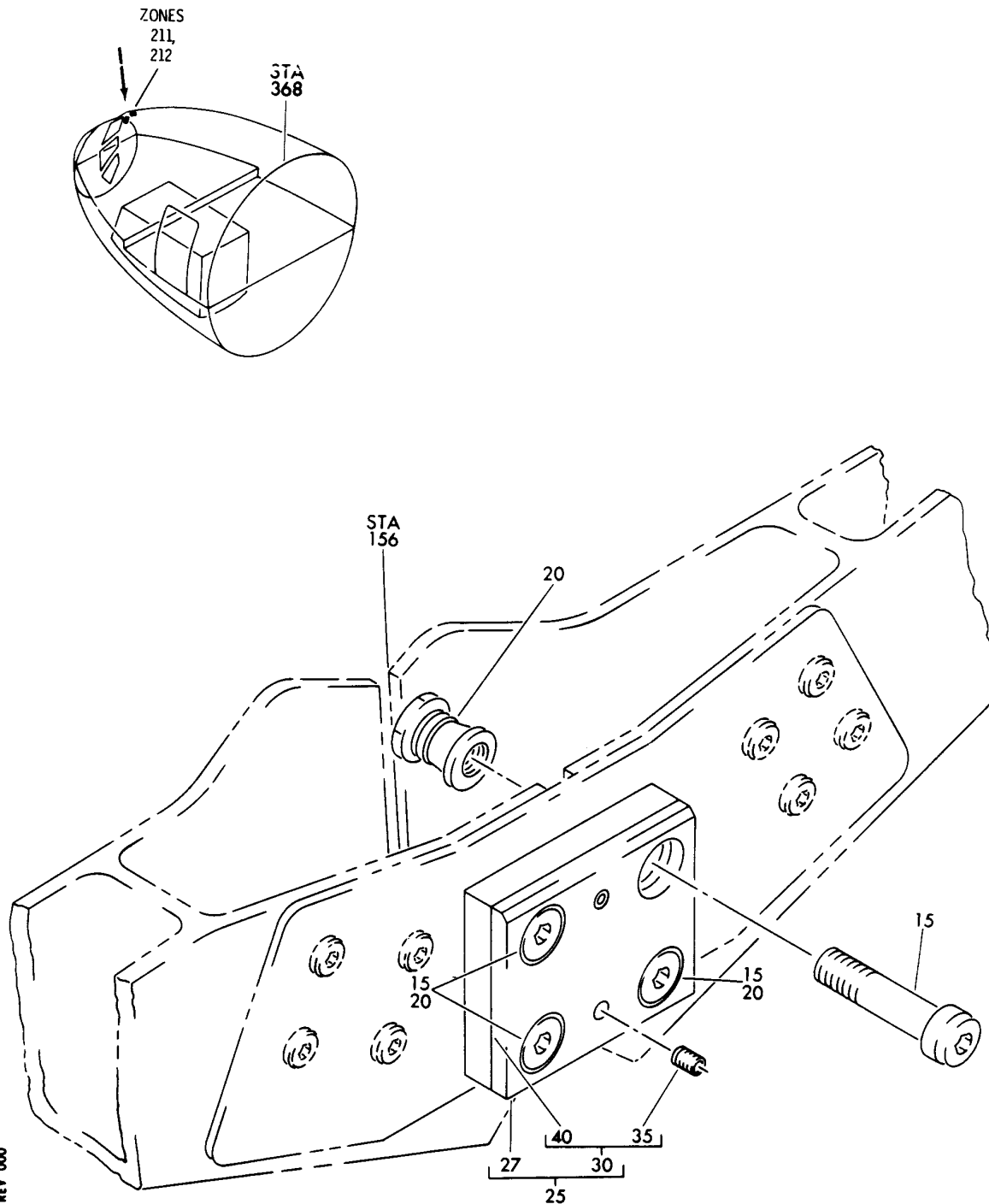
HXL

53-14-51-01

BOEING PROPRIETARY - Copyright © - Unpublished Work - See title page for details.

53-14-51
FIG. 01
PAGE 1
DEC 22/07

BOEING
767
PARTS CATALOG (MAINTENANCE)



SILL INSTL-A-C
FIGURE 1

53-14-52-01

HXL
DEC 22/06

53-14-52-01
PAGE 0



767

PARTS CATALOG (MAINTENANCE)

FIG ITEM	PART NUMBER	1 2 3 4 5 6 7	NOMENCLATURE	EFFECT FROM TO	UNITS PER ASSY
1					
- 1	141T8841-7		SILL INSTL-A-C SILL INSTL-A-C POSITION DATA: LH FOR NHA SEE: 51-00-00-01		RF
15	HL1012AZ12-20		.BOLT SUPPLIER CODE: VOPTK6 SPECIFICATION NUMBER: BACB30NX12K20 OPTIONAL PART: HL12VAZ12-20 V73197 HL12VAZ12-20 V92215 HL12VAZ12-20 V97928 L802-12K20 V06725 HL12VAZ12-20 V56878 HL1012AZ12-20 V06725 HL1012AZ12-20 V06950 HL1012AZ12-20 V17446 HL1012AZ12-20 V56878 HL1012AZ12-20 V60516 HL1012AZ12-20 V73197 HL1012AZ12-20 V97928		4
ILLUSTRATION ITEMS NOT ON PARTS LIST ARE NOT APPLICABLE					

- ITEM NOT ILLUSTRATED

HXL

53-14-52-01

BOEING PROPRIETARY - Copyright © - Unpublished Work - See title page for details.

53-14-52
FIG. 01
PAGE 1
DEC 22/07



767

PARTS CATALOG (MAINTENANCE)

FIG ITEM	PART NUMBER	1 2 3 4 5 6 7	NOMENCLATURE	EFFECT FROM TO	UNITS PER ASSY
1					
20	HL1187DU12	.	COLLAR SUPPLIER CODE: V5M902 SPECIFICATION NUMBER: BACC30X12S OPTIONAL PART: HL87DU12 V92215 HL87DU12 V73197 HL1187DU12 V56878 HL1187DU12 V92215 HL87DU12 V56878 HL1187DU12 V73197		4
25	232T4110-1	.	ADAPTER ASSY		1
27	232T4110-4	..	INSULATOR		1
30	232T4110-2	..	ADAPTER ASSY		1
35	NAS1395C4L	...	INSERT		2
40	232T4110-3	...	ADAPTER		1
ILLUSTRATION ITEMS NOT ON PARTS LIST ARE NOT APPLICABLE					

- ITEM NOT ILLUSTRATED

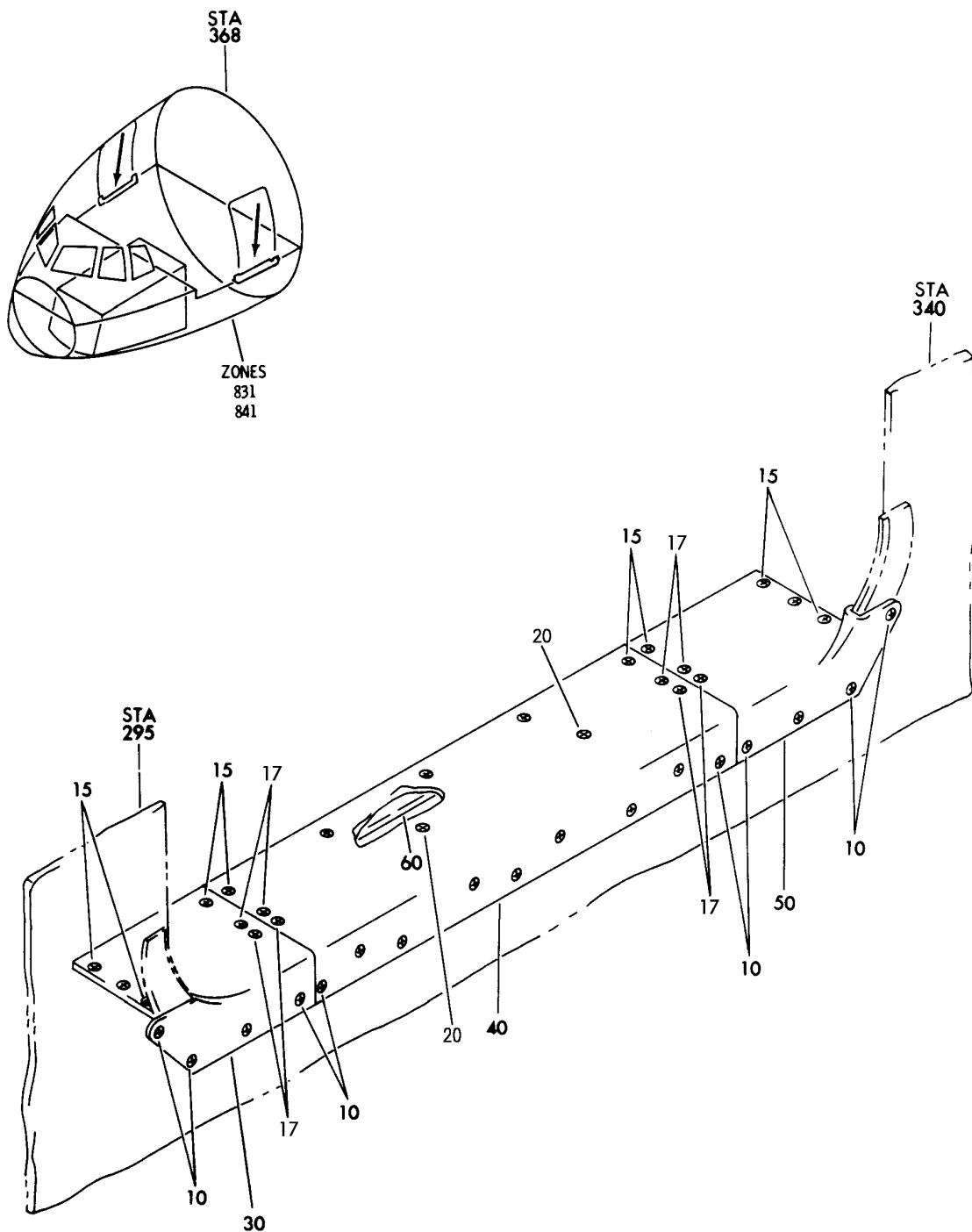
HXL

53-14-52-01

BOEING PROPRIETARY - Copyright © - Unpublished Work - See title page for details.

53-14-52
FIG. 01
PAGE 2
DEC 22/06

BOEING
767
PARTS CATALOG (MAINTENANCE)



V 53145301 REV 333

PLATE INSTL-SECT. 41 FWD ENTRY AND SVCE DOOR SCUFF
FIGURE 1

53-14-53-01

HXL
DEC 22/08

53-14-53-01
PAGE 0



767

PARTS CATALOG (MAINTENANCE)

FIG ITEM	PART NUMBER	1 2 3 4 5 6 7	NOMENCLATURE	EFFECT FROM TO	UNITS PER ASSY
1			PLATE INSTL-SECT. 41 FWD ENTRY AND SVCE DOOR SCUFF		
- 1	141T8313-39		PLATE INSTL-ENTRY DOOR SCUFF POSITION DATA: SECT. 41 FWD LH VARIABLE DRAWING REF: 141T8313-5003 141T8313-5004 FOR NHA SEE: 53-10-55-01A		RF
- 5	141T8313-40		PLATE INSTL-SVCE DOOR SCUFF POSITION DATA: SECT. 41 FWD RH VARIABLE DRAWING REF: 141T8313-5005 141T8313-5006 FOR NHA SEE: 53-10-55-01A		RF
10	BACB30NN3C7		.BOLT		17
15	BACS12ER3K6		.SCREW-		13
17	BACB30NN3C8		.BOLT-		8
20	BACB30NN3C9		.BOLT		2
30	141T8313-35		.CORNER- POSITION DATA: LH SIDE		1
- 35	141T8313-36		.CORNER- POSITION DATA: RH SIDE		1
40	141T8313-21		.PLATE- POSITION DATA: LH SIDE		1
- 45	141T8313-22		.PLATE- POSITION DATA: RH SIDE		1
50	141T8313-37		.CORNER- POSITION DATA: LH SIDE		1
- 55	141T8313-38		.CORNER- POSITION DATA: RH SIDE		1
60	141T8313-12		.CHANNEL-SPRT		1

ILLUSTRATION ITEMS NOT ON PARTS LIST ARE NOT APPLICABLE

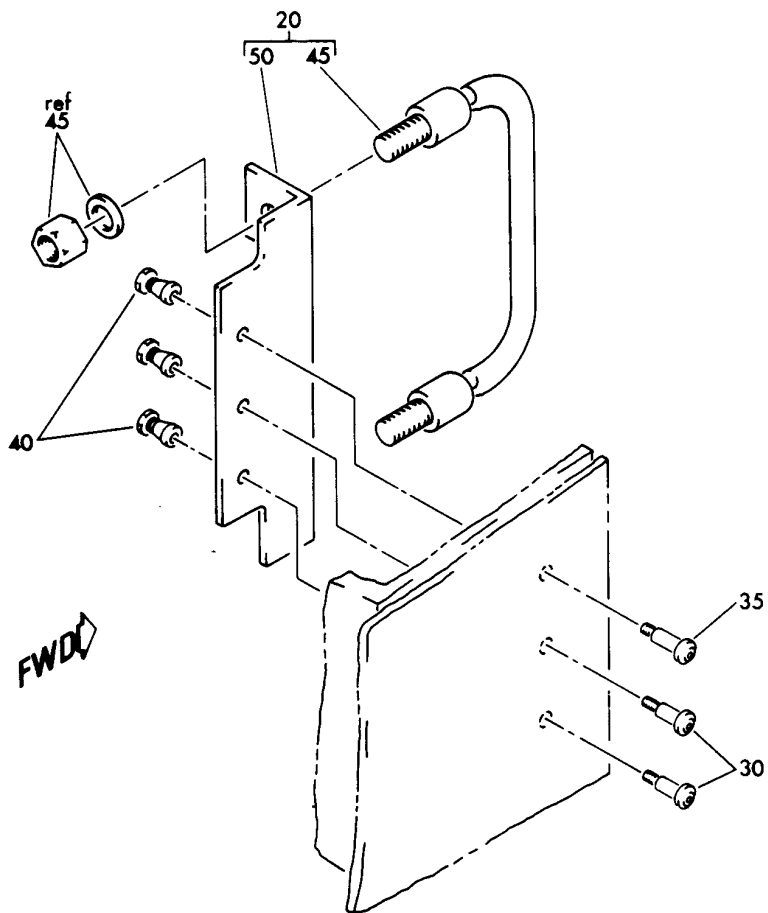
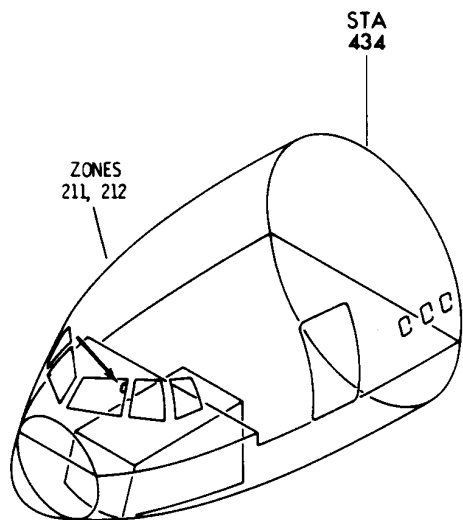
- ITEM NOT ILLUSTRATED

53-14-53-01

53-14-53
FIG. 01
PAGE 1
DEC 22/08

HXL

BOEING
767
PARTS CATALOG (MAINTENANCE)



V 53145501 SHY 1 REV 054

SILL AND INTERCOSTAL INSTL
FIGURE 1

53-14-55-01

HXL
DEC 22/06

53-14-55-01
PAGE 0



767

PARTS CATALOG (MAINTENANCE)

FIG ITEM	PART NUMBER	1 2 3 4 5 6 7	NOMENCLATURE	EFFECT FROM TO	UNITS PER ASSY
1					
- 1	141T8844-63		SILL AND INTERCOSTAL INSTL SILL AND INTERCOSTAL- POSITION DATA: LH FOR NHA SEE: 51-00-00-01		RF
- 5	141T8844-64		SILL AND INTERCOSTAL- POSITION DATA: RH FOR NHA SEE: 51-00-00-01		RF
- 10	141T8844-65		.SILL INSTL-C-E POSITION DATA: LH SIDE		1
- 15	141T8844-66		.SILL INSTL-C-E POSITION DATA: RH SIDE		1
20	232T4219-6		..BRACKET ASSY-ASSIST HANDLE POSITION DATA: LH SIDE		1
- 25	232T4219-5		..BRACKET ASSY-ASSIST HANDLE POSITION DATA: RH SIDE		1

ILLUSTRATION ITEMS NOT ON PARTS LIST ARE NOT APPLICABLE

- ITEM NOT ILLUSTRATED

HXL

53-14-55-01

BOEING PROPRIETARY - Copyright © - Unpublished Work - See title page for details.

53-14-55
FIG. 01
PAGE 1
DEC 22/07



767

PARTS CATALOG (MAINTENANCE)

FIG ITEM	PART NUMBER	1 2 3 4 5 6 7 NOMENCLATURE	EFFECT FROM TO	UNITS PER ASSY
1 30	HL1012AZ8-8	ATTACHING PARTS .. BOLT SUPPLIER CODE: VOPTK6 SPECIFICATION NUMBER: BACB30NX8K8 OPTIONAL PART: HL12VAZ8-8 V73197 HL12VAZ8-8 V92215 HL12VAZ8-8 V97928 L802-8K8 V06725 HL12VAZ8-8 V56878 HL1012AZ8-8 V06725 HL1012AZ8-8 V06950 HL1012AZ8-8 V17446 HL1012AZ8-8 V56878 HL1012AZ8-8 V60516 HL1012AZ8-8 V73197 HL1012AZ8-8 V97928		2
ILLUSTRATION ITEMS NOT ON PARTS LIST ARE NOT APPLICABLE				

- ITEM NOT ILLUSTRATED

HXL

53-14-55-01

BOEING PROPRIETARY - Copyright © - Unpublished Work - See title page for details.

53-14-55
FIG. 01
PAGE 2
DEC 22/06



767

PARTS CATALOG (MAINTENANCE)

FIG ITEM	PART NUMBER	1 2 3 4 5 6 7	NOMENCLATURE	EFFECT FROM TO	UNITS PER ASSY
1					
35	HL1012AZ8-9		.. BOLT SUPPLIER CODE: VOPTK6 SPECIFICATION NUMBER: BACB30NX8K9 OPTIONAL PART: HL12VAZ8-9 V73197 HL12VAZ8-9 V92215 HL12VAZ8-9 V97928 L802-8K9 V06725 HL12VAZ8-9 V56878 HL1012AZ8-9 V06725 HL1012AZ8-9 V06950 HL1012AZ8-9 V17446 HL1012AZ8-9 V56878 HL1012AZ8-9 V60516 HL1012AZ8-9 V73197 HL1012AZ8-9 V97928		1
40	HL1187-8		.. COLLAR SUPPLIER CODE: V5M902 SPECIFICATION NUMBER: BACC30X8 OPTIONAL PART: HL87-8 V92215 HL87-8 V73197 HL1187-8 V56878 HL1187-8 V92215 HL87-8 V56878 HL1187-8 V73197 -----*-----		3
ILLUSTRATION ITEMS NOT ON PARTS LIST ARE NOT APPLICABLE					

- ITEM NOT ILLUSTRATED

HXL

53-14-55-01

BOEING PROPRIETARY - Copyright © - Unpublished Work - See title page for details.

53-14-55
 FIG. 01
 PAGE 3
 DEC 22/06



767

PARTS CATALOG (MAINTENANCE)

FIG ITEM	PART NUMBER	1 2 3 4 5 6 7	NOMENCLATURE	EFFECT FROM TO	UNITS PER ASSY
1					
45	76-3BA		...HANDLE- SUPPLIER CODE: V08730 OPTIONAL PART: BM835-2 V08730 BM835-2BRZ V08730		1
45	BM835-2		...HANDLE- SUPPLIER CODE: V08730 OPTIONAL PART: 76-3BA V08730 BM835-2BRZ V08730		1
45	BM835-2BRZ		...HANDLE- SUPPLIER CODE: V08730 OPTIONAL PART: 76-3BA V08730 BM835-2 V08730		1
50	232T4219-7		...ANGLE- POSITION DATA: LH SIDE		1
- 55	232T4219-8		...ANGLE- POSITION DATA: RH SIDE		1

ILLUSTRATION ITEMS NOT ON PARTS LIST ARE NOT APPLICABLE

- ITEM NOT ILLUSTRATED

HXL

53-14-55-01

BOEING PROPRIETARY - Copyright © - Unpublished Work - See title page for details.

53-14-55
FIG. 01
PAGE 4
DEC 22/06