

SECTION 46

HXL
DEC 22/06

53-60-00
SECTION TITLE
PAGE 1

 **BOEING**
767
PARTS CATALOG (MAINTENANCE)

NON-ILLUSTRATED FIGURE

THE ITEMS REFLECTED IN THIS FIGURE ARE INTENTIONALLY
NON-ILLUSTRATED. THEY ARE REFERENCED TO EITHER A
NEXT HIGHER OR NEXT LOWER ASSEMBLY/INSTALLATION FIGURE.

SECTION 46 ASSY
FIGURE 8

53-60-00-08

HXL
DEC 22/06

53-60-00-08
PAGE 0



767

PARTS CATALOG (MAINTENANCE)

FIG ITEM	PART NUMBER	1 2 3 4 5 6 7	NOMENCLATURE	EFFECT FROM TO	UNITS PER ASSY
8					
- 1	146T0000-012		SECTION 46 ASSY SECTION 46 ASSY- VARIABLE DRAWING REF: 146T0000-5009 146T0001-618 146T0001-5131 146T0001-5144 146T0001-5145 FOR NHA SEE: 53-00-00-08		RF
- 5	140T2700-5		.DOOR ASSY-CARGO POSITION DATA: AFT COMPONENT MAINT MANUAL REF: 52-34-01 VARIABLE DRAWING REF: 140T2700-5028 FOR DETAILS SEE: 52-35-00-03		1
- 5	140T2700-2		.DOOR ASSY-CARGO POSITION DATA: AFT COMPONENT MAINT MANUAL REF: 52-34-01 FOR DETAILS SEE: 52-35-00-03		1
- 5	140T2700-7		.DOOR ASSY-CARGO VARIABLE POSITION DATA: AFT COMPONENT MAINT MANUAL REF: 52-34-01 FOR DETAILS SEE: 52-35-00-03		1
- 10	141T6581-5		.SNUBBER INSTL-ENTRY DOOR POSITION DATA: STA 876.30 LH FOR DETAILS SEE: 52-11-10-01		1
- 15	141T6581-6		.SNUBBER INSTL-SVCE DOOR POSITION DATA: STA 876.30 RH FOR DETAILS SEE: 52-11-10-01		1
- 20	141T6581-7		.SNUBBER INSTL-ENTRY DOOR POSITION DATA: STA 923.70 LH FOR DETAILS SEE: 52-11-10-01		1

ILLUSTRATION ITEMS NOT ON PARTS LIST ARE NOT APPLICABLE

- ITEM NOT ILLUSTRATED

53-60-00-08

53-60-00
FIG. 08
PAGE 1
DEC 22/07

HXL



767

PARTS CATALOG (MAINTENANCE)

FIG ITEM	PART NUMBER	1 2 3 4 5 6 7	NOMENCLATURE	EFFECT FROM TO	UNITS PER ASSY
8					
- 25	141T6581-8		.SNUBBER INSTL-SVCE DOOR POSITION DATA: STA 923.70 RH FOR DETAILS SEE: 52-11-10-01		1
- 30	146T0620-1		.DOOR INTEGRATION-CARGO POSITION DATA: AFT VARIABLE DRAWING REF: 146T0620-5003 FOR DETAILS SEE: 52-35-00-01		1
- 35	146T0630-1		.DOOR INTEGRATION-BULK CARGO FOR DETAILS SEE: 52-36-01-05		1
- 40	146T6100-1		.DOOR INTEGRATION-ENTRY POSITION DATA: AFT LH VARIABLE DRAWING REF: 146T6100-5033 FUNCTIONAL REFERENCE: DOORS FOR DETAILS SEE 52-11-01-01 WINDOWS FOR DETAILS SEE 56-31-01-01		1
- 45	146T6100-2		.DOOR INTEGRATION-ENTRY POSITION DATA: AFT RH VARIABLE DRAWING REF: 146T6100-5034 FUNCTIONAL REFERENCE: DOORS FOR DETAILS SEE 52-11-01-01 WINDOWS FOR DETAILS SEE 56-31-01-01		1

ILLUSTRATION ITEMS NOT ON PARTS LIST ARE NOT APPLICABLE

- ITEM NOT ILLUSTRATED

HXL

53-60-00-08

BOEING PROPRIETARY - Copyright © - Unpublished Work - See title page for details.

53-60-00
FIG. 08
PAGE 2
DEC 22/07

 **BOEING**
767
PARTS CATALOG (MAINTENANCE)

FIG ITEM	PART NUMBER	1 2 3 4 5 6 7	NOMENCLATURE	EFFECT FROM TO	UNITS PER ASSY
8 - 50	146T6301-3		.DOOR ASSY-BULK CARGO ACCESS PANEL NUMBER: 811 COMPONENT MAINT MANUAL REF: 52-36-03 QUALIFIED I/W DATA: 146T6301-1 BULK CARGO DOOR ASSEMBLY TOGETHER WITH 146T6370-6 AND 146T6371-11 ROLLER SUPPORT ASSEMBLIES ARE INTERCHANGEABLE WITH 146T6301-3 BULK CARGO DOOR ASSEMBLY TOGETHER WITH 146T6447-3 AND 146T6448-3 ROLLER SUPPORT ASSEMBLIES FOR DETAILS SEE: 52-36-01-06		1
- 50	146T6301-4		.DOOR ASSY-BULK CARGO ACCESS PANEL NUMBER: 811 COMPONENT MAINT MANUAL REF: 52-36-03 FOR DETAILS SEE: 52-36-01-06		1
- 55	140T0706-1		.STRUCTURE INTEGRATION-WHL WELL FAIRING SPRT POSITION DATA: AFT LH VARIABLE DRAWING REF: 140T0706-5007 140T0706-7001 FOR DETAILS SEE: 53-66-57-03		1
- 60	140T0706-5		.STRUCTURE INTEGRATION-WHL WELL FAIRING SPRT POSITION DATA: AFT RH VARIABLE DRAWING REF: 140T0706-5011 140T0706-7002 FOR DETAILS SEE: 53-66-57-03		1
- 65	140T2813-6		.VALVE INSTL-FUSLG DRAIN FOR DETAILS SEE: 51-41-01-03A		1

ILLUSTRATION ITEMS NOT ON PARTS LIST ARE NOT APPLICABLE

- ITEM NOT ILLUSTRATED

HXL

53-60-00-08

BOEING PROPRIETARY - Copyright © - Unpublished Work - See title page for details.

53-60-00
FIG. 08
PAGE 3
DEC 22/07

BOEING
767
PARTS CATALOG (MAINTENANCE)

FIG ITEM	PART NUMBER	1 2 3 4 5 6 7	NOMENCLATURE	EFFECT FROM TO	UNITS PER ASSY
8					
- 70	141T6101-3		.MECHANISM INSTL-ENTRY DOOR MODE SELECT POSITION DATA: LH FOR DETAILS SEE: 52-11-25-01		1
- 75	141T6101-4		.MECHANISM INSTL-ENTRY DOOR MODE SELECT POSITION DATA: RH FOR DETAILS SEE: 52-11-25-01		1
- 80	146T0011-7		.MONOCOQUE INTEGRATION- POSITION DATA: LWR VARIABLE DRAWING REF: 146T0011-5006 146T0011-7003	155162	1
- 80	146T0011-12		.MONOCOQUE INTEGRATION- POSITION DATA: LWR VARIABLE DRAWING REF: 146T0011-5012 146T0011-7003	163999	1
- 85	146T1017-8		..SPLICE INSTL-FRAME POSITION DATA: STA 1241 FOR DETAILS SEE: 53-63-54-06		1
- 90	146T1017-9		..SPLICE INSTL-FRAME POSITION DATA: STA 1263 FOR DETAILS SEE: 53-63-54-06		1
- 95	146T1017-11		..SPLICE INSTL-FRAME POSITION DATA: STA 1307 FOR DETAILS SEE: 53-63-54-06		1
- 100	146T1017-13		..SPLICE INSTL-FRAME POSITION DATA: STA 1351 FOR DETAILS SEE: 53-63-54-06		1
- 105	146T1017-14		..SPLICE INSTL-FRAME POSITION DATA: STA 1371 FOR DETAILS SEE: 53-63-54-06		1
ILLUSTRATION ITEMS NOT ON PARTS LIST ARE NOT APPLICABLE					

- ITEM NOT ILLUSTRATED

HXL

53-60-00-08

BOEING PROPRIETARY - Copyright © - Unpublished Work - See title page for details.

53-60-00
FIG. 08
PAGE 4
DEC 22/07



767

PARTS CATALOG (MAINTENANCE)

FIG ITEM	PART NUMBER	1 2 3 4 5 6 7	NOMENCLATURE	EFFECT FROM TO	UNITS PER ASSY
8					
- 110	146T1017-15		.. SPLICE INSTL-FRAME POSITION DATA: STA 1395 FOR DETAILS SEE: 53-63-54-06		1
- 115	146T1017-16		.. SPLICE INSTL-FRAME POSITION DATA: STA 1285 FOR DETAILS SEE: 53-63-54-06		1
- 120	146T1017-17		.. SPLICE INSTL-FRAME POSITION DATA: STA 1329 FOR DETAILS SEE: 53-63-54-06		1
- 130	146T5001-28		.. STRUCTURE INSTL-PNL TO CARGO DOOR PNL SPRT POSITION DATA: LWR VARIABLE DRAWING REF: 146T5001-7001 FOR DETAILS SEE: 53-64-56-02		1
- 145	146T0014-3		. SILL ATTACHMENT FITTING- INTEGRATION- FOR DETAILS SEE: 25-53-04-01		1
- 210	146T0030-1		. MONOCOQUE INTEGRATION- POSITION DATA: STA 1219 VARIABLE DRAWING REF: 146T0030-5006 146T0030-7001 FOR DETAILS SEE: 53-61-53-03		1
- 215	146T0042-6		. WINDOW INTEGRATION-PASS. FOR DETAILS SEE: 56-21-01-20A		1
- 220	146T0050-23		. FLOOR INTEGRATION- POSITION DATA: MAIN DECK VARIABLE DRAWING REF: 146T0050-7001 FOR DETAILS SEE: 53-63-50-01		1

ILLUSTRATION ITEMS NOT ON PARTS LIST ARE NOT APPLICABLE

- ITEM NOT ILLUSTRATED

53-60-00-08

53-60-00
FIG. 08
PAGE 5
DEC 22/07

HXL



767

PARTS CATALOG (MAINTENANCE)

FIG ITEM	PART NUMBER	1 2 3 4 5 6 7	NOMENCLATURE	EFFECT FROM TO	UNITS PER ASSY
8					
- 225	146T5350-1		.. STRUCTURE INSTL-CARGO DOOR AND MOTOR ARM SPRT VARIABLE DRAWING REF: 146T5350-5002 FOR DETAILS SEE: 53-60-51-01		1
- 230	146T0100-5		.PANEL INSTL-CROWN VARIABLE DRAWING REF: 146T0100-5016 146T0100-7003 FOR DETAILS SEE: 53-65-52-02		1
- 235	146T0115-2		.PANEL INSTL-CROWN VARIABLE DRAWING REF: 146T0115-5004 146T0115-5007 146T0115-7001 FOR DETAILS SEE: 53-65-52-02		1
- 240	146T0200-19		.PANEL INSTL- POSITION DATA: LWR VARIABLE DRAWING REF: 146T0200-5058 146T0200-7004 FOR DETAILS SEE: 53-65-54-02		1
- 245	146T0215-3		.PANEL INSTL-EXTENSION POSITION DATA: LH VARIABLE DRAWING REF: 146T0215-5005 146T0215-7001 FOR DETAILS SEE: 53-65-54-02		1
- 250	146T0300-14		.PANEL INSTL- POSITION DATA: L VARIABLE DRAWING REF: 146T0300-5047 146T0300-5048 146T0300-7005 FOR DETAILS SEE: 53-61-53-02		1
ILLUSTRATION ITEMS NOT ON PARTS LIST ARE NOT APPLICABLE					

- ITEM NOT ILLUSTRATED

53-60-00-08

53-60-00
FIG. 08
PAGE 6
DEC 22/07

HXL

 **BOEING**
767
PARTS CATALOG (MAINTENANCE)

FIG ITEM	PART NUMBER	1 2 3 4 5 6 7	NOMENCLATURE	EFFECT FROM TO	UNITS PER ASSY
8					
- 255	146T0315-2		.PANEL INSTL-WXTENSION POSITION DATA: LH VARIABLE DRAWING REF: 146T0315-5005 146T0315-5007 146T0315-7001 FOR DETAILS SEE: 53-61-53-02		1
- 260	146T0400-20		.PANEL INSTL- POSITION DATA: R VARIABLE DRAWING REF: 146T0400-5061 146T0400-7005 FOR DETAILS SEE: 53-65-53-02	155162	1
- 260	146T0400-28		.PANEL INSTL- POSITION DATA: R VARIABLE DRAWING REF: 146T0400-5086 146T0400-7005 FOR DETAILS SEE: 53-65-53-02	163999	1
- 265	146T0415-4		.PANEL INSTL- POSITION DATA: R VARIABLE DRAWING REF: 146T0415-5005 146T0415-5006 146T0415-7003 FOR DETAILS SEE: 53-65-53-03		1
- 270	146T0500-26		.PANEL ASSY-CARGO VARIABLE DRAWING REF: 146T0500-5095 146T0500-7004 FOR DETAILS SEE: 53-65-51-02		1
- 275	146T0515-5		.PANEL INSTL-CARGO EXTENSION VARIABLE DRAWING REF: 146T0515-5007 146T0515-7002 FOR DETAILS SEE: 53-65-51-02		1
ILLUSTRATION ITEMS NOT ON PARTS LIST ARE NOT APPLICABLE					

- ITEM NOT ILLUSTRATED

HXL

53-60-00-08

BOEING PROPRIETARY - Copyright © - Unpublished Work - See title page for details.

53-60-00
FIG. 08
PAGE 7
DEC 22/07



767

PARTS CATALOG (MAINTENANCE)

FIG ITEM	PART NUMBER	1 2 3 4 5 6 7	NOMENCLATURE	EFFECT FROM TO	UNITS PER ASSY
8					
- 280	146T5200-49		. FLOOR SYSTEM INSTL- VARIABLE DRAWING REF: 146T5200-5113 146T5200-5188 FOR DETAILS SEE: 53-01-03-40G 53-63-52-02	155163	1
- 280	146T5200-68		. FLOOR SYSTEM INSTL- VARIABLE DRAWING REF: 146T5200-5174 FOR DETAILS SEE: 53-63-52-02 53-01-03-40G	164999	1
- 285	146T5410-1		. INTEGRATION INSTL-JOIN POSITION DATA: STA 1219 FOR DETAILS SEE: 53-63-56-01		1
- 295	146T5833-2		. PANEL INSTL-FLOOR SAS FOR DETAILS SEE: 53-01-02-34	155162	1
- 295	146T5833-4		. PANEL INSTL-FLOOR SAS FOR DETAILS SEE: 53-01-02-34	163163	1
- 295	146T5833-5		. PANEL INSTL-FLOOR SAS FOR DETAILS SEE: 53-01-02-34A	164999	1
- 310	146T6107-1		. TRACK INSTL-ENTRY DOOR POSITION DATA: UPR AFT LH VARIABLE DRAWING REF: 146T6107-5012 146T6107-7001 FOR DETAILS SEE: 52-11-06-02 52-11-08-01		1
- 315	146T6107-2		. TRACK INSTL-ENTRY DOOR POSITION DATA: UPR AFT RH VARIABLE DRAWING REF: 146T6107-5015 146T6107-7002 FOR DETAILS SEE: 52-11-06-02 52-11-08-01		1

ILLUSTRATION ITEMS NOT ON PARTS LIST ARE NOT APPLICABLE

- ITEM NOT ILLUSTRATED

53-60-00-08

53-60-00
FIG. 08
PAGE 8
DEC 22/07

HXL

BOEING PROPRIETARY - Copyright © - Unpublished Work - See title page for details.



767

PARTS CATALOG (MAINTENANCE)

FIG ITEM	PART NUMBER	1 2 3 4 5 6 7	NOMENCLATURE	EFFECT FROM TO	UNITS PER ASSY
8					
- 320	146T6125-1		.MECHANISM INSTL-ENTRY DOOR OVER POSITION DATA: CTR LH FOR DETAILS SEE: 52-11-13-01		1
- 325	146T6125-2		.MECHANISM INSTL-SVCE DOOR OVER POSITION DATA: CTR RH FOR DETAILS SEE: 52-11-13-01		1
- 330	146T6140-1		.MECHANISM INSTL-SVCE DOOR HANDLE POSITION DATA: LH FOR DETAILS SEE: 52-11-25-05		1
- 335	146T6140-2		.MECHANISM INSTL-SVCE DOOR HANDLE POSITION DATA: RH FOR DETAILS SEE: 52-11-25-05		1
- 340	146T6401-1		.MECHANISM INSTL-KLG PNL ENTRY DOOR LATCH FOR DETAILS SEE: 52-11-34-04		1
- 345	146T6402-2		.MECHANISM INSTL-CLG PNL SVCE DOOR LATCH FOR DETAILS SEE: 52-11-34-01		1
- 350	149T7601-17		.STRUCTURE ASSY-WHL WELL FAIRING SPRT POSITION DATA: AFT LH VARIABLE DRAWING REF: 149T7601-5084 149T7601-7001 FOR DETAILS SEE: 53-66-59-01		1

ILLUSTRATION ITEMS NOT ON PARTS LIST ARE NOT APPLICABLE

- ITEM NOT ILLUSTRATED

HXL

53-60-00-08

BOEING PROPRIETARY - Copyright © - Unpublished Work - See title page for details.

53-60-00
FIG. 08
PAGE 9
AUG 22/08

 **BOEING**
767
PARTS CATALOG (MAINTENANCE)

FIG ITEM	PART NUMBER	1 2 3 4 5 6 7	NOMENCLATURE	EFFECT FROM TO	UNITS PER ASSY
8					
- 355	149T7601-18		.STRUCTURE ASSY-WHL WELL FAIRING SPRT POSITION DATA: AFT RH VARIABLE DRAWING REF: 149T7601-5081 149T7601-7002 FOR DETAILS SEE: 53-66-59-01		1
- 360	258T4000-5		.COUNTERBALANCE AND PULLEY- INSTL-OVHD PASS. DOOR POSITION DATA: LH VARIABLE DRAWING REF: 258T4000-5036 FUNCTIONAL REFERENCE: DOORS FOR DETAILS SEE 52-11-16-02 PLACARDS AND MARKINGS FOR DETAILS SEE 11-35-16-01		1
- 365	258T4000-6		.COUNTERBALANCE AND PULLEY- INSTL-OVHD PASS. DOOR POSITION DATA: RH VARIABLE DRAWING REF: 258T4000-5037 FUNCTIONAL REFERENCE: DOORS FOR DETAILS SEE 52-11-16-02 PLACARDS AND MARKINGS FOR DETAILS SEE 11-35-16-01		1
- 370	451T1002-31		.CONVEYOR SYSTEM INSTL- COMPT CARGO HANDLING POSITION DATA: AFT FOR DETAILS SEE: 25-53-03-06		1
- 375	451T1002-32		.CONVEYOR SYSTEM INSTL- COMPT CARGO HANDLING POSITION DATA: AFT FOR DETAILS SEE: 25-53-03-07		1
ILLUSTRATION ITEMS NOT ON PARTS LIST ARE NOT APPLICABLE					

- ITEM NOT ILLUSTRATED

HXL

53-60-00-08

BOEING PROPRIETARY - Copyright © - Unpublished Work - See title page for details.

53-60-00
FIG. 08
PAGE 10
DEC 22/07



767

PARTS CATALOG (MAINTENANCE)

FIG ITEM	PART NUMBER	1 2 3 4 5 6 7	NOMENCLATURE	EFFECT FROM TO	UNITS PER ASSY
8					
- 380	451T1302-33	.	SUPPORT INSTL-CARGO COMPT CONVEYOR SYS POSITION DATA: STA 1087 TO STA 1109 AFT FOR DETAILS SEE: 25-52-55-02	163163	1
- 380	451T1302-46	.	SUPPORT INSTL-CARGO COMPT CONVEYOR SYS POSITION DATA: STA 1087 TO STA 1109 AFT FOR DETAILS SEE: 25-52-55-02	155162 164999	1
- 385	451T1302-34	.	SUPPORT INSTL-CARGO COMPT CONVEYOR SYS POSITION DATA: STA 1395 TO STA 1417 AFT FOR DETAILS SEE: 25-52-55-02		1
- 390	453T1013-24	.	PANEL INSTL-BULK CARGO COMPT FLOOR FOR DETAILS SEE: 25-55-03-01		1
- 415	146T0010-4	.	MONOCOQUE INTEGRATION- CROWN		1
- 420	146T1008-104	..	SPLICE INSTL-FRAME POSITION DATA: S-8 STA 1087 TO STA 1562 FOR DETAILS SEE: 53-63-54-07		1
ILLUSTRATION ITEMS NOT ON PARTS LIST ARE NOT APPLICABLE					

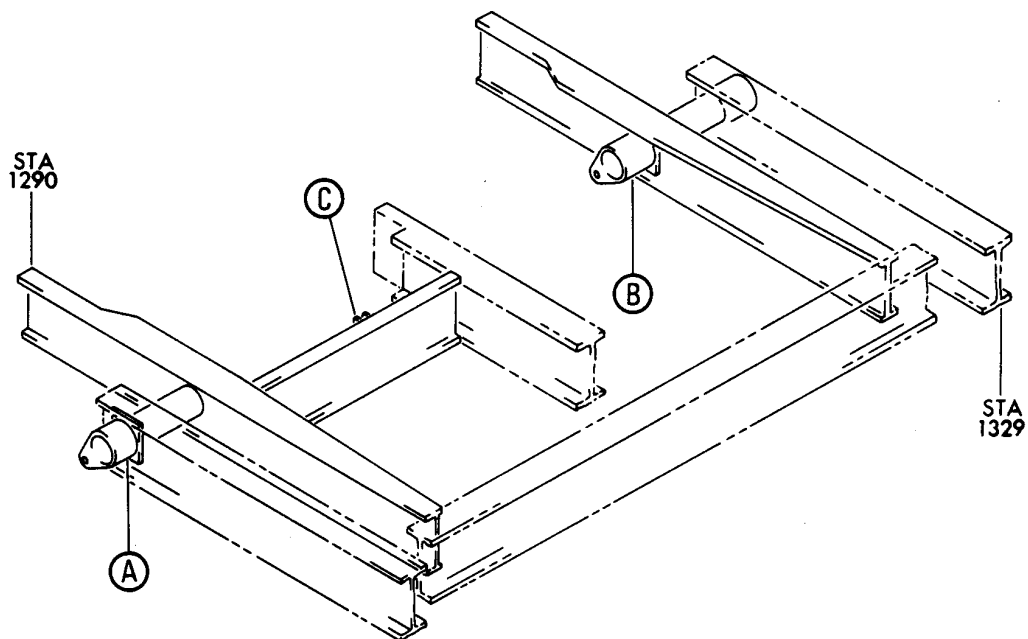
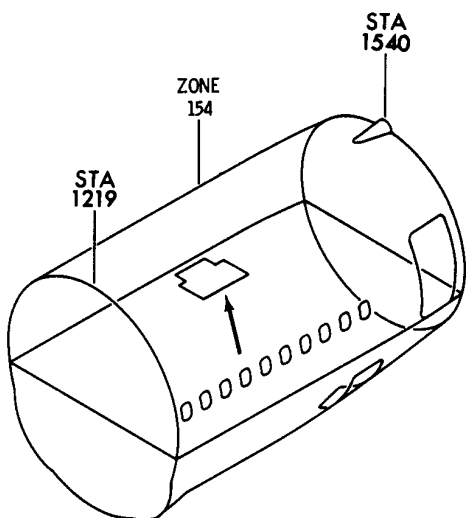
- ITEM NOT ILLUSTRATED

53-60-00-08

53-60-00
FIG. 08
PAGE 11
DEC 22/07

HXL

BOEING
767
PARTS CATALOG (MAINTENANCE)



V 53605101 SHT 1 REV 005

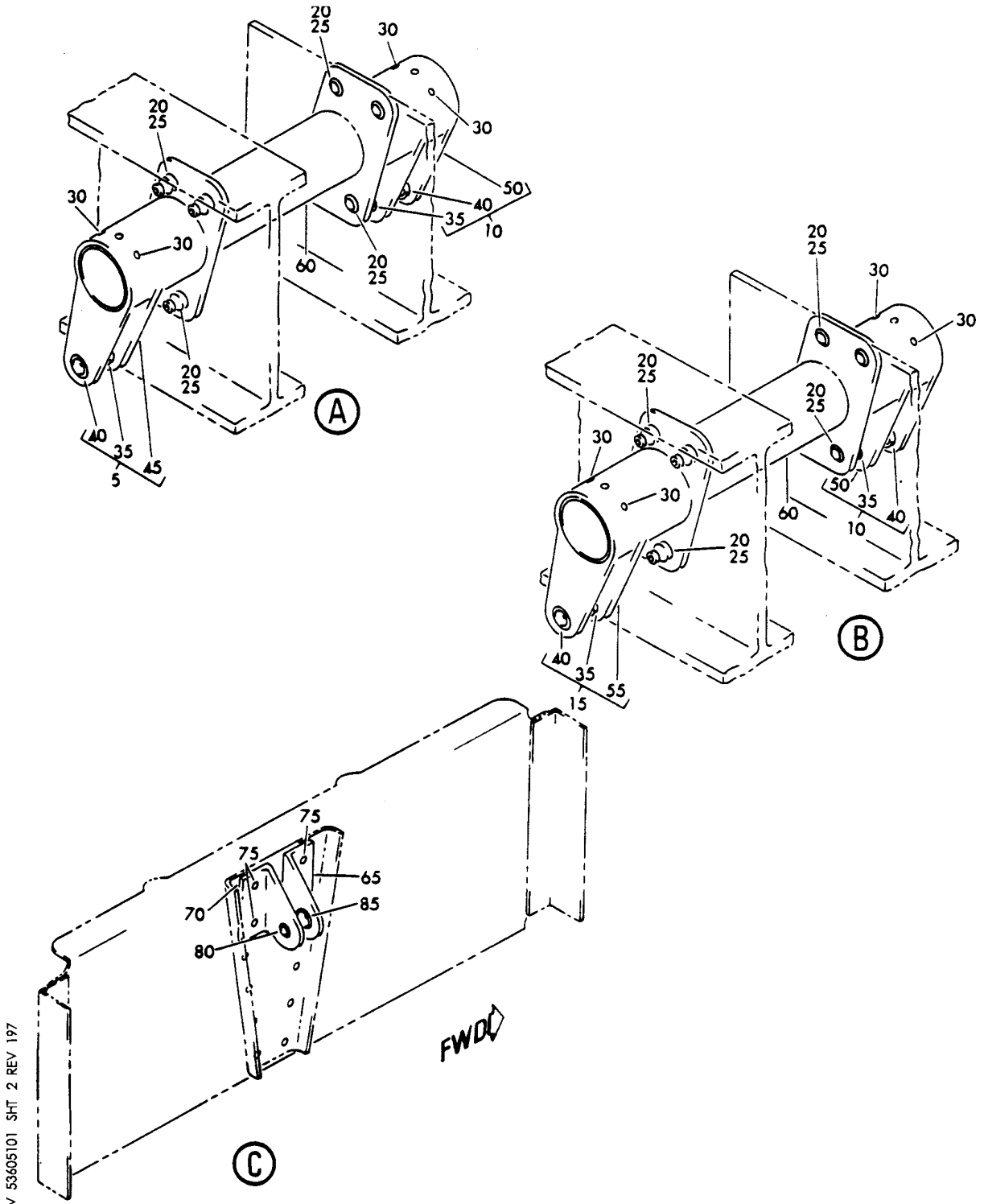
STRUCTURE INSTL-SECT. 46 CARGO DOOR MOTOR ARM SPRT
FIGURE 1 (SHEET 1)

HXL
DEC 22/06

53-60-51-01

53-60-51-01
PAGE 0

BOEING
767
PARTS CATALOG (MAINTENANCE)



V 53605101 SHT 2 REV 197

STRUCTURE INSTL-SECT. 46 CARGO DOOR MOTOR ARM SPRT
FIGURE 1 (SHEET 2)

53-60-51-01

HXL
DEC 22/06

53-60-51-01
PAGE 0A

 **BOEING**
767
PARTS CATALOG (MAINTENANCE)

FIG ITEM	PART NUMBER	1 2 3 4 5 6 7	NOMENCLATURE	EFFECT FROM TO	UNITS PER ASSY
1			STRUCTURE INSTL-SECT. 46		
- 1	146T5350-1		CARGO DOOR MOTOR ARM SPRT STRUCTURE INSTL-CARGO DOOR MOTOR ARM SPRT POSITION DATA: SECT. 46 VARIABLE DRAWING REF: 146T5350-5002 FOR NHA SEE: 53-60-00-08		RF
5	140T2598-1		.SUPPORT ASSY-		1
10	140T2598-4		.SUPPORT ASSY-		2
15	140T2598-3		.SUPPORT ASSY-		1
20	L8008K6		ATTACHING PARTS .BOLT SUPPLIER CODE: V06725 SPECIFICATION NUMBER: BACB30MY8K6		16
25	HL79-8		.COLLAR SUPPLIER CODE: V5M902 SPECIFICATION NUMBER: BACC30M8 OPTIONAL PART: HL79-8 V73197 HL79-8 V92215 66014-8 V56878 HL79-8 V56878		16
30	BACR15FT5KE		.RIVET- SIZE DETERMINED ON INSTL. -----*-----		12
35	BACB28X5C020		..BUSHING		1
40	BACB28X7M020		..BUSHING		1
45	140T2598-7		..SUPPORT- USED ON: 140T2598-1		1
50	140T2598-6		..SUPPORT- USED ON: 140T2598-4		1
55	140T2598-5		..SUPPORT- USED ON: 140T2598-3		1
60	140T2591-1		.TUBE-		2
65	140T2597-5		.FITTING-		1

ILLUSTRATION ITEMS NOT ON PARTS LIST ARE NOT APPLICABLE

- ITEM NOT ILLUSTRATED

HXL

53-60-51-01

BOEING PROPRIETARY - Copyright © - Unpublished Work - See title page for details.

53-60-51
FIG. 01
PAGE 1
APR 22/09



767

PARTS CATALOG (MAINTENANCE)

FIG ITEM	PART NUMBER	1 2 3 4 5 6 7	NOMENCLATURE	EFFECT FROM TO	UNITS PER ASSY
1	70 140T2597-6		. FITTING- ATTACHING PARTS		1
-	75 BACR15FT6KE		. RIVET- SIZE DETERMINED ON INSTL. -----*-----		4
	80 BACB28X4C014		. BUSHING		1
	85 BACB28X6M014		. BUSHING		1

ILLUSTRATION ITEMS NOT ON PARTS LIST ARE NOT APPLICABLE

- ITEM NOT ILLUSTRATED

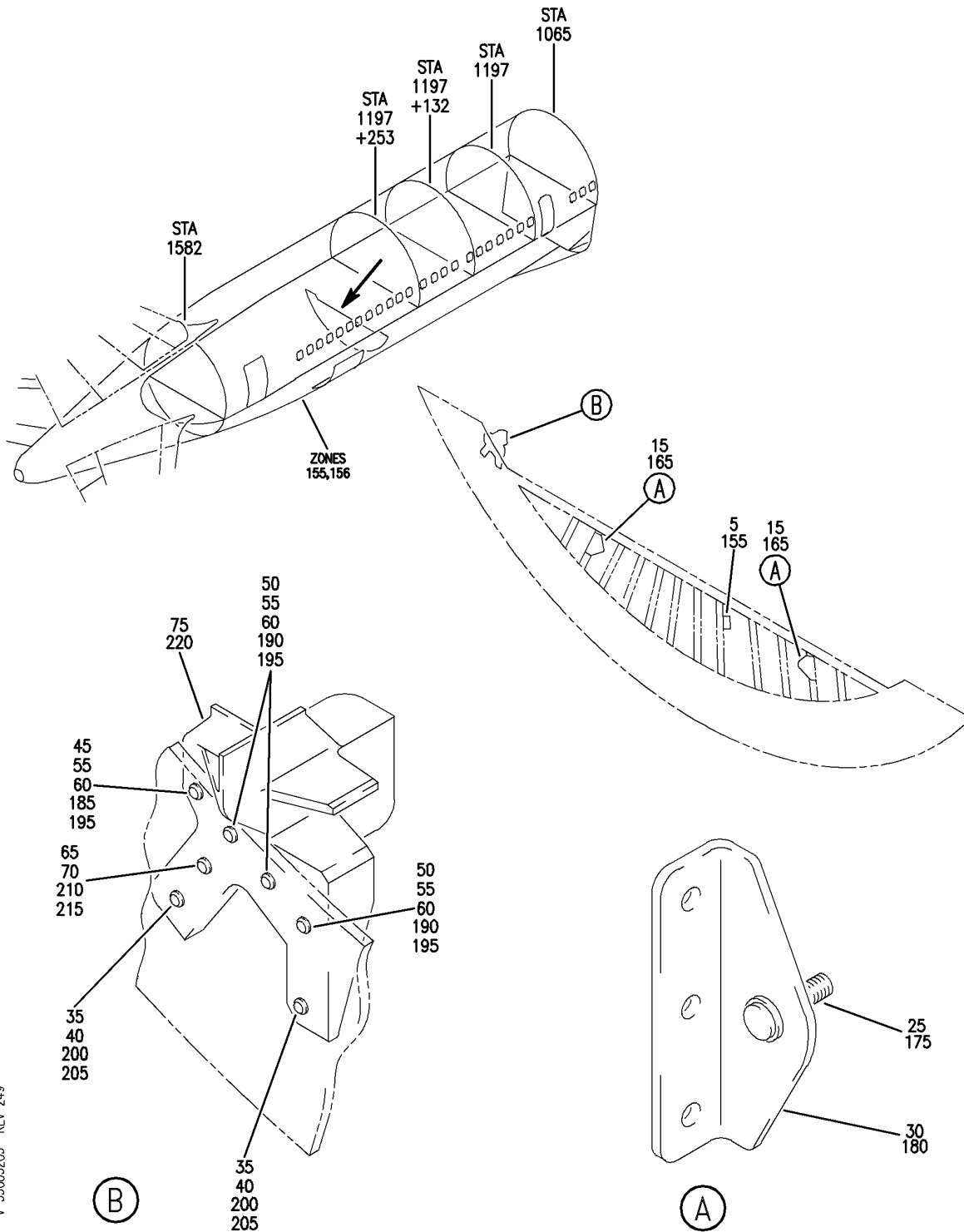
HXL

53-60-51-01

BOEING PROPRIETARY - Copyright © - Unpublished Work - See title page for details.

53-60-51
FIG. 01
PAGE 2
APR 22/09

BOEING
767
PARTS CATALOG (MAINTENANCE)



SEGMENT ASSY-STA 1263 S-26L TO S-32R FRAME
FIGURE 3

53-60-52-03

HXL
DEC 22/06

53-60-52-03
PAGE 0



767

PARTS CATALOG (MAINTENANCE)

FIG ITEM	PART NUMBER	1 2 3 4 5 6 7	NOMENCLATURE	EFFECT FROM TO	UNITS PER ASSY
3			SEGMENT ASSY-STA 1263 S-26L TO S-32R FRAME		
- 1	146T1209-30		SEGMENT ASSY-FRAME POSITION DATA: STA 1263 S-26L TO S-32R VARIABLE DRAWING REF: 146T1209-7002 FOR NHA SEE: 53-65-54-02		RF
35	BACB30NX6K		.BOLT- SIZE DETERMINED ON INSTL.		2
40	HL1187-6		.COLLAR SUPPLIER CODE: V5M902 SPECIFICATION NUMBER: BACC30X6 OPTIONAL PART: HL87-6 V92215 HL87-6 V73197 HL1187-6 V56878 HL1187-6 V92215 HL87-6 V56878 HL1187-6 V73197		2
55	BACB30NX8K		.BOLT- SIZE DETERMINED ON INSTL.		4
60	HL1187-8		.COLLAR SUPPLIER CODE: V5M902 SPECIFICATION NUMBER: BACC30X8 OPTIONAL PART: HL87-8 V92215 HL87-8 V73197 HL1187-8 V56878 HL1187-8 V92215 HL87-8 V56878 HL1187-8 V73197		4
ILLUSTRATION ITEMS NOT ON PARTS LIST ARE NOT APPLICABLE					

- ITEM NOT ILLUSTRATED

53-60-52-03

53-60-52
FIG. 03
PAGE 1
DEC 22/06

HXL



767

PARTS CATALOG (MAINTENANCE)

FIG ITEM	PART NUMBER	1 2 3 4 5 6 7	NOMENCLATURE	EFFECT FROM TO	UNITS PER ASSY
3					
65	BACB30MY6K		.BOLT- SIZE DETERMINED ON INSTL.		1
70	HL82-6APBW		.COLLAR SUPPLIER CODE: V5M902 SPECIFICATION NUMBER: BACC30AG6 OPTIONAL PART: HL82-6APBW V92215 HL82-6APBW V56878 HL82-6APBW V73197		1
75	452T2120-63		.FITTING- ALTERED FROM PART NUMBER: 452T2120-23		1

ILLUSTRATION ITEMS NOT ON PARTS LIST ARE NOT APPLICABLE

- ITEM NOT ILLUSTRATED

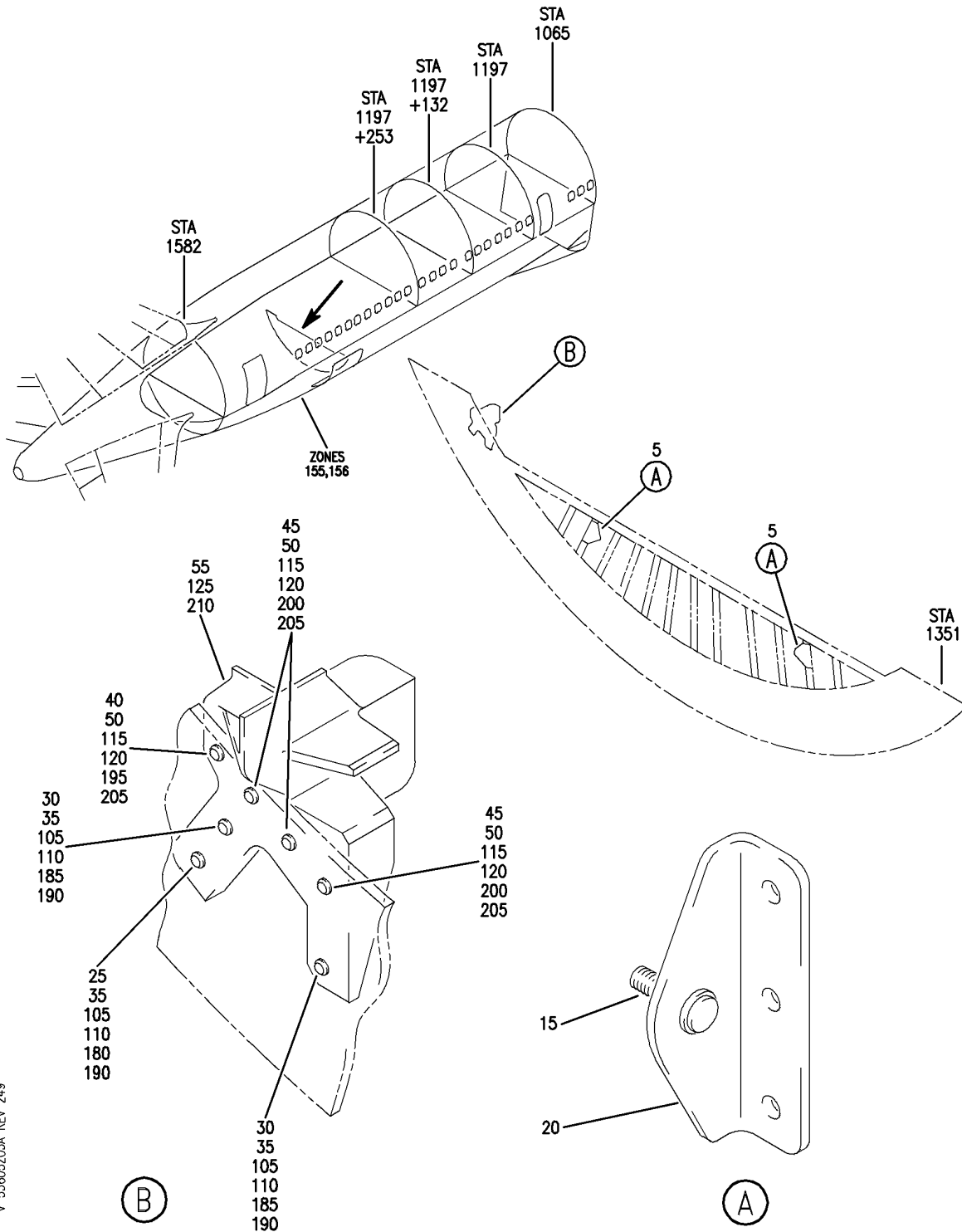
HXL

53-60-52-03

BOEING PROPRIETARY - Copyright © - Unpublished Work - See title page for details.

53-60-52
FIG. 03
PAGE 2
DEC 22/07

BOEING
767
PARTS CATALOG (MAINTENANCE)



V 53605203A REV 249

SEGMENT ASSY-STA 1351 S-26L TO S-32R FRAME
FIGURE 3A

53-60-52-03A

HXL
DEC 22/06

53-60-52-03A
PAGE 0



767

PARTS CATALOG (MAINTENANCE)

FIG ITEM	PART NUMBER	1 2 3 4 5 6 7	NOMENCLATURE	EFFECT FROM TO	UNITS PER ASSY
3A			SEGMENT ASSY-STA 1351 S-26L TO S-32R FRAME		
- 100	146T1213-24		SEGMENT ASSY-FRAME POSITION DATA: STA 1351 S-26L TO S-32R FOR NHA SEE: 53-65-54-02		RF
105	BACB30NX6K		.BOLT- SIZE DETERMINED ON INSTL.		3
110	HL1187-6		.COLLAR SUPPLIER CODE: V5M902 SPECIFICATION NUMBER: BACC30X6 OPTIONAL PART: HL87-6 V92215 HL87-6 V73197 HL1187-6 V56878 HL1187-6 V92215 HL87-6 V56878 HL1187-6 V73197		3
115	BACB30NX8K		.BOLT- SIZE DETERMINED ON INSTL.		4
120	HL1187-8		.COLLAR SUPPLIER CODE: V5M902 SPECIFICATION NUMBER: BACC30X8 OPTIONAL PART: HL87-8 V92215 HL87-8 V73197 HL1187-8 V56878 HL1187-8 V92215 HL87-8 V56878 HL1187-8 V73197		4
ILLUSTRATION ITEMS NOT ON PARTS LIST ARE NOT APPLICABLE					

- ITEM NOT ILLUSTRATED

53-60-52-03A

53-60-52
FIG. 03A
PAGE 1
DEC 22/07

HXL



767
PARTS CATALOG (MAINTENANCE)

FIG ITEM	PART NUMBER	1 2 3 4 5 6 7	NOMENCLATURE	EFFECT FROM TO	UNITS PER ASSY
3A 125	452T2120-63		. FITTING- ALTERED FROM PART NUMBER: 452T2120-23		1

ILLUSTRATION ITEMS NOT ON PARTS LIST ARE NOT APPLICABLE

- ITEM NOT ILLUSTRATED

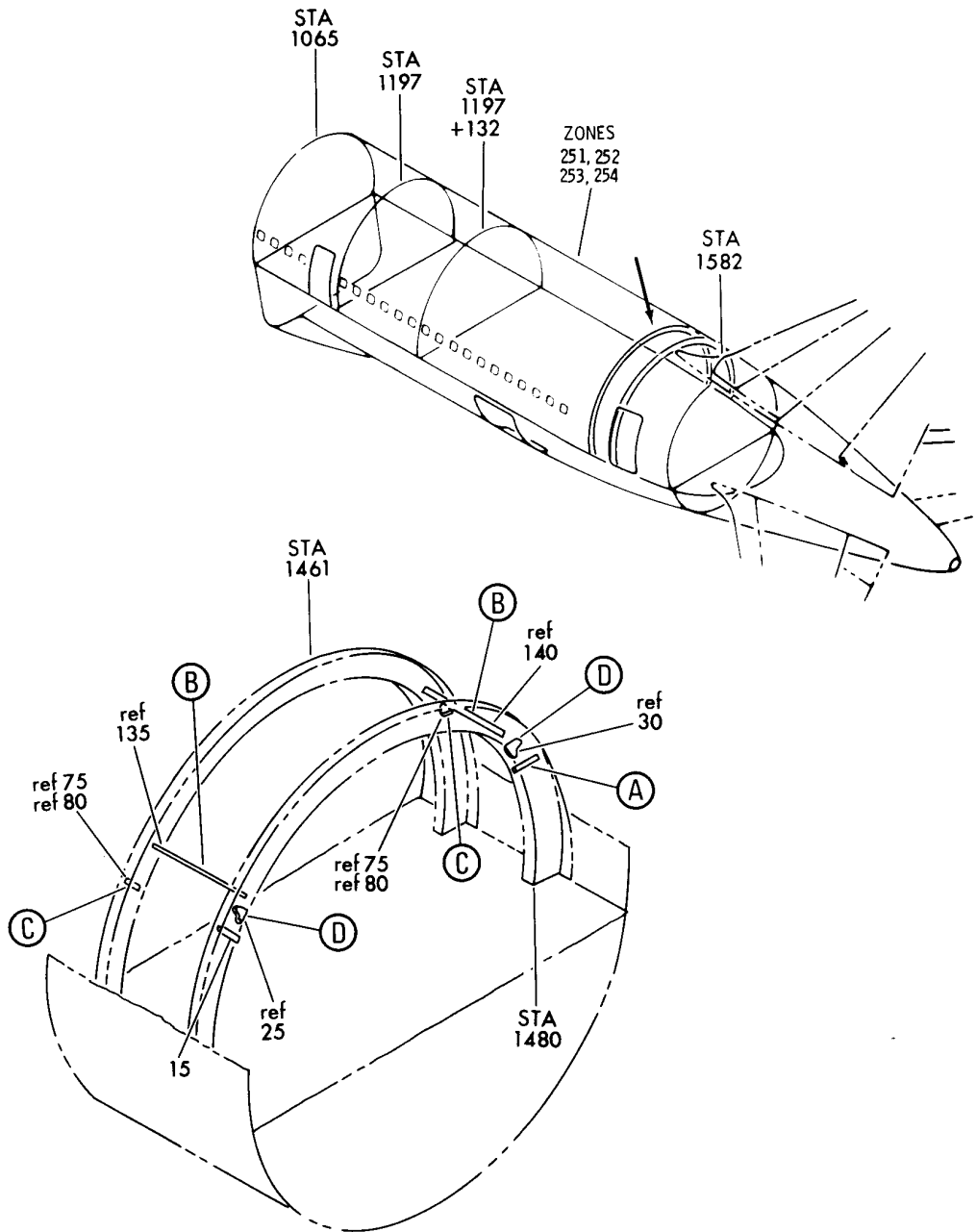
HXL

53-60-52-03A

BOEING PROPRIETARY - Copyright © - Unpublished Work - See title page for details.

53-60-52
FIG. 03A
PAGE 2
DEC 22/07

BOEING
767
PARTS CATALOG (MAINTENANCE)



V 53605901 SH1 1 REV 105

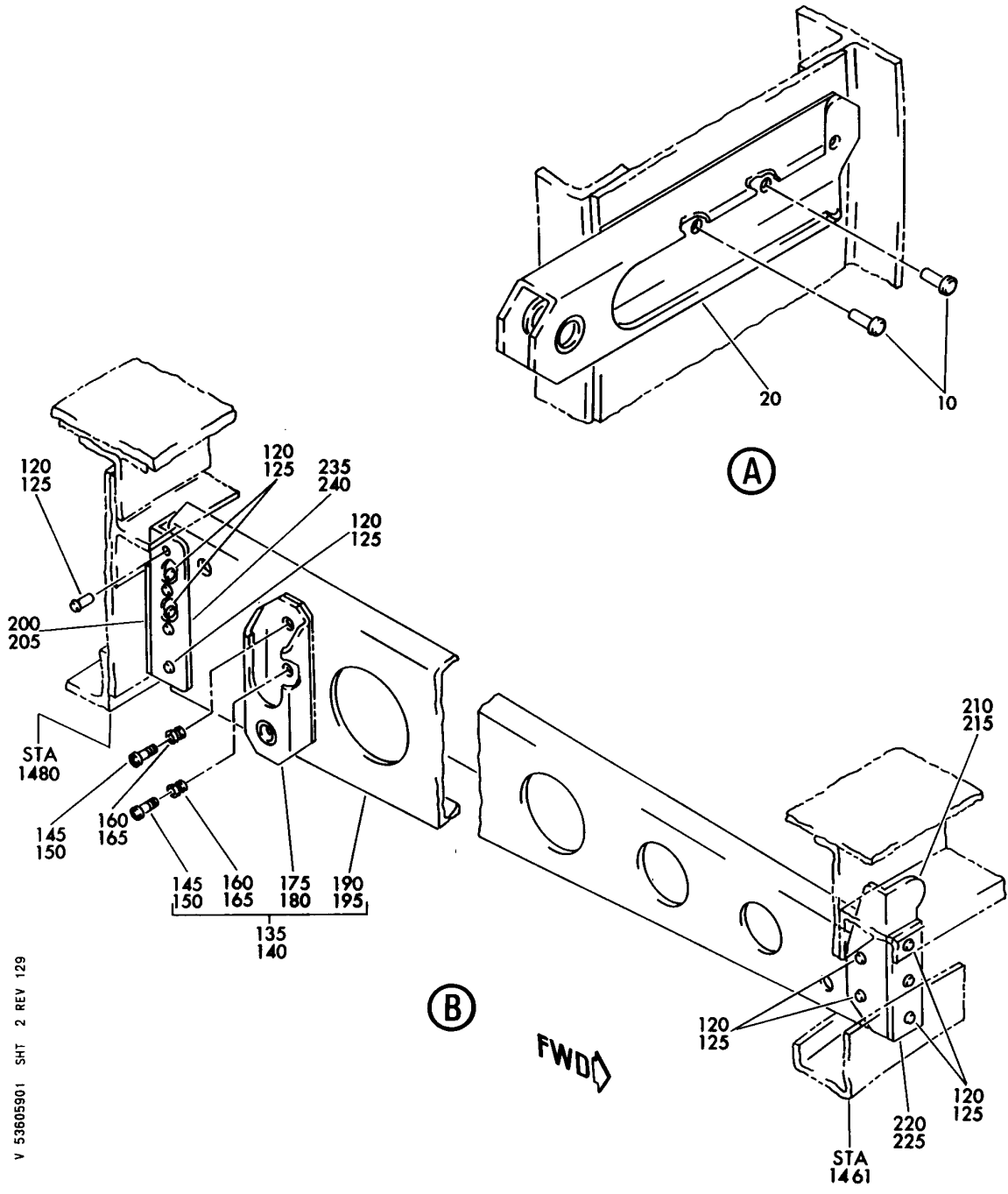
FITTING INSTL-OUTBD OVERHEAD STOWAGE AFT BIN SPRT
FIGURE 1 (SHEET 1)

53-60-59-01

HXL
DEC 22/06

53-60-59-01
PAGE 0

BOEING
767
PARTS CATALOG (MAINTENANCE)



V 53605901 SHT 2 REV 129

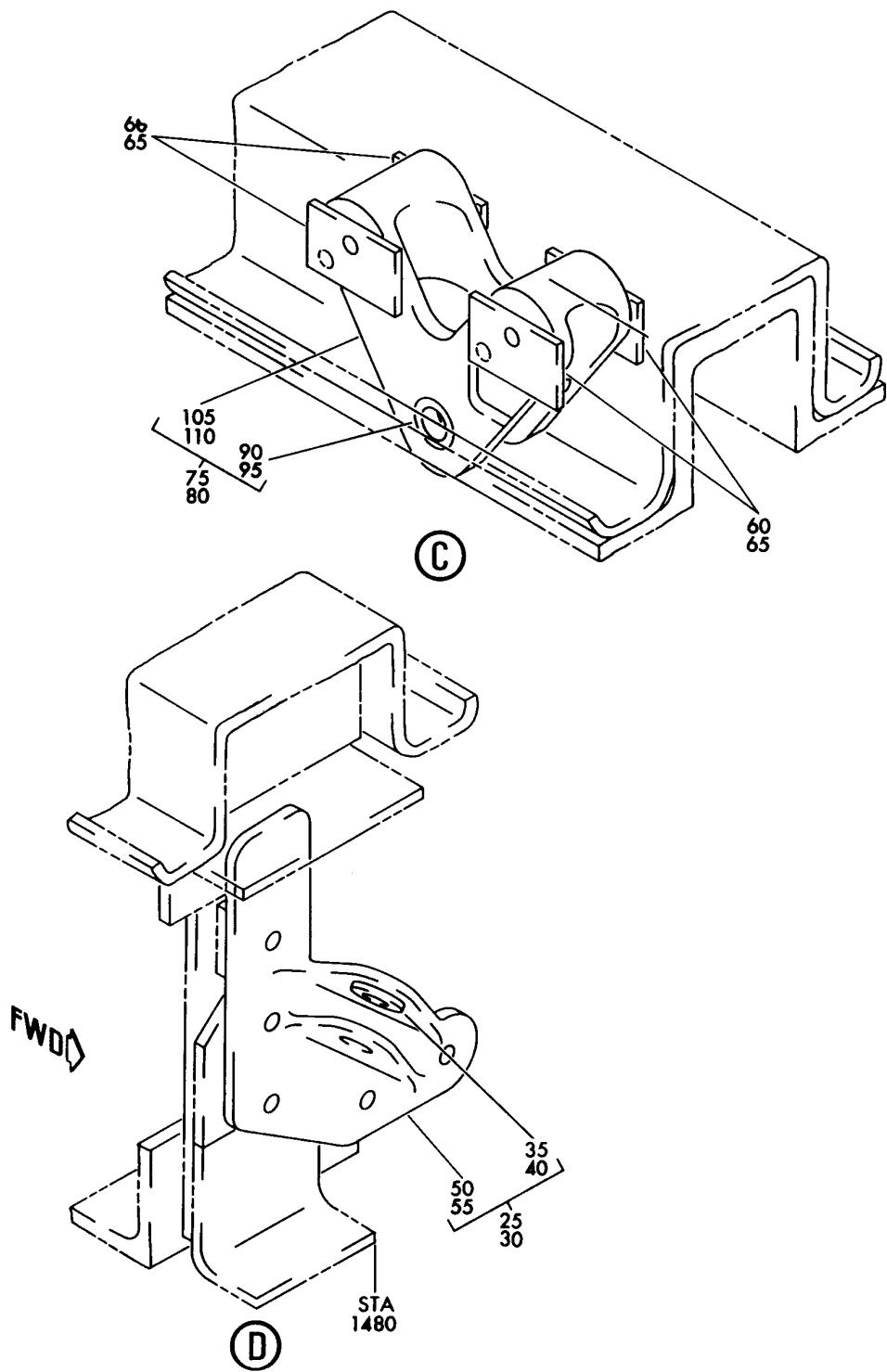
FITTING INSTL-OUTBD OVERHEAD STOWAGE AFT BIN SPRT
FIGURE 1 (SHEET 2)

53-60-59-01

HXL
DEC 22/06

53-60-59-01
PAGE 0A

BOEING
767
PARTS CATALOG (MAINTENANCE)



V 53605901 SHT 3 REV 129

FITTING INSTL-OUTBD OVERHEAD STOWAGE AFT BIN SPRT
FIGURE 1 (SHEET 3)

53-60-59-01

HXL
DEC 22/06

53-60-59-01
PAGE 0B

 **BOEING**
767
PARTS CATALOG (MAINTENANCE)

FIG ITEM	PART NUMBER	1 2 3 4 5 6 7	NOMENCLATURE	EFFECT FROM TO	UNITS PER ASSY
1			FITTING INSTL-OUTBD OVERHEAD STOWAGE AFT BIN SPRT		
- 1	412T2054-1		FITTING INSTL-OVERHEAD STOWAGE BIN SPRT POSITION DATA: OUTBD AFT LH FOR NHA SEE: 25-20-00-12		RF
- 5	412T2054-2		FITTING INSTL-OVERHEAD STOWAGE BIN SPRT POSITION DATA: OUTBD AFT RH FOR NHA SEE: 25-20-00-12		RF
10	BACR15FT5KE		.RIVET- POSITION DATA: RH SIZE DETERMINED ON INSTL.		2
15	412T2002-19		.FITTING ASSY- POSITION DATA: LH		1
20	412T2002-23		.FITTING ASSY- POSITION DATA: RH		1
25	412T2007-21		.FITTING ASSY- POSITION DATA: LH		1
30	412T2007-22		.FITTING ASSY- POSITION DATA: RH		1
35	BACB28X4C009		..BUSHING		1
40	BACB28X4C009		..BUSHING		1
50	412T2007-23		..FITTING- POSITION DATA: LH		1
55	412T2007-24		..FITTING- POSITION DATA: RH		1
60	BACS40R06B08F		.SHIM		4
65	BACS40R06B08F		.SHIM		4
75	412T2007-19		.FITTING ASSY		1
80	412T2007-19		.FITTING ASSY		1
90	NAS77-4-12		..BUSHING		1
95	NAS77-4-12		..BUSHING		1
105	412T2077-20		..FITTING		1
110	412T2077-20		..FITTING		1
120	BACR15FT5KE		.RIVET- SIZE DETERMINED ON INSTL.		11

ILLUSTRATION ITEMS NOT ON PARTS LIST ARE NOT APPLICABLE

- ITEM NOT ILLUSTRATED

HXL

53-60-59-01

BOEING PROPRIETARY - Copyright © - Unpublished Work - See title page for details.

53-60-59
FIG. 01
PAGE 1
DEC 22/07



767

PARTS CATALOG (MAINTENANCE)

FIG ITEM	PART NUMBER	1 2 3 4 5 6 7	NOMENCLATURE	EFFECT FROM TO	UNITS PER ASSY
1					
125	BACR15FT5KE	.	RIVET- SIZE DETERMINED ON INSTL.		11
135	412T2009-13	.	INTERCOSTAL ASSY- POSITION DATA: LH		1
140	412T2009-14	.	INTERCOSTAL ASSY- POSITION DATA: RH		1
145	BACB30NX6K	..	BOLT- SIZE DETERMINED ON INSTL.		2
150	BACB30NX6K	..	BOLT- SIZE DETERMINED ON INSTL.		2
160	HL1187-6	..	COLLAR SUPPLIER CODE: V5M902 SPECIFICATION NUMBER: BACC30X6 OPTIONAL PART: HL87-6 V92215 HL87-6 V73197 HL1187-6 V56878 HL1187-6 V92215 HL87-6 V56878 HL1187-6 V73197		2
165	HL1187-6	..	COLLAR SUPPLIER CODE: V5M902 SPECIFICATION NUMBER: BACC30X6 OPTIONAL PART: HL87-6 V92215 HL87-6 V73197 HL1187-6 V56878 HL1187-6 V92215 HL87-6 V56878 HL1187-6 V73197		2
175	412T2002-21	..	FITTING ASSY		1

ILLUSTRATION ITEMS NOT ON PARTS LIST ARE NOT APPLICABLE

- ITEM NOT ILLUSTRATED

53-60-59-01

53-60-59
FIG. 01
PAGE 2
DEC 22/07

HXL

BOEING PROPRIETARY - Copyright © - Unpublished Work - See title page for details.

 **BOEING**
767
PARTS CATALOG (MAINTENANCE)

FIG ITEM	PART NUMBER	1 2 3 4 5 6 7	NOMENCLATURE	EFFECT FROM TO	UNITS PER ASSY
1					
180	412T2002-21	..	FITTING ASSY		1
190	412T3111-7	..	INTERCOSTAL- POSITION DATA: LH		1
195	412T3111-8	..	INTERCOSTAL- POSITION DATA: RH		1
200	BACF3F007J024NN	.	FILLER- POSITION DATA: LH		1
205	BACF3F008J024NN	.	FILLER- POSITION DATA: RH		1
210	412T3112-31	.	ANGLE- POSITION DATA: LH		1
215	412T3112-32	.	ANGLE- POSITION DATA: RH		1
220	BACF3F006E023NN	.	FILLER		1
225	BACF3F006E023NN	.	FILLER		1
235	412T3112-33	.	ANGLE- POSITION DATA: LH		1
240	412T3112-34	.	ANGLE- POSITION DATA: RH		1

ILLUSTRATION ITEMS NOT ON PARTS LIST ARE NOT APPLICABLE

- ITEM NOT ILLUSTRATED

HXL

53-60-59-01

BOEING PROPRIETARY - Copyright © - Unpublished Work - See title page for details.

53-60-59
FIG. 01
PAGE 3
DEC 22/07