

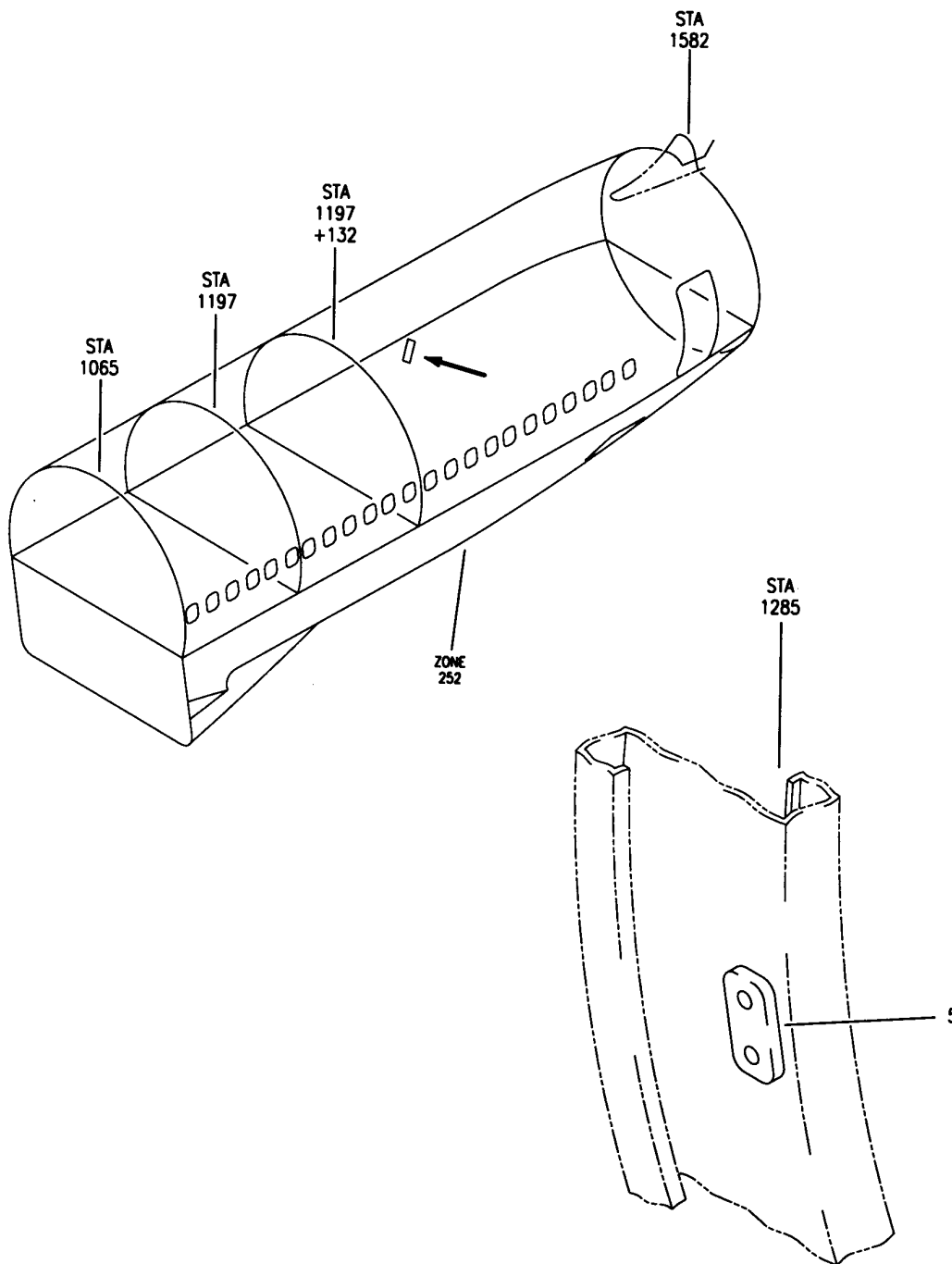
 **BOEING**
767
PARTS CATALOG (MAINTENANCE)

MAIN FRAME

HXL
DEC 22/06

53-63-00
SECTION TITLE
PAGE 1

BOEING
767
PARTS CATALOG (MAINTENANCE)



V 53635001 REV 195

FLOOR INTEGRATION MAIN DECK, SECT. 46
FIGURE 1

53-63-50-01

HXL
DEC 22/06

53-63-50-01
PAGE 0



767

PARTS CATALOG (MAINTENANCE)

FIG ITEM	PART NUMBER	1 2 3 4 5 6 7	NOMENCLATURE	EFFECT FROM TO	UNITS PER ASSY
1			FLOOR INTEGRATION MAIN DECK, SECT. 46		
- 1	146T0050-23		FLOOR INTEGRATION- POSITION DATA: MAIN DECK, SECT. 46 VARIABLE DRAWING REF: 146T0050-7001 FOR NHA SEE: 53-60-00-08		RF
5	DE787		.MOUNT-ISOLATOR SUPPLIER CODE: V71985 SPECIFICATION NUMBER: S411T100-201		1
5	DE821		OPTIONAL PART: SL8106-201 V97393 DE821 V71985 .MOUNT-ISOLATOR SUPPLIER CODE: V71985 SPECIFICATION NUMBER: S411T100-201		1
- 10	L8006K3		OPTIONAL PART: SL8106-201 V97393 DE787 V71985 ATTACHING PARTS .BOLT SUPPLIER CODE: V06725 SPECIFICATION NUMBER: BACB30MY6K3		2

ILLUSTRATION ITEMS NOT ON PARTS LIST ARE NOT APPLICABLE

- ITEM NOT ILLUSTRATED

HXL

53-63-50-01

BOEING PROPRIETARY - Copyright © - Unpublished Work - See title page for details.

53-63-50
FIG. 01
PAGE 1
APR 22/08



767
PARTS CATALOG (MAINTENANCE)

FIG ITEM	PART NUMBER	1 2 3 4 5 6 7	NOMENCLATURE	EFFECT FROM TO	UNITS PER ASSY
1 - 15	HL79-6		. COLLAR SUPPLIER CODE: V5M902 SPECIFICATION NUMBER: BACC30M6 OPTIONAL PART: HL79-6 V73197 HL79-6 V92215 66014-6 V56878 HL79-6 V56878 -----*		2

ILLUSTRATION ITEMS NOT ON PARTS LIST ARE NOT APPLICABLE

- ITEM NOT ILLUSTRATED

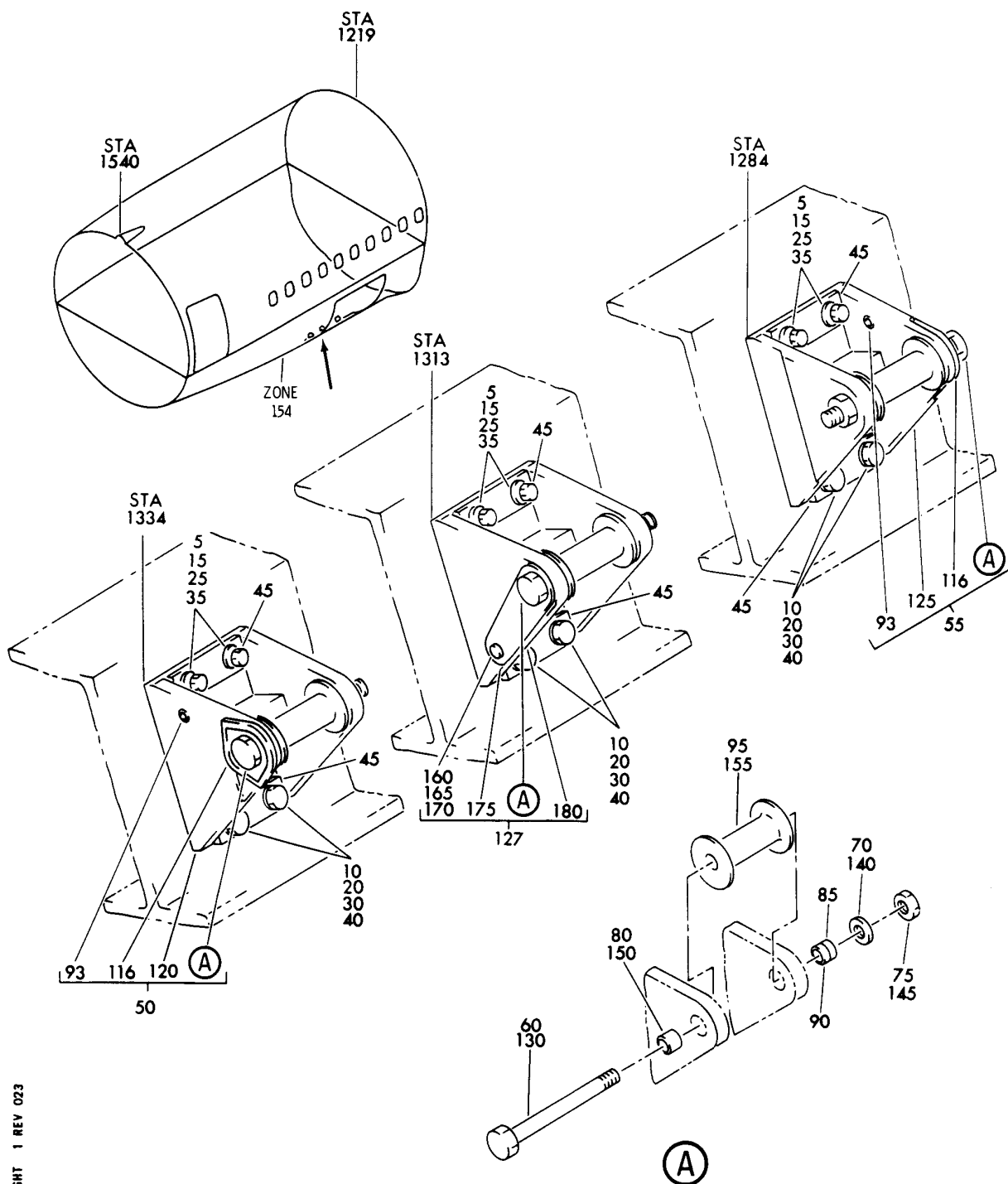
HXL

53-63-50-01

BOEING PROPRIETARY - Copyright © - Unpublished Work - See title page for details.

53-63-50
FIG. 01
PAGE 2
APR 22/08

BOEING
767
PARTS CATALOG (MAINTENANCE)



V 53635101 SHT 1 REV 023

SILL INSTL-CARGO LWR MAIN AFT
FIGURE 1

53-63-51-01

HXL
DEC 22/06

53-63-51-01
PAGE 0



767

PARTS CATALOG (MAINTENANCE)

FIG ITEM	PART NUMBER	1 2 3 4 5 6 7 NOMENCLATURE	EFFECT FROM TO	UNITS PER ASSY
1		SILL INSTL-CARGO LWR MAIN AFT		
- 1	146T8510-24	SILL INSTL-CARGO MAIN POSITION DATA: LWR AFT FOR NHA SEE: 53-65-51-02		RF
5	BACB30LE5K21	.BOLT-		6
10	BACB30NM4K19	.BOLT-		6
15	BACW10BP5CD	.WASHER		6
20	BACW10BP4CD	.WASHER		6
25	BACW10BP5DP	.WASHER		6
30	BACW10BP4DP	.WASHER		6
35	CR5906-5	.NUT-		6
		SUPPLIER CODE: VF0224		
		SPECIFICATION NUMBER: BACN10HR5		
		OPTIONAL PART: BH00302-5		
		V27238		
		H965		
		V15653		
		RMLH225		
		V72962		
		VAL280095		
		V06710		
		678325		
		V56878		
		H96-5		
		V15653		
		RMLH22-5		
		V72962		
		SL7058S524		
		V11815		
		67832-524		
		V56878		
		BMNN10HR5		
		V97928		
40	NAS1804-4	.NUT-		6
45	140T2979-2	.FILLER		6
50	140T2955-17	.FITTING ASSY		1
55	140T2955-18	.FITTING ASSY		1
60	140T2645-4	..BOLT		1
70	AN960PD616L	..WASHER		1

R
R
R
R
R
R
R
R
R
R
R
R
R
R
R
R
R
R
R
R
R
R
R

ILLUSTRATION ITEMS NOT ON PARTS LIST ARE NOT APPLICABLE

- ITEM NOT ILLUSTRATED

53-63-51-01

53-63-51
FIG. 01
PAGE 1
AUG 22/09

HXL

BOEING PROPRIETARY - Copyright © - Unpublished Work - See title page for details.

 **BOEING**
767
PARTS CATALOG (MAINTENANCE)

FIG ITEM	PART NUMBER	1 2 3 4 5 6 7	NOMENCLATURE	EFFECT FROM TO	UNITS PER ASSY
1					
75	BRH10A5	..	NUT SUPPLIER CODE: V52828 SPECIFICATION NUMBER: BACN10JC5 OPTIONAL PART: T6S524J V11815 96-054 V80539 RMLH9075-5W V72962 H10-5BAC V15653		1
80	BACB28X6M033	..	BUSHING		1
85	BACB28X6M039	..	BUSHING		1
90	BACB28X6C039	..	BUSHING		1
93	452T2805-3	..	BUSHING- SUPPLIER CODE: V31645		1
95	140T2632-2	..	SPOOL		1
116	140T2955-15	..	PLATE		1
120	140T2955-13	..	FITTING- USED ON: 140T2955-17		1
125	140T2955-14	..	FITTING- USED ON: 140T2955-18		1
127	140T2955-3	.	FITTING ASSY		1
130	140T2645-2	..	BOLT		1
140	AN960PD616L	..	WASHER		1
145	BRH10A5	..	NUT SUPPLIER CODE: V52828 SPECIFICATION NUMBER: BACN10JC5 OPTIONAL PART: T6S524J V11815 96-054 V80539 RMLH9075-5W V72962 H10-5BAC V15653		1
150	BACB28X6M039	..	BUSHING		1
155	140T2632-2	..	SPOOL		1
160	NAS623-3-8	..	SCREW		1
165	AN960PD10	..	WASHER		1

ILLUSTRATION ITEMS NOT ON PARTS LIST ARE NOT APPLICABLE

- ITEM NOT ILLUSTRATED

HXL

53-63-51-01

BOEING PROPRIETARY - Copyright © - Unpublished Work - See title page for details.

53-63-51
FIG. 01
PAGE 2
DEC 22/06



767

PARTS CATALOG (MAINTENANCE)

FIG ITEM	PART NUMBER	1 2 3 4 5 6 7	NOMENCLATURE	EFFECT FROM TO	UNITS PER ASSY
1 170	BRH10A3		..NUT SUPPLIER CODE: V52828 SPECIFICATION NUMBER: BACN10JC3 OPTIONAL PART: H10-3BAC V15653 NS202101-02 V80539 RMLH9075-3W V72962 VN303A02 V92215 96-02 V80539 T6S1032J V11815		1
175	140T2659-2		..RETAINER		1
180	140T2955-4		..FITTING		1

ILLUSTRATION ITEMS NOT ON PARTS LIST ARE NOT APPLICABLE

- ITEM NOT ILLUSTRATED

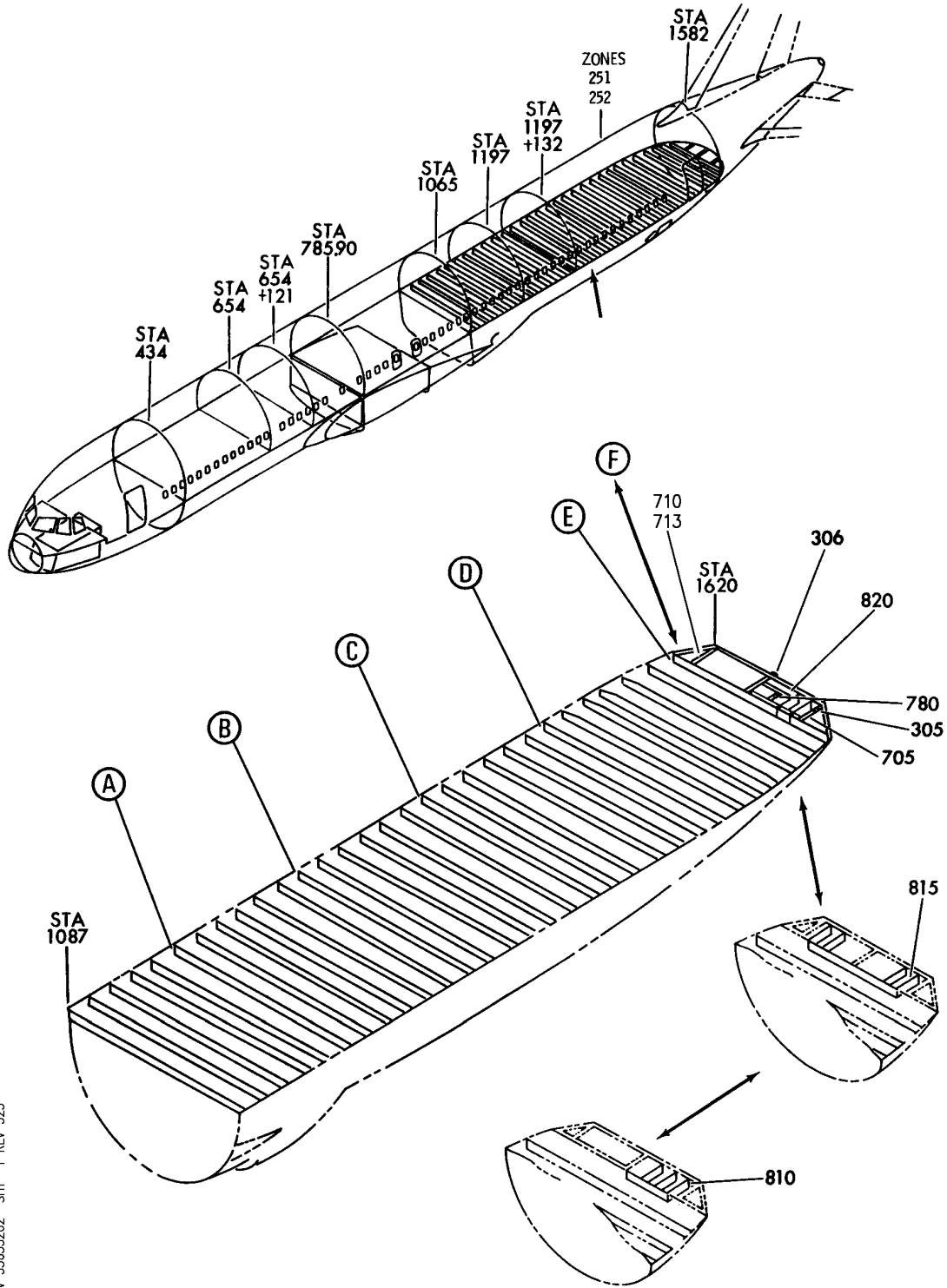
HXL

53-63-51-01

BOEING PROPRIETARY - Copyright © - Unpublished Work - See title page for details.

53-63-51
 FIG. 01
 PAGE 3
 DEC 22/06

BOEING
767
PARTS CATALOG (MAINTENANCE)



V 53635202 SHT 1 REV 325

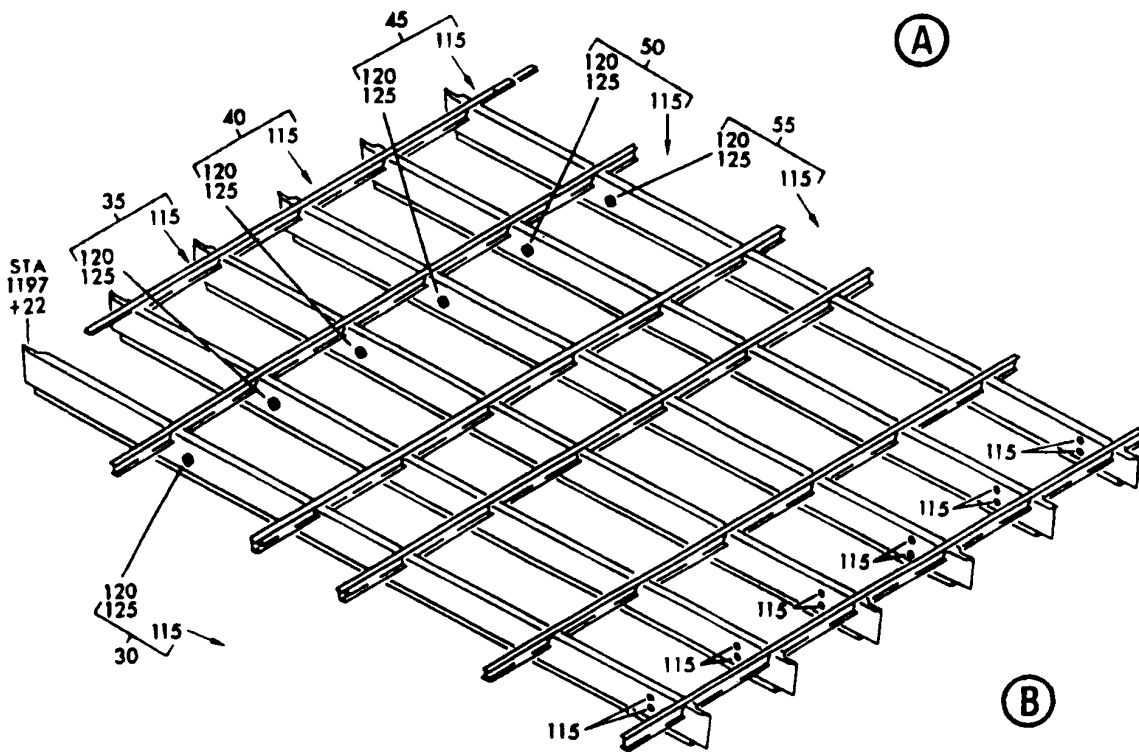
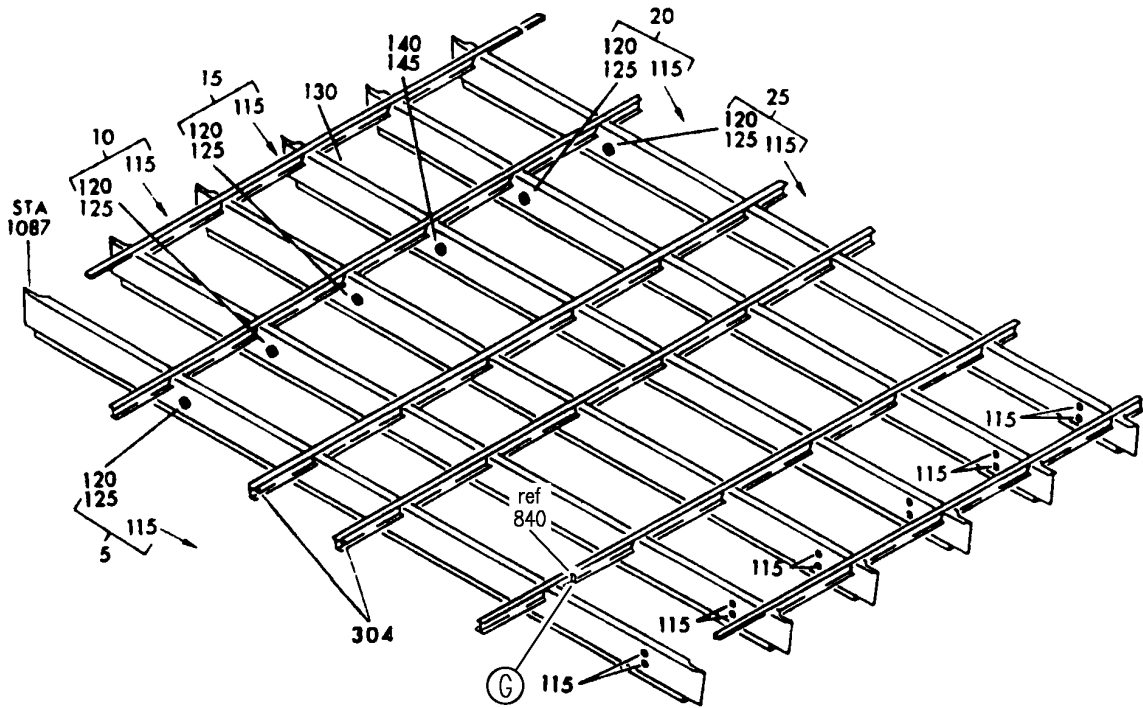
FLOOR SYSTEM INSTL-SECT. 46 (MAIN FRAME ONLY)
FIGURE 2 (SHEET 1)

53-63-52-02

HXL
APR 22/08

53-63-52-02
PAGE 0


BOEING
 767
PARTS CATALOG (MAINTENANCE)



V 53635202 SHT. 2 REV 287

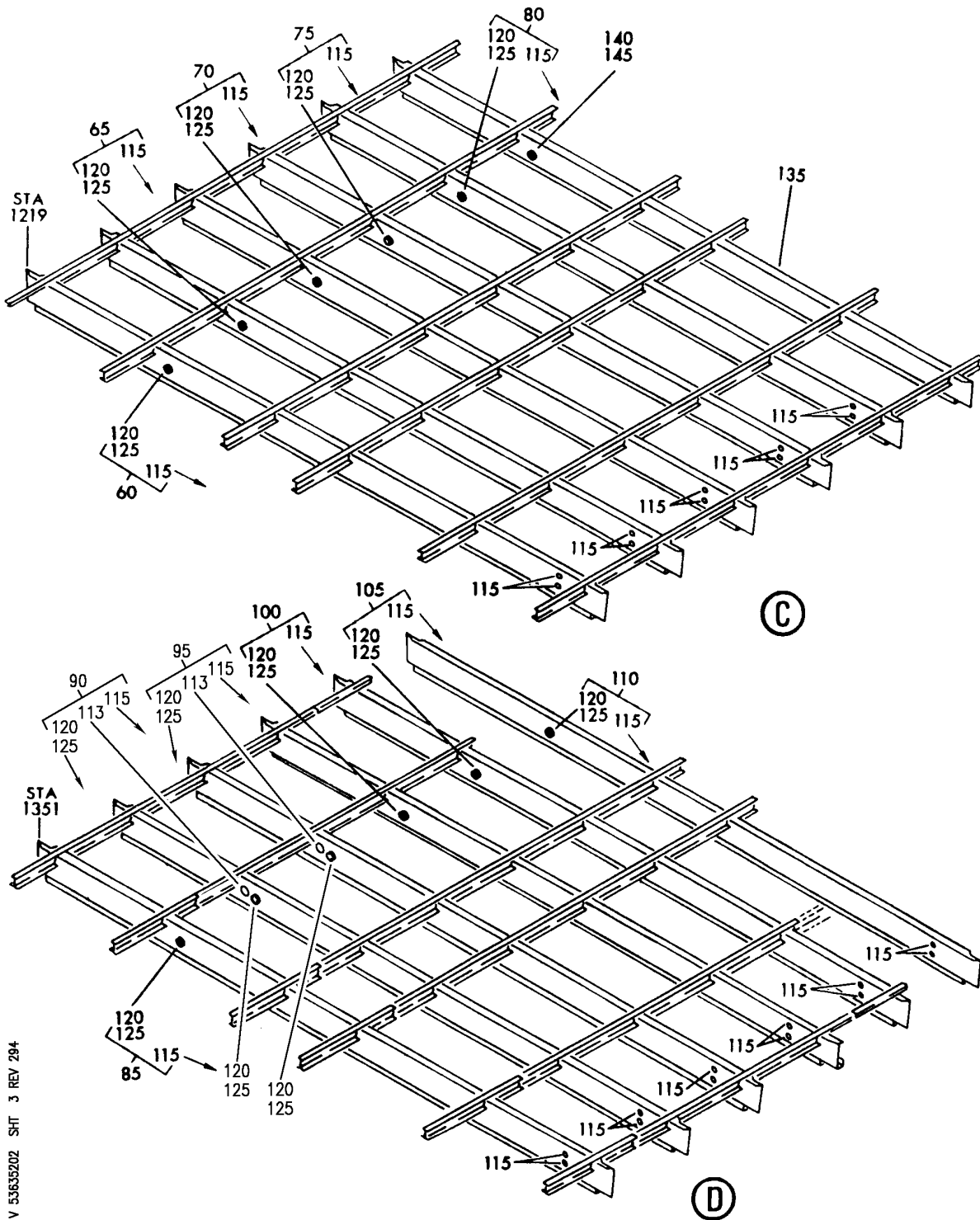
FLOOR SYSTEM INSTL-SECT. 46 (MAIN FRAME ONLY)
 FIGURE 2 (SHEET 2)

53-63-52-02

HXL
DEC 22/06

53-63-52-02
 PAGE 0A

BOEING
767
PARTS CATALOG (MAINTENANCE)



V 53635202 SHT. 3 REV 294

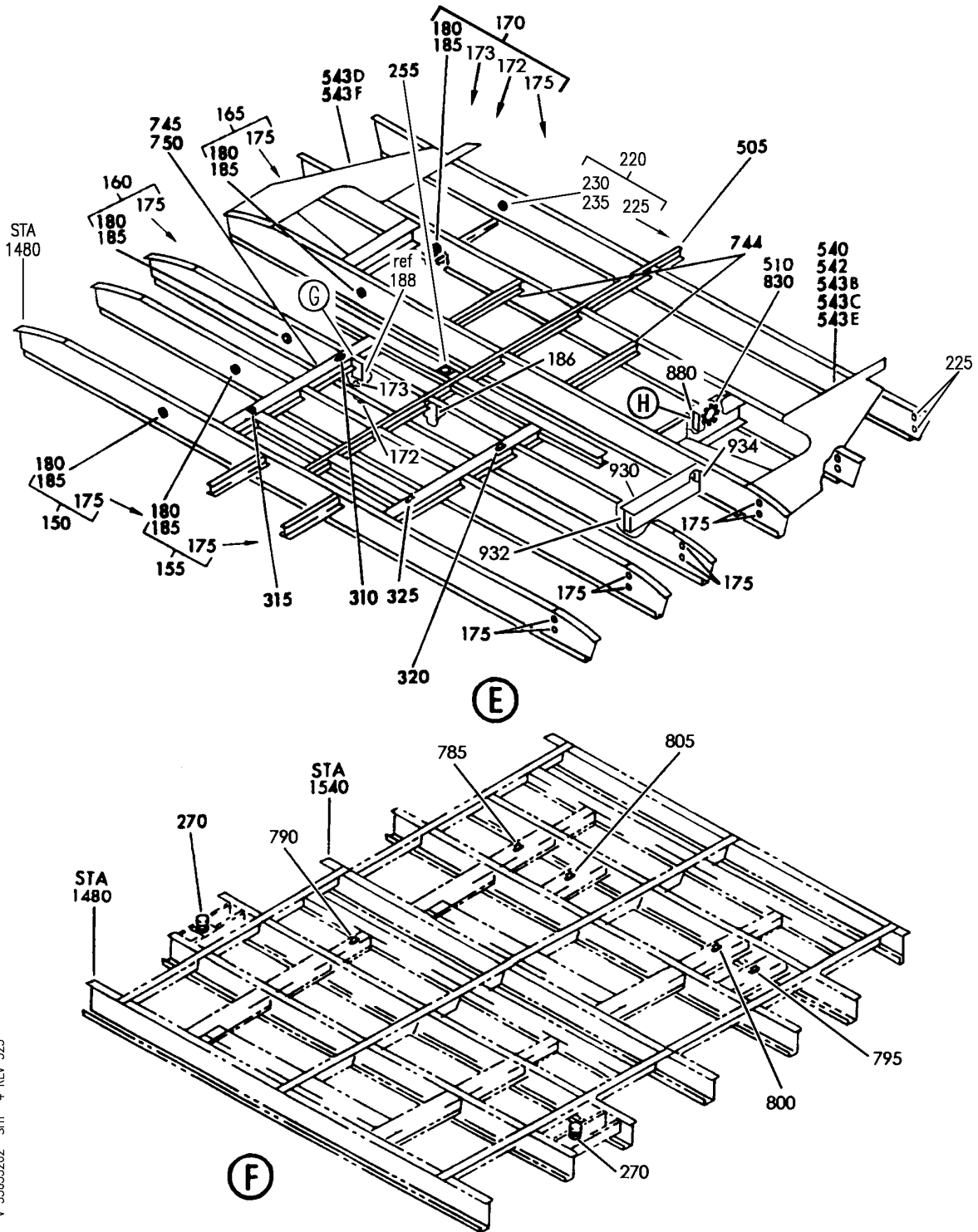
FLOOR SYSTEM INSTL-SECT. 46 (MAIN FRAME ONLY)
FIGURE 2 (SHEET 3)

53-63-52-02

HXL
DEC 22/06

53-63-52-02
PAGE 0B


BOEING
 767
PARTS CATALOG (MAINTENANCE)



V 53635202 SH-T 4 REV 325

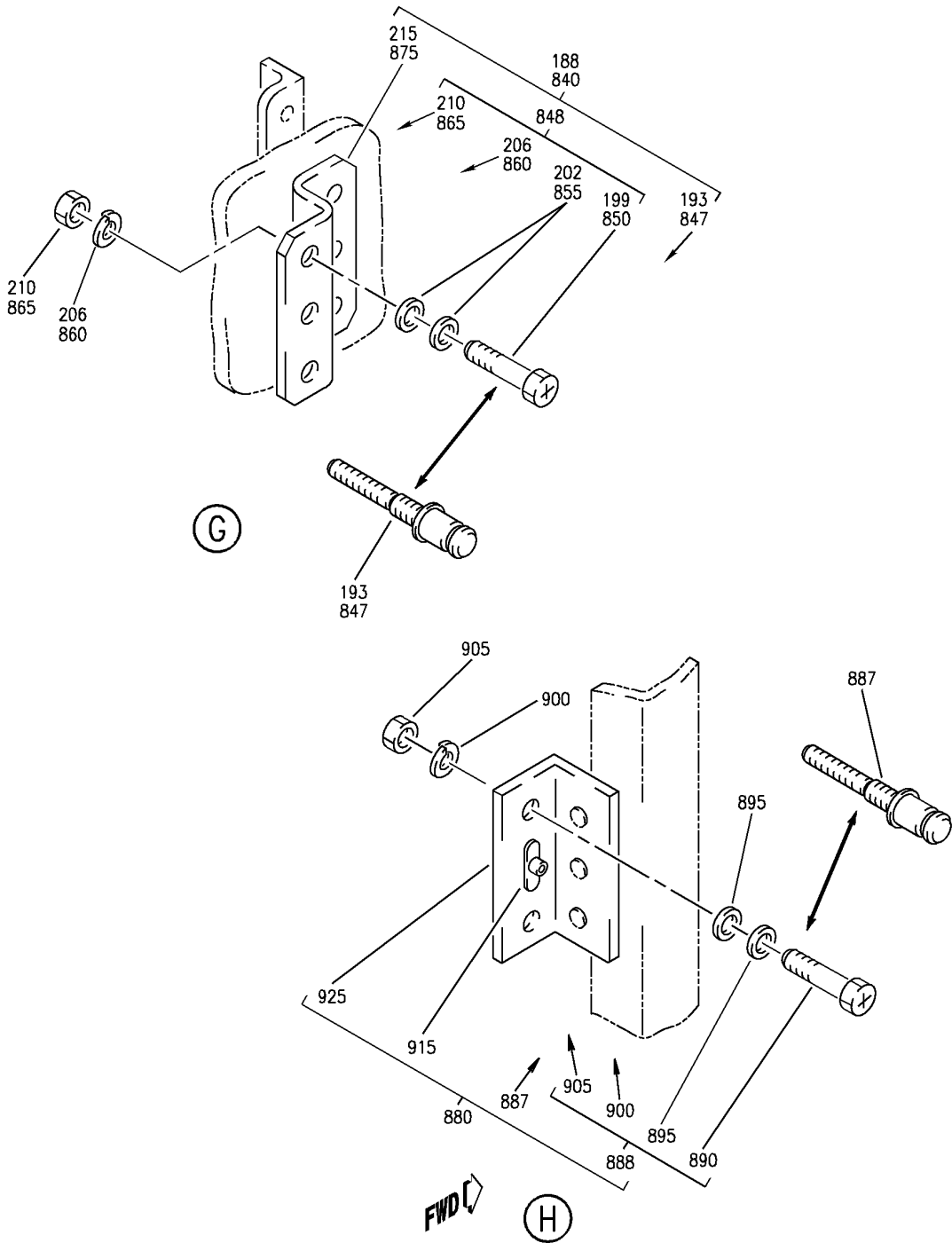
FLOOR SYSTEM INSTL-SECT. 46 (MAIN FRAME ONLY)
 FIGURE 2 (SHEET 4)

53-63-52-02

HXL
 APR 22/08

53-63-52-02
 PAGE 0C

BOEING
767
PARTS CATALOG (MAINTENANCE)



V 53635202 SHT 5 REV 287

FLOOR SYSTEM INSTL-SECT. 46 (MAIN FRAME ONLY)
FIGURE 2 (SHEET 5)

53-63-52-02

HXL
DEC 22/06

53-63-52-02
PAGE 0D



767

PARTS CATALOG (MAINTENANCE)

FIG ITEM	PART NUMBER	1 2 3 4 5 6 7	NOMENCLATURE	EFFECT FROM TO	UNITS PER ASSY
2			FLOOR SYSTEM INSTL-SECT. 46 (MAIN FRAME ONLY)		
- 1	146T5200-49		FLOOR SYSTEM INSTL-(MAIN FRAME ONLY) POSITION DATA: SECT. 46 VARIABLE DRAWING REF: 146T5200-5113 146T5200-5188 FOR NHA SEE: 53-60-00-08	155163	RF
- 2	146T5200-68		FLOOR SYSTEM INSTL-(MAIN FRAME ONLY) POSITION DATA: SECT. 46 VARIABLE DRAWING REF: 146T5200-5174 FOR NHA SEE: 53-60-00-08	164999	RF
5	146T5124-5		.BEAM ASSY-		1
10	146T5125-4		.BEAM ASSY-		1
15	146T5126-3		.BEAM ASSY-		1
20	146T5128-4		.BEAM ASSY-		1
25	146T5129-2		.BEAM ASSY-		1
30	146T5154-1		.BEAM ASSY-		1
35	146T5155-1		.BEAM ASSY-		1
40	146T5156-1		.BEAM ASSY-		1
45	146T5157-1		.BEAM ASSY-		1
50	146T5158-1		.BEAM ASSY-		1
55	146T5159-1		.BEAM ASSY-		1
60	146T5130-2		.BEAM ASSY-		1
65	146T5131-2		.BEAM ASSY-		1
70	146T5132-2		.BEAM ASSY-		1
75	146T5133-3		.BEAM ASSY-		1
80	146T5134-1		.BEAM ASSY-		1
85	146T5135-1		.BEAM ASSY-		1
90	146T5136-1		.BEAM ASSY-		1
95	146T5137-1		.BEAM ASSY-		1
100	146T5138-5		.BEAM ASSY-		1
105	146T5139-1		.BEAM ASSY-	163163	1
105	146T5139-8		.BEAM ASSY-	155162	1
				164999	
110	146T5140-1		.BEAM ASSY-		1
115	NAS1368N16B		..GROMMET		2
120	69-37130-1		..GUIDE-FLOOR BEAM POWER FEEDERS		1
125	69-37130-2		..GUIDE-FLOOR BEAM POWER FEEDERS		1
130	146T5127-3		.BEAM ASSY-		1

ILLUSTRATION ITEMS NOT ON PARTS LIST ARE NOT APPLICABLE

- ITEM NOT ILLUSTRATED

53-63-52-02

53-63-52
FIG. 02
PAGE 1
DEC 22/08

HXL



767

PARTS CATALOG (MAINTENANCE)

FIG ITEM	PART NUMBER	1 2 3 4 5 6 7	NOMENCLATURE	EFFECT FROM TO	UNITS PER ASSY
2					
135	146T5147-1	.	BEAM ASSY-		1
140	69-37130-1	..	GUIDE-FLOOR BEAM POWER FEEDERS		1
145	69-37130-2	..	GUIDE-FLOOR BEAM POWER FEEDERS		1
150	146T5141-1	.	BEAM ASSY-		1
			VARIABLE DRAWING REF: 146T5124-5002		
155	146T5142-1	.	BEAM ASSY-		1
			VARIABLE DRAWING REF: 146T5124-5002		
160	146T5143-1	.	BEAM ASSY-		1
			VARIABLE DRAWING REF: 146T5124-5002		
165	146T5144-1	.	BEAM ASSY-		1
170	146T5145-1	.	BEAM ASSY-		1
175	NAS1368N16B	..	GROMMET		2
180	69-37130-1	..	GUIDE-FLOOR BEAM POWER FEEDERS		1
185	69-37130-2	..	GUIDE-FLOOR BEAM POWER FEEDERS		1
188	287T4137-27	..	BRACKET ASSY-		1
			USED ON: 146T5145-1 146T5145-3 146T5145-5		
			ATTACHING PARTS		
- 189	BACR15FT6AD	..	RIVET-		3
			SIZE DETERMINED ON INSTL. -----*-----		
193	VNS1924CA1-8	...	STUD-		3
			SUPPLIER CODE: V5M902		
			SPECIFICATION NUMBER: BACS53B1EA1		
			OPTIONAL PART: VNS1924CA3-1-8 V92215 287T4137-84		
- 196	287T4137-84	...	KIT ASSY-SUB		3
			OPTIONAL PART: BACS53B1EA1		
199	NAS1801-3-10	SCREW		1
202	AN960D10L	WASHER		2
206	MS35338-43	WASHER		1
210	MS35650-305T	NUT		1
215	287T4137-28	...	BRACKET		1
220	146T5146-36	.	BEAM ASSY-		1
225	NAS1368N16C	..	GROMMET		2

ILLUSTRATION ITEMS NOT ON PARTS LIST ARE NOT APPLICABLE

- ITEM NOT ILLUSTRATED

53-63-52-02

53-63-52
FIG. 02
PAGE 2
APR 22/08

HXL

 **BOEING**
767
PARTS CATALOG (MAINTENANCE)

FIG ITEM	PART NUMBER	1 2 3 4 5 6 7	NOMENCLATURE	EFFECT FROM TO	UNITS PER ASSY
2					
230	69-37130-1		..GUIDE-FLOOR BEAM POWER FEEDERS		1
235	69-37130-2		..GUIDE-FLOOR BEAM POWER FEEDERS		1
- 300	146T5600-46		.STRUCTURE INSTL-GALLEY SPRT POSITION DATA: AFT		1
505	146T5601-69		..BEAM INSTL- POSITION DATA: BL 0 FOR DETAILS SEE: 53-61-00-01		1
510	BACG20AD785		...GROMMET		1
542	146T5604-171		..SUPPORT INSTL- FOR DETAILS SEE: 53-61-00-01		1
705	146T5618-83		..BEAM INSTL-GALLEY SPRT POSITION DATA: LH FOR DETAILS SEE: 53-61-00-01		1
710	146T5618-84		..BEAM INSTL-GALLEY SPRT POSITION DATA: RH FOR DETAILS SEE: 53-61-00-01		1
745	146T5634-31		..SUPPORT INSTL-GALLEY AUX POSITION DATA: AFT VARIABLE DRAWING REF: 146T5634-5004 FOR DETAILS SEE: 53-61-00-01		1
- 825	146T5400-16		.STABILIZATION INSTL- POSITION DATA: UPR SECT. 46 VARIABLE DRAWING REF: 146T5400-7002		1
830	BACG20AD1900		..GROMMET-		1
840	287T4137-27		..BRACKET ASSY ATTACHING PARTS		1
- 845	BACR15FT6KE		..RIVET- SIZE DETERMINED ON INSTL. -----*-----		4

ILLUSTRATION ITEMS NOT ON PARTS LIST ARE NOT APPLICABLE

- ITEM NOT ILLUSTRATED

HXL

53-63-52-02

BOEING PROPRIETARY - Copyright © - Unpublished Work - See title page for details.

53-63-52
FIG. 02
PAGE 3
APR 22/08

 **BOEING**
767
PARTS CATALOG (MAINTENANCE)

FIG ITEM	PART NUMBER	1 2 3 4 5 6 7	NOMENCLATURE	EFFECT FROM TO	UNITS PER ASSY
2 847	VNS1924CA1-8	...	STUD-GND SUPPLIER CODE: V5M902 SPECIFICATION NUMBER: BACS53B1EA1 OPTIONAL PART: VNS1924CA3-1-8 V92215 287T4137-84		3
848	287T4137-84	...	KIT ASSY-SUB OPTIONAL PART: BACS53B1EA1		3
850	NAS1801-3-10	SCREW		3
855	AN960D10L	WASHER		6
860	MS35338-43	WASHER		3
865	MS35650-305T	NUT		3
875	287T4137-28	...	BRACKET		1
880	287T0015-437	..	STUD ASSY ATTACHING PARTS		1
- 885	BACR15FT6KE	..	RIVET- SIZE DETERMINED ON INSTL. -----*-----		3
887	VNS1924CA1-8	...	STUD-GND SUPPLIER CODE: V5M902 SPECIFICATION NUMBER: BACS53B1EA1 OPTIONAL PART: VNS1924CA3-1-8 V92215 287T0015-666		2
888	287T0015-666	...	STUD ASSY-GND OPTIONAL PART: BACS53B1EA1		2
890	NAS1801-3-12	SCREW		2
895	NAS1149D0316H	WASHER-		4
900	MS35338-43	WASHER		2
905	MS35650-305T	NUT		2

ILLUSTRATION ITEMS NOT ON PARTS LIST ARE NOT APPLICABLE

- ITEM NOT ILLUSTRATED

HXL

53-63-52-02

BOEING PROPRIETARY - Copyright © - Unpublished Work - See title page for details.

53-63-52
FIG. 02
PAGE 4
APR 22/08



767

PARTS CATALOG (MAINTENANCE)

FIG ITEM	PART NUMBER	1 2 3 4 5 6 7	NOMENCLATURE	EFFECT FROM TO	UNITS PER ASSY
2 915	T8076S1032		...NUTPLATE SUPPLIER CODE: V11815 SPECIFICATION NUMBER: BACN10JP3A OPTIONAL PART: MK1000-3BAC V15653 NS103197-02 V80539 RMA9201M3 V72962 VN202A1-02 V92215 BRM200A3 V52828 ATTACHING PARTS		1
- 920	BACR15BA3AD		...RIVET- SIZE DETERMINED ON INSTL. -----*-----		2
925	287T0015-438		...ANGLE		1

ILLUSTRATION ITEMS NOT ON PARTS LIST ARE NOT APPLICABLE

- ITEM NOT ILLUSTRATED

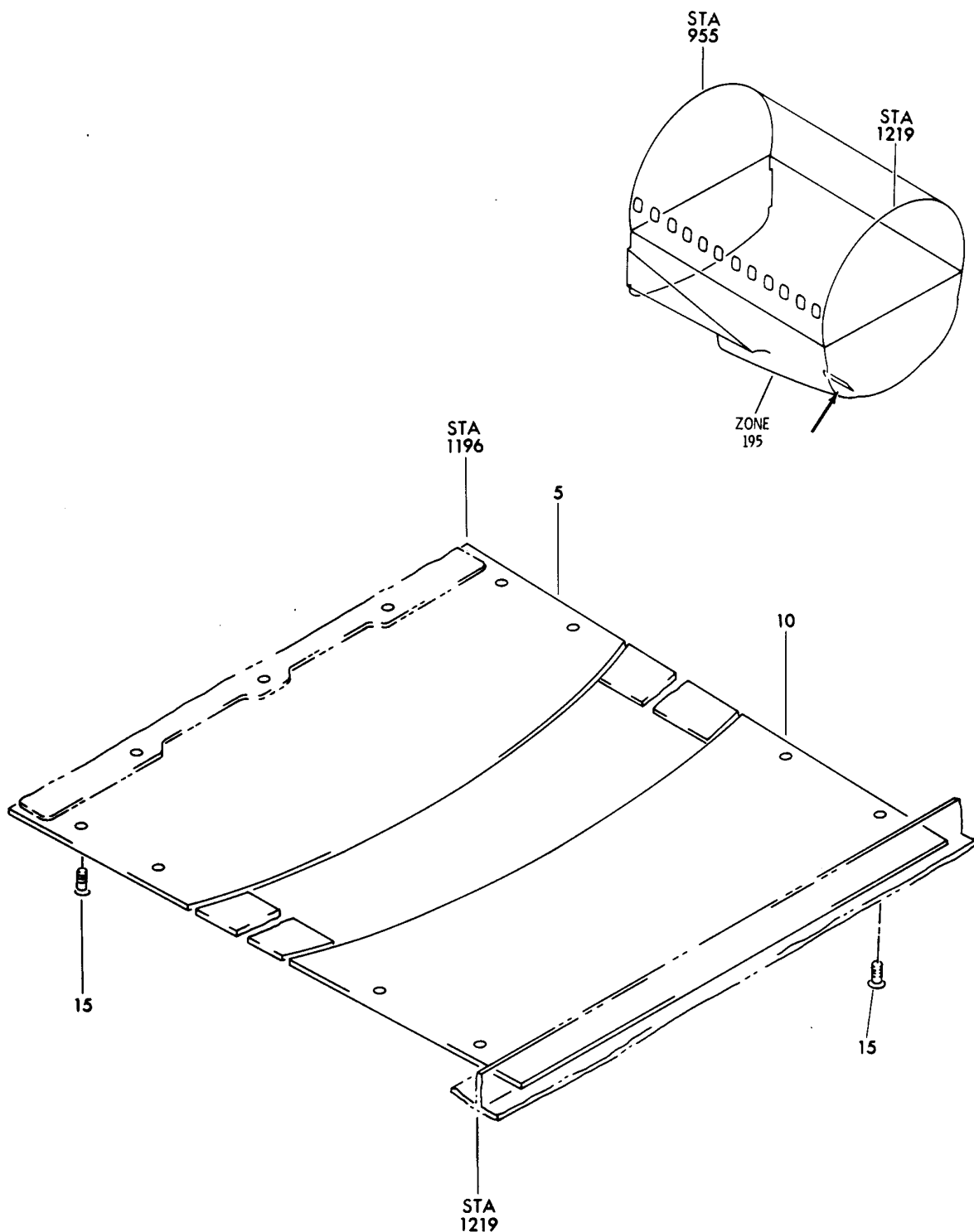
HXL

53-63-52-02

BOEING PROPRIETARY - Copyright © - Unpublished Work - See title page for details.

53-63-52
 FIG. 02
 PAGE 5
 DEC 22/07

BOEING
767
PARTS CATALOG (MAINTENANCE)



V 5303501 SHT 1 REV 010

INTERCOSTAL ASSY-STA 1175 TO STA 1219 FAIRING L SIDE AFT
FIGURE 1

53-63-53-01

HXL
DEC 22/06

53-63-53-01
PAGE 0



767

PARTS CATALOG (MAINTENANCE)

FIG ITEM	PART NUMBER	1 2 3 4 5 6 7	NOMENCLATURE	EFFECT FROM TO	UNITS PER ASSY
1			INTERCOSTAL ASSY-STA 1175 TO STA 1219 FAIRING L SIDE AFT		
- 1	149T7682-1		INTERCOSTAL ASSY-FAIRING POSITION DATA: STA 1175 TO STA 1219 L SIDE AFT FOR NHA SEE: 53-66-59-01		RF
5	149T7682-10		.SKIN- POSITION DATA: FWD ACCESS PANEL NUMBER: 197ML		1
10	149T7682-11		.SKIN- POSITION DATA: AFT ACCESS PANEL NUMBER: 197NL		1
15	BACB30LH3-3		ATTACHING PARTS .BOLT -----*-----		11

ILLUSTRATION ITEMS NOT ON PARTS LIST ARE NOT APPLICABLE

- ITEM NOT ILLUSTRATED

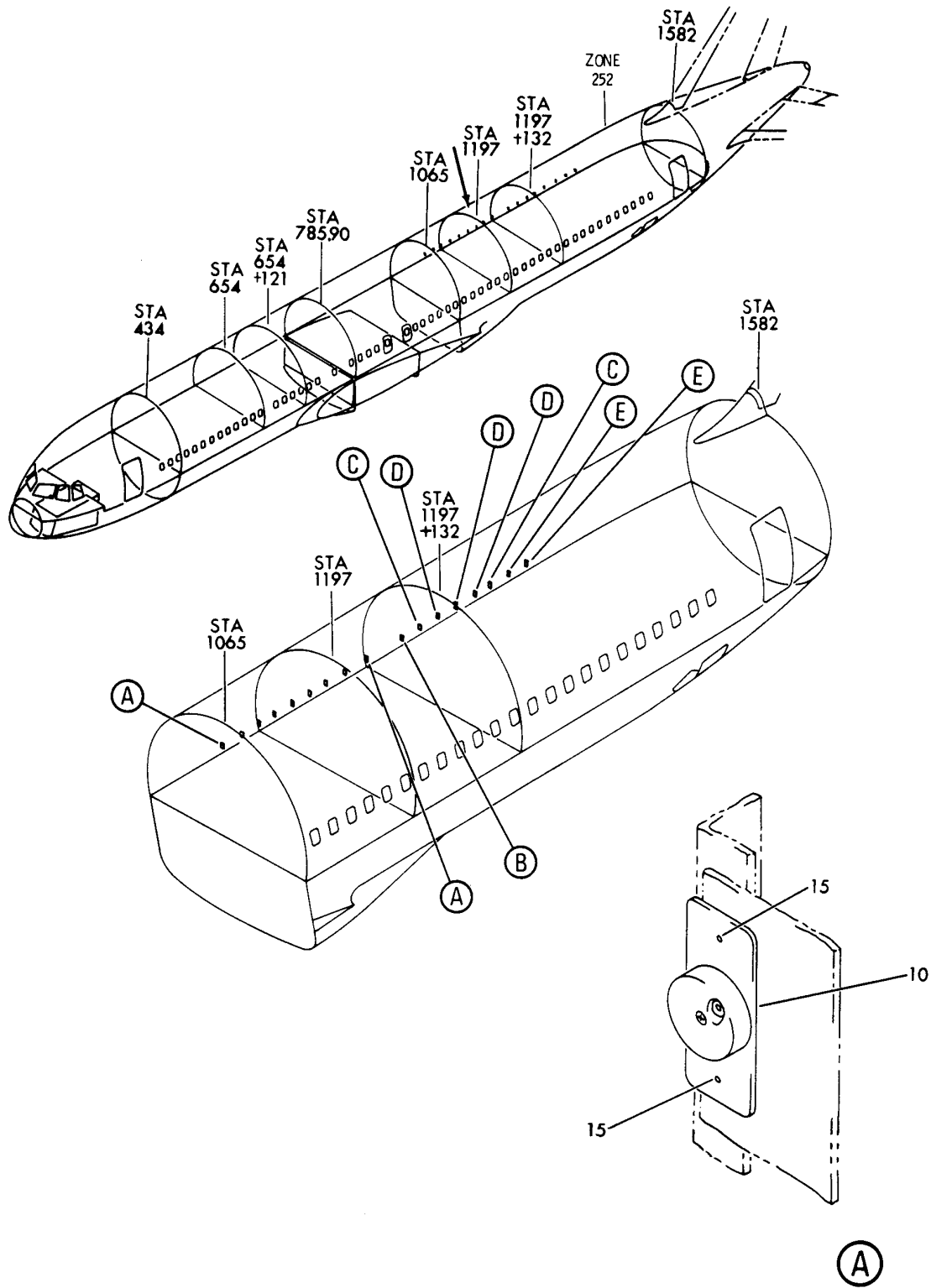
HXL

53-63-53-01

BOEING PROPRIETARY - Copyright © - Unpublished Work - See title page for details.

53-63-53
FIG. 01
PAGE 1
DEC 22/07

BOEING
767
PARTS CATALOG (MAINTENANCE)



V 53835406 SHT 1 REV 060

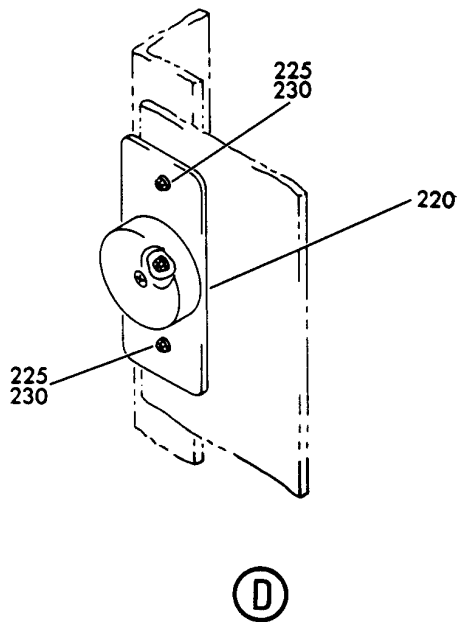
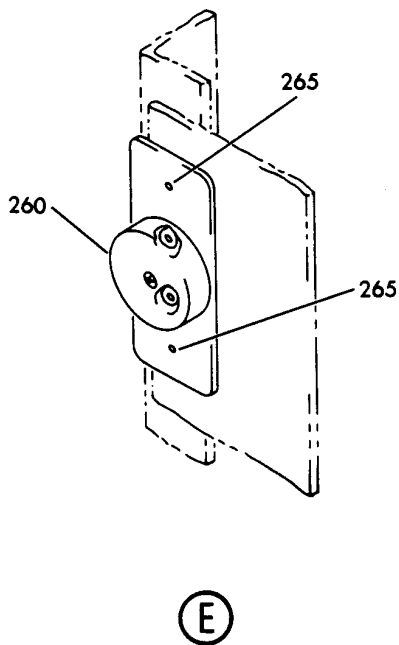
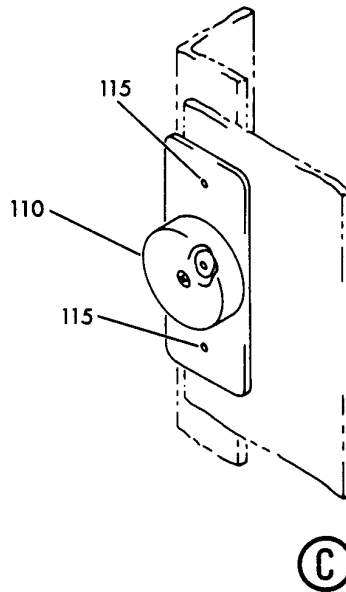
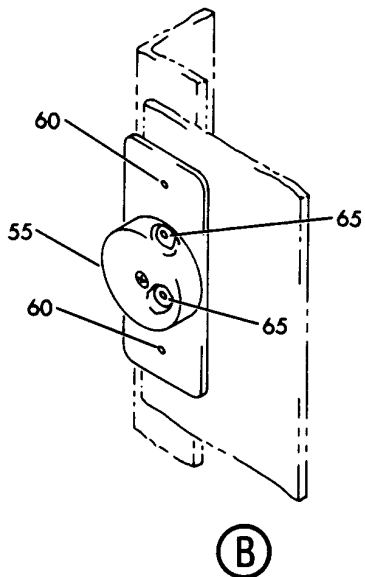
SPLICE INSTL-STA 1087 TO 1395, S-17R FRAME
FIGURE 6 (SHEET 1)

53-63-54-06

HXL
DEC 22/06

53-63-54-06
PAGE 0

BOEING
767
PARTS CATALOG (MAINTENANCE)



V 53835406 SHT 2 REV 060

SPLICE INSTL-STA 1087 TO 1395, S-17R FRAME
FIGURE 6 (SHEET 2)

53-63-54-06

HXL
DEC 22/06

53-63-54-06
PAGE 0A


BOEING
 767
PARTS CATALOG (MAINTENANCE)

FIG ITEM	PART NUMBER	1 2 3 4 5 6 7	NOMENCLATURE	EFFECT FROM TO	UNITS PER ASSY
6			SPLICE INSTL-STA 1087 TO 1395, S-17R FRAME		
- 50	146T1017-8		SPLICE INSTL-FRAME POSITION DATA: STA 1241 FOR NHA SEE: 53-60-00-08		RF
55	DE821		.MOUNT-CAB. INTR ISOLATOR SUPPLIER CODE: V71985 SPECIFICATION NUMBER: S411T100-201 OPTIONAL PART: SL8106-201 V97393 DE787 V71985		1
60	BACR15FT5KE		ATTACHING PARTS .RIVET-		2
65	BACR15CE5KE4		SIZE DETERMINED ON INSTL. .RIVET		2
- 100	146T1017-9		-----*----- SPLICE INSTL-FRAME POSITION DATA: STA 1263 FOR NHA SEE: 53-60-00-08		RF
- 105	146T1017-13		SPLICE INSTL-FRAME POSITION DATA: STA 1351 FOR NHA SEE: 53-60-00-08		RF
110	DE821		.MOUNT-CAB. INTR ISOLATOR SUPPLIER CODE: V71985 SPECIFICATION NUMBER: S411T100-201 OPTIONAL PART: SL8106-201 V97393 DE787 V71985		1
115	BACR15FT6KE		ATTACHING PARTS .RIVET-		3
			SIZE DETERMINED ON INSTL. -----*-----		

ILLUSTRATION ITEMS NOT ON PARTS LIST ARE NOT APPLICABLE

- ITEM NOT ILLUSTRATED

HXL

53-63-54-06

BOEING PROPRIETARY - Copyright © - Unpublished Work - See title page for details.

53-63-54
 FIG. 06
 PAGE 1
 DEC 22/07

 **BOEING**
767
PARTS CATALOG (MAINTENANCE)

FIG ITEM	PART NUMBER	1 2 3 4 5 6 7	NOMENCLATURE	EFFECT FROM TO	UNITS PER ASSY
6					
- 200	146T1017-16		SPLICE INSTL-FRAME POSITION DATA: STA 1285 FOR NHA SEE: 53-60-00-08		RF
- 205	146T1017-11		SPLICE INSTL-FRAME POSITION DATA: STA 1307 FOR NHA SEE: 53-60-00-08		RF
- 210	146T1017-17		SPLICE INSTL-FRAME POSITION DATA: STA 1329 FOR NHA SEE: 53-60-00-08		RF
220	DE821		.MOUNT-CAB. INTR ISOLATOR SUPPLIER CODE: V71985 SPECIFICATION NUMBER: S411T100-201 OPTIONAL PART: SL8106-201 V97393 DE787 V71985		1
225	BACB30MY6K		ATTACHING PARTS .BOLT- SIZE DETERMINED ON INSTL.		3
230	HL79-6		.COLLAR SUPPLIER CODE: V5M902 SPECIFICATION NUMBER: BACC30M6 OPTIONAL PART: HL79-6 V73197 HL79-6 V92215 66014-6 V56878 HL79-6 V56878		3
- 250	146T1017-14		-----*----- SPLICE INSTL-FRAME POSITION DATA: STA 1373 FOR NHA SEE: 53-60-00-08		RF
ILLUSTRATION ITEMS NOT ON PARTS LIST ARE NOT APPLICABLE					

- ITEM NOT ILLUSTRATED

HXL

53-63-54-06

BOEING PROPRIETARY - Copyright © - Unpublished Work - See title page for details.

53-63-54
FIG. 06
PAGE 2
DEC 22/07



767

PARTS CATALOG (MAINTENANCE)

FIG ITEM	PART NUMBER	1 2 3 4 5 6 7	NOMENCLATURE	EFFECT FROM TO	UNITS PER ASSY
6					
- 255	146T1017-15		SPLICE INSTL-FRAME POSITION DATA: STA 1395 FOR NHA SEE: 53-60-00-08		RF
260	DE821		.MOUNT-CAB. INTR ISOLATOR SUPPLIER CODE: V71985 SPECIFICATION NUMBER: S411T100-201 OPTIONAL PART: SL8106-201 V97393 DE787 V71985		1
265	BACR15FT5KE		ATTACHING PARTS .RIVET -----*-----		4

ILLUSTRATION ITEMS NOT ON PARTS LIST ARE NOT APPLICABLE

- ITEM NOT ILLUSTRATED

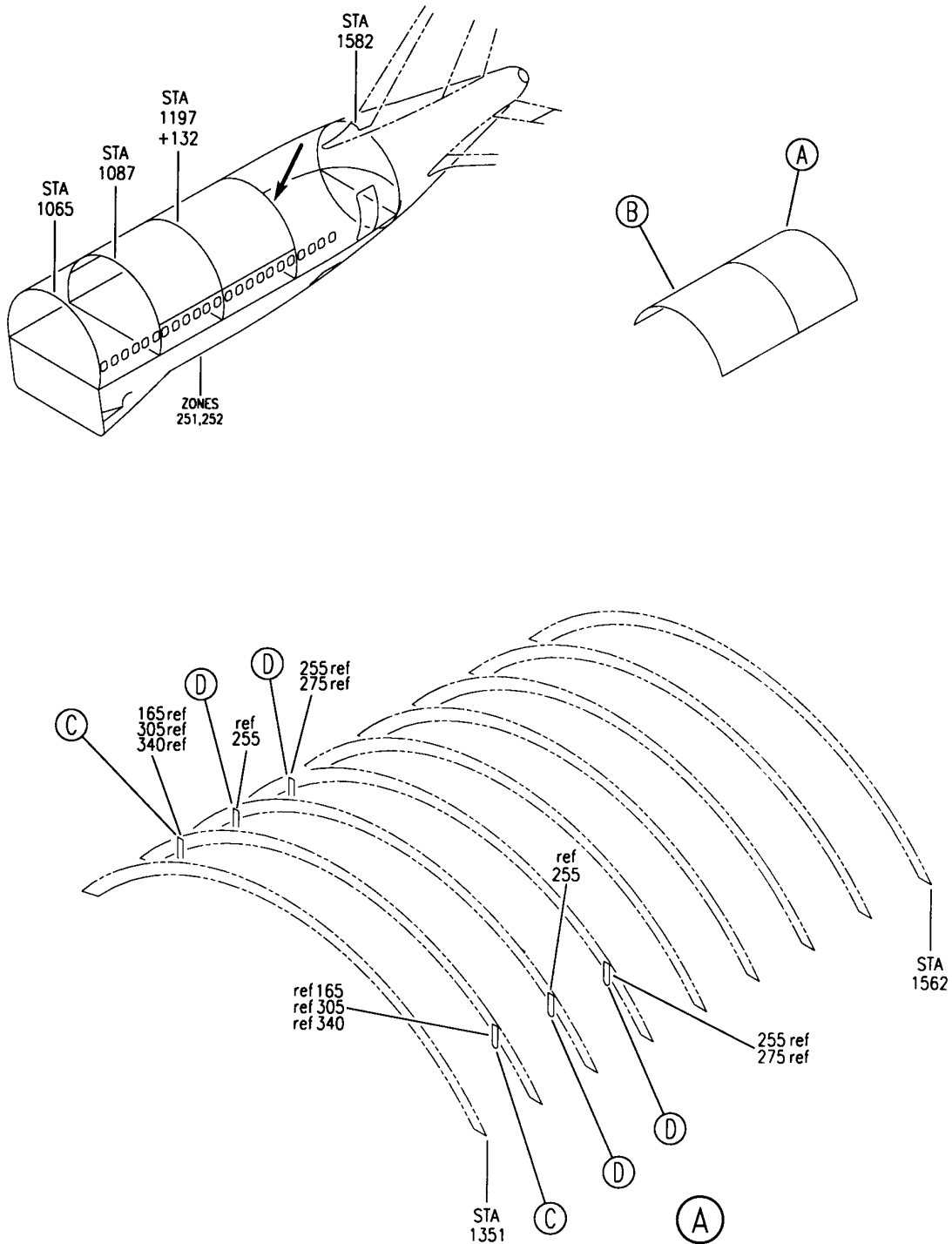
HXL

53-63-54-06

BOEING PROPRIETARY - Copyright © - Unpublished Work - See title page for details.

53-63-54
FIG. 06
PAGE 3
DEC 22/07

BOEING
767
PARTS CATALOG (MAINTENANCE)



V 531635407 SHT 1 REV 207

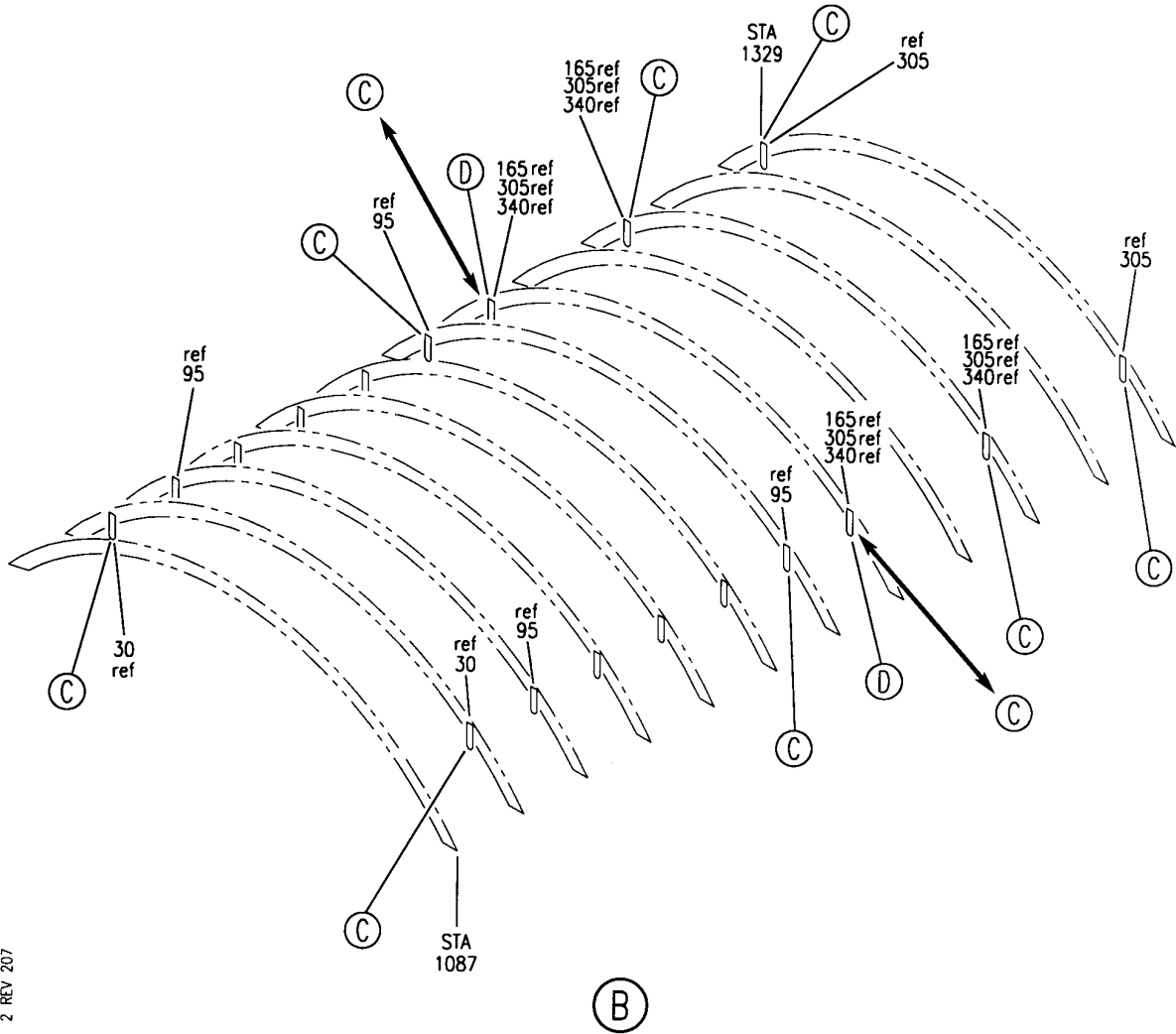
SPLICE INSTL S-8, STA 1087 TO STA 1562
FIGURE 7 (SHEET 1)

HXL
DEC 22/06

53-63-54-07

53-63-54-07
PAGE 0

BOEING
767
PARTS CATALOG (MAINTENANCE)



V 53635407 SHT 2 REV 207

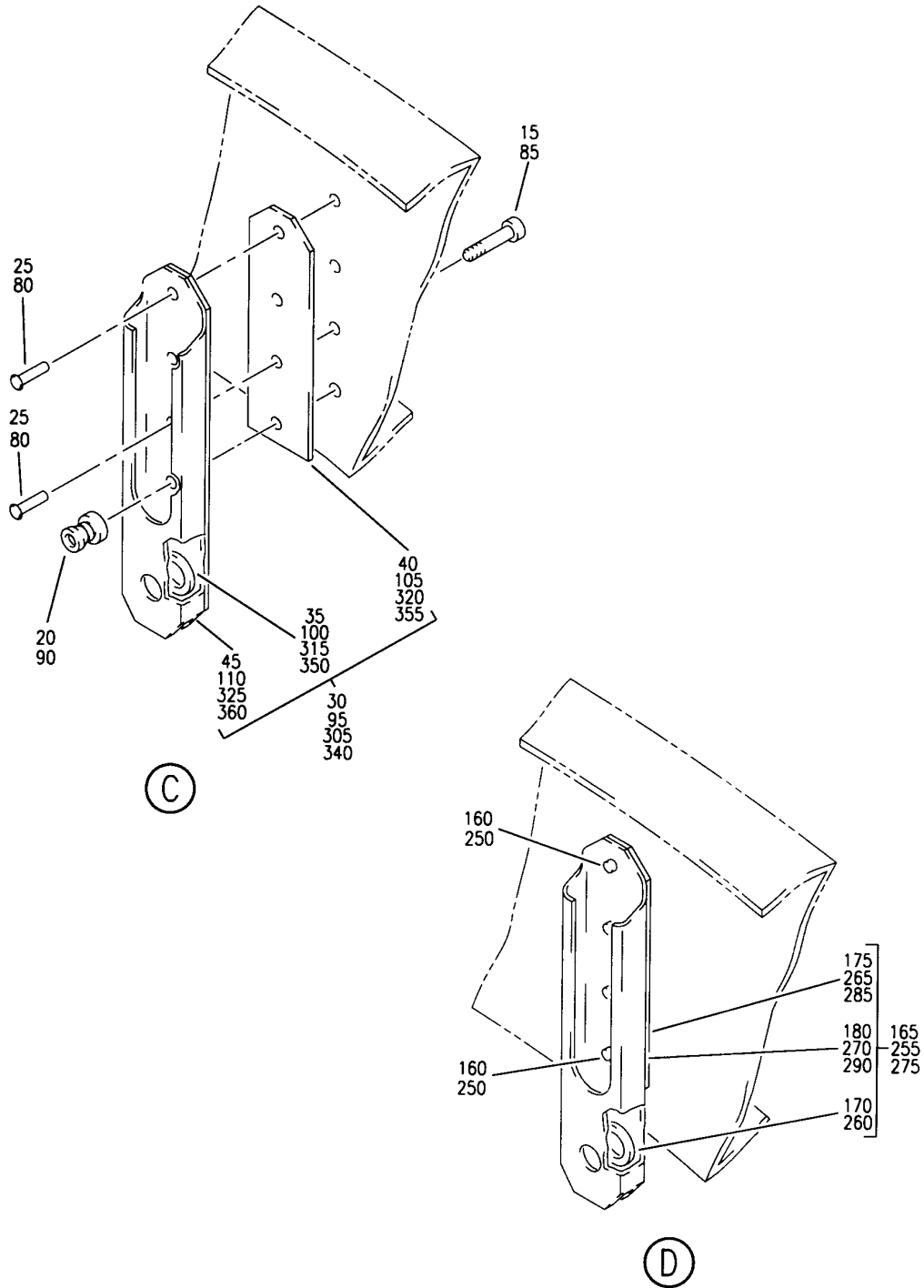
SPLICE INSTL S-8, STA 1087 TO STA 1562
FIGURE 7 (SHEET 2)

53-63-54-07

HXL
DEC 22/06

53-63-54-07
PAGE 0A

BOEING
767
PARTS CATALOG (MAINTENANCE)



V 53635407 SHT 3 REV 207

SPLICE INSTL S-8, STA 1087 TO STA 1562
FIGURE 7 (SHEET 3)

53-63-54-07

HXL
DEC 22/06

53-63-54-07
PAGE 0B



767

PARTS CATALOG (MAINTENANCE)

FIG ITEM	PART NUMBER	1 2 3 4 5 6 7	NOMENCLATURE	EFFECT FROM TO	UNITS PER ASSY
7			SPLICE INSTL S-8, STA 1087 TO STA 1562		RF
- 1	146T1008-104		SPLICE INSTL-FRAME POSITION DATA: S-8, STA 1087 TO STA 1562 FOR NHA SEE: 53-60-00-08		RF
- 5	146T1008-61		.SPLICE INSTL-FRAME POSITION DATA: STA 1109, LH		1
- 10	146T1008-62		.SPLICE INSTL-FRAME POSITION DATA: STA 1109, RH		1
15	BACB30NX6K		..BOLT- SIZE DETERMINED ON INSTL.		1
20	HL1187-6		..COLLAR SUPPLIER CODE: V5M902 SPECIFICATION NUMBER: BACC30X6 OPTIONAL PART: HL87-6 V92215 HL87-6 V73197 HL1187-6 V56878 HL1187-6 V92215 HL87-6 V56878 HL1187-6 V73197		1
25	BACR15FT6KE		..RIVET- SIZE DETERMINED ON INSTL.		3
30	412T2002-4		..FITTING ASSY		1
35	AN960PD416L		...WASHER		1
40	412T2004-4		...INSULATOR		1
45	412T2002-12		...FITTING		1
- 70	146T1008-65		.SPLICE INSTL-FRAME POSITION DATA: STA 1153, 1197, 1197+44, 1197+88, 1197+132, LH		5
- 75	146T1008-66		.SPLICE INSTL-FRAME POSITION DATA: STA 1153, 1197, 1197+44, 1197+88, 1197+132, RH		5

ILLUSTRATION ITEMS NOT ON PARTS LIST ARE NOT APPLICABLE

- ITEM NOT ILLUSTRATED

53-63-54-07

53-63-54
FIG. 07
PAGE 1
DEC 22/07

HXL

 **BOEING**
767
PARTS CATALOG (MAINTENANCE)

FIG ITEM	PART NUMBER	1 2 3 4 5 6 7	NOMENCLATURE	EFFECT FROM TO	UNITS PER ASSY
7					
80	BACR15FT6KE	..	RIVET- SIZE DETERMINED ON INSTL.		3
85	BACB30NX6K	..	BOLT- SIZE DETERMINED ON INSTL.		1
90	HL1187-6	..	COLLAR SUPPLIER CODE: V5M902 SPECIFICATION NUMBER: BACC30X6 OPTIONAL PART: HL87-6 V92215 HL87-6 V73197 HL1187-6 V56878 HL1187-6 V92215 HL87-6 V56878 HL1187-6 V73197		1
95	412T2002-4	..	FITTING ASSY		1
100	AN960PD416L	...	WASHER		1
105	412T2004-4	...	INSULATOR		1
110	412T2002-12	...	FITTING		1
295	146T1008-11	.SPLICE	INSTL-FRAME POSITION DATA: STA 1241, 1285, 1329 1373, LH		4
300	146T1008-12	.SPLICE	INSTL-FRAME POSITION DATA: STA 1241, 1285, 1329 1373, RH		4
305	412T2002-4	..	FITTING ASSY ATTACHING PARTS		1
- 310	BACR15FT6KE	..	RIVET- SIZE DETERMINED ON INSTL. -----*-----		4
315	AN960PD416L	...	WASHER		1
320	412T2004-4	...	INSULATOR		1
325	412T2002-12	...	FITTING		1

ILLUSTRATION ITEMS NOT ON PARTS LIST ARE NOT APPLICABLE

- ITEM NOT ILLUSTRATED

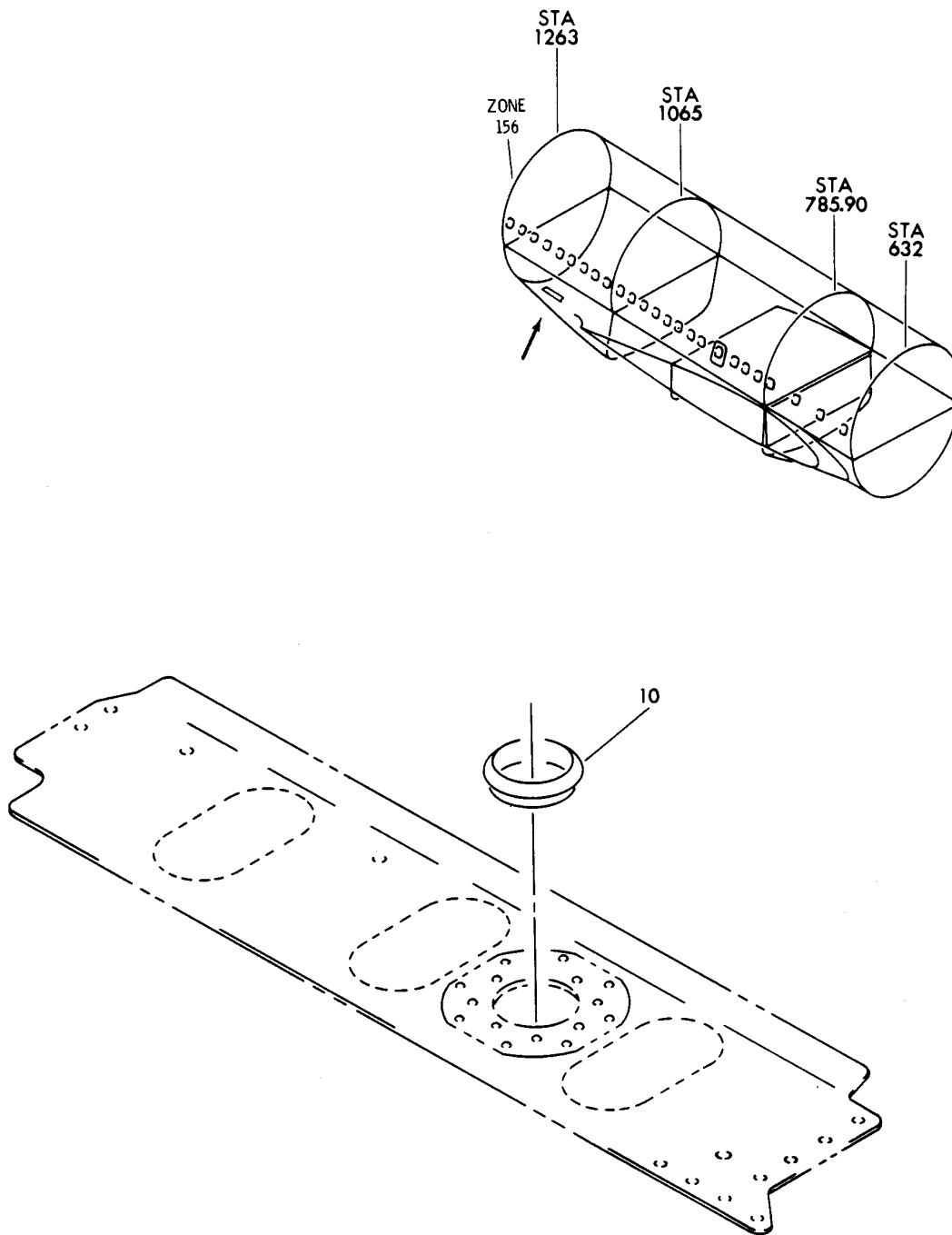
HXL

53-63-54-07

BOEING PROPRIETARY - Copyright © - Unpublished Work - See title page for details.

53-63-54
FIG. 07
PAGE 2
DEC 22/06

BOEING
767
PARTS CATALOG (MAINTENANCE)



V 53835601 SHT 1 REV 062

INTEGRATION INSTL-STA 1219 JOIN
FIGURE 1

53-63-56-01

HXL
DEC 22/06

53-63-56-01
PAGE 0



767

PARTS CATALOG (MAINTENANCE)

FIG ITEM	PART NUMBER	1 2 3 4 5 6 7	NOMENCLATURE	EFFECT FROM TO	UNITS PER ASSY
1			INTEGRATION INSTL-STA 1219 JOIN		
- 1	146T5410-1		INTEGRATION INSTL-JOIN POSITION DATA: STA 1219 FOR NHA SEE: 53-60-00-08		RF
- 5	146T5411-4		.WEB ASSY-		1
10	NAS1368N24K		..GROMMET-		1
15	BACS40R007C041F		..SHIM		1
ILLUSTRATION ITEMS NOT ON PARTS LIST ARE NOT APPLICABLE					

- ITEM NOT ILLUSTRATED

HXL

53-63-56-01

BOEING PROPRIETARY - Copyright © - Unpublished Work - See title page for details.

53-63-56
FIG. 01
PAGE 1
DEC 22/07