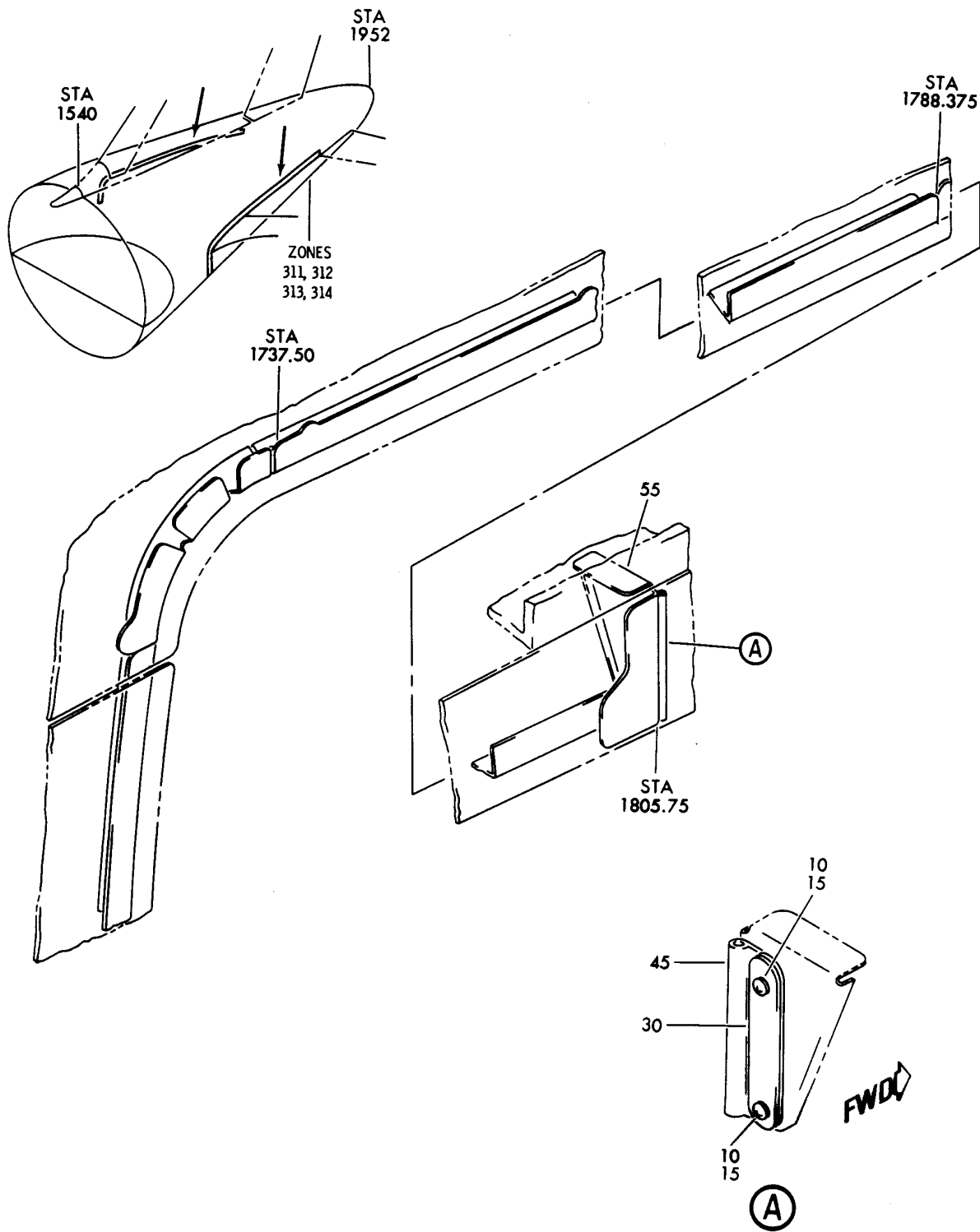


## AERODYNAMIC FAIRINGS

HXL  
DEC 22/06

53-86-00  
SECTION TITLE  
PAGE 1

**BOEING**  
767  
PARTS CATALOG (MAINTENANCE)



Y 53860101 SH1 1 REV 048

FAIRING INSTL-FXD UPR STA 1725.5 TO STA 1809.5 STAB. SEAL  
FIGURE 1

**53-86-01-01**

HXL  
DEC 22/06

53-86-01-01  
PAGE 0

 **BOEING**  
767  
**PARTS CATALOG (MAINTENANCE)**

FIG ITEM	PART NUMBER	1 2 3 4 5 6 7	NOMENCLATURE	EFFECT FROM TO	UNITS PER ASSY
1			FAIRING INSTL-FXD UPR STA 1725.5 TO STA 1809.5 STAB. SEAL		
- 1	148T7310-1		FAIRING INSTL-FXD STAB. SEAL POSITION DATA: UPR STA 1725.5 TO STA 1809.5 LH VARIABLE DRAWING REF: 148T7310-5003 148T7310-5005 FOR NHA SEE: 53-80-51-01		RF
- 5	148T7310-2		FAIRING INSTL-FXD STAB. SEAL POSITION DATA: UPR STA 1725.5 TO STA 1809.5 RH VARIABLE DRAWING REF: 148T7310-5004 148T7310-5006 FOR NHA SEE: 53-80-51-01		RF
	10 BACS12CK3U9		.SCREW		2
	15 AN960PD10L		.WASHER		2
	30 148T7310-30		.RETAINER		1
	35 148T7310-3		.ANGLE- POSITION DATA: LH SIDE		1
- 40	148T7310-4		.ANGLE- POSITION DATA: RH SIDE		1
R R R R R	45 148T7310-31		.SEAL- MANUFACTURED FROM: EXTR RUBBER 10-60754-32 3.50 IN. (5287000320)		1
	55 148T7312-13		.BRACKET- POSITION DATA: LH SIDE		1
- 60	148T7312-14		.BRACKET- POSITION DATA: RH SIDE		1

ILLUSTRATION ITEMS NOT ON PARTS LIST ARE NOT APPLICABLE

- ITEM NOT ILLUSTRATED

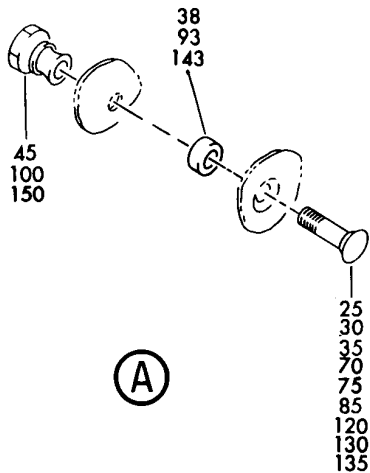
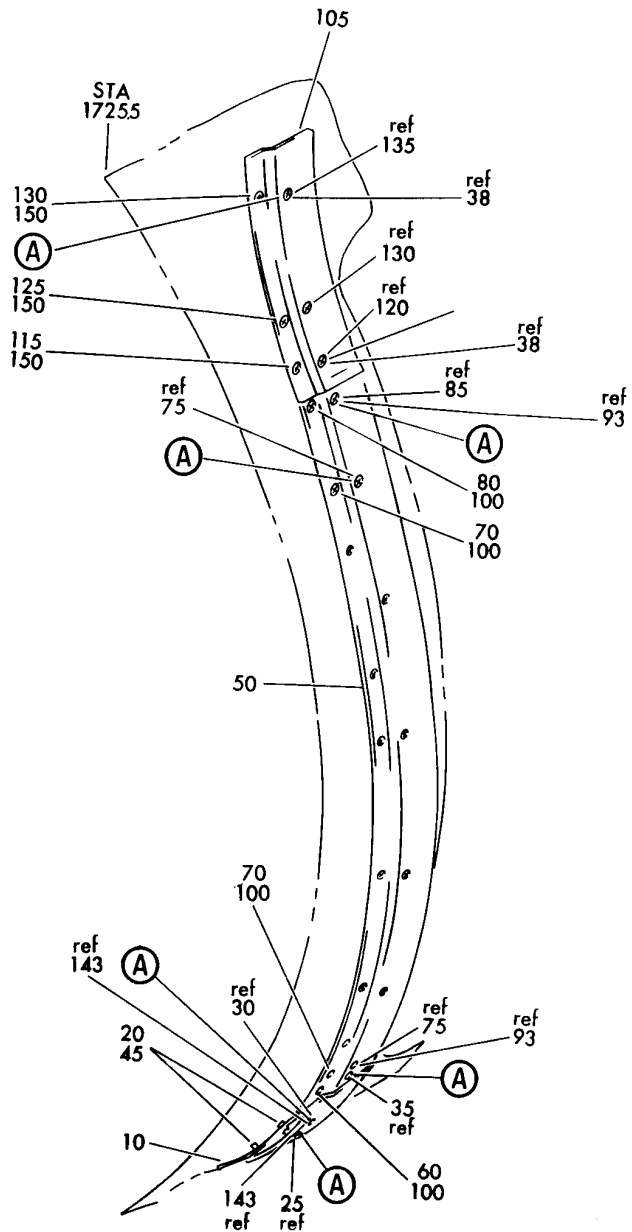
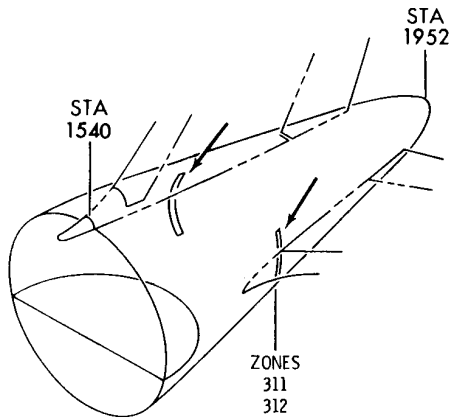
HXL

# 53-86-01-01

BOEING PROPRIETARY - Copyright © - Unpublished Work - See title page for details.

53-86-01  
FIG. 01  
PAGE 1  
AUG 22/09

**BOEING**  
767  
PARTS CATALOG (MAINTENANCE)



V 53865101 REV 189

TRACK INSTL-HORIZ STAB. TO BODY SEAL  
FIGURE 1

**53-86-51-01**

HXL  
DEC 22/06

53-86-51-01  
PAGE 0



767

PARTS CATALOG (MAINTENANCE)

FIG ITEM	PART NUMBER	1 2 3 4 5 6 7	NOMENCLATURE	EFFECT FROM TO	UNITS PER ASSY
1			TRACK INSTL-HORIZ STAB. TO BODY SEAL		
- 1	182T7102-1		TRACK INSTL-HORIZ STAB. TO BODY SEAL POSITION DATA: LH FOR NHA SEE: 53-80-00-08		RF
- 5	182T7102-2		TRACK INSTL-HORIZ STAB. TO BODY SEAL POSITION DATA: RH FOR NHA SEE: 53-80-00-08		RF
10	182T7102-5		.TRACK- POSITION DATA: LH SIDE		1
- 15	182T7102-6		.TRACK- POSITION DATA: RH SIDE		1
20	HL11VAZ6-4		.BOLT SUPPLIER CODE: V60516 SPECIFICATION NUMBER: BACB30NW6K4 OPTIONAL PART: B30NW6K4 V97928 HL11VAZ6-4 V73197 HL11VAZ6-4 V92215 HL11VAZ6-4 V97928 L803-6K4 V06725 HL11VAZ6-4 VOPTK6 HL11VAZ6-4 V56878		1
ILLUSTRATION ITEMS NOT ON PARTS LIST ARE NOT APPLICABLE					

- ITEM NOT ILLUSTRATED

HXL

53-86-51-01

BOEING PROPRIETARY - Copyright © - Unpublished Work - See title page for details.

53-86-51  
FIG. 01  
PAGE 1  
DEC 22/07



767

PARTS CATALOG (MAINTENANCE)

FIG ITEM	PART NUMBER	1 2 3 4 5 6 7	NOMENCLATURE	EFFECT FROM TO	UNITS PER ASSY
1 25	HL11VAZ6-5	.BOLT	SUPPLIER CODE: V60516 SPECIFICATION NUMBER: BACB30NW6K5 OPTIONAL PART: B30NW6K5 V97928 HL11VAZ6-5 V73197 HL11VAZ6-5 V92215 HL11VAZ6-5 V97928 L803-6K5 V06725 HL11VAZ6-5 VOPTK6 HL11VAZ6-5 V56878		1
30	HL11VAZ6-6	.BOLT	SUPPLIER CODE: V60516 SPECIFICATION NUMBER: BACB30NW6K6 OPTIONAL PART: B30NW6K6 V97928 HL11VAZ6-6 V73197 HL11VAZ6-6 V92215 HL11VAZ6-6 V97928 L803-6K6 V06725 HL11VAZ6-6 VOPTK6 HL11VAZ6-6 V56878		1

ILLUSTRATION ITEMS NOT ON PARTS LIST ARE NOT APPLICABLE

- ITEM NOT ILLUSTRATED

HXL

53-86-51-01

BOEING PROPRIETARY - Copyright © - Unpublished Work - See title page for details.

53-86-51  
 FIG. 01  
 PAGE 2  
 DEC 22/06

 **BOEING**  
767  
**PARTS CATALOG (MAINTENANCE)**

FIG ITEM	PART NUMBER	1 2 3 4 5 6 7	NOMENCLATURE	EFFECT FROM TO	UNITS PER ASSY
1 35	HL11VAZ6-8		.BOLT SUPPLIER CODE: V60516 SPECIFICATION NUMBER: BACB30NW6K8 OPTIONAL PART: B30NW6K8 V97928 HL11VAZ6-8 V73197 HL11VAZ6-8 V92215 HL11VAZ6-8 V97928 L803-6K8 V06725 HL11VAZ6-8 VOPTK6 HL11VAZ6-8 V56878		1
38	NAS42DD6-11		.SPACER		4
45	HL79-6		.COLLAR SUPPLIER CODE: V5M902 SPECIFICATION NUMBER: BACC30M6 OPTIONAL PART: HL79-6 V73197 HL79-6 V92215 66014-6 V56878 HL79-6 V56878		4
50	182T7102-3		-----*----- .TRACK- POSITION DATA: LH SIDE		1
- 55	182T7102-4		.TRACK- POSITION DATA: RH SIDE		1

ILLUSTRATION ITEMS NOT ON PARTS LIST ARE NOT APPLICABLE

- ITEM NOT ILLUSTRATED

HXL

53-86-51-01

BOEING PROPRIETARY - Copyright © - Unpublished Work - See title page for details.

53-86-51  
FIG. 01  
PAGE 3  
DEC 22/06



767

PARTS CATALOG (MAINTENANCE)

FIG ITEM	PART NUMBER	1 2 3 4 5 6 7	NOMENCLATURE	EFFECT FROM TO	UNITS PER ASSY
1					
60	HL11VAZ6-5		ATTACHING PARTS .BOLT SUPPLIER CODE: V60516 SPECIFICATION NUMBER: BACB30NW6K5 OPTIONAL PART: B30NW6K5 V97928 HL11VAZ6-5 V73197 HL11VAZ6-5 V92215 HL11VAZ6-5 V97928 L803-6K5 V06725 HL11VAZ6-5 VOPTK6 HL11VAZ6-5 V56878		1
70	HL11VAZ6-3		.BOLT SUPPLIER CODE: V60516 SPECIFICATION NUMBER: BACB30NW6K3 OPTIONAL PART: B30NW6K3 V97928 HL11VAZ6-3 V73197 HL11VAZ6-3 V92215 HL11VAZ6-3 V97928 L803-6K3 V06725 HL11VAZ6-3 VOPTK6 HL11VAZ6-3 V56878		8
ILLUSTRATION ITEMS NOT ON PARTS LIST ARE NOT APPLICABLE					

- ITEM NOT ILLUSTRATED

53-86-51-01

53-86-51  
 FIG. 01  
 PAGE 4  
 DEC 22/06

HXL





767

PARTS CATALOG (MAINTENANCE)

FIG ITEM	PART NUMBER	1 2 3 4 5 6 7	NOMENCLATURE	EFFECT FROM TO	UNITS PER ASSY
1	75 HL11VAZ6-6		.BOLT SUPPLIER CODE: V60516 SPECIFICATION NUMBER: BACB30NW6K6 OPTIONAL PART: B30NW6K6 V97928 HL11VAZ6-6 V73197 HL11VAZ6-6 V92215 HL11VAZ6-6 V97928 L803-6K6 V06725 HL11VAZ6-6 VOPTK6 HL11VAZ6-6 V56878		6
	80 HL11VAZ6-4		.BOLT SUPPLIER CODE: V60516 SPECIFICATION NUMBER: BACB30NW6K4 OPTIONAL PART: B30NW6K4 V97928 HL11VAZ6-4 V73197 HL11VAZ6-4 V92215 HL11VAZ6-4 V97928 L803-6K4 V06725 HL11VAZ6-4 VOPTK6 HL11VAZ6-4 V56878		1

ILLUSTRATION ITEMS NOT ON PARTS LIST ARE NOT APPLICABLE

- ITEM NOT ILLUSTRATED

HXL

53-86-51-01

BOEING PROPRIETARY - Copyright © - Unpublished Work - See title page for details.

53-86-51  
FIG. 01  
PAGE 5  
DEC 22/06



767

PARTS CATALOG (MAINTENANCE)

FIG ITEM	PART NUMBER	1 2 3 4 5 6 7	NOMENCLATURE	EFFECT FROM TO	UNITS PER ASSY
1 85	HL11VAZ6-7		.BOLT SUPPLIER CODE: V60516 SPECIFICATION NUMBER: BACB30NW6K7 OPTIONAL PART: B30NW6K7 V97928 HL11VAZ6-7 V73197 HL11VAZ6-7 V92215 HL11VAZ6-7 V97928 L803-6K7 V06725 HL11VAZ6-7 VOPTK6 HL11VAZ6-7 V56878		1
93	NAS42DD6-13		.SPACER- OPTIONAL PART: NAS42DD6-12		13
93	NAS42DD6-12		.SPACER- OPTIONAL PART: NAS42DD6-13		13
100	HL79-6		.COLLAR SUPPLIER CODE: V5M902 SPECIFICATION NUMBER: BACC30M6 OPTIONAL PART: HL79-6 V73197 HL79-6 V92215 66014-6 V56878 HL79-6 V56878		18
105	182T7102-7		-----*----- .TRACK- POSITION DATA: LH SIDE		1
- 110	182T7102-8		.TRACK- POSITION DATA: RH SIDE		1

ILLUSTRATION ITEMS NOT ON PARTS LIST ARE NOT APPLICABLE

- ITEM NOT ILLUSTRATED

53-86-51-01

53-86-51  
FIG. 01  
PAGE 6  
DEC 22/06

HXL



767

PARTS CATALOG (MAINTENANCE)

FIG ITEM	PART NUMBER	1 2 3 4 5 6 7	NOMENCLATURE	EFFECT FROM TO	UNITS PER ASSY
1					
115	HL11VAZ6-3		ATTACHING PARTS .BOLT SUPPLIER CODE: V60516 SPECIFICATION NUMBER: BACB30NW6K3 OPTIONAL PART: B30NW6K3 V97928 HL11VAZ6-3 V73197 HL11VAZ6-3 V92215 HL11VAZ6-3 V97928 L803-6K3 V06725 HL11VAZ6-3 VOPTK6 HL11VAZ6-3 V56878		1
120	HL11VAZ6-6		.BOLT SUPPLIER CODE: V60516 SPECIFICATION NUMBER: BACB30NW6K6 OPTIONAL PART: B30NW6K6 V97928 HL11VAZ6-6 V73197 HL11VAZ6-6 V92215 HL11VAZ6-6 V97928 L803-6K6 V06725 HL11VAZ6-6 VOPTK6 HL11VAZ6-6 V56878		1
ILLUSTRATION ITEMS NOT ON PARTS LIST ARE NOT APPLICABLE					

- ITEM NOT ILLUSTRATED

53-86-51-01

53-86-51  
 FIG. 01  
 PAGE 7  
 DEC 22/06

HXL



767

PARTS CATALOG (MAINTENANCE)

FIG ITEM	PART NUMBER	1 2 3 4 5 6 7	NOMENCLATURE	EFFECT FROM TO	UNITS PER ASSY
1 125	HL11VAZ6-4		.BOLT SUPPLIER CODE: V60516 SPECIFICATION NUMBER: BACB30NW6K4 OPTIONAL PART: B30NW6K4 V97928 HL11VAZ6-4 V73197 HL11VAZ6-4 V92215 HL11VAZ6-4 V97928 L803-6K4 V06725 HL11VAZ6-4 VOPTK6 HL11VAZ6-4 V56878		2
130	HL11VAZ6-7		.BOLT SUPPLIER CODE: V60516 SPECIFICATION NUMBER: BACB30NW6K7 OPTIONAL PART: B30NW6K7 V97928 HL11VAZ6-7 V73197 HL11VAZ6-7 V92215 HL11VAZ6-7 V97928 L803-6K7 V06725 HL11VAZ6-7 VOPTK6 HL11VAZ6-7 V56878		3

ILLUSTRATION ITEMS NOT ON PARTS LIST ARE NOT APPLICABLE

- ITEM NOT ILLUSTRATED

HXL

53-86-51-01

BOEING PROPRIETARY - Copyright © - Unpublished Work - See title page for details.

53-86-51  
FIG. 01  
PAGE 8  
DEC 22/06



767

PARTS CATALOG (MAINTENANCE)

FIG ITEM	PART NUMBER	1 2 3 4 5 6 7	NOMENCLATURE	EFFECT FROM TO	UNITS PER ASSY
1 135	HL11VAZ6-9		.BOLT SUPPLIER CODE: V60516 SPECIFICATION NUMBER: BACB30NW6K9 OPTIONAL PART: B30NW6K9 V97928 HL11VAZ6-9 V73197 HL11VAZ6-9 V92215 HL11VAZ6-9 V97928 L803-6K9 V06725 HL11VAZ6-9 VOPTK6 HL11VAZ6-9 V56878		1
143	NAS42DD6-11		.SPACER		4
150	HL79-6		.COLLAR SUPPLIER CODE: V5M902 SPECIFICATION NUMBER: BACC30M6 OPTIONAL PART: HL79-6 V73197 HL79-6 V92215 66014-6 V56878 HL79-6 V56878 -----*		6

ILLUSTRATION ITEMS NOT ON PARTS LIST ARE NOT APPLICABLE

- ITEM NOT ILLUSTRATED

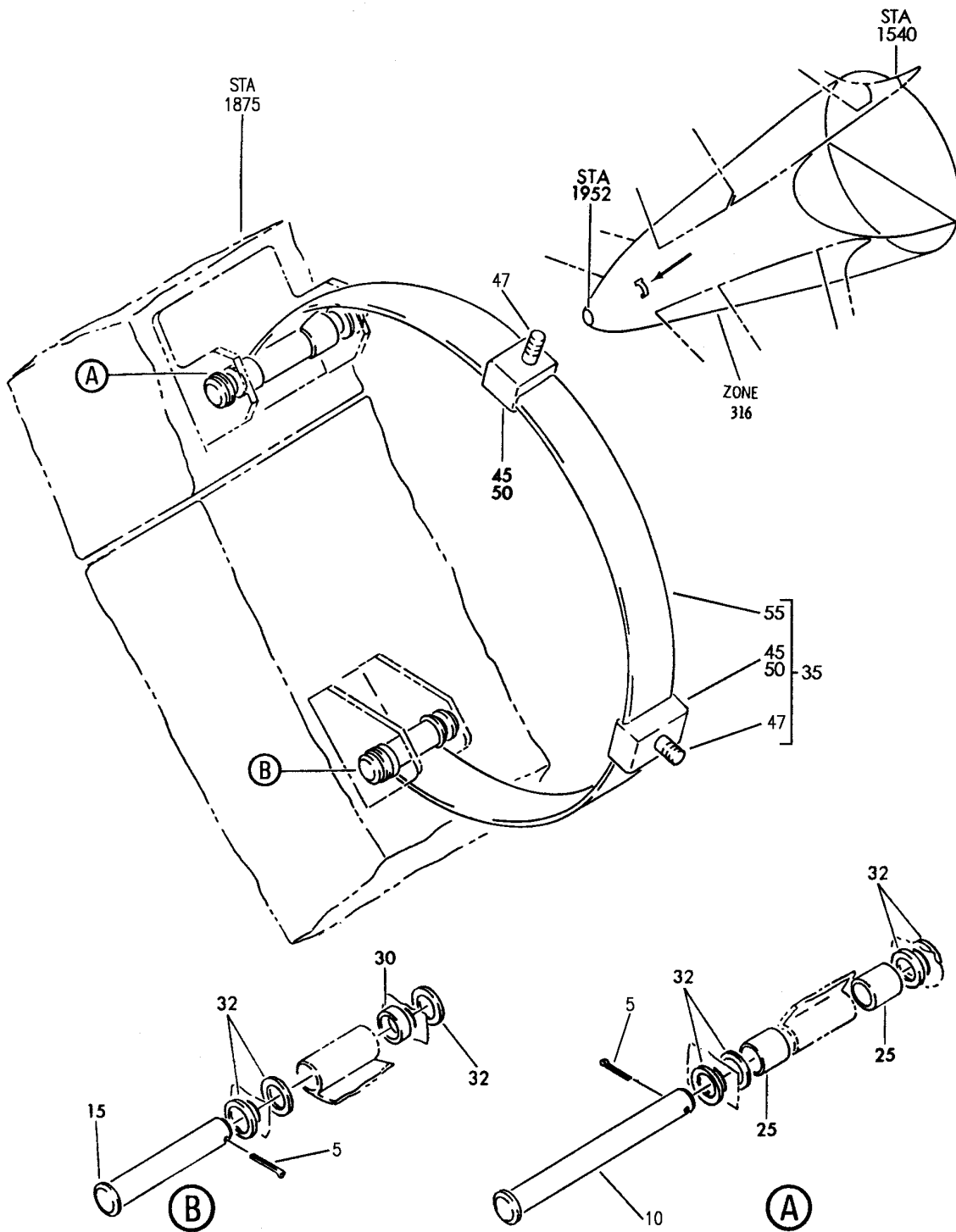
HXL

53-86-51-01

BOEING PROPRIETARY - Copyright © - Unpublished Work - See title page for details.

53-86-51  
FIG. 01  
PAGE 9  
DEC 22/06

**BOEING**  
767  
PARTS CATALOG (MAINTENANCE)



V 53865201 REV 301

SUPPORT INSTL-SECT. 48 HINGE CROSSOVER WIRE  
FIGURE 1

**53-86-52-01**

HXL  
DEC 22/06

53-86-52-01  
PAGE 0



767

PARTS CATALOG (MAINTENANCE)

FIG ITEM	PART NUMBER	1 2 3 4 5 6 7	NOMENCLATURE	EFFECT FROM TO	UNITS PER ASSY
1			SUPPORT INSTL-SECT. 48 HINGE CROSSOVER WIRE		
- 1	287T4806-1		SUPPORT INSTL-HINGE CROSSOVER WIRE POSITION DATA: SECT. 48 FOR NHA SEE: 24-00-57-01		RF
5	BACP18BC02A04P		.PIN-		2
10	MS20392-2C51		.PIN		1
15	MS20392-2C31		.PIN		1
25	NAS43HT3-19		.SPACER-		2
30	NAS43HT3-6		.SPACER		1
32	NAS1149D0363J		.WASHER		7
35	69B70786-1		.STRAP ASSY		1
45	BACB19F10S		..BLOCK		2
47	BACB30NE3-3		..BOLT-		2
			OPTIONAL PART: BACB30NE3-4		
47	BACB30NE3-4		..BOLT-		2
			OPTIONAL PART: BACB30NE3-3		
50	69B70786-3		..CLIP		2
55	69B70786-2		..STRAP		1

ILLUSTRATION ITEMS NOT ON PARTS LIST ARE NOT APPLICABLE

- ITEM NOT ILLUSTRATED

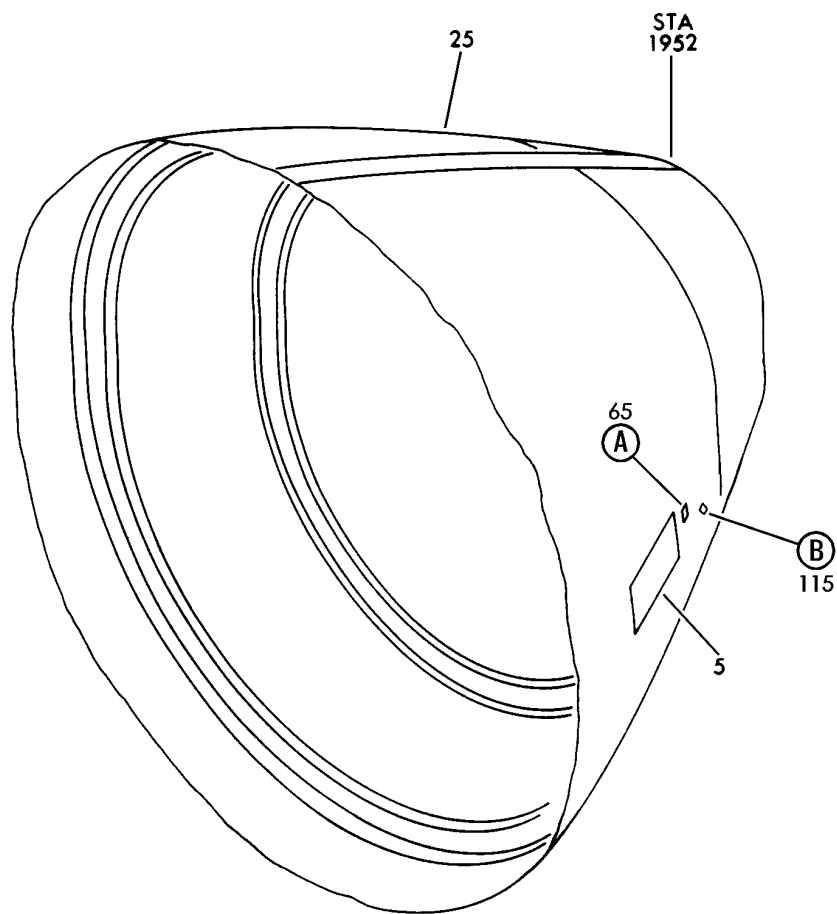
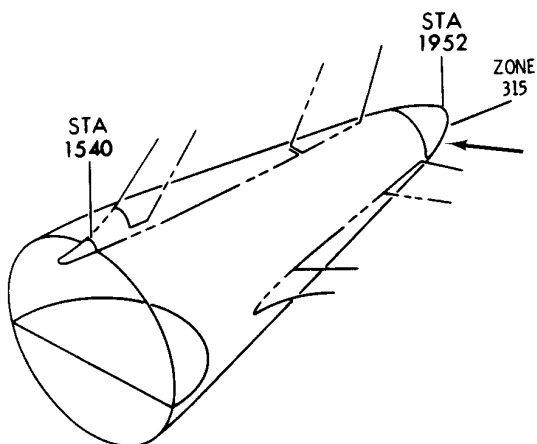
HXL

53-86-52-01

BOEING PROPRIETARY - Copyright © - Unpublished Work - See title page for details.

53-86-52  
FIG. 01  
PAGE 1  
DEC 22/06

**BOEING**  
767  
PARTS CATALOG (MAINTENANCE)



V 53865301 SHT 1 REV 219

TAILCONE INSTL-SECT. 48 STA 1923.50 TO STA 1952  
FIGURE 1 (SHEET 1)

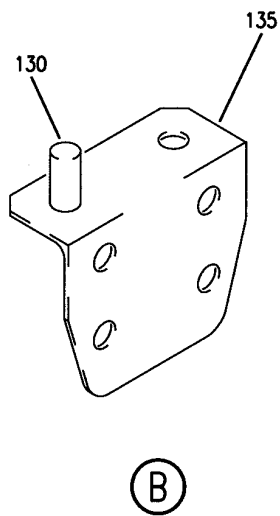
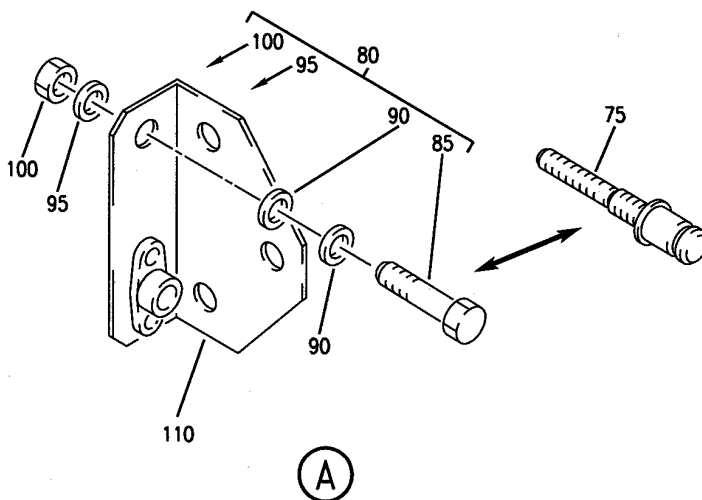
**53-86-53-01**

HXL  
DEC 22/06

53-86-53-01  
PAGE 0



**BOEING**  
767  
PARTS CATALOG (MAINTENANCE)



V 53865301 SHT 2 REV 219

TAILCONE INSTL-SECT. 48 STA 1923.50 TO STA 1952  
FIGURE 1 (SHEET 2)

**53-86-53-01**

HXL  
DEC 22/06

53-86-53-01  
PAGE 0A



767

PARTS CATALOG (MAINTENANCE)

FIG ITEM	PART NUMBER	1 2 3 4 5 6 7	NOMENCLATURE	EFFECT FROM TO	UNITS PER ASSY
1			TAILCONE INSTL-SECT. 48 STA 1923.50 TO STA 1952		
- 1	148T8300-1		TAILCONE INSTL- POSITION DATA: SECT. 48 STA 1923.50 TO 1952 FOR NHA SEE: 53-81-55-01		RF
	5 148T8300-9		.DOOR- ACCESS PANEL NUMBER: 315BL		1
- 15	BACB30LK3-4		ATTACHING PARTS		14
- 20	AN960PD10		.BOLT		14
			.WASHER		
			-----*-----		
25	148T8301-1		.TAILCONE ASSY		1

ILLUSTRATION ITEMS NOT ON PARTS LIST ARE NOT APPLICABLE

- ITEM NOT ILLUSTRATED

HXL

53-86-53-01

BOEING PROPRIETARY - Copyright © - Unpublished Work - See title page for details.

53-86-53  
FIG. 01  
PAGE 1  
DEC 22/06