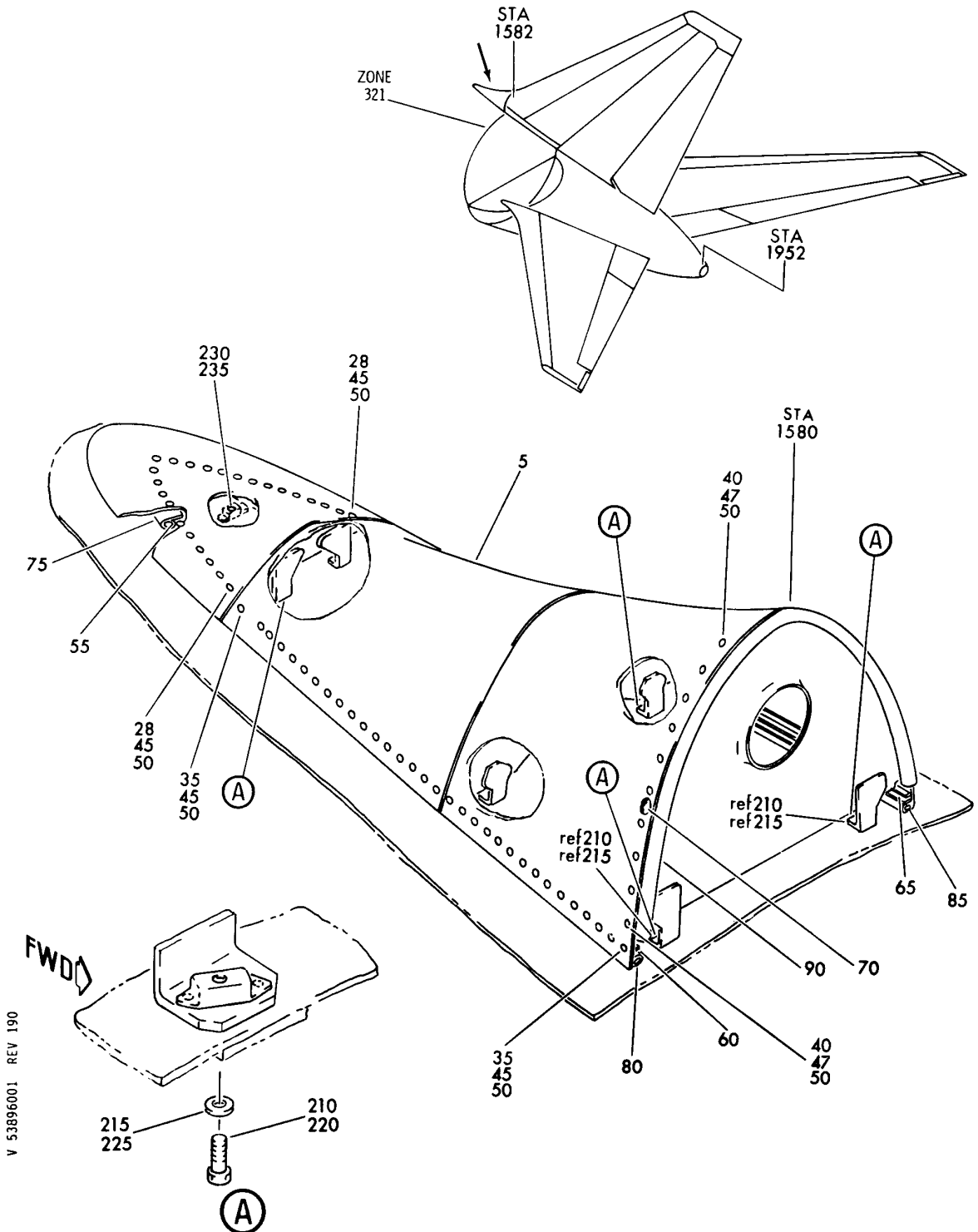


## FIN INTEGRATION SECT 46 TAIL DORSAL

HXL  
DEC 22/06

53-89-00  
SECTION TITLE  
PAGE 1

**BOEING**  
767  
PARTS CATALOG (MAINTENANCE)



FIN INTEGRATION AND ASSY-DORSAL  
FIGURE 1

**53-89-60-01**

HXL  
DEC 22/06

53-89-60-01  
PAGE 0

**BOEING**  
767  
**PARTS CATALOG (MAINTENANCE)**

FIG ITEM	PART NUMBER	1 2 3 4 5 6 7	NOMENCLATURE	EFFECT FROM TO	UNITS PER ASSY
1			FIN INTEGRATION AND ASSY-DORSAL		
- 5	146T0800-2		FIN ASSY-DORSAL E.I. FOR NHA SEE: 53-00-00-08 ATTACHING PARTS		RF
10	BACB30NR5K8		BOLT-		2
12	BACW10BP5AP		-----*----- WASHER- ATTACHING PARTS		2
15	BACB30NR4K13		BOLT-		4
17	BACW10BP4AP		WASHER-		4
20	BACB30NR4K5		BOLT-		1
22	BACW10BP4AP		WASHER-		1
			-----*-----		
28	BACB30LR2-2		.BOLT		23
35	BACB30LR2-3		.BOLT		64
40	BACB30LR2-4		.BOLT		20
45	AN960PD8		.WASHER		87
47	146T3827-5		.WASHER		20
50	BRH10C08D		.NUT		107
			SUPPLIER CODE: V52828		
			SPECIFICATION NUMBER: BACN10JC08CD		
			OPTIONAL PART: H51650-08BAC V15653 102LH9075-82W V72962 NS202486-82 V80539 T6C832JCD V11815		
55	146T3827-1		.RETAINER-SEAL		1
60	146T3827-3		.RETAINER-SEAL		1
65	146T3827-4		.RETAINER-SEAL		1
70	146T3827-2		.RETAINER-SEAL		1
75	146T3830-1		.SEAL-		1
			MANUFACTURED FROM: EXTR RUBBER F25.01 10-60754-336 X 31 IN (5287003360)		
80	146T3830-2		.SEAL-		1
			MANUFACTURED FROM: EXTR RUBBER F25.01 10-60754-336 X 42 IN (5287003360)		

R  
R  
R  
R  
R  
R  
R  
R  
R

- ITEM NOT ILLUSTRATED

ILLUSTRATION ITEMS NOT ON PARTS LIST ARE NOT APPLICABLE

HXL

53-89-60-01

53-89-60  
FIG. 01  
PAGE 1  
AUG 22/09

**BOEING**  
767  
**PARTS CATALOG (MAINTENANCE)**

FIG ITEM	PART NUMBER	1 2 3 4 5 6 7	NOMENCLATURE	EFFECT FROM TO	UNITS PER ASSY
R R R R R R R R R R	1 85 146T3830-4		.SEAL- MANUFACTURED FROM: EXTR RUBBER F25.01 10-60754-336 X 42 IN (5287003360)		1
	90 146T3830-3		.SEAL- MANUFACTURED FROM: EXTR RUBBER F25.01 10-60754-336 X 46 IN (5287003360)		1
	- 200 100T3460-1		FIN INTEGRATION-DORSAL		1
	210 BACB30NR5K8		.BOLT		2
	215 BACW10BP5AP		.WASHER		2
	220 BACB30NR4K13		.BOLT		4
	225 BACW10BP4AP		.WASHER		4
	230 BACB30NR4K5		.BOLT		1
	235 BACW10BP4AP		.WASHER		1
	ILLUSTRATION ITEMS NOT ON PARTS LIST ARE NOT APPLICABLE				

- ITEM NOT ILLUSTRATED

HXL

53-89-60-01

BOEING PROPRIETARY - Copyright © - Unpublished Work - See title page for details.

53-89-60  
FIG. 01  
PAGE 2  
AUG 22/09