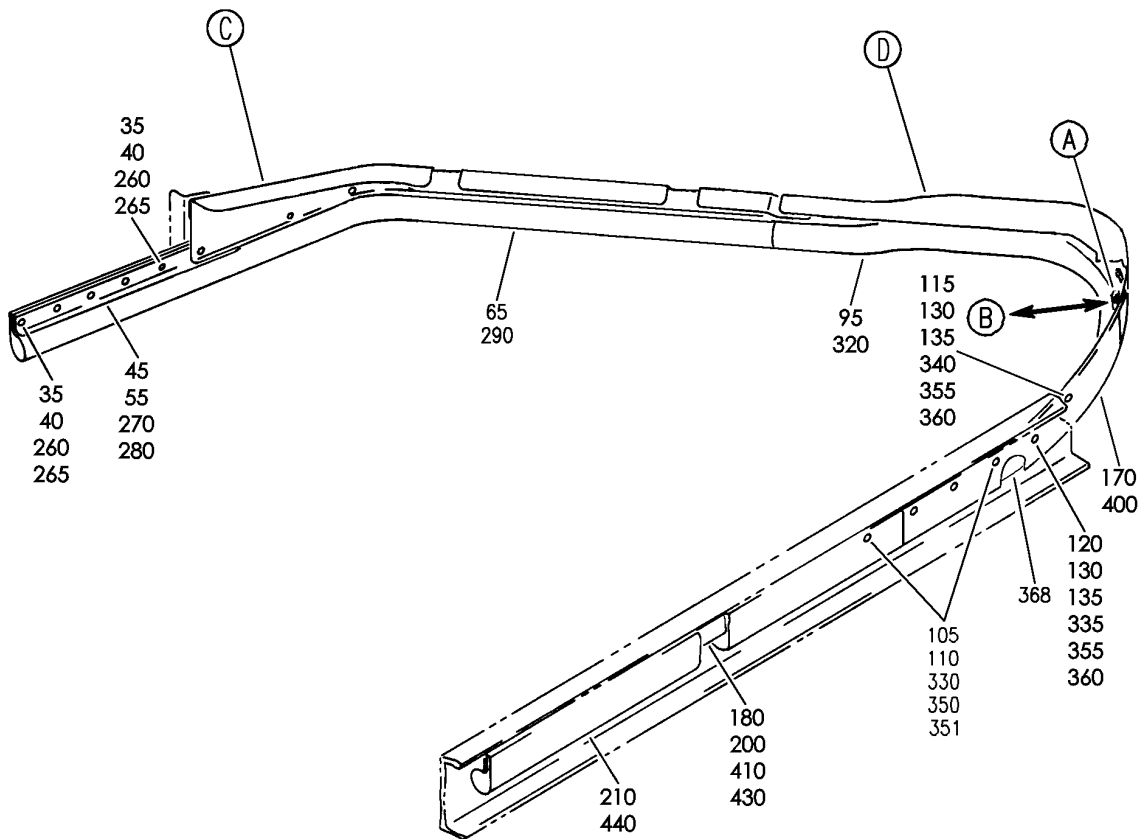
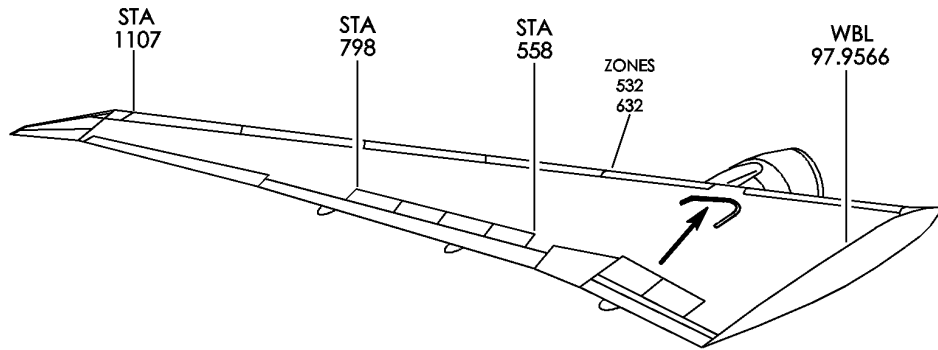


NACELLE STRUT-GENERAL

HXL
DEC 22/06

54-51-00
SECTION TITLE
PAGE 1

BOEING
767
PARTS CATALOG (MAINTENANCE)



V 54511001 SHT 1 REV 279

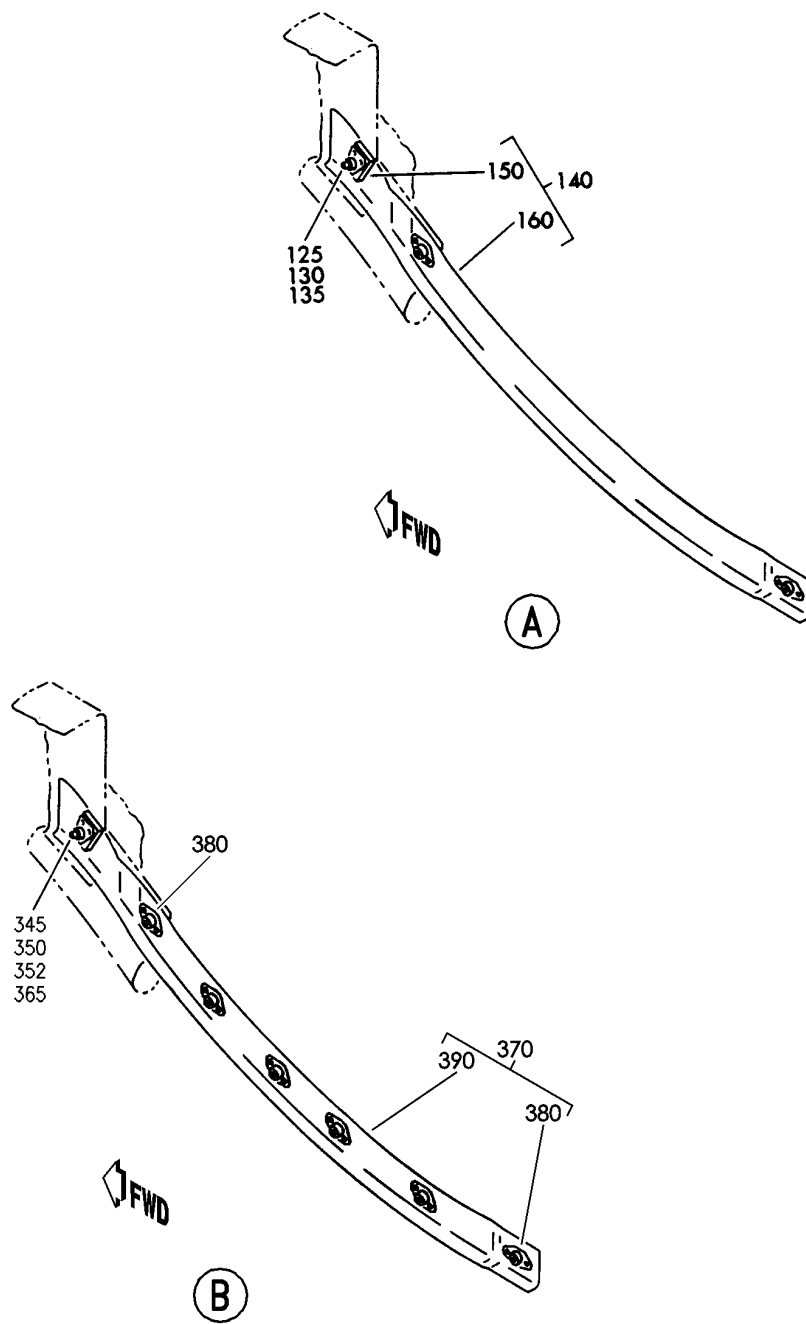
SEAL INSTL-WING SECT. 14 FXD LE TO NAC STRUT
FIGURE 1 (SHEET 1)

54-51-10-01

HXL
DEC 22/06

54-51-10-01
PAGE 0

BOEING
767
PARTS CATALOG (MAINTENANCE)



V 54511001 SH1 2 REV 251

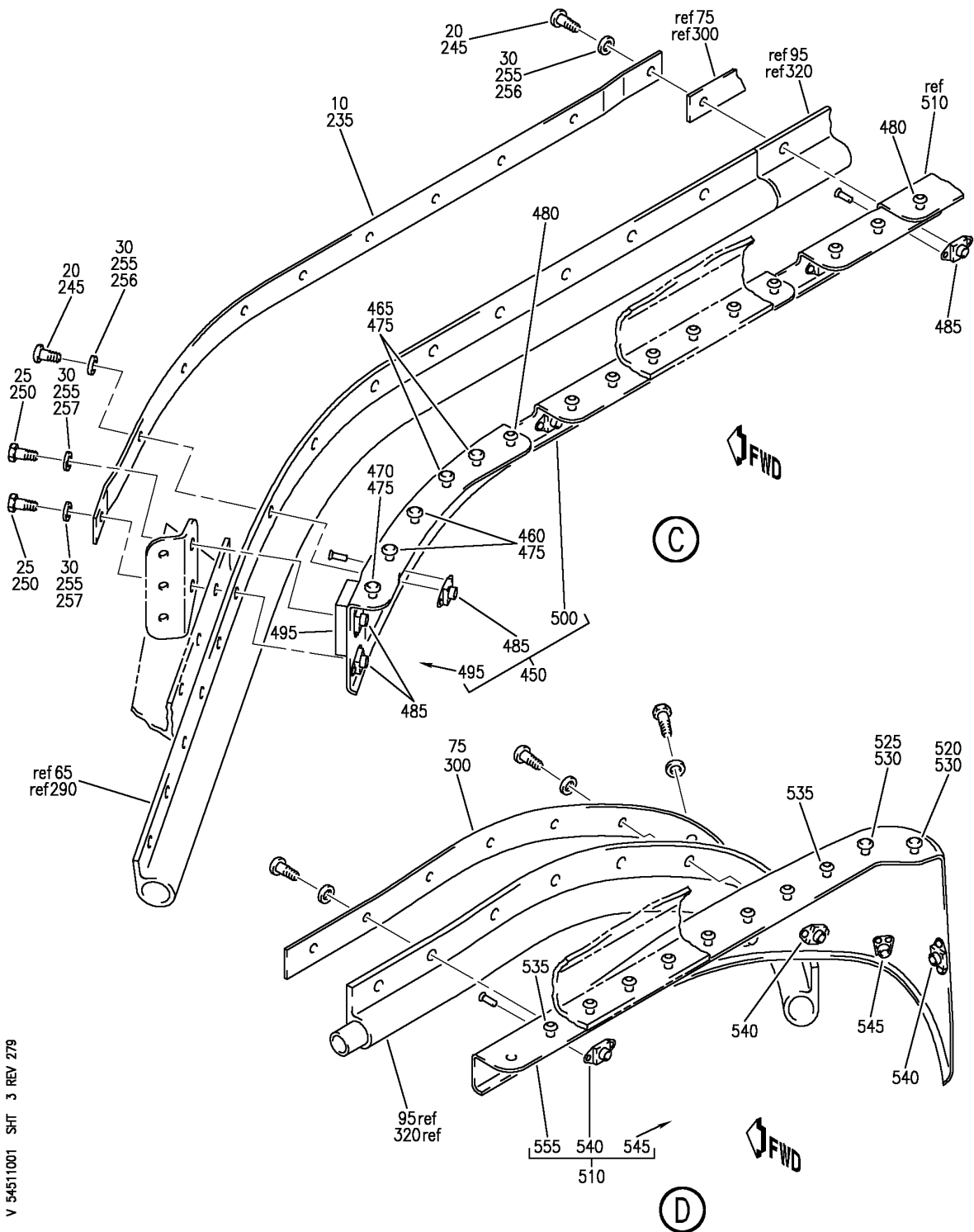
SEAL INSTL-WING SECT. 14 FXD LE TO NAC STRUT
FIGURE 1 (SHEET 2)

54-51-10-01

HXL
DEC 22/06

54-51-10-01
PAGE 0A

BOEING
767
PARTS CATALOG (MAINTENANCE)



V 54511001 SHT 3 REV 279

SEAL INSTL-WING SECT. 14 FXD LE TO NAC STRUT
FIGURE 1 (SHEET 3)

54-51-10-01

HXL
DEC 22/06

54-51-10-01
PAGE 0B



767

PARTS CATALOG (MAINTENANCE)

FIG ITEM	PART NUMBER	1 2 3 4 5 6 7	NOMENCLATURE	EFFECT FROM TO	UNITS PER ASSY
1			SEAL INSTL-WING SECT. 14 FXD LE TO NAC STRUT		
- 1	114T6110-1		SEAL INSTL-WING FXD LE TO NAC STRUT POSITION DATA: SECT. 14 LH VARIABLE DRAWING REF: 114T6110-5003 FOR NHA SEE: 57-24-53-01		RF
- 5	114T6110-2		SEAL INSTL-WING FXD LE TO NAC STRUT POSITION DATA: SECT. 14 RH VARIABLE DRAWING REF: 114T6110-5004 FOR NHA SEE: 57-24-53-01		RF
10	114T6110-25		.RETAINER- POSITION DATA: LH SIDE		1
- 15	114T6110-26		.RETAINER- POSITION DATA: RH SIDE ATTACHING PARTS		1
20	BACB30NT3K4		.BOLT		9
25	BACB30NM3K6		.BOLT-		2
30	AN960PD10		.WASHER		11
			-----*-----		
35	BACB30NT3K4		.BOLT		5
40	AN960PD10		.WASHER		5
45	114T6110-5		.RETAINER ASSY- POSITION DATA: LH SIDE		1
- 50	114T6110-6		.RETAINER ASSY- POSITION DATA: RH SIDE		1
55	114T6110-7		..RETAINER- POSITION DATA: LH SIDE		1
- 60	114T6110-8		..RETAINER- POSITION DATA: RH SIDE		1

ILLUSTRATION ITEMS NOT ON PARTS LIST ARE NOT APPLICABLE

- ITEM NOT ILLUSTRATED

54-51-10-01

54-51-10
FIG. 01
PAGE 1
DEC 22/07

HXL

BOEING
767
PARTS CATALOG (MAINTENANCE)

FIG ITEM	PART NUMBER	1 2 3 4 5 6 7	NOMENCLATURE	EFFECT FROM TO	UNITS PER ASSY
R R R R R R R R R R R	1 65	114T6110-3	.SEAL- POSITION DATA: OUTBD LH SIDE MANUFACTURED FROM: EXTRUSION RUBBER 10-60754-417 29.50 IN. SPARES ORDER MATERIAL CODE: 5287004170		1
	- 70	114T6110-4	.SEAL- POSITION DATA: RH SIDE MANUFACTURED FROM: EXTRUSION RUBBER 10-60754-417 29.50 IN. SPARES ORDER MATERIAL CODE: 5287004170		1
	75	114T6110-27	.RETAINER- POSITION DATA: LH SIDE		1
	- 80	114T6110-28	.RETAINER- POSITION DATA: RH SIDE ATTACHING PARTS		1
	- 85	BACB30NT3K4	.BOLT		6
	- 90	AN960PD10	.WASHER		6
	95	S13117-413	-----*----- .SEAL-FABRIC COVERED SUPPLIER CODE: V75345 POSITION DATA: LH SIDE SPECIFICATION NUMBER: 10-60754-413 OPTIONAL PART: 5673-413 V11960 ARM5448 VK1406		1

ILLUSTRATION ITEMS NOT ON PARTS LIST ARE NOT APPLICABLE

- ITEM NOT ILLUSTRATED

HXL

54-51-10-01

BOEING PROPRIETARY - Copyright © - Unpublished Work - See title page for details.

54-51-10
FIG. 01
PAGE 2
AUG 22/09

BOEING
767
PARTS CATALOG (MAINTENANCE)

FIG ITEM	PART NUMBER	1 2 3 4 5 6 7	NOMENCLATURE	EFFECT FROM TO	UNITS PER ASSY
1					
- 100	S13117-414		.SEAL-FABRIC COVERED SUPPLIER CODE: V75345 POSITION DATA: RH SIDE SPECIFICATION NUMBER: 10-60754-414 OPTIONAL PART: 5673-414 V11960 ARM5449 VK1406		1
- 100	ARM5449		.SEAL-FABRIC COVERED SUPPLIER CODE: VK1406 POSITION DATA: RH SIDE SPECIFICATION NUMBER: 10-60754-414 OPTIONAL PART: 5673-414 V11960 S13117-414 V75345		1
105	BACB30NT3K4		.BOLT		4
110	AN960PD10		.WASHER		4
115	BACB30NT3K9		.BOLT		1
120	BACB30NT3K11		.BOLT		1
125	BACB30NM3K12		.BOLT-		1
130	K29913-3S		.WASHER-SELF ALIGNING- SUPPLIER CODE: V15653 SPECIFICATION NUMBER: BACW10CA3CCS OPTIONAL PART: 70189-3S V56878 922006-3 V60119 942006-3 V60119		3
ILLUSTRATION ITEMS NOT ON PARTS LIST ARE NOT APPLICABLE					

- ITEM NOT ILLUSTRATED

HXL

54-51-10-01

BOEING PROPRIETARY - Copyright © - Unpublished Work - See title page for details.

54-51-10
FIG. 01
PAGE 3
AUG 22/09

 **BOEING**
767
PARTS CATALOG (MAINTENANCE)

FIG ITEM	PART NUMBER	1 2 3 4 5 6 7	NOMENCLATURE	EFFECT FROM TO	UNITS PER ASSY
1					
135	K29646-3S		.WASHER-SELF-ALIGNING SUPPLIER CODE: V15653 SPECIFICATION NUMBER: BACW10CA3CVS OPTIONAL PART: 70186-3S V56878 922005-3 V60119 942005-3 V60119		3
140	114T6110-17		.RETAINER ASSY- POSITION DATA: LH SIDE		1
- 145	114T6110-18		.RETAINER ASSY- POSITION DATA: RH SIDE		1
150	114T6110-39		..FILLER- POSITION DATA: LH SIDE		1
- 155	114T6110-40		..FILLER- POSITION DATA: RH SIDE		1
160	114T6110-19		..RETAINER- POSITION DATA: LH SIDE		1
- 165	114T6110-20		..RETAINER- POSITION DATA: RH SIDE		1
170	ARM5292		.SEAL- SUPPLIER CODE: VK1406 POSITION DATA: LH SIDE SPECIFICATION NUMBER: 10-60754-415 OPTIONAL PART: 800-415 V07096 5673-415 V11960		1
ILLUSTRATION ITEMS NOT ON PARTS LIST ARE NOT APPLICABLE					

- ITEM NOT ILLUSTRATED

HXL

54-51-10-01

BOEING PROPRIETARY - Copyright © - Unpublished Work - See title page for details.

54-51-10
FIG. 01
PAGE 4
AUG 22/09



767

PARTS CATALOG (MAINTENANCE)

FIG ITEM	PART NUMBER	1 2 3 4 5 6 7	NOMENCLATURE	EFFECT FROM TO	UNITS PER ASSY
1 170	800-415		.SEAL-FABRIC COVERED SUPPLIER CODE: V07096 POSITION DATA: LH SIDE SPECIFICATION NUMBER: 10-60754-415 OPTIONAL PART: 5673-415 V11960 ARM5292 VK1406		1
- 175	ARM5293		.SEAL- SUPPLIER CODE: VK1406 POSITION DATA: RH SIDE SPECIFICATION NUMBER: 10-60754-416 OPTIONAL PART: 5673-416 V11960 800-416 V07096		1
- 175	5673-416		.SEAL-FABRIC COVERED SUPPLIER CODE: V11960 POSITION DATA: RH SIDE SPECIFICATION NUMBER: 10-60754-416 OPTIONAL PART: ARM5293 VK1406 800-416 V07096		1
180	114T6110-41		.RETAINER ASSY- POSITION DATA: LH SIDE USED ON: 114T6110-5003		1
- 185	114T6110-42		.RETAINER ASSY- POSITION DATA: RH SIDE USED ON: 114T6110-5004		1
- 190	BACB30NT3K4		ATTACHING PARTS .BOLT		8

ILLUSTRATION ITEMS NOT ON PARTS LIST ARE NOT APPLICABLE

- ITEM NOT ILLUSTRATED

54-51-10-01

54-51-10
FIG. 01
PAGE 5
AUG 22/09

HXL

BOEING
767
PARTS CATALOG (MAINTENANCE)

FIG ITEM	PART NUMBER	1 2 3 4 5 6 7	NOMENCLATURE	EFFECT FROM TO	UNITS PER ASSY
1					
- 195	AN960PD10		.WASHER		8
			-----*-----		
200	114T6110-43		..RETAINER-		1
			POSITION DATA:		
			LH SIDE		
			USED ON:		
			114T6110-41		
- 205	114T6110-44		..RETAINER-		1
			POSITION DATA:		
			RH SIDE		
			USED ON:		
			114T6110-42		
210	114T6110-33		.SEAL-		1
			POSITION DATA:		
			INBD LH SIDE		
			MANUFACTURED FROM:		
			EXTRUSION		
			RUBBER 10-60754-417		
			19.50 IN.		
			SPARES ORDER MATERIAL		
			CODE: 5287004170		
- 215	114T6110-34		.SEAL-		1
			POSITION DATA:		
			INBD RH SIDE		
			MANUFACTURED FROM:		
			EXTRUSION		
			RUBBER 10-60754-417		
			19.50 IN.		
			SPARES ORDER MATERIAL		
			CODE: 5287004170		

R
R
R
R
R
R
R
R
R
R
R
R
R
R
R
R
R

ILLUSTRATION ITEMS NOT ON PARTS LIST ARE NOT APPLICABLE

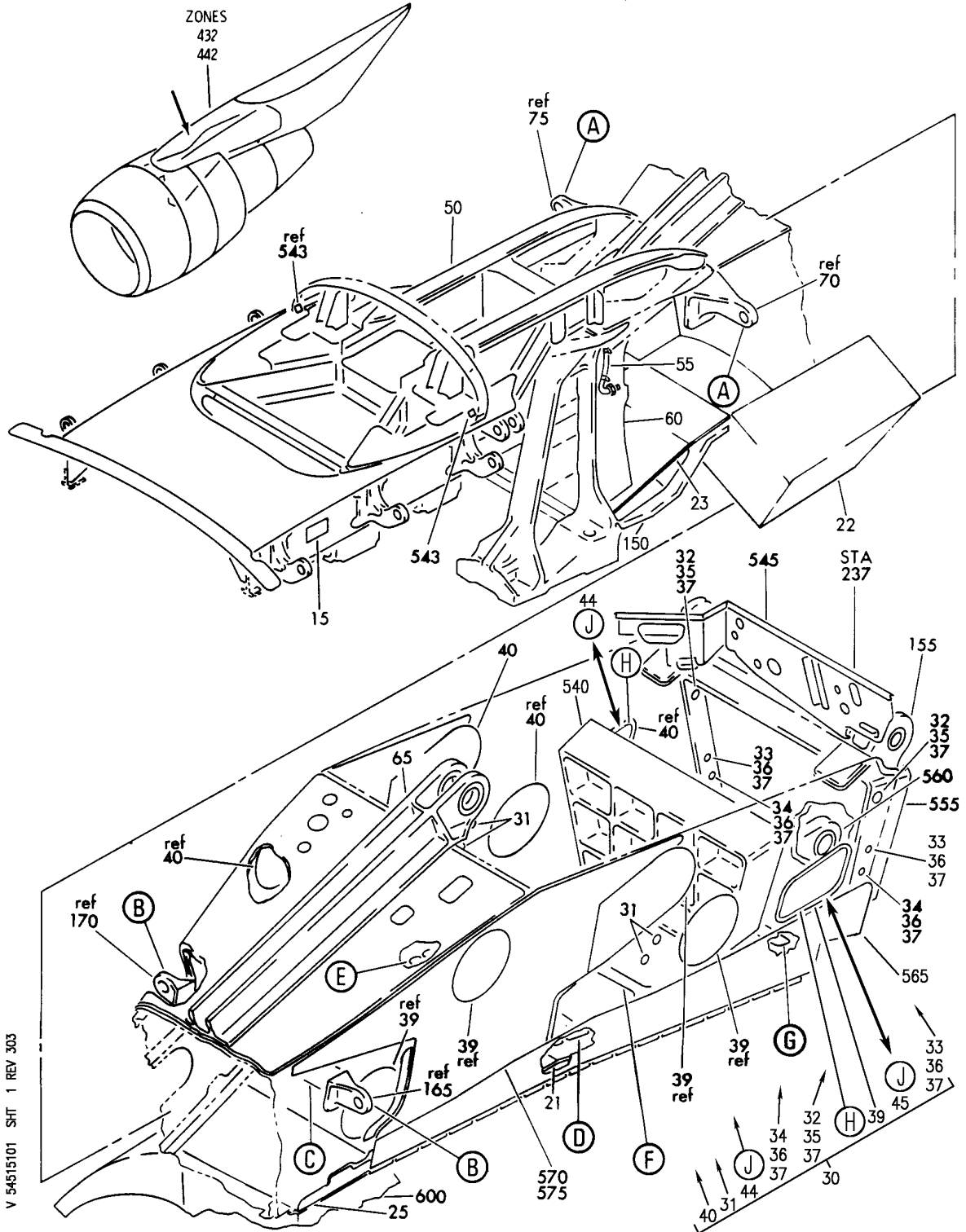
- ITEM NOT ILLUSTRATED

HXL

54-51-10-01

54-51-10
FIG. 01
PAGE 6
AUG 22/09

BOEING
767
PARTS CATALOG (MAINTENANCE)



V 54515101 SHT 1 REV 303

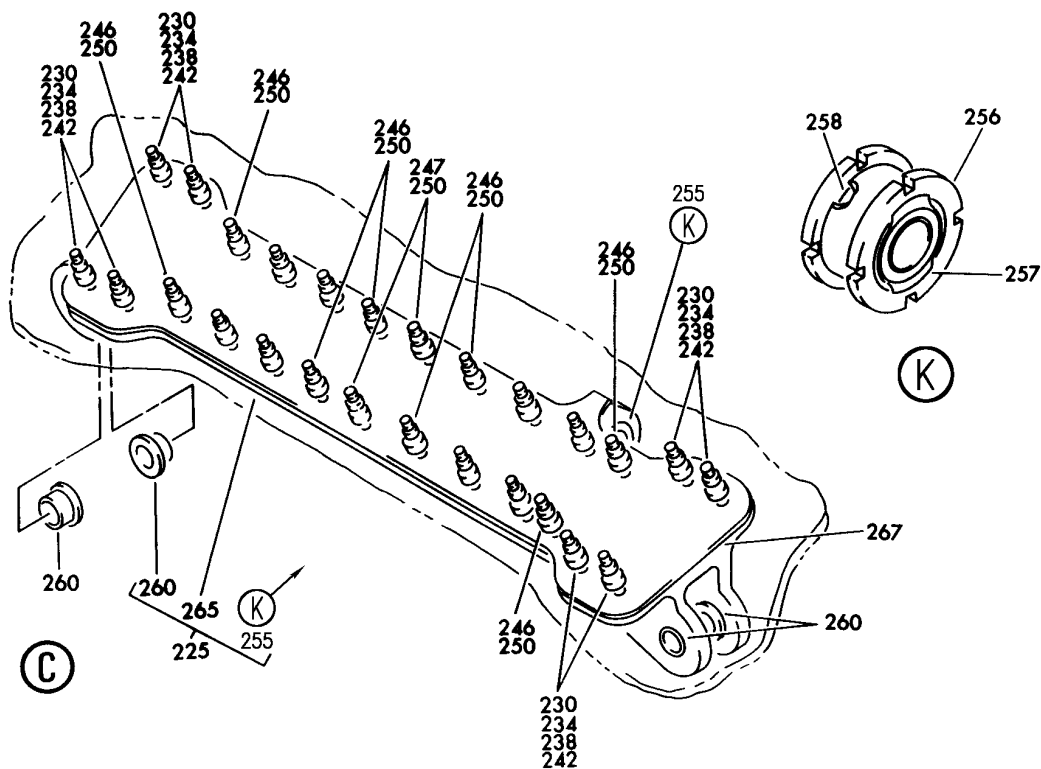
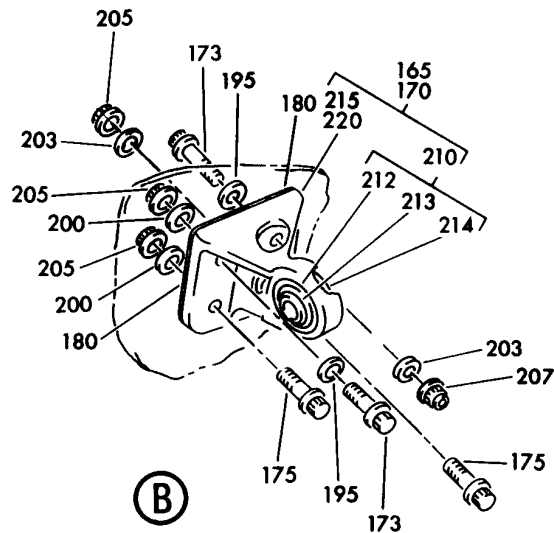
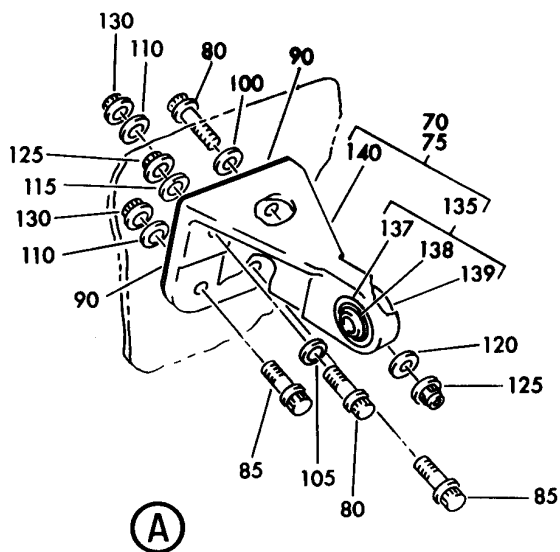
STRUCTURAL ASSY-STRUT
FIGURE 1 (SHEET 1)

54-51-51-01

HXL
DEC 22/06

54-51-51-01
PAGE 0

BOEING
767
PARTS CATALOG (MAINTENANCE)



V 54515101 SHT 2 REV 261

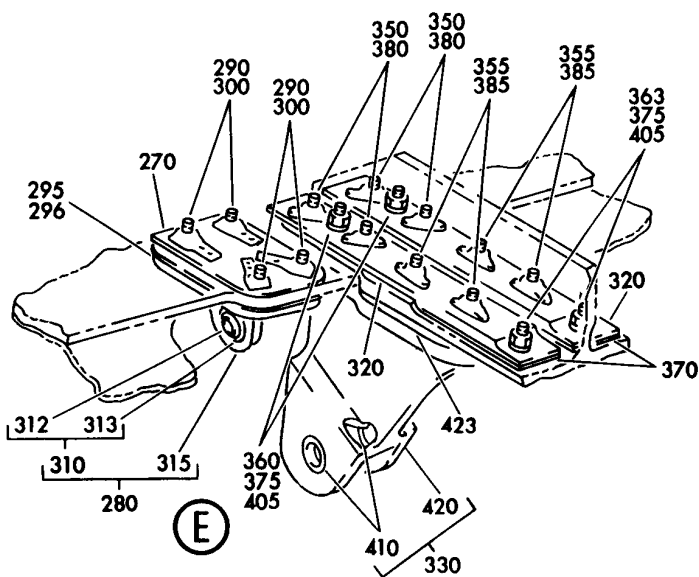
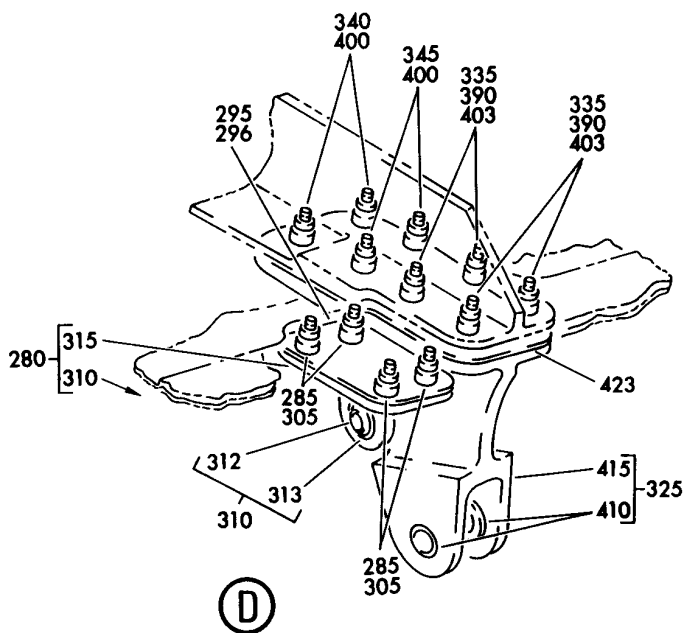
STRUCTURAL ASSY-STRUT
FIGURE 1 (SHEET 2)

54-51-51-01

HXL
DEC 22/06

54-51-51-01
PAGE 0A

BOEING
767
PARTS CATALOG (MAINTENANCE)



V 54515101 SHT 3 REV 187

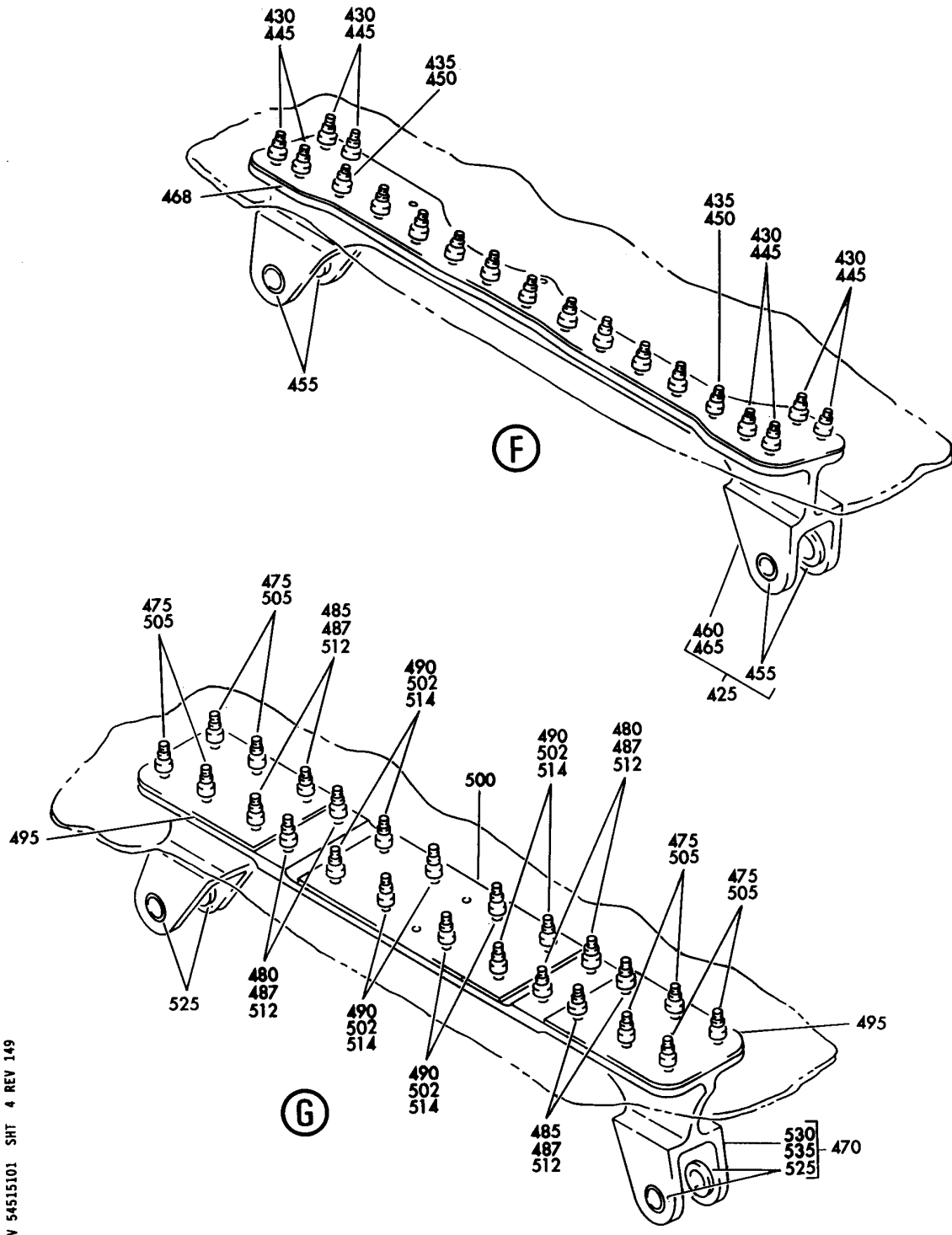
STRUCTURAL ASSY-STRUT
FIGURE 1 (SHEET 3)

54-51-51-01

HXL
DEC 22/06

54-51-51-01
PAGE 0B

BOEING
767
PARTS CATALOG (MAINTENANCE)



V 54515101 SHT 4 REV 149

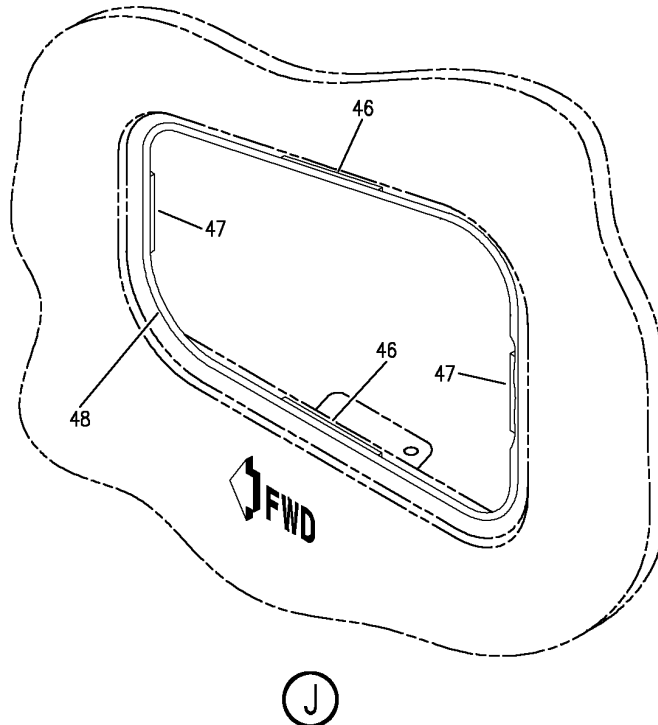
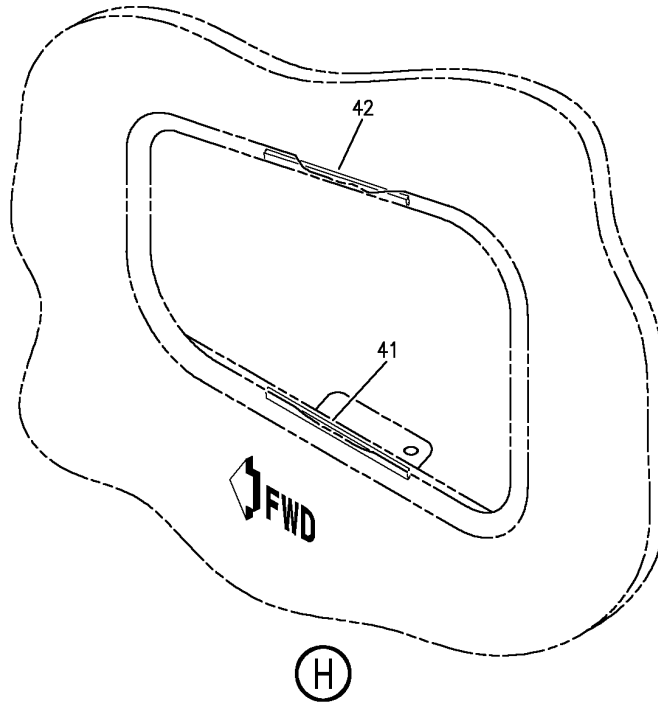
STRUCTURAL ASSY-STRUT
FIGURE 1 (SHEET 4)

54-51-51-01

HXL
DEC 22/06

54-51-51-01
PAGE 0C

BOEING
767
PARTS CATALOG (MAINTENANCE)



V 54515101 SH1 5 REV 255

STRUCTURAL ASSY-STRUT
FIGURE 1 (SHEET 5)

54-51-51-01

HXL
DEC 22/06

54-51-51-01
PAGE 0D



767

PARTS CATALOG (MAINTENANCE)

FIG ITEM	PART NUMBER	1 2 3 4 5 6 7	NOMENCLATURE	EFFECT FROM TO	UNITS PER ASSY
1					
- 5	311T3000-37SP		STRUCTURAL ASSY-STRUT STRUCTURAL ASSY-STRUT POSITION DATA: LH FOR NHA SEE: 54-00-51-02		RF
- 6	311T3000-51SP		STRUCTURAL ASSY-STRUT POSITION DATA: LH VARIABLE DRAWING REF: 311T3000-5023 FOR NHA SEE: 54-00-51-02		RF
- 6	311T3000-91SP		STRUCTURAL ASSY-STRUT VARIABLE POSITION DATA: LH FOR NHA SEE: 54-00-51-02		RF
- 10	311T3000-38SP		STRUCTURAL ASSY-STRUT POSITION DATA: RH FOR NHA SEE: 54-00-51-02		RF
- 11	311T3000-52SP		STRUCTURAL ASSY-STRUT POSITION DATA: RH VARIABLE DRAWING REF: 311T3000-5024 FOR NHA SEE: 54-00-51-02		RF
- 11	311T3000-92SP		STRUCTURAL ASSY-STRUT VARIABLE POSITION DATA: RH FOR NHA SEE: 54-00-51-02		RF
15	MS27253-3		.PLATE		1
- 20	BACR15BB3AD		.RIVET- SIZE DETERMINED ON INSTL. OPTIONAL PART: BACR15DR3P4		4
ILLUSTRATION ITEMS NOT ON PARTS LIST ARE NOT APPLICABLE					

- ITEM NOT ILLUSTRATED

54-51-51-01

54-51-51
FIG. 01
PAGE 1
DEC 22/07

HXL

 **BOEING**
767
PARTS CATALOG (MAINTENANCE)

FIG ITEM	PART NUMBER	1 2 3 4 5 6 7	NOMENCLATURE	EFFECT FROM TO	UNITS PER ASSY
1 - 20	AF5170-3-4		.RIVET- SUPPLIER CODE: V53551 SPECIFICATION NUMBER: BACR15DR3P4 OPTIONAL PART: RV570A3-4 V98996 CCR274SS3-4 V11815 BACR15BB3AD -----*-----		4
21	311T4030-5		.BLANKET INSTL-SPAR INSULATION POSITION DATA: MID/LOWER FOR DETAILS SEE: 54-54-01-05		1
22	311T4030-2		.BLANKET INSTL-RACEWAY INSULATION VARIABLE DRAWING REF: 311T4030-5008 FOR DETAILS SEE: 54-54-01-05		1
23	311T4030-3		.BLANKET INSTL-FWD MID SPAR INSULATION VARIABLE DRAWING REF: 311T4030-5005 FOR DETAILS SEE: 54-54-01-05		1
25	311T3400-21		.PANEL INSTL-SKIN USED ON: 311T3000-37SP 311T3000-38SP		1
25	311T3400-39		.PANEL INSTL-SKIN VARIABLE DRAWING REF: 311T3400-5011 USED ON: 311T3000-51SP 311T3000-52SP		1
30	311T3400-22		.PANEL INSTL-SKIN USED ON: 311T3000-37SP 311T3000-38SP		1

ILLUSTRATION ITEMS NOT ON PARTS LIST ARE NOT APPLICABLE

- ITEM NOT ILLUSTRATED

HXL

54-51-51-01

BOEING PROPRIETARY - Copyright © - Unpublished Work - See title page for details.

54-51-51
FIG. 01
PAGE 2
DEC 22/07

BOEING
767
PARTS CATALOG (MAINTENANCE)

FIG ITEM	PART NUMBER	1 2 3 4 5 6 7	NOMENCLATURE	EFFECT FROM TO	UNITS PER ASSY
1	39 311T3065-97		.. DOOR INSTL-ACCESS VARIABLE DRAWING REF: 311T3065-5009 311T3065-5011 USED ON: 311T3400-15 311T3400-21 311T3400-37 311T3400-39 FOR DETAILS SEE: 54-53-01-01		1
	40 311T3065-98		.. DOOR INSTL-ACCESS VARIABLE DRAWING REF: 311T3065-5010 311T3065-5012 USED ON: 311T3400-16 311T3400-22 311T3400-38 311T3400-40 FOR DETAILS SEE: 54-53-01-01		1
	44 311T3400-89		.. RUBSTRIP ASSY- POSITION DATA: LH POST SERVICE BULLETIN: 54-0098		1
	45 311T3400-90		.. RUBSTRIP ASSY- POSITION DATA: RH POST SERVICE BULLETIN: 54-0098		1
	46 311T3400-93		... RUBSTRIP- POST SERVICE BULLETIN: 54-0098		2
	47 311T3410-32		... RUBSTRIP- POST SERVICE BULLETIN: 54-0098		2
	48 311T3400-91		... RUBSTRIP-CARRIER POST SERVICE BULLETIN: 54-0098		1
-	49 NAS1200M3P		ATTACHING PARTS ... RIVET- SIZE DETERMINED ON INSTL. POST SERVICE BULLETIN: 54-0098 -----*-----		8

ILLUSTRATION ITEMS NOT ON PARTS LIST ARE NOT APPLICABLE

- ITEM NOT ILLUSTRATED

HXL

54-51-51-01

BOEING PROPRIETARY - Copyright © - Unpublished Work - See title page for details.

54-51-51
FIG. 01
PAGE 4
AUG 22/09



767

PARTS CATALOG (MAINTENANCE)

FIG ITEM	PART NUMBER	1 2 3 4 5 6 7	NOMENCLATURE	EFFECT FROM TO	UNITS PER ASSY
1					
50	311T3510-233		.BEAM INSTL- FOR DETAILS SEE: 54-51-61-01		1
50	311T3510-273		.BEAM INSTL- VARIABLE DRAWING REF: 311T3510-5024 FOR DETAILS SEE: 54-51-61-01		1
55	311T3630-1		.FITTING INSTL-DRAIN FOR DETAILS SEE: 54-51-55-01		1
60	311T4210-2		.BULKHEAD INSTL-ENG MOUNT FWD FOR DETAILS SEE: 54-51-60-01		1
65	311T3110-23		.SPAR INSTL- USED ON: 311T3000-37SP 311T3000-38SP		1
65	311T3110-28		.SPAR INSTL- VARIABLE DRAWING REF: 311T3110-5010 USED ON: 311T3000-51SP 311T3000-52SP		1
70	311T3553-35		.FITTING ASSY-THRUST REVERSER, COWL HINGE POSITION DATA: NAC STA 156.00 OPTIONAL PART: 311T3553-33		1
70	311T3553-33		.FITTING ASSY-THRUST REVERSER, COWL HINGE POSITION DATA: NAC STA 156.00 OPTIONAL PART: 311T3553-35		1
75	311T3553-36		.FITTING ASSY-THRUST REVERSER, COWL HINGE POSITION DATA: NAC STA 156.00 OPTIONAL PART: 311T3553-34		1
75	311T3553-34		.FITTING ASSY-THRUST REVERSER, COWL HINGE POSITION DATA: NAC STA 156.00 OPTIONAL PART: 311T3553-36		1
ILLUSTRATION ITEMS NOT ON PARTS LIST ARE NOT APPLICABLE					

- ITEM NOT ILLUSTRATED

54-51-51-01

54-51-51
FIG. 01
PAGE 5
AUG 22/09

HXL



767

PARTS CATALOG (MAINTENANCE)

FIG ITEM	PART NUMBER	1 2 3 4 5 6 7	NOMENCLATURE	EFFECT FROM TO	UNITS PER ASSY
1			ATTACHING PARTS		
80	BACB30LE8K23	.BOLT			4
85	BACB30JC14A20K	.BOLT-			4
			OPTIONAL PART: BACB30NY20		
85	HL13VAZ14-20	.BOLT-			4
			SUPPLIER CODE: V17446		
			SPECIFICATION NUMBER: BACB30NY14K20		
			OPTIONAL PART: L801-14K20		
			VOPTK6		
			HL13VAZ14-20		
			V60516		
			HL13VAZ14-20		
			V97928		
			L801-14K20		
			V06725		
			HL13VAZ14-20		
			V92215		
			HL13VAZ14-20		
			V73197		
			HL13VAZ14-20		
			V56878		
			BACB30JC14A20K		
90	BACS40R35B42F	.SHIM			2
100	BACW10BP8CD	.WASHER-			2
			POSITION DATA: UNDER BOLT		
105	BACW10BP8ACU	.WASHER-			2
			POSITION DATA: UNDER BOLT		
110	BACW10BP7DP	.WASHER-			4
			POSITION DATA: UNDER NUT		
115	BACW10BP8DP	.WASHER-			2
			POSITION DATA: UNDER NUT		
120	BACW10BP8APU	.WASHER-			2
			POSITION DATA: UNDER BOLT		

ILLUSTRATION ITEMS NOT ON PARTS LIST ARE NOT APPLICABLE

- ITEM NOT ILLUSTRATED

HXL

54-51-51-01

BOEING PROPRIETARY - Copyright © - Unpublished Work - See title page for details.

54-51-51
FIG. 01
PAGE 6
AUG 22/09

BOEING
767
PARTS CATALOG (MAINTENANCE)

FIG ITEM	PART NUMBER	1 2 3 4 5 6 7	NOMENCLATURE	EFFECT FROM TO	UNITS PER ASSY
1 125	BMN10HRCPD3-8	.NUT	SUPPLIER CODE: V97928 SPECIFICATION NUMBER: BACN10HR8CS OPTIONAL PART: H39953-8 V15653 109LH9031-8 V72962 67832AS820 V56878 BH00303-8 V27238 BMN5024CPD38 V97928 SL705098 V11815 109LH90318 V72962 67832AS8 V56878 CR5908-8 VF0224		4
	130	BMN10HRCPD3-7	.NUT SUPPLIER CODE: V97928 SPECIFICATION NUMBER: BACN10HR7CS OPTIONAL PART: H39953-7 V15653 109LH9031-7 V72962 67832AS720 V56878 BH00303-7 V27238 BMN5024CPD37 V97928 109LH90317 V72962 67832AS7 V56878 SL705097 V11815 CR5908-7 VF0224 -----*-----		4
ILLUSTRATION ITEMS NOT ON PARTS LIST ARE NOT APPLICABLE					

— ITEM NOT ILLUSTRATED

HXL

54-51-51-01

BOEING PROPRIETARY - Copyright © - Unpublished Work - See title page for details.

54-51-51
FIG. 01
PAGE 7
AUG 22/09

BOEING
767
PARTS CATALOG (MAINTENANCE)

FIG ITEM	PART NUMBER	1 2 3 4 5 6 7	NOMENCLATURE	EFFECT FROM TO	UNITS PER ASSY
1 135	P20700		.. BEARING ASSY-SPHER PLAIN METAL TO METAL SUPPLIER CODE: V57606 SPECIFICATION NUMBER: S302T001-202 OPTIONAL PART: VTB04530 V06710		1
137	P20704		... NUT- SUPPLIER CODE: V57606		1
138	P20701		... BALL- SUPPLIER CODE: V57606 SPECIFICATION NUMBER: S302T001-202B OPTIONAL PART: VTB04531 V06710		1
139	P20702		... RACE- SUPPLIER CODE: V57606		1
140	311T3553-39		.. FITTING- USED ON: 311T3553-35		1
140	311T3553-37		.. FITTING- USED ON: 311T3553-33		1
- 145	311T3553-40		.. FITTING- USED ON: 311T3553-36		1
- 145	311T3553-38		.. FITTING- USED ON: 311T3553-34		1
150	311T3681-51		. SEAL INSTL- FOR DETAILS SEE: 54-54-00-01		1
155	311T3150-100		. SPAR INSTL- POSITION DATA: MID FOR DETAILS SEE: 54-51-56-01		1

ILLUSTRATION ITEMS NOT ON PARTS LIST ARE NOT APPLICABLE

- ITEM NOT ILLUSTRATED

HXL

54-51-51-01

BOEING PROPRIETARY - Copyright © - Unpublished Work - See title page for details.

54-51-51
FIG. 01
PAGE 8
AUG 22/09



767

PARTS CATALOG (MAINTENANCE)

FIG ITEM	PART NUMBER	1 2 3 4 5 6 7	NOMENCLATURE	EFFECT FROM TO	UNITS PER ASSY
1					
155	311T3150-114		.SPAR INSTL- POSITION DATA: MID VARIABLE DRAWING REF: 311T3150-5014 FOR DETAILS SEE: 54-51-56-01		1
165	311T3555-25		.FITTING ASSY-THRUST REVERSER, COWL HINGE POSITION DATA: NAC STA 172.00 OPTIONAL PART: 311T3555-27		1
165	311T3555-27		.FITTING ASSY-THRUST REVERSER, COWL HINGE POSITION DATA: NAC STA 172.00 OPTIONAL PART: 311T3555-25		1
170	311T3555-26		.FITTING ASSY-THRUST REVERSER, COWL HINGE POSITION DATA: NAC STA 172.00 OPTIONAL PART: 311T3555-28		1
170	311T3555-28		.FITTING ASSY-THRUST REVERSER, COWL HINGE POSITION DATA: NAC STA 172.00 OPTIONAL PART: 311T3555-26 ATTACHING PARTS		1
173	NAS6706A19		.BOLT- OPTIONAL PART: NAS6706A21		4
173	NAS6706A21		.BOLT- OPTIONAL PART: NAS6706A19		4
R 175	BACB30JC12A18K		.BOLT-		4
180	BACS40R32B38F		.SHIM-		2
195	BACW10BP6ACU		.WASHER- POSITION DATA: UNDER BOLT		2
203	BACW10BP6DP		.WASHER- POSITION DATA: UNDER NUT		2

ILLUSTRATION ITEMS NOT ON PARTS LIST ARE NOT APPLICABLE

- ITEM NOT ILLUSTRATED

54-51-51-01

54-51-51
FIG. 01
PAGE 9
AUG 22/09

HXL



767

PARTS CATALOG (MAINTENANCE)

FIG ITEM	PART NUMBER	1 2 3 4 5 6 7	NOMENCLATURE	EFFECT FROM TO	UNITS PER ASSY
1					
214	P20702		...RACE- SUPPLIER CODE: V57606		1
215	311T3555-29		..FITTING- USED ON: 311T3555-25		1
215	311T3555-31		..FITTING- USED ON: 311T3555-27		1
220	311T3555-30		..FITTING- USED ON: 311T3555-26		1
220	311T3555-32		..FITTING- USED ON: 311T3555-28		1
225	311T3561-5		.FITTING ASSY-CORE COWL HINGE POSITION DATA: NAC STA 182.00 ATTACHING PARTS		1
230	BACB30LE4U13		.BOLT-		8
230	BACB30LE4U11		.BOLT-		8
234	BACW10BP4ACU		.WASHER		8
238	BACW10BP4APU		.WASHER		8

ILLUSTRATION ITEMS NOT ON PARTS LIST ARE NOT APPLICABLE

- ITEM NOT ILLUSTRATED

HXL

54-51-51-01

BOEING PROPRIETARY - Copyright © - Unpublished Work - See title page for details.

54-51-51
FIG. 01
PAGE 11
AUG 22/09

 **BOEING**
767
PARTS CATALOG (MAINTENANCE)

FIG ITEM	PART NUMBER	1 2 3 4 5 6 7	NOMENCLATURE	EFFECT FROM TO	UNITS PER ASSY
1	242	BMM10HRCPD3-4	.NUT SUPPLIER CODE: V97928 SPECIFICATION NUMBER: BACN10HR4CS OPTIONAL PART: H39953-4 V15653 109LH9031-4 V72962 67832AS428 V56878 BH00303-4 V27238 SL7059C428 V11815 BMN5024CPD34 V97928 109LH90314 V72962 67832AS4 V56878 BMM10HRCPD3-4 V97928 SL705094 V11815 CR5908-4 VF0224		8
	246	HL40-6-5	.BOLT SUPPLIER CODE: V97928 SPECIFICATION NUMBER: BACB30FM6A5U OPTIONAL PART: 67067-6A5U V56878 HL40-6-5 V56878 HL40-6-5 V73197 HL40-6-5 V80539 HL40-6-5 V92215 HL40-6-4 V08524		16

ILLUSTRATION ITEMS NOT ON PARTS LIST ARE NOT APPLICABLE

- ITEM NOT ILLUSTRATED

HXL

54-51-51-01

BOEING PROPRIETARY - Copyright © - Unpublished Work - See title page for details.

54-51-51
FIG. 01
PAGE 12
AUG 22/09

BOEING
767
PARTS CATALOG (MAINTENANCE)

FIG ITEM	PART NUMBER	1 2 3 4 5 6 7	NOMENCLATURE	EFFECT FROM TO	UNITS PER ASSY
R R R R R R R R R R R R R	1 247	HL40-6-6	.BOLT SUPPLIER CODE: V97928 SPECIFICATION NUMBER: BACB30FM6A6U OPTIONAL PART: 67067-6A6U V56878 HL40-6-6 V56878 HL40-6-6 V73197 HL40-6-6 V80539 HL40-6-6 V92215 HL40-6-6 V08524 HL18-6A6U V06725		2
	250	HL97DU6	.COLLAR SUPPLIER CODE: V73197 SPECIFICATION NUMBER: BACC30AB6S OPTIONAL PART: HL97DU6 V56878 HL97DU6 V5M902		18
	255	P21990	-----*----- ..BEARING ASSY-SPHER PLAIN METAL TO METAL SUPPLIER CODE: V57606 SPECIFICATION NUMBER: S302T001-306		1
	256	P21994	...NUT- SUPPLIER CODE: V57606		1
	257	P21991	...BALL- SUPPLIER CODE: V57606 SPECIFICATION NUMBER: S302T001-306B		1
	258	P21992	...RACE- SUPPLIER CODE: V57606		1
ILLUSTRATION ITEMS NOT ON PARTS LIST ARE NOT APPLICABLE					

- ITEM NOT ILLUSTRATED

54-51-51-01

54-51-51
FIG. 01
PAGE 13
AUG 22/09

HXL



767

PARTS CATALOG (MAINTENANCE)

FIG ITEM	PART NUMBER	1 2 3 4 5 6 7	NOMENCLATURE	EFFECT FROM TO	UNITS PER ASSY
1					
260	BACB28W7E027	..	BUSHING- USED ON: 311T3561-1 311T3561-3 311T3561-5		4
260	BACB28AM07B026	..	BUSHING- USED ON: 311T3561-7 311T3561-9		4
265	311T3561-6	..	FITTING- OPTIONAL PART: 311T3561-16 USED ON: 311T3561-5		1
267	311T3569-2	.	SHIM-		1
270	311T3000-7	.	NUTPLATE ASSY		1
280	311T3650-9	.	FITTING ASSY-PRECOOLER SPRT POSITION DATA: NAC STA 198.94		2
280	311T3650-7	.	FITTING ASSY-PRECOOLER SPRT POSITION DATA: NAC STA 198.94		2
280	311T3650-13	.	FITTING ASSY-PRECOOLER SPRT POSITION DATA: NAC STA 198.94		2
280	311T3650-11	.	FITTING ASSY-PRECOOLER SPRT POSITION DATA: NAC STA 198.94		2
280	311T3650-16	.	FITTING ASSY-PRECOOLER SPRT POSITION DATA: NAC STA 198.94		2

ILLUSTRATION ITEMS NOT ON PARTS LIST ARE NOT APPLICABLE

- ITEM NOT ILLUSTRATED

HXL

54-51-51-01

BOEING PROPRIETARY - Copyright © - Unpublished Work - See title page for details.

54-51-51
FIG. 01
PAGE 14
AUG 22/09



767

PARTS CATALOG (MAINTENANCE)

FIG ITEM	PART NUMBER	1 2 3 4 5 6 7	NOMENCLATURE	EFFECT FROM TO	UNITS PER ASSY
1			ATTACHING PARTS		
285	HL448PZ8-11		.BOLT SUPPLIER CODE: V60516 SPECIFICATION NUMBER: BACB30MB8A11U OPTIONAL PART: HL48-8-11 V73197 HL48-8-11 V92215 HL48-8-11 V97928 69308-8A11U V56878 HL48-8-11 V80539 HL48-8-11 V08524 HL48-8-11 V56878 HL48-8-11 V9N513 HL448PZ8-11 V56878 HL448PZ8-11 V73197 HL448PZ8-11 V80539 HL448PZ8-11 V9N513 HL448PZ8-11 V97928		4
290	NAS6704U13		.BOLT		4
295	BACS40R21U30		.SHIM		2
300	BACW10BP4ACU		.WASHER		4
ILLUSTRATION ITEMS NOT ON PARTS LIST ARE NOT APPLICABLE					

- ITEM NOT ILLUSTRATED

HXL

54-51-51-01

BOEING PROPRIETARY - Copyright © - Unpublished Work - See title page for details.

54-51-51
FIG. 01
PAGE 15
AUG 22/09

BOEING
767
PARTS CATALOG (MAINTENANCE)

FIG ITEM	PART NUMBER	1 2 3 4 5 6 7	NOMENCLATURE	EFFECT FROM TO	UNITS PER ASSY
1 305	HL1187DU8		. COLLAR SUPPLIER CODE: V5M902 SPECIFICATION NUMBER: BACC30X8S OPTIONAL PART: HL87DU8 V92215 HL87DU8 V73197 HL1187DU8 V56878 HL1187DU8 V92215 HL87DU8 V56878 HL1187DU8 V73197		4
310	P20670		-----*----- .. BEARING ASSY-SPHER PLAIN METAL TO METAL SUPPLIER CODE: V57606 SPECIFICATION NUMBER: S302T001-207 OPTIONAL PART: AMB6-170 VS0352 LHSSTM6BAC V73134 VTB04500 V06710 OPTIONAL PART: P2A2320 V57606		1
310	P2A2320		.. BEARING ASSY-SPHER PLAIN SUPPLIER CODE: V57606 SPECIFICATION NUMBER: S302T001-433 OPTIONAL PART: P20670 V57606		1
312	P20671		... BALL- SUPPLIER CODE: V57606 USED ON: P20670		1

ILLUSTRATION ITEMS NOT ON PARTS LIST ARE NOT APPLICABLE

- ITEM NOT ILLUSTRATED

HXL

54-51-51-01

BOEING PROPRIETARY - Copyright © - Unpublished Work - See title page for details.

54-51-51
FIG. 01
PAGE 16
AUG 22/09



767

PARTS CATALOG (MAINTENANCE)

FIG ITEM	PART NUMBER	1 2 3 4 5 6 7	NOMENCLATURE	EFFECT FROM TO	UNITS PER ASSY
1					
313	P20672		...RACE- SUPPLIER CODE: V57606 USED ON: P20670		1
315	311T3650-8		..FITTING- USED ON: 311T3650-7		1
315	311T3650-10		..FITTING- USED ON: 311T3650-9		1
315	311T3650-12		..FITTING- USED ON: 311T3650-11		1
315	311T3650-14		..FITTING- USED ON: 311T3650-13		1
320	311T3000-19		.NUTPLATE ASSY-		2
325	311T3563-37		.FITTING ASSY-CORE COWL HINGE POSITION DATA: NAC STA 201.25		1
330	311T3563-38		.FITTING ASSY-CORE COWL HINGE POSITION DATA: NAC STA 201.25		1

ILLUSTRATION ITEMS NOT ON PARTS LIST ARE NOT APPLICABLE

- ITEM NOT ILLUSTRATED

HXL

54-51-51-01

BOEING PROPRIETARY - Copyright © - Unpublished Work - See title page for details.

54-51-51
FIG. 01
PAGE 17
AUG 22/09



767

PARTS CATALOG (MAINTENANCE)

FIG ITEM	PART NUMBER	1 2 3 4 5 6 7 NOMENCLATURE	EFFECT FROM TO	UNITS PER ASSY
1 335	HL448PZ8-14	ATTACHING PARTS .BOLT SUPPLIER CODE: V60516 SPECIFICATION NUMBER: BACB30MB8A14U OPTIONAL PART: HL48-8-14 V73197 HL48-8-14 V92215 HL48-8-14 V97928 69308-8A14U V56878 HL48-8-14 V80539 HL48-8-14 V08524 HL48-8-14 V9N513 HL448PZ8-14 V56878 HL448PZ8-14 V73197 HL448PZ8-14 V80539 HL448PZ8-14 V9N513 HL48-8-14 V56878 HL448PZ8-14 V97928		4

ILLUSTRATION ITEMS NOT ON PARTS LIST ARE NOT APPLICABLE

- ITEM NOT ILLUSTRATED

HXL

54-51-51-01

BOEING PROPRIETARY - Copyright © - Unpublished Work - See title page for details.

54-51-51
 FIG. 01
 PAGE 18
 AUG 22/09

BOEING
767
PARTS CATALOG (MAINTENANCE)

FIG ITEM	PART NUMBER	1 2 3 4 5 6 7	NOMENCLATURE	EFFECT FROM TO	UNITS PER ASSY
R R R R R R R R R R	1 340	HL40-12-12	.BOLT SUPPLIER CODE: V97928 SPECIFICATION NUMBER: BACB30FM12A12U OPTIONAL PART: 67067-12A12U V56878 HL40-12-12 V56878 HL40-12-12 V73197 HL40-12-12 V80539 HL40-12-12 V92215 HL40-12-12 V08524		2
	345	HL40-12-14	.BOLT SUPPLIER CODE: V97928 SPECIFICATION NUMBER: BACB30FM12A14U OPTIONAL PART: 67067-12A14U V56878 HL40-12-14 V56878 HL40-12-14 V73197 HL40-12-14 V80539 HL40-12-14 V92215 HL40-12-14 V08524		2
	350	NAS6704U14	.BOLT-		4
	350	NAS6704U15	.BOLT-		4
	355	NAS6706U14	.BOLT-		4
	355	NAS6706U15	.BOLT-		4
	ILLUSTRATION ITEMS NOT ON PARTS LIST ARE NOT APPLICABLE				

— ITEM NOT ILLUSTRATED

54-51-51-01

54-51-51
FIG. 01
PAGE 19
AUG 22/09

HXL

 **BOEING**
767
PARTS CATALOG (MAINTENANCE)

FIG ITEM	PART NUMBER	1 2 3 4 5 6 7	NOMENCLATURE	EFFECT FROM TO	UNITS PER ASSY
R R R R R R R R R R	1 360	HL41-5-5	.BOLT SUPPLIER CODE: V60516 SPECIFICATION NUMBER: BACB30FN5A5U OPTIONAL PART: HL41-5-5 V73197 HL41-5-5 V92215 HL41-5-5 V97928 67068-5A5U V56878 HL41-5-5 V80539 HL41-5-5 V08524 HL41-5-5 V56878		2
	363	HL41-5-7	.BOLT SUPPLIER CODE: V60516 SPECIFICATION NUMBER: BACB30FN5A7U OPTIONAL PART: HL41-5-7 V73197 HL41-5-7 V92215 HL41-5-7 V97928 67068-5A7U V56878 HL41-5-7 V80539 HL41-5-7 V08524 HL41-5-7 V56878		2
	370	BACS40R09U22	.SHIM		2
	375	AN960C8	.WASHER		4
	380	BACW10BP4ACU	.WASHER		4
	385	BACW10BP6ACU	.WASHER		4
	ILLUSTRATION ITEMS NOT ON PARTS LIST ARE NOT APPLICABLE				

— ITEM NOT ILLUSTRATED

HXL

54-51-51-01

BOEING PROPRIETARY - Copyright © - Unpublished Work - See title page for details.

54-51-51
FIG. 01
PAGE 20
AUG 22/09



767

PARTS CATALOG (MAINTENANCE)

FIG ITEM	PART NUMBER	1 2 3 4 5 6 7	NOMENCLATURE	EFFECT FROM TO	UNITS PER ASSY
1 390	HL1187DU8		. COLLAR SUPPLIER CODE: V5M902 SPECIFICATION NUMBER: BACC30X8S OPTIONAL PART: HL87DU8 V92215 HL87DU8 V73197 HL1187DU8 V56878 HL1187DU8 V92215 HL87DU8 V56878 HL1187DU8 V73197		4
400	HL97DU12		. COLLAR SUPPLIER CODE: V73197 SPECIFICATION NUMBER: BACC30AB12S OPTIONAL PART: HL97DU12 V56878 HL97DU12 V5M902		4
405	BRH10A08		. NUT SUPPLIER CODE: V52828 SPECIFICATION NUMBER: BACN10JC08 OPTIONAL PART: H10-08BAC V15653 NS202101-82 V80539 RMLH9075-82W V72962 VN303A82 V92215 96-82 V80539 T6S832J V11815 -----*-----		4

ILLUSTRATION ITEMS NOT ON PARTS LIST ARE NOT APPLICABLE

- ITEM NOT ILLUSTRATED

HXL

54-51-51-01

BOEING PROPRIETARY - Copyright © - Unpublished Work - See title page for details.

54-51-51
FIG. 01
PAGE 21
AUG 22/09



767

PARTS CATALOG (MAINTENANCE)

FIG ITEM	PART NUMBER	1 2 3 4 5 6 7	NOMENCLATURE	EFFECT FROM TO	UNITS PER ASSY
1					
410	BACB28W7E025		.. BUSHING- USED ON: 311T3563-1 311T3563-10 311T3563-2 311T3563-5 311T3563-6 311T3563-9 311T3563-37 311T3563-38		2
415	311T3563-11		.. FITTING- USED ON: 311T3563-9 311T3563-37 311T3563-39 311T3563-41		1
420	311T3563-12		.. FITTING- USED ON: 311T3563-10 311T3563-38 311T3563-40 311T3563-42		1
423	311T3569-3		. SHIM-		2
425	311T3565-11		. FITTING ASSY-CORE COWL HINGE POSITION DATA: NAC STA 213.25		1
425	311T3565-25		. FITTING ASSY-CORE COWL HINGE POSITION DATA: NAC STA 213.25		1

ILLUSTRATION ITEMS NOT ON PARTS LIST ARE NOT APPLICABLE

- ITEM NOT ILLUSTRATED

HXL

54-51-51-01

BOEING PROPRIETARY - Copyright © - Unpublished Work - See title page for details.

54-51-51
FIG. 01
PAGE 22
AUG 22/09



767

PARTS CATALOG (MAINTENANCE)

FIG ITEM	PART NUMBER	1 2 3 4 5 6 7 NOMENCLATURE	EFFECT FROM TO	UNITS PER ASSY
1 430	HL448PZ8-8	ATTACHING PARTS .BOLT SUPPLIER CODE: V60516 SPECIFICATION NUMBER: BACB30MB8A8U OPTIONAL PART: HL48-8-8 V73197 HL48-8-8 V92215 HL48-8-8 V97928 69308-8A8U V56878 HL48-8-8 V80539 HL48-8-8 V08524 HL48-8-8 V56878 HL48-8-8 V9N513 HL448PZ8-8 V56878 HL448PZ8-8 V73197 HL448PZ8-8 V80539 HL448PZ8-8 V9N513 HL448PZ8-8 V97928		8

ILLUSTRATION ITEMS NOT ON PARTS LIST ARE NOT APPLICABLE

- ITEM NOT ILLUSTRATED

HXL

54-51-51-01

BOEING PROPRIETARY - Copyright © - Unpublished Work - See title page for details.

54-51-51
 FIG. 01
 PAGE 23
 AUG 22/09

 **BOEING**
767
PARTS CATALOG (MAINTENANCE)

FIG ITEM	PART NUMBER	1 2 3 4 5 6 7	NOMENCLATURE	EFFECT FROM TO	UNITS PER ASSY
R R	1 435	HL40-6-6	.BOLT SUPPLIER CODE: V97928 SPECIFICATION NUMBER: BACB30FM6A6U OPTIONAL PART: 67067-6A6U V56878 HL40-6-6 V56878 HL40-6-6 V73197 HL40-6-6 V80539 HL40-6-6 V92215 HL40-6-6 V08524 HL18-6A6U V06725		11
	445	HL1187DU8	.COLLAR SUPPLIER CODE: V5M902 SPECIFICATION NUMBER: BACC30X8S OPTIONAL PART: HL87DU8 V92215 HL87DU8 V73197 HL1187DU8 V56878 HL1187DU8 V92215 HL87DU8 V56878 HL1187DU8 V73197		8
	450	HL97DU6	.COLLAR SUPPLIER CODE: V73197 SPECIFICATION NUMBER: BACC30AB6S OPTIONAL PART: HL97DU6 V56878 HL97DU6 V5M902 -----*-----		11
ILLUSTRATION ITEMS NOT ON PARTS LIST ARE NOT APPLICABLE					

— ITEM NOT ILLUSTRATED

HXL

54-51-51-01

BOEING PROPRIETARY - Copyright © - Unpublished Work - See title page for details.

54-51-51
FIG. 01
PAGE 24
AUG 22/09

BOEING
767
PARTS CATALOG (MAINTENANCE)

FIG ITEM	PART NUMBER	1 2 3 4 5 6 7	NOMENCLATURE	EFFECT FROM TO	UNITS PER ASSY
1 455	BACB28W7E025		.. BUSHING- USED ON: 311T3565-7 311T3565-9 311T3565-11 311T3565-25		4
460	311T3565-12		.. FITTING- USED ON: 311T3565-11		1
468	311T3569-4		. SHIM-		1
470	311T3567-5		. FITTING ASSY-CORE COWL HINGE POSITION DATA: NAC STA 227.00		1
470	311T3567-20		. FITTING ASSY-CORE COWL HINGE POSITION DATA: NAC STA 227.00		1
480	HL40-8-7		ATTACHING PARTS . BOLT SUPPLIER CODE: V97928 SPECIFICATION NUMBER: BACB30FM8A7U OPTIONAL PART: 67067-8A7U V56878 HL40-8-7 V56878 HL40-8-7 V73197 HL40-8-7 V80539 HL40-8-7 V92215 HL40-8-7 V08524		4

R
R
R
R
R
R
R
R
R
R
R
R
R
R
R
R
R
R
R
R
R
R

ILLUSTRATION ITEMS NOT ON PARTS LIST ARE NOT APPLICABLE

- ITEM NOT ILLUSTRATED

HXL

54-51-51-01

BOEING PROPRIETARY - Copyright © - Unpublished Work - See title page for details.

54-51-51
FIG. 01
PAGE 25
AUG 22/09

 **BOEING**
767
PARTS CATALOG (MAINTENANCE)

FIG ITEM	PART NUMBER	1 2 3 4 5 6 7	NOMENCLATURE	EFFECT FROM TO	UNITS PER ASSY
R R R R R R R R R R R R R R R	1 485	HL40-8-5	.BOLT SUPPLIER CODE: V97928 SPECIFICATION NUMBER: BACB30FM8A5U OPTIONAL PART: 67067-8A5U V56878 HL40-8-5 V56878 HL40-8-5 V73197 HL40-8-5 V80539 HL40-8-5 V92215 HL40-8-5 V08524		4
	490	HL40-10-9	.BOLT SUPPLIER CODE: V97928 SPECIFICATION NUMBER: BACB30FM10A9U OPTIONAL PART: 67067-10A9U V56878 HL40-10-9 V56878 HL40-10-9 V73197 HL40-10-9 V80539 HL40-10-9 V92215 HL40-10-9 V08524		8
	495	BACS40R25U47	.SHIM		2
	500	BACS40R25U60	.SHIM		1
	ILLUSTRATION ITEMS NOT ON PARTS LIST ARE NOT APPLICABLE				

— ITEM NOT ILLUSTRATED

HXL

54-51-51-01

BOEING PROPRIETARY - Copyright © - Unpublished Work - See title page for details.

54-51-51
FIG. 01
PAGE 26
AUG 22/09

 **BOEING**
767
PARTS CATALOG (MAINTENANCE)

FIG ITEM	PART NUMBER	1 2 3 4 5 6 7	NOMENCLATURE	EFFECT FROM TO	UNITS PER ASSY
1 505	HL1187DU8		. COLLAR SUPPLIER CODE: V5M902 SPECIFICATION NUMBER: BACC30X8S OPTIONAL PART: HL87DU8 V92215 HL87DU8 V73197 HL1187DU8 V56878 HL1187DU8 V92215 HL87DU8 V56878 HL1187DU8 V73197		8
512	HL97DU8		. COLLAR SUPPLIER CODE: V73197 SPECIFICATION NUMBER: BACC30AB8S OPTIONAL PART: HL97DU8 V56878 HL97DU8 V5M902		8
514	HL97DU10		. COLLAR SUPPLIER CODE: V5M902 SPECIFICATION NUMBER: BACC30AB10S OPTIONAL PART: HL97DU10 V56878 HL97DU10 V73197		8
525	BACB28W7E025		-----*----- .. BUSHING- USED ON: 311T3567-1 311T3567-3 311T3567-5 311T3567-20		4
530	311T3567-6		.. FITTING- USED ON: 311T3567-5		1

ILLUSTRATION ITEMS NOT ON PARTS LIST ARE NOT APPLICABLE

- ITEM NOT ILLUSTRATED

HXL

54-51-51-01

BOEING PROPRIETARY - Copyright © - Unpublished Work - See title page for details.

54-51-51
FIG. 01
PAGE 27
AUG 22/09



767

PARTS CATALOG (MAINTENANCE)

FIG ITEM	PART NUMBER	1 2 3 4 5 6 7	NOMENCLATURE	EFFECT FROM TO	UNITS PER ASSY
1					
540	311T4260-1		.BULKHEAD INSTL- FOR DETAILS SEE: 54-51-54-02		1
543	313T3104-109		.BARRIER INSTL-VAPOR VARIABLE DRAWING REF: 311T3104-5003 FOR DETAILS SEE: 54-51-52-01		1
545	311T3080-75		.BARRIER INSTL-VAPOR POSITION DATA: LH VARIABLE DRAWING REF: 311T3080-5005 311T3080-5007 FOR DETAILS SEE: 54-51-63-01		1
- 550	311T3080-76		.BARRIER INSTL-VAPOR POSITION DATA: RH VARIABLE DRAWING REF: 311T3080-5006 311T3080-5008 FOR DETAILS SEE: 54-51-63-01		1
555	311T3280-11		.BULKHEAD INSTL- VARIABLE DRAWING REF: 311T3280-5004 FOR DETAILS SEE: 54-51-57-01		1
560	311T3180-35		.SPAR INSTL- VARIABLE DRAWING REF: 311T3180-5011 FOR DETAILS SEE: 54-51-59-01A		1
565	311T3570-212		.FAIRING INSTL- FOR DETAILS SEE: 54-52-01-06		1
570	311T3530-38		.FAIRING INSTL- POSITION DATA: LH SIDE FOR DETAILS SEE: 54-52-01-04		1
575	311T3530-36		.FAIRING INSTL- POSITION DATA: LH SIDE FOR DETAILS SEE: 54-52-01-04		1
ILLUSTRATION ITEMS NOT ON PARTS LIST ARE NOT APPLICABLE					

- ITEM NOT ILLUSTRATED

54-51-51-01

54-51-51
FIG. 01
PAGE 28
AUG 22/09

HXL



767

PARTS CATALOG (MAINTENANCE)

FIG ITEM	PART NUMBER	1 2 3 4 5 6 7	NOMENCLATURE	EFFECT FROM TO	UNITS PER ASSY
1					
- 580	311T3530-37		.FAIRING INSTL-(RH SIDE) POSITION DATA: RH SIDE FOR DETAILS SEE: 54-52-01-04		1
- 585	311T3530-35		.FAIRING INSTL- POSITION DATA: RH SIDE FOR DETAILS SEE: 54-52-01-04		1
600	311T4640-1		.RACEWAY INSTL-STRUT SYS FOR DETAILS SEE: 54-51-69-02		1
ILLUSTRATION ITEMS NOT ON PARTS LIST ARE NOT APPLICABLE					

- ITEM NOT ILLUSTRATED

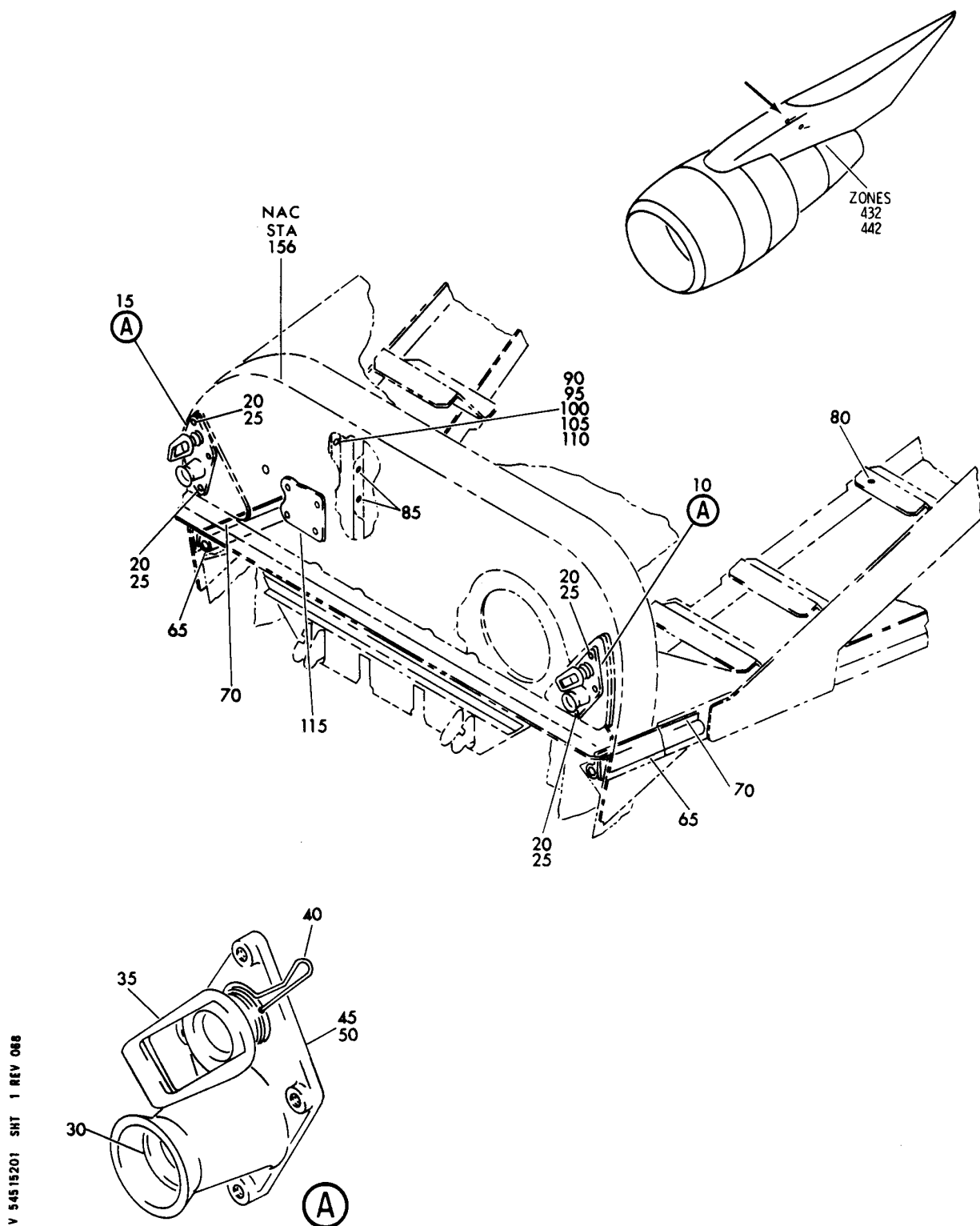
HXL

54-51-51-01

BOEING PROPRIETARY - Copyright © - Unpublished Work - See title page for details.

54-51-51
FIG. 01
PAGE 29
AUG 22/09

BOEING
767
PARTS CATALOG (MAINTENANCE)



BARRIER INSTL-FWD STRUT FAIRING VAPOR
FIGURE 1

54-51-52-01

HXL
DEC 22/06

54-51-52-01
PAGE 0



767

PARTS CATALOG (MAINTENANCE)

FIG ITEM	PART NUMBER	1 2 3 4 5 6 7	NOMENCLATURE	EFFECT FROM TO	UNITS PER ASSY
1			BARRIER INSTL-FWD STRUT FAIRING VAPOR		
- 1	313T3104-109		BARRIER INSTL-STRUT FAIRING VAPOR POSITION DATA: FWD VARIABLE DRAWING REF: 313T3104-5003 FOR NHA SEE: 54-51-52-01		RF
- 5	313T3104-120		.BARRIER ASSY		1
10	313T3112-1		..RETAINER ASSY		1
15	313T3112-2		..RETAINER ASSY		1
20	HL1012AZ8-7		ATTACHING PARTS ..BOLT SUPPLIER CODE: VOPTK6 SPECIFICATION NUMBER: BACB30NX8K7 OPTIONAL PART: HL12VAZ8-7 V73197 HL12VAZ8-7 V92215 HL12VAZ8-7 V97928 L802-8K7 V06725 HL12VAZ8-7 V56878 HL1012AZ8-7 V06725 HL1012AZ8-7 V06950 HL1012AZ8-7 V17446 HL1012AZ8-7 V56878 HL1012AZ8-7 V60516 HL1012AZ8-7 V73197 HL1012AZ8-7 V97928		8
ILLUSTRATION ITEMS NOT ON PARTS LIST ARE NOT APPLICABLE					

- ITEM NOT ILLUSTRATED

54-51-52-01

54-51-52
FIG. 01
PAGE 1
DEC 22/07

HXL



767

PARTS CATALOG (MAINTENANCE)

FIG ITEM	PART NUMBER	1 2 3 4 5 6 7	NOMENCLATURE	EFFECT FROM TO	UNITS PER ASSY
1 25	HL1187-8		.. COLLAR SUPPLIER CODE: V5M902 SPECIFICATION NUMBER: BACC30X8 OPTIONAL PART: HL87-8 V92215 HL87-8 V73197 HL1187-8 V56878 HL1187-8 V92215 HL87-8 V56878 HL1187-8 V73197 -----*-----		8
30	69B91052-1		...RETAINER-		1
35	69B91054-600		...HOOK		1
40	69B91055-2		...RING		1
45	313T3112-3		...RETAINER- USED ON: 313T3112-1		1
50	313T3112-4		...RETAINER- USED ON: 313T3112-2		1
- 55	313T3104-87		.. SUPPORT ASSY- USED ON: 313T3104-84 313T3104-95		1
- 60	313T3104-88		.. SUPPORT ASSY- USED ON: 313T3104-84 313T3104-95		1
65	313T3104-42		...SEAL- MANUFACTURED FROM: RUBBER EXTR F25.01 BAC1530-32 X 6.2 IN.		2
70	313T3104-31		...RETAINER ATTACHING PARTS		2
- 75	BACR15CE5KE		...RIVET- SIZE DETERMINED ON INSTL. -----*-----		3

ILLUSTRATION ITEMS NOT ON PARTS LIST ARE NOT APPLICABLE

- ITEM NOT ILLUSTRATED

54-51-52-01

54-51-52
 FIG. 01
 PAGE 2
 DEC 22/08

HXL



767

PARTS CATALOG (MAINTENANCE)

FIG ITEM	PART NUMBER	1 2 3 4 5 6 7	NOMENCLATURE	EFFECT FROM TO	UNITS PER ASSY
1					
80	VNS1924CA1-8	..	STUD- SUPPLIER CODE: V5M902 SPECIFICATION NUMBER: BACS53B1EA1 OPTIONAL PART: VNS1924CA3-1-8 V92215 POSITION DATA: NEAR SIDE		1
85	VNS1924CA1-8	..	STUD- SUPPLIER CODE: V5M902 SPECIFICATION NUMBER: BACS53B1EA1 OPTIONAL PART: VNS1924CA3-1-8 V92215 POSITION DATA: FAR SIDE		2
90	NAS1801-3-10	..	SCREW		1
95	MS35338-43	..	WASHER		1
100	AN960D10L	..	WASHER		2
105	MS35650-305S	..	NUT		1
110	BRH10A3	..	NUT SUPPLIER CODE: V52828 SPECIFICATION NUMBER: BACN10JC3 OPTIONAL PART: H10-3BAC V15653 NS202101-02 V80539 RMLH9075-3W V72962 VN303A02 V92215 96-02 V80539 T6S1032J V11815		1
ILLUSTRATION ITEMS NOT ON PARTS LIST ARE NOT APPLICABLE					

- ITEM NOT ILLUSTRATED

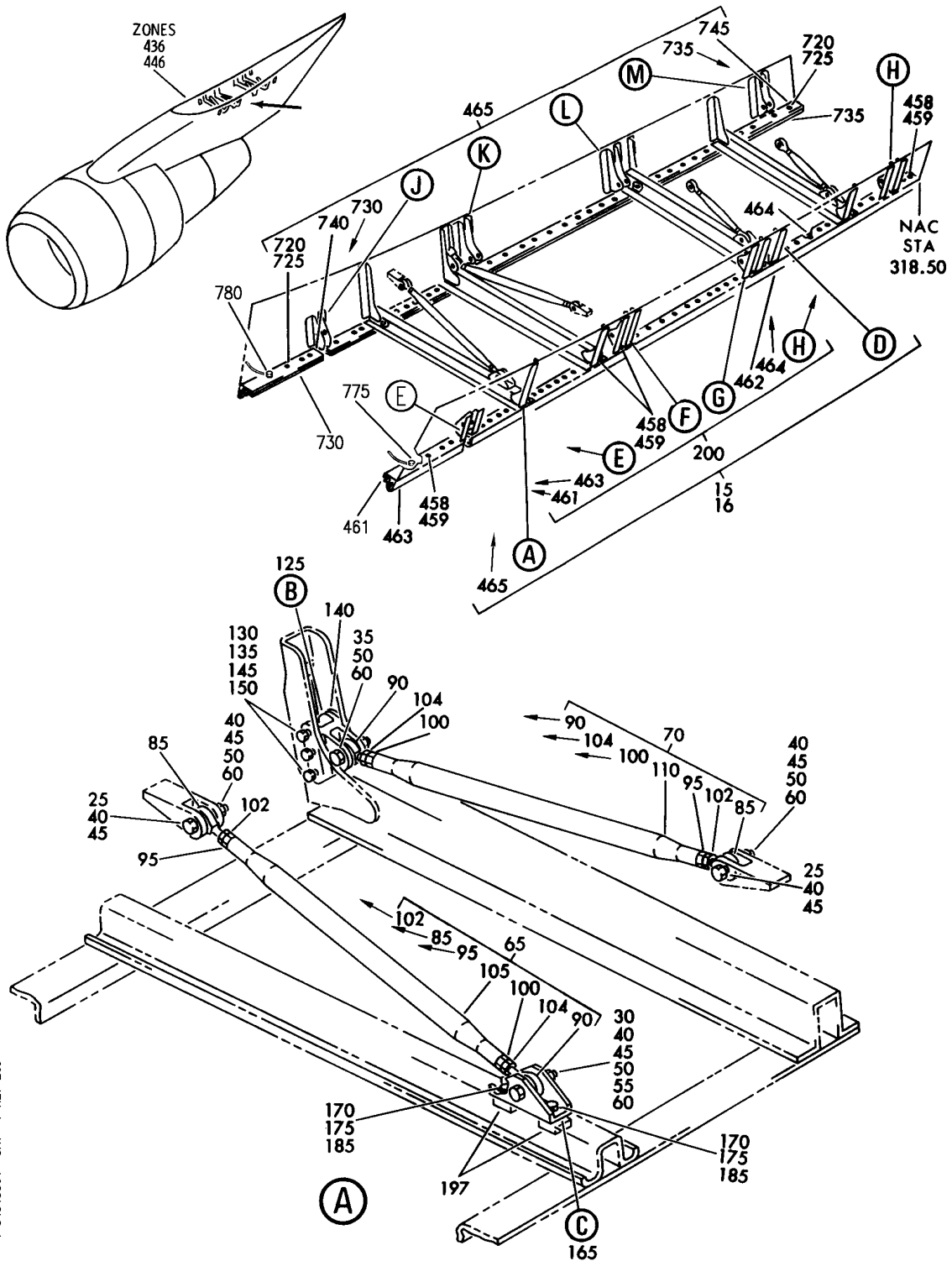
HXL

54-51-52-01

BOEING PROPRIETARY - Copyright © - Unpublished Work - See title page for details.

54-51-52
FIG. 01
PAGE 3
DEC 22/06


BOEING
 767
PARTS CATALOG (MAINTENANCE)



V 54515301 SH- 1 REV 269

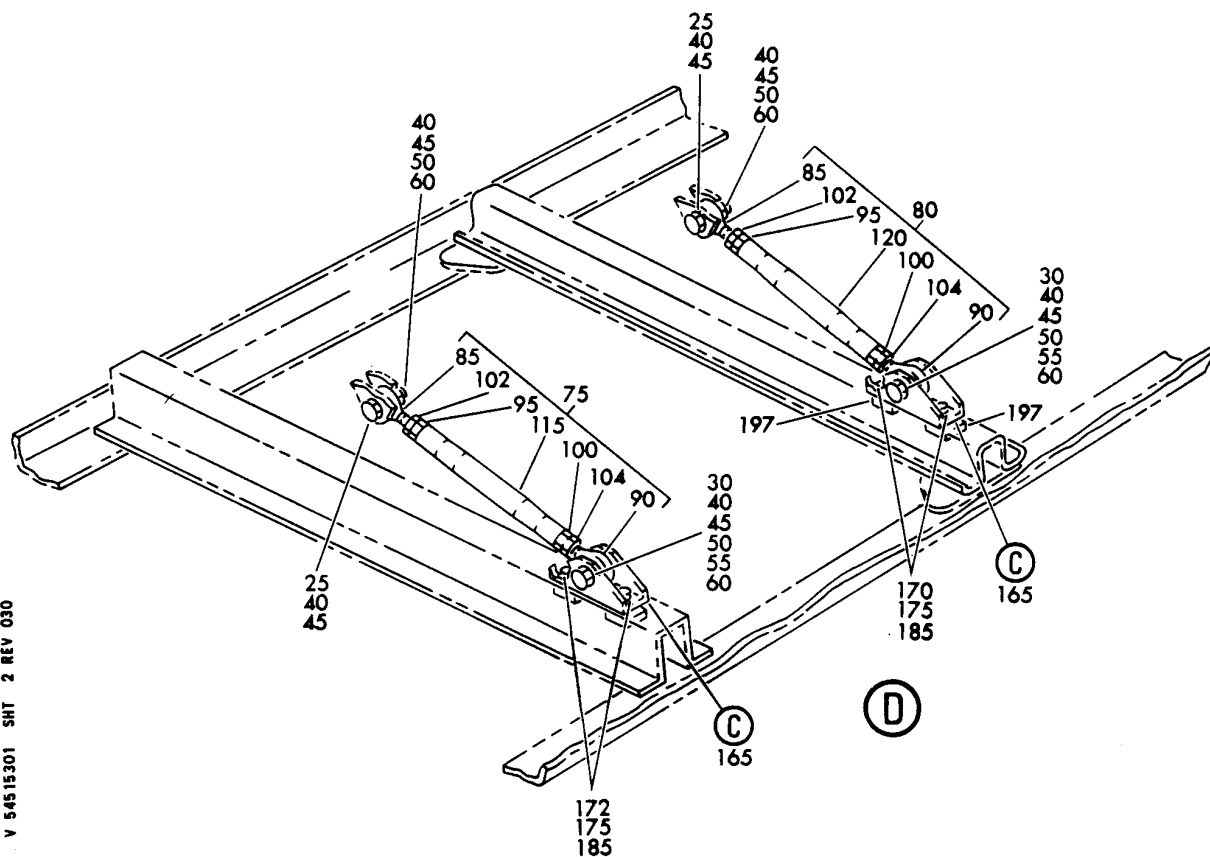
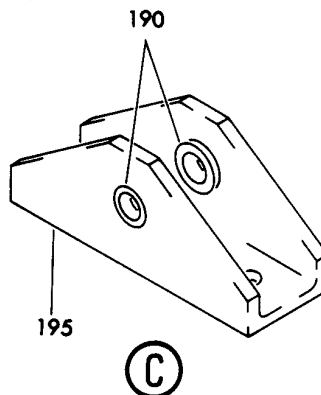
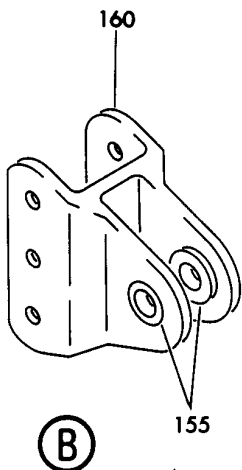
BEAM INSTL-FAIRING SKIRT STRUT AFT
 FIGURE 1 (SHEET 1)

54-51-53-01

HXL
DEC 22/06

54-51-53-01
 PAGE 0

BOEING
767
PARTS CATALOG (MAINTENANCE)



V 54515301 SHT 2 REV 030

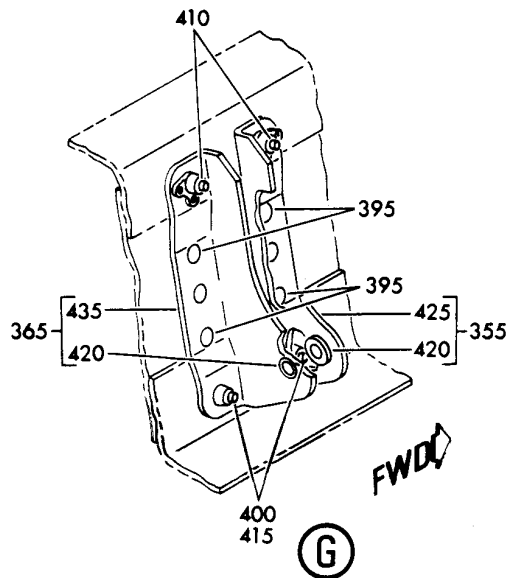
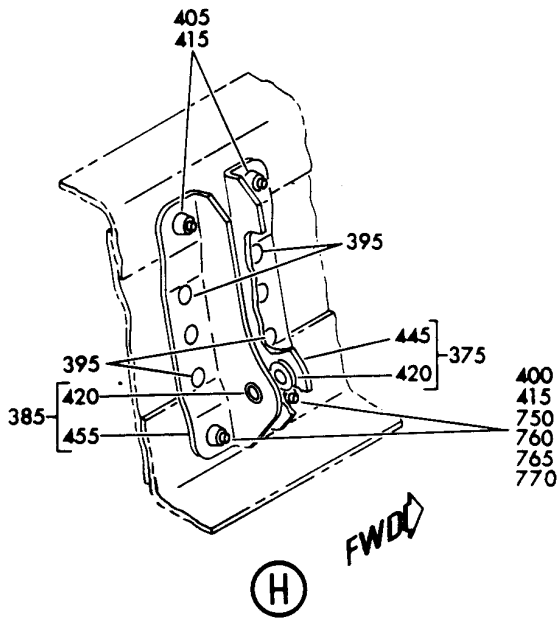
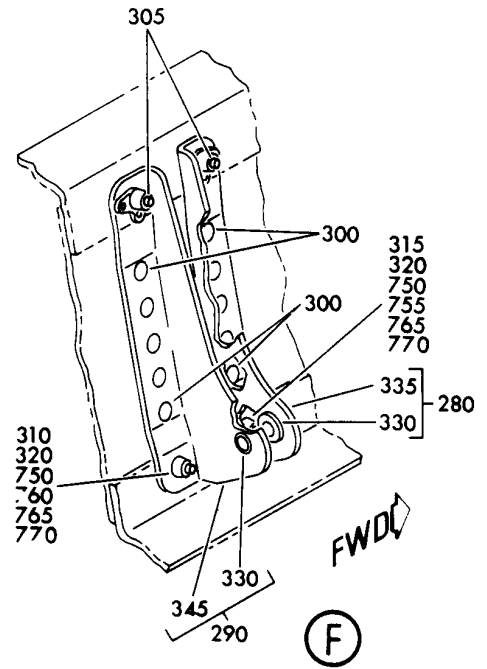
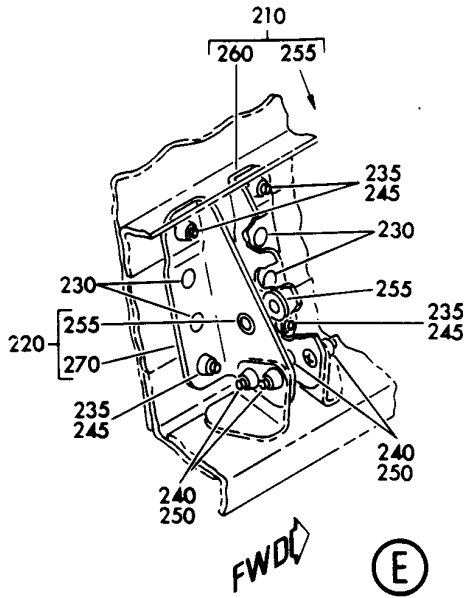
BEAM INSTL-FAIRING SKIRT STRUT AFT
FIGURE 1 (SHEET 2)

54-51-53-01

HXL
DEC 22/06

54-51-53-01
PAGE 0A

BOEING
767
PARTS CATALOG (MAINTENANCE)



V 54518301 SHT 3 REV 018

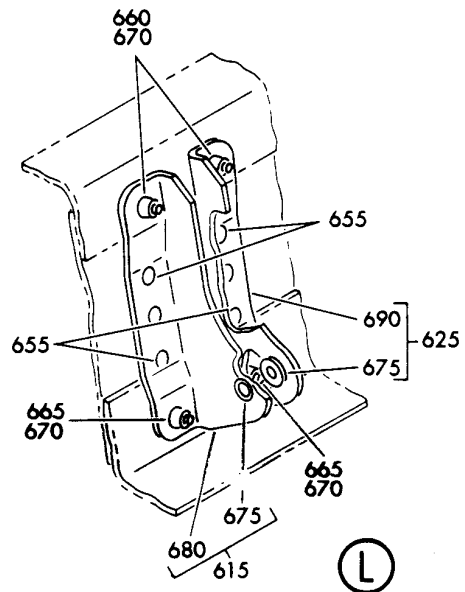
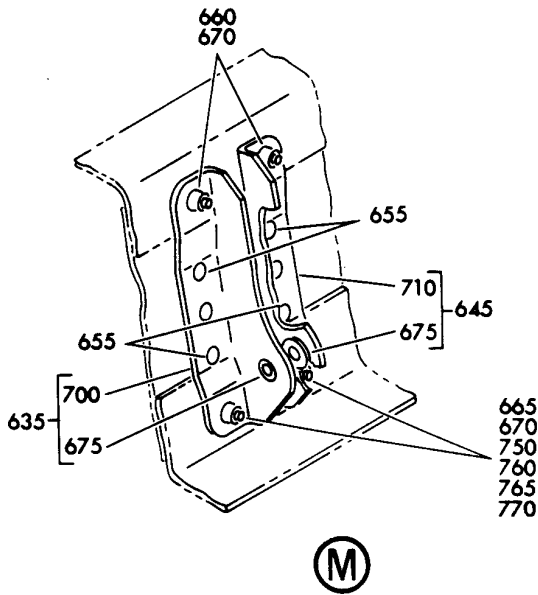
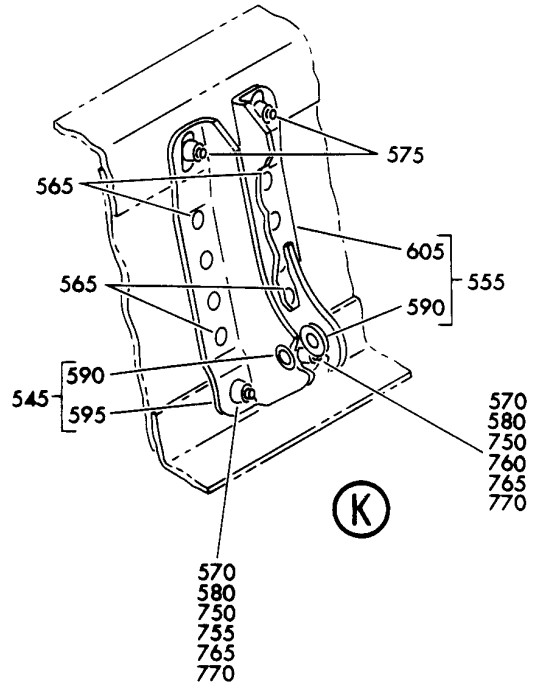
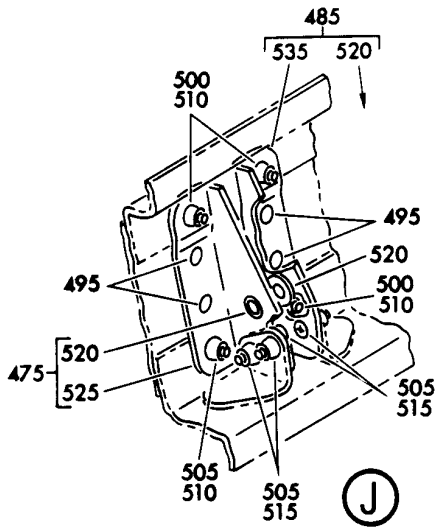
BEAM INSTL-FAIRING SKIRT STRUT AFT
FIGURE 1 (SHEET 3)

54-51-53-01

HXL
DEC 22/06

54-51-53-01
PAGE 08

BOEING
767
PARTS CATALOG (MAINTENANCE)



V 54518301 SHT 4 REV 018

BEAM INSTL-FAIRING SKIRT STRUT AFT
FIGURE 1 (SHEET 4)

54-51-53-01

HXL
DEC 22/06

54-51-53-01
PAGE 0C

 **BOEING**
767
PARTS CATALOG (MAINTENANCE)

FIG ITEM	PART NUMBER	1 2 3 4 5 6 7	NOMENCLATURE	EFFECT FROM TO	UNITS PER ASSY
1			BEAM INSTL-FAIRING SKIRT STRUT AFT		
- 5	313T3310-415		BEAM INSTL-FAIRING SKIRT STRUT POSITION DATA: AFT LH VARIABLE DRAWING REF: 313T3310-5039 313T3310-651 FOR NHA SEE: 54-52-01-02		RF
- 10	313T3310-416		BEAM INSTL-FAIRING SKIRT STRUT POSITION DATA: AFT RH VARIABLE DRAWING REF: 313T3310-5040 313T3310-652 FOR NHA SEE: 54-52-01-02		RF
16	313T3310-689SP		.BEAM ASSY- POSITION DATA: LH SIDE		1
- 21	313T3310-690SP		.BEAM ASSY- POSITION DATA: RH SIDE		1
25	BACB30NR5K17		..BOLT- OPTIONAL PART: BACB30LJ5-17		4
25	BACB30LJ5-17		..BOLT- OPTIONAL PART: BACB30NR5K17		4
30	BACB30NR5K16		..BOLT- OPTIONAL PART: BACB30LJ5-16		3
30	BACB30LJ5-16		..BOLT- OPTIONAL PART: BACB30NR5K16		3
35	BACB30NR5K13		..BOLT		1
40	AN960516L		..WASHER-		11
45	AN960516		..WASHER-		11
50	BACW10P225AX		..WASHER		8
55	BACW10P24C		..WASHER-		3

ILLUSTRATION ITEMS NOT ON PARTS LIST ARE NOT APPLICABLE

- ITEM NOT ILLUSTRATED

HXL

54-51-53-01

BOEING PROPRIETARY - Copyright © - Unpublished Work - See title page for details.

54-51-53
FIG. 01
PAGE 1
DEC 22/07



767

PARTS CATALOG (MAINTENANCE)

FIG ITEM	PART NUMBER	1 2 3 4 5 6 7	NOMENCLATURE	EFFECT FROM TO	UNITS PER ASSY
1 60	BRH10A5		..NUT SUPPLIER CODE: V52828 SPECIFICATION NUMBER: BACN10JC5 OPTIONAL PART: T6S524J V11815 96-054 V80539 RMLH9075-5W V72962 H10-5BAC V15653		8
65	313T3315-1		..ROD ASSY		1
70	313T3315-2		..ROD ASSY		1
75	313T3315-3		..ROD ASSY		1
80	313T3315-4		..ROD ASSY		1
85	11E5-116M		...BEARING SUPPLIER CODE: V16746 SPECIFICATION NUMBER: BACB10Y5LM OPTIONAL PART: BRELHS5-2001M1 V81376 HB5E212KLM V02758 KBEL5-150WD5 V97613 MSSKL5AS1 V73134 51588L051DD V09455 ASBK5-1DM V56644 ARL5E7W13 VS0352 ARBL560MW V15860		1

ILLUSTRATION ITEMS NOT ON PARTS LIST ARE NOT APPLICABLE

- ITEM NOT ILLUSTRATED

HXL

54-51-53-01

BOEING PROPRIETARY - Copyright © - Unpublished Work - See title page for details.

54-51-53
 FIG. 01
 PAGE 2
 DEC 22/07

BOEING
767
PARTS CATALOG (MAINTENANCE)

FIG ITEM	PART NUMBER	1 2 3 4 5 6 7	NOMENCLATURE	EFFECT FROM TO	UNITS PER ASSY
1	90 10E5-116M		... BEARING SUPPLIER CODE: V16746 SPECIFICATION NUMBER: BACB10Y5M OPTIONAL PART: BRES5-2001M1 V81376 HB5E212KM V02758 KBE5-150WD5 V97613 MSSK5AS1 V73134 51588-051DD V09455 ASMK5-1DM V56644 AR5E7W13 VS0352 ARB5E60MW V15860		1
	95 313T3316-2		... INSERT		1
	100 313T3316-1		... INSERT		1
	102 AN316C5L		... NUT		1
	104 AN316C5R		... NUT		1
	105 313T3315-7		... TUBE- USED ON: 313T3315-1		1
	110 313T3315-8		... TUBE- USED ON: 313T3315-2		1
	115 313T3315-9		... TUBE- USED ON: 313T3315-3		1
	120 313T3315-10		... TUBE- USED ON: 313T3315-4		1
	125 313T3312-1		.. CLEVIS ASSY ATTACHING PARTS		1
	130 BACB30NM3K22		.. BOLT		3
	135 BACW10P226AX		.. WASHER		AR
	140 BACS40R08B21F		.. SHIM		1
	145 NAS43DD3-64		.. SPACER		3
	150 NAS1804-3		.. NUT		3
	155 BACB28X5M012		... BUSHING		2
	160 313T3312-3		... CLEVIS		1
	165 313T3310-627		.. CHANNEL ASSY-ROD		3
-----*-----					
ILLUSTRATION ITEMS NOT ON PARTS LIST ARE NOT APPLICABLE					

- ITEM NOT ILLUSTRATED

HXL

54-51-53-01

BOEING PROPRIETARY - Copyright © - Unpublished Work - See title page for details.

54-51-53
FIG. 01
PAGE 3
DEC 22/07

 **BOEING**
767
PARTS CATALOG (MAINTENANCE)

FIG ITEM	PART NUMBER	1 2 3 4 5 6 7	NOMENCLATURE	EFFECT FROM TO	UNITS PER ASSY
1			ATTACHING PARTS		
170	BACB30MR4K7	..	BOLT-		4
172	BACB30MR4K5	..	BOLT-		2
175	AN960-416L	..	WASHER		6
185	NAS1804-4	..	NUT		6
			-----*-----		
190	BACB28X5M012	...	BUSHING		2
195	313T3310-145	...	CHANNEL		1
197	313T3310-149	..	FILLER		4
- 200	313T3310-683	..	PANEL ASSY- POSITION DATA: LH SIDE USED ON: 313T3310-605SP 313T3310-643SP 313T3310-689SP 313T3310-691SP 313T3310-697SP		1
- 205	313T3310-684	..	PANEL ASSY- POSITION DATA: RH SIDE USED ON: 313T3310-606SP 313T3310-644SP 313T3310-690SP 313T3310-692SP 313T3310-698SP		1
210	313T3310-515	...	ANGLE ASSY- POSITION DATA: LH SIDE USED ON: 313T3310-507 313T3310-511 313T3310-681 313T3310-683 313T3310-717 313T3310-723 313T3310-731 313T3310-735 313T3310-777 313T3310-779 313T3310-789 313T3310-791 313T3310-809 313T3310-811		1
ILLUSTRATION ITEMS NOT ON PARTS LIST ARE NOT APPLICABLE					

- ITEM NOT ILLUSTRATED

HXL

54-51-53-01

BOEING PROPRIETARY - Copyright © - Unpublished Work - See title page for details.

54-51-53
FIG. 01
PAGE 4
DEC 22/07



767

PARTS CATALOG (MAINTENANCE)

FIG ITEM	PART NUMBER	1 2 3 4 5 6 7	NOMENCLATURE	EFFECT FROM TO	UNITS PER ASSY
1 - 215	313T3310-516		...ANGLE ASSY- POSITION DATA: RH SIDE USED ON: 313T3310-508 313T3310-512 313T3310-682 313T3310-684 313T3310-718 313T3310-724 313T3310-732 313T3310-736 313T3310-778 313T3310-780 313T3310-790 313T3310-792 313T3310-810 313T3310-812		1
220	313T3310-517		...ANGLE ASSY- POSITION DATA: LH SIDE USED ON: 313T3310-507 313T3310-511 313T3310-681 313T3310-683 313T3310-717 313T3310-723 313T3310-731 313T3310-735 313T3310-777 313T3310-779 313T3310-789 313T3310-791 313T3310-809 313T3310-811		1

ILLUSTRATION ITEMS NOT ON PARTS LIST ARE NOT APPLICABLE

- ITEM NOT ILLUSTRATED

HXL

54-51-53-01

BOEING PROPRIETARY - Copyright © - Unpublished Work - See title page for details.

54-51-53
FIG. 01
PAGE 5
DEC 22/07



767

PARTS CATALOG (MAINTENANCE)

FIG ITEM	PART NUMBER	1 2 3 4 5 6 7	NOMENCLATURE	EFFECT FROM TO	UNITS PER ASSY
1 - 225	313T3310-518		...ANGLE ASSY- POSITION DATA: RH SIDE USED ON: 313T3310-508 313T3310-512 313T3310-682 313T3310-684 313T3310-718 313T3310-724 313T3310-732 313T3310-736 313T3310-778 313T3310-780 313T3310-790 313T3310-792 313T3310-810 313T3310-812 ATTACHING PARTS		1
230	BACR15BA6KE		...RIVET- SIZE DETERMINED ON INSTL.		4
235	HL11VAZ6-5		...BOLT SUPPLIER CODE: V60516 SPECIFICATION NUMBER: BACB30NW6K5 OPTIONAL PART: B30NW6K5 V97928 HL11VAZ6-5 V73197 HL11VAZ6-5 V92215 HL11VAZ6-5 V97928 L803-6K5 V06725 HL11VAZ6-5 VOPTK6 HL11VAZ6-5 V56878		4
ILLUSTRATION ITEMS NOT ON PARTS LIST ARE NOT APPLICABLE					

- ITEM NOT ILLUSTRATED

54-51-53-01

54-51-53
 FIG. 01
 PAGE 6
 DEC 22/07

HXL

 **BOEING**
767
PARTS CATALOG (MAINTENANCE)

FIG ITEM	PART NUMBER	1 2 3 4 5 6 7	NOMENCLATURE	EFFECT FROM TO	UNITS PER ASSY
1 240	HL11VAZ5-4		...BOLT SUPPLIER CODE: V60516 SPECIFICATION NUMBER: BACB30NW5K4 OPTIONAL PART: B30NW5K4 V97928 HL11VAZ5-4 V73197 HL11VAZ5-4 V92215 HL11VAZ5-4 V97928 L803-5K4 V06725 HL11VAZ5-4 VOPTK6 HL11VAZ5-4 V56878		4
245	HL97DU6		...COLLAR SUPPLIER CODE: V73197 SPECIFICATION NUMBER: BACC30AB6S OPTIONAL PART: HL97DU6 V56878 HL97DU6 V5M902		4
250	HL70-5		...COLLAR SUPPLIER CODE: V5M902 SPECIFICATION NUMBER: BACC30M5 OPTIONAL PART: HL70-5 V73197 HL70-5 V92215 66014-5 V56878 HL70-5 V56878		4
255	BACB28X5M010		-----*-----BUSHING-		1
255	BCREF7869	BUSHING- OVERLENGTH PART NUMBER: BACB28AM05A010AS		1

ILLUSTRATION ITEMS NOT ON PARTS LIST ARE NOT APPLICABLE

- ITEM NOT ILLUSTRATED

HXL

54-51-53-01

BOEING PROPRIETARY - Copyright © - Unpublished Work - See title page for details.

54-51-53
FIG. 01
PAGE 7
DEC 22/07



767

PARTS CATALOG (MAINTENANCE)

FIG ITEM	PART NUMBER	1 2 3 4 5 6 7	NOMENCLATURE	EFFECT FROM TO	UNITS PER ASSY
1					
260	313T3310-79	ANGLE- USED ON: 313T3310-9 313T3310-515		1
- 265	313T3310-80	ANGLE- USED ON: 313T3310-10 313T3310-516		1
270	313T3310-81	ANGLE- USED ON: 313T3310-11 313T3310-517		1
- 275	313T3310-82	ANGLE- USED ON: 313T3310-12 313T3310-518		1
280	313T3310-519	...	ANGLE ASSY- POSITION DATA: LH SIDE USED ON: 313T3310-507 313T3310-511 313T3310-681 313T3310-683 313T3310-717 313T3310-723 313T3310-731 313T3310-735 313T3310-777 313T3310-779 313T3310-789 313T3310-791 313T3310-809 313T3310-811		1
280	313T3310-313	...	ANGLE ASSY- POSITION DATA: LH SIDE USED ON: 313T3310-419 313T3310-441 313T3310-191 313T3310-301 313T3310-397 313T3310-409		1

ILLUSTRATION ITEMS NOT ON PARTS LIST ARE NOT APPLICABLE

- ITEM NOT ILLUSTRATED

54-51-53-01

54-51-53
FIG. 01
PAGE 8
AUG 22/08

HXL

BOEING PROPRIETARY - Copyright © - Unpublished Work - See title page for details.



767

PARTS CATALOG (MAINTENANCE)

FIG ITEM	PART NUMBER	1 2 3 4 5 6 7	NOMENCLATURE	EFFECT FROM TO	UNITS PER ASSY
1 - 285	313T3310-520		...ANGLE ASSY- POSITION DATA: RH SIDE USED ON: 313T3310-508 313T3310-512 313T3310-682 313T3310-684 313T3310-718 313T3310-724 313T3310-732 313T3310-736 313T3310-778 313T3310-780 313T3310-790 313T3310-792 313T3310-810 313T3310-812		1
290	313T3310-521		...ANGLE ASSY- POSITION DATA: LH SIDE USED ON: 313T3310-507 313T3310-511 313T3310-681 313T3310-683 313T3310-717 313T3310-723 313T3310-731 313T3310-735 313T3310-777 313T3310-779 313T3310-789 313T3310-791 313T3310-809 313T3310-811		1

ILLUSTRATION ITEMS NOT ON PARTS LIST ARE NOT APPLICABLE

- ITEM NOT ILLUSTRATED

HXL

54-51-53-01

BOEING PROPRIETARY - Copyright © - Unpublished Work - See title page for details.

54-51-53
 FIG. 01
 PAGE 9
 DEC 22/07



767

PARTS CATALOG (MAINTENANCE)

FIG ITEM	PART NUMBER	1 2 3 4 5 6 7	NOMENCLATURE	EFFECT FROM TO	UNITS PER ASSY
1 - 295	313T3310-522		...ANGLE ASSY- POSITION DATA: RH SIDE USED ON: 313T3310-508 313T3310-512 313T3310-682 313T3310-684 313T3310-718 313T3310-724 313T3310-732 313T3310-736 313T3310-778 313T3310-780 313T3310-790 313T3310-792 313T3310-810 313T3310-812 ATTACHING PARTS		1
300	BACR15BA6KE		...RIVET- SIZE DETERMINED ON INSTL.		10
305	BACB30NN3K6		...BOLT		2
310	HL11VAZ6-5		...BOLT SUPPLIER CODE: V60516 SPECIFICATION NUMBER: BACB30NW6K5 OPTIONAL PART: B30NW6K5 V97928 HL11VAZ6-5 V73197 HL11VAZ6-5 V92215 HL11VAZ6-5 V97928 L803-6K5 V06725 HL11VAZ6-5 VOPTK6 HL11VAZ6-5 V56878		1

ILLUSTRATION ITEMS NOT ON PARTS LIST ARE NOT APPLICABLE

- ITEM NOT ILLUSTRATED

HXL

54-51-53-01

BOEING PROPRIETARY - Copyright © - Unpublished Work - See title page for details.

54-51-53
 FIG. 01
 PAGE 10
 DEC 22/07



767

PARTS CATALOG (MAINTENANCE)

FIG ITEM	PART NUMBER	1 2 3 4 5 6 7	NOMENCLATURE	EFFECT FROM TO	UNITS PER ASSY
1 315	HL11VAZ6-10	...	BOLT- SUPPLIER CODE: V60516 SPECIFICATION NUMBER: BACB30NW6K10 OPTIONAL PART: B30NW6K10 V97928 HL11VAZ6-10 V73197 HL11VAZ6-10 V92215 HL11VAZ6-10 V97928 L803-6K10 V06725 HL11VAZ6-10 VOPTK6 HL11VAZ6-10 V56878		1
320	HL97DU6	...	COLLAR SUPPLIER CODE: V73197 SPECIFICATION NUMBER: BACC30AB6S OPTIONAL PART: HL97DU6 V56878 HL97DU6 V5M902 -----*-----		2
330	BACB28X5M010	BUSHING-		1
330	BCREF7869	BUSHING- OVERLENGTH PART NUMBER: BACB28AM05A010AS		1
335	313T3310-349	ANGLE- USED ON: 313T3310-313 313T3310-519		1
- 340	313T3310-350	ANGLE- USED ON: 313T3310-314 313T3310-520		1
345	313T3310-351	ANGLE- USED ON: 313T3310-315 313T3310-521		1

ILLUSTRATION ITEMS NOT ON PARTS LIST ARE NOT APPLICABLE

- ITEM NOT ILLUSTRATED

54-51-53-01

54-51-53
FIG. 01
PAGE 11
DEC 22/07

HXL

 **BOEING**
767
PARTS CATALOG (MAINTENANCE)

FIG ITEM	PART NUMBER	1 2 3 4 5 6 7	NOMENCLATURE	EFFECT FROM TO	UNITS PER ASSY
1					
- 350	313T3310-352	ANGLE- USED ON: 313T3310-316 313T3310-522		1
375	313T3310-523	...	ANGLE ASSY- POSITION DATA: LH SIDE USED ON: 313T3310-507 313T3310-511 313T3310-681 313T3310-683 313T3310-717 313T3310-723		1
- 380	313T3310-524	...	ANGLE ASSY- POSITION DATA: RH SIDE USED ON: 313T3310-508 313T3310-512 313T3310-682 313T3310-684 313T3310-718 313T3310-724		1
385	313T3310-525	...	ANGLE ASSY- POSITION DATA: LH SIDE USED ON: 313T3310-507 313T3310-511 313T3310-681 313T3310-683 313T3310-717 313T3310-723		1
- 390	313T3310-526	...	ANGLE ASSY- POSITION DATA: RH SIDE USED ON: 313T3310-508 313T3310-512 313T3310-682 313T3310-684 313T3310-718 313T3310-724		1
395	BACR15BA6KE		ATTACHING PARTS ...RIVET- SIZE DETERMINED ON INSTL.		12

ILLUSTRATION ITEMS NOT ON PARTS LIST ARE NOT APPLICABLE

- ITEM NOT ILLUSTRATED

HXL

54-51-53-01

BOEING PROPRIETARY - Copyright © - Unpublished Work - See title page for details.

54-51-53
FIG. 01
PAGE 12
DEC 22/07



767

PARTS CATALOG (MAINTENANCE)

FIG ITEM	PART NUMBER	1 2 3 4 5 6 7	NOMENCLATURE	EFFECT FROM TO	UNITS PER ASSY
1 400	HL11VAZ6-5	...	BOLT SUPPLIER CODE: V60516 SPECIFICATION NUMBER: BACB30NW6K5 OPTIONAL PART: B30NW6K5 V97928 HL11VAZ6-5 V73197 HL11VAZ6-5 V92215 HL11VAZ6-5 V97928 L803-6K5 V06725 HL11VAZ6-5 VOPTK6 HL11VAZ6-5 V56878		3
405	HL11VAZ6-6	...	BOLT SUPPLIER CODE: V60516 SPECIFICATION NUMBER: BACB30NW6K6 OPTIONAL PART: B30NW6K6 V97928 HL11VAZ6-6 V73197 HL11VAZ6-6 V92215 HL11VAZ6-6 V97928 L803-6K6 V06725 HL11VAZ6-6 VOPTK6 HL11VAZ6-6 V56878		3
410	BACB30NN3K6	...	BOLT		2

ILLUSTRATION ITEMS NOT ON PARTS LIST ARE NOT APPLICABLE

- ITEM NOT ILLUSTRATED

HXL

54-51-53-01

BOEING PROPRIETARY - Copyright © - Unpublished Work - See title page for details.

54-51-53
FIG. 01
PAGE 13
DEC 22/07



767

PARTS CATALOG (MAINTENANCE)

FIG ITEM	PART NUMBER	1 2 3 4 5 6 7	NOMENCLATURE	EFFECT FROM TO	UNITS PER ASSY
1 415	HL97DU6		... COLLAR SUPPLIER CODE: V73197 SPECIFICATION NUMBER: BACC30AB6S OPTIONAL PART: HL97DU6 V56878 HL97DU6 V5M902 -----*-----		6
420	BACB28X5M010	 BUSHING-		1
420	BCREF7869	 BUSHING- OVERLENGTH PART NUMBER: BACB28AM05A010AS		1
445	313T3310-129	 ANGLE- USED ON: 313T3310-33 313T3310-530		1
- 450	313T3310-130	 ANGLE- USED ON: 313T3310-34 313T3310-524		1
455	313T3310-131	 ANGLE- USED ON: 313T3310-35 313T3310-525		1
- 457	313T3310-132	 ANGLE- USED ON: 313T3310-36 313T3310-526		1
458	NAS601-7P		... SCREW		36

ILLUSTRATION ITEMS NOT ON PARTS LIST ARE NOT APPLICABLE

- ITEM NOT ILLUSTRATED

HXL

54-51-53-01

BOEING PROPRIETARY - Copyright © - Unpublished Work - See title page for details.

54-51-53
FIG. 01
PAGE 14
DEC 22/07



767

PARTS CATALOG (MAINTENANCE)

FIG ITEM	PART NUMBER	1 2 3 4 5 6 7	NOMENCLATURE	EFFECT FROM TO	UNITS PER ASSY
1 459	BRH10A06		...NUT SUPPLIER CODE: V52828 SPECIFICATION NUMBER: BACN10JC06 OPTIONAL PART: H10-06BAC V15653 RMLH9075-62W V72962 VN303A62 V92215 96-62 V80539 NS202101-62 V80539 T6S632J V11815		36
461	313T3310-174		...RETAINER- POSITION DATA: FWD		1
462	313T3310-176		...RETAINER- POSITION DATA: REAR		1
463	313T3310-173		...SEAL- POSITION DATA: FWD MANUFACTURED FROM: 10-60754-36 X 25.25 IN.		1
464	313T3310-175		...SEAL- POSITION DATA: REAR		1
465	313T3310-609		..PANEL ASSY- POSITION DATA: LH SIDE USED ON: 313T3310-605SP 313T3310-643SP 313T3310-689SP 313T3310-691SP 313T3310-697SP		1

ILLUSTRATION ITEMS NOT ON PARTS LIST ARE NOT APPLICABLE

- ITEM NOT ILLUSTRATED

54-51-53-01

54-51-53
 FIG. 01
 PAGE 15
 DEC 22/07

HXL

BOEING PROPRIETARY - Copyright © - Unpublished Work - See title page for details.



767

PARTS CATALOG (MAINTENANCE)

FIG ITEM	PART NUMBER	1 2 3 4 5 6 7	NOMENCLATURE	EFFECT FROM TO	UNITS PER ASSY
1					
- 470	313T3310-610		.. PANEL ASSY- POSITION DATA: RH SIDE USED ON: 313T3310-606SP 313T3310-644SP 313T3310-690SP 313T3310-692SP 313T3310-698SP		1
475	313T3310-531		... ANGLE ASSY- POSITION DATA: LH SIDE USED ON: 313T3310-509 313T3310-513 313T3310-609 313T3310-611 313T3310-715 313T3310-721 313T3310-761		1
- 480	313T3310-532		... ANGLE ASSY- POSITION DATA: RH SIDE USED ON: 313T3310-510 313T3310-514 313T3310-610 313T3310-612 313T3310-716 313T3310-722 313T3310-762		1
485	313T3310-533		... ANGLE ASSY- POSITION DATA: LH SIDE USED ON: 313T3310-509 313T3310-513 313T3310-609 313T3310-611 313T3310-715 313T3310-721		1

ILLUSTRATION ITEMS NOT ON PARTS LIST ARE NOT APPLICABLE

- ITEM NOT ILLUSTRATED

HXL

54-51-53-01

BOEING PROPRIETARY - Copyright © - Unpublished Work - See title page for details.

54-51-53
FIG. 01
PAGE 16
DEC 22/07



767

PARTS CATALOG (MAINTENANCE)

FIG ITEM	PART NUMBER	1 2 3 4 5 6 7	NOMENCLATURE	EFFECT FROM TO	UNITS PER ASSY
1 - 490	313T3310-534		...ANGLE ASSY- POSITION DATA: RH SIDE USED ON: 313T3310-510 313T3310-514 313T3310-610 313T3310-612 313T3310-716 313T3310-722 ATTACHING PARTS		1
495	BACR15BA6KE		...RIVET- SIZE DETERMINED ON INSTL.		4
500	HL11VAZ6-5		...BOLT SUPPLIER CODE: V60516 SPECIFICATION NUMBER: BACB30NW6K5 OPTIONAL PART: B30NW6K5 V97928 HL11VAZ6-5 V73197 HL11VAZ6-5 V92215 HL11VAZ6-5 V97928 L803-6K5 V06725 HL11VAZ6-5 VOPTK6 HL11VAZ6-5 V56878		4
ILLUSTRATION ITEMS NOT ON PARTS LIST ARE NOT APPLICABLE					

- ITEM NOT ILLUSTRATED

HXL

54-51-53-01

BOEING PROPRIETARY - Copyright © - Unpublished Work - See title page for details.

54-51-53
FIG. 01
PAGE 17
DEC 22/07

 **BOEING**
767
PARTS CATALOG (MAINTENANCE)

FIG ITEM	PART NUMBER	1 2 3 4 5 6 7	NOMENCLATURE	EFFECT FROM TO	UNITS PER ASSY
1 505	HL11VAZ5-4		...BOLT SUPPLIER CODE: V60516 SPECIFICATION NUMBER: BACB30NW5K4 OPTIONAL PART: B30NW5K4 V97928 HL11VAZ5-4 V73197 HL11VAZ5-4 V92215 HL11VAZ5-4 V97928 L803-5K4 V06725 HL11VAZ5-4 VOPTK6 HL11VAZ5-4 V56878		4
510	HL97DU6		...COLLAR SUPPLIER CODE: V73197 SPECIFICATION NUMBER: BACC30AB6S OPTIONAL PART: HL97DU6 V56878 HL97DU6 V5M902		4
515	HL70-5		...COLLAR SUPPLIER CODE: V5M902 SPECIFICATION NUMBER: BACC30M5 OPTIONAL PART: HL70-5 V73197 HL70-5 V92215 66014-5 V56878 HL70-5 V56878		4
520	BACB28X5M010		-----*-----		1
520	BCREF7869	BUSHING-BUSHING- OVERLENGTH PART NUMBER: BACB28AM05A010AS		1

ILLUSTRATION ITEMS NOT ON PARTS LIST ARE NOT APPLICABLE

- ITEM NOT ILLUSTRATED

HXL

54-51-53-01

BOEING PROPRIETARY - Copyright © - Unpublished Work - See title page for details.

54-51-53
FIG. 01
PAGE 18
DEC 22/07



767

PARTS CATALOG (MAINTENANCE)

FIG ITEM	PART NUMBER	1 2 3 4 5 6 7	NOMENCLATURE	EFFECT FROM TO	UNITS PER ASSY
1	525	313T3310-83ANGLE- USED ON: 313T3310-13 313T3310-531		1
-	530	313T3310-84ANGLE- USED ON: 313T3310-14 313T3310-532		1
	535	313T3310-85ANGLE- USED ON: 313T3310-15 313T3310-533		1
-	540	313T3310-86ANGLE- USED ON: 313T3310-16 313T3310-534		1
	545	313T3310-543	...ANGLE ASSY- POSITION DATA: LH SIDE USED ON: 313T3310-509 313T3310-513 313T3310-609 313T3310-611 313T3310-715 313T3310-721		1
-	550	313T3310-544	...ANGLE ASSY- POSITION DATA: RH SIDE USED ON: 313T3310-510 313T3310-514 313T3310-610 313T3310-612 313T3310-716 313T3310-722		1
-	550	313T3310-318	...ANGLE ASSY- POSITION DATA: RH SIDE USED ON: 313T3310-8 313T3310-304 313T3310-402 313T3310-414 313T3310-444 313T3310-456		1

ILLUSTRATION ITEMS NOT ON PARTS LIST ARE NOT APPLICABLE

- ITEM NOT ILLUSTRATED

HXL

54-51-53-01

BOEING PROPRIETARY - Copyright © - Unpublished Work - See title page for details.

54-51-53
FIG. 01
PAGE 19
AUG 22/08



767

PARTS CATALOG (MAINTENANCE)

FIG ITEM	PART NUMBER	1 2 3 4 5 6 7	NOMENCLATURE	EFFECT FROM TO	UNITS PER ASSY
1 555	313T3310-545		...ANGLE ASSY- POSITION DATA: LH SIDE MISCELLANEOUS DATA: 313T3310Y545 IS THE SAME AS 313T3310-545 EXCEPT INCLUDE (5) #40 PILOT HOLES AT THE 6/32 FASTENER LOCATIONS. USED ON: 313T3310-509 313T3310-513 313T3310-609 313T3310-611 313T3310-715 313T3310-721		1
- 560	313T3310-546		...ANGLE ASSY- POSITION DATA: RH SIDE MISCELLANEOUS DATA: 313T3310Y546 IS THE SAME AS 313T3310-546 EXCEPT INCLUDE (5) #40 PILOT HOLES AT THE 6/32 FASTENER LOCATIONS. USED ON: 313T3310-510 313T3310-514 313T3310-610 313T3310-612 313T3310-716 313T3310-722		1
- 560	313T3310-320		...ANGLE ASSY- POSITION DATA: RH SIDE USED ON: 313T3310-8 313T3310-304 313T3310-402 313T3310-414 313T3310-444 313T3310-456 ATTACHING PARTS		1
565	BACR15BA6KE		...RIVET- SIZE DETERMINED ON INSTL.		8

ILLUSTRATION ITEMS NOT ON PARTS LIST ARE NOT APPLICABLE

- ITEM NOT ILLUSTRATED

54-51-53-01

54-51-53
 FIG. 01
 PAGE 20
 APR 22/09

HXL



767

PARTS CATALOG (MAINTENANCE)

FIG ITEM	PART NUMBER	1 2 3 4 5 6 7	NOMENCLATURE	EFFECT FROM TO	UNITS PER ASSY
1 570	HL11VAZ6-5	...	BOLT SUPPLIER CODE: V60516 SPECIFICATION NUMBER: BACB30NW6K5 OPTIONAL PART: B30NW6K5 V97928 HL11VAZ6-5 V73197 HL11VAZ6-5 V92215 HL11VAZ6-5 V97928 L803-6K5 V06725 HL11VAZ6-5 VOPTK6 HL11VAZ6-5 V56878		2
575	BACB30NN3K6	...	BOLT		2
580	HL97DU6	...	COLLAR SUPPLIER CODE: V73197 SPECIFICATION NUMBER: BACC30AB6S OPTIONAL PART: HL97DU6 V56878 HL97DU6 V5M902		2
590	BACB28X5M010	BUSHING-		1
590	BCREF7869	BUSHING- OVERLENGTH PART NUMBER: BACB28AM05A010AS		1
595	313T3310-353	ANGLE- USED ON: 313T3310-317 313T3310-543		1
- 600	313T3310-354	ANGLE- USED ON: 313T3310-318 313T3310-544		1
605	313T3310-355	ANGLE- USED ON: 313T3310-319 313T3310-545		1

ILLUSTRATION ITEMS NOT ON PARTS LIST ARE NOT APPLICABLE

- ITEM NOT ILLUSTRATED

54-51-53-01

54-51-53
FIG. 01
PAGE 21
AUG 22/08

HXL

BOEING PROPRIETARY - Copyright © - Unpublished Work - See title page for details.



767

PARTS CATALOG (MAINTENANCE)

FIG ITEM	PART NUMBER	1 2 3 4 5 6 7	NOMENCLATURE	EFFECT FROM TO	UNITS PER ASSY
1					
- 610	313T3310-356	ANGLE- USED ON: 313T3310-320 313T3310-546		1
615	313T3310-535	...	ANGLE ASSY- POSITION DATA: LH SIDE USED ON: 313T3310-509 313T3310-513 313T3310-609 313T3310-611 313T3310-715 313T3310-721		1
- 620	313T3310-30	...	ANGLE ASSY- POSITION DATA: RH SIDE USED ON: 313T3310-8 313T3310-304 313T3310-402 313T3310-414 313T3310-444 313T3310-456		1
- 620	313T3310-536	...	ANGLE ASSY- POSITION DATA: RH SIDE USED ON: 313T3310-510 313T3310-514 313T3310-610 313T3310-612 313T3310-716 313T3310-722		1
625	313T3310-31	...	ANGLE ASSY- POSITION DATA: LH SIDE USED ON: 313T3310-7 313T3310-303 313T3310-401 313T3310-413 313T3310-443 313T3310-455		1

ILLUSTRATION ITEMS NOT ON PARTS LIST ARE NOT APPLICABLE

- ITEM NOT ILLUSTRATED

54-51-53-01

54-51-53
FIG. 01
PAGE 22
AUG 22/08

HXL



767

PARTS CATALOG (MAINTENANCE)

FIG ITEM	PART NUMBER	1 2 3 4 5 6 7	NOMENCLATURE	EFFECT FROM TO	UNITS PER ASSY
1 625	313T3310-537		...ANGLE ASSY- POSITION DATA: LH SIDE USED ON: 313T3310-509 313T3310-513 313T3310-609 313T3310-611 313T3310-715 313T3310-721		1
- 630	313T3310-32		...ANGLE ASSY- POSITION DATA: RH SIDE USED ON: 313T3310-8 313T3310-304 313T3310-402 313T3310-414 313T3310-444 313T3310-456		1
- 630	313T3310-538		...ANGLE ASSY- POSITION DATA: RH SIDE USED ON: 313T3310-510 313T3310-514 313T3310-610 313T3310-612 313T3310-716 313T3310-722		1
635	313T3310-37		...ANGLE ASSY- POSITION DATA: LH SIDE USED ON: 313T3310-7 313T3310-303 313T3310-401 313T3310-413 313T3310-443 313T3310-455		1

ILLUSTRATION ITEMS NOT ON PARTS LIST ARE NOT APPLICABLE

- ITEM NOT ILLUSTRATED

HXL

54-51-53-01

BOEING PROPRIETARY - Copyright © - Unpublished Work - See title page for details.

54-51-53
FIG. 01
PAGE 23
AUG 22/08



767

PARTS CATALOG (MAINTENANCE)

FIG ITEM	PART NUMBER	1 2 3 4 5 6 7	NOMENCLATURE	EFFECT FROM TO	UNITS PER ASSY
1 635	313T3310-539		<p>...ANGLE ASSY- POSITION DATA: LH SIDE MISCELLANEOUS DATA: 313T3310-539 R/B 313T3310Y539 R/B 654T0517-77 IS THE SAME AS 313T3310-539 EXCEPT INCLUDE (4) #40 PILOT HOLES AT THE 3/16" FASTENER LOCATIONS. 654T0517-77 IS THE SAME AS 313T3310-539 EXCEPT USE 654T0517-79 IN LIEU OF 313T3310-133 AND ATTACH (1) BACN10KH3 NUTPLATE PER DRAWING 313T3310 SHT 2, ZONE C6. USED ON: 313T3310-509 313T3310-513 313T3310-609 313T3310-611 313T3310-715 313T3310-721 FOR SPARES PROCURE: 313T3310Y539</p>		1
- 640	313T3310-38		<p>...ANGLE ASSY- POSITION DATA: RH SIDE USED ON: 313T3310-8 313T3310-304 313T3310-402 313T3310-414 313T3310-444 313T3310-456</p>		1

ILLUSTRATION ITEMS NOT ON PARTS LIST ARE NOT APPLICABLE

- ITEM NOT ILLUSTRATED

HXL

54-51-53-01

BOEING PROPRIETARY - Copyright © - Unpublished Work - See title page for details.

54-51-53
 FIG. 01
 PAGE 24
 AUG 22/08



767

PARTS CATALOG (MAINTENANCE)

FIG ITEM	PART NUMBER	1 2 3 4 5 6 7	NOMENCLATURE	EFFECT FROM TO	UNITS PER ASSY
1 - 640	313T3310-540		...ANGLE ASSY- POSITION DATA: RH SIDE MISCELLANEOUS DATA: PREFERRED SPARES CONFIGURATION 313T3310Y540 IS THE SAME AS 313T3310-540 EXCEPT INCLUDE (4) #40 PILOT HOLES AT THE 3/16" FASTENER LOCATIONS. USED ON: 313T3310-510 313T3310-514 313T3310-610 313T3310-612 313T3310-716 313T3310-722		1
645	313T3310-39		...ANGLE ASSY- POSITION DATA: LH SIDE USED ON: 313T3310-7 313T3310-303 313T3310-401 313T3310-413 313T3310-443 313T3310-455		1
645	313T3310-541		...ANGLE ASSY- POSITION DATA: LH SIDE USED ON: 313T3310-509 313T3310-513 313T3310-609 313T3310-611 313T3310-715 313T3310-721		1
- 650	313T3310-40		...ANGLE ASSY- POSITION DATA: RH SIDE USED ON: 313T3310-8 313T3310-304 313T3310-402 313T3310-414 313T3310-444 313T3310-456		1

ILLUSTRATION ITEMS NOT ON PARTS LIST ARE NOT APPLICABLE

- ITEM NOT ILLUSTRATED

54-51-53-01

54-51-53
 FIG. 01
 PAGE 25
 AUG 22/08

HXL



767

PARTS CATALOG (MAINTENANCE)

FIG ITEM	PART NUMBER	1 2 3 4 5 6 7	NOMENCLATURE	EFFECT FROM TO	UNITS PER ASSY
1 - 650	313T3310-542		...ANGLE ASSY- POSITION DATA: RH SIDE MISCELLANEOUS DATA: PREFERRED SPARES CONFIGURATION 313T3310Y542 IS THE SAME AS 313T3310-542 EXCEPT INCLUDE (4) #40 PILOT HOLES AT THE 3/16" FASTENER LOCATIONS. USED ON: 313T3310-510 313T3310-514 313T3310-610 313T3310-612 313T3310-716 313T3310-722 ATTACHING PARTS		1
655	BACR15BA6KE		...RIVET- SIZE DETERMINED ON INSTL.		12
660	HL11VAZ6-6		...BOLT SUPPLIER CODE: V60516 SPECIFICATION NUMBER: BACB30NW6K6 OPTIONAL PART: B30NW6K6 V97928 HL11VAZ6-6 V73197 HL11VAZ6-6 V92215 HL11VAZ6-6 V97928 L803-6K6 V06725 HL11VAZ6-6 VOPTK6 HL11VAZ6-6 V56878		4

ILLUSTRATION ITEMS NOT ON PARTS LIST ARE NOT APPLICABLE

- ITEM NOT ILLUSTRATED

HXL

54-51-53-01

BOEING PROPRIETARY - Copyright © - Unpublished Work - See title page for details.

54-51-53
 FIG. 01
 PAGE 26
 AUG 22/08



767

PARTS CATALOG (MAINTENANCE)

FIG ITEM	PART NUMBER	1 2 3 4 5 6 7	NOMENCLATURE	EFFECT FROM TO	UNITS PER ASSY
1 665	HL11VAZ6-5		...BOLT SUPPLIER CODE: V60516 SPECIFICATION NUMBER: BACB30NW6K5 OPTIONAL PART: B30NW6K5 V97928 HL11VAZ6-5 V73197 HL11VAZ6-5 V92215 HL11VAZ6-5 V97928 L803-6K5 V06725 HL11VAZ6-5 VOPTK6 HL11VAZ6-5 V56878		4
670	HL97DU6		...COLLAR SUPPLIER CODE: V73197 SPECIFICATION NUMBER: BACC30AB6S OPTIONAL PART: HL97DU6 V56878 HL97DU6 V5M902 -----*-----		8
675	BACB28X5M010	BUSHING-		1
675	BCREF7869	BUSHING- OVERLENGTH PART NUMBER: BACB28AM05A010AS		1
680	313T3310-117	ANGLE- USED ON: 313T3310-29 313T3310-535		1
- 685	313T3310-118	ANGLE- USED ON: 313T3310-30 313T3310-536		1
690	313T3310-119	ANGLE- USED ON: 313T3310-31 313T3310-537		1

ILLUSTRATION ITEMS NOT ON PARTS LIST ARE NOT APPLICABLE

- ITEM NOT ILLUSTRATED

54-51-53-01

54-51-53
 FIG. 01
 PAGE 27
 AUG 22/08

HXL



767

PARTS CATALOG (MAINTENANCE)

FIG ITEM	PART NUMBER	1 2 3 4 5 6 7	NOMENCLATURE	EFFECT FROM TO	UNITS PER ASSY
1					
- 695	313T3310-120	ANGLE- USED ON: 313T3310-32 313T3310-538		1
700	313T3310-133	ANGLE- USED ON: 313T3310-37 313T3310-539		1
- 705	313T3310-134	ANGLE- USED ON: 313T3310-38 313T3310-540		1
710	313T3310-135	ANGLE- USED ON: 313T3310-39 313T3310-541		1
- 715	313T3310-136	ANGLE- USED ON: 313T3310-40 313T3310-542		1
720	BRH10A06	...NUT	SUPPLIER CODE: V52828 SPECIFICATION NUMBER: BACN10JC06 OPTIONAL PART: H10-06BAC V15653 RMLH9075-62W V72962 VN303A62 V92215 96-62 V80539 NS202101-62 V80539 T6S632J V11815		32
725	NAS601-7P	...SCREW			32
730	313T3310-174	...RETAINER-	POSITION DATA: FWD		1
735	313T3310-176	...RETAINER-	POSITION DATA: REAR		1

ILLUSTRATION ITEMS NOT ON PARTS LIST ARE NOT APPLICABLE

- ITEM NOT ILLUSTRATED

54-51-53-01

54-51-53
FIG. 01
PAGE 28
AUG 22/08

HXL

BOEING PROPRIETARY - Copyright © - Unpublished Work - See title page for details.



767

PARTS CATALOG (MAINTENANCE)

FIG ITEM	PART NUMBER	1 2 3 4 5 6 7	NOMENCLATURE	EFFECT FROM TO	UNITS PER ASSY
1 740	313T3310-173		...SEAL- POSITION DATA: FWD MANUFACTURED FROM: 10-60754-36 X 25.25 IN.		1
745	313T3310-175		...SEAL- POSITION DATA: REAR		1
750	740A21-8		..JUMPER ASSY- SUPPLIER CODE: V91812 SPECIFICATION NUMBER: BACJ40A21-8 OPTIONAL PART: TJEJ40A21-8 V33483 RBEJ21-8 V1GK47		4
755	HL11VAZ6-7		ATTACHING PARTS ..BOLT SUPPLIER CODE: V60516 SPECIFICATION NUMBER: BACB30NW6K7 OPTIONAL PART: B30NW6K7 V97928 HL11VAZ6-7 V73197 HL11VAZ6-7 V92215 HL11VAZ6-7 V97928 L803-6K7 V06725 HL11VAZ6-7 V0PTK6 HL11VAZ6-7 V56878		1

ILLUSTRATION ITEMS NOT ON PARTS LIST ARE NOT APPLICABLE

- ITEM NOT ILLUSTRATED

HXL

54-51-53-01

BOEING PROPRIETARY - Copyright © - Unpublished Work - See title page for details.

54-51-53
FIG. 01
PAGE 29
DEC 22/08

BOEING
767
PARTS CATALOG (MAINTENANCE)

FIG ITEM	PART NUMBER	1 2 3 4 5 6 7	NOMENCLATURE	EFFECT FROM TO	UNITS PER ASSY
1 760	HL11VAZ6-8		.. BOLT SUPPLIER CODE: V60516 SPECIFICATION NUMBER: BACB30NW6K8 OPTIONAL PART: B30NW6K8 V97928 HL11VAZ6-8 V73197 HL11VAZ6-8 V92215 HL11VAZ6-8 V97928 L803-6K8 V06725 HL11VAZ6-8 V0PTK6 HL11VAZ6-8 V56878		3
765 770	NAS620A10L HL97DU6		.. WASHER .. COLLAR SUPPLIER CODE: V73197 SPECIFICATION NUMBER: BACC30AB6S OPTIONAL PART: HL97DU6 V56878 HL97DU6 V5M902		8 4
775	1002BB11		-----*----- .. JUMPER ASSY- SUPPLIER CODE: V1FF12 SPECIFICATION NUMBER: BACJ40A20-11 OPTIONAL PART: CE11E V79550 30522 V00779 POSITION DATA: LH SIDE		1
780	BACJ40A20-8		.. JUMPER ASSY- POSITION DATA: RH SIDE		1

R
R
R
R
R
R
R
R
R
R

ILLUSTRATION ITEMS NOT ON PARTS LIST ARE NOT APPLICABLE

- ITEM NOT ILLUSTRATED

54-51-53-01

54-51-53
FIG. 01
PAGE 30
AUG 22/09

HXL

BOEING PROPRIETARY - Copyright © - Unpublished Work - See title page for details.

BOEING
767
PARTS CATALOG (MAINTENANCE)

FIG ITEM	PART NUMBER	1 2 3 4 5 6 7	NOMENCLATURE	EFFECT FROM TO	UNITS PER ASSY
1			ATTACHING PARTS		
- 785	L8006K6		.. BOLT SUPPLIER CODE: V06725 SPECIFICATION NUMBER: BACB30MY6K6		1
- 790	AN960D10		.. WASHER		2
- 795	HL79-6		.. COLLAR SUPPLIER CODE: V5M902 SPECIFICATION NUMBER: BACC30M6 OPTIONAL PART: HL79-6 V73197 HL79-6 V92215 66014-6 V56878 HL79-6 V56878 -----*-----		1
ILLUSTRATION ITEMS NOT ON PARTS LIST ARE NOT APPLICABLE					

- ITEM NOT ILLUSTRATED

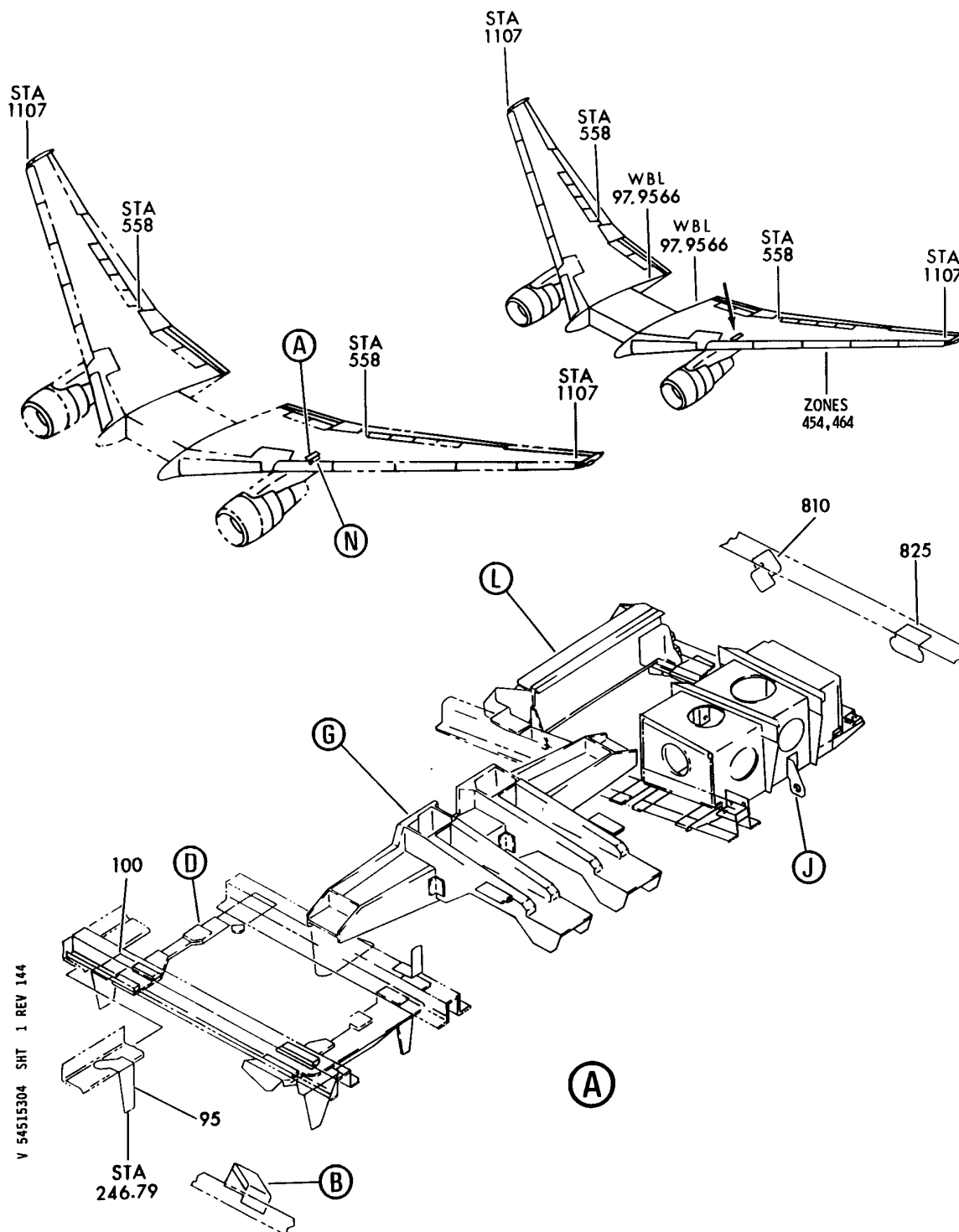
HXL

54-51-53-01

BOEING PROPRIETARY - Copyright © - Unpublished Work - See title page for details.

54-51-53
FIG. 01
PAGE 31
AUG 22/09

BOEING
767
PARTS CATALOG (MAINTENANCE)



V 54515304 SHT 1 REV 144

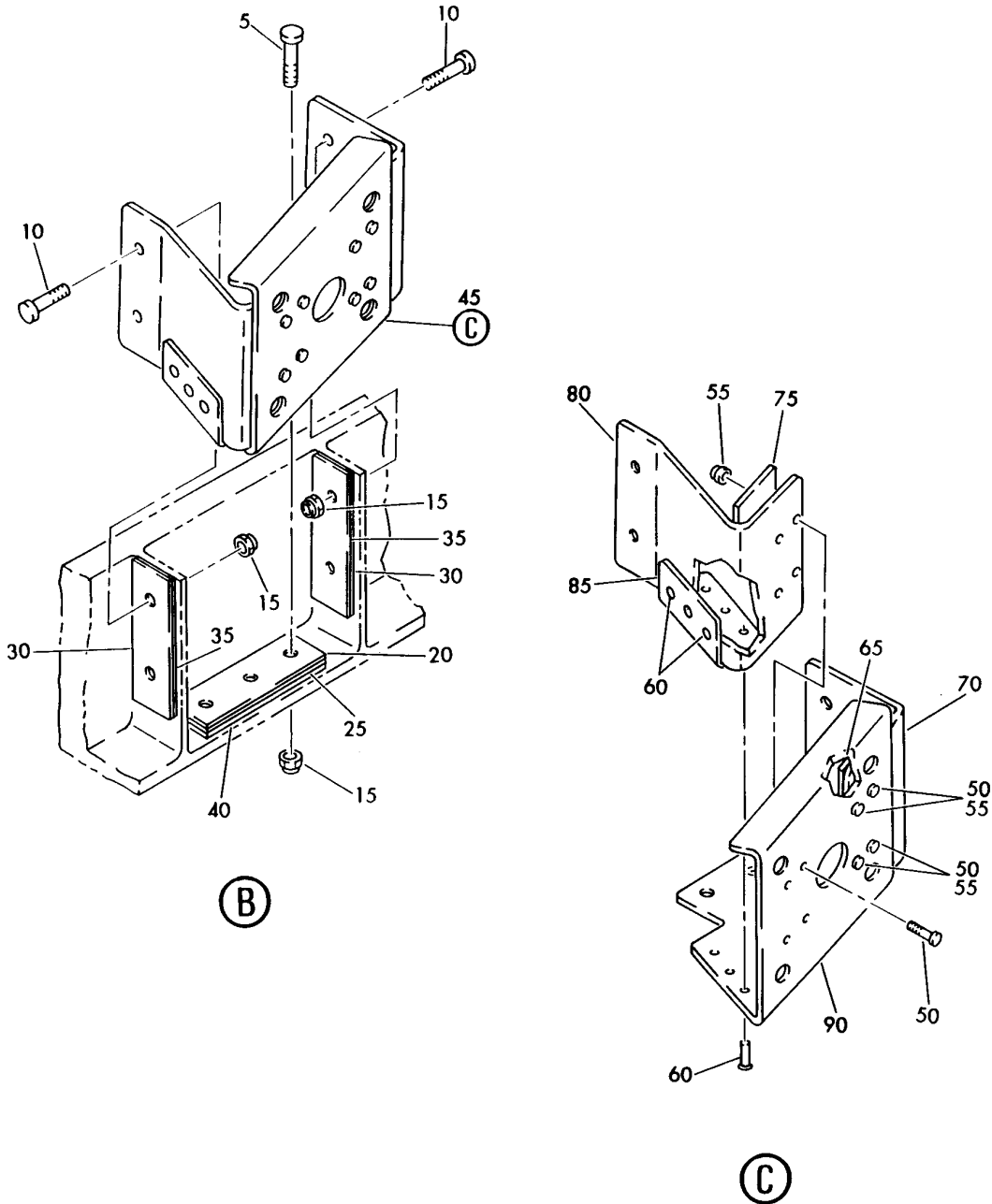
BRACKET INSTL-HYDR SPRT, AFT FAIRING STRUT (LH)
FIGURE 4 (SHEET 1)

54-51-53-04

HXL
DEC 22/06

54-51-53-04
PAGE 0

BOEING
767
PARTS CATALOG (MAINTENANCE)



V 54515304 SHT 2 REV 144

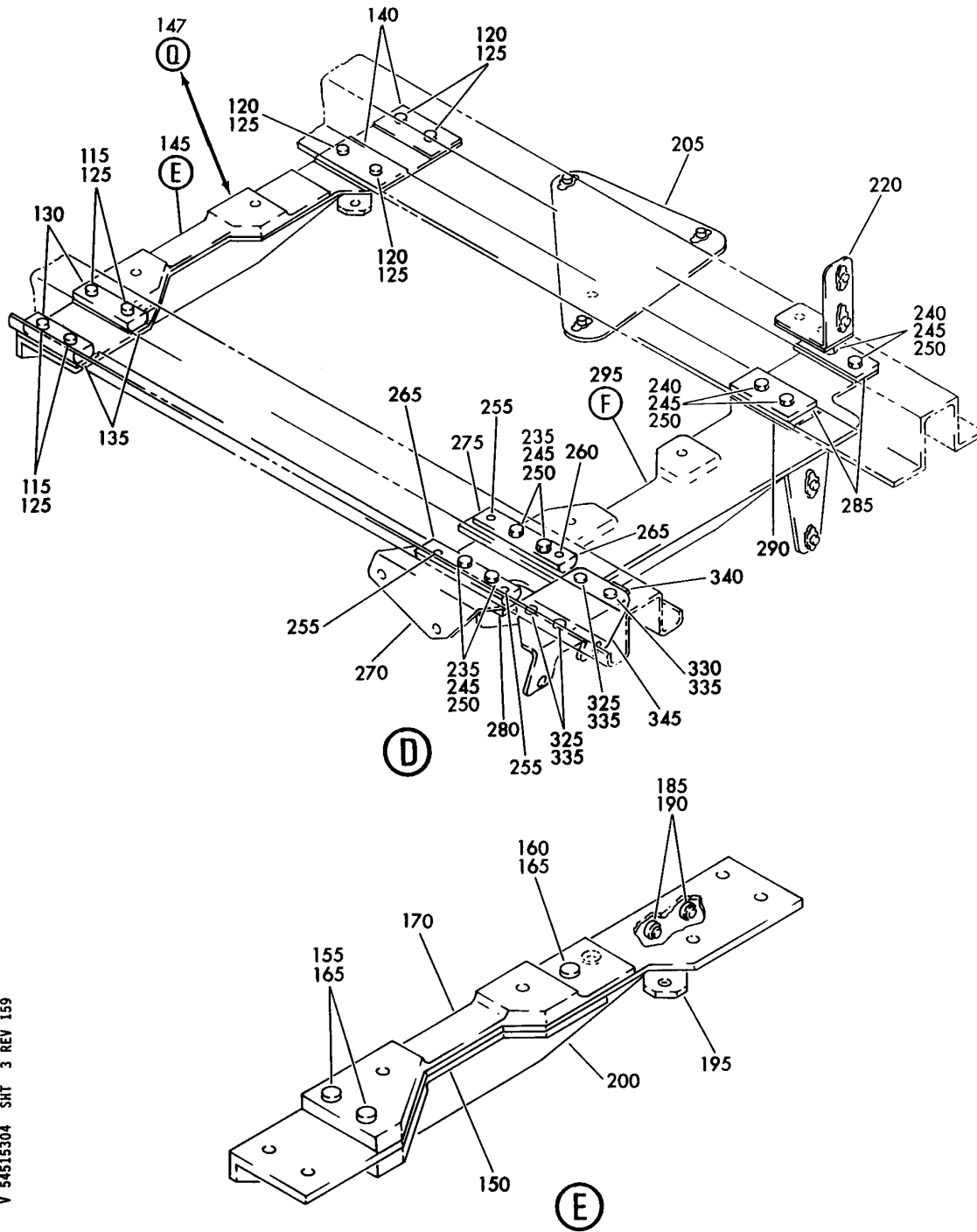
BRACKET INSTL-HYDR SPRT, AFT FAIRING STRUT (LH)
FIGURE 4 (SHEET 2)

54-51-53-04

HXL
DEC 22/06

54-51-53-04
PAGE 0A


BOEING
 767
PARTS CATALOG (MAINTENANCE)



V 54515304 SHT 3 REV 159

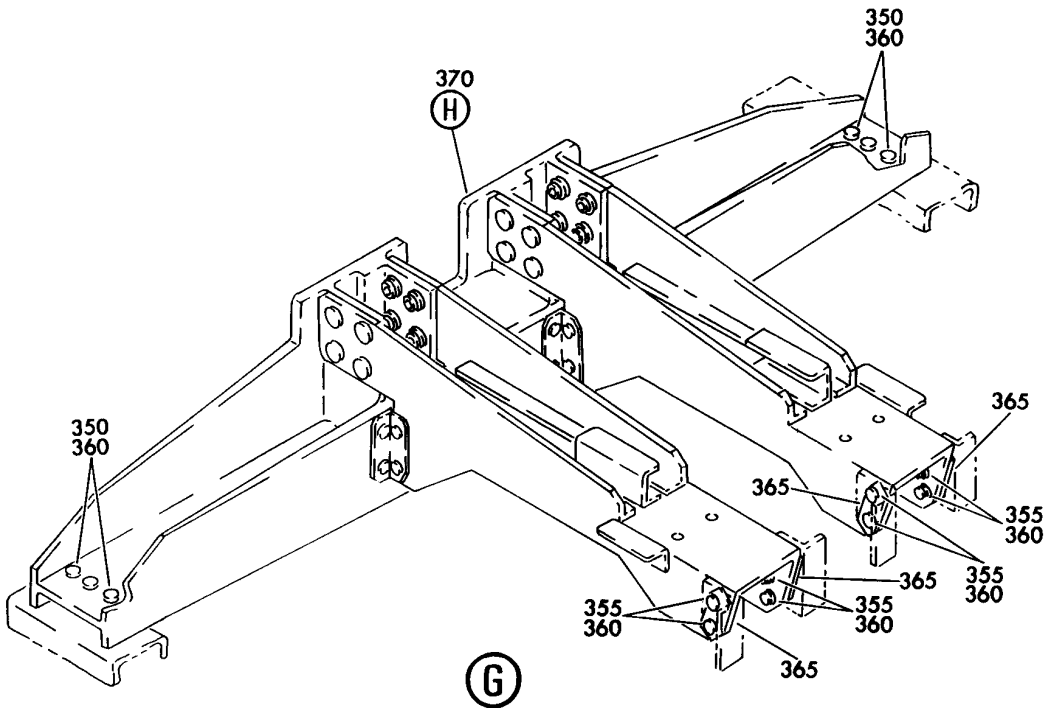
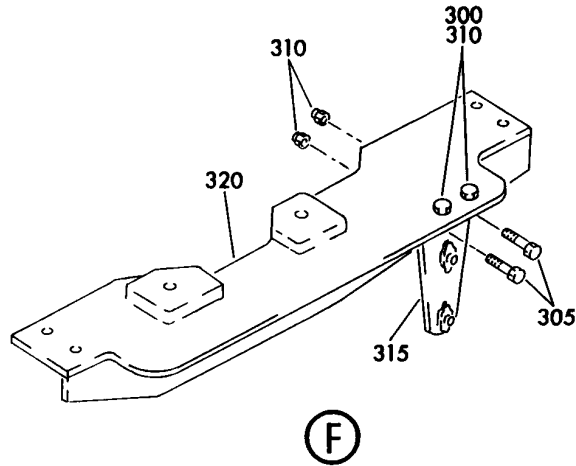
BRACKET INSTL-HYDR SPRT, AFT FAIRING STRUT (LH)
 FIGURE 4 (SHEET 3)

54-51-53-04

HXL
 DEC 22/06

54-51-53-04
 PAGE 0B

BOEING
767
PARTS CATALOG (MAINTENANCE)



V 54515304 SHT 4 REV 144

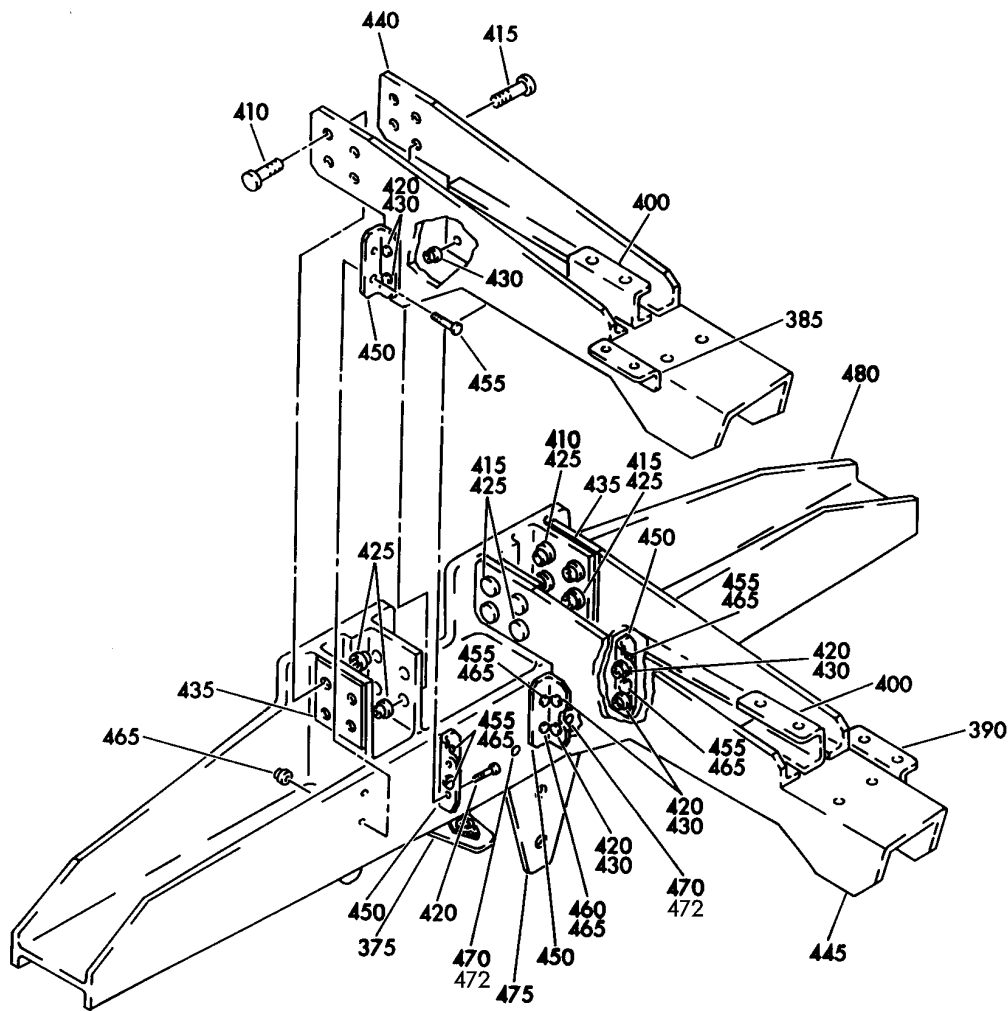
BRACKET INSTL-HYDR SPRT, AFT FAIRING STRUT (LH)
FIGURE 4 (SHEET 4)

54-51-53-04

HXL
DEC 22/06

54-51-53-04
PAGE 0C

BOEING
767
PARTS CATALOG (MAINTENANCE)



(H)

V 54515304 SHT 5 REV 219

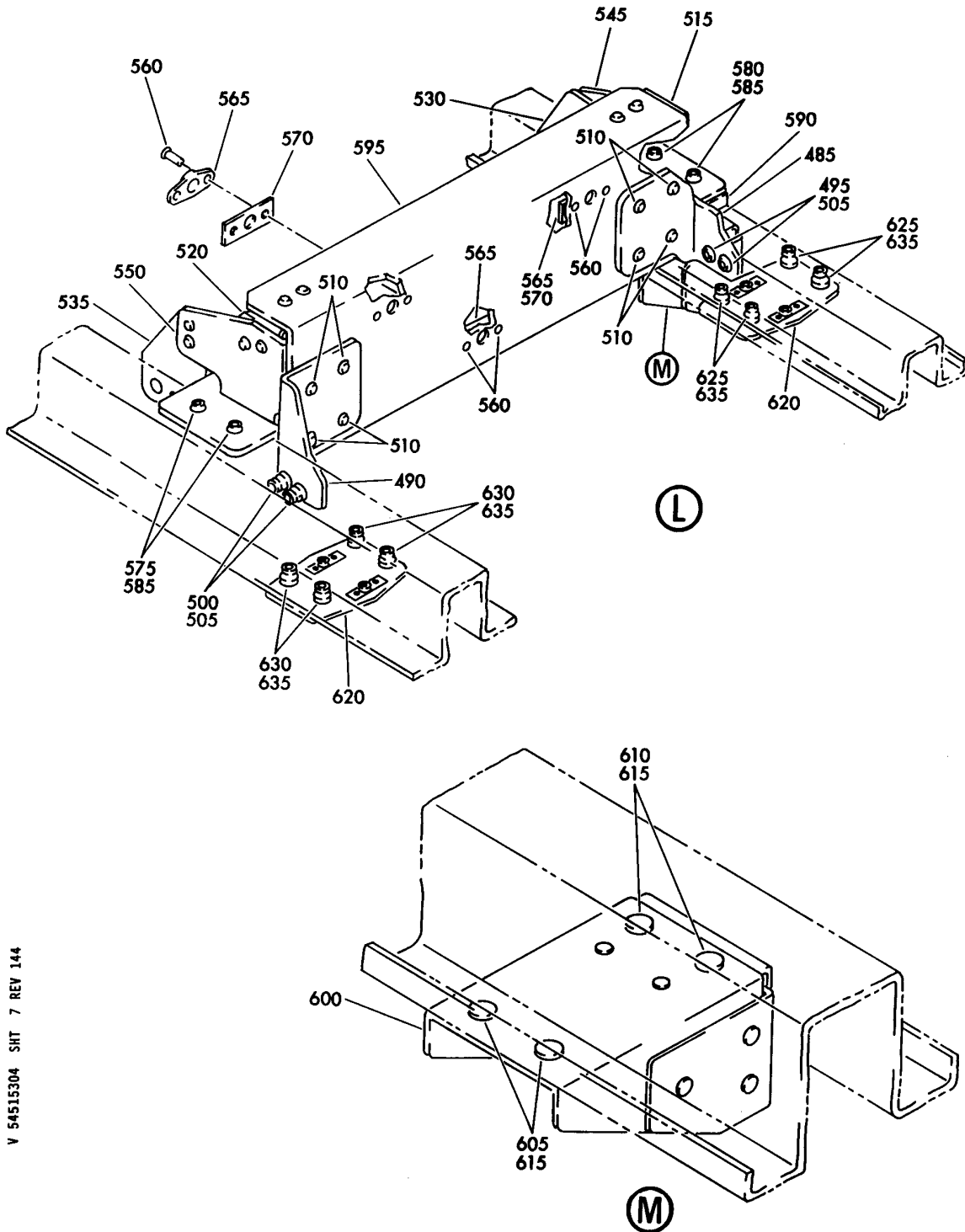
BRACKET INSTL-HYDR SPRT, AFT FAIRING STRUT (LH)
FIGURE 4 (SHEET 5)

54-51-53-04

HXL
DEC 22/06

54-51-53-04
PAGE 0D

BOEING
767
PARTS CATALOG (MAINTENANCE)



V 54515304 SHIT 7 REV 144

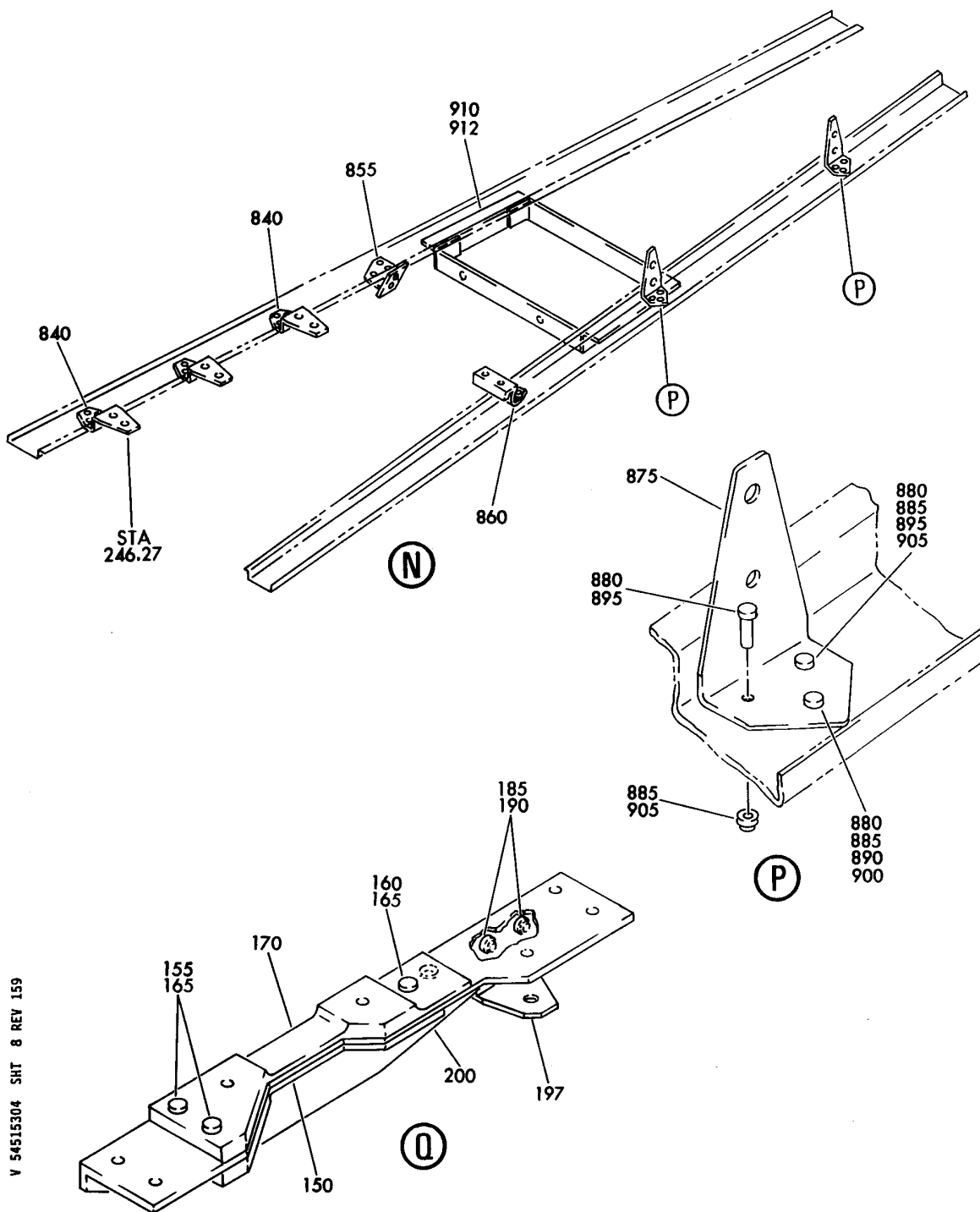
BRACKET INSTL-HYDR SPRT, AFT FAIRING STRUT (LH)
FIGURE 4 (SHEET 7)

54-51-53-04

HXL
DEC 22/06

54-51-53-04
PAGE OF

BOEING
767
PARTS CATALOG (MAINTENANCE)



V 54515304 SHT 8 REV 159

BRACKET INSTL-HYDR SPRT, AFT FAIRING STRUT (LH)
FIGURE 4 (SHEET 8)

54-51-53-04

HXL
DEC 22/06

54-51-53-04
PAGE 0G



767

PARTS CATALOG (MAINTENANCE)

FIG ITEM	PART NUMBER	1 2 3 4 5 6 7	NOMENCLATURE	EFFECT FROM TO	UNITS PER ASSY
4					
- 1	272T0033-9		BRACKET INSTL-HYDR SPRT, AFT FAIRING STRUT (LH) BRACKET INSTL-HYDR SPRT, FAIRING STRUT POSITION DATA: AFT LH VARIABLE DRAWING REF: 272T0033-5043 272T0033-7001 FOR NHA SEE: 54-00-51-02		RF
5	L8006K9		.BOLT SUPPLIER CODE: V06725 SPECIFICATION NUMBER: BACB30MY6K9		3
10	L8006K7		.BOLT SUPPLIER CODE: V06725 SPECIFICATION NUMBER: BACB30MY6K7		4
15	HL79-6		.COLLAR SUPPLIER CODE: V5M902 SPECIFICATION NUMBER: BACC30M6 OPTIONAL PART: HL79-6 V73197 HL79-6 V92215 66014-6 V56878 HL79-6 V56878		7
20	BACS40R009E030F		.SHIM		AR
25	BACS40R009F030F		.SHIM		AR
30	BACS40R009E027F		.SHIM		AR
35	BACS40R009F027F		.SHIM		AR
40	272T0082-12		.FILLER		1
45	272T0082-23		.BRACKET ASSY-		1

ILLUSTRATION ITEMS NOT ON PARTS LIST ARE NOT APPLICABLE

- ITEM NOT ILLUSTRATED

54-51-53-04

54-51-53
FIG. 04
PAGE 1
APR 22/08

HXL

 **BOEING**
767
PARTS CATALOG (MAINTENANCE)

FIG ITEM	PART NUMBER	1 2 3 4 5 6 7	NOMENCLATURE	EFFECT FROM TO	UNITS PER ASSY
4	50 HL13VAZ5-4		.. BOLT SUPPLIER CODE: V56878 SPECIFICATION NUMBER: BACB30NY5K4 OPTIONAL PART: HL13VAZ5-4 V73197 HL13VAZ5-4 V92215 HL13VAZ5-4 V97928 L801-5K4 V06725 HL13VAZ5-4 V60516 L801-5K4 VOPTK6 HL13VAZ5-4 V17446		8
R R	55 HL1187-5		.. COLLAR SUPPLIER CODE: V5M902 SPECIFICATION NUMBER: BACC30X5 OPTIONAL PART: HL86PB5 V73197 HL86PB5 V92215 HL86PB5 V56878 HL1187-5 V56878 HL1187-5 V92215 HL1187-5 V73197		8
	60 BACR15BB5AD		.. RIVET- SIZE DETERMINED ON INSTL.		6
	65 272T0082-22		.. FILLER		1
	70 272T0082-25		.. BRACKET		1
	75 272T0082-18		.. FILLER		1
	80 272T0082-20		.. CLIP		1
	85 272T0082-17		.. BRACKET		1
	90 272T0082-24		.. BRACKET		1
	95 272T0035-35		. BRACKET ASSY		1
	100 272T0035-11		. BRACKET ASSY		1

ILLUSTRATION ITEMS NOT ON PARTS LIST ARE NOT APPLICABLE

- ITEM NOT ILLUSTRATED

HXL

54-51-53-04

BOEING PROPRIETARY - Copyright © - Unpublished Work - See title page for details.

54-51-53
FIG. 04
PAGE 2
AUG 22/09



767

PARTS CATALOG (MAINTENANCE)

FIG ITEM	PART NUMBER	1 2 3 4 5 6 7 NOMENCLATURE	EFFECT FROM TO	UNITS PER ASSY
4 - 105	HL1012AZ5-3	ATTACHING PARTS .BOLT SUPPLIER CODE: V97928 SPECIFICATION NUMBER: BACB30NX5K3 OPTIONAL PART: HL12VAZ5-3 V73197 HL12VAZ5-3 V92215 HL12VAZ5-3 V97928 L802-5K3 V06725 HL12VAZ5-3 V56878 HL1012AZ5-3 VOPTK6 HL1012AZ5-3 V06725 HL1012AZ5-3 V06950 HL1012AZ5-3 V17446 HL1012AZ5-3 V56878 HL1012AZ5-3 V60516 HL1012AZ5-3 V73197		6

ILLUSTRATION ITEMS NOT ON PARTS LIST ARE NOT APPLICABLE

- ITEM NOT ILLUSTRATED

HXL

54-51-53-04

BOEING PROPRIETARY - Copyright © - Unpublished Work - See title page for details.

54-51-53
 FIG. 04
 PAGE 3
 AUG 22/09

 **BOEING**
767
PARTS CATALOG (MAINTENANCE)

FIG ITEM	PART NUMBER	1 2 3 4 5 6 7	NOMENCLATURE	EFFECT FROM TO	UNITS PER ASSY
R R R R R R R R R R R R	4 - 110		.COLLAR SUPPLIER CODE: V5M902 SPECIFICATION NUMBER: BACC30X5 OPTIONAL PART: HL86PB5 V73197 HL86PB5 V92215 HL86PB5 V56878 HL1187-5 V56878 HL1187-5 V92215 HL1187-5 V73197		6
	115	HL1012AZ6-7	-----*----- .BOLT SUPPLIER CODE: V97928 SPECIFICATION NUMBER: BACB30NX6K7 OPTIONAL PART: HL12VAZ6-7 V73197 HL12VAZ6-7 V92215 HL12VAZ6-7 V97928 L802-6K7 V06725 HL12VAZ6-7 V56878 HL1012AZ6-7 VOPTK6 HL1012AZ6-7 V06725 HL1012AZ6-7 V06950 HL1012AZ6-7 V17446 HL1012AZ6-7 V56878 HL1012AZ6-7 V60516 HL1012AZ6-7 V73197		4
ILLUSTRATION ITEMS NOT ON PARTS LIST ARE NOT APPLICABLE					

- ITEM NOT ILLUSTRATED

HXL

54-51-53-04

BOEING PROPRIETARY - Copyright © - Unpublished Work - See title page for details.

54-51-53
FIG. 04
PAGE 4
AUG 22/09



767

PARTS CATALOG (MAINTENANCE)

FIG ITEM	PART NUMBER	1 2 3 4 5 6 7	NOMENCLATURE	EFFECT FROM TO	UNITS PER ASSY
4 120	HL1012AZ6-5		.BOLT SUPPLIER CODE: V97928 SPECIFICATION NUMBER: BACB30NX6K5 OPTIONAL PART: HL12VAZ6-5 V73197 HL12VAZ6-5 V92215 HL12VAZ6-5 V97928 L802-6K5 V06725 HL12VAZ6-5 V56878 HL1012AZ6-5 VOPTK6 HL1012AZ6-5 V06725 HL1012AZ6-5 V06950 HL1012AZ6-5 V17446 HL1012AZ6-5 V56878 HL1012AZ6-5 V60516 HL1012AZ6-5 V73197		4
125	HL1187-6		.COLLAR SUPPLIER CODE: V5M902 SPECIFICATION NUMBER: BACC30X6 OPTIONAL PART: HL87-6 V92215 HL87-6 V73197 HL1187-6 V56878 HL1187-6 V92215 HL87-6 V56878 HL1187-6 V73197		8
130	272T0027-5		. FILLER		2

ILLUSTRATION ITEMS NOT ON PARTS LIST ARE NOT APPLICABLE

- ITEM NOT ILLUSTRATED

54-51-53-04

54-51-53
FIG. 04
PAGE 5
AUG 22/09

HXL



767

PARTS CATALOG (MAINTENANCE)

FIG ITEM	PART NUMBER	1 2 3 4 5 6 7	NOMENCLATURE	EFFECT FROM TO	UNITS PER ASSY
4					
135	BACS40R007D020F	.	SHIM		2
140	BACS40R010E020F	.	SHIM		2
147	272T0026-11	.	BRACKET ASSY- POST SERVICE BULLETIN: 29-0074		1
150	272T0025-2	..	PLATE ATTACHING PARTS		1
155	HL13VAZ5-13	..	BOLT SUPPLIER CODE: V56878 SPECIFICATION NUMBER: BACB30NY5K13 OPTIONAL PART: HL13VAZ5-13 V73197 HL13VAZ5-13 V92215 L801-5K13 V06725 HL13VAZ5-13 V97928 HL13VAZ5-13 V60516 HL13VAZ5-13 V0PTK6 HL13VAZ5-13 V17446		2
ILLUSTRATION ITEMS NOT ON PARTS LIST ARE NOT APPLICABLE					

- ITEM NOT ILLUSTRATED

54-51-53-04

54-51-53
FIG. 04
PAGE 6
AUG 22/09

HXL



767

PARTS CATALOG (MAINTENANCE)

FIG ITEM	PART NUMBER	1 2 3 4 5 6 7	NOMENCLATURE	EFFECT FROM TO	UNITS PER ASSY
4	272T0027-3		.. PLATE		1
170			ATTACHING PARTS		
- 175	HL1012AZ5-5		.. BOLT		1
			SUPPLIER CODE: V97928		
			SPECIFICATION NUMBER: BACB30NX5K5		
			OPTIONAL PART: HL12VAZ5-5		
			V73197		
			HL12VAZ5-5		
			V92215		
			HL12VAZ5-5		
			V97928		
			L802-5K5		
			V06725		
			HL1012AZ5-5		
			V0PTK6		
			HL1012AZ5-5		
			V06725		
			HL1012AZ5-5		
			V06950		
			HL1012AZ5-5		
			V17446		
			HL12VAZ5-5		
			V56878		
			HL1012AZ5-5		
			V56878		
			HL1012AZ5-5		
			V60516		
			HL1012AZ5-5		
			V73197		

ILLUSTRATION ITEMS NOT ON PARTS LIST ARE NOT APPLICABLE

- ITEM NOT ILLUSTRATED

HXL

54-51-53-04

BOEING PROPRIETARY - Copyright © - Unpublished Work - See title page for details.

54-51-53
FIG. 04
PAGE 8
AUG 22/09



767

PARTS CATALOG (MAINTENANCE)

FIG ITEM	PART NUMBER	1 2 3 4 5 6 7	NOMENCLATURE	EFFECT FROM TO	UNITS PER ASSY
4 - 180	HL1187-5		.. COLLAR SUPPLIER CODE: V5M902 SPECIFICATION NUMBER: BACC30X5 OPTIONAL PART: HL86PB5 V73197 HL86PB5 V92215 HL86PB5 V56878 HL1187-5 V56878 HL1187-5 V92215 HL1187-5 V73197 -----*-----		1

R
R
R
R
R
R
R
R
R
R
R
R
R
R
R
R

ILLUSTRATION ITEMS NOT ON PARTS LIST ARE NOT APPLICABLE

- ITEM NOT ILLUSTRATED

HXL

54-51-53-04

BOEING PROPRIETARY - Copyright © - Unpublished Work - See title page for details.

54-51-53
FIG. 04
PAGE 9
AUG 22/09



767

PARTS CATALOG (MAINTENANCE)

FIG ITEM	PART NUMBER	1 2 3 4 5 6 7 NOMENCLATURE	EFFECT FROM TO	UNITS PER ASSY
4 185	HL1012AZ6-4	.. BOLT- SUPPLIER CODE: V97928 SPECIFICATION NUMBER: BACB30NX6K4 OPTIONAL PART: HL12VAZ6-4 V73197 HL12VAZ6-4 V92215 HL12VAZ6-4 V97928 L802-6K4 V06725 HL12VAZ6-4 V56878 HL1012AZ6-4 V0PTK6 HL1012AZ6-4 V06725 HL1012AZ6-4 V06950 HL1012AZ6-4 V17446 HL1012AZ6-4 V56878 HL1012AZ6-4 V60516 HL1012AZ6-4 V73197 POST SERVICE BULLETIN: 29-0074		2

ILLUSTRATION ITEMS NOT ON PARTS LIST ARE NOT APPLICABLE

- ITEM NOT ILLUSTRATED

HXL

54-51-53-04

BOEING PROPRIETARY - Copyright © - Unpublished Work - See title page for details.

54-51-53
 FIG. 04
 PAGE 10
 AUG 22/09

BOEING
767
PARTS CATALOG (MAINTENANCE)

FIG ITEM	PART NUMBER	1 2 3 4 5 6 7	NOMENCLATURE	EFFECT FROM TO	UNITS PER ASSY
4 190	HL1187-6		.. COLLAR- SUPPLIER CODE: V5M902 SPECIFICATION NUMBER: BACC30X6 OPTIONAL PART: HL87-6 V92215 HL87-6 V73197 HL1187-6 V56878 HL1187-6 V92215 HL87-6 V56878 HL1187-6 V73197 SERVICE BULLETIN OPT DATA: BACC30BH6 POST SERVICE BULLETIN: 29-0074		2
197	272T0043-3		..BRACKET ASSY-	163999	1
197	272T0043U3		..BRACKET ASSY- SUPPLIER CODE: V81205 POST SERVICE BULLETIN: 29-0074R2		1
200	272T0027-9		..BRACKET		1
205	272T0032-1		.PLATE ASSY		1

ILLUSTRATION ITEMS NOT ON PARTS LIST ARE NOT APPLICABLE

- ITEM NOT ILLUSTRATED

HXL

54-51-53-04

BOEING PROPRIETARY - Copyright © - Unpublished Work - See title page for details.

54-51-53
FIG. 04
PAGE 11
AUG 22/09

BOEING
767
PARTS CATALOG (MAINTENANCE)

FIG ITEM	PART NUMBER	1 2 3 4 5 6 7	NOMENCLATURE	EFFECT FROM TO	UNITS PER ASSY
4			ATTACHING PARTS		
- 210	HL448UC6-4		.BOLT SUPPLIER CODE: V56878 SPECIFICATION NUMBER: BACB30MB6A4 OPTIONAL PART: HL448UC6-4 V73197 HL448UC6-4 V92215 HL448UC6-4 V97928 69308-6A4 V56878 HL448UC6-4 V80539 HL448UC6-4 V08524 HL448UC6-4 V9N513 WC4486-4 V60516		3
- 215	HL1187-6		.COLLAR SUPPLIER CODE: V5M902 SPECIFICATION NUMBER: BACC30X6 OPTIONAL PART: HL87-6 V92215 HL87-6 V73197 HL1187-6 V56878 HL1187-6 V92215 HL87-6 V56878 HL1187-6 V73197		3
220	272T0035-17		-----*----- .BRACKET ASSY		1

ILLUSTRATION ITEMS NOT ON PARTS LIST ARE NOT APPLICABLE

- ITEM NOT ILLUSTRATED

HXL

54-51-53-04

BOEING PROPRIETARY - Copyright © - Unpublished Work - See title page for details.

54-51-53
FIG. 04
PAGE 12
AUG 22/09



767

PARTS CATALOG (MAINTENANCE)

FIG ITEM	PART NUMBER	1 2 3 4 5 6 7 NOMENCLATURE	EFFECT FROM TO	UNITS PER ASSY
4 - 225	HL1012AZ5-4	ATTACHING PARTS .BOLT SUPPLIER CODE: V97928 SPECIFICATION NUMBER: BACB30NX5K4 OPTIONAL PART: HL12VAZ5-4 V73197 HL12VAZ5-4 V92215 HL12VAZ5-4 V97928 L802-5K4 V06725 HL12VAZ5-4 V56878 HL1012AZ5-4 VOPTK6 HL1012AZ5-4 V06725 HL1012AZ5-4 V06950 HL1012AZ5-4 V17446 HL1012AZ5-4 V56878 HL1012AZ5-4 V60516 HL1012AZ5-4 V73197		2

ILLUSTRATION ITEMS NOT ON PARTS LIST ARE NOT APPLICABLE

- ITEM NOT ILLUSTRATED

HXL

54-51-53-04

BOEING PROPRIETARY - Copyright © - Unpublished Work - See title page for details.

54-51-53
 FIG. 04
 PAGE 13
 AUG 22/09

BOEING
767
PARTS CATALOG (MAINTENANCE)

FIG ITEM	PART NUMBER	1 2 3 4 5 6 7	NOMENCLATURE	EFFECT FROM TO	UNITS PER ASSY
R R R R R R R R R R R R R	4 - 230	HL1187-5	.COLLAR SUPPLIER CODE: V5M902 SPECIFICATION NUMBER: BACC30X5 OPTIONAL PART: HL86PB5 V73197 HL86PB5 V92215 HL86PB5 V56878 HL1187-5 V56878 HL1187-5 V92215 HL1187-5 V73197 -----*-----		2
	235	NAS6604-9	.BOLT		4
	240	NAS6604-6	.BOLT		4
	245	AN960PD416L	.WASHER		8
	250	MF53049-4	.NUTPLATE SUPPLIER CODE: V15653 SPECIFICATION NUMBER: BACN10JN4 OPTIONAL PART: BRFM20A4 V52828 MF1000-4BAC V15653 NS103218-048 V80539 RMF9201M4 V72962 VN252A048 V92215 T8124S4S V11815		8
	255	BACR15FT5KE	.RIVET- SIZE DETERMINED ON INSTL.		3
	260	BACR15BA5AD	.RIVET- SIZE DETERMINED ON INSTL.		1
	265	272T0027-8	.FILLER		2
	270	272T0035-50	.BRACKET ASSY		1
	275	BACF3F008R033NN	.FILLER		1
	280	BACF3F008V033NN	.FILLER		1
	285	272T0027-7	.FILLER		2
	ILLUSTRATION ITEMS NOT ON PARTS LIST ARE NOT APPLICABLE				

- ITEM NOT ILLUSTRATED

54-51-53-04

54-51-53
FIG. 04
PAGE 14
AUG 22/09

HXL



767

PARTS CATALOG (MAINTENANCE)

FIG ITEM	PART NUMBER	1 2 3 4 5 6 7	NOMENCLATURE	EFFECT FROM TO	UNITS PER ASSY
4					
290	BACS40R010F020F	.	SHIM		1
295	272T0026-6	.	BRACKET ASSY		1
300	HL13VAZ5-5	..	BOLT		2
			SUPPLIER CODE: V56878		
			SPECIFICATION NUMBER: BACB30NY5K5		
			OPTIONAL PART: HL13VAZ5-5		
			V73197		
			HL13VAZ5-5		
			V92215		
			HL13VAZ5-5		
			V97928		
			L801-5K5		
			V06725		
			HL13VAZ5-5		
			V60516		
			L801-5K5		
			V0PTK6		
			HL13VAZ5-5		
			V17446		
ILLUSTRATION ITEMS NOT ON PARTS LIST ARE NOT APPLICABLE					

- ITEM NOT ILLUSTRATED

HXL

54-51-53-04

BOEING PROPRIETARY - Copyright © - Unpublished Work - See title page for details.

54-51-53
FIG. 04
PAGE 15
AUG 22/09



767

PARTS CATALOG (MAINTENANCE)

FIG ITEM	PART NUMBER	1 2 3 4 5 6 7 NOMENCLATURE	EFFECT FROM TO	UNITS PER ASSY
4 320 325	272T0024-1 HL1012AZ5-4	.. BRACKET .BOLT SUPPLIER CODE: V97928 SPECIFICATION NUMBER: BACB30NX5K4 OPTIONAL PART: HL12VAZ5-4 V73197 HL12VAZ5-4 V92215 HL12VAZ5-4 V97928 L802-5K4 V06725 HL12VAZ5-4 V56878 HL1012AZ5-4 VOPTK6 HL1012AZ5-4 V06725 HL1012AZ5-4 V06950 HL1012AZ5-4 V17446 HL1012AZ5-4 V56878 HL1012AZ5-4 V60516 HL1012AZ5-4 V73197		1 3

ILLUSTRATION ITEMS NOT ON PARTS LIST ARE NOT APPLICABLE

- ITEM NOT ILLUSTRATED

HXL

54-51-53-04

BOEING PROPRIETARY - Copyright © - Unpublished Work - See title page for details.

54-51-53
FIG. 04
PAGE 17
AUG 22/09



767

PARTS CATALOG (MAINTENANCE)

FIG ITEM	PART NUMBER	1 2 3 4 5 6 7	NOMENCLATURE	EFFECT FROM TO	UNITS PER ASSY
4					
345	272T0035-54		.BRACKET		1
350	HL1012AZ6-5		.BOLT		6
			SUPPLIER CODE: V97928		
			SPECIFICATION NUMBER: BACB30NX6K5		
			OPTIONAL PART: HL12VAZ6-5		
			V73197		
			HL12VAZ6-5		
			V92215		
			HL12VAZ6-5		
			V97928		
			L802-6K5		
			V06725		
			HL12VAZ6-5		
			V56878		
			HL1012AZ6-5		
			V0PTK6		
			HL1012AZ6-5		
			V06725		
			HL1012AZ6-5		
			V06950		
			HL1012AZ6-5		
			V17446		
			HL1012AZ6-5		
			V56878		
			HL1012AZ6-5		
			V60516		
			HL1012AZ6-5		
			V73197		
ILLUSTRATION ITEMS NOT ON PARTS LIST ARE NOT APPLICABLE					

- ITEM NOT ILLUSTRATED

HXL

54-51-53-04

BOEING PROPRIETARY - Copyright © - Unpublished Work - See title page for details.

54-51-53
FIG. 04
PAGE 19
AUG 22/09

 **BOEING**
767
PARTS CATALOG (MAINTENANCE)

FIG ITEM	PART NUMBER	1 2 3 4 5 6 7	NOMENCLATURE	EFFECT FROM TO	UNITS PER ASSY
4 355	HL1012AZ6-4		.BOLT SUPPLIER CODE: V97928 SPECIFICATION NUMBER: BACB30NX6K4 OPTIONAL PART: HL12VAZ6-4 V73197 HL12VAZ6-4 V92215 HL12VAZ6-4 V97928 L802-6K4 V06725 HL12VAZ6-4 V56878 HL1012AZ6-4 VOPTK6 HL1012AZ6-4 V06725 HL1012AZ6-4 V06950 HL1012AZ6-4 V17446 HL1012AZ6-4 V56878 HL1012AZ6-4 V60516 HL1012AZ6-4 V73197		8
360	HL1187-6		.COLLAR SUPPLIER CODE: V5M902 SPECIFICATION NUMBER: BACC30X6 OPTIONAL PART: HL87-6 V92215 HL87-6 V73197 HL1187-6 V56878 HL1187-6 V92215 HL87-6 V56878 HL1187-6 V73197		14
370	272T0010-13		.SUPPORT ASSY		1

ILLUSTRATION ITEMS NOT ON PARTS LIST ARE NOT APPLICABLE

- ITEM NOT ILLUSTRATED

HXL

54-51-53-04

BOEING PROPRIETARY - Copyright © - Unpublished Work - See title page for details.

54-51-53
FIG. 04
PAGE 20
AUG 22/09



767

PARTS CATALOG (MAINTENANCE)

FIG ITEM	PART NUMBER	1 2 3 4 5 6 7	NOMENCLATURE	EFFECT FROM TO	UNITS PER ASSY
4	375 272T0040-7		..BRACKET ASSY ATTACHING PARTS		1
- 380	BACR15FT5KE		..RIVET- SIZE DETERMINED ON INSTL. -----*-----		2
	385 272T0040-12		..BRACKET ASSY		1
	390 272T0040-14		..BRACKET ASSY ATTACHING PARTS		1
- 395	BACR15FT5KE		..RIVET- SIZE DETERMINED ON INSTL. -----*-----		4
	400 272T0040-10		..BRACKET ASSY ATTACHING PARTS		2
- 405	BACR15BA5KE		..RIVET- SIZE DETERMINED ON INSTL. -----*-----		4
	410 HL1012AZ6-5		..BOLT SUPPLIER CODE: V97928 SPECIFICATION NUMBER: BACB30NX6K5 OPTIONAL PART: HL12VAZ6-5 V73197 HL12VAZ6-5 V92215 HL12VAZ6-5 V97928 L802-6K5 V06725 HL12VAZ6-5 V56878 HL1012AZ6-5 V0PTK6 HL1012AZ6-5 V06725 HL1012AZ6-5 V06950 HL1012AZ6-5 V17446 HL1012AZ6-5 V56878 HL1012AZ6-5 V60516 HL1012AZ6-5 V73197		8
ILLUSTRATION ITEMS NOT ON PARTS LIST ARE NOT APPLICABLE					

- ITEM NOT ILLUSTRATED

54-51-53-04

54-51-53
FIG. 04
PAGE 21
AUG 22/09

HXL



767

PARTS CATALOG (MAINTENANCE)

FIG ITEM	PART NUMBER	1 2 3 4 5 6 7 NOMENCLATURE	EFFECT FROM TO	UNITS PER ASSY
4 415	HL1012AZ6-6	.. BOLT SUPPLIER CODE: V97928 SPECIFICATION NUMBER: BACB30NX6K6 OPTIONAL PART: HL12VAZ6-6 V73197 HL12VAZ6-6 V92215 HL12VAZ6-6 V97928 L802-6K6 V06725 HL12VAZ6-6 V56878 HL1012AZ6-6 V0PTK6 HL1012AZ6-6 V06725 HL1012AZ6-6 V06950 HL1012AZ6-6 V17446 HL1012AZ6-6 V56878 HL1012AZ6-6 V60516 HL1012AZ6-6 V73197		8

ILLUSTRATION ITEMS NOT ON PARTS LIST ARE NOT APPLICABLE

- ITEM NOT ILLUSTRATED

HXL

54-51-53-04

BOEING PROPRIETARY - Copyright © - Unpublished Work - See title page for details.

54-51-53
 FIG. 04
 PAGE 22
 AUG 22/09



767

PARTS CATALOG (MAINTENANCE)

FIG ITEM	PART NUMBER	1 2 3 4 5 6 7	NOMENCLATURE	EFFECT FROM TO	UNITS PER ASSY
4 420	HL1012AZ5-5		.. BOLT SUPPLIER CODE: V97928 SPECIFICATION NUMBER: BACB30NX5K5 OPTIONAL PART: HL12VAZ5-5 V73197 HL12VAZ5-5 V92215 HL12VAZ5-5 V97928 L802-5K5 V06725 HL1012AZ5-5 V0PTK6 HL1012AZ5-5 V06725 HL1012AZ5-5 V06950 HL1012AZ5-5 V17446 HL12VAZ5-5 V56878 HL1012AZ5-5 V56878 HL1012AZ5-5 V60516 HL1012AZ5-5 V73197		8
425	HL1187-6		.. COLLAR SUPPLIER CODE: V5M902 SPECIFICATION NUMBER: BACC30X6 OPTIONAL PART: HL87-6 V92215 HL87-6 V73197 HL1187-6 V56878 HL1187-6 V92215 HL87-6 V56878 HL1187-6 V73197		16

ILLUSTRATION ITEMS NOT ON PARTS LIST ARE NOT APPLICABLE

- ITEM NOT ILLUSTRATED

HXL

54-51-53-04

BOEING PROPRIETARY - Copyright © - Unpublished Work - See title page for details.

54-51-53
 FIG. 04
 PAGE 23
 AUG 22/09

BOEING
767
PARTS CATALOG (MAINTENANCE)

FIG ITEM	PART NUMBER	1 2 3 4 5 6 7	NOMENCLATURE	EFFECT FROM TO	UNITS PER ASSY
R R R R R R R R R R	430	HL1187-5	.. COLLAR SUPPLIER CODE: V5M902 SPECIFICATION NUMBER: BACC30X5 OPTIONAL PART: HL86PB5 V73197 HL86PB5 V92215 HL86PB5 V56878 HL1187-5 V56878 HL1187-5 V92215 HL1187-5 V73197		8
	435	BACS40R18E18F	.. SHIM- OPTIONAL PART: BACS40R18F18F		2
	435	BACS40R18F18F	.. SHIM- OPTIONAL PART: BACS40R18E18F		2
	440	272T0012-6	.. BEAM		1
	445	272T0012-5	.. BEAM		1
	450	272T0017-1	.. CLIP		4
	ILLUSTRATION ITEMS NOT ON PARTS LIST ARE NOT APPLICABLE				

- ITEM NOT ILLUSTRATED

54-51-53-04

54-51-53
FIG. 04
PAGE 24
AUG 22/09

HXL



767

PARTS CATALOG (MAINTENANCE)

FIG ITEM	PART NUMBER	1 2 3 4 5 6 7 NOMENCLATURE	EFFECT FROM TO	UNITS PER ASSY
4 455	HL1012AZ5-8	ATTACHING PARTS ..BOLT SUPPLIER CODE: V97928 SPECIFICATION NUMBER: BACB30NX5K8 OPTIONAL PART: HL12VAZ5-8 V73197 HL12VAZ5-8 V92215 HL12VAZ5-8 V97928 L802-5K8 V06725 HL12VAZ5-8 V56878 HL1012AZ5-8 V0PTK6 HL1012AZ5-8 V06725 HL1012AZ5-8 V06950 HL1012AZ5-8 V17446 HL1012AZ5-8 V56878 HL1012AZ5-8 V60516 HL1012AZ5-8 V73197		7

ILLUSTRATION ITEMS NOT ON PARTS LIST ARE NOT APPLICABLE

- ITEM NOT ILLUSTRATED

HXL

54-51-53-04

BOEING PROPRIETARY - Copyright © - Unpublished Work - See title page for details.

54-51-53
 FIG. 04
 PAGE 25
 AUG 22/09

BOEING
767
PARTS CATALOG (MAINTENANCE)

FIG ITEM	PART NUMBER	1 2 3 4 5 6 7	NOMENCLATURE	EFFECT FROM TO	UNITS PER ASSY
4 470	HL1012AZ5-7		..BOLT- SUPPLIER CODE: V97928 SPECIFICATION NUMBER: BACB30NX5K7 OPTIONAL PART: HL12VAZ5-7 V73197 HL12VAZ5-7 V92215 HL12VAZ5-7 V97928 L802-5K7 V06725 HL12VAZ5-7 V56878 HL1012AZ5-7 V0PTK6 HL1012AZ5-7 V06725 HL1012AZ5-7 V06950 HL1012AZ5-7 V17446 HL1012AZ5-7 V56878 HL1012AZ5-7 V60516 HL1012AZ5-7 V73197		2
R R	472		..COLLAR SUPPLIER CODE: V5M902 SPECIFICATION NUMBER: BACC30X5 OPTIONAL PART: HL86PB5 V73197 HL86PB5 V92215 HL86PB5 V56878 HL1187-5 V56878 HL1187-5 V92215 HL1187-5 V73197		2
	475		..BRACKET ASSY		1

ILLUSTRATION ITEMS NOT ON PARTS LIST ARE NOT APPLICABLE

- ITEM NOT ILLUSTRATED

HXL

54-51-53-04

BOEING PROPRIETARY - Copyright © - Unpublished Work - See title page for details.

54-51-53
FIG. 04
PAGE 27
AUG 22/09



767

PARTS CATALOG (MAINTENANCE)

FIG ITEM	PART NUMBER	1 2 3 4 5 6 7	NOMENCLATURE	EFFECT FROM TO	UNITS PER ASSY
4					
480	272T0022-1	.	BEAM ASSY		1
485	272T0008-19	.	BRACKET		1
490	272T0008-20	.	BRACKET		1
			ATTACHING PARTS		
495	HL1012AZ5-2	.	BOLT		2
			SUPPLIER CODE: V97928		
			SPECIFICATION NUMBER: BACB30NX5K2		
			OPTIONAL PART: HL12VAZ5-2		
			V73197		
			HL12VAZ5-2		
			V92215		
			HL12VAZ5-2		
			V97928		
			L802-5K2		
			V06725		
			HL12VAZ5-2		
			V56878		
			HL1012AZ5-2		
			V0PTK6		
			HL1012AZ5-2		
			V06725		
			HL1012AZ5-2		
			V06950		
			HL1012AZ5-2		
			V17446		
			HL1012AZ5-2		
			V56878		
			HL1012AZ5-2		
			V60516		
			HL1012AZ5-2		
			V73197		
ILLUSTRATION ITEMS NOT ON PARTS LIST ARE NOT APPLICABLE					

- ITEM NOT ILLUSTRATED

54-51-53-04

54-51-53
FIG. 04
PAGE 28
AUG 22/09

HXL



767

PARTS CATALOG (MAINTENANCE)

FIG ITEM	PART NUMBER	1 2 3 4 5 6 7	NOMENCLATURE	EFFECT FROM TO	UNITS PER ASSY
4					
510	BACR15FT5KE		.RIVET- SIZE DETERMINED ON INSTL. -----*-----		8
515	272T0008-7		.BRACKET		1
520	272T0008-6		.BRACKET		1
			ATTACHING PARTS		
- 525	BACR15FT5KE		.RIVET- SIZE DETERMINED ON INSTL. -----*-----		8
530	272T0009-5		.BRACKET		1
535	272T0009-7		.BRACKET		1
			ATTACHING PARTS		
- 540	BACR15FT5KE		.RIVET- SIZE DETERMINED ON INSTL. -----*-----		8
545	272T0008-18		.BRACKET		1
550	272T0008-17		.BRACKET		1
			ATTACHING PARTS		
- 555	BACR15FT5KE		.RIVET- SIZE DETERMINED ON INSTL. -----*-----		4
560	BACR15BA3AD		.RIVET- SIZE DETERMINED ON INSTL.		6
565	BRFR220A4-1		.NUTPLATE SUPPLIER CODE: V52828 SPECIFICATION NUMBER: BACN10KE4A OPTIONAL PART: RMF9212-4 V72962 F51750-4-1 V15653 NS103190-048 V80539		3
570	BACF3F006R015NN		.FILLER		2

ILLUSTRATION ITEMS NOT ON PARTS LIST ARE NOT APPLICABLE

- ITEM NOT ILLUSTRATED

54-51-53-04

54-51-53
FIG. 04
PAGE 30
AUG 22/09

HXL

BOEING PROPRIETARY - Copyright © - Unpublished Work - See title page for details.



767

PARTS CATALOG (MAINTENANCE)

FIG ITEM	PART NUMBER	1 2 3 4 5 6 7 NOMENCLATURE	EFFECT FROM TO	UNITS PER ASSY
4 575	HL1012AZ6-10	.BOLT SUPPLIER CODE: V97928 SPECIFICATION NUMBER: BACB30NX6K10 OPTIONAL PART: HL12VAZ6-10 V73197 HL12VAZ6-10 V92215 HL12VAZ6-10 V97928 L802-6K10 V06725 HL12VAZ6-10 V56878 HL1012AZ6-10 VOPTK6 HL1012AZ6-10 V06725 HL1012AZ6-10 V06950 HL1012AZ6-10 V17446 HL1012AZ6-10 V56878 HL1012AZ6-10 V60516 HL1012AZ6-10 V73197		2

ILLUSTRATION ITEMS NOT ON PARTS LIST ARE NOT APPLICABLE

- ITEM NOT ILLUSTRATED

HXL

54-51-53-04

BOEING PROPRIETARY - Copyright © - Unpublished Work - See title page for details.

54-51-53
 FIG. 04
 PAGE 31
 AUG 22/09

BOEING
767
PARTS CATALOG (MAINTENANCE)

FIG ITEM	PART NUMBER	1 2 3 4 5 6 7	NOMENCLATURE	EFFECT FROM TO	UNITS PER ASSY
4 580	HL1012AZ6-4		.BOLT SUPPLIER CODE: V97928 SPECIFICATION NUMBER: BACB30NX6K4 OPTIONAL PART: HL12VAZ6-4 V73197 HL12VAZ6-4 V92215 HL12VAZ6-4 V97928 L802-6K4 V06725 HL12VAZ6-4 V56878 HL1012AZ6-4 VOPTK6 HL1012AZ6-4 V06725 HL1012AZ6-4 V06950 HL1012AZ6-4 V17446 HL1012AZ6-4 V56878 HL1012AZ6-4 V60516 HL1012AZ6-4 V73197		2
585	HL1187-6		.COLLAR SUPPLIER CODE: V5M902 SPECIFICATION NUMBER: BACC30X6 OPTIONAL PART: HL87-6 V92215 HL87-6 V73197 HL1187-6 V56878 HL1187-6 V92215 HL87-6 V56878 HL1187-6 V73197		4
590	272T0009-9		.SPACER		1

ILLUSTRATION ITEMS NOT ON PARTS LIST ARE NOT APPLICABLE

- ITEM NOT ILLUSTRATED

HXL

54-51-53-04

BOEING PROPRIETARY - Copyright © - Unpublished Work - See title page for details.

54-51-53
FIG. 04
PAGE 32
AUG 22/09



767

PARTS CATALOG (MAINTENANCE)

FIG ITEM	PART NUMBER	1 2 3 4 5 6 7	NOMENCLATURE	EFFECT FROM TO	UNITS PER ASSY
4					
595	272T0009-11	.	BRACKET		1
600	272T0035-57	.	BRACKET ASSY		1
			ATTACHING PARTS		
605	HL1012AZ5-3	.	BOLT		2
			SUPPLIER CODE: V97928		
			SPECIFICATION NUMBER: BACB30NX5K3		
			OPTIONAL PART: HL12VAZ5-3		
			V73197		
			HL12VAZ5-3		
			V92215		
			HL12VAZ5-3		
			V97928		
			L802-5K3		
			V06725		
			HL12VAZ5-3		
			V56878		
			HL1012AZ5-3		
			V0PTK6		
			HL1012AZ5-3		
			V06725		
			HL1012AZ5-3		
			V06950		
			HL1012AZ5-3		
			V17446		
			HL1012AZ5-3		
			V56878		
			HL1012AZ5-3		
			V60516		
			HL1012AZ5-3		
			V73197		

ILLUSTRATION ITEMS NOT ON PARTS LIST ARE NOT APPLICABLE

- ITEM NOT ILLUSTRATED

HXL

54-51-53-04

BOEING PROPRIETARY - Copyright © - Unpublished Work - See title page for details.

54-51-53
FIG. 04
PAGE 33
AUG 22/09



767

PARTS CATALOG (MAINTENANCE)

FIG ITEM	PART NUMBER	1 2 3 4 5 6 7	NOMENCLATURE	EFFECT FROM TO	UNITS PER ASSY
4					
620	272T0035-19		.BRACKET ASSY ATTACHING PARTS		2
625	HL1012AZ5-3		.BOLT SUPPLIER CODE: V97928 SPECIFICATION NUMBER: BACB30NX5K3 OPTIONAL PART: HL12VAZ5-3 V73197 HL12VAZ5-3 V92215 HL12VAZ5-3 V97928 L802-5K3 V06725 HL12VAZ5-3 V56878 HL1012AZ5-3 VOPTK6 HL1012AZ5-3 V06725 HL1012AZ5-3 V06950 HL1012AZ5-3 V17446 HL1012AZ5-3 V56878 HL1012AZ5-3 V60516 HL1012AZ5-3 V73197		4
ILLUSTRATION ITEMS NOT ON PARTS LIST ARE NOT APPLICABLE					

- ITEM NOT ILLUSTRATED

54-51-53-04

54-51-53
FIG. 04
PAGE 35
AUG 22/09

HXL



767

PARTS CATALOG (MAINTENANCE)

FIG ITEM	PART NUMBER	1 2 3 4 5 6 7	NOMENCLATURE	EFFECT FROM TO	UNITS PER ASSY
4					
640	272T0035-47		.BRACKET ATTACHING PARTS		1
645	HL1012AZ5-3		.BOLT SUPPLIER CODE: V97928 SPECIFICATION NUMBER: BACB30NX5K3 OPTIONAL PART: HL12VAZ5-3 V73197 HL12VAZ5-3 V92215 HL12VAZ5-3 V97928 L802-5K3 V06725 HL12VAZ5-3 V56878 HL1012AZ5-3 VOPTK6 HL1012AZ5-3 V06725 HL1012AZ5-3 V06950 HL1012AZ5-3 V17446 HL1012AZ5-3 V56878 HL1012AZ5-3 V60516 HL1012AZ5-3 V73197		1
ILLUSTRATION ITEMS NOT ON PARTS LIST ARE NOT APPLICABLE					

- ITEM NOT ILLUSTRATED

54-51-53-04

54-51-53
FIG. 04
PAGE 37
AUG 22/09

HXL

BOEING
767
PARTS CATALOG (MAINTENANCE)

FIG ITEM	PART NUMBER	1 2 3 4 5 6 7	NOMENCLATURE	EFFECT FROM TO	UNITS PER ASSY
4 650	HL1012AZ5-4		.BOLT SUPPLIER CODE: V97928 SPECIFICATION NUMBER: BACB30NX5K4 OPTIONAL PART: HL12VAZ5-4 V73197 HL12VAZ5-4 V92215 HL12VAZ5-4 V97928 L802-5K4 V06725 HL12VAZ5-4 V56878 HL1012AZ5-4 VOPTK6 HL1012AZ5-4 V06725 HL1012AZ5-4 V06950 HL1012AZ5-4 V17446 HL1012AZ5-4 V56878 HL1012AZ5-4 V60516 HL1012AZ5-4 V73197		1
R R	655 HL1187-5		.COLLAR SUPPLIER CODE: V5M902 SPECIFICATION NUMBER: BACC30X5 OPTIONAL PART: HL86PB5 V73197 HL86PB5 V92215 HL86PB5 V56878 HL1187-5 V56878 HL1187-5 V92215 HL1187-5 V73197 -----*-----		2
ILLUSTRATION ITEMS NOT ON PARTS LIST ARE NOT APPLICABLE					

— ITEM NOT ILLUSTRATED

HXL

54-51-53-04

BOEING PROPRIETARY - Copyright © - Unpublished Work - See title page for details.

54-51-53
FIG. 04
PAGE 38
AUG 22/09



767

PARTS CATALOG (MAINTENANCE)

FIG ITEM	PART NUMBER	1 2 3 4 5 6 7	NOMENCLATURE	EFFECT FROM TO	UNITS PER ASSY
4					
660	272T0035-46		.BRACKET ATTACHING PARTS		1
- 665	BACR15FT5KE		.RIVET- SIZE DETERMINED ON INSTL. -----*-----		2
680	272T0002-9		.BRACKET ASSY ATTACHING PARTS		1
685	BACR15FT5KE		.RIVET- SIZE DETERMINED ON INSTL.		23
690	BACR15FT6KE		.RIVET- SIZE DETERMINED ON INSTL. -----*-----		7
695	272T0003-11		.BRACKET ATTACHING PARTS		1
- 700	BACR15FT5KE		.RIVET- SIZE DETERMINED ON INSTL. -----*-----		4
705	272T0003-17		.BRACKET ATTACHING PARTS		1
- 710	BACR15FT5KE		.RIVET- SIZE DETERMINED ON INSTL. -----*-----		6

ILLUSTRATION ITEMS NOT ON PARTS LIST ARE NOT APPLICABLE

- ITEM NOT ILLUSTRATED

HXL

54-51-53-04

BOEING PROPRIETARY - Copyright © - Unpublished Work - See title page for details.

54-51-53
FIG. 04
PAGE 39
AUG 22/09



767

PARTS CATALOG (MAINTENANCE)

FIG ITEM	PART NUMBER	1 2 3 4 5 6 7 NOMENCLATURE	EFFECT FROM TO	UNITS PER ASSY
4 715	HL1012AZ6-6	.BOLT SUPPLIER CODE: V97928 SPECIFICATION NUMBER: BACB30NX6K6 OPTIONAL PART: HL12VAZ6-6 V73197 HL12VAZ6-6 V92215 HL12VAZ6-6 V97928 L802-6K6 V06725 HL12VAZ6-6 V56878 HL1012AZ6-6 V0PTK6 HL1012AZ6-6 V06725 HL1012AZ6-6 V06950 HL1012AZ6-6 V17446 HL1012AZ6-6 V56878 HL1012AZ6-6 V60516 HL1012AZ6-6 V73197		2

ILLUSTRATION ITEMS NOT ON PARTS LIST ARE NOT APPLICABLE

- ITEM NOT ILLUSTRATED

HXL

54-51-53-04

BOEING PROPRIETARY - Copyright © - Unpublished Work - See title page for details.

54-51-53
 FIG. 04
 PAGE 40
 AUG 22/09



767

PARTS CATALOG (MAINTENANCE)

FIG ITEM	PART NUMBER	1 2 3 4 5 6 7 NOMENCLATURE	EFFECT FROM TO	UNITS PER ASSY
4 720	HL1012AZ6-5	.BOLT SUPPLIER CODE: V97928 SPECIFICATION NUMBER: BACB30NX6K5 OPTIONAL PART: HL12VAZ6-5 V73197 HL12VAZ6-5 V92215 HL12VAZ6-5 V97928 L802-6K5 V06725 HL12VAZ6-5 V56878 HL1012AZ6-5 V0PTK6 HL1012AZ6-5 V06725 HL1012AZ6-5 V06950 HL1012AZ6-5 V17446 HL1012AZ6-5 V56878 HL1012AZ6-5 V60516 HL1012AZ6-5 V73197		2

ILLUSTRATION ITEMS NOT ON PARTS LIST ARE NOT APPLICABLE

- ITEM NOT ILLUSTRATED

HXL

54-51-53-04

BOEING PROPRIETARY - Copyright © - Unpublished Work - See title page for details.

54-51-53
 FIG. 04
 PAGE 41
 AUG 22/09



767

PARTS CATALOG (MAINTENANCE)

FIG ITEM	PART NUMBER	1 2 3 4 5 6 7 NOMENCLATURE	EFFECT FROM TO	UNITS PER ASSY
4 725	HL1012AZ6-4	.BOLT SUPPLIER CODE: V97928 SPECIFICATION NUMBER: BACB30NX6K4 OPTIONAL PART: HL12VAZ6-4 V73197 HL12VAZ6-4 V92215 HL12VAZ6-4 V97928 L802-6K4 V06725 HL12VAZ6-4 V56878 HL1012AZ6-4 V0PTK6 HL1012AZ6-4 V06725 HL1012AZ6-4 V06950 HL1012AZ6-4 V17446 HL1012AZ6-4 V56878 HL1012AZ6-4 V60516 HL1012AZ6-4 V73197		2

ILLUSTRATION ITEMS NOT ON PARTS LIST ARE NOT APPLICABLE

- ITEM NOT ILLUSTRATED

HXL

54-51-53-04

BOEING PROPRIETARY - Copyright © - Unpublished Work - See title page for details.

54-51-53
 FIG. 04
 PAGE 42
 AUG 22/09



767

PARTS CATALOG (MAINTENANCE)

FIG ITEM	PART NUMBER	1 2 3 4 5 6 7	NOMENCLATURE	EFFECT FROM TO	UNITS PER ASSY
4 730	HL1012AZ6-3	.BOLT	SUPPLIER CODE: V97928 SPECIFICATION NUMBER: BACB30NX6K3 OPTIONAL PART: HL12VAZ6-3 V73197 HL12VAZ6-3 V92215 HL12VAZ6-3 V97928 L802-6K3 V06725 HL12VAZ6-3 V56878 HL1012AZ6-3 VOPTK6 HL1012AZ6-3 V06725 HL1012AZ6-3 V06950 HL1012AZ6-3 V17446 HL1012AZ6-3 V56878 HL1012AZ6-3 V60516 HL1012AZ6-3 V73197		2
735	HL1187-6	.COLLAR	SUPPLIER CODE: V5M902 SPECIFICATION NUMBER: BACC30X6 OPTIONAL PART: HL87-6 V92215 HL87-6 V73197 HL1187-6 V56878 HL1187-6 V92215 HL87-6 V56878 HL1187-6 V73197		8
740	272T0004-4	.FILLER			4

ILLUSTRATION ITEMS NOT ON PARTS LIST ARE NOT APPLICABLE

- ITEM NOT ILLUSTRATED

54-51-53-04

54-51-53
FIG. 04
PAGE 43
AUG 22/09

HXL

BOEING PROPRIETARY - Copyright © - Unpublished Work - See title page for details.



767

PARTS CATALOG (MAINTENANCE)

FIG ITEM	PART NUMBER	1 2 3 4 5 6 7	NOMENCLATURE	EFFECT FROM TO	UNITS PER ASSY
4					
745	BACS40R007C010F	.	SHIM		2
750	BACS40R010D010F	.	SHIM		2
755	272T0004-1	.	BRACKET		1
760	272T0004-5	.	BRACKET		1
765	272T0035-27	.	BRACKET ASSY		1
- 770	HL1012AZ5-3	.	BOLT		2
			SUPPLIER CODE: V97928		
			SPECIFICATION NUMBER: BACB30NX5K3		
			OPTIONAL PART: HL12VAZ5-3		
			V73197		
			HL12VAZ5-3		
			V92215		
			HL12VAZ5-3		
			V97928		
			L802-5K3		
			V06725		
			HL12VAZ5-3		
			V56878		
			HL1012AZ5-3		
			V0PTK6		
			HL1012AZ5-3		
			V06725		
			HL1012AZ5-3		
			V06950		
			HL1012AZ5-3		
			V17446		
			HL1012AZ5-3		
			V56878		
			HL1012AZ5-3		
			V60516		
			HL1012AZ5-3		
			V73197		

ILLUSTRATION ITEMS NOT ON PARTS LIST ARE NOT APPLICABLE

- ITEM NOT ILLUSTRATED

HXL

54-51-53-04

BOEING PROPRIETARY - Copyright © - Unpublished Work - See title page for details.

54-51-53
FIG. 04
PAGE 44
AUG 22/09

BOEING
767
PARTS CATALOG (MAINTENANCE)

FIG ITEM	PART NUMBER	1 2 3 4 5 6 7	NOMENCLATURE	EFFECT FROM TO	UNITS PER ASSY
R R R R R R R R R R R R R	4 - 775		.COLLAR SUPPLIER CODE: V5M902 SPECIFICATION NUMBER: BACC30X5 OPTIONAL PART: HL86PB5 V73197 HL86PB5 V92215 HL86PB5 V56878 HL1187-5 V56878 HL1187-5 V92215 HL1187-5 V73197		2
	780	272T0035-15	-----*----- .BRACKET ASSY		1

ILLUSTRATION ITEMS NOT ON PARTS LIST ARE NOT APPLICABLE

- ITEM NOT ILLUSTRATED

HXL

54-51-53-04

BOEING PROPRIETARY - Copyright © - Unpublished Work - See title page for details.

54-51-53
FIG. 04
PAGE 45
AUG 22/09



767

PARTS CATALOG (MAINTENANCE)

FIG ITEM	PART NUMBER	1 2 3 4 5 6 7 NOMENCLATURE	EFFECT FROM TO	UNITS PER ASSY
4 - 785	HL1012AZ5-4	ATTACHING PARTS .BOLT SUPPLIER CODE: V97928 SPECIFICATION NUMBER: BACB30NX5K4 OPTIONAL PART: HL12VAZ5-4 V73197 HL12VAZ5-4 V92215 HL12VAZ5-4 V97928 L802-5K4 V06725 HL12VAZ5-4 V56878 HL1012AZ5-4 VOPTK6 HL1012AZ5-4 V06725 HL1012AZ5-4 V06950 HL1012AZ5-4 V17446 HL1012AZ5-4 V56878 HL1012AZ5-4 V60516 HL1012AZ5-4 V73197		2

ILLUSTRATION ITEMS NOT ON PARTS LIST ARE NOT APPLICABLE

- ITEM NOT ILLUSTRATED

HXL

54-51-53-04

BOEING PROPRIETARY - Copyright © - Unpublished Work - See title page for details.

54-51-53
 FIG. 04
 PAGE 46
 AUG 22/09

BOEING
767
PARTS CATALOG (MAINTENANCE)

FIG ITEM	PART NUMBER	1 2 3 4 5 6 7	NOMENCLATURE	EFFECT FROM TO	UNITS PER ASSY
R R R R R R R R R R	4 - 790	HL1187-5	.COLLAR SUPPLIER CODE: V5M902 SPECIFICATION NUMBER: BACC30X5 OPTIONAL PART: HL86PB5 V73197 HL86PB5 V92215 HL86PB5 V56878 HL1187-5 V56878 HL1187-5 V92215 HL1187-5 V73197 -----*		2
	795	272T0035-43	.BRACKET		1
	805	272T0035-69	.BRACKET ASSY		1
	810	272T0042-3	.BRACKET		1

ILLUSTRATION ITEMS NOT ON PARTS LIST ARE NOT APPLICABLE

- ITEM NOT ILLUSTRATED

HXL

54-51-53-04

BOEING PROPRIETARY - Copyright © - Unpublished Work - See title page for details.

54-51-53
FIG. 04
PAGE 47
AUG 22/09



767

PARTS CATALOG (MAINTENANCE)

FIG ITEM	PART NUMBER	1 2 3 4 5 6 7 NOMENCLATURE	EFFECT FROM TO	UNITS PER ASSY
4 - 815	HL1012AZ5-3	ATTACHING PARTS .BOLT SUPPLIER CODE: V97928 SPECIFICATION NUMBER: BACB30NX5K3 OPTIONAL PART: HL12VAZ5-3 V73197 HL12VAZ5-3 V92215 HL12VAZ5-3 V97928 L802-5K3 V06725 HL12VAZ5-3 V56878 HL1012AZ5-3 V0PTK6 HL1012AZ5-3 V06725 HL1012AZ5-3 V06950 HL1012AZ5-3 V17446 HL1012AZ5-3 V56878 HL1012AZ5-3 V60516 HL1012AZ5-3 V73197		7

ILLUSTRATION ITEMS NOT ON PARTS LIST ARE NOT APPLICABLE

- ITEM NOT ILLUSTRATED

HXL

54-51-53-04

BOEING PROPRIETARY - Copyright © - Unpublished Work - See title page for details.

54-51-53
 FIG. 04
 PAGE 48
 AUG 22/09

BOEING
767
PARTS CATALOG (MAINTENANCE)

FIG ITEM	PART NUMBER	1 2 3 4 5 6 7	NOMENCLATURE	EFFECT FROM TO	UNITS PER ASSY
R R R R R R R R R R	4 - 820	HL1187-5	.COLLAR SUPPLIER CODE: V5M902 SPECIFICATION NUMBER: BACC30X5 OPTIONAL PART: HL86PB5 V73197 HL86PB5 V92215 HL86PB5 V56878 HL1187-5 V56878 HL1187-5 V92215 HL1187-5 V73197		7
	855	272T0182-11	.BRACKET		1
	860	272T0182-1	.BRACKET		1
			-----*		

ILLUSTRATION ITEMS NOT ON PARTS LIST ARE NOT APPLICABLE

— ITEM NOT ILLUSTRATED

HXL

54-51-53-04

BOEING PROPRIETARY - Copyright © - Unpublished Work - See title page for details.

54-51-53
FIG. 04
PAGE 49
AUG 22/09



767

PARTS CATALOG (MAINTENANCE)

FIG ITEM	PART NUMBER	1 2 3 4 5 6 7 NOMENCLATURE	EFFECT FROM TO	UNITS PER ASSY
4 - 865	HL1012AZ5-3	ATTACHING PARTS .BOLT SUPPLIER CODE: V97928 SPECIFICATION NUMBER: BACB30NX5K3 OPTIONAL PART: HL12VAZ5-3 V73197 HL12VAZ5-3 V92215 HL12VAZ5-3 V97928 L802-5K3 V06725 HL12VAZ5-3 V56878 HL1012AZ5-3 V0PTK6 HL1012AZ5-3 V06725 HL1012AZ5-3 V06950 HL1012AZ5-3 V17446 HL1012AZ5-3 V56878 HL1012AZ5-3 V60516 HL1012AZ5-3 V73197		6

ILLUSTRATION ITEMS NOT ON PARTS LIST ARE NOT APPLICABLE

- ITEM NOT ILLUSTRATED

HXL

54-51-53-04

BOEING PROPRIETARY - Copyright © - Unpublished Work - See title page for details.

54-51-53
 FIG. 04
 PAGE 50
 AUG 22/09

BOEING
767
PARTS CATALOG (MAINTENANCE)

FIG ITEM	PART NUMBER	1 2 3 4 5 6 7	NOMENCLATURE	EFFECT FROM TO	UNITS PER ASSY
R R R R R R R R R R R R R R	4 - 870		.COLLAR SUPPLIER CODE: V5M902 SPECIFICATION NUMBER: BACC30X5 OPTIONAL PART: HL86PB5 V73197 HL86PB5 V92215 HL86PB5 V56878 HL1187-5 V56878 HL1187-5 V92215 HL1187-5 V73197		6
	875	272T0042-2	-----*----- .BRACKET		2

ILLUSTRATION ITEMS NOT ON PARTS LIST ARE NOT APPLICABLE

- ITEM NOT ILLUSTRATED

HXL

54-51-53-04

BOEING PROPRIETARY - Copyright © - Unpublished Work - See title page for details.

54-51-53
FIG. 04
PAGE 51
AUG 22/09



767

PARTS CATALOG (MAINTENANCE)

FIG ITEM	PART NUMBER	1 2 3 4 5 6 7 NOMENCLATURE	EFFECT FROM TO	UNITS PER ASSY
4 880	HL1012AZ5-3	ATTACHING PARTS .BOLT SUPPLIER CODE: V97928 SPECIFICATION NUMBER: BACB30NX5K3 OPTIONAL PART: HL12VAZ5-3 V73197 HL12VAZ5-3 V92215 HL12VAZ5-3 V97928 L802-5K3 V06725 HL12VAZ5-3 V56878 HL1012AZ5-3 VOPTK6 HL1012AZ5-3 V06725 HL1012AZ5-3 V06950 HL1012AZ5-3 V17446 HL1012AZ5-3 V56878 HL1012AZ5-3 V60516 HL1012AZ5-3 V73197		6

ILLUSTRATION ITEMS NOT ON PARTS LIST ARE NOT APPLICABLE

- ITEM NOT ILLUSTRATED

HXL

54-51-53-04

BOEING PROPRIETARY - Copyright © - Unpublished Work - See title page for details.

54-51-53
 FIG. 04
 PAGE 52
 AUG 22/09



767

PARTS CATALOG (MAINTENANCE)

FIG ITEM	PART NUMBER	1 2 3 4 5 6 7	NOMENCLATURE	EFFECT FROM TO	UNITS PER ASSY
4 885	HL1187-5		. COLLAR SUPPLIER CODE: V5M902 SPECIFICATION NUMBER: BACC30X5 OPTIONAL PART: HL86PB5 V73197 HL86PB5 V92215 HL86PB5 V56878 HL1187-5 V56878 HL1187-5 V92215 HL1187-5 V73197 -----*		6

R
R
R
R
R
R
R
R
R
R
R
R
R
R
R
R
R
R
R
R
R
R

ILLUSTRATION ITEMS NOT ON PARTS LIST ARE NOT APPLICABLE

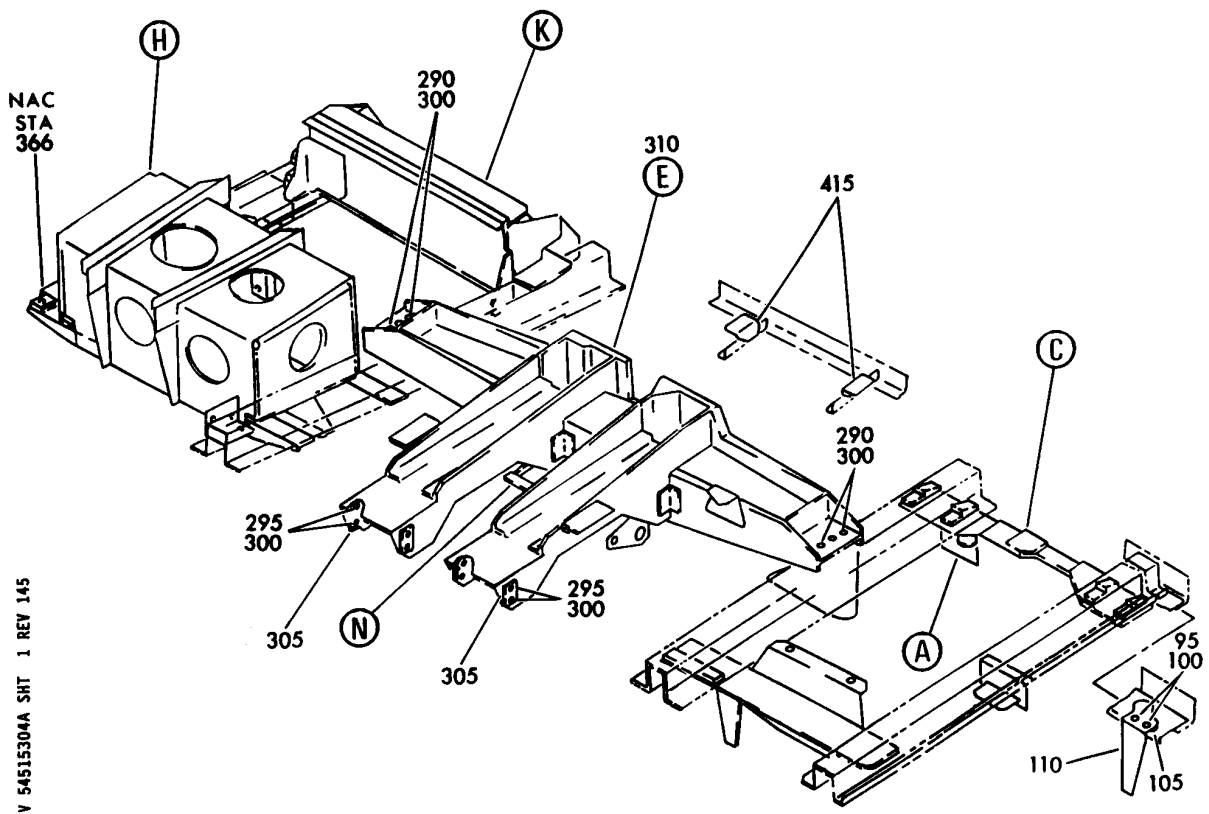
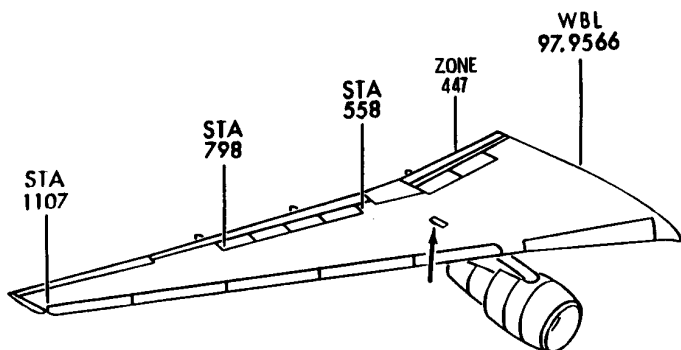
- ITEM NOT ILLUSTRATED

54-51-53-04

54-51-53
FIG. 04
PAGE 53
AUG 22/09

HXL

BOEING
767
PARTS CATALOG (MAINTENANCE)



V 54515304A SHT 1 REV 145

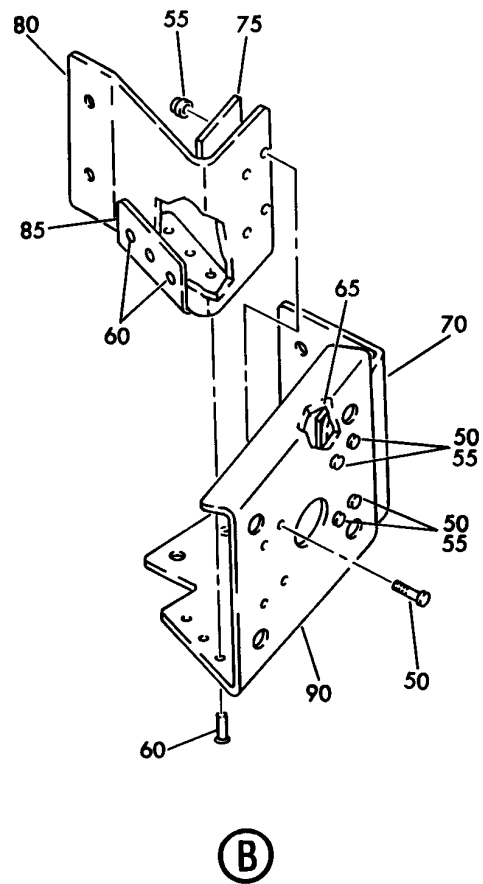
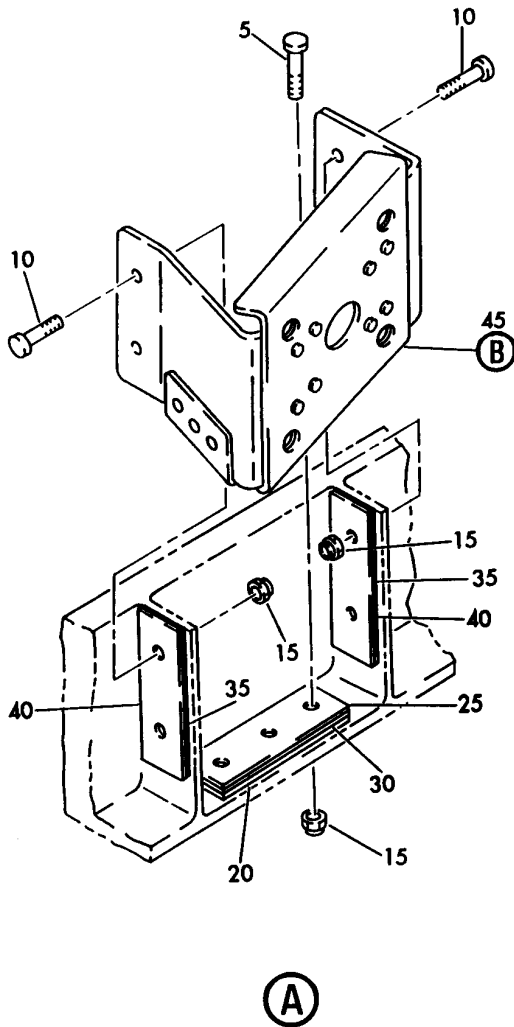
BRACKET INSTL-HYDR SPRT, AFT FAIRING STRUT (RH)
FIGURE 4A (SHEET 1)

54-51-53-04A

HXL
DEC 22/06

54-51-53-04A
PAGE 0

BOEING
767
PARTS CATALOG (MAINTENANCE)



V 54515304A SHT 2 REV 145

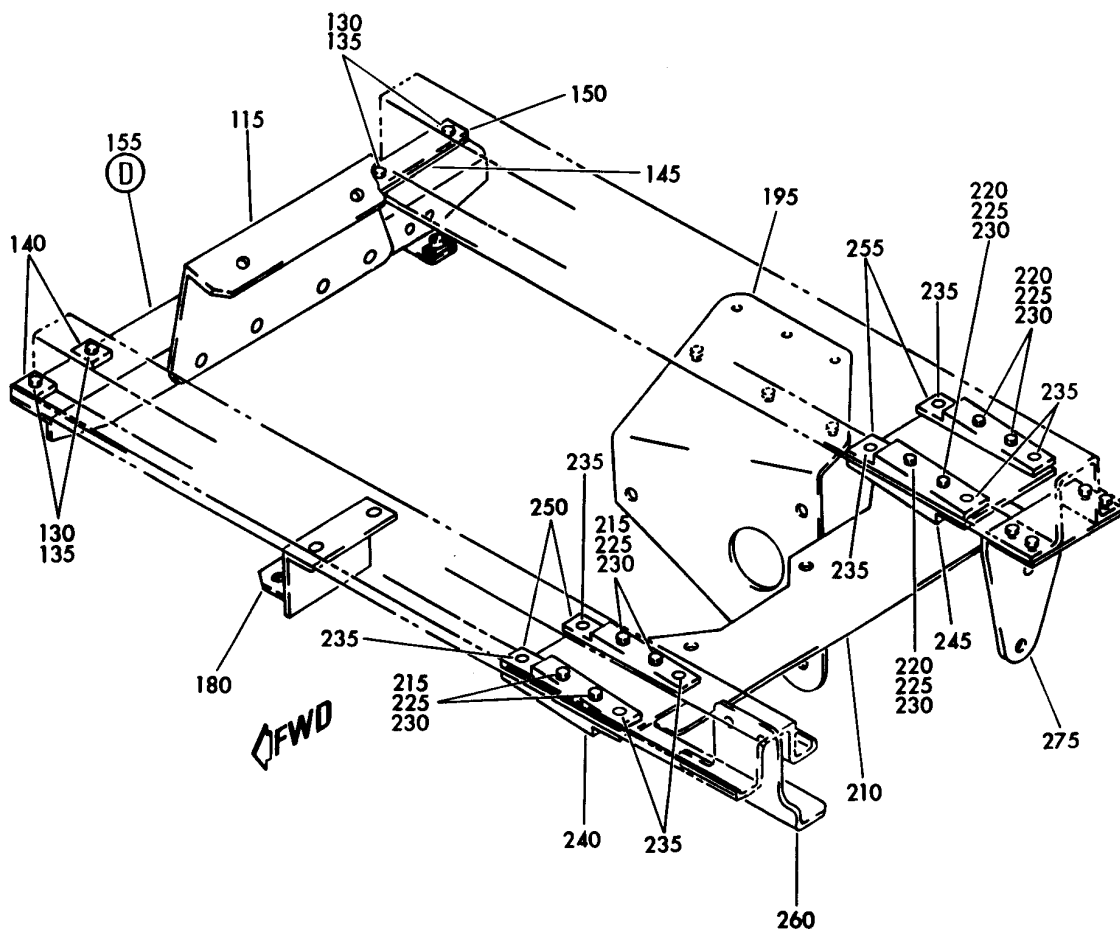
BRACKET INSTL-HYDR SPRT, AFT FAIRING STRUT (RH)
FIGURE 4A (SHEET 2)

54-51-53-04A

HXL
DEC 22/06

54-51-53-04A
PAGE 0A

BOEING
767
PARTS CATALOG (MAINTENANCE)



V 54515304A SHT 3 REV 145

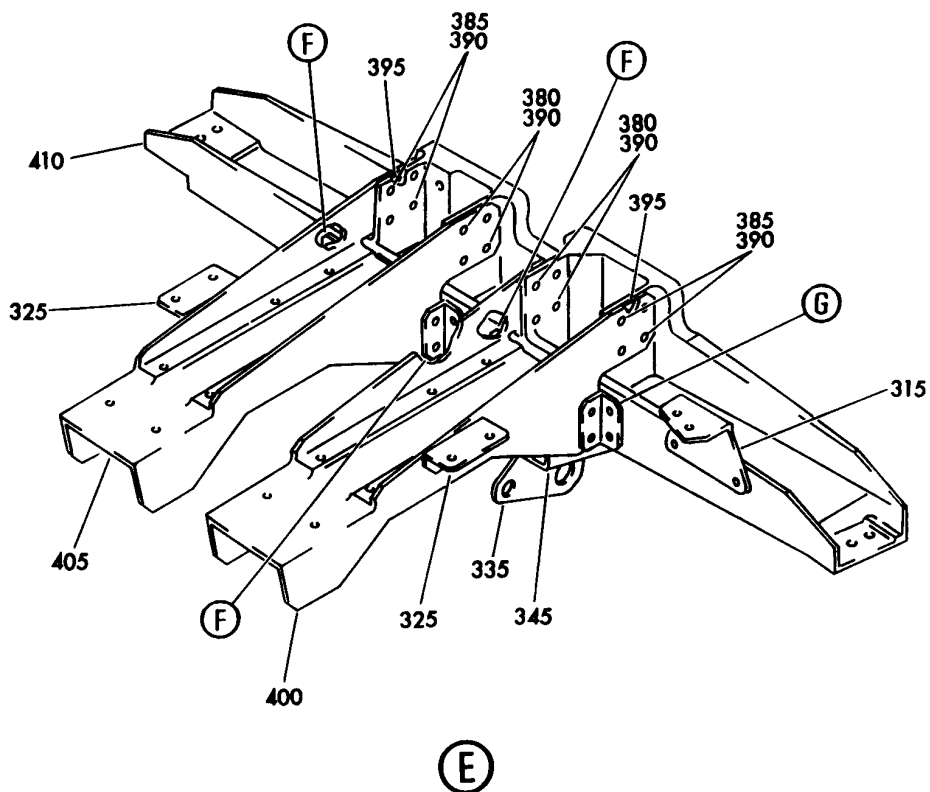
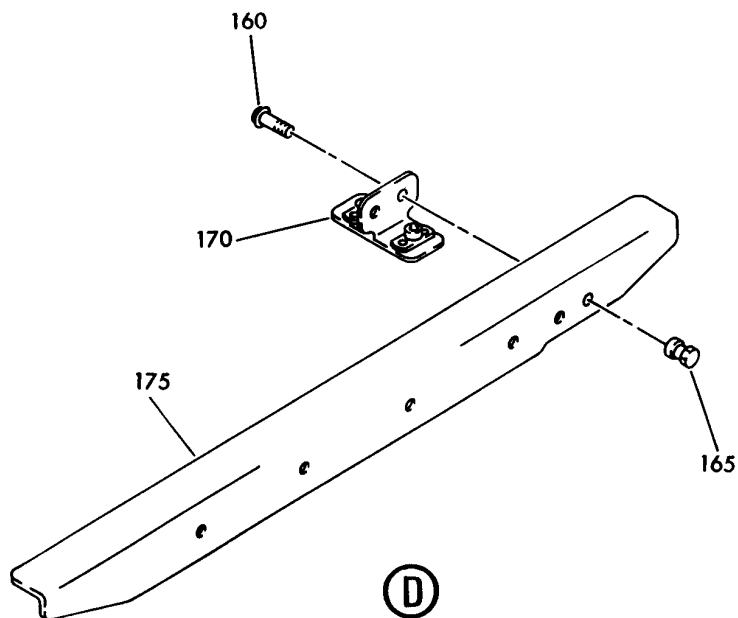
BRACKET INSTL-HYDR SPRT, AFT FAIRING STRUT (RH)
FIGURE 4A (SHEET 3)

54-51-53-04A

HXL
DEC 22/06

54-51-53-04A
PAGE 0B

BOEING
767
PARTS CATALOG (MAINTENANCE)



V 54515304A SHT 4 REV 145

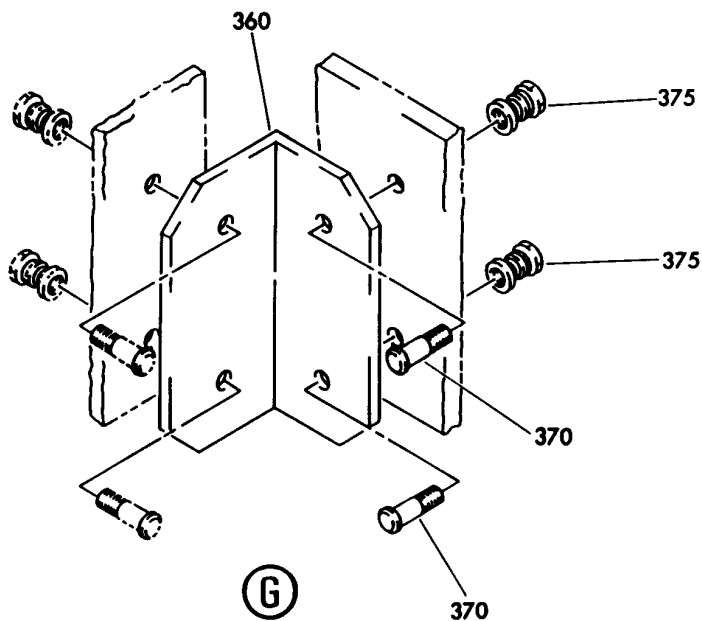
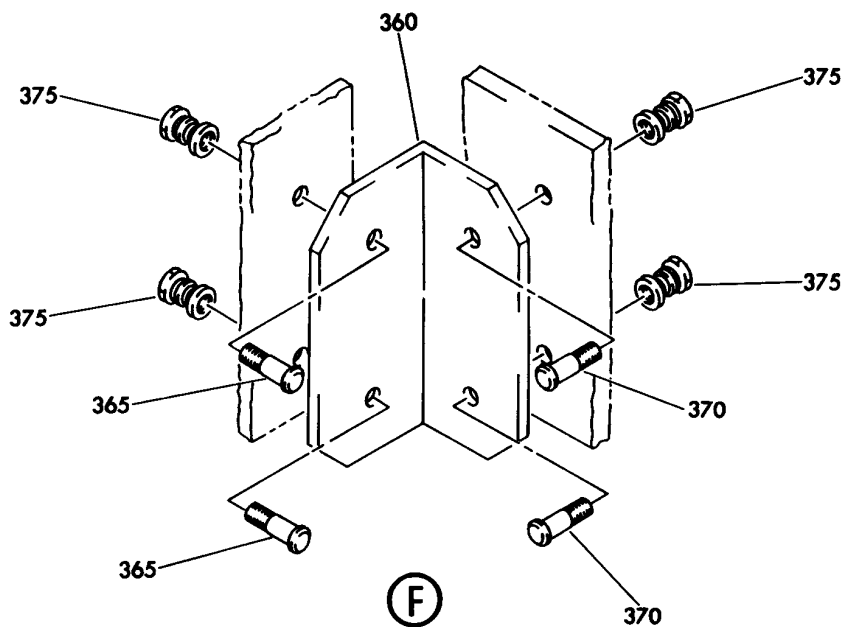
BRACKET INSTL-HYDR SPRT, AFT FAIRING STRUT (RH)
FIGURE 4A (SHEET 4)

54-51-53-04A

HXL
DEC 22/06

54-51-53-04A
PAGE 0C

BOEING
767
PARTS CATALOG (MAINTENANCE)



V 54515304A SHT 5 REV 145

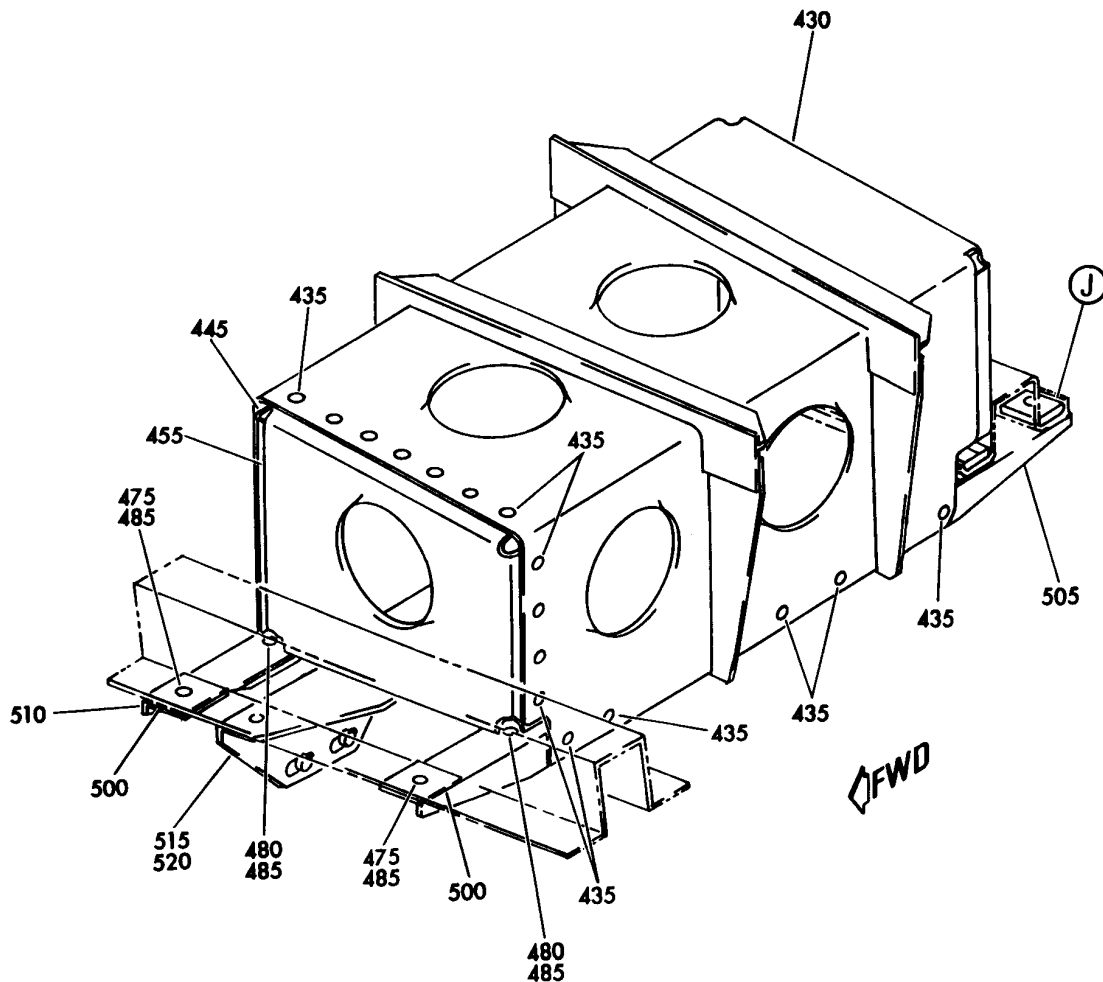
BRACKET INSTL-HYDR SPRT, AFT FAIRING STRUT (RH)
FIGURE 4A (SHEET 5)

54-51-53-04A

HXL
DEC 22/06

54-51-53-04A
PAGE 0D

BOEING
767
PARTS CATALOG (MAINTENANCE)



(H)

V 54515304A SHT 6 REV 145

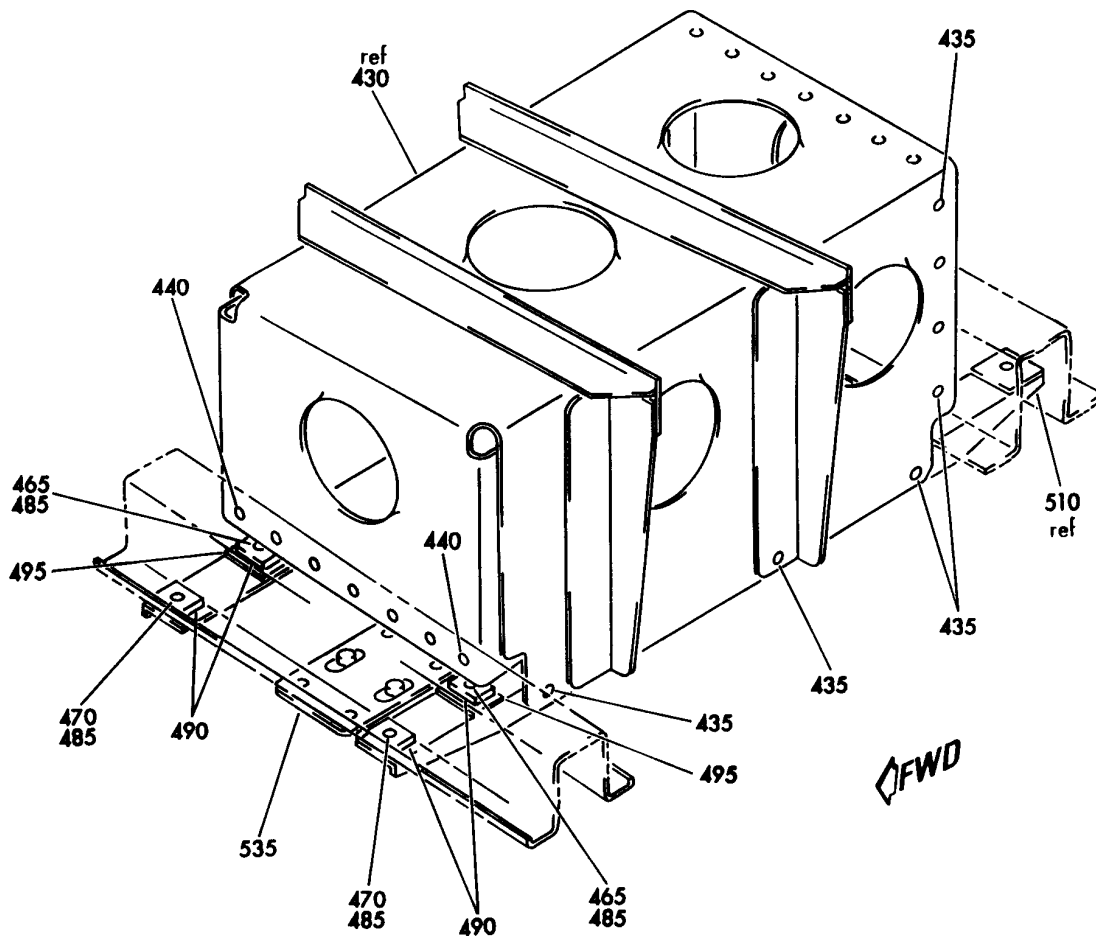
BRACKET INSTL-HYDR SPRT, AFT FAIRING STRUT (RH)
FIGURE 4A (SHEET 6)

54-51-53-04A

HXL
DEC 22/06

54-51-53-04A
PAGE 0E

BOEING
767
PARTS CATALOG (MAINTENANCE)



V 54515304A SHT 7 REV 145

(J)

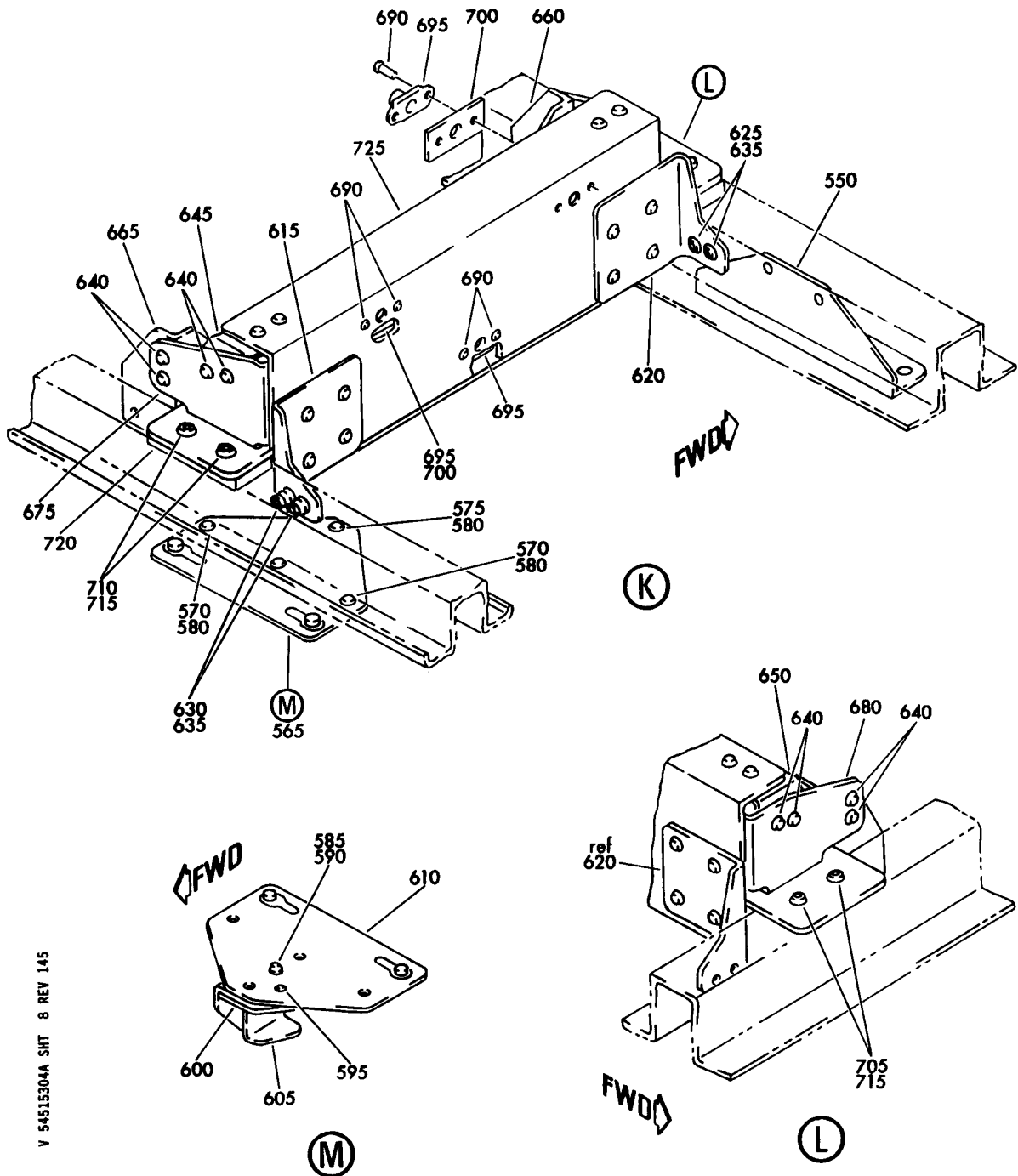
BRACKET INSTL-HYDR SPRT, AFT FAIRING STRUT (RH)
FIGURE 4A (SHEET 7)

54-51-53-04A

HXL
DEC 22/06

54-51-53-04A
PAGE OF

BOEING
767
PARTS CATALOG (MAINTENANCE)



V 5451304A SHT 8 REV 145

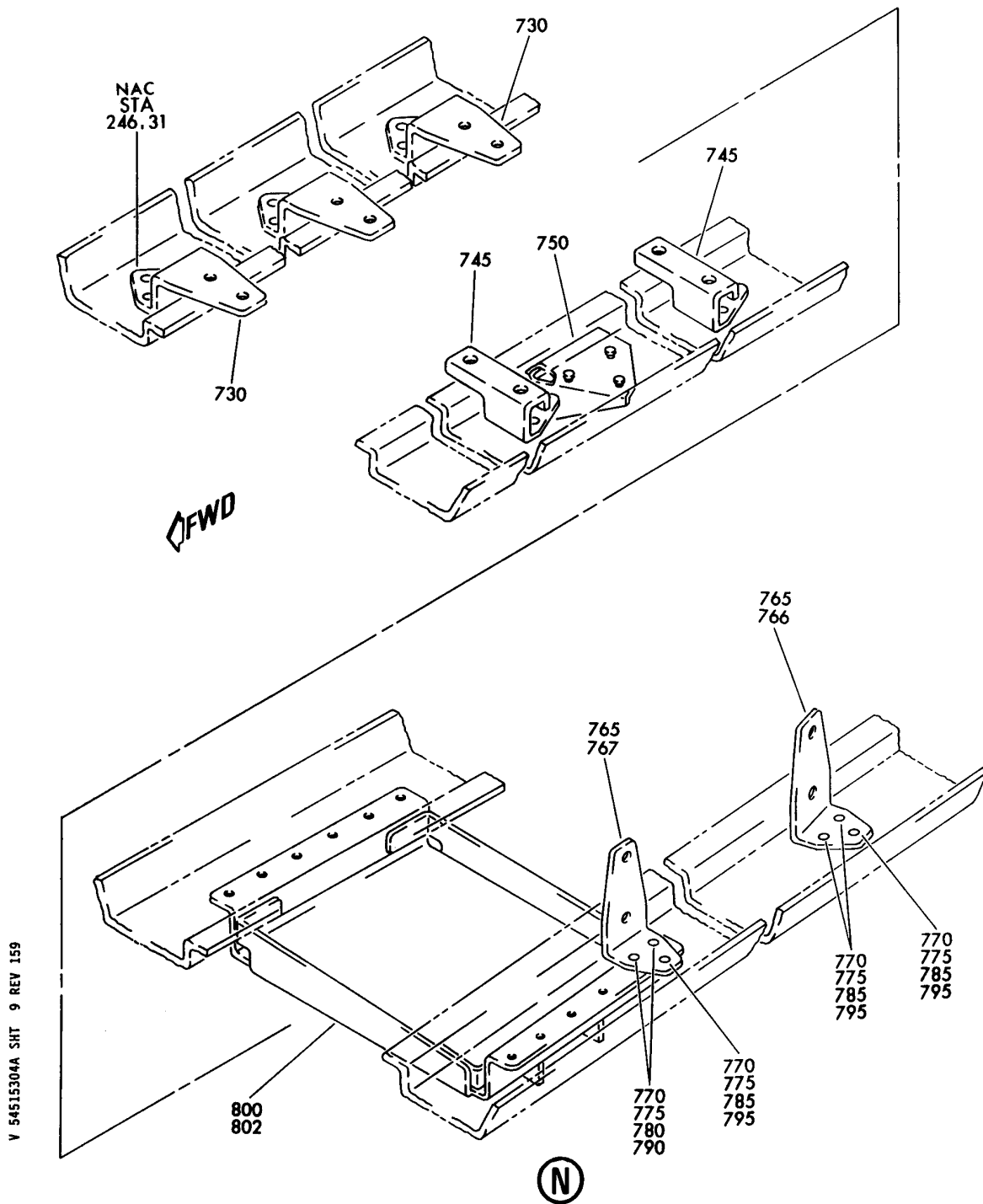
BRACKET INSTL-HYDR SPRT, AFT FAIRING STRUT (RH)
FIGURE 4A (SHEET 8)

54-51-53-04A

HXL
DEC 22/06

54-51-53-04A
PAGE 0G

BOEING
767
PARTS CATALOG (MAINTENANCE)



V 54515304A SHT 9 REV 159

BRACKET INSTL-HYDR SPRT, AFT FAIRING STRUT (RH)
FIGURE 4A (SHEET 9)

54-51-53-04A

HXL
DEC 22/06

54-51-53-04A
PAGE 0H

BOEING
767
PARTS CATALOG (MAINTENANCE)

FIG ITEM	PART NUMBER	1 2 3 4 5 6 7	NOMENCLATURE	EFFECT FROM TO	UNITS PER ASSY
4 A					
- 1	272T0033-10		BRACKET INSTL-HYDR SPRT, AFT FAIRING STRUT (RH) BRACKET INSTL-HYDR SPRT, FAIRING STRUT POSITION DATA: AFT RH VARIABLE DRAWING REF: 272T0033-5046 272T0033-7002 FOR NHA SEE: 54-00-51-02		RF
5	L8006K9		.BOLT SUPPLIER CODE: V06725 SPECIFICATION NUMBER: BACB30MY6K9		3
10	L8006K7		.BOLT SUPPLIER CODE: V06725 SPECIFICATION NUMBER: BACB30MY6K7		4
15	HL79-6		.COLLAR SUPPLIER CODE: V5M902 SPECIFICATION NUMBER: BACC30M6 OPTIONAL PART: HL79-6 V73197 HL79-6 V92215 66014-6 V56878 HL79-6 V56878		7
20	272T0082-12		.FILLER		1
25	BACS40R009E030F		.SHIM		AR
30	BACS40R009F030F		.SHIM		AR
35	BACS40R009E027F		.SHIM		AR
40	BACS40R009F027F		.SHIM		AR
45	272T0082-23		.BRACKET ASSY-		1
ILLUSTRATION ITEMS NOT ON PARTS LIST ARE NOT APPLICABLE					

- ITEM NOT ILLUSTRATED

HXL

54-51-53-04A

BOEING PROPRIETARY - Copyright © - Unpublished Work - See title page for details.

54-51-53
FIG. 04A
PAGE 1
APR 22/08

BOEING
767
PARTS CATALOG (MAINTENANCE)

FIG ITEM	PART NUMBER	1 2 3 4 5 6 7	NOMENCLATURE	EFFECT FROM TO	UNITS PER ASSY
4 A 50	HL13VAZ5-4		.. BOLT SUPPLIER CODE: V56878 SPECIFICATION NUMBER: BACB30NY5K4 OPTIONAL PART: HL13VAZ5-4 V73197 HL13VAZ5-4 V92215 HL13VAZ5-4 V97928 L801-5K4 V06725 HL13VAZ5-4 V60516 L801-5K4 VOPTK6 HL13VAZ5-4 V17446		8
R R	55		.. COLLAR SUPPLIER CODE: V5M902 SPECIFICATION NUMBER: BACC30X5 OPTIONAL PART: HL86PB5 V73197 HL86PB5 V92215 HL86PB5 V56878 HL1187-5 V56878 HL1187-5 V92215 HL1187-5 V73197		8
	60		.. RIVET- SIZE DETERMINED ON INSTL.		6
	65		.. FILLER		1
	70		.. BRACKET		1
	75		.. FILLER		1
	80		.. CLIP		1
	85		.. BRACKET		1
	90		.. BRACKET		1
ILLUSTRATION ITEMS NOT ON PARTS LIST ARE NOT APPLICABLE					

- ITEM NOT ILLUSTRATED

HXL

54-51-53-04A

BOEING PROPRIETARY - Copyright © - Unpublished Work - See title page for details.

54-51-53
FIG. 04A
PAGE 2
AUG 22/09

BOEING
767
PARTS CATALOG (MAINTENANCE)

FIG ITEM	PART NUMBER	1 2 3 4 5 6 7	NOMENCLATURE	EFFECT FROM TO	UNITS PER ASSY
4 A 95	HL1012AZ5-5		.BOLT SUPPLIER CODE: V97928 SPECIFICATION NUMBER: BACB30NX5K5 OPTIONAL PART: HL12VAZ5-5 V73197 HL12VAZ5-5 V92215 HL12VAZ5-5 V97928 L802-5K5 V06725 HL1012AZ5-5 VOPTK6 HL1012AZ5-5 V06725 HL1012AZ5-5 V06950 HL1012AZ5-5 V17446 HL12VAZ5-5 V56878 HL1012AZ5-5 V56878 HL1012AZ5-5 V60516 HL1012AZ5-5 V73197		2
R R R R R R R R R R R R R R R	100	HL1187-5	.COLLAR SUPPLIER CODE: V5M902 SPECIFICATION NUMBER: BACC30X5 OPTIONAL PART: HL86PB5 V73197 HL86PB5 V92215 HL86PB5 V56878 HL1187-5 V56878 HL1187-5 V92215 HL1187-5 V73197		2
	105	272T0035-40	. FILLER		1

ILLUSTRATION ITEMS NOT ON PARTS LIST ARE NOT APPLICABLE

- ITEM NOT ILLUSTRATED

HXL

54-51-53-04A

BOEING PROPRIETARY - Copyright © - Unpublished Work - See title page for details.

54-51-53
FIG. 04A
PAGE 3
AUG 22/09



767

PARTS CATALOG (MAINTENANCE)

FIG ITEM	PART NUMBER	1 2 3 4 5 6 7	NOMENCLATURE	EFFECT FROM TO	UNITS PER ASSY
4 A					
110	272T0035-33	.	BRACKET ASSY		1
115	272T0038-5	.	BLOCK-MTG		1
			ATTACHING PARTS		
- 120	HL1012AZ5-4	.	BOLT		4
			SUPPLIER CODE: V97928		
			SPECIFICATION NUMBER: BACB30NX5K4		
			OPTIONAL PART: HL12VAZ5-4		
			V73197		
			HL12VAZ5-4		
			V92215		
			HL12VAZ5-4		
			V97928		
			L802-5K4		
			V06725		
			HL12VAZ5-4		
			V56878		
			HL1012AZ5-4		
			V0PTK6		
			HL1012AZ5-4		
			V06725		
			HL1012AZ5-4		
			V06950		
			HL1012AZ5-4		
			V17446		
			HL1012AZ5-4		
			V56878		
			HL1012AZ5-4		
			V60516		
			HL1012AZ5-4		
			V73197		
ILLUSTRATION ITEMS NOT ON PARTS LIST ARE NOT APPLICABLE					

- ITEM NOT ILLUSTRATED

HXL

54-51-53-04A

BOEING PROPRIETARY - Copyright © - Unpublished Work - See title page for details.

54-51-53
FIG. 04A
PAGE 4
AUG 22/09

 **BOEING**
767
PARTS CATALOG (MAINTENANCE)

FIG ITEM	PART NUMBER	1 2 3 4 5 6 7	NOMENCLATURE	EFFECT FROM TO	UNITS PER ASSY
4 A - 125	HL1187-5		.COLLAR SUPPLIER CODE: V5M902 SPECIFICATION NUMBER: BACC30X5 OPTIONAL PART: HL86PB5 V73197 HL86PB5 V92215 HL86PB5 V56878 HL1187-5 V56878 HL1187-5 V92215 HL1187-5 V73197		4
	130 HL1012AZ5-6		-----*----- .BOLT SUPPLIER CODE: V97928 SPECIFICATION NUMBER: BACB30NX5K6 OPTIONAL PART: HL12VAZ5-6 V73197 HL12VAZ5-6 V92215 HL12VAZ5-6 V97928 L802-5K6 V06725 HL12VAZ5-6 V56878 HL1012AZ5-6 VOPTK6 HL1012AZ5-6 V06725 HL1012AZ5-6 V06950 HL1012AZ5-6 V17446 HL1012AZ5-6 V56878 HL1012AZ5-6 V60516 HL1012AZ5-6 V73197		4

ILLUSTRATION ITEMS NOT ON PARTS LIST ARE NOT APPLICABLE

- ITEM NOT ILLUSTRATED

HXL

54-51-53-04A

BOEING PROPRIETARY - Copyright © - Unpublished Work - See title page for details.

54-51-53
FIG. 04A
PAGE 5
AUG 22/09

BOEING
767
PARTS CATALOG (MAINTENANCE)

FIG ITEM	PART NUMBER	1 2 3 4 5 6 7	NOMENCLATURE	EFFECT FROM TO	UNITS PER ASSY
R R R R R R R R R R R R	4 A 135		.COLLAR SUPPLIER CODE: V5M902 SPECIFICATION NUMBER: BACC30X5 OPTIONAL PART: HL86PB5 V73197 HL86PB5 V92215 HL86PB5 V56878 HL1187-5 V56878 HL1187-5 V92215 HL1187-5 V73197		4
	140	272T0037-6	.FILLER		2
	145	BACS40R008C031F	.SHIM- OPTIONAL PART: BACS40R008C010F		AR
	145	BACS40R008C010F	.SHIM- OPTIONAL PART: BACS40R00C031F		AR
	150 155	272T0037-7 272T0037-10	.FILLER .BRACKET ASSY		1 1

ILLUSTRATION ITEMS NOT ON PARTS LIST ARE NOT APPLICABLE

- ITEM NOT ILLUSTRATED

HXL

54-51-53-04A

BOEING PROPRIETARY - Copyright © - Unpublished Work - See title page for details.

54-51-53
FIG. 04A
PAGE 6
AUG 22/09

BOEING
767
PARTS CATALOG (MAINTENANCE)

FIG ITEM	PART NUMBER	1 2 3 4 5 6 7	NOMENCLATURE	EFFECT FROM TO	UNITS PER ASSY
4 A 160	HL1012AZ5-3		.. BOLT SUPPLIER CODE: V97928 SPECIFICATION NUMBER: BACB30NX5K3 OPTIONAL PART: HL12VAZ5-3 V73197 HL12VAZ5-3 V92215 HL12VAZ5-3 V97928 L802-5K3 V06725 HL12VAZ5-3 V56878 HL1012AZ5-3 V0PTK6 HL1012AZ5-3 V06725 HL1012AZ5-3 V06950 HL1012AZ5-3 V17446 HL1012AZ5-3 V56878 HL1012AZ5-3 V60516 HL1012AZ5-3 V73197		2
R R	165		.. COLLAR SUPPLIER CODE: V5M902 SPECIFICATION NUMBER: BACC30X5 OPTIONAL PART: HL86PB5 V73197 HL86PB5 V92215 HL86PB5 V56878 HL1187-5 V56878 HL1187-5 V92215 HL1187-5 V73197		2
	170		.. BRACKET ASSY		1

ILLUSTRATION ITEMS NOT ON PARTS LIST ARE NOT APPLICABLE

- ITEM NOT ILLUSTRATED

HXL

54-51-53-04A

BOEING PROPRIETARY - Copyright © - Unpublished Work - See title page for details.

54-51-53
FIG. 04A
PAGE 7
AUG 22/09



767

PARTS CATALOG (MAINTENANCE)

FIG ITEM	PART NUMBER	1 2 3 4 5 6 7	NOMENCLATURE	EFFECT FROM TO	UNITS PER ASSY
4 A					
175	272T0037-5	.	. BRACKET		1
180	272T0035-31	.	. BRACKET ASSY		1
			ATTACHING PARTS		
- 185	HL1012AZ5-3	.	. BOLT		2
			SUPPLIER CODE: V97928		
			SPECIFICATION NUMBER: BACB30NX5K3		
			OPTIONAL PART: HL12VAZ5-3		
			V73197		
			HL12VAZ5-3		
			V92215		
			HL12VAZ5-3		
			V97928		
			L802-5K3		
			V06725		
			HL12VAZ5-3		
			V56878		
			HL1012AZ5-3		
			V0PTK6		
			HL1012AZ5-3		
			V06725		
			HL1012AZ5-3		
			V06950		
			HL1012AZ5-3		
			V17446		
			HL1012AZ5-3		
			V56878		
			HL1012AZ5-3		
			V60516		
			HL1012AZ5-3		
			V73197		
ILLUSTRATION ITEMS NOT ON PARTS LIST ARE NOT APPLICABLE					

- ITEM NOT ILLUSTRATED

HXL

54-51-53-04A

BOEING PROPRIETARY - Copyright © - Unpublished Work - See title page for details.

54-51-53
FIG. 04A
PAGE 8
AUG 22/09

BOEING
767
PARTS CATALOG (MAINTENANCE)

FIG ITEM	PART NUMBER	1 2 3 4 5 6 7	NOMENCLATURE	EFFECT FROM TO	UNITS PER ASSY
R R R R R R R R R R R R	4 A - 190	HL1187-5	.COLLAR SUPPLIER CODE: V5M902 SPECIFICATION NUMBER: BACC30X5 OPTIONAL PART: HL86PB5 V73197 HL86PB5 V92215 HL86PB5 V56878 HL1187-5 V56878 HL1187-5 V92215 HL1187-5 V73197		2
	195	272T0039-1	-----*----- .BRACKET ASSY ATTACHING PARTS		1
	- 200	HL20KD6-5	.BOLT SUPPLIER CODE: V9N513 SPECIFICATION NUMBER: BACB30MB6K5 OPTIONAL PART: HL20KD6-5 V97928 HL20KD6-5 V08524 HL20KD6-5 V92215 HL20KD6-5 V80539 HL20KD6-5 V73197 HL20KD6-5 V56878		6
	ILLUSTRATION ITEMS NOT ON PARTS LIST ARE NOT APPLICABLE				

- ITEM NOT ILLUSTRATED

HXL

54-51-53-04A

BOEING PROPRIETARY - Copyright © - Unpublished Work - See title page for details.

54-51-53
FIG. 04A
PAGE 9
AUG 22/09



767

PARTS CATALOG (MAINTENANCE)

FIG ITEM	PART NUMBER	1 2 3 4 5 6 7	NOMENCLATURE	EFFECT FROM TO	UNITS PER ASSY
4 A - 205	HL1187-6		.COLLAR SUPPLIER CODE: V5M902 SPECIFICATION NUMBER: BACC30X6 OPTIONAL PART: HL87-6 V92215 HL87-6 V73197 HL1187-6 V56878 HL1187-6 V92215 HL87-6 V56878 HL1187-6 V73197 -----*-----		6
210	272T0024-2		.BRACKET ATTACHING PARTS		1
215	NAS6604-13		.BOLT		4
220	NAS6604-15		.BOLT		4
225	AN960PD416L		.WASHER		8
230	MF53049-4		.NUTPLATE SUPPLIER CODE: V15653 SPECIFICATION NUMBER: BACN10JN4 OPTIONAL PART: BRFM20A4 V52828 MF1000-4BAC V15653 NS103218-048 V80539 RMF9201M4 V72962 VN252A048 V92215 T8124S4S V11815 -----*-----		8
235	BACR15FT5KE		.RIVET- SIZE DETERMINED ON INSTL.		8
240	272T0025-5		.SHIM		1
245	272T0025-4		.SHIM		1
250	272T0025-7		.SHIM		2
255	272T0025-6		.SHIM		2

ILLUSTRATION ITEMS NOT ON PARTS LIST ARE NOT APPLICABLE

- ITEM NOT ILLUSTRATED

54-51-53-04A

54-51-53
FIG. 04A
PAGE 10
AUG 22/09

HXL

BOEING PROPRIETARY - Copyright © - Unpublished Work - See title page for details.



767

PARTS CATALOG (MAINTENANCE)

FIG ITEM	PART NUMBER	1 2 3 4 5 6 7	NOMENCLATURE	EFFECT FROM TO	UNITS PER ASSY
4 A	272T0035-13		.BRACKET ASSY		1
260			ATTACHING PARTS		
- 265	HL1012AZ5-3		.BOLT		2
			SUPPLIER CODE: V97928		
			SPECIFICATION NUMBER: BACB30NX5K3		
			OPTIONAL PART: HL12VAZ5-3		
			V73197		
			HL12VAZ5-3		
			V92215		
			HL12VAZ5-3		
			V97928		
			L802-5K3		
			V06725		
			HL12VAZ5-3		
			V56878		
			HL1012AZ5-3		
			V0PTK6		
			HL1012AZ5-3		
			V06725		
			HL1012AZ5-3		
			V06950		
			HL1012AZ5-3		
			V17446		
			HL1012AZ5-3		
			V56878		
			HL1012AZ5-3		
			V60516		
			HL1012AZ5-3		
			V73197		

ILLUSTRATION ITEMS NOT ON PARTS LIST ARE NOT APPLICABLE

- ITEM NOT ILLUSTRATED

HXL

54-51-53-04A

BOEING PROPRIETARY - Copyright © - Unpublished Work - See title page for details.

54-51-53
FIG. 04A
PAGE 11
AUG 22/09

BOEING
767
PARTS CATALOG (MAINTENANCE)

FIG ITEM	PART NUMBER	1 2 3 4 5 6 7	NOMENCLATURE	EFFECT FROM TO	UNITS PER ASSY
R R	4 A - 270		.COLLAR SUPPLIER CODE: V5M902 SPECIFICATION NUMBER: BACC30X5 OPTIONAL PART: HL86PB5 V73197 HL86PB5 V92215 HL86PB5 V56878 HL1187-5 V56878 HL1187-5 V92215 HL1187-5 V73197		2
	275	272T0035-68	-----*----- .BRACKET		1

ILLUSTRATION ITEMS NOT ON PARTS LIST ARE NOT APPLICABLE

- ITEM NOT ILLUSTRATED

HXL

54-51-53-04A

BOEING PROPRIETARY - Copyright © - Unpublished Work - See title page for details.

54-51-53
FIG. 04A
PAGE 12
AUG 22/09



767

PARTS CATALOG (MAINTENANCE)

FIG ITEM	PART NUMBER	1 2 3 4 5 6 7 NOMENCLATURE	EFFECT FROM TO	UNITS PER ASSY
4 A - 280	HL1012AZ5-4	ATTACHING PARTS .BOLT SUPPLIER CODE: V97928 SPECIFICATION NUMBER: BACB30NX5K4 OPTIONAL PART: HL12VAZ5-4 V73197 HL12VAZ5-4 V92215 HL12VAZ5-4 V97928 L802-5K4 V06725 HL12VAZ5-4 V56878 HL1012AZ5-4 VOPTK6 HL1012AZ5-4 V06725 HL1012AZ5-4 V06950 HL1012AZ5-4 V17446 HL1012AZ5-4 V56878 HL1012AZ5-4 V60516 HL1012AZ5-4 V73197		4

ILLUSTRATION ITEMS NOT ON PARTS LIST ARE NOT APPLICABLE

- ITEM NOT ILLUSTRATED

HXL

54-51-53-04A

BOEING PROPRIETARY - Copyright © - Unpublished Work - See title page for details.

54-51-53
 FIG. 04A
 PAGE 13
 AUG 22/09

BOEING
767
PARTS CATALOG (MAINTENANCE)

FIG ITEM	PART NUMBER	1 2 3 4 5 6 7	NOMENCLATURE	EFFECT FROM TO	UNITS PER ASSY
R R R R R R R R R R R R	4 A - 285		.COLLAR SUPPLIER CODE: V5M902 SPECIFICATION NUMBER: BACC30X5 OPTIONAL PART: HL86PB5 V73197 HL86PB5 V92215 HL86PB5 V56878 HL1187-5 V56878 HL1187-5 V92215 HL1187-5 V73197		4
	290	HL1012AZ6-5	-----*----- .BOLT SUPPLIER CODE: V97928 SPECIFICATION NUMBER: BACB30NX6K5 OPTIONAL PART: HL12VAZ6-5 V73197 HL12VAZ6-5 V92215 HL12VAZ6-5 V97928 L802-6K5 V06725 HL12VAZ6-5 V56878 HL1012AZ6-5 VOPTK6 HL1012AZ6-5 V06725 HL1012AZ6-5 V06950 HL1012AZ6-5 V17446 HL1012AZ6-5 V56878 HL1012AZ6-5 V60516 HL1012AZ6-5 V73197		6
ILLUSTRATION ITEMS NOT ON PARTS LIST ARE NOT APPLICABLE					

- ITEM NOT ILLUSTRATED

HXL

54-51-53-04A

BOEING PROPRIETARY - Copyright © - Unpublished Work - See title page for details.

54-51-53
FIG. 04A
PAGE 14
AUG 22/09



767

PARTS CATALOG (MAINTENANCE)

FIG ITEM	PART NUMBER	1 2 3 4 5 6 7	NOMENCLATURE	EFFECT FROM TO	UNITS PER ASSY
4 A 295	HL1012AZ6-4		.BOLT SUPPLIER CODE: V97928 SPECIFICATION NUMBER: BACB30NX6K4 OPTIONAL PART: HL12VAZ6-4 V73197 HL12VAZ6-4 V92215 HL12VAZ6-4 V97928 L802-6K4 V06725 HL12VAZ6-4 V56878 HL1012AZ6-4 VOPTK6 HL1012AZ6-4 V06725 HL1012AZ6-4 V06950 HL1012AZ6-4 V17446 HL1012AZ6-4 V56878 HL1012AZ6-4 V60516 HL1012AZ6-4 V73197		8
300	HL1187-6		.COLLAR SUPPLIER CODE: V5M902 SPECIFICATION NUMBER: BACC30X6 OPTIONAL PART: HL87-6 V92215 HL87-6 V73197 HL1187-6 V56878 HL1187-6 V92215 HL87-6 V56878 HL1187-6 V73197		14
310	272T0010-14		.SUPPORT ASSY		1

ILLUSTRATION ITEMS NOT ON PARTS LIST ARE NOT APPLICABLE

- ITEM NOT ILLUSTRATED

HXL

54-51-53-04A

BOEING PROPRIETARY - Copyright © - Unpublished Work - See title page for details.

54-51-53
FIG. 04A
PAGE 15
AUG 22/09



767

PARTS CATALOG (MAINTENANCE)

FIG ITEM	PART NUMBER	1 2 3 4 5 6 7	NOMENCLATURE	EFFECT FROM TO	UNITS PER ASSY
4 A					
315	272T0040-3		..BRACKET ASSY ATTACHING PARTS		1
- 320	BACR15FT5KE		..RIVET- SIZE DETERMINED ON INSTL. -----*-----		2
325	272T0040-1		..BRACKET ASSY ATTACHING PARTS		2
- 330	BACR15FT5KE		..RIVET- SIZE DETERMINED ON INSTL. -----*-----		4
335	272T0040-19		..BRACKET ATTACHING PARTS		1
- 340	HL1012AZ6-3		..BOLT- SUPPLIER CODE: V97928 SPECIFICATION NUMBER: BACB30NX6K3 OPTIONAL PART: HL12VAZ6-3 V73197 HL12VAZ6-3 V92215 HL12VAZ6-3 V97928 L802-6K3 V06725 HL12VAZ6-3 V56878 HL1012AZ6-3 V0PTK6 HL1012AZ6-3 V06725 HL1012AZ6-3 V06950 HL1012AZ6-3 V17446 HL1012AZ6-3 V56878 HL1012AZ6-3 V60516 HL1012AZ6-3 V73197		2
ILLUSTRATION ITEMS NOT ON PARTS LIST ARE NOT APPLICABLE					

- ITEM NOT ILLUSTRATED

HXL

54-51-53-04A

BOEING PROPRIETARY - Copyright © - Unpublished Work - See title page for details.

54-51-53
FIG. 04A
PAGE 16
AUG 22/09



767

PARTS CATALOG (MAINTENANCE)

FIG ITEM	PART NUMBER	1 2 3 4 5 6 7	NOMENCLATURE	EFFECT FROM TO	UNITS PER ASSY
4 A - 342	HL1187-6		.. COLLAR SUPPLIER CODE: V5M902 SPECIFICATION NUMBER: BACC30X6 OPTIONAL PART: HL87-6 V92215 HL87-6 V73197 HL1187-6 V56878 HL1187-6 V92215 HL87-6 V56878 HL1187-6 V73197 -----*-----		2
345	272T0040-5		.. BRACKET ASSY		1

ILLUSTRATION ITEMS NOT ON PARTS LIST ARE NOT APPLICABLE

- ITEM NOT ILLUSTRATED

HXL

54-51-53-04A

BOEING PROPRIETARY - Copyright © - Unpublished Work - See title page for details.

54-51-53
 FIG. 04A
 PAGE 17
 AUG 22/09



767

PARTS CATALOG (MAINTENANCE)

FIG ITEM	PART NUMBER	1 2 3 4 5 6 7 NOMENCLATURE	EFFECT FROM TO	UNITS PER ASSY
4 A - 350	HL1012AZ5-6	ATTACHING PARTS ..BOLT SUPPLIER CODE: V97928 SPECIFICATION NUMBER: BACB30NX5K6 OPTIONAL PART: HL12VAZ5-6 V73197 HL12VAZ5-6 V92215 HL12VAZ5-6 V97928 L802-5K6 V06725 HL12VAZ5-6 V56878 HL1012AZ5-6 V0PTK6 HL1012AZ5-6 V06725 HL1012AZ5-6 V06950 HL1012AZ5-6 V17446 HL1012AZ5-6 V56878 HL1012AZ5-6 V60516 HL1012AZ5-6 V73197		2

ILLUSTRATION ITEMS NOT ON PARTS LIST ARE NOT APPLICABLE

- ITEM NOT ILLUSTRATED

HXL

54-51-53-04A

BOEING PROPRIETARY - Copyright © - Unpublished Work - See title page for details.

54-51-53
 FIG. 04A
 PAGE 18
 AUG 22/09



767

PARTS CATALOG (MAINTENANCE)

FIG ITEM	PART NUMBER	1 2 3 4 5 6 7	NOMENCLATURE	EFFECT FROM TO	UNITS PER ASSY
R R R R R R R R R R R R R R	4 A - 355 HL1187-5		.. COLLAR SUPPLIER CODE: V5M902 SPECIFICATION NUMBER: BACC30X5 OPTIONAL PART: HL86PB5 V73197 HL86PB5 V92215 HL86PB5 V56878 HL1187-5 V56878 HL1187-5 V92215 HL1187-5 V73197		2
	360 272T0017-1		-----*----- .. CLIP		4

ILLUSTRATION ITEMS NOT ON PARTS LIST ARE NOT APPLICABLE

- ITEM NOT ILLUSTRATED

HXL

54-51-53-04A

BOEING PROPRIETARY - Copyright © - Unpublished Work - See title page for details.

54-51-53
FIG. 04A
PAGE 19
AUG 22/09



767

PARTS CATALOG (MAINTENANCE)

FIG ITEM	PART NUMBER	1 2 3 4 5 6 7 NOMENCLATURE	EFFECT FROM TO	UNITS PER ASSY
4 A 365	HL1012AZ5-5	ATTACHING PARTS ..BOLT SUPPLIER CODE: V97928 SPECIFICATION NUMBER: BACB30NX5K5 OPTIONAL PART: HL12VAZ5-5 V73197 HL12VAZ5-5 V92215 HL12VAZ5-5 V97928 L802-5K5 V06725 HL1012AZ5-5 V0PTK6 HL1012AZ5-5 V06725 HL1012AZ5-5 V06950 HL1012AZ5-5 V17446 HL12VAZ5-5 V56878 HL1012AZ5-5 V56878 HL1012AZ5-5 V60516 HL1012AZ5-5 V73197		6

ILLUSTRATION ITEMS NOT ON PARTS LIST ARE NOT APPLICABLE

- ITEM NOT ILLUSTRATED

HXL

54-51-53-04A

BOEING PROPRIETARY - Copyright © - Unpublished Work - See title page for details.

54-51-53
 FIG. 04A
 PAGE 20
 AUG 22/09

BOEING
767
PARTS CATALOG (MAINTENANCE)

FIG ITEM	PART NUMBER	1 2 3 4 5 6 7	NOMENCLATURE	EFFECT FROM TO	UNITS PER ASSY
4 A 370	HL1012AZ5-8		.. BOLT SUPPLIER CODE: V97928 SPECIFICATION NUMBER: BACB30NX5K8 OPTIONAL PART: HL12VAZ5-8 V73197 HL12VAZ5-8 V92215 HL12VAZ5-8 V97928 L802-5K8 V06725 HL12VAZ5-8 V56878 HL1012AZ5-8 V0PTK6 HL1012AZ5-8 V06725 HL1012AZ5-8 V06950 HL1012AZ5-8 V17446 HL1012AZ5-8 V56878 HL1012AZ5-8 V60516 HL1012AZ5-8 V73197		8
R R R R R R R R R R R R R R R R	375		.. COLLAR SUPPLIER CODE: V5M902 SPECIFICATION NUMBER: BACC30X5 OPTIONAL PART: HL86PB5 V73197 HL86PB5 V92215 HL86PB5 V56878 HL1187-5 V56878 HL1187-5 V92215 HL1187-5 V73197 -----*-----		14
ILLUSTRATION ITEMS NOT ON PARTS LIST ARE NOT APPLICABLE					

— ITEM NOT ILLUSTRATED

HXL

54-51-53-04A

BOEING PROPRIETARY - Copyright © - Unpublished Work - See title page for details.

54-51-53
FIG. 04A
PAGE 21
AUG 22/09



767

PARTS CATALOG (MAINTENANCE)

FIG ITEM	PART NUMBER	1 2 3 4 5 6 7 NOMENCLATURE	EFFECT FROM TO	UNITS PER ASSY
4 A 380	HL1012AZ6-5	.. BOLT SUPPLIER CODE: V97928 SPECIFICATION NUMBER: BACB30NX6K5 OPTIONAL PART: HL12VAZ6-5 V73197 HL12VAZ6-5 V92215 HL12VAZ6-5 V97928 L802-6K5 V06725 HL12VAZ6-5 V56878 HL1012AZ6-5 V0PTK6 HL1012AZ6-5 V06725 HL1012AZ6-5 V06950 HL1012AZ6-5 V17446 HL1012AZ6-5 V56878 HL1012AZ6-5 V60516 HL1012AZ6-5 V73197		8

ILLUSTRATION ITEMS NOT ON PARTS LIST ARE NOT APPLICABLE

- ITEM NOT ILLUSTRATED

HXL

54-51-53-04A

BOEING PROPRIETARY - Copyright © - Unpublished Work - See title page for details.

54-51-53
 FIG. 04A
 PAGE 22
 AUG 22/09



767

PARTS CATALOG (MAINTENANCE)

FIG ITEM	PART NUMBER	1 2 3 4 5 6 7	NOMENCLATURE	EFFECT FROM TO	UNITS PER ASSY
4 A 385	HL1012AZ6-6		.. BOLT SUPPLIER CODE: V97928 SPECIFICATION NUMBER: BACB30NX6K6 OPTIONAL PART: HL12VAZ6-6 V73197 HL12VAZ6-6 V92215 HL12VAZ6-6 V97928 L802-6K6 V06725 HL12VAZ6-6 V56878 HL1012AZ6-6 V0PTK6 HL1012AZ6-6 V06725 HL1012AZ6-6 V06950 HL1012AZ6-6 V17446 HL1012AZ6-6 V56878 HL1012AZ6-6 V60516 HL1012AZ6-6 V73197		8
390	HL1187-6		.. COLLAR SUPPLIER CODE: V5M902 SPECIFICATION NUMBER: BACC30X6 OPTIONAL PART: HL87-6 V92215 HL87-6 V73197 HL1187-6 V56878 HL1187-6 V92215 HL87-6 V56878 HL1187-6 V73197		16

ILLUSTRATION ITEMS NOT ON PARTS LIST ARE NOT APPLICABLE

- ITEM NOT ILLUSTRATED

HXL

54-51-53-04A

BOEING PROPRIETARY - Copyright © - Unpublished Work - See title page for details.

54-51-53
 FIG. 04A
 PAGE 23
 AUG 22/09



767

PARTS CATALOG (MAINTENANCE)

FIG ITEM	PART NUMBER	1 2 3 4 5 6 7	NOMENCLATURE	EFFECT FROM TO	UNITS PER ASSY
4 A					
395	BACS40R18F18F	..	SHIM- OPTIONAL PART: BACS40R18E18F		2
395	BACS40R18E18F	..	SHIM- OPTIONAL PART: BACS40R18F18F		2
400	272T0012-8	..	BEAM		1
405	272T0012-7	..	BEAM		1
410	272T0022-2	..	BEAM ASSY		1
415	272T0035-7	.	BRACKET ASSY		2
- 420	HL1012AZ5-3	.	BOLT ATTACHING PARTS SUPPLIER CODE: V97928 SPECIFICATION NUMBER: BACB30NX5K3 OPTIONAL PART: HL12VAZ5-3 V73197 HL12VAZ5-3 V92215 HL12VAZ5-3 V97928 L802-5K3 V06725 HL12VAZ5-3 V56878 HL1012AZ5-3 VOPTK6 HL1012AZ5-3 V06725 HL1012AZ5-3 V06950 HL1012AZ5-3 V17446 HL1012AZ5-3 V56878 HL1012AZ5-3 V60516 HL1012AZ5-3 V73197		4
ILLUSTRATION ITEMS NOT ON PARTS LIST ARE NOT APPLICABLE					

- ITEM NOT ILLUSTRATED

HXL

54-51-53-04A

BOEING PROPRIETARY - Copyright © - Unpublished Work - See title page for details.

54-51-53
FIG. 04A
PAGE 24
AUG 22/09

 **BOEING**
767
PARTS CATALOG (MAINTENANCE)

FIG ITEM	PART NUMBER	1 2 3 4 5 6 7	NOMENCLATURE	EFFECT FROM TO	UNITS PER ASSY	
R R R R R R R R R R	4 A - 425	HL1187-5	.COLLAR SUPPLIER CODE: V5M902 SPECIFICATION NUMBER: BACC30X5 OPTIONAL PART: HL86PB5 V73197 HL86PB5 V92215 HL86PB5 V56878 HL1187-5 V56878 HL1187-5 V92215 HL1187-5 V73197 -----*-----		4	
	430	272T0002-10	.BRACKET ASSY ATTACHING PARTS		1	
	435	BACR15FT5KE	.RIVET- SIZE DETERMINED ON INSTL.		23	
	440	BACR15FT6KE	.RIVET- SIZE DETERMINED ON INSTL. -----*-----		7	
	445	272T0003-12	.BRACKET ATTACHING PARTS		1	
	- 450	BACR15FT5KE	.RIVET- SIZE DETERMINED ON INSTL. -----*-----		4	
	455	272T0003-18	.BRACKET ATTACHING PARTS		1	
	- 460	BACR15FT5KE	.RIVET- SIZE DETERMINED ON INSTL. -----*-----		6	
	ILLUSTRATION ITEMS NOT ON PARTS LIST ARE NOT APPLICABLE					

- ITEM NOT ILLUSTRATED

HXL

54-51-53-04A

BOEING PROPRIETARY - Copyright © - Unpublished Work - See title page for details.

54-51-53
FIG. 04A
PAGE 25
AUG 22/09



767

PARTS CATALOG (MAINTENANCE)

FIG ITEM	PART NUMBER	1 2 3 4 5 6 7 NOMENCLATURE	EFFECT FROM TO	UNITS PER ASSY
4 A 465	HL1012AZ6-6	.BOLT SUPPLIER CODE: V97928 SPECIFICATION NUMBER: BACB30NX6K6 OPTIONAL PART: HL12VAZ6-6 V73197 HL12VAZ6-6 V92215 HL12VAZ6-6 V97928 L802-6K6 V06725 HL12VAZ6-6 V56878 HL1012AZ6-6 VOPTK6 HL1012AZ6-6 V06725 HL1012AZ6-6 V06950 HL1012AZ6-6 V17446 HL1012AZ6-6 V56878 HL1012AZ6-6 V60516 HL1012AZ6-6 V73197		2

ILLUSTRATION ITEMS NOT ON PARTS LIST ARE NOT APPLICABLE

- ITEM NOT ILLUSTRATED

HXL

54-51-53-04A

BOEING PROPRIETARY - Copyright © - Unpublished Work - See title page for details.

54-51-53
 FIG. 04A
 PAGE 26
 AUG 22/09



767

PARTS CATALOG (MAINTENANCE)

FIG ITEM	PART NUMBER	1 2 3 4 5 6 7 NOMENCLATURE	EFFECT FROM TO	UNITS PER ASSY
4 A 470	HL1012AZ6-5	.BOLT SUPPLIER CODE: V97928 SPECIFICATION NUMBER: BACB30NX6K5 OPTIONAL PART: HL12VAZ6-5 V73197 HL12VAZ6-5 V92215 HL12VAZ6-5 V97928 L802-6K5 V06725 HL12VAZ6-5 V56878 HL1012AZ6-5 VOPTK6 HL1012AZ6-5 V06725 HL1012AZ6-5 V06950 HL1012AZ6-5 V17446 HL1012AZ6-5 V56878 HL1012AZ6-5 V60516 HL1012AZ6-5 V73197		2

ILLUSTRATION ITEMS NOT ON PARTS LIST ARE NOT APPLICABLE

- ITEM NOT ILLUSTRATED

HXL

54-51-53-04A

BOEING PROPRIETARY - Copyright © - Unpublished Work - See title page for details.

54-51-53
 FIG. 04A
 PAGE 27
 AUG 22/09



767

PARTS CATALOG (MAINTENANCE)

FIG ITEM	PART NUMBER	1 2 3 4 5 6 7 NOMENCLATURE	EFFECT FROM TO	UNITS PER ASSY
4 A 475	HL1012AZ6-4	.BOLT SUPPLIER CODE: V97928 SPECIFICATION NUMBER: BACB30NX6K4 OPTIONAL PART: HL12VAZ6-4 V73197 HL12VAZ6-4 V92215 HL12VAZ6-4 V97928 L802-6K4 V06725 HL12VAZ6-4 V56878 HL1012AZ6-4 VOPTK6 HL1012AZ6-4 V06725 HL1012AZ6-4 V06950 HL1012AZ6-4 V17446 HL1012AZ6-4 V56878 HL1012AZ6-4 V60516 HL1012AZ6-4 V73197		2

ILLUSTRATION ITEMS NOT ON PARTS LIST ARE NOT APPLICABLE

- ITEM NOT ILLUSTRATED

HXL

54-51-53-04A

BOEING PROPRIETARY - Copyright © - Unpublished Work - See title page for details.

54-51-53
 FIG. 04A
 PAGE 28
 AUG 22/09



767

PARTS CATALOG (MAINTENANCE)

FIG ITEM	PART NUMBER	1 2 3 4 5 6 7	NOMENCLATURE	EFFECT FROM TO	UNITS PER ASSY
4 A 480	HL1012AZ6-3	.	BOLT SUPPLIER CODE: V97928 SPECIFICATION NUMBER: BACB30NX6K3 OPTIONAL PART: HL12VAZ6-3 V73197 HL12VAZ6-3 V92215 HL12VAZ6-3 V97928 L802-6K3 V06725 HL12VAZ6-3 V56878 HL1012AZ6-3 VOPTK6 HL1012AZ6-3 V06725 HL1012AZ6-3 V06950 HL1012AZ6-3 V17446 HL1012AZ6-3 V56878 HL1012AZ6-3 V60516 HL1012AZ6-3 V73197		2
485	HL1187-6	.	COLLAR SUPPLIER CODE: V5M902 SPECIFICATION NUMBER: BACC30X6 OPTIONAL PART: HL87-6 V92215 HL87-6 V73197 HL1187-6 V56878 HL1187-6 V92215 HL87-6 V56878 HL1187-6 V73197		8
490	272T0004-4	.	FILLER		4

ILLUSTRATION ITEMS NOT ON PARTS LIST ARE NOT APPLICABLE

- ITEM NOT ILLUSTRATED

HXL

54-51-53-04A

BOEING PROPRIETARY - Copyright © - Unpublished Work - See title page for details.

54-51-53
FIG. 04A
PAGE 29
AUG 22/09



767

PARTS CATALOG (MAINTENANCE)

FIG ITEM	PART NUMBER	1 2 3 4 5 6 7	NOMENCLATURE	EFFECT FROM TO	UNITS PER ASSY
4 A					
495	BACS40R007C010F	.	SHIM		2
500	BACS40R010D010F	.	SHIM		2
505	272T0004-1	.	BRACKET		1
510	272T0004-5	.	BRACKET		1
515	272T0168-3	.	BRACKET ASSY		1
- 525	HL1012AZ5-4	.	BOLT		3
			SUPPLIER CODE: V97928		
			SPECIFICATION NUMBER: BACB30NX5K4		
			OPTIONAL PART: HL12VAZ5-4		
			V73197		
			HL12VAZ5-4		
			V92215		
			HL12VAZ5-4		
			V97928		
			L802-5K4		
			V06725		
			HL12VAZ5-4		
			V56878		
			HL1012AZ5-4		
			V0PTK6		
			HL1012AZ5-4		
			V06725		
			HL1012AZ5-4		
			V06950		
			HL1012AZ5-4		
			V17446		
			HL1012AZ5-4		
			V56878		
			HL1012AZ5-4		
			V60516		
			HL1012AZ5-4		
			V73197		

ILLUSTRATION ITEMS NOT ON PARTS LIST ARE NOT APPLICABLE

- ITEM NOT ILLUSTRATED

HXL

54-51-53-04A

BOEING PROPRIETARY - Copyright © - Unpublished Work - See title page for details.

54-51-53
FIG. 04A
PAGE 30
AUG 22/09

BOEING
767
PARTS CATALOG (MAINTENANCE)

FIG ITEM	PART NUMBER	1 2 3 4 5 6 7	NOMENCLATURE	EFFECT FROM TO	UNITS PER ASSY
R R R R R R R R R R R R R	4 A - 530		.COLLAR SUPPLIER CODE: V5M902 SPECIFICATION NUMBER: BACC30X5 OPTIONAL PART: HL86PB5 V73197 HL86PB5 V92215 HL86PB5 V56878 HL1187-5 V56878 HL1187-5 V92215 HL1187-5 V73197		3
	550	272T0035-5	-----*----- .BRACKET ASSY		1

ILLUSTRATION ITEMS NOT ON PARTS LIST ARE NOT APPLICABLE

- ITEM NOT ILLUSTRATED

HXL

54-51-53-04A

BOEING PROPRIETARY - Copyright © - Unpublished Work - See title page for details.

54-51-53
FIG. 04A
PAGE 31
AUG 22/09



767

PARTS CATALOG (MAINTENANCE)

FIG ITEM	PART NUMBER	1 2 3 4 5 6 7 NOMENCLATURE	EFFECT FROM TO	UNITS PER ASSY
4 A - 555	HL1012AZ5-3	ATTACHING PARTS .BOLT SUPPLIER CODE: V97928 SPECIFICATION NUMBER: BACB30NX5K3 OPTIONAL PART: HL12VAZ5-3 V73197 HL12VAZ5-3 V92215 HL12VAZ5-3 V97928 L802-5K3 V06725 HL12VAZ5-3 V56878 HL1012AZ5-3 V0PTK6 HL1012AZ5-3 V06725 HL1012AZ5-3 V06950 HL1012AZ5-3 V17446 HL1012AZ5-3 V56878 HL1012AZ5-3 V60516 HL1012AZ5-3 V73197		2

ILLUSTRATION ITEMS NOT ON PARTS LIST ARE NOT APPLICABLE

- ITEM NOT ILLUSTRATED

HXL

54-51-53-04A

BOEING PROPRIETARY - Copyright © - Unpublished Work - See title page for details.

54-51-53
 FIG. 04A
 PAGE 32
 AUG 22/09

BOEING
767
PARTS CATALOG (MAINTENANCE)

FIG ITEM	PART NUMBER	1 2 3 4 5 6 7	NOMENCLATURE	EFFECT FROM TO	UNITS PER ASSY
R R R R R R R R R R R R R	4 A - 560		.COLLAR SUPPLIER CODE: V5M902 SPECIFICATION NUMBER: BACC30X5 OPTIONAL PART: HL86PB5 V73197 HL86PB5 V92215 HL86PB5 V56878 HL1187-5 V56878 HL1187-5 V92215 HL1187-5 V73197		2
	565	272T0035-59	-----*----- .BRACKET ASSY		1

ILLUSTRATION ITEMS NOT ON PARTS LIST ARE NOT APPLICABLE

- ITEM NOT ILLUSTRATED

HXL

54-51-53-04A

BOEING PROPRIETARY - Copyright © - Unpublished Work - See title page for details.

54-51-53
FIG. 04A
PAGE 33
AUG 22/09



767

PARTS CATALOG (MAINTENANCE)

FIG ITEM	PART NUMBER	1 2 3 4 5 6 7 NOMENCLATURE	EFFECT FROM TO	UNITS PER ASSY
4 A 570	HL1012AZ5-3	ATTACHING PARTS .BOLT SUPPLIER CODE: V97928 SPECIFICATION NUMBER: BACB30NX5K3 OPTIONAL PART: HL12VAZ5-3 V73197 HL12VAZ5-3 V92215 HL12VAZ5-3 V97928 L802-5K3 V06725 HL12VAZ5-3 V56878 HL1012AZ5-3 V0PTK6 HL1012AZ5-3 V06725 HL1012AZ5-3 V06950 HL1012AZ5-3 V17446 HL1012AZ5-3 V56878 HL1012AZ5-3 V60516 HL1012AZ5-3 V73197		3

ILLUSTRATION ITEMS NOT ON PARTS LIST ARE NOT APPLICABLE

- ITEM NOT ILLUSTRATED

HXL

54-51-53-04A

BOEING PROPRIETARY - Copyright © - Unpublished Work - See title page for details.

54-51-53
 FIG. 04A
 PAGE 34
 AUG 22/09


BOEING
 767
PARTS CATALOG (MAINTENANCE)

FIG ITEM	PART NUMBER	1 2 3 4 5 6 7	NOMENCLATURE	EFFECT FROM TO	UNITS PER ASSY
4 A 585	HL1012AZ5-4	..	BOLT SUPPLIER CODE: V97928 SPECIFICATION NUMBER: BACB30NX5K4 OPTIONAL PART: HL12VAZ5-4 V73197 HL12VAZ5-4 V92215 HL12VAZ5-4 V97928 L802-5K4 V06725 HL12VAZ5-4 V56878 HL1012AZ5-4 V0PTK6 HL1012AZ5-4 V06725 HL1012AZ5-4 V06950 HL1012AZ5-4 V17446 HL1012AZ5-4 V56878 HL1012AZ5-4 V60516 HL1012AZ5-4 V73197		1
R R	590	HL1187-5	.. COLLAR SUPPLIER CODE: V5M902 SPECIFICATION NUMBER: BACC30X5 OPTIONAL PART: HL86PB5 V73197 HL86PB5 V92215 HL86PB5 V56878 HL1187-5 V56878 HL1187-5 V92215 HL1187-5 V73197		1
ILLUSTRATION ITEMS NOT ON PARTS LIST ARE NOT APPLICABLE					

- ITEM NOT ILLUSTRATED

HXL

54-51-53-04A

BOEING PROPRIETARY - Copyright © - Unpublished Work - See title page for details.

54-51-53
 FIG. 04A
 PAGE 36
 AUG 22/09



767

PARTS CATALOG (MAINTENANCE)

FIG ITEM	PART NUMBER	1 2 3 4 5 6 7	NOMENCLATURE	EFFECT FROM TO	UNITS PER ASSY
4 A					
595	BACR15BA3AD	..	RIVET- SIZE DETERMINED ON INSTL.		1
600	272T0035-67	..	FILLER		1
605	272T0035-63	..	BRACKET ASSY		1
610	272T0035-2	..	BRACKET		1
615	272T0008-20	.	BRACKET		1
620	272T0008-19	.	BRACKET		1
625	HL1012AZ5-2	.	BOLT		2
			SUPPLIER CODE: V97928		
			SPECIFICATION NUMBER: BACB30NX5K2		
			OPTIONAL PART: HL12VAZ5-2		
			V73197		
			HL12VAZ5-2		
			V92215		
			HL12VAZ5-2		
			V97928		
			L802-5K2		
			V06725		
			HL12VAZ5-2		
			V56878		
			HL1012AZ5-2		
			V0PTK6		
			HL1012AZ5-2		
			V06725		
			HL1012AZ5-2		
			V06950		
			HL1012AZ5-2		
			V17446		
			HL1012AZ5-2		
			V56878		
			HL1012AZ5-2		
			V60516		
			HL1012AZ5-2		
			V73197		

ILLUSTRATION ITEMS NOT ON PARTS LIST ARE NOT APPLICABLE

- ITEM NOT ILLUSTRATED

HXL

54-51-53-04A

BOEING PROPRIETARY - Copyright © - Unpublished Work - See title page for details.

54-51-53
FIG. 04A
PAGE 37
AUG 22/09

 **BOEING**
767
PARTS CATALOG (MAINTENANCE)

FIG ITEM	PART NUMBER	1 2 3 4 5 6 7	NOMENCLATURE	EFFECT FROM TO	UNITS PER ASSY
4 A					
640	BACR15FT5KE	.	RIVET- SIZE DETERMINED ON INSTL. -----*-----		8
645	272T0008-6	.	BRACKET		1
650	272T0008-7	.	BRACKET		1
- 655	BACR15FT5KE	.	RIVET- SIZE DETERMINED ON INSTL. -----*-----		8
660	272T0009-6	.	BRACKET		1
665	272T0009-8	.	BRACKET		1
- 670	BACR15FT5KE	.	RIVET- SIZE DETERMINED ON INSTL. -----*-----		8
675	272T0008-17	.	BRACKET		1
680	272T0008-18	.	BRACKET		1
- 685	BACR15FT5KE	.	RIVET- SIZE DETERMINED ON INSTL. -----*-----		4
690	BACR15BA3AD	.	RIVET- SIZE DETERMINED ON INSTL.		6
695	BRFR220A4-1	.	NUTPLATE SUPPLIER CODE: V52828 SPECIFICATION NUMBER: BACN10KE4A OPTIONAL PART: RMF9212-4 V72962 F51750-4-1 V15653 NS103190-048 V80539		3
700	BACF3F006R015NN	.	FILLER		2

ILLUSTRATION ITEMS NOT ON PARTS LIST ARE NOT APPLICABLE

- ITEM NOT ILLUSTRATED

HXL

54-51-53-04A

BOEING PROPRIETARY - Copyright © - Unpublished Work - See title page for details.

54-51-53
FIG. 04A
PAGE 39
AUG 22/09



767

PARTS CATALOG (MAINTENANCE)

FIG ITEM	PART NUMBER	1 2 3 4 5 6 7 NOMENCLATURE	EFFECT FROM TO	UNITS PER ASSY
4 A 705	HL1012AZ6-10	.BOLT SUPPLIER CODE: V97928 SPECIFICATION NUMBER: BACB30NX6K10 OPTIONAL PART: HL12VAZ6-10 V73197 HL12VAZ6-10 V92215 HL12VAZ6-10 V97928 L802-6K10 V06725 HL12VAZ6-10 V56878 HL1012AZ6-10 VOPTK6 HL1012AZ6-10 V06725 HL1012AZ6-10 V06950 HL1012AZ6-10 V17446 HL1012AZ6-10 V56878 HL1012AZ6-10 V60516 HL1012AZ6-10 V73197		2

ILLUSTRATION ITEMS NOT ON PARTS LIST ARE NOT APPLICABLE

- ITEM NOT ILLUSTRATED

HXL

54-51-53-04A

BOEING PROPRIETARY - Copyright © - Unpublished Work - See title page for details.

54-51-53
 FIG. 04A
 PAGE 40
 AUG 22/09



767

PARTS CATALOG (MAINTENANCE)

FIG ITEM	PART NUMBER	1 2 3 4 5 6 7	NOMENCLATURE	EFFECT FROM TO	UNITS PER ASSY
4 A 710	HL1012AZ6-4	.BOLT	SUPPLIER CODE: V97928 SPECIFICATION NUMBER: BACB30NX6K4 OPTIONAL PART: HL12VAZ6-4 V73197 HL12VAZ6-4 V92215 HL12VAZ6-4 V97928 L802-6K4 V06725 HL12VAZ6-4 V56878 HL1012AZ6-4 VOPTK6 HL1012AZ6-4 V06725 HL1012AZ6-4 V06950 HL1012AZ6-4 V17446 HL1012AZ6-4 V56878 HL1012AZ6-4 V60516 HL1012AZ6-4 V73197		2
715	HL1187-6	.COLLAR	SUPPLIER CODE: V5M902 SPECIFICATION NUMBER: BACC30X6 OPTIONAL PART: HL87-6 V92215 HL87-6 V73197 HL1187-6 V56878 HL1187-6 V92215 HL87-6 V56878 HL1187-6 V73197		4
720	272T0009-9	.SPACER			1

ILLUSTRATION ITEMS NOT ON PARTS LIST ARE NOT APPLICABLE

- ITEM NOT ILLUSTRATED

HXL

54-51-53-04A

BOEING PROPRIETARY - Copyright © - Unpublished Work - See title page for details.

54-51-53
 FIG. 04A
 PAGE 41
 AUG 22/09



767

PARTS CATALOG (MAINTENANCE)

FIG ITEM	PART NUMBER	1 2 3 4 5 6 7	NOMENCLATURE	EFFECT FROM TO	UNITS PER ASSY
4 A					
725	272T0009-12	.	BRACKET		1
745	272T0182-5	.	BRACKET		2
750	272T0182-7	.	BRACKET		1
			ATTACHING PARTS		
- 755	HL1012AZ5-3	.	BOLT		9
			SUPPLIER CODE: V97928		
			SPECIFICATION NUMBER: BACB30NX5K3		
			OPTIONAL PART: HL12VAZ5-3		
			V73197		
			HL12VAZ5-3		
			V92215		
			HL12VAZ5-3		
			V97928		
			L802-5K3		
			V06725		
			HL12VAZ5-3		
			V56878		
			HL1012AZ5-3		
			V0PTK6		
			HL1012AZ5-3		
			V06725		
			HL1012AZ5-3		
			V06950		
			HL1012AZ5-3		
			V17446		
			HL1012AZ5-3		
			V56878		
			HL1012AZ5-3		
			V60516		
			HL1012AZ5-3		
			V73197		

ILLUSTRATION ITEMS NOT ON PARTS LIST ARE NOT APPLICABLE

- ITEM NOT ILLUSTRATED

HXL

54-51-53-04A

BOEING PROPRIETARY - Copyright © - Unpublished Work - See title page for details.

54-51-53
FIG. 04A
PAGE 42
AUG 22/09

BOEING
767
PARTS CATALOG (MAINTENANCE)

FIG ITEM	PART NUMBER	1 2 3 4 5 6 7	NOMENCLATURE	EFFECT FROM TO	UNITS PER ASSY
R R R R R R R R R R R R R	4 A - 760		. COLLAR SUPPLIER CODE: V5M902 SPECIFICATION NUMBER: BACC30X5 OPTIONAL PART: HL86PB5 V73197 HL86PB5 V92215 HL86PB5 V56878 HL1187-5 V56878 HL1187-5 V92215 HL1187-5 V73197		9
	765	272T0042-2	-----*----- . BRACKET-		2

ILLUSTRATION ITEMS NOT ON PARTS LIST ARE NOT APPLICABLE

- ITEM NOT ILLUSTRATED

HXL

54-51-53-04A

BOEING PROPRIETARY - Copyright © - Unpublished Work - See title page for details.

54-51-53
FIG. 04A
PAGE 43
AUG 22/09



767

PARTS CATALOG (MAINTENANCE)

FIG ITEM	PART NUMBER	1 2 3 4 5 6 7 NOMENCLATURE	EFFECT FROM TO	UNITS PER ASSY
4 A 770	HL1012AZ5-3	ATTACHING PARTS .BOLT SUPPLIER CODE: V97928 SPECIFICATION NUMBER: BACB30NX5K3 OPTIONAL PART: HL12VAZ5-3 V73197 HL12VAZ5-3 V92215 HL12VAZ5-3 V97928 L802-5K3 V06725 HL12VAZ5-3 V56878 HL1012AZ5-3 V0PTK6 HL1012AZ5-3 V06725 HL1012AZ5-3 V06950 HL1012AZ5-3 V17446 HL1012AZ5-3 V56878 HL1012AZ5-3 V60516 HL1012AZ5-3 V73197		6

ILLUSTRATION ITEMS NOT ON PARTS LIST ARE NOT APPLICABLE

- ITEM NOT ILLUSTRATED

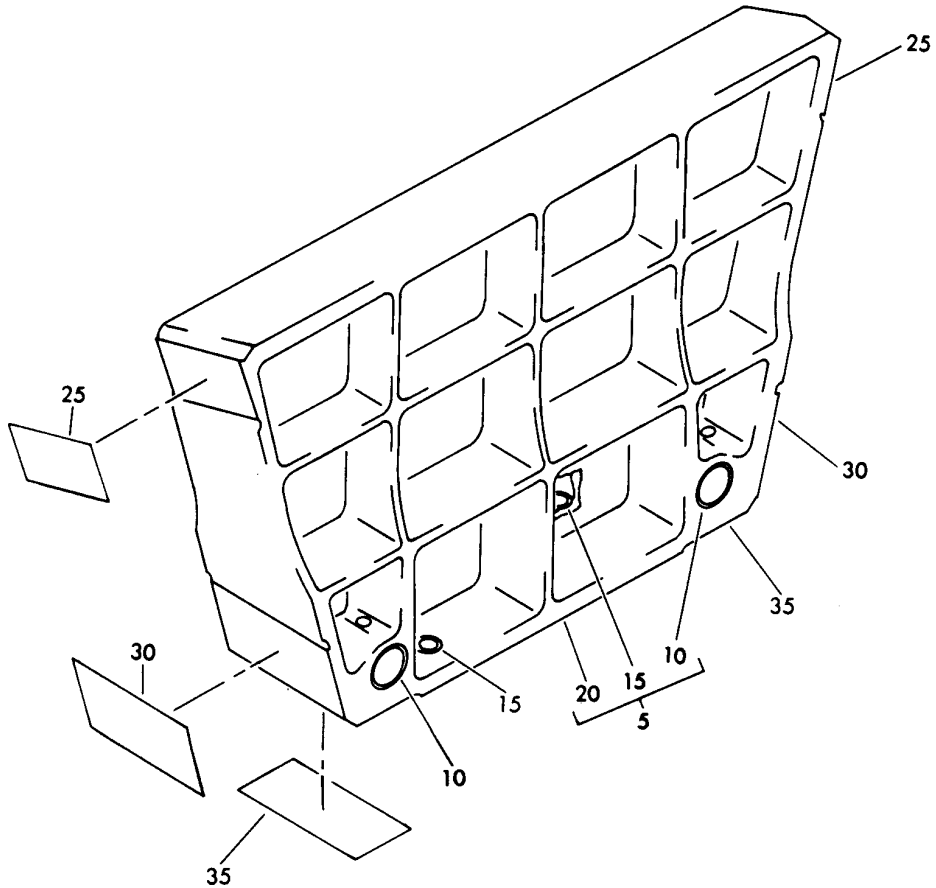
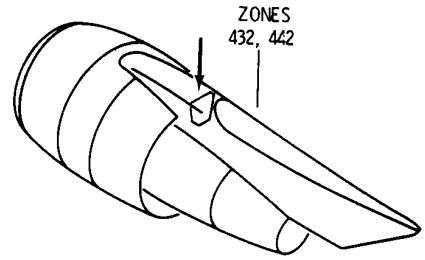
HXL

54-51-53-04A

BOEING PROPRIETARY - Copyright © - Unpublished Work - See title page for details.

54-51-53
 FIG. 04A
 PAGE 44
 AUG 22/09

BOEING
767
PARTS CATALOG (MAINTENANCE)



V 54515402 SHT 1 REV 007

BULKHEAD INSTL-ENG MOUNT AFT
FIGURE 2

54-51-54-02

HXL
DEC 22/06

54-51-54-02
PAGE 0



767

PARTS CATALOG (MAINTENANCE)

FIG ITEM	PART NUMBER	1 2 3 4 5 6 7	NOMENCLATURE	EFFECT FROM TO	UNITS PER ASSY
2			BULKHEAD INSTL-ENG MOUNT AFT		
- 1	311T4260-1		BULKHEAD INSTL-ENG MOUNT POSITION DATA: AFT FOR NHA SEE: 54-51-51-01		RF
5	311T4261-9		.FITTING ASSY- OPTIONAL PART: 311T4261-10		1
5	311T4261-10		.FITTING ASSY- OPTIONAL PART: 311T4261-9		1
10	302T0200-124		..BUSHING-SLEEVE		2
15	BACB28W12C045		..BUSHING		2
20	311T4261-11		..FITTING- USED ON: 311T4261-9		1
20	311T4261-12		..FITTING- USED ON: 311T4261-10 USED ON: 311T4261-10		1
25	BACS40R021B040F		.SHIM-		2
30	BACS40R031W050		.SHIM-		2
35	BACS40R021B050F		.SHIM		2

ILLUSTRATION ITEMS NOT ON PARTS LIST ARE NOT APPLICABLE

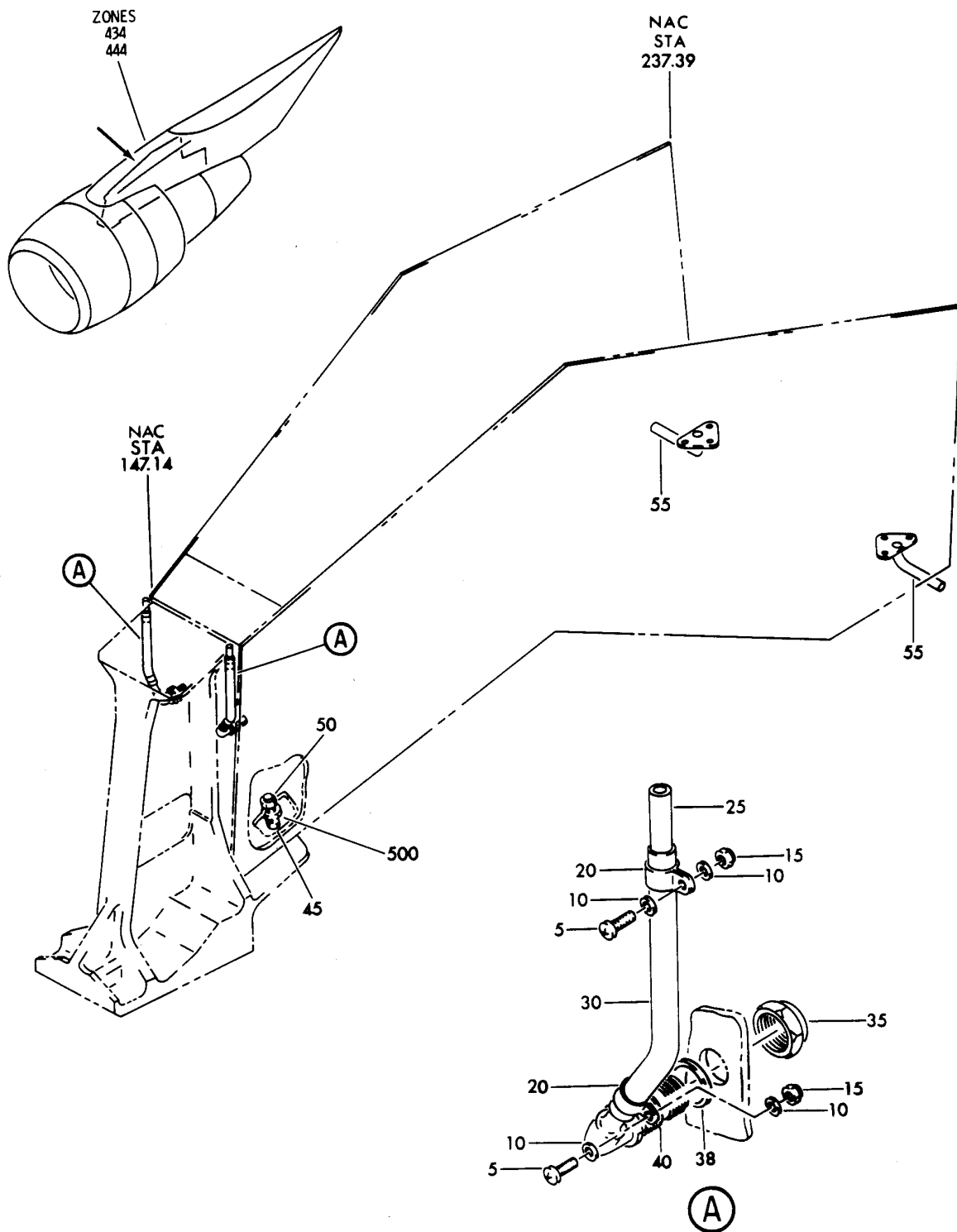
- ITEM NOT ILLUSTRATED

54-51-54-02

54-51-54
FIG. 02
PAGE 1
DEC 22/06

HXL

BOEING
767
PARTS CATALOG (MAINTENANCE)



V 54515501 SHT 1 REV 051

FITTING INSTL-NAC STRUT DRAIN
FIGURE 1

54-51-55-01

HXL
DEC 22/06

54-51-55-01
PAGE 0



767

PARTS CATALOG (MAINTENANCE)

FIG ITEM	PART NUMBER	1 2 3 4 5 6 7	NOMENCLATURE	EFFECT FROM TO	UNITS PER ASSY
1			FITTING INSTL-NAC STRUT DRAIN		
- 1	311T3630-1		FITTING INSTL-NAC STRUT DRAIN		RF
5	NAS623-3-2		.SCREW-	163163	4
10	AN960-10L		.WASHER-	163163	8
15	BRH10A3		.NUT-	163163	4
			SUPPLIER CODE: V52828		
			SPECIFICATION NUMBER: BACN10JC3		
			OPTIONAL PART: H10-3BAC		
			V15653		
			NS202101-02		
			V80539		
			RMLH9075-3W		
			V72962		
			VN303A02		
			V92215		
			96-02		
			V80539		
			T6S1032J		
			V11815		
20	AN735D8		.CLAMP-	163163	4
20	NAS1922-0050-1		.CLAMP-	155162	4
				164999	
25	311T3631-7		.TUBE-		2
30	311T3630-3		.TUBE-		2
35	AN924-6D		.NUT-		2
38	AN960KD916		.WASHER-		2
40	AN838-6D		.ELBOW-		2

ILLUSTRATION ITEMS NOT ON PARTS LIST ARE NOT APPLICABLE

- ITEM NOT ILLUSTRATED

HXL

54-51-55-01

BOEING PROPRIETARY - Copyright © - Unpublished Work - See title page for details.

54-51-55
FIG. 01
PAGE 1
DEC 22/06



767

PARTS CATALOG (MAINTENANCE)

FIG ITEM	PART NUMBER	1 2 3 4 5 6 7 NOMENCLATURE	EFFECT FROM TO	UNITS PER ASSY
1 - 65	HL97DU6	. COLLAR SUPPLIER CODE: V73197 SPECIFICATION NUMBER: BACC30AB6S OPTIONAL PART: HL97DU6 V56878 HL97DU6 V5M902 -----*-----		6

ILLUSTRATION ITEMS NOT ON PARTS LIST ARE NOT APPLICABLE

- ITEM NOT ILLUSTRATED

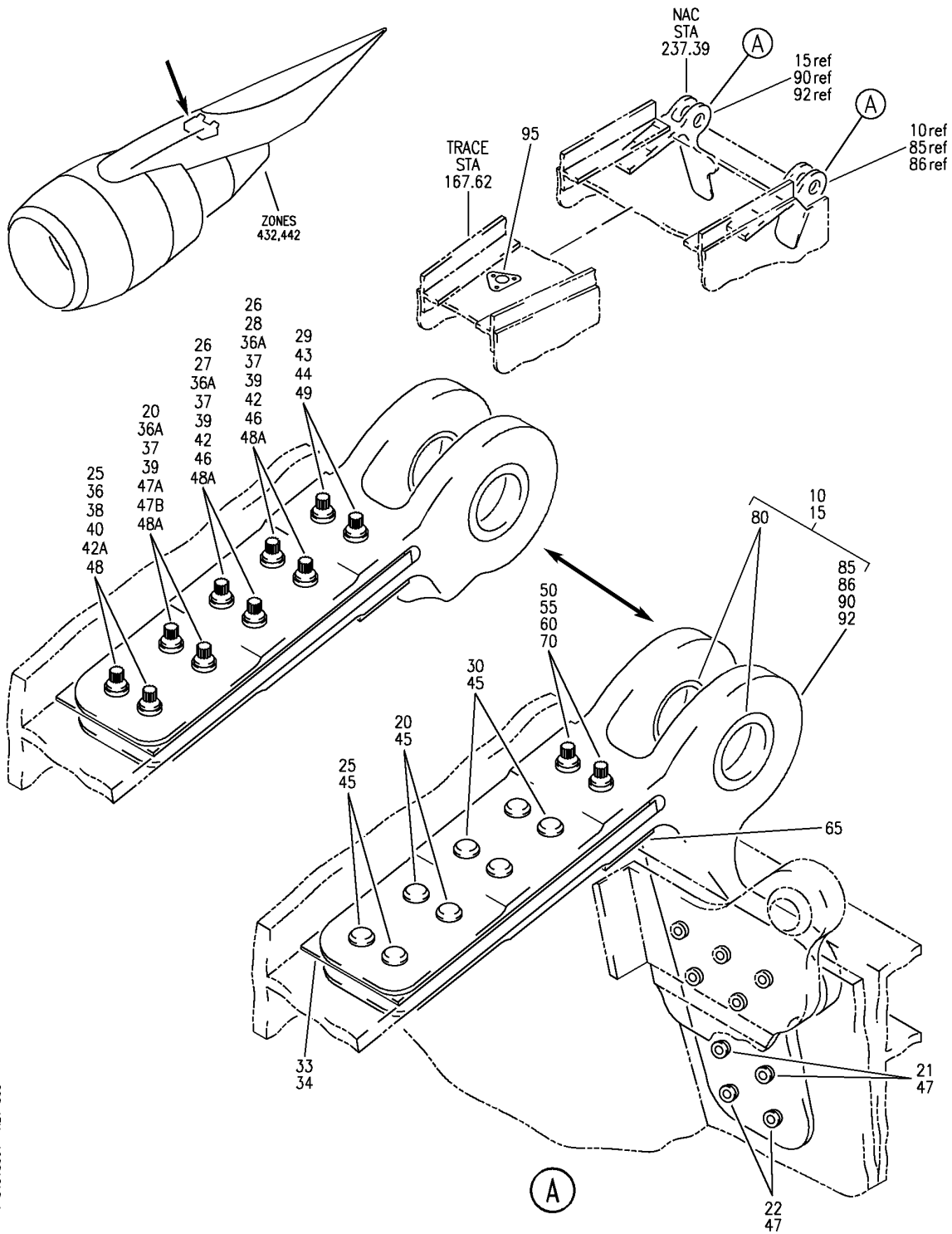
HXL

54-51-55-01

BOEING PROPRIETARY - Copyright © - Unpublished Work - See title page for details.

54-51-55
 FIG. 01
 PAGE 3
 DEC 22/06

BOEING
767
PARTS CATALOG (MAINTENANCE)



V 54515601 REV 303

SPAR INSTL-NAC STRUT MID
FIGURE 1

54-51-56-01

HXL
DEC 22/06

54-51-56-01
PAGE 0

BOEING
767
PARTS CATALOG (MAINTENANCE)

FIG ITEM	PART NUMBER	1 2 3 4 5 6 7	NOMENCLATURE	EFFECT FROM TO	UNITS PER ASSY
1					
- 1	311T3150-100		SPAR INSTL-NAC STRUT MID SPAR INSTL-NAC STRUT POSITION DATA: MID FOR NHA SEE: 54-51-51-01		RF
- 1	311T3150-114		SPAR INSTL-NAC STRUT POSITION DATA: MID VARIABLE DRAWING REF: 311T3150-5014 FOR NHA SEE: 54-51-51-01		RF
- 5	311T3150-140		.MIDSPAR ASSY-		1
10	311T4151-1		..FITTING ASSY-		1
15	311T4151-2		..FITTING ASSY-		1
20	L80016K12		ATTACHING PARTS ..BOLT-		4
			SUPPLIER CODE: V06725 SPECIFICATION NUMBER: BACB30MY16K12 POST ALERT SB: 54A0101R3		
20	BACB30MY16K12X		..BOLT-		4
			SERVICE BULLETIN OPT DATA: BACB30MY16K12 BACB30MY16K12Y BACB30NX16K12 BACB30NX16K12X BACB30NX16K12Y POST ALERT SB: 54A0101R1		
20	BACB30MY16K12Y		..BOLT-		4
			SERVICE BULLETIN OPT DATA: BACB30MY16K12 BACB30MY16K12X BACB30NX16K12 BACB30NX16K12X BACB30NX16K12Y POST ALERT SB: 54A0101R1		

ILLUSTRATION ITEMS NOT ON PARTS LIST ARE NOT APPLICABLE

- ITEM NOT ILLUSTRATED

HXL

54-51-56-01

BOEING PROPRIETARY - Copyright © - Unpublished Work - See title page for details.

54-51-56
FIG. 01
PAGE 1
APR 22/08



767

PARTS CATALOG (MAINTENANCE)

FIG ITEM	PART NUMBER	1 2 3 4 5 6 7	NOMENCLATURE	EFFECT FROM TO	UNITS PER ASSY
1 20	HL1012AZ16-12		..BOLT- SUPPLIER CODE: VOPTK6 SPECIFICATION NUMBER: BACB30NX16K12 OPTIONAL PART: HL12VAZ16-12 V73197 HL12VAZ16-12 V92215 L802-16K12 V06725 HL12VAZ16-12 V56878 HL12VAZ16-12 V97928 HL1012AZ16-12 V06725 HL1012AZ16-12 V06950 HL1012AZ16-12 V17446 HL1012AZ16-12 V56878 HL1012AZ16-12 V60516 HL1012AZ16-12 V73197 HL1012AZ16-12 V97928 SERVICE BULLETIN OPT DATA: BACB30MY16K12 BACB30MY16K12X BACB30MY16K1Y BACB30NX16K12X BACB30NX16K12Y POST ALERT SB: 54A0101R1		4
20	BACB30NX16K12X		..BOLT- SERVICE BULLETIN OPT DATA: BACB30MY16K12 BACB30MY16K12X BACB30MY16K1Y BACB30NX16K12 BACB30NX16K12Y POST ALERT SB: 54A0101R1		4

ILLUSTRATION ITEMS NOT ON PARTS LIST ARE NOT APPLICABLE

- ITEM NOT ILLUSTRATED

HXL

54-51-56-01

BOEING PROPRIETARY - Copyright © - Unpublished Work - See title page for details.

54-51-56
 FIG. 01
 PAGE 2
 DEC 22/06

 **BOEING**
767
PARTS CATALOG (MAINTENANCE)

FIG ITEM	PART NUMBER	1 2 3 4 5 6 7	NOMENCLATURE	EFFECT FROM TO	UNITS PER ASSY
1	20 BACB30NX16K12Y	..	BOLT- SERVICE BULLETIN OPT DATA: BACB30MY16K12 BACB30MY16K12X BACB30MY16K1Y BACB30NX16K12 BACB30NX16K12X POST ALERT SB: 54A0101R1		4
R R	21 HL1022AZ16-15	..	BOLT- SUPPLIER CODE: V06725 SPECIFICATION NUMBER: BACB30NX16K15X OPTIONAL PART: HL1022AZ16-15 V56878 HL1022AZ16-15 V73197 HL1022AZ16-15 V97928 HL112VAZ16-15 V06725 HL112VAZ16-15 V92215 HL112VAZ16-15 V97928 POST SERVICE BULLETIN: 54-0080		4
	22 BACB30NX16K14X	..	BOLT- POST SERVICE BULLETIN: 54-0080		4
	25 BACB30US8K16X	..	BOLT- POST SERVICE BULLETIN: 54-0080		4
	26 L80016K16	..	BOLT- SUPPLIER CODE: V06725 SPECIFICATION NUMBER: BACB30MY16K16 SERVICE BULLETIN OPT DATA: BACB30NX16K16 BACB30NX16K16X BACB30NX16K16Y BACB30MY16K16X BACB30MY16K16Y POST ALERT SB: 54A0101R1		8
ILLUSTRATION ITEMS NOT ON PARTS LIST ARE NOT APPLICABLE					

— ITEM NOT ILLUSTRATED

54-51-56-01

54-51-56
FIG. 01
PAGE 3
AUG 22/09

HXL



767

PARTS CATALOG (MAINTENANCE)

FIG ITEM	PART NUMBER	1 2 3 4 5 6 7	NOMENCLATURE	EFFECT FROM TO	UNITS PER ASSY
1 26	HL1012AZ16-16		..BOLT- SUPPLIER CODE: VOPTK3 SPECIFICATION NUMBER: BACB30NX16K16 OPTIONAL PART: HL12VAZ16-16 V73197 HL12VAZ16-16 V92215 HL12VAZ16-16 V97928 L802-16K16 V06725 HL12VAZ16-16 V56878 HL1012AZ16-16 V06725 HL1012AZ16-16 V06950 HL1012AZ16-16 V17446 HL1012AZ16-16 V56878 HL1012AZ16-16 V60516 HL1012AZ16-16 V73197 HL1012AZ16-16 V97928 SERVICE BULLETIN OPT DATA: BACB30MY16K16 BACB30NX16K16X BACB30NX16K16Y BACB30MY16K16X BACB30MY16K16Y POST ALERT SB: 54A0101R1		8
26	BACB30NX16K16X		..BOLT- SERVICE BULLETIN OPT DATA: BACB30MY16K16 BACB30NX16K16 BACB30NX16K16Y BACB30MY16K16X BACB30MY16K16Y POST ALERT SB: 54A0101R1		8

ILLUSTRATION ITEMS NOT ON PARTS LIST ARE NOT APPLICABLE

- ITEM NOT ILLUSTRATED

HXL

54-51-56-01

BOEING PROPRIETARY - Copyright © - Unpublished Work - See title page for details.

54-51-56
 FIG. 01
 PAGE 4
 AUG 22/09

 **BOEING**
767
PARTS CATALOG (MAINTENANCE)

FIG ITEM	PART NUMBER	1 2 3 4 5 6 7	NOMENCLATURE	EFFECT FROM TO	UNITS PER ASSY
1	26 BACB30NX16K16Y	..	BOLT- SERVICE BULLETIN OPT DATA: BACB30MY16K16 BACB30NX16K16 BACB30NX16K16X BACB30MY16K16X BACB30MY16K16Y POST ALERT SB: 54A0101R1		8
	26 BACB30MY16K16X	..	BOLT- SERVICE BULLETIN OPT DATA: BACB30MY16K16 BACB30NX16K16 BACB30NX16K16X BACB30NX16K16Y BACB30MY16K16Y POST ALERT SB: 54A0101R1		8
	26 BACB30MY16K16Y	..	BOLT- SERVICE BULLETIN OPT DATA: BACB30MY16K16 BACB30NX16K16 BACB30NX16K16X BACB30NX16K16Y BACB30MY16K16X POST ALERT SB: 54A0101R1		8
	27 BACB30US8K20X	..	BOLT- POST SERVICE BULLETIN: 54-0080 PRE ALERT SB: 54A0101R3	155162 164999	4
	28 BACB30US8K24X	..	BOLT- POST SERVICE BULLETIN: 54-0080 PRE ALERT SB: 54A0101R3	155162 164999	4
	29 BACB30LE8K22	..	BOLT- SERVICE BULLETIN OPT DATA: BACB30LE8K22X BACB30LE8K22Y BACB30US8K22 BACB30US8K22X BACB30US8K22Y POST ALERT SB: 54A0101R1		4

ILLUSTRATION ITEMS NOT ON PARTS LIST ARE NOT APPLICABLE

— ITEM NOT ILLUSTRATED

HXL

54-51-56-01

BOEING PROPRIETARY - Copyright © - Unpublished Work - See title page for details.

54-51-56
FIG. 01
PAGE 5
AUG 22/09



767

PARTS CATALOG (MAINTENANCE)

FIG ITEM	PART NUMBER	1 2 3 4 5 6 7	NOMENCLATURE	EFFECT FROM TO	UNITS PER ASSY
1	29 BACB30LE8K22X	..	BOLT- SERVICE BULLETIN OPT DATA: BACB30LE8K22 BACB30LE8K22Y BACB30US8K22 BACB30US8K22X BACB30US8K22Y POST ALERT SB: 54A0101R1		4
	29 BACB30LE8K22Y	..	BOLT- SERVICE BULLETIN OPT DATA: BACB30LE8K22 BACB30LE8K22X BACB30US8K22 BACB30US8K22X BACB30US8K22Y POST ALERT SB: 54A0101R1		4
	29 BACB30US8K22	..	BOLT- SERVICE BULLETIN OPT DATA: BACB30LE8K22 BACB30LE8K22X BACB30LE8K22Y BACB30US8K22 BACB30US8K22Y POST ALERT SB: 54A0101R1		4
	29 BACB30US8K22X	..	BOLT- SERVICE BULLETIN OPT DATA: BACB30LE8K22 BACB30LE8K22X BACB30LE8K22Y BACB30US8K22 BACB30US8K22Y POST ALERT SB: 54A0101R1		4
	29 BACB30US8K22Y	..	BOLT- SERVICE BULLETIN OPT DATA: BACB30LE8K22 BACB30LE8K22X BACB30LE8K22Y BACB30US8K22 BACB30US8K22X POST ALERT SB: 54A0101R1		4
	33 BACS40R35U80	..	SHIM		AR

ILLUSTRATION ITEMS NOT ON PARTS LIST ARE NOT APPLICABLE

- ITEM NOT ILLUSTRATED

54-51-56-01

54-51-56
FIG. 01
PAGE 6
AUG 22/09

HXL

BOEING PROPRIETARY - Copyright © - Unpublished Work - See title page for details.



767

PARTS CATALOG (MAINTENANCE)

FIG ITEM	PART NUMBER	1 2 3 4 5 6 7	NOMENCLATURE	EFFECT FROM TO	UNITS PER ASSY
1	36 BACW10BP8CD		.. WASHER- POSITION DATA: UNDER BOLT POST SERVICE BULLETIN: 54-0080		4
	36A BACW10BP8CD		.. WASHER- POSITION DATA: UNDER BOLT POST SERVICE BULLETIN: 54-0080 PRE ALERT SB: 54A0101R3	155162 164999	12
	37 BACW10BP8ACU		.. WASHER- POSITION DATA: UNDER BOLT SERVICE BULLETIN OPT DATA: BACW10BP8CD BACW10BP8CTU BACW10BP8AC BACW10BP8CK BACW10BP81CD BACW10BP81CTU BACW10BP81AC BACW10BP81CK BACW10BP81ACU BACW10BP82CD BACW10BP82CTU BACW10BP82AC BACW10BP82CK BACW10BP82ACU POST ALERT SB: 54A0101R1		12

ILLUSTRATION ITEMS NOT ON PARTS LIST ARE NOT APPLICABLE

- ITEM NOT ILLUSTRATED

HXL

54-51-56-01

BOEING PROPRIETARY - Copyright © - Unpublished Work - See title page for details.

54-51-56
FIG. 01
PAGE 7
AUG 22/09



767

PARTS CATALOG (MAINTENANCE)

FIG ITEM	PART NUMBER	1 2 3 4 5 6 7	NOMENCLATURE	EFFECT FROM TO	UNITS PER ASSY
1	37 BACW10BP8CD		.. WASHER- POSITION DATA: UNDER BOLT SERVICE BULLETIN OPT DATA: BACW10BP8ACU BACW10BP8CTU BACW10BP8AC BACW10BP8CK BACW10BP81CD BACW10BP81CTU BACW10BP81AC BACW10BP81CK BACW10BP81ACU BACW10BP82CD BACW10BP82CTU BACW10BP82AC BACW10BP82CK BACW10BP82ACU POST ALERT SB: 54A0101R1		12
	37 BACW10BP8CTU		.. WASHER- POSITION DATA: UNDER BOLT SERVICE BULLETIN OPT DATA: BACW10BP8ACU BACW10BP8CD BACW10BP8AC BACW10BP8CK BACW10BP81CD BACW10BP81CTU BACW10BP81AC BACW10BP81CK BACW10BP81ACU BACW10BP82CD BACW10BP82CTU BACW10BP82AC BACW10BP82CK BACW10BP82ACU POST ALERT SB: 54A0101R1		12

ILLUSTRATION ITEMS NOT ON PARTS LIST ARE NOT APPLICABLE

- ITEM NOT ILLUSTRATED

HXL

54-51-56-01

BOEING PROPRIETARY - Copyright © - Unpublished Work - See title page for details.

54-51-56
 FIG. 01
 PAGE 8
 AUG 22/09

 **BOEING**
767
PARTS CATALOG (MAINTENANCE)

FIG ITEM	PART NUMBER	1 2 3 4 5 6 7	NOMENCLATURE	EFFECT FROM TO	UNITS PER ASSY
1	37 BACW10BP8AC		.. WASHER- POSITION DATA: UNDER BOLT SERVICE BULLETIN OPT DATA: BACW10BP8ACU BACW10BP8CD BACW10BP8CTU BACW10BP8CK BACW10BP81CD BACW10BP81CTU BACW10BP81AC BACW10BP81CK BACW10BP81ACU BACW10BP82CD BACW10BP82CTU BACW10BP82AC BACW10BP82CK BACW10BP82ACU POST ALERT SB: 54A0101R1		12
	37 BACW10BP8CK		.. WASHER- POSITION DATA: UNDER BOLT SERVICE BULLETIN OPT DATA: BACW10BP8ACU BACW10BP8CD BACW10BP8CTU BACW10BP8AC BACW10BP81CD BACW10BP81CTU BACW10BP81AC BACW10BP81CK BACW10BP81ACU BACW10BP82CD BACW10BP82CTU BACW10BP82AC BACW10BP82CK BACW10BP82ACU POST ALERT SB: 54A0101R1		12

ILLUSTRATION ITEMS NOT ON PARTS LIST ARE NOT APPLICABLE

- ITEM NOT ILLUSTRATED

HXL

54-51-56-01

BOEING PROPRIETARY - Copyright © - Unpublished Work - See title page for details.

54-51-56
FIG. 01
PAGE 9
AUG 22/09



767

PARTS CATALOG (MAINTENANCE)

FIG ITEM	PART NUMBER	1 2 3 4 5 6 7	NOMENCLATURE	EFFECT FROM TO	UNITS PER ASSY
1	37 BACW10BP81CD		.. WASHER- POSITION DATA: UNDER BOLT SERVICE BULLETIN OPT DATA: BACW10BP8ACU BACW10BP8CD BACW10BP8CTU BACW10BP8AC BACW10BP8CK BACW10BP81CTU BACW10BP81AC BACW10BP81CK BACW10BP81ACU BACW10BP82CD BACW10BP82CTU BACW10BP82AC BACW10BP82CK BACW10BP82ACU POST ALERT SB: 54A0101R1		12
	37 BACW10BP81CTU		.. WASHER- POSITION DATA: UNDER BOLT SERVICE BULLETIN OPT DATA: BACW10BP8ACU BACW10BP8CD BACW10BP8CTU BACW10BP8AC BACW10BP8CK BACW10BP81CD BACW10BP81AC BACW10BP81CK BACW10BP81ACU BACW10BP82CD BACW10BP82CTU BACW10BP82AC BACW10BP82CK BACW10BP82ACU POST ALERT SB: 54A0101R1		12

ILLUSTRATION ITEMS NOT ON PARTS LIST ARE NOT APPLICABLE

- ITEM NOT ILLUSTRATED

HXL

54-51-56-01

BOEING PROPRIETARY - Copyright © - Unpublished Work - See title page for details.

54-51-56
 FIG. 01
 PAGE 10
 AUG 22/09



767

PARTS CATALOG (MAINTENANCE)

FIG ITEM	PART NUMBER	1 2 3 4 5 6 7	NOMENCLATURE	EFFECT FROM TO	UNITS PER ASSY
1	37 BACW10BP81AC		.. WASHER- POSITION DATA: UNDER BOLT SERVICE BULLETIN OPT DATA: BACW10BP8ACU BACW10BP8CD BACW10BP8CTU BACW10BP8AC BACW10BP8CK BACW10BP81CD BACW10BP81CTU BACW10BP81CK BACW10BP81ACU BACW10BP82CD BACW10BP82CTU BACW10BP82AC BACW10BP82CK BACW10BP82ACU POST ALERT SB: 54A0101R1		12
	37 BACW10BP81CK		.. WASHER- POSITION DATA: UNDER BOLT SERVICE BULLETIN OPT DATA: BACW10BP8ACU BACW10BP8CD BACW10BP8CTU BACW10BP8AC BACW10BP8CK BACW10BP81CD BACW10BP81CTU BACW10BP81AC BACW10BP81ACU BACW10BP82CD BACW10BP82CTU BACW10BP82AC BACW10BP82CK BACW10BP82ACU POST ALERT SB: 54A0101R1		12

ILLUSTRATION ITEMS NOT ON PARTS LIST ARE NOT APPLICABLE

- ITEM NOT ILLUSTRATED

HXL

54-51-56-01

BOEING PROPRIETARY - Copyright © - Unpublished Work - See title page for details.

54-51-56
 FIG. 01
 PAGE 11
 AUG 22/09



767

PARTS CATALOG (MAINTENANCE)

FIG ITEM	PART NUMBER	1 2 3 4 5 6 7	NOMENCLATURE	EFFECT FROM TO	UNITS PER ASSY
1	37 BACW10BP81ACU		.. WASHER- POSITION DATA: UNDER BOLT SERVICE BULLETIN OPT DATA: BACW10BP8ACU BACW10BP8CD BACW10BP8CTU BACW10BP8AC BACW10BP8CK BACW10BP81CD BACW10BP81CTU BACW10BP81AC BACW10BP81CK BACW10BP82CD BACW10BP82CTU BACW10BP82AC BACW10BP82CK BACW10BP82ACU POST ALERT SB: 54A0101R1		12
	37 BACW10BP82CD		.. WASHER- POSITION DATA: UNDER BOLT SERVICE BULLETIN OPT DATA: BACW10BP8ACU BACW10BP8CD BACW10BP8CTU BACW10BP8AC BACW10BP8CK BACW10BP81CD BACW10BP81CTU BACW10BP81AC BACW10BP81CK BACW10BP81ACU BACW10BP82CTU BACW10BP82AC BACW10BP82CK BACW10BP82ACU POST ALERT SB: 54A0101R1		12

ILLUSTRATION ITEMS NOT ON PARTS LIST ARE NOT APPLICABLE

- ITEM NOT ILLUSTRATED

HXL

54-51-56-01

BOEING PROPRIETARY - Copyright © - Unpublished Work - See title page for details.

54-51-56
 FIG. 01
 PAGE 12
 AUG 22/09

BOEING
767
PARTS CATALOG (MAINTENANCE)

FIG ITEM	PART NUMBER	1 2 3 4 5 6 7	NOMENCLATURE	EFFECT FROM TO	UNITS PER ASSY
1 37	BACW10BP82CTU		.. WASHER- POSITION DATA: UNDER BOLT SERVICE BULLETIN OPT DATA: BACW10BP8ACU BACW10BP8CD BACW10BP8CTU BACW10BP8AC BACW10BP8CK BACW10BP81CD BACW10BP81CTU BACW10BP81AC BACW10BP81CK BACW10BP81ACU BACW10BP82CD BACW10BP82AC BACW10BP82CK BACW10BP82ACU POST ALERT SB: 54A0101R1		12
37	BACW10BP82AC		.. WASHER- POSITION DATA: UNDER BOLT SERVICE BULLETIN OPT DATA: BACW10BP8ACU BACW10BP8CD BACW10BP8CTU BACW10BP8AC BACW10BP8CK BACW10BP81CD BACW10BP81CTU BACW10BP81AC BACW10BP81CK BACW10BP81ACU BACW10BP82CD BACW10BP82CTU BACW10BP82CK BACW10BP82ACU POST ALERT SB: 54A0101R1		12

ILLUSTRATION ITEMS NOT ON PARTS LIST ARE NOT APPLICABLE

- ITEM NOT ILLUSTRATED

HXL

54-51-56-01

BOEING PROPRIETARY - Copyright © - Unpublished Work - See title page for details.

54-51-56
FIG. 01
PAGE 13
AUG 22/09



767

PARTS CATALOG (MAINTENANCE)

FIG ITEM	PART NUMBER	1 2 3 4 5 6 7	NOMENCLATURE	EFFECT FROM TO	UNITS PER ASSY
1	37 BACW10BP82CK		.. WASHER- POSITION DATA: UNDER BOLT SERVICE BULLETIN OPT DATA: BACW10BP8ACU BACW10BP8CD BACW10BP8CTU BACW10BP8AC BACW10BP8CK BACW10BP81CD BACW10BP81CTU BACW10BP81AC BACW10BP81CK BACW10BP81ACU BACW10BP82CD BACW10BP82CTU BACW10BP82AC BACW10BP82ACU POST ALERT SB: 54A0101R1		12
	37 BACW10BP82ACU		.. WASHER- POSITION DATA: UNDER BOLT SERVICE BULLETIN OPT DATA: BACW10BP8ACU BACW10BP8CD BACW10BP8CTU BACW10BP8AC BACW10BP8CK BACW10BP81CD BACW10BP81CTU BACW10BP81AC BACW10BP81CK BACW10BP81ACU BACW10BP82CD BACW10BP82CTU BACW10BP82AC BACW10BP82CK POST ALERT SB: 54A0101R1		12

ILLUSTRATION ITEMS NOT ON PARTS LIST ARE NOT APPLICABLE

- ITEM NOT ILLUSTRATED

HXL

54-51-56-01

BOEING PROPRIETARY - Copyright © - Unpublished Work - See title page for details.

54-51-56
 FIG. 01
 PAGE 14
 AUG 22/09



767

PARTS CATALOG (MAINTENANCE)

FIG ITEM	PART NUMBER	1 2 3 4 5 6 7	NOMENCLATURE	EFFECT FROM TO	UNITS PER ASSY
1	39 BACW10BP8DP		.. WASHER- POSITION DATA: UNDER NUT SERVICE BULLETIN OPT DATA: BACW10BP8AP BACW10BP8PK BACW10BP81AP BACW10BP81PK BACW10BP81DP BACW10BP82AP BACW10BP82PK BACW10BP82DP POST ALERT SB: 54A0101R1		24
	39 BACW10BP8AP		.. WASHER- POSITION DATA: UNDER NUT SERVICE BULLETIN OPT DATA: BACW10BP8DP BACW10BP8PK BACW10BP81AP BACW10BP81PK BACW10BP81DP BACW10BP82AP BACW10BP82PK BACW10BP82DP POST ALERT SB: 54A0101R1		24
	39 BACW10BP8PK		.. WASHER- POSITION DATA: UNDER NUT SERVICE BULLETIN OPT DATA: BACW10BP8DP BACW10BP8AP BACW10BP81AP BACW10BP81PK BACW10BP81DP BACW10BP82AP BACW10BP82PK BACW10BP82DP POST ALERT SB: 54A0101R1		24

ILLUSTRATION ITEMS NOT ON PARTS LIST ARE NOT APPLICABLE

- ITEM NOT ILLUSTRATED

HXL

54-51-56-01

BOEING PROPRIETARY - Copyright © - Unpublished Work - See title page for details.

54-51-56
 FIG. 01
 PAGE 15
 AUG 22/09



767

PARTS CATALOG (MAINTENANCE)

FIG ITEM	PART NUMBER	1 2 3 4 5 6 7	NOMENCLATURE	EFFECT FROM TO	UNITS PER ASSY
1	39 BACW10BP81AP		.. WASHER- POSITION DATA: UNDER NUT SERVICE BULLETIN OPT DATA: BACW10BP8DP BACW10BP8AP BACW10BP8PK BACW10BP81PK BACW10BP81DP BACW10BP82AP BACW10BP82PK BACW10BP82DP POST ALERT SB: 54A0101R1		24
	39 BACW10BP81PK		.. WASHER- POSITION DATA: UNDER NUT SERVICE BULLETIN OPT DATA: BACW10BP8DP BACW10BP8AP BACW10BP8PK BACW10BP81AP BACW10BP81DP BACW10BP82AP BACW10BP82PK BACW10BP82DP POST ALERT SB: 54A0101R1		24
	39 BACW10BP81DP		.. WASHER- POSITION DATA: UNDER NUT SERVICE BULLETIN OPT DATA: BACW10BP8DP BACW10BP8AP BACW10BP8PK BACW10BP81AP BACW10BP81PK BACW10BP82AP BACW10BP82PK BACW10BP82DP POST ALERT SB: 54A0101R1		24

ILLUSTRATION ITEMS NOT ON PARTS LIST ARE NOT APPLICABLE

- ITEM NOT ILLUSTRATED

HXL

54-51-56-01

BOEING PROPRIETARY - Copyright © - Unpublished Work - See title page for details.

54-51-56
 FIG. 01
 PAGE 16
 AUG 22/09

 **BOEING**
767
PARTS CATALOG (MAINTENANCE)

FIG ITEM	PART NUMBER	1 2 3 4 5 6 7	NOMENCLATURE	EFFECT FROM TO	UNITS PER ASSY
1	39 BACW10BP82AP		.. WASHER- POSITION DATA: UNDER NUT SERVICE BULLETIN OPT DATA: BACW10BP8DP BACW10BP8AP BACW10BP8PK BACW10BP81AP BACW10BP81PK BACW10BP81DP BACW10BP82PK BACW10BP82DP POST ALERT SB: 54A0101R1		24
	39 BACW10BP82PK		.. WASHER- POSITION DATA: UNDER NUT SERVICE BULLETIN OPT DATA: BACW10BP8DP BACW10BP8AP BACW10BP8PK BACW10BP81AP BACW10BP81PK BACW10BP81DP BACW10BP82AP BACW10BP82DP POST ALERT SB: 54A0101R1		24
	39 BACW10BP82DP		.. WASHER- POSITION DATA: UNDER NUT SERVICE BULLETIN OPT DATA: BACW10BP8DP BACW10BP8AP BACW10BP8PK BACW10BP81AP BACW10BP81PK BACW10BP81DP BACW10BP82AP BACW10BP82PK POST ALERT SB: 54A0101R1		24
	40 BACW10BP8DP		.. WASHER- POSITION DATA: UNDER NUT POST SERVICE BULLETIN: 54-0080		4

ILLUSTRATION ITEMS NOT ON PARTS LIST ARE NOT APPLICABLE

- ITEM NOT ILLUSTRATED

HXL

54-51-56-01

BOEING PROPRIETARY - Copyright © - Unpublished Work - See title page for details.

54-51-56
FIG. 01
PAGE 17
AUG 22/09



767

PARTS CATALOG (MAINTENANCE)

FIG ITEM	PART NUMBER	1 2 3 4 5 6 7	NOMENCLATURE	EFFECT FROM TO	UNITS PER ASSY
1	42 BACW10BP8DP		.. WASHER- POSITION DATA: UNDER NUT POST SERVICE BULLETIN: 54-0080 PRE ALERT SB: 54A0101R3	155162 164999	8
	43 BACW10BP8CD		.. WASHER- POSITION DATA: UNDER BOLT SERVICE BULLETIN OPT DATA: BACW10BP8CTU BACW10BP8AC BACW10BP8CK BACW10BP8ACU BACW10BP81ACU BACW10BP81CD BACW10BP81CTU BACW10BP81AC BACW10BP81CK BACW10BP82ACU BACW10BP82CD BACW10BP82CTU BACW10BP82AC BACW10BP82CK POST SERVICE BULLETIN: 54-0080 POST ALERT SB: 54A0101R3		4
	43 BACW10BP8CTU		.. WASHER- POSITION DATA: UNDER BOLT SERVICE BULLETIN OPT DATA: BACW10BP8CD BACW10BP8AC BACW10BP8CK BACW10BP8ACU BACW10BP81ACU BACW10BP81CD BACW10BP81CTU BACW10BP81AC BACW10BP81CK BACW10BP82ACU BACW10BP82CD BACW10BP82CTU BACW10BP82AC BACW10BP82CK POST ALERT SB: 54A0101R1		4

ILLUSTRATION ITEMS NOT ON PARTS LIST ARE NOT APPLICABLE

- ITEM NOT ILLUSTRATED

HXL

54-51-56-01

BOEING PROPRIETARY - Copyright © - Unpublished Work - See title page for details.

54-51-56
FIG. 01
PAGE 18
AUG 22/09

 **BOEING**
767
PARTS CATALOG (MAINTENANCE)

FIG ITEM	PART NUMBER	1 2 3 4 5 6 7	NOMENCLATURE	EFFECT FROM TO	UNITS PER ASSY
1	43 BACW10BP8AC		.. WASHER- POSITION DATA: UNDER BOLT SERVICE BULLETIN OPT DATA: BACW10BP8CD BACW10BP8CTU BACW10BP8CK BACW10BP8ACU BACW10BP81ACU BACW10BP81CD BACW10BP81CTU BACW10BP81AC BACW10BP81CK BACW10BP82ACU BACW10BP82CD BACW10BP82CTU BACW10BP82AC BACW10BP82CK POST ALERT SB: 54A0101R1		4
	43 BACW10BP8CK		.. WASHER- POSITION DATA: UNDER BOLT SERVICE BULLETIN OPT DATA: BACW10BP8CD BACW10BP8CTU BACW10BP8AC BACW10BP8ACU BACW10BP81ACU BACW10BP81CD BACW10BP81CTU BACW10BP81AC BACW10BP81CK BACW10BP82ACU BACW10BP82CD BACW10BP82CTU BACW10BP82AC BACW10BP82CK POST ALERT SB: 54A0101R1		4

ILLUSTRATION ITEMS NOT ON PARTS LIST ARE NOT APPLICABLE

- ITEM NOT ILLUSTRATED

HXL

54-51-56-01

BOEING PROPRIETARY - Copyright © - Unpublished Work - See title page for details.

54-51-56
FIG. 01
PAGE 19
AUG 22/09



767

PARTS CATALOG (MAINTENANCE)

FIG ITEM	PART NUMBER	1 2 3 4 5 6 7	NOMENCLATURE	EFFECT FROM TO	UNITS PER ASSY
1	43 BACW10BP8ACU		.. WASHER- POSITION DATA: UNDER BOLT SERVICE BULLETIN OPT DATA: BACW10BP8CD BACW10BP8CTU BACW10BP8AC BACW10BP8CK BACW10BP81ACU BACW10BP81CD BACW10BP81CTU BACW10BP81AC BACW10BP81CK BACW10BP82ACU BACW10BP82CD BACW10BP82CTU BACW10BP82AC BACW10BP82CK POST ALERT SB: 54A0101R1		4
	43 BACW10BP81ACU		.. WASHER- POSITION DATA: UNDER BOLT SERVICE BULLETIN OPT DATA: BACW10BP81CD BACW10BP81CTU BACW10BP81AC BACW10BP81CK BACW10BP82ACU BACW10BP82CD BACW10BP82CTU BACW10BP82AC BACW10BP82CK BACW10BP8CD BACW10BP8CTU BACW10BP8AC BACW10BP8CK BACW10BP8ACU POST ALERT SB: 54A0101R1		4

ILLUSTRATION ITEMS NOT ON PARTS LIST ARE NOT APPLICABLE

- ITEM NOT ILLUSTRATED

HXL

54-51-56-01

BOEING PROPRIETARY - Copyright © - Unpublished Work - See title page for details.

54-51-56
 FIG. 01
 PAGE 20
 AUG 22/09



767

PARTS CATALOG (MAINTENANCE)

FIG ITEM	PART NUMBER	1 2 3 4 5 6 7	NOMENCLATURE	EFFECT FROM TO	UNITS PER ASSY
1	43 BACW10BP81CD		.. WASHER- POSITION DATA: UNDER BOLT SERVICE BULLETIN OPT DATA: BACW10BP81ACU BACW10BP81CTU BACW10BP81AC BACW10BP81CK BACW10BP82ACU BACW10BP82CD BACW10BP82CTU BACW10BP82AC BACW10BP82CK BACW10BP8CD BACW10BP8CTU BACW10BP8AC BACW10BP8CK BACW10BP8ACU POST ALERT SB: 54A0101R1		4
	43 BACW10BP81CTU		.. WASHER- POSITION DATA: UNDER BOLT SERVICE BULLETIN OPT DATA: BACW10BP81ACU BACW10BP81CD BACW10BP81AC BACW10BP81CK BACW10BP82ACU BACW10BP82CD BACW10BP82CTU BACW10BP82AC BACW10BP82CK BACW10BP8CD BACW10BP8CTU BACW10BP8AC BACW10BP8CK BACW10BP8ACU POST ALERT SB: 54A0101R1		4

ILLUSTRATION ITEMS NOT ON PARTS LIST ARE NOT APPLICABLE

- ITEM NOT ILLUSTRATED

HXL

54-51-56-01

BOEING PROPRIETARY - Copyright © - Unpublished Work - See title page for details.

54-51-56
 FIG. 01
 PAGE 21
 AUG 22/09



767

PARTS CATALOG (MAINTENANCE)

FIG ITEM	PART NUMBER	1 2 3 4 5 6 7	NOMENCLATURE	EFFECT FROM TO	UNITS PER ASSY
1	43 BACW10BP81AC		.. WASHER- POSITION DATA: UNDER BOLT SERVICE BULLETIN OPT DATA: BACW10BP81ACU BACW10BP81CD BACW10BP81CTU BACW10BP81CK BACW10BP82ACU BACW10BP82CD BACW10BP82CTU BACW10BP82AC BACW10BP82CK BACW10BP8CD BACW10BP8CTU BACW10BP8AC BACW10BP8CK BACW10BP8ACU POST ALERT SB: 54A0101R1		4
	43 BACW10BP81CK		.. WASHER- POSITION DATA: UNDER BOLT SERVICE BULLETIN OPT DATA: BACW10BP81ACU BACW10BP81CD BACW10BP81CTU BACW10BP81AC BACW10BP82ACU BACW10BP82CD BACW10BP82CTU BACW10BP82AC BACW10BP82CK BACW10BP8CD BACW10BP8CTU BACW10BP8AC BACW10BP8CK BACW10BP8ACU POST ALERT SB: 54A0101R1		4

ILLUSTRATION ITEMS NOT ON PARTS LIST ARE NOT APPLICABLE

- ITEM NOT ILLUSTRATED

HXL

54-51-56-01

BOEING PROPRIETARY - Copyright © - Unpublished Work - See title page for details.

54-51-56
 FIG. 01
 PAGE 22
 AUG 22/09



767

PARTS CATALOG (MAINTENANCE)

FIG ITEM	PART NUMBER	1 2 3 4 5 6 7	NOMENCLATURE	EFFECT FROM TO	UNITS PER ASSY
1	43 BACW10BP82ACU		.. WASHER- POSITION DATA: UNDER BOLT SERVICE BULLETIN OPT DATA: BACW10BP81ACU BACW10BP81CD BACW10BP81CTU BACW10BP81AC BACW10BP81CK BACW10BP82CD BACW10BP82CTU BACW10BP82AC BACW10BP82CK BACW10BP8CD BACW10BP8CTU BACW10BP8AC BACW10BP8CK BACW10BP8ACU POST ALERT SB: 54A0101R1		4
	43 BACW10BP82CD		.. WASHER- POSITION DATA: UNDER BOLT SERVICE BULLETIN OPT DATA: BACW10BP81ACU BACW10BP81CD BACW10BP81CTU BACW10BP81AC BACW10BP81CK BACW10BP82ACU BACW10BP82CTU BACW10BP82AC BACW10BP82CK BACW10BP8CD BACW10BP8CTU BACW10BP8AC BACW10BP8CK BACW10BP8ACU POST ALERT SB: 54A0101R1		4

ILLUSTRATION ITEMS NOT ON PARTS LIST ARE NOT APPLICABLE

- ITEM NOT ILLUSTRATED

HXL

54-51-56-01

BOEING PROPRIETARY - Copyright © - Unpublished Work - See title page for details.

54-51-56
 FIG. 01
 PAGE 23
 AUG 22/09



767

PARTS CATALOG (MAINTENANCE)

FIG ITEM	PART NUMBER	1 2 3 4 5 6 7	NOMENCLATURE	EFFECT FROM TO	UNITS PER ASSY
1	43 BACW10BP82CTU		.. WASHER- POSITION DATA: UNDER BOLT SERVICE BULLETIN OPT DATA: BACW10BP81ACU BACW10BP81CD BACW10BP81CTU BACW10BP81AC BACW10BP81CK BACW10BP82ACU BACW10BP82CD BACW10BP82AC BACW10BP82CK BACW10BP8CD BACW10BP8CTU BACW10BP8AC BACW10BP8CK BACW10BP8ACU POST ALERT SB: 54A0101R1		4
	43 BACW10BP82AC		.. WASHER- POSITION DATA: UNDER BOLT SERVICE BULLETIN OPT DATA: BACW10BP81ACU BACW10BP81CD BACW10BP81CTU BACW10BP81AC BACW10BP81CK BACW10BP82ACU BACW10BP82CD BACW10BP82CTU BACW10BP82CK BACW10BP8CD BACW10BP8CTU BACW10BP8AC BACW10BP8CK BACW10BP8ACU POST ALERT SB: 54A0101R1		4

ILLUSTRATION ITEMS NOT ON PARTS LIST ARE NOT APPLICABLE

- ITEM NOT ILLUSTRATED

HXL

54-51-56-01

BOEING PROPRIETARY - Copyright © - Unpublished Work - See title page for details.

54-51-56
 FIG. 01
 PAGE 24
 AUG 22/09



767

PARTS CATALOG (MAINTENANCE)

FIG ITEM	PART NUMBER	1 2 3 4 5 6 7	NOMENCLATURE	EFFECT FROM TO	UNITS PER ASSY
1	43 BACW10BP82CK		.. WASHER- POSITION DATA: UNDER BOLT SERVICE BULLETIN OPT DATA: BACW10BP81ACU BACW10BP81CD BACW10BP81CTU BACW10BP81AC BACW10BP81CK BACW10BP82ACU BACW10BP82CD BACW10BP82CTU BACW10BP82AC BACW10BP8CD BACW10BP8CTU BACW10BP8AC BACW10BP8CK BACW10BP8ACU POST ALERT SB: 54A0101R1		4
	44 BACW10BP8DP		.. WASHER- POSITION DATA: UNDER NUT SERVICE BULLETIN OPT DATA: BACW10BP8AP BACW10BP8PK BACW10BP81DP BACW10BP81AP BACW10BP81PK BACW10BP82DP BACW10BP82AP BACW10BP82PK POST SERVICE BULLETIN: 54-0080 POST ALERT SB: 54A0101R3		8

ILLUSTRATION ITEMS NOT ON PARTS LIST ARE NOT APPLICABLE

- ITEM NOT ILLUSTRATED

HXL

54-51-56-01

BOEING PROPRIETARY - Copyright © - Unpublished Work - See title page for details.

54-51-56
 FIG. 01
 PAGE 25
 AUG 22/09



767

PARTS CATALOG (MAINTENANCE)

FIG ITEM	PART NUMBER	1 2 3 4 5 6 7	NOMENCLATURE	EFFECT FROM TO	UNITS PER ASSY
1	44 BACW10BP8AP		.. WASHER- POSITION DATA: UNDER NUT SERVICE BULLETIN OPT DATA: BACW10BP8DP BACW10BP8PK BACW10BP81DP BACW10BP81AP BACW10BP81PK BACW10BP82DP BACW10BP82AP BACW10BP82PK POST ALERT SB: 54A0101R1		8
	44 BACW10BP8PK		.. WASHER- POSITION DATA: UNDER NUT SERVICE BULLETIN OPT DATA: BACW10BP8DP BACW10BP8AP BACW10BP81DP BACW10BP81AP BACW10BP81PK BACW10BP82DP BACW10BP82AP BACW10BP82PK POST ALERT SB: 54A0101R1		8
	44 BACW10BP81DP		.. WASHER- POSITION DATA: UNDER NUT SERVICE BULLETIN OPT DATA: BACW10BP81AP BACW10BP81PK BACW10BP82DP BACW10BP82AP BACW10BP82PK BACW10BP8DP BACW10BP8AP BACW10BP8PK POST ALERT SB: 54A0101R1		8

ILLUSTRATION ITEMS NOT ON PARTS LIST ARE NOT APPLICABLE

- ITEM NOT ILLUSTRATED

HXL

54-51-56-01

BOEING PROPRIETARY - Copyright © - Unpublished Work - See title page for details.

54-51-56
 FIG. 01
 PAGE 26
 AUG 22/09



767

PARTS CATALOG (MAINTENANCE)

FIG ITEM	PART NUMBER	1 2 3 4 5 6 7	NOMENCLATURE	EFFECT FROM TO	UNITS PER ASSY
1	44 BACW10BP81AP		.. WASHER- POSITION DATA: UNDER NUT SERVICE BULLETIN OPT DATA: BACW10BP81DP BACW10BP81PK BACW10BP82DP BACW10BP82AP BACW10BP82PK BACW10BP8DP BACW10BP8AP BACW10BP8PK POST ALERT SB: 54A0101R1		8
	44 BACW10BP81PK		.. WASHER- POSITION DATA: UNDER NUT SERVICE BULLETIN OPT DATA: BACW10BP81DP BACW10BP81AP BACW10BP82DP BACW10BP82AP BACW10BP82PK BACW10BP8DP BACW10BP8AP BACW10BP8PK POST ALERT SB: 54A0101R1		8
	44 BACW10BP82DP		.. WASHER- POSITION DATA: UNDER NUT SERVICE BULLETIN OPT DATA: BACW10BP81DP BACW10BP81AP BACW10BP81PK BACW10BP82AP BACW10BP82PK BACW10BP8DP BACW10BP8AP BACW10BP8PK POST ALERT SB: 54A0101R1		8

ILLUSTRATION ITEMS NOT ON PARTS LIST ARE NOT APPLICABLE

- ITEM NOT ILLUSTRATED

HXL

54-51-56-01

BOEING PROPRIETARY - Copyright © - Unpublished Work - See title page for details.

54-51-56
 FIG. 01
 PAGE 27
 AUG 22/09



767

PARTS CATALOG (MAINTENANCE)

FIG ITEM	PART NUMBER	1 2 3 4 5 6 7	NOMENCLATURE	EFFECT FROM TO	UNITS PER ASSY
1	44 BACW10BP82AP		.. WASHER- POSITION DATA: UNDER NUT SERVICE BULLETIN OPT DATA: BACW10BP81DP BACW10BP81AP BACW10BP81PK BACW10BP82DP BACW10BP82PK BACW10BP8DP BACW10BP8AP BACW10BP8PK POST ALERT SB: 54A0101R1		8
	44 BACW10BP82PK		.. WASHER- POSITION DATA: UNDER NUT SERVICE BULLETIN OPT DATA: BACW10BP81DP BACW10BP81AP BACW10BP81PK BACW10BP82DP BACW10BP82AP BACW10BP8DP BACW10BP8AP BACW10BP8PK POST ALERT SB: 54A0101R1		8
	46 HL79-16		.. COLLAR- SUPPLIER CODE: V5M902 SPECIFICATION NUMBER: BACC30M16 OPTIONAL PART: HL79-16 V73197 HL79-16 V92215 66014-16 V56878 HL79-16 V56878 SERVICE BULLETIN OPT DATA: BACC30R16 POST ALERT SB: 54A0101R1		8

ILLUSTRATION ITEMS NOT ON PARTS LIST ARE NOT APPLICABLE

- ITEM NOT ILLUSTRATED

HXL

54-51-56-01

BOEING PROPRIETARY - Copyright © - Unpublished Work - See title page for details.

54-51-56
 FIG. 01
 PAGE 28
 AUG 22/09



767

PARTS CATALOG (MAINTENANCE)

FIG ITEM	PART NUMBER	1 2 3 4 5 6 7	NOMENCLATURE	EFFECT FROM TO	UNITS PER ASSY
1					
46	HL84-16R		.. COLLAR- SUPPLIER CODE: V73197 SPECIFICATION NUMBER: BACC30R16 OPTIONAL PART: HL84-16R V56878 HL84-16R V92215 SERVICE BULLETIN OPT DATA: BACC30M16 POST ALERT SB: 54A0101R1		8
47	HL82-16APBW		.. COLLAR- SUPPLIER CODE: V73197 SPECIFICATION NUMBER: BACC30AG16 OPTIONAL PART: HL82-16APBW V56878 POST SERVICE BULLETIN: 54-0080		8
47A	HL79-16		.. COLLAR- SUPPLIER CODE: V5M902 SPECIFICATION NUMBER: BACC30M16 OPTIONAL PART: HL79-16 V73197 HL79-16 V92215 66014-16 V56878 HL79-16 V56878 SERVICE BULLETIN OPT DATA: BACC30R16 POST ALERT SB: 54A0101R3		4

ILLUSTRATION ITEMS NOT ON PARTS LIST ARE NOT APPLICABLE

- ITEM NOT ILLUSTRATED

HXL

54-51-56-01

BOEING PROPRIETARY - Copyright © - Unpublished Work - See title page for details.

54-51-56
 FIG. 01
 PAGE 29
 AUG 22/09



767

PARTS CATALOG (MAINTENANCE)

FIG ITEM	PART NUMBER	1 2 3 4 5 6 7	NOMENCLATURE	EFFECT FROM TO	UNITS PER ASSY
1 47B	HL84-16R		.. COLLAR- SUPPLIER CODE: V73197 SPECIFICATION NUMBER: BACC30R16 OPTIONAL PART: HL84-16R V56878 HL84-16R V92215 SERVICE BULLETIN OPT DATA: BACC30M16 POST ALERT SB: 54A0101R4	163163	4
48	BMN10HRCWD3-8		.. NUT- SUPPLIER CODE: V97928 SPECIFICATION NUMBER: BACN10HR8CD OPTIONAL PART: H51560-8 V15653 67832CD820 V56878 102LH9031-8 V72962 BH00303CM8 V27238 BMN5024CWD38 V97928 SL7108C8 V11815 VCU0005D8 V06710 102LH90318 V72962 67832CD8 V56878 CR6030-8 VF0224 POST SERVICE BULLETIN: 54-0080		4

ILLUSTRATION ITEMS NOT ON PARTS LIST ARE NOT APPLICABLE

- ITEM NOT ILLUSTRATED

HXL

54-51-56-01

BOEING PROPRIETARY - Copyright © - Unpublished Work - See title page for details.

54-51-56
 FIG. 01
 PAGE 30
 AUG 22/09



767

PARTS CATALOG (MAINTENANCE)

FIG ITEM	PART NUMBER	1 2 3 4 5 6 7	NOMENCLATURE	EFFECT FROM TO	UNITS PER ASSY
1 48A	BMN10HRCWD3-8		..NUT- SUPPLIER CODE: V97928 SPECIFICATION NUMBER: BACN10HR8CD OPTIONAL PART: H51560-8 V15653 67832CD820 V56878 102LH9031-8 V72962 BH00303CM8 V27238 BMN5024CWD38 V97928 SL7108C8 V11815 VCU0005D8 V06710 102LH90318 V72962 67832CD8 V56878 CR6030-8 VF0224 POST SERVICE BULLETIN: 54-0080 PRE ALERT SB: 54A0101	155162 164999	12

ILLUSTRATION ITEMS NOT ON PARTS LIST ARE NOT APPLICABLE

- ITEM NOT ILLUSTRATED

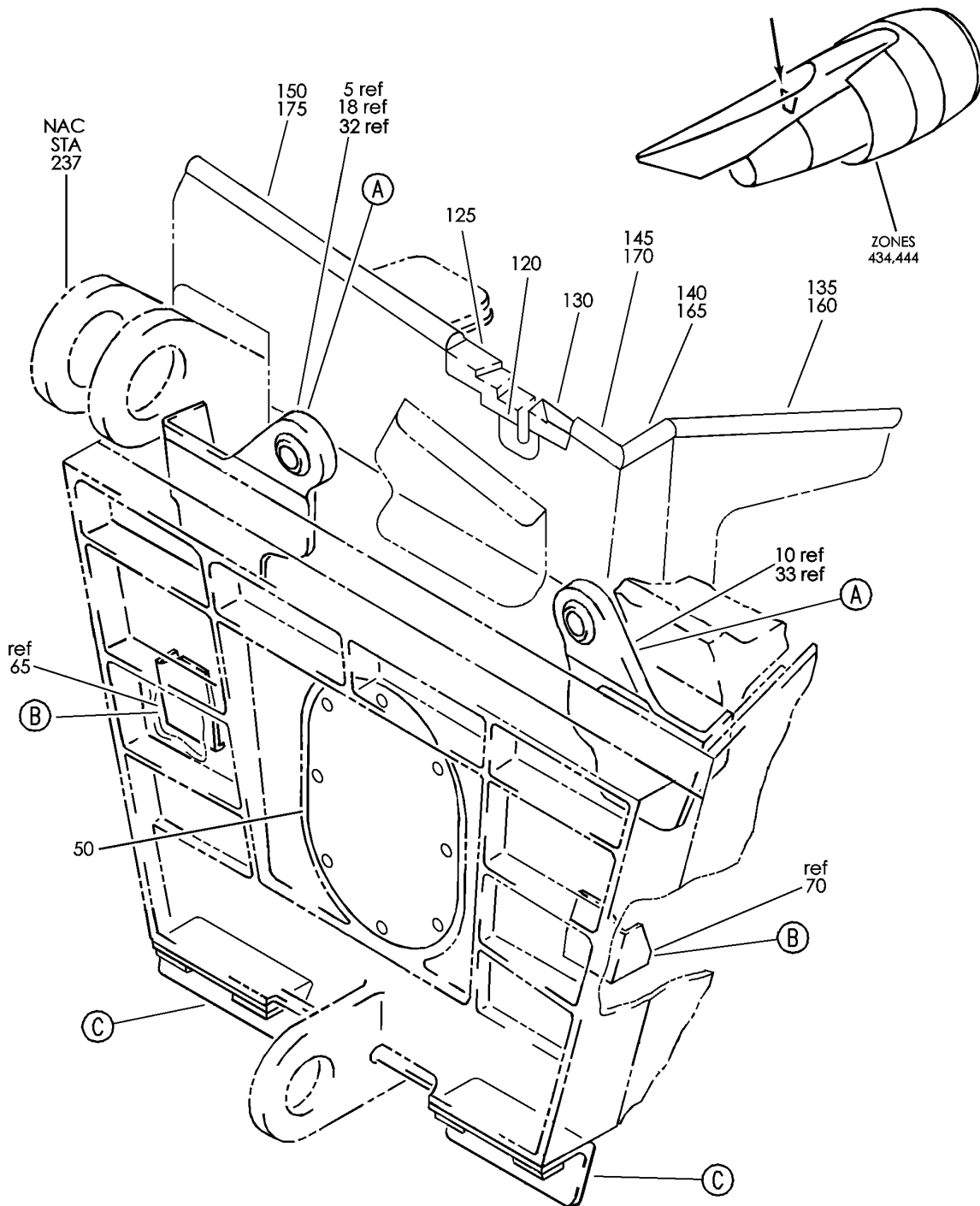
HXL

54-51-56-01

BOEING PROPRIETARY - Copyright © - Unpublished Work - See title page for details.

54-51-56
FIG. 01
PAGE 31
AUG 22/09

BOEING
767
PARTS CATALOG (MAINTENANCE)



V 54515701 SHT 1 REV 238

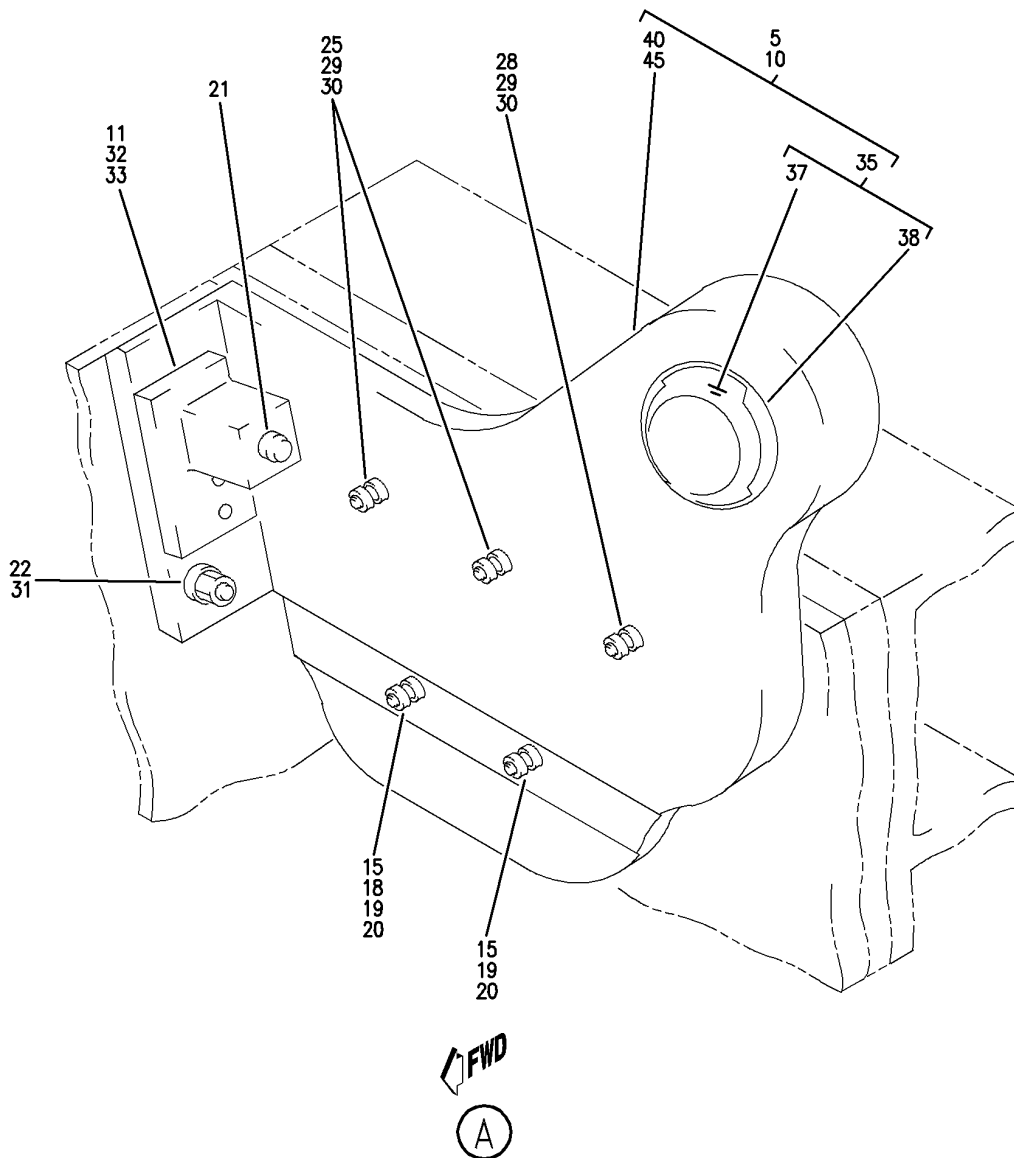
BULKHEAD INSTL-AFT STRUT
FIGURE 1 (SHEET 1)

54-51-57-01

HXL
DEC 22/06

54-51-57-01
PAGE 0

BOEING
767
PARTS CATALOG (MAINTENANCE)



V 54515701 SHT 2 REV 238

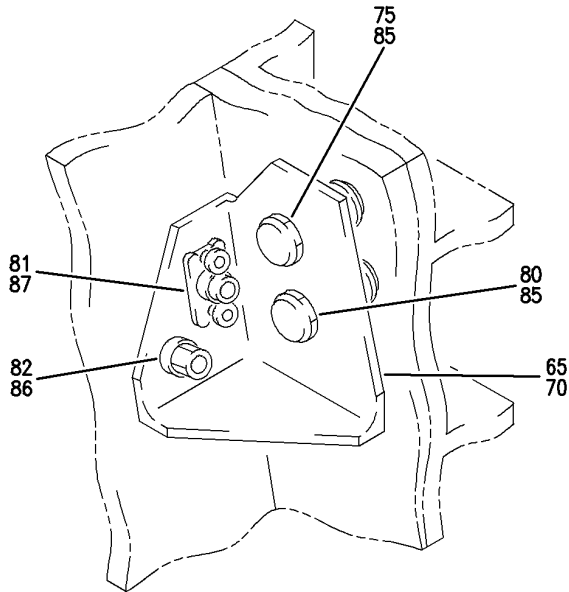
BULKHEAD INSTL-AFT STRUT
FIGURE 1 (SHEET 2)

54-51-57-01

HXL
DEC 22/06

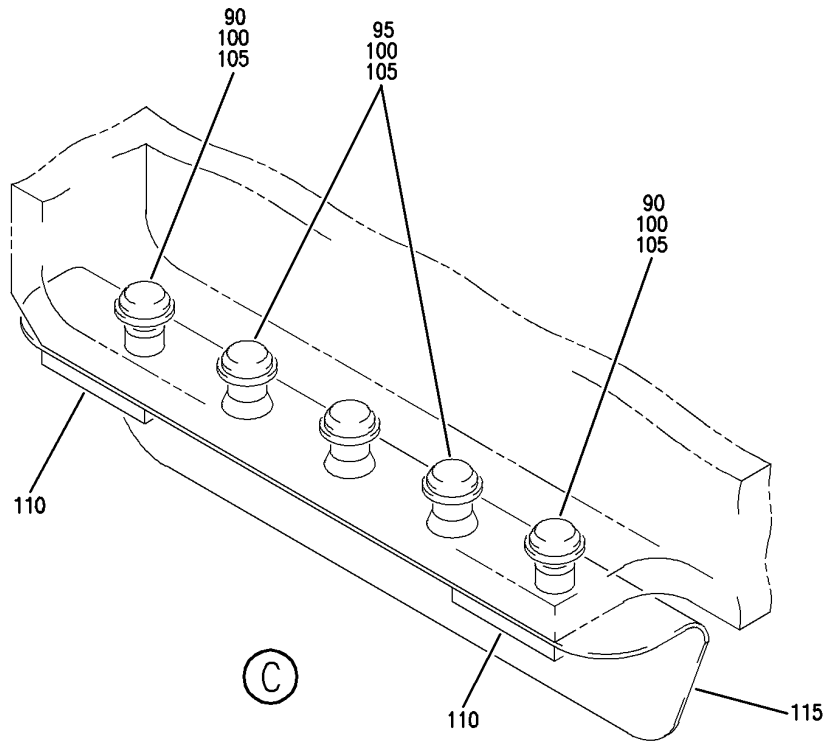
54-51-57-01
PAGE 0A

BOEING
767
PARTS CATALOG (MAINTENANCE)



FWD

(B)



(C)

V 54515701 SHT 3 REV 238

BULKHEAD INSTL-AFT STRUT
FIGURE 1 (SHEET 3)

54-51-57-01

HXL
DEC 22/06

54-51-57-01
PAGE 0B

BOEING
767
PARTS CATALOG (MAINTENANCE)

FIG ITEM	PART NUMBER	1 2 3 4 5 6 7	NOMENCLATURE	EFFECT FROM TO	UNITS PER ASSY
1			BULKHEAD INSTL-AFT STRUT		
- 1	311T3280-11		BULKHEAD INSTL-STRUT POSITION DATA: AFT VARIABLE DRAWING REF: 311T3280-5004 FOR NHA SEE: 54-51-51-01		RF
5	311T3287U13		.FITTING ASSY-SIDE LOAD POST SERVICE BULLETIN: 54-0080		1
10	311T3287U14		.FITTING ASSY-SIDE LOAD POST SERVICE BULLETIN: 54-0080		1
11	BACS40R014B025F		.SHIM- POST SERVICE BULLETIN: 54-0080		2
19	BACB30NX16K21X		ATTACHING PARTS .BOLT- POST SERVICE BULLETIN: 54-0080		4
20	HL1187DU16		.COLLAR SUPPLIER CODE: V5M902 SPECIFICATION NUMBER: BACC30X16S OPTIONAL PART: HL87DU16 V92215 HL87DU16 V73197 HL1187DU16 V56878 HL1187DU16 V92215 HL87DU16 V56878 HL1187DU16 V73197		4
21	BACB30NN5K14		.BOLT- POST SERVICE BULLETIN: 54-0080		2

ILLUSTRATION ITEMS NOT ON PARTS LIST ARE NOT APPLICABLE

- ITEM NOT ILLUSTRATED

HXL

54-51-57-01

BOEING PROPRIETARY - Copyright © - Unpublished Work - See title page for details.

54-51-57
FIG. 01
PAGE 1
DEC 22/06

BOEING
767
PARTS CATALOG (MAINTENANCE)

FIG ITEM	PART NUMBER	1 2 3 4 5 6 7	NOMENCLATURE	EFFECT FROM TO	UNITS PER ASSY
1	22 HST11AG6-12		.BOLT- SUPPLIER CODE: V06725 SPECIFICATION NUMBER: BACB30VU6K12 OPTIONAL PART: HST11AG6-12 V73197 HST11AG6-12 VOPTK6 HST11AG6-12 V56878 POST SERVICE BULLETIN: 54-0080		2
	29 BACB30NX18K25X		.BOLT- POST SERVICE BULLETIN: 54-0080		6
	30 HL1187DU18		.COLLAR SUPPLIER CODE: V73197 SPECIFICATION NUMBER: BACC30X18S OPTIONAL PART: HL1187DU18 V56878 HL1187DU18 V92215		6

R
R
R
R
R
R
R
R
R

ILLUSTRATION ITEMS NOT ON PARTS LIST ARE NOT APPLICABLE

- ITEM NOT ILLUSTRATED

HXL

54-51-57-01

BOEING PROPRIETARY - Copyright © - Unpublished Work - See title page for details.

54-51-57
FIG. 01
PAGE 2
AUG 22/09



767

PARTS CATALOG (MAINTENANCE)

FIG ITEM	PART NUMBER	1 2 3 4 5 6 7	NOMENCLATURE	EFFECT FROM TO	UNITS PER ASSY
1 31	KFN600-3		.NUT- SUPPLIER CODE: V56878 SPECIFICATION NUMBER: BACN10XJ3 OPTIONAL PART: KFN600-3 V92215 KFN600-3S V15653 KFN600-3S V92215 BH00309-3 V27238 BH00309-3S V27238 KFN600-3 V15653 KFN600-3 V9N513 KFN600-3 V06950 POST SERVICE BULLETIN: 54-0080 -----*-----		2
32	311T4004-7		.FITTING- POST SERVICE BULLETIN: 54-0080		1
33	311T4004-8		.FITTING- POST SERVICE BULLETIN: 54-0080		1
- 34	BACR15BA4AD20C		ATTACHING PARTS .RIVET- SIZE DETERMINED ON INSTL. POST SERVICE BULLETIN: 54-0080 -----*-----		4
35	P21610		..BEARING ASSY- SUPPLIER CODE: V57606 SPECIFICATION NUMBER: S302T001-209 OPTIONAL PART: VTB04560 V06710 AMB12V4017 V15860		1

ILLUSTRATION ITEMS NOT ON PARTS LIST ARE NOT APPLICABLE

- ITEM NOT ILLUSTRATED

54-51-57-01

54-51-57
FIG. 01
PAGE 3
DEC 22/07

HXL

 **BOEING**
767
PARTS CATALOG (MAINTENANCE)

FIG ITEM	PART NUMBER	1 2 3 4 5 6 7	NOMENCLATURE	EFFECT FROM TO	UNITS PER ASSY
1	35 VTB04560		.. BEARING- SUPPLIER CODE: V06710 SPECIFICATION NUMBER: S302T001-209 OPTIONAL PART: P21610 V57606 AMB12V4017 V15860		1
	35 AMB12V4017		.. BEARING- SUPPLIER CODE: V15860 SPECIFICATION NUMBER: S302T001-209 OPTIONAL PART: P21610 V57606 VTB04560 V06710		1
	37 VTB04561		... BALL- SUPPLIER CODE: V06710 SPECIFICATION NUMBER: S302T001-209B OPTIONAL PART: P21611 V57606		1
	38 P21612		... RACE- SUPPLIER CODE: V57606		1
	50 311T3284-1		. DOOR-ACCESS OPTIONAL PART: 311T3284-2	163163	1
	50 311T3284-2		. DOOR-ACCESS ATTACHING PARTS		1
-	55 NAS623-3-6		. SCREW- USED WITH: 311T3284-1	163163	8
-	57 L8006K5		. BOLT- SUPPLIER CODE: V06725 SPECIFICATION NUMBER: BACB30MY6K5 USED WITH: 311T3284-2		8
-	60 BACW10BP3DP		. WASHER- USED WITH: 311T3284-1	163163	8

ILLUSTRATION ITEMS NOT ON PARTS LIST ARE NOT APPLICABLE

- ITEM NOT ILLUSTRATED

HXL

54-51-57-01

BOEING PROPRIETARY - Copyright © - Unpublished Work - See title page for details.

54-51-57
FIG. 01
PAGE 4
APR 22/08

 **BOEING**
767
PARTS CATALOG (MAINTENANCE)

FIG ITEM	PART NUMBER	1 2 3 4 5 6 7	NOMENCLATURE	EFFECT FROM TO	UNITS PER ASSY
1 - 62	HL79-6		.COLLAR- SUPPLIER CODE: V5M902 SPECIFICATION NUMBER: BACC30M6 OPTIONAL PART: HL79-6 V73197 HL79-6 V92215 66014-6 V56878 HL79-6 V56878 USED WITH: 311T3284-2 -----*-----		8
65	311T3286U1		.FITTING-GSE POST SERVICE BULLETIN: 54-0080		1
70	311T3286U2		.FITTING-GSE POST SERVICE BULLETIN: 54-0080 ATTACHING PARTS		1
75	BACB30NX16K13X		.BOLT- POST SERVICE BULLETIN: 54-0080		2
80	BACB30NX16K11X		.BOLT- POST SERVICE BULLETIN: 54-0080		2
81	BACB30NN5K7		.BOLT- SERVICE BULLETIN OPT DATA: BACB30NN5K9 BACB30NN5K11 POST SERVICE BULLETIN: 54-0080		2
81	BACB30NN5K9		.BOLT- SERVICE BULLETIN OPT DATA: BACB30NN5K7 BACB30NN5K11 POST SERVICE BULLETIN: 54-0080		2
81	BACB30NN5K11		.BOLT- SERVICE BULLETIN OPT DATA: BACB30NN5K7 BACB30NN5K9 POST SERVICE BULLETIN: 54-0080		2

ILLUSTRATION ITEMS NOT ON PARTS LIST ARE NOT APPLICABLE

- ITEM NOT ILLUSTRATED

HXL

54-51-57-01

BOEING PROPRIETARY - Copyright © - Unpublished Work - See title page for details.

54-51-57
FIG. 01
PAGE 5
DEC 22/07

BOEING
767
PARTS CATALOG (MAINTENANCE)

FIG ITEM	PART NUMBER	1 2 3 4 5 6 7	NOMENCLATURE	EFFECT FROM TO	UNITS PER ASSY
R R R R R R	1 82		.BOLT- SUPPLIER CODE: V56878 SPECIFICATION NUMBER: BACB30NW8K9X POST SERVICE BULLETIN: 54-0080		2
	85	HL82-16APBW	.COLLAR SUPPLIER CODE: V73197 SPECIFICATION NUMBER: BACC30AG16 OPTIONAL PART: HL82-16APBW V56878		4
	86	KFN600-4	.NUT- SUPPLIER CODE: V56878 SPECIFICATION NUMBER: BACN10XJ4 OPTIONAL PART: KFN600-4 V92215 KFN600-4S V15653 KFN600-4S V92215 BH00309-4 V27238 BH00309-4S V27238 KFN600-4 V15653 KFN600-4 V06950 KFN600-4 V9N513 POST SERVICE BULLETIN: 54-0080		2
	87	MF19058-5-2BAC	-----*----- .NUTPLATE- SUPPLIER CODE: V15653 SPECIFICATION NUMBER: BACN10YF52 POST SERVICE BULLETIN: 54-0080		2
ILLUSTRATION ITEMS NOT ON PARTS LIST ARE NOT APPLICABLE					

— ITEM NOT ILLUSTRATED

HXL

54-51-57-01

BOEING PROPRIETARY - Copyright © - Unpublished Work - See title page for details.

54-51-57
FIG. 01
PAGE 6
AUG 22/09

 **BOEING**
767
PARTS CATALOG (MAINTENANCE)

FIG ITEM	PART NUMBER	1 2 3 4 5 6 7	NOMENCLATURE	EFFECT FROM TO	UNITS PER ASSY
1			ATTACHING PARTS		
- 88	BACR15BA4AD20C		.RIVET- SIZE DETERMINED ON INSTL. POST SERVICE BULLETIN: 54-0080 -----*-----		4
120	311T4100-46		.FOAM- POST SERVICE BULLETIN: 54-0080		1
125	311T4100-44		.FOAM- POST SERVICE BULLETIN: 54-0080		1
130	311T4100-45		.FOAM- POST SERVICE BULLETIN: 54-0080		1
135	311T4100-59		.SEAL- POSITION DATA: LH SIDE POST SERVICE BULLETIN: 54-0080		1
140	311T4100-57		.SEAL- POSITION DATA: LH SIDE POST SERVICE BULLETIN: 54-0080		1
145	311T4100-35		.SEAL- POSITION DATA: LH SIDE POST SERVICE BULLETIN: 54-0080		1
150	311T4100-53		.SEAL- POSITION DATA: LH SIDE POST SERVICE BULLETIN: 54-0080		1
160	311T4100-60		.SEAL- POSITION DATA: RH SIDE POST SERVICE BULLETIN: 54-0080		1
165	311T4100-58		.SEAL- POSITION DATA: RH SIDE POST SERVICE BULLETIN: 54-0080		1
ILLUSTRATION ITEMS NOT ON PARTS LIST ARE NOT APPLICABLE					

- ITEM NOT ILLUSTRATED

HXL

54-51-57-01

BOEING PROPRIETARY - Copyright © - Unpublished Work - See title page for details.

54-51-57
FIG. 01
PAGE 7
AUG 22/09



767

PARTS CATALOG (MAINTENANCE)

FIG ITEM	PART NUMBER	1 2 3 4 5 6 7	NOMENCLATURE	EFFECT FROM TO	UNITS PER ASSY
1 170	311T4100-36		.SEAL- POSITION DATA: RH SIDE POST SERVICE BULLETIN: 54-0080		1
175	311T4100-54		.SEAL- POSITION DATA: RH SIDE POST SERVICE BULLETIN: 54-0080		1

ILLUSTRATION ITEMS NOT ON PARTS LIST ARE NOT APPLICABLE

- ITEM NOT ILLUSTRATED

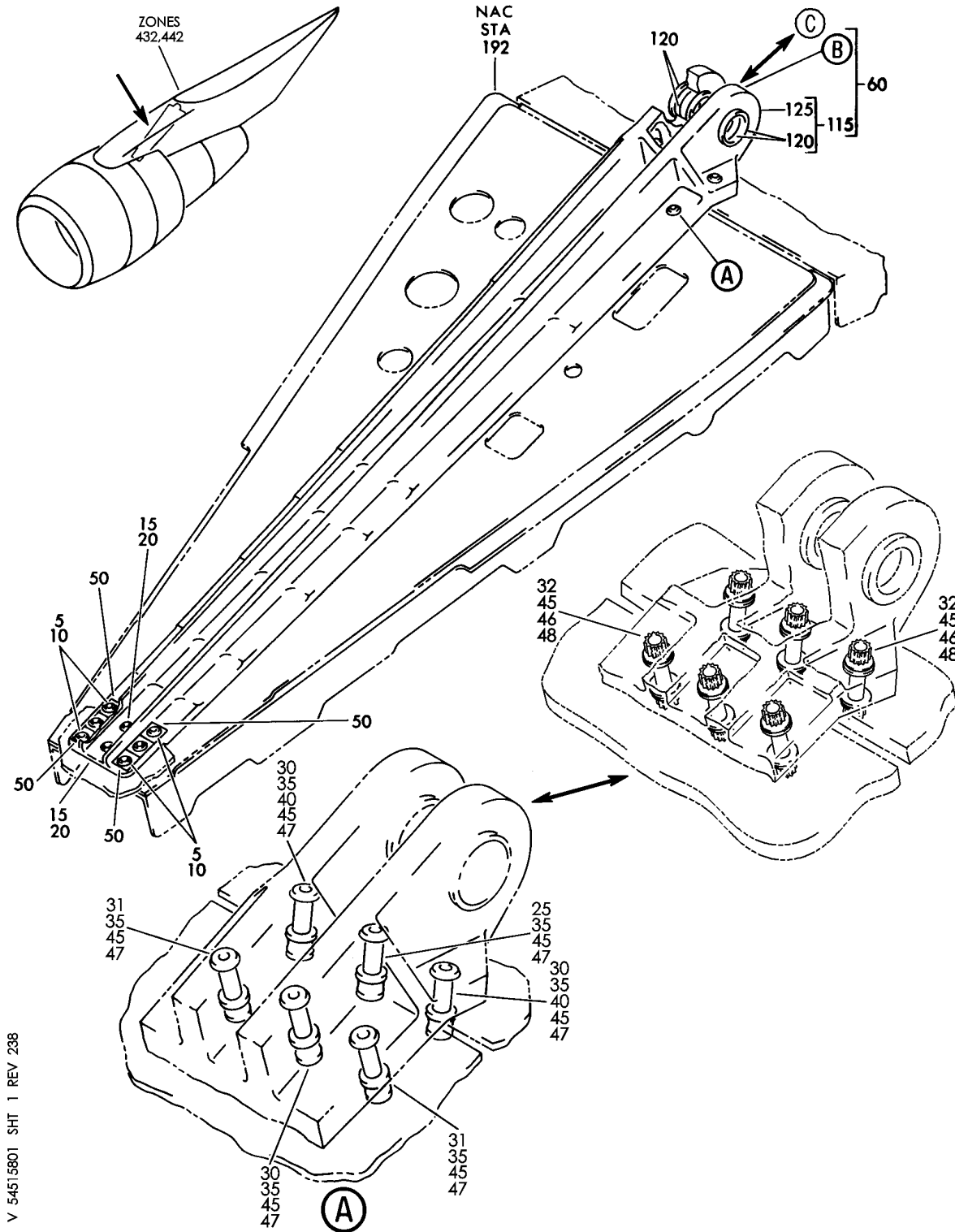
HXL

54-51-57-01

BOEING PROPRIETARY - Copyright © - Unpublished Work - See title page for details.

54-51-57
FIG. 01
PAGE 8
AUG 22/09

BOEING
767
PARTS CATALOG (MAINTENANCE)



V 54515801 SHT 1 REV 238

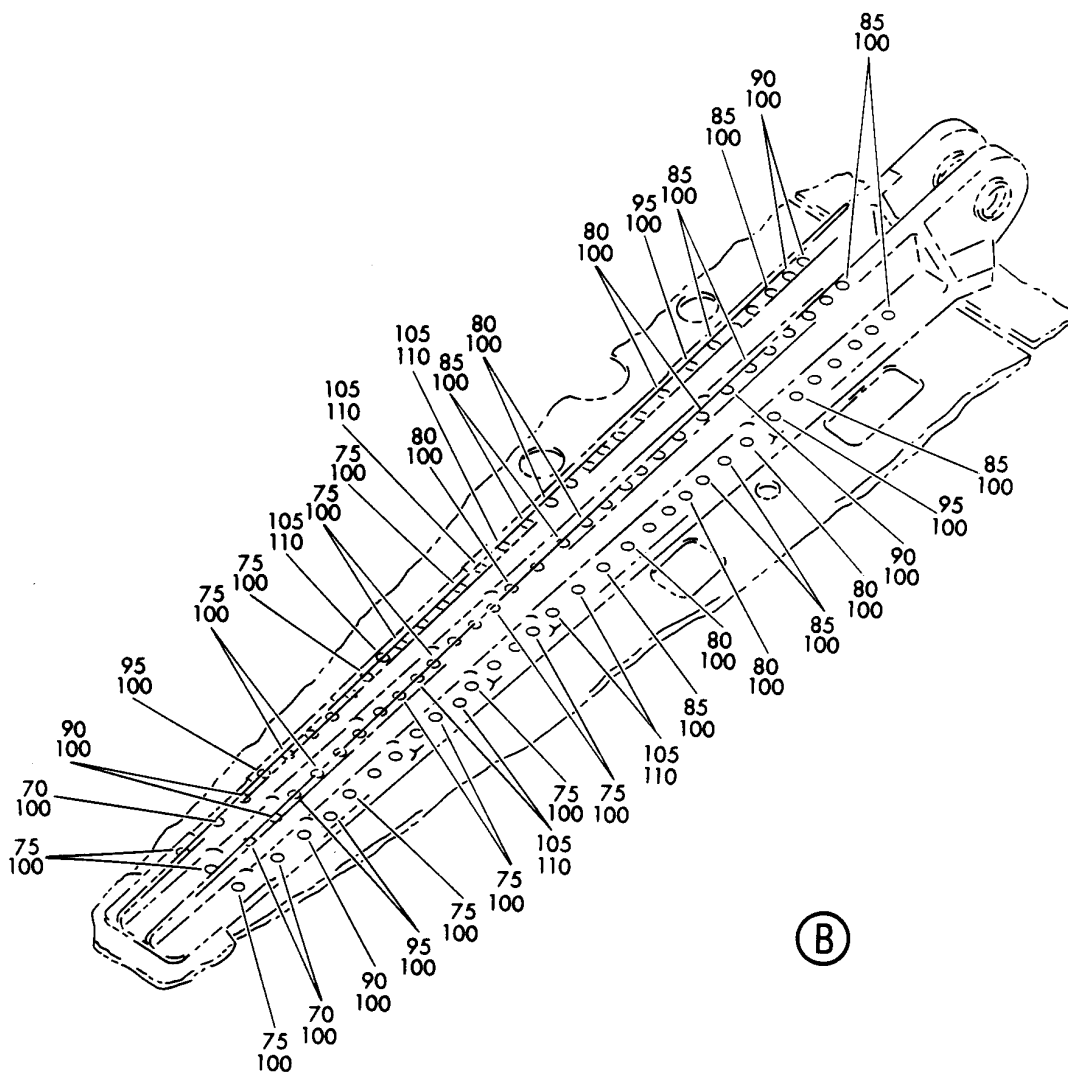
SPAR INSTL-NAC STRUT FWD UPR
FIGURE 1 (SHEET 1)

54-51-58-01

HXL
DEC 22/06

54-51-58-01
PAGE 0

BOEING
767
PARTS CATALOG (MAINTENANCE)



V 54515801 SHT 2 REV 034

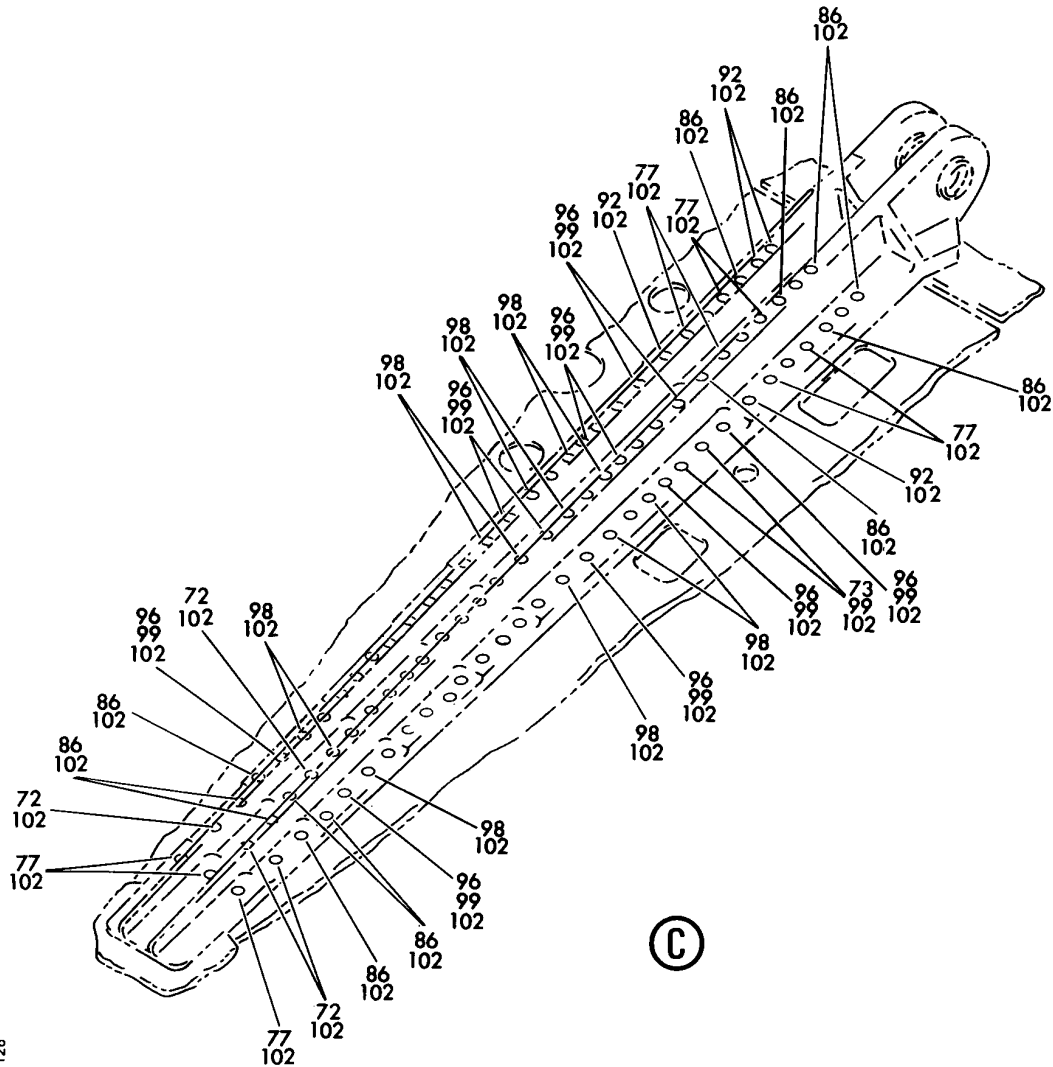
SPAR INSTL-NAC STRUT FWD UPR
FIGURE 1 (SHEET 2)

54-51-58-01

HXL
DEC 22/06

54-51-58-01
PAGE 0A

BOEING
767
PARTS CATALOG (MAINTENANCE)



V 54515801 SH1 3 REV 126

SPAR INSTL-NAC STRUT FWD UPR
FIGURE 1 (SHEET 3)

54-51-58-01

HXL
DEC 22/06

54-51-58-01
PAGE 0B



767

PARTS CATALOG (MAINTENANCE)

FIG ITEM	PART NUMBER	1 2 3 4 5 6 7	NOMENCLATURE	EFFECT FROM TO	UNITS PER ASSY
1			SPAR INSTL-NAC STRUT FWD UPR		
- 1	311T3110-28		SPAR INSTL-NAC STRUT POSITION DATA: FWD UPR VARIABLE DRAWING REF: 311T3110-5010 FOR NHA SEE: 54-51-51-01		RF
5	BACB30MY12K16		.BOLT		6
10	HL79-12		.COLLAR SUPPLIER CODE: V5M902 SPECIFICATION NUMBER: BACC30M12 OPTIONAL PART: HL79-12 V73197 HL79-12 V92215 66014-12 V56878 HL79-12 V56878		6
15	L80016K15		.BOLT- SUPPLIER CODE: V06725 SPECIFICATION NUMBER: BACB30MY16K15		2
20	HL79-16		.COLLAR SUPPLIER CODE: V5M902 SPECIFICATION NUMBER: BACC30M16 OPTIONAL PART: HL79-16 V73197 HL79-16 V92215 66014-16 V56878 HL79-16 V56878		2
32	BACB30US8K20X		.BOLT- POST SERVICE BULLETIN: 54-0080R1	163163	6

ILLUSTRATION ITEMS NOT ON PARTS LIST ARE NOT APPLICABLE

- ITEM NOT ILLUSTRATED

HXL

54-51-58-01

BOEING PROPRIETARY - Copyright © - Unpublished Work - See title page for details.

54-51-58
FIG. 01
PAGE 1
APR 22/08



767

PARTS CATALOG (MAINTENANCE)

FIG ITEM	PART NUMBER	1 2 3 4 5 6 7	NOMENCLATURE	EFFECT FROM TO	UNITS PER ASSY
1 35	HL1012AZ16-19	.BOLT-	SUPPLIER CODE: VOPTK6 SPECIFICATION NUMBER: BACB30NX16K19 OPTIONAL PART: HL12VAZ16-19 V73197 HL12VAZ16-19 V92215 HL12VAZ16-19 V97928 L802-16K19 V06725 HL12VAZ16-19 V97928 HL12VAZ16-19 V56878 HL1012AZ16-19 V06725 HL1012AZ16-19 V17446 HL1012AZ16-19 V56878 HL1012AZ16-19 V60516 HL1012AZ16-19 V73197 HL1012AZ16-19 V97928	155162 164999	6
45	BACW10CT16CU	.WASHER-(UNDER HEAD)		155162 164999	6
45	AN960C816	.WASHER- POSITION DATA: UNDER HEAD		155162 164999	6
45	BACW10BP81CD	.WASHER- POSITION DATA: UNDER HEAD POST SERVICE BULLETIN: 54-0080R1		163163	6
46	BACW10BP81DP	.WASHER- POSITION DATA: UNDER NUT POST SERVICE BULLETIN: 54-0080R1		163163	6

ILLUSTRATION ITEMS NOT ON PARTS LIST ARE NOT APPLICABLE

- ITEM NOT ILLUSTRATED

54-51-58-01

54-51-58
FIG. 01
PAGE 2
DEC 22/07

HXL

 **BOEING**
767
PARTS CATALOG (MAINTENANCE)

FIG ITEM	PART NUMBER	1 2 3 4 5 6 7	NOMENCLATURE	EFFECT FROM TO	UNITS PER ASSY
R R R R R R R R R R	1 47	HL1187-16	.COLLAR- SUPPLIER CODE: V5M902 SPECIFICATION NUMBER: BACC30X16 OPTIONAL PART: HL1187-16 V56878 HL1187-16 V92215 HL1187-16 V73197	155162 164999	6
	48	BMN10HRCPD3-8	.NUT- SUPPLIER CODE: V97928 SPECIFICATION NUMBER: BACN10HR8CS OPTIONAL PART: H39953-8 V15653 109LH9031-8 V72962 67832AS820 V56878 BH00303-8 V27238 BMN5024CPD38 V97928 SL705098 V11815 109LH90318 V72962 67832AS8 V56878 CR5908-8 VF0224 POST SERVICE BULLETIN: 54-0080R1	163163	6
	50	311T3110-38	.FILLER-RADIUS USED ON: 311T3110-1		6
	60	311T3110-36	.SPAR ASSY-		1
	72	L8008K7	..BOLT SUPPLIER CODE: V06725 SPECIFICATION NUMBER: BACB30MY8K7		4
	ILLUSTRATION ITEMS NOT ON PARTS LIST ARE NOT APPLICABLE				

- ITEM NOT ILLUSTRATED

54-51-58-01

54-51-58
FIG. 01
PAGE 3
AUG 22/09

HXL



767

PARTS CATALOG (MAINTENANCE)

FIG ITEM	PART NUMBER	1 2 3 4 5 6 7	NOMENCLATURE	EFFECT FROM TO	UNITS PER ASSY
1					
77	L8008K8	..	BOLT SUPPLIER CODE: V06725 SPECIFICATION NUMBER: BACB30MY8K8		12
86	H8008K10	..	BOLT SUPPLIER CODE: V06725 SPECIFICATION NUMBER: BACB30MY8K10		14
92	L8008K11	..	BOLT SUPPLIER CODE: V06725 SPECIFICATION NUMBER: BACB30MY8K11		4
98	L8008K5	..	BOLT SUPPLIER CODE: V06725 SPECIFICATION NUMBER: BACB30MY8K5		42
99	L8008K6	..	BOLT SUPPLIER CODE: V06725 SPECIFICATION NUMBER: BACB30MY8K6		17
102	HL79-8	..	COLLAR SUPPLIER CODE: V5M902 SPECIFICATION NUMBER: BACC30M8 OPTIONAL PART: HL79-8 V73197 HL79-8 V92215 66014-8 V56878 HL79-8 V56878		93
115	311T4115-5	..	FITTING ASSY- OPTIONAL PART: 311T4115-7		1
115	311T4115-7	..	FITTING ASSY- OPTIONAL PART: 311T4115-5		1
- 117	310T2303-1	...	WASHER- POST SERVICE BULLETIN: 54-0095		4

ILLUSTRATION ITEMS NOT ON PARTS LIST ARE NOT APPLICABLE

- ITEM NOT ILLUSTRATED

54-51-58-01

54-51-58
FIG. 01
PAGE 4
AUG 22/09

HXL

BOEING PROPRIETARY - Copyright © - Unpublished Work - See title page for details.



767

PARTS CATALOG (MAINTENANCE)

FIG ITEM	PART NUMBER	1 2 3 4 5 6 7	NOMENCLATURE	EFFECT FROM TO	UNITS PER ASSY
1					
120	302T0200-75	...	BUSHING- PRE SERVICE BULLETIN: 54-0095		4
120	311T4100-70	...	BUSHING- POST SERVICE BULLETIN: 54-0095		4
125	311T4115-6	...	FITTING- USED ON: 311T4115-5		1
125	311T4115-8	...	FITTING- USED ON: 311T4115-7		1

ILLUSTRATION ITEMS NOT ON PARTS LIST ARE NOT APPLICABLE

- ITEM NOT ILLUSTRATED

HXL

54-51-58-01

BOEING PROPRIETARY - Copyright © - Unpublished Work - See title page for details.

54-51-58
FIG. 01
PAGE 5
AUG 22/09



767

PARTS CATALOG (MAINTENANCE)

FIG ITEM	PART NUMBER	1 2 3 4 5 6 7	NOMENCLATURE	EFFECT FROM TO	UNITS PER ASSY
1 A			SPAR INSTL-NAC STRUT LWR (PW4000)		
- 1	311T3180-35		SPAR INSTL-NAC STRU POSITION DATA: LWR MISCELLANEOUS DATA: (PW4000) VARIABLE DRAWING REF: 311T3180-5011 311T3180-5013 FOR NHA SEE: 54-51-51-01		RF
5	HL448PZ10-6		.BOLT- SUPPLIER CODE: V60516 SPECIFICATION NUMBER: BACB30MB10A6U OPTIONAL PART: HL48-10-6 V73197 HL48-10-6 V92215 HL48-10-6 V97928 HL48-10-6 V80539 HL48-10-6 V08524 69308-10A6U V56878 HL48-10-6 V9N513 HL448PZ10-6 V73197 HL448PZ10-6 V9N513 HL448PZ10-6 V80539 HL448PZ10-6 V97928 HL48-10-6 V56878 HL448PZ10-6 V56878 SERVICE BULLETIN OPT DATA: BACB30MC10A6U		12
ILLUSTRATION ITEMS NOT ON PARTS LIST ARE NOT APPLICABLE					

- ITEM NOT ILLUSTRATED

HXL

54-51-59-01A

BOEING PROPRIETARY - Copyright © - Unpublished Work - See title page for details.

54-51-59
FIG. 01A
PAGE 1
DEC 22/07



767

PARTS CATALOG (MAINTENANCE)

FIG ITEM	PART NUMBER	1 2 3 4 5 6 7 NOMENCLATURE	EFFECT FROM TO	UNITS PER ASSY
1 A 5	HL452PZ10-6	.BOLT- SUPPLIER CODE: V97928 SPECIFICATION NUMBER: BACB30MC10A6U OPTIONAL PART: HL248-10-6 V06950 L806X10A6U V06725 HL248-10-6 V97928 HL248-10-6 V80539 HL248-10-6 V73197 HL248-10-6 V60516 HL248-10-6 V56878 HL248-10-6 V06725 HL248-10-6 V9N513 HL452PZ10-6 V06725 HL452PZ10-6 V06950 HL452PZ10-6 V56878 HL452PZ10-6 V60516 HL452PZ10-6 V73197 HL452PZ10-6 V80539 HL452PZ10-6 V9N513 MISCELLANEOUS DATA: (OVERSIZE) SERVICE BULLETIN OPT DATA: BACB30MB10A6U POST SERVICE BULLETIN: 54-0052 ILLUSTRATION ITEMS NOT ON PARTS LIST ARE NOT APPLICABLE		12

- ITEM NOT ILLUSTRATED

HXL

54-51-59-01A

BOEING PROPRIETARY - Copyright © - Unpublished Work - See title page for details.

54-51-59
 FIG. 01A
 PAGE 2
 DEC 22/07



767

PARTS CATALOG (MAINTENANCE)

FIG ITEM	PART NUMBER	1 2 3 4 5 6 7 NOMENCLATURE	EFFECT FROM TO	UNITS PER ASSY
1 A 7	HL448PZ10-6	.BOLT- SUPPLIER CODE: V60516 SPECIFICATION NUMBER: BACB30MB10A6U OPTIONAL PART: HL48-10-6 V73197 HL48-10-6 V92215 HL48-10-6 V97928 HL48-10-6 V80539 HL48-10-6 V08524 69308-10A6U V56878 HL48-10-6 V9N513 HL448PZ10-6 V73197 HL448PZ10-6 V9N513 HL448PZ10-6 V80539 HL448PZ10-6 V97928 HL48-10-6 V56878 HL448PZ10-6 V56878 POST SERVICE BULLETIN: 54-0052		6

ILLUSTRATION ITEMS NOT ON PARTS LIST ARE NOT APPLICABLE

- ITEM NOT ILLUSTRATED

HXL

54-51-59-01A

BOEING PROPRIETARY - Copyright © - Unpublished Work - See title page for details.

54-51-59
 FIG. 01A
 PAGE 3
 DEC 22/07



767

PARTS CATALOG (MAINTENANCE)

FIG ITEM	PART NUMBER	1 2 3 4 5 6 7 NOMENCLATURE	EFFECT FROM TO	UNITS PER ASSY
1 A 7	HL452PZ10-6	.BOLT- SUPPLIER CODE: V97928 SPECIFICATION NUMBER: BACB30MC10A6U OPTIONAL PART: HL248-10-6 V06950 L806X10A6U V06725 HL248-10-6 V97928 HL248-10-6 V80539 HL248-10-6 V73197 HL248-10-6 V60516 HL248-10-6 V56878 HL248-10-6 V06725 HL248-10-6 V9N513 HL452PZ10-6 V06725 HL452PZ10-6 V06950 HL452PZ10-6 V56878 HL452PZ10-6 V60516 HL452PZ10-6 V73197 HL452PZ10-6 V80539 HL452PZ10-6 V9N513 MISCELLANEOUS DATA: (OVERSIZE) POST SERVICE BULLETIN: 54-0052		6

ILLUSTRATION ITEMS NOT ON PARTS LIST ARE NOT APPLICABLE

- ITEM NOT ILLUSTRATED

HXL

54-51-59-01A

BOEING PROPRIETARY - Copyright © - Unpublished Work - See title page for details.

54-51-59
 FIG. 01A
 PAGE 4
 DEC 22/07



767

PARTS CATALOG (MAINTENANCE)

FIG ITEM	PART NUMBER	1 2 3 4 5 6 7 NOMENCLATURE	EFFECT FROM TO	UNITS PER ASSY
1 A 10	HL448PZ10-7	.BOLT- SUPPLIER CODE: V60516 SPECIFICATION NUMBER: BACB30MB10A7U OPTIONAL PART: HL48-10-7 V73197 HL48-10-7 V92215 HL48-10-7 V97928 HL48-10-7 V80539 HL48-10-7 V08524 69308-10A7U V56878 HL48-10-7 V9N513 HL448PZ10-7 V56878 HL448PZ10-7 V73197 HL448PZ10-7 V80539 HL448PZ10-7 V9N513 HL48-10-7 V56878 HL448PZ10-7 V97928 SERVICE BULLETIN OPT DATA: BACB30MC10A7U		4

ILLUSTRATION ITEMS NOT ON PARTS LIST ARE NOT APPLICABLE

- ITEM NOT ILLUSTRATED

HXL

54-51-59-01A

BOEING PROPRIETARY - Copyright © - Unpublished Work - See title page for details.

54-51-59
 FIG. 01A
 PAGE 5
 DEC 22/06



767

PARTS CATALOG (MAINTENANCE)

FIG ITEM	PART NUMBER	1 2 3 4 5 6 7 NOMENCLATURE	EFFECT FROM TO	UNITS PER ASSY
1 A 10	HL452PZ10-7	.BOLT- SUPPLIER CODE: V97928 SPECIFICATION NUMBER: BACB30MC10A7U OPTIONAL PART: HL248-10-7 V06950 L806X10A7U V06725 HL248-10-7 V97928 HL248-10-7 V80539 HL248-10-7 V73197 HL248-10-7 V60516 HL248-10-7 V56878 HL248-10-7 V06725 HL248-10-7 V9N513 HL452PZ10-7 V9N513 HL452PZ10-7 V06725 HL452PZ10-7 V06950 HL452PZ10-7 V56878 HL452PZ10-7 V60516 HL452PZ10-7 V73197 HL452PZ10-7 V80539 MISCELLANEOUS DATA: (OVERSIZE) SERVICE BULLETIN OPT DATA: BACB30MB10A7U POST SERVICE BULLETIN: 54-0052 ILLUSTRATION ITEMS NOT ON PARTS LIST ARE NOT APPLICABLE		4

- ITEM NOT ILLUSTRATED

HXL

54-51-59-01A

BOEING PROPRIETARY - Copyright © - Unpublished Work - See title page for details.

54-51-59
 FIG. 01A
 PAGE 6
 DEC 22/07


BOEING
 767
PARTS CATALOG (MAINTENANCE)

FIG ITEM	PART NUMBER	1 2 3 4 5 6 7	NOMENCLATURE	EFFECT FROM TO	UNITS PER ASSY
1 A 20	HL1187DU10		.COLLAR- SUPPLIER CODE: V5M902 SPECIFICATION NUMBER: BACC30X10S OPTIONAL PART: HL87DU10 V56878 HL1187DU10 V92215 HL1187DU10 V56878 HL87DU10 V92215 HL87DU10 V73197 HL1187DU10 V73197 SERVICE BULLETIN OPT DATA: BACC30X10		20
20	HL1187-10		.COLLAR- SUPPLIER CODE: V5M902 SPECIFICATION NUMBER: BACC30X10 OPTIONAL PART: HL1187-10 V56878 HL1187-10 V92215 HL1187-10 V73197 MISCELLANEOUS DATA: (OVERSIZE) SERVICE BULLETIN OPT DATA: BACC30X10S POST SERVICE BULLETIN: 54-0052		20

R
R
R
R
R
R
R
R
R
R
R
R
R
R
R
R
R
R
R
R
R
R

ILLUSTRATION ITEMS NOT ON PARTS LIST ARE NOT APPLICABLE

- ITEM NOT ILLUSTRATED

HXL

54-51-59-01A

BOEING PROPRIETARY - Copyright © - Unpublished Work - See title page for details.

54-51-59
 FIG. 01A
 PAGE 7
 AUG 22/09

BOEING
767
PARTS CATALOG (MAINTENANCE)

FIG ITEM	PART NUMBER	1 2 3 4 5 6 7	NOMENCLATURE	EFFECT FROM TO	UNITS PER ASSY
1 A 22	HL1187DU10		.COLLAR- SUPPLIER CODE: V5M902 SPECIFICATION NUMBER: BACC30X10S OPTIONAL PART: HL87DU10 V56878 HL1187DU10 V92215 HL1187DU10 V56878 HL87DU10 V92215 HL87DU10 V73197 HL1187DU10 V73197 POST SERVICE BULLETIN: 54-0052		16
R R R R R R R R R R R R R R R	22 HL1187-10		.COLLAR- SUPPLIER CODE: V5M902 SPECIFICATION NUMBER: BACC30X10 OPTIONAL PART: HL1187-10 V56878 HL1187-10 V92215 HL1187-10 V73197 MISCELLANEOUS DATA: (OVERSIZE) POST SERVICE BULLETIN: 54-0052		16

ILLUSTRATION ITEMS NOT ON PARTS LIST ARE NOT APPLICABLE

- ITEM NOT ILLUSTRATED

HXL

54-51-59-01A

BOEING PROPRIETARY - Copyright © - Unpublished Work - See title page for details.

54-51-59
FIG. 01A
PAGE 8
AUG 22/09



767

PARTS CATALOG (MAINTENANCE)

FIG ITEM	PART NUMBER	1 2 3 4 5 6 7	NOMENCLATURE	EFFECT FROM TO	UNITS PER ASSY
1 A 25	HL41-10-7		.BOLT- SUPPLIER CODE: V60516 SPECIFICATION NUMBER: BACB30FN10A7U OPTIONAL PART: HL41-10-7 V73197 HL41-10-7 V92215 HL41-10-7 V97928 67068-10A7U V56878 HL41-10-7 V80539 HL41-10-7 V08524 HL41-10-7 V56878 SERVICE BULLETIN OPT DATA: BACB30FQ10A7U		2
25	BACB30FQ10A7U		.BOLT- MISCELLANEOUS DATA: (OVERSIZE) SERVICE BULLETIN OPT DATA: BACB30FN10A7U POST SERVICE BULLETIN: 54-0052		2
30	HL97DU10		.COLLAR- SUPPLIER CODE: V5M902 SPECIFICATION NUMBER: BACC30AB10S OPTIONAL PART: HL97DU10 V56878 HL97DU10 V73197 SERVICE BULLETIN OPT DATA: BACC30M10		2

ILLUSTRATION ITEMS NOT ON PARTS LIST ARE NOT APPLICABLE

- ITEM NOT ILLUSTRATED

HXL

54-51-59-01A

BOEING PROPRIETARY - Copyright © - Unpublished Work - See title page for details.

54-51-59
FIG. 01A
PAGE 9
APR 22/08



767

PARTS CATALOG (MAINTENANCE)

FIG ITEM	PART NUMBER	1 2 3 4 5 6 7	NOMENCLATURE	EFFECT FROM TO	UNITS PER ASSY
1 A 30	HL79-10		.COLLAR- SUPPLIER CODE: V5M902 SPECIFICATION NUMBER: BACC30M10 OPTIONAL PART: HL79-10 V73197 HL79-10 V92215 66014-10 V56878 HL79-10 V56878 MISCELLANEOUS DATA: (OVERSIZE) SERVICE BULLETIN OPT DATA: BACC30AB10S POST SERVICE BULLETIN: 54-0052		2
35	BACB30LE6K11		.BOLT- SERVICE BULLETIN OPT DATA: BACB30LE6-11X		4
35	BACB30LE6-11X		.BOLT- MISCELLANEOUS DATA: (OVERSIZE) SERVICE BULLETIN OPT DATA: BACB30LE6K11 POST SERVICE BULLETIN: 54-0052		4

ILLUSTRATION ITEMS NOT ON PARTS LIST ARE NOT APPLICABLE

- ITEM NOT ILLUSTRATED

HXL

54-51-59-01A

BOEING PROPRIETARY - Copyright © - Unpublished Work - See title page for details.

54-51-59
FIG. 01A
PAGE 10
DEC 22/07

 **BOEING**
767
PARTS CATALOG (MAINTENANCE)

FIG ITEM	PART NUMBER	1 2 3 4 5 6 7	NOMENCLATURE	EFFECT FROM TO	UNITS PER ASSY
1 A 46	HL448UC14-22		.BOLT- SUPPLIER CODE: V9N513 SPECIFICATION NUMBER: BACB30MB14A22 OPTIONAL PART: HL448UC14-22 V56878 HL448UC14-22 V73197 HL448UC14-22 V92215 69308-14A22 V56878 HL448UC14-22 V80539 HL448UC14-22 V08524 HL448UC14-22 V97928 WC44814-22 V60516 SELECT FROM ITEM. POST SERVICE BULLETIN: 54-0070		2
46	BACB30MC14A22		.BOLT-OVERSIZE SELECT FROM ITEM. POST SERVICE BULLETIN: 54-0070		2
47	BACB30US7K22		.BOLT- SELECT FROM ITEM. POST SERVICE BULLETIN: 54-0070		2
47	BACB30US7K22X		.BOLT-OVERSIZE SELECT FROM ITEM. POST SERVICE BULLETIN: 54-0070		2
50	BACW10BP6ACU		.WASHER		4
52	BACW10BP7APU		.WASHER- POST SERVICE BULLETIN: 54-0070		4
53	BACW10BP7ACU		.WASHER- POSITION DATA: UNDER HEAD POST SERVICE BULLETIN: 54-0070		2
55	BACW10BP6APU		.WASHER		4

ILLUSTRATION ITEMS NOT ON PARTS LIST ARE NOT APPLICABLE

- ITEM NOT ILLUSTRATED

HXL

54-51-59-01A

BOEING PROPRIETARY - Copyright © - Unpublished Work - See title page for details.

54-51-59
FIG. 01A
PAGE 11
DEC 22/07



767

PARTS CATALOG (MAINTENANCE)

FIG ITEM	PART NUMBER	1 2 3 4 5 6 7	NOMENCLATURE	EFFECT FROM TO	UNITS PER ASSY
R R	1A 72		.NUT- SUPPLIER CODE: V97928 SPECIFICATION NUMBER: BACN10HR7CS OPTIONAL PART: H39953-7 V15653 109LH9031-7 V72962 67832AS720 V56878 BH00303-7 V27238 BMN5024CPD37 V97928 109LH90317 V72962 67832AS7 V56878 SL705097 V11815 CR5908-7 VF0224 POST SERVICE BULLETIN: 54-0070		2
	75	HL1187DU12	.COLLAR- SUPPLIER CODE: V5M902 SPECIFICATION NUMBER: BACC30X12S OPTIONAL PART: HL87DU12 V92215 HL87DU12 V73197 HL1187DU12 V56878 HL1187DU12 V92215 HL87DU12 V56878 HL1187DU12 V73197		4
	80	311T4181-1	.FITTING- POSITION DATA: INNER OPTIONAL PART: 311T4181-2		1

ILLUSTRATION ITEMS NOT ON PARTS LIST ARE NOT APPLICABLE

- ITEM NOT ILLUSTRATED

54-51-59-01A

54-51-59
FIG. 01A
PAGE 13
AUG 22/09

HXL

 **BOEING**
767
PARTS CATALOG (MAINTENANCE)

FIG ITEM	PART NUMBER	1 2 3 4 5 6 7	NOMENCLATURE	EFFECT FROM TO	UNITS PER ASSY
1A					
85	311T4181-2	.	FITTING- POSITION DATA: INNER OPTIONAL PART: 311T4181-1		1
90	311T4185-1	.	FITTING ASSY- POSITION DATA: OUTER OPTIONAL PART: 311T4185-3		1
95	311T4185-3	.	FITTING ASSY- POSITION DATA: OUTER OPTIONAL PART: 311T4185-1		1
96	311T4185-5	.	FITTING ASSY- POSITION DATA: OUTER OPTIONAL PART: 311T4185-6		1
96	311T4185-9	.	FITTING ASSY- POSITION DATA: OUTER OPTIONAL PART: 311T4185-10		1
97	311T4185-6	.	FITTING ASSY- POSITION DATA: OUTER OPTIONAL PART: 311T4185-5		1
97	311T4185-10	.	FITTING ASSY- POSITION DATA: OUTER OPTIONAL PART: 311T4185-9		1
100	302T0200-125	..	BUSHING-		2
102	302T0200-158	..	BUSHING-		2
105	311T4185-2	..	FITTING- USED ON: 311T4185-1		1
110	311T4185-4	..	FITTING- USED ON: 311T4185-3		1
115	311T4185-7	..	FITTING- USED ON: 311T4185-5		1
115	311T4185-11	..	FITTING- USED ON: 311T4185-9		1
ILLUSTRATION ITEMS NOT ON PARTS LIST ARE NOT APPLICABLE					

- ITEM NOT ILLUSTRATED

HXL

54-51-59-01A

BOEING PROPRIETARY - Copyright © - Unpublished Work - See title page for details.

54-51-59
FIG. 01A
PAGE 14
AUG 22/09

 **BOEING**
767
PARTS CATALOG (MAINTENANCE)

FIG ITEM	PART NUMBER	1 2 3 4 5 6 7	NOMENCLATURE	EFFECT FROM TO	UNITS PER ASSY
1A					
120	311T4185-8	..	FITTING- USED ON: 311T4185-6		1
120	311T4185-12	..	FITTING- USED ON: 311T4185-10		1
125	HL448PZ10-11	.BOLT-	SUPPLIER CODE: V60516 SPECIFICATION NUMBER: BACB30MB10A11U OPTIONAL PART: HL48-10-11 V73197 HL48-10-11 V92215 HL48-10-11 V97928 HL48-10-11 V80539 HL48-10-11 V08524 69308-10A11U V56878 HL48-10-11 V9N513 HL448PZ10-11 V56878 HL448PZ10-11 V73197 HL448PZ10-11 V80539 HL448PZ10-11 V9N513 HL48-10-11 V56878 HL448PZ10-11 V97928 POST SERVICE BULLETIN: 54-0052		4
125	BACB30MC10A11U	.BOLT-	MISCELLANEOUS DATA: (OVERSIZE) POST SERVICE BULLETIN: 54-0052		4

ILLUSTRATION ITEMS NOT ON PARTS LIST ARE NOT APPLICABLE

- ITEM NOT ILLUSTRATED

HXL

54-51-59-01A

BOEING PROPRIETARY - Copyright © - Unpublished Work - See title page for details.

54-51-59
FIG. 01A
PAGE 15
AUG 22/09

BOEING
767
PARTS CATALOG (MAINTENANCE)

FIG ITEM	PART NUMBER	1 2 3 4 5 6 7	NOMENCLATURE	EFFECT FROM TO	UNITS PER ASSY
R R	1A 130	HL40-10-9	.BOLT- SUPPLIER CODE: V97928 SPECIFICATION NUMBER: BACB30FM10A9U OPTIONAL PART: 67067-10A9U V56878 HL40-10-9 V56878 HL40-10-9 V73197 HL40-10-9 V80539 HL40-10-9 V92215 HL40-10-9 V08524 POST SERVICE BULLETIN: 54-0052		8
	130	BACB30FP10A9U	.BOLT- MISCELLANEOUS DATA: (OVERSIZE) POST SERVICE BULLETIN: 54-0052		8
	135	HL97DU10	.COLLAR- SUPPLIER CODE: V5M902 SPECIFICATION NUMBER: BACC30AB10S OPTIONAL PART: HL97DU10 V56878 HL97DU10 V73197 POST SERVICE BULLETIN: 54-0052		8

ILLUSTRATION ITEMS NOT ON PARTS LIST ARE NOT APPLICABLE

- ITEM NOT ILLUSTRATED

HXL

54-51-59-01A

BOEING PROPRIETARY - Copyright © - Unpublished Work - See title page for details.

54-51-59
FIG. 01A
PAGE 16
AUG 22/09



767

PARTS CATALOG (MAINTENANCE)

FIG ITEM	PART NUMBER	1 2 3 4 5 6 7 NOMENCLATURE	EFFECT FROM TO	UNITS PER ASSY
1 A 135	HL197DU10	. COLLAR- SUPPLIER CODE: V73197 SPECIFICATION NUMBER: BACC30AB10SY OPTIONAL PART: HL197DU10 V56878 HL197DU10 V5M902 MISCELLANEOUS DATA: (OVERSIZE) POST SERVICE BULLETIN: 54-0052SC2		8

ILLUSTRATION ITEMS NOT ON PARTS LIST ARE NOT APPLICABLE

- ITEM NOT ILLUSTRATED

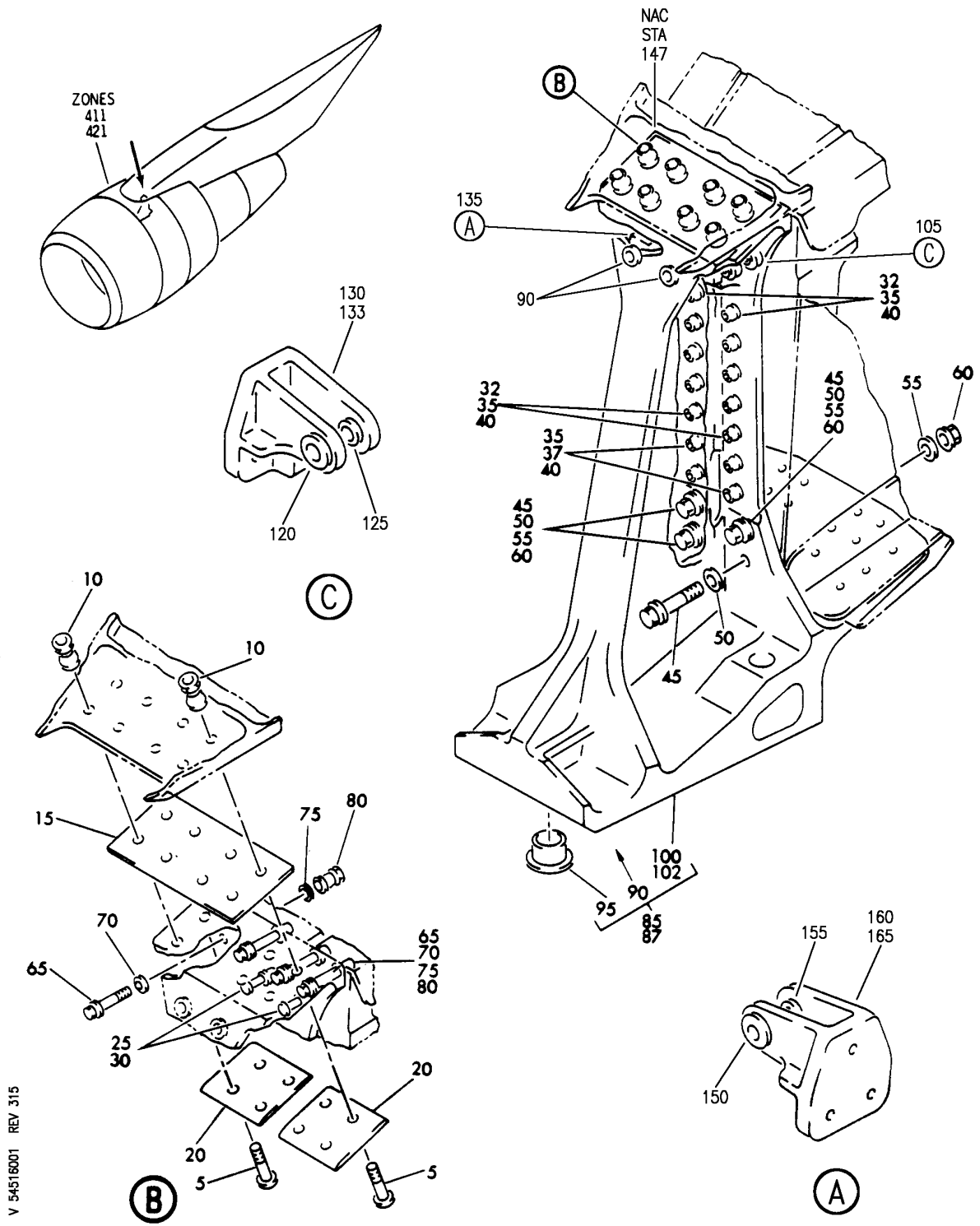
HXL

54-51-59-01A

BOEING PROPRIETARY - Copyright © - Unpublished Work - See title page for details.

54-51-59
 FIG. 01A
 PAGE 17
 AUG 22/09

BOEING
767
PARTS CATALOG (MAINTENANCE)



V 54516001 REV 315

BULKHEAD INSTL-ENG MOUNT FWD
FIGURE 1

54-51-60-01

HXL
APR 22/07

54-51-60-01
PAGE 0



767

PARTS CATALOG (MAINTENANCE)

FIG ITEM	PART NUMBER	1 2 3 4 5 6 7	NOMENCLATURE	EFFECT FROM TO	UNITS PER ASSY
1			BULKHEAD INSTL-ENG MOUNT FWD		
- 2	311T4210-2		BULKHEAD INSTL-ENG MOUNT POSITION DATA: FWD VARIABLE DRAWING REF: 311T4210-5001 FOR NHA SEE: 54-51-51-01		RF
5	HL1012AZ16-10		.BOLT SUPPLIER CODE: VOPTK6 SPECIFICATION NUMBER: BACB30NX16K10 OPTIONAL PART: HL12VAZ16-10 V73197 HL12VAZ16-10 V92215 HL12VAZ16-10 V97928 L802-16K10 V06725 HL12VAZ16-10 V56878 HL1012AZ16-10 V17446 HL1012AZ16-10 V56878 HL1012AZ16-10 V60516 HL1012AZ16-10 V73197 HL1012AZ16-10 V06725 HL1012AZ16-10 V06950 HL1012AZ16-10 V97928		8
ILLUSTRATION ITEMS NOT ON PARTS LIST ARE NOT APPLICABLE					

- ITEM NOT ILLUSTRATED

HXL

54-51-60-01

BOEING PROPRIETARY - Copyright © - Unpublished Work - See title page for details.

54-51-60
FIG. 01
PAGE 1
DEC 22/07

BOEING
767
PARTS CATALOG (MAINTENANCE)

FIG ITEM	PART NUMBER	1 2 3 4 5 6 7	NOMENCLATURE	EFFECT FROM TO	UNITS PER ASSY
R R R R R R R R R R	1 10		.COLLAR SUPPLIER CODE: V5M902 SPECIFICATION NUMBER: BACC30X16 OPTIONAL PART: HL1187-16 V56878 HL1187-16 V92215 HL1187-16 V73197		8
	15	BACS40R34B68F	.SHIM		1
	20	311T3210-2	.BLOCK-RADIUS		2
	25	HL448UC10-11	.BOLT SUPPLIER CODE: V9N513 SPECIFICATION NUMBER: BACB30MB10A11 OPTIONAL PART: HL448UC10-11 V73197 HL448UC10-11 V92215 HL448UC10-11 V97928 69308-10A11 V56878 HL448UC10-11 V80539 HL448UC10-11 V08524 WC44810-11 V60516 HL448UC10-11 V56878		2
	30	HL1187-10	.COLLAR SUPPLIER CODE: V5M902 SPECIFICATION NUMBER: BACC30X10 OPTIONAL PART: HL1187-10 V56878 HL1187-10 V92215 HL1187-10 V73197		2
	ILLUSTRATION ITEMS NOT ON PARTS LIST ARE NOT APPLICABLE				

- ITEM NOT ILLUSTRATED

HXL

54-51-60-01

BOEING PROPRIETARY - Copyright © - Unpublished Work - See title page for details.

54-51-60
FIG. 01
PAGE 2
AUG 22/09



767

PARTS CATALOG (MAINTENANCE)

FIG ITEM	PART NUMBER	1 2 3 4 5 6 7	NOMENCLATURE	EFFECT FROM TO	UNITS PER ASSY
1 35	HL1012AZ10-11	.BOLT	SUPPLIER CODE: VOPTK6 SPECIFICATION NUMBER: BACB30NX10K11 OPTIONAL PART: HL12VAZ10-11 V73197 HL12VAZ10-11 V92215 HL12VAZ10-11 V97928 L802-10K11 V06725 HL1012AZ10-11 V06725 HL1012AZ10-11 V06950 HL1012AZ10-11 V17446 HL1012AZ10-11 V56878 HL1012AZ10-11 V60516 HL1012AZ10-11 V73197 HL1012AZ10-11 V97928 HL12VAZ10-11 V56878		14
40	HL1187DU10	.COLLAR	SUPPLIER CODE: V5M902 SPECIFICATION NUMBER: BACC30X10S OPTIONAL PART: HL87DU10 V56878 HL1187DU10 V92215 HL1187DU10 V56878 HL87DU10 V92215 HL87DU10 V73197 HL1187DU10 V73197		14
50	BACW10BP8CD	.WASHER			4

ILLUSTRATION ITEMS NOT ON PARTS LIST ARE NOT APPLICABLE

- ITEM NOT ILLUSTRATED

54-51-60-01

54-51-60
FIG. 01
PAGE 3
AUG 22/09

HXL



767

PARTS CATALOG (MAINTENANCE)

FIG ITEM	PART NUMBER	1 2 3 4 5 6 7	NOMENCLATURE	EFFECT FROM TO	UNITS PER ASSY
1					
55	BACW10BP8CD	.	WASHER-		4
60	BMN10HRCWD3-8	.	NUT-		4
			SUPPLIER CODE: V97928		
			SPECIFICATION NUMBER: BACN10HR8CD		
			OPTIONAL PART: H51560-8		
			V15653		
			67832CD820		
			V56878		
			102LH9031-8		
			V72962		
			BH00303CM8		
			V27238		
			BMN5024CWD38		
			V97928		
			SL7108C8		
			V11815		
			VCU0005D8		
			V06710		
			102LH90318		
			V72962		
			67832CD8		
			V56878		
			CR6030-8		
			VF0224		
65	BACB30LE6K17	.	BOLT-		4
70	BACW10BP6ACU	.	WASHER		4
75	BACW10BP6DP	.	WASHER		4

ILLUSTRATION ITEMS NOT ON PARTS LIST ARE NOT APPLICABLE

- ITEM NOT ILLUSTRATED

HXL

54-51-60-01

BOEING PROPRIETARY - Copyright © - Unpublished Work - See title page for details.

54-51-60
FIG. 01
PAGE 4
AUG 22/09

 **BOEING**
767
PARTS CATALOG (MAINTENANCE)

FIG ITEM	PART NUMBER	1 2 3 4 5 6 7	NOMENCLATURE	EFFECT FROM TO	UNITS PER ASSY
R R	1 80	BMN10HRCPD3-6	.NUT SUPPLIER CODE: V97928 SPECIFICATION NUMBER: BACN10HR6CS OPTIONAL PART: H39953-6 V15653 109LH9031-6 V72962 67832AS624 V56878 BH00303-6 V27238 SL7059C624 V11815 BMN5024CPD36 V97928 SL705096 V11815 109LH90316 V72962 67832AS6 V56878 CR5908-6 VF0224		4
	87	311T4211-1	.FITTING ASSY- POSITION DATA: UPR OPTIONAL PART: 311T4211-3 311T4211-7		1
	87	311T4211-3	.FITTING ASSY- POSITION DATA: UPR OPTIONAL PART: 311T4211-7 311T4211-3		1
	87	311T4211-5	.FITTING ASSY- POSITION DATA: UPR OPTIONAL PART: 311T4211-7 311T4211-3		1
	87	311T4211-7	.FITTING ASSY- POSITION DATA: UPR OPTIONAL PART: 311T4211-5 311T4211-3		1
ILLUSTRATION ITEMS NOT ON PARTS LIST ARE NOT APPLICABLE					

- ITEM NOT ILLUSTRATED

HXL

54-51-60-01

BOEING PROPRIETARY - Copyright © - Unpublished Work - See title page for details.

54-51-60
FIG. 01
PAGE 5
AUG 22/09



767

PARTS CATALOG (MAINTENANCE)

FIG ITEM	PART NUMBER	1 2 3 4 5 6 7	NOMENCLATURE	EFFECT FROM TO	UNITS PER ASSY
1					
90	BACB28X7E038	..	BUSHING		2
95	BACB28X20E085	..	BUSHING		1
102	311T4211-2	..	FITTING- USED ON: 311T4211-1		1
102	311T4211-4	..	FITTING- USED ON: 311T4211-3		1
102	311T4211-6	..	FITTING- USED ON: 311T4211-5		1
102	311T4211-8	..	FITTING- USED ON: 311T4211-7		1
105	315T3651-1	.	FITTING ASSY-ACTR ATTACH POSITION DATA: UPR LH ATTACHING PARTS		1
- 110	HL1012AZ8-20	.	BOLT- SUPPLIER CODE: VOPTK6 SPECIFICATION NUMBER: BACB30NX8K20 OPTIONAL PART: HL12VAZ8-20 V73197 HL12VAZ8-20 V92215 HL12VAZ8-20 V97928 L802-8K20 V06725 HL12VAZ8-20 V56878 HL1012AZ8-20 V06725 HL1012AZ8-20 V06950 HL1012AZ8-20 V17446 HL1012AZ8-20 V56878 HL1012AZ8-20 V60516 HL1012AZ8-20 V73197 HL1012AZ8-20 V97928		3
ILLUSTRATION ITEMS NOT ON PARTS LIST ARE NOT APPLICABLE					

- ITEM NOT ILLUSTRATED

54-51-60-01

54-51-60
FIG. 01
PAGE 6
AUG 22/09

HXL



767

PARTS CATALOG (MAINTENANCE)

FIG ITEM	PART NUMBER	1 2 3 4 5 6 7	NOMENCLATURE	EFFECT FROM TO	UNITS PER ASSY
1 - 115	HL1187-8		.COLLAR- SUPPLIER CODE: V5M902 SPECIFICATION NUMBER: BACC30X8 OPTIONAL PART: HL87-8 V92215 HL87-8 V73197 HL1187-8 V56878 HL1187-8 V92215 HL87-8 V56878 HL1187-8 V73197 -----*-----		3
120	BACB28AM09B030A		..BUSHING		1
125	315T2003-1		..BUSHING		1
130	315T3651-2		..FITTING- USED ON: 315T3651-1		1
135	315T3651-10		.FITTING ASSY-ACTR ATTACH POSITION DATA: UPR RH ATTACHING PARTS		1
- 140	HLT422AP8-20		.BOLT- SUPPLIER CODE: V60516 SPECIFICATION NUMBER: BACB30YK8K20 OPTIONAL PART: HLT422AP8-20 V97928 HLT422AP8-20 V06725 SERVICE BULLETIN OPT DATA: BACB30YK8K20X BACB30YK8K20Y HLT622AP8-20 V1097B HLT716AP8-20 V1097B POST SERVICE BULLETIN: 54-0108		3

ILLUSTRATION ITEMS NOT ON PARTS LIST ARE NOT APPLICABLE

- ITEM NOT ILLUSTRATED

54-51-60-01

54-51-60
FIG. 01
PAGE 7
AUG 22/09

HXL

 **BOEING**
767
PARTS CATALOG (MAINTENANCE)

FIG ITEM	PART NUMBER	1 2 3 4 5 6 7	NOMENCLATURE	EFFECT FROM TO	UNITS PER ASSY
1					
- 140	HLT622AP8-20		.BOLT- SUPPLIER CODE: V97928 SPECIFICATION NUMBER: BACB30YK8K20X OPTIONAL PART: HLT622AP8-20 V60516 HLT622AP8-20 V06725 SERVICE BULLETIN OPT DATA: BACB30YK8K20 BACB30YK8K20Y HLT622AP8-20 V1097B HLT716AP8-20 V1097B POST SERVICE BULLETIN: 54-0108		3
- 140	HLT716AP8-20		.BOLT- SUPPLIER CODE: V97928 SPECIFICATION NUMBER: BACB30YK8K20Y OPTIONAL PART: HLT716AP8-20 V60516 HLT716AP8-20 V06725 SERVICE BULLETIN OPT DATA: BACB30YK8K20 BACB30YK8K20X HLT622AP8-20 V1097B HLT716AP8-20 V1097B POST SERVICE BULLETIN: 54-0108		3
- 140	HLT622AP8-20		.BOLT- SUPPLIER CODE: V1097B SERVICE BULLETIN OPT DATA: BACB30YK8K20 BACB30YK8K20X BACB30YK8K20Y HLT716AP8-20 V1097B POST SERVICE BULLETIN: 54-0108		3

ILLUSTRATION ITEMS NOT ON PARTS LIST ARE NOT APPLICABLE

- ITEM NOT ILLUSTRATED

HXL

54-51-60-01

BOEING PROPRIETARY - Copyright © - Unpublished Work - See title page for details.

54-51-60
FIG. 01
PAGE 8
AUG 22/09

 **BOEING**
767
PARTS CATALOG (MAINTENANCE)

FIG ITEM	PART NUMBER	1 2 3 4 5 6 7	NOMENCLATURE	EFFECT FROM TO	UNITS PER ASSY
1					
- 140	HLT716AP8-20		.BOLT- SUPPLIER CODE: V1097B SERVICE BULLETIN OPT DATA: BACB30YK8K20 BACB30YK8K20X BACB30YK8K20Y HLT622AP8-20 V1097B POST SERVICE BULLETIN: 54-0108		3
- 145	BACC30CP8C		.COLLAR- SERVICE BULLETIN OPT DATA: BACC30CP8CY USED WITH: BACB30YK8K20 BACB30YK8K20X HLT622AP8-20 POST SERVICE BULLETIN: 54-0108		3
- 145	BACC30CP8CY		.COLLAR- SERVICE BULLETIN OPT DATA: BACC30CP8C USED WITH: BACB30YK8K20Y HLT716AP8-20 POST SERVICE BULLETIN: 54-0108		3
150	BACB28AM09B030A		-----*----- ..BUSHING		1
155	315T2003-1		..BUSHING		1
160	315T3651-7		..FITTING- USED ON: 315T3651-10		1
ILLUSTRATION ITEMS NOT ON PARTS LIST ARE NOT APPLICABLE					

- ITEM NOT ILLUSTRATED

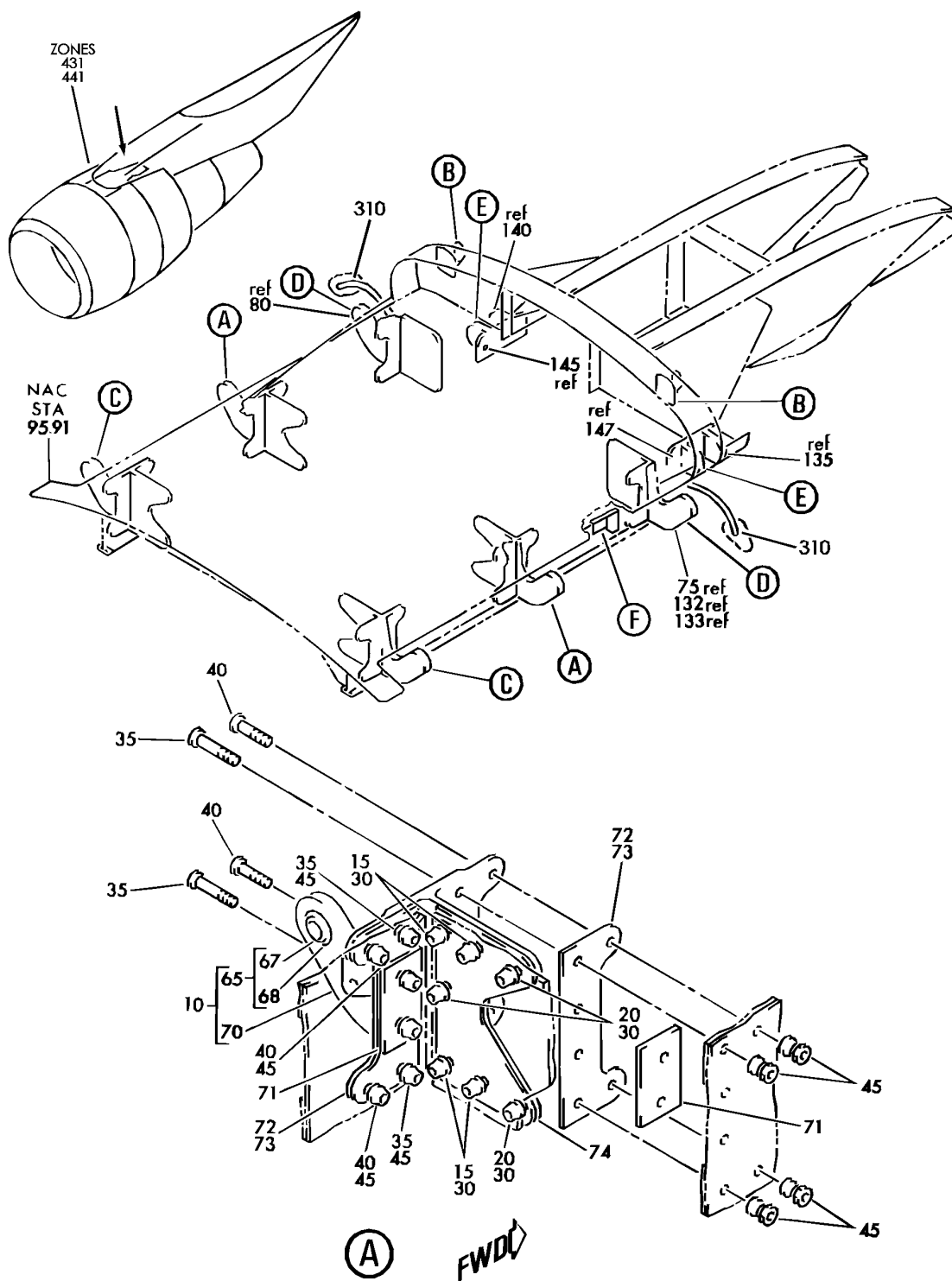
HXL

54-51-60-01

BOEING PROPRIETARY - Copyright © - Unpublished Work - See title page for details.

54-51-60
FIG. 01
PAGE 9
AUG 22/09

BOEING
767
PARTS CATALOG (MAINTENANCE)



V 54516101 SHT 1 REV 239

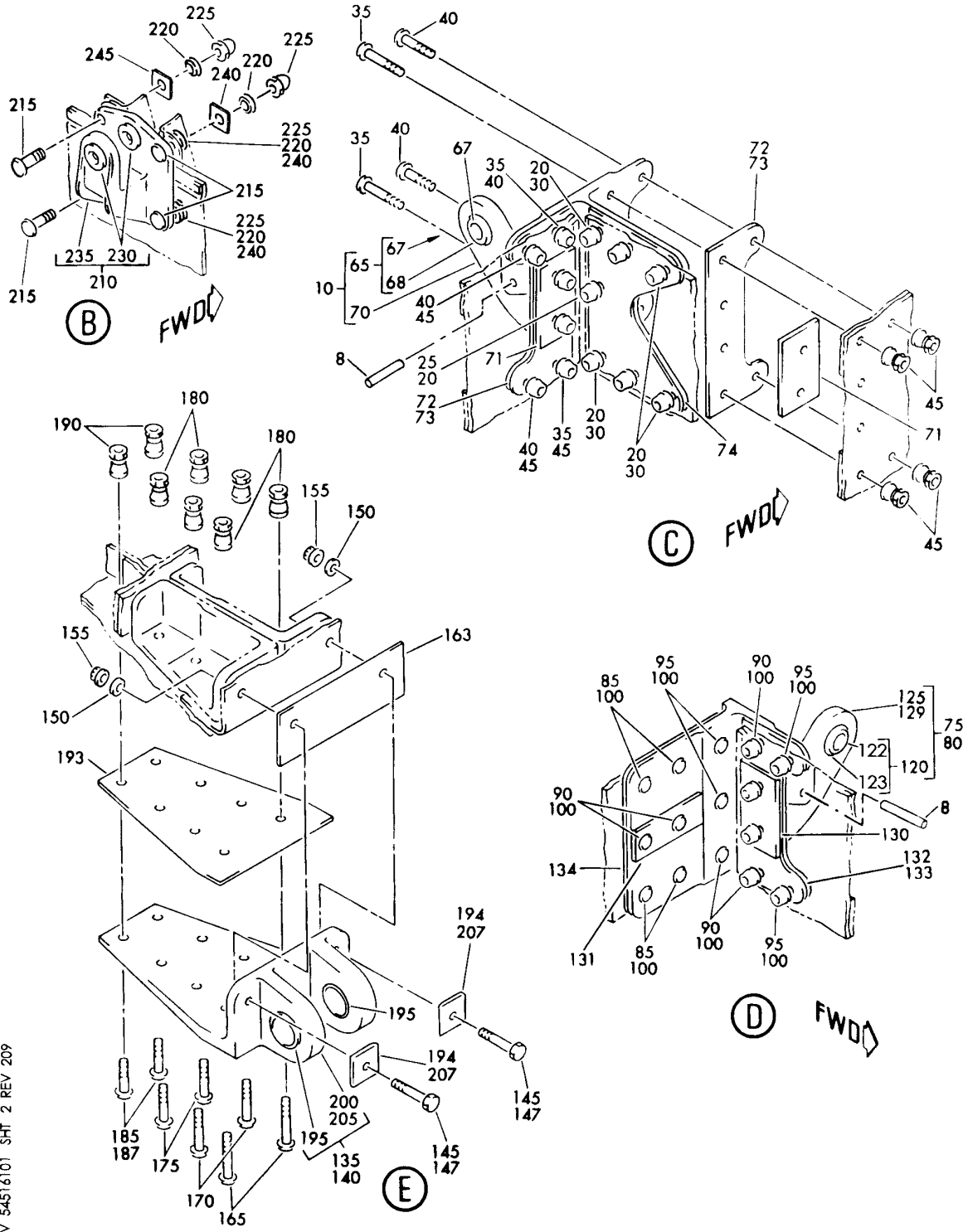
BEAM INSTL-FAN COWL SPRT
FIGURE 1 (SHEET 1)

54-51-61-01

HXL
DEC 22/06

54-51-61-01
PAGE 0

BOEING
767
PARTS CATALOG (MAINTENANCE)



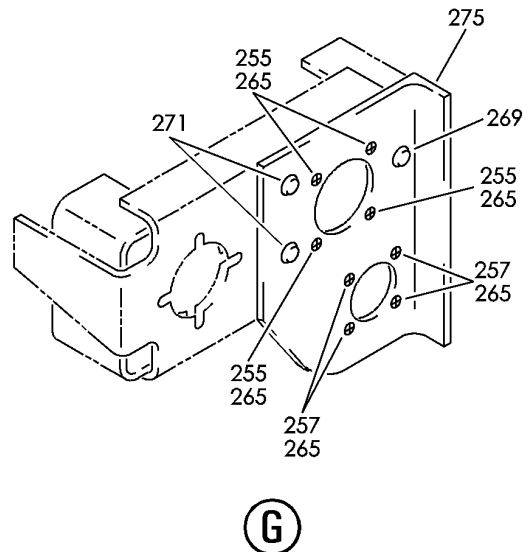
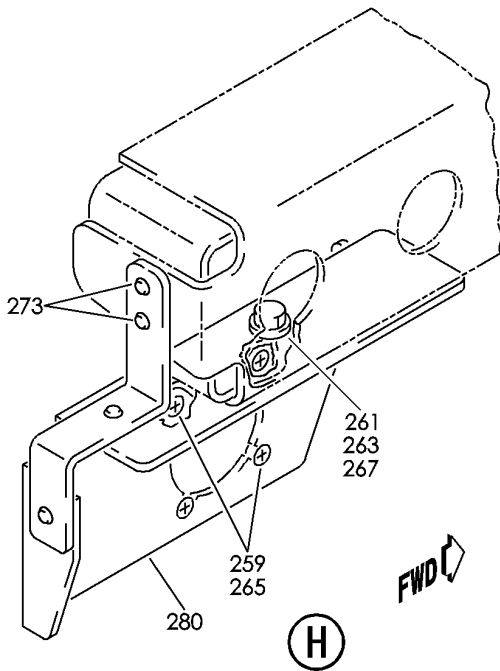
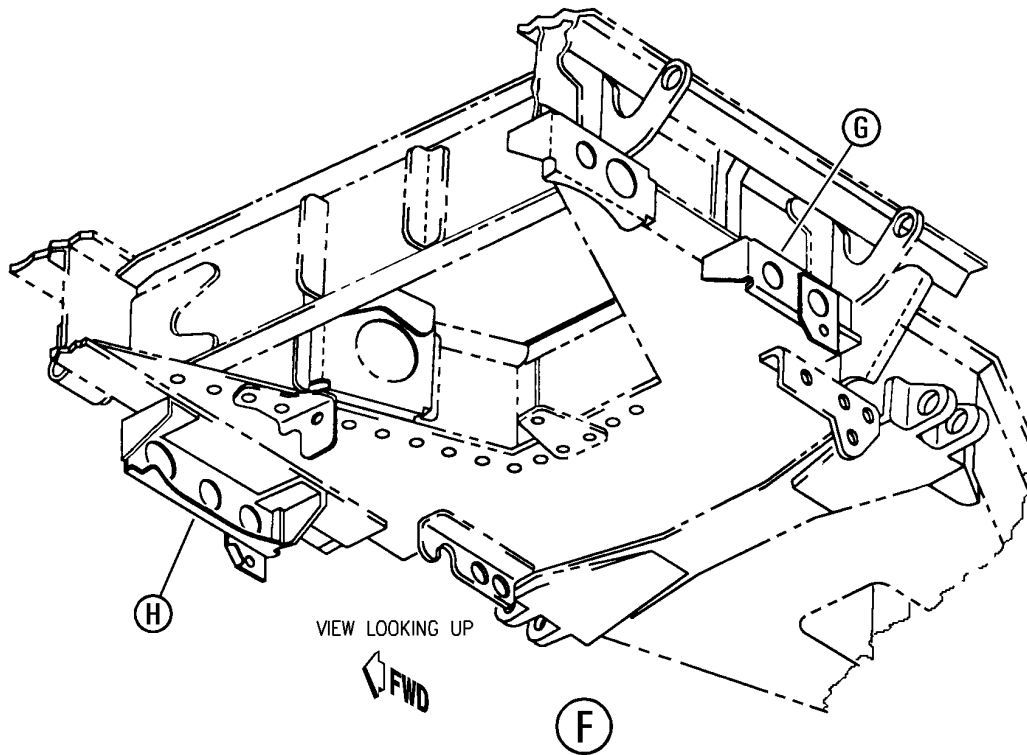
BEAM INSTL-FAN COWL SPRT
FIGURE 1 (SHEET 2)

54-51-61-01

HXL
DEC 22/06

54-51-61-01
PAGE 0A

BOEING
767
PARTS CATALOG (MAINTENANCE)



V 54516101 SHT 3 REV 239

BEAM INSTL-FAN COWL SPRT
FIGURE 1 (SHEET 3)

54-51-61-01

HXL
DEC 22/06

54-51-61-01
PAGE 0B



767

PARTS CATALOG (MAINTENANCE)

FIG ITEM	PART NUMBER	1 2 3 4 5 6 7	NOMENCLATURE	EFFECT FROM TO	UNITS PER ASSY
1			BEAM INSTL-FAN COWL SPRT		
- 1	311T3510-233		BEAM INSTL-FAN COWL SPRT FOR NHA SEE: 54-51-51-01		RF
- 1	311T3510-273		BEAM INSTL-FAN COWL SPRT VARIABLE DRAWING REF: 311T3510-5024 FOR NHA SEE: 54-51-51-01		RF
- 6	311T3510-301		.BEAM ASSY		1
8	MS16562-254		..PIN		2
10	311T3574-7		..FITTING ASSY-HINGE POSITION DATA: NAC STA 99.4 AND 111.20 ATTACHING PARTS		4
15	L8006K5		..BOLT SUPPLIER CODE: V06725 SPECIFICATION NUMBER: BACB30MY6K5		8
20	L8006K4		..BOLT SUPPLIER CODE: V06725 SPECIFICATION NUMBER: BACB30MY6K4		18
25	L8006K3		..BOLT SUPPLIER CODE: V06725 SPECIFICATION NUMBER: BACB30MY6K3		2
30	HL79-6		..COLLAR SUPPLIER CODE: V5M902 SPECIFICATION NUMBER: BACC30M6 OPTIONAL PART: HL79-6 V73197 HL79-6 V92215 66014-6 V56878 HL79-6 V56878		28

ILLUSTRATION ITEMS NOT ON PARTS LIST ARE NOT APPLICABLE

- ITEM NOT ILLUSTRATED

HXL

54-51-61-01

BOEING PROPRIETARY - Copyright © - Unpublished Work - See title page for details.

54-51-61
FIG. 01
PAGE 1
APR 22/08



767

PARTS CATALOG (MAINTENANCE)

FIG ITEM	PART NUMBER	1 2 3 4 5 6 7 NOMENCLATURE	EFFECT FROM TO	UNITS PER ASSY
1 35	HL1012AZ6-4	.. BOLT SUPPLIER CODE: V97928 SPECIFICATION NUMBER: BACB30NX6K4 OPTIONAL PART: HL12VAZ6-4 V73197 HL12VAZ6-4 V92215 HL12VAZ6-4 V97928 L802-6K4 V06725 HL12VAZ6-4 V56878 HL1012AZ6-4 V0PTK6 HL1012AZ6-4 V06725 HL1012AZ6-4 V06950 HL1012AZ6-4 V17446 HL1012AZ6-4 V56878 HL1012AZ6-4 V60516 HL1012AZ6-4 V73197		32

ILLUSTRATION ITEMS NOT ON PARTS LIST ARE NOT APPLICABLE

- ITEM NOT ILLUSTRATED

HXL

54-51-61-01

BOEING PROPRIETARY - Copyright © - Unpublished Work - See title page for details.

54-51-61
 FIG. 01
 PAGE 2
 DEC 22/06

BOEING
767
PARTS CATALOG (MAINTENANCE)

FIG ITEM	PART NUMBER	1 2 3 4 5 6 7	NOMENCLATURE	EFFECT FROM TO	UNITS PER ASSY
1 40	HL1012AZ6-3		.. BOLT SUPPLIER CODE: V97928 SPECIFICATION NUMBER: BACB30NX6K3 OPTIONAL PART: HL12VAZ6-3 V73197 HL12VAZ6-3 V92215 HL12VAZ6-3 V97928 L802-6K3 V06725 HL12VAZ6-3 V56878 HL1012AZ6-3 V0PTK6 HL1012AZ6-3 V06725 HL1012AZ6-3 V06950 HL1012AZ6-3 V17446 HL1012AZ6-3 V56878 HL1012AZ6-3 V60516 HL1012AZ6-3 V73197		16
45	HL1187-6		.. COLLAR SUPPLIER CODE: V5M902 SPECIFICATION NUMBER: BACC30X6 OPTIONAL PART: HL87-6 V92215 HL87-6 V73197 HL1187-6 V56878 HL1187-6 V92215 HL87-6 V56878 HL1187-6 V73197 -----*-----		48
ILLUSTRATION ITEMS NOT ON PARTS LIST ARE NOT APPLICABLE					

— ITEM NOT ILLUSTRATED

HXL

54-51-61-01

BOEING PROPRIETARY - Copyright © - Unpublished Work - See title page for details.

54-51-61
FIG. 01
PAGE 3
DEC 22/06



767

PARTS CATALOG (MAINTENANCE)

FIG ITEM	PART NUMBER	1 2 3 4 5 6 7	NOMENCLATURE	EFFECT FROM TO	UNITS PER ASSY
1					
65	AMB6V4034	...	BEARING ASSY-SPHER SUPPLIER CODE: V15860 SPECIFICATION NUMBER: S302T001-203 OPTIONAL PART: VTB04440 V06710 P20630 V57606		1
67	AMB6V4034B	BALL- SUPPLIER CODE: V15860		1
68	AMB6V4034R	RACE- SUPPLIER CODE: V15860		1
70	311T3574-5	...	FITTING-		1
71	BACF3F008K019NN	..	FILLER		4
72	BACF3F017D038NN	..	FILLER		4
74	BACF3F032D038NN	..	FILLER		2
75	311T3520-21	..	FITTING ASSY-HINGE POSITION DATA: NAC STA 123.00 LH		1
80	311T3520-22	..	FITTING ASSY-HINGE POSITION DATA: NAC STA 123.00 RH		1

ILLUSTRATION ITEMS NOT ON PARTS LIST ARE NOT APPLICABLE

- ITEM NOT ILLUSTRATED

HXL

54-51-61-01

BOEING PROPRIETARY - Copyright © - Unpublished Work - See title page for details.

54-51-61
FIG. 01
PAGE 4
DEC 22/06



767

PARTS CATALOG (MAINTENANCE)

FIG ITEM	PART NUMBER	1 2 3 4 5 6 7 NOMENCLATURE	EFFECT FROM TO	UNITS PER ASSY
1 85	HL1012AZ6-5	ATTACHING PARTS ..BOLT SUPPLIER CODE: V97928 SPECIFICATION NUMBER: BACB30NX6K5 OPTIONAL PART: HL12VAZ6-5 V73197 HL12VAZ6-5 V92215 HL12VAZ6-5 V97928 L802-6K5 V06725 HL12VAZ6-5 V56878 HL1012AZ6-5 V0PTK6 HL1012AZ6-5 V06725 HL1012AZ6-5 V06950 HL1012AZ6-5 V17446 HL1012AZ6-5 V56878 HL1012AZ6-5 V60516 HL1012AZ6-5 V73197		8

ILLUSTRATION ITEMS NOT ON PARTS LIST ARE NOT APPLICABLE

- ITEM NOT ILLUSTRATED

HXL

54-51-61-01

BOEING PROPRIETARY - Copyright © - Unpublished Work - See title page for details.

54-51-61
 FIG. 01
 PAGE 5
 DEC 22/06



767

PARTS CATALOG (MAINTENANCE)

FIG ITEM	PART NUMBER	1 2 3 4 5 6 7 NOMENCLATURE	EFFECT FROM TO	UNITS PER ASSY
1 90	HL1012AZ6-4	.. BOLT SUPPLIER CODE: V97928 SPECIFICATION NUMBER: BACB30NX6K4 OPTIONAL PART: HL12VAZ6-4 V73197 HL12VAZ6-4 V92215 HL12VAZ6-4 V97928 L802-6K4 V06725 HL12VAZ6-4 V56878 HL1012AZ6-4 V0PTK6 HL1012AZ6-4 V06725 HL1012AZ6-4 V06950 HL1012AZ6-4 V17446 HL1012AZ6-4 V56878 HL1012AZ6-4 V60516 HL1012AZ6-4 V73197		14

ILLUSTRATION ITEMS NOT ON PARTS LIST ARE NOT APPLICABLE

- ITEM NOT ILLUSTRATED

HXL

54-51-61-01

BOEING PROPRIETARY - Copyright © - Unpublished Work - See title page for details.

54-51-61
 FIG. 01
 PAGE 6
 DEC 22/06

BOEING
767
PARTS CATALOG (MAINTENANCE)

FIG ITEM	PART NUMBER	1 2 3 4 5 6 7	NOMENCLATURE	EFFECT FROM TO	UNITS PER ASSY
1 95	HL1012AZ6-3		.. BOLT SUPPLIER CODE: V97928 SPECIFICATION NUMBER: BACB30NX6K3 OPTIONAL PART: HL12VAZ6-3 V73197 HL12VAZ6-3 V92215 HL12VAZ6-3 V97928 L802-6K3 V06725 HL12VAZ6-3 V56878 HL1012AZ6-3 V0PTK6 HL1012AZ6-3 V06725 HL1012AZ6-3 V06950 HL1012AZ6-3 V17446 HL1012AZ6-3 V56878 HL1012AZ6-3 V60516 HL1012AZ6-3 V73197		8
100	HL1187-6		.. COLLAR SUPPLIER CODE: V5M902 SPECIFICATION NUMBER: BACC30X6 OPTIONAL PART: HL87-6 V92215 HL87-6 V73197 HL1187-6 V56878 HL1187-6 V92215 HL87-6 V56878 HL1187-6 V73197 -----*-----		30
ILLUSTRATION ITEMS NOT ON PARTS LIST ARE NOT APPLICABLE					

— ITEM NOT ILLUSTRATED

HXL

54-51-61-01

BOEING PROPRIETARY - Copyright © - Unpublished Work - See title page for details.

54-51-61
FIG. 01
PAGE 7
DEC 22/06



767

PARTS CATALOG (MAINTENANCE)

FIG ITEM	PART NUMBER	1 2 3 4 5 6 7	NOMENCLATURE	EFFECT FROM TO	UNITS PER ASSY
1					
120	AMB6V4034	...	BEARING ASSY-SPHER SUPPLIER CODE: V15860 SPECIFICATION NUMBER: S302T001-203 OPTIONAL PART: VTB04440 V06710 P20630 V57606		1
122	AMB6V4034B	BALL- SUPPLIER CODE: V15860		1
123	AMB6V4034R	RACE- SUPPLIER CODE: V15860		1
125	311T3520-23	...	FITTING- POSITION DATA: LH SIDE		1
129	311T3520-24	...	FITTING- POSITION DATA: RH SIDE		1
130	BACF3F008K019NN	..	FILLER		2
131	BACF3F010K020NN	..	FILLER		2
132	BACF3F017D038NN	..	FILLER		1
134	BACF3F032D038NN	..	FILLER		1
135	311T3551-13	..	FITTING ASSY-THRUST REVERSER HINGE POSITION DATA: NAC STA 129.75 LH QUALIFIED OPTIONAL DATA: (311T3551-17 PLUS BCREFA2110 FILLER AND BACB30MY6K11 BOLT OPTIONAL TO 311T3551-13)		1
135	311T3551-17	..	FITTING ASSY-THRUST REVERSER HINGE POSITION DATA: NAC STA 129.75 LH QUALIFIED OPTIONAL DATA: (311T3551-17 PLUS BCREFA2110 FILLER AND BACB30MY6K11 BOLT OPTIONAL TO 311T3551-13)		1

ILLUSTRATION ITEMS NOT ON PARTS LIST ARE NOT APPLICABLE

- ITEM NOT ILLUSTRATED

54-51-61-01

54-51-61
FIG. 01
PAGE 8
DEC 22/06

HXL

BOEING PROPRIETARY - Copyright © - Unpublished Work - See title page for details.



767

PARTS CATALOG (MAINTENANCE)

FIG ITEM	PART NUMBER	1 2 3 4 5 6 7	NOMENCLATURE	EFFECT FROM TO	UNITS PER ASSY
1					
140	311T3551-14	..	FITTING ASSY-THRUST REVERSER HINGE POSITION DATA: NAC STA 129.75 RH QUALIFIED OPTIONAL DATA: (311T3551-18 PLUS BCREFA2110 FILLER AND BACB30MY6K11 BOLT OPTIONAL TO 311T3551-14)		1
140	311T3551-18	..	FITTING ASSY-THRUST REVERSER HINGE POSITION DATA: NAC STA 129.75 RH QUALIFIED OPTIONAL DATA: (311T3551-18 PLUS BCREFA2110 FILLER AND BACB30MY6K11 BOLT OPTIONAL TO 311T3551-14) ATTACHING PARTS		1
145	NAS6604-14	..	BOLT-		2
147	NAS6604-11	..	BOLT		2
150	AN960-416	..	WASHER		4
155	BACN10GW4	..	NUT		4
163	BACS40R10C40F	..	SHIM		AR 4
165	L8008K13	..	BOLT SUPPLIER CODE: V06725 SPECIFICATION NUMBER: BACB30MY8K13		4
170	L8008K12	..	BOLT SUPPLIER CODE: V06725 SPECIFICATION NUMBER: BACB30MY8K12		4
175	L8008K9	..	BOLT SUPPLIER CODE: V06725 SPECIFICATION NUMBER: BACB30MY8K9		4

ILLUSTRATION ITEMS NOT ON PARTS LIST ARE NOT APPLICABLE

- ITEM NOT ILLUSTRATED

HXL

54-51-61-01

BOEING PROPRIETARY - Copyright © - Unpublished Work - See title page for details.

54-51-61
FIG. 01
PAGE 9
APR 22/08

 **BOEING**
767
PARTS CATALOG (MAINTENANCE)

FIG ITEM	PART NUMBER	1 2 3 4 5 6 7	NOMENCLATURE	EFFECT FROM TO	UNITS PER ASSY
1 180	HL79-8		.. COLLAR SUPPLIER CODE: V5M902 SPECIFICATION NUMBER: BACC30M8 OPTIONAL PART: HL79-8 V73197 HL79-8 V92215 66014-8 V56878 HL79-8 V56878		12
185	L8006K9		.. BOLT- SUPPLIER CODE: V06725 SPECIFICATION NUMBER: BACB30MY6K9		4
185	L8006K10		.. BOLT- SUPPLIER CODE: V06725 SPECIFICATION NUMBER: BACB30MY6K10		4
187	L8006K11		.. BOLT- SUPPLIER CODE: V06725 SPECIFICATION NUMBER: BACB30MY6K11 QUALIFIED OPTIONAL DATA: (311T3551-17, -18 OPP PLUS BCREFA2110 FILLER AND BACB30MYK11 BOLT OPTIONAL TO 311T3551-13, -14 OPP)		2
190	HL79-6		.. COLLAR SUPPLIER CODE: V5M902 SPECIFICATION NUMBER: BACC30M6 OPTIONAL PART: HL79-6 V73197 HL79-6 V92215 66014-6 V56878 HL79-6 V56878		4

ILLUSTRATION ITEMS NOT ON PARTS LIST ARE NOT APPLICABLE

- ITEM NOT ILLUSTRATED

HXL

54-51-61-01

BOEING PROPRIETARY - Copyright © - Unpublished Work - See title page for details.

54-51-61
FIG. 01
PAGE 10
APR 22/08



767

PARTS CATALOG (MAINTENANCE)

FIG ITEM	PART NUMBER	1 2 3 4 5 6 7	NOMENCLATURE	EFFECT FROM TO	UNITS PER ASSY
1					
193	311T3510-113		.. SHIM		2
194	BCREFA2110		.. FILLER-		2
			OVERLENGTH PART NUMBER: BACF3H009RF008HN		
			QUALIFIED OPTIONAL DATA: (311T3551-17, -18 OPP PLUS BCREFA2110 FILLER AND BACB30MYK11 BOLT OPTIONAL TO 311T3551-13, -14 OPP)		
			-----*-----		
195	BACB28W12B045		... BUSHING		2
200	311T3551-15		... FITTING-		1
			POSITION DATA: LH SIDE		
			USED ON: 311T3551-13		
200	311T3551-19		... FITTING-		1
			POSITION DATA: LH SIDE		
			USED ON: 311T3551-17		
205	311T3551-16		... FITTING-		1
			POSITION DATA: RH SIDE		
			USED ON: 311T3551-14		
205	311T3551-20		... FITTING-		1
			POSITION DATA: RH SIDE		
			USED ON: 311T3551-18		
207	311T3510-126		.. FILLER-RADIUS		4
210	313T3109-3		.. CLEVIS ASSY		2

ILLUSTRATION ITEMS NOT ON PARTS LIST ARE NOT APPLICABLE

- ITEM NOT ILLUSTRATED

HXL

54-51-61-01

BOEING PROPRIETARY - Copyright © - Unpublished Work - See title page for details.

54-51-61
FIG. 01
PAGE 11
APR 22/08

BOEING
767
PARTS CATALOG (MAINTENANCE)

FIG ITEM	PART NUMBER	1 2 3 4 5 6 7	NOMENCLATURE	EFFECT FROM TO	UNITS PER ASSY
1			ATTACHING PARTS		
215	HL1012AZ8-7		..BOLT- SUPPLIER CODE: VOPTK6 SPECIFICATION NUMBER: BACB30NX8K7 OPTIONAL PART: HL12VAZ8-7 V73197 HL12VAZ8-7 V92215 HL12VAZ8-7 V97928 L802-8K7 V06725 HL12VAZ8-7 V56878 HL1012AZ8-7 V06725 HL1012AZ8-7 V06950 HL1012AZ8-7 V17446 HL1012AZ8-7 V56878 HL1012AZ8-7 V60516 HL1012AZ8-7 V73197 HL1012AZ8-7 V97928		8
220	AN960-416L		..WASHER		8
225	NAS1805-4		..NUT- -----*-----		8
230	BCREF103098		...BUSHING- OVERLENGTH PART NUMBER: BACB28AM05A015AS		2
235	313T3109-4		...CLEVIS		1
250	311T3551-12		...FITTING- POSITION DATA: RH SIDE		1
ILLUSTRATION ITEMS NOT ON PARTS LIST ARE NOT APPLICABLE					

- ITEM NOT ILLUSTRATED

HXL

54-51-61-01

BOEING PROPRIETARY - Copyright © - Unpublished Work - See title page for details.

54-51-61
FIG. 01
PAGE 12
APR 22/08



767

PARTS CATALOG (MAINTENANCE)

FIG ITEM	PART NUMBER	1 2 3 4 5 6 7	NOMENCLATURE	EFFECT FROM TO	UNITS PER ASSY
1					
- 300	312T4210-15		WIRING INSTL-ELECTRICAL STRUT (ELECTRICAL POWER ONLY) POSITION DATA: LH VARIABLE DRAWING REF: 312T4210-5009 FOR NHA/OTHER SYS DET SEE: 54-00-51-02		RF
- 305	312T4210-16		WIRING INSTL-ELECTRICAL STRUT (ELECTRICAL POWER ONLY) POSITION DATA: RH VARIABLE DRAWING REF: 312T4210-5010 FOR NHA/OTHER SYS DET SEE: 54-00-51-02		RF
310	740C14-7		.JUMPER SUPPLIER CODE: V91812 SPECIFICATION NUMBER: BACJ40CG7G ATTACHING PARTS		1
- 315	MS21042L5		.NUT		2
- 320	NAS1149D0516H		.WASHER -----*-----		2
ILLUSTRATION ITEMS NOT ON PARTS LIST ARE NOT APPLICABLE					

- ITEM NOT ILLUSTRATED

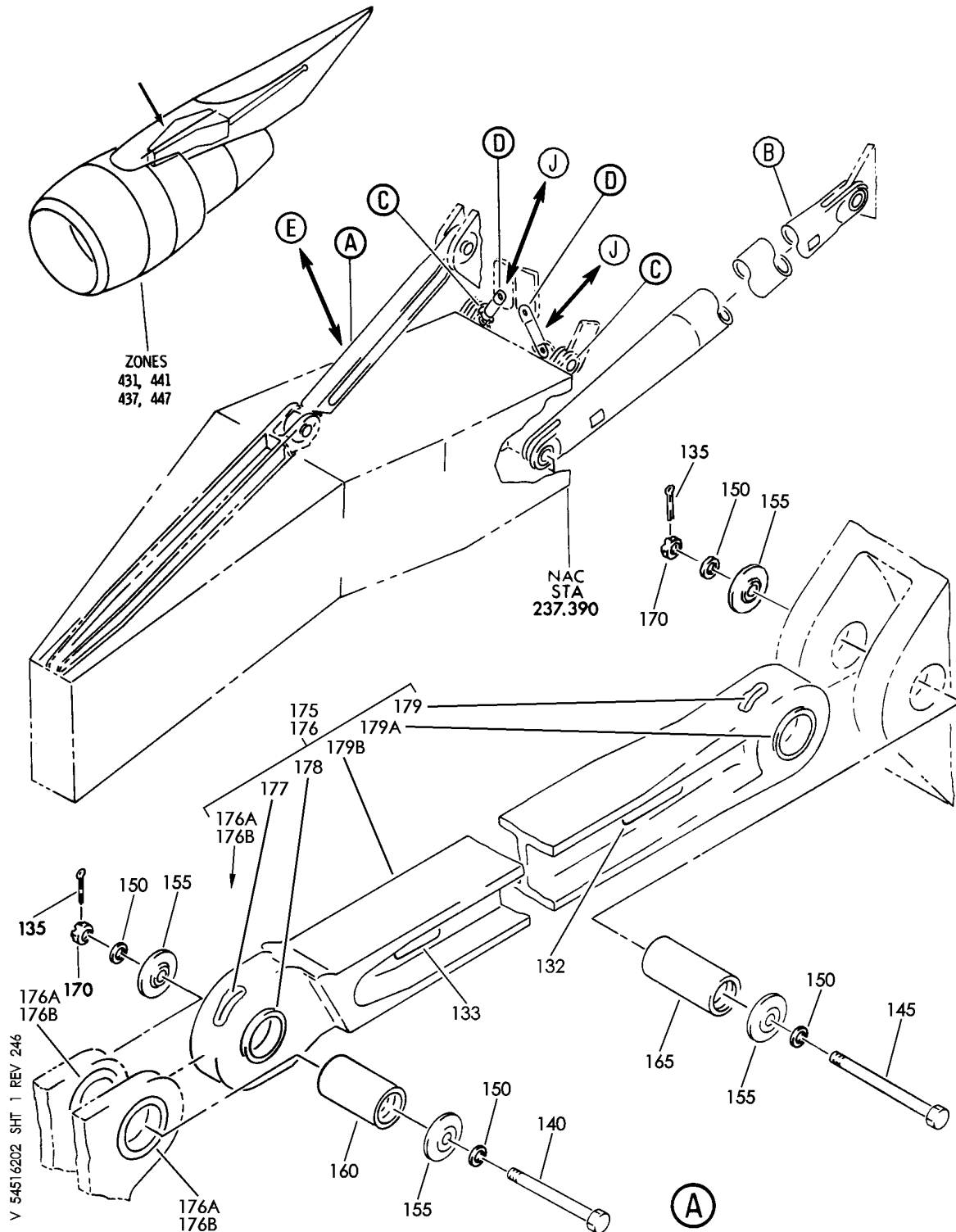
HXL

54-51-61-01

BOEING PROPRIETARY - Copyright © - Unpublished Work - See title page for details.

54-51-61
FIG. 01
PAGE 13
APR 22/08

BOEING
767
PARTS CATALOG (MAINTENANCE)



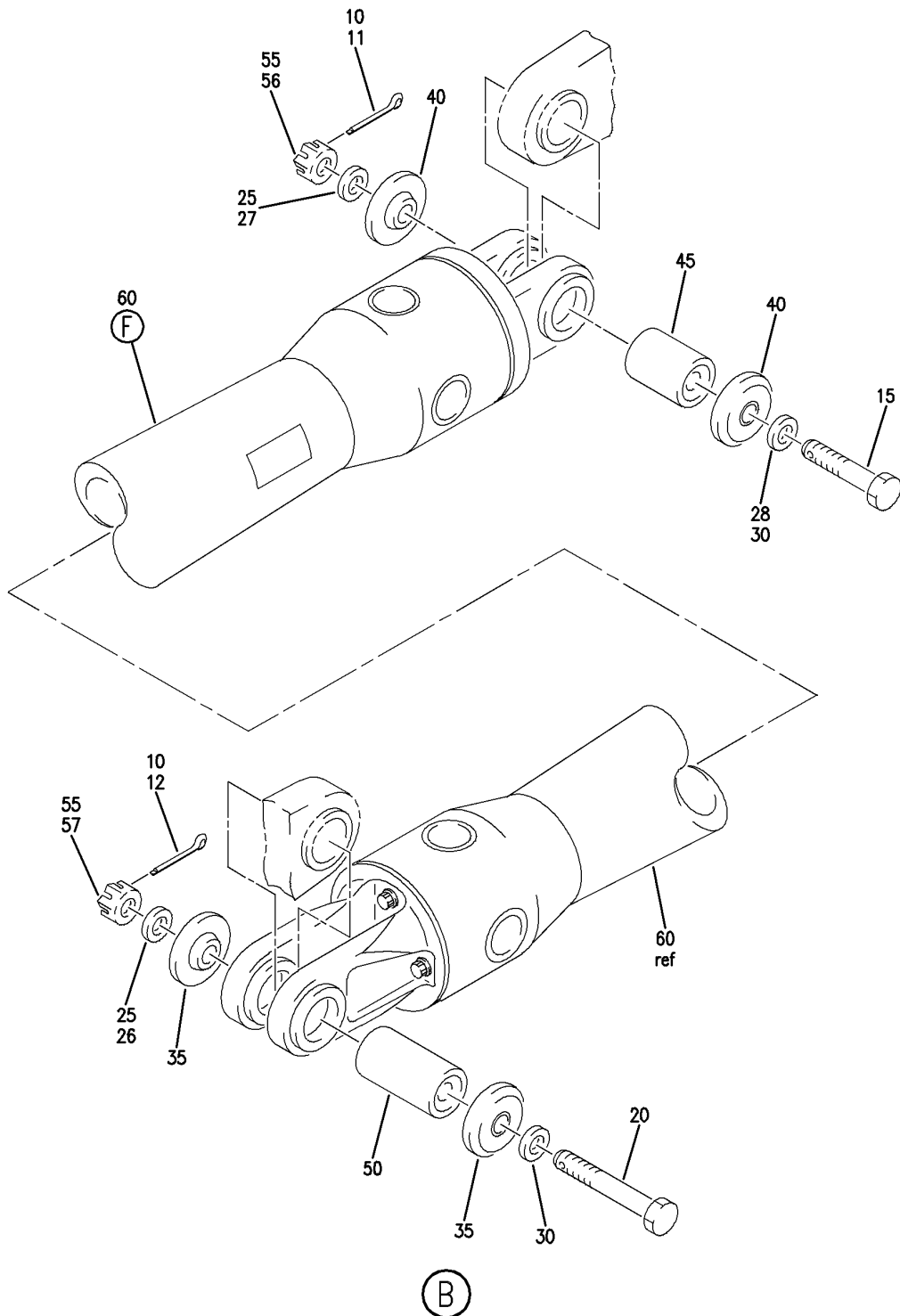
HARDWARE INSTL-PW4056 ENG STRUT TO WING
FIGURE 2 (SHEET 1)

54-51-62-02

HXL
DEC 22/06

54-51-62-02
PAGE 0

BOEING
767
PARTS CATALOG (MAINTENANCE)



V 54516202 SH1 2 REV 246

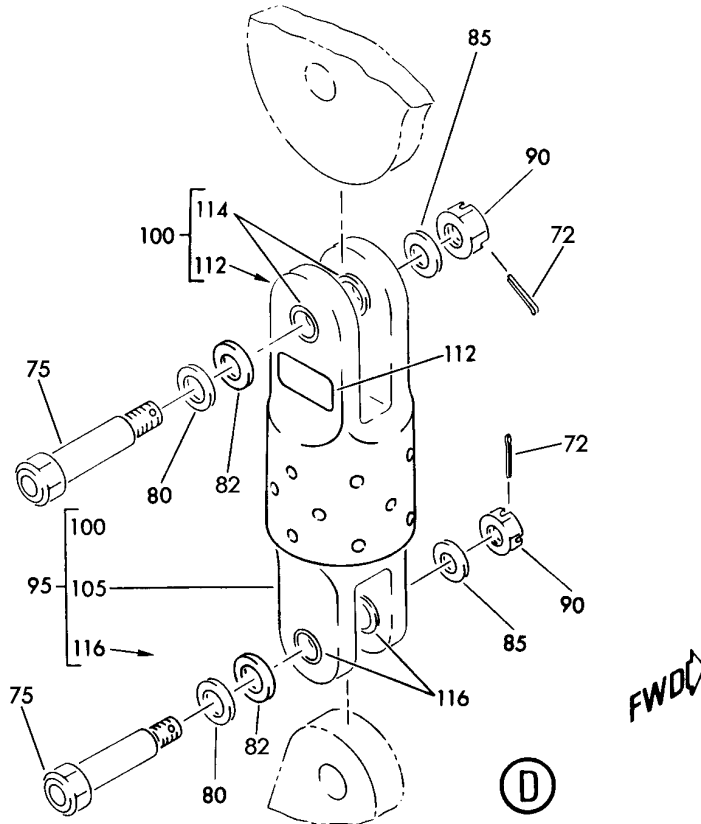
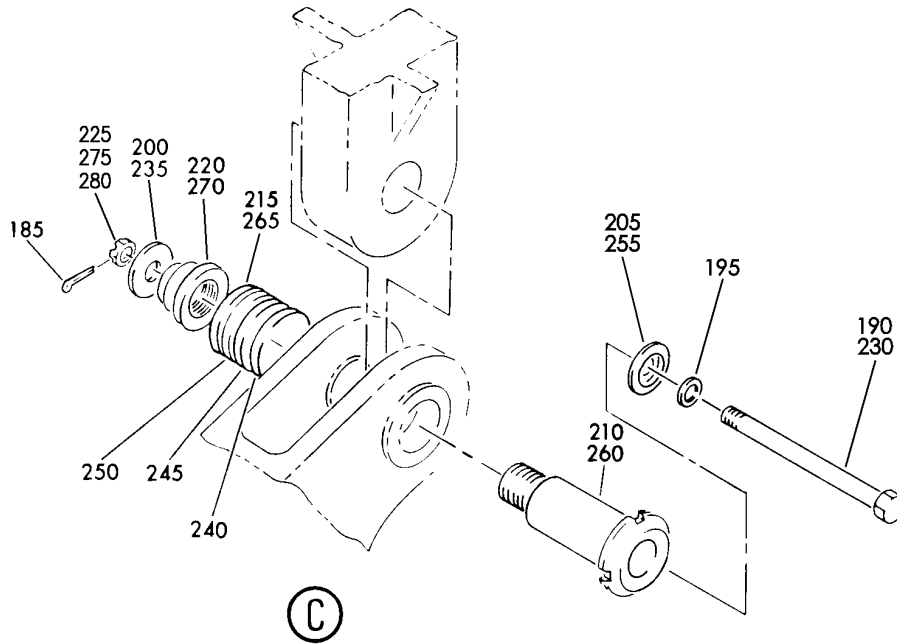
HARDWARE INSTL-PW4056 ENG STRUT TO WING
FIGURE 2 (SHEET 2)

54-51-62-02

HXL
DEC 22/06

54-51-62-02
PAGE 0A

BOEING
767
PARTS CATALOG (MAINTENANCE)



V 54-51-62-02 SHT 3 REV 289

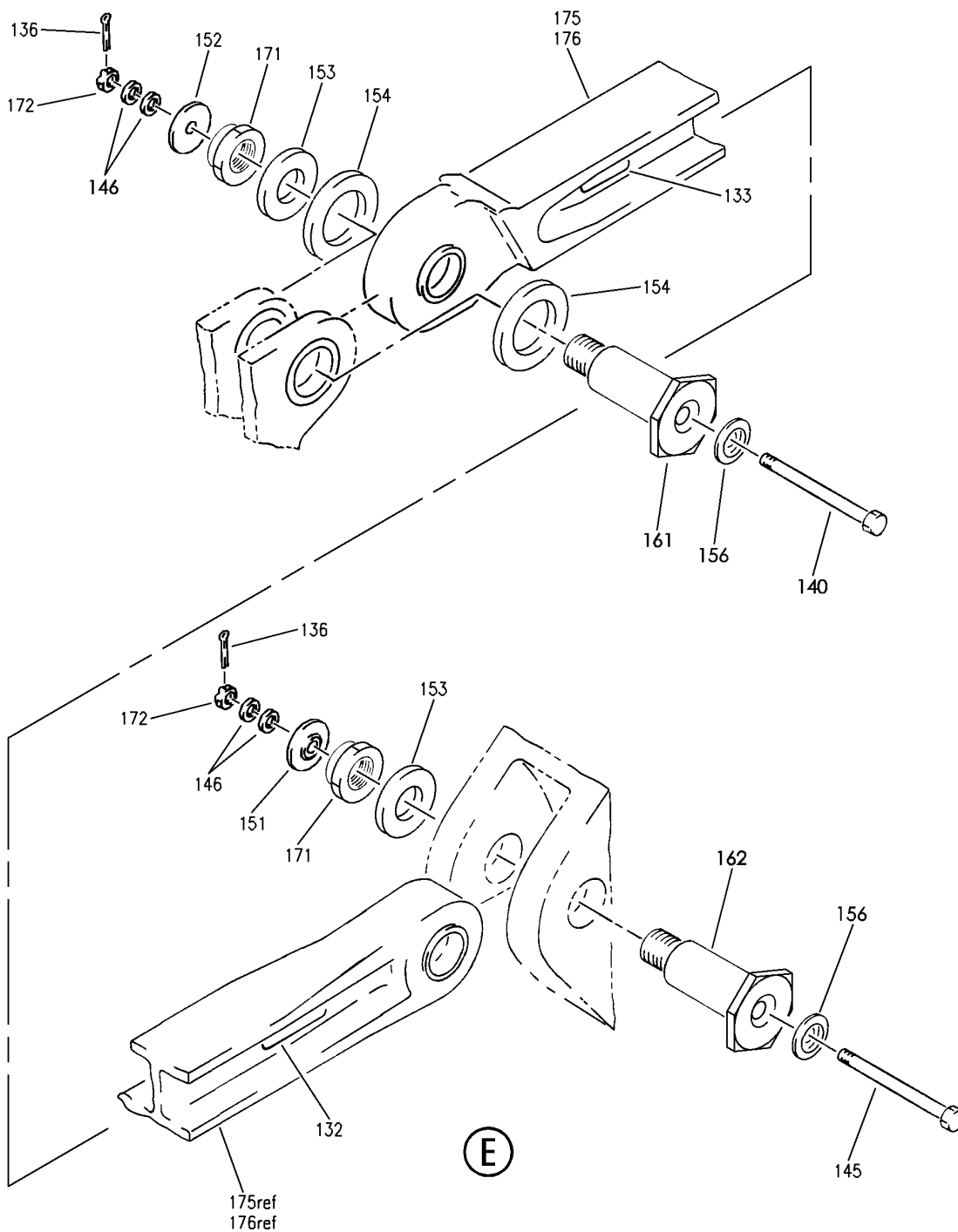
HARDWARE INSTL-PW4056 ENG STRUT TO WING
FIGURE 2 (SHEET 3)

54-51-62-02

HXL
DEC 22/06

54-51-62-02
PAGE 08

BOEING
767
PARTS CATALOG (MAINTENANCE)



V 54516502 SHT 4 REV 246

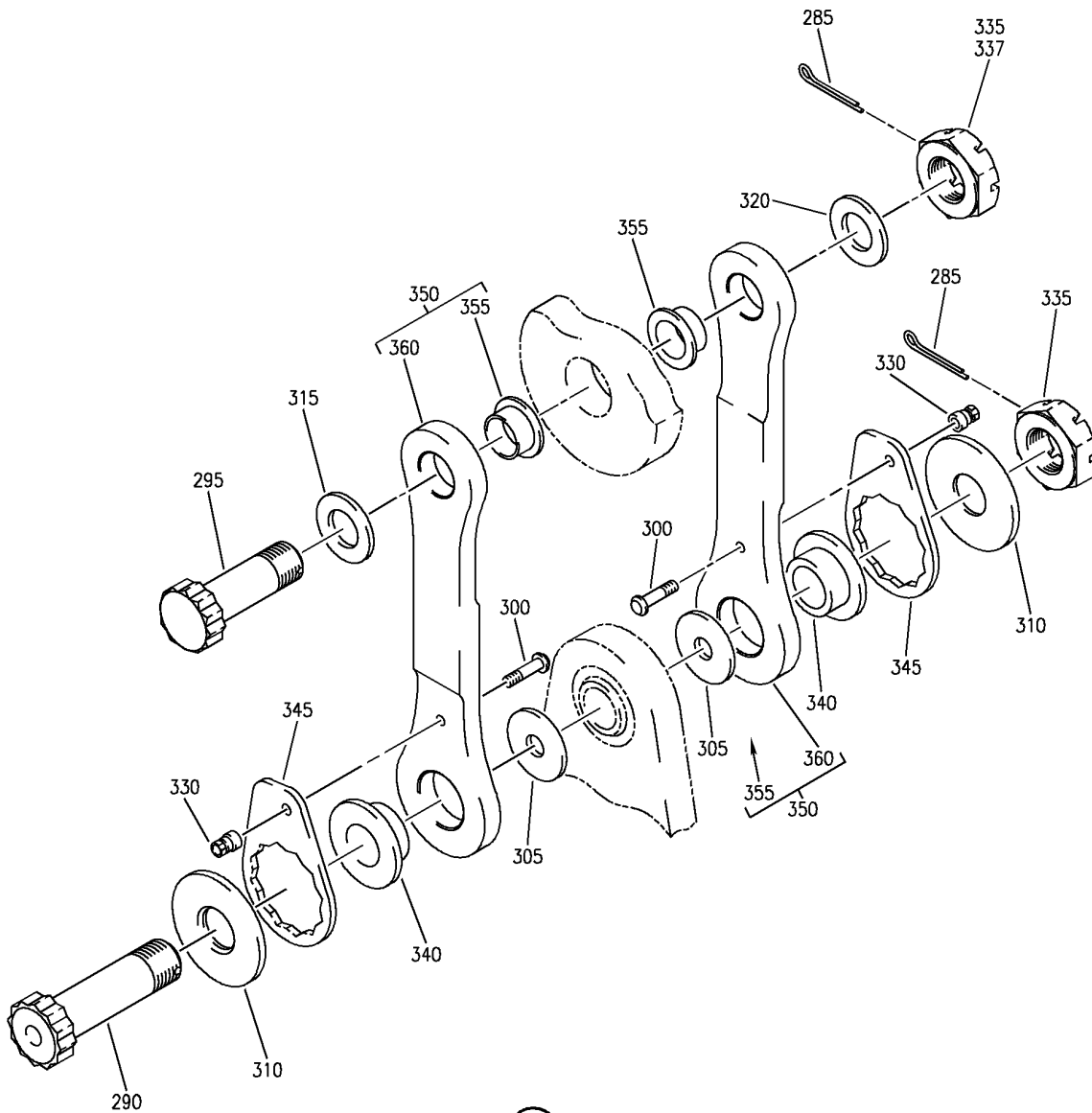
HARDWARE INSTL-PW4056 ENG STRUT TO WING
FIGURE 2 (SHEET 4)

54-51-62-02

HXL
DEC 22/06

54-51-62-02
PAGE 0C

BOEING
767
PARTS CATALOG (MAINTENANCE)



V 54-51-62-02 SHT 6 REV 289

J

HARDWARE INSTL-PW4056 ENG STRUT TO WING
FIGURE 2 (SHEET 6)

54-51-62-02

HXL
DEC 22/06

54-51-62-02
PAGE 0E

 **BOEING**
767
PARTS CATALOG (MAINTENANCE)

FIG ITEM	PART NUMBER	1 2 3 4 5 6 7	NOMENCLATURE	EFFECT FROM TO	UNITS PER ASSY
2			HARDWARE INSTL-PW4056 ENG STRUT TO WING		
- 1	310T4040-1		HARDWARE INSTL-PW4056 ENG STRUT TO WING FOR NHA SEE: 54-00-51-02		RF
- 5	310T4040-5		.BRACE INSTL-DIAG VARIABLE DRAWING REF: 310T4040-5009		1
11	BACP18BC04A12P		..PIN- POST SERVICE BULLETIN: 54-0080		1
12	BACP18BC03A10P		..PIN- POST SERVICE BULLETIN: 54-0080		1
15	NAS6709D57		..BOLT- POST SERVICE BULLETIN: 54-0080		1
20	311T3104-1		..BOLT- POST SERVICE BULLETIN: 54-0080		1
26	BACW10BP7APU		..WASHER- POST SERVICE BULLETIN: 54-0080		1
27	BACW10BP9APU		..WASHER- POST SERVICE BULLETIN: 54-0080		1
28	BACW10BP9ACU		..WASHER- POST SERVICE BULLETIN: 54-0080		1
- 31	NAS1149E0916R		..WASHER- MISCELLANEOUS DATA: INSTL IF REQUIRED TO INSTL COTTER PIN SELECT FROM ITEM. POST SERVICE BULLETIN: 54-0080		AR
- 31	NAS1149E0932R		..WASHER- MISCELLANEOUS DATA: INSTL IF REQUIRED TO INSTL COTTER PIN SELECT FROM ITEM. POST SERVICE BULLETIN: 54-0080		AR

ILLUSTRATION ITEMS NOT ON PARTS LIST ARE NOT APPLICABLE

- ITEM NOT ILLUSTRATED

HXL

54-51-62-02

BOEING PROPRIETARY - Copyright © - Unpublished Work - See title page for details.

54-51-62
FIG. 02
PAGE 1
DEC 22/07



767

PARTS CATALOG (MAINTENANCE)

FIG ITEM	PART NUMBER	1 2 3 4 5 6 7	NOMENCLATURE	EFFECT FROM TO	UNITS PER ASSY
2					
- 31	NAS1149E0963R		.. WASHER- MISCELLANEOUS DATA: INSTL IF REQUIRED TO INSTL COTTER PIN SELECT FROM ITEM. POST SERVICE BULLETIN: 54-0080		AR
35	311T3101-5		.. CAP- POST SERVICE BULLETIN: 54-0080		2
40	311T5098-5		.. CAP- POST SERVICE BULLETIN: 54-0080		2
45	311T2095-1		.. PIN-DIAG BRACE		1
50	311T5793-1		.. PIN-FUSE POST SERVICE BULLETIN: 54-0080		1
56	BACN10JD9ASU		.. NUT- POST SERVICE BULLETIN: 54-0080		1

ILLUSTRATION ITEMS NOT ON PARTS LIST ARE NOT APPLICABLE

- ITEM NOT ILLUSTRATED

HXL

54-51-62-02

BOEING PROPRIETARY - Copyright © - Unpublished Work - See title page for details.

54-51-62
FIG. 02
PAGE 2
AUG 22/08

BOEING
767
PARTS CATALOG (MAINTENANCE)

FIG ITEM	PART NUMBER	1 2 3 4 5 6 7	NOMENCLATURE	EFFECT FROM TO	UNITS PER ASSY
2 57	BMN10HRC7		..NUT- SUPPLIER CODE: V97927 SPECIFICATION NUMBER: BACN10HR7C OPTIONAL PART: H97-7 V15653 101LH9031-7 V72962 67832A720 V56878 BH00304-7 V27238 BH003047 V27238 BMN5024C7 V97928 CR59077 V62554 H977 V15653 SL70607 V11815 VAL280027 V06710 101LH90317 V72962 67832A7 V56878 POST SERVICE BULLETIN: 54-0080		1
60	311T4735-4		..BRACE ASSY- POST SERVICE BULLETIN: 54-0080		1
61	BAC27TPP677		...MARKER-ALUMINUM FOIL		1
61A	BAC27TPP0284		...MARKER-ALUMINUM FOIL		1
61B	BACB30US12K37		...BOLT		8
62	311T2736-3		...SPACER- SERVICE BULLETIN OPT DATA: 311T2736-1 311T2736-2 311T2736-4 311T2736-5 POST SERVICE BULLETIN: 54-0080		1
ILLUSTRATION ITEMS NOT ON PARTS LIST ARE NOT APPLICABLE					

- ITEM NOT ILLUSTRATED

HXL

54-51-62-02

BOEING PROPRIETARY - Copyright © - Unpublished Work - See title page for details.

54-51-62
FIG. 02
PAGE 3
DEC 22/06



767

PARTS CATALOG (MAINTENANCE)

FIG ITEM	PART NUMBER	1 2 3 4 5 6 7	NOMENCLATURE	EFFECT FROM TO	UNITS PER ASSY
2					
62	311T2736-2	...	SPACER- SERVICE BULLETIN OPT DATA: 311T2736-1 311T2736-3 311T2736-4 311T2736-5 POST SERVICE BULLETIN: 54-0080		1
62	311T2736-1	...	SPACER- SERVICE BULLETIN OPT DATA: 311T2736-2 311T2736-3 311T2736-4 311T2736-5 POST SERVICE BULLETIN: 54-0080		1
62	311T2736-4	...	SPACER- SERVICE BULLETIN OPT DATA: 311T2736-1 311T2736-2 311T2736-3 311T2736-5 POST SERVICE BULLETIN: 54-0080		1
62	311T2736-5	...	SPACER- SERVICE BULLETIN OPT DATA: 311T2736-1 311T2736-2 311T2736-3 311T2736-4 POST SERVICE BULLETIN: 54-0080		1
63	311T2736-3	...	SPACER		1
64	BACW10BP12ACU	...	WASHER		8
64A	BACW10BP12APU	...	WASHER		8
66	SL4157CB12B	...	NUT ASSY-BARREL SUPPLIER CODE: V97393 OPTIONAL PART: 94667ACB12B V56878		8
66	94667ACB12B	...	NUT ASSY-BARREL SUPPLIER CODE: V56878 OPTIONAL PART: SL4157CB12B V97393		8
67	311T2735-5	...	FITTING ASSY		1
67A	311T2735-7	BUSHING		2
ILLUSTRATION ITEMS NOT ON PARTS LIST ARE NOT APPLICABLE					

- ITEM NOT ILLUSTRATED

54-51-62-02

54-51-62
FIG. 02
PAGE 4
DEC 22/06

HXL

 **BOEING**
767
PARTS CATALOG (MAINTENANCE)

FIG ITEM	PART NUMBER	1 2 3 4 5 6 7	NOMENCLATURE	EFFECT FROM TO	UNITS PER ASSY
2					
67B	311T2735-8	BUSHING		2
67C	311T2735-6	FITTING		1
68	311T5735-8	...	FITTING ASSY		1
68A	311T5735-10	BUSHING		2
68B	311T5735-11	BUSHING		2
68C	311T5735-9	FITTING		1
69	311T4735-2	...	TUBE ASSY		1
69A	MS16555-647	PIN		4
69B	311T2735-4	SLEEVE		8
69C	311T4735-3	TUBE		1
- 130	310T4040-3	.LINK INSTL-			1
		POSITION DATA:			
		UPR			
		VARIABLE DRAWING REF:			
		310T4040-5008			
132	BAC27TPP674	..MARKER-ALUMINUM FOIL			1
		POST SERVICE BULLETIN:			
		54-0088			
133	BAC27TPP673	..MARKER-ALUMINUM FOIL			1
		POST SERVICE BULLETIN:			
		54-0088			
136	BACP18BC02A06P	..PIN-			2
		POST SERVICE BULLETIN:			
		54-0080			
		54-0088			
		54-0080R1			
140	BACB30LE4DU78	..BOLT-			1
		POST SERVICE BULLETIN:			
		54-0088			
		54-0080R1			
145	BACB30LE4DU101	..BOLT-			1
		POST SERVICE BULLETIN:			
		54-0088			
		54-0080R1			
146	NAS1149E0416R	..WASHER-			AR
		SELECT FROM ITEM.			
		POST SERVICE BULLETIN:			
		54-0088			
		54-0080R1			
146	NAS1149E0432R	..WASHER-			AR
		SELECT FROM ITEM.			
		POST SERVICE BULLETIN:			
		54-0088			
		54-0080R1			
146	NAS1149E0463R	..WASHER-			AR
		SELECT FROM ITEM.			
		POST SERVICE BULLETIN:			
		54-0088			
		54-0080R1			

ILLUSTRATION ITEMS NOT ON PARTS LIST ARE NOT APPLICABLE

- ITEM NOT ILLUSTRATED

HXL

54-51-62-02

BOEING PROPRIETARY - Copyright © - Unpublished Work - See title page for details.

54-51-62
FIG. 02
PAGE 5
DEC 22/06



767

PARTS CATALOG (MAINTENANCE)

FIG ITEM	PART NUMBER	1 2 3 4 5 6 7	NOMENCLATURE	EFFECT FROM TO	UNITS PER ASSY
2					
151	310T2302-4		.. WASHER- POST SERVICE BULLETIN: 54-0088 54-0080R1		1
152	310T2302-5		.. WASHER- POST SERVICE BULLETIN: 54-0088 54-0080R1		1
153	310T2302-6		.. WASHER- POST SERVICE BULLETIN: 54-0088 54-0080R1		2
154	310T2303-1		.. WASHER- POST SERVICE BULLETIN: 54-0088 54-0080R1		2
156	310T2302-3		.. CAP- POST SERVICE BULLETIN: 54-0088 54-0080R1		2
161	311T2790-1		.. PIN-FUSE POST SERVICE BULLETIN: 54-0088 54-0080R1		1
162	311T2792-1		.. PIN-FUSE POST SERVICE BULLETIN: 54-0080 54-0080R1		1
171	BMN4122C1D2-16		.. NUT- SUPPLIER CODE: V97928 SPECIFICATION NUMBER: BACN10JC16CM OPTIONAL PART: BMN4122C1D2-16 V85495 H01-1612BAC V15653 109LH9074-16 V72962 69235-1612CM V56878 POST SERVICE BULLETIN: 54-0088 54-0080R1		2
172	BACN10JD4ASU		.. NUT- POST SERVICE BULLETIN: 54-0088 54-0080R1		2

ILLUSTRATION ITEMS NOT ON PARTS LIST ARE NOT APPLICABLE

- ITEM NOT ILLUSTRATED

54-51-62-02

54-51-62
FIG. 02
PAGE 6
DEC 22/06

HXL

BOEING PROPRIETARY - Copyright © - Unpublished Work - See title page for details.



767

PARTS CATALOG (MAINTENANCE)

FIG ITEM	PART NUMBER	1 2 3 4 5 6 7	NOMENCLATURE	EFFECT FROM TO	UNITS PER ASSY
2 175	311T4710-5		..LINK ASSY- COMPONENT MAINT MANUAL REF: 54-50-21 POST SERVICE BULLETIN: 54-0080 FUNCTIONAL REFERENCE: PLACARDS AND MARKINGS FOR DETAILS SEE 11-25-18-05		1
176	311T4710-3		..LINK ASSY- COMPONENT MAINT MANUAL REF: 54-50-21 POST SERVICE BULLETIN: 54-0083 PRE SERVICE BULLETIN: 54-0080 FUNCTIONAL REFERENCE: PLACARDS AND MARKINGS FOR DETAILS SEE 11-25-18-05		1
176A	311T4100-70		...BUSHING- POST SERVICE BULLETIN: 54-0095		2
176B	310T2303-1		...WASHER- POST SERVICE BULLETIN: 54-0095		2
177	311T4710-6		...BUSHING- POSITION DATA: UPR USED ON: 311T4710-3 311T4710-5		1
178	311T4710-9		...BUSHING- POSITION DATA: UPR USED ON: 311T4710-3 311T4710-5		1
179	311T4710-8		...BUSHING- POSITION DATA: UPR USED ON: 311T4710-3 311T4710-5		1

ILLUSTRATION ITEMS NOT ON PARTS LIST ARE NOT APPLICABLE

- ITEM NOT ILLUSTRATED

HXL

54-51-62-02

BOEING PROPRIETARY - Copyright © - Unpublished Work - See title page for details.

54-51-62
FIG. 02
PAGE 7
APR 22/08



767

PARTS CATALOG (MAINTENANCE)

FIG ITEM	PART NUMBER	1 2 3 4 5 6 7	NOMENCLATURE	EFFECT FROM TO	UNITS PER ASSY
2 179A	311T4710-7		...BUSHING- POSITION DATA: UPR USED ON: 311T4710-3 311T4710-5		1
179B	311T4710-4		...LINK- POSITION DATA: UPR USED ON: 311T4710-3 311T4710-5		1
- 180	310T4040-2		.PIN INSTL-FUSE VARIABLE DRAWING REF: 310T4040-5007		1
185	BACP18BC02A06P		..PIN- POST SERVICE BULLETIN: 54-0069R1 54-0080R1		2
230	BACB30LE4DU79		..BOLT- SERVICE BULLETIN OPT DATA: BACB30LE4DU78 POST SERVICE BULLETIN: 54-0069R1 54-0080R1		2
230	BACB30LE4DU78		..BOLT- SERVICE BULLETIN OPT DATA: BACB30LE4DU79 POST SERVICE BULLETIN: 54-0080		2
235	310T2302-4		..WASHER- POST SERVICE BULLETIN: 54-0069R1 54-0080R1		2
- 251	NAS1149E0416R		..WASHER- SELECT FROM ITEM. POST SERVICE BULLETIN: 54-0069R1		AR
- 251	NAS1149E0432R		..WASHER- SELECT FROM ITEM. POST SERVICE BULLETIN: 54-0069R1		AR
- 251	NAS1149E0463R		..WASHER- SELECT FROM ITEM. POST SERVICE BULLETIN: 54-0069R1		AR

ILLUSTRATION ITEMS NOT ON PARTS LIST ARE NOT APPLICABLE

- ITEM NOT ILLUSTRATED

54-51-62-02

54-51-62
FIG. 02
PAGE 8
APR 22/08

HXL

BOEING PROPRIETARY - Copyright © - Unpublished Work - See title page for details.



767

PARTS CATALOG (MAINTENANCE)

FIG ITEM	PART NUMBER	1 2 3 4 5 6 7	NOMENCLATURE	EFFECT FROM TO	UNITS PER ASSY
2					
255	310T2302-3	..	CAP-RETAINING POST SERVICE BULLETIN: 54-0069R1 54-0080R1		2
260	310T2301-1	..	PIN- POST SERVICE BULLETIN: 54-0069R1 54-0080R1		2
265	310T2302-2	..	CAP-RETAINING POST SERVICE BULLETIN: 54-0069R1 54-0080R1		2
270	BMN4122C1D2-16	..	NUT- SUPPLIER CODE: V97928 SPECIFICATION NUMBER: BACN10JC16CM OPTIONAL PART: BMN4122C1D2-16 V85495 H01-1612BAC V15653 109LH9074-16 V72962 69235-1612CM V56878 POST SERVICE BULLETIN: 54-0069R1 54-0080R1		2
280	BACN10JD4ASU	..	NUT- POST SERVICE BULLETIN: 54-0069R1		2
285	BACP18BC04A14P	.	PIN- POST SERVICE BULLETIN: 54-0080		4
290	311T2796-1	.	PIN-FUSE POST SERVICE BULLETIN: 54-0080		2
295	BACB30UU12C31D	.	BOLT- POST SERVICE BULLETIN: 54-0080		2

ILLUSTRATION ITEMS NOT ON PARTS LIST ARE NOT APPLICABLE

- ITEM NOT ILLUSTRATED

HXL

54-51-62-02

BOEING PROPRIETARY - Copyright © - Unpublished Work - See title page for details.

54-51-62
FIG. 02
PAGE 9
APR 22/08



767

PARTS CATALOG (MAINTENANCE)

FIG ITEM	PART NUMBER	1 2 3 4 5 6 7	NOMENCLATURE	EFFECT FROM TO	UNITS PER ASSY
2 300	HST10AG6-9		.BOLT- SUPPLIER CODE: VOPTK6 SPECIFICATION NUMBER: BACB30VT6K9 OPTIONAL PART: HST10AG6-9 V06725 HST10AG6-9 V56878 HST10AG6-9 V73197 WC10K6-9 V60516 POST SERVICE BULLETIN: 54-0080		4
305	311T2741-6		.WASHER- POST SERVICE BULLETIN: 54-0080		4
310	311T2741-7		.WASHER- POST SERVICE BULLETIN: 54-0080		4
315	BACW10BP12ACU		.WASHER- POSITION DATA: UNDER BOLT HEAD POST SERVICE BULLETIN: 54-0080		2
320	BACW10BP12APU		.WASHER- POSITION DATA: UNDER NUT POST SERVICE BULLETIN: 54-0080		2
- 325	NAS1149E1216R		.WASHER- MISCELLANEOUS DATA: INSTL IF REQUIRED TO INSTL COTTER PIN SELECT FROM ITEM. POST SERVICE BULLETIN: 54-0080		AR
- 325	NAS1149E1232R		.WASHER- MISCELLANEOUS DATA: INSTL IF REQUIRED TO INSTL COTTER PIN SELECT FROM ITEM. POST SERVICE BULLETIN: 54-0080		AR

ILLUSTRATION ITEMS NOT ON PARTS LIST ARE NOT APPLICABLE

- ITEM NOT ILLUSTRATED

54-51-62-02

54-51-62
FIG. 02
PAGE 10
APR 22/08

HXL



767

PARTS CATALOG (MAINTENANCE)

FIG ITEM	PART NUMBER	1 2 3 4 5 6 7	NOMENCLATURE	EFFECT FROM TO	UNITS PER ASSY
2					
330	HST1094DU6	.	COLLAR- SUPPLIER CODE: V73197 SPECIFICATION NUMBER: BACC30BS6S POST SERVICE BULLETIN: 54-0080		4
335	BACN10JD112ASU	.	NUT- POST SERVICE BULLETIN: 54-0080		2
340	311T2741-3	.	BUSHING- POST SERVICE BULLETIN: 54-0080		4
345	311T2741-4	.	RETAINER- POST SERVICE BULLETIN: 54-0080		2
350	311T2740-8	.	LINK ASSY- POST SERVICE BULLETIN: 54-0080		4
355	BACB28AU12D039B	..	BUSHING		1
360	311T2741-1	..	LINK		1

ILLUSTRATION ITEMS NOT ON PARTS LIST ARE NOT APPLICABLE

- ITEM NOT ILLUSTRATED

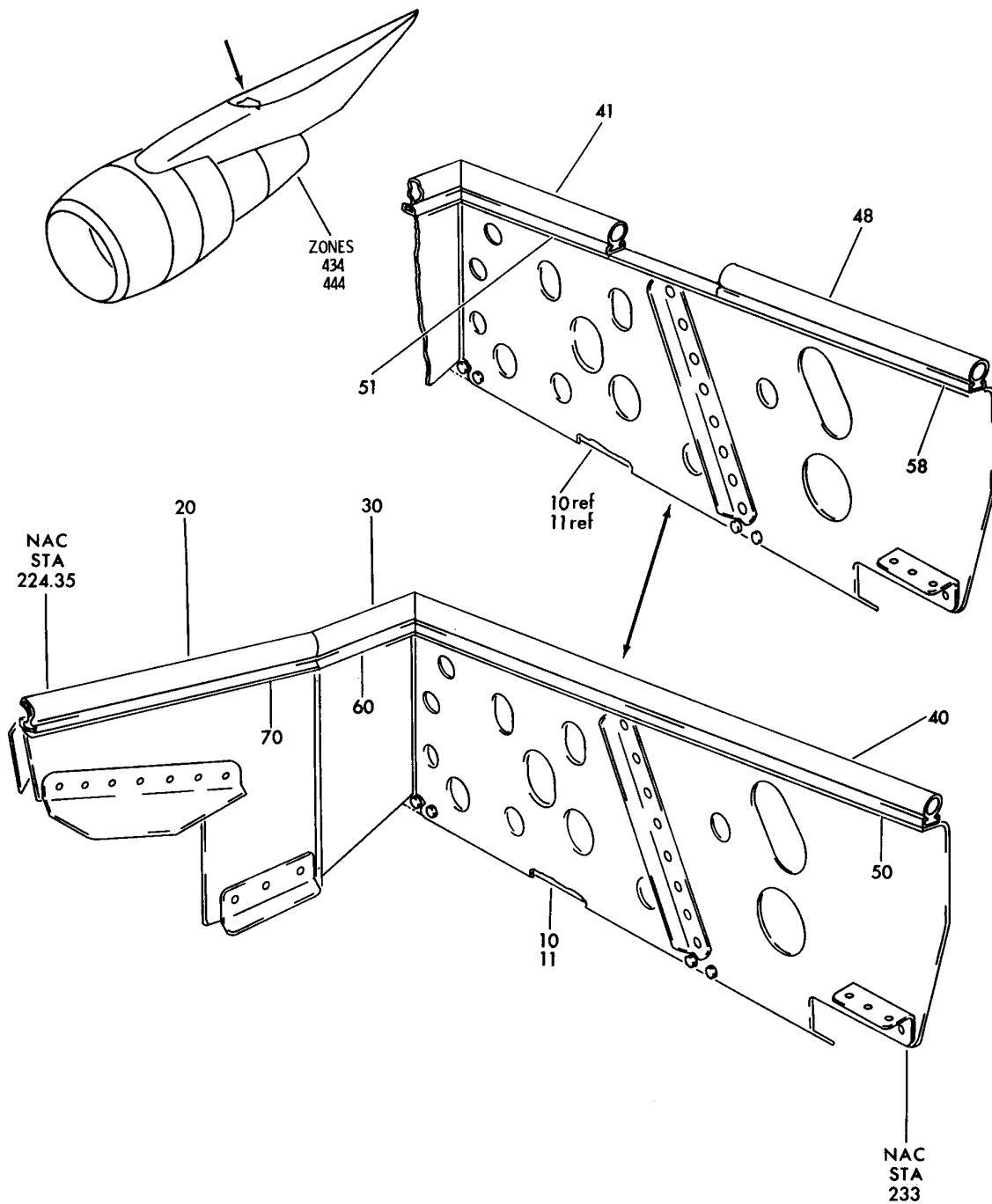
HXL

54-51-62-02

BOEING PROPRIETARY - Copyright © - Unpublished Work - See title page for details.

54-51-62
FIG. 02
PAGE 11
APR 22/08

BOEING
767
PARTS CATALOG (MAINTENANCE)



V 54516301 REV 173

BARRIER INSTL-VAPOR
FIGURE 1

54-51-63-01

HXL
DEC 22/06

54-51-63-01
PAGE 0

BOEING
767
PARTS CATALOG (MAINTENANCE)

FIG ITEM	PART NUMBER	1 2 3 4 5 6 7	NOMENCLATURE	EFFECT FROM TO	UNITS PER ASSY
1					
- 1	311T3080-75		BARRIER INSTL-VAPOR BARRIER INSTL-VAPOR POSITION DATA: LH VARIABLE DRAWING REF: 311T3080-5005 311T3080-5007 FOR NHA SEE: 54-51-51-01		RF
- 5	311T3080-76		BARRIER INSTL-VAPOR POSITION DATA: RH VARIABLE DRAWING REF: 311T3080-5006 311T3080-5008 FOR NHA SEE: 54-51-51-01		RF
10	311T3080-153		.BARRIER ASSY- POSITION DATA: LH SIDE	163163	1
10	311T3080-157		.BARRIER ASSY- POSITION DATA: LH SIDE	155162 164999	1
- 15	311T3080-154		.BARRIER ASSY- POSITION DATA: RH SIDE	163163	1
- 15	311T3080-158		.BARRIER ASSY- POSITION DATA: RH SIDE	155162 164999	1
20	311T3080-29		..SEAL- POSITION DATA: LH SIDE MANUFACTURED FROM: RUBBER EXTR F25.01 10-60754-221 X 10.7 IN. SPARES ORDER MATERIAL CODE: 5287002210		1
- 25	311T3080-30		..SEAL- POSITION DATA: RH SIDE MANUFACTURED FROM: RUBBER EXTR F25.01 10-60754-221 X 10.7 IN. SPARES ORDER MATERIAL CODE: 5287002210		1

R
R
R
R
R
R
R
R
R
R
R
R
R
R
R
R
R
R
R
R
R
R

ILLUSTRATION ITEMS NOT ON PARTS LIST ARE NOT APPLICABLE

- ITEM NOT ILLUSTRATED

HXL

54-51-63-01

54-51-63
FIG. 01
PAGE 1
AUG 22/09



767

PARTS CATALOG (MAINTENANCE)

FIG ITEM	PART NUMBER	1 2 3 4 5 6 7	NOMENCLATURE	EFFECT FROM TO	UNITS PER ASSY
1					
- 56	311T3080-132		.. CHANNEL- POSITION DATA: RH SIDE USED ON: 311T3080-124 311T3080-154 311T3080-158 311T3080-166 311T3080-172 311T3080-178		1
58	311T3080-130		.. CHANNEL- USED ON: 311T3080-123 311T3080-124 311T3080-143 311T3080-144 311T3080-157 311T3080-158 311T3080-165 311T3080-166		1
60	311T3080-21		.. CHANNEL- POSITION DATA: LH SIDE		1
- 65	311T3080-22		.. CHANNEL- POSITION DATA: RH SIDE		1
70	311T3080-23		.. CHANNEL- POSITION DATA: LH SIDE		1
- 75	311T3080-24		.. CHANNEL- POSITION DATA: RH SIDE		1
- 85	BACR15CE5KE		ATTACHING PARTS .. RIVET- SIZE DETERMINED ON INSTL. -----*-----		25

ILLUSTRATION ITEMS NOT ON PARTS LIST ARE NOT APPLICABLE

- ITEM NOT ILLUSTRATED

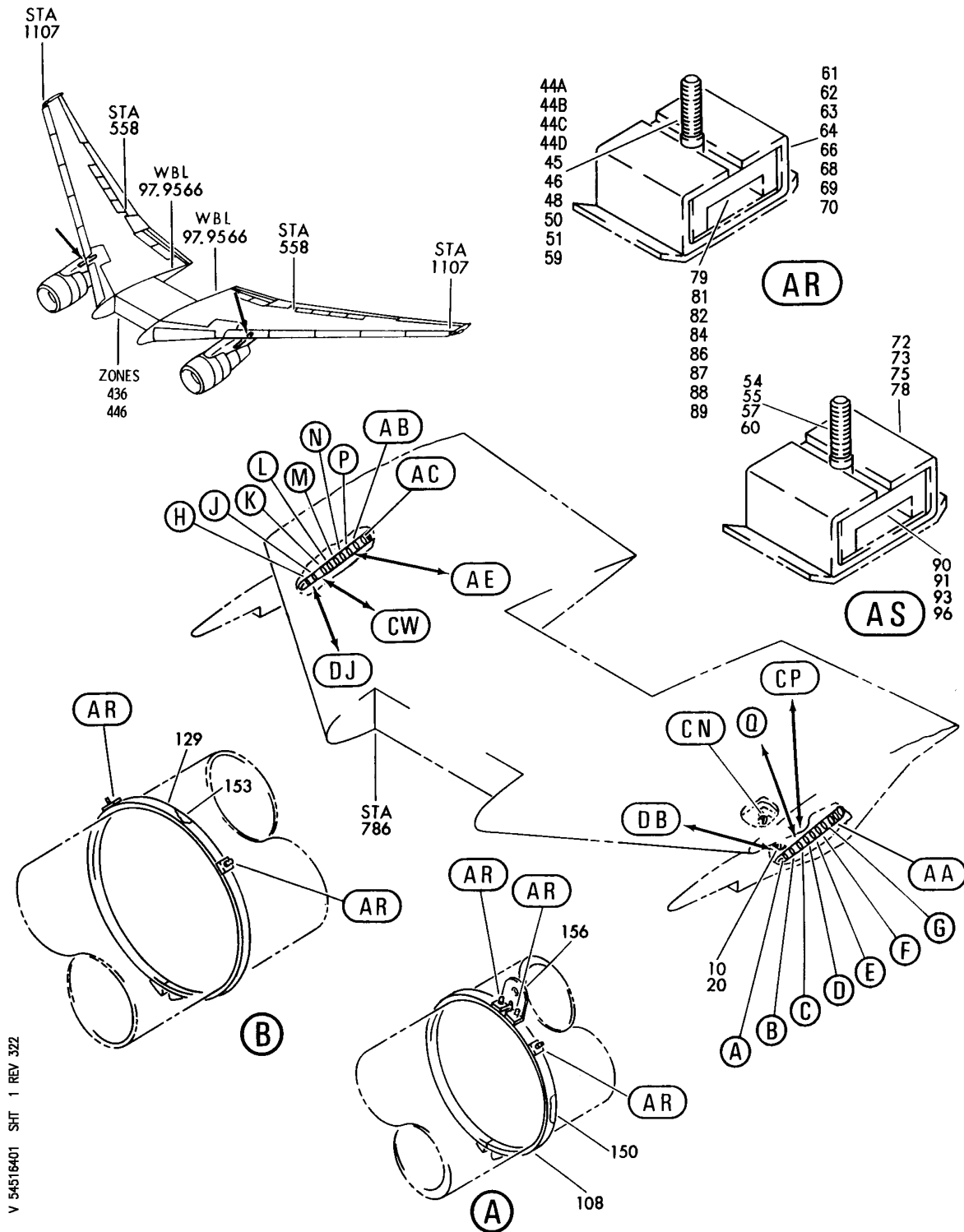
HXL

54-51-63-01

BOEING PROPRIETARY - Copyright © - Unpublished Work - See title page for details.

54-51-63
FIG. 01
PAGE 4
AUG 22/09

BOEING
767
PARTS CATALOG (MAINTENANCE)



V 54516401 SHT 1 REV 322

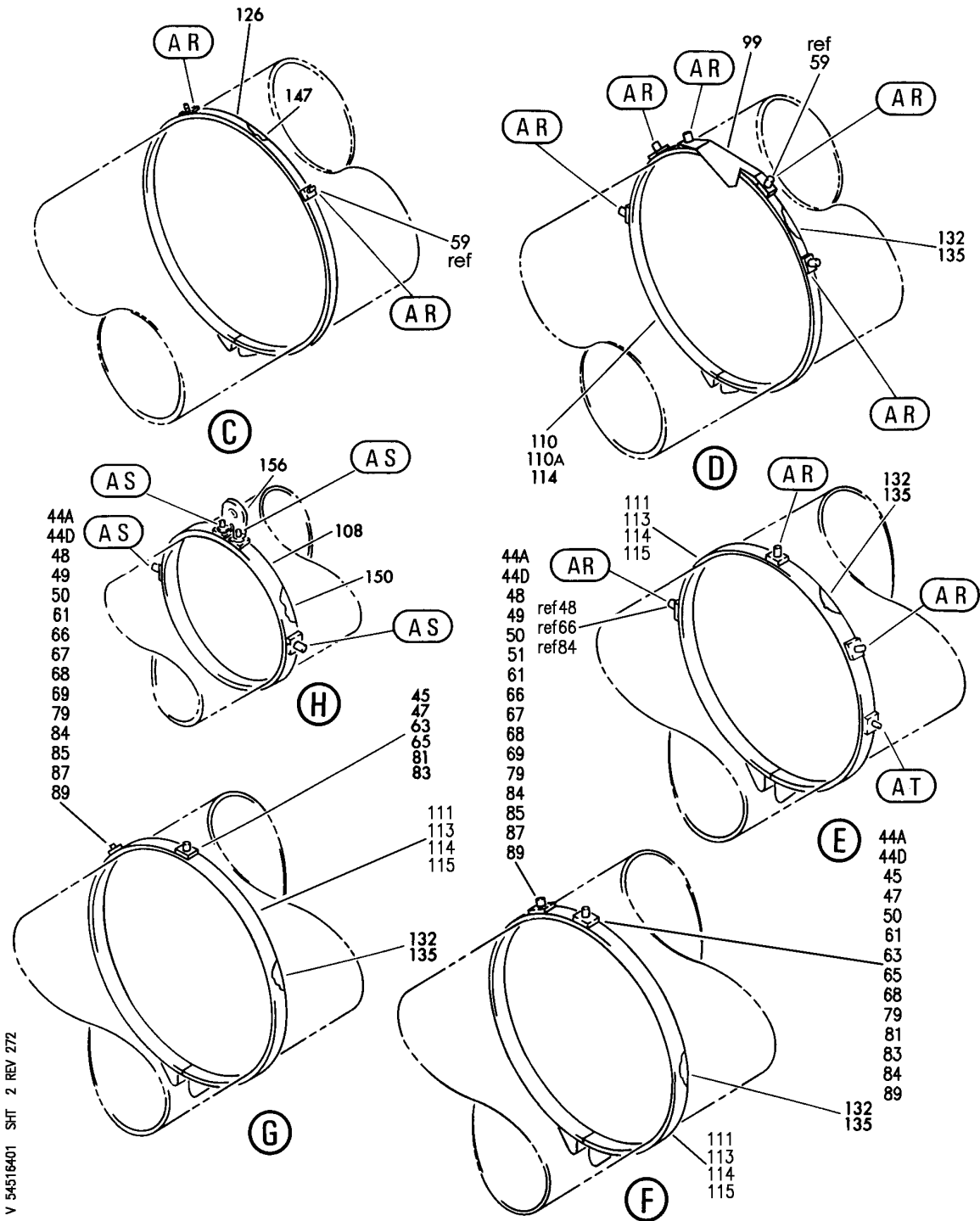
PROVISION INSTL-SECT. 31 ENG STRUT SAILBOAT AREA WIRE (PW4000 ENG)
FIGURE 1 (SHEET 1)

54-51-64-01

HXL
DEC 22/07

54-51-64-01
PAGE 0

BOEING
767
PARTS CATALOG (MAINTENANCE)



V 54516401 SHT 2 REV 272

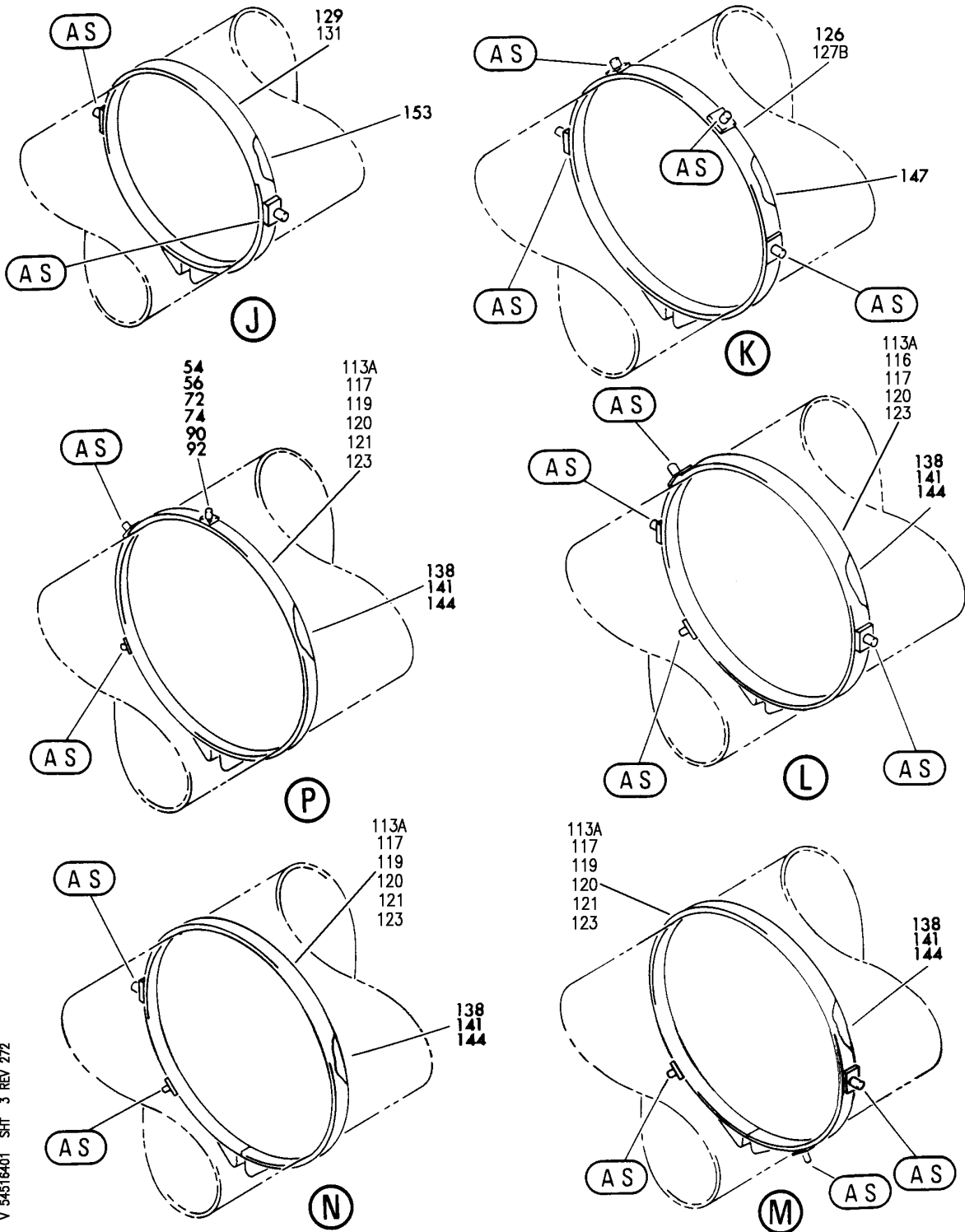
PROVISION INSTL-SECT. 31 ENG STRUT SAILBOAT AREA WIRE (PW4000 ENG)
FIGURE 1 (SHEET 2)

54-51-64-01

HXL
DEC 22/06

54-51-64-01
PAGE 0A

BOEING
767
PARTS CATALOG (MAINTENANCE)



V 54516401 SHT 3 REV 272

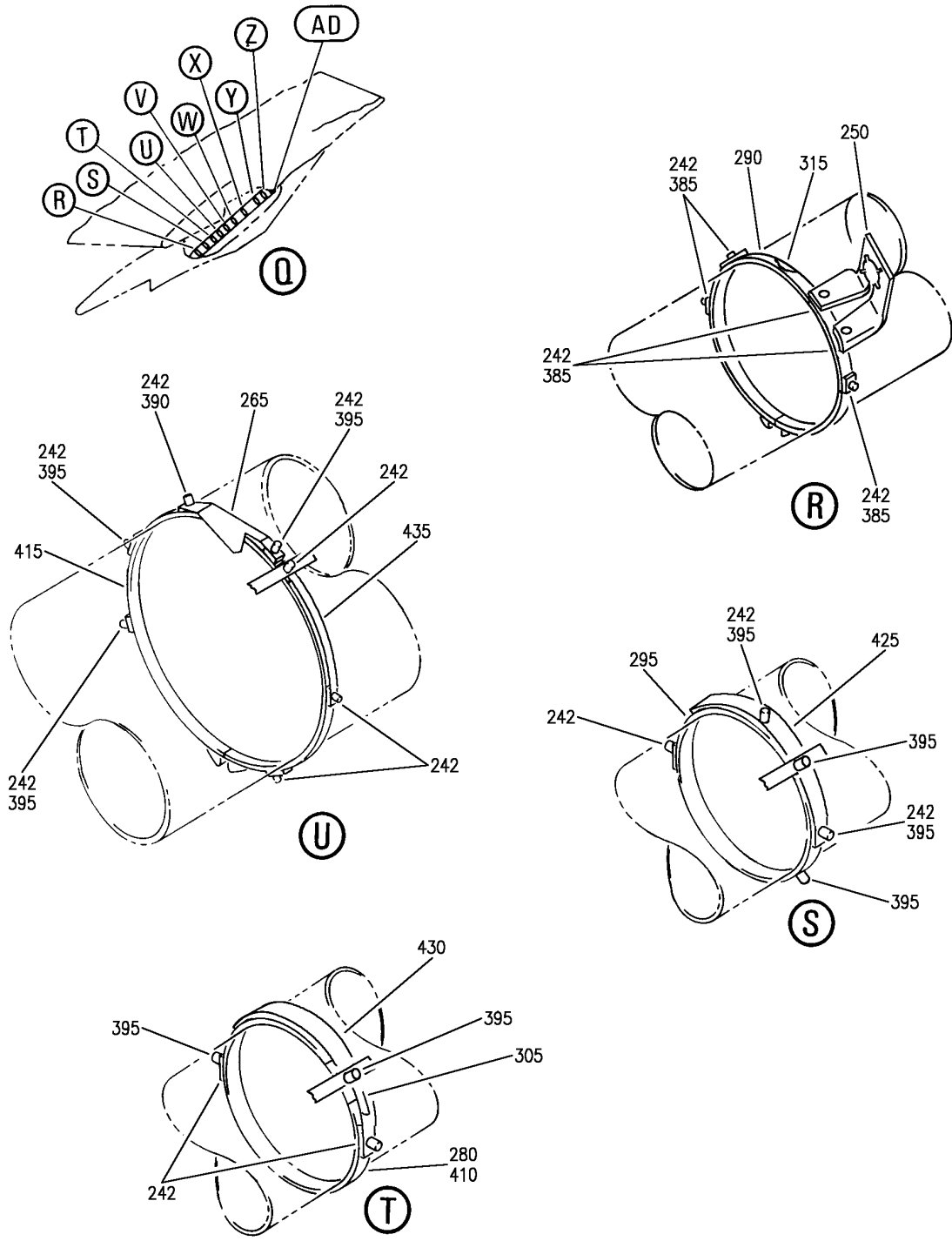
PROVISION INSTL-SECT. 31 ENG STRUT SAILBOAT AREA WIRE (PW4000 ENG)
FIGURE 1 (SHEET 3)

54-51-64-01

HXL
DEC 22/06

54-51-64-01
PAGE 0B

BOEING
767
PARTS CATALOG (MAINTENANCE)



V 54516401 SH1 4 REV 322

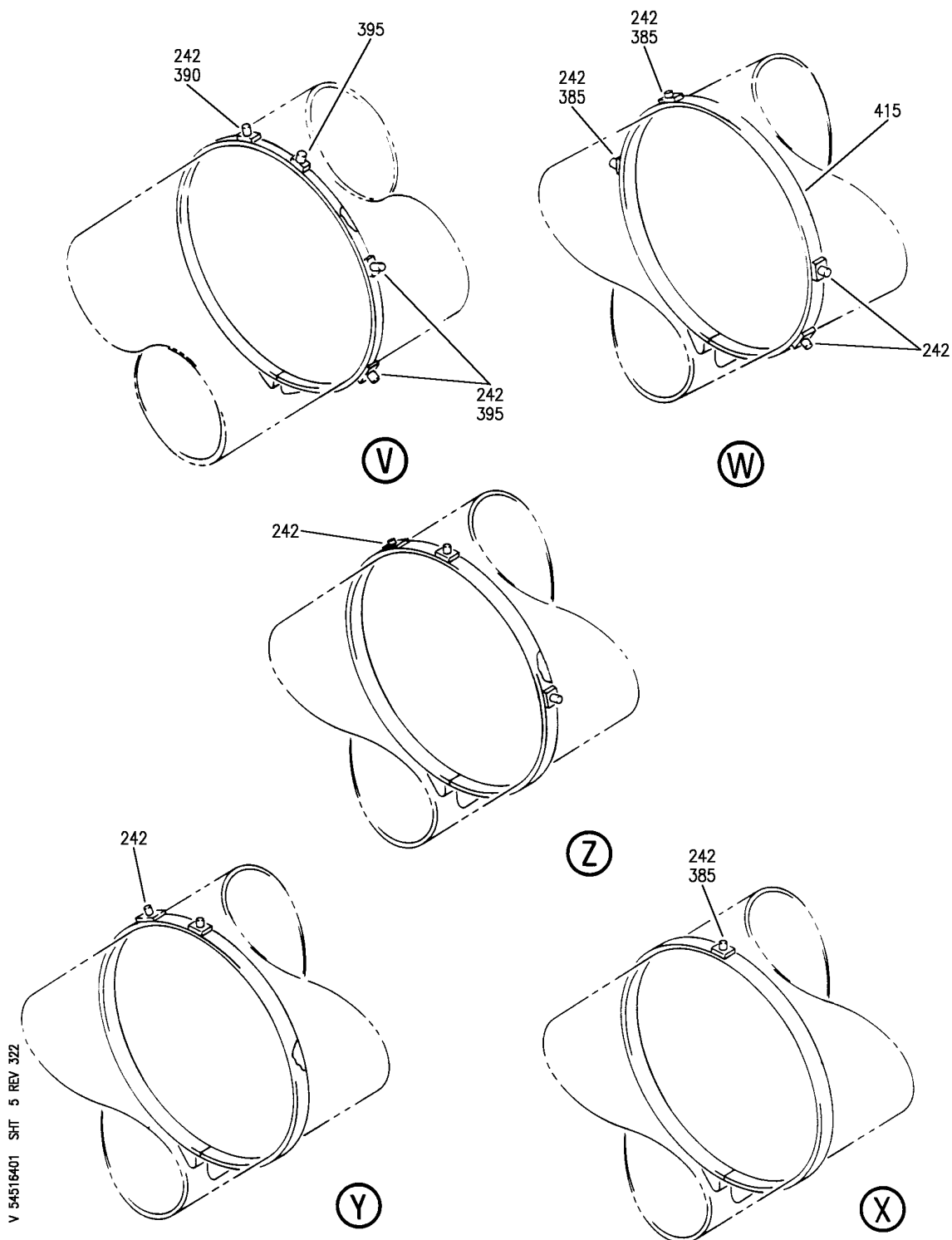
PROVISION INSTL-SECT. 31 ENG STRUT SAILBOAT AREA WIRE (PW4000 ENG)
FIGURE 1 (SHEET 4)

54-51-64-01

HXL
DEC 22/07

54-51-64-01
PAGE 0C

BOEING
767
PARTS CATALOG (MAINTENANCE)



V 54516401 SHT 5 REV 322

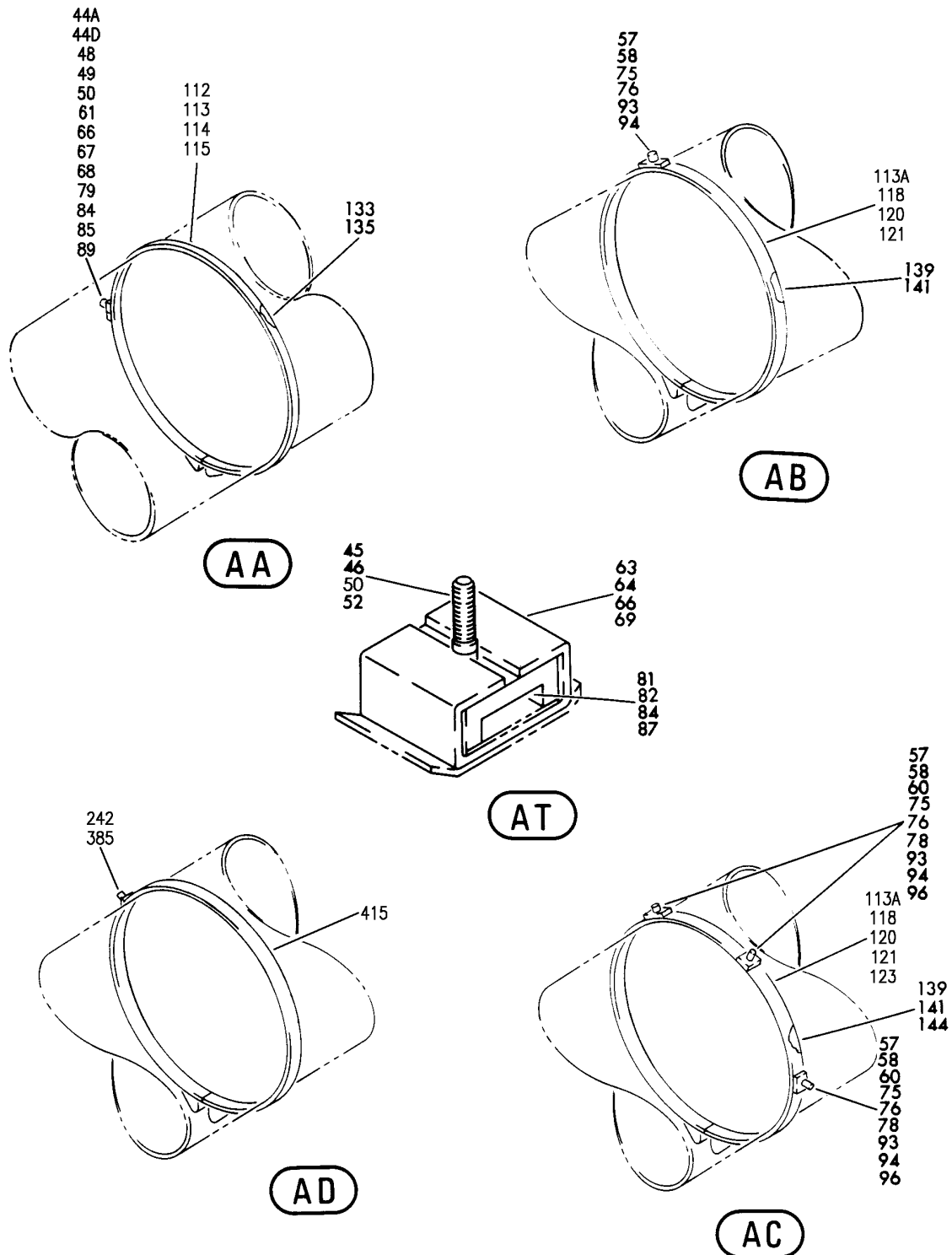
PROVISION INSTL-SECT. 31 ENG STRUT SAILBOAT AREA WIRE (PW4000 ENG)
FIGURE 1 (SHEET 5)

54-51-64-01

HXL
DEC 22/07

54-51-64-01
PAGE 0D

BOEING
767
PARTS CATALOG (MAINTENANCE)



V 54516401 SHT 6 REV 322

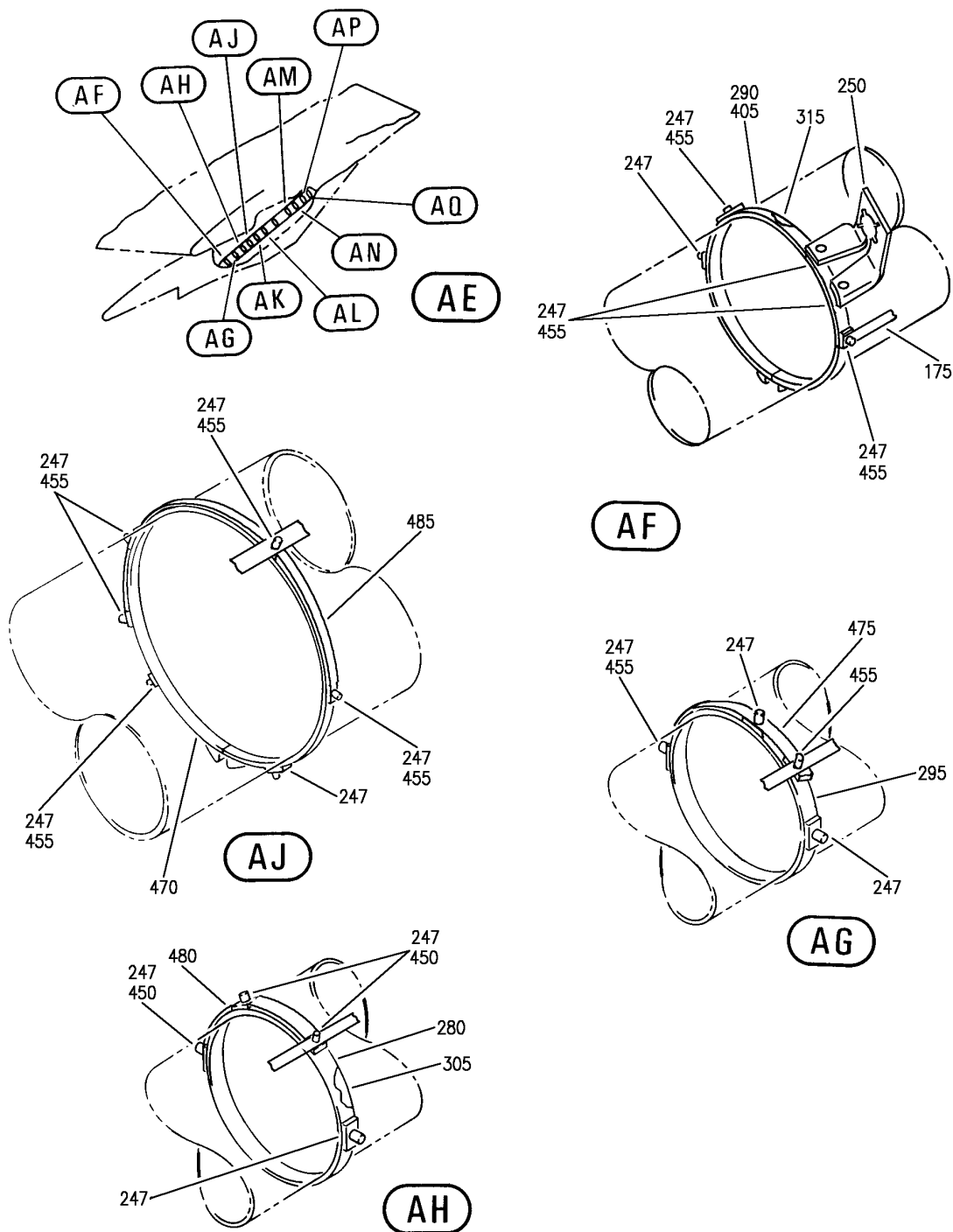
PROVISION INSTL-SECT. 31 ENG STRUT SAILBOAT AREA WIRE (PW4000 ENG)
FIGURE 1 (SHEET 6)

54-51-64-01

HXL
DEC 22/07

54-51-64-01
PAGE 0E

BOEING
767
PARTS CATALOG (MAINTENANCE)



V 54516401 SH1 7 REV 322

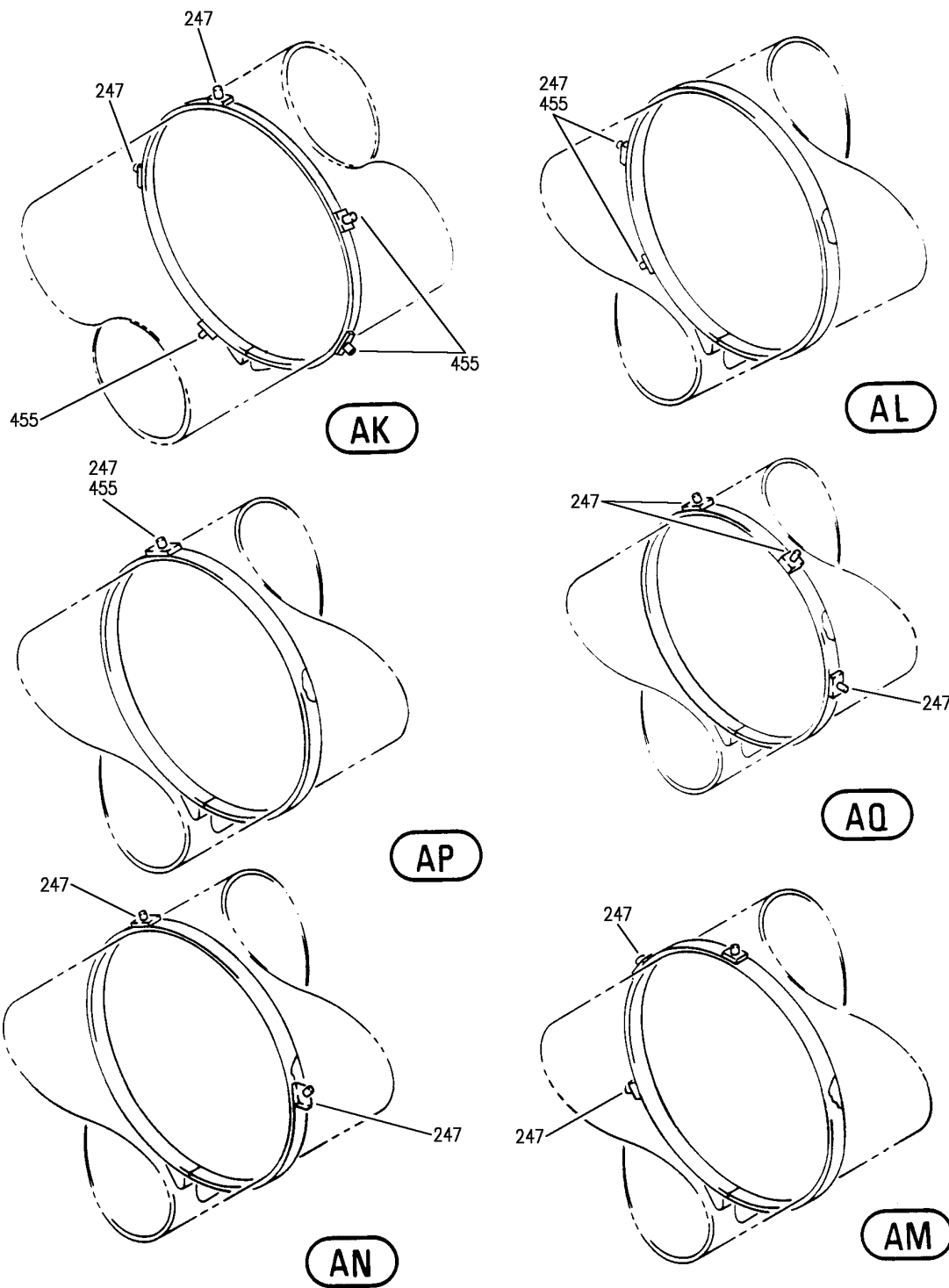
PROVISION INSTL-SECT. 31 ENG STRUT SAILBOAT AREA WIRE (PW4000 ENG)
FIGURE 1 (SHEET 7)

54-51-64-01

HXL
DEC 22/07

54-51-64-01
PAGE OF

BOEING
767
PARTS CATALOG (MAINTENANCE)



V 54516401 SH1 8 REV 322

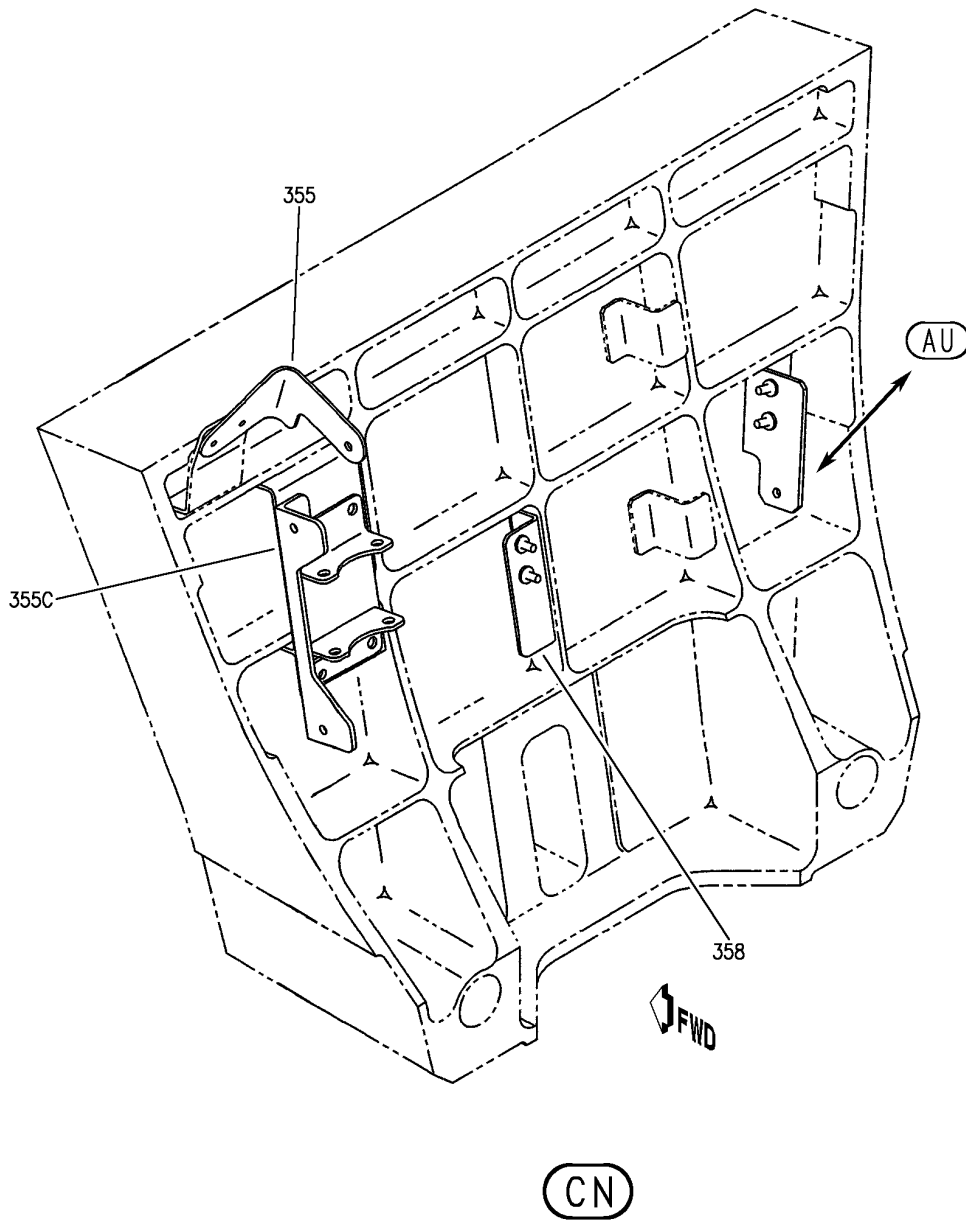
PROVISION INSTL-SECT. 31 ENG STRUT SAILBOAT AREA WIRE (PW4000 ENG)
FIGURE 1 (SHEET 8)

54-51-64-01

HXL
DEC 22/07

54-51-64-01
PAGE 06

BOEING
767
PARTS CATALOG (MAINTENANCE)



V 54516401 SH1 9 REV 322

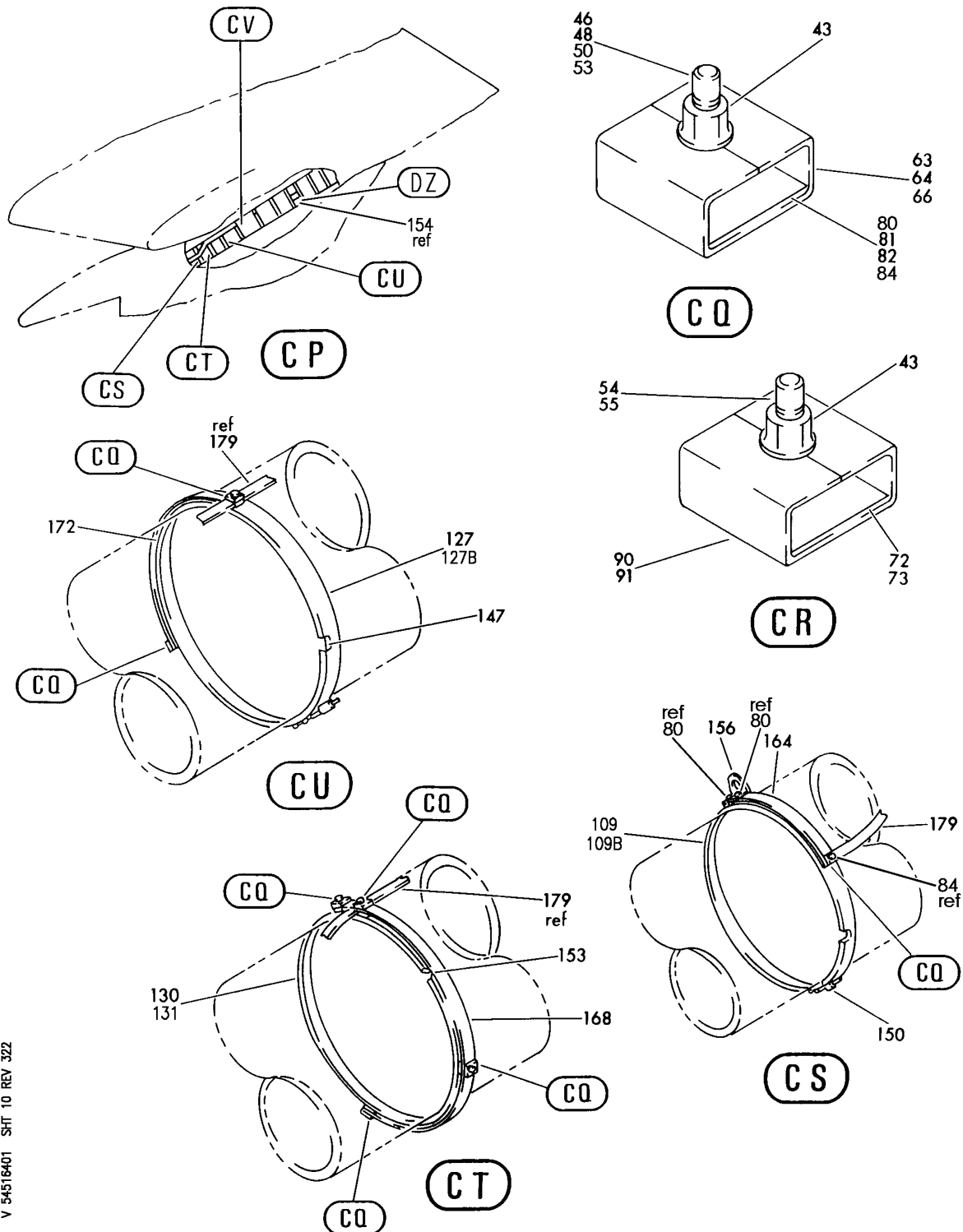
PROVISION INSTL-SECT. 31 ENG STRUT SAILBOAT AREA WIRE (PW4000 ENG)
FIGURE 1 (SHEET 9)

HXL
DEC 22/07

54-51-64-01

54-51-64-01
PAGE 0H

BOEING
767
PARTS CATALOG (MAINTENANCE)



V 54516401 SHT 10 REV 322

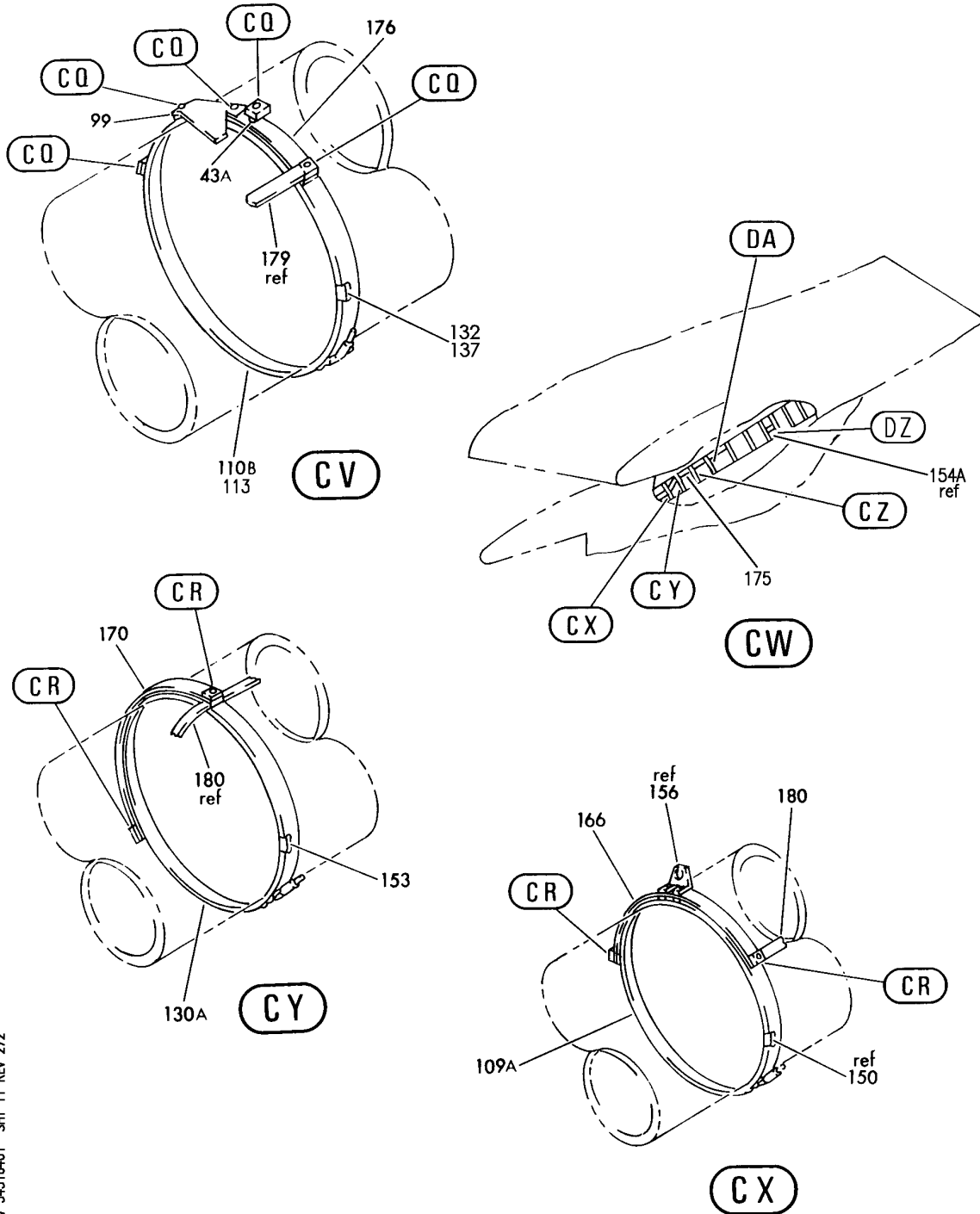
PROVISION INSTL-SECT. 31 ENG STRUT SAILBOAT AREA WIRE (PW4000 ENG)
FIGURE 1 (SHEET 10)

54-51-64-01

HXL
DEC 22/07

54-51-64-01
PAGE 01

BOEING
767
PARTS CATALOG (MAINTENANCE)



V 54516401 SHT 11 REV 272

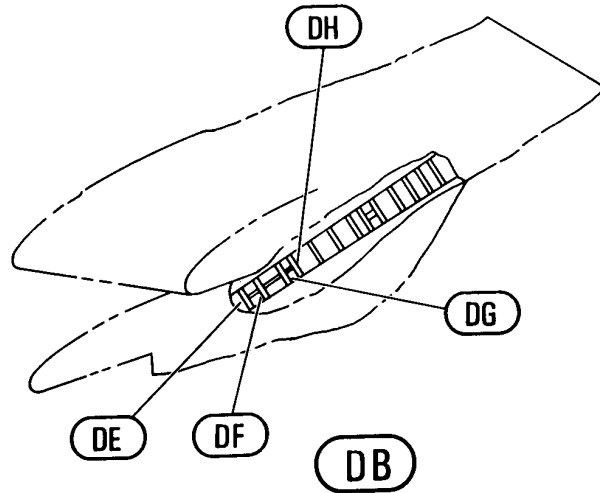
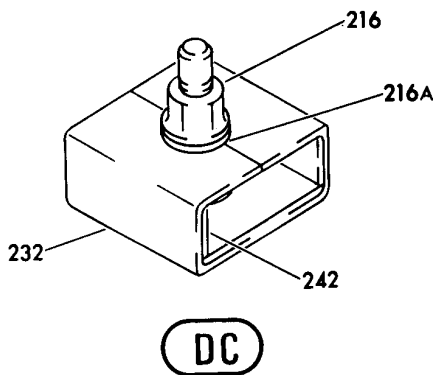
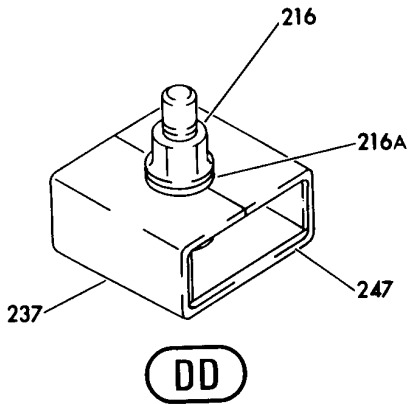
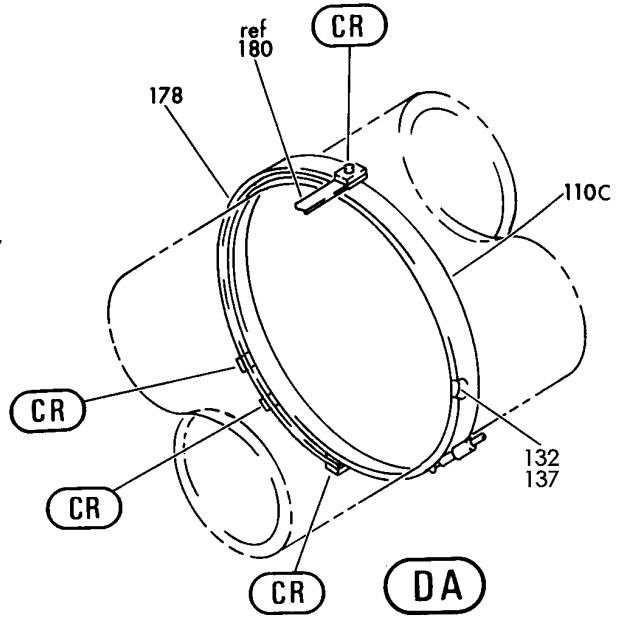
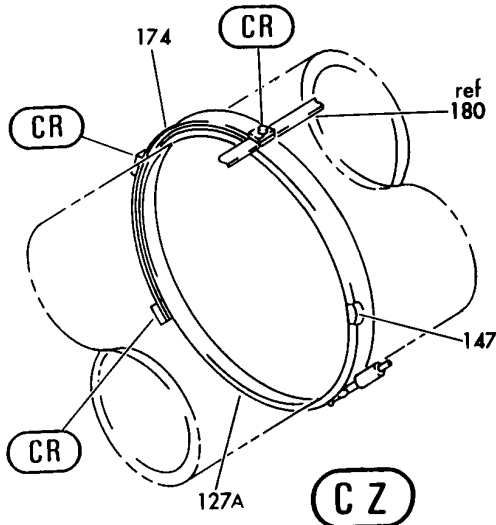
PROVISION INSTL-SECT. 31 ENG STRUT SAILBOAT AREA WIRE (PW4000 ENG)
FIGURE 1 (SHEET 11)

54-51-64-01

HXL
DEC 22/06

54-51-64-01
PAGE 0J

BOEING
767
PARTS CATALOG (MAINTENANCE)



V 54516401 SHT 12 REV 322

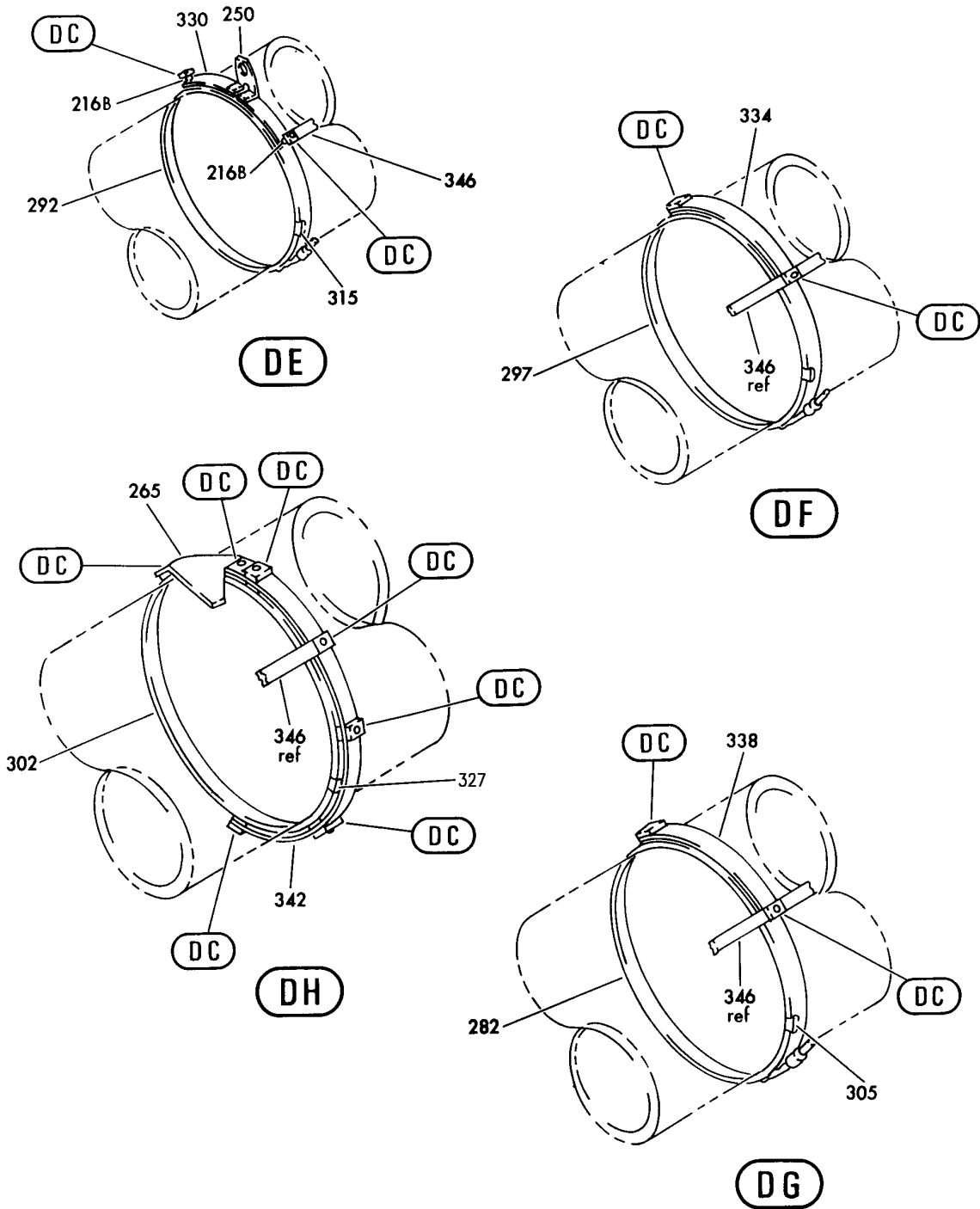
PROVISION INSTL-SECT. 31 ENG STRUT SAILBOAT AREA WIRE (PW4000 ENG)
FIGURE 1 (SHEET 12)

54-51-64-01

HXL
DEC 22/07

54-51-64-01
PAGE OK

BOEING
767
PARTS CATALOG (MAINTENANCE)



V 54516401 SH1 13 REV 322

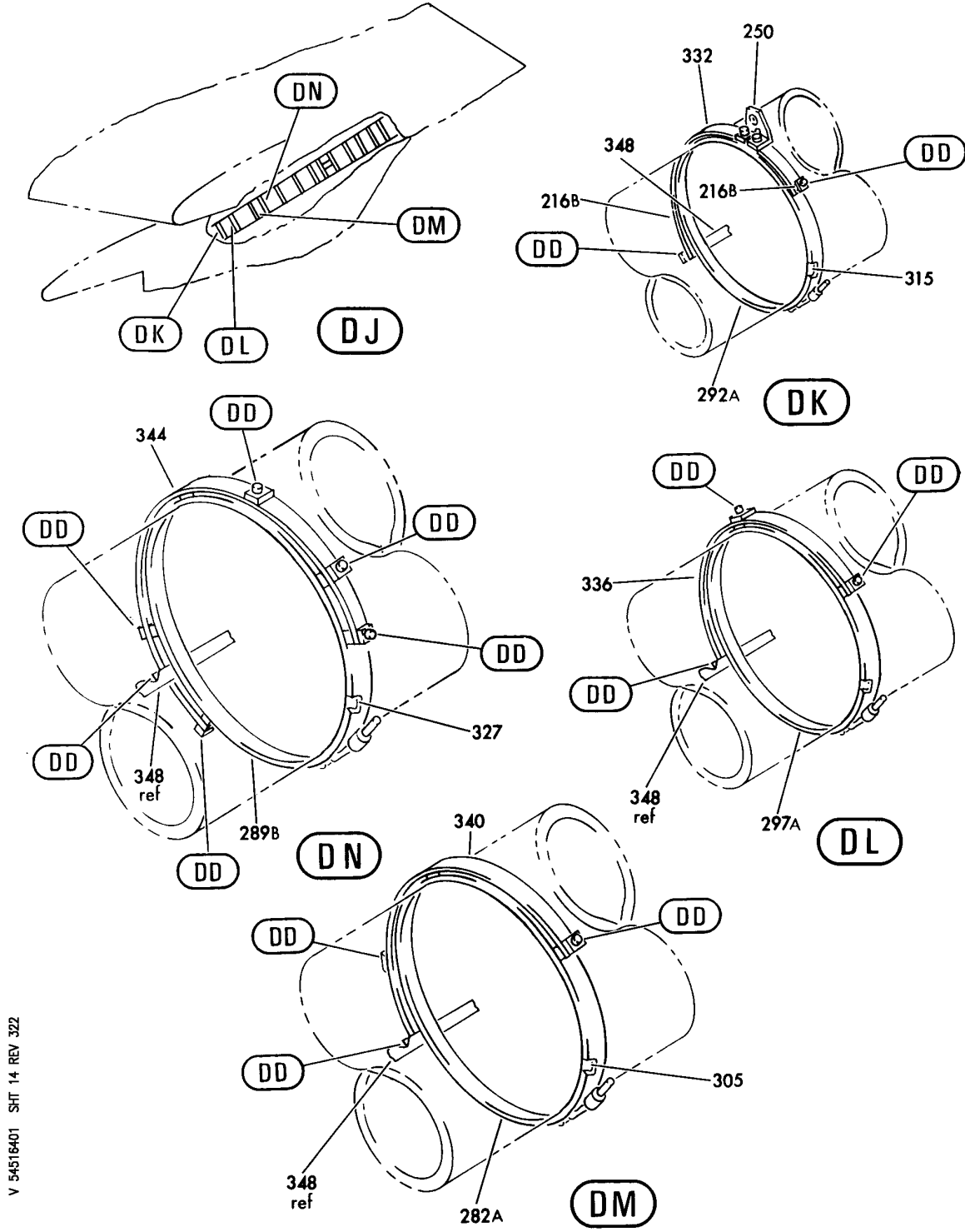
PROVISION INSTL-SECT. 31 ENG STRUT SAILBOAT AREA WIRE (PW4000 ENG)
FIGURE 1 (SHEET 13)

54-51-64-01

HXL
DEC 22/07

54-51-64-01
PAGE 01

BOEING
767
PARTS CATALOG (MAINTENANCE)



V 54516401 SHT 14 REV 322

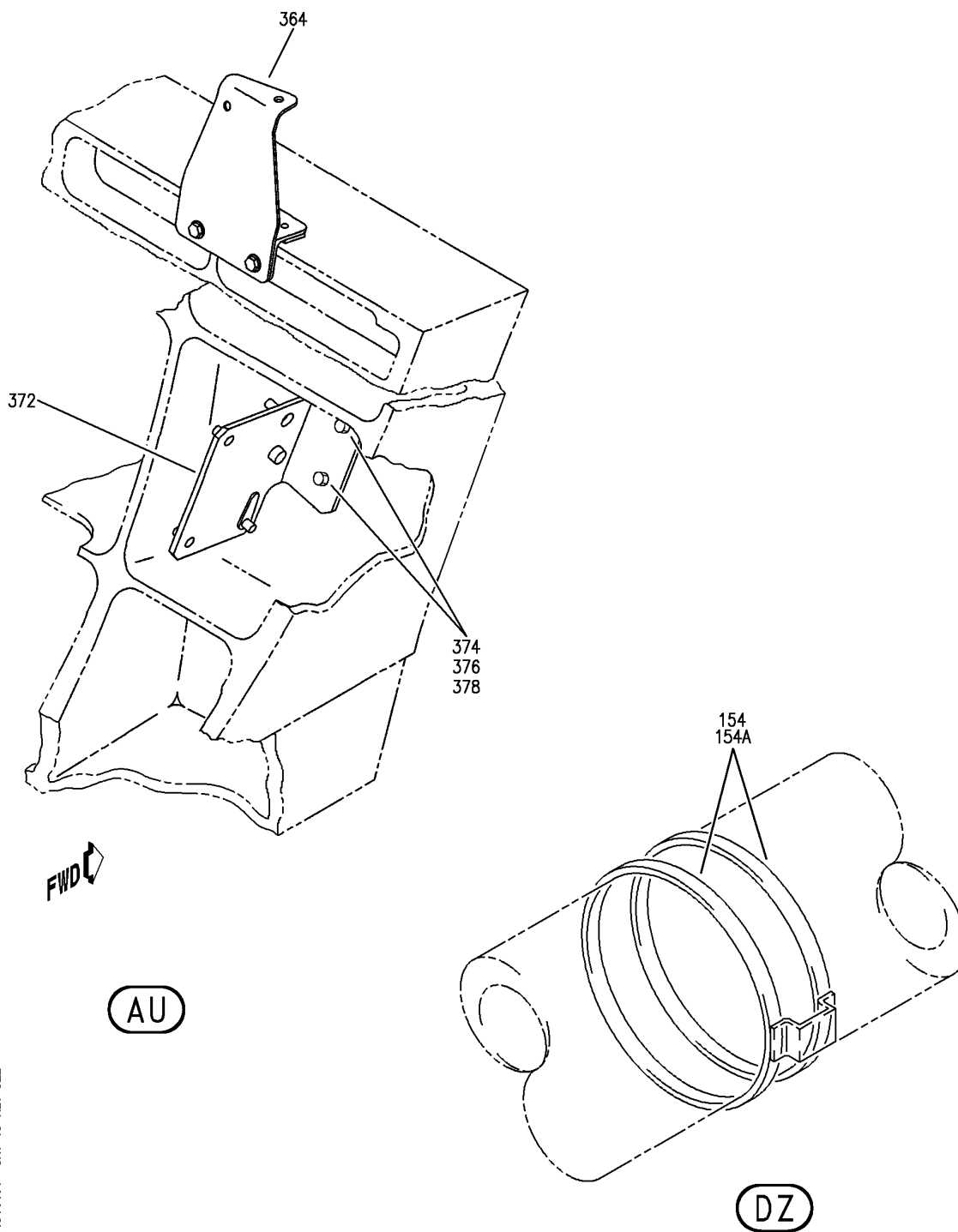
PROVISION INSTL-SECT. 31 ENG STRUT SAILBOAT AREA WIRE (PW4000 ENG)
FIGURE 1 (SHEET 14)

54-51-64-01

HXL
DEC 22/07

54-51-64-01
PAGE 0M

BOEING
767
PARTS CATALOG (MAINTENANCE)



V 54516401 SHT 15 REV 322

PROVISION INSTL-SECT. 31 ENG STRUT SAILBOAT AREA WIRE (PW4000 ENG)
FIGURE 1 (SHEET 15)

54-51-64-01

HXL
DEC 22/07

54-51-64-01
PAGE ON

BOEING
767
PARTS CATALOG (MAINTENANCE)

FIG ITEM	PART NUMBER	1 2 3 4 5 6 7	NOMENCLATURE	EFFECT FROM TO	UNITS PER ASSY
1			PROVISION INSTL-SECT. 31 ENG STRUT SAILBOAT AREA WIRE (PW4000 ENG)		
- 1	287T1100-5		PROVISION INSTL-ENG STRUT SAILBOAT AREA WIRE POSITION DATA: SECT. 31 LH MISCELLANEOUS DATA: PW ENGINE FOR NHA SEE: 24-00-57-02		RF
- 5	287T1100-6		PROVISION INSTL-ENG STRUT SAILBOAT AREA WIRE POSITION DATA: SECT. 31 RH MISCELLANEOUS DATA: PW ENGINE FOR NHA SEE: 24-00-57-02		RF
10	287T1103-1		.PROVISION INSTL-WIRE POSITION DATA: LH SIDE		1
- 15	287T1103-2		.PROVISION INSTL-WIRE POSITION DATA: RH SIDE		1
20	287T0014-244		..PLATE ASSY ATTACHING PARTS		1
- 25	NAS1801-3-8		..SCREW		4
- 30	AN960PD10		..WASHER		4
			-----*-----		
- 40	287T1101-15		.PROVISION INSTL-DIAG BRACE WIRE POSITION DATA: LH SIDE		1
- 42	287T1101-16		.PROVISION INSTL-DIAG BRACE WIRE POSITION DATA: RH SIDE		1

ILLUSTRATION ITEMS NOT ON PARTS LIST ARE NOT APPLICABLE

- ITEM NOT ILLUSTRATED

HXL

54-51-64-01

BOEING PROPRIETARY - Copyright © - Unpublished Work - See title page for details.

54-51-64
FIG. 01
PAGE 1
DEC 22/07

 **BOEING**
767
PARTS CATALOG (MAINTENANCE)

FIG ITEM	PART NUMBER	1 2 3 4 5 6 7	NOMENCLATURE	EFFECT FROM TO	UNITS PER ASSY
1 43	BRH10A3	..	NUT- SUPPLIER CODE: V52828 SPECIFICATION NUMBER: BACN10JC3 OPTIONAL PART: H10-3BAC V15653 NS202101-02 V80539 RMLH9075-3W V72962 VN303A02 V92215 96-02 V80539 T6S1032J V11815 POST SERVICE BULLETIN: 29-0057		23
43A	NAS42DD6-24	..	SPACER- POST SERVICE BULLETIN: 29-0057		1
48	NAS6703-4	..	BOLT- POSITION DATA: LH SIDE POST SERVICE BULLETIN: 54-0080		19
52	NAS6603-24	..	BOLT- POSITION DATA: LH SIDE		1
57	NAS6703-4	..	BOLT- POSITION DATA: RH SIDE POST SERVICE BULLETIN: 54-0080		25
59	NAS6703-9	..	BOLT- POSITION DATA: LH SIDE POST SERVICE BULLETIN: 54-0080		2

ILLUSTRATION ITEMS NOT ON PARTS LIST ARE NOT APPLICABLE

- ITEM NOT ILLUSTRATED

HXL

54-51-64-01

BOEING PROPRIETARY - Copyright © - Unpublished Work - See title page for details.

54-51-64
FIG. 01
PAGE 2
DEC 22/07



767

PARTS CATALOG (MAINTENANCE)

FIG ITEM	PART NUMBER	1 2 3 4 5 6 7	NOMENCLATURE	EFFECT FROM TO	UNITS PER ASSY
1					
65	287T1101-21	..	CLIP- POSITION DATA: LH SIDE QUALIFIED OPTIONAL DATA: BACC15AN10 OPT TO 287T1101-21, EXCEPT -21 CLIP MUST BE USED WITH OPT CLAMP BACC10BNA()LW POST SERVICE BULLETIN: 54-0080 PRE SERVICE BULLETIN: 29-0012		2
66	287T1101-21	..	CLIP- POSITION DATA: LH SIDE		20
75	287T1101-21	..	CLIP- POSITION DATA: RH SIDE POST SERVICE BULLETIN: 54-0080		25
80	BACB19F10S	..	BLOCK- POSITION DATA: LH SIDE POST SERVICE BULLETIN: 54-0080		2
84	BACB19F10S	..	BLOCK- POSITION DATA: LH SIDE POST SERVICE BULLETIN: 54-0080		20
93	BACB19F10S	..	BLOCK- POSITION DATA: RH SIDE POST SERVICE BULLETIN: 54-0080		25
99	272T0045-3	..	BRACKET ASSY- POSITION DATA: LH SIDE POST SERVICE BULLETIN: 29-0057		1
- 102	AN960PD10L	..	ATTACHING PARTS WASHER-		2

ILLUSTRATION ITEMS NOT ON PARTS LIST ARE NOT APPLICABLE

- ITEM NOT ILLUSTRATED

54-51-64-01

54-51-64
FIG. 01
PAGE 3
DEC 22/07

HXL

BOEING PROPRIETARY - Copyright © - Unpublished Work - See title page for details.

BOEING
767
PARTS CATALOG (MAINTENANCE)

FIG ITEM	PART NUMBER	1 2 3 4 5 6 7	NOMENCLATURE	EFFECT FROM TO	UNITS PER ASSY
1 - 105	BRH10A3		..NUT- SUPPLIER CODE: V52828 SPECIFICATION NUMBER: BACN10JC3 OPTIONAL PART: H10-3BAC V15653 NS202101-02 V80539 RMLH9075-3W V72962 VN303A02 V92215 96-02 V80539 T6S1032J V11815 -----*-----		2
109	015T1348-27		..CLAMP- POST SERVICE BULLETIN: 29-0057		1
109A	015T1348-26		..CLAMP- POST SERVICE BULLETIN: 29-0057		1
110B	015T1348-33		..CLAMP- POST SERVICE BULLETIN: 29-0057		1
110C	015T1348-32		..CLAMP- POST SERVICE BULLETIN: 29-0057		1

ILLUSTRATION ITEMS NOT ON PARTS LIST ARE NOT APPLICABLE

- ITEM NOT ILLUSTRATED

HXL

54-51-64-01

BOEING PROPRIETARY - Copyright © - Unpublished Work - See title page for details.

54-51-64
FIG. 01
PAGE 4
DEC 22/07



767

PARTS CATALOG (MAINTENANCE)

FIG ITEM	PART NUMBER	1 2 3 4 5 6 7	NOMENCLATURE	EFFECT FROM TO	UNITS PER ASSY
1 115	BC1083-076S		.. CLAMP- SUPPLIER CODE: V14242 SPECIFICATION NUMBER: BACC10FY076S OPTIONAL PART: 3140AB076 V94581 57490-076 V98625 B06A076S V10234 MBC68941-076 V8W928 57490-760 V8W928 POSITION DATA: LH SIDE BACC10BNA775LW		4
R R R R R R R	115 BACC10BNA775LW		.. CLAMP- POSITION DATA: LH SIDE QUALIFIED OPTIONAL DATA: BACC15AN10 OPT TO 287T1101-21, EXCEPT -21 CLIP MUST BE USED WITH OPT CLAMP BACC10BNA()LW		4

ILLUSTRATION ITEMS NOT ON PARTS LIST ARE NOT APPLICABLE

- ITEM NOT ILLUSTRATED

HXL

54-51-64-01

BOEING PROPRIETARY - Copyright © - Unpublished Work - See title page for details.

54-51-64
 FIG. 01
 PAGE 5
 AUG 22/09

BOEING
767
PARTS CATALOG (MAINTENANCE)

FIG ITEM	PART NUMBER	1 2 3 4 5 6 7	NOMENCLATURE	EFFECT FROM TO	UNITS PER ASSY
1 121	BC1083-076S		.. CLAMP- SUPPLIER CODE: V14242 SPECIFICATION NUMBER: BACC10FY076S OPTIONAL PART: 3140AB076 V94581 57490-076 V98625 B06A076S V10234 MBC68941-076 V8W928 57490-760 V8W928 POSITION DATA: RH SIDE QUALIFIED OPTIONAL DATA: BACC15AN10 OPT TO 287T1101-21, EXCEPT -21 CLIP MUST BE USED WITH OPT CLAMP BACC10BNA()LW		5
R R R R R R R	121	BACC10BNA775LW	.. CLAMP- POSITION DATA: RH SIDE QUALIFIED OPTIONAL DATA: BACC15AN10 OPT TO 287T1101-21, EXCEPT -21 CLIP MUST BE USED WITH OPT CLAMP BACC10BNA()LW		5
	127	015T1348-31	.. CLAMP- POST SERVICE BULLETIN: 29-0057		1
	127A	015T1348-30	.. CLAMP- POST SERVICE BULLETIN: 29-0057		1
	130	015T1348-29	.. CLAMP- POST SERVICE BULLETIN: 29-0057		1
	130A	015T1348-28	.. CLAMP- POST SERVICE BULLETIN: 29-0057		1
	131	BCREF120406	.. CLAMP- OVERLENGTH PART NUMBER: BACC10BNA600L5WE	163163	1

ILLUSTRATION ITEMS NOT ON PARTS LIST ARE NOT APPLICABLE

— ITEM NOT ILLUSTRATED

HXL

54-51-64-01

BOEING PROPRIETARY - Copyright © - Unpublished Work - See title page for details.

54-51-64
FIG. 01
PAGE 6
AUG 22/09

 **BOEING**
767
PARTS CATALOG (MAINTENANCE)

FIG ITEM	PART NUMBER	1 2 3 4 5 6 7	NOMENCLATURE	EFFECT FROM TO	UNITS PER ASSY
1					
132	287T1101-2	..	CUSHION- POSITION DATA: LH SIDE POST SERVICE BULLETIN: 29-0057		4
135	287T1101-2	..	CUSHION- POSITION DATA: LH SIDE POST SERVICE BULLETIN: 54-0080		5
137	287T1101-2	..	CUSHION- POST SERVICE BULLETIN: 29-0057 29-0057R1	163163	1
141	287T1101-2	..	CUSHION- POSITION DATA: RH SIDE POST SERVICE BULLETIN: 54-0080		6
147	287T1101-5	..	CUSHION- POST SERVICE BULLETIN: 29-0057 54-0080		1
150	287T1101-4	..	CUSHION- POST SERVICE BULLETIN: 29-0057		1
150	287T1101-49	..	CUSHION- POST SERVICE BULLETIN: 54-0080		1
153	287T1101-6	..	CUSHION- POST SERVICE BULLETIN: 29-0057 54-0080		1
154	313T3348-10	..	CUSHION- POST SERVICE BULLETIN: 54-0080R1	163163	2
154A	313T3349-10	..	CUSHION-	163163	2
156	287T1104-1	..	BRACKET- POST SERVICE BULLETIN: 29-0057		1
156	287T1104-2	..	BRACKET- POST SERVICE BULLETIN: 54-0080		1

ILLUSTRATION ITEMS NOT ON PARTS LIST ARE NOT APPLICABLE

— ITEM NOT ILLUSTRATED

HXL

54-51-64-01

BOEING PROPRIETARY - Copyright © - Unpublished Work - See title page for details.

54-51-64
FIG. 01
PAGE 7
AUG 22/09

 **BOEING**
767
PARTS CATALOG (MAINTENANCE)

FIG ITEM	PART NUMBER	1 2 3 4 5 6 7	NOMENCLATURE	EFFECT FROM TO	UNITS PER ASSY
1			ATTACHING PARTS		
- 159	PLH53CD		..NUT- SUPPLIER CODE: VF0224 SPECIFICATION NUMBER: BACN10YR3CD OPTIONAL PART: H52732-3CD V15653 POST SERVICE BULLETIN: 54-0080		2
- 162	NAS1149F0316P		..WASHER- POST SERVICE BULLETIN: 54-0080 -----*-----		2
166	287T1107-78		..STRAP- POST SERVICE BULLETIN: 29-0057		1
168	287T1107-77		..STRAP- POST SERVICE BULLETIN: 29-0057		1
170	287T1107-80		..STRAP- POST SERVICE BULLETIN: 29-0057		1
172	287T1107-79		..STRAP- POST SERVICE BULLETIN: 29-0057		1
174	287T1107-82		..STRAP- SERVICE BULLETIN OPT DATA: 287T1107-106 POST SERVICE BULLETIN: 29-0057 54-0080		1
174	287T1107-106		..STRAP- SERVICE BULLETIN OPT DATA: 287T1107-82 POST SERVICE BULLETIN: 29-0057 54-0080		1
175	287T1107-110		..STRAP- POST SERVICE BULLETIN: 54-0080		1
176	287T1107-81		..STRAP- POST SERVICE BULLETIN: 29-0057		1
178	287T1107-110		..STRAP- POST SERVICE BULLETIN: 54-0080		1
ILLUSTRATION ITEMS NOT ON PARTS LIST ARE NOT APPLICABLE					

- ITEM NOT ILLUSTRATED

HXL

54-51-64-01

BOEING PROPRIETARY - Copyright © - Unpublished Work - See title page for details.

54-51-64
FIG. 01
PAGE 8
AUG 22/09



767

PARTS CATALOG (MAINTENANCE)

FIG ITEM	PART NUMBER	1 2 3 4 5 6 7	NOMENCLATURE	EFFECT FROM TO	UNITS PER ASSY
1					
179	287T1107-109		.. STRAP-AXIAL INDEX POST SERVICE BULLETIN: 54-0080		1
190	287T1107-31		.. SUPPORT ASSY- POST SERVICE BULLETIN: 29-0057 ATTACHING PARTS		1
-190A	L800X6K4		.. BOLT- SUPPLIER CODE: V06725 SPECIFICATION NUMBER: BACB30MY6K4X		2
-190B	HL79-6		.. COLLAR- SUPPLIER CODE: V5M902 SPECIFICATION NUMBER: BACC30M6 OPTIONAL PART: HL79-6 V73197 HL79-6 V92215 66014-6 V56878 HL79-6 V56878 -----*-----		2
190C	287T1107-27		.. SUPPORT ASSY- POST SERVICE BULLETIN: 29-0057 ATTACHING PARTS		1
-190D	NAS6604-11		.. BOLT- -----*-----		2
355	287T1107-31		.. SUPPORT ASSY- POSITION DATA: LH SIDE POST SERVICE BULLETIN: 29-0057 ATTACHING PARTS		1
-355A	L800X6K4		.. BOLT- SUPPLIER CODE: V06725 SPECIFICATION NUMBER: BACB30MY6K4X		2

ILLUSTRATION ITEMS NOT ON PARTS LIST ARE NOT APPLICABLE

- ITEM NOT ILLUSTRATED

54-51-64-01

54-51-64
FIG. 01
PAGE 9
AUG 22/09

HXL

BOEING PROPRIETARY - Copyright © - Unpublished Work - See title page for details.



767

PARTS CATALOG (MAINTENANCE)

FIG ITEM	PART NUMBER	1 2 3 4 5 6 7	NOMENCLATURE	EFFECT FROM TO	UNITS PER ASSY
1 -355B	HL79-6		.. COLLAR- SUPPLIER CODE: V5M902 SPECIFICATION NUMBER: BACC30M6 OPTIONAL PART: HL79-6 V73197 HL79-6 V92215 66014-6 V56878 HL79-6 V56878 -----*-----		2
355C	287T1107-27		.. SUPPORT ASSY- POSITION DATA: LH SIDE POST SERVICE BULLETIN: 29-0057 ATTACHING PARTS		1
-355D	NAS6604-10		.. BOLT- -----*-----		2

ILLUSTRATION ITEMS NOT ON PARTS LIST ARE NOT APPLICABLE

- ITEM NOT ILLUSTRATED

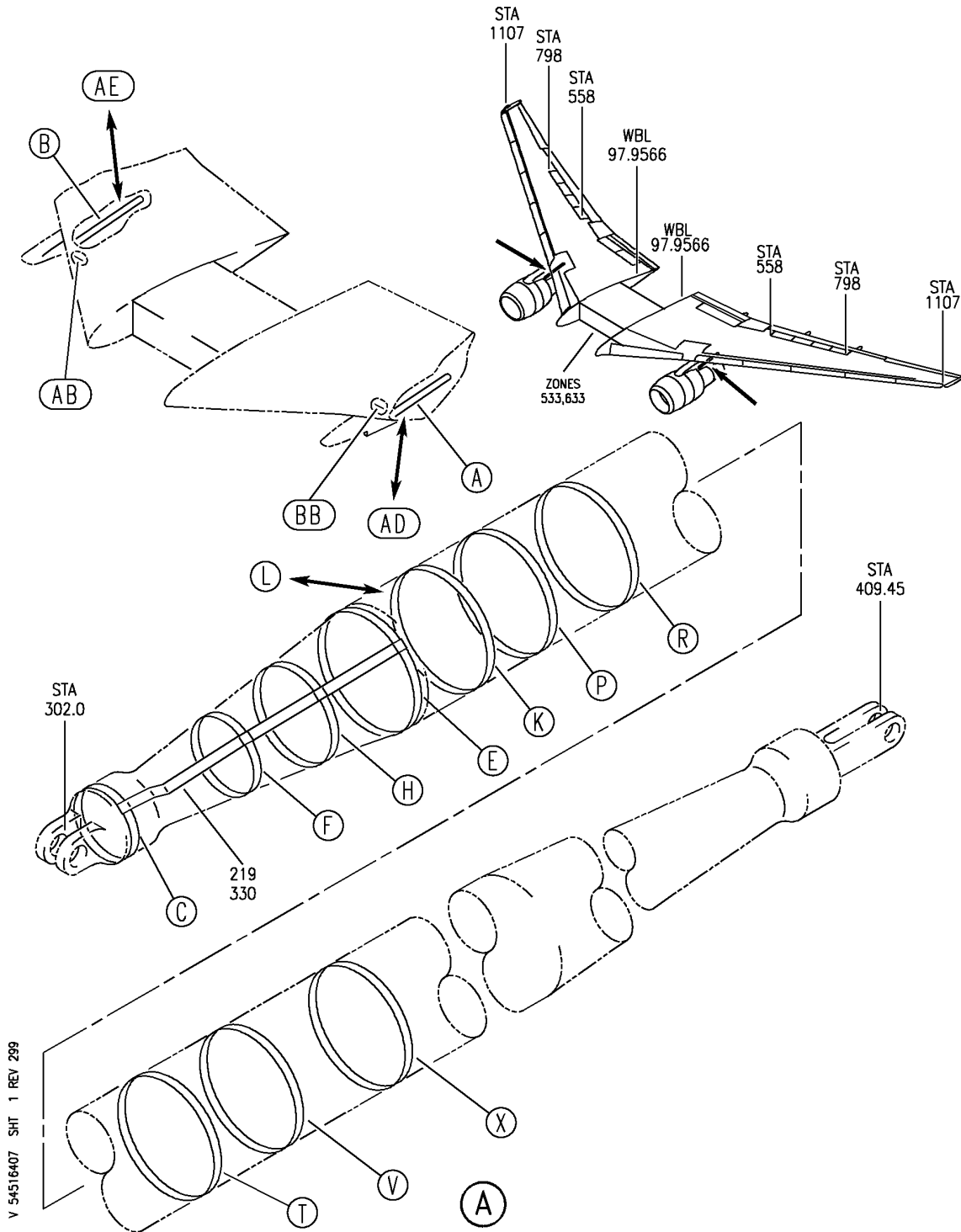
HXL

54-51-64-01

BOEING PROPRIETARY - Copyright © - Unpublished Work - See title page for details.

54-51-64
 FIG. 01
 PAGE 10
 AUG 22/09

BOEING
767
PARTS CATALOG (MAINTENANCE)



V 54516407 SHT 1 REV 299

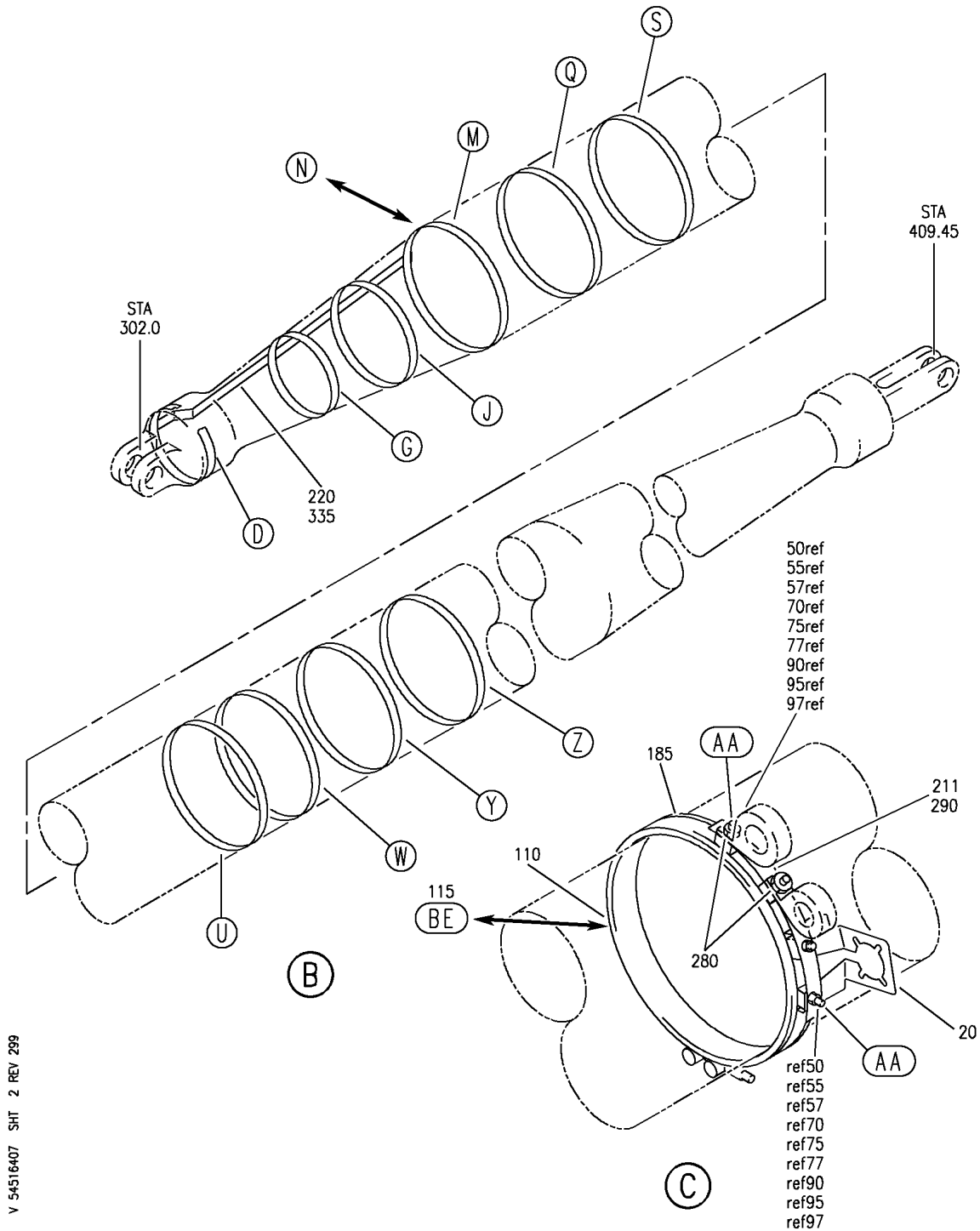
PROVISION INSTL-SECT. 31 ENG STRUT SAILBOAT AREA WIRE (PW4000 ENG)
FIGURE 7 (SHEET 1)

54-51-64-07

HXL
DEC 22/07

54-51-64-07
PAGE 0

BOEING
767
PARTS CATALOG (MAINTENANCE)



V 54516407 SHT 2 REV 299

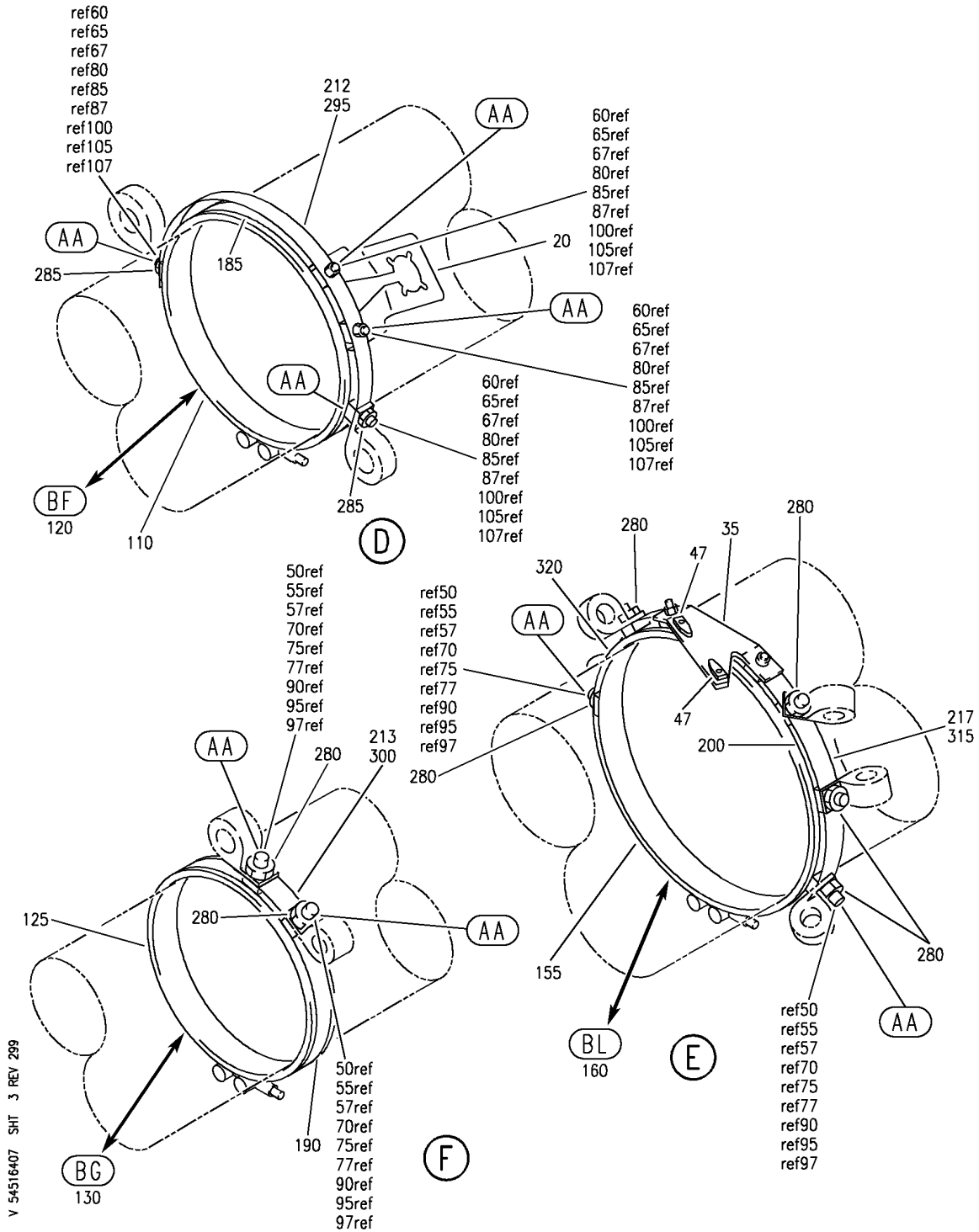
PROVISION INSTL-SECT. 31 ENG STRUT SAILBOAT AREA WIRE (PW4000 ENG)
FIGURE 7 (SHEET 2)

54-51-64-07

HXL
DEC 22/07

54-51-64-07
PAGE 0A

BOEING
767
PARTS CATALOG (MAINTENANCE)



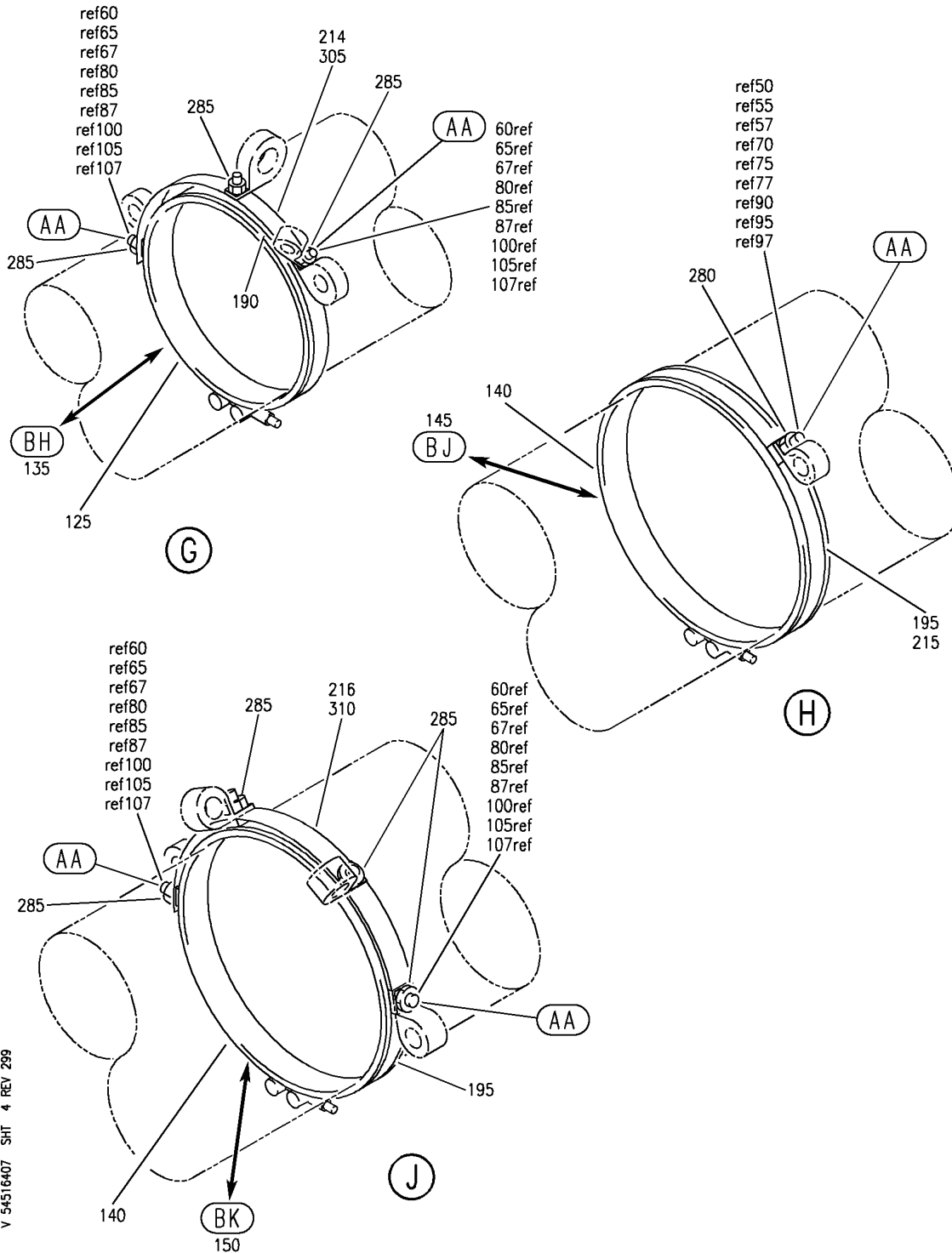
PROVISION INSTL-SECT. 31 ENG STRUT SAILBOAT AREA WIRE (PW4000 ENG)
FIGURE 7 (SHEET 3)

HXL
DEC 22/07

54-51-64-07

54-51-64-07
PAGE 0B

BOEING
767
PARTS CATALOG (MAINTENANCE)



V 54516407 SHT 4 REV 299

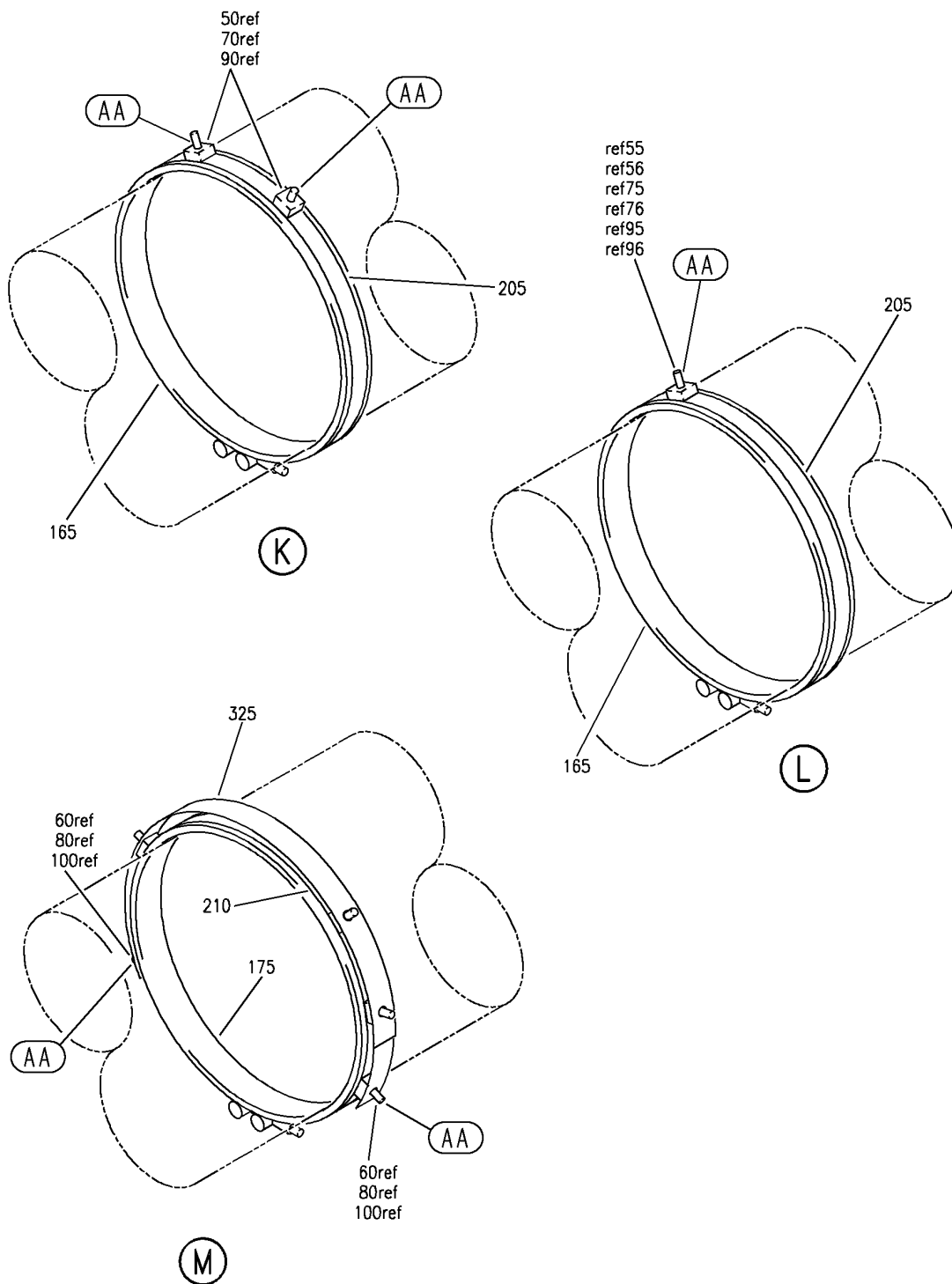
PROVISION INSTL-SECT. 31 ENG STRUT SAILBOAT AREA WIRE (PW4000 ENG)
FIGURE 7 (SHEET 4)

54-51-64-07

HXL
DEC 22/07

54-51-64-07
PAGE 0C

BOEING
767
PARTS CATALOG (MAINTENANCE)



V 54516407 SHT 5 REV 299

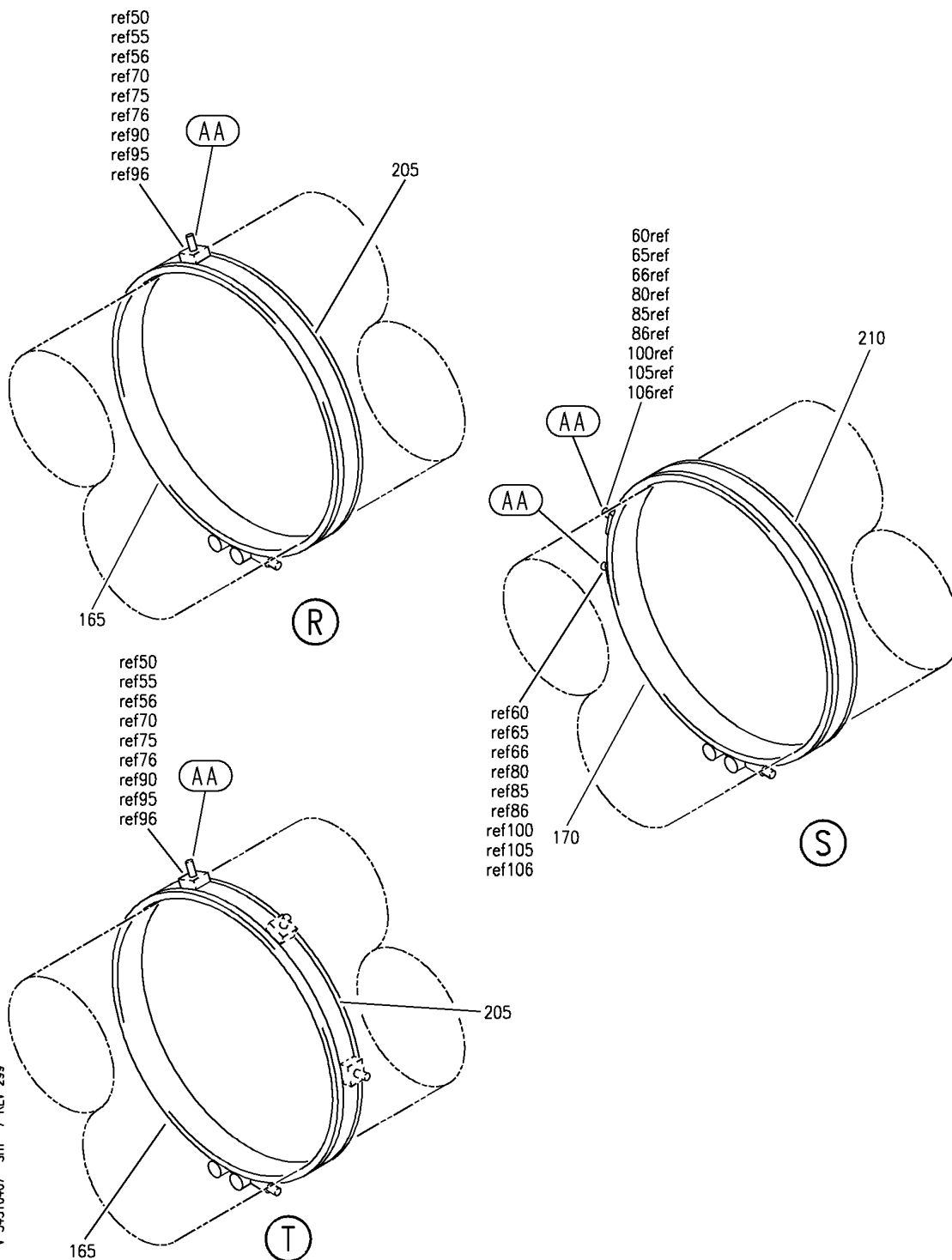
PROVISION INSTL-SECT. 31 ENG STRUT SAILBOAT AREA WIRE (PW4000 ENG)
FIGURE 7 (SHEET 5)

54-51-64-07

HXL
DEC 22/07

54-51-64-07
PAGE 0D

BOEING
767
PARTS CATALOG (MAINTENANCE)



V 54516407 SHT 7 REV 299

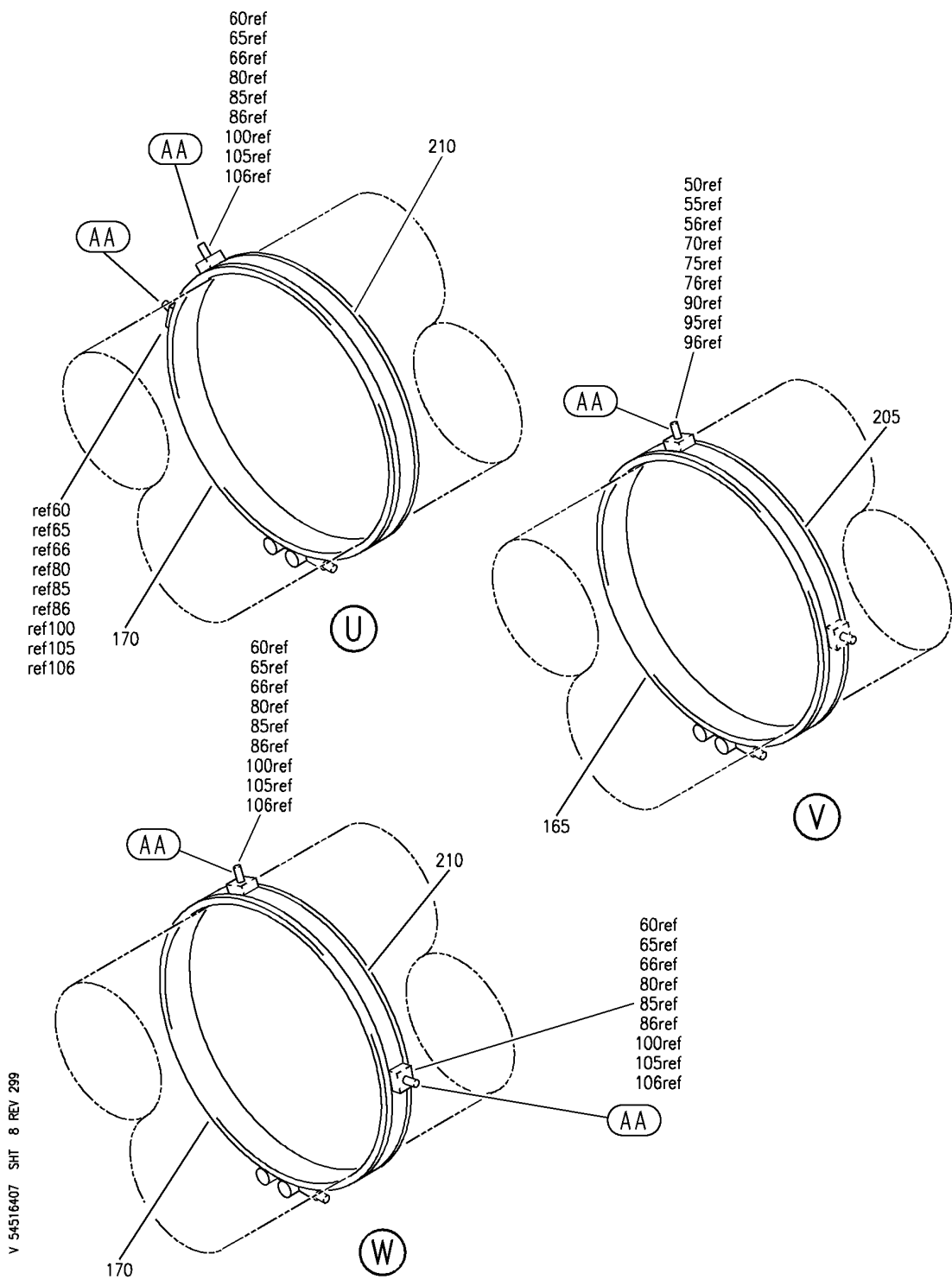
PROVISION INSTL-SECT. 31 ENG STRUT SAILBOAT AREA WIRE (PW4000 ENG)
FIGURE 7 (SHEET 7)

HXL
DEC 22/07

54-51-64-07

54-51-64-07
PAGE OF

BOEING
767
PARTS CATALOG (MAINTENANCE)



V 54516407 SHT 8 REV 299

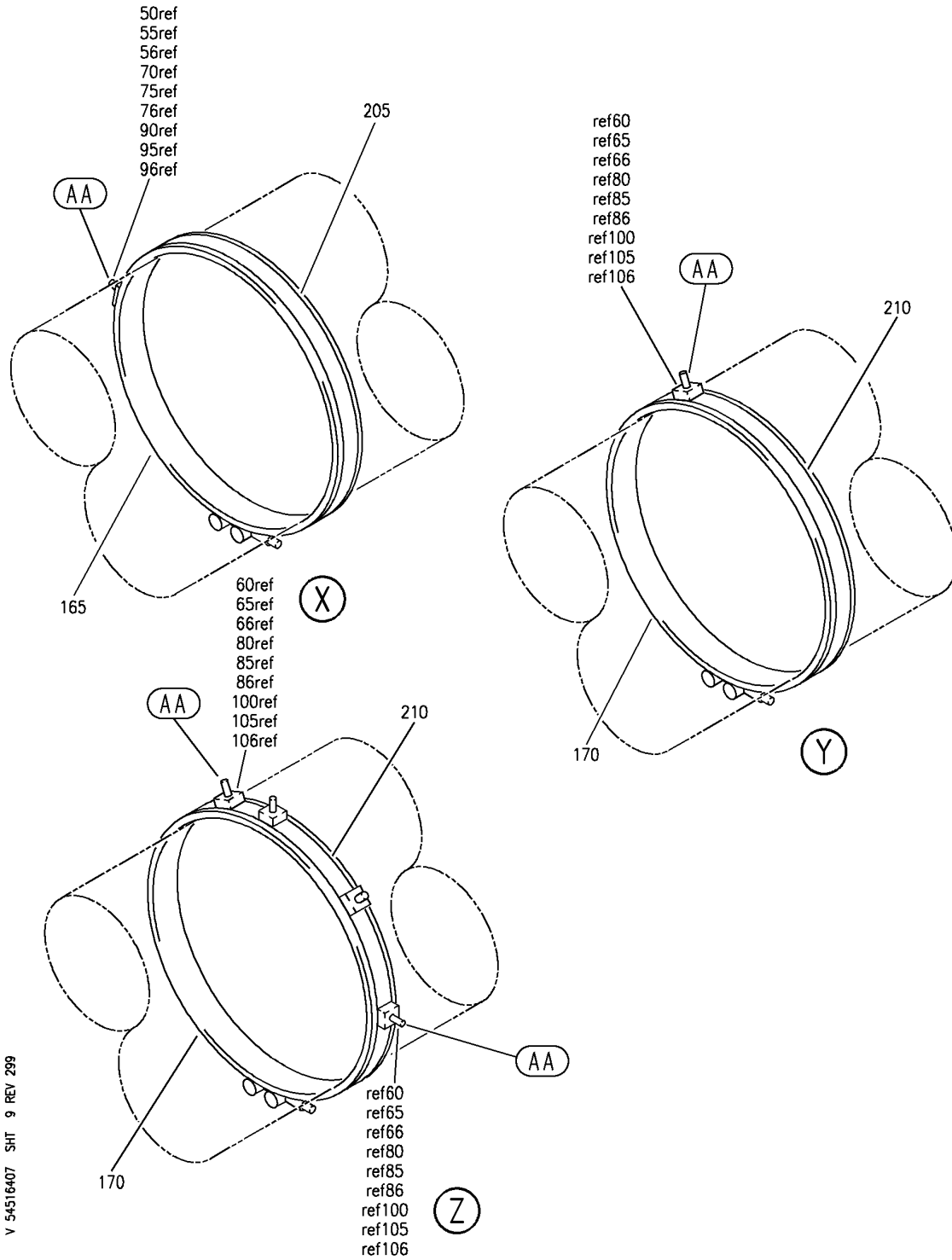
PROVISION INSTL-SECT. 31 ENG STRUT SAILBOAT AREA WIRE (PW4000 ENG)
FIGURE 7 (SHEET 8)

54-51-64-07

HXL
DEC 22/07

54-51-64-07
PAGE 0G

BOEING
767
PARTS CATALOG (MAINTENANCE)



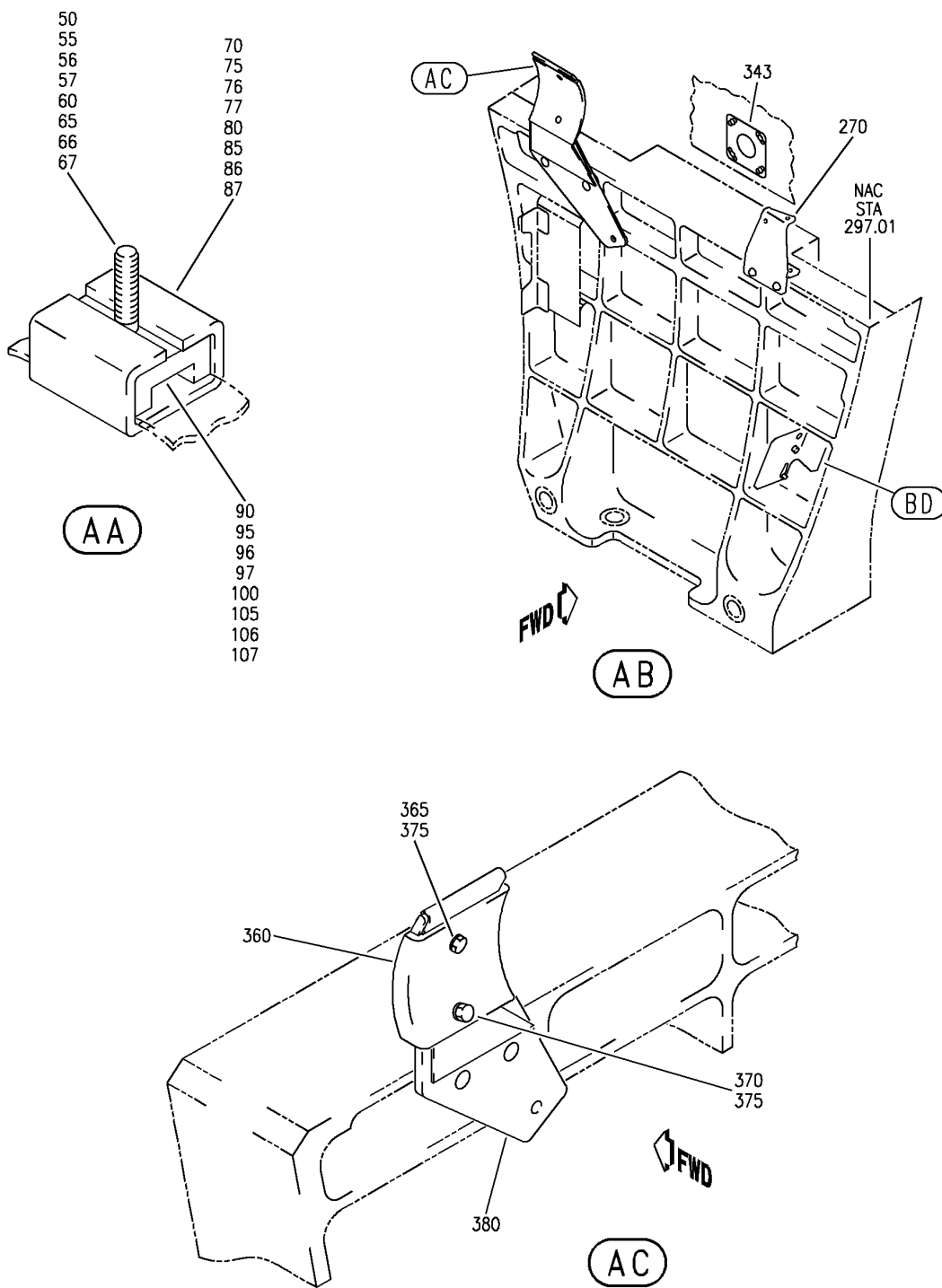
PROVISION INSTL-SECT. 31 ENG STRUT SAILBOAT AREA WIRE (PW4000 ENG)
FIGURE 7 (SHEET 9)

HXL
DEC 22/07

54-51-64-07

54-51-64-07
PAGE 0H

BOEING
767
PARTS CATALOG (MAINTENANCE)



V 54516407 SHT 10 REV 299

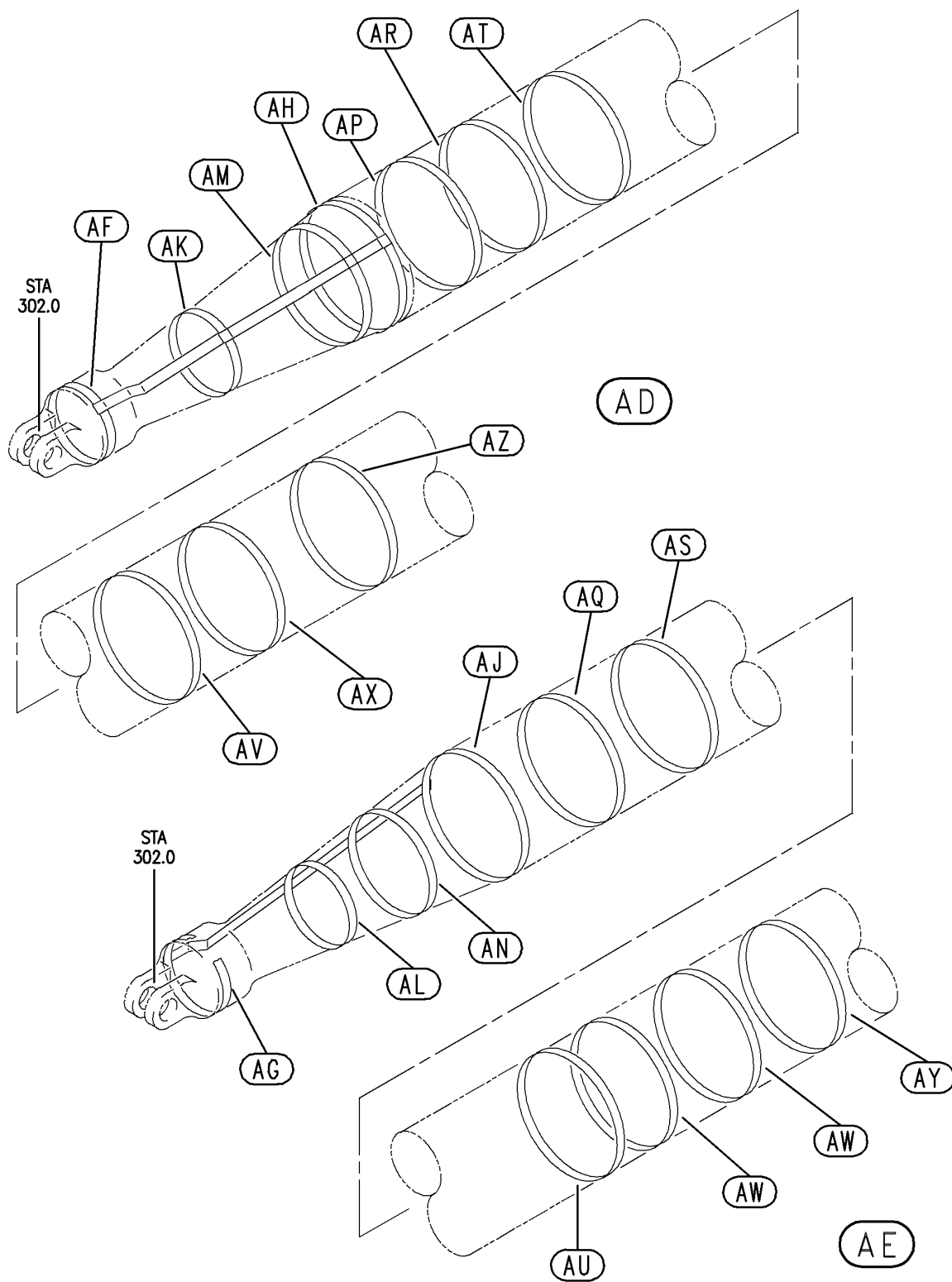
PROVISION INSTL-SECT. 31 ENG STRUT SAILBOAT AREA WIRE (PW4000 ENG)
FIGURE 7 (SHEET 10)

54-51-64-07

HXL
DEC 22/07

54-51-64-07
PAGE 01

BOEING
767
PARTS CATALOG (MAINTENANCE)



V 54516407 SHT 11 REV 238

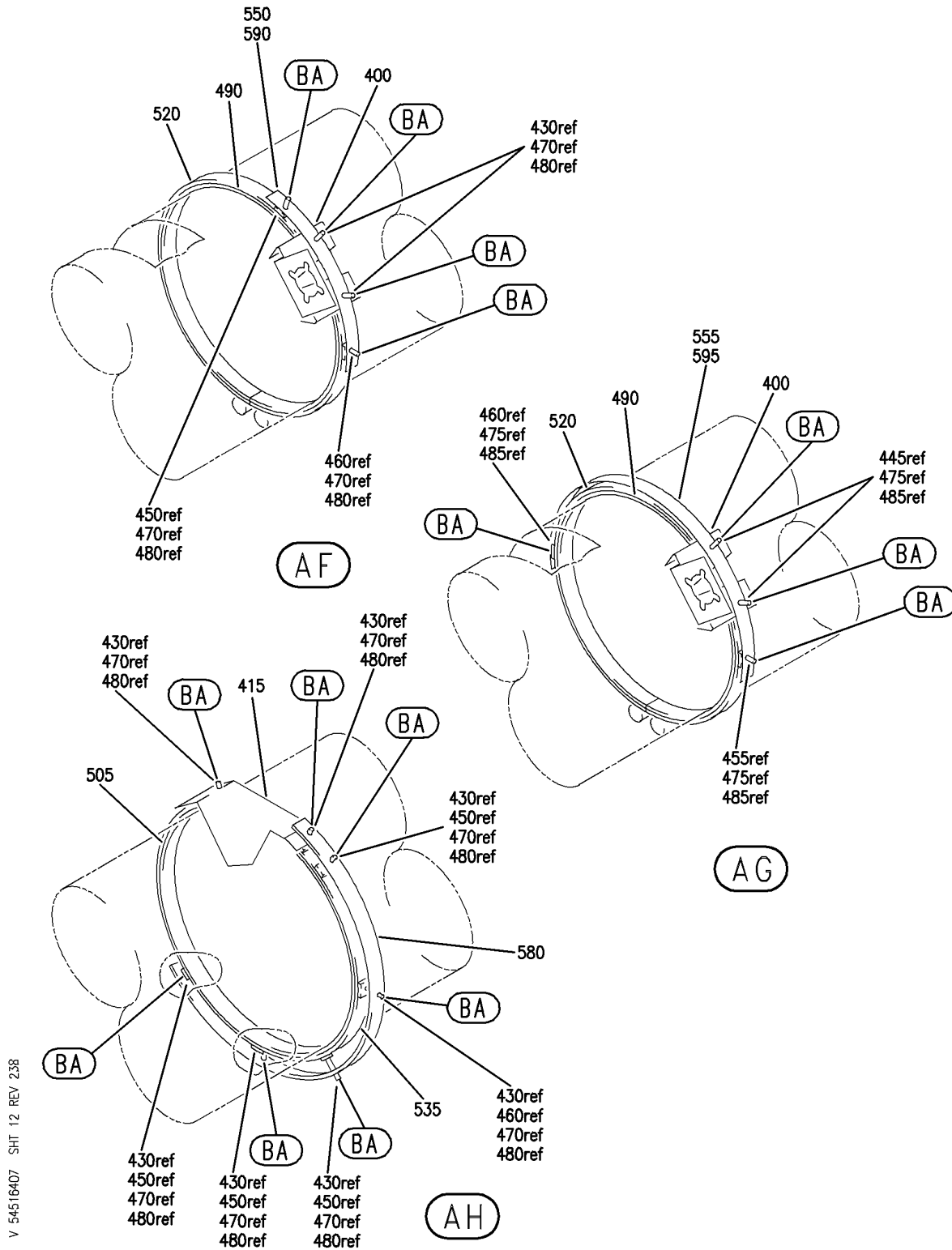
PROVISION INSTL-SECT. 31 ENG STRUT SAILBOAT AREA WIRE (PW4000 ENG)
FIGURE 7 (SHEET 11)

54-51-64-07

HXL
DEC 22/07

54-51-64-07
PAGE 0J

BOEING
767
PARTS CATALOG (MAINTENANCE)



V 54516407 SHT 12 REV 238

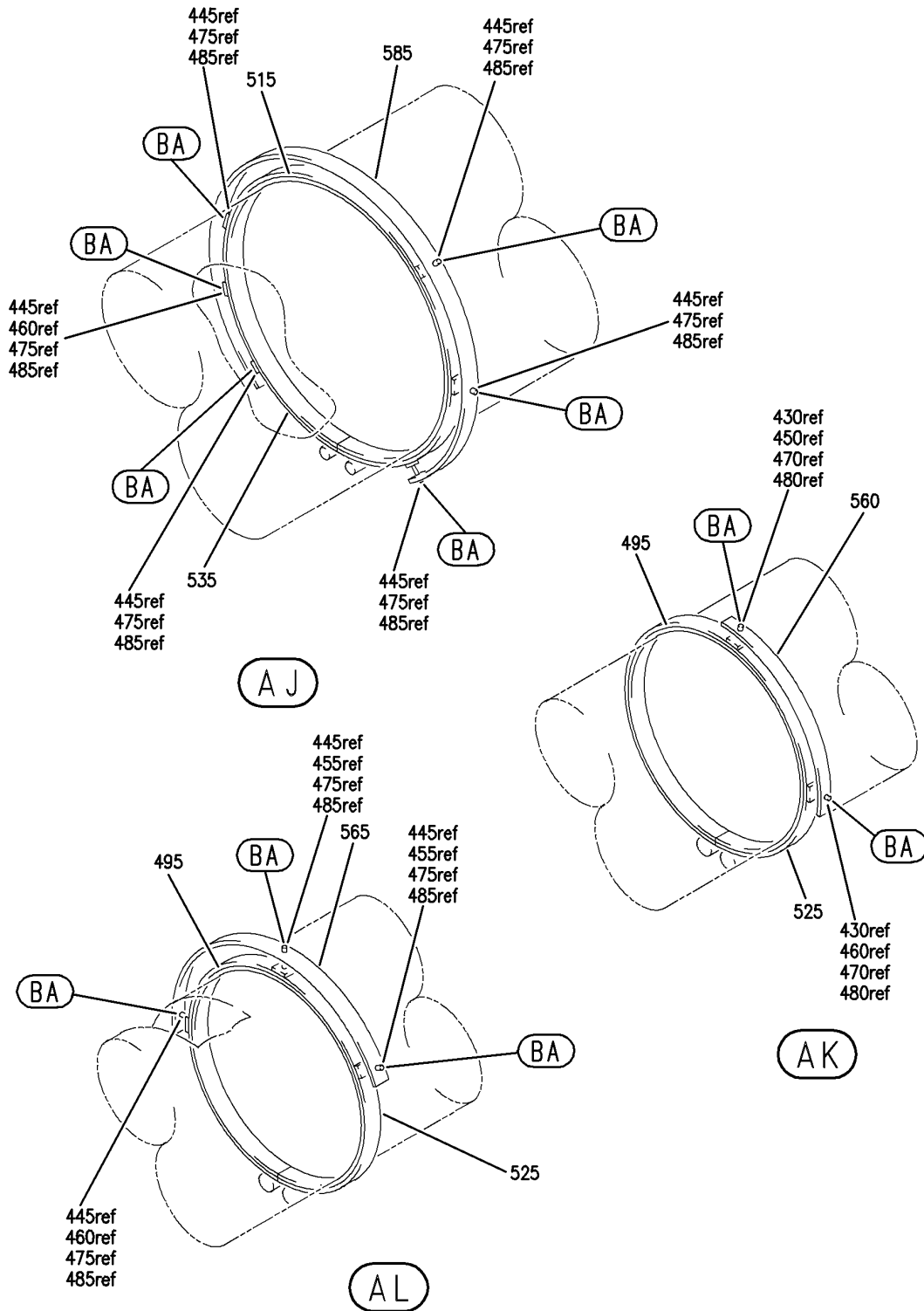
PROVISION INSTL-SECT. 31 ENG STRUT SAILBOAT AREA WIRE (PW4000 ENG)
FIGURE 7 (SHEET 12)

54-51-64-07

HXL
DEC 22/07

54-51-64-07
PAGE OK

BOEING
767
PARTS CATALOG (MAINTENANCE)



V 54516407 SHT 13 REV 238

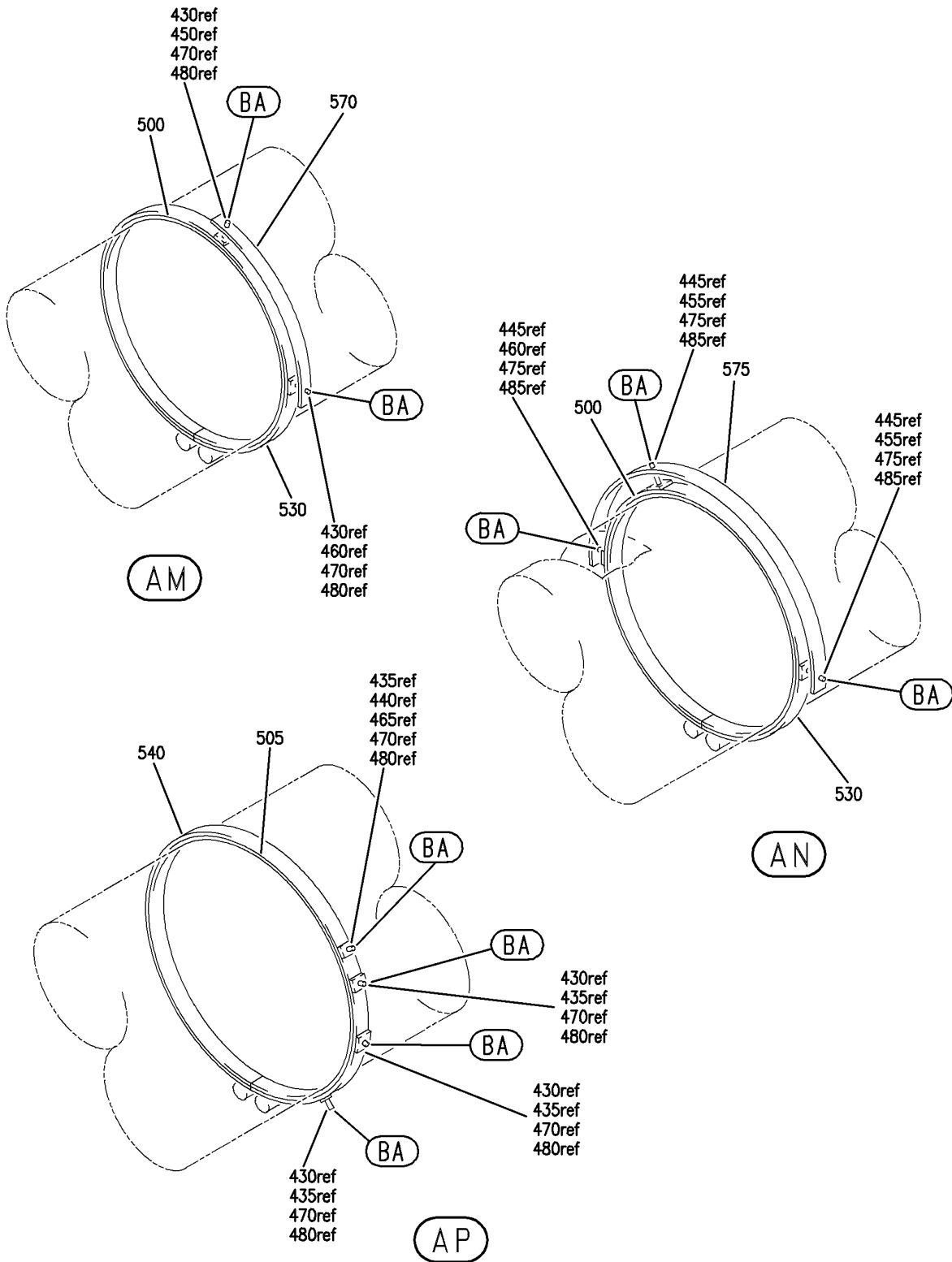
PROVISION INSTL-SECT. 31 ENG STRUT SAILBOAT AREA WIRE (PW4000 ENG)
FIGURE 7 (SHEET 13)

54-51-64-07

HXL
DEC 22/07

54-51-64-07
PAGE 0L

BOEING
767
PARTS CATALOG (MAINTENANCE)



V 54516407 SH1 14 REV 238

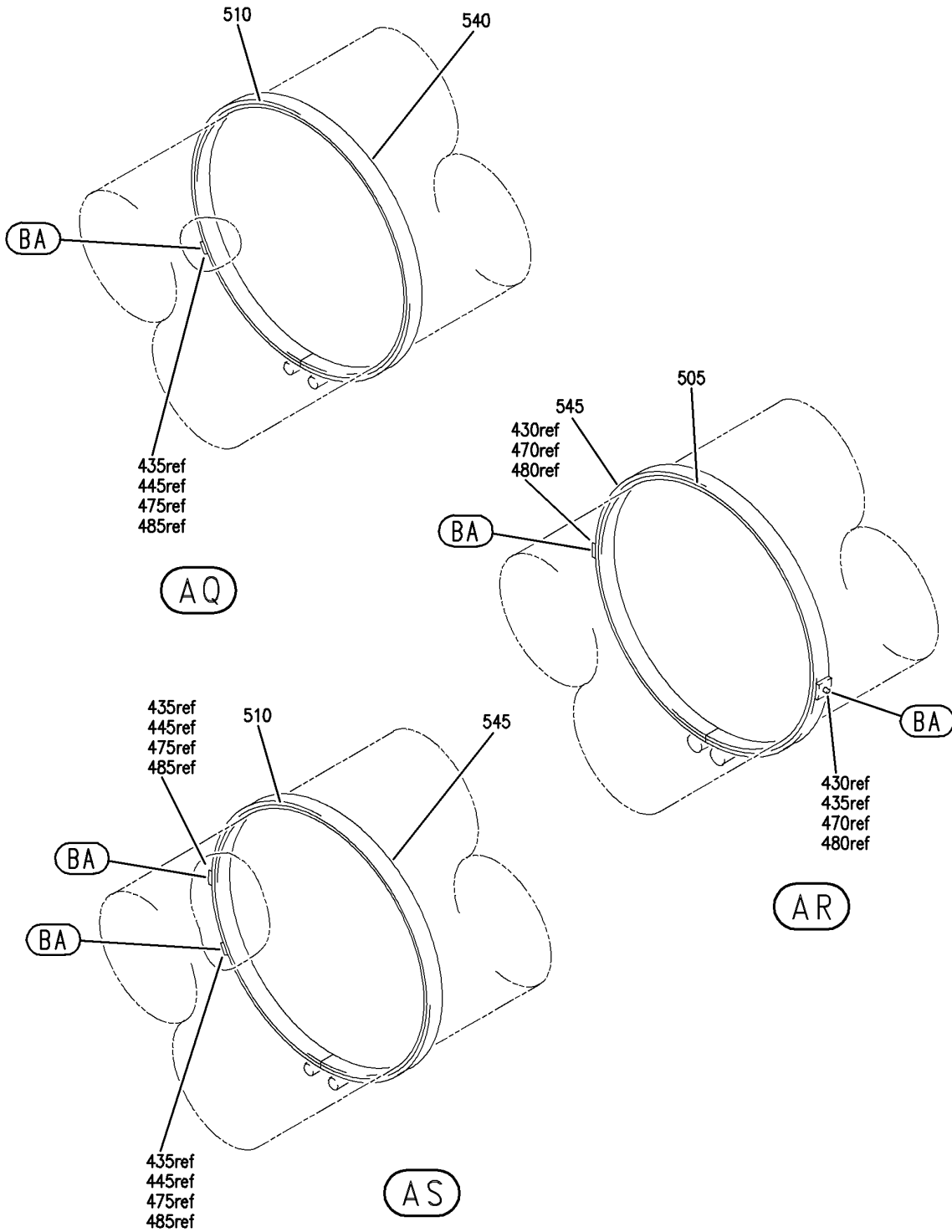
PROVISION INSTL-SECT. 31 ENG STRUT SAILBOAT AREA WIRE (PW4000 ENG)
FIGURE 7 (SHEET 14)

54-51-64-07

HXL
DEC 22/07

54-51-64-07
PAGE 0M

BOEING
767
PARTS CATALOG (MAINTENANCE)



V 54516407 SHT 15 REV 238

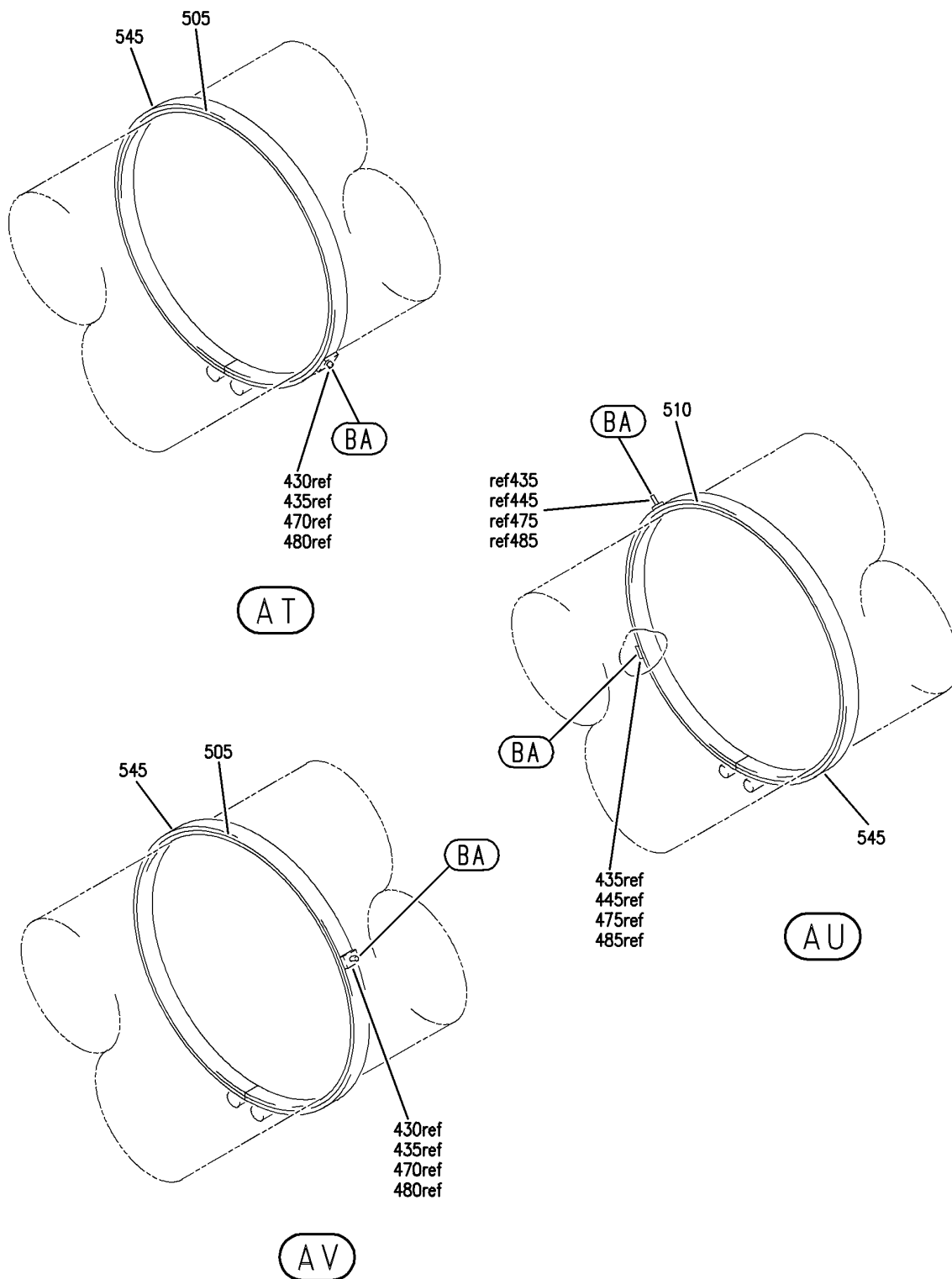
PROVISION INSTL-SECT. 31 ENG STRUT SAILBOAT AREA WIRE (PW4000 ENG)
FIGURE 7 (SHEET 15)

54-51-64-07

HXL
DEC 22/07

54-51-64-07
PAGE ON

BOEING
767
PARTS CATALOG (MAINTENANCE)



V 54516407 SHT 16 REV 238

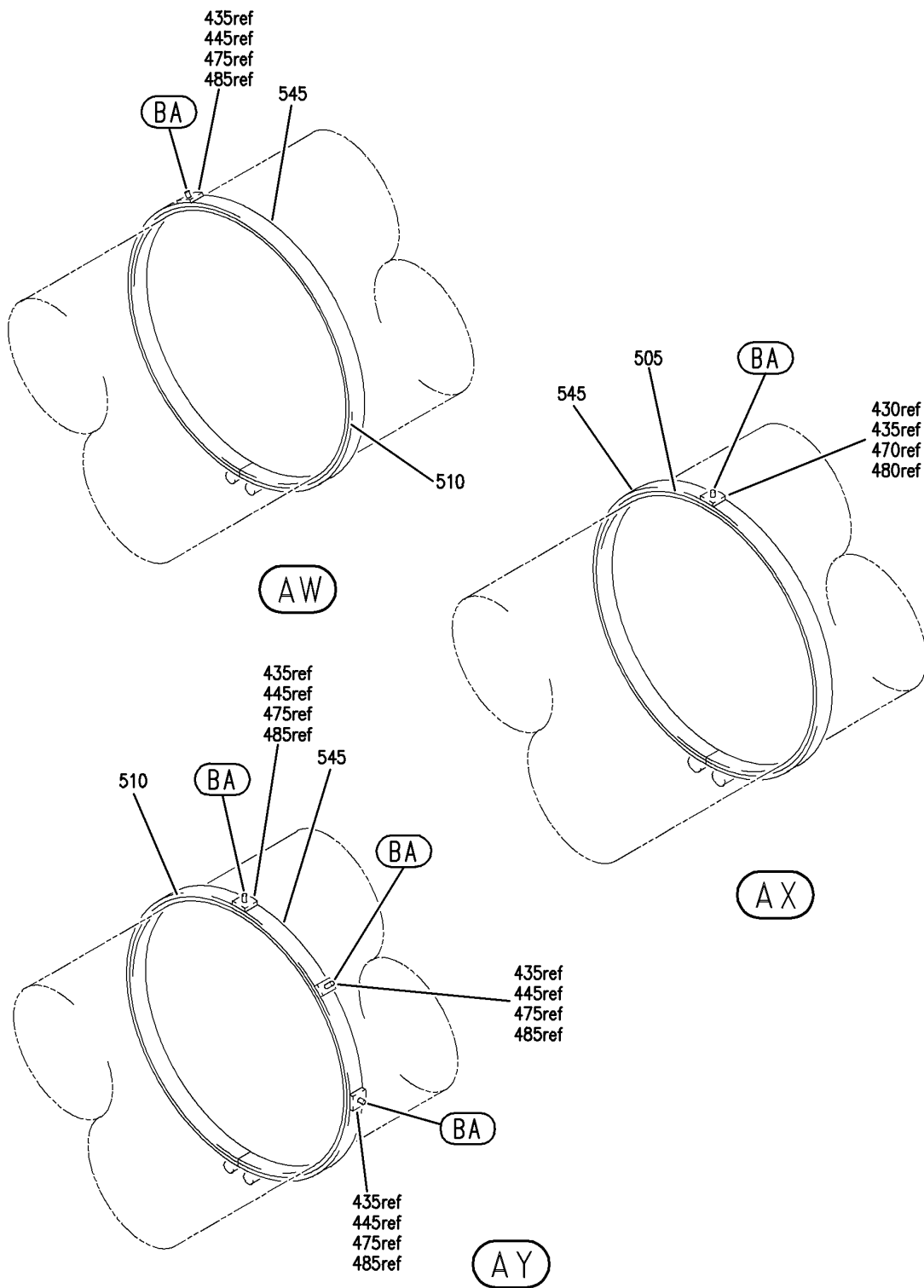
PROVISION INSTL-SECT. 31 ENG STRUT SAILBOAT AREA WIRE (PW4000 ENG)
FIGURE 7 (SHEET 16)

54-51-64-07

HXL
DEC 22/07

54-51-64-07
PAGE 00

BOEING
767
PARTS CATALOG (MAINTENANCE)



V 54516407 SHT 17 REV 238

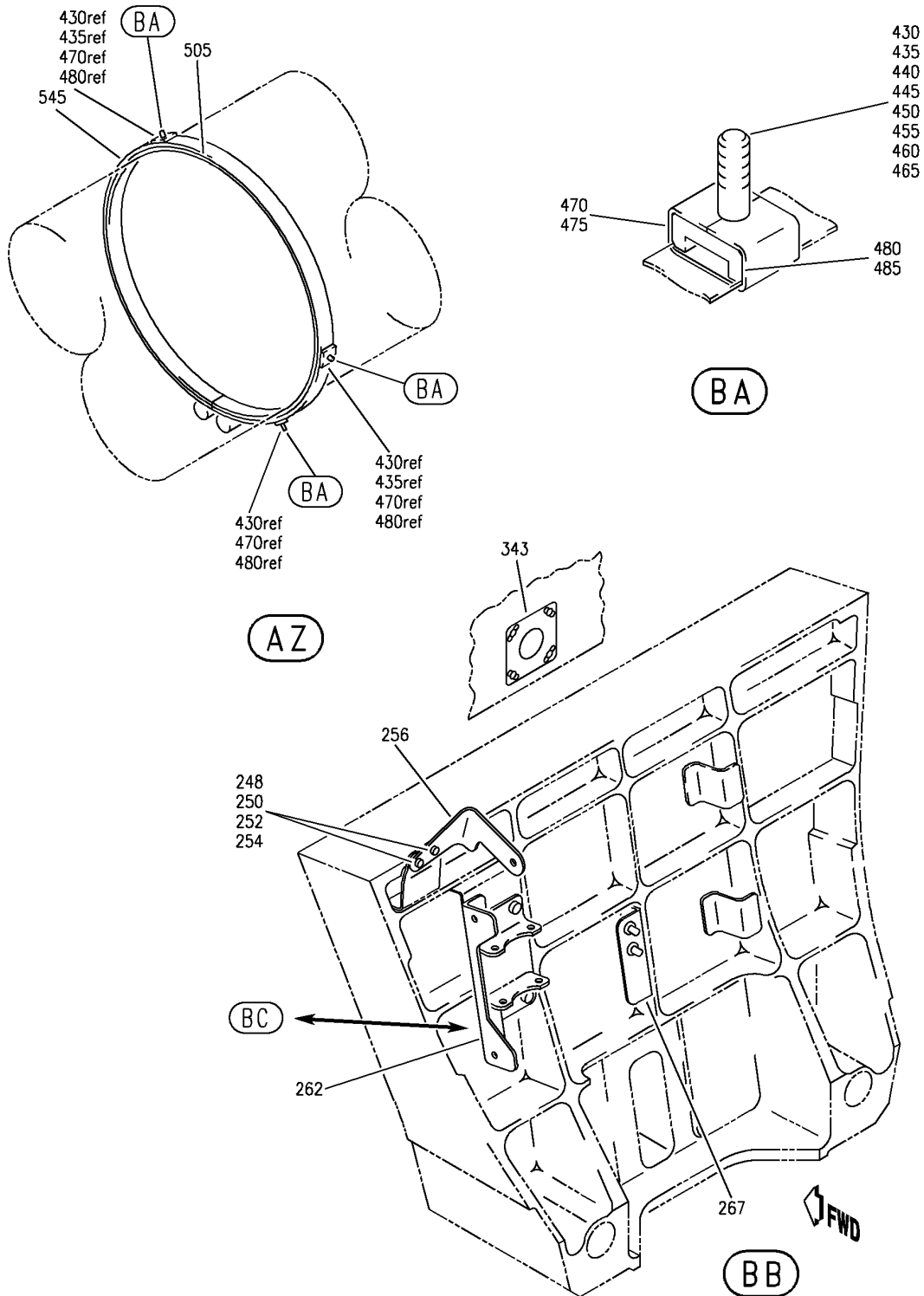
PROVISION INSTL-SECT. 31 ENG STRUT SAILBOAT AREA WIRE (PW4000 ENG)
FIGURE 7 (SHEET 17)

54-51-64-07

HXL
DEC 22/07

54-51-64-07
PAGE 0P

BOEING
767
PARTS CATALOG (MAINTENANCE)



V 54516407 SHT 18 REV 299

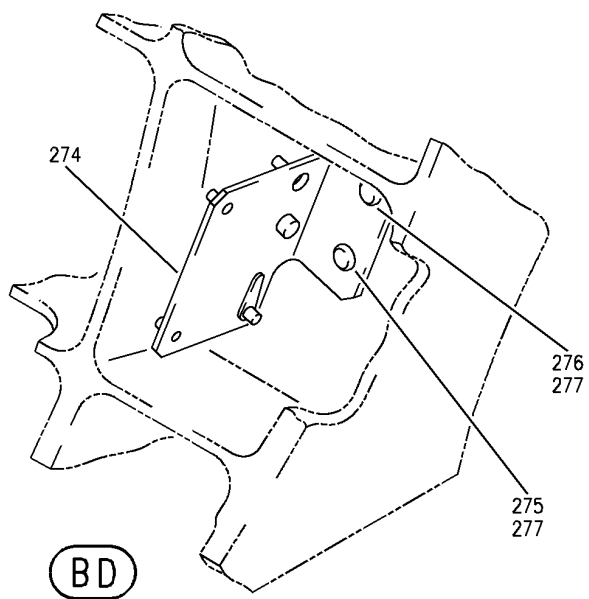
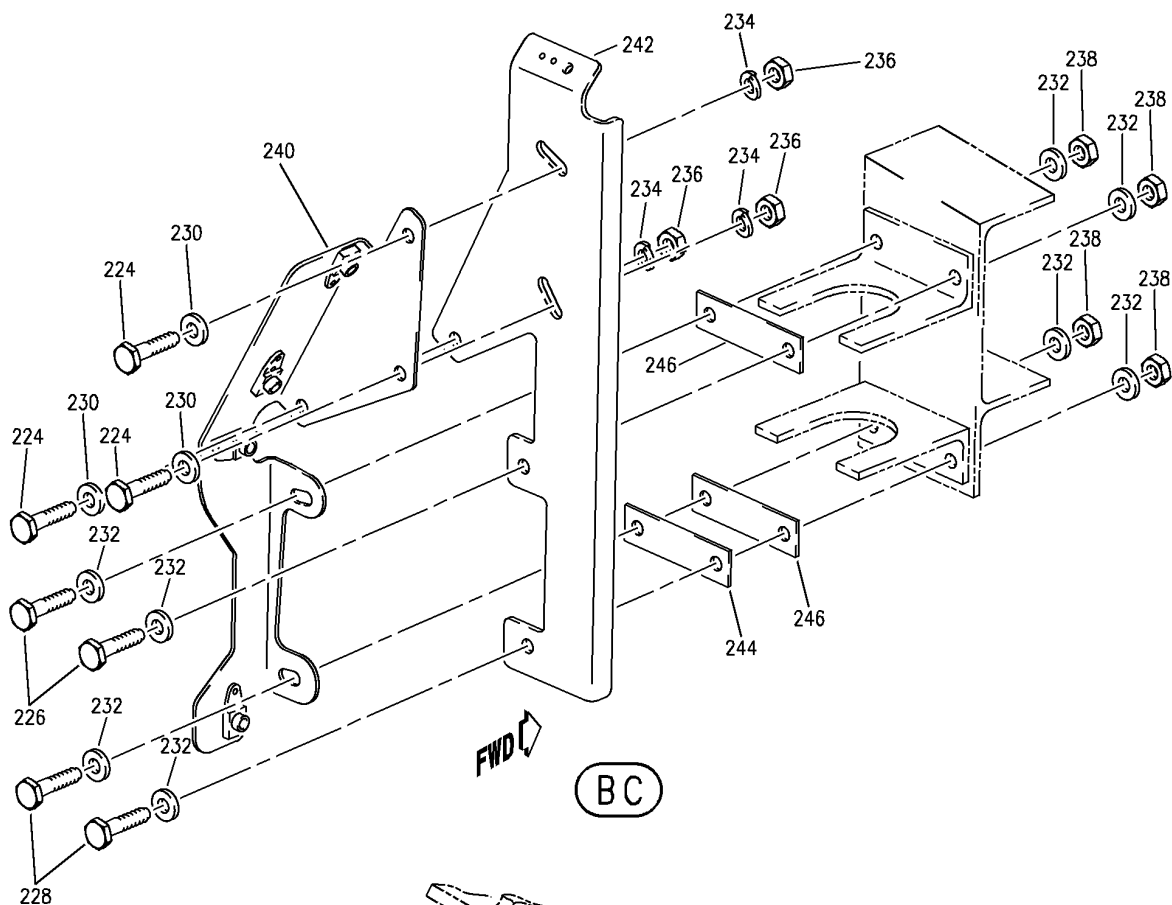
PROVISION INSTL-SECT. 31 ENG STRUT SAILBOAT AREA WIRE (PW4000 ENG)
FIGURE 7 (SHEET 18)

54-51-64-07

HXL
DEC 22/07

54-51-64-07
PAGE 00

BOEING
767
PARTS CATALOG (MAINTENANCE)



V 54516407 SHT 19 REV 299

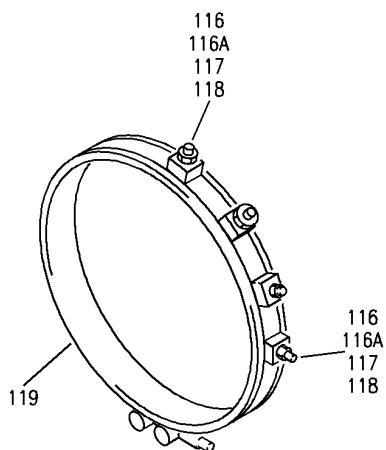
PROVISION INSTL-SECT. 31 ENG STRUT SAILBOAT AREA WIRE (PW4000 ENG)
FIGURE 7 (SHEET 19)

54-51-64-07

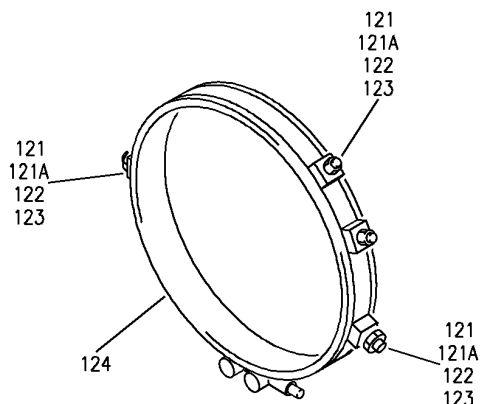
HXL
DEC 22/07

54-51-64-07
PAGE OR

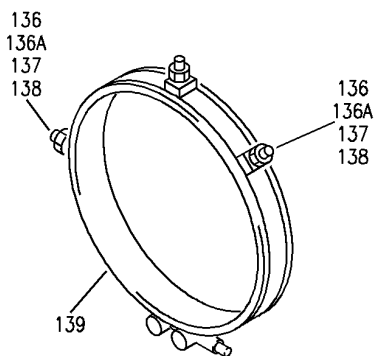
BOEING
767
PARTS CATALOG (MAINTENANCE)



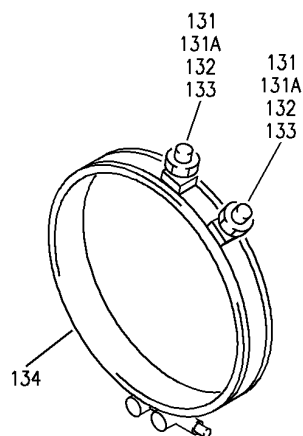
BE



BF



BH



BG

V 54516407 SHT 20 REV 299

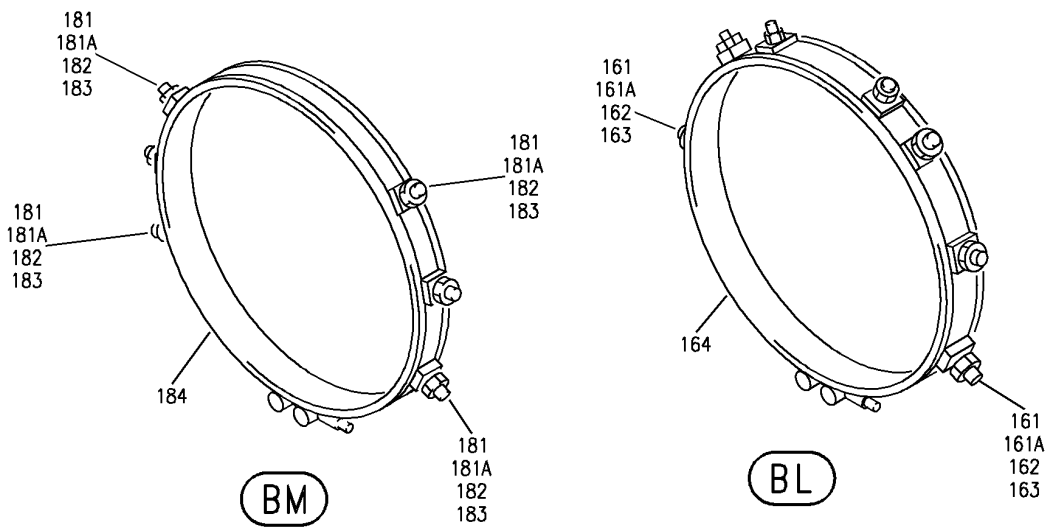
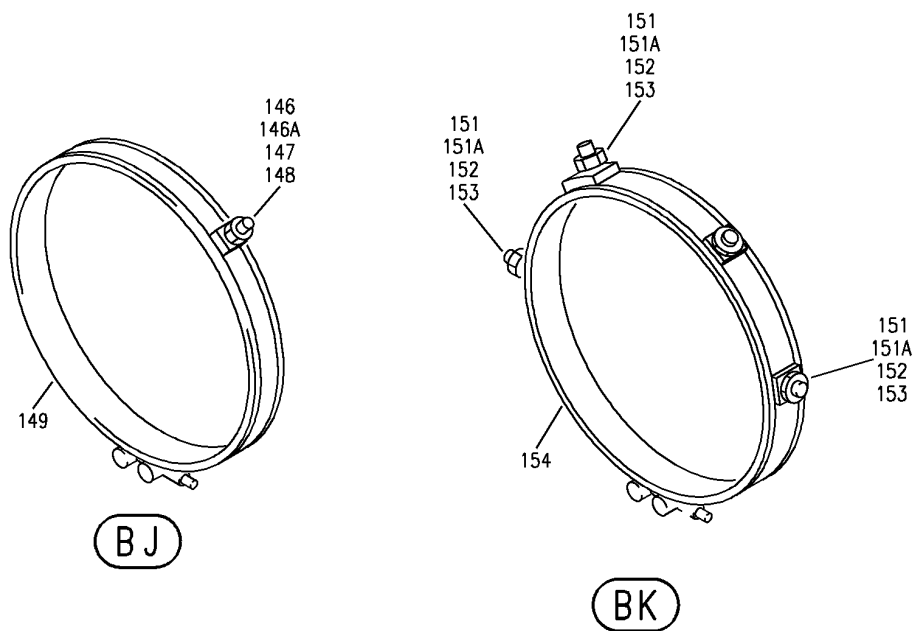
PROVISION INSTL-SECT. 31 ENG STRUT SAILBOAT AREA WIRE (PW4000 ENG)
FIGURE 7 (SHEET 20)

54-51-64-07

HXL
DEC 22/07

54-51-64-07
PAGE 05

BOEING
767
PARTS CATALOG (MAINTENANCE)



V 54516407 SHT 21 REV 299

PROVISION INSTL-SECT. 31 ENG STRUT SAILBOAT AREA WIRE (PW4000 ENG)
FIGURE 7 (SHEET 21)

54-51-64-07

HXL
DEC 22/07

54-51-64-07
PAGE 07

BOEING
767
PARTS CATALOG (MAINTENANCE)

FIG ITEM	PART NUMBER	1 2 3 4 5 6 7	NOMENCLATURE	EFFECT FROM TO	UNITS PER ASSY
7			PROVISION INSTL-SECT. 31 ENG STRUT SAILBOAT AREA WIRE (PW4000 ENG)		
- 222	287T1106-1		.PROVISION INSTL-BHD POSITION DATA: AFT LH SIDE POST SERVICE BULLETIN: 29-0057		RF
256	287T1107-31		..SUPPORT ASSY- POST SERVICE BULLETIN: 29-0057 ATTACHING PARTS		1
- 258	L800X6K4		..BOLT- SUPPLIER CODE: V06725 SPECIFICATION NUMBER: BACB30MY6K4X POST SERVICE BULLETIN: 29-0057		2
- 260	HL79-6		..COLLAR- SUPPLIER CODE: V5M902 SPECIFICATION NUMBER: BACC30M6 OPTIONAL PART: HL79-6 V73197 HL79-6 V92215 66014-6 V56878 HL79-6 V56878 POST SERVICE BULLETIN: 29-0057		2
262	287T1107-27		-----*----- ..SUPPORT ASSY- POST SERVICE BULLETIN: 29-0057 ATTACHING PARTS		1
- 265	NAS6604-11		..BOLT- POST SERVICE BULLETIN: 29-0057 -----*-----		2

ILLUSTRATION ITEMS NOT ON PARTS LIST ARE NOT APPLICABLE

- ITEM NOT ILLUSTRATED

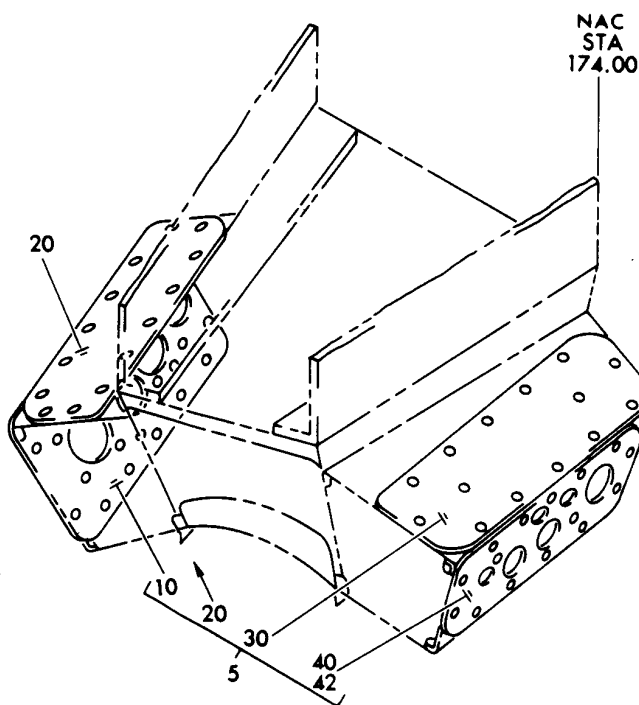
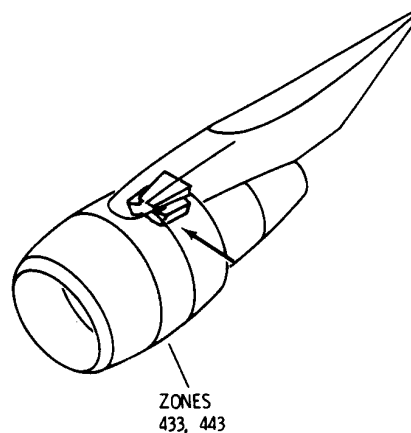
HXL

54-51-64-07

BOEING PROPRIETARY - Copyright © - Unpublished Work - See title page for details.

54-51-64
FIG. 07
PAGE 1
APR 22/08

BOEING
767
PARTS CATALOG (MAINTENANCE)



V 54518902 SH1 1 REV 007

RACEWAY INSTL-PW4056 NAC STRUT SYS
FIGURE 2

54-51-69-02

HXL
DEC 22/06

54-51-69-02
PAGE 0



767

PARTS CATALOG (MAINTENANCE)

FIG ITEM	PART NUMBER	1 2 3 4 5 6 7	NOMENCLATURE	EFFECT FROM TO	UNITS PER ASSY
2			RACEWAY INSTL-PW4056 NAC STRUT SYS		RF
- 1	311T4640-1		RACEWAY INSTL-PW4056 NAC STRUT SYS		RF
			FOR NHA SEE: 54-51-51-01		
5	311T4640-77		.RACEWAY ASSY-		1
10	311T4640-7		..PANEL-CONN ATTACHING PARTS		1
- 15	BACB30LK3U2		..BOLT-		14
			-----*-----		
20	311T4640-47		..PANEL-ACCESS ATTACHING PARTS		1
- 25	BACB30LK3U2		..BOLT-		13
			-----*-----		
30	311T4640-72		..PANEL-ACCESS ATTACHING PARTS		1
- 35	BACB30LK3U2		..BOLT-		11
			-----*-----		
42	311T4640-53		..PANEL ASSY- ATTACHING PARTS		1
- 45	BACB30LK3U2		..BOLT-		13
			-----*-----		

ILLUSTRATION ITEMS NOT ON PARTS LIST ARE NOT APPLICABLE

- ITEM NOT ILLUSTRATED

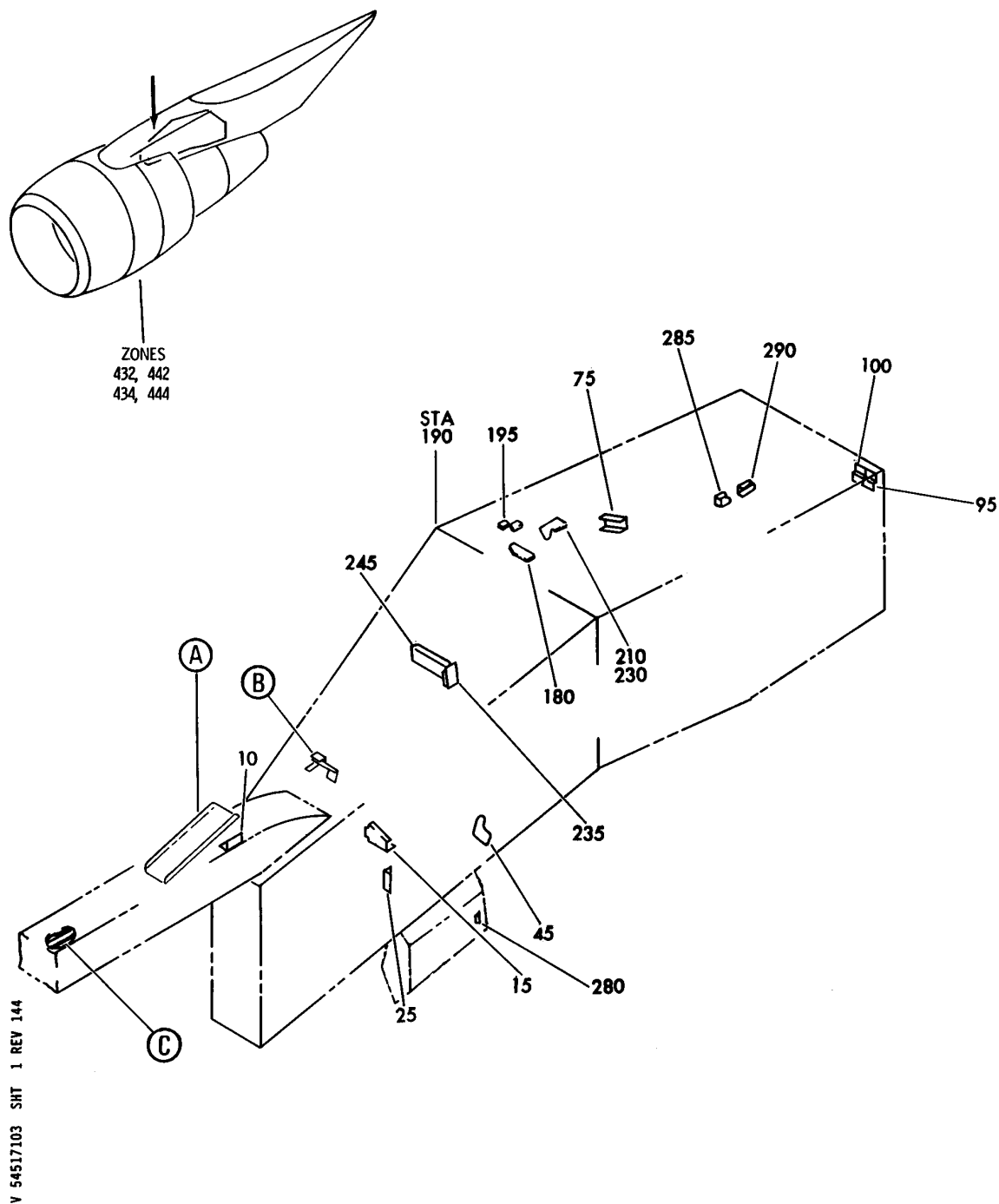
HXL

54-51-69-02

BOEING PROPRIETARY - Copyright © - Unpublished Work - See title page for details.

54-51-69
FIG. 02
PAGE 1
DEC 22/07

BOEING
767
PARTS CATALOG (MAINTENANCE)



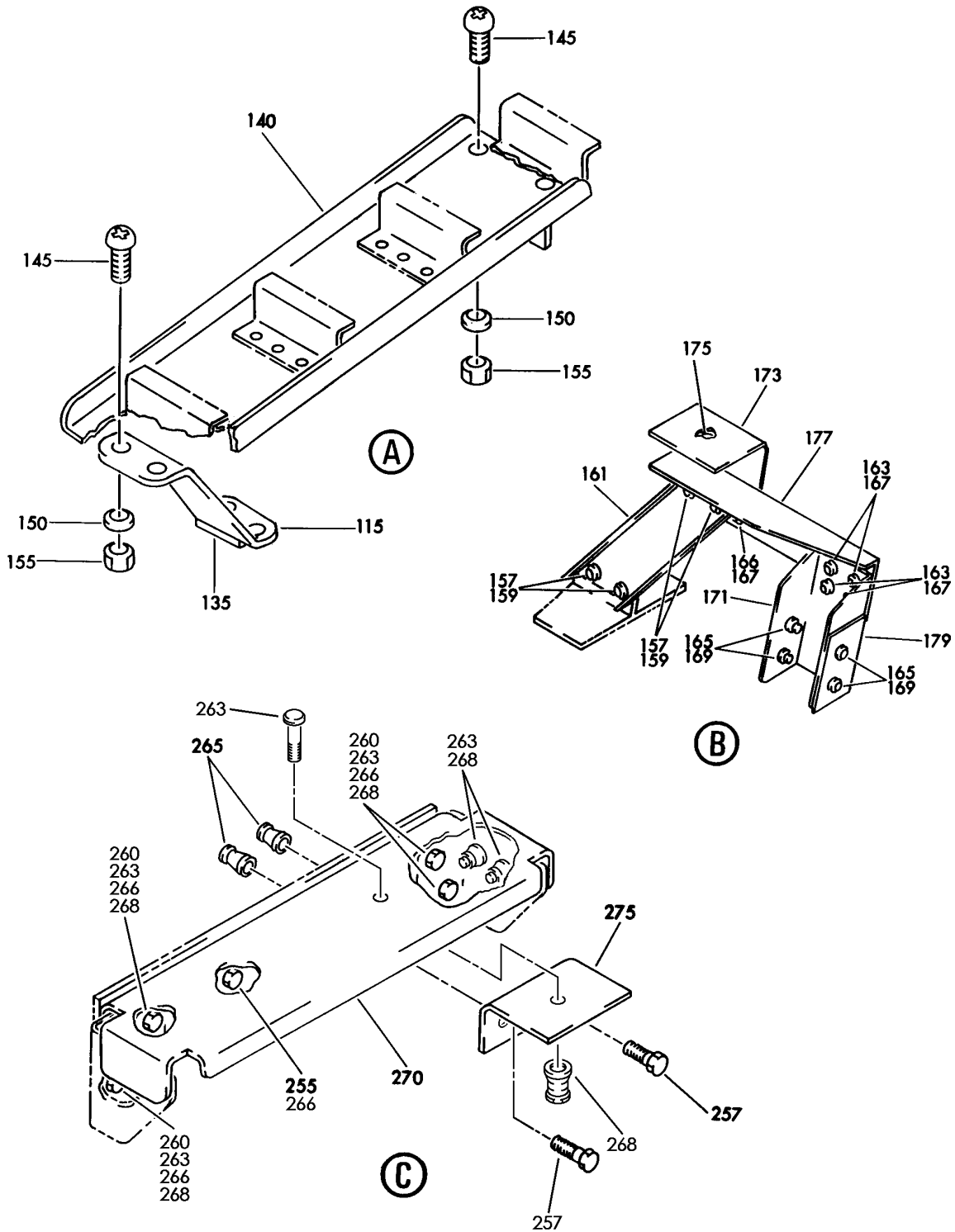
BRACKET AND CLIP INSTL STRUT
FIGURE 3 (SHEET 1)

54-51-71-03

HXL
DEC 22/06

54-51-71-03
PAGE 0

BOEING
767
PARTS CATALOG (MAINTENANCE)



V 54517103 SHT 2 REV 236

BRACKET AND CLIP INSTL STRUT
FIGURE 3 (SHEET 2)

54-51-71-03

HXL
DEC 22/06

54-51-71-03
PAGE 0A



767

PARTS CATALOG (MAINTENANCE)

FIG ITEM	PART NUMBER	1 2 3 4 5 6 7	NOMENCLATURE	EFFECT FROM TO	UNITS PER ASSY
3			BRACKET AND CLIP INSTL STRUT		
- 1	312T4800-1		BRACKET INSTL- STRUT POSITION DATA: LH VARIABLE DRAWING REF: 312T4800-5007 312T4800-153 FOR NHA SEE: 54-00-51-02		RF
- 5	312T4800-2		BRACKET INSTL- STRUT POSITION DATA: RH VARIABLE DRAWING REF: 312T4800-5010 312T4800-154 FOR NHA SEE: 54-00-51-02		RF
10	312T3070-181		.BRACKET ASSY		1
15	312T3070-343		.BRACKET ASSY- ATTACHING PARTS		1
- 20	BACR15FT6KE		.RIVET- SIZE DETERMINED ON INSTL. -----*-----		6
25	312T3070-98		.BRACKET ATTACHING PARTS		1
- 30	BACR15FT6KE		.RIVET- SIZE DETERMINED ON INSTL. -----*-----		4
45	312T3070-194		.BRACKET ASSY- ATTACHING PARTS		1
- 50	BACR15FT6KE		.RIVET- SIZE DETERMINED ON INSTL. -----*-----		4
75	312T3070-302		.ISOLATOR ATTACHING PARTS		1
- 80	NAS6603-4		.BOLT		3
- 85	NAS620-10L		.WASHER-		3

ILLUSTRATION ITEMS NOT ON PARTS LIST ARE NOT APPLICABLE

- ITEM NOT ILLUSTRATED

54-51-71-03

54-51-71
FIG. 03
PAGE 1
DEC 22/07

HXL

 **BOEING**
767
PARTS CATALOG (MAINTENANCE)

FIG ITEM	PART NUMBER	1 2 3 4 5 6 7	NOMENCLATURE	EFFECT FROM TO	UNITS PER ASSY
3					
- 90	BRH10C3D		.NUT SUPPLIER CODE: V52828 SPECIFICATION NUMBER: BACN10JC3CD OPTIONAL PART: T6C1032JCD V11815 NS202486-02 V80539 102LH9075-3W V72962 H51650-3BAC V15653 -----*-----		3
	95 287T0014-379		.ZEE ASSY- POSITION DATA: LH SIDE		1
	100 287T0014-379		.ZEE ASSY- POSITION DATA: RH SIDE ATTACHING PARTS		1
- 105	L8006K3		.BOLT SUPPLIER CODE: V06725 SPECIFICATION NUMBER: BACB30MY6K3		4
- 110	HL79-6		.COLLAR SUPPLIER CODE: V5M902 SPECIFICATION NUMBER: BACC30M6 OPTIONAL PART: HL79-6 V73197 HL79-6 V92215 66014-6 V56878 HL79-6 V56878 -----*-----		4
	115 312T4800-13		.SUPPORT-RACEWAY ATTACHING PARTS		1
- 120	BACS12CK3-8		.SCREW		2
- 125	AN960KD10L		.WASHER		2

ILLUSTRATION ITEMS NOT ON PARTS LIST ARE NOT APPLICABLE

- ITEM NOT ILLUSTRATED

HXL

54-51-71-03

BOEING PROPRIETARY - Copyright © - Unpublished Work - See title page for details.

54-51-71
FIG. 03
PAGE 2
APR 22/08



767

PARTS CATALOG (MAINTENANCE)

FIG ITEM	PART NUMBER	1 2 3 4 5 6 7	NOMENCLATURE	EFFECT FROM TO	UNITS PER ASSY
3 - 130	BRH10C3D		.NUT SUPPLIER CODE: V52828 SPECIFICATION NUMBER: BACN10JC3CD OPTIONAL PART: T6C1032JCD V11815 NS202486-02 V80539 102LH9075-3W V72962 H51650-3BAC V15653 -----*-----		2
135	BACF3F009W009NN		.FILLER-		1
140	312T4800-58		.RACEWAY ASSY ATTACHING PARTS		1
145	BACS12CK3-8		.SCREW		4
150	AN960KD10L		.WASHER		4
155	BRH10C3D		.NUT SUPPLIER CODE: V52828 SPECIFICATION NUMBER: BACN10JC3CD OPTIONAL PART: T6C1032JCD V11815 NS202486-02 V80539 102LH9075-3W V72962 H51650-3BAC V15653 -----*-----		2
157	L8006K3		.BOLT SUPPLIER CODE: V06725 SPECIFICATION NUMBER: BACB30MY6K3		4

ILLUSTRATION ITEMS NOT ON PARTS LIST ARE NOT APPLICABLE

- ITEM NOT ILLUSTRATED

HXL

54-51-71-03

BOEING PROPRIETARY - Copyright © - Unpublished Work - See title page for details.

54-51-71
FIG. 03
PAGE 3
APR 22/08

 **BOEING**
767
PARTS CATALOG (MAINTENANCE)

FIG ITEM	PART NUMBER	1 2 3 4 5 6 7	NOMENCLATURE	EFFECT FROM TO	UNITS PER ASSY
3 159	HL79-6		.COLLAR SUPPLIER CODE: V5M902 SPECIFICATION NUMBER: BACC30M6 OPTIONAL PART: HL79-6 V73197 HL79-6 V92215 66014-6 V56878 HL79-6 V56878		4
180	312T4800-32		.ZEE ASSY ATTACHING PARTS		2
- 185	NAS1801-3-59		.SCREW		4
- 190	AN960KD10L		.WASHER		4
			-----*-----		
210	312T3070-324		.BRACKET-SPRT SINGLE ATTACHING PARTS		1
- 215	NAS6603-4		.BOLT		3
- 220	AN960-10L		.WASHER		3
- 225	BRH10C3D		.NUT SUPPLIER CODE: V52828 SPECIFICATION NUMBER: BACN10JC3CD OPTIONAL PART: T6C1032JCD V11815 NS202486-02 V80539 102LH9075-3W V72962 H51650-3BAC V15653		3
			-----*-----		
230	312T3070-322		.ISOLATOR		1
235	312T3106-114		.PLATE ASSY- OPTIONAL PART: 312T3106-111		1
235	312T3106-111		.PLATE ASSY- OPTIONAL PART: 312T3106-114 ATTACHING PARTS		1
- 240	NAS514P1032-8		.SCREW		10
			-----*-----		
245	312T3106-101		.PLATE ASSY-		1

ILLUSTRATION ITEMS NOT ON PARTS LIST ARE NOT APPLICABLE

- ITEM NOT ILLUSTRATED

HXL

54-51-71-03

BOEING PROPRIETARY - Copyright © - Unpublished Work - See title page for details.

54-51-71
FIG. 03
PAGE 4
DEC 22/06



767

PARTS CATALOG (MAINTENANCE)

FIG ITEM	PART NUMBER	1 2 3 4 5 6 7	NOMENCLATURE	EFFECT FROM TO	UNITS PER ASSY
3			ATTACHING PARTS		
- 250	NAS514P1032-8	.SCREW-			11
		-----*-----			
255	L8006K2	.BOLT			1
		SUPPLIER CODE:			
		V06725			
		SPECIFICATION NUMBER:			
		BACB30MY6K2			
257	L8006K2	.BOLT-			2
		SUPPLIER CODE:			
		V06725			
		SPECIFICATION NUMBER:			
		BACB30MY6K2			
260	L8006K3	.BOLT			4
		SUPPLIER CODE:			
		V06725			
		SPECIFICATION NUMBER:			
		BACB30MY6K3			
265	HL79-6	.COLLAR-			2
		SUPPLIER CODE:			
		V5M902			
		SPECIFICATION NUMBER:			
		BACC30M6			
		OPTIONAL PART:			
		HL79-6			
		V73197			
		HL79-6			
		V92215			
		66014-6			
		V56878			
		HL79-6			
		V56878			
266	HL79-6	.COLLAR			5
		SUPPLIER CODE:			
		V5M902			
		SPECIFICATION NUMBER:			
		BACC30M6			
		OPTIONAL PART:			
		HL79-6			
		V73197			
		HL79-6			
		V92215			
		66014-6			
		V56878			
		HL79-6			
		V56878			
270	322U4800-26	.BRACKET-			1
280	322U4810-234	.BRACKET			1
285	312T3070-232	.BRACKET			1

ILLUSTRATION ITEMS NOT ON PARTS LIST ARE NOT APPLICABLE

- ITEM NOT ILLUSTRATED

HXL

54-51-71-03

BOEING PROPRIETARY - Copyright © - Unpublished Work - See title page for details.

54-51-71
FIG. 03
PAGE 5
APR 22/08



767
PARTS CATALOG (MAINTENANCE)

FIG ITEM	PART NUMBER	1 2 3 4 5 6 7	NOMENCLATURE	EFFECT FROM TO	UNITS PER ASSY
3 290	312T3070-206		.BRACKET		1

ILLUSTRATION ITEMS NOT ON PARTS LIST ARE NOT APPLICABLE

- ITEM NOT ILLUSTRATED

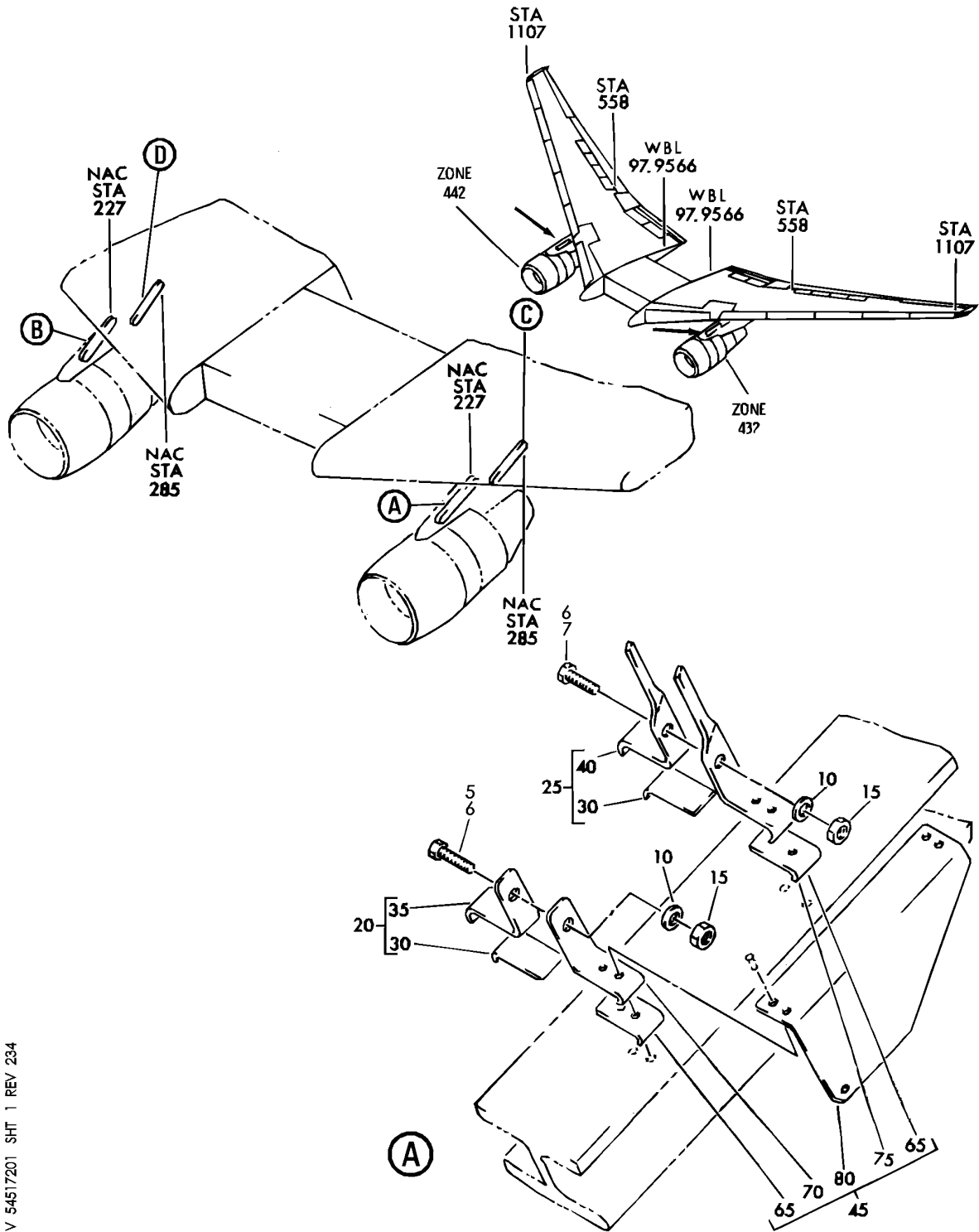
HXL

54-51-71-03

BOEING PROPRIETARY - Copyright © - Unpublished Work - See title page for details.

54-51-71
FIG. 03
PAGE 6
APR 22/08

BOEING
767
PARTS CATALOG (MAINTENANCE)



V 54517201 SH1 1 REV 234

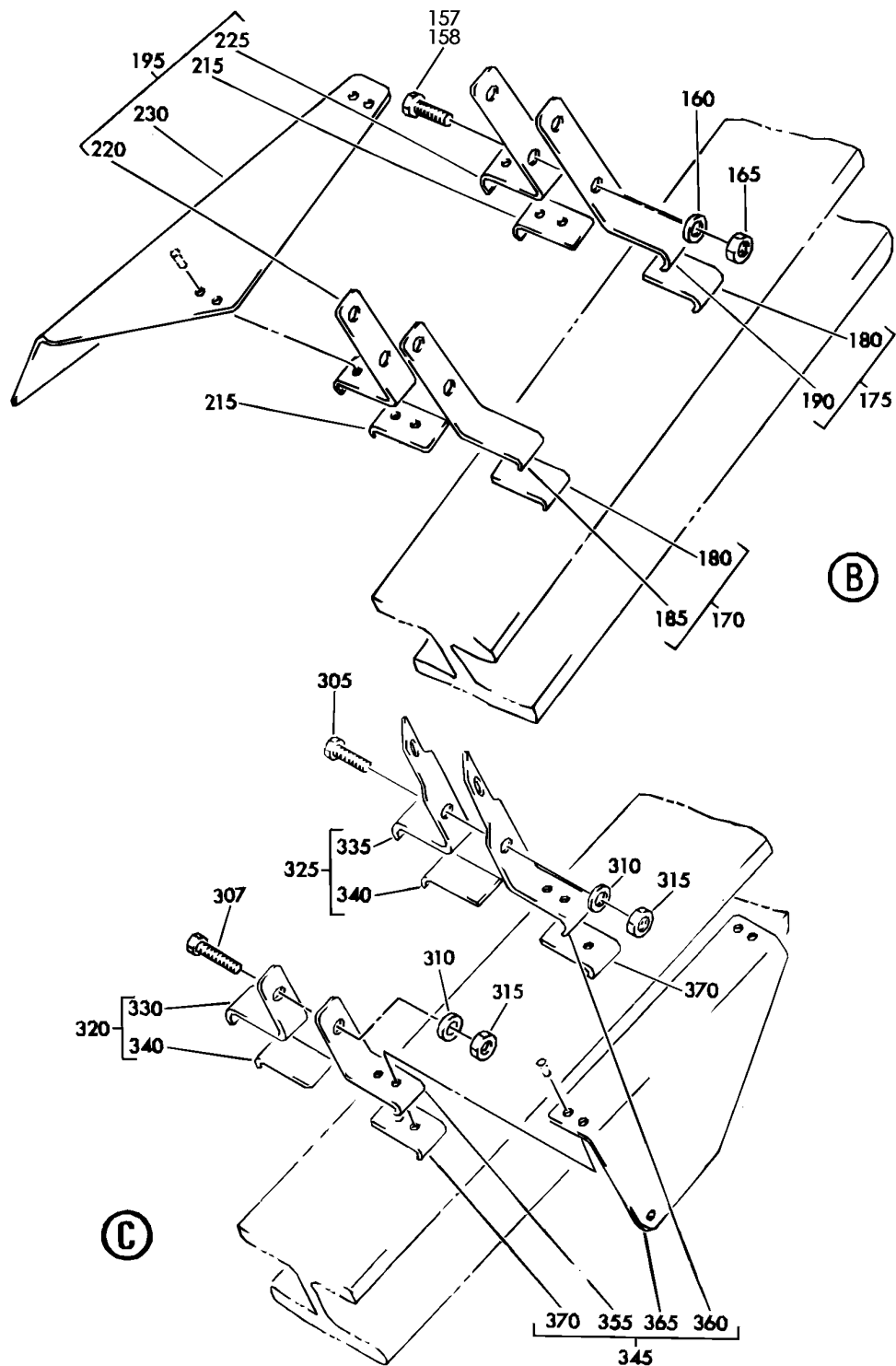
SUPPORT INSTL-DRAG LINK STAND OFF WIRE
FIGURE 1 (SHEET 1)

54-51-72-01

HXL
DEC 22/06

54-51-72-01
PAGE 0

BOEING
767
PARTS CATALOG (MAINTENANCE)



V 54517201 SHT 2 REV 234

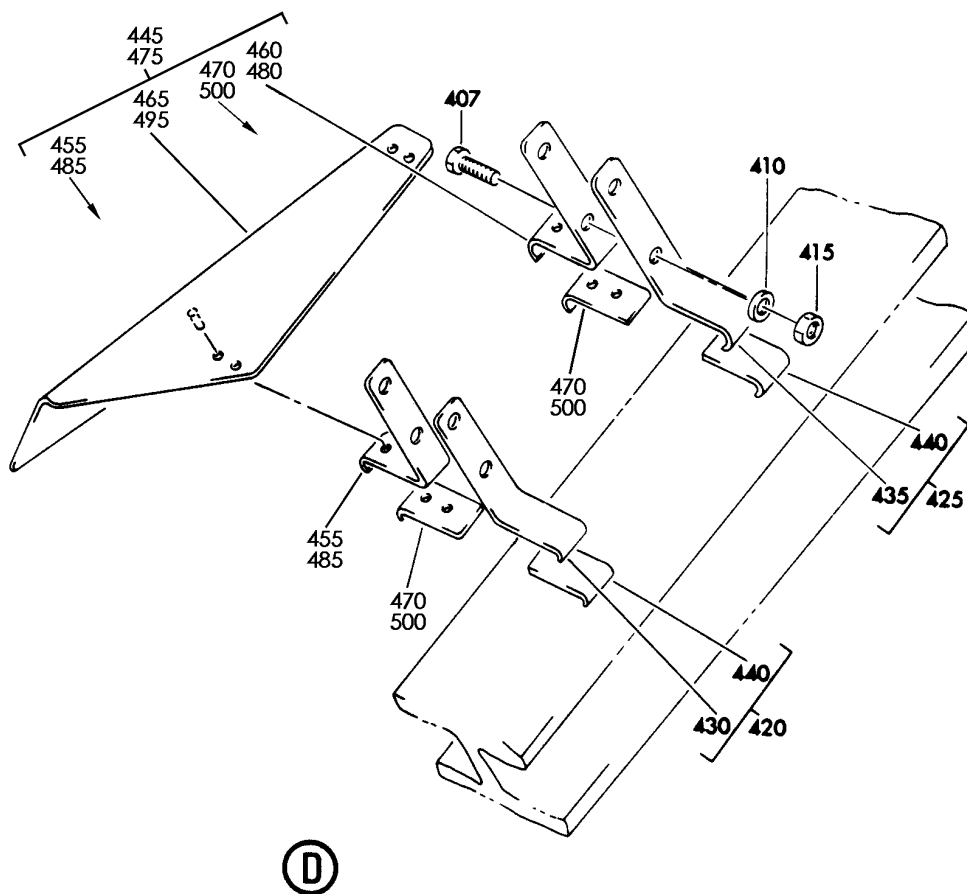
SUPPORT INSTL-DRAG LINK STAND OFF WIRE
FIGURE 1 (SHEET 2)

54-51-72-01

HXL
DEC 22/06

54-51-72-01
PAGE 0A

BOEING
767
PARTS CATALOG (MAINTENANCE)



V 54517201 SHT 3 REV 225

SUPPORT INSTL-DRAG LINK STAND OFF WIRE
FIGURE 1 (SHEET 3)

54-51-72-01

HXL
DEC 22/06

54-51-72-01
PAGE 0B



767

PARTS CATALOG (MAINTENANCE)

FIG ITEM	PART NUMBER	1 2 3 4 5 6 7	NOMENCLATURE	EFFECT FROM TO	UNITS PER ASSY
1			SUPPORT INSTL-DRAG LINK STAND OFF WIRE		
- 1	310T3040-1		SUPPORT INSTL-DRAG LINK STAND OFF WIRE ENG POSITION DATA: L FOR NHA SEE: 26-18-01-03		RF
6	NAS1801-3-8		.SCREW-		2
10	NAS1149C0332		.WASHER-		2
15	PLH53CD		.NUT-		2
			SUPPLIER CODE: VF0224 SPECIFICATION NUMBER: BACN10YR3CD OPTIONAL PART: H52732-3CD V15653		
20	310T3040-68		.BRACKET ASSY-		1
			POST SERVICE BULLETIN: 54-0083		
25	310T3040-69		.BRACKET ASSY-		1
			POST SERVICE BULLETIN: 54-0083		
30	310T3040-77		..CUSHION-		1
			POST SERVICE BULLETIN: 54-0083		
40	310T3040-73		..BRACKET-		1
			USED ON: 310T3040-68 POST SERVICE BULLETIN: 54-0083		
45	310T3040-67		.SUPPORT ASSY-		1
			POST SERVICE BULLETIN: 54-0083		
			ATTACHING PARTS		
- 50	BACR15BA5		.RIVET-		6
			POST SERVICE BULLETIN: 54-0083		
			-----*-----		
65	310T3040-77		..CUSHION-		2
			POST SERVICE BULLETIN: 54-0083		

ILLUSTRATION ITEMS NOT ON PARTS LIST ARE NOT APPLICABLE

- ITEM NOT ILLUSTRATED

HXL

54-51-72-01

BOEING PROPRIETARY - Copyright © - Unpublished Work - See title page for details.

54-51-72
FIG. 01
PAGE 1
DEC 22/08

 **BOEING**
767
PARTS CATALOG (MAINTENANCE)

FIG ITEM	PART NUMBER	1 2 3 4 5 6 7	NOMENCLATURE	EFFECT FROM TO	UNITS PER ASSY
1					
70	310T3040-73	..	BRACKET- POST SERVICE BULLETIN: 54-0083		1
75	310T3040-74	..	BRACKET- POST SERVICE BULLETIN: 54-0083		1
80	310T3040-59	..	SUPPORT-		1
- 150	310T3040-2		SUPPORT INSTL-DRAG LINK STAND OFF WIRE ENG POSITION DATA: R FOR NHA SEE: 26-18-01-03		RF
158	NAS1801-3-8	.SCREW-	POST SERVICE BULLETIN: 54-0083		2
160	NAS1149C0332R	.WASHER-			2
165	PLH53CD	.NUT-	SUPPLIER CODE: VF0224 SPECIFICATION NUMBER: BACN10YR3CD OPTIONAL PART: H52732-3CD V15653		2
170	310T3040-71	.BRACKET ASSY-	POST SERVICE BULLETIN: 54-0083		1
175	310T3040-72	.BRACKET ASSY-	POST SERVICE BULLETIN: 54-0083		1
180	310T3040-77	..CUSHION-	POST SERVICE BULLETIN: 54-0083		1
185	310T3040-75	..BRACKET-	USED ON: 310T3040-71 POST SERVICE BULLETIN: 54-0083		1
190	310T3040-76	..BRACKET-	USED ON: 310T3040-72 POST SERVICE BULLETIN: 54-0083		1
195	310T3040-70	.SUPPORT ASSY-	POST SERVICE BULLETIN: 54-0083		1

ILLUSTRATION ITEMS NOT ON PARTS LIST ARE NOT APPLICABLE

- ITEM NOT ILLUSTRATED

HXL

54-51-72-01

BOEING PROPRIETARY - Copyright © - Unpublished Work - See title page for details.

54-51-72
FIG. 01
PAGE 2
DEC 22/08



767

PARTS CATALOG (MAINTENANCE)

FIG ITEM	PART NUMBER	1 2 3 4 5 6 7	NOMENCLATURE	EFFECT FROM TO	UNITS PER ASSY
1			ATTACHING PARTS		
- 203	BACR15BA5		.RIVET- POST SERVICE BULLETIN: 54-0083		6
			-----*-----		
215	310T3040-77		..CUSHION- POST SERVICE BULLETIN: 54-0083		2
220	310T3040-75		..BRACKET- POST SERVICE BULLETIN: 54-0083		1
225	310T3040-76		..BRACKET- POST SERVICE BULLETIN: 54-0083		1
230	310T3040-4		..SUPPORT		1

ILLUSTRATION ITEMS NOT ON PARTS LIST ARE NOT APPLICABLE

- ITEM NOT ILLUSTRATED

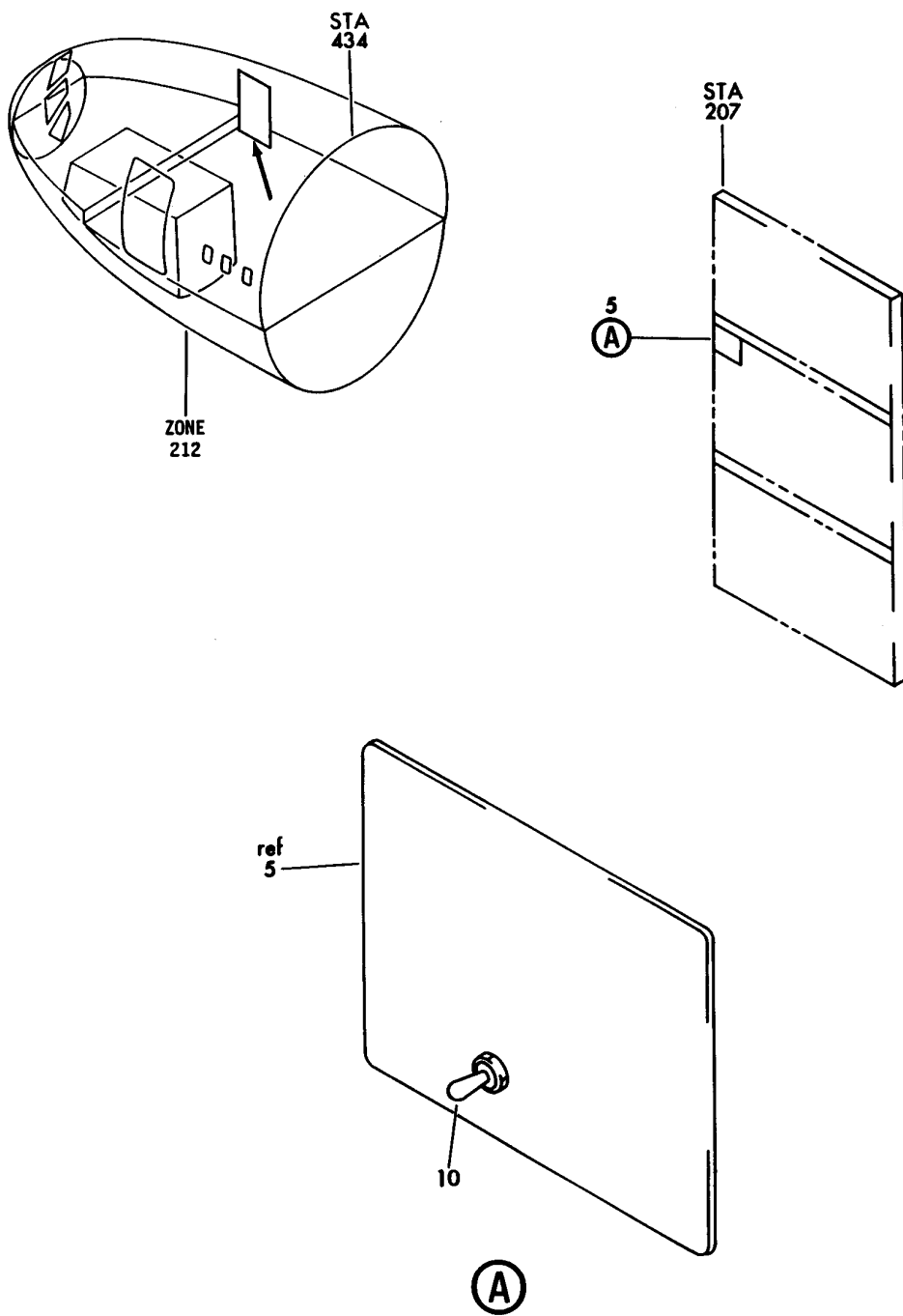
HXL

54-51-72-01

BOEING PROPRIETARY - Copyright © - Unpublished Work - See title page for details.

54-51-72
FIG. 01
PAGE 3
DEC 22/06

BOEING
767
PARTS CATALOG (MAINTENANCE)



V 54517801 REV 141

PANEL INSTL-R SIDE (STRUT LEAK DETECTION ONLY)
FIGURE 1

54-51-78-01

HXL
DEC 22/06

54-51-78-01
PAGE 0



767

PARTS CATALOG (MAINTENANCE)

FIG ITEM	PART NUMBER	1 2 3 4 5 6 7	NOMENCLATURE	EFFECT FROM TO	UNITS PER ASSY
1			PANEL INSTL-R SIDE (STRUT LEAK DETECTION ONLY)		
- 1	233T4100-1		PANEL INSTL-(STRUT LEAK DETECTION ONLY) POSITION DATA: R SIDE VARIABLE DRAWING REF: 233T4100-5048		RF
- 1	233T4100-1		PANEL INSTL-(STRUT LEAK DETECTION ONLY) POSITION DATA: R SIDE FOR NHA/OTHER SYS DET SEE: 25-10-00-03		RF
5	233T4239-26		.PANEL ASSY-M10398 MISC TEST SUPPLIER CODE: V89954 COMPONENT MAINT MANUAL REF: 33-16-53		RF
10	64AT22-7		..SWITCH- SUPPLIER CODE: V91929		RF

ILLUSTRATION ITEMS NOT ON PARTS LIST ARE NOT APPLICABLE

- ITEM NOT ILLUSTRATED

HXL

54-51-78-01

BOEING PROPRIETARY - Copyright © - Unpublished Work - See title page for details.

54-51-78
FIG. 01
PAGE 1
DEC 22/07