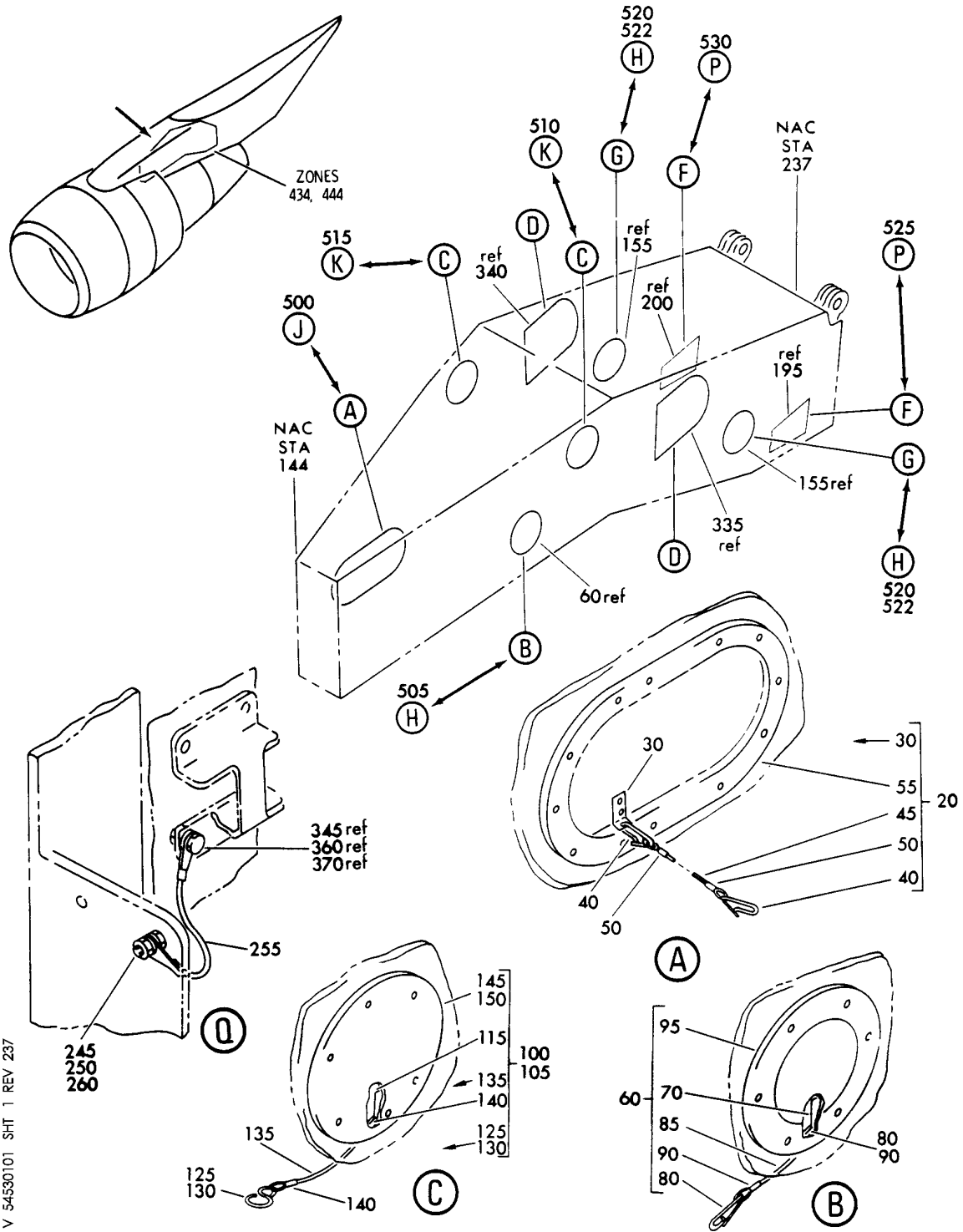


STRUT ACCESS DOORS AND PANELS

HXL
DEC 22/06

54-53-00
SECTION TITLE
PAGE 1

BOEING
767
PARTS CATALOG (MAINTENANCE)



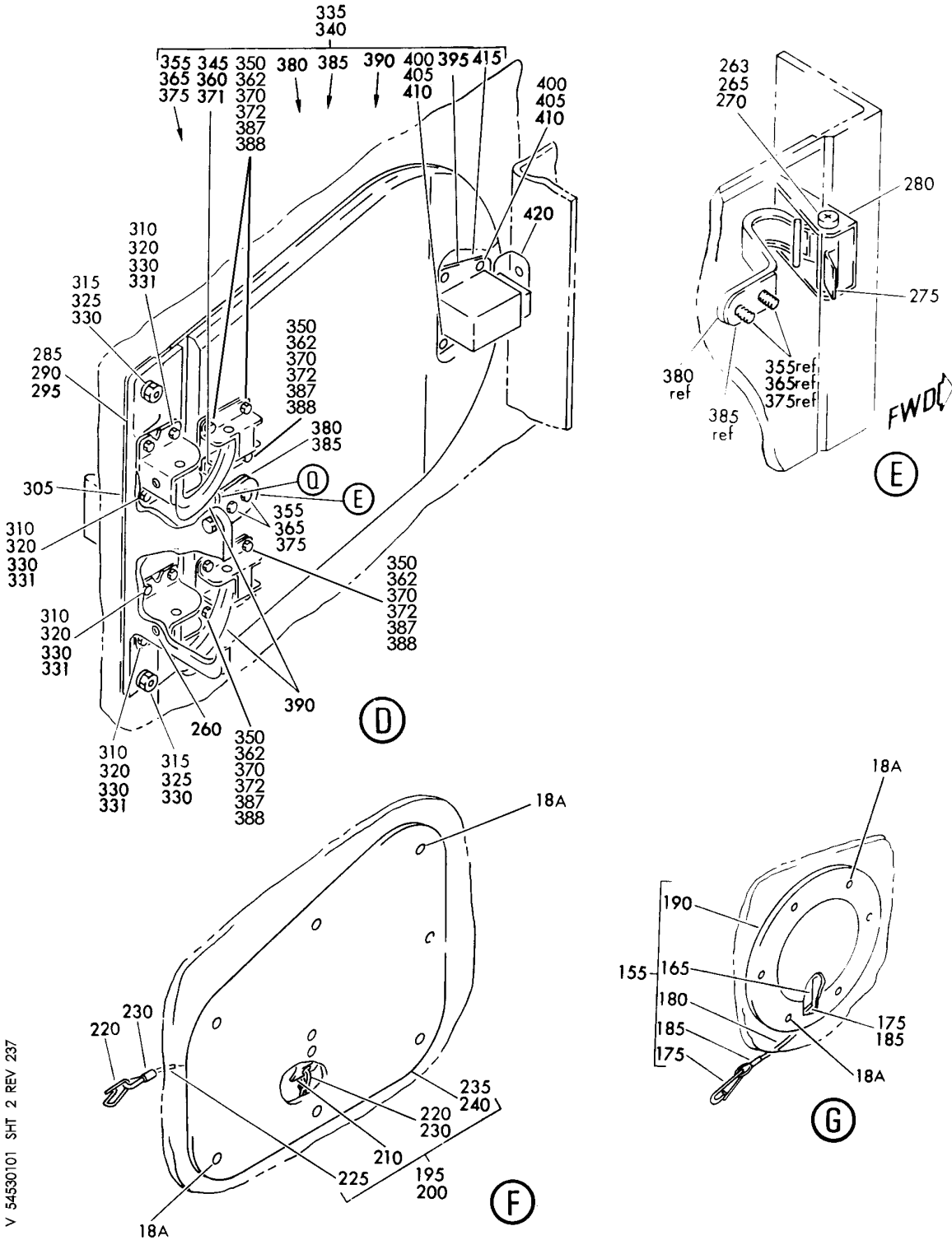
DOOR INSTL-NAC STRUT ACCESS
FIGURE 1 (SHEET 1)

54-53-01-01

HXL
DEC 22/06

54-53-01-01
PAGE 0

BOEING
767
PARTS CATALOG (MAINTENANCE)



V 54530101 SHT. 2 REV 237

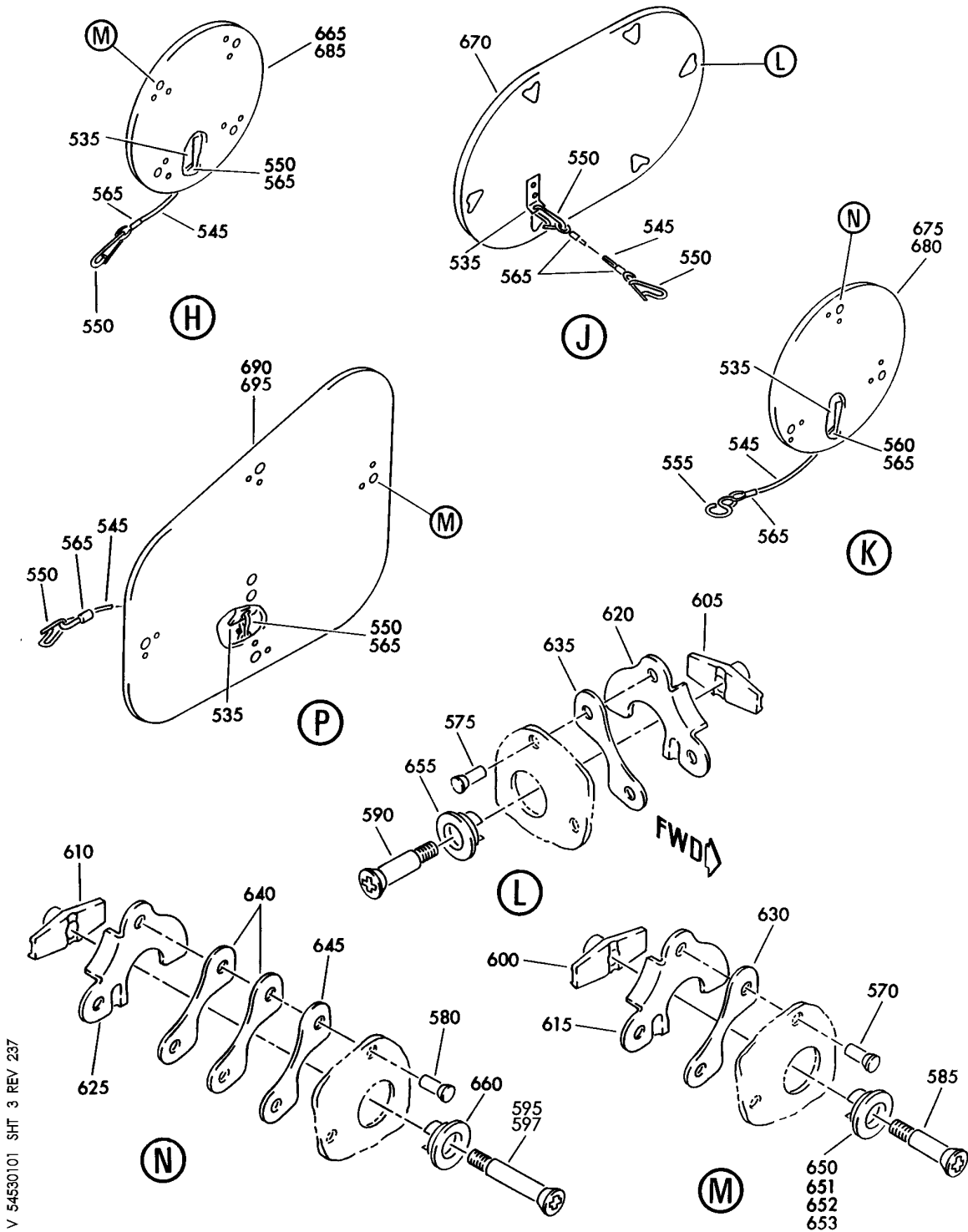
DOOR INSTL-NAC STRUT ACCESS
FIGURE 1 (SHEET 2)

54-53-01-01

HXL
DEC 22/06

54-53-01-01
PAGE 0A

BOEING
767
PARTS CATALOG (MAINTENANCE)



V 54530101 SHT 3 REV 237

DOOR INSTL-NAC STRUT ACCESS
FIGURE 1 (SHEET 3)

54-53-01-01

HXL
DEC 22/06

54-53-01-01
PAGE 0B



767

PARTS CATALOG (MAINTENANCE)

FIG ITEM	PART NUMBER	1 2 3 4 5 6 7	NOMENCLATURE	EFFECT FROM TO	UNITS PER ASSY
1					
- 5	311T3065-97		DOOR INSTL-NAC STRUT ACCESS DOOR INSTL-NAC STRUT ACCESS POSITION DATA: LH VARIABLE DRAWING REF: 311T3065-5009 311T3065-5011 FOR NHA SEE: 54-51-51-01		RF
- 10	311T3065-98		DOOR INSTL-NAC STRUT ACCESS POSITION DATA: RH VARIABLE DRAWING REF: 311T3065-5010 311T3065-5012 FOR NHA SEE: 54-51-51-01		RF
245	BACB30NT3K6		.BOLT-		1
250	AN960D10L		.WASHER		1
255	740A20-6		.CABLE- SUPPLIER CODE: V91812 SPECIFICATION NUMBER: BACJ40A20-6 OPTIONAL PART: TJEJ40A20-6 V33483 RBEJ20-6 V1GK47		1
260	BACB30NT3K5		.BOLT-		5
290	311T3063-11		.ANGLE- POSITION DATA: LH SIDE OPTIONAL PART: 311T3064-7		1
290	311T3064-7		.ANGLE- POSITION DATA: LH SIDE OPTIONAL PART: 311T3063-11		1
295	311T3063-12		.ANGLE- POSITION DATA: RH SIDE OPTIONAL PART: 311T3064-8		1
ILLUSTRATION ITEMS NOT ON PARTS LIST ARE NOT APPLICABLE					

- ITEM NOT ILLUSTRATED

54-53-01-01

54-53-01
FIG. 01
PAGE 1
DEC 22/08

HXL

BOEING
767
PARTS CATALOG (MAINTENANCE)

FIG ITEM	PART NUMBER	1 2 3 4 5 6 7	NOMENCLATURE	EFFECT FROM TO	UNITS PER ASSY
1					
295	311T3064-8		. ANGLE- POSITION DATA: RH SIDE OPTIONAL PART: 311T3063-12		1
310	HL13VAZ6-5		. BOLT SUPPLIER CODE: V56878 SPECIFICATION NUMBER: BACB30NY6K5 OPTIONAL PART: HL13VAZ6-5 V73197 HL13VAZ6-5 V92215 HL13VAZ6-5 V97928 L801-6K5 V06725 HL13VAZ6-5 V60516 L801-6K5 VOPTK6 HL13VAZ6-5 V17446 HL1013AZ6-5 V60516		8
315	BACB30NN3K5		. BOLT		2
320	AN960C10L		. WASHER- QUALIFIED OPTIONAL DATA: (BACC30AB6C OPTIONAL TO BACN10JC3 AND AN960C10L)		8
325	AN960PD10L		. WASHER		2

R
R
R
R
R
R
R
R
R
R
R
R
R
R
R
R
R
R
R
R
R
R

ILLUSTRATION ITEMS NOT ON PARTS LIST ARE NOT APPLICABLE

- ITEM NOT ILLUSTRATED

HXL

54-53-01-01

BOEING PROPRIETARY - Copyright © - Unpublished Work - See title page for details.

54-53-01
FIG. 01
PAGE 2
AUG 22/09



767

PARTS CATALOG (MAINTENANCE)

FIG ITEM	PART NUMBER	1 2 3 4 5 6 7	NOMENCLATURE	EFFECT FROM TO	UNITS PER ASSY
1 330	BRH10A3		.NUT- SUPPLIER CODE: V52828 SPECIFICATION NUMBER: BACN10JC3 OPTIONAL PART: H10-3BAC V15653 NS202101-02 V80539 RMLH9075-3W V72962 VN303A02 V92215 96-02 V80539 T6S1032J V11815 QUALIFIED OPTIONAL DATA: (BACC30AB6C OPTIONAL TO BACN10JC3 AND AN960C10L)		10
331	HL97KG6		.COLLAR- SUPPLIER CODE: V5M902 SPECIFICATION NUMBER: BACC30AB6C OPTIONAL PART: HL97PB6 V5M902 HL97PB6 V56878 HL97KG6 V73197 HL97KG6 V56878 HL97PB6 V73197 QUALIFIED OPTIONAL DATA: (BACC30AB6C OPTIONAL TO BACN10JC3 AND AN960C10L)		8
335	311T3065-105		.DOOR ASSY- POSITION DATA: LH SIDE ACCESS PANEL NUMBER: 436AL 444AL		1

ILLUSTRATION ITEMS NOT ON PARTS LIST ARE NOT APPLICABLE

- ITEM NOT ILLUSTRATED

HXL

54-53-01-01

BOEING PROPRIETARY - Copyright © - Unpublished Work - See title page for details.

54-53-01
FIG. 01
PAGE 3
DEC 22/08



767

PARTS CATALOG (MAINTENANCE)

FIG ITEM	PART NUMBER	1 2 3 4 5 6 7	NOMENCLATURE	EFFECT FROM TO	UNITS PER ASSY
1					
335	311T3065-121	.	DOOR ASSY- POSITION DATA: LH SIDE ACCESS PANEL NUMBER: 436AL 444AL		1
335	311T3065-123	.	DOOR ASSY- POSITION DATA: LH SIDE ACCESS PANEL NUMBER: 436AL 444AL		1
335	311T3065-131	.	DOOR ASSY- POSITION DATA: LH SIDE ACCESS PANEL NUMBER: 436AL 444AL		1
340	311T3065-106	.	DOOR ASSY- POSITION DATA: LH SIDE ACCESS PANEL NUMBER: 436AL 444AL		1
340	311T3065-122	.	DOOR ASSY- POSITION DATA: RH SIDE ACCESS PANEL NUMBER: 436AL 444AL		1
340	311T3065-124	.	DOOR ASSY- POSITION DATA: RH SIDE ACCESS PANEL NUMBER: 436AL 444AL		1
340	311T3065-132	.	DOOR ASSY- POSITION DATA: RH SIDE ACCESS PANEL NUMBER: 436AL 444AL		1
345	BACB30VF08K11	..	BOLT-		1

ILLUSTRATION ITEMS NOT ON PARTS LIST ARE NOT APPLICABLE

- ITEM NOT ILLUSTRATED

HXL

54-53-01-01

BOEING PROPRIETARY - Copyright © - Unpublished Work - See title page for details.

54-53-01
FIG. 01
PAGE 4
DEC 22/08



767

PARTS CATALOG (MAINTENANCE)

FIG ITEM	PART NUMBER	1 2 3 4 5 6 7	NOMENCLATURE	EFFECT FROM TO	UNITS PER ASSY
1 R	350	HL441UC5-11	..BOLT- SUPPLIER CODE: V97928 SPECIFICATION NUMBER: BACB30FN5A11 OPTIONAL PART: HL441UC5-11 V73197 HL441UC5-11 V92215 HL41PY5-11 V80539 HL441N5-11 V80539 HL441UC5-11 V80539 67068-5A11 V56878 HL441UC5-11 V08524 HL441UC5-11 V56878		7
	360	NAS1149EN816P	..WASHER		1
	360	AN960D8L	..WASHER		1
	362	AN960JD8L	..WASHER		7
	362	NAS1149EN816P	..WASHER- QUALIFIED OPTIONAL DATA: (BACC30AB5C OPTIONAL TO BACN10JCO8CD AND NAS1149EN816P EXCEPT AS NOTED IN FLAG NOTE 32)		7
ILLUSTRATION ITEMS NOT ON PARTS LIST ARE NOT APPLICABLE					

- ITEM NOT ILLUSTRATED

54-53-01-01

HXL

BOEING PROPRIETARY - Copyright © - Unpublished Work - See title page for details.

54-53-01
FIG. 01
PAGE 5
AUG 22/09



767

PARTS CATALOG (MAINTENANCE)

FIG ITEM	PART NUMBER	1 2 3 4 5 6 7	NOMENCLATURE	EFFECT FROM TO	UNITS PER ASSY
1 370	BRH10C08D		..NUT- SUPPLIER CODE: V52828 SPECIFICATION NUMBER: BACN10JC08CD OPTIONAL PART: H51650-08BAC V15653 102LH9075-82W V72962 NS202486-82 V80539 T6C832JCD V11815 QUALIFIED OPTIONAL DATA: (BACC30AB5C OPTIONAL TO BACN10JC08CD AND NAS1149EN816P EXCEPT AS NOTED IN FLAG NOTE 32)		7
371	BRH10C08D		..NUT SUPPLIER CODE: V52828 SPECIFICATION NUMBER: BACN10JC08CD OPTIONAL PART: H51650-08BAC V15653 102LH9075-82W V72962 NS202486-82 V80539 T6C832JCD V11815		1

ILLUSTRATION ITEMS NOT ON PARTS LIST ARE NOT APPLICABLE

- ITEM NOT ILLUSTRATED

HXL

54-53-01-01

BOEING PROPRIETARY - Copyright © - Unpublished Work - See title page for details.

54-53-01
 FIG. 01
 PAGE 6
 DEC 22/08

 **BOEING**
767
PARTS CATALOG (MAINTENANCE)

FIG ITEM	PART NUMBER	1 2 3 4 5 6 7	NOMENCLATURE	EFFECT FROM TO	UNITS PER ASSY
1 372	HL97KG5		.. COLLAR- SUPPLIER CODE: V5M902 SPECIFICATION NUMBER: BACC30AB5C OPTIONAL PART: HL97PB5 V5M902 HL97PB5 V56878 HL97KG5 V73197 HL97KG5 V56878 HL97PB V73197 QUALIFIED OPTIONAL DATA: (BACC30AB5C OPTIONAL TO BACN10JCO8CD AND NAS1149EN816P EXCEPT AS NOTED IN FLAG NOTE 32)		7
390	H2904-1		..HINGE ASSY- SUPPLIER CODE: V83014 OPTIONAL PART: 9313-1 V84256		2
390	9313-1		..HINGE ASSY- SUPPLIER CODE: V84256 OPTIONAL PART: H2904-1 V83014		2
390	H3186-1		..HINGE ASSY- SUPPLIER CODE: V83014		2
395	TL22013-012		..LATCH ASSY- SUPPLIER CODE: V29372 SPECIFICATION NUMBER: S311T306-2 OPTIONAL PART: H2901-1 V83014 ATTACHING PARTS		1
400	BACB30LU06-2		..BOLT		4
405	NAS1149EN616P		..WASHER		4
405	AN960C6L		..WASHER		4

ILLUSTRATION ITEMS NOT ON PARTS LIST ARE NOT APPLICABLE

- ITEM NOT ILLUSTRATED

HXL

54-53-01-01

BOEING PROPRIETARY - Copyright © - Unpublished Work - See title page for details.

54-53-01
FIG. 01
PAGE 7
DEC 22/08



767

PARTS CATALOG (MAINTENANCE)

FIG ITEM	PART NUMBER	1 2 3 4 5 6 7	NOMENCLATURE	EFFECT FROM TO	UNITS PER ASSY
1 410	BRH10A06		..NUT SUPPLIER CODE: V52828 SPECIFICATION NUMBER: BACN10JC06 OPTIONAL PART: H10-06BAC V15653 RMLH9075-62W V72962 VN303A62 V92215 96-62 V80539 NS202101-62 V80539 T6S632J V11815		4
410	BRH10C06D		..NUT SUPPLIER CODE: V52828 SPECIFICATION NUMBER: BACN10JC06CD OPTIONAL PART: T6C632JCD V11815 NS202486-62 V80539 102LH9075-62W V72962 H51650-06BAC V15653		4
R R R R R R	415	311T3065-35	..SHIM- MANUFACTURED FROM: AL SHEET 1100 QQ-A-250-1 BACS40R17B40F 1.7 X 4.0 X .033 IN. (1120340330)		1
	420	311T3065-21	-----*----- .ANGLE		1

ILLUSTRATION ITEMS NOT ON PARTS LIST ARE NOT APPLICABLE

- ITEM NOT ILLUSTRATED

54-53-01-01

54-53-01
 FIG. 01
 PAGE 8
 AUG 22/09

HXL

BOEING
767
PARTS CATALOG (MAINTENANCE)

FIG ITEM	PART NUMBER	1 2 3 4 5 6 7	NOMENCLATURE	EFFECT FROM TO	UNITS PER ASSY
1			ATTACHING PARTS		
- 425	CR3553P5-3		.RIVET- SUPPLIER CODE: V11815 SPECIFICATION NUMBER: BACR15FR5MP3R OPTIONAL PART: AF3553P5-3B V53551 SIZE DETERMINED ON INSTL. -----*-----		2
500	311T3065-74		.DOOR ASSY- POSITION DATA: RH SIDE ACCESS PANEL NUMBER: 416BR 426BR		1
500	311T3065-108		.DOOR ASSY- POSITION DATA: RH SIDE		1
500	311T3065-117		.DOOR ASSY- POSITION DATA: RH SIDE		1
500	311T3065-137		ATTACHING PARTS .DOOR ASSY- POSITION DATA: RH SIDE		1
500	311T3065-156		.DOOR ASSY- POSITION DATA: RH SIDE		1
500	311T3065-171		.DOOR ASSY- POSITION DATA: RH SIDE		1
505	311T3065-72		-----*----- .DOOR ASSY- POSITION DATA: LH SIDE ACCESS PANEL NUMBER: 432AL 442AL		1
505	311T3065-107		.DOOR ASSY- POSITION DATA: LH SIDE		1
505	311T3065-155		.DOOR ASSY- POSITION DATA: LH SIDE		1

ILLUSTRATION ITEMS NOT ON PARTS LIST ARE NOT APPLICABLE

- ITEM NOT ILLUSTRATED

HXL

54-53-01-01

BOEING PROPRIETARY - Copyright © - Unpublished Work - See title page for details.

54-53-01
FIG. 01
PAGE 9
DEC 22/08



767

PARTS CATALOG (MAINTENANCE)

FIG ITEM	PART NUMBER	1 2 3 4 5 6 7	NOMENCLATURE	EFFECT FROM TO	UNITS PER ASSY
1					
510	311T3065-77		.DOOR ASSY- POSITION DATA: LH SIDE ACCESS PANEL NUMBER: 432BL 442BL		1
510	311T3065-111		.DOOR ASSY- POSITION DATA: LH SIDE		1
510	311T3065-115		.DOOR ASSY- POSITION DATA: LH SIDE		1
510	311T3065-165		.DOOR ASSY- POSITION DATA: LH SIDE		1
515	311T3065-78		.DOOR ASSY- POSITION DATA: RH SIDE ACCESS PANEL NUMBER: 432B4 442B4		1
515	311T3065-112		.DOOR ASSY- POSITION DATA: RH SIDE		1
515	311T3065-116		.DOOR ASSY- POSITION DATA: RH SIDE		1
515	311T3065-166		.DOOR ASSY- POSITION DATA: RH SIDE		1
520	311T3065-70		.DOOR ASSY- POSITION DATA: LH SIDE ACCESS PANEL NUMBER: 436AL 446AL		1
520	311T3065-127		.DOOR ASSY- POSITION DATA: LH SIDE ACCESS PANEL NUMBER: 436AL 446AL		1
520	311T3065-159		.DOOR ASSY- POSITION DATA: LH SIDE ACCESS PANEL NUMBER: 436AL 446AL		1

ILLUSTRATION ITEMS NOT ON PARTS LIST ARE NOT APPLICABLE

- ITEM NOT ILLUSTRATED

54-53-01-01

54-53-01
FIG. 01
PAGE 10
DEC 22/08

HXL

BOEING PROPRIETARY - Copyright © - Unpublished Work - See title page for details.



767

PARTS CATALOG (MAINTENANCE)

FIG ITEM	PART NUMBER	1 2 3 4 5 6 7	NOMENCLATURE	EFFECT FROM TO	UNITS PER ASSY
1					
522	311T3065-94		.DOOR ASSY- POSITION DATA: RH SIDE ACCESS PANEL NUMBER: 436AR 446AR		1
522	311T3065-128		.DOOR ASSY- POSITION DATA: RH SIDE ACCESS PANEL NUMBER: 436AR 446AR		1
522	311T3065-160		.DOOR ASSY- POSITION DATA: RH SIDE ACCESS PANEL NUMBER: 436AR 446AR		1
525	311T3065-503		.DOOR ASSY- POSITION DATA: LH SIDE ACCESS PANEL NUMBER: 436BL 446BL		1
525	311T3065-505		.DOOR ASSY- POSITION DATA: LH SIDE ACCESS PANEL NUMBER: 436BL 446BL		1
525	311T3065-125		.DOOR ASSY- POSITION DATA: LH SIDE ACCESS PANEL NUMBER: 436BL 446BL		1
525	311T3065-135		.DOOR ASSY-		1
530	311T3065-504		.DOOR ASSY- POSITION DATA: RH SIDE ACCESS PANEL NUMBER: 436BR 446BR		1
530	311T3065-506		.DOOR ASSY- POSITION DATA: RH SIDE ACCESS PANEL NUMBER: 436BR 446BR		1

ILLUSTRATION ITEMS NOT ON PARTS LIST ARE NOT APPLICABLE

- ITEM NOT ILLUSTRATED

54-53-01-01

54-53-01
FIG. 01
PAGE 11
DEC 22/08

HXL



767

PARTS CATALOG (MAINTENANCE)

FIG ITEM	PART NUMBER	1 2 3 4 5 6 7	NOMENCLATURE	EFFECT FROM TO	UNITS PER ASSY
1					
530	311T3065-126	.	DOOR ASSY- POSITION DATA: RH SIDE ACCESS PANEL NUMBER: 436BR 446BR		1
530	311T3065-136	.	DOOR ASSY- POSITION DATA: RH SIDE ACCESS PANEL NUMBER: 436BR 446BR		1
535	311T3065-20	..	ANGLE ATTACHING PARTS		1
- 540	BACR15BA4AD	..	RIVET- SIZE DETERMINED ON INSTL. -----*-----		2
545	BACC13Y3B60	..	CABLE ASSY		1
550	MS29523-1	..	HOOK- USED ON: 311T3065-70 311T3065-72 311T3065-74 311T3065-81 311T3065-82 311T3065-94		2
555	NAS1090-1	..	HOOK- USED ON: 311T3065-77 311T3065-78		1
560	MS29523-1	..	HOOK- USED ON: 311T3065-77 311T3065-78		1
565	CL4F	..	FERRULE SUPPLIER CODE: V99862 SPECIFICATION NUMBER: BACF22U2 OPTIONAL PART: 325167 V00779		2

ILLUSTRATION ITEMS NOT ON PARTS LIST ARE NOT APPLICABLE

- ITEM NOT ILLUSTRATED

54-53-01-01

54-53-01
FIG. 01
PAGE 12
DEC 22/08

HXL



767

PARTS CATALOG (MAINTENANCE)

FIG ITEM	PART NUMBER	1 2 3 4 5 6 7	NOMENCLATURE	EFFECT FROM TO	UNITS PER ASSY
1 570	BACR15BA4D		..RIVET- SIZE DETERMINED ON INSTL. USED ON: 311T3065-70 311T3065-72 311T3065-81 311T3065-82 311T3065-94		8
575	BACR15BA4D		..RIVET- SIZE DETERMINED ON INSTL. USED ON: 311T3065-74		12
580	BACR15BA4D		..RIVET- SIZE DETERMINED ON INSTL. USED ON: 311T3065-77 311T3065-78		6
585	BACB30LH4-3		..BOLT- USED ON: 311T3065-70 311T3065-72 311T3065-81 311T3065-82 311T3065-94		4
590	BACB30LH4-3		..BOLT- USED ON: 311T3065-74		6
595	BACB30LH4-3		..BOLT- USED ON: 311T3065-77 311T3065-78		3
600	66-10344-1		..NUT-LATCH USED ON: 311T3065-70 311T3065-72 311T3065-81 311T3065-82 311T3065-94		4
605	66-10344-1		..NUT-LATCH USED ON: 311T3065-74		6
605	FBN12036-4		..NUT-LATCH SUPPLIER CODE: V29372 USED ON: 311T3065-74		6

ILLUSTRATION ITEMS NOT ON PARTS LIST ARE NOT APPLICABLE

- ITEM NOT ILLUSTRATED

54-53-01-01

54-53-01
FIG. 01
PAGE 13
DEC 22/08

HXL

BOEING PROPRIETARY - Copyright © - Unpublished Work - See title page for details.



767

PARTS CATALOG (MAINTENANCE)

FIG ITEM	PART NUMBER	1 2 3 4 5 6 7	NOMENCLATURE	EFFECT FROM TO	UNITS PER ASSY
1					
610	66-10344-1		..NUT-LATCH USED ON: 311T3065-77 311T3065-78		3
610	FBN12036-4		..NUT-LATCH SUPPLIER CODE: V29372 USED ON: 311T3065-77 311T3065-78		3
615	66-25039		..BLOCK-ANCHOR USED ON: 311T3065-70 311T3065-72 311T3065-94		4
615	66-25039-3		..BLOCK-ANCHOR USED ON: 311T3065-505 311T3065-506		4
620	66-25039		..BLOCK-ANCHOR USED ON: 311T3065-74		6
620	66-25039-3		..BLOCK-ANCHOR		6
625	66-25039		..BLOCK-ANCHOR USED ON: 311T3065-77 311T3065-78		3
625	66-25039-3		..BLOCK-ANCHOR		3
630	66-25040-4		..SHIM- USED ON: 311T3065-70 311T3065-72 311T3065-94		4
635	66-25040-4		..SHIM- USED ON: 311T3065-74		6
640	66-25040-4		..SHIM- USED ON: 311T3065-77 311T3065-78		6
645	66-25040-2		..SHIM- USED ON: 311T3065-77 311T3065-78		3

ILLUSTRATION ITEMS NOT ON PARTS LIST ARE NOT APPLICABLE

- ITEM NOT ILLUSTRATED

54-53-01-01

54-53-01
FIG. 01
PAGE 14
DEC 22/08

HXL

BOEING PROPRIETARY - Copyright © - Unpublished Work - See title page for details.



767

PARTS CATALOG (MAINTENANCE)

FIG ITEM	PART NUMBER	1 2 3 4 5 6 7	NOMENCLATURE	EFFECT FROM TO	UNITS PER ASSY
1 650	63-9651-1		<p>.. INDICATOR-</p> <p>MISCELLANEOUS DATA: FOR 737-300/400/500, FOR STRUT UPPER SURFACE POSITIONS, 63-9651-6 T/W MS24693C296 IS PREFERRED SPARE FOR 63-9651-1 T/W BACB30LH4-3. (REF. SB737- 12-1002)</p> <p>USED ON: 311T3065-72</p>		4
651	63-9651-1		<p>.. INDICATOR-</p> <p>MISCELLANEOUS DATA: FOR 737-300/400/500, FOR STRUT UPPER SURFACE POSITIONS, 63-9651-6 T/W MS24693C296 IS PREFERRED SPARE FOR 63-9651-1 T/W BACB30LH4-3. (REF. SB737- 12-1002)</p> <p>OPTIONAL PART: 63-9651-5</p> <p>USED ON: 311T3065-70 311T3065-94</p>		4
651	63-9651-5		<p>.. INDICATOR-</p> <p>OPTIONAL PART: 63-9651-1</p> <p>USED ON: 311T3065-70 311T3065-94</p>		4
652	63-9651-1		<p>.. INDICATOR-</p> <p>MISCELLANEOUS DATA: FOR 737-300/400/500, FOR STRUT UPPER SURFACE POSITIONS, 63-9651-6 T/W MS24693C296 IS PREFERRED SPARE FOR 63-9651-1 T/W BACB30LH4-3. (REF. SB737- 12-1002)</p> <p>OPTIONAL PART: 63-9651-5</p> <p>USED ON: 311T3065-505 311T3065-506</p>		4

ILLUSTRATION ITEMS NOT ON PARTS LIST ARE NOT APPLICABLE

- ITEM NOT ILLUSTRATED

54-53-01-01

HXL

BOEING PROPRIETARY - Copyright © - Unpublished Work - See title page for details.

54-53-01
FIG. 01
PAGE 15
DEC 22/08



767

PARTS CATALOG (MAINTENANCE)

FIG ITEM	PART NUMBER	1 2 3 4 5 6 7	NOMENCLATURE	EFFECT FROM TO	UNITS PER ASSY
1 652	63-9651-5		.. INDICATOR- OPTIONAL PART: 63-9651-1 USED ON: 311T3065-505 311T3065-506		4
653	63-9651-1		.. INDICATOR- MISCELLANEOUS DATA: FOR 737-300/400/500, FOR STRUT UPPER SURFACE POSITIONS, 63-9651-6 T/W MS24693C296 IS PREFERRED SPARE FOR 63-9651-1 T/W BACB30LH4-3. (REF. SB737- 12-1002) OPTIONAL PART: 63-9651-5 USED ON: 311T3065-107		4
653	63-9651-5		.. INDICATOR- OPTIONAL PART: 63-9651-1 USED ON: 311T3065-107		4
655	63-9651-1		.. INDICATOR- MISCELLANEOUS DATA: FOR 737-300/400/500, FOR STRUT UPPER SURFACE POSITIONS, 63-9651-6 T/W MS24693C296 IS PREFERRED SPARE FOR 63-9651-1 T/W BACB30LH4-3. (REF. SB737- 12-1002) USED ON: 311T3065-74		6
660	63-9651-1		.. INDICATOR- MISCELLANEOUS DATA: FOR 737-300/400/500, FOR STRUT UPPER SURFACE POSITIONS, 63-9651-6 T/W MS24693C296 IS PREFERRED SPARE FOR 63-9651-1 T/W BACB30LH4-3. (REF. SB737- 12-1002) USED ON: 311T3065-77 311T3065-78		3

ILLUSTRATION ITEMS NOT ON PARTS LIST ARE NOT APPLICABLE

- ITEM NOT ILLUSTRATED

54-53-01-01

54-53-01
FIG. 01
PAGE 16
DEC 22/08

HXL

BOEING PROPRIETARY - Copyright © - Unpublished Work - See title page for details.



767

PARTS CATALOG (MAINTENANCE)

FIG ITEM	PART NUMBER	1 2 3 4 5 6 7	NOMENCLATURE	EFFECT FROM TO	UNITS PER ASSY
1					
665	311T3065-73	..	DOOR- USED ON: 311T3065-72		1
670	311T3065-75	..	DOOR- USED ON: 311T3065-74		1
675	311T3065-79	..	DOOR- USED ON: 311T3065-77		1
680	311T3065-80	..	DOOR- USED ON: 311T3065-78		1
685	311T3065-71	..	DOOR- USED ON: 311T3065-70		1
685	311T3065-95	..	DOOR- USED ON: 311T3065-94		1
690	311T3065-139	..	DOOR-ACCESS NACELLE STRUT USED ON: 311T3065-135		1
690	311T3065-501	..	DOOR- USED ON: 311T3065-503		1
695	311T3065-502	..	DOOR- USED ON: 311T3065-504		1

ILLUSTRATION ITEMS NOT ON PARTS LIST ARE NOT APPLICABLE

- ITEM NOT ILLUSTRATED

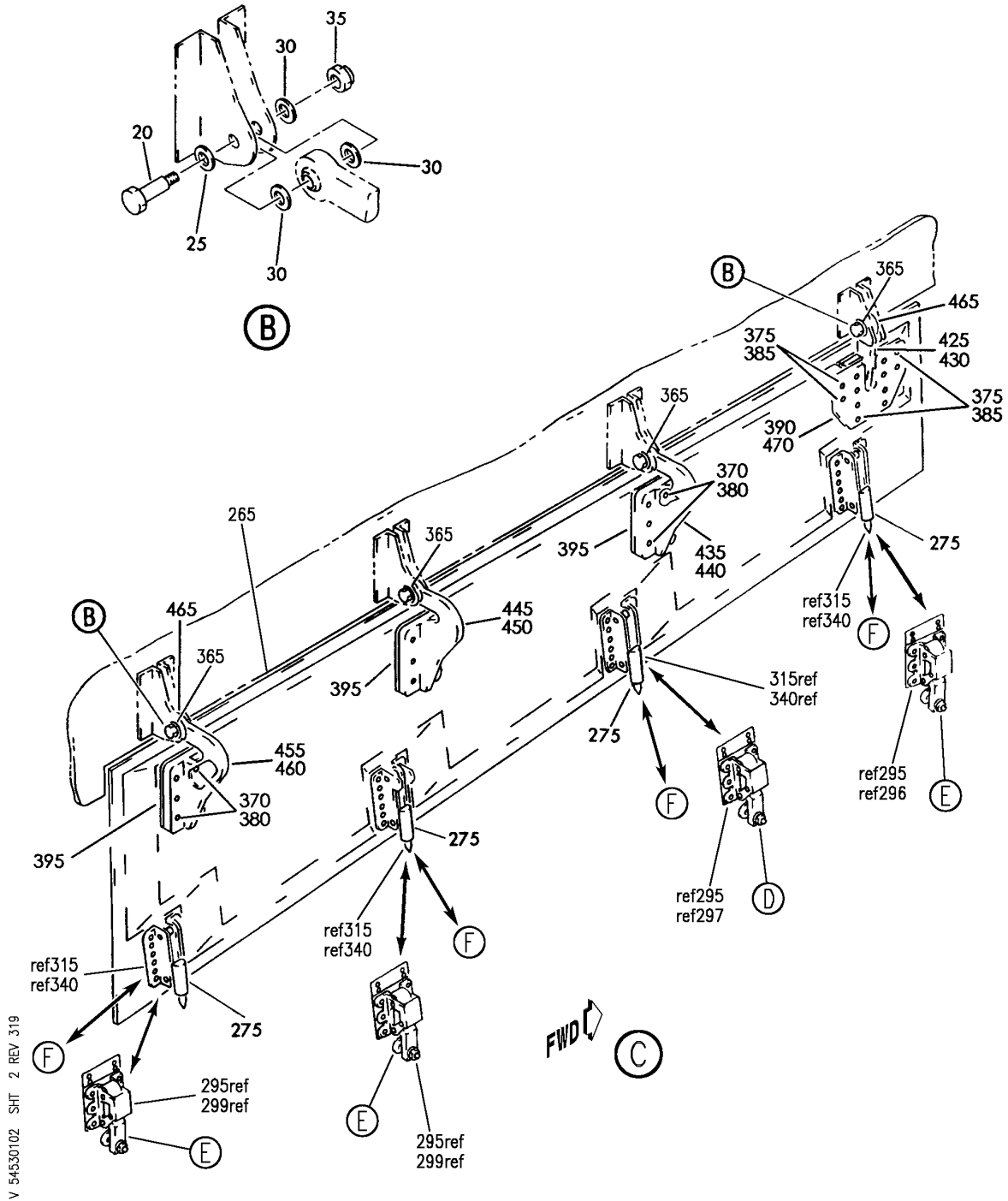
HXL

54-53-01-01

BOEING PROPRIETARY - Copyright © - Unpublished Work - See title page for details.

54-53-01
FIG. 01
PAGE 17
DEC 22/08

BOEING
767
PARTS CATALOG (MAINTENANCE)



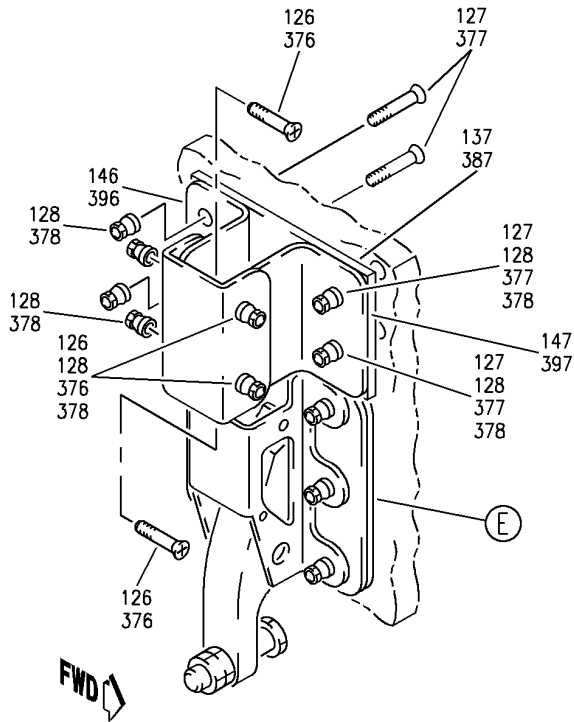
DOOR INSTL-AFT FAIRING STRUT ACCESS
FIGURE 2 (SHEET 2)

54-53-01-02

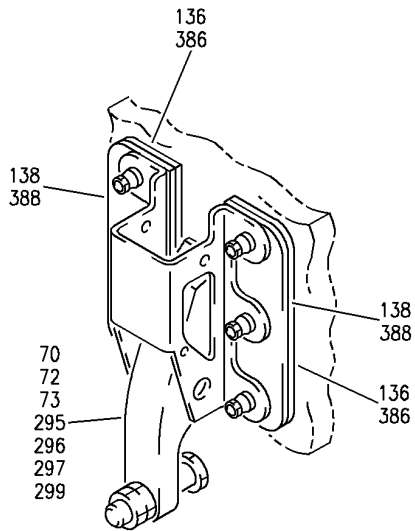
HXL
AUG 22/07

54-53-01-02
PAGE 0A


BOEING
 767
PARTS CATALOG (MAINTENANCE)



D



E

V 54530102 SH1 3 REV 319

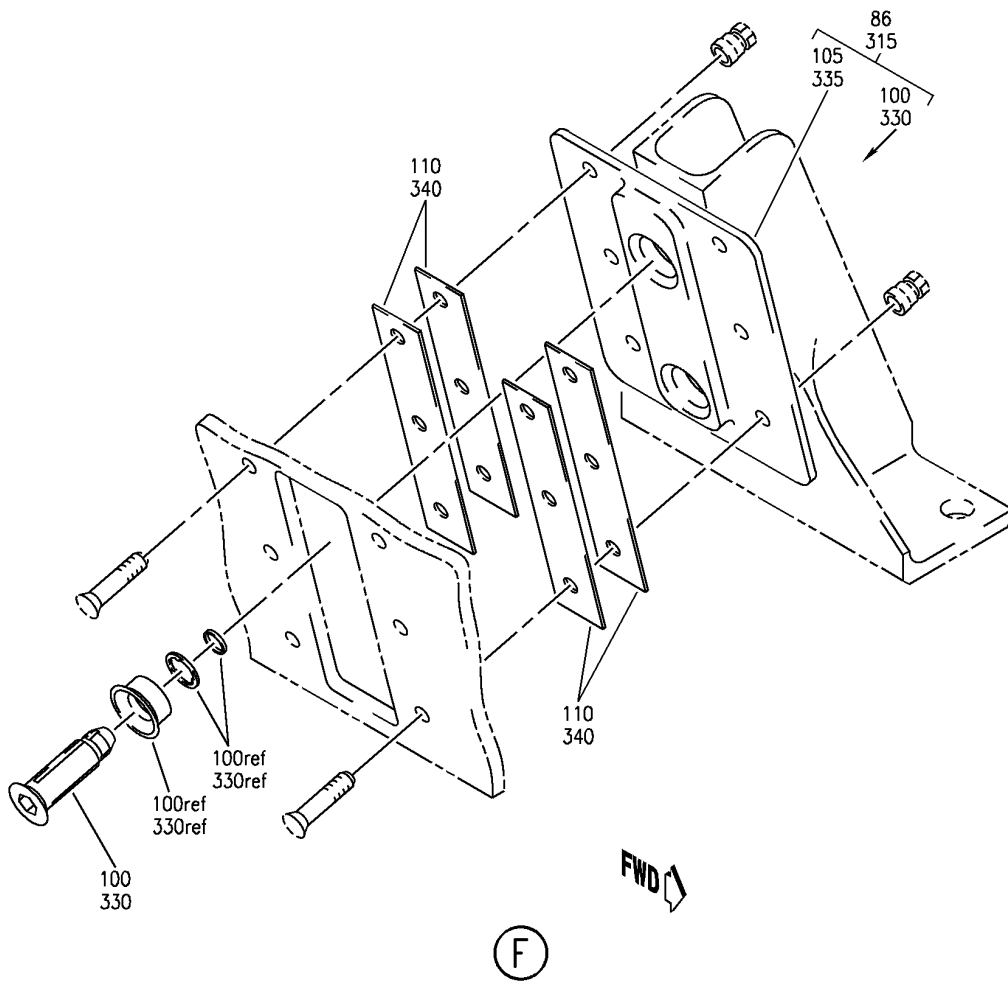
DOOR INSTL-AFT FAIRING STRUT ACCESS
FIGURE 2 (SHEET 3)

54-53-01-02

HXL
AUG 22/07

54-53-01-02
PAGE 08

BOEING
767
PARTS CATALOG (MAINTENANCE)



V 54530102 SH 4 REV 319

DOOR INSTL-AFT FAIRING STRUT ACCESS
FIGURE 2 (SHEET 4)

54-53-01-02

HXL
AUG 22/07

54-53-01-02
PAGE 0C



767

PARTS CATALOG (MAINTENANCE)

FIG ITEM	PART NUMBER	1 2 3 4 5 6 7	NOMENCLATURE	EFFECT FROM TO	UNITS PER ASSY
2			DOOR INSTL-AFT FAIRING STRUT ACCESS		
1	313T3340-25		DOOR INSTL-FAIRING STRUT ACCESS POSITION DATA: AFT LH FOR NHA SEE: 54-52-01-02	163163	RF
1	313T3340-33		DOOR INSTL-FAIRING STRUT ACCESS POSITION DATA: AFT LH FOR NHA SEE: 54-52-01-02	155162 164999	RF
5	313T3340-26		DOOR INSTL-FAIRING STRUT ACCESS POSITION DATA: AFT RH FOR NHA SEE: 54-52-01-02	163163	RF
5	313T3340-34		DOOR INSTL-FAIRING STRUT ACCESS POSITION DATA: AFT RH FOR NHA SEE: 54-52-01-02	155162 164999	RF
10	313T3340-27		DOOR INSTL-FAIRING STRUT ACCESS POSITION DATA: AFT LH FOR NHA SEE: 54-52-01-02	163163	RF
10	313T3340-35		DOOR INSTL-FAIRING STRUT ACCESS POSITION DATA: AFT LH FOR NHA SEE: 54-52-01-02	155162 164999	RF
15	313T3340-28		DOOR INSTL-FAIRING STRUT ACCESS POSITION DATA: AFT RH FOR NHA SEE: 54-52-01-02	163163	RF

ILLUSTRATION ITEMS NOT ON PARTS LIST ARE NOT APPLICABLE

- ITEM NOT ILLUSTRATED

HXL

54-53-01-02

BOEING PROPRIETARY - Copyright © - Unpublished Work - See title page for details.

54-53-01
FIG. 02
PAGE 1
DEC 22/07



767

PARTS CATALOG (MAINTENANCE)

FIG ITEM	PART NUMBER	1 2 3 4 5 6 7	NOMENCLATURE	EFFECT FROM TO	UNITS PER ASSY
2					
15	313T3340-36		DOOR INSTL-FAIRING STRUT ACCESS POSITION DATA: AFT RH FOR NHA SEE: 54-52-01-02	155162 164999	RF
20	BACB30NR5K14		.BOLT-		4
20	BACB30LJ5C14		.BOLT-		4
25	BACW10BP5AC		.WASHER		4
30	AN960-516L		.WASHER		12
35	BRH10A5		.NUT- SUPPLIER CODE: V52828 SPECIFICATION NUMBER: BACN10JC5 OPTIONAL PART: T6S524J V11815 96-054 V80539 RMLH9075-5W V72962 H10-5BAC V15653	163163	4
35	MS21042L5		.NUT-		4
40	313T3340-17		.DOOR ASSY- POSITION DATA: LH SIDE ACCESS PANEL NUMBER: 437BL COMPONENT MAINT MANUAL REF: 54-53-01 USED ON: 313T3340-13		1
40	313T3340-29		.DOOR ASSY- POSITION DATA: LH SIDE ACCESS PANEL NUMBER: 437BL COMPONENT MAINT MANUAL REF: 54-53-01 USED ON: 313T3340-25		1

ILLUSTRATION ITEMS NOT ON PARTS LIST ARE NOT APPLICABLE

- ITEM NOT ILLUSTRATED

54-53-01-02

54-53-01
FIG. 02
PAGE 2
DEC 22/07

HXL

BOEING PROPRIETARY - Copyright © - Unpublished Work - See title page for details.



767

PARTS CATALOG (MAINTENANCE)

FIG ITEM	PART NUMBER	1 2 3 4 5 6 7	NOMENCLATURE	EFFECT FROM TO	UNITS PER ASSY
2					
40	313T3301-29		.DOOR ASSY- POSITION DATA: LH SIDE COMPONENT MAINT MANUAL REF: 54-53-01 USED ON: 313T3340-1		1
40	313T3340-37		.DOOR ASSY- POSITION DATA: LH SIDE ACCESS PANEL NUMBER: 437BL COMPONENT MAINT MANUAL REF: 54-53-01 OPTIONAL PART: 313T3340-45 USED ON: 313T3340-33		1
40	313T3340-45		.DOOR ASSY- POSITION DATA: LH SIDE ACCESS PANEL NUMBER: 437BL COMPONENT MAINT MANUAL REF: 54-53-01 OPTIONAL PART: 313T3340-37 USED ON: 313T3340-33 313T3340-41		1
40	313T3340-49		.DOOR ASSY- POSITION DATA: LH SIDE COMPONENT MAINT MANUAL REF: 54-53-01 OPTIONAL PART: 313T3340-45 USED ON: 313T3340-41		1
40	313T3340-59		.DOOR ASSY- POSITION DATA: LH SIDE COMPONENT MAINT MANUAL REF: 54-53-01 USED ON: 313T3340-55		1
ILLUSTRATION ITEMS NOT ON PARTS LIST ARE NOT APPLICABLE					

- ITEM NOT ILLUSTRATED

54-53-01-02

54-53-01
FIG. 02
PAGE 3
DEC 22/07

HXL



767

PARTS CATALOG (MAINTENANCE)

FIG ITEM	PART NUMBER	1 2 3 4 5 6 7	NOMENCLATURE	EFFECT FROM TO	UNITS PER ASSY
2					
40	313T3340-67		.DOOR ASSY- POSITION DATA: LH SIDE COMPONENT MAINT MANUAL REF: 54-53-01 USED ON: 313T3340-71		1
40	313T3340-75		.DOOR ASSY- POSITION DATA: LH SIDE COMPONENT MAINT MANUAL REF: 54-53-01 USED ON: 313T3340-79		1
40	313T3340-83		.DOOR ASSY- POSITION DATA: LH SIDE COMPONENT MAINT MANUAL REF: 54-53-01 USED ON: 313T3340-55 313T3340-63		1
- 45	313T3340-18		.DOOR ASSY- POSITION DATA: RH SIDE ACCESS PANEL NUMBER: 447BR COMPONENT MAINT MANUAL REF: 54-53-01 USED ON: 313T3340-14		1
- 45	313T3340-30		.DOOR ASSY- POSITION DATA: RH SIDE ACCESS PANEL NUMBER: 447BR COMPONENT MAINT MANUAL REF: 54-53-01 USED ON: 313T3340-26		1
- 45	313T3301-30		.DOOR ASSY- POSITION DATA: RH SIDE COMPONENT MAINT MANUAL REF: 54-53-01 USED ON: 313T3340-2		1
ILLUSTRATION ITEMS NOT ON PARTS LIST ARE NOT APPLICABLE					

R
R
R
R
R
R
R

- ITEM NOT ILLUSTRATED

54-53-01-02

54-53-01
FIG. 02
PAGE 4
AUG 22/09

HXL



767

PARTS CATALOG (MAINTENANCE)

FIG ITEM	PART NUMBER	1 2 3 4 5 6 7	NOMENCLATURE	EFFECT FROM TO	UNITS PER ASSY
2					
- 45	313T3340-38		.DOOR ASSY- POSITION DATA: RH SIDE ACCESS PANEL NUMBER: 447BR COMPONENT MAINT MANUAL REF: 54-53-01 OPTIONAL PART: 313T3340-46 USED ON: 313T3340-34		1
- 45	313T3340-46		.DOOR ASSY- POSITION DATA: RH SIDE ACCESS PANEL NUMBER: 447BR COMPONENT MAINT MANUAL REF: 54-53-01 OPTIONAL PART: 313T3340-38 USED ON: 313T3340-34 313T3340-42		1
- 45	313T3340-50		.DOOR ASSY- POSITION DATA: RH SIDE COMPONENT MAINT MANUAL REF: 54-53-01 OPTIONAL PART: 313T3340-46 USED ON: 313T3340-34		1
- 45	313T3340-60		.DOOR ASSY- POSITION DATA: RH SIDE COMPONENT MAINT MANUAL REF: 54-53-01 USED ON: 313T3340-56		1
- 45	313T3340-68		.DOOR ASSY- POSITION DATA: RH SIDE COMPONENT MAINT MANUAL REF: 54-53-01 USED ON: 313T3340-72		1

ILLUSTRATION ITEMS NOT ON PARTS LIST ARE NOT APPLICABLE

- ITEM NOT ILLUSTRATED

54-53-01-02

54-53-01
FIG. 02
PAGE 5
DEC 22/07

HXL



767

PARTS CATALOG (MAINTENANCE)

FIG ITEM	PART NUMBER	1 2 3 4 5 6 7	NOMENCLATURE	EFFECT FROM TO	UNITS PER ASSY
2					
- 45	313T3340-76		.DOOR ASSY- POSITION DATA: RH SIDE COMPONENT MAINT MANUAL REF: 54-53-01 USED ON: 313T3340-80		1
- 45	313T3340-84		.DOOR ASSY- POSITION DATA: RH SIDE COMPONENT MAINT MANUAL REF: 54-53-01 USED ON: 313T3340-56 64		1
70	9675-10		..LATCH ASSY- SUPPLIER CODE: V83014 SPECIFICATION NUMBER: 10-61334-10 OPTIONAL PART: H3225-3 V83014 USED ON: 313T3340-29 313T3340-30 313T3340-37 313T3340-38 313T3340-45 313T3340-46 313T3340-49 313T3340-50 313T3340-59 313T3340-60 313T3340-83 313T3340-84		4
70	H3225-5		..LATCH ASSY- SUPPLIER CODE: V83014 SPECIFICATION NUMBER: 10-61334-9 OPTIONAL PART: H3225-1 V83014 9675 V84256 USED ON: 313T3340-17 313T3340-18		4

ILLUSTRATION ITEMS NOT ON PARTS LIST ARE NOT APPLICABLE

- ITEM NOT ILLUSTRATED

HXL

54-53-01-02

BOEING PROPRIETARY - Copyright © - Unpublished Work - See title page for details.

54-53-01
FIG. 02
PAGE 6
DEC 22/08



767

PARTS CATALOG (MAINTENANCE)

FIG ITEM	PART NUMBER	1 2 3 4 5 6 7	NOMENCLATURE	EFFECT FROM TO	UNITS PER ASSY
2					
70	9675-12		.. LATCH ASSY- SUPPLIER CODE: V84256 SPECIFICATION NUMBER: 10-61334-12 OPTIONAL PART: H3225-3 V83014 USED ON: 313T3340-59 313T3340-60 313T3340-83 313T3340-84		4
70	HA142-5		.. LATCH ASSY- SUPPLIER CODE: V83014 SPECIFICATION NUMBER: 10-61334-18 OPTIONAL PART: 91049-18 V84256 USED ON: 313T3340-29 313T3340-30 FOR DETAILS SEE: 54-53-01-19		4
70	91049-18		.. LATCH ASSY- SUPPLIER CODE: V84256 SPECIFICATION NUMBER: 10-61334-18 OPTIONAL PART: HA142-5 V83014 USED ON: 313T3340-29 313T3340-30 FOR DETAILS SEE: 54-53-01-19		4

ILLUSTRATION ITEMS NOT ON PARTS LIST ARE NOT APPLICABLE

- ITEM NOT ILLUSTRATED

HXL

54-53-01-02

BOEING PROPRIETARY - Copyright © - Unpublished Work - See title page for details.

54-53-01
 FIG. 02
 PAGE 7
 DEC 22/08



767

PARTS CATALOG (MAINTENANCE)

FIG ITEM	PART NUMBER	1 2 3 4 5 6 7 NOMENCLATURE	EFFECT FROM TO	UNITS PER ASSY
2 70	91049-16	.. LATCH ASSY- SUPPLIER CODE: V84256 SPECIFICATION NUMBER: 10-61334-16 OPTIONAL PART: HA142-3 V83014 HA142-5 V83014 SERVICE BULLETIN OPT DATA: V83014 USED ON: 313T3340-67 313T3340-68 313T3340-75 313T3340-76 313T3340-29 313T3340-30 POST SERVICE BULLETIN: 54-0068 FOR DETAILS SEE: 54-53-01-19		4

ILLUSTRATION ITEMS NOT ON PARTS LIST ARE NOT APPLICABLE

- ITEM NOT ILLUSTRATED

HXL

54-53-01-02

BOEING PROPRIETARY - Copyright © - Unpublished Work - See title page for details.

54-53-01
 FIG. 02
 PAGE 8
 DEC 22/08



767

PARTS CATALOG (MAINTENANCE)

FIG ITEM	PART NUMBER	1 2 3 4 5 6 7	NOMENCLATURE	EFFECT FROM TO	UNITS PER ASSY
2 70	HA142-3		.. LATCH ASSY- SUPPLIER CODE: V83014 SPECIFICATION NUMBER: 10-61334-17 OPTIONAL PART: HA142-1 V83014 91049-17 V84256 OPTIONAL PART: 91049-16 V84256 HA142-5 V83014 SERVICE BULLETIN OPT DATA: V84256 USED ON: 313T3340-67 313T3340-68 313T3340-75 313T3340-76 313T3340-29 313T3340-30 POST SERVICE BULLETIN: 54-0068 FOR DETAILS SEE: 54-53-01-19		4
70	HA142-5		.. LATCH ASSY- SUPPLIER CODE: V83014 SPECIFICATION NUMBER: 10-61334-18 OPTIONAL PART: 91049-18 V84256 OPTIONAL PART: HA142-3 V83014 91049-16 V84256 USED ON: 313T3340-67 313T3340-68 313T3340-75 313T3340-76 FOR DETAILS SEE: 54-53-01-19		4

ILLUSTRATION ITEMS NOT ON PARTS LIST ARE NOT APPLICABLE

- ITEM NOT ILLUSTRATED

HXL

54-53-01-02

BOEING PROPRIETARY - Copyright © - Unpublished Work - See title page for details.

54-53-01
 FIG. 02
 PAGE 9
 DEC 22/07

BOEING
767
PARTS CATALOG (MAINTENANCE)

FIG ITEM	PART NUMBER	1 2 3 4 5 6 7	NOMENCLATURE	EFFECT FROM TO	UNITS PER ASSY
2 70	91049-18		.. LATCH ASSY- SUPPLIER CODE: V84256 SPECIFICATION NUMBER: 10-61334-18 OPTIONAL PART: HA142-5 V83014 OPTIONAL PART: HA142-3 V83014 91049-16 V84256 USED ON: 313T3340-67 313T3340-68 313T3340-75 313T3340-76 FOR DETAILS SEE: 54-53-01-19 ATTACHING PARTS		4
- 75	HL13VAZ6-6		.. BOLT- SUPPLIER CODE: V56878 SPECIFICATION NUMBER: BACB30NY6K6 OPTIONAL PART: HL13VAZ6-6 V73197 HL13VAZ6-6 V92215 HL13VAZ6-6 V97928 L801-6K6 V06725 HL13VAZ6-6 V17446 L801-6K6 V0PTK6 HL13VAZ6-6 V60516 HL1033AZ6-6 V60516 POST SERVICE BULLETIN: 54-0068		24

R
R
R
R
R
R
R
R
R
R
R
R
R
R
R
R
R
R
R
R
R
R

- ITEM NOT ILLUSTRATED

ILLUSTRATION ITEMS NOT ON PARTS LIST ARE NOT APPLICABLE

54-53-01-02

54-53-01
FIG. 02
PAGE 10
AUG 22/09

HXL



767

PARTS CATALOG (MAINTENANCE)

FIG ITEM	PART NUMBER	1 2 3 4 5 6 7 NOMENCLATURE	EFFECT FROM TO	UNITS PER ASSY
2 120	HL13VAZ8-19	..BOLT- SUPPLIER CODE: V56878 SPECIFICATION NUMBER: BACB30NY8K19 OPTIONAL PART: HL13VAZ8-19 V73197 HL13VAZ8-19 V92215 HL13VAZ8-19 V97928 L801-8K19 V06725 HL13VAZ8-19 V60516 L801-8K19 V0PTK6 HL13VAZ8-19 V17446 HL1013AZ8-19 V60516 USED ON: 313T3340-68 313T3340-69 313T3340-76 313T3340-77 313T3340-83 313T3340-84		18

ILLUSTRATION ITEMS NOT ON PARTS LIST ARE NOT APPLICABLE

- ITEM NOT ILLUSTRATED

HXL

54-53-01-02

BOEING PROPRIETARY - Copyright © - Unpublished Work - See title page for details.

54-53-01
 FIG. 02
 PAGE 12
 APR 22/08



767

PARTS CATALOG (MAINTENANCE)

FIG ITEM	PART NUMBER	1 2 3 4 5 6 7 NOMENCLATURE	EFFECT FROM TO	UNITS PER ASSY
2 125	HL13VAZ8-17	..BOLT SUPPLIER CODE: V56878 SPECIFICATION NUMBER: BACB30NY8K17 OPTIONAL PART: HL13VAZ8-17 V73197 HL13VAZ8-17 V92215 HL13VAZ8-17 V97928 L801-8K17 V06725 HL13VAZ8-17 V60516 L801-8K17 V0PTK6 HL13VAZ8-17 V17446 HL1013AZ8-17 V60516		12

ILLUSTRATION ITEMS NOT ON PARTS LIST ARE NOT APPLICABLE

- ITEM NOT ILLUSTRATED

HXL

54-53-01-02

BOEING PROPRIETARY - Copyright © - Unpublished Work - See title page for details.

54-53-01
 FIG. 02
 PAGE 13
 APR 22/08



767

PARTS CATALOG (MAINTENANCE)

FIG ITEM	PART NUMBER	1 2 3 4 5 6 7 NOMENCLATURE	EFFECT FROM TO	UNITS PER ASSY
2 130	BRH10C4M	..NUT- SUPPLIER CODE: V52828 SPECIFICATION NUMBER: BACN10JC4CM OPTIONAL PART: T6C428JM V11815 97E48 V80539 109LH9075-4W V72962 VN303D048 V92215 H01-4BAC V15653 NS202101SE048 V80539 USED ON: 313T3340-5 313T3340-6 313T3340-9 313T3340-10 313T3340-17 313T3340-18 313T3340-29 313T3340-30 313T3340-37 313T3340-38 313T3340-45 313T3340-45 313T3340-49 313T3340-50 313T3340-59 313T3340-60		18

ILLUSTRATION ITEMS NOT ON PARTS LIST ARE NOT APPLICABLE

- ITEM NOT ILLUSTRATED

HXL

54-53-01-02

BOEING PROPRIETARY - Copyright © - Unpublished Work - See title page for details.

54-53-01
 FIG. 02
 PAGE 14
 APR 22/08



767

PARTS CATALOG (MAINTENANCE)

FIG ITEM	PART NUMBER	1 2 3 4 5 6 7	NOMENCLATURE	EFFECT FROM TO	UNITS PER ASSY
2 130	HL79-8		.. COLLAR- SUPPLIER CODE: V5M902 SPECIFICATION NUMBER: BACC30M8 OPTIONAL PART: HL79-8 V73197 HL79-8 V92215 66014-8 V56878 HL79-8 V56878 USED ON: 313T3340-68 313T3340-69 313T3340-76 313T3340-77 313T3340-83 313T3340-84		18
135	HL79-8		.. COLLAR SUPPLIER CODE: V5M902 SPECIFICATION NUMBER: BACC30M8 OPTIONAL PART: HL79-8 V73197 HL79-8 V92215 66014-8 V56878 HL79-8 V56878		12
140	BACS40R13C23F		.. SHIM		2
145	BACS40R32C50F		.. SHIM		3
150	313T3327-1		..HINGE ASSY- POSITION DATA: STRUT NO. 1 OUTBD		1
- 155	313T3327-2		..HINGE ASSY- POSITION DATA: STRUT NO. 2 OUTBD		1
160	313T3320-1		..HINGE ASSY- POSITION DATA: STRUT NO. 1 OUTBD		1
- 165	313T3320-2		..HINGE ASSY- POSITION DATA: STRUT NO. 2 OUTBD		1

ILLUSTRATION ITEMS NOT ON PARTS LIST ARE NOT APPLICABLE

- ITEM NOT ILLUSTRATED

54-53-01-02

54-53-01
 FIG. 02
 PAGE 15
 APR 22/08

HXL

 **BOEING**
767
PARTS CATALOG (MAINTENANCE)

FIG ITEM	PART NUMBER	1 2 3 4 5 6 7	NOMENCLATURE	EFFECT FROM TO	UNITS PER ASSY
2					
170	313T3321-1		..HINGE ASSY- POSITION DATA: STRUT NO. 1 OUTBD		1
170	313T3321-7		..HINGE ASSY- POSITION DATA: STRUT NO. 1 OUTBD		1
- 175	313T3321-2		..HINGE ASSY- POSITION DATA: STRUT NO. 2 OUTBD		1
180	313T3325-1		..HINGE ASSY- POSITION DATA: STRUT NO. 1 OUTBD		1
- 185	313T3325-2		..HINGE ASSY- POSITION DATA: STRUT NO. 2 OUTBD		1
190	P20650		...BEARING ASSY- SUPPLIER CODE: V57606 SPECIFICATION NUMBER: S302T001-206 OPTIONAL PART: VTB04450 V06710 USED ON: 313T3327-1 313T3327-2 313T3320-1 313T3320-2 313T3321-2 313T3325-1 313T3325-2		1
193	P20650		...BEARING ASSY- SUPPLIER CODE: V57606 SPECIFICATION NUMBER: S302T001-206 OPTIONAL PART: VTB04450 V06710 USED ON: 313T3321-1		1
193	BACB10JE05C01		...BEARING- USED ON: 313T3321-1 313T3321-7 313T3321-8		1
195	313T3335-1		..PLATE		1

ILLUSTRATION ITEMS NOT ON PARTS LIST ARE NOT APPLICABLE

- ITEM NOT ILLUSTRATED

HXL

54-53-01-02

BOEING PROPRIETARY - Copyright © - Unpublished Work - See title page for details.

54-53-01
FIG. 02
PAGE 16
APR 22/09



767

PARTS CATALOG (MAINTENANCE)

FIG ITEM	PART NUMBER	1 2 3 4 5 6 7	NOMENCLATURE	EFFECT FROM TO	UNITS PER ASSY
2 265	313T3340-19		.DOOR ASSY- POSITION DATA: LH SIDE ACCESS PANEL NUMBER: 437BR COMPONENT MAINT MANUAL REF: 54-53-01 USED ON: 313T3340-15		1
265	313T3340-31		.DOOR ASSY- POSITION DATA: LH SIDE ACCESS PANEL NUMBER: 437BR COMPONENT MAINT MANUAL REF: 54-53-01 USED ON: 313T3340-27		1
265	313T3301-31		.DOOR ASSY- POSITION DATA: LH SIDE COMPONENT MAINT MANUAL REF: 54-53-01 USED ON: 313T3340-3		1
265	313T3340-39		.DOOR ASSY- POSITION DATA: LH SIDE ACCESS PANEL NUMBER: 437BR COMPONENT MAINT MANUAL REF: 54-53-01 OPTIONAL PART: 313T3340-47 USED ON: 313T3340-35		1
265	313T3340-47		.DOOR ASSY- POSITION DATA: LH SIDE ACCESS PANEL NUMBER: 437BR COMPONENT MAINT MANUAL REF: 54-53-01 OPTIONAL PART: 313T3340-39 USED ON: 313T3340-35 313T3340-43		1

ILLUSTRATION ITEMS NOT ON PARTS LIST ARE NOT APPLICABLE

- ITEM NOT ILLUSTRATED

54-53-01-02

54-53-01
FIG. 02
PAGE 17
APR 22/08

HXL

 **BOEING**
767
PARTS CATALOG (MAINTENANCE)

FIG ITEM	PART NUMBER	1 2 3 4 5 6 7	NOMENCLATURE	EFFECT FROM TO	UNITS PER ASSY
2 265	313T3340-51		.DOOR ASSY- POSITION DATA: LH SIDE COMPONENT MAINT MANUAL REF: 54-53-01 OPTIONAL PART: 313T3340-47 USED ON: 313T3340-43		1
265	313T3340-61		.DOOR ASSY- POSITION DATA: LH SIDE COMPONENT MAINT MANUAL REF: 54-53-01 USED ON: 313T3340-57		1
265	313T3340-85		.DOOR ASSY- POSITION DATA: LH SIDE COMPONENT MAINT MANUAL REF: 54-53-01 USED ON: 313T3340-57		1
265	313T3340-69		.DOOR ASSY- POSITION DATA: LH SIDE COMPONENT MAINT MANUAL REF: 54-53-01 USED ON: 313T3340-73		1
265	313T3340-77		.DOOR ASSY- POSITION DATA: LH SIDE COMPONENT MAINT MANUAL REF: 54-53-01 USED ON: 313T3340-81		1
- 270	313T3340-20		.DOOR ASSY- POSITION DATA: RH SIDE ACCESS PANEL NUMBER: 447BL COMPONENT MAINT MANUAL REF: 54-53-01 USED ON: 313T3340-16		1

ILLUSTRATION ITEMS NOT ON PARTS LIST ARE NOT APPLICABLE

- ITEM NOT ILLUSTRATED

HXL

54-53-01-02

BOEING PROPRIETARY - Copyright © - Unpublished Work - See title page for details.

54-53-01
FIG. 02
PAGE 18
APR 22/08



767

PARTS CATALOG (MAINTENANCE)

FIG ITEM	PART NUMBER	1 2 3 4 5 6 7	NOMENCLATURE	EFFECT FROM TO	UNITS PER ASSY
2					
- 270	313T3340-32		.DOOR ASSY- POSITION DATA: RH SIDE ACCESS PANEL NUMBER: 447BL COMPONENT MAINT MANUAL REF: 54-53-01 USED ON: 313T3340-28		1
- 270	313T3301-32		.DOOR ASSY- POSITION DATA: RH SIDE COMPONENT MAINT MANUAL REF: 54-53-01 USED ON: 313T3340-4		1
- 270	313T3340-40		.DOOR ASSY- POSITION DATA: RH SIDE ACCESS PANEL NUMBER: 447BL COMPONENT MAINT MANUAL REF: 54-53-01 OPTIONAL PART: 313T3340-48 USED ON: 313T3340-36		1
- 270	313T3340-48		.DOOR ASSY- POSITION DATA: RH SIDE ACCESS PANEL NUMBER: 447BL COMPONENT MAINT MANUAL REF: 54-53-01 OPTIONAL PART: 313T3340-40 USED ON: 313T3340-36		1
- 270	313T3340-52		.DOOR ASSY- POSITION DATA: RH SIDE COMPONENT MAINT MANUAL REF: 54-53-01 OPTIONAL PART: 313T3340-48 USED ON: 313T3340-36		1

ILLUSTRATION ITEMS NOT ON PARTS LIST ARE NOT APPLICABLE

- ITEM NOT ILLUSTRATED

54-53-01-02

54-53-01
FIG. 02
PAGE 19
APR 22/08

HXL



767

PARTS CATALOG (MAINTENANCE)

FIG ITEM	PART NUMBER	1 2 3 4 5 6 7	NOMENCLATURE	EFFECT FROM TO	UNITS PER ASSY
2					
- 270	313T3340-62		.DOOR ASSY- POSITION DATA: RH SIDE COMPONENT MAINT MANUAL REF: 54-53-01 USED ON: 313T3340-58		1
- 270	313T3340-86		.DOOR ASSY- POSITION DATA: RH SIDE COMPONENT MAINT MANUAL REF: 54-53-01 USED ON: 313T3340-58		1
- 270	313T3340-70		.DOOR ASSY- POSITION DATA: RH SIDE COMPONENT MAINT MANUAL REF: 54-53-01 USED ON: 313T3340-58 66		1
- 270	313T3340-78		.DOOR ASSY- POSITION DATA: RH SIDE COMPONENT MAINT MANUAL REF: 54-53-01 USED ON: 313T3340-74		1
- 270	313T3340-118		.DOOR ASSY- POSITION DATA: RH SIDE COMPONENT MAINT MANUAL REF: 54-53-01 USED ON: 313T3340-82		1
- 270	313T3340-102		.DOOR ASSY- POSITION DATA: RH SIDE COMPONENT MAINT MANUAL REF: 54-53-01		1

ILLUSTRATION ITEMS NOT ON PARTS LIST ARE NOT APPLICABLE

- ITEM NOT ILLUSTRATED

HXL

54-53-01-02

BOEING PROPRIETARY - Copyright © - Unpublished Work - See title page for details.

54-53-01
FIG. 02
PAGE 20
APR 22/08



767

PARTS CATALOG (MAINTENANCE)

FIG ITEM	PART NUMBER	1 2 3 4 5 6 7 NOMENCLATURE	EFFECT FROM TO	UNITS PER ASSY
2 295	91049-16	.. LATCH ASSY- SUPPLIER CODE: V84256 SPECIFICATION NUMBER: 10-61334-16 OPTIONAL PART: HA142-3 V83014 HA142-5 V83014 SERVICE BULLETIN OPT DATA: V83014 USED ON: 313T3340-69 313T3340-70 313T3340-77 313T3340-78 313T3340-31 313T3340-32 POST SERVICE BULLETIN: 54-0068 FOR DETAILS SEE: 54-53-01-19		4

ILLUSTRATION ITEMS NOT ON PARTS LIST ARE NOT APPLICABLE

- ITEM NOT ILLUSTRATED

HXL

54-53-01-02

BOEING PROPRIETARY - Copyright © - Unpublished Work - See title page for details.

54-53-01
 FIG. 02
 PAGE 21
 APR 22/08

BOEING
767
PARTS CATALOG (MAINTENANCE)

FIG ITEM	PART NUMBER	1 2 3 4 5 6 7	NOMENCLATURE	EFFECT FROM TO	UNITS PER ASSY
2 295	HA142-3		.. LATCH ASSY- SUPPLIER CODE: V83014 SPECIFICATION NUMBER: 10-61334-17 OPTIONAL PART: HA142-1 V83014 91049-17 V84256 OPTIONAL PART: 81049-16 V84256 HA142-5 V83014 SERVICE BULLETIN OPT DATA: V84256 USED ON: 313T3340-69 313T3340-70 313T3340-77 313T3340-78 313T3340-31 313T3340-32 POST SERVICE BULLETIN: 54-0068 FOR DETAILS SEE: 54-53-01-19		4
295	H3225-5		.. LATCH ASSY- SUPPLIER CODE: V83014 SPECIFICATION NUMBER: 10-61334-9 OPTIONAL PART: 9675 V84256 H3225-1 V83014 USED ON: 313T3340-19 313T3340-20		4

ILLUSTRATION ITEMS NOT ON PARTS LIST ARE NOT APPLICABLE

— ITEM NOT ILLUSTRATED

HXL

54-53-01-02

BOEING PROPRIETARY - Copyright © - Unpublished Work - See title page for details.

54-53-01
FIG. 02
PAGE 22
APR 22/08



767

PARTS CATALOG (MAINTENANCE)

FIG ITEM	PART NUMBER	1 2 3 4 5 6 7	NOMENCLATURE	EFFECT FROM TO	UNITS PER ASSY
2 295	9675-10		.. LATCH ASSY- SUPPLIER CODE: V83014 SPECIFICATION NUMBER: 10-61334-10 OPTIONAL PART: H3225-3 V83014 OPTIONAL PART: 9675-12 V81256 USED ON: 313T3340-31 313T3340-32 313T3340-39 313T3340-40 313T3340-47 313T3340-48 313T3340-51 313T3340-52 313T3340-61 313T3340-62 313T3340-85 313T3340-86		4
295	HA142-5		.. LATCH ASSY- SUPPLIER CODE: V83014 SPECIFICATION NUMBER: 10-61334-18 OPTIONAL PART: 91049-18 V84256 OPTIONAL PART: 81049-16 V84256 HA142-3 V83014 USED ON: 313T3340-69 313T3340-70 313T3340-77 313T3340-78 FOR DETAILS SEE: 54-53-01-19		4

ILLUSTRATION ITEMS NOT ON PARTS LIST ARE NOT APPLICABLE

- ITEM NOT ILLUSTRATED

HXL

54-53-01-02

BOEING PROPRIETARY - Copyright © - Unpublished Work - See title page for details.

54-53-01
 FIG. 02
 PAGE 23
 DEC 22/08



767

PARTS CATALOG (MAINTENANCE)

FIG ITEM	PART NUMBER	1 2 3 4 5 6 7	NOMENCLATURE	EFFECT FROM TO	UNITS PER ASSY
2 295	9675-12		.. LATCH ASSY- SUPPLIER CODE: V84256 SPECIFICATION NUMBER: 10-61334-12 OPTIONAL PART: 9675-10 V83014 USED ON: 313T3340-61 313T3340-62 313T3340-85 313T3340-86		4
295	9675-10		.. LATCH ASSY- SUPPLIER CODE: V83014 SPECIFICATION NUMBER: 10-61334-10 OPTIONAL PART: H3225-3 V83014 USED ON: 313T3340-40 313T3340-48		4
295	91049-18		.. LATCH ASSY- SUPPLIER CODE: V84256 SPECIFICATION NUMBER: 10-61334-18 OPTIONAL PART: HA142-5 V83014 OPTIONAL PART: 81049-16 V84256 HA142-3 V83014 USED ON: 313T3340-69 313T3340-70 313T3340-77 313T3340-78 FOR DETAILS SEE: 54-53-01-19		4

ILLUSTRATION ITEMS NOT ON PARTS LIST ARE NOT APPLICABLE

- ITEM NOT ILLUSTRATED

HXL

54-53-01-02

BOEING PROPRIETARY - Copyright © - Unpublished Work - See title page for details.

54-53-01
 FIG. 02
 PAGE 24
 DEC 22/08

BOEING
767
PARTS CATALOG (MAINTENANCE)

FIG ITEM	PART NUMBER	1 2 3 4 5 6 7	NOMENCLATURE	EFFECT FROM TO	UNITS PER ASSY
R R R R R R R R R R R R R R R	2		ATTACHING PARTS		
	- 300	HL13VAZ6-6	..BOLT- SUPPLIER CODE: V56878 SPECIFICATION NUMBER: BACB30NY6K6 OPTIONAL PART: HL13VAZ6-6 V73197 HL13VAZ6-6 V92215 HL13VAZ6-6 V97928 L801-6K6 V06725 HL13VAZ6-6 V17446 L801-6K6 V0PTK6 HL13VAZ6-6 V60516 HL1033AZ6-6 V60516 POST SERVICE BULLETIN: 54-0068		24
	- 305	HL97DU6	..COLLAR- SUPPLIER CODE: V73197 SPECIFICATION NUMBER: BACC30AB6S OPTIONAL PART: HL97DU6 V56878 HL97DU6 V5M902 POST SERVICE BULLETIN: 54-0068		24
	365	VTB04451	-----*----- ..BALL- SUPPLIER CODE: V06710 OPTIONAL PART: P20651 V57606		4
	ILLUSTRATION ITEMS NOT ON PARTS LIST ARE NOT APPLICABLE				

- ITEM NOT ILLUSTRATED

HXL

54-53-01-02

BOEING PROPRIETARY - Copyright © - Unpublished Work - See title page for details.

54-53-01
FIG. 02
PAGE 25
AUG 22/09



767

PARTS CATALOG (MAINTENANCE)

FIG ITEM	PART NUMBER	1 2 3 4 5 6 7 NOMENCLATURE	EFFECT FROM TO	UNITS PER ASSY
2 370	HL13VAZ8-19	..BOLT- SUPPLIER CODE: V56878 SPECIFICATION NUMBER: BACB30NY8K19 OPTIONAL PART: HL13VAZ8-19 V73197 HL13VAZ8-19 V92215 HL13VAZ8-19 V97928 L801-8K19 V06725 HL13VAZ8-19 V60516 L801-8K19 V0PTK6 HL13VAZ8-19 V17446 HL1013AZ8-19 V60516 USED ON: 313T3340-70 313T3340-71 313T3340-78 313T3340-79 313T3340-85 313T3340-86		18

ILLUSTRATION ITEMS NOT ON PARTS LIST ARE NOT APPLICABLE

- ITEM NOT ILLUSTRATED

HXL

54-53-01-02

BOEING PROPRIETARY - Copyright © - Unpublished Work - See title page for details.

54-53-01
 FIG. 02
 PAGE 27
 APR 22/08



767

PARTS CATALOG (MAINTENANCE)

FIG ITEM	PART NUMBER	1 2 3 4 5 6 7 NOMENCLATURE	EFFECT FROM TO	UNITS PER ASSY
2 375	HL13VAZ8-17	..BOLT SUPPLIER CODE: V56878 SPECIFICATION NUMBER: BACB30NY8K17 OPTIONAL PART: HL13VAZ8-17 V73197 HL13VAZ8-17 V92215 HL13VAZ8-17 V97928 L801-8K17 V06725 HL13VAZ8-17 V60516 L801-8K17 V0PTK6 HL13VAZ8-17 V17446 HL1013AZ8-17 V60516		12

ILLUSTRATION ITEMS NOT ON PARTS LIST ARE NOT APPLICABLE

- ITEM NOT ILLUSTRATED

HXL

54-53-01-02

BOEING PROPRIETARY - Copyright © - Unpublished Work - See title page for details.

54-53-01
 FIG. 02
 PAGE 28
 APR 22/08



767

PARTS CATALOG (MAINTENANCE)

FIG ITEM	PART NUMBER	1 2 3 4 5 6 7 NOMENCLATURE	EFFECT FROM TO	UNITS PER ASSY
2 380	BRH10C4M	. . NUT- SUPPLIER CODE: V52828 SPECIFICATION NUMBER: BACN10JC4CM OPTIONAL PART: T6C428JM V11815 97E48 V80539 109LH9075-4W V72962 VN303D048 V92215 H01-4BAC V15653 NS202101SE048 V80539 USED ON: 313T3340-7 313T3340-8 313T3340-11 313T3340-12 313T3340-19 313T3340-20 313T3340-31 313T3340-32 313T3340-39 313T3340-40 313T3340-47 313T3340-48 313T3340-51 313T3340-52 313T3340-61 313T3340-62		18

ILLUSTRATION ITEMS NOT ON PARTS LIST ARE NOT APPLICABLE

- ITEM NOT ILLUSTRATED

HXL

54-53-01-02

BOEING PROPRIETARY - Copyright © - Unpublished Work - See title page for details.

54-53-01
 FIG. 02
 PAGE 29
 APR 22/08



767

PARTS CATALOG (MAINTENANCE)

FIG ITEM	PART NUMBER	1 2 3 4 5 6 7	NOMENCLATURE	EFFECT FROM TO	UNITS PER ASSY
2 380	HL79-8		.. COLLAR- SUPPLIER CODE: V5M902 SPECIFICATION NUMBER: BACC30M8 OPTIONAL PART: HL79-8 V73197 HL79-8 V92215 66014-8 V56878 HL79-8 V56878 USED ON: 313T3340-70 313T3340-71 313T3340-78 313T3340-79 313T3340-85 313T3340-86		18
385	HL79-8		.. COLLAR SUPPLIER CODE: V5M902 SPECIFICATION NUMBER: BACC30M8 OPTIONAL PART: HL79-8 V73197 HL79-8 V92215 66014-8 V56878 HL79-8 V56878		12
390	BACS40R13C23F		.. SHIM		2
395	BACS40R32C50F		.. SHIM		3
425	313T3326-1		..HINGE ASSY- POSITION DATA: STRUT NO. 1 INBD		1
425	313T3326-5		..HINGE ASSY- POSITION DATA: STRUT NO. 1 INBD		1
430	313T3326-2		..HINGE ASSY- POSITION DATA: STRUT NO. 1 INBD		1
430	313T3326-6		..HINGE ASSY- POSITION DATA: STRUT NO. 2 INBD		1

ILLUSTRATION ITEMS NOT ON PARTS LIST ARE NOT APPLICABLE

- ITEM NOT ILLUSTRATED

54-53-01-02

54-53-01
 FIG. 02
 PAGE 30
 APR 22/08

HXL

 **BOEING**
767
PARTS CATALOG (MAINTENANCE)

FIG ITEM	PART NUMBER	1 2 3 4 5 6 7	NOMENCLATURE	EFFECT FROM TO	UNITS PER ASSY
2					
435	313T3322-1		..HINGE ASSY- POSITION DATA: STRUT NO. 1 INBD		1
435	313T3322-5		..HINGE ASSY- POSITION DATA: STRUT NO. 1 INBD		1
440	313T3322-2		..HINGE ASSY- POSITION DATA: STRUT NO. 2 INBD		1
440	313T3322-6		..HINGE ASSY- POSITION DATA: STRUT NO. 2 INBD		1
445	313T3323-1		..HINGE ASSY- POSITION DATA: STRUT NO. 1 INBD		1
445	313T3323-5		..HINGE ASSY- POSITION DATA: STRUT NO. 1 INBD		1
450	313T3323-2		..HINGE ASSY- POSITION DATA: STRUT NO. 2 INBD		1
450	313T3323-6		..HINGE ASSY- POSITION DATA: STRUT NO. 2 INBD		1
455	313T3324-1		..HINGE ASSY- POSITION DATA: STRUT NO. 1 INBD		1
455	313T3324-5		..HINGE ASSY- POSITION DATA: STRUT NO. 1 INBD		1
460	313T3324-2		..HINGE ASSY- POSITION DATA: STRUT NO. 2 INBD		1
460	313T3324-6		..HINGE ASSY- POSITION DATA: STRUT NO. 2 INBD		1
465	P20650		...BEARING ASSY- SUPPLIER CODE: V57606 SPECIFICATION NUMBER: S302T001-206 OPTIONAL PART: VTB04450 V06710		1
470	313T3335-1		..PLATE		1

ILLUSTRATION ITEMS NOT ON PARTS LIST ARE NOT APPLICABLE

— ITEM NOT ILLUSTRATED

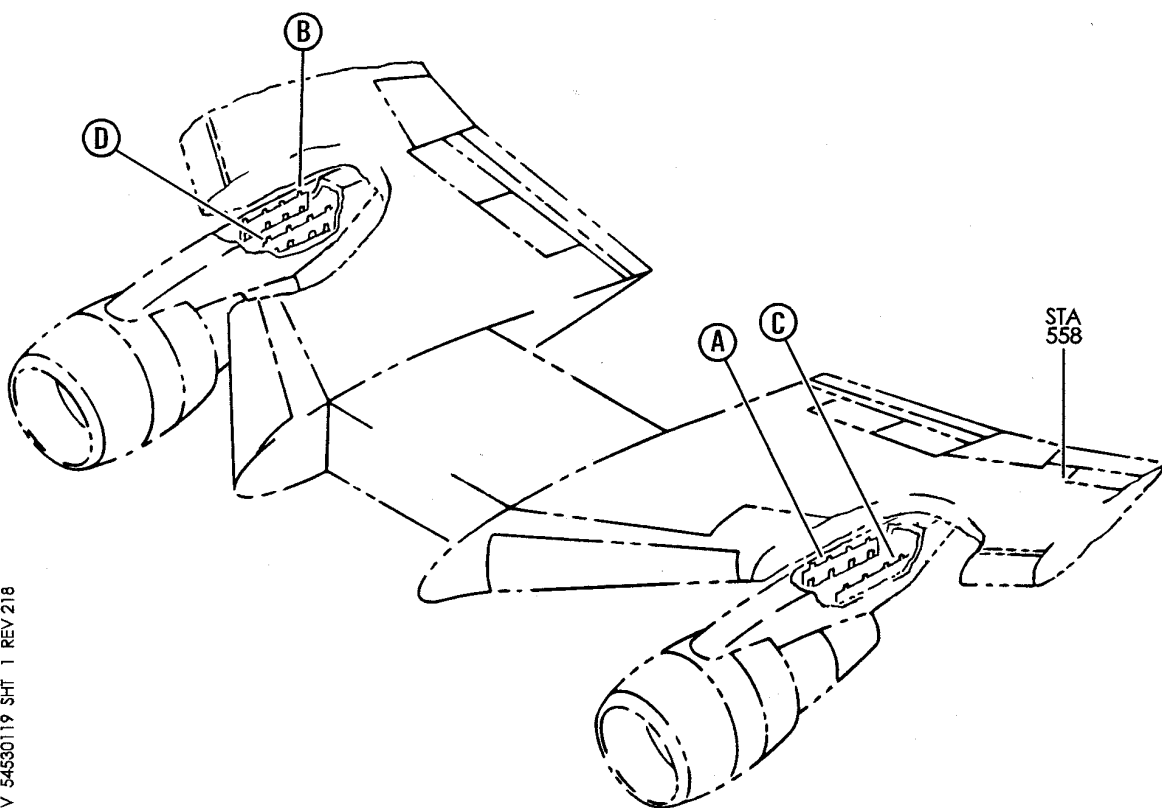
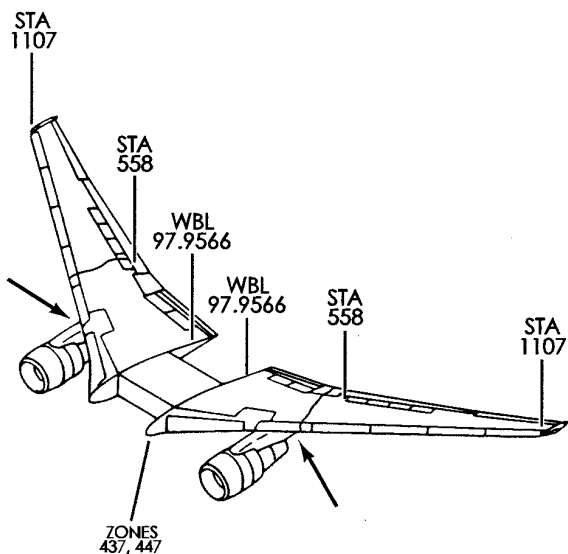
HXL

54-53-01-02

BOEING PROPRIETARY - Copyright © - Unpublished Work - See title page for details.

54-53-01
FIG. 02
PAGE 31
APR 22/08

BOEING
767
PARTS CATALOG (MAINTENANCE)



V 54530119 SHT 1 REV 218

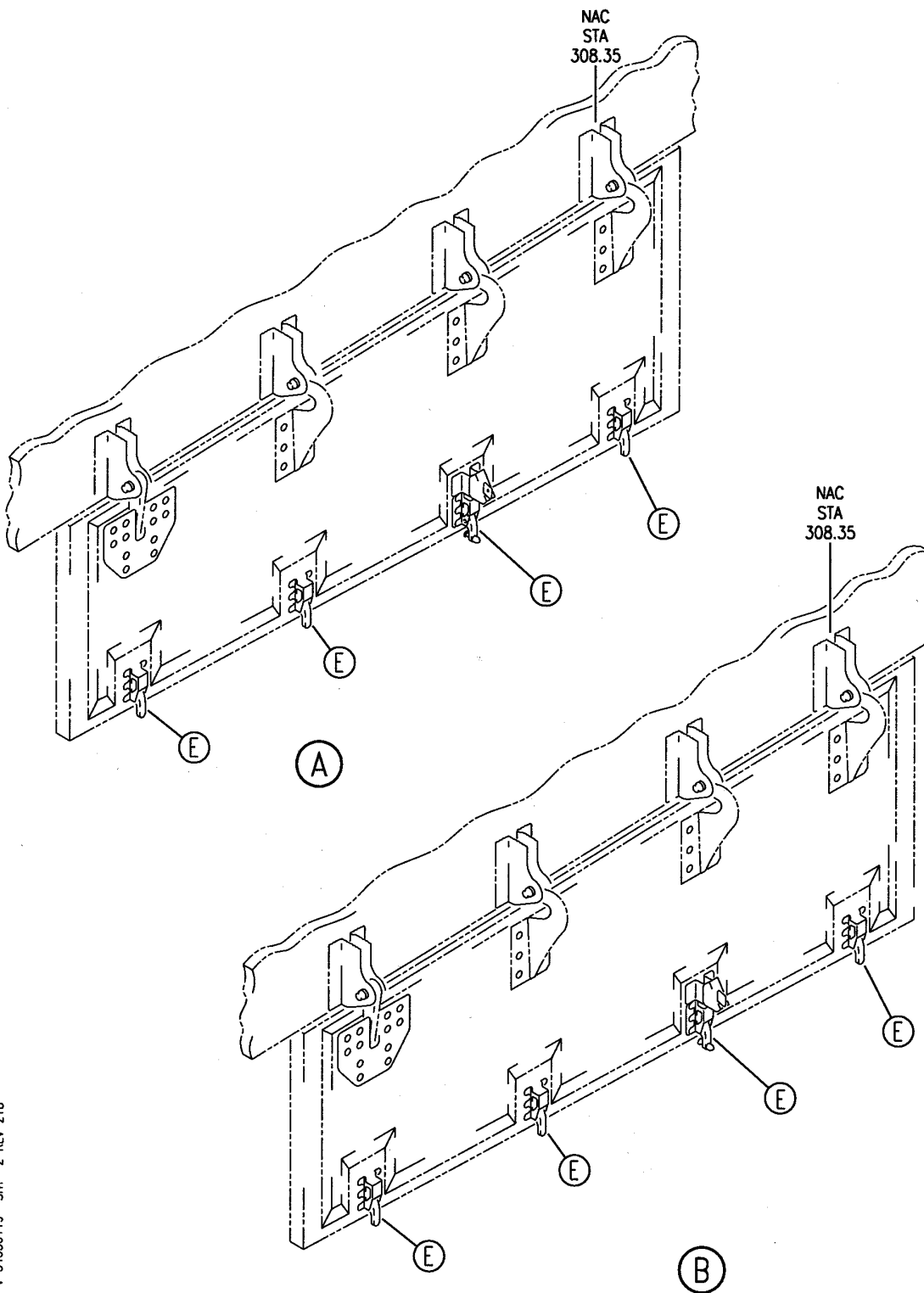
LATCH ASSY-HEAVY DUTY ADJUSTABLE
FIGURE 19 (SHEET 1)

54-53-01-19

HXL
DEC 22/06

54-53-01-19
PAGE 0

BOEING
767
PARTS CATALOG (MAINTENANCE)



V 54530119 SHT 2 REV 218

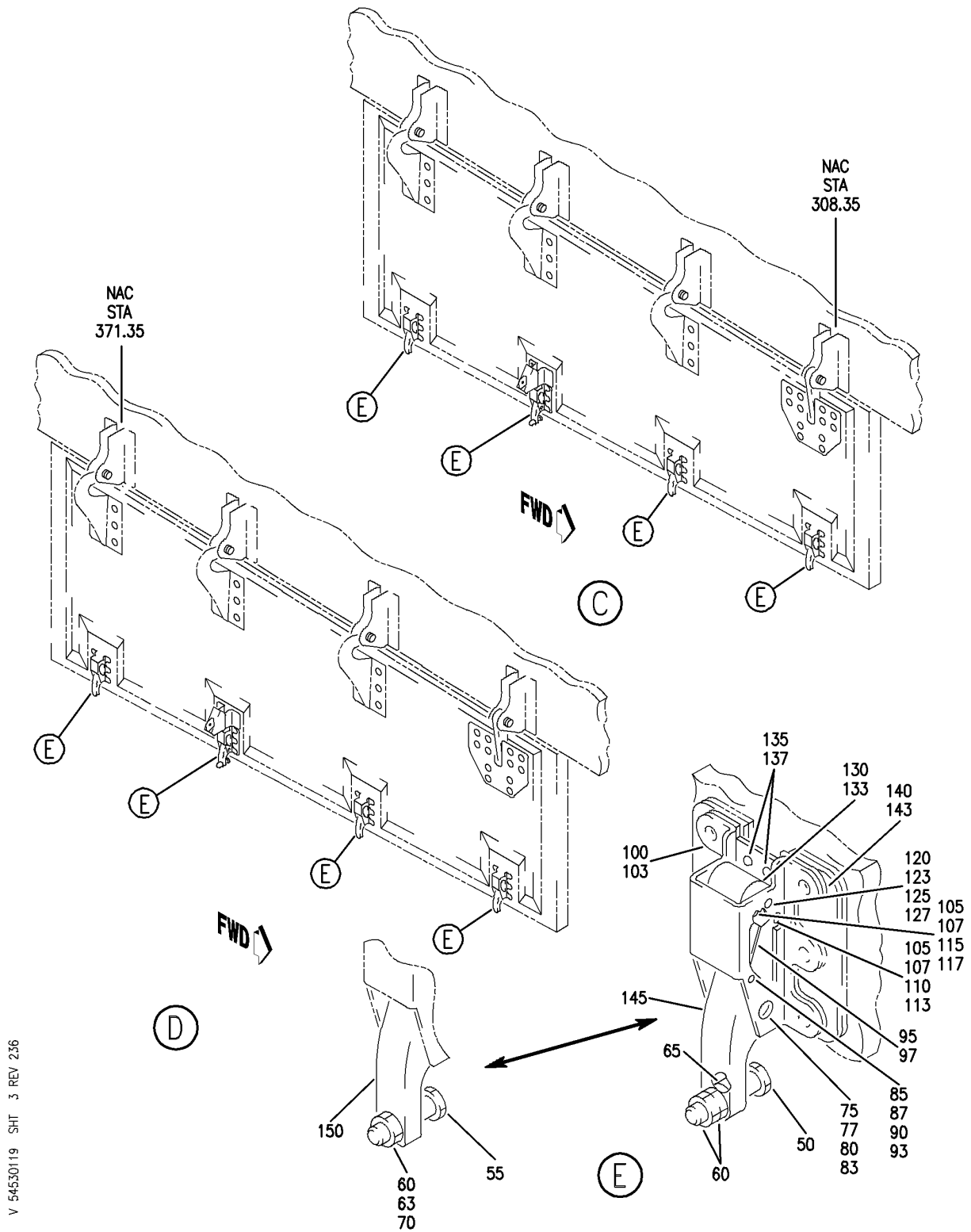
LATCH ASSY-HEAVY DUTY ADJUSTABLE
FIGURE 19 (SHEET 2)

54-53-01-19

HXL
DEC 22/06

54-53-01-19
PAGE 0A

BOEING
767
PARTS CATALOG (MAINTENANCE)



V 54530119 SHT 3 REV 236

LATCH ASSY-HEAVY DUTY ADJUSTABLE
FIGURE 19 (SHEET 3)

54-53-01-19

HXL
DEC 22/06

54-53-01-19
PAGE 0B



767

PARTS CATALOG (MAINTENANCE)

FIG ITEM	PART NUMBER	1 2 3 4 5 6 7	NOMENCLATURE	EFFECT FROM TO	UNITS PER ASSY
19					
- 1	HA142-3		LATCH ASSY-HEAVY DUTY ADJUSTABLE LATCH ASSY-HEAVY DUTY ADJUSTABLE SUPPLIER CODE: V83014 SPECIFICATION NUMBER: 10-61334-17 OPTIONAL PART: HA142-1 V83014 91049-17 V84256 OPTIONAL PART: HA142-5 V83014 91049-16 V84256 SERVICE BULLETIN OPT DATA: V84256 FOR NHA SEE: 54-53-01-02		RF
- 1	HA142-5		LATCH ASSY-HEAVY DUTY ADJUSTABLE SUPPLIER CODE: V83014 SPECIFICATION NUMBER: 10-61334-18 OPTIONAL PART: 91049-18 V84256 OPTIONAL PART: HA142-3 V83014 91049-16 V84256 FOR NHA SEE: 54-53-01-02		RF

ILLUSTRATION ITEMS NOT ON PARTS LIST ARE NOT APPLICABLE

- ITEM NOT ILLUSTRATED

HXL

54-53-01-19

BOEING PROPRIETARY - Copyright © - Unpublished Work - See title page for details.

54-53-01
FIG. 19
PAGE 1
DEC 22/07

BOEING
767
PARTS CATALOG (MAINTENANCE)

FIG ITEM	PART NUMBER	1 2 3 4 5 6 7	NOMENCLATURE	EFFECT FROM TO	UNITS PER ASSY
- 19	1 91049-16		LATCH ASSY-HEAVY DUTY ADJUSTABLE SUPPLIER CODE: V84256 SPECIFICATION NUMBER: 10-61334-16 OPTIONAL PART: HA142-3 V83014 HA142-5 V83014 SERVICE BULLETIN OPT DATA: V83014 FOR NHA SEE: 54-53-01-02		RF
- 1	91049-18		LATCH ASSY-HEAVY DUTY ADJUSTABLE SUPPLIER CODE: V84256 SPECIFICATION NUMBER: 10-61334-18 OPTIONAL PART: HA142-5 V83014 FOR NHA SEE: 54-53-01-02		RF
50	116080-3		TEMPORARY BREAKDOWN FOR: 91049-16 91049-18 .SCREW ASSY- SUPPLIER CODE: V83014 USED ON: HA142-3		1
55	116080-5		.SCREW ASSY- SUPPLIER CODE: V83014 USED ON: HA142-5		1
60	NAS1423-4		.NUT- USED ON: HA142-3		2
63	NAS1423-4		.NUT- USED ON: HA142-5		1
65	MS21209F4-15P		.INSERT- USED ON: HA142-3		1

ILLUSTRATION ITEMS NOT ON PARTS LIST ARE NOT APPLICABLE

- ITEM NOT ILLUSTRATED

HXL

54-53-01-19

BOEING PROPRIETARY - Copyright © - Unpublished Work - See title page for details.

54-53-01
FIG. 19
PAGE 2
DEC 22/07



767

PARTS CATALOG (MAINTENANCE)

FIG ITEM	PART NUMBER	1 2 3 4 5 6 7	NOMENCLATURE	EFFECT FROM TO	UNITS PER ASSY
19					
70	MS21209F4-10P		.INSERT- USED ON: HA142-5		1
75	110204-5		.RIVET- SUPPLIER CODE: V83014 USED ON: HA142-3		1
77	110204-6		.RIVET- SUPPLIER CODE: V83014 USED ON: HA142-5		1
80	116083-5		.BUSHING- SUPPLIER CODE: V83014 USED ON: HA142-3		1
83	116083-5		.BUSHING- SUPPLIER CODE: V83014 USED ON: HA142-5		1
85	HSP209-6		.RIVET- SUPPLIER CODE: V83014 USED ON: HA142-3		1
87	HSP209-6		.RIVET- SUPPLIER CODE: V83014 USED ON: HA142-5		1
90	HSP221KFD1020AA		.BUSHING- SUPPLIER CODE: V83014 USED ON: HA142-3		1
93	HSP221KFD1020AA		.BUSHING- SUPPLIER CODE: V83014 USED ON: HA142-5		1
95	131030-1		.SPRING- SUPPLIER CODE: V83014 USED ON: HA142-3		1

ILLUSTRATION ITEMS NOT ON PARTS LIST ARE NOT APPLICABLE

- ITEM NOT ILLUSTRATED

54-53-01-19

54-53-01
FIG. 19
PAGE 3
DEC 22/07

HXL



767

PARTS CATALOG (MAINTENANCE)

FIG ITEM	PART NUMBER	1 2 3 4 5 6 7	NOMENCLATURE	EFFECT FROM TO	UNITS PER ASSY
19					
97	131030-1		. SPRING- SUPPLIER CODE: V83014 USED ON: HA142-5		1
100	116024-1		. BRACKET- SUPPLIER CODE: V83014 USED ON: HA142-3		1
103	132241-1		. BRACKET- SUPPLIER CODE: V83014 USED ON: HA142-5		1
105	116082-1		. RIVET- SUPPLIER CODE: V83014 USED ON: HA142-3		2
107	116082-1		. RIVET- SUPPLIER CODE: V83014 USED ON: HA142-5		2
110	107210-3		. SPRING- SUPPLIER CODE: V83014 USED ON: HA142-3		1
113	107210-3		. SPRING- SUPPLIER CODE: V83014 USED ON: HA142-5		1
115	116083-1		. BUSHING- SUPPLIER CODE: V83014 USED ON: HA142-3		1
117	116083-1		. BUSHING- SUPPLIER CODE: V83014 USED ON: HA142-5		1

ILLUSTRATION ITEMS NOT ON PARTS LIST ARE NOT APPLICABLE

- ITEM NOT ILLUSTRATED

54-53-01-19

54-53-01
FIG. 19
PAGE 4
DEC 22/07

HXL

BOEING PROPRIETARY - Copyright © - Unpublished Work - See title page for details.



767

PARTS CATALOG (MAINTENANCE)

FIG ITEM	PART NUMBER	1 2 3 4 5 6 7	NOMENCLATURE	EFFECT FROM TO	UNITS PER ASSY
19					
120	110204-3		.RIVET- SUPPLIER CODE: V83014 USED ON: HA142-3		1
123	110204-3		.RIVET- SUPPLIER CODE: V83014 USED ON: HA142-5		1
125	131760-3		.BUSHING- SUPPLIER CODE: V83014 USED ON: HA142-3		1
127	131760-3		.BUSHING- SUPPLIER CODE: V83014 USED ON: HA142-5		1
130	131026-3		.TRIGGER- SUPPLIER CODE: V83014 USED ON: HA142-3		1
133	131026-3		.TRIGGER- SUPPLIER CODE: V83014 USED ON: HA142-5		1
135	MS20426AD4		.RIVET- USED ON: HA142-3		2
137	MS20426AD4		.RIVET- USED ON: HA142-5		2
140	131024-1		.PLATE- SUPPLIER CODE: V83014 USED ON: HA142-3		1
143	131024-1		.PLATE- SUPPLIER CODE: V83014 USED ON: HA142-5		1

ILLUSTRATION ITEMS NOT ON PARTS LIST ARE NOT APPLICABLE

- ITEM NOT ILLUSTRATED

54-53-01-19

54-53-01
FIG. 19
PAGE 5
DEC 22/07

HXL

BOEING PROPRIETARY - Copyright © - Unpublished Work - See title page for details.



767

PARTS CATALOG (MAINTENANCE)

FIG ITEM	PART NUMBER	1 2 3 4 5 6 7	NOMENCLATURE	EFFECT FROM TO	UNITS PER ASSY
19 145	131025-1		.BOLT- SUPPLIER CODE: V83014 USED ON: HA142-3		1
150	132232-1		.BOLT- SUPPLIER CODE: V83014 USED ON: HA142-5		1

ILLUSTRATION ITEMS NOT ON PARTS LIST ARE NOT APPLICABLE

- ITEM NOT ILLUSTRATED

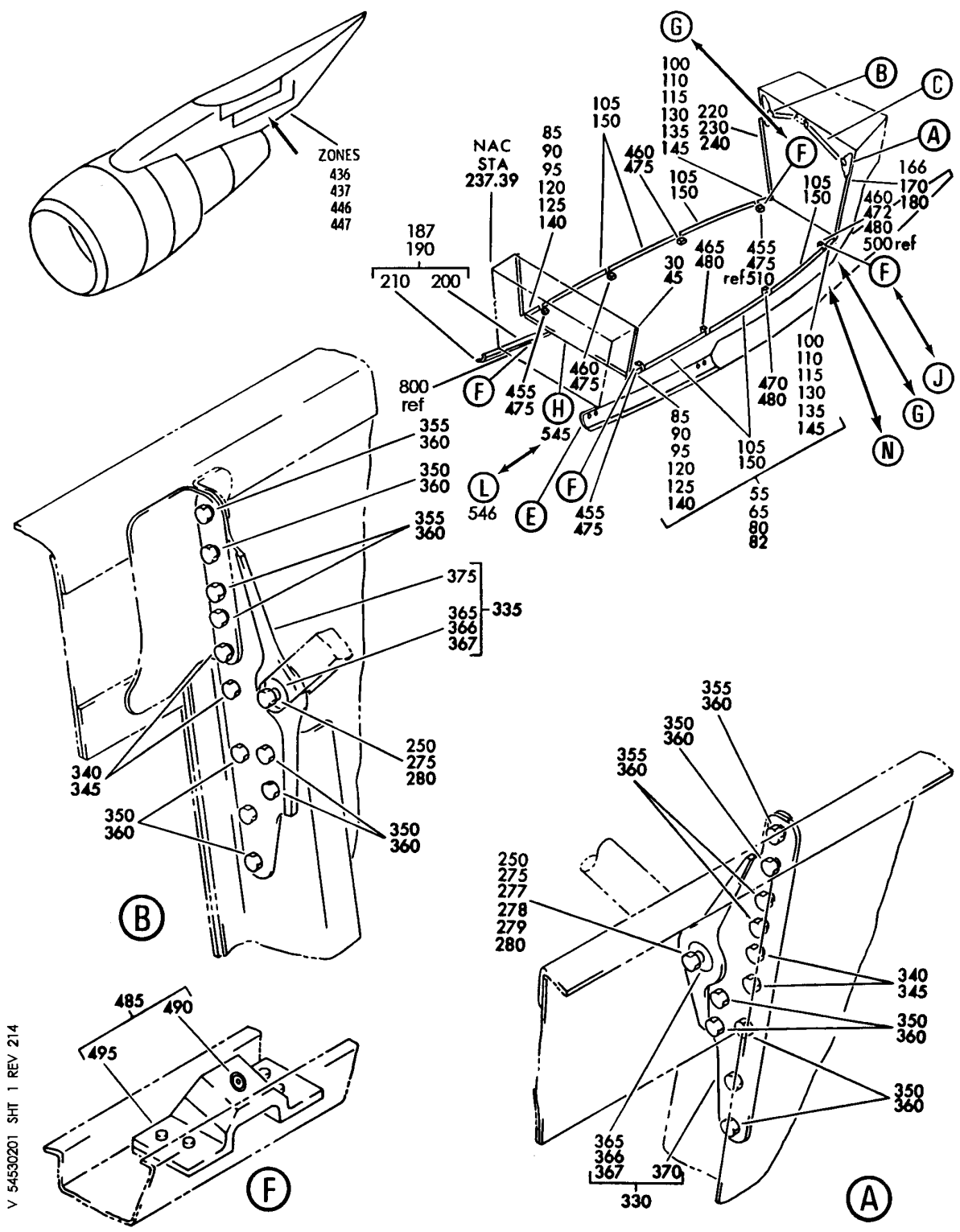
HXL

54-53-01-19

BOEING PROPRIETARY - Copyright © - Unpublished Work - See title page for details.

54-53-01
FIG. 19
PAGE 6
DEC 22/07

BOEING
767
PARTS CATALOG (MAINTENANCE)



V 54530201 SHT 1 REV 214

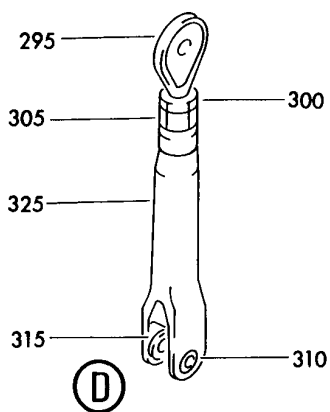
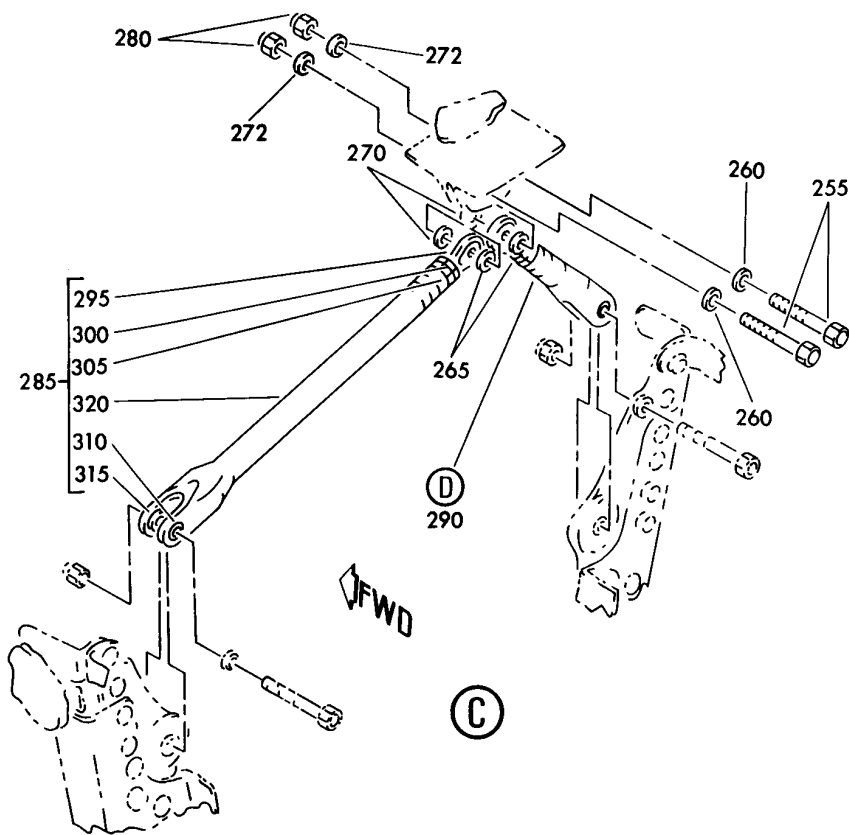
PANEL INSTL-FAIRING STRUT AFT
FIGURE 1 (SHEET 1)

54-53-02-01

HXL
DEC 22/06

54-53-02-01
PAGE 0

BOEING
767
PARTS CATALOG (MAINTENANCE)



V 54530201 SHT 2 REV 174

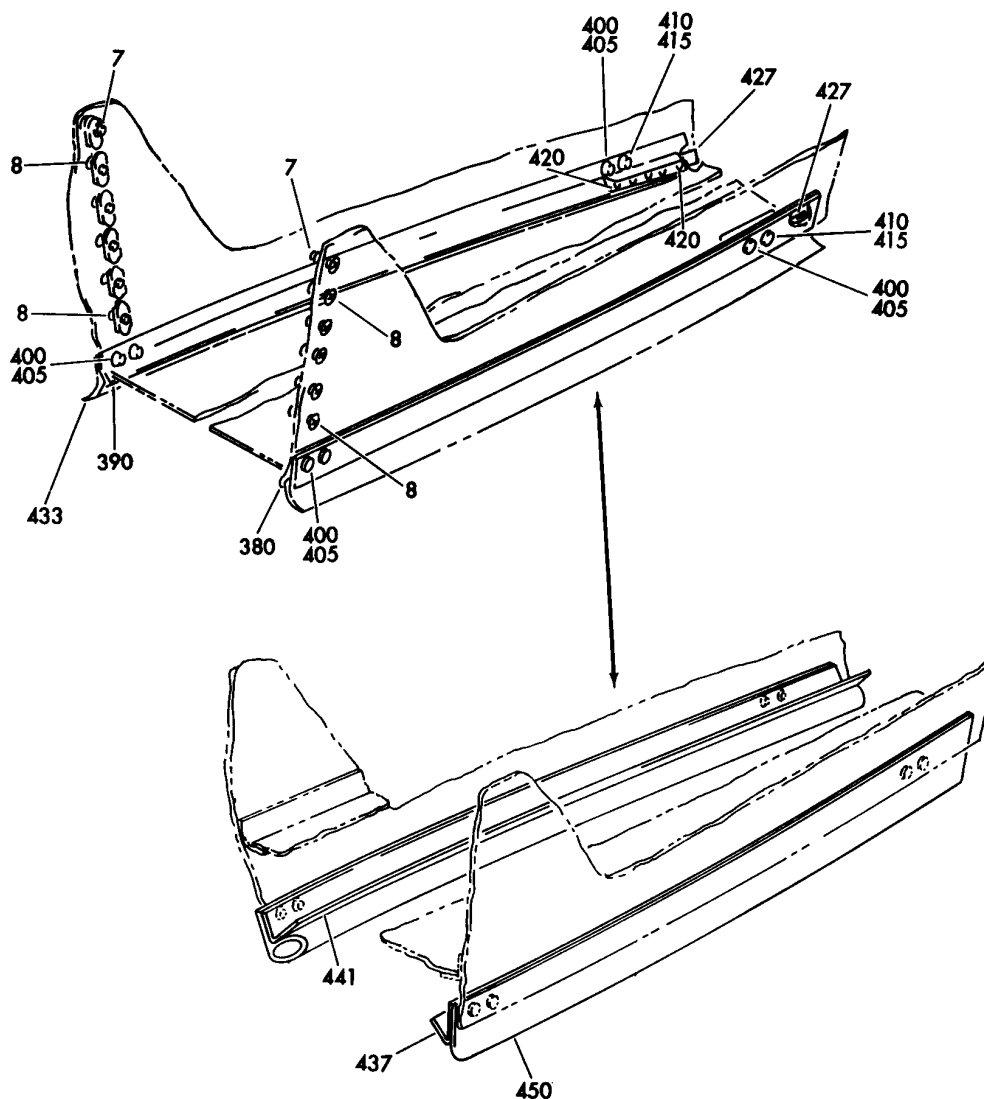
PANEL INSTL-FAIRING STRUT AFT
FIGURE 1 (SHEET 2)

54-53-02-01

HXL
DEC 22/06

54-53-02-01
PAGE 0A

BOEING
767
PARTS CATALOG (MAINTENANCE)



(E)

V 54530201 SHT 3 REV 256

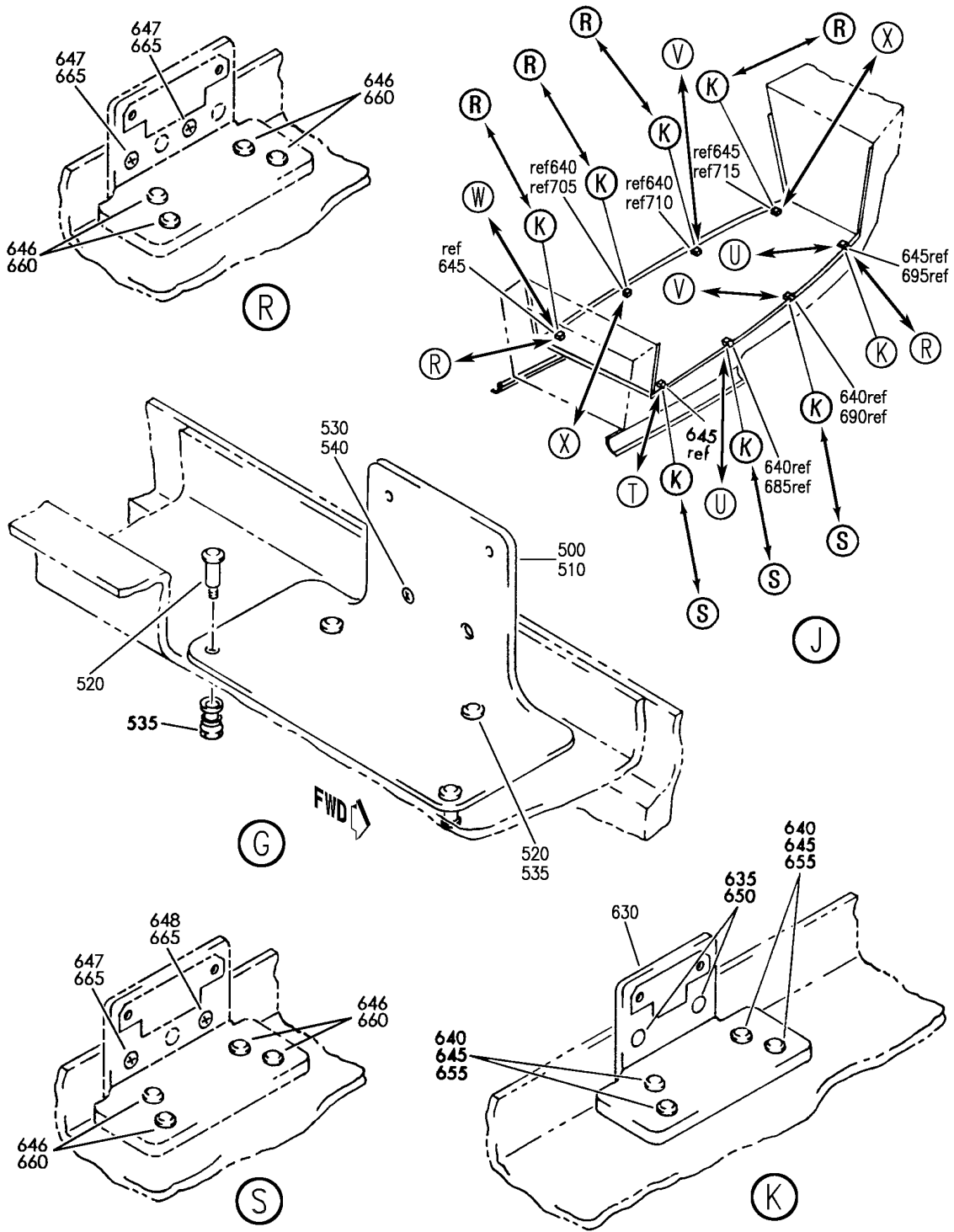
PANEL INSTL-FAIRING STRUT AFT
FIGURE 1 (SHEET 3)

54-53-02-01

HXL
DEC 22/06

54-53-02-01
PAGE 0B

BOEING
767
PARTS CATALOG (MAINTENANCE)



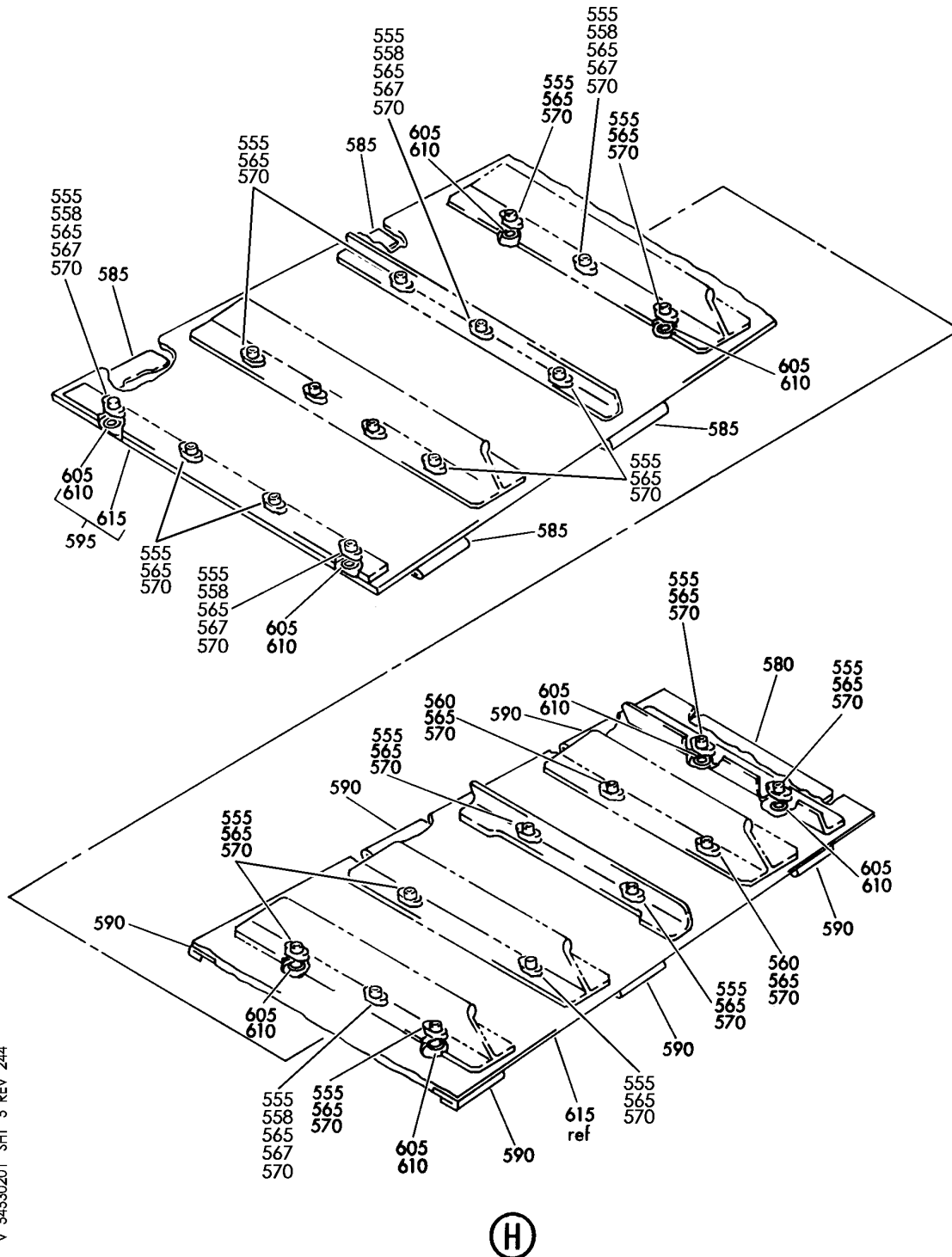
PANEL INSTL-FAIRING STRUT AFT
FIGURE 1 (SHEET 4)

54-53-02-01

HXL
AUG 22/07

54-53-02-01
PAGE 0C


BOEING
 767
PARTS CATALOG (MAINTENANCE)



V 54530201 SHT 5 REV 244

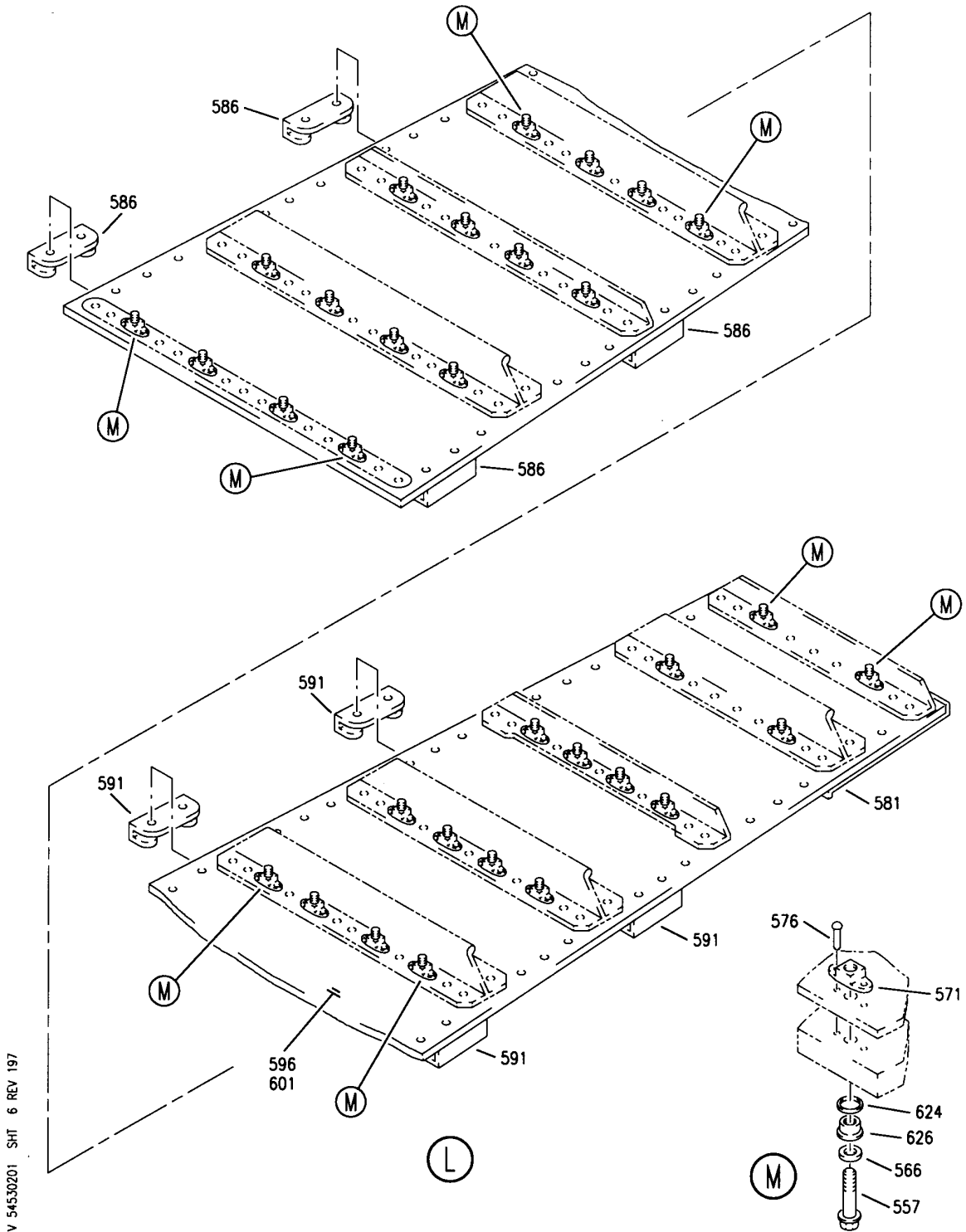
PANEL INSTL-FAIRING STRUT AFT
 FIGURE 1 (SHEET 5)

54-53-02-01

HXL
DEC 22/06

54-53-02-01
 PAGE 0D

BOEING
767
PARTS CATALOG (MAINTENANCE)



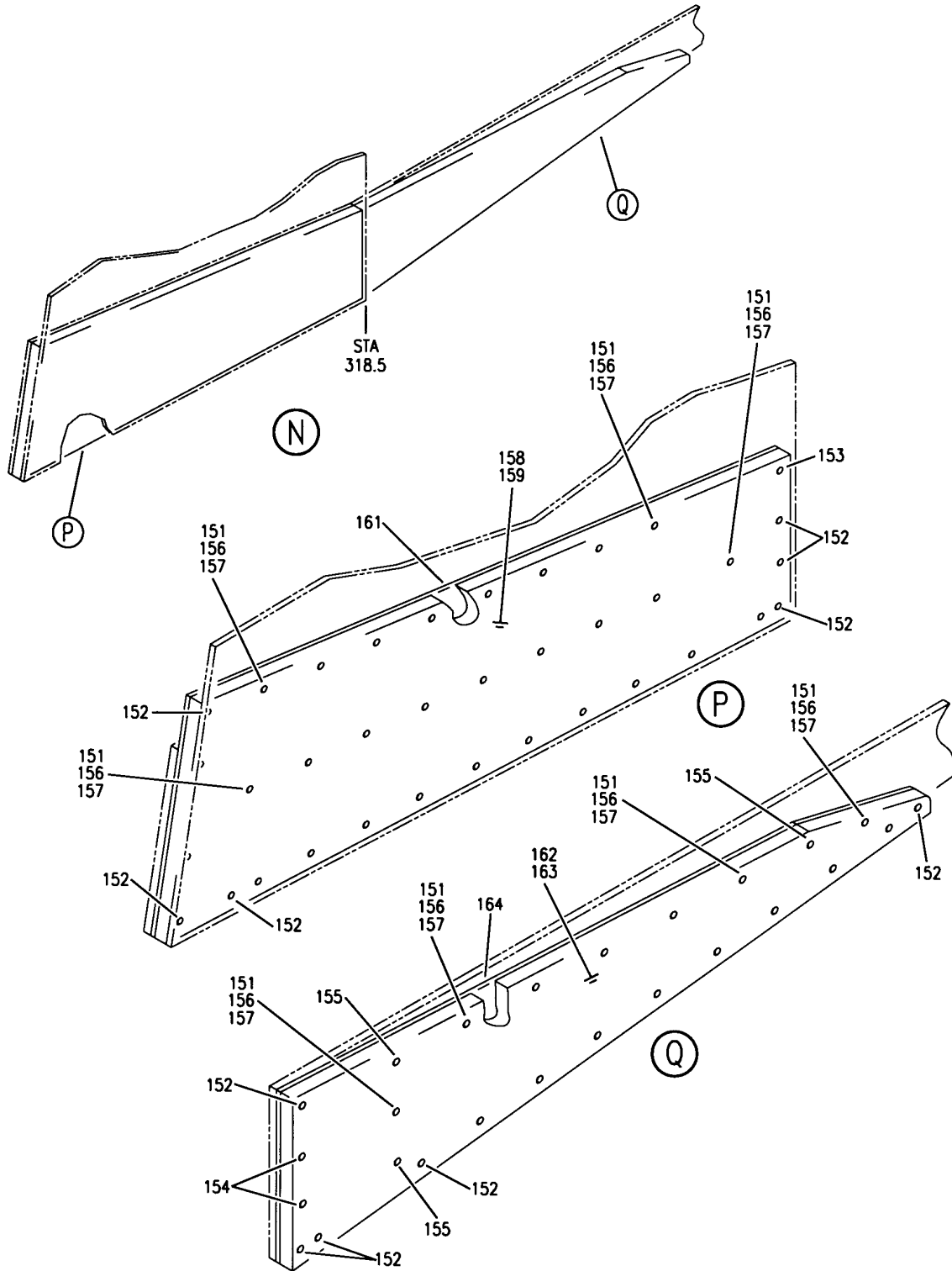
PANEL INSTL-FAIRING STRUT AFT
FIGURE 1 (SHEET 6)

54-53-02-01

HXL
DEC 22/06

54-53-02-01
PAGE 0E

BOEING
767
PARTS CATALOG (MAINTENANCE)



V 54530201 SH1 7 REV 206

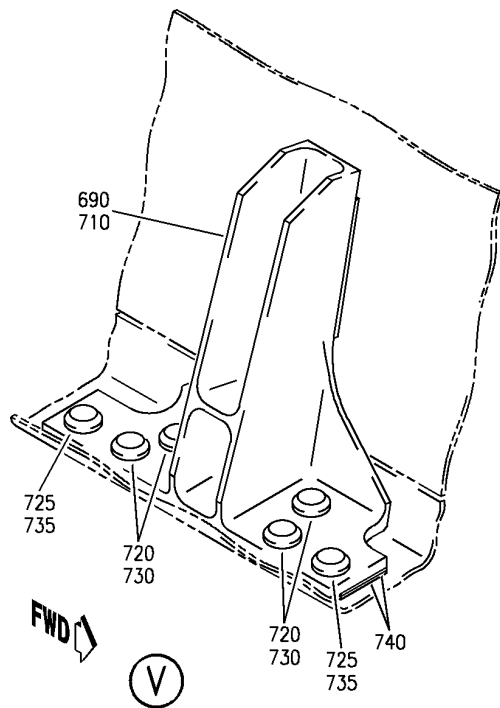
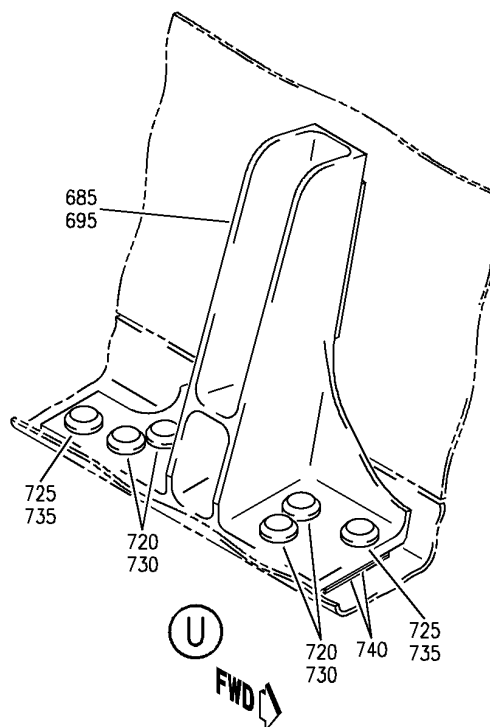
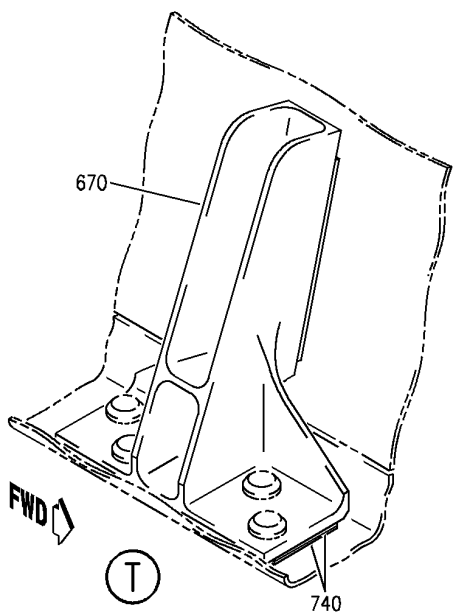
PANEL INSTL-FAIRING STRUT AFT
FIGURE 1 (SHEET 7)

54-53-02-01

HXL
DEC 22/06

54-53-02-01
PAGE OF

BOEING
767
PARTS CATALOG (MAINTENANCE)



V 54530201 SHT 8 REV 319

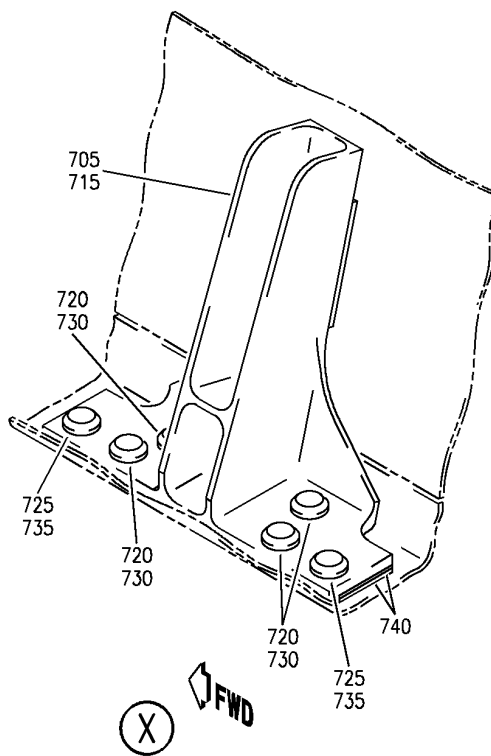
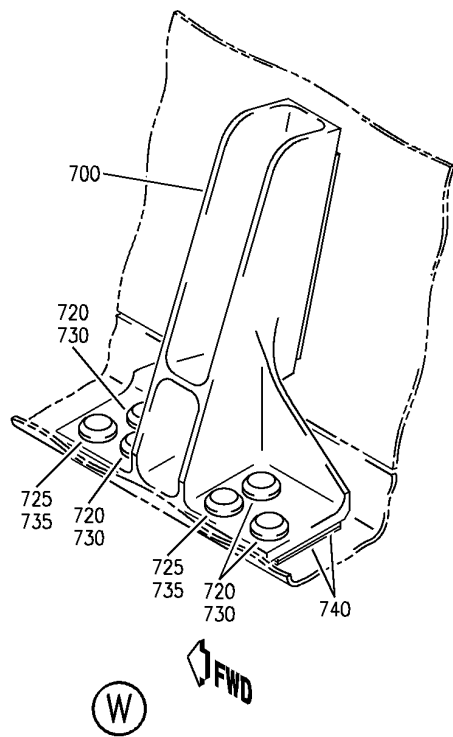
PANEL INSTL-FAIRING STRUT AFT
FIGURE 1 (SHEET 8)

54-53-02-01

HXL
AUG 22/07

54-53-02-01
PAGE 06

BOEING
767
PARTS CATALOG (MAINTENANCE)



V 54530201 SH1 9 REV 319

PANEL INSTL-FAIRING STRUT AFT
FIGURE 1 (SHEET 9)

54-53-02-01

HXL
AUG 22/07

54-53-02-01
PAGE 0H

 **BOEING**
767
PARTS CATALOG (MAINTENANCE)

FIG ITEM	PART NUMBER	1 2 3 4 5 6 7	NOMENCLATURE	EFFECT FROM TO	UNITS PER ASSY
1			PANEL INSTL-FAIRING STRUT AFT		
- 1	313T3380-411		PANEL INSTL-FAIRING STRUT POSITION DATA: AFT LH VARIABLE DRAWING REF: 313T3380-5007 FOR NHA SEE: 54-52-01-02		RF
- 5	313T3380-412		PANEL INSTL-FAIRING STRUT POSITION DATA: AFT RH VARIABLE DRAWING REF: 313T3380-5008 FOR NHA SEE: 54-52-01-02		RF
	7 BACB30NN5K14		.BOLT-GSE		2
	8 BACB30NN4K9		.BOLT-GSE		10
- 10	313T3380-409		.PANEL ASSY- POSITION DATA: LH SIDE		1
- 10	313T3380-499		.PANEL ASSY- POSITION DATA: LH SIDE		1
- 15	313T3380-498		.PANEL ASSY- POSITION DATA: RH SIDE		1
- 17	313T3380-405		..PANEL ASSY- POSITION DATA: OUTBD LH SIDE		1
- 18	313T3380-406		..PANEL ASSY- POSITION DATA: OUTBD RH SIDE		1
- 20	313T3380-355		...RETAINER ASSY-HORIZ POSITION DATA: OUTBD LH SIDE		1
- 25	313T3380-356		...RETAINER ASSY-HORIZ POSITION DATA: OUTBD RH SIDE		1
R R R R R R R R	35 313T3380-213	SEAL- POSITION DATA: LH SIDE MANUFACTURED FROM: RUBBER SECTION F-25.01 BAC1530-71 X 16.50 IN SPARES ORDER MATERIAL CODE: 5279071000		1

ILLUSTRATION ITEMS NOT ON PARTS LIST ARE NOT APPLICABLE

- ITEM NOT ILLUSTRATED

HXL

54-53-02-01

54-53-02
FIG. 01
PAGE 1
AUG 22/09

BOEING
767
PARTS CATALOG (MAINTENANCE)

FIG ITEM	PART NUMBER	1 2 3 4 5 6 7	NOMENCLATURE	EFFECT FROM TO	UNITS PER ASSY
R R R R R R R R R R	1				
	- 40	313T3380-214SEAL-		1
				POSITION DATA: RH SIDE MANUFACTURED FROM: RUBBER SECTION F-25.01 BAC1530-71 X 16.50 IN SPARES ORDER MATERIAL CODE: 5279071000	
		45	313T3380-253RETAINER-	1
				POSITION DATA: FWD LH SIDE	
	- 50	313T3380-254RETAINER-		1
				POSITION DATA: FWD RH SIDE	
		55	313T3380-435	..RETAINER ASSY-	1
				POSITION DATA: LH SIDE	
	- 60	313T3380-436	..RETAINER ASSY-		1
			POSITION DATA: RH SIDE		
	65	313T3380-437	..RETAINER ASSY-	1	
			POSITION DATA: LH SIDE		
- 70	313T3380-438	..RETAINER ASSY-		1	
			POSITION DATA: RH SIDE		
	80	313T3380-419	..RETAINER ASSY-	1	
			POSITION DATA: LH SIDE		
	82	313T3380-420	..RETAINER ASSY-	1	
			POSITION DATA: RH SIDE		
R R R R R R R R R R	85	313T3380-425	...SEAL-	1	
			MANUFACTURED FROM: RUBBER SECTION F-25.01 BAC1530-71 X 4.50 IN SPARES ORDER MATERIAL CODE: 5279071000 USED ON: 313T3380-420 313T3380-435		

ILLUSTRATION ITEMS NOT ON PARTS LIST ARE NOT APPLICABLE

- ITEM NOT ILLUSTRATED

HXL

54-53-02-01

54-53-02
FIG. 01
PAGE 2
AUG 22/09

BOEING
767
PARTS CATALOG (MAINTENANCE)

FIG ITEM	PART NUMBER	1 2 3 4 5 6 7	NOMENCLATURE	EFFECT FROM TO	UNITS PER ASSY
R R	1 110	313T3380-423	...SEAL- MANUFACTURED FROM: RUBBER SECTION F-25.01 BAC1530-71 X 3.75 IN SPARES ORDER MATERIAL CODE: 5279071000 USED ON: 313T3380-420 313T3380-437		1
	115	313T3380-424	...SEAL- MANUFACTURED FROM: RUBBER SECTION F-25.01 BAC1530-71 X 3.75 IN SPARES ORDER MATERIAL CODE: 5279071000 USED ON: 313T3380-419 313T3380-438		1
	120	313T3380-427	...RETAINER- POSITION DATA: FWD USED ON: 313T3380-420 313T3380-435		1
	125	313T3380-428	...RETAINER- POSITION DATA: FWD USED ON: 313T3380-419 313T3380-436		1
	130	313T3380-429	...RETAINER- POSITION DATA: AFT USED ON: 313T3380-419 313T3380-438		1
	135	313T3380-430	...RETAINER- POSITION DATA: AFT USED ON: 313T3380-420 313T3380-437		1

ILLUSTRATION ITEMS NOT ON PARTS LIST ARE NOT APPLICABLE

— ITEM NOT ILLUSTRATED

54-53-02-01

54-53-02
FIG. 01
PAGE 4
AUG 22/09

HXL



767

PARTS CATALOG (MAINTENANCE)

FIG ITEM	PART NUMBER	1 2 3 4 5 6 7	NOMENCLATURE	EFFECT FROM TO	UNITS PER ASSY
1					
140	313T3380-422		...RETAINER- POSITION DATA: CTR USED ON: 313T3380-435 313T3380-436		1
145	313T3380-422		...RETAINER- POSITION DATA: CTR USED ON: 313T3380-437 313T3380-438		2
150	313T3380-422		...RETAINER- POSITION DATA: CTR USED ON: 313T3380-419 313T3380-420		3
166	313T3380-113		..RETAINER ASSY- POSITION DATA: OUTBD AFT LH SIDE		1
- 168	313T3380-114		..RETAINER ASSY- POSITION DATA: OUTBD AFT RH SIDE		1
170	313T3380-257		...SEAL- POSITION DATA: LH SIDE MANUFACTURED FROM: RUBBER SECTION F-25.01 BAC1530-71 X 20.70 IN SPARES ORDER MATERIAL CODE: 5279071000		1
- 175	313T3380-258		...SEAL- POSITION DATA: RH SIDE MANUFACTURED FROM: RUBBER SECTION F-25.01 BAC1530-71 X 20.70 IN SPARES ORDER MATERIAL CODE: 5279071000		1
180	313T3380-373		...RETAINER- POSITION DATA: AFT LH SIDE		1
- 185	313T3380-374		...RETAINER- POSITION DATA: AFT RH SIDE		1
ILLUSTRATION ITEMS NOT ON PARTS LIST ARE NOT APPLICABLE					

R
R
R
R
R
R
R
R
R
R
R
R
R
R
R
R

- ITEM NOT ILLUSTRATED

54-53-02-01

54-53-02
FIG. 01
PAGE 5
AUG 22/09

HXL

BOEING
767
PARTS CATALOG (MAINTENANCE)

FIG ITEM	PART NUMBER	1 2 3 4 5 6 7	NOMENCLATURE	EFFECT FROM TO	UNITS PER ASSY
1					
187	313T3380-407		..PANEL ASSY- POSITION DATA: INBD LH SIDE		1
- 188	313T3380-408		..PANEL ASSY- POSITION DATA: INBD RH SIDE		1
190	313T3380-357		...RETAINER ASSY-HORIZ POSITION DATA: INBD LH SIDE		1
- 195	313T3380-358		...RETAINER ASSY-HORIZ POSITION DATA: INBD RH SIDE		1
R R	200	SEAL- POSITION DATA: LH SIDE MANUFACTURED FROM: RUBBER SECTION F-25.01 BAC1530-71 X 13.0 IN SPARES ORDER MATERIAL CODE: 5279071000		1
- 205	313T3380-176	SEAL- POSITION DATA: RH SIDE MANUFACTURED FROM: RUBBER SECTION F-25.01 BAC1530-71 X 13.0 IN SPARES ORDER MATERIAL CODE: 5279071000		1
210	313T3380-255	RETAINER- POSITION DATA: FWD LH SIDE		1
- 215	313T3380-256	RETAINER- POSITION DATA: FWD RH SIDE		1
220	313T3380-115		..RETAINER ASSY- POSITION DATA: INBD AFT LH SIDE		1
- 225	313T3380-116		..RETAINER ASSY- POSITION DATA: INBD AFT RH SIDE		1
ILLUSTRATION ITEMS NOT ON PARTS LIST ARE NOT APPLICABLE					

- ITEM NOT ILLUSTRATED

54-53-02-01

54-53-02
FIG. 01
PAGE 6
AUG 22/09

HXL

BOEING
767
PARTS CATALOG (MAINTENANCE)

FIG ITEM	PART NUMBER	1 2 3 4 5 6 7	NOMENCLATURE	EFFECT FROM TO	UNITS PER ASSY
R R R R R R R R R R R R R R R	1 230	313T3380-249	...SEAL- POSITION DATA: LH SIDE MANUFACTURED FROM: RUBBER SECTION F-25.01 BAC1530-71 X 20.00 IN SPARES ORDER MATERIAL CODE: 5279071000		1
	- 235	313T3380-250	...SEAL- POSITION DATA: RH SIDE MANUFACTURED FROM: RUBBER SECTION F-25.01 BAC1530-71 X 20.00 SPARES ORDER MATERIAL CODE: 5279071000		1
	240	313T3380-375	...RETAINER- POSITION DATA: AFT LH SIDE		1
	- 245	313T3380-376	...RETAINER- POSITION DATA: AFT RH SIDE		1
	- 248	313T3381-212	..PANEL- POSITION DATA: RH SIDE		1
	250	BACB30NR5K12	..BOLT-		2
	255	BACB30NR5K17	..BOLT-		2
	260	AN960-516L	..WASHER-		2
	265	AN960-516	..WASHER-		2
	270	AN960PD516L	..WASHER		2
	275	BACW10P225AX	..WASHER-		4
	280	BRH10A5	..NUT- SUPPLIER CODE: V52828 SPECIFICATION NUMBER: BACN10JC5 OPTIONAL PART: T6S524J V11815 96-054 V80539 RMLH9075-5W V72962 H10-5BAC V15653		4
	285	313T3315-5	..ROD ASSY		1
	290	313T3315-6	..ROD ASSY		1

ILLUSTRATION ITEMS NOT ON PARTS LIST ARE NOT APPLICABLE

- ITEM NOT ILLUSTRATED

54-53-02-01

54-53-02
FIG. 01
PAGE 7
AUG 22/09

HXL



767

PARTS CATALOG (MAINTENANCE)

FIG ITEM	PART NUMBER	1 2 3 4 5 6 7	NOMENCLATURE	EFFECT FROM TO	UNITS PER ASSY
1 295	10E5-116M		... BEARING SUPPLIER CODE: V16746 SPECIFICATION NUMBER: BACB10Y5M OPTIONAL PART: BRES5-2001M1 V81376 HB5E212KM V02758 KBE5-150WD5 V97613 MSSK5AS1 V73134 51588-051DD V09455 ASMK5-1DM V56644 AR5E7W13 VS0352 ARB5E60MW V15860		1
300	AN316C5R		... NUT		1
305	313T3316-1		... INSERT		1
310	BACB28Y5M018		... BUSHING		1
315	BACB28Y5M011		... BUSHING		1
320	313T3315-11		... TUBE- USED ON: 313T3315-5		1
325	313T3315-12		... TUBE- USED ON: 313T3315-6		1
330	313T3311-1		.. PLATE ASSY-LINK		1
335	313T3311-2		.. PLATE ASSY-LINK		1
340	NAS6703-6		ATTACHING PARTS .. BOLT		4

ILLUSTRATION ITEMS NOT ON PARTS LIST ARE NOT APPLICABLE

- ITEM NOT ILLUSTRATED

54-53-02-01

54-53-02
 FIG. 01
 PAGE 8
 AUG 22/09

HXL



767

PARTS CATALOG (MAINTENANCE)

FIG ITEM	PART NUMBER	1 2 3 4 5 6 7	NOMENCLATURE	EFFECT FROM TO	UNITS PER ASSY
1 345	BRH10C3D		..NUT SUPPLIER CODE: V52828 SPECIFICATION NUMBER: BACN10JC3CD OPTIONAL PART: T6C1032JCD V11815 NS202486-02 V80539 102LH9075-3W V72962 H51650-3BAC V15653		4
350	L8006K3		..BOLT SUPPLIER CODE: V06725 SPECIFICATION NUMBER: BACB30MY6K3		12
355	L8006K5		..BOLT SUPPLIER CODE: V06725 SPECIFICATION NUMBER: BACB30MY6K5		6
360	HL79-6		..COLLAR SUPPLIER CODE: V5M902 SPECIFICATION NUMBER: BACC30M6 OPTIONAL PART: HL79-6 V73197 HL79-6 V92215 66014-6 V56878 HL79-6 V56878		18
365	P20650		-----*----- ...BEARING ASSY- SUPPLIER CODE: V57606 SPECIFICATION NUMBER: S302T001-206 OPTIONAL PART: VTB04450 V06710		1

ILLUSTRATION ITEMS NOT ON PARTS LIST ARE NOT APPLICABLE

- ITEM NOT ILLUSTRATED

HXL

54-53-02-01

BOEING PROPRIETARY - Copyright © - Unpublished Work - See title page for details.

54-53-02
 FIG. 01
 PAGE 9
 AUG 22/09

BOEING
767
PARTS CATALOG (MAINTENANCE)

FIG ITEM	PART NUMBER	1 2 3 4 5 6 7	NOMENCLATURE	EFFECT FROM TO	UNITS PER ASSY
1					
366	P20651	BALL- SUPPLIER CODE: V57606		1
367	P20652	RACE- SUPPLIER CODE: V57606		1
370	313T3311-3	...	PLATE- USED ON: 313T3311-1		1
375	313T3311-4	...	PLATE- USED ON: 313T3311-2		1
437	313T3380-447	..	RETAINER- POSITION DATA: OUTBD LH SIDE		1
- 439	313T3380-448	..	RETAINER- POSITION DATA: OUTBD RH SIDE		1
441	313T3380-445	..	RETAINER- POSITION DATA: INBD LH SIDE		1
- 443	313T3380-446	..	RETAINER- POSITION DATA: INBD RH SIDE ATTACHING PARTS		1
- 445	BACB30NN3K4	..	BOLT- -----*-----		58
450	313T3371-25	..	SEAL- POSITION DATA: LH SIDE		1
- 452	313T3371-26	..	SEAL- POSITION DATA: RH SIDE		1

ILLUSTRATION ITEMS NOT ON PARTS LIST ARE NOT APPLICABLE

- ITEM NOT ILLUSTRATED

HXL

54-53-02-01

BOEING PROPRIETARY - Copyright © - Unpublished Work - See title page for details.

54-53-02
FIG. 01
PAGE 10
AUG 22/09



767

PARTS CATALOG (MAINTENANCE)

FIG ITEM	PART NUMBER	1 2 3 4 5 6 7 NOMENCLATURE	EFFECT FROM TO	UNITS PER ASSY
1 455	HL1012AZ8-4	.. BOLT- SUPPLIER CODE: VOPTK6 SPECIFICATION NUMBER: BACB30NX8K4 OPTIONAL PART: HL12VAZ8-4 V73197 HL12VAZ8-4 V92215 HL12VAZ8-4 V97928 L802-8K4 V06725 HL12VAZ8-4 V56878 HL1012AZ8-4 V06725 HL1012AZ8-4 V06950 HL1012AZ8-4 V17446 HL1012AZ8-4 V56878 HL1012AZ8-4 V60516 HL1012AZ8-4 V73197 HL1012AZ8-4 V97928		12

ILLUSTRATION ITEMS NOT ON PARTS LIST ARE NOT APPLICABLE

- ITEM NOT ILLUSTRATED

HXL

54-53-02-01

BOEING PROPRIETARY - Copyright © - Unpublished Work - See title page for details.

54-53-02
 FIG. 01
 PAGE 11
 AUG 22/09



767

PARTS CATALOG (MAINTENANCE)

FIG ITEM	PART NUMBER	1 2 3 4 5 6 7 NOMENCLATURE	EFFECT FROM TO	UNITS PER ASSY
1 460	HL1012AZ8-6	..BOLT- SUPPLIER CODE: VOPTK6 SPECIFICATION NUMBER: BACB30NX8K6 OPTIONAL PART: HL12VAZ8-6 V73197 HL12VAZ8-6 V92215 HL12VAZ8-6 V97928 L802-8K6 V06725 HL12VAZ8-6 V56878 HL1012AZ8-6 V06725 HL1012AZ8-6 V06950 HL1012AZ8-6 V17446 HL1012AZ8-6 V56878 HL1012AZ8-6 V60516 HL1012AZ8-6 V73197 HL1012AZ8-6 V97928		12

ILLUSTRATION ITEMS NOT ON PARTS LIST ARE NOT APPLICABLE

- ITEM NOT ILLUSTRATED

HXL

54-53-02-01

BOEING PROPRIETARY - Copyright © - Unpublished Work - See title page for details.

54-53-02
 FIG. 01
 PAGE 12
 AUG 22/09



767

PARTS CATALOG (MAINTENANCE)

FIG ITEM	PART NUMBER	1 2 3 4 5 6 7 NOMENCLATURE	EFFECT FROM TO	UNITS PER ASSY
1 465	HL1012AZ8-7	.. BOLT- SUPPLIER CODE: VOPTK6 SPECIFICATION NUMBER: BACB30NX8K7 OPTIONAL PART: HL12VAZ8-7 V73197 HL12VAZ8-7 V92215 HL12VAZ8-7 V97928 L802-8K7 V06725 HL12VAZ8-7 V56878 HL1012AZ8-7 V06725 HL1012AZ8-7 V06950 HL1012AZ8-7 V17446 HL1012AZ8-7 V56878 HL1012AZ8-7 V60516 HL1012AZ8-7 V73197 HL1012AZ8-7 V97928		4

ILLUSTRATION ITEMS NOT ON PARTS LIST ARE NOT APPLICABLE

- ITEM NOT ILLUSTRATED

HXL

54-53-02-01

BOEING PROPRIETARY - Copyright © - Unpublished Work - See title page for details.

54-53-02
 FIG. 01
 PAGE 13
 AUG 22/09



767

PARTS CATALOG (MAINTENANCE)

FIG ITEM	PART NUMBER	1 2 3 4 5 6 7	NOMENCLATURE	EFFECT FROM TO	UNITS PER ASSY
1 470	HL1012AZ8-8		.. BOLT- SUPPLIER CODE: VOPTK6 SPECIFICATION NUMBER: BACB30NX8K8 OPTIONAL PART: HL12VAZ8-8 V73197 HL12VAZ8-8 V92215 HL12VAZ8-8 V97928 L802-8K8 V06725 HL12VAZ8-8 V56878 HL1012AZ8-8 V06725 HL1012AZ8-8 V06950 HL1012AZ8-8 V17446 HL1012AZ8-8 V56878 HL1012AZ8-8 V60516 HL1012AZ8-8 V73197 HL1012AZ8-8 V97928		4
475	HL1187-8		.. COLLAR- SUPPLIER CODE: V5M902 SPECIFICATION NUMBER: BACC30X8 OPTIONAL PART: HL87-8 V92215 HL87-8 V73197 HL1187-8 V56878 HL1187-8 V92215 HL87-8 V56878 HL1187-8 V73197		20

ILLUSTRATION ITEMS NOT ON PARTS LIST ARE NOT APPLICABLE

- ITEM NOT ILLUSTRATED

HXL

54-53-02-01

BOEING PROPRIETARY - Copyright © - Unpublished Work - See title page for details.

54-53-02
 FIG. 01
 PAGE 14
 AUG 22/09



767

PARTS CATALOG (MAINTENANCE)

FIG ITEM	PART NUMBER	1 2 3 4 5 6 7	NOMENCLATURE	EFFECT FROM TO	UNITS PER ASSY
1					
480	HL82-8APBW		.. COLLAR- SUPPLIER CODE: V5M902 SPECIFICATION NUMBER: BACC30AG8 OPTIONAL PART: HL82-8APBW V92215 HL82-8APBW V56878 HL82-8APBW V73197		12
485	313T3380-417		.. PLATE- MANUFACTURED FROM: 2.1 X 2.9 X 4.2 BAC1503-100758 SPARES ORDER MATERIAL CODE: 5279071000		8
800			ILLUSTRATION REFERENCE: BULKHEAD INSTL-AFT STRUT 54-51-57-01		RF

R
R
R
R
R
R

ILLUSTRATION ITEMS NOT ON PARTS LIST ARE NOT APPLICABLE

- ITEM NOT ILLUSTRATED

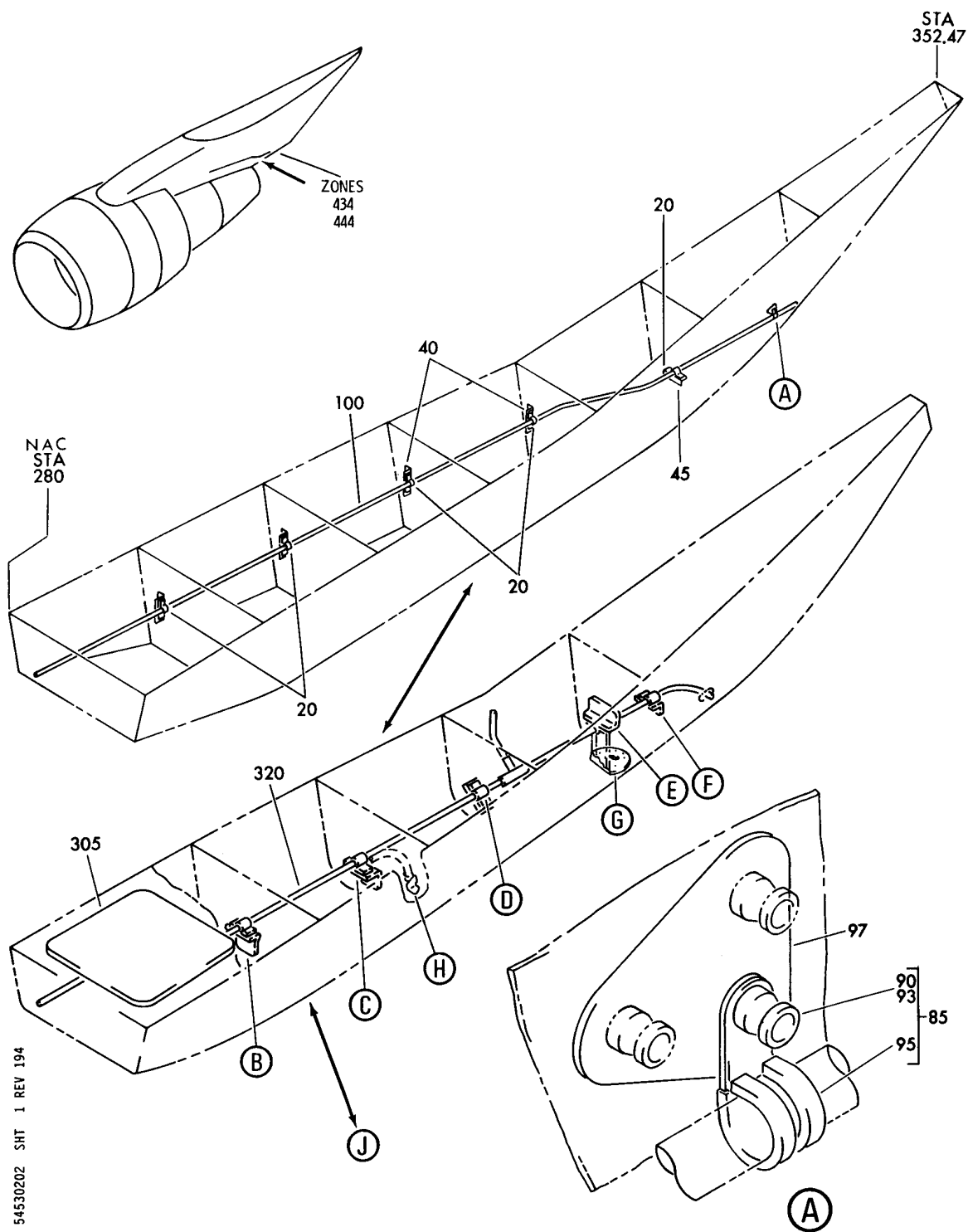
HXL

54-53-02-01

BOEING PROPRIETARY - Copyright © - Unpublished Work - See title page for details.

54-53-02
FIG. 01
PAGE 15
AUG 22/09

BOEING
767
PARTS CATALOG (MAINTENANCE)



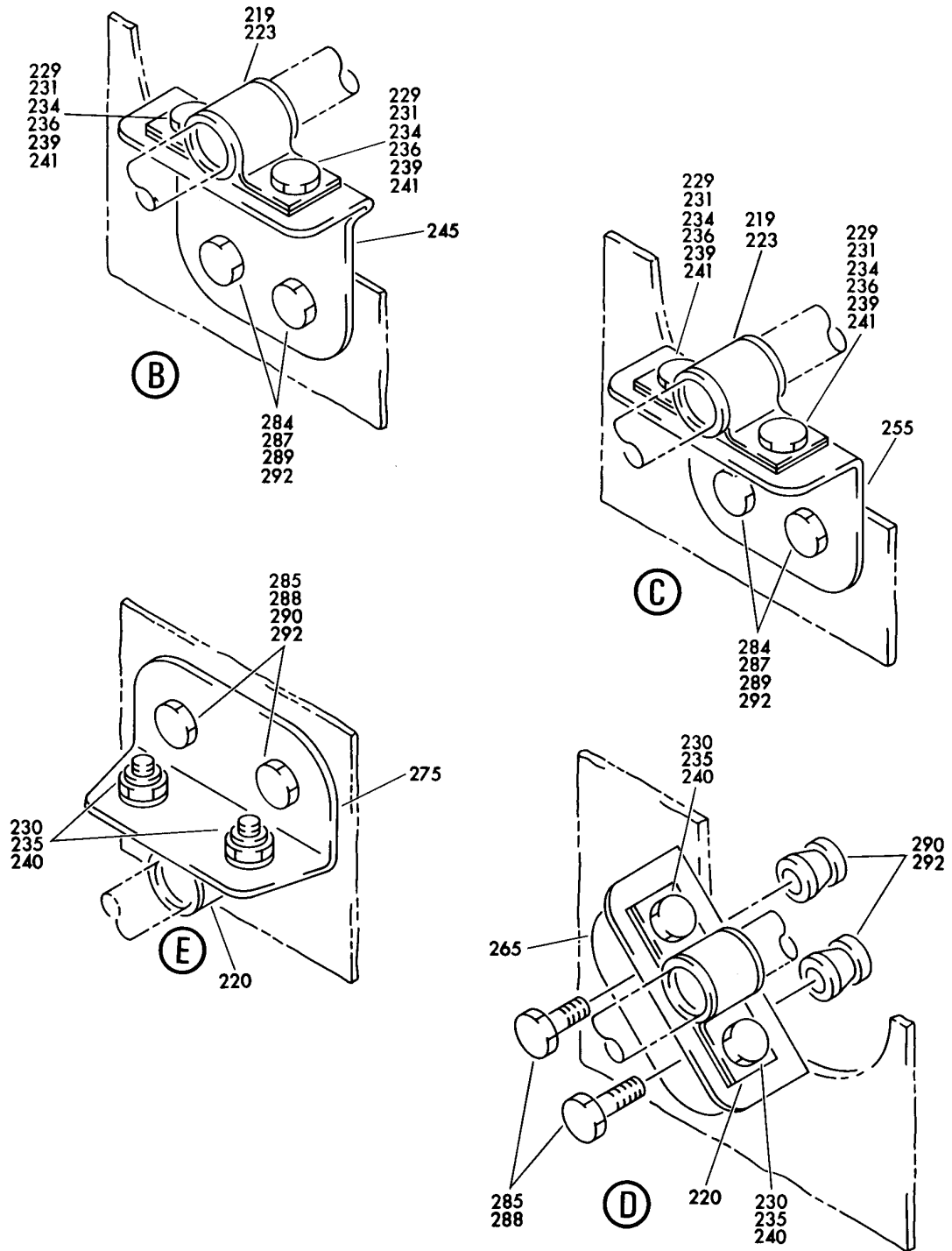
PAN INSTL-STRUT AFT FAIRING LWR
FIGURE 2 (SHEET 1)

54-53-02-02

HXL
DEC 22/06

54-53-02-02
PAGE 0

BOEING
767
PARTS CATALOG (MAINTENANCE)



V 54530202 SHT 2 REV 194

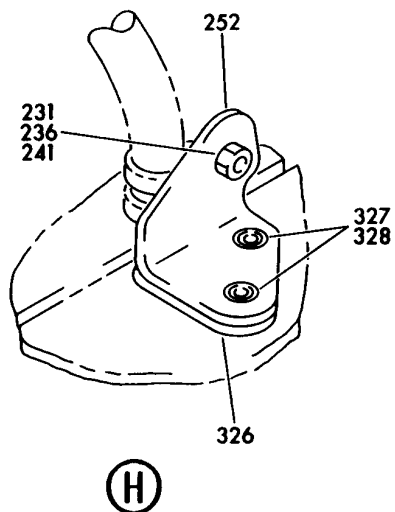
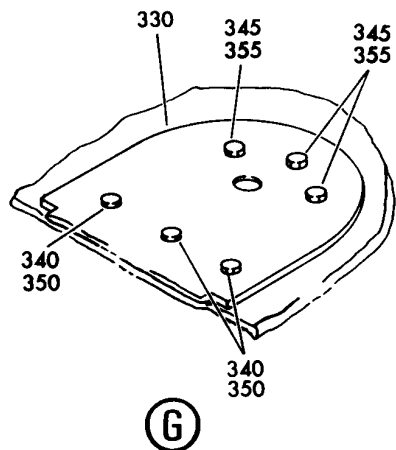
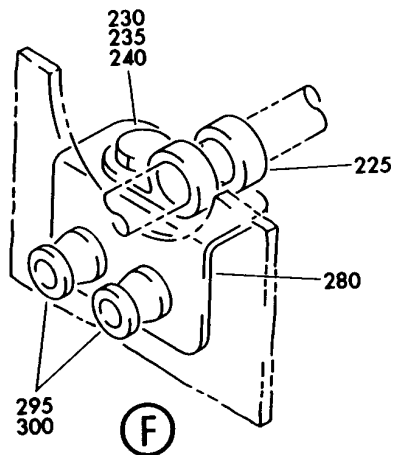
PAN INSTL-STRUT AFT FAIRING LWR
FIGURE 2 (SHEET 2)

54-53-02-02

HXL
DEC 22/06

54-53-02-02
PAGE 0A

BOEING
767
PARTS CATALOG (MAINTENANCE)



V 54530202 SHT 3 REV 120

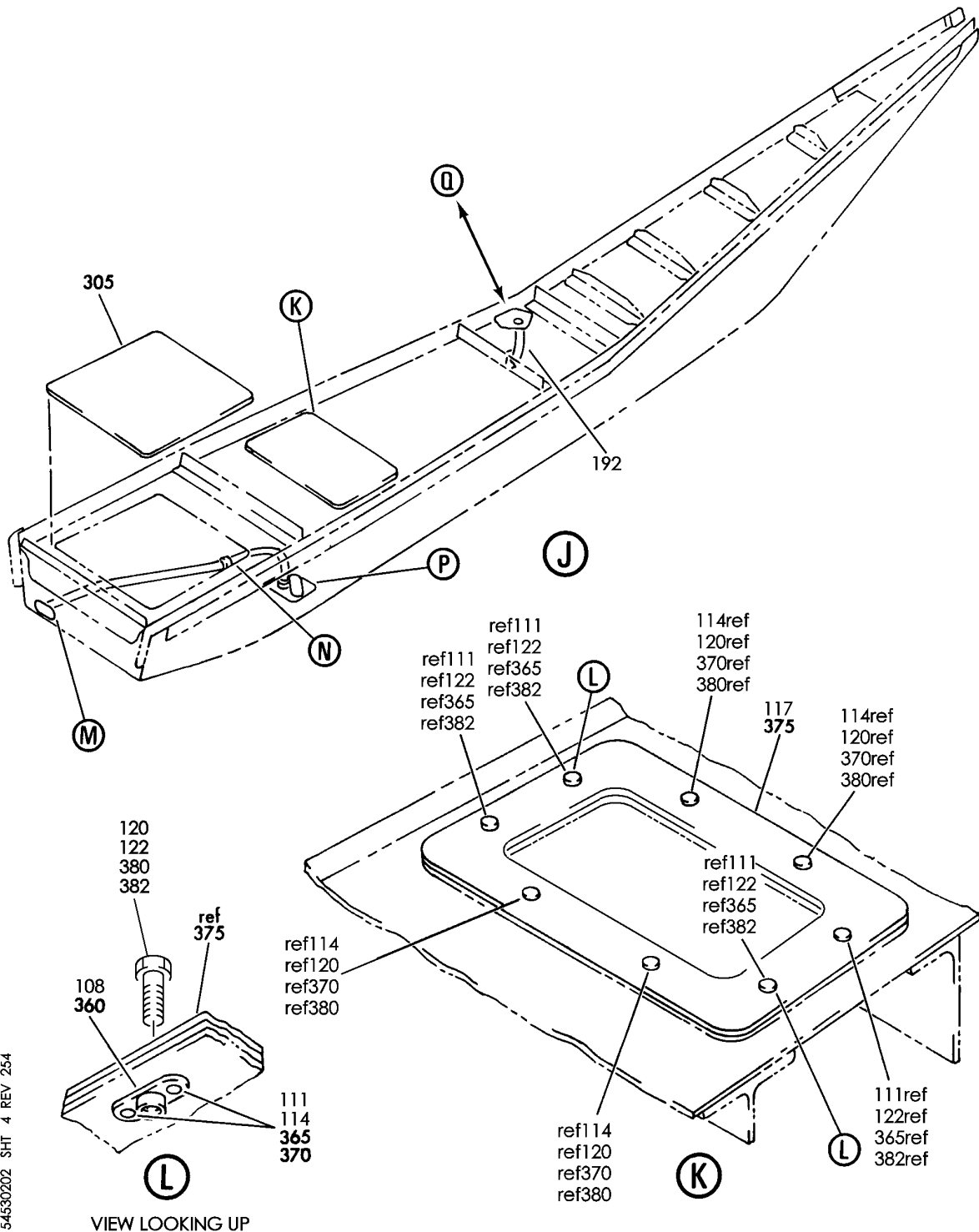
PAN INSTL-STRUT AFT FAIRING LWR
FIGURE 2 (SHEET 3)

54-53-02-02

HXL
DEC 22/06

54-53-02-02
PAGE 08

BOEING
767
PARTS CATALOG (MAINTENANCE)



V 54530202 SHT 4 REV 254

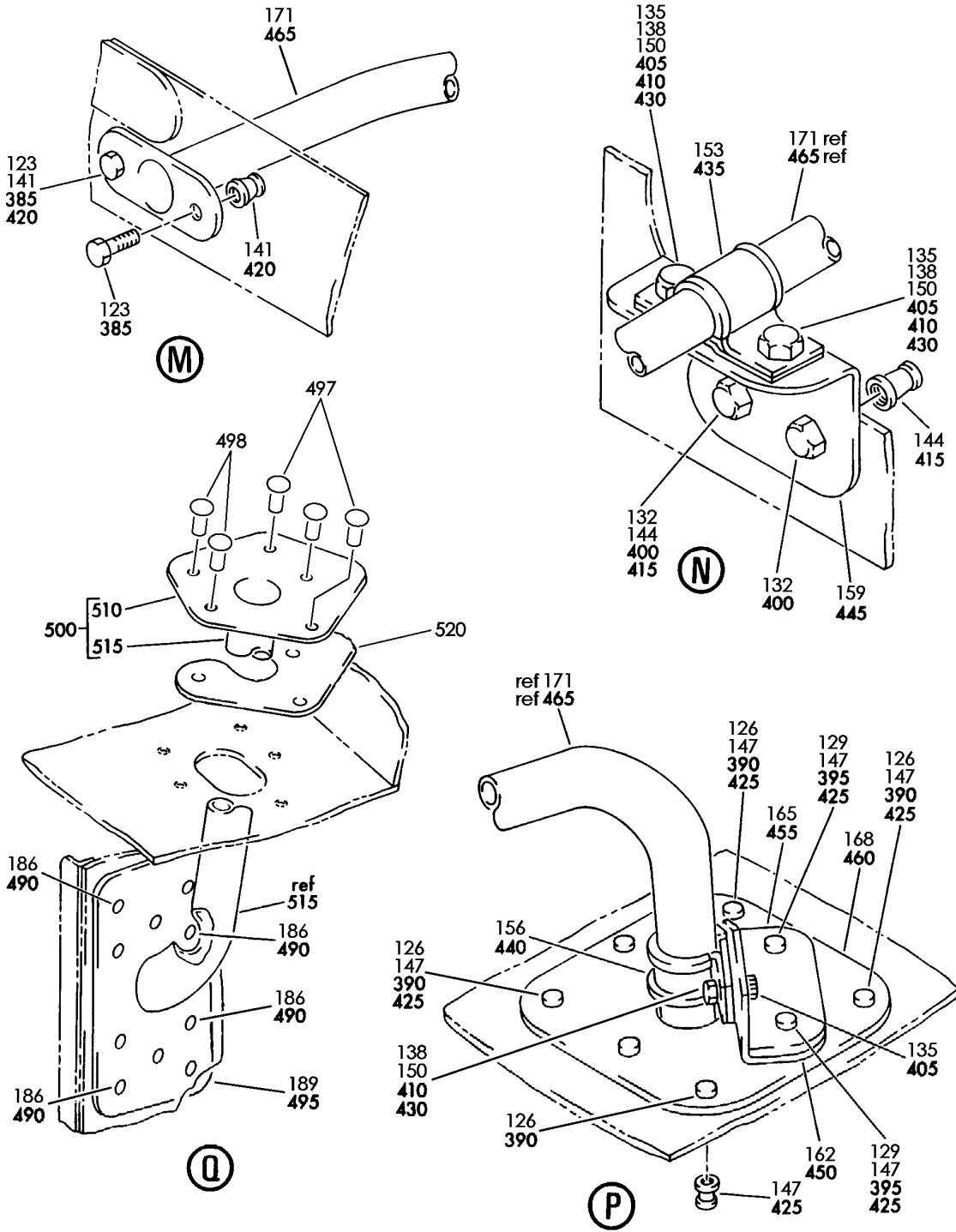
PAN INSTL-STRUT AFT FAIRING LWR
FIGURE 2 (SHEET 4)

54-53-02-02

HXL
DEC 22/06

54-53-02-02
PAGE 0C

BOEING
767
PARTS CATALOG (MAINTENANCE)



V 54530202 SHT 5 REV 254

PAN INSTL-STRUT AFT FAIRING LWR
FIGURE 2 (SHEET 5)

54-53-02-02

HXL
DEC 22/06

54-53-02-02
PAGE 0D



767

PARTS CATALOG (MAINTENANCE)

FIG ITEM	PART NUMBER	1 2 3 4 5 6 7	NOMENCLATURE	EFFECT FROM TO	UNITS PER ASSY
2			PAN INSTL-STRUT AFT FAIRING LWR		
- 200	313T3355-199		PAN INSTL-STRUT FAIRING POSITION DATA: AFT LWR LH FOR NHA SEE: 54-52-01-02		RF
- 205	313T3355-200		PAN INSTL-STRUT FAIRING POSITION DATA: AFT LWR RH FOR NHA SEE: 54-52-01-02		RF
- 210	313T3355-335		.PAN ASSY- POSITION DATA: LH SIDE		1
- 215	313T3355-334		.PAN ASSY- POSITION DATA: RH SIDE		1
219	NAS1716C6M		..CLAMP-		2
220	NAS1716C6M		..CLAMP-		2
225	BACC10EP6		..CLAMP- ATTACHING PARTS		1
229	NAS6603-2		..BOLT-		4
230	NAS6603-2		..BOLT-		5
234	AN960C10L		..WASHER-		4
235	AN960C10L		..WASHER-		5
239	BRH10A3		..NUT-		4
			SUPPLIER CODE: V52828 SPECIFICATION NUMBER: BACN10JC3 OPTIONAL PART: H10-3BAC V15653 NS202101-02 V80539 RMLH9075-3W V72962 VN303A02 V92215 96-02 V80539 T6S1032J V11815		
ILLUSTRATION ITEMS NOT ON PARTS LIST ARE NOT APPLICABLE					

- ITEM NOT ILLUSTRATED

54-53-02-02

54-53-02
FIG. 02
PAGE 1
DEC 22/07

HXL

 **BOEING**
767
PARTS CATALOG (MAINTENANCE)

FIG ITEM	PART NUMBER	1 2 3 4 5 6 7	NOMENCLATURE	EFFECT FROM TO	UNITS PER ASSY
2 240	BRH10A3		..NUT- SUPPLIER CODE: V52828 SPECIFICATION NUMBER: BACN10JC3 OPTIONAL PART: H10-3BAC V15653 NS202101-02 V80539 RMLH9075-3W V72962 VN303A02 V92215 96-02 V80539 T6S1032J V11815 -----*-----		5
245	313T3355-269		..CLIP- POSITION DATA: LH SIDE		1
- 250	313T3355-270		..CLIP- POSITION DATA: RH SIDE		1
255	313T3355-271		..CLIP- POSITION DATA: LH SIDE		1
- 260	313T3355-272		..CLIP- POSITION DATA: RH SIDE		1
265	313T3355-273		..CLIP- POSITION DATA: LH SIDE		1
- 270	313T3355-274		..CLIP- POSITION DATA: RH SIDE		1
275	313T3355-275		..CLIP-		1
280	313T3355-329		..CLIP- ATTACHING PARTS		1
284	HL658-6-5		..BOLT- SUPPLIER CODE: V73197 QUALIFIED OPTIONAL DATA: (HL658-6-5 WITH HL88-6 OPTIONAL TO BACB30FN6A3U WITH BACC30AB6S)		4

ILLUSTRATION ITEMS NOT ON PARTS LIST ARE NOT APPLICABLE

- ITEM NOT ILLUSTRATED

HXL

54-53-02-02

BOEING PROPRIETARY - Copyright © - Unpublished Work - See title page for details.

54-53-02
FIG. 02
PAGE 2
DEC 22/07

BOEING
767
PARTS CATALOG (MAINTENANCE)

FIG ITEM	PART NUMBER	1 2 3 4 5 6 7	NOMENCLATURE	EFFECT FROM TO	UNITS PER ASSY
R R	2 284		..BOLT- SUPPLIER CODE: V60516 SPECIFICATION NUMBER: BACB30FN6A3U OPTIONAL PART: 67068-6A3U V56878 HL41-6-3 V73197 HL41-6-3 V92215 HL41-6-3 V80539 HL41-6-3 V08524 HL41-6-3 V97928 HL41-6-3 V56878 QUALIFIED OPTIONAL DATA: (HL658-6-5 WITH HL88-6 OPTIONAL TO BACB30FN6A3U WITH BACC30AB6S)		4
	285	HL658-6-5	..BOLT- SUPPLIER CODE: V73197 QUALIFIED OPTIONAL DATA: (HL658-6-5 WITH HL88-6 OPTIONAL TO BACB30FN6A3U WITH BACC30AB6S)		4

ILLUSTRATION ITEMS NOT ON PARTS LIST ARE NOT APPLICABLE

— ITEM NOT ILLUSTRATED

HXL

54-53-02-02

BOEING PROPRIETARY - Copyright © - Unpublished Work - See title page for details.

54-53-02
FIG. 02
PAGE 3
AUG 22/09



767

PARTS CATALOG (MAINTENANCE)

FIG ITEM	PART NUMBER	1 2 3 4 5 6 7	NOMENCLATURE	EFFECT FROM TO	UNITS PER ASSY
2 285	HL41-6-3		..BOLT- SUPPLIER CODE: V60516 SPECIFICATION NUMBER: BACB30FN6A3U OPTIONAL PART: 67068-6A3U V56878 HL41-6-3 V73197 HL41-6-3 V92215 HL41-6-3 V80539 HL41-6-3 V08524 HL41-6-3 V97928 HL41-6-3 V56878 QUALIFIED OPTIONAL DATA: (HL658-6-5 WITH HL88-6 OPTIONAL TO BACB30FN6A3U WITH BACC30AB6S)		4
289	HL88-6		..COLLAR- SUPPLIER CODE: V73197 QUALIFIED OPTIONAL DATA: (HL658-6-5 WITH HL88-6 OPTIONAL TO BACB30FM6A5U WITH BACC30AB6S)		4
289	HL97DU6		..COLLAR- SUPPLIER CODE: V73197 SPECIFICATION NUMBER: BACC30AB6S OPTIONAL PART: HL97DU6 V56878 HL97DU6 V5M902 QUALIFIED OPTIONAL DATA: (HL658-6-5 WITH HL88-6 OPTIONAL TO BACB30FM6A5U WITH BACC30AB6S)		4

ILLUSTRATION ITEMS NOT ON PARTS LIST ARE NOT APPLICABLE

- ITEM NOT ILLUSTRATED

HXL

54-53-02-02

BOEING PROPRIETARY - Copyright © - Unpublished Work - See title page for details.

54-53-02
 FIG. 02
 PAGE 4
 APR 22/09



767

PARTS CATALOG (MAINTENANCE)

FIG ITEM	PART NUMBER	1 2 3 4 5 6 7	NOMENCLATURE	EFFECT FROM TO	UNITS PER ASSY
2					
290	HL88-6		.. COLLAR- SUPPLIER CODE: V73197 QUALIFIED OPTIONAL DATA: (HL658-6-5 WITH HL88-6 OPTIONAL TO BACB30FM6A5U WITH BACC30AB6S)		4
290	HL97DU6		.. COLLAR- SUPPLIER CODE: V73197 SPECIFICATION NUMBER: BACC30AB6S OPTIONAL PART: HL97DU6 V56878 HL97DU6 V5M902 QUALIFIED OPTIONAL DATA: (HL658-6-5 WITH HL88-6 OPTIONAL TO BACB30FM6A5U WITH BACC30AB6S)		4
295	HL658-5-2		.. BOLT- SUPPLIER CODE: V73197		2
300	HL88-5		.. COLLAR- SUPPLIER CODE: V73197		2
305	313T3355-305		-----*----- .. COVER-ACCESS POSITION DATA: LH SIDE		1
- 310	313T3355-306		.. COVER-ACCESS POSITION DATA: RH SIDE ATTACHING PARTS		1
- 315	BACB30NT2K3		.. BOLT- -----*-----		30
320	313T3355-291		.. TUBE ASSY- POSITION DATA: LH SIDE		1
- 325	313T3355-292		.. TUBE ASSY- POSITION DATA: RH SIDE		1
330	313T3355-337		.. DOUBLER- POSITION DATA: LH SIDE		1
- 335	313T3355-338		.. DOUBLER- POSITION DATA: RH SIDE		1

ILLUSTRATION ITEMS NOT ON PARTS LIST ARE NOT APPLICABLE

- ITEM NOT ILLUSTRATED

54-53-02-02

54-53-02
FIG. 02
PAGE 5
DEC 22/07

HXL

BOEING PROPRIETARY - Copyright © - Unpublished Work - See title page for details.



767

PARTS CATALOG (MAINTENANCE)

FIG ITEM	PART NUMBER	1 2 3 4 5 6 7	NOMENCLATURE	EFFECT FROM TO	UNITS PER ASSY
2			ATTACHING PARTS		
R	340	HL41-6-3	..BOLT- SUPPLIER CODE: V60516 SPECIFICATION NUMBER: BACB30FN6A3U OPTIONAL PART: 67068-6A3U V56878 HL41-6-3 V73197 HL41-6-3 V92215 HL41-6-3 V80539 HL41-6-3 V08524 HL41-6-3 V97928 HL41-6-3 V56878 QUALIFIED OPTIONAL DATA: (HL658-6-5 WITH HL88-6 OPTIONAL TO BACB30FN6A3U WITH BACC30AB5S)		3
R	345	HL41-5-2	..BOLT- SUPPLIER CODE: V60516 SPECIFICATION NUMBER: BACB30FN5A2U OPTIONAL PART: HL41-5-2 V73197 HL41-5-2 V92215 HL41-5-2 V97928 67068-5A2U V56878 HL41-5-2 V80539 HL41-5-2 V08524 HL41-5-2 V56878 QUALIFIED OPTIONAL DATA: (HL657-6-2 WITH HL88-5 OPTIONAL TO BACB30FN5A2U WITH BACC30AB5S)		3
R			ILLUSTRATION ITEMS NOT ON PARTS LIST ARE NOT APPLICABLE		

- ITEM NOT ILLUSTRATED

54-53-02-02

54-53-02
FIG. 02
PAGE 6
AUG 22/09

HXL



767

PARTS CATALOG (MAINTENANCE)

FIG ITEM	PART NUMBER	1 2 3 4 5 6 7	NOMENCLATURE	EFFECT FROM TO	UNITS PER ASSY
2 350	HL97DU6		.. COLLAR- SUPPLIER CODE: V73197 SPECIFICATION NUMBER: BACC30AB6S OPTIONAL PART: HL97DU6 V56878 HL97DU6 V5M902 QUALIFIED OPTIONAL DATA: (HL658-6-5 WITH HL88-6 OPTIONAL TO BACB30FN6A3U WITH BACC30AB6S)		3
350	HL88-6		.. COLLAR- SUPPLIER CODE: V73197 QUALIFIED OPTIONAL DATA: (HL658-6-5 WITH HL88-6 OPTIONAL TO BACB30FM6A3U WITH BACC30AB6S)		3
355	HL97DU5		.. COLLAR- SUPPLIER CODE: V73197 SPECIFICATION NUMBER: BACC30AB5S OPTIONAL PART: HL97DU5 V56878 HL97DU5 V5M902 QUALIFIED OPTIONAL DATA: (HL657-5-3 WITH HL88-5 OPTIONAL TO BACB30FN5A3U WITH BACC30AB5S)		3
355	HL88-5		.. COLLAR- SUPPLIER CODE: V73197 QUALIFIED OPTIONAL DATA: (HL657-5-3 WITH HL88-5 OPTIONAL TO BACB30FN5A3U WITH BACC30AB5S) -----*-----		3

ILLUSTRATION ITEMS NOT ON PARTS LIST ARE NOT APPLICABLE

- ITEM NOT ILLUSTRATED

HXL

54-53-02-02

BOEING PROPRIETARY - Copyright © - Unpublished Work - See title page for details.

54-53-02
 FIG. 02
 PAGE 7
 AUG 22/09

BOEING
767
PARTS CATALOG (MAINTENANCE)

FIG ITEM	PART NUMBER	1 2 3 4 5 6 7	NOMENCLATURE	EFFECT FROM TO	UNITS PER ASSY
2 360	MF53049-08		..NUTPLATE- SUPPLIER CODE: V15653 SPECIFICATION NUMBER: BACN10JN08 OPTIONAL PART: BRFM20A08 V52828 MF1000-08BAC V15653 NS103218-82 V80539 RMF9201M82 V72962 VN252A82 V92215 T8124S08S V11815 POST SERVICE BULLETIN: 54-0071 ATTACHING PARTS		8
365	BACR15BA3AD4		..RIVET- POST SERVICE BULLETIN: 54-0071		8
370	BACR15BA3AD5		..RIVET- POST SERVICE BULLETIN: 54-0071		8
375	015T1484-14		-----*----- ..COVER-PLATE POST SERVICE BULLETIN: 54-0071 ATTACHING PARTS		1
380	BACB30NT2K4		..BOLT- POST SERVICE BULLETIN: 54-0071		4
382	BACB30NT2K3		..BOLT- POST SERVICE BULLETIN: 54-0071 -----*-----		4

ILLUSTRATION ITEMS NOT ON PARTS LIST ARE NOT APPLICABLE

— ITEM NOT ILLUSTRATED

HXL

54-53-02-02

BOEING PROPRIETARY - Copyright © - Unpublished Work - See title page for details.

54-53-02
FIG. 02
PAGE 8
AUG 22/09



767

PARTS CATALOG (MAINTENANCE)

FIG ITEM	PART NUMBER	1 2 3 4 5 6 7	NOMENCLATURE	EFFECT FROM TO	UNITS PER ASSY
2 385	HL441UC6-3		..BOLT- SUPPLIER CODE: V60516 SPECIFICATION NUMBER: BACB30FM6A3 OPTIONAL PART: HL440UC6-3 V73197 HL440UC6-3 V92215 HL440UC6-3 V97928 HL440UC6-3 V80539 67067-6A3 V56878 HL440UC6-3 V08524 HL440UC6-3 V56878 POST SERVICE BULLETIN: 54-0071		2
390	HL41-6-3		..BOLT- SUPPLIER CODE: V60516 SPECIFICATION NUMBER: BACB30FN6A3U OPTIONAL PART: 67068-6A3U V56878 HL41-6-3 V73197 HL41-6-3 V92215 HL41-6-3 V80539 HL41-6-3 V08524 HL41-6-3 V97928 HL41-6-3 V56878 POST SERVICE BULLETIN: 54-0071		6

ILLUSTRATION ITEMS NOT ON PARTS LIST ARE NOT APPLICABLE

- ITEM NOT ILLUSTRATED

HXL

54-53-02-02

BOEING PROPRIETARY - Copyright © - Unpublished Work - See title page for details.

54-53-02
 FIG. 02
 PAGE 9
 AUG 22/09



767

PARTS CATALOG (MAINTENANCE)

FIG ITEM	PART NUMBER	1 2 3 4 5 6 7	NOMENCLATURE	EFFECT FROM TO	UNITS PER ASSY
2 395	HL41-6-5		..BOLT- SUPPLIER CODE: V60516 SPECIFICATION NUMBER: BACB30FN6A5U OPTIONAL PART: HL41-6-5 V73197 HL41-6-5 V92215 HL41-6-5 V97928 67068-6A5U V56878 HL41-6-5 V80539 HL41-6-5 V08524 HL41-6-5 V56878 POST SERVICE BULLETIN: 54-0071		2
400	HL140-6-5		..BOLT- SUPPLIER CODE: V97928 SPECIFICATION NUMBER: BACB30FP6A5U OPTIONAL PART: HL140-6-5 V92215 HL140-6-5 V80539 HL140-6-5 V73197 HL140-6-5 V60516 HL140-6-5 V56878 HL140-6-5 V06725 POST SERVICE BULLETIN: 54-0071		2
405	NAS6603-2		..BOLT- POST SERVICE BULLETIN: 54-0071		3
410	NAS1149C0332R		..WASHER- POST SERVICE BULLETIN: 54-0071		3

ILLUSTRATION ITEMS NOT ON PARTS LIST ARE NOT APPLICABLE

- ITEM NOT ILLUSTRATED

54-53-02-02

54-53-02
 FIG. 02
 PAGE 10
 AUG 22/09

HXL



767

PARTS CATALOG (MAINTENANCE)

FIG ITEM	PART NUMBER	1 2 3 4 5 6 7	NOMENCLATURE	EFFECT FROM TO	UNITS PER ASSY
2 415	HL97KG6		.. COLLAR- SUPPLIER CODE: V5M902 SPECIFICATION NUMBER: BACC30AB6C OPTIONAL PART: HL97PB6 V5M902 HL97PB6 V56878 HL97KG6 V73197 HL97KG6 V56878 HL97PB6 V73197 POST SERVICE BULLETIN: 54-0071		2
420	HL197KG6		.. COLLAR- SUPPLIER CODE: V73197 SPECIFICATION NUMBER: BACC30AB6CY OPTIONAL PART: HL197KG6 V56878 HL197KG6 V5M902 POST SERVICE BULLETIN: 54-0071		2
425	HL97DU6		.. COLLAR- SUPPLIER CODE: V73197 SPECIFICATION NUMBER: BACC30AB6S OPTIONAL PART: HL97DU6 V56878 HL97DU6 V5M902 POST SERVICE BULLETIN: 54-0071		8

ILLUSTRATION ITEMS NOT ON PARTS LIST ARE NOT APPLICABLE

- ITEM NOT ILLUSTRATED

HXL

54-53-02-02

BOEING PROPRIETARY - Copyright © - Unpublished Work - See title page for details.

54-53-02
 FIG. 02
 PAGE 11
 AUG 22/09



767

PARTS CATALOG (MAINTENANCE)

FIG ITEM	PART NUMBER	1 2 3 4 5 6 7	NOMENCLATURE	EFFECT FROM TO	UNITS PER ASSY
2 430	BRH10C3D		..NUT- SUPPLIER CODE: V52828 SPECIFICATION NUMBER: BACN10JC3CD OPTIONAL PART: T6C1032JCD V11815 NS202486-02 V80539 102LH9075-3W V72962 H51650-3BAC V15653 POST SERVICE BULLETIN: 54-0071		3
435	44SC38H08PB		..CLAMP- SUPPLIER CODE: V22175 SPECIFICATION NUMBER: BACC10HT08 OPTIONAL PART: 1068708P V83930 TA095000208 V84971 POST SERVICE BULLETIN: 54-0071		1
440	S500-8		..CLAMP- SUPPLIER CODE: V18076 SPECIFICATION NUMBER: BACC10HS08 OPTIONAL PART: 025029-08 V84971 44LC17H8PB V22175 490-08RPB V83930 POST SERVICE BULLETIN: 54-0071		1
445	015T1484-7		..CLIP- POST SERVICE BULLETIN: 54-0071		1
450	015T1484-8		..CLIP- POST SERVICE BULLETIN: 54-0071		1

ILLUSTRATION ITEMS NOT ON PARTS LIST ARE NOT APPLICABLE

- ITEM NOT ILLUSTRATED

54-53-02-02

54-53-02
 FIG. 02
 PAGE 12
 AUG 22/09

HXL



767

PARTS CATALOG (MAINTENANCE)

FIG ITEM	PART NUMBER	1 2 3 4 5 6 7	NOMENCLATURE	EFFECT FROM TO	UNITS PER ASSY
2					
455	015T1484-20	..	FILLER- POST SERVICE BULLETIN: 54-0071		1
460	015T1484-9	..	DOUBLER- POST SERVICE BULLETIN: 54-0071		1
465	015T1484-3	..	TUBE ASSY- POSITION DATA: LH SIDE POST SERVICE BULLETIN: 54-0071		1
- 470	015T1484-4	..	TUBE ASSY- POSITION DATA: RH SIDE POST SERVICE BULLETIN: 54-0071		1
490	MS21140U0502	..	FASTENER- POST SERVICE BULLETIN: 54-0071		10
495	015T1484-16	..	DOUBLER-SIDE POST SERVICE BULLETIN: 54-0071 ATTACHING PARTS		1
497	NAS1398MW6A5	..	RIVET- POST SERVICE BULLETIN: 54-0071		2
498	NAS1398MW6A3	..	RIVET- POST SERVICE BULLETIN: 54-0071		3
500	015T1484-5	..	TUBE ASSY- POSITION DATA: LH SIDE POST SERVICE BULLETIN: 54-0071		1
- 505	015T1484-6	..	TUBE ASSY- POSITION DATA: RH SIDE POST SERVICE BULLETIN: 54-0071		1
510	015T1484-17	...	FLANGE-AFT		1
515	015T1484-13	...	TUBE-SHORT		1
520	015T1484-19	..	SPACER- POST SERVICE BULLETIN: 54-0071		1
ILLUSTRATION ITEMS NOT ON PARTS LIST ARE NOT APPLICABLE					

- ITEM NOT ILLUSTRATED

54-53-02-02

54-53-02
FIG. 02
PAGE 13
AUG 22/09

HXL