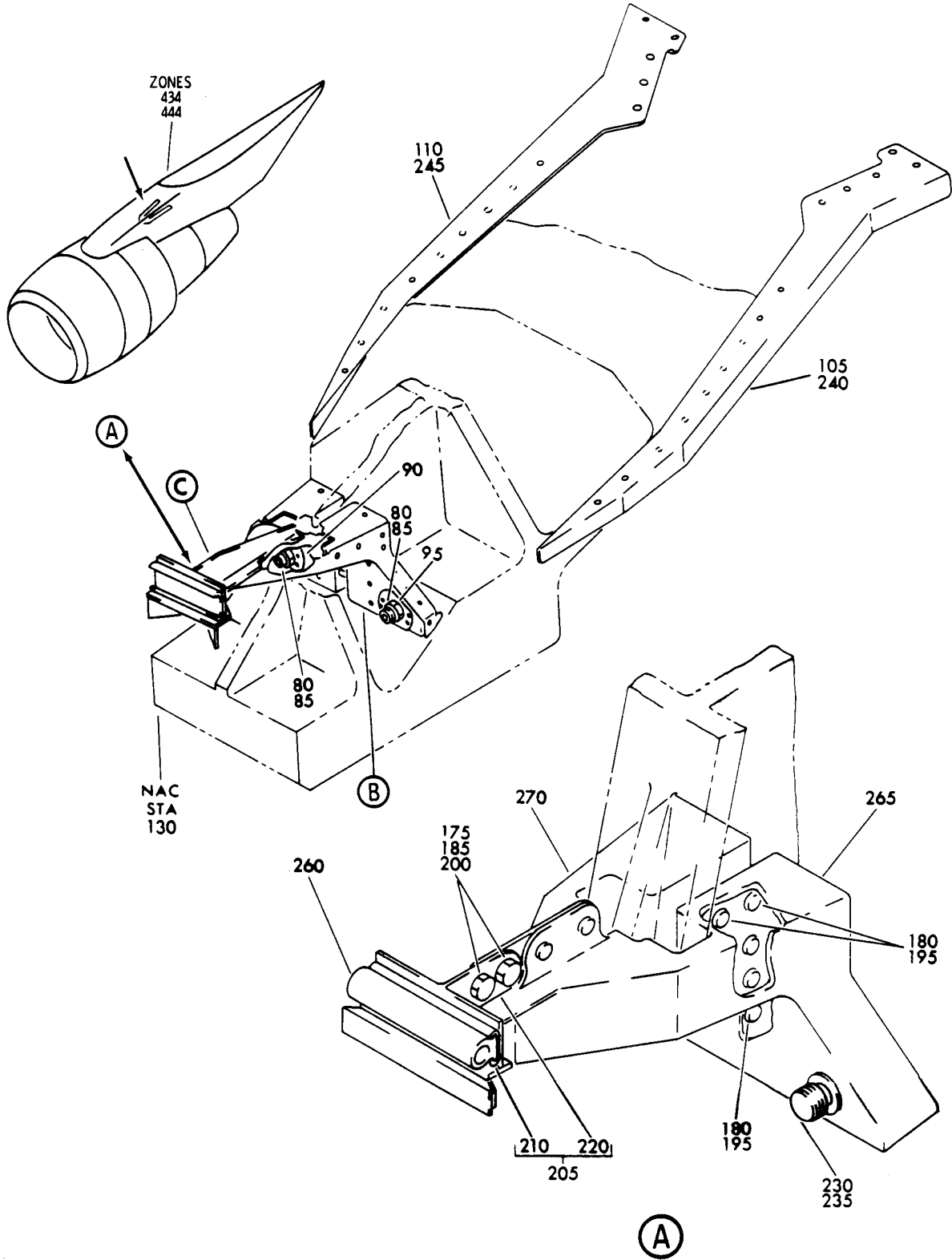


STRUT FIRESEAL AND FIREWALL

HXL
DEC 22/06

54-54-00
SECTION TITLE
PAGE 1

BOEING
767
PARTS CATALOG (MAINTENANCE)



V 54540001 SH1 1 REV 097

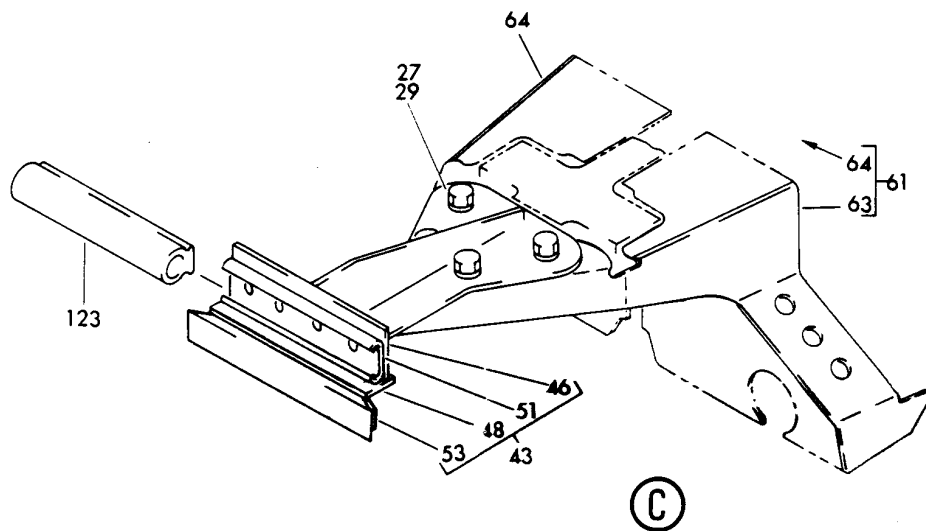
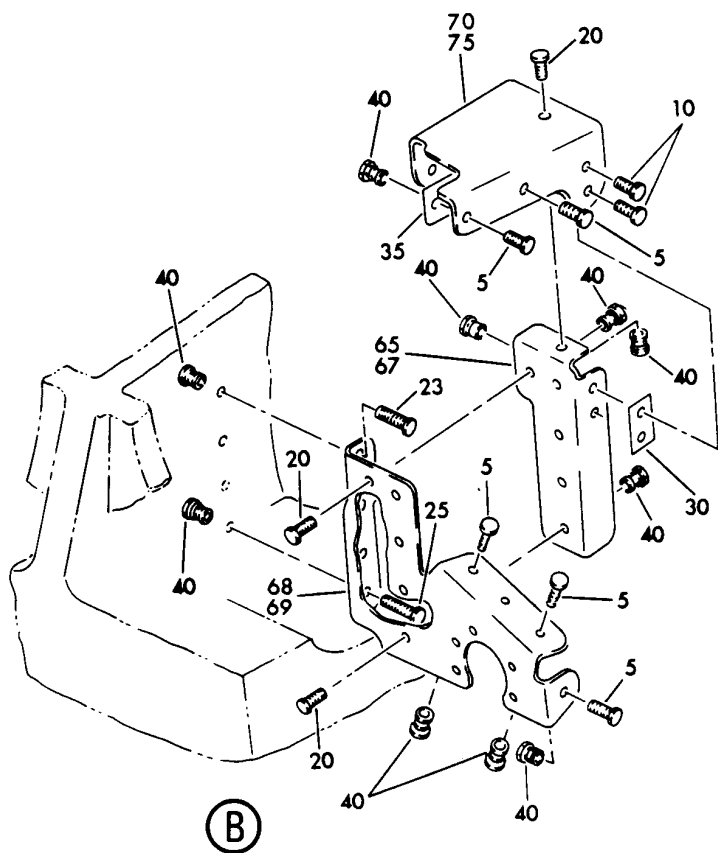
SEAL INSTL-NACELLE STRUT FIRE
FIGURE 1 (SHEET 1)

54-54-00-01

HXL
DEC 22/06

54-54-00-01
PAGE 0

BOEING
767
PARTS CATALOG (MAINTENANCE)



V 54540001 SHT 2 REV 087

SEAL INSTL-NACELLE STRUT FIRE
FIGURE 1 (SHEET 2)

54-54-00-01

HXL
DEC 22/06

54-54-00-01
PAGE 0A



767

PARTS CATALOG (MAINTENANCE)

FIG ITEM	PART NUMBER	1 2 3 4 5 6 7	NOMENCLATURE	EFFECT FROM TO	UNITS PER ASSY
1			SEAL INSTL-NACELLE STRUT FIRE		
- 170	311T3681-51		SEAL INSTL-NACELLE STRUT FIRE		RF
175	NAS1802-3-7		FOR NHA SEE: 54-51-51-01		2
180	HL448PZ5-11		.SCREW .BOLT- SUPPLIER CODE: V60516 SPECIFICATION NUMBER: BACB30MB5A11U OPTIONAL PART: HL448PZ5-11 V9N513 HL448PZ5-11 V80539 HL448PZ5-11 V73197 HL448PZ5-11 V56878 HL48-5-11 V9N513 HL48-5-11 V97928 HL48-5-11 V08524 HL48-5-11 V80539 69308-5A11 V56878 HL48-5-11 V92215 HL48-5-11 V73197 HL48-5-11 V56878 HL448PZ5-11 V97928 BACB30FM5A11U		5
ILLUSTRATION ITEMS NOT ON PARTS LIST ARE NOT APPLICABLE					

- ITEM NOT ILLUSTRATED

HXL

54-54-00-01

BOEING PROPRIETARY - Copyright © - Unpublished Work - See title page for details.

54-54-00
FIG. 01
PAGE 1
DEC 22/07

 **BOEING**
767
PARTS CATALOG (MAINTENANCE)

FIG ITEM	PART NUMBER	1 2 3 4 5 6 7	NOMENCLATURE	EFFECT FROM TO	UNITS PER ASSY
R R R R R R R R R R	180	HL40-5-11	.BOLT- SUPPLIER CODE: V97928 SPECIFICATION NUMBER: BACB30FM5A11U OPTIONAL PART: 67067-5A11U V56878 HL40-5-11 V92215 HL40-5-11 V80539 HL40-5-11 V73197 HL40-5-11 V56878 HL40-5-11 V08524 BACB30MB5A11U		5
	185	AN960-10	.WASHER		2
	195	HL97DU5	.COLLAR SUPPLIER CODE: V73197 SPECIFICATION NUMBER: BACC30AB5S OPTIONAL PART: HL97DU5 V56878 HL97DU5 V5M902		5
	200	BACN10J3CM	.NUT ATTACHING PARTS		2
	- 215	MS20615-3M	..RIVET- SIZE DETERMINED ON INSTL. -----*-----		4
	220	311U4681-5	..DEPRESSOR- OPTIONAL PART: 311U4681-6		1
	220	311U4681-6	..DEPRESSOR- OPTIONAL PART: 311U4681-5		1
	230	MS21902K6	.FITTING		1
	ILLUSTRATION ITEMS NOT ON PARTS LIST ARE NOT APPLICABLE				

- ITEM NOT ILLUSTRATED

HXL

54-54-00-01

BOEING PROPRIETARY - Copyright © - Unpublished Work - See title page for details.

54-54-00
FIG. 01
PAGE 2
AUG 22/09



767

PARTS CATALOG (MAINTENANCE)

FIG ITEM	PART NUMBER	1 2 3 4 5 6 7	NOMENCLATURE	EFFECT FROM TO	UNITS PER ASSY
1 235	R1131-906		.PACKING SUPPLIER CODE: V57268 SPECIFICATION NUMBER: BACP11K6 OPTIONAL PART: 3-906S383-70 V02697 1090-06 V95272 150701-06 V95272 AS568-906S32 V11314		1
240	311T3681-67		.DEPRESSOR-		1
245	311T3681-68		.DEPRESSOR-		1
260	SF15-315-66		.SEAL- SUPPLIER CODE: V50744 SPECIFICATION NUMBER: S315T107-66 OPTIONAL PART: 8425-66 V11960		1
265	311T4011-7		.DEPRESSOR-FIRE SEAL		1
270	311T4011-8		.DEPRESSOR-FIRE SEAL		1

ILLUSTRATION ITEMS NOT ON PARTS LIST ARE NOT APPLICABLE

- ITEM NOT ILLUSTRATED

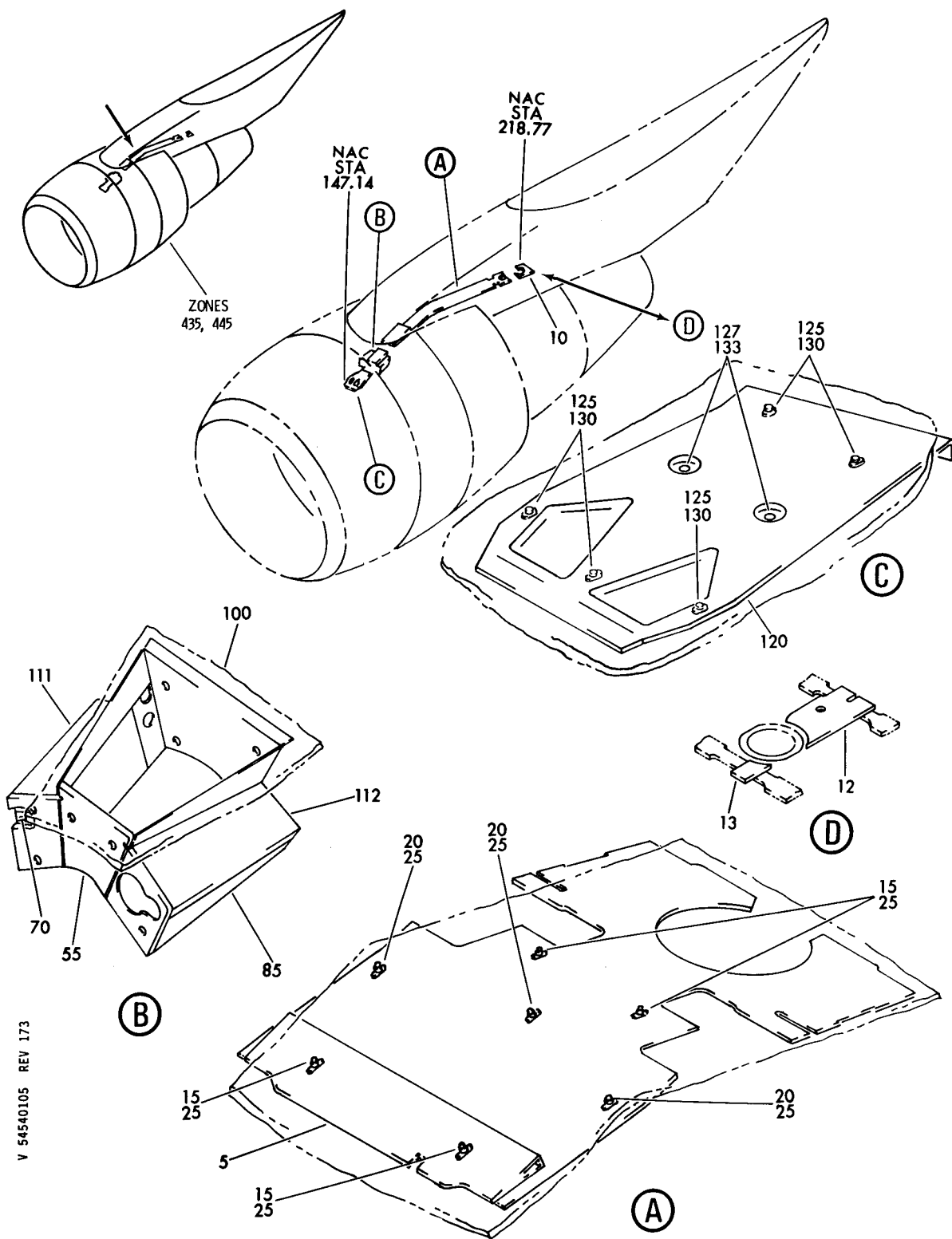
HXL

54-54-00-01

BOEING PROPRIETARY - Copyright © - Unpublished Work - See title page for details.

54-54-00
FIG. 01
PAGE 3
DEC 22/07

BOEING
767
PARTS CATALOG (MAINTENANCE)



V 54540105 REV 173

BLANKET INSTL-NAC STRUT PW4056 ENGINE
FIGURE 5

54-54-01-05

HXL
DEC 22/06

54-54-01-05
PAGE 0

 **BOEING**
767
PARTS CATALOG (MAINTENANCE)

FIG ITEM	PART NUMBER	1 2 3 4 5 6 7	NOMENCLATURE	EFFECT FROM TO	UNITS PER ASSY
5			BLANKET INSTL-NAC STRUT PW4056 ENGINE		
- 1	311T4030-5		BLANKET INSTL-SPAR INSULATION POSITION DATA: MID LOWER FOR NHA SEE: 54-51-51-01		RF
5	311T4031-1		.BLANKET ASSY		1
10	311T4031-51		.BLANKET ASSY-INSULATION POST SERVICE BULLETIN: 71-0074		1
15	BACB30LK3-5		ATTACHING PARTS .BOLT		4
20	BACB30LK3-4		.BOLT		3
25	AN960C10L		.WASHER		7
			-----*-----		
- 50	311T4030-2		BLANKET INSTL-RACEWAY INSULATION VARIABLE DRAWING REF: 311T4030-5008 FOR NHA SEE: 54-51-51-01		RF
55	311T4031-73		.BLANKET ASSY- ATTACHING PARTS		1
- 60	BACB30LK3-3		.BOLT		5
- 65	AN960C10L		.WASHER		5
			-----*-----		
70	311T4031-37		.BLANKET ASSY- ATTACHING PARTS		1
- 75	BACB30LK3-3		.BOLT		3
- 80	AN960C10L		.WASHER		3
			-----*-----		
85	311T4031-35		.BLANKET ASSY- ATTACHING PARTS		1
- 90	BACB30LK3-3		.BOLT		4
- 95	AN960C10L		.WASHER		4
			-----*-----		
100	311T4031-84		.BLANKET ASSY-		1
100	311T4031-58		.BLANKET ASSY- ATTACHING PARTS		1
- 105	BACB30LK3-3		.BOLT		11
- 110	AN960C10L		.WASHER		11
			-----*-----		
111	311T4031-72		.BLANKET ASSY-		1
112	311T4031-56		.BLANKET ASSY- ATTACHING PARTS		1
- 113	BACB30LK3-3		.BOLT		8

ILLUSTRATION ITEMS NOT ON PARTS LIST ARE NOT APPLICABLE

- ITEM NOT ILLUSTRATED

HXL

54-54-01-05

BOEING PROPRIETARY - Copyright © - Unpublished Work - See title page for details.

54-54-01
FIG. 05
PAGE 1
AUG 22/08



767

PARTS CATALOG (MAINTENANCE)

FIG ITEM	PART NUMBER	1 2 3 4 5 6 7	NOMENCLATURE	EFFECT FROM TO	UNITS PER ASSY
5					
- 114	AN960C10L		.WASHER -----*-----		8
- 115	311T4030-3		BLANKET INSTL-SPAR INSULATION POSITION DATA: FWD MID VARIABLE DRAWING REF: 311T4030-5005 FOR NHA SEE: 54-51-51-01		R F
120	311T4031-62		.BLANKET ASSY- ATTACHING PARTS		1
125	BACB30LK3-3		.BOLT		5
130	AN960C10L		.WASHER -----*-----		5

ILLUSTRATION ITEMS NOT ON PARTS LIST ARE NOT APPLICABLE

- ITEM NOT ILLUSTRATED

HXL

54-54-01-05

BOEING PROPRIETARY - Copyright © - Unpublished Work - See title page for details.

54-54-01
FIG. 05
PAGE 2
AUG 22/08