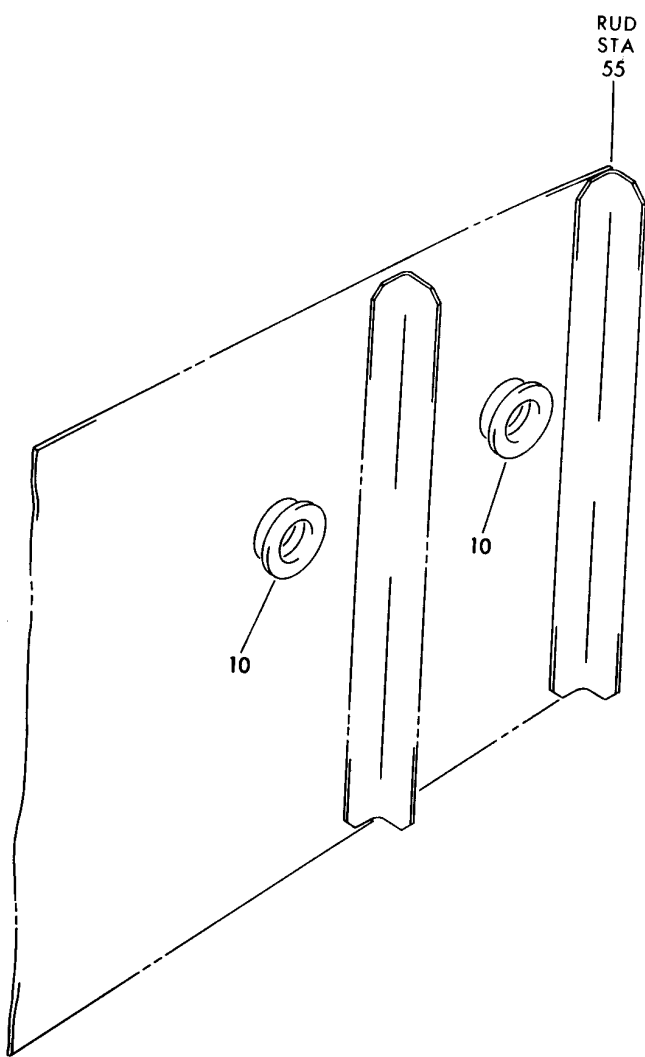
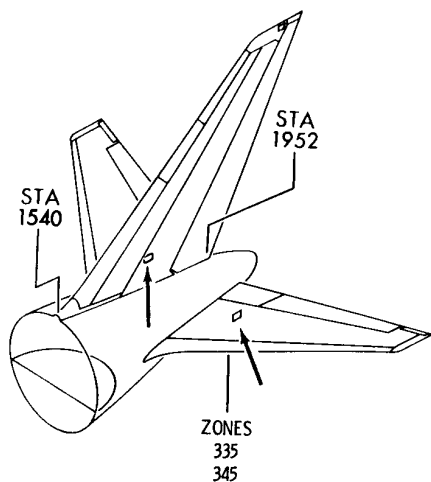


## HORIZONTAL STABILIZER MAIN TORQUE BOX

HXL  
DEC 22/06

55-13-00  
SECTION TITLE  
PAGE 1

**BOEING**  
767  
PARTS CATALOG (MAINTENANCE)



V 55135101 REV 176

RIB INSTL-HORIZ STAB. NO 5 R.S. 55.105 MAIN TORQUE BOX  
FIGURE 1

**55-13-51-01**

HXL  
DEC 22/06

55-13-51-01  
PAGE 0



767

PARTS CATALOG (MAINTENANCE)

FIG ITEM	PART NUMBER	1 2 3 4 5 6 7	NOMENCLATURE	EFFECT FROM TO	UNITS PER ASSY
1			RIB INSTL-HORIZ STAB. NO 5 R.S. 55.105 MAIN TORQUE BOX		
- 1	182T5401-1		RIB INSTL-HORIZ STAB. NO 5 MAIN TORQUE BOX POSITION DATA: R.S. 55.105 LH FOR NHA SEE: 55-13-53-01		RF
- 5	182T5401-2		RIB INSTL-HORIZ STAB. NO 5 MAIN TORQUE BOX POSITION DATA: R.S. 55.105 RH FOR NHA SEE: 55-13-53-01		RF
10	NAS1368N16A		.GROMMET		2

ILLUSTRATION ITEMS NOT ON PARTS LIST ARE NOT APPLICABLE

- ITEM NOT ILLUSTRATED

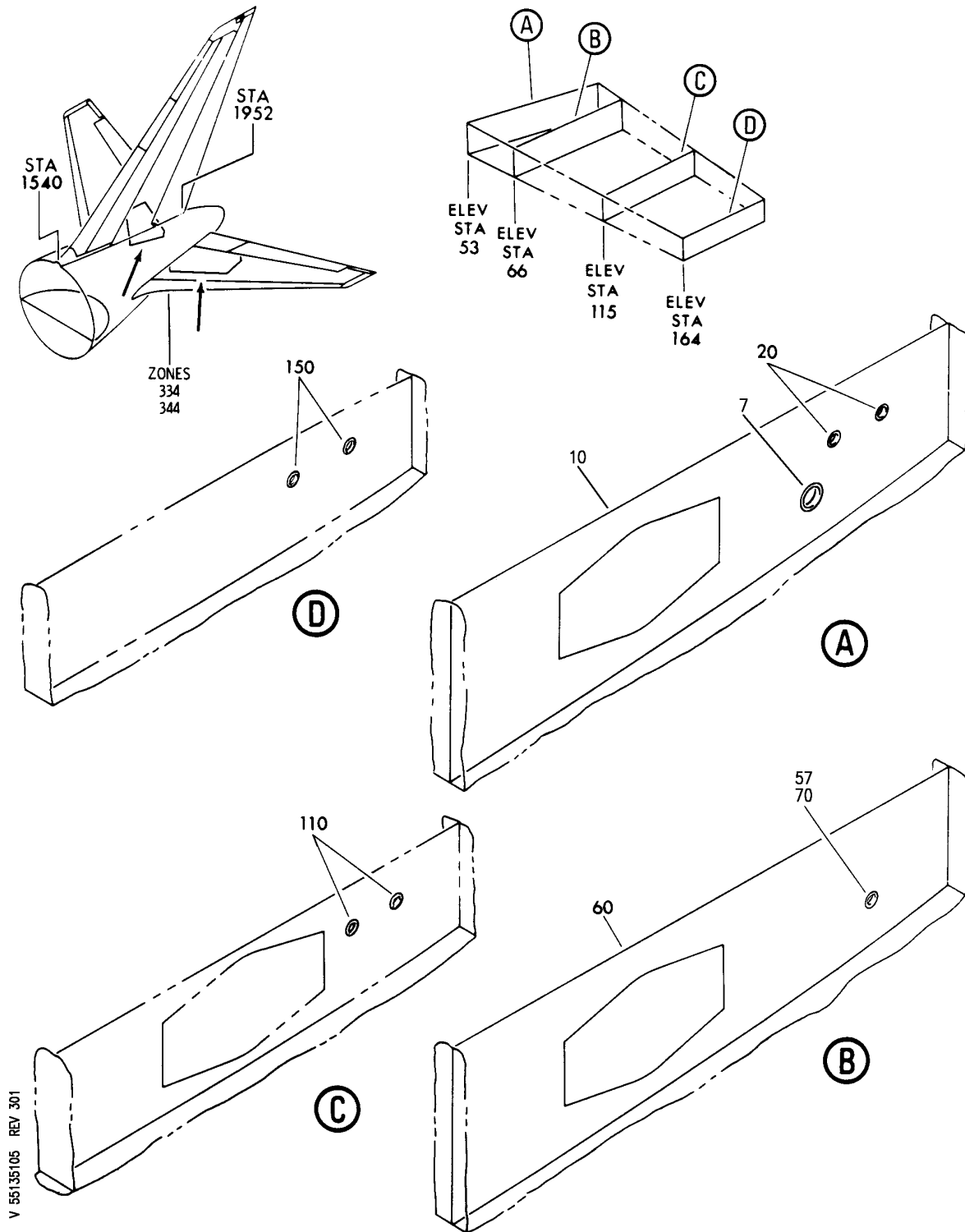
HXL

55-13-51-01

BOEING PROPRIETARY - Copyright © - Unpublished Work - See title page for details.

55-13-51  
FIG. 01  
PAGE 1  
DEC 22/06

**BOEING**  
767  
PARTS CATALOG (MAINTENANCE)



RIB INSTL-HORIZ STAB. MAIN TORQUE BOX  
FIGURE 5

**55-13-51-05**

HXL  
DEC 22/06

55-13-51-05  
PAGE 0



767

PARTS CATALOG (MAINTENANCE)

FIG ITEM	PART NUMBER	1 2 3 4 5 6 7	NOMENCLATURE	EFFECT FROM TO	UNITS PER ASSY
5			RIB INSTL-HORIZ STAB. MAIN TORQUE BOX		
- 1	182T5300-1		RIB INSTL-HORIZ STAB. NO. 3 MAIN TORQUE BOX POSITION DATA: LH FOR NHA SEE: 55-13-53-01		RF
- 5	182T5300-2		RIB INSTL-HORIZ STAB. NO. 3 MAIN TORQUE BOX POSITION DATA: RH FOR NHA SEE: 55-13-53-01		RF
10	182T5300-3		.RIB ASSY- POSITION DATA: LH SIDE		1
- 15	182T5300-4		.RIB ASSY- POSITION DATA: RH SIDE		1
20	NAS1368N16A		..GROMMET		2
25	NAS1368N20K		..GROMMET		1
- 50	182T5400-1		RIB INSTL-HORIZ STAB. NO. 4 MAIN TORQUE BOX POSITION DATA: LH FOR NHA SEE: 55-13-53-01		RF
- 55	182T5400-2		RIB INSTL-HORIZ STAB. NO. 4 MAIN TORQUE BOX POSITION DATA: RH FOR NHA SEE: 55-13-53-01		RF
60	182T5400-3		.RIB ASSY- POSITION DATA: LH SIDE		1
- 65	182T5400-4		.RIB ASSY- POSITION DATA: RH SIDE		1
70	NAS1368N20H		..GROMMET		1
- 100	182T5500-1		RIB INSTL-HORIZ STAB. NO. 6 MAIN TORQUE BOX POSITION DATA: STA 79.605 LH FOR NHA SEE: 55-13-53-01		RF

ILLUSTRATION ITEMS NOT ON PARTS LIST ARE NOT APPLICABLE

- ITEM NOT ILLUSTRATED

55-13-51-05

55-13-51  
FIG. 05  
PAGE 1  
DEC 22/06

HXL



767

PARTS CATALOG (MAINTENANCE)

FIG ITEM	PART NUMBER	1 2 3 4 5 6 7	NOMENCLATURE	EFFECT FROM TO	UNITS PER ASSY
5					
- 105	182T5500-2		RIB INSTL-HORIZ STAB. NO. 6 MAIN TORQUE BOX POSITION DATA: STA 79.605 RH FOR NHA SEE: 55-13-53-01		RF
110	NAS1368N16A		.GROMMET		2
- 140	182T5600-1		RIB INSTL-HORIZ STAB. NO. 8 MAIN TORQUE BOX POSITION DATA: STA 128.605 LH FOR NHA SEE: 55-13-53-01		RF
- 145	182T5600-2		RIB INSTL-HORIZ STAB. NO. 8 MAIN TORQUE BOX POSITION DATA: STA 128.605 RH FOR NHA SEE: 55-13-53-01		RF
150	NAS1368N16B		.GROMMET		2

ILLUSTRATION ITEMS NOT ON PARTS LIST ARE NOT APPLICABLE

- ITEM NOT ILLUSTRATED

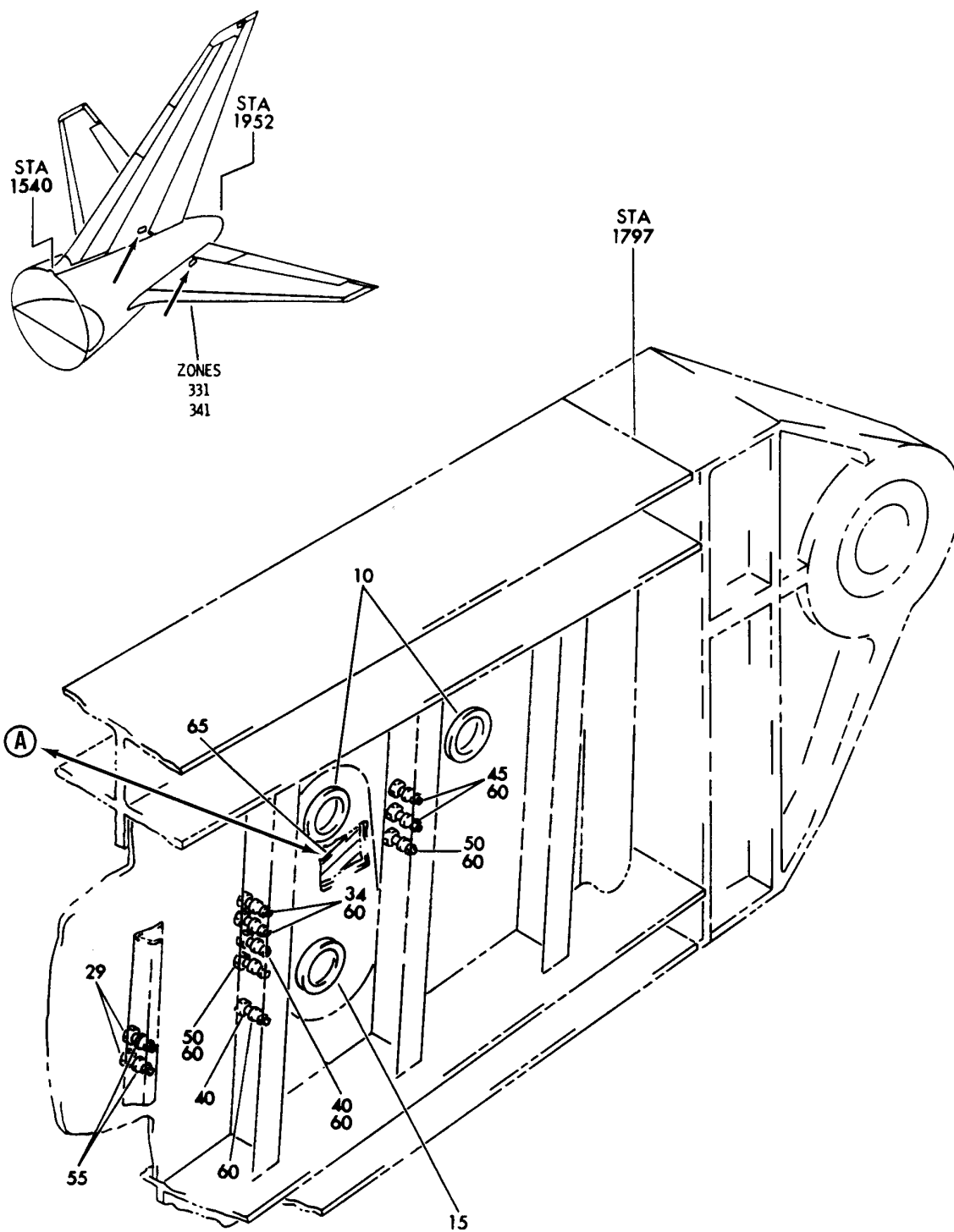
HXL

55-13-51-05

BOEING PROPRIETARY - Copyright © - Unpublished Work - See title page for details.

55-13-51  
FIG. 05  
PAGE 2  
DEC 22/06

**BOEING**  
767  
PARTS CATALOG (MAINTENANCE)



V 55135201 SHT 1 REV 269

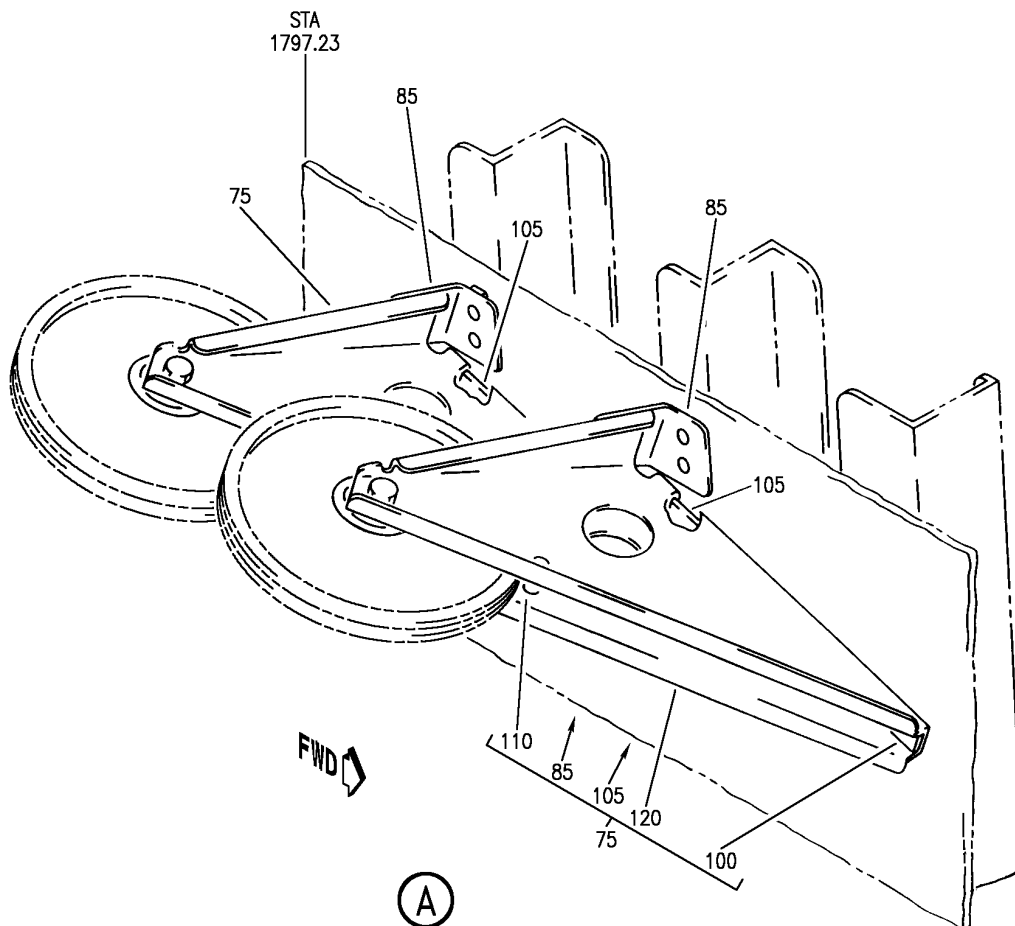
RIB 2 INSTL-HORIZ STAB. BBL 41.5 PIVOT RIB  
FIGURE 1 (SHEET 1)

**55-13-52-01**

HXL  
DEC 22/06

55-13-52-01  
PAGE 0

**BOEING**  
767  
PARTS CATALOG (MAINTENANCE)



V 55135201 SHT 2 REV 269

RIB 2 INSTL-HORIZ STAB. BBL 41.5 PIVOT RIB  
FIGURE 1 (SHEET 2)

**55-13-52-01**

HXL  
DEC 22/06

55-13-52-01  
PAGE 0A



 **BOEING**  
767  
**PARTS CATALOG (MAINTENANCE)**

FIG ITEM	PART NUMBER	1 2 3 4 5 6 7	NOMENCLATURE	EFFECT FROM TO	UNITS PER ASSY
1			RIB 2 INSTL-HORIZ STAB. BBL 41.5 PIVOT RIB		
- 1	182T5200-1		RIB 2 INSTL-HORIZ STAB. PIVOT RIB POSITION DATA: BBL 41.5 LH FOR NHA SEE: 55-13-53-01		RF
- 5	182T5200-2		RIB 2 INSTL-HORIZ STAB. PIVOT RIB POSITION DATA: BBL 41.5 RH FOR NHA SEE: 55-13-53-01		RF
10	BACG20ZS373B		.GROMMET-		2
15	BACG20ZS452B		.GROMMET-		1
- 20	182T5200-3		.WEB ASSY- POSITION DATA: LH SIDE		1
- 25	182T5200-4		.WEB ASSY- POSITION DATA: RH SIDE		1
29	L80010K10		..BOLT SUPPLIER CODE: V06725 SPECIFICATION NUMBER: BACB30MY10K10		2
34	L8008K6		..BOLT SUPPLIER CODE: V06725 SPECIFICATION NUMBER: BACB30MY8K6		2
40	L8008K7		..BOLT SUPPLIER CODE: V06725 SPECIFICATION NUMBER: BACB30MY8K7		2
45	L8008K8		..BOLT SUPPLIER CODE: V06725 SPECIFICATION NUMBER: BACB30MY8K8		2
50	L8008K9		..BOLT SUPPLIER CODE: V06725 SPECIFICATION NUMBER: BACB30MY8K9		2

ILLUSTRATION ITEMS NOT ON PARTS LIST ARE NOT APPLICABLE

- ITEM NOT ILLUSTRATED

HXL

# 55-13-52-01

BOEING PROPRIETARY - Copyright © - Unpublished Work - See title page for details.

55-13-52  
FIG. 01  
PAGE 1  
APR 22/08



767

PARTS CATALOG (MAINTENANCE)

FIG ITEM	PART NUMBER	1 2 3 4 5 6 7	NOMENCLATURE	EFFECT FROM TO	UNITS PER ASSY
1	55 HL79-10		.. COLLAR SUPPLIER CODE: V5M902 SPECIFICATION NUMBER: BACC30M10 OPTIONAL PART: HL79-10 V73197 HL79-10 V92215 66014-10 V56878 HL79-10 V56878		2
	60 HL79-8		.. COLLAR SUPPLIER CODE: V5M902 SPECIFICATION NUMBER: BACC30M8 OPTIONAL PART: HL79-8 V73197 HL79-8 V92215 66014-8 V56878 HL79-8 V56878		8
	65 251T2011-39		.. BRACKET INSTL-PULLEY POSITION DATA: LH SIDE FOR DETAILS SEE: 27-41-58-01		1
-	70 251T2011-40		.. BRACKET INSTL-PULLEY POSITION DATA: RH SIDE FOR DETAILS SEE: 27-41-58-01		1

ILLUSTRATION ITEMS NOT ON PARTS LIST ARE NOT APPLICABLE

- ITEM NOT ILLUSTRATED

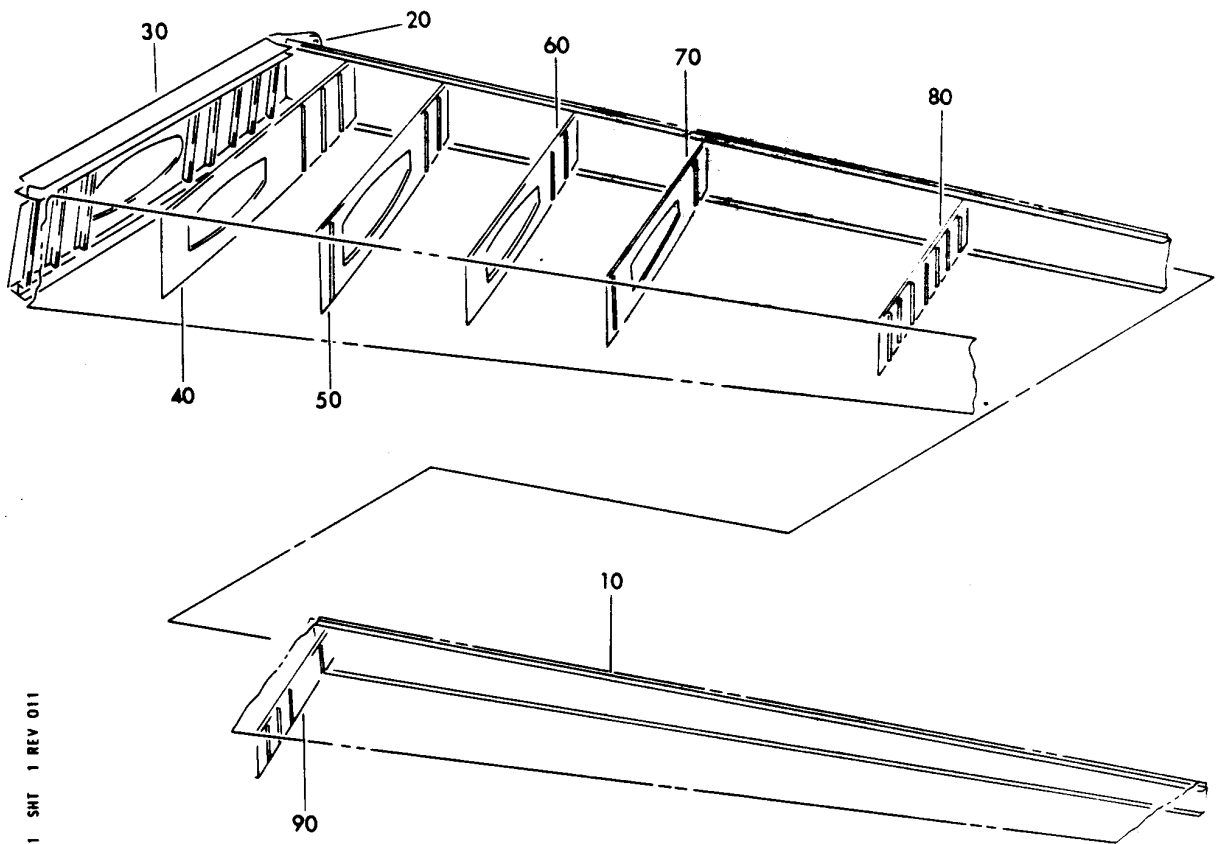
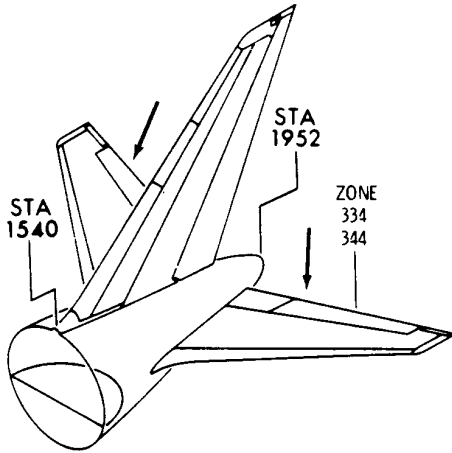
HXL

55-13-52-01

BOEING PROPRIETARY - Copyright © - Unpublished Work - See title page for details.

55-13-52  
 FIG. 01  
 PAGE 2  
 APR 22/08

**BOEING**  
767  
PARTS CATALOG (MAINTENANCE)



V 55135301 SHT 1 REV 011

BOX OUTBOARD ASSY-HORIZ STAB. MAIN  
FIGURE 1

**55-13-53-01**

HXL  
DEC 22/06

55-13-53-01  
PAGE 0



767

PARTS CATALOG (MAINTENANCE)

FIG ITEM	PART NUMBER	1 2 3 4 5 6 7	NOMENCLATURE	EFFECT FROM TO	UNITS PER ASSY
1			BOX OUTBOARD ASSY-HORIZ STAB. MAIN		
- 1	182T0000-1		BOX ASSY-HORIZ STAB. TORQUE POSITION DATA: LH VARIABLE DRAWING REF: 182T0000-5005 FOR NHA SEE: 55-10-52-01		RF
- 5	182T0000-2		BOX ASSY-HORIZ STAB. TORQUE POSITION DATA: RH VARIABLE DRAWING REF: 182T0000-5006 FOR NHA SEE: 55-10-52-01		RF
10	182T1000-1		.SPAR INSTL- POSITION DATA: REAR LH SIDE VARIABLE DRAWING REF: 182T1000-5009 FOR DETAILS SEE: 55-13-54-01		1
- 15	182T1000-2		.SPAR INSTL- POSITION DATA: REAR RH SIDE VARIABLE DRAWING REF: 182T1000-5010 FOR DETAILS SEE: 55-13-54-01		1
20	182T1306-15		.FITTING INSTL-PIVOT POSITION DATA: LH SIDE FOR DETAILS SEE: 55-17-51-01		1
- 25	182T1306-16		.FITTING INSTL-PIVOT POSITION DATA: RH SIDE FOR DETAILS SEE: 55-17-51-01		1
30	182T5200-1		.RIB 2 INSTL-PIVOT RIB POSITION DATA: BBL 41.5 LH SIDE FOR DETAILS SEE: 55-13-52-01		1

ILLUSTRATION ITEMS NOT ON PARTS LIST ARE NOT APPLICABLE

- ITEM NOT ILLUSTRATED

55-13-53-01

55-13-53  
FIG. 01  
PAGE 1  
DEC 22/06

HXL

 **BOEING**  
767  
**PARTS CATALOG (MAINTENANCE)**

FIG ITEM	PART NUMBER	1 2 3 4 5 6 7	NOMENCLATURE	EFFECT FROM TO	UNITS PER ASSY
1					
- 35	182T5200-2		.RIB 2 INSTL-PIVOT RIB POSITION DATA: BBL 41.5 RH SIDE FOR DETAILS SEE: 55-13-52-01		1
40	182T5300-1		.RIB INSTL- POSITION DATA: LH SIDE FOR DETAILS SEE: 55-13-51-05		1
- 45	182T5300-2		.RIB INSTL- POSITION DATA: RH SIDE FOR DETAILS SEE: 55-13-51-05		1
50	182T5400-1		.RIB INSTL- POSITION DATA: LH SIDE FOR DETAILS SEE: 55-13-51-05		1
- 55	182T5400-2		.RIB INSTL- POSITION DATA: RH SIDE FOR DETAILS SEE: 55-13-51-05		1
60	182T5401-1		.RIB INSTL- POSITION DATA: LH SIDE FOR DETAILS SEE: 55-13-51-01		1
- 65	182T5401-2		.RIB INSTL- POSITION DATA: RH SIDE FOR DETAILS SEE: 55-13-51-01		1
70	182T5500-1		.RIB INSTL- POSITION DATA: LH SIDE FOR DETAILS SEE: 55-13-51-05		1
- 75	182T5500-2		.RIB INSTL- POSITION DATA: RH SIDE FOR DETAILS SEE: 55-13-51-05		1

ILLUSTRATION ITEMS NOT ON PARTS LIST ARE NOT APPLICABLE

- ITEM NOT ILLUSTRATED

HXL

# 55-13-53-01

BOEING PROPRIETARY - Copyright © - Unpublished Work - See title page for details.

55-13-53  
FIG. 01  
PAGE 2  
DEC 22/06



767

PARTS CATALOG (MAINTENANCE)

FIG ITEM	PART NUMBER	1 2 3 4 5 6 7	NOMENCLATURE	EFFECT FROM TO	UNITS PER ASSY
1	80 182T5600-1		.RIB INSTL- POSITION DATA: LH SIDE FOR DETAILS SEE: 55-13-51-05		1
-	85 182T5600-2		.RIB INSTL- POSITION DATA: RH SIDE FOR DETAILS SEE: 55-13-51-05		1
	90 182T5700-1		.RIB INSTL- POSITION DATA: LH SIDE FOR DETAILS SEE: 55-13-55-01		1
-	95 182T5700-2		.RIB INSTL- POSITION DATA: RH SIDE FOR DETAILS SEE: 55-13-55-01		1

ILLUSTRATION ITEMS NOT ON PARTS LIST ARE NOT APPLICABLE

- ITEM NOT ILLUSTRATED

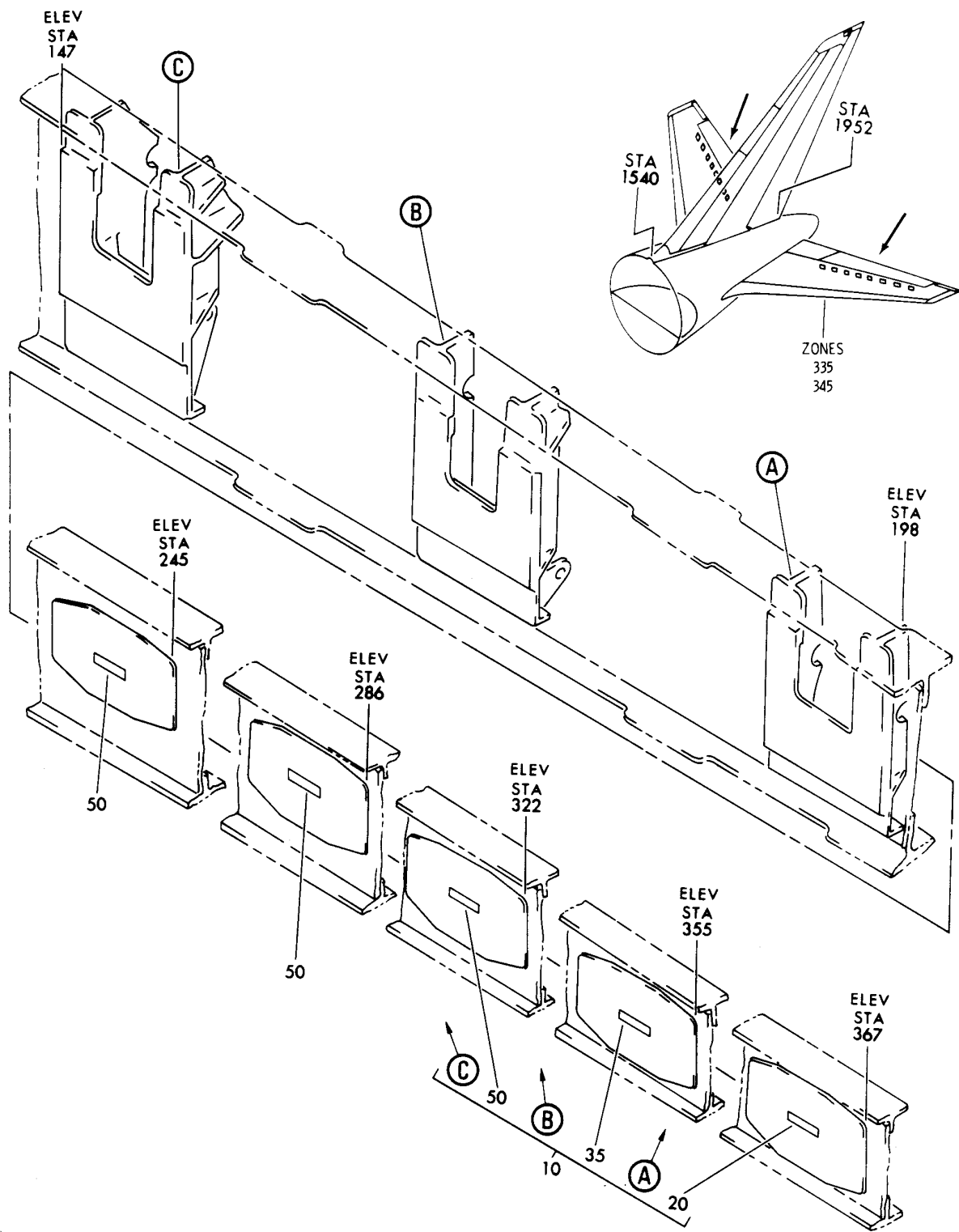
HXL

55-13-53-01

BOEING PROPRIETARY - Copyright © - Unpublished Work - See title page for details.

55-13-53  
FIG. 01  
PAGE 3  
DEC 22/06

**BOEING**  
767  
PARTS CATALOG (MAINTENANCE)



V 55135401 SHT 1 REV 017

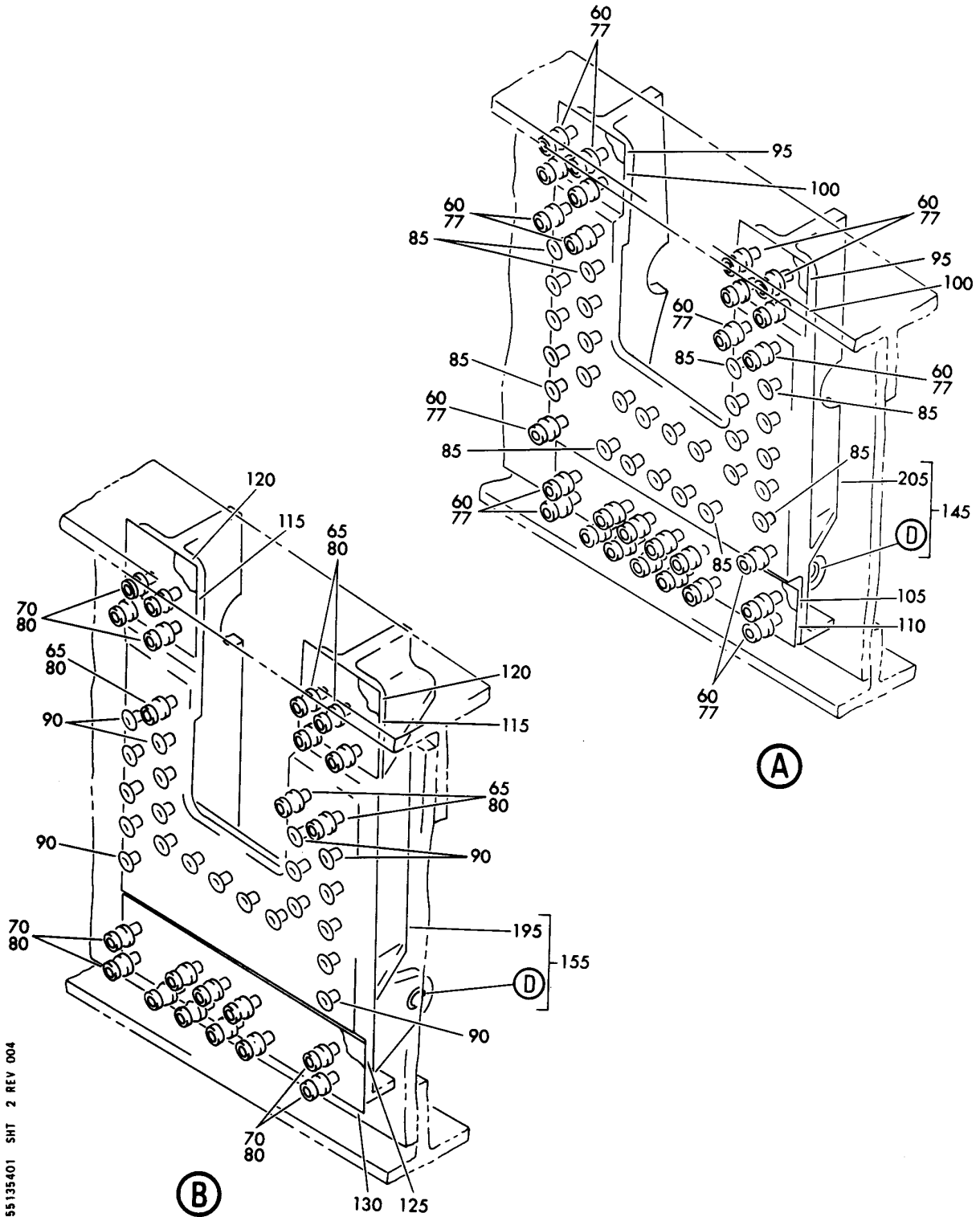
SPAR INSTL-HORIZ STAB. REAR  
FIGURE 1 (SHEET 1)

**55-13-54-01**

HXL  
DEC 22/06

55-13-54-01  
PAGE 0

**BOEING**  
767  
PARTS CATALOG (MAINTENANCE)



V 55135401 SHT 2 REV 004

SPAR INSTL-HORIZ STAB. REAR  
FIGURE 1 (SHEET 2)

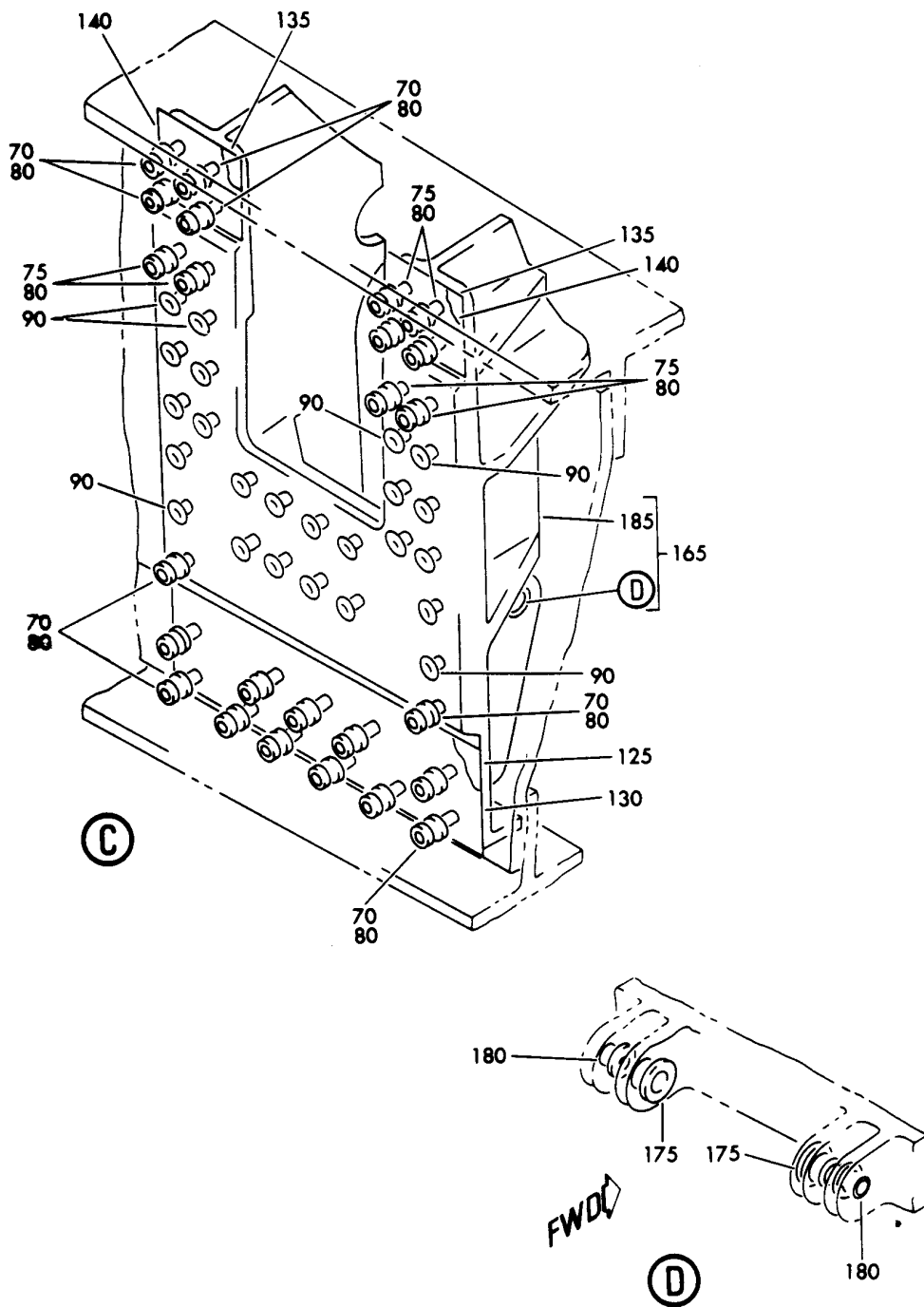
**55-13-54-01**

HXL  
DEC 22/06

55-13-54-01  
PAGE 0A



**BOEING**  
767  
PARTS CATALOG (MAINTENANCE)



V 55135401 SHT 3 REV 004

SPAR INSTL-HORIZ STAB. REAR  
FIGURE 1 (SHEET 3)

**55-13-54-01**

HXL  
DEC 22/06

55-13-54-01  
PAGE 0B

**BOEING**  
767  
**PARTS CATALOG (MAINTENANCE)**

FIG ITEM	PART NUMBER	1 2 3 4 5 6 7	NOMENCLATURE	EFFECT FROM TO	UNITS PER ASSY
1					
- 1	182T1000-1		SPAR INSTL-HORIZ STAB. REAR SPAR INSTL-HORIZ STAB. POSITION DATA: REAR LH VARIABLE DRAWING REF: 182T1000-5009 FOR NHA SEE: 55-13-53-01		RF
- 5	182T1000-2		SPAR INSTL-HORIZ STAB. POSITION DATA: REAR RH VARIABLE DRAWING REF: 182T1000-5010 FOR NHA SEE: 55-13-53-01		RF
10	182T1000-155		. SPAR ASSY- POSITION DATA: LH SIDE		1
- 15	182T1000-156		. SPAR ASSY- POSITION DATA: RH SIDE		1
20	182T1000-113		.. DOOR ASSY- POSITION DATA: LH SIDE ACCESS PANEL NUMBER: 335ACZ		1
- 25	182T1000-114		.. DOOR ASSY- POSITION DATA: RH SIDE ACCESS PANEL NUMBER: 345ACZ		1
- 30	BACB30NT3K5		ATTACHING PARTS .. BOLT -----*-----		16
35	182T1000-97		.. DOOR ASSY- POSITION DATA: LH SIDE ACCESS PANEL NUMBER: 335ABZ		1
- 40	182T1000-98		.. DOOR ASSY- POSITION DATA: RH SIDE ACCESS PANEL NUMBER: 345ABZ		1
- 45	BACB30NT3K5		ATTACHING PARTS .. BOLT -----*-----		18

ILLUSTRATION ITEMS NOT ON PARTS LIST ARE NOT APPLICABLE

- ITEM NOT ILLUSTRATED

HXL

# 55-13-54-01

BOEING PROPRIETARY - Copyright © - Unpublished Work - See title page for details.

55-13-54  
FIG. 01  
PAGE 1  
DEC 22/06

 **BOEING**  
767  
**PARTS CATALOG (MAINTENANCE)**

FIG ITEM	PART NUMBER	1 2 3 4 5 6 7	NOMENCLATURE	EFFECT FROM TO	UNITS PER ASSY
1	50 182T1000-59		.. DOOR ASSY- ACCESS PANEL NUMBER: 335AAZ 345AAZ 335ZZ 345ZZ 335YZ 345YZ ATTACHING PARTS		3
-	55 BACB30NT3K3		.. BOLT -----*-----		60
	60 L8006K10		.. BOLT SUPPLIER CODE: V06725 SPECIFICATION NUMBER: BACB30MY6K10		27
	65 H8008K10		.. BOLT SUPPLIER CODE: V06725 SPECIFICATION NUMBER: BACB30MY8K10		7
	70 L8008K11		.. BOLT SUPPLIER CODE: V06725 SPECIFICATION NUMBER: BACB30MY8K11		32
	75 L8008K12		.. BOLT SUPPLIER CODE: V06725 SPECIFICATION NUMBER: BACB30MY8K12		8
	77 HL79-6		.. COLLAR SUPPLIER CODE: V5M902 SPECIFICATION NUMBER: BACC30M6 OPTIONAL PART: HL79-6 V73197 HL79-6 V92215 66014-6 V56878 HL79-6 V56878		27
ILLUSTRATION ITEMS NOT ON PARTS LIST ARE NOT APPLICABLE					

- ITEM NOT ILLUSTRATED

HXL

55-13-54-01

BOEING PROPRIETARY - Copyright © - Unpublished Work - See title page for details.

55-13-54  
FIG. 01  
PAGE 2  
APR 22/08

 **BOEING**  
767  
**PARTS CATALOG (MAINTENANCE)**

FIG ITEM	PART NUMBER	1 2 3 4 5 6 7	NOMENCLATURE	EFFECT FROM TO	UNITS PER ASSY
1					
80	HL79-8	..	COLLAR SUPPLIER CODE: V5M902 SPECIFICATION NUMBER: BACC30M8 OPTIONAL PART: HL79-8 V73197 HL79-8 V92215 66014-8 V56878 HL79-8 V56878		47
85	BACR15FT6KE	..	RIVET- SIZE DETERMINED ON INSTL.		27
90	BACR15FT8KE	..	RIVET- SIZE DETERMINED ON INSTL.		45
95	BACS40R14B22F	..	SHIM		2
100	BACS40R14C22F	..	SHIM		2
105	BACS40R13B87F	..	SHIM		1
110	BACS40R13C87F	..	SHIM		1
115	BACS40R18B25F	..	SHIM		2
120	BACS40R18C25F	..	SHIM		2
125	BACS40R18B87F	..	SHIM		2
130	BACS40R18C87F	..	SHIM		2
135	BACS40R18B22F	..	SHIM		2
140	BACS40R18C22F	..	SHIM		2
145	182T1200-5	..	FITTING ASSY- POSITION DATA: LH SIDE		1
- 150	182T1200-6	..	FITTING ASSY- POSITION DATA: RH SIDE		1
155	182T1200-3	..	FITTING ASSY- POSITION DATA: LH SIDE		1
- 160	182T1200-4	..	FITTING ASSY- POSITION DATA: RH SIDE		1
165	182T1200-1	..	FITTING ASSY- POSITION DATA: LH SIDE		1
- 170	182T1200-2	..	FITTING ASSY- POSITION DATA: RH SIDE		1
175	BACB28AM07B025A	...	BUSHING-		2
180	BACB28AP05P025	...	BUSHING		2

ILLUSTRATION ITEMS NOT ON PARTS LIST ARE NOT APPLICABLE

- ITEM NOT ILLUSTRATED

HXL

# 55-13-54-01

BOEING PROPRIETARY - Copyright © - Unpublished Work - See title page for details.

55-13-54  
FIG. 01  
PAGE 3  
APR 22/08



767

PARTS CATALOG (MAINTENANCE)

FIG ITEM	PART NUMBER	1 2 3 4 5 6 7	NOMENCLATURE	EFFECT FROM TO	UNITS PER ASSY
1	185 182T1200-7		... FITTING- USED ON: 182T1200-1		1
- 190	182T1200-8		... FITTING- USED ON: 182T1200-2		1
195	182T1200-9		... FITTING- USED ON: 182T1200-3		1
- 200	182T1200-10		... FITTING- USED ON: 182T1200-4		1
205	182T1200-11		... FITTING- USED ON: 182T1200-5		1
- 210	182T1200-12		... FITTING- USED ON: 182T1200-6		1

ILLUSTRATION ITEMS NOT ON PARTS LIST ARE NOT APPLICABLE

- ITEM NOT ILLUSTRATED

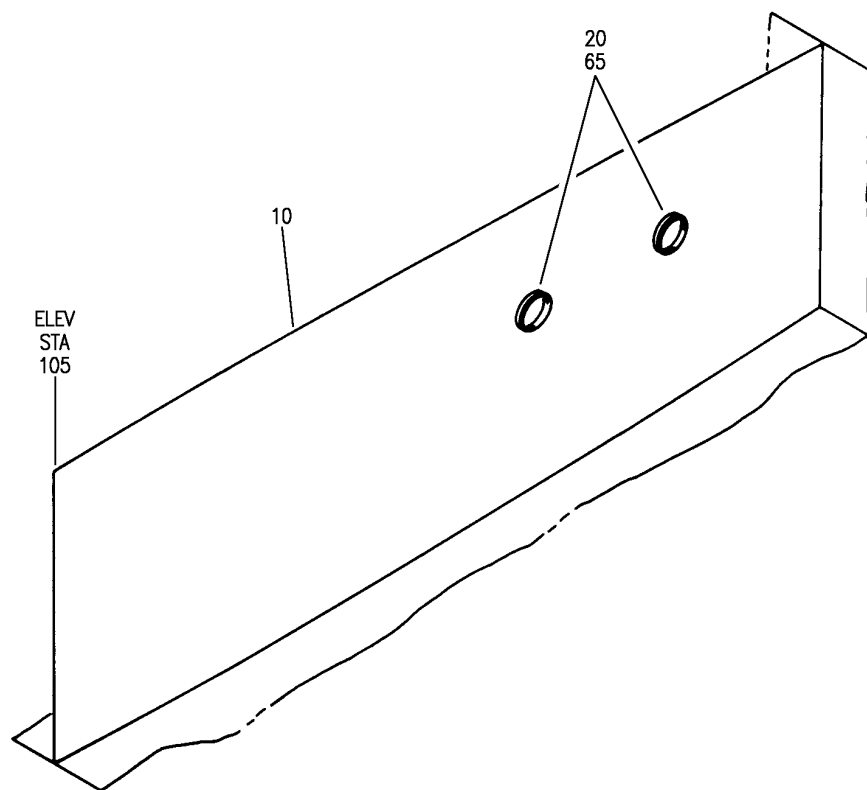
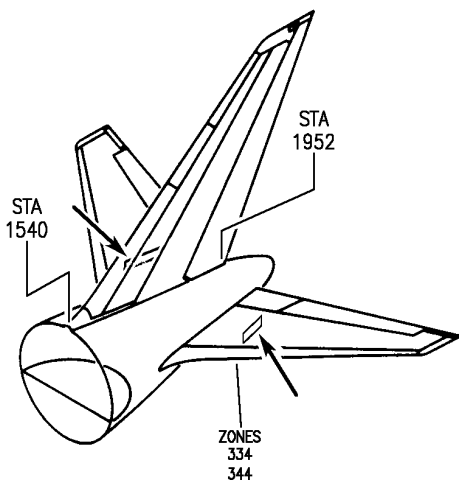
HXL

55-13-54-01

BOEING PROPRIETARY - Copyright © - Unpublished Work - See title page for details.

55-13-54  
FIG. 01  
PAGE 4  
APR 22/08

**BOEING**  
767  
PARTS CATALOG (MAINTENANCE)



V 55135501 REV 286

RIB INSTL-HORIZ STAB. STA 177.605 MAIN TORQUE BOX NO. 10 REAR SPAR

FIGURE 1

**55-13-55-01**

HXL  
DEC 22/06

55-13-55-01  
PAGE 0

**BOEING**  
767  
**PARTS CATALOG (MAINTENANCE)**

FIG ITEM	PART NUMBER	1 2 3 4 5 6 7	NOMENCLATURE	EFFECT FROM TO	UNITS PER ASSY
1			RIB INSTL-HORIZ STAB. STA 177.605 MAIN TORQUE BOX NO. 10 REAR SPAR		
- 1	182T5700-1		RIB INSTL-HORIZ STAB. MAIN TORQUE BOX NO. 10 POSITION DATA: STA 177.605 REAR SPAR LH FOR NHA SEE: 55-13-53-01		RF
- 5	182T5700-2		RIB INSTL-HORIZ STAB. MAIN TORQUE BOX NO. 10 POSITION DATA: STA 177.605 REAR SPAR RH FOR NHA SEE: 55-13-53-01		RF
10	182T5700-3		.RIB ASSY- POSITION DATA: LH SIDE		1
- 15	182T5700-4		.RIB ASSY- POSITION DATA: RH SIDE		1
20	NAS1368N16A		..GROMMET		2
- 25	251T2011-31		.BRACKET INSTL-HORIZ STAB. POSITION DATA: LH SIDE FOR DETAILS SEE: 27-41-00-05		1

ILLUSTRATION ITEMS NOT ON PARTS LIST ARE NOT APPLICABLE

- ITEM NOT ILLUSTRATED

HXL

# 55-13-55-01

BOEING PROPRIETARY - Copyright © - Unpublished Work - See title page for details.

55-13-55  
FIG. 01  
PAGE 1  
DEC 22/06