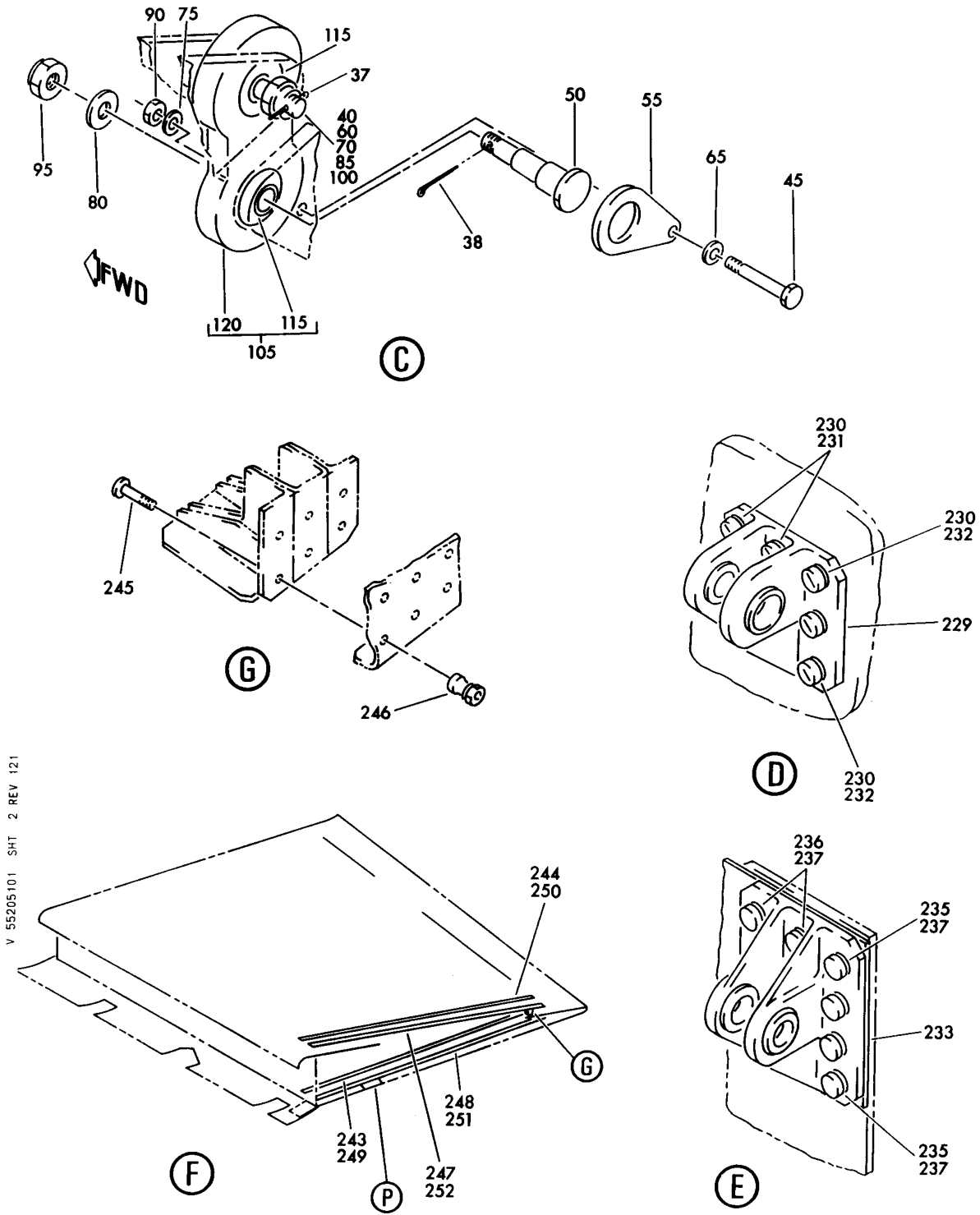


ELEVATOR

HXL
DEC 22/06

55-20-00
SECTION TITLE
PAGE 1

BOEING
767
PARTS CATALOG (MAINTENANCE)



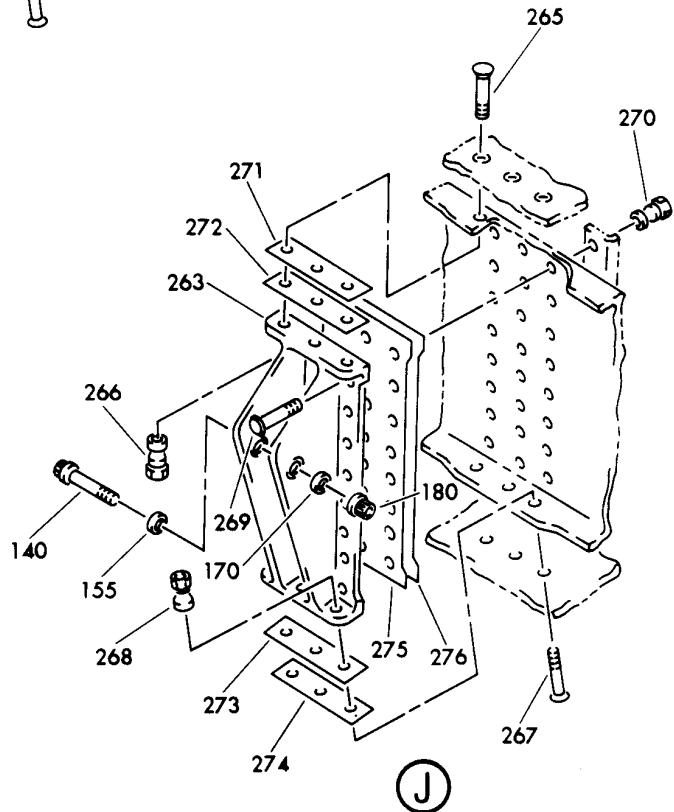
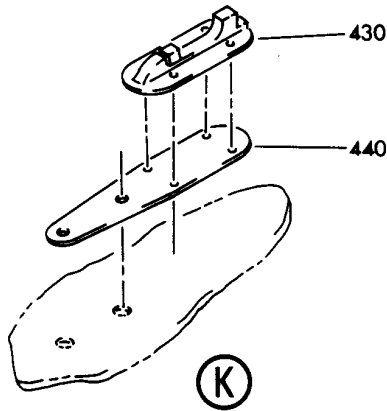
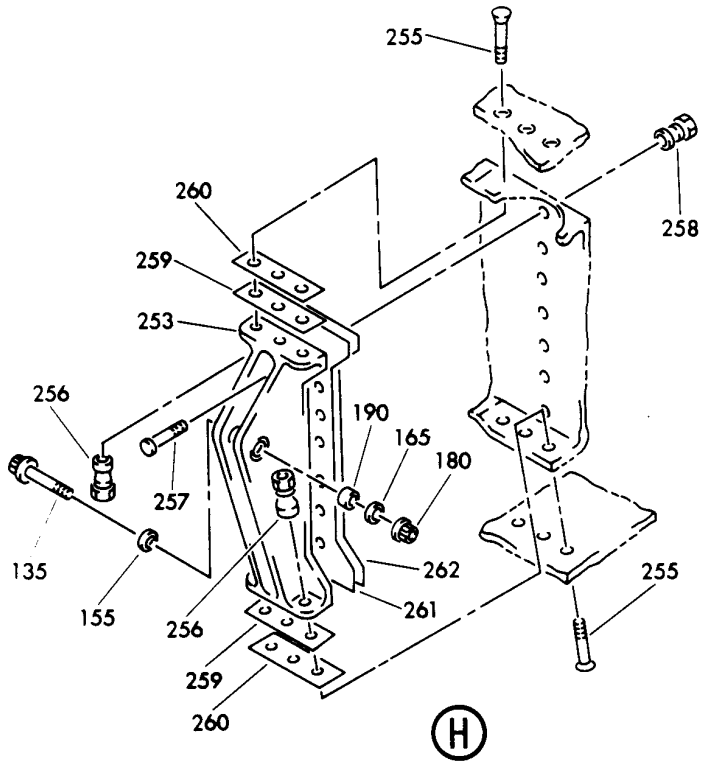
ELEVATOR INSTL-INBD/OUTBD SEGMENT
FIGURE 1 (SHEET 2)

55-20-51-01

HXL
DEC 22/06

55-20-51-01
PAGE 0A

BOEING
767
PARTS CATALOG (MAINTENANCE)



V 55205101 SHT 3 REV 032

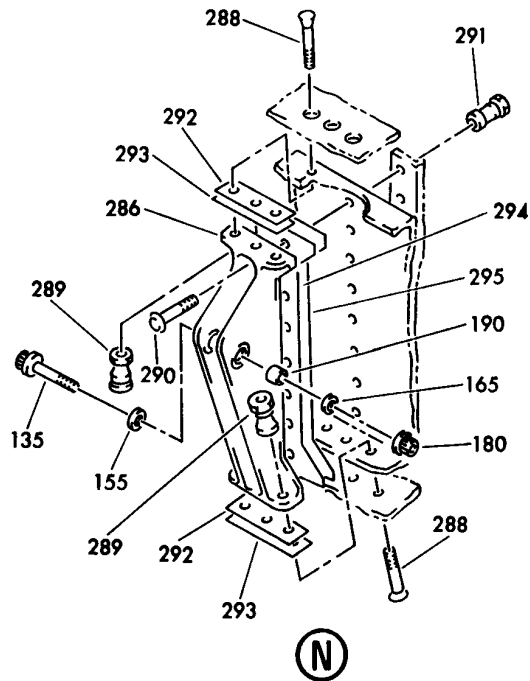
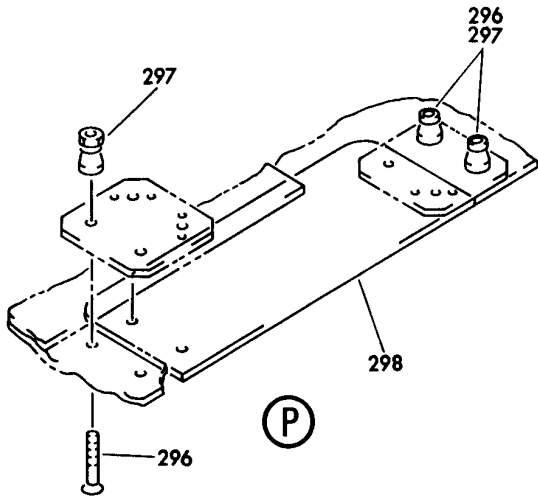
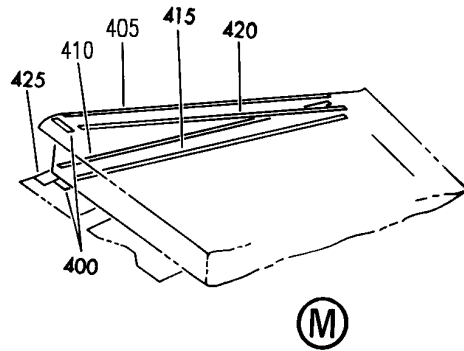
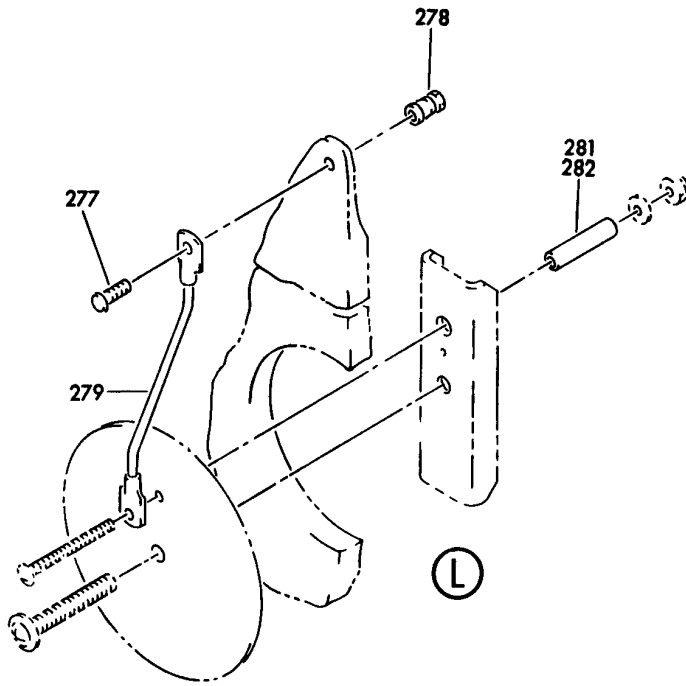
ELEVATOR INSTL-INBD/OUTBD SEGMENT
FIGURE 1 (SHEET 3)

55-20-51-01

HXL
DEC 22/06

55-20-51-01
PAGE 0B

BOEING
767
PARTS CATALOG (MAINTENANCE)



V 55205101 SHT 4 REV 339

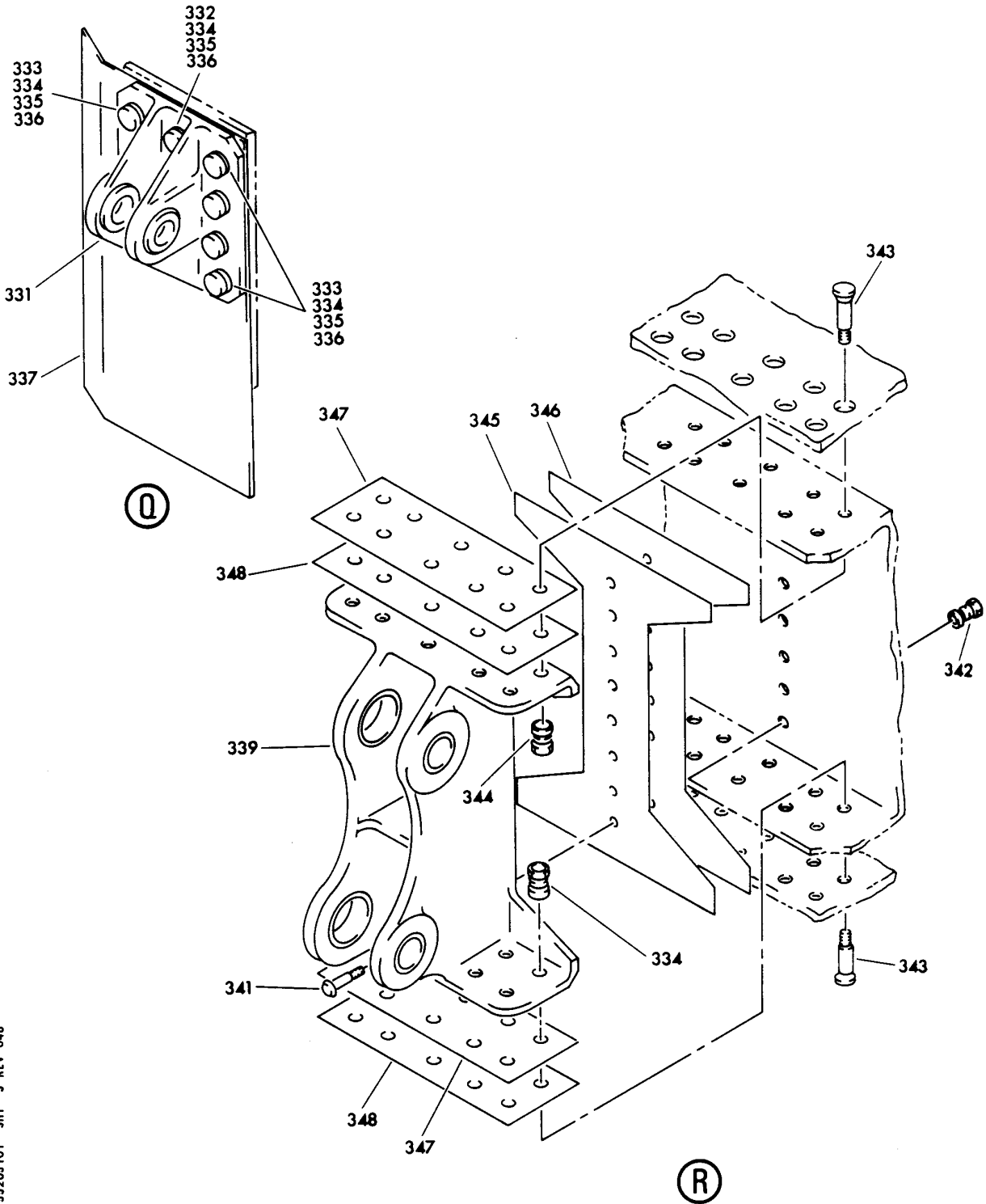
ELEVATOR INSTL-INBD/OUTBD SEGMENT
FIGURE 1 (SHEET 4)

55-20-51-01

HXL
APR 22/09

55-20-51-01
PAGE 0C

BOEING
767
PARTS CATALOG (MAINTENANCE)



V 55205101 SHT 5 REV 048

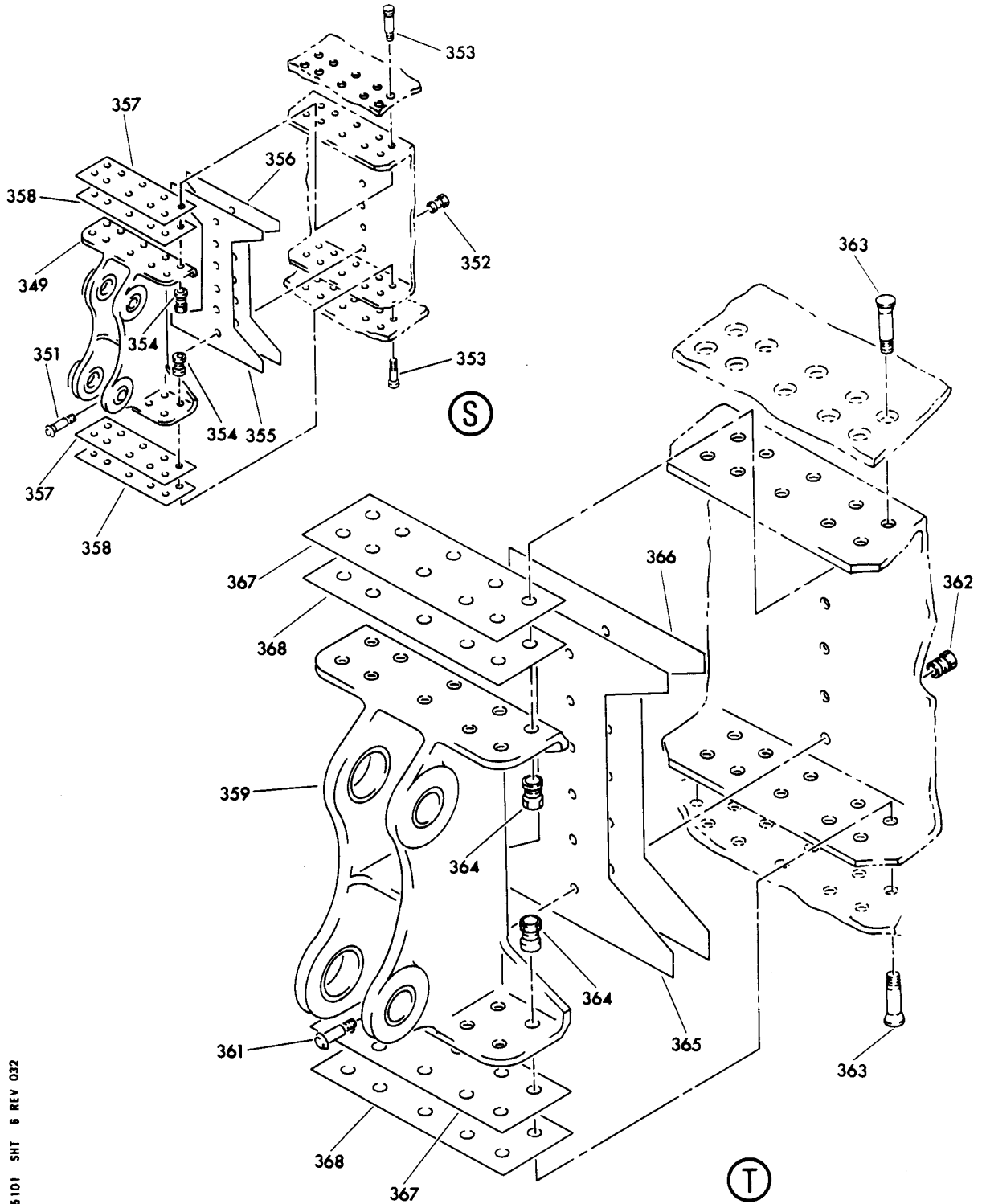
ELEVATOR INSTL-INBD/OUTBD SEGMENT
FIGURE 1 (SHEET 5)

55-20-51-01

HXL
DEC 22/06

55-20-51-01
PAGE 0D

BOEING
767
PARTS CATALOG (MAINTENANCE)



V 55205101 SH1 6 REV 032

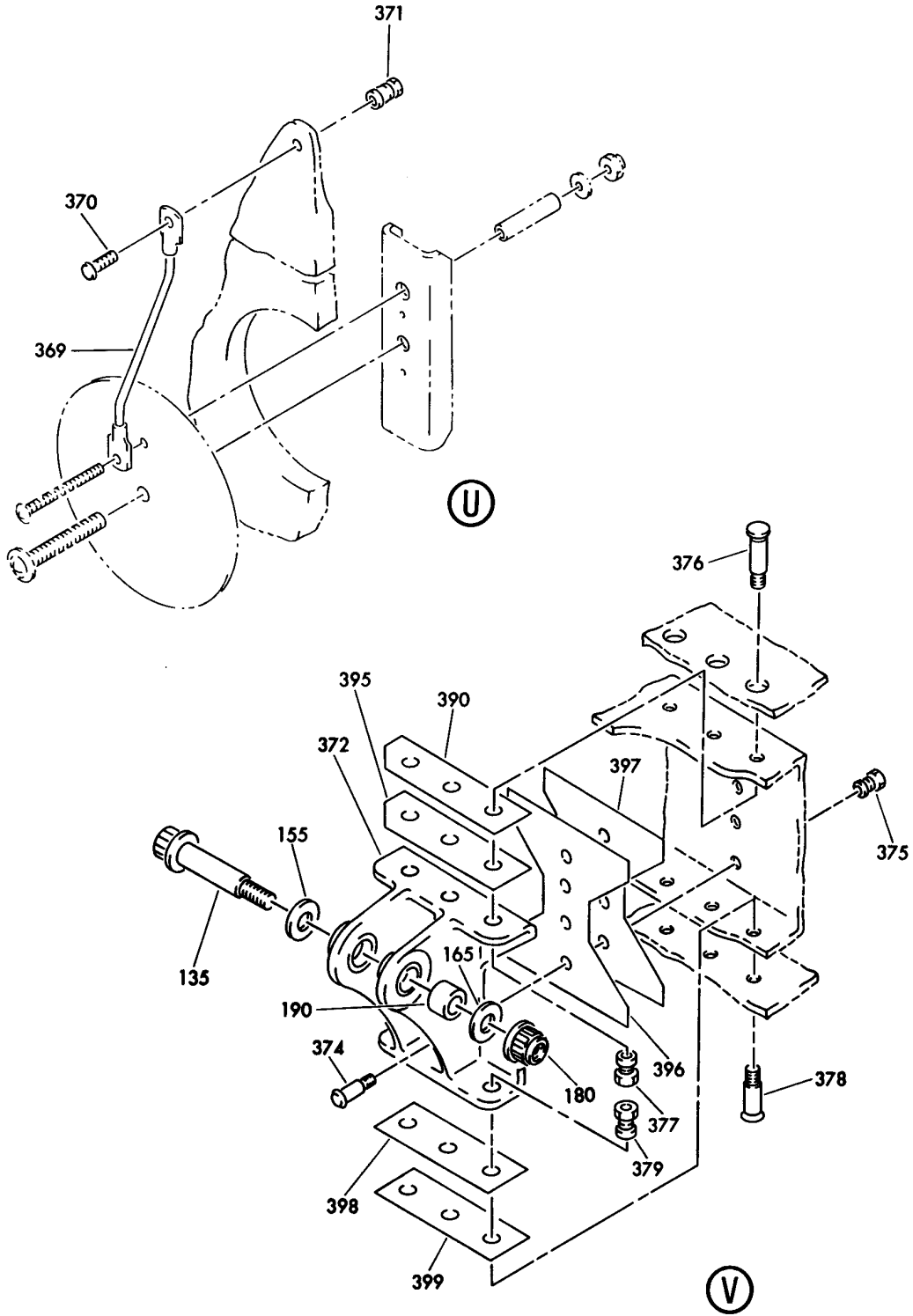
ELEVATOR INSTL-INBD/OUTBD SEGMENT
FIGURE 1 (SHEET 6)

55-20-51-01

HXL
DEC 22/06

55-20-51-01
PAGE 0E

BOEING
767
PARTS CATALOG (MAINTENANCE)



V 55205101 SHT 7 REV 177

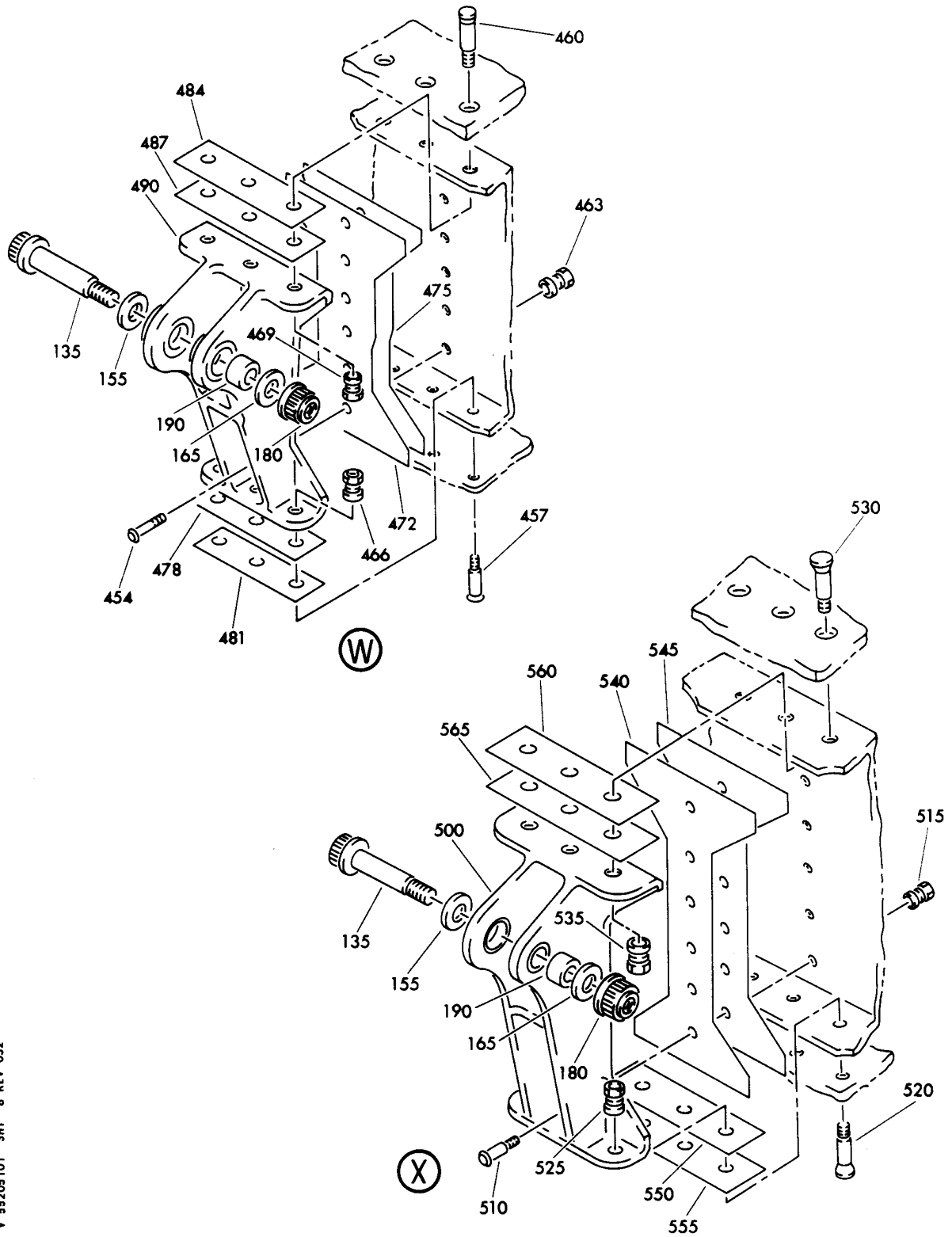
ELEVATOR INSTL-INBD/OUTBD SEGMENT
FIGURE 1 (SHEET 7)

55-20-51-01

HXL
DEC 22/06

55-20-51-01
PAGE OF

BOEING
767
PARTS CATALOG (MAINTENANCE)



V 55205101 SHT 8 REV 032

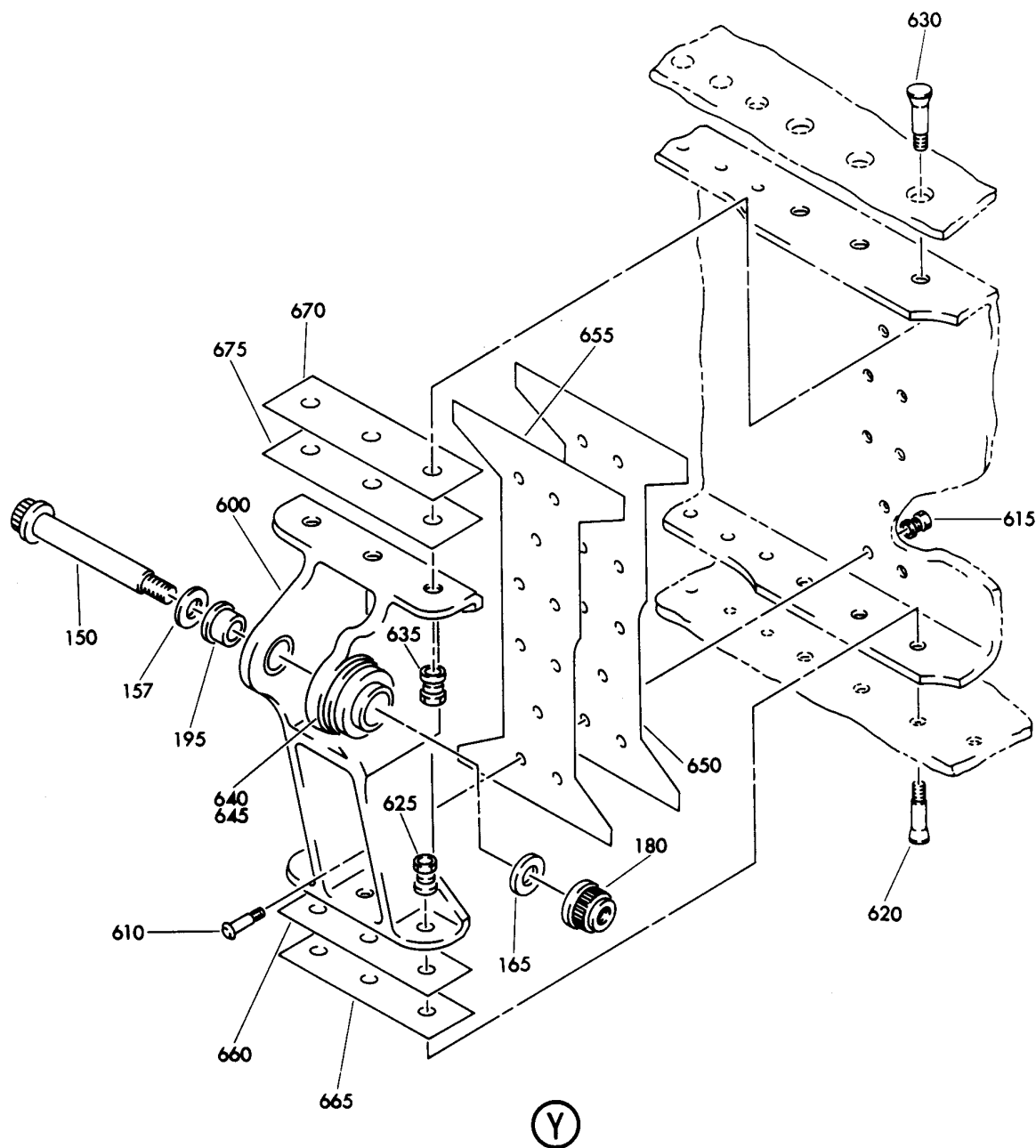
ELEVATOR INSTL-INBD/OUTBD SEGMENT
FIGURE 1 (SHEET 8)

55-20-51-01

HXL
DEC 22/06

55-20-51-01
PAGE 0G

BOEING
767
PARTS CATALOG (MAINTENANCE)



V 55205101 SHT 9 REV 032

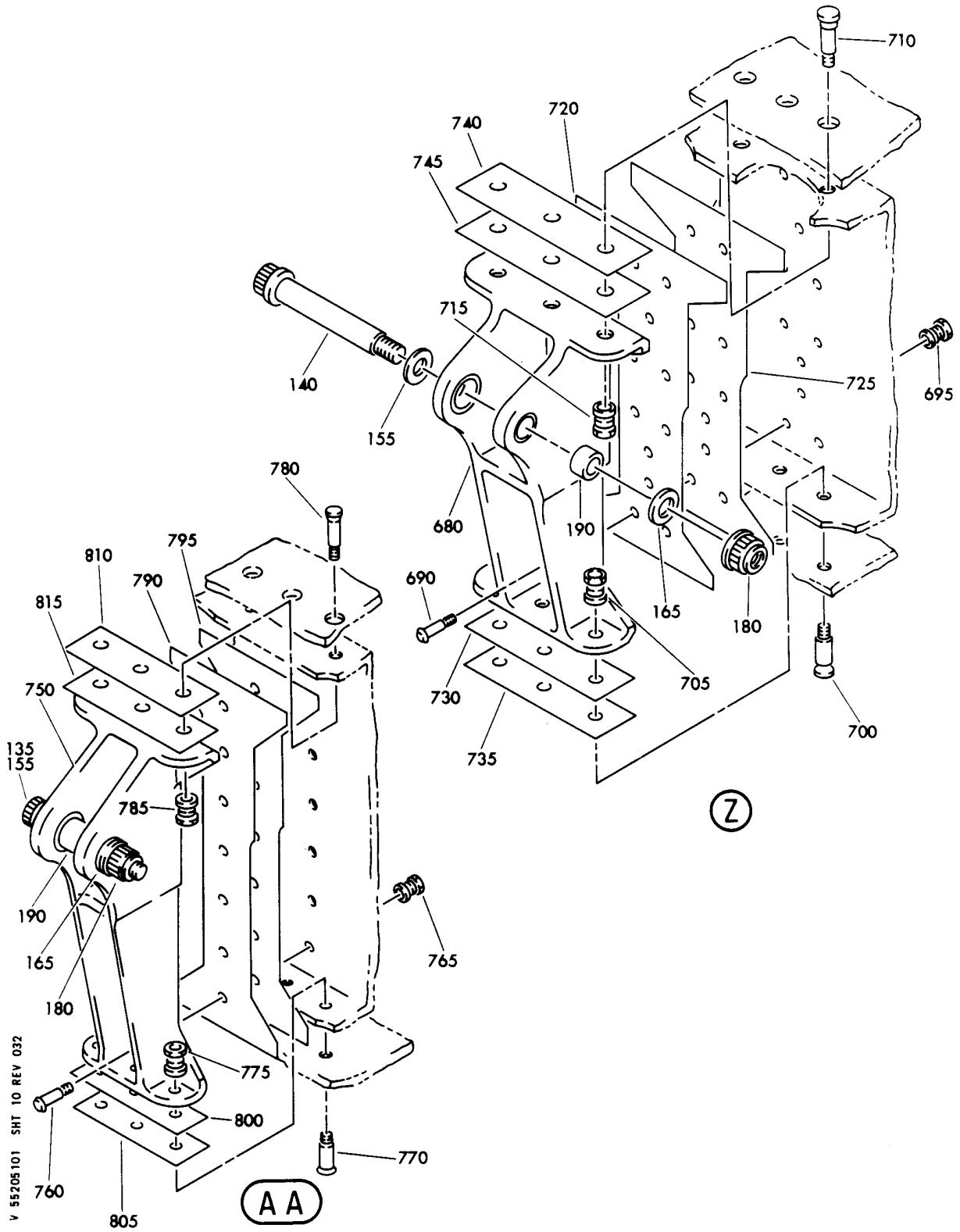
ELEVATOR INSTL-INBD/OUTBD SEGMENT
FIGURE 1 (SHEET 9)

55-20-51-01

HXL
DEC 22/06

55-20-51-01
PAGE 0H

BOEING
767
PARTS CATALOG (MAINTENANCE)



ELEVATOR INSTL-INBD/OUTBD SEGMENT
FIGURE 1 (SHEET 10)

55-20-51-01

HXL
DEC 22/06

55-20-51-01
PAGE 01



767

PARTS CATALOG (MAINTENANCE)

FIG ITEM	PART NUMBER	1 2 3 4 5 6 7	NOMENCLATURE	EFFECT FROM TO	UNITS PER ASSY
1			ELEVATOR INSTL-INBD/OUTBD SEGMENT		
- 1	183T2000-1		ELEVATOR INSTL-SEGMENT POSITION DATA: INBD/OUTBD LH FOR NHA SEE: 55-10-52-01		RF
- 5	183T2000-2		ELEVATOR INSTL-SEGMENT POSITION DATA: INBD/OUTBD RH FOR NHA SEE: 55-10-52-01		RF
10	940CW20-10		.JUMPER ASSY SUPPLIER CODE: V91812 SPECIFICATION NUMBER: BACJ40AB20-10 OPTIONAL PART: 100220-10 V1FF12 RBEJ40AB20-10 V1GK47		4
15	BACB30LL3U4		ATTACHING PARTS .BOLT-		4
20	AN960C10L		.WASHER-		8
25	BRH10C3M		.NUT- SUPPLIER CODE: V52828 SPECIFICATION NUMBER: BACN10JC3CM OPTIONAL PART: T6C1032JM V11815 97E02 V80539 109LH9075-3W V72962 VN303D02 V92215 NS202101SE02 V80539 H01-3BAC V15653		4
27	BACB30LJ3-2		.BOLT		4
30	AN960PD10L		.WASHER		4

ILLUSTRATION ITEMS NOT ON PARTS LIST ARE NOT APPLICABLE

- ITEM NOT ILLUSTRATED

HXL

55-20-51-01

BOEING PROPRIETARY - Copyright © - Unpublished Work - See title page for details.

55-20-51
FIG. 01
PAGE 1
DEC 22/06



767

PARTS CATALOG (MAINTENANCE)

FIG ITEM	PART NUMBER	1 2 3 4 5 6 7	NOMENCLATURE	EFFECT FROM TO	UNITS PER ASSY
1	35 BRH10A3		.NUT SUPPLIER CODE: V52828 SPECIFICATION NUMBER: BACN10JC3 OPTIONAL PART: H10-3BAC V15653 NS202101-02 V80539 RMLH9075-3W V72962 VN303A02 V92215 96-02 V80539 T6S1032J V11815 -----*-----		4
37	MS24665-374		.PIN		3
38	MS24665-372		.PIN		1
40	183T2065-1		.PIN-		3
45	BACB30NM3K12		.BOLT		1
50	183T2029-1		.PIN-ECCENTRIC		1
55	183T2031-1		.RETAINER-BOLT		1
60	BACW10BP10CD		.WASHER-		3
65	BACW10BP3CD		.WASHER		1
70	BACW10BP10APU		.WASHER-		3
75	BACW10BP3DP		.WASHER		1
80	BACW10BP8DP		.WASHER		1
85	BMN4122C1D2-10		.NUT- SUPPLIER CODE: V97928 SPECIFICATION NUMBER: BACN10JC10CM OPTIONAL PART: H01-10BAC V15653 109LH9074-10 V72962 69235-1018CM V56878		3

ILLUSTRATION ITEMS NOT ON PARTS LIST ARE NOT APPLICABLE

- ITEM NOT ILLUSTRATED

HXL

55-20-51-01

BOEING PROPRIETARY - Copyright © - Unpublished Work - See title page for details.

55-20-51
FIG. 01
PAGE 2
AUG 22/08



767

PARTS CATALOG (MAINTENANCE)

FIG ITEM	PART NUMBER	1 2 3 4 5 6 7	NOMENCLATURE	EFFECT FROM TO	UNITS PER ASSY
1	90 BRH10C3D	.NUT	SUPPLIER CODE: V52828 SPECIFICATION NUMBER: BACN10JC3CD OPTIONAL PART: T6C1032JCD V11815 NS202486-02 V80539 102LH9075-3W V72962 H51650-3BAC V15653		1
	95 69235-820CD	.NUT	SUPPLIER CODE: V92215 SPECIFICATION NUMBER: BACN10JC8CD OPTIONAL PART: 102LH9074-8 V72962 BMN4122CPD8-8 V97928 H51650-8BAC V15653		1
	100 BACB28AK10-050	.BUSHING-			3
	105 183T2060-1	.LINK ASSY-			1
	110 183T2061-3	.LINK ASSY-			1
	115 ADW10V301NC	..BEARING	SUPPLIER CODE: V15860 SPECIFICATION NUMBER: BACB10FA10GC OPTIONAL PART: KSC152200BZ10GC V50632 KWDB10-35 V97613 SWKRS10-350SC V81376 WES10FAGC V73134 WHTFA10VC VS0352		2
	120 183T2060-2	..LINK-	USED ON: 183T2060-1		1

ILLUSTRATION ITEMS NOT ON PARTS LIST ARE NOT APPLICABLE

- ITEM NOT ILLUSTRATED

55-20-51-01

55-20-51
FIG. 01
PAGE 3
DEC 22/06

HXL



767

PARTS CATALOG (MAINTENANCE)

FIG ITEM	PART NUMBER	1 2 3 4 5 6 7	NOMENCLATURE	EFFECT FROM TO	UNITS PER ASSY
1 205	183T2001-29		.ELEVATOR ASSY- POSITION DATA: INBF LH SIDE COMPONENT MAINT MANUAL REF: 55-20-12 VARIABLE DRAWING REF: 183T2001-5013 QUALIFIED I/W DATA: 183T2001-1 T/W -17,-21,-25,-27 RETAINERS& -19, -23 -26,-28 SEALS AND QTY (22) BACB30NW6K3BOLTS & QTY (22) BACC30M6 COLLARS IS I/W183T2001-29 OR -33 OR -37SP.		1
205	183T2001-33		.ELEVATOR ASSY- POSITION DATA: INBD LH SIDE COMPONENT MAINT MANUAL REF: 55-20-12 QUALIFIED I/W DATA: 183T2001-1 T/W -17,-21,-25,-27 RETAINERS& -19, -23 -26,-28 SEALS AND QTY (22) BACB30NW6K3BOLTS & QTY (22) BACC30M6 COLLARS IS I/W183T2001-33		1
205	183T2001-37G		.ELEVATOR ASSY- POSITION DATA: INBD LH SIDE COMPONENT MAINT MANUAL REF: 55-20-12 QUALIFIED I/W DATA: 183T2001-1 T/W -17,-21,-25,-27 RETAINERS& -19, -23 -26,-28 SEALS AND QTY (22) BACB30NW6K3BOLTS & QTY (22) BACC30M6 COLLARS IS I/W183T2001-37G		1

ILLUSTRATION ITEMS NOT ON PARTS LIST ARE NOT APPLICABLE

- ITEM NOT ILLUSTRATED

55-20-51-01

55-20-51
FIG. 01
PAGE 5
DEC 22/07

HXL



767

PARTS CATALOG (MAINTENANCE)

FIG ITEM	PART NUMBER	1 2 3 4 5 6 7	NOMENCLATURE	EFFECT FROM TO	UNITS PER ASSY
1 - 210	183T2001-30		.ELEVATOR ASSY- POSITION DATA: INBD RH SIDE COMPONENT MAINT MANUAL REF: 55-20-12 VARIABLE DRAWING REF: 183T2001-5014 QUALIFIED I/W DATA: 183T2001-2 T/W -17,-21,-25,-27 RETAINERS& -19, -23 -26,-28 SEALS AND QTY (22) BACB30NW6K3BOLTS & QTY (22) BACC30M6 COLLARS IS I/W183T2001-30		1
- 210	183T2001-34		.ELEVATOR ASSY- POSITION DATA: INBD RH SIDE COMPONENT MAINT MANUAL REF: 55-20-12 QUALIFIED I/W DATA: 183T2001-2 T/W -17,-21,-25,-27 RETAINERS& -19, -23 -26,-28 SEALS AND QTY (22) BACB30NW6K3BOLTS & QTY (22) BACC30M6 COLLARS IS I/W183T2001-34		1
- 210	183T2001-38G		.ELEVATOR ASSY- POSITION DATA: INBD RH SIDE COMPONENT MAINT MANUAL REF: 55-20-12 QUALIFIED I/W DATA: 183T2001-2 T/W -17,-21,-25,-27 RETAINERS& -19, -23 -26,-28 SEALS AND QTY (22) BACB30NW6K3BOLTS & QTY (22) BACC30M6 COLLARS IS I/W183T2001-38G		1

ILLUSTRATION ITEMS NOT ON PARTS LIST ARE NOT APPLICABLE

- ITEM NOT ILLUSTRATED

HXL

55-20-51-01

BOEING PROPRIETARY - Copyright © - Unpublished Work - See title page for details.

55-20-51
FIG. 01
PAGE 6
DEC 22/07



767

PARTS CATALOG (MAINTENANCE)

FIG ITEM	PART NUMBER	1 2 3 4 5 6 7	NOMENCLATURE	EFFECT FROM TO	UNITS PER ASSY
R R	1 211	183T2001-28	<p>.. SEAL-</p> <p>MANUFACTURED FROM: EXTR RUBBER 10-60754-221 23.30 IN SPARES ORDER MATERIAL CODE: 5287002210</p> <p>USED ON: 100T0300-5 100T0300-6 183T2001-29 183T2001-30 183T2001-33 183T2001-34 183T2001-37G 183T2001-38G</p>		1
	213	183T2001-26	<p>.. SEAL-</p> <p>MANUFACTURED FROM: EXTR RUBBER 10-60754-221 5.60 IN SPARES ORDER MATERIAL CODE: 5287002210</p> <p>USED ON: 100T0300-5 100T0300-6 183T2001-29 183T2001-30 183T2001-33 183T2001-34 183T2001-37G 183T2001-38G</p>		1
	215	183T2001-31	<p>.. SEAL-</p> <p>MANUFACTURED FROM: EXTR RUBBER 10-60754-229 2.40 IN SPARES ORDER MATERIAL CODE: 5287002290</p> <p>QUALIFIED I/W DATA: -31 TOGETHER WITH -32 FILLER IS I/W -8</p> <p>USED ON: 183T2001-29 183T2001-30 183T2001-33 183T2001-34 183T2001-37G 183T2001-38G</p>		1
ILLUSTRATION ITEMS NOT ON PARTS LIST ARE NOT APPLICABLE					

- ITEM NOT ILLUSTRATED

55-20-51-01

55-20-51
FIG. 01
PAGE 7
AUG 22/09

HXL

BOEING
767
PARTS CATALOG (MAINTENANCE)

FIG ITEM	PART NUMBER	1 2 3 4 5 6 7	NOMENCLATURE	EFFECT FROM TO	UNITS PER ASSY
1	183T2001-23		..SEAL- MANUFACTURED FROM: EXTR RUBBER 10-60754-221 7.60 IN SPARES ORDER MATERIAL CODE: 5287002210 USED ON: 100T0300-5 100T0300-6 183T2001-29 183T2001-30 183T2001-33 183T2001-34 183T2001-37G 183T2001-38G		1
220	183T2001-9		..SEAL- POSITION DATA: LH SIDE MANUFACTURED FROM: EXTR RUBBER 10-60754-221 49.50 IN. USED ON: 183T2001-1 183T2001-3 183T2001-29 183T2001-33 183T2001-37G		1
- 225	183T2001-10		..SEAL- POSITION DATA: RH SIDE MANUFACTURED FROM: EXTR RUBBER 10-60754-221 49.50 IN SPARES ORDER MATERIAL CODE: 5287002210 USED ON: 183T2001-2 183T2001-4 183T2001-30 183T2001-34 183T2001-38G		1
ILLUSTRATION ITEMS NOT ON PARTS LIST ARE NOT APPLICABLE					

- ITEM NOT ILLUSTRATED

HXL

55-20-51-01

BOEING PROPRIETARY - Copyright © - Unpublished Work - See title page for details.

55-20-51
FIG. 01
PAGE 8
AUG 22/09

BOEING
767
PARTS CATALOG (MAINTENANCE)

FIG ITEM	PART NUMBER	1 2 3 4 5 6 7	NOMENCLATURE	EFFECT FROM TO	UNITS PER ASSY
1 R R R R R R R R R R R R	228	183T2001-19	.. SEAL- MANUFACTURED FROM: EXTR RUBBER 10-60754-221 3.00 IN SPARES ORDER MATERIAL CODE: 5287002210 USED ON: 100T0300-5 100T0300-6 183T2001-29 183T2001-30 183T2001-33 183T2001-34 183T2001-37G 183T2001-38G		1
	229	183T2063-1	.. FITTING ASSY- ATTACHING PARTS		1
	230	HL1012AZ8-7	.. BOLT- SUPPLIER CODE: VOPTK6 SPECIFICATION NUMBER: BACB30NX8K7 OPTIONAL PART: HL12VAZ8-7 V73197 HL12VAZ8-7 V92215 HL12VAZ8-7 V97928 L802-8K7 V06725 HL12VAZ8-7 V56878 HL1012AZ8-7 V06725 HL1012AZ8-7 V06950 HL1012AZ8-7 V17446 HL1012AZ8-7 V56878 HL1012AZ8-7 V60516 HL1012AZ8-7 V73197 HL1012AZ8-7 V97928		9
ILLUSTRATION ITEMS NOT ON PARTS LIST ARE NOT APPLICABLE					

- ITEM NOT ILLUSTRATED

HXL

55-20-51-01

BOEING PROPRIETARY - Copyright © - Unpublished Work - See title page for details.

55-20-51
FIG. 01
PAGE 9
AUG 22/09

BOEING
767
PARTS CATALOG (MAINTENANCE)

FIG ITEM	PART NUMBER	1 2 3 4 5 6 7	NOMENCLATURE	EFFECT FROM TO	UNITS PER ASSY
1 231	HL1187-8		.. COLLAR SUPPLIER CODE: V5M902 SPECIFICATION NUMBER: BACC30X8 OPTIONAL PART: HL87-8 V92215 HL87-8 V73197 HL1187-8 V56878 HL1187-8 V92215 HL87-8 V56878 HL1187-8 V73197		6
232	HL1187DU8		.. COLLAR SUPPLIER CODE: V5M902 SPECIFICATION NUMBER: BACC30X8S OPTIONAL PART: HL87DU8 V92215 HL87DU8 V73197 HL1187DU8 V56878 HL1187DU8 V92215 HL87DU8 V56878 HL1187DU8 V73197		3
238	183T2062-1		-----*----- .. FITTING ASSY- POSITION DATA: LH SIDE		1
- 239	183T2062-2		.. FITTING ASSY- POSITION DATA: RH SIDE		1

ILLUSTRATION ITEMS NOT ON PARTS LIST ARE NOT APPLICABLE

- ITEM NOT ILLUSTRATED

HXL

55-20-51-01

BOEING PROPRIETARY - Copyright © - Unpublished Work - See title page for details.

55-20-51
FIG. 01
PAGE 10
DEC 22/06



767

PARTS CATALOG (MAINTENANCE)

FIG ITEM	PART NUMBER	1 2 3 4 5 6 7	NOMENCLATURE	EFFECT FROM TO	UNITS PER ASSY
1					
- 240	HL1012AZ8-8		ATTACHING PARTS .. BOLT SUPPLIER CODE: VOPTK6 SPECIFICATION NUMBER: BACB30NX8K8 OPTIONAL PART: HL12VAZ8-8 V73197 HL12VAZ8-8 V92215 HL12VAZ8-8 V97928 L802-8K8 V06725 HL12VAZ8-8 V56878 HL1012AZ8-8 V06725 HL1012AZ8-8 V06950 HL1012AZ8-8 V17446 HL1012AZ8-8 V56878 HL1012AZ8-8 V60516 HL1012AZ8-8 V73197 HL1012AZ8-8 V97928		12
- 241	BACW10BP4NDP		.. WASHER		12

ILLUSTRATION ITEMS NOT ON PARTS LIST ARE NOT APPLICABLE

- ITEM NOT ILLUSTRATED

HXL

55-20-51-01

BOEING PROPRIETARY - Copyright © - Unpublished Work - See title page for details.

55-20-51
 FIG. 01
 PAGE 11
 DEC 22/06

BOEING
767
PARTS CATALOG (MAINTENANCE)

FIG ITEM	PART NUMBER	1 2 3 4 5 6 7	NOMENCLATURE	EFFECT FROM TO	UNITS PER ASSY
1 - 242	HL1187-8		.. COLLAR SUPPLIER CODE: V5M902 SPECIFICATION NUMBER: BACC30X8 OPTIONAL PART: HL87-8 V92215 HL87-8 V73197 HL1187-8 V56878 HL1187-8 V92215 HL87-8 V56878 HL1187-8 V73197 -----*-----		12
245	BACB30MY8K		.. BOLT- SIZE DETERMINED ON INSTL.		6
246	HL97DU8		.. COLLAR SUPPLIER CODE: V73197 SPECIFICATION NUMBER: BACC30AB8S OPTIONAL PART: HL97DU8 V56878 HL97DU8 V5M902		6
249	183T2054-8		.. FILLER		1
250	183T2054-9		.. FILLER		1
251	183T2055-19		.. FILLER-		1
252	183T2055-20		.. FILLER-		1
253	183T2021-1		.. FITTING ASSY-HINGE POSITION DATA: LH SIDE		1
- 254	183T2021-2		.. FITTING ASSY-HINGE POSITION DATA: RH SIDE ATTACHING PARTS		1
255	BACB30NW6K		.. BOLT- SIZE DETERMINED ON INSTL.		6

ILLUSTRATION ITEMS NOT ON PARTS LIST ARE NOT APPLICABLE

- ITEM NOT ILLUSTRATED

HXL

55-20-51-01

BOEING PROPRIETARY - Copyright © - Unpublished Work - See title page for details.

55-20-51
FIG. 01
PAGE 12
DEC 22/06



767

PARTS CATALOG (MAINTENANCE)

FIG ITEM	PART NUMBER	1 2 3 4 5 6 7	NOMENCLATURE	EFFECT FROM TO	UNITS PER ASSY
1 256	HL79-6	..	COLLAR SUPPLIER CODE: V5M902 SPECIFICATION NUMBER: BACC30M6 OPTIONAL PART: HL79-6 V73197 HL79-6 V92215 66014-6 V56878 HL79-6 V56878		6
257	BACB30MY6K	..	BOLT- SIZE DETERMINED ON INSTL.		7
258	HL97DU6	..	COLLAR SUPPLIER CODE: V73197 SPECIFICATION NUMBER: BACC30AB6S OPTIONAL PART: HL97DU6 V56878 HL97DU6 V5M902		7
259	BACS40R08B32F	..	SHIM		2
260	BACS40R08C32F	..	SHIM		2
261	BACS40R13B98F	..	SHIM		1
262	BACS40R13C98F	..	SHIM		1
263	183T2034-1	..	FITTING ASSY-HINGE POSITION DATA: LH SIDE		1
- 264	183T2034-2	..	FITTING ASSY-HINGE POSITION DATA: RH SIDE		1

ILLUSTRATION ITEMS NOT ON PARTS LIST ARE NOT APPLICABLE

- ITEM NOT ILLUSTRATED

HXL

55-20-51-01

BOEING PROPRIETARY - Copyright © - Unpublished Work - See title page for details.

55-20-51
FIG. 01
PAGE 13
DEC 22/06



767

PARTS CATALOG (MAINTENANCE)

FIG ITEM	PART NUMBER	1 2 3 4 5 6 7	NOMENCLATURE	EFFECT FROM TO	UNITS PER ASSY
1					
265	HL11VAZ8-7		ATTACHING PARTS ..BOLT SUPPLIER CODE: V56878 SPECIFICATION NUMBER: BACB30NW8K7 OPTIONAL PART: B30NW8K7 V97928 HL11VAZ8-7 V73197 HL11VAZ8-7 V92215 HL11VAZ8-7 V97928 L803-8K7 V06725 HL11VAZ8-7 V0PTK6 HL11VAZ8-7 V60516		3
266	HL79-8		..COLLAR SUPPLIER CODE: V5M902 SPECIFICATION NUMBER: BACC30M8 OPTIONAL PART: HL79-8 V73197 HL79-8 V92215 66014-8 V56878 HL79-8 V56878		3
267	BACB30NW6K		..BOLT- SIZE DETERMINED ON INSTL.		3

ILLUSTRATION ITEMS NOT ON PARTS LIST ARE NOT APPLICABLE

- ITEM NOT ILLUSTRATED

HXL

55-20-51-01

BOEING PROPRIETARY - Copyright © - Unpublished Work - See title page for details.

55-20-51
 FIG. 01
 PAGE 14
 DEC 22/06

BOEING
767
PARTS CATALOG (MAINTENANCE)

FIG ITEM	PART NUMBER	1 2 3 4 5 6 7	NOMENCLATURE	EFFECT FROM TO	UNITS PER ASSY
1 268	HL79-6	..	COLLAR SUPPLIER CODE: V5M902 SPECIFICATION NUMBER: BACC30M6 OPTIONAL PART: HL79-6 V73197 HL79-6 V92215 66014-6 V56878 HL79-6 V56878		3
269	BACB30MY6K	..	BOLT- SIZE DETERMINED ON INSTL.		24
270	HL97DU6	..	COLLAR SUPPLIER CODE: V73197 SPECIFICATION NUMBER: BACC30AB6S OPTIONAL PART: HL97DU6 V56878 HL97DU6 V5M902		24
			-----*-----		
271	BACS40R09B45F	..	SHIM		1
272	BACS40R09C45F	..	SHIM		1
273	BACS40R08B41F	..	SHIM		1
274	BACS40R08C41F	..	SHIM		1
275	BACS40R38B104F	..	SHIM		1
276	BACS40R38C104F	..	SHIM		1
277	L8006K3	..	BOLT SUPPLIER CODE: V06725 SPECIFICATION NUMBER: BACB30MY6K3		1
278	HL97DU6	..	COLLAR SUPPLIER CODE: V73197 SPECIFICATION NUMBER: BACC30AB6S OPTIONAL PART: HL97DU6 V56878 HL97DU6 V5M902		1

ILLUSTRATION ITEMS NOT ON PARTS LIST ARE NOT APPLICABLE

— ITEM NOT ILLUSTRATED

HXL

55-20-51-01

BOEING PROPRIETARY - Copyright © - Unpublished Work - See title page for details.

55-20-51
FIG. 01
PAGE 15
APR 22/08

 **BOEING**
767
PARTS CATALOG (MAINTENANCE)

FIG ITEM	PART NUMBER	1 2 3 4 5 6 7	NOMENCLATURE	EFFECT FROM TO	UNITS PER ASSY
1 279	940CW11-6		.. JUMPER ASSY SUPPLIER CODE: V91812 SPECIFICATION NUMBER: BACJ40AB11-6 OPTIONAL PART: 100211-6 V1FF12 RBEJ40AB11-6 V1GK47		1
281	183T2039-4		.. SPACER- OPTIONAL PART: 183T2039-5		1
282	183T2039-5		.. SPACER- OPTIONAL PART: 183T2039-4		1
283	251T2014-1		.. BRACKET ASSY ATTACHING PARTS		1
- 284	L8006K3		.. BOLT SUPPLIER CODE: V06725 SPECIFICATION NUMBER: BACB30MY6K3		4
- 285	HL97DU6		.. COLLAR SUPPLIER CODE: V73197 SPECIFICATION NUMBER: BACC30AB6S OPTIONAL PART: HL97DU6 V56878 HL97DU6 V5M902 -----*-----		4
286	183T2020-1		.. FITTING ASSY-HINGE POSITION DATA: LH SIDE		1
- 287	183T2020-2		.. FITTING ASSY-HINGE POSITION DATA: RH SIDE ATTACHING PARTS		1
288	BACB30NW6K		.. BOLT- SIZE DETERMINED ON INSTL.		6

ILLUSTRATION ITEMS NOT ON PARTS LIST ARE NOT APPLICABLE

- ITEM NOT ILLUSTRATED

HXL

55-20-51-01

BOEING PROPRIETARY - Copyright © - Unpublished Work - See title page for details.

55-20-51
FIG. 01
PAGE 16
APR 22/08

 **BOEING**
767
PARTS CATALOG (MAINTENANCE)

FIG ITEM	PART NUMBER	1 2 3 4 5 6 7	NOMENCLATURE	EFFECT FROM TO	UNITS PER ASSY
1 289	HL79-6	..	COLLAR SUPPLIER CODE: V5M902 SPECIFICATION NUMBER: BACC30M6 OPTIONAL PART: HL79-6 V73197 HL79-6 V92215 66014-6 V56878 HL79-6 V56878		6
290	BACB30MY6K	..	BOLT- SIZE DETERMINED ON INSTL.		8
291	HL97DU6	..	COLLAR SUPPLIER CODE: V73197 SPECIFICATION NUMBER: BACC30AB6S OPTIONAL PART: HL97DU6 V56878 HL97DU6 V5M902		8
292	BACS40R08B32F	..	SHIM		2
293	BACS40R08C32F	..	SHIM		2
294	BACS40R13B108F	..	SHIM		1
295	BACS40R13C108F	..	SHIM		1
296	BACB30NW6K	..	BOLT- SIZE DETERMINED ON INSTL.		4
297	HL97DU6	..	COLLAR SUPPLIER CODE: V73197 SPECIFICATION NUMBER: BACC30AB6S OPTIONAL PART: HL97DU6 V56878 HL97DU6 V5M902		4
298	183T2053-5	..	DOOR ATTACHING PARTS		1
- 299	BACB30NU3K3	..	BOLT -----*-----		4

ILLUSTRATION ITEMS NOT ON PARTS LIST ARE NOT APPLICABLE

- ITEM NOT ILLUSTRATED

HXL

55-20-51-01

BOEING PROPRIETARY - Copyright © - Unpublished Work - See title page for details.

55-20-51
FIG. 01
PAGE 17
DEC 22/06



767

PARTS CATALOG (MAINTENANCE)

FIG ITEM	PART NUMBER	1 2 3 4 5 6 7	NOMENCLATURE	EFFECT FROM TO	UNITS PER ASSY
1					
300	183T3001-7		.ELEVATOR ASSY- POSITION DATA: OUTBD LH SIDE COMPONENT MAINT MANUAL REF: 55-20-22 VARIABLE DRAWING REF: 183T3001-5009		1
300	183T3001-9		.ELEVATOR ASSY- POSITION DATA: OUTBD LH SIDE COMPONENT MAINT MANUAL REF: 55-20-22		1
300	183T3001-11G		.ELEVATOR ASSY- POSITION DATA: OUTBD LH SIDE		1
300	183T3001-13G		.ELEVATOR ASSY- POSITION DATA: OUTBD LH SIDE COMPONENT MAINT MANUAL REF: 55-20-22		1
300	183T3001-15G		.ELEVATOR ASSY- POSITION DATA: OUTBD LH SIDE COMPONENT MAINT MANUAL REF: 55-20-22		1
- 305	183T3001-8		.ELEVATOR ASSY- POSITION DATA: OUTBD RH SIDE COMPONENT MAINT MANUAL REF: 55-20-22 VARIABLE DRAWING REF: 183T3001-5010		1
- 305	183T3001-10		.ELEVATOR ASSY- POSITION DATA: OUTBD RH SIDE COMPONENT MAINT MANUAL REF: 55-20-22		1
- 305	183T3001-12G		.ELEVATOR ASSY- POSITION DATA: OUTBD RH SIDE		1
- 305	183T3001-14G		.ELEVATOR ASSY- POSITION DATA: OUTBD RH SIDE COMPONENT MAINT MANUAL REF: 55-20-22		1

ILLUSTRATION ITEMS NOT ON PARTS LIST ARE NOT APPLICABLE

- ITEM NOT ILLUSTRATED

55-20-51-01

55-20-51
FIG. 01
PAGE 18
DEC 22/07

HXL



767

PARTS CATALOG (MAINTENANCE)

FIG ITEM	PART NUMBER	1 2 3 4 5 6 7	NOMENCLATURE	EFFECT FROM TO	UNITS PER ASSY
1					
- 305	183T3001-16G		.ELEVATOR ASSY- POSITION DATA: OUTBD RH SIDE COMPONENT MAINT MANUAL REF: 55-20-22		1
320	183T2063-1		..FITTING ASSY- ATTACHING PARTS		1
- 325	HL1012AZ8-8		..BOLT SUPPLIER CODE: VOPTK6 SPECIFICATION NUMBER: BACB30NX8K8 OPTIONAL PART: HL12VAZ8-8 V73197 HL12VAZ8-8 V92215 HL12VAZ8-8 V97928 L802-8K8 V06725 HL12VAZ8-8 V56878 HL1012AZ8-8 V06725 HL1012AZ8-8 V06950 HL1012AZ8-8 V17446 HL1012AZ8-8 V56878 HL1012AZ8-8 V60516 HL1012AZ8-8 V73197 HL1012AZ8-8 V97928		9
ILLUSTRATION ITEMS NOT ON PARTS LIST ARE NOT APPLICABLE					

- ITEM NOT ILLUSTRATED

HXL

55-20-51-01

BOEING PROPRIETARY - Copyright © - Unpublished Work - See title page for details.

55-20-51
FIG. 01
PAGE 19
DEC 22/06



767

PARTS CATALOG (MAINTENANCE)

FIG ITEM	PART NUMBER	1 2 3 4 5 6 7	NOMENCLATURE	EFFECT FROM TO	UNITS PER ASSY
1 - 330	HL1187DU8		.. COLLAR SUPPLIER CODE: V5M902 SPECIFICATION NUMBER: BACC30X8S OPTIONAL PART: HL87DU8 V92215 HL87DU8 V73197 HL1187DU8 V56878 HL1187DU8 V92215 HL87DU8 V56878 HL1187DU8 V73197 -----*-----		9
331	183T2035-1		.. FITTING ASSY-		1
331	183T3080-3		.. FITTING ASSY-		1
331	183T3080-1		.. FITTING ASSY-		1

ILLUSTRATION ITEMS NOT ON PARTS LIST ARE NOT APPLICABLE

- ITEM NOT ILLUSTRATED

HXL

55-20-51-01

BOEING PROPRIETARY - Copyright © - Unpublished Work - See title page for details.

55-20-51
 FIG. 01
 PAGE 20
 DEC 22/06



767

PARTS CATALOG (MAINTENANCE)

FIG ITEM	PART NUMBER	1 2 3 4 5 6 7	NOMENCLATURE	EFFECT FROM TO	UNITS PER ASSY
1					
334	HL1012AZ8-8		ATTACHING PARTS .. BOLT SUPPLIER CODE: VOPTK6 SPECIFICATION NUMBER: BACB30NX8K8 OPTIONAL PART: HL12VAZ8-8 V73197 HL12VAZ8-8 V92215 HL12VAZ8-8 V97928 L802-8K8 V06725 HL12VAZ8-8 V56878 HL1012AZ8-8 V06725 HL1012AZ8-8 V06950 HL1012AZ8-8 V17446 HL1012AZ8-8 V56878 HL1012AZ8-8 V60516 HL1012AZ8-8 V73197 HL1012AZ8-8 V97928		12
335	BACW10BP4NDP		.. WASHER- USED WITH: KFN305C4		12

ILLUSTRATION ITEMS NOT ON PARTS LIST ARE NOT APPLICABLE

- ITEM NOT ILLUSTRATED

HXL

55-20-51-01

BOEING PROPRIETARY - Copyright © - Unpublished Work - See title page for details.

55-20-51
 FIG. 01
 PAGE 21
 DEC 22/06



767

PARTS CATALOG (MAINTENANCE)

FIG ITEM	PART NUMBER	1 2 3 4 5 6 7	NOMENCLATURE	EFFECT FROM TO	UNITS PER ASSY
1 336	HL1187-8		.. COLLAR- SUPPLIER CODE: V5M902 SPECIFICATION NUMBER: BACC30X8 OPTIONAL PART: HL87-8 V92215 HL87-8 V73197 HL1187-8 V56878 HL1187-8 V92215 HL87-8 V56878 HL1187-8 V73197 QUALIFIED OPTIONAL DATA: (OPT KFN305C4 USED WITH BACW10BP4NDP)		12
336	KFN305C4		.. NUT- SUPPLIER CODE: V15653 QUALIFIED OPTIONAL DATA: (OPT BACC30X8) USED WITH: BACW10BP4NDP -----*-----		12
339	183T3031-1		.. FITTING ASSY- POSITION DATA: LH SIDE		1
- 340	183T3031-2		.. FITTING ASSY- POSITION DATA: RH SIDE ATTACHING PARTS		1
341	BACB30MY6K		.. BOLT- SIZE DETERMINED ON INSTL.		8
342	HL97DU6		.. COLLAR SUPPLIER CODE: V73197 SPECIFICATION NUMBER: BACC30AB6S OPTIONAL PART: HL97DU6 V56878 HL97DU6 V5M902		8

ILLUSTRATION ITEMS NOT ON PARTS LIST ARE NOT APPLICABLE

- ITEM NOT ILLUSTRATED

55-20-51-01

55-20-51
 FIG. 01
 PAGE 22
 DEC 22/06

HXL



767

PARTS CATALOG (MAINTENANCE)

FIG ITEM	PART NUMBER	1 2 3 4 5 6 7	NOMENCLATURE	EFFECT FROM TO	UNITS PER ASSY
1					
343	BACB30NW8K	..	BOLT- SIZE DETERMINED ON INSTL.		20
344	HL97DU8	..	COLLAR SUPPLIER CODE: V73197 SPECIFICATION NUMBER: BACC30AB8S OPTIONAL PART: HL97DU8 V56878 HL97DU8 V5M902		20
			-----*-----		
345	BACS40R21B90F	..	SHIM		AR
346	BACS40R21C90F	..	SHIM		AR
347	BACS40R20B62F	..	SHIM		AR
348	BACS40R20C62F	..	SHIM		AR
349	183T3032-1	..	FITTING ASSY- POSITION DATA: LH SIDE		1
- 350	183T3032-2	..	FITTING ASSY- POSITION DATA: RH SIDE ATTACHING PARTS		1
351	BACB30MY6K	..	BOLT- SIZE DETERMINED ON INSTL.		6
352	HL97DU6	..	COLLAR SUPPLIER CODE: V73197 SPECIFICATION NUMBER: BACC30AB6S OPTIONAL PART: HL97DU6 V56878 HL97DU6 V5M902		6
353	BACB30NW8K	..	BOLT- SIZE DETERMINED ON INSTL.		20
354	HL97DU8	..	COLLAR SUPPLIER CODE: V73197 SPECIFICATION NUMBER: BACC30AB8S OPTIONAL PART: HL97DU8 V56878 HL97DU8 V5M902		20
			-----*-----		
ILLUSTRATION ITEMS NOT ON PARTS LIST ARE NOT APPLICABLE					

- ITEM NOT ILLUSTRATED

55-20-51-01

55-20-51
FIG. 01
PAGE 23
DEC 22/06

HXL

BOEING
767
PARTS CATALOG (MAINTENANCE)

FIG ITEM	PART NUMBER	1 2 3 4 5 6 7	NOMENCLATURE	EFFECT FROM TO	UNITS PER ASSY
1					
355	BACS40R20B83F	..	SHIM		AR
356	BACS40R20C83F	..	SHIM		AR
357	BACS40R20B62F	..	SHIM		AR
358	BACS40R20C62F	..	SHIM		AR
359	183T3033-1	..	FITTING ASSY- POSITION DATA: LH SIDE		1
- 360	183T3033-2	..	FITTING ASSY- POSITION DATA: RH SIDE ATTACHING PARTS		1
361	BACB30MY6K	..	BOLT- SIZE DETERMINED ON INSTL.		6
362	HL97DU6	..	COLLAR SUPPLIER CODE: V73197 SPECIFICATION NUMBER: BACC30AB6S OPTIONAL PART: HL97DU6 V56878 HL97DU6 V5M902		6
363	BACB30NW8K	..	BOLT- SIZE DETERMINED ON INSTL.		20
364	HL97DU8	..	COLLAR SUPPLIER CODE: V73197 SPECIFICATION NUMBER: BACC30AB8S OPTIONAL PART: HL97DU8 V56878 HL97DU8 V5M902 -----*-----		20
365	BACS40R20B76F	..	SHIM		AR
366	BACS40R20C76F	..	SHIM		AR
367	BACS40R20B61F	..	SHIM		AR
368	BACS40R20C61F	..	SHIM		AR

ILLUSTRATION ITEMS NOT ON PARTS LIST ARE NOT APPLICABLE

- ITEM NOT ILLUSTRATED

HXL

55-20-51-01

BOEING PROPRIETARY - Copyright © - Unpublished Work - See title page for details.

55-20-51
FIG. 01
PAGE 24
DEC 22/06



767

PARTS CATALOG (MAINTENANCE)

FIG ITEM	PART NUMBER	1 2 3 4 5 6 7	NOMENCLATURE	EFFECT FROM TO	UNITS PER ASSY
1 369	940CW11-6		.. JUMPER ASSY SUPPLIER CODE: V91812 SPECIFICATION NUMBER: BACJ40AB11-6 OPTIONAL PART: 100211-6 V1FF12 RBEJ40AB11-6 V1GK47		3
370	BACB30MY6K		.. BOLT- SIZE DETERMINED ON INSTL.		3
371	HL97DU6		.. COLLAR SUPPLIER CODE: V73197 SPECIFICATION NUMBER: BACC30AB6S OPTIONAL PART: HL97DU6 V56878 HL97DU6 V5M902		3
372	183T3030-9		.. FITTING ASSY-HINGE POSITION DATA: LH SIDE		1
- 373	183T3030-10		.. FITTING ASSY-HINGE POSITION DATA: RH SIDE ATTACHING PARTS		1
374	BACB30MY6K		.. BOLT- SIZE DETERMINED ON INSTL.		4
375	HL97DU6		.. COLLAR SUPPLIER CODE: V73197 SPECIFICATION NUMBER: BACC30AB6S OPTIONAL PART: HL97DU6 V56878 HL97DU6 V5M902		4
376	BACB30NW6K		.. BOLT- SIZE DETERMINED ON INSTL.		3

ILLUSTRATION ITEMS NOT ON PARTS LIST ARE NOT APPLICABLE

- ITEM NOT ILLUSTRATED

HXL

55-20-51-01

BOEING PROPRIETARY - Copyright © - Unpublished Work - See title page for details.

55-20-51
FIG. 01
PAGE 25
DEC 22/06

 **BOEING**
767
PARTS CATALOG (MAINTENANCE)

FIG ITEM	PART NUMBER	1 2 3 4 5 6 7	NOMENCLATURE	EFFECT FROM TO	UNITS PER ASSY
1					
377	HL79-6	..	COLLAR SUPPLIER CODE: V5M902 SPECIFICATION NUMBER: BACC30M6 OPTIONAL PART: HL79-6 V73197 HL79-6 V92215 66014-6 V56878 HL79-6 V56878		3
378	BACB30NW8K	..	BOLT- SIZE DETERMINED ON INSTL.		3
379	HL79-8	..	COLLAR SUPPLIER CODE: V5M902 SPECIFICATION NUMBER: BACC30M8 OPTIONAL PART: HL79-8 V73197 HL79-8 V92215 66014-8 V56878 HL79-8 V56878		3
- 380	BACS40R10B37F	..	SHIM- POSITION DATA: RH SIDE		AR
- 385	BACS40R10B37F	..	SHIM- POSITION DATA: RH SIDE		AR
390	BACS40R10B37F	..	SHIM- POSITION DATA: LH SIDE		AR
395	BACS40R10C37F	..	SHIM- POSITION DATA: LH SIDE		AR
396	BACS40R14B39F	..	SHIM		AR
397	BACS40R14C39F	..	SHIM		AR
398	BACS40R08B33F	..	SHIM		AR
399	BACS40R08C33F	..	SHIM		AR
405	183T3075-19	..	FILLER		1
410	183T3075-20	..	FILLER		1
-----*-----					
ILLUSTRATION ITEMS NOT ON PARTS LIST ARE NOT APPLICABLE					

- ITEM NOT ILLUSTRATED

HXL

55-20-51-01

BOEING PROPRIETARY - Copyright © - Unpublished Work - See title page for details.

55-20-51
FIG. 01
PAGE 26
AUG 22/08



767

PARTS CATALOG (MAINTENANCE)

FIG ITEM	PART NUMBER	1 2 3 4 5 6 7	NOMENCLATURE	EFFECT FROM TO	UNITS PER ASSY
1					
415	183T3074-8	..	FILLER		1
420	183T3074-9	..	FILLER		1
425	183T3079-3	..	SHIM		AR
430	183T3082-3	..	BASE-DISCHARGER ALTERED FROM PART NUMBER: 16700 V55635 ATTACHING PARTS		1
- 435	BACR15GA5-4	..	RIVET- OPTIONAL PART: 10-61979-5-4		4
- 435	10-61979-5-4	..	RIVET- OPTIONAL PART: BACR15GA5-4 -----*-----		4
440	183T3082-2	..	PLATE-MTG ATTACHING PARTS		1
- 445	MS24693C24	..	SCREW -----*-----		2
454	BACB30MY6K	..	BOLT- SIZE DETERMINED ON INSTL.		6
457	BACB30NW6K	..	BOLT- SIZE DETERMINED ON INSTL.		3
460	BACB30NW8K	..	BOLT- SIZE DETERMINED ON INSTL.		3
463	HL97DU6	..	COLLAR SUPPLIER CODE: V73197 SPECIFICATION NUMBER: BACC30AB6S OPTIONAL PART: HL97DU6 V56878 HL97DU6 V5M902		6
466	HL79-6	..	COLLAR SUPPLIER CODE: V5M902 SPECIFICATION NUMBER: BACC30M6 OPTIONAL PART: HL79-6 V73197 HL79-6 V92215 66014-6 V56878 HL79-6 V56878		3
ILLUSTRATION ITEMS NOT ON PARTS LIST ARE NOT APPLICABLE					

- ITEM NOT ILLUSTRATED

55-20-51-01

55-20-51
FIG. 01
PAGE 27
AUG 22/08

HXL



767

PARTS CATALOG (MAINTENANCE)

FIG ITEM	PART NUMBER	1 2 3 4 5 6 7	NOMENCLATURE	EFFECT FROM TO	UNITS PER ASSY
1 469	HL79-8	..	COLLAR SUPPLIER CODE: V5M902 SPECIFICATION NUMBER: BACC30M8 OPTIONAL PART: HL79-8 V73197 HL79-8 V92215 66014-8 V56878 HL79-8 V56878		3
472	BACS40R13B59F	..	SHIM		AR
475	BACS40R13C59F	..	SHIM		AR
478	BACS40R08B33F	..	SHIM		AR
481	BACS40R08C33F	..	SHIM		AR
484	BACS40R09B37F	..	SHIM		AR
487	BACS40R09C37F	..	SHIM		AR
490	183T3029-1	..	FITTING ASSY-HINGE POSITION DATA: LH SIDE		1
- 495	183T3029-2	..	FITTING ASSY-HINGE POSITION DATA: RH SIDE		1
500	183T3028-1	..	FITTING ASSY-HINGE POSITION DATA: LH SIDE		1
- 505	183T3028-2	..	FITTING ASSY-HINGE POSITION DATA: RH SIDE ATTACHING PARTS		1
510	BACB30MY6K	..	BOLT- SIZE DETERMINED ON INSTL.		6
515	HL97DU6	..	COLLAR SUPPLIER CODE: V73197 SPECIFICATION NUMBER: BACC30AB6S OPTIONAL PART: HL97DU6 V56878 HL97DU6 V5M902		6
520	BACB30NW8K	..	BOLT- SIZE DETERMINED ON INSTL.		3

ILLUSTRATION ITEMS NOT ON PARTS LIST ARE NOT APPLICABLE

- ITEM NOT ILLUSTRATED

55-20-51-01

55-20-51
FIG. 01
PAGE 28
DEC 22/06

HXL

BOEING PROPRIETARY - Copyright © - Unpublished Work - See title page for details.



767

PARTS CATALOG (MAINTENANCE)

FIG ITEM	PART NUMBER	1 2 3 4 5 6 7	NOMENCLATURE	EFFECT FROM TO	UNITS PER ASSY
1 525	HL79-8		.. COLLAR SUPPLIER CODE: V5M902 SPECIFICATION NUMBER: BACC30M8 OPTIONAL PART: HL79-8 V73197 HL79-8 V92215 66014-8 V56878 HL79-8 V56878		3
530	HL11VAZ10-8		.. BOLT SUPPLIER CODE: V60516 SPECIFICATION NUMBER: BACB30NW10K8 OPTIONAL PART: B30NW10K8 V97928 HL11VAZ10-8 V73197 HL11VAZ10-8 V92215 HL11VAZ10-8 V97928 L803-10K8 V06725 HL11VAZ10-8 V0PTK6 HL11VAZ10-8 V56878		3
535	HL79-10		.. COLLAR SUPPLIER CODE: V5M902 SPECIFICATION NUMBER: BACC30M10 OPTIONAL PART: HL79-10 V73197 HL79-10 V92215 66014-10 V56878 HL79-10 V56878 -----*-----		3

ILLUSTRATION ITEMS NOT ON PARTS LIST ARE NOT APPLICABLE

- ITEM NOT ILLUSTRATED

HXL

55-20-51-01

BOEING PROPRIETARY - Copyright © - Unpublished Work - See title page for details.

55-20-51
 FIG. 01
 PAGE 29
 DEC 22/06



767

PARTS CATALOG (MAINTENANCE)

FIG ITEM	PART NUMBER	1 2 3 4 5 6 7	NOMENCLATURE	EFFECT FROM TO	UNITS PER ASSY
1					
540	BACS40R13B72F	..	SHIM		AR
545	BACS40R13C72F	..	SHIM		AR
550	BACS40R09B36F	..	SHIM		AR
555	BACS40R09C36F	..	SHIM		AR
560	BACS40R11B41F	..	SHIM-		AR
565	BACS40R11C41F	..	SHIM-		AR
600	183T3036-1	..	FITTING ASSY-HINGE POSITION DATA: LH SIDE		1
- 605	183T3036-2	..	FITTING ASSY-HINGE POSITION DATA: RH SIDE ATTACHING PARTS		1
610	BACB30MY6K	..	BOLT- SIZE DETERMINED ON INSTL.		10
615	HL97DU6	..	COLLAR SUPPLIER CODE: V73197 SPECIFICATION NUMBER: BACC30AB6S OPTIONAL PART: HL97DU6 V56878 HL97DU6 V5M902		10
620	BACB30NW8K	..	BOLT- SIZE DETERMINED ON INSTL.		3
625	HL79-8	..	COLLAR SUPPLIER CODE: V5M902 SPECIFICATION NUMBER: BACC30M8 OPTIONAL PART: HL79-8 V73197 HL79-8 V92215 66014-8 V56878 HL79-8 V56878		3

ILLUSTRATION ITEMS NOT ON PARTS LIST ARE NOT APPLICABLE

- ITEM NOT ILLUSTRATED

HXL

55-20-51-01

BOEING PROPRIETARY - Copyright © - Unpublished Work - See title page for details.

55-20-51
FIG. 01
PAGE 30
DEC 22/06

 **BOEING**
767
PARTS CATALOG (MAINTENANCE)

FIG ITEM	PART NUMBER	1 2 3 4 5 6 7	NOMENCLATURE	EFFECT FROM TO	UNITS PER ASSY
1 630	HL11VAZ10-8	..	BOLT SUPPLIER CODE: V60516 SPECIFICATION NUMBER: BACB30NW10K8 OPTIONAL PART: B30NW10K8 V97928 HL11VAZ10-8 V73197 HL11VAZ10-8 V92215 HL11VAZ10-8 V97928 L803-10K8 V06725 HL11VAZ10-8 V0PTK6 HL11VAZ10-8 V56878		3
635	HL79-10	..	COLLAR SUPPLIER CODE: V5M902 SPECIFICATION NUMBER: BACC30M10 OPTIONAL PART: HL79-10 V73197 HL79-10 V92215 66014-10 V56878 HL79-10 V56878 -----*-----		3
640	183T3039-1	...	BUSHING		1
645	183T3039-2	...	RETAINER		1
650	BACS40R20B80F	..	SHIM		AR
655	BACS40R20C80F	..	SHIM		AR
660	BACS40R10B43F	..	SHIM		AR
665	BACS40R10C43F	..	SHIM		AR
670	BACS40R12B48F	..	SHIM		AR
675	BACS40R12C48F	..	SHIM		AR
680	183T3025-1	..	FITTING ASSY-HINGE POSITION DATA: LH SIDE		1
- 685	183T3025-2	..	FITTING ASSY-HINGE POSITION DATA: RH SIDE		1

ILLUSTRATION ITEMS NOT ON PARTS LIST ARE NOT APPLICABLE

- ITEM NOT ILLUSTRATED

HXL

55-20-51-01

BOEING PROPRIETARY - Copyright © - Unpublished Work - See title page for details.

55-20-51
FIG. 01
PAGE 31
DEC 22/06



767

PARTS CATALOG (MAINTENANCE)

FIG ITEM	PART NUMBER	1 2 3 4 5 6 7	NOMENCLATURE	EFFECT FROM TO	UNITS PER ASSY
1			ATTACHING PARTS		
690	BACB30MY6K	..	BOLT- SIZE DETERMINED ON INSTL.		11
695	HL97DU6	..	COLLAR SUPPLIER CODE: V73197 SPECIFICATION NUMBER: BACC30AB6S OPTIONAL PART: HL97DU6 V56878 HL97DU6 V5M902		11
700	BACB30NW8K	..	BOLT- SIZE DETERMINED ON INSTL.		3
705	HL79-8	..	COLLAR SUPPLIER CODE: V5M902 SPECIFICATION NUMBER: BACC30M8 OPTIONAL PART: HL79-8 V73197 HL79-8 V92215 66014-8 V56878 HL79-8 V56878		3
710	HL11VAZ10-8	..	BOLT SUPPLIER CODE: V60516 SPECIFICATION NUMBER: BACB30NW10K8 OPTIONAL PART: B30NW10K8 V97928 HL11VAZ10-8 V73197 HL11VAZ10-8 V92215 HL11VAZ10-8 V97928 L803-10K8 V06725 HL11VAZ10-8 V0PTK6 HL11VAZ10-8 V56878		3
ILLUSTRATION ITEMS NOT ON PARTS LIST ARE NOT APPLICABLE					

- ITEM NOT ILLUSTRATED

55-20-51-01

55-20-51
FIG. 01
PAGE 32
DEC 22/06

HXL



767

PARTS CATALOG (MAINTENANCE)

FIG ITEM	PART NUMBER	1 2 3 4 5 6 7	NOMENCLATURE	EFFECT FROM TO	UNITS PER ASSY
1 715	HL79-10		.. COLLAR SUPPLIER CODE: V5M902 SPECIFICATION NUMBER: BACC30M10 OPTIONAL PART: HL79-10 V73197 HL79-10 V92215 66014-10 V56878 HL79-10 V56878 -----*-----		3
720	BACS40R19B86F		.. SHIM		AR
725	BACS40R19C86F		.. SHIM		AR
730	BACS40R09B42F		.. SHIM		AR
735	BACS40R09C42F		.. SHIM		AR
740	BACS40R12B47F		.. SHIM		AR
745	BACS40R12C47F		.. SHIM		AR
750	183T3024-1		.. FITTING ASSY-HINGE POSITION DATA: LH SIDE		1
- 755	183T3024-2		.. FITTING ASSY-HINGE POSITION DATA: RH SIDE ATTACHING PARTS		1
760	BACB30MY6K		.. BOLT-		7
765	HL97DU6		.. COLLAR SUPPLIER CODE: V73197 SPECIFICATION NUMBER: BACC30AB6S OPTIONAL PART: HL97DU6 V56878 HL97DU6 V5M902		7
770	BACB30NW6K		.. BOLT-		3
ILLUSTRATION ITEMS NOT ON PARTS LIST ARE NOT APPLICABLE					

- ITEM NOT ILLUSTRATED

55-20-51-01

55-20-51
 FIG. 01
 PAGE 33
 DEC 22/06

HXL

BOEING
767
PARTS CATALOG (MAINTENANCE)

FIG ITEM	PART NUMBER	1 2 3 4 5 6 7	NOMENCLATURE	EFFECT FROM TO	UNITS PER ASSY
1 775	HL79-6		.. COLLAR SUPPLIER CODE: V5M902 SPECIFICATION NUMBER: BACC30M6 OPTIONAL PART: HL79-6 V73197 HL79-6 V92215 66014-6 V56878 HL79-6 V56878		3
780	BACB30NW8K		.. BOLT- SIZE DETERMINED ON INSTL.		3
785	HL79-8		.. COLLAR SUPPLIER CODE: V5M902 SPECIFICATION NUMBER: BACC30M8 OPTIONAL PART: HL79-8 V73197 HL79-8 V92215 66014-8 V56878 HL79-8 V56878		3
790	BACS40R14B90F		-----*----- .. SHIM		AR
795	BACS40R14C90F		.. SHIM		AR
800	BACS40R08B33F		.. SHIM		AR
805	BACS40R08C33F		.. SHIM		AR
810	BACS40R10B37F		.. SHIM		AR
815	BACS40R10C37F		.. SHIM		AR
900			ILLUSTRATION REFERENCE: DISCHARGER INSTL-STATIC 23-61-01-01		RF
ILLUSTRATION ITEMS NOT ON PARTS LIST ARE NOT APPLICABLE					

— ITEM NOT ILLUSTRATED

HXL

55-20-51-01

BOEING PROPRIETARY - Copyright © - Unpublished Work - See title page for details.

55-20-51
FIG. 01
PAGE 34
DEC 22/06