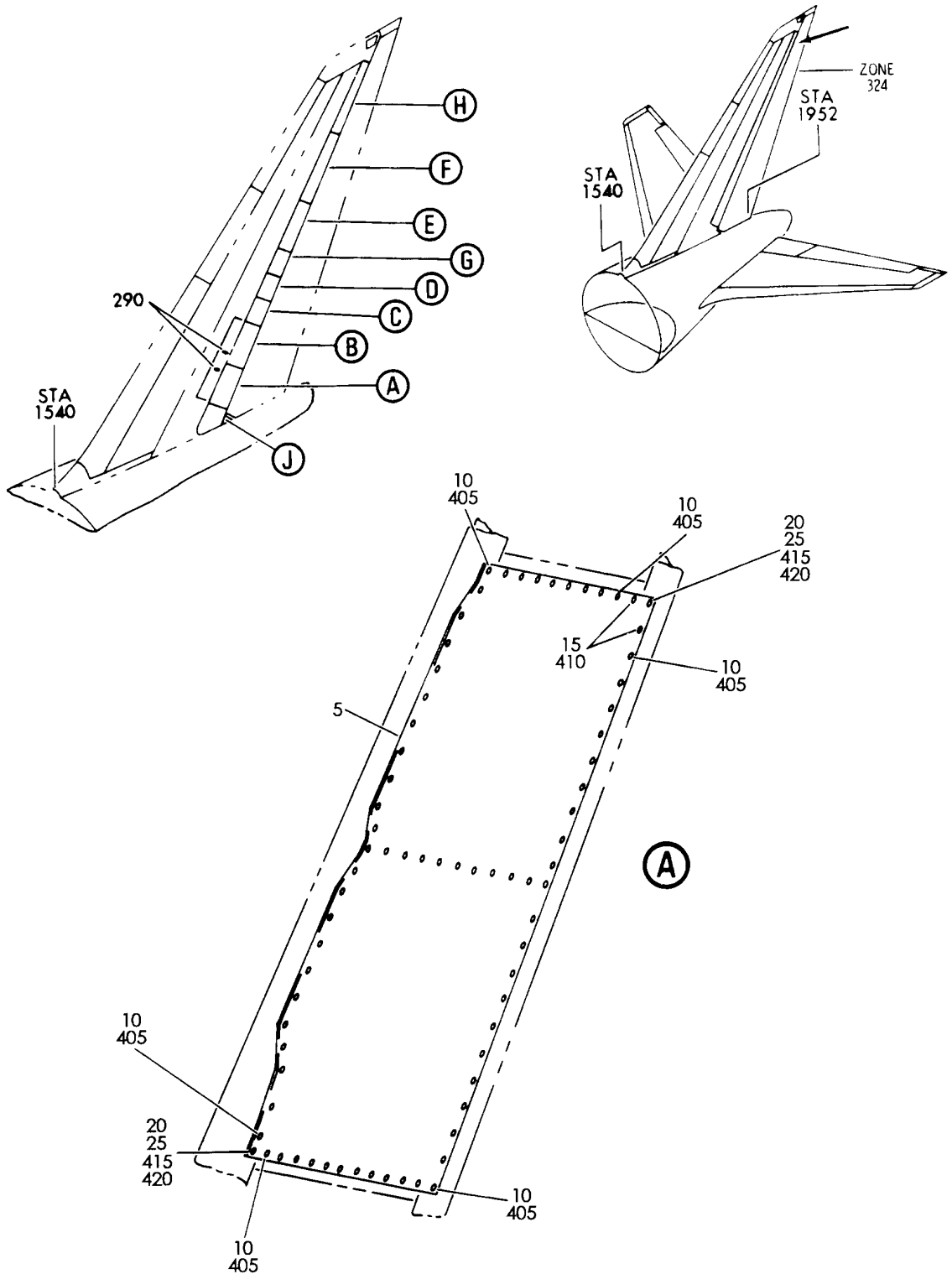


## VERTICAL STABILIZER FORWARD TORQUE BOX

HXL  
DEC 22/06

55-34-00  
SECTION TITLE  
PAGE 1

**BOEING**  
767  
PARTS CATALOG (MAINTENANCE)



V 55340101 SHT 1 REV 207

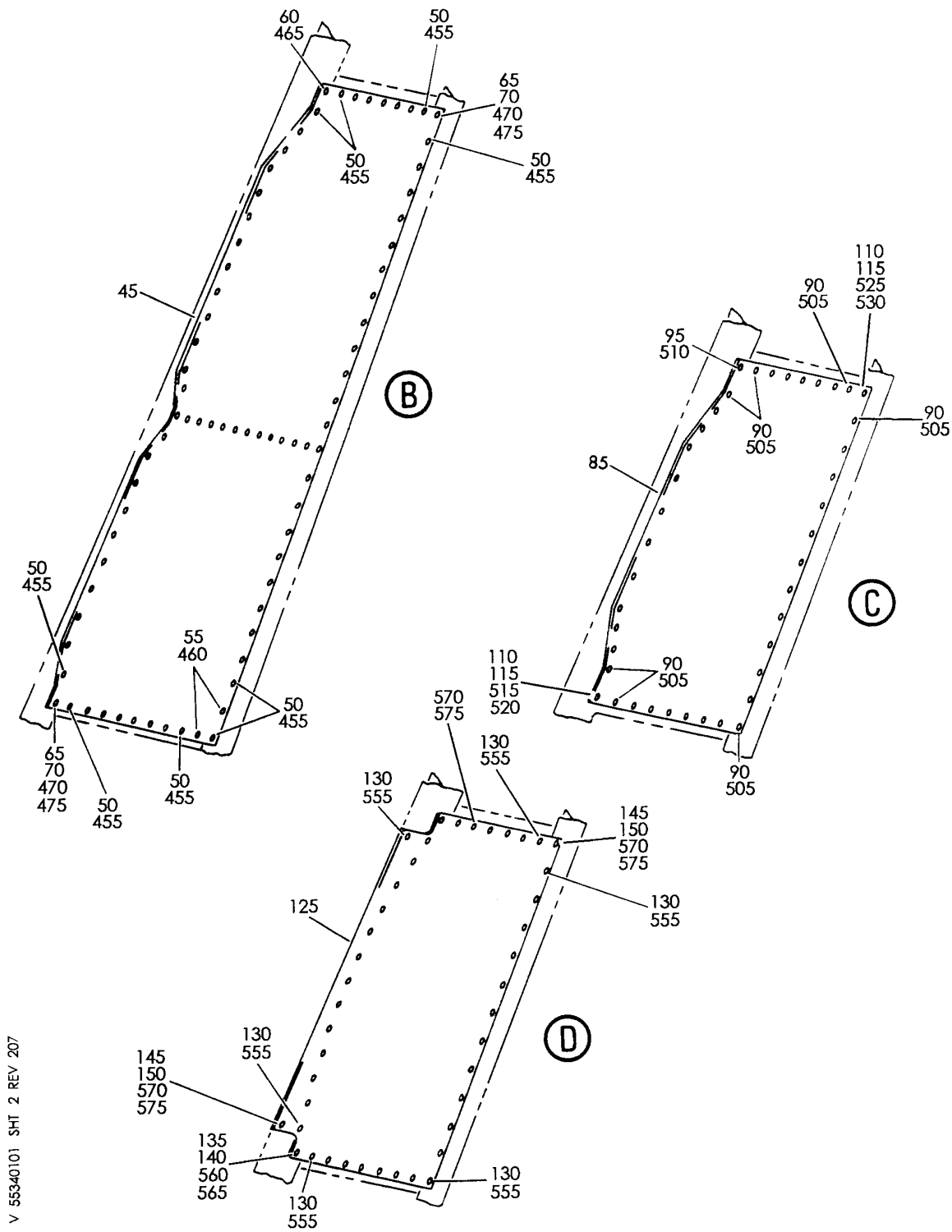
PANEL INSTL-VERT. STAB. FXD TE  
FIGURE 1 (SHEET 1)

**55-34-01-01**

HXL  
DEC 22/06

55-34-01-01  
PAGE 0

**BOEING**  
767  
PARTS CATALOG (MAINTENANCE)



V 55340101 SHT 2 REV 207

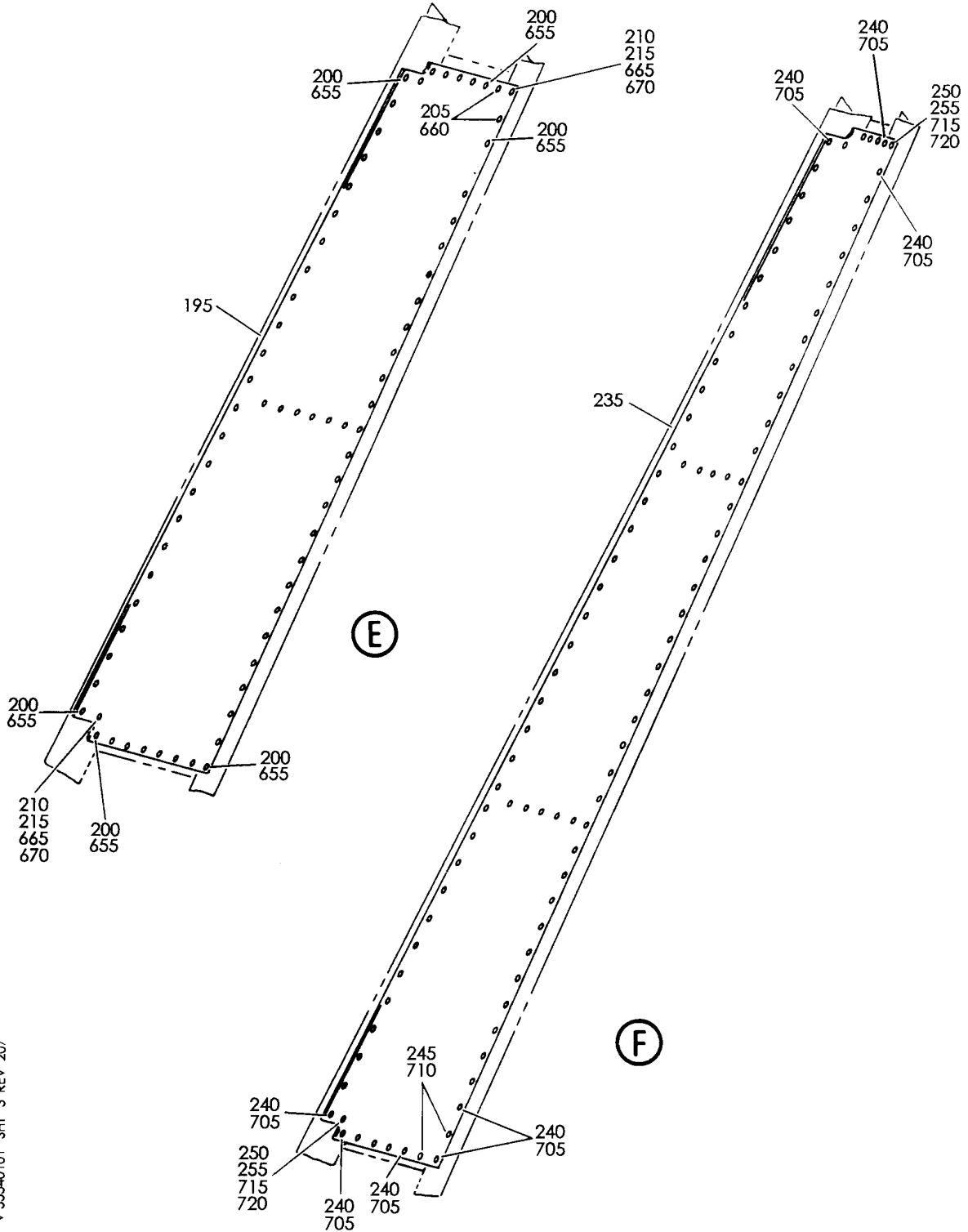
PANEL INSTL-VERT. STAB. FXD TE  
FIGURE 1 (SHEET 2)

**55-34-01-01**

HXL  
DEC 22/06

55-34-01-01  
PAGE 0A

**BOEING**  
767  
PARTS CATALOG (MAINTENANCE)



V 55340101 SHT 3 REV 207

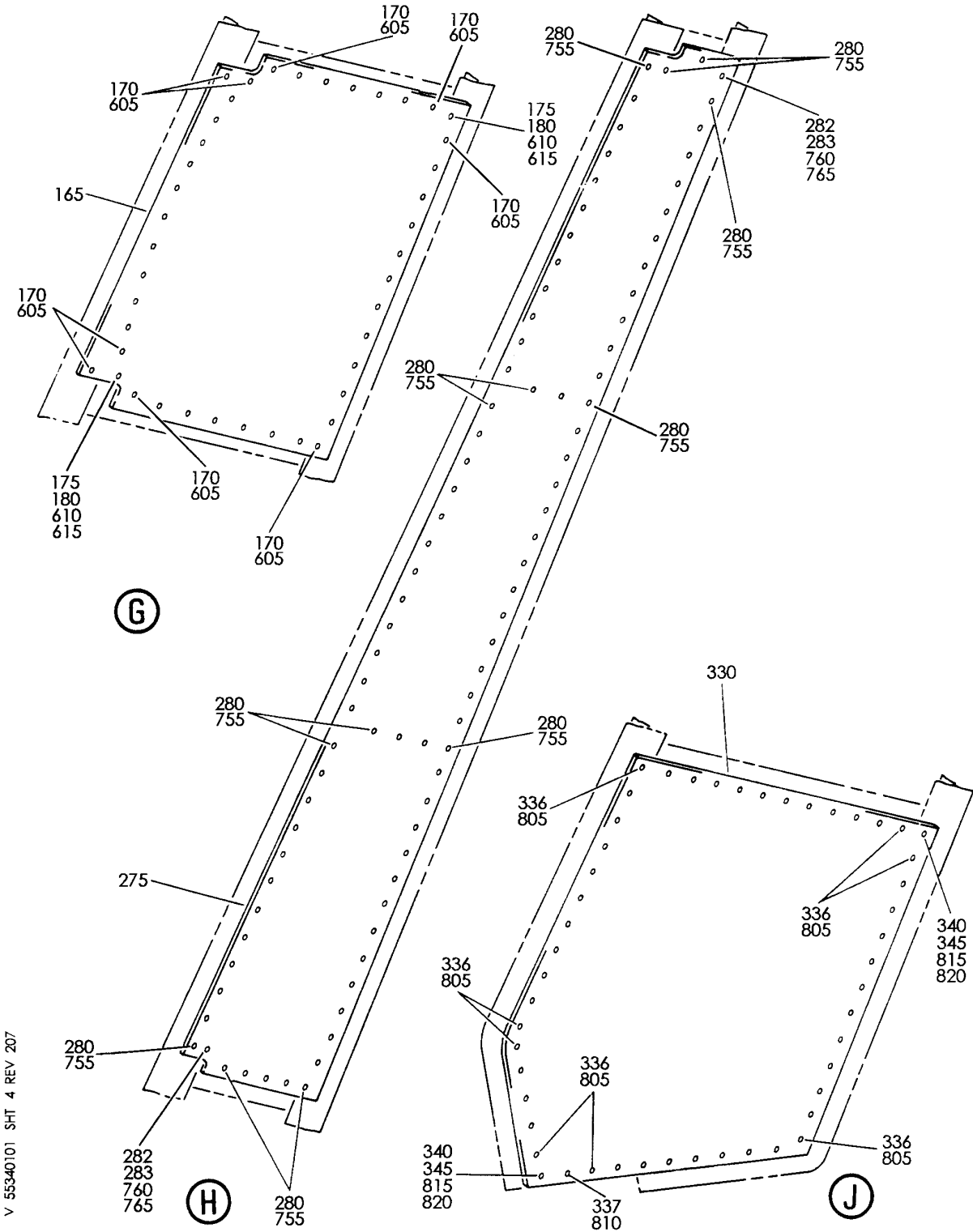
PANEL INSTL-VERT. STAB. FXD TE  
FIGURE 1 (SHEET 3)

**55-34-01-01**

HXL  
DEC 22/06

55-34-01-01  
PAGE 0B

**BOEING**  
767  
PARTS CATALOG (MAINTENANCE)



PANEL INSTL-VERT. STAB. FXD TE  
FIGURE 1 (SHEET 4)

**55-34-01-01**

HXL  
DEC 22/06

55-34-01-01  
PAGE 0C

 **BOEING**  
767  
**PARTS CATALOG (MAINTENANCE)**

| FIG ITEM | PART NUMBER    | 1 2 3 4 5 6 7 | NOMENCLATURE  | EFFECT FROM TO | UNITS PER ASSY |
|----------|----------------|---------------|---|----------------|----------------|
| 1        |                |               | PANEL INSTL-VERT. STAB. FXD<br>TE   |                |                |
| - 1      | 173T1101-1     |               | PANEL INSTL-RUD VERT. STAB.<br>FXD TE<br>POSITION DATA:<br>STA 18.260 TO 60.204<br>VARIABLE DRAWING REF:<br>173T1101-5002<br>FOR NHA SEE:<br>55-36-53-01  |                | RF             |
|          | 5 173T1101-6   |               | .PANEL ASSY-<br>ACCESS PANEL NUMBER:<br>324BL<br>ATTACHING PARTS  |                | 1              |
|          | 10 BACB30NN3K6 |               | .BOLT   |                | 72             |
|          | 15 BACB30NN4K8 |               | .BOLT   |                | 2              |
|          | 20 BACB30LR3-6 |               | .BOLT   |                | 2              |
|          | 25 BACW10UC10P |               | .WASHER   |                | 2              |
|          |                |               | -----*-----   |                |                |
| - 40     | 173T1102-1     |               | PANEL INSTL-RUD VERT. STAB.<br>FXD TE<br>POSITION DATA:<br>STA 60.204 TO 106.142<br>VARIABLE DRAWING REF:<br>173T1102-5002<br>FOR NHA SEE:<br>55-36-53-01 |                | RF             |
|          | 45 173T1102-6  |               | .PANEL ASSY-<br>ACCESS PANEL NUMBER:<br>324EL<br>ATTACHING PARTS  |                | 1              |
|          | 50 BACB30NN3K6 |               | .BOLT   |                | 73             |
|          | 55 BACB30NN4K8 |               | .BOLT   |                | 2              |
|          | 60 BACB30NN4K9 |               | .BOLT   |                | 1              |
|          | 65 BACB30LR3-6 |               | .BOLT   |                | 2              |
|          | 70 BACW10UC10P |               | .WASHER   |                | 2              |
|          |                |               | -----*-----   |                |                |
| - 80     | 173T1103-1     |               | PANEL INSTL-RUD VERT. STAB.<br>FXD TE<br>POSITION DATA:<br>SA 106.142 TO 131.108<br>VARIABLE DRAWING REF:<br>173T1103-5002<br>FOR NHA SEE:<br>55-36-53-01 |                | RF             |
|          | 85 173T1103-5  |               | .PANEL ASSY-<br>ACCESS PANEL NUMBER:<br>324GL   |                | 1              |

ILLUSTRATION ITEMS NOT ON PARTS LIST ARE NOT APPLICABLE

- ITEM NOT ILLUSTRATED

HXL

55-34-01-01

BOEING PROPRIETARY - Copyright © - Unpublished Work - See title page for details.

55-34-01  
FIG. 01  
PAGE 1  
DEC 22/06

**BOEING**  
767  
**PARTS CATALOG (MAINTENANCE)**

| FIG ITEM | PART NUMBER  | 1 2 3 4 5 6 7 | NOMENCLATURE   | EFFECT FROM TO | UNITS PER ASSY |
|----------|--------------|---------------|--|----------------|----------------|
| 1        |              |               | ATTACHING PARTS  |                |                |
| 90       | BACB30NN3K6  | .BOLT-        |  |                | 38             |
| 95       | BACB30NN4K6  | .BOLT         |  |                | 1              |
| 100      | BACB30LR4-6  | .BOLT         |  |                | 1              |
| 105      | BACW10UC416P | .WASHER       |  |                | 1              |
| 110      | BACB30LR3-6  | .BOLT         |  |                | 1              |
| 115      | BACW10UC10P  | .WASHER       |  |                | 1              |
|          |              | -----*-----   |  |                |                |
| - 120    | 173T1104-1   |               | PANEL INSTL-RUD VERT. STAB.<br>FXD TE<br>POSITION DATA:<br>STA 131.108 TO 156.074<br>VARIABLE DRAWING REF:<br>173T1104-5002<br>FOR NHA SEE:<br>55-36-53-01 |                | RF             |
| 125      | 173T1104-5   | .PANEL ASSY-  | ACCESS PANEL NUMBER:<br>324JL<br>ATTACHING PARTS   |                | 1              |
| 130      | BACB30NN3K6  | .BOLT-        |  |                | 40             |
| 135      | BACB30LR4-6  | .BOLT-        |  |                | 1              |
| 140      | BACW10UC416P | .WASHER       |  |                | 1              |
| 145      | BACB30LR3-6  | .BOLT         |  |                | 2              |
| 150      | BACW10UC10P  | .WASHER       |  |                | 2              |
|          |              | -----*-----   |  |                |                |
| - 160    | 173T1105-5   |               | PANEL INSTL-RUD VERT. STAB.<br>FXD TE<br>POSITION DATA:<br>STA 156.074 TO 181.034<br>VARIABLE DRAWING REF:<br>173T1105-5002<br>FOR NHA SEE:<br>55-36-53-01 |                | RF             |
| 165      | 173T1105-10  | .PANEL ASSY-  | ACCESS PANEL NUMBER:<br>324LL<br>USED ON:<br>173T1105-5<br>ATTACHING PARTS   |                | 1              |
| 170      | BACB30NN3K6  | .BOLT         |  |                | 40             |
| 175      | BACB30LR3-6  | .BOLT         |  |                | 2              |
| 180      | BACW10UC10P  | .WASHER       |  |                | 2              |
|          |              | -----*-----   |  |                |                |

ILLUSTRATION ITEMS NOT ON PARTS LIST ARE NOT APPLICABLE

- ITEM NOT ILLUSTRATED

HXL

55-34-01-01

BOEING PROPRIETARY - Copyright © - Unpublished Work - See title page for details.

55-34-01  
FIG. 01  
PAGE 2  
DEC 22/06

 **BOEING**  
767  
**PARTS CATALOG (MAINTENANCE)**

| FIG ITEM  | PART NUMBER | 1 2 3 4 5 6 7 | NOMENCLATURE   | EFFECT FROM TO | UNITS PER ASSY |
|---|-------------|---------------|--|----------------|----------------|
| 1   |             |               |  |                |                |
| - 190   | 173T1106-1  |               | PANEL INSTL-RUD VERT. STAB.<br>FXD TE<br>POSITION DATA:<br>STA 181.034 TO 230.972<br>LH<br>VARIABLE DRAWING REF:<br>173T1106-5002<br>FOR NHA SEE:<br>55-36-53-01 |                | RF             |
| - 193   | 173T1106-2  |               | PANEL INSTL-RUD VERT. STAB.<br>FXD TE<br>POSITION DATA:<br>STA 181.034 TO 230.972<br>RH<br>VARIABLE DRAWING REF:<br>173T1106-5004<br>FOR NHA SEE:<br>55-36-53-01 |                | RF             |
| 195   | 173T1106-11 |               | .PANEL ASSY-<br>POSITION DATA:<br>LH SIDE<br>ACCESS PANEL NUMBER:<br>324PL   |                | 1              |
| - 197   | 173T1106-12 |               | .PANEL ASSY-<br>POSITION DATA:<br>RH SIDE<br>ATTACHING PARTS   |                | 1              |
| 200   | BACB30NN3K6 |               | .BOLT  |                | 68             |
| 205   | BACB30NN4K8 |               | .BOLT  |                | 2              |
| 210   | BACB30LR3-6 |               | .BOLT  |                | 2              |
| 215   | BACW10UC10P |               | .WASHER  |                | 2              |
|   |             |               | -----*-----  |                |                |
| - 230   | 173T1107-1  |               | PANEL INSTL-RUD VERT. STAB.<br>FXD TE<br>POSITION DATA:<br>STA 230.972 TO 305.871<br>LH<br>VARIABLE DRAWING REF:<br>173T1107-5002<br>FOR NHA SEE:<br>55-36-53-01 |                | RF             |
| ILLUSTRATION ITEMS NOT ON PARTS LIST ARE NOT APPLICABLE |             |               |  |                |                |

- ITEM NOT ILLUSTRATED

HXL

# 55-34-01-01

BOEING PROPRIETARY - Copyright © - Unpublished Work - See title page for details.

55-34-01  
FIG. 01  
PAGE 3  
DEC 22/06



 **BOEING**  
767  
**PARTS CATALOG (MAINTENANCE)**

| FIG ITEM | PART NUMBER | 1 2 3 4 5 6 7 | NOMENCLATURE   | EFFECT FROM TO | UNITS PER ASSY |
|----------|-------------|---------------|--|----------------|----------------|
| 1        |             |               |  |                |                |
| - 233    | 173T1107-2  |               | PANEL INSTL-RUD VERT. STAB.<br>FXD TE<br>POSITION DATA:<br>STA 230.972 TO 305.871<br>RH<br>VARIABLE DRAWING REF:<br>173T1107-5004<br>FOR NHA SEE:<br>55-36-53-01 |                | RF             |
| 235      | 173T1107-13 |               | .PANEL ASSY-<br>POSITION DATA:<br>LH<br>ACCESS PANEL NUMBER:<br>324SL  |                | 1              |
| - 237    | 173T1107-14 |               | .PANEL ASSY-<br>POSITION DATA:<br>RH<br>ATTACHING PARTS  |                | 1              |
| 240      | BACB30NN3K6 |               | .BOLT  |                | 92             |
| 245      | BACB30NN4K8 |               | .BOLT  |                | 2              |
| 250      | BACB30LR3-6 |               | .BOLT  |                | 2              |
| 255      | BACW10UC10P |               | .WASHER  |                | 2              |
|          |             |               | -----*-----  |                |                |
| - 270    | 173T1108-1  |               | PANEL INSTL-RUD VERT. STAB.<br>FXD TE<br>POSITION DATA:<br>STA 305.871 TO 380.769<br>LH<br>VARIABLE DRAWING REF:<br>173T1108-5002<br>FOR NHA SEE:<br>55-36-53-01 |                | RF             |
| - 273    | 173T1108-2  |               | PANEL INSTL-RUD VERT. STAB.<br>FXD TE<br>POSITION DATA:<br>STA 305.871 TO 380.769<br>RH<br>VARIABLE DRAWING REF:<br>173T1108-5004<br>FOR NHA SEE:<br>55-36-53-01 |                | RF             |
| 275      | 173T1108-13 |               | .PANEL ASSY-<br>POSITION DATA:<br>LH<br>ACCESS PANEL NUMBER:<br>324WL  |                | 1              |
| - 277    | 173T1108-14 |               | .PANEL ASSY-<br>POSITION DATA:<br>RH   |                | 1              |
|          |             |               | ILLUSTRATION ITEMS NOT ON PARTS LIST ARE NOT APPLICABLE  |                |                |

- ITEM NOT ILLUSTRATED

HXL

**55-34-01-01**

BOEING PROPRIETARY - Copyright © - Unpublished Work - See title page for details.

55-34-01  
FIG. 01  
PAGE 4  
DEC 22/06

 **BOEING**  
767  
**PARTS CATALOG (MAINTENANCE)**

| FIG ITEM  | PART NUMBER | 1 2 3 4 5 6 7 | NOMENCLATURE  | EFFECT FROM TO | UNITS PER ASSY |
|---|-------------|---------------|---|----------------|----------------|
| 1   |             |               | ATTACHING PARTS   |                |                |
| 280   | BACB30NN3K6 |               | .BOLT   |                | 85             |
| 282   | BACB30LR3-6 |               | .BOLT   |                | 2              |
| 283   | BACW10UC10P |               | .WASHER   |                | 2              |
|   |             |               | -----*-----   |                |                |
| - 285   | 173T1110-1  |               | PANEL INSTL-RUD VERT. STAB.<br>FXD TE<br>POSITION DATA:<br>STA 18.260 TO 106.142<br>VARIABLE DRAWING REF:<br>173T1110-5002<br>FOR NHA SEE:<br>55-36-53-01     |                | RF             |
| 290   | 173T1112-1  |               | .DOOR ASSY-<br>ACCESS PANEL NUMBER:<br>324CR<br>324DR<br>ATTACHING PARTS  |                | 2              |
| - 295   | BACB30NN3K6 |               | .BOLT   |                | 14             |
|   |             |               | -----*-----   |                |                |
| - 325   | 173T1109-7  |               | PANEL INSTL-FIN/BODY TO<br>RUD VERT. STAB. FXD TE<br>POSITION DATA:<br>STA 18.260 LH<br>VARIABLE DRAWING REF:<br>173T1109-5007<br>FOR NHA SEE:<br>55-36-53-01 |                | RF             |
| - 327   | 173T1109-2  |               | PANEL INSTL-FIN/BODY TO<br>RUD VERT. STAB. FXD TE<br>POSITION DATA:<br>STA 18.260 RH<br>VARIABLE DRAWING REF:<br>173T1109-5008<br>FOR NHA SEE:<br>55-36-53-01 |                | RF             |
| 330   | 173T1109-9  |               | .PANEL ASSY-<br>POSITION DATA:<br>LH SIDE<br>ACCESS PANEL NUMBER:<br>324CLX   |                | 1              |
| 330   | 173T1109-15 |               | .PANEL ASSY-<br>POSITION DATA:<br>LH SIDE   |                | 1              |
| - 333   | 173T1109-4  |               | .PANEL ASSY-<br>POSITION DATA:<br>RH SIDE<br>ACCESS PANEL NUMBER:<br>324CLX   |                | 1              |
| ILLUSTRATION ITEMS NOT ON PARTS LIST ARE NOT APPLICABLE |             |               |   |                |                |

- ITEM NOT ILLUSTRATED

# 55-34-01-01

55-34-01  
FIG. 01  
PAGE 5  
DEC 22/06

HXL



767

PARTS CATALOG (MAINTENANCE)

| FIG<br>ITEM   | PART NUMBER  | 1 2 3 4 5 6 7 | NOMENCLATURE   | EFFECT<br>FROM TO | UNITS<br>PER<br>ASSY |
|---|--------------|---------------|--|-------------------|----------------------|
| 1   |              |               |  |                   |                      |
| - 333   | 173T1109-14  |               | .PANEL ASSY-<br>POSITION DATA:<br>RH SIDE<br>ATTACHING PARTS |                   | 1                    |
| 335   | BACB30NN3K6  |               | .BOLT-   |                   | 48                   |
| 336   | BACB30NN3K6  |               | .BOLT  |                   | 47                   |
| 337   | BACB30VF4K10 |               | .BOLT-   |                   | 1                    |
| 340   | BACB30LR3-6  |               | .BOLT  |                   | 2                    |
| 345   | BACW10UC10P  |               | .WASHER<br>-----*-----                                       |                   | 2                    |
| ILLUSTRATION ITEMS NOT ON PARTS LIST ARE NOT APPLICABLE |              |               |  |                   |                      |

- ITEM NOT ILLUSTRATED

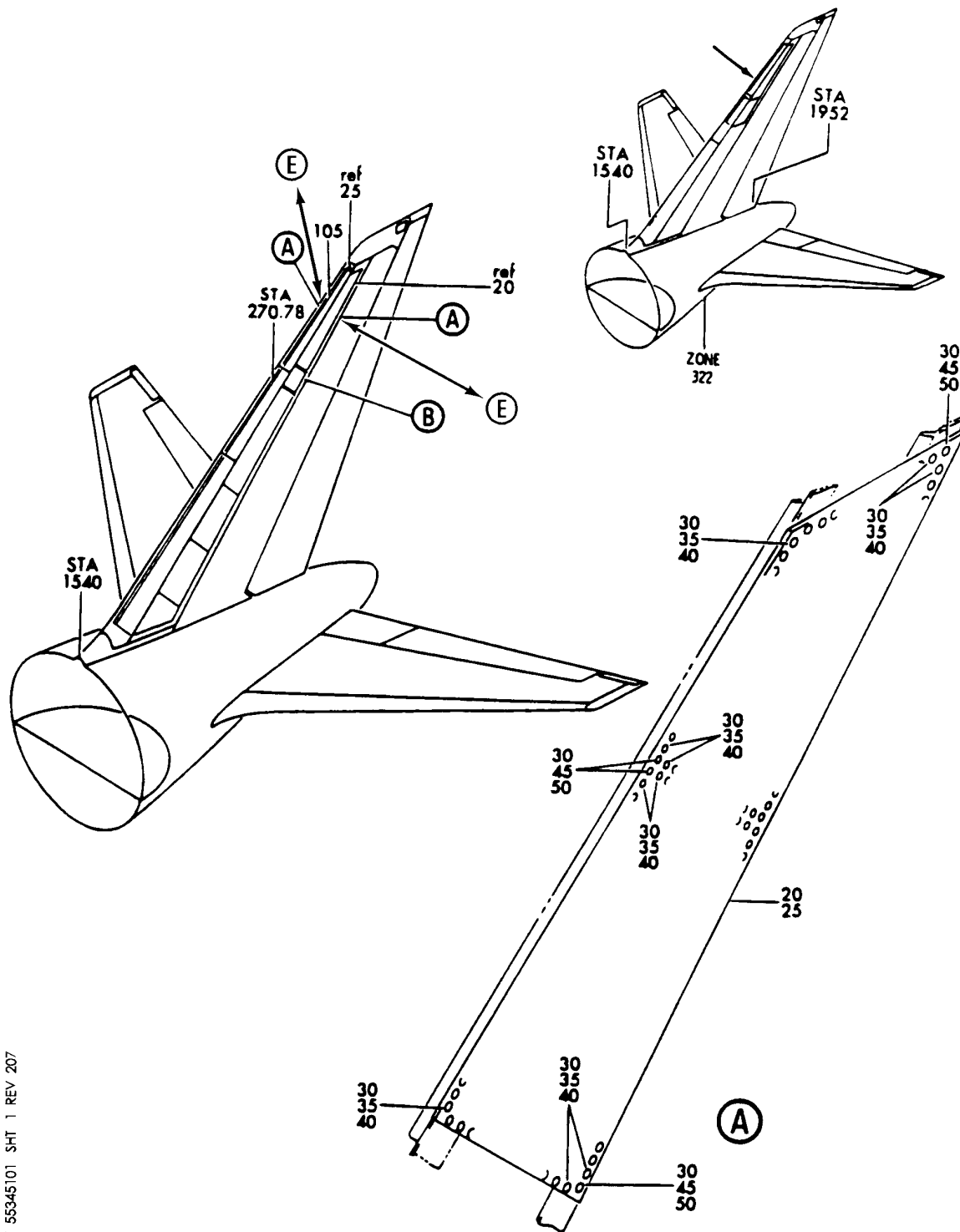
HXL

55-34-01-01

BOEING PROPRIETARY - Copyright © - Unpublished Work - See title page for details.

55-34-01  
FIG. 01  
PAGE 6  
DEC 22/06

**BOEING**  
767  
PARTS CATALOG (MAINTENANCE)



V 55345101 SHT 1 REV 207

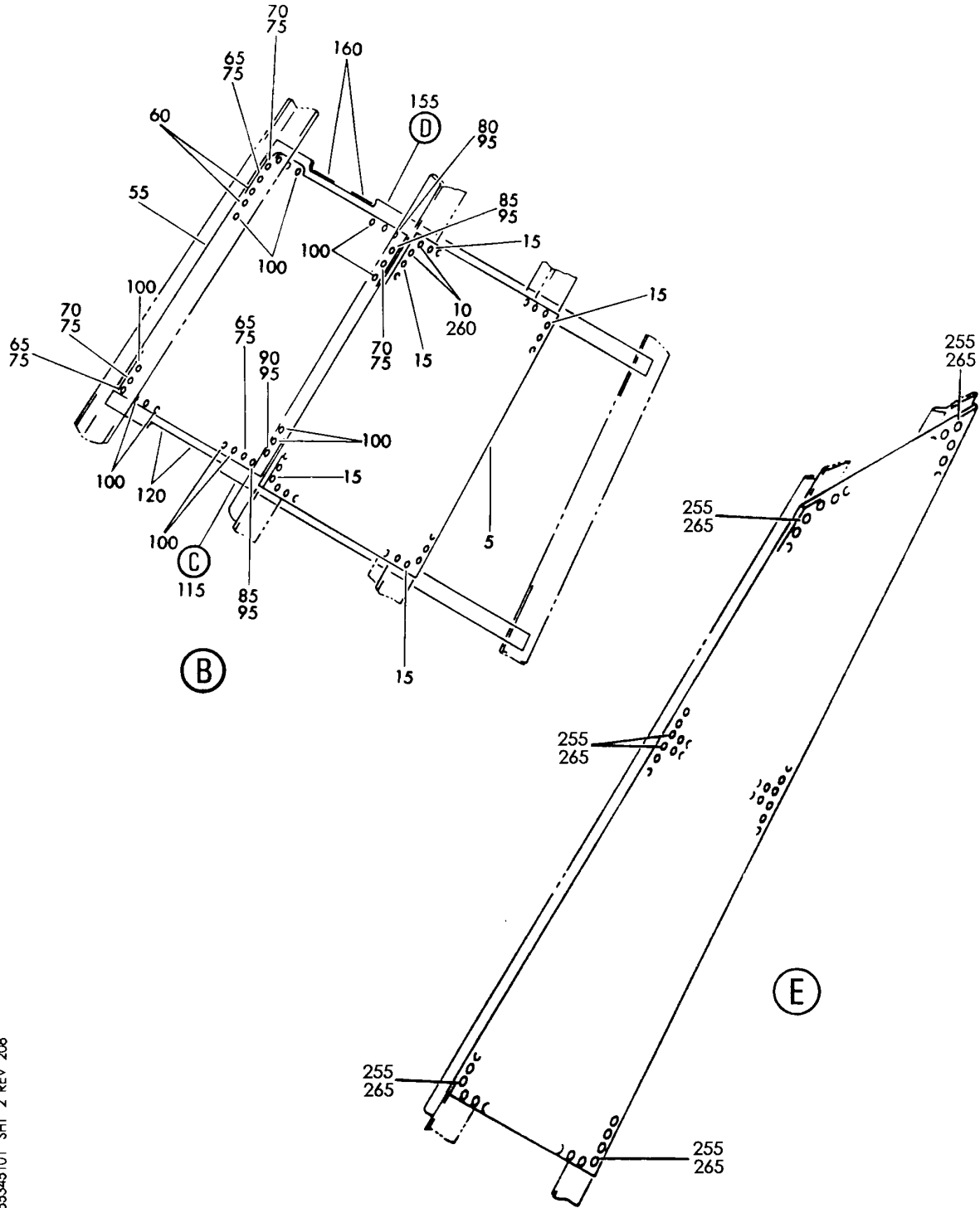
TORQUE BOX INSTL-VERT. STAB. FWD  
FIGURE 1 (SHEET 1)

**55-34-51-01**

HXL  
DEC 22/06

55-34-51-01  
PAGE 0

**BOEING**  
767  
PARTS CATALOG (MAINTENANCE)



V 55345101 SHT 2 REV 208

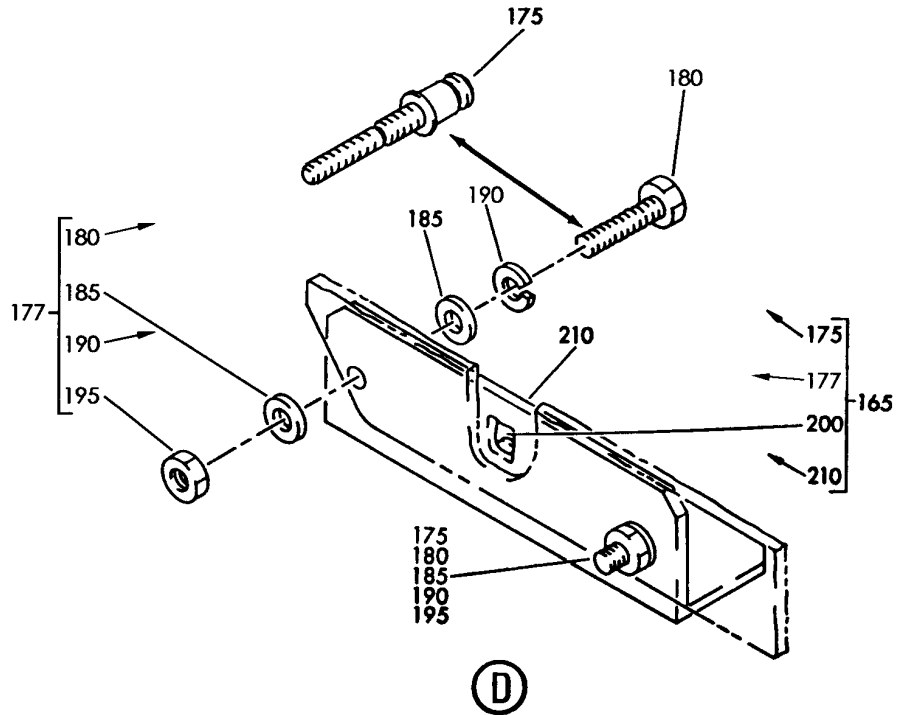
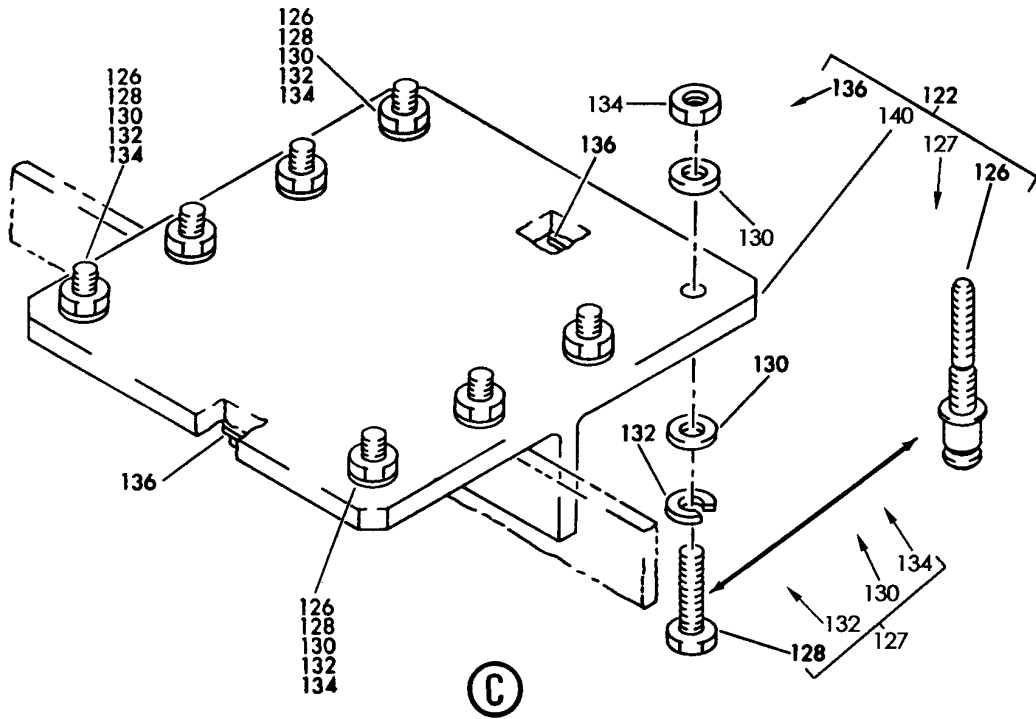
TORQUE BOX INSTL-VERT. STAB. FWD  
FIGURE 1 (SHEET 2)

**55-34-51-01**

HXL  
DEC 22/06

55-34-51-01  
PAGE 0A


**BOEING**  
 767  
**PARTS CATALOG (MAINTENANCE)**



V 55345101 SHT 3 REV 211

TORQUE BOX INSTL-VERT. STAB. FWD  
FIGURE 1 (SHEET 3)

**55-34-51-01**

HXL  
DEC 22/06

55-34-51-01  
PAGE 0B



767

PARTS CATALOG (MAINTENANCE)

| FIG ITEM | PART NUMBER | 1 2 3 4 5 6 7 | NOMENCLATURE  | EFFECT FROM TO | UNITS PER ASSY |
|----------|-------------|---------------|---|----------------|----------------|
| 1        |             |               | TORQUE BOX INSTL-VERT.<br>STAB. FWD   |                |                |
| - 1      | 175T0000-8  |               | TORQUE BOX INSTL-VERT.<br>STAB.<br>POSITION DATA:<br>FWD<br>FOR NHA SEE:<br>55-30-50-01   |                | RF             |
| 5        | 175T2003-1  |               | .PANEL ASSY-<br>POSITION DATA:<br>CTR<br>ACCESS PANEL NUMBER:<br>322BL<br>ATTACHING PARTS |                | 1              |
| 10       | BACB30LR4-8 |               | .BOLT-  |                | 2              |
| 15       | BACB30LR3-4 |               | .BOLT-  |                | 65             |
| 15       | BACB30LR3-5 |               | .BOLT-  |                | 65             |
|          |             |               | -----*-----   |                |                |
| 20       | 175T2002-7  |               | .PANEL ASSY-<br>POSITION DATA:<br>UPR<br>ACCESS PANEL NUMBER:<br>322CL                    |                | 1              |
| 25       | 175T2002-8  |               | .PANEL ASSY-<br>POSITION DATA:<br>UPR<br>ACCESS PANEL NUMBER:<br>322CR<br>ATTACHING PARTS |                | 1              |
| 30       | BACB30LR3-4 |               | .BOLT-  |                | 392            |
| 35       | BACW10UC10  |               | .WASHER   |                | 138            |
|          |             |               | -----*-----   |                |                |
| 55       | 175T2003-2  |               | .PANEL ASSY-<br>POSITION DATA:<br>CTR<br>ACCESS PANEL NUMBER:<br>322BR<br>ATTACHING PARTS |                | 1              |
| 60       | BACB30LR4-8 |               | .BOLT   |                | 2              |

ILLUSTRATION ITEMS NOT ON PARTS LIST ARE NOT APPLICABLE

- ITEM NOT ILLUSTRATED

HXL

55-34-51-01

BOEING PROPRIETARY - Copyright © - Unpublished Work - See title page for details.

55-34-51  
FIG. 01  
PAGE 1  
DEC 22/06



767

PARTS CATALOG (MAINTENANCE)

| FIG ITEM | PART NUMBER | 1 2 3 4 5 6 7 | NOMENCLATURE  | EFFECT FROM TO | UNITS PER ASSY |
|----------|-------------|---------------|---|----------------|----------------|
| 1<br>65  | HL11VAZ6-5  |               | .BOLT<br>SUPPLIER CODE:<br>V60516<br>SPECIFICATION NUMBER:<br>BACB30NW6K5<br>OPTIONAL PART:<br>B30NW6K5<br>V97928<br>HL11VAZ6-5<br>V73197<br>HL11VAZ6-5<br>V92215<br>HL11VAZ6-5<br>V97928<br>L803-6K5<br>V06725<br>HL11VAZ6-5<br>VOPTK6<br>HL11VAZ6-5<br>V56878 |                | 3              |
| 70       | HL11VAZ6-4  |               | .BOLT<br>SUPPLIER CODE:<br>V60516<br>SPECIFICATION NUMBER:<br>BACB30NW6K4<br>OPTIONAL PART:<br>B30NW6K4<br>V97928<br>HL11VAZ6-4<br>V73197<br>HL11VAZ6-4<br>V92215<br>HL11VAZ6-4<br>V97928<br>L803-6K4<br>V06725<br>HL11VAZ6-4<br>VOPTK6<br>HL11VAZ6-4<br>V56878 |                | 3              |

ILLUSTRATION ITEMS NOT ON PARTS LIST ARE NOT APPLICABLE

- ITEM NOT ILLUSTRATED

HXL

55-34-51-01

BOEING PROPRIETARY - Copyright © - Unpublished Work - See title page for details.

55-34-51  
FIG. 01  
PAGE 2  
DEC 22/06





767

PARTS CATALOG (MAINTENANCE)

| FIG ITEM | PART NUMBER   | 1 2 3 4 5 6 7 | NOMENCLATURE  | EFFECT FROM TO | UNITS PER ASSY |
|----------|---------------|---------------|---|----------------|----------------|
| 1        | 75 HL82-6APBW |               | .COLLAR<br>SUPPLIER CODE:<br>V5M902<br>SPECIFICATION NUMBER:<br>BACC30AG6<br>OPTIONAL PART:<br>HL82-6APBW<br>V92215<br>HL82-6APBW<br>V56878<br>HL82-6APBW<br>V73197   |                | 6              |
|          | 80 HL11VAZ8-5 |               | .BOLT<br>SUPPLIER CODE:<br>V60516<br>SPECIFICATION NUMBER:<br>BACB30NW8K5<br>OPTIONAL PART:<br>B30NW8K5<br>V97928<br>HL11VAZ8-5<br>V73197<br>HL11VAZ8-5<br>V92215<br>HL11VAZ8-5<br>V97928<br>L803-8K5<br>V06725<br>HL11VAZ8-5<br>VOPTK6<br>HL11VAZ8-5<br>V56878 |                | 1              |

ILLUSTRATION ITEMS NOT ON PARTS LIST ARE NOT APPLICABLE

- ITEM NOT ILLUSTRATED

HXL

55-34-51-01

BOEING PROPRIETARY - Copyright © - Unpublished Work - See title page for details.

55-34-51  
FIG. 01  
PAGE 3  
DEC 22/06

 **BOEING**  
767  
**PARTS CATALOG (MAINTENANCE)**

| FIG<br>ITEM | PART NUMBER | 1 2 3 4 5 6 7 | NOMENCLATURE   | EFFECT<br>FROM TO | UNITS<br>PER<br>ASSY |
|-------------|-------------|---------------|--|-------------------|----------------------|
| 1<br>85     | HL11VAZ8-6  | .BOLT         | SUPPLIER CODE:<br>V60516<br>SPECIFICATION NUMBER:<br>BACB30NW8K6<br>OPTIONAL PART:<br>B30NW8K6<br>V97928<br>HL11VAZ8-6<br>V73197<br>HL11VAZ8-6<br>V92215<br>HL11VAZ8-6<br>V97928<br>L803-8K6<br>V06725<br>HL11VAZ8-6<br>VOPTK6<br>HL11VAZ8-6<br>V56878 |                   | 2                    |
| 90          | HL11VAZ8-7  | .BOLT         | SUPPLIER CODE:<br>V56878<br>SPECIFICATION NUMBER:<br>BACB30NW8K7<br>OPTIONAL PART:<br>B30NW8K7<br>V97928<br>HL11VAZ8-7<br>V73197<br>HL11VAZ8-7<br>V92215<br>HL11VAZ8-7<br>V97928<br>L803-8K7<br>V06725<br>HL11VAZ8-7<br>VOPTK6<br>HL11VAZ8-7<br>V60516 |                   | 1                    |

ILLUSTRATION ITEMS NOT ON PARTS LIST ARE NOT APPLICABLE

- ITEM NOT ILLUSTRATED

HXL

# 55-34-51-01

BOEING PROPRIETARY - Copyright © - Unpublished Work - See title page for details.

55-34-51  
FIG. 01  
PAGE 4  
DEC 22/06

**BOEING**  
767  
**PARTS CATALOG (MAINTENANCE)**

| FIG ITEM | PART NUMBER       | 1 2 3 4 5 6 7 | NOMENCLATURE  | EFFECT FROM TO | UNITS PER ASSY |
|----------|-------------------|---------------|---|----------------|----------------|
| 1        | 95 HL82-8APBW     |               | .COLLAR<br>SUPPLIER CODE:<br>V5M902<br>SPECIFICATION NUMBER:<br>BACC30AG8<br>OPTIONAL PART:<br>HL82-8APBW<br>V92215<br>HL82-8APBW<br>V56878<br>HL82-8APBW<br>V73197 |                | 4              |
|          | 100 BACR15FV6KE   |               | .RIVET-<br>SIZE DETERMINED ON INSTL.<br>-----*-----   |                | 65             |
|          | 105 175T1000-144  |               | .SPAR INSTL-AUX<br>FOR DETAILS SEE:<br>55-30-52-01  |                | 1              |
| -        | 110 175T3006-24   |               | .RIB INSTL-<br>POSITION DATA:<br>FSS 270.784  |                | 1              |
|          | 115 175T3006-25   |               | ..RIB ASSY-   |                | 1              |
|          | 120 BACG20ZA600   |               | ...GROMMET  |                | 2              |
|          | 122 287T0015-387  |               | ...STUD ASSY-GND<br>ATTACHING PARTS   |                | 1              |
| -        | 124 BACR15FT5AD   |               | ...RIVET-<br>SIZE DETERMINED ON INSTL.<br>-----*-----   |                | 3              |
|          | 126 VNS1924CA2-8  |               | ....STUD-<br>SUPPLIER CODE:<br>V5M902<br>SPECIFICATION NUMBER:<br>BACS53B1EA2<br>OPTIONAL PART:<br>VNS1924CA3-2-8<br>V92215<br>287T0015-666                         |                | 8              |
|          | 127 287T0015-666  |               | ....STUD ASSY-GND<br>OPTIONAL PART:<br>BACS53B1EA2  |                | 8              |
|          | 128 NAS1801-3-12  |               | .....SCREW  |                | 8              |
|          | 130 NAS1149D0316H |               | .....WASHER-  |                | 16             |
|          | 132 MS35338-43    |               | .....WASHER   |                | 8              |
|          | 134 MS35650-305T  |               | .....NUT  |                | 8              |

ILLUSTRATION ITEMS NOT ON PARTS LIST ARE NOT APPLICABLE

- ITEM NOT ILLUSTRATED

HXL

# 55-34-51-01

BOEING PROPRIETARY - Copyright © - Unpublished Work - See title page for details.

55-34-51  
FIG. 01  
PAGE 5  
DEC 22/06



767

PARTS CATALOG (MAINTENANCE)

| FIG ITEM | PART NUMBER   | 1 2 3 4 5 6 7 | NOMENCLATURE   | EFFECT FROM TO | UNITS PER ASSY |
|----------|---------------|---------------|--|----------------|----------------|
| 1        |               |               |  |                |                |
| 136      | T8076S1032    |               | .....NUTPLATE<br>SUPPLIER CODE:<br>V11815<br>SPECIFICATION NUMBER:<br>BACN10JP3A<br>OPTIONAL PART:<br>MK1000-3BAC<br>V15653<br>NS103197-02<br>V80539<br>RMA9201M3<br>V72962<br>VN202A1-02<br>V92215<br>BRM200A3<br>V52828<br>ATTACHING PARTS |                | 2              |
| - 138    | BACR15BA3AD   |               | .....RIVET-<br>SIZE DETERMINED ON INSTL.<br>-----*-----  |                | 4              |
| 140      | 287T0015-388  |               | .....TEE   |                | 1              |
| - 150    | 175T3007-25   |               | .RIB INSTL-<br>POSITION DATA:<br>FSS 295.915   |                | 1              |
| 155      | 175T3007-26   |               | ..RIB ASSY-  |                | 1              |
| 160      | NAS1368N16A   |               | ...GROMMET   |                | 2              |
| 165      | 287T0015-329  |               | ...STUD ASSY-GND<br>ATTACHING PARTS  |                | 1              |
| - 170    | BACR15FT5KE   |               | ...RIVET-<br>SIZE DETERMINED ON INSTL.<br>-----*-----  |                | 3              |
| 175      | VNS1924CA1-8  |               | .....STUD-<br>SUPPLIER CODE:<br>V5M902<br>SPECIFICATION NUMBER:<br>BACS53B1EA1<br>OPTIONAL PART:<br>VNS1924CA3-1-8<br>V92215<br>287T0015-666   |                | 2              |
| 177      | 287T0015-666  |               | .....STUD ASSY-GND<br>OPTIONAL PART:<br>BACS53B1EA1  |                | 2              |
| 180      | NAS1801-3-12  |               | .....SCREW   |                | 2              |
| 185      | NAS1149D0316H |               | .....WASHER-   |                | 4              |
| 190      | MS35338-43    |               | .....WASHER  |                | 2              |
| 195      | MS35650-305T  |               | .....NUT   |                | 2              |

ILLUSTRATION ITEMS NOT ON PARTS LIST ARE NOT APPLICABLE

- ITEM NOT ILLUSTRATED

55-34-51-01

55-34-51  
 FIG. 01  
 PAGE 6  
 DEC 22/06

HXL



767

PARTS CATALOG (MAINTENANCE)

| FIG<br>ITEM | PART NUMBER  | 1 2 3 4 5 6 7 | NOMENCLATURE   | EFFECT<br>FROM TO | UNITS<br>PER<br>ASSY |
|-------------|--------------|---------------|--|-------------------|----------------------|
| 1<br>200    | T8076S1032   |               | .....NUTPLATE<br>SUPPLIER CODE:<br>V11815<br>SPECIFICATION NUMBER:<br>BACN10JP3A<br>OPTIONAL PART:<br>MK1000-3BAC<br>V15653<br>NS103197-02<br>V80539<br>RMA9201M3<br>V72962<br>VN202A1-02<br>V92215<br>BRM200A3<br>V52828<br>ATTACHING PARTS |                   | 1                    |
| - 205       | BACR15BA3AD  |               | .....RIVET-<br>SIZE DETERMINED ON INSTL.<br>-----*-----  |                   | 2                    |
| 210         | 287T0015-330 |               | .....ANGLE   |                   | 1                    |

ILLUSTRATION ITEMS NOT ON PARTS LIST ARE NOT APPLICABLE

- ITEM NOT ILLUSTRATED

HXL

55-34-51-01

BOEING PROPRIETARY - Copyright © - Unpublished Work - See title page for details.

55-34-51  
 FIG. 01  
 PAGE 7  
 DEC 22/06