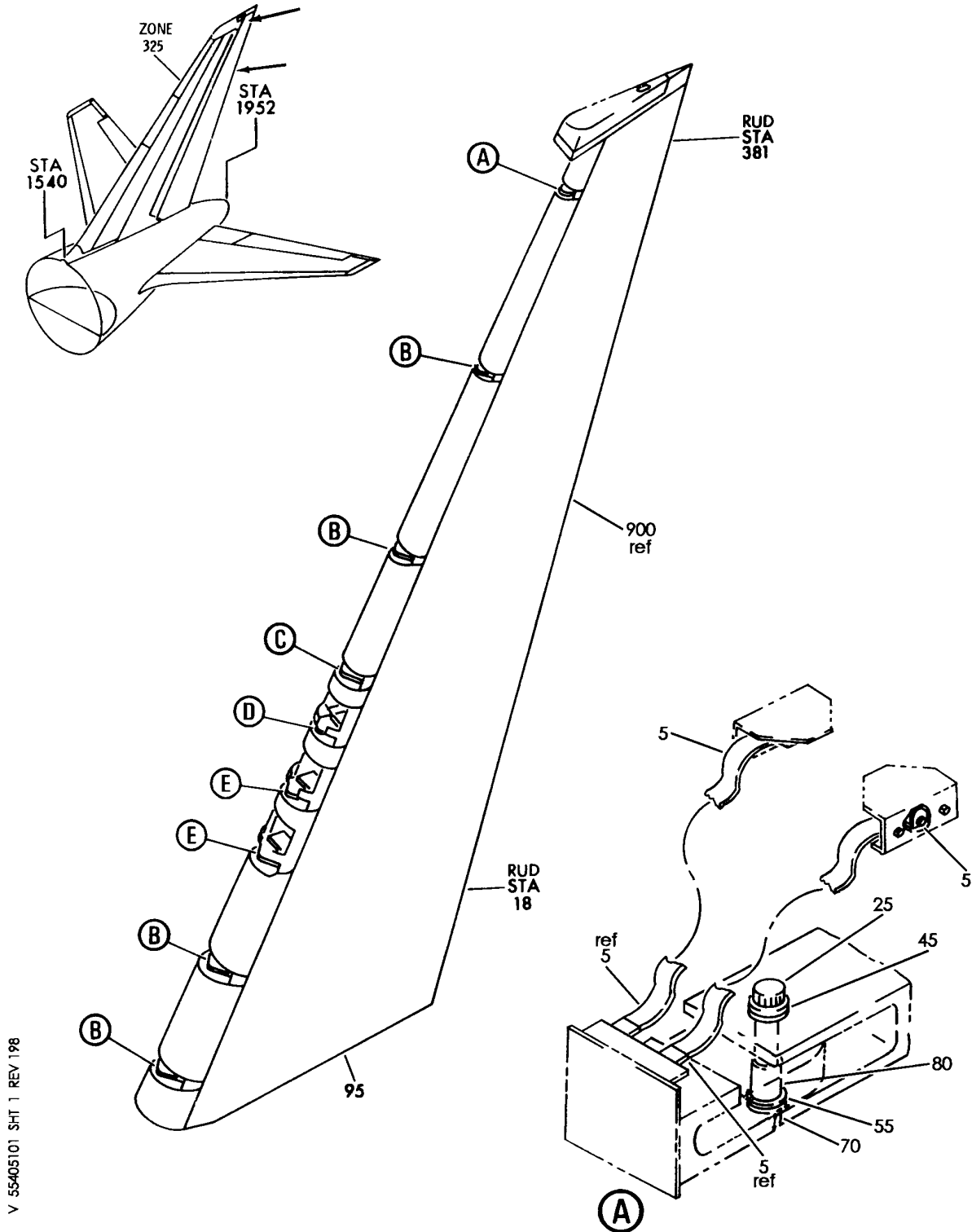


RUDDER

HXL
DEC 22/06

55-40-00
SECTION TITLE
PAGE 1

BOEING
767
PARTS CATALOG (MAINTENANCE)



V 55405101 SHT 1 REV 198

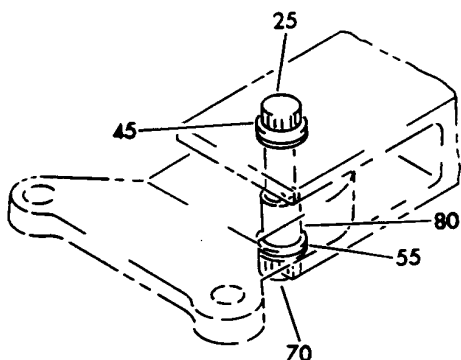
RUDDER INSTL-
FIGURE 1 (SHEET 1)

55-40-51-01

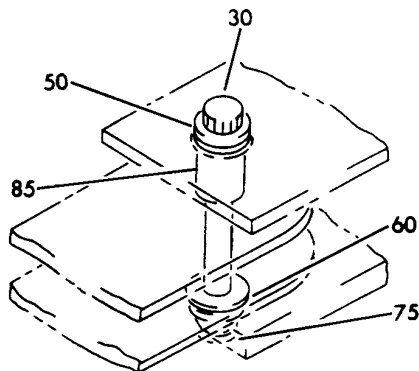
HXL
DEC 22/06

55-40-51-01
PAGE 0

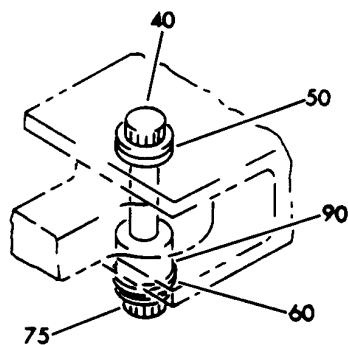
BOEING
767
PARTS CATALOG (MAINTENANCE)



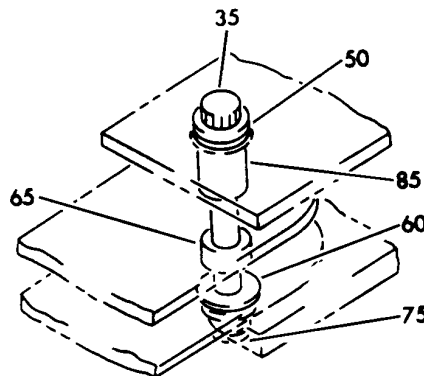
(B)



(C)



(E)



(D)

V 55405101 SHT 2 REV 198

RUDDER INSTL-
FIGURE 1 (SHEET 2)

55-40-51-01

HXL
DEC 22/06

55-40-51-01
PAGE 0A



767

PARTS CATALOG (MAINTENANCE)

FIG ITEM	PART NUMBER	1 2 3 4 5 6 7	NOMENCLATURE	EFFECT FROM TO	UNITS PER ASSY
1					
- 1	173T2000-1		RUDDER INSTL- RUDDER INSTL- VARIABLE DRAWING REF: 173T2000-5003 FOR NHA SEE: 55-00-01-01		RF
5	RBEJ40E20-36		. JUMPER ASSY- SUPPLIER CODE: V1GK47 SPECIFICATION NUMBER: BACJ40E20-36 OPTIONAL PART: 740E20-36 V91812		2
- 10	BACB30LJ4U3		ATTACHING PARTS . BOLT-		2
- 20	BRH10C4M		. NUT- SUPPLIER CODE: V52828 SPECIFICATION NUMBER: BACN10JC4CM OPTIONAL PART: T6C428JM V11815 97E48 V80539 109LH9075-4W V72962 VN303D048 V92215 H01-4BAC V15653 NS202101SE048 V80539		2
25	BACB30LE8U36		-----*----- . BOLT- OPTIONAL PART: BACB30LE8-36		5
25	BACB30LE8-36		. BOLT- OPTIONAL PART: BACB30LE8U36		5
30	BACB30LE10U62		. BOLT- OPTIONAL PART: BACB30LE10-62		1
30	BACB30LE10-62		. BOLT- OPTIONAL PART: BACB30LE10U62		1

ILLUSTRATION ITEMS NOT ON PARTS LIST ARE NOT APPLICABLE

- ITEM NOT ILLUSTRATED

55-40-51-01

55-40-51
FIG. 01
PAGE 1
DEC 22/06

HXL



767

PARTS CATALOG (MAINTENANCE)

FIG ITEM	PART NUMBER	1 2 3 4 5 6 7	NOMENCLATURE	EFFECT FROM TO	UNITS PER ASSY
1					
35	BACB30LE10U52	.BOLT-	OPTIONAL PART: BACB30LE10-52		1
35	BACB30LE10-52	.BOLT-	OPTIONAL PART: BACB30LE10U52		1
40	BACB30LE10U40	.BOLT-	OPTIONAL PART: BACB30LE10-40		2
40	BACB30LE10-40	.BOLT-	OPTIONAL PART: BACB30LE10U40		2
45	BACW10BP8CD	.WASHER-			5
50	BACW10BP10CD	.WASHER-			4
55	BACW10BP8DP	.WASHER-			5
60	BACW10BP10DP	.WASHER-			4
65	173T2012-1	.SPACER-			1
70	NAS1805-8	.NUT-			5
75	NAS1805-10	.NUT-			4
80	BACB28AK08-065	.BUSHING-			5
85	BACB28AK10-100	.BUSHING-			2
90	BACB28AK10-070	.BUSHING-			2
95	173T2001-4	.RUDDER ASSY-	COMPONENT MAINT MANUAL REF: 55-40-13 FOR DETAILS SEE: 55-40-55-01		1
95	173T2001-10	.RUDDER ASSY-	COMPONENT MAINT MANUAL REF: 55-40-13 FOR DETAILS SEE: 55-40-55-01		1
95	173T2001-23	.RUDDER ASSY-	COMPONENT MAINT MANUAL REF: 55-40-13 VARIABLE DRAWING REF: 173T2001-5006 FOR DETAILS SEE: 55-40-55-01		1
95	173T2001-29	.RUDDER ASSY-	COMPONENT MAINT MANUAL REF: 55-40-13 FOR DETAILS SEE: 55-40-55-01		1
900			ILLUSTRATION REFERENCE: DISCHARGER INSTL-STATIC 23-61-01-01		RF

ILLUSTRATION ITEMS NOT ON PARTS LIST ARE NOT APPLICABLE

- ITEM NOT ILLUSTRATED

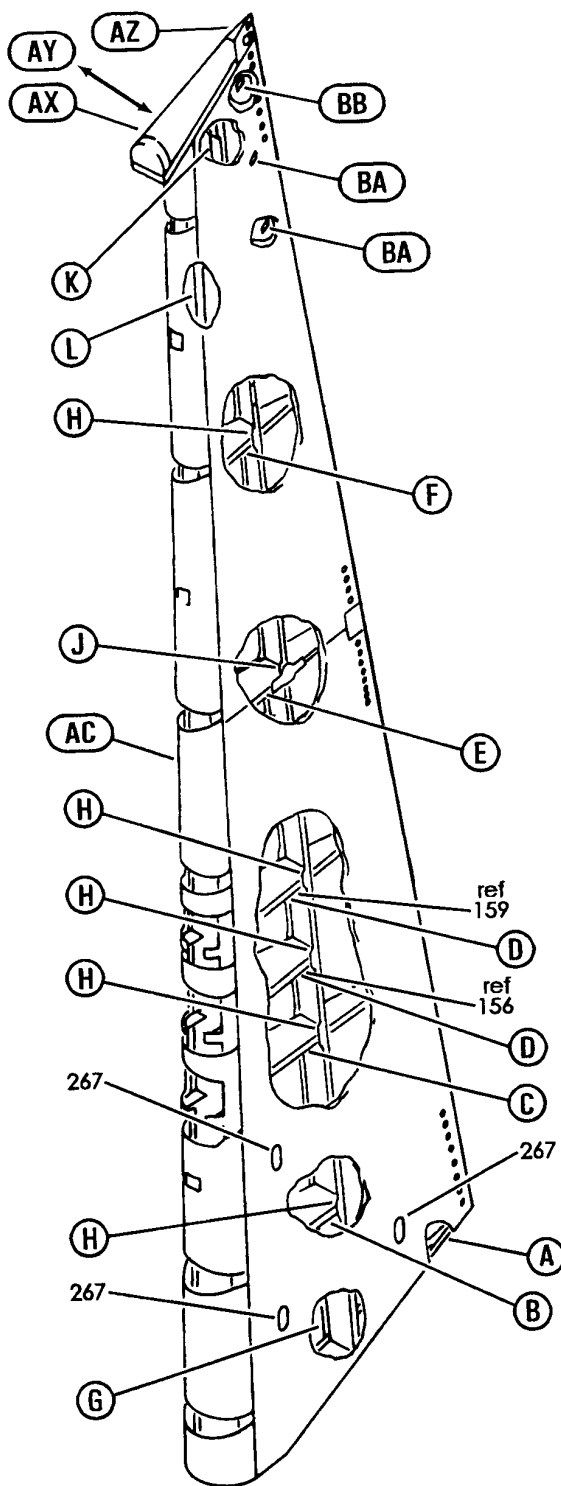
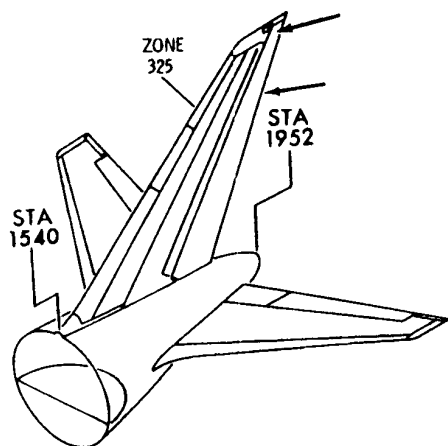
55-40-51-01

55-40-51
FIG. 01
PAGE 2
DEC 22/07

HXL

BOEING PROPRIETARY - Copyright © - Unpublished Work - See title page for details.

BOEING
767
PARTS CATALOG (MAINTENANCE)



V 55405501 SHT 1 REV 199

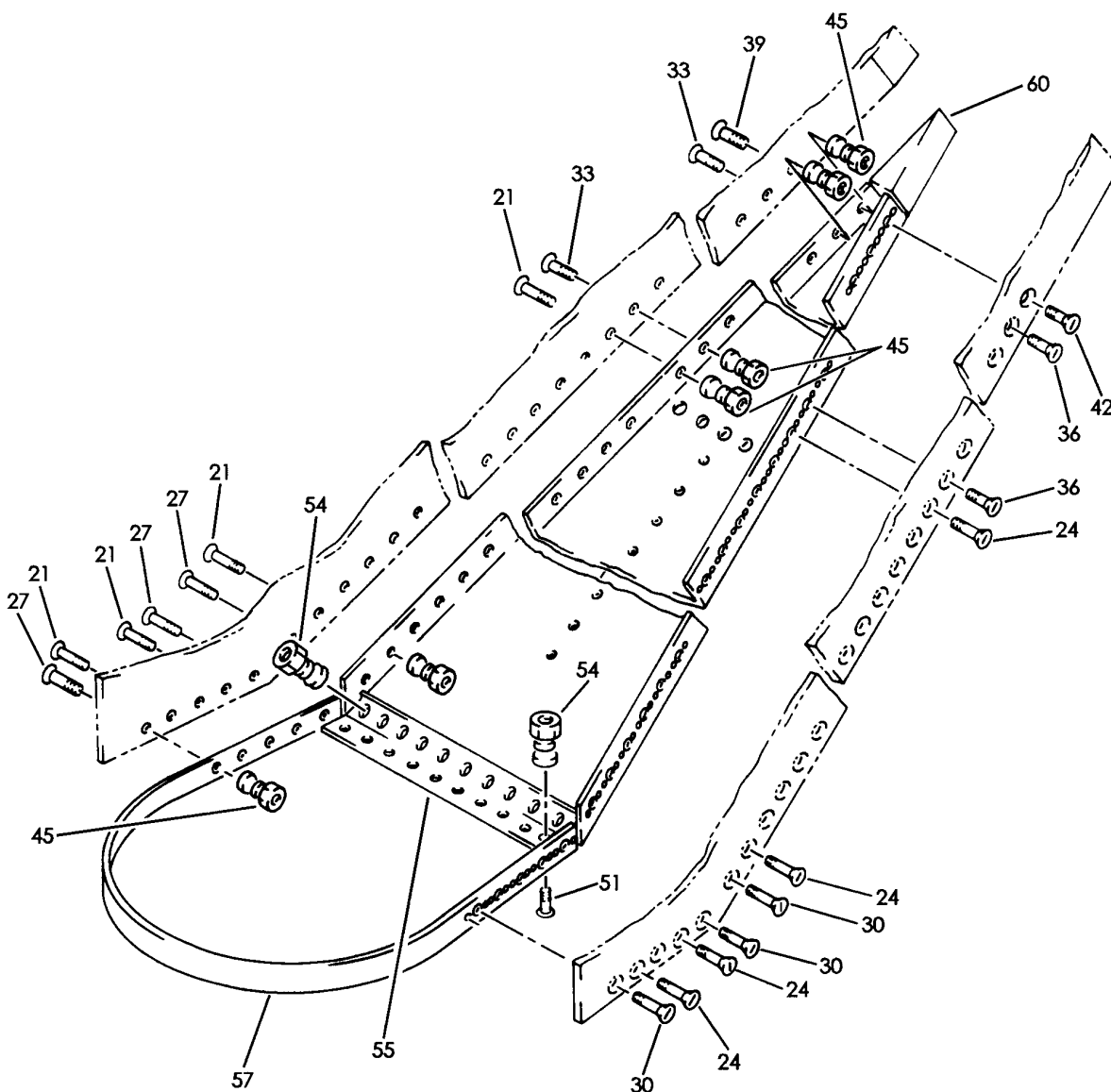
RUDDER ASSY-
FIGURE 1 (SHEET 1)

55-40-55-01

HXL
DEC 22/06

55-40-55-01
PAGE 0

BOEING
767
PARTS CATALOG (MAINTENANCE)



(A)

V 55-405501 SH-2 REV 199

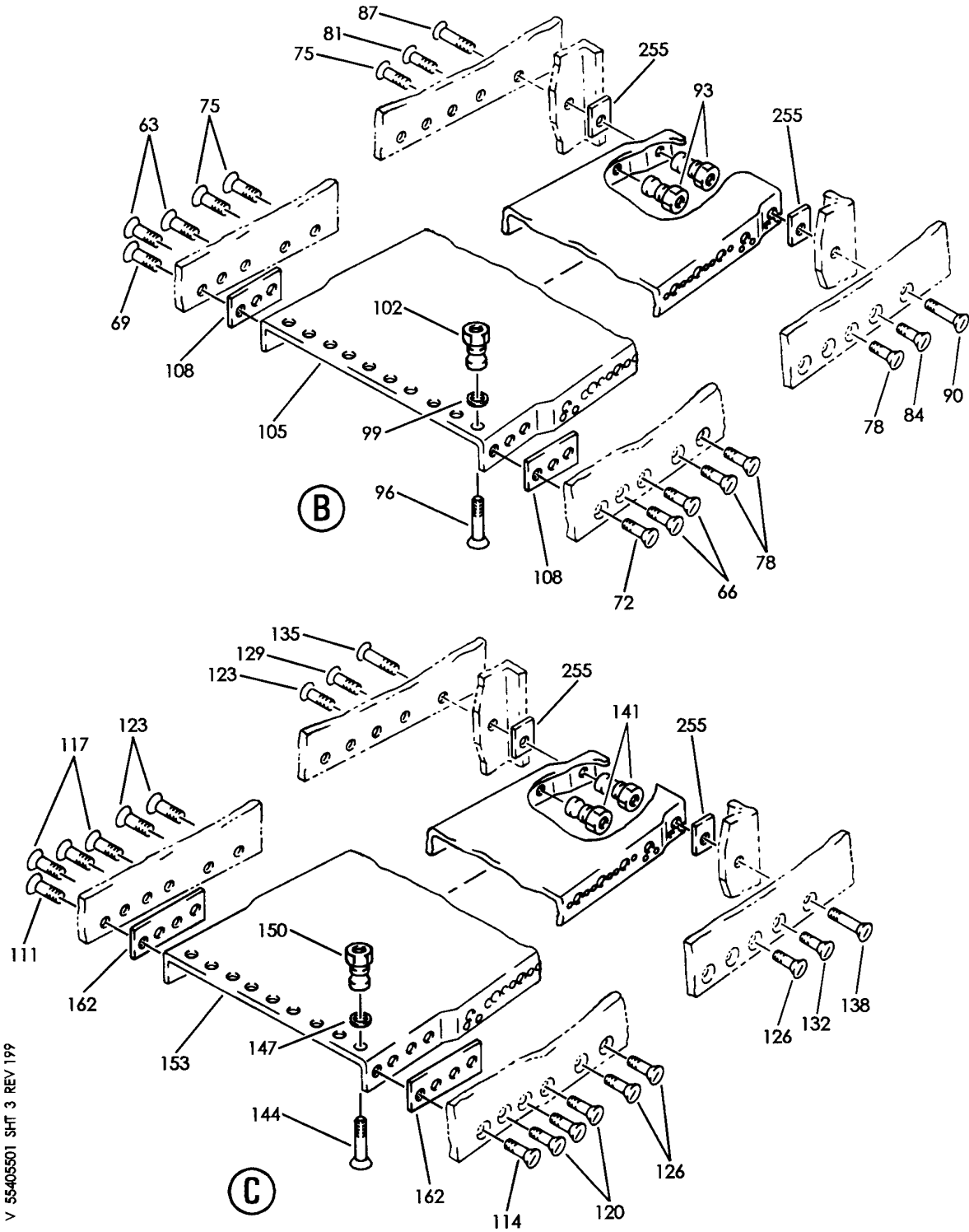
RUDDER ASSY-
FIGURE 1 (SHEET 2)

55-40-55-01

HXL
DEC 22/06

55-40-55-01
PAGE 0A

BOEING
767
PARTS CATALOG (MAINTENANCE)



V 55405501 SHT 3 REV 199

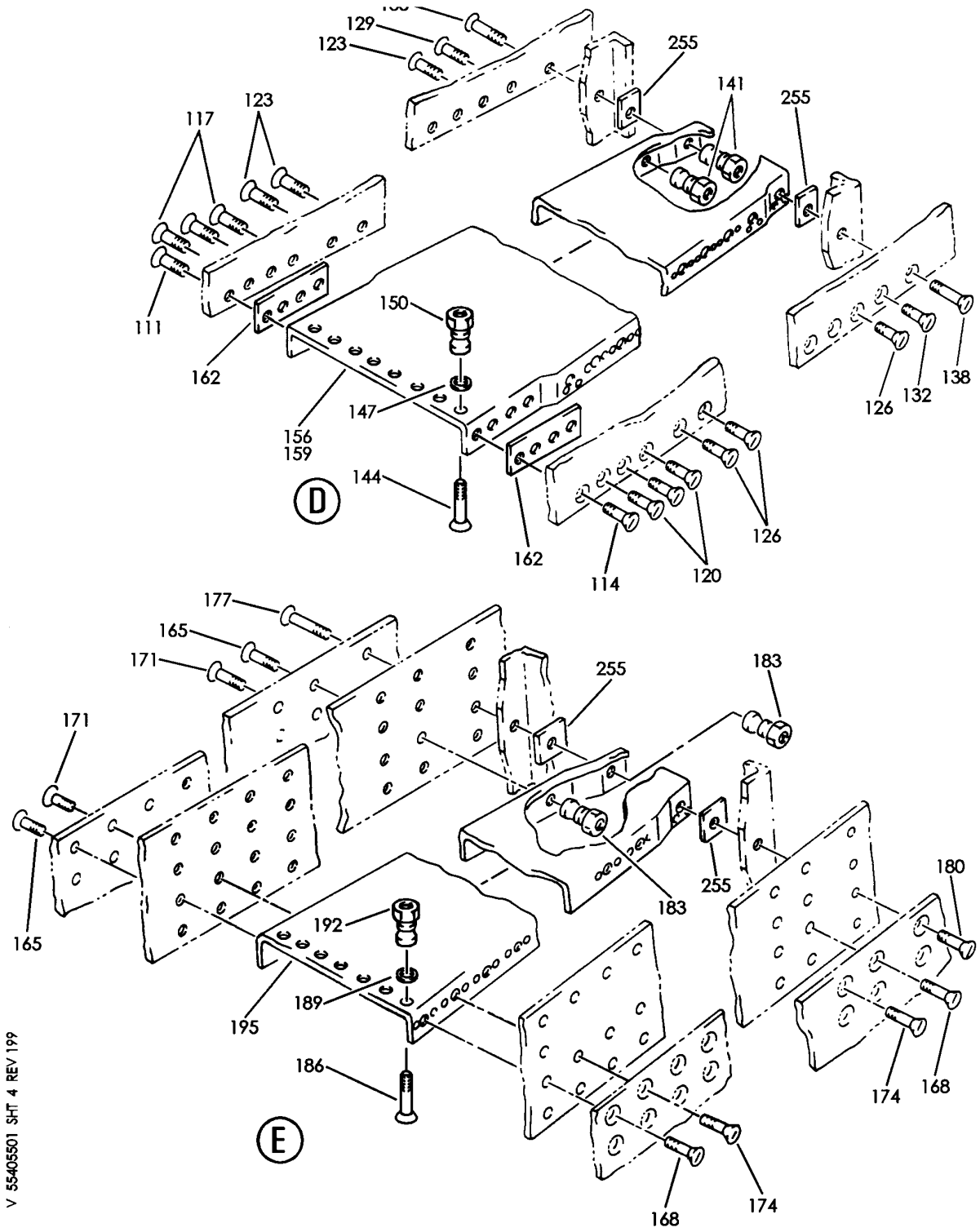
RUDDER ASSY-
FIGURE 1 (SHEET 3)

55-40-55-01

HXL
DEC 22/06

55-40-55-01
PAGE 0B

BOEING
767
PARTS CATALOG (MAINTENANCE)



V 55405501 SHT 4 REV 199

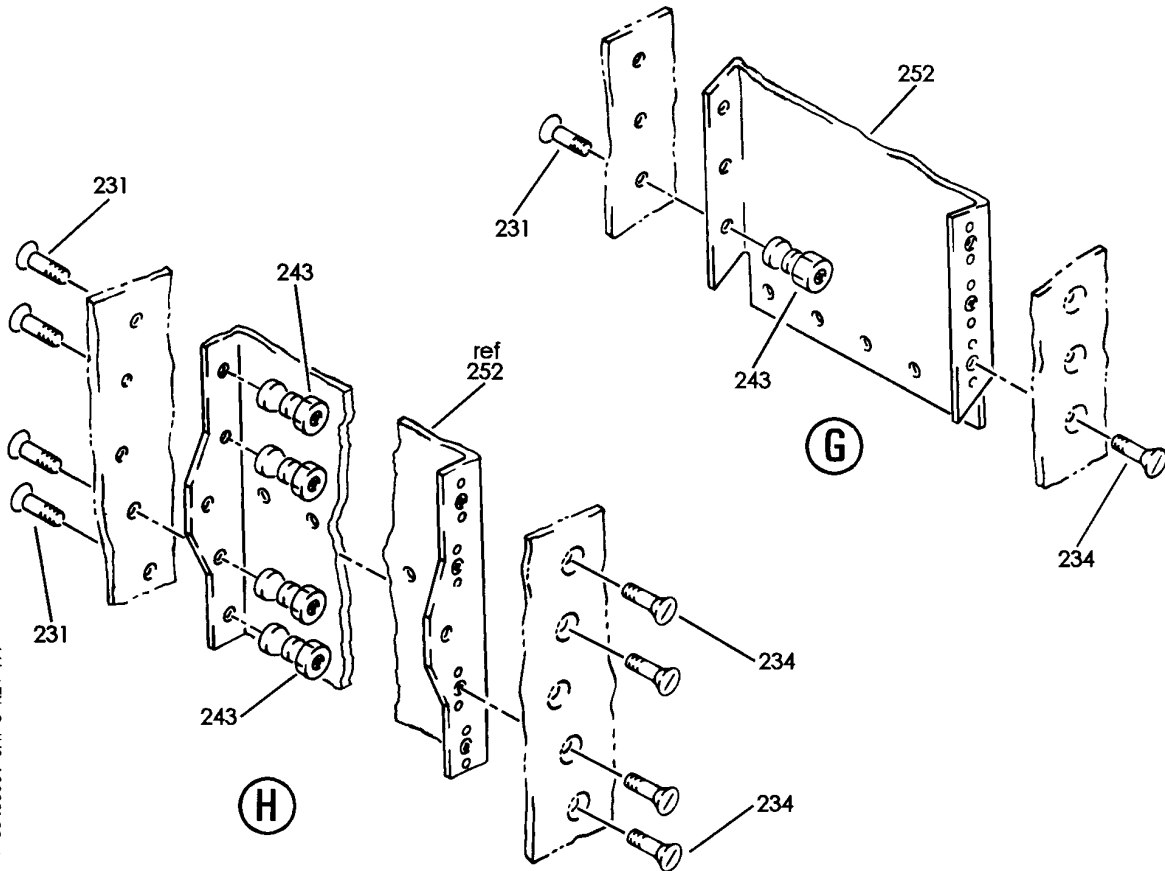
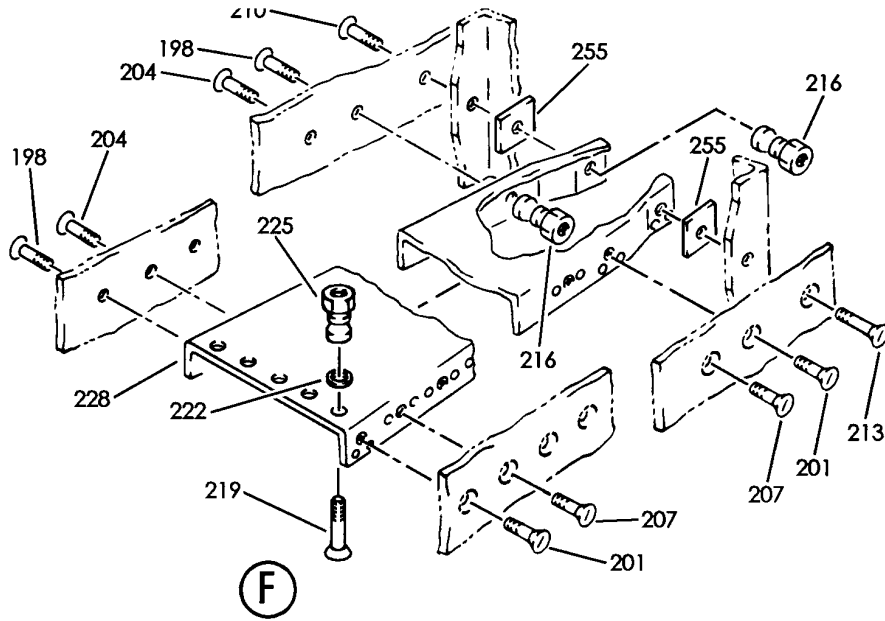
RUDDER ASSY-
FIGURE 1 (SHEET 4)

55-40-55-01

HXL
DEC 22/06

55-40-55-01
PAGE 0C


BOEING
 767
PARTS CATALOG (MAINTENANCE)



V 55405501 SHT 5 REV 199

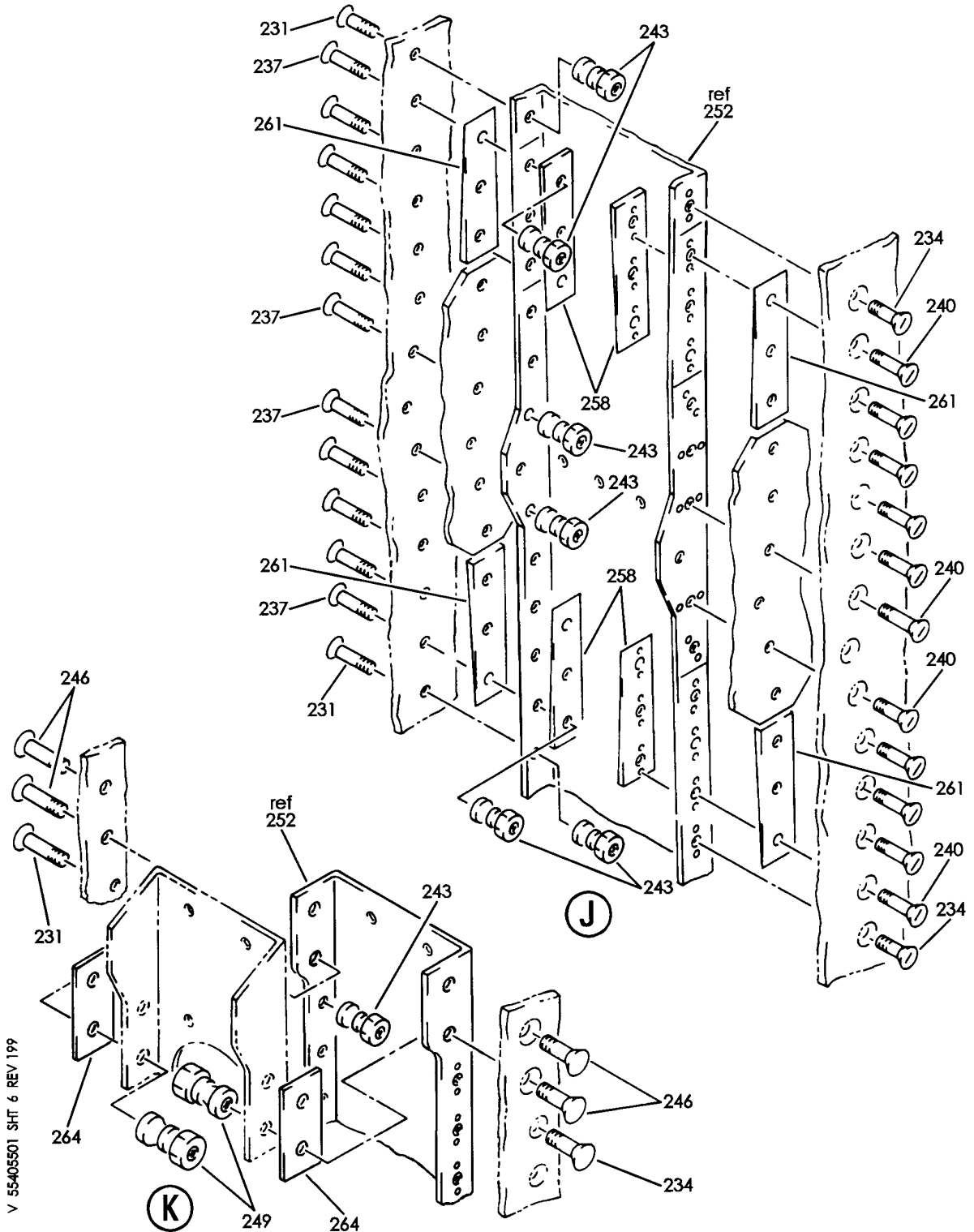
RUDDER ASSY-
 FIGURE 1 (SHEET 5)

55-40-55-01

HXL
DEC 22/06

55-40-55-01
 PAGE 0D

BOEING
767
PARTS CATALOG (MAINTENANCE)



V 55-405501 SHF 6 REV 199

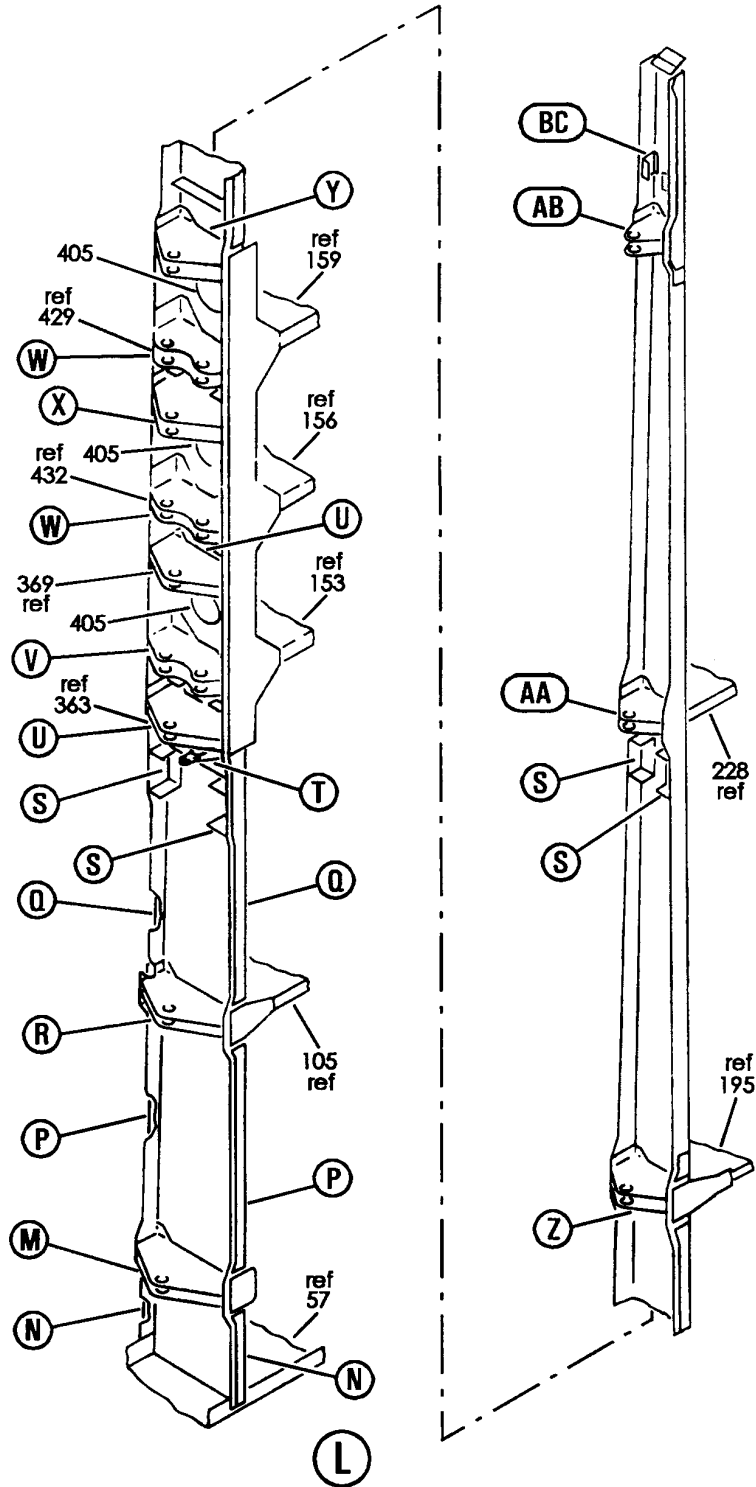
RUDDER ASSY-
FIGURE 1 (SHEET 6)

55-40-55-01

HXL
DEC 22/06

55-40-55-01
PAGE 0E


BOEING
 767
PARTS CATALOG (MAINTENANCE)



V 55405501 SHT 7 REV 199

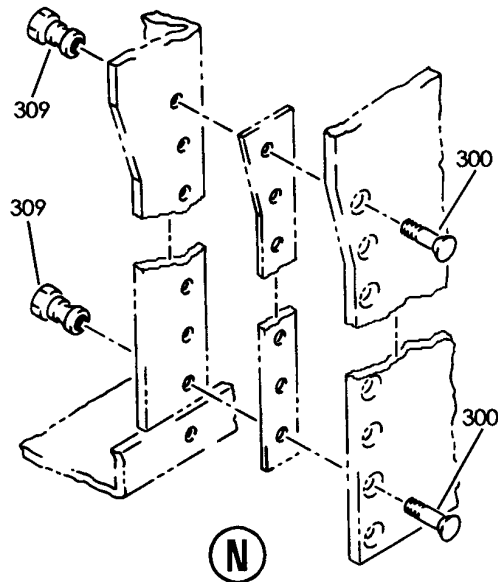
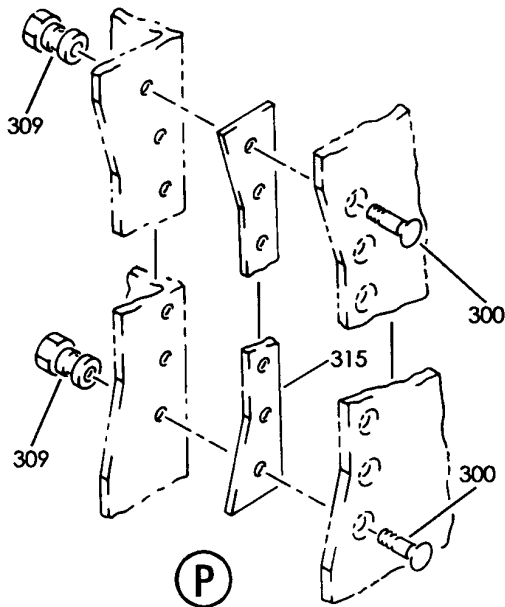
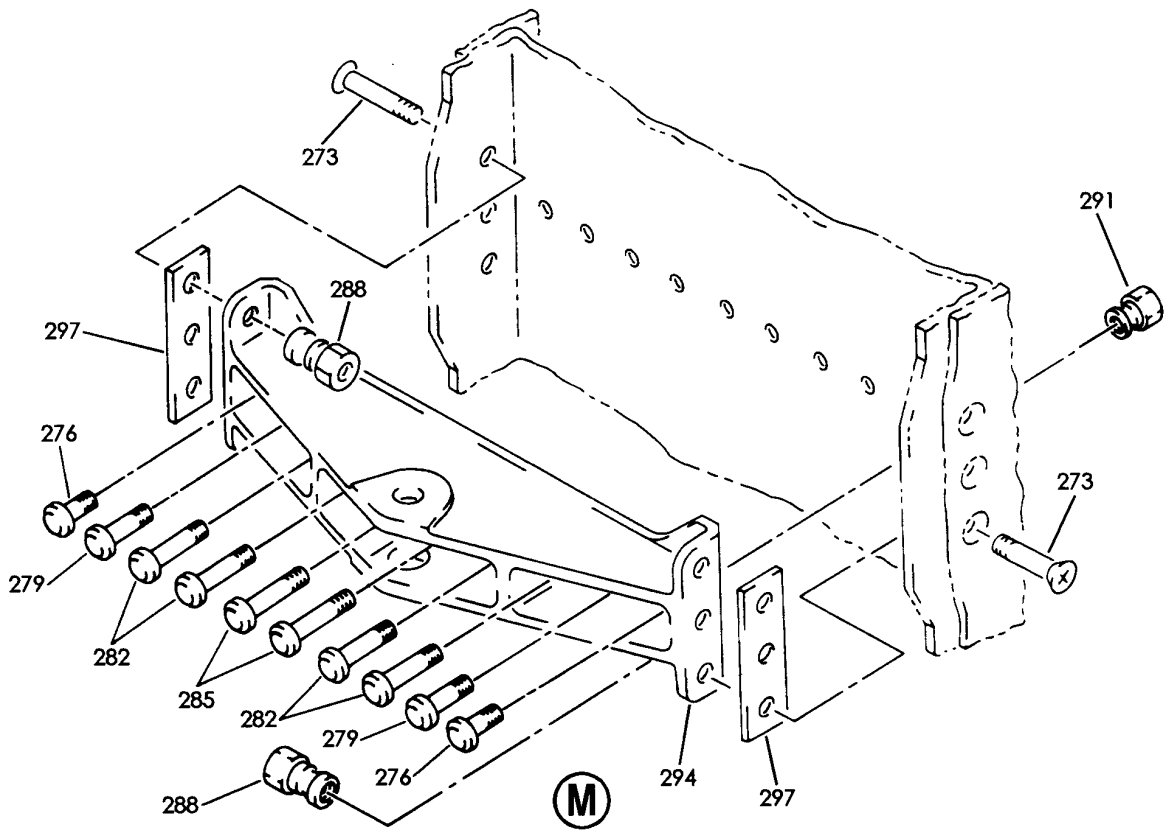
RUDDER ASSY-
 FIGURE 1 (SHEET 7)

55-40-55-01

HXL
 DEC 22/06

55-40-55-01
 PAGE OF

BOEING
767
PARTS CATALOG (MAINTENANCE)



V 55405501 SHT 8 REV 199

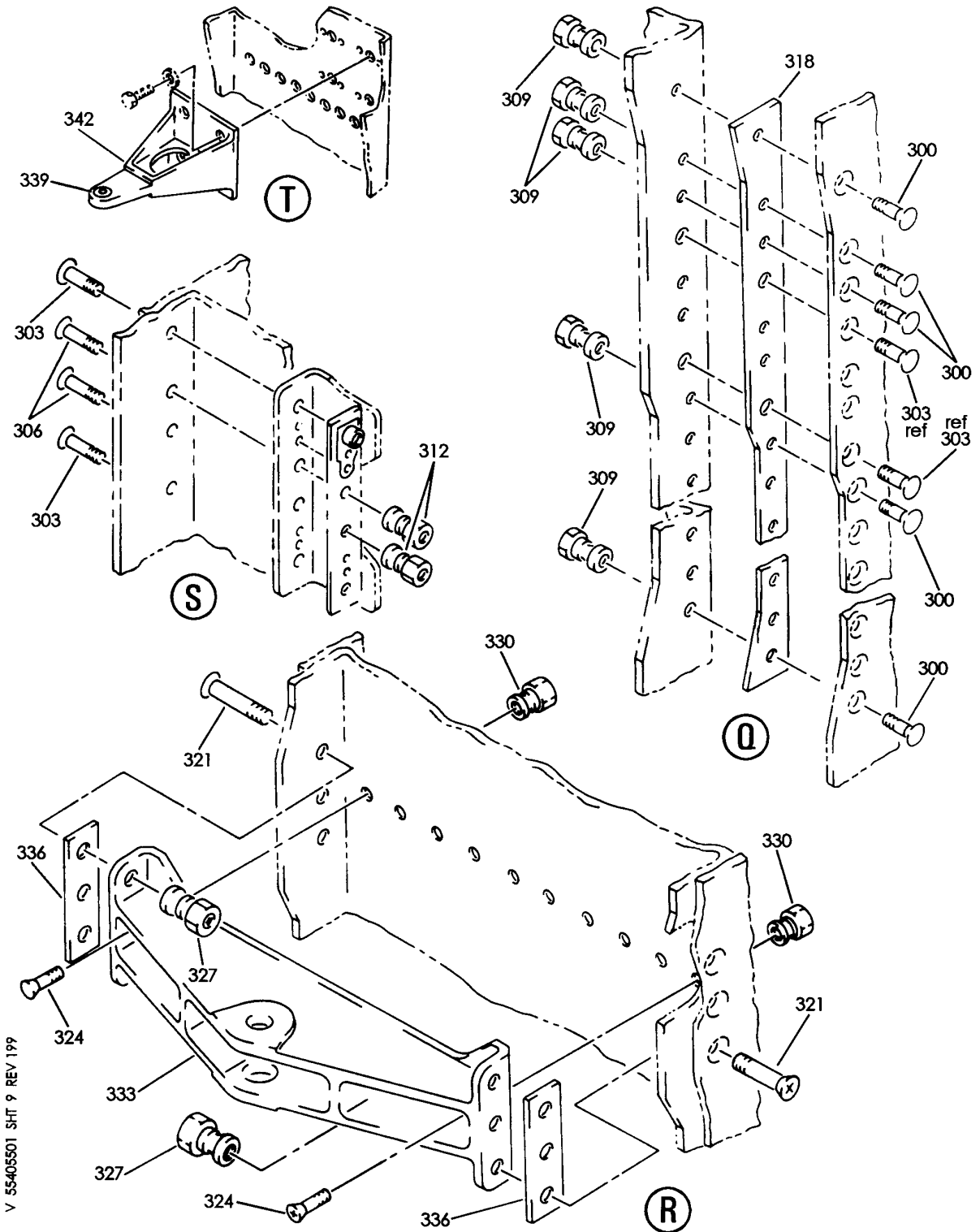
RUDDER ASSY-
FIGURE 1 (SHEET 8)

55-40-55-01

HXL
DEC 22/06

55-40-55-01
PAGE 0G

BOEING
767
PARTS CATALOG (MAINTENANCE)



V 55405501 SHT 9 REV 199

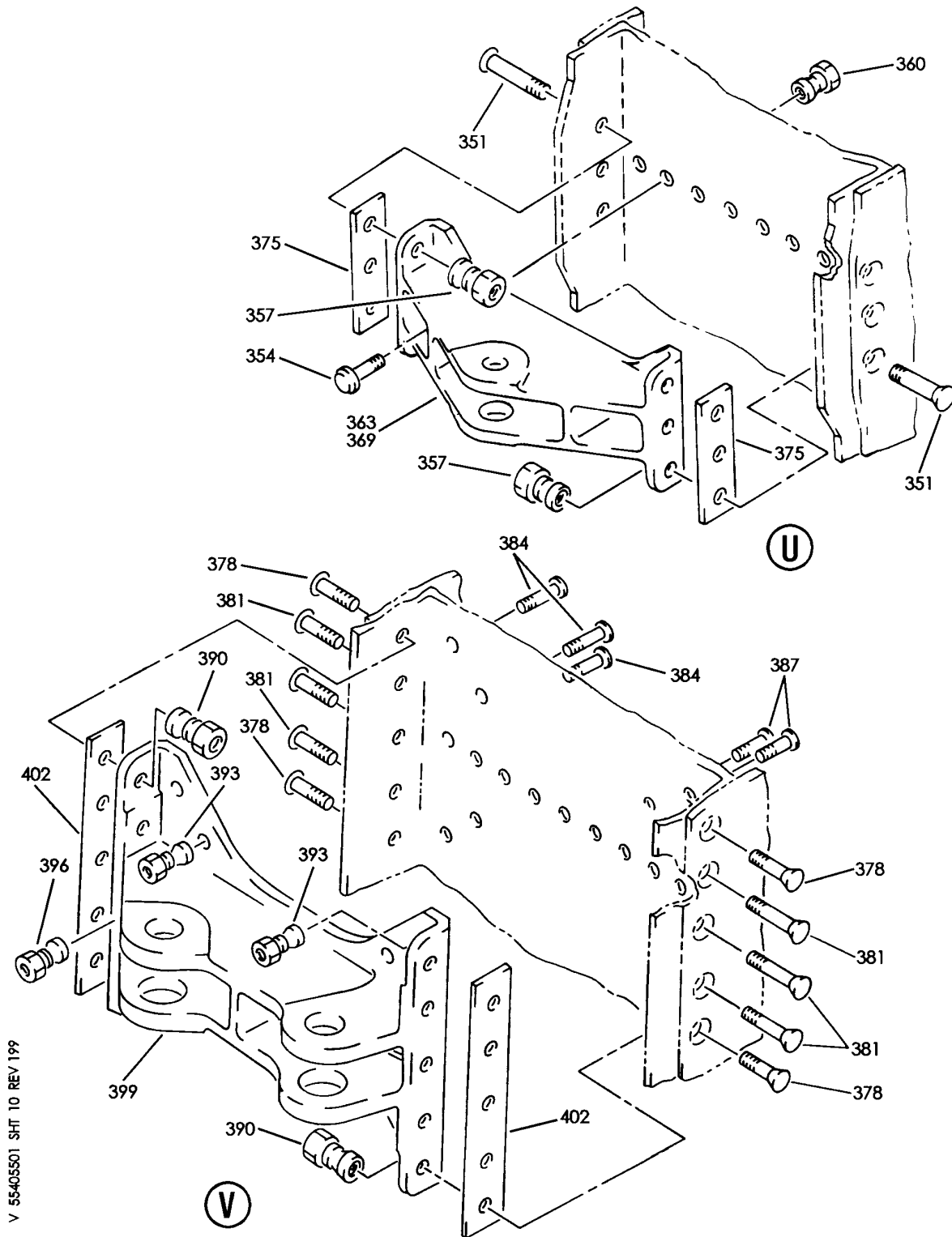
RUDDER ASSY-
FIGURE 1 (SHEET 9)

55-40-55-01

HXL
DEC 22/06

55-40-55-01
PAGE 0H

BOEING
767
PARTS CATALOG (MAINTENANCE)



V 55405501 SHT 10 REV 199

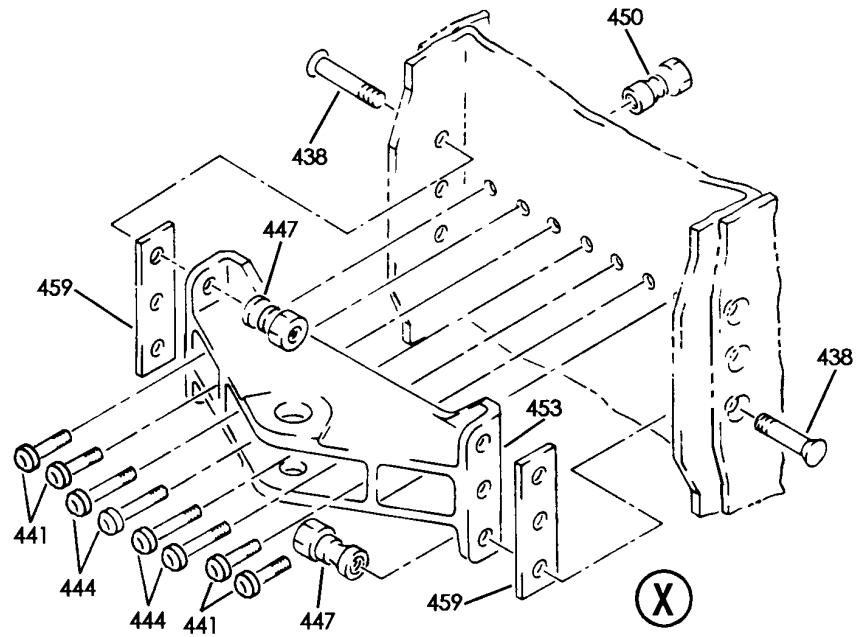
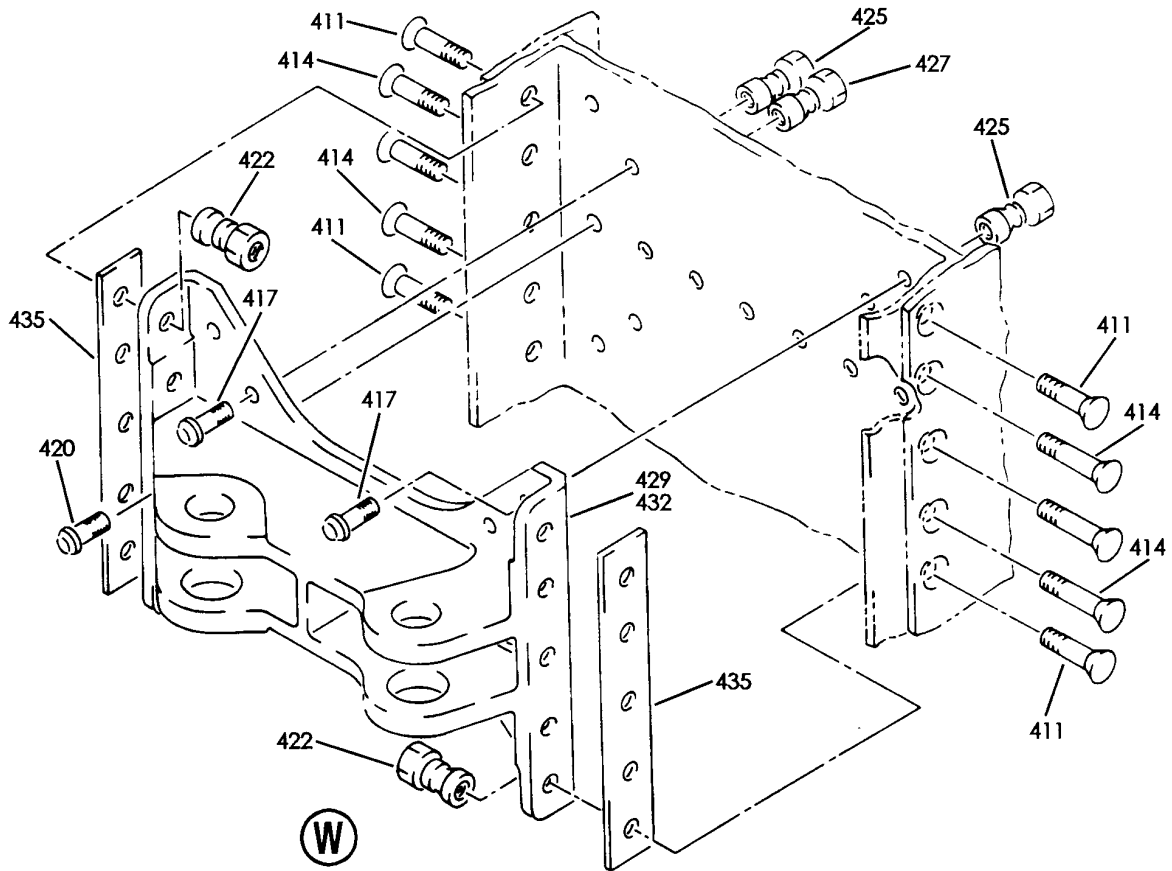
RUDDER ASSY-
FIGURE 1 (SHEET 10)

55-40-55-01

HXL
DEC 22/06

55-40-55-01
PAGE 01

BOEING
767
PARTS CATALOG (MAINTENANCE)



V 55405501 SHT 11 REV 199

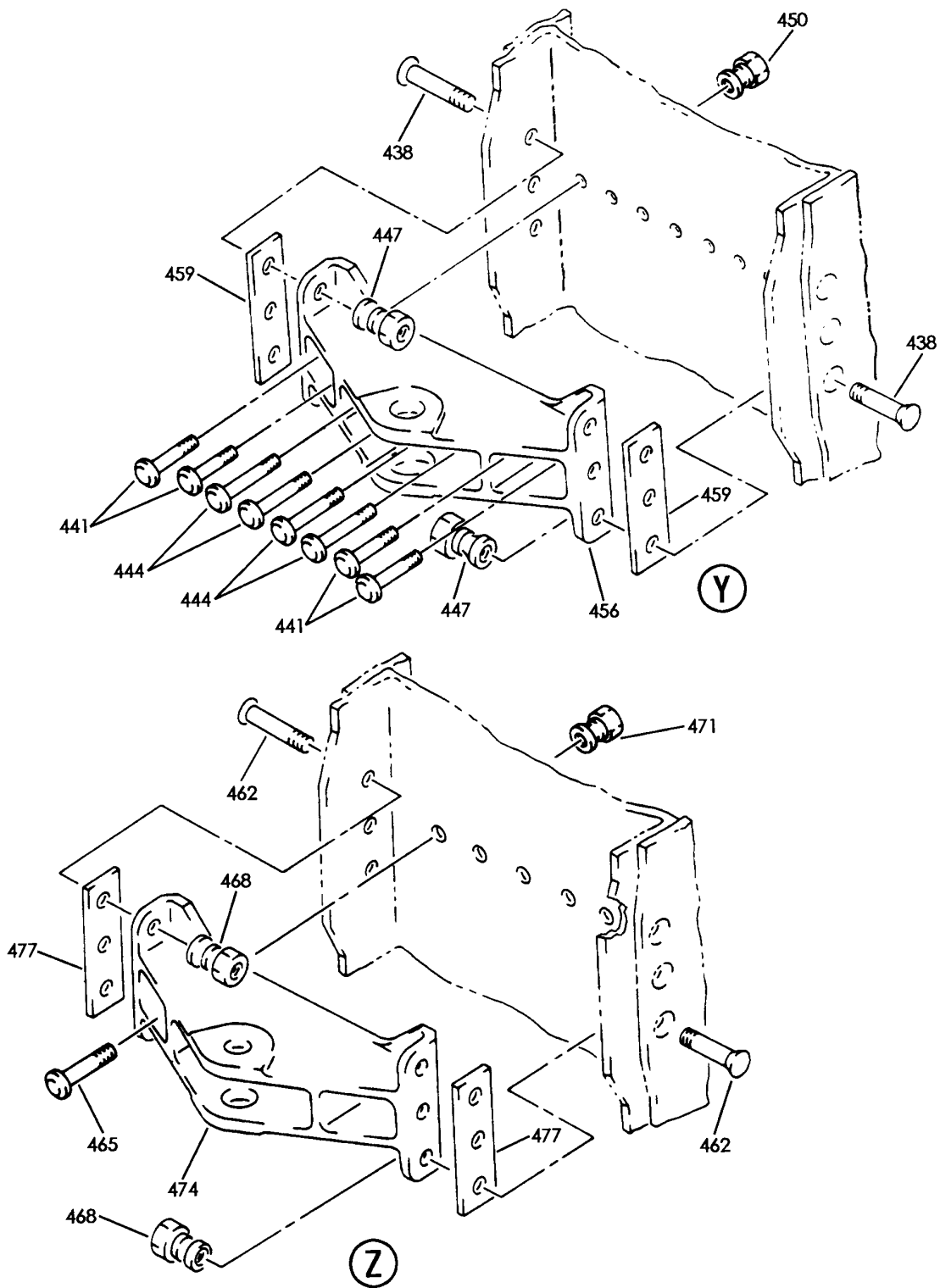
RUDDER ASSY-
FIGURE 1 (SHEET 11)

55-40-55-01

HXL
DEC 22/06

55-40-55-01
PAGE 0J

BOEING
767
PARTS CATALOG (MAINTENANCE)



V 55405501 SHF 12 REV 199

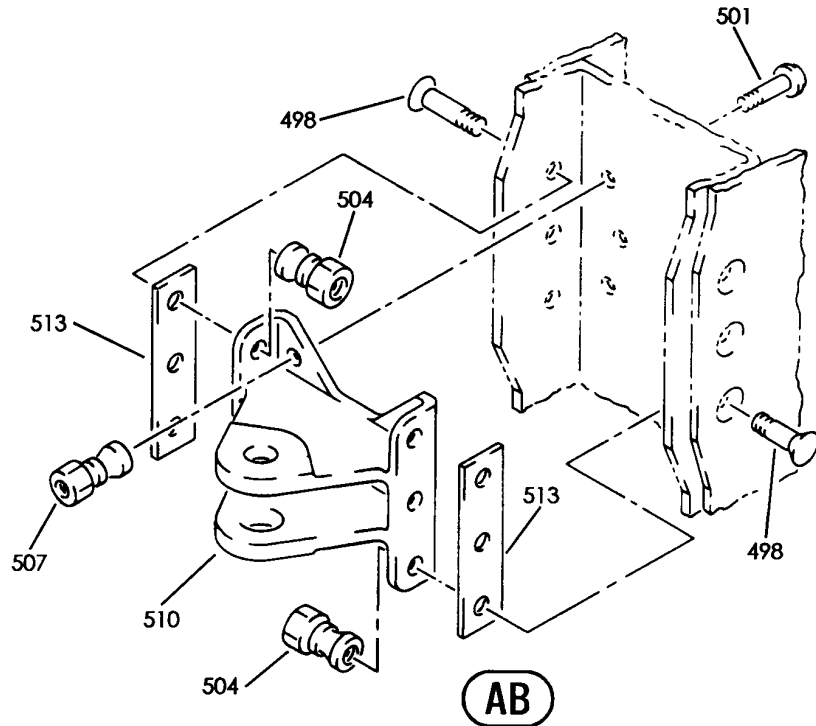
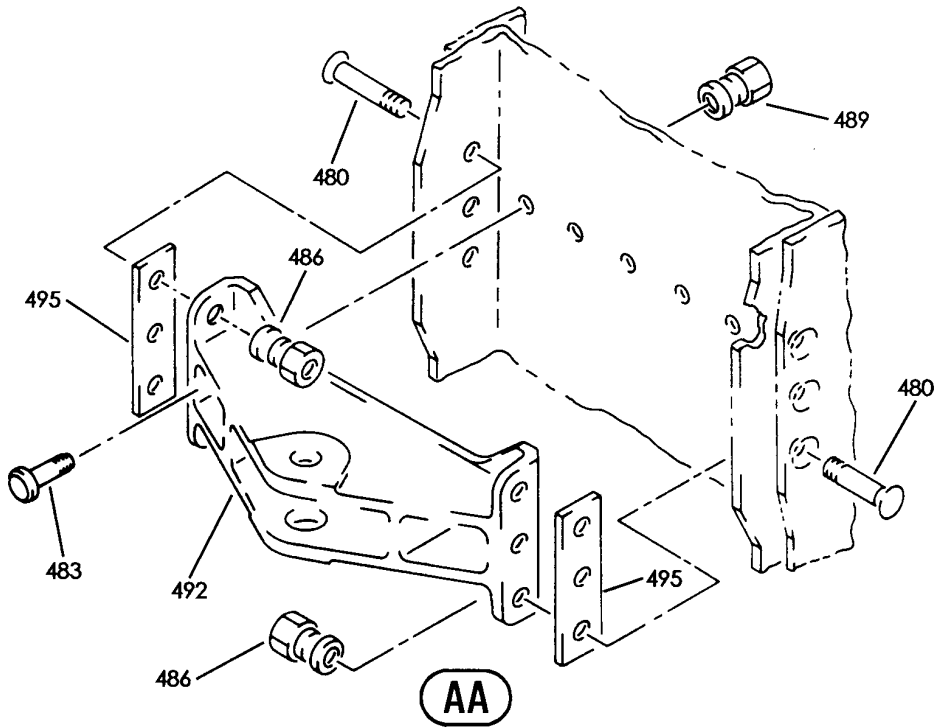
RUDDER ASSY-
FIGURE 1 (SHEET 12)

55-40-55-01

HXL
DEC 22/06

55-40-55-01
PAGE OK

BOEING
767
PARTS CATALOG (MAINTENANCE)



V 55405501 SHT 13 REV 199

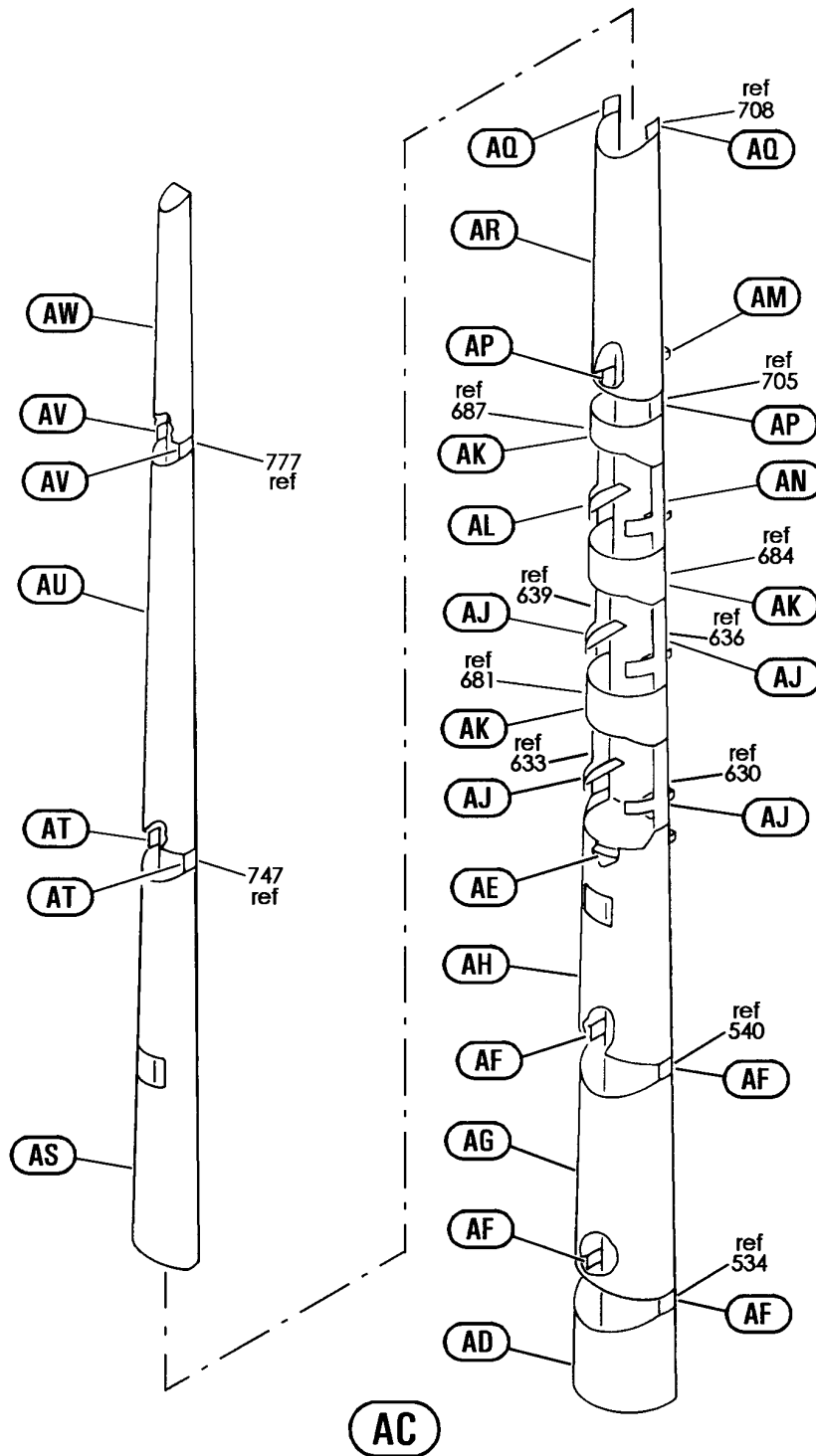
RUDDER ASSY-
FIGURE 1 (SHEET 13)

55-40-55-01

HXL
DEC 22/06

55-40-55-01
PAGE 0L

BOEING
767
PARTS CATALOG (MAINTENANCE)



V 55405501 SHT 14 REV 199

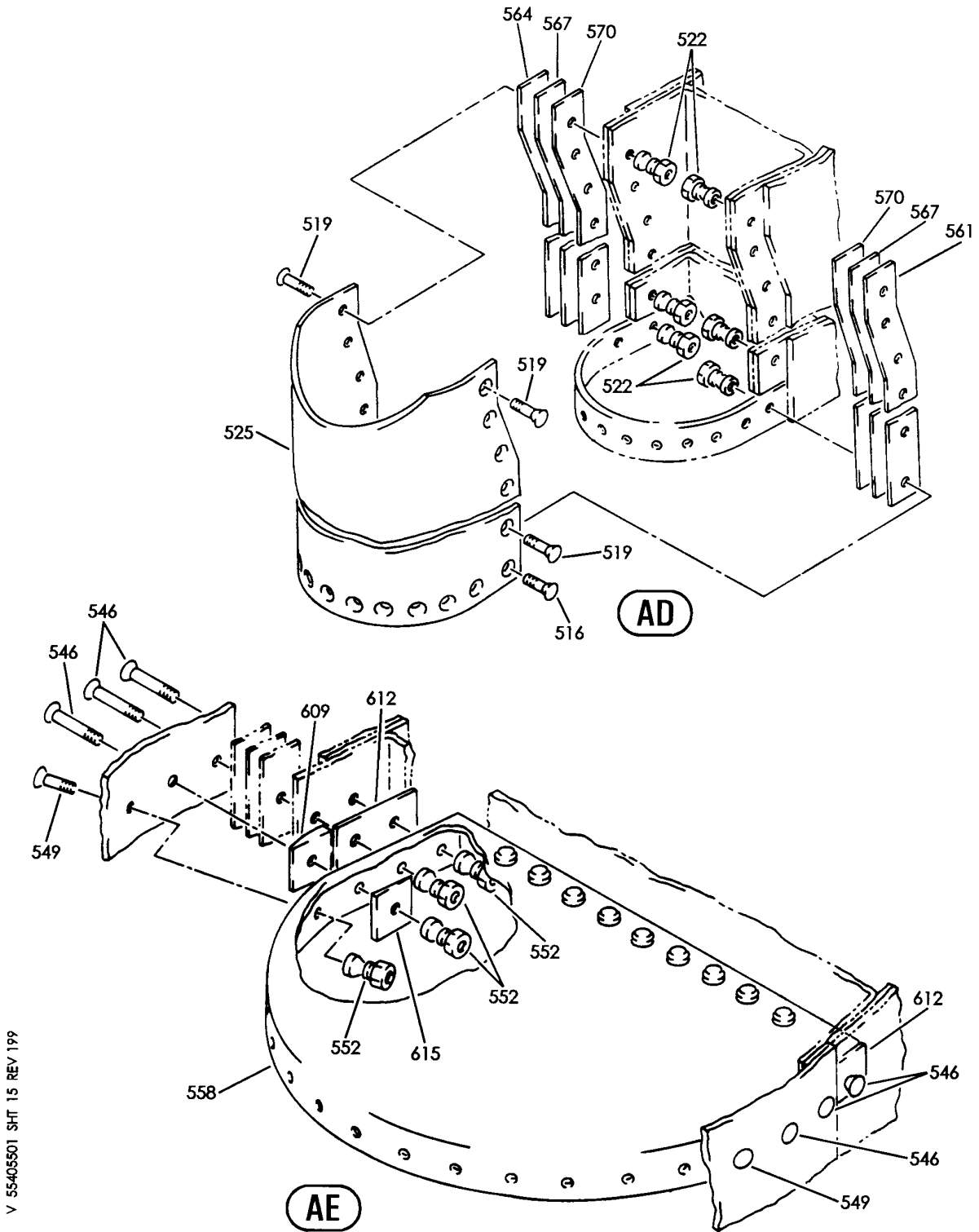
RUDDER ASSY-
FIGURE 1 (SHEET 14)

55-40-55-01

HXL
DEC 22/06

55-40-55-01
PAGE 0M

BOEING
767
PARTS CATALOG (MAINTENANCE)



V 55405501 SH1 15 REV 199

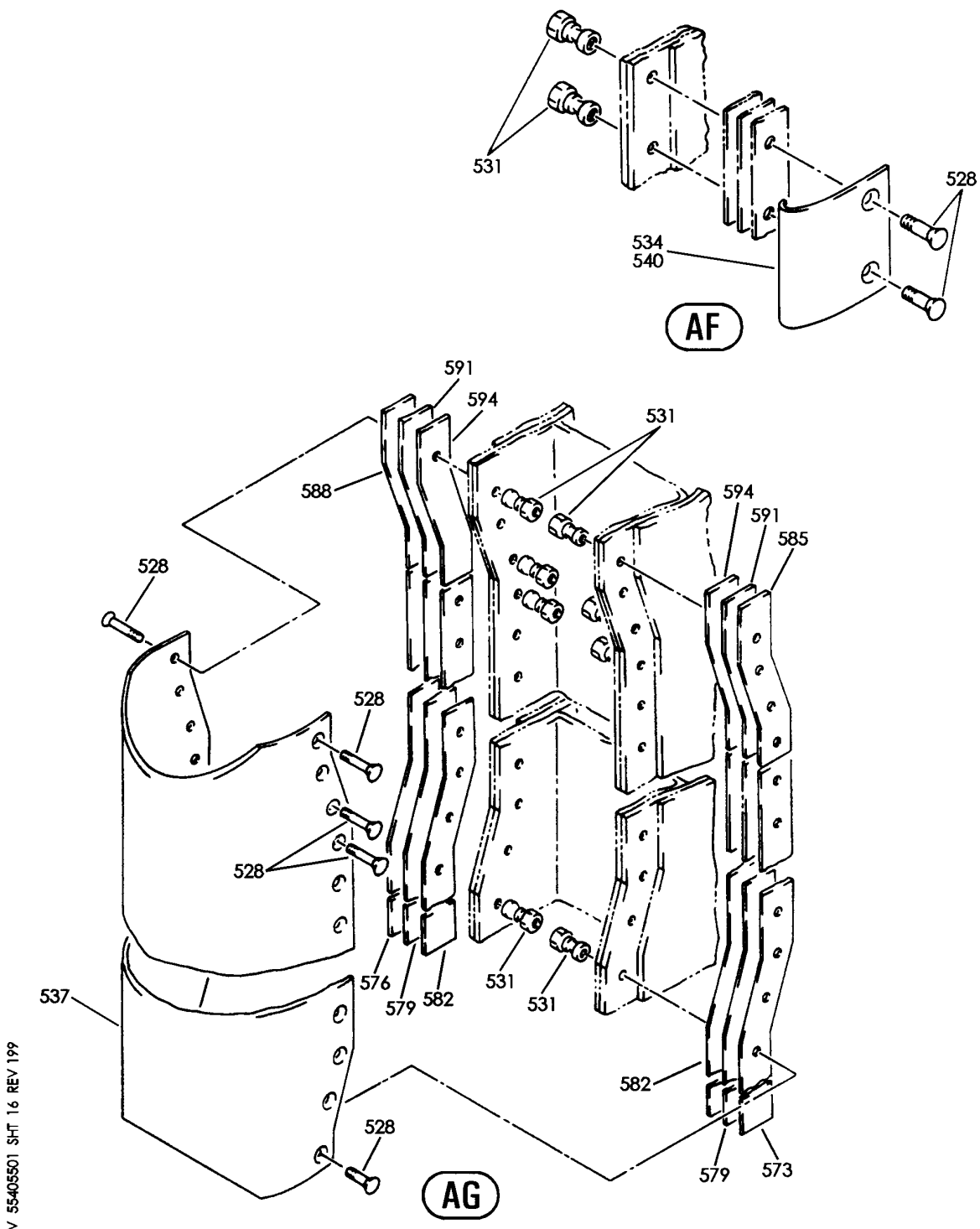
RUDDER ASSY-
FIGURE 1 (SHEET 15)

55-40-55-01

HXL
DEC 22/06

55-40-55-01
PAGE ON

BOEING
767
PARTS CATALOG (MAINTENANCE)



V 55405501 SHT 16 REV 199

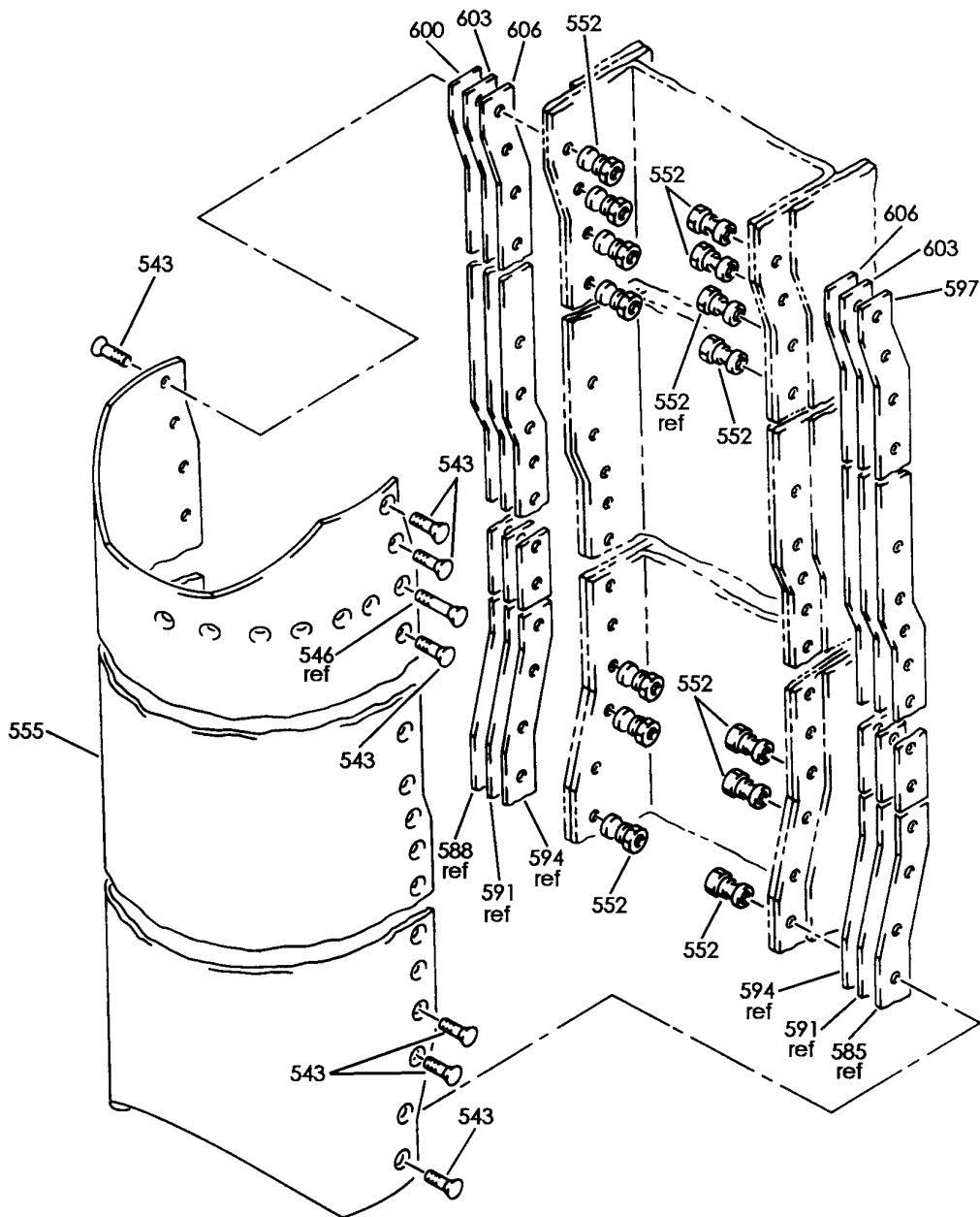
RUDDER ASSY-
FIGURE 1 (SHEET 16)

55-40-55-01

HXL
DEC 22/06

55-40-55-01
PAGE 00

BOEING
767
PARTS CATALOG (MAINTENANCE)



V 55405501 SHT 17 REV 199

AH

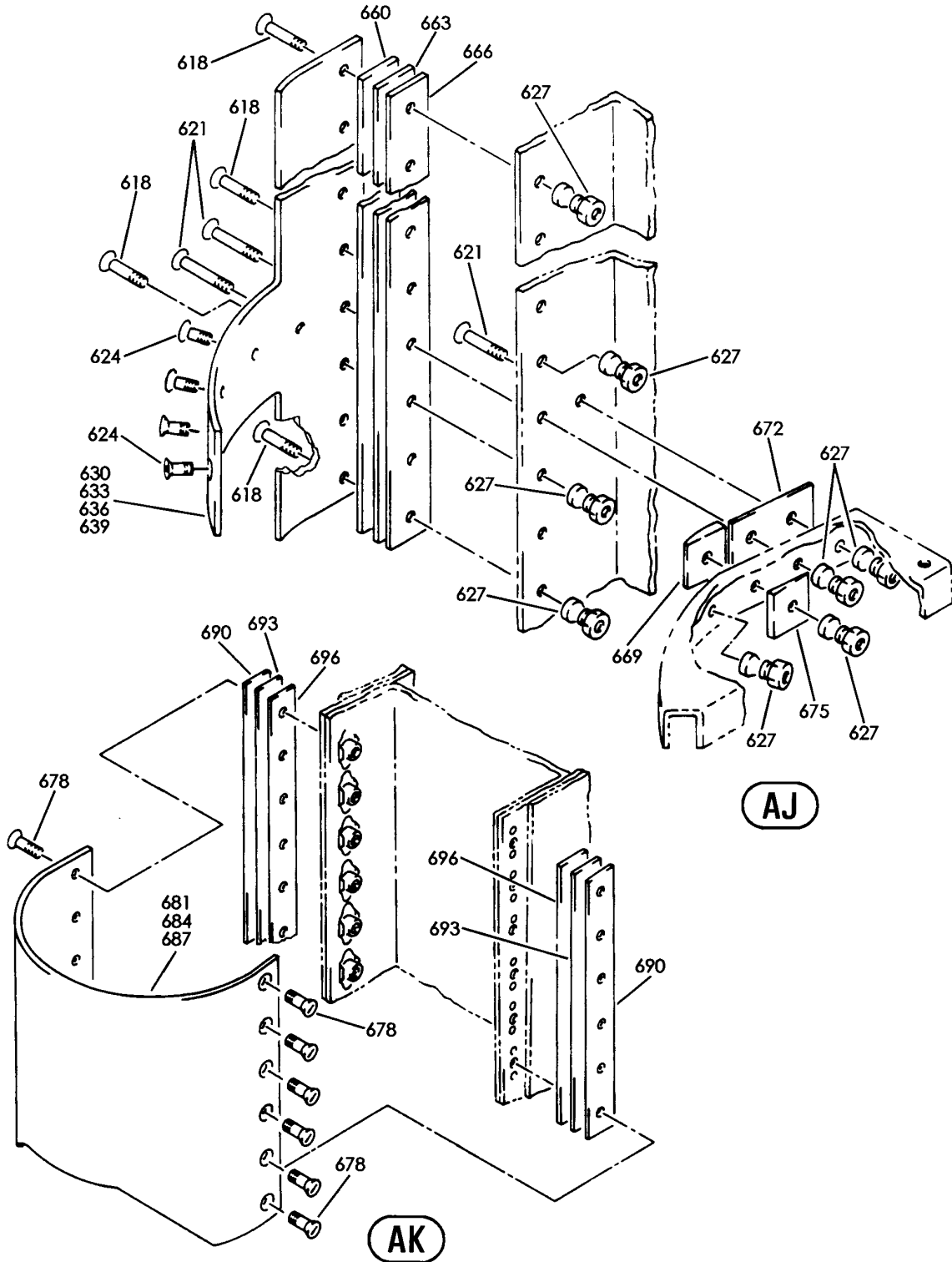
RUDDER ASSY-
FIGURE 1 (SHEET 17)

55-40-55-01

HXL
DEC 22/06

55-40-55-01
PAGE 0P

BOEING
767
PARTS CATALOG (MAINTENANCE)



V 55405501 SHT 18 REV 199

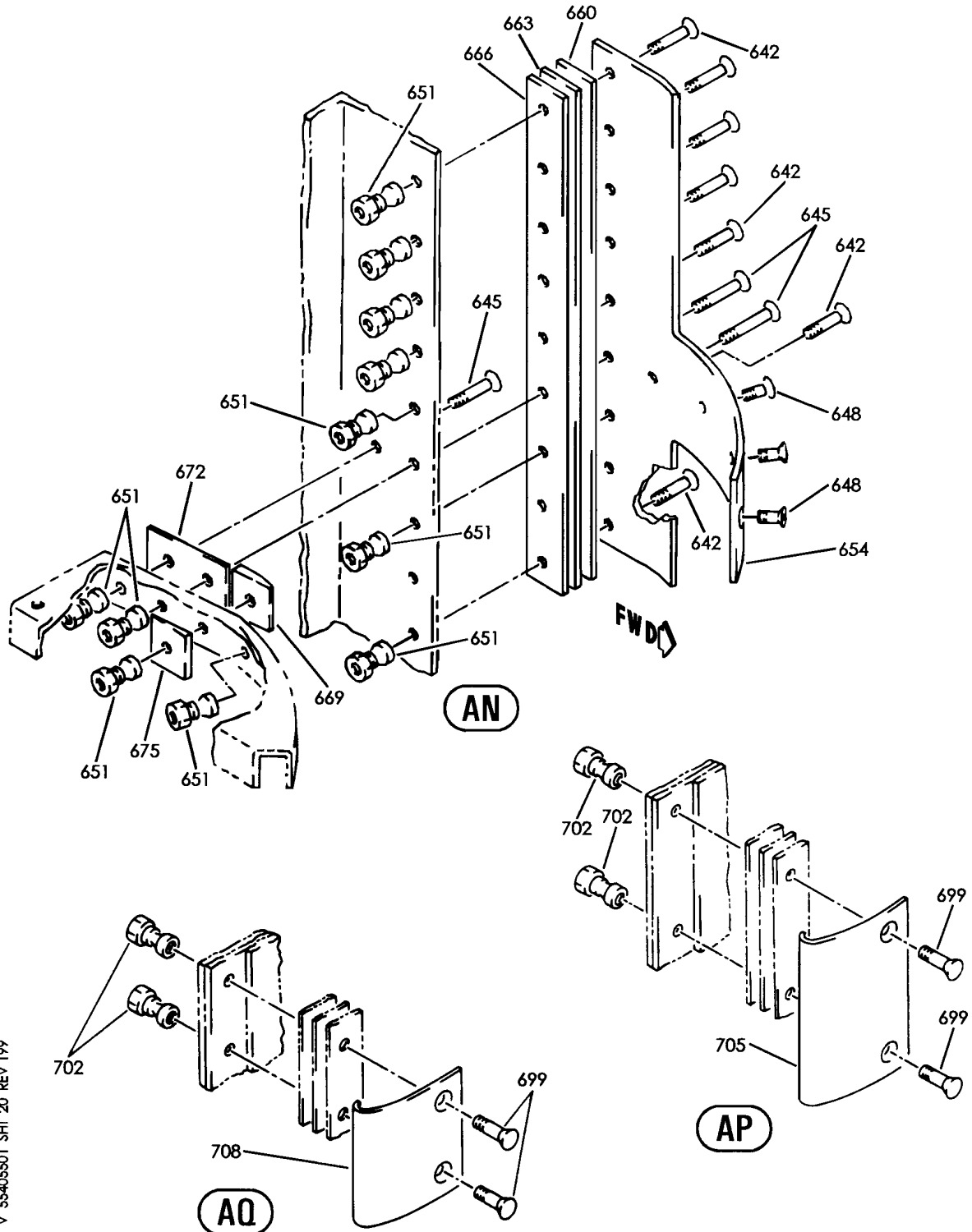
RUDDER ASSY-
FIGURE 1 (SHEET 18)

55-40-55-01

HXL
DEC 22/06

55-40-55-01
PAGE 00

BOEING
767
PARTS CATALOG (MAINTENANCE)



V 55405501 SHT 20 REV 199

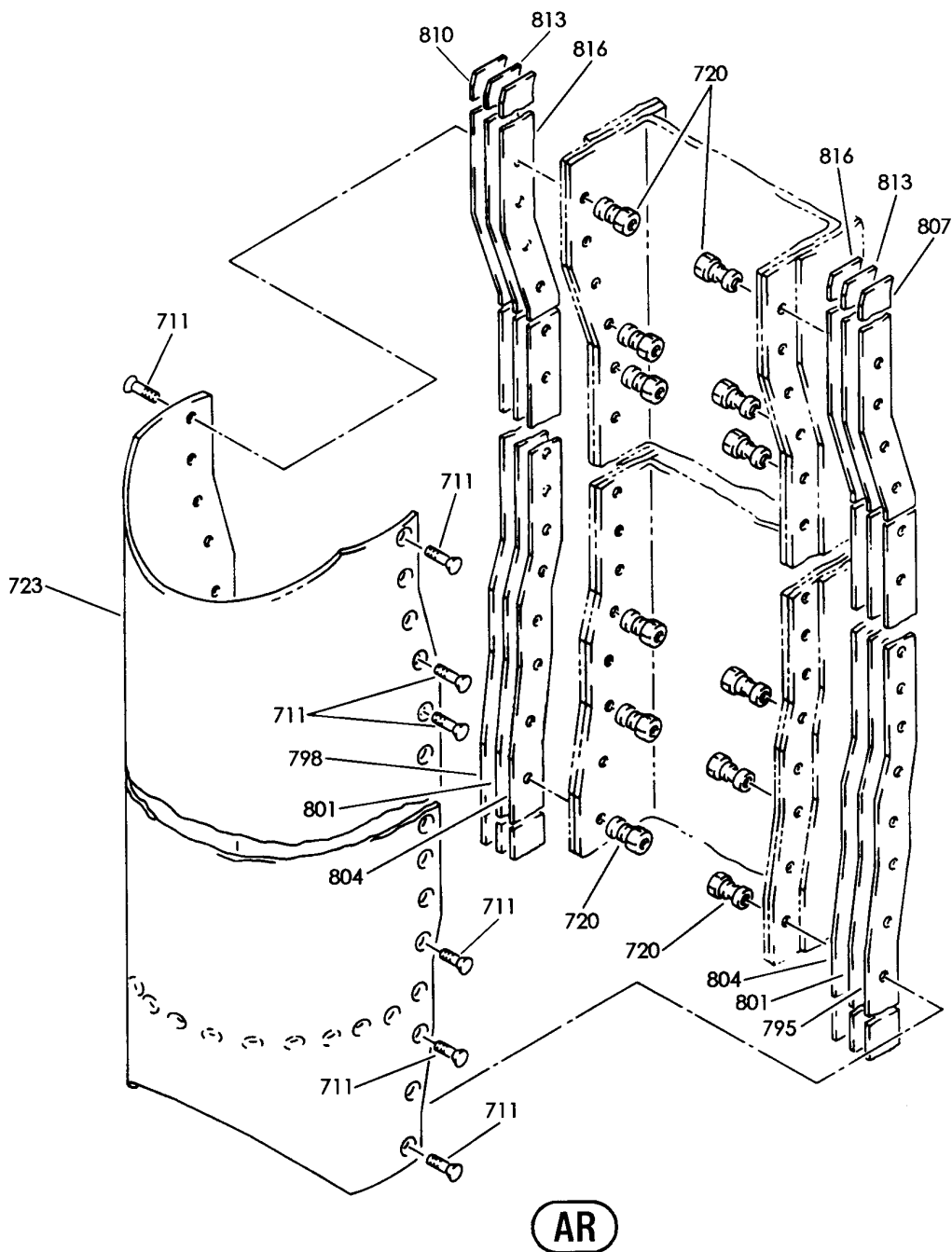
RUDDER ASSY-
FIGURE 1 (SHEET 20)

55-40-55-01

HXL
DEC 22/06

55-40-55-01
PAGE 05

BOEING
767
PARTS CATALOG (MAINTENANCE)



V 55405501 SHT 21 REV 199

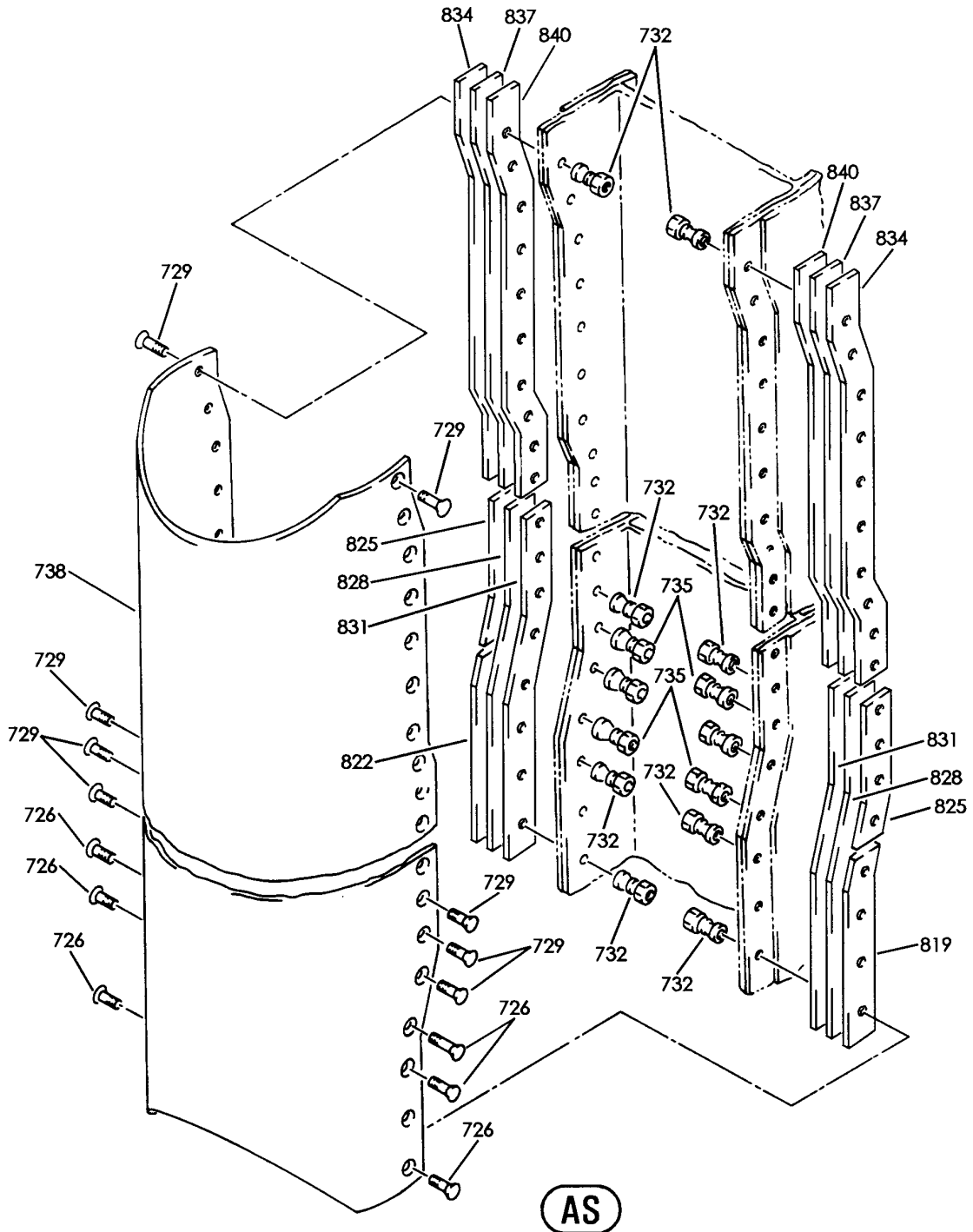
RUDDER ASSY-
FIGURE 1 (SHEET 21)

55-40-55-01

HXL
DEC 22/06

55-40-55-01
PAGE 0T

BOEING
767
PARTS CATALOG (MAINTENANCE)



V 55405501 SHT 22 REV 199

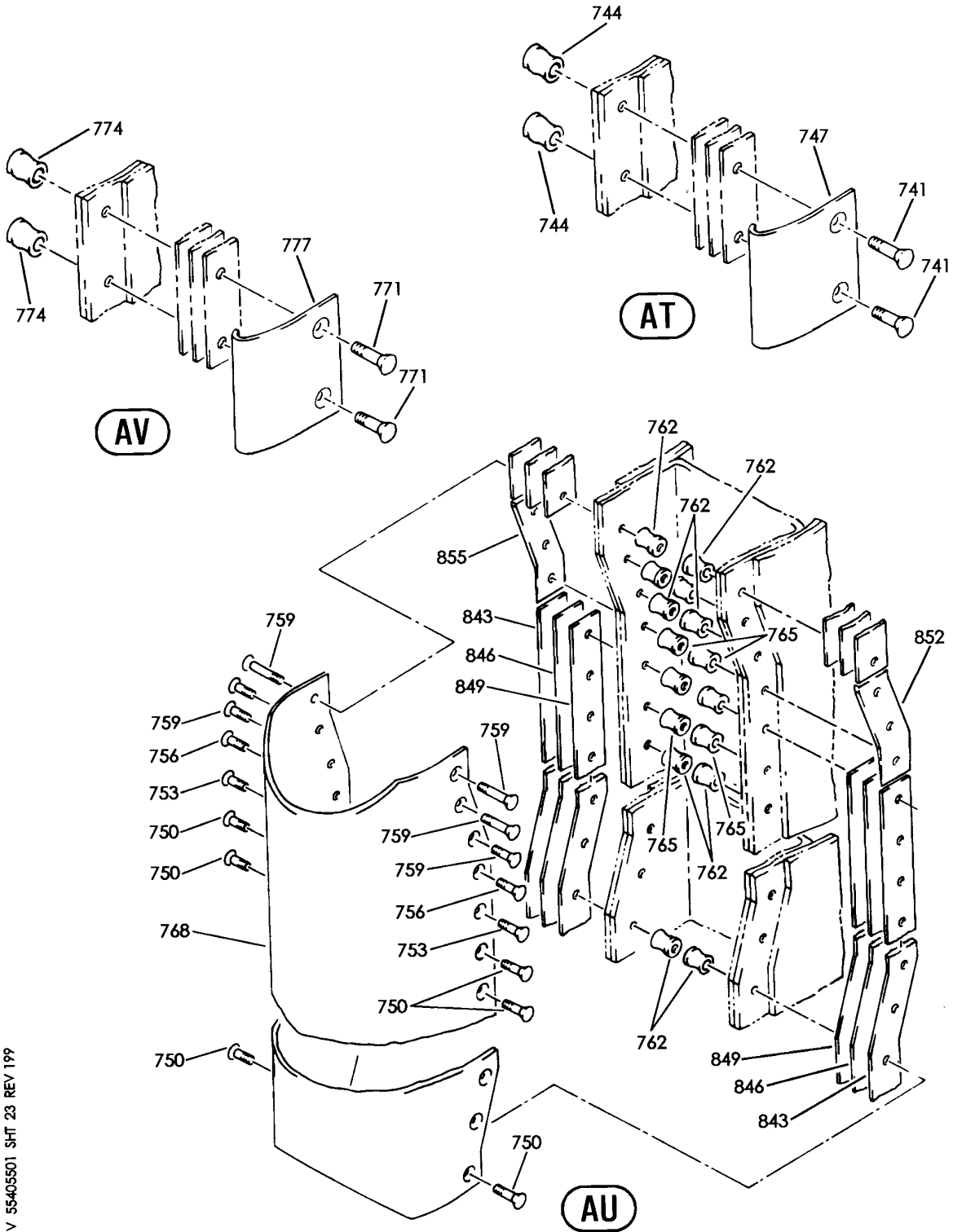
RUDDER ASSY-
FIGURE 1 (SHEET 22)

55-40-55-01

HXL
DEC 22/06

55-40-55-01
PAGE 00

BOEING
767
PARTS CATALOG (MAINTENANCE)



V 55405501 SH1 23 REV 199

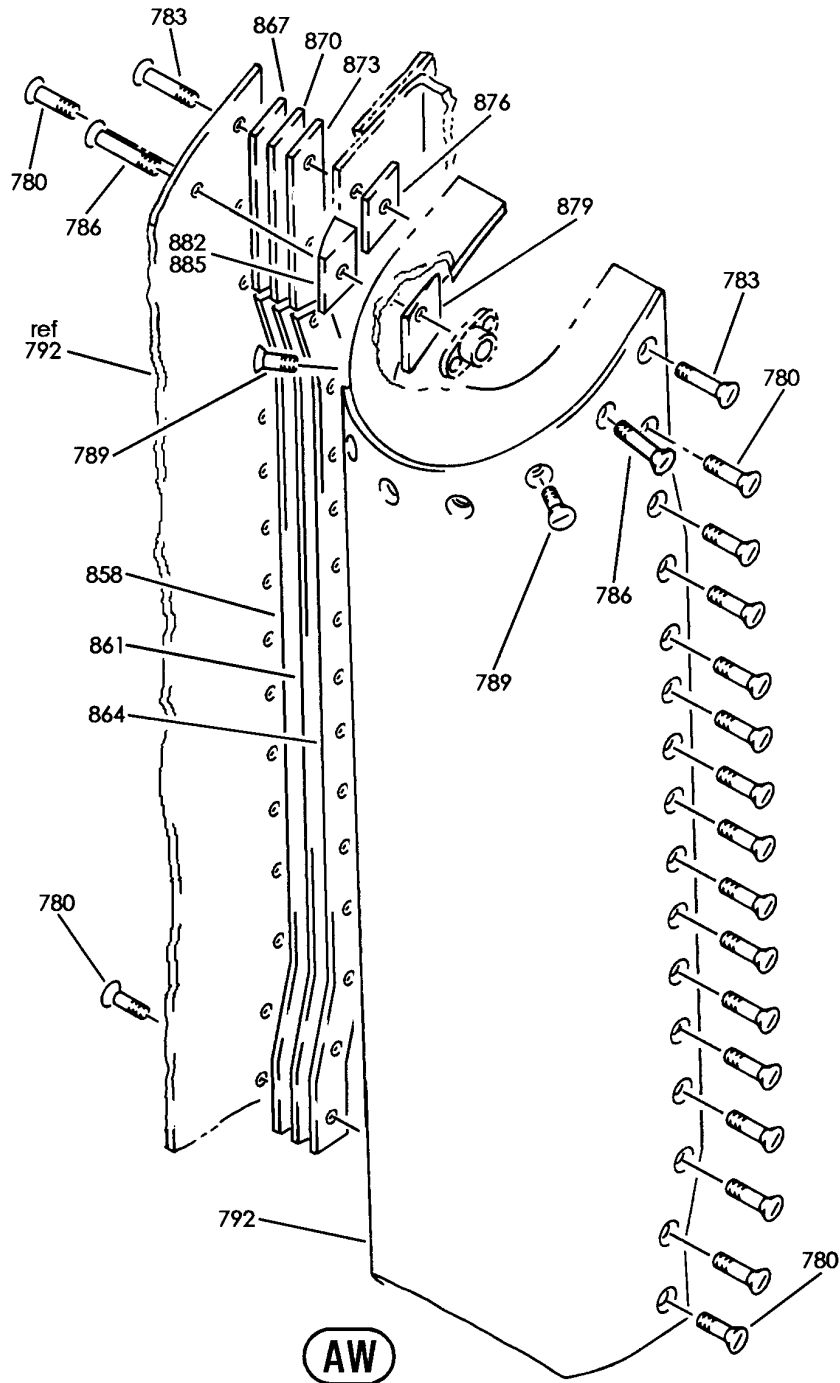
RUDDER ASSY-
FIGURE 1 (SHEET 23)

55-40-55-01

HXL
DEC 22/06

55-40-55-01
PAGE 0V


BOEING
 767
PARTS CATALOG (MAINTENANCE)



V 55405501 SHT 24 REV 199

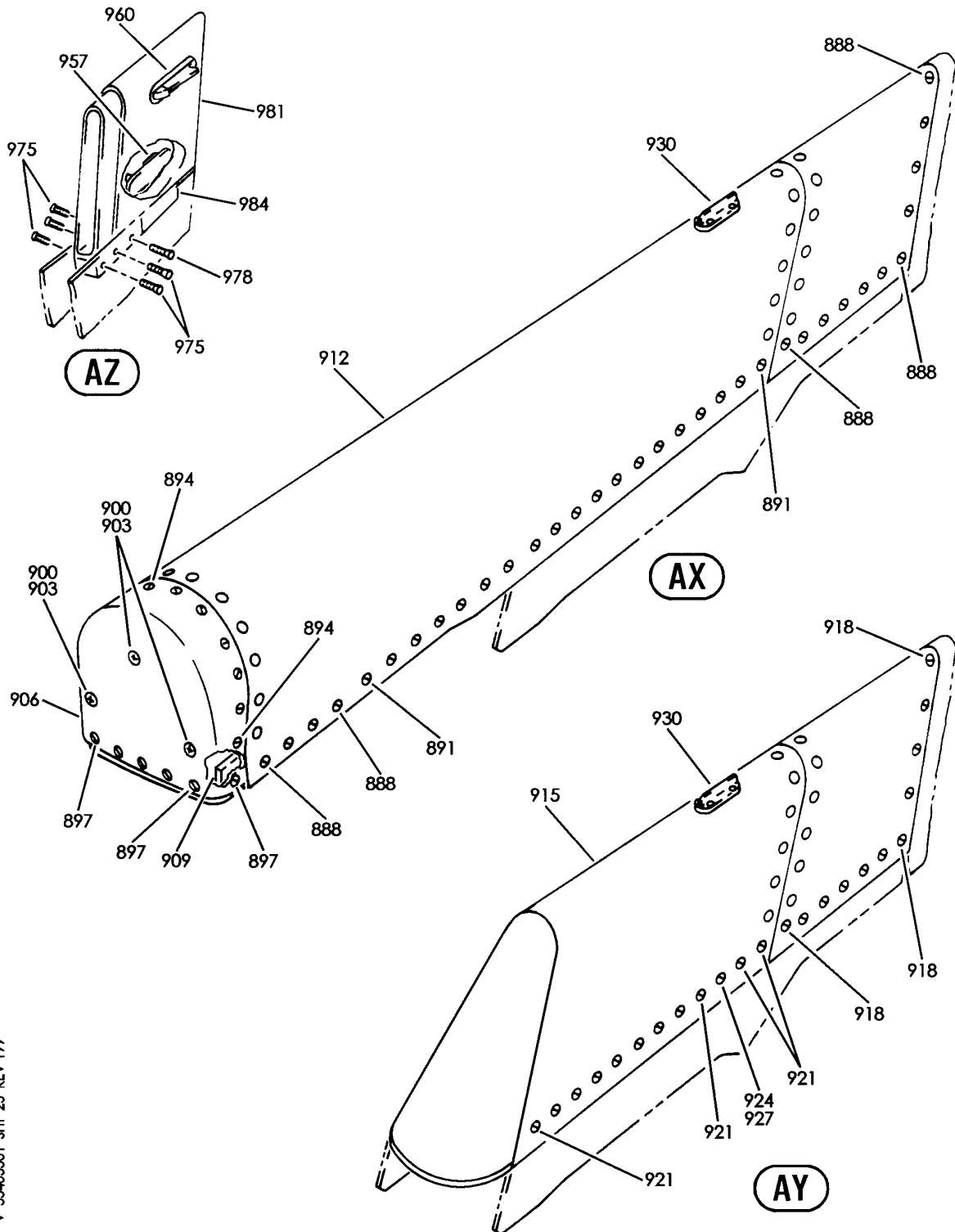
RUDDER ASSY-
 FIGURE 1 (SHEET 24)

55-40-55-01

HXL
DEC 22/06

55-40-55-01
 PAGE 0W

BOEING
767
PARTS CATALOG (MAINTENANCE)



V 55405501 SHT 25 REV 199

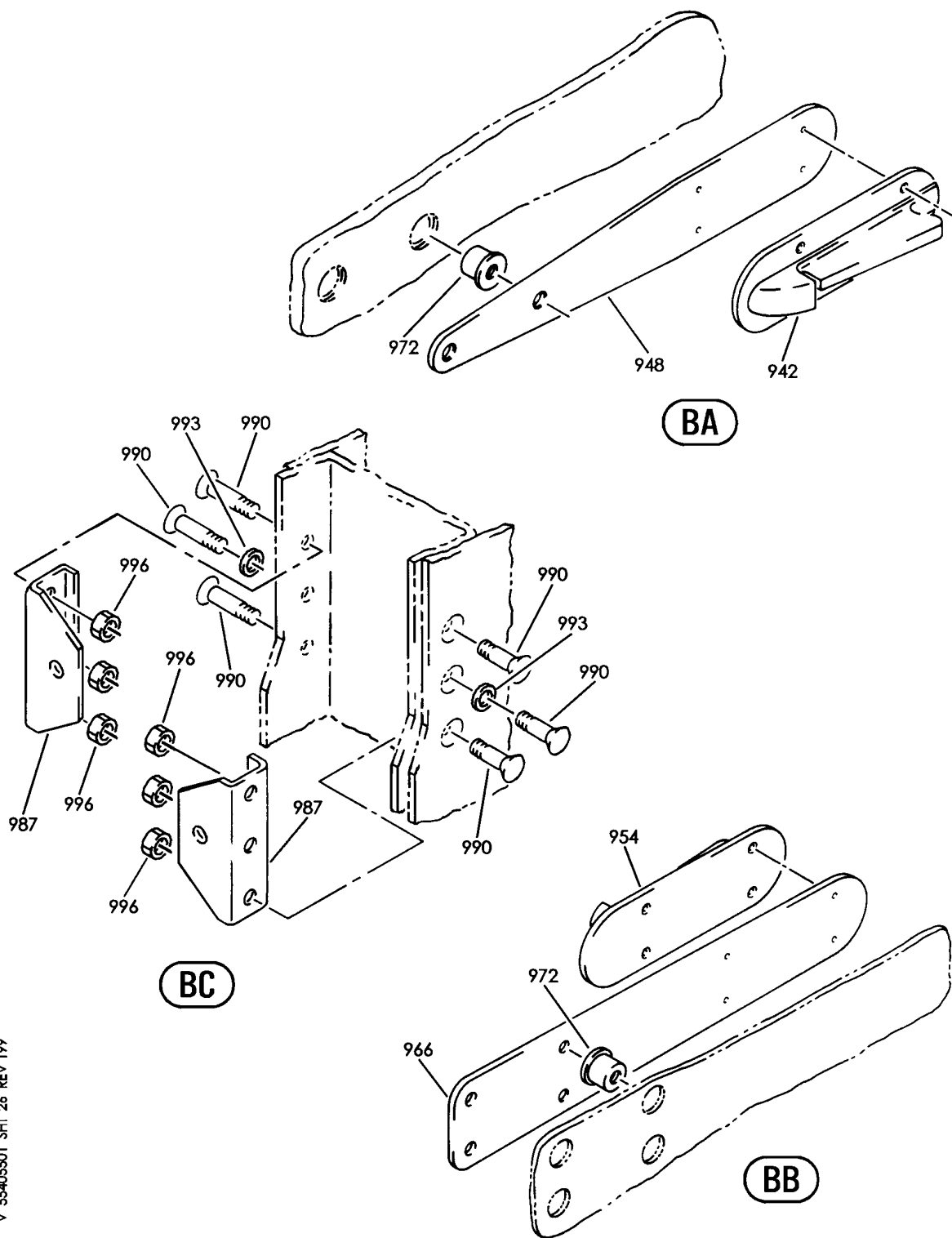
RUDDER ASSY-
FIGURE 1 (SHEET 25)

55-40-55-01

HXL
DEC 22/06

55-40-55-01
PAGE 0X

BOEING
767
PARTS CATALOG (MAINTENANCE)



V 55405501 SHT 26 REV 199

RUDDER ASSY-
FIGURE 1 (SHEET 26)

55-40-55-01

HXL
DEC 22/06

55-40-55-01
PAGE 0Y



767

PARTS CATALOG (MAINTENANCE)

FIG ITEM	PART NUMBER	1 2 3 4 5 6 7	NOMENCLATURE	EFFECT FROM TO	UNITS PER ASSY
1					
- 1	173T2001-4		RUDDER ASSY- RUDDER ASSY- COMPONENT MAINT MANUAL REF: 55-40-13 FOR NHA SEE: 55-40-51-01		RF
- 1	173T2001-10		RUDDER ASSY- COMPONENT MAINT MANUAL REF: 55-40-13 FOR NHA SEE: 55-40-51-01		RF
- 1	173T2001-23		RUDDER ASSY- COMPONENT MAINT MANUAL REF: 55-40-13 VARIABLE DRAWING REF: 173T2001-5006 FOR NHA SEE: 55-40-51-01		RF
- 1	173T2001-29		RUDDER ASSY- COMPONENT MAINT MANUAL REF: 55-40-13 FOR NHA SEE: 55-40-51-01		RF
21	HL11VAZ6-4		.BOLT- SUPPLIER CODE: V60516 SPECIFICATION NUMBER: BACB30NW6K4 OPTIONAL PART: B30NW6K4 V97928 HL11VAZ6-4 V73197 HL11VAZ6-4 V92215 HL11VAZ6-4 V97928 L803-6K4 V06725 HL11VAZ6-4 VOPTK6 HL11VAZ6-4 V56878		4
24	BACB30UR3K4		.BOLT- POSITION DATA: RH SIDE		4
			ILLUSTRATION ITEMS NOT ON PARTS LIST ARE NOT APPLICABLE		

- ITEM NOT ILLUSTRATED

HXL

55-40-55-01

BOEING PROPRIETARY - Copyright © - Unpublished Work - See title page for details.

55-40-55
FIG. 01
PAGE 1
DEC 22/07



767

PARTS CATALOG (MAINTENANCE)

FIG ITEM	PART NUMBER	1 2 3 4 5 6 7	NOMENCLATURE	EFFECT FROM TO	UNITS PER ASSY
1 27	HL11RA6-4		.BOLT- SUPPLIER CODE: V60516 SPECIFICATION NUMBER: BACB30NW6R4 OPTIONAL PART: HL11RA6-4 V92215 HL11RA6-4 V97928 L803-6R4 V06725 HL11RA6-4 V73197 B30NW6R4 V97928 HL11RA6-4 VOPTK6 HL11RA6-4 V56878 POSITION DATA: RH SIDE		3
30	BACB30UR3R4		.BOLT- POSITION DATA: LH SIDE		3
33	HL11VAZ6-3		.BOLT- SUPPLIER CODE: V60516 SPECIFICATION NUMBER: BACB30NW6K3 OPTIONAL PART: B30NW6K3 V97928 HL11VAZ6-3 V73197 HL11VAZ6-3 V92215 HL11VAZ6-3 V97928 L803-6K3 V06725 HL11VAZ6-3 VOPTK6 HL11VAZ6-3 V56878 POSITION DATA: RH SIDE		2

ILLUSTRATION ITEMS NOT ON PARTS LIST ARE NOT APPLICABLE

- ITEM NOT ILLUSTRATED

55-40-55-01

HXL

BOEING PROPRIETARY - Copyright © - Unpublished Work - See title page for details.

55-40-55
FIG. 01
PAGE 2
DEC 22/06

 **BOEING**
767
PARTS CATALOG (MAINTENANCE)

FIG ITEM	PART NUMBER	1 2 3 4 5 6 7	NOMENCLATURE	EFFECT FROM TO	UNITS PER ASSY
1					
36	BACB30UR3K3		.BOLT- POSITION DATA: LH SIDE		2
39	HL11RA6-3		.BOLT- SUPPLIER CODE: V60516 SPECIFICATION NUMBER: BACB30NW6R3 OPTIONAL PART: HL11RA6-3 V92215 HL11RA6-3 V97928 L803-6R3 V06725 HL11RA6-3 V73197 B30NW6R3 V97928 HL11RA6-3 VOPTK6 HL11RA6-3 V56878 POSITION DATA: RH SIDE		1
42	BACB30UR3R3		.BOLT- POSITION DATA: LH SIDE		1
45	HL97DU6		.COLLAR- SUPPLIER CODE: V73197 SPECIFICATION NUMBER: BACC30AB6S OPTIONAL PART: HL97DU6 V56878 HL97DU6 V5M902 POSITION DATA: RH SIDE KFN305C3 V15653		10
45	KFN305C3		.NUT- SUPPLIER CODE: V15653 POSITION DATA: RH SIDE OPTIONAL PART: BACC30AB6S		10
ILLUSTRATION ITEMS NOT ON PARTS LIST ARE NOT APPLICABLE					

— ITEM NOT ILLUSTRATED

HXL

55-40-55-01

BOEING PROPRIETARY - Copyright © - Unpublished Work - See title page for details.

55-40-55
FIG. 01
PAGE 3
DEC 22/06



767

PARTS CATALOG (MAINTENANCE)

FIG ITEM	PART NUMBER	1 2 3 4 5 6 7	NOMENCLATURE	EFFECT FROM TO	UNITS PER ASSY
1	51 HL11VAZ6-3		.BOLT SUPPLIER CODE: V60516 SPECIFICATION NUMBER: BACB30NW6K3 OPTIONAL PART: B30NW6K3 V97928 HL11VAZ6-3 V73197 HL11VAZ6-3 V92215 HL11VAZ6-3 V97928 L803-6K3 V06725 HL11VAZ6-3 VOPTK6 HL11VAZ6-3 V56878		20
	54 HL97DU6		.COLLAR- SUPPLIER CODE: V73197 SPECIFICATION NUMBER: BACC30AB6S OPTIONAL PART: HL97DU6 V56878 HL97DU6 V5M902 KFN305C3 V15653		20
	54 KFN305C3		.NUT- SUPPLIER CODE: V15653 OPTIONAL PART: BACC30AB6S		20
	57 173T2026-10		.RIB ASSY- USED ON: 173T2001-10 173T2001-13 173T2001-23 173T2001-29 USED ON: 173T2001-10		1
	57 173T2026-1		.RIB ASSY- USED ON: 173T2001-4 173T2001-10		1

ILLUSTRATION ITEMS NOT ON PARTS LIST ARE NOT APPLICABLE

- ITEM NOT ILLUSTRATED

55-40-55-01

55-40-55
FIG. 01
PAGE 4
DEC 22/06

HXL



767

PARTS CATALOG (MAINTENANCE)

FIG ITEM	PART NUMBER	1 2 3 4 5 6 7	NOMENCLATURE	EFFECT FROM TO	UNITS PER ASSY
1					
60	173T2053-46		.SHIM		1
63	HL11VAZ6-6		.BOLT-		2
			SUPPLIER CODE: V60516		
			SPECIFICATION NUMBER: BACB30NW6K6		
			OPTIONAL PART: B30NW6K6		
			V97928		
			HL11VAZ6-6		
			V73197		
			HL11VAZ6-6		
			V92215		
			HL11VAZ6-6		
			V97928		
			L803-6K6		
			V06725		
			HL11VAZ6-6		
			VOPTK6		
			HL11VAZ6-6		
			V56878		
			POSITION DATA: RH SIDE		
66	BACB30UR3K6		.BOLT-		2
			POSITION DATA: LH SIDE		
69	HL11RA6-6		.BOLT-		1
			SUPPLIER CODE: V60516		
			SPECIFICATION NUMBER: BACB30NW6R6		
			OPTIONAL PART: HL11RA6-6		
			V92215		
			HL11RA6-6		
			V97928		
			L803-6R6		
			V06725		
			HL11RA6-6		
			V73197		
			B30NW6R6		
			V97928		
			HL11RA6-6		
			VOPTK6		
			HL11RA6-6		
			V56878		
			POSITION DATA: RH SIDE		

ILLUSTRATION ITEMS NOT ON PARTS LIST ARE NOT APPLICABLE

- ITEM NOT ILLUSTRATED

HXL

55-40-55-01

BOEING PROPRIETARY - Copyright © - Unpublished Work - See title page for details.

55-40-55
FIG. 01
PAGE 5
DEC 22/06



767

PARTS CATALOG (MAINTENANCE)

FIG ITEM	PART NUMBER	1 2 3 4 5 6 7	NOMENCLATURE	EFFECT FROM TO	UNITS PER ASSY
1	72 BACB30UR3R6		.BOLT- POSITION DATA: LH SIDE		1
	75 HL11VAZ6-4		.BOLT- SUPPLIER CODE: V60516 SPECIFICATION NUMBER: BACB30NW6K4 OPTIONAL PART: B30NW6K4 V97928 HL11VAZ6-4 V73197 HL11VAZ6-4 V92215 HL11VAZ6-4 V97928 L803-6K4 V06725 HL11VAZ6-4 VOPTK6 HL11VAZ6-4 V56878 POSITION DATA: RH SIDE		3
	78 BACB30UR3K4		.BOLT- POSITION DATA: LH SIDE		3

ILLUSTRATION ITEMS NOT ON PARTS LIST ARE NOT APPLICABLE

- ITEM NOT ILLUSTRATED

HXL

55-40-55-01

BOEING PROPRIETARY - Copyright © - Unpublished Work - See title page for details.

55-40-55
FIG. 01
PAGE 6
DEC 22/06



767

PARTS CATALOG (MAINTENANCE)

FIG ITEM	PART NUMBER	1 2 3 4 5 6 7	NOMENCLATURE	EFFECT FROM TO	UNITS PER ASSY
1 81	HL11RA6-4		.BOLT- SUPPLIER CODE: V60516 SPECIFICATION NUMBER: BACB30NW6R4 OPTIONAL PART: HL11RA6-4 V92215 HL11RA6-4 V97928 L803-6R4 V06725 HL11RA6-4 V73197 B30NW6R4 V97928 HL11RA6-4 VOPTK6 HL11RA6-4 V56878 POSITION DATA: RH SIDE		1
84	BACB30UR3R4		.BOLT- POSITION DATA: LH SIDE		1
87	HL11VAZ6-5		.BOLT- SUPPLIER CODE: V60516 SPECIFICATION NUMBER: BACB30NW6K5 OPTIONAL PART: B30NW6K5 V97928 HL11VAZ6-5 V73197 HL11VAZ6-5 V92215 HL11VAZ6-5 V97928 L803-6K5 V06725 HL11VAZ6-5 VOPTK6 HL11VAZ6-5 V56878 POSITION DATA: RH SIDE		1

ILLUSTRATION ITEMS NOT ON PARTS LIST ARE NOT APPLICABLE

- ITEM NOT ILLUSTRATED

HXL

55-40-55-01

BOEING PROPRIETARY - Copyright © - Unpublished Work - See title page for details.

55-40-55
FIG. 01
PAGE 7
DEC 22/06

 **BOEING**
767
PARTS CATALOG (MAINTENANCE)

FIG ITEM	PART NUMBER	1 2 3 4 5 6 7	NOMENCLATURE	EFFECT FROM TO	UNITS PER ASSY
1	90 BACB30UR3K5		.BOLT- POSITION DATA: LH SIDE		1
	93 HL97DU6		.COLLAR- SUPPLIER CODE: V73197 SPECIFICATION NUMBER: BACC30AB6S OPTIONAL PART: HL97DU6 V56878 HL97DU6 V5M902 POSITION DATA: RH SIDE KFN305C3 V15653		8
	93 KFN305C3		.NUT- SUPPLIER CODE: V15653 POSITION DATA: RH SIDE OPTIONAL PART: BACC30AB6S		8
	96 L8006K3		.BOLT SUPPLIER CODE: V06725 SPECIFICATION NUMBER: BACB30MY6K3		10
	99 AN960C10L		.WASHER		10
102	HL97DU6		.COLLAR- SUPPLIER CODE: V73197 SPECIFICATION NUMBER: BACC30AB6S OPTIONAL PART: HL97DU6 V56878 HL97DU6 V5M902 KFN305C3 V15653		10
102	KFN305C3		.NUT- SUPPLIER CODE: V15653 OPTIONAL PART: BACC30AB6S		10

ILLUSTRATION ITEMS NOT ON PARTS LIST ARE NOT APPLICABLE

- ITEM NOT ILLUSTRATED

HXL

55-40-55-01

BOEING PROPRIETARY - Copyright © - Unpublished Work - See title page for details.

55-40-55
FIG. 01
PAGE 8
APR 22/08



767

PARTS CATALOG (MAINTENANCE)

FIG ITEM	PART NUMBER	1 2 3 4 5 6 7	NOMENCLATURE	EFFECT FROM TO	UNITS PER ASSY
1					
105	173T2027-1		.RIB ASSY- POSITION DATA: STA 60.704		1
108	173T2053-43		.SHIM		2
111	HL11RA6-6		.BOLT- SUPPLIER CODE: V60516 SPECIFICATION NUMBER: BACB30NW6R6 OPTIONAL PART: HL11RA6-6 V92215 HL11RA6-6 V97928 L803-6R6 V06725 HL11RA6-6 V73197 B30NW6R6 V97928 HL11RA6-6 VOPTK6 HL11RA6-6 V56878 POSITION DATA: RH SIDE		3
114	BACB30UR3R6		.BOLT- POSITION DATA: LH SIDE		3

ILLUSTRATION ITEMS NOT ON PARTS LIST ARE NOT APPLICABLE

- ITEM NOT ILLUSTRATED

HXL

55-40-55-01

BOEING PROPRIETARY - Copyright © - Unpublished Work - See title page for details.

55-40-55
FIG. 01
PAGE 9
APR 22/08

 **BOEING**
767
PARTS CATALOG (MAINTENANCE)

FIG ITEM	PART NUMBER	1 2 3 4 5 6 7	NOMENCLATURE	EFFECT FROM TO	UNITS PER ASSY
1 117	HL11VAZ6-6		.BOLT- SUPPLIER CODE: V60516 SPECIFICATION NUMBER: BACB30NW6K6 OPTIONAL PART: B30NW6K6 V97928 HL11VAZ6-6 V73197 HL11VAZ6-6 V92215 HL11VAZ6-6 V97928 L803-6K6 V06725 HL11VAZ6-6 VOPTK6 HL11VAZ6-6 V56878 POSITION DATA: RH SIDE		9
120	BACB30UR3K6		.BOLT- POSITION DATA: LH SIDE		9
123	HL11VAZ6-4		.BOLT- SUPPLIER CODE: V60516 SPECIFICATION NUMBER: BACB30NW6K4 OPTIONAL PART: B30NW6K4 V97928 HL11VAZ6-4 V73197 HL11VAZ6-4 V92215 HL11VAZ6-4 V97928 L803-6K4 V06725 HL11VAZ6-4 VOPTK6 HL11VAZ6-4 V56878 POSITION DATA: RH SIDE		9

ILLUSTRATION ITEMS NOT ON PARTS LIST ARE NOT APPLICABLE

- ITEM NOT ILLUSTRATED

HXL

55-40-55-01

BOEING PROPRIETARY - Copyright © - Unpublished Work - See title page for details.

55-40-55
FIG. 01
PAGE 10
APR 22/08



767

PARTS CATALOG (MAINTENANCE)

FIG ITEM	PART NUMBER	1 2 3 4 5 6 7	NOMENCLATURE	EFFECT FROM TO	UNITS PER ASSY
1					
126	BACB30UR3K4		.BOLT- POSITION DATA: LH SIDE		9
129	HL11RA6-3		.BOLT- SUPPLIER CODE: V60516 SPECIFICATION NUMBER: BACB30NW6R3 OPTIONAL PART: HL11RA6-3 V92215 HL11RA6-3 V97928 L803-6R3 V06725 HL11RA6-3 V73197 B30NW6R3 V97928 HL11RA6-3 VOPTK6 HL11RA6-3 V56878 POSITION DATA: RH SIDE		3
132	BACB30UR3R3		.BOLT- POSITION DATA: LH SIDE		3

ILLUSTRATION ITEMS NOT ON PARTS LIST ARE NOT APPLICABLE

- ITEM NOT ILLUSTRATED

HXL

55-40-55-01

BOEING PROPRIETARY - Copyright © - Unpublished Work - See title page for details.

55-40-55
FIG. 01
PAGE 11
APR 22/08



767

PARTS CATALOG (MAINTENANCE)

FIG ITEM	PART NUMBER	1 2 3 4 5 6 7	NOMENCLATURE	EFFECT FROM TO	UNITS PER ASSY
1 135	HL11VAZ6-5		.BOLT- SUPPLIER CODE: V60516 SPECIFICATION NUMBER: BACB30NW6K5 OPTIONAL PART: B30NW6K5 V97928 HL11VAZ6-5 V73197 HL11VAZ6-5 V92215 HL11VAZ6-5 V97928 L803-6K5 V06725 HL11VAZ6-5 VOPTK6 HL11VAZ6-5 V56878 POSITION DATA: RH SIDE		3
138	BACB30UR3K5		.BOLT- POSITION DATA: LH SIDE		3
141	HL97DU6		.COLLAR- SUPPLIER CODE: V73197 SPECIFICATION NUMBER: BACC30AB6S OPTIONAL PART: HL97DU6 V56878 HL97DU6 V5M902 POSITION DATA: RH SIDE KFN305C3 V15653		27
141	KFN305C3		.NUT- SUPPLIER CODE: V15653 POSITION DATA: RH SIDE OPTIONAL PART: BACC30AB6S		27

ILLUSTRATION ITEMS NOT ON PARTS LIST ARE NOT APPLICABLE

- ITEM NOT ILLUSTRATED

55-40-55-01

55-40-55
FIG. 01
PAGE 12
APR 22/08

HXL

 **BOEING**
767
PARTS CATALOG (MAINTENANCE)

FIG ITEM	PART NUMBER	1 2 3 4 5 6 7	NOMENCLATURE	EFFECT FROM TO	UNITS PER ASSY
1					
144	L8006K3		.BOLT SUPPLIER CODE: V06725 SPECIFICATION NUMBER: BACB30MY6K3		25
147	AN960C10L		.WASHER		25
150	HL97DU6		.COLLAR- SUPPLIER CODE: V73197 SPECIFICATION NUMBER: BACC30AB6S OPTIONAL PART: HL97DU6 V56878 HL97DU6 V5M902 KFN305C3 V15653		25
150	KFN305C3		.NUT- SUPPLIER CODE: V15653 OPTIONAL PART: BACC30AB6S		25
153	173T2028-1		.RIB ASSY- POSITION DATA: STA 115.642		1
156	173T2029-1		.RIB ASSY- POSITION DATA: STA 140.608		1
159	173T2030-1		.RIB ASSY- POSITION DATA: STA 165.574		1
162	173T2053-41		.SHIM		6
ILLUSTRATION ITEMS NOT ON PARTS LIST ARE NOT APPLICABLE					

- ITEM NOT ILLUSTRATED

HXL

55-40-55-01

BOEING PROPRIETARY - Copyright © - Unpublished Work - See title page for details.

55-40-55
FIG. 01
PAGE 13
APR 22/08



767

PARTS CATALOG (MAINTENANCE)

FIG ITEM	PART NUMBER	1 2 3 4 5 6 7	NOMENCLATURE	EFFECT FROM TO	UNITS PER ASSY
1 165	HL11RA6-5		.BOLT- SUPPLIER CODE: V60516 SPECIFICATION NUMBER: BACB30NW6R5 OPTIONAL PART: HL11RA6-5 V92215 HL11RA6-5 V97928 L803-6R5 V06725 HL11RA6-5 V73197 B30NW6R5 V97928 HL11RA6-5 VOPTK6 HL11RA6-5 V56878 POSITION DATA: RH SIDE		2
168	BACB30UR3R5		.BOLT- POSITION DATA: LH SIDE		2
171	HL11VAZ6-5		.BOLT- SUPPLIER CODE: V60516 SPECIFICATION NUMBER: BACB30NW6K5 OPTIONAL PART: B30NW6K5 V97928 HL11VAZ6-5 V73197 HL11VAZ6-5 V92215 HL11VAZ6-5 V97928 L803-6K5 V06725 HL11VAZ6-5 VOPTK6 HL11VAZ6-5 V56878 POSITION DATA: RH SIDE		2

ILLUSTRATION ITEMS NOT ON PARTS LIST ARE NOT APPLICABLE

- ITEM NOT ILLUSTRATED

55-40-55-01

55-40-55
FIG. 01
PAGE 14
APR 22/08

HXL



767

PARTS CATALOG (MAINTENANCE)

FIG ITEM	PART NUMBER	1 2 3 4 5 6 7	NOMENCLATURE	EFFECT FROM TO	UNITS PER ASSY
1					
174	BACB30UR3K5		.BOLT- POSITION DATA: LH SIDE		2
177	HL11VAZ6-7		.BOLT- SUPPLIER CODE: V60516 SPECIFICATION NUMBER: BACB30NW6K7 OPTIONAL PART: B30NW6K7 V97928 HL11VAZ6-7 V73197 HL11VAZ6-7 V92215 HL11VAZ6-7 V97928 L803-6K7 V06725 HL11VAZ6-7 VOPTK6 HL11VAZ6-7 V56878 POSITION DATA: RH SIDE		1
180	BACB30UR3K7		.BOLT- POSITION DATA: LH SIDE		1
183	HL97DU6		.COLLAR- SUPPLIER CODE: V73197 SPECIFICATION NUMBER: BACC30AB6S OPTIONAL PART: HL97DU6 V56878 HL97DU6 V5M902 POSITION DATA: RH SIDE KFN305C3 V15653		5
183	KFN305C3		.NUT- SUPPLIER CODE: V15653 POSITION DATA: RH SIDE OPTIONAL PART: BACC30AB6S		5
ILLUSTRATION ITEMS NOT ON PARTS LIST ARE NOT APPLICABLE					

- ITEM NOT ILLUSTRATED

55-40-55-01

55-40-55
FIG. 01
PAGE 15
APR 22/08

HXL

 **BOEING**
767
PARTS CATALOG (MAINTENANCE)

FIG ITEM	PART NUMBER	1 2 3 4 5 6 7	NOMENCLATURE	EFFECT FROM TO	UNITS PER ASSY
1					
186	L8006K3		.BOLT SUPPLIER CODE: V06725 SPECIFICATION NUMBER: BACB30MY6K3		7
189	AN960C10L		.WASHER		7
192	HL97DU6		.COLLAR- SUPPLIER CODE: V73197 SPECIFICATION NUMBER: BACC30AB6S OPTIONAL PART: HL97DU6 V56878 HL97DU6 V5M902 KFN305C3 V15653		7
192	KFN305C3		.NUT- SUPPLIER CODE: V15653 OPTIONAL PART: BACC30AB6S		7
195	173T2031-1		.RIB ASSY- POSITION DATA: STA 231.852		1
198	HL11RA6-3		.BOLT- SUPPLIER CODE: V60516 SPECIFICATION NUMBER: BACB30NW6R3 OPTIONAL PART: HL11RA6-3 V92215 HL11RA6-3 V97928 L803-6R3 V06725 HL11RA6-3 V73197 B30NW6R3 V97928 HL11RA6-3 VOPTK6 HL11RA6-3 V56878 POSITION DATA: RH SIDE		2
ILLUSTRATION ITEMS NOT ON PARTS LIST ARE NOT APPLICABLE					

- ITEM NOT ILLUSTRATED

HXL

55-40-55-01

BOEING PROPRIETARY - Copyright © - Unpublished Work - See title page for details.

55-40-55
FIG. 01
PAGE 16
APR 22/08



767

PARTS CATALOG (MAINTENANCE)

FIG ITEM	PART NUMBER	1 2 3 4 5 6 7	NOMENCLATURE	EFFECT FROM TO	UNITS PER ASSY
1					
201	BACB30UR3R3		.BOLT- POSITION DATA: LH SIDE		2
204	HL11VAZ6-3		.BOLT- SUPPLIER CODE: V60516 SPECIFICATION NUMBER: BACB30NW6K3 OPTIONAL PART: B30NW6K3 V97928 HL11VAZ6-3 V73197 HL11VAZ6-3 V92215 HL11VAZ6-3 V97928 L803-6K3 V06725 HL11VAZ6-3 VOPTK6 HL11VAZ6-3 V56878 POSITION DATA: RH SIDE		2
207	BACB30UR3K3		.BOLT- POSITION DATA: LH SIDE		2
ILLUSTRATION ITEMS NOT ON PARTS LIST ARE NOT APPLICABLE					

- ITEM NOT ILLUSTRATED

HXL

55-40-55-01

BOEING PROPRIETARY - Copyright © - Unpublished Work - See title page for details.

55-40-55
FIG. 01
PAGE 17
APR 22/08



767

PARTS CATALOG (MAINTENANCE)

FIG ITEM	PART NUMBER	1 2 3 4 5 6 7	NOMENCLATURE	EFFECT FROM TO	UNITS PER ASSY
1 210	HL11VAZ6-5		.BOLT- SUPPLIER CODE: V60516 SPECIFICATION NUMBER: BACB30NW6K5 OPTIONAL PART: B30NW6K5 V97928 HL11VAZ6-5 V73197 HL11VAZ6-5 V92215 HL11VAZ6-5 V97928 L803-6K5 V06725 HL11VAZ6-5 VOPTK6 HL11VAZ6-5 V56878 POSITION DATA: RH SIDE		1
213	BACB30UR3K5		.BOLT- POSITION DATA: LH SIDE		1
216	HL97DU6		.COLLAR- SUPPLIER CODE: V73197 SPECIFICATION NUMBER: BACC30AB6S OPTIONAL PART: HL97DU6 V56878 HL97DU6 V5M902 POSITION DATA: RH SIDE KFN305C3 V15653		5
216	KFN305C3		.NUT- SUPPLIER CODE: V15653 POSITION DATA: RH SIDE OPTIONAL PART: BACC30AB6S		5

ILLUSTRATION ITEMS NOT ON PARTS LIST ARE NOT APPLICABLE

- ITEM NOT ILLUSTRATED

55-40-55-01

55-40-55
FIG. 01
PAGE 18
APR 22/08

HXL

BOEING
767
PARTS CATALOG (MAINTENANCE)

FIG ITEM	PART NUMBER	1 2 3 4 5 6 7	NOMENCLATURE	EFFECT FROM TO	UNITS PER ASSY
1 219	L8006K3		.BOLT SUPPLIER CODE: V06725 SPECIFICATION NUMBER: BACB30MY6K3		5
222	AN960C10L		.WASHER		5
225	HL97DU6		.COLLAR- SUPPLIER CODE: V73197 SPECIFICATION NUMBER: BACC30AB6S OPTIONAL PART: HL97DU6 V56878 HL97DU6 V5M902 KFN305C3 V15653		5
225	KFN305C3		.NUT- SUPPLIER CODE: V15653 OPTIONAL PART: BACC30AB6S		5
228	173T2032-1		.RIB ASSY- POSITION DATA: STA 306.371		1
231	HL11VAZ6-3		.BOLT- SUPPLIER CODE: V60516 SPECIFICATION NUMBER: BACB30NW6K3 OPTIONAL PART: B30NW6K3 V97928 HL11VAZ6-3 V73197 HL11VAZ6-3 V92215 HL11VAZ6-3 V97928 L803-6K3 V06725 HL11VAZ6-3 VOPTK6 HL11VAZ6-3 V56878 POSITION DATA: RH SIDE		24
ILLUSTRATION ITEMS NOT ON PARTS LIST ARE NOT APPLICABLE					

- ITEM NOT ILLUSTRATED

HXL

55-40-55-01

BOEING PROPRIETARY - Copyright © - Unpublished Work - See title page for details.

55-40-55
FIG. 01
PAGE 19
APR 22/08



767

PARTS CATALOG (MAINTENANCE)

FIG ITEM	PART NUMBER	1 2 3 4 5 6 7	NOMENCLATURE	EFFECT FROM TO	UNITS PER ASSY
1					
234	BACB30UR3K3		.BOLT- POSITION DATA: LH SIDE		24
237	HL11VAZ6-5		.BOLT- SUPPLIER CODE: V60516 SPECIFICATION NUMBER: BACB30NW6K5 OPTIONAL PART: B30NW6K5 V97928 HL11VAZ6-5 V73197 HL11VAZ6-5 V92215 HL11VAZ6-5 V97928 L803-6K5 V06725 HL11VAZ6-5 VOPTK6 HL11VAZ6-5 V56878 POSITION DATA: RH SIDE		11
240	BACB30UR3K5		.BOLT- POSITION DATA: LH SIDE		11
243	HL97DU6		.COLLAR- SUPPLIER CODE: V73197 SPECIFICATION NUMBER: BACC30AB6S OPTIONAL PART: HL97DU6 V56878 HL97DU6 V5M902 POSITION DATA: RH SIDE KFN305C3 V15653		35
243	KFN305C3		.NUT- SUPPLIER CODE: V15653 POSITION DATA: RH SIDE OPTIONAL PART: BACC30AB6S		35
ILLUSTRATION ITEMS NOT ON PARTS LIST ARE NOT APPLICABLE					

- ITEM NOT ILLUSTRATED

55-40-55-01

55-40-55
FIG. 01
PAGE 20
APR 22/08

HXL

BOEING
767
PARTS CATALOG (MAINTENANCE)

FIG ITEM	PART NUMBER	1 2 3 4 5 6 7	NOMENCLATURE	EFFECT FROM TO	UNITS PER ASSY
1 246	HL11VAZ8-5		.BOLT SUPPLIER CODE: V60516 SPECIFICATION NUMBER: BACB30NW8K5 OPTIONAL PART: B30NW8K5 V97928 HL11VAZ8-5 V73197 HL11VAZ8-5 V92215 HL11VAZ8-5 V97928 L803-8K5 V06725 HL11VAZ8-5 VOPTK6 HL11VAZ8-5 V56878		4
249	HL97DU8		.COLLAR SUPPLIER CODE: V73197 SPECIFICATION NUMBER: BACC30AB8S OPTIONAL PART: HL97DU8 V56878 HL97DU8 V5M902		4
252	173T2005-1		.SPAR INSTL- POSITION DATA: REAR		1
255	173T2053-42		.SHIM		12
258	173T2053-39		.SHIM		4
261	173T2053-40		.SHIM		4
264	173T2053-76		.SHIM		2
267	173T2014-1		.DOOR ASSY-INSPECTION ATTACHING PARTS		3
- 270	BACB30NN3R3		.BOLT -----*-----		24

ILLUSTRATION ITEMS NOT ON PARTS LIST ARE NOT APPLICABLE

- ITEM NOT ILLUSTRATED

HXL

55-40-55-01

BOEING PROPRIETARY - Copyright © - Unpublished Work - See title page for details.

55-40-55
FIG. 01
PAGE 21
APR 22/08



767

PARTS CATALOG (MAINTENANCE)

FIG ITEM	PART NUMBER	1 2 3 4 5 6 7	NOMENCLATURE	EFFECT FROM TO	UNITS PER ASSY
1 273	HL11VAZ10-9		.BOLT SUPPLIER CODE: V60516 SPECIFICATION NUMBER: BACB30NW10K9 OPTIONAL PART: B30NW10K9 V97928 HL11VAZ10-9 V73197 HL11VAZ10-9 V92215 HL11VAZ10-9 V97928 L803-10K9 V06725 HL11VAZ10-9 VOPTK6 HL11VAZ10-9 V56878		6
276	L8008K5		.BOLT SUPPLIER CODE: V06725 SPECIFICATION NUMBER: BACB30MY8K5		2
279	L8008K6		.BOLT SUPPLIER CODE: V06725 SPECIFICATION NUMBER: BACB30MY8K6		2
282	L8008K7		.BOLT SUPPLIER CODE: V06725 SPECIFICATION NUMBER: BACB30MY8K7		4
285	L8008K9		.BOLT SUPPLIER CODE: V06725 SPECIFICATION NUMBER: BACB30MY8K9		2

ILLUSTRATION ITEMS NOT ON PARTS LIST ARE NOT APPLICABLE

- ITEM NOT ILLUSTRATED

HXL

55-40-55-01

BOEING PROPRIETARY - Copyright © - Unpublished Work - See title page for details.

55-40-55
FIG. 01
PAGE 22
APR 22/08



767

PARTS CATALOG (MAINTENANCE)

FIG ITEM	PART NUMBER	1 2 3 4 5 6 7	NOMENCLATURE	EFFECT FROM TO	UNITS PER ASSY
1 288	HL79-10		.COLLAR SUPPLIER CODE: V5M902 SPECIFICATION NUMBER: BACC30M10 OPTIONAL PART: HL79-10 V73197 HL79-10 V92215 66014-10 V56878 HL79-10 V56878		6
291	HL97DU8		.COLLAR SUPPLIER CODE: V73197 SPECIFICATION NUMBER: BACC30AB8S OPTIONAL PART: HL97DU8 V56878 HL97DU8 V5M902		10
294	173T2039-1		.FITTING-HINGE POSITION DATA: STA 18.260		1
297	173T2053-8		.SHIM		2
300	HL11VAZ6-5		.BOLT SUPPLIER CODE: V60516 SPECIFICATION NUMBER: BACB30NW6K5 OPTIONAL PART: B30NW6K5 V97928 HL11VAZ6-5 V73197 HL11VAZ6-5 V92215 HL11VAZ6-5 V97928 L803-6K5 V06725 HL11VAZ6-5 VOPTK6 HL11VAZ6-5 V56878		18
303	BACB30NU4K7		.BOLT		8

ILLUSTRATION ITEMS NOT ON PARTS LIST ARE NOT APPLICABLE

- ITEM NOT ILLUSTRATED

HXL

55-40-55-01

BOEING PROPRIETARY - Copyright © - Unpublished Work - See title page for details.

55-40-55
FIG. 01
PAGE 23
APR 22/08



767

PARTS CATALOG (MAINTENANCE)

FIG ITEM	PART NUMBER	1 2 3 4 5 6 7	NOMENCLATURE	EFFECT FROM TO	UNITS PER ASSY
1 306	HL11VAZ6-7		.BOLT SUPPLIER CODE: V60516 SPECIFICATION NUMBER: BACB30NW6K7 OPTIONAL PART: B30NW6K7 V97928 HL11VAZ6-7 V73197 HL11VAZ6-7 V92215 HL11VAZ6-7 V97928 L803-6K7 V06725 HL11VAZ6-7 VOPTK6 HL11VAZ6-7 V56878		8
309	HL97DU6		.COLLAR SUPPLIER CODE: V73197 SPECIFICATION NUMBER: BACC30AB6S OPTIONAL PART: HL97DU6 V56878 HL97DU6 V5M902		18
312	HL79-6		.COLLAR SUPPLIER CODE: V5M902 SPECIFICATION NUMBER: BACC30M6 OPTIONAL PART: HL79-6 V73197 HL79-6 V92215 66014-6 V56878 HL79-6 V56878		8
315	173T2053-35		.SHIM		2
318	173T2053-36		.SHIM		2

ILLUSTRATION ITEMS NOT ON PARTS LIST ARE NOT APPLICABLE

- ITEM NOT ILLUSTRATED

55-40-55-01

55-40-55
FIG. 01
PAGE 24
APR 22/08

HXL

 **BOEING**
767
PARTS CATALOG (MAINTENANCE)

FIG ITEM	PART NUMBER	1 2 3 4 5 6 7	NOMENCLATURE	EFFECT FROM TO	UNITS PER ASSY
1 321	HL11VAZ10-9		.BOLT SUPPLIER CODE: V60516 SPECIFICATION NUMBER: BACB30NW10K9 OPTIONAL PART: B30NW10K9 V97928 HL11VAZ10-9 V73197 HL11VAZ10-9 V92215 HL11VAZ10-9 V97928 L803-10K9 V06725 HL11VAZ10-9 VOPTK6 HL11VAZ10-9 V56878		6
324	L8008K5		.BOLT SUPPLIER CODE: V06725 SPECIFICATION NUMBER: BACB30MY8K5		10
327	HL79-10		.COLLAR SUPPLIER CODE: V5M902 SPECIFICATION NUMBER: BACC30M10 OPTIONAL PART: HL79-10 V73197 HL79-10 V92215 66014-10 V56878 HL79-10 V56878		6
330	HL97DU8		.COLLAR SUPPLIER CODE: V73197 SPECIFICATION NUMBER: BACC30AB8S OPTIONAL PART: HL97DU8 V56878 HL97DU8 V5M902		10

ILLUSTRATION ITEMS NOT ON PARTS LIST ARE NOT APPLICABLE

- ITEM NOT ILLUSTRATED

HXL

55-40-55-01

BOEING PROPRIETARY - Copyright © - Unpublished Work - See title page for details.

55-40-55
FIG. 01
PAGE 25
APR 22/08

 **BOEING**
767
PARTS CATALOG (MAINTENANCE)

FIG ITEM	PART NUMBER	1 2 3 4 5 6 7	NOMENCLATURE	EFFECT FROM TO	UNITS PER ASSY
1					
333	173T2039-3		. FITTING-HINGE POSITION DATA: STA 60.204		1
336	173T2053-8		. SHIM		2
339	KSP3LFS428		. BEARING SUPPLIER CODE: V21335 SPECIFICATION NUMBER: BACB10AC3L OPTIONAL PART: HHKSP3L V38443 KSP3LE9440A V21335 KSP3L2TS V43991 KSP3LG27 V30163		1
342	251T3445-5		. BRACKET ASSY ATTACHING PARTS		1
- 345	BACB30NT3K5		. BOLT		4
- 348	AN960PD10L		. WASHER -----*-----		4
351	HL11VAZ10-9		. BOLT SUPPLIER CODE: V60516 SPECIFICATION NUMBER: BACB30NW10K9 OPTIONAL PART: B30NW10K9 V97928 HL11VAZ10-9 V73197 HL11VAZ10-9 V92215 HL11VAZ10-9 V97928 L803-10K9 V06725 HL11VAZ10-9 VOPTK6 HL11VAZ10-9 V56878		12
354	L8008K5		. BOLT SUPPLIER CODE: V06725 SPECIFICATION NUMBER: BACB30MY8K5		14
ILLUSTRATION ITEMS NOT ON PARTS LIST ARE NOT APPLICABLE					

- ITEM NOT ILLUSTRATED

HXL

55-40-55-01

BOEING PROPRIETARY - Copyright © - Unpublished Work - See title page for details.

55-40-55
FIG. 01
PAGE 26
APR 22/08



767

PARTS CATALOG (MAINTENANCE)

FIG ITEM	PART NUMBER	1 2 3 4 5 6 7	NOMENCLATURE	EFFECT FROM TO	UNITS PER ASSY
1 357	HL79-10		.COLLAR SUPPLIER CODE: V5M902 SPECIFICATION NUMBER: BACC30M10 OPTIONAL PART: HL79-10 V73197 HL79-10 V92215 66014-10 V56878 HL79-10 V56878		12
360	HL97DU8		.COLLAR SUPPLIER CODE: V73197 SPECIFICATION NUMBER: BACC30AB8S OPTIONAL PART: HL97DU8 V56878 HL97DU8 V5M902		14
363	173T2041-1		.FITTING-HINGE POSITION DATA: STA 106.143 USED ON: 173T2001-4 173T2001-10 173T2001-13 173T2001-23		1
363	173T2041-22		.FITTING-HINGE POSITION DATA: STA 106.143 USED ON: 173T2001-29		1
369	173T2041-3		.FITTING-HINGE POSITION DATA: STA 131.108 USED ON: 173T2001-4 173T2001-10 173T2001-13 173T2001-23		1

ILLUSTRATION ITEMS NOT ON PARTS LIST ARE NOT APPLICABLE

- ITEM NOT ILLUSTRATED

HXL

55-40-55-01

BOEING PROPRIETARY - Copyright © - Unpublished Work - See title page for details.

55-40-55
FIG. 01
PAGE 27
APR 22/08



767

PARTS CATALOG (MAINTENANCE)

FIG ITEM	PART NUMBER	1 2 3 4 5 6 7	NOMENCLATURE	EFFECT FROM TO	UNITS PER ASSY
1 369	173T2041-23		. FITTING-HINGE POSITION DATA: STA 131.108 USED ON: 173T2001-29		1
375	173T2053-8		. SHIM		4
378	HL11VAZ10-9		. BOLT SUPPLIER CODE: V60516 SPECIFICATION NUMBER: BACB30NW10K9 OPTIONAL PART: B30NW10K9 V97928 HL11VAZ10-9 V73197 HL11VAZ10-9 V92215 HL11VAZ10-9 V97928 L803-10K9 V06725 HL11VAZ10-9 VOPTK6 HL11VAZ10-9 V56878		4
381	HL11VAZ10-12		. BOLT SUPPLIER CODE: V60516 SPECIFICATION NUMBER: BACB30NW10K12 OPTIONAL PART: B30NW10K12 V97928 HL11VAZ10-12 V73197 HL11VAZ10-12 V92215 HL11VAZ10-12 V97928 L803-10K12 V06725 HL11VAZ10-12 VOPTK6 HL11VAZ10-12 V56878		6

ILLUSTRATION ITEMS NOT ON PARTS LIST ARE NOT APPLICABLE

- ITEM NOT ILLUSTRATED

HXL

55-40-55-01

BOEING PROPRIETARY - Copyright © - Unpublished Work - See title page for details.

55-40-55
FIG. 01
PAGE 28
APR 22/08



767

PARTS CATALOG (MAINTENANCE)

FIG ITEM	PART NUMBER	1 2 3 4 5 6 7	NOMENCLATURE	EFFECT FROM TO	UNITS PER ASSY
1 384	L8008K7		.BOLT SUPPLIER CODE: V06725 SPECIFICATION NUMBER: BACB30MY8K7		11
387	L8008K6		.BOLT SUPPLIER CODE: V06725 SPECIFICATION NUMBER: BACB30MY8K6		6
390	HL79-10		.COLLAR SUPPLIER CODE: V5M902 SPECIFICATION NUMBER: BACC30M10 OPTIONAL PART: HL79-10 V73197 HL79-10 V92215 66014-10 V56878 HL79-10 V56878		10
393	HL79-8		.COLLAR SUPPLIER CODE: V5M902 SPECIFICATION NUMBER: BACC30M8 OPTIONAL PART: HL79-8 V73197 HL79-8 V92215 66014-8 V56878 HL79-8 V56878		8
396	HL97DU8		.COLLAR SUPPLIER CODE: V73197 SPECIFICATION NUMBER: BACC30AB8S OPTIONAL PART: HL97DU8 V56878 HL97DU8 V5M902		9
399	173T2019-1		.FITTING ASSY-		1

ILLUSTRATION ITEMS NOT ON PARTS LIST ARE NOT APPLICABLE

- ITEM NOT ILLUSTRATED

HXL

55-40-55-01

BOEING PROPRIETARY - Copyright © - Unpublished Work - See title page for details.

55-40-55
FIG. 01
PAGE 29
APR 22/08



767

PARTS CATALOG (MAINTENANCE)

FIG ITEM	PART NUMBER	1 2 3 4 5 6 7	NOMENCLATURE	EFFECT FROM TO	UNITS PER ASSY
1					
399	173T2019-3		.FITTING ASSY-		1
402	173T2053-9		.SHIM		2
405	173T2013-5		.DOOR-INSPECTION		3
			ATTACHING PARTS		
- 408	BACB30NT3K3		.BOLT		9
			-----*-----		
411	HL11VAZ10-9		.BOLT		8
			SUPPLIER CODE:		
			V60516		
			SPECIFICATION NUMBER:		
			BACB30NW10K9		
			OPTIONAL PART:		
			B30NW10K9		
			V97928		
			HL11VAZ10-9		
			V73197		
			HL11VAZ10-9		
			V92215		
			HL11VAZ10-9		
			V97928		
			L803-10K9		
			V06725		
			HL11VAZ10-9		
			VOPTK6		
			HL11VAZ10-9		
			V56878		
414	HL11VAZ10-12		.BOLT		12
			SUPPLIER CODE:		
			V60516		
			SPECIFICATION NUMBER:		
			BACB30NW10K12		
			OPTIONAL PART:		
			B30NW10K12		
			V97928		
			HL11VAZ10-12		
			V73197		
			HL11VAZ10-12		
			V92215		
			HL11VAZ10-12		
			V97928		
			L803-10K12		
			V06725		
			HL11VAZ10-12		
			VOPTK6		
			HL11VAZ10-12		
			V56878		

ILLUSTRATION ITEMS NOT ON PARTS LIST ARE NOT APPLICABLE

- ITEM NOT ILLUSTRATED

HXL

55-40-55-01

BOEING PROPRIETARY - Copyright © - Unpublished Work - See title page for details.

55-40-55
FIG. 01
PAGE 30
APR 22/08



767

PARTS CATALOG (MAINTENANCE)

FIG ITEM	PART NUMBER	1 2 3 4 5 6 7	NOMENCLATURE	EFFECT FROM TO	UNITS PER ASSY
1 417	L8008K6	.	BOLT SUPPLIER CODE: V06725 SPECIFICATION NUMBER: BACB30MY8K6		16
420	L8008K7	.	BOLT SUPPLIER CODE: V06725 SPECIFICATION NUMBER: BACB30MY8K7		14
422	HL79-10	.	COLLAR SUPPLIER CODE: V5M902 SPECIFICATION NUMBER: BACC30M10 OPTIONAL PART: HL79-10 V73197 HL79-10 V92215 66014-10 V56878 HL79-10 V56878		20
425	HL79-8	.	COLLAR SUPPLIER CODE: V5M902 SPECIFICATION NUMBER: BACC30M8 OPTIONAL PART: HL79-8 V73197 HL79-8 V92215 66014-8 V56878 HL79-8 V56878		16
427	HL97DU8	.	COLLAR SUPPLIER CODE: V73197 SPECIFICATION NUMBER: BACC30AB8S OPTIONAL PART: HL97DU8 V56878 HL97DU8 V5M902		14
429	173T2017-1	.	FITTING ASSY-		1

ILLUSTRATION ITEMS NOT ON PARTS LIST ARE NOT APPLICABLE

- ITEM NOT ILLUSTRATED

HXL

55-40-55-01

BOEING PROPRIETARY - Copyright © - Unpublished Work - See title page for details.

55-40-55
FIG. 01
PAGE 31
APR 22/08

 **BOEING**
767
PARTS CATALOG (MAINTENANCE)

FIG ITEM	PART NUMBER	1 2 3 4 5 6 7	NOMENCLATURE	EFFECT FROM TO	UNITS PER ASSY
1					
429	173T2017-5		.FITTING ASSY-		1
432	173T2017-3		.FITTING ASSY-		1
432	173T2017-7		.FITTING ASSY-		1
435	173T2053-9		.SHIM		4
438	HL11VAZ10-9		.BOLT		12
			SUPPLIER CODE: V60516		
			SPECIFICATION NUMBER: BACB30NW10K9		
			OPTIONAL PART: B30NW10K9		
			V97928		
			HL11VAZ10-9		
			V73197		
			HL11VAZ10-9		
			V92215		
			HL11VAZ10-9		
			V97928		
			L803-10K9		
			V06725		
			HL11VAZ10-9		
			VOPTK6		
			HL11VAZ10-9		
			V56878		
441	L8008K5		.BOLT		8
			SUPPLIER CODE: V06725		
			SPECIFICATION NUMBER: BACB30MY8K5		
444	L8008K6		.BOLT		8
			SUPPLIER CODE: V06725		
			SPECIFICATION NUMBER: BACB30MY8K6		
447	HL79-10		.COLLAR		12
			SUPPLIER CODE: V5M902		
			SPECIFICATION NUMBER: BACC30M10		
			OPTIONAL PART: HL79-10		
			V73197		
			HL79-10		
			V92215		
			66014-10		
			V56878		
			HL79-10		
			V56878		

ILLUSTRATION ITEMS NOT ON PARTS LIST ARE NOT APPLICABLE

- ITEM NOT ILLUSTRATED

HXL

55-40-55-01

BOEING PROPRIETARY - Copyright © - Unpublished Work - See title page for details.

55-40-55
FIG. 01
PAGE 32
APR 22/08

BOEING
767
PARTS CATALOG (MAINTENANCE)

FIG ITEM	PART NUMBER	1 2 3 4 5 6 7	NOMENCLATURE	EFFECT FROM TO	UNITS PER ASSY
1 450	HL97DU8		.COLLAR SUPPLIER CODE: V73197 SPECIFICATION NUMBER: BACC30AB8S OPTIONAL PART: HL97DU8 V56878 HL97DU8 V5M902		16
453	173T2023-1		.FITTING-VERT. LOAD		1
456	173T2023-3		.FITTING-VERT. LOAD		1
459	173T2053-10		.SHIM		4
462	HL11VAZ10-9		.BOLT SUPPLIER CODE: V60516 SPECIFICATION NUMBER: BACB30NW10K9 OPTIONAL PART: B30NW10K9 V97928 HL11VAZ10-9 V73197 HL11VAZ10-9 V92215 HL11VAZ10-9 V97928 L803-10K9 V06725 HL11VAZ10-9 VOPTK6 HL11VAZ10-9 V56878		6
465	L8008K5		.BOLT SUPPLIER CODE: V06725 SPECIFICATION NUMBER: BACB30MY8K5		5

ILLUSTRATION ITEMS NOT ON PARTS LIST ARE NOT APPLICABLE

- ITEM NOT ILLUSTRATED

HXL

55-40-55-01

BOEING PROPRIETARY - Copyright © - Unpublished Work - See title page for details.

55-40-55
FIG. 01
PAGE 33
APR 22/08



767

PARTS CATALOG (MAINTENANCE)

FIG ITEM	PART NUMBER	1 2 3 4 5 6 7	NOMENCLATURE	EFFECT FROM TO	UNITS PER ASSY
1 468	HL79-10		.COLLAR SUPPLIER CODE: V5M902 SPECIFICATION NUMBER: BACC30M10 OPTIONAL PART: HL79-10 V73197 HL79-10 V92215 66014-10 V56878 HL79-10 V56878		6
471	HL97DU8		.COLLAR SUPPLIER CODE: V73197 SPECIFICATION NUMBER: BACC30AB8S OPTIONAL PART: HL97DU8 V56878 HL97DU8 V5M902		5
474	173T2043-1		.FITTING-HINGE POSITION DATA: STA 230.972		1
477	173T2053-8		.SHIM		2
480	HL11VAZ10-8		.BOLT SUPPLIER CODE: V60516 SPECIFICATION NUMBER: BACB30NW10K8 OPTIONAL PART: B30NW10K8 V97928 HL11VAZ10-8 V73197 HL11VAZ10-8 V92215 HL11VAZ10-8 V97928 L803-10K8 V06725 HL11VAZ10-8 VOPTK6 HL11VAZ10-8 V56878		6

ILLUSTRATION ITEMS NOT ON PARTS LIST ARE NOT APPLICABLE

- ITEM NOT ILLUSTRATED

55-40-55-01

55-40-55
FIG. 01
PAGE 34
APR 22/08

HXL

 **BOEING**
767
PARTS CATALOG (MAINTENANCE)

FIG ITEM	PART NUMBER	1 2 3 4 5 6 7	NOMENCLATURE	EFFECT FROM TO	UNITS PER ASSY
1 483	L8008K5		.BOLT SUPPLIER CODE: V06725 SPECIFICATION NUMBER: BACB30MY8K5		5
486	HL79-10		.COLLAR SUPPLIER CODE: V5M902 SPECIFICATION NUMBER: BACC30M10 OPTIONAL PART: HL79-10 V73197 HL79-10 V92215 66014-10 V56878 HL79-10 V56878		6
489	HL97DU8		.COLLAR SUPPLIER CODE: V73197 SPECIFICATION NUMBER: BACC30AB8S OPTIONAL PART: HL97DU8 V56878 HL97DU8 V5M902		5
492	173T2045-1		.FITTING-HINGE POSITION DATA: STA 305.871		1
495	173T2053-8		.SHIM		2

ILLUSTRATION ITEMS NOT ON PARTS LIST ARE NOT APPLICABLE

— ITEM NOT ILLUSTRATED

HXL

55-40-55-01

BOEING PROPRIETARY - Copyright © - Unpublished Work - See title page for details.

55-40-55
FIG. 01
PAGE 35
APR 22/08



767

PARTS CATALOG (MAINTENANCE)

FIG ITEM	PART NUMBER	1 2 3 4 5 6 7	NOMENCLATURE	EFFECT FROM TO	UNITS PER ASSY
1 498	HL11VAZ10-10		.BOLT SUPPLIER CODE: V60516 SPECIFICATION NUMBER: BACB30NW10K10 OPTIONAL PART: B30NW10K10 V97928 HL11VAZ10-10 V92215 HL11VAZ10-10 V97928 L803-10K10 V06725 HL11VAZ10-10 V73197 HL11VAZ10-10 VOPTK6 HL11VAZ10-10 V56878		6
501	L8008K6		.BOLT SUPPLIER CODE: V06725 SPECIFICATION NUMBER: BACB30MY8K6		6
504	HL79-10		.COLLAR SUPPLIER CODE: V5M902 SPECIFICATION NUMBER: BACC30M10 OPTIONAL PART: HL79-10 V73197 HL79-10 V92215 66014-10 V56878 HL79-10 V56878		6
507	HL97DU8		.COLLAR SUPPLIER CODE: V73197 SPECIFICATION NUMBER: BACC30AB8S OPTIONAL PART: HL97DU8 V56878 HL97DU8 V5M902		6

ILLUSTRATION ITEMS NOT ON PARTS LIST ARE NOT APPLICABLE

- ITEM NOT ILLUSTRATED

HXL

55-40-55-01

BOEING PROPRIETARY - Copyright © - Unpublished Work - See title page for details.

55-40-55
FIG. 01
PAGE 36
APR 22/08



767

PARTS CATALOG (MAINTENANCE)

FIG ITEM	PART NUMBER	1 2 3 4 5 6 7	NOMENCLATURE	EFFECT FROM TO	UNITS PER ASSY
1					
510	173T2046-1		. FITTING-HINGE POSITION DATA: STA 380.769		1
513	173T2053-8		. SHIM		2
516	HL11VAZ6-4		. BOLT SUPPLIER CODE: V60516 SPECIFICATION NUMBER: BACB30NW6K4 OPTIONAL PART: B30NW6K4 V97928 HL11VAZ6-4 V73197 HL11VAZ6-4 V92215 HL11VAZ6-4 V97928 L803-6K4 V06725 HL11VAZ6-4 VOPTK6 HL11VAZ6-4 V56878		2
519	HL11VAZ6-5		. BOLT SUPPLIER CODE: V60516 SPECIFICATION NUMBER: BACB30NW6K5 OPTIONAL PART: B30NW6K5 V97928 HL11VAZ6-5 V73197 HL11VAZ6-5 V92215 HL11VAZ6-5 V97928 L803-6K5 V06725 HL11VAZ6-5 VOPTK6 HL11VAZ6-5 V56878		4

ILLUSTRATION ITEMS NOT ON PARTS LIST ARE NOT APPLICABLE

- ITEM NOT ILLUSTRATED

HXL

55-40-55-01

BOEING PROPRIETARY - Copyright © - Unpublished Work - See title page for details.

55-40-55
FIG. 01
PAGE 37
APR 22/08

 **BOEING**
767
PARTS CATALOG (MAINTENANCE)

FIG ITEM	PART NUMBER	1 2 3 4 5 6 7	NOMENCLATURE	EFFECT FROM TO	UNITS PER ASSY
1 522	HL97DU8		.COLLAR SUPPLIER CODE: V73197 SPECIFICATION NUMBER: BACC30AB8S OPTIONAL PART: HL97DU8 V56878 HL97DU8 V5M902		6
525	173T2008-1		.BOND ASSY-LE		1
528	HL11VAZ6-5		.BOLT SUPPLIER CODE: V60516 SPECIFICATION NUMBER: BACB30NW6K5 OPTIONAL PART: B30NW6K5 V97928 HL11VAZ6-5 V73197 HL11VAZ6-5 V92215 HL11VAZ6-5 V97928 L803-6K5 V06725 HL11VAZ6-5 VOPTK6 HL11VAZ6-5 V56878		16
531	HL97DU8		.COLLAR SUPPLIER CODE: V73197 SPECIFICATION NUMBER: BACC30AB8S OPTIONAL PART: HL97DU8 V56878 HL97DU8 V5M902		16
534	173T2008-5		.BOND ASSY-LE POSITION DATA: STA 18.260		1
537	173T2008-2		.BOND ASSY-LE		1
540	173T2008-7		.BOND ASSY-LE POSITION DATA: STA 60.204		1

ILLUSTRATION ITEMS NOT ON PARTS LIST ARE NOT APPLICABLE

- ITEM NOT ILLUSTRATED

HXL

55-40-55-01

BOEING PROPRIETARY - Copyright © - Unpublished Work - See title page for details.

55-40-55
FIG. 01
PAGE 38
APR 22/08

 **BOEING**
767
PARTS CATALOG (MAINTENANCE)

FIG ITEM	PART NUMBER	1 2 3 4 5 6 7	NOMENCLATURE	EFFECT FROM TO	UNITS PER ASSY
1 543	HL11VAZ6-5		.BOLT SUPPLIER CODE: V60516 SPECIFICATION NUMBER: BACB30NW6K5 OPTIONAL PART: B30NW6K5 V97928 HL11VAZ6-5 V73197 HL11VAZ6-5 V92215 HL11VAZ6-5 V97928 L803-6K5 V06725 HL11VAZ6-5 VOPTK6 HL11VAZ6-5 V56878		12
546	HL11VAZ6-7		.BOLT SUPPLIER CODE: V60516 SPECIFICATION NUMBER: BACB30NW6K7 OPTIONAL PART: B30NW6K7 V97928 HL11VAZ6-7 V73197 HL11VAZ6-7 V92215 HL11VAZ6-7 V97928 L803-6K7 V06725 HL11VAZ6-7 VOPTK6 HL11VAZ6-7 V56878		6

ILLUSTRATION ITEMS NOT ON PARTS LIST ARE NOT APPLICABLE

- ITEM NOT ILLUSTRATED

HXL

55-40-55-01

BOEING PROPRIETARY - Copyright © - Unpublished Work - See title page for details.

55-40-55
FIG. 01
PAGE 39
APR 22/08

 **BOEING**
767
PARTS CATALOG (MAINTENANCE)

FIG ITEM	PART NUMBER	1 2 3 4 5 6 7	NOMENCLATURE	EFFECT FROM TO	UNITS PER ASSY
1 549	HL11VAZ6-3		.BOLT SUPPLIER CODE: V60516 SPECIFICATION NUMBER: BACB30NW6K3 OPTIONAL PART: B30NW6K3 V97928 HL11VAZ6-3 V73197 HL11VAZ6-3 V92215 HL11VAZ6-3 V97928 L803-6K3 V06725 HL11VAZ6-3 VOPTK6 HL11VAZ6-3 V56878		15
552	HL97DU6		.COLLAR SUPPLIER CODE: V73197 SPECIFICATION NUMBER: BACC30AB6S OPTIONAL PART: HL97DU6 V56878 HL97DU6 V5M902		33
555	173T2008-3		.BOND ASSY-LE		1
558	173T2008-4		.RIB- POSITION DATA: STA 104.142 USED ON: 173T2001-4 173T2001-10		1
558	173T2008-12		.RIB- POSITION DATA: STA 104.142 USED ON: 173T2001-10 173T2001-13 173T2001-23 173T2001-29		1
561	173T2053-11		.SHIM- POSITION DATA: LH SIDE		AR

ILLUSTRATION ITEMS NOT ON PARTS LIST ARE NOT APPLICABLE

- ITEM NOT ILLUSTRATED

HXL

55-40-55-01

BOEING PROPRIETARY - Copyright © - Unpublished Work - See title page for details.

55-40-55
FIG. 01
PAGE 40
APR 22/08

 **BOEING**
767
PARTS CATALOG (MAINTENANCE)

FIG ITEM	PART NUMBER	1 2 3 4 5 6 7	NOMENCLATURE	EFFECT FROM TO	UNITS PER ASSY
1					
564	173T2053-12	.SHIM-	POSITION DATA: RH SIDE		AR
567	173T2053-51	.SHIM			AR
570	173T2053-52	.SHIM			AR
573	173T2053-13	.SHIM-	POSITION DATA: LH SIDE		AR
576	173T2053-14	.SHIM-	POSITION DATA: RH SIDE		AR
579	173T2053-53	.SHIM			AR
582	173T2053-54	.SHIM			AR
585	173T2053-15	.SHIM-	POSITION DATA: LH SIDE		AR
588	173T2053-16	.SHIM-	POSITION DATA: RH SIDE		AR
591	173T2053-55	.SHIM			AR
594	173T2053-56	.SHIM			AR
597	173T2053-17	.SHIM-	POSITION DATA: LH SIDE		AR
600	173T2053-18	.SHIM-	POSITION DATA: RH SIDE		AR
603	173T2053-57	.SHIM			AR
606	173T2053-58	.SHIM			AR
609	173T2053-31	.SHIM			4
612	173T2053-32	.SHIM			4
615	173T2053-37	.SHIM			4

ILLUSTRATION ITEMS NOT ON PARTS LIST ARE NOT APPLICABLE

— ITEM NOT ILLUSTRATED

HXL

55-40-55-01

BOEING PROPRIETARY - Copyright © - Unpublished Work - See title page for details.

55-40-55
FIG. 01
PAGE 41
APR 22/08



767

PARTS CATALOG (MAINTENANCE)

FIG ITEM	PART NUMBER	1 2 3 4 5 6 7	NOMENCLATURE	EFFECT FROM TO	UNITS PER ASSY
1 618	HL11VAZ6-5	.BOLT	SUPPLIER CODE: V60516 SPECIFICATION NUMBER: BACB30NW6K5 OPTIONAL PART: B30NW6K5 V97928 HL11VAZ6-5 V73197 HL11VAZ6-5 V92215 HL11VAZ6-5 V97928 L803-6K5 V06725 HL11VAZ6-5 VOPTK6 HL11VAZ6-5 V56878		16
621	HL11VAZ6-7	.BOLT	SUPPLIER CODE: V60516 SPECIFICATION NUMBER: BACB30NW6K7 OPTIONAL PART: B30NW6K7 V97928 HL11VAZ6-7 V73197 HL11VAZ6-7 V92215 HL11VAZ6-7 V97928 L803-6K7 V06725 HL11VAZ6-7 VOPTK6 HL11VAZ6-7 V56878		12

ILLUSTRATION ITEMS NOT ON PARTS LIST ARE NOT APPLICABLE

- ITEM NOT ILLUSTRATED

HXL

55-40-55-01

BOEING PROPRIETARY - Copyright © - Unpublished Work - See title page for details.

55-40-55
 FIG. 01
 PAGE 42
 APR 22/08



767

PARTS CATALOG (MAINTENANCE)

FIG ITEM	PART NUMBER	1 2 3 4 5 6 7	NOMENCLATURE	EFFECT FROM TO	UNITS PER ASSY
1 624	HL11VAZ6-3		.BOLT SUPPLIER CODE: V60516 SPECIFICATION NUMBER: BACB30NW6K3 OPTIONAL PART: B30NW6K3 V97928 HL11VAZ6-3 V73197 HL11VAZ6-3 V92215 HL11VAZ6-3 V97928 L803-6K3 V06725 HL11VAZ6-3 VOPTK6 HL11VAZ6-3 V56878		16
627	HL97DU6		.COLLAR SUPPLIER CODE: V73197 SPECIFICATION NUMBER: BACC30AB6S OPTIONAL PART: HL97DU6 V56878 HL97DU6 V5M902		44
630	173T2009-1		.PANEL- POSITION DATA: LH SIDE		1
633	173T2009-2		.PANEL- POSITION DATA: RH SIDE		1
636	173T2009-5		.PANEL- POSITION DATA: LH SIDE		1
639	173T2009-6		.PANEL- POSITION DATA: RH SIDE		1

ILLUSTRATION ITEMS NOT ON PARTS LIST ARE NOT APPLICABLE

- ITEM NOT ILLUSTRATED

HXL

55-40-55-01

BOEING PROPRIETARY - Copyright © - Unpublished Work - See title page for details.

55-40-55
FIG. 01
PAGE 43
APR 22/08



767

PARTS CATALOG (MAINTENANCE)

FIG ITEM	PART NUMBER	1 2 3 4 5 6 7	NOMENCLATURE	EFFECT FROM TO	UNITS PER ASSY
1 642	HL11VAZ6-5		.BOLT SUPPLIER CODE: V60516 SPECIFICATION NUMBER: BACB30NW6K5 OPTIONAL PART: B30NW6K5 V97928 HL11VAZ6-5 V73197 HL11VAZ6-5 V92215 HL11VAZ6-5 V97928 L803-6K5 V06725 HL11VAZ6-5 VOPTK6 HL11VAZ6-5 V56878		15
645	HL11VAZ6-7		.BOLT SUPPLIER CODE: V60516 SPECIFICATION NUMBER: BACB30NW6K7 OPTIONAL PART: B30NW6K7 V97928 HL11VAZ6-7 V73197 HL11VAZ6-7 V92215 HL11VAZ6-7 V97928 L803-6K7 V06725 HL11VAZ6-7 VOPTK6 HL11VAZ6-7 V56878		6

ILLUSTRATION ITEMS NOT ON PARTS LIST ARE NOT APPLICABLE

- ITEM NOT ILLUSTRATED

HXL

55-40-55-01

BOEING PROPRIETARY - Copyright © - Unpublished Work - See title page for details.

55-40-55
FIG. 01
PAGE 44
APR 22/08

 **BOEING**
767
PARTS CATALOG (MAINTENANCE)

FIG ITEM	PART NUMBER	1 2 3 4 5 6 7	NOMENCLATURE	EFFECT FROM TO	UNITS PER ASSY
1 648	HL11VAZ6-3		.BOLT SUPPLIER CODE: V60516 SPECIFICATION NUMBER: BACB30NW6K3 OPTIONAL PART: B30NW6K3 V97928 HL11VAZ6-3 V73197 HL11VAZ6-3 V92215 HL11VAZ6-3 V97928 L803-6K3 V06725 HL11VAZ6-3 VOPTK6 HL11VAZ6-3 V56878		6
651	HL97DU6		.COLLAR SUPPLIER CODE: V73197 SPECIFICATION NUMBER: BACC30AB6S OPTIONAL PART: HL97DU6 V56878 HL97DU6 V5M902		27
654	173T2009-19		.PANEL- POSITION DATA: LH SIDE		1
657	173T2009-10		.PANEL- POSITION DATA: RH SIDE		1
660	173T2053-45		.SHIM		AR
663	173T2053-78		.SHIM		AR
666	173T2053-79		.SHIM		6
669	173T2053-30		.SHIM		6
672	173T2053-34		.SHIM		6
675	173T2053-37		.SHIM		6
678	BACB30NN3K5		.BOLT		36
681	173T2009-3		.PANEL		1
684	173T2009-7		.PANEL		1
687	173T2009-11		.PANEL		1
690	173T2053-71		.SHIM		AR
693	173T2053-72		.SHIM		AR
696	173T2053-73		.SHIM		AR

ILLUSTRATION ITEMS NOT ON PARTS LIST ARE NOT APPLICABLE

- ITEM NOT ILLUSTRATED

HXL

55-40-55-01

BOEING PROPRIETARY - Copyright © - Unpublished Work - See title page for details.

55-40-55
FIG. 01
PAGE 45
APR 22/08



**767
PARTS CATALOG (MAINTENANCE)**

FIG ITEM	PART NUMBER	1 2 3 4 5 6 7	NOMENCLATURE	EFFECT FROM TO	UNITS PER ASSY
1 699	HL11VAZ6-5		.BOLT SUPPLIER CODE: V60516 SPECIFICATION NUMBER: BACB30NW6K5 OPTIONAL PART: B30NW6K5 V97928 HL11VAZ6-5 V73197 HL11VAZ6-5 V92215 HL11VAZ6-5 V97928 L803-6K5 V06725 HL11VAZ6-5 VOPTK6 HL11VAZ6-5 V56878		8
702	HL97DU6		.COLLAR SUPPLIER CODE: V73197 SPECIFICATION NUMBER: BACC30AB6S OPTIONAL PART: HL97DU6 V56878 HL97DU6 V5M902		8
705	173T2010-5		.BOND ASSY-LE POSITION DATA: STA 181.034		1
708	173T2010-7		.BOND ASSY-LE POSITION DATA: STA 230.972		1

ILLUSTRATION ITEMS NOT ON PARTS LIST ARE NOT APPLICABLE

— ITEM NOT ILLUSTRATED

HXL

55-40-55-01

BOEING PROPRIETARY - Copyright © - Unpublished Work - See title page for details.

55-40-55
FIG. 01
PAGE 46
APR 22/08



767

PARTS CATALOG (MAINTENANCE)

FIG ITEM	PART NUMBER	1 2 3 4 5 6 7	NOMENCLATURE	EFFECT FROM TO	UNITS PER ASSY
1 711	HL11VAZ6-5		.BOLT SUPPLIER CODE: V60516 SPECIFICATION NUMBER: BACB30NW6K5 OPTIONAL PART: B30NW6K5 V97928 HL11VAZ6-5 V73197 HL11VAZ6-5 V92215 HL11VAZ6-5 V97928 L803-6K5 V06725 HL11VAZ6-5 VOPTK6 HL11VAZ6-5 V56878		12
714	HL11VAZ6-7		.BOLT SUPPLIER CODE: V60516 SPECIFICATION NUMBER: BACB30NW6K7 OPTIONAL PART: B30NW6K7 V97928 HL11VAZ6-7 V73197 HL11VAZ6-7 V92215 HL11VAZ6-7 V97928 L803-6K7 V06725 HL11VAZ6-7 VOPTK6 HL11VAZ6-7 V56878		6

ILLUSTRATION ITEMS NOT ON PARTS LIST ARE NOT APPLICABLE

- ITEM NOT ILLUSTRATED

HXL

55-40-55-01

BOEING PROPRIETARY - Copyright © - Unpublished Work - See title page for details.

55-40-55
FIG. 01
PAGE 47
APR 22/08



767

PARTS CATALOG (MAINTENANCE)

FIG ITEM	PART NUMBER	1 2 3 4 5 6 7	NOMENCLATURE	EFFECT FROM TO	UNITS PER ASSY
1 717	HL11VAZ6-3		.BOLT SUPPLIER CODE: V60516 SPECIFICATION NUMBER: BACB30NW6K3 OPTIONAL PART: B30NW6K3 V97928 HL11VAZ6-3 V73197 HL11VAZ6-3 V92215 HL11VAZ6-3 V97928 L803-6K3 V06725 HL11VAZ6-3 VOPTK6 HL11VAZ6-3 V56878		11
720	HL97DU6		.COLLAR SUPPLIER CODE: V73197 SPECIFICATION NUMBER: BACC30AB6S OPTIONAL PART: HL97DU6 V56878 HL97DU6 V5M902		29
723	173T2010-1		.BOND ASSY-LE		1

ILLUSTRATION ITEMS NOT ON PARTS LIST ARE NOT APPLICABLE

- ITEM NOT ILLUSTRATED

HXL

55-40-55-01

BOEING PROPRIETARY - Copyright © - Unpublished Work - See title page for details.

55-40-55
FIG. 01
PAGE 48
APR 22/08



767

PARTS CATALOG (MAINTENANCE)

FIG ITEM	PART NUMBER	1 2 3 4 5 6 7	NOMENCLATURE	EFFECT FROM TO	UNITS PER ASSY
1 726	HL11VAZ6-5		.BOLT SUPPLIER CODE: V60516 SPECIFICATION NUMBER: BACB30NW6K5 OPTIONAL PART: B30NW6K5 V97928 HL11VAZ6-5 V73197 HL11VAZ6-5 V92215 HL11VAZ6-5 V97928 L803-6K5 V06725 HL11VAZ6-5 VOPTK6 HL11VAZ6-5 V56878		6
729	HL11VAZ6-4		.BOLT SUPPLIER CODE: V60516 SPECIFICATION NUMBER: BACB30NW6K4 OPTIONAL PART: B30NW6K4 V97928 HL11VAZ6-4 V73197 HL11VAZ6-4 V92215 HL11VAZ6-4 V97928 L803-6K4 V06725 HL11VAZ6-4 VOPTK6 HL11VAZ6-4 V56878		8

ILLUSTRATION ITEMS NOT ON PARTS LIST ARE NOT APPLICABLE

- ITEM NOT ILLUSTRATED

HXL

55-40-55-01

BOEING PROPRIETARY - Copyright © - Unpublished Work - See title page for details.

55-40-55
FIG. 01
PAGE 49
APR 22/08



767

PARTS CATALOG (MAINTENANCE)

FIG ITEM	PART NUMBER	1 2 3 4 5 6 7	NOMENCLATURE	EFFECT FROM TO	UNITS PER ASSY
1 732	HL97DU6		.COLLAR SUPPLIER CODE: V73197 SPECIFICATION NUMBER: BACC30AB6S OPTIONAL PART: HL97DU6 V56878 HL97DU6 V5M902		8
735	HL82-6APBW		.COLLAR SUPPLIER CODE: V5M902 SPECIFICATION NUMBER: BACC30AG6 OPTIONAL PART: HL82-6APBW V92215 HL82-6APBW V56878 HL82-6APBW V73197		6
738	173T2010-3		.BOND ASSY-LE		1
741	HL11VAZ6-4		.BOLT SUPPLIER CODE: V60516 SPECIFICATION NUMBER: BACB30NW6K4 OPTIONAL PART: B30NW6K4 V97928 HL11VAZ6-4 V73197 HL11VAZ6-4 V92215 HL11VAZ6-4 V97928 L803-6K4 V06725 HL11VAZ6-4 VOPTK6 HL11VAZ6-4 V56878		4

ILLUSTRATION ITEMS NOT ON PARTS LIST ARE NOT APPLICABLE

- ITEM NOT ILLUSTRATED

HXL

55-40-55-01

BOEING PROPRIETARY - Copyright © - Unpublished Work - See title page for details.

55-40-55
FIG. 01
PAGE 50
APR 22/08



767

PARTS CATALOG (MAINTENANCE)

FIG ITEM	PART NUMBER	1 2 3 4 5 6 7	NOMENCLATURE	EFFECT FROM TO	UNITS PER ASSY
1 744	HL97DU6		.COLLAR SUPPLIER CODE: V73197 SPECIFICATION NUMBER: BACC30AB6S OPTIONAL PART: HL97DU6 V56878 HL97DU6 V5M902		4
747	173T2010-9		.BOND ASSY-LE POSITION DATA: STA 305.875		1
750	HL11VAZ6-4		.BOLT SUPPLIER CODE: V60516 SPECIFICATION NUMBER: BACB30NW6K4 OPTIONAL PART: B30NW6K4 V97928 HL11VAZ6-4 V73197 HL11VAZ6-4 V92215 HL11VAZ6-4 V97928 L803-6K4 V06725 HL11VAZ6-4 VOPTK6 HL11VAZ6-4 V56878		90

ILLUSTRATION ITEMS NOT ON PARTS LIST ARE NOT APPLICABLE

- ITEM NOT ILLUSTRATED

HXL

55-40-55-01

BOEING PROPRIETARY - Copyright © - Unpublished Work - See title page for details.

55-40-55
FIG. 01
PAGE 51
APR 22/08

 **BOEING**
767
PARTS CATALOG (MAINTENANCE)

FIG ITEM	PART NUMBER	1 2 3 4 5 6 7	NOMENCLATURE	EFFECT FROM TO	UNITS PER ASSY
1 753	HL11VAZ6-5	.	BOLT SUPPLIER CODE: V60516 SPECIFICATION NUMBER: BACB30NW6K5 OPTIONAL PART: B30NW6K5 V97928 HL11VAZ6-5 V73197 HL11VAZ6-5 V92215 HL11VAZ6-5 V97928 L803-6K5 V06725 HL11VAZ6-5 VOPTK6 HL11VAZ6-5 V56878		2
756	HL11VAZ6-6	.	BOLT SUPPLIER CODE: V60516 SPECIFICATION NUMBER: BACB30NW6K6 OPTIONAL PART: B30NW6K6 V97928 HL11VAZ6-6 V73197 HL11VAZ6-6 V92215 HL11VAZ6-6 V97928 L803-6K6 V06725 HL11VAZ6-6 VOPTK6 HL11VAZ6-6 V56878		2

ILLUSTRATION ITEMS NOT ON PARTS LIST ARE NOT APPLICABLE

— ITEM NOT ILLUSTRATED

HXL

55-40-55-01

BOEING PROPRIETARY - Copyright © - Unpublished Work - See title page for details.

55-40-55
FIG. 01
PAGE 52
APR 22/08



**767
PARTS CATALOG (MAINTENANCE)**

FIG ITEM	PART NUMBER	1 2 3 4 5 6 7	NOMENCLATURE	EFFECT FROM TO	UNITS PER ASSY
1 759	HL11VAZ6-7		.BOLT SUPPLIER CODE: V60516 SPECIFICATION NUMBER: BACB30NW6K7 OPTIONAL PART: B30NW6K7 V97928 HL11VAZ6-7 V73197 HL11VAZ6-7 V92215 HL11VAZ6-7 V97928 L803-6K7 V06725 HL11VAZ6-7 VOPTK6 HL11VAZ6-7 V56878		6
762	HL97DU6		.COLLAR SUPPLIER CODE: V73197 SPECIFICATION NUMBER: BACC30AB6S OPTIONAL PART: HL97DU6 V56878 HL97DU6 V5M902		94
765	HL82-6APBW		.COLLAR SUPPLIER CODE: V5M902 SPECIFICATION NUMBER: BACC30AG6 OPTIONAL PART: HL82-6APBW V92215 HL82-6APBW V56878 HL82-6APBW V73197		6
768	173T2011-1		.BOND ASSY-LE		1

ILLUSTRATION ITEMS NOT ON PARTS LIST ARE NOT APPLICABLE

— ITEM NOT ILLUSTRATED

HXL

55-40-55-01

BOEING PROPRIETARY - Copyright © - Unpublished Work - See title page for details.

55-40-55
FIG. 01
PAGE 53
APR 22/08

 **BOEING**
767
PARTS CATALOG (MAINTENANCE)

FIG ITEM	PART NUMBER	1 2 3 4 5 6 7	NOMENCLATURE	EFFECT FROM TO	UNITS PER ASSY
1					
771	HL11VAZ6-7		.BOLT SUPPLIER CODE: V60516 SPECIFICATION NUMBER: BACB30NW6K7 OPTIONAL PART: B30NW6K7 V97928 HL11VAZ6-7 V73197 HL11VAZ6-7 V92215 HL11VAZ6-7 V97928 L803-6K7 V06725 HL11VAZ6-7 VOPTK6 HL11VAZ6-7 V56878		4
774	HL97DU6		.COLLAR SUPPLIER CODE: V73197 SPECIFICATION NUMBER: BACC30AB6S OPTIONAL PART: HL97DU6 V56878 HL97DU6 V5M902		4
777	173T2011-7		.BOND ASSY-LE POSITION DATA: STA 380.769		1
780	BACB30NN3K7		.BOLT		30
783	BACB30NN3K8		.BOLT		2
786	BACB30NN3K9		.BOLT		2
789	BACB30NN3K4		.BOLT		5
792	173T2011-3		.BOND ASSY-LE		1
795	173T2053-19		.SHIM- POSITION DATA: LH SIDE		AR
798	173T2053-20		.SHIM- POSITION DATA: RH SIDE		AR
801	173T2053-59		.SHIM		AR
804	173T2053-60		.SHIM		AR
807	173T2053-21		.SHIM- POSITION DATA: LH SIDE		AR
ILLUSTRATION ITEMS NOT ON PARTS LIST ARE NOT APPLICABLE					

- ITEM NOT ILLUSTRATED

55-40-55-01

55-40-55
FIG. 01
PAGE 54
APR 22/08

HXL

BOEING
767
PARTS CATALOG (MAINTENANCE)

FIG ITEM	PART NUMBER	1 2 3 4 5 6 7	NOMENCLATURE	EFFECT FROM TO	UNITS PER ASSY
1					
810	173T2053-22	.SHIM-	POSITION DATA: RH SIDE		AR
813	173T2053-61	.SHIM			AR
816	173T2053-62	.SHIM			AR
819	173T2053-23	.SHIM-	POSITION DATA: LH SIDE		1
822	173T2053-24	.SHIM-	POSITION DATA: RH SIDE		1
825	173T2053-38	.SHIM			AR
828	173T2053-74	.SHIM			AR
831	173T2053-75	.SHIM			AR
834	173T2053-25	.SHIM			AR
837	173T2053-63	.SHIM			AR
840	173T2053-64	.SHIM			AR
843	173T2053-26	.SHIM			AR
846	173T2053-65	.SHIM			AR
849	173T2053-66	.SHIM			AR
852	173T2053-81	.SHIM-	POSITION DATA: LH SIDE		1
855	173T2053-82	.SHIM-	POSITION DATA: RH SIDE		1
858	173T2053-28	.SHIM			AR
861	173T2053-67	.SHIM			AR
864	173T2053-68	.SHIM			AR
867	173T2053-29	.SHIM			AR
870	173T2053-69	.SHIM			AR
873	173T2053-70	.SHIM			AR
876	173T2053-44	.SHIM			2
879	173T2053-48	.SHIM			2
882	173T2053-49	.SHIM-	POSITION DATA: LH SIDE		1
885	173T2053-50	.SHIM-	POSITION DATA: RH SIDE		1
915	173T2002-4	.TIP ASSY	ATTACHING PARTS		1
918	BACB30NU3K6	.BOLT			22
921	BACB30NU4K9	.BOLT			22
924	BACB30LL4-9	.BOLT			2
927	BACW10DM8P	.WASHER			2
		-----*			

ILLUSTRATION ITEMS NOT ON PARTS LIST ARE NOT APPLICABLE

- ITEM NOT ILLUSTRATED

HXL

55-40-55-01

BOEING PROPRIETARY - Copyright © - Unpublished Work - See title page for details.

55-40-55
FIG. 01
PAGE 55
APR 22/08

 **BOEING**
767
PARTS CATALOG (MAINTENANCE)

FIG ITEM	PART NUMBER	1 2 3 4 5 6 7	NOMENCLATURE	EFFECT FROM TO	UNITS PER ASSY
1					
930	173T2002-2		.. DISCHARGER-STATIC ALTERED FROM PART NUMBER: 611R5A V55635 ATTACHING PARTS		1
- 933	BACS12ER06K3		.. SCREW		4
- 936	AN960C6L		.. WASHER		4
- 939	BRH10C06M		.. NUT SUPPLIER CODE: V52828 SPECIFICATION NUMBER: BACN10JCO6CM OPTIONAL PART: T6C632JM V11815 97E62 V80539 109LH9075-62W V72962 VN303D62 V92215 NS202101SE62 V80539 H01-06BAC V15653 -----*-----		4
942	173T2001-7		.RETAINER ATTACHING PARTS		2
- 945	BACR15GA5-4		.RIVET -----*-----		8
948	173T2057-2		.PLATE-MTG ATTACHING PARTS		2
- 951	BACS12ER06K4		.SCREW -----*-----		4
954	173T2001-2		.RETAINER		1
957	173T2001-6		.RETAINER		1
960	173T2001-3		.RETAINER ATTACHING PARTS		1
- 963	BACR15CE5AD		.RIVET -----*-----		12
966	173T2057-1		.PLATE-MTG ATTACHING PARTS		1
- 969	BACS12ER06K4		.SCREW -----*-----		4
972	NAS1836C06-08M		.INSERT		8
975	BACB30NU3K4		.BOLT		5
978	BACB30NU3K3		.BOLT		1
981	173T2048-5		.FITTING ASSY-TIP		1
984	173T2053-47		.SHIM		1

ILLUSTRATION ITEMS NOT ON PARTS LIST ARE NOT APPLICABLE

- ITEM NOT ILLUSTRATED

HXL

55-40-55-01

BOEING PROPRIETARY - Copyright © - Unpublished Work - See title page for details.

55-40-55
FIG. 01
PAGE 56
APR 22/08



767

PARTS CATALOG (MAINTENANCE)

FIG ITEM	PART NUMBER	1 2 3 4 5 6 7	NOMENCLATURE	EFFECT FROM TO	UNITS PER ASSY
1					
987	173T2056-1		.CLIP-ATTACH ATTACHING PARTS		2
990	BACB30LL4-7		.BOLT		6
993	BACW10DM8P		.WASHER		2
996	BRH10C4M		.NUT		6
			SUPPLIER CODE: V52828		
			SPECIFICATION NUMBER: BACN10JC4CM		
			OPTIONAL PART: T6C428JM		
			V11815		
			97E48		
			V80539		
			109LH9075-4W		
			V72962		
			VN303D048		
			V92215		
			H01-4BAC		
			V15653		
			NS202101SE048		
			V80539		
			-----*-----		
			ILLUSTRATION ITEMS NOT ON PARTS LIST ARE NOT APPLICABLE		

- ITEM NOT ILLUSTRATED

HXL

55-40-55-01

BOEING PROPRIETARY - Copyright © - Unpublished Work - See title page for details.

55-40-55
FIG. 01
PAGE 57
APR 22/08