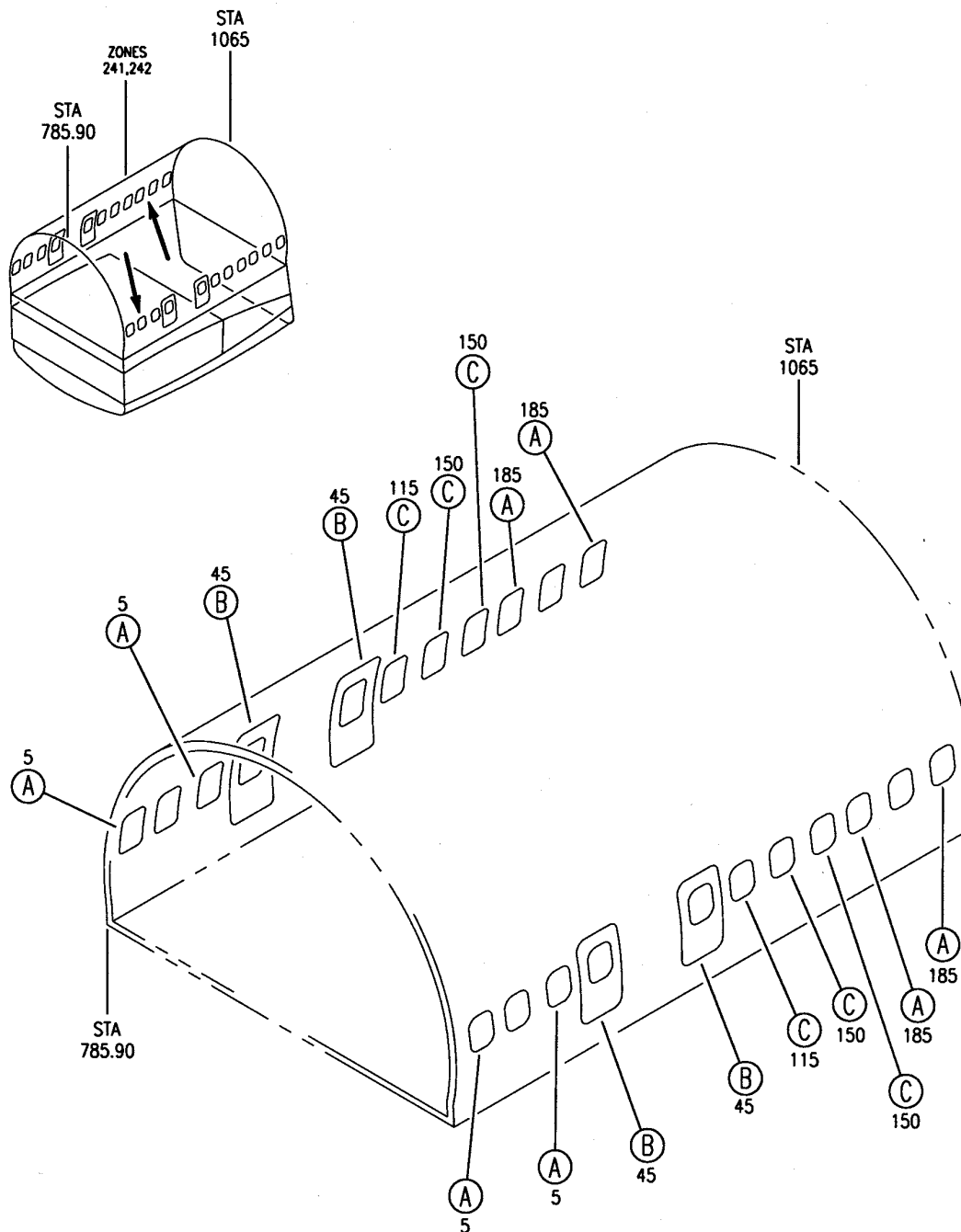


## PASSENGER WINDOWS

HXL  
DEC 22/06

56-21-00  
SECTION TITLE  
PAGE 1

**BOEING**  
767  
PARTS CATALOG (MAINTENANCE)



V 56210112E SHT 1 REV 215

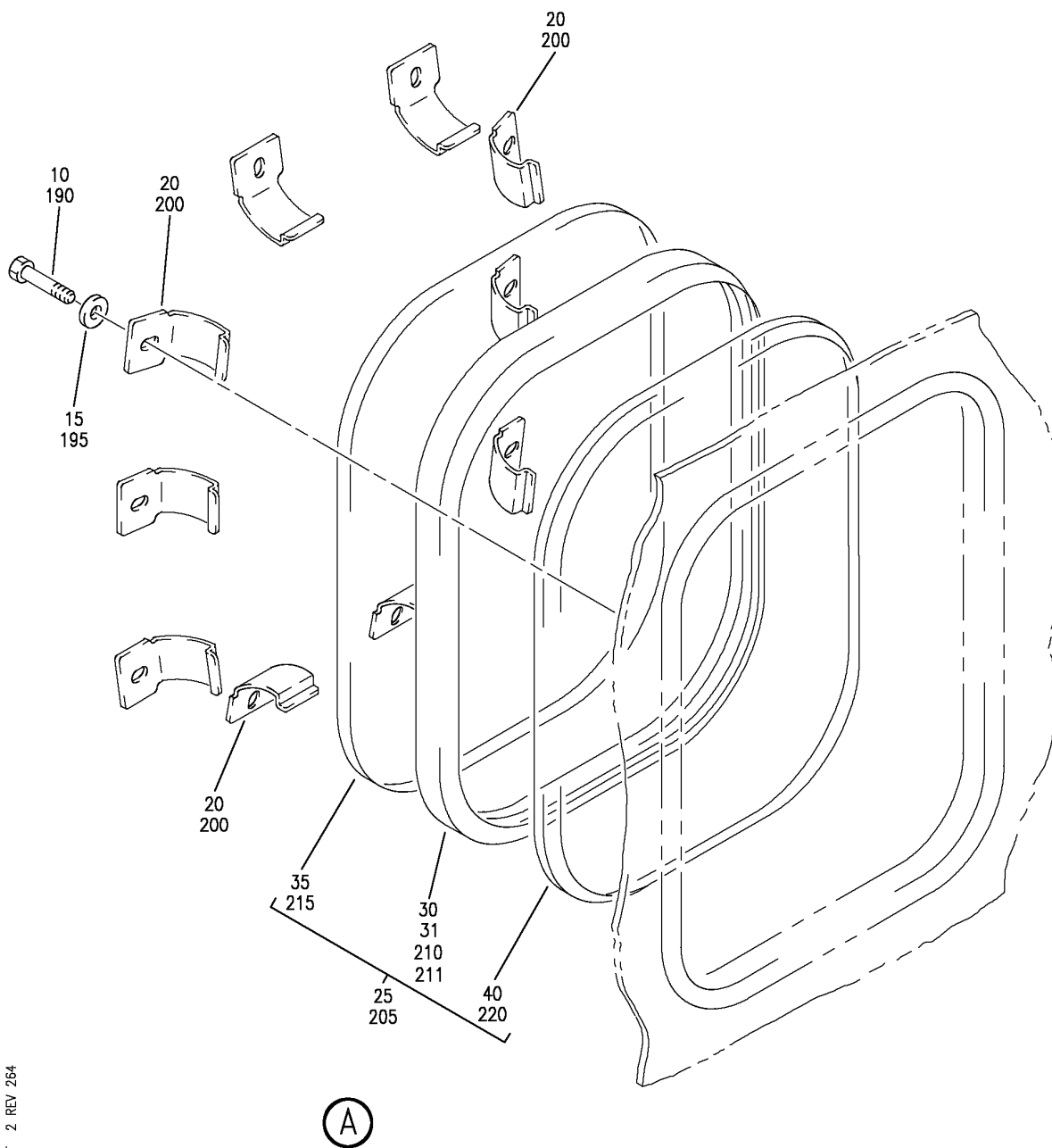
WINDOW INTEGRATION-PASS. SECT. 45  
FIGURE 12E (SHEET 1)

**56-21-01-12E**

HXL  
DEC 22/06

56-21-01-12E  
PAGE 0

**BOEING**  
767  
PARTS CATALOG (MAINTENANCE)



V 56210112E SHT 2 REV 264

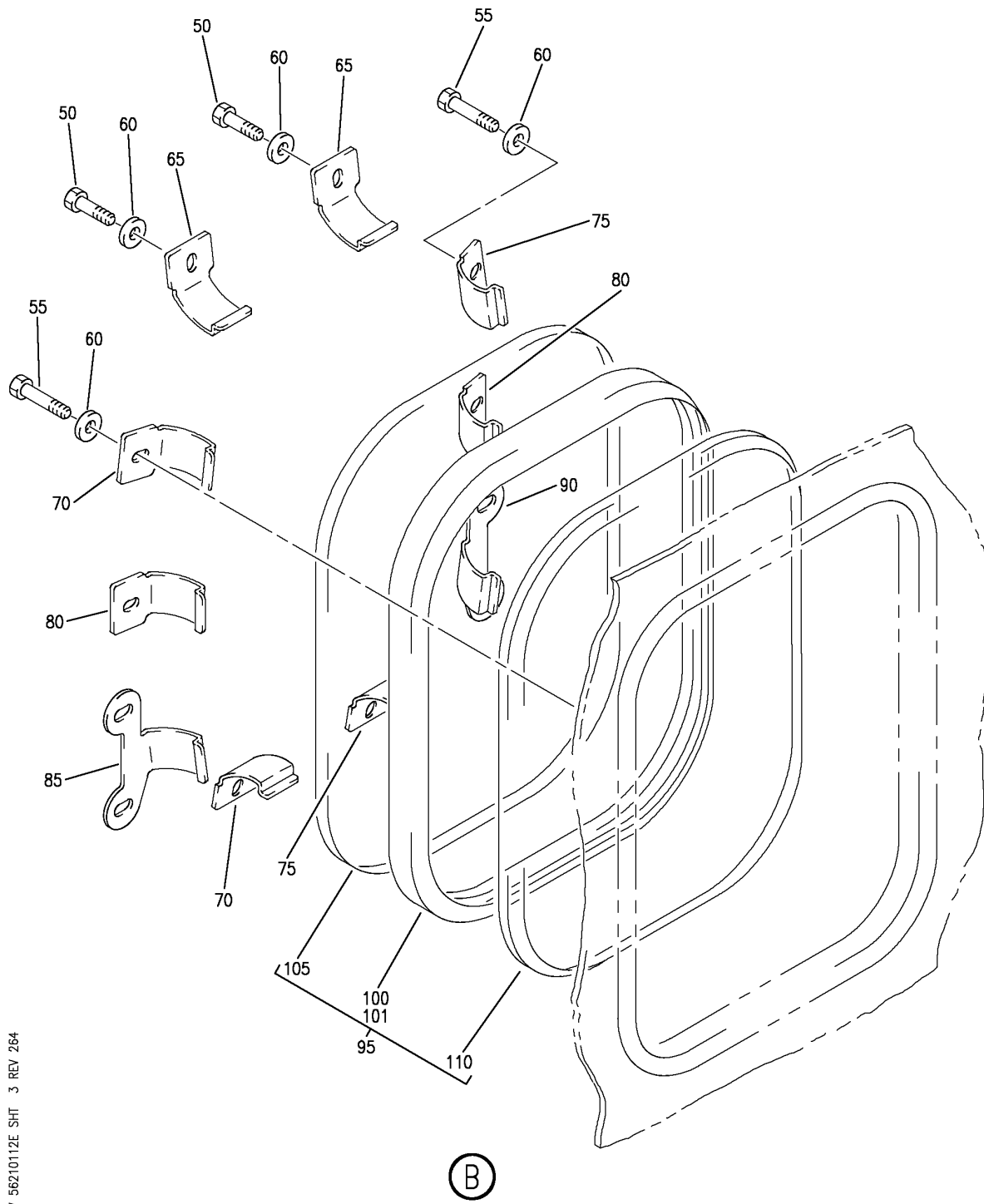
WINDOW INTEGRATION-PASS. SECT. 45  
FIGURE 12E (SHEET 2)

**56-21-01-12E**

HXL  
DEC 22/06

56-21-01-12E  
PAGE 0A

**BOEING**  
767  
PARTS CATALOG (MAINTENANCE)



V 56210112E SHT 3 REV 264

WINDOW INTEGRATION-PASS. SECT. 45  
FIGURE 12E (SHEET 3)

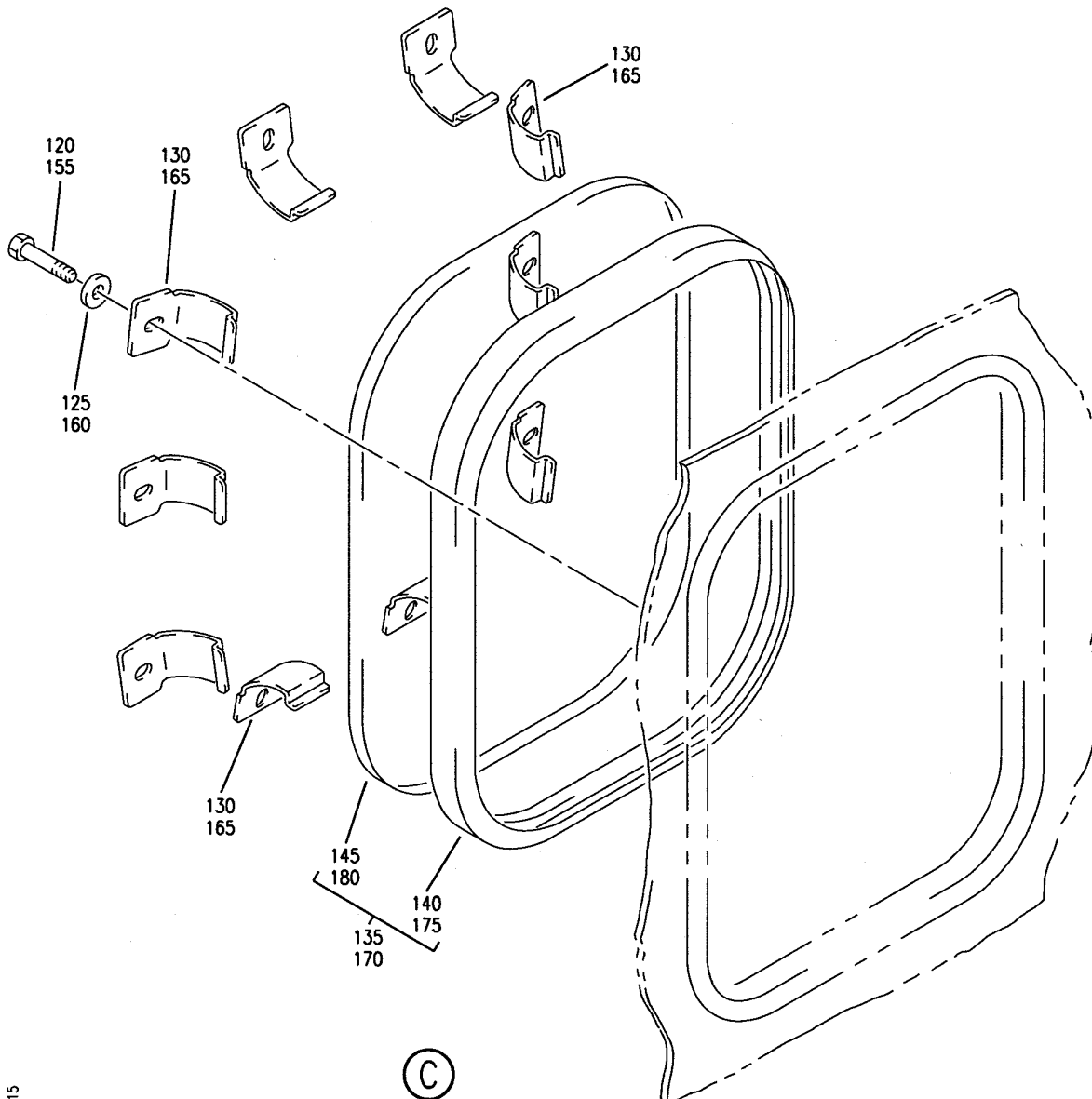
**56-21-01-12E**

HXL  
DEC 22/06

56-21-01-12E  
PAGE 0B

BOEING PROPRIETARY - Copyright © - Unpublished Work - See title page for details.

**BOEING**  
767  
PARTS CATALOG (MAINTENANCE)



V 56210112E SHT 4 REV 215

WINDOW INTEGRATION-PASS. SECT. 45  
FIGURE 12E (SHEET 4)

**56-21-01-12E**

HXL  
DEC 22/06

56-21-01-12E  
PAGE 0C



767

PARTS CATALOG (MAINTENANCE)

FIG ITEM	PART NUMBER	1 2 3 4 5 6 7	NOMENCLATURE	EFFECT FROM TO	UNITS PER ASSY
12E			WINDOW INTEGRATION-PASS. SECT. 45		
- 1	145T0042-11		WINDOW INTEGRATION-PASS. POSITION DATA: SECT. 45 FOR NHA SEE: 53-50-00-08		RF
5	140T2400-39		.WINDOW INSTL- POSITION DATA: STA. 796.4, STA. 818.4 AND STA. 840.4		6
10	NAS1801-08-12		..SCREW		10
15	AN960JD8		..WASHER		10
20	140U4001-4		..CLIP		10
25	65B22517-45		..WINDOW ASSY- MISCELLANEOUS DATA: FOR INTERCHANGEABILITY DATA, SEE 140T2490 AND 140U4090 COMPONENT MAINT MANUAL REF: 56-21-41 QUALIFIED I/W DATA: INTERCHANEABLE AT LIMITED STATIONS AS DEFINED ON 140T2490 INTERCHANGEABILITY MATRIX OPTIONAL PART: 140T2411-5 FOR SPARES PROCURE: 654U6075-685		1
ILLUSTRATION ITEMS NOT ON PARTS LIST ARE NOT APPLICABLE					

- ITEM NOT ILLUSTRATED

HXL

56-21-01-12E

BOEING PROPRIETARY - Copyright © - Unpublished Work - See title page for details.

56-21-01  
FIG. 12E  
PAGE 1  
DEC 22/07



**PARTS CATALOG (MAINTENANCE)**

FIG ITEM	PART NUMBER	1 2 3 4 5 6 7	NOMENCLATURE	EFFECT FROM TO	UNITS PER ASSY
12E 25	140T2411-5		<p>..WINDOW ASSY-            COMPONENT MAINT MANUAL REF:            56-21-61            QUALIFIED I/W DATA:            140T2412-1 T/W QTY 10            140U4001-2 CLIPS ARE I/W            140T2411-5 T/W QTY 10            140U4001-1 CLIPS AT            LIMITED STATIONS AS            DEFINED ON 140T2490            INTERCHANGEABILITY            MATRIX            INTERCHANGEABLE AT            LIMITED STATIONS AS            DEFINED ON 140T2490            INTERCHANGEABILITY            MATRIX            OPTIONAL PART:            65B22517-45</p>		1
25	140T2421-605		<p>..WINDOW ASSY-            MISCELLANEOUS DATA:            FOR INTERCHANGEABILITY            DATA, SEE 140T2490            COMPONENT MAINT MANUAL REF:            56-21-61            QUALIFIED I/W DATA:            140T2421-605 CAN REPLACE            OR BE REPLACED BY            140T2421-7 AT ALL LEFT            AND RIGHT HAND SIDE BODY            STATIONS EXCEPT STA            378.4, STA 400.4 AND STA            1449.4.            140T2412-1 T/W QTY 10            140U4001-2 CLIPS ARE I/W            140T2421-605 T/W QTY 10            140U4001-1 AT LIMITED            STATIONS AS DEFINED ON            140T2490            INTERCHANGEABILITY            MATRIX</p>		1

ILLUSTRATION ITEMS NOT ON PARTS LIST ARE NOT APPLICABLE

- ITEM NOT ILLUSTRATED

HXL

**56-21-01-12E**

BOEING PROPRIETARY - Copyright © - Unpublished Work - See title page for details.

56-21-01  
 FIG. 12E  
 PAGE 2  
 DEC 22/07



767

PARTS CATALOG (MAINTENANCE)

FIG ITEM	PART NUMBER	1 2 3 4 5 6 7	NOMENCLATURE	EFFECT FROM TO	UNITS PER ASSY
12 E 25	140T2421-5		<p>..WINDOW ASSY-</p> <p>MISCELLANEOUS DATA: FOR INTERCHANGEABILITY DATA, SEE 140T2490. COMPONENT MAINT MANUAL REF: 56-21-61 QUALIFIED I/W DATA: 140T2412-1 T/W QTY 10 140U4001-2 CLIPS ARE I/W 140T2421-5 T/W QTY 10 140U4001-1 CLIPS AT LIMITED STATIONS AS DEFINED ON 140T2490 INTERCHANGEABILITY MATRIX INTERCHANGEABLE AT LIMITED STATIONS AS DEFINED ON 140T2490 INTERCHANGEABILITY MATRIX</p>		1
30	65B07671-9		<p>...SEAL-</p> <p>MISCELLANEOUS DATA: 65B07671-4, -5, -6, -7, -8 ARE OPTL TO -9 FOR INTERCHANGEABILITY DATA, SEE 140T2490 AND 140U4090 OPTIONAL PART: 65B07671-5 65B07671-6 65B07671-7 65B07671-8 USED ON: 65B22517-45</p>		1
30	65B07671-5		<p>...SEAL-</p> <p>MISCELLANEOUS DATA: 65B07671-4,-5,-6,-7,-8 ARE OPTL TO -9. FOR INTERCHANGEABILITY DATA, SEE 140T2490 AND 140U4090 OPTIONAL PART: 65B07671-6 65B07671-7 65B07671-8 65B07671-9 USED ON: 65B22517-45</p>		1

ILLUSTRATION ITEMS NOT ON PARTS LIST ARE NOT APPLICABLE

- ITEM NOT ILLUSTRATED

HXL

56-21-01-12E

BOEING PROPRIETARY - Copyright © - Unpublished Work - See title page for details.

56-21-01  
FIG. 12E  
PAGE 3  
DEC 22/07





767

PARTS CATALOG (MAINTENANCE)

FIG ITEM	PART NUMBER	1 2 3 4 5 6 7	NOMENCLATURE	EFFECT FROM TO	UNITS PER ASSY
12 E 30	65B07671-6		...SEAL- MISCELLANEOUS DATA: 65B07671-4,-5,-6,-7,-8 ARE OPTL TO -9. FOR INTERCHANGEABILITY DATA, SEE 140T2490 AND 140U4090 OPTIONAL PART: 65B07671-5 65B07671-7 65B07671-8 65B07671-9 USED ON: 65B22517-45		1
30	65B07671-7		...SEAL- MISCELLANEOUS DATA: 65B07671-4,-5,-6,-7,-8 ARE OPTL TO -9. FOR INTERCHANGEABILITY DATA, SEE 140T2490 AND 140U4090 OPTIONAL PART: 65B07671-5 65B07671-6 65B07671-8 65B07671-9 USED ON: 65B22517-45		1
30	65B07671-8		...SEAL- MISCELLANEOUS DATA: 65B07671-4, -5, -6, -7, -8 ARE OPTL TO -9 FOR INTERCHANGEABILITY DATA, SEE 140T2490 AND 140U4090 OPTIONAL PART: 65B07671-5 65B07671-6 65B07671-7 65B07671-9 USED ON: 65B22517-45		1

ILLUSTRATION ITEMS NOT ON PARTS LIST ARE NOT APPLICABLE

- ITEM NOT ILLUSTRATED

HXL

56-21-01-12E

BOEING PROPRIETARY - Copyright © - Unpublished Work - See title page for details.

56-21-01  
 FIG. 12E  
 PAGE 4  
 DEC 22/07



767

PARTS CATALOG (MAINTENANCE)

FIG ITEM	PART NUMBER	1 2 3 4 5 6 7	NOMENCLATURE	EFFECT FROM TO	UNITS PER ASSY
12 E 30	65B07671-10		<p>...SEAL-</p> <p>MISCELLANEOUS DATA: FOR INTERCHANGEABILITY DATA, SEE 140T2490 AND 140U4090</p> <p>OPTIONAL PART: 65B07671-5 65B07671-6 65B07671-7 65B07671-8 65B07671-9</p> <p>USED ON: 140T2411-5</p>		1
30	65B07671-5		<p>...SEAL-</p> <p>MISCELLANEOUS DATA: 65B07671-4,-5,-6,-7,-8 ARE OPTL TO -9. FOR INTERCHANGEABILITY DATA, SEE 140T2490 AND 140U4090</p> <p>OPTIONAL PART: 65B07671-6 65B07671-7 65B07671-8 65B07671-9 65B07671-10</p> <p>USED ON: 140T2411-5</p>		1
30	65B07671-6		<p>...SEAL-</p> <p>MISCELLANEOUS DATA: 65B07671-4,-5,-6,-7,-8 ARE OPTL TO -9. FOR INTERCHANGEABILITY DATA, SEE 140T2490 AND 140U4090</p> <p>OPTIONAL PART: 65B07671-5 65B07671-7 65B07671-8 65B07671-9 65B07671-10</p> <p>USED ON: 140T2411-5</p>		1

ILLUSTRATION ITEMS NOT ON PARTS LIST ARE NOT APPLICABLE

- ITEM NOT ILLUSTRATED

HXL

56-21-01-12E

BOEING PROPRIETARY - Copyright © - Unpublished Work - See title page for details.

56-21-01  
FIG. 12E  
PAGE 5  
DEC 22/07



**PARTS CATALOG (MAINTENANCE)**

FIG ITEM	PART NUMBER	1 2 3 4 5 6 7	NOMENCLATURE	EFFECT FROM TO	UNITS PER ASSY
12 E 30	65B07671-7		...SEAL- MISCELLANEOUS DATA: 65B07671-4,-5,-6,-7,-8 ARE OPTL TO -9. FOR INTERCHANGEABILITY DATA, SEE 140T2490 AND 140U4090 OPTIONAL PART: 65B07671-5 65B07671-6 65B07671-8 65B07671-9 65B07671-10 USED ON: 140T2411-5		1
30	65B07671-8		...SEAL- MISCELLANEOUS DATA: 65B07671-4, -5, -6, -7, -8 ARE OPTL TO -9 FOR INTERCHANGEABILITY DATA, SEE 140T2490 AND 140U4090 OPTIONAL PART: 65B07671-5 65B07671-6 65B07671-7 65B07671-9 65B07671-10 USED ON: 140T2411-5		1
30	65B07671-9		...SEAL- MISCELLANEOUS DATA: 65B07671-4, -5, -6, -7, -8 ARE OPTL TO -9 FOR INTERCHANGEABILITY DATA, SEE 140T2490 AND 140U4090 OPTIONAL PART: 65B07671-5 65B07671-6 65B07671-7 65B07671-8 65B07671-10 USED ON: 140T2411-5		1

ILLUSTRATION ITEMS NOT ON PARTS LIST ARE NOT APPLICABLE

- ITEM NOT ILLUSTRATED

HXL

**56-21-01-12E**

BOEING PROPRIETARY - Copyright © - Unpublished Work - See title page for details.

56-21-01  
 FIG. 12E  
 PAGE 6  
 DEC 22/07



767

PARTS CATALOG (MAINTENANCE)

FIG ITEM	PART NUMBER	1 2 3 4 5 6 7	NOMENCLATURE	EFFECT FROM TO	UNITS PER ASSY
12 E 30	65B07671-10		<p>...SEAL-</p> <p>MISCELLANEOUS DATA: FOR INTERCHANGEABILITY DATA, SEE 140T2490 AND 140U4090.</p> <p>OPTIONAL PART: 65B07671-8 65B07671-9</p> <p>USED ON: 140T2421-5</p>		1
30	65B07671-8		<p>...SEAL-</p> <p>MISCELLANEOUS DATA: 65B07671-4,-5,-6,-7,-8 ARE OPTL TO -9. FOR INTERCHANGEABILITY DATA, SEE 140T2490 AND 140U4090.</p> <p>OPTIONAL PART: 65B07671-10 65B07671-9</p> <p>USED ON: 140T2421-5</p>		1
30	65B07671-9		<p>...SEAL-</p> <p>MISCELLANEOUS DATA: 65B07671-4,-5,-6,-7,-8 ARE OPTL TO -9. FOR INTERCHANGEABILITY DATA, SEE 140T2490 AND 140U4090.</p> <p>OPTIONAL PART: 65B07671-10 65B07671-8</p> <p>USED ON: 140T2421-5</p>		1
30	65B07671-10		<p>...SEAL-</p> <p>MISCELLANEOUS DATA: FOR INTERCHANGEABILITY DATA, SEE 140T2490 AND 140U4090.</p> <p>USED ON: 140T2421-605</p>		1

ILLUSTRATION ITEMS NOT ON PARTS LIST ARE NOT APPLICABLE

- ITEM NOT ILLUSTRATED

HXL

56-21-01-12E

BOEING PROPRIETARY - Copyright © - Unpublished Work - See title page for details.

56-21-01  
FIG. 12E  
PAGE 7  
DEC 22/07



767

PARTS CATALOG (MAINTENANCE)

FIG ITEM	PART NUMBER	1 2 3 4 5 6 7	NOMENCLATURE	EFFECT FROM TO	UNITS PER ASSY
12 E 30	65B07671-5		...SEAL- MISCELLANEOUS DATA: 65B07671-4,-5,-6,-7,-8 ARE OPTL TO -9. FOR INTERCHANGEABILITY DATA, SEE 140T2490 AND 140U4090. USED ON: 140T2421-605		1
30	65B07671-6		...SEAL- MISCELLANEOUS DATA: 65B07671-4,-5,-6,-7,-8 ARE OPTL TO -9. FOR INTERCHANGEABILITY DATA, SEE 140T2490 AND 140U4090. USED ON: 140T2421-605		1
31	65B07671-10		...SEAL- MISCELLANEOUS DATA: FOR INTERCHANGEABILITY DATA, SEE 140T2490 AND 140U4090 USED ON: 65B22517-45		1
31	65B07671-7		...SEAL- MISCELLANEOUS DATA: 65B07671-4,-5,-6,-7,-8 ARE OPTL TO -9. FOR INTERCHANGEABILITY DATA, SEE 140T2490 AND 140U4090. USED ON: 140T2421-605		1
31	65B07671-8		...SEAL- MISCELLANEOUS DATA: 65B07671-4,-5,-6,-7,-8 ARE OPTL TO -9. FOR INTERCHANGEABILITY DATA, SEE 140T2490 AND 140U4090. USED ON: 140T2421-605		1

ILLUSTRATION ITEMS NOT ON PARTS LIST ARE NOT APPLICABLE

- ITEM NOT ILLUSTRATED

HXL

56-21-01-12E

BOEING PROPRIETARY - Copyright © - Unpublished Work - See title page for details.

56-21-01  
FIG. 12E  
PAGE 8  
DEC 22/07



767

PARTS CATALOG (MAINTENANCE)

FIG ITEM	PART NUMBER	1 2 3 4 5 6 7	NOMENCLATURE	EFFECT FROM TO	UNITS PER ASSY
12 E 31	65B07671-9		<p>...SEAL-</p> <p>MISCELLANEOUS DATA: 65B07671-4,-5,-6,-7,-8 ARE OPTL TO -9. FOR INTERCHANGEABILITY DATA, SEE 140T2490 AND 140U4090. USED ON: 140T2421-605</p>		1
31	65B07671-7		<p>...SEAL-</p> <p>MISCELLANEOUS DATA: 65B07671-4,-5,-6,-7,-8 ARE OPTL TO -9. FOR INTERCHANGEABILITY DATA, SEE 140T2490 AND 140U4090. USED ON: 140T2421-5</p>		1
31	65B07671-6		<p>...SEAL-</p> <p>MISCELLANEOUS DATA: 65B07671-4,-5,-6,-7,-8 ARE OPTL TO -9. FOR INTERCHANGEABILITY DATA, SEE 140T2490 AND 140U4090. USED ON: 140T2421-5</p>		1
31	65B07671-5		<p>...SEAL-</p> <p>MISCELLANEOUS DATA: 65B07671-4,-5,-6,-7,-8 ARE OPTL TO -9. FOR INTERCHANGEABILITY DATA, SEE 140T2490 AND 140U4090. USED ON: 140T2421-5</p>		1
35	65B07674-21		<p>...PANE-MIDDLE</p> <p>MISCELLANEOUS DATA: FOR INTERCHANGEABILITY DATA, SEE 140T2490 FOR 767 AND 140U4090 FOR 747</p> <p>QUALIFIED I/W DATA: INTERCHANGEABLE AT LIMITED STATIONS AS DOCUMENTED ON 140T2490 INTERCHANGEABILITY DRAWING USED ON: 65B22517-45</p>		1

ILLUSTRATION ITEMS NOT ON PARTS LIST ARE NOT APPLICABLE

- ITEM NOT ILLUSTRATED

HXL

56-21-01-12E

BOEING PROPRIETARY - Copyright © - Unpublished Work - See title page for details.

56-21-01  
FIG. 12E  
PAGE 9  
DEC 22/07



767

PARTS CATALOG (MAINTENANCE)

FIG ITEM	PART NUMBER	1 2 3 4 5 6 7	NOMENCLATURE	EFFECT FROM TO	UNITS PER ASSY
12 E 35	140T2415-5		<p>...PANE-MIDDLE</p> <p>MISCELLANEOUS DATA: FOR INTERCHANGEABILITY DATA, SEE 140T2490</p> <p>QUALIFIED I/W DATA: INTERCHANGEABLE AT LIMITED STATIONS AS DOCUMENTED ON 140T2490</p> <p>INTERCHANGEABILITY DRAWING 140T2415-5 I/W 65B07674-21 FOR 767 ONLY. 65B07674-21 SHOULD ONLY BE USED IN THE CONSTANT BODY SECTION. USED ON: 140T2411-5</p>		1
35	140T2415-9		<p>...PANE-MIDDLE</p> <p>MISCELLANEOUS DATA: FOR INTERCHANGEABILITY DATA, SEE 140T2490</p> <p>QUALIFIED I/W DATA: INTERCHANGEABLE AT LIMITED STATIONS AS DOCUMENTED ON 140T2490</p> <p>INTERCHANGEABILITY DRAWING OPTIONAL PART: 140T2415-5 USED ON: 140T2421-5</p>		1
35	65B07674-121		<p>...PANE-MIDDLE</p> <p>MISCELLANEOUS DATA: FOR INTERCHANGEABILITY DATA, SEE 140T2490 AND 140U4090</p> <p>QUALIFIED I/W DATA: INTERCHANGEABLE AT LIMITED STATIONS AS DOCUMENTED ON 140T2490</p> <p>INTERCHANGEABILITY DRAWING USED ON: 140T2411-5</p>		1

ILLUSTRATION ITEMS NOT ON PARTS LIST ARE NOT APPLICABLE

- ITEM NOT ILLUSTRATED

HXL

56-21-01-12E

BOEING PROPRIETARY - Copyright © - Unpublished Work - See title page for details.

56-21-01  
FIG. 12E  
PAGE 10  
DEC 22/07



767

PARTS CATALOG (MAINTENANCE)

FIG ITEM	PART NUMBER	1 2 3 4 5 6 7	NOMENCLATURE	EFFECT FROM TO	UNITS PER ASSY
12 E 35	140T2415-9		<p>...PANE-MIDDLE</p> <p>MISCELLANEOUS DATA: (FOR INTERCHANGEABILITY DATA, SEE 140T2490)</p> <p>QUALIFIED I/W DATA: INTERCHANGEABLE AT LIMITED STATIONS AS DOCUMENTED ON 140T2490</p> <p>INTERCHANGEABILITY DRAWING</p> <p>OPTIONAL PART: 140T2415-601</p> <p>USED ON: 140T2421-605</p>		1
35	140T2415-601		<p>...PANE-MIDDLE</p> <p>MISCELLANEOUS DATA: FOR INTERCHANGEABILITY DATA, SEE 140T2490.</p> <p>QUALIFIED I/W DATA: INTERCHANGEABLE AT LIMITED STATION LOCATIONS AS DEFINED ON 140T2490</p> <p>INTERCHANGEABILITY MATRIX</p> <p>INTERCHANGEABLE AT LIMITED STATIONS AS DOCUMENTED ON 140T2490</p> <p>INTERCHANGEABILITY DRAWING</p> <p>OPTIONAL PART: 140T2415-9</p> <p>USED ON: 140T2421-605</p>		1

ILLUSTRATION ITEMS NOT ON PARTS LIST ARE NOT APPLICABLE

- ITEM NOT ILLUSTRATED

HXL

56-21-01-12E

BOEING PROPRIETARY - Copyright © - Unpublished Work - See title page for details.

56-21-01  
FIG. 12E  
PAGE 11  
DEC 22/07





767

PARTS CATALOG (MAINTENANCE)

FIG ITEM	PART NUMBER	1 2 3 4 5 6 7	NOMENCLATURE	EFFECT FROM TO	UNITS PER ASSY
12 E 35	140T2415-5		<p>...PANE-</p> <p>MISCELLANEOUS DATA: FOR INTERCHANGEABILITY DATA, SEE 140T2490</p> <p>QUALIFIED I/W DATA: 140T2415-5 I/W 65B07674-21 FOR 767 ONLY 65B07674-21 SHOULD ONLY BE USED IN THE CONSTANT BODY SECTION INTERCHANGEABLE AT LIMITED STATIONS AS DOCUMENTED ON 140T2490 INTERCHANGEABILITY DRAWING</p> <p>OPTIONAL PART: 140T2415-9</p> <p>USED ON: 140T2421-5</p>		1
35	65B07674-121		<p>...PANE-MIDDLE</p> <p>MISCELLANEOUS DATA: FOR INTERCHANGEABILITY DATA, SEE 140U4090</p> <p>QUALIFIED I/W DATA: INTERCHANGEABLE AT LIMITED STATIONS AS DOCUMENTED ON 140T2490 INTERCHANGEABILITY DRAWING</p> <p>USED ON: 140T2421-5</p>		1
40	65B07673-21		<p>...PANE-OUTER</p> <p>MISCELLANEOUS DATA: FOR INTERCHANGEABILITY DATA, SEE 140T2490 AND 140U4090</p> <p>QUALIFIED I/W DATA: 140T2412-1 T/W 140T2416-3 SEAL T/W QTY (10) 140U4001-2 CLIPS I/W 140T2423-605 T/W 65B07671-10 SEAL T/W QTY (10) 140U4001-1 CLIPS AT LIMITED STATIONS AS DOCUMENTED ON 140T2490 INTERCHANGEABILITY MATRIX</p> <p>USED ON: 65B22517-45</p>		1

ILLUSTRATION ITEMS NOT ON PARTS LIST ARE NOT APPLICABLE

- ITEM NOT ILLUSTRATED

HXL

56-21-01-12E

BOEING PROPRIETARY - Copyright © - Unpublished Work - See title page for details.

56-21-01  
FIG. 12E  
PAGE 12  
DEC 22/07



767

PARTS CATALOG (MAINTENANCE)

FIG ITEM	PART NUMBER	1 2 3 4 5 6 7	NOMENCLATURE	EFFECT FROM TO	UNITS PER ASSY
12 E 40	140T2413-5		<p>...PANE-OUTER            MISCELLANEOUS DATA:            FOR INTERCHANGEABILITY            DATA, SEE 140T2490            QUALIFIED I/W DATA:            140T2412-1 T/W            140T2416-3 SEAL T/W QTY            (10) 140U4001-2 CLIPS            I/W 140T2423-605 T/W            65B07671-10 SEAL T/W QTY            (10) 140U4001-1 CLIPS AT            LIMITED STATIONS AS            DOCUMENTED ON 140T2490            INTERCHANGEABILITY MATRIX            USED ON:            140T2411-5</p>		1
40	65B07673-21		<p>...PANE-OUTER            MISCELLANEOUS DATA:            FOR INTERCHANGEABILITY            DATA, SEE 140T2490 AND            140U4090            USED ON:            140T2411-5</p>		1
40	140T2423-5		<p>...PANE-OUTER            MISCELLANEOUS DATA:            FOR INTERCHANGEABILITY            DATA, SEE 140T2490            USED ON:            140T2411-5</p>		1
40	140T2413-5		<p>...PANE-OUTER            MISCELLANEOUS DATA:            FOR INTERCHANGEABILITY            DATA, SEE 140T2490            USED ON:            65B22517-45</p>		1
40	140T2423-605		<p>...PANE-            MISCELLANEOUS DATA:            FOR INTERCHANGEABILITY            DATA, SEE 140T2490            USED ON:            65B22517-45</p>		1
40	140T2423-605		<p>...PANE-            MISCELLANEOUS DATA:            FOR INTERCHANGEABILITY            DATA, SEE 140T2490            USED ON:            140T2411-5</p>		1

ILLUSTRATION ITEMS NOT ON PARTS LIST ARE NOT APPLICABLE

- ITEM NOT ILLUSTRATED

HXL

56-21-01-12E

BOEING PROPRIETARY - Copyright © - Unpublished Work - See title page for details.

56-21-01  
 FIG. 12E  
 PAGE 13  
 DEC 22/07



767

PARTS CATALOG (MAINTENANCE)

FIG ITEM	PART NUMBER	1 2 3 4 5 6 7	NOMENCLATURE	EFFECT FROM TO	UNITS PER ASSY
12 E 40	140T2423-605		<p>...PANE-OUTER            MISCELLANEOUS DATA:            (FOR INTERCHANGEABILITY DATA, SEE 140T2490)            QUALIFIED I/W DATA:            140T2414-1 T/W            140T2416-3 SEAL T/W QTY            (10) 140U4001-2 CLIPS            I/W 140T2423-605 T/W            65B07671-10 SEAL T/W QTY            (10) 140U4001-1 CLIPS AT LIMITED STATIONS AS DOCUMENTED ON 140T2490            INTERCHANGEABILITY MATRIX USED ON:            140T2421-5            140T2421-605</p>		1
40	140T2423-5		<p>...PANE-OUTER            MISCELLANEOUS DATA:            (FOR INTERCHANGEABILITY DATA, SEE 140T2490)            QUALIFIED I/W DATA:            140T2414-1 T/W            140T2416-3 SEAL T/W QTY            (10) 140U4001-2 CLIPS            I/W 140T2423-605 T/W            65B07671-10 SEAL T/W QTY            (10) 140U4001-1 CLIPS AT LIMITED STATIONS AS DOCUMENTED ON 140T2490            INTERCHANGEABILITY MATRIX USED ON:            140T2421-5            140T2421-605</p>		1
40	140T2413-5		<p>...PANE-            MISCELLANEOUS DATA:            FOR INTERCHANGEABILITY DATA, SEE 140T2490            USED ON:            140T2421-5            140T2421-605</p>		1
40	65B07673-21		<p>...PANE-            MISCELLANEOUS DATA:            FOR INTERCHANGEABILITY DATA, SEE 140T2490 AND 140U4090            USED ON:            140T2421-5            140T2421-605</p>		1

ILLUSTRATION ITEMS NOT ON PARTS LIST ARE NOT APPLICABLE

- ITEM NOT ILLUSTRATED

HXL

56-21-01-12E

BOEING PROPRIETARY - Copyright © - Unpublished Work - See title page for details.

56-21-01  
 FIG. 12E  
 PAGE 14  
 DEC 22/07

**BOEING**  
767  
**PARTS CATALOG (MAINTENANCE)**

FIG ITEM	PART NUMBER	1 2 3 4 5 6 7	NOMENCLATURE	EFFECT FROM TO	UNITS PER ASSY
12E					
45	140T2400-9	.	WINDOW INSTL- POSITION DATA: STA. 871.5 AND STA. 916.5		4
50	BACS12FA08K10	..	SCREW		2
55	NAS1801-08-12	..	SCREW		10
60	AN960PD8	..	WASHER		12
65	140T2410-7	..	CLIP- MISCELLANEOUS DATA: COLOR LIGHT BROWN		2
70	140T2410-14	..	CLIP- MISCELLANEOUS DATA: COLOR LIME GREEN		2
75	140T2410-13	..	CLIP- MISCELLANEOUS DATA: COLOR LIGHT BLUE		2
80	140T2410-4	..	CLIP- MISCELLANEOUS DATA: COLOR LIGHT BLUE		2
85	140T2410-16	..	CLIP- MISCELLANEOUS DATA: COLOR ORANGE		1
90	140T2410-15	..	CLIP- MISCELLANEOUS DATA: COLOR BEIGE		1
95	65B22517-45	..	WINDOW ASSY- MISCELLANEOUS DATA: FOR INTERCHANGEABILITY DATA, SEE 140T2490 AND 140U4090 COMPONENT MAINT MANUAL REF: 56-21-41 QUALIFIED I/W DATA: INTERCHANGEABLE AT LIMITED STATIONS AS DEFINED ON 140T2490 INTERCHANGEABILITY MATRIX OPTIONAL PART: 140T2411-5		1

ILLUSTRATION ITEMS NOT ON PARTS LIST ARE NOT APPLICABLE

- ITEM NOT ILLUSTRATED

HXL

56-21-01-12E

BOEING PROPRIETARY - Copyright © - Unpublished Work - See title page for details.

56-21-01  
FIG. 12E  
PAGE 15  
DEC 22/07



767

PARTS CATALOG (MAINTENANCE)

FIG ITEM	PART NUMBER	1 2 3 4 5 6 7	NOMENCLATURE	EFFECT FROM TO	UNITS PER ASSY
12E 95	140T2411-5		<p>..WINDOW ASSY-            COMPONENT MAINT MANUAL REF:            56-21-61            QUALIFIED I/W DATA:            140T2412-1 T/W QTY 10            140U4001-2 CLIPS ARE I/W            140T2411-5 T/W QTY 10            140U4001-1 CLIPS AT            LIMITED STATIONS AS            DEFINED ON 140T2490            INTERCHANGEABILITY            MATRIX            INTERCHANGEABLE AT            LIMITED STATIONS AS            DEFINED ON 140T2490            INTERCHANGEABILITY            MATRIX            OPTIONAL PART:            65B22517-45</p>		1
95	140T2421-605		<p>..WINDOW ASSY-            MISCELLANEOUS DATA:            (FOR INTERCHANGEABILITY            DATA, SEE 140T2490)            COMPONENT MAINT MANUAL REF:            56-21-61            QUALIFIED I/W DATA:            140T2421-605 CAN REPLACE            OR BE REPLACED BY            C40T2421-7 AT ALL LEFT            AND RIGHT HAND SIDE BODY            STATIONS EXCEPT STA            378.4, STA 400.4 AND STA            1449.4.            140T2412-1 T/W QTY 10            140U4001-2 CLIPS ARE I/W            140T2421-605 T/W QTY 10            140U4001-1 AT LIMITED            STATIONS AS DEFINED ON            140T2490            INTERCHANGEABILITY            MATRIX</p>		1

ILLUSTRATION ITEMS NOT ON PARTS LIST ARE NOT APPLICABLE

- ITEM NOT ILLUSTRATED

HXL

56-21-01-12E

BOEING PROPRIETARY - Copyright © - Unpublished Work - See title page for details.

56-21-01  
 FIG. 12E  
 PAGE 16  
 DEC 22/07

**BOEING**  
767  
**PARTS CATALOG (MAINTENANCE)**

FIG ITEM	PART NUMBER	1 2 3 4 5 6 7	NOMENCLATURE	EFFECT FROM TO	UNITS PER ASSY
12E 95	140T2421-5		<p>..WINDOW ASSY-</p> <p>MISCELLANEOUS DATA: FOR INTERCHANGEABILITY DATA, SEE 140T2490. COMPONENT MAINT MANUAL REF: 56-21-61</p> <p>QUALIFIED I/W DATA: 140T2412-1 T/W QTY 10 140U4001-2 CLIPS ARE I/W 140T2421-5 T/W QTY 10 140U4001-1 CLIPS AT LIMITED STATIONS AS DEFINED ON 140T2490 INTERCHANGEABILITY MATRIX INTERCHANGEABLE AT LIMITED STATIONS AS DEFINED ON 140T2490 INTERCHANGEABILITY MATRIX</p>		1
100	65B07671-9		<p>...SEAL-</p> <p>MISCELLANEOUS DATA: 65B07671-4, -5, -6, -7, -8 ARE OPTL TO -9 FOR INTERCHANGEABILITY DATA, SEE 140T2490 AND 140U4090</p> <p>OPTIONAL PART: 65B07671-5 65B07671-6 65B07671-7 65B07671-8</p> <p>USED ON: 65B22517-45</p>		1
100	65B07671-5		<p>...SEAL-</p> <p>MISCELLANEOUS DATA: 65B07671-4,-5,-6,-7,-8 ARE OPTL TO -9. FOR INTERCHANGEABILITY DATA, SEE 140T2490 AND 140U4090</p> <p>OPTIONAL PART: 65B07671-6 65B07671-7 65B07671-8 65B07671-9</p> <p>USED ON: 65B22517-45</p>		1

ILLUSTRATION ITEMS NOT ON PARTS LIST ARE NOT APPLICABLE

- ITEM NOT ILLUSTRATED

HXL

56-21-01-12E

BOEING PROPRIETARY - Copyright © - Unpublished Work - See title page for details.

56-21-01  
FIG. 12E  
PAGE 17  
DEC 22/07



767

PARTS CATALOG (MAINTENANCE)

FIG ITEM	PART NUMBER	1 2 3 4 5 6 7	NOMENCLATURE	EFFECT FROM TO	UNITS PER ASSY
12 E 100	65B07671-6		...SEAL- MISCELLANEOUS DATA: 65B07671-4,-5,-6,-7,-8 ARE OPTL TO -9. FOR INTERCHANGEABILITY DATA, SEE 140T2490 AND 140U4090 OPTIONAL PART: 65B07671-5 65B07671-7 65B07671-8 65B07671-9 USED ON: 65B22517-45		1
100	65B07671-7		...SEAL- MISCELLANEOUS DATA: 65B07671-4,-5,-6,-7,-8 ARE OPTL TO -9. FOR INTERCHANGEABILITY DATA, SEE 140T2490 AND 140U4090 OPTIONAL PART: 65B07671-5 65B07671-6 65B07671-8 65B07671-9 USED ON: 65B22517-45		1
100	65B07671-8		...SEAL- MISCELLANEOUS DATA: 65B07671-4, -5, -6, -7, -8 ARE OPTL TO -9 FOR INTERCHANGEABILITY DATA, SEE 140T2490 AND 140U4090 OPTIONAL PART: 65B07671-5 65B07671-6 65B07671-7 65B07671-9 USED ON: 65B22517-45		1

ILLUSTRATION ITEMS NOT ON PARTS LIST ARE NOT APPLICABLE

- ITEM NOT ILLUSTRATED

HXL

56-21-01-12E

BOEING PROPRIETARY - Copyright © - Unpublished Work - See title page for details.

56-21-01  
 FIG. 12E  
 PAGE 18  
 DEC 22/07



767

PARTS CATALOG (MAINTENANCE)

FIG ITEM	PART NUMBER	1 2 3 4 5 6 7	NOMENCLATURE	EFFECT FROM TO	UNITS PER ASSY
12 E 100	65B07671-10		...SEAL- MISCELLANEOUS DATA: FOR INTERCHANGEABILITY DATA, SEE 140T2490 AND 140U4090 OPTIONAL PART: 65B07671-5 65B07671-6 65B07671-7 65B07671-8 65B07671-9 USED ON: 140T2411-5		1
100	65B07671-5		...SEAL- MISCELLANEOUS DATA: 65B07671-4,-5,-6,-7,-8 ARE OPTL TO -9. FOR INTERCHANGEABILITY DATA, SEE 140T2490 AND 140U4090 OPTIONAL PART: 65B07671-6 65B07671-7 65B07671-8 65B07671-9 65B07671-10 USED ON: 140T2411-5		1
100	65B07671-6		...SEAL- MISCELLANEOUS DATA: 65B07671-4,-5,-6,-7,-8 ARE OPTL TO -9. FOR INTERCHANGEABILITY DATA, SEE 140T2490 AND 140U4090 OPTIONAL PART: 65B07671-5 65B07671-7 65B07671-8 65B07671-9 65B07671-10 USED ON: 140T2411-5		1

ILLUSTRATION ITEMS NOT ON PARTS LIST ARE NOT APPLICABLE

- ITEM NOT ILLUSTRATED

HXL

56-21-01-12E

BOEING PROPRIETARY - Copyright © - Unpublished Work - See title page for details.

56-21-01  
 FIG. 12E  
 PAGE 19  
 DEC 22/07





767

PARTS CATALOG (MAINTENANCE)

FIG ITEM	PART NUMBER	1 2 3 4 5 6 7	NOMENCLATURE	EFFECT FROM TO	UNITS PER ASSY
12 E 100	65B07671-7		...SEAL- MISCELLANEOUS DATA: 65B07671-4,-5,-6,-7,-8 ARE OPTL TO -9. FOR INTERCHANGEABILITY DATA, SEE 140T2490 AND 140U4090 OPTIONAL PART: 65B07671-5 65B07671-6 65B07671-8 65B07671-9 65B07671-10 USED ON: 140T2411-5		1
100	65B07671-8		...SEAL- MISCELLANEOUS DATA: 65B07671-4, -5, -6, -7, -8 ARE OPTL TO -9 FOR INTERCHANGEABILITY DATA, SEE 140T2490 AND 140U4090 OPTIONAL PART: 65B07671-5 65B07671-6 65B07671-7 65B07671-9 65B07671-10 USED ON: 140T2411-5		1
100	65B07671-9		...SEAL- MISCELLANEOUS DATA: 65B07671-4, -5, -6, -7, -8 ARE OPTL TO -9 FOR INTERCHANGEABILITY DATA, SEE 140T2490 AND 140U4090 OPTIONAL PART: 65B07671-5 65B07671-6 65B07671-7 65B07671-8 65B07671-10 USED ON: 140T2411-5		1

ILLUSTRATION ITEMS NOT ON PARTS LIST ARE NOT APPLICABLE

- ITEM NOT ILLUSTRATED

HXL

56-21-01-12E

BOEING PROPRIETARY - Copyright © - Unpublished Work - See title page for details.

56-21-01  
 FIG. 12E  
 PAGE 20  
 DEC 22/07



767

PARTS CATALOG (MAINTENANCE)

FIG ITEM	PART NUMBER	1 2 3 4 5 6 7	NOMENCLATURE	EFFECT FROM TO	UNITS PER ASSY
12 E 100	65B07671-10		<p>...SEAL-</p> <p>MISCELLANEOUS DATA: FOR INTERCHANGEABILITY DATA, SEE 140T2490 AND 140U4090.</p> <p>OPTIONAL PART: 65B07671-8 65B07671-9</p> <p>USED ON: 140T2421-5</p>		1
100	65B07671-8		<p>...SEAL-</p> <p>MISCELLANEOUS DATA: 65B07671-4,-5,-6,-7,-8 ARE OPTL TO -9. FOR INTERCHANGEABILITY DATA, SEE 140T2490 AND 140U4090.</p> <p>OPTIONAL PART: 65B07671-10 65B07671-9</p> <p>USED ON: 140T2421-5</p>		1
100	65B07671-9		<p>...SEAL-</p> <p>MISCELLANEOUS DATA: 65B07671-4,-5,-6,-7,-8 ARE OPTL TO -9. FOR INTERCHANGEABILITY DATA, SEE 140T2490 AND 140U4090.</p> <p>OPTIONAL PART: 65B07671-10 65B07671-8</p> <p>USED ON: 140T2421-5</p>		1
100	65B07671-10		<p>...SEAL-</p> <p>MISCELLANEOUS DATA: FOR INTERCHANGEABILITY DATA, SEE 140T2490 AND 140U4090.</p> <p>USED ON: 140T2421-605</p>		1

ILLUSTRATION ITEMS NOT ON PARTS LIST ARE NOT APPLICABLE

- ITEM NOT ILLUSTRATED

HXL

56-21-01-12E

BOEING PROPRIETARY - Copyright © - Unpublished Work - See title page for details.

56-21-01  
FIG. 12E  
PAGE 21  
DEC 22/07



767

PARTS CATALOG (MAINTENANCE)

FIG ITEM	PART NUMBER	1 2 3 4 5 6 7	NOMENCLATURE	EFFECT FROM TO	UNITS PER ASSY
12 E 100	65B07671-5		...SEAL- MISCELLANEOUS DATA: 65B07671-4,-5,-6,-7,-8 ARE OPTL TO -9. FOR INTERCHANGEABILITY DATA, SEE 140T2490 AND 140U4090. USED ON: 140T2421-605		1
100	65B07671-6		...SEAL- MISCELLANEOUS DATA: 65B07671-4,-5,-6,-7,-8 ARE OPTL TO -9. FOR INTERCHANGEABILITY DATA, SEE 140T2490 AND 140U4090. USED ON: 140T2421-605		1
101	65B07671-10		...SEAL- MISCELLANEOUS DATA: FOR INTERCHANGEABILITY DATA, SEE 140T2490 AND 140U4090 USED ON: 65B22517-45		1
101	65B07671-7		...SEAL- MISCELLANEOUS DATA: 65B07671-4,-5,-6,-7,-8 ARE OPTL TO -9. FOR INTERCHANGEABILITY DATA, SEE 140T2490 AND 140U4090. USED ON: 140T2421-605		1
101	65B07671-8		...SEAL- MISCELLANEOUS DATA: 65B07671-4,-5,-6,-7,-8 ARE OPTL TO -9. FOR INTERCHANGEABILITY DATA, SEE 140T2490 AND 140U4090. USED ON: 140T2421-605		1

ILLUSTRATION ITEMS NOT ON PARTS LIST ARE NOT APPLICABLE

- ITEM NOT ILLUSTRATED

HXL

56-21-01-12E

BOEING PROPRIETARY - Copyright © - Unpublished Work - See title page for details.

56-21-01  
 FIG. 12E  
 PAGE 22  
 DEC 22/07



767

PARTS CATALOG (MAINTENANCE)

FIG ITEM	PART NUMBER	1 2 3 4 5 6 7	NOMENCLATURE	EFFECT FROM TO	UNITS PER ASSY
12 E 101	65B07671-9		<p>...SEAL-</p> <p>MISCELLANEOUS DATA: 65B07671-4,-5,-6,-7,-8 ARE OPTL TO -9. FOR INTERCHANGEABILITY DATA, SEE 140T2490 AND 140U4090. USED ON: 140T2421-605</p>		1
101	65B07671-7		<p>...SEAL-</p> <p>MISCELLANEOUS DATA: 65B07671-4,-5,-6,-7,-8 ARE OPTL TO -9. FOR INTERCHANGEABILITY DATA, SEE 140T2490 AND 140U4090. USED ON: 140T2421-5</p>		1
101	65B07671-6		<p>...SEAL-</p> <p>MISCELLANEOUS DATA: 65B07671-4,-5,-6,-7,-8 ARE OPTL TO -9. FOR INTERCHANGEABILITY DATA, SEE 140T2490 AND 140U4090. USED ON: 140T2421-5</p>		1
101	65B07671-5		<p>...SEAL-</p> <p>MISCELLANEOUS DATA: 65B07671-4,-5,-6,-7,-8 ARE OPTL TO -9. FOR INTERCHANGEABILITY DATA, SEE 140T2490 AND 140U4090. USED ON: 140T2421-5</p>		1
105	65B07674-21		<p>...PANE-MIDDLE</p> <p>MISCELLANEOUS DATA: FOR INTERCHANGEABILITY DATA, SEE 140T2490 FOR 767 AND 140U4090 FOR 747</p> <p>QUALIFIED I/W DATA: INTERCHANGEABLE AT LIMITED STATIONS AS DOCUMENTED ON 140T2490 INTERCHANGEABILITY DRAWING USED ON: 65B22517-45</p>		1

ILLUSTRATION ITEMS NOT ON PARTS LIST ARE NOT APPLICABLE

- ITEM NOT ILLUSTRATED

HXL

56-21-01-12E

BOEING PROPRIETARY - Copyright © - Unpublished Work - See title page for details.

56-21-01  
FIG. 12E  
PAGE 23  
DEC 22/07



767

PARTS CATALOG (MAINTENANCE)

FIG ITEM	PART NUMBER	1 2 3 4 5 6 7	NOMENCLATURE	EFFECT FROM TO	UNITS PER ASSY
12 E 105	140T2415-5		<p>...PANE-MIDDLE</p> <p>MISCELLANEOUS DATA: FOR INTERCHANGEABILITY DATA, SEE 140T2490</p> <p>QUALIFIED I/W DATA: INTERCHANGEABLE AT LIMITED STATIONS AS DOCUMENTED ON 140T2490</p> <p>INTERCHANGEABILITY DRAWING 140T2415-5 I/W 65B07674-21 FOR 767 ONLY. 65B07674-21 SHOULD ONLY BE USED IN THE CONSTANT BODY SECTION.</p> <p>USED ON: 140T2411-5</p>		1
105	140T2415-9		<p>...PANE-MIDDLE</p> <p>MISCELLANEOUS DATA: FOR INTERCHANGEABILITY DATA, SEE 140T2490</p> <p>QUALIFIED I/W DATA: INTERCHANGEABLE AT LIMITED STATIONS AS DOCUMENTED ON 140T2490</p> <p>INTERCHANGEABILITY DRAWING</p> <p>OPTIONAL PART: 140T2415-5</p> <p>USED ON: 140T2421-5</p>		1
105	140T2415-9		<p>...PANE-MIDDLE</p> <p>MISCELLANEOUS DATA: FOR INTERCHANGEABILITY DATA, SEE 140T2490</p> <p>QUALIFIED I/W DATA: INTERCHANGEABLE AT LIMITED STATIONS AS DOCUMENTED ON 140T2490</p> <p>INTERCHANGEABILITY DRAWING</p> <p>OPTIONAL PART: 140T2415-601</p> <p>USED ON: 140T2421-605</p>		1

ILLUSTRATION ITEMS NOT ON PARTS LIST ARE NOT APPLICABLE

- ITEM NOT ILLUSTRATED

HXL

56-21-01-12E

BOEING PROPRIETARY - Copyright © - Unpublished Work - See title page for details.

56-21-01  
FIG. 12E  
PAGE 24  
DEC 22/07



767

PARTS CATALOG (MAINTENANCE)

FIG ITEM	PART NUMBER	1 2 3 4 5 6 7 NOMENCLATURE	EFFECT FROM TO	UNITS PER ASSY
12E 105	140T2415-601	...PANE-MIDDLE MISCELLANEOUS DATA: FOR INTERCHANGEABILITY DATA, SEE 140T2490. QUALIFIED I/W DATA: INTERCHANGEABLE AT LIMITED STATIONS AS DOCUMENTED ON 140T2490 INTERCHANGEABILITY DRAWING INTERCHANGEABLE AT LIMITED STATION LOCATIONS AS DEFINED ON 140T2490 INTERCHANGEABILITY MATRIX OPTIONAL PART: 140T2415-9 USED ON: 140T2421-605		1
105	140T2415-5	...PANE- MISCELLANEOUS DATA: FOR INTERCHANGEABILITY DATA, SEE 140T2490 QUALIFIED I/W DATA: 140T2415-5 I/W 65B07674-21 FOR 767 ONLY 65B07674-21 SHOULD ONLY BE USED IN THE CONSTANT BODY SECTION INTERCHANGEABLE AT LIMITED STATIONS AS DOCUMENTED ON 140T2490 INTERCHANGEABILITY DRAWING OPTIONAL PART: 140T2415-9 USED ON: 140T2421-5		1

ILLUSTRATION ITEMS NOT ON PARTS LIST ARE NOT APPLICABLE

- ITEM NOT ILLUSTRATED

HXL

56-21-01-12E

BOEING PROPRIETARY - Copyright © - Unpublished Work - See title page for details.

56-21-01  
 FIG. 12E  
 PAGE 25  
 DEC 22/07



767

PARTS CATALOG (MAINTENANCE)

FIG ITEM	PART NUMBER	1 2 3 4 5 6 7	NOMENCLATURE	EFFECT FROM TO	UNITS PER ASSY
12 E 105	65B07674-121		<p>...PANE-MIDDLE</p> <p>MISCELLANEOUS DATA: FOR INTERCHANGEABILITY DATA, SEE 140U4090</p> <p>QUALIFIED I/W DATA: INTERCHANGEABLE AT LIMITED STATIONS AS DOCUMENTED ON 140T2490 INTERCHANGEABILITY DRAWING</p> <p>USED ON: 140T2421-5</p>		1
105	65B07674-121		<p>...PANE-MIDDLE</p> <p>MISCELLANEOUS DATA: FOR INTERCHANGEABILITY DATA, SEE 140T2490</p> <p>QUALIFIED I/W DATA: INTERCHANGEABLE AT LIMITED STATIONS AS DOCUMENTED ON 140T2490 INTERCHANGEABILITY DRAWING</p> <p>USED ON: 140T2411-5</p>		1
110	65B07673-21		<p>...PANE-OUTER</p> <p>MISCELLANEOUS DATA: FOR INTERCHANGEABILITY DATA, SEE 140T2490 AND 140U4090</p> <p>QUALIFIED I/W DATA: INTERCHANGEABLE AT LIMITED STATIONS AS DOCUMENTED ON 140T2490 INTERCHANGEABILITY DRAWING</p> <p>USED ON: 65B22517-45</p>		1

ILLUSTRATION ITEMS NOT ON PARTS LIST ARE NOT APPLICABLE

- ITEM NOT ILLUSTRATED

HXL

56-21-01-12E

BOEING PROPRIETARY - Copyright © - Unpublished Work - See title page for details.

56-21-01  
FIG. 12E  
PAGE 26  
DEC 22/07



767

PARTS CATALOG (MAINTENANCE)

FIG ITEM	PART NUMBER	1 2 3 4 5 6 7	NOMENCLATURE	EFFECT FROM TO	UNITS PER ASSY
12 E 110	140T2413-5		<p>...PANE-OUTER            MISCELLANEOUS DATA:            FOR INTERCHANGEABILITY            DATA, SEE 140T2490            QUALIFIED I/W DATA:            140T2412-1 T/W            140T2416-3 SEAL T/W QTY            (10) 140U4001-2 CLIPS            I/W 140T2423-605 T/W            65B07671-10 SEAL T/W QTY            (10) 140U4001-1 CLIPS AT            LIMITED STATIONS AS            DOCUMENTED ON 140T2490            INTERCHANGEABILITY MATRIX            USED ON:            140T2411-5</p>		1
110	65B07673-21		<p>...PANE-OUTER            MISCELLANEOUS DATA:            FOR INTERCHANGEABILITY            DATA, SEE 140T2490 AND            140U4090            USED ON:            140T2411-5</p>		1
110	140T2423-5		<p>...PANE-OUTER            MISCELLANEOUS DATA:            FOR INTERCHANGEABILITY            DATA, SEE 140T2490            USED ON:            140T2411-5</p>		1
110	140T2413-5		<p>...PANE-OUTER            MISCELLANEOUS DATA:            FOR INTERCHANGEABILITY            DATA, SEE 140T2490            USED ON:            65B22517-45</p>		1
110	140T2423-605		<p>...PANE-            MISCELLANEOUS DATA:            FOR INTERCHANGEABILITY            DATA, SEE 140T2490            USED ON:            65B22517-45</p>		1
110	140T2423-605		<p>...PANE-            MISCELLANEOUS DATA:            FOR INTERCHANGEABILITY            DATA, SEE 140T2490            USED ON:            140T2411-5</p>		1

ILLUSTRATION ITEMS NOT ON PARTS LIST ARE NOT APPLICABLE

- ITEM NOT ILLUSTRATED

HXL

56-21-01-12E

BOEING PROPRIETARY - Copyright © - Unpublished Work - See title page for details.

56-21-01  
 FIG. 12E  
 PAGE 27  
 DEC 22/07





767

PARTS CATALOG (MAINTENANCE)

FIG ITEM	PART NUMBER	1 2 3 4 5 6 7	NOMENCLATURE	EFFECT FROM TO	UNITS PER ASSY
12 E 110	140T2423-605		<p>...PANE-OUTER</p> <p>MISCELLANEOUS DATA: (FOR INTERCHANGEABILITY DATA, SEE 140T2490)</p> <p>QUALIFIED I/W DATA: 140T2414-1 T/W 140T2416-3 SEAL T/W QTY (10) 140U4001-2 CLIPS I/W 140T2423-605 T/W 65B07671-10 SEAL T/W QTY (10) 140U4001-1 CLIPS AT LIMITED STATIONS AS DOCUMENTED ON 140T2490 INTERCHANGEABILITY MATRIX</p> <p>USED ON: 140T2421-5 140T2421-605</p>		1
110	140T2423-5		<p>...PANE-OUTER</p> <p>MISCELLANEOUS DATA: (FOR INTERCHANGEABILITY DATA, SEE 140T2490)</p> <p>QUALIFIED I/W DATA: 140T2414-1 T/W 140T2416-3 SEAL T/W QTY (10) 140U4001-2 CLIPS I/W 140T2423-605 T/W 65B07671-10 SEAL T/W QTY (10) 140U4001-1 CLIPS AT LIMITED STATIONS AS DOCUMENTED ON 140T2490 INTERCHANGEABILITY MATRIX</p> <p>USED ON: 140T2421-5 140T2421-605</p>		1

ILLUSTRATION ITEMS NOT ON PARTS LIST ARE NOT APPLICABLE

- ITEM NOT ILLUSTRATED

HXL

56-21-01-12E

BOEING PROPRIETARY - Copyright © - Unpublished Work - See title page for details.

56-21-01  
FIG. 12E  
PAGE 28  
DEC 22/07



767

PARTS CATALOG (MAINTENANCE)

FIG ITEM	PART NUMBER	1 2 3 4 5 6 7	NOMENCLATURE	EFFECT FROM TO	UNITS PER ASSY
12E 110	65B07673-21		...PANE-OUTER MISCELLANEOUS DATA: FOR INTERCHANGEABILITY DATA, SEE 140T2490 AND 140U4090 QUALIFIED I/W DATA: 140T2414-1 T/W 140T2416-3 SEAL T/W QTY (10) 140U4001-2 CLIPS I/W 140T2423-605 T/W 65B07671-10 SEAL T/W QTY (10) 140U4001-1 CLIPS AT LIMITED STATIONS AS DOCUMENTED ON 140T2490 INTERCHANGEABILITY MATRIX USED ON: 65B22517-45		1
110	140T2423-5		...PANE-OUTER MISCELLANEOUS DATA: (FOR INTERCHANGEABILITY DATA, SEE 140T2490) QUALIFIED I/W DATA: 140T2414-1 T/W 140T2416-3 SEAL T/W QTY (10) 140U4001-2 CLIPS I/W 140T2423-605 T/W 65B07671-10 SEAL T/W QTY (10) 140U4001-1 CLIPS AT LIMITED STATIONS AS DOCUMENTED ON 140T2490 INTERCHANGEABILITY MATRIX USED ON: 140T2421-5 140T2421-605		1
110	65B07673-21		...PANE- MISCELLANEOUS DATA: FOR INTERCHANGEABILITY DATA, SEE 140T2490 AND 140U4090 USED ON: 140T2421-5 140T2421-605		1
115	140T2400-38		.PLUG INSTL		2
120	NAS1801-08-12		..SCREW		10
125	AN960JD8		..WASHER		10
130	140U4001-4		..CLIP		10

ILLUSTRATION ITEMS NOT ON PARTS LIST ARE NOT APPLICABLE

- ITEM NOT ILLUSTRATED

HXL

56-21-01-12E

BOEING PROPRIETARY - Copyright © - Unpublished Work - See title page for details.

56-21-01  
FIG. 12E  
PAGE 29  
DEC 22/07

**BOEING**  
767  
**PARTS CATALOG (MAINTENANCE)**

FIG ITEM	PART NUMBER	1 2 3 4 5 6 7	NOMENCLATURE	EFFECT FROM TO	UNITS PER ASSY
12E 135	140T2987-1		.. PLUG ASSY- MISCELLANEOUS DATA: FOR INTERCHANGEABILITY DATA, SEE 140T2490		1
140	65B07671-10		... SEAL- MISCELLANEOUS DATA: FOR INTERCHANGEABILITY DATA, SEE 140T2490 AND 140U4090 OPTIONAL PART: 65B07671-5 65B07671-6 65B07671-7 65B07671-8 65B07671-9		1
140	65B07671-5		... SEAL- MISCELLANEOUS DATA: 65B07671-4, -5, -6, -7, -8 ARE OPTL TO -9. FOR INTERCHANGEABILITY DATA, SEE 140T2490 AND 140U4090 OPTIONAL PART: 65B07671-6 65B07671-7 65B07671-8 65B07671-9 65B07671-10		1
140	65B07671-6		... SEAL- MISCELLANEOUS DATA: 65B07671-4, -5, -6, -7, -8 ARE OPTL TO -9. FOR INTERCHANGEABILITY DATA, SEE 140T2490 AND 140U4090 OPTIONAL PART: 65B07671-5 65B07671-7 65B07671-8 65B07671-9 65B07671-10		1

ILLUSTRATION ITEMS NOT ON PARTS LIST ARE NOT APPLICABLE

— ITEM NOT ILLUSTRATED

HXL

# 56-21-01-12E

BOEING PROPRIETARY - Copyright © - Unpublished Work - See title page for details.

56-21-01  
FIG. 12E  
PAGE 30  
DEC 22/07



767

PARTS CATALOG (MAINTENANCE)

FIG ITEM	PART NUMBER	1 2 3 4 5 6 7	NOMENCLATURE	EFFECT FROM TO	UNITS PER ASSY
12 E 140	65B07671-7		...SEAL- MISCELLANEOUS DATA: 65B07671-4,-5,-6,-7,-8 ARE OPTL TO -9. FOR INTERCHANGEABILITY DATA, SEE 140T2490 AND 140U4090 OPTIONAL PART: 65B07671-5 65B07671-6 65B07671-8 65B07671-9 65B07671-10		1
140	65B07671-8		...SEAL- MISCELLANEOUS DATA: 65B07671-4, -5, -6, -7, -8 ARE OPTL TO -9 FOR INTERCHANGEABILITY DATA, SEE 140T2490 AND 140U4090 OPTIONAL PART: 65B07671-5 65B07671-6 65B07671-7 65B07671-9 65B07671-10		1
140	65B07671-9		...SEAL- MISCELLANEOUS DATA: 65B07671-4, -5, -6, -7, -8 ARE OPTL TO -9 FOR INTERCHANGEABILITY DATA, SEE 140T2490 AND 140U4090 OPTIONAL PART: 65B07671-5 65B07671-6 65B07671-7 65B07671-8 65B07671-10		1

ILLUSTRATION ITEMS NOT ON PARTS LIST ARE NOT APPLICABLE

- ITEM NOT ILLUSTRATED

HXL

56-21-01-12E

BOEING PROPRIETARY - Copyright © - Unpublished Work - See title page for details.

56-21-01  
 FIG. 12E  
 PAGE 31  
 DEC 22/07



767

PARTS CATALOG (MAINTENANCE)

FIG ITEM	PART NUMBER	1 2 3 4 5 6 7	NOMENCLATURE	EFFECT FROM TO	UNITS PER ASSY
12 E 145	140T2415-9		<p>...PANE-MIDDLE</p> <p>MISCELLANEOUS DATA: FOR INTERCHANGEABILITY DATA, SEE 140T2490</p> <p>QUALIFIED I/W DATA: INTERCHANGEABLE AT LIMITED STATIONS AS DOCUMENTED ON 140T2490 INTERCHANGEABILITY DRAWING</p> <p>OPTIONAL PART: 140T2415-5 65B07674-21 140T2415-601 65B07674-121</p>		1
145	140T2415-5		<p>...PANE-MIDDLE</p> <p>MISCELLANEOUS DATA: FOR INTERCHANGEABILITY DATA, SEE 140T2490</p> <p>QUALIFIED I/W DATA: 140T2415-5 I/W 65B07674-21 FOR 767 ONLY. 65B07674-21 SHOULD ONLY BE USED IN THE CONSTANT BODY SECTION INTERCHANGEABLE AT LIMITED STATIONS AS DOCUMENTED ON 140T2490 INTERCHANGEABILITY DRAWING</p> <p>OPTIONAL PART: 140T2415-9 65B07674-21 140T2415-601 65B07674-121</p>		1

ILLUSTRATION ITEMS NOT ON PARTS LIST ARE NOT APPLICABLE

- ITEM NOT ILLUSTRATED

HXL

56-21-01-12E

BOEING PROPRIETARY - Copyright © - Unpublished Work - See title page for details.

56-21-01  
FIG. 12E  
PAGE 32  
DEC 22/07



767

PARTS CATALOG (MAINTENANCE)

FIG ITEM	PART NUMBER	1 2 3 4 5 6 7	NOMENCLATURE	EFFECT FROM TO	UNITS PER ASSY
12 E 145	65B07674-21		<p>...PANE-MIDDLE</p> <p>MISCELLANEOUS DATA: FOR INTERCHANGEABILITY DATA, SEE 140T2490 FOR 767 AND 140U4090 FOR 747</p> <p>QUALIFIED I/W DATA: 140T2415-5 I/W 65B07674-21 FOR 767 ONLY. 65B07674-21 SHOULD ONLY BE USED IN THE CONSTANT BODY SECTION INTERCHANGEABLE AT LIMITED STATIONS AS DOCUMENTED ON 140T2490 INTERCHANGEABILITY DRAWING</p> <p>OPTIONAL PART: 140T2415-5 140T2415-9 140T2415-601 65B07674-121</p>		1
145	65B07674-121		<p>...PANE-MIDDLE</p> <p>MISCELLANEOUS DATA: FOR INTERCHANGEABILITY DATA, SEE 140U4090</p> <p>QUALIFIED I/W DATA: INTERCHANGEABLE AT LIMITED STATIONS AS DOCUMENTED ON 140T2490 INTERCHANGEABILITY DRAWING</p> <p>OPTIONAL PART: 140T2415-601 140T2415-5 140T2415-9 65B07674-21</p>		1

ILLUSTRATION ITEMS NOT ON PARTS LIST ARE NOT APPLICABLE

- ITEM NOT ILLUSTRATED

HXL

**56-21-01-12E**

BOEING PROPRIETARY - Copyright © - Unpublished Work - See title page for details.

56-21-01  
FIG. 12E  
PAGE 33  
DEC 22/07



767

PARTS CATALOG (MAINTENANCE)

FIG ITEM	PART NUMBER	1 2 3 4 5 6 7	NOMENCLATURE	EFFECT FROM TO	UNITS PER ASSY
12E 145	140T2415-601	...	PANE-MIDDLE MISCELLANEOUS DATA: FOR INTERCHANGEABILITY DATA, SEE 140T2490. QUALIFIED I/W DATA: INTERCHANGEABLE AT LIMITED STATIONS AS DOCUMENTED ON 140T2490 INTERCHANGEABILITY DRAWING INTERCHANGEABLE AT LIMITED STATION LOCATIONS AS DEFINED ON 140T2490 INTERCHANGEABILITY MATRIX OPTIONAL PART: 140T2415-9 65B07674-21 65B07674-121 140T2415-5		1
150	140T2400-36	.	PLUG INSTL		4
155	NAS1801-08-12	..	SCREW		10
160	AN960JD8	..	WASHER		10
165	140U4001-5	..	CLIP		10
170	140T2987-1	..	PLUG ASSY- MISCELLANEOUS DATA: (FOR INTERCHANGEABILITY DATA, SEE 140T2490)		1
175	65B07671-10	...	SEAL- MISCELLANEOUS DATA: FOR INTERCHANGEABILITY DATA, SEE 140T2490 AND 140U4090 OPTIONAL PART: 65B07671-5 65B07671-6 65B07671-7 65B07671-8 65B07671-9		1

ILLUSTRATION ITEMS NOT ON PARTS LIST ARE NOT APPLICABLE

- ITEM NOT ILLUSTRATED

HXL

56-21-01-12E

BOEING PROPRIETARY - Copyright © - Unpublished Work - See title page for details.

56-21-01  
FIG. 12E  
PAGE 34  
DEC 22/07



767

PARTS CATALOG (MAINTENANCE)

FIG ITEM	PART NUMBER	1 2 3 4 5 6 7	NOMENCLATURE	EFFECT FROM TO	UNITS PER ASSY
12 E 175	65B07671-5		...SEAL- MISCELLANEOUS DATA: 65B07671-4,-5,-6,-7,-8 ARE OPTL TO -9. FOR INTERCHANGEABILITY DATA, SEE 140T2490 AND 140U4090 OPTIONAL PART: 65B07671-6 65B07671-7 65B07671-8 65B07671-9 65B07671-10		1
175	65B07671-6		...SEAL- MISCELLANEOUS DATA: 65B07671-4,-5,-6,-7,-8 ARE OPTL TO -9. FOR INTERCHANGEABILITY DATA, SEE 140T2490 AND 140U4090 OPTIONAL PART: 65B07671-5 65B07671-7 65B07671-8 65B07671-9 65B07671-10		1
175	65B07671-7		...SEAL- MISCELLANEOUS DATA: 65B07671-4,-5,-6,-7,-8 ARE OPTL TO -9. FOR INTERCHANGEABILITY DATA, SEE 140T2490 AND 140U4090 OPTIONAL PART: 65B07671-5 65B07671-6 65B07671-8 65B07671-9 65B07671-10		1

ILLUSTRATION ITEMS NOT ON PARTS LIST ARE NOT APPLICABLE

- ITEM NOT ILLUSTRATED

HXL

56-21-01-12E

BOEING PROPRIETARY - Copyright © - Unpublished Work - See title page for details.

56-21-01  
 FIG. 12E  
 PAGE 35  
 DEC 22/07





767

PARTS CATALOG (MAINTENANCE)

FIG ITEM	PART NUMBER	1 2 3 4 5 6 7	NOMENCLATURE	EFFECT FROM TO	UNITS PER ASSY
12 E 175	65B07671-8		<p>...SEAL-</p> <p>MISCELLANEOUS DATA: 65B07671-4, -5, -6, -7, -8 ARE OPTL TO -9 FOR INTERCHANGEABILITY DATA, SEE 140T2490 AND 140U4090</p> <p>OPTIONAL PART: 65B07671-5 65B07671-6 65B07671-7 65B07671-9 65B07671-10</p>		1
175	65B07671-9		<p>...SEAL-</p> <p>MISCELLANEOUS DATA: 65B07671-4, -5, -6, -7, -8 ARE OPTL TO -9 FOR INTERCHANGEABILITY DATA, SEE 140T2490 AND 140U4090</p> <p>OPTIONAL PART: 65B07671-5 65B07671-6 65B07671-7 65B07671-8 65B07671-10</p>		1
180	140T2415-9		<p>...PANE-MIDDLE</p> <p>MISCELLANEOUS DATA: FOR INTERCHANGEABILITY DATA, SEE 140T2490</p> <p>QUALIFIED I/W DATA: INTERCHANGEABLE AT LIMITED STATIONS AS DOCUMENTED ON 140T2490 INTERCHANGEABILITY DRAWING</p> <p>OPTIONAL PART: 140T2415-5 65B07674-21 140T2415-601 65B07674-121</p>		1

ILLUSTRATION ITEMS NOT ON PARTS LIST ARE NOT APPLICABLE

- ITEM NOT ILLUSTRATED

HXL

56-21-01-12E

BOEING PROPRIETARY - Copyright © - Unpublished Work - See title page for details.

56-21-01  
FIG. 12E  
PAGE 36  
DEC 22/07



767

PARTS CATALOG (MAINTENANCE)

FIG ITEM	PART NUMBER	1 2 3 4 5 6 7	NOMENCLATURE	EFFECT FROM TO	UNITS PER ASSY
12 E 180	140T2415-5		<p>...PANE-MIDDLE</p> <p>MISCELLANEOUS DATA: FOR INTERCHANGEABILITY DATA, SEE 140T2490</p> <p>QUALIFIED I/W DATA: 140T2415-5 I/W 65B07674-21 FOR 767 ONLY. 65B07674-21 SHOULD ONLY BE USED IN THE CONSTANT BODY SECTION INTERCHANGEABLE AT LIMITED STATIONS AS DOCUMENTED ON 140T2490 INTERCHANGEABILITY DRAWING</p> <p>OPTIONAL PART: 140T2415-9 65B07674-21 140T2415-601 65B07674-121</p>		1
180	65B07674-21		<p>...PANE-MIDDLE</p> <p>MISCELLANEOUS DATA: FOR INTERCHANGEABILITY DATA, SEE 140T2490 FOR 767 AND 140U4090 FOR 747</p> <p>QUALIFIED I/W DATA: 140T2415-5 I/W 65B07674-21 FOR 767 ONLY. 65B07674-21 SHOULD ONLY BE USED IN THE CONSTANT BODY SECTION INTERCHANGEABLE AT LIMITED STATIONS AS DOCUMENTED ON 140T2490 INTERCHANGEABILITY DRAWING</p> <p>OPTIONAL PART: 140T2415-5 140T2415-9 140T2415-601 65B07674-121</p>		1

ILLUSTRATION ITEMS NOT ON PARTS LIST ARE NOT APPLICABLE

- ITEM NOT ILLUSTRATED

HXL

56-21-01-12E

BOEING PROPRIETARY - Copyright © - Unpublished Work - See title page for details.

56-21-01  
FIG. 12E  
PAGE 37  
DEC 22/07

**BOEING**  
767  
**PARTS CATALOG (MAINTENANCE)**

FIG ITEM	PART NUMBER	1 2 3 4 5 6 7	NOMENCLATURE	EFFECT FROM TO	UNITS PER ASSY
12 E 180	65B07674-121		...PANE-MIDDLE MISCELLANEOUS DATA: FOR INTERCHANGEABILITY DATA, SEE 140U4090 QUALIFIED I/W DATA: INTERCHANGEABLE AT LIMITED STATIONS AS DOCUMENTED ON 140T2490 INTERCHANGEABILITY DRAWING OPTIONAL PART: 140T2415-601 140T2415-5 140T2415-9 65B07674-21		1
180	140T2415-601		...PANE-MIDDLE MISCELLANEOUS DATA: FOR INTERCHANGEABILITY DATA, SEE 140T2490. QUALIFIED I/W DATA: INTERCHANGEABLE AT LIMITED STATIONS AS DOCUMENTED ON 140T2490 INTERCHANGEABILITY DRAWING INTERCHANGEABLE AT LIMITED STATION LOCATIONS AS DEFINED ON 140T2490 INTERCHANGEABILITY MATRIX OPTIONAL PART: 140T2415-9 65B07674-21 65B07674-121 140T2415-5		1
185	140T2400-29		.WINDOW INSTL- POSITION DATA: STA. 1009.4, STA. 1031.4 AND STA. 1053.4		6
190	NAS1801-08-12		..SCREW		10
195	AN960JD8		..WASHER		10
200	140U4001-5		..CLIP		10

ILLUSTRATION ITEMS NOT ON PARTS LIST ARE NOT APPLICABLE

— ITEM NOT ILLUSTRATED

HXL

# 56-21-01-12E

BOEING PROPRIETARY - Copyright © - Unpublished Work - See title page for details.

56-21-01  
FIG. 12E  
PAGE 38  
DEC 22/07



**767  
PARTS CATALOG (MAINTENANCE)**

FIG ITEM	PART NUMBER	1 2 3 4 5 6 7	NOMENCLATURE	EFFECT FROM TO	UNITS PER ASSY
12E 205	65B22517-45		..WINDOW ASSY- MISCELLANEOUS DATA: FOR INTERCHANGEABILITY DATA, SEE 140T2490 AND 140U4090 COMPONENT MAINT MANUAL REF: 56-21-41 QUALIFIED I/W DATA: INTERCHANGEABLE AT DIMITED STATIONS AS DEFINED ON 140T2490 INTERCHANGEABILITY MATRIX OPTIONAL PART: 140T2411-5 FOR SPARES PROCURE: 654U6075-685		1
205	140T2411-5		..WINDOW ASSY- MISCELLANEOUS DATA: FOR INTERCHANGEABILITY DATA, SEE 140T2490 COMPONENT MAINT MANUAL REF: 56-21-61 QUALIFIED I/W DATA: 140T2412-1 T/W QTY 10 140U4001-2 CLIPS ARE I/W 140T2411-5 T/W QTY 10 140U4001-1 CLIPS AT LIMITED STATIONS AS DEFINED ON 140T2490 INTERCHANGEABILITY MATRIX INTERCHANGEABLE AT LIMITED STATIONS AS DEFINED ON 140T2490 INTERCHANGEABILITY MATRIX OPTIONAL PART: 65B22517-45		1

ILLUSTRATION ITEMS NOT ON PARTS LIST ARE NOT APPLICABLE

— ITEM NOT ILLUSTRATED

HXL

# 56-21-01-12E

BOEING PROPRIETARY - Copyright © - Unpublished Work - See title page for details.

56-21-01  
FIG. 12E  
PAGE 39  
DEC 22/07

 **BOEING**  
767  
**PARTS CATALOG (MAINTENANCE)**

FIG ITEM	PART NUMBER	1 2 3 4 5 6 7	NOMENCLATURE	EFFECT FROM TO	UNITS PER ASSY
12E 205	140T2421-605		<p>..WINDOW ASSY- MISCELLANEOUS DATA: (FOR INTERCHANGEABILITY DATA, SEE 140T2490) COMPONENT MAINT MANUAL REF: 56-21-61 QUALIFIED I/W DATA: 140T2421-605 CAN REPLACE OR BE REPLACED BY 140T2421-7 AT ALL LEFT AND RIGHT HAND SIDE BODY STATIONS EXCEPT STA 378.4, STA 400.4 AND STA 1449.4. 140T2412-1 T/W QTY 10 140U4001-2 CLIPS ARE I/W 140T2421-605 T/W QTY 10 140U4001-1 AT LIMITED STATIONS AS DEFINED ON 140T2490 INTERCHANGEABILITY MATRIX</p>		1
205	140T2421-5		<p>..WINDOW ASSY- MISCELLANEOUS DATA: FOR INTERCHANGEABILITY DATA, SEE 140T2490. COMPONENT MAINT MANUAL REF: 56-21-61 QUALIFIED I/W DATA: 140T2412-1 T/W QTY 10 140U4001-2 CLIPS ARE I/W 140T2421-5 T/W QTY 10 140U4001-1 CLIPS AT LIMITED STATIONS AS DEFINED ON 140T2490 INTERCHANGEABILITY MATRIX INTERCHANGEABLE AT LIMITED STATIONS AS DEFINED ON 140T2490 INTERCHANGEABILITY MATRIX</p>		1

ILLUSTRATION ITEMS NOT ON PARTS LIST ARE NOT APPLICABLE

- ITEM NOT ILLUSTRATED

HXL

56-21-01-12E

BOEING PROPRIETARY - Copyright © - Unpublished Work - See title page for details.

56-21-01  
FIG. 12E  
PAGE 40  
DEC 22/07



767

PARTS CATALOG (MAINTENANCE)

FIG ITEM	PART NUMBER	1 2 3 4 5 6 7	NOMENCLATURE	EFFECT FROM TO	UNITS PER ASSY
12 E 210	65B07671-9		<p>...SEAL-</p> <p>MISCELLANEOUS DATA: 65B07671-4, -5, -6, -7, -8 ARE OPTL TO -9 FOR INTERCHANGEABILITY DATA, SEE 140T2490 AND 140U4090</p> <p>OPTIONAL PART: 65B07671-5 65B07671-6 65B07671-7 65B07671-8</p> <p>USED ON: 65B22517-45</p>		1
210	65B07671-5		<p>...SEAL-</p> <p>MISCELLANEOUS DATA: 65B07671-4, -5, -6, -7, -8 ARE OPTL TO -9. FOR INTERCHANGEABILITY DATA, SEE 140T2490 AND 140U4090</p> <p>OPTIONAL PART: 65B07671-6 65B07671-7 65B07671-8 65B07671-9</p> <p>USED ON: 65B22517-45</p>		1
210	65B07671-6		<p>...SEAL-</p> <p>MISCELLANEOUS DATA: 65B07671-4, -5, -6, -7, -8 ARE OPTL TO -9. FOR INTERCHANGEABILITY DATA, SEE 140T2490 AND 140U4090</p> <p>OPTIONAL PART: 65B07671-5 65B07671-7 65B07671-8 65B07671-9</p> <p>USED ON: 65B22517-45</p>		1

ILLUSTRATION ITEMS NOT ON PARTS LIST ARE NOT APPLICABLE

- ITEM NOT ILLUSTRATED

HXL

56-21-01-12E

BOEING PROPRIETARY - Copyright © - Unpublished Work - See title page for details.

56-21-01  
FIG. 12E  
PAGE 41  
DEC 22/07



767

PARTS CATALOG (MAINTENANCE)

FIG ITEM	PART NUMBER	1 2 3 4 5 6 7	NOMENCLATURE	EFFECT FROM TO	UNITS PER ASSY
12 E 210	65B07671-7		...SEAL- MISCELLANEOUS DATA: 65B07671-4,-5,-6,-7,-8 ARE OPTL TO -9. FOR INTERCHANGEABILITY DATA, SEE 140T2490 AND 140U4090 OPTIONAL PART: 65B07671-5 65B07671-6 65B07671-8 65B07671-9 USED ON: 65B22517-45		1
210	65B07671-8		...SEAL- MISCELLANEOUS DATA: 65B07671-4, -5, -6, -7, -8 ARE OPTL TO -9 FOR INTERCHANGEABILITY DATA, SEE 140T2490 AND 140U4090 OPTIONAL PART: 65B07671-5 65B07671-6 65B07671-7 65B07671-9 USED ON: 65B22517-45		1
210	65B07671-10		...SEAL- MISCELLANEOUS DATA: FOR INTERCHANGEABILITY DATA, SEE 140T2490 AND 140U4090 OPTIONAL PART: 65B07671-5 65B07671-6 65B07671-7 65B07671-8 65B07671-9 USED ON: 140T2411-5		1

ILLUSTRATION ITEMS NOT ON PARTS LIST ARE NOT APPLICABLE

- ITEM NOT ILLUSTRATED

HXL

56-21-01-12E

BOEING PROPRIETARY - Copyright © - Unpublished Work - See title page for details.

56-21-01  
 FIG. 12E  
 PAGE 42  
 DEC 22/07



767

PARTS CATALOG (MAINTENANCE)

FIG ITEM	PART NUMBER	1 2 3 4 5 6 7	NOMENCLATURE	EFFECT FROM TO	UNITS PER ASSY
12 E 210	65B07671-5		...SEAL- MISCELLANEOUS DATA: 65B07671-4,-5,-6,-7,-8 ARE OPTL TO -9. FOR INTERCHANGEABILITY DATA, SEE 140T2490 AND 140U4090 OPTIONAL PART: 65B07671-6 65B07671-7 65B07671-8 65B07671-9 65B07671-10 USED ON: 140T2411-5		1
210	65B07671-6		...SEAL- MISCELLANEOUS DATA: 65B07671-4,-5,-6,-7,-8 ARE OPTL TO -9. FOR INTERCHANGEABILITY DATA, SEE 140T2490 AND 140U4090 OPTIONAL PART: 65B07671-5 65B07671-7 65B07671-8 65B07671-9 65B07671-10 USED ON: 140T2411-5		1
210	65B07671-7		...SEAL- MISCELLANEOUS DATA: 65B07671-4,-5,-6,-7,-8 ARE OPTL TO -9. FOR INTERCHANGEABILITY DATA, SEE 140T2490 AND 140U4090 OPTIONAL PART: 65B07671-5 65B07671-6 65B07671-8 65B07671-9 65B07671-10 USED ON: 140T2411-5		1

ILLUSTRATION ITEMS NOT ON PARTS LIST ARE NOT APPLICABLE

- ITEM NOT ILLUSTRATED

HXL

56-21-01-12E

BOEING PROPRIETARY - Copyright © - Unpublished Work - See title page for details.

56-21-01  
 FIG. 12E  
 PAGE 43  
 DEC 22/07





767

PARTS CATALOG (MAINTENANCE)

FIG ITEM	PART NUMBER	1 2 3 4 5 6 7	NOMENCLATURE	EFFECT FROM TO	UNITS PER ASSY
12 E 210	65B07671-8		...SEAL- MISCELLANEOUS DATA: 65B07671-4, -5, -6, -7, -8 ARE OPTL TO -9 FOR INTERCHANGEABILITY DATA, SEE 140T2490 AND 140U4090 OPTIONAL PART: 65B07671-5 65B07671-6 65B07671-7 65B07671-9 65B07671-10 USED ON: 140T2411-5		1
210	65B07671-9		...SEAL- MISCELLANEOUS DATA: 65B07671-4, -5, -6, -7, -8 ARE OPTL TO -9 FOR INTERCHANGEABILITY DATA, SEE 140T2490 AND 140U4090 OPTIONAL PART: 65B07671-5 65B07671-6 65B07671-7 65B07671-8 65B07671-10 USED ON: 140T2411-5		1
210	65B07671-10		...SEAL- MISCELLANEOUS DATA: FOR INTERCHANGEABILITY DATA, SEE 140T2490 AND 140U4090. OPTIONAL PART: 65B07671-8 65B07671-9 USED ON: 140T2421-5		1

ILLUSTRATION ITEMS NOT ON PARTS LIST ARE NOT APPLICABLE

- ITEM NOT ILLUSTRATED

HXL

56-21-01-12E

BOEING PROPRIETARY - Copyright © - Unpublished Work - See title page for details.

56-21-01  
 FIG. 12E  
 PAGE 44  
 DEC 22/07



**767**  
**PARTS CATALOG (MAINTENANCE)**

FIG ITEM	PART NUMBER	1 2 3 4 5 6 7	NOMENCLATURE	EFFECT FROM TO	UNITS PER ASSY
12 E 210	65B07671-8		...SEAL- MISCELLANEOUS DATA: 65B07671-4,-5,-6,-7,-8 ARE OPTL TO -9. FOR INTERCHANGEABILITY DATA, SEE 140T2490 AND 140U4090. OPTIONAL PART: 65B07671-10 65B07671-9 USED ON: 140T2421-5		1
210	65B07671-9		...SEAL- MISCELLANEOUS DATA: 65B07671-4,-5,-6,-7,-8 ARE OPTL TO -9. FOR INTERCHANGEABILITY DATA, SEE 140T2490 AND 140U4090. OPTIONAL PART: 65B07671-10 65B07671-8 USED ON: 140T2421-5		1
210	65B07671-10		...SEAL- MISCELLANEOUS DATA: FOR INTERCHANGEABILITY DATA, SEE 140T2490 AND 140U4090. USED ON: 140T2421-605		1
210	65B07671-5		...SEAL- MISCELLANEOUS DATA: 65B07671-4,-5,-6,-7,-8 ARE OPTL TO -9. FOR INTERCHANGEABILITY DATA, SEE 140T2490 AND 140U4090. USED ON: 140T2421-605		1
210	65B07671-6		...SEAL- MISCELLANEOUS DATA: 65B07671-4,-5,-6,-7,-8 ARE OPTL TO -9. FOR INTERCHANGEABILITY DATA, SEE 140T2490 AND 140U4090. USED ON: 140T2421-605		1

ILLUSTRATION ITEMS NOT ON PARTS LIST ARE NOT APPLICABLE

- ITEM NOT ILLUSTRATED

HXL

# 56-21-01-12E

BOEING PROPRIETARY - Copyright © - Unpublished Work - See title page for details.

56-21-01  
FIG. 12E  
PAGE 45  
DEC 22/07



767

PARTS CATALOG (MAINTENANCE)

FIG ITEM	PART NUMBER	1 2 3 4 5 6 7	NOMENCLATURE	EFFECT FROM TO	UNITS PER ASSY
12 E 211	65B07671-10		...SEAL- MISCELLANEOUS DATA: FOR INTERCHANGEABILITY DATA, SEE 140T2490 AND 140U4090 USED ON: 65B22517-45		1
211	65B07671-7		...SEAL- MISCELLANEOUS DATA: 65B07671-4,-5,-6,-7,-8 ARE OPTL TO -9. FOR INTERCHANGEABILITY DATA, SEE 140T2490 AND 140U4090. USED ON: 140T2421-605		1
211	65B07671-8		...SEAL- MISCELLANEOUS DATA: 65B07671-4,-5,-6,-7,-8 ARE OPTL TO -9. FOR INTERCHANGEABILITY DATA, SEE 140T2490 AND 140U4090. USED ON: 140T2421-605		1
211	65B07671-9		...SEAL- MISCELLANEOUS DATA: 65B07671-4,-5,-6,-7,-8 ARE OPTL TO -9. FOR INTERCHANGEABILITY DATA, SEE 140T2490 AND 140U4090. USED ON: 140T2421-605		1
211	65B07671-7		...SEAL- MISCELLANEOUS DATA: 65B07671-4,-5,-6,-7,-8 ARE OPTL TO -9. FOR INTERCHANGEABILITY DATA, SEE 140T2490 AND 140U4090. USED ON: 140T2421-5		1

ILLUSTRATION ITEMS NOT ON PARTS LIST ARE NOT APPLICABLE

- ITEM NOT ILLUSTRATED

HXL

56-21-01-12E

BOEING PROPRIETARY - Copyright © - Unpublished Work - See title page for details.

56-21-01  
FIG. 12E  
PAGE 46  
DEC 22/07



767

PARTS CATALOG (MAINTENANCE)

FIG ITEM	PART NUMBER	1 2 3 4 5 6 7	NOMENCLATURE	EFFECT FROM TO	UNITS PER ASSY
12 E 211	65B07671-6		...SEAL- MISCELLANEOUS DATA: 65B07671-4,-5,-6,-7,-8 ARE OPTL TO -9. FOR INTERCHANGEABILITY DATA, SEE 140T2490 AND 140U4090. USED ON: 140T2421-5		1
211	65B07671-5		...SEAL- MISCELLANEOUS DATA: 65B07671-4,-5,-6,-7,-8 ARE OPTL TO -9. FOR INTERCHANGEABILITY DATA, SEE 140T2490 AND 140U4090. USED ON: 140T2421-5		1
215	65B07674-21		...PANE-MIDDLE MISCELLANEOUS DATA: FOR INTERCHANGEABILITY DATA, SEE 140T2490 FOR 767 AND 140U4090 FOR 747 QUALIFIED I/W DATA: INTERCHANGEABLE AT LIMITED STATIONS AS DOCUMENTED ON 140T2490 INTERCHANGEABILITY DRAWING USED ON: 65B22517-45		1
215	140T2415-5		...PANE-MIDDLE MISCELLANEOUS DATA: FOR INTERCHANGEABILITY DATA, SEE 140T2490 QUALIFIED I/W DATA: INTERCHANGEABLE AT LIMITED STATIONS AS DOCUMENTED ON 140T2490 INTERCHANGEABILITY DRAWING 140T2415-5 I/W 65B07674-21 FOR 767 ONLY. 65B07674-21 SHOULD ONLY BE USED IN THE CONSTANT BODY SECTION. USED ON: 140T2411-5		1

ILLUSTRATION ITEMS NOT ON PARTS LIST ARE NOT APPLICABLE

- ITEM NOT ILLUSTRATED

HXL

56-21-01-12E

BOEING PROPRIETARY - Copyright © - Unpublished Work - See title page for details.

56-21-01  
FIG. 12E  
PAGE 47  
DEC 22/07



767

PARTS CATALOG (MAINTENANCE)

FIG ITEM	PART NUMBER	1 2 3 4 5 6 7	NOMENCLATURE	EFFECT FROM TO	UNITS PER ASSY
12 E 215	140T2415-9		<p>...PANE-MIDDLE            MISCELLANEOUS DATA:            FOR INTERCHANGEABILITY            DATA, SEE 140T2490            QUALIFIED I/W DATA:            INTERCHANGEABLE AT            LIMITED STATIONS AS            DOCUMENTED ON 140T2490            INTERCHANGEABILITY            DRAWING            USED ON:            140T2421-5            USED ON:            140T2411-5</p>		1
215	65B07674-121		<p>...PANE-MIDDLE            MISCELLANEOUS DATA:            FOR INTERCHANGEABILITY            DATA, SEE 140U4090            QUALIFIED I/W DATA:            INTERCHANGEABLE AT            LIMITED STATIONS AS            DOCUMENTED ON 140T2490            INTERCHANGEABILITY            DRAWING            USED ON:            140T2411-5</p>		1
215	140T2415-9		<p>...PANE-MIDDLE            MISCELLANEOUS DATA:            (FOR INTERCHANGEABILITY            DATA, SEE 140T2490)            QUALIFIED I/W DATA:            INTERCHANGEABLE AT            LIMITED STATIONS AS            DOCUMENTED ON 140T2490            INTERCHANGEABILITY            DRAWING            OPTIONAL PART:            140T2415-601            USED ON:            140T2421-605</p>		1

ILLUSTRATION ITEMS NOT ON PARTS LIST ARE NOT APPLICABLE

- ITEM NOT ILLUSTRATED

HXL

56-21-01-12E

BOEING PROPRIETARY - Copyright © - Unpublished Work - See title page for details.

56-21-01  
 FIG. 12E  
 PAGE 48  
 DEC 22/07



767

PARTS CATALOG (MAINTENANCE)

FIG ITEM	PART NUMBER	1 2 3 4 5 6 7	NOMENCLATURE	EFFECT FROM TO	UNITS PER ASSY
12 E 215	140T2415-601		<p>...PANE-MIDDLE</p> <p>MISCELLANEOUS DATA: FOR INTERCHANGEABILITY DATA, SEE 140T2490.</p> <p>QUALIFIED I/W DATA: INTERCHANGEABLE AT LIMITED STATIONS AS DOCUMENTED ON 140T2490 INTERCHANGEABILITY DRAWING</p> <p>OPTIONAL PART: 140T2415-9</p> <p>USED ON: 140T2421-605</p>		1
215	140T2415-5		<p>...PANE-</p> <p>MISCELLANEOUS DATA: FOR INTERCHANGEABILITY DATA, SEE 140T2490</p> <p>QUALIFIED I/W DATA: 140T2415-5 I/W 65B07674-21 FOR 767 ONLY 65B07674-21 SHOULD ONLY BE USED IN THE CONSTANT BODY SECTION</p> <p>INTERCHANGEABLE AT LIMITED STATIONS AS DOCUMENTED ON 140T2490 INTERCHANGEABILITY DRAWING</p> <p>OPTIONAL PART: 140T2415-9</p> <p>USED ON: 140T2421-5</p>		1
215	65B07674-121		<p>...PANE-MIDDLE</p> <p>MISCELLANEOUS DATA: FOR INTERCHANGEABILITY DATA, SEE 140U4090</p> <p>QUALIFIED I/W DATA: INTERCHANGEABLE AT LIMITED STATIONS AS DOCUMENTED ON 140T2490 INTERCHANGEABILITY DRAWING</p> <p>USED ON: 140T2421-5</p>		1

ILLUSTRATION ITEMS NOT ON PARTS LIST ARE NOT APPLICABLE

- ITEM NOT ILLUSTRATED

HXL

56-21-01-12E

BOEING PROPRIETARY - Copyright © - Unpublished Work - See title page for details.

56-21-01  
FIG. 12E  
PAGE 49  
DEC 22/07



767

PARTS CATALOG (MAINTENANCE)

FIG ITEM	PART NUMBER	1 2 3 4 5 6 7	NOMENCLATURE	EFFECT FROM TO	UNITS PER ASSY
12 E 220	65B07673-21		<p>...PANE-OUTER            MISCELLANEOUS DATA:            FOR INTERCHANGEABILITY            DATA, SEE 140T2490 AND            140U4090            QUALIFIED I/W DATA:            140T2412-1 T/W            140T2416-3 SEAL T/W QTY            (10) 140U4001-2 CLIPS            I/W 140T2423-605 T/W            65B07671-10 SEAL T/W QTY            (10) 140U4001-1 CLIPS AT            LIMITED STATIONS AS            DOCUMENTED ON 140T2490            INTERCHANGEABILITY MATRIX            USED ON:            65B22517-45</p>		1
220	140T2413-5		<p>...PANE-OUTER            MISCELLANEOUS DATA:            FOR INTERCHANGEABILITY            DATA, SEE 140T2490            QUALIFIED I/W DATA:            140T2412-1 T/W            140T2416-3 SEAL T/W QTY            (10) 140U4001-2 CLIPS            I/W 140T2423-605 T/W            65B07671-10 SEAL T/W QTY            (10) 140U4001-1 CLIPS AT            LIMITED STATIONS AS            DOCUMENTED ON 140T2490            INTERCHANGEABILITY MATRIX            USED ON:            140T2411-5</p>		1
220	65B07673-21		<p>...PANE-OUTER            MISCELLANEOUS DATA:            FOR INTERCHANGEABILITY            DATA, SEE 140T2490 AND            140U4090            USED ON:            140T2411-5</p>		1
220	140T2423-5		<p>...PANE-OUTER            MISCELLANEOUS DATA:            FOR INTERCHANGEABILITY            DATA, SEE 140T2490            USED ON:            140T2411-5</p>		1

ILLUSTRATION ITEMS NOT ON PARTS LIST ARE NOT APPLICABLE

- ITEM NOT ILLUSTRATED

HXL

56-21-01-12E

BOEING PROPRIETARY - Copyright © - Unpublished Work - See title page for details.

56-21-01  
 FIG. 12E  
 PAGE 50  
 DEC 22/07

**BOEING**  
767  
**PARTS CATALOG (MAINTENANCE)**

FIG ITEM	PART NUMBER	1 2 3 4 5 6 7	NOMENCLATURE	EFFECT FROM TO	UNITS PER ASSY
12E 220	140T2413-5		...PANE-OUTER MISCELLANEOUS DATA: FOR INTERCHANGEABILITY DATA, SEE 140T2490 USED ON: 65B22517-45		1
220	140T2423-605		...PANE- MISCELLANEOUS DATA: FOR INTERCHANGEABILITY DATA, SEE 140T2490 USED ON: 65B22517-45		1
220	140T2423-605		...PANE- MISCELLANEOUS DATA: FOR INTERCHANGEABILITY DATA, SEE 140T2490 USED ON: 140T2411-5		1
220	140T2423-605		...PANE-OUTER MISCELLANEOUS DATA: (FOR INTERCHANGEABILITY DATA, SEE 140T2490) QUALIFIED I/W DATA: 140T2414-1 T/W 140T2416-3 SEAL T/W QTY (10) 140U4001-2 CLIPS I/W 140T2423-605 T/W 65B07671-10 SEAL T/W QTY (10) 140U4001-1 CLIPS AT LIMITED STATIONS AS DOCUMENTED ON 140T2490 INTERCHANGEABILITY MATRIX USED ON: 140T2421-5 140T2421-605		1

ILLUSTRATION ITEMS NOT ON PARTS LIST ARE NOT APPLICABLE

— ITEM NOT ILLUSTRATED

HXL

# 56-21-01-12E

BOEING PROPRIETARY - Copyright © - Unpublished Work - See title page for details.

56-21-01  
FIG. 12E  
PAGE 51  
DEC 22/07





767

PARTS CATALOG (MAINTENANCE)

FIG ITEM	PART NUMBER	1 2 3 4 5 6 7	NOMENCLATURE	EFFECT FROM TO	UNITS PER ASSY
12 E 220	140T2423-5		<p>...PANE-OUTER</p> <p>MISCELLANEOUS DATA: (FOR INTERCHANGEABILITY DATA, SEE 140T2490)</p> <p>QUALIFIED I/W DATA: 140T2414-1 T/W 140T2416-3 SEAL T/W QTY (10) 140U4001-2 CLIPS I/W 140T2423-605 T/W 65B07671-10 SEAL T/W QTY (10) 140U4001-1 CLIPS AT LIMITED STATIONS AS DOCUMENTED ON 140T2490 INTERCHANGEABILITY MATRIX</p> <p>USED ON: 140T2421-5 140T2421-605</p>		1
220	140T2413-5		<p>...PANE-</p> <p>MISCELLANEOUS DATA: FOR INTERCHANGEABILITY DATA, SEE 140T2490</p> <p>USED ON: 140T2421-5 140T2421-605</p>		1
220	65B07673-21		<p>...PANE-</p> <p>MISCELLANEOUS DATA: FOR INTERCHANGEABILITY DATA, SEE 140T2490 AND 140U4090</p> <p>USED ON: 140T2421-5 140T2421-605</p>		1

ILLUSTRATION ITEMS NOT ON PARTS LIST ARE NOT APPLICABLE

- ITEM NOT ILLUSTRATED

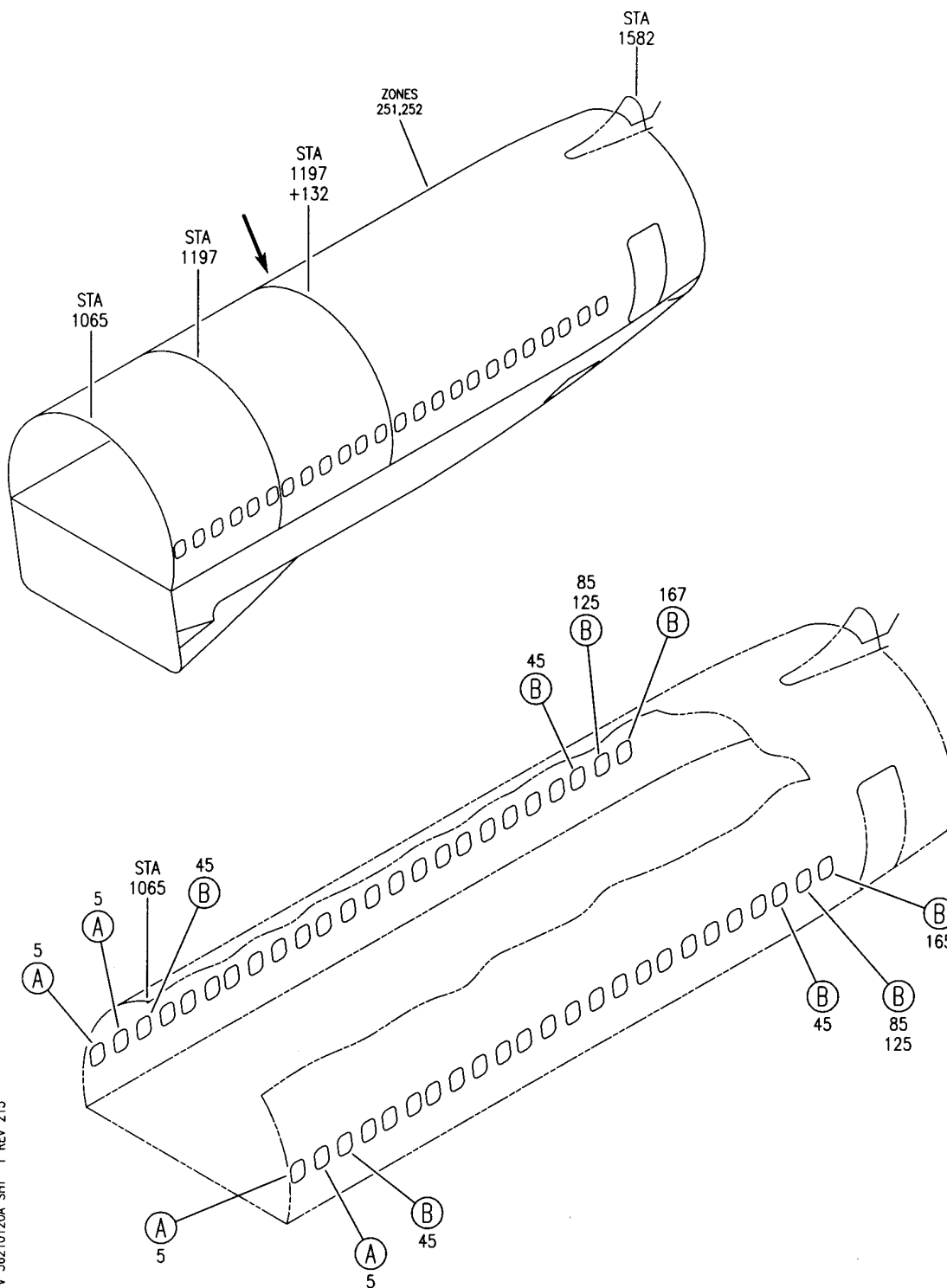
HXL

56-21-01-12E

BOEING PROPRIETARY - Copyright © - Unpublished Work - See title page for details.

56-21-01  
FIG. 12E  
PAGE 52  
DEC 22/07

**BOEING**  
767  
PARTS CATALOG (MAINTENANCE)



V 56210120A SHT 1 REV 215

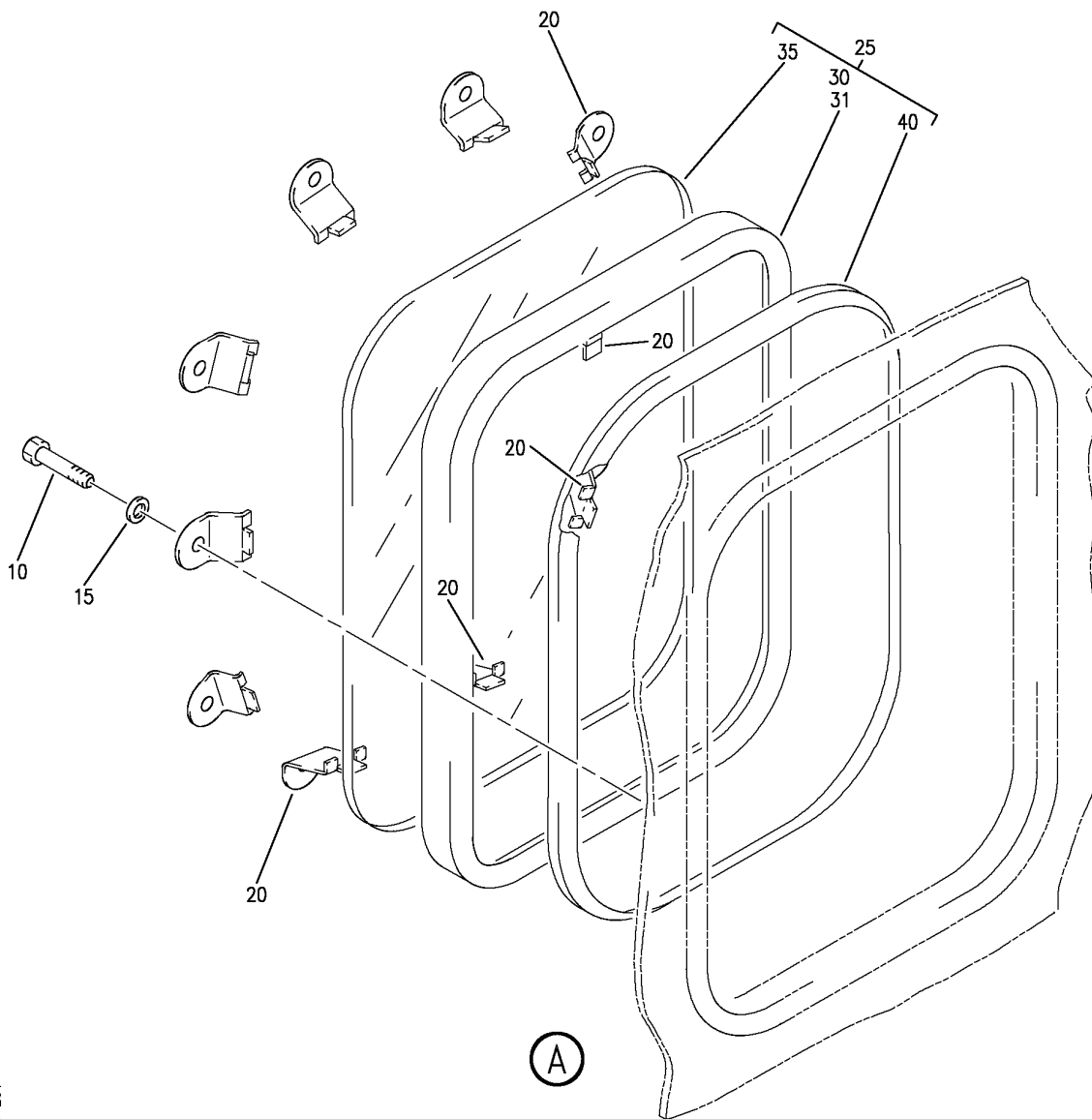
WINDOW INTEGRATION-PASS. SECT. 46  
FIGURE 20A (SHEET 1)

**56-21-01-20A**

HXL  
DEC 22/06

56-21-01-20A  
PAGE 0

**BOEING**  
767  
PARTS CATALOG (MAINTENANCE)



V 56210120A SHT 2 REV 264

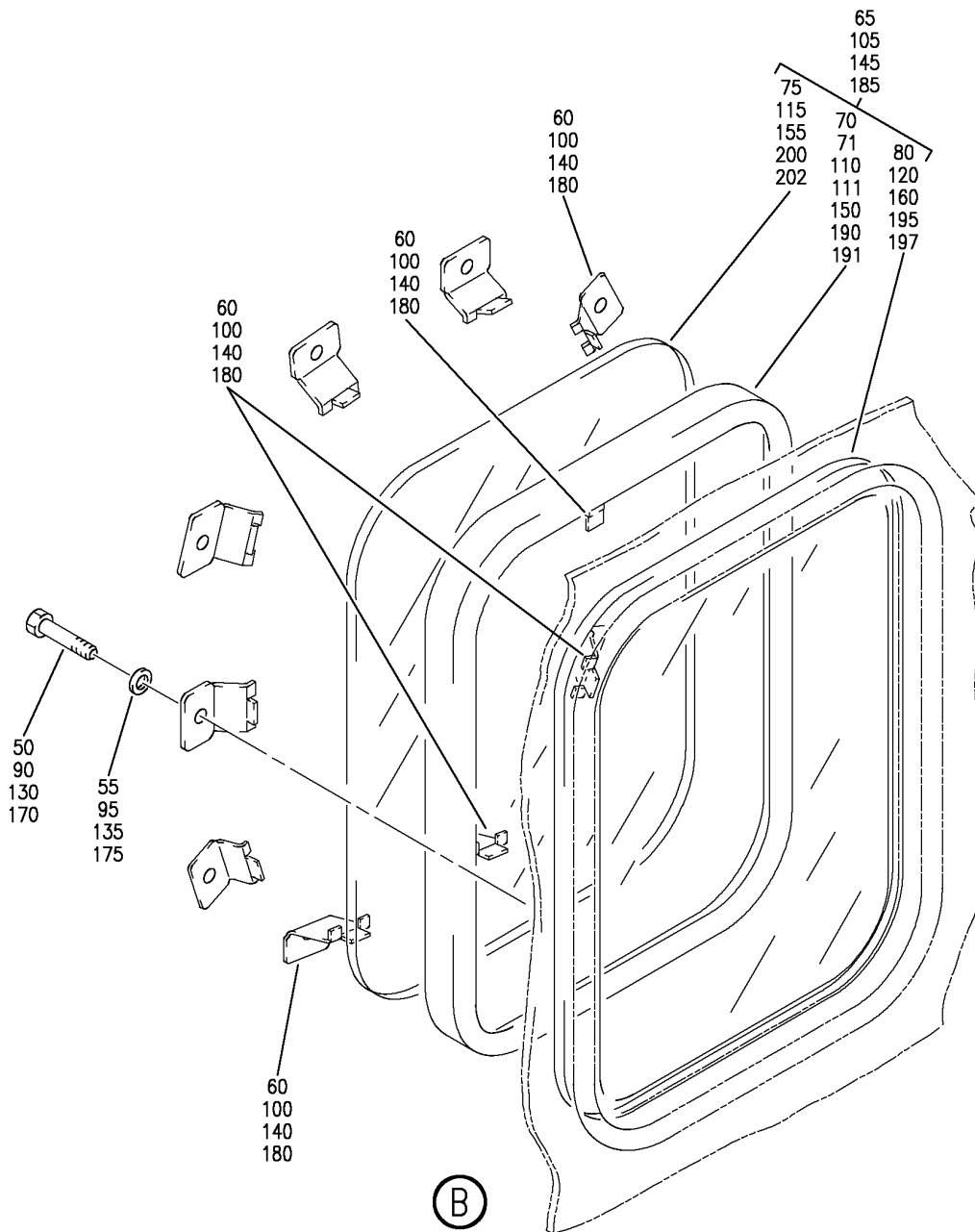
WINDOW INTEGRATION-PASS. SECT. 46  
FIGURE 20A (SHEET 2)

**56-21-01-20A**

HXL  
DEC 22/06

56-21-01-20A  
PAGE 0A

**BOEING**  
767  
**PARTS CATALOG (MAINTENANCE)**



V 56210120A SHT 3 REV 264

WINDOW INTEGRATION-PASS. SECT. 46  
FIGURE 20A (SHEET 3)

**56-21-01-20A**

HXL  
DEC 22/06

56-21-01-20A  
PAGE 0B



767

PARTS CATALOG (MAINTENANCE)

FIG ITEM	PART NUMBER	1 2 3 4 5 6 7	NOMENCLATURE	EFFECT FROM TO	UNITS PER ASSY
20A			WINDOW INTEGRATION-PASS. SECT. 46		
- 1	146T0042-6		WINDOW INTEGRATION-PASS. POSITION DATA: SECT. 46 FOR NHA SEE: 53-60-00-08		RF
5	140T2400-29		.WINDOW INSTL- POSITION DATA: STA. 1075.4 AND 1097.4		4
10	NAS1801-08-12		..SCREW		10
15	AN960JD8		..WASHER		10
20	140U4001-5		..CLIP		10
25	140T2411-5		..WINDOW ASSY- MISCELLANEOUS DATA: FOR INTERCHANGEABILITY DATA, SEE 140T2490 COMPONENT MAINT MANUAL REF: 56-21-61 QUALIFIED I/W DATA: 140T2412-1 T/W QTY 10 140U4001-2 CLIPS ARE I/W 140T2411-5 T/W QTY 10 140U4001-1 CLIPS AT LIMITED STATIONS AS DEFINED ON 140T2490 INTERCHANGEABILITY MATRIX INTERCHANGEABLE AT LIMITED STATIONS AS DEFINED ON 140T2490 INTERCHANGEABILITY MATRIX OPTIONAL PART: 65B22517-45 FOR SPARES PROCURE: 654T0005-242		1
ILLUSTRATION ITEMS NOT ON PARTS LIST ARE NOT APPLICABLE					

- ITEM NOT ILLUSTRATED

HXL

56-21-01-20A

BOEING PROPRIETARY - Copyright © - Unpublished Work - See title page for details.

56-21-01  
FIG. 20A  
PAGE 1  
DEC 22/07



767

PARTS CATALOG (MAINTENANCE)

FIG ITEM	PART NUMBER	1 2 3 4 5 6 7	NOMENCLATURE	EFFECT FROM TO	UNITS PER ASSY
20A 25	65B22517-45		<p>..WINDOW ASSY-            MISCELLANEOUS DATA:            FOR INTERCHANGEABILITY            DATA, SEE 140T2490 AND            140U4090            COMPONENT MAINT MANUAL REF:            56-21-41            QUALIFIED I/W DATA:            INTERCHANGEABLE AT            LIMITED STATIONS AS            DEFINED ON 140T2490            INTERCHANGEABILITY            MATRIX            OPTIONAL PART:            140T2411-5            FOR SPARES PROCURE:            654U6075-685</p>		1
25	140T2421-605		<p>..WINDOW ASSY-            MISCELLANEOUS DATA:            FOR INTERCHANGEABILITY            DATA, SEE 140T2490            COMPONENT MAINT MANUAL REF:            56-21-61            QUALIFIED I/W DATA:            140T2421-605 CAN REPLACE            OR BE REPLACED BY            140T2421-7 AT ALL LEFT            AND RIGHT HAND SIDE BODY            STATIONS EXCEPT STA            378.4, STA 400.4 AND STA            1449.4.            140T2412-1 T/W QTY 10            140U4001-2 CLIPS ARE I/W            140T2421-605 T/W QTY 10            140U4001-1 CLIPS AT            LIMITED STATIONS AS            DEFINED ON 140T2490            INTERCHANGEABILITY            MATRIX</p>		1

ILLUSTRATION ITEMS NOT ON PARTS LIST ARE NOT APPLICABLE

- ITEM NOT ILLUSTRATED

HXL

**56-21-01-20A**

BOEING PROPRIETARY - Copyright © - Unpublished Work - See title page for details.

56-21-01  
 FIG. 20A  
 PAGE 2  
 DEC 22/07



767

PARTS CATALOG (MAINTENANCE)

FIG ITEM	PART NUMBER	1 2 3 4 5 6 7	NOMENCLATURE	EFFECT FROM TO	UNITS PER ASSY
20A 25	140T2421-5		<p>..WINDOW ASSY-</p> <p>MISCELLANEOUS DATA: FOR INTERCHANGEABILITY DATA, SEE 140T2490. COMPONENT MAINT MANUAL REF: 56-21-61</p> <p>QUALIFIED I/W DATA: 140T2412-1 T/W QTY 10 140U4001-2 CLIPS ARE I/W 140T2421-5 T/W QTY 10 140U4001-1 CLIPS AT LIMITED STATIONS AS DEFINED ON 140T2490 INTERCHANGEABILITY MATRIX INTERCHANGEABLE AT LIMITED STATIONS AS DEFINED ON 140T2490 INTERCHANGEABILITY MATRIX</p>		1
30	65B07671-5		<p>...SEAL-</p> <p>MISCELLANEOUS DATA: 65B07671-4, -5, -6, -7, -8 ARE OPTL TO -9 FOR INTERCHANGEABILITY DATA, SEE 140T2490 AND 140U4090. OPTIONAL PART: 65B07671-6 65B07671-7 65B07671-8 65B07671-9 USED ON: 65B22517-45</p>		1
30	65B07671-6		<p>...SEAL-</p> <p>MISCELLANEOUS DATA: 65B07671-4, -5, -6, -7, -8 ARE OPTL TO -9 FOR INTERCHANGEABILITY DATA, SEE 140T2490 AND 140U4090. OPTIONAL PART: 65B07671-5 65B07671-7 65B07671-8 65B07671-9 USED ON: 65B22517-45</p>		1

ILLUSTRATION ITEMS NOT ON PARTS LIST ARE NOT APPLICABLE

- ITEM NOT ILLUSTRATED

56-21-01-20A

56-21-01  
FIG. 20A  
PAGE 3  
DEC 22/07

HXL



767

PARTS CATALOG (MAINTENANCE)

FIG ITEM	PART NUMBER	1 2 3 4 5 6 7	NOMENCLATURE	EFFECT FROM TO	UNITS PER ASSY
20A 30	65B07671-7		<p>...SEAL-</p> <p>MISCELLANEOUS DATA: 65B07671-4, -5, -6, -7, -8 ARE OPTL TO -9 FOR INTERCHANGEABILITY DATA, SEE 140T2490 AND 140U4090.</p> <p>OPTIONAL PART: 65B07671-5 65B07671-6 65B07671-8 65B07671-9</p> <p>USED ON: 65B22517-45</p>		1
30	65B07671-8		<p>...SEAL-</p> <p>MISCELLANEOUS DATA: 65B07671-4, -5, -6, -7, -8 ARE OPTL TO -9 FOR INTERCHANGEABILITY DATA, SEE 140T2490 AND 140U4090</p> <p>OPTIONAL PART: 65B07671-5 65B07671-6 65B07671-7 65B07671-9</p> <p>USED ON: 65B22517-45</p>		1
30	65B07671-9		<p>...SEAL-</p> <p>MISCELLANEOUS DATA: 65B07671-4, -5, -6, -7, -8 ARE OPTL TO -9 FOR INTERCHANGEABILITY DATA, SEE 140T2490 AND 140U4090</p> <p>OPTIONAL PART: 65B07671-5 65B07671-6 65B07671-7 65B07671-8</p> <p>USED ON: 65B22517-45</p>		1

ILLUSTRATION ITEMS NOT ON PARTS LIST ARE NOT APPLICABLE

- ITEM NOT ILLUSTRATED

HXL

56-21-01-20A

BOEING PROPRIETARY - Copyright © - Unpublished Work - See title page for details.

56-21-01  
FIG. 20A  
PAGE 4  
DEC 22/07





767

PARTS CATALOG (MAINTENANCE)

FIG ITEM	PART NUMBER	1 2 3 4 5 6 7	NOMENCLATURE	EFFECT FROM TO	UNITS PER ASSY
20A 30	65B07671-10		<p>...SEAL-</p> <p>MISCELLANEOUS DATA: FOR INTERCHANGEABILITY DATA, SEE 140T2490 AND 140U4090</p> <p>OPTIONAL PART: 65B07671-5 65B07671-6 65B07671-7 65B07671-8 65B07671-9</p> <p>USED ON: 140T2411-5</p>		1
30	65B07671-5		<p>...SEAL-</p> <p>MISCELLANEOUS DATA: 65B07671-4, -5, -6, -7, -8 ARE OPTL TO -9 FOR INTERCHANGEABILITY DATA, SEE 140T2490 AND 140U4090.</p> <p>OPTIONAL PART: 65B07671-6 65B07671-7 65B07671-8 65B07671-9 65B07671-10</p> <p>USED ON: 140T2411-5</p>		1
30	65B07671-6		<p>...SEAL-</p> <p>MISCELLANEOUS DATA: 65B07671-4, -5, -6, -7, -8 ARE OPTL TO -9 FOR INTERCHANGEABILITY DATA, SEE 140T2490 AND 140U4090.</p> <p>OPTIONAL PART: 65B07671-5 65B07671-7 65B07671-8 65B07671-9 65B07671-10</p> <p>USED ON: 140T2411-5</p>		1

ILLUSTRATION ITEMS NOT ON PARTS LIST ARE NOT APPLICABLE

- ITEM NOT ILLUSTRATED

HXL

56-21-01-20A

BOEING PROPRIETARY - Copyright © - Unpublished Work - See title page for details.

56-21-01  
FIG. 20A  
PAGE 5  
DEC 22/07



767

PARTS CATALOG (MAINTENANCE)

FIG ITEM	PART NUMBER	1 2 3 4 5 6 7	NOMENCLATURE	EFFECT FROM TO	UNITS PER ASSY
20A 30	65B07671-7		<p>...SEAL-</p> <p>MISCELLANEOUS DATA: 65B07671-4, -5, -6, -7, -8 ARE OPTL TO -9 FOR INTERCHANGEABILITY DATA, SEE 140T2490 AND 140U4090.</p> <p>OPTIONAL PART: 65B07671-5 65B07671-6 65B07671-8 65B07671-9 65B07671-10</p> <p>USED ON: 140T2411-5</p>		1
30	65B07671-8		<p>...SEAL-</p> <p>MISCELLANEOUS DATA: 65B07671-4, -5, -6, -7, -8 ARE OPTL TO -9 FOR INTERCHANGEABILITY DATA, SEE 140T2490 AND 140U4090</p> <p>OPTIONAL PART: 65B07671-5 65B07671-6 65B07671-7 65B07671-9 65B07671-10</p> <p>USED ON: 140T2411-5</p>		1
30	65B07671-9		<p>...SEAL-</p> <p>MISCELLANEOUS DATA: 65B07671-4, -5, -6, -7, -8 ARE OPTL TO -9 FOR INTERCHANGEABILITY DATA, SEE 140T2490 AND 140U4090</p> <p>OPTIONAL PART: 65B07671-5 65B07671-6 65B07671-7 65B07671-8 65B07671-10</p> <p>USED ON: 140T2411-5</p>		1

ILLUSTRATION ITEMS NOT ON PARTS LIST ARE NOT APPLICABLE

- ITEM NOT ILLUSTRATED

HXL

56-21-01-20A

BOEING PROPRIETARY - Copyright © - Unpublished Work - See title page for details.

56-21-01  
FIG. 20A  
PAGE 6  
DEC 22/07



767

PARTS CATALOG (MAINTENANCE)

FIG ITEM	PART NUMBER	1 2 3 4 5 6 7	NOMENCLATURE	EFFECT FROM TO	UNITS PER ASSY
20A 30	65B07671-10		...SEAL- MISCELLANEOUS DATA: FOR INTERCHANGEABILITY DATA, SEE 140T2490 AND 140U4090 USED ON: 65B22517-45		1
30	65B07671-10		...SEAL- MISCELLANEOUS DATA: FOR INTERCHANGEABILITY DATA, SEE 140T2490 AND 140U4090 USED ON: 140T2421-605		1
30	65B07671-9		...SEAL- MISCELLANEOUS DATA: 65B07671-4, -5, -6, -7, -8 ARE OPTL TO -9 FOR INTERCHANGEABILITY DATA, SEE 140T2490 AND 140U4090 USED ON: 140T2421-605		1
30	65B07671-8		...SEAL- MISCELLANEOUS DATA: 65B07671-4, -5, -6, -7, -8 ARE OPTL TO -9 FOR INTERCHANGEABILITY DATA, SEE 140T2490 AND 140U4090 USED ON: 140T2421-605		1
30	65B07671-7		...SEAL- MISCELLANEOUS DATA: 65B07671-4, -5, -6, -7, -8 ARE OPTL TO -9 FOR INTERCHANGEABILITY DATA, SEE 140T2490 AND 140U4090. USED ON: 140T2421-605		1

ILLUSTRATION ITEMS NOT ON PARTS LIST ARE NOT APPLICABLE

- ITEM NOT ILLUSTRATED

HXL

56-21-01-20A

BOEING PROPRIETARY - Copyright © - Unpublished Work - See title page for details.

56-21-01  
FIG. 20A  
PAGE 7  
DEC 22/07



767

PARTS CATALOG (MAINTENANCE)

FIG ITEM	PART NUMBER	1 2 3 4 5 6 7	NOMENCLATURE	EFFECT FROM TO	UNITS PER ASSY
20A 30	65B07671-6		<p>...SEAL-</p> <p>MISCELLANEOUS DATA: 65B07671-4, -5, -6, -7, -8 ARE OPTL TO -9 FOR INTERCHANGEABILITY DATA, SEE 140T2490 AND 140U4090. USED ON: 140T2421-605</p>		1
31	65B07671-5		<p>...SEAL-</p> <p>MISCELLANEOUS DATA: 65B07671-4, -5, -6, -7, -8 ARE OPTL TO -9 FOR INTERCHANGEABILITY DATA, SEE 140T2490 AND 140U4090. USED ON: 140T2421-605</p>		1
31	65B07671-10		<p>...SEAL-</p> <p>MISCELLANEOUS DATA: FOR INTERCHANGEABILITY DATA, SEE 140T2490 AND 140U4090 OPTIONAL PART: 65B07671-8 65B07671-9 USED ON: 140T2421-5</p>		1
31	65B07671-9		<p>...SEAL-</p> <p>MISCELLANEOUS DATA: 65B07671-4, -5, -6, -7, -8 ARE OPTL TO -9 FOR INTERCHANGEABILITY DATA, SEE 140T2490 AND 140U4090 OPTIONAL PART: 65B07671-8 65B07671-10 USED ON: 140T2421-5</p>		1

ILLUSTRATION ITEMS NOT ON PARTS LIST ARE NOT APPLICABLE

- ITEM NOT ILLUSTRATED

HXL

56-21-01-20A

BOEING PROPRIETARY - Copyright © - Unpublished Work - See title page for details.

56-21-01  
FIG. 20A  
PAGE 8  
DEC 22/07



767

PARTS CATALOG (MAINTENANCE)

FIG ITEM	PART NUMBER	1 2 3 4 5 6 7	NOMENCLATURE	EFFECT FROM TO	UNITS PER ASSY
20A 31	65B07671-8		...SEAL- MISCELLANEOUS DATA: 65B07671-4, -5, -6, -7, -8 ARE OPTL TO -9 FOR INTERCHANGEABILITY DATA, SEE 140T2490 AND 140U4090 OPTIONAL PART: 65B07671-9 65B07671-10 USED ON: 140T2421-5		1
31	65B07671-7		...SEAL- MISCELLANEOUS DATA: 65B07671-4, -5, -6, -7, -8 ARE OPTL TO -9 FOR INTERCHANGEABILITY DATA, SEE 140T2490 AND 140U4090. USED ON: 140T2421-5		1
31	65B07671-6		...SEAL- MISCELLANEOUS DATA: 65B07671-4, -5, -6, -7, -8 ARE OPTL TO -9 FOR INTERCHANGEABILITY DATA, SEE 140T2490 AND 140U4090. USED ON: 140T2421-5		1
31	65B07671-5		...SEAL- MISCELLANEOUS DATA: 65B07671-4, -5, -6, -7, -8 ARE OPTL TO -9 FOR INTERCHANGEABILITY DATA, SEE 140T2490 AND 140U4090. USED ON: 140T2421-5		1

ILLUSTRATION ITEMS NOT ON PARTS LIST ARE NOT APPLICABLE

- ITEM NOT ILLUSTRATED

HXL

56-21-01-20A

BOEING PROPRIETARY - Copyright © - Unpublished Work - See title page for details.

56-21-01  
 FIG. 20A  
 PAGE 9  
 DEC 22/07



767

PARTS CATALOG (MAINTENANCE)

FIG ITEM	PART NUMBER	1 2 3 4 5 6 7	NOMENCLATURE	EFFECT FROM TO	UNITS PER ASSY
20A 35	65B07674-21		<p>...PANE-MIDDLE            MISCELLANEOUS DATA:            FOR INTERCHANGEABILITY            DATA, SEE 140T2490 FOR            767 AND 140U4090 FOR 747            QUALIFIED I/W DATA:            INTERCHANGEABLE AT            LIMITED STATIONS AS            DOCUMENTED ON 140T2490            INTERCHANGEABILITY            DRAWING            USED ON:            65B22517-45</p>		1
35	140T2415-5		<p>...PANE-MIDDLE            MISCELLANEOUS DATA:            FOR INTERCHANGEABILITY            DATA SEE 140T2490            QUALIFIED I/W DATA:            INTERCHANGEABLE AT            LIMITED STATIONS AS            DOCUMENTED ON 140T2490            INTERCHANGEABILITY            DRAWING            140T2415-5 I/W            65B07674-21 FOR 767            ONLY. 65B07674-21 SHOULD            ONLY BE USED IN THE            CONSTANT BODY SECTION.            USED ON:            140T2411-5</p>		1
35	65B07674-121		<p>...PANE-MIDDLE            MISCELLANEOUS DATA:            FOR INTERCHANGEABILITY            DATA, SEE 140U4090.            USED ON:            140T2411-5</p>		1

ILLUSTRATION ITEMS NOT ON PARTS LIST ARE NOT APPLICABLE

- ITEM NOT ILLUSTRATED

HXL

56-21-01-20A

BOEING PROPRIETARY - Copyright © - Unpublished Work - See title page for details.

56-21-01  
 FIG. 20A  
 PAGE 10  
 DEC 22/07



767

PARTS CATALOG (MAINTENANCE)

FIG ITEM	PART NUMBER	1 2 3 4 5 6 7	NOMENCLATURE	EFFECT FROM TO	UNITS PER ASSY
20A 35	140T2415-9		<p>...PANE-MIDDLE</p> <p>MISCELLANEOUS DATA: FOR INTERCHANGEABILITY DATA, SEE 140T2490</p> <p>QUALIFIED I/W DATA: INTERCHANGEABLE AT LIMITED STATIONS AS DOCUMENTED ON 140T2490</p> <p>INTERCHANGEABILITY DRAWING</p> <p>OPTIONAL PART: 140T2415-601</p> <p>USED ON: 140T2421-605</p>		1
35	140T2415-601		<p>...PANE-MIDDLE</p> <p>QUALIFIED I/W DATA: INTERCHANGEABLE AT LIMITED STATIONS AS DOCUMENTED ON 140T2490</p> <p>INTERCHANGEABILITY DRAWING</p> <p>OPTIONAL PART: 140T2415-9</p> <p>USED ON: 140T2421-605</p>		1
35	140T2415-5		<p>...PANE-MIDDLE</p> <p>MISCELLANEOUS DATA: FOR INTERCHANGEABILITY DATA, SEE 140T2490</p> <p>QUALIFIED I/W DATA: 140T2415-5 I/W 65B07674-21 FOR 767 ONLY. 65B07674-21 SHOULD ONLY BE USED IN THE CONSTANT BODY SECTION</p> <p>INTERCHANGEABLE AT LIMITED STATIONS AS DOCUMENTED ON 140T2490</p> <p>INTERCHANGEABILITY DRAWING</p> <p>OPTIONAL PART: 140T2415-9</p> <p>USED ON: 140T2421-5</p>		1

ILLUSTRATION ITEMS NOT ON PARTS LIST ARE NOT APPLICABLE

- ITEM NOT ILLUSTRATED

HXL

**56-21-01-20A**

BOEING PROPRIETARY - Copyright © - Unpublished Work - See title page for details.

56-21-01  
FIG. 20A  
PAGE 11  
DEC 22/07



767

PARTS CATALOG (MAINTENANCE)

FIG ITEM	PART NUMBER	1 2 3 4 5 6 7	NOMENCLATURE	EFFECT FROM TO	UNITS PER ASSY
20A 35	65B07674-121		<p>...PANE-MIDDLE</p> <p>MISCELLANEOUS DATA: FOR INTERCHANGEABILITY DATA, SEE 140U4090</p> <p>QUALIFIED I/W DATA: INTERCHANGEABLE AT LIMITED STATIONS AS DOCUMENTED ON 140T2490 INTERCHANGEABILITY DRAWING</p> <p>USED ON: 140T2421-5</p>		1
35	140T2415-9		<p>...PANE-MIDDLE</p> <p>MISCELLANEOUS DATA: FOR INTERCHANGEABILITY DATA, SEE 140T2490</p> <p>QUALIFIED I/W DATA: INTERCHANGEABLE AT LIMITED STATIONS AS DOCUMENTED ON 140T2490 INTERCHANGEABILITY DRAWING</p> <p>OPTIONAL PART: 140T2415-5</p> <p>USED ON: 140T2421-5</p>		1
40	65B07673-21		<p>...PANE-OUTER</p> <p>MISCELLANEOUS DATA: FOR INTERCHANGEABILITY DATA, SEE 140T2490 AND 140U4090</p> <p>QUALIFIED I/W DATA: 140T2414-1 T/W 140T2416-3 SEAL T/W QTY (10) 140U4001-2 CLIPS I/W 140T2423-605 T/W 65B07671-10 SEAL T/W QTY (10) 140U4001-1 CLIPS AT LIMITED STATIONS AS DOCUMENTED ON 140T2490 INTERCHANGEABILITY MATRIX</p> <p>USED ON: 65B22517-45</p>		1

ILLUSTRATION ITEMS NOT ON PARTS LIST ARE NOT APPLICABLE

- ITEM NOT ILLUSTRATED

HXL

56-21-01-20A

BOEING PROPRIETARY - Copyright © - Unpublished Work - See title page for details.

56-21-01  
FIG. 20A  
PAGE 12  
DEC 22/07





767

PARTS CATALOG (MAINTENANCE)

FIG ITEM	PART NUMBER	1 2 3 4 5 6 7	NOMENCLATURE	EFFECT FROM TO	UNITS PER ASSY
20A 40	140T2413-5		<p>...PANE-OUTER            MISCELLANEOUS DATA:            FOR INTERCHANGEABILITY            DATA, SEE 140T2490            QUALIFIED I/W DATA:            140T2414-1 T/W            140T2416-3 SEAL T/W QTY            (10) 140U4001-2 CLIPS            I/W 140T2423-605 T/W            65B07671-10 SEAL T/W QTY            (10) 140U4001-1 CLIPS AT            LIMITED STATIONS AS            DOCUMENTED ON 140T2490            INTERCHANGEABLITY MATRIX            USED ON:            140T2411-5</p>		1
40	65B07673-21		<p>...PANE-OUTER            MISCELLANEOUS DATA:            FOR INTERCHANGEABILITY            DATA, SEE 140T2490 AND            140U4090            USED ON:            140T2411-5</p>		1
40	140T2423-5		<p>...PANE-OUTER            MISCELLANEOUS DATA:            FOR INTERCHANGEABILITY            DATA, SEE 140T2490            QUALIFIED I/W DATA:            140T2414-1 T/W            140T2416-3 SEAL T/W QTY            (10) 140U4001-2 CLIPS            I/W 140T2423-605 T/W            65B07671-10 SEAL T/W QTY            (10) 140U4001-1 CLIPS AT            LIMITED STATIONS AS            DOCUMENTED ON 140T2490            INTERCHANGEABLITY MATRIX            USED ON:            140T2421-5            140T2421-605</p>		1

ILLUSTRATION ITEMS NOT ON PARTS LIST ARE NOT APPLICABLE

- ITEM NOT ILLUSTRATED

HXL

56-21-01-20A

BOEING PROPRIETARY - Copyright © - Unpublished Work - See title page for details.

56-21-01  
 FIG. 20A  
 PAGE 13  
 DEC 22/07



767

PARTS CATALOG (MAINTENANCE)

FIG ITEM	PART NUMBER	1 2 3 4 5 6 7	NOMENCLATURE	EFFECT FROM TO	UNITS PER ASSY
20A 40	140T2423-605		<p>...PANE-</p> <p>MISCELLANEOUS DATA: FOR INTERCHANGEABILITY DATA, SEE 140T2490 AND 140U4090</p> <p>QUALIFIED I/W DATA: 140T2414-1 T/W 140T2416-3 SEAL T/W QTY (10) 140U4001-2 CLIPS I/W 140T2423-605 T/W 65B07671-10 SEAL T/W QTY (10) 140U4001-1 CLIPS AT LIMITED STATIONS AS DOCUMENTED ON 140T2490 INTERCHANGEABILITY MATRIX USED ON: 140T2421-5 140T2421-605</p>		1
40	140T2413-5		<p>...PANE-OUTER</p> <p>MISCELLANEOUS DATA: FOR INTERCHANGEABILITY DATA, SEE 140T2490 AND 140U4090</p> <p>USED ON: 140T2421-5 140T2421-605</p>		1
40	140T2423-5		<p>...PANE-OUTER</p> <p>MISCELLANEOUS DATA: FOR INTERCHANGEABILITY DATA, SEE 140T2490</p> <p>USED ON: 140T2411-5</p>		1
40	140T2423-605		<p>...PANE-OUTER</p> <p>MISCELLANEOUS DATA: FOR INTERCHANGEABILITY DATA, SEE 140T2490</p> <p>USED ON: 140T2411-5</p>		1
40	140T2423-605		<p>...PANE-OUTER</p> <p>MISCELLANEOUS DATA: FOR INTERCHANGEABILITY DATA, SEE 140T2490</p> <p>USED ON: 65B22517-45</p>		1

ILLUSTRATION ITEMS NOT ON PARTS LIST ARE NOT APPLICABLE

- ITEM NOT ILLUSTRATED

HXL

56-21-01-20A

BOEING PROPRIETARY - Copyright © - Unpublished Work - See title page for details.

56-21-01  
FIG. 20A  
PAGE 14  
DEC 22/07



767

PARTS CATALOG (MAINTENANCE)

FIG ITEM	PART NUMBER	1 2 3 4 5 6 7	NOMENCLATURE	EFFECT FROM TO	UNITS PER ASSY
20A 40	140T2413-5		...PANE- MISCELLANEOUS DATA: FOR INTERCHANGEABILITY DATA, SEE 140T2490 USED ON: 65B22517-45		1
40	65B07673-21		...PANE-OUTER MISCELLANEOUS DATA: FOR INTERCHANGEABILITY DATA, SEE 140T2490 AND 140U4090 USED ON: 140T2421-5 140T2421-605		1
45	140T2400-27		.WINDOW INSTL- POSITION DATA: STA. 1119.4, 1141.4, 1163.4, 1185.4, 1197+10.4, 1197+32.4, 1197+54.4, 1197+76.4, 1197+98.4, 1197+120.4, 1197+142.4, 1229.4, 1251.4, 1273.4, 1295.4, 1317.4, 1339.4, 1361.4, 1383.4 AND 1405.4,		40
50	NAS1801-08-12		..SCREW		10
55	AN960JD8		..WASHER		10
60	140U4001-1		..CLIP-		10
60	140T2410-1		..CLIP- MISCELLANEOUS DATA: COLOR BLACK		10
65	65B22517-45		..WINDOW ASSY- MISCELLANEOUS DATA: FOR INTERCHANGEABILITY DATA, SEE 140T2490 AND 140U4090 COMPONENT MAINT MANUAL REF: 56-21-41 QUALIFIED I/W DATA: INTERCHANGEABLE AT LIMITED STATIONS AS DEFINED ON 140T2490 INTERCHANGEABILITY MATRIX OPTIONAL PART: 140T2411-5 FOR SPARES PROCURE: 654U6075-685		1

ILLUSTRATION ITEMS NOT ON PARTS LIST ARE NOT APPLICABLE

- ITEM NOT ILLUSTRATED

56-21-01-20A

56-21-01  
FIG. 20A  
PAGE 15  
DEC 22/07

HXL



767

PARTS CATALOG (MAINTENANCE)

FIG ITEM	PART NUMBER	1 2 3 4 5 6 7	NOMENCLATURE	EFFECT FROM TO	UNITS PER ASSY
20A 65	140T2411-5		<p>..WINDOW ASSY-            MISCELLANEOUS DATA:            FOR INTERCHANGEABILITY            DATA, SEE 140T2490            COMPONENT MAINT MANUAL REF:            56-21-61            QUALIFIED I/W DATA:            140T2412-1 T/W QTY 10            140U4001-2 CLIPS ARE I/W            140T2411-5 T/W QTY 10            140U4001-1 CLIPS AT            LIMITED STATIONS AS            DEFINED ON 140T2490            INTERCHANGEABILITY            MATRIX            INTERCHANGEABLE AT            LIMITED STATIONS AS            DEFINED ON 140T2490            INTERCHANGEABILITY            MATRIX            OPTIONAL PART:            65B22517-45            FOR SPARES PROCURE:            654T0005-242</p>		1
65	140T2421-605		<p>..WINDOW ASSY-            MISCELLANEOUS DATA:            FOR INTERCHANGEABILITY            DATA, SEE 140T2490            COMPONENT MAINT MANUAL REF:            56-21-61            QUALIFIED I/W DATA:            140T2421-605 CAN REPLACE            OR BE REPLACED BY            140T2421-7 AT ALL LEFT            AND RIGHT HAND SIDE BODY            STATIONS EXCEPT STA            378.4, STA 400.4 AND STA            1449.4.            140T2412-1 T/W QTY 10            140U4001-2 CLIPS ARE I/W            140T2421-605 T/W QTY 10            140U4001-1 CLIPS AT            LIMITED STATIONS AS            DEFINED ON 140T2490            INTERCHANGEABILITY            MATRIX</p>		1

ILLUSTRATION ITEMS NOT ON PARTS LIST ARE NOT APPLICABLE

- ITEM NOT ILLUSTRATED

HXL

56-21-01-20A

BOEING PROPRIETARY - Copyright © - Unpublished Work - See title page for details.

56-21-01  
 FIG. 20A  
 PAGE 16  
 DEC 22/07



767

PARTS CATALOG (MAINTENANCE)

FIG ITEM	PART NUMBER	1 2 3 4 5 6 7	NOMENCLATURE	EFFECT FROM TO	UNITS PER ASSY
20A 65	140T2421-5		<p>..WINDOW ASSY-            MISCELLANEOUS DATA:            FOR INTERCHANGEABILITY            DATA, SEE 140T2490.            COMPONENT MAINT MANUAL REF:            56-21-61            QUALIFIED I/W DATA:            140T2412-1 T/W QTY 10            140U4001-2 CLIPS ARE I/W            140T2421-5 T/W QTY 10            140U4001-1 CLIPS AT            LIMITED STATIONS AS            DEFINED ON 140T2490            INTERCHANGEABILITY            MATRIX            INTERCHANGEABLE AT            LIMITED STATIONS AS            DEFINED ON 140T2490            INTERCHANGEABILITY            MATRIX</p>		1
70	65B07671-9		<p>...SEAL-            MISCELLANEOUS DATA:            65B07671-4, -5, -6, -7,            -8 ARE OPTL TO -9            FOR INTERCHANGEABILITY            DATA, SEE 140T2490 AND            140U4090            OPTIONAL PART:            65B07671-5            65B07671-6            65B07671-7            65B07671-8            USED ON:            65B22517-45</p>		1
70	65B07671-5		<p>...SEAL-            MISCELLANEOUS DATA:            65B07671-4, -5, -6, -7,            -8 ARE OPTL TO -9            FOR INTERCHANGEABILITY            DATA, SEE 140T2490 AND            140U4090.            OPTIONAL PART:            65B07671-6            65B07671-7            65B07671-8            65B07671-9            USED ON:            65B22517-45</p>		1

ILLUSTRATION ITEMS NOT ON PARTS LIST ARE NOT APPLICABLE

- ITEM NOT ILLUSTRATED

HXL

56-21-01-20A

BOEING PROPRIETARY - Copyright © - Unpublished Work - See title page for details.

56-21-01  
 FIG. 20A  
 PAGE 17  
 DEC 22/07



767

PARTS CATALOG (MAINTENANCE)

FIG ITEM	PART NUMBER	1 2 3 4 5 6 7	NOMENCLATURE	EFFECT FROM TO	UNITS PER ASSY
20A 70	65B07671-6		<p>...SEAL-</p> <p>MISCELLANEOUS DATA: 65B07671-4, -5, -6, -7, -8 ARE OPTL TO -9 FOR INTERCHANGEABILITY DATA, SEE 140T2490 AND 140U4090.</p> <p>OPTIONAL PART: 65B07671-5 65B07671-7 65B07671-8 65B07671-9</p> <p>USED ON: 65B22517-45</p>		1
70	65B07671-7		<p>...SEAL-</p> <p>MISCELLANEOUS DATA: 65B07671-4, -5, -6, -7, -8 ARE OPTL TO -9 FOR INTERCHANGEABILITY DATA, SEE 140T2490 AND 140U4090.</p> <p>OPTIONAL PART: 65B07671-5 65B07671-6 65B07671-8 65B07671-9</p> <p>USED ON: 65B22517-45</p>		1
70	65B07671-8		<p>...SEAL-</p> <p>MISCELLANEOUS DATA: 65B07671-4, -5, -6, -7, -8 ARE OPTL TO -9 FOR INTERCHANGEABILITY DATA, SEE 140T2490 AND 140U4090</p> <p>OPTIONAL PART: 65B07671-5 65B07671-6 65B07671-7 65B07671-9</p> <p>USED ON: 65B22517-45</p>		1

ILLUSTRATION ITEMS NOT ON PARTS LIST ARE NOT APPLICABLE

- ITEM NOT ILLUSTRATED

HXL

56-21-01-20A

BOEING PROPRIETARY - Copyright © - Unpublished Work - See title page for details.

56-21-01  
FIG. 20A  
PAGE 18  
DEC 22/07



767

PARTS CATALOG (MAINTENANCE)

FIG ITEM	PART NUMBER	1 2 3 4 5 6 7	NOMENCLATURE	EFFECT FROM TO	UNITS PER ASSY
20A 70	65B07671-10		<p>...SEAL-</p> <p>MISCELLANEOUS DATA: FOR INTERCHANGEABILITY DATA, SEE 140T2490 AND 140U4090</p> <p>OPTIONAL PART: 65B07671-5 65B07671-6 65B07671-7 65B07671-8 65B07671-9</p> <p>USED ON: 140T2411-5</p>		1
70	65B07671-5		<p>...SEAL-</p> <p>MISCELLANEOUS DATA: 65B07671-4, -5, -6, -7, -8 ARE OPTL TO -9 FOR INTERCHANGEABILITY DATA, SEE 140T2490 AND 140U4090.</p> <p>OPTIONAL PART: 65B07671-6 65B07671-7 65B07671-8 65B07671-9 65B07671-10</p> <p>USED ON: 140T2411-5</p>		1
70	65B07671-6		<p>...SEAL-</p> <p>MISCELLANEOUS DATA: 65B07671-4, -5, -6, -7, -8 ARE OPTL TO -9 FOR INTERCHANGEABILITY DATA, SEE 140T2490 AND 140U4090.</p> <p>OPTIONAL PART: 65B07671-5 65B07671-7 65B07671-8 65B07671-9 65B07671-10</p> <p>USED ON: 140T2411-5</p>		1

ILLUSTRATION ITEMS NOT ON PARTS LIST ARE NOT APPLICABLE

- ITEM NOT ILLUSTRATED

HXL

56-21-01-20A

BOEING PROPRIETARY - Copyright © - Unpublished Work - See title page for details.

56-21-01  
FIG. 20A  
PAGE 19  
DEC 22/07



767

PARTS CATALOG (MAINTENANCE)

FIG ITEM	PART NUMBER	1 2 3 4 5 6 7	NOMENCLATURE	EFFECT FROM TO	UNITS PER ASSY
20A 70	65B07671-7		<p>...SEAL-</p> <p>MISCELLANEOUS DATA: 65B07671-4, -5, -6, -7, -8 ARE OPTL TO -9 FOR INTERCHANGEABILITY DATA, SEE 140T2490 AND 140U4090.</p> <p>OPTIONAL PART: 65B07671-5 65B07671-6 65B07671-8 65B07671-9 65B07671-10</p> <p>USED ON: 140T2411-5</p>		1
70	65B07671-8		<p>...SEAL-</p> <p>MISCELLANEOUS DATA: 65B07671-4, -5, -6, -7, -8 ARE OPTL TO -9 FOR INTERCHANGEABILITY DATA, SEE 140T2490 AND 140U4090</p> <p>OPTIONAL PART: 65B07671-5 65B07671-6 65B07671-7 65B07671-9 65B07671-10</p> <p>USED ON: 140T2411-5</p>		1
70	65B07671-9		<p>...SEAL-</p> <p>MISCELLANEOUS DATA: 65B07671-4, -5, -6, -7, -8 ARE OPTL TO -9 FOR INTERCHANGEABILITY DATA, SEE 140T2490 AND 140U4090</p> <p>OPTIONAL PART: 65B07671-5 65B07671-6 65B07671-7 65B07671-8 65B07671-10</p> <p>USED ON: 140T2411-5</p>		1

ILLUSTRATION ITEMS NOT ON PARTS LIST ARE NOT APPLICABLE

- ITEM NOT ILLUSTRATED

HXL

56-21-01-20A

BOEING PROPRIETARY - Copyright © - Unpublished Work - See title page for details.

56-21-01  
FIG. 20A  
PAGE 20  
DEC 22/07





767

PARTS CATALOG (MAINTENANCE)

FIG ITEM	PART NUMBER	1 2 3 4 5 6 7	NOMENCLATURE	EFFECT FROM TO	UNITS PER ASSY
20A 70	65B07671-10	...	SEAL- MISCELLANEOUS DATA: FOR INTERCHANGEABILITY DATA, SEE 140T2490 AND 140U4090 USED ON: 65B22517-45		1
70	65B07671-10	...	SEAL- MISCELLANEOUS DATA: FOR INTERCHANGEABILITY DATA, SEE 140T2490 AND 140U4090 USED ON: 140T2421-605		1
70	65B07671-9	...	SEAL- MISCELLANEOUS DATA: 65B07671-4, -5, -6, -7, -8 ARE OPTL TO -9 FOR INTERCHANGEABILITY DATA, SEE 140T2490 AND 140U4090 USED ON: 140T2421-605		1
70	65B07671-8	...	SEAL- MISCELLANEOUS DATA: 65B07671-4, -5, -6, -7, -8 ARE OPTL TO -9 FOR INTERCHANGEABILITY DATA, SEE 140T2490 AND 140U4090 USED ON: 140T2421-605		1
70	65B07671-7	...	SEAL- MISCELLANEOUS DATA: 65B07671-4, -5, -6, -7, -8 ARE OPTL TO -9 FOR INTERCHANGEABILITY DATA, SEE 140T2490 AND 140U4090. USED ON: 140T2421-605		1

ILLUSTRATION ITEMS NOT ON PARTS LIST ARE NOT APPLICABLE

- ITEM NOT ILLUSTRATED

HXL

56-21-01-20A

BOEING PROPRIETARY - Copyright © - Unpublished Work - See title page for details.

56-21-01  
FIG. 20A  
PAGE 21  
DEC 22/07



767

PARTS CATALOG (MAINTENANCE)

FIG ITEM	PART NUMBER	1 2 3 4 5 6 7	NOMENCLATURE	EFFECT FROM TO	UNITS PER ASSY
20A 70	65B07671-6		<p>...SEAL-</p> <p>MISCELLANEOUS DATA: 65B07671-4, -5, -6, -7, -8 ARE OPTL TO -9 FOR INTERCHANGEABILITY DATA, SEE 140T2490 AND 140U4090.</p> <p>USED ON: 140T2421-605</p>		1
71	65B07671-5		<p>...SEAL-</p> <p>MISCELLANEOUS DATA: 65B07671-4, -5, -6, -7, -8 ARE OPTL TO -9 FOR INTERCHANGEABILITY DATA, SEE 140T2490 AND 140U4090.</p> <p>USED ON: 140T2421-605</p>		1
71	65B07671-10		<p>...SEAL-</p> <p>MISCELLANEOUS DATA: FOR INTERCHANGEABILITY DATA, SEE 140T2490 AND 140U4090</p> <p>OPTIONAL PART: 65B07671-8 65B07671-9</p> <p>USED ON: 140T2421-5</p>		1
71	65B07671-9		<p>...SEAL-</p> <p>MISCELLANEOUS DATA: 65B07671-4, -5, -6, -7, -8 ARE OPTL TO -9 FOR INTERCHANGEABILITY DATA, SEE 140T2490 AND 140U4090</p> <p>OPTIONAL PART: 65B07671-8 65B07671-10</p> <p>USED ON: 140T2421-5</p>		1

ILLUSTRATION ITEMS NOT ON PARTS LIST ARE NOT APPLICABLE

- ITEM NOT ILLUSTRATED

HXL

56-21-01-20A

BOEING PROPRIETARY - Copyright © - Unpublished Work - See title page for details.

56-21-01  
FIG. 20A  
PAGE 22  
DEC 22/07



767

PARTS CATALOG (MAINTENANCE)

FIG ITEM	PART NUMBER	1 2 3 4 5 6 7	NOMENCLATURE	EFFECT FROM TO	UNITS PER ASSY
20A 71	65B07671-8		...SEAL- MISCELLANEOUS DATA: 65B07671-4, -5, -6, -7, -8 ARE OPTL TO -9 FOR INTERCHANGEABILITY DATA, SEE 140T2490 AND 140U4090 OPTIONAL PART: 65B07671-9 65B07671-10 USED ON: 140T2421-5		1
71	65B07671-7		...SEAL- MISCELLANEOUS DATA: 65B07671-4, -5, -6, -7, -8 ARE OPTL TO -9 FOR INTERCHANGEABILITY DATA, SEE 140T2490 AND 140U4090. USED ON: 140T2421-5		1
71	65B07671-6		...SEAL- MISCELLANEOUS DATA: 65B07671-4, -5, -6, -7, -8 ARE OPTL TO -9 FOR INTERCHANGEABILITY DATA, SEE 140T2490 AND 140U4090. USED ON: 140T2421-5		1
71	65B07671-5		...SEAL- MISCELLANEOUS DATA: 65B07671-4, -5, -6, -7, -8 ARE OPTL TO -9 FOR INTERCHANGEABILITY DATA, SEE 140T2490 AND 140U4090. USED ON: 140T2421-5		1

ILLUSTRATION ITEMS NOT ON PARTS LIST ARE NOT APPLICABLE

- ITEM NOT ILLUSTRATED

HXL

56-21-01-20A

BOEING PROPRIETARY - Copyright © - Unpublished Work - See title page for details.

56-21-01  
 FIG. 20A  
 PAGE 23  
 DEC 22/07



**767  
PARTS CATALOG (MAINTENANCE)**

FIG ITEM	PART NUMBER	1 2 3 4 5 6 7	NOMENCLATURE	EFFECT FROM TO	UNITS PER ASSY
20A 75	65B07674-21		<p>...PANE-MIDDLE            MISCELLANEOUS DATA:            FOR INTERCHANGEABILITY            DATA, SEE 140T2490 FOR            767 AND 140U4090 FOR 747            QUALIFIED I/W DATA:            INTERCHANGEABLE AT            LIMITED STATIONS AS            DOCUMENTED ON 140T2490            INTERCHANGEABILITY            DRAWING            USED ON:            65B22517-45</p>		1
75	140T2415-5		<p>...PANE-MIDDLE            MISCELLANEOUS DATA:            FOR INTERCHANGEABILITY            DATA SEE 140T2490            QUALIFIED I/W DATA:            140T2415-5 I/W            65B07674-21 FOR 767            ONLY. 65B07674-21 SHOULD            ONLY BE USED IN THE            CONSTANT BODY SECTION.            INTERCHANGEABLE AT            LIMITED STATIONS AS            DOCUMENTED ON 140T2490            INTERCHANGEABILITY            DRAWING            USED ON:            140T2411-5</p>		1
75	65B07674-121		<p>...PANE-MIDDLE            MISCELLANEOUS DATA:            FOR INTERCHANGEABILITY            DATA, SEE 140U4090.            USED ON:            140T2411-5</p>		1

ILLUSTRATION ITEMS NOT ON PARTS LIST ARE NOT APPLICABLE

— ITEM NOT ILLUSTRATED

HXL

# 56-21-01-20A

BOEING PROPRIETARY - Copyright © - Unpublished Work - See title page for details.

56-21-01  
 FIG. 20A  
 PAGE 24  
 DEC 22/07

 **BOEING**  
767  
**PARTS CATALOG (MAINTENANCE)**

FIG ITEM	PART NUMBER	1 2 3 4 5 6 7	NOMENCLATURE	EFFECT FROM TO	UNITS PER ASSY
20A 75	140T2415-9	...	PANE-MIDDLE MISCELLANEOUS DATA: FOR INTERCHANGEABILITY DATA, SEE 140T2490 QUALIFIED I/W DATA: INTERCHANGEABLE AT LIMITED STATIONS AS DOCUMENTED ON 140T2490 INTERCHANGEABILITY DRAWING OPTIONAL PART: 140T2415-601 USED ON: 140T2421-605		1
75	140T2415-601	...	PANE-MIDDLE QUALIFIED I/W DATA: INTERCHANGEABLE AT LIMITED STATIONS AS DOCUMENTED ON 140T2490 INTERCHANGEABILITY DRAWING OPTIONAL PART: 140T2415-9 USED ON: 140T2421-605		1
75	140T2415-5	...	PANE-MIDDLE MISCELLANEOUS DATA: FOR INTERCHANGEABILITY DATA, SEE 140T2490 QUALIFIED I/W DATA: 140T2415-5 I/W 65B07674-21 FOR 767 ONLY. 65B07674-21 SHOULD ONLY BE USED IN THE CONSTANT BODY SECTION INTERCHANGEABLE AT LIMITED STATIONS AS DOCUMENTED ON 140T2490 INTERCHANGEABILITY DRAWING OPTIONAL PART: 140T2415-9 USED ON: 140T2421-5		1

ILLUSTRATION ITEMS NOT ON PARTS LIST ARE NOT APPLICABLE

— ITEM NOT ILLUSTRATED

HXL

# 56-21-01-20A

BOEING PROPRIETARY - Copyright © - Unpublished Work - See title page for details.

56-21-01  
FIG. 20A  
PAGE 25  
DEC 22/07



767

PARTS CATALOG (MAINTENANCE)

FIG ITEM	PART NUMBER	1 2 3 4 5 6 7	NOMENCLATURE	EFFECT FROM TO	UNITS PER ASSY
20A 75	65B07674-121		<p>...PANE-MIDDLE</p> <p>MISCELLANEOUS DATA: FOR INTERCHANGEABILITY DATA, SEE 140U4090</p> <p>QUALIFIED I/W DATA: INTERCHANGEABLE AT LIMITED STATIONS AS DOCUMENTED ON 140T2490 INTERCHANGEABILITY DRAWING</p> <p>USED ON: 140T2421-5</p>		1
75	140T2415-9		<p>...PANE-MIDDLE</p> <p>MISCELLANEOUS DATA: FOR INTERCHANGEABILITY DATA, SEE 140T2490</p> <p>QUALIFIED I/W DATA: INTERCHANGEABLE AT LIMITED STATIONS AS DOCUMENTED ON 140T2490 INTERCHANGEABILITY DRAWING</p> <p>OPTIONAL PART: 140T2415-5</p> <p>USED ON: 140T2421-5</p>		1
80	65B07673-21		<p>...PANE-OUTER</p> <p>MISCELLANEOUS DATA: FOR INTERCHANGEABILITY DATA, SEE 140T2490 AND 140U4090</p> <p>QUALIFIED I/W DATA: 140T2414-1 T/W 140T2416-3 SEAL T/W QTY (10) 140U4001-2 CLIPS I/W 140T2423-605 T/W 65B07671-10 SEAL T/W QTY (10) 140U4001-1 CLIPS AT LIMITED STATIONS AS DOCUMENTED ON 140T2490 INTERCHANGEABILITY MATRIX</p> <p>USED ON: 65B22517-45</p>		1

ILLUSTRATION ITEMS NOT ON PARTS LIST ARE NOT APPLICABLE

- ITEM NOT ILLUSTRATED

HXL

56-21-01-20A

BOEING PROPRIETARY - Copyright © - Unpublished Work - See title page for details.

56-21-01  
FIG. 20A  
PAGE 26  
DEC 22/07



767

PARTS CATALOG (MAINTENANCE)

FIG ITEM	PART NUMBER	1 2 3 4 5 6 7	NOMENCLATURE	EFFECT FROM TO	UNITS PER ASSY
20A 80	140T2413-5		<p>...PANE-OUTER            MISCELLANEOUS DATA:            FOR INTERCHANGEABILITY            DATA, SEE 140T2490            QUALIFIED I/W DATA:            140T2414-1 T/W            140T2416-3 SEAL T/W QTY            (10) 140U4001-2 CLIPS            I/W 140T2423-605 T/W            65B07671-10 SEAL T/W QTY            (10) 140U4001-1 CLIPS AT            LIMITED STATIONS AS            DOCUMENTED ON 140T2490            INTERCHANGEABILITY MATRIX            USED ON:            140T2411-5</p>		1
80	65B07673-21		<p>...PANE-OUTER            MISCELLANEOUS DATA:            FOR INTERCHANGEABILITY            DATA, SEE 140T2490 AND            140U4090            USED ON:            140T2411-5</p>		1
80	140T2423-5		<p>...PANE-OUTER            MISCELLANEOUS DATA:            FOR INTERCHANGEABILITY            DATA, SEE 140T2490            QUALIFIED I/W DATA:            140T2414-1 T/W            140T2416-3 SEAL T/W QTY            (10) 140U4001-2 CLIPS            I/W 140T2423-605 T/W            65B07671-10 SEAL T/W QTY            (10) 140U4001-1 CLIPS AT            LIMITED STATIONS AS            DOCUMENTED ON 140T2490            INTERCHANGEABILITY MATRIX            USED ON:            140T2421-5            140T2421-605</p>		1

ILLUSTRATION ITEMS NOT ON PARTS LIST ARE NOT APPLICABLE

- ITEM NOT ILLUSTRATED

HXL

56-21-01-20A

BOEING PROPRIETARY - Copyright © - Unpublished Work - See title page for details.

56-21-01  
 FIG. 20A  
 PAGE 27  
 DEC 22/07



767

PARTS CATALOG (MAINTENANCE)

FIG ITEM	PART NUMBER	1 2 3 4 5 6 7	NOMENCLATURE	EFFECT FROM TO	UNITS PER ASSY
20A 80	140T2423-605		<p>...PANE-OUTER</p> <p>MISCELLANEOUS DATA: FOR INTERCHANGEABILITY DATA, SEE 140T2490 AND 140U4090</p> <p>QUALIFIED I/W DATA: 140T2414-1 T/W 140T2416-3 SEAL T/W QTY (10) 140U4001-2 CLIPS I/W 140T2423-605 T/W 65B07671-10 SEAL T/W QTY (10) 140U4001-1 CLIPS AT LIMITED STATIONS AS DOCUMENTED ON 140T2490 INTERCHANGEABILITY MATRIX USED ON: 140T2421-5 140T2421-605</p>		1
80	140T2413-5		<p>...PANE-OUTER</p> <p>MISCELLANEOUS DATA: FOR INTERCHANGEABILITY DATA, SEE 140T2490 AND 140U4090</p> <p>USED ON: 140T2421-5 140T2421-605</p>		1
80	140T2423-605		<p>...PANE-OUTER</p> <p>MISCELLANEOUS DATA: FOR INTERCHANGEABILITY DATA, SEE 140T2490</p> <p>USED ON: 140T2411-5</p>		1
80	140T2423-5		<p>...PANE-OUTER</p> <p>MISCELLANEOUS DATA: FOR INTERCHANGEABILITY DATA, SEE 140T2490</p> <p>USED ON: 140T2411-5</p>		1
80	140T2423-605		<p>...PANE-OUTER</p> <p>MISCELLANEOUS DATA: FOR INTERCHANGEABILITY DATA, SEE 140T2490</p> <p>USED ON: 65B22517-45</p>		1

ILLUSTRATION ITEMS NOT ON PARTS LIST ARE NOT APPLICABLE

- ITEM NOT ILLUSTRATED

HXL

56-21-01-20A

BOEING PROPRIETARY - Copyright © - Unpublished Work - See title page for details.

56-21-01  
FIG. 20A  
PAGE 28  
DEC 22/07



**BOEING**  
767  
**PARTS CATALOG (MAINTENANCE)**

FIG ITEM	PART NUMBER	1 2 3 4 5 6 7	NOMENCLATURE	EFFECT FROM TO	UNITS PER ASSY
20A 80	140T2413-5		...PANE- MISCELLANEOUS DATA: FOR INTERCHANGEABILITY DATA, SEE 140T2490 USED ON: 65B22517-45		1
80	65B07673-21		...PANE-OUTER MISCELLANEOUS DATA: FOR INTERCHANGEABILITY DATA, SEE 140T2490 AND 140U4090 USED ON: 140T2421-5 140T2421-605		1
85	140T2400-27		.WINDOW INSTL- POSITION DATA: STA. 1427.4		2
90	NAS1801-08-12		..SCREW		10
95	AN960JD8		..WASHER		10
100	140U4001-1		..CLIP-		10
100	140T2410-1		..CLIP- MISCELLANEOUS DATA: COLOR BLACK		10
105	65B22517-45		..WINDOW ASSY- MISCELLANEOUS DATA: FOR INTERCHANGEABILITY DATA, SEE 140T2490 AND 140U4090 COMPONENT MAINT MANUAL REF: 56-21-41 QUALIFIED I/W DATA: INTERCHANGEABLE AT LIMITED STATIONS AS DEFINED ON 140T2490 INTERCHANGEABILITY MATRIX OPTIONAL PART: 140T2411-5 FOR SPARES PROCURE: 654U6075-685		1

ILLUSTRATION ITEMS NOT ON PARTS LIST ARE NOT APPLICABLE

- ITEM NOT ILLUSTRATED

HXL

# 56-21-01-20A

BOEING PROPRIETARY - Copyright © - Unpublished Work - See title page for details.

56-21-01  
FIG. 20A  
PAGE 29  
DEC 22/07



767

PARTS CATALOG (MAINTENANCE)

FIG ITEM	PART NUMBER	1 2 3 4 5 6 7 NOMENCLATURE	EFFECT FROM TO	UNITS PER ASSY
20A 105	140T2411-5	..WINDOW ASSY- MISCELLANEOUS DATA: FOR INTERCHANGEABILITY DATA, SEE 140T2490 COMPONENT MAINT MANUAL REF: 56-21-61 QUALIFIED I/W DATA: INTERCHANGEABLE AT LIMITED STATIONS AS DEFINED ON 140T2490 INTERCHANGEABILITY MATRIX 140T2412-1 T/W QTY 10 140U4001-2 CLIPS ARE I/W 140T2411-5 T/W QTY 10 140U4001-1 CLIPS AT LIMITED STATIONS AS DEFINED ON 140T2490 INTERCHANGEABILITY MATRIX OPTIONAL PART: 65B22517-45 FOR SPARES PROCURE: 654T0005-242		1
105	140T2421-605	..WINDOW ASSY- MISCELLANEOUS DATA: FOR INTERCHANGEABILITY DATA, SEE 140T2490 COMPONENT MAINT MANUAL REF: 56-21-61 QUALIFIED I/W DATA: 140T2421-605 CAN REPLACE OR BE REPLACED BY 140T2421-7 AT ALL LEFT AND RIGHT HAND SIDE BODY STATIONS EXCEPT STA 378.4, STA 400.4 AND STA 1449.4. 140T2412-1 T/W QTY 10 140U4001-2 CLIPS ARE I/W 140T2421-605 T/W QTY 10 140U4001-1 CLIPS AT LIMITED STATIONS AS DEFINED ON 140T2490 INTERCHANGEABILITY MATRIX		1

ILLUSTRATION ITEMS NOT ON PARTS LIST ARE NOT APPLICABLE

- ITEM NOT ILLUSTRATED

HXL

56-21-01-20A

BOEING PROPRIETARY - Copyright © - Unpublished Work - See title page for details.

56-21-01  
 FIG. 20A  
 PAGE 30  
 DEC 22/07



767

PARTS CATALOG (MAINTENANCE)

FIG ITEM	PART NUMBER	1 2 3 4 5 6 7	NOMENCLATURE	EFFECT FROM TO	UNITS PER ASSY
20A 105	140T2421-5		<p>..WINDOW ASSY-</p> <p>MISCELLANEOUS DATA: FOR INTERCHANGEABILITY DATA, SEE 140T2490. COMPONENT MAINT MANUAL REF: 56-21-61</p> <p>QUALIFIED I/W DATA: 140T2412-1 T/W QTY 10 140U4001-2 CLIPS ARE I/W 140T2421-5 T/W QTY 10 140U4001-1 CLIPS AT LIMITED STATIONS AS DEFINED ON 140T2490 INTERCHANGEABILITY MATRIX INTERCHANGEABLE AT LIMITED STATIONS AS DEFINED ON 140T2490 INTERCHANGEABILITY MATRIX</p>		1
110	65B07671-9		<p>...SEAL-</p> <p>MISCELLANEOUS DATA: 65B07671-4, -5, -6, -7, -8 ARE OPTL TO -9 FOR INTERCHANGEABILITY DATA, SEE 140T2490 AND 140U4090</p> <p>OPTIONAL PART: 65B07671-5 65B07671-6 65B07671-7 65B07671-8</p> <p>USED ON: 65B22517-45</p>		1
110	65B07671-5		<p>...SEAL-</p> <p>MISCELLANEOUS DATA: 65B07671-4, -5, -6, -7, -8 ARE OPTL TO -9 FOR INTERCHANGEABILITY DATA, SEE 140T2490 AND 140U4090.</p> <p>OPTIONAL PART: 65B07671-6 65B07671-7 65B07671-8 65B07671-9</p> <p>USED ON: 65B22517-45</p>		1

ILLUSTRATION ITEMS NOT ON PARTS LIST ARE NOT APPLICABLE

- ITEM NOT ILLUSTRATED

56-21-01-20A

56-21-01  
FIG. 20A  
PAGE 31  
DEC 22/07

HXL



**PARTS CATALOG (MAINTENANCE)**

FIG ITEM	PART NUMBER	1 2 3 4 5 6 7	NOMENCLATURE	EFFECT FROM TO	UNITS PER ASSY
20A 110	65B07671-6		<p>...SEAL-</p> <p>MISCELLANEOUS DATA: 65B07671-4, -5, -6, -7, -8 ARE OPTL TO -9 FOR INTERCHANGEABILITY DATA, SEE 140T2490 AND 140U4090.</p> <p>OPTIONAL PART: 65B07671-5 65B07671-7 65B07671-8 65B07671-9</p> <p>USED ON: 65B22517-45</p>		1
110	65B07671-7		<p>...SEAL-</p> <p>MISCELLANEOUS DATA: 65B07671-4, -5, -6, -7, -8 ARE OPTL TO -9 FOR INTERCHANGEABILITY DATA, SEE 140T2490 AND 140U4090.</p> <p>OPTIONAL PART: 65B07671-5 65B07671-6 65B07671-8 65B07671-9</p> <p>USED ON: 65B22517-45</p>		1
110	65B07671-8		<p>...SEAL-</p> <p>MISCELLANEOUS DATA: 65B07671-4, -5, -6, -7, -8 ARE OPTL TO -9 FOR INTERCHANGEABILITY DATA, SEE 140T2490 AND 140U4090</p> <p>OPTIONAL PART: 65B07671-5 65B07671-6 65B07671-7 65B07671-9</p> <p>USED ON: 65B22517-45</p>		1

ILLUSTRATION ITEMS NOT ON PARTS LIST ARE NOT APPLICABLE

- ITEM NOT ILLUSTRATED

HXL

**56-21-01-20A**

BOEING PROPRIETARY - Copyright © - Unpublished Work - See title page for details.

56-21-01  
FIG. 20A  
PAGE 32  
DEC 22/07



767

PARTS CATALOG (MAINTENANCE)

FIG ITEM	PART NUMBER	1 2 3 4 5 6 7	NOMENCLATURE	EFFECT FROM TO	UNITS PER ASSY
20A 110	65B07671-10		...SEAL- MISCELLANEOUS DATA: FOR INTERCHANGEABILITY DATA, SEE 140T2490 AND 140U4090 OPTIONAL PART: 65B07671-5 65B07671-6 65B07671-7 65B07671-8 65B07671-9 USED ON: 140T2411-5		1
110	65B07671-5		...SEAL- MISCELLANEOUS DATA: 65B07671-4, -5, -6, -7, -8 ARE OPTL TO -9 FOR INTERCHANGEABILITY DATA, SEE 140T2490 AND 140U4090. OPTIONAL PART: 65B07671-6 65B07671-7 65B07671-8 65B07671-9 65B07671-10 USED ON: 140T2411-5		1
110	65B07671-6		...SEAL- MISCELLANEOUS DATA: 65B07671-4, -5, -6, -7, -8 ARE OPTL TO -9 FOR INTERCHANGEABILITY DATA, SEE 140T2490 AND 140U4090. OPTIONAL PART: 65B07671-5 65B07671-7 65B07671-8 65B07671-9 65B07671-10 USED ON: 140T2411-5		1

ILLUSTRATION ITEMS NOT ON PARTS LIST ARE NOT APPLICABLE

- ITEM NOT ILLUSTRATED

HXL

56-21-01-20A

BOEING PROPRIETARY - Copyright © - Unpublished Work - See title page for details.

56-21-01  
 FIG. 20A  
 PAGE 33  
 DEC 22/07



**PARTS CATALOG (MAINTENANCE)**

FIG ITEM	PART NUMBER	1 2 3 4 5 6 7	NOMENCLATURE	EFFECT FROM TO	UNITS PER ASSY
20A 110	65B07671-7		<p>...SEAL-</p> <p>MISCELLANEOUS DATA: 65B07671-4, -5, -6, -7, -8 ARE OPTL TO -9 FOR INTERCHANGEABILITY DATA, SEE 140T2490 AND 140U4090.</p> <p>OPTIONAL PART: 65B07671-5 65B07671-6 65B07671-8 65B07671-9 65B07671-10</p> <p>USED ON: 140T2411-5</p>		1
110	65B07671-8		<p>...SEAL-</p> <p>MISCELLANEOUS DATA: 65B07671-4, -5, -6, -7, -8 ARE OPTL TO -9 FOR INTERCHANGEABILITY DATA, SEE 140T2490 AND 140U4090</p> <p>OPTIONAL PART: 65B07671-5 65B07671-6 65B07671-7 65B07671-9 65B07671-10</p> <p>USED ON: 140T2411-5</p>		1
110	65B07671-9		<p>...SEAL-</p> <p>MISCELLANEOUS DATA: 65B07671-4, -5, -6, -7, -8 ARE OPTL TO -9 FOR INTERCHANGEABILITY DATA, SEE 140T2490 AND 140U4090</p> <p>OPTIONAL PART: 65B07671-5 65B07671-6 65B07671-7 65B07671-8 65B07671-10</p> <p>USED ON: 140T2411-5</p>		1

ILLUSTRATION ITEMS NOT ON PARTS LIST ARE NOT APPLICABLE

- ITEM NOT ILLUSTRATED

HXL

**56-21-01-20A**

BOEING PROPRIETARY - Copyright © - Unpublished Work - See title page for details.

56-21-01  
FIG. 20A  
PAGE 34  
DEC 22/07



767

PARTS CATALOG (MAINTENANCE)

FIG ITEM	PART NUMBER	1 2 3 4 5 6 7	NOMENCLATURE	EFFECT FROM TO	UNITS PER ASSY
20A 110	65B07671-10		...SEAL- MISCELLANEOUS DATA: FOR INTERCHANGEABILITY DATA, SEE 140T2490 AND 140U4090 USED ON: 65B22517-45		1
110	65B07671-10		...SEAL- MISCELLANEOUS DATA: FOR INTERCHANGEABILITY DATA, SEE 140T2490 AND 140U4090 USED ON: 140T2421-605		1
110	65B07671-9		...SEAL- MISCELLANEOUS DATA: 65B07671-4, -5, -6, -7, -8 ARE OPTL TO -9 FOR INTERCHANGEABILITY DATA, SEE 140T2490 AND 140U4090 USED ON: 140T2421-605		1
110	65B07671-8		...SEAL- MISCELLANEOUS DATA: 65B07671-4, -5, -6, -7, -8 ARE OPTL TO -9 FOR INTERCHANGEABILITY DATA, SEE 140T2490 AND 140U4090 USED ON: 140T2421-605		1
110	65B07671-7		...SEAL- MISCELLANEOUS DATA: 65B07671-4, -5, -6, -7, -8 ARE OPTL TO -9 FOR INTERCHANGEABILITY DATA, SEE 140T2490 AND 140U4090. USED ON: 140T2421-605		1

ILLUSTRATION ITEMS NOT ON PARTS LIST ARE NOT APPLICABLE

- ITEM NOT ILLUSTRATED

HXL

56-21-01-20A

BOEING PROPRIETARY - Copyright © - Unpublished Work - See title page for details.

56-21-01  
FIG. 20A  
PAGE 35  
DEC 22/07



767

PARTS CATALOG (MAINTENANCE)

FIG ITEM	PART NUMBER	1 2 3 4 5 6 7	NOMENCLATURE	EFFECT FROM TO	UNITS PER ASSY
20A 110	65B07671-6		<p>...SEAL-</p> <p>MISCELLANEOUS DATA: 65B07671-4, -5, -6, -7, -8 ARE OPTL TO -9 FOR INTERCHANGEABILITY DATA, SEE 140T2490 AND 140U4090. USED ON: 140T2421-605</p>		1
111	65B07671-5		<p>...SEAL-</p> <p>MISCELLANEOUS DATA: 65B07671-4, -5, -6, -7, -8 ARE OPTL TO -9 FOR INTERCHANGEABILITY DATA, SEE 140T2490 AND 140U4090. USED ON: 140T2421-605</p>		1
111	65B07671-10		<p>...SEAL-</p> <p>MISCELLANEOUS DATA: FOR INTERCHANGEABILITY DATA, SEE 140T2490 AND 140U4090 OPTIONAL PART: 65B07671-8 65B07671-9 USED ON: 140T2421-5</p>		1
111	65B07671-9		<p>...SEAL-</p> <p>MISCELLANEOUS DATA: 65B07671-4, -5, -6, -7, -8 ARE OPTL TO -9 FOR INTERCHANGEABILITY DATA, SEE 140T2490 AND 140U4090 OPTIONAL PART: 65B07671-8 65B07671-10 USED ON: 140T2421-5</p>		1

ILLUSTRATION ITEMS NOT ON PARTS LIST ARE NOT APPLICABLE

- ITEM NOT ILLUSTRATED

HXL

56-21-01-20A

BOEING PROPRIETARY - Copyright © - Unpublished Work - See title page for details.

56-21-01  
FIG. 20A  
PAGE 36  
DEC 22/07





767

PARTS CATALOG (MAINTENANCE)

FIG ITEM	PART NUMBER	1 2 3 4 5 6 7	NOMENCLATURE	EFFECT FROM TO	UNITS PER ASSY
20A 111	65B07671-8		...SEAL- MISCELLANEOUS DATA: 65B07671-4, -5, -6, -7, -8 ARE OPTL TO -9 FOR INTERCHANGEABILITY DATA, SEE 140T2490 AND 140U4090 OPTIONAL PART: 65B07671-9 65B07671-10 USED ON: 140T2421-5		1
111	65B07671-7		...SEAL- MISCELLANEOUS DATA: 65B07671-4, -5, -6, -7, -8 ARE OPTL TO -9 FOR INTERCHANGEABILITY DATA, SEE 140T2490 AND 140U4090. USED ON: 140T2421-5		1
111	65B07671-6		...SEAL- MISCELLANEOUS DATA: 65B07671-4, -5, -6, -7, -8 ARE OPTL TO -9 FOR INTERCHANGEABILITY DATA, SEE 140T2490 AND 140U4090. USED ON: 140T2421-5		1
111	65B07671-5		...SEAL- MISCELLANEOUS DATA: 65B07671-4, -5, -6, -7, -8 ARE OPTL TO -9 FOR INTERCHANGEABILITY DATA, SEE 140T2490 AND 140U4090. USED ON: 140T2421-5		1

ILLUSTRATION ITEMS NOT ON PARTS LIST ARE NOT APPLICABLE

- ITEM NOT ILLUSTRATED

HXL

56-21-01-20A

BOEING PROPRIETARY - Copyright © - Unpublished Work - See title page for details.

56-21-01  
 FIG. 20A  
 PAGE 37  
 DEC 22/07



767

PARTS CATALOG (MAINTENANCE)

FIG ITEM	PART NUMBER	1 2 3 4 5 6 7	NOMENCLATURE	EFFECT FROM TO	UNITS PER ASSY
20A 115	65B07674-21		<p>...PANE-MIDDLE</p> <p>MISCELLANEOUS DATA: FOR INTERCHANGEABILITY DATA, SEE 140T2490 FOR 767 AND 140U4090 FOR 747</p> <p>QUALIFIED I/W DATA: INTERCHANGEABLE AT LIMITED STATIONS AS DOCUMENTED ON 140T2490 INTERCHANGEABILITY DRAWING</p> <p>USED ON: 65B22517-45</p>		1
115	140T2415-5		<p>...PANE-MIDDLE</p> <p>MISCELLANEOUS DATA: FOR INTERCHANGEABILITY DATA SEE 140T2490</p> <p>QUALIFIED I/W DATA: INTERCHANGEABLE AT LIMITED STATIONS AS DOCUMENTED ON 140T2490 INTERCHANGEABILITY DRAWING</p> <p>140T2415-5 I/W 65B07674-21 FOR 767 ONLY. 65B07674-21 SHOULD ONLY BE USED IN THE CONSTANT BODY SECTION.</p> <p>USED ON: 140T2411-5</p>		1
115	65B07674-121		<p>...PANE-MIDDLE</p> <p>MISCELLANEOUS DATA: FOR INTERCHANGEABILITY DATA, SEE 140U4090.</p> <p>USED ON: 140T2411-5</p>		1

ILLUSTRATION ITEMS NOT ON PARTS LIST ARE NOT APPLICABLE

- ITEM NOT ILLUSTRATED

HXL

56-21-01-20A

BOEING PROPRIETARY - Copyright © - Unpublished Work - See title page for details.

56-21-01  
FIG. 20A  
PAGE 38  
DEC 22/07



767

PARTS CATALOG (MAINTENANCE)

FIG ITEM	PART NUMBER	1 2 3 4 5 6 7	NOMENCLATURE	EFFECT FROM TO	UNITS PER ASSY
20A 115	140T2415-9		<p>...PANE-MIDDLE</p> <p>MISCELLANEOUS DATA: FOR INTERCHANGEABILITY DATA, SEE 140T2490</p> <p>QUALIFIED I/W DATA: INTERCHANGEABLE AT LIMITED STATIONS AS DOCUMENTED ON 140T2490</p> <p>INTERCHANGEABILITY DRAWING</p> <p>OPTIONAL PART: 140T2415-601</p> <p>USED ON: 140T2421-605</p>		1
115	140T2415-601		<p>...PANE-MIDDLE</p> <p>QUALIFIED I/W DATA: INTERCHANGEABLE AT LIMITED STATIONS AS DOCUMENTED ON 140T2490</p> <p>INTERCHANGEABILITY DRAWING</p> <p>OPTIONAL PART: 140T2415-9</p> <p>USED ON: 140T2421-605</p>		1
115	140T2415-5		<p>...PANE-MIDDLE</p> <p>MISCELLANEOUS DATA: FOR INTERCHANGEABILITY DATA, SEE 140T2490</p> <p>QUALIFIED I/W DATA: 140T2415-5 I/W 65B07674-21 FOR 767 ONLY. 65B07674-21 SHOULD ONLY BE USED IN THE CONSTANT BODY SECTION</p> <p>INTERCHANGEABLE AT LIMITED STATIONS AS DOCUMENTED ON 140T2490</p> <p>INTERCHANGEABILITY DRAWING</p> <p>OPTIONAL PART: 140T2415-9</p> <p>USED ON: 140T2421-5</p>		1

ILLUSTRATION ITEMS NOT ON PARTS LIST ARE NOT APPLICABLE

- ITEM NOT ILLUSTRATED

HXL

56-21-01-20A

BOEING PROPRIETARY - Copyright © - Unpublished Work - See title page for details.

56-21-01  
FIG. 20A  
PAGE 39  
DEC 22/07



767

PARTS CATALOG (MAINTENANCE)

FIG ITEM	PART NUMBER	1 2 3 4 5 6 7	NOMENCLATURE	EFFECT FROM TO	UNITS PER ASSY
20A 115	65B07674-121		<p>...PANE-MIDDLE</p> <p>MISCELLANEOUS DATA: FOR INTERCHANGEABILITY DATA, SEE 140U4090</p> <p>QUALIFIED I/W DATA: INTERCHANGEABLE AT LIMITED STATIONS AS DOCUMENTED ON 140T2490 INTERCHANGEABILITY DRAWING</p> <p>USED ON: 140T2421-5</p>		1
115	140T2415-9		<p>...PANE-MIDDLE</p> <p>MISCELLANEOUS DATA: FOR INTERCHANGEABILITY DATA, SEE 140T2490</p> <p>QUALIFIED I/W DATA: INTERCHANGEABLE AT LIMITED STATIONS AS DOCUMENTED ON 140T2490 INTERCHANGEABILITY DRAWING</p> <p>OPTIONAL PART: 140T2415-5</p> <p>USED ON: 140T2421-5</p>		1
120	65B07673-21		<p>...PANE-OUTER</p> <p>MISCELLANEOUS DATA: FOR INTERCHANGEABILITY DATA, SEE 140T2490 AND 140U4090</p> <p>QUALIFIED I/W DATA: 140T2414-1 T/W 140T2416-3 SEAL T/W QTY (10) 140U4001-2 CLIPS I/W 140T2423-605 T/W 65B07671-10 SEAL T/W QTY (10) 140U4001-1 CLIPS AT LIMITED STATIONS AS DOCUMENTED ON 140T2490 INTERCHANGEABILITY MATRIX</p> <p>USED ON: 65B22517-45</p>		1

ILLUSTRATION ITEMS NOT ON PARTS LIST ARE NOT APPLICABLE

- ITEM NOT ILLUSTRATED

HXL

56-21-01-20A

BOEING PROPRIETARY - Copyright © - Unpublished Work - See title page for details.

56-21-01  
FIG. 20A  
PAGE 40  
DEC 22/07



767

PARTS CATALOG (MAINTENANCE)

FIG ITEM	PART NUMBER	1 2 3 4 5 6 7	NOMENCLATURE	EFFECT FROM TO	UNITS PER ASSY
20A 120	140T2413-5		...PANE-OUTER MISCELLANEOUS DATA: FOR INTERCHANGEABILITY DATA, SEE 140T2490 USED ON: 140T2421-5 140T2421-605		1
120	65B07673-21		...PANE-OUTER MISCELLANEOUS DATA: FOR INTERCHANGEABILITY DATA, SEE 140T2490 AND 140U4090 USED ON: 140T2411-5		1
120	140T2423-5		...PANE-OUTER MISCELLANEOUS DATA: FOR INTERCHANGEABILITY DATA, SEE 140T2490 QUALIFIED I/W DATA: 140T2414-1 T/W 140T2416-3 SEAL T/W QTY (10) 140U4001-2 CLIPS I/W 140T2423-605 T/W 65B07671-10 SEAL T/W QTY (10) 140U4001-1 CLIPS AT LIMITED STATIONS AS DOCUMENTED ON 140T2490 INTERCHANGEABLITY MATRIX USED ON: 140T2421-5 140T2421-605		1
120	140T2423-605		...PANE- MISCELLANEOUS DATA: FOR INTERCHANGEABILITY DATA, SEE 140T2490 AND 140U4090 QUALIFIED I/W DATA: 140T2414-1 T/W 140T2416-3 SEAL T/W QTY (10) 140U4001-2 CLIPS I/W 140T2423-605 T/W 65B07671-10 SEAL T/W QTY (10) 140U4001-1 CLIPS AT LIMITED STATIONS AS DOCUMENTED ON 140T2490 INTERCHANGEABLITY MATRIX USED ON: 140T2421-5 140T2421-605		1

ILLUSTRATION ITEMS NOT ON PARTS LIST ARE NOT APPLICABLE

- ITEM NOT ILLUSTRATED

HXL

56-21-01-20A

BOEING PROPRIETARY - Copyright © - Unpublished Work - See title page for details.

56-21-01  
FIG. 20A  
PAGE 41  
DEC 22/07



767

PARTS CATALOG (MAINTENANCE)

FIG ITEM	PART NUMBER	1 2 3 4 5 6 7	NOMENCLATURE	EFFECT FROM TO	UNITS PER ASSY
20A 120	140T2423-605		...PANE- MISCELLANEOUS DATA: FOR INTERCHANGEABILITY DATA, SEE 140T2490 USED ON: 140T2411-5		1
120	140T2423-5		...PANE-OUTER MISCELLANEOUS DATA: FOR INTERCHANGEABILITY DATA, SEE 140T2490 USED ON: 140T2411-5		1
120	140T2413-5		...PANE- MISCELLANEOUS DATA: FOR INTERCHANGEABILITY DATA, SEE 140T2490 QUALIFIED I/W DATA: 140T2414-1 T/W 140T2416-3 SEAL T/W QTY (10) 140U4001-2 CLIPS I/W 140T2423-605 T/W 65B07671-10 SEAL T/W QTY (10) 140U4001-1 CLIPS AT LIMITED STATIONS AS DOCUMENTED ON 140T2490 INTERCHANGEABLITY MATRIX USED ON: 140T2411-5		1
120	140T2423-605		...PANE-OUTER MISCELLANEOUS DATA: (FOR INTERCHANGEABILITY DATA, SEE 140T2490) USED ON: 65B22517-45		1
120	140T2413-5		...PANE- MISCELLANEOUS DATA: FOR INTERCHANGEABILITY DATA, SEE 140T2490 USED ON: 65B22517-45		1
120	65B07673-21		...PANE-OUTER MISCELLANEOUS DATA: FOR INTERCHANGEABILITY DATA, SEE 140T2490 AND 140U4090 USED ON: 140T2421-5 140T2421-605		1

ILLUSTRATION ITEMS NOT ON PARTS LIST ARE NOT APPLICABLE

- ITEM NOT ILLUSTRATED

HXL

56-21-01-20A

BOEING PROPRIETARY - Copyright © - Unpublished Work - See title page for details.

56-21-01  
FIG. 20A  
PAGE 42  
DEC 22/07



767

PARTS CATALOG (MAINTENANCE)

FIG ITEM	PART NUMBER	1 2 3 4 5 6 7	NOMENCLATURE	EFFECT FROM TO	UNITS PER ASSY
20A 165	140T2400-23	.	WINDOW INSTL- POSITION DATA: LH STA. 1449.4		1
167	140T2400-24	.	WINDOW INSTL- POSITION DATA: RH STA. 1449.4		1
170	NAS1801-08-12	..	SCREW		10
175	AN960JD8	..	WASHER		10
180	140U4001-1	..	CLIP-		10
180	140T2410-1	..	CLIP- MISCELLANEOUS DATA: COLOR BLACK		10
185	140T2411-1	..	WINDOW ASSY- POSITION DATA: LH SIDE MISCELLANEOUS DATA: FOR INTERCHANGEABILITY DATA, SEE 140T2490 QUALIFIED I/W DATA: 140T2411-1 T/W 10 EA 140U4001-1 CLIPS I/W 140T2412-3 T/W 10 EACH 140U4001-2 CLIPS AT LIMITED STATIONS AS DEFINED ON 140T2490 INTERCHANGEABILITY MATRIX 140T2421-1 I/W 140T2411-1 DEPENDING ON CUSTOMER PREFERENCE. THE 140T2421 SERIES WINDOW AYS HAVE AN OUTER PANE OF LOW WATER ABSORBING ACRYLIC MATERIAL INTERCHANGEABLE AT LIMITED STATIONS AS DEFINED ON 140T2490 INTERCHANGEABILITY MATRIX		1

ILLUSTRATION ITEMS NOT ON PARTS LIST ARE NOT APPLICABLE

- ITEM NOT ILLUSTRATED

HXL

56-21-01-20A

BOEING PROPRIETARY - Copyright © - Unpublished Work - See title page for details.

56-21-01  
FIG. 20A  
PAGE 43  
DEC 22/07



767

PARTS CATALOG (MAINTENANCE)

FIG ITEM	PART NUMBER	1 2 3 4 5 6 7	NOMENCLATURE	EFFECT FROM TO	UNITS PER ASSY
20A 185	140T2421-601		<p>..WINDOW ASSY-            MISCELLANEOUS DATA:            FOR INTERCHANGEABILITY            DATA, SEE 140T2490            QUALIFIED I/W DATA:            140T2421-601 CAN REPLACE            OR BE REPLACED BY            140T2421-7 AT LEFT HAND            SIDE BODY STAS 378.4 AND            1449.4 ONLY.            140T2412-3 T/W 10 EA            140U4001-2 CLIPS I/W            140T2421-601 T/W 10 EA            140U4001-1 CLIPS AT            LIMITED STATIONS AS            DEFINED ON 140T2490            INTERCHANGEABILITY            MATRIX</p>		1
185	140T2421-1		<p>..WINDOW ASSY-            MISCELLANEOUS DATA:            FOR INTERCHANGEABILITY            DATA, SEE 140T2490            QUALIFIED I/W DATA:            INTERCHANGEABLE AT            LIMITED STATIONS AS            DEFINED ON 140T2490            INTERCHANGEABILITY            MATRIX            140T2412-3 T/W 10 EA            140U4001-2 CLIPS I/W            140T2421-1 T/W 10 EA            140U4001-1 CLIPS AT            LIMITED STATIONS AS            DEFINED ON 140T2490            INTERCHANGEABILITY            MATRIX</p>		1

ILLUSTRATION ITEMS NOT ON PARTS LIST ARE NOT APPLICABLE

- ITEM NOT ILLUSTRATED

HXL

**56-21-01-20A**

BOEING PROPRIETARY - Copyright © - Unpublished Work - See title page for details.

56-21-01  
 FIG. 20A  
 PAGE 44  
 DEC 22/07





767

PARTS CATALOG (MAINTENANCE)

FIG ITEM	PART NUMBER	1 2 3 4 5 6 7	NOMENCLATURE	EFFECT FROM TO	UNITS PER ASSY
20A 187	140T2411-2		<p>..WINDOW ASSY-            POSITION DATA:            RH SIDE            MISCELLANEOUS DATA:            FOR INTERCHANGEABILITY            DATA, SEE 140T2490            COMPONENT MAINT MANUAL REF:            56-21-61            QUALIFIED I/W DATA:            INTERCHANGEABLE AT            LIMITED STATIONS AS            DEFINED ON 140T2490            INTERCHANGEABILITY            MATRIX            140T2411-2 T/W 10 EA            140U4001-1 CLIP I/W            140T2412-4 T/W 10 EA            140U4001-2 CLIPS AT            LIMITED STATIONS AS            DEFINED ON 140T2490            INTERCHANGEABILITY            MATRIX            140T2421-2 I/W            140T2411-2 DEPENDING ON            CUSTOMER PREFERENCE. THE            140T2421 SERIES WINDOW            AYS HAVE AN OUTER PANE            OF LOW WATER ABSORBING            ACRYLIC MATERIAL</p>		1
187	140T2421-602		<p>..WINDOW ASSY-            MISCELLANEOUS DATA:            FOR INTERCHANGEABILITY            DATA, SEE 140T2490            QUALIFIED I/W DATA:            140T2421-602 CAN REPLACE            OR BE REPLACED BY            140T2421-7 AT RIGHT HAND            SIDE BODY STAS 378.4 AND            1449.4 ONLY.            140T2412-4 T/W 10 EA            140U4001-2 CLIPS I/W            140T2421-602 T/W 10 EA            140U4001-1 CLIPS AT            LIMITED STATIONS AS            DEFINED ON 140T2490            INTERCHANGEABILITY            MATRIX</p>		1

ILLUSTRATION ITEMS NOT ON PARTS LIST ARE NOT APPLICABLE

- ITEM NOT ILLUSTRATED

HXL

56-21-01-20A

BOEING PROPRIETARY - Copyright © - Unpublished Work - See title page for details.

56-21-01  
 FIG. 20A  
 PAGE 45  
 DEC 22/07



767

PARTS CATALOG (MAINTENANCE)

FIG ITEM	PART NUMBER	1 2 3 4 5 6 7	NOMENCLATURE	EFFECT FROM TO	UNITS PER ASSY
20A 187	140T2421-2		<p>..WINDOW ASSY-</p> <p>MISCELLANEOUS DATA: FOR INTERCHANGEABILITY DATA, SEE 140T2490</p> <p>QUALIFIED I/W DATA: INTERCHANGEABLE AT LIMITED STATIONS AS DEFINED ON 140T2490</p> <p>INTERCHANGEABILITY MATRIX 140T2412-4 T/W 10 EA 140U4001-2 CLIPS I/W 140T2421-2 T/W 10 EA 140U4001-1 CLIPS AT LIMITED STATIONS AS DEFINED ON 140T2490</p> <p>INTERCHANGEABILITY MATRIX 140T2421-2 I/W 140T2411-2 DEPENDING ON CUSTOMER PREFERENCE. THE 140T2421 SERIES WINDOW AYS HAVE AN OUTER PANE OF LOW WATER ABSORBING ACRYLIC MATERIAL</p>		1
190	65B07671-5		<p>...SEAL-</p> <p>MISCELLANEOUS DATA: 65B07671-4, -5, -6, -7, -8 ARE OPTL TO -9 FOR INTERCHANGEABILITY DATA, SEE 140T2490 AND 140U4090.</p> <p>OPTIONAL PART: 65B07671-6 65B07671-7 65B07671-8 65B07671-9 65B07671-10</p> <p>USED ON: 140T2411-1 140T2411-2</p>		1

ILLUSTRATION ITEMS NOT ON PARTS LIST ARE NOT APPLICABLE

- ITEM NOT ILLUSTRATED

HXL

56-21-01-20A

BOEING PROPRIETARY - Copyright © - Unpublished Work - See title page for details.

56-21-01  
FIG. 20A  
PAGE 46  
DEC 22/07



767

PARTS CATALOG (MAINTENANCE)

FIG ITEM	PART NUMBER	1 2 3 4 5 6 7	NOMENCLATURE	EFFECT FROM TO	UNITS PER ASSY
20A 190	65B07671-6		<p>...SEAL-</p> <p>MISCELLANEOUS DATA: 65B07671-4, -5, -6, -7, -8 ARE OPTL TO -9 FOR INTERCHANGEABILITY DATA, SEE 140T2490 AND 140U4090.</p> <p>OPTIONAL PART: 65B07671-5 65B07671-7 65B07671-8 65B07671-9 65B07671-10</p> <p>USED ON: 140T2411-1 140T2411-2</p>		1
190	65B07671-7		<p>...SEAL-</p> <p>MISCELLANEOUS DATA: 65B07671-4, -5, -6, -7, -8 ARE OPTL TO -9 FOR INTERCHANGEABILITY DATA, SEE 140T2490 AND 140U4090.</p> <p>OPTIONAL PART: 65B07671-5 65B07671-6 65B07671-8 65B07671-9 65B07671-10</p> <p>USED ON: 140T2411-1 140T2411-2</p>		1
190	65B07671-8		<p>...SEAL-</p> <p>MISCELLANEOUS DATA: 65B07671-4, -5, -6, -7, -8 ARE OPTL TO -9 FOR INTERCHANGEABILITY DATA, SEE 140T2490 AND 140U4090</p> <p>OPTIONAL PART: 65B07671-5 65B07671-6 65B07671-7 65B07671-9 65B07671-10</p> <p>USED ON: 140T2411-1 140T2411-2</p>		1

ILLUSTRATION ITEMS NOT ON PARTS LIST ARE NOT APPLICABLE

- ITEM NOT ILLUSTRATED

HXL

56-21-01-20A

BOEING PROPRIETARY - Copyright © - Unpublished Work - See title page for details.

56-21-01  
FIG. 20A  
PAGE 47  
DEC 22/07



767

PARTS CATALOG (MAINTENANCE)

FIG ITEM	PART NUMBER	1 2 3 4 5 6 7	NOMENCLATURE	EFFECT FROM TO	UNITS PER ASSY
20A 190	65B07671-9		<p>...SEAL-</p> <p>MISCELLANEOUS DATA: 65B07671-4, -5, -6, -7, -8 ARE OPTL TO -9 FOR INTERCHANGEABILITY DATA, SEE 140T2490 AND 140U4090</p> <p>OPTIONAL PART: 65B07671-5 65B07671-6 65B07671-7 65B07671-8 65B07671-10</p> <p>USED ON: 140T2411-1 140T2411-2</p>		1
190	65B07671-10		<p>...SEAL-</p> <p>MISCELLANEOUS DATA: FOR INTERCHANGEABILITY DATA, SEE 140T2490 AND 140U4090</p> <p>OPTIONAL PART: 65B07671-5 65B07671-6 65B07671-7 65B07671-8 65B07671-9</p> <p>USED ON: 140T2411-1 140T2411-2</p>		1
190	65B07671-8		<p>...SEAL-</p> <p>MISCELLANEOUS DATA: 65B07671-4, -5, -6, -7, -8 ARE OPTL TO -9 FOR INTERCHANGEABILITY DATA, SEE 140T2490 AND 140U4090</p> <p>OPTIONAL PART: 65B07671-9 65B07671-10</p> <p>USED ON: 140T2421-1 140T2421-2</p>		1

ILLUSTRATION ITEMS NOT ON PARTS LIST ARE NOT APPLICABLE

- ITEM NOT ILLUSTRATED

HXL

56-21-01-20A

BOEING PROPRIETARY - Copyright © - Unpublished Work - See title page for details.

56-21-01  
FIG. 20A  
PAGE 48  
DEC 22/07



767

PARTS CATALOG (MAINTENANCE)

FIG ITEM	PART NUMBER	1 2 3 4 5 6 7	NOMENCLATURE	EFFECT FROM TO	UNITS PER ASSY
20A 190	65B07671-9		<p>...SEAL-</p> <p>MISCELLANEOUS DATA: 65B07671-4, -5, -6, -7, -8 ARE OPTL TO -9 FOR INTERCHANGEABILITY DATA, SEE 140T2490 AND 140U4090</p> <p>OPTIONAL PART: 65B07671-8 65B07671-10</p> <p>USED ON: 140T2421-1 140T2421-2</p>		1
190	65B07671-10		<p>...SEAL-</p> <p>MISCELLANEOUS DATA: FOR INTERCHANGEABILITY DATA, SEE 140T2490 AND 140U4090</p> <p>OPTIONAL PART: 65B07671-8 65B07671-9</p> <p>USED ON: 140T2421-1 140T2421-2</p>		1
190	65B07671-7		<p>...SEAL-</p> <p>MISCELLANEOUS DATA: 65B07671-4, -5, -6, -7, -8 ARE OPTL TO -9 FOR INTERCHANGEABILITY DATA, SEE 140T2490 AND 140U4090.</p> <p>USED ON: 140T2421-1 140T2421-2</p>		1
190	65B07671-6		<p>...SEAL-</p> <p>MISCELLANEOUS DATA: 65B07671-4, -5, -6, -7, -8 ARE OPTL TO -9 FOR INTERCHANGEABILITY DATA, SEE 140T2490 AND 140U4090.</p> <p>USED ON: 140T2421-1 140T2421-2</p>		1

ILLUSTRATION ITEMS NOT ON PARTS LIST ARE NOT APPLICABLE

- ITEM NOT ILLUSTRATED

HXL

56-21-01-20A

BOEING PROPRIETARY - Copyright © - Unpublished Work - See title page for details.

56-21-01  
FIG. 20A  
PAGE 49  
DEC 22/07



767

PARTS CATALOG (MAINTENANCE)

FIG ITEM	PART NUMBER	1 2 3 4 5 6 7	NOMENCLATURE	EFFECT FROM TO	UNITS PER ASSY
20A 190	65B07671-5		...SEAL- MISCELLANEOUS DATA: 65B07671-4, -5, -6, -7, -8 ARE OPTL TO -9 FOR INTERCHANGEABILITY DATA, SEE 140T2490 AND 140U4090. USED ON: 140T2421-1 140T2421-2		1
190	65B07671-10		...SEAL- MISCELLANEOUS DATA: FOR INTERCHANGEABILITY DATA, SEE 140T2490 AND 140U4090 USED ON: 140T2421-601 140T2421-602		1
190	65B07671-9		...SEAL- MISCELLANEOUS DATA: 65B07671-4, -5, -6, -7, -8 ARE OPTL TO -9 FOR INTERCHANGEABILITY DATA, SEE 140T2490 AND 140U4090 USED ON: 140T2421-601 140T2421-602		1
190	65B07671-8		...SEAL- MISCELLANEOUS DATA: 65B07671-4, -5, -6, -7, -8 ARE OPTL TO -9 FOR INTERCHANGEABILITY DATA, SEE 140T2490 AND 140U4090 USED ON: 140T2421-601 140T2421-602		1
190	65B07671-7		...SEAL- MISCELLANEOUS DATA: 65B07671-4, -5, -6, -7, -8 ARE OPTL TO -9 FOR INTERCHANGEABILITY DATA, SEE 140T2490 AND 140U4090. USED ON: 140T2421-601 140T2421-602		1

ILLUSTRATION ITEMS NOT ON PARTS LIST ARE NOT APPLICABLE

- ITEM NOT ILLUSTRATED

HXL

56-21-01-20A

BOEING PROPRIETARY - Copyright © - Unpublished Work - See title page for details.

56-21-01  
 FIG. 20A  
 PAGE 50  
 DEC 22/07



767

PARTS CATALOG (MAINTENANCE)

FIG ITEM	PART NUMBER	1 2 3 4 5 6 7	NOMENCLATURE	EFFECT FROM TO	UNITS PER ASSY
20A 190	65B07671-6		<p>...SEAL-</p> <p>MISCELLANEOUS DATA: 65B07671-4, -5, -6, -7, -8 ARE OPTL TO -9 FOR INTERCHANGEABILITY DATA, SEE 140T2490 AND 140U4090.</p> <p>USED ON: 140T2421-601 140T2421-602</p>		1
191	65B07671-5		<p>...SEAL-</p> <p>MISCELLANEOUS DATA: 65B07671-4, -5, -6, -7, -8 ARE OPTL TO -9 FOR INTERCHANGEABILITY DATA, SEE 140T2490 AND 140U4090.</p> <p>USED ON: 140T2421-601 140T2421-602</p>		1
195	140T2413-1		<p>...PANE-OUTER</p> <p>POSITION DATA: LH SIDE</p> <p>MISCELLANEOUS DATA: FOR INTERCHANGEABILITY DATA, SEE 140T2490</p> <p>QUALIFIED I/W DATA: 140T2413-1 PANE TOGETHER WITH 65B07671-10 SEAL AND (10) 140U4001-1 SPRING CLIPS CAN REPLACE OR BE REPLACED BY 140T2417-1 PANE TOGETHER WITH 140T2415-3 SEAL AND (10) 140U4001-2 SPRING CLIPS AT LIMITED STATIONS AS DEFINED ON 140T2490</p> <p>INTERCHANGEABILITY MATRIX.</p> <p>USED ON: 140T2411-1</p>		1

ILLUSTRATION ITEMS NOT ON PARTS LIST ARE NOT APPLICABLE

- ITEM NOT ILLUSTRATED

HXL

56-21-01-20A

BOEING PROPRIETARY - Copyright © - Unpublished Work - See title page for details.

56-21-01  
FIG. 20A  
PAGE 51  
DEC 22/07

 **BOEING**  
767  
**PARTS CATALOG (MAINTENANCE)**

FIG ITEM	PART NUMBER	1 2 3 4 5 6 7	NOMENCLATURE	EFFECT FROM TO	UNITS PER ASSY
20A 195	140T2423-1		...PANE-OUTER POSITION DATA: LH SIDE MISCELLANEOUS DATA: FOR INTERCHANGEABILITY DATA, SEE 140T2490 USED ON: 140T2411-1		1
195	140T2413-1		...PANE- POSITION DATA: LH SIDE MISCELLANEOUS DATA: FOR INTERCHANGEABILITY DATA, SEE 140T2490. USED ON: 140T2421-1 140T2421-601		1
195	140T2423-1		...PANE- POSITION DATA: LH SIDE MISCELLANEOUS DATA: FOR INTERCHANGEABILITY DATA, SEE 140T2490 USED ON: 140T2421-1 140T2421-601		1
195	140T2423-601		...PANE- POSITION DATA: LH SIDE MISCELLANEOUS DATA: FOR INTERCHANGEABILITY DATA, SEE 140T2490. USED ON: 140T2421-1 140T2421-601		1
197	140T2413-2		...PANE-OUTER POSITION DATA: RH SIDE MISCELLANEOUS DATA: FOR INTERCHANGEABILITY DATA, SEE 140T2490 QUALIFIED I/W DATA: 140T2413-2 T/W 10 EA 140U4001-1 CLIPS AND 1 EA 65B07671-5,-6,-7 OR -8 SEAL I/W 140T2417-2 USED ON: 140T2411-2		1

ILLUSTRATION ITEMS NOT ON PARTS LIST ARE NOT APPLICABLE

— ITEM NOT ILLUSTRATED

HXL

# 56-21-01-20A

BOEING PROPRIETARY - Copyright © - Unpublished Work - See title page for details.

56-21-01  
FIG. 20A  
PAGE 52  
DEC 22/07





767

PARTS CATALOG (MAINTENANCE)

FIG ITEM	PART NUMBER	1 2 3 4 5 6 7	NOMENCLATURE	EFFECT FROM TO	UNITS PER ASSY
20A 197	140T2423-2		...PANE- POSITION DATA: RH SIDE MISCELLANEOUS DATA: FOR INTERCHANGEABILITY DATA, SEE 140T2490 USED ON: 140T2411-2		1
197	140T2413-2		...PANE- POSITION DATA: RH SIDE MISCELLANEOUS DATA: FOR INTERCHANGEABILITY DATA, SEE 140T2490. USED ON: 140T2421-2 140T2421-602		1
197	140T2423-2		...PANE- POSITION DATA: RH SIDE MISCELLANEOUS DATA: FOR INTERCHANGEABILITY DATA, SEE 140T2490 USED ON: 140T2421-2 140T2421-602		1
197	140T2423-602		...PANE- POSITION DATA: RH SIDE MISCELLANEOUS DATA: FOR INTERCHANGEABILITY DATA, SEE 140T2490. QUALIFIED I/W DATA: 140T2417-2 T/W 140T2416-3 SEAL T/W QTY (10) 140U4001-2 CLIPS I/W 140T2423-602 T/W 65B07671-10 SEAL T/W QTY (10) 140U4001-1 CLIPS AT LIMITED STATIONS AS DEFINED ON 140T2490 INTERCHANGEABILITY MATRIX USED ON: 140T2421-2 140T2421-602		1

ILLUSTRATION ITEMS NOT ON PARTS LIST ARE NOT APPLICABLE

- ITEM NOT ILLUSTRATED

HXL

56-21-01-20A

BOEING PROPRIETARY - Copyright © - Unpublished Work - See title page for details.

56-21-01  
FIG. 20A  
PAGE 53  
DEC 22/07



767

PARTS CATALOG (MAINTENANCE)

FIG ITEM	PART NUMBER	1 2 3 4 5 6 7	NOMENCLATURE	EFFECT FROM TO	UNITS PER ASSY
20A 200	140T2415-1		<p>...PANE-MIDDLE            POSITION DATA:            LH SIDE            MISCELLANEOUS DATA:            FOR INTERCHANGEABILITY            DATA, SEE 140T2490            QUALIFIED I/W DATA:            INTERCHANGEABLE AT            LIMITED STATIONS AS            DOCUMENTED ON 140T2490            INTERCHANGEABILITY            DRAWING            USED ON:            140T2411-1</p>		1
200	140T2415-1		<p>...PANE-            MISCELLANEOUS DATA:            FOR INTERCHANGEABILITY            DATA, SEE 140T2490            QUALIFIED I/W DATA:            INTERCHANGEABLE AT            LIMITED STATIONS AS            DOCUMENTED ON 140T2490            INTERCHANGEABILITY            DRAWING            OPTIONAL PART:            140T2415-9            USED ON:            140T2421-1</p>		1
200	140T2415-9		<p>...PANE-            MISCELLANEOUS DATA:            FOR INTERCHANGEABILITY            DATA, SEE 140T2490.            QUALIFIED I/W DATA:            INTERCHANGEABLE AT            LIMITED STATIONS AS            DOCUMENTED ON 140T2490            INTERCHANGEABILITY            DRAWING            OPTIONAL PART:            140T2415-1            USED ON:            140T2421-1</p>		1

ILLUSTRATION ITEMS NOT ON PARTS LIST ARE NOT APPLICABLE

- ITEM NOT ILLUSTRATED

HXL

56-21-01-20A

BOEING PROPRIETARY - Copyright © - Unpublished Work - See title page for details.

56-21-01  
 FIG. 20A  
 PAGE 54  
 DEC 22/07



767

PARTS CATALOG (MAINTENANCE)

FIG ITEM	PART NUMBER	1 2 3 4 5 6 7	NOMENCLATURE	EFFECT FROM TO	UNITS PER ASSY
20A 200	140T2415-601		<p>...PANE-MIDDLE</p> <p>QUALIFIED I/W DATA: INTERCHANGEABLE AT LIMITED STATIONS AS DOCUMENTED ON 140T2490 INTERCHANGEABILITY DRAWING</p> <p>OPTIONAL PART: 140T2415-9</p> <p>USED ON: 140T2421-601</p>		1
200	140T2415-9		<p>...PANE-</p> <p>MISCELLANEOUS DATA: FOR INTERCHANGEABILITY DATA, SEE 140T2490</p> <p>QUALIFIED I/W DATA: INTERCHANGEABLE AT LIMITED STATIONS AS DOCUMENTED ON 140T2490 INTERCHANGEABILITY DRAWING</p> <p>OPTIONAL PART: 140T2415-601</p> <p>USED ON: 140T2421-601</p>		1
202	140T2415-2		<p>...PANE-MIDDLE</p> <p>POSITION DATA: RH SIDE</p> <p>MISCELLANEOUS DATA: FOR INTERCHANGEABILITY DATA, SEE 140T2490</p> <p>QUALIFIED I/W DATA: INTERCHANGEABLE AT LIMITED STATIONS AS DOCUMENTED ON 140T2490 INTERCHANGEABILITY DRAWING</p> <p>USED ON: 140T2411-2</p>		1

ILLUSTRATION ITEMS NOT ON PARTS LIST ARE NOT APPLICABLE

- ITEM NOT ILLUSTRATED

HXL

56-21-01-20A

BOEING PROPRIETARY - Copyright © - Unpublished Work - See title page for details.

56-21-01  
FIG. 20A  
PAGE 55  
DEC 22/07



767

PARTS CATALOG (MAINTENANCE)

FIG ITEM	PART NUMBER	1 2 3 4 5 6 7	NOMENCLATURE	EFFECT FROM TO	UNITS PER ASSY
20A 202	140T2415-2		<p>...PANE-</p> <p>MISCELLANEOUS DATA: FOR INTERCHANGEABILITY DATA, SEE 140T2490</p> <p>QUALIFIED I/W DATA: INTERCHANGEABLE AT LIMITED STATIONS AS DOCUMENTED ON 140T2490</p> <p>INTERCHANGEABILITY DRAWING</p> <p>OPTIONAL PART: 140T2415-9</p> <p>USED ON: 140T2421-2</p>		1
202	140T2415-9		<p>...PANE-</p> <p>MISCELLANEOUS DATA: FOR INTERCHANGEABILITY DATA, SEE 140T2490.</p> <p>QUALIFIED I/W DATA: INTERCHANGEABLE AT LIMITED STATIONS AS DOCUMENTED ON 140T2490</p> <p>INTERCHANGEABILITY DRAWING</p> <p>OPTIONAL PART: 140T2415-2</p> <p>USED ON: 140T2421-2</p>		1
202	140T2415-601		<p>...PANE-MIDDLE</p> <p>QUALIFIED I/W DATA: INTERCHANGEABLE AT LIMITED STATIONS AS DOCUMENTED ON 140T2490</p> <p>INTERCHANGEABILITY DRAWING</p> <p>OPTIONAL PART: 140T2415-9</p> <p>USED ON: 140T2421-602</p>		1

ILLUSTRATION ITEMS NOT ON PARTS LIST ARE NOT APPLICABLE

- ITEM NOT ILLUSTRATED

HXL

56-21-01-20A

BOEING PROPRIETARY - Copyright © - Unpublished Work - See title page for details.

56-21-01  
FIG. 20A  
PAGE 56  
DEC 22/07



767

PARTS CATALOG (MAINTENANCE)

FIG ITEM	PART NUMBER	1 2 3 4 5 6 7 NOMENCLATURE	EFFECT FROM TO	UNITS PER ASSY
20A 202	140T2415-9	. . . PANE- MISCELLANEOUS DATA: FOR INTERCHANGEABILITY DATA, SEE 140T2490. QUALIFIED I/W DATA: INTERCHANGEABLE AT LIMITED STATIONS AS DOCUMENTED ON 140T2490 INTERCHANGEABILITY DRAWING OPTIONAL PART: 140T2415-601 USED ON: 140T2421-602		1

ILLUSTRATION ITEMS NOT ON PARTS LIST ARE NOT APPLICABLE

- ITEM NOT ILLUSTRATED

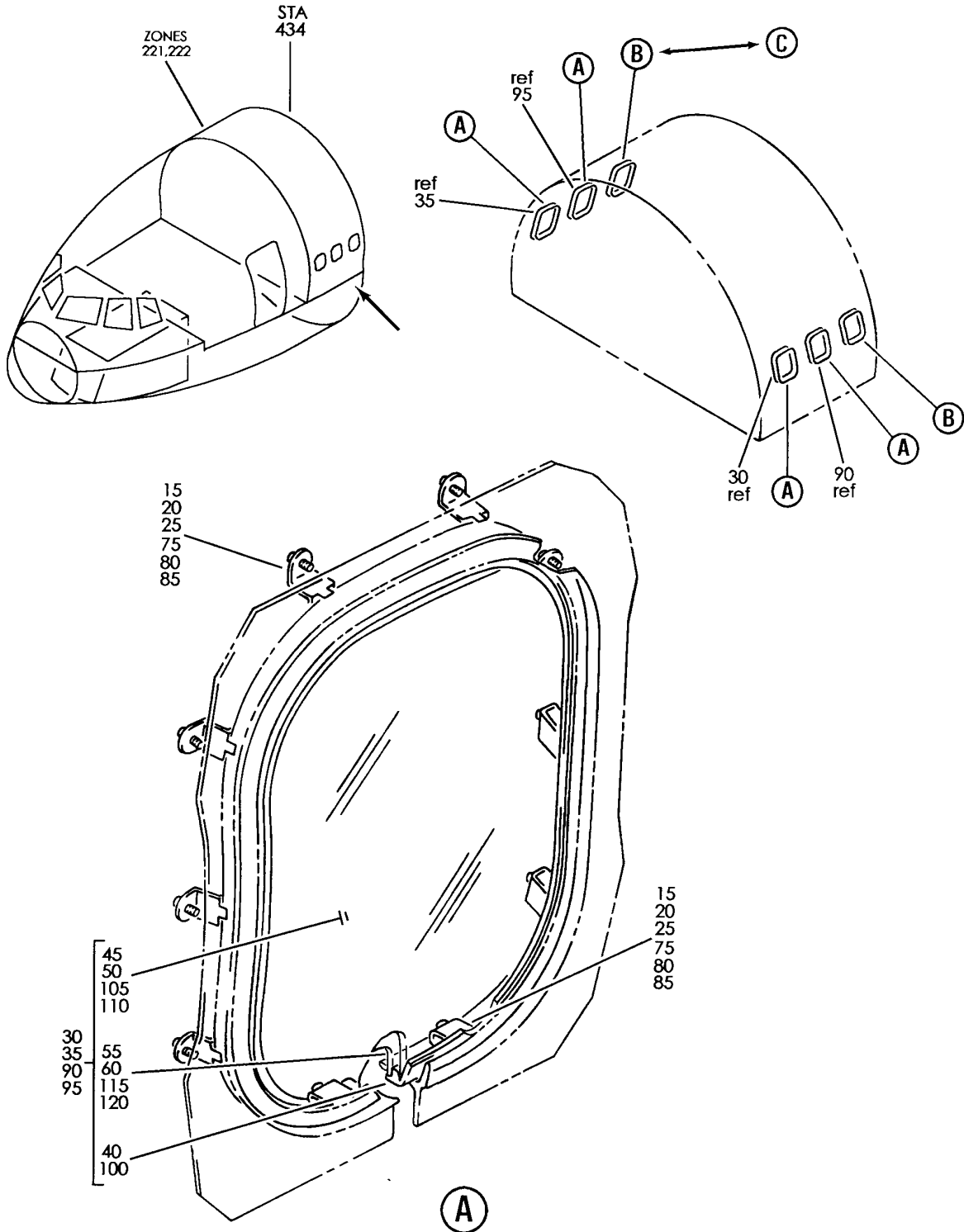
HXL

**56-21-01-20A**

BOEING PROPRIETARY - Copyright © - Unpublished Work - See title page for details.

56-21-01  
FIG. 20A  
PAGE 57  
DEC 22/07

**BOEING**  
767  
PARTS CATALOG (MAINTENANCE)



V 56210122 SHT 1 REV 206

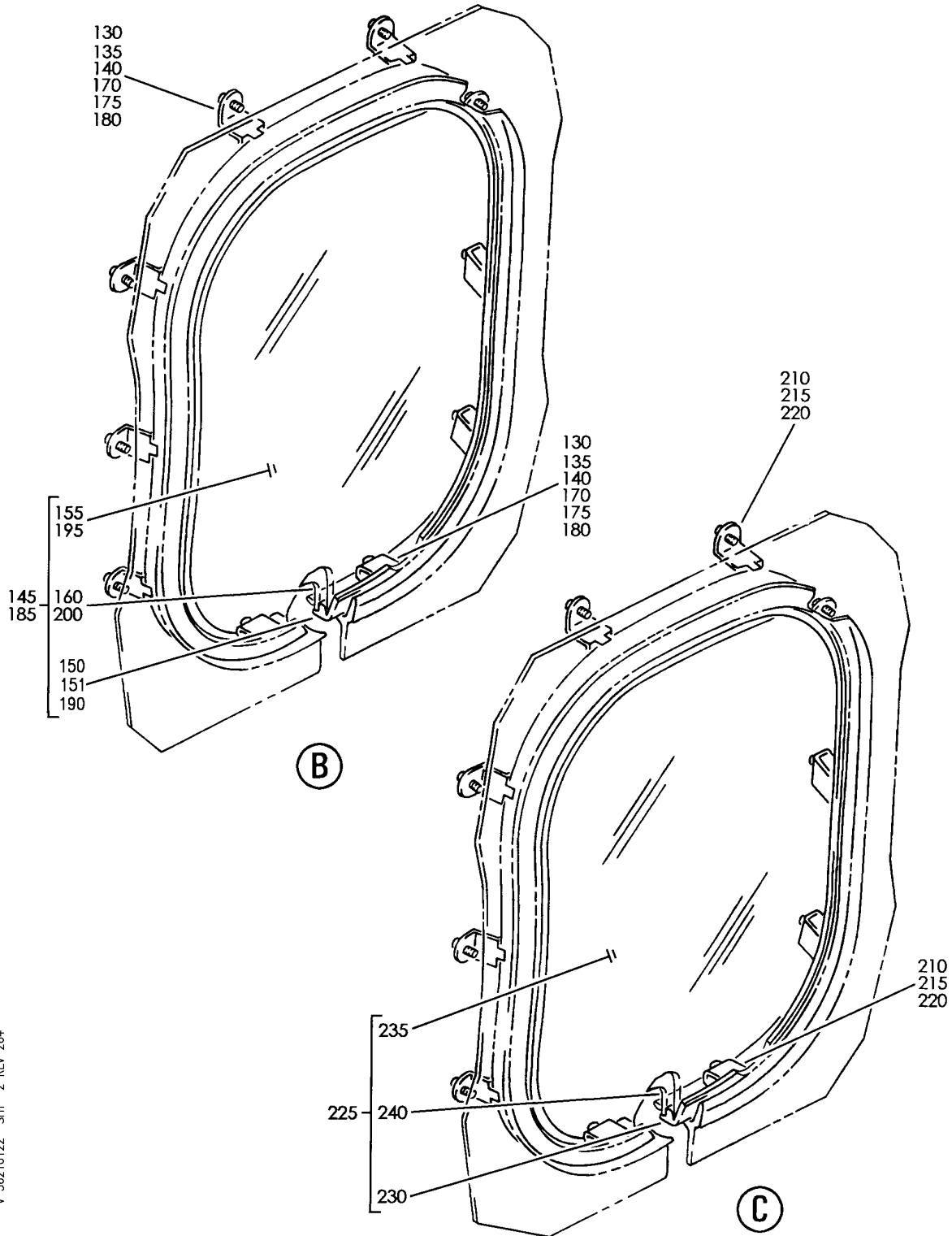
WINDOW INTEGRATION-PASS. SECT. 41  
FIGURE 22 (SHEET 1)

**56-21-01-22**

HXL  
DEC 22/06

56-21-01-22  
PAGE 0

**BOEING**  
767  
PARTS CATALOG (MAINTENANCE)



V 56210122 SH1 2 REV 264

WINDOW INTEGRATION-PASS. SECT. 41  
FIGURE 22 (SHEET 2)

**56-21-01-22**

HXL  
DEC 22/06

56-21-01-22  
PAGE 0A



767

PARTS CATALOG (MAINTENANCE)

FIG ITEM	PART NUMBER	1 2 3 4 5 6 7	NOMENCLATURE	EFFECT FROM TO	UNITS PER ASSY
22			WINDOW INTEGRATION-PASS. SECT. 41		
- 1	141T0042-5		WINDOW INTEGRATION-PASS. POSITION DATA: SECT. 41 FOR NHA SEE: 53-10-00-08	155162	RF
- 1	141T0042-7		WINDOW INTEGRATION-PASS. POSITION DATA: SECT. 41 FOR NHA SEE: 53-10-00-08	163999	RF
- 5	140T2400-41		.WINDOW INSTL- POSITION DATA: STA 378.4 LH		1
- 10	140T2400-42		.WINDOW INSTL- POSITION DATA: STA 378.4 RH		1
15	NAS1801-08-12		..SCREW		10
20	AN960JD8		..WASHER		10
25	140U4001-1		..CLIP-		10
25	140T2410-1		..CLIP- MISCELLANEOUS DATA: COLOR BLACK SERVICE BULLETIN OPT DATA: 140U4001-1		10
30	140T2419-1		..WINDOW ASSY- POSITION DATA: LH SIDE		1
30	140T2419-601		..WINDOW ASSY- POSITION DATA: LH SIDE		1
35	140T2419-2		..WINDOW ASSY- POSITION DATA: RH SIDE		1
35	140T2419-602		..WINDOW ASSY- POSITION DATA: RH SIDE		1
40	65B07671-10		...SEAL- MISCELLANEOUS DATA: FOR INTERCHANGEABILITY DATA, SEE 140T2490 AND 140U4090 OPTIONAL PART: 65B07671-8 65B07671-9 USED ON: 140T2419-1 140T2419-2		1
ILLUSTRATION ITEMS NOT ON PARTS LIST ARE NOT APPLICABLE					

- ITEM NOT ILLUSTRATED

56-21-01-22

56-21-01  
FIG. 22  
PAGE 1  
DEC 22/07

HXL





767

PARTS CATALOG (MAINTENANCE)

FIG ITEM	PART NUMBER	1 2 3 4 5 6 7	NOMENCLATURE	EFFECT FROM TO	UNITS PER ASSY
22 40	65B07671-8		...SEAL- MISCELLANEOUS DATA: 65B07671-4,-5,-6,-7,-8 ARE OPTL TO -9. FOR INTERCHANGEABILITY DATA, SEE 140T2490 AND 140U4090. OPTIONAL PART: 65B07671-9 65B07671-10 USED ON: 140T2419-1 140T2419-2		1
40	65B07671-9		...SEAL- MISCELLANEOUS DATA: 65B07671-4, -5, -6, -7, -8 ARE OPTL TO -9 FOR INTERCHANGEABILITY DATA, SEE 140T2490 AND 140U4090 OPTIONAL PART: 65B07671-8 65B07671-10 USED ON: 140T2419-1 140T2419-2		1
40	65B07671-10		...SEAL- MISCELLANEOUS DATA: FOR INTERCHANGEABILITY DATA, SEE 140T2490 AND 140U4090 USED ON: 140T2419-601 140T2419-602		1
40	65B07671-7		...SEAL- MISCELLANEOUS DATA: 65B07671-4,-5,-6,-7,-8 ARE OPTL TO -9. FOR INTERCHANGEABILITY DATA, SEE 140T2490 AND 140U4090. USED ON: 140T2419-1 140T2419-2		1

ILLUSTRATION ITEMS NOT ON PARTS LIST ARE NOT APPLICABLE

- ITEM NOT ILLUSTRATED

HXL

56-21-01-22

BOEING PROPRIETARY - Copyright © - Unpublished Work - See title page for details.

56-21-01  
 FIG. 22  
 PAGE 2  
 DEC 22/07

 **BOEING**  
767  
**PARTS CATALOG (MAINTENANCE)**

FIG ITEM	PART NUMBER	1 2 3 4 5 6 7	NOMENCLATURE	EFFECT FROM TO	UNITS PER ASSY
22					
40	65B07671-6		...SEAL- MISCELLANEOUS DATA: 65B07671-4,-5,-6,-7,-8 ARE OPTL TO -9. FOR INTERCHANGEABILITY DATA, SEE 140T2490 AND 140U4090. USED ON: 140T2419-1 140T2419-2		1
40	65B07671-5		...SEAL- MISCELLANEOUS DATA: 65B07671-4,-5,-6,-7,-8 ARE OPTL TO -9. FOR INTERCHANGEABILITY DATA, SEE 140T2490 AND 140U4090. USED ON: 140T2419-1 140T2419-2		1
40	65B07671-5		...SEAL- MISCELLANEOUS DATA: 65B07671-4,-5,-6,-7,-8 ARE OPTL TO -9. FOR INTERCHANGEABILITY DATA, SEE 140T2490 AND 140U4090. USED ON: 140T2419-601 140T2419-602		1
40	65B07671-6		...SEAL- MISCELLANEOUS DATA: 65B07671-4,-5,-6,-7,-8 ARE OPTL TO -9. FOR INTERCHANGEABILITY DATA, SEE 140T2490 AND 140U4090. USED ON: 140T2419-601 140T2419-602		1

ILLUSTRATION ITEMS NOT ON PARTS LIST ARE NOT APPLICABLE

— ITEM NOT ILLUSTRATED

HXL

# 56-21-01-22

BOEING PROPRIETARY - Copyright © - Unpublished Work - See title page for details.

56-21-01  
FIG. 22  
PAGE 3  
DEC 22/07



767

PARTS CATALOG (MAINTENANCE)

FIG ITEM	PART NUMBER	1 2 3 4 5 6 7	NOMENCLATURE	EFFECT FROM TO	UNITS PER ASSY
22 40	65B07671-7		...SEAL- MISCELLANEOUS DATA: 65B07671-4,-5,-6,-7,-8 ARE OPTL TO -9. FOR INTERCHANGEABILITY DATA, SEE 140T2490 AND 140U4090. USED ON: 140T2419-601 140T2419-602		1
40	65B07671-8		...SEAL- MISCELLANEOUS DATA: 65B07671-4,-5,-6,-7,-8 ARE OPTL TO -9. FOR INTERCHANGEABILITY DATA, SEE 140T2490 AND 140U4090. USED ON: 140T2419-601 140T2419-602		1
40	65B07671-9		...SEAL- MISCELLANEOUS DATA: 65B07671-4, -5, -6, -7, -8 ARE OPTL TO -9 FOR INTERCHANGEABILITY DATA, SEE 140T2490 AND 140U4090 USED ON: 140T2419-601 140T2419-602		1
45	140T2413-1		...PANE-OUTER POSITION DATA: LH SIDE MISCELLANEOUS DATA: FOR INTERCHANGEABILITY DATA, SEE 140T2490		1
45	140T2423-1		...PANE-OUTER POSITION DATA: LH SIDE MISCELLANEOUS DATA: FOR INTERCHANGEABILITY DATA, SEE 140T2490		1
45	140T2423-601		...PANE-OUTER POSITION DATA: LH SIDE MISCELLANEOUS DATA: FOR INTERCHANGEABILITY DATA, SEE 140T2490		1

ILLUSTRATION ITEMS NOT ON PARTS LIST ARE NOT APPLICABLE

- ITEM NOT ILLUSTRATED

56-21-01-22

56-21-01  
FIG. 22  
PAGE 4  
DEC 22/07

HXL



767

PARTS CATALOG (MAINTENANCE)

FIG ITEM	PART NUMBER	1 2 3 4 5 6 7	NOMENCLATURE	EFFECT FROM TO	UNITS PER ASSY
22					
50	140T2413-2		...PANE-OUTER POSITION DATA: RH SIDE MISCELLANEOUS DATA: FOR INTERCHANGEABILITY DATA, SEE 140T2490		1
50	140T2423-2		...PANE-OUTER POSITION DATA: RH SIDE MISCELLANEOUS DATA: FOR INTERCHANGEABILITY DATA, SEE 140T2490		1
50	140T2423-602		...PANE-OUTER POSITION DATA: RH SIDE MISCELLANEOUS DATA: FOR INTERCHANGEABILITY DATA, SEE 140T2490 QUALIFIED I/W DATA: 140T2417-2 T/W 140T2416-3 SEAL T/W QTY (10) 140U4001-2 CLIPS I/W 140T2423-602 T/W 65B07671-10 SEAL T/W QTY (10) 140U4001-1 CLIPS AT LIMITED STATIONS AS DEFINED ON 140T2490 INTERCHANGEABILITY MATRIX		1
55	140T2415-9		...PANE-MIDDLE POSITION DATA: LH MISCELLANEOUS DATA: FOR INTERCHANGEABILITY DATA, SEE 140T2490 QUALIFIED I/W DATA: INTERCHANGEABLE AT LIMITED STATIONS AS DOCUMENTED ON 140T2490 INTERCHANGEABILITY DRAWING OPTIONAL PART: 140T2415-1 USED ON: 140T2419-1		1
ILLUSTRATION ITEMS NOT ON PARTS LIST ARE NOT APPLICABLE					

- ITEM NOT ILLUSTRATED

HXL

56-21-01-22

BOEING PROPRIETARY - Copyright © - Unpublished Work - See title page for details.

56-21-01  
FIG. 22  
PAGE 5  
DEC 22/07



767

PARTS CATALOG (MAINTENANCE)

FIG ITEM	PART NUMBER	1 2 3 4 5 6 7	NOMENCLATURE	EFFECT FROM TO	UNITS PER ASSY
22 55	140T2415-1		<p>...PANE-MIDDLE            POSITION DATA:            LH            MISCELLANEOUS DATA:            FOR INTERCHANGEABILITY            DATA, SEE 140T2490            QUALIFIED I/W DATA:            INTERCHANGEABLE AT            LIMITED STATIONS AS            DOCUMENTED ON 140T2490            INTERCHANGEABILITY            DRAWING            OPTIONAL PART:            140T2415-9            USED ON:            140T2419-1</p>		1
55	140T2415-601		<p>...PANE-MIDDLE            MISCELLANEOUS DATA:            FOR INTERCHANGEABILITY            DATA, SEE 140T2490.            QUALIFIED I/W DATA:            INTERCHANGEABLE AT            LIMITED STATIONS AS            DOCUMENTED ON 140T2490            INTERCHANGEABILITY            DRAWING            USED ON:            140T2419-1</p>		1
55	140T2415-601		<p>...PANE-MIDDLE            MISCELLANEOUS DATA:            FOR INTERCHANGEABILITY            DATA, SEE 140T2490.            QUALIFIED I/W DATA:            INTERCHANGEABLE AT            LIMITED STATIONS AS            DOCUMENTED ON 140T2490            INTERCHANGEABILITY            DRAWING            USED ON:            140T2419-601</p>		1

ILLUSTRATION ITEMS NOT ON PARTS LIST ARE NOT APPLICABLE

- ITEM NOT ILLUSTRATED

HXL

56-21-01-22

BOEING PROPRIETARY - Copyright © - Unpublished Work - See title page for details.

56-21-01  
 FIG. 22  
 PAGE 6  
 DEC 22/07



767

PARTS CATALOG (MAINTENANCE)

FIG ITEM	PART NUMBER	1 2 3 4 5 6 7	NOMENCLATURE	EFFECT FROM TO	UNITS PER ASSY
22 55	140T2415-9		<p>...PANE-MIDDLE            MISCELLANEOUS DATA:            FOR INTERCHANGEABILITY            DATA, SEE 140T2490            QUALIFIED I/W DATA:            INTERCHANGEABLE AT            LIMITED STATIONS AS            DOCUMENTED ON 140T2490            INTERCHANGEABILITY            DRAWING            USED ON:            140T2419-601</p>		1
60	140T2415-9		<p>...PANE-MIDDLE            POSITION DATA:            RH SIDE            MISCELLANEOUS DATA:            FOR INTERCHANGEABILITY            DATA, SEE 140T2490            QUALIFIED I/W DATA:            INTERCHANGEABLE AT            LIMITED STATIONS AS            DOCUMENTED ON 140T2490            INTERCHANGEABILITY            DRAWING            OPTIONAL PART:            140T2415-2            USED ON:            140T2419-2</p>		1
60	140T2415-601		<p>...PANE-MIDDLE            MISCELLANEOUS DATA:            FOR INTERCHANGEABILITY            DATA, SEE 140T2490.            QUALIFIED I/W DATA:            INTERCHANGEABLE AT            LIMITED STATIONS AS            DOCUMENTED ON 140T2490            INTERCHANGEABILITY            DRAWING            USED ON:            140T2419-2</p>		1

ILLUSTRATION ITEMS NOT ON PARTS LIST ARE NOT APPLICABLE

- ITEM NOT ILLUSTRATED

HXL

56-21-01-22

BOEING PROPRIETARY - Copyright © - Unpublished Work - See title page for details.

56-21-01  
 FIG. 22  
 PAGE 7  
 DEC 22/07



767

PARTS CATALOG (MAINTENANCE)

FIG ITEM	PART NUMBER	1 2 3 4 5 6 7	NOMENCLATURE	EFFECT FROM TO	UNITS PER ASSY
22					
60	140T2415-601	...	PANE-MIDDLE MISCELLANEOUS DATA: FOR INTERCHANGEABILITY DATA, SEE 140T2490. QUALIFIED I/W DATA: INTERCHANGEABLE AT LIMITED STATIONS AS DOCUMENTED ON 140T2490 INTERCHANGEABILITY DRAWING USED ON: 140T2419-602		1
60	140T2415-2	...	PANE-MIDDLE POSITION DATA: RH SIDE MISCELLANEOUS DATA: FOR INTERCHANGEABILITY DATA, SEE 140T2490 QUALIFIED I/W DATA: INTERCHANGEABLE AT LIMITED STATIONS AS DOCUMENTED ON 140T2490 INTERCHANGEABILITY DRAWING OPTIONAL PART: 140T2415-9 USED ON: 140T2419-2		1
60	140T2415-9	...	PANE-MIDDLE POSITION DATA: RH SIDE MISCELLANEOUS DATA: FOR INTERCHANGEABILITY DATA, SEE 140T2490 QUALIFIED I/W DATA: INTERCHANGEABLE AT LIMITED STATIONS AS DOCUMENTED ON 140T2490 INTERCHANGEABILITY DRAWING USED ON: 140T2419-602		1
- 65	140T2400-43	.	WINDOW INSTL- POSITION DATA: STA 400.4 LH		1
- 70	140T2400-44	.	WINDOW INSTL- POSITION DATA: STA 400.4 RH		1
75	NAS1801-08-12	..	SCREW		10

ILLUSTRATION ITEMS NOT ON PARTS LIST ARE NOT APPLICABLE

- ITEM NOT ILLUSTRATED

56-21-01-22

56-21-01  
FIG. 22  
PAGE 8  
DEC 22/07

HXL



767

PARTS CATALOG (MAINTENANCE)

FIG ITEM	PART NUMBER	1 2 3 4 5 6 7	NOMENCLATURE	EFFECT FROM TO	UNITS PER ASSY
22					
80	AN960JD8	..	WASHER		10
85	140U4001-1	..	CLIP-		10
85	140T2410-1	..	CLIP-		10
			MISCELLANEOUS DATA: COLOR BLACK SERVICE BULLETIN OPT DATA: 140U4001-1		
90	140T2419-3	..	WINDOW ASSY- POSITION DATA: LH SIDE		1
90	140T2419-603	..	WINDOW ASSY- POSITION DATA: LH SIDE		1
95	140T2419-4	..	WINDOW ASSY- POSITION DATA: RH SIDE		1
95	140T2419-604	..	WINDOW ASSY- POSITION DATA: RH SIDE		1
100	65B07671-10	...	SEAL- MISCELLANEOUS DATA: FOR INTERCHANGEABILITY DATA, SEE 140T2490 AND 140U4090 OPTIONAL PART: 65B07671-8 65B07671-9 USED ON: 140T2419-3 140T2419-4		1
100	65B07671-8	...	SEAL- MISCELLANEOUS DATA: 65B07671-4,-5,-6,-7,-8 ARE OPTL TO -9. FOR INTERCHANGEABILITY DATA, SEE 140T2490 AND 140U4090. OPTIONAL PART: 65B07671-9 65B07671-10 USED ON: 140T2419-3 140T2419-4		1

ILLUSTRATION ITEMS NOT ON PARTS LIST ARE NOT APPLICABLE

- ITEM NOT ILLUSTRATED

HXL

56-21-01-22

BOEING PROPRIETARY - Copyright © - Unpublished Work - See title page for details.

56-21-01  
FIG. 22  
PAGE 9  
DEC 22/07





767

PARTS CATALOG (MAINTENANCE)

FIG ITEM	PART NUMBER	1 2 3 4 5 6 7	NOMENCLATURE	EFFECT FROM TO	UNITS PER ASSY
22 100	65B07671-9		...SEAL- MISCELLANEOUS DATA: 65B07671-4, -5, -6, -7, -8 ARE OPTL TO -9 FOR INTERCHANGEABILITY DATA, SEE 140T2490 AND 140U4090 OPTIONAL PART: 65B07671-8 65B07671-10 USED ON: 140T2419-3 140T2419-4		1
100	65B07671-10		...SEAL- MISCELLANEOUS DATA: FOR INTERCHANGEABILITY DATA, SEE 140T2490 AND 140U4090 USED ON: 140T2419-603 140T2419-604		1
100	65B07671-7		...SEAL- MISCELLANEOUS DATA: 65B07671-4,-5,-6,-7,-8 ARE OPTL TO -9. FOR INTERCHANGEABILITY DATA, SEE 140T2490 AND 140U4090. USED ON: 140T2419-3 140T2419-4		1
100	65B07671-6		...SEAL- MISCELLANEOUS DATA: 65B07671-4,-5,-6,-7,-8 ARE OPTL TO -9. FOR INTERCHANGEABILITY DATA, SEE 140T2490 AND 140U4090. USED ON: 140T2419-3 140T2419-4		1

ILLUSTRATION ITEMS NOT ON PARTS LIST ARE NOT APPLICABLE

- ITEM NOT ILLUSTRATED

HXL

56-21-01-22

BOEING PROPRIETARY - Copyright © - Unpublished Work - See title page for details.

56-21-01  
 FIG. 22  
 PAGE 10  
 DEC 22/07



767

PARTS CATALOG (MAINTENANCE)

FIG ITEM	PART NUMBER	1 2 3 4 5 6 7	NOMENCLATURE	EFFECT FROM TO	UNITS PER ASSY
22 100	65B07671-5		...SEAL- MISCELLANEOUS DATA: 65B07671-4,-5,-6,-7,-8 ARE OPTL TO -9. FOR INTERCHANGEABILITY DATA, SEE 140T2490 AND 140U4090. USED ON: 140T2419-3 140T2419-4		1
100	65B07671-5		...SEAL- MISCELLANEOUS DATA: 65B07671-4,-5,-6,-7,-8 ARE OPTL TO -9. FOR INTERCHANGEABILITY DATA, SEE 140T2490 AND 140U4090. USED ON: 140T2419-603 140T2419-604		1
100	65B07671-6		...SEAL- MISCELLANEOUS DATA: 65B07671-4,-5,-6,-7,-8 ARE OPTL TO -9. FOR INTERCHANGEABILITY DATA, SEE 140T2490 AND 140U4090. USED ON: 140T2419-603 140T2419-604		1
100	65B07671-7		...SEAL- MISCELLANEOUS DATA: 65B07671-4,-5,-6,-7,-8 ARE OPTL TO -9. FOR INTERCHANGEABILITY DATA, SEE 140T2490 AND 140U4090. USED ON: 140T2419-603 140T2419-604		1

ILLUSTRATION ITEMS NOT ON PARTS LIST ARE NOT APPLICABLE

- ITEM NOT ILLUSTRATED

HXL

56-21-01-22

BOEING PROPRIETARY - Copyright © - Unpublished Work - See title page for details.

56-21-01  
 FIG. 22  
 PAGE 11  
 DEC 22/07



767

PARTS CATALOG (MAINTENANCE)

FIG ITEM	PART NUMBER	1 2 3 4 5 6 7	NOMENCLATURE	EFFECT FROM TO	UNITS PER ASSY
22 100	65B07671-8		...SEAL- MISCELLANEOUS DATA: 65B07671-4,-5,-6,-7,-8 ARE OPTL TO -9. FOR INTERCHANGEABILITY DATA, SEE 140T2490 AND 140U4090. USED ON: 140T2419-603 140T2419-604		1
100	65B07671-9		...SEAL- MISCELLANEOUS DATA: 65B07671-4, -5, -6, -7, -8 ARE OPTL TO -9 FOR INTERCHANGEABILITY DATA, SEE 140T2490 AND 140U4090 USED ON: 140T2419-603 140T2419-604		1
105	140T2413-3		...PANE-OUTER POSITION DATA: LH SIDE MISCELLANEOUS DATA: FOR INTERCHANGEABILITY DATA, SEE 140T2490		1
105	140T2423-3		...PANE-OUTER POSITION DATA: LH SIDE MISCELLANEOUS DATA: FOR INTERCHANGEABILITY DATA, SEE 140T2490		1
105	140T2423-603		...PANE-OUTER POSITION DATA: LH SIDE MISCELLANEOUS DATA: FOR INTERCHANGEABILITY DATA, SEE 140T2490		1
110	140T2413-4		...PANE-OUTER POSITION DATA: RH SIDE MISCELLANEOUS DATA: FOR INTERCHANGEABILITY DATA, SEE 140T2490		1

ILLUSTRATION ITEMS NOT ON PARTS LIST ARE NOT APPLICABLE

- ITEM NOT ILLUSTRATED

HXL

56-21-01-22

BOEING PROPRIETARY - Copyright © - Unpublished Work - See title page for details.

56-21-01  
 FIG. 22  
 PAGE 12  
 DEC 22/07

**BOEING**  
767  
**PARTS CATALOG (MAINTENANCE)**

FIG ITEM	PART NUMBER	1 2 3 4 5 6 7	NOMENCLATURE	EFFECT FROM TO	UNITS PER ASSY
22 110	140T2423-4		...PANE-OUTER POSITION DATA: RH SIDE MISCELLANEOUS DATA: FOR INTERCHANGEABILITY DATA, SEE 140T2490		1
110	140T2423-604		...PANE-OUTER POSITION DATA: RH SIDE MISCELLANEOUS DATA: FOR INTERCHANGEABILITY DATA, SEE 140T2490		1
115	140T2415-9		...PANE-MIDDLE POSITION DATA: LH MISCELLANEOUS DATA: FOR INTERCHANGEABILITY DATA, SEE 140T2490 QUALIFIED I/W DATA: INTERCHANGEABLE AT LIMITED STATIONS AS DOCUMENTED ON 140T2490 INTERCHANGEABILITY DRAWING OPTIONAL PART: 140T2415-3 USED ON: 140T2419-3		1
115	140T2415-3		...PANE-MIDDLE POSITION DATA: LH MISCELLANEOUS DATA: FOR INTERCHANGEABILITY DATA, SEE 140T2490 QUALIFIED I/W DATA: INTERCHANGEABLE AT LIMITED STATIONS AS DOCUMENTED ON 140T2490 INTERCHANGEABILITY DRAWING OPTIONAL PART: 140T2415-9 USED ON: 140T2419-3		1

ILLUSTRATION ITEMS NOT ON PARTS LIST ARE NOT APPLICABLE

— ITEM NOT ILLUSTRATED

HXL

# 56-21-01-22

BOEING PROPRIETARY - Copyright © - Unpublished Work - See title page for details.

56-21-01  
FIG. 22  
PAGE 13  
DEC 22/07



767

PARTS CATALOG (MAINTENANCE)

FIG ITEM	PART NUMBER	1 2 3 4 5 6 7	NOMENCLATURE	EFFECT FROM TO	UNITS PER ASSY
22 115	140T2415-601		<p>...PANE-MIDDLE            MISCELLANEOUS DATA:            FOR INTERCHANGEABILITY            DATA, SEE 140T2490.            QUALIFIED I/W DATA:            INTERCHANGEABLE AT            LIMITED STATIONS AS            DOCUMENTED ON 140T2490            INTERCHANGEABILITY            DRAWING            USED ON:            140T2419-3</p>		1
115	140T2415-601		<p>...PANE-MIDDLE            MISCELLANEOUS DATA:            FOR INTERCHANGEABILITY            DATA, SEE 140T2490.            QUALIFIED I/W DATA:            INTERCHANGEABLE AT            LIMITED STATIONS AS            DOCUMENTED ON 140T2490            INTERCHANGEABILITY            DRAWING            USED ON:            140T2419-3</p>		1
115	140T2415-9		<p>...PANE-MIDDLE            MISCELLANEOUS DATA:            FOR INTERCHANGEABILITY            DATA, SEE 140T2490            QUALIFIED I/W DATA:            INTERCHANGEABLE AT            LIMITED STATIONS AS            DOCUMENTED ON 140T2490            INTERCHANGEABILITY            DRAWING            USED ON:            140T2419-603</p>		1

ILLUSTRATION ITEMS NOT ON PARTS LIST ARE NOT APPLICABLE

- ITEM NOT ILLUSTRATED

HXL

56-21-01-22

BOEING PROPRIETARY - Copyright © - Unpublished Work - See title page for details.

56-21-01  
 FIG. 22  
 PAGE 14  
 DEC 22/07



767

PARTS CATALOG (MAINTENANCE)

FIG ITEM	PART NUMBER	1 2 3 4 5 6 7	NOMENCLATURE	EFFECT FROM TO	UNITS PER ASSY
22 120	140T2415-9		<p>...PANE-MIDDLE            POSITION DATA:            RH            MISCELLANEOUS DATA:            FOR INTERCHANGEABILITY            DATA, SEE 140T2490            QUALIFIED I/W DATA:            INTERCHANGEABLE AT            LIMITED STATIONS AS            DOCUMENTED ON 140T2490            INTERCHANGEABILITY            DRAWING            OPTIONAL PART:            140T2415-4            USED ON:            140T2419-4</p>		1
120	140T2415-4		<p>...PANE-MIDDLE            POSITION DATA:            RH            MISCELLANEOUS DATA:            FOR INTERCHANGEABILITY            DATA, SEE 140T2490            QUALIFIED I/W DATA:            INTERCHANGEABLE AT            LIMITED STATIONS AS            DEFINED ON 140T2490            INTERCHANGEABILITY            MATRIX            OPTIONAL PART:            140T2415-9            USED ON:            140T2419-4</p>		1
120	140T2415-601		<p>...PANE-MIDDLE            MISCELLANEOUS DATA:            FOR INTERCHANGEABILITY            DATA, SEE 140T2490.            QUALIFIED I/W DATA:            INTERCHANGEABLE AT            LIMITED STATIONS AS            DOCUMENTED ON 140T2490            INTERCHANGEABILITY            DRAWING            USED ON:            140T2419-4</p>		1

ILLUSTRATION ITEMS NOT ON PARTS LIST ARE NOT APPLICABLE

- ITEM NOT ILLUSTRATED

56-21-01-22

56-21-01  
 FIG. 22  
 PAGE 15  
 DEC 22/07

HXL



767

PARTS CATALOG (MAINTENANCE)

FIG ITEM	PART NUMBER	1 2 3 4 5 6 7	NOMENCLATURE	EFFECT FROM TO	UNITS PER ASSY
22 120	140T2415-601		...PANE-MIDDLE MISCELLANEOUS DATA: FOR INTERCHANGEABILITY DATA, SEE 140T2490. QUALIFIED I/W DATA: INTERCHANGEABLE AT LIMITED STATIONS AS DOCUMENTED ON 140T2490 INTERCHANGEABILITY DRAWING USED ON: 140T2419-604		1
120	140T2415-9		...PANE-MIDDLE POSITION DATA: RH SIDE MISCELLANEOUS DATA: FOR INTERCHANGEABILITY DATA, SEE 140T2490 QUALIFIED I/W DATA: INTERCHANGEABLE AT LIMITED STATIONS AS DOCUMENTED ON 140T2490 INTERCHANGEABILITY DRAWING USED ON: 140T2419-604		1
- 125	140T2400-27		.WINDOW INSTL- POSITION DATA: STA 422.4	155162	2
130	NAS1801-08-12		..SCREW	155162	10
135	AN960JD8		..WASHER	155162	10
140	140U4001-1		..CLIP-	155162	10
140	140T2410-1		..CLIP- MISCELLANEOUS DATA: COLOR BLACK SERVICE BULLETIN OPT DATA: 140U4001-1	155162	10

ILLUSTRATION ITEMS NOT ON PARTS LIST ARE NOT APPLICABLE

- ITEM NOT ILLUSTRATED

56-21-01-22

56-21-01  
FIG. 22  
PAGE 16  
DEC 22/07

HXL

**BOEING**  
767  
**PARTS CATALOG (MAINTENANCE)**

FIG ITEM	PART NUMBER	1 2 3 4 5 6 7	NOMENCLATURE	EFFECT FROM TO	UNITS PER ASSY
22 145	65B22517-45		<p>..WINDOW ASSY- MISCELLANEOUS DATA: FOR INTERCHANGEABILITY DATA, SEE 140T2490 AND 140U4090 COMPONENT MAINT MANUAL REF: 56-21-41 QUALIFIED I/W DATA: INTERCHANGEABLE AT LIMITED STATIONS AS DEFINED ON 140T2490 INTERCHANGEABILITY MATRIX OPTIONAL PART: 140T2411-5 FOR SPARES PROCURE: 654U6075-685</p>	155162	1
145	140T2411-5		<p>..WINDOW ASSY- MISCELLANEOUS DATA: FOR INTERCHANGEABILITY DATA, SEE 140T2490 COMPONENT MAINT MANUAL REF: 56-21-61 QUALIFIED I/W DATA: INTERCHANGEABLE AT LIMITED STATIONS AS DEFINED ON 140T2490 INTERCHANGEABILITY MATRIX 140U4001-2 CLIPS ARE I/W 140T2411-5 T/W QTY 10 140U4001-1 CLIPS AT LIMITED STATIONS AS DEFINED ON 140T2490 INTERCHANGEABILITY MATRIX OPTIONAL PART: 65B22517-45 FOR SPARES PROCURE: 654T0005-242</p>	155162	1

ILLUSTRATION ITEMS NOT ON PARTS LIST ARE NOT APPLICABLE

- ITEM NOT ILLUSTRATED

HXL

56-21-01-22

BOEING PROPRIETARY - Copyright © - Unpublished Work - See title page for details.

56-21-01  
FIG. 22  
PAGE 17  
DEC 22/06





767

PARTS CATALOG (MAINTENANCE)

FIG ITEM	PART NUMBER	1 2 3 4 5 6 7	NOMENCLATURE	EFFECT FROM TO	UNITS PER ASSY
22 145	140T2421-605		<p>..WINDOW ASSY-            MISCELLANEOUS DATA:            FOR INTERCHANGEABILITY            DATA, SEE 140T2490            COMPONENT MAINT MANUAL REF:            56-21-61            QUALIFIED I/W DATA:            140T2421-605 CAN REPLACE            OR BE REPLACED BY            140T2421-7 AT ALL LEFT            AND RIGHT HAND SIDE BODY            STATIONS EXCEPT STA            378.4, STA 400.4 AND STA            1449.4.            140T2412-1 T/W QTY 10            140U4001-2 CLIPS ARE I/W            140T2421-605 T/W QTY 10            140U4001-1 CLIPS AT            LIMITED STATIONS AS            DEFINED ON 140T2490            INTERCHANGEABILITY            MATRIX</p>	155162	1
145	140T2421-5		<p>..WINDOW ASSY-            MISCELLANEOUS DATA:            FOR INTERCHANGEABILITY            DATA, SEE 140T2490.            COMPONENT MAINT MANUAL REF:            56-21-61            QUALIFIED I/W DATA:            140T2412-1 T/W QTY 10            140U4001-2 CLIPS ARE I/W            140T2421-5 T/W QTY 10            140U4001-1 CLIPS AT            LIMITED STATIONS AS            DEFINED ON 140T2490            INTERCHANGEABILITY            MATRIX            INTERCHANGEABLE AT            LIMITED STATIONS AS            DEFINED ON 140T2490            INTERCHANGEABILITY            MATRIX</p>	155162	1

ILLUSTRATION ITEMS NOT ON PARTS LIST ARE NOT APPLICABLE

- ITEM NOT ILLUSTRATED

56-21-01-22

56-21-01  
 FIG. 22  
 PAGE 18  
 DEC 22/06

HXL



767

PARTS CATALOG (MAINTENANCE)

FIG ITEM	PART NUMBER	1 2 3 4 5 6 7	NOMENCLATURE	EFFECT FROM TO	UNITS PER ASSY
22 150	65B07671-9	...	SEAL- MISCELLANEOUS DATA: 65B07671-4, -5, -6, -7, -8 ARE OPTL TO -9. FOR INTERCHANGEABILITY DATA, SEE 140T2490 AND 140U4090 OPTIONAL PART: 65B07671-5 65B07671-6 65B07671-7 65B07671-8 USED ON: 65B22517-45	155162	1
150	65B07671-5	...	SEAL- MISCELLANEOUS DATA: 65B07671-4, -5, -6, -7, -8 ARE OPTL TO -9 FOR INTERCHANGEABILITY DATA, SEE 140T2490 AND 140U4090 OPTIONAL PART: 65B07671-6 65B07671-7 65B07671-8 65B07671-9 USED ON: 65B22517-45	155162	1
150	65B07671-6	...	SEAL- MISCELLANEOUS DATA: 65B07671-4, -5, -6, -7, -8 ARE OPTL TO -9 FOR INTERCHANGEABILITY DATA, SEE 140T2490 AND 140U4090 OPTIONAL PART: 65B07671-5 65B07671-7 65B07671-8 65B07671-9 USED ON: 65B22517-45	155162	1

ILLUSTRATION ITEMS NOT ON PARTS LIST ARE NOT APPLICABLE

- ITEM NOT ILLUSTRATED

HXL

56-21-01-22

BOEING PROPRIETARY - Copyright © - Unpublished Work - See title page for details.

56-21-01  
FIG. 22  
PAGE 19  
DEC 22/06



767

PARTS CATALOG (MAINTENANCE)

FIG ITEM	PART NUMBER	1 2 3 4 5 6 7	NOMENCLATURE	EFFECT FROM TO	UNITS PER ASSY
22 150	65B07671-7	...	SEAL- MISCELLANEOUS DATA: 65B07671-4, -5, -6, -7, -8 ARE OPTL TO -9 FOR INTERCHANGEABILITY DATA, SEE 140T2490 AND 140U4090 OPTIONAL PART: 65B07671-5 65B07671-6 65B07671-8 65B07671-9 USED ON: 65B22517-45	155162	1
150	65B07671-8	...	SEAL- MISCELLANEOUS DATA: 65B07671-4,-5,-6,-7,-8 ARE OPTL TO -9. FOR FOR INTERCHANGEABILITY DATA,SEE 140T2490 AND 140U4090 OPTIONAL PART: 65B07671-5 65B07671-6 65B07671-7 65B07671-9 USED ON: 65B22517-45	155162	1
150	65B07671-10	...	SEAL- MISCELLANEOUS DATA: FOR INTERCHANGEABILITY DATA, SEE 140T2490 AND 140U4090 OPTIONAL PART: 65B07671-5 65B07671-6 65B07671-7 65B07671-8 65B07671-9 USED ON: 140T2411-5	155162	1

ILLUSTRATION ITEMS NOT ON PARTS LIST ARE NOT APPLICABLE

- ITEM NOT ILLUSTRATED

HXL

56-21-01-22

BOEING PROPRIETARY - Copyright © - Unpublished Work - See title page for details.

56-21-01  
FIG. 22  
PAGE 20  
DEC 22/06



767

PARTS CATALOG (MAINTENANCE)

FIG ITEM	PART NUMBER	1 2 3 4 5 6 7	NOMENCLATURE	EFFECT FROM TO	UNITS PER ASSY
22 150	65B07671-5		...SEAL- MISCELLANEOUS DATA: 65B07671-4, -5, -6, -7, -8 ARE OPTL TO -9 FOR INTERCHANGEABILITY DATA, SEE 140T2490 AND 140U4090 OPTIONAL PART: 65B07671-6 65B07671-7 65B07671-8 65B07671-9 65B07671-10 USED ON: 140T2411-5	155162	1
150	65B07671-6		...SEAL- MISCELLANEOUS DATA: 65B07671-4, -5, -6, -7, -8 ARE OPTL TO -9 FOR INTERCHANGEABILITY DATA, SEE 140T2490 AND 140U4090 OPTIONAL PART: 65B07671-5 65B07671-7 65B07671-8 65B07671-9 65B07671-10 USED ON: 140T2411-5	155162	1
150	65B07671-7		...SEAL- MISCELLANEOUS DATA: 65B07671-4, -5, -6, -7, -8 ARE OPTL TO -9 FOR INTERCHANGEABILITY DATA, SEE 140T2490 AND 140U4090 OPTIONAL PART: 65B07671-5 65B07671-6 65B07671-8 65B07671-9 65B07671-10 USED ON: 140T2411-5	155162	1

ILLUSTRATION ITEMS NOT ON PARTS LIST ARE NOT APPLICABLE

- ITEM NOT ILLUSTRATED

HXL

56-21-01-22

BOEING PROPRIETARY - Copyright © - Unpublished Work - See title page for details.

56-21-01  
 FIG. 22  
 PAGE 21  
 DEC 22/06



**767  
PARTS CATALOG (MAINTENANCE)**

FIG ITEM	PART NUMBER	1 2 3 4 5 6 7	NOMENCLATURE	EFFECT FROM TO	UNITS PER ASSY
22 150	65B07671-8		...SEAL- MISCELLANEOUS DATA: 65B07671-4,-5,-6,-7,-8 ARE OPTL TO -9.FOR FOR INTERCHANGEABILITY DATA,SEE 140T2490 AND 140U4090 OPTIONAL PART: 65B07671-5 65B07671-6 65B07671-7 65B07671-9 65B07671-10 USED ON: 140T2411-5	155162	1
150	65B07671-9		...SEAL- MISCELLANEOUS DATA: 65B07671-4, -5, -6, -7, -8 ARE OPTL TO -9. FOR INTERCHANGEABILITY DATA, SEE 140T2490 AND 140U4090 OPTIONAL PART: 65B07671-5 65B07671-6 65B07671-7 65B07671-8 65B07671-10 USED ON: 140T2411-5	155162	1
150	65B07671-10		...SEAL- MISCELLANEOUS DATA: FOR INTERCHANGEABILITY DATA, SEE 140T2490 AND 140U4090 USED ON: 65B22517-45	155162	1
150	65B07671-5		...SEAL- MISCELLANEOUS DATA: 65B07671-4, -5, -6, -7, -8 ARE OPTL TO -9 FOR INTERCHANGEABILITY DATA, SEE 140T2490 AND 140U4090 USED ON: 140T2421-5	155162	1

ILLUSTRATION ITEMS NOT ON PARTS LIST ARE NOT APPLICABLE

- ITEM NOT ILLUSTRATED

HXL

# 56-21-01-22

BOEING PROPRIETARY - Copyright © - Unpublished Work - See title page for details.

56-21-01  
FIG. 22  
PAGE 22  
DEC 22/06



767

PARTS CATALOG (MAINTENANCE)

FIG ITEM	PART NUMBER	1 2 3 4 5 6 7	NOMENCLATURE	EFFECT FROM TO	UNITS PER ASSY
22 150	65B07671-6		...SEAL- MISCELLANEOUS DATA: 65B07671-4, -5, -6, -7, -8 ARE OPTL TO -9 FOR INTERCHANGEABILITY DATA, SEE 140T2490 AND 140U4090 USED ON: 140T2421-5	155162	1
150	65B07671-7		...SEAL- MISCELLANEOUS DATA: 65B07671-4, -5, -6, -7, -8 ARE OPTL TO -9 FOR INTERCHANGEABILITY DATA, SEE 140T2490 AND 140U4090 USED ON: 140T2421-5	155162	1
150	65B07671-8		...SEAL- MISCELLANEOUS DATA: 65B07671-4, -5, -6, -7, -8 ARE OPTL TO -9 FOR INTERCHANGEABILITY DATA, SEE 140T2490 AND 140U4090 OPTIONAL PART: 65B07671-9 65B07671-10 USED ON: 140T2421-5	155162	1
150	65B07671-9		...SEAL- MISCELLANEOUS DATA: 65B07671-4, -5, -6, -7, -8 ARE OPTL TO -9 FOR INTERCHANGEABILITY DATA, SEE 140T2490 AND 140U4090 OPTIONAL PART: 65B07671-8 65B07671-10 USED ON: 140T2421-5	155162	1

ILLUSTRATION ITEMS NOT ON PARTS LIST ARE NOT APPLICABLE

- ITEM NOT ILLUSTRATED

HXL

56-21-01-22

BOEING PROPRIETARY - Copyright © - Unpublished Work - See title page for details.

56-21-01  
FIG. 22  
PAGE 23  
DEC 22/06



767

PARTS CATALOG (MAINTENANCE)

FIG ITEM	PART NUMBER	1 2 3 4 5 6 7	NOMENCLATURE	EFFECT FROM TO	UNITS PER ASSY
22 151	65B07671-10		...SEAL- MISCELLANEOUS DATA: FOR INTERCHANGEABILITY DATA, SEE 140T2490 AND 140U4090 OPTIONAL PART: 65B07671-8 65B07671-9 USED ON: 140T2421-5	155162	1
151	65B07671-5		...SEAL- MISCELLANEOUS DATA: 65B07671-4, -5, -6, -7, -8 ARE OPTL TO -9 FOR INTERCHANGEABILITY DATA, SEE 140T2490 AND 140U4090 USED ON: 140T2421-605	155162	1
151	65B07671-6		...SEAL- MISCELLANEOUS DATA: 65B07671-4, -5, -6, -7, -8 ARE OPTL TO -9 FOR INTERCHANGEABILITY DATA, SEE 140T2490 AND 140U4090 USED ON: 140T2421-605	155162	1
151	65B07671-7		...SEAL- MISCELLANEOUS DATA: 65B07671-4, -5, -6, -7, -8 ARE OPTL TO -9 FOR INTERCHANGEABILITY DATA, SEE 140T2490 AND 140U4090 USED ON: 140T2421-605	155162	1
151	65B07671-8		...SEAL- MISCELLANEOUS DATA: 65B07671-4, -5, -6, -7, -8 ARE OPTL TO -9 FOR INTERCHANGEABILITY DATA, SEE 140T2490 AND 140U4090 USED ON: 140T2421-605	155162	1

ILLUSTRATION ITEMS NOT ON PARTS LIST ARE NOT APPLICABLE

- ITEM NOT ILLUSTRATED

56-21-01-22

56-21-01  
FIG. 22  
PAGE 24  
DEC 22/06

HXL



767

PARTS CATALOG (MAINTENANCE)

FIG ITEM	PART NUMBER	1 2 3 4 5 6 7	NOMENCLATURE	EFFECT FROM TO	UNITS PER ASSY
22 151	65B07671-9		...SEAL- MISCELLANEOUS DATA: 65B07671-4, -5, -6, -7, -8 ARE OPTL TO -9 FOR INTERCHANGEABILITY DATA, SEE 140T2490 AND 140U4090 USED ON: 140T2421-605	155162	1
151	65B07671-10		...SEAL- MISCELLANEOUS DATA: FOR INTERCHANGEABILITY DATA, SEE 140T2490 AND 140U4090 USED ON: 140T2421-605	155162	1
155	65B07673-21		...PANE-OUTER MISCELLANEOUS DATA: FOR INTERCHANGEABILITY DATA, SEE 140T2490 AND 140U4090 QUALIFIED I/W DATA: 140T2414-1 T/W 140T2416-3 SEAL T/W QTY (10) 140U4001-2 CLIPS I/W 140T2423-605 T/W 65B07671-10 SEAL T/W QTY (10) 140U4001-1 CLIPS AT LIMITED STATIONS AS DOCUMENTED ON 140T2490 INTERCHANGEABLITY MATRIX USED ON: 65B22517-45	155162	1

ILLUSTRATION ITEMS NOT ON PARTS LIST ARE NOT APPLICABLE

- ITEM NOT ILLUSTRATED

HXL

56-21-01-22

BOEING PROPRIETARY - Copyright © - Unpublished Work - See title page for details.

56-21-01  
 FIG. 22  
 PAGE 25  
 DEC 22/06





767

PARTS CATALOG (MAINTENANCE)

FIG ITEM	PART NUMBER	1 2 3 4 5 6 7	NOMENCLATURE	EFFECT FROM TO	UNITS PER ASSY
22 155	140T2413-5		...PANE-OUTER MISCELLANEOUS DATA: FOR INTERCHANGEABILITY DATA, SEE 140T2490 QUALIFIED I/W DATA: 140T2414-1 T/W 140T2416-3 SEAL T/W QTY (10) 140U4001-2 CLIPS I/W 140T2423-605 T/W 65B07671-10 SEAL T/W QTY (10) 140U4001-1 CLIPS AT LIMITED STATIONS AS DOCUMENTED ON 140T2490 INTERCHANGEABILITY MATRIX USED ON: 140T2411-5	155162	1
155	140T2423-5		...PANE-OUTER MISCELLANEOUS DATA: FOR INTERCHANGEABILITY DATA, SEE 140T2490 USED ON: 140T2411-5	155162	1
155	65B07673-21		...PANE-OUTER MISCELLANEOUS DATA: FOR INTERCHANGEABILITY DATA, SEE 140T2490 AND 140U4090 USED ON: 140T2411-5	155162	1
155	140T2423-605		...PANE-OUTER MISCELLANEOUS DATA: FOR INTERCHANGEABILITY DATA, SEE 140T2490 USED ON: 65B22517-45	155162	1
155	140T2423-605		...PANE-OUTER MISCELLANEOUS DATA: FOR INTERCHANGEABILITY DATA, SEE 140T2490 USED ON: 140T2411-5	155162	1
155	140T2413-5		...PANE-OUTER MISCELLANEOUS DATA: FOR INTERCHANGEABILITY DATA, SEE 140T2490 USED ON: 65B22517-45	155162	1

ILLUSTRATION ITEMS NOT ON PARTS LIST ARE NOT APPLICABLE

- ITEM NOT ILLUSTRATED

HXL

56-21-01-22

BOEING PROPRIETARY - Copyright © - Unpublished Work - See title page for details.

56-21-01  
FIG. 22  
PAGE 26  
DEC 22/06



767

PARTS CATALOG (MAINTENANCE)

FIG ITEM	PART NUMBER	1 2 3 4 5 6 7	NOMENCLATURE	EFFECT FROM TO	UNITS PER ASSY
22 155	140T2423-5		<p>...PANE-OUTER</p> <p>MISCELLANEOUS DATA: FOR INTERCHANGEABILITY DATA, SEE 140T2490.</p> <p>QUALIFIED I/W DATA: 140T2414-1 T/W 140T2416-3 SEAL T/W QTY (10) 140U4001-2 CLIPS I/W 140T2423-605 T/W 65B07671-10 SEAL T/W QTY (10) 140U4001-1 CLIPS AT LIMITED STATIONS AS DOCUMENTED ON 140T2490 INTERCHANGEABILITY MATRIX USED ON: 140T2421-605 140T2421-5</p>	155162	1
155	140T2413-5		<p>...PANE-OUTER</p> <p>MISCELLANEOUS DATA: FOR INTERCHANGEABILITY DATA, SEE 140T2490.</p> <p>USED ON: 140T2421-605 140T2421-5</p>	155162	1
155	140T2423-605		<p>...PANE-OUTER</p> <p>MISCELLANEOUS DATA: FOR INTERCHANGEABILITY DATA, SEE 140T2490.</p> <p>QUALIFIED I/W DATA: 140T2414-1 T/W 140T2416-3 SEAL T/W QTY (10) 140U4001-2 CLIPS I/W 140T2423-605 T/W 65B07671-10 SEAL T/W QTY (10) 140U4001-1 CLIPS AT LIMITED STATIONS AS DOCUMENTED ON 140T2490 INTERCHANGEABILITY MATRIX USED ON: 140T2421-605 140T2421-5</p>	155162	1

ILLUSTRATION ITEMS NOT ON PARTS LIST ARE NOT APPLICABLE

- ITEM NOT ILLUSTRATED

HXL

56-21-01-22

BOEING PROPRIETARY - Copyright © - Unpublished Work - See title page for details.

56-21-01  
FIG. 22  
PAGE 27  
DEC 22/06



767

PARTS CATALOG (MAINTENANCE)

FIG ITEM	PART NUMBER	1 2 3 4 5 6 7	NOMENCLATURE	EFFECT FROM TO	UNITS PER ASSY
22 155	65B07673-21		...PANE-OUTER MISCELLANEOUS DATA: FOR INTERCHANGEABILITY DATA, SEE 140T2490 AND 140U4090. USED ON: 140T2421-605 140T2421-5	155162	1
160	65B07674-21		...PANE-MIDDLE MISCELLANEOUS DATA: FOR INTERCHANGEABILITY DATA, SEE 140T2490 FOR 767 AND 140U4090 FOR 747 QUALIFIED I/W DATA: INTERCHANGEABLE AT LIMITED STATIONS AS DOCUMENTED ON 140T2490 INTERCHANGEABILITY DRAWING USED ON: 65B22517-45	155162	1
160	140T2415-5		...PANE-MIDDLE MISCELLANEOUS DATA: FOR INTERCHANGEABILITY DATA SEE 140T2490 QUALIFIED I/W DATA: 140T2415-5 I/W 65B07674-21 FOR 767 ONLY. 65B07674-21 SHOULD ONLY BE USED IN THE CONSTANT BODY SECTION. INTERCHANGEABLE AT LIMITED STATIONS AS DOCUMENTED ON 140T2490 INTERCHANGEABILITY DRAWING USED ON: 140T2411-5	155162	1

ILLUSTRATION ITEMS NOT ON PARTS LIST ARE NOT APPLICABLE

- ITEM NOT ILLUSTRATED

HXL

56-21-01-22

BOEING PROPRIETARY - Copyright © - Unpublished Work - See title page for details.

56-21-01  
FIG. 22  
PAGE 28  
DEC 22/06



767

PARTS CATALOG (MAINTENANCE)

FIG ITEM	PART NUMBER	1 2 3 4 5 6 7	NOMENCLATURE	EFFECT FROM TO	UNITS PER ASSY
22 160	140T2415-601	...	PANE-MIDDLE MISCELLANEOUS DATA: FOR INTERCHANGEABILITY DATA, SEE 140T2490. QUALIFIED I/W DATA: INTERCHANGEABLE AT LIMITED STATIONS AS DOCUMENTED ON 140T2490 INTERCHANGEABILITY DRAWING USED ON: 140T2421-5	155162	1
160	65B07674-121	...	PANE-MIDDLE MISCELLANEOUS DATA: FOR INTERCHANGEABILITY DATA, SEE 140U4090. USED ON: 140T2411-5	155162	1
160	140T2415-9	...	PANE-MIDDLE MISCELLANEOUS DATA: FOR INTERCHANGEABILITY DATA, SEE 140T2490 QUALIFIED I/W DATA: INTERCHANGEABLE AT LIMITED STATIONS AS DOCUMENTED ON 140T2490 INTERCHANGEABILITY DRAWING OPTIONAL PART: 140T2415-601 USED ON: 140T2421-605	155162	1
160	140T2415-601	...	PANE-MIDDLE MISCELLANEOUS DATA: FOR INTERCHANGEABILITY DATA, SEE 140T2490. QUALIFIED I/W DATA: INTERCHANGEABLE AT LIMITED STATIONS AS DOCUMENTED ON 140T2490 INTERCHANGEABILITY DRAWING OPTIONAL PART: 140T2415-9 USED ON: 140T2421-605	155162	1

ILLUSTRATION ITEMS NOT ON PARTS LIST ARE NOT APPLICABLE

- ITEM NOT ILLUSTRATED

56-21-01-22

56-21-01  
FIG. 22  
PAGE 29  
DEC 22/06

HXL



767

PARTS CATALOG (MAINTENANCE)

FIG ITEM	PART NUMBER	1 2 3 4 5 6 7	NOMENCLATURE	EFFECT FROM TO	UNITS PER ASSY
22 160	140T2415-9		...PANE-MIDDLE MISCELLANEOUS DATA: FOR INTERCHANGEABILITY DATA, SEE 140T2490. QUALIFIED I/W DATA: INTERCHANGEABLE AT LIMITED STATIONS AS DOCUMENTED ON 140T2490 INTERCHANGEABILITY DRAWING OPTIONAL PART: 140T2415-5 USED ON: 140T2421-5	155162	1
160	140T2415-5		...PANE-MIDDLE MISCELLANEOUS DATA: FOR INTERCHANGEABILITY DATA, SEE 140T2490 QUALIFIED I/W DATA: 140T2415-5 I/W 65B07674-21 FOR 767 ONLY. 65B07674-21 SHOULD ONLY BE USED IN THE CONSTANT BODY SECTION. INTERCHANGEABLE AT LIMITED STATIONS AS DOCUMENTED ON 140T2490 INTERCHANGEABILITY DRAWING OPTIONAL PART: 140T2415-9 USED ON: 140T2421-5	155162	1
160	65B07674-121		...PANE-MIDDLE MISCELLANEOUS DATA: FOR INTERCHANGEABILITY DATA, SEE 140U4090 QUALIFIED I/W DATA: INTERCHANGEABLE AT LIMITED STATIONS AS DOCUMENTED ON 140T2490 INTERCHANGEABILITY DRAWING USED ON: 140T2421-5	155162	1
- 165	140T2400-27		.WINDOW INSTL- POSITION DATA: STA 422.4 LH	163999	1
170	NAS1801-08-12		..SCREW	163999	10

ILLUSTRATION ITEMS NOT ON PARTS LIST ARE NOT APPLICABLE

- ITEM NOT ILLUSTRATED

HXL

56-21-01-22

BOEING PROPRIETARY - Copyright © - Unpublished Work - See title page for details.

56-21-01  
FIG. 22  
PAGE 30  
DEC 22/07



767

PARTS CATALOG (MAINTENANCE)

FIG ITEM	PART NUMBER	1 2 3 4 5 6 7	NOMENCLATURE	EFFECT FROM TO	UNITS PER ASSY
22					
175	AN960JD8	..	WASHER	163999	10
180	140U4001-1	..	CLIP-	163999	10
180	140T2410-1	..	CLIP-	163999	10
			MISCELLANEOUS DATA: COLOR BLACK SERVICE BULLETIN OPT DATA: 140U4001-1		
185	65B22517-45	..	WINDOW ASSY-	163999	1
			MISCELLANEOUS DATA: FOR INTERCHANGEABILITY DATA, SEE 140T2490 AND 140U4090 COMPONENT MAINT MANUAL REF: 56-21-41 QUALIFIED I/W DATA: INTERCHANGEABLE AT LIMITED STATIONS AS DEFINED ON 140T2490 INTERCHANGEABILITY MATRIX OPTIONAL PART: 140T2411-5 FOR SPARES PROCURE: 654U6075-685		
185	140T2411-5	..	WINDOW ASSY-	163999	1
			MISCELLANEOUS DATA: FOR INTERCHANGEABILITY DATA, SEE 140T2490 COMPONENT MAINT MANUAL REF: 56-21-61 QUALIFIED I/W DATA: INTERCHANGEABLE AT LIMITED STATIONS AS DEFINED ON 140T2490 INTERCHANGEABILITY MATRIX 140T2412-1 T/W QTY 10 140U4001-2 CLIPS ARE I/W 140T2421-5 T/W QTY 10 140U4001-1 CLIPS AT LIMITED STATIONS AS DEFINED ON 140T2490 INTERCHANGEABILITY MATRIX OPTIONAL PART: 65B22517-45 FOR SPARES PROCURE: 654T0005-242		

ILLUSTRATION ITEMS NOT ON PARTS LIST ARE NOT APPLICABLE

- ITEM NOT ILLUSTRATED

56-21-01-22

56-21-01  
FIG. 22  
PAGE 31  
DEC 22/07

HXL



767

PARTS CATALOG (MAINTENANCE)

FIG ITEM	PART NUMBER	1 2 3 4 5 6 7	NOMENCLATURE	EFFECT FROM TO	UNITS PER ASSY
22 185	140T2421-5		<p>..WINDOW ASSY-            MISCELLANEOUS DATA:            FOR INTERCHANGEABILITY            DATA, SEE 140T2490.            COMPONENT MAINT MANUAL REF:            56-21-61            QUALIFIED I/W DATA:            140T2412-1 T/W QTY 10            140U4001-2 CLIPS ARE I/W            140T2421-5 T/W QTY 10            140U4001-1 CLIPS AT            LIMITED STATIONS AS            DEFINED ON 140T2490            INTERCHANGEABILITY            MATRIX            INTERCHANGEABLE AT            LIMITED STATIONS AS            DEFINED ON 140T2490            INTERCHANGEABILITY            MATRIX</p>	163999	1
185	140T2421-605		<p>..WINDOW ASSY-            MISCELLANEOUS DATA:            FOR INTERCHANGEABILITY            DATA, SEE 140T2490            COMPONENT MAINT MANUAL REF:            56-21-61            QUALIFIED I/W DATA:            140T2412-1 T/W QTY 10            140U4001-2 CLIPS ARE I/W            140T2421-605 T/W QTY 10            140U4001-1 CLIPS AT            LIMITED STATIONS AS            DEFINED ON 140T2490            INTERCHANGEABILITY            MATRIX            140T2421-605 CAN REPLACE            OR BE REPLACED BY            140T2421-7 AT ALL LEFT            AND RIGHT HAND SIDE BODY            STATIONS EXCEPT STA            378.4, STA 400.4 AND STA            1449.4.</p>	163999	1

ILLUSTRATION ITEMS NOT ON PARTS LIST ARE NOT APPLICABLE

- ITEM NOT ILLUSTRATED

56-21-01-22

HXL

BOEING PROPRIETARY - Copyright © - Unpublished Work - See title page for details.

56-21-01  
 FIG. 22  
 PAGE 32  
 DEC 22/07



767

PARTS CATALOG (MAINTENANCE)

FIG ITEM	PART NUMBER	1 2 3 4 5 6 7	NOMENCLATURE	EFFECT FROM TO	UNITS PER ASSY
22 190	65B07671-9		<p>...SEAL-</p> <p>MISCELLANEOUS DATA: 65B07671-4, -5, -6, -7, -8 ARE OPTL TO -9. FOR INTERCHANGEABILITY DATA, SEE 140T2490 AND 140U4090</p> <p>OPTIONAL PART: 65B07671-5 65B07671-6 65B07671-7 65B07671-8</p> <p>USED ON: 65B22517-45</p>	163999	1
190	65B07671-5		<p>...SEAL-</p> <p>MISCELLANEOUS DATA: 65B07671-4, -5, -6, -7, -8 ARE OPTL TO -9 FOR INTERCHANGEABILITY DATA, SEE 140T2490 AND 140U4090</p> <p>OPTIONAL PART: 65B07671-6 65B07671-7 65B07671-8 65B07671-9</p> <p>USED ON: 65B22517-45</p>	163999	1
190	65B07671-6		<p>...SEAL-</p> <p>MISCELLANEOUS DATA: 65B07671-4, -5, -6, -7, -8 ARE OPTL TO -9 FOR INTERCHANGEABILITY DATA, SEE 140T2490 AND 140U4090</p> <p>OPTIONAL PART: 65B07671-5 65B07671-7 65B07671-8 65B07671-9</p> <p>USED ON: 65B22517-45</p>	163999	1

ILLUSTRATION ITEMS NOT ON PARTS LIST ARE NOT APPLICABLE

- ITEM NOT ILLUSTRATED

HXL

56-21-01-22

BOEING PROPRIETARY - Copyright © - Unpublished Work - See title page for details.

56-21-01  
FIG. 22  
PAGE 33  
DEC 22/07





767

PARTS CATALOG (MAINTENANCE)

FIG ITEM	PART NUMBER	1 2 3 4 5 6 7	NOMENCLATURE	EFFECT FROM TO	UNITS PER ASSY
22 190	65B07671-7		...SEAL- MISCELLANEOUS DATA: 65B07671-4, -5, -6, -7, -8 ARE OPTL TO -9 FOR INTERCHANGEABILITY DATA, SEE 140T2490 AND 140U4090 OPTIONAL PART: 65B07671-5 65B07671-6 65B07671-8 65B07671-9 USED ON: 65B22517-45	163999	1
190	65B07671-8		...SEAL- MISCELLANEOUS DATA: 65B07671-4,-5,-6,-7,-8 ARE OPTL TO -9.FOR INTERCHANGEABILITY DATA,SEE 140T2490 AND 140U4090 OPTIONAL PART: 65B07671-5 65B07671-6 65B07671-7 65B07671-9 USED ON: 65B22517-45	163999	1
190	65B07671-10		...SEAL- MISCELLANEOUS DATA: FOR INTERCHANGEABILITY DATA, SEE 140T2490 AND 140U4090 OPTIONAL PART: 65B07671-5 65B07671-6 65B07671-7 65B07671-8 65B07671-9 USED ON: 140T2411-5	163999	1

ILLUSTRATION ITEMS NOT ON PARTS LIST ARE NOT APPLICABLE

- ITEM NOT ILLUSTRATED

HXL

56-21-01-22

BOEING PROPRIETARY - Copyright © - Unpublished Work - See title page for details.

56-21-01  
 FIG. 22  
 PAGE 34  
 DEC 22/07



767

PARTS CATALOG (MAINTENANCE)

FIG ITEM	PART NUMBER	1 2 3 4 5 6 7	NOMENCLATURE	EFFECT FROM TO	UNITS PER ASSY
22 190	65B07671-5		...SEAL- MISCELLANEOUS DATA: 65B07671-4, -5, -6, -7, -8 ARE OPTL TO -9 FOR INTERCHANGEABILITY DATA, SEE 140T2490 AND 140U4090 OPTIONAL PART: 65B07671-6 65B07671-7 65B07671-8 65B07671-9 65B07671-10 USED ON: 140T2411-5	163999	1
190	65B07671-6		...SEAL- MISCELLANEOUS DATA: 65B07671-4, -5, -6, -7, -8 ARE OPTL TO -9 FOR INTERCHANGEABILITY DATA, SEE 140T2490 AND 140U4090 OPTIONAL PART: 65B07671-5 65B07671-7 65B07671-8 65B07671-9 65B07671-10 USED ON: 140T2411-5	163999	1
190	65B07671-7		...SEAL- MISCELLANEOUS DATA: 65B07671-4, -5, -6, -7, -8 ARE OPTL TO -9 FOR INTERCHANGEABILITY DATA, SEE 140T2490 AND 140U4090 OPTIONAL PART: 65B07671-5 65B07671-6 65B07671-8 65B07671-9 65B07671-10 USED ON: 140T2411-5	163999	1

ILLUSTRATION ITEMS NOT ON PARTS LIST ARE NOT APPLICABLE

- ITEM NOT ILLUSTRATED

HXL

56-21-01-22

BOEING PROPRIETARY - Copyright © - Unpublished Work - See title page for details.

56-21-01  
 FIG. 22  
 PAGE 35  
 DEC 22/07



767

PARTS CATALOG (MAINTENANCE)

FIG ITEM	PART NUMBER	1 2 3 4 5 6 7	NOMENCLATURE	EFFECT FROM TO	UNITS PER ASSY
22 190	65B07671-8		<p>...SEAL-</p> <p>MISCELLANEOUS DATA: 65B07671-4,-5,-6,-7,-8 ARE OPTL TO -9.FOR INTERCHANGEABILITY DATA,SEE 140T2490 AND 140U4090</p> <p>OPTIONAL PART: 65B07671-5 65B07671-6 65B07671-7 65B07671-9 65B07671-10</p> <p>USED ON: 140T2411-5</p>	163999	1
190	65B07671-9		<p>...SEAL-</p> <p>MISCELLANEOUS DATA: 65B07671-4, -5, -6, -7, -8 ARE OPTL TO -9. FOR INTERCHANGEABILITY DATA, SEE 140T2490 AND 140U4090</p> <p>OPTIONAL PART: 65B07671-5 65B07671-6 65B07671-7 65B07671-8 65B07671-10</p> <p>USED ON: 140T2411-5</p>	163999	1
190	65B07671-10		<p>...SEAL-</p> <p>MISCELLANEOUS DATA: FOR INTERCHANGEABILITY DATA, SEE 140T2490 AND 140U4090</p> <p>USED ON: 65B22517-45</p>	163999	1
190	65B07671-5		<p>...SEAL-</p> <p>MISCELLANEOUS DATA: 65B07671-4, -5, -6, -7, -8 ARE OPTL TO -9 FOR INTERCHANGEABILITY DATA, SEE 140T2490 AND 140U4090</p> <p>USED ON: 140T2421-5</p>	163999	1

ILLUSTRATION ITEMS NOT ON PARTS LIST ARE NOT APPLICABLE

- ITEM NOT ILLUSTRATED

56-21-01-22

56-21-01  
FIG. 22  
PAGE 36  
DEC 22/07

HXL



767

PARTS CATALOG (MAINTENANCE)

FIG ITEM	PART NUMBER	1 2 3 4 5 6 7	NOMENCLATURE	EFFECT FROM TO	UNITS PER ASSY
22 190	65B07671-6		...SEAL- MISCELLANEOUS DATA: 65B07671-4, -5, -6, -7, -8 ARE OPTL TO -9 FOR INTERCHANGEABILITY DATA, SEE 140T2490 AND 140U4090 USED ON: 140T2421-5	163999	1
190	65B07671-7		...SEAL- MISCELLANEOUS DATA: 65B07671-4, -5, -6, -7, -8 ARE OPTL TO -9 FOR INTERCHANGEABILITY DATA, SEE 140T2490 AND 140U4090 USED ON: 140T2421-5	163999	1
190	65B07671-8		...SEAL- MISCELLANEOUS DATA: 65B07671-4, -5, -6, -7, -8 ARE OPTL TO -9 FOR INTERCHANGEABILITY DATA, SEE 140T2490 AND 140U4090 OPTIONAL PART: 65B07671-9 65B07671-10 USED ON: 140T2421-5	163999	1
190	65B07671-9		...SEAL- MISCELLANEOUS DATA: 65B07671-4, -5, -6, -7, -8 ARE OPTL TO -9 FOR INTERCHANGEABILITY DATA, SEE 140T2490 AND 140U4090 OPTIONAL PART: 65B07671-8 65B07671-10 USED ON: 140T2421-5	163999	1

ILLUSTRATION ITEMS NOT ON PARTS LIST ARE NOT APPLICABLE

- ITEM NOT ILLUSTRATED

HXL

56-21-01-22

BOEING PROPRIETARY - Copyright © - Unpublished Work - See title page for details.

56-21-01  
FIG. 22  
PAGE 37  
DEC 22/07



767

PARTS CATALOG (MAINTENANCE)

FIG ITEM	PART NUMBER	1 2 3 4 5 6 7	NOMENCLATURE	EFFECT FROM TO	UNITS PER ASSY
22 191	65B07671-10		...SEAL- MISCELLANEOUS DATA: FOR INTERCHANGEABILITY DATA, SEE 140T2490 AND 140U4090 OPTIONAL PART: 65B07671-8 65B07671-9 USED ON: 140T2421-5	163999	1
191	65B07671-5		...SEAL- MISCELLANEOUS DATA: 65B07671-4, -5, -6, -7, -8 ARE OPTL TO -9 FOR INTERCHANGEABILITY DATA, SEE 140T2490 AND 140U4090 USED ON: 140T2421-605	163999	1
191	65B07671-6		...SEAL- MISCELLANEOUS DATA: 65B07671-4, -5, -6, -7, -8 ARE OPTL TO -9 FOR INTERCHANGEABILITY DATA, SEE 140T2490 AND 140U4090 USED ON: 140T2421-605	163999	1
191	65B07671-7		...SEAL- MISCELLANEOUS DATA: 65B07671-4, -5, -6, -7, -8 ARE OPTL TO -9 FOR INTERCHANGEABILITY DATA, SEE 140T2490 AND 140U4090 USED ON: 140T2421-605	163999	1
191	65B07671-8		...SEAL- MISCELLANEOUS DATA: 65B07671-4, -5, -6, -7, -8 ARE OPTL TO -9 FOR INTERCHANGEABILITY DATA, SEE 140T2490 AND 140U4090 USED ON: 140T2421-605	163999	1

ILLUSTRATION ITEMS NOT ON PARTS LIST ARE NOT APPLICABLE

- ITEM NOT ILLUSTRATED

HXL

56-21-01-22

BOEING PROPRIETARY - Copyright © - Unpublished Work - See title page for details.

56-21-01  
FIG. 22  
PAGE 38  
DEC 22/07



767

PARTS CATALOG (MAINTENANCE)

FIG ITEM	PART NUMBER	1 2 3 4 5 6 7	NOMENCLATURE	EFFECT FROM TO	UNITS PER ASSY
22 191	65B07671-9		...SEAL- MISCELLANEOUS DATA: 65B07671-4, -5, -6, -7, -8 ARE OPTL TO -9 FOR INTERCHANGEABILITY DATA, SEE 140T2490 AND 140U4090 USED ON: 140T2421-605	163999	1
191	65B07671-10		...SEAL- MISCELLANEOUS DATA: FOR INTERCHANGEABILITY DATA, SEE 140T2490 AND 140U4090 USED ON: 140T2421-605	163999	1
195	65B07673-21		...PANE-OUTER MISCELLANEOUS DATA: FOR INTERCHANGEABILITY DATA, SEE 140T2490 AND 140U4090 QUALIFIED I/W DATA: 140T2414-1 T/W 140T2416-3 SEAL T/W QTY (10) 140U4001-2 CLIPS I/W 140T2423-605 T/W 65B07671-10 SEAL T/W QTY (10) 140U4001-1 CLIPS AT LIMITED STATIONS AS DOCUMENTED ON 140T2490 INTERCHANGEABILITY MATRIX USED ON: 65B22517-45	163999	1

ILLUSTRATION ITEMS NOT ON PARTS LIST ARE NOT APPLICABLE

- ITEM NOT ILLUSTRATED

HXL

56-21-01-22

BOEING PROPRIETARY - Copyright © - Unpublished Work - See title page for details.

56-21-01  
FIG. 22  
PAGE 39  
DEC 22/07



767

PARTS CATALOG (MAINTENANCE)

FIG ITEM	PART NUMBER	1 2 3 4 5 6 7	NOMENCLATURE	EFFECT FROM TO	UNITS PER ASSY
22 195	140T2413-5		...PANE-OUTER MISCELLANEOUS DATA: FOR INTERCHANGEABILITY DATA, SEE 140T2490 QUALIFIED I/W DATA: 140T2414-1 T/W 140T2416-3 SEAL T/W QTY (10) 140U4001-2 CLIPS I/W 140T2423-605 T/W 65B07671-10 SEAL T/W QTY (10) 140U4001-1 CLIPS AT LIMITED STATIONS AS DOCUMENTED ON 140T2490 INTERCHANGEABILITY MATRIX USED ON: 140T2411-5	163999	1
195	140T2423-5		...PANE-OUTER MISCELLANEOUS DATA: FOR INTERCHANGEABILITY DATA, SEE 140T2490 USED ON: 140T2411-5	163999	1
195	65B07673-21		...PANE-OUTER MISCELLANEOUS DATA: FOR INTERCHANGEABILITY DATA, SEE 140T2490 AND 140U4090 USED ON: 140T2411-5	163999	1
195	140T2423-605		...PANE-OUTER MISCELLANEOUS DATA: FOR INTERCHANGEABILITY DATA, SEE 140T2490 USED ON: 65B22517-45	163999	1
195	140T2423-605		...PANE- MISCELLANEOUS DATA: FOR INTERCHANGEABILITY DATA, SEE 140T2490 USED ON: 140T2411-5	163999	1
195	140T2413-5		...PANE-OUTER MISCELLANEOUS DATA: FOR INTERCHANGEABILITY DATA, SEE 140T2490 USED ON: 65B22517-45	163999	1

ILLUSTRATION ITEMS NOT ON PARTS LIST ARE NOT APPLICABLE

- ITEM NOT ILLUSTRATED

56-21-01-22

56-21-01  
FIG. 22  
PAGE 40  
DEC 22/07

HXL



767

PARTS CATALOG (MAINTENANCE)

FIG ITEM	PART NUMBER	1 2 3 4 5 6 7	NOMENCLATURE	EFFECT FROM TO	UNITS PER ASSY
22 195	140T2423-5		<p>...PANE-OUTER</p> <p>MISCELLANEOUS DATA: FOR INTERCHANGEABILITY DATA, SEE 140T2490.</p> <p>QUALIFIED I/W DATA: 140T2414-1 T/W 140T2416-3 SEAL T/W QTY (10) 140U4001-2 CLIPS I/W 140T2423-605 T/W 65B07671-10 SEAL T/W QTY (10) 140U4001-1 CLIPS AT LIMITED STATIONS AS DOCUMENTED ON 140T2490 INTERCHANGEABILITY MATRIX USED ON: 140T2421-605 140T2421-5</p>	163999	1
195	140T2413-5		<p>...PANE-OUTER</p> <p>MISCELLANEOUS DATA: FOR INTERCHANGEABILITY DATA, SEE 140T2490.</p> <p>USED ON: 140T2421-605 140T2421-5</p>	163999	1
195	140T2423-605		<p>...PANE-OUTER</p> <p>MISCELLANEOUS DATA: FOR INTERCHANGEABILITY DATA, SEE 140T2490.</p> <p>QUALIFIED I/W DATA: 140T2414-1 T/W 140T2416-3 SEAL T/W QTY (10) 140U4001-2 CLIPS I/W 140T2423-605 T/W 65B07671-10 SEAL T/W QTY (10) 140U4001-1 CLIPS AT LIMITED STATIONS AS DOCUMENTED ON 140T2490 INTERCHANGEABILITY MATRIX USED ON: 140T2421-605 140T2421-5</p>	163999	1

ILLUSTRATION ITEMS NOT ON PARTS LIST ARE NOT APPLICABLE

- ITEM NOT ILLUSTRATED

HXL

56-21-01-22

BOEING PROPRIETARY - Copyright © - Unpublished Work - See title page for details.

56-21-01  
FIG. 22  
PAGE 41  
DEC 22/07





767

PARTS CATALOG (MAINTENANCE)

FIG ITEM	PART NUMBER	1 2 3 4 5 6 7	NOMENCLATURE	EFFECT FROM TO	UNITS PER ASSY
22 195	65B07673-21	...	PANE-OUTER MISCELLANEOUS DATA: FOR INTERCHANGEABILITY DATA, SEE 140T2490 AND 140U4090. USED ON: 140T2421-605 140T2421-5	163999	1
200	65B07674-21	...	PANE-MIDDLE MISCELLANEOUS DATA: FOR INTERCHANGEABILITY DATA, SEE 140T2490 FOR 767 AND 140U4090 FOR 747 QUALIFIED I/W DATA: INTERCHANGEABLE AT LIMITED STATIONS AS DOCUMENTED ON 140T2490 INTERCHANGEABILITY DRAWING USED ON: 65B22517-45	163999	1
200	140T2415-5	...	PANE-MIDDLE MISCELLANEOUS DATA: FOR INTERCHANGEABILITY DATA SEE 140T2490 QUALIFIED I/W DATA: 140T2415-5 I/W 65B07674-21 FOR 767 ONLY. 65B07674-21 SHOULD ONLY BE USED IN THE CONSTANT BODY SECTION. INTERCHANGEABLE AT LIMITED STATIONS AS DOCUMENTED ON 140T2490 INTERCHANGEABILITY DRAWING USED ON: 140T2411-5	163999	1
200	65B07674-121	...	PANE-MIDDLE MISCELLANEOUS DATA: FOR INTERCHANGEABILITY DATA, SEE 140U4090. USED ON: 140T2411-5	163999	1

ILLUSTRATION ITEMS NOT ON PARTS LIST ARE NOT APPLICABLE

- ITEM NOT ILLUSTRATED

HXL

56-21-01-22

BOEING PROPRIETARY - Copyright © - Unpublished Work - See title page for details.

56-21-01  
FIG. 22  
PAGE 42  
DEC 22/07



767

PARTS CATALOG (MAINTENANCE)

FIG ITEM	PART NUMBER	1 2 3 4 5 6 7	NOMENCLATURE	EFFECT FROM TO	UNITS PER ASSY
22 200	140T2415-9		...PANE-MIDDLE MISCELLANEOUS DATA: FOR INTERCHANGEABILITY DATA, SEE 140T2490. QUALIFIED I/W DATA: INTERCHANGEABLE AT LIMITED STATIONS AS DOCUMENTED ON 140T2490 INTERCHANGEABILITY DRAWING OPTIONAL PART: 140T2415-601 USED ON: 140T2421-605	163999	1
200	140T2415-601		...PANE-MIDDLE MISCELLANEOUS DATA: FOR INTERCHANGEABILITY DATA, SEE 140T2490. QUALIFIED I/W DATA: INTERCHANGEABLE AT LIMITED STATIONS AS DOCUMENTED ON 140T2490 INTERCHANGEABILITY DRAWING OPTIONAL PART: 140T2415-9 USED ON: 140T2421-605	163999	1
200	140T2415-9		...PANE-MIDDLE MISCELLANEOUS DATA: FOR INTERCHANGEABILITY DATA, SEE 140T2490. QUALIFIED I/W DATA: INTERCHANGEABLE AT LIMITED STATIONS AS DOCUMENTED ON 140T2490 INTERCHANGEABILITY DRAWING OPTIONAL PART: 140T2415-5 USED ON: 140T2421-5	163999	1

ILLUSTRATION ITEMS NOT ON PARTS LIST ARE NOT APPLICABLE

- ITEM NOT ILLUSTRATED

HXL

56-21-01-22

BOEING PROPRIETARY - Copyright © - Unpublished Work - See title page for details.

56-21-01  
FIG. 22  
PAGE 43  
DEC 22/07



767

PARTS CATALOG (MAINTENANCE)

FIG ITEM	PART NUMBER	1 2 3 4 5 6 7	NOMENCLATURE	EFFECT FROM TO	UNITS PER ASSY
22 200	140T2415-5		...PANE-MIDDLE MISCELLANEOUS DATA: FOR INTERCHANGEABILITY DATA, SEE 140T2490 QUALIFIED I/W DATA: 140T2415-5 I/W 65B07674-21 FOR 767 ONLY. 65B07674-21 SHOULD ONLY BE USED IN THE CONSTANT BODY SECTION. INTERCHANGEABLE AT LIMITED STATIONS AS DOCUMENTED ON 140T2490 INTERCHANGEABILITY DRAWING OPTIONAL PART: 140T2415-9 USED ON: 140T2421-5	163999	1
200	65B07674-121		...PANE-MIDDLE MISCELLANEOUS DATA: FOR INTERCHANGEABILITY DATA, SEE 140U4090. QUALIFIED I/W DATA: INTERCHANGEABLE AT LIMITED STATIONS AS DOCUMENTED ON 140T2490 INTERCHANGEABILITY DRAWING USED ON: 140T2421-5	163999	1
200	140T2415-601		...PANE-MIDDLE MISCELLANEOUS DATA: FOR INTERCHANGEABILITY DATA, SEE 140T2490. QUALIFIED I/W DATA: INTERCHANGEABLE AT LIMITED STATIONS AS DOCUMENTED ON 140T2490 INTERCHANGEABILITY DRAWING USED ON: 140T2421-5	163999	1
- 205	140T2400-40		.WINDOW INSTL- POSITION DATA: STA 422.4 RH	163999	1
210	NAS1801-08-12		..SCREW	163999	10
215	AN960JD8		..WASHER	163999	10
220	140U4001-1		..CLIP-	163999	10

ILLUSTRATION ITEMS NOT ON PARTS LIST ARE NOT APPLICABLE

- ITEM NOT ILLUSTRATED

56-21-01-22

56-21-01  
FIG. 22  
PAGE 44  
DEC 22/07

HXL



767

PARTS CATALOG (MAINTENANCE)

FIG ITEM	PART NUMBER	1 2 3 4 5 6 7	NOMENCLATURE	EFFECT FROM TO	UNITS PER ASSY
22 220	140T2410-1	..	CLIP- MISCELLANEOUS DATA: COLOR BLACK SERVICE BULLETIN OPT DATA: 140U4001-1	163999	10
225	140T2419-5	..	WINDOW ASSY-	163999	1
225	140T2419-605	..	WINDOW ASSY-	163999	1
230	65B07671-10	...	SEAL- MISCELLANEOUS DATA: FOR INTERCHANGEABILITY DATA, SEE 140T2490 AND 140U4090 OPTIONAL PART: 65B07671-8 65B07671-9 USED ON: 140T2419-5	163999	1
230	65B07671-8	...	SEAL- MISCELLANEOUS DATA: 65B07671-4,-5,-6,-7,-8 ARE OPTL TO -9 FOR INTERCHANGEABILITY DATA, SEE 140T2490 AND 140U4090. OPTIONAL PART: 65B07671-9 65B07671-10 USED ON: 140T2419-5	163999	1
230	65B07671-9	...	SEAL- MISCELLANEOUS DATA: 65B07671-4, -5, -6, -7, -8 ARE OPTL TO -9. FOR INTERCHANGEABILITY DATA, SEE 140T2490 AND 140U4090 OPTIONAL PART: 65B07671-8 65B07671-10 USED ON: 140T2419-5	163999	1
230	65B07671-10	...	SEAL- MISCELLANEOUS DATA: FOR INTERCHANGEABILITY DATA, SEE 140T2490 AND 140U4090 USED ON: 140T2419-605	163999	1

ILLUSTRATION ITEMS NOT ON PARTS LIST ARE NOT APPLICABLE

- ITEM NOT ILLUSTRATED

56-21-01-22

56-21-01  
FIG. 22  
PAGE 45  
DEC 22/07

HXL



767

PARTS CATALOG (MAINTENANCE)

FIG ITEM	PART NUMBER	1 2 3 4 5 6 7	NOMENCLATURE	EFFECT FROM TO	UNITS PER ASSY
22 230	65B07671-7		...SEAL- MISCELLANEOUS DATA: 65B07671-4,-5,-6,-7,-8 ARE OPTL TO -9 FOR INTERCHANGEABILITY DATA, SEE 140T2490 AND 140U4090. USED ON: 140T2419-5	163999	1
230	65B07671-6		...SEAL- MISCELLANEOUS DATA: 65B07671-4,-5,-6,-7,-8 ARE OPTL TO -9 FOR INTERCHANGEABILITY DATA, SEE 140T2490 AND 140U4090. USED ON: 140T2419-5	163999	1
230	65B07671-5		...SEAL- MISCELLANEOUS DATA: 65B07671-4,-5,-6,-7,-8 ARE OPTL TO -9 FOR INTERCHANGEABILITY DATA, SEE 140T2490 AND 140U4090. USED ON: 140T2419-5	163999	1
230	65B07671-9		...SEAL- MISCELLANEOUS DATA: 65B07671-4,-5,-6,-7,-8 ARE OPTL TO -9. FOR INTERCHANGEABILITY DATA SEE 140T2490 AND 140U4090. USED ON: 140T2419-5	163999	1
230	65B07671-8		...SEAL- MISCELLANEOUS DATA: 65B07671-4,-5,-6,-7,-8 ARE OPTL TO -9. FOR INTERCHANGEABILITY DATA, SEE 140T2490 AND 140U4090. USED ON: 140T2419-605	163999	1

ILLUSTRATION ITEMS NOT ON PARTS LIST ARE NOT APPLICABLE

- ITEM NOT ILLUSTRATED

56-21-01-22

56-21-01  
FIG. 22  
PAGE 46  
DEC 22/07

HXL



767

PARTS CATALOG (MAINTENANCE)

FIG ITEM	PART NUMBER	1 2 3 4 5 6 7	NOMENCLATURE	EFFECT FROM TO	UNITS PER ASSY
22 230	65B07671-7		...SEAL- MISCELLANEOUS DATA: 65B07671-4,-5,-6,-7,-8 ARE OPTL TO -9. FOR INTERCHANGEABILITY DATA, SEE 140T2490 AND 140U4090. USED ON: 140T2419-605	163999	1
230	65B07671-6		...SEAL- MISCELLANEOUS DATA: 65B07671-4,-5,-6,-7,-8 ARE OPTL TO -9. FOR INTERCHANGEABILITY DATA, SEE 140T2490 AND 140U4090. USED ON: 140T2419-605	163999	1
230	65B07671-5		...SEAL- MISCELLANEOUS DATA: 65B07671-4,-5,-6,-7,-8 ARE OPTL TO -9. FOR INTERCHANGEABILITY DATA, SEE 140T2490 AND 140U4090. USED ON: 140T2419-605	163999	1
235	65B07673-21		...PANE-OUTER MISCELLANEOUS DATA: FOR INTERCHANGEABILITY DATA, SEE 140T2490 AND 140U4090 QUALIFIED I/W DATA: INTERCHANGEABLE AT LIMITED STATIONS AS DOCUMENTED ON 140T2490 INTERCHANGEABILITY DRAWING	163999	1

ILLUSTRATION ITEMS NOT ON PARTS LIST ARE NOT APPLICABLE

- ITEM NOT ILLUSTRATED

HXL

56-21-01-22

BOEING PROPRIETARY - Copyright © - Unpublished Work - See title page for details.

56-21-01  
 FIG. 22  
 PAGE 47  
 DEC 22/07



767

PARTS CATALOG (MAINTENANCE)

FIG ITEM	PART NUMBER	1 2 3 4 5 6 7	NOMENCLATURE	EFFECT FROM TO	UNITS PER ASSY
22 235	140T2423-605		...PANE-OUTER MISCELLANEOUS DATA: FOR INTERCHANGEABILITY DATA, SEE 140T2490 QUALIFIED I/W DATA: 140T2414-1 T/W 140T2416-3 SEAL T/W QTY (10) 140U4001-2 CLIPS I/W 140T2423-605 T/W 65B07671-10 SEAL T/W QTY (10) 140U4001-1 CLIPS AT LIMITED STATIONS AS DOCUMENTED ON 140T2490 INTERCHANGEABILITY DRAWING	163999	1
235	140T2423-5		...PANE-OUTER MISCELLANEOUS DATA: FOR INTERCHANGEABILITY DATA, SEE 140T2490 USED ON: 140T2419-605	163999	1
235	140T2413-5		...PANE-OUTER MISCELLANEOUS DATA: FOR INTERCHANGEABILITY DATA, SEE 140T2490	163999	1
240	140T2415-9		...PANE-MIDDLE MISCELLANEOUS DATA: FOR INTERCHANGEABILITY DATA, SEE 140T2490 QUALIFIED I/W DATA: INTERCHANGEABLE AT LIMITED STATIONS AS DOCUMENTED ON 140T2490 INTERCHANGEABILITY DRAWING OPTIONAL PART: 65B07674-21 USED ON: 140T2419-5	163999	1

ILLUSTRATION ITEMS NOT ON PARTS LIST ARE NOT APPLICABLE

- ITEM NOT ILLUSTRATED

HXL

56-21-01-22

BOEING PROPRIETARY - Copyright © - Unpublished Work - See title page for details.

56-21-01  
 FIG. 22  
 PAGE 48  
 DEC 22/07



767

PARTS CATALOG (MAINTENANCE)

FIG ITEM	PART NUMBER	1 2 3 4 5 6 7	NOMENCLATURE	EFFECT FROM TO	UNITS PER ASSY
22 240	65B07674-21		<p>...PANE-MIDDLE</p> <p>MISCELLANEOUS DATA: FOR INTERCHANGEABILITY DATA, SEE 140T2490 FOR 767 AND 140U4090 FOR 747</p> <p>QUALIFIED I/W DATA: 140T2415-5 I/W 65B07674-21 FOR 767 ONLY. 65B07674-21 SHOULD ONLY BE USED IN THE CONSTANT BODY SECTION INTERCHANGEABLE AT LIMITED STATIONS AS DOCUMENTED ON 140T2490 INTERCHANGEABILITY DRAWING</p> <p>USED ON: 140T2419-5</p>	163999	1
240	140T2415-601		<p>...PANE-MIDDLE</p> <p>MISCELLANEOUS DATA: FOR INTERCHANGEABILITY DATA, SEE 140T2490.</p> <p>QUALIFIED I/W DATA: INTERCHANGEABLE AT LIMITED STATIONS AS DOCUMENTED ON 140T2490 INTERCHANGEABILITY DRAWING</p> <p>USED ON: 140T2419-5</p>	163999	1
240	140T2415-601		<p>...PANE-MIDDLE</p> <p>MISCELLANEOUS DATA: FOR INTERCHANGEABILITY DATA, SEE 140T2490.</p> <p>QUALIFIED I/W DATA: INTERCHANGEABLE AT LIMITED STATIONS AS DOCUMENTED ON 140T2490 INTERCHANGEABILITY DRAWING</p> <p>USED ON: 140T2419-605</p>	163999	1

ILLUSTRATION ITEMS NOT ON PARTS LIST ARE NOT APPLICABLE

- ITEM NOT ILLUSTRATED

HXL

56-21-01-22

BOEING PROPRIETARY - Copyright © - Unpublished Work - See title page for details.

56-21-01  
FIG. 22  
PAGE 49  
DEC 22/07





767  
PARTS CATALOG (MAINTENANCE)

FIG ITEM	PART NUMBER	1 2 3 4 5 6 7	NOMENCLATURE	EFFECT FROM TO	UNITS PER ASSY
22 240	140T2415-9		... PANE-MIDDLE MISCELLANEOUS DATA: FOR INTERCHANGEABILITY DATA, SEE 140T2490 QUALIFIED I/W DATA: INTERCHANGEABLE AT LIMITED STATIONS AS DOCUMENTED ON 140T2490 INTERCHANGEABILITY DRAWING	163999	1

ILLUSTRATION ITEMS NOT ON PARTS LIST ARE NOT APPLICABLE

- ITEM NOT ILLUSTRATED

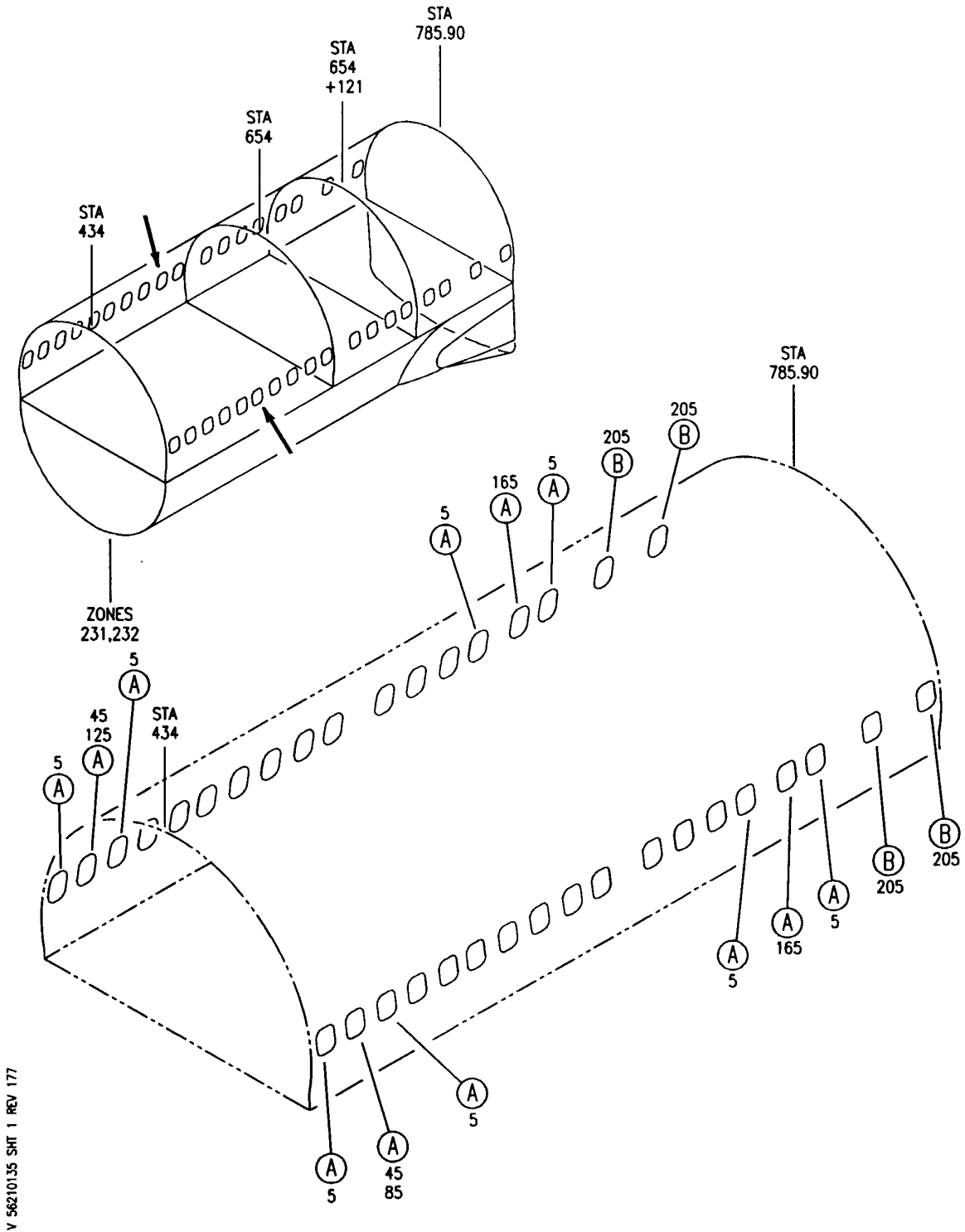
HXL

56-21-01-22

BOEING PROPRIETARY - Copyright © - Unpublished Work - See title page for details.

56-21-01  
FIG. 22  
PAGE 50  
DEC 22/07

**BOEING**  
767  
PARTS CATALOG (MAINTENANCE)



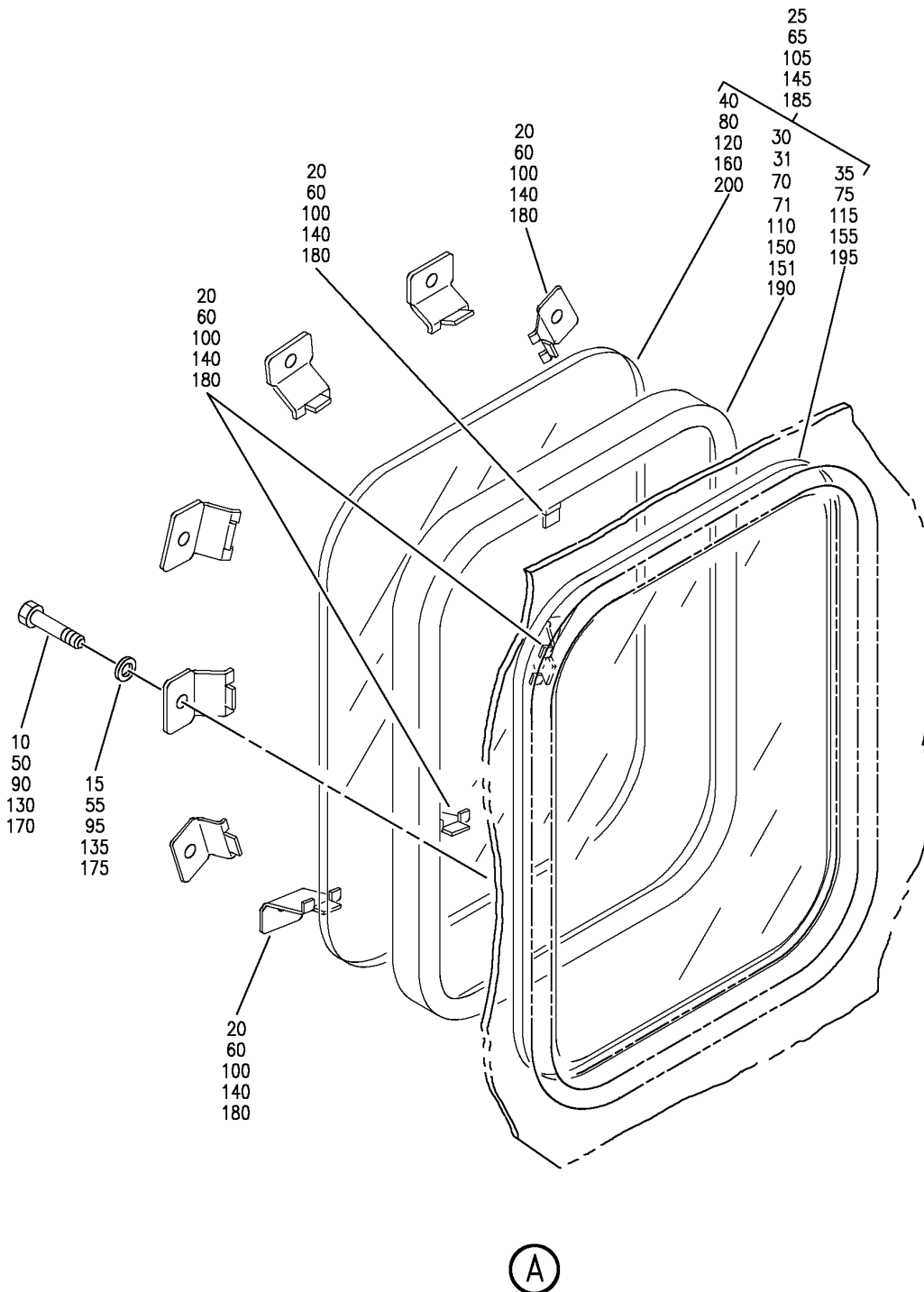
WINDOW INTEGRATION-SECT. 43 PASS.  
FIGURE 35 (SHEET 1)

**56-21-01-35**

HXL  
DEC 22/06

56-21-01-35  
PAGE 0

**BOEING**  
767  
PARTS CATALOG (MAINTENANCE)



V 56210135 SHT 2 REV 265

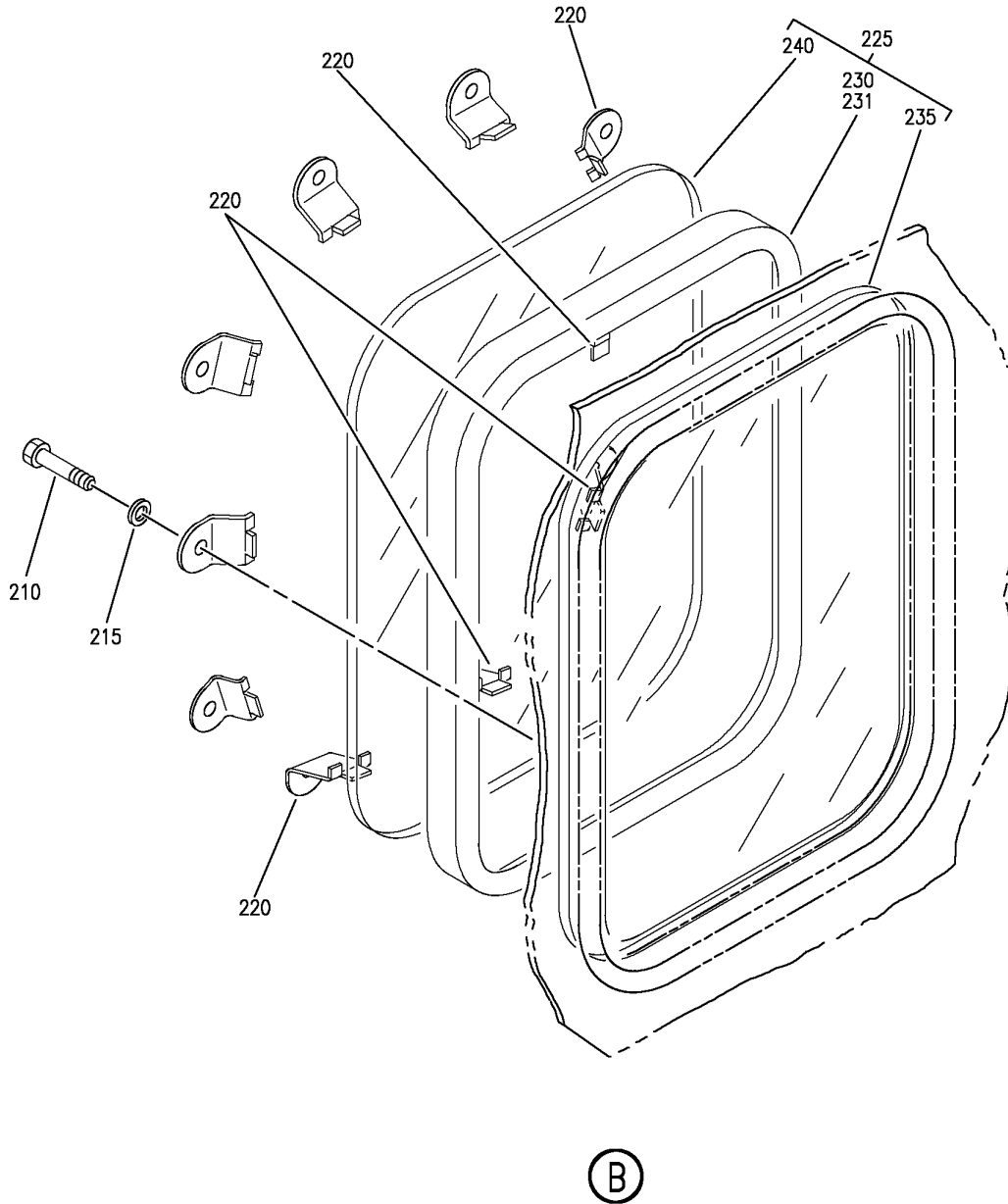
WINDOW INTEGRATION-SECT. 43 PASS.  
FIGURE 35 (SHEET 2)

**56-21-01-35**

HXL  
DEC 22/06

56-21-01-35  
PAGE 0A

**BOEING**  
767  
PARTS CATALOG (MAINTENANCE)



V 56210135 SHT 3 REV 265

WINDOW INTEGRATION-SECT. 43 PASS.  
FIGURE 35 (SHEET 3)

**56-21-01-35**

HXL  
DEC 22/06

56-21-01-35  
PAGE 0B



767

PARTS CATALOG (MAINTENANCE)

FIG ITEM	PART NUMBER	1 2 3 4 5 6 7	NOMENCLATURE	EFFECT FROM TO	UNITS PER ASSY
35			WINDOW INTEGRATION-SECT. 43 PASS.		
- 1	143T0042-11		WINDOW INTEGRATION-PASS. POSITION DATA: SECT. 43 FOR NHA SEE: 53-30-00-08	155162	RF
- 1	143T0042-17		WINDOW INTEGRATION-PASS. POSITION DATA: SECT. 43 FOR NHA SEE: 53-30-00-08	163999	RF
5	140T2400-27		.WINDOW INSTL- POSITION DATA: STA. 444.4, 488.4, 510.4, 532.4, 554.4, 576.4, 598.4, 620.4, 642.4, 654+32.4, 654+54.4, 654+76.4, 654+98.4 AND 686.4		28
10	NAS1801-08-12		..SCREW		10
15	AN960JD8		..WASHER		10
20	140U4001-1		..CLIP-		10
20	140T2410-1		..CLIP- MISCELLANEOUS DATA: COLOR BLACK		10
25	65B22517-45		..WINDOW ASSY- MISCELLANEOUS DATA: FOR INTERCHANGEABILITY FOR INTERCHANGEABILITY DATA, SEE 140T2490 AND 140U4090 COMPONENT MAINT MANUAL REF: 56-21-41 QUALIFIED I/W DATA: INTERCHANGEABLE AT LIMITED STATIONS AS DEFINED ON 140T2490 INTERCHANGEABILITY MATRIX OPTIONAL PART: 140T2411-5 FOR SPARES PROCURE: 654U6075-685		1

ILLUSTRATION ITEMS NOT ON PARTS LIST ARE NOT APPLICABLE

- ITEM NOT ILLUSTRATED

56-21-01-35

56-21-01  
FIG. 35  
PAGE 1  
DEC 22/07

HXL



767

PARTS CATALOG (MAINTENANCE)

FIG ITEM	PART NUMBER	1 2 3 4 5 6 7	NOMENCLATURE	EFFECT FROM TO	UNITS PER ASSY
35 25	140T2411-5		<p>..WINDOW ASSY-</p> <p>MISCELLANEOUS DATA: FOR INTERCHANGEABILITY DATA, SEE 140T2490 COMPONENT MAINT MANUAL REF: 56-21-61</p> <p>QUALIFIED I/W DATA: 140T2412-1 T/W QTY 10 140U4001-2 CLIPS ARE I/W 140T2411-5 T/W QTY 10 140U4001-1 CLIPS AT LIMITED STATIONS AS DEFINED ON 140T2490 INTERCHANGEABILITY MATRIX INTERCHANGEABLE AT LIMITED STATIONS AS DEFINED ON 140T2490 INTERCHANGEABILITY MATRIX</p> <p>OPTIONAL PART: 65B22517-45 FOR SPARES PROCURE: 654T005-242</p>		1
25	140T2421-5		<p>..WINDOW ASSY-</p> <p>MISCELLANEOUS DATA: FOR INTERCHANGEABILITY DATA, SEE 140T2490 COMPONENT MAINT MANUAL REF: 56-21-61</p> <p>QUALIFIED I/W DATA: 140T2412-1 T/W QTY 10 140U4001-2 CLIPS ARE I/W 140T2421-5 T/W QTY 10 140U4001-1 CLIPS AT LIMITED STATIONS AS DEFINED ON 140T2490 INTERCHANGEABILITY MATRIX INTERCHANGEABLE AT LIMITED STATIONS AS DEFINED ON 140T2490 INTERCHANGEABILITY MATRIX</p>		1

ILLUSTRATION ITEMS NOT ON PARTS LIST ARE NOT APPLICABLE

- ITEM NOT ILLUSTRATED

56-21-01-35

56-21-01  
FIG. 35  
PAGE 2  
DEC 22/07

HXL



767

PARTS CATALOG (MAINTENANCE)

FIG ITEM	PART NUMBER	1 2 3 4 5 6 7	NOMENCLATURE	EFFECT FROM TO	UNITS PER ASSY
35 25	140T2421-605		<p>..WINDOW ASSY-</p> <p>MISCELLANEOUS DATA: FOR INTERCHANGEABILITY DATA, SEE 140T2490 COMPONENT MAINT MANUAL REF: 56-21-61 QUALIFIED I/W DATA: 140T2412-1 T/W QTY 10 140U4001-2 CLIPS ARE I/W 140T2421-605 T/W QTY 10 140U4001-1 CLIPS AT LIMITED STATIONS AS DEFINED ON 140T2490 INTERCHANGEABILITY MATRIX 140T2421-605 CAN REPLACE OR BE REPLACED BY 140T2421-7 AT ALL LEFT AND RIGHT HAND SIDE BODY STATIONS EXCEPT STA 378.4, STA 400.4 AND STA 1449.4.</p>		1
30	65B07671-5		<p>...SEAL-</p> <p>MISCELLANEOUS DATA: 65B07671-4, -5, -6, -7, -8 ARE OPTL TO -9 FOR INTERCHANGEABILITY DATA, SEE 140T2490 AND 140U4090. OPTIONAL PART: 65B07671-6 65B07671-7 65B07671-8 65B07671-9 USED ON: 65B22517-45</p>		1

ILLUSTRATION ITEMS NOT ON PARTS LIST ARE NOT APPLICABLE

- ITEM NOT ILLUSTRATED

HXL

56-21-01-35

BOEING PROPRIETARY - Copyright © - Unpublished Work - See title page for details.

56-21-01  
FIG. 35  
PAGE 3  
DEC 22/07



767

PARTS CATALOG (MAINTENANCE)

FIG ITEM	PART NUMBER	1 2 3 4 5 6 7	NOMENCLATURE	EFFECT FROM TO	UNITS PER ASSY
35 30	65B07671-6		...SEAL- MISCELLANEOUS DATA: 65B07671-4, -5, -6, -7, -8 ARE OPTL TO -9 FOR INTERCHANGEABILITY DATA, SEE 140T2490 AND 140U4090. OPTIONAL PART: 65B07671-5 65B07671-7 65B07671-8 65B07671-9 USED ON: 65B22517-45		1
30	65B07671-7		...SEAL- MISCELLANEOUS DATA: 65B07671-4, -5, -6, -7, -8 ARE OPTL TO -9 FOR INTERCHANGEABILITY DATA, SEE 140T2490 AND 140U4090. OPTIONAL PART: 65B07671-5 65B07671-6 65B07671-8 65B07671-9 USED ON: 65B22517-45		1
30	65B07671-8		...SEAL- MISCELLANEOUS DATA: 65B07671-4, -5, -6, -7, -8 ARE OPTL TO -9 FOR INTERCHANGEABILITY DATA, SEE 140T2490 AND 140U4090 OPTIONAL PART: 65B07671-5 65B07671-6 65B07671-7 65B07671-9 USED ON: 65B22517-45		1

ILLUSTRATION ITEMS NOT ON PARTS LIST ARE NOT APPLICABLE

- ITEM NOT ILLUSTRATED

HXL

56-21-01-35

BOEING PROPRIETARY - Copyright © - Unpublished Work - See title page for details.

56-21-01  
 FIG. 35  
 PAGE 4  
 DEC 22/07





767

PARTS CATALOG (MAINTENANCE)

FIG ITEM	PART NUMBER	1 2 3 4 5 6 7	NOMENCLATURE	EFFECT FROM TO	UNITS PER ASSY
35 30	65B07671-9		...SEAL- MISCELLANEOUS DATA: 65B07671-4, -5, -6, -7, -8 ARE OPTL TO -9 FOR INTERCHANGEABILITY DATA, SEE 140T2490 AND 140U4090 OPTIONAL PART: 65B07671-5 65B07671-6 65B07671-7 65B07671-8 USED ON: 65B22517-45		1
30	65B07671-10		...SEAL- MISCELLANEOUS DATA: FOR INTERCHANGEABILITY DATA, SEE 140T2490 AND 140U4090 OPTIONAL PART: 65B07671-5 65B07671-6 65B07671-7 65B07671-8 65B07671-9 USED ON: 140T2411-5		1
30	65B07671-5		...SEAL- MISCELLANEOUS DATA: 65B07671-4, -5, -6, -7, -8 ARE OPTL TO -9 FOR INTERCHANGEABILITY DATA, SEE 140T2490 AND 140U4090. OPTIONAL PART: 65B07671-6 65B07671-7 65B07671-8 65B07671-9 65B07671-10 USED ON: 140T2411-5		1

ILLUSTRATION ITEMS NOT ON PARTS LIST ARE NOT APPLICABLE

- ITEM NOT ILLUSTRATED

HXL

56-21-01-35

BOEING PROPRIETARY - Copyright © - Unpublished Work - See title page for details.

56-21-01  
 FIG. 35  
 PAGE 5  
 DEC 22/07



767

PARTS CATALOG (MAINTENANCE)

FIG ITEM	PART NUMBER	1 2 3 4 5 6 7	NOMENCLATURE	EFFECT FROM TO	UNITS PER ASSY
35 30	65B07671-6		<p>...SEAL-</p> <p>MISCELLANEOUS DATA: 65B07671-4, -5, -6, -7, -8 ARE OPTL TO -9 FOR INTERCHANGEABILITY DATA, SEE 140T2490 AND 140U4090.</p> <p>OPTIONAL PART: 65B07671-5 65B07671-7 65B07671-8 65B07671-9 65B07671-10</p> <p>USED ON: 140T2411-5</p>		1
30	65B07671-7		<p>...SEAL-</p> <p>MISCELLANEOUS DATA: 65B07671-4, -5, -6, -7, -8 ARE OPTL TO -9 FOR INTERCHANGEABILITY DATA, SEE 140T2490 AND 140U4090.</p> <p>OPTIONAL PART: 65B07671-5 65B07671-6 65B07671-8 65B07671-9 65B07671-10</p> <p>USED ON: 140T2411-5</p>		1
30	65B07671-8		<p>...SEAL-</p> <p>MISCELLANEOUS DATA: 65B07671-4, -5, -6, -7, -8 ARE OPTL TO -9 FOR INTERCHANGEABILITY DATA, SEE 140T2490 AND 140U4090</p> <p>OPTIONAL PART: 65B07671-5 65B07671-6 65B07671-7 65B07671-9 65B07671-10</p> <p>USED ON: 140T2411-5</p>		1

ILLUSTRATION ITEMS NOT ON PARTS LIST ARE NOT APPLICABLE

- ITEM NOT ILLUSTRATED

HXL

56-21-01-35

BOEING PROPRIETARY - Copyright © - Unpublished Work - See title page for details.

56-21-01  
FIG. 35  
PAGE 6  
DEC 22/07



767

PARTS CATALOG (MAINTENANCE)

FIG ITEM	PART NUMBER	1 2 3 4 5 6 7	NOMENCLATURE	EFFECT FROM TO	UNITS PER ASSY
35					
30	65B07671-9		<p>...SEAL-</p> <p>MISCELLANEOUS DATA: 65B07671-4, -5, -6, -7, -8 ARE OPTL TO -9 FOR INTERCHANGEABILITY DATA, SEE 140T2490 AND 140U4090</p> <p>OPTIONAL PART: 65B07671-5 65B07671-6 65B07671-7 65B07671-8 65B07671-10</p> <p>USED ON: 140T2411-5</p>		1
30	65B07671-10		<p>...SEAL-</p> <p>MISCELLANEOUS DATA: FOR INTERCHANGEABILITY DATA, SEE 140T2490 AND 140U4090</p> <p>USED ON: 65B22517-45</p>		1
30	65B07671-5		<p>...SEAL-</p> <p>MISCELLANEOUS DATA: 65B07671-4,-5,-6,-7,-8 ARE OPTL TO -9. FOR INTERCHANGEABILITY DATA, SEE 140T2490 AND 140U4090.</p> <p>USED ON: 140T2421-5</p>		1
30	65B07671-6		<p>...SEAL-</p> <p>MISCELLANEOUS DATA: 65B07671-4,-5,-6,-7,-8 ARE OPTL TO -9. FOR INTERCHANGEABILITY DATA, SEE 140T2490 AND 140U4090.</p> <p>USED ON: 140T2421-5</p>		1
30	65B07671-7		<p>...SEAL-</p> <p>MISCELLANEOUS DATA: 65B07671-4,-5,-6,-7,-8 ARE OPTL TO -9. FOR INTERCHANGEABILITY DATA, SEE 140T2490 AND 140U4090.</p> <p>USED ON: 140T2421-5</p>		1

ILLUSTRATION ITEMS NOT ON PARTS LIST ARE NOT APPLICABLE

- ITEM NOT ILLUSTRATED

56-21-01-35

56-21-01  
FIG. 35  
PAGE 7  
DEC 22/07

HXL

BOEING PROPRIETARY - Copyright © - Unpublished Work - See title page for details.



767

PARTS CATALOG (MAINTENANCE)

FIG ITEM	PART NUMBER	1 2 3 4 5 6 7	NOMENCLATURE	EFFECT FROM TO	UNITS PER ASSY
35 30	65B07671-8		...SEAL- MISCELLANEOUS DATA: 65B07671-4, -5, -6, -7, -8 ARE OPTL TO -9 FOR INTERCHANGEABILITY DATA, SEE 140T2490 AND 140U4090 OPTIONAL PART: 65B07671-9 65B07671-10 USED ON: 140T2421-5		1
30	65B07671-9		...SEAL- MISCELLANEOUS DATA: 65B07671-4, -5, -6, -7, -8 ARE OPTL TO -9 FOR INTERCHANGEABILITY DATA, SEE 140T2490 AND 140U4090 OPTIONAL PART: 65B07671-8 65B07671-10 USED ON: 140T2421-5		1
31	65B07671-10		...SEAL- MISCELLANEOUS DATA: FOR INTERCHANGEABILITY DATA, SEE 140T2490 AND 140U4090 OPTIONAL PART: 65B07671-8 65B07671-9 USED ON: 140T2421-5		1
31	65B07671-5		...SEAL- MISCELLANEOUS DATA: 65B07671-4,-5,-6,-7,-8 ARE OPTL TO -9. FOR INTERCHANGEABILITY DATA, SEE 140T2490 AND 140U4090. USED ON: 140T2421-605		1

ILLUSTRATION ITEMS NOT ON PARTS LIST ARE NOT APPLICABLE

- ITEM NOT ILLUSTRATED

HXL

56-21-01-35

BOEING PROPRIETARY - Copyright © - Unpublished Work - See title page for details.

56-21-01  
 FIG. 35  
 PAGE 8  
 DEC 22/07



767

PARTS CATALOG (MAINTENANCE)

FIG ITEM	PART NUMBER	1 2 3 4 5 6 7	NOMENCLATURE	EFFECT FROM TO	UNITS PER ASSY
35					
31	65B07671-6		...SEAL- MISCELLANEOUS DATA: 65B07671-4,-5,-6,-7,-8 ARE OPTL TO -9. FOR INTERCHANGEABILITY DATA, SEE 140T2490 AND 140U4090. USED ON: 140T2421-605		1
31	65B07671-7		...SEAL- MISCELLANEOUS DATA: 65B07671-4,-5,-6,-7,-8 ARE OPTL TO -9. FOR INTERCHANGEABILITY DATA, SEE 140T2490 AND 140U4090. USED ON: 140T2421-605		1
31	65B07671-8		...SEAL- MISCELLANEOUS DATA: 65B07671-4,-5,-6,-7,-8 ARE OPTL TO -9. FOR INTERCHANGEABILITY DATA, SEE 140T2490 AND 140U4090. USED ON: 140T2421-605		1
31	65B07671-9		...SEAL- MISCELLANEOUS DATA: 65B07671-4, -5, -6, -7, -8 ARE OPTL TO -9 FOR INTERCHANGEABILITY DATA, SEE 140T2490 AND 140U4090 USED ON: 140T2421-605		1
31	65B07671-10		...SEAL- MISCELLANEOUS DATA: FOR INTERCHANGEABILITY DATA, SEE 140T2490 AND 140U4090 USED ON: 140T2421-605		1

ILLUSTRATION ITEMS NOT ON PARTS LIST ARE NOT APPLICABLE

- ITEM NOT ILLUSTRATED

56-21-01-35

56-21-01  
FIG. 35  
PAGE 9  
DEC 22/07

HXL

BOEING PROPRIETARY - Copyright © - Unpublished Work - See title page for details.



767

PARTS CATALOG (MAINTENANCE)

FIG ITEM	PART NUMBER	1 2 3 4 5 6 7	NOMENCLATURE	EFFECT FROM TO	UNITS PER ASSY
35	65B07673-21		<p>...PANE-OUTER</p> <p>MISCELLANEOUS DATA: FOR INTERCHANGEABILITY DATA, SEE 140T2490 AND 140U4090</p> <p>QUALIFIED I/W DATA: 140T2414-1 T/W 140T2416-3 SEAL T/W QTY (10) 140U4001-2 CLIPS I/W 140T2423-605 T/W 65B07671-10 SEAL T/W QTY (10) 140U4001-1 CLIPS AT LIMITED STATIONS AS DOCUMENTED ON 140T2490 INTERCHANGEABILITY MATRIX</p> <p>USED ON: 65B22517-45</p>		1
35	140T2413-5		<p>...PANE-OUTER</p> <p>MISCELLANEOUS DATA: FOR INTERCHANGEABILITY DATA, SEE 140T2490</p> <p>QUALIFIED I/W DATA: 140T2414-1 T/W 140T2416-3 SEAL T/W QTY (10) 140U4001-2 CLIPS I/W 140T2423-605 T/W</p> <p>DRAWING 65B07671-10 SEAL T/W QTY (10) 140U4001-1 CLIPS AT LIMITED STATIONS AS DOCUMENTED ON 140T2490 INTERCHANGEABILITY MATRIX</p> <p>USED ON: 140T2411-5</p>		1
35	140T2423-5		<p>...PANE-OUTER</p> <p>MISCELLANEOUS DATA: FOR INTERCHANGEABILITY DATA, SEE 140T2490.</p> <p>USED ON: 140T2411-5 65B22517-45</p>		1
35	65B07673-21		<p>...PANE-OUTER</p> <p>MISCELLANEOUS DATA: FOR INTERCHANGEABILITY DATA, SEE 140T2490 AND 140U4090.</p> <p>USED ON: 140T2411-5</p>		1

ILLUSTRATION ITEMS NOT ON PARTS LIST ARE NOT APPLICABLE

- ITEM NOT ILLUSTRATED

56-21-01-35

56-21-01  
FIG. 35  
PAGE 10  
DEC 22/07

HXL



767

PARTS CATALOG (MAINTENANCE)

FIG ITEM	PART NUMBER	1 2 3 4 5 6 7	NOMENCLATURE	EFFECT FROM TO	UNITS PER ASSY
35					
35	140T2413-5	...	PANE-OUTER MISCELLANEOUS DATA: FOR INTERCHANGEABILITY DATA, SEE 140T2490 USED ON: 65B22517-45		1
35	140T2423-605	...	PANE-OUTER MISCELLANEOUS DATA: FOR INTERCHANGEABILITY DATA, SEE 140T2490 USED ON: 140T2411-5		1
35	140T2423-605	...	PANE-OUTER MISCELLANEOUS DATA: FOR INTERCHANGEABILITY DATA, SEE 140T2490 USED ON: 65B22517-45		1
35	140T2423-605	...	PANE-OUTER MISCELLANEOUS DATA: FOR INTERCHANGEABILITY DATA, SEE 140T2490. QUALIFIED I/W DATA: 140T2414-1 T/W 140T2416-3 SEAL T/W QTY (10) 140U4001-2 CLIPS I/W 140T2423-605 T/W 65B07671-10 SEAL T/W QTY (10) 140U4001-1 CLIPS AT LIMITED STATIONS AS DOCUMENTED ON 140T2490 INTERCHANGEABILITY MATRIX USED ON: 140T2421-5 140T2421-605		1

ILLUSTRATION ITEMS NOT ON PARTS LIST ARE NOT APPLICABLE

- ITEM NOT ILLUSTRATED

HXL

56-21-01-35

BOEING PROPRIETARY - Copyright © - Unpublished Work - See title page for details.

56-21-01  
FIG. 35  
PAGE 11  
DEC 22/07



767

PARTS CATALOG (MAINTENANCE)

FIG ITEM	PART NUMBER	1 2 3 4 5 6 7	NOMENCLATURE	EFFECT FROM TO	UNITS PER ASSY
35	140T2423-5		<p>...PANE-OUTER</p> <p>MISCELLANEOUS DATA: FOR INTERCHANGEABILITY DATA, SEE 140T2490.</p> <p>QUALIFIED I/W DATA: 140T2414-1 T/W 140T2416-3 SEAL T/W QTY (10) 140U4001-2 CLIPS I/W 140T2423-605 T/W 65B07671-10 SEAL T/W QTY (10) 140U4001-1 CLIPS AT LIMITED STATIONS AS DOCUMENTED ON 140T2490 INTERCHANGEABILITY MATRIX</p> <p>USED ON: 140T2421-5 140T2421-605</p>		1
35	140T2413-5		<p>...PANE-OUTER</p> <p>MISCELLANEOUS DATA: FOR INTERCHANGEABILITY DATA, SEE 140T2490.</p> <p>USED ON: 140T2421-5 140T2421-605</p>		1
35	65B07673-21		<p>...PANE-OUTER</p> <p>MISCELLANEOUS DATA: FOR INTERCHANGEABILITY DATA, SEE 140T2490.</p> <p>USED ON: 140T2421-5 140T2421-605</p>		1
40	65B07674-21		<p>...PANE-MIDDLE</p> <p>MISCELLANEOUS DATA: FOR INTERCHANGEABILITY DATA, SEE 140T2490 FOR 767 AND 140U4090 FOR 747</p> <p>QUALIFIED I/W DATA: INTERCHANGEABLE AT LIMITED STATIONS AS DOCUMENTED ON 140T2490 INTERCHANGEABILITY DRAWING</p> <p>USED ON: 65B22517-45</p>		1

ILLUSTRATION ITEMS NOT ON PARTS LIST ARE NOT APPLICABLE

- ITEM NOT ILLUSTRATED

HXL

56-21-01-35

BOEING PROPRIETARY - Copyright © - Unpublished Work - See title page for details.

56-21-01  
FIG. 35  
PAGE 12  
DEC 22/07



 **BOEING**  
767  
**PARTS CATALOG (MAINTENANCE)**

FIG ITEM	PART NUMBER	1 2 3 4 5 6 7	NOMENCLATURE	EFFECT FROM TO	UNITS PER ASSY
35 40	140T2415-5	...	PANE-MIDDLE MISCELLANEOUS DATA: FOR INTERCHANGEABILITY DATA, SEE 140T2490 QUALIFIED I/W DATA: INTERCHANGEABLE AT LIMITED STATIONS AS DOCUMENTED ON 140T2490 INTERCHANGEABILITY DRAWING 140T2415-5 I/W 65B07674-21 FOR 767 ONLY. 65B07674-21 SHOULD ONLY BE USED IN THE CONSTANT BODY SECTION USED ON: 140T2411-5		1
40	140T2415-601	...	PANE-MIDDLE MISCELLANEOUS DATA: FOR INTERCHANGEABILITY DATA, SEE 140T2490. QUALIFIED I/W DATA: INTERCHANGEABLE AT LIMITED STATIONS AS DOCUMENTED ON 140T2490 INTERCHANGEABILITY DRAWING USED ON: 140T2421-5		1
40	65B07674-121	...	PANE-MIDDLE MISCELLANEOUS DATA: FOR INTERCHANGEABILITY DATA, SEE 140U4090 QUALIFIED I/W DATA: INTERCHANGEABLE AT LIMITED STATIONS AS DOCUMENTED ON 140T2490 INTERCHANGEABILITY DRAWING USED ON: 140T2411-5		1

ILLUSTRATION ITEMS NOT ON PARTS LIST ARE NOT APPLICABLE

— ITEM NOT ILLUSTRATED

HXL

# 56-21-01-35

BOEING PROPRIETARY - Copyright © - Unpublished Work - See title page for details.

56-21-01  
FIG. 35  
PAGE 13  
DEC 22/07



767

PARTS CATALOG (MAINTENANCE)

FIG ITEM	PART NUMBER	1 2 3 4 5 6 7	NOMENCLATURE	EFFECT FROM TO	UNITS PER ASSY
35 40	140T2415-9		<p>...PANE-MIDDLE</p> <p>MISCELLANEOUS DATA: FOR INTERCHANGEABILITY DATA, SEE 140T2490.</p> <p>QUALIFIED I/W DATA: INTERCHANGEABLE AT LIMITED STATIONS AS DOCUMENTED ON 140T2490</p> <p>INTERCHANGEABILITY DRAWING</p> <p>OPTIONAL PART: 140T2415-601</p> <p>USED ON: 140T2421-605</p>		1
40	140T2415-601		<p>...PANE-MIDDLE</p> <p>MISCELLANEOUS DATA: FOR INTERCHANGEABILITY DATA, SEE 140T2490.</p> <p>QUALIFIED I/W DATA: INTERCHANGEABLE AT LIMITED STATIONS AS DOCUMENTED ON 140T2490</p> <p>INTERCHANGEABILITY DRAWING</p> <p>OPTIONAL PART: 140T2415-9</p> <p>USED ON: 140T2421-605</p>		1
40	140T2415-9		<p>...PANE-MIDDLE</p> <p>MISCELLANEOUS DATA: FOR INTERCHANGEABILITY DATA, SEE 140T2490.</p> <p>QUALIFIED I/W DATA: INTERCHANGEABLE AT LIMITED STATIONS AS DOCUMENTED ON 140T2490</p> <p>INTERCHANGEABILITY DRAWING</p> <p>OPTIONAL PART: 140T2415-5</p> <p>USED ON: 140T2421-5</p>		1

ILLUSTRATION ITEMS NOT ON PARTS LIST ARE NOT APPLICABLE

- ITEM NOT ILLUSTRATED

HXL

56-21-01-35

BOEING PROPRIETARY - Copyright © - Unpublished Work - See title page for details.

56-21-01  
FIG. 35  
PAGE 14  
DEC 22/07



767

PARTS CATALOG (MAINTENANCE)

FIG ITEM	PART NUMBER	1 2 3 4 5 6 7	NOMENCLATURE	EFFECT FROM TO	UNITS PER ASSY
35					
40	140T2415-5		...PANE-MIDDLE MISCELLANEOUS DATA: FOR INTERCHANGEABILITY DATA, SEE 140T2490 QUALIFIED I/W DATA: 140T2415-5 I/W 65B07674-21 FOR 767 ONLY. 65B07674-21 SHOULD ONLY BE USED IN THE CONSTANT BODY SECTION. INTERCHANGEABLE AT LIMITED STATIONS AS DOCUMENTED ON 140T2490 INTERCHANGEABILITY DRAWING OPTIONAL PART: 140T2415-9 USED ON: 140T2421-5		1
40	65B07674-121		...PANE-MIDDLE MISCELLANEOUS DATA: FOR INTERCHANGEABILITY DATA, SEE 140U4090. QUALIFIED I/W DATA: INTERCHANGEABLE AT LIMITED STATIONS AS DOCUMENTED ON 140T2490 INTERCHANGEABILITY DRAWING USED ON: 140T2421-5		1
45	140T2400-40		.WINDOW INSTL- POSITION DATA: STA. 466.4	155162	2
50	NAS1801-08-12		..SCREW	155162	10
55	AN960JD8		..WASHER	155162	10
60	140U4001-1		..CLIP-	155162	10
60	140T2410-1		..CLIP- MISCELLANEOUS DATA: COLOR BLACK	155162	10
65	140T2419-5		..WINDOW ASSY-SPECIAL BLANK-OFF	155162	1
65	140T2419-605		..WINDOW ASSY-SPECIAL BLANK-OFF	155162	1

ILLUSTRATION ITEMS NOT ON PARTS LIST ARE NOT APPLICABLE

- ITEM NOT ILLUSTRATED

56-21-01-35

56-21-01  
FIG. 35  
PAGE 15  
DEC 22/07

HXL



767

PARTS CATALOG (MAINTENANCE)

FIG ITEM	PART NUMBER	1 2 3 4 5 6 7	NOMENCLATURE	EFFECT FROM TO	UNITS PER ASSY
35					
70	65B07671-10		...SEAL- MISCELLANEOUS DATA: FOR INTERCHANGEABILITY DATA, SEE 140T2490 AND 140U4090 OPTIONAL PART: 65B07671-8 65B07671-9	155162	1
70	65B07671-8		...SEAL- MISCELLANEOUS DATA: 65B07671-4, -5, -6, -7, -8 ARE OPTL TO -9 FOR INTERCHANGEABILITY DATA, SEE 140T2490 AND 140U4090 OPTIONAL PART: 65B07671-9 65B07671-10	155162	1
70	65B07671-9		...SEAL- MISCELLANEOUS DATA: 65B07671-4, -5, -6, -7, -8 ARE OPTL TO -9 FOR INTERCHANGEABILITY DATA, SEE 140T2490 AND 140U4090 OPTIONAL PART: 65B07671-8 65B07671-10	155162	1
71	65B07671-5		...SEAL- MISCELLANEOUS DATA: 65B07671-4, -5, -6, -7, -8 ARE OPTL TO -9 FOR INTERCHANGEABILITY DATA, SEE 140T2490 AND 140U4090.	155162	1
71	65B07671-6		...SEAL- MISCELLANEOUS DATA: 65B07671-4, -5, -6, -7, -8 ARE OPTL TO -9 FOR INTERCHANGEABILITY DATA, SEE 140T2490 AND 140U4090.	155162	1
71	65B07671-7		...SEAL- MISCELLANEOUS DATA: 65B07671-4, -5, -6, -7, -8 ARE OPTL TO -9 FOR INTERCHANGEABILITY DATA, SEE 140T2490 AND 140U4090.	155162	1

ILLUSTRATION ITEMS NOT ON PARTS LIST ARE NOT APPLICABLE

- ITEM NOT ILLUSTRATED

56-21-01-35

56-21-01  
FIG. 35  
PAGE 16  
DEC 22/06

HXL



767

PARTS CATALOG (MAINTENANCE)

FIG ITEM	PART NUMBER	1 2 3 4 5 6 7	NOMENCLATURE	EFFECT FROM TO	UNITS PER ASSY
35					
75	65B07673-21	...	PANE-OUTER MISCELLANEOUS DATA: FOR INTERCHANGEABILITY DATA, SEE 140T2490 AND 140U4090. QUALIFIED I/W DATA: INTERCHANGEABLE AT LIMITED STATIONS AS DOCUMENTED ON 140T2490 INTERCHANGEABILITY DRAWING	155162	1
75	140T2413-5	...	PANE-OUTER MISCELLANEOUS DATA: FOR INTERCHANGEABILITY DATA, SEE 140T2490 AND 140U4090.	155162	1
75	140T2423-605	...	PANE-OUTER MISCELLANEOUS DATA: FOR INTERCHANGEABILITY DATA, SEE 140T2490. QUALIFIED I/W DATA: 140T2414-1 T/W 140T2416-3 SEAL T/W QTY (10) 140U4001-2 CLIPS I/W 140T2423-605 T/W 65B07671-10 SEAL T/W QTY (10) 140U4001-1 CLIPS AT LIMITED STATIONS AS DOCUMENTED ON 140T2490 INTERCHANGEABILITY MATRIX	155162	1
75	140T2423-5	...	PANE-OUTER MISCELLANEOUS DATA: FOR INTERCHANGEABILITY DATA, SEE 140T2490 QUALIFIED I/W DATA: 140T2414-1 T/W 140T2416-3 SEAL T/W QTY (10) 140U4001-2 CLIPS I/W 140T2423-605 T/W 65B07671-10 SEAL T/W QTY (10) 140U4001-1 CLIPS AT LIMITED STATIONS AS DOCUMENTED ON 140T2490 INTERCHANGEABILITY MATRIX	155162	1

ILLUSTRATION ITEMS NOT ON PARTS LIST ARE NOT APPLICABLE

- ITEM NOT ILLUSTRATED

HXL

56-21-01-35

BOEING PROPRIETARY - Copyright © - Unpublished Work - See title page for details.

56-21-01  
FIG. 35  
PAGE 17  
DEC 22/06



767

PARTS CATALOG (MAINTENANCE)

FIG ITEM	PART NUMBER	1 2 3 4 5 6 7	NOMENCLATURE	EFFECT FROM TO	UNITS PER ASSY
35 80	65B07674-21		<p>...PANE-MIDDLE</p> <p>MISCELLANEOUS DATA: FOR INTERCHANGEABILITY DATA, SEE 140T2490 FOR 767 AND 140U4090 FOR 747</p> <p>QUALIFIED I/W DATA: 140T2415-5 I/W 65B07674-21 FOR 767 ONLY. 65B07674-21 SHOULD ONLY BE USED IN THE CONSTANT BODY SECTION. INTERCHANGEABLE AT LIMITED STATIONS AS DOCUMENTED ON 140T2490 INTERCHANGEABILITY DRAWING</p> <p>OPTIONAL PART: 140T2415-9</p> <p>USED ON: 140T2419-5</p>	155162	1
80	140T2415-9		<p>...PANE-MIDDLE</p> <p>MISCELLANEOUS DATA: FOR INTERCHANGEABILITY DATA, SEE 140T2490</p> <p>QUALIFIED I/W DATA: INTERCHANGEABLE AT LIMITED STATIONS AS DOCUMENTED ON 140T2490 INTERCHANGEABILITY DRAWING</p> <p>OPTIONAL PART: 65B07674-21</p> <p>USED ON: 140T2419-5</p>	155162	1
80	140T2415-601		<p>...PANE-MIDDLE</p> <p>MISCELLANEOUS DATA: FOR INTERCHANGEABILITY DATA, SEE 140T2490.</p> <p>QUALIFIED I/W DATA: INTERCHANGEABLE AT LIMITED STATIONS AS DOCUMENTED ON 140T2490 INTERCHANGEABILITY DRAWING</p> <p>USED ON: 140T2419-5</p>	155162	1

ILLUSTRATION ITEMS NOT ON PARTS LIST ARE NOT APPLICABLE

- ITEM NOT ILLUSTRATED

56-21-01-35

56-21-01  
FIG. 35  
PAGE 18  
DEC 22/06

HXL

**BOEING**  
767  
**PARTS CATALOG (MAINTENANCE)**

FIG ITEM	PART NUMBER	1 2 3 4 5 6 7	NOMENCLATURE	EFFECT FROM TO	UNITS PER ASSY
35					
80	140T2415-601	...	PANE-MIDDLE MISCELLANEOUS DATA: FOR INTERCHANGEABILITY DATA, SEE 140T2490. QUALIFIED I/W DATA: INTERCHANGEABLE AT LIMITED STATIONS AS DOCUMENTED ON 140T2490 INTERCHANGEABILITY DRAWING USED ON: 140T2419-605	155162	1
80	140T2415-9	...	PANE-MIDDLE MISCELLANEOUS DATA: FOR INTERCHANGEABILITY DATA, SEE 140T2490 QUALIFIED I/W DATA: INTERCHANGEABLE AT LIMITED STATIONS AS DOCUMENTED ON 140T2490 INTERCHANGEABILITY DRAWING USED ON: 140T2419-605	155162	1
85	140T2400-40	.	WINDOW INSTL- POSITION DATA: LH, STA 466.4	163999	1
90	NAS1801-08-12	..	SCREW	163999	10
95	AN960JD8	..	WASHER	163999	10
100	140U4001-1	..	CLIP-	163999	10
100	140T2410-1	..	CLIP- MISCELLANEOUS DATA: COLOR BLACK	163999	10
105	140T2419-5	..	WINDOW ASSY-SPECIAL BLANK-OFF	163999	1
105	140T2419-605	..	WINDOW ASSY-SPECIAL BLANK-OFF	163999	1
110	65B07671-10	...	SEAL- MISCELLANEOUS DATA: FOR INTERCHANGEABILITY DATA, SEE 140T2490 AND 140U4090 OPTIONAL PART: 65B07671-8 65B07671-9 USED ON: 140T2419-5	163999	1

ILLUSTRATION ITEMS NOT ON PARTS LIST ARE NOT APPLICABLE

— ITEM NOT ILLUSTRATED

HXL

# 56-21-01-35

BOEING PROPRIETARY - Copyright © - Unpublished Work - See title page for details.

56-21-01  
FIG. 35  
PAGE 19  
DEC 22/07



767

PARTS CATALOG (MAINTENANCE)

FIG ITEM	PART NUMBER	1 2 3 4 5 6 7	NOMENCLATURE	EFFECT FROM TO	UNITS PER ASSY
35 110	65B07671-8		...SEAL- MISCELLANEOUS DATA: 65B07671-4, -5, -6, -7, -8 ARE OPTL TO -9 FOR INTERCHANGEABILITY DATA, SEE 140T2490 AND 140U4090 OPTIONAL PART: 65B07671-9 65B07671-10	163999	1
110	65B07671-9		...SEAL- MISCELLANEOUS DATA: 65B07671-4, -5, -6, -7, -8 ARE OPTL TO -9 FOR INTERCHANGEABILITY DATA, SEE 140T2490 AND 140U4090 OPTIONAL PART: 65B07671-8 65B07671-10	163999	1
110	65B07671-5		...SEAL- MISCELLANEOUS DATA: 65B07671-4,-5,-6,-7,-8 ARE OPTL TO -9. FOR INTERCHANGEABILITY DATA, SEE 140T2490 AND 140U4090. USED ON: 140T2419-5	163999	1
110	65B07671-6		...SEAL- MISCELLANEOUS DATA: 65B07671-4,-5,-6,-7,-8 ARE OPTL TO -9. FOR INTERCHANGEABILITY DATA, SEE 140T2490 AND 140U4090. USED ON: 140T2419-5	163999	1
110	65B07671-7		...SEAL- MISCELLANEOUS DATA: 65B07671-4,-5,-6,-7,-8 ARE OPTL TO -9. FOR INTERCHANGEABILITY DATA, SEE 140T2490 AND 140U4090. USED ON: 140T2419-5	163999	1

ILLUSTRATION ITEMS NOT ON PARTS LIST ARE NOT APPLICABLE

- ITEM NOT ILLUSTRATED

56-21-01-35

56-21-01  
FIG. 35  
PAGE 20  
DEC 22/07

HXL





767

PARTS CATALOG (MAINTENANCE)

FIG ITEM	PART NUMBER	1 2 3 4 5 6 7	NOMENCLATURE	EFFECT FROM TO	UNITS PER ASSY
35 110	65B07671-10		...SEAL- MISCELLANEOUS DATA: FOR INTERCHANGEABILITY DATA, SEE 140T2490 AND 140U4090 USED ON: 140T2419-605	163999	1
110	65B07671-9		...SEAL- MISCELLANEOUS DATA: 65B07671-4,-5,-6,-7,-8 ARE OPTL TO -9. FOR INTERCHANGEABILITY DATA, SEE 140T2490 AND 140U4090. USED ON: 140T2419-605	163999	1
110	65B07671-8		...SEAL- MISCELLANEOUS DATA: 65B07671-4,-5,-6,-7,-8 ARE OPTL TO -9. FOR INTERCHANGEABILITY DATA,SEE 140T2490 AND 140U4090 USED ON: 140T2419-605	163999	1
110	65B07671-7		...SEAL- MISCELLANEOUS DATA: 65B07671-4,-5,-6,-7,-8 ARE OPTL TO -9. FOR INTERCHANGEABILITY DATA, SEE 140T2490 AND 140U4090. USED ON: 140T2419-605	163999	1
110	65B07671-6		...SEAL- MISCELLANEOUS DATA: 65B07671-4,-5,-6,-7,-8 ARE OPTL TO -9. FOR INTERCHANGEABILITY DATA, SEE 140T2490 AND 140U4090. USED ON: 140T2419-605	163999	1

ILLUSTRATION ITEMS NOT ON PARTS LIST ARE NOT APPLICABLE

- ITEM NOT ILLUSTRATED

HXL

56-21-01-35

BOEING PROPRIETARY - Copyright © - Unpublished Work - See title page for details.

56-21-01  
FIG. 35  
PAGE 21  
DEC 22/07



767

PARTS CATALOG (MAINTENANCE)

FIG ITEM	PART NUMBER	1 2 3 4 5 6 7	NOMENCLATURE	EFFECT FROM TO	UNITS PER ASSY
35 110	65B07671-5		...SEAL- MISCELLANEOUS DATA: 65B07671-4,-5,-6,-7,-8 ARE OPTL TO -9. FOR INTERCHANGEABILITY DATA, SEE 140T2490 AND 140U4090. USED ON: 140T2419-605	163999	1
115	65B07673-21		...PANE-OUTER MISCELLANEOUS DATA: FOR INTERCHANGEABILITY DATA, SEE 140T2490 AND 140U4090 QUALIFIED I/W DATA: INTERCHANGEABLE AT LIMITED STATIONS AS DOCUMENTED ON 140T2490 INTERCHANGEABILITY DRAWING	163999	1
115	140T2413-5		...PANE-OUTER MISCELLANEOUS DATA: FOR INTERCHANGEABILITY DATA, SEE 140T2490 AND 140U4090	163999	1
115	140T2423-605		...PANE-OUTER MISCELLANEOUS DATA: FOR INTERCHANGEABILITY DATA, SEE 140T2490 AND 140U4090 QUALIFIED I/W DATA: 140T2414-1 T/W 140T2416-3 SEAL T/W QTY (10) 140U4001-2 CLIPS I/W 140T2423-605 T/W 65B07671-10 SEAL T/W QTY (10) 140U4001-1 CLIPS AT LIMITED STATIONS AS DOCUMENTED ON 140T2490 INTERCHANGEABILITY MATRIX	163999	1
115	140T2423-5		...PANE-OUTER MISCELLANEOUS DATA: FOR INTERCHANGEABILITY DATA, SEE 140T2490.	163999	1

ILLUSTRATION ITEMS NOT ON PARTS LIST ARE NOT APPLICABLE

- ITEM NOT ILLUSTRATED

HXL

56-21-01-35

BOEING PROPRIETARY - Copyright © - Unpublished Work - See title page for details.

56-21-01  
FIG. 35  
PAGE 22  
DEC 22/07



767

PARTS CATALOG (MAINTENANCE)

FIG ITEM	PART NUMBER	1 2 3 4 5 6 7	NOMENCLATURE	EFFECT FROM TO	UNITS PER ASSY
35 120	65B07674-21		<p>...PANE-MIDDLE</p> <p>MISCELLANEOUS DATA: FOR INTERCHANGEABILITY DATA, SEE 140T2490 FOR 767 AND 140U4090 FOR 747</p> <p>QUALIFIED I/W DATA: INTERCHANGEABLE AT LIMITED STATIONS AS DOCUMENTED ON 140T2490</p> <p>INTERCHANGEABILITY DRAWING 140T2415-5 I/W 65B07674-21 FOR 767 ONLY. 65B07674-21 SHOULD ONLY BE USED IN THE CONSTANT BODY SECTION.</p> <p>OPTIONAL PART: 140T2415-9</p> <p>USED ON: 140T2419-5</p>	163999	1
120	140T2415-9		<p>...PANE-MIDDLE</p> <p>MISCELLANEOUS DATA: FOR INTERCHANGEABILITY DATA, SEE 140T2490</p> <p>QUALIFIED I/W DATA: INTERCHANGEABLE AT LIMITED STATIONS AS DOCUMENTED ON 140T2490</p> <p>INTERCHANGEABILITY DRAWING 140T2415-5 I/W 65B07674-21 FOR 767 ONLY.</p> <p>OPTIONAL PART: 65B07674-21</p> <p>USED ON: 140T2419-5</p>	163999	1
120	140T2415-9		<p>...PANE-MIDDLE</p> <p>MISCELLANEOUS DATA: FOR INTERCHANGEABILITY DATA, SEE 140T2490</p> <p>QUALIFIED I/W DATA: INTERCHANGEABLE AT LIMITED STATIONS AS DOCUMENTED ON 140T2490</p> <p>INTERCHANGEABILITY DRAWING 140T2415-5 I/W 65B07674-21 FOR 767 ONLY.</p> <p>OPTIONAL PART: 65B07674-21</p> <p>USED ON: 140T2419-605</p>	163999	1

ILLUSTRATION ITEMS NOT ON PARTS LIST ARE NOT APPLICABLE

- ITEM NOT ILLUSTRATED

56-21-01-35

56-21-01  
FIG. 35  
PAGE 23  
DEC 22/07

HXL



767

PARTS CATALOG (MAINTENANCE)

FIG ITEM	PART NUMBER	1 2 3 4 5 6 7	NOMENCLATURE	EFFECT FROM TO	UNITS PER ASSY
35					
125	140T2400-27	.	WINDOW INSTL- POSITION DATA: RH STA. 466.4	163999	1
130	NAS1801-08-12	..	SCREW	163999	10
135	AN960JD8	..	WASHER	163999	10
140	140U4001-1	..	CLIP-	163999	10
140	140T2410-1	..	CLIP- MISCELLANEOUS DATA: COLOR BLACK	163999	10
145	65B22517-45	..	WINDOW ASSY- MISCELLANEOUS DATA: FOR INTERCHANGEABILITY DATA, SEE 140T2490 AND 140U4090 COMPONENT MAINT MANUAL REF: 56-21-41 QUALIFIED I/W DATA: INTERCHANGEABLE AT LIMITED STATIONS AS DEFINED ON 140T2490 INTERCHANGEABILITY MATRIX OPTIONAL PART: 140T2411-5 FOR SPARES PROCURE: 654U6075-685	163999	1

ILLUSTRATION ITEMS NOT ON PARTS LIST ARE NOT APPLICABLE

- ITEM NOT ILLUSTRATED

HXL

56-21-01-35

BOEING PROPRIETARY - Copyright © - Unpublished Work - See title page for details.

56-21-01  
FIG. 35  
PAGE 24  
DEC 22/07



767

PARTS CATALOG (MAINTENANCE)

FIG ITEM	PART NUMBER	1 2 3 4 5 6 7	NOMENCLATURE	EFFECT FROM TO	UNITS PER ASSY
35 145	140T2411-5		<p>..WINDOW ASSY-</p> <p>MISCELLANEOUS DATA: FOR INTERCHANGEABILITY DATA, SEE 140T2490 COMPONENT MAINT MANUAL REF: 56-21-61</p> <p>QUALIFIED I/W DATA: 140T2412-1 T/W QTY 10 140U4001-2 CLIPS ARE I/W 140T2411-5 T/W QTY 10 140U4001-1 CLIPS AT LIMITED STATIONS AS DEFINED ON 140T2490 INTERCHANGEABILITY MATRIX INTERCHANGEABLE AT LIMITED STATIONS AS DEFINED ON 140T2490 INTERCHANGEABILITY MATRIX</p> <p>OPTIONAL PART: 65B22517-45 FOR SPARES PROCURE: 654T005-242</p>	163999	1
145	140T2421-5		<p>..WINDOW ASSY-</p> <p>MISCELLANEOUS DATA: FOR INTERCHANGEABILITY DATA, SEE 140T2490 COMPONENT MAINT MANUAL REF: 56-21-61</p> <p>QUALIFIED I/W DATA: 140T2412-1 T/W QTY 10 140U4001-2 CLIPS ARE I/W 140T2421-5 T/W QTY 10 140U4001-1 CLIPS AT LIMITED STATIONS AS DEFINED ON 140T2490 INTERCHANGEABILITY MATRIX INTERCHANGEABLE AT LIMITED STATIONS AS DEFINED ON 140T2490 INTERCHANGEABILITY MATRIX</p>	163999	1

ILLUSTRATION ITEMS NOT ON PARTS LIST ARE NOT APPLICABLE

- ITEM NOT ILLUSTRATED

HXL

56-21-01-35

BOEING PROPRIETARY - Copyright © - Unpublished Work - See title page for details.

56-21-01  
FIG. 35  
PAGE 25  
DEC 22/07



767

PARTS CATALOG (MAINTENANCE)

FIG ITEM	PART NUMBER	1 2 3 4 5 6 7	NOMENCLATURE	EFFECT FROM TO	UNITS PER ASSY
35 145	140T2421-605		<p>..WINDOW ASSY-</p> <p>MISCELLANEOUS DATA: FOR INTERCHANGEABILITY DATA, SEE 140T2490 COMPONENT MAINT MANUAL REF: 56-21-61 QUALIFIED I/W DATA: 140T2412-1 T/W QTY 10 140U4001-2 CLIPS ARE I/W 140T2421-605 T/W QTY 10 140U4001-1 CLIPS AT LIMITED STATIONS AS DEFINED ON 140T2490 INTERCHANGEABILITY MATRIX 140T2421-605 CAN REPLACE OR BE REPLACED BY 140T2421-7 AT ALL LEFT AND RIGHT HAND SIDE BODY STATIONS EXCEPT STA 378.4, STA 400.4 AND STA 1449.4.</p>	163999	1
150	65B07671-5		<p>...SEAL-</p> <p>MISCELLANEOUS DATA: 65B07671-4, -5, -6, -7, -8 ARE OPTL TO -9 FOR INTERCHANGEABILITY DATA, SEE 140T2490 AND 140U4090. OPTIONAL PART: 65B07671-6 65B07671-7 65B07671-8 65B07671-9 USED ON: 65B22517-45</p>	163999	1

ILLUSTRATION ITEMS NOT ON PARTS LIST ARE NOT APPLICABLE

- ITEM NOT ILLUSTRATED

HXL

56-21-01-35

BOEING PROPRIETARY - Copyright © - Unpublished Work - See title page for details.

56-21-01  
FIG. 35  
PAGE 26  
DEC 22/07



767

PARTS CATALOG (MAINTENANCE)

FIG ITEM	PART NUMBER	1 2 3 4 5 6 7	NOMENCLATURE	EFFECT FROM TO	UNITS PER ASSY
35 150	65B07671-6		...SEAL- MISCELLANEOUS DATA: 65B07671-4, -5, -6, -7, -8 ARE OPTL TO -9 FOR INTERCHANGEABILITY DATA, SEE 140T2490 AND 140U4090. OPTIONAL PART: 65B07671-5 65B07671-7 65B07671-8 65B07671-9 USED ON: 65B22517-45	163999	1
150	65B07671-7		...SEAL- MISCELLANEOUS DATA: 65B07671-4, -5, -6, -7, -8 ARE OPTL TO -9 FOR INTERCHANGEABILITY DATA, SEE 140T2490 AND 140U4090. OPTIONAL PART: 65B07671-5 65B07671-6 65B07671-8 65B07671-9 USED ON: 65B22517-45	163999	1
150	65B07671-8		...SEAL- MISCELLANEOUS DATA: 65B07671-4, -5, -6, -7, -8 ARE OPTL TO -9 FOR INTERCHANGEABILITY DATA, SEE 140T2490 AND 140U4090 OPTIONAL PART: 65B07671-5 65B07671-6 65B07671-7 65B07671-9 USED ON: 65B22517-45	163999	1

ILLUSTRATION ITEMS NOT ON PARTS LIST ARE NOT APPLICABLE

- ITEM NOT ILLUSTRATED

HXL

56-21-01-35

BOEING PROPRIETARY - Copyright © - Unpublished Work - See title page for details.

56-21-01  
 FIG. 35  
 PAGE 27  
 DEC 22/07



767

PARTS CATALOG (MAINTENANCE)

FIG ITEM	PART NUMBER	1 2 3 4 5 6 7	NOMENCLATURE	EFFECT FROM TO	UNITS PER ASSY
35 150	65B07671-9		...SEAL- MISCELLANEOUS DATA: 65B07671-4, -5, -6, -7, -8 ARE OPTL TO -9 FOR INTERCHANGEABILITY DATA, SEE 140T2490 AND 140U4090 OPTIONAL PART: 65B07671-5 65B07671-6 65B07671-7 65B07671-8 USED ON: 65B22517-45	163999	1
150	65B07671-10		...SEAL- MISCELLANEOUS DATA: FOR INTERCHANGEABILITY DATA, SEE 140T2490 AND 140U4090 OPTIONAL PART: 65B07671-5 65B07671-6 65B07671-7 65B07671-8 65B07671-9 USED ON: 140T2411-5	163999	1
150	65B07671-5		...SEAL- MISCELLANEOUS DATA: 65B07671-4, -5, -6, -7, -8 ARE OPTL TO -9 FOR INTERCHANGEABILITY DATA, SEE 140T2490 AND 140U4090. OPTIONAL PART: 65B07671-6 65B07671-7 65B07671-8 65B07671-9 62B07671-10 USED ON: 140T2411-5	163999	1

ILLUSTRATION ITEMS NOT ON PARTS LIST ARE NOT APPLICABLE

- ITEM NOT ILLUSTRATED

HXL

56-21-01-35

BOEING PROPRIETARY - Copyright © - Unpublished Work - See title page for details.

56-21-01  
 FIG. 35  
 PAGE 28  
 DEC 22/07





767

PARTS CATALOG (MAINTENANCE)

FIG ITEM	PART NUMBER	1 2 3 4 5 6 7	NOMENCLATURE	EFFECT FROM TO	UNITS PER ASSY
35 150	65B07671-6		<p>...SEAL-</p> <p>MISCELLANEOUS DATA: 65B07671-4, -5, -6, -7, -8 ARE OPTL TO -9 FOR INTERCHANGEABILITY DATA, SEE 140T2490 AND 140U4090.</p> <p>OPTIONAL PART: 65B07671-5 65B07671-7 65B07671-8 65B07671-9 62B07671-10</p> <p>USED ON: 140T2411-5</p>	163999	1
150	65B07671-7		<p>...SEAL-</p> <p>MISCELLANEOUS DATA: 65B07671-4, -5, -6, -7, -8 ARE OPTL TO -9 FOR INTERCHANGEABILITY DATA, SEE 140T2490 AND 140U4090.</p> <p>OPTIONAL PART: 65B07671-5 65B07671-6 65B07671-8 65B07671-9 62B07671-10</p> <p>USED ON: 140T2411-5</p>	163999	1
150	65B07671-8		<p>...SEAL-</p> <p>MISCELLANEOUS DATA: 65B07671-4, -5, -6, -7, -8 ARE OPTL TO -9 FOR INTERCHANGEABILITY DATA, SEE 140T2490 AND 140U4090</p> <p>OPTIONAL PART: 65B07671-5 65B07671-6 65B07671-7 65B07671-9 65B07671-10</p> <p>USED ON: 140T2411-5</p>	163999	1

ILLUSTRATION ITEMS NOT ON PARTS LIST ARE NOT APPLICABLE

- ITEM NOT ILLUSTRATED

HXL

56-21-01-35

BOEING PROPRIETARY - Copyright © - Unpublished Work - See title page for details.

56-21-01  
FIG. 35  
PAGE 29  
DEC 22/07



767

PARTS CATALOG (MAINTENANCE)

FIG ITEM	PART NUMBER	1 2 3 4 5 6 7	NOMENCLATURE	EFFECT FROM TO	UNITS PER ASSY
35 150	65B07671-9		<p>...SEAL-</p> <p>MISCELLANEOUS DATA: 65B07671-4, -5, -6, -7, -8 ARE OPTL TO -9 FOR INTERCHANGEABILITY DATA, SEE 140T2490 AND 140U4090</p> <p>OPTIONAL PART: 65B07671-5 65B07671-6 65B07671-7 65B07671-8 65B07671-10</p> <p>USED ON: 140T2411-5</p>	163999	1
150	65B07671-10		<p>...SEAL-</p> <p>MISCELLANEOUS DATA: FOR INTERCHANGEABILITY DATA, SEE 140T2490 AND 140U4090</p> <p>USED ON: 65B22517-45</p>	163999	1
150	65B07671-5		<p>...SEAL-</p> <p>MISCELLANEOUS DATA: 65B07671-4,-5,-6,-7,-8 ARE OPTL TO -9. FOR INTERCHANGEABILITY DATA, SEE 140T2490 AND 140U4090.</p> <p>USED ON: 140T2421-5</p>	163999	1
150	65B07671-6		<p>...SEAL-</p> <p>MISCELLANEOUS DATA: 65B07671-4,-5,-6,-7,-8 ARE OPTL TO -9. FOR INTERCHANGEABILITY DATA, SEE 140T2490 AND 140U4090.</p> <p>USED ON: 140T2421-5</p>	163999	1
150	65B07671-7		<p>...SEAL-</p> <p>MISCELLANEOUS DATA: 65B07671-4,-5,-6,-7,-8 ARE OPTL TO -9. FOR INTERCHANGEABILITY DATA, SEE 140T2490 AND 140U4090.</p> <p>USED ON: 140T2421-5</p>	163999	1

ILLUSTRATION ITEMS NOT ON PARTS LIST ARE NOT APPLICABLE

- ITEM NOT ILLUSTRATED

56-21-01-35

56-21-01  
FIG. 35  
PAGE 30  
DEC 22/07

HXL



767

PARTS CATALOG (MAINTENANCE)

FIG ITEM	PART NUMBER	1 2 3 4 5 6 7	NOMENCLATURE	EFFECT FROM TO	UNITS PER ASSY
35 150	65B07671-8		...SEAL- MISCELLANEOUS DATA: 65B07671-4, -5, -6, -7, -8 ARE OPTL TO -9 FOR INTERCHANGEABILITY DATA, SEE 140T2490 AND 140U4090 OPTIONAL PART: 65B07671-9 65B07671-10 USED ON: 140T2421-5	163999	1
150	65B07671-9		...SEAL- MISCELLANEOUS DATA: 65B07671-4, -5, -6, -7, -8 ARE OPTL TO -9 FOR INTERCHANGEABILITY DATA, SEE 140T2490 AND 140U4090 OPTIONAL PART: 65B07671-8 65B07671-10 USED ON: 140T2421-5	163999	1
151	65B07671-10		...SEAL- MISCELLANEOUS DATA: FOR INTERCHANGEABILITY DATA, SEE 140T2490 AND 140U4090 OPTIONAL PART: 65B07671-8 65B07671-9 USED ON: 140T2421-5	163999	1
151	65B07671-5		...SEAL- MISCELLANEOUS DATA: 65B07671-4,-5,-6,-7,-8 ARE OPTL TO -9. FOR INTERCHANGEABILITY DATA, SEE 140T2490 AND 140U4090. USED ON: 140T2421-605	163999	1

ILLUSTRATION ITEMS NOT ON PARTS LIST ARE NOT APPLICABLE

- ITEM NOT ILLUSTRATED

HXL

56-21-01-35

BOEING PROPRIETARY - Copyright © - Unpublished Work - See title page for details.

56-21-01  
 FIG. 35  
 PAGE 31  
 DEC 22/07



767

PARTS CATALOG (MAINTENANCE)

FIG ITEM	PART NUMBER	1 2 3 4 5 6 7	NOMENCLATURE	EFFECT FROM TO	UNITS PER ASSY
35 151	65B07671-6		...SEAL- MISCELLANEOUS DATA: 65B07671-4,-5,-6,-7,-8 ARE OPTL TO -9. FOR INTERCHANGEABILITY DATA, SEE 140T2490 AND 140U4090. USED ON: 140T2421-605	163999	1
151	65B07671-7		...SEAL- MISCELLANEOUS DATA: 65B07671-4,-5,-6,-7,-8 ARE OPTL TO -9. FOR INTERCHANGEABILITY DATA, SEE 140T2490 AND 140U4090. USED ON: 140T2421-605	163999	1
151	65B07671-8		...SEAL- MISCELLANEOUS DATA: 65B07671-4,-5,-6,-7,-8 ARE OPTL TO -9. FOR INTERCHANGEABILITY DATA, SEE 140T2490 AND 140U4090. USED ON: 140T2421-605	163999	1
151	65B07671-9		...SEAL- MISCELLANEOUS DATA: 65B07671-4, -5, -6, -7, -8 ARE OPTL TO -9 FOR INTERCHANGEABILITY DATA, SEE 140T2490 AND 140U4090 USED ON: 140T2421-605	163999	1
151	65B07671-10		...SEAL- MISCELLANEOUS DATA: FOR INTERCHANGEABILITY DATA, SEE 140T2490 AND 140U4090 USED ON: 140T2421-605	163999	1

ILLUSTRATION ITEMS NOT ON PARTS LIST ARE NOT APPLICABLE

- ITEM NOT ILLUSTRATED

56-21-01-35

56-21-01  
FIG. 35  
PAGE 32  
DEC 22/07

HXL



767

PARTS CATALOG (MAINTENANCE)

FIG ITEM	PART NUMBER	1 2 3 4 5 6 7	NOMENCLATURE	EFFECT FROM TO	UNITS PER ASSY
35 155	65B07673-21		<p>...PANE-OUTER</p> <p>MISCELLANEOUS DATA: FOR INTERCHANGEABILITY DATA, SEE 140T2490 AND 140U4090</p> <p>QUALIFIED I/W DATA: 140T2414-1 T/W 140T2416-3 SEAL T/W QTY (10) 140U4001-2 CLIPS I/W 140T2423-605 T/W 65B07671-10 SEAL T/W QTY (10) 140U4001-1 CLIPS AT LIMITED STATIONS AS DOCUMENTED ON 140T2490 INTERCHANGEABLITY MATRIX USED ON: 65B22517-45</p>	163999	1
155	140T2413-5		<p>...PANE-OUTER</p> <p>MISCELLANEOUS DATA: FOR INTERCHANGEABILITY DATA, SEE 140T2490</p> <p>QUALIFIED I/W DATA: 140T2414-1 T/W 140T2416-3 SEAL T/W QTY (10) 140U4001-2 CLIPS I/W 140T2423-605 T/W 65B07671-10 SEAL T/W QTY (10) 140U4001-1 CLIPS AT LIMITED STATIONS AS DOCUMENTED ON 140T2490 INTERCHANGEABLITY MATRIX USED ON:</p>	163999	1
155	140T2423-5		<p>...PANE-OUTER</p> <p>MISCELLANEOUS DATA: FOR INTERCHANGEABILITY DATA, SEE 140T2490.</p> <p>USED ON: 140T2411-5</p>	163999	1
155	65B07673-21		<p>...PANE-OUTER</p> <p>MISCELLANEOUS DATA: FOR INTERCHANGEABILITY DATA, SEE 140T2490 AND 140U4090.</p> <p>USED ON: 140T2411-5</p>	163999	1

ILLUSTRATION ITEMS NOT ON PARTS LIST ARE NOT APPLICABLE

- ITEM NOT ILLUSTRATED

HXL

56-21-01-35

BOEING PROPRIETARY - Copyright © - Unpublished Work - See title page for details.

56-21-01  
FIG. 35  
PAGE 33  
DEC 22/07



767

PARTS CATALOG (MAINTENANCE)

FIG ITEM	PART NUMBER	1 2 3 4 5 6 7	NOMENCLATURE	EFFECT FROM TO	UNITS PER ASSY
35 155	140T2413-5	...	PANE-OUTER MISCELLANEOUS DATA: FOR INTERCHANGEABILITY DATA, SEE 140T2490 USED ON: 65B22517-45	163999	1
155	140T2423-605	...	PANE-OUTER MISCELLANEOUS DATA: FOR INTERCHANGEABILITY DATA, SEE 140T2490. USED ON: 65B22517-45	163999	1
155	140T2423-605	...	PANE-OUTER MISCELLANEOUS DATA: FOR INTERCHANGEABILITY DATA, SEE 140T2490 USED ON: 140T2411-5	163999	1
155	140T2423-605	...	PANE-OUTER MISCELLANEOUS DATA: FOR INTERCHANGEABILITY DATA, SEE 140T2490. QUALIFIED I/W DATA: 140T2414-1 T/W 140T2416-3 SEAL T/W QTY (10) 140U4001-2 CLIPS I/W 140T2423-605 T/W 65B07671-10 SEAL T/W QTY (10) 140U4001-1 CLIPS AT LIMITED STATIONS AS DOCUMENTED ON 140T2490 INTERCHANGEABILITY MATRIX USED ON: 140T2421-5 140T2421-605	163999	1

ILLUSTRATION ITEMS NOT ON PARTS LIST ARE NOT APPLICABLE

- ITEM NOT ILLUSTRATED

HXL

56-21-01-35

BOEING PROPRIETARY - Copyright © - Unpublished Work - See title page for details.

56-21-01  
FIG. 35  
PAGE 34  
DEC 22/07



767

PARTS CATALOG (MAINTENANCE)

FIG ITEM	PART NUMBER	1 2 3 4 5 6 7	NOMENCLATURE	EFFECT FROM TO	UNITS PER ASSY
35 155	140T2423-5		<p>...PANE-OUTER</p> <p>MISCELLANEOUS DATA: FOR INTERCHANGEABILITY DATA, SEE 140T2490.</p> <p>QUALIFIED I/W DATA: 140T2414-1 T/W 140T2416-3 SEAL T/W QTY (10) 140U4001-2 CLIPS I/W 140T2423-605 T/W 65B07671-10 SEAL T/W QTY (10) 140U4001-1 CLIPS AT LIMITED STATIONS AS DOCUMENTED ON 140T2490 INTERCHANGEABILITY MATRIX USED ON: 140T2421-5 140T2421-605</p>	163999	1
155	140T2413-5		<p>...PANE-OUTER</p> <p>MISCELLANEOUS DATA: FOR INTERCHANGEABILITY DATA, SEE 140T2490.</p> <p>USED ON: 140T2421-5 140T2421-605</p>	163999	1
155	65B07673-21		<p>...PANE-OUTER</p> <p>MISCELLANEOUS DATA: FOR INTERCHANGEABILITY DATA, SEE 140T2490.</p> <p>USED ON: 140T2421-5 140T2421-605</p>	163999	1
160	65B07674-21		<p>...PANE-MIDDLE</p> <p>MISCELLANEOUS DATA: FOR INTERCHANGEABILITY DATA, SEE 140T2490 FOR 767 AND 140U4090 FOR 747</p> <p>QUALIFIED I/W DATA: INTERCHANGEABLE AT LIMITED STATIONS AS DOCUMENTED ON 140T2490 INTERCHANGEABILITY DRAWING USED ON: 65B22517-45</p>	163999	1

ILLUSTRATION ITEMS NOT ON PARTS LIST ARE NOT APPLICABLE

- ITEM NOT ILLUSTRATED

56-21-01-35

56-21-01  
FIG. 35  
PAGE 35  
DEC 22/07

HXL



767

PARTS CATALOG (MAINTENANCE)

FIG ITEM	PART NUMBER	1 2 3 4 5 6 7	NOMENCLATURE	EFFECT FROM TO	UNITS PER ASSY
35 160	140T2415-5		<p>...PANE-MIDDLE            MISCELLANEOUS DATA:            FOR INTERCHANGEABILITY            DATA, SEE 140T2490            QUALIFIED I/W DATA:            140T2415-5 I/W            65B07674-21 FOR 767            ONLY. 65B07674-21 SHOULD            ONLY BE USED IN THE            CONSTANT BODY SECTION.            INTERCHANGEABLE AT            LIMITED STATIONS AS            DOCUMENTED ON 140T2490            INTERCHANGEABILITY            DRAWING            USED ON:            140T2411-5</p>	163999	1
160	140T2415-601		<p>...PANE-MIDDLE            MISCELLANEOUS DATA:            FOR INTERCHANGEABILITY            DATA, SEE 140T2490.            QUALIFIED I/W DATA:            INTERCHANGEABLE AT            LIMITED STATIONS AS            DOCUMENTED ON 140T2490            INTERCHANGEABILITY            DRAWING            USED ON:            140T2421-5</p>	163999	1
160	65B07674-121		<p>...PANE-MIDDLE            MISCELLANEOUS DATA:            FOR INTERCHANGEABILITY            DATA, SEE 140U4090            QUALIFIED I/W DATA:            INTERCHANGEABLE AT            LIMITED STATIONS AS            DOCUMENTED ON 140T2490            INTERCHANGEABILITY            DRAWING            USED ON:            140T2411-5</p>	163999	1

ILLUSTRATION ITEMS NOT ON PARTS LIST ARE NOT APPLICABLE

- ITEM NOT ILLUSTRATED

HXL

56-21-01-35

BOEING PROPRIETARY - Copyright © - Unpublished Work - See title page for details.

56-21-01  
 FIG. 35  
 PAGE 36  
 DEC 22/07





767

PARTS CATALOG (MAINTENANCE)

FIG ITEM	PART NUMBER	1 2 3 4 5 6 7	NOMENCLATURE	EFFECT FROM TO	UNITS PER ASSY
35 160	140T2415-9		<p>...PANE-MIDDLE</p> <p>MISCELLANEOUS DATA: FOR INTERCHANGEABILITY DATA, SEE 140T2490.</p> <p>QUALIFIED I/W DATA: INTERCHANGEABLE AT LIMITED STATIONS AS DOCUMENTED ON 140T2490 INTERCHANGEABILITY DRAWING</p> <p>OPTIONAL PART: 140T2415-601</p> <p>USED ON: 140T2421-605</p>	163999	1
160	140T2415-601		<p>...PANE-MIDDLE</p> <p>MISCELLANEOUS DATA: FOR INTERCHANGEABILITY DATA, SEE 140T2490.</p> <p>QUALIFIED I/W DATA: INTERCHANGEABLE AT LIMITED STATIONS AS DOCUMENTED ON 140T2490 INTERCHANGEABILITY DRAWING</p> <p>OPTIONAL PART: 140T2415-9</p> <p>USED ON: 140T2421-605</p>	163999	1
160	140T2415-9		<p>...PANE-MIDDLE</p> <p>MISCELLANEOUS DATA: FOR INTERCHANGEABILITY DATA, SEE 140T2490.</p> <p>QUALIFIED I/W DATA: INTERCHANGEABLE AT LIMITED STATIONS AS DOCUMENTED ON 140T2490 INTERCHANGEABILITY DRAWING</p> <p>OPTIONAL PART: 140T2415-5</p> <p>USED ON: 140T2421-5</p>	163999	1

ILLUSTRATION ITEMS NOT ON PARTS LIST ARE NOT APPLICABLE

- ITEM NOT ILLUSTRATED

HXL

56-21-01-35

BOEING PROPRIETARY - Copyright © - Unpublished Work - See title page for details.

56-21-01  
FIG. 35  
PAGE 37  
DEC 22/07



767

PARTS CATALOG (MAINTENANCE)

FIG ITEM	PART NUMBER	1 2 3 4 5 6 7	NOMENCLATURE	EFFECT FROM TO	UNITS PER ASSY
35 160	140T2415-5		...PANE-MIDDLE MISCELLANEOUS DATA: FOR INTERCHANGEABILITY DATA, SEE 140T2490 QUALIFIED I/W DATA: 140T2415-5 I/W 65B07674-21 FOR 767 ONLY. 65B07674-21 SHOULD ONLY BE USED IN THE CONSTANT BODY SECTION. INTERCHANGEABLE AT LIMITED STATIONS AS DOCUMENTED ON 140T2490 INTERCHANGEABILITY DRAWING OPTIONAL PART: 140T2415-9 USED ON: 140T2421-5	163999	1
160	65B07674-121		...PANE-MIDDLE MISCELLANEOUS DATA: FOR INTERCHANGEABILITY DATA, SEE 140U4090. QUALIFIED I/W DATA: INTERCHANGEABLE AT LIMITED STATIONS AS DOCUMENTED ON 140T2490 INTERCHANGEABILITY DRAWING USED ON: 140T2421-5	163999	1
165	140T2400-30		.PLUG INSTL		2
170	NAS1801-08-12		..SCREW		10
175	AN960JD8		..WASHER		10
180	140U4001-1		..CLIP-		10
180	140T2410-1		..CLIP- MISCELLANEOUS DATA: COLOR BLACK		10
185	140T2987-1		..PLUG ASSY- MISCELLANEOUS DATA: (FOR INTERCHANGEABILITY DATA, SEE 140T2490)		1

ILLUSTRATION ITEMS NOT ON PARTS LIST ARE NOT APPLICABLE

- ITEM NOT ILLUSTRATED

56-21-01-35

56-21-01  
FIG. 35  
PAGE 38  
DEC 22/07

HXL

BOEING PROPRIETARY - Copyright © - Unpublished Work - See title page for details.



767

PARTS CATALOG (MAINTENANCE)

FIG ITEM	PART NUMBER	1 2 3 4 5 6 7	NOMENCLATURE	EFFECT FROM TO	UNITS PER ASSY
35 190	65B07671-5		<p>...SEAL-</p> <p>MISCELLANEOUS DATA: 65B07671-4, -5, -6, -7, -8 ARE OPTL TO -9 FOR INTERCHANGEABILITY DATA, SEE 140T2490 AND 140U4090.</p> <p>OPTIONAL PART: 65B07671-6 65B07671-7 65B07671-8 65B07671-9 65B07671-10</p>		1
190	65B07671-6		<p>...SEAL-</p> <p>MISCELLANEOUS DATA: 65B07671-4, -5, -6, -7, -8 ARE OPTL TO -9 FOR INTERCHANGEABILITY DATA, SEE 140T2490 AND 140U4090.</p> <p>OPTIONAL PART: 65B07671-5 65B07671-7 65B07671-8 65B07671-9 65B07671-10</p>		1
190	65B07671-7		<p>...SEAL-</p> <p>MISCELLANEOUS DATA: 65B07671-4, -5, -6, -7, -8 ARE OPTL TO -9 FOR INTERCHANGEABILITY DATA, SEE 140T2490 AND 140U4090.</p> <p>OPTIONAL PART: 65B07671-5 65B07671-6 65B07671-8 65B07671-9 65B07671-10</p>		1

ILLUSTRATION ITEMS NOT ON PARTS LIST ARE NOT APPLICABLE

- ITEM NOT ILLUSTRATED

HXL

56-21-01-35

BOEING PROPRIETARY - Copyright © - Unpublished Work - See title page for details.

56-21-01  
FIG. 35  
PAGE 39  
DEC 22/07



767

PARTS CATALOG (MAINTENANCE)

FIG ITEM	PART NUMBER	1 2 3 4 5 6 7	NOMENCLATURE	EFFECT FROM TO	UNITS PER ASSY
35 190	65B07671-8		...SEAL- MISCELLANEOUS DATA: 65B07671-4, -5, -6, -7, -8 ARE OPTL TO -9 FOR INTERCHANGEABILITY DATA, SEE 140T2490 AND 140U4090 OPTIONAL PART: 65B07671-5 65B07671-6 65B07671-7 65B07671-9 65B07671-10		1
190	65B07671-9		...SEAL- MISCELLANEOUS DATA: 65B07671-4, -5, -6, -7, -8 ARE OPTL TO -9 FOR INTERCHANGEABILITY DATA, SEE 140T2490 AND 140U4090 OPTIONAL PART: 65B07671-5 65B07671-6 65B07671-7 65B07671-8 65B07671-10		1
190	65B07671-10		...SEAL- MISCELLANEOUS DATA: FOR INTERCHANGEABILITY DATA, SEE 140T2490 AND 140U4090 FOR INTERCHANGEABILITY DATA, SEE 140T2490 AND 140U4090. OPTIONAL PART: 65B07671-5 65B07671-6 65B07671-7 65B07671-8 65B07671-9		1
195	140T2986-1		...PLUG		1

ILLUSTRATION ITEMS NOT ON PARTS LIST ARE NOT APPLICABLE

- ITEM NOT ILLUSTRATED

HXL

56-21-01-35

BOEING PROPRIETARY - Copyright © - Unpublished Work - See title page for details.

56-21-01  
 FIG. 35  
 PAGE 40  
 DEC 22/07



767

PARTS CATALOG (MAINTENANCE)

FIG ITEM	PART NUMBER	1 2 3 4 5 6 7	NOMENCLATURE	EFFECT FROM TO	UNITS PER ASSY
35 200	140T2415-9		<p>...PANE-MIDDLE</p> <p>MISCELLANEOUS DATA: FOR INTERCHANGEABILITY DATA, SEE 140T2490</p> <p>QUALIFIED I/W DATA: INTERCHANGEABLE AT LIMITED STATIONS AS DOCUMENTED ON 140T2490</p> <p>INTERCHANGEABILITY DRAWING</p> <p>OPTIONAL PART: 140T2415-5 65B07674-21 140T2415-601 65B07674-121</p>		1
200	140T2415-5		<p>...PANE-MIDDLE</p> <p>MISCELLANEOUS DATA: FOR INTERCHANGEABILITY DATA, SEE 140T2490</p> <p>QUALIFIED I/W DATA: 140T2415-5 I/W 65B07674-21 FOR 767 ONLY. 65B07674-21 SHOULD ONLY BE USED IN THE CONSTANT BODY SECTION. INTERCHANGEABLE AT LIMITED STATIONS AS DOCUMENTED ON 140T2490</p> <p>INTERCHANGEABILITY DRAWING</p> <p>OPTIONAL PART: 140T2415-9 65B07674-21 140T2415-601 65B07674-121</p>		1

ILLUSTRATION ITEMS NOT ON PARTS LIST ARE NOT APPLICABLE

- ITEM NOT ILLUSTRATED

HXL

56-21-01-35

BOEING PROPRIETARY - Copyright © - Unpublished Work - See title page for details.

56-21-01  
FIG. 35  
PAGE 41  
DEC 22/07



**767  
PARTS CATALOG (MAINTENANCE)**

FIG ITEM	PART NUMBER	1 2 3 4 5 6 7	NOMENCLATURE	EFFECT FROM TO	UNITS PER ASSY
35 200	65B07674-21		<p>...PANE-MIDDLE</p> <p>MISCELLANEOUS DATA: FOR INTERCHANGEABILITY DATA, SEE 140T2490 FOR 767 AND 140U4090 FOR 747</p> <p>QUALIFIED I/W DATA: 140T2415-5 I/W 65B07674-21 FOR 767 ONLY. 65B07674-21 SHOULD ONLY BE USED IN THE CONSTANT BODY SECTION. INTERCHANGEABLE AT LIMITED STATIONS AS DOCUMENTED ON 140T2490 INTERCHANGEABILITY DRAWING</p> <p>OPTIONAL PART: 140T2415-5 140T2415-9 140T2415-601 65B07674-121</p>		1
200	65B07674-121		<p>...PANE-</p> <p>MISCELLANEOUS DATA: FOR INTERCHANGEABILITY DATA, SEE 140U4090</p> <p>QUALIFIED I/W DATA: INTERCHANGEABLE AT LIMITED STATIONS AS DOCUMENTED ON 140T2490 INTERCHANGEABILITY DRAWING</p> <p>OPTIONAL PART: 140T2415-601 140T2415-9 140T2415-5 65B07674-21</p>		1

ILLUSTRATION ITEMS NOT ON PARTS LIST ARE NOT APPLICABLE

- ITEM NOT ILLUSTRATED

HXL

# 56-21-01-35

BOEING PROPRIETARY - Copyright © - Unpublished Work - See title page for details.

56-21-01  
FIG. 35  
PAGE 42  
DEC 22/07



767

PARTS CATALOG (MAINTENANCE)

FIG ITEM	PART NUMBER	1 2 3 4 5 6 7	NOMENCLATURE	EFFECT FROM TO	UNITS PER ASSY
35 200	140T2415-601		<p>...PANE-</p> <p>MISCELLANEOUS DATA: FOR INTERCHANGEABILITY DATA, SEE 140T2490.</p> <p>QUALIFIED I/W DATA: INTERCHANGEABLE AT LIMITED STATIONS AS DOCUMENTED ON 140T2490 INTERCHANGEABILITY DRAWING</p> <p>OPTIONAL PART: 140T2415-5 140T2415-9 65B07674-21 65B07674-121</p>		1
205	140T2400-29		<p>.WINDOW INSTL-</p> <p>POSITION DATA: STA. 730.4 AND 774.4</p>		4
210	NAS1801-08-12		..SCREW		10
215	AN960JD8		..WASHER		10
220	140U4001-5		..CLIP		10
225	65B22517-45		<p>..WINDOW ASSY-</p> <p>MISCELLANEOUS DATA: FOR INTERCHANGEABILITY DATA, SEE 140T2490 AND 140U4090</p> <p>COMPONENT MAINT MANUAL REF: 56-21-41</p> <p>QUALIFIED I/W DATA: INTERCHANGEABLE AT LIMITED STATIONS AS DEFINED ON 140T2490 INTERCHANGEABILITY MATRIX</p> <p>OPTIONAL PART: 140T2411-5</p> <p>FOR SPARES PROCURE: 654U6075-685</p>		1

ILLUSTRATION ITEMS NOT ON PARTS LIST ARE NOT APPLICABLE

- ITEM NOT ILLUSTRATED

HXL

56-21-01-35

BOEING PROPRIETARY - Copyright © - Unpublished Work - See title page for details.

56-21-01  
FIG. 35  
PAGE 43  
DEC 22/07



767

PARTS CATALOG (MAINTENANCE)

FIG ITEM	PART NUMBER	1 2 3 4 5 6 7	NOMENCLATURE	EFFECT FROM TO	UNITS PER ASSY
35 225	140T2411-5		<p>..WINDOW ASSY-</p> <p>MISCELLANEOUS DATA: FOR INTERCHANGEABILITY DATA, SEE 140T2490 COMPONENT MAINT MANUAL REF: 56-21-61</p> <p>QUALIFIED I/W DATA: 140T2412-1 T/W QTY 10 140U4001-2 CLIPS ARE I/W 140T2411-5 T/W QTY 10 140U4001-1 CLIPS AT LIMITED STATIONS AS DEFINED ON 140T2490 INTERCHANGEABILITY MATRIX INTERCHANGEABLE AT LIMITED STATIONS AS DEFINED ON 140T2490 INTERCHANGEABILITY MATRIX</p> <p>OPTIONAL PART: 65B22517-45 FOR SPARES PROCURE: 654T005-242</p>		1
225	140T2421-5		<p>..WINDOW ASSY-</p> <p>MISCELLANEOUS DATA: FOR INTERCHANGEABILITY DATA, SEE 140T2490 COMPONENT MAINT MANUAL REF: 56-21-61</p> <p>QUALIFIED I/W DATA: 140T2412-1 T/W QTY 10 140U4001-2 CLIPS ARE I/W 140T2421-5 T/W QTY 10 140U4001-1 CLIPS AT LIMITED STATIONS AS DEFINED ON 140T2490 INTERCHANGEABILITY MATRIX INTERCHANGEABLE AT LIMITED STATIONS AS DEFINED ON 140T2490 INTERCHANGEABILITY MATRIX</p>		1

ILLUSTRATION ITEMS NOT ON PARTS LIST ARE NOT APPLICABLE

- ITEM NOT ILLUSTRATED

56-21-01-35

56-21-01  
FIG. 35  
PAGE 44  
DEC 22/07

HXL





767

PARTS CATALOG (MAINTENANCE)

FIG ITEM	PART NUMBER	1 2 3 4 5 6 7	NOMENCLATURE	EFFECT FROM TO	UNITS PER ASSY
35 225	140T2421-605		<p>..WINDOW ASSY-</p> <p>MISCELLANEOUS DATA: FOR INTERCHANGEABILITY DATA, SEE 140T2490 COMPONENT MAINT MANUAL REF: 56-21-61 QUALIFIED I/W DATA: 140T2412-1 T/W QTY 10 140U4001-2 CLIPS ARE I/W 140T2421-605 T/W QTY 10 140U4001-1 CLIPS AT LIMITED STATIONS AS DEFINED ON 140T2490 INTERCHANGEABILITY MATRIX 140T2421-605 CAN REPLACE OR BE REPLACED BY 140T2421-7 AT ALL LEFT AND RIGHT HAND SIDE BODY STATIONS EXCEPT STA 378.4, STA 400.4 AND STA 1449.4.</p>		1
230	65B07671-5		<p>...SEAL-</p> <p>MISCELLANEOUS DATA: 65B07671-4, -5, -6, -7, -8 ARE OPTL TO -9 FOR INTERCHANGEABILITY DATA, SEE 140T2490 AND 140U4090. OPTIONAL PART: 65B07671-6 65B07671-7 65B07671-8 65B07671-9 USED ON: 65B22517-45</p>		1

ILLUSTRATION ITEMS NOT ON PARTS LIST ARE NOT APPLICABLE

- ITEM NOT ILLUSTRATED

HXL

56-21-01-35

BOEING PROPRIETARY - Copyright © - Unpublished Work - See title page for details.

56-21-01  
FIG. 35  
PAGE 45  
DEC 22/07



767

PARTS CATALOG (MAINTENANCE)

FIG ITEM	PART NUMBER	1 2 3 4 5 6 7	NOMENCLATURE	EFFECT FROM TO	UNITS PER ASSY
35 230	65B07671-6		<p>...SEAL-</p> <p>MISCELLANEOUS DATA: 65B07671-4, -5, -6, -7, -8 ARE OPTL TO -9 FOR INTERCHANGEABILITY DATA, SEE 140T2490 AND 140U4090.</p> <p>OPTIONAL PART: 65B07671-5 65B07671-7 65B07671-8 65B07671-9</p> <p>USED ON: 65B22517-45</p>		1
230	65B07671-7		<p>...SEAL-</p> <p>MISCELLANEOUS DATA: 65B07671-4, -5, -6, -7, -8 ARE OPTL TO -9 FOR INTERCHANGEABILITY DATA, SEE 140T2490 AND 140U4090.</p> <p>OPTIONAL PART: 65B07671-5 65B07671-6 65B07671-8 65B07671-9</p> <p>USED ON: 65B22517-45</p>		1
230	65B07671-8		<p>...SEAL-</p> <p>MISCELLANEOUS DATA: 65B07671-4, -5, -6, -7, -8 ARE OPTL TO -9 FOR INTERCHANGEABILITY DATA, SEE 140T2490 AND 140U4090</p> <p>OPTIONAL PART: 65B07671-5 65B07671-6 65B07671-7 65B07671-9</p> <p>USED ON: 65B22517-45</p>		1

ILLUSTRATION ITEMS NOT ON PARTS LIST ARE NOT APPLICABLE

- ITEM NOT ILLUSTRATED

HXL

56-21-01-35

BOEING PROPRIETARY - Copyright © - Unpublished Work - See title page for details.

56-21-01  
FIG. 35  
PAGE 46  
DEC 22/07



767

PARTS CATALOG (MAINTENANCE)

FIG ITEM	PART NUMBER	1 2 3 4 5 6 7	NOMENCLATURE	EFFECT FROM TO	UNITS PER ASSY
35 230	65B07671-9		...SEAL- MISCELLANEOUS DATA: 65B07671-4, -5, -6, -7, -8 ARE OPTL TO -9 FOR INTERCHANGEABILITY DATA, SEE 140T2490 AND 140U4090 OPTIONAL PART: 65B07671-5 65B07671-6 65B07671-7 65B07671-8 USED ON: 65B22517-45		1
230	65B07671-10		...SEAL- MISCELLANEOUS DATA: FOR INTERCHANGEABILITY DATA, SEE 140T2490 AND 140U4090 OPTIONAL PART: 65B07671-5 65B07671-6 65B07671-7 65B07671-8 65B07671-9 USED ON: 140T2411-5		1
230	65B07671-5		...SEAL- MISCELLANEOUS DATA: 65B07671-4, -5, -6, -7, -8 ARE OPTL TO -9 FOR INTERCHANGEABILITY DATA, SEE 140T2490 AND 140U4090. OPTIONAL PART: 65B07671-6 65B07671-7 65B07671-8 65B07671-9 65B07671-10 USED ON: 140T2411-5		1

ILLUSTRATION ITEMS NOT ON PARTS LIST ARE NOT APPLICABLE

- ITEM NOT ILLUSTRATED

HXL

56-21-01-35

BOEING PROPRIETARY - Copyright © - Unpublished Work - See title page for details.

56-21-01  
 FIG. 35  
 PAGE 47  
 DEC 22/07



767

PARTS CATALOG (MAINTENANCE)

FIG ITEM	PART NUMBER	1 2 3 4 5 6 7	NOMENCLATURE	EFFECT FROM TO	UNITS PER ASSY
35 230	65B07671-6		<p>...SEAL-</p> <p>MISCELLANEOUS DATA: 65B07671-4, -5, -6, -7, -8 ARE OPTL TO -9 FOR INTERCHANGEABILITY DATA, SEE 140T2490 AND 140U4090.</p> <p>OPTIONAL PART: 65B07671-5 65B07671-7 65B07671-8 65B07671-9 65B07671-10</p> <p>USED ON: 140T2411-5</p>		1
230	65B07671-7		<p>...SEAL-</p> <p>MISCELLANEOUS DATA: 65B07671-4, -5, -6, -7, -8 ARE OPTL TO -9 FOR INTERCHANGEABILITY DATA, SEE 140T2490 AND 140U4090.</p> <p>OPTIONAL PART: 65B07671-5 65B07671-6 65B07671-8 65B07671-9 65B07671-10</p> <p>USED ON: 140T2411-5</p>		1
230	65B07671-8		<p>...SEAL-</p> <p>MISCELLANEOUS DATA: 65B07671-4, -5, -6, -7, -8 ARE OPTL TO -9 FOR INTERCHANGEABILITY DATA, SEE 140T2490 AND 140U4090</p> <p>OPTIONAL PART: 65B07671-5 65B07671-6 65B07671-7 65B07671-9 65B07671-10</p> <p>USED ON: 140T2411-5</p>		1

ILLUSTRATION ITEMS NOT ON PARTS LIST ARE NOT APPLICABLE

- ITEM NOT ILLUSTRATED

HXL

56-21-01-35

BOEING PROPRIETARY - Copyright © - Unpublished Work - See title page for details.

56-21-01  
FIG. 35  
PAGE 48  
DEC 22/07



767

PARTS CATALOG (MAINTENANCE)

FIG ITEM	PART NUMBER	1 2 3 4 5 6 7	NOMENCLATURE	EFFECT FROM TO	UNITS PER ASSY
35 230	65B07671-9		...SEAL- MISCELLANEOUS DATA: 65B07671-4, -5, -6, -7, -8 ARE OPTL TO -9 FOR INTERCHANGEABILITY DATA, SEE 140T2490 AND 140U4090 OPTIONAL PART: 65B07671-5 65B07671-6 65B07671-7 65B07671-8 65B07671-10 USED ON: 140T2411-5		1
230	65B07671-10		...SEAL- MISCELLANEOUS DATA: FOR INTERCHANGEABILITY DATA, SEE 140T2490 AND 140U4090 USED ON: 65B22517-45		1
230	65B07671-5		...SEAL- MISCELLANEOUS DATA: 65B07671-4,-5,-6,-7,-8 ARE OPTL TO -9. FOR INTERCHANGEABILITY DATA, SEE 140T2490 AND 140U4090. USED ON: 140T2421-5		1
230	65B07671-6		...SEAL- MISCELLANEOUS DATA: 65B07671-4,-5,-6,-7,-8 ARE OPTL TO -9. FOR INTERCHANGEABILITY DATA, SEE 140T2490 AND 140U4090. USED ON: 140T2421-5		1
230	65B07671-7		...SEAL- MISCELLANEOUS DATA: 65B07671-4,-5,-6,-7,-8 ARE OPTL TO -9. FOR INTERCHANGEABILITY DATA, SEE 140T2490 AND 140U4090. USED ON: 140T2421-5		1

ILLUSTRATION ITEMS NOT ON PARTS LIST ARE NOT APPLICABLE

- ITEM NOT ILLUSTRATED

56-21-01-35

56-21-01  
 FIG. 35  
 PAGE 49  
 DEC 22/07

HXL



767

PARTS CATALOG (MAINTENANCE)

FIG ITEM	PART NUMBER	1 2 3 4 5 6 7	NOMENCLATURE	EFFECT FROM TO	UNITS PER ASSY
35 230	65B07671-8		...SEAL- MISCELLANEOUS DATA: 65B07671-4, -5, -6, -7, -8 ARE OPTL TO -9 FOR INTERCHANGEABILITY DATA, SEE 140T2490 AND 140U4090 OPTIONAL PART: 65B07671-9 65B07671-10 USED ON: 140T2421-5		1
230	65B07671-9		...SEAL- MISCELLANEOUS DATA: 65B07671-4, -5, -6, -7, -8 ARE OPTL TO -9 FOR INTERCHANGEABILITY DATA, SEE 140T2490 AND 140U4090 OPTIONAL PART: 65B07671-8 65B07671-10 USED ON: 140T2421-5		1
231	65B07671-10		...SEAL- MISCELLANEOUS DATA: FOR INTERCHANGEABILITY DATA, SEE 140T2490 AND 140U4090 OPTIONAL PART: 65B07671-8 65B07671-9 USED ON: 140T2421-5		1
231	65B07671-5		...SEAL- MISCELLANEOUS DATA: 65B07671-4,-5,-6,-7,-8 ARE OPTL TO -9. FOR INTERCHANGEABILITY DATA, SEE 140T2490 AND 140U4090. USED ON: 140T2421-605		1

ILLUSTRATION ITEMS NOT ON PARTS LIST ARE NOT APPLICABLE

- ITEM NOT ILLUSTRATED

HXL

56-21-01-35

BOEING PROPRIETARY - Copyright © - Unpublished Work - See title page for details.

56-21-01  
 FIG. 35  
 PAGE 50  
 DEC 22/07



767

PARTS CATALOG (MAINTENANCE)

FIG ITEM	PART NUMBER	1 2 3 4 5 6 7	NOMENCLATURE	EFFECT FROM TO	UNITS PER ASSY
35 231	65B07671-6		...SEAL- MISCELLANEOUS DATA: 65B07671-4,-5,-6,-7,-8 ARE OPTL TO -9. FOR INTERCHANGEABILITY DATA, SEE 140T2490 AND 140U4090. USED ON: 140T2421-605		1
231	65B07671-7		...SEAL- MISCELLANEOUS DATA: 65B07671-4,-5,-6,-7,-8 ARE OPTL TO -9. FOR INTERCHANGEABILITY DATA, SEE 140T2490 AND 140U4090. USED ON: 140T2421-605		1
231	65B07671-8		...SEAL- MISCELLANEOUS DATA: 65B07671-4,-5,-6,-7,-8 ARE OPTL TO -9. FOR INTERCHANGEABILITY DATA, SEE 140T2490 AND 140U4090. USED ON: 140T2421-605		1
231	65B07671-9		...SEAL- MISCELLANEOUS DATA: 65B07671-4, -5, -6, -7, -8 ARE OPTL TO -9 FOR INTERCHANGEABILITY DATA, SEE 140T2490 AND 140U4090 USED ON: 140T2421-605		1
231	65B07671-10		...SEAL- MISCELLANEOUS DATA: FOR INTERCHANGEABILITY DATA, SEE 140T2490 AND 140U4090 USED ON: 140T2421-605		1

ILLUSTRATION ITEMS NOT ON PARTS LIST ARE NOT APPLICABLE

- ITEM NOT ILLUSTRATED

HXL

56-21-01-35

BOEING PROPRIETARY - Copyright © - Unpublished Work - See title page for details.

56-21-01  
 FIG. 35  
 PAGE 51  
 DEC 22/07



767

PARTS CATALOG (MAINTENANCE)

FIG ITEM	PART NUMBER	1 2 3 4 5 6 7	NOMENCLATURE	EFFECT FROM TO	UNITS PER ASSY
35 235	65B07673-21		<p>...PANE-OUTER</p> <p>MISCELLANEOUS DATA: FOR INTERCHANGEABILITY DATA, SEE 140T2490 AND 140U4090</p> <p>QUALIFIED I/W DATA: 140T2414-1 T/W 140T2416-3 SEAL T/W QTY (10) 140U4001-2 CLIPS I/W 140T2423-605 T/W 65B07671-10 SEAL T/W QTY (10) 140U4001-1 CLIPS AT LIMITED STATIONS AS DOCUMENTED ON 140T2490 INTERCHANGEABLITY MATRIX USED ON: 65B22517-45</p>		1
235	140T2413-5		<p>...PANE-OUTER</p> <p>MISCELLANEOUS DATA: FOR INTERCHANGEABILITY DATA, SEE 140T2490</p> <p>QUALIFIED I/W DATA: 140T2414-1 T/W 140T2416-3 SEAL T/W QTY (10) 140U4001-2 CLIPS I/W 140T2423-605 T/W 65B07671-10 SEAL T/W QTY (10) 140U4001-1 CLIPS AT LIMITED STATIONS AS DOCUMENTED ON 140T2490 INTERCHANGEABLITY MATRIX</p>		1
235	140T2423-5		<p>...PANE-OUTER</p> <p>MISCELLANEOUS DATA: FOR INTERCHANGEABILITY DATA, SEE 140T2490.</p> <p>USED ON: 140T2411-5</p>		1
235	65B07673-21		<p>...PANE-OUTER</p> <p>MISCELLANEOUS DATA: FOR INTERCHANGEABILITY DATA, SEE 140T2490 AND 140U4090.</p> <p>USED ON: 140T2411-5</p>		1

ILLUSTRATION ITEMS NOT ON PARTS LIST ARE NOT APPLICABLE

- ITEM NOT ILLUSTRATED

HXL

56-21-01-35

BOEING PROPRIETARY - Copyright © - Unpublished Work - See title page for details.

56-21-01  
FIG. 35  
PAGE 52  
DEC 22/07





767

PARTS CATALOG (MAINTENANCE)

FIG ITEM	PART NUMBER	1 2 3 4 5 6 7	NOMENCLATURE	EFFECT FROM TO	UNITS PER ASSY
35 235	140T2413-5		...PANE-OUTER MISCELLANEOUS DATA: FOR INTERCHANGEABILITY DATA, SEE 140T2490 USED ON: 65B22517-45		1
235	140T2423-605		...PANE-OUTER MISCELLANEOUS DATA: FOR INTERCHANGEABILITY DATA, SEE 140T2490 USED ON: 140T2411-5		1
235	140T2423-605		...PANE-OUTER MISCELLANEOUS DATA: FOR INTERCHANGEABILITY DATA, SEE 140T2490 USED ON: 65B22517-45		1
235	140T2423-605		...PANE-OUTER MISCELLANEOUS DATA: FOR INTERCHANGEABILITY DATA, SEE 140T2490. QUALIFIED I/W DATA: 140T2414-1 T/W 140T2416-3 SEAL T/W QTY (10) 140U4001-2 CLIPS I/W 140T2423-605 T/W 65B07671-10 SEAL T/W QTY (10) 140U4001-1 CLIPS AT LIMITED STATIONS AS DOCUMENTED ON 140T2490 INTERCHANGEABILITY MATRIX USED ON: 140T2421-5 140T2421-605		1

ILLUSTRATION ITEMS NOT ON PARTS LIST ARE NOT APPLICABLE

- ITEM NOT ILLUSTRATED

HXL

56-21-01-35

BOEING PROPRIETARY - Copyright © - Unpublished Work - See title page for details.

56-21-01  
FIG. 35  
PAGE 53  
DEC 22/07



767

PARTS CATALOG (MAINTENANCE)

FIG ITEM	PART NUMBER	1 2 3 4 5 6 7	NOMENCLATURE	EFFECT FROM TO	UNITS PER ASSY
35 235	140T2423-5		<p>...PANE-OUTER            MISCELLANEOUS DATA:            FOR INTERCHANGEABILITY            DATA, SEE 140T2490.            QUALIFIED I/W DATA:            140T2414-1 T/W            140T2416-3 SEAL T/W QTY            (10) 140U4001-2 CLIPS            I/W 140T2423-605 T/W            65B07671-10 SEAL T/W QTY            (10) 140U4001-1 CLIPS AT            LIMITED STATIONS AS            DOCUMENTED ON 140T2490            INTERCHANGEABILITY            MATRIX            USED ON:            140T2421-5            140T2421-605</p>		1
235	140T2413-5		<p>...PANE-OUTER            MISCELLANEOUS DATA:            FOR INTERCHANGEABILITY            DATA, SEE 140T2490.            USED ON:            140T2421-5            140T2421-605</p>		1
235	65B07673-21		<p>...PANE-OUTER            MISCELLANEOUS DATA:            FOR INTERCHANGEABILITY            DATA, SEE 140T2490.            USED ON:            140T2421-5            140T2421-605</p>		1
240	65B07674-21		<p>...PANE-MIDDLE            MISCELLANEOUS DATA:            FOR INTERCHANGEABILITY            DATA, SEE 140T2490 FOR            767 AND 140U4090 FOR 747            QUALIFIED I/W DATA:            INTERCHANGEABLE AT            LIMITED STATIONS AS            DOCUMENTED ON            140T2490            INTERCHANGEABILITY            DRAWING            USED ON:            65B22517-45</p>		1

ILLUSTRATION ITEMS NOT ON PARTS LIST ARE NOT APPLICABLE

- ITEM NOT ILLUSTRATED

56-21-01-35

56-21-01  
 FIG. 35  
 PAGE 54  
 DEC 22/07

HXL

 **BOEING**  
767  
**PARTS CATALOG (MAINTENANCE)**

FIG ITEM	PART NUMBER	1 2 3 4 5 6 7	NOMENCLATURE	EFFECT FROM TO	UNITS PER ASSY
35 240	140T2415-5	...	PANE-MIDDLE MISCELLANEOUS DATA: FOR INTERCHANGEABILITY DATA, SEE 140T2490 QUALIFIED I/W DATA: 140T2415-5 I/W 65B07674-21 FOR 767 ONLY. 65B07674-21 SHOULD ONLY BE USED IN THE CONSTANT BODY SECTION. INTERCHANGEABLE AT LIMITED STATIONS AS DOCUMENTED ON 140T2490 INTERCHANGEABILITY DRAWING USED ON: 140T2411-5		1
240	140T2415-601	...	PANE-MIDDLE MISCELLANEOUS DATA: FOR INTERCHANGEABILITY DATA, SEE 140T2490. QUALIFIED I/W DATA: INTERCHANGEABLE AT LIMITED STATIONS AS DOCUMENTED ON 140T2490 INTERCHANGEABILITY DRAWING USED ON: 140T2421-5		1
240	65B07674-121	...	PANE-MIDDLE MISCELLANEOUS DATA: FOR INTERCHANGEABILITY DATA, SEE 140T2490 QUALIFIED I/W DATA: INTERCHANGEABLE AT LIMITED STATIONS AS DOCUMENTED ON 140T2490 INTERCHANGEABILITY DRAWING USED ON: 140T2411-5		1

ILLUSTRATION ITEMS NOT ON PARTS LIST ARE NOT APPLICABLE

— ITEM NOT ILLUSTRATED

HXL

# 56-21-01-35

BOEING PROPRIETARY - Copyright © - Unpublished Work - See title page for details.

56-21-01  
FIG. 35  
PAGE 55  
DEC 22/07



767

PARTS CATALOG (MAINTENANCE)

FIG ITEM	PART NUMBER	1 2 3 4 5 6 7	NOMENCLATURE	EFFECT FROM TO	UNITS PER ASSY
35 240	140T2415-9		<p>...PANE-MIDDLE</p> <p>MISCELLANEOUS DATA: FOR INTERCHANGEABILITY DATA, SEE 140T2490.</p> <p>QUALIFIED I/W DATA: INTERCHANGEABLE AT LIMITED STATIONS AS DOCUMENTED ON 140T2490 INTERCHANGEABILITY DRAWING</p> <p>OPTIONAL PART: 140T2415-601</p> <p>USED ON: 140T2421-605</p>		1
240	140T2415-601		<p>...PANE-MIDDLE</p> <p>MISCELLANEOUS DATA: FOR INTERCHANGEABILITY DATA, SEE 140T2490.</p> <p>QUALIFIED I/W DATA: INTERCHANGEABLE AT LIMITED STATIONS AS DOCUMENTED ON 140T2490 INTERCHANGEABILITY DRAWING</p> <p>OPTIONAL PART: 140T2415-9</p> <p>USED ON: 140T2421-605</p>		1
240	140T2415-9		<p>...PANE-MIDDLE</p> <p>MISCELLANEOUS DATA: FOR INTERCHANGEABILITY DATA, SEE 140T2490.</p> <p>QUALIFIED I/W DATA: INTERCHANGEABLE AT LIMITED STATIONS AS DOCUMENTED ON 140T2490 INTERCHANGEABILITY DRAWING</p> <p>OPTIONAL PART: 140T2415-5</p> <p>USED ON: 140T2421-5</p>		1

ILLUSTRATION ITEMS NOT ON PARTS LIST ARE NOT APPLICABLE

- ITEM NOT ILLUSTRATED

HXL

56-21-01-35

BOEING PROPRIETARY - Copyright © - Unpublished Work - See title page for details.

56-21-01  
FIG. 35  
PAGE 56  
DEC 22/07



767

PARTS CATALOG (MAINTENANCE)

FIG ITEM	PART NUMBER	1 2 3 4 5 6 7 NOMENCLATURE	EFFECT FROM TO	UNITS PER ASSY
35 240	140T2415-5	...PANE-MIDDLE MISCELLANEOUS DATA: FOR INTERCHANGEABILITY DATA, SEE 140T2490 QUALIFIED I/W DATA: 140T2415-5 I/W 65B07674-21 FOR 767 ONLY. 65B07674-21 SHOULD ONLY BE USED IN THE CONSTANT BODY SECTION. INTERCHANGEABLE AT LIMITED STATIONS AS DOCUMENTED ON 140T2490 INTERCHANGEABILITY DRAWING OPTIONAL PART: 140T2415-9 USED ON: 140T2421-5		1
240	65B07674-121	...PANE-MIDDLE MISCELLANEOUS DATA: FOR INTERCHANGEABILITY DATA, SEE 140U4090. QUALIFIED I/W DATA: INTERCHANGEABLE AT LIMITED STATIONS AS DOCUMENTED ON 140T2490 INTERCHANGEABILITY DRAWING USED ON: 140T2421-5		1

ILLUSTRATION ITEMS NOT ON PARTS LIST ARE NOT APPLICABLE

- ITEM NOT ILLUSTRATED

HXL

56-21-01-35

BOEING PROPRIETARY - Copyright © - Unpublished Work - See title page for details.

56-21-01  
 FIG. 35  
 PAGE 57  
 DEC 22/07