

WINGS-GENERAL

HXL
DEC 22/06

57-00-00
SECTION TITLE
PAGE 1

 **BOEING**
767
PARTS CATALOG (MAINTENANCE)

NON-ILLUSTRATED FIGURE

THE ITEMS REFLECTED IN THIS FIGURE ARE INTENTIONALLY
NON-ILLUSTRATED. THEY ARE REFERENCED TO EITHER A
NEXT HIGHER OR NEXT LOWER ASSEMBLY/INSTALLATION FIGURE.

WING INSTL-SECT. 10
FIGURE 1A

57-00-00-01A

HXL
DEC 22/06

57-00-00-01A
PAGE 0



767

PARTS CATALOG (MAINTENANCE)

FIG ITEM	PART NUMBER	1 2 3 4 5 6 7	NOMENCLATURE	EFFECT FROM TO	UNITS PER ASSY
1A			WING INSTL-SECT. 10		
- 3	110T0000-3		WING INSTL- POSITION DATA: SECT. 10 VARIABLE DRAWING REF: 110T0000-5012 110T0900-618 110T0900-5193		1
- 3	110T0000-3		WING INSTL- POSITION DATA: SECT. 10 VARIABLE DRAWING REF: 110T0900-630 110T0900-5166 110T0900-5204	163999	1
- 5	110T3000-25		.PANEL INSTL- POSITION DATA: LH VARIABLE DRAWING REF: 110T3000-5011 FOR DETAILS SEE: 53-52-57-02		1
- 10	110T3000-26		.PANEL INSTL- POSITION DATA: RH VARIABLE DRAWING REF: 110T3000-5012 FOR DETAILS SEE: 53-52-57-02		1
- 15	112T0000-11		.STRUCTURE ASSY- POSITION DATA: LH VARIABLE DRAWING REF: 112T0000-5021 112T0000-5027 FOR DETAILS SEE: 57-11-52-01		1
- 20	112T0000-12		.STRUCTURE ASSY- POSITION DATA: RH VARIABLE DRAWING REF: 112T0000-5022 112T0000-5028 FOR DETAILS SEE: 57-11-52-01		1

ILLUSTRATION ITEMS NOT ON PARTS LIST ARE NOT APPLICABLE

- ITEM NOT ILLUSTRATED

HXL

57-00-00-01A

BOEING PROPRIETARY - Copyright © - Unpublished Work - See title page for details.

57-00-00
FIG. 01A
PAGE 1
DEC 22/07

 **BOEING**
767
PARTS CATALOG (MAINTENANCE)

FIG ITEM	PART NUMBER	1 2 3 4 5 6 7	NOMENCLATURE	EFFECT FROM TO	UNITS PER ASSY
1 A					
- 25	112T5000-103		.RIB INSTL- POSITION DATA: INBD LH VARIABLE DRAWING REF: 112T5000-5091 FOR DETAILS SEE: 57-22-51-01		1
- 30	112T5000-104		.RIB INSTL- POSITION DATA: INBD RH VARIABLE DRAWING REF: 112T5000-5092 FOR DETAILS SEE: 57-22-51-01		1
- 35	113T1200-39		.SUPPORT INSTL-FLAP POSITION DATA: LH VARIABLE DRAWING REF: 113T1200-5035 FOR DETAILS SEE: 57-51-67-01		1
- 40	113T1200-40		.SUPPORT INSTL-FLAP POSITION DATA: RH VARIABLE DRAWING REF: 113T1200-5036 FOR DETAILS SEE: 57-51-67-01		1
- 45	113T1200-35		.SUPPORT INSTL-FLAP POSITION DATA: LH VARIABLE DRAWING REF: 113T1200-5033 FOR DETAILS SEE: 57-51-67-01		1
- 50	113T1200-36		.SUPPORT INSTL-FLAP POSITION DATA: RH VARIABLE DRAWING REF: 113T1200-5034 FOR DETAILS SEE: 57-51-67-01		1
- 55	113T1700-1		.FAIRING INSTL-FLAP POSITION DATA: LH VARIABLE DRAWING REF: 113T1700-5005 FOR DETAILS SEE: 57-51-69-10		1
ILLUSTRATION ITEMS NOT ON PARTS LIST ARE NOT APPLICABLE					

- ITEM NOT ILLUSTRATED

HXL

57-00-00-01A

BOEING PROPRIETARY - Copyright © - Unpublished Work - See title page for details.

57-00-00
FIG. 01A
PAGE 2
DEC 22/07

 **BOEING**
767
PARTS CATALOG (MAINTENANCE)

FIG ITEM	PART NUMBER	1 2 3 4 5 6 7	NOMENCLATURE	EFFECT FROM TO	UNITS PER ASSY
1A - 60	113T1700-2		. FAIRING INSTL-FLAP POSITION DATA: RH VARIABLE DRAWING REF: 113T1700-5006 FOR DETAILS SEE: 57-51-69-10		1
- 65	113T1800-1		. FAIRING INSTL-NO. 1 TE FLAP POSITION DATA: OUTBD LH VARIABLE DRAWING REF: 113T1800-5021 113T1800-5029 FOR DETAILS SEE: 57-51-69-10		1
- 70	113T1800-2		. FAIRING INSTL-NO. 1 TE FLAP POSITION DATA: OUTBD RH VARIABLE DRAWING REF: 113T1800-5022 113T1800-5030 FOR DETAILS SEE: 57-51-69-05		1
- 75	113T1800-3		. FAIRING INSTL-NO. 2 TE FLAP POSITION DATA: OUTBD LH VARIABLE DRAWING REF: 113T1800-5025 FOR DETAILS SEE: 57-51-69-01		1
- 80	113T1800-4		. FAIRING INSTL-NO. 7 TE FLAP POSITION DATA: OUTBD RH VARIABLE DRAWING REF: 113T1800-5026 FOR DETAILS SEE: 57-51-69-01		1
- 85	113T2000-81		. FLAP INSTL-TE FLAP POSITION DATA: INBD LH VARIABLE DRAWING REF: 113T2000-5067 FOR DETAILS SEE: 27-51-03-10		1
ILLUSTRATION ITEMS NOT ON PARTS LIST ARE NOT APPLICABLE					

- ITEM NOT ILLUSTRATED

HXL

57-00-00-01A

BOEING PROPRIETARY - Copyright © - Unpublished Work - See title page for details.

57-00-00
FIG. 01A
PAGE 3
DEC 22/07



767

PARTS CATALOG (MAINTENANCE)

FIG ITEM	PART NUMBER	1 2 3 4 5 6 7	NOMENCLATURE	EFFECT FROM TO	UNITS PER ASSY
1 A					
- 90	113T2000-82		.FLAP INSTL-TE FLAP POSITION DATA: INBD RH VARIABLE DRAWING REF: 113T2000-5068 FOR DETAILS SEE: 27-51-03-10		1
- 95	113T3000-55		.FLAP INSTL-TE POSITION DATA: OUTBD LH VARIABLE DRAWING REF: 113T3000-5071 FOR DETAILS SEE: 27-51-21-01		1
- 100	113T3000-56		.FLAP INSTL-TE POSITION DATA: OUTBD RH VARIABLE DRAWING REF: 113T3000-5072 FOR DETAILS SEE: 27-51-21-01		1
- 105	113T4000-9		.SPOILER INSTL- POSITION DATA: INBD LH VARIABLE DRAWING REF: 113T4000-5031 FOR DETAILS SEE: 27-61-01-05		1
- 110	113T4000-10		.SPOILER INSTL- POSITION DATA: RH VARIABLE DRAWING REF: 113T4000-5032 FOR DETAILS SEE: 27-61-01-05		1
- 115	113T5000-11		.SPOILER INSTL- POSITION DATA: OUTBD LH FOR DETAILS SEE: 27-61-01-01		1
- 120	113T5000-12		.SPOILER INSTL- POSITION DATA: OUTBD RH FOR DETAILS SEE: 27-61-01-01		1

ILLUSTRATION ITEMS NOT ON PARTS LIST ARE NOT APPLICABLE

- ITEM NOT ILLUSTRATED

HXL

57-00-00-01A

BOEING PROPRIETARY - Copyright © - Unpublished Work - See title page for details.

57-00-00
FIG. 01A
PAGE 4
DEC 22/07

 **BOEING**
767
PARTS CATALOG (MAINTENANCE)

FIG ITEM	PART NUMBER	1 2 3 4 5 6 7	NOMENCLATURE	EFFECT FROM TO	UNITS PER ASSY
1A - 125	113T6000-1		.AILERON INSTL- POSITION DATA: INBD LH VARIABLE DRAWING REF: 113T6000-5007 FOR DETAILS SEE: 27-11-01-05		1
- 130	113T6000-2		.AILERON INSTL- POSITION DATA: INBD RH VARIABLE DRAWING REF: 113T6000-5008 FOR DETAILS SEE: 27-11-01-05		1
- 135	113T7000-25		.AILERON INSTL- POSITION DATA: OUTBD LH FOR DETAILS SEE: 27-11-02-05		1
- 140	113T7000-26		.AILERON INSTL- POSITION DATA: OUTBD RH FOR DETAILS SEE: 27-11-02-05		1
- 145	113T8000-1		.DOOR INSTL-MLG POSITION DATA: LH VARIABLE DRAWING REF: 113T8000-5009 113T8000-5011 FOR DETAILS SEE: 32-12-01-05		1
- 150	113T8000-2		.DOOR INSTL-MLG POSITION DATA: LH VARIABLE DRAWING REF: 113T8000-5010 113T8000-5012 FOR DETAILS SEE: 32-12-01-05		1
- 155	114T3000-19		.SLAT INSTL- POSITION DATA: INBD LH VARIABLE DRAWING REF: 114T3000-5011 FOR DETAILS SEE: 27-81-01-05		1
ILLUSTRATION ITEMS NOT ON PARTS LIST ARE NOT APPLICABLE					

- ITEM NOT ILLUSTRATED

HXL

57-00-00-01A

BOEING PROPRIETARY - Copyright © - Unpublished Work - See title page for details.

57-00-00
FIG. 01A
PAGE 5
DEC 22/07

BOEING
767
PARTS CATALOG (MAINTENANCE)

FIG ITEM	PART NUMBER	1 2 3 4 5 6 7	NOMENCLATURE	EFFECT FROM TO	UNITS PER ASSY
1A - 160	114T3000-20		.SLAT INSTL- POSITION DATA: INBD RH VARIABLE DRAWING REF: 114T3000-5012 FOR DETAILS SEE: 27-81-01-05		1
- 165	114T4000-23		.SLAT INSTL- POSITION DATA: OUTBD LH VARIABLE DRAWING REF: 114T4000-5023 FOR DETAILS SEE: 27-81-02-01		1
- 170	114T4000-24		.SLAT INSTL- POSITION DATA: OUTBD RH VARIABLE DRAWING REF: 114T4000-5024 FOR DETAILS SEE: 27-81-02-01		1
- 175	114T6300-1		.SEAL INSTL-KRUGER POSITION DATA: LH VARIABLE DRAWING REF: 114T6300-5015 FOR DETAILS SEE: 27-81-03-07		1
- 180	114T6300-2		.SEAL INSTL-KRUGER POSITION DATA: RH VARIABLE DRAWING REF: 114T6300-5016 FOR DETAILS SEE: 27-81-03-07		1
- 185	119T0001-1		.TIP INSTL- POSITION DATA: LH FOR DETAILS SEE: 57-31-01-01		1
- 190	119T0001-2		.TIP INSTL- POSITION DATA: RH FOR DETAILS SEE: 57-31-01-01		1

ILLUSTRATION ITEMS NOT ON PARTS LIST ARE NOT APPLICABLE

- ITEM NOT ILLUSTRATED

HXL

57-00-00-01A

BOEING PROPRIETARY - Copyright © - Unpublished Work - See title page for details.

57-00-00
FIG. 01A
PAGE 6
DEC 22/07

 **BOEING**
767
PARTS CATALOG (MAINTENANCE)

FIG ITEM	PART NUMBER	1 2 3 4 5 6 7	NOMENCLATURE	EFFECT FROM TO	UNITS PER ASSY
1A					
- 205	111T0000-2		.STRUCTURE ASSY- POSITION DATA: SECT. 11 WING CTR SECT. VARIABLE DRAWING REF: 111T0000-5001 FOR DETAILS SEE: 57-11-54-01		1
- 210	111T0000-21		.PROVISIONS INSTL-767-300ER FOR DETAILS SEE: 57-11-54-01		1
- 215	112T4323-27		.SPLICE INSTL- POSITION DATA: SECT. 11 BBL 97.42 LWR LH FOR DETAILS SEE: 57-22-51-05		1
- 220	112T4323-28		.SPLICE INSTL- POSITION DATA: SECT. 11 BBL 97.42 LWR RH FOR DETAILS SEE: 57-22-51-05		1
- 300	210T0014-010		.EQUIPMENT INSTL- ENVIRONMENTAL CONT SYS		1
- 305	212T3001-9		..DUCT INSTL-WING LE AIR SUPPLY POSITION DATA: LH FOR DETAILS SEE: 36-11-01-04		1
- 310	212T3001-10		..DUCT INSTL-WING LE AIR SUPPLY POSITION DATA: RH FOR DETAILS SEE: 36-11-01-04		1
- 315	218T1001-35		..DUCT INSTL-THRM ANTI-ICE SYS WING LE POSITION DATA: LH FOR DETAILS SEE: 30-11-02-01		1
- 320	218T1001-36		..DUCT INSTL-THRM ANTI-ICE SYS WING LE POSITION DATA: RH FOR DETAILS SEE: 30-11-02-01		1

ILLUSTRATION ITEMS NOT ON PARTS LIST ARE NOT APPLICABLE

- ITEM NOT ILLUSTRATED

HXL

57-00-00-01A

BOEING PROPRIETARY - Copyright © - Unpublished Work - See title page for details.

57-00-00
FIG. 01A
PAGE 7
DEC 22/07



767

PARTS CATALOG (MAINTENANCE)

FIG ITEM	PART NUMBER	1 2 3 4 5 6 7	NOMENCLATURE	EFFECT FROM TO	UNITS PER ASSY
1 A					
- 325	218T1001-25		.. DUCT INSTL-THRM ANTI-ICE SYS WING LE POSITION DATA: RH FOR DETAILS SEE: 30-11-02-01		1
- 330	218T1001-26		.. DUCT INSTL-THRM ANTI-ICE SYS WING LE POSITION DATA: RH FOR DETAILS SEE: 30-11-02-01		1
- 335	218T1001-27		.. DUCT INSTL-THRM ANTI-ICE SYS WING LE POSITION DATA: LH FOR DETAILS SEE: 30-11-02-01		1
- 340	218T1001-28		.. DUCT INSTL-THRM ANTI-ICE SYS WING LE POSITION DATA: RH FOR DETAILS SEE: 30-11-02-01		1
- 345	218T1001-29		.. DUCT INSTL-THRM ANTI-ICE SYS WING LE POSITION DATA: LH FOR DETAILS SEE: 30-11-02-01		1
- 350	218T1001-30		.. DUCT INSTL-THRM ANTI-ICE SYS WING LE POSITION DATA: RH FOR DETAILS SEE: 30-11-02-01		1
- 355	218T1001-9		.. DUCT INSTL-THRM ANTI-ICE SYS WING LE POSITION DATA: LH FOR DETAILS SEE: 30-11-02-01		1
- 360	218T1001-10		.. DUCT INSTL-THRM ANTI-ICE SYS WING LE POSITION DATA: RH FOR DETAILS SEE: 30-11-02-01		1

ILLUSTRATION ITEMS NOT ON PARTS LIST ARE NOT APPLICABLE

- ITEM NOT ILLUSTRATED

57-00-00-01A

57-00-00
FIG. 01A
PAGE 8
DEC 22/07

HXL



767

PARTS CATALOG (MAINTENANCE)

FIG ITEM	PART NUMBER	1 2 3 4 5 6 7	NOMENCLATURE	EFFECT FROM TO	UNITS PER ASSY
1 A - 365	218T1001-11		.. DUCT INSTL-THRM ANTI-ICE SYS WING LE POSITION DATA: LH REWORK DRAWING REF: 218T1001-37 FOR DETAILS SEE: 30-11-02-01		1
- 370	218T1001-12		.. DUCT INSTL-THRM ANTI-ICE SYS WING LE POSITION DATA: RH REWORK DRAWING REF: 218T1001-38 FOR DETAILS SEE: 30-11-02-01		1
- 375	218T4001-1		.. SENSOR INSTL-DUCT LEAK DETECT POSITION DATA: SECT. 14 FOR DETAILS SEE: 26-18-01-15		1
- 380	218T4001-2		.. SENSOR INSTL-DUCT LEAK DETECT POSITION DATA: SECT. 14 FOR DETAILS SEE: 26-18-01-15		1
- 385	114T1200-1		.RIB INSTL-FXD LE POSITION DATA: INBD ISS 171.250 LH VARIABLE DRAWING REF: 114T1200-5005 FOR DETAILS SEE: 57-40-51-01		1
- 390	114T1200-2		.RIB INSTL-FXD LE POSITION DATA: INBD ISS 171.250 RH VARIABLE DRAWING REF: 114T1200-5006 FOR DETAILS SEE: 57-40-51-01		1

ILLUSTRATION ITEMS NOT ON PARTS LIST ARE NOT APPLICABLE

- ITEM NOT ILLUSTRATED

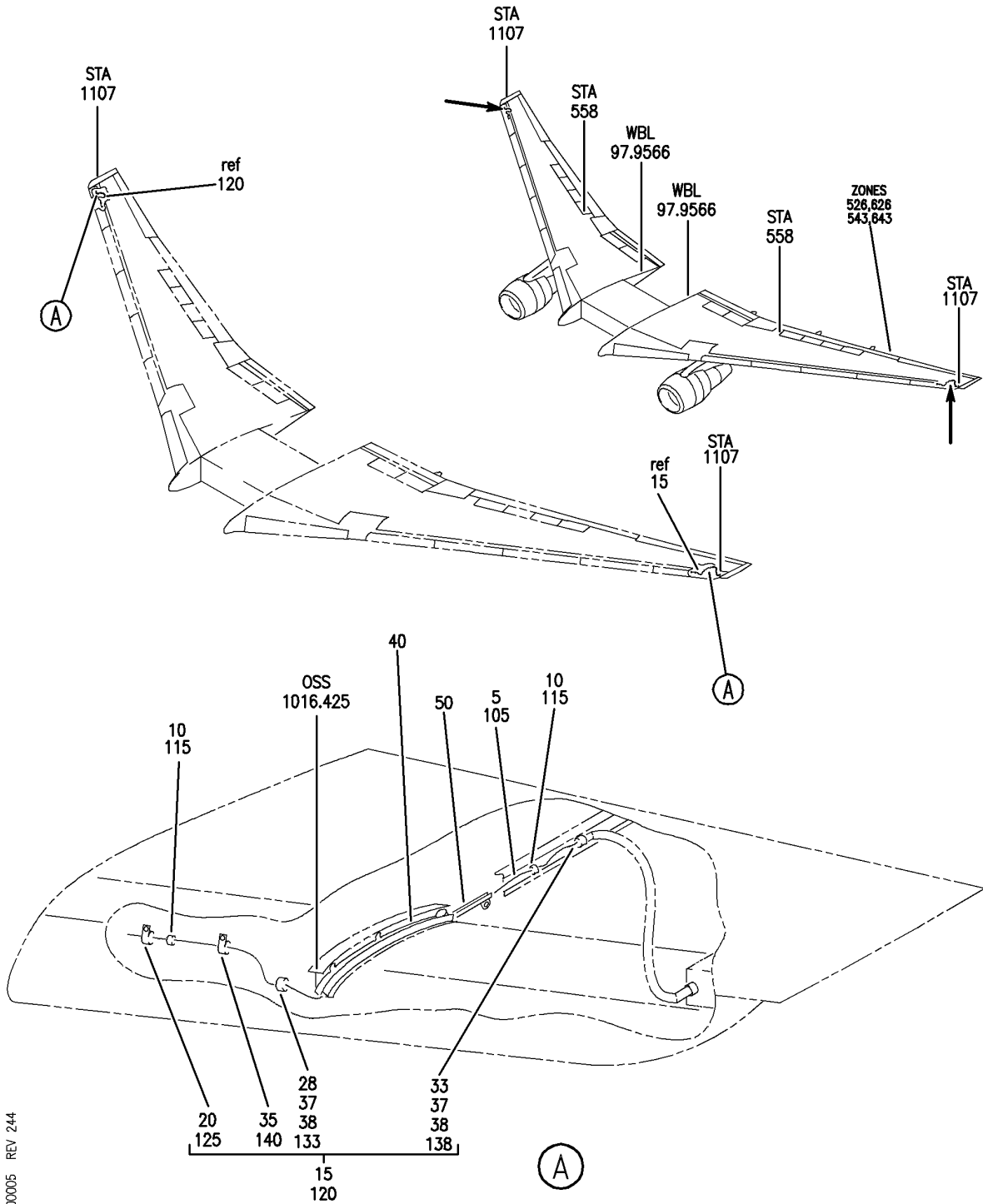
HXL

57-00-00-01A

BOEING PROPRIETARY - Copyright © - Unpublished Work - See title page for details.

57-00-00
FIG. 01A
PAGE 9
DEC 22/07

BOEING
767
PARTS CATALOG (MAINTENANCE)



V 57000005 REV 244

CONDUIT ASSY-WING SLAT
FIGURE 5

57-00-00-05

HXL
DEC 22/06

57-00-00-05
PAGE 0



767

PARTS CATALOG (MAINTENANCE)

FIG ITEM	PART NUMBER	1 2 3 4 5 6 7	NOMENCLATURE	EFFECT FROM TO	UNITS PER ASSY
5			CONDUIT ASSY-WING SLAT		
- 1	287T1049-1		CONDUIT ASSY-WING SLAT POSITION DATA: LH POST ALERT SB: 27A0140R2 FOR NHA SEE: 27-81-02-01		RF
	5 287T1050-401		.WIRE BUNDLE ASSY- POST ALERT SB: 27A0140R2		1
R R R	- 46 BCREF19770		.COVER-DUST OVERLENGTH PART NUMBER: M83723-060-112AC		1
	- 100 287T1049-2		CONDUIT ASSY-WING SLAT POSITION DATA: RH POST ALERT SB: 27A0140R2 FOR NHA SEE: 27-81-02-01		RF
	105 287T1050-403		.WIRE BUNDLE ASSY- POST ALERT SB: 27A0140R2		1
	133 BACC63BP10A5SN		..PLUG- ELECTRICAL EQUIP NUMBER: D03697 WIRING DIAGRAM REF: 278911 POST ALERT SB: 27A0140R2	155163	1
R R R	- 155 BCREF19770		.COVER-DUST OVERLENGTH PART NUMBER: M83723-060-112AC		1

ILLUSTRATION ITEMS NOT ON PARTS LIST ARE NOT APPLICABLE

- ITEM NOT ILLUSTRATED

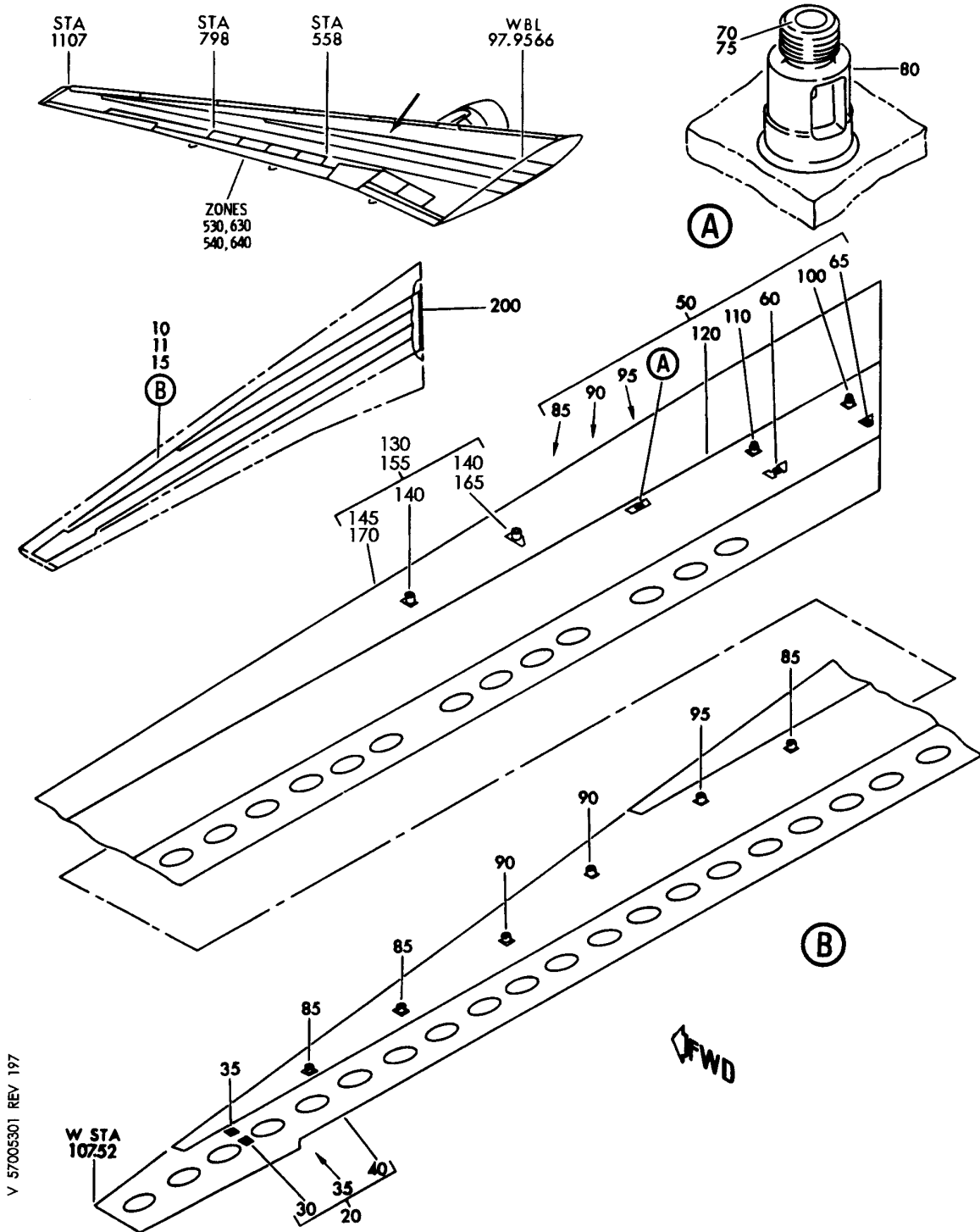
HXL

57-00-00-05

BOEING PROPRIETARY - Copyright © - Unpublished Work - See title page for details.

57-00-00
FIG. 05
PAGE 1
AUG 22/09


BOEING
 767
PARTS CATALOG (MAINTENANCE)



V 57005301 REV 197

PANEL INSTL-INSPAR WING LWR
 FIGURE 1

57-00-53-01

HXL
DEC 22/06

57-00-53-01
 PAGE 0

 **BOEING**
767
PARTS CATALOG (MAINTENANCE)

FIG ITEM	PART NUMBER	1 2 3 4 5 6 7	NOMENCLATURE	EFFECT FROM TO	UNITS PER ASSY
1					
- 1	112T4000-35		PANEL INSTL-INSPAR WING LWR PANEL INSTL-INSPAR WING POSITION DATA: LWR LH VARIABLE DRAWING REF: 112T4000-5017 FOR NHA SEE: 57-11-52-01		RF
- 5	112T4000-36		PANEL INSTL-INSPAR WING POSITION DATA: LWR RH VARIABLE DRAWING REF: 112T4000-5018 FOR NHA SEE: 57-11-52-01		RF
10	112T4000-37		.PANEL ASSY- POSITION DATA: LH SIDE		1
- 15	112T4000-38		.PANEL ASSY- POSITION DATA: RH SIDE		1
20	112T4702-1		..SKIN ASSY-NO. 2 MACHINE POSITION DATA: LH SIDE		1
- 25	112T4702-2		..SKIN ASSY-NO. 2 MACHINE POSITION DATA: RH SIDE		1
30	112T4400-3		...BUSHING-DRAIN OPTIONAL PART: 112T4400-8		1
30	112T4400-8		...BUSHING-DRAIN OPTIONAL PART: 112T4400-3		1
35	112T4402-1		...FITTING-SLAT DRAIN		1
40	112T4702-3		...PANEL- POSITION DATA: LH SIDE		1
- 45	112T4702-4		...PANEL- POSITION DATA: RH SIDE		1
50	112T4703-1		..SKIN ASSY-NO. 3 MACHINE POSITION DATA: LH SIDE		1
- 55	112T4703-2		..SKIN ASSY-NO. 3 MACHINE POSITION DATA: RH SIDE		1
60	112T4400-1		...BUSHING-DRAIN OPTIONAL PART: 112T4400-6		1

ILLUSTRATION ITEMS NOT ON PARTS LIST ARE NOT APPLICABLE

- ITEM NOT ILLUSTRATED

HXL

57-00-53-01

BOEING PROPRIETARY - Copyright © - Unpublished Work - See title page for details.

57-00-53
FIG. 01
PAGE 1
DEC 22/07



767

PARTS CATALOG (MAINTENANCE)

FIG ITEM	PART NUMBER	1 2 3 4 5 6 7	NOMENCLATURE	EFFECT FROM TO	UNITS PER ASSY
1					
60	112T4400-6	...	BUSHING-DRAIN OPTIONAL PART: 112T4400-1		1
65	112T4400-2	...	BUSHING-DRAIN OPTIONAL PART: 112T4400-7		1
65	112T4400-7	...	BUSHING-DRAIN OPTIONAL PART: 112T4400-2		1
70	BACP20AX37AP	...	PIN		1
75	BACP20AX37A	...	PLUG		1
80	112T4401-1	...	FITTING		1
85	112T4402-1	...	FITTING-SLAT DRAIN		2
90	112T4402-2	...	FITTING-SLAT DRAIN		2
95	112T4402-3	...	FITTING-SLAT DRAIN		2
100	345T0004-1	...	FITTING-FUEL MEASURING STICK BASE POSITION DATA: LH SIDE		1
- 105	345T0004-2	...	FITTING-FUEL MEASURING STICK BASE POSITION DATA: RH SIDE		1
110	345T0004-3	...	FITTING-FUEL MEASURING STICK BASE POSITION DATA: LH SIDE		1
- 115	345T0004-4	...	FITTING-FUEL MEASURING STICK BASE POSITION DATA: RH SIDE		1
120	112T4703-3	...	PANEL- POSITION DATA: LH SIDE		1
- 125	112T4703-4	...	PANEL- POSITION DATA: RH SIDE		1
130	112T4304-1	..	SKIN ASSY-NO. 4 MACHINE POSITION DATA: LH SIDE		1
- 135	112T4304-2	..	SKIN ASSY-NO. 4 MACHINE POSITION DATA: RH SIDE		1
140	112T4402-3	...	FITTING		2
145	112T4304-3	...	PANEL- POSITION DATA: LH SIDE		1

ILLUSTRATION ITEMS NOT ON PARTS LIST ARE NOT APPLICABLE

- ITEM NOT ILLUSTRATED

57-00-53-01

57-00-53
FIG. 01
PAGE 2
DEC 22/07

HXL

BOEING PROPRIETARY - Copyright © - Unpublished Work - See title page for details.



767

PARTS CATALOG (MAINTENANCE)

FIG ITEM	PART NUMBER	1 2 3 4 5 6 7	NOMENCLATURE	EFFECT FROM TO	UNITS PER ASSY
1					
- 150	112T4304-4		...PANEL- POSITION DATA: RH SIDE		1
200	112T4323-29		.SPLICE INSTL- POSITION DATA: SECT. 12 BL 97.42 LWR LH VARIABLE DRAWING REF: 112T4323-5015 FOR DETAILS SEE: 57-22-51-04		1
- 205	112T4323-30		.SPLICE INSTL- POSITION DATA: SECT. 12 BL 97.42 LWR RH VARIABLE DRAWING REF: 112T4323-5016 FOR DETAILS SEE: 57-22-51-04		1

ILLUSTRATION ITEMS NOT ON PARTS LIST ARE NOT APPLICABLE

- ITEM NOT ILLUSTRATED

HXL

57-00-53-01

BOEING PROPRIETARY - Copyright © - Unpublished Work - See title page for details.

57-00-53
FIG. 01
PAGE 3
DEC 22/07