

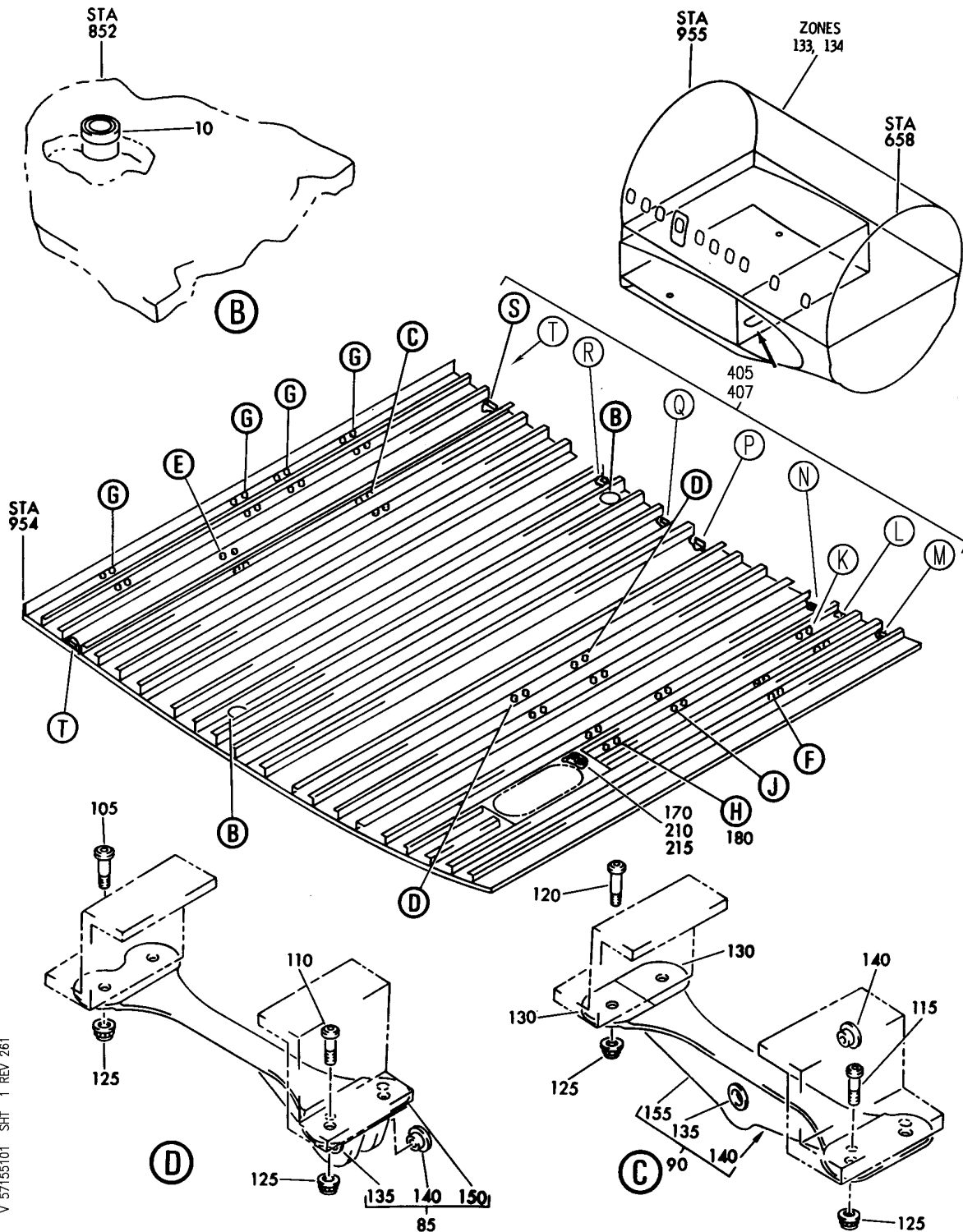
 **BOEING**
767
PARTS CATALOG (MAINTENANCE)

SKINS

HXL
DEC 22/06

57-15-00
SECTION TITLE
PAGE 1

BOEING
767
PARTS CATALOG (MAINTENANCE)



V 57155101_SHT 1 REV 261

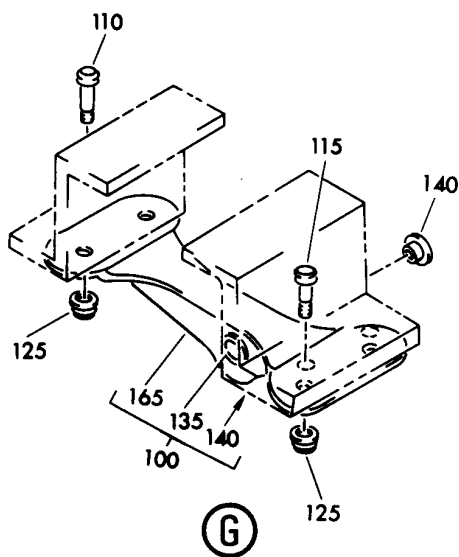
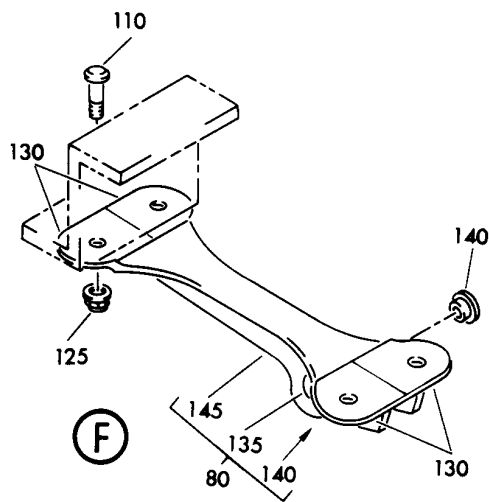
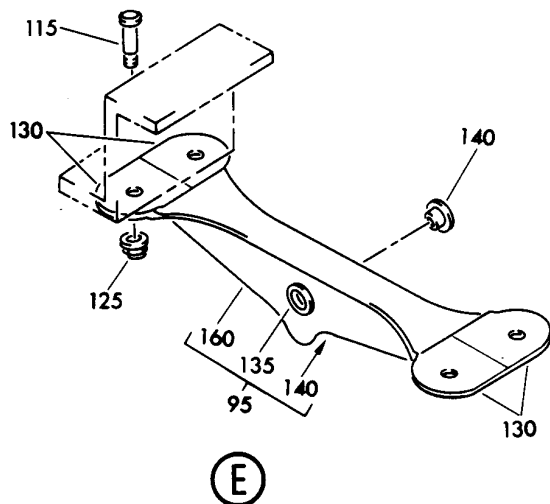
PANEL ASSY-WING CTR SECT. LWR
FIGURE 1 (SHEET 1)

57-15-51-01

HXL
DEC 22/06

57-15-51-01
PAGE 0

BOEING
767
PARTS CATALOG (MAINTENANCE)



V 57155101 SHT 2 REV 035

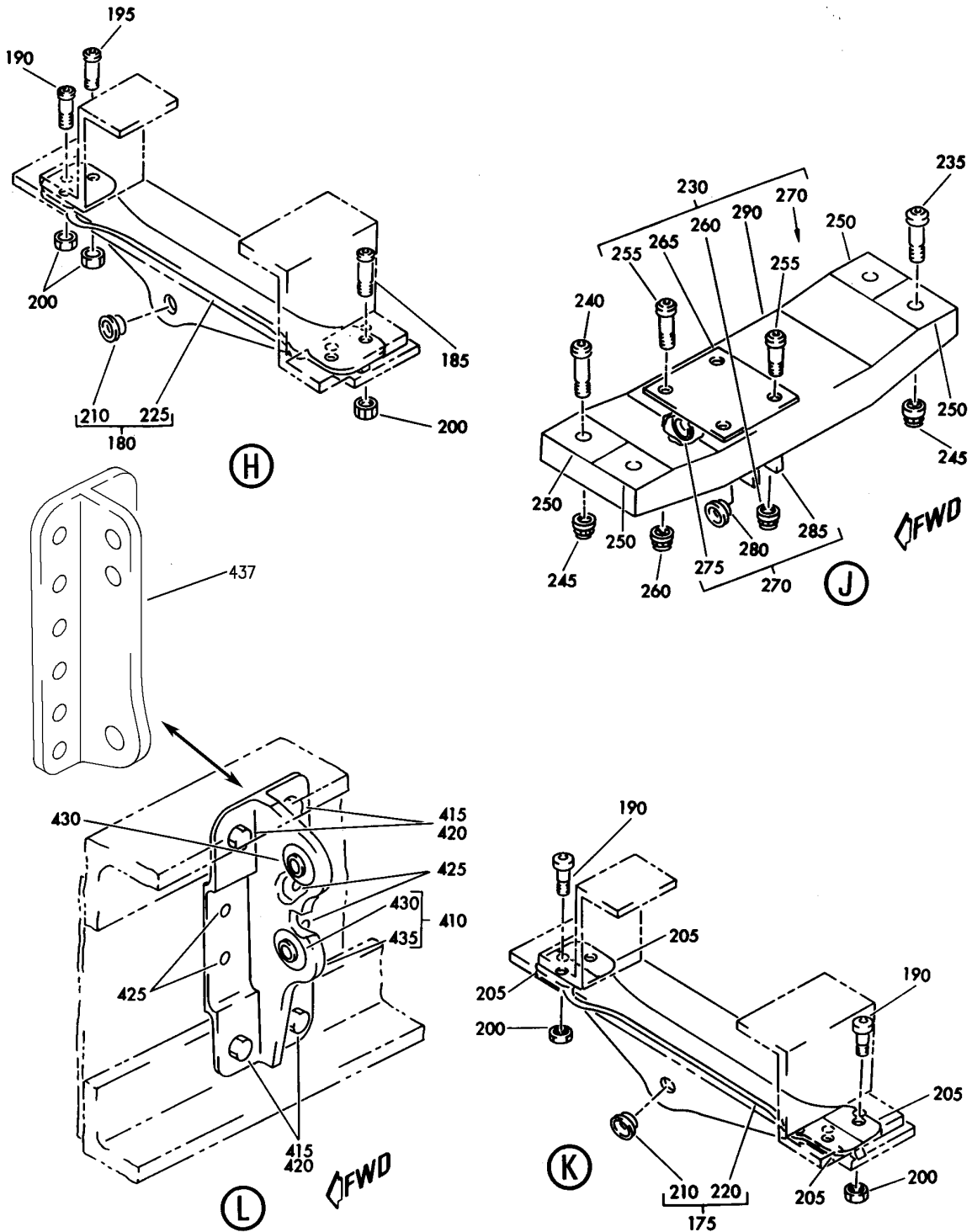
PANEL ASSY-WING CTR SECT. LWR
FIGURE 1 (SHEET 2)

57-15-51-01

HXL
DEC 22/06

57-15-51-01
PAGE 0A


BOEING
 767
PARTS CATALOG (MAINTENANCE)



V 57155101_SHT_3 REV 261

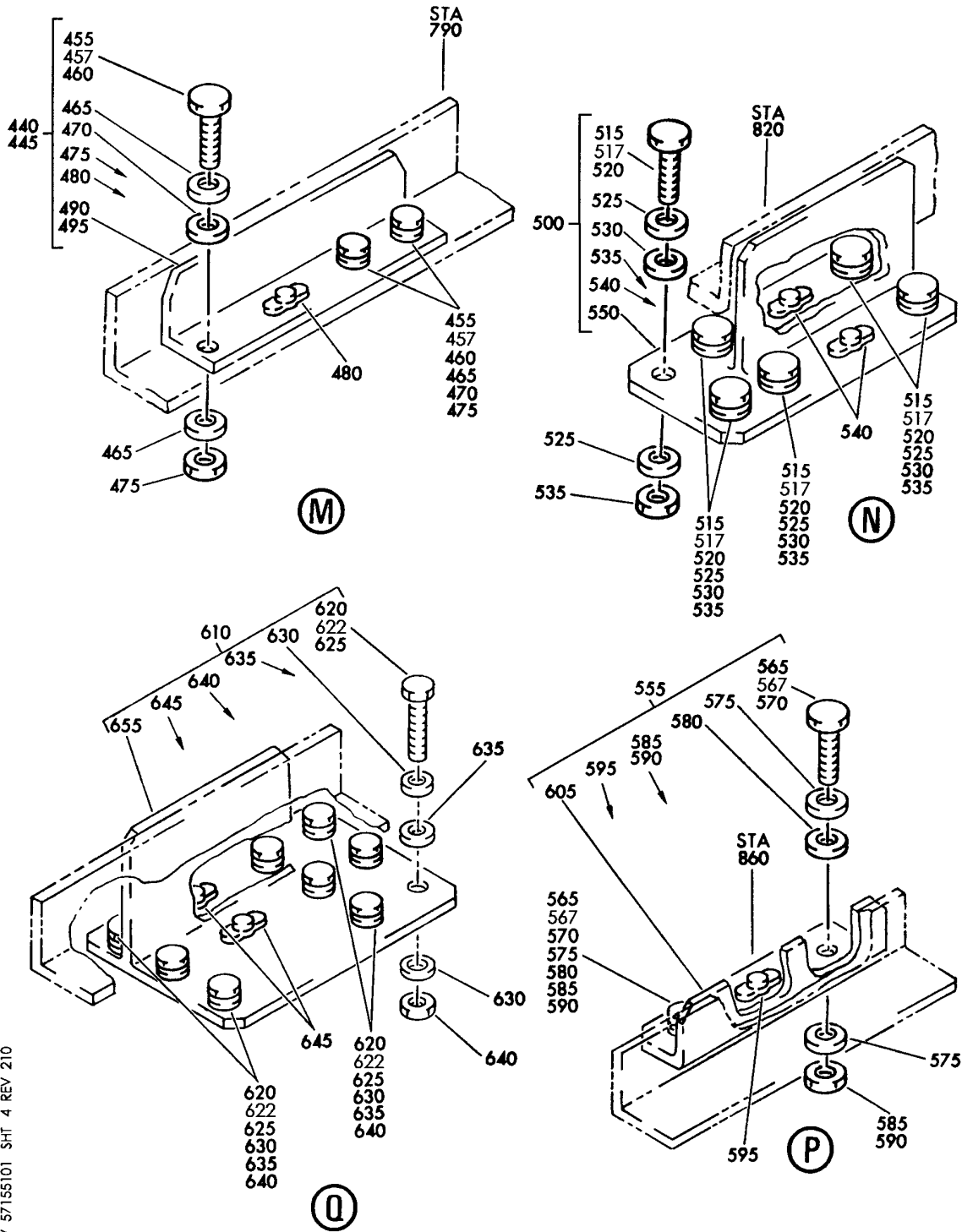
PANEL ASSY-WING CTR SECT. LWR
 FIGURE 1 (SHEET 3)

57-15-51-01

HXL
DEC 22/06

57-15-51-01
 PAGE 0B

BOEING
767
PARTS CATALOG (MAINTENANCE)



V 57155101 - SHT. 4 REV 210

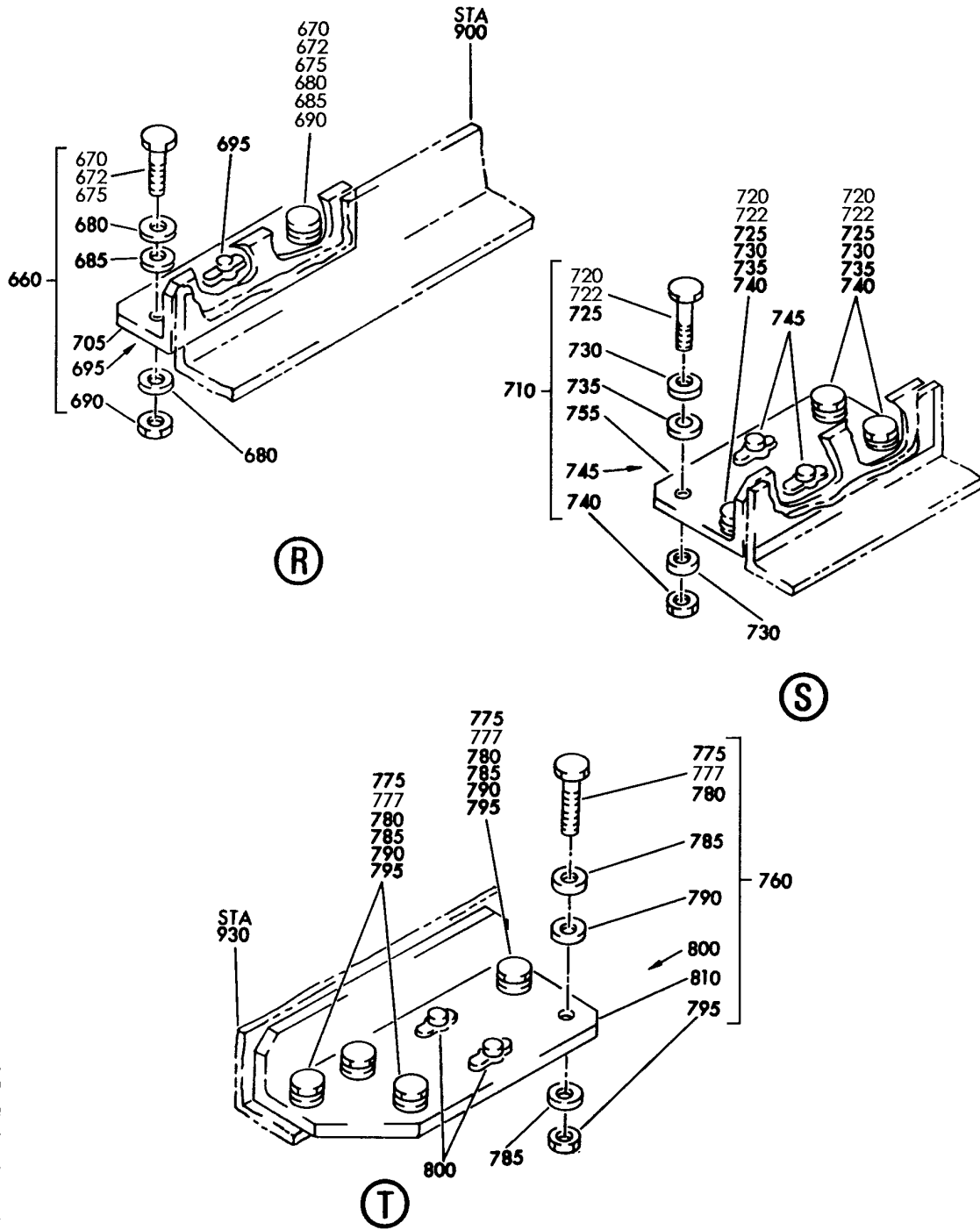
PANEL ASSY-WING CTR SECT. LWR
FIGURE 1 (SHEET 4)

57-15-51-01

HXL
DEC 22/06

57-15-51-01
PAGE 0C


BOEING
 767
PARTS CATALOG (MAINTENANCE)



V 57155101 SHT 5 REV 210

PANEL ASSY-WING CTR SECT. LWR
 FIGURE 1 (SHEET 5)

57-15-51-01

HXL
DEC 22/06

57-15-51-01
 PAGE 0D



767

PARTS CATALOG (MAINTENANCE)

FIG ITEM	PART NUMBER	1 2 3 4 5 6 7	NOMENCLATURE	EFFECT FROM TO	UNITS PER ASSY
1			PANEL ASSY-WING CTR SECT. LWR		
- 1	111T4000-7		PANEL ASSY-WING POSITION DATA: CTR SECT. LWR VARIABLE DRAWING REF: 111T4000-18 111T4000-5005 FOR NHA SEE: 57-11-54-01		RF
10	111T4026-4		.BUSHING-		2
80	100T1512-1		.FITTING ASSY-UNDERWING FAIRING		1
85	100T1512-2		.FITTING ASSY-UNDERWING FAIRING		2
90	100T1512-3		.FITTING ASSY-UNDERWING FAIRING		1
95	100T1512-4		.FITTING ASSY-UNDERWING FAIRING		1
100	100T1512-5		.FITTING ASSY-UNDERWING FAIRING		4

ILLUSTRATION ITEMS NOT ON PARTS LIST ARE NOT APPLICABLE

- ITEM NOT ILLUSTRATED

HXL

57-15-51-01

BOEING PROPRIETARY - Copyright © - Unpublished Work - See title page for details.

57-15-51
FIG. 01
PAGE 1
DEC 22/07

BOEING
767
PARTS CATALOG (MAINTENANCE)

FIG ITEM	PART NUMBER	1 2 3 4 5 6 7	NOMENCLATURE	EFFECT FROM TO	UNITS PER ASSY
1			ATTACHING PARTS		
105	HL1012AZ8-8		.BOLT- SUPPLIER CODE: VOPTK6 SPECIFICATION NUMBER: BACB30NX8K8 OPTIONAL PART: HL12VAZ8-8 V73197 HL12VAZ8-8 V92215 HL12VAZ8-8 V97928 L802-8K8 V06725 HL12VAZ8-8 V56878 HL1012AZ8-8 V06725 HL1012AZ8-8 V06950 HL1012AZ8-8 V17446 HL1012AZ8-8 V56878 HL1012AZ8-8 V60516 HL1012AZ8-8 V73197 HL1012AZ8-8 V97928 QUALIFIED OPTIONAL DATA: (OPT BACB30UB8K8 USED WITH BACC30BF8) USED WITH: NAS1804-8		8
105	BACB30UB8K8		.BOLT- QUALIFIED OPTIONAL DATA: (OPT BACB30NX8K8 USED WITH NAS1804-8) USED WITH: BACC30BF8		8
ILLUSTRATION ITEMS NOT ON PARTS LIST ARE NOT APPLICABLE					

- ITEM NOT ILLUSTRATED

HXL

57-15-51-01

BOEING PROPRIETARY - Copyright © - Unpublished Work - See title page for details.

57-15-51
FIG. 01
PAGE 2
DEC 22/06



767

PARTS CATALOG (MAINTENANCE)

FIG ITEM	PART NUMBER	1 2 3 4 5 6 7	NOMENCLATURE	EFFECT FROM TO	UNITS PER ASSY
1 110	HL1012AZ8-9		.BOLT- SUPPLIER CODE: VOPTK6 SPECIFICATION NUMBER: BACB30NX8K9 OPTIONAL PART: HL12VAZ8-9 V73197 HL12VAZ8-9 V92215 HL12VAZ8-9 V97928 L802-8K9 V06725 HL12VAZ8-9 V56878 HL1012AZ8-9 V06725 HL1012AZ8-9 V06950 HL1012AZ8-9 V17446 HL1012AZ8-9 V56878 HL1012AZ8-9 V60516 HL1012AZ8-9 V73197 HL1012AZ8-9 V97928 QUALIFIED OPTIONAL DATA: (OPT BACB30UB8K9 USED WITH BACC30BF8) USED WITH: NAS1804-8		12
110	BACB30UB8K9		.BOLT- QUALIFIED OPTIONAL DATA: (OPT BACB30NX8K9 USED WITH NAS1804-8) USED WITH: BACC30BF8		12

ILLUSTRATION ITEMS NOT ON PARTS LIST ARE NOT APPLICABLE

- ITEM NOT ILLUSTRATED

HXL

57-15-51-01

BOEING PROPRIETARY - Copyright © - Unpublished Work - See title page for details.

57-15-51
FIG. 01
PAGE 3
DEC 22/06



**767
PARTS CATALOG (MAINTENANCE)**

FIG ITEM	PART NUMBER	1 2 3 4 5 6 7	NOMENCLATURE	EFFECT FROM TO	UNITS PER ASSY
1 115	HL1012AZ8-10		.BOLT- SUPPLIER CODE: VOPTK6 SPECIFICATION NUMBER: BACB30NX8K10 OPTIONAL PART: HL12VAZ8-10 V73197 HL12VAZ8-10 V92215 HL12VAZ8-10 V97928 L802-8K10 V06725 HL12VAZ8-10 V56878 HL1012AZ8-10 V06725 HL1012AZ8-10 V06950 HL1012AZ8-10 V17446 HL1012AZ8-10 V56878 HL1012AZ8-10 V60516 HL1012AZ8-10 V73197 HL1012AZ8-10 V97928 QUALIFIED OPTIONAL DATA: (OPT BACB30UB8K10 USED WITH BACC30BF8) USED WITH: NAS1804-8		6
115	BACB30UB8K10		.BOLT- QUALIFIED OPTIONAL DATA: (OPT BACB30NX8K10 USED WITH NAS1804-8) USED WITH: BACC30BF8		6

ILLUSTRATION ITEMS NOT ON PARTS LIST ARE NOT APPLICABLE

- ITEM NOT ILLUSTRATED

HXL

57-15-51-01

BOEING PROPRIETARY - Copyright © - Unpublished Work - See title page for details.

57-15-51
FIG. 01
PAGE 4
DEC 22/06



**767
PARTS CATALOG (MAINTENANCE)**

FIG ITEM	PART NUMBER	1 2 3 4 5 6 7	NOMENCLATURE	EFFECT FROM TO	UNITS PER ASSY
1 120	HL1012AZ8-12		.BOLT- SUPPLIER CODE: V97928 SPECIFICATION NUMBER: BACB30NX8K12 OPTIONAL PART: HL12VAZ8-12 V73197 HL12VAZ8-12 V92215 HL12VAZ8-12 V97928 L802-8K12 V06725 HL12VAZ8-12 V56878 HL1012AZ8-12 V73197 HL1012AZ8-12 V60516 HL1012AZ8-12 V56878 HL1012AZ8-12 V17446 HL1012AZ8-12 V06950 HL1012AZ8-12 V06725 HL1012AZ8-12 VOPTK6 QUALIFIED OPTIONAL DATA: (OPT BACB30UB8K12 USED WITH BACC30BF8) USED WITH: NAS1804-8		2
120	BACB30UB8K12		.BOLT- QUALIFIED OPTIONAL DATA: (OPT BACB30NX8K12 USED WITH NAS1804-8) USED WITH: BACC30BF8		2
125	NAS1804-8		.NUT- USED WITH: BACB30NX8K8 BACB30NX8K9 BACB30NX8K10 BACB30NX8K12		28

ILLUSTRATION ITEMS NOT ON PARTS LIST ARE NOT APPLICABLE

- ITEM NOT ILLUSTRATED

HXL

57-15-51-01

BOEING PROPRIETARY - Copyright © - Unpublished Work - See title page for details.

57-15-51
FIG. 01
PAGE 5
DEC 22/06



767

PARTS CATALOG (MAINTENANCE)

FIG ITEM	PART NUMBER	1 2 3 4 5 6 7	NOMENCLATURE	EFFECT FROM TO	UNITS PER ASSY
1 125	2TCC08		.COLLAR- SUPPLIER CODE: V17446 SPECIFICATION NUMBER: BACC30BF8 OPTIONAL PART: 2TCC08 V92215 USED WITH: BACB30UB8K8 BACB30UB8K9 BACB30UB8K10 BACB30UB8K12 -----*-----		28
130	111T4000-2		.FILLER-RADIUS		10
135	BACB28AP04P013		..BUSHING		1
140	BACB28AM06B013A		..BUSHING		1
145	100T1512-6		..FITTING- USED ON: 100T1512-1		1
150	100T1512-7		..FITTING- USED ON: 100T1512-2		1
155	100T1512-8		..FITTING- USED ON: 100T1512-3		1
160	100T1512-9		..FITTING- USED ON: 100T1512-4		1
165	100T1512-10		..FITTING- USED ON: 100T1512-5		1
170	100T1517-1		.FITTING ASSY-PRESSURE RELIEF FRAME SPRT		1
175	100T1519-1		.FITTING ASSY-RAM AIR INLET SPRT		1
180	100T1519-2		.FITTING ASSY-RAM AIR INLET SPRT		1

ILLUSTRATION ITEMS NOT ON PARTS LIST ARE NOT APPLICABLE

- ITEM NOT ILLUSTRATED

HXL

57-15-51-01

BOEING PROPRIETARY - Copyright © - Unpublished Work - See title page for details.

57-15-51
FIG. 01
PAGE 6
DEC 22/06



767

PARTS CATALOG (MAINTENANCE)

FIG ITEM	PART NUMBER	1 2 3 4 5 6 7	NOMENCLATURE	EFFECT FROM TO	UNITS PER ASSY
1			ATTACHING PARTS		
185	HL1012AZ8-7		.BOLT- SUPPLIER CODE: VOPTK6 SPECIFICATION NUMBER: BACB30NX8K7 OPTIONAL PART: HL12VAZ8-7 V73197 HL12VAZ8-7 V92215 HL12VAZ8-7 V97928 L802-8K7 V06725 HL12VAZ8-7 V56878 HL1012AZ8-7 V06725 HL1012AZ8-7 V06950 HL1012AZ8-7 V17446 HL1012AZ8-7 V56878 HL1012AZ8-7 V60516 HL1012AZ8-7 V73197 HL1012AZ8-7 V97928 QUALIFIED OPTIONAL DATA: (OPT BACB30UB8K7 USED WITH BACC30BF8) USED WITH: NAS1804-8		2
185	BACB30UB8K7		.BOLT- QUALIFIED OPTIONAL DATA: (OPT BACB30NX8K7 USED WITH NAS1804-8) USED WITH: BACC30BF8		2

ILLUSTRATION ITEMS NOT ON PARTS LIST ARE NOT APPLICABLE

- ITEM NOT ILLUSTRATED

HXL

57-15-51-01

BOEING PROPRIETARY - Copyright © - Unpublished Work - See title page for details.

57-15-51
FIG. 01
PAGE 7
DEC 22/06



767

PARTS CATALOG (MAINTENANCE)

FIG ITEM	PART NUMBER	1 2 3 4 5 6 7	NOMENCLATURE	EFFECT FROM TO	UNITS PER ASSY
1 190	HL1012AZ8-9		.BOLT- SUPPLIER CODE: VOPTK6 SPECIFICATION NUMBER: BACB30NX8K9 OPTIONAL PART: HL12VAZ8-9 V73197 HL12VAZ8-9 V92215 HL12VAZ8-9 V97928 L802-8K9 V06725 HL12VAZ8-9 V56878 HL1012AZ8-9 V06725 HL1012AZ8-9 V06950 HL1012AZ8-9 V17446 HL1012AZ8-9 V56878 HL1012AZ8-9 V60516 HL1012AZ8-9 V73197 HL1012AZ8-9 V97928 QUALIFIED OPTIONAL DATA: (OPT BACB30UB8K9 USED WITH BACC30BF8) USED WITH: NAS1804-8		5
190	BACB30UB8K9		.BOLT- QUALIFIED OPTIONAL DATA: (OPT BACB30NX8K9 USED WITH NAS1804-8) USED WITH: BACC30BF8		5

ILLUSTRATION ITEMS NOT ON PARTS LIST ARE NOT APPLICABLE

- ITEM NOT ILLUSTRATED

HXL

57-15-51-01

BOEING PROPRIETARY - Copyright © - Unpublished Work - See title page for details.

57-15-51
FIG. 01
PAGE 8
DEC 22/06



767

PARTS CATALOG (MAINTENANCE)

FIG ITEM	PART NUMBER	1 2 3 4 5 6 7	NOMENCLATURE	EFFECT FROM TO	UNITS PER ASSY
1 195	HL1012AZ8-10		.BOLT- SUPPLIER CODE: VOPTK6 SPECIFICATION NUMBER: BACB30NX8K10 OPTIONAL PART: HL12VAZ8-10 V73197 HL12VAZ8-10 V92215 HL12VAZ8-10 V97928 L802-8K10 V06725 HL12VAZ8-10 V56878 HL1012AZ8-10 V06725 HL1012AZ8-10 V06950 HL1012AZ8-10 V17446 HL1012AZ8-10 V56878 HL1012AZ8-10 V60516 HL1012AZ8-10 V73197 HL1012AZ8-10 V97928 QUALIFIED OPTIONAL DATA: (OPT BACB30UB8K10 USED WITH BACC30BF8) USED WITH: NAS1804-8		1
195	BACB30UB8K10		.BOLT- QUALIFIED OPTIONAL DATA: (OPT BACB30NX8K10 USED WITH NAS1804-8) USED WITH: BACC30BF8		1
200	NAS1804-8		.NUT- USED WITH: BACB30NX8K7 BACB30NX8K9 BACB30NX8K10		8

ILLUSTRATION ITEMS NOT ON PARTS LIST ARE NOT APPLICABLE

- ITEM NOT ILLUSTRATED

HXL

57-15-51-01

BOEING PROPRIETARY - Copyright © - Unpublished Work - See title page for details.

57-15-51
FIG. 01
PAGE 9
DEC 22/06



767

PARTS CATALOG (MAINTENANCE)

FIG ITEM	PART NUMBER	1 2 3 4 5 6 7	NOMENCLATURE	EFFECT FROM TO	UNITS PER ASSY
1 200	2TCC08		. COLLAR- SUPPLIER CODE: V17446 SPECIFICATION NUMBER: BACC30BF8 OPTIONAL PART: 2TCC08 V92215 USED WITH: BACB30UB8K7 BACB30UB8K9 BACB30UB8K10 -----*-----		8
205	111T4000-2		. FILLER-RADIUS		4
210	NES04B10GC		.. BEARING SUPPLIER CODE: V73134 SPECIFICATION NUMBER: BACB10FC04C OPTIONAL PART: NRRS04B10GC V73134 HT04VSBC VS0352 ADB4VNC V15860 KNDB4-66 V97613 KR4CNGBZC V50632		1
215	100T1517-2		.. FITTING- USED ON: 100T1517-1		1
220	100T1519-3		.. FITTING- USED ON: 100T1519-1		1
225	100T1519-4		.. FITTING- USED ON: 100T1519-2		1
230	100T1521-1		. CHANNEL ASSY-RAM AIR INLET SPRT		1

ILLUSTRATION ITEMS NOT ON PARTS LIST ARE NOT APPLICABLE

- ITEM NOT ILLUSTRATED

57-15-51-01

57-15-51
FIG. 01
PAGE 10
DEC 22/06

HXL

BOEING PROPRIETARY - Copyright © - Unpublished Work - See title page for details.



767

PARTS CATALOG (MAINTENANCE)

FIG ITEM	PART NUMBER	1 2 3 4 5 6 7	NOMENCLATURE	EFFECT FROM TO	UNITS PER ASSY
1					
235	HL1012AZ8-9		ATTACHING PARTS .BOLT- SUPPLIER CODE: VOPTK6 SPECIFICATION NUMBER: BACB30NX8K9 OPTIONAL PART: HL12VAZ8-9 V73197 HL12VAZ8-9 V92215 HL12VAZ8-9 V97928 L802-8K9 V06725 HL12VAZ8-9 V56878 HL1012AZ8-9 V06725 HL1012AZ8-9 V06950 HL1012AZ8-9 V17446 HL1012AZ8-9 V56878 HL1012AZ8-9 V60516 HL1012AZ8-9 V73197 HL1012AZ8-9 V97928 QUALIFIED OPTIONAL DATA: (OPT BACB30UB8K9 USED WITH BACC30BF8) USED WITH: NAS1804-8		2
235	BACB30UB8K9		.BOLT- QUALIFIED OPTIONAL DATA: (OPT BACB30NX8K9 USED WITH NAS1804-8) USED WITH: BACC30BF8		2

ILLUSTRATION ITEMS NOT ON PARTS LIST ARE NOT APPLICABLE

- ITEM NOT ILLUSTRATED

HXL

57-15-51-01

BOEING PROPRIETARY - Copyright © - Unpublished Work - See title page for details.

57-15-51
 FIG. 01
 PAGE 11
 DEC 22/06



767

PARTS CATALOG (MAINTENANCE)

FIG ITEM	PART NUMBER	1 2 3 4 5 6 7	NOMENCLATURE	EFFECT FROM TO	UNITS PER ASSY
1 240	HL1012AZ8-10		.BOLT- SUPPLIER CODE: VOPTK6 SPECIFICATION NUMBER: BACB30NX8K10 OPTIONAL PART: HL12VAZ8-10 V73197 HL12VAZ8-10 V92215 HL12VAZ8-10 V97928 L802-8K10 V06725 HL12VAZ8-10 V56878 HL1012AZ8-10 V06725 HL1012AZ8-10 V06950 HL1012AZ8-10 V17446 HL1012AZ8-10 V56878 HL1012AZ8-10 V60516 HL1012AZ8-10 V73197 HL1012AZ8-10 V97928 QUALIFIED OPTIONAL DATA: (OPT BACB30UB8K10 USED WITH BACC30BF8) USED WITH: NAS1804-8		2
240	BACB30UB8K10		.BOLT- QUALIFIED OPTIONAL DATA: (OPT BACB30NX8K10 USED WITH NAS1804-8) USED WITH: BACC30BF8		2
245	NAS1804-8		.NUT- USED WITH: BACB30NX8K9 BACB30NX8K10		4

ILLUSTRATION ITEMS NOT ON PARTS LIST ARE NOT APPLICABLE

- ITEM NOT ILLUSTRATED

HXL

57-15-51-01

BOEING PROPRIETARY - Copyright © - Unpublished Work - See title page for details.

57-15-51
FIG. 01
PAGE 12
DEC 22/06

 **BOEING**
767
PARTS CATALOG (MAINTENANCE)

FIG ITEM	PART NUMBER	1 2 3 4 5 6 7	NOMENCLATURE	EFFECT FROM TO	UNITS PER ASSY
1 245	2TCC08		. COLLAR- SUPPLIER CODE: V17446 SPECIFICATION NUMBER: BACC30BF8 OPTIONAL PART: 2TCC08 V92215 USED WITH: BACB30UB8K9 BACB30UB8K10 -----*-----		4
250 255	111T4000-2 HL11VAZ6-8		. FILLER-RADIUS .. BOLT SUPPLIER CODE: V60516 SPECIFICATION NUMBER: BACB30NW6K8 OPTIONAL PART: B30NW6K8 V97928 HL11VAZ6-8 V73197 HL11VAZ6-8 V92215 HL11VAZ6-8 V97928 L803-6K8 V06725 HL11VAZ6-8 V0PTK6 HL11VAZ6-8 V56878		4 4
260	HL79-6		.. COLLAR- SUPPLIER CODE: V5M902 SPECIFICATION NUMBER: BACC30M6 OPTIONAL PART: HL79-6 V73197 HL79-6 V92215 66014-6 V56878 HL79-6 V56878		4
265 270	100T1521-3 100T1523-1		.. DOUBLER .. FITTING ASSY		1 1

ILLUSTRATION ITEMS NOT ON PARTS LIST ARE NOT APPLICABLE

- ITEM NOT ILLUSTRATED

HXL

57-15-51-01

BOEING PROPRIETARY - Copyright © - Unpublished Work - See title page for details.

57-15-51
FIG. 01
PAGE 13
DEC 22/06



767

PARTS CATALOG (MAINTENANCE)

FIG ITEM	PART NUMBER	1 2 3 4 5 6 7	NOMENCLATURE	EFFECT FROM TO	UNITS PER ASSY
1					
275	BACB28AP04P013	...	BUSHING		2
280	BACB28AM06B013A	...	BUSHING		2
285	100T1523-2	...	FITTING		1
290	100T1521-2	..	CHANNEL		1
- 400	111T5012-1	BEAM INSTL-			RF
		POSITION DATA:			
		BBL 62.05 WING CTR SECT.			
		LWR LH			
		VARIABLE DRAWING REF:			
		111T5012-29			
		111T5012-5007			
		FOR NHA/OTHER SYS DET SEE:			
		57-11-54-01			
- 403	111T5012-2	BEAM INSTL-			RF
		POSITION DATA:			
		BBL 62.05 WING CTR SECT.			
		LWR RH			
		VARIABLE DRAWING REF:			
		111T5012-30			
		111T5012-5006			
		FOR NHA/OTHER SYS DET SEE:			
		57-11-54-01			
405	111T5012-31	.BEAM ASSY-			1
		POSITION DATA:			
		LH SIDE			
405	111T5012-43	.BEAM ASSY-			1
		POSITION DATA:			
		LH SIDE			
- 407	111T5012-32	.BEAM ASSY-			1
		POSITION DATA:			
		RH SIDE			
- 407	111T5012-24	.BEAM ASSY-			1
		POSITION DATA:			
		RH SIDE			
410	100T1518-1	..FITTING ASSY-			1
		POSITION DATA:			
		LH SIDE			
		ATTACHING PARTS			
415	L8006K9	..BOLT-			4
		SUPPLIER CODE:			
		V06725			
		SPECIFICATION NUMBER:			
		BACB30MY6K9			
		POSITION DATA:			
		LH SIDE			

ILLUSTRATION ITEMS NOT ON PARTS LIST ARE NOT APPLICABLE

- ITEM NOT ILLUSTRATED

57-15-51-01

57-15-51
FIG. 01
PAGE 14
APR 22/08

HXL

BOEING
767
PARTS CATALOG (MAINTENANCE)

FIG ITEM	PART NUMBER	1 2 3 4 5 6 7	NOMENCLATURE	EFFECT FROM TO	UNITS PER ASSY
1 420	HL79-6		.. COLLAR- SUPPLIER CODE: V5M902 SPECIFICATION NUMBER: BACC30M6 OPTIONAL PART: HL79-6 V73197 HL79-6 V92215 66014-6 V56878 HL79-6 V56878 POSITION DATA: LH SIDE		4
425	BACR15FT6KE		.. RIVET- POSITION DATA: LH SIDE SIZE DETERMINED ON INSTL. -----*-----		4
430	NES04B10GC		... BEARING- SUPPLIER CODE: V73134 SPECIFICATION NUMBER: BACB10FC04C OPTIONAL PART: NRRS04B10GC V73134 HT04VSBC VS0352 ADB4VNC V15860 KNDB4-66 V97613 KR4CNGBZC V50632 POSITION DATA: LH SIDE		2
435	100T1518-2		... FITTING- POSITION DATA: LH SIDE		1
437	111T5081-3		.. SUPPORT ASSY- POSITION DATA: LH SIDE		1

ILLUSTRATION ITEMS NOT ON PARTS LIST ARE NOT APPLICABLE

— ITEM NOT ILLUSTRATED

HXL

57-15-51-01

BOEING PROPRIETARY - Copyright © - Unpublished Work - See title page for details.

57-15-51
FIG. 01
PAGE 15
DEC 22/07



767

PARTS CATALOG (MAINTENANCE)

FIG ITEM	PART NUMBER	1 2 3 4 5 6 7	NOMENCLATURE	EFFECT FROM TO	UNITS PER ASSY
1			ATTACHING PARTS		
- 438	BACR15FT6KE	..	RIVET- POSITION DATA: LH SIDE -----*-----		6
440	287T0015-507	..	STUD ASSY-GND POSITION DATA: LH SIDE		1
445	287T0015-508	..	STUD ASSY-GND POSITION DATA: RH SIDE		1
- 450	BACR15FT6KE	..	RIVET- ATTACHING PARTS SIZE DETERMINED ON INSTL. -----*-----		5
455	VNS1924CA1-8	...	STUD-GND SUPPLIER CODE: V5M902 SPECIFICATION NUMBER: BACS53B1EA1 OPTIONAL PART: VNS1924CA3-1-8 V92215 287T0015-666		3
457	287T0015-666	...	STUD ASSY-GND OPTIONAL PART: BACS53B1EA1		3
460	NAS1801-3-12	SCREW		3
465	NAS1149D0316H	WASHER-		6
470	MS35338-43	WASHER		3
475	MS35650-305T	NUT		3
480	T8076S1032	...	NUTPLATE SUPPLIER CODE: V11815 SPECIFICATION NUMBER: BACN10JP3A OPTIONAL PART: MK1000-3BAC V15653 NS103197-02 V80539 RMA9201M3 V72962 VN202A1-02 V92215 BRM200A3 V52828		1
ILLUSTRATION ITEMS NOT ON PARTS LIST ARE NOT APPLICABLE					

- ITEM NOT ILLUSTRATED

57-15-51-01

57-15-51
FIG. 01
PAGE 16
DEC 22/07

HXL

 **BOEING**
767
PARTS CATALOG (MAINTENANCE)

FIG ITEM	PART NUMBER	1 2 3 4 5 6 7	NOMENCLATURE	EFFECT FROM TO	UNITS PER ASSY
1			ATTACHING PARTS		
- 485	BACR15BA3AD	...	RIVET- SIZE DETERMINED ON INSTL. -----*-----		2
490	287T0015-509	...	ANGLE- POSITION DATA: LH SIDE		1
495	287T0015-510	...	ANGLE- POSITION DATA: RH SIDE		1
500	287T0015-511	..	STUD ASSY-GND POSITION DATA: LH SIDE		1
- 505	HST10AG8-5	..	BOLT- SUPPLIER CODE: VOPTK6 SPECIFICATION NUMBER: BACB30VT8K5 OPTIONAL PART: HST10AG8-5 V06725 HST10AG8-5 V56878 HST10AG8-5 V73197 WC10K8-5 V60516 POSITION DATA: LH SIDE		3
- 510	BACC30BL8	..	COLLAR- POSITION DATA: LH SIDE -----*-----		3
515	VNS1924CA1-8	...	STUD-GND SUPPLIER CODE: V5M902 SPECIFICATION NUMBER: BACS53B1EA1 OPTIONAL PART: VNS1924CA3-1-8 V92215 POSITION DATA: LH SIDE 287T0015-666		6

ILLUSTRATION ITEMS NOT ON PARTS LIST ARE NOT APPLICABLE

- ITEM NOT ILLUSTRATED

HXL

57-15-51-01

BOEING PROPRIETARY - Copyright © - Unpublished Work - See title page for details.

57-15-51
FIG. 01
PAGE 17
APR 22/09

BOEING
767
PARTS CATALOG (MAINTENANCE)

FIG ITEM	PART NUMBER	1 2 3 4 5 6 7	NOMENCLATURE	EFFECT FROM TO	UNITS PER ASSY
1					
517	287T0015-666		...STUD ASSY-GND POSITION DATA: LH SIDE OPTIONAL PART: BACS53B1EA1		6
520	NAS1801-3-12	SCREW- POSITION DATA: LH SIDE		6
525	NAS1149D0316H	WASHER- POSITION DATA: LH SIDE		12
530	MS35338-43	WASHER- POSITION DATA: LH SIDE		6
535	MS35650-305T	NUT- POSITION DATA: LH SIDE		6
540	T8076S1032		...NUTPLATE- SUPPLIER CODE: V11815 SPECIFICATION NUMBER: BACN10JP3A OPTIONAL PART: MK1000-3BAC V15653 NS103197-02 V80539 RMA9201M3 V72962 VN202A1-02 V92215 BRM200A3 V52828 POSITION DATA: LH SIDE		2
- 545	BACR15BA3AD		ATTACHING PARTS ...RIVET- POSITION DATA: LH SIDE SIZE DETERMINED ON INSTL. -----*-----		4
550	287T0015-512		...TEE- POSITION DATA: LH SIDE		1
555	287T0015-453		..STUD ASSY-GND POSITION DATA: LH SIDE		1
ILLUSTRATION ITEMS NOT ON PARTS LIST ARE NOT APPLICABLE					

- ITEM NOT ILLUSTRATED

HXL

57-15-51-01

BOEING PROPRIETARY - Copyright © - Unpublished Work - See title page for details.

57-15-51
FIG. 01
PAGE 18
APR 22/09



767

PARTS CATALOG (MAINTENANCE)

FIG ITEM	PART NUMBER	1 2 3 4 5 6 7	NOMENCLATURE	EFFECT FROM TO	UNITS PER ASSY
1			ATTACHING PARTS		
- 560	HST10AG8-6		..BOLT- SUPPLIER CODE: VOPTK6 SPECIFICATION NUMBER: BACB30VT8K6 OPTIONAL PART: HST10AG8-6 V06725 HST10AG8-6 V56878 HST10AG8-6 V73197 WC10K8-6 V60516 POSITION DATA: LH SIDE		4
- 563	BACC30BL8		..COLLAR- POSITION DATA: LH SIDE		4
			-----*-----		
565	VNS1924CA1-8		...STUD-GND SUPPLIER CODE: V5M902 SPECIFICATION NUMBER: BACS53B1EA1 OPTIONAL PART: VNS1924CA3-1-8 V92215 POSITION DATA: LH SIDE		2
567	287T0015-666		...STUD ASSY-GND POSITION DATA: LH SIDE OPTIONAL PART: BACS53B1EA1 287T0015-667		2
567	287T0015-667		...STUD-GND POSITION DATA: LH SIDE OPTIONAL PART: BACS53B1EA1 287T0015-666		2
570	NAS1801-3-12	SCREW- POSITION DATA: LH SIDE		2

ILLUSTRATION ITEMS NOT ON PARTS LIST ARE NOT APPLICABLE

- ITEM NOT ILLUSTRATED

57-15-51-01

57-15-51
FIG. 01
PAGE 19
APR 22/09

HXL

BOEING
767
PARTS CATALOG (MAINTENANCE)

FIG ITEM	PART NUMBER	1 2 3 4 5 6 7	NOMENCLATURE	EFFECT FROM TO	UNITS PER ASSY
1					
575	NAS1149D0316H	WASHER- POSITION DATA: LH SIDE		4
580	MS35338-43	WASHER- POSITION DATA: LH SIDE		2
585	MS35650-305S	NUT- POSITION DATA: LH SIDE USED ON: 287T0015-667		2
590	MS35650-305T	NUT- POSITION DATA: LH SIDE USED ON: 287T0015-666		2
595	T8076S1032	...	NUTPLATE- SUPPLIER CODE: V11815 SPECIFICATION NUMBER: BACN10JP3A OPTIONAL PART: MK1000-3BAC V15653 NS103197-02 V80539 RMA9201M3 V72962 VN202A1-02 V92215 BRM200A3 V52828 POSITION DATA: LH SIDE ATTACHING PARTS		1
- 600	BACR15BA3AD	...	RIVET- POSITION DATA: LH SIDE SIZE DETERMINED ON INSTL. -----*-----		2
605	287T0015-454	...	ANGLE- POSITION DATA: LH SIDE		1
610	287T0015-571	..	STUD ASSY-GND POSITION DATA: LH SIDE		1
ILLUSTRATION ITEMS NOT ON PARTS LIST ARE NOT APPLICABLE					

- ITEM NOT ILLUSTRATED

HXL

57-15-51-01

BOEING PROPRIETARY - Copyright © - Unpublished Work - See title page for details.

57-15-51
FIG. 01
PAGE 20
APR 22/09



767

PARTS CATALOG (MAINTENANCE)

FIG ITEM	PART NUMBER	1 2 3 4 5 6 7	NOMENCLATURE	EFFECT FROM TO	UNITS PER ASSY
1			ATTACHING PARTS		
- 615	BACR15FT8KE		..RIVET- POSITION DATA: LH SIDE SIZE DETERMINED ON INSTL. -----*-----		3
620	VNS1924CA1-8		...STUD-GND SUPPLIER CODE: V5M902 SPECIFICATION NUMBER: BACS53B1EA1 OPTIONAL PART: VNS1924CA3-1-8 V92215 POSITION DATA: LH SIDE 287T0015-666		9
622	287T0015-666		...STUD ASSY-GND POSITION DATA: LH SIDE OPTIONAL PART: BACS53B1EA1		9
625	NAS1801-3-12	SCREW- POSITION DATA: LH SIDE		9
630	NAS1149D0316H	WASHER- POSITION DATA: LH SIDE		18
635	MS35338-43	WASHER- POSITION DATA: LH SIDE		9
640	MS35650-305T	NUT- POSITION DATA: LH SIDE		9

ILLUSTRATION ITEMS NOT ON PARTS LIST ARE NOT APPLICABLE

- ITEM NOT ILLUSTRATED

HXL

57-15-51-01

BOEING PROPRIETARY - Copyright © - Unpublished Work - See title page for details.

57-15-51
FIG. 01
PAGE 21
APR 22/09

 **BOEING**
767
PARTS CATALOG (MAINTENANCE)

FIG ITEM	PART NUMBER	1 2 3 4 5 6 7	NOMENCLATURE	EFFECT FROM TO	UNITS PER ASSY
1 645	T8076S1032		...NUTPLATE- SUPPLIER CODE: V11815 SPECIFICATION NUMBER: BACN10JP3A OPTIONAL PART: MK1000-3BAC V15653 NS103197-02 V80539 RMA9201M3 V72962 VN202A1-02 V92215 BRM200A3 V52828 POSITION DATA: LH SIDE ATTACHING PARTS		2
- 650	BACR15BA3AD		...RIVET- POSITION DATA: LH SIDE SIZE DETERMINED ON INSTL. -----*-----		4
655	287T0015-572		...ANGLE- POSITION DATA: LH SIDE		1
660	287T0015-437		..STUD ASSY-GND POSITION DATA: LH SIDE ATTACHING PARTS		1
- 665	BACR15FT8KE		..RIVET- POSITION DATA: LH SIDE SIZE DETERMINED ON INSTL. -----*-----		3
670	VNS1924CA1-8		...STUD-GND SUPPLIER CODE: V5M902 SPECIFICATION NUMBER: BACS53B1EA1 OPTIONAL PART: VNS1924CA3-1-8 V92215 POSITION DATA: LH SIDE 287T0015-666		2

ILLUSTRATION ITEMS NOT ON PARTS LIST ARE NOT APPLICABLE

- ITEM NOT ILLUSTRATED

HXL

57-15-51-01

BOEING PROPRIETARY - Copyright © - Unpublished Work - See title page for details.

57-15-51
FIG. 01
PAGE 22
APR 22/09

BOEING
767
PARTS CATALOG (MAINTENANCE)

FIG ITEM	PART NUMBER	1 2 3 4 5 6 7	NOMENCLATURE	EFFECT FROM TO	UNITS PER ASSY
1					
672	287T0015-666	...	STUD ASSY-GND POSITION DATA: LH SIDE OPTIONAL PART: BACS53B1EA1		2
675	NAS1801-3-12	SCREW- POSITION DATA: LH SIDE		2
680	NAS1149D0316H	WASHER- POSITION DATA: LH SIDE		4
685	MS35338-43	WASHER- POSITION DATA: LH SIDE		2
690	MS35650-305T	NUT- POSITION DATA: LH SIDE		2
695	T8076S1032	...	NUTPLATE- SUPPLIER CODE: V11815 SPECIFICATION NUMBER: BACN10JP3A OPTIONAL PART: MK1000-3BAC V15653 NS103197-02 V80539 RMA9201M3 V72962 VN202A1-02 V92215 BRM200A3 V52828 POSITION DATA: LH SIDE		1
- 700	BACR15BA3AD	...	RIVET- POSITION DATA: LH SIDE SIZE DETERMINED ON INSTL. -----*-----		2
705	287T0015-438	...	ANGLE- POSITION DATA: LH SIDE		1
710	287T0015-485	..	STUD ASSY-GND POSITION DATA: LH SIDE		1

ILLUSTRATION ITEMS NOT ON PARTS LIST ARE NOT APPLICABLE

- ITEM NOT ILLUSTRATED

HXL

57-15-51-01

BOEING PROPRIETARY - Copyright © - Unpublished Work - See title page for details.

57-15-51
FIG. 01
PAGE 23
APR 22/09

BOEING
767
PARTS CATALOG (MAINTENANCE)

FIG ITEM	PART NUMBER	1 2 3 4 5 6 7	NOMENCLATURE	EFFECT FROM TO	UNITS PER ASSY
1			ATTACHING PARTS		
- 715	BACR15FT8KE		..RIVET- POSITION DATA: LH SIDE SIZE DETERMINED ON INSTL. -----*-----		3
720	VNS1924CA1-8		...STUD-GND SUPPLIER CODE: V5M902 SPECIFICATION NUMBER: BACS53B1EA1 OPTIONAL PART: VNS1924CA3-1-8 V92215 POSITION DATA: LH SIDE 287T0015-666		4
722	287T0015-666		...STUD ASSY-GND POSITION DATA: LH SIDE OPTIONAL PART: BACS53B1EA1		4
725	NAS1801-3-12	SCREW- POSITION DATA: LH SIDE		4
730	NAS1149D0316H	WASHER- POSITION DATA: LH SIDE		8
735	MS35338-43	WASHER- POSITION DATA: LH SIDE		4
740	MS35650-305T	NUT- POSITION DATA: LH SIDE		4

ILLUSTRATION ITEMS NOT ON PARTS LIST ARE NOT APPLICABLE

- ITEM NOT ILLUSTRATED

HXL

57-15-51-01

BOEING PROPRIETARY - Copyright © - Unpublished Work - See title page for details.

57-15-51
FIG. 01
PAGE 24
APR 22/09



767

PARTS CATALOG (MAINTENANCE)

FIG ITEM	PART NUMBER	1 2 3 4 5 6 7	NOMENCLATURE	EFFECT FROM TO	UNITS PER ASSY
1 745	T8076S1032		...NUTPLATE- SUPPLIER CODE: V11815 SPECIFICATION NUMBER: BACN10JP3A OPTIONAL PART: MK1000-3BAC V15653 NS103197-02 V80539 RMA9201M3 V72962 VN202A1-02 V92215 BRM200A3 V52828 POSITION DATA: LH SIDE ATTACHING PARTS		2
- 750	BACR15BA3AD		...RIVET- POSITION DATA: LH SIDE SIZE DETERMINED ON INSTL. -----*-----		4
755	287T0015-486		...ANGLE- POSITION DATA: LH SIDE		1
760	287T0015-513		..STUD ASSY-GND POSITION DATA: RH SIDE ATTACHING PARTS		1
- 765	HST10AG8-6		..BOLT- SUPPLIER CODE: VOPTK6 SPECIFICATION NUMBER: BACB30VT8K6 OPTIONAL PART: HST10AG8-6 V06725 HST10AG8-6 V56878 HST10AG8-6 V73197 WC10K8-6 V60516 POSITION DATA: RH SIDE		4

ILLUSTRATION ITEMS NOT ON PARTS LIST ARE NOT APPLICABLE

- ITEM NOT ILLUSTRATED

HXL

57-15-51-01

BOEING PROPRIETARY - Copyright © - Unpublished Work - See title page for details.

57-15-51
 FIG. 01
 PAGE 25
 APR 22/09



767

PARTS CATALOG (MAINTENANCE)

FIG ITEM	PART NUMBER	1 2 3 4 5 6 7	NOMENCLATURE	EFFECT FROM TO	UNITS PER ASSY
1					
- 770	BACC30BL8		.. COLLAR- POSITION DATA: RH SIDE		4
			-----*-----		
775	VNS1924CA1-8		... STUD-GND SUPPLIER CODE: V5M902 SPECIFICATION NUMBER: BACS53B1EA1 OPTIONAL PART: VNS1924CA3-1-8 V92215 POSITION DATA: RH SIDE		5
			287T0015-666		
777	287T0015-666		... STUD ASSY-GND POSITION DATA: RH SIDE OPTIONAL PART: BACS53B1EA1		5
780	NAS1801-3-12	 SCREW- POSITION DATA: RH SIDE		5
785	NAS1149D0316H	 WASHER- POSITION DATA: RH SIDE		10
790	MS35338-43	 WASHER- POSITION DATA: RH SIDE		5
795	MS35650-305T	 NUT- POSITION DATA: RH SIDE		5

ILLUSTRATION ITEMS NOT ON PARTS LIST ARE NOT APPLICABLE

- ITEM NOT ILLUSTRATED

HXL

57-15-51-01

BOEING PROPRIETARY - Copyright © - Unpublished Work - See title page for details.

57-15-51
FIG. 01
PAGE 26
APR 22/09



767

PARTS CATALOG (MAINTENANCE)

FIG ITEM	PART NUMBER	1 2 3 4 5 6 7	NOMENCLATURE	EFFECT FROM TO	UNITS PER ASSY
1 800	T8076S1032		...NUTPLATE- SUPPLIER CODE: V11815 SPECIFICATION NUMBER: BACN10JP3A OPTIONAL PART: MK1000-3BAC V15653 NS103197-02 V80539 RMA9201M3 V72962 VN202A1-02 V92215 BRM200A3 V52828 POSITION DATA: RH SIDE ATTACHING PARTS		2
- 805	BACR15BA3AD		...RIVET- POSITION DATA: RH SIDE SIZE DETERMINED ON INSTL. -----*-----		4
810	287T0015-514		...ANGLE- POSITION DATA: RH SIDE		1

ILLUSTRATION ITEMS NOT ON PARTS LIST ARE NOT APPLICABLE

- ITEM NOT ILLUSTRATED

HXL

57-15-51-01

BOEING PROPRIETARY - Copyright © - Unpublished Work - See title page for details.

57-15-51
 FIG. 01
 PAGE 27
 APR 22/09