

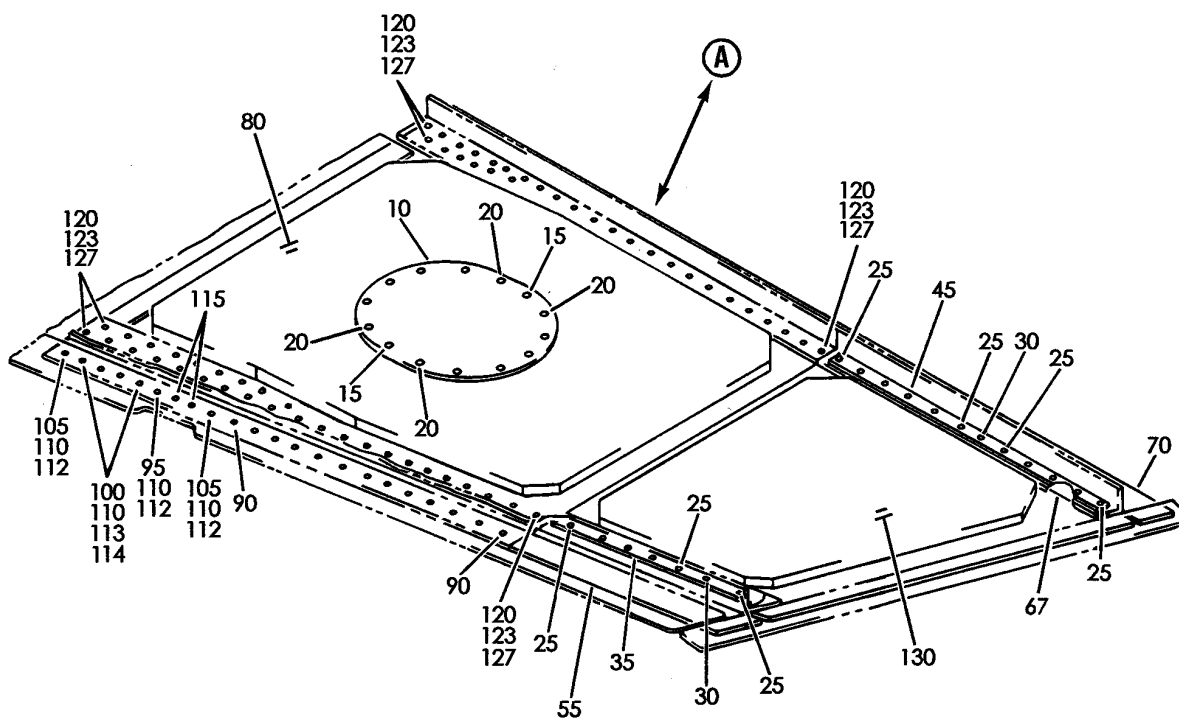
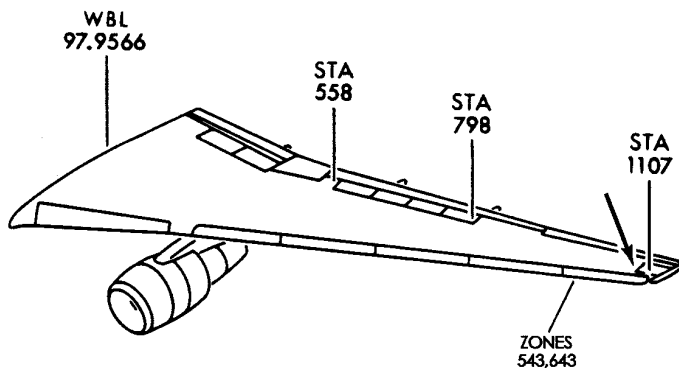
 **BOEING**  
767  
**PARTS CATALOG (MAINTENANCE)**

**OUTER WING**

HXL  
DEC 22/06

57-20-00  
SECTION TITLE  
PAGE 1

**BOEING**  
767  
PARTS CATALOG (MAINTENANCE)



V 57205101 SHT 1 REV 214

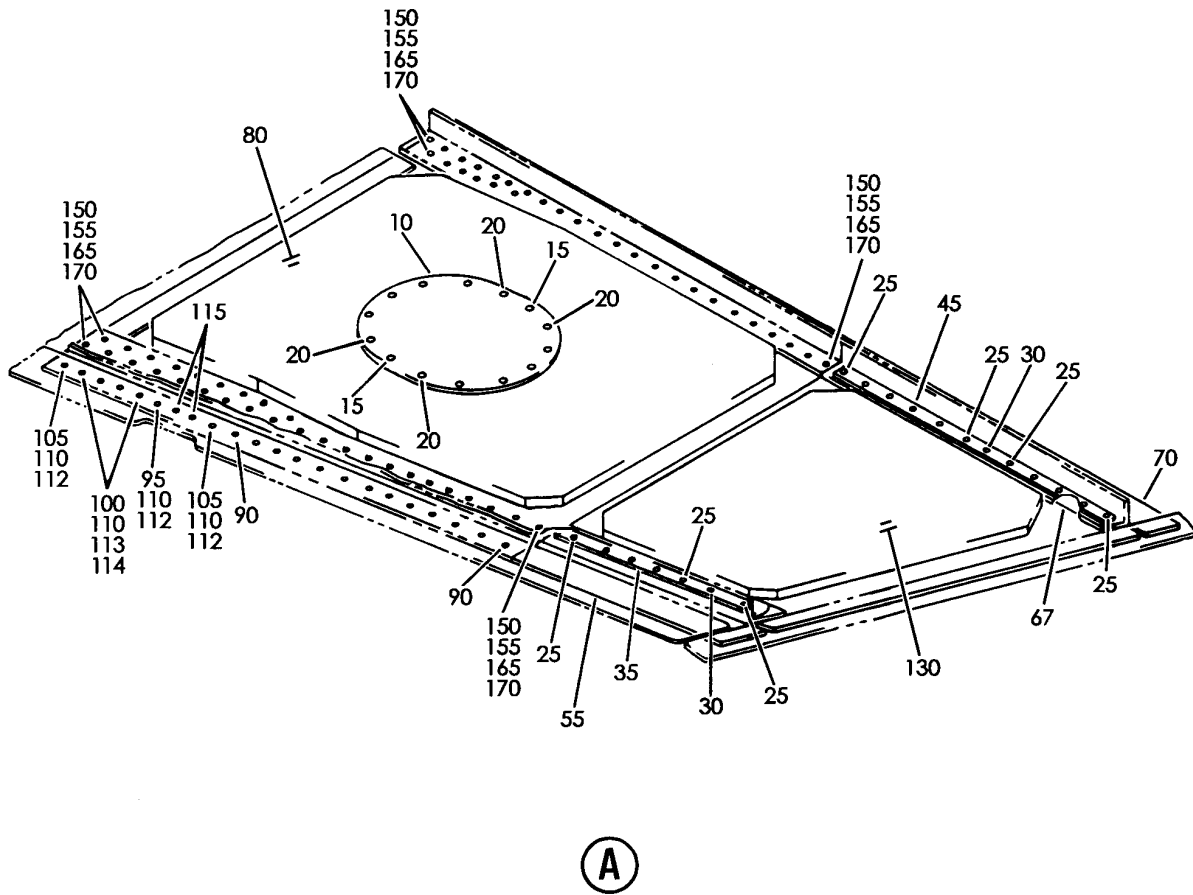
PANEL INSTL-WING STA 1075.2 WBL 929.12 INSPAR LWR WING  
FIGURE 1 (SHEET 1)

**57-20-51-01**

HXL  
DEC 22/06

57-20-51-01  
PAGE 0

**BOEING**  
767  
PARTS CATALOG (MAINTENANCE)



V 57205101 SHT 2 REV 214

PANEL INSTL-WING STA 1075.2 WBL 929.12 INSPAR LWR WING  
FIGURE 1 (SHEET 2)

**57-20-51-01**

HXL  
DEC 22/06

57-20-51-01  
PAGE 0A

BOEING PROPRIETARY - Copyright © - Unpublished Work - See title page for details.

 **BOEING**  
767  
**PARTS CATALOG (MAINTENANCE)**

FIG ITEM	PART NUMBER	1 2 3 4 5 6 7	NOMENCLATURE	EFFECT FROM TO	UNITS PER ASSY
1			PANEL INSTL-WING STA 1075.2 WBL 929.12 INSPAR LWR WING		
- 1	112T4600-1		PANEL INSTL-WING INSPAR POSITION DATA: WING STA 1075.2 WBL 929.12 LWR LH VARIABLE DRAWING REF: 112T4600-5007 FOR NHA SEE: 57-11-52-01		RF
- 5	112T4600-2		PANEL INSTL-WING INSPAR POSITION DATA: WING STA 1075.2 WBL 929.12 LWR RH VARIABLE DRAWING REF: 112T4600-5008 FOR NHA SEE: 57-11-52-01		RF
10	112T4607-3		.DOOR ASSY- ACCESS PANEL NUMBER: 543AB 643AB ATTACHING PARTS		1
15	BACB30LH3-3		.BOLT		2
20	BACB30NN3K3		.BOLT		12
			-----*-----		
25	BACB30NN3K7		.BOLT		17
30	BACB30LH3-7		.BOLT		2
35	112T4600-13		.RETAINER ASSY- OPTIONAL PART: 112T4600-17		1
35	112T4600-17		.RETAINER ASSY- OPTIONAL PART: 112T4600-13 ATTACHING PARTS		1
- 40	BACR15CE6AD		.RIVET- SIZE DETERMINED ON INSTL. -----*-----		6
45	112T4600-15		.RETAINER ASSY- OPTIONAL PART: 112T4600-19		1
45	112T4600-19		.RETAINER ASSY- OPTIONAL PART: 112T4600-15 ATTACHING PARTS		1
- 50	BACR15CE6AD		.RIVET- SIZE DETERMINED ON INSTL. -----*-----		11
ILLUSTRATION ITEMS NOT ON PARTS LIST ARE NOT APPLICABLE					

- ITEM NOT ILLUSTRATED

HXL

# 57-20-51-01

BOEING PROPRIETARY - Copyright © - Unpublished Work - See title page for details.

57-20-51  
FIG. 01  
PAGE 1  
DEC 22/06

**BOEING**  
767  
**PARTS CATALOG (MAINTENANCE)**

FIG ITEM	PART NUMBER	1 2 3 4 5 6 7	NOMENCLATURE	EFFECT FROM TO	UNITS PER ASSY
1	55 112T4602-5		. SPLICE- POSITION DATA: LH SIDE		1
-	60 112T4602-6		. SPLICE- POSITION DATA: RH SIDE		1
-	65 BACR15CE8AD		ATTACHING PARTS . RIVET- SIZE DETERMINED ON INSTL. -----*-----		9
	70 112T4602-1		. SPLICE- POSITION DATA: LH SIDE		1
-	75 112T4602-2		. SPLICE- POSITION DATA: RH SIDE		1
	80 112T4600-3		. PANEL ASSY- POSITION DATA: LH SIDE		1
-	85 112T4600-4		. PANEL ASSY- POSITION DATA: RH SIDE		1
	90 BACR15CE8AD		ATTACHING PARTS . RIVET- SIZE DETERMINED ON INSTL.		13
	95 BACB30PT5K6L		. BOLT- OPTIONAL PART: 112T4600-25 112T4600-26		1
	100 L804-12K11		. BOLT- SUPPLIER CODE: V06725 SPECIFICATION NUMBER: BACB30NZ12K11 OPTIONAL PART: HL523AZ12-11 V56878 HL523AZ12-11 V73196 HL523AZ12-11 V92215 HL523AZ12-11 V97928 HL523AZ12-11 VOPTK6 HL523AZ12-11 V60516 HL523AZ12-11 V06725		4
ILLUSTRATION ITEMS NOT ON PARTS LIST ARE NOT APPLICABLE					

- ITEM NOT ILLUSTRATED

HXL

# 57-20-51-01

BOEING PROPRIETARY - Copyright © - Unpublished Work - See title page for details.

57-20-51  
FIG. 01  
PAGE 2  
DEC 22/06

 **BOEING**  
767  
**PARTS CATALOG (MAINTENANCE)**

FIG ITEM	PART NUMBER	1 2 3 4 5 6 7	NOMENCLATURE	EFFECT FROM TO	UNITS PER ASSY
1					
105	BACB30PT5K8L		.BOLT		2
112	TLN12045		.NUT		3
			SUPPLIER CODE: V97928		
			SPECIFICATION NUMBER: BACN10WM5		
			OPTIONAL PART: LH10114B5		
			V72962		
			MN155		
			V73197		
			VN18615		
			V92215		
			H49702-5S		
			V15653		
			W8505		
			V08524		
			H497025		
			V15653		
113	NAS1804-5		.NUT-		4
114	AN960PD516		.WASHER		4
115	BACR15FH8KE		.RIVET-		2
			SIZE DETERMINED ON INSTL.		
120	BACB30PT4K6L		.BOLT-		58
			QUALIFIED OPTIONAL DATA: (BACB30VU8K6 PLUS BACC30BP8 OR BACB30VM8K6 PLUS BACC30BK8 OPTIONAL TO BACB30PT4K6L)		
120	BACB30VM8K6		.BOLT-		58
			QUALIFIED OPTIONAL DATA: (BACB30VU8K6 PLUS BACC30BP8 OR BACB30VM8K6 PLUS BACC30BK8 OPTIONAL TO BACB30PT4K6L)		

R  
R  
R  
R  
R  
R

ILLUSTRATION ITEMS NOT ON PARTS LIST ARE NOT APPLICABLE

- ITEM NOT ILLUSTRATED

HXL

57-20-51-01

BOEING PROPRIETARY - Copyright © - Unpublished Work - See title page for details.

57-20-51  
FIG. 01  
PAGE 3  
AUG 22/09



767

PARTS CATALOG (MAINTENANCE)

FIG ITEM	PART NUMBER	1 2 3 4 5 6 7	NOMENCLATURE	EFFECT FROM TO	UNITS PER ASSY
1 120	HST11AG8-6		.BOLT- SUPPLIER CODE: VOPTK6 SPECIFICATION NUMBER: BACB30VU8K6 OPTIONAL PART: HST11AG8-6 V73197 HST11AG8-6 V56878 HST11AG8-6 V06725 QUALIFIED OPTIONAL DATA: (BACB30VU8K6 PLUS BACC30BP8 OR BACB30VM8K6 PLUS BACC30BK8 OPTIONAL TO BACB30PT4K6L)		58
125	VLC771-8		.COLLAR- SUPPLIER CODE: V5M902 SPECIFICATION NUMBER: BACC30BP8 OPTIONAL PART: HST771-8 V73197 QUALIFIED OPTIONAL DATA: (BACB30VU8K6 PLUS BACC30BP8 OR BACB30VM8K6 PLUS BACC30BK8 OPTIONAL TO BACB30PT4K6L)		58
125	3SLCC8		.COLLAR- SUPPLIER CODE: V17446 SPECIFICATION NUMBER: BACC30BK8 OPTIONAL PART: 3SLCC8 V92215 QUALIFIED OPTIONAL DATA: (BACB30VU8K6 PLUS BACC30BP8 OR BACB30VM8K6 PLUS BACC30BK8 OPTIONAL TO BACB30PT4K6L)		58

ILLUSTRATION ITEMS NOT ON PARTS LIST ARE NOT APPLICABLE

- ITEM NOT ILLUSTRATED

HXL

57-20-51-01

BOEING PROPRIETARY - Copyright © - Unpublished Work - See title page for details.

57-20-51  
FIG. 01  
PAGE 4  
DEC 22/06

**BOEING**  
767  
**PARTS CATALOG (MAINTENANCE)**

FIG ITEM	PART NUMBER	1 2 3 4 5 6 7	NOMENCLATURE	EFFECT FROM TO	UNITS PER ASSY
1 127	TLN12044		.NUT SUPPLIER CODE: V97928 SPECIFICATION NUMBER: BACN10WM4 OPTIONAL PART: LH10114B4 V72962 MN154 V73197 VN18614 V92215 H49702-4S V15653 W8504 V08524 H497024 V15653 -----*-----		59
130	112T4600-5		.PANEL ASSY- POSITION DATA: LH SIDE ACCESS PANEL NUMBER: 543BB		1
- 135	112T4600-6		.PANEL ASSY- POSITION DATA: RH SIDE ACCESS PANEL NUMBER: 643BB		1
- 140	BACB30NN3K7		ATTACHING PARTS .BOLT -----*-----		31

ILLUSTRATION ITEMS NOT ON PARTS LIST ARE NOT APPLICABLE

- ITEM NOT ILLUSTRATED

HXL

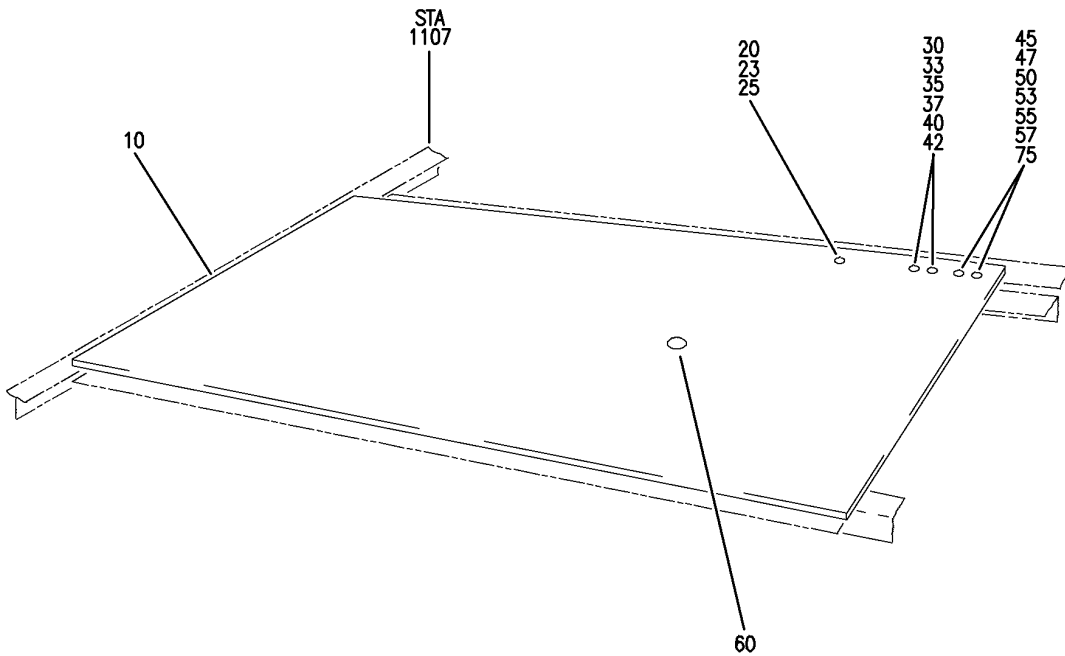
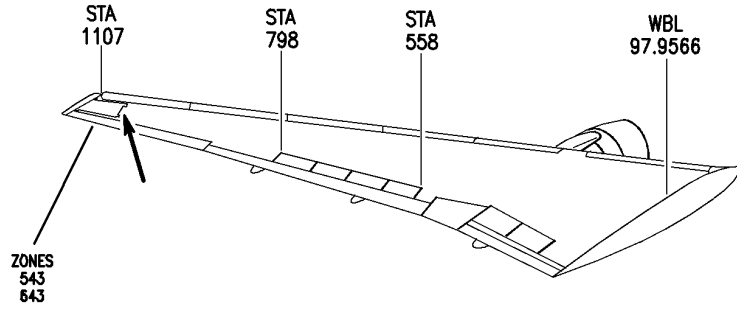
57-20-51-01

BOEING PROPRIETARY - Copyright © - Unpublished Work - See title page for details.

57-20-51  
FIG. 01  
PAGE 5  
DEC 22/06



**BOEING**  
767  
PARTS CATALOG (MAINTENANCE)



V 57205110 REV 247

PANEL INSTL-WING STA 1075.2 WBL 929.12 INSPAR UPR WING  
FIGURE 10

**57-20-51-10**

HXL  
DEC 22/06

57-20-51-10  
PAGE 0



767

PARTS CATALOG (MAINTENANCE)

FIG ITEM	PART NUMBER	1 2 3 4 5 6 7	NOMENCLATURE	EFFECT FROM TO	UNITS PER ASSY
10			PANEL INSTL-WING STA 1075.2 WBL 929.12 INSPAR UPR WING		
- 1	112T3600-1		PANEL INSTL-INSPAR WING POSITION DATA: WS 1075.2 WBL 929.12 UPR LH VARIABLE DRAWING REF: 112T3600-5005 FOR NHA SEE: 57-11-52-01		RF
- 5	112T3600-2		PANEL INSTL-INSPAR WING POSITION DATA: WS 1075.2 WBL 929.12 UPR RH VARIABLE DRAWING REF: 112T3600-5006 FOR NHA SEE: 57-11-52-01		RF
10	112T3600-3		.PANEL ASSY- POSITION DATA: LH SIDE		1
- 15	112T3600-4		.PANEL ASSY- POSITION DATA: RH SIDE		1
20	WC331K8-10		ATTACHING PARTS .BOLT- SUPPLIER CODE: V60516 SPECIFICATION NUMBER: BACB30YP8K10		1
25	BACC30BL8		.COLLAR-		1

ILLUSTRATION ITEMS NOT ON PARTS LIST ARE NOT APPLICABLE

- ITEM NOT ILLUSTRATED

HXL

57-20-51-10

BOEING PROPRIETARY - Copyright © - Unpublished Work - See title page for details.

57-20-51  
FIG. 10  
PAGE 1  
APR 22/09

**BOEING**  
767  
**PARTS CATALOG (MAINTENANCE)**

FIG ITEM	PART NUMBER	1 2 3 4 5 6 7	NOMENCLATURE	EFFECT FROM TO	UNITS PER ASSY
10					
30	HL13VAZ10-9		.BOLT SUPPLIER CODE: V56878 SPECIFICATION NUMBER: BACB30NY10K9 OPTIONAL PART: HL13VAZ10-9 V73197 HL13VAZ10-9 V92215 HL13VAZ10-9 V97928 L801-10K9 V06725 L801-10K9 VOPTK6 HL13VAZ10-9 V60516 HL13VAZ10-9 V17446		2
35	AN960PD516		.WASHER-		2
40	NAS1804-5		.NUT		2
45	HL11VAZ10-9		.BOLT SUPPLIER CODE: V60516 SPECIFICATION NUMBER: BACB30NW10K9 OPTIONAL PART: B30NW10K9 V97928 HL11VAZ10-9 V73197 HL11VAZ10-9 V92215 HL11VAZ10-9 V97928 L803-10K9 V06725 HL11VAZ10-9 VOPTK6 HL11VAZ10-9 V56878		2
50	AN960PD516		.WASHER-		2
55	NAS1804-5		.NUT		2
60	RI280-1		-----*----- . . RECEIVER ASSY- SUPPLIER CODE: V08844		1
ILLUSTRATION ITEMS NOT ON PARTS LIST ARE NOT APPLICABLE					

- ITEM NOT ILLUSTRATED

HXL

# 57-20-51-10

BOEING PROPRIETARY - Copyright © - Unpublished Work - See title page for details.

57-20-51  
FIG. 10  
PAGE 2  
DEC 22/06



767

PARTS CATALOG (MAINTENANCE)

FIG ITEM	PART NUMBER	1 2 3 4 5 6 7	NOMENCLATURE	EFFECT FROM TO	UNITS PER ASSY
10			ATTACHING PARTS		
- 65	NAS514P440-16P	..	SCREW		6
- 70	BRH10C04	..	NUT		6
			SUPPLIER CODE: V52828		
			SPECIFICATION NUMBER: BACN10JC04C		
			OPTIONAL PART: H31-04BAC		
			V15653		
			NS202101S40		
			V80539		
			VN303B40		
			V92215		
			101LH9075-40W		
			V72962		
			97-40		
			V80539		
			T6C440J		
			V11815		
			-----*-----		
			ILLUSTRATION ITEMS NOT ON PARTS LIST ARE NOT APPLICABLE		

- ITEM NOT ILLUSTRATED

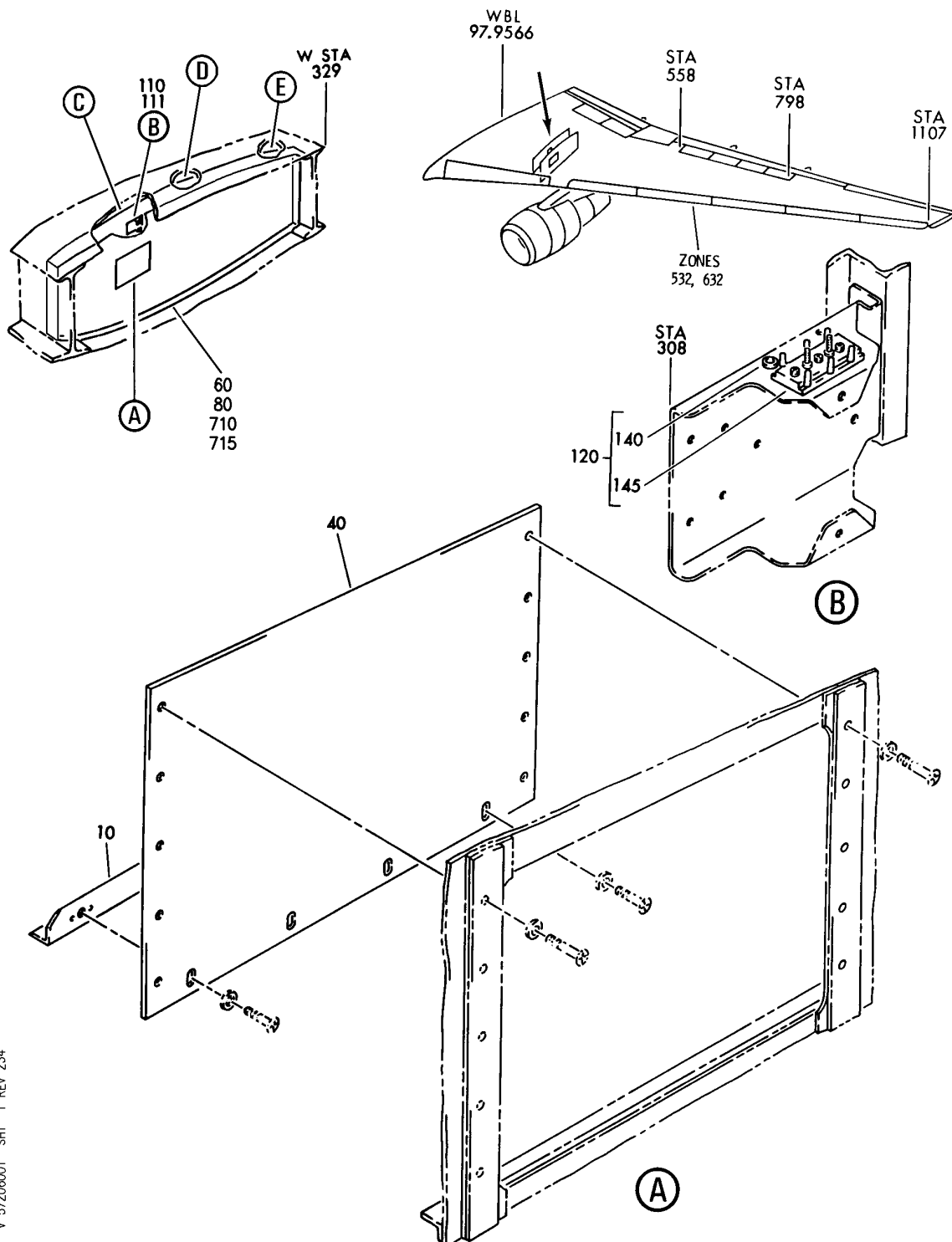
HXL

57-20-51-10

BOEING PROPRIETARY - Copyright © - Unpublished Work - See title page for details.

57-20-51  
FIG. 10  
PAGE 3  
DEC 22/08

**BOEING**  
767  
PARTS CATALOG (MAINTENANCE)



V 57206001 SHT 1 REV 234

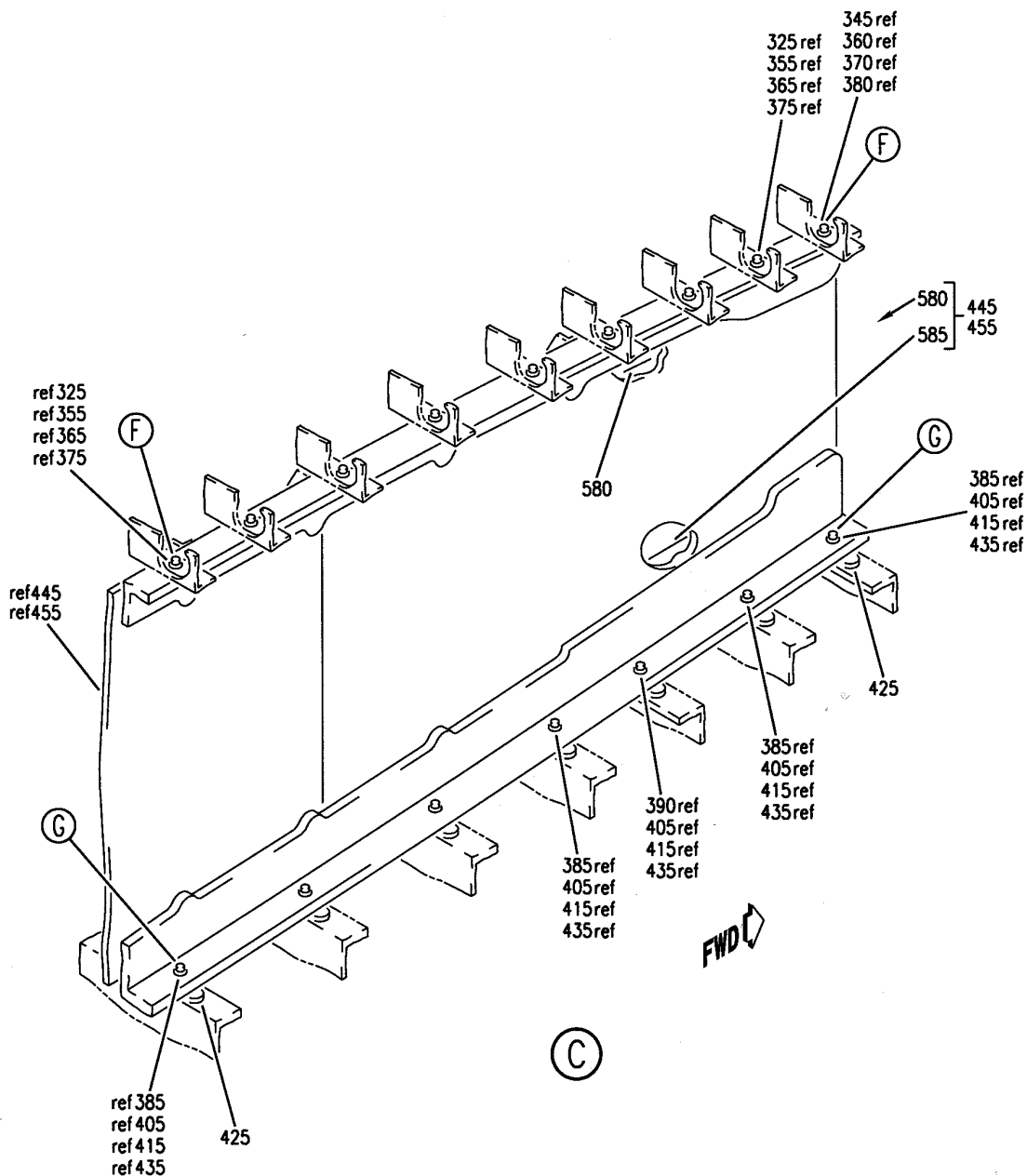
RIB INSTL-INSPAR RIB NO. 4 AND NO. 5 WING STA 308.1 AND 329.1 AT REAR SPAR  
FIGURE 1 (SHEET 1)

HXL  
DEC 22/06

**57-20-60-01**

57-20-60-01  
PAGE 0

**BOEING**  
767  
PARTS CATALOG (MAINTENANCE)



V 57206001 SH1 2 REV 221

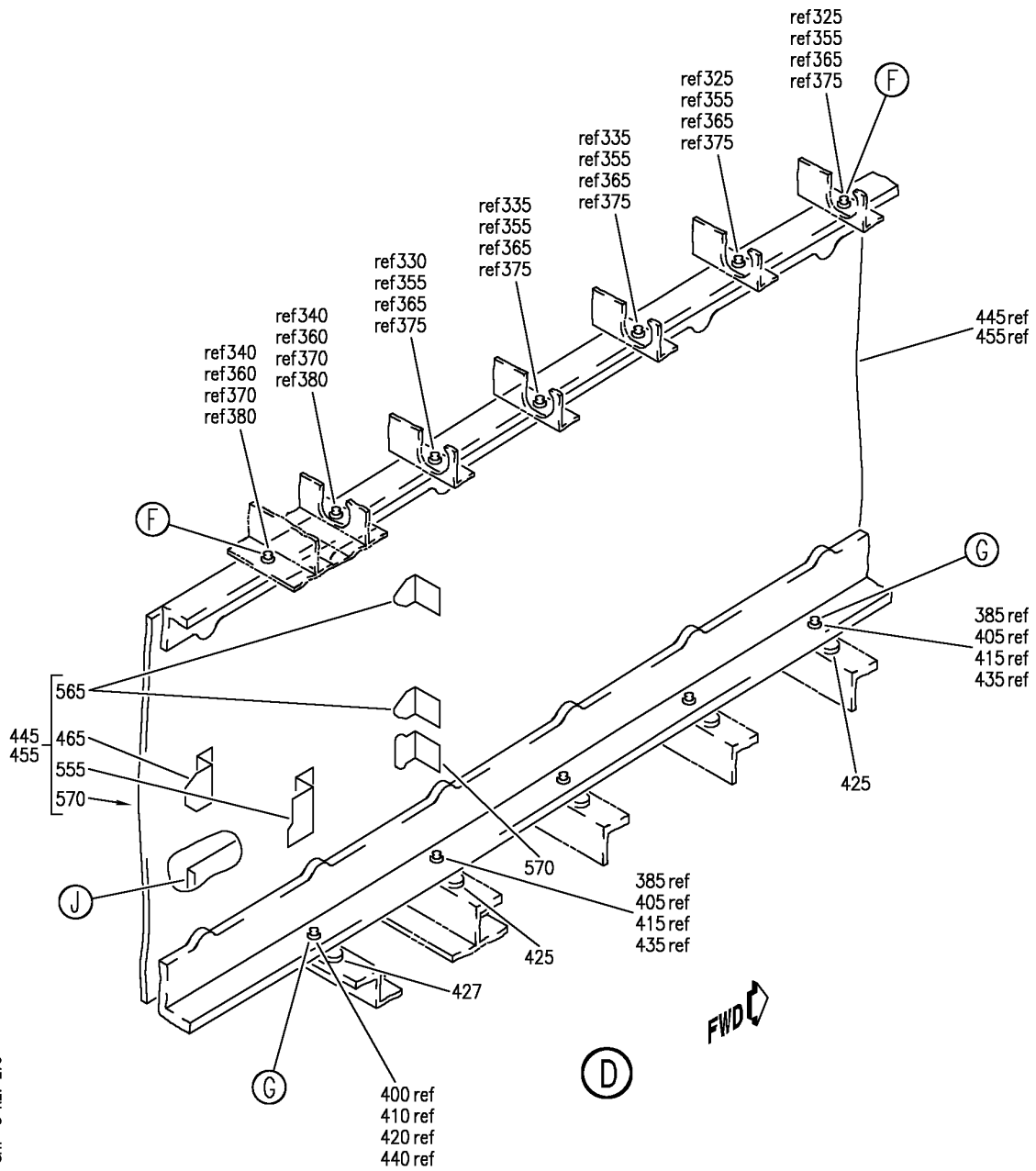
RIB INSTL-INSPAR RIB NO. 4 AND NO. 5 WING STA 308.1 AND 329.1 AT REAR SPAR  
FIGURE 1 (SHEET 2)

HXL  
DEC 22/06

**57-20-60-01**

57-20-60-01  
PAGE 0A


**BOEING**  
 767  
**PARTS CATALOG (MAINTENANCE)**



V 57206001 SH1 3 REV 270

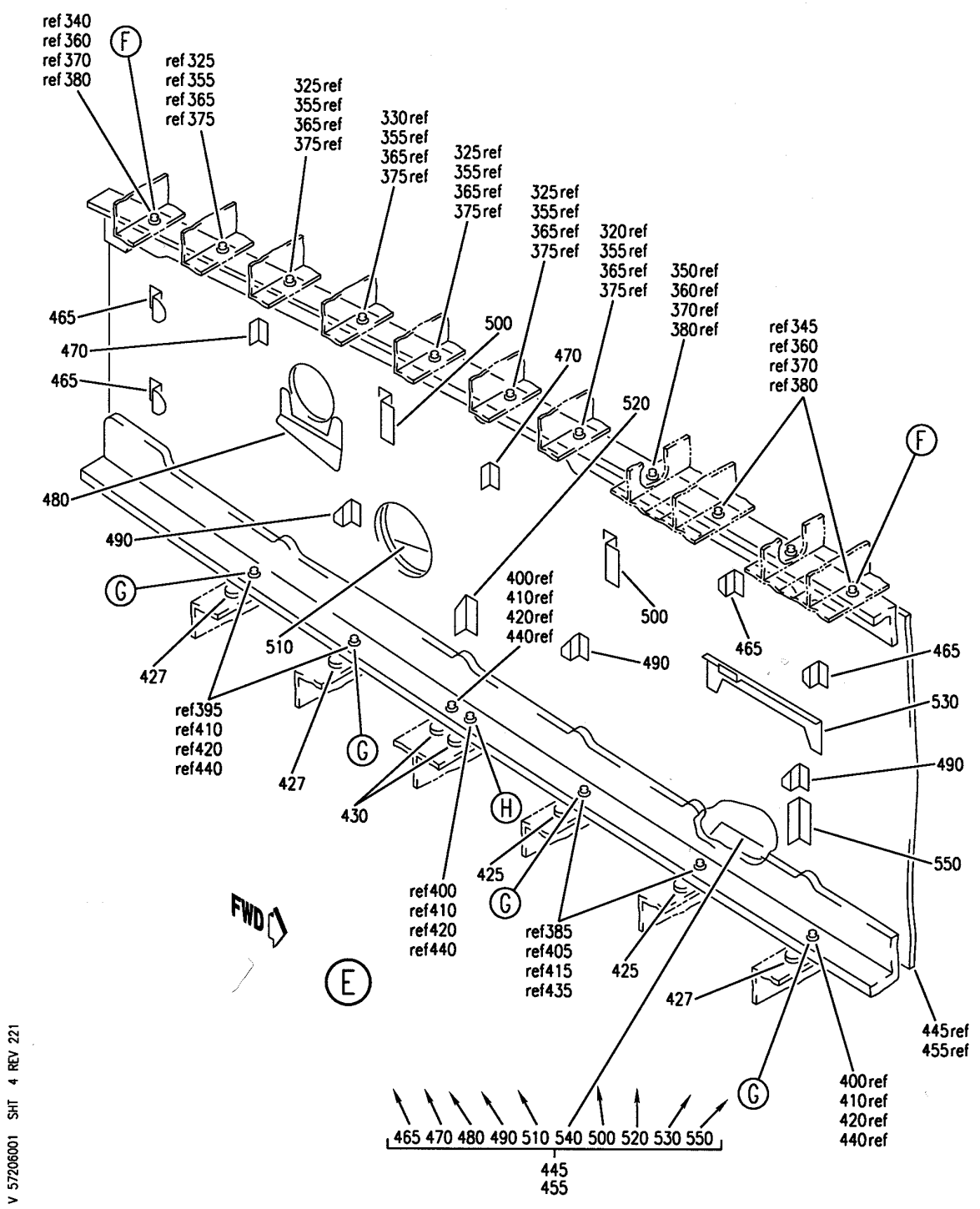
RIB INSTL-INSPAR RIB NO. 4 AND NO. 5 WING STA 308.1 AND 329.1 AT REAR SPAR  
 FIGURE 1 (SHEET 3)

# 57-20-60-01

HXL  
 DEC 22/06

57-20-60-01  
 PAGE 0B

**BOEING**  
767  
PARTS CATALOG (MAINTENANCE)



V 57206001 SHT 4 REV 221

RIB INSTL-INSPAR RIB NO. 4 AND NO. 5 WING STA 308.1 AND 329.1 AT REAR SPAR  
FIGURE 1 (SHEET 4)

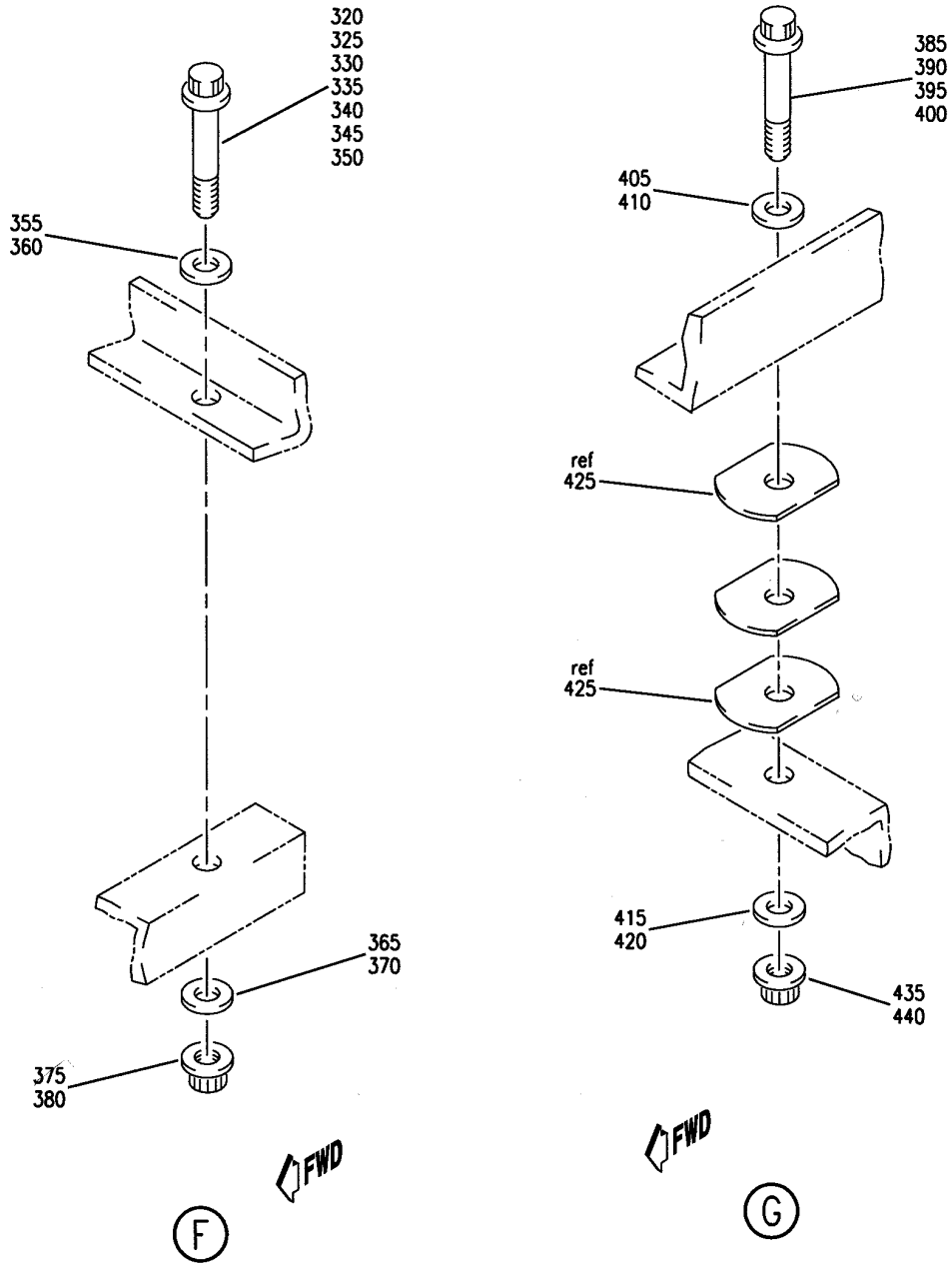
# 57-20-60-01

HXL  
DEC 22/06

57-20-60-01  
PAGE 0C



**BOEING**  
767  
PARTS CATALOG (MAINTENANCE)



V 57206001 SHT 5 REV 221

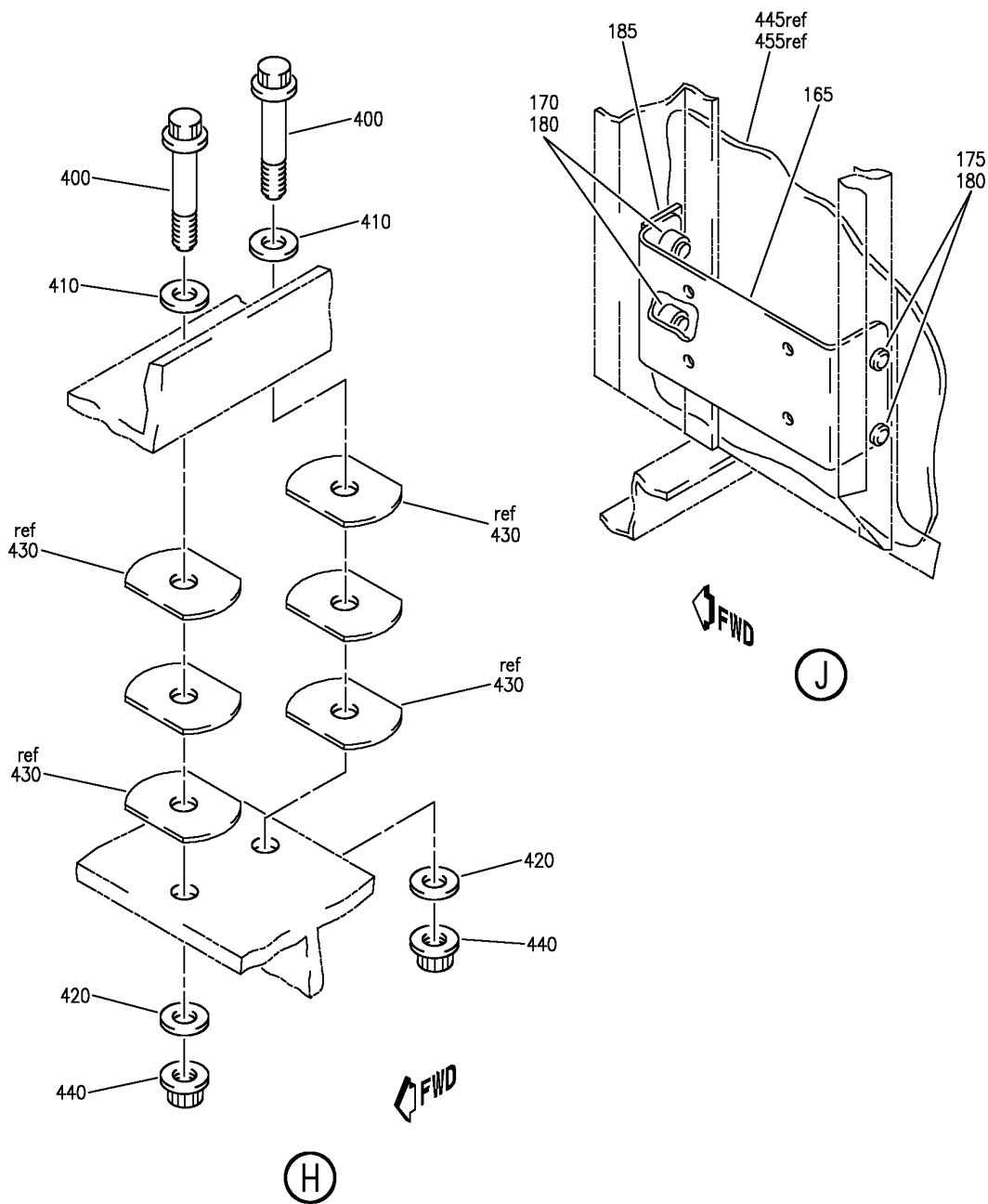
RIB INSTL-INSPAR RIB NO. 4 AND NO. 5 WING STA 308.1 AND 329.1 AT REAR SPAR  
FIGURE 1 (SHEET 5)

HXL  
DEC 22/06

# 57-20-60-01

57-20-60-01  
PAGE 0D

**BOEING**  
767  
PARTS CATALOG (MAINTENANCE)



V 57206001 SH1 6 REV 270

RIB INSTL-INSPAR RIB NO. 4 AND NO. 5 WING STA 308.1 AND 329.1 AT REAR SPAR  
FIGURE 1 (SHEET 6)

HXL  
DEC 22/06

**57-20-60-01**

57-20-60-01  
PAGE 0E

 **BOEING**  
767  
**PARTS CATALOG (MAINTENANCE)**

FIG ITEM	PART NUMBER	1 2 3 4 5 6 7	NOMENCLATURE	EFFECT FROM TO	UNITS PER ASSY
1			RIB INSTL-INSPAR RIB NO. 4 AND NO. 5 WING STA 308.1 AND 329.1 AT REAR SPAR		
- 1	112T5050-1		RIB INSTL-INSPAR RIB NO. 5 POSITION DATA: WING STA 329.1 AT REAR SPAR LH VARIABLE DRAWING REF: 112T5050-5003 FOR NHA SEE: 57-11-52-01		RF
- 5	112T5050-2		RIB INSTL-INSPAR RIB NO. 5 POSITION DATA: WING STA 329.1 AT REAR SPAR RH VARIABLE DRAWING REF: 112T5050-5004 FOR NHA SEE: 57-11-52-01		RF
10	112T5050-58		.ANGLE ASSY-SEAL ATTACHING PARTS		1
- 20	NAS623-3-3		.SCREW		4
- 25	AN960PD10		.WASHER-		4
			-----*-----		
40	112T5055-1		.DOOR ASSY- POSITION DATA: LH SIDE ACCESS PANEL NUMBER: 532AZ		1
- 45	112T5055-2		.DOOR ASSY- POSITION DATA: RH SIDE ACCESS PANEL NUMBER: 632AZ ATTACHING PARTS		1
- 50	NAS623-3-7		.SCREW-		10
- 55	AN960D10		.WASHER-		10
			-----*-----		
60	112T5050-59		.RIB ASSY- POSITION DATA: LH SIDE		1
- 65	112T5050-60		.RIB ASSY- POSITION DATA: RH SIDE		1

ILLUSTRATION ITEMS NOT ON PARTS LIST ARE NOT APPLICABLE

- ITEM NOT ILLUSTRATED

HXL

# 57-20-60-01

BOEING PROPRIETARY - Copyright © - Unpublished Work - See title page for details.

57-20-60  
FIG. 01  
PAGE 1  
DEC 22/06



767

PARTS CATALOG (MAINTENANCE)

FIG ITEM	PART NUMBER	1 2 3 4 5 6 7	NOMENCLATURE	EFFECT FROM TO	UNITS PER ASSY
1					
- 100	112T5040-69		RIB INSTL-INSPAR RIB NO. 4 POSITION DATA: WING STA 308.1 AT REAR SPAR LH VARIABLE DRAWING REF: 112T5040-5019 FOR NHA SEE: 57-11-52-01		RF
- 105	112T5040-70		RIB INSTL-INSPAR RIB NO. 4 POSITION DATA: WING STA 308.1 AT REAR SPAR RH VARIABLE DRAWING REF: 112T5040-5020 FOR NHA SEE: 57-11-52-01		RF
110	112T5040-75		.RIB ASSY- POSITION DATA: LH SIDE		1
- 115	112T5040-76		.RIB ASSY- POSITION DATA: RH SIDE		1

ILLUSTRATION ITEMS NOT ON PARTS LIST ARE NOT APPLICABLE

- ITEM NOT ILLUSTRATED

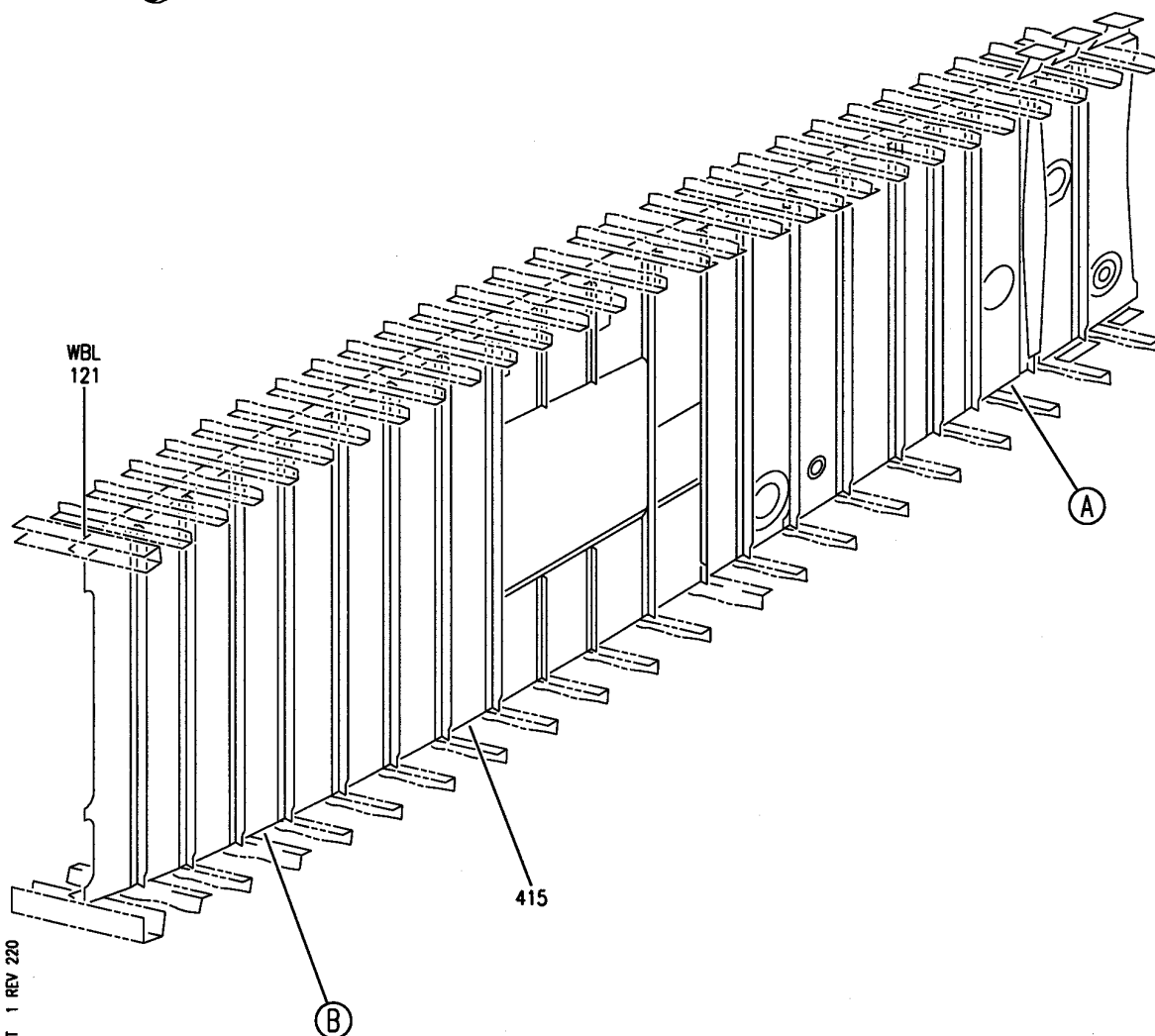
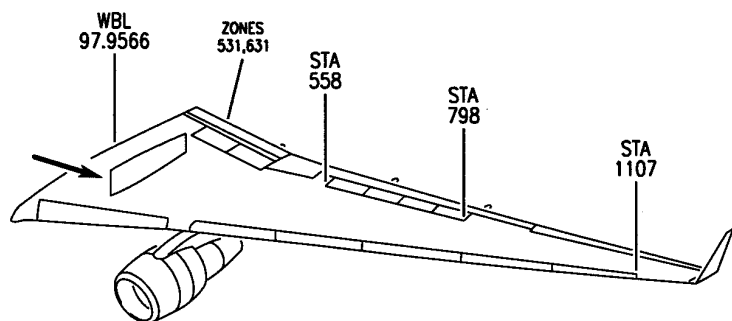
HXL

57-20-60-01

BOEING PROPRIETARY - Copyright © - Unpublished Work - See title page for details.

57-20-60  
FIG. 01  
PAGE 2  
DEC 22/07

**BOEING**  
767  
PARTS CATALOG (MAINTENANCE)



V 57206001A SHT 1 REV 220

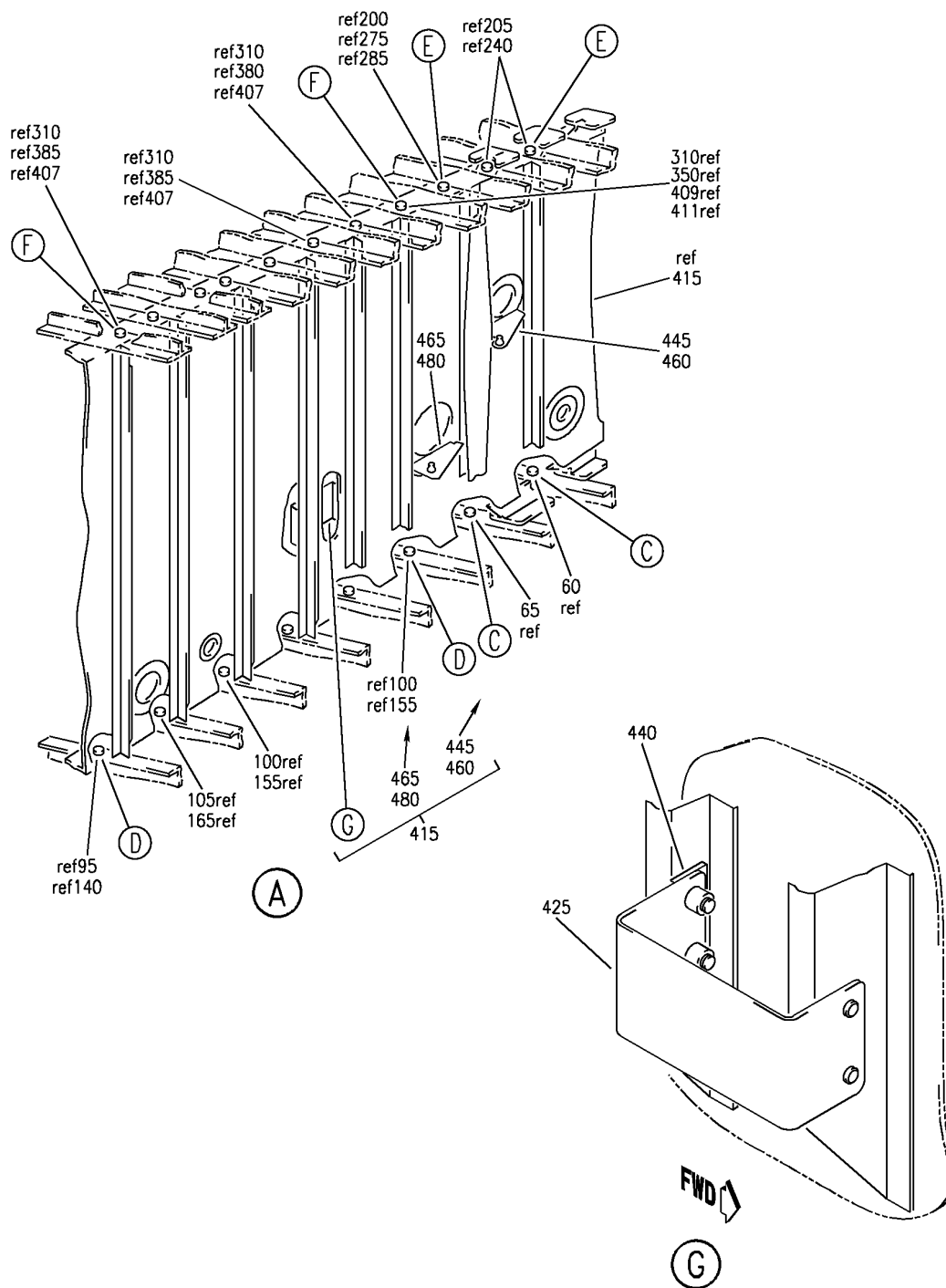
RIB INSTL-INSPAR RIB NO. 1 WING STA 121 AT REAR SPAR  
FIGURE 1A (SHEET 1)

**57-20-60-01A**

HXL  
AUG 22/07

57-20-60-01A  
PAGE 0

**BOEING**  
767  
**PARTS CATALOG (MAINTENANCE)**



V 57206001A SHT 2 REV 314

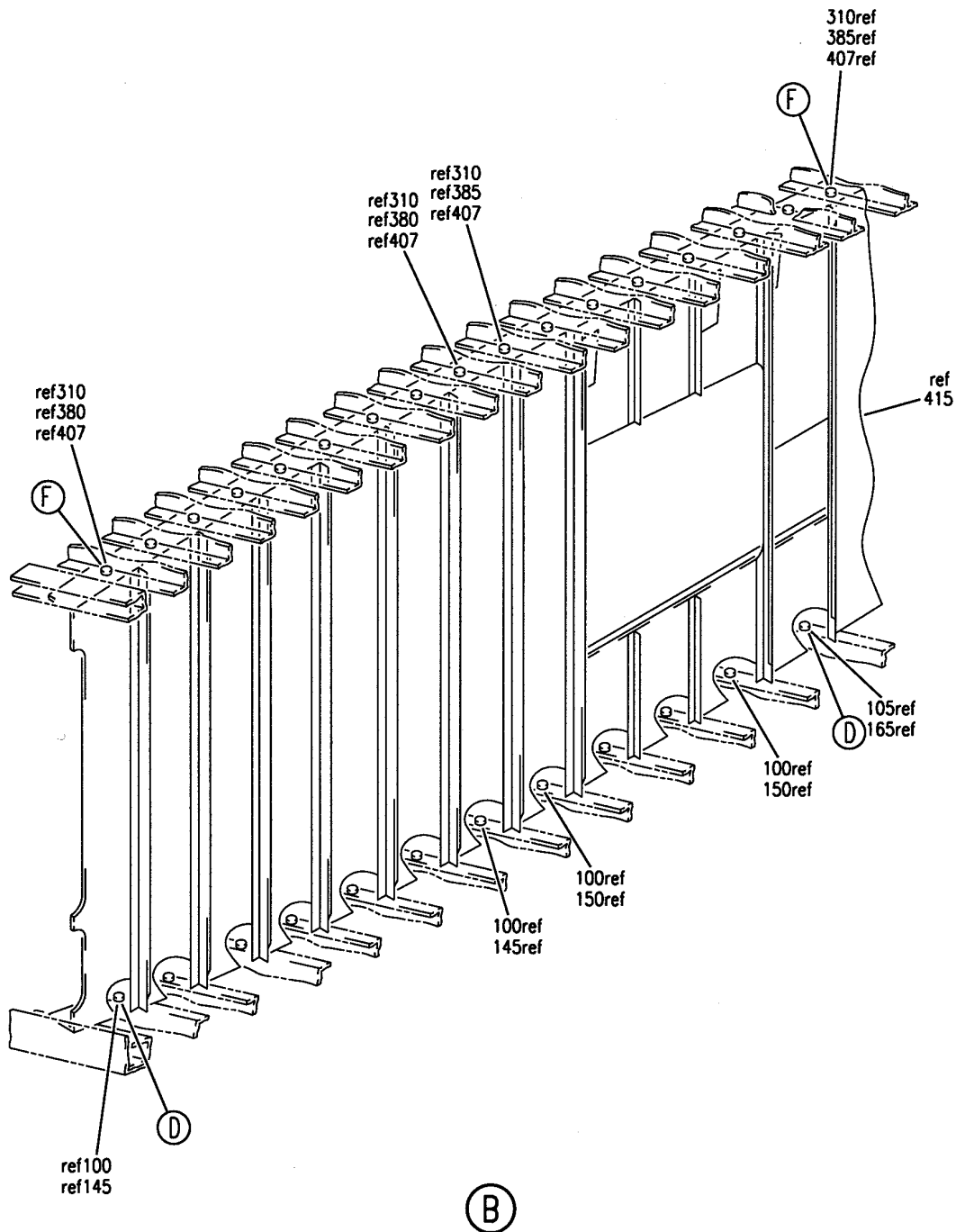
RIB INSTL-INSPAR RIB NO. 1 WING STA 121 AT REAR SPAR  
FIGURE 1A (SHEET 2)

**57-20-60-01A**

HXL  
AUG 22/07

57-20-60-01A  
PAGE 0A

**BOEING**  
767  
PARTS CATALOG (MAINTENANCE)



V 57206001A SHT 3 REV 220

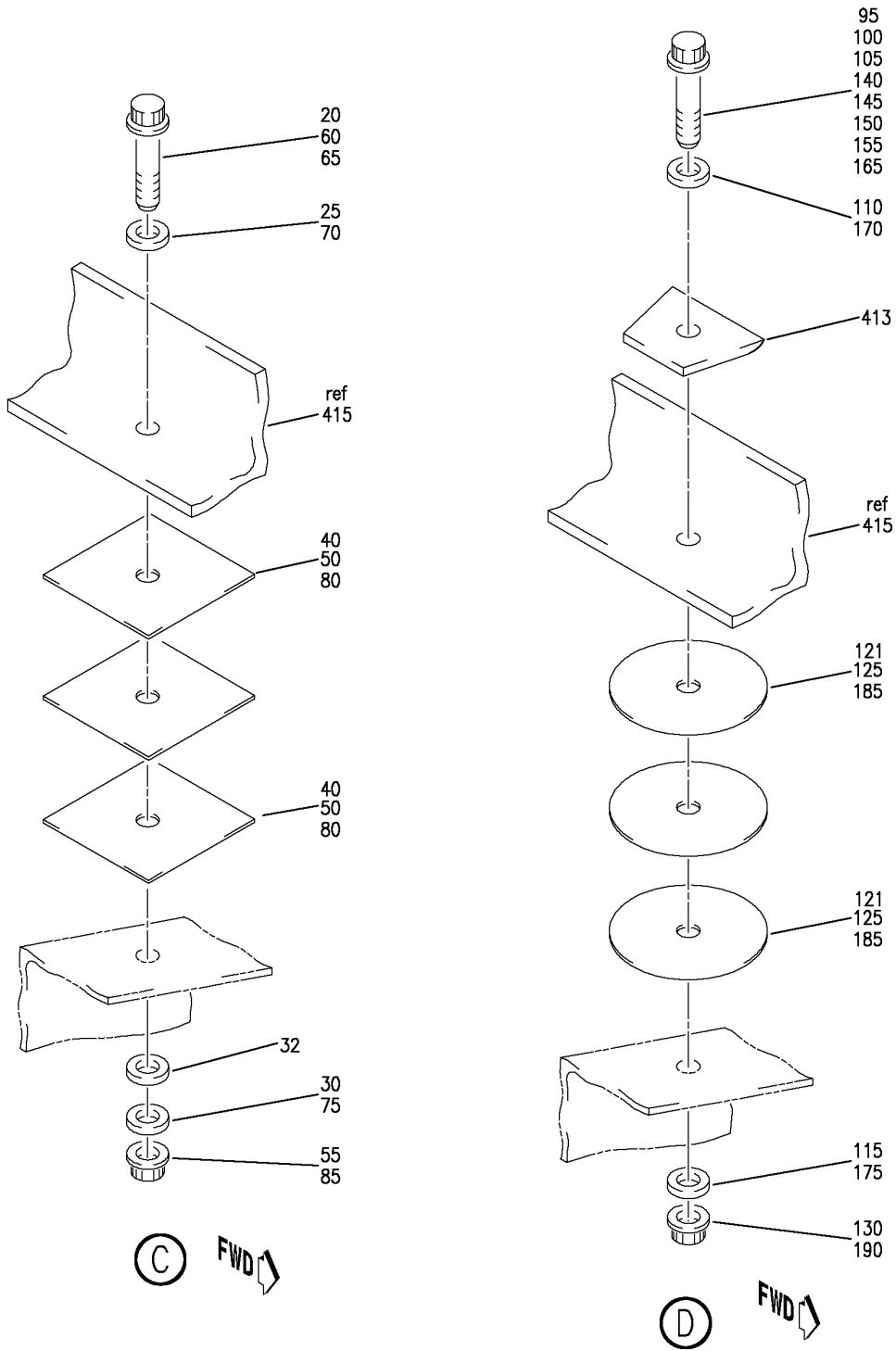
RIB INSTL-INSPAR RIB NO. 1 WING STA 121 AT REAR SPAR  
FIGURE 1A (SHEET 3)

**57-20-60-01A**

HXL  
AUG 22/07

57-20-60-01A  
PAGE 0B

**BOEING**  
767  
**PARTS CATALOG (MAINTENANCE)**



V 57206001A SHT 4 REV 281

RIB INSTL-INSPAR RIB NO. 1 WING STA 121 AT REAR SPAR  
FIGURE 1A (SHEET 4)

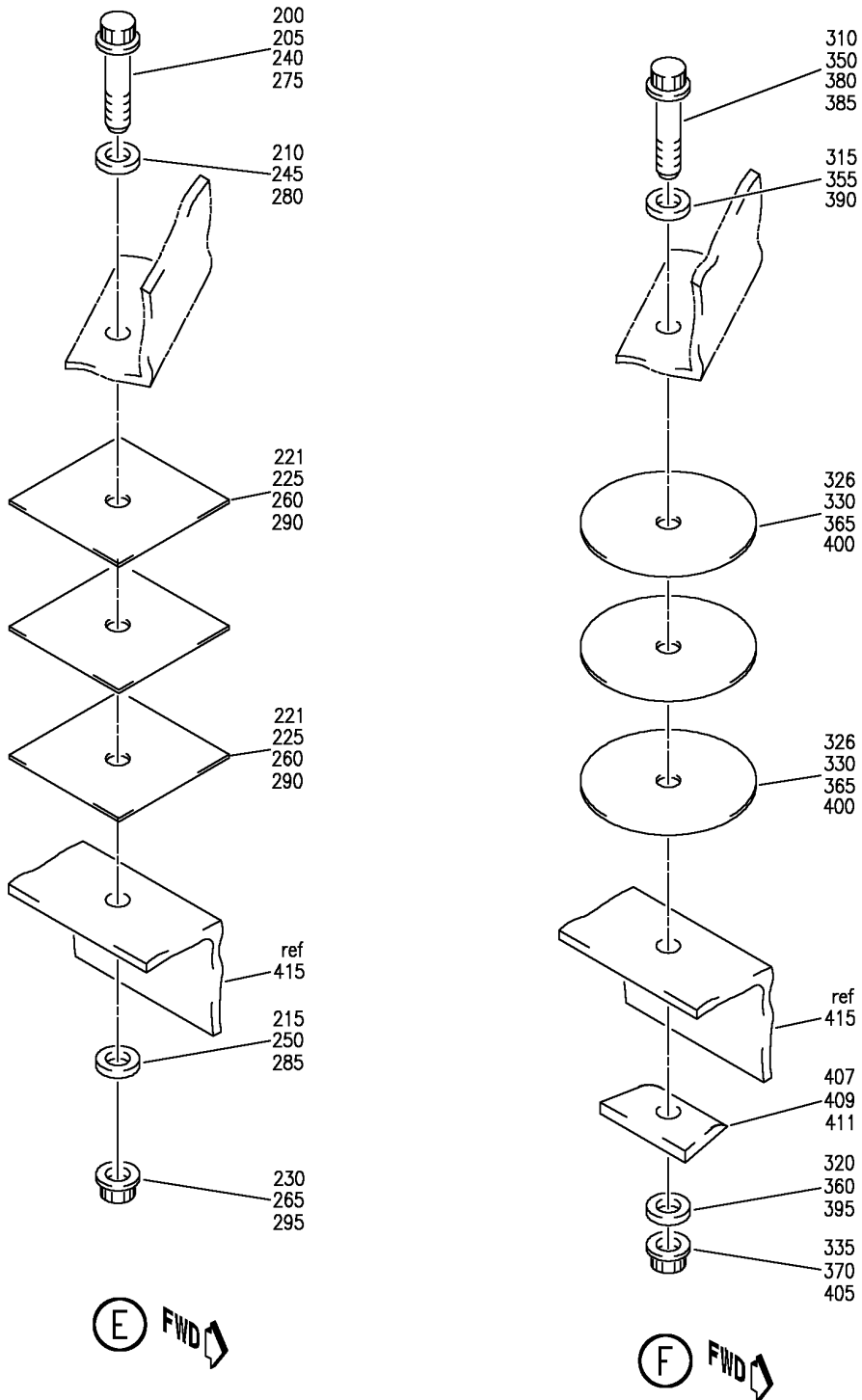
**57-20-60-01A**

HXL  
AUG 22/07

57-20-60-01A  
PAGE 0C




**BOEING**  
 767  
**PARTS CATALOG (MAINTENANCE)**



V 57206001A SHT 5 REV 270

RIB INSTL-INSPAR RIB NO. 1 WING STA 121 AT REAR SPAR  
 FIGURE 1A (SHEET 5)

**57-20-60-01A**

HXL  
 AUG 22/07

57-20-60-01A  
 PAGE 0D



767

PARTS CATALOG (MAINTENANCE)

FIG ITEM	PART NUMBER	1 2 3 4 5 6 7	NOMENCLATURE	EFFECT FROM TO	UNITS PER ASSY
1 A			RIB INSTL-INSPAR RIB NO. 1 WING STA 121 AT REAR SPAR		
- 1	112T5010-91		RIB INSTL-INSPAR RIB NO.1 POSITION DATA: WING STA 121 AT REAR SPAR LH FOR NHA SEE: 57-11-52-01		RF
- 5	112T5010-92		RIB INSTL-INSPAR RIB NO. 1 POSITION DATA: WING STA 121 AT REAR SPAR RH VARIABLE DRAWING REF: 112T5010-5020 FOR NHA SEE: 57-11-52-01		RF
	20 BACB30MR5K15		.BOLT		2
	25 BACW10BN5AC		.WASHER		2
	30 AN960JD516L		.WASHER-		2
- 35	112T5183-4		.SPACER INSTL		2
	40 112T5183-32		..WASHER- SELECT FROM ITEM.		AR
	40 112T5183-33		..WASHER- SELECT FROM ITEM.		AR
	40 112T5183-34		..WASHER- SELECT FROM ITEM.		AR
	40 112T5183-35		..WASHER- SELECT FROM ITEM.		AR
	40 112T5183-36		..WASHER- SELECT FROM ITEM.		AR
	40 112T5183-37		..WASHER- SELECT FROM ITEM.		AR
	55 BACN10GW5		.NUT		2
	95 BACB30MR5K10		.BOLT		1
	100 BACB30MR5K13		.BOLT		15
	105 BACB30MR5K14		.BOLT		2
	110 BACW10BN5AC		.WASHER		18
	115 AN960PD516L		.WASHER-		18
- 118	112T5183-1		.SPACER INSTL		18
	121 69B11260-2		..WASHER- SELECT FROM ITEM.		AR
	121 69B11260-3		..WASHER- SELECT FROM ITEM.		AR
	121 69B11260-4		..WASHER- SELECT FROM ITEM.		AR
	121 69B11260-5		..WASHER- SELECT FROM ITEM.		AR

ILLUSTRATION ITEMS NOT ON PARTS LIST ARE NOT APPLICABLE

- ITEM NOT ILLUSTRATED

57-20-60-01A

57-20-60  
FIG. 01A  
PAGE 1  
DEC 22/07

HXL

BOEING PROPRIETARY - Copyright © - Unpublished Work - See title page for details.

 **BOEING**  
767  
**PARTS CATALOG (MAINTENANCE)**

FIG ITEM	PART NUMBER	1 2 3 4 5 6 7	NOMENCLATURE	EFFECT FROM TO	UNITS PER ASSY
1A					
121	69B11260-6	..	WASHER- SELECT FROM ITEM.		AR
121	69B11260-7	..	WASHER- SELECT FROM ITEM.		AR
130	BACN10GW5	.	NUT		18
200	BACB30MR4K14	.	BOLT		1
205	BACB30MR4K12	.	BOLT		2
210	BACW10BN4AC	.	WASHER		3
215	AN960PD416L	.	WASHER-		3
- 218	112T5183-5	.	SPACER INSTL		3
221	112T5183-38	..	WASHER- SELECT FROM ITEM.		AR
221	112T5183-39	..	WASHER- SELECT FROM ITEM.		AR
221	112T5183-40	..	WASHER- SELECT FROM ITEM.		AR
221	112T5183-41	..	WASHER- SELECT FROM ITEM.		AR
221	112T5183-41	..	WASHER- SELECT FROM ITEM.		AR
221	112T5183-42	..	WASHER- SELECT FROM ITEM.		AR
221	112T5183-43	..	WASHER- SELECT FROM ITEM.		AR
230	BACN10GW4	.	NUT		3
310	BACB30MR4K12	.	BOLT		25
315	BACW10BN4AC	.	WASHER		25
320	AN960PD416L	.	WASHER-		25
- 323	112T5183-1	.	SPACER INSTL		25
326	69B11260-2	..	WASHER		AR
326	69B11260-3	..	WASHER		AR
326	69B11260-4	..	WASHER		AR
326	69B11260-5	..	WASHER		AR
326	69B11260-6	..	WASHER		AR
326	69B11260-7	..	WASHER-		AR
			POSITION DATA: STRINGERS U-4 THRU U-28 SELECT FROM		
335	BACN10GW4	.	NUT		25
407	112T5184-2	.	FILLER		24
411	112T5184-24	.	FILLER		1
413	112T5184-4	.	FILLER		18
415	112T5010-107	.	RIB ASSY- POSITION DATA: LH SIDE		1

ILLUSTRATION ITEMS NOT ON PARTS LIST ARE NOT APPLICABLE

- ITEM NOT ILLUSTRATED

HXL

57-20-60-01A

BOEING PROPRIETARY - Copyright © - Unpublished Work - See title page for details.

57-20-60  
FIG. 01A  
PAGE 2  
AUG 22/07

 **BOEING**  
767  
**PARTS CATALOG (MAINTENANCE)**

FIG ITEM	PART NUMBER	1 2 3 4 5 6 7	NOMENCLATURE	EFFECT FROM TO	UNITS PER ASSY
1 A					
- 420	112T5010-104		.RIB ASSY- POSITION DATA: RH SIDE OPTIONAL PART: 112T5010-100		1
- 420	112T5010-100		.RIB ASSY- POSITION DATA: RH SIDE OPTIONAL PART: 112T5010-104		1
425	345T0034-5		..BRACKET- USED ON: 112T5010-104 ATTACHING PARTS		1
- 430	L8006K3		..BOLT- SUPPLIER CODE: V06725 SPECIFICATION NUMBER: BACB30MY6K3 USED ON: 112T5010-104		4
- 435	HL79-6		..COLLAR- SUPPLIER CODE: V5M902 SPECIFICATION NUMBER: BACC30M6 OPTIONAL PART: HL79-6 V73197 HL79-6 V92215 66014-6 V56878 HL79-6 V56878 USED ON: 112T5010-104		4
440	BACS40R006C027F		-----*----- ..SHIM- USED ON: 112T5010-104		1

ILLUSTRATION ITEMS NOT ON PARTS LIST ARE NOT APPLICABLE

- ITEM NOT ILLUSTRATED

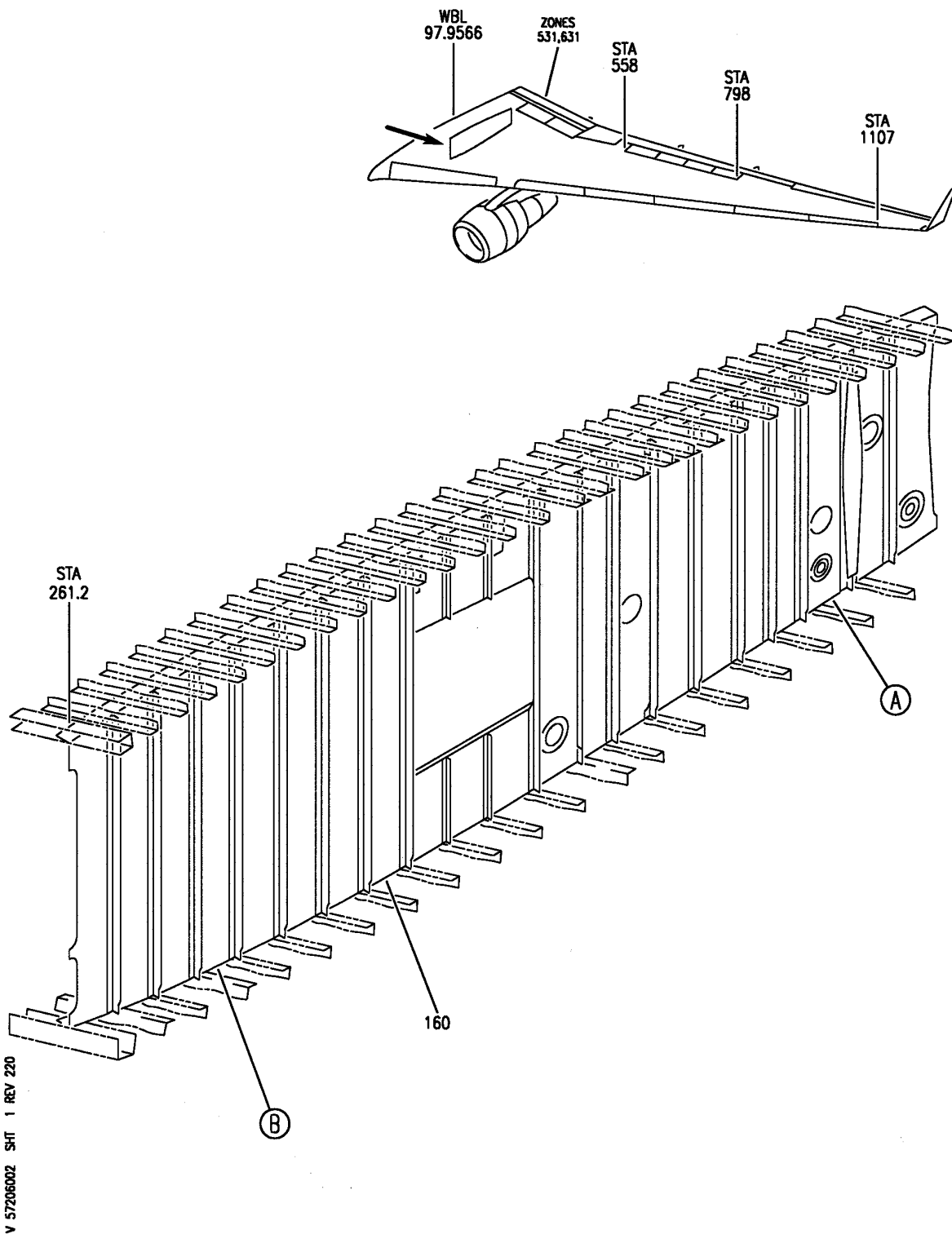
HXL

# 57-20-60-01A

BOEING PROPRIETARY - Copyright © - Unpublished Work - See title page for details.

57-20-60  
FIG. 01A  
PAGE 3  
APR 22/08

**BOEING**  
767  
PARTS CATALOG (MAINTENANCE)



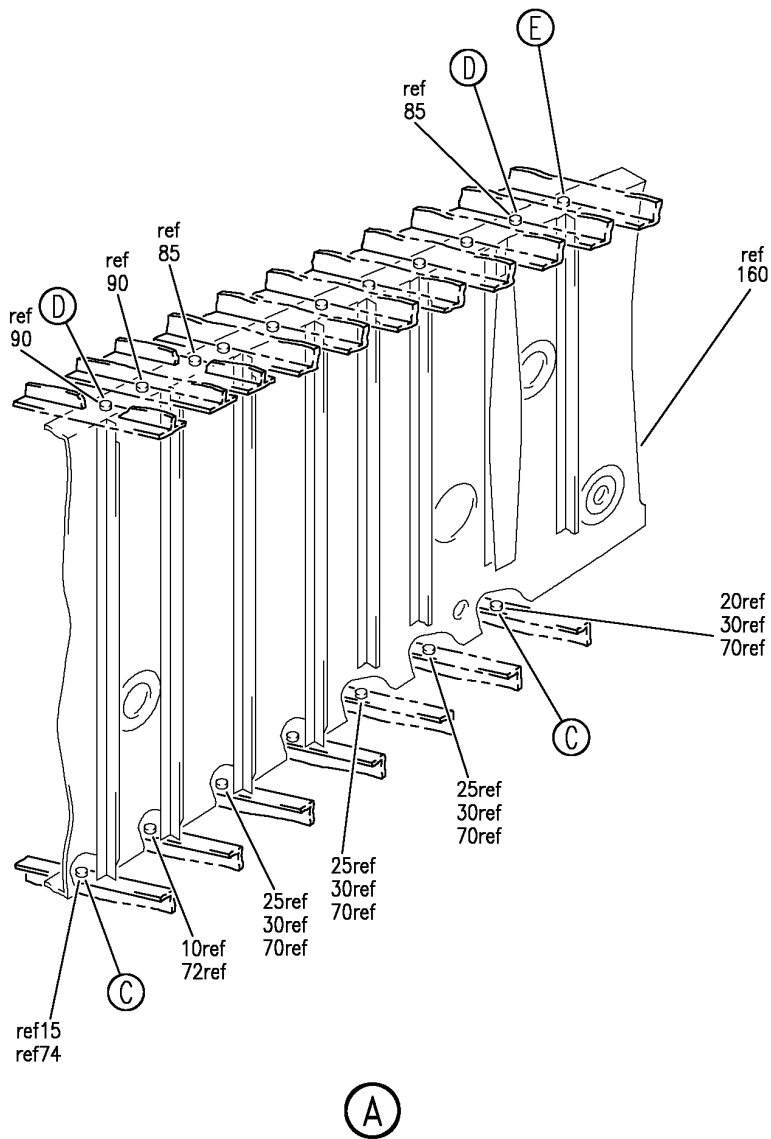
RIB INSTL-INSPAR RIB NO. 2 WING STA 261.2 AT REAR SPAR  
FIGURE 2 (SHEET 1)

**57-20-60-02**

HXL  
AUG 22/07

57-20-60-02  
PAGE 0

**BOEING**  
767  
PARTS CATALOG (MAINTENANCE)



V 57206002 SH1 2 REV 261

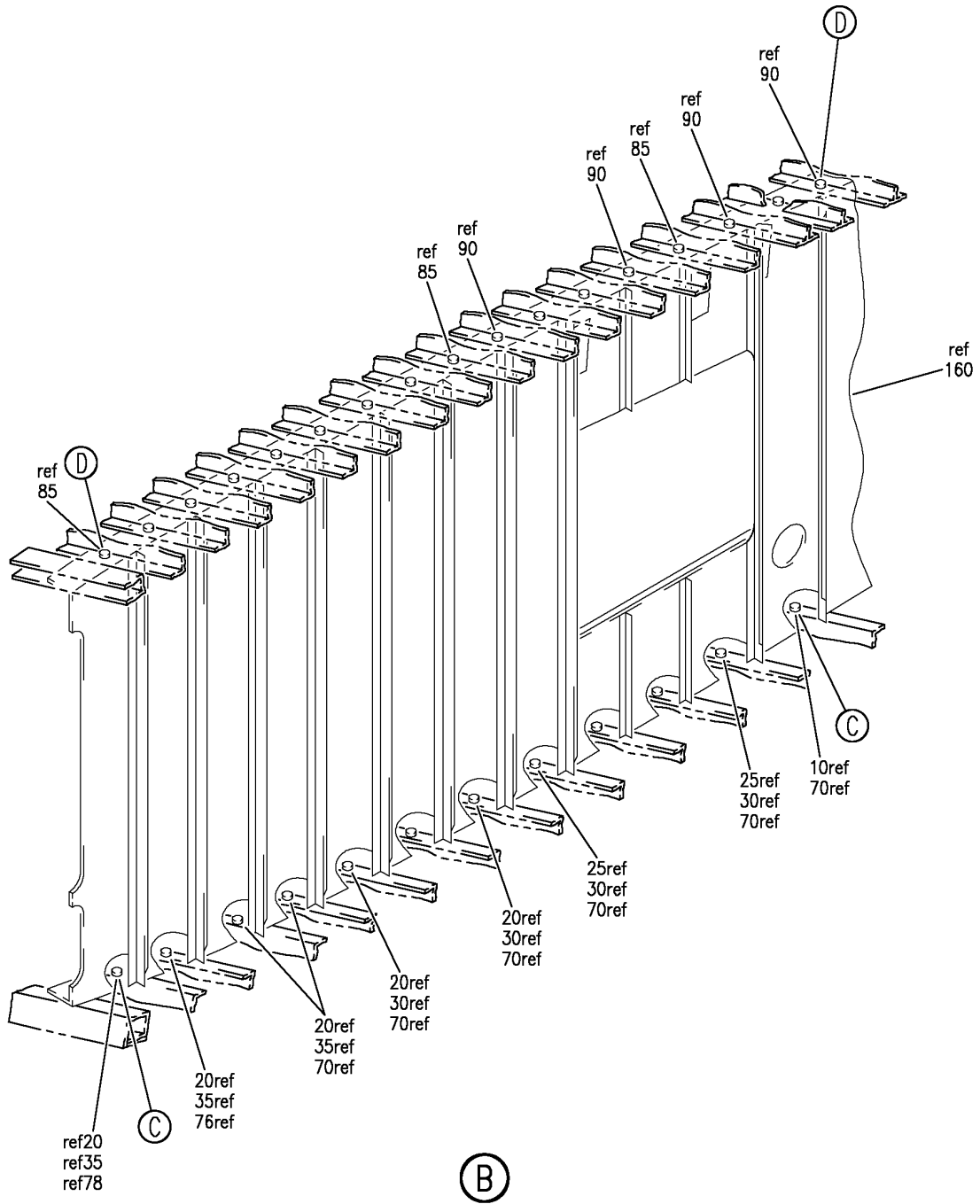
RIB INSTL-INSPAR RIB NO. 2 WING STA 261.2 AT REAR SPAR  
FIGURE 2 (SHEET 2)

**57-20-60-02**

HXL  
AUG 22/07

57-20-60-02  
PAGE 0A

**BOEING**  
767  
PARTS CATALOG (MAINTENANCE)



V 57206002 SH1 3 REV 261

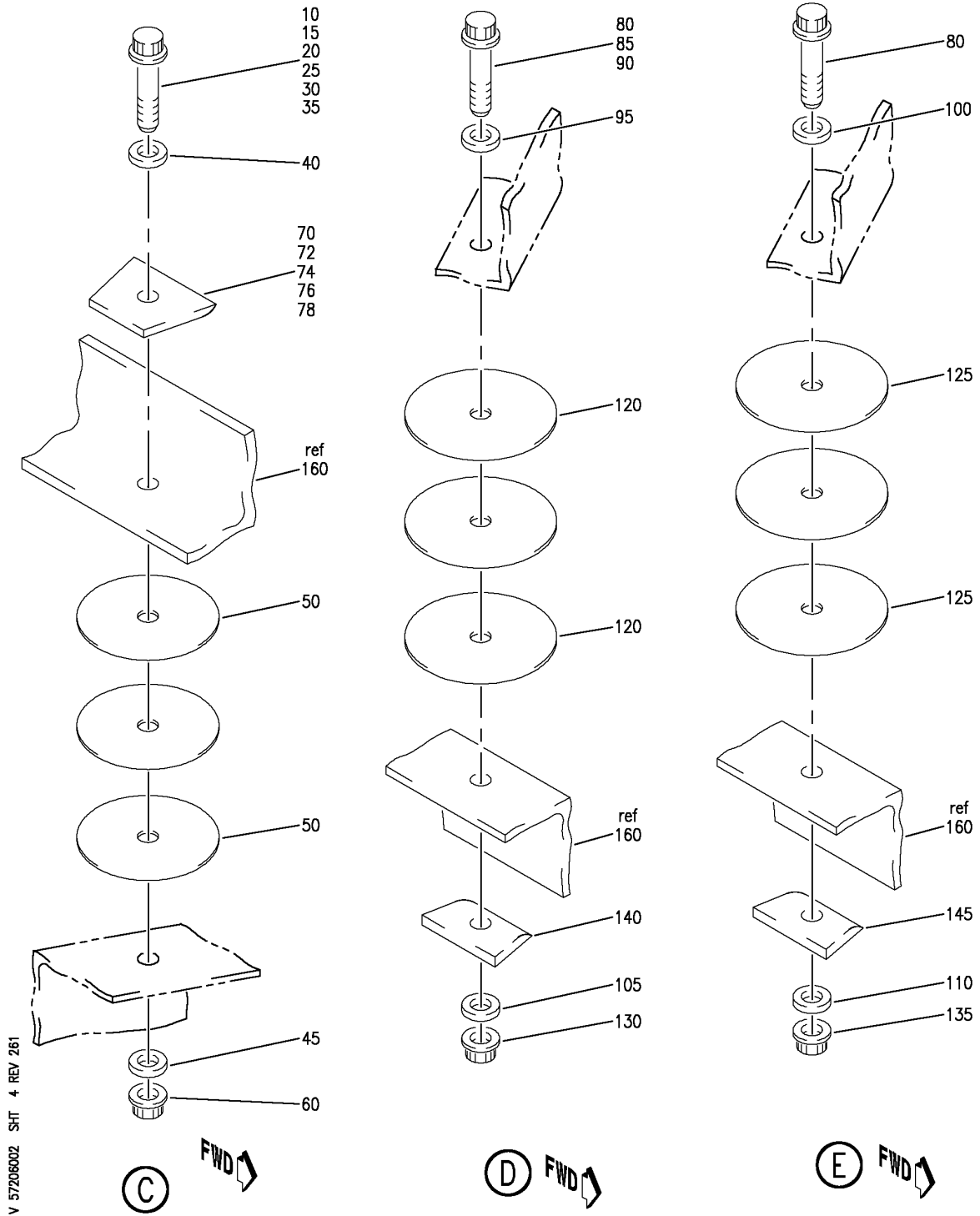
RIB INSTL-INSPAR RIB NO. 2 WING STA 261.2 AT REAR SPAR  
FIGURE 2 (SHEET 3)

**57-20-60-02**

HXL  
AUG 22/07

57-20-60-02  
PAGE 0B


**BOEING**  
 767  
**PARTS CATALOG (MAINTENANCE)**



RIB INSTL-INSPAR RIB NO. 2 WING STA 261.2 AT REAR SPAR  
 FIGURE 2 (SHEET 4)

57-20-60-02

HXL  
 AUG 22/07

57-20-60-02  
 PAGE 0C



 **BOEING**  
767  
**PARTS CATALOG (MAINTENANCE)**

FIG ITEM	PART NUMBER	1 2 3 4 5 6 7	NOMENCLATURE	EFFECT FROM TO	UNITS PER ASSY
2			RIB INSTL-INSPAR RIB NO. 2 WING STA 261.2 AT REAR SPAR		
- 2	112T5020-93		RIB INSTL-INSPAR RIB NO. 2 POSITION DATA: WING STA 261.2 AT REAR SPAR LH VARIABLE DRAWING REF: 112T5020-5009 FOR NHA SEE: 57-11-52-01	155162	RF
- 2	112T5020-81		RIB INSTL-INSPAR RIB NO. 2 POSITION DATA: WING STA 261.2 AT REAR SPAR LH VARIABLE DRAWING REF: 112T5020-5021 FOR NHA SEE: 57-11-52-01	163999	RF
- 5	112T5020-82		RIB INSTL-INSPAR RIB NO. 2 POSITION DATA: WING STA 261.2 AT REAR SPAR RH VARIABLE DRAWING REF: 112T5020-5010 FOR NHA SEE: 57-11-52-01		RF
10	BACB30MR5K15		.BOLT		2
15	BACB30MR5K10		.BOLT		1
20	BACB30MR5K14		.BOLT		8
25	BACB30MR5K13		.BOLT		8
40	BACW10BN5AC		.WASHER		19
45	AN960JD516L		.WASHER		19
60	NAS1805-5L		.NUT		19
70	112T5184-8		.FILLER		15
72	112T5184-8		.FILLER-		1
76	112T5184-8		.FILLER-		1
78	112T5184-8		.FILLER		1
80	BACB30MR4K12		.BOLT		28
95	BACW10BN4AC		.WASHER		27
100	BACW10BN4AC		.WASHER		1
105	NAS1149D0416J		.WASHER		27
110	NAS1149D0416J		.WASHER		1
140	112T5184-2		.FILLER		27
145	112T5184-2		.FILLER		1
160	112T5020-95		.RIB ASSY- POSITION DATA: LH SIDE	155162	1

ILLUSTRATION ITEMS NOT ON PARTS LIST ARE NOT APPLICABLE

- ITEM NOT ILLUSTRATED

HXL

57-20-60-02

BOEING PROPRIETARY - Copyright © - Unpublished Work - See title page for details.

57-20-60  
FIG. 02  
PAGE 1  
DEC 22/07



767  
PARTS CATALOG (MAINTENANCE)

FIG ITEM	PART NUMBER	1 2 3 4 5 6 7	NOMENCLATURE	EFFECT FROM TO	UNITS PER ASSY
2 160	112T5020-91		.RIB ASSY- POSITION DATA: LH SIDE	163999	1
- 170	112T5020-84		.RIB ASSY- POSITION DATA: RH SIDE		1

ILLUSTRATION ITEMS NOT ON PARTS LIST ARE NOT APPLICABLE

- ITEM NOT ILLUSTRATED

HXL

57-20-60-02

BOEING PROPRIETARY - Copyright © - Unpublished Work - See title page for details.

57-20-60  
FIG. 02  
PAGE 2  
DEC 22/07