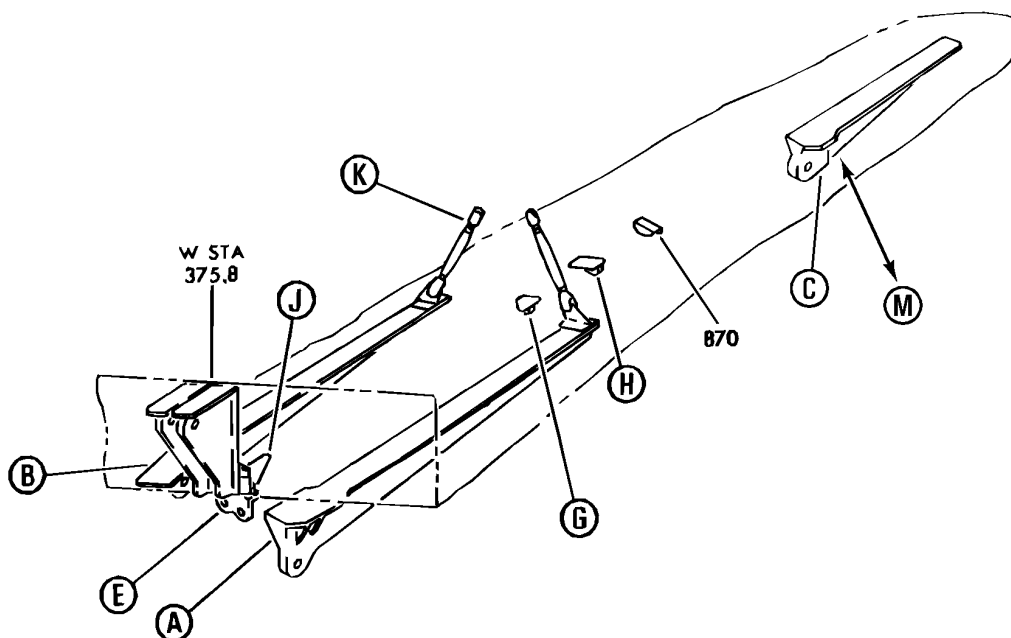
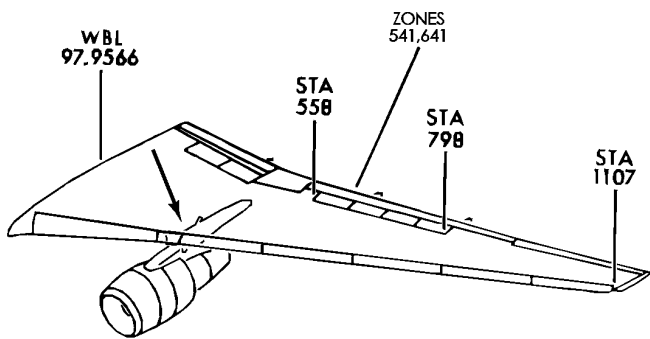


NACELLE STRUT ATTACH FITTINGS

HXL
DEC 22/06

57-24-00
SECTION TITLE
PAGE 1

BOEING
767
PARTS CATALOG (MAINTENANCE)



V 57240101 SHT 1 REV 245

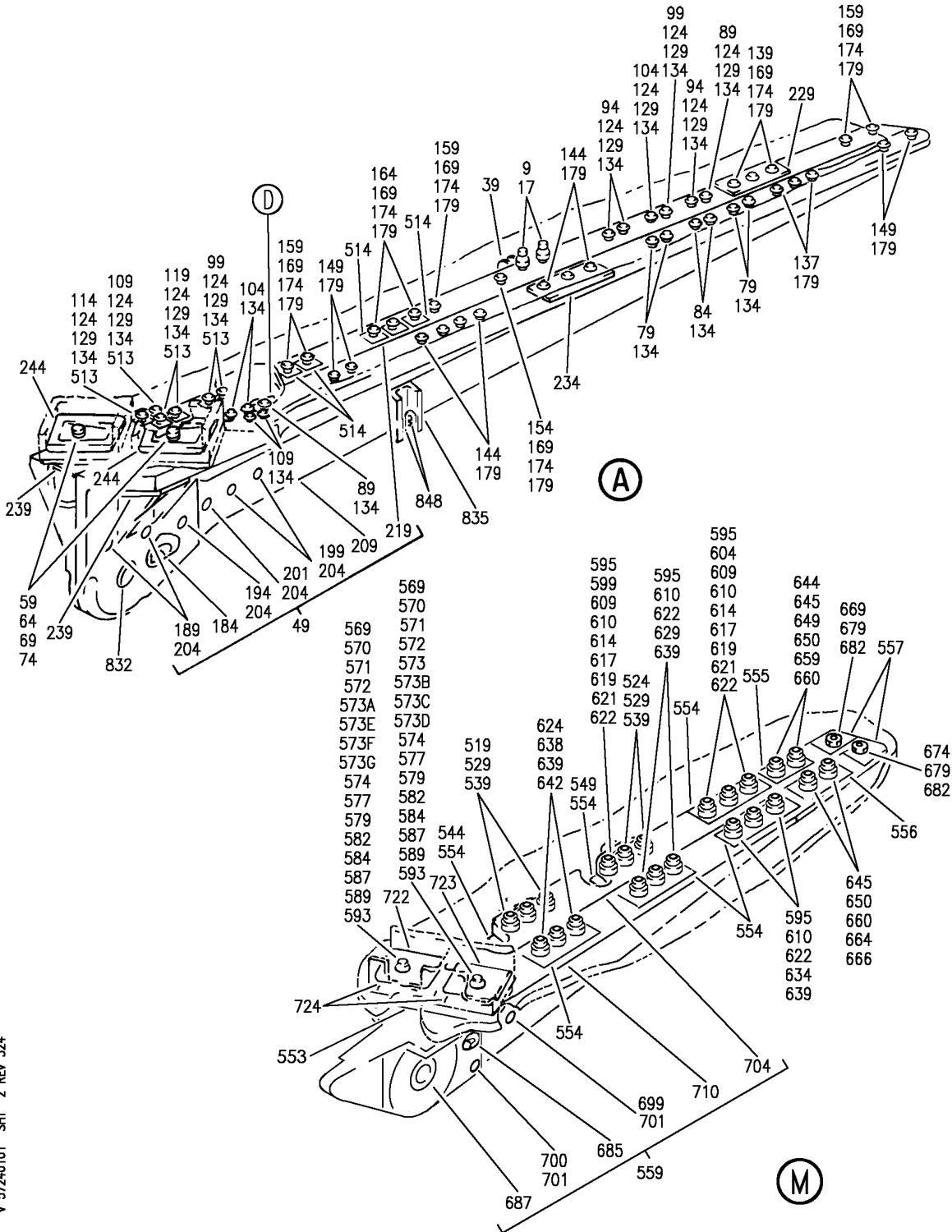
SUPPORT INSTL-WING ENG STRUT
FIGURE 1 (SHEET 1)

57-24-01-01

HXL
DEC 22/06

57-24-01-01
PAGE 0

BOEING
767
PARTS CATALOG (MAINTENANCE)



V 57240101 SH1 2 REV 324

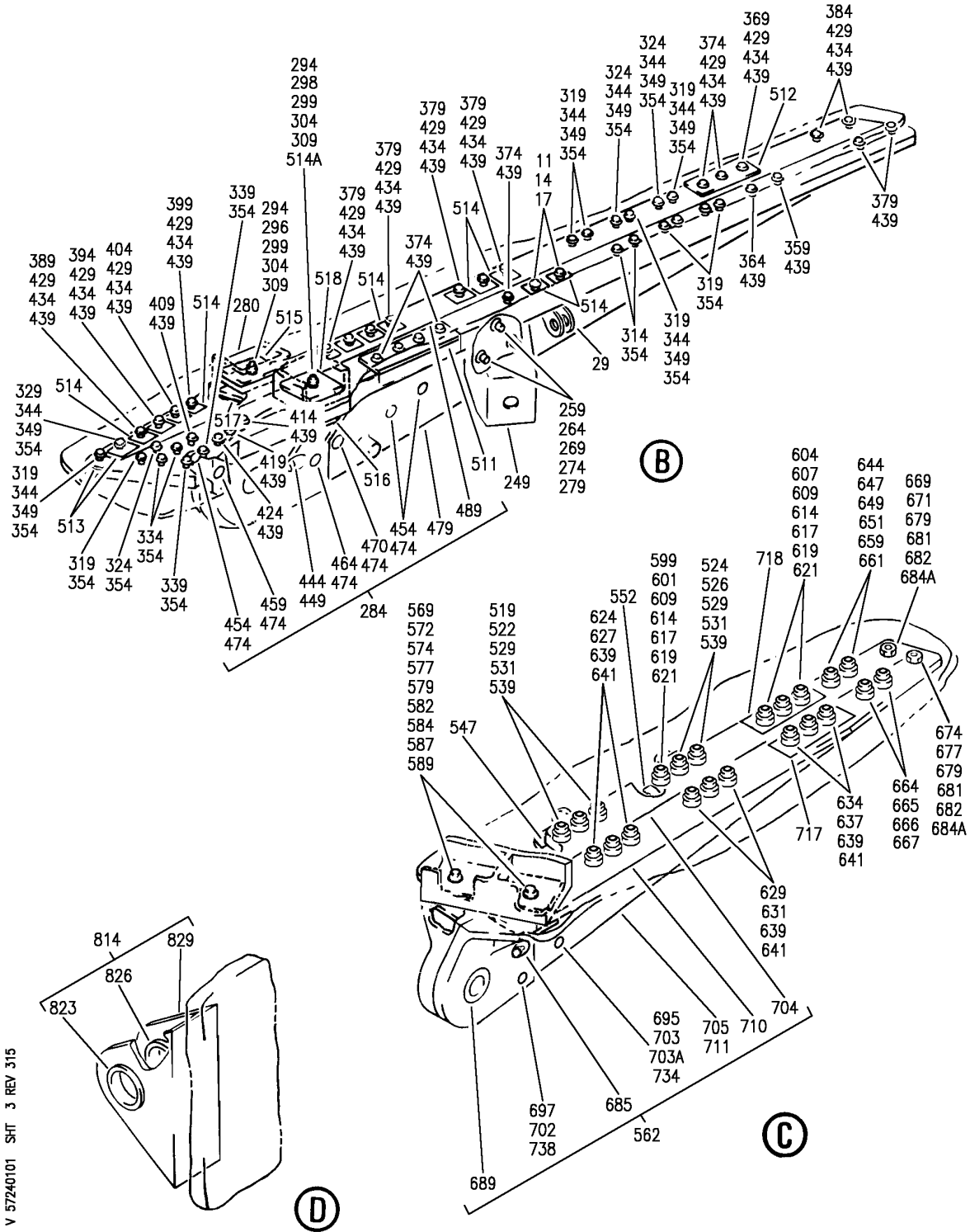
SUPPORT INSTL-WING ENG STRUT
FIGURE 1 (SHEET 2)

57-24-01-01

HXL
APR 22/08

57-24-01-01
PAGE 0A

BOEING
767
PARTS CATALOG (MAINTENANCE)



V 57240101 SHT 3 REV 315

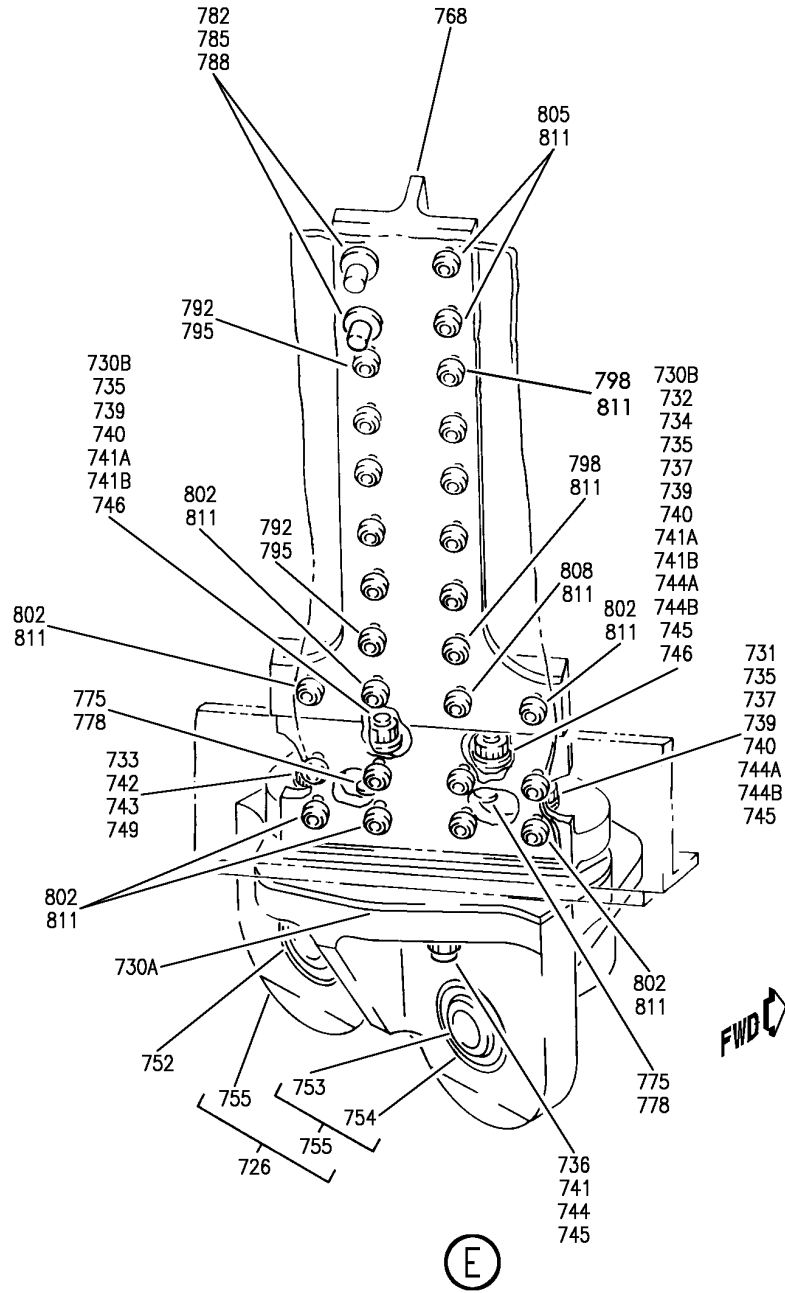
SUPPORT INSTL-WING ENG STRUT
FIGURE 1 (SHEET 3)

57-24-01-01

HXL
APR 22/07

57-24-01-01
PAGE 0B

BOEING
767
PARTS CATALOG (MAINTENANCE)



V 57240101 SH1 4 REV 315

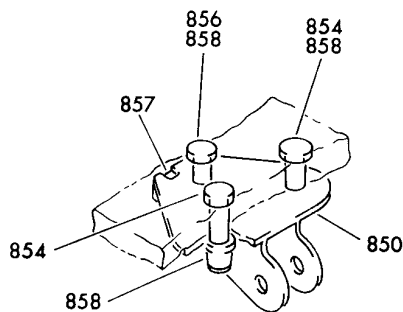
SUPPORT INSTL-WING ENG STRUT
FIGURE 1 (SHEET 4)

57-24-01-01

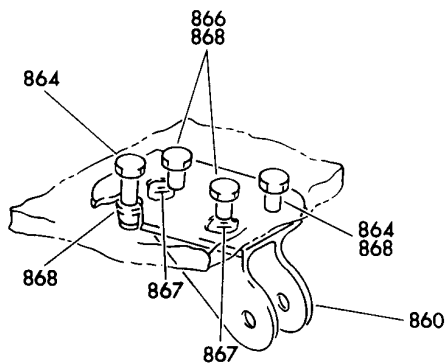
HXL
APR 22/07

57-24-01-01
PAGE 0C

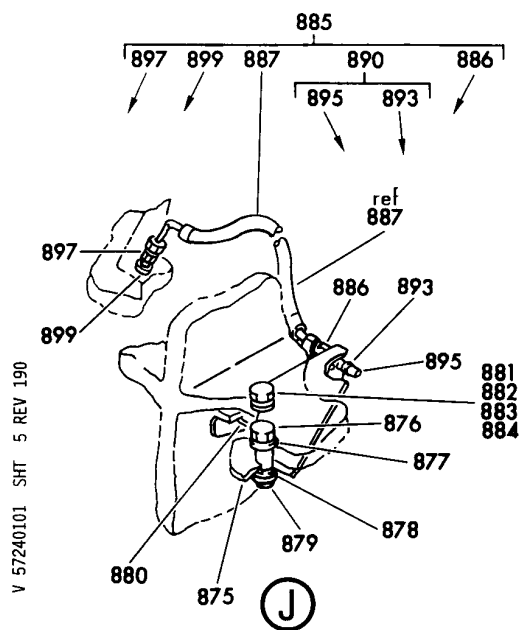
BOEING
767
PARTS CATALOG (MAINTENANCE)



(G)



(H)



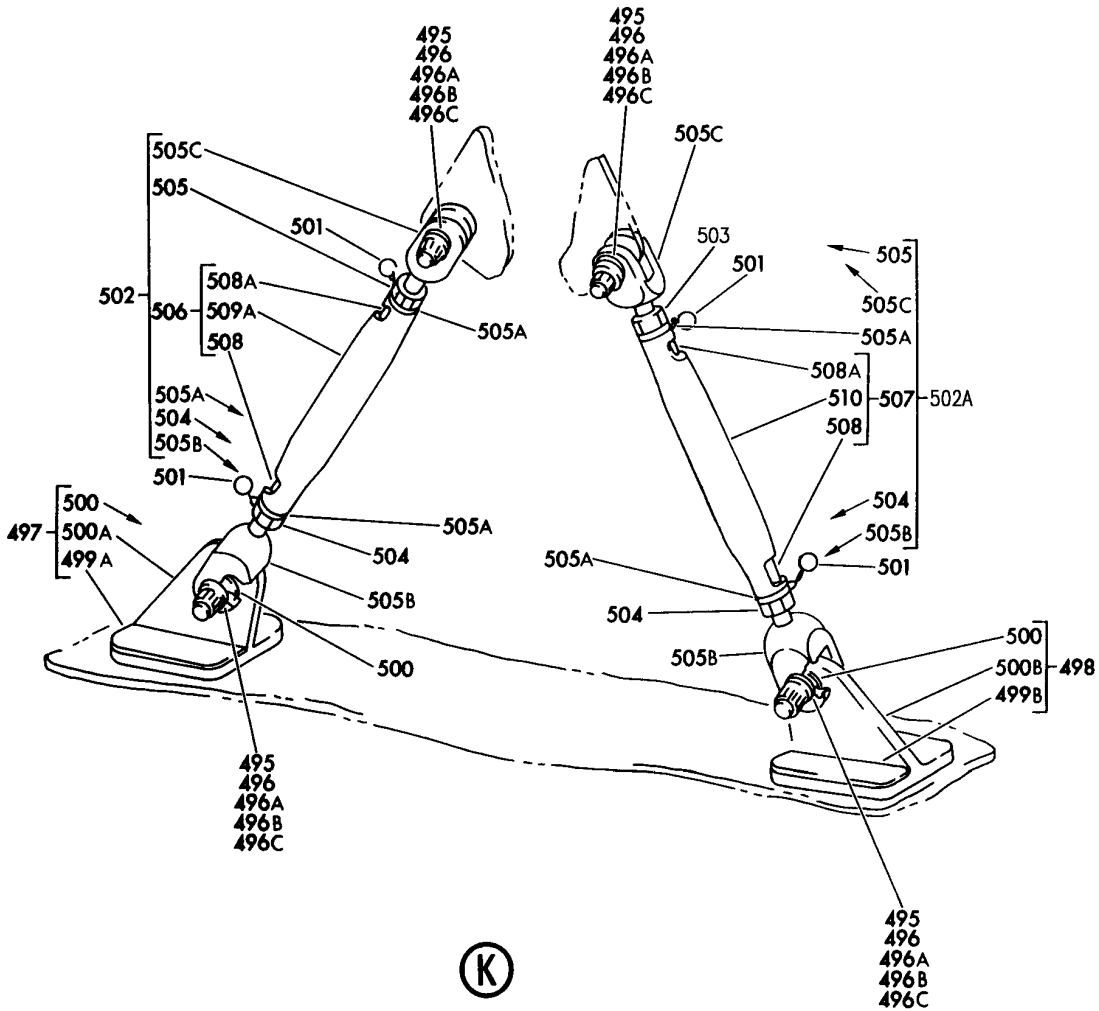
(J)

V 57240101 SHT 5 REV 190

SUPPORT INSTL-WING ENG STRUT
FIGURE 1 (SHEET 5)

57-24-01-01

BOEING
767
PARTS CATALOG (MAINTENANCE)



V 57240101 SHT 6 REV 342

SUPPORT INSTL-WING ENG STRUT
FIGURE 1 (SHEET 6)

57-24-01-01

HXL
AUG 22/09

57-24-01-01
PAGE 0E

 **BOEING**
767
PARTS CATALOG (MAINTENANCE)

FIG ITEM	PART NUMBER	1 2 3 4 5 6 7	NOMENCLATURE	EFFECT FROM TO	UNITS PER ASSY
1			SUPPORT INSTL-WING ENG STRUT		
- 1	112T7001-1		SUPPORT INSTL-WING ENG STRUT PNL POSITION DATA: LWR LH VARIABLE DRAWING REF: 112T7001-5023 FOR NHA SEE: 57-11-52-01		RF
- 5	112T7001-2		SUPPORT INSTL-WING ENG STRUT PNL POSITION DATA: LWR RH VARIABLE DRAWING REF: 112T7001-5024 FOR NHA SEE: 57-11-52-01		RF
9	HL1012AZ12-20		.BOLT- SUPPLIER CODE: VOPTK6 SPECIFICATION NUMBER: BACB30NX12K20 OPTIONAL PART: HL12VAZ12-20 V73197 HL12VAZ12-20 V92215 HL12VAZ12-20 V97928 L802-12K20 V06725 HL12VAZ12-20 V56878 HL1012AZ12-20 V06725 HL1012AZ12-20 V06950 HL1012AZ12-20 V17446 HL1012AZ12-20 V56878 HL1012AZ12-20 V60516 HL1012AZ12-20 V73197 HL1012AZ12-20 V97928		2
ILLUSTRATION ITEMS NOT ON PARTS LIST ARE NOT APPLICABLE					

- ITEM NOT ILLUSTRATED

HXL

57-24-01-01

BOEING PROPRIETARY - Copyright © - Unpublished Work - See title page for details.

57-24-01
FIG. 01
PAGE 1
DEC 22/07



767

PARTS CATALOG (MAINTENANCE)

FIG ITEM	PART NUMBER	1 2 3 4 5 6 7	NOMENCLATURE	EFFECT FROM TO	UNITS PER ASSY
1	11 HL1012AZ12-22		.BOLT- SUPPLIER CODE: VOPTK6 SPECIFICATION NUMBER: BACB30NX12K22 OPTIONAL PART: HL12VAZ12-22 V73197 HL12VAZ12-22 V92215 HL12VAZ12-22 V97928 L802-12K22 V06725 HL12VAZ12-22 V56878 HL1012AZ12-22 V06725 HL1012AZ12-22 V06950 HL1012AZ12-22 V17446 HL1012AZ12-22 V56878 HL1012AZ12-22 V60516 HL1012AZ12-22 V73197 HL1012AZ12-22 V97928		2
	14 AS46-6		.WASHER- SUPPLIER CODE: V10630 SPECIFICATION NUMBER: BACW10AU6 OPTIONAL PART: K19701P6 V15653 53488W624 V56878 6073-06 V72962 TLN1020L6W V08524		4

ILLUSTRATION ITEMS NOT ON PARTS LIST ARE NOT APPLICABLE

- ITEM NOT ILLUSTRATED

HXL

57-24-01-01

BOEING PROPRIETARY - Copyright © - Unpublished Work - See title page for details.

57-24-01
FIG. 01
PAGE 2
DEC 22/07

 **BOEING**
767
PARTS CATALOG (MAINTENANCE)

FIG ITEM	PART NUMBER	1 2 3 4 5 6 7	NOMENCLATURE	EFFECT FROM TO	UNITS PER ASSY
1					
17	H19700P6		.NUT SUPPLIER CODE: V15653 SPECIFICATION NUMBER: BACN10MT6 OPTIONAL PART: 52LH6073-064 V72962 53488N624 V56878 TLN1020L6N V97928		4
29	112T7046-1		.FITTING- POSITION DATA: LH SIDE OPTIONAL PART: 112T7044-15		1
29	112T7044-15		.FITTING- POSITION DATA: LH SIDE OPTIONAL PART: 112T7046-1		1
- 34	112T7046-2		.FITTING- POSITION DATA: RH SIDE OPTIONAL PART: 112T7044-16		1
- 34	112T7044-16		.FITTING- POSITION DATA: RH SIDE OPTIONAL PART: 112T7046-2		1
39	112T7047-1		.FITTING- POSITION DATA: LH SIDE		1
- 44	112T7047-2		.FITTING- POSITION DATA: RH SIDE		1
49	112T7003-13		.FITTING ASSY-SIDE LOAD POSITION DATA: OUTBD LH SIDE		1
- 54	112T7003-14		.FITTING ASSY-SIDE LOAD POSITION DATA: OUTBD RH SIDE		1

ILLUSTRATION ITEMS NOT ON PARTS LIST ARE NOT APPLICABLE

- ITEM NOT ILLUSTRATED

HXL

57-24-01-01

BOEING PROPRIETARY - Copyright © - Unpublished Work - See title page for details.

57-24-01
FIG. 01
PAGE 3
DEC 22/07



767

PARTS CATALOG (MAINTENANCE)

FIG ITEM	PART NUMBER	1 2 3 4 5 6 7	NOMENCLATURE	EFFECT FROM TO	UNITS PER ASSY
1			ATTACHING PARTS		
59	83269-14-53		.BOLT- SUPPLIER CODE: V56878 SERVICE BULLETIN OPT DATA: 83269-14-53X V56878 83269-14-53Y V56878 POST SERVICE BULLETIN: 54-0069		2
59	83269-14-53X		.BOLT- SUPPLIER CODE: V56878 SERVICE BULLETIN OPT DATA: 83269-14-53 V56878 83269-14-53Y V56878 POST SERVICE BULLETIN: 54-0069		2
59	83269-14-53Y		.BOLT- SUPPLIER CODE: V56878 SERVICE BULLETIN OPT DATA: 83269-14-53 V56878 83269-14-53X V56878 POST SERVICE BULLETIN: 54-0069		2
64	BACW10BP14C		.WASHER- POSITION DATA: UNDER HEAD POST SERVICE BULLETIN: 54-0069		2
69	BACW10BP14P		.WASHER- POSITION DATA: UNDER NUT POST SERVICE BULLETIN: 54-0069		2
74	EWNM26C1414		.NUT- SUPPLIER CODE: V80539 POST SERVICE BULLETIN: 54-0069		2
ILLUSTRATION ITEMS NOT ON PARTS LIST ARE NOT APPLICABLE					

- ITEM NOT ILLUSTRATED

57-24-01-01

57-24-01
FIG. 01
PAGE 4
DEC 22/07

HXL



767

PARTS CATALOG (MAINTENANCE)

FIG ITEM	PART NUMBER	1 2 3 4 5 6 7 NOMENCLATURE	EFFECT FROM TO	UNITS PER ASSY
1 79	HL1012AZ10-18	.BOLT SUPPLIER CODE: VOPTK6 SPECIFICATION NUMBER: BACB30NX10K18 OPTIONAL PART: HL12VAZ10-18 V73197 HL12VAZ10-18 V92215 HL12VAZ10-18 V97928 L802-10K18 V06725 HL12VAZ10-18 V56878 HL1012AZ10-18 V06725 HL1012AZ10-18 V06950 HL1012AZ10-18 V17446 HL1012AZ10-18 V56878 HL1012AZ10-18 V60516 HL1012AZ10-18 V73197 HL1012AZ10-18 V97928		4

ILLUSTRATION ITEMS NOT ON PARTS LIST ARE NOT APPLICABLE

- ITEM NOT ILLUSTRATED

HXL

57-24-01-01

BOEING PROPRIETARY - Copyright © - Unpublished Work - See title page for details.

57-24-01
 FIG. 01
 PAGE 5
 DEC 22/07



767

PARTS CATALOG (MAINTENANCE)

FIG ITEM	PART NUMBER	1 2 3 4 5 6 7 NOMENCLATURE	EFFECT FROM TO	UNITS PER ASSY
1 84	HL1012AZ10-19	.BOLT SUPPLIER CODE: VOPTK6 SPECIFICATION NUMBER: BACB30NX10K19 OPTIONAL PART: HL12VAZ10-19 V73197 HL12VAZ10-19 V92215 HL12VAZ10-19 V97928 L802-10K19 V06725 HL12VAZ10-19 V56878 HL1012AZ10-19 V06725 HL1012AZ10-19 V06950 HL1012AZ10-19 V17446 HL1012AZ10-19 V56878 HL1012AZ10-19 V60516 HL1012AZ10-19 V73197 HL1012AZ10-19 V97928		2

ILLUSTRATION ITEMS NOT ON PARTS LIST ARE NOT APPLICABLE

- ITEM NOT ILLUSTRATED

HXL

57-24-01-01

BOEING PROPRIETARY - Copyright © - Unpublished Work - See title page for details.

57-24-01
 FIG. 01
 PAGE 6
 DEC 22/07



767

PARTS CATALOG (MAINTENANCE)

FIG ITEM	PART NUMBER	1 2 3 4 5 6 7 NOMENCLATURE	EFFECT FROM TO	UNITS PER ASSY
1 89	HL1012AZ10-20	.BOLT SUPPLIER CODE: VOPTK6 SPECIFICATION NUMBER: BACB30NX10K20 OPTIONAL PART: HL12VAZ10-20 V73197 HL12VAZ10-20 V92215 HL12VAZ10-20 V97928 L802-10K20 V06725 HL12VAZ10-20 V56878 HL1012AZ10-20 V06725 HL1012AZ10-20 V06950 HL1012AZ10-20 V17446 HL1012AZ10-20 V56878 HL1012AZ10-20 V60516 HL1012AZ10-20 V73197 HL1012AZ10-20 V97928		2

ILLUSTRATION ITEMS NOT ON PARTS LIST ARE NOT APPLICABLE

- ITEM NOT ILLUSTRATED

HXL

57-24-01-01

BOEING PROPRIETARY - Copyright © - Unpublished Work - See title page for details.

57-24-01
 FIG. 01
 PAGE 7
 DEC 22/07



767

PARTS CATALOG (MAINTENANCE)

FIG ITEM	PART NUMBER	1 2 3 4 5 6 7 NOMENCLATURE	EFFECT FROM TO	UNITS PER ASSY
1 94	HL1012AZ10-21	.BOLT SUPPLIER CODE: VOPTK6 SPECIFICATION NUMBER: BACB30NX10K21 OPTIONAL PART: HL12VAZ10-21 V73197 HL12VAZ10-21 V92215 HL12VAZ10-21 V97928 L802-10K21 V06725 HL12VAZ10-21 V56878 HL1012AZ10-21 V06725 HL1012AZ10-21 V06950 HL1012AZ10-21 V17446 HL1012AZ10-21 V56878 HL1012AZ10-21 V60516 HL1012AZ10-21 V73197 HL1012AZ10-21 V97928		3

ILLUSTRATION ITEMS NOT ON PARTS LIST ARE NOT APPLICABLE

- ITEM NOT ILLUSTRATED

HXL

57-24-01-01

BOEING PROPRIETARY - Copyright © - Unpublished Work - See title page for details.

57-24-01
 FIG. 01
 PAGE 8
 DEC 22/07



767

PARTS CATALOG (MAINTENANCE)

FIG ITEM	PART NUMBER	1 2 3 4 5 6 7 NOMENCLATURE	EFFECT FROM TO	UNITS PER ASSY
1 99	HL1012AZ10-22	.BOLT SUPPLIER CODE: VOPTK6 SPECIFICATION NUMBER: BACB30NX10K22 OPTIONAL PART: HL12VAZ10-22 V73197 HL12VAZ10-22 V92215 HL12VAZ10-22 V97928 L802-10K22 V06725 HL12VAZ10-22 V56878 HL1012AZ10-22 V06725 HL1012AZ10-22 V06950 HL1012AZ10-22 V17446 HL1012AZ10-22 V56878 HL1012AZ10-22 V60516 HL1012AZ10-22 V73197 HL1012AZ10-22 V97928		3

ILLUSTRATION ITEMS NOT ON PARTS LIST ARE NOT APPLICABLE

- ITEM NOT ILLUSTRATED

HXL

57-24-01-01

BOEING PROPRIETARY - Copyright © - Unpublished Work - See title page for details.

57-24-01
 FIG. 01
 PAGE 9
 DEC 22/07



767

PARTS CATALOG (MAINTENANCE)

FIG ITEM	PART NUMBER	1 2 3 4 5 6 7 NOMENCLATURE	EFFECT FROM TO	UNITS PER ASSY
1 104	HL1012AZ10-23	.BOLT SUPPLIER CODE: VOPTK6 SPECIFICATION NUMBER: BACB30NX10K23 OPTIONAL PART: HL12VAZ10-23 V73197 HL12VAZ10-23 V92215 HL12VAZ10-23 V97928 L802-10K23 V06725 HL12VAZ10-23 V56878 HL1012AZ10-23 V06725 HL1012AZ10-23 V06950 HL1012AZ10-23 V17446 HL1012AZ10-23 V56878 HL1012AZ10-23 V60516 HL1012AZ10-23 V73197 HL1012AZ10-23 V97928		3

ILLUSTRATION ITEMS NOT ON PARTS LIST ARE NOT APPLICABLE

- ITEM NOT ILLUSTRATED

HXL

57-24-01-01

BOEING PROPRIETARY - Copyright © - Unpublished Work - See title page for details.

57-24-01
 FIG. 01
 PAGE 10
 DEC 22/07



767

PARTS CATALOG (MAINTENANCE)

FIG ITEM	PART NUMBER	1 2 3 4 5 6 7 NOMENCLATURE	EFFECT FROM TO	UNITS PER ASSY
1 109	HL1012AZ10-26	.BOLT SUPPLIER CODE: VOPTK6 SPECIFICATION NUMBER: BACB30NX10K26 OPTIONAL PART: HL12VAZ10-26 V73197 HL12VAZ10-26 V92215 HL12VAZ10-26 V97928 L802-10K26 V06725 HL12VAZ10-26 V56878 HL1012AZ10-26 V06725 HL1012AZ10-26 V06950 HL1012AZ10-26 V17446 HL1012AZ10-26 V56878 HL1012AZ10-26 V60516 HL1012AZ10-26 V73197 HL1012AZ10-26 V97928		3

ILLUSTRATION ITEMS NOT ON PARTS LIST ARE NOT APPLICABLE

- ITEM NOT ILLUSTRATED

HXL

57-24-01-01

BOEING PROPRIETARY - Copyright © - Unpublished Work - See title page for details.

57-24-01
 FIG. 01
 PAGE 11
 DEC 22/07



767

PARTS CATALOG (MAINTENANCE)

FIG ITEM	PART NUMBER	1 2 3 4 5 6 7 NOMENCLATURE	EFFECT FROM TO	UNITS PER ASSY
1 114	HL1012AZ10-27	.BOLT SUPPLIER CODE: VOPTK6 SPECIFICATION NUMBER: BACB30NX10K27 OPTIONAL PART: HL12VAZ10-27 V73197 HL12VAZ10-27 V92215 HL12VAZ10-27 V97928 L802-10K27 V06725 HL12VAZ10-27 V56878 HL1012AZ10-27 V06725 HL1012AZ10-27 V06950 HL1012AZ10-27 V17446 HL1012AZ10-27 V56878 HL1012AZ10-27 V60516 HL1012AZ10-27 V73197 HL1012AZ10-27 V97928		1

ILLUSTRATION ITEMS NOT ON PARTS LIST ARE NOT APPLICABLE

- ITEM NOT ILLUSTRATED

HXL

57-24-01-01

BOEING PROPRIETARY - Copyright © - Unpublished Work - See title page for details.

57-24-01
 FIG. 01
 PAGE 12
 DEC 22/07



767

PARTS CATALOG (MAINTENANCE)

FIG ITEM	PART NUMBER	1 2 3 4 5 6 7	NOMENCLATURE	EFFECT FROM TO	UNITS PER ASSY
1 119	HL1012AZ10-29		.BOLT SUPPLIER CODE: VOPTK6 SPECIFICATION NUMBER: BACB30NX10K29 OPTIONAL PART: HL12VAZ10-29 V73197 HL12VAZ10-29 V92215 HL12VAZ10-29 V97928 L802-10K29 V06725 HL12VAZ10-29 V56878 HL1012AZ10-29 V06725 HL1012AZ10-29 V06950 HL1012AZ10-29 V17446 HL1012AZ10-29 V56878 HL1012AZ10-29 V60516 HL1012AZ10-29 V73197 HL1012AZ10-29 V97928		2
124	K29646-5S		.WASHER SUPPLIER CODE: V15653 SPECIFICATION NUMBER: BACW10CA5CVS OPTIONAL PART: 70186-5S V56878 922005-5 V60119 942005-5 V60119		12

ILLUSTRATION ITEMS NOT ON PARTS LIST ARE NOT APPLICABLE

- ITEM NOT ILLUSTRATED

HXL

57-24-01-01

BOEING PROPRIETARY - Copyright © - Unpublished Work - See title page for details.

57-24-01
FIG. 01
PAGE 13
DEC 22/07

 **BOEING**
767
PARTS CATALOG (MAINTENANCE)

FIG ITEM	PART NUMBER	1 2 3 4 5 6 7	NOMENCLATURE	EFFECT FROM TO	UNITS PER ASSY
1 129	K29913-5S		.WASHER SUPPLIER CODE: V15653 SPECIFICATION NUMBER: BACW10CA5CCS OPTIONAL PART: 70189-5S V56878 922006-5 V60119 942006-5 V60119		12
R R R R R R R R R R	134 HL1187-10		.COLLAR SUPPLIER CODE: V5M902 SPECIFICATION NUMBER: BACC30X10 OPTIONAL PART: HL1187-10 V56878 HL1187-10 V92215 HL1187-10 V73197		23
ILLUSTRATION ITEMS NOT ON PARTS LIST ARE NOT APPLICABLE					

— ITEM NOT ILLUSTRATED

HXL

57-24-01-01

BOEING PROPRIETARY - Copyright © - Unpublished Work - See title page for details.

57-24-01
FIG. 01
PAGE 14
AUG 22/09



767

PARTS CATALOG (MAINTENANCE)

FIG ITEM	PART NUMBER	1 2 3 4 5 6 7 NOMENCLATURE	EFFECT FROM TO	UNITS PER ASSY
1 137	HL1012AZ12-14	.BOLT SUPPLIER CODE: VOPTK6 SPECIFICATION NUMBER: BACB30NX12K14 OPTIONAL PART: HL12VAZ12-14 V73197 HL12VAZ12-14 V92215 HL12VAZ12-14 V97928 L802-12K14 V06725 HL12VAZ12-14 V56878 HL1012AZ12-14 V06725 HL1012AZ12-14 V06950 HL1012AZ12-14 V17446 HL1012AZ12-14 V56878 HL1012AZ12-14 V60516 HL1012AZ12-14 V73197 HL1012AZ12-14 V97928		3

ILLUSTRATION ITEMS NOT ON PARTS LIST ARE NOT APPLICABLE

- ITEM NOT ILLUSTRATED

HXL

57-24-01-01

BOEING PROPRIETARY - Copyright © - Unpublished Work - See title page for details.

57-24-01
 FIG. 01
 PAGE 15
 APR 22/08



767

PARTS CATALOG (MAINTENANCE)

FIG ITEM	PART NUMBER	1 2 3 4 5 6 7 NOMENCLATURE	EFFECT FROM TO	UNITS PER ASSY
1 139	HL1012AZ12-17	.BOLT SUPPLIER CODE: VOPTK6 SPECIFICATION NUMBER: BACB30NX12K17 OPTIONAL PART: HL12VAZ12-17 V73197 HL12VAZ12-17 V92215 HL12VAZ12-17 V97928 L802-12K17 V06725 HL12VAZ12-17 V56878 HL1012AZ12-17 V06725 HL1012AZ12-17 V06950 HL1012AZ12-17 V17446 HL1012AZ12-17 V56878 HL1012AZ12-17 V60516 HL1012AZ12-17 V73197 HL1012AZ12-17 V97928		3

ILLUSTRATION ITEMS NOT ON PARTS LIST ARE NOT APPLICABLE

- ITEM NOT ILLUSTRATED

HXL

57-24-01-01

BOEING PROPRIETARY - Copyright © - Unpublished Work - See title page for details.

57-24-01
 FIG. 01
 PAGE 16
 DEC 22/07



767

PARTS CATALOG (MAINTENANCE)

FIG ITEM	PART NUMBER	1 2 3 4 5 6 7 NOMENCLATURE	EFFECT FROM TO	UNITS PER ASSY
1 144	HL1012AZ12-19	.BOLT SUPPLIER CODE: VOPTK6 SPECIFICATION NUMBER: BACB30NX12K19 OPTIONAL PART: HL12VAZ12-19 V73197 HL12VAZ12-19 V92215 HL12VAZ12-19 V97928 L802-12K19 V06725 HL12VAZ12-19 V56878 HL1012AZ12-19 V06725 HL1012AZ12-19 V06950 HL1012AZ12-19 V17446 HL1012AZ12-19 V56878 HL1012AZ12-19 V60516 HL1012AZ12-19 V73197 HL1012AZ12-19 V97928		7

ILLUSTRATION ITEMS NOT ON PARTS LIST ARE NOT APPLICABLE

- ITEM NOT ILLUSTRATED

HXL

57-24-01-01

BOEING PROPRIETARY - Copyright © - Unpublished Work - See title page for details.

57-24-01
 FIG. 01
 PAGE 17
 DEC 22/07

 **BOEING**
767
PARTS CATALOG (MAINTENANCE)

FIG ITEM	PART NUMBER	1 2 3 4 5 6 7 NOMENCLATURE	EFFECT FROM TO	UNITS PER ASSY
1 149	HL1012AZ12-20	.BOLT SUPPLIER CODE: VOPTK6 SPECIFICATION NUMBER: BACB30NX12K20 OPTIONAL PART: HL12VAZ12-20 V73197 HL12VAZ12-20 V92215 HL12VAZ12-20 V97928 L802-12K20 V06725 HL12VAZ12-20 V56878 HL1012AZ12-20 V06725 HL1012AZ12-20 V06950 HL1012AZ12-20 V17446 HL1012AZ12-20 V56878 HL1012AZ12-20 V60516 HL1012AZ12-20 V73197 HL1012AZ12-20 V97928		4

ILLUSTRATION ITEMS NOT ON PARTS LIST ARE NOT APPLICABLE

— ITEM NOT ILLUSTRATED

HXL

57-24-01-01

BOEING PROPRIETARY - Copyright © - Unpublished Work - See title page for details.

57-24-01
FIG. 01
PAGE 18
DEC 22/07



767

PARTS CATALOG (MAINTENANCE)

FIG ITEM	PART NUMBER	1 2 3 4 5 6 7 NOMENCLATURE	EFFECT FROM TO	UNITS PER ASSY
1 154	HL1012AZ12-22	.BOLT SUPPLIER CODE: VOPTK6 SPECIFICATION NUMBER: BACB30NX12K22 OPTIONAL PART: HL12VAZ12-22 V73197 HL12VAZ12-22 V92215 HL12VAZ12-22 V97928 L802-12K22 V06725 HL12VAZ12-22 V56878 HL1012AZ12-22 V06725 HL1012AZ12-22 V06950 HL1012AZ12-22 V17446 HL1012AZ12-22 V56878 HL1012AZ12-22 V60516 HL1012AZ12-22 V73197 HL1012AZ12-22 V97928		1

ILLUSTRATION ITEMS NOT ON PARTS LIST ARE NOT APPLICABLE

- ITEM NOT ILLUSTRATED

HXL

57-24-01-01

BOEING PROPRIETARY - Copyright © - Unpublished Work - See title page for details.

57-24-01
 FIG. 01
 PAGE 19
 DEC 22/07



767

PARTS CATALOG (MAINTENANCE)

FIG ITEM	PART NUMBER	1 2 3 4 5 6 7 NOMENCLATURE	EFFECT FROM TO	UNITS PER ASSY
1 159	HL1012AZ12-23	.BOLT SUPPLIER CODE: VOPTK6 SPECIFICATION NUMBER: BACB30NX12K23 OPTIONAL PART: HL12VAZ12-23 V73197 HL12VAZ12-23 V92215 HL12VAZ12-23 V97928 L802-12K23 V06725 HL12VAZ12-23 V56878 HL1012AZ12-23 V06725 HL1012AZ12-23 V06950 HL1012AZ12-23 V17446 HL1012AZ12-23 V56878 HL1012AZ12-23 V60516 HL1012AZ12-23 V73197 HL1012AZ12-23 V97928		5

ILLUSTRATION ITEMS NOT ON PARTS LIST ARE NOT APPLICABLE

- ITEM NOT ILLUSTRATED

HXL

57-24-01-01

BOEING PROPRIETARY - Copyright © - Unpublished Work - See title page for details.

57-24-01
 FIG. 01
 PAGE 20
 DEC 22/07



767

PARTS CATALOG (MAINTENANCE)

FIG ITEM	PART NUMBER	1 2 3 4 5 6 7	NOMENCLATURE	EFFECT FROM TO	UNITS PER ASSY
1 164	HL1012AZ12-24	.BOLT	SUPPLIER CODE: VOPTK6 SPECIFICATION NUMBER: BACB30NX12K24 OPTIONAL PART: HL12VAZ12-24 V73197 HL12VAZ12-24 V92215 HL12VAZ12-24 V97928 L802-12K24 V06725 HL12VAZ12-24 V56878 HL1012AZ12-24 V06725 HL1012AZ12-24 V06950 HL1012AZ12-24 V17446 HL1012AZ12-24 V56878 HL1012AZ12-24 V60516 HL1012AZ12-24 V73197 HL1012AZ12-24 V97928		3
169	K29646-6S	.WASHER	SUPPLIER CODE: V15653 SPECIFICATION NUMBER: BACW10CA6CVS OPTIONAL PART: 70186-6S V56878 922005-6 V60119 942005-6 V60119		12

ILLUSTRATION ITEMS NOT ON PARTS LIST ARE NOT APPLICABLE

- ITEM NOT ILLUSTRATED

HXL

57-24-01-01

BOEING PROPRIETARY - Copyright © - Unpublished Work - See title page for details.

57-24-01
 FIG. 01
 PAGE 21
 DEC 22/07



767

PARTS CATALOG (MAINTENANCE)

FIG ITEM	PART NUMBER	1 2 3 4 5 6 7	NOMENCLATURE	EFFECT FROM TO	UNITS PER ASSY
1 174	K29913-6S		.WASHER SUPPLIER CODE: V15653 SPECIFICATION NUMBER: BACW10CA6CCS OPTIONAL PART: 70189-6S V56878 922006-6 V60119 942006-6 V60119		12
R R R R R R R R R R	179 HL1187-12		.COLLAR SUPPLIER CODE: V5M902 SPECIFICATION NUMBER: BACC30X12 OPTIONAL PART: HL1187-12 V73197 HL1187-12 V56878 HL1187-12 V92215		26
	184 MS15001-1		-----*----- .. FITTING		1

ILLUSTRATION ITEMS NOT ON PARTS LIST ARE NOT APPLICABLE

- ITEM NOT ILLUSTRATED

HXL

57-24-01-01

BOEING PROPRIETARY - Copyright © - Unpublished Work - See title page for details.

57-24-01
FIG. 01
PAGE 22
AUG 22/09



767

PARTS CATALOG (MAINTENANCE)

FIG ITEM	PART NUMBER	1 2 3 4 5 6 7 NOMENCLATURE	EFFECT FROM TO	UNITS PER ASSY
1 189	HL1012AZ12-30	..BOLT- SUPPLIER CODE: VOPTK6 SPECIFICATION NUMBER: BACB30NX12K30 OPTIONAL PART: HL12VAZ12-30 V73197 HL12VAZ12-30 V92215 HL12VAZ12-30 V97928 L802-12K30 V06725 HL12VAZ12-30 V56878 HL1012AZ12-30 V06725 HL1012AZ12-30 V06950 HL1012AZ12-30 V17446 HL1012AZ12-30 V56878 HL1012AZ12-30 V60516 HL1012AZ12-30 V73197 HL1012AZ12-30 V97928		2

ILLUSTRATION ITEMS NOT ON PARTS LIST ARE NOT APPLICABLE

- ITEM NOT ILLUSTRATED

HXL

57-24-01-01

BOEING PROPRIETARY - Copyright © - Unpublished Work - See title page for details.

57-24-01
 FIG. 01
 PAGE 23
 DEC 22/07



767

PARTS CATALOG (MAINTENANCE)

FIG ITEM	PART NUMBER	1 2 3 4 5 6 7 NOMENCLATURE	EFFECT FROM TO	UNITS PER ASSY
1 194	HL1012AZ12-29	..BOLT- SUPPLIER CODE: VOPTK6 SPECIFICATION NUMBER: BACB30NX12K29 OPTIONAL PART: HL12VAZ12-29 V73197 HL12VAZ12-29 V92215 HL12VAZ12-29 V97928 L802-12K29 V06725 HL12VAZ12-29 V56878 HL1012AZ12-29 V06725 HL1012AZ12-29 V06950 HL1012AZ12-29 V17445 HL1012AZ12-29 V56878 HL1012AZ12-29 V60516 HL1012AZ12-29 V73197 HL1012AZ12-29 V97928		1

ILLUSTRATION ITEMS NOT ON PARTS LIST ARE NOT APPLICABLE

- ITEM NOT ILLUSTRATED

HXL

57-24-01-01

BOEING PROPRIETARY - Copyright © - Unpublished Work - See title page for details.

57-24-01
 FIG. 01
 PAGE 24
 DEC 22/07



767

PARTS CATALOG (MAINTENANCE)

FIG ITEM	PART NUMBER	1 2 3 4 5 6 7 NOMENCLATURE	EFFECT FROM TO	UNITS PER ASSY
1 199	HL1012AZ12-27	..BOLT- SUPPLIER CODE: VOPTK6 SPECIFICATION NUMBER: BACB30NX12K27 OPTIONAL PART: HL12VAZ12-27 V73197 HL12VAZ12-27 V92215 HL12VAZ12-27 V97928 L802-12K27 V06725 HL12VAZ12-27 V56878 HL1012AZ12-27 V06725 HL1012AZ12-27 V06950 HL1012AZ12-27 V17446 HL1012AZ12-27 V56878 HL1012AZ12-27 V60516 HL1012AZ12-27 V73197 HL1012AZ12-27 V97928		2

ILLUSTRATION ITEMS NOT ON PARTS LIST ARE NOT APPLICABLE

- ITEM NOT ILLUSTRATED

HXL

57-24-01-01

BOEING PROPRIETARY - Copyright © - Unpublished Work - See title page for details.

57-24-01
 FIG. 01
 PAGE 25
 DEC 22/07

BOEING
767
PARTS CATALOG (MAINTENANCE)

FIG ITEM	PART NUMBER	1 2 3 4 5 6 7	NOMENCLATURE	EFFECT FROM TO	UNITS PER ASSY
1 201	HL1012AZ12-26		..BOLT- SUPPLIER CODE: VOPTK6 SPECIFICATION NUMBER: BACB30NX12K26 OPTIONAL PART: HL12VAZ12-26 V73197 HL12VAZ12-26 V92215 HL12VAZ12-26 V97928 L802-12K26 V06725 HL1012AZ12-26 V56878 HL1012AZ12-26 V06725 HL1012AZ12-26 V06950 HL1012AZ12-26 V17446 HL12AZ12-26 V56878 HL1012AZ12-26 V60516 HL1012AZ12-26 V73197 HL1012AZ12-26 V97928		1
R R R R R R R R R R	204		..COLLAR SUPPLIER CODE: V5M902 SPECIFICATION NUMBER: BACC30X12 OPTIONAL PART: HL1187-12 V73197 HL1187-12 V56878 HL1187-12 V92215		6
	209		..FITTING HALF- POSITION DATA: LH SIDE		1
-	214		..FITTING HALF- POSITION DATA: RH SIDE		1

ILLUSTRATION ITEMS NOT ON PARTS LIST ARE NOT APPLICABLE

- ITEM NOT ILLUSTRATED

HXL

57-24-01-01

BOEING PROPRIETARY - Copyright © - Unpublished Work - See title page for details.

57-24-01
FIG. 01
PAGE 26
AUG 22/09

 **BOEING**
767
PARTS CATALOG (MAINTENANCE)

FIG ITEM	PART NUMBER	1 2 3 4 5 6 7	NOMENCLATURE	EFFECT FROM TO	UNITS PER ASSY
1					
219	112T7003-11		.. FITTING HALF- POSITION DATA: LH SIDE		1
- 224	112T7003-12		.. FITTING HALF- POSITION DATA: RH SIDE		1
229	BACS40R17C41F		. SHIM- SELECT FROM ITEM.		AR
229	BACS40R60F550F		. SHIM- SELECT FROM ITEM.		AR
234	BACS40R17C48F		. SHIM- SELECT FROM ITEM.		AR
234	BACS40R60F550F		. SHIM- SELECT FROM ITEM.		AR
239	112T7050-24		. FILLER-RADIUS POST SERVICE BULLETIN: 54-0069		2
244	112T7050-23		. FILLER-RADIUS POST SERVICE BULLETIN: 54-0069		2
249	271T0101-5		. SUPPORT-HYDR RSVR POSITION DATA: AFT LH SIDE		1
- 254	271T0101-6		. SUPPORT-HYDR RSVR POSITION DATA: AFT RH SIDE ATTACHING PARTS		1
259	BACB30MR4K31		. BOLT-		3
264	BACW10BP4C		. WASHER- POSITION DATA: UNDER HEAD		3
269	BACW10CA4CVS		. WASHER- POSITION DATA: UNDER NUT		3
274	BACW10CA4CCS		. WASHER- POSITION DATA: UNDER NUT		3

ILLUSTRATION ITEMS NOT ON PARTS LIST ARE NOT APPLICABLE

- ITEM NOT ILLUSTRATED

HXL

57-24-01-01

BOEING PROPRIETARY - Copyright © - Unpublished Work - See title page for details.

57-24-01
FIG. 01
PAGE 27
AUG 22/09

BOEING
767
PARTS CATALOG (MAINTENANCE)

FIG ITEM	PART NUMBER	1 2 3 4 5 6 7	NOMENCLATURE	EFFECT FROM TO	UNITS PER ASSY
1 279	CR5906-4		.NUT SUPPLIER CODE: VF0224 SPECIFICATION NUMBER: BACN10HR4 OPTIONAL PART: SL7058S428 V11815 67832-428 V56878 BH00302-4 V27238 H964 V15653 RMLH224 V72962 VAL280094 V06710 678324 V56878 H96-4 V15653 RMLH22-4 V72962 BMNN10HR4 V97928 -----*-----		3
			280	112T7050-33	.NUT-RTNR POST SERVICE BULLETIN: 54-0069

ILLUSTRATION ITEMS NOT ON PARTS LIST ARE NOT APPLICABLE

— ITEM NOT ILLUSTRATED

HXL

57-24-01-01

BOEING PROPRIETARY - Copyright © - Unpublished Work - See title page for details.

57-24-01
FIG. 01
PAGE 28
AUG 22/09

 **BOEING**
767
PARTS CATALOG (MAINTENANCE)

FIG ITEM	PART NUMBER	1 2 3 4 5 6 7	NOMENCLATURE	EFFECT FROM TO	UNITS PER ASSY
1			ATTACHING PARTS		
- 281	HL13VAZ8-16		.BOLT- SUPPLIER CODE: V56878 SPECIFICATION NUMBER: BACB30NY8K16 OPTIONAL PART: HL13VAZ8-16 V73197 HL13VAZ8-16 V92215 L801-8K16 V06725 HL13VAZ8-16 V97928 HL13VAZ8-16 V60516 L801-8K16 VOPTK6 HL13VAZ8-16 V17446 HL1013AZ8-16 V60516 POST SERVICE BULLETIN: 54-0069		2
- 282	HL1187DU8		.COLLAR- SUPPLIER CODE: V5M902 SPECIFICATION NUMBER: BACC30X8S OPTIONAL PART: HL87DU8 V92215 HL87DU8 V73197 HL1187DU8 V56878 HL1187DU8 V92215 HL87DU8 V56878 HL1187DU8 V73197 POST SERVICE BULLETIN: 54-0069		2
284	112T7004-45		-----*----- .FITTING ASSY-SIDE LOAD POSITION DATA: INBD LH SIDE		1
ILLUSTRATION ITEMS NOT ON PARTS LIST ARE NOT APPLICABLE					

- ITEM NOT ILLUSTRATED

HXL

57-24-01-01

BOEING PROPRIETARY - Copyright © - Unpublished Work - See title page for details.

57-24-01
FIG. 01
PAGE 29
APR 22/08



767

PARTS CATALOG (MAINTENANCE)

FIG ITEM	PART NUMBER	1 2 3 4 5 6 7	NOMENCLATURE	EFFECT FROM TO	UNITS PER ASSY
1					
- 289	112T7004-46		.FITTING ASSY-SIDE LOAD POSITION DATA: INBD RH SIDE ATTACHING PARTS		1
296	83269-14-49		.BOLT- SUPPLIER CODE: V56878 SERVICE BULLETIN OPT DATA: 83269-14-49X V56878 83269-14-49Y V56878 POST SERVICE BULLETIN: 54-0069		1
296	83269-14-49X		.BOLT- SUPPLIER CODE: V56878 SERVICE BULLETIN OPT DATA: 83269-14-49 V56878 83269-14-49Y V56878 POST SERVICE BULLETIN: 54-0069		1
296	83269-14-49Y		.BOLT- SUPPLIER CODE: V56878 SERVICE BULLETIN OPT DATA: 83269-14-49 V56878 83269-14-49X V56878 POST SERVICE BULLETIN: 54-0069		1
298	83269-14-56		.BOLT- SUPPLIER CODE: V56878 SERVICE BULLETIN OPT DATA: 83269-14-56X V56878 83269-14-56Y V56878 POST SERVICE BULLETIN: 54-0069		1

ILLUSTRATION ITEMS NOT ON PARTS LIST ARE NOT APPLICABLE

- ITEM NOT ILLUSTRATED

HXL

57-24-01-01

BOEING PROPRIETARY - Copyright © - Unpublished Work - See title page for details.

57-24-01
FIG. 01
PAGE 30
DEC 22/07



767

PARTS CATALOG (MAINTENANCE)

FIG ITEM	PART NUMBER	1 2 3 4 5 6 7	NOMENCLATURE	EFFECT FROM TO	UNITS PER ASSY
1 298	83269-14-56X		.BOLT- SUPPLIER CODE: V56878 SERVICE BULLETIN OPT DATA: 83269-14-56 V56878 83269-14-56Y V56878 POST SERVICE BULLETIN: 54-0069		1
298	83269-14-56Y		.BOLT- SUPPLIER CODE: V56878 SERVICE BULLETIN OPT DATA: 83269-14-56 V56878 83269-14-56X V56878 POST SERVICE BULLETIN: 54-0069		1
299	BACW10BP14C		.WASHER- POSITION DATA: UNDER HEAD POST SERVICE BULLETIN: 54-0069		2
304	BACW10BP14P		.WASHER- POSITION DATA: UNDER NUT POST SERVICE BULLETIN: 54-0069		2
309	EWNM26C1414		.NUT- SUPPLIER CODE: V80539 POST SERVICE BULLETIN: 54-0069		2

ILLUSTRATION ITEMS NOT ON PARTS LIST ARE NOT APPLICABLE

- ITEM NOT ILLUSTRATED

HXL

57-24-01-01

BOEING PROPRIETARY - Copyright © - Unpublished Work - See title page for details.

57-24-01
FIG. 01
PAGE 31
DEC 22/07



767

PARTS CATALOG (MAINTENANCE)

FIG ITEM	PART NUMBER	1 2 3 4 5 6 7 NOMENCLATURE	EFFECT FROM TO	UNITS PER ASSY
1 314	HL1012AZ10-18	.BOLT SUPPLIER CODE: VOPTK6 SPECIFICATION NUMBER: BACB30NX10K18 OPTIONAL PART: HL12VAZ10-18 V73197 HL12VAZ10-18 V92215 HL12VAZ10-18 V97928 L802-10K18 V06725 HL12VAZ10-18 V56878 HL1012AZ10-18 V06725 HL1012AZ10-18 V06950 HL1012AZ10-18 V17446 HL1012AZ10-18 V56878 HL1012AZ10-18 V60516 HL1012AZ10-18 V73197 HL1012AZ10-18 V97928		2

ILLUSTRATION ITEMS NOT ON PARTS LIST ARE NOT APPLICABLE

- ITEM NOT ILLUSTRATED

HXL

57-24-01-01

BOEING PROPRIETARY - Copyright © - Unpublished Work - See title page for details.

57-24-01
 FIG. 01
 PAGE 32
 DEC 22/07



767

PARTS CATALOG (MAINTENANCE)

FIG ITEM	PART NUMBER	1 2 3 4 5 6 7 NOMENCLATURE	EFFECT FROM TO	UNITS PER ASSY
1 319	HL1012AZ10-20	.BOLT SUPPLIER CODE: VOPTK6 SPECIFICATION NUMBER: BACB30NX10K20 OPTIONAL PART: HL12VAZ10-20 V73197 HL12VAZ10-20 V92215 HL12VAZ10-20 V97928 L802-10K20 V06725 HL12VAZ10-20 V56878 HL1012AZ10-20 V06725 HL1012AZ10-20 V06950 HL1012AZ10-20 V17446 HL1012AZ10-20 V56878 HL1012AZ10-20 V60516 HL1012AZ10-20 V73197 HL1012AZ10-20 V97928		10

ILLUSTRATION ITEMS NOT ON PARTS LIST ARE NOT APPLICABLE

- ITEM NOT ILLUSTRATED

HXL

57-24-01-01

BOEING PROPRIETARY - Copyright © - Unpublished Work - See title page for details.

57-24-01
 FIG. 01
 PAGE 33
 DEC 22/07



767

PARTS CATALOG (MAINTENANCE)

FIG ITEM	PART NUMBER	1 2 3 4 5 6 7 NOMENCLATURE	EFFECT FROM TO	UNITS PER ASSY
1 324	HL1012AZ10-22	.BOLT SUPPLIER CODE: VOPTK6 SPECIFICATION NUMBER: BACB30NX10K22 OPTIONAL PART: HL12VAZ10-22 V73197 HL12VAZ10-22 V92215 HL12VAZ10-22 V97928 L802-10K22 V06725 HL12VAZ10-22 V56878 HL1012AZ10-22 V06725 HL1012AZ10-22 V06950 HL1012AZ10-22 V17446 HL1012AZ10-22 V56878 HL1012AZ10-22 V60516 HL1012AZ10-22 V73197 HL1012AZ10-22 V97928		3

ILLUSTRATION ITEMS NOT ON PARTS LIST ARE NOT APPLICABLE

- ITEM NOT ILLUSTRATED

HXL

57-24-01-01

BOEING PROPRIETARY - Copyright © - Unpublished Work - See title page for details.

57-24-01
 FIG. 01
 PAGE 34
 DEC 22/07



767

PARTS CATALOG (MAINTENANCE)

FIG ITEM	PART NUMBER	1 2 3 4 5 6 7 NOMENCLATURE	EFFECT FROM TO	UNITS PER ASSY
1 329	HL1012AZ10-23	.BOLT SUPPLIER CODE: VOPTK6 SPECIFICATION NUMBER: BACB30NX10K23 OPTIONAL PART: HL12VAZ10-23 V73197 HL12VAZ10-23 V92215 HL12VAZ10-23 V97928 L802-10K23 V06725 HL12VAZ10-23 V56878 HL1012AZ10-23 V06725 HL1012AZ10-23 V06950 HL1012AZ10-23 V17446 HL1012AZ10-23 V56878 HL1012AZ10-23 V60516 HL1012AZ10-23 V73197 HL1012AZ10-23 V97928		1

ILLUSTRATION ITEMS NOT ON PARTS LIST ARE NOT APPLICABLE

- ITEM NOT ILLUSTRATED

HXL

57-24-01-01

BOEING PROPRIETARY - Copyright © - Unpublished Work - See title page for details.

57-24-01
 FIG. 01
 PAGE 35
 DEC 22/07



767

PARTS CATALOG (MAINTENANCE)

FIG ITEM	PART NUMBER	1 2 3 4 5 6 7 NOMENCLATURE	EFFECT FROM TO	UNITS PER ASSY
1 334	HL1012AZ10-31	.BOLT SUPPLIER CODE: VOPTK6 SPECIFICATION NUMBER: BACB30NX10K31 OPTIONAL PART: HL12VAZ10-31 V73197 HL12VAZ10-31 V92215 HL12VAZ10-31 V97928 L802-10K31 V06725 HL12VAZ10-31 V56878 HL1012AZ10-31 V06725 HL1012AZ10-31 V06950 HL1012AZ10-31 V17446 HL1012AZ10-31 V56878 HL1012AZ10-31 V60516 HL1012AZ10-31 V73197 HL1012AZ10-31 V97928		2

ILLUSTRATION ITEMS NOT ON PARTS LIST ARE NOT APPLICABLE

- ITEM NOT ILLUSTRATED

HXL

57-24-01-01

BOEING PROPRIETARY - Copyright © - Unpublished Work - See title page for details.

57-24-01
 FIG. 01
 PAGE 36
 DEC 22/07



767

PARTS CATALOG (MAINTENANCE)

FIG ITEM	PART NUMBER	1 2 3 4 5 6 7	NOMENCLATURE	EFFECT FROM TO	UNITS PER ASSY
1 339	HL1012AZ10-35		.BOLT SUPPLIER CODE: VOPTK6 SPECIFICATION NUMBER: BACB30NX10K35 OPTIONAL PART: HL12VAZ10-35 V73197 HL12VAZ10-35 V92215 HL12VAZ10-35 V97928 L802-10K35 V06725 HL12VAZ10-35 V56878 HL1012AZ10-35 V06725 HL1012AZ10-35 V06950 HL1012AZ10-35 V17446 HL1012AZ10-35 V56878 HL1012AZ10-35 V60516 HL1012AZ10-35 V73197 HL1012AZ10-35 V97928		2
344	K29646-5S		.WASHER SUPPLIER CODE: V15653 SPECIFICATION NUMBER: BACW10CA5CVS OPTIONAL PART: 70186-5S V56878 922005-5 V60119 942005-5 V60119		8

ILLUSTRATION ITEMS NOT ON PARTS LIST ARE NOT APPLICABLE

- ITEM NOT ILLUSTRATED

HXL

57-24-01-01

BOEING PROPRIETARY - Copyright © - Unpublished Work - See title page for details.

57-24-01
FIG. 01
PAGE 37
DEC 22/07



767

PARTS CATALOG (MAINTENANCE)

FIG ITEM	PART NUMBER	1 2 3 4 5 6 7	NOMENCLATURE	EFFECT FROM TO	UNITS PER ASSY
1					
349	K29913-5S		.WASHER SUPPLIER CODE: V15653 SPECIFICATION NUMBER: BACW10CA5CCS OPTIONAL PART: 70189-5S V56878 922006-5 V60119 942006-5 V60119		8
354	HL1187-10		.COLLAR SUPPLIER CODE: V5M902 SPECIFICATION NUMBER: BACC30X10 OPTIONAL PART: HL1187-10 V56878 HL1187-10 V92215 HL1187-10 V73197		20

R
R
R
R
R
R
R
R
R
R

ILLUSTRATION ITEMS NOT ON PARTS LIST ARE NOT APPLICABLE

- ITEM NOT ILLUSTRATED

HXL

57-24-01-01

BOEING PROPRIETARY - Copyright © - Unpublished Work - See title page for details.

57-24-01
FIG. 01
PAGE 38
AUG 22/09



767

PARTS CATALOG (MAINTENANCE)

FIG ITEM	PART NUMBER	1 2 3 4 5 6 7 NOMENCLATURE	EFFECT FROM TO	UNITS PER ASSY
1 359	HL1012AZ12-15	.BOLT SUPPLIER CODE: VOPTK6 SPECIFICATION NUMBER: BACB30NX12K15 OPTIONAL PART: HL12VAZ12-15 V73197 HL12VAZ12-15 V92215 HL12VAZ12-15 V97928 L802-12K15 V06725 HL12VAZ12-15 V56878 HL12AZ12-15 V06725 HL12AZ12-15 V06950 HL1012AZ12-15 V17446 HL1012AZ12-15 V56878 HL1012AZ12-15 V60516 HL1012AZ12-15 V73197 HL1012AZ12-15 V97928		1

ILLUSTRATION ITEMS NOT ON PARTS LIST ARE NOT APPLICABLE

- ITEM NOT ILLUSTRATED

HXL

57-24-01-01

BOEING PROPRIETARY - Copyright © - Unpublished Work - See title page for details.

57-24-01
 FIG. 01
 PAGE 39
 DEC 22/07



767

PARTS CATALOG (MAINTENANCE)

FIG ITEM	PART NUMBER	1 2 3 4 5 6 7 NOMENCLATURE	EFFECT FROM TO	UNITS PER ASSY
1 364	HL1012AZ12-16	.BOLT SUPPLIER CODE: VOPTK6 SPECIFICATION NUMBER: BACB30NX12K16 OPTIONAL PART: HL12VAZ12-16 V73197 HL12VAZ12-16 V92215 HL12VAZ12-16 V97928 L802-12K16 V06725 HL12VAZ12-16 V56878 HL1012AZ12-16 V06725 HL1012AZ12-16 V06950 HL1012AZ12-16 V17446 HL1012AZ12-16 V56878 HL1012AZ12-16 V60516 HL1012AZ12-16 V73197 HL1012AZ12-16 V97928		1

ILLUSTRATION ITEMS NOT ON PARTS LIST ARE NOT APPLICABLE

- ITEM NOT ILLUSTRATED

HXL

57-24-01-01

BOEING PROPRIETARY - Copyright © - Unpublished Work - See title page for details.

57-24-01
 FIG. 01
 PAGE 40
 DEC 22/07



767

PARTS CATALOG (MAINTENANCE)

FIG ITEM	PART NUMBER	1 2 3 4 5 6 7 NOMENCLATURE	EFFECT FROM TO	UNITS PER ASSY
1 369	HL1012AZ12-17	.BOLT SUPPLIER CODE: VOPTK6 SPECIFICATION NUMBER: BACB30NX12K17 OPTIONAL PART: HL12VAZ12-17 V73197 HL12VAZ12-17 V92215 HL12VAZ12-17 V97928 L802-12K17 V06725 HL12VAZ12-17 V56878 HL1012AZ12-17 V06725 HL1012AZ12-17 V06950 HL1012AZ12-17 V17446 HL1012AZ12-17 V56878 HL1012AZ12-17 V60516 HL1012AZ12-17 V73197 HL1012AZ12-17 V97928		1

ILLUSTRATION ITEMS NOT ON PARTS LIST ARE NOT APPLICABLE

- ITEM NOT ILLUSTRATED

HXL

57-24-01-01

BOEING PROPRIETARY - Copyright © - Unpublished Work - See title page for details.

57-24-01
 FIG. 01
 PAGE 41
 DEC 22/07



767

PARTS CATALOG (MAINTENANCE)

FIG ITEM	PART NUMBER	1 2 3 4 5 6 7 NOMENCLATURE	EFFECT FROM TO	UNITS PER ASSY
1 374	HL1012AZ12-18	.BOLT SUPPLIER CODE: VOPTK6 SPECIFICATION NUMBER: BACB30NX12K18 OPTIONAL PART: HL12VAZ12-18 V73197 HL12VAZ12-18 V92215 HL12VAZ12-18 V97928 L802-12K18 V06725 HL12VAZ12-18 V56878 HL1012AZ12-18 V06725 HL1012AZ12-18 V06950 HL1012AZ12-18 V17446 HL1012AZ12-18 V56878 HL1012AZ12-18 V60516 HL1012AZ12-18 V73197 HL1012AZ12-18 V97928		7

ILLUSTRATION ITEMS NOT ON PARTS LIST ARE NOT APPLICABLE

- ITEM NOT ILLUSTRATED

HXL

57-24-01-01

BOEING PROPRIETARY - Copyright © - Unpublished Work - See title page for details.

57-24-01
 FIG. 01
 PAGE 42
 DEC 22/07



767

PARTS CATALOG (MAINTENANCE)

FIG ITEM	PART NUMBER	1 2 3 4 5 6 7 NOMENCLATURE	EFFECT FROM TO	UNITS PER ASSY
1 379	HL1012AZ12-20	.BOLT SUPPLIER CODE: VOPTK6 SPECIFICATION NUMBER: BACB30NX12K20 OPTIONAL PART: HL12VAZ12-20 V73197 HL12VAZ12-20 V92215 HL12VAZ12-20 V97928 L802-12K20 V06725 HL12VAZ12-20 V56878 HL1012AZ12-20 V06725 HL1012AZ12-20 V06950 HL1012AZ12-20 V17446 HL1012AZ12-20 V56878 HL1012AZ12-20 V60516 HL1012AZ12-20 V73197 HL1012AZ12-20 V97928		9

ILLUSTRATION ITEMS NOT ON PARTS LIST ARE NOT APPLICABLE

- ITEM NOT ILLUSTRATED

HXL

57-24-01-01

BOEING PROPRIETARY - Copyright © - Unpublished Work - See title page for details.

57-24-01
 FIG. 01
 PAGE 43
 DEC 22/07



767

PARTS CATALOG (MAINTENANCE)

FIG ITEM	PART NUMBER	1 2 3 4 5 6 7 NOMENCLATURE	EFFECT FROM TO	UNITS PER ASSY
1 384	HL1012AZ12-22	.BOLT SUPPLIER CODE: VOPTK6 SPECIFICATION NUMBER: BACB30NX12K22 OPTIONAL PART: HL12VAZ12-22 V73197 HL12VAZ12-22 V92215 HL12VAZ12-22 V97928 L802-12K22 V06725 HL12VAZ12-22 V56878 HL1012AZ12-22 V06725 HL1012AZ12-22 V06950 HL1012AZ12-22 V17446 HL1012AZ12-22 V56878 HL1012AZ12-22 V60516 HL1012AZ12-22 V73197 HL1012AZ12-22 V97928		2

ILLUSTRATION ITEMS NOT ON PARTS LIST ARE NOT APPLICABLE

- ITEM NOT ILLUSTRATED

HXL

57-24-01-01

BOEING PROPRIETARY - Copyright © - Unpublished Work - See title page for details.

57-24-01
 FIG. 01
 PAGE 44
 DEC 22/07



767

PARTS CATALOG (MAINTENANCE)

FIG ITEM	PART NUMBER	1 2 3 4 5 6 7 NOMENCLATURE	EFFECT FROM TO	UNITS PER ASSY
1 389	HL1012AZ12-23	.BOLT SUPPLIER CODE: VOPTK6 SPECIFICATION NUMBER: BACB30NX12K23 OPTIONAL PART: HL12VAZ12-23 V73197 HL12VAZ12-23 V92215 HL12VAZ12-23 V97928 L802-12K23 V06725 HL12VAZ12-23 V56878 HL1012AZ12-23 V06725 HL1012AZ12-23 V06950 HL1012AZ12-23 V17446 HL1012AZ12-23 V56878 HL1012AZ12-23 V60516 HL1012AZ12-23 V73197 HL1012AZ12-23 V97928		1

ILLUSTRATION ITEMS NOT ON PARTS LIST ARE NOT APPLICABLE

- ITEM NOT ILLUSTRATED

HXL

57-24-01-01

BOEING PROPRIETARY - Copyright © - Unpublished Work - See title page for details.

57-24-01
 FIG. 01
 PAGE 45
 DEC 22/07



767

PARTS CATALOG (MAINTENANCE)

FIG ITEM	PART NUMBER	1 2 3 4 5 6 7 NOMENCLATURE	EFFECT FROM TO	UNITS PER ASSY
1 394	HL1012AZ12-26	.BOLT SUPPLIER CODE: VOPTK6 SPECIFICATION NUMBER: BACB30NX12K26 OPTIONAL PART: HL12VAZ12-26 V73197 HL12VAZ12-26 V92215 HL12VAZ12-26 V97928 L802-12K26 V06725 HL1012AZ12-26 V56878 HL1012AZ12-26 V06725 HL1012AZ12-26 V06950 HL1012AZ12-26 V17446 HL12AZ12-26 V56878 HL1012AZ12-26 V60516 HL1012AZ12-26 V73197 HL1012AZ12-26 V97928		1

ILLUSTRATION ITEMS NOT ON PARTS LIST ARE NOT APPLICABLE

- ITEM NOT ILLUSTRATED

HXL

57-24-01-01

BOEING PROPRIETARY - Copyright © - Unpublished Work - See title page for details.

57-24-01
 FIG. 01
 PAGE 46
 DEC 22/07



767

PARTS CATALOG (MAINTENANCE)

FIG ITEM	PART NUMBER	1 2 3 4 5 6 7 NOMENCLATURE	EFFECT FROM TO	UNITS PER ASSY
1 399	HL1012AZ12-27	.BOLT SUPPLIER CODE: VOPTK6 SPECIFICATION NUMBER: BACB30NX12K27 OPTIONAL PART: HL12VAZ12-27 V73197 HL12VAZ12-27 V92215 HL12VAZ12-27 V97928 L802-12K27 V06725 HL12VAZ12-27 V56878 HL1012AZ12-27 V06725 HL1012AZ12-27 V06950 HL1012AZ12-27 V17446 HL1012AZ12-27 V56878 HL1012AZ12-27 V60516 HL1012AZ12-27 V73197 HL1012AZ12-27 V97928		1

ILLUSTRATION ITEMS NOT ON PARTS LIST ARE NOT APPLICABLE

- ITEM NOT ILLUSTRATED

HXL

57-24-01-01

BOEING PROPRIETARY - Copyright © - Unpublished Work - See title page for details.

57-24-01
 FIG. 01
 PAGE 47
 DEC 22/07



767

PARTS CATALOG (MAINTENANCE)

FIG ITEM	PART NUMBER	1 2 3 4 5 6 7 NOMENCLATURE	EFFECT FROM TO	UNITS PER ASSY
1 404	HL1012AZ12-28	.BOLT SUPPLIER CODE: VOPTK6 SPECIFICATION NUMBER: BACB30NX12K28 OPTIONAL PART: HL12VAZ12-28 V73197 HL12VAZ12-28 V92215 HL12VAZ12-28 V97928 L802-12K28 V06725 HL1012AZ12-28 V56878 HL1012AZ12-28 V06725 HL1012AZ12-28 V06950 HL1012AZ12-28 V17446 HL12AZ12-28 V56878 HL1012AZ12-28 V60516 HL1012AZ12-28 V73197 HL1012AZ12-28 V97928		1

ILLUSTRATION ITEMS NOT ON PARTS LIST ARE NOT APPLICABLE

- ITEM NOT ILLUSTRATED

HXL

57-24-01-01

BOEING PROPRIETARY - Copyright © - Unpublished Work - See title page for details.

57-24-01
 FIG. 01
 PAGE 48
 DEC 22/07



767

PARTS CATALOG (MAINTENANCE)

FIG ITEM	PART NUMBER	1 2 3 4 5 6 7 NOMENCLATURE	EFFECT FROM TO	UNITS PER ASSY
1 409	HL1012AZ12-29	.BOLT SUPPLIER CODE: VOPTK6 SPECIFICATION NUMBER: BACB30NX12K29 OPTIONAL PART: HL12VAZ12-29 V73197 HL12VAZ12-29 V92215 HL12VAZ12-29 V97928 L802-12K29 V06725 HL12VAZ12-29 V56878 HL1012AZ12-29 V06725 HL1012AZ12-29 V06950 HL1012AZ12-29 V17445 HL1012AZ12-29 V56878 HL1012AZ12-29 V60516 HL1012AZ12-29 V73197 HL1012AZ12-29 V97928		1

ILLUSTRATION ITEMS NOT ON PARTS LIST ARE NOT APPLICABLE

- ITEM NOT ILLUSTRATED

HXL

57-24-01-01

BOEING PROPRIETARY - Copyright © - Unpublished Work - See title page for details.

57-24-01
 FIG. 01
 PAGE 49
 DEC 22/07



767

PARTS CATALOG (MAINTENANCE)

FIG ITEM	PART NUMBER	1 2 3 4 5 6 7 NOMENCLATURE	EFFECT FROM TO	UNITS PER ASSY
1 414	HL1012AZ12-31	.BOLT SUPPLIER CODE: VOPTK6 SPECIFICATION NUMBER: BACB30NX12K31 OPTIONAL PART: HL12VAZ12-31 V73197 HL12VAZ12-31 V92215 HL12VAZ12-31 V97928 L802-12K31 V06725 HL12VAZ12-31 V56878 HL1012AZ12-31 V06725 HL1012AZ12-31 V06950 HL1012AZ12-31 V17446 HL1012AZ12-31 V56878 HL1012AZ12-31 V60516 HL1012AZ12-31 V73197 HL1012AZ12-31 V97928		1

ILLUSTRATION ITEMS NOT ON PARTS LIST ARE NOT APPLICABLE

- ITEM NOT ILLUSTRATED

HXL

57-24-01-01

BOEING PROPRIETARY - Copyright © - Unpublished Work - See title page for details.

57-24-01
 FIG. 01
 PAGE 50
 DEC 22/07



767

PARTS CATALOG (MAINTENANCE)

FIG ITEM	PART NUMBER	1 2 3 4 5 6 7 NOMENCLATURE	EFFECT FROM TO	UNITS PER ASSY
1 419	HL1012AZ12-32	.BOLT SUPPLIER CODE: VOPTK6 SPECIFICATION NUMBER: BACB30NX12K32 OPTIONAL PART: HL12VAZ12-32 V73197 HL12VAZ12-32 V92215 HL12VAZ12-32 V97928 L802-12K32 V06725 HL12VAZ12-32 V56878 HL1012AZ12-32 V06725 HL1012AZ12-32 V06950 HL1012AZ12-32 V17445 HL1012AZ12-32 V56878 HL1012AZ12-32 V60516 HL1012AZ12-32 V73197 HL1012AZ12-32 V97928		1

ILLUSTRATION ITEMS NOT ON PARTS LIST ARE NOT APPLICABLE

- ITEM NOT ILLUSTRATED

HXL

57-24-01-01

BOEING PROPRIETARY - Copyright © - Unpublished Work - See title page for details.

57-24-01
 FIG. 01
 PAGE 51
 DEC 22/07



767

PARTS CATALOG (MAINTENANCE)

FIG ITEM	PART NUMBER	1 2 3 4 5 6 7	NOMENCLATURE	EFFECT FROM TO	UNITS PER ASSY
1 424	HL1012AZ12-34		.BOLT SUPPLIER CODE: VOPTK6 SPECIFICATION NUMBER: BACB30NX12K34 OPTIONAL PART: HL12VAZ12-34 V73197 HL12VAZ12-34 V92215 HL12VAZ12-34 V97928 L802-12K34 V06725 HL12VAZ12-34 V56878 HL1012AZ12-34 V06725 HL1012AZ12-34 V06950 HL1012AZ12-34 V17446 HL1012AZ12-34 V56878 HL1012AZ12-34 V60516 HL1012AZ12-34 V73197 HL1012AZ12-34 V97928		1
429	K29646-6S		.WASHER SUPPLIER CODE: V15653 SPECIFICATION NUMBER: BACW10CA6CVS OPTIONAL PART: 70186-6S V56878 922005-6 V60119 942005-6 V60119		16

ILLUSTRATION ITEMS NOT ON PARTS LIST ARE NOT APPLICABLE

- ITEM NOT ILLUSTRATED

HXL

57-24-01-01

BOEING PROPRIETARY - Copyright © - Unpublished Work - See title page for details.

57-24-01
FIG. 01
PAGE 52
DEC 22/07

BOEING
767
PARTS CATALOG (MAINTENANCE)

FIG ITEM	PART NUMBER	1 2 3 4 5 6 7	NOMENCLATURE	EFFECT FROM TO	UNITS PER ASSY
1 434	K29913-6S		.WASHER SUPPLIER CODE: V15653 SPECIFICATION NUMBER: BACW10CA6CCS OPTIONAL PART: 70189-6S V56878 922006-6 V60119 942006-6 V60119		16
R R R R R R R R R R	439 HL1187-12		.COLLAR SUPPLIER CODE: V5M902 SPECIFICATION NUMBER: BACC30X12 OPTIONAL PART: HL1187-12 V73197 HL1187-12 V56878 HL1187-12 V92215 -----*-----		29
	444 MS15001-1		..FITTING- POSITION DATA: LH SIDE		1
-	445 MS15001-1		..FITTING- POSITION DATA: RH SIDE		1
ILLUSTRATION ITEMS NOT ON PARTS LIST ARE NOT APPLICABLE					

- ITEM NOT ILLUSTRATED

HXL

57-24-01-01

BOEING PROPRIETARY - Copyright © - Unpublished Work - See title page for details.

57-24-01
FIG. 01
PAGE 53
AUG 22/09



767

PARTS CATALOG (MAINTENANCE)

FIG ITEM	PART NUMBER	1 2 3 4 5 6 7 NOMENCLATURE	EFFECT FROM TO	UNITS PER ASSY
1 454	HL1012AZ12-12	.. BOLT SUPPLIER CODE: VOPTK6 SPECIFICATION NUMBER: BACB30NX12K12 OPTIONAL PART: HL12VAZ12-12 V73197 HL12VAZ12-12 V92215 HL12VAZ12-12 V97928 L802-12K12 V06725 HL12VAZ12-12 V56878 HL1012AZ12-12 V06725 HL1012AZ12-12 V06950 HL1012AZ12-12 V17446 HL1012AZ12-12 V56878 HL1012AZ12-12 V60516 HL1012AZ12-12 V73197 HL1012AZ12-12 V97928		1

ILLUSTRATION ITEMS NOT ON PARTS LIST ARE NOT APPLICABLE

- ITEM NOT ILLUSTRATED

HXL

57-24-01-01

BOEING PROPRIETARY - Copyright © - Unpublished Work - See title page for details.

57-24-01
 FIG. 01
 PAGE 54
 DEC 22/08



767

PARTS CATALOG (MAINTENANCE)

FIG ITEM	PART NUMBER	1 2 3 4 5 6 7 NOMENCLATURE	EFFECT FROM TO	UNITS PER ASSY
1 459	HL1012AZ12-30	.. BOLT SUPPLIER CODE: VOPTK6 SPECIFICATION NUMBER: BACB30NX12K30 OPTIONAL PART: HL12VAZ12-30 V73197 HL12VAZ12-30 V92215 HL12VAZ12-30 V97928 L802-12K30 V06725 HL12VAZ12-30 V56878 HL1012AZ12-30 V06725 HL1012AZ12-30 V06950 HL1012AZ12-30 V17446 HL1012AZ12-30 V56878 HL1012AZ12-30 V60516 HL1012AZ12-30 V73197 HL1012AZ12-30 V97928		1

ILLUSTRATION ITEMS NOT ON PARTS LIST ARE NOT APPLICABLE

- ITEM NOT ILLUSTRATED

HXL

57-24-01-01

BOEING PROPRIETARY - Copyright © - Unpublished Work - See title page for details.

57-24-01
 FIG. 01
 PAGE 55
 DEC 22/07



767

PARTS CATALOG (MAINTENANCE)

FIG ITEM	PART NUMBER	1 2 3 4 5 6 7 NOMENCLATURE	EFFECT FROM TO	UNITS PER ASSY
1 464	HL1012AZ12-22	..BOLT- SUPPLIER CODE: VOPTK6 SPECIFICATION NUMBER: BACB30NX12K22 OPTIONAL PART: HL12VAZ12-22 V73197 HL12VAZ12-22 V92215 HL12VAZ12-22 V97928 L802-12K22 V06725 HL12VAZ12-22 V56878 HL1012AZ12-22 V06725 HL1012AZ12-22 V06950 HL1012AZ12-22 V17446 HL1012AZ12-22 V56878 HL1012AZ12-22 V60516 HL1012AZ12-22 V73197 HL1012AZ12-22 V97928		1

ILLUSTRATION ITEMS NOT ON PARTS LIST ARE NOT APPLICABLE

- ITEM NOT ILLUSTRATED

HXL

57-24-01-01

BOEING PROPRIETARY - Copyright © - Unpublished Work - See title page for details.

57-24-01
 FIG. 01
 PAGE 56
 DEC 22/07



767

PARTS CATALOG (MAINTENANCE)

FIG ITEM	PART NUMBER	1 2 3 4 5 6 7 NOMENCLATURE	EFFECT FROM TO	UNITS PER ASSY
1 469	HL1012AZ12-16	.. BOLT SUPPLIER CODE: VOPTK6 SPECIFICATION NUMBER: BACB30NX12K16 OPTIONAL PART: HL12VAZ12-16 V73197 HL12VAZ12-16 V92215 HL12VAZ12-16 V97928 L802-12K16 V06725 HL12VAZ12-16 V56878 HL1012AZ12-16 V06725 HL1012AZ12-16 V06950 HL1012AZ12-16 V17446 HL1012AZ12-16 V56878 HL1012AZ12-16 V60516 HL1012AZ12-16 V73197 HL1012AZ12-16 V97928		2

ILLUSTRATION ITEMS NOT ON PARTS LIST ARE NOT APPLICABLE

- ITEM NOT ILLUSTRATED

HXL

57-24-01-01

BOEING PROPRIETARY - Copyright © - Unpublished Work - See title page for details.

57-24-01
 FIG. 01
 PAGE 57
 DEC 22/07

BOEING
767
PARTS CATALOG (MAINTENANCE)

FIG ITEM	PART NUMBER	1 2 3 4 5 6 7	NOMENCLATURE	EFFECT FROM TO	UNITS PER ASSY
1 470	HL1012AZ12-15		.. BOLT SUPPLIER CODE: VOPTK6 SPECIFICATION NUMBER: BACB30NX12K15 OPTIONAL PART: HL12VAZ12-15 V73197 HL12VAZ12-15 V92215 HL12VAZ12-15 V97928 L802-12K15 V06725 HL12VAZ12-15 V56878 HL12AZ12-15 V06725 HL12AZ12-15 V06950 HL1012AZ12-15 V17446 HL1012AZ12-15 V56878 HL1012AZ12-15 V60516 HL1012AZ12-15 V73197 HL1012AZ12-15 V97928		1
R R R R R R R R R R	474 HL1187-12		.. COLLAR SUPPLIER CODE: V5M902 SPECIFICATION NUMBER: BACC30X12 OPTIONAL PART: HL1187-12 V73197 HL1187-12 V56878 HL1187-12 V92215		6
	479 112T7004-47		.. FITTING HALF- POSITION DATA: LH SIDE		1
-	484 112T7004-48		.. FITTING HALF- POSITION DATA: RH SIDE		1

ILLUSTRATION ITEMS NOT ON PARTS LIST ARE NOT APPLICABLE

- ITEM NOT ILLUSTRATED

HXL

57-24-01-01

BOEING PROPRIETARY - Copyright © - Unpublished Work - See title page for details.

57-24-01
FIG. 01
PAGE 58
AUG 22/09



767

PARTS CATALOG (MAINTENANCE)

FIG ITEM	PART NUMBER	1 2 3 4 5 6 7	NOMENCLATURE	EFFECT FROM TO	UNITS PER ASSY
1					
489	112T7004-27	..	FITTING HALF- POSITION DATA: LH SIDE		1
- 494	112T7004-28	..	FITTING HALF- POSITION DATA: RH SIDE		1
511	BACS40R17C60F	.SHIM-	SELECT FROM ITEM.		AR
511	BACS40R60F550F	.SHIM-	SELECT FROM ITEM.		AR
512	BACS40R17C42F	.SHIM-	SELECT FROM ITEM.		AR
512	BACS40R60F550F	.SHIM-	SELECT FROM ITEM.		AR
513	112T7001-21	.FILLER-TAPERED			8
514	112T7001-22	.FILLER-TAPERED			18
514A	112T7050-31	.FILLER-RADIUS	POSITION DATA: LH SIDE		1
			POST SERVICE BULLETIN: 54-0069		
-514B	112T7050-32	.FILLER-RADIUS	POSITION DATA: RH SIDE		1
			POST SERVICE BULLETIN: 54-0069		
516	112T7050-28	.FILLER-RADIUS	POST SERVICE BULLETIN: 54-0069		1
516	112T7050-12	.FILLER-RADIUS			1
517	112T7050-29	.FILLER-RADIUS	POST SERVICE BULLETIN: 54-0069		1
517	112T7050-17	.FILLER-RADIUS			1
518	112T7050-21	.FILLER-RADIUS			1
518	112T7050-26	.FILLER-RADIUS	POST SERVICE BULLETIN: 54-0069		1
519	BACB30NX14K23X	.BOLT-	POST SERVICE BULLETIN: 54-0080		3
524	BACB30NX14K22X	.BOLT-	POST SERVICE BULLETIN: 54-0080		2

ILLUSTRATION ITEMS NOT ON PARTS LIST ARE NOT APPLICABLE

- ITEM NOT ILLUSTRATED

57-24-01-01

57-24-01
FIG. 01
PAGE 59
AUG 22/09

HXL



767

PARTS CATALOG (MAINTENANCE)

FIG ITEM	PART NUMBER	1 2 3 4 5 6 7	NOMENCLATURE	EFFECT FROM TO	UNITS PER ASSY
1 529	K29575-6		.WASHER- SUPPLIER CODE: V15653 SPECIFICATION NUMBER: BACW10AU7 OPTIONAL PART: 53488W720 V56878 8497-06 V72962 TLN1035L6W V08524 AN960C716		5
529	AN960C716		.WASHER- OPTIONAL PART: BACW10AU7		5
539	TLN1020L7N		.NUT- SUPPLIER CODE: V97928 SPECIFICATION NUMBER: BACN10MT7 OPTIONAL PART: 53488N720 V56878 NAS1805-7N		5
539	NAS1805-7N		.NUT- OPTIONAL PART: BACN10MT7		5
544	BACS40R15B40F		.SHIM		1
549	BACS40R18B27F		.SHIM		1
553	BACS40R050C085F		.SHIM- POST SERVICE BULLETIN: 54-0080		1
554	BACS40R019C051F		.SHIM- POST SERVICE BULLETIN: 54-0080		6
555	BACS40R018C030F		.SHIM- POST SERVICE BULLETIN: 54-0080		1
556	BACS40R016C025F		.SHIM- POST SERVICE BULLETIN: 54-0080		1
557	BACS40R016C039F		.SHIM- POST SERVICE BULLETIN: 54-0080		2

ILLUSTRATION ITEMS NOT ON PARTS LIST ARE NOT APPLICABLE

- ITEM NOT ILLUSTRATED

57-24-01-01

57-24-01
FIG. 01
PAGE 60
AUG 22/09

HXL

BOEING PROPRIETARY - Copyright © - Unpublished Work - See title page for details.

 **BOEING**
767
PARTS CATALOG (MAINTENANCE)

FIG ITEM	PART NUMBER	1 2 3 4 5 6 7	NOMENCLATURE	EFFECT FROM TO	UNITS PER ASSY
1					
559	112T7005-53		.FITTING ASSY-PITCH LOAD POSITION DATA: AFT LH SIDE POST SERVICE BULLETIN: 54-0080	155162 164999	1
559	112T7005-57		.FITTING ASSY-PITCH LOAD POSITION DATA: AFT LH SIDE POST SERVICE BULLETIN: 54-0080R1	163163	1
- 564	112T7005-54		.FITTING ASSY-PITCH LOAD POSITION DATA: AFT RH SIDE POST SERVICE BULLETIN: 54-0080	155162 164999	1
- 564	112T7005-58		.FITTING ASSY-PITCH LOAD POSITION DATA: AFT RH SIDE POST SERVICE BULLETIN: 54-0080R1	163163	1
572	BACB30US10K32		.FITTING ASSY-PITCH LOAD POSITION DATA: AFT RH SIDE POST SERVICE BULLETIN: 54-0080R1 ATTACHING PARTS .BOLT-		2
572	BACB30US10K32		POST SERVICE BULLETIN: 54-0080 PRE ALERT SB: 57A0097R1 .BOLT-		2
572	BACB30US10K32X		POST ALERT SB: 57A0097R1 QUALIFIED SB I/W DATA: USE WITH HOLE DIA 0.6245-0.6255, .BOLT-		2
572	BACB30US10K32Y		POST ALERT SB: 57A0097R1 QUALIFIED SB I/W DATA: USE WITH HOLE DIA 0.6401-0.6411, .BOLT-		2

ILLUSTRATION ITEMS NOT ON PARTS LIST ARE NOT APPLICABLE

- ITEM NOT ILLUSTRATED

HXL

57-24-01-01

BOEING PROPRIETARY - Copyright © - Unpublished Work - See title page for details.

57-24-01
FIG. 01
PAGE 61
APR 22/08



767

PARTS CATALOG (MAINTENANCE)

FIG ITEM	PART NUMBER	1 2 3 4 5 6 7	NOMENCLATURE	EFFECT FROM TO	UNITS PER ASSY
1 577	K29646-10H		.WASHER- SUPPLIER CODE: V15653 SPECIFICATION NUMBER: BACW10CA10CVS OPTIONAL PART: 70186-10S V56878 922005-10 V60119 942005-10 V60119 POSITION DATA: UNDER NUT POST SERVICE BULLETIN: 54-0080		2
582	K29913-10H		.WASHER- SUPPLIER CODE: V15653 SPECIFICATION NUMBER: BACW10CA10CCS OPTIONAL PART: 70189-10S V56878 922006-10 V60119 942006-10 V60119 POSITION DATA: UNDER NUT POST SERVICE BULLETIN: 54-0080		2
584	BACW10BP10ACU		.WASHER- POSITION DATA: UNDER HEAD POST SERVICE BULLETIN: 54-0080		2

ILLUSTRATION ITEMS NOT ON PARTS LIST ARE NOT APPLICABLE

- ITEM NOT ILLUSTRATED

HXL

57-24-01-01

BOEING PROPRIETARY - Copyright © - Unpublished Work - See title page for details.

57-24-01
FIG. 01
PAGE 62
APR 22/08



**767
PARTS CATALOG (MAINTENANCE)**

FIG ITEM	PART NUMBER	1 2 3 4 5 6 7	NOMENCLATURE	EFFECT FROM TO	UNITS PER ASSY
R R	1 589		.NUT- SUPPLIER CODE: V97928 SPECIFICATION NUMBER: BACN10HR10CD OPTIONAL PART: H51560-10 V15653 102LH9031-10 V72962 67832CD1018 V56878 BH00303CM10 V27238 SL7108C10 V11815 VCU0005D10 V06710 BMN10HRCWD3-10 V97928 102LH903110 V72962 POST SERVICE BULLETIN: 54-0080		2
	595	BACB30NX14K14X	.BOLT- POST SERVICE BULLETIN: 54-0080		10
	610	K29575-6	.WASHER- SUPPLIER CODE: V15653 SPECIFICATION NUMBER: BACW10AU7 OPTIONAL PART: 53488W720 V56878 8497-06 V72962 TLN1035L6W V08524 POST SERVICE BULLETIN: 54-0080		10
ILLUSTRATION ITEMS NOT ON PARTS LIST ARE NOT APPLICABLE					

- ITEM NOT ILLUSTRATED

57-24-01-01

57-24-01
FIG. 01
PAGE 63
AUG 22/09

HXL



767

PARTS CATALOG (MAINTENANCE)

FIG ITEM	PART NUMBER	1 2 3 4 5 6 7	NOMENCLATURE	EFFECT FROM TO	UNITS PER ASSY
1 622	TLN1020L7N		.NUT- SUPPLIER CODE: V97928 SPECIFICATION NUMBER: BACN10MT7 OPTIONAL PART: 53488N720 V56878 POST SERVICE BULLETIN: 54-0080		10
624	BACB30NX14K16X		.BOLT- POST SERVICE BULLETIN: 54-0080		3
638	K29575-6		.WASHER- SUPPLIER CODE: V15653 SPECIFICATION NUMBER: BACW10AU7 OPTIONAL PART: 53488W720 V56878 8497-06 V72962 TLN1035L6W V08524 POST SERVICE BULLETIN: 54-0080		3
642	TLN1020L7N		.NUT- SUPPLIER CODE: V97928 SPECIFICATION NUMBER: BACN10MT7 OPTIONAL PART: 53488N720 V56878 POST SERVICE BULLETIN: 54-0080		3
645	BACB30NX10K16X		.BOLT- POST SERVICE BULLETIN: 54-0080		4

ILLUSTRATION ITEMS NOT ON PARTS LIST ARE NOT APPLICABLE

- ITEM NOT ILLUSTRATED

HXL

57-24-01-01

BOEING PROPRIETARY - Copyright © - Unpublished Work - See title page for details.

57-24-01
FIG. 01
PAGE 64
APR 22/08

 **BOEING**
767
PARTS CATALOG (MAINTENANCE)

FIG ITEM	PART NUMBER	1 2 3 4 5 6 7	NOMENCLATURE	EFFECT FROM TO	UNITS PER ASSY
1 650	AS46-5		.WASHER- SUPPLIER CODE: V10630 SPECIFICATION NUMBER: BACW10AU5 OPTIONAL PART: K19701P5 V15653 53488W524 V56878 6073-05 V72962 TLN1020L5W V08524 POST SERVICE BULLETIN: 54-0080		4
R R R 660	BACN10MT5		.NUT- POST SERVICE BULLETIN: 54-0080		4
669	BACB30YK10K25X		.BOLT- POST SERVICE BULLETIN: 54-0080		1
674	BACB30YK10K19X		.BOLT- POST SERVICE BULLETIN: 54-0080		1
679	BACW10BP51APU		.WASHER- POST SERVICE BULLETIN: 54-0080		2
682	NAS1805-5L		.NUT- POST SERVICE BULLETIN: 54-0080		2
685	MS15004-1		-----*----- ..FITTING- POST SERVICE BULLETIN: 54-0080R1		1
687	112T5381-5		..BUSHING-		1
687	112T7105-3		..BUSHING- POST SERVICE BULLETIN: 54-0080R1	163163	1

ILLUSTRATION ITEMS NOT ON PARTS LIST ARE NOT APPLICABLE

- ITEM NOT ILLUSTRATED

HXL

57-24-01-01

BOEING PROPRIETARY - Copyright © - Unpublished Work - See title page for details.

57-24-01
FIG. 01
PAGE 65
AUG 22/09



767

PARTS CATALOG (MAINTENANCE)

FIG ITEM	PART NUMBER	1 2 3 4 5 6 7 NOMENCLATURE	EFFECT FROM TO	UNITS PER ASSY
1 699	HL1012AZ12-29	..BOLT- SUPPLIER CODE: VOPTK6 SPECIFICATION NUMBER: BACB30NX12K29 OPTIONAL PART: HL12VAZ12-29 V73197 HL12VAZ12-29 V92215 HL12VAZ12-29 V97928 L802-12K29 V06725 HL12VAZ12-29 V56878 HL1012AZ12-29 V06725 HL1012AZ12-29 V06950 HL1012AZ12-29 V17445 HL1012AZ12-29 V56878 HL1012AZ12-29 V60516 HL1012AZ12-29 V73197 HL1012AZ12-29 V97928	155162 164999	1

ILLUSTRATION ITEMS NOT ON PARTS LIST ARE NOT APPLICABLE

- ITEM NOT ILLUSTRATED

HXL

57-24-01-01

BOEING PROPRIETARY - Copyright © - Unpublished Work - See title page for details.

57-24-01
FIG. 01
PAGE 66
AUG 22/09



767

PARTS CATALOG (MAINTENANCE)

FIG ITEM	PART NUMBER	1 2 3 4 5 6 7 NOMENCLATURE	EFFECT FROM TO	UNITS PER ASSY
1 699	HL1012AZ12-26	..BOLT- SUPPLIER CODE: VOPTK6 SPECIFICATION NUMBER: BACB30NX12K26 OPTIONAL PART: HL12VAZ12-26 V73197 HL12VAZ12-26 V92215 HL12VAZ12-26 V97928 L802-12K26 V06725 HL1012AZ12-26 V56878 HL1012AZ12-26 V06725 HL1012AZ12-26 V06950 HL1012AZ12-26 V17446 HL12AZ12-26 V56878 HL1012AZ12-26 V60516 HL1012AZ12-26 V73197 HL1012AZ12-26 V97928 POST SERVICE BULLETIN: 54-0080R1	163163	1

ILLUSTRATION ITEMS NOT ON PARTS LIST ARE NOT APPLICABLE

- ITEM NOT ILLUSTRATED

HXL

57-24-01-01

BOEING PROPRIETARY - Copyright © - Unpublished Work - See title page for details.

57-24-01
 FIG. 01
 PAGE 67
 APR 22/08



767

PARTS CATALOG (MAINTENANCE)

FIG ITEM	PART NUMBER	1 2 3 4 5 6 7 NOMENCLATURE	EFFECT FROM TO	UNITS PER ASSY
1 700	HL1012AZ12-32	..BOLT- SUPPLIER CODE: VOPTK6 SPECIFICATION NUMBER: BACB30NX12K32 OPTIONAL PART: HL12VAZ12-32 V73197 HL12VAZ12-32 V92215 HL12VAZ12-32 V97928 L802-12K32 V06725 HL12VAZ12-32 V56878 HL1012AZ12-32 V06725 HL1012AZ12-32 V06950 HL1012AZ12-32 V17445 HL1012AZ12-32 V56878 HL1012AZ12-32 V60516 HL1012AZ12-32 V73197 HL1012AZ12-32 V97928 POST SERVICE BULLETIN: 54-0080R1	163163	1

ILLUSTRATION ITEMS NOT ON PARTS LIST ARE NOT APPLICABLE

- ITEM NOT ILLUSTRATED

HXL

57-24-01-01

BOEING PROPRIETARY - Copyright © - Unpublished Work - See title page for details.

57-24-01
 FIG. 01
 PAGE 68
 APR 22/08



767

PARTS CATALOG (MAINTENANCE)

FIG ITEM	PART NUMBER	1 2 3 4 5 6 7	NOMENCLATURE	EFFECT FROM TO	UNITS PER ASSY
1 700	HL1012AZ12-36	..	BOLT- SUPPLIER CODE: VOPTK6 SPECIFICATION NUMBER: BACB30NX12K36 OPTIONAL PART: HL12VAZ12-36 V73197 HL12VAZ12-36 V92215 HL12VAZ12-36 V97928 L802-12K36 V06725 HL12VAZ12-36 V56878 HL1012AZ12-36 V06725 HL1012AZ12-36 V06950 HL1012AZ12-36 V17446 HL1012AZ12-36 V56878 HL1012AZ12-36 V60516 HL1012AZ12-36 V73197 HL1012AZ12-36 V97928	155162 164999	1
R R R R R R R R R R	701	HL1187-12	.. COLLAR- SUPPLIER CODE: V5M902 SPECIFICATION NUMBER: BACC30X12 OPTIONAL PART: HL1187-12 V73197 HL1187-12 V56878 HL1187-12 V92215	155162 164999	2

ILLUSTRATION ITEMS NOT ON PARTS LIST ARE NOT APPLICABLE

- ITEM NOT ILLUSTRATED

HXL

57-24-01-01

BOEING PROPRIETARY - Copyright © - Unpublished Work - See title page for details.

57-24-01
FIG. 01
PAGE 69
AUG 22/09



767

PARTS CATALOG (MAINTENANCE)

FIG ITEM	PART NUMBER	1 2 3 4 5 6 7	NOMENCLATURE	EFFECT FROM TO	UNITS PER ASSY
1 701	HL1187DU12		.. COLLAR- SUPPLIER CODE: V5M902 SPECIFICATION NUMBER: BACC30X12S OPTIONAL PART: HL87DU12 V92215 HL87DU12 V73197 HL1187DU12 V56878 HL1187DU12 V92215 HL87DU12 V56878 HL1187DU12 V73197 POST SERVICE BULLETIN: 54-0080R1	163163	2
704	112T7005-29		.. FITTING HALF- POSITION DATA: LH SIDE POST SERVICE BULLETIN: 54-0080R1	163163	1
704	112T7005-19		.. FITTING HALF- POSITION DATA: LH SIDE USED ON: 112T7005-17	155162 164999	1
- 707	112T7005-30		.. FITTING HALF- POSITION DATA: RH SIDE POST SERVICE BULLETIN: 54-0080R1	163163	1
- 707	112T7005-20		.. FITTING HALF- POSITION DATA: RH SIDE USED ON: 112T7005-18	155162 164999	1
710	112T7005-3		.. FITTING HALF- POSITION DATA: LH SIDE	155162 164999	1
710	112T7005-31		.. FITTING HALF- POSITION DATA: LH SIDE POST SERVICE BULLETIN: 54-0080R1	163163	1

ILLUSTRATION ITEMS NOT ON PARTS LIST ARE NOT APPLICABLE

- ITEM NOT ILLUSTRATED

57-24-01-01

57-24-01
FIG. 01
PAGE 70
APR 22/08

HXL



767

PARTS CATALOG (MAINTENANCE)

FIG ITEM	PART NUMBER	1 2 3 4 5 6 7	NOMENCLATURE	EFFECT FROM TO	UNITS PER ASSY
1					
- 713	112T7005-4	..	FITTING HALF- POSITION DATA: RH SIDE	155162 164999	1
- 713	112T7005-32	..	FITTING HALF- POSITION DATA: RH SIDE POST SERVICE BULLETIN: 54-0080R1	163163	1
726	112T7041-17	.FITTING ASSY-CTR	POSITION DATA: LH SIDE SERVICE BULLETIN OPT DATA: 112T7041-21 POST SERVICE BULLETIN: 54-0080		1
726	112T7041-21	.FITTING ASSY-CTR	POSITION DATA: LH SIDE SERVICE BULLETIN OPT DATA: 112T7041-17 POST SERVICE BULLETIN: 54-0080R1	163163	1
- 729	112T7041-18	.FITTING ASSY-CTR	POSITION DATA: RH SIDE SERVICE BULLETIN OPT DATA: 112T7041-22 POST SERVICE BULLETIN: 54-0080		1
- 729	112T7041-22	.FITTING ASSY-CTR	POSITION DATA: RH SIDE SERVICE BULLETIN OPT DATA: 112T7041-18 POST SERVICE BULLETIN: 54-0080R1	163163	1
730A	BACS40R075B075F	.SHIM-	POST SERVICE BULLETIN: 54-0080 ATTACHING PARTS		1
730B	BACB30US5K23X	.BOLT-	POST SERVICE BULLETIN: 54-0080		2
731	BACB30US8K42X	.BOLT-	POSITION DATA: RH SIDE POST SERVICE BULLETIN: 54-0080		1

ILLUSTRATION ITEMS NOT ON PARTS LIST ARE NOT APPLICABLE

- ITEM NOT ILLUSTRATED

57-24-01-01

57-24-01
FIG. 01
PAGE 71
APR 22/08

HXL



767

PARTS CATALOG (MAINTENANCE)

FIG ITEM	PART NUMBER	1 2 3 4 5 6 7	NOMENCLATURE	EFFECT FROM TO	UNITS PER ASSY
1					
732	BACB30US8K40X	.BOLT-	POSITION DATA: RH SIDE POST SERVICE BULLETIN: 54-0080		1
733	BACB30US12K41X	.BOLT-	POST SERVICE BULLETIN: 54-0080		1
735	HL116KD16-39	.BOLT-	OPTIONAL PART: BACB30NJ8-40	155162 164999	3
735	BACB30NJ8-40	.BOLT-	OPTIONAL PART: HL116KD16-39 V73197	155162 164999	3
736	BACB30TR8T35	.BOLT-			1
736	BACB30US8K35X	.BOLT-	POST SERVICE BULLETIN: 54-0080		1
737	BACB30US8K39	.BOLT-	USED ON: 112T7001-5003 112T7001-5015 112T7001-5021 112T7001-5023	155162 164999	2
737	BACB30US8K39X	.BOLT-	POSITION DATA: LH SIDE POST SERVICE BULLETIN: 54-0080		2
741	BACW10BP81CD	.WASHER-	POSITION DATA: UNDER HEAD POST SERVICE BULLETIN: 54-0080		1
741A	BACW10BP51ACU	.WASHER-	POSITION DATA: UNDER HEAD POST SERVICE BULLETIN: 54-0080		2
741B	BACW10BP51DP	.WASHER-	POSITION DATA: UNDER NUT POST SERVICE BULLETIN: 54-0080		2

ILLUSTRATION ITEMS NOT ON PARTS LIST ARE NOT APPLICABLE

- ITEM NOT ILLUSTRATED

57-24-01-01

57-24-01
FIG. 01
PAGE 72
APR 22/08

HXL

BOEING PROPRIETARY - Copyright © - Unpublished Work - See title page for details.



767

PARTS CATALOG (MAINTENANCE)

FIG ITEM	PART NUMBER	1 2 3 4 5 6 7	NOMENCLATURE	EFFECT FROM TO	UNITS PER ASSY
1					
742	BACW10BP121DP		.WASHER- POSITION DATA: UNDER NUT POST SERVICE BULLETIN: 54-0080		1
743	BACW10BP12C		.WASHER- POSITION DATA: UNDER HEAD	155162 164999	1
743	BACW10BP121ACU		.WASHER- POSITION DATA: UNDER HEAD POST SERVICE BULLETIN: 54-0080		1
744	BACW10BP81APU		.WASHER- POST SERVICE BULLETIN: 54-0080		1
744A	BACW10BP81ACU		.WASHER- POST SERVICE BULLETIN: 54-0080		2
744B	BACW10BP81DP		.WASHER- POST SERVICE BULLETIN: 54-0080		2

ILLUSTRATION ITEMS NOT ON PARTS LIST ARE NOT APPLICABLE

- ITEM NOT ILLUSTRATED

HXL

57-24-01-01

BOEING PROPRIETARY - Copyright © - Unpublished Work - See title page for details.

57-24-01
FIG. 01
PAGE 73
APR 22/08



767

PARTS CATALOG (MAINTENANCE)

FIG ITEM	PART NUMBER	1 2 3 4 5 6 7 NOMENCLATURE	EFFECT FROM TO	UNITS PER ASSY
1 745	BMN10HRCWD3-8	.NUT- SUPPLIER CODE: V97928 SPECIFICATION NUMBER: BACN10HR8CD OPTIONAL PART: H51560-8 V15653 67832CD820 V56878 102LH9031-8 V72962 BH00303CM8 V27238 BMN5024CWD38 V97928 SL7108C8 V11815 VCU0005D8 V06710 102LH90318 V72962 67832CD8 V56878 CR6030-8 VF0224 POST SERVICE BULLETIN: 54-0080		3

ILLUSTRATION ITEMS NOT ON PARTS LIST ARE NOT APPLICABLE

- ITEM NOT ILLUSTRATED

HXL

57-24-01-01

BOEING PROPRIETARY - Copyright © - Unpublished Work - See title page for details.

57-24-01
 FIG. 01
 PAGE 74
 DEC 22/08



BOEING

767
PARTS CATALOG (MAINTENANCE)

FIG ITEM	PART NUMBER	1 2 3 4 5 6 7	NOMENCLATURE	EFFECT FROM TO	UNITS PER ASSY
R R R R R R R R R R R R R R R R	1 746	BH00303CM5	.NUT- SUPPLIER CODE: V27238 SPECIFICATION NUMBER: BACN10HR5CD OPTIONAL PART: H51560-5 V15653 67832CD524 V56878 102LH9031-5 V72962 SL7108C524 V11815 BMN5024CWD35 V97928 SL7108C5 V11815 VCU0005D5 V06710 102LH90315 V72962 BMN10HRCWD3-5 V97928 67832CD5 V56878 CR6030-5 VF0224 POST SERVICE BULLETIN: 54-0080		2
	ILLUSTRATION ITEMS NOT ON PARTS LIST ARE NOT APPLICABLE				

— ITEM NOT ILLUSTRATED

57-24-01-01

HXL

BOEING PROPRIETARY - Copyright © - Unpublished Work - See title page for details.

57-24-01
FIG. 01
PAGE 75
AUG 22/09

BOEING
767
PARTS CATALOG (MAINTENANCE)

FIG ITEM	PART NUMBER	1 2 3 4 5 6 7	NOMENCLATURE	EFFECT FROM TO	UNITS PER ASSY
1 749	CR603012		.NUT- SUPPLIER CODE: V62554 SPECIFICATION NUMBER: BACN10HR12CD OPTIONAL PART: BH00303CM12 V27238 H51560-12 V15653 102CH9031-12 V72962 67832CD1216 V56878 BMN10HRCWD3-12 V97928 SL7108C12 V11815 VCU0005D12 V06710 102LH903112 V72962 BMN5024CWD312 V97928 POST SERVICE BULLETIN: 54-0080		1
752	VTB12890		..BEARING ASSY- SUPPLIER CODE: V06710 SPECIFICATION NUMBER: S302T001-234 OPTIONAL PART: P2A2610 V57606 POST SERVICE BULLETIN: 54-0080		2
753	P21881		...BALL- SUPPLIER CODE: V57606 SPECIFICATION NUMBER: S302T001-210B		1
754	P21882		...RACE- SUPPLIER CODE: V57606		1

ILLUSTRATION ITEMS NOT ON PARTS LIST ARE NOT APPLICABLE

- ITEM NOT ILLUSTRATED

HXL

57-24-01-01

BOEING PROPRIETARY - Copyright © - Unpublished Work - See title page for details.

57-24-01
FIG. 01
PAGE 76
APR 22/08



767

PARTS CATALOG (MAINTENANCE)

FIG ITEM	PART NUMBER	1 2 3 4 5 6 7	NOMENCLATURE	EFFECT FROM TO	UNITS PER ASSY
1 755	112T7041-19		.. FITTING- POSITION DATA: LH SIDE USED ON: 112T7041-17 POST SERVICE BULLETIN: 54-0080		1
- 758	112T7041-20		.. FITTING- POSITION DATA: RH SIDE USED ON: 112T7041-18 POST SERVICE BULLETIN: 54-0080		1
814	271T0084-3		. SUPPORT ASSY-SYS HYDR RSVR POSITION DATA: L AND R		1
- 817	HL1012AZ8-29		. BOLT SUPPLIER CODE: VOPTK6 SPECIFICATION NUMBER: BACB30NX8K29 OPTIONAL PART: HL12VAZ8-29 V73197 HL12VAZ8-29 V92215 HL12VAZ8-29 V97928 L802-8K29 V06725 HL12VAZ8-29 V56878 HL1012AZ8-29 V06725 HL1012AZ8-29 V06950 HL1012AZ8-29 V17446 HL1012AZ8-29 V56878 HL1012AZ8-29 V60516 HL1012AZ8-29 V73197 HL1012AZ8-29 V97928		2
ILLUSTRATION ITEMS NOT ON PARTS LIST ARE NOT APPLICABLE					

- ITEM NOT ILLUSTRATED

57-24-01-01

57-24-01
FIG. 01
PAGE 77
APR 22/08

HXL

BOEING
767
PARTS CATALOG (MAINTENANCE)

FIG ITEM	PART NUMBER	1 2 3 4 5 6 7	NOMENCLATURE	EFFECT FROM TO	UNITS PER ASSY
1					
- 820	HL1187-8		.COLLAR SUPPLIER CODE: V5M902 SPECIFICATION NUMBER: BACC30X8 OPTIONAL PART: HL87-8 V92215 HL87-8 V73197 HL1187-8 V56878 HL1187-8 V92215 HL87-8 V56878 HL1187-8 V73197 -----*-----		2
823	BACB28X9M015		..BUSHING		1
826	271T0086-1		..BUSHING		1
829	271T0084-4		..SUPPORT-		1
832	112T5381-2		.BUSHING-	163999	2
832	112T7103-16		.BUSHING- POST SERVICE BULLETIN: 57-0063		2
835	271T0122-5		.SUPPORT ASSY- POSITION DATA: LH SIDE		1
- 838	271T0122-6		.SUPPORT ASSY- POSITION DATA: RH SIDE		1

ILLUSTRATION ITEMS NOT ON PARTS LIST ARE NOT APPLICABLE

- ITEM NOT ILLUSTRATED

HXL

57-24-01-01

BOEING PROPRIETARY - Copyright © - Unpublished Work - See title page for details.

57-24-01
FIG. 01
PAGE 78
APR 22/08

 **BOEING**
767
PARTS CATALOG (MAINTENANCE)

FIG ITEM	PART NUMBER	1 2 3 4 5 6 7	NOMENCLATURE	EFFECT FROM TO	UNITS PER ASSY
1			ATTACHING PARTS		
- 841	HL1012AZ8-18		.BOLT SUPPLIER CODE: VOPTK6 SPECIFICATION NUMBER: BACB30NX8K18 OPTIONAL PART: HL12VAZ8-18 V73197 HL12VAZ8-18 V92215 HL12VAZ8-18 V97928 L802-8K18 V06725 HL12VAZ8-18 V56878 HL1012AZ8-18 V06725 HL1012AZ8-18 V06950 HL1012AZ8-18 V17446 HL1012AZ8-18 V56878 HL1012AZ8-18 V60516 HL1012AZ8-18 V73197 HL1012AZ8-18 V97928		2
- 843	BACC30X8M		.COLLAR		2
			-----*-----		
848	BACB28AR09A020A		..BUSHING		2
850	112T7044-13		.FITTING- OPTIONAL PART: 112T7044-5		1
			ATTACHING PARTS		
854	L80012K11		.BOLT SUPPLIER CODE: V06725 SPECIFICATION NUMBER: BACB30MY12K11		2
856	L800Y12K13		.BOLT SUPPLIER CODE: V06725 SPECIFICATION NUMBER: BACB30MY12K13		1
857	112T5184-40		.FILLER-RADIUS		1
ILLUSTRATION ITEMS NOT ON PARTS LIST ARE NOT APPLICABLE					

- ITEM NOT ILLUSTRATED

HXL

57-24-01-01

BOEING PROPRIETARY - Copyright © - Unpublished Work - See title page for details.

57-24-01
FIG. 01
PAGE 79
APR 22/09

 **BOEING**
767
PARTS CATALOG (MAINTENANCE)

FIG ITEM	PART NUMBER	1 2 3 4 5 6 7	NOMENCLATURE	EFFECT FROM TO	UNITS PER ASSY
1 858	HL79-12		.COLLAR SUPPLIER CODE: V5M902 SPECIFICATION NUMBER: BACC30M12 OPTIONAL PART: HL79-12 V73197 HL79-12 V92215 66014-12 V56878 HL79-12 V56878 -----*-----		3
860	112T7044-11		.FITTING- POSITION DATA: LH SIDE		1
- 862	112T7044-12		.FITTING- POSITION DATA: RH SIDE		1
864	L80010K11		ATTACHING PARTS .BOLT SUPPLIER CODE: V06725 SPECIFICATION NUMBER: BACB30MY10K11		2
866	L80010K13		.BOLT SUPPLIER CODE: V06725 SPECIFICATION NUMBER: BACB30MY10K13		2
867	112T5184-104		.FILLER-RADIUS		2
868	HL79-10		.COLLAR SUPPLIER CODE: V5M902 SPECIFICATION NUMBER: BACC30M10 OPTIONAL PART: HL79-10 V73197 HL79-10 V92215 66014-10 V56878 HL79-10 V56878 -----*-----		4
870	112T7044-10		.FITTING-		1

ILLUSTRATION ITEMS NOT ON PARTS LIST ARE NOT APPLICABLE

- ITEM NOT ILLUSTRATED

HXL

57-24-01-01

BOEING PROPRIETARY - Copyright © - Unpublished Work - See title page for details.

57-24-01
FIG. 01
PAGE 80
APR 22/08

BOEING
767
PARTS CATALOG (MAINTENANCE)

FIG ITEM	PART NUMBER	1 2 3 4 5 6 7	NOMENCLATURE	EFFECT FROM TO	UNITS PER ASSY
1			ATTACHING PARTS		
- 872	L80012K19		.BOLT SUPPLIER CODE: V06725 SPECIFICATION NUMBER: BACB30MY12K19		2
- 874	HL79-12		.COLLAR SUPPLIER CODE: V5M902 SPECIFICATION NUMBER: BACC30M12 OPTIONAL PART: HL79-12 V73197 HL79-12 V92215 66014-12 V56878 HL79-12 V56878		2
			-----*-----		
875	112T7052-1		.BRACKET- POSITION DATA: RH SIDE SERVICE BULLETIN OPT DATA: 112T7052-3 POST SERVICE BULLETIN: 54-0080R1	163163	1
875	112T7052-3		.BRACKET- POST SERVICE BULLETIN: 54-0081R1 54-0080		1
880	112T7001-79		.FILLER- POST SERVICE BULLETIN: 54-0080R1	163163	1

R
R
R
R

ILLUSTRATION ITEMS NOT ON PARTS LIST ARE NOT APPLICABLE

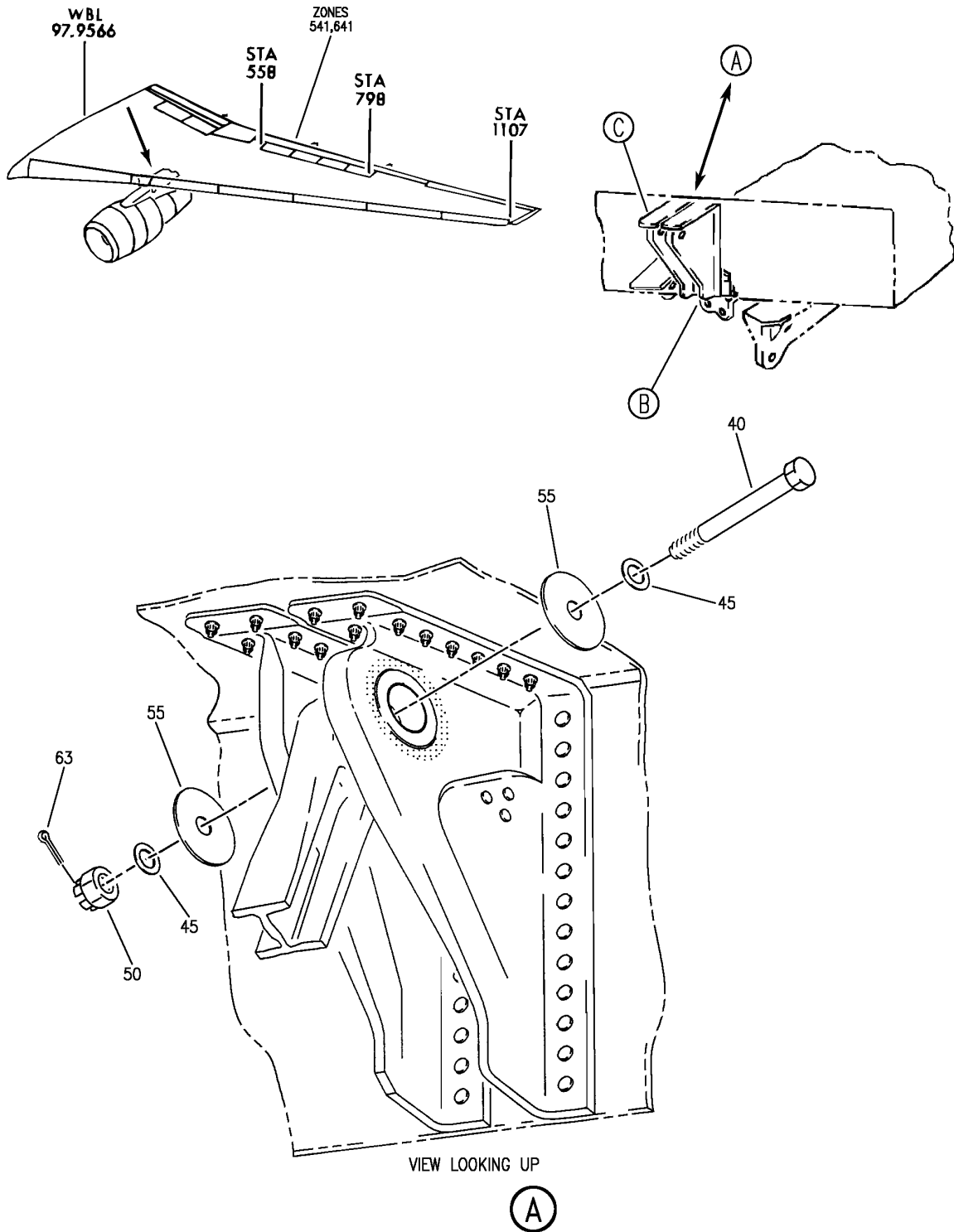
- ITEM NOT ILLUSTRATED

HXL

57-24-01-01

57-24-01
FIG. 01
PAGE 81
AUG 22/09

BOEING
767
PARTS CATALOG (MAINTENANCE)



V 57240101A SHT 1 REV 289

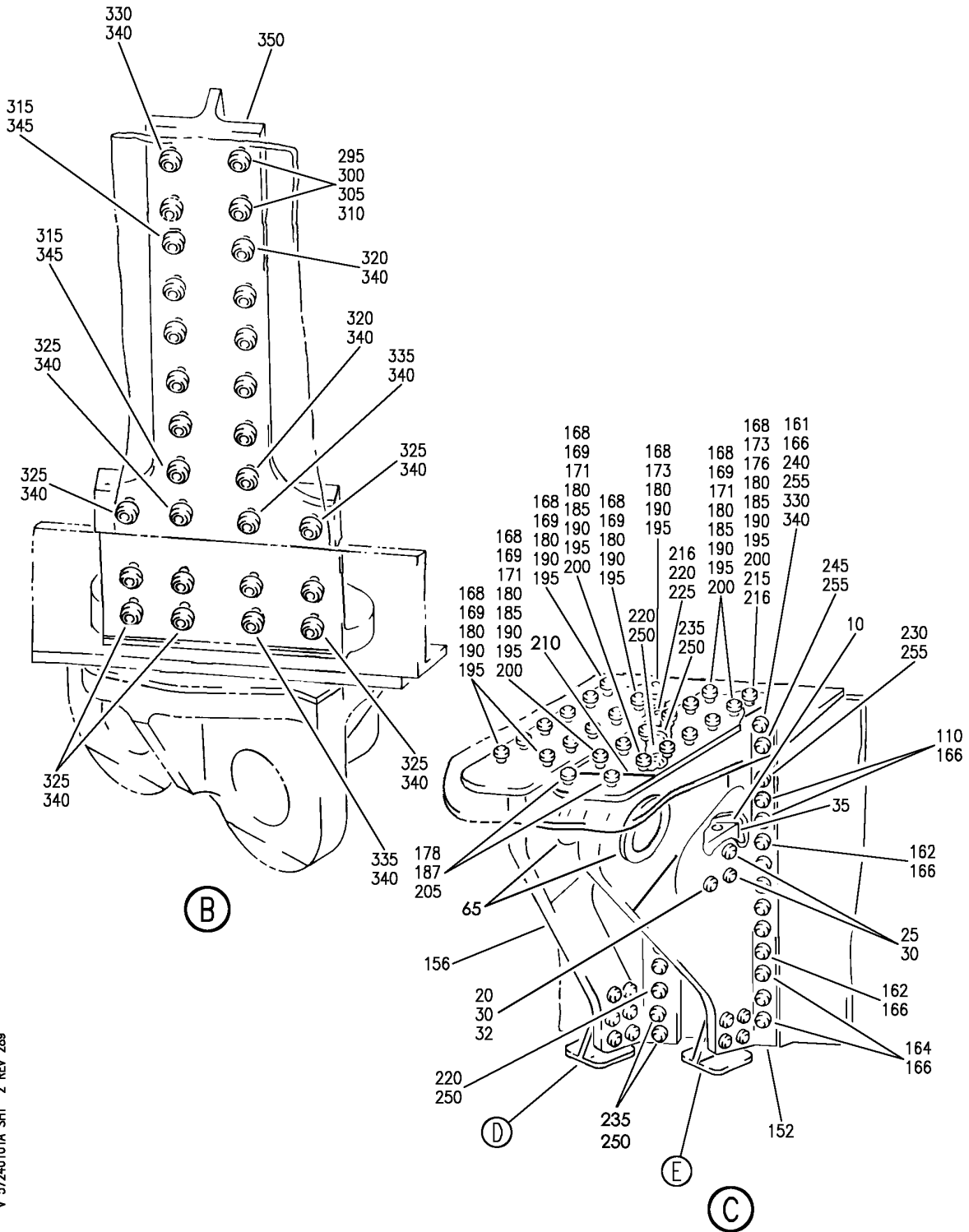
SUPPORT INSTL-WING ENG STRUT
FIGURE 1A (SHEET 1)

57-24-01-01A

HXL
DEC 22/06

57-24-01-01A
PAGE 0


BOEING
 767
PARTS CATALOG (MAINTENANCE)



V 57240101A SHT 2 REV 289

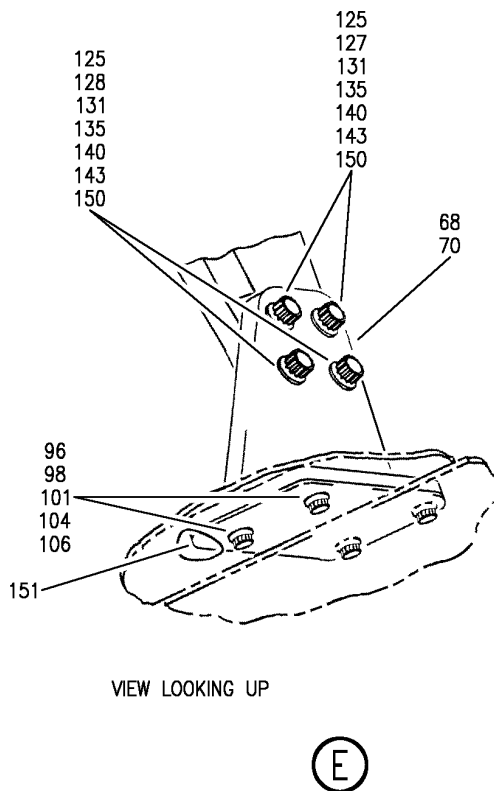
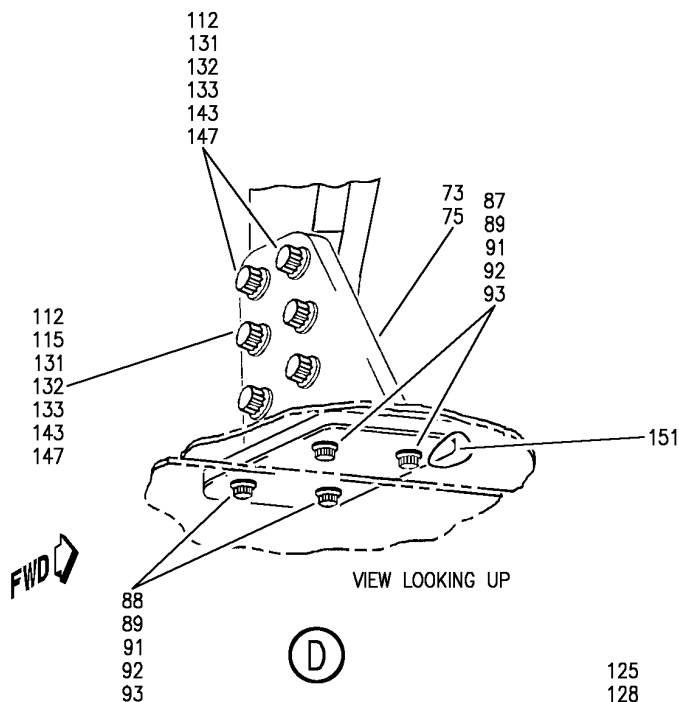
SUPPORT INSTL-WING ENG STRUT
FIGURE 1A (SHEET 2)

57-24-01-01A

HXL
DEC 22/06

57-24-01-01A
PAGE 0A

BOEING
767
PARTS CATALOG (MAINTENANCE)



V 57240101A SHT 3 REV 289

SUPPORT INSTL-WING ENG STRUT
FIGURE 1A (SHEET 3)

57-24-01-01A

HXL
DEC 22/06

57-24-01-01A
PAGE 0B



767

PARTS CATALOG (MAINTENANCE)

FIG ITEM	PART NUMBER	1 2 3 4 5 6 7	NOMENCLATURE	EFFECT FROM TO	UNITS PER ASSY
1 A			SUPPORT INSTL-WING ENG STRUT		
- 1	112T7001-3		SUPPORT INSTL-WING ENG STRUT POSITION DATA: FWD LH VARIABLE DRAWING REF: 112T7001-5019 FOR NHA SEE: 57-11-52-01		RF
- 5	112T7001-4		SUPPORT INSTL-WING ENG STRUT POSITION DATA: FWD RH VARIABLE DRAWING REF: 112T7001-5020 FOR NHA SEE: 57-11-52-01		RF
10	112T7043-3		.ANGLE-BACKUP POSITION DATA: LH SIDE		1
- 15	112T7043-4		.ANGLE-BACKUP POSITION DATA: RH SIDE		1

ILLUSTRATION ITEMS NOT ON PARTS LIST ARE NOT APPLICABLE

- ITEM NOT ILLUSTRATED

HXL

57-24-01-01A

BOEING PROPRIETARY - Copyright © - Unpublished Work - See title page for details.

57-24-01
FIG. 01A
PAGE 1
DEC 22/07



767

PARTS CATALOG (MAINTENANCE)

FIG ITEM	PART NUMBER	1 2 3 4 5 6 7 NOMENCLATURE	EFFECT FROM TO	UNITS PER ASSY
1 A 20	HL1012AZ10-13	ATTACHING PARTS .BOLT SUPPLIER CODE: VOPTK6 SPECIFICATION NUMBER: BACB30NX10K13 OPTIONAL PART: HL12VAZ10-13 V73197 HL12VAZ10-13 V92215 HL12VAZ10-13 V97928 L802-10K13 V06725 HL12VAZ10-13 V56878 HL1012AZ10-13 V06725 HL1012AZ10-13 V06950 HL1012AZ10-13 V17446 HL1012AZ10-13 V56878 HL1012AZ10-13 V60516 HL1012AZ10-13 V73197 HL1012AZ10-13 V97928		1

ILLUSTRATION ITEMS NOT ON PARTS LIST ARE NOT APPLICABLE

- ITEM NOT ILLUSTRATED

HXL

57-24-01-01A

BOEING PROPRIETARY - Copyright © - Unpublished Work - See title page for details.

57-24-01
 FIG. 01A
 PAGE 2
 DEC 22/06



767

PARTS CATALOG (MAINTENANCE)

FIG ITEM	PART NUMBER	1 2 3 4 5 6 7	NOMENCLATURE	EFFECT FROM TO	UNITS PER ASSY
1 A 25	HL1012AZ10-14		.BOLT SUPPLIER CODE: VOPTK6 SPECIFICATION NUMBER: BACB30NX10K14 OPTIONAL PART: HL12VAZ10-14 V73197 HL12VAZ10-14 V92215 HL12VAZ10-14 V97928 L802-10K14 V06725 HL12VAZ10-14 V56878 HL1012AZ10-14 V06725 HL1012AZ10-14 V06950 HL1012AZ10-14 V17446 HL1012AZ10-14 V56878 HL1012AZ10-14 V60516 HL1012AZ10-14 V73197 HL1012AZ10-14 V97928		2
R R R R R R R R R R	30 HL1187-10		.COLLAR SUPPLIER CODE: V5M902 SPECIFICATION NUMBER: BACC30X10 OPTIONAL PART: HL1187-10 V56878 HL1187-10 V92215 HL1187-10 V73197		3
	35 112T7001-41		-----*----- .SHIM-		1

ILLUSTRATION ITEMS NOT ON PARTS LIST ARE NOT APPLICABLE

- ITEM NOT ILLUSTRATED

HXL

57-24-01-01A

BOEING PROPRIETARY - Copyright © - Unpublished Work - See title page for details.

57-24-01
FIG. 01A
PAGE 3
AUG 22/09

BOEING
767
PARTS CATALOG (MAINTENANCE)

FIG ITEM	PART NUMBER	1 2 3 4 5 6 7	NOMENCLATURE	EFFECT FROM TO	UNITS PER ASSY
1 A					
65	112T1730-17		.BUSHING- OPTIONAL PART: FMI250-45010A V51439 FMI25045710A V51439 POST SERVICE BULLETIN: 57-0053R2		2
65	FMI25045710A		.BUSHING- SUPPLIER CODE: V51439 OPTIONAL PART: 112T1730-17 POST SERVICE BULLETIN: 57-0053R2		2
68	112T7010-9		.CLIP-TEE POSITION DATA: LH SIDE		1
70	112T7010-13		.CLIP-TEE POSITION DATA: LH SIDE POST SERVICE BULLETIN: 54-0080		1
73	112T7010-11		.CLIP-TEE POSITION DATA: LH SIDE SERVICE BULLETIN OPT DATA: 112T7010-15 POST SERVICE BULLETIN: 54-0080R1	163163	1
75	112T7010-15		.CLIP-TEE POSITION DATA: LH SIDE SERVICE BULLETIN OPT DATA: 112T7010-11 POST SERVICE BULLETIN: 54-0080		1
- 78	112T7010-10		.CLIP-TEE POSITION DATA: RH SIDE		1
- 80	112T7010-14		.CLIP-TEE POSITION DATA: RH SIDE POST SERVICE BULLETIN: 54-0080		1
ILLUSTRATION ITEMS NOT ON PARTS LIST ARE NOT APPLICABLE					

- ITEM NOT ILLUSTRATED

HXL

57-24-01-01A

BOEING PROPRIETARY - Copyright © - Unpublished Work - See title page for details.

57-24-01
FIG. 01A
PAGE 4
AUG 22/09



767

PARTS CATALOG (MAINTENANCE)

FIG ITEM	PART NUMBER	1 2 3 4 5 6 7	NOMENCLATURE	EFFECT FROM TO	UNITS PER ASSY
1 A					
- 83	112T7010-12		.CLIP-TEE POSITION DATA: RH SIDE SERVICE BULLETIN OPT DATA: 112T7010-16 POST SERVICE BULLETIN: 54-0080R1	163163	1
- 85	112T7010-16		.CLIP-TEE POSITION DATA: RH SIDE SERVICE BULLETIN OPT DATA: 112T7010-12 POST SERVICE BULLETIN: 54-0080		1
87	HLT422AP12-11		.BOLT- SUPPLIER CODE: V60516 SPECIFICATION NUMBER: BACB30YK12K11 OPTIONAL PART: HLT422AP12-11 V97928 HLT422AP12-11 V06725 POST SERVICE BULLETIN: 54-0080R1	163163	2
88	HLT422AP12-13		.BOLT- SUPPLIER CODE: V60516 SPECIFICATION NUMBER: BACB30YK12K13 OPTIONAL PART: HLT422AP12-13 V97928 HLT422AP12-13 V06725 POST SERVICE BULLETIN: 54-0080R1	163163	2
93	BACC30CP12C		.COLLAR- POST SERVICE BULLETIN: 54-0080R1	163163	4
96	BACB30YK12-13		ATTACHING PARTS .BOLT- POST SERVICE BULLETIN: 54-0080R1	163163	2
106	BACC30CP12C		.COLLAR- POST SERVICE BULLETIN: 54-0080R1	163163	2

ILLUSTRATION ITEMS NOT ON PARTS LIST ARE NOT APPLICABLE

- ITEM NOT ILLUSTRATED

57-24-01-01A

57-24-01
FIG. 01A
PAGE 5
AUG 22/08

HXL

BOEING PROPRIETARY - Copyright © - Unpublished Work - See title page for details.

 **BOEING**
767
PARTS CATALOG (MAINTENANCE)

FIG ITEM	PART NUMBER	1 2 3 4 5 6 7	NOMENCLATURE	EFFECT FROM TO	UNITS PER ASSY
1A					
112	BACB30LT7K12	.BOLT-	POST SERVICE BULLETIN: 54-0080		6
125	BACB30UU6K16X	.BOLT-	POST SERVICE BULLETIN: 54-0080		4
132	BACW10BP7CD	.WASHER-	POST SERVICE BULLETIN: 54-0080		6
133	BACW10BP7DP	.WASHER-	POST SERVICE BULLETIN: 54-0080		6
135	BACW10BP61CD	.WASHER-	POST SERVICE BULLETIN: 54-0080		4
140	BACW10BP61DP	.WASHER-	POST SERVICE BULLETIN: 54-0080		4
147	BACN10JC7CD	.NUT-	POST SERVICE BULLETIN: 54-0080		6
150	BRH10C6D	.NUT-	SUPPLIER CODE: V52828 SPECIFICATION NUMBER: BACN10JC6CD OPTIONAL PART: H51650-6BAC V15653 POST SERVICE BULLETIN: 54-0080R1	163163	4

ILLUSTRATION ITEMS NOT ON PARTS LIST ARE NOT APPLICABLE

— ITEM NOT ILLUSTRATED

HXL

57-24-01-01A

BOEING PROPRIETARY - Copyright © - Unpublished Work - See title page for details.

57-24-01
FIG. 01A
PAGE 6
AUG 22/08

BOEING
767
PARTS CATALOG (MAINTENANCE)

FIG ITEM	PART NUMBER	1 2 3 4 5 6 7	NOMENCLATURE	EFFECT FROM TO	UNITS PER ASSY	
R R R R R R R R R R	1A 150	BMN10HRCWD3-6	.NUT- SUPPLIER CODE: V97928 SPECIFICATION NUMBER: BACN10HR6CD OPTIONAL PART: H51560-6 V15653 67832CD624 V56878 102LH9031-6 V72962 BH00303CM6 V27238 SL7108C624 V11815 BMN5024CWD36 V97928 SL7108C6 V11815 102LH90316 V72962 67832CD6 V56878 VCU0005D6 V06710 CR6030-6 VF0224 POST SERVICE BULLETIN: 54-0080 PRE SERVICE BULLETIN: 54-0080R1 -----*-----	155162 164999	4	
	151	112T7001-83	.SHIM- POST SERVICE BULLETIN: 54-0080		2	
	152	112T7006-13	.FITTING-PITCH LOAD POSITION DATA: LH SIDE		1	
	- 154	112T7006-14	.FITTING-PITCH LOAD POSITION DATA: RH SIDE		1	
	156	112T7007-5	.FITTING-PITCH LOAD POSITION DATA: LH SIDE		1	
	- 158	112T7007-6	.FITTING-PITCH LOAD POSITION DATA: RH SIDE		1	
	ILLUSTRATION ITEMS NOT ON PARTS LIST ARE NOT APPLICABLE					

- ITEM NOT ILLUSTRATED

HXL

57-24-01-01A

BOEING PROPRIETARY - Copyright © - Unpublished Work - See title page for details.

57-24-01
FIG. 01A
PAGE 7
AUG 22/09

 **BOEING**
767
PARTS CATALOG (MAINTENANCE)

FIG ITEM	PART NUMBER	1 2 3 4 5 6 7	NOMENCLATURE	EFFECT FROM TO	UNITS PER ASSY
1A			ATTACHING PARTS		
169	BACB30YM12K15X	.BOLT-	POST SERVICE BULLETIN: 54-0080		22
173	BACB30YM12K17X	.BOLT-	POST SERVICE BULLETIN: 54-0080		2
180	BACW10BP61APU	.WASHER-	POST SERVICE BULLETIN: 54-0080		24
195	NAS1805-6L	.NUT-	POST SERVICE BULLETIN: 54-0080		24
216	112T7001-77	-----*----- .FILLER-	POST SERVICE BULLETIN: 54-0080R1	163163	2
220	HL1012AZ10-11	.BOLT	ATTACHING PARTS SUPPLIER CODE: VOPTK6 SPECIFICATION NUMBER: BACB30NX10K11 OPTIONAL PART: HL12VAZ10-11 V73197 HL12VAZ10-11 V92215 HL12VAZ10-11 V97928 L802-10K11 V06725 HL1012AZ10-11 V06725 HL1012AZ10-11 V06950 HL1012AZ10-11 V17446 HL1012AZ10-11 V56878 HL1012AZ10-11 V60516 HL1012AZ10-11 V73197 HL1012AZ10-11 V97928 HL12VAZ10-11 V56878		1
ILLUSTRATION ITEMS NOT ON PARTS LIST ARE NOT APPLICABLE					

- ITEM NOT ILLUSTRATED

HXL

57-24-01-01A

BOEING PROPRIETARY - Copyright © - Unpublished Work - See title page for details.

57-24-01
FIG. 01A
PAGE 8
AUG 22/09



767

PARTS CATALOG (MAINTENANCE)

FIG ITEM	PART NUMBER	1 2 3 4 5 6 7 NOMENCLATURE	EFFECT FROM TO	UNITS PER ASSY
1 A 225	HL1012AZ10-18	.BOLT SUPPLIER CODE: VOPTK6 SPECIFICATION NUMBER: BACB30NX10K18 OPTIONAL PART: HL12VAZ10-18 V73197 HL12VAZ10-18 V92215 HL12VAZ10-18 V97928 L802-10K18 V06725 HL12VAZ10-18 V56878 HL1012AZ10-18 V06725 HL1012AZ10-18 V06950 HL1012AZ10-18 V17446 HL1012AZ10-18 V56878 HL1012AZ10-18 V60516 HL1012AZ10-18 V73197 HL1012AZ10-18 V97928		1

ILLUSTRATION ITEMS NOT ON PARTS LIST ARE NOT APPLICABLE

- ITEM NOT ILLUSTRATED

HXL

57-24-01-01A

BOEING PROPRIETARY - Copyright © - Unpublished Work - See title page for details.

57-24-01
 FIG. 01A
 PAGE 9
 AUG 22/09



767

PARTS CATALOG (MAINTENANCE)

FIG ITEM	PART NUMBER	1 2 3 4 5 6 7 NOMENCLATURE	EFFECT FROM TO	UNITS PER ASSY
1 A 230	HL1012AZ10-11	.BOLT- SUPPLIER CODE: VOPTK6 SPECIFICATION NUMBER: BACB30NX10K11 OPTIONAL PART: HL12VAZ10-11 V73197 HL12VAZ10-11 V92215 HL12VAZ10-11 V97928 L802-10K11 V06725 HL1012AZ10-11 V06725 HL1012AZ10-11 V06950 HL1012AZ10-11 V17446 HL1012AZ10-11 V56878 HL1012AZ10-11 V60516 HL1012AZ10-11 V73197 HL1012AZ10-11 V97928 HL12VAZ10-11 V56878		1

ILLUSTRATION ITEMS NOT ON PARTS LIST ARE NOT APPLICABLE

- ITEM NOT ILLUSTRATED

HXL

57-24-01-01A

BOEING PROPRIETARY - Copyright © - Unpublished Work - See title page for details.

57-24-01
 FIG. 01A
 PAGE 10
 AUG 22/09



767

PARTS CATALOG (MAINTENANCE)

FIG ITEM	PART NUMBER	1 2 3 4 5 6 7 NOMENCLATURE	EFFECT FROM TO	UNITS PER ASSY
1 A 235	HL1012AZ10-16	.BOLT SUPPLIER CODE: VOPTK6 SPECIFICATION NUMBER: BACB30NX10K16 OPTIONAL PART: HL12VAZ10-16 V73197 HL12VAZ10-16 V92215 HL12VAZ10-16 V97928 L802-10K16 V06725 HL12VAZ10-16 V56878 HL1012AZ10-16 V06725 HL1012AZ10-16 V06950 HL1012AZ10-16 V17446 HL1012AZ10-16 V56878 HL1012AZ10-16 V60516 HL1012AZ10-16 V73197 HL1012AZ10-16 V97928		3

ILLUSTRATION ITEMS NOT ON PARTS LIST ARE NOT APPLICABLE

- ITEM NOT ILLUSTRATED

HXL

57-24-01-01A

BOEING PROPRIETARY - Copyright © - Unpublished Work - See title page for details.

57-24-01
 FIG. 01A
 PAGE 11
 AUG 22/09



767

PARTS CATALOG (MAINTENANCE)

FIG ITEM	PART NUMBER	1 2 3 4 5 6 7 NOMENCLATURE	EFFECT FROM TO	UNITS PER ASSY
1 A 240	HL1012AZ10-18	.BOLT- SUPPLIER CODE: VOPTK6 SPECIFICATION NUMBER: BACB30NX10K18 OPTIONAL PART: HL12VAZ10-18 V73197 HL12VAZ10-18 V92215 HL12VAZ10-18 V97928 L802-10K18 V06725 HL12VAZ10-18 V56878 HL1012AZ10-18 V06725 HL1012AZ10-18 V06950 HL1012AZ10-18 V17446 HL1012AZ10-18 V56878 HL1012AZ10-18 V60516 HL1012AZ10-18 V73197 HL1012AZ10-18 V97928		1

ILLUSTRATION ITEMS NOT ON PARTS LIST ARE NOT APPLICABLE

- ITEM NOT ILLUSTRATED

HXL

57-24-01-01A

BOEING PROPRIETARY - Copyright © - Unpublished Work - See title page for details.

57-24-01
 FIG. 01A
 PAGE 12
 AUG 22/09

 **BOEING**
767
PARTS CATALOG (MAINTENANCE)

FIG ITEM	PART NUMBER	1 2 3 4 5 6 7	NOMENCLATURE	EFFECT FROM TO	UNITS PER ASSY
1 A 245	HL1012AZ10-16		.BOLT- SUPPLIER CODE: VOPTK6 SPECIFICATION NUMBER: BACB30NX10K16 OPTIONAL PART: HL12VAZ10-16 V73197 HL12VAZ10-16 V92215 HL12VAZ10-16 V97928 L802-10K16 V06725 HL12VAZ10-16 V56878 HL1012AZ10-16 V06725 HL1012AZ10-16 V06950 HL1012AZ10-16 V17446 HL1012AZ10-16 V56878 HL1012AZ10-16 V60516 HL1012AZ10-16 V73197 HL1012AZ10-16 V97928		1
R R R R R R R R R R	250 HL1187-10		.COLLAR SUPPLIER CODE: V5M902 SPECIFICATION NUMBER: BACC30X10 OPTIONAL PART: HL1187-10 V56878 HL1187-10 V92215 HL1187-10 V73197		15

ILLUSTRATION ITEMS NOT ON PARTS LIST ARE NOT APPLICABLE

- ITEM NOT ILLUSTRATED

HXL

57-24-01-01A

BOEING PROPRIETARY - Copyright © - Unpublished Work - See title page for details.

57-24-01
FIG. 01A
PAGE 13
AUG 22/09

BOEING
767
PARTS CATALOG (MAINTENANCE)

FIG ITEM	PART NUMBER	1 2 3 4 5 6 7	NOMENCLATURE	EFFECT FROM TO	UNITS PER ASSY
R R R R R R R R R	1A 255	HL1187-10	.COLLAR- SUPPLIER CODE: V5M902 SPECIFICATION NUMBER: BACC30X10 OPTIONAL PART: HL1187-10 V56878 HL1187-10 V92215 HL1187-10 V73197 -----*-----		3
	295	BACB30TR5T15	.BOLT		2
	300	BACW10BP5C	.WASHER- POSITION DATA: UNDER HEAD		2
	305	LH8065-054	.NUT SUPPLIER CODE: V72962 SPECIFICATION NUMBER: BACN10HC5 OPTIONAL PART: SL414-5 V97393 94263-524 V56878		2
	310	SLR4027-5	.RETAINER SUPPLIER CODE: V97393 SPECIFICATION NUMBER: BACR10V5 OPTIONAL PART: 2452-054RET V72962		2

ILLUSTRATION ITEMS NOT ON PARTS LIST ARE NOT APPLICABLE

— ITEM NOT ILLUSTRATED

HXL

57-24-01-01A

BOEING PROPRIETARY - Copyright © - Unpublished Work - See title page for details.

57-24-01
FIG. 01A
PAGE 14
AUG 22/09



767

PARTS CATALOG (MAINTENANCE)

FIG ITEM	PART NUMBER	1 2 3 4 5 6 7 NOMENCLATURE	EFFECT FROM TO	UNITS PER ASSY
1 A 315	HL1012AZ10-7	.BOLT SUPPLIER CODE: VOPTK6 SPECIFICATION NUMBER: BACB30NX10K7 OPTIONAL PART: HL12VAZ10-7 V73197 HL12VAZ10-7 V92215 HL12VAZ10-7 V97928 L802-10K7 V06725 HL12VAZ10-7 V56878 HL1012AZ10-7 V06725 HL1012AZ10-7 V06950 HL1012AZ10-7 V17446 HL1012AZ10-7 V56878 HL1012AZ10-7 V60516 HL1012AZ10-7 V73197 HL1012AZ10-7 V97928		6

ILLUSTRATION ITEMS NOT ON PARTS LIST ARE NOT APPLICABLE

- ITEM NOT ILLUSTRATED

HXL

57-24-01-01A

BOEING PROPRIETARY - Copyright © - Unpublished Work - See title page for details.

57-24-01
 FIG. 01A
 PAGE 15
 AUG 22/09



767

PARTS CATALOG (MAINTENANCE)

FIG ITEM	PART NUMBER	1 2 3 4 5 6 7 NOMENCLATURE	EFFECT FROM TO	UNITS PER ASSY
1 A 320	HL1012AZ10-14	.BOLT SUPPLIER CODE: VOPTK6 SPECIFICATION NUMBER: BACB30NX10K14 OPTIONAL PART: HL12VAZ10-14 V73197 HL12VAZ10-14 V92215 HL12VAZ10-14 V97928 L802-10K14 V06725 HL12VAZ10-14 V56878 HL1012AZ10-14 V06725 HL1012AZ10-14 V06950 HL1012AZ10-14 V17446 HL1012AZ10-14 V56878 HL1012AZ10-14 V60516 HL1012AZ10-14 V73197 HL1012AZ10-14 V97928		6

ILLUSTRATION ITEMS NOT ON PARTS LIST ARE NOT APPLICABLE

- ITEM NOT ILLUSTRATED

HXL

57-24-01-01A

BOEING PROPRIETARY - Copyright © - Unpublished Work - See title page for details.

57-24-01
 FIG. 01A
 PAGE 16
 AUG 22/09



767

PARTS CATALOG (MAINTENANCE)

FIG ITEM	PART NUMBER	1 2 3 4 5 6 7 NOMENCLATURE	EFFECT FROM TO	UNITS PER ASSY
1 A 325	HL1012AZ10-15	.BOLT SUPPLIER CODE: VOPTK6 SPECIFICATION NUMBER: BACB30NX10K15 OPTIONAL PART: HL12VAZ10-15 V73197 HL12VAZ10-15 V92215 HL12VAZ10-15 V97928 L802-10K15 V06725 HL12VAZ10-15 V56878 HL1012AZ10-15 V06725 HL1012AZ10-15 V06950 HL1012AZ10-15 V17446 HL1012AZ10-15 V56878 HL1012AZ10-15 V60516 HL1012AZ10-15 V73197 HL1012AZ10-15 V97928		9

ILLUSTRATION ITEMS NOT ON PARTS LIST ARE NOT APPLICABLE

- ITEM NOT ILLUSTRATED

HXL

57-24-01-01A

BOEING PROPRIETARY - Copyright © - Unpublished Work - See title page for details.

57-24-01
 FIG. 01A
 PAGE 17
 AUG 22/09



767

PARTS CATALOG (MAINTENANCE)

FIG ITEM	PART NUMBER	1 2 3 4 5 6 7 NOMENCLATURE	EFFECT FROM TO	UNITS PER ASSY
1 A 330	HL1012AZ10-18	.BOLT SUPPLIER CODE: VOPTK6 SPECIFICATION NUMBER: BACB30NX10K18 OPTIONAL PART: HL12VAZ10-18 V73197 HL12VAZ10-18 V92215 HL12VAZ10-18 V97928 L802-10K18 V06725 HL12VAZ10-18 V56878 HL1012AZ10-18 V06725 HL1012AZ10-18 V06950 HL1012AZ10-18 V17446 HL1012AZ10-18 V56878 HL1012AZ10-18 V60516 HL1012AZ10-18 V73197 HL1012AZ10-18 V97928		2

ILLUSTRATION ITEMS NOT ON PARTS LIST ARE NOT APPLICABLE

- ITEM NOT ILLUSTRATED

HXL

57-24-01-01A

BOEING PROPRIETARY - Copyright © - Unpublished Work - See title page for details.

57-24-01
 FIG. 01A
 PAGE 18
 AUG 22/09

 **BOEING**
767
PARTS CATALOG (MAINTENANCE)

FIG ITEM	PART NUMBER	1 2 3 4 5 6 7	NOMENCLATURE	EFFECT FROM TO	UNITS PER ASSY
1 A 335	HL1012AZ10-22		.BOLT SUPPLIER CODE: VOPTK6 SPECIFICATION NUMBER: BACB30NX10K22 OPTIONAL PART: HL12VAZ10-22 V73197 HL12VAZ10-22 V92215 HL12VAZ10-22 V97928 L802-10K22 V06725 HL12VAZ10-22 V56878 HL1012AZ10-22 V06725 HL1012AZ10-22 V06950 HL1012AZ10-22 V17446 HL1012AZ10-22 V56878 HL1012AZ10-22 V60516 HL1012AZ10-22 V73197 HL1012AZ10-22 V97928		3
R R R R R R R R R R	340 HL1187-10		.COLLAR SUPPLIER CODE: V5M902 SPECIFICATION NUMBER: BACC30X10 OPTIONAL PART: HL1187-10 V56878 HL1187-10 V92215 HL1187-10 V73197		20
ILLUSTRATION ITEMS NOT ON PARTS LIST ARE NOT APPLICABLE					

— ITEM NOT ILLUSTRATED

HXL

57-24-01-01A

BOEING PROPRIETARY - Copyright © - Unpublished Work - See title page for details.

57-24-01
FIG. 01A
PAGE 19
AUG 22/09



767

PARTS CATALOG (MAINTENANCE)

FIG ITEM	PART NUMBER	1 2 3 4 5 6 7	NOMENCLATURE	EFFECT FROM TO	UNITS PER ASSY
R R R R R R R R R R	1 A 345	HL1187-10	. COLLAR SUPPLIER CODE: V5M902 SPECIFICATION NUMBER: BACC30X10 OPTIONAL PART: HL1187-10 V56878 HL1187-10 V92215 HL1187-10 V73197		6
	350	112T7042-5	. FITTING-BACKUP POSITION DATA: LH SIDE		1
	- 355	112T7042-6	. FITTING-BACKUP POSITION DATA: RH SIDE		1

ILLUSTRATION ITEMS NOT ON PARTS LIST ARE NOT APPLICABLE

- ITEM NOT ILLUSTRATED

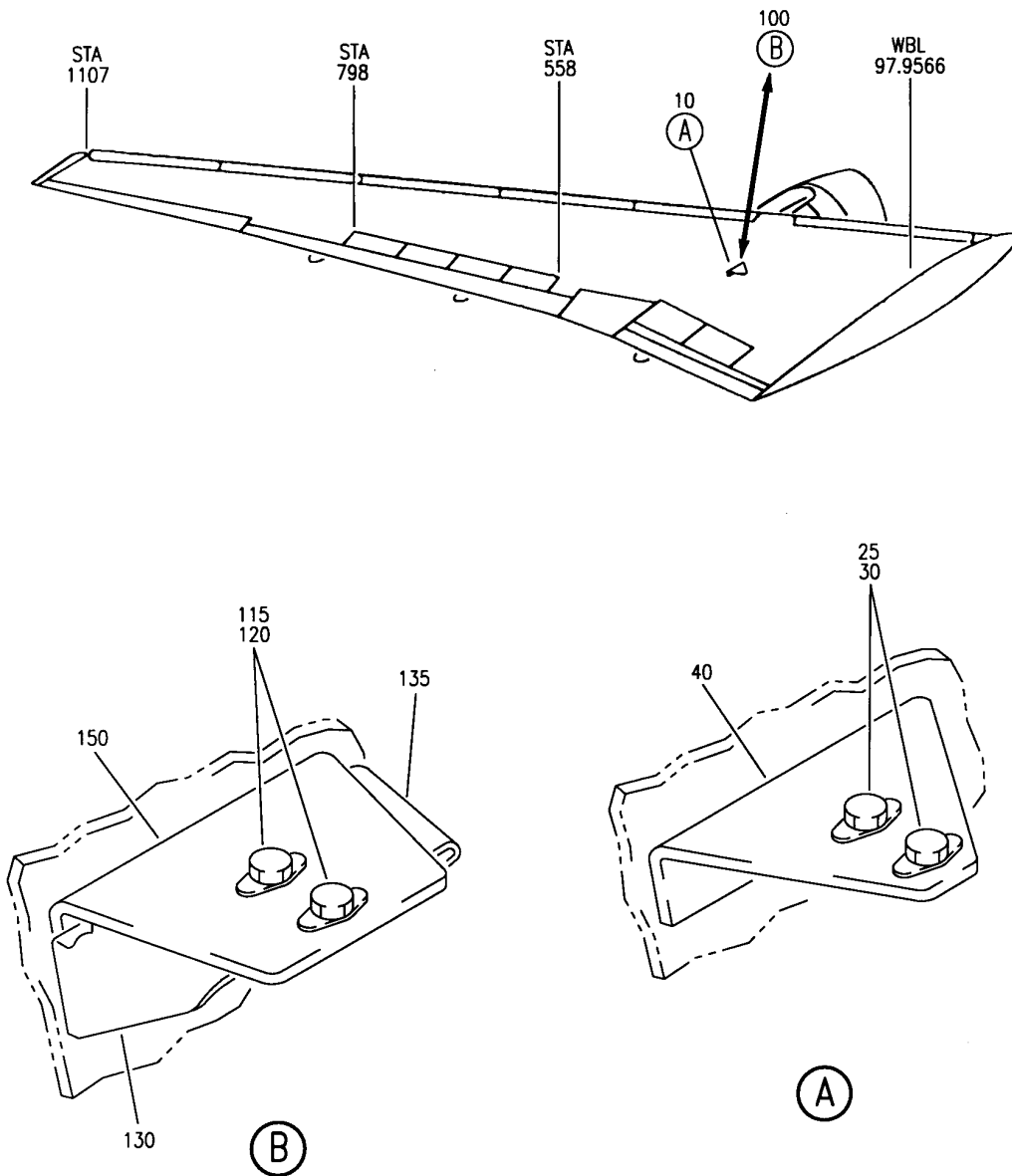
HXL

57-24-01-01A

BOEING PROPRIETARY - Copyright © - Unpublished Work - See title page for details.

57-24-01
FIG. 01A
PAGE 20
AUG 22/09

BOEING
767
PARTS CATALOG (MAINTENANCE)



V 57240102 REV 179

SKATE ANGLE INSTL-WING ENG STRUT
FIGURE 2

57-24-01-02

HXL
DEC 22/06

57-24-01-02
PAGE 0



767

PARTS CATALOG (MAINTENANCE)

FIG ITEM	PART NUMBER	1 2 3 4 5 6 7	NOMENCLATURE	EFFECT FROM TO	UNITS PER ASSY
2			SKATE ANGLE INSTL-WING ENG STRUT		
- 1	112T7001-75		SKATE ANGLE INSTL-WING ENG STRUT POSITION DATA: LH VARIABLE DRAWING REF: 112T7001-5033 FOR NHA SEE: 57-11-52-01		RF
- 5	112T7001-76		SKATE ANGLE INSTL-WING ENG STRUT POSITION DATA: RH VARIABLE DRAWING REF: 112T7001-5034 FOR NHA SEE: 57-11-52-01		RF
10	272T0048-3		.BRACKET ASSY-HYDR SPRT ATTACHING PARTS		1
- 15	HL13VAZ5-3		.BOLT SUPPLIER CODE: V56878 SPECIFICATION NUMBER: BACB30NY5K3 OPTIONAL PART: HL13VAZ5-3 V73197 HL13VAZ5-3 V92215 HL13VAZ5-3 V97928 L801-5K3 V06725 HL13VAZ5-3 V60516 L801-5K3 VOPTK6 HL13VAZ5-3 V17446		2

ILLUSTRATION ITEMS NOT ON PARTS LIST ARE NOT APPLICABLE

- ITEM NOT ILLUSTRATED

HXL

57-24-01-02

BOEING PROPRIETARY - Copyright © - Unpublished Work - See title page for details.

57-24-01
FIG. 02
PAGE 1
DEC 22/07

BOEING
767
PARTS CATALOG (MAINTENANCE)

FIG ITEM	PART NUMBER	1 2 3 4 5 6 7	NOMENCLATURE	EFFECT FROM TO	UNITS PER ASSY
R R R R R R R R R R	2 - 20	HL1187-5	. COLLAR SUPPLIER CODE: V5M902 SPECIFICATION NUMBER: BACC30X5 OPTIONAL PART: HL86PB5 V73197 HL86PB5 V92215 HL86PB5 V56878 HL1187-5 V56878 HL1187-5 V92215 HL1187-5 V73197 -----*-----		2
	25	NAS6603-2	.. BOLT		2
	30	6800-02	.. RETAINER-BOLT SUPPLIER CODE: V80539 SPECIFICATION NUMBER: BACR10G31 ATTACHING PARTS		2
	- 35	BACR15BA3AD	.. RIVET- SIZE DETERMINED ON INSTL. -----*-----		4
	40	272T0048-4	.. BRACKET		1
	ILLUSTRATION ITEMS NOT ON PARTS LIST ARE NOT APPLICABLE				

- ITEM NOT ILLUSTRATED

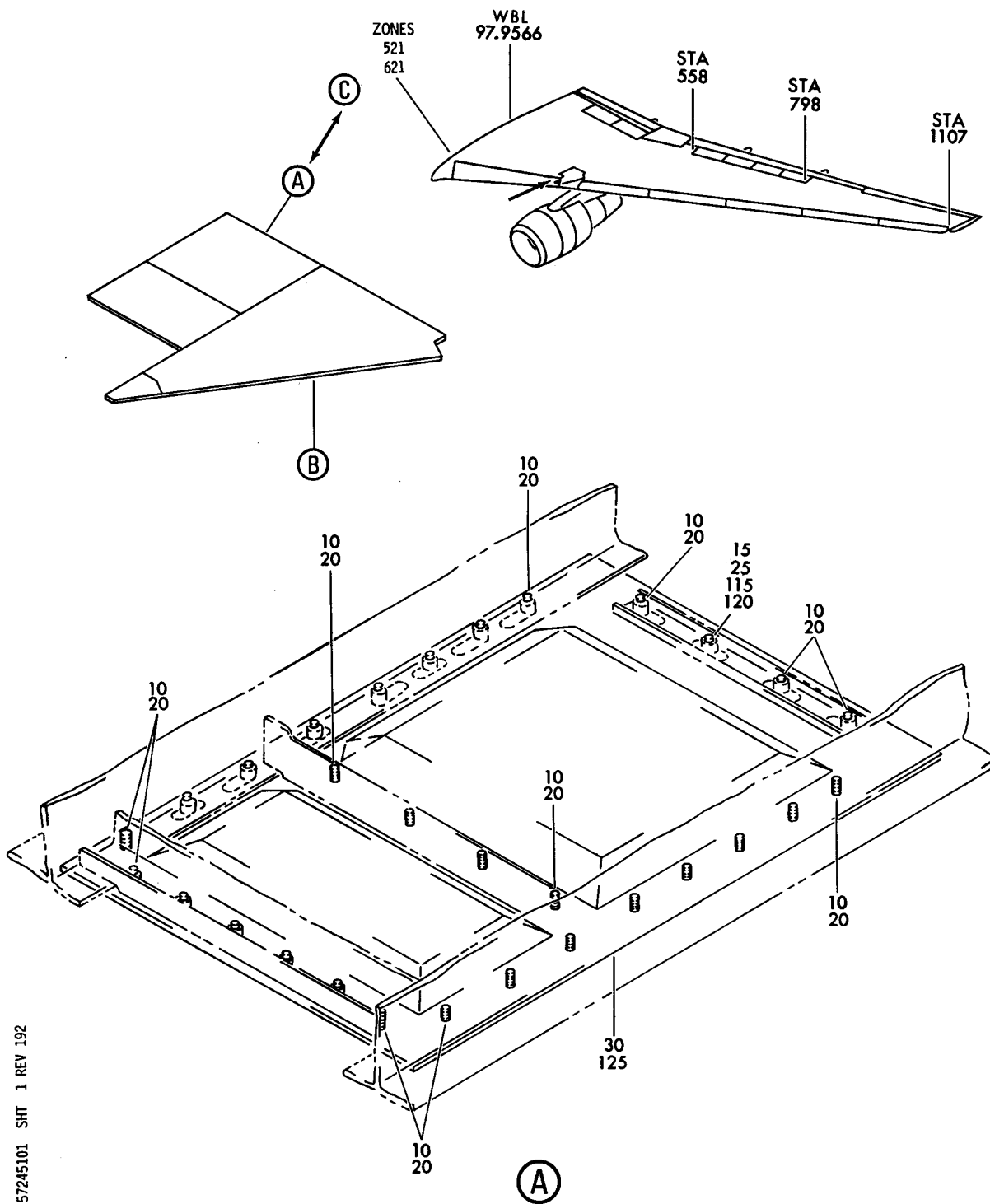
HXL

57-24-01-02

BOEING PROPRIETARY - Copyright © - Unpublished Work - See title page for details.

57-24-01
FIG. 02
PAGE 2
AUG 22/09

BOEING
767
PARTS CATALOG (MAINTENANCE)



V 57245101 SHT 1 REV 192

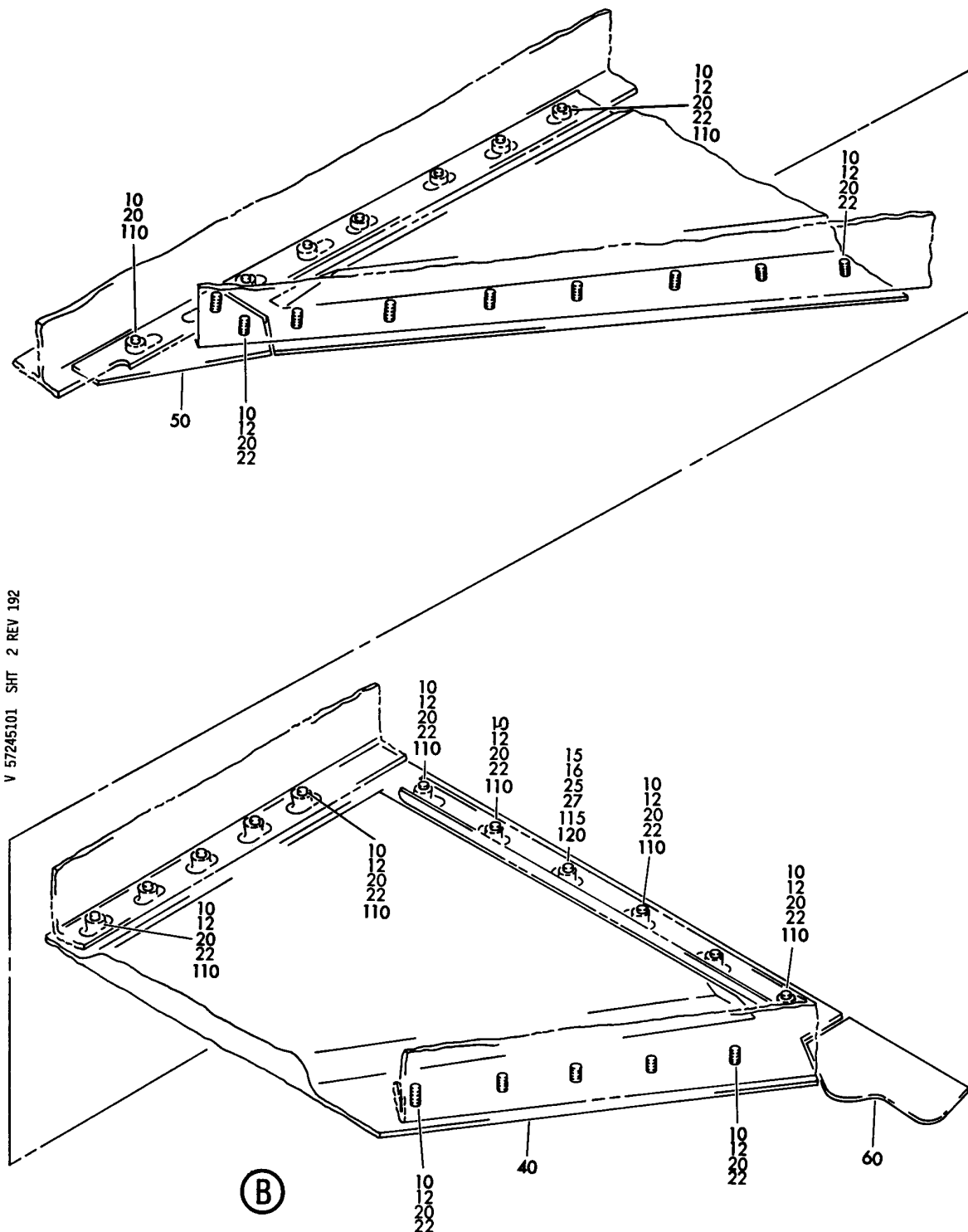
PANEL INSTL-FXD LE AT NAC SKIN LWR
FIGURE 1 (SHEET 1)

57-24-51-01

HXL
DEC 22/06

57-24-51-01
PAGE 0

BOEING
767
PARTS CATALOG (MAINTENANCE)



V 57245101 SHT 2 REV 192

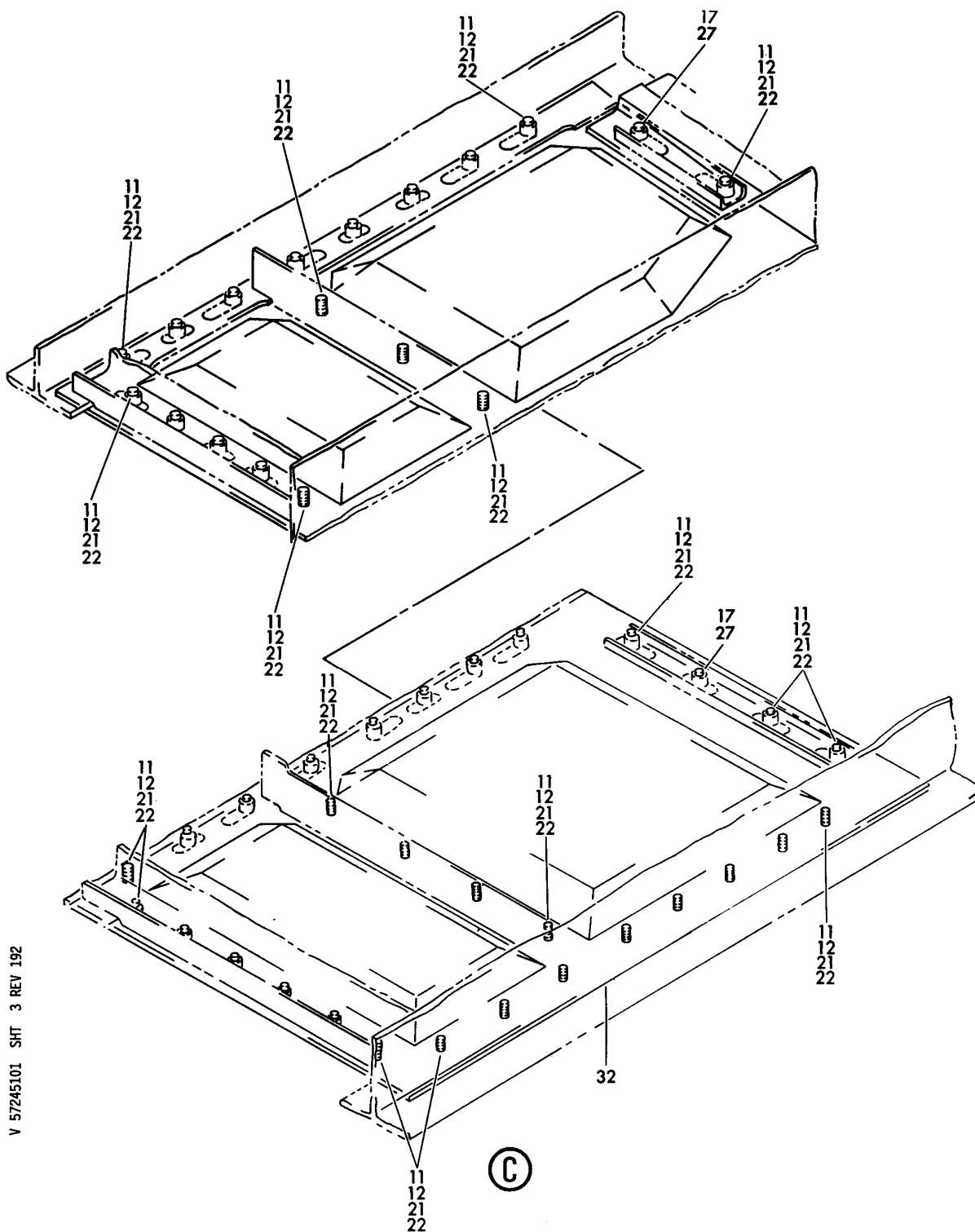
PANEL INSTL-FXD LE AT NAC SKIN LWR
FIGURE 1 (SHEET 2)

57-24-51-01

HXL
DEC 22/06

57-24-51-01
PAGE 0A

BOEING
767
PARTS CATALOG (MAINTENANCE)



V 57245101 SHT 3 REV 192

PANEL INSTL-FXD LE AT NAC SKIN LWR
FIGURE 1 (SHEET 3)

57-24-51-01

HXL
DEC 22/06

57-24-51-01
PAGE 0B



767

PARTS CATALOG (MAINTENANCE)

FIG ITEM	PART NUMBER	1 2 3 4 5 6 7	NOMENCLATURE	EFFECT FROM TO	UNITS PER ASSY
1			PANEL INSTL-FXD LE AT NAC SKIN LWR		
- 1	114T6104-1		PANEL INSTL-FXD LE AT NAC SKIN POSITION DATA: LWR LH VARIABLE DRAWING REF: 114T6104-5009 FOR NHA SEE: 57-24-53-01		RF
- 5	114T6104-2		PANEL INSTL-FXD LE AT NAC SKIN POSITION DATA: LWR RH VARIABLE DRAWING REF: 114T6104-5010 FOR NHA SEE: 57-24-53-01		RF
10	BACB30NN3K6		.BOLT		60
15	BACB30LU4-6		.BOLT-		2
20	114T2461-2		.WASHER-		AR
25	BACW10UC416P		.WASHER		2
30	114T6104-49		.PANEL ASSY- POSITION DATA: LH SIDE ACCESS PANEL NUMBER: 511QB QUALIFIED I/W DATA: 114T6104-113 CAN REPLACE -51 OR -49 FOR GE ENGINE CONFIGURATIONS ONLY		1
30	114T6104-51		.PANEL ASSY- POSITION DATA: LH SIDE ACCESS PANEL NUMBER: 511QB QUALIFIED I/W DATA: 114T6104-113 CAN REPLACE -69 OR -51 OR -49 FOR GE ENGINE CONFIGURATIONS ONLY		1

ILLUSTRATION ITEMS NOT ON PARTS LIST ARE NOT APPLICABLE

- ITEM NOT ILLUSTRATED

HXL

57-24-51-01

BOEING PROPRIETARY - Copyright © - Unpublished Work - See title page for details.

57-24-51
FIG. 01
PAGE 1
DEC 22/06

 **BOEING**
767
PARTS CATALOG (MAINTENANCE)

FIG ITEM	PART NUMBER	1 2 3 4 5 6 7	NOMENCLATURE	EFFECT FROM TO	UNITS PER ASSY
1 30	114T6104-69		.PANEL ASSY- POSITION DATA: LH SIDE ACCESS PANEL NUMBER: 511QB QUALIFIED I/W DATA: 114T6104-113 CAN REPLACE -69 OR -51 FOR GE ENGINE CONFIGURATIONS ONLY 114T6104-103 MAY REPLACE 114T6104-69 FOR CF6-80C2 ENGINE CONFIGURATION		1
- 35	114T6104-50		.PANEL ASSY- POSITION DATA: RH SIDE ACCESS PANEL NUMBER: 611QB QUALIFIED I/W DATA: 114T6104-114 CAN REPLACE -52 OR -50 FOR GE ENGINE CONFIGURATIONS ONLY		1
- 35	114T6104-52		.PANEL ASSY- POSITION DATA: RH SIDE ACCESS PANEL NUMBER: 611QB QUALIFIED I/W DATA: 114T6104-114 CAN REPLACE -70 OR -50 OR -52 FOR GE ENGINE CONFIGURATIONS ONLY		1
- 35	114T6104-70		.PANEL ASSY- POSITION DATA: RH SIDE ACCESS PANEL NUMBER: 611QB QUALIFIED I/W DATA: 114T6104-114 CAN REPLACE -70 OR -52 FOR GE ENGINE CONFIGURATIONS ONLY 114T6104-104 MAY REPLACE 114T6104-70 FOR CF6-80C2 ENGINE CONFIGURATION		1
40	114T6104-35		.PANEL ASSY- POSITION DATA: LH SIDE ACCESS PANEL NUMBER: 511RB		1

ILLUSTRATION ITEMS NOT ON PARTS LIST ARE NOT APPLICABLE

- ITEM NOT ILLUSTRATED

HXL

57-24-51-01

BOEING PROPRIETARY - Copyright © - Unpublished Work - See title page for details.

57-24-51
FIG. 01
PAGE 2
DEC 22/06

BOEING
767
PARTS CATALOG (MAINTENANCE)

FIG ITEM	PART NUMBER	1 2 3 4 5 6 7	NOMENCLATURE	EFFECT FROM TO	UNITS PER ASSY
1					
40	114T6104-39		.PANEL ASSY- POSITION DATA: LH SIDE ACCESS PANEL NUMBER: 511RB		1
40	114T6104-67		.PANEL ASSY- POSITION DATA: LH SIDE ACCESS PANEL NUMBER: 511RB		1
R R R R R	40		.PANEL ASSY- POSITION DATA: LH SIDE ACCESS PANEL NUMBER: 511RB		1
-	45		.PANEL ASSY- POSITION DATA: RH SIDE ACCESS PANEL NUMBER: 611RB		1
-	45		.PANEL ASSY- POSITION DATA: RH SIDE ACCESS PANEL NUMBER: 611RB		1
-	45		.PANEL ASSY- POSITION DATA: RH SIDE ACCESS PANEL NUMBER: 611RB		1
R R R R R	45		.PANEL ASSY- POSITION DATA: RH SIDE ACCESS PANEL NUMBER: 611RB		1
	50		.PANEL- POSITION DATA: LH SIDE		1
-	55		.PANEL- POSITION DATA: RH SIDE		1
	60		.PANEL- POSITION DATA: LH SIDE OPTIONAL PART: 114T6104-55		1
ILLUSTRATION ITEMS NOT ON PARTS LIST ARE NOT APPLICABLE					

- ITEM NOT ILLUSTRATED

HXL

57-24-51-01

BOEING PROPRIETARY - Copyright © - Unpublished Work - See title page for details.

57-24-51
FIG. 01
PAGE 3
AUG 22/09



767

PARTS CATALOG (MAINTENANCE)

FIG ITEM	PART NUMBER	1 2 3 4 5 6 7	NOMENCLATURE	EFFECT FROM TO	UNITS PER ASSY
1 60	114T6104-55		.PANEL- POSITION DATA: LH SIDE OPTIONAL PART: 114T6104-29		1
- 65	114T6104-30		.PANEL- POSITION DATA: RH SIDE OPTIONAL PART: 114T6104-56		1
- 65	114T6104-56		.PANEL- POSITION DATA: RH SIDE OPTIONAL PART: 114T6104-30		1
- 70	BACR15CE6AD		ATTACHING PARTS .RIVET- SIZE DETERMINED ON INSTL. -----*-----		2

ILLUSTRATION ITEMS NOT ON PARTS LIST ARE NOT APPLICABLE

- ITEM NOT ILLUSTRATED

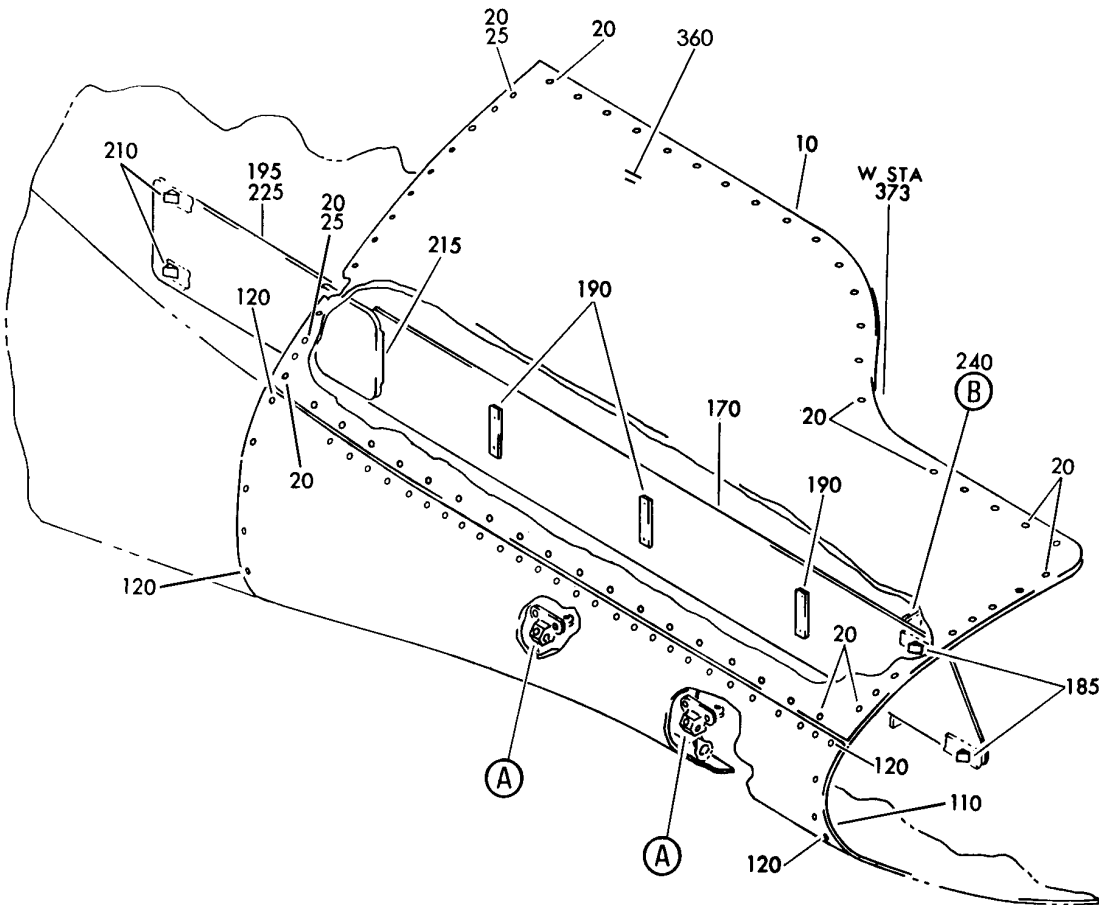
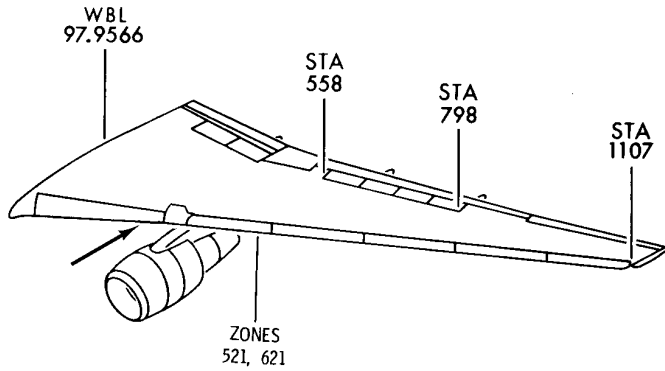
HXL

57-24-51-01

BOEING PROPRIETARY - Copyright © - Unpublished Work - See title page for details.

57-24-51
FIG. 01
PAGE 4
AUG 22/09


BOEING
 767
PARTS CATALOG (MAINTENANCE)



V 57245201 SHT 1 REV 225

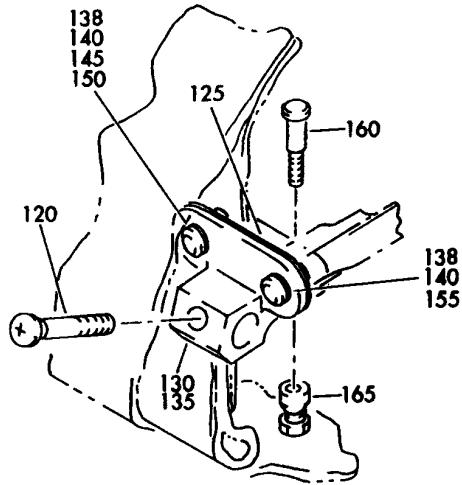
PANEL INSTL AND NOSE BEAM ASSY-WING FXD LE AT NAC ACCESS
 FIGURE 1 (SHEET 1)

57-24-52-01

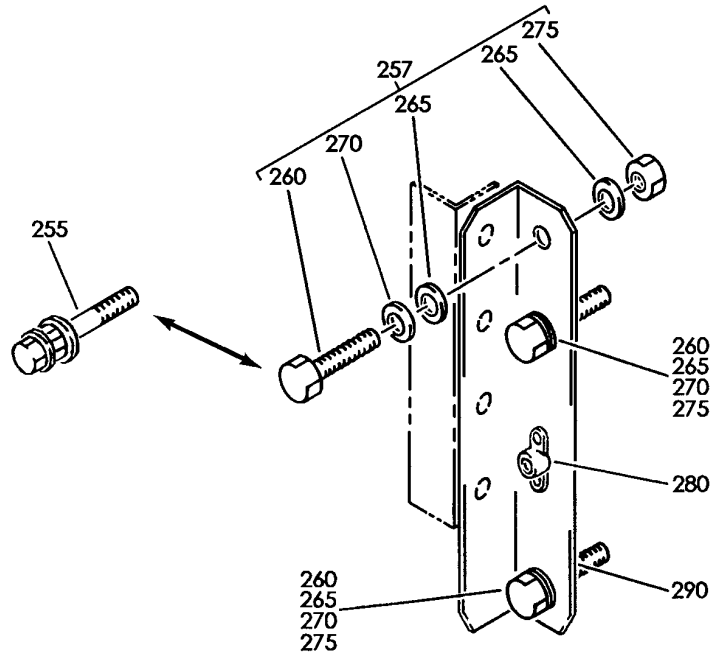
HXL
 DEC 22/06

57-24-52-01
 PAGE 0

BOEING
767
PARTS CATALOG (MAINTENANCE)



(A)



(B)

V 57245201 SHT 2 REV 212

PANEL INSTL AND NOSE BEAM ASSY-WING FXD LE AT NAC ACCESS
FIGURE 1 (SHEET 2)

57-24-52-01

HXL
DEC 22/06

57-24-52-01
PAGE 0A



767

PARTS CATALOG (MAINTENANCE)

FIG ITEM	PART NUMBER	1 2 3 4 5 6 7	NOMENCLATURE	EFFECT FROM TO	UNITS PER ASSY
1			PANEL INSTL AND NOSE BEAM ASSY-WING FXD LE AT NAC ACCESS		
- 1	114T6100-1		PANEL INSTL-FXD LE AT NAC SURF. BONDED ACCESS POSITION DATA: UPR LH VARIABLE DRAWING REF: 114T6100-5003 FOR NHA SEE: 57-24-53-01		RF
- 5	114T6100-2		PANEL INSTL-FXD LE AT NAC SURF. BONDED ACCESS POSITION DATA: UPR RH VARIABLE DRAWING REF: 114T6100-5004 FOR NHA SEE: 57-24-53-01		RF
10	114T6100-21		.PANEL ASSY- POSITION DATA: LH SIDE ACCESS PANEL NUMBER: 511PT QUALIFIED I/W DATA: -37 IS INTERCHANGEABLE WITH -21 DEPENDING ON CUSTOMER PREFERENCE		1
10	114T6100-25		.PANEL ASSY- POSITION DATA: LH SIDE ACCESS PANEL NUMBER: 511PT QUALIFIED I/W DATA: -37 IS INTERCHANGEABLE WITH -25 DEPENDING ON CUSTOMER PREFERENCE		1
10	114T6100-41		.PANEL ASSY- POSITION DATA: LH SIDE		1

ILLUSTRATION ITEMS NOT ON PARTS LIST ARE NOT APPLICABLE

- ITEM NOT ILLUSTRATED

HXL

57-24-52-01

BOEING PROPRIETARY - Copyright © - Unpublished Work - See title page for details.

57-24-52
FIG. 01
PAGE 1
DEC 22/07



767

PARTS CATALOG (MAINTENANCE)

FIG ITEM	PART NUMBER	1 2 3 4 5 6 7	NOMENCLATURE	EFFECT FROM TO	UNITS PER ASSY
1					
10	114T6100-37		.PANEL ASSY- POSITION DATA: LH SIDE QUALIFIED I/W DATA: -37 IS INTERCHANGEABLE WITH -25 DEPENDING ON CUSTOMER PREFERENCE -37 IS INTERCHANGEABLE WITH -21 DEPENDING ON CUSTOMER PREFERENCE -37 CAN REPLACE BUT NOT BE REPLACED BY -3 DEPENDING ON CUSTOMER PREFERENCE		1
- 15	114T6100-22		.PANEL ASSY- POSITION DATA: RH SIDE ACCESS PANEL NUMBER: 611PT QUALIFIED I/W DATA: -38 IS INTERCHANGEABLE WITH -22 DEPENDING ON CUSTOMER PREFERENCE		1
- 15	114T6100-26		.PANEL ASSY- POSITION DATA: RH SIDE ACCESS PANEL NUMBER: 611PT QUALIFIED I/W DATA: -38 IS INTERCHANGEABLE WITH -26 DEPENDING ON CUSTOMER PREFERENCE		1
- 15	114T6100-42		.PANEL ASSY- POSITION DATA: RH SIDE		1
- 15	114T6100-38		.PANEL ASSY- POSITION DATA: RH SIDE QUALIFIED I/W DATA: -38 IS INTERCHANGEABLE WITH -22 DEPENDING ON CUSTOMER PREFERENCE -38 IS INTERCHANGEABLE WITH -26 DEPENDING ON CUSTOMER PREFERENCE -38 CAN REPLACE BUT NOT BE REPLCED BY -4 DEPENDING ON CUSTOMER PREFERENCE		1
ILLUSTRATION ITEMS NOT ON PARTS LIST ARE NOT APPLICABLE					

- ITEM NOT ILLUSTRATED

57-24-52-01

57-24-52
FIG. 01
PAGE 2
DEC 22/06

HXL

 **BOEING**
767
PARTS CATALOG (MAINTENANCE)

FIG ITEM	PART NUMBER	1 2 3 4 5 6 7	NOMENCLATURE	EFFECT FROM TO	UNITS PER ASSY
1			ATTACHING PARTS		
20	BACB30NN3K6		.BOLT		57
25	BACB30NN3K4		.BOLT		11
			-----*-----		
- 100	114T6102-1		BEAM ASSY-WING FXD LE NOSE POSITION DATA: LH FOR NHA SEE: 57-24-53-01		RF
- 105	114T6102-2		BEAM ASSY-WING FXD LE NOSE POSITION DATA: RH FOR NHA SEE: 57-24-53-01		RF
110	114T6102-9		.SKIN-REMOVABLE POSITION DATA: LH SIDE ACCESS PANEL NUMBER: 511ST		1
110	114T6102-45		.SKIN-REMOVABLE POSITION DATA: LH SIDE ACCESS PANEL NUMBER: 511ST		1
- 115	114T6102-10		.SKIN-REMOVABLE POSITION DATA: RH SIDE ACCESS PANEL NUMBER: 611ST		1
- 115	114T6102-46		.SKIN-REMOVABLE POSITION DATA: RH SIDE ACCESS PANEL NUMBER: 611ST		1
			ATTACHING PARTS		
120	BACB30NN3K3		.BOLT		38
125	2552-02RET		.RETAINER- SUPPLIER CODE: V72962		2
130	2552-02		.NUT- SUPPLIER CODE: V72962		2
			-----*-----		
135	114T6103-1		.RETAINER		2
			ATTACHING PARTS		
138	BACB30MT6K3		.BOLT- OPTIONAL PART: BACB30NT3K3		2
ILLUSTRATION ITEMS NOT ON PARTS LIST ARE NOT APPLICABLE					

- ITEM NOT ILLUSTRATED

HXL

57-24-52-01

BOEING PROPRIETARY - Copyright © - Unpublished Work - See title page for details.

57-24-52
FIG. 01
PAGE 3
DEC 22/06



767

PARTS CATALOG (MAINTENANCE)

FIG ITEM	PART NUMBER	1 2 3 4 5 6 7	NOMENCLATURE	EFFECT FROM TO	UNITS PER ASSY
1					
138	BACB30NT3K3		.BOLT- OPTIONAL PART: BACB30MY6K3		2
140	L8006K3		.BOLT SUPPLIER CODE: V06725 SPECIFICATION NUMBER: BACB30MY6K3		2
145	AN960PD10L		.WASHER		2
150	BRH10A3		.NUT SUPPLIER CODE: V52828 SPECIFICATION NUMBER: BACN10JC3 OPTIONAL PART: H10-3BAC V15653 NS202101-02 V80539 RMLH9075-3W V72962 VN303A02 V92215 96-02 V80539 T6S1032J V11815		2
155	HL79-6		.COLLAR SUPPLIER CODE: V5M902 SPECIFICATION NUMBER: BACC30M6 OPTIONAL PART: HL79-6 V73197 HL79-6 V92215 66014-6 V56878 HL79-6 V56878		2
160	HL22-6-5		.BOLT SUPPLIER CODE: V60516 SPECIFICATION NUMBER: BACB30GZ6-5		2

ILLUSTRATION ITEMS NOT ON PARTS LIST ARE NOT APPLICABLE

- ITEM NOT ILLUSTRATED

HXL

57-24-52-01

BOEING PROPRIETARY - Copyright © - Unpublished Work - See title page for details.

57-24-52
FIG. 01
PAGE 4
APR 22/08

 **BOEING**
767
PARTS CATALOG (MAINTENANCE)

FIG ITEM	PART NUMBER	1 2 3 4 5 6 7	NOMENCLATURE	EFFECT FROM TO	UNITS PER ASSY
1 165	HL77-6		.COLLAR SUPPLIER CODE: V5M902 SPECIFICATION NUMBER: BACC30P6 OPTIONAL PART: HL77-6 V73197 HL77-6 V92215 66015-6 V56878 HL77-6 V56878 -----*-----		2
170	114T6102-6		.WEB ASSY ATTACHING PARTS		1
- 175	BACB30NM3K4		.BOLT		72
- 180	BACW10P183AL		.WASHER -----*-----		72
185	BACF3T01G7-8		.FILLER		2
190	BACF3F006M022NN		.FILLER		3
195	114T6102-7		.WEB ASSY ATTACHING PARTS		1
- 200	NAS6703-7		.BOLT		12
- 205	BACW10P183AL		.WASHER -----*-----		12
210	BACF3T01G7-8		.FILLER-		2
215	114T6102-19		.PLATE-SPLICE POSITION DATA: LH SIDE		1
- 220	114T6102-20		.PLATE-SPLICE POSITION DATA: RH SIDE		1
240	287T0015-377		.STUD ASSY-GND POSITION DATA: LH SIDE		1
- 245	287T0015-378		.STUD ASSY-GND POSITION DATA: RH SIDE ATTACHING PARTS		1
- 250	BACR15FT5AD		.RIVET- SIZE DETERMINED ON INSTL. -----*-----		4

ILLUSTRATION ITEMS NOT ON PARTS LIST ARE NOT APPLICABLE

- ITEM NOT ILLUSTRATED

HXL

57-24-52-01

BOEING PROPRIETARY - Copyright © - Unpublished Work - See title page for details.

57-24-52
FIG. 01
PAGE 5
DEC 22/06



767

PARTS CATALOG (MAINTENANCE)

FIG ITEM	PART NUMBER	1 2 3 4 5 6 7	NOMENCLATURE	EFFECT FROM TO	UNITS PER ASSY
1					
255	VNS1924CA1-8	..	STUD- SUPPLIER CODE: V5M902 SPECIFICATION NUMBER: BACS53B1EA1 OPTIONAL PART: VNS1924CA3-1-8 V92215 287T0015-666		3
257	287T0015-666	..	STUD ASSY-GND OPTIONAL PART: BACS53B1EA1		3
260	NAS1801-3-12	...	SCREW		3
265	NAS1149D0316H	...	WASHER		6
270	MS35338-43	...	WASHER		3
275	MS35650-305T	...	NUT		3
280	T8076S1032	..	NUTPLATE SUPPLIER CODE: V11815 SPECIFICATION NUMBER: BACN10JP3A OPTIONAL PART: MK1000-3BAC V15653 NS103197-02 V80539 RMA9201M3 V72962 VN202A1-02 V92215 BRM200A3 V52828		1
- 285	BACR15BA3AD	..	ATTACHING PARTS RIVET- SIZE DETERMINED ON INSTL. -----*-----		2
290	287T0015-379	..	ANGLE- POSITION DATA: LH SIDE		1
- 295	287T0015-380	..	ANGLE- POSITION DATA: RH SIDE		1

ILLUSTRATION ITEMS NOT ON PARTS LIST ARE NOT APPLICABLE

- ITEM NOT ILLUSTRATED

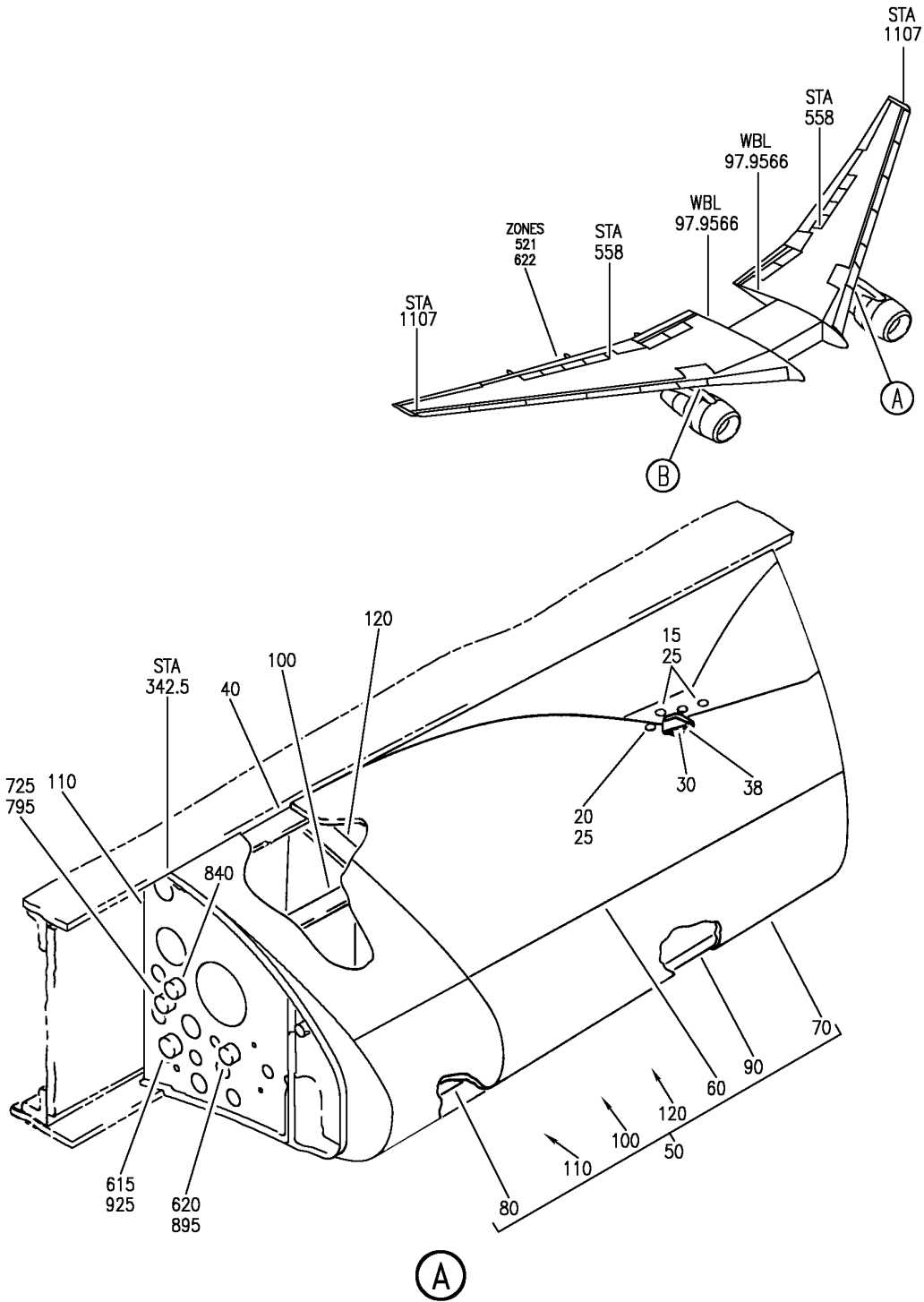
57-24-52-01

57-24-52
FIG. 01
PAGE 6
DEC 22/06

HXL

BOEING PROPRIETARY - Copyright © - Unpublished Work - See title page for details.

BOEING
767
PARTS CATALOG (MAINTENANCE)



V 57245301 SH1 1 REV 295

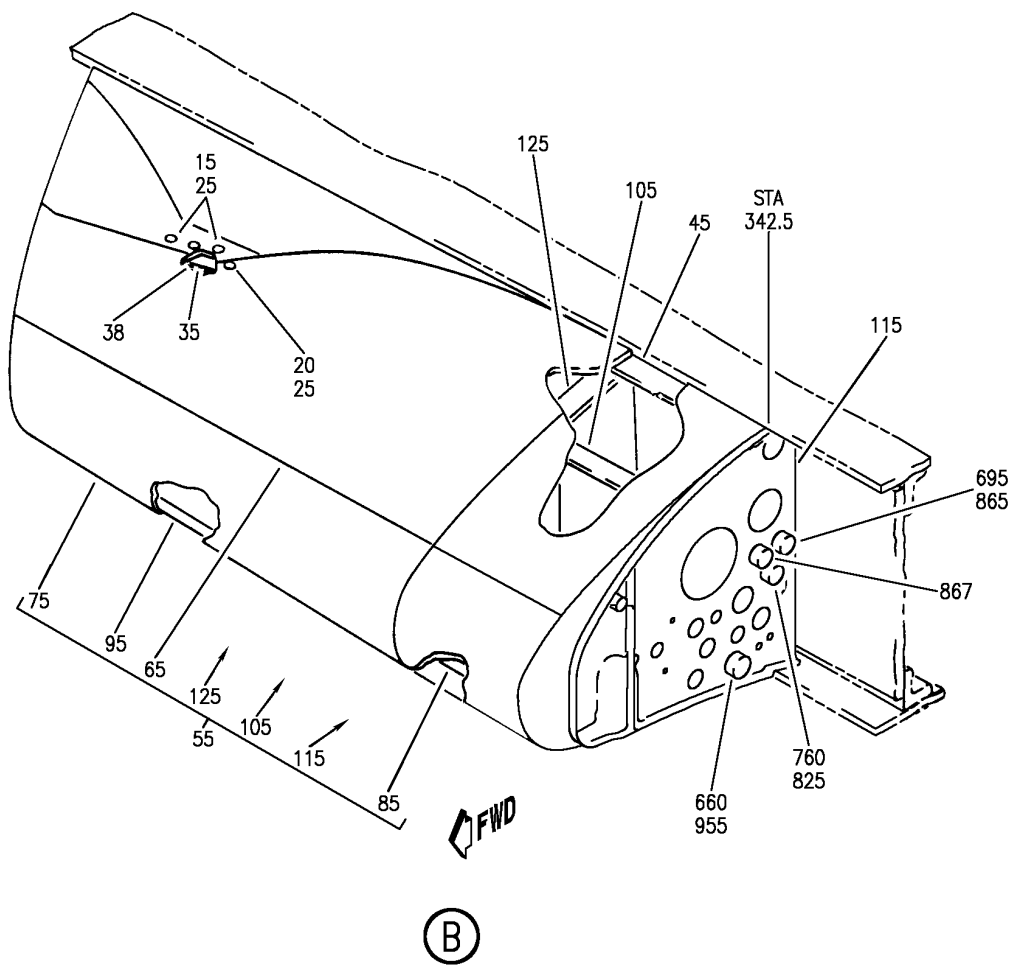
LEADING EDGE INSTL-FXD AT NAC STRUT
FIGURE 1 (SHEET 1)

57-24-53-01

HXL
DEC 22/06

57-24-53-01
PAGE 0

BOEING
767
PARTS CATALOG (MAINTENANCE)



V 57245301 SH1 2 REV 295

LEADING EDGE INSTL-FXD AT NAC STRUT
FIGURE 1 (SHEET 2)

57-24-53-01

HXL
DEC 22/06

57-24-53-01
PAGE 0A



767

PARTS CATALOG (MAINTENANCE)

FIG ITEM	PART NUMBER	1 2 3 4 5 6 7	NOMENCLATURE	EFFECT FROM TO	UNITS PER ASSY
1			LEADING EDGE INSTL-FXD AT NAC STRUT		
- 5	114T0600-1		LEADING EDGE INSTL-FXD AT NAC STRUT POSITION DATA: LH FOR NHA SEE: 57-11-52-01		RF
- 10	114T0600-2		LEADING EDGE INSTL-FXD AT NAC STRUT POSITION DATA: RH FOR NHA SEE: 57-11-52-01		RF
15	HL13VAZ10-15		.BOLT- SUPPLIER CODE: V56878 SPECIFICATION NUMBER: BACB30NY10K15 OPTIONAL PART: HL13VAZ10-15 V73197 HL13VAZ10-15 V92215 HL13VAZ10-15 V97928 L801-10K15 V06725 HL13VAZ10-15 V60516 HL13VAZ10-15 V17446 L801-10K15 VOPTK6		3

ILLUSTRATION ITEMS NOT ON PARTS LIST ARE NOT APPLICABLE

- ITEM NOT ILLUSTRATED

HXL

57-24-53-01

BOEING PROPRIETARY - Copyright © - Unpublished Work - See title page for details.

57-24-53
FIG. 01
PAGE 1
DEC 22/06

 **BOEING**
767
PARTS CATALOG (MAINTENANCE)

FIG ITEM	PART NUMBER	1 2 3 4 5 6 7	NOMENCLATURE	EFFECT FROM TO	UNITS PER ASSY
1					
20	HL13VAZ10-11	.BOLT	SUPPLIER CODE: V56878 SPECIFICATION NUMBER: BACB30NY10K11 OPTIONAL PART: HL13VAZ10-11 V73197 HL13VAZ10-11 V92215 HL13VAZ10-11 V97928 L801-10K11 V06725 HL13VAZ10-11 V60516 L801-10K11 VOPTK6 HL13VAZ10-11 V17446		1
25	HL1187-10	.COLLAR	SUPPLIER CODE: V5M902 SPECIFICATION NUMBER: BACC30X10 OPTIONAL PART: HL1187-10 V56878 HL1187-10 V92215 HL1187-10 V73197		4
30	114T0601-11	.PLATE-	POSITION DATA: LH SIDE		1
35	114T0601-12	.PLATE-	POSITION DATA: RH SIDE		1
38	114T0610-1	.SHIM			1
40	114T0602-5	.PLATE-	POSITION DATA: LH SIDE		1
45	114T0602-6	.PLATE-	POSITION DATA: RH SIDE		1
50	114T6000-1	.LEADING EDGE ASSY-	POSITION DATA: LH SIDE		1
ILLUSTRATION ITEMS NOT ON PARTS LIST ARE NOT APPLICABLE					

R
R
R
R
R
R
R
R
R
R

- ITEM NOT ILLUSTRATED

57-24-53-01

57-24-53
FIG. 01
PAGE 2
AUG 22/09

HXL

BOEING
767
PARTS CATALOG (MAINTENANCE)

FIG ITEM	PART NUMBER	1 2 3 4 5 6 7	NOMENCLATURE	EFFECT FROM TO	UNITS PER ASSY
1					
55	114T6000-2		.LEADING EDGE ASSY- POSITION DATA: RH SIDE	163999	1
55	114T6000-8		.LEADING EDGE ASSY- POSITION DATA: RH SIDE	155162	1
60	114T6100-1		..PANEL INSTL-ACCESS POSITION DATA: LH SIDE VARIABLE DRAWING REF: 114T6100-5003 FOR DETAILS SEE: 57-24-52-01		1
65	114T6100-2		..PANEL INSTL-ACCESS POSITION DATA: RH SIDE VARIABLE DRAWING REF: 114T6100-5004 FOR DETAILS SEE: 57-24-52-01		1
70	114T6102-1		..BEAM ASSY-NOSE POSITION DATA: LH SIDE FOR DETAILS SEE: 57-24-52-01		1
75	114T6102-2		..BEAM ASSY-NOSE POSITION DATA: RH SIDE FOR DETAILS SEE: 57-24-52-01		1
80	114T6104-1		..PANEL INSTL-SKIN POSITION DATA: LH SIDE VARIABLE DRAWING REF: 114T6104-5009 FOR DETAILS SEE: 57-24-51-01		1
85	114T6104-2		..PANEL INSTL-SKIN POSITION DATA: RH SIDE VARIABLE DRAWING REF: 114T6104-5010 FOR DETAILS SEE: 57-24-51-01		1

ILLUSTRATION ITEMS NOT ON PARTS LIST ARE NOT APPLICABLE

— ITEM NOT ILLUSTRATED

HXL

57-24-53-01

BOEING PROPRIETARY - Copyright © - Unpublished Work - See title page for details.

57-24-53
FIG. 01
PAGE 3
AUG 22/09

BOEING
767
PARTS CATALOG (MAINTENANCE)

FIG ITEM	PART NUMBER	1 2 3 4 5 6 7	NOMENCLATURE	EFFECT FROM TO	UNITS PER ASSY
1 90	114T6110-1		..SEAL INSTL- POSITION DATA: LH SIDE VARIABLE DRAWING REF: 114T6110-5003 FOR DETAILS SEE: 54-51-10-01		1
95	114T6110-2		..SEAL INSTL- POSITION DATA: RH SIDE VARIABLE DRAWING REF: 114T6110-5004 FOR DETAILS SEE: 54-51-10-01		1
100	114T6120-1		..SUPPORT INSTL-STRUCTURAL POSITION DATA: LH SIDE VARIABLE DRAWING REF: 114T6120-5003 FOR DETAILS SEE: 57-41-57-01		1
105	114T6120-2		..SUPPORT INSTL-STRUCTURAL POSITION DATA: RH SIDE VARIABLE DRAWING REF: 114T6120-5004 FOR DETAILS SEE: 57-41-57-01		1
110	114T6204-1		..RIB INSTL- POSITION DATA: ISS 345.50 LH SIDE VARIABLE DRAWING REF: 114T6204-5003 FOR DETAILS SEE: 57-41-01-01		1
115	114T6204-2		..RIB INSTL- POSITION DATA: ISS 345.50 RH SIDE VARIABLE DRAWING REF: 114T6204-5004 FOR DETAILS SEE: 57-41-01-01		1
120	114T6207-1		..RIB INSTL- POSITION DATA: ISS 365.50 LH SIDE VARIABLE DRAWING REF: 114T6207-5005 FOR DETAILS SEE: 57-41-65-01		1

ILLUSTRATION ITEMS NOT ON PARTS LIST ARE NOT APPLICABLE

- ITEM NOT ILLUSTRATED

HXL

57-24-53-01

BOEING PROPRIETARY - Copyright © - Unpublished Work - See title page for details.

57-24-53
FIG. 01
PAGE 4
AUG 22/09



767

PARTS CATALOG (MAINTENANCE)

FIG ITEM	PART NUMBER	1 2 3 4 5 6 7	NOMENCLATURE	EFFECT FROM TO	UNITS PER ASSY
1					
125	114T6207-2		..RIB INSTL- POSITION DATA: ISS 356.50 RH SIDE VARIABLE DRAWING REF: 114T6207-5006 FOR DETAILS SEE: 57-41-65-01	163999	1
125	114T6207-42		..RIB INSTL- POSITION DATA: ISS 356.50 RH SIDE VARIABLE DRAWING REF: 114T6207-5010 FOR DETAILS SEE: 57-41-65-01	155162	1
- 600	286T0352-075		WIRE BUNDLE ASSY- POST SERVICE BULLETIN: 78-0062R5		RF
615	BCREFA1094		.CONNECTOR- OVERLENGTH PART NUMBER: BACC63BP28C42PNL ELECTRICAL EQUIP NUMBER: D04202P WIRING DIAGRAM REF: 783411 POST SERVICE BULLETIN: 78-0062R5		1
- 640	328859		.CAP-END SUPPLIER CODE: V00779 POST SERVICE BULLETIN: 78-0062R5		1
- 650	286T0374-075		WIRE BUNDLE ASSY- POST SERVICE BULLETIN: 78-0062R5		RF
660	BCREFA1094		.CONNECTOR- OVERLENGTH PART NUMBER: BACC63BP28C42PNL ELECTRICAL EQUIP NUMBER: D04242P WIRING DIAGRAM REF: 783411 POST SERVICE BULLETIN: 78-0062R5		1

ILLUSTRATION ITEMS NOT ON PARTS LIST ARE NOT APPLICABLE

- ITEM NOT ILLUSTRATED

57-24-53-01

57-24-53
FIG. 01
PAGE 5
AUG 22/09

HXL

BOEING PROPRIETARY - Copyright © - Unpublished Work - See title page for details.