

 **BOEING**
767
PARTS CATALOG (MAINTENANCE)

POWER PLANT-GENERAL

HXL
DEC 22/06

71-00-00
SECTION TITLE
PAGE 1

 **BOEING**
767
PARTS CATALOG (MAINTENANCE)

NON-ILLUSTRATED FIGURE

THE ITEMS REFLECTED IN THIS FIGURE ARE INTENTIONALLY
NON-ILLUSTRATED. THEY ARE REFERENCED TO EITHER A
NEXT HIGHER OR NEXT LOWER ASSEMBLY/INSTALLATION FIGURE.

V 71000102 SHT 1 REV 081

PROPULSION INSTL
FIGURE 2

71-00-01-02

HXL
DEC 22/06

71-00-01-02
PAGE 0



767

PARTS CATALOG (MAINTENANCE)

FIG ITEM	PART NUMBER	1 2 3 4 5 6 7	NOMENCLATURE	EFFECT FROM TO	UNITS PER ASSY
2					
- 1	300T4100-022		PROPULSION INSTL PROPULSION INSTL-PW4000 POD AND STRUT VARIABLE DRAWING REF: 300T4100-618 300T4100-630		1
- 5	300T4110-022		.POD INSTL- VARIABLE DRAWING REF: 300T4110-618 300T4110-630		1
- 10	310T4010-022		..BUILDUP INSTL-ENG VARIABLE DRAWING REF: 310T4010-618 310T4010-630 FOR DETAILS SEE: 71-00-51-02		2
- 15	314T3239-1		..CHINE INSTL-INLET POSITION DATA: LH VARIABLE DRAWING REF: 314T3239-5007 FOR DETAILS SEE: 71-11-02-01		1
- 20	314T3239-2		..CHINE INSTL-INLET POSITION DATA: RH VARIABLE DRAWING REF: 314T3239-5008 FOR DETAILS SEE: 71-11-02-01		1
- 25	310T4080-1		..COWL INSTL-CORE VARIABLE DRAWING REF: 310T4080-5011 FOR DETAILS SEE: 71-11-06-05		2
- 30	310T4080-2		..COWL INSTL-FAN VARIABLE DRAWING REF: 310T4080-5010 310T4080-23 FOR DETAILS SEE: 71-11-04-05		2
- 35	310T4070-1		..OIL AND MARKER INSTL-ENG AND ACCESSORIES VARIABLE DRAWING REF: 310T4070-5 310T4070-8 FOR DETAILS SEE: 11-25-04-04		2

ILLUSTRATION ITEMS NOT ON PARTS LIST ARE NOT APPLICABLE

- ITEM NOT ILLUSTRATED

HXL

71-00-01-02

BOEING PROPRIETARY - Copyright © - Unpublished Work - See title page for details.

71-00-01
FIG. 02
PAGE 1
DEC 22/07



767

PARTS CATALOG (MAINTENANCE)

FIG ITEM	PART NUMBER	1 2 3 4 5 6 7	NOMENCLATURE	EFFECT FROM TO	UNITS PER ASSY
2 - 40	315T4000-21		..COWL INSTL-THRUST REVERSER FAN DUCT POSITION DATA: LH VARIABLE DRAWING REF: 315T4000-5015 315T4000-25 FOR DETAILS SEE: 78-31-01-03		1
- 45	315T4000-22		..COWL INSTL-THRUST REVERSER FAN DUCT POSITION DATA: RH VARIABLE DRAWING REF: 315T4000-26 FOR DETAILS SEE: 78-31-01-03		1
- 50	310T4000-022		.STRUT INSTL- VARIABLE DRAWING REF: 310T4000-618 310T4000-630 FOR DETAILS SEE: 54-00-51-02		1

ILLUSTRATION ITEMS NOT ON PARTS LIST ARE NOT APPLICABLE

- ITEM NOT ILLUSTRATED

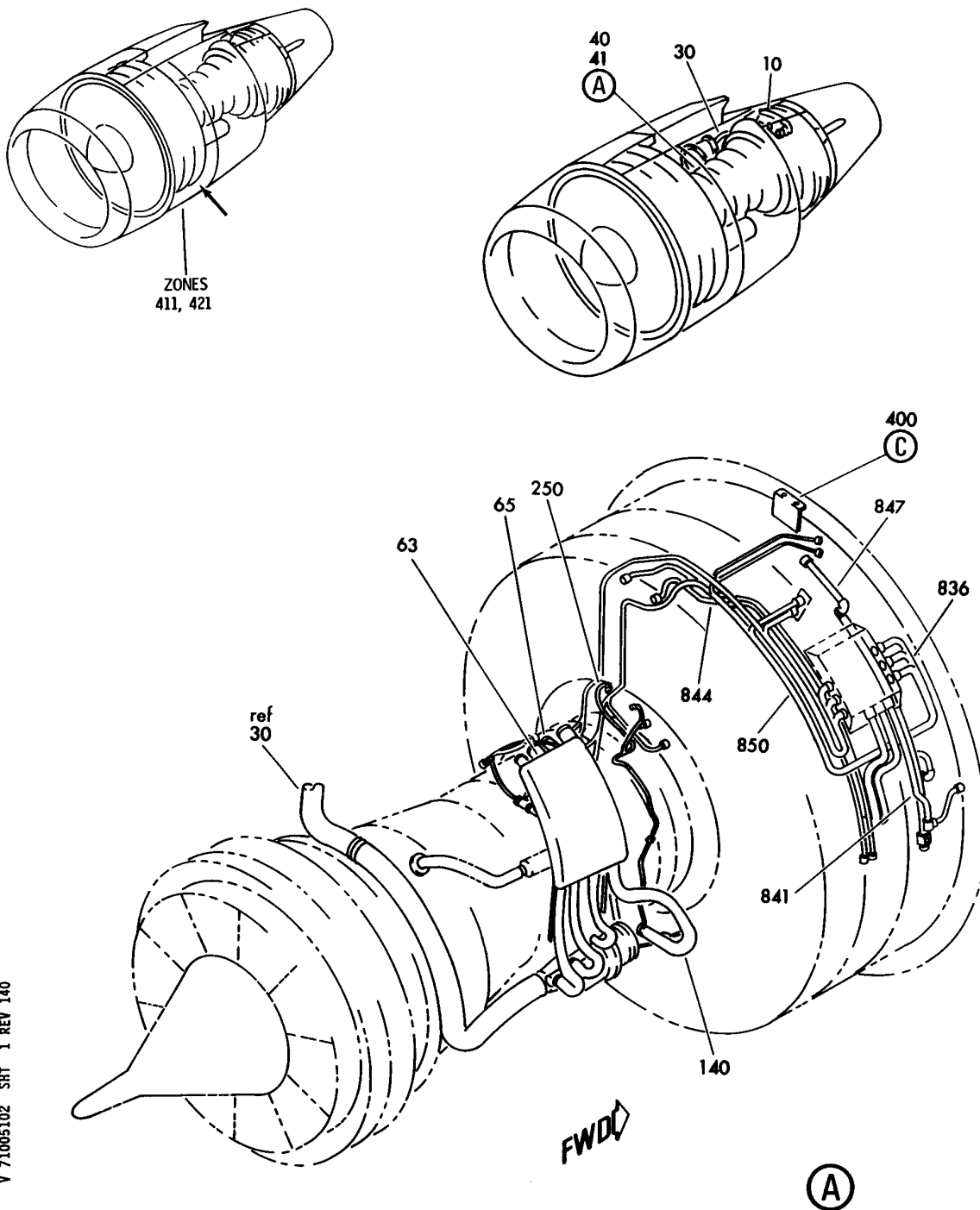
HXL

71-00-01-02

BOEING PROPRIETARY - Copyright © - Unpublished Work - See title page for details.

71-00-01
FIG. 02
PAGE 2
DEC 22/07

BOEING
767
PARTS CATALOG (MAINTENANCE)



V 71005102 SHT 1 REV 140

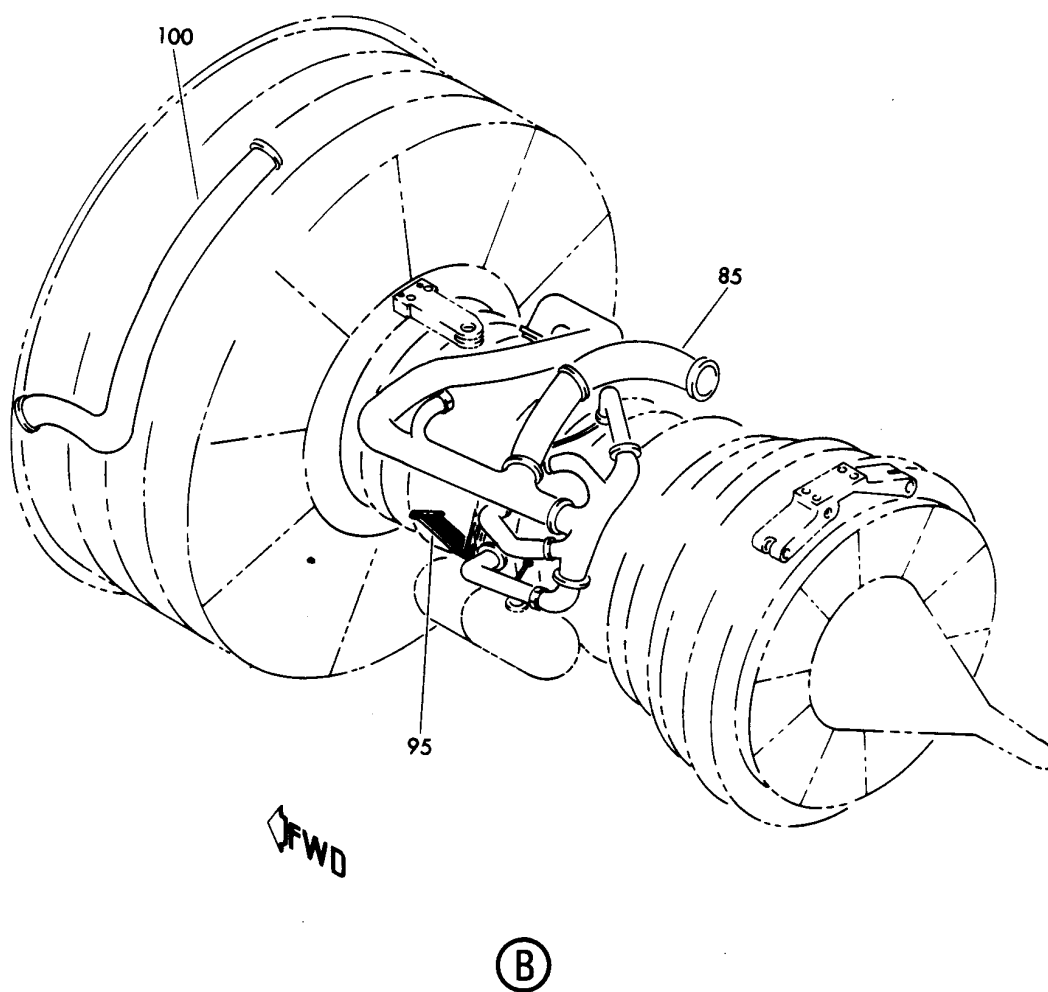
BUILDUP INSTL-PW4000 ENG
FIGURE 2 (SHEET 1)

71-00-51-02

HXL
DEC 22/06

71-00-51-02
PAGE 0

BOEING
767
PARTS CATALOG (MAINTENANCE)



V 71005102 SH1 2 REV 074

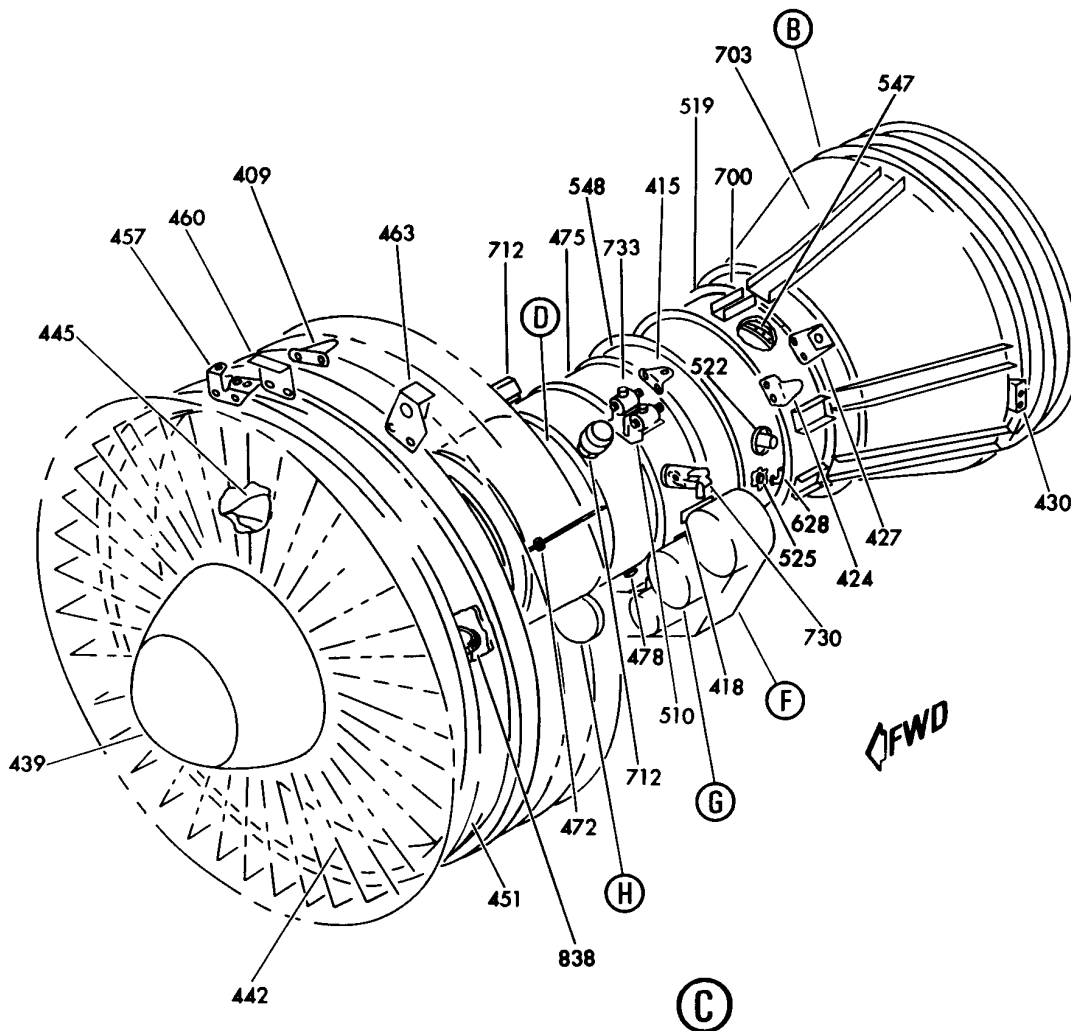
BUILDUP INSTL-PW4000 ENG
FIGURE 2 (SHEET 2)

71-00-51-02

HXL
DEC 22/06

71-00-51-02
PAGE 0A

BOEING
767
PARTS CATALOG (MAINTENANCE)



V 71005102 SHT 3 REV 126

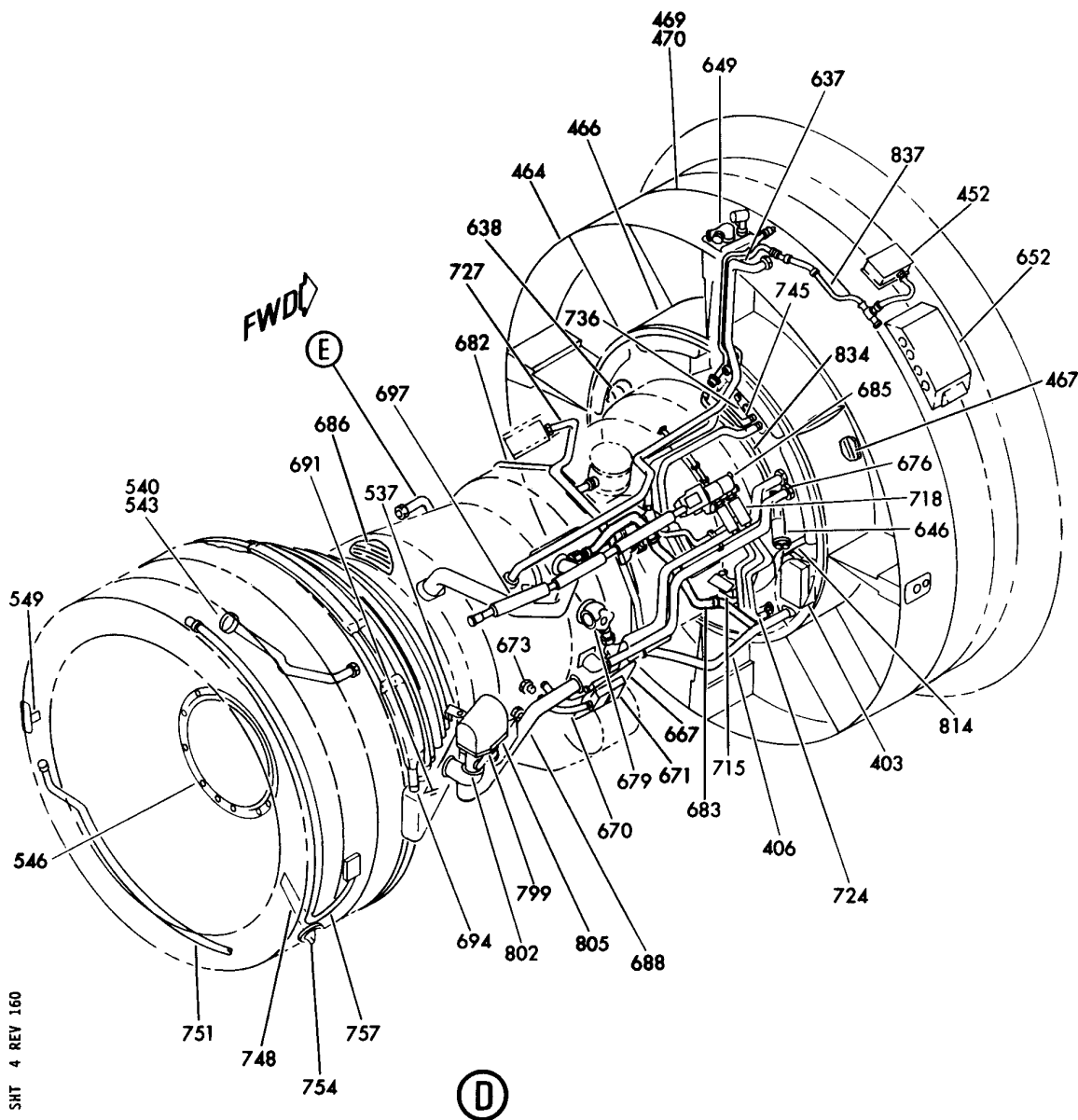
BUILDUP INSTL-PW4000 ENG
FIGURE 2 (SHEET 3)

71-00-51-02

HXL
DEC 22/06

71-00-51-02
PAGE 0B

BOEING
767
PARTS CATALOG (MAINTENANCE)



V 71005102 SHT 4 REV 160

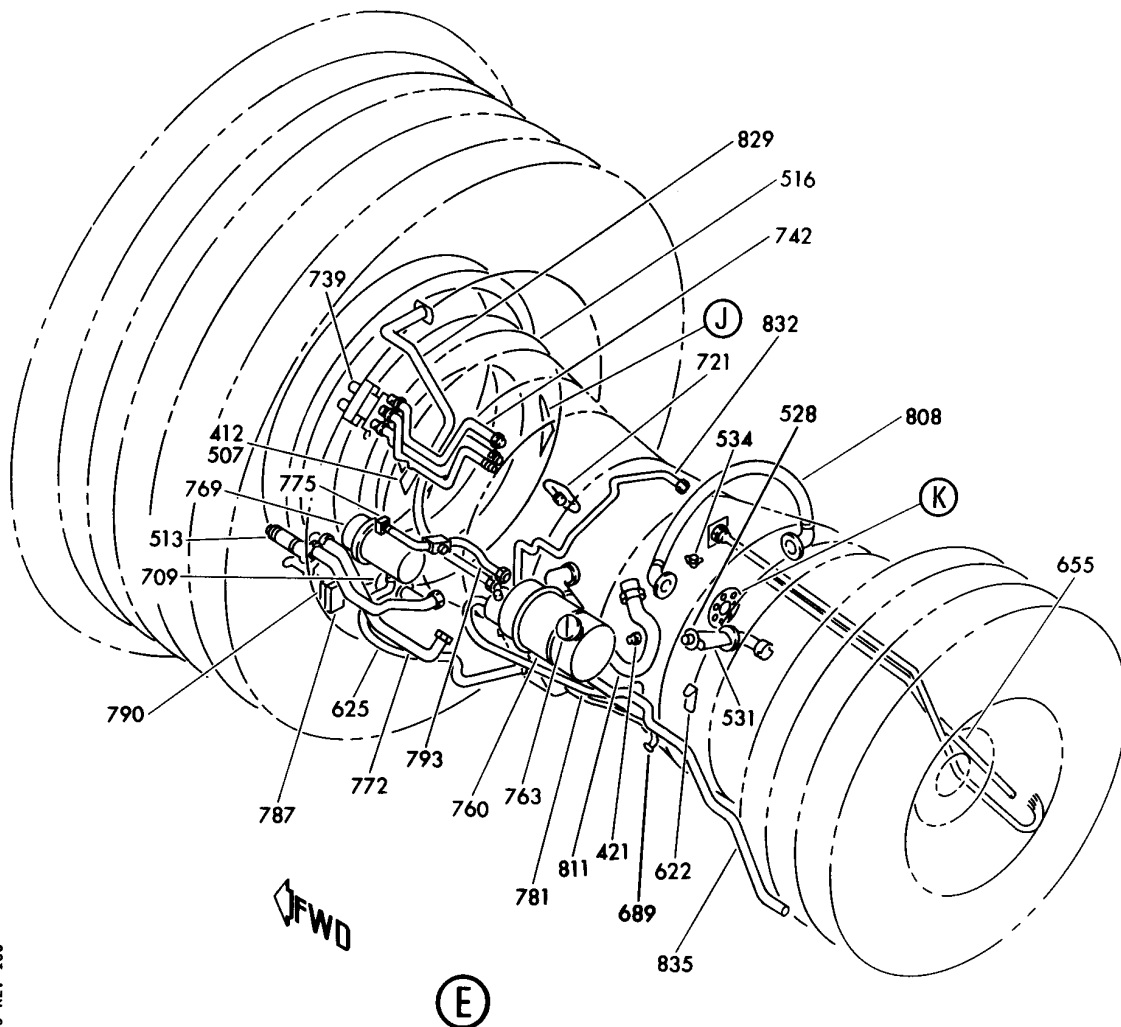
BUILDUP INSTL-PW4000 ENG
FIGURE 2 (SHEET 4)

71-00-51-02

HXL
DEC 22/06

71-00-51-02
PAGE 0C

BOEING
767
PARTS CATALOG (MAINTENANCE)



V 71005102 SH1 5 REV 160

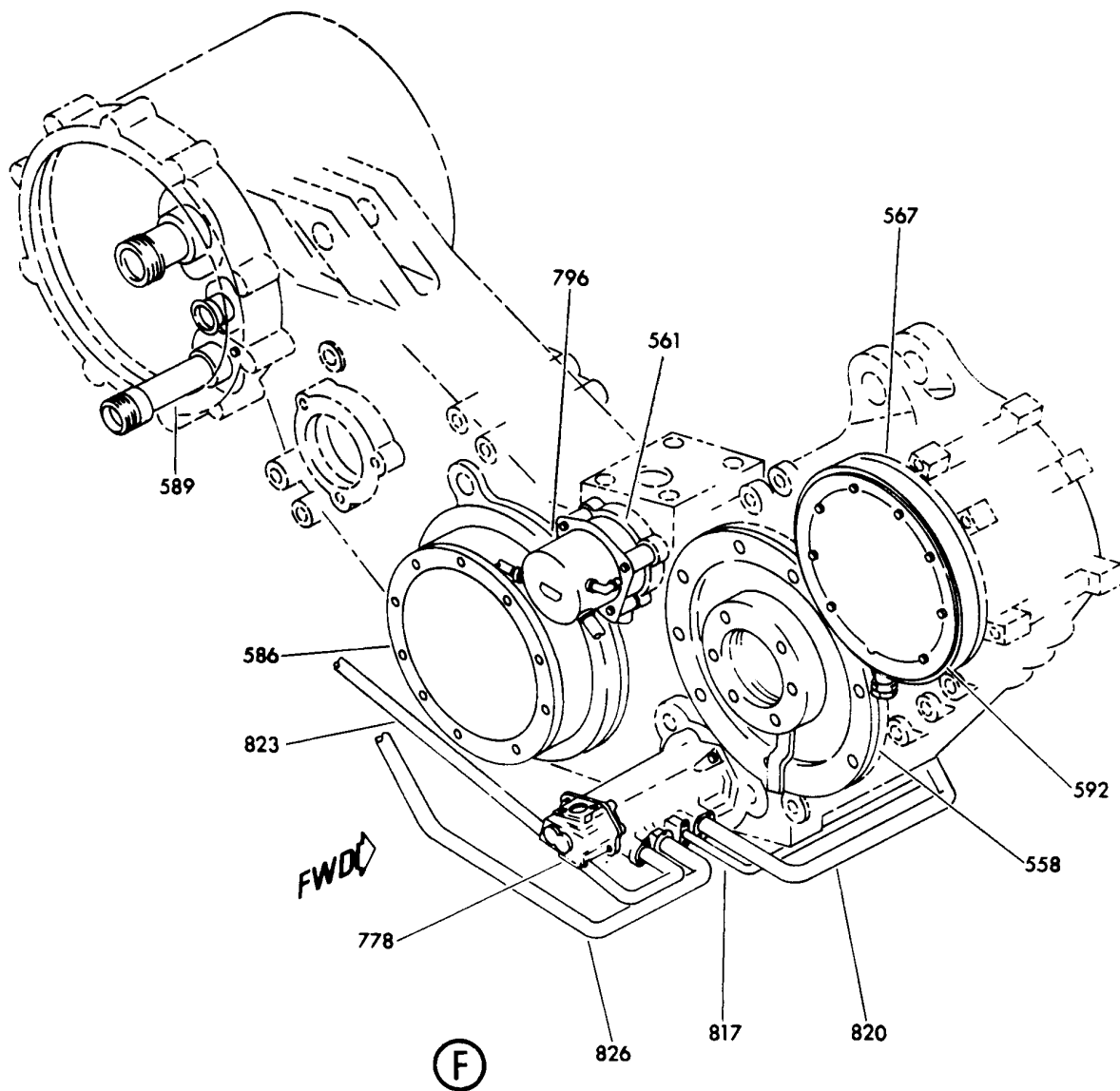
BUILDUP INSTL-PW4000 ENG
FIGURE 2 (SHEET 5)

71-00-51-02

HXL
DEC 22/06

71-00-51-02
PAGE 0D

BOEING
767
PARTS CATALOG (MAINTENANCE)



V 71006102 SMT 6 REV 083

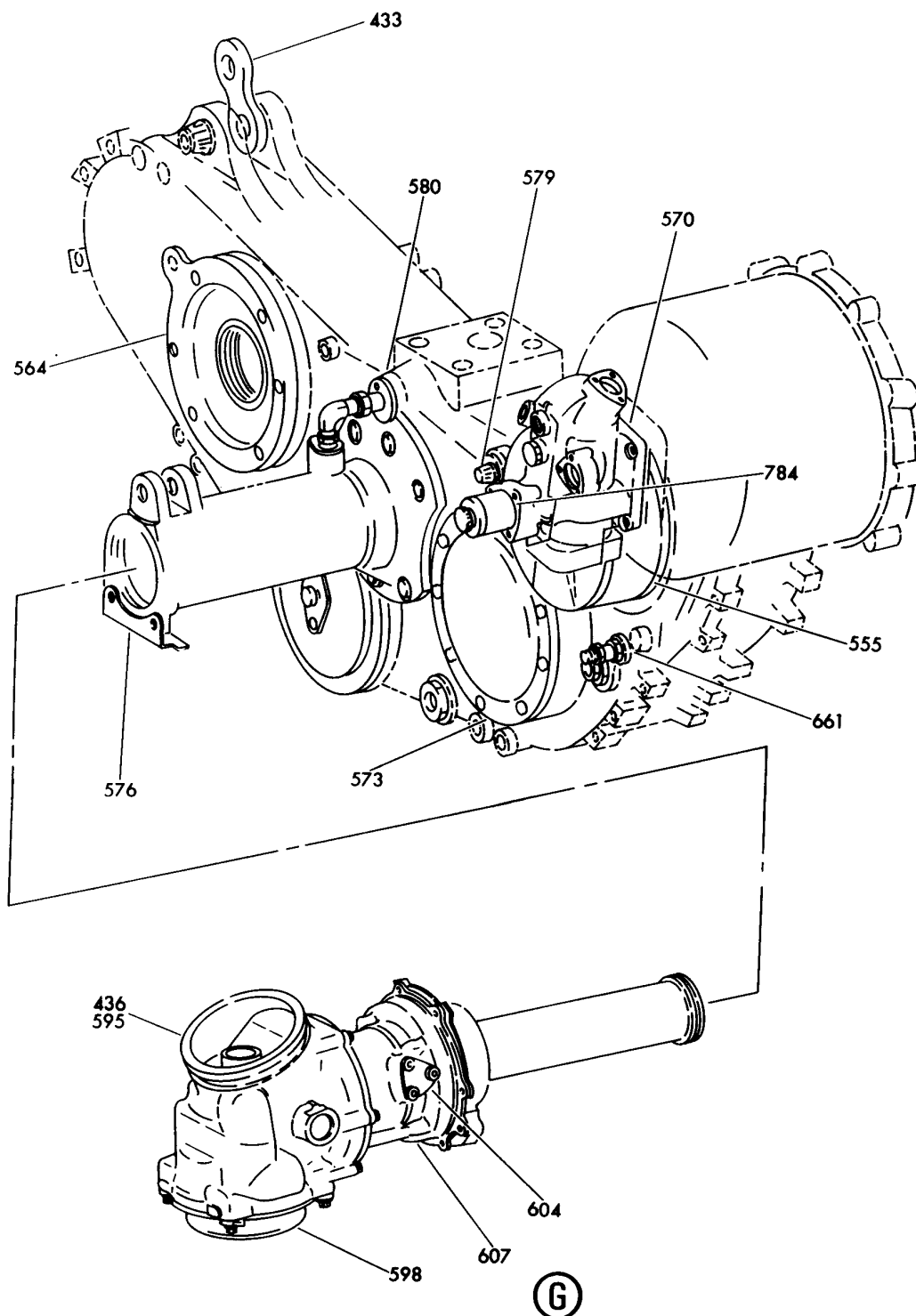
BUILDUP INSTL-PW4000 ENG
FIGURE 2 (SHEET 6)

71-00-51-02

HXL
DEC 22/06

71-00-51-02
PAGE 0E

BOEING
767
PARTS CATALOG (MAINTENANCE)



V 71005102 SHT 7 REV 126

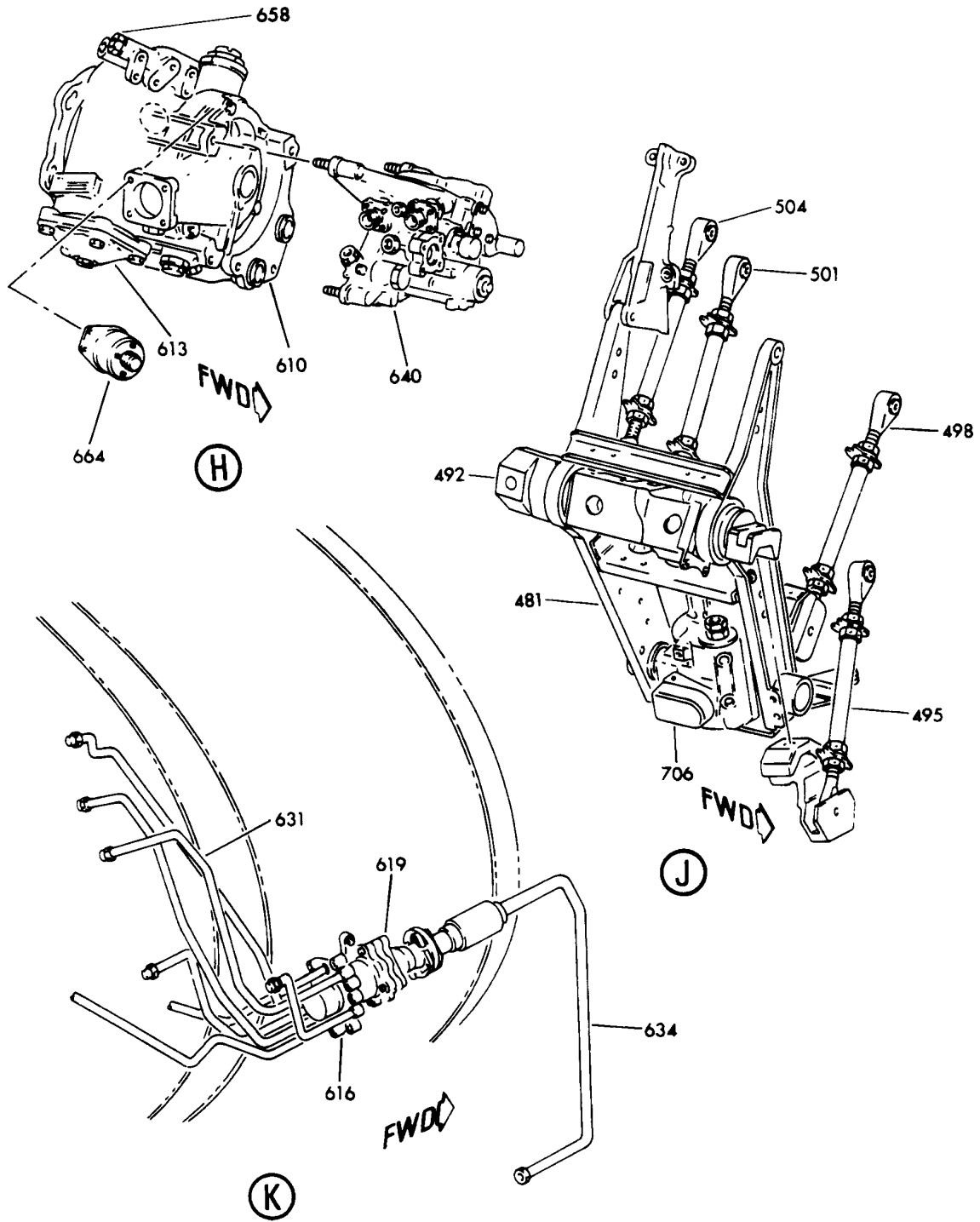
BUILDUP INSTL-PW4000 ENG
FIGURE 2 (SHEET 7)

71-00-51-02

HXL
DEC 22/06

71-00-51-02
PAGE OF

BOEING
767
PARTS CATALOG (MAINTENANCE)



V 71005102 SH-T 8 REV 331

BUILDUP INSTL-PW4000 ENG
FIGURE 2 (SHEET 8)

71-00-51-02

HXL
AUG 22/08

71-00-51-02
PAGE 0G



767

PARTS CATALOG (MAINTENANCE)

FIG ITEM	PART NUMBER	1 2 3 4 5 6 7	NOMENCLATURE	EFFECT FROM TO	UNITS PER ASSY
2			BUILDUP INSTL-PW4000 ENG		
- 5	310T4010-022		BUILDUP INSTL-PW4000 ENG VARIABLE DRAWING REF: 310T4010-618 310T4010-630 FOR NHA SEE: 71-00-01-02		RF
10	310T4011-3		.MOUNT INSTL-ENG TO STRUT STRUCT FOR DETAILS SEE: 71-21-01-03		1
30	312T4337-1		.DUCT INSTL-START SYS INTERCONNECT BLEED FOR DETAILS SEE: 36-11-01-06		1
40	330T4000-618		.BUILD UP ASSY-VARIABLE	155162	1
40	330T4000-630		.BUILD UP ASSY-VARIABLE	163999	1
- 53	332T4510-1		..DETECTOR INSTL- FIRE/OVERHEAT VARIABLE DRAWING REF: 332T4510-5003 FOR DETAILS SEE: 26-11-02-20		1
- 55	332T4520-1		..SHIELD INSTL-ACCESSORIES THRM RADIATION POSITION DATA: LWR FOR DETAILS SEE: 71-31-51-05		1
- 60	332T4120-1		..PUMP INSTL-HYDR FOR DETAILS SEE: 29-11-05-02		1
63	310T4015-1		..SHIELD INSTL-FUEL AND HYDR HOSE FOR DETAILS SEE: 29-11-61-05		1
65	332T4110-1		..PLUMBING INSTL-MOUNTED HYDR FOR DETAILS SEE: 29-11-51-25		1
- 80	332T4300-1		..EQUIPMENT INSTL-PNEU		1
85	332T4320-1		...DUCT INSTL-BLEED SYS VARIABLE DRAWING REF: 332T4320-5004 FOR DETAILS SEE: 36-11-01-05		1

ILLUSTRATION ITEMS NOT ON PARTS LIST ARE NOT APPLICABLE

- ITEM NOT ILLUSTRATED

HXL

71-00-51-02

BOEING PROPRIETARY - Copyright © - Unpublished Work - See title page for details.

71-00-51
FIG. 02
PAGE 1
DEC 22/07



767

PARTS CATALOG (MAINTENANCE)

FIG ITEM	PART NUMBER	1 2 3 4 5 6 7	NOMENCLATURE	EFFECT FROM TO	UNITS PER ASSY
2					
95	332T4340-1		...CONTROLLER INSTL- ENVIRONMENTAL CONT SYS FOR DETAILS SEE: 36-11-08-06		1
100	332T4390-1		...DUCT INSTL-NOSE COWL T.A.I. FOR DETAILS SEE: 71-11-09-01		1
- 105	332T4310-2		...START SYSTEM INSTL- FOR DETAILS SEE: 80-11-01-10		1
- 110	334T4000-1		..INLET INSTL- VARIABLE DRAWING REF: 334T4000-2 FOR DETAILS SEE: 71-11-01-10		1
- 120	310T4020-6		..MOUNT INSTL- FOR DETAILS SEE: 71-21-01-02		1
140	332T4800-2		..PLUMBING INSTL-MOUNTED FUEL SYS FOR DETAILS SEE: 73-11-07-07		1
- 150	332T4230-1		..PLUMBING INSTL-IDGS OIL SYS FOR DETAILS SEE: 24-11-51-05		1
- 170	333T4000-1		..EXHAUST INSTL-PRIMARY FOR DETAILS SEE: 78-11-01-04		1
- 190	332T4400-1		..INSTRUMENTATION INSTL- VARIABLE DRAWING REF: 332T4400-4		1
- 195	332T4460-1		...TRANSMITTER INSTL-FUEL FLOW FOR DETAILS SEE: 73-31-01-01		1
- 197	332T4461-1		...TRANSMITTER INSTL-FUEL PRESS. FOR DETAILS SEE: 73-33-01-02		1
- 200	332T4470-1		...PLUMBING INSTL- AIRESEARCH STARTER SYS FOR DETAILS SEE: 75-23-01-03		1

ILLUSTRATION ITEMS NOT ON PARTS LIST ARE NOT APPLICABLE

- ITEM NOT ILLUSTRATED

HXL

71-00-51-02

BOEING PROPRIETARY - Copyright © - Unpublished Work - See title page for details.

71-00-51
FIG. 02
PAGE 2
DEC 22/07



767

PARTS CATALOG (MAINTENANCE)

FIG ITEM	PART NUMBER	1 2 3 4 5 6 7	NOMENCLATURE	EFFECT FROM TO	UNITS PER ASSY
2					
- 205	332T4420-1		...ACCELEROMETER INSTL- AIRBORNE VIBRATION MONITORING SYS FOR DETAILS SEE: 77-31-01-01		1
- 210	332T4452-1		...TRANSMITTER INSTL-OIL QTY FOR DETAILS SEE: 79-31-01-03		1
- 215	332T4451-7		...TRANSMITTER INSTL-OIL PRESSURE AND LOW OIL PRESSURE SWITCH FUNCTIONAL REFERENCE: OIL FOR DETAILS SEE 79-32-01-02 79-33-01-07		1
- 220	332T4453-1		...SWITCH INSTL-OIL FILTER DIFFERENTIAL PRESSURE FOR DETAILS SEE: 79-35-01-02		1
- 225	332T4200-1		..EQUIPMENT INSTL- ELECTRICAL		1
- 240	332T4210-4		...GENERATOR INSTL- INTEGRATED DRIVE FOR DETAILS SEE: 24-11-01-02		1
- 242	332T4240-6		...WIRING INSTL-ENGINE BUILD-UP VARIABLE DRAWING REF: 332T4240-5007 FUNCTIONAL REFERENCE: AIR FOR DETAILS SEE 75-11-50-01 ELECTRICAL POWER FOR DETAILS SEE 24-11-11-06 ENGINE CONTROLS FOR DETAILS SEE 76-11-02-02 ENGINE FUEL & CONTROL FOR DETAILS SEE 73-21-04-26 73-21-50-05 73-31-01-01 73-33-01-02 ENGINE INDICATING FOR DETAILS SEE		RF
ILLUSTRATION ITEMS NOT ON PARTS LIST ARE NOT APPLICABLE					

- ITEM NOT ILLUSTRATED

HXL

71-00-51-02

BOEING PROPRIETARY - Copyright © - Unpublished Work - See title page for details.

71-00-51
FIG. 02
PAGE 3
DEC 22/07



767

PARTS CATALOG (MAINTENANCE)

FIG ITEM	PART NUMBER	1 2 3 4 5 6 7	NOMENCLATURE	EFFECT FROM TO	UNITS PER ASSY
2 242			77-31-50-09 ENGINE STARTING FOR DETAILS SEE 80-11-01-10 FIRE PROTECTION FOR DETAILS SEE 26-11-02-20 HYDRAULIC POWER FOR DETAILS SEE 29-11-50-02 IGNITION FOR DETAILS SEE 74-31-50-05 INDICATING/RECORDING FOR DETAILS SEE 31-35-50-04 OIL FOR DETAILS SEE 79-31-50-01 79-32-50-03 79-33-01-07 79-35-01-02 PNEUMATIC FOR DETAILS SEE 36-11-08-06 POWER PLANT FOR DETAILS SEE 71-01-02-01 71-51-50-03		
- 245	332T4920-1		..BRACKET INSTL-AIRFRAME VARIABLE DRAWING REF: 332T4920-11 FOR DETAILS SEE: 71-41-54-01		1
	250	332T4710-2	..DRAIN INSTL- FOR DETAILS SEE: 71-71-01-15		1
- 255	332T4530-1		..PLUMBING INSTL-FIRE EXT EQUIP. FOR DETAILS SEE: 26-21-55-02		1
- 260	332T4730-1		..SEAL INSTL-ENG GEARBOX BREATHER FOR DETAILS SEE: 71-71-01-02		1
- 270	315T4022-1		..FITTING INSTL-VEE BAND ANCHOR PW4000 FOR DETAILS SEE: 78-31-03-02		1

ILLUSTRATION ITEMS NOT ON PARTS LIST ARE NOT APPLICABLE

- ITEM NOT ILLUSTRATED

71-00-51-02

71-00-51
FIG. 02
PAGE 4
DEC 22/07

HXL



767

PARTS CATALOG (MAINTENANCE)

FIG ITEM	PART NUMBER	1 2 3 4 5 6 7	NOMENCLATURE	EFFECT FROM TO	UNITS PER ASSY
2					
- 275	332T4719-1		.. DUCT INSTL-SURGE BLEED EXH FOR DETAILS SEE: 75-32-02-01		1
400	PW4060		.. ENGINE- SUPPLIER CODE: V77445 MISCELLANEOUS DATA: (BG4002) (BG4002A1) (BG4002A2) (BG4002A4) (BG4005) (BG4010A2) (BG4010A4) (BG4012) (BG4016A2) (BG4016A4) (BG4021A2) (BG4021A4) (BG4025A2) (BG4025A4)		1
403			ILLUSTRATION REFERENCE: HEAT EXCHANGER AND VALVE- INTERGRATED DRIVE GEN SYS (PW4000) 24-11-14-01		RF
406			ILLUSTRATION REFERENCE: TUBES-AIR/OIL HEAT EXCHANGER (INTERGRATED DRIVE GENERATOR SYSTEM) (PW4000) 24-11-51-15		RF
409			ILLUSTRATION REFERENCE: BRACKETS-C FLANGE (PW4000) 72-30-51-01		RF
412			ILLUSTRATION REFERENCE: BRACKETS-E FLANGE (PW4000) 72-30-52-01		RF
415			ILLUSTRATION REFERENCE: BRACKETS-K FLANGE (PW4000) 72-40-51-01		RF
418			ILLUSTRATION REFERENCE: SHIELDS-GEAR BOX HEAT (PW4000) 72-40-52-01		RF
ILLUSTRATION ITEMS NOT ON PARTS LIST ARE NOT APPLICABLE					

- ITEM NOT ILLUSTRATED

71-00-51-02

71-00-51
FIG. 02
PAGE 5
DEC 22/07

HXL

BOEING
767
PARTS CATALOG (MAINTENANCE)

FIG ITEM	PART NUMBER	1 2 3 4 5 6 7	NOMENCLATURE	EFFECT FROM TO	UNITS PER ASSY
2					
421			ILLUSTRATION REFERENCE: PLUG-INSTRUMENTATION (PW4000) 72-50-51-20		RF
424			ILLUSTRATION REFERENCE: BRACKETS-M FLANGE (PW4000) 72-50-52-01		RF
427			ILLUSTRATION REFERENCE: BRACKETS-N FLANGE (PW4000) 72-50-53-01		RF
430			ILLUSTRATION REFERENCE: BRACKETS-P FLANGE (PW4000) 72-50-54-01	155162	RF
433			ILLUSTRATION REFERENCE: LINKS-GEAR BOX SPRT AND GND CABLE (PW4000) 72-60-51-01		RF
436			ILLUSTRATION REFERENCE: HARDWARE-ANGLE GEAR BOX MTG (PW4000) 72-62-51-01		RF
439			ILLUSTRATION REFERENCE: CONE SEGMENTS-CPRSR INLET (PW4000) 72-31-01-10		RF
442			ILLUSTRATION REFERENCE: BLADES-LOW PRESSURE CPRSR FIRST STAGE (PW4000) 72-31-02-10		RF
445			ILLUSTRATION REFERENCE: FAIRING-FAN EXIT (PW4000) 72-31-03-01		RF
451			ILLUSTRATION REFERENCE: CASE-FAN AND B FLANGE BRACKETS (PW4000) 72-33-51-05		RF
457			ILLUSTRATION REFERENCE: BRACKETS-1A FLANGE (PW4000) 72-33-52-05		RF
460			ILLUSTRATION REFERENCE: BRACKETS-B1 FLANGE (PW4000) 72-33-53-05		RF
ILLUSTRATION ITEMS NOT ON PARTS LIST ARE NOT APPLICABLE					

— ITEM NOT ILLUSTRATED

HXL

71-00-51-02

BOEING PROPRIETARY - Copyright © - Unpublished Work - See title page for details.

71-00-51
FIG. 02
PAGE 6
AUG 22/08



767

PARTS CATALOG (MAINTENANCE)

FIG ITEM	PART NUMBER	1 2 3 4 5 6 7	NOMENCLATURE	EFFECT FROM TO	UNITS PER ASSY
2					
463			ILLUSTRATION REFERENCE: BRACKETS-B2 FLANGE (PW4000) 72-33-54-05		RF
464			ILLUSTRATION REFERENCE: CASE-CPRSR INTERMEDIATE (PW4000) 72-34-51-06		RF
466			ILLUSTRATION REFERENCE: LINER SEGMENTS-FAN EXIT (PW4000) 72-34-03-01		RF
466			ILLUSTRATION REFERENCE: LINER SEGMENTS-FAN EXIT (PW4000) 72-34-03-05		RF
467			ILLUSTRATION REFERENCE: STATORS-LOW PRESSURE COMPRESSOR (PW4000) 72-31-04-01		RF
469			ILLUSTRATION REFERENCE: CASE-COMPRESSOR INTERMEDIATE (PW4000) 72-34-51-05		RF
470			ILLUSTRATION REFERENCE: CASE-COMPRESSOR INTERMEDIATE (PW4000) 72-34-51-05		RF
472			ILLUSTRATION REFERENCE: PLUGS-INSTRUMENTATION HIGH PRESSURE CPRSR FRONT CASE (PW4000) 72-35-51-05		RF
475			ILLUSTRATION REFERENCE: CASE-REAR HIGH PRESSURE CPRSR (PW4000) 72-35-52-05		RF
478			ILLUSTRATION REFERENCE: PLUGS-BOREScope HIGH PRESSURE CPRSR REAR CASE (PW4000) 72-35-53-01		RF
481			ILLUSTRATION REFERENCE: SUPPORTS-CPRSR STATOR LEVER (PW4000) 72-35-54-01		RF
ILLUSTRATION ITEMS NOT ON PARTS LIST ARE NOT APPLICABLE					

- ITEM NOT ILLUSTRATED

71-00-51-02

71-00-51
FIG. 02
PAGE 7
AUG 22/08

HXL



767

PARTS CATALOG (MAINTENANCE)

FIG ITEM	PART NUMBER	1 2 3 4 5 6 7	NOMENCLATURE	EFFECT FROM TO	UNITS PER ASSY
2					
492			ILLUSTRATION REFERENCE: LEVERS-CPRSR STATOR (PW4000) 72-35-55-01		RF
495			ILLUSTRATION REFERENCE: LINKAGE-INLET GUIDE VANE (PW4000) 72-35-56-01		RF
498			ILLUSTRATION REFERENCE: LINKAGE-FIFTH STAGE VAR STATOR (PW4000) 72-35-57-01		RF
501			ILLUSTRATION REFERENCE: LINKAGE-SIXTH STAGE VAR STATOR (PW4000) 72-35-58-01		RF
504			ILLUSTRATION REFERENCE: LINKAGE-SEVENTH STAGE VAR STATOR (PW4000) 72-35-59-01		RF
507			ILLUSTRATION REFERENCE: BRACKETS-HIGH PRESSURE CPRSR FRONT CASE (PW4000) 72-35-60-01		RF
510			ILLUSTRATION REFERENCE: BRACKETS-J FLANGE REAR CASE HIGH PRESSURE CPRSR (PW4000) 72-35-61-01		RF
513			ILLUSTRATION REFERENCE: TUBES-MAIN BRG SCAVENGE (PW4000) 72-34-00-05		RF
516			ILLUSTRATION REFERENCE: STATOR-FOURTH STAGE CPRSR (PW4000) 72-34-00-10		RF
519			ILLUSTRATION REFERENCE: CASE-DIFFUSER (PW4000) 72-41-00-01		RF
522			ILLUSTRATION REFERENCE: TUBE-NO. THREE BRG PRESSURE (PW4000) 72-41-00-05		RF
525			ILLUSTRATION REFERENCE: TUBES-NO. THREE BRG (PW4000) 72-41-00-10		RF
ILLUSTRATION ITEMS NOT ON PARTS LIST ARE NOT APPLICABLE					

- ITEM NOT ILLUSTRATED

71-00-51-02

71-00-51
FIG. 02
PAGE 8
AUG 22/08

HXL



767

PARTS CATALOG (MAINTENANCE)

FIG ITEM	PART NUMBER	1 2 3 4 5 6 7	NOMENCLATURE	EFFECT FROM TO	UNITS PER ASSY
2					
528			ILLUSTRATION REFERENCE: TUBES-NO. THREE BRG COOLING (PW4000) 72-41-00-15		RF
531			ILLUSTRATION REFERENCE: TUBES-TURB BLADE COOLING AND DIFFUSER SEAL AIR VENT (PW4000) 72-41-00-20		RF
534			ILLUSTRATION REFERENCE: MANIFOLDS-NO. THREE BRG AND AIRFRAME (PW4000) 72-41-00-25		RF
540			ILLUSTRATION REFERENCE: TUBE-NO. FOUR BRG PRESSURE (PW4000) 72-54-02-01		RF
543			ILLUSTRATION REFERENCE: TUBE-NO. FOUR BRG SCAVENGE (PW4000) 72-54-02-05		RF
546			ILLUSTRATION REFERENCE: NOZZLE AND COVER-NO. FOUR BRG (PW4000) 72-54-03-01		RF
547			ILLUSTRATION REFERENCE: CHAMBER-INNER COMBUSTION (PW4000) 72-41-20-20		RF
548			ILLUSTRATION REFERENCE: CHAMBER-OUTER COMBUSTION (PW4000) 72-41-20-10		RF
549			ILLUSTRATION REFERENCE: BRACKETS-T FLANGE (PW4000) 72-54-00-01		RF
555			ILLUSTRATION REFERENCE: DEOILER-GEAR BOX (PW4000) 72-61-10-05		RF
558			ILLUSTRATION REFERENCE: DRIVE-STARTER (PW4000) 72-61-03-05		RF
561			ILLUSTRATION REFERENCE: DRIVE-ELECTRONIC ENG CONT (PW4000) 72-61-05-01		RF
ILLUSTRATION ITEMS NOT ON PARTS LIST ARE NOT APPLICABLE					

- ITEM NOT ILLUSTRATED

71-00-51-02

71-00-51
FIG. 02
PAGE 9
AUG 22/08

HXL



767

PARTS CATALOG (MAINTENANCE)

FIG ITEM	PART NUMBER	1 2 3 4 5 6 7	NOMENCLATURE	EFFECT FROM TO	UNITS PER ASSY
2					
564			ILLUSTRATION REFERENCE: DRIVE-FUEL PUMP (PW4000) 72-61-06-10		RF
567			ILLUSTRATION REFERENCE: DRIVE-REAR HYDR PUMP (PW4000) 72-61-07-05		RF
570			ILLUSTRATION REFERENCE: HOUSING-MAIN OIL FILTER (PW4000) 72-61-11-05		RF
573			ILLUSTRATION REFERENCE: COVER-FRONT HYDR PUMP (PW4000) 72-61-13-01		RF
576			ILLUSTRATION REFERENCE: BRACKETS-MAIN GEAR BOX (PW4000) 72-61-00-01		RF
579			ILLUSTRATION REFERENCE: MANIFOLD-PRESSURE GEAR BOX (PW4000) 72-61-00-05		RF
580			ILLUSTRATION REFERENCE: NOZZLE AND DRAIN PLUGS-GEAR BOX DRIVE SHAFT (PW4000) 72-61-00-10		RF
586			ILLUSTRATION REFERENCE: HOUSING ASSY-GEAR BOX BRG (PW4000) 72-61-04-05		RF
589			ILLUSTRATION REFERENCE: VALVE AND HOUSING-OIL CHECK (PW4000) 72-61-00-25		RF
592			ILLUSTRATION REFERENCE: PLUGS AND COVER-GEAR BOX DRIVE (PW4000) 72-61-00-30		RF
595			ILLUSTRATION REFERENCE: GEAR BOX-ANGLE (PW4000) 72-62-01-15		RF
598			ILLUSTRATION REFERENCE: COVER AND GEAR-ANGLE GEAR BOX (PW4000) 72-62-01-20		RF
ILLUSTRATION ITEMS NOT ON PARTS LIST ARE NOT APPLICABLE					

- ITEM NOT ILLUSTRATED

71-00-51-02

71-00-51
FIG. 02
PAGE 10
DEC 22/07

HXL



767

PARTS CATALOG (MAINTENANCE)

FIG ITEM	PART NUMBER	1 2 3 4 5 6 7	NOMENCLATURE	EFFECT FROM TO	UNITS PER ASSY
2					
604			ILLUSTRATION REFERENCE: TUBE AND NOZZLES-ANGLE GEAR BOX (PW4000) 72-62-01-30		RF
607			ILLUSTRATION REFERENCE: HOUSING AND SHAFT-GEAR BOX DRIVE (PW4000) 72-62-01-35		RF
610			ILLUSTRATION REFERENCE: PUMP-FUEL (PW4000) 73-11-01-10		RF
613			ILLUSTRATION REFERENCE: FILTER-FUEL PUMP (PW4000) 73-11-02-10		RF
616			ILLUSTRATION REFERENCE: VALVE-FUEL DISTR (PW4000) 73-11-03-10		RF
619			ILLUSTRATION REFERENCE: FILTER-FUEL DISTR VALVE (PW4000) 73-11-04-01		RF
622			ILLUSTRATION REFERENCE: NOZZLE AND SUPPORT ASSY- FUEL (PW4000) 73-11-05-05		RF
625			ILLUSTRATION REFERENCE: TUBES-FUEL OIL COOLER (PW4000) 73-11-06-20		RF
628			ILLUSTRATION REFERENCE: MANIFOLDS-FUEL NOZZLE SUPPLY (PW4000) 73-11-06-25		RF
631			ILLUSTRATION REFERENCE: TUBES-FUEL SUPPLY (PW4000) 73-11-06-30		RF
634			ILLUSTRATION REFERENCE: TUBE-FUEL DISTR VALVE SUPPLY (PW4000) 73-11-06-35		RF
637			ILLUSTRATION REFERENCE: TUBES-PRESSURE BURNER AND PT4.95 ELECTRONIC ENG CONT (PW4000) 73-11-06-40		RF
ILLUSTRATION ITEMS NOT ON PARTS LIST ARE NOT APPLICABLE					

- ITEM NOT ILLUSTRATED

71-00-51-02

71-00-51
FIG. 02
PAGE 11
DEC 22/07

HXL



767

PARTS CATALOG (MAINTENANCE)

FIG ITEM	PART NUMBER	1 2 3 4 5 6 7	NOMENCLATURE	EFFECT FROM TO	UNITS PER ASSY
2					
638			ILLUSTRATION REFERENCE: TUBE ASSEMBLIES-NUMBER ONE POINT FIVE AND TWO BEARING (PW4000) 72-32-05-01		RF
640			ILLUSTRATION REFERENCE: METERING UNIT-FUEL (PW4000) 73-21-01-15		RF
646			ILLUSTRATION REFERENCE: TRANSDUCER-MOTIONAL PICKUP (PW4000) 73-21-06-05		RF
649			ILLUSTRATION REFERENCE: PROBE-TOTAL PRESSURE AND TEMP (PW4000) 73-21-03-10		RF
652			ILLUSTRATION REFERENCE: CONTROL-ELECTRONIC ENG (PW4000) 73-21-04-05		RF
655			ILLUSTRATION REFERENCE: CABLE-THERMOCOUPLE AND AIRFRAME ELECTRONIC ENG CONT (PW4000) 73-21-07-15		RF
658			ILLUSTRATION REFERENCE: PROBE-ELECTRONIC ENG CONT FUEL (PW4000) 73-21-09-01		RF
661			ILLUSTRATION REFERENCE: PROBE-ELECTRONIC ENG CONT OIL (PW4000) 73-21-10-05		RF
664			ILLUSTRATION REFERENCE: SWITCH-FUEL PUMP FILTER DIFF PRESSURE (PW4000) 73-34-01-10		RF
667			ILLUSTRATION REFERENCE: EXCITERS-IGNITION (PW4000) 74-11-01-05		RF
670			ILLUSTRATION REFERENCE: CABLES-EXCITER TO SPARK IGNITER (PW4000) 74-21-01-05		RF
ILLUSTRATION ITEMS NOT ON PARTS LIST ARE NOT APPLICABLE					

- ITEM NOT ILLUSTRATED

71-00-51-02

71-00-51
FIG. 02
PAGE 12
DEC 22/07

HXL



767

PARTS CATALOG (MAINTENANCE)

FIG ITEM	PART NUMBER	1 2 3 4 5 6 7	NOMENCLATURE	EFFECT FROM TO	UNITS PER ASSY
2					
671			ILLUSTRATION REFERENCE: EXCITERS-IGNITION (PW4000) 74-11-01-05		RF
673			ILLUSTRATION REFERENCE: PLUGS-IGNITER (PW4000) 74-21-02-05		RF
676			ILLUSTRATION REFERENCE: TUBES-NO. THREE BRG COOLING AIR (PW4000) 75-22-01-01		RF
679			ILLUSTRATION REFERENCE: VALVES-AIR SHUT OFF (PW4000) 75-24-03-10		RF
682			ILLUSTRATION REFERENCE: TUBES-AIR SHUT OFF VALVE SIGNAL (PW4000) 75-24-03-15		RF
683			ILLUSTRATION REFERENCE: MANIFOLD AND HOSE-AIR SUPPLY (PW4000) 75-33-54-01		RF
685			ILLUSTRATION REFERENCE: ACTUATOR-TURB COOLING AIR VALVE (PW4000) 75-24-05-05		RF
686			ILLUSTRATION REFERENCE: MANIFOLDS-TURBINE CASE COOLING HIGH PRESSURE (PW4000) 75-24-07-10		RF
688			ILLUSTRATION REFERENCE: TUBES-TURB COOLING (PW4000) 75-24-07-05		RF
689			ILLUSTRATION REFERENCE: TUBE-DEOILER OUTLET (PW4000) 79-23-00-20		RF
691			ILLUSTRATION REFERENCE: MANIFOLDS-TURB CASE COOLING (PW4000) 75-24-09-05		RF
694			ILLUSTRATION REFERENCE: MANIFOLDS-LOW PRESSURE TURB CASE COOLING (PW4000) 75-24-09-10		RF
ILLUSTRATION ITEMS NOT ON PARTS LIST ARE NOT APPLICABLE					

- ITEM NOT ILLUSTRATED

71-00-51-02

71-00-51
FIG. 02
PAGE 13
DEC 22/07

HXL



767

PARTS CATALOG (MAINTENANCE)

FIG ITEM	PART NUMBER	1 2 3 4 5 6 7	NOMENCLATURE	EFFECT FROM TO	UNITS PER ASSY
2					
697			ILLUSTRATION REFERENCE: CONTROL CABLE-TURB COOLING VALVE (PW4000) 75-24-11-01		RF
700			ILLUSTRATION REFERENCE: BRACKETS AND SUPPORT-HIGH PRESSURE TURB CASE COOLING (PW4000) 75-24-00-05		RF
703			ILLUSTRATION REFERENCE: BRACKETS AND SUPPORT-LOW PRESSURE TURB CASE COOLING (PW4000) 75-24-00-10		RF
706			ILLUSTRATION REFERENCE: ACTUATOR-CPRSR STATOR (PW4000) 75-31-02-05		RF
709			ILLUSTRATION REFERENCE: ACTUATOR-CPRSR BLEED (PW4000) 75-32-01-05		RF
712			ILLUSTRATION REFERENCE: VALVES-BLEED (PW4000) 75-32-03-05		RF
715			ILLUSTRATION REFERENCE: SOLENOID-HIGH PRESSURE CPRSR BLEED (PW4000) 75-32-04-05		RF
718			ILLUSTRATION REFERENCE: MANIFOLDS-HYDR PRESSURE AND RETURN (PW4000) 75-32-00-01		RF
721			ILLUSTRATION REFERENCE: TUBES-HYDR PRESSURE AND RETURN (PW4000) 75-32-00-05		RF
724			ILLUSTRATION REFERENCE: TUBES AND MANIFOLD-BLEED VALVE SUPPLY (PW4000) 75-32-00-20		RF
727			ILLUSTRATION REFERENCE: TUBES-BLEED VALVE SUPPLY (PW4000) 75-32-00-25		RF
730			ILLUSTRATION REFERENCE: VALVE-HIGH PRESSURE CPRSR DRUM AIR (PW4000) 75-33-01-01		RF
ILLUSTRATION ITEMS NOT ON PARTS LIST ARE NOT APPLICABLE					

- ITEM NOT ILLUSTRATED

71-00-51-02

71-00-51
FIG. 02
PAGE 14
DEC 22/07

HXL



767

PARTS CATALOG (MAINTENANCE)

FIG ITEM	PART NUMBER	1 2 3 4 5 6 7	NOMENCLATURE	EFFECT FROM TO	UNITS PER ASSY
2					
733			ILLUSTRATION REFERENCE: FILTER-HIGH PRESSURE CPRSR DRUM AIR (PW4000) 75-33-02-01		RF
736			ILLUSTRATION REFERENCE: SOLENOID-HIGH PRESSURE CPRSR SECONDARY FLOW CONT VALVE (PW4000) 75-33-03-01		RF
739			ILLUSTRATION REFERENCE: SOLENOID-HIGH PRESSURE CPRSR SECONDARY FLOW CONT VALVE (PW4000) 75-33-04-01		RF
742			ILLUSTRATION REFERENCE: TUBES-SIGNAL AND BLEED HIGH PRESSURE CPRSR DRUM AND AIR SHUTOFF VALVE (PW4000) 75-33-52-01		RF
745			ILLUSTRATION REFERENCE: TUBES AND MANIFOLD-TURB COOLING AND HIGH PRESSURE CPRSR DRUM AIR AND BLEED VALVE SUPPLY (PW4000) 75-33-53-01		RF
748			ILLUSTRATION REFERENCE: PROBES-PT4.9 (PW4000) 77-11-01-10		RF
751			ILLUSTRATION REFERENCE: MANIFOLD-PT4.9 (PW4000) 77-11-02-01		RF
754			ILLUSTRATION REFERENCE: THERMOCOUPLE-EXHAUST GAS TEMP T4.95 (PW4000) 77-21-01-05		RF
757			ILLUSTRATION REFERENCE: BOX AND CABLE ASSY- THERMOCOUPLE (PW4000) 77-21-03-05		RF
760			ILLUSTRATION REFERENCE: TANK-LUB OIL (PW4000) 79-11-01-10		RF
763			ILLUSTRATION REFERENCE: CAP-OIL TANK (PW4000) 79-11-03-05		RF
769			ILLUSTRATION REFERENCE: COOLER-OIL (PW4000) 79-21-01-15		RF
ILLUSTRATION ITEMS NOT ON PARTS LIST ARE NOT APPLICABLE					

- ITEM NOT ILLUSTRATED

71-00-51-02

71-00-51
FIG. 02
PAGE 15
DEC 22/07

HXL



767

PARTS CATALOG (MAINTENANCE)

FIG ITEM	PART NUMBER	1 2 3 4 5 6 7	NOMENCLATURE	EFFECT FROM TO	UNITS PER ASSY
2					
772			ILLUSTRATION REFERENCE: TUBES-AIR COOLER OIL INLET AND OUTLET (PW4000) 79-21-01-20		RF
775			ILLUSTRATION REFERENCE: VALVE-OIL COOLER BYPASS (PW4000) 79-21-02-05		RF
778			ILLUSTRATION REFERENCE: PUMP-MAIN OIL (PW4000) 79-21-04-05		RF
781			ILLUSTRATION REFERENCE: TUBE-MAIN OIL FILTER (PW4000) 79-21-05-05		RF
784			ILLUSTRATION REFERENCE: RELIEF VALVE AND FILTER- MAIN OIL PRESSURE (PW4000) 79-21-06-01		RF
787			ILLUSTRATION REFERENCE: VALVE-AIR/OIL HEAT EXCHANGER (PW4000) 79-21-09-01		RF
790			ILLUSTRATION REFERENCE: HEAT EXCHANGER-AIR/OIL (PW4000) 79-21-09-05		RF
793			ILLUSTRATION REFERENCE: TUBES AND MANIFOLDS- PRESSURE (PW4000) 79-21-51-05		RF
796			ILLUSTRATION REFERENCE: ALTERNATOR-PERMANENT MAGNET (PW4000) 73-21-05-15		RF
799			ILLUSTRATION REFERENCE: LINKAGE-TURB COOLING VALVE (PW4000) 75-24-00-30		RF
802			ILLUSTRATION REFERENCE: VALVE-HIGH PRESSURE TURB CASE COOLING (PW4000) 75-24-03-20		RF
805			ILLUSTRATION REFERENCE: VALVE-LOW PRESSURE TURB CASE COOLING (PW4000) 75-24-04-01		RF
ILLUSTRATION ITEMS NOT ON PARTS LIST ARE NOT APPLICABLE					

- ITEM NOT ILLUSTRATED

71-00-51-02

71-00-51
FIG. 02
PAGE 16
DEC 22/07

HXL

BOEING
767
PARTS CATALOG (MAINTENANCE)

FIG ITEM	PART NUMBER	1 2 3 4 5 6 7	NOMENCLATURE	EFFECT FROM TO	UNITS PER ASSY
2					
808			ILLUSTRATION REFERENCE: TUBES-TURB BLADE COOLING (PW4000) 75-26-00-01		RF
811			ILLUSTRATION REFERENCE: TUBES-DIFFUSER AIR VENT SEAL (PW4000) 75-37-00-01		RF
814			ILLUSTRATION REFERENCE: TRANSDUCER-NO. ONE BRG (PW4000) 77-32-00-01		RF
817			ILLUSTRATION REFERENCE: TUBE-ANGLE GEAR BOX SCAVENGE (PW4000) 79-22-00-01		RF
820			ILLUSTRATION REFERENCE: TUBE-MAIN BRG SCAVENGE (PW4000) 79-22-00-05		RF
823			ILLUSTRATION REFERENCE: TUBES-NO. THREE BRG SCAVENGE (PW4000) 79-22-00-10		RF
826			ILLUSTRATION REFERENCE: TUBES-NO. FOUR BRG SCAVENGE (PW4000) 79-22-00-15		RF
829			ILLUSTRATION REFERENCE: TUBES-MAIN BRG BREATHER (PW4000) 79-23-00-01		RF
832			ILLUSTRATION REFERENCE: MANIFOLD AND TUBE-NO. THREE BRG BREATHER (PW4000) 79-23-00-10		RF
834			ILLUSTRATION REFERENCE: TUBE-DEOILER OUTLET (PW4000) 79-23-00-20		RF
835			ILLUSTRATION REFERENCE: TUBES-NO. THREE BRG OIL VENT (PW4000) 79-23-00-15		RF
836			ILLUSTRATION REFERENCE: HARNESSES-WIRE, ELECTRONIC ENGINE CONTROL, MINIMUX AND FRONT (PW4000) 77-21-52-05		RF
ILLUSTRATION ITEMS NOT ON PARTS LIST ARE NOT APPLICABLE					

— ITEM NOT ILLUSTRATED

HXL

71-00-51-02

BOEING PROPRIETARY - Copyright © - Unpublished Work - See title page for details.

71-00-51
FIG. 02
PAGE 17
DEC 22/07



767

PARTS CATALOG (MAINTENANCE)

FIG ITEM	PART NUMBER	1 2 3 4 5 6 7	NOMENCLATURE	EFFECT FROM TO	UNITS PER ASSY
2					
837			ILLUSTRATION REFERENCE: TUBES-AIR SENSING MINIMUX AIR PRESSURE BURNER (PW4000) 77-34-55-01		RF
838			ILLUSTRATION REFERENCE: GEARSHAFT AND BEARING-NO. 1.5 (PW4000) 72-32-01-05		RF
841			ILLUSTRATION REFERENCE: HOSES-ELECTRONIC ENG CONT (PW4000) 73-23-51-01		RF
844			ILLUSTRATION REFERENCE: MANIFOLDS-PRESSURE BURNER AND PT 4.95 ELECTRONIC ENG CONT (PW4000) 73-23-52-01		RF
847			ILLUSTRATION REFERENCE: TUBE AND MANIFOLD-PT2 ELECTRONIC ENG CONT (PW4000) 73-23-53-01		RF
850			ILLUSTRATION REFERENCE: HARNESSES-ELETRONIC ENG CONT WIRING (PW4000) 73-21-07-20		RF
850			ILLUSTRATION REFERENCE: HARNESSES-ELECTRONIC ENG CONT WIRING (CONTINUED) (PW4000) 73-21-07-21		RF
ILLUSTRATION ITEMS NOT ON PARTS LIST ARE NOT APPLICABLE					

- ITEM NOT ILLUSTRATED

HXL

71-00-51-02

BOEING PROPRIETARY - Copyright © - Unpublished Work - See title page for details.

71-00-51
FIG. 02
PAGE 18
AUG 22/08