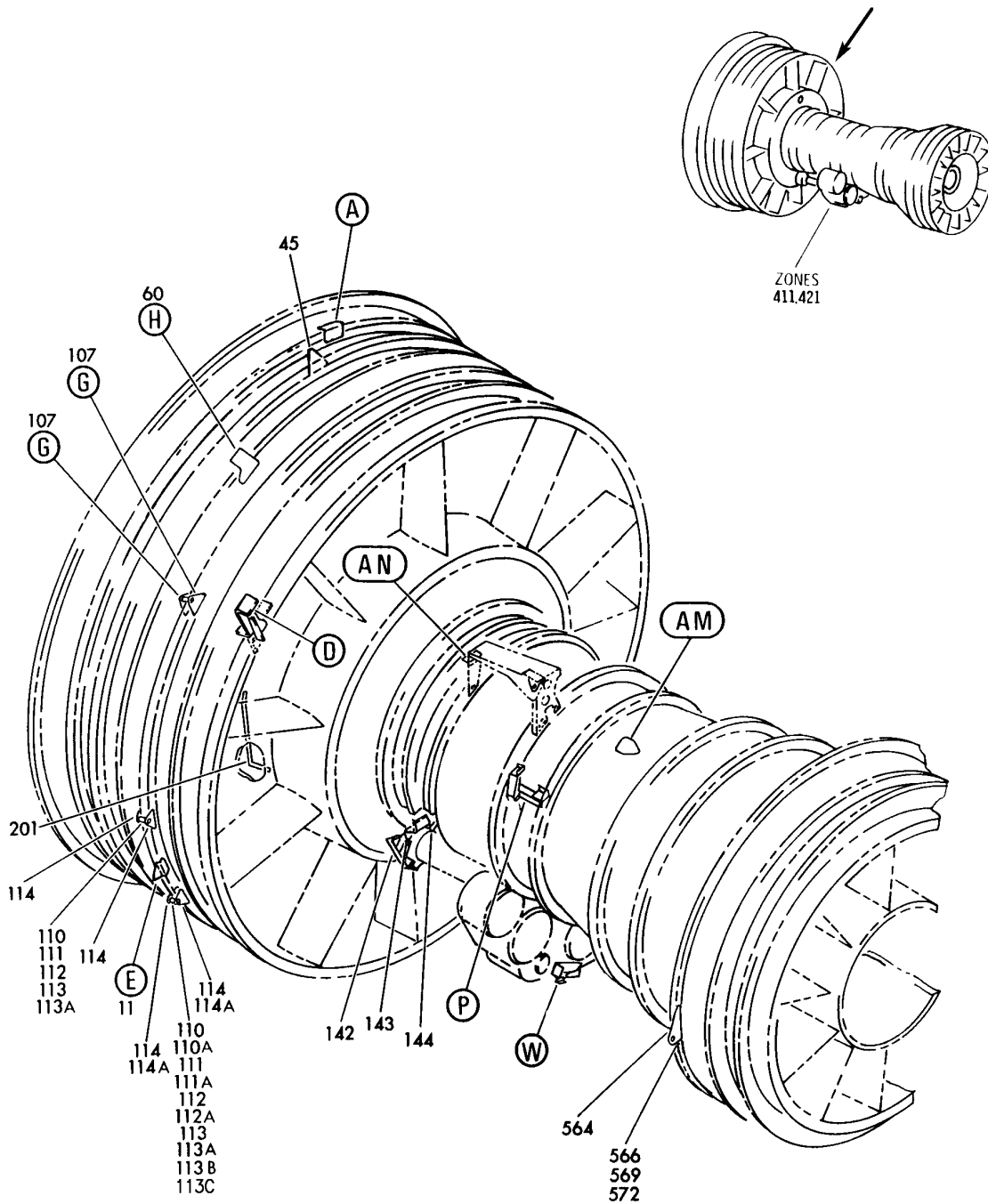


ENGINE EQUIPMENT ATTACH FITTINGS

HXL
DEC 22/06

71-41-00
SECTION TITLE
PAGE 1

BOEING
767
PARTS CATALOG (MAINTENANCE)



V 71415401 SHT 1 REV 311

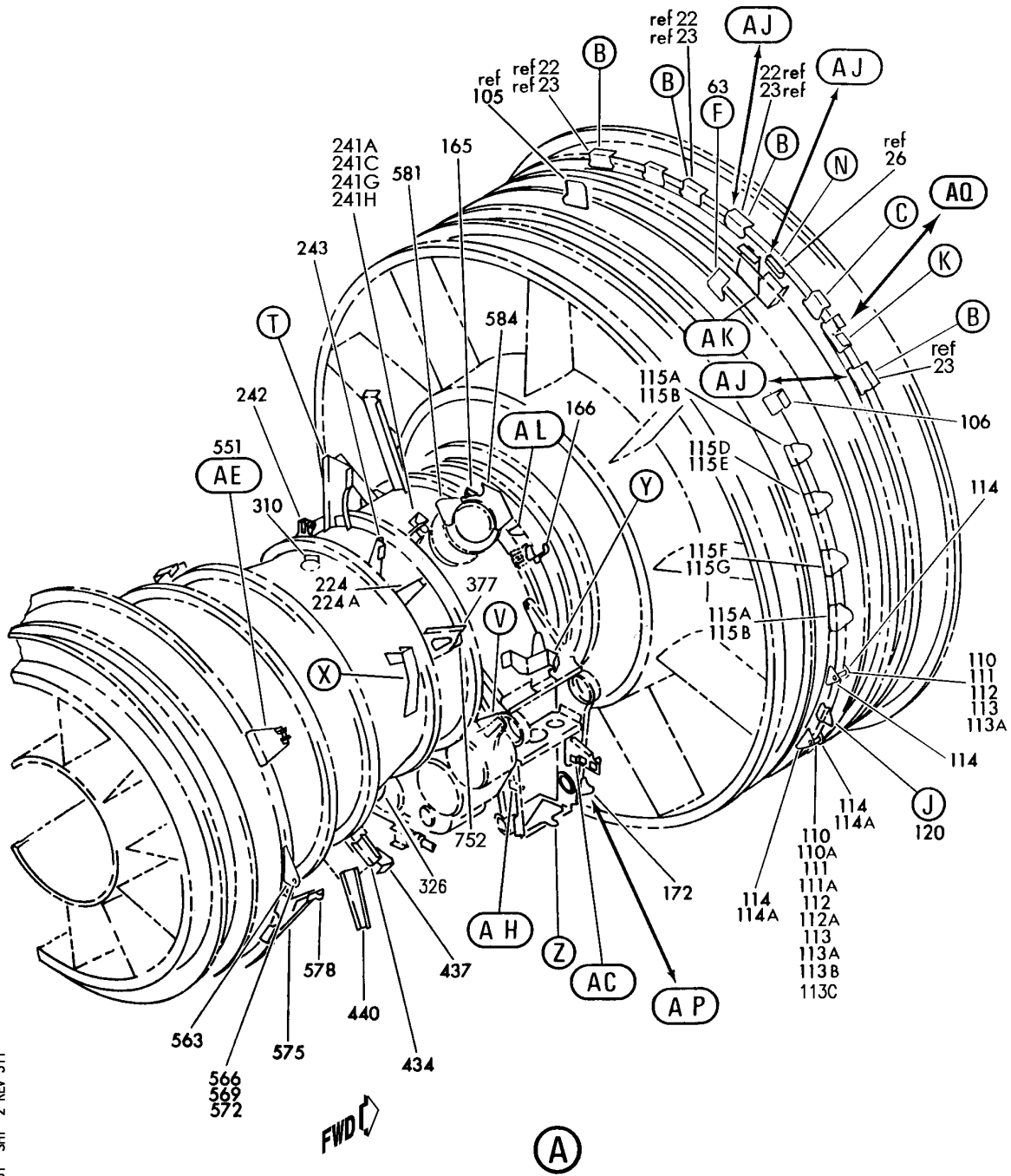
BRACKET INSTL- AIRFRAME
FIGURE 1 (SHEET 1)

71-41-54-01

HXL
DEC 22/06

71-41-54-01
PAGE 0

BOEING
767
PARTS CATALOG (MAINTENANCE)



V 71-41-54-01 SH1 2 REV 311

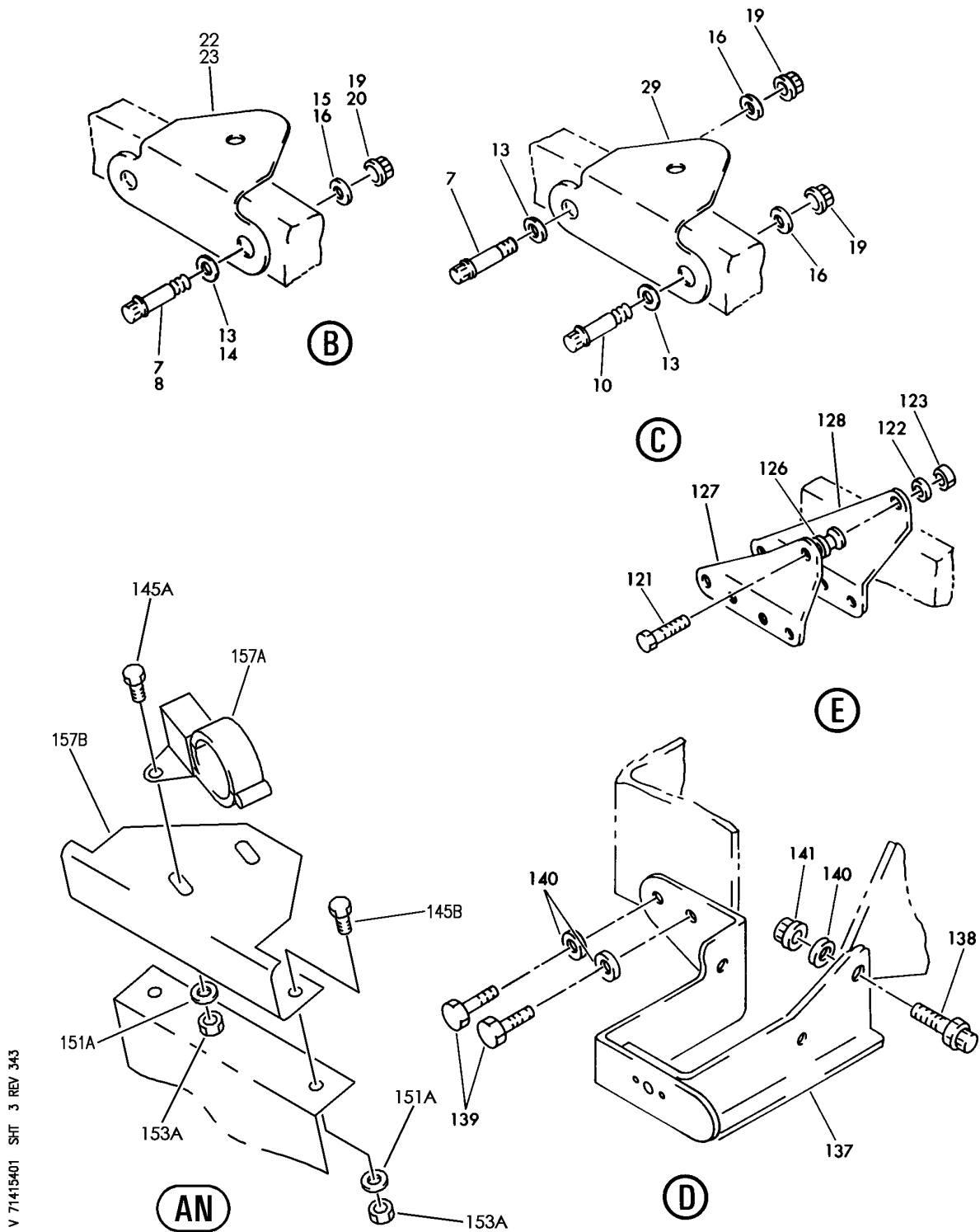
BRACKET INSTL- AIRFRAME
FIGURE 1 (SHEET 2)

71-41-54-01

HXL
DEC 22/06

71-41-54-01
PAGE 0A

BOEING
767
PARTS CATALOG (MAINTENANCE)



V 71415401 SHT 3 REV 343

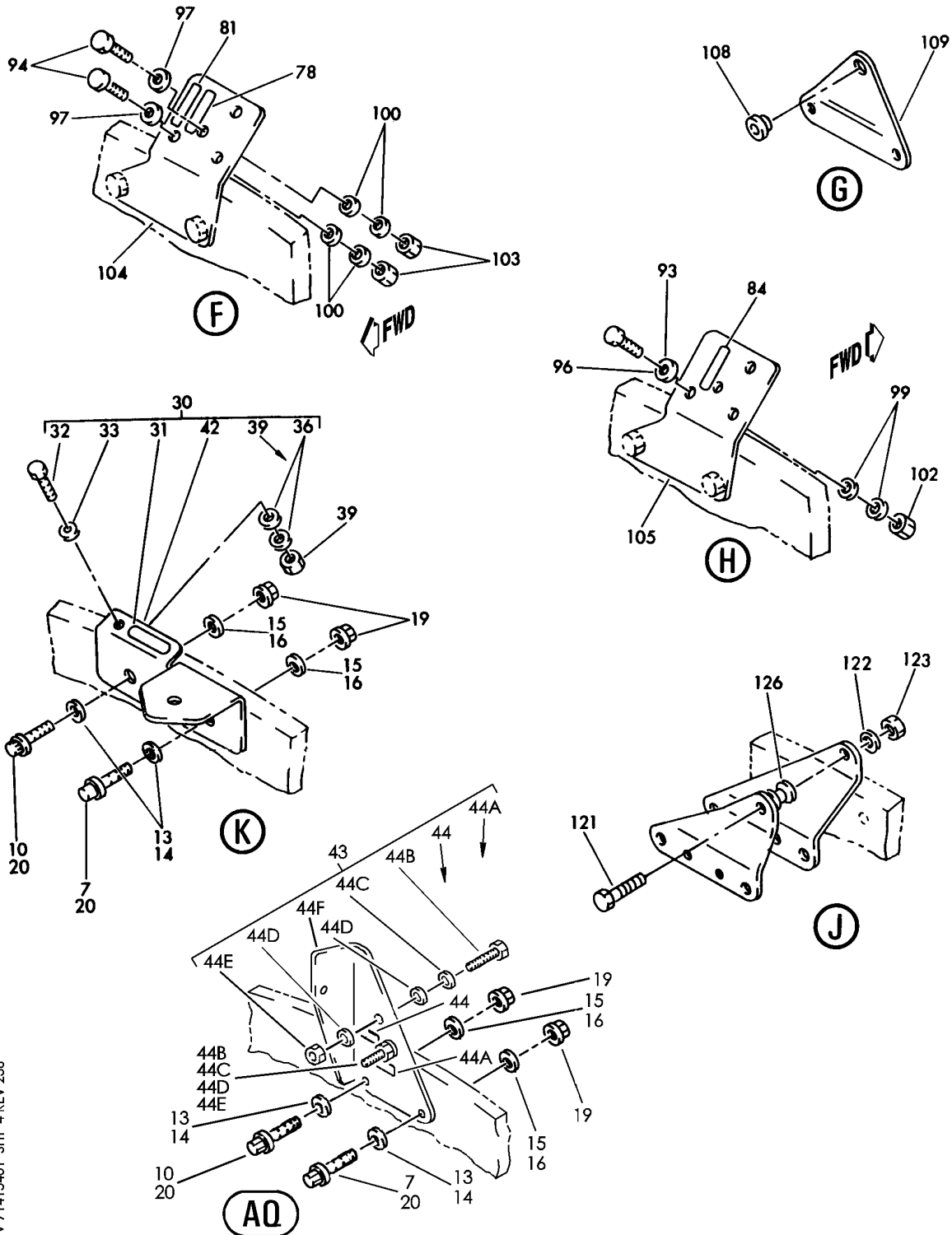
BRACKET INSTL- AIRFRAME
FIGURE 1 (SHEET 3)

71-41-54-01

HXL
AUG 22/09

71-41-54-01
PAGE 0B

BOEING
767
PARTS CATALOG (MAINTENANCE)



V 71415401 SHT 4 REV 236

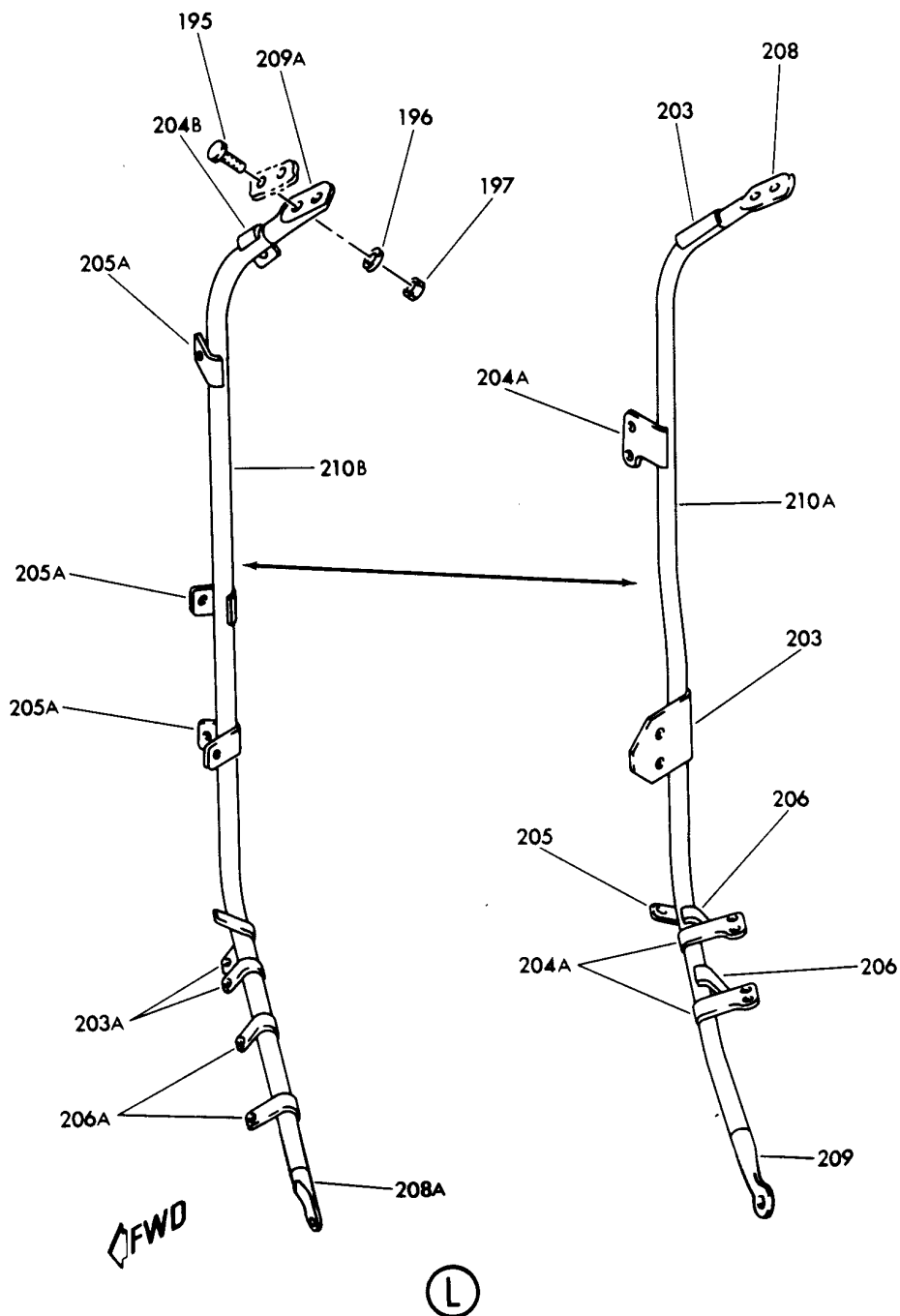
BRACKET INSTL- AIRFRAME
FIGURE 1 (SHEET 4)

71-41-54-01

HXL
DEC 22/06

71-41-54-01
PAGE 0C

BOEING
767
PARTS CATALOG (MAINTENANCE)



V 71415401 SHIT 5 REV 083

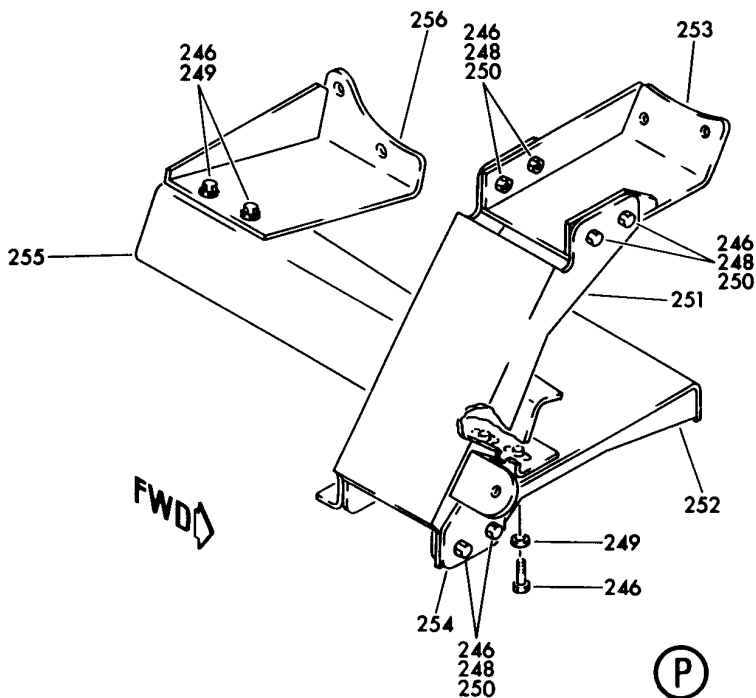
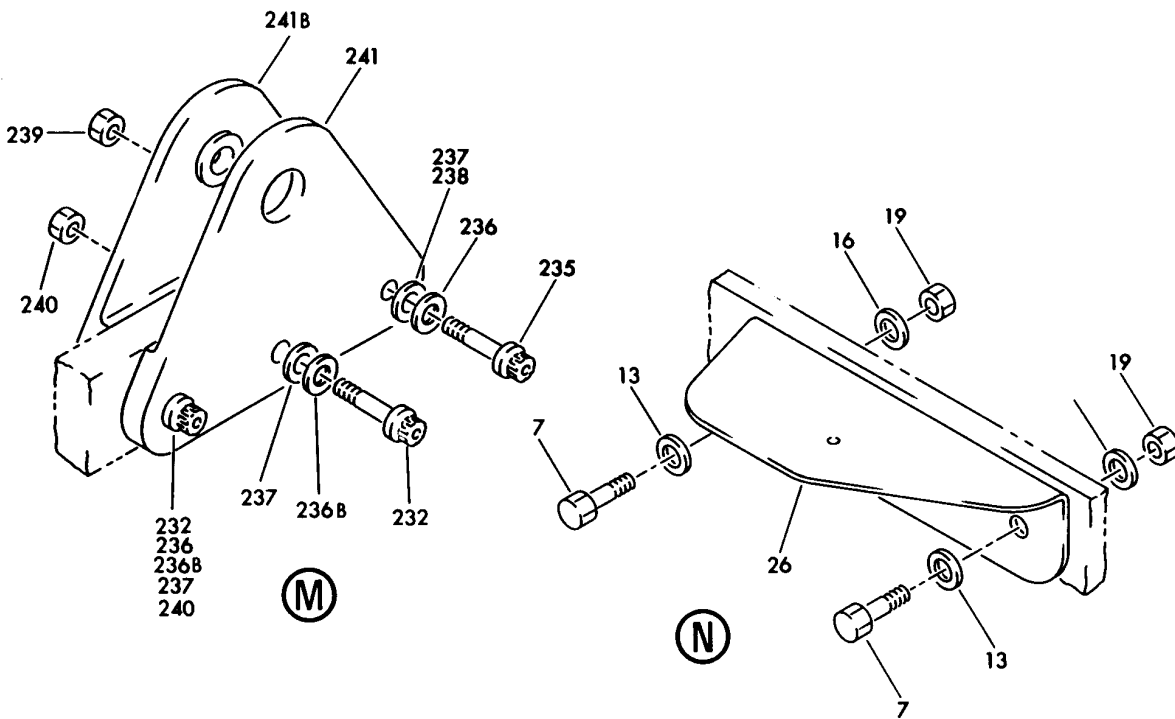
BRACKET INSTL- AIRFRAME
FIGURE 1 (SHEET 5)

71-41-54-01

HXL
DEC 22/06

71-41-54-01
PAGE 0D

BOEING
767
PARTS CATALOG (MAINTENANCE)



V 71415401 SHT 6 REV 128

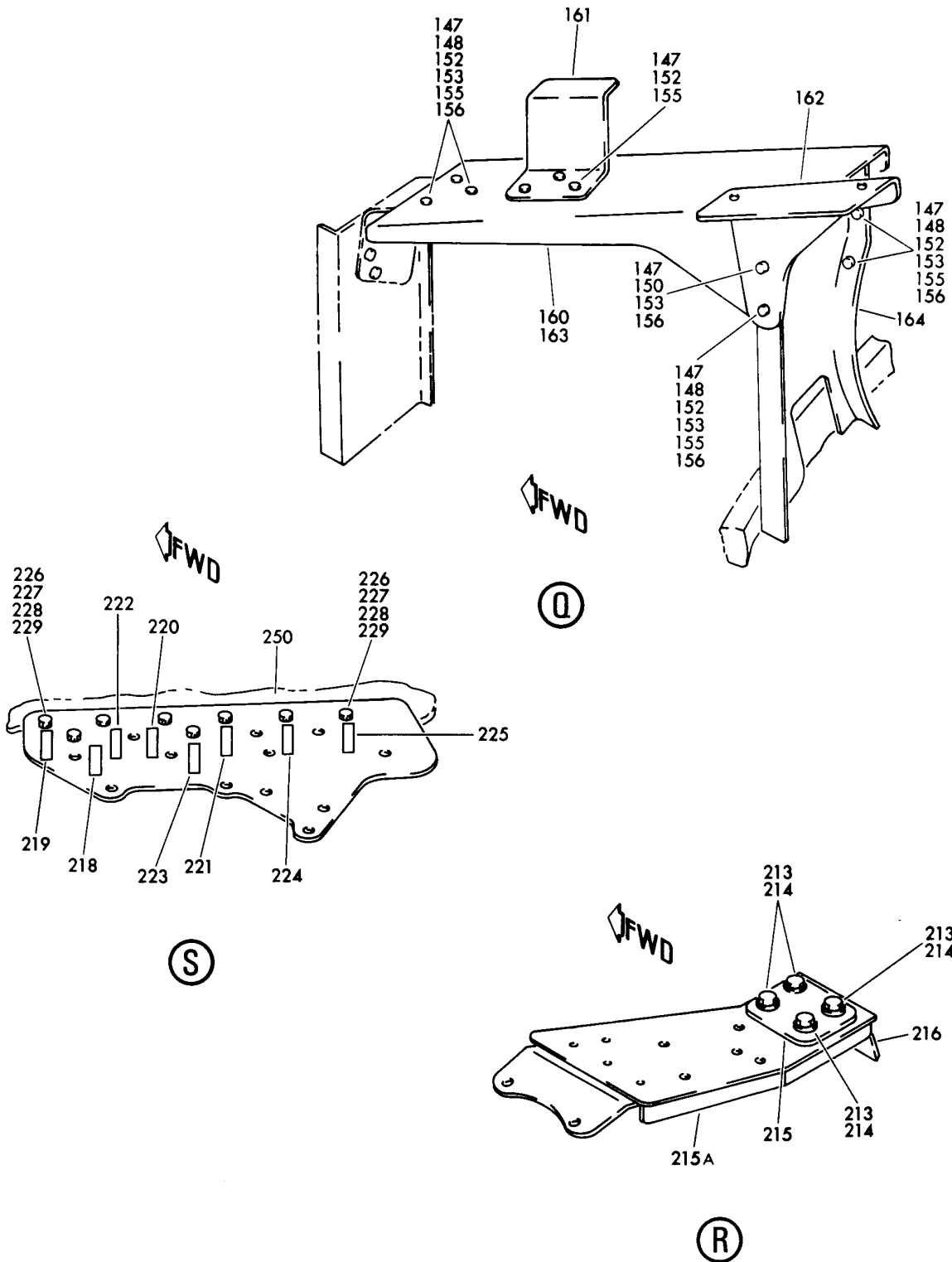
BRACKET INSTL- AIRFRAME
FIGURE 1 (SHEET 6)

71-41-54-01

HXL
DEC 22/06

71-41-54-01
PAGE 0E

BOEING
767
PARTS CATALOG (MAINTENANCE)



V 71415401 SHT 7 REV 105

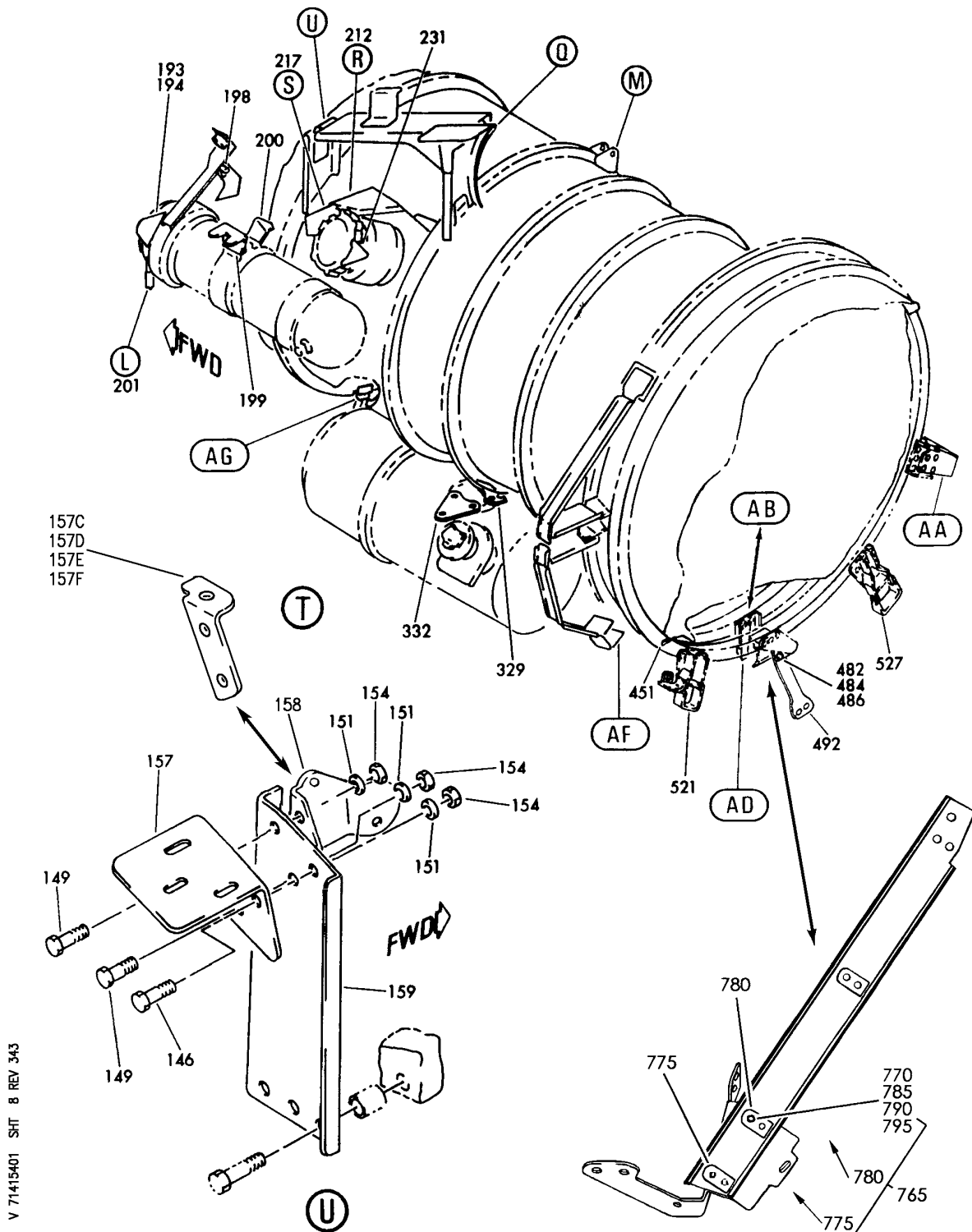
BRACKET INSTL- AIRFRAME
FIGURE 1 (SHEET 7)

71-41-54-01

HXL
DEC 22/06

71-41-54-01
PAGE OF


BOEING
 767
PARTS CATALOG (MAINTENANCE)



V 71415401 SH1 8 REV 343

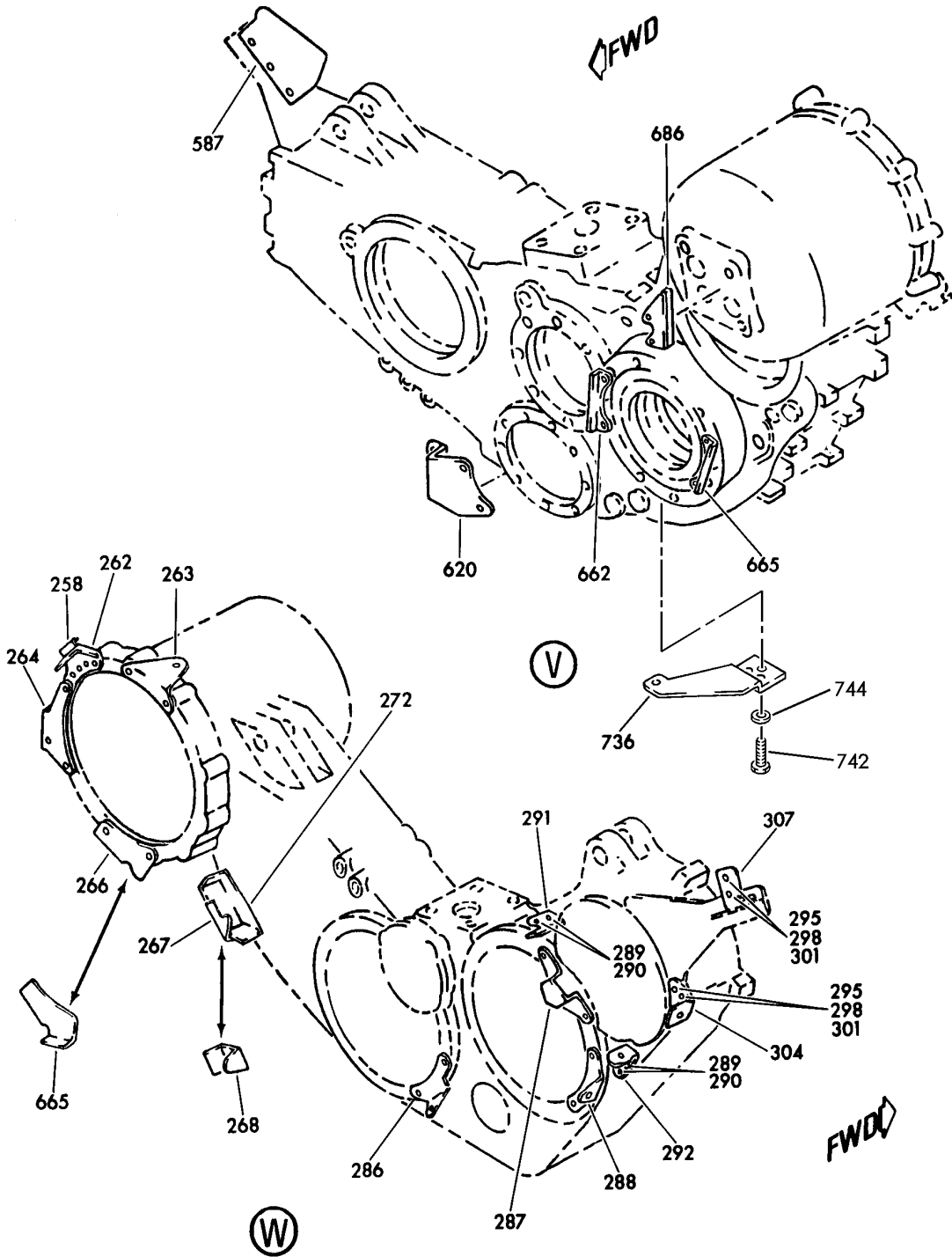
BRACKET INSTL- AIRFRAME
FIGURE 1 (SHEET 8)

71-41-54-01

HXL
AUG 22/09

71-41-54-01
PAGE 0G

BOEING
767
PARTS CATALOG (MAINTENANCE)



V 71415401 SHF 9 REV 245

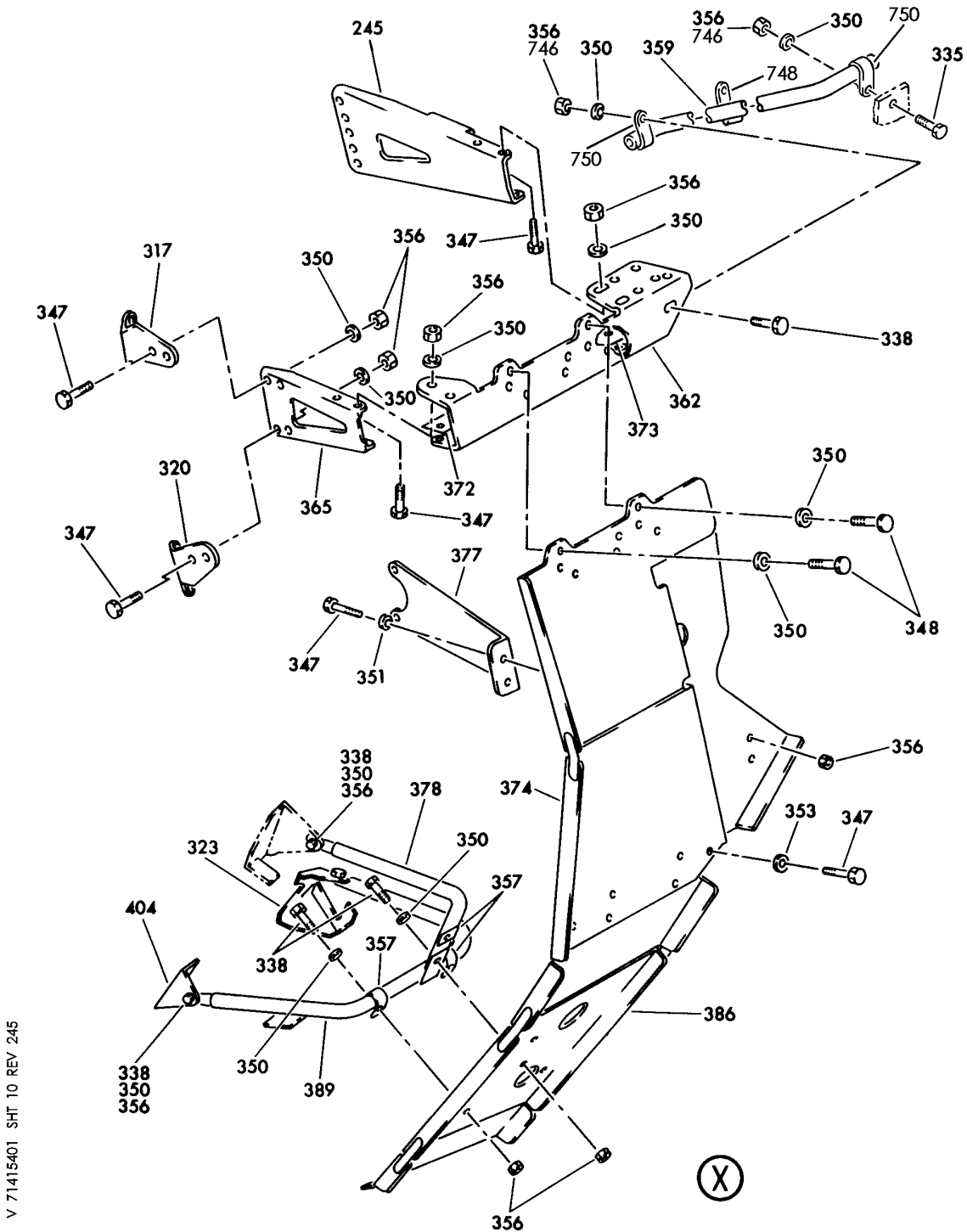
BRACKET INSTL- AIRFRAME
FIGURE 1 (SHEET 9)

71-41-54-01

HXL
DEC 22/06

71-41-54-01
PAGE 0H

BOEING
767
PARTS CATALOG (MAINTENANCE)



V 71415401 SHT 10 REV 245

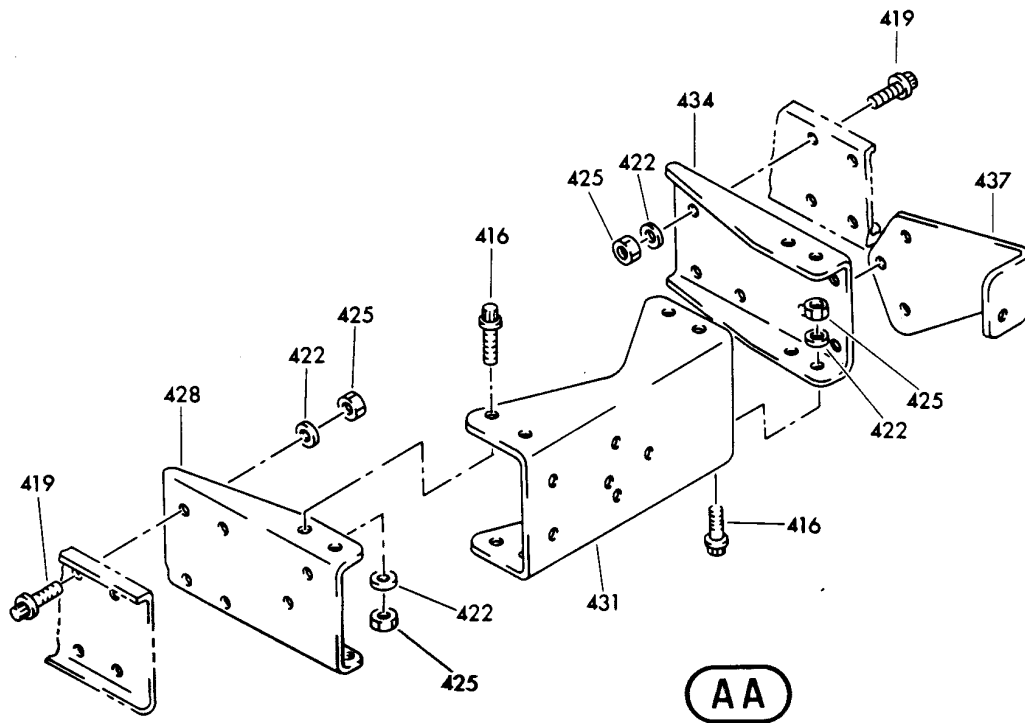
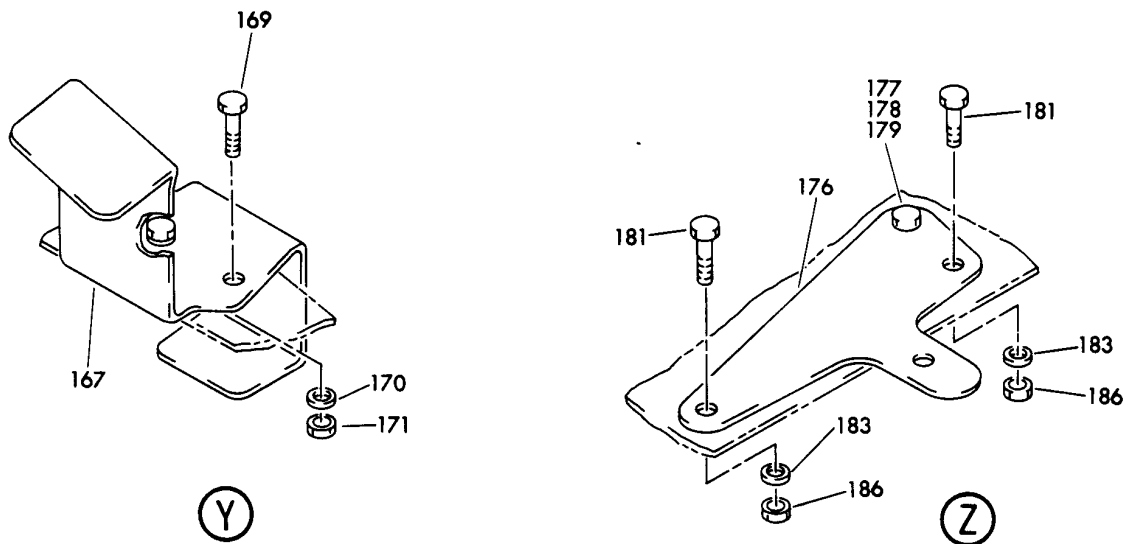
BRACKET INSTL- AIRFRAME
FIGURE 1 (SHEET 10)

71-41-54-01

HXL
DEC 22/06

71-41-54-01
PAGE 01

BOEING
767
PARTS CATALOG (MAINTENANCE)



V 71415401 SHT 11 REV 083

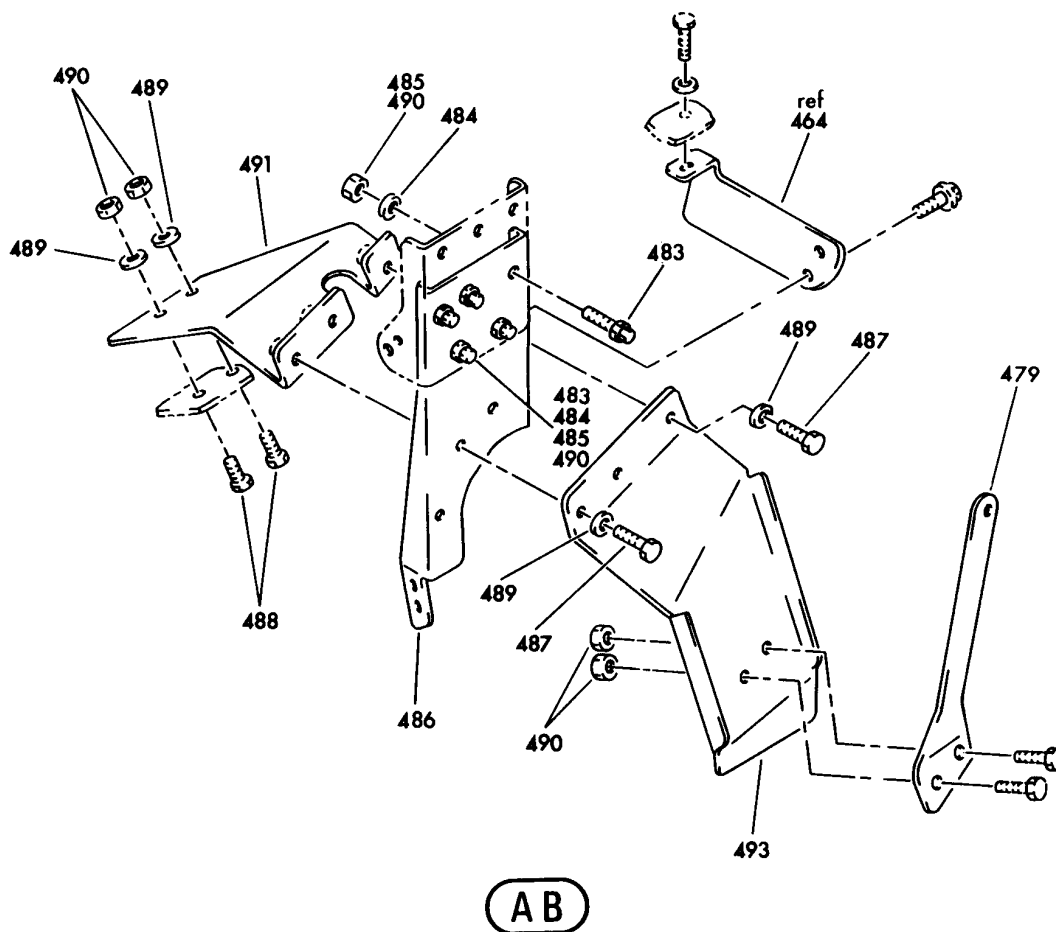
BRACKET INSTL- AIRFRAME
FIGURE 1 (SHEET 11)

71-41-54-01

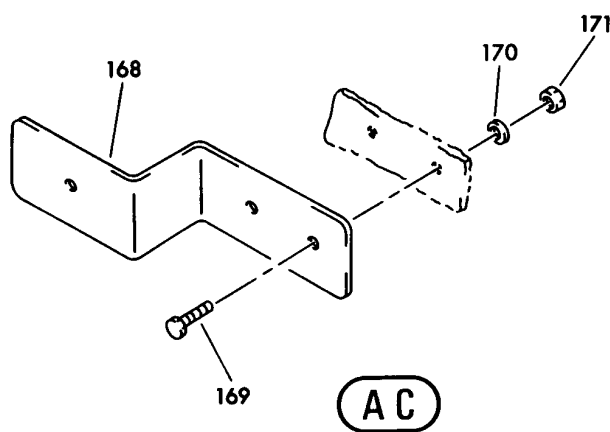
HXL
DEC 22/06

71-41-54-01
PAGE 0J

BOEING
767
PARTS CATALOG (MAINTENANCE)



AB



AC

V 71415401 SHT 12 REV 122

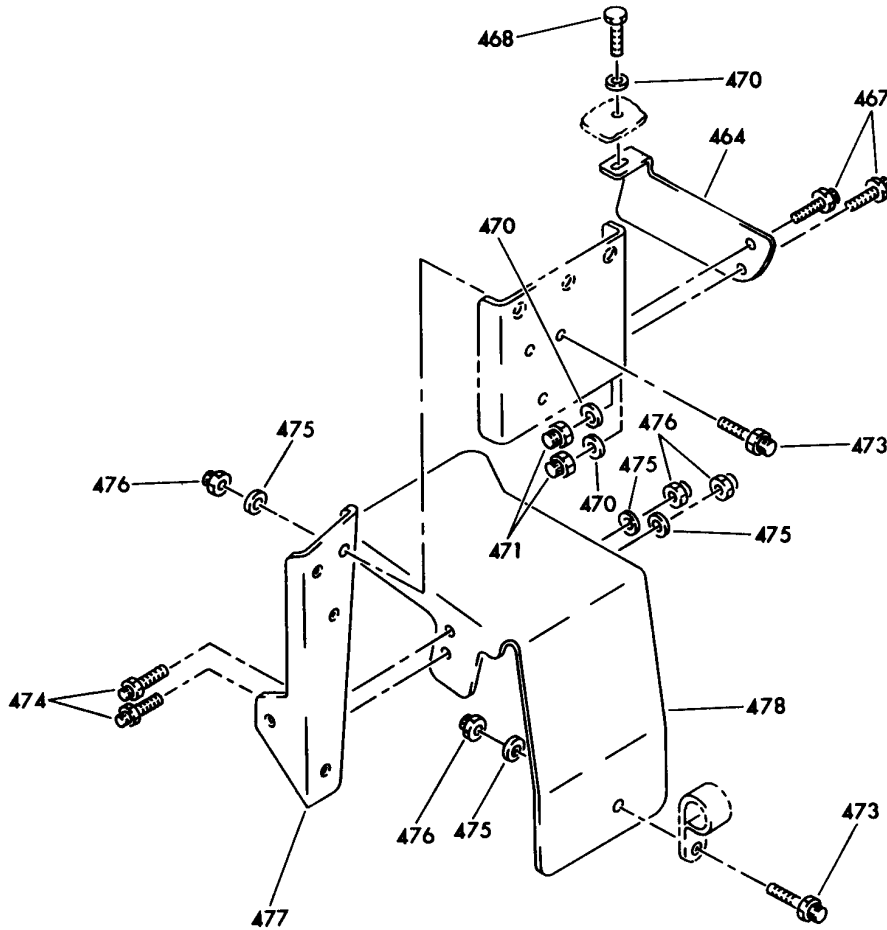
BRACKET INSTL- AIRFRAME
FIGURE 1 (SHEET 12)

71-41-54-01

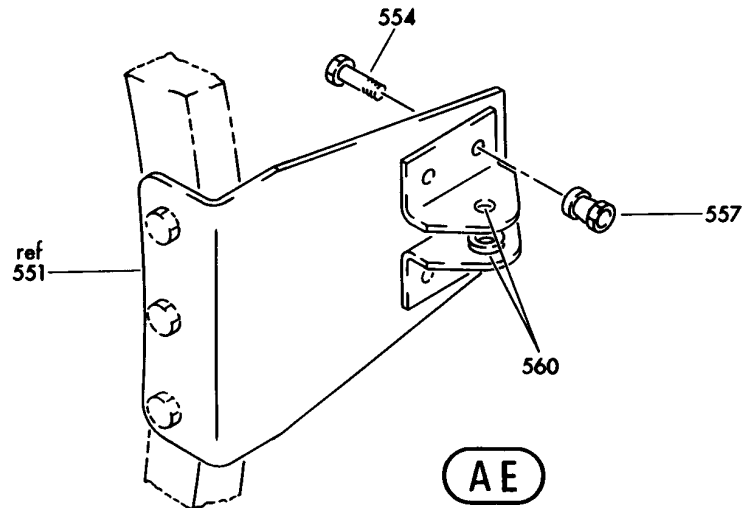
HXL
DEC 22/06

71-41-54-01
PAGE OK

BOEING
767
PARTS CATALOG (MAINTENANCE)



AD



AE

V 71415401 SHT 13 REV 122

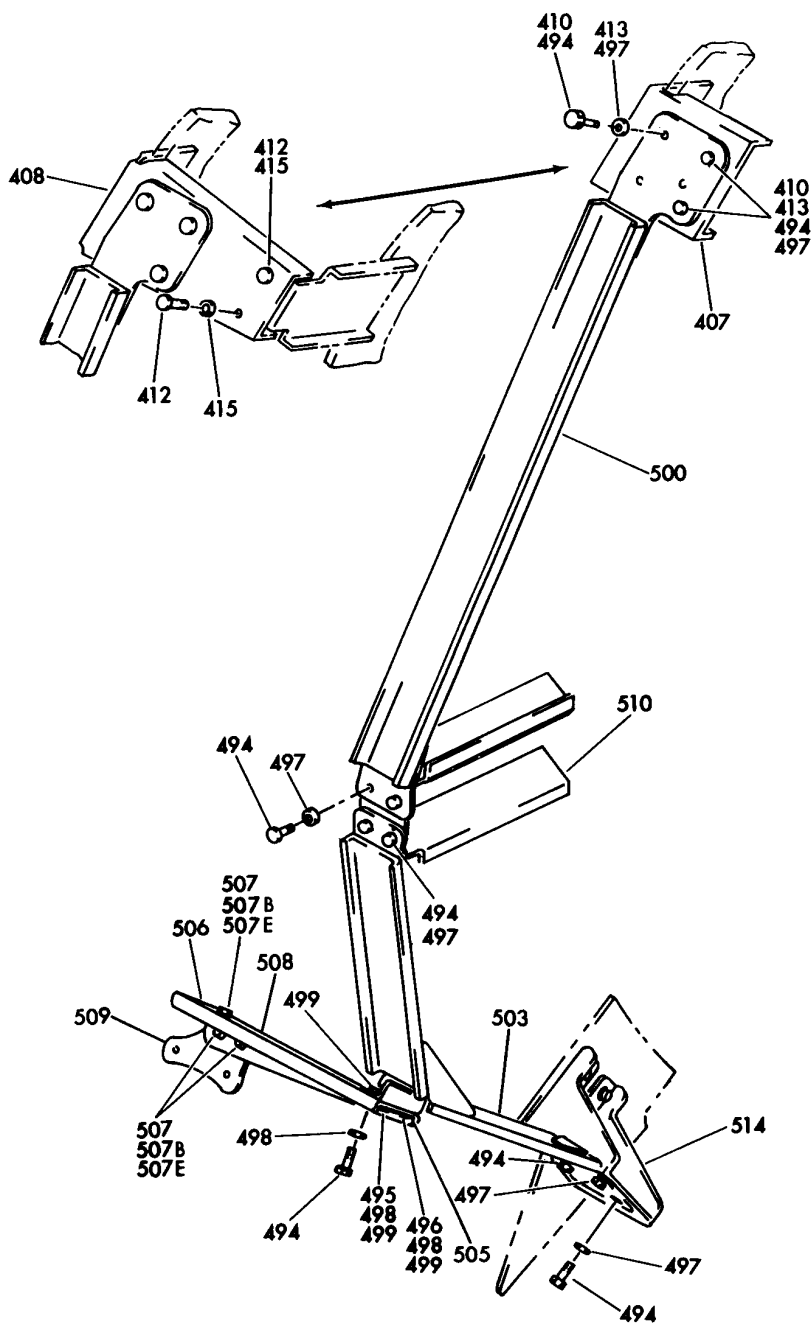
BRACKET INSTL- AIRFRAME
FIGURE 1 (SHEET 13)

71-41-54-01

HXL
DEC 22/06

71-41-54-01
PAGE 0L

BOEING
767
PARTS CATALOG (MAINTENANCE)



V 71415401 SHT 14 REV 122

AF

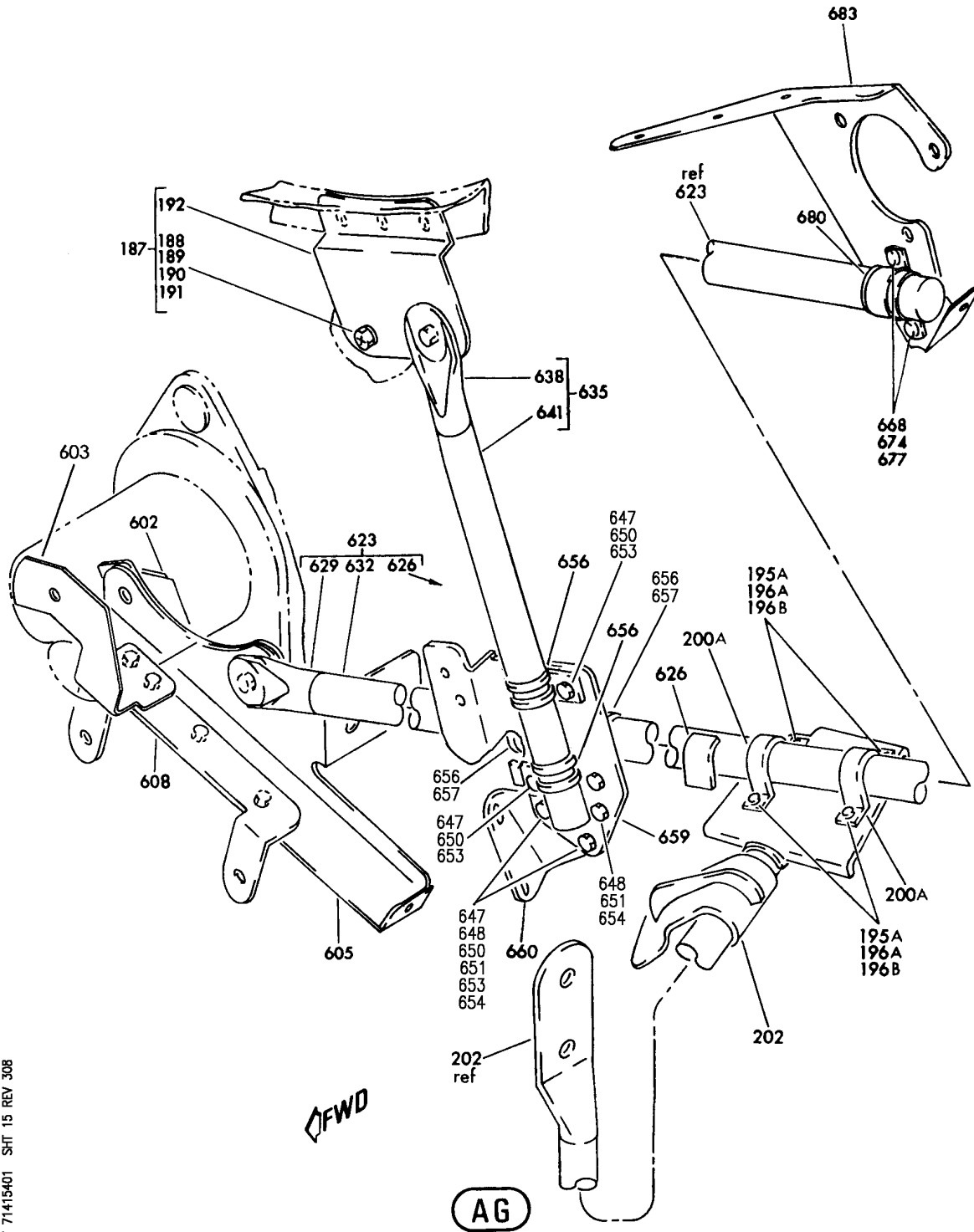
BRACKET INSTL- AIRFRAME
FIGURE 1 (SHEET 14)

71-41-54-01

HXL
DEC 22/06

71-41-54-01
PAGE 0M

BOEING
767
PARTS CATALOG (MAINTENANCE)



V 71415401 SHT 15 REV 308

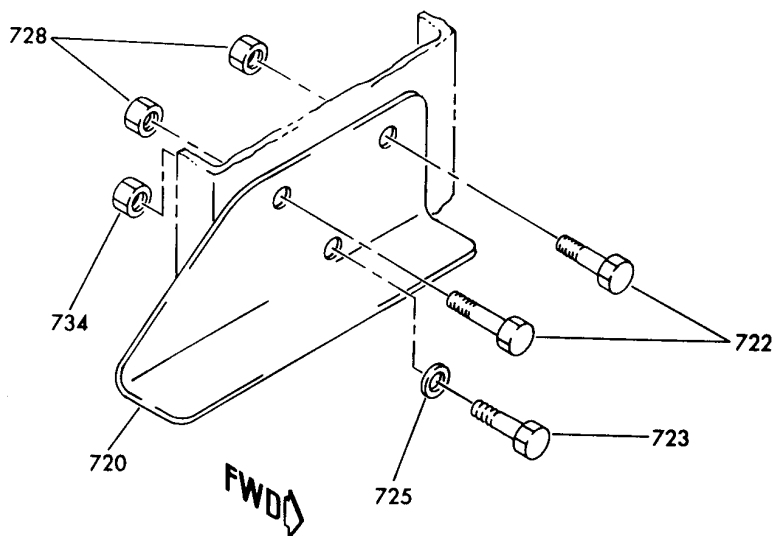
BRACKET INSTL- AIRFRAME
FIGURE 1 (SHEET 15)

71-41-54-01

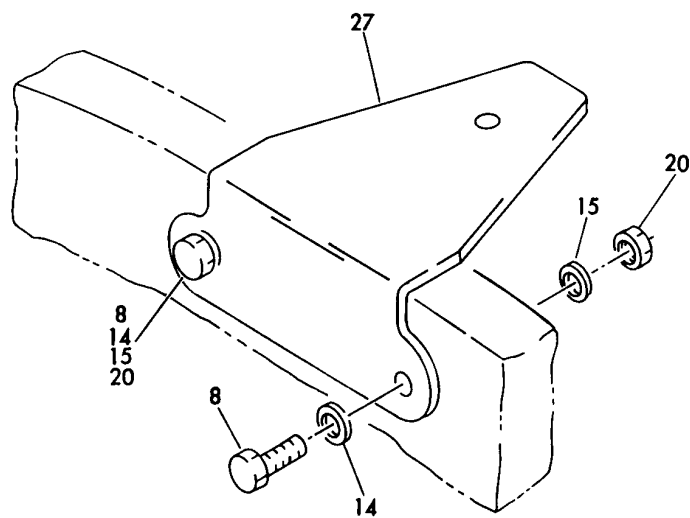
HXL
DEC 22/06

71-41-54-01
PAGE ON

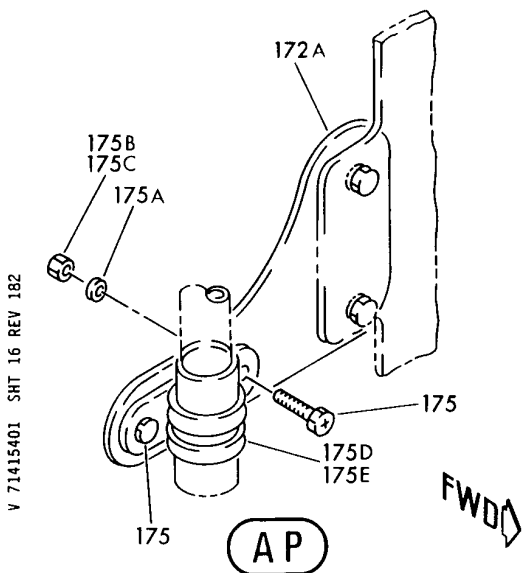
BOEING
767
PARTS CATALOG (MAINTENANCE)



AH



AJ



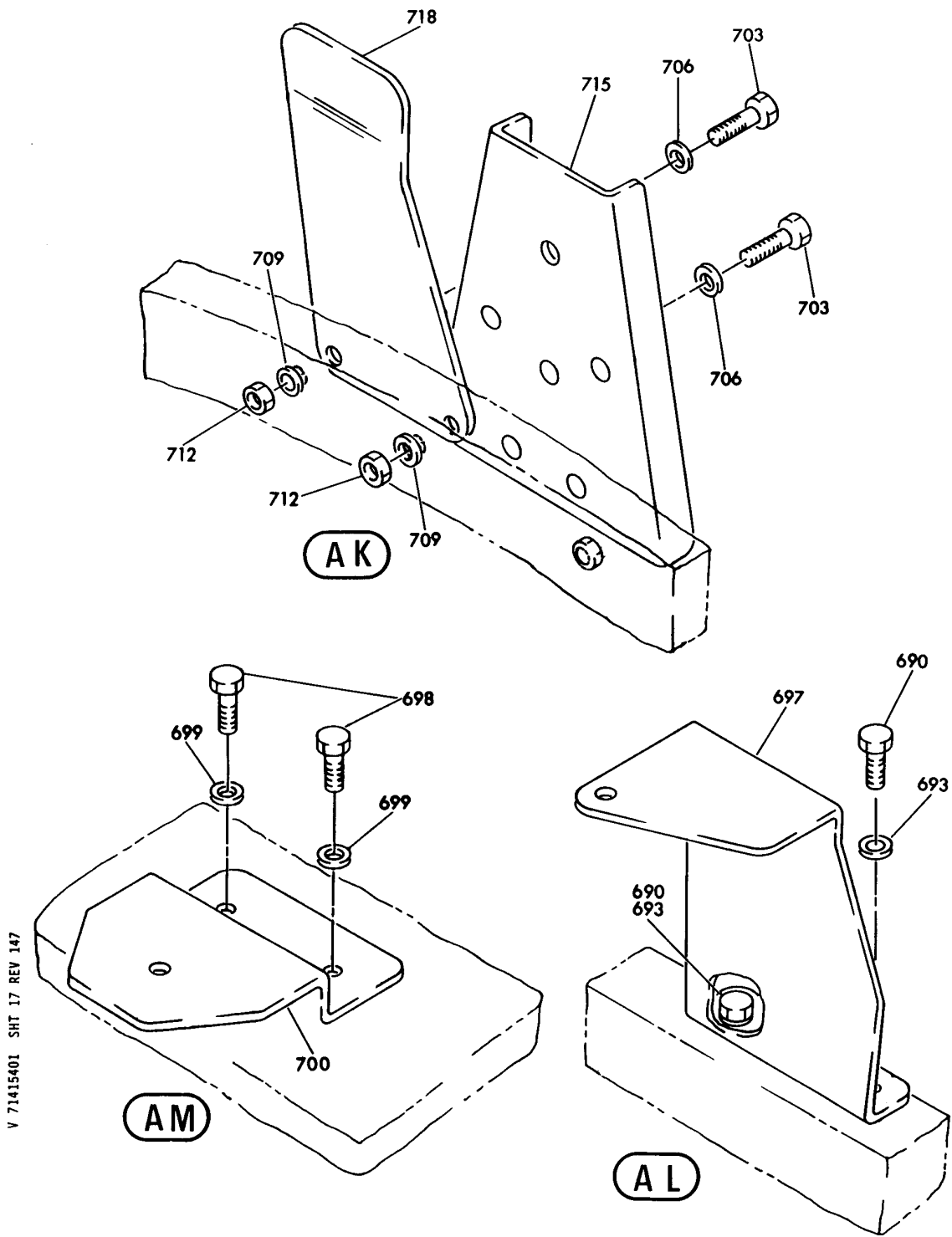
AP

V 71415401 SHT 16 REV 182

BRACKET INSTL- AIRFRAME
FIGURE 1 (SHEET 16)

71-41-54-01

BOEING
767
PARTS CATALOG (MAINTENANCE)



V 71415401 SHT 17 REV 147

BRACKET INSTL- AIRFRAME
FIGURE 1 (SHEET 17)

71-41-54-01

HXL
DEC 22/06

71-41-54-01
PAGE 0P

 **BOEING**
767
PARTS CATALOG (MAINTENANCE)

FIG ITEM	PART NUMBER	1 2 3 4 5 6 7	NOMENCLATURE	EFFECT FROM TO	UNITS PER ASSY
1			BRACKET INSTL- AIRFRAME		
- 1	332T4920-1		BRACKET INSTL-AIRFRAME VARIABLE DRAWING REF: 332T4920-11 FOR NHA SEE: 71-00-51-02		RF
8	NAS6704U4		.BOLT		12
10	NAS6704U5		.BOLT		2
14	BACW10BP4ACU		.WASHER		14
15	AN960C416		.WASHER		14
20	NAS1805-4P		.NUT		14
27	332T4922-436		.BRACKET-FLANGE A1		2
29	332T4922-276		.BRACKET-FLANGE A1		1
30	332T4922-433		.BRACKET ASSY-FLANGE A1		1
31	BAC27TPP0402		..MARKER-ALUMINUM FOIL PLACARD CONTENT: GD6589DC		1
32	NAS1802-3-12		..SCREW		1
33	MS35338-138		..WASHER		1
36	AN960C10L		..WASHER		2
39	MS35650-304		..NUT		1
42	332T4922-432		..BRACKET-		1
45	332T4922-644		.BRACKET-FLANGE B1 OPTIONAL PART: 332T4922-341		1
45	332T4922-341		.BRACKET-FLANGE B1 OPTIONAL PART: 332T4922-644 ATTACHING PARTS		1
- 48	NAS6704-5		.BOLT		2
- 51	BACW10BP4CD		.WASHER		2
- 54	AN960-416		.WASHER		2
- 57	NAS1805-4P		.NUT		2
			-----*-----		
60	332T4922-324		.BRACKET ASSY-FLANGE B2 OPTIONAL PART: 332T4922-339		1
60	332T4922-339		.BRACKET ASSY-FLANGE B2 OPTIONAL PART: 332T4922-324		1
63	332T4922-431		.BRACKET ASSY-FLANGE B2		1
63	332T4922-652		.BRACKET ASSY-FLANGE B2 ATTACHING PARTS		1
- 66	NAS6704-4		.BOLT		4
- 69	BACW10BP4CD		.WASHER		4
- 72	BACW10BP4DP		.WASHER		4
- 75	NAS1805-4P		.NUT		4
			-----*-----		

ILLUSTRATION ITEMS NOT ON PARTS LIST ARE NOT APPLICABLE

- ITEM NOT ILLUSTRATED

HXL

71-41-54-01

BOEING PROPRIETARY - Copyright © - Unpublished Work - See title page for details.

71-41-54
FIG. 01
PAGE 1
DEC 22/07

 **BOEING**
767
PARTS CATALOG (MAINTENANCE)

FIG ITEM	PART NUMBER	1 2 3 4 5 6 7	NOMENCLATURE	EFFECT FROM TO	UNITS PER ASSY
1					
84	BAC27TPP0418		..MARKER-ALUMINUM FOIL- PLACARD CONTENT: GD6635S USED ON: 332T4922-339		1
93	NAS1802-3-12		.. SCREW		1
96	MS35338-138		.. WASHER		1
99	AN960C10L		.. WASHER		2
102	MS35650-304		.. NUT		1
104	332T4922-430		.. BRACKET-GROUND USED ON: 332T4922-431		1
105	332T4922-25		.. BRACKET-GROUND USED ON: 332T4922-324		1
105	332T4922-337		.. BRACKET-GROUND USED ON: 332T4922-339		1
106	332T4922-27		.BRACKET ASSY-FLANGE C OPTIONAL PART: 332T4922-646		1
106	332T4922-646		.BRACKET ASSY-FLANGE C OPTIONAL PART: 332T4922-27		1
107	332T4922-291		.BRACKET ASSY-FLANGE C		2
108	BACB28X4E006		.. BUSHING		1
109	332T4922-290		.. BRACKET		1
110A	NAS6703-16		.BOLT		2
111A	AN960C10L		.WASHER		2
112A	NAS1805-3		.NUT		2
113B	RC2769-1		.RECEIVER- SUPPLIER CODE: V08844		2
113C	332T3090-75		.ROLLER-		2
114A	332T4922-327		.BRACKET ASSY-FLANGE C		4
115A	332T4922-445		.BRACKET-FLANGE C		2
115B	332T4922-623		.BRACKET-FLANGE C		2
115D	332T4922-448		.BRACKET ASSY-FLANGE C		1
115E	332T4922-625		.BRACKET-FLANGE C		1
115F	332T4922-447		.BRACKET ASSY-GROUND FLANGE C		1
115G	332T4922-626		.BRACKET ASSY-FLANGE C		1
119	332T4922-150		.BRACKET ASSY-FLANGE C		1
119	332T4922-618		.BRACKET ASSY-FLANGE C		1
119	332T4922-657		.BRACKET ASSY-FLANGE C		1
120	332T4922-353		.BRACKET ASSY-FLANGE C		1
121	NAS6703-14		.. BOLT		1
122	AN960C10L		.. WASHER-		1
123	NAS1805-3		.. NUT		1

ILLUSTRATION ITEMS NOT ON PARTS LIST ARE NOT APPLICABLE

- ITEM NOT ILLUSTRATED

HXL

71-41-54-01

BOEING PROPRIETARY - Copyright © - Unpublished Work - See title page for details.

71-41-54
FIG. 01
PAGE 2
DEC 22/07

BOEING
767
PARTS CATALOG (MAINTENANCE)

FIG ITEM	PART NUMBER	1 2 3 4 5 6 7	NOMENCLATURE	EFFECT FROM TO	UNITS PER ASSY
1					
126	RC2769-1		.. RECEIVER- SUPPLIER CODE: V08844 OPTIONAL PART: 332T3090-75		1
126	332T3090-75		.. ROLLER- OPTIONAL PART: RC2769-1 V08844		1
127	332T4922-154		.. BRACKET		1
137	332T4922-385		. BRACKET ASSY- ATTACHING PARTS		1
138	NAS6703U3		. BOLT		1
139	NAS1802-3-8		. SCREW		2
140	AN960C10L		. WASHER		3
141	PLH53C		. NUT- SUPPLIER CODE: V62554 SPECIFICATION NUMBER: BACN10YR3C OPTIONAL PART: H52732-3C V15653 -----*-----		1
142	332T4921-219		. BRACKET ASSY-		1
143	332T4922-397		. BRACKET ASSY		1
144	332T4922-479		. BRACKET ASSY-		1
R R R R R R	145A	NAS1802-3-6	. SCREW- POST SERVICE BULLETIN: 24-0095		2
R R R R R R	145B	NAS6703U2	. BOLT- POST SERVICE BULLETIN: 24-0095		2
R R R R R R R R	146	NAS6703U2	. BOLT		1
	149	NAS6703U3	. BOLT		2
	151	AN960C10L	. WASHER		3
R R R R R R R R	151A	NAS1149C0332R	. WASHER- POST SERVICE BULLETIN: 24-0095		4
R R R R R R R R	153A	PLH53C	. NUT- SUPPLIER CODE: V62554 SPECIFICATION NUMBER: BACN10YR3C OPTIONAL PART: H52732-3C V15653 POST SERVICE BULLETIN: 24-0095		4

ILLUSTRATION ITEMS NOT ON PARTS LIST ARE NOT APPLICABLE

- ITEM NOT ILLUSTRATED

HXL

71-41-54-01

BOEING PROPRIETARY - Copyright © - Unpublished Work - See title page for details.

71-41-54
FIG. 01
PAGE 3
AUG 22/09



767

PARTS CATALOG (MAINTENANCE)

FIG ITEM	PART NUMBER	1 2 3 4 5 6 7	NOMENCLATURE	EFFECT FROM TO	UNITS PER ASSY
1 154	BRH10C3		.NUT- SUPPLIER CODE: V52828 SPECIFICATION NUMBER: BACN10JC3C OPTIONAL PART: T6C1032J V11815 97-02 V80539 101LH9075-3W V72962 VN303B02 V92215 NS202101S02 V80539 H31-3BAC V15653 BACN10YR3CM BACN10JC3CM BACN10YR3C		3
154	PLH53CM		.NUT- SUPPLIER CODE: VF0224 SPECIFICATION NUMBER: BACN10YR3CM OPTIONAL PART: H52732-3CM V15653 BACN10JC3C BACN10JC3CM BACN10YR3C		3

ILLUSTRATION ITEMS NOT ON PARTS LIST ARE NOT APPLICABLE

- ITEM NOT ILLUSTRATED

HXL

71-41-54-01

BOEING PROPRIETARY - Copyright © - Unpublished Work - See title page for details.

71-41-54
FIG. 01
PAGE 4
DEC 22/08

BOEING
767
PARTS CATALOG (MAINTENANCE)

FIG ITEM	PART NUMBER	1 2 3 4 5 6 7	NOMENCLATURE	EFFECT FROM TO	UNITS PER ASSY
1	154 BRH10C3M		.NUT- SUPPLIER CODE: V52828 SPECIFICATION NUMBER: BACN10JC3CM OPTIONAL PART: T6C1032JM V11815 97E02 V80539 109LH9075-3W V72962 VN303D02 V92215 NS202101SE02 V80539 H01-3BAC V15653 BACN10JC3C BACN10YR3CM BACN10YR3C		3
	154 PLH53C		.NUT- SUPPLIER CODE: V62554 SPECIFICATION NUMBER: BACN10YR3C OPTIONAL PART: H52732-3C V15653 BACN10JC3C BACN10JC3CM BACN10YR3CM		3
	157 332T4922-146		.BRACKET-FLANGE H		1
R	157A TA12300021		.CLAMP-POWER FEEDER SUPPLIER CODE: V84971 POST SERVICE BULLETIN: 24-0095		1
R	157B 332T4921-267		.BRACKET ASSY-		1
R	157C 332T4922-660		.BRACKET-		1
R	157D 332T4922-642		.BRACKET- POST SERVICE BULLETIN: 24-0095		1
R	157F 332T4922-658		.BRACKET-		1
R	158 332T4922-495		.BRACKET-FLANGE H PRE SERVICE BULLETIN: 24-0095		1
R	159 332T4922-351		.BRACKET-FLANGE H		1
R	163 332T4922-496		.BRACKET ASSY-		1

ILLUSTRATION ITEMS NOT ON PARTS LIST ARE NOT APPLICABLE

- ITEM NOT ILLUSTRATED

HXL

71-41-54-01

BOEING PROPRIETARY - Copyright © - Unpublished Work - See title page for details.

71-41-54
FIG. 01
PAGE 5
AUG 22/09

 **BOEING**
767
PARTS CATALOG (MAINTENANCE)

FIG ITEM	PART NUMBER	1 2 3 4 5 6 7	NOMENCLATURE	EFFECT FROM TO	UNITS PER ASSY
1					
164	332T4922-458		.BRACKET-FLANGE J		1
164	332T4922-601		.BRACKET-FLANGE J		1
164	332T4922-616		.BRACKET-FLANGE J		1
165	332T4925-3		.BRACKET-FLANGE H		1
166	332T4921-207		.BRACKET-FLANGE H		1
166	332T4921-293		.BRACKET-FLANGE H		1
167	332T4922-494		.BRACKET-FLANGE H		1
168	332T4922-326		.BRACKET ASSY-FLANGE H		1
			ATTACHING PARTS		
169	NAS6703U3		.BOLT		4
170	AN960C10L		.WASHER		4
171	BRH10C3		.NUT-		4
			SUPPLIER CODE: V52828		
			SPECIFICATION NUMBER: BACN10JC3C		
			OPTIONAL PART: T6C1032J		
			V11815		
			97-02		
			V80539		
			101LH9075-3W		
			V72962		
			VN303B02		
			V92215		
			NS202101S02		
			V80539		
			H31-3BAC		
			V15653		
			BACN10JC3CM		
			BACN10YR3CM		
			BACN10JYR3C		
171	PLH53CM		.NUT-		4
			SUPPLIER CODE: VF0224		
			SPECIFICATION NUMBER: BACN10YR3CM		
			OPTIONAL PART: H52732-3CM		
			V15653		
			BACN10JC3C		
			BACN10YR3C		
			BACN10JC3CM		

ILLUSTRATION ITEMS NOT ON PARTS LIST ARE NOT APPLICABLE

- ITEM NOT ILLUSTRATED

HXL

71-41-54-01

BOEING PROPRIETARY - Copyright © - Unpublished Work - See title page for details.

71-41-54
FIG. 01
PAGE 6
AUG 22/09

BOEING
767
PARTS CATALOG (MAINTENANCE)

FIG ITEM	PART NUMBER	1 2 3 4 5 6 7	NOMENCLATURE	EFFECT FROM TO	UNITS PER ASSY
1 171	BRH10C3M		.NUT- SUPPLIER CODE: V52828 SPECIFICATION NUMBER: BACN10JC3CM OPTIONAL PART: T6C1032JM V11815 97E02 V80539 109LH9075-3W V72962 VN303D02 V92215 NS202101SE02 V80539 H01-3BAC V15653 BACN10YR3CM BACN10YR3C BACN10JC3C		4
171	PLH53C		.NUT- SUPPLIER CODE: V62554 SPECIFICATION NUMBER: BACN10YR3C OPTIONAL PART: H52732-3C V15653 BACN10YR3CM BACN10JC3CM BACN10JC3C		4
172A	332T4922-469		-----*----- .BRACKET-FLANGE H ATTACHING PARTS		1
- 173	NAS6704U3		.BOLT		1
- 174	AN960C416L		.WASHER		1

ILLUSTRATION ITEMS NOT ON PARTS LIST ARE NOT APPLICABLE

- ITEM NOT ILLUSTRATED

HXL

71-41-54-01

BOEING PROPRIETARY - Copyright © - Unpublished Work - See title page for details.

71-41-54
FIG. 01
PAGE 7
DEC 22/06

BOEING
767
PARTS CATALOG (MAINTENANCE)

FIG ITEM	PART NUMBER	1 2 3 4 5 6 7	NOMENCLATURE	EFFECT FROM TO	UNITS PER ASSY
1 -174A	BRH10C4		.NUT SUPPLIER CODE: V52828 SPECIFICATION NUMBER: BACN10JC4C OPTIONAL PART: T6C428J V11815 97-048 V80539 101LH9075-4W V72962 VN303B048 V92215 NS202101S048 V80539 H31-4BAC V15653		1
176	332T4922-237		.BRACKET-FLANGE H ATTACHING PARTS		1
177	NAS6704U3		.BOLT		1
178	AN960C416		.WASHER		1
179	BRH10C4		.NUT- SUPPLIER CODE: V52828 SPECIFICATION NUMBER: BACN10JC4C OPTIONAL PART: T6C428J V11815 97-048 V80539 101LH9075-4W V72962 VN303B048 V92215 NS202101S048 V80539 H31-4BAC V15653 BACN10JC4CM BACN10YR4C BACN10YR4CM		1

ILLUSTRATION ITEMS NOT ON PARTS LIST ARE NOT APPLICABLE

- ITEM NOT ILLUSTRATED

HXL

71-41-54-01

BOEING PROPRIETARY - Copyright © - Unpublished Work - See title page for details.

71-41-54
FIG. 01
PAGE 8
DEC 22/06

 **BOEING**
767
PARTS CATALOG (MAINTENANCE)

FIG ITEM	PART NUMBER	1 2 3 4 5 6 7	NOMENCLATURE	EFFECT FROM TO	UNITS PER ASSY
1 179	BRH10C4M		.NUT- SUPPLIER CODE: V52828 SPECIFICATION NUMBER: BACN10JC4CM OPTIONAL PART: T6C428JM V11815 97E48 V80539 109LH9075-4W V72962 VN303D048 V92215 H01-4BAC V15653 NS202101SE048 V80539 BACN10JC4C BACN10YR4C BACN10YR4CM		1
179	PLH54CM		.NUT- SUPPLIER CODE: V62554 SPECIFICATION NUMBER: BACN10YR4CM OPTIONAL PART: H52732-4CM V15653 BACN10JC4C BACN10YR4C BACN10JC4CM		1
179	PLH54C		.NUT- SUPPLIER CODE: V62554 SPECIFICATION NUMBER: BACN10YR4C OPTIONAL PART: H52732-4C V15653 BACN10YR4CM BACN10JC4CM BACN10JC4C		1
181	NAS6703U3		.BOLT		2
183	AN960C10		.WASHER		2

ILLUSTRATION ITEMS NOT ON PARTS LIST ARE NOT APPLICABLE

- ITEM NOT ILLUSTRATED

HXL

71-41-54-01

BOEING PROPRIETARY - Copyright © - Unpublished Work - See title page for details.

71-41-54
FIG. 01
PAGE 9
DEC 22/06



767

PARTS CATALOG (MAINTENANCE)

FIG ITEM	PART NUMBER	1 2 3 4 5 6 7	NOMENCLATURE	EFFECT FROM TO	UNITS PER ASSY
1 186	BRH10C3		.NUT- SUPPLIER CODE: V52828 SPECIFICATION NUMBER: BACN10JC3C OPTIONAL PART: T6C1032J V11815 97-02 V80539 101LH9075-3W V72962 VN303B02 V92215 NS202101S02 V80539 H31-3BAC V15653 BACN10JC3CM BACN10YR3C BACN10YR3CM		2
186	BRH10C3M		.NUT- SUPPLIER CODE: V52828 SPECIFICATION NUMBER: BACN10JC3CM OPTIONAL PART: T6C1032JM V11815 97E02 V80539 109LH9075-3W V72962 VN303D02 V92215 NS202101SE02 V80539 H01-3BAC V15653 BACN10JC3C BACN10YR3C BACN10YR3CM		2

ILLUSTRATION ITEMS NOT ON PARTS LIST ARE NOT APPLICABLE

- ITEM NOT ILLUSTRATED

HXL

71-41-54-01

BOEING PROPRIETARY - Copyright © - Unpublished Work - See title page for details.

71-41-54
FIG. 01
PAGE 10
DEC 22/06

 **BOEING**
767
PARTS CATALOG (MAINTENANCE)

FIG ITEM	PART NUMBER	1 2 3 4 5 6 7	NOMENCLATURE	EFFECT FROM TO	UNITS PER ASSY
1 186	PLH53CM	.NUT-	SUPPLIER CODE: VF0224 SPECIFICATION NUMBER: BACN10YR3CM OPTIONAL PART: H52732-3CM V15653 BACN10JC3C BACN10YR3C BACN10JC3CM		2
186	PLH53C	.NUT-	SUPPLIER CODE: V62554 SPECIFICATION NUMBER: BACN10YR3C OPTIONAL PART: H52732-3C V15653 BACN10YR3CM BACN10JC3CM BACN10JC3C		2
187	332T4922-335	.BRACKET ASSY-FLANGE H			1
188	NAS1802-3-14	.. SCREW			1
189	AN960C10L	.. WASHER-			2
190	MS35338-138	.. WASHER			1
191	MS35650-304	.. NUT			1
192	332T4922-336	.. BRACKET-GROUND			1
194	332T4925-1	.BRACKET ASSY-PWR FEEDER SUPPORT OPTIONAL PART: 332T4922-51			1
194	332T4925-51	.BRACKET ASSY-PWR FEEDER SUPPORT OPTIONAL PART: 332T4922-1			1
195	NAS6703U2	.BOLT			6
195A	NAS6703U3	.BOLT			4
196	BACW10BP3ACU	.WASHER			6
196A	NAS1149C0363R	.WASHER			4
196B	PLH53C	.NUT	SUPPLIER CODE: V62554 SPECIFICATION NUMBER: BACN10YR3C OPTIONAL PART: H52732-3C V15653		4

ILLUSTRATION ITEMS NOT ON PARTS LIST ARE NOT APPLICABLE

- ITEM NOT ILLUSTRATED

HXL

71-41-54-01

BOEING PROPRIETARY - Copyright © - Unpublished Work - See title page for details.

71-41-54
FIG. 01
PAGE 11
DEC 22/08



767

PARTS CATALOG (MAINTENANCE)

FIG ITEM	PART NUMBER	1 2 3 4 5 6 7	NOMENCLATURE	EFFECT FROM TO	UNITS PER ASSY
1 197	BRH10C3		.NUT- SUPPLIER CODE: V52828 SPECIFICATION NUMBER: BACN10JC3C OPTIONAL PART: T6C1032J V11815 97-02 V80539 101LH9075-3W V72962 VN303B02 V92215 NS202101S02 V80539 H31-3BAC V15653 BACN10JC3CM BACN10YR3C BACN10YR3CM		6
197	BRH10C3M		.NUT- SUPPLIER CODE: V52828 SPECIFICATION NUMBER: BACN10JC3CM OPTIONAL PART: T6C1032JM V11815 97E02 V80539 109LH9075-3W V72962 VN303D02 V92215 NS202101SE02 V80539 H01-3BAC V15653 BACN10JC3C BACN10YR3C BACN10YR3CM		6

ILLUSTRATION ITEMS NOT ON PARTS LIST ARE NOT APPLICABLE

- ITEM NOT ILLUSTRATED

HXL

71-41-54-01

BOEING PROPRIETARY - Copyright © - Unpublished Work - See title page for details.

71-41-54
FIG. 01
PAGE 12
DEC 22/06

 **BOEING**
767
PARTS CATALOG (MAINTENANCE)

FIG ITEM	PART NUMBER	1 2 3 4 5 6 7	NOMENCLATURE	EFFECT FROM TO	UNITS PER ASSY
1 197	PLH53CM		.NUT- SUPPLIER CODE: VF0224 SPECIFICATION NUMBER: BACN10YR3CM OPTIONAL PART: H52732-3CM V15653 BACN10JC3C BACN10YR3C BACN10JC3CM		6
197	PLH53C		.NUT- SUPPLIER CODE: V62554 SPECIFICATION NUMBER: BACN10YR3C OPTIONAL PART: H52732-3C V15653 BACN10YR3CM BACN10JC3CM BACN10JC3C		6
198	332T4922-312		.BRACKET		1
199	332T4922-365		.BRACKET		1
200	332T4922-317		.BRACKET-		1
200A	S595-12		.CLAMP SUPPLIER CODE: V18076 SPECIFICATION NUMBER: BACC10HT12 OPTIONAL PART: 44SC38H12PB V22175 1068712P V83930 TA095000212 V84971		2
202	332T4921-303		.SHIELD ASSY-SUPPORT POST SERVICE BULLETIN: 24-0108R1		1
211	332T4922-307		.BRACKET		1
212	332T4921-223		.BRACKET ASSY-FLANGE J OPTIONAL PART: 332T4921-241		1
212	332T4921-241		.BRACKET ASSY-FLANGE J OPTIONAL PART: 332T4921-233		1
213	NAS1802-3-9		..BOLT		4
214	AN960C10L		..WASHER		4
ILLUSTRATION ITEMS NOT ON PARTS LIST ARE NOT APPLICABLE					

- ITEM NOT ILLUSTRATED

HXL

71-41-54-01

BOEING PROPRIETARY - Copyright © - Unpublished Work - See title page for details.

71-41-54
FIG. 01
PAGE 13
AUG 22/09

 **BOEING**
767
PARTS CATALOG (MAINTENANCE)

FIG ITEM	PART NUMBER	1 2 3 4 5 6 7	NOMENCLATURE	EFFECT FROM TO	UNITS PER ASSY
1					
215	332T4921-162	..	PLATE		1
215A	332T4921-66	..	BRACKET		1
216	332T4921-164	..	BRACKET ASSY		1
217	332T4922-293	.B	BRACKET ASSY-		1
217	332T4922-602	.B	BRACKET ASSY-		1
218	BAC27TPP0400	..	MARKER-ALUMINUM FOIL PLACARD CONTENT: GD6585DC		1
219	BAC27TPP0403	..	MARKER-ALUMINUM FOIL PLACARD CONTENT: GD6591DC		1
220	BAC27TPP0405	..	MARKER-ALUMINUM FOIL PLACARD CONTENT: GD6595DC		1
221	BAC27TPP0406	..	MARKER-ALUMINUM FOIL PLACARD CONTENT: GD6597DC		1
222	BAC27TPP0409	..	MARKER-ALUMINUM FOIL PLACARD CONTENT: GD6617S		1
223	BAC27TPP0415	..	MARKER-ALUMINUM FOIL PLACARD CONTENT: GD6629S		1
224	BAC27TPP0417	..	MARKER-ALUMINUM FOIL PLACARD CONTENT: GD6633S		1
225	BAC27TPP0422	..	MARKER-ALUMINUM FOIL PLACARD CONTENT: GD6659S		1
226	NAS1802-3-12	..	SCREW		8
227	MS35338-138	..	WASHER		8
228	AN960C10L	..	WASHER		16
229	MS35650-304	..	NUT		8
230	332T4922-241	..	BRACKET		1
231	332T4922-373	.B	BRACKET		1
232	BACB30UU4-11	.B	BOLT		2
232	BACB30PN4-10	.B	BOLT		2
236	BACW10BP4ACU	.W	WASHER		2

ILLUSTRATION ITEMS NOT ON PARTS LIST ARE NOT APPLICABLE

— ITEM NOT ILLUSTRATED

HXL

71-41-54-01

BOEING PROPRIETARY - Copyright © - Unpublished Work - See title page for details.

71-41-54
FIG. 01
PAGE 14
AUG 22/09



767

PARTS CATALOG (MAINTENANCE)

FIG ITEM	PART NUMBER	1 2 3 4 5 6 7	NOMENCLATURE	EFFECT FROM TO	UNITS PER ASSY
1 239	BRH10C4M		.NUT- SUPPLIER CODE: V52828 SPECIFICATION NUMBER: BACN10JC4CM OPTIONAL PART: T6C428JM V11815 97E48 V80539 109LH9075-4W V72962 VN303D048 V92215 H01-4BAC V15653 NS202101SE048 V80539 BACN10JC4C BACN10YR4C BACN10YR4CM		1
240	BRH10C4		.NUT- SUPPLIER CODE: V52828 SPECIFICATION NUMBER: BACN10JC4C OPTIONAL PART: T6C428J V11815 97-048 V80539 101LH9075-4W V72962 VN303B048 V92215 NS202101S048 V80539 H31-4BAC V15653 BACN10JC4CM BACN10YR4C BACN10YR4CM		2

ILLUSTRATION ITEMS NOT ON PARTS LIST ARE NOT APPLICABLE

- ITEM NOT ILLUSTRATED

HXL

71-41-54-01

BOEING PROPRIETARY - Copyright © - Unpublished Work - See title page for details.

71-41-54
FIG. 01
PAGE 15
DEC 22/06

BOEING
767
PARTS CATALOG (MAINTENANCE)

FIG ITEM	PART NUMBER	1 2 3 4 5 6 7	NOMENCLATURE	EFFECT FROM TO	UNITS PER ASSY
1	240 BRH10C4M		.NUT- SUPPLIER CODE: V52828 SPECIFICATION NUMBER: BACN10JC4CM OPTIONAL PART: T6C428JM V11815 97E48 V80539 109LH9075-4W V72962 VN303D048 V92215 H01-4BAC V15653 NS202101SE048 V80539 BACN10JC4C BACN10YR4C BACN10YR4CM		2
	240 PLH54CM		.NUT- SUPPLIER CODE: V62554 SPECIFICATION NUMBER: BACN10YR4CM OPTIONAL PART: H52732-4CM V15653 BACN10JC4C BACN10YR4C BACN10JC4CM		2
	240 PLH54C		.NUT- SUPPLIER CODE: V62554 SPECIFICATION NUMBER: BACN10YR4C OPTIONAL PART: H52732-4C V15653 BACN10YR4CM BACN10JC4CM BACN10JC4C		2
	241 332T4364-2		.BRACKET-FLANGE J		1
	241B 332T4364-1		.BRACKET-FLANGE J		1
	241G 332T4921-215		.BRACKET-FLANGE J		1
	242 332T4365-1		.BRACKET-FLANGE K		1
	244A 332T4922-467		.BRACKET ASSY-FLANGE K		1
	246 NAS6703U2		.BOLT		10
ILLUSTRATION ITEMS NOT ON PARTS LIST ARE NOT APPLICABLE					

- ITEM NOT ILLUSTRATED

HXL

71-41-54-01

BOEING PROPRIETARY - Copyright © - Unpublished Work - See title page for details.

71-41-54
FIG. 01
PAGE 16
DEC 22/07



767

PARTS CATALOG (MAINTENANCE)

FIG ITEM	PART NUMBER	1 2 3 4 5 6 7	NOMENCLATURE	EFFECT FROM TO	UNITS PER ASSY
1					
247	NAS6703U3	.	BOLT		2
248	AN960C10L	.	WASHER		8
249	BACW10BP3ACU	.	WASHER		4
250	BRH10C3	.	NUT-		8
			SUPPLIER CODE: V52828		
			SPECIFICATION NUMBER: BACN10JC3C		
			OPTIONAL PART: T6C1032J		
			V11815		
			97-02		
			V80539		
			101LH9075-3W		
			V72962		
			VN303B02		
			V92215		
			NS202101S02		
			V80539		
			H31-3BAC		
			V15653		
			BACN10YR3C		
			BACN10JC3CM		
			BACN10YR3CM		
250	BRH10C3M	.	NUT-		8
			SUPPLIER CODE: V52828		
			SPECIFICATION NUMBER: BACN10JC3CM		
			OPTIONAL PART: T6C1032JM		
			V11815		
			97E02		
			V80539		
			109LH9075-3W		
			V72962		
			VN303D02		
			V92215		
			NS202101SE02		
			V80539		
			H01-3BAC		
			V15653		
			BACN10JC3C		
			BACN10YR3C		
			BACN10YR3CM		

ILLUSTRATION ITEMS NOT ON PARTS LIST ARE NOT APPLICABLE

- ITEM NOT ILLUSTRATED

HXL

71-41-54-01

BOEING PROPRIETARY - Copyright © - Unpublished Work - See title page for details.

71-41-54
FIG. 01
PAGE 17
DEC 22/07

BOEING
767
PARTS CATALOG (MAINTENANCE)

FIG ITEM	PART NUMBER	1 2 3 4 5 6 7	NOMENCLATURE	EFFECT FROM TO	UNITS PER ASSY
1 250	PLH53CM		.NUT- SUPPLIER CODE: VF0224 SPECIFICATION NUMBER: BACN10YR3CM OPTIONAL PART: H52732-3CM V15653 BACN10JC3C BACN10YR3C BACN10JC3CM		8
250	PLH53C		.NUT- SUPPLIER CODE: V62554 SPECIFICATION NUMBER: BACN10YR3C OPTIONAL PART: H52732-3C V15653 BACN10YR3CM BACN10JC3CM BACN10JC3C		8
251	332T4922-410		.BRACKET ASSY- OPTIONAL PART: 332T4922-256		1
251	332T4922-256		.BRACKET ASSY- OPTIONAL PART: 332T4922-410		1
252	332T4921-48		.BRACKET ASSY-		1
254	332T4922-399		.BRACKET ASSY		1
255	332T4922-466		.BRACKET ASSY-		1
255	332T4925-24		.BRACKET ASSY-		1
256	332T4921-45		.BRACKET ASSY-		1
257	332T4925-44		.BRACKET ASSY-		1
- 259	NAS6703U3		ATTACHING PARTS .BOLT		3
- 260	AN960C10L		.WASHER		3

ILLUSTRATION ITEMS NOT ON PARTS LIST ARE NOT APPLICABLE

- ITEM NOT ILLUSTRATED

HXL

71-41-54-01

BOEING PROPRIETARY - Copyright © - Unpublished Work - See title page for details.

71-41-54
FIG. 01
PAGE 18
DEC 22/08



767

PARTS CATALOG (MAINTENANCE)

FIG ITEM	PART NUMBER	1 2 3 4 5 6 7	NOMENCLATURE	EFFECT FROM TO	UNITS PER ASSY
1					
- 261	BRH10C3		.NUT- SUPPLIER CODE: V52828 SPECIFICATION NUMBER: BACN10JC3C OPTIONAL PART: T6C1032J V11815 97-02 V80539 101LH9075-3W V72962 VN303B02 V92215 NS202101S02 V80539 H31-3BAC V15653 BACN10YR3CM BACN10YR3C BACN10JC3CM		3
- 261	BRH10C3M		.NUT- SUPPLIER CODE: V52828 SPECIFICATION NUMBER: BACN10JC3CM OPTIONAL PART: T6C1032JM V11815 97E02 V80539 109LH9075-3W V72962 VN303D02 V92215 NS202101SE02 V80539 H01-3BAC V15653 BACN10JC3C BACN10YR3C BACN10YR3CM		3

ILLUSTRATION ITEMS NOT ON PARTS LIST ARE NOT APPLICABLE

- ITEM NOT ILLUSTRATED

HXL

71-41-54-01

BOEING PROPRIETARY - Copyright © - Unpublished Work - See title page for details.

71-41-54
FIG. 01
PAGE 19
DEC 22/07

BOEING
767
PARTS CATALOG (MAINTENANCE)

FIG ITEM	PART NUMBER	1 2 3 4 5 6 7	NOMENCLATURE	EFFECT FROM TO	UNITS PER ASSY
1					
- 261	PLH53CM		.NUT- SUPPLIER CODE: VF0224 SPECIFICATION NUMBER: BACN10YR3CM OPTIONAL PART: H52732-3CM V15653 BACN10JC3C BACN10YR3C BACN10JC3CM		3
- 261	PLH53C		.NUT- SUPPLIER CODE: V62554 SPECIFICATION NUMBER: BACN10YR3C OPTIONAL PART: H52732-3C V15653 BACN10YR3CM BACN10JC3CM BACN10JC3C		3
			-----*-----		
262	332T4921-197		.BRACKET		1
263	332T4922-92		.BRACKET		1
264	332T4922-424		.BRACKET-		1
265	332T4922-396		.BRACKET-		1
267	332T4922-392		.BRACKET ASSY-		1
267	332T4922-606		.BRACKET ASSY- ATTACHING PARTS		1
- 269	NAS6703U2		.BOLT		2
- 270	AN960C10L		.WASHER		2

ILLUSTRATION ITEMS NOT ON PARTS LIST ARE NOT APPLICABLE

- ITEM NOT ILLUSTRATED

HXL

71-41-54-01

BOEING PROPRIETARY - Copyright © - Unpublished Work - See title page for details.

71-41-54
FIG. 01
PAGE 20
DEC 22/08



767

PARTS CATALOG (MAINTENANCE)

FIG ITEM	PART NUMBER	1 2 3 4 5 6 7	NOMENCLATURE	EFFECT FROM TO	UNITS PER ASSY
1					
- 271	BRH10C3		.NUT- SUPPLIER CODE: V52828 SPECIFICATION NUMBER: BACN10JC3C OPTIONAL PART: T6C1032J V11815 97-02 V80539 101LH9075-3W V72962 VN303B02 V92215 NS202101S02 V80539 H31-3BAC V15653 BACN10YR3C BACN10JC3CM BACN10YR3CM		2
- 271	BRH10C3M		.NUT- SUPPLIER CODE: V52828 SPECIFICATION NUMBER: BACN10JC3CM OPTIONAL PART: T6C1032JM V11815 97E02 V80539 109LH9075-3W V72962 VN303D02 V92215 NS202101SE02 V80539 H01-3BAC V15653 BACN10JC3C BACN10YR3C BACN10YR3CM		2

ILLUSTRATION ITEMS NOT ON PARTS LIST ARE NOT APPLICABLE

- ITEM NOT ILLUSTRATED

HXL

71-41-54-01

BOEING PROPRIETARY - Copyright © - Unpublished Work - See title page for details.

71-41-54
FIG. 01
PAGE 21
DEC 22/07

 **BOEING**
767
PARTS CATALOG (MAINTENANCE)

FIG ITEM	PART NUMBER	1 2 3 4 5 6 7	NOMENCLATURE	EFFECT FROM TO	UNITS PER ASSY
1					
- 271	PLH53CM		.NUT- SUPPLIER CODE: VF0224 SPECIFICATION NUMBER: BACN10YR3CM OPTIONAL PART: H52732-3CM V15653 BACN10JC3C BACN10YR3C BACN10JC3CM		2
- 271	PLH53C		.NUT- SUPPLIER CODE: V62554 SPECIFICATION NUMBER: BACN10YR3C OPTIONAL PART: H52732-3C V15653 BACN10YR3CM BACN10JC3CM BACN10JC3C		2
			-----*-----		
272	332T4921-54		.BRACKET ASSY ATTACHING PARTS		1
- 273	NAS6704-1		.BOLT		2
- 274	BACW10BP4ACU		.WASHER		2
			-----*-----		
275	NAS6703U2		.BOLT		1
276	BACW10BP3ACU		.WASHER		1
286	332T4922-166		.BRACKET		1
287	332T4922-344		.BRACKET		1
288	332T4922-91		.BRACKET-		1
288	332T4922-659		.BRACKET-		1
289	NAS6704-1		.BOLT		4
290	BACW10BP4ACU		.WASHER		4
291	332T4922-369		.BRACKET ASSY		1
292	332T4922-86		.BRACKET		1
292	332T4922-437		.BRACKET-		1
295	NAS6703U2		.BOLT		4
298	AN960C10L		.WASHER		4

ILLUSTRATION ITEMS NOT ON PARTS LIST ARE NOT APPLICABLE

- ITEM NOT ILLUSTRATED

HXL

71-41-54-01

BOEING PROPRIETARY - Copyright © - Unpublished Work - See title page for details.

71-41-54
FIG. 01
PAGE 22
DEC 22/08

 **BOEING**
767
PARTS CATALOG (MAINTENANCE)

FIG ITEM	PART NUMBER	1 2 3 4 5 6 7	NOMENCLATURE	EFFECT FROM TO	UNITS PER ASSY
1 301	BRH10C3		.NUT- SUPPLIER CODE: V52828 SPECIFICATION NUMBER: BACN10JC3C OPTIONAL PART: T6C1032J V11815 97-02 V80539 101LH9075-3W V72962 VN303B02 V92215 NS202101S02 V80539 H31-3BAC V15653 BACN10JC3CM BACN10YR3C BACN10YR3CM		4
301	BRH10C3M		.NUT- SUPPLIER CODE: V52828 SPECIFICATION NUMBER: BACN10JC3CM OPTIONAL PART: T6C1032JM V11815 97E02 V80539 109LH9075-3W V72962 VN303D02 V92215 NS202101SE02 V80539 H01-3BAC V15653 BACN10JC3C BACN10YR3C BACN10YR3CM		4

ILLUSTRATION ITEMS NOT ON PARTS LIST ARE NOT APPLICABLE

— ITEM NOT ILLUSTRATED

HXL

71-41-54-01

BOEING PROPRIETARY - Copyright © - Unpublished Work - See title page for details.

71-41-54
FIG. 01
PAGE 23
DEC 22/06



767

PARTS CATALOG (MAINTENANCE)

FIG ITEM	PART NUMBER	1 2 3 4 5 6 7	NOMENCLATURE	EFFECT FROM TO	UNITS PER ASSY
1	301 PLH53CM		.NUT- SUPPLIER CODE: VF0224 SPECIFICATION NUMBER: BACN10YR3CM OPTIONAL PART: H52732-3CM V15653 BACN10JC3C BACN10YR3C BACN10JC3CM		4
	301 PLH53C		.NUT- SUPPLIER CODE: V62554 SPECIFICATION NUMBER: BACN10YR3C OPTIONAL PART: H52732-3C V15653 BACN10YR3CM BACN10JC3CM BACN10JC3C		4
	304 332T4922-439		.BRACKET		1
	307 332T4922-118		.BRACKET-		1
	310 332T4922-452		.BRACKET-		1
	311 332T4922-227		.BRACKET		1
	314 332T4921-213		.BRACKET		1
	317 332T4922-246		.BRACKET		1
	320 332T4922-247		.BRACKET		1
	323 332T4521-38		.BRACKET		1
	326 332T4521-39		.BRACKET-		1
	329 332T4922-89		.BRACKET		1
	332 332T4922-425		.BRACKET-		1
	335 NAS6703U4		.BOLT		1
	338 NAS6703U3		.BOLT		8
	347 NAS6703U2		.BOLT		20
	348 NAS6703U2		.BOLT		2
	350 AN960C10L		.WASHER		16
	351 AN960C10		.WASHER		9
	353 BACW10BP3ACU		.WASHER		6

ILLUSTRATION ITEMS NOT ON PARTS LIST ARE NOT APPLICABLE

- ITEM NOT ILLUSTRATED

71-41-54-01

71-41-54
FIG. 01
PAGE 24
DEC 22/08

HXL

BOEING PROPRIETARY - Copyright © - Unpublished Work - See title page for details.



767

PARTS CATALOG (MAINTENANCE)

FIG ITEM	PART NUMBER	1 2 3 4 5 6 7	NOMENCLATURE	EFFECT FROM TO	UNITS PER ASSY
1 356	BRH10C3		.NUT- SUPPLIER CODE: V52828 SPECIFICATION NUMBER: BACN10JC3C OPTIONAL PART: T6C1032J V11815 97-02 V80539 101LH9075-3W V72962 VN303B02 V92215 NS202101S02 V80539 H31-3BAC V15653 BACN10YR3C BACN10YR3CM BACN10JC3CM		23
356	BRH10C3M		.NUT- SUPPLIER CODE: V52828 SPECIFICATION NUMBER: BACN10JC3CM OPTIONAL PART: T6C1032JM V11815 97E02 V80539 109LH9075-3W V72962 VN303D02 V92215 NS202101SE02 V80539 H01-3BAC V15653 BACN10JC3C BACN10YR3C BACN10YR3CM		23

ILLUSTRATION ITEMS NOT ON PARTS LIST ARE NOT APPLICABLE

- ITEM NOT ILLUSTRATED

HXL

71-41-54-01

BOEING PROPRIETARY - Copyright © - Unpublished Work - See title page for details.

71-41-54
FIG. 01
PAGE 25
DEC 22/06



767

PARTS CATALOG (MAINTENANCE)

FIG ITEM	PART NUMBER	1 2 3 4 5 6 7	NOMENCLATURE	EFFECT FROM TO	UNITS PER ASSY
1					
356	PLH53CM		.NUT- SUPPLIER CODE: VF0224 SPECIFICATION NUMBER: BACN10YR3CM OPTIONAL PART: H52732-3CM V15653 BACN10JC3C BACN10YR3C BACN10JC3CM		23
356	PLH53C		.NUT- SUPPLIER CODE: V62554 SPECIFICATION NUMBER: BACN10YR3C OPTIONAL PART: H52732-3C V15653 BACN10YR3CM BACN10JC3CM BACN10JC3C		23
357	S258T12		.CLAMP SUPPLIER CODE: V18076 SPECIFICATION NUMBER: BACC10DW12S OPTIONAL PART: TA4C44S12T V84971 475CS12 V83930 8084C12T V72285		3
359	332T4921-208		.TUBE ASSY-SUPPORT		1
362	332T4922-426		.BRACKET ASSY-		1
365	332T4922-304		.BRACKET-		1
372	332T4922-475		.SHIM		AR
373	332T4922-476		.SHIM		AR
374	332T4922-297		.SHIELD ASSY-		1
374	332T4923-1		.SHIELD ASSY-		1
377	332T4922-300		.BRACKET ASSY-FLANGE K		1
378	332T4921-296		.TUBE ASSY-		1
378	332T4921-188		.TUBE ASSY-		1
378	332T4921-172		.TUBE ASSY-		1
380	332T4921-181		..END-TUBE USED ON: 332T4921-188		2
ILLUSTRATION ITEMS NOT ON PARTS LIST ARE NOT APPLICABLE					

- ITEM NOT ILLUSTRATED

71-41-54-01

71-41-54
FIG. 01
PAGE 26
DEC 22/08

HXL



767

PARTS CATALOG (MAINTENANCE)

FIG ITEM	PART NUMBER	1 2 3 4 5 6 7	NOMENCLATURE	EFFECT FROM TO	UNITS PER ASSY
1					
383	332T4921-189	..	TUBE- USED ON: 332T4921-188		1
386	332T4922-362	.	SHIELD ASSY-		1
386	332T4923-2	.	SHIELD ASSY-		1
389	332T4921-190	.	TUBE ASSY- OPTIONAL PART: 332T4921-136		1
389	332T4921-136	.	TUBE ASSY- OPTIONAL PART: 332T4921-190		1
392	332T4921-194	..	BRACKET		1
395	332T4921-193	..	BRACKET		1
398	332T4921-181	..	END-TUBE		2
401	332T4921-191	..	TUBE		1
408	332T4922-456	.	BRACKET ASSY-FLANGE M AND N ATTACHING PARTS		1
410	NAS6703U2	.	BOLT-		3
412	NAS6703U2	.	BOLT		2
413	BACW10BP3ACU	.	WASHER		3
415	AN960C10L	.	WASHER		2
			-----*-----		
416	NAS6703U3	.	BOLT		8
419	NAS6703U2	.	BOLT		11
422	AN960C10L	.	WASHER		4
422	AN960C10	.	WASHER		8
423	BACW10BP3ACU	.	WASHER		7
425	BRH10C3	.	NUT-		12
			SUPPLIER CODE: V52828 SPECIFICATION NUMBER: BACN10JC3C OPTIONAL PART: T6C1032J V11815 97-02 V80539 101LH9075-3W V72962 VN303B02 V92215 NS202101S02 V80539 H31-3BAC V15653 BACN10YR3C BACN10JC3CM BACN10YR3CM		
			ILLUSTRATION ITEMS NOT ON PARTS LIST ARE NOT APPLICABLE		

- ITEM NOT ILLUSTRATED

71-41-54-01

71-41-54
FIG. 01
PAGE 27
AUG 22/08

HXL

 **BOEING**
767
PARTS CATALOG (MAINTENANCE)

FIG ITEM	PART NUMBER	1 2 3 4 5 6 7	NOMENCLATURE	EFFECT FROM TO	UNITS PER ASSY
1 425	BRH10C3M		.NUT- SUPPLIER CODE: V52828 SPECIFICATION NUMBER: BACN10JC3CM OPTIONAL PART: T6C1032JM V11815 97E02 V80539 109LH9075-3W V72962 VN303D02 V92215 NS202101SE02 V80539 H01-3BAC V15653 BACN10JC3C BACN10YR3C BACN10YR3CM		12
425	PLH53CM		.NUT- SUPPLIER CODE: VF0224 SPECIFICATION NUMBER: BACN10YR3CM OPTIONAL PART: H52732-3CM V15653 BACN10JC3C BACN10YR3C BACN10JC3CM		12
425	PLH53C		.NUT- SUPPLIER CODE: V62554 SPECIFICATION NUMBER: BACN10YR3C OPTIONAL PART: H52732-3C V15653 BACN10YR3CM BACN10JC3CM BACN10JC3C		12
428	332T4922-286		.BRACKET ASSY-FLANGE N		1
431	332T4922-416		.BRACKET ASSY-FLANGE M		1
434	332T4922-414		.BRACKET ASSY-FLANGE M		1
437	332T4922-413		.BRACKET-FLANGE M		1
440	332T4922-347		.BRACKET-FLANGE M		1

ILLUSTRATION ITEMS NOT ON PARTS LIST ARE NOT APPLICABLE

- ITEM NOT ILLUSTRATED

HXL

71-41-54-01

BOEING PROPRIETARY - Copyright © - Unpublished Work - See title page for details.

71-41-54
FIG. 01
PAGE 28
DEC 22/08



767

PARTS CATALOG (MAINTENANCE)

FIG ITEM	PART NUMBER	1 2 3 4 5 6 7	NOMENCLATURE	EFFECT FROM TO	UNITS PER ASSY
1			ATTACHING PARTS		
- 443	NAS6703U4		.BOLT		3
- 446	AN960C10L		.WASHER		3
- 449	BRH10C3		.NUT-		3
			SUPPLIER CODE: V52828		
			SPECIFICATION NUMBER: BACN10JC3C		
			OPTIONAL PART: T6C1032J		
			V11815		
			97-02		
			V80539		
			101LH9075-3W		
			V72962		
			VN303B02		
			V92215		
			NS202101S02		
			V80539		
			H31-3BAC		
			V15653		
			BACN10YR3C		
			BACN10JC3CM		
			BACN10YR3CM		
- 449	BRH10C3M		.NUT-		3
			SUPPLIER CODE: V52828		
			SPECIFICATION NUMBER: BACN10JC3CM		
			OPTIONAL PART: T6C1032JM		
			V11815		
			97E02		
			V80539		
			109LH9075-3W		
			V72962		
			VN303D02		
			V92215		
			NS202101SE02		
			V80539		
			H01-3BAC		
			V15653		
			BACN10JC3C		
			BACN10YR3C		
			BACN10YR3CM		

ILLUSTRATION ITEMS NOT ON PARTS LIST ARE NOT APPLICABLE

- ITEM NOT ILLUSTRATED

HXL

71-41-54-01

BOEING PROPRIETARY - Copyright © - Unpublished Work - See title page for details.

71-41-54
FIG. 01
PAGE 29
AUG 22/08

BOEING
767
PARTS CATALOG (MAINTENANCE)

FIG ITEM	PART NUMBER	1 2 3 4 5 6 7	NOMENCLATURE	EFFECT FROM TO	UNITS PER ASSY
1					
- 449	PLH53CM		.NUT- SUPPLIER CODE: VF0224 SPECIFICATION NUMBER: BACN10YR3CM OPTIONAL PART: H52732-3CM V15653 BACN10JC3C BACN10YR3C BACN10JC3CM		3
- 449	PLH53C		.NUT- SUPPLIER CODE: V62554 SPECIFICATION NUMBER: BACN10YR3C OPTIONAL PART: H52732-3C V15653 BACN10YR3CM BACN10JC3CM BACN10JC3C		3
451	332T4925-29		-----*----- .BRACKET ASSY-FLANGE M POST SERVICE BULLETIN: 24-0094 ATTACHING PARTS		1
- 452	NAS6703U2		.BOLT-		2
- 455	NAS1149C0332R		.WASHER- POST SERVICE BULLETIN: 24-0094		2

ILLUSTRATION ITEMS NOT ON PARTS LIST ARE NOT APPLICABLE

- ITEM NOT ILLUSTRATED

HXL

71-41-54-01

BOEING PROPRIETARY - Copyright © - Unpublished Work - See title page for details.

71-41-54
FIG. 01
PAGE 30
DEC 22/08



767

PARTS CATALOG (MAINTENANCE)

FIG ITEM	PART NUMBER	1 2 3 4 5 6 7	NOMENCLATURE	EFFECT FROM TO	UNITS PER ASSY
1					
- 458	BRH10C3		.NUT- SUPPLIER CODE: V52828 SPECIFICATION NUMBER: BACN10JC3C OPTIONAL PART: T6C1032J V11815 97-02 V80539 101LH9075-3W V72962 VN303B02 V92215 NS202101S02 V80539 H31-3BAC V15653 BACN10JC3CM BACN10YR3CM BACN10YR3C		2
- 458	BRH10C3M		.NUT- SUPPLIER CODE: V52828 SPECIFICATION NUMBER: BACN10JC3CM OPTIONAL PART: T6C1032JM V11815 97E02 V80539 109LH9075-3W V72962 VN303D02 V92215 NS202101SE02 V80539 H01-3BAC V15653 BACN10JC3C BACN10YR3CM BACN10YR3C		2

ILLUSTRATION ITEMS NOT ON PARTS LIST ARE NOT APPLICABLE

- ITEM NOT ILLUSTRATED

HXL

71-41-54-01

BOEING PROPRIETARY - Copyright © - Unpublished Work - See title page for details.

71-41-54
FIG. 01
PAGE 31
AUG 22/08

 **BOEING**
767
PARTS CATALOG (MAINTENANCE)

FIG ITEM	PART NUMBER	1 2 3 4 5 6 7	NOMENCLATURE	EFFECT FROM TO	UNITS PER ASSY
1					
- 458	PLH53CM		.NUT- SUPPLIER CODE: VF0224 SPECIFICATION NUMBER: BACN10YR3CM OPTIONAL PART: H52732-3CM V15653 BACN10JC3C BACN10JC3CM BACN10YR3C		2
- 458	PLH53C		.NUT- SUPPLIER CODE: V62554 SPECIFICATION NUMBER: BACN10YR3C OPTIONAL PART: H52732-3C V15653 BACN10JC3C BACN10JC3CM		2
464	332T4922-395		-----*----- .BRACKET-FLANGE M ATTACHING PARTS		1
467	NAS6703U2		.BOLT		2
468	NAS1802-3-6		.SCREW		1
470	AN960C10L		.WASHER		3
471	BRH10C3		.NUT- SUPPLIER CODE: V52828 SPECIFICATION NUMBER: BACN10JC3C OPTIONAL PART: T6C1032J V11815 97-02 V80539 101LH9075-3W V72962 VN303B02 V92215 NS202101S02 V80539 H31-3BAC V15653 BACN10JC3CM BACN10YR3CM BACN10YR3C		2
ILLUSTRATION ITEMS NOT ON PARTS LIST ARE NOT APPLICABLE					

- ITEM NOT ILLUSTRATED

HXL

71-41-54-01

BOEING PROPRIETARY - Copyright © - Unpublished Work - See title page for details.

71-41-54
FIG. 01
PAGE 32
DEC 22/08



767

PARTS CATALOG (MAINTENANCE)

FIG ITEM	PART NUMBER	1 2 3 4 5 6 7	NOMENCLATURE	EFFECT FROM TO	UNITS PER ASSY
1 471	BRH10C3M		.NUT- SUPPLIER CODE: V52828 SPECIFICATION NUMBER: BACN10JC3CM OPTIONAL PART: T6C1032JM V11815 97E02 V80539 109LH9075-3W V72962 VN303D02 V92215 NS202101SE02 V80539 H01-3BAC V15653 BACN10JC3C BACN10YR3CM BACN10YR3C		2
471	PLH53CM		.NUT- SUPPLIER CODE: VF0224 SPECIFICATION NUMBER: BACN10YR3CM OPTIONAL PART: H52732-3CM V15653 BACN10JC3C BACN10JC3CM BACN10YR3C		2
471	PLH53C		.NUT- SUPPLIER CODE: V62554 SPECIFICATION NUMBER: BACN10YR3C OPTIONAL PART: H52732-3C V15653 BACN10JC3C BACN10JC3CM		2
473	NAS6703U2		.BOLT		4
474	NAS6703U4		.BOLT		2
475	AN960C10L		.WASHER		6

ILLUSTRATION ITEMS NOT ON PARTS LIST ARE NOT APPLICABLE

- ITEM NOT ILLUSTRATED

HXL

71-41-54-01

BOEING PROPRIETARY - Copyright © - Unpublished Work - See title page for details.

71-41-54
FIG. 01
PAGE 33
DEC 22/08



767

PARTS CATALOG (MAINTENANCE)

FIG ITEM	PART NUMBER	1 2 3 4 5 6 7	NOMENCLATURE	EFFECT FROM TO	UNITS PER ASSY
1 476	BRH10C3		.NUT- SUPPLIER CODE: V52828 SPECIFICATION NUMBER: BACN10JC3C OPTIONAL PART: T6C1032J V11815 97-02 V80539 101LH9075-3W V72962 VN303B02 V92215 NS202101S02 V80539 H31-3BAC V15653 BACN10JC3CM BACN10YR3CM BACN10YR3C		6
476	BRH10C3M		.NUT- SUPPLIER CODE: V52828 SPECIFICATION NUMBER: BACN10JC3CM OPTIONAL PART: T6C1032JM V11815 97E02 V80539 109LH9075-3W V72962 VN303D02 V92215 NS202101SE02 V80539 H01-3BAC V15653 BACN10JC3C BACN10YR3CM BACN10YR3C		6

ILLUSTRATION ITEMS NOT ON PARTS LIST ARE NOT APPLICABLE

- ITEM NOT ILLUSTRATED

HXL

71-41-54-01

BOEING PROPRIETARY - Copyright © - Unpublished Work - See title page for details.

71-41-54
FIG. 01
PAGE 34
AUG 22/08



767

PARTS CATALOG (MAINTENANCE)

FIG ITEM	PART NUMBER	1 2 3 4 5 6 7	NOMENCLATURE	EFFECT FROM TO	UNITS PER ASSY
1					
476	PLH53CM	.NUT-	SUPPLIER CODE: VF0224 SPECIFICATION NUMBER: BACN10YR3CM OPTIONAL PART: H52732-3CM V15653 BACN10JC3C BACN10JC3CM BACN10YR3C		6
476	PLH53C	.NUT-	SUPPLIER CODE: V62554 SPECIFICATION NUMBER: BACN10YR3C OPTIONAL PART: H52732-3C V15653 BACN10JC3C BACN10JC3CM BACN10YR3CM		6
477	332T4922-358	.BRACKET-FLANGE M			1
478	332T4922-354	.SHIELD-FLANGE M			1
494	NAS6703U2	.BOLT			11
495	NAS6703U5	.BOLT			1
496	BACB30LH3U5	.BOLT			1
497	BACW10BP3ACU	.WASHER			10
498	AN960C10L	.WASHER			3
ILLUSTRATION ITEMS NOT ON PARTS LIST ARE NOT APPLICABLE					

- ITEM NOT ILLUSTRATED

HXL

71-41-54-01

BOEING PROPRIETARY - Copyright © - Unpublished Work - See title page for details.

71-41-54
FIG. 01
PAGE 35
DEC 22/08



767

PARTS CATALOG (MAINTENANCE)

FIG ITEM	PART NUMBER	1 2 3 4 5 6 7	NOMENCLATURE	EFFECT FROM TO	UNITS PER ASSY
1 499	BRH10C3		.NUT- SUPPLIER CODE: V52828 SPECIFICATION NUMBER: BACN10JC3C OPTIONAL PART: T6C1032J V11815 97-02 V80539 101LH9075-3W V72962 VN303B02 V92215 NS202101S02 V80539 H31-3BAC V15653 BACN10JC3CM BACN10YR3CM BACN10YR3C		3
499	BRH10C3M		.NUT- SUPPLIER CODE: V52828 SPECIFICATION NUMBER: BACN10JC3CM OPTIONAL PART: T6C1032JM V11815 97E02 V80539 109LH9075-3W V72962 VN303D02 V92215 NS202101SE02 V80539 H01-3BAC V15653 BACN10JC3C BACN10YR3CM BACN10YR3C		3

ILLUSTRATION ITEMS NOT ON PARTS LIST ARE NOT APPLICABLE

- ITEM NOT ILLUSTRATED

HXL

71-41-54-01

BOEING PROPRIETARY - Copyright © - Unpublished Work - See title page for details.

71-41-54
FIG. 01
PAGE 36
AUG 22/08

 **BOEING**
767
PARTS CATALOG (MAINTENANCE)

FIG ITEM	PART NUMBER	1 2 3 4 5 6 7	NOMENCLATURE	EFFECT FROM TO	UNITS PER ASSY
1 499	PLH53CM	.NUT-	SUPPLIER CODE: VF0224 SPECIFICATION NUMBER: BACN10YR3CM OPTIONAL PART: H52732-3CM V15653 BACN10JC3C BACN10JC3CM BACN10YR3C		3
499	PLH53C	.NUT-	SUPPLIER CODE: V62554 SPECIFICATION NUMBER: BACN10YR3C OPTIONAL PART: H52732-3C V15653 BACN10JC3C BACN10JC3CM		3
500	332T4922-464	.SHIELD ASSY-HEAT FLANGE N			1
503	332T4922-485	.SHIELD ASSY-HEAT FLANGE N			1
510	332T4922-204	.BRACKET ASSY-FLANGE N ATTACHING PARTS			1
- 511	NAS6703U3	.BOLT			4
- 512	AN960C10	.WASHER			4

ILLUSTRATION ITEMS NOT ON PARTS LIST ARE NOT APPLICABLE

- ITEM NOT ILLUSTRATED

HXL

71-41-54-01

BOEING PROPRIETARY - Copyright © - Unpublished Work - See title page for details.

71-41-54
FIG. 01
PAGE 37
DEC 22/08



767

PARTS CATALOG (MAINTENANCE)

FIG ITEM	PART NUMBER	1 2 3 4 5 6 7	NOMENCLATURE	EFFECT FROM TO	UNITS PER ASSY
1					
- 513	BRH10C3		.NUT- SUPPLIER CODE: V52828 SPECIFICATION NUMBER: BACN10JC3C OPTIONAL PART: T6C1032J V11815 97-02 V80539 101LH9075-3W V72962 VN303B02 V92215 NS202101S02 V80539 H31-3BAC V15653 BACN10YR3C BACN10YR3CM BACN10JC3CM		4
- 513	BRH10C3M		.NUT- SUPPLIER CODE: V52828 SPECIFICATION NUMBER: BACN10JC3CM OPTIONAL PART: T6C1032JM V11815 97E02 V80539 109LH9075-3W V72962 VN303D02 V92215 NS202101SE02 V80539 H01-3BAC V15653 BACN10JC3C BACN10YR3C BACN10YR3CM		4
ILLUSTRATION ITEMS NOT ON PARTS LIST ARE NOT APPLICABLE					

- ITEM NOT ILLUSTRATED

HXL

71-41-54-01

BOEING PROPRIETARY - Copyright © - Unpublished Work - See title page for details.

71-41-54
FIG. 01
PAGE 38
AUG 22/08



767

PARTS CATALOG (MAINTENANCE)

FIG ITEM	PART NUMBER	1 2 3 4 5 6 7	NOMENCLATURE	EFFECT FROM TO	UNITS PER ASSY
1					
- 513	PLH53CM		.NUT- SUPPLIER CODE: VF0224 SPECIFICATION NUMBER: BACN10YR3CM OPTIONAL PART: H52732-3CM V15653 BACN10JC3C BACN10YR3C BACN10JC3CM		4
- 513	PLH53C		.NUT- SUPPLIER CODE: V62554 SPECIFICATION NUMBER: BACN10YR3C OPTIONAL PART: H52732-3C V15653 BACN10YR3CM BACN10JC3CM BACN10JC3C		4
514	332T4922-96		-----*----- .BRACKET ASSY-FLANGE N ATTACHING PARTS		1
- 515	NAS6703U3		.BOLT		4
- 518	BACW10BP3ACU		.WASHER		4
521	332T4922-236		-----*----- .BRACKET-FLANGE N ATTACHING PARTS		1
- 522	NAS6703U3		.BOLT		3
- 523	AN960C10		.WASHER		3

ILLUSTRATION ITEMS NOT ON PARTS LIST ARE NOT APPLICABLE

- ITEM NOT ILLUSTRATED

HXL

71-41-54-01

BOEING PROPRIETARY - Copyright © - Unpublished Work - See title page for details.

71-41-54
FIG. 01
PAGE 39
DEC 22/08



767

PARTS CATALOG (MAINTENANCE)

FIG ITEM	PART NUMBER	1 2 3 4 5 6 7	NOMENCLATURE	EFFECT FROM TO	UNITS PER ASSY
1					
- 524	BRH10C3		.NUT- SUPPLIER CODE: V52828 SPECIFICATION NUMBER: BACN10JC3C OPTIONAL PART: T6C1032J V11815 97-02 V80539 101LH9075-3W V72962 VN303B02 V92215 NS202101S02 V80539 H31-3BAC V15653 BACN10JC3CM BACN10YR3CM BACN10YR3C		3
- 524	BRH10C3M		.NUT- SUPPLIER CODE: V52828 SPECIFICATION NUMBER: BACN10JC3CM OPTIONAL PART: T6C1032JM V11815 97E02 V80539 109LH9075-3W V72962 VN303D02 V92215 NS202101SE02 V80539 H01-3BAC V15653 BACN10JC3C BACN10YR3C BACN10YR3CM		3

ILLUSTRATION ITEMS NOT ON PARTS LIST ARE NOT APPLICABLE

- ITEM NOT ILLUSTRATED

HXL

71-41-54-01

BOEING PROPRIETARY - Copyright © - Unpublished Work - See title page for details.

71-41-54
FIG. 01
PAGE 40
AUG 22/08



767

PARTS CATALOG (MAINTENANCE)

FIG ITEM	PART NUMBER	1 2 3 4 5 6 7	NOMENCLATURE	EFFECT FROM TO	UNITS PER ASSY
1					
- 524	PLH53CM		.NUT- SUPPLIER CODE: VF0224 SPECIFICATION NUMBER: BACN10YR3CM OPTIONAL PART: H52732-3CM V15653 BACN10JC3C BACN10YR3C BACN10JC3CM		3
- 524	PLH53C		.NUT- SUPPLIER CODE: V62554 SPECIFICATION NUMBER: BACN10YR3C OPTIONAL PART: H52732-3C V15653 BACN10YR3CM BACN10JC3CM BACN10JC3C		3
	527 332T4922-55		-----*----- .BRACKET ATTACHING PARTS		1
- 530	NAS6703U3		.BOLT		3
- 533	AN960C10		.WASHER		3
- 536	PLH53C		.NUT- SUPPLIER CODE: V62554 SPECIFICATION NUMBER: BACN10YR3C OPTIONAL PART: H52732-3C V15653		3
- 536	PLH53CM		.NUT- SUPPLIER CODE: VF0224 SPECIFICATION NUMBER: BACN10YR3CM OPTIONAL PART: H52732-3CM V15653 BACN10YR3C BACN10JC3CM BACN10JC3C		3

ILLUSTRATION ITEMS NOT ON PARTS LIST ARE NOT APPLICABLE

- ITEM NOT ILLUSTRATED

HXL

71-41-54-01

BOEING PROPRIETARY - Copyright © - Unpublished Work - See title page for details.

71-41-54
FIG. 01
PAGE 41
DEC 22/08

BOEING
767
PARTS CATALOG (MAINTENANCE)

FIG ITEM	PART NUMBER	1 2 3 4 5 6 7	NOMENCLATURE	EFFECT FROM TO	UNITS PER ASSY
1 - 536	BRH10C3M		.NUT- SUPPLIER CODE: V52828 SPECIFICATION NUMBER: BACN10JC3CM OPTIONAL PART: T6C1032JM V11815 97E02 V80539 109LH9075-3W V72962 VN303D02 V92215 NS202101SE02 V80539 H01-3BAC V15653 BACN10YR3C BACN10YR3CM BACN10JC3C		3
- 536	BRH10C3		.NUT- SUPPLIER CODE: V52828 SPECIFICATION NUMBER: BACN10JC3C OPTIONAL PART: T6C1032J V11815 97-02 V80539 101LH9075-3W V72962 VN303B02 V92215 NS202101S02 V80539 H31-3BAC V15653 BACN10YR3C BACN10YR3CM BACN10JC3CM		3
551	332T4924-1		-----*----- .BRACKET ASSY-FLANGE P		1

ILLUSTRATION ITEMS NOT ON PARTS LIST ARE NOT APPLICABLE

- ITEM NOT ILLUSTRATED

HXL

71-41-54-01

BOEING PROPRIETARY - Copyright © - Unpublished Work - See title page for details.

71-41-54
FIG. 01
PAGE 42
AUG 22/08



767

PARTS CATALOG (MAINTENANCE)

FIG ITEM	PART NUMBER	1 2 3 4 5 6 7	NOMENCLATURE	EFFECT FROM TO	UNITS PER ASSY
1 554	HL448PZ6-4	..	BOLT SUPPLIER CODE: V60516 SPECIFICATION NUMBER: BACB30MB6A4U OPTIONAL PART: HL48-6-4 V73197 HL48-6-4 V92215 HL48-6-4 V97928 HL48-6-4 V80539 69308-6A4U V56878 HL48-6-4 V08524 HL448PZ6-4 V56878 HL448PZ6-4 V73197 HL448PZ6-4 V80539 HL448PZ6-4 V9N513 HL48-6-4 V9N513 HL48-6-4 V56878 HL448PZ6-4 V97928		4
557	BACC30BH65	..	COLLAR		1
560	BACB28X4E007	..	BUSHING		1
563	332T4922-371	.	BRACKET ASSY		1
564	332T4922-370	.	BRACKET ASSY-		1
566	370D1005-5	..	RECEIVER		1
569	AN960C416L	..	WASHER		1
572	NAS1805-4	..	NUT		1
575	332T4315-1	.	BRACKET ASSY-SPRT FLANGE P		1
578	BACB28X4E007	..	BUSHING		1
581	332T4922-342	.	BRACKET		1
584	332T4922-292	.	BRACKET		1
587	332T4922-262	.	BRACKET-		1
- 593	NAS6703U2	.	ATTACHING PARTS BOLT		3
- 596	AN960C10	.	WASHER		3

ILLUSTRATION ITEMS NOT ON PARTS LIST ARE NOT APPLICABLE

- ITEM NOT ILLUSTRATED

71-41-54-01

71-41-54
FIG. 01
PAGE 43
AUG 22/08

HXL



767

PARTS CATALOG (MAINTENANCE)

FIG ITEM	PART NUMBER	1 2 3 4 5 6 7	NOMENCLATURE	EFFECT FROM TO	UNITS PER ASSY
1					
- 599	BRH10C3		.NUT- SUPPLIER CODE: V52828 SPECIFICATION NUMBER: BACN10JC3C OPTIONAL PART: T6C1032J V11815 97-02 V80539 101LH9075-3W V72962 VN303B02 V92215 NS202101S02 V80539 H31-3BAC V15653 BACN10JC3CM BACN10YR3C BACN10YR3CM		3
- 599	BRH10C3M		.NUT- SUPPLIER CODE: V52828 SPECIFICATION NUMBER: BACN10JC3CM OPTIONAL PART: T6C1032JM V11815 97E02 V80539 109LH9075-3W V72962 VN303D02 V92215 NS202101SE02 V80539 H01-3BAC V15653 BACN10JC3C BACN10YR3C BACN10YR3CM		3

ILLUSTRATION ITEMS NOT ON PARTS LIST ARE NOT APPLICABLE

- ITEM NOT ILLUSTRATED

HXL

71-41-54-01

BOEING PROPRIETARY - Copyright © - Unpublished Work - See title page for details.

71-41-54
FIG. 01
PAGE 44
AUG 22/08

 **BOEING**
767
PARTS CATALOG (MAINTENANCE)

FIG ITEM	PART NUMBER	1 2 3 4 5 6 7	NOMENCLATURE	EFFECT FROM TO	UNITS PER ASSY
1					
- 599	PLH53CM		.NUT- SUPPLIER CODE: VF0224 SPECIFICATION NUMBER: BACN10YR3CM OPTIONAL PART: H52732-3CM V15653 BACN10JC3C BACN10YR3C BACN10JC3CM		3
- 599	PLH53C		.NUT- SUPPLIER CODE: V62554 SPECIFICATION NUMBER: BACN10YR3C OPTIONAL PART: H52732-3C V15653 BACN10YR3CM BACN10JC3CM BACN10JC3C		3
602	332T4922-202		.BRACKET		1
605	332T4922-487		.BRACKET- ATTACHING PARTS		1
- 611	NAS6703U2		.BOLT		2
- 614	AN960C10L		.WASHER		2
- 617	BRH10C3		.NUT- SUPPLIER CODE: V52828 SPECIFICATION NUMBER: BACN10JC3C OPTIONAL PART: T6C1032J V11815 97-02 V80539 101LH9075-3W V72962 VN303B02 V92215 NS202101S02 V80539 H31-3BAC V15653 BACN10JC3CM BACN10YR3C BACN10YR3CM		2
-----*-----					
ILLUSTRATION ITEMS NOT ON PARTS LIST ARE NOT APPLICABLE					

- ITEM NOT ILLUSTRATED

HXL

71-41-54-01

BOEING PROPRIETARY - Copyright © - Unpublished Work - See title page for details.

71-41-54
FIG. 01
PAGE 45
DEC 22/08

 **BOEING**
767
PARTS CATALOG (MAINTENANCE)

FIG ITEM	PART NUMBER	1 2 3 4 5 6 7	NOMENCLATURE	EFFECT FROM TO	UNITS PER ASSY
1					
- 617	BRH10C3M		.NUT- SUPPLIER CODE: V52828 SPECIFICATION NUMBER: BACN10JC3CM OPTIONAL PART: T6C1032JM V11815 97E02 V80539 109LH9075-3W V72962 VN303D02 V92215 NS202101SE02 V80539 H01-3BAC V15653 BACN10JC3C BACN10YR3C BACN10YR3CM		4
- 617	PLH53CM		.NUT- SUPPLIER CODE: VF0224 SPECIFICATION NUMBER: BACN10YR3CM OPTIONAL PART: H52732-3CM V15653 BACN10JC3C BACN10YR3C BACN10JC3CM		2
- 617	PLH53C		.NUT- SUPPLIER CODE: V62554 SPECIFICATION NUMBER: BACN10YR3C OPTIONAL PART: H52732-3C V15653 BACN10YR3CM BACN10JC3CM BACN10JC3C		2
620	332T4921-235		.BRACKET ASSY-		1
620	332T4921-256		.BRACKET ASSY-		1
623	332T4921-186		.TUBE ASSY-		1
623	332T4921-143		.TUBE ASSY-		1
623	332T4921-244		.TUBE ASSY-		1
-----*-----					
ILLUSTRATION ITEMS NOT ON PARTS LIST ARE NOT APPLICABLE					

- ITEM NOT ILLUSTRATED

HXL

71-41-54-01

BOEING PROPRIETARY - Copyright © - Unpublished Work - See title page for details.

71-41-54
FIG. 01
PAGE 46
DEC 22/08

BOEING
767
PARTS CATALOG (MAINTENANCE)

FIG ITEM	PART NUMBER	1 2 3 4 5 6 7	NOMENCLATURE	EFFECT FROM TO	UNITS PER ASSY
1					
623	332T4921-294	.	TUBE ASSY-		1
626	332T4921-192	..	BRACKET		1
629	332T4921-183	..	END-TUBE		1
632	332T4921-187	..	TUBE		1
648	NAS6703U5	.	BOLT-		3
			POST SERVICE BULLETIN: 24-0108R2		
651	NAS1149C0363R	.	WASHER-		3
			POST SERVICE BULLETIN: 24-0108R2		
654	PLH53C	.	NUT-		3
			SUPPLIER CODE: V62554		
			SPECIFICATION NUMBER: BACN10YR3C		
			OPTIONAL PART: H52732-3C		
			V15653		
			POST SERVICE BULLETIN: 24-0108R2		
657	S258T12	.	CLAMP-		2
			SUPPLIER CODE: V18076		
			SPECIFICATION NUMBER: BACC10DW12S		
			OPTIONAL PART: TA4C44S12T		
			V84971		
			475CS12		
			V83930		
			8084C12T		
			V72285		
			POST SERVICE BULLETIN: 24-0108R2		
			ATTACHING PARTS		
-657A	NAS6703U5	.	BOLT-		2
			POST SERVICE BULLETIN: 24-0108R2		
-657B	NAS1149C0363R	.	WASHER-		2
			POST SERVICE BULLETIN: 24-0108R2		

ILLUSTRATION ITEMS NOT ON PARTS LIST ARE NOT APPLICABLE

- ITEM NOT ILLUSTRATED

HXL

71-41-54-01

BOEING PROPRIETARY - Copyright © - Unpublished Work - See title page for details.

71-41-54
FIG. 01
PAGE 47
AUG 22/09

 **BOEING**
767
PARTS CATALOG (MAINTENANCE)

FIG ITEM	PART NUMBER	1 2 3 4 5 6 7	NOMENCLATURE	EFFECT FROM TO	UNITS PER ASSY
R R R R R R R R R R	1 -657C	PLH53C	.NUT- SUPPLIER CODE: V62554 SPECIFICATION NUMBER: BACN10YR3C OPTIONAL PART: H52732-3C V15653 POST SERVICE BULLETIN: 24-0108R2 -----*-----		2
	659	332T4922-640	.BRACKET- QUALIFIED I/W DATA: 332T4922-636 R/B 332T4922-640 T/W 332T4922-641 ONE FORWARD POST SERVICE BULLETIN: 24-0108		1
	660	332T4922-641	.BRACKET- QUALIFIED I/W DATA: 332T4922-636 R/B 332T4922-640 T/W 332T4922-641 ONE FORWARD POST SERVICE BULLETIN: 24-0108		1
	662	332T4922-280	.BRACKET- OPTIONAL PART: 332T4922-499		1
	662	332T4922-499	.BRACKET- OPTIONAL PART: 332T4922-280		1
	665	332T4922-144	.BRACKET		1
	667	PLH53CM	.NUT- SUPPLIER CODE: VF0224 SPECIFICATION NUMBER: BACN10YR3CM OPTIONAL PART: H52732-3CM V15653 BACN10JC3C BACN10YR3C BACN10JC3CM		2
	668	NAS6703U3	.BOLT		2
	674	AN960C10L	.WASHER		2
	ILLUSTRATION ITEMS NOT ON PARTS LIST ARE NOT APPLICABLE				

- ITEM NOT ILLUSTRATED

71-41-54-01

71-41-54
FIG. 01
PAGE 48
AUG 22/09

HXL



767

PARTS CATALOG (MAINTENANCE)

FIG ITEM	PART NUMBER	1 2 3 4 5 6 7	NOMENCLATURE	EFFECT FROM TO	UNITS PER ASSY
1 677	BRH10C3		.NUT- SUPPLIER CODE: V52828 SPECIFICATION NUMBER: BACN10JC3C OPTIONAL PART: T6C1032J V11815 97-02 V80539 101LH9075-3W V72962 VN303B02 V92215 NS202101S02 V80539 H31-3BAC V15653 BACN10JC3CM BACN10YR3C BACN10YR3CM		2
677	BRH10C3M		.NUT- SUPPLIER CODE: V52828 SPECIFICATION NUMBER: BACN10JC3CM OPTIONAL PART: T6C1032JM V11815 97E02 V80539 109LH9075-3W V72962 VN303D02 V92215 NS202101SE02 V80539 H01-3BAC V15653 BACN10JC3C BACN10YR3C BACN10YR3CM		2

ILLUSTRATION ITEMS NOT ON PARTS LIST ARE NOT APPLICABLE

- ITEM NOT ILLUSTRATED

HXL

71-41-54-01

BOEING PROPRIETARY - Copyright © - Unpublished Work - See title page for details.

71-41-54
FIG. 01
PAGE 49
AUG 22/09

 **BOEING**
767
PARTS CATALOG (MAINTENANCE)

FIG ITEM	PART NUMBER	1 2 3 4 5 6 7	NOMENCLATURE	EFFECT FROM TO	UNITS PER ASSY
1 677	PLH53C		.NUT- SUPPLIER CODE: V62554 SPECIFICATION NUMBER: BACN10YR3C OPTIONAL PART: H52732-3C V15653 BACN10YR3CM BACN10JC3CM BACN10JC3C		2
	680	BACC10NT12	.CLAMP-		1
	686	332T4922-402	.BRACKET		1
	690	NAS6705U2	.BOLT		2
	693	BACW10BP5ACU	.WASHER		2
	697	332T4922-109	.BRACKET-		1
	698	NAS6705U2	.BOLT		2
	699	BACW10BP5ACU	.WASHER		2
	700	332T4922-254	.BRACKET		1
	703	NAS6704-6	.BOLT		2
	706	BACW10BP4CD	.WASHER		2
	709	AN960-416	.WASHER		2
	712	NAS1805-4P	.NUT		2
	715	332T4922-472	.BRACKET ASSY-FLANGE B1		1
	718	332T4922-434	.BRACKET-FLANGE B1		1
R	720	332T4925-18	.BRACKET- POST SERVICE BULLETIN: 24-0076 ATTACHING PARTS		1
R	722	MS9715-08	.BOLT		2
R	723	NAS6704U2	.BOLT		1
R	725	BACW10BN4UC	.WASHER		1
R	728	AS3066-10	.NUT		2
R	734	PLH54C	.NUT- SUPPLIER CODE: V62554 SPECIFICATION NUMBER: BACN10YR4C OPTIONAL PART: H52732-4C V15653 -----*-----		1
R	736	332T4921-271	.BRACKET ASSY- POST SERVICE BULLETIN: 24-0108 ATTACHING PARTS		1
-	738	NAS6703U3	.BOLT-		3
-	739	NAS1149C0363R	.WASHER-		3

ILLUSTRATION ITEMS NOT ON PARTS LIST ARE NOT APPLICABLE

- ITEM NOT ILLUSTRATED

HXL

71-41-54-01

BOEING PROPRIETARY - Copyright © - Unpublished Work - See title page for details.

71-41-54
FIG. 01
PAGE 50
AUG 22/09

 **BOEING**
767
PARTS CATALOG (MAINTENANCE)

FIG ITEM	PART NUMBER	1 2 3 4 5 6 7	NOMENCLATURE	EFFECT FROM TO	UNITS PER ASSY
1 - 740	PLH53C		.NUT- SUPPLIER CODE: V62554 SPECIFICATION NUMBER: BACN10YR3C OPTIONAL PART: H52732-3C V15653 -----*-----		3
742	NAS1802-3-7		.SCREW- POST SERVICE BULLETIN: 24-0108R1		3
744	NAS1149C0363R		.WASHER- POST SERVICE BULLETIN: 24-0108R1		3
746	PLH53C		.NUT- SUPPLIER CODE: V62554 SPECIFICATION NUMBER: BACN10YR3C OPTIONAL PART: H52732-3C V15653 POST SERVICE BULLETIN: 24-0108R1		3
748	TA025041-09		.CLAMP- SUPPLIER CODE: V84971 POST SERVICE BULLETIN: 24-0108R1		1
750	TA027016-10		.CLAMP- SUPPLIER CODE: V84971 POST SERVICE BULLETIN: 24-0108R1		2

ILLUSTRATION ITEMS NOT ON PARTS LIST ARE NOT APPLICABLE

- ITEM NOT ILLUSTRATED

HXL

71-41-54-01

BOEING PROPRIETARY - Copyright © - Unpublished Work - See title page for details.

71-41-54
FIG. 01
PAGE 51
AUG 22/09