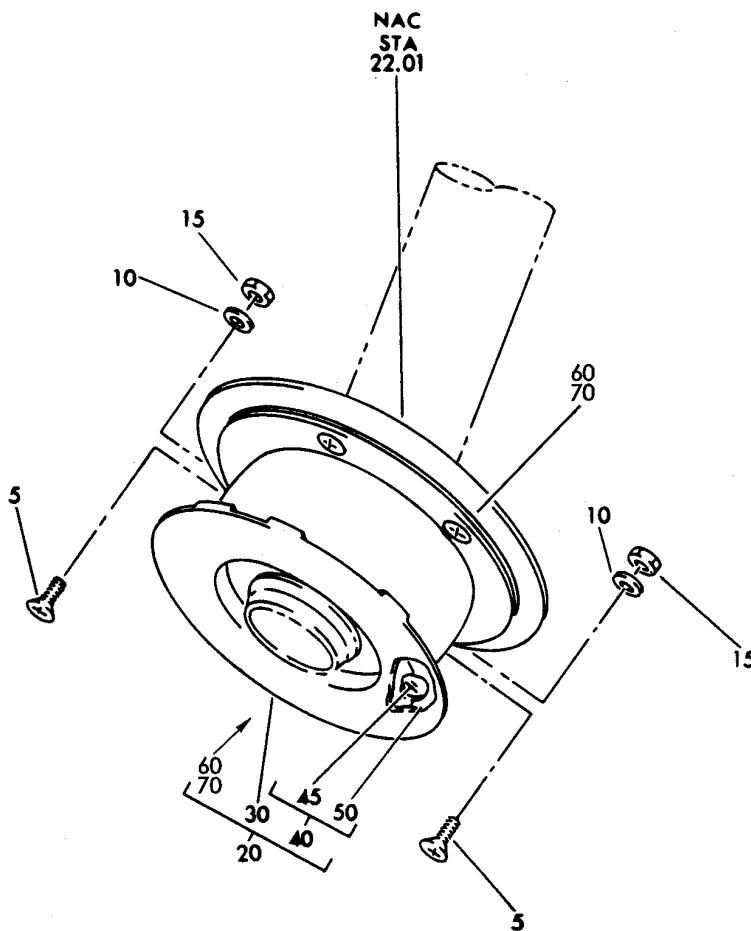
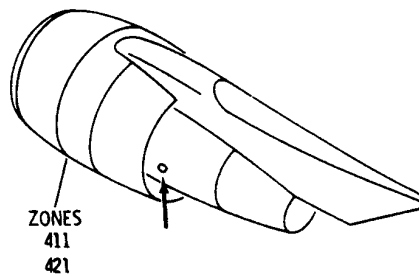


ENGINE VENTS AND DRAINS

HXL
DEC 22/06

71-71-00
SECTION TITLE
PAGE 1

BOEING
767
PARTS CATALOG (MAINTENANCE)



V 71710102 REV 216

SEAL INSTL-ENG GEARBOX BREATHER
FIGURE 2

71-71-01-02

HXL
DEC 22/06

71-71-01-02
PAGE 0

 **BOEING**
767
PARTS CATALOG (MAINTENANCE)

FIG ITEM	PART NUMBER	1 2 3 4 5 6 7	NOMENCLATURE	EFFECT FROM TO	UNITS PER ASSY
2			SEAL INSTL-ENG GEARBOX BREATHER		
- 1	332T4730-1		SEAL INSTL-ENG GEARBOX BREATHER FOR NHA SEE: 71-00-51-02		RF
5	BACB30LH3-3		.BOLT		4
10	NAS1149C0332R		.WASHER-		4
15	BRH10C3		.NUT-		4
			SUPPLIER CODE: V52828 SPECIFICATION NUMBER: BACN10JC3C OPTIONAL PART: T6C1032J V11815 97-02 V80539 101LH9075-3W V72962 VN303B02 V92215 NS202101S02 V80539 H31-3BAC V15653 BACN10YR3C		
15	PLH53C		.NUT-		4
			SUPPLIER CODE: V62554 SPECIFICATION NUMBER: BACN10YR3C OPTIONAL PART: H52732-3C V15653 BACN10JC3C		
20	332T4730-6		.SEAL ASSY-		1
20	332T4730-17		.SEAL ASSY-		1
30	332T4730-7		..WEAR PLATE- USED ON: 332T4730-6		1
30	332T4730-18		..WEAR PLATE- USED ON: 332T4730-17		1
40	332T4730-9		..BACKUP ASSY- USED ON: 332T4730-6		1
ILLUSTRATION ITEMS NOT ON PARTS LIST ARE NOT APPLICABLE					

- ITEM NOT ILLUSTRATED

HXL

71-71-01-02

BOEING PROPRIETARY - Copyright © - Unpublished Work - See title page for details.

71-71-01
FIG. 02
PAGE 1
DEC 22/06



767

PARTS CATALOG (MAINTENANCE)

FIG ITEM	PART NUMBER	1 2 3 4 5 6 7	NOMENCLATURE	EFFECT FROM TO	UNITS PER ASSY
2					
40	332T4730-21		..BACKUP ASSY- USED ON: 332T4730-17		1
45	332T4730-10		...FILLER PLATE- USED ON: 332T4730-9		1
45	332T4730-19		...FILLER PLATE- USED ON: 332T4730-21		1
50	332T4730-11		...BACKUP PLATE- USED ON: 332T4730-9		1
50	332T4730-20		...BACKUP PLATE- USED ON: 332T4730-21		1
60	S15936		..SEAL- SUPPLIER CODE: V75345 SPECIFICATION NUMBER: 60B90142-1 OPTIONAL PART: S15936-2 V75345 USED ON: 332T4730-2 332T4730-17		1
60	S15936-2		..SEAL- SUPPLIER CODE: V75345 SPECIFICATION NUMBER: 60B90142-2 OPTIONAL PART: 83C10035 V60980 OPTIONAL PART: S15936 V75345 USED ON: 332T4730-2 332T4730-17		1
- 65	332T4730-15		..SUB KIT ASSY- OPTIONAL PART: 332T4730-16 USED ON: 332T4730-6		1

ILLUSTRATION ITEMS NOT ON PARTS LIST ARE NOT APPLICABLE

- ITEM NOT ILLUSTRATED

HXL

71-71-01-02

BOEING PROPRIETARY - Copyright © - Unpublished Work - See title page for details.

71-71-01
FIG. 02
PAGE 2
DEC 22/06

 **BOEING**
767
PARTS CATALOG (MAINTENANCE)

FIG ITEM	PART NUMBER	1 2 3 4 5 6 7	NOMENCLATURE	EFFECT FROM TO	UNITS PER ASSY
2					
- 65	332T4730-16		.. SUB KIT ASSY- OPTIONAL PART: 332T4730-15 USED ON: 332T4730-6		1
70	S15936		... SEAL- SUPPLIER CODE: V75345 SPECIFICATION NUMBER: 60B90142-1 OPTIONAL PART: S15936-2 V75345 USED ON: 332T4730-15		1
70	S19536		... SEAL- SUPPLIER CODE: V60980 SPECIFICATION NUMBER: 60B90142-1 OPTIONAL PART: S15936 V75345 OPTIONAL PART: 15936-2 V75345 USED ON: 332T4730-15		1
70	S15936-2		... SEAL- SUPPLIER CODE: V75345 SPECIFICATION NUMBER: 60B90142-2 OPTIONAL PART: 83C10035 V60980 OPTIONAL PART: S15936 V75345 S19536 V60980 USED ON: 332T4730-16		1

ILLUSTRATION ITEMS NOT ON PARTS LIST ARE NOT APPLICABLE

- ITEM NOT ILLUSTRATED

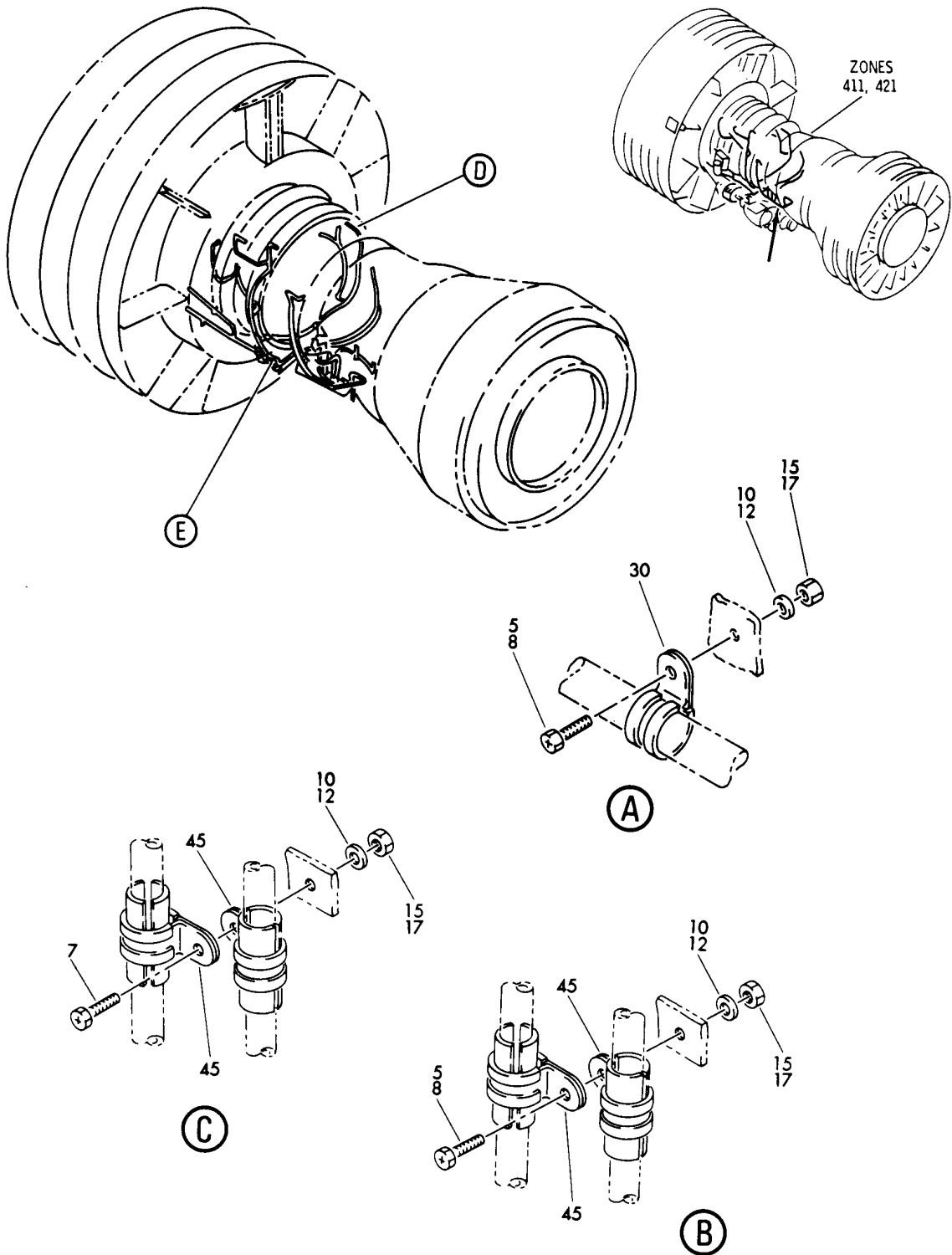
HXL

71-71-01-02

BOEING PROPRIETARY - Copyright © - Unpublished Work - See title page for details.

71-71-01
FIG. 02
PAGE 3
DEC 22/06

BOEING
767
PARTS CATALOG (MAINTENANCE)



V 71710115 SH1 1 REV 100

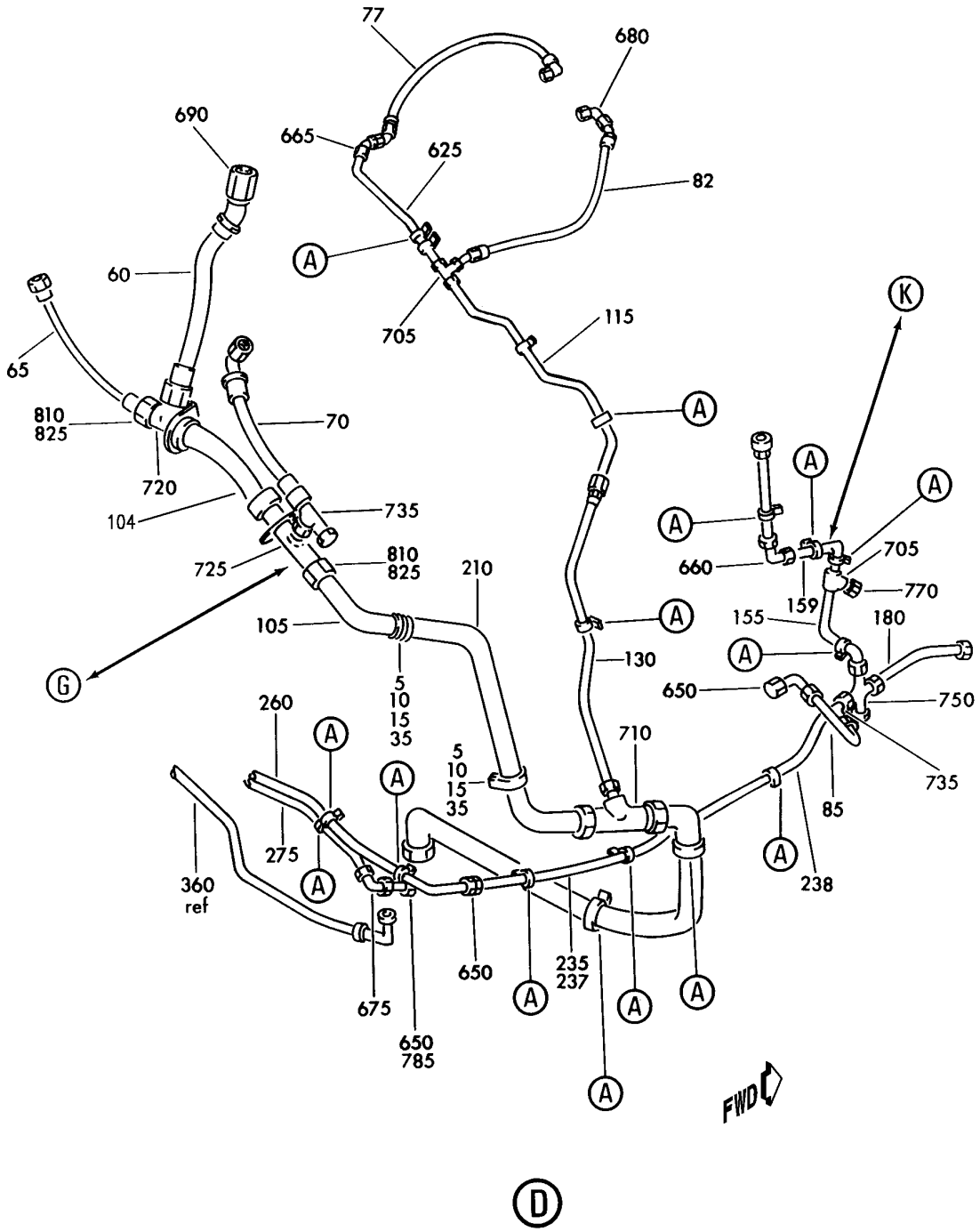
DRAIN INSTL-ENG
FIGURE 15 (SHEET 1)

71-71-01-15

HXL
DEC 22/06

71-71-01-15
PAGE 0

BOEING
767
PARTS CATALOG (MAINTENANCE)



V 71710115 SHT 2 REV 313

DRAIN INSTL-ENG
FIGURE 15 (SHEET 2)

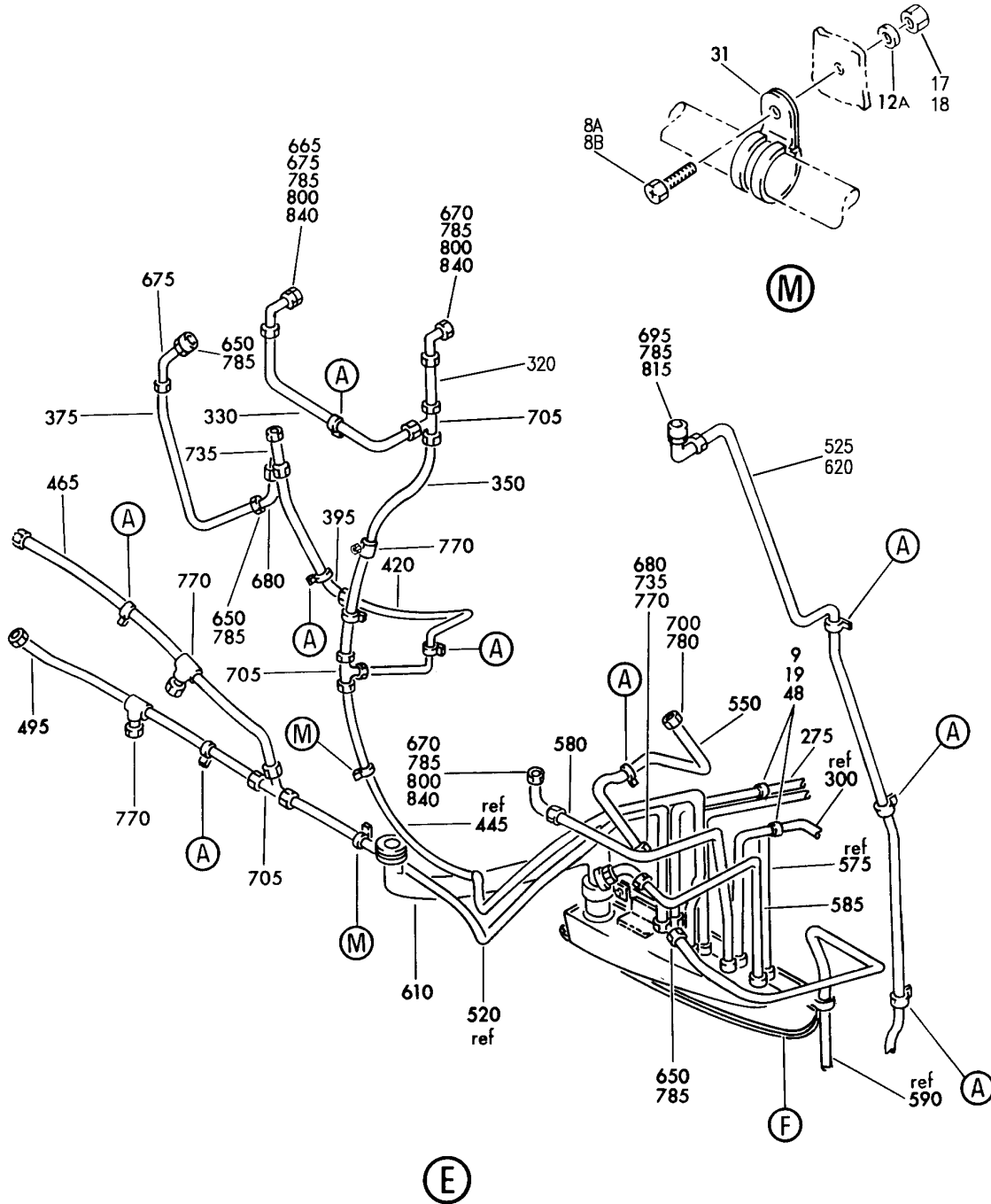
71-71-01-15

HXL
APR 22/07

71-71-01-15
PAGE 0A

BOEING PROPRIETARY - Copyright © - Unpublished Work - See title page for details.

BOEING
767
PARTS CATALOG (MAINTENANCE)



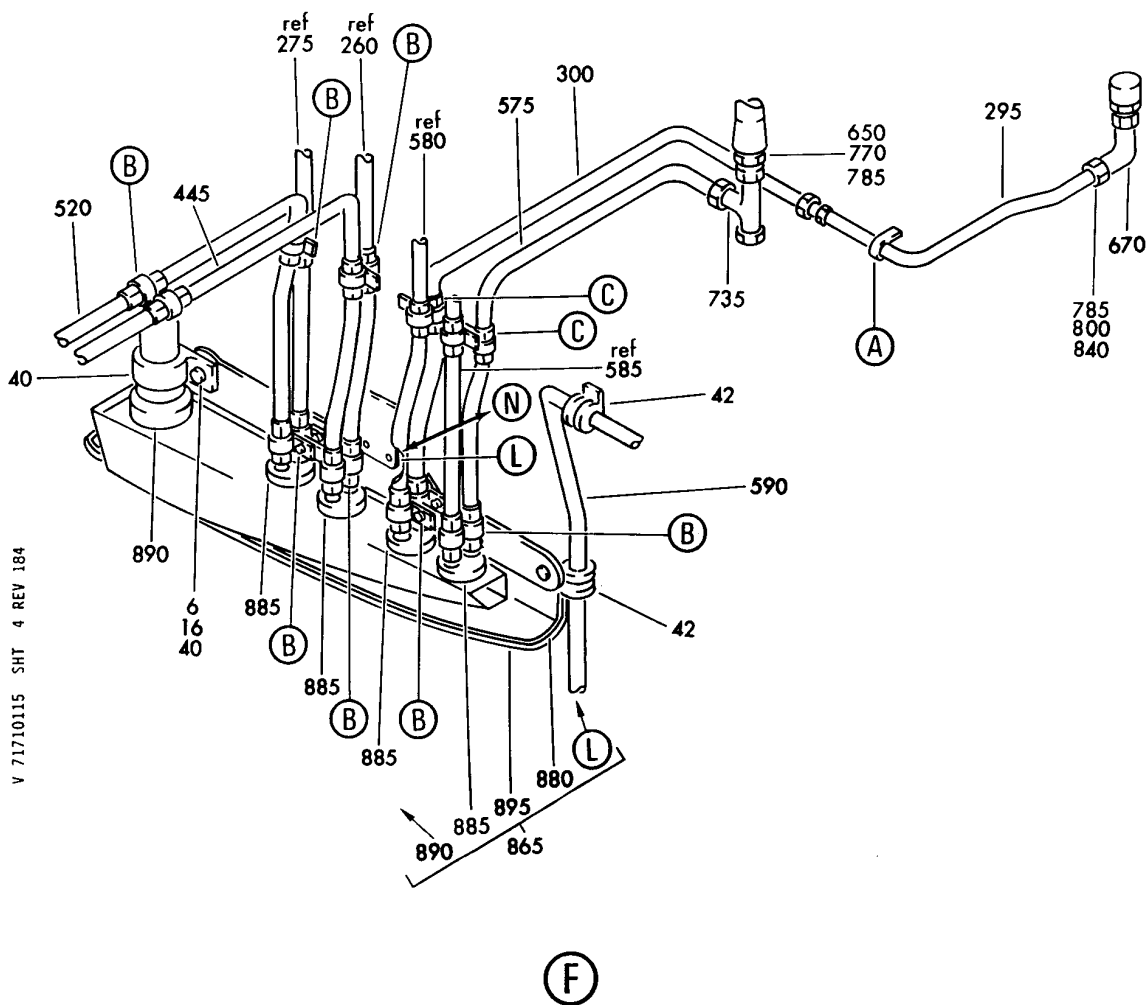
V 71710115 SHT 3 REV 311

DRAIN INSTL-ENG
FIGURE 15 (SHEET 3)

71-71-01-15

HXL
DEC 22/06

71-71-01-15
PAGE 0B



V 71710115 SHT 4 REV 184

DRAIN INSTL-ENG
FIGURE 15 (SHEET 4)

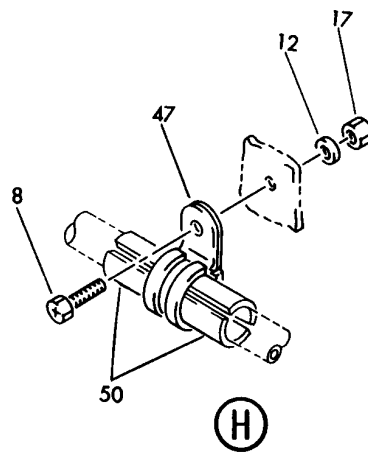
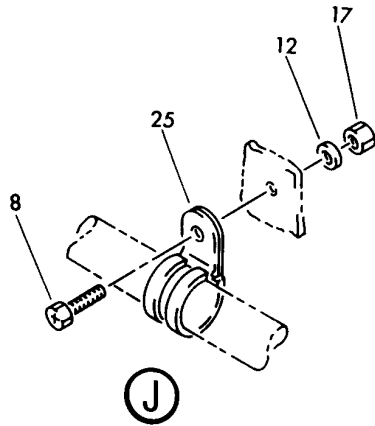
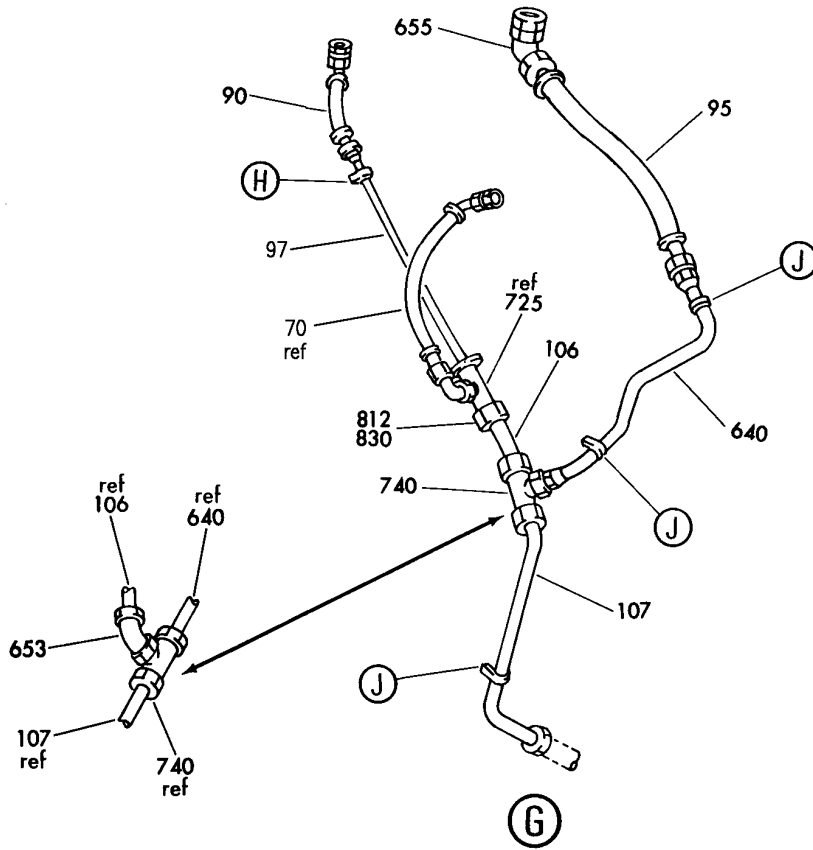
71-71-01-15

HXL
DEC 22/06

71-71-01-15
PAGE 0C

BOEING PROPRIETARY - Copyright © - Unpublished Work - See title page for details.

BOEING
767
PARTS CATALOG (MAINTENANCE)



V 71710115 SH1 5 REV 313

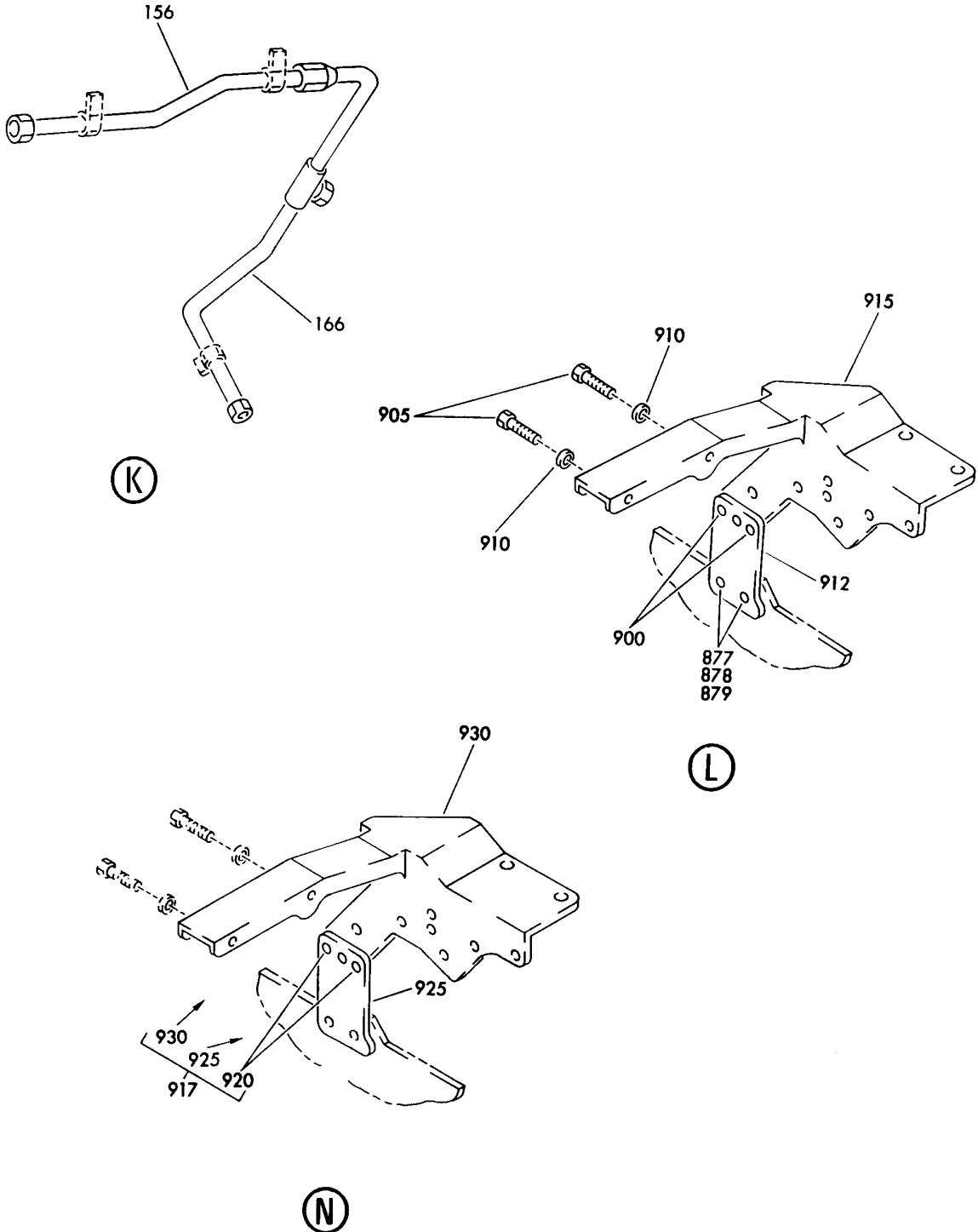
DRAIN INSTL-ENG
FIGURE 15 (SHEET 5)

71-71-01-15

HXL
APR 22/07

71-71-01-15
PAGE 0D

BOEING
767
PARTS CATALOG (MAINTENANCE)



V 71710115 SHT 6 REV 184

DRAIN INSTL-ENG
FIGURE 15 (SHEET 6)

71-71-01-15

HXL
DEC 22/06

71-71-01-15
PAGE 0E



767

PARTS CATALOG (MAINTENANCE)

FIG ITEM	PART NUMBER	1 2 3 4 5 6 7	NOMENCLATURE	EFFECT FROM TO	UNITS PER ASSY
15			DRAIN INSTL-ENG		
- 1	332T4710-2		DRAIN INSTL-ENG FOR NHA SEE: 71-00-51-02		RF
7	BACB30LU3-3		.BOLT-		2
8	NAS1802-3		.SCREW-		36
			SIZE DETERMINED ON INSTL.		
8A	NAS1802-3		.SCREW-		2
			SIZE DETERMINED ON INSTL.		
12	AN960C10L		.WASHER-		38
12A	AN960C10L		.WASHER-		2
17	BRH10C3M		.NUT-		40
			SUPPLIER CODE: V52828		
			SPECIFICATION NUMBER: BACN10JC3CM		
			OPTIONAL PART: T6C1032JM		
			V11815		
			97E02		
			V80539		
			109LH9075-3W		
			V72962		
			VN303D02		
			V92215		
			NS202101SE02		
			V80539		
			H01-3BAC		
			V15653		
			BACN10YR3CM		
			BACN10YR3C		
17	PLH53CM		.NUT-		40
			SUPPLIER CODE: VF0224		
			SPECIFICATION NUMBER: BACN10YR3CM		
			OPTIONAL PART: H52732-3CM		
			V15653		
			BACN10JC3CM		
			BACN10YR3C		

ILLUSTRATION ITEMS NOT ON PARTS LIST ARE NOT APPLICABLE

- ITEM NOT ILLUSTRATED

HXL

71-71-01-15

BOEING PROPRIETARY - Copyright © - Unpublished Work - See title page for details.

71-71-01
FIG. 15
PAGE 1
DEC 22/08



767

PARTS CATALOG (MAINTENANCE)

FIG ITEM	PART NUMBER	1 2 3 4 5 6 7	NOMENCLATURE	EFFECT FROM TO	UNITS PER ASSY
15 17	PLH53C		.NUT- SUPPLIER CODE: V62554 SPECIFICATION NUMBER: BACN10YR3C OPTIONAL PART: H52732-3C V15653 BACN10JC3CM BACN10YR3CM		40
25	025029-12		.CLAMP- SUPPLIER CODE: V84971 SPECIFICATION NUMBER: BACC10HS12 OPTIONAL PART: 490-12RPB V83930 S500-12 V18076 44LC17H12PB V22175		3
30	BACC10EP6		.CLAMP		26
31	BACC10EP6		.CLAMP-		2
35	BACC10EP12		.CLAMP		2
40	S59412		.CLAMP- SUPPLIER CODE: V18076 SPECIFICATION NUMBER: BACC10HR12 OPTIONAL PART: TA035000512 V84971 44CC5H12PB V22175 969SS12PBR V83930		1
45	BACC10GT3-06		.CLAMP ASSY		20
47	BACC10GT3-08		.CLAMP ASSY- SUPPLIER CODE: V83930 SPECIFICATION NUMBER: BACC10GT3-08 QUALIFIED OPTIONAL DATA: BACC10GT1-08 (QTY 1) PLUS BACC10GT2-08 (QTY 2) OPT TO BACC10GT3-08 (QTY 1)		1

ILLUSTRATION ITEMS NOT ON PARTS LIST ARE NOT APPLICABLE

- ITEM NOT ILLUSTRATED

HXL

71-71-01-15

BOEING PROPRIETARY - Copyright © - Unpublished Work - See title page for details.

71-71-01
FIG. 15
PAGE 2
AUG 22/08



767

PARTS CATALOG (MAINTENANCE)

FIG ITEM	PART NUMBER	1 2 3 4 5 6 7	NOMENCLATURE	EFFECT FROM TO	UNITS PER ASSY
15					
50	BACC10GT2-08		.CLAMP SHELL- SUPPLIER CODE: V83930 SPECIFICATION NUMBER: BACC10GT2-08 QUALIFIED OPTIONAL DATA: BACC10GT1-08 (QTY 1) PLUS BACC10GT2-08 (QTY 2) OPT TO BACC10GT3-08 (QTY 1)		2
53	BACC10GT2-06		.CLAMP SHELL-		54
55	BACC10GT1-08		.CLAMP- QUALIFIED OPTIONAL DATA: BACC10GT1-08 (QTY 1) PLUS BACC10GT2-08 (QTY 2) OPT TO BACC10GT3-08 (QTY 1)		1
60	BACC10GT1-06		.CLAMP ASSY		20
70	AS138-08-0086		.HOSE ASSY-		1
77	AS140G172-230		.HOSE ASSY- OPTIONAL PART: BACH7C0172KT230		1
77	BACH7C0172KT230		.HOSE ASSY- OPTIONAL PART: AS140G172-230		1
82	AS139G140-240		.HOSE ASSY- OPTIONAL PART: BACH7C0140KK240		1
82	BACH7C0140KK240		.HOSE ASSY- OPTIONAL PART: AS139G140-240		1
85	AS138-06-0076		.HOSE ASSY		1
90	AS137-08-0063		.HOSE- OPTIONAL PART: 106495-08-0063 V78570		1
90	106495-08-0063		.HOSE- SUPPLIER CODE: V78570 OPTIONAL PART: AS137-08-0063		1
95	AS136-12-0094		.HOSE- OPTIONAL PART: 106494-12-0094 V78570		1

ILLUSTRATION ITEMS NOT ON PARTS LIST ARE NOT APPLICABLE

- ITEM NOT ILLUSTRATED

HXL

71-71-01-15

BOEING PROPRIETARY - Copyright © - Unpublished Work - See title page for details.

71-71-01
FIG. 15
PAGE 3
AUG 22/08

BOEING
767
PARTS CATALOG (MAINTENANCE)

FIG ITEM	PART NUMBER	1 2 3 4 5 6 7	NOMENCLATURE	EFFECT FROM TO	UNITS PER ASSY
15					
95	106494-08-0094		.HOSE- SUPPLIER CODE: V78570 OPTIONAL PART: AS136-12-0094		1
97	332T4710-51		.TUBE ASSY-STRUT TUBING MATERIAL: TUBING CRES 21-6-9 BMS7-185 F-25-01 0.500IN OD 0.026IN WALL 14.01N LG SPARES ORDER MATERIAL CODE: 3278032260		1
- 98	AP2097H08		..SLEEVE SUPPLIER CODE: V01673 SPECIFICATION NUMBER: BACS13BX08H OPTIONAL PART: 2-02903-08H V11328 35235V08 V08199 AFP175V08 V30974 DBOS13BX08H V14798		1
- 99	MS21921-8J		..NUT		1
- 100	35056V08		..UNION SUPPLIER CODE: V08199 SPECIFICATION NUMBER: BACU24AB8H OPTIONAL PART: 2-01027-8H V11328 31875-8H V14397 4671097H8 V50948 AP1004H08 V01673 AFP941H8 V30974 DBOU24AB8H V14798		1
ILLUSTRATION ITEMS NOT ON PARTS LIST ARE NOT APPLICABLE					

- ITEM NOT ILLUSTRATED

HXL

71-71-01-15

BOEING PROPRIETARY - Copyright © - Unpublished Work - See title page for details.

71-71-01
FIG. 15
PAGE 4
AUG 22/09



767

PARTS CATALOG (MAINTENANCE)

FIG ITEM	PART NUMBER	1 2 3 4 5 6 7	NOMENCLATURE	EFFECT FROM TO	UNITS PER ASSY
R R R R R R R R R R	15 106	332T4710-68	.TUBE ASSY-STRUT TUBING MATERIAL: TUBING CRES 21-6-9 BMS7-185 F-25-01 0.750IN OD 0.039IN WALL 6.0IN LG SPARES ORDER MATERIAL CODE: 3278048390		1
	107	332T4710-54	.TUBE ASSY-STRUT TUBING MATERIAL: TUBING CRES 21-6-9 BMS7-185 F-25-01 0.750IN OD 0.039IN WALL 16.0IN LG SPARES ORDER MATERIAL CODE: 3278048390		1
	- 108	AP2097H12	..SLEEVE SUPPLIER CODE: V01673 SPECIFICATION NUMBER: BACS13BX12H OPTIONAL PART: 2-02903-12H V11328 35235V12 V08199 AFP175V12 V30974 DBOS13BX12H V14798		2
	- 110 115	MS21921-12J 332T4710-39	..NUT .TUBE ASSY-FIRESEAL TUBING MATERIAL: TUBING CRES 21-6-9 BMS7-185 F-25.01 0.375IN OD 0.020IN WALL 16.0IN LG SPARES ORDER MATERIAL CODE: 3278024200		2 1

ILLUSTRATION ITEMS NOT ON PARTS LIST ARE NOT APPLICABLE

- ITEM NOT ILLUSTRATED

HXL

71-71-01-15

BOEING PROPRIETARY - Copyright © - Unpublished Work - See title page for details.

71-71-01
FIG. 15
PAGE 5
AUG 22/09



767

PARTS CATALOG (MAINTENANCE)

FIG ITEM	PART NUMBER	1 2 3 4 5 6 7	NOMENCLATURE	EFFECT FROM TO	UNITS PER ASSY
15					
- 118	AP2097H06	..	SLEEVE SUPPLIER CODE: V01673 SPECIFICATION NUMBER: BACS13BX06H OPTIONAL PART: 2-02903-06H V11328 35235V06 V08199 AFP175V06 V30974 DBOS13BX06H V14798		2
- 120	MS21921-6J	..	NUT		2
- 130	332T4710-33	.TUBE	ASSY-FIRESEAL TUBING MATERIAL: TUBING CRES 21-6-9 BMS7-185 F-25.01 0.375IN OD 0.020IN WALL 16.0IN LG SPARES ORDER MATERIAL CODE: 3278024200		1
- 135	AP2097H06	..	SLEEVE SUPPLIER CODE: V01673 SPECIFICATION NUMBER: BACS13BX06H OPTIONAL PART: 2-02903-06H V11328 35235V06 V08199 AFP175V06 V30974 DBOS13BX06H V14798		1
- 140	BACN10YE6	..	NUT		1

R
R
R
R
R
R
R

ILLUSTRATION ITEMS NOT ON PARTS LIST ARE NOT APPLICABLE

- ITEM NOT ILLUSTRATED

HXL

71-71-01-15

BOEING PROPRIETARY - Copyright © - Unpublished Work - See title page for details.

71-71-01
FIG. 15
PAGE 6
AUG 22/09

BOEING
767
PARTS CATALOG (MAINTENANCE)

FIG ITEM	PART NUMBER	1 2 3 4 5 6 7	NOMENCLATURE	EFFECT FROM TO	UNITS PER ASSY
15 - 145	35056V06		. . UNION SUPPLIER CODE: V08199 SPECIFICATION NUMBER: BACU24AB6H OPTIONAL PART: 2-01027-6H V11328 31875-6H V14397 4671097H6 V50948 AP1004H06 V01673 AFP941H6 V30974 DBOU24AB6H V14798		1
155	332T4710-13		. TUBE ASSY-TCC ACTUATOR QUALIFIED I/W DATA: 332T4710-71 TOGETHER WITH 332T4710-70 CAN REPLACE BUT NOT BE REPLACED BY 332T4710-13 TOGETHER WITH 332T4710-36 AND BACT16BL060606J TEE FITTING.	163999	1
R R R R R R R R R R R R R R R	156	332T4710-70	. TUBE ASSY-TCC ACTUATOR TUBING MATERIAL: TUBING CRES 21-6-9 BMD-185F-25.01 0.375IN OD 0.020IN WALL 15.0IN LG SPARES ORDER MATERIAL CODE: 3278024200 QUALIFIED I/W DATA: 332T4710-71 TOGETHER WITH 332T4710-70 CAN REPLACE BUT NOT BE REPLACED BY 332T4710-13 TOGETHER WITH 332T4710-36 AND BACT16BL060606J TEE FITTING	155162	1

ILLUSTRATION ITEMS NOT ON PARTS LIST ARE NOT APPLICABLE

- ITEM NOT ILLUSTRATED

HXL

71-71-01-15

BOEING PROPRIETARY - Copyright © - Unpublished Work - See title page for details.

71-71-01
FIG. 15
PAGE 7
AUG 22/09

 **BOEING**
767
PARTS CATALOG (MAINTENANCE)

FIG ITEM	PART NUMBER	1 2 3 4 5 6 7	NOMENCLATURE	EFFECT FROM TO	UNITS PER ASSY
R R R R R R	15 156	332T4710-85	.TUBE ASSY-STRUT TUBING MATERIAL: TUBING CRES 21-6-9 BMD-185F-25.01 0.375IN OD 0.020IN WALL 15.0IN LG SPARES ORDER MATERIAL CODE: 3278024200	155162	1
	- 157	AP2097H06	..SLEEVE SUPPLIER CODE: V01673 SPECIFICATION NUMBER: BACS13BX06H OPTIONAL PART: 2-02903-06H V11328 35235V06 V08199 AFP175V06 V30974 DBOS13BX06H V14798		2
R R R R R R R R R R	- 158 159	MS21921-6J 332T4710-36	..NUT .TUBE ASSY-TCC ACTUATOR TUBING MATERIAL: TUBING CRES 21-6-9 BMD-185F-25.01 0.375IN OD 0.020IN WALL 15.0IN LG SPARES ORDER MATERIAL CODE: 3278024200 QUALIFIED I/W DATA: 332T4710-70 TOGETHER WITH 332T4710-71 I/W 332T4710-36 TOGETHER WITH 332T4710-13 AND BACT16BL060606J TEE	163999	2 1
	- 160	AP2097H06	..SLEEVE SUPPLIER CODE: V01673 SPECIFICATION NUMBER: BACS13BX06H OPTIONAL PART: 2-02903-06H V11328 35235V06 V08199 AFP175V06 V30974 DBOS13BX06H V14798	163999	2

ILLUSTRATION ITEMS NOT ON PARTS LIST ARE NOT APPLICABLE

- ITEM NOT ILLUSTRATED

HXL

71-71-01-15

BOEING PROPRIETARY - Copyright © - Unpublished Work - See title page for details.

71-71-01
FIG. 15
PAGE 8
AUG 22/09

BOEING
767
PARTS CATALOG (MAINTENANCE)

FIG ITEM	PART NUMBER	1 2 3 4 5 6 7	NOMENCLATURE	EFFECT FROM TO	UNITS PER ASSY
15					
- 165	MS21921-6J		..NUT	163999	2
166	332T4710-71		.TUBE ASSY-TCC ACTUATOR QUALIFIED I/W DATA: 332T4710-71 TOGETHER WITH 332T4710-70 CAN REPLACE BUT NOT BE REPLACED BY 332T4710-13 TOGETHER WITH 332T4710-36 AND BACT16BL060606J TEE FITTING.	155162	1
- 174	MS21921-6J		..NUT	155162	1
- 175	AP2097H06		..SLEEVE SUPPLIER CODE: V01673 SPECIFICATION NUMBER: BACS13BX06H OPTIONAL PART: 2-02903-06H V11328 35235V06 V08199 AFP175V06 V30974 DBOS13BX06H V14798	155162	1
- 176	35056V06		..UNION SUPPLIER CODE: V08199 SPECIFICATION NUMBER: BACU24AB6H OPTIONAL PART: 2-01027-6H V11328 31875-6H V14397 4671097H6 V50948 AP1004H06 V01673 AFP941H6 V30974 DBOU24AB6H V14798	155162	1

ILLUSTRATION ITEMS NOT ON PARTS LIST ARE NOT APPLICABLE

- ITEM NOT ILLUSTRATED

HXL

71-71-01-15

BOEING PROPRIETARY - Copyright © - Unpublished Work - See title page for details.

71-71-01
FIG. 15
PAGE 9
AUG 22/09

BOEING
767
PARTS CATALOG (MAINTENANCE)

FIG ITEM	PART NUMBER	1 2 3 4 5 6 7	NOMENCLATURE	EFFECT FROM TO	UNITS PER ASSY
R R R R R R R	15 180	332T4710-11	.TUBE ASSY-IDG AIR/OIL COOLING VALVE TUBING MATERIAL: TUBING CRES 21-6-9 BMS7-185 F-25.01 0.375IN OD 0.020IN WALL 3.0IN LG SPARES ORDER MATERIAL CODE: 3278024200		1
	- 185	AP2097H06	..SLEEVE SUPPLIER CODE: V01673 SPECIFICATION NUMBER: BACS13BX06H OPTIONAL PART: 2-02903-06H V11328 35235V06 V08199 AFP175V06 V30974 DBOS13BX06H V14798		1
	- 190	MS20819-6J	..SLEEVE		1
	- 195	AN818-6J	..NUT		1
	- 200	MS21921-6J	..NUT		1
R R R R R R R R R R R R	210	332T4710-50	.TUBE ASSY-STRUT TUBING MATERIAL: TUBING CRES 21-6-9 BMS7-185 F-25-01 0.750IN OD 0.039IN WALL 28.0IN LG SPARES ORDER MATERIAL CODE: 3278048390 QUALIFIED I/W DATA: 332T4710-50 CAN REPLACE BUT NOT BE REPLACED BY 332T4710-17 IF SERVICE BULLETIN 767-76-0025 HAS BEEN INCORPORATED.		1

ILLUSTRATION ITEMS NOT ON PARTS LIST ARE NOT APPLICABLE

- ITEM NOT ILLUSTRATED

HXL

71-71-01-15

BOEING PROPRIETARY - Copyright © - Unpublished Work - See title page for details.

71-71-01
FIG. 15
PAGE 10
AUG 22/09



767

PARTS CATALOG (MAINTENANCE)

FIG ITEM	PART NUMBER	1 2 3 4 5 6 7	NOMENCLATURE	EFFECT FROM TO	UNITS PER ASSY
15 - 215	AP2097H12		.. SLEEVE SUPPLIER CODE: V01673 SPECIFICATION NUMBER: BACS13BX12H OPTIONAL PART: 2-02903-12H V11328 35235V12 V08199 AFP175V12 V30974 DBOS13BX12H V14798		2
- 220 235	MS21921-12J 332T4710-10		.. NUT . TUBE ASSY-TCC SVA AIR/OIL COOLING VALVE QUALIFIED I/W DATA: 332T4710-46 TOGETHER WITH 332T4710-47 I/W 332T4710 10 332T4710-46 TOGETHER WITH 332T4710-47 I/W 332T4710-10 332T4710-77 T/W 332T4710-78 REPLACES 332T4710-57 T/W 332T4710-46 AND 332T4710-47 ONE-WAY I/W 332T4710-77 T/W 332T4710-78 REPLACES 332T4710-57 T/W 332T4710-10 ONE-WAY FORWARD		2 1

ILLUSTRATION ITEMS NOT ON PARTS LIST ARE NOT APPLICABLE

- ITEM NOT ILLUSTRATED

HXL

71-71-01-15

BOEING PROPRIETARY - Copyright © - Unpublished Work - See title page for details.

71-71-01
FIG. 15
PAGE 11
AUG 22/09



767

PARTS CATALOG (MAINTENANCE)

FIG ITEM	PART NUMBER	1 2 3 4 5 6 7	NOMENCLATURE	EFFECT FROM TO	UNITS PER ASSY
15 237	332T4710-46		.TUBE ASSY-TCC SVA AIR/OIL COOLING VALVE QUALIFIED I/W DATA: 332T4710-77 T/W 332T4710-78 REPLACES 332T4710-57 T/W 332T4710-46 AND 332T4710-47 ONE-WAY I/W 332T4710-93 T/W 332T4710-78 REPLACES 332T4710-57 T/W 332T4710-46 AND 332T4710-47 ONE-WAY I/W 332T4710-46 TOGETHER WITH 332T4710-47 I/W 332T4710-10 332T4710-109 T/W 332T4710-78 REPLACES 332T4710-57 T/W 332T4710-46 AND 332T4710-47 ONE-WAY FORWARD		1
238	332T4710-47		.TUBE ASSY-TCC SVA AIR/OIL COOLING VALVE QUALIFIED I/W DATA: 332T4710-46 TOGETHER WITH 332T4710-47 I/W 332T4710-10 332T4710-77 T/W 332T4710-78 REPLACES 332T4710-57 T/W 332T4710-46 AND 332T4710-47 ONE-WAY I/W 332T4710-102 T/W 332T4710-77 REPLACES 332T4710-57 T/W 332T4710-46 AND 332T4710-47 ONE-WAY FORWARD		1

ILLUSTRATION ITEMS NOT ON PARTS LIST ARE NOT APPLICABLE

- ITEM NOT ILLUSTRATED

HXL

71-71-01-15

BOEING PROPRIETARY - Copyright © - Unpublished Work - See title page for details.

71-71-01
FIG. 15
PAGE 12
AUG 22/09



767

PARTS CATALOG (MAINTENANCE)

FIG ITEM	PART NUMBER	1 2 3 4 5 6 7	NOMENCLATURE	EFFECT FROM TO	UNITS PER ASSY
15					
- 240	AP2097H06		.. SLEEVE SUPPLIER CODE: V01673 SPECIFICATION NUMBER: BACS13BX06H OPTIONAL PART: 2-02903-06H V11328 35235V06 V08199 AFP175V06 V30974 DBOS13BX06H V14798		2
- 245	MS21921-6J		.. NUT- USED ON: 332T4710-77		2
- 247	BACN10YE6		.. NUT- USED ON: 332T4710-46		1
R R	- 250	AP1008-06J	.. CAP ASSY SUPPLIER CODE: V01673 SPECIFICATION NUMBER: BACC14AD06J OPTIONAL PART: US2103-06J V50808		1
	260	332T4710-57	. TUBE ASSY-TCC SVA AIR/OIL COOLING VALVE TUBING MATERIAL: TUBING CRES 21-6-9 BMS7-185 F-25.01 0.375IN OD 0.020IN WALL 24.30IN LG SPARES ORDER MATERIAL CODE: 3278024200 QUALIFIED I/W DATA: 332T4710-77 T/W 332T4710-78 REPLACES 332T4710-57 T/W 332T4710-46 AND 332T4710-47 ONE-WAY I/W 332T4710-93 T/W 332T4710-78 REPLACES 332T4710-57 T/W 332T4710-46 AND 332T4710-47 ONE WAY I/W		1
ILLUSTRATION ITEMS NOT ON PARTS LIST ARE NOT APPLICABLE					

- ITEM NOT ILLUSTRATED

HXL

71-71-01-15

BOEING PROPRIETARY - Copyright © - Unpublished Work - See title page for details.

71-71-01
FIG. 15
PAGE 13
AUG 22/09

 **BOEING**
767
PARTS CATALOG (MAINTENANCE)

FIG ITEM	PART NUMBER	1 2 3 4 5 6 7	NOMENCLATURE	EFFECT FROM TO	UNITS PER ASSY
15 - 265	35056V06		.. UNION SUPPLIER CODE: V08199 SPECIFICATION NUMBER: BACU24AB6H OPTIONAL PART: 2-01027-6H V11328 31875-6H V14397 4671097H6 V50948 AP1004H06 V01673 AFP941H6 V30974 DBOU24AB6H V14798		1
R R R R R R R R R R R R	275 332T4710-58		. TUBE ASSY-FUEL PUMP PAD TUBING MATERIAL: TUBING CRES 21-6-9 BMS7-185 F-25.01 0.375IN OD 0.020IN WALL 24.30IN LG SPARES ORDER MATERIAL CODE: 3278024200 QUALIFIED I/W DATA: 332T4710-58 CAN REPLACE BUT NOT BE REPLACED BY 332T4710-14 IF SERVICE BULLETIN 767-71A0049-02 HAS BEEN INCORPORATED.		1
R R R R R R R R R R R	275 332T4710-94		. TUBE ASSY-FUEL PUMP PAD TUBING MATERIAL: TUBING CRES 21-6-9 BMS7-185 F-25.01 0.375IN OD 0.020IN WALL 25.0 IN LG SPARES ORDER MATERIAL CODE: 3278024200		1
R R R R R R R R R	280 332T4710-8		. TUBE ASSY-HYDR PUMP PAD TUBING MATERIAL: TUBING CRES 21-6-9 BMS7-185 F-25.01 0.375IN OD 0.020IN WALL 10.0IN LG SPARES ORDER MATERIAL CODE: 3278024200		1

ILLUSTRATION ITEMS NOT ON PARTS LIST ARE NOT APPLICABLE

- ITEM NOT ILLUSTRATED

HXL

71-71-01-15

BOEING PROPRIETARY - Copyright © - Unpublished Work - See title page for details.

71-71-01
FIG. 15
PAGE 14
AUG 22/09



767

PARTS CATALOG (MAINTENANCE)

FIG ITEM	PART NUMBER	1 2 3 4 5 6 7	NOMENCLATURE	EFFECT FROM TO	UNITS PER ASSY
15 - 285	AP2097H06	..	SLEEVE SUPPLIER CODE: V01673 SPECIFICATION NUMBER: BACS13BX06H OPTIONAL PART: 2-02903-06H V11328 35235V06 V08199 AFP175V06 V30974 DBOS13BX06H V14798		1
- 290	MS21921-6J	..	NUT-		1
- 295	35056V06	..	UNION SUPPLIER CODE: V08199 SPECIFICATION NUMBER: BACU24AB6H OPTIONAL PART: 2-01027-6H V11328 31875-6H V14397 4671097H6 V50948 AP1004H06 V01673 AFP941H6 V30974 DBOU24AB6H V14798		1
R R R R R R R	300 332T4710-56	.TUBE	ASSY-HYDR PUMP PAD TUBING MATERIAL: TUBING CRES 21-6-9 BMS7-185 F-25.01 0.375IN OD 0.020IN WALL 17.30IN LG SPARES ORDER MATERIAL CODE: 3278024200		1

ILLUSTRATION ITEMS NOT ON PARTS LIST ARE NOT APPLICABLE

- ITEM NOT ILLUSTRATED

HXL

71-71-01-15

BOEING PROPRIETARY - Copyright © - Unpublished Work - See title page for details.

71-71-01
FIG. 15
PAGE 15
AUG 22/09

BOEING
767
PARTS CATALOG (MAINTENANCE)

FIG ITEM	PART NUMBER	1 2 3 4 5 6 7	NOMENCLATURE	EFFECT FROM TO	UNITS PER ASSY
15 - 305	AP2097H06		.. SLEEVE SUPPLIER CODE: V01673 SPECIFICATION NUMBER: BACS13BX06H OPTIONAL PART: 2-02903-06H V11328 35235V06 V08199 AFP175V06 V30974 DBOS13BX06H V14798		1
- 310	MS21921-6J		.. NUT-		1
- 315	35056V06		.. UNION- SUPPLIER CODE: V08199 SPECIFICATION NUMBER: BACU24AB6H OPTIONAL PART: 2-01027-6H V11328 31875-6H V14397 4671097H6 V50948 AP1004H06 V01673 AFP941H6 V30974 DBOU24AB6H V14798 USED ON: 332T4710-8		1
R R R R R R R R	320	332T4710-26	. TUBE ASSY-FUEL/OIL COOLER ENG CORE REAR FUEL TUBING MATERIAL: TUBING CRES 21-6-9 BMS7-185 F-25.01 0.375IN OD 0.020IN WALL 13.0IN LG SPARES ORDER MATERIAL CODE: 3278024200		1

ILLUSTRATION ITEMS NOT ON PARTS LIST ARE NOT APPLICABLE

- ITEM NOT ILLUSTRATED

HXL

71-71-01-15

BOEING PROPRIETARY - Copyright © - Unpublished Work - See title page for details.

71-71-01
FIG. 15
PAGE 16
AUG 22/09



767

PARTS CATALOG (MAINTENANCE)

FIG ITEM	PART NUMBER	1 2 3 4 5 6 7	NOMENCLATURE	EFFECT FROM TO	UNITS PER ASSY
15 - 323	AP2097H06		.. SLEEVE SUPPLIER CODE: V01673 SPECIFICATION NUMBER: BACS13BX06H OPTIONAL PART: 2-02903-06H V11328 35235V06 V08199 AFP175V06 V30974 DBOS13BX06H V14798		2
- 326 330	BACN10YE6 332T4710-44		.. NUT .TUBE ASSY-FUEL/OIL COOLER ENG CORE FRONT FUEL TUBING MATERIAL: TUBING CRES 21-6-9 BMS7-185 F-25.01 0.375IN OD 0.020IN WALL 11.0IN LG SPARES ORDER MATERIAL CODE: 3278024200 QUALIFIED I/W DATA: 332T4710-67 TUBE ASSY TOGETHER WITH BACS13BX06H SLEEVE AND TOGETHER WITH MS21921-6J NUT CAN REPLACE OR BE REPLACED BY 332T4710-44 OPTIONAL PART: 332T4710-67 332T4710-73		2 1

R
R
R
R
R
R
R
R
R
R
R
R
R
R
R
R

ILLUSTRATION ITEMS NOT ON PARTS LIST ARE NOT APPLICABLE

- ITEM NOT ILLUSTRATED

71-71-01-15

HXL

BOEING PROPRIETARY - Copyright © - Unpublished Work - See title page for details.

71-71-01
FIG. 15
PAGE 17
AUG 22/09

PARTS CATALOG (MAINTENANCE)

FIG ITEM	PART NUMBER	1 2 3 4 5 6 7	NOMENCLATURE	EFFECT FROM TO	UNITS PER ASSY
15 330	332T4710-67		.TUBE ASSY-FUEL/OIL COOLER ENG CORE FRONT FUEL DRAIN QUALIFIED I/W DATA: 332T4710-67 TUBE ASSY TOGETHER WITH BACS13BX06H SLEEVE AND TOGETHER WITH MS21921-6J NUT CAN REPLACE OR BE REPLACED BY 332T4710-44. 332T4710-73 TUBE ASSY CAN REPLACE OR BE REPLACED BY 332T4710-67 TOGETHER WITH BACS13BX06H AND MS21921-6J NUT OPTIONAL PART: 332T4710-44 332T4710-73		1
330	332T4710-73		.TUBE ASSY-FUEL/OIL COOLER ENG CORE FRONT FUEL DRAIN TUBING MATERIAL: 0.375 IN. OD 0.020 IN. WALL 23.0 IN. LG 21-6-9 BMS7-185 F-25.01 CRES QUALIFIED I/W DATA: 332T4710-73 TUBE ASSY CAN REPLACE OR BE REPLACED BY 332T4710-67 TOGETHER WITH BACS13BX06H AND MS21921-6J NUT OPTIONAL PART: 332T4710-67 332T4710-44		1

ILLUSTRATION ITEMS NOT ON PARTS LIST ARE NOT APPLICABLE

- ITEM NOT ILLUSTRATED

HXL

71-71-01-15

BOEING PROPRIETARY - Copyright © - Unpublished Work - See title page for details.

 71-71-01
 FIG. 15
 PAGE 18
 AUG 22/09

BOEING
767
PARTS CATALOG (MAINTENANCE)

FIG ITEM	PART NUMBER	1 2 3 4 5 6 7	NOMENCLATURE	EFFECT FROM TO	UNITS PER ASSY
15 - 335	AP2097H06		.. SLEEVE SUPPLIER CODE: V01673 SPECIFICATION NUMBER: BACS13BX06H OPTIONAL PART: 2-02903-06H V11328 35235V06 V08199 AFP175V06 V30974 DBOS13BX06H V14798		2
- 340	MS21921-6J		.. NUT		2
350	332T4710-25		. TUBE ASSY-FUEL/OIL COOLER ENG CORE FUEL		1
- 355	AP2097H06		.. SLEEVE SUPPLIER CODE: V01673 SPECIFICATION NUMBER: BACS13BX06H OPTIONAL PART: 2-02903-06H V11328 35235V06 V08199 AFP175V06 V30974 DBOS13BX06H V14798		2
- 360	MS21921-6J		.. NUT-		2
- 365	AP1008-06J		.. CAP ASSY- SUPPLIER CODE: V01673 SPECIFICATION NUMBER: BACC14AD06J OPTIONAL PART: US2103-06J V50808 USED ON: 332T4710-25		1
R R R R R R R R					

ILLUSTRATION ITEMS NOT ON PARTS LIST ARE NOT APPLICABLE

- ITEM NOT ILLUSTRATED

HXL

71-71-01-15

BOEING PROPRIETARY - Copyright © - Unpublished Work - See title page for details.

71-71-01
FIG. 15
PAGE 19
AUG 22/09



767

PARTS CATALOG (MAINTENANCE)

FIG ITEM	PART NUMBER	1 2 3 4 5 6 7	NOMENCLATURE	EFFECT FROM TO	UNITS PER ASSY
R R R R R R R	15 375	332T4710-29	.TUBE ASSY-FUEL/OIL COOLER IDGS CORE FUEL TUBING MATERIAL: TUBING CRES 21-6-9 BMS7-185 F-25.01 0.375IN OD 0.020IN WALL 13.0IN LG SPARES ORDER MATERIAL CODE: 3278024200		1
	395	332T4710-28	.TUBE ASSY-FUEL/OIL IDGS AND BYPASS VALVE		1
	- 400	AP2097H06	..SLEEVE SUPPLIER CODE: V01673 SPECIFICATION NUMBER: BACS13BX06H OPTIONAL PART: 2-02903-06H V11328 35235V06 V08199 AFP175V06 V30974 DBOS13BX06H V14798		2
	- 405	MS21921-6J	..NUT-		2
R R R R R R R R R R R R	- 410	AP1008-06J	..CAP ASSY- SUPPLIER CODE: V01673 SPECIFICATION NUMBER: BACC14AD06J OPTIONAL PART: US2103-06J V50808 USED ON: 332T4710-28 332T4710-106		1
	420	332T4710-35	.TUBE ASSY-FUEL/OIL COOLER IDGS AND BYPASS VALVE TUBING MATERIAL: TUBING CRES 21-6-9 BMS7-185 F-25.01 0.375IN OD 0.020IN WALL 17.0IN LG SPARES ORDER MATERIAL CODE: 3278024200		1

ILLUSTRATION ITEMS NOT ON PARTS LIST ARE NOT APPLICABLE

- ITEM NOT ILLUSTRATED

HXL

71-71-01-15

BOEING PROPRIETARY - Copyright © - Unpublished Work - See title page for details.

71-71-01
FIG. 15
PAGE 20
AUG 22/09



767

PARTS CATALOG (MAINTENANCE)

FIG ITEM	PART NUMBER	1 2 3 4 5 6 7	NOMENCLATURE	EFFECT FROM TO	UNITS PER ASSY
15					
- 425	AP2097H06		.. SLEEVE SUPPLIER CODE: V01673 SPECIFICATION NUMBER: BACS13BX06H OPTIONAL PART: 2-02903-06H V11328 35235V06 V08199 AFP175V06 V30974 DBOS13BX06H V14798		1
- 430	MS21921-6J		.. NUT-		1
- 435	35056V06		.. UNION SUPPLIER CODE: V08199 SPECIFICATION NUMBER: BACU24AB6H OPTIONAL PART: 2-01027-6H V11328 31875-6H V14397 4671097H6 V50948 AP1004H06 V01673 AFP941H6 V30974 DBOU24AB6H V14798		1
R R R R R R R	445	332T4710-60	.TUBE ASSY-FUEL/OIL COOLER TUBING MATERIAL: TUBING CRES 21-6-9 BMS7-185 F-25.01 0.375IN OD 0.020IN WALL 22.30IN LG SPARES ORDER MATERIAL CODE: 3278024200		1

ILLUSTRATION ITEMS NOT ON PARTS LIST ARE NOT APPLICABLE

- ITEM NOT ILLUSTRATED

HXL

71-71-01-15

BOEING PROPRIETARY - Copyright © - Unpublished Work - See title page for details.

71-71-01
 FIG. 15
 PAGE 21
 AUG 22/09

 **BOEING**
767
PARTS CATALOG (MAINTENANCE)

FIG ITEM	PART NUMBER	1 2 3 4 5 6 7	NOMENCLATURE	EFFECT FROM TO	UNITS PER ASSY
15					
- 450	AP2097H06	..	SLEEVE SUPPLIER CODE: V01673 SPECIFICATION NUMBER: BACS13BX06H OPTIONAL PART: 2-02903-06H V11328 35235V06 V08199 AFP175V06 V30974 DBOS13BX06H V14798		1
- 455	MS21921-6J	..	NUT-		1
- 455	BACN10YE6L	..	NUT-		1
465	332T4710-45	.TUBE	ASSY-ENG AIR/OIL COOLING VALVE		1
- 470	AP2097H06	..	SLEEVE SUPPLIER CODE: V01673 SPECIFICATION NUMBER: BACS13BX06H OPTIONAL PART: 2-02903-06H V11328 35235V06 V08199 AFP175V06 V30974 DBOS13BX06H V14798		1
- 475	MS20819-6J	..	SLEEVE		1
- 480	AN818-6J	..	NUT		1
- 485	MS21921-6J	..	NUT		1
- 490	AP1008-06J	..	CAP ASSY- SUPPLIER CODE: V01673 SPECIFICATION NUMBER: BACC14AD06J OPTIONAL PART: US2103-06J V50808 BACC14AD06JL		1
R R R R R R R R					

ILLUSTRATION ITEMS NOT ON PARTS LIST ARE NOT APPLICABLE

- ITEM NOT ILLUSTRATED

HXL

71-71-01-15

BOEING PROPRIETARY - Copyright © - Unpublished Work - See title page for details.

71-71-01
FIG. 15
PAGE 22
AUG 22/09



767

PARTS CATALOG (MAINTENANCE)

FIG ITEM	PART NUMBER	1 2 3 4 5 6 7	NOMENCLATURE	EFFECT FROM TO	UNITS PER ASSY
15 - 490	AP1008-06JL		..CAP- SUPPLIER CODE: V01673 SPECIFICATION NUMBER: BACC14AD06JL OPTIONAL PART: DBOC14AD6JL V14798 FER22661-06JL V14397 2-02813-04JL V11328 4690009-06JL V50948 AFP241-06JL V30974 US2103-06JL V50808 BACC14AD06J		1
495	332T4710-23		.TUBE ASSY-2.5 BLEED ACTUATOR		1
- 500	AP2097H06		..SLEEVE SUPPLIER CODE: V01673 SPECIFICATION NUMBER: BACS13BX06H OPTIONAL PART: 2-02903-06H V11328 35235V06 V08199 AFP175V06 V30974 DBOS13BX06H V14798		2
- 505	MS21921-6J		..NUT		2
- 510	AP1008-06J		..CAP ASSY- SUPPLIER CODE: V01673 SPECIFICATION NUMBER: BACC14AD06J OPTIONAL PART: US2103-06J V50808		1

R
R
R
R
R
R
R

ILLUSTRATION ITEMS NOT ON PARTS LIST ARE NOT APPLICABLE

- ITEM NOT ILLUSTRATED

HXL

71-71-01-15

BOEING PROPRIETARY - Copyright © - Unpublished Work - See title page for details.

71-71-01
FIG. 15
PAGE 23
AUG 22/09



767

PARTS CATALOG (MAINTENANCE)

FIG ITEM	PART NUMBER	1 2 3 4 5 6 7	NOMENCLATURE	EFFECT FROM TO	UNITS PER ASSY
15					
R R	520	332T4710-59	.TUBE ASSY-AIR/OIL COOLER 2.5 BLEED ACTUATOR TUBING MATERIAL: TUBING CRES 21-6-9 BMS7-185 F-25.01 0.375IN OD 0.020IN WALL 29.30IN LG SPARES ORDER MATERIAL CODE: 3278024200		1
	525	332T4710-37	.TUBE ASSY-OIL FILL SCUPPER TUBING MATERIAL: TUBING CRES 21-6-9 BMS7-185 F-25.01 0.375IN OD 0.020IN WALL 44.0IN LG SPARES ORDER MATERIAL CODE: 3278024200	163163	1
	525	332T4710-48	.TUBE ASSY-OIL FILL SCUPPER TUBING MATERIAL: TUBING CRES 21-6-9 BMS7-185 F-25.01 0.375IN OD 0.020IN WALL 44.0IN LG SPARES ORDER MATERIAL CODE: 3278024200		1
	525	332T4710-79	.TUBE ASSY-OIL FILL SCUPPER TUBING MATERIAL: TUBING CRES 21-6-9 BMS7-185 F-25.01 0.375IN OD 0.020IN WALL 44.0IN LG SPARES ORDER MATERIAL CODE: 3278024200		1
-	530	AP2097H06	..SLEEVE SUPPLIER CODE: V01673 SPECIFICATION NUMBER: BACS13BX06H OPTIONAL PART: 2-02903-06H V11328 35235V06 V08199 AFP175V06 V30974 DBOS13BX06H V14798		1
-	535	MS21921-6J	..NUT	163163	1
-	535	BACN10YE6	..NUT		1

ILLUSTRATION ITEMS NOT ON PARTS LIST ARE NOT APPLICABLE

- ITEM NOT ILLUSTRATED

71-71-01-15

HXL

BOEING PROPRIETARY - Copyright © - Unpublished Work - See title page for details.

71-71-01
FIG. 15
PAGE 24
AUG 22/09

BOEING
767
PARTS CATALOG (MAINTENANCE)

FIG ITEM	PART NUMBER	1 2 3 4 5 6 7	NOMENCLATURE	EFFECT FROM TO	UNITS PER ASSY
R R R R R R	15 550	332T4710-32	.TUBE ASSY-PMA PAD TUBING MATERIAL: TUBING CRES 21-6-9 BMS7-185 F-25.01 0.375IN OD 0.020IN WALL 12.0IN LG SPARES ORDER MATERIAL CODE: 3278024200		1
	- 555	AP2097H06	..SLEEVE SUPPLIER CODE: V01673 SPECIFICATION NUMBER: BACS13BX06H OPTIONAL PART: 2-02903-06H V11328 35235V06 V08199 AFP175V06 V30974 DBOS13BX06H V14798		1
	- 560	MS21921-6J	..NUT		1
	- 565	35056V06	..UNION SUPPLIER CODE: V08199 SPECIFICATION NUMBER: BACU24AB6H OPTIONAL PART: 2-01027-6H V11328 31875-6H V14397 4671097H6 V50948 AP1004H06 V01673 AFP941H6 V30974 DBOU24AB6H V14798		1
R R R R R R	575	332T4710-55	.TUBE ASSY-STARTER PAD TUBING MATERIAL: TUBING CRES 21-6-9 BMS7-185 F-25.01 0.375IN OD 0.020IN WALL 16.30IN LG SPARES ORDER MATERIAL CODE: 3278024200		1

ILLUSTRATION ITEMS NOT ON PARTS LIST ARE NOT APPLICABLE

- ITEM NOT ILLUSTRATED

HXL

71-71-01-15

BOEING PROPRIETARY - Copyright © - Unpublished Work - See title page for details.

71-71-01
FIG. 15
PAGE 25
AUG 22/09


767
PARTS CATALOG (MAINTENANCE)

FIG ITEM	PART NUMBER	1 2 3 4 5 6 7	NOMENCLATURE	EFFECT FROM TO	UNITS PER ASSY
R R R R R R R R R R R R R R	15 575	332T4710-76	.TUBE ASSY-STARTER PAD TUBING MATERIAL: TUBING CRES 21-6-9 BMS7-185 F-25.01 0.375IN OD 0.020IN WALL 16.30IN LG SPARES ORDER MATERIAL CODE: 3278024200		1
	580	332T4710-61	.TUBE ASSY-IDG PAD TUBING MATERIAL: TUBING CRES 21-6-9 BMS7-185 F-25.01 0.375IN OD 0.020IN WALL 14.30IN LG SPARES ORDER MATERIAL CODE: 3278024200		1
	580	332T4710-117	.TUBE ASSY-IDG PAD TUBING MATERIAL: TUBING CRES 21-6-9 BMS7-185 F-25.01 0.375IN OD 0.20IN WALL 15.6IN LG SPARES ORDER MATERIAL CODE: 3278024200		1
	585	332T4710-62	.TUBE ASSY-PMA PAD TUBING MATERIAL: TUBING CRES 21-6-9 BMS7-185 F-25.01 0.375IN OD 0.020IN WALL 10.30IN LG SPARES ORDER MATERIAL CODE: 3278024200		1
	590	332T4710-5	.TUBE ASSY-IDG THRM RELIEF VENT TUBING MATERIAL: 0.375 IN. OD 0.020 IN. WALL 11.0 IN. LG 21-6-9 BMS7-185 F-25.01 CRES	163999	1
R R R R R R R	590	332T4710-75	.TUBE ASSY-IDG THRM RELIEF VENT TUBING MATERIAL: TUBING CRES 21-6-9 BMS7-185 F-25.01 0.375IN OD 0.020IN WALL 11.0IN LG SPARES ORDER MATERIAL CODE: 3278024200		1
ILLUSTRATION ITEMS NOT ON PARTS LIST ARE NOT APPLICABLE					

- ITEM NOT ILLUSTRATED

HXL

71-71-01-15

BOEING PROPRIETARY - Copyright © - Unpublished Work - See title page for details.

71-71-01
 FIG. 15
 PAGE 26
 AUG 22/09


BOEING
 767
 PARTS CATALOG (MAINTENANCE)

FIG ITEM	PART NUMBER	1 2 3 4 5 6 7	NOMENCLATURE	EFFECT FROM TO	UNITS PER ASSY
15 - 595	AP2097H06	..	SLEEVE SUPPLIER CODE: V01673 SPECIFICATION NUMBER: BACS13BX06H OPTIONAL PART: 2-02903-06H V11328 35235V06 V08199 AFP175V06 V30974 DBOS13BX06H V14798		1
- 600	MS21921-6J	..	NUT- USED ON: 332T4710-5 332T4710-6 332T4710-30 332T4710-31 332T4710-55 332T4710-61 332T4710-62 332T4710-75 332T4710-76		1
R R	610	332T4710-63	.TUBE ASSY-STRUT TUBING MATERIAL: TUBING CRES 21-6-9 BMS7-185 F-25-01 0.750IN OD 0.039IN WALL 20.30IN LG SPARES ORDER MATERIAL CODE: 3278048390 QUALIFIED I/W DATA: 332T4710-63 CAN REPLACE BUT NOT BE REPLACED BY 332T4710-49 IF SERVICE BULLETIN 767-71A0049 HAS BEEN INCORPORATED 332T4710-63 CAN REPLACE BUT NOT BE REPLACED BY 332T4710-15 IF SERVICE BULLETINS 767-71A0049 AND 767-76-0025 HAVE BEEN INCORPORATED.		1
			ILLUSTRATION ITEMS NOT ON PARTS LIST ARE NOT APPLICABLE		

- ITEM NOT ILLUSTRATED

HXL

71-71-01-15

71-71-01
FIG. 15
PAGE 27
AUG 22/09

BOEING PROPRIETARY - Copyright © - Unpublished Work - See title page for details.



767

PARTS CATALOG (MAINTENANCE)

FIG ITEM	PART NUMBER	1 2 3 4 5 6 7	NOMENCLATURE	EFFECT FROM TO	UNITS PER ASSY
15 - 615	35056V12		.. UNION SUPPLIER CODE: V08199 SPECIFICATION NUMBER: BACU24AB12H OPTIONAL PART: 4671097H12 V50948 2-01027-12H V11328 31875-12H V14397 AP1004H12 V01673 AFP941H12 V30974 DBOU24AB12H V14798		1
R R R R R R	625 332T4710-38		. TUBE ASSY-STRUT TUBING MATERIAL: TUBING CRES 21-6-9 BMS7-185 F-25.01 0.375IN OD 0.020IN WALL 11.25IN LG SPARES ORDER MATERIAL CODE: 3278024200		1
- 630	AP2097H06		.. SLEEVE SUPPLIER CODE: V01673 SPECIFICATION NUMBER: BACS13BX06H OPTIONAL PART: 2-02903-06H V11328 35235V06 V08199 AFP175V06 V30974 DBOS13BX06H V14798		1
- 635	BACN10YE6J		.. NUT		1

ILLUSTRATION ITEMS NOT ON PARTS LIST ARE NOT APPLICABLE

- ITEM NOT ILLUSTRATED

HXL

71-71-01-15

BOEING PROPRIETARY - Copyright © - Unpublished Work - See title page for details.

71-71-01
 FIG. 15
 PAGE 28
 AUG 22/09



767

PARTS CATALOG (MAINTENANCE)

FIG ITEM	PART NUMBER	1 2 3 4 5 6 7	NOMENCLATURE	EFFECT FROM TO	UNITS PER ASSY
15					
R R R R R R R R R R	640	332T4710-66	.TUBE ASSY-STRUT TUBING MATERIAL: TUBING CRES 21-6-9 BMS7-185 F-25-01 0.750IN OD 0.039IN WALL 21.0IN LG SPARES ORDER MATERIAL CODE: 3278048390 QUALIFIED I/W DATA: 332T4710-66 T/W 332T4925-3 BRKT MAY REPLACE 332T4710-53 T/W 332T4922-450 BRKT		1
-	645	35056V12	..UNION SUPPLIER CODE: V08199 SPECIFICATION NUMBER: BACU24AB12H OPTIONAL PART: 4671097H12 V50948 2-01027-12H V11328 31875-12H V14397 AP1004H12 V01673 AFP941H12 V30974 DBOU24AB12H V14798		1
	650	MS21902J6	.UNION		7
	655	332T4711-1	.ELBOW-		1
	660	BACE21BL0606J	.ELBOW		1
	665	BACE21BM0606J	.ELBOW		3
	670	BACE21BN0606J	.ELBOW		3
	675	NAS1761J0606	.ELBOW		3
	680	NAS1762J0606	.ELBOW		3
-	685	NAS1762J0808	.ELBOW- OPTIONAL PART: BACE221BT0808JN		1
-	685	AP1042JN0808	.ELBOW- SUPPLIER CODE: V01673 SPECIFICATION NUMBER: BACE21BT0808JN OPTIONAL PART: NAS1762J0808		1
	695	MS21926J6	.ELBOW		1
	700	MS21916J6-4	.REDUCER		1

ILLUSTRATION ITEMS NOT ON PARTS LIST ARE NOT APPLICABLE

- ITEM NOT ILLUSTRATED

71-71-01-15

71-71-01
FIG. 15
PAGE 29
AUG 22/09

HXL

BOEING
767
PARTS CATALOG (MAINTENANCE)

FIG ITEM	PART NUMBER	1 2 3 4 5 6 7	NOMENCLATURE	EFFECT FROM TO	UNITS PER ASSY
15					
705	BACT16BL060606J	. TEE-	MISCELLANEOUS DATA: (332T4710-70 TOGETHER WITH 332T4710-71 I/W 332T4710-36 TOGETHER WITH 332T4710-13 AND BACT16BL060606J TEE) OPTIONAL PART: MS21905J6	163999	5
705	BACT16BL060606J	. TEE-	OPTIONAL PART: MS21905J6	155162	5
705	MS21905J6	. TEE-	OPTIONAL PART: BACT16BL060606J	155162	5
710	BACT16BL121206J	. TEE			1
725	BACT16BN081208J	. TEE-			1
735	NAS1763J060606	. TEE			5
740	NAS1764J121212	. TEE-			1
750	MS21906J6	. CROSS			1
770	AP1008-06J	. CAP ASSY	SUPPLIER CODE: V01673 SPECIFICATION NUMBER: BACC14AD06J OPTIONAL PART: US2103-06J V50808		6
780	M83248-2-904	. PACKING			1
785	M83248-2-906	. PACKING			10
800	AN6289J6	. NUT			5
805	AN924-6J	. NUT			1
812	AN924-8J	. NUT-			1
815	AN924-6J	. NUT-			1
820	AN960C616	. WASHER			1
830	AN960C1216	. WASHER-			1
840	MS28773-06	. RETAINER			5
- 860	332T4712-11	. COLLECTOR INSTL-			1

R
R
R
R
R
R
R
R

ILLUSTRATION ITEMS NOT ON PARTS LIST ARE NOT APPLICABLE

- ITEM NOT ILLUSTRATED

HXL

71-71-01-15

BOEING PROPRIETARY - Copyright © - Unpublished Work - See title page for details.

71-71-01
FIG. 15
PAGE 30
AUG 22/09

BOEING
767
PARTS CATALOG (MAINTENANCE)

FIG ITEM	PART NUMBER	1 2 3 4 5 6 7	NOMENCLATURE	EFFECT FROM TO	UNITS PER ASSY
15 865	332T4712-13		..COLLECTOR ASSY- MISCELLANEOUS DATA: (332T4712-13 T/W 332T4713-8 DRAIN ASSY AND 1 EA BACC10HS06 CLAMP REPLACES 332T4712-2 DRAIN ASSY ONE WAY I/W) QUALIFIED I/W DATA: 332T4712-13 TOGETHER WITH 332T4713-8 DRAIN ASSY AND BACC10HS06 CLAMP CAN REPLACE BUT NOT BE REPLACED BY 332T4712-12 TOGETHER WITH 332T4713-2 FOR 767 ONLY. PRE ALERT SB: 71A0049R2		1
865	332T4712-15		..COLLECTOR ASSY- PRE ALERT SB: 71A0049R2 REWORKED BY ALERT SB: 71A0049R2		1
865	332T4712-17		..COLLECTOR ASSY- POST ALERT SB: 71A0049R2		1
865	332T4712-19		..COLLECTOR ASSY-		1
865	332T4712-21		..COLLECTOR ASSY-		1
- 870	NAS6704-16		..BOLT		2
- 875	NAS1149C0463R		..WASHER-		2
			PRE ALERT SB: 71A0049R2		
- 875	AN960C416		..WASHER-		2
			POST ALERT SB: 71A0049R2		
			-----*-----		
877	BACB30LU3-2		...BOLT-		2
878	NAS1149C0332R		...WASHER-		2

ILLUSTRATION ITEMS NOT ON PARTS LIST ARE NOT APPLICABLE

- ITEM NOT ILLUSTRATED

HXL

71-71-01-15

BOEING PROPRIETARY - Copyright © - Unpublished Work - See title page for details.

71-71-01
FIG. 15
PAGE 31
DEC 22/07

 **BOEING**
767
PARTS CATALOG (MAINTENANCE)

FIG ITEM	PART NUMBER	1 2 3 4 5 6 7	NOMENCLATURE	EFFECT FROM TO	UNITS PER ASSY
15 879	BRH10C3D	...	NUT- SUPPLIER CODE: V52828 SPECIFICATION NUMBER: BACN10JC3CD OPTIONAL PART: T6C1032JCD V11815 NS202486-02 V80539 102LH9075-3W V72962 H51650-3BAC V15653 BACN10YR3C		2
879	PLH53C	...	NUT- SUPPLIER CODE: V62554 SPECIFICATION NUMBER: BACN10YR3C OPTIONAL PART: H52732-3C V15653 BACN10JC3CD		2
880	332T4716-4	...	SEAL-		1
885	332T4718-1	...	GROMMET		4
890	332T4718-2	...	GROMMET		1
895	332T4715-3	...	COLLECTOR-		1
900	BACR15CE5KE	...	RIVET- SIZE DETERMINED ON INSTL.		3
905	NAS6704-16	...	BOLT-		2
910	AN960C416	...	WASHER-		2
912	332T4712-14	...	CLIP- PRE ALERT SB: 71A0049R2		1
915	332T4714-1	...	BRACKET- PRE ALERT SB: 71A0049R2		1
915	332T4714-3	...	BRACKET- PRE ALERT SB: 71A0049R2		1
915	332T4714-7	...	BRACKET- PRE ALERT SB: 71A0049R2		1
917	015U0814-3	...	BRACKET ASSY- POST ALERT SB: 71A0049R2		1

ILLUSTRATION ITEMS NOT ON PARTS LIST ARE NOT APPLICABLE

- ITEM NOT ILLUSTRATED

HXL

71-71-01-15

BOEING PROPRIETARY - Copyright © - Unpublished Work - See title page for details.

71-71-01
FIG. 15
PAGE 32
DEC 22/07



767

PARTS CATALOG (MAINTENANCE)

FIG ITEM	PART NUMBER	1 2 3 4 5 6 7	NOMENCLATURE	EFFECT FROM TO	UNITS PER ASSY
15 920	NAS1200M5-5P	RIVET- SIZE DETERMINED ON INSTL. POST ALERT SB: 71A0049R2		3
925	332T4712-14	CLIP- POST ALERT SB: 71A0049R2		1
930	332T4714-7	BRACKET- POST ALERT SB: 71A0049R2		1

ILLUSTRATION ITEMS NOT ON PARTS LIST ARE NOT APPLICABLE

- ITEM NOT ILLUSTRATED

HXL

71-71-01-15

BOEING PROPRIETARY - Copyright © - Unpublished Work - See title page for details.

71-71-01
FIG. 15
PAGE 33
DEC 22/07