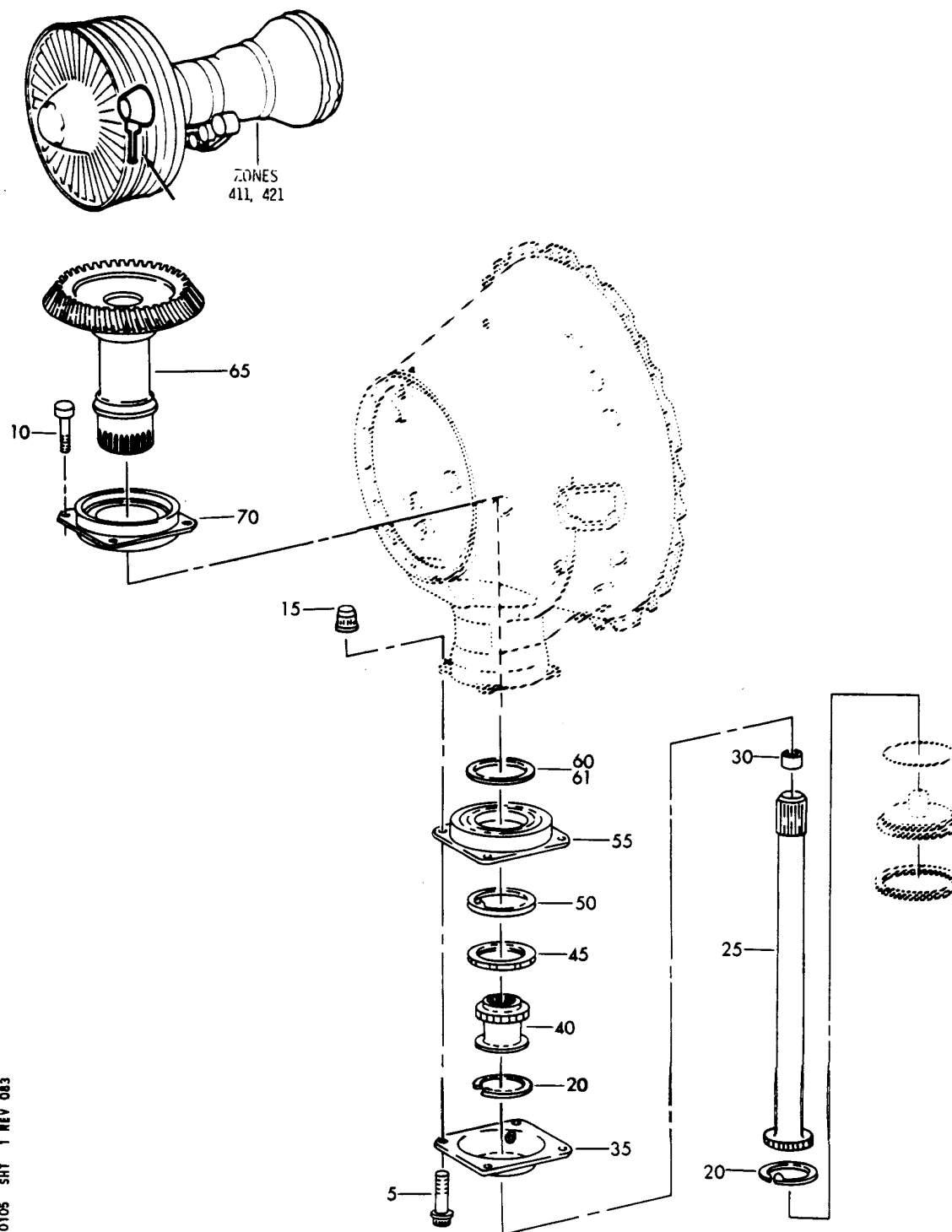


## FRONT COMPRESSOR ROTOR AND STATOR ASSEMBLY

HXL  
DEC 22/06

72-32-00  
SECTION TITLE  
PAGE 1

**BOEING**  
767  
PARTS CATALOG (MAINTENANCE)



V 72320105 SHT 1 REV 083

GEARSHAFT AND BEARING-NO. 1.5 (PW4000)  
FIGURE 5

**72-32-01-05**

HXL  
DEC 22/06

72-32-01-05  
PAGE 0

**BOEING**  
767  
**PARTS CATALOG (MAINTENANCE)**

FIG ITEM	PART NUMBER	1 2 3 4 5 6 7	NOMENCLATURE	EFFECT FROM TO	UNITS PER ASSY
5			GEARSHAFT AND BEARING-NO. 1.5 (PW4000)		
- 1	PW4060		ENGINE- SUPPLIER CODE: V77445 CONFIG CHG DATA FROM A CMM: SEE 71-00-51 FIG. 2 FOR APPLICABLE ENGINE SERIES PRE SERVICE BULLETIN: 72-504 V77445		RF
5	MS9557-13		.BOLT		3
10	MS9490-06		.BOLT		4
15	H49850-4		.NUT- SUPPLIER CODE: V15653 CONFIG CHG DATA FROM A CMM: PRATT AND WHITNEY PART NO. 752910		3
20	664763		.RING-RETAINING SUPPLIER CODE: V77445 OPTIONAL PART: MS16625-4206		2
20	MS16625-4206		.RING-RETAINING OPTIONAL PART: 664763 V77445		2
25	50G039		.SHAFT ASSY-GEAR BOX DRIVE SUPPLIER CODE: V77445		1
30	MS9176-17		..PLUG		1
35	50G859		.DEFLECTOR- SUPPLIER CODE: V77445		1
40	616464		.COUPLING- SUPPLIER CODE: V77445		1
45	583887		.NUT-BRG RETAINING SUPPLIER CODE: V77445		1
50	504923		.WASHER-KEY SUPPLIER CODE: V77445		1

ILLUSTRATION ITEMS NOT ON PARTS LIST ARE NOT APPLICABLE

- ITEM NOT ILLUSTRATED

HXL

# 72-32-01-05

BOEING PROPRIETARY - Copyright © - Unpublished Work - See title page for details.

72-32-01  
FIG. 05  
PAGE 1  
DEC 22/06

 **BOEING**  
767  
**PARTS CATALOG (MAINTENANCE)**

FIG ITEM	PART NUMBER	1 2 3 4 5 6 7	NOMENCLATURE	EFFECT FROM TO	UNITS PER ASSY
5	50G635		.BEARING-BALL SUPPLIER CODE: V77445 OPTIONAL PART: 50A045 V77445 50A046 V77445 50A048 V77445 51G990 V77445 51G991 V77445 51G992 V77445 51G993 V77445 52G246 V77445 PRE SERVICE BULLETIN: 72-523 V77445		1
55	50A045		.BEARING-BALL SUPPLIER CODE: V77445 OPTIONAL PART: 50A046 V77445 50A048 V77445 50G635 V77445 51G991 V77445 51G990 V77445 51G992 V77445 51G993 V77445 52G246 V77445		1

ILLUSTRATION ITEMS NOT ON PARTS LIST ARE NOT APPLICABLE

- ITEM NOT ILLUSTRATED

HXL

# 72-32-01-05

BOEING PROPRIETARY - Copyright © - Unpublished Work - See title page for details.

72-32-01  
FIG. 05  
PAGE 2  
DEC 22/06



767

PARTS CATALOG (MAINTENANCE)

FIG ITEM	PART NUMBER	1 2 3 4 5 6 7	NOMENCLATURE	EFFECT FROM TO	UNITS PER ASSY
5	50A046		.BEARING-BALL SUPPLIER CODE: V77445 OPTIONAL PART: 50A045 V77445 50A048 V77445 50G635 V77445 51G992 V77445 51G990 V77445 51G991 V77445 51G993 V77445 52G246 V77445		1
55	50A048		.BEARING-BALL SUPPLIER CODE: V77445 OPTIONAL PART: 50A045 V77445 50A046 V77445 50G635 V77445 51G993 V77445 51G990 V77445 51G991 V77445 51G992 V77445 52G246 V77445		1

ILLUSTRATION ITEMS NOT ON PARTS LIST ARE NOT APPLICABLE

- ITEM NOT ILLUSTRATED

HXL

72-32-01-05

BOEING PROPRIETARY - Copyright © - Unpublished Work - See title page for details.

72-32-01  
FIG. 05  
PAGE 3  
DEC 22/06



767

PARTS CATALOG (MAINTENANCE)

FIG ITEM	PART NUMBER	1 2 3 4 5 6 7	NOMENCLATURE	EFFECT FROM TO	UNITS PER ASSY
5	51G990		.BEARING-BALL SUPPLIER CODE: V77445 OPTIONAL PART: 51G991 V77445 51G992 V77445 51G993 V77445 50G635 V77445 50A045 V77445 50A046 V77445 50A048 V77445 52G246 V77445 POST SERVICE BULLETIN: 72-523 V77445		1
55	51G991		.BEARING-BALL SUPPLIER CODE: V77445 OPTIONAL PART: 51G990 V77445 51G992 V77445 51G993 V77445 50A045 V77445 50G635 V77445 50A046 V77445 50A048 V77445 52G246 V77445		1

ILLUSTRATION ITEMS NOT ON PARTS LIST ARE NOT APPLICABLE

- ITEM NOT ILLUSTRATED

HXL

72-32-01-05

BOEING PROPRIETARY - Copyright © - Unpublished Work - See title page for details.

72-32-01  
FIG. 05  
PAGE 4  
DEC 22/06



767

PARTS CATALOG (MAINTENANCE)

FIG ITEM	PART NUMBER	1 2 3 4 5 6 7	NOMENCLATURE	EFFECT FROM TO	UNITS PER ASSY
5	55 51G992		.BEARING-BALL SUPPLIER CODE: V77445 OPTIONAL PART: 51G990 V77445 51G991 V77445 51G993 V77445 50A046 V77445 50G635 V77445 50A045 V77445 50A048 V77445 52G246 V77445		1
	55 51G993		.BEARING-BALL SUPPLIER CODE: V77445 OPTIONAL PART: 51G990 V77445 51G991 V77445 51G992 V77445 50A048 V77445 50G635 V77445 50A045 V77445 50A046 V77445 52G246 V77445		1

ILLUSTRATION ITEMS NOT ON PARTS LIST ARE NOT APPLICABLE

- ITEM NOT ILLUSTRATED

HXL

72-32-01-05

BOEING PROPRIETARY - Copyright © - Unpublished Work - See title page for details.

72-32-01  
FIG. 05  
PAGE 5  
DEC 22/06



767

PARTS CATALOG (MAINTENANCE)

FIG ITEM	PART NUMBER	1 2 3 4 5 6 7	NOMENCLATURE	EFFECT FROM TO	UNITS PER ASSY
5					
55	52G246		.BEARING-BALL SUPPLIER CODE: V77445 OPTIONAL PART: 50A045 V77445 50A046 V77445 50A048 V77445 50G635 V77445 51G990 V77445 51G991 V77445 51G992 V77445 51G993 V77445		1
60	50G858CL1		.SPACER-RING .093-.094 THK SUPPLIER CODE: V77445 SELECT FROM ITEM.		1
60	50G858CL2		.SPACER-RING .094-.095 THK SUPPLIER CODE: V77445 SELECT FROM ITEM.		1
60	50G858CL3		.SPACER-RING .095-.096 THK SUPPLIER CODE: V77445 SELECT FROM ITEM.		1
60	50G858CL4		.SPACER-RING .096-.097 THK SUPPLIER CODE: V77445 SELECT FROM ITEM.		1
60	50G858CL5		.SPACER-RING .097-.098 THK SUPPLIER CODE: V77445 SELECT FROM ITEM.		1
60	50G858CL6		.SPACER-RING .098-.099 THK SUPPLIER CODE: V77445 SELECT FROM ITEM.		1
60	50G858CL7		.SPACER-RING .099-.100 THK SUPPLIER CODE: V77445 SELECT FROM ITEM.		1
ILLUSTRATION ITEMS NOT ON PARTS LIST ARE NOT APPLICABLE					

- ITEM NOT ILLUSTRATED

72-32-01-05

72-32-01  
FIG. 05  
PAGE 6  
DEC 22/06

HXL





767

PARTS CATALOG (MAINTENANCE)

FIG ITEM	PART NUMBER	1 2 3 4 5 6 7	NOMENCLATURE	EFFECT FROM TO	UNITS PER ASSY
5					
60	50G858CL8		.SPACER-RING .100-.101 THK SUPPLIER CODE: V77445 SELECT FROM ITEM.		1
60	50G858CL9		.SPACER-RING .101-.102 THK SUPPLIER CODE: V77445 SELECT FROM ITEM.		1
60	50G858CL10		.SPACER-RING .102-.103 THK SUPPLIER CODE: V77445 SELECT FROM ITEM.		1
60	50G858CL11		.SPACER-RING .103-.104 THK SUPPLIER CODE: V77445 SELECT FROM ITEM.		1
60	50G858CL12		.SPACER-RING .104-.105 THK SUPPLIER CODE: V77445 SELECT FROM ITEM.		1
60	50G858CL13		.SPACER-RING .105-.106 THK SUPPLIER CODE: V77445 SELECT FROM ITEM.		1
60	50G858CL14		.SPACER-RING .106-.107 THK SUPPLIER CODE: V77445 SELECT FROM ITEM.		1
60	50G858CL15		.SPACER-RING .107-.108 THK SUPPLIER CODE: V77445 SELECT FROM ITEM.		1
60	50G858CL16		.SPACER-RING .108-.109 THK SUPPLIER CODE: V77445 SELECT FROM ITEM.		1
60	50G858CL17		.SPACER-RING .109-.110 THK SUPPLIER CODE: V77445 SELECT FROM ITEM.		1
61	50G858CL18		.SPACER-RING .110-.111 THK SUPPLIER CODE: V77445 SELECT FROM ITEM.		1
61	50G858CL19		.SPACER-RING .111-.112 THK SUPPLIER CODE: V77445 SELECT FROM ITEM.		1

ILLUSTRATION ITEMS NOT ON PARTS LIST ARE NOT APPLICABLE

- ITEM NOT ILLUSTRATED

72-32-01-05

72-32-01  
FIG. 05  
PAGE 7  
DEC 22/06

HXL

BOEING PROPRIETARY - Copyright © - Unpublished Work - See title page for details.



767

PARTS CATALOG (MAINTENANCE)

FIG ITEM	PART NUMBER	1 2 3 4 5 6 7	NOMENCLATURE	EFFECT FROM TO	UNITS PER ASSY
5					
61	50G858CL20		.SPACER-RING .112-.113 THK SUPPLIER CODE: V77445 SELECT FROM ITEM.		1
61	50G858CL21		.SPACER-RING .113-.114 THK SUPPLIER CODE: V77445 SELECT FROM ITEM.		1
61	50G858CL22		.SPACER-RING .114-.115 THK SUPPLIER CODE: V77445 SELECT FROM ITEM.		1
61	50G858CL23		.SPACER-RING .115-.116 THK SUPPLIER CODE: V77445 SELECT FROM ITEM.		1
61	50G858CL24		.SPACER-RING .116-.117 THK SUPPLIER CODE: V77445 SELECT FROM ITEM.		1
61	50G858CL25		.SPACER-RING .117-.118 THK SUPPLIER CODE: V77445 SELECT FROM ITEM.		1
61	50G858CL26		.SPACER-RING .118-.119 THK SUPPLIER CODE: V77445 SELECT FROM ITEM.		1
61	50G858CL27		.SPACER-RING .119-.120 THK SUPPLIER CODE: V77445 SELECT FROM ITEM.		1
65	50A017		.GEARSHAFT-BEVEL SUPPLIER CODE: V77445		1

ILLUSTRATION ITEMS NOT ON PARTS LIST ARE NOT APPLICABLE

- ITEM NOT ILLUSTRATED

HXL

72-32-01-05

BOEING PROPRIETARY - Copyright © - Unpublished Work - See title page for details.

72-32-01  
FIG. 05  
PAGE 8  
DEC 22/06



767

PARTS CATALOG (MAINTENANCE)

FIG ITEM	PART NUMBER	1 2 3 4 5 6 7	NOMENCLATURE	EFFECT FROM TO	UNITS PER ASSY
5 70	50G634		.BEARING-ROLLER SUPPLIER CODE: V77445 OPTIONAL PART: 50G405 V77445 50G406 V77445 50G407 V77445 51G986 V77445 PRE SERVICE BULLETIN: 72-523 V77445		1
70	50G405		.BEARING-ROLLER SUPPLIER CODE: V77445 OPTIONAL PART: 50G406 V77445 50G407 V77445 50G634 V77445 51G987 V77445		1
70	50G406		.BEARING-ROLLER SUPPLIER CODE: V77445 OPTIONAL PART: 50G405 V77445 50G407 V77445 50G634 V77445 51G988 V77445		1

ILLUSTRATION ITEMS NOT ON PARTS LIST ARE NOT APPLICABLE

- ITEM NOT ILLUSTRATED

HXL

72-32-01-05

BOEING PROPRIETARY - Copyright © - Unpublished Work - See title page for details.

72-32-01  
FIG. 05  
PAGE 9  
DEC 22/06



767

PARTS CATALOG (MAINTENANCE)

FIG ITEM	PART NUMBER	1 2 3 4 5 6 7	NOMENCLATURE	EFFECT FROM TO	UNITS PER ASSY
5	70 50G407		.BEARING-ROLLER SUPPLIER CODE: V77445 OPTIONAL PART: 50G405 V77445 50G406 V77445 50G634 V77445 51G989 V77445		1
	70 51G986		.BEARING-ROLLER SUPPLIER CODE: V77445 OPTIONAL PART: 51G987 V77445 51G988 V77445 51G989 V77445 50G634 V77445 POST SERVICE BULLETIN: 72-523 V77445		1
	70 51G987		.BEARING-ROLLER SUPPLIER CODE: V77445 OPTIONAL PART: 51G986 V77445 51G988 V77445 51G989 V77445 50G405 V77445		1

ILLUSTRATION ITEMS NOT ON PARTS LIST ARE NOT APPLICABLE

- ITEM NOT ILLUSTRATED

HXL

72-32-01-05

BOEING PROPRIETARY - Copyright © - Unpublished Work - See title page for details.

72-32-01  
FIG. 05  
PAGE 10  
DEC 22/06



767

PARTS CATALOG (MAINTENANCE)

FIG ITEM	PART NUMBER	1 2 3 4 5 6 7	NOMENCLATURE	EFFECT FROM TO	UNITS PER ASSY
5 70	51G988		.BEARING-ROLLER SUPPLIER CODE: V77445 OPTIONAL PART: 51G986 V77445 51G987 V77445 51G989 V77445 50G406 V77445		1
70	51G989		.BEARING-ROLLER SUPPLIER CODE: V77445 OPTIONAL PART: 51G986 V77445 51G987 V77445 51G988 V77445 50G407 V77445		1

ILLUSTRATION ITEMS NOT ON PARTS LIST ARE NOT APPLICABLE

- ITEM NOT ILLUSTRATED

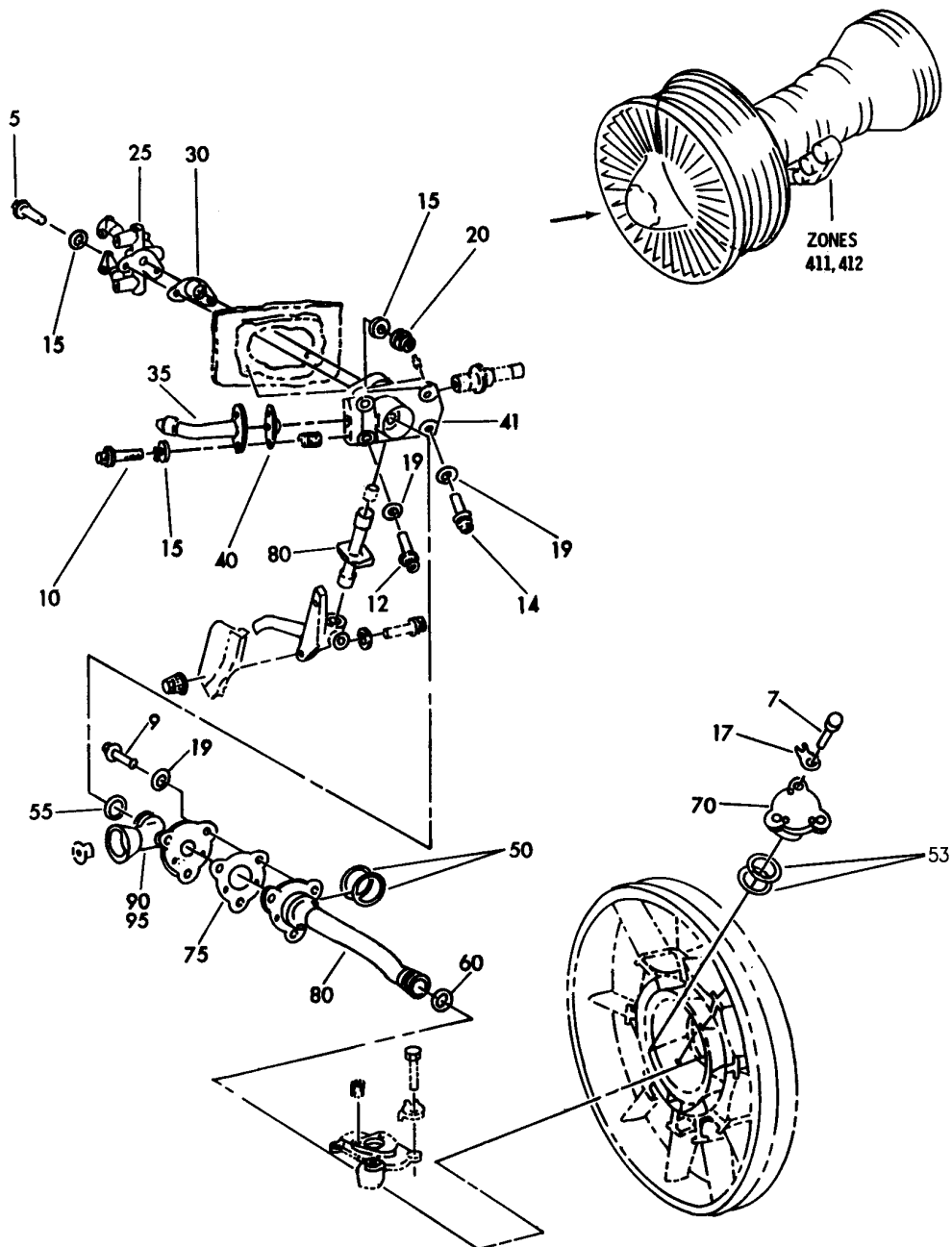
HXL

**72-32-01-05**

BOEING PROPRIETARY - Copyright © - Unpublished Work - See title page for details.

72-32-01  
FIG. 05  
PAGE 11  
DEC 22/06

**BOEING**  
767  
PARTS CATALOG (MAINTENANCE)



V 72320501 REV 255

TUBE ASSEMBLIES-NUMBER ONE POINT FIVE AND TWO BEARING (PW4000)  
FIGURE 1

**72-32-05-01**

HXL  
DEC 22/06

72-32-05-01  
PAGE 0



767

PARTS CATALOG (MAINTENANCE)

FIG ITEM	PART NUMBER	1 2 3 4 5 6 7	NOMENCLATURE	EFFECT FROM TO	UNITS PER ASSY
1			TUBE ASSEMBLIES-NUMBER ONE POINT FIVE AND TWO BEARING (PW4000)		
- 1	PW4060		ENGINE- SUPPLIER CODE: V77445 CONFIG CHG DATA FROM A CMM: SEE 71-00-51 FIG. 2 FOR APPLICABLE ENGINE SERIES		RF
5	MS9110-07		.BOLT		2
7	MS9452-07		.BOLT- POST SERVICE BULLETIN: 77-19 V77445		3
9	MS9209-11		.BOLT		3
10	ST1425-08		.BOLT- SUPPLIER CODE: V77445		2
12	ST1420-18		.BOLT- SUPPLIER CODE: V77445		2
14	ST1420-09		.BOLT- SUPPLIER CODE: V77445		2
15	MS9320-09		.WASHER- NOT APPROVED FOR ETOPS AFTER INCORP OF SB: 72-253 V77445		6
17	MS9581-10		.WASHER- POST SERVICE BULLETIN: 77-19 V77445		3
19	MS9320-10		.WASHER		7
20	776440		.NUT- SUPPLIER CODE: V77445 OPTIONAL PART: SL7061C1032 V11815 LH11973-3 V56878 H49674-3 V15653 73356-1032 V56878 AS3070-09		2

ILLUSTRATION ITEMS NOT ON PARTS LIST ARE NOT APPLICABLE

- ITEM NOT ILLUSTRATED

72-32-05-01

72-32-05  
FIG. 01  
PAGE 1  
DEC 22/06

HXL



767

PARTS CATALOG (MAINTENANCE)

FIG ITEM	PART NUMBER	1 2 3 4 5 6 7	NOMENCLATURE	EFFECT FROM TO	UNITS PER ASSY
1					
20	SL7061C1032		.NUT- SUPPLIER CODE: V11815 CONFIG CHG DATA FROM A CMM: PRATT AND WHITNEY PART NO. AS3066-09 OPTIONAL PART: 776440 V77445 LH11973-3 V56878 H49674-3 V15653 73356-1032 V56878 AS3070-09		2
20	LH11973-3		.NUT- SUPPLIER CODE: V56878 CONFIG CHG DATA FROM A CMM: PRATT AND WHITNEY PART NO. AS3067-09 OPTIONAL PART: 776440 V77445 SL7061C1032 V11815 H49674-3 V15653 73356-1032 V56878 AS3070-09		2
20	H49674-3		.NUT- SUPPLIER CODE: V15653 CONFIG CHG DATA FROM A CMM: PRATT AND WHITNEY PART NO. AS3068-09 OPTIONAL PART: 776440 V77445 SL7061C1032 V11815 LH11973-3 V56878 73356-1032 V56878 AS3070-09		2

ILLUSTRATION ITEMS NOT ON PARTS LIST ARE NOT APPLICABLE

- ITEM NOT ILLUSTRATED

HXL

72-32-05-01

BOEING PROPRIETARY - Copyright © - Unpublished Work - See title page for details.

72-32-05  
FIG. 01  
PAGE 2  
DEC 22/06





767

PARTS CATALOG (MAINTENANCE)

FIG ITEM	PART NUMBER	1 2 3 4 5 6 7	NOMENCLATURE	EFFECT FROM TO	UNITS PER ASSY
1					
20	AS3070-09		.NUT- OPTIONAL PART: 776440 V77445 SL7061C1032 V11815 LH11973-3 V56878 H49674-3 V15653 73356-1032 V56878		2
20	73356-1032		.NUT- SUPPLIER CODE: V56878 CONFIG CHG DATA FROM A CMM: PRATT AND WHITNEY PART NO. AS3069-09 OPTIONAL PART: 776440 V77445 SL7061C1032 V11815 LH11973-3 V56878 H49674-3 V15653 AS3070-09		2
25	50A609		.NOZZLE ASSY- SUPPLIER CODE: V77445 POST SERVICE BULLETIN: 72-76 V77445		1
30	50A737		.PLUG- SUPPLIER CODE: V77445 POST SERVICE BULLETIN: 72-158 V77445		1
35	50A317		.NOZZLE ASSY- SUPPLIER CODE: V77445		1
40	50A314		.PLUG- SUPPLIER CODE: V77445		1

ILLUSTRATION ITEMS NOT ON PARTS LIST ARE NOT APPLICABLE

- ITEM NOT ILLUSTRATED

72-32-05-01

72-32-05  
FIG. 01  
PAGE 3  
DEC 22/06

HXL

BOEING PROPRIETARY - Copyright © - Unpublished Work - See title page for details.



767

PARTS CATALOG (MAINTENANCE)

FIG ITEM	PART NUMBER	1 2 3 4 5 6 7	NOMENCLATURE	EFFECT FROM TO	UNITS PER ASSY
1					
41	50A313		.CONNECTOR ASSY-TUBE SUPPLIER CODE: V77445 CONFIG CHG DATA FROM A CMM: FOR INTRCHG SEE PW IPC PRE SERVICE BULLETIN: 72-179 V77445		1
41	50A691		.CONNECTOR ASSY- SUPPLIER CODE: V77445 CONFIG CHG DATA FROM A CMM: FOR INTRCHG SEE PW IPC POST SERVICE BULLETIN: 72-179 V77445		1
50	AS3209-213		.PACKING- OPTIONAL PART: ST1946-213 V77445		2
50	ST1946-213		.PACKING- SUPPLIER CODE: V77445 OPTIONAL PART: AS3209-213		2
53	AS3209-213		.PACKING- OPTIONAL PART: ST1946-213 V77445 POST SERVICE BULLETIN: 77-19 V77445		2
53	ST1946-213		.PACKING- SUPPLIER CODE: V77445 OPTIONAL PART: AS3209-213		2
55	AS3209-117		.PACKING- CONFIG CHG DATA FROM A CMM: FOR INTRCHG SEE PW IPC OPTIONAL PART: 437189 V77445 ST1946-117 V77445 POST SERVICE BULLETIN: 72-179 V77445		1

ILLUSTRATION ITEMS NOT ON PARTS LIST ARE NOT APPLICABLE

- ITEM NOT ILLUSTRATED

72-32-05-01

72-32-05  
FIG. 01  
PAGE 4  
AUG 22/07

HXL



767

PARTS CATALOG (MAINTENANCE)

FIG ITEM	PART NUMBER	1 2 3 4 5 6 7	NOMENCLATURE	EFFECT FROM TO	UNITS PER ASSY
1					
55	437189		.PACKING- SUPPLIER CODE: V77445 CONFIG CHG DATA FROM A CMM: FOR INTRCHG SEE PW IPC OPTIONAL PART: AS3209-117 ST1946-117 V77445 PRE SERVICE BULLETIN: 72-179 V77445		1
55	ST1946-117		.PACKING-PREFORM SUPPLIER CODE: V77445 CONFIG CHG DATA FROM A CMM: FOR INTRCHG SEE PW IPC OPTIONAL PART: AS3209-117 437189 V77445		2
- 60	AS3209-116		.PACKING		1
70	50A362		.COVER-PACKING SUPPLIER CODE: V77445 POST SERVICE BULLETIN: 77-19 V77445		1
75	50A295		.GASKET- SUPPLIER CODE: V77445		1
80	50A353		.TUBE ASSY-BRG PRESSURE SUPPLIER CODE: V77445		1
90	51G971		.CONNECTOR ASSY-TUBE MAIN BRG SUPPLIER CODE: V77445 CONFIG CHG DATA FROM A CMM: FOR INTRCHG SEE PW IPC POST SERVICE BULLETIN: 72-130 V77445 PRE SERVICE BULLETIN: 72-179 V77445		1

ILLUSTRATION ITEMS NOT ON PARTS LIST ARE NOT APPLICABLE

- ITEM NOT ILLUSTRATED

HXL

72-32-05-01

BOEING PROPRIETARY - Copyright © - Unpublished Work - See title page for details.

72-32-05  
FIG. 01  
PAGE 5  
AUG 22/07



767

PARTS CATALOG (MAINTENANCE)

FIG ITEM	PART NUMBER	1 2 3 4 5 6 7	NOMENCLATURE	EFFECT FROM TO	UNITS PER ASSY
1 90	50A688		.CONNECTOR ASSY-TUBE MAIN BRG SUPPLIER CODE: V77445 CONFIG CHG DATA FROM A CMM: FOR INTRCHG SEE PW IPC POST SERVICE BULLETIN: 72-179 V77445		1
95	50A689		..CONNECTOR-TUBE, MAIN BRG SUPPLIER CODE: V77445 CONFIG CHG DATA FROM A CMM: FOR INTRCHG SEE PW IPC		1

ILLUSTRATION ITEMS NOT ON PARTS LIST ARE NOT APPLICABLE

- ITEM NOT ILLUSTRATED

HXL

72-32-05-01

BOEING PROPRIETARY - Copyright © - Unpublished Work - See title page for details.

72-32-05  
FIG. 01  
PAGE 6  
AUG 22/07