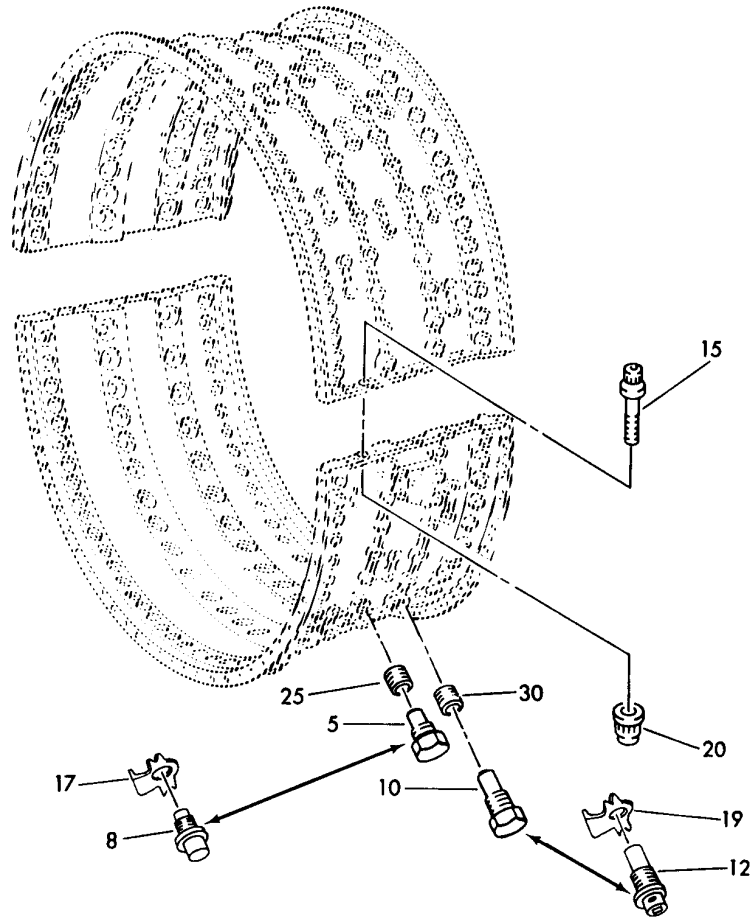
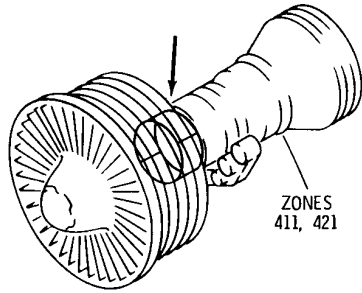


HIGH PRESSURE COMPRESSOR

HXL
DEC 22/06

72-35-00
SECTION TITLE
PAGE 1

BOEING
767
PARTS CATALOG (MAINTENANCE)



V 72355105 REV 179

PLUGS-INSTRUMENTATION HIGH PRESSURE CPRSR FRONT CASE (PW4000)
FIGURE 5

72-35-51-05

HXL
DEC 22/06

72-35-51-05
PAGE 0



767

PARTS CATALOG (MAINTENANCE)

FIG ITEM	PART NUMBER	1 2 3 4 5 6 7	NOMENCLATURE	EFFECT FROM TO	UNITS PER ASSY
5			PLUGS-INSTRUMENTATION HIGH PRESSURE CPRSR FRONT CASE (PW4000)		
- 1	PW4060		ENGINE-SUPPLIER CODE: V77445 CONFIG CHG DATA FROM A CMM: SEE 71-00-51 FIG. 2 FOR APPLICABLE ENGINE SERIES		RF
5	50H271		.PLUG-INSTRUMENTATION SUPPLIER CODE: V77445 CONFIG CHG DATA FROM A CMM: FOR INTRCHG SEE PW IPC PRE SERVICE BULLETIN: 72-326 V77445 72-468 V77445 72-518 V77445		1
8	53H086		.PLUG-INSTRUMENTATION SUPPLIER CODE: V77445 CONFIG CHG DATA FROM A CMM: FOR INTRCHG SEE PW IPC OPTIONAL PART: 54H397 V77445 55H086 V77445 POST SERVICE BULLETIN: 72-326 V77445 PRE SERVICE BULLETIN: 72-468 V77445 72-518 V77445		1

ILLUSTRATION ITEMS NOT ON PARTS LIST ARE NOT APPLICABLE

- ITEM NOT ILLUSTRATED

HXL

72-35-51-05

BOEING PROPRIETARY - Copyright © - Unpublished Work - See title page for details.

72-35-51
FIG. 05
PAGE 1
DEC 22/06



767

PARTS CATALOG (MAINTENANCE)

FIG ITEM	PART NUMBER	1 2 3 4 5 6 7	NOMENCLATURE	EFFECT FROM TO	UNITS PER ASSY
5	8 54H397		.PLUG-INSTRUMENTATION SUPPLIER CODE: V77445 CONFIG CHG DATA FROM A CMM: FOR INTRCHG SEE PW IPC OPTIONAL PART: 53H086 V77445 55H086 V77445 POST SERVICE BULLETIN: 72-468 V77445 PRE SERVICE BULLETIN: 72-518 V77445		1
	8 55H086		.PLUG-INSTRUMENTATION SUPPLIER CODE: V77445 CONFIG CHG DATA FROM A CMM: FOR INTRCHG SEE PW IPC OPTIONAL PART: 53H086 V77445 54H397 V77445 POST SERVICE BULLETIN: 72-518 V77445		1
	10 50H485		.PLUG-INSTRUMENTATION SUPPLIER CODE: V77445 CONFIG CHG DATA FROM A CMM: FOR INTRCHG SEE PW IPC PRE SERVICE BULLETIN: 72-326 V77445 72-468 V77445 72-517 V77445		1

ILLUSTRATION ITEMS NOT ON PARTS LIST ARE NOT APPLICABLE

- ITEM NOT ILLUSTRATED

HXL

72-35-51-05

BOEING PROPRIETARY - Copyright © - Unpublished Work - See title page for details.

72-35-51
FIG. 05
PAGE 2
DEC 22/06



767

PARTS CATALOG (MAINTENANCE)

FIG ITEM	PART NUMBER	1 2 3 4 5 6 7	NOMENCLATURE	EFFECT FROM TO	UNITS PER ASSY
5 12	53H203		.PLUG-INSTRUMENTATION SUPPLIER CODE: V77445 CONFIG CHG DATA FROM A CMM: FOR INTRCHG SEE PW IPC OPTIONAL PART: 54H396 V77445 54H341 V77445 POST SERVICE BULLETIN: 72-326 V77445 PRE SERVICE BULLETIN: 72-468 V77445 72-517 V77445		1
12	54H396		.PLUG-INSTRUMENTATION SUPPLIER CODE: V77445 CONFIG CHG DATA FROM A CMM: FOR INTRCHG SEE PW IPC OPTIONAL PART: 53H203 V77445 54H341 V77445 POST SERVICE BULLETIN: 72-468 V77445 PRE SERVICE BULLETIN: 72-517 V77445		1
12	54H341		.PLUG-INSTRUMENTATION SUPPLIER CODE: V77445 CONFIG CHG DATA FROM A CMM: FOR INTRCHG SEE PW IPC OPTIONAL PART: 53H203 V77445 54H396 V77445 POST SERVICE BULLETIN: 72-517 V77445		1

ILLUSTRATION ITEMS NOT ON PARTS LIST ARE NOT APPLICABLE

- ITEM NOT ILLUSTRATED

72-35-51-05

72-35-51
FIG. 05
PAGE 3
DEC 22/06

HXL



767

PARTS CATALOG (MAINTENANCE)

FIG ITEM	PART NUMBER	1 2 3 4 5 6 7	NOMENCLATURE	EFFECT FROM TO	UNITS PER ASSY
5					
15	1A5373		.BOLT- SUPPLIER CODE: V77445 CONFIG CHG DATA FROM A CMM: FOR INTRCHG SEE PW IPC POST SERVICE BULLETIN: 72-55 V77445 72-485 V77445 PRE SERVICE BULLETIN: 72-697 V77445		22
15	58H179		.BOLT- SUPPLIER CODE: V77445 POST SERVICE BULLETIN: 72-697 V77445		22
17	53H027		.WASHER-KEY SUPPLIER CODE: V77445 CONFIG CHG DATA FROM A CMM: FOR INTRCHG SEE PW IPC POST SERVICE BULLETIN: 72-326 V77445 72-468 V77445 72-518 V77445		1
19	53H028		.WASHER-KEY SUPPLIER CODE: V77445 CONFIG CHG DATA FROM A CMM: FOR INRCHG SEE PW IPC POST SERVICE BULLETIN: 72-326 V77445 72-468 V77445 72-517 V77445		1

ILLUSTRATION ITEMS NOT ON PARTS LIST ARE NOT APPLICABLE

- ITEM NOT ILLUSTRATED

HXL

72-35-51-05

BOEING PROPRIETARY - Copyright © - Unpublished Work - See title page for details.

72-35-51
FIG. 05
PAGE 4
DEC 22/06



767

PARTS CATALOG (MAINTENANCE)

FIG ITEM	PART NUMBER	1 2 3 4 5 6 7	NOMENCLATURE	EFFECT FROM TO	UNITS PER ASSY
5 20	ST1253-13		.NUT- SUPPLIER CODE: V77445 CONFIG CHG DATA FROM A CMM: FOR INTRCHG SEE PW IPC OPTIONAL PART: LH12383A7 V56878 80645-720 V56878 H51613-7 V15653 POST SERVICE BULLETIN: 72-485 V77445 PRE SERVICE BULLETIN: 72-697 V77445		22
20	LH12383A7		.NUT- SUPPLIER CODE: V56878 CONFIG CHG DATA FROM A CMM: PRATT AND WHITNEY PART NO. ST1250-13 FOR INTRCHG SEE PW IPC OPTIONAL PART: ST1253-13 V77445 80645-720 V56878 H51613-7 V15653 POST SERVICE BULLETIN: 72-485 V77445 PRE SERVICE BULLETIN: 72-697 V77445		22

ILLUSTRATION ITEMS NOT ON PARTS LIST ARE NOT APPLICABLE

- ITEM NOT ILLUSTRATED

HXL

72-35-51-05

BOEING PROPRIETARY - Copyright © - Unpublished Work - See title page for details.

72-35-51
FIG. 05
PAGE 5
DEC 22/06



767

PARTS CATALOG (MAINTENANCE)

FIG ITEM	PART NUMBER	1 2 3 4 5 6 7	NOMENCLATURE	EFFECT FROM TO	UNITS PER ASSY
5 20	80645-720		.NUT- SUPPLIER CODE: V56878 CONFIG CHG DATA FROM A CMM: PRATT AND WHITNEY PART NO. ST1251-13 FOR INTRCHG SEE PW IPC OPTIONAL PART: ST1253-13 V77445 LH12383A7 V56878 H51613-7 V15653 POST SERVICE BULLETIN: 72-485 V77445 PRE SERVICE BULLETIN: 72-697 V77445		22
20	H51613-7		.NUT- SUPPLIER CODE: V15653 CONFIG CHG DATA FROM A CMM: PRATT AND WHITNEY PART NO. ST1252-13 FOR INTRCHG SEE PW IPC OPTIONAL PART: ST1253-13 V77445 LH12383A7 V72962 80645-720 V56878 POST SERVICE BULLETIN: 72-485 V77445 PRE SERVICE BULLETIN: 72-697 V77445		22
20	58H180		.NUT- SUPPLIER CODE: V77445 CONFIG CHG DATA FROM A CMM: FOR INTRCHG SEE PW IPC POST SERVICE BULLETIN: 72-697 V77445		22

ILLUSTRATION ITEMS NOT ON PARTS LIST ARE NOT APPLICABLE

- ITEM NOT ILLUSTRATED

HXL

72-35-51-05

BOEING PROPRIETARY - Copyright © - Unpublished Work - See title page for details.

72-35-51
FIG. 05
PAGE 6
DEC 22/06



767

PARTS CATALOG (MAINTENANCE)

FIG ITEM	PART NUMBER	1 2 3 4 5 6 7	NOMENCLATURE	EFFECT FROM TO	UNITS PER ASSY
5					
25	MS21209F9-10L		.INSERT- CONFIG CHG DATA FROM A CMM: FOR INTRCHG SEE PW IPC MISCELLANEOUS DATA: ALSO AVAILABLE AS SVCE FIX PART PRE SERVICE BULLETIN: 72-326 V77445		1
25	MS124661		.INSERT- CONFIG CHG DATA FROM A CMM: FOR INTRCHG SEE PW IPC POST SERVICE BULLETIN: 72-326 V77445		1
30	MS21209F10-10		.INSERT- CONFIG CHG DATA FROM A CMM: FOR INTRCHG SEE PW IPC MISCELLANEOUS DATA: ALSO AVAILABLE AS SVCE FIX PART PRE SERVICE BULLETIN: 72-326 V77445		1
30	MS124662		.INSERT- CONFIG CHG DATA FROM A CMM: FOR INTRCHG SEE PW IPC POST SERVICE BULLETIN: 72-326 V77445		1

ILLUSTRATION ITEMS NOT ON PARTS LIST ARE NOT APPLICABLE

- ITEM NOT ILLUSTRATED

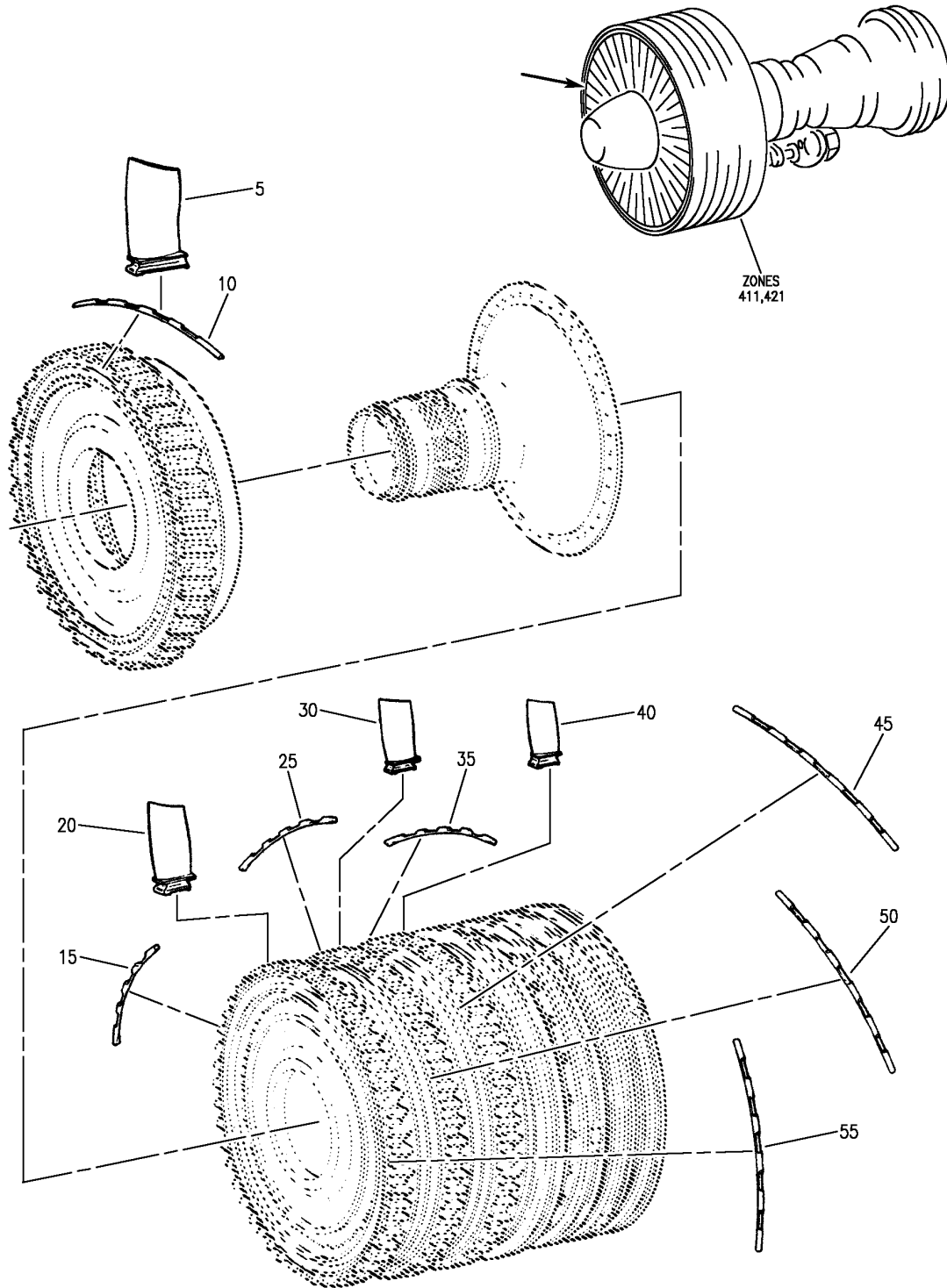
HXL

72-35-51-05

BOEING PROPRIETARY - Copyright © - Unpublished Work - See title page for details.

72-35-51
FIG. 05
PAGE 7
DEC 22/06

BOEING
767
PARTS CATALOG (MAINTENANCE)



V 72355202 REV 318

BLADE-HIGH PRESSURE CPRSR (PW4000)
FIGURE 2

72-35-52-02

HXL
AUG 22/07

72-35-52-02
PAGE 0



767

PARTS CATALOG (MAINTENANCE)

FIG ITEM	PART NUMBER	1 2 3 4 5 6 7	NOMENCLATURE	EFFECT FROM TO	UNITS PER ASSY
2			BLADE-HIGH PRESSURE CPRSR (PW4000)		
- 1	PW4060		ENGINE- SUPPLIER CODE: V77445 CONFIG CHG DATA FROM A CMM: SEE 71-00-51 FIG. 2 FOR APPLICABLE ENGINE SERIES		RF
5	51H305		.BLADE- SUPPLIER CODE: V77445 NOT APPROVED FOR ETOPS WITHOUT INCORP OF SB: 72-215 V77445 CONFIG CHG DATA FROM A CMM: FOR INTRCHG SEE PW IPC POST SERVICE BULLETIN: 72-174 V77445 A72-214 V77445 PRE SERVICE BULLETIN: 72-557 V77445 72-617 V77445		40
5	55H005		.BLADE- SUPPLIER CODE: V77445 NOT APPROVED FOR ETOPS. CONFIG CHG DATA FROM A CMM: FOR INTRCHG SEE PW IPC POST SERVICE BULLETIN: 72-503 V77445 PRE SERVICE BULLETIN: 72-557 V77445 72-617 V77445		40

ILLUSTRATION ITEMS NOT ON PARTS LIST ARE NOT APPLICABLE

- ITEM NOT ILLUSTRATED

HXL

72-35-52-02

BOEING PROPRIETARY - Copyright © - Unpublished Work - See title page for details.

72-35-52
FIG. 02
PAGE 1
AUG 22/07



767

PARTS CATALOG (MAINTENANCE)

FIG ITEM	PART NUMBER	1 2 3 4 5 6 7	NOMENCLATURE	EFFECT FROM TO	UNITS PER ASSY
2					
5	51H305-001		.BLADE- SUPPLIER CODE: V77445 NOT APPROVED FOR ETOPS. CONFIG CHG DATA FROM A CMM: FOR INTRCHG SEE PW IPC REIDENT FROM 51H305 PRE SERVICE BULLETIN: 72-557 V77445 72-617 V77445 REFERENCE SERVICE BULLETIN: 72-503 V77445		40
10	50H394		.LOCK- SUPPLIER CODE: V77445 NOT APPROVED FOR ETOPS. CONFIG CHG DATA FROM A CMM: FOR INTRCHG SEE PW IPC PRE SERVICE BULLETIN: 72-359 V77445 72-373 V77445 REFERENCE SERVICE BULLETIN: 72-445 V77445		8
10	53H222		.LOCK- SUPPLIER CODE: V77445 NOT APPROVED FOR ETOPS. CONFIG CHG DATA FROM A CMM: FOR INTRCHG SEE PW IPC POST SERVICE BULLETIN: 72-359 V77445 PRE SERVICE BULLETIN: 72-373 V77445 REFERENCE SERVICE BULLETIN: 72-445 V77445		8

ILLUSTRATION ITEMS NOT ON PARTS LIST ARE NOT APPLICABLE

- ITEM NOT ILLUSTRATED

HXL

72-35-52-02

BOEING PROPRIETARY - Copyright © - Unpublished Work - See title page for details.

72-35-52
FIG. 02
PAGE 2
AUG 22/07



767

PARTS CATALOG (MAINTENANCE)

FIG ITEM	PART NUMBER	1 2 3 4 5 6 7	NOMENCLATURE	EFFECT FROM TO	UNITS PER ASSY
2					
15	50H395		.LOCK- SUPPLIER CODE: V77445 NOT APPROVED FOR ETOPS. CONFIG CHG DATA FROM A CMM: FOR INTRCHG SEE PW IPC PRE SERVICE BULLETIN: 72-359 V77445 72-373 V77445 REFERENCE SERVICE BULLETIN: 72-445 V77445		9
15	53H223		.LOCK- SUPPLIER CODE: V77445 NOT APPROVED FOR ETOPS. CONFIG CHG DATA FROM A CMM: FOR INTRCHG SEE PW IPC POST SERVICE BULLETIN: 72-359 V77445 PRE SERVICE BULLETIN: 72-373 V77445 REFERENCE SERVICE BULLETIN: 72-445 V77445		9
20	51H106		.BLADE- SUPPLIER CODE: V77445 OPTIONAL PART: 52H206 V77445 52H306 V77445 PRE SERVICE BULLETIN: 72-282 V77445		51

ILLUSTRATION ITEMS NOT ON PARTS LIST ARE NOT APPLICABLE

- ITEM NOT ILLUSTRATED

HXL

72-35-52-02

BOEING PROPRIETARY - Copyright © - Unpublished Work - See title page for details.

72-35-52
FIG. 02
PAGE 3
AUG 22/07

 **BOEING**
767
PARTS CATALOG (MAINTENANCE)

FIG ITEM	PART NUMBER	1 2 3 4 5 6 7	NOMENCLATURE	EFFECT FROM TO	UNITS PER ASSY
2 20	52H206		.BLADE- SUPPLIER CODE: V77445 NOT APPROVED FOR ETOPS. OPTIONAL PART: 51H106 V77445 52H306 V77445 POST SERVICE BULLETIN: 72-282 V77445 PRE SERVICE BULLETIN: 72-304 V77445 72-322 V77445 72-589 V77445		51
20	52H306		.BLADE- SUPPLIER CODE: V77445 NOT APPROVED FOR ETOPS. CONFIG CHG DATA FROM A CMM: FOR INTRCHG SEE PW IPC OPTIONAL PART: 51H106 V77445 52H206 V77445 POST SERVICE BULLETIN: 72-304 V77445 PRE SERVICE BULLETIN: 72-465 V77445 72-589 V77445		51

ILLUSTRATION ITEMS NOT ON PARTS LIST ARE NOT APPLICABLE

- ITEM NOT ILLUSTRATED

HXL

72-35-52-02

BOEING PROPRIETARY - Copyright © - Unpublished Work - See title page for details.

72-35-52
FIG. 02
PAGE 4
AUG 22/07



767

PARTS CATALOG (MAINTENANCE)

FIG ITEM	PART NUMBER	1 2 3 4 5 6 7	NOMENCLATURE	EFFECT FROM TO	UNITS PER ASSY
2					
25	50H396		.LOCK- SUPPLIER CODE: V77445 NOT APPROVED FOR ETOPS. CONFIG CHG DATA FROM A CMM: FOR INTRCHG SEE PW IPC PRE SERVICE BULLETIN: 72-359 V77445 72-373 V77445 REFERENCE SERVICE BULLETIN: 72-445 V77445		10
25	53H224		.LOCK- SUPPLIER CODE: V77445 NOT APPROVED FOR ETOPS. CONFIG CHG DATA FROM A CMM: FOR INTRCHG SEE PW IPC POST SERVICE BULLETIN: 72-359 V77445 PRE SERVICE BULLETIN: 72-373 V77445 REFERENCE SERVICE BULLETIN: 72-445 V77445		10
30	51H507		.BLADE- SUPPLIER CODE: V77445 NOT APPROVED FOR ETOPS. CONFIG CHG DATA FROM A CMM: FOR INTRCHG SEE PW IPC POST SERVICE BULLETIN: 72-38 V77445 PRE SERVICE BULLETIN: 72-465 V77445 72-589 V77445 REFERENCE SERVICE BULLETIN: 72-646 V77445		56

ILLUSTRATION ITEMS NOT ON PARTS LIST ARE NOT APPLICABLE

- ITEM NOT ILLUSTRATED

HXL

72-35-52-02

BOEING PROPRIETARY - Copyright © - Unpublished Work - See title page for details.

72-35-52
FIG. 02
PAGE 5
AUG 22/07



767

PARTS CATALOG (MAINTENANCE)

FIG ITEM	PART NUMBER	1 2 3 4 5 6 7	NOMENCLATURE	EFFECT FROM TO	UNITS PER ASSY
2					
35	50H400		.LOCK- SUPPLIER CODE: V77445 NOT APPROVED FOR ETOPS. CONFIG CHG DATA FROM A CMM: FOR INTRCHG SEE PW IPC PRE SERVICE BULLETIN: 72-359 V77445 72-373 V77445 REFERENCE SERVICE BULLETIN: 72-445 V77445		1
35	53H229		.LOCK- SUPPLIER CODE: V77445 NOT APPROVED FOR ETOPS. CONFIG CHG DATA FROM A CMM: FOR INTRCHG SEE PW IPC POST SERVICE BULLETIN: 72-359 V77445 PRE SERVICE BULLETIN: 72-373 V77445 REFERENCE SERVICE BULLETIN: 72-445 V77445		1
40	51H608		.BLADE- SUPPLIER CODE: V77445 NOT APPROVED FOR ETOPS. CONFIG CHG DATA FROM A CMM: FOR INTRCHG SEE PW IPC POST SERVICE BULLETIN: 72-108 V77445 PRE SERVICE BULLETIN: 72-465 V77445 72-589 V77445		53
ILLUSTRATION ITEMS NOT ON PARTS LIST ARE NOT APPLICABLE					

- ITEM NOT ILLUSTRATED

HXL

72-35-52-02

BOEING PROPRIETARY - Copyright © - Unpublished Work - See title page for details.

72-35-52
FIG. 02
PAGE 6
AUG 22/07



767

PARTS CATALOG (MAINTENANCE)

FIG ITEM	PART NUMBER	1 2 3 4 5 6 7	NOMENCLATURE	EFFECT FROM TO	UNITS PER ASSY
2					
45	50H397		.LOCK- SUPPLIER CODE: V77445 NOT APPROVED FOR ETOPS. CONFIG CHG DATA FROM A CMM: FOR INTRCHG SEE PW IPC PRE SERVICE BULLETIN: 72-359 V77445 72-373 V77445 REFERENCE SERVICE BULLETIN: 72-445 V77445		8
45	53H225		.LOCK- SUPPLIER CODE: V77445 NOT APPROVED FOR ETOPS. CONFIG CHG DATA FROM A CMM: FOR INTRCHG SEE PW IPC POST SERVICE BULLETIN: 72-359 V77445 PRE SERVICE BULLETIN: 72-373 V77445 REFERENCE SERVICE BULLETIN: 72-445 V77445		8
50	50H498		.LOCK- SUPPLIER CODE: V77445 NOT APPROVED FOR ETOPS. CONFIG CHG DATA FROM A CMM: FOR INTRCHG SEE PW IPC PRE SERVICE BULLETIN: 72-359 V77445 72-373 V77445 REFERENCE SERVICE BULLETIN: 72-445 V77445		1

ILLUSTRATION ITEMS NOT ON PARTS LIST ARE NOT APPLICABLE

- ITEM NOT ILLUSTRATED

HXL

72-35-52-02

BOEING PROPRIETARY - Copyright © - Unpublished Work - See title page for details.

72-35-52
FIG. 02
PAGE 7
AUG 22/07



767

PARTS CATALOG (MAINTENANCE)

FIG ITEM	PART NUMBER	1 2 3 4 5 6 7	NOMENCLATURE	EFFECT FROM TO	UNITS PER ASSY
2 50	53H228		.LOCK- SUPPLIER CODE: V77445 NOT APPROVED FOR ETOPS. CONFIG CHG DATA FROM A CMM: FOR INTRCHG SEE PW IPC POST SERVICE BULLETIN: 72-349 V77445 PRE SERVICE BULLETIN: 72-373 V77445 REFERENCE SERVICE BULLETIN: 72-445 V77445		1
55	50H497		.LOCK- SUPPLIER CODE: V77445 NOT APPROVED FOR ETOPS. CONFIG CHG DATA FROM A CMM: FOR INTRCHG SEE PW IPC PRE SERVICE BULLETIN: 72-359 V77445 72-373 V77445 REFERENCE SERVICE BULLETIN: 72-445 V77445		1
55	53H227		.LOCK- SUPPLIER CODE: V77445 NOT APPROVED FOR ETOPS. CONFIG CHG DATA FROM A CMM: FOR INTRCHG SEE PW IPC POST SERVICE BULLETIN: 72-359 V77445 PRE SERVICE BULLETIN: 72-373 V77445 REFERENCE SERVICE BULLETIN: 72-445 V77445		1

ILLUSTRATION ITEMS NOT ON PARTS LIST ARE NOT APPLICABLE

- ITEM NOT ILLUSTRATED

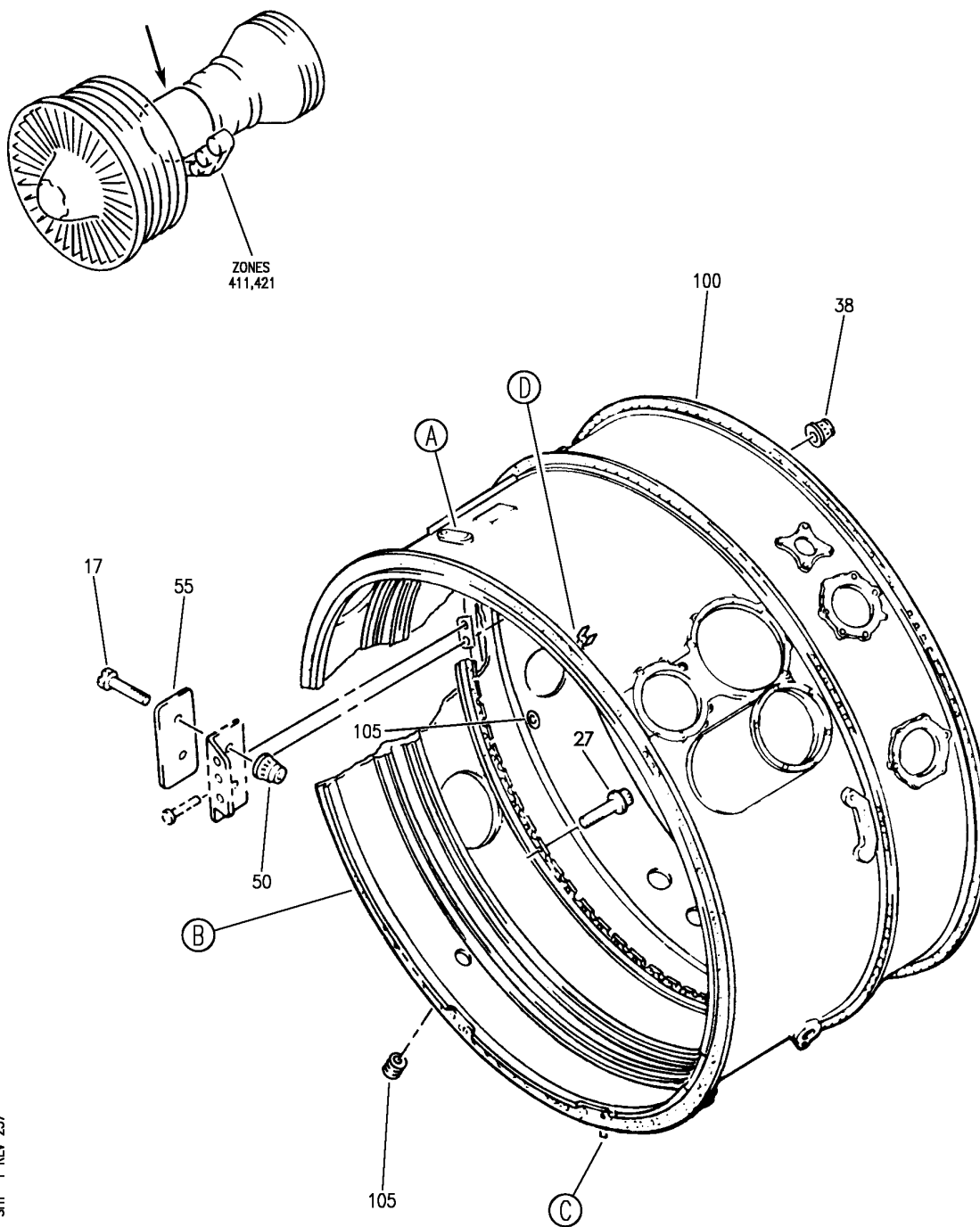
HXL

72-35-52-02

BOEING PROPRIETARY - Copyright © - Unpublished Work - See title page for details.

72-35-52
FIG. 02
PAGE 8
AUG 22/07

BOEING
767
PARTS CATALOG (MAINTENANCE)



V 72355205 SH1 1 REV 257

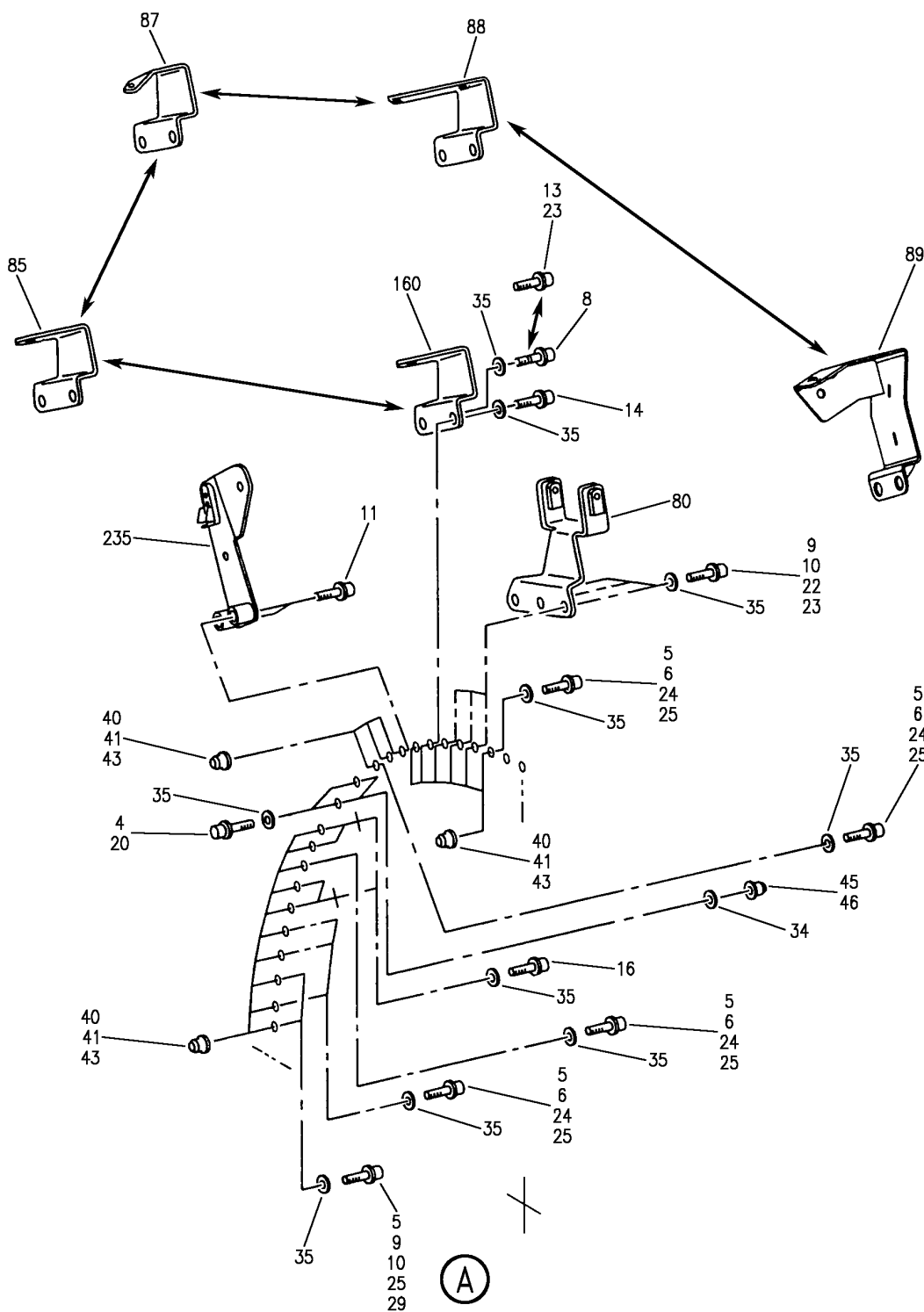
CASE-REAR HIGH PRESSURE CPRSR (PW4000)
FIGURE 5 (SHEET 1)

72-35-52-05

HXL
DEC 22/06

72-35-52-05
PAGE 0


BOEING
 767
PARTS CATALOG (MAINTENANCE)



V 72355205 SH1 2 REV 273

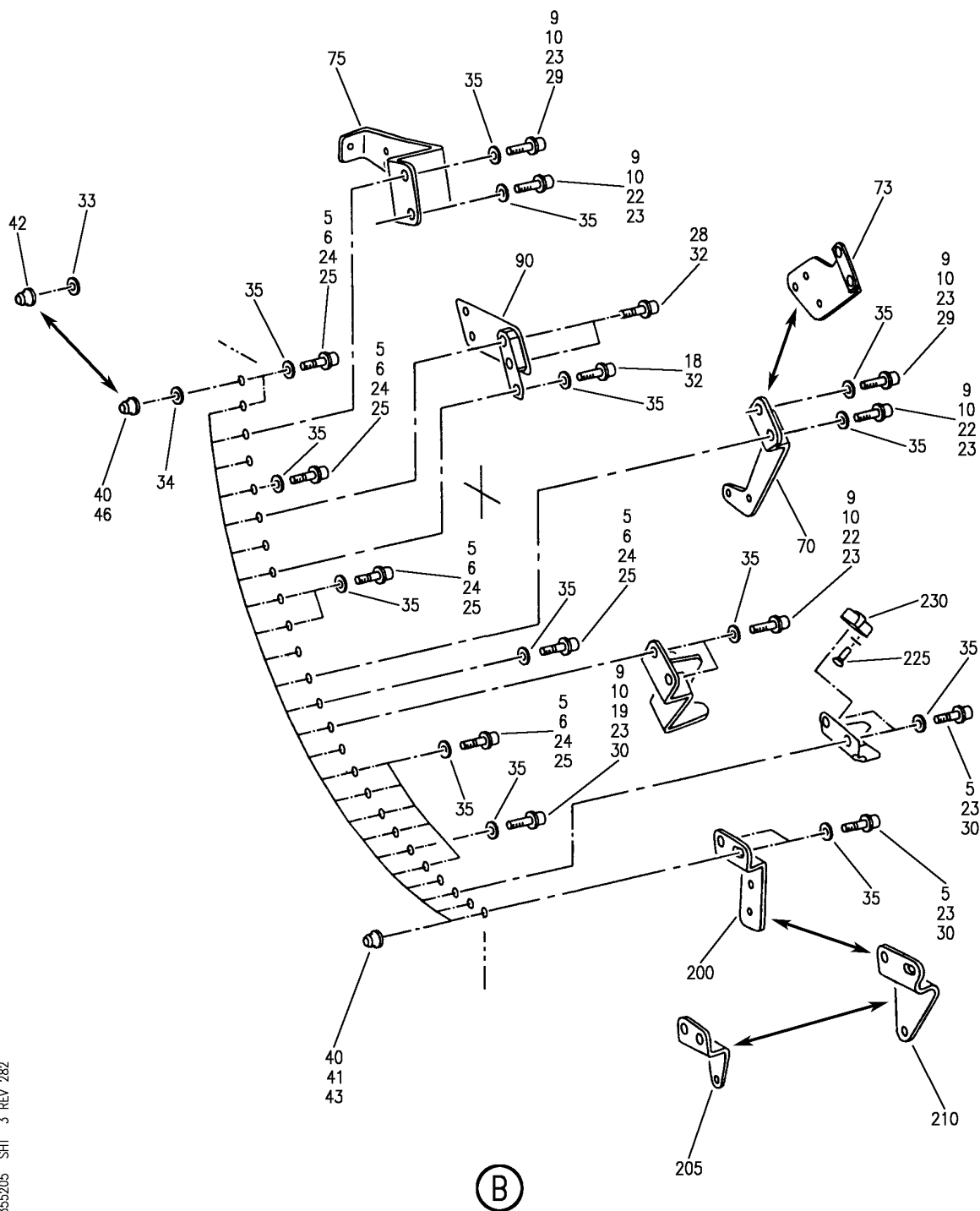
CASE-REAR HIGH PRESSURE CPRSR (PW4000)
 FIGURE 5 (SHEET 2)

72-35-52-05

HXL
DEC 22/06

72-35-52-05
 PAGE 0A

BOEING
767
PARTS CATALOG (MAINTENANCE)



V 72355205 SHT 3 REV 282

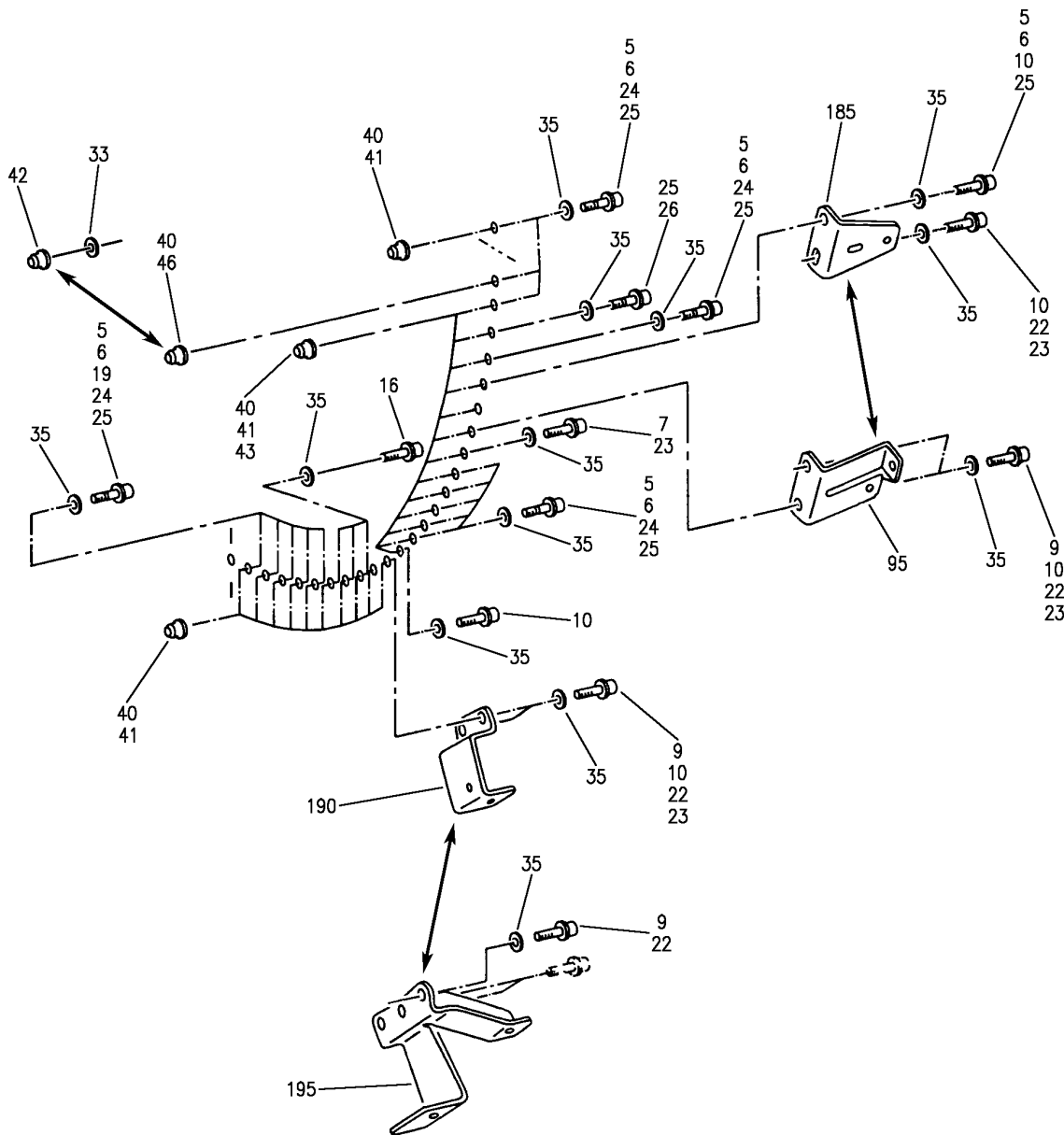
CASE-REAR HIGH PRESSURE CPRSR (PW4000)
FIGURE 5 (SHEET 3)

72-35-52-05

HXL
DEC 22/06

72-35-52-05
PAGE 0B

BOEING
767
PARTS CATALOG (MAINTENANCE)



(C)

V 72355205 SH-T 4 REV 282

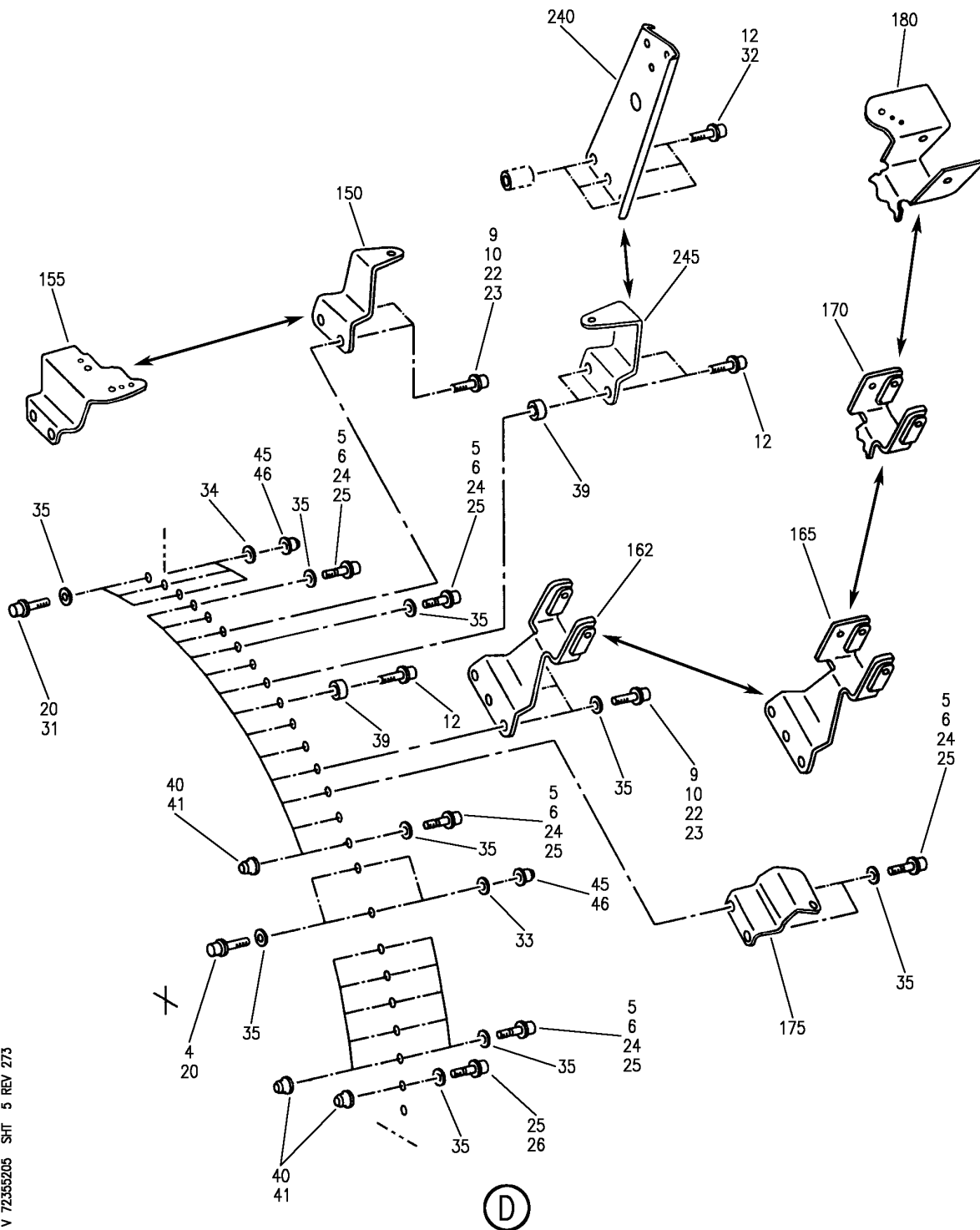
CASE-REAR HIGH PRESSURE CPRSR (PW4000)
FIGURE 5 (SHEET 4)

72-35-52-05

HXL
DEC 22/06

72-35-52-05
PAGE 0C

BOEING
767
PARTS CATALOG (MAINTENANCE)



V 72355205 SHT 5 REV 273

CASE-REAR HIGH PRESSURE CPRSR (PW4000)
FIGURE 5 (SHEET 5)

72-35-52-05

HXL
DEC 22/06

72-35-52-05
PAGE 0D



767

PARTS CATALOG (MAINTENANCE)

FIG ITEM	PART NUMBER	1 2 3 4 5 6 7	NOMENCLATURE	EFFECT FROM TO	UNITS PER ASSY
5			CASE-REAR HIGH PRESSURE CPRSR (PW4000)		
- 1	PW4060		ENGINE- SUPPLIER CODE: V77445		RF
4	52U705		CONFIG CHG DATA FROM A CMM: SEE 71-00-51 FIG. 2 FOR APPLICABLE ENGINE SERIES .BOLT- SUPPLIER CODE: V77445		4
5	51T293		CONFIG CHG DATA FROM A CMM: FOR INTRCHG SEE PW IPC POST SERVICE BULLETIN: 72-755 V77445 .BOLT- SUPPLIER CODE: V77445		46
5	55H065		CONFIG CHG DATA FROM A CMM: FOR INTRCHG SEE PW IPC OPTIONAL PART: 55H065 V77445 PRE SERVICE BULLETIN: 72-286 V77445 72-755 V77445 REFERENCE SERVICE BULLETIN: 72-283 V77445 .BOLT- SUPPLIER CODE: V77445		46
			CONFIG CHG DATA FROM A CMM: FOR INTRCHG SEE PW IPC OPTIONAL PART: 51T293 V77445 PRE SERVICE BULLETIN: 72-755 V77445		

ILLUSTRATION ITEMS NOT ON PARTS LIST ARE NOT APPLICABLE

- ITEM NOT ILLUSTRATED

HXL

72-35-52-05

BOEING PROPRIETARY - Copyright © - Unpublished Work - See title page for details.

72-35-52
FIG. 05
PAGE 1
DEC 22/06



767

PARTS CATALOG (MAINTENANCE)

FIG ITEM	PART NUMBER	1 2 3 4 5 6 7	NOMENCLATURE	EFFECT FROM TO	UNITS PER ASSY
5					
6	51T293		.BOLT- SUPPLIER CODE: V77445 CONFIG CHG DATA FROM A CMM: FOR INTRCHG SEE PW IPC OPTIONAL PART: 55H065 V77445 PRE SERVICE BULLETIN: 72-755 V74445		43
6	55H065		.BOLT- SUPPLIER CODE: V77445 CONFIG CHG DATA FROM A CMM: FOR INTRCHG SEE PW IPC OPTIONAL PART: 51T293 V77445 PRE SERVICE BULLETIN: 72-752 V77445 72-755 V77445		43
7	MS9887-15		.BOLT- CONFIG CHG DATA FROM A CMM: FOR INTRCHG SEE PW IPC POST SERVICE BULLETIN: 72-286 V77445 PRE SERVICE BULLETIN: 72-755 V77445		1
8	51T293		.BOLT- SUPPLIER CODE: V77445		1
8	55H065		.BOLT- SUPPLIER CODE: V77445 CONFIG CHG DATA FROM A CMM: FOR INTRCHG SEE PW IPC PRE SERVICE BULLETIN: 72-755 V77445		1

ILLUSTRATION ITEMS NOT ON PARTS LIST ARE NOT APPLICABLE

- ITEM NOT ILLUSTRATED

HXL

72-35-52-05

BOEING PROPRIETARY - Copyright © - Unpublished Work - See title page for details.

72-35-52
FIG. 05
PAGE 2
DEC 22/06



767

PARTS CATALOG (MAINTENANCE)

FIG ITEM	PART NUMBER	1 2 3 4 5 6 7	NOMENCLATURE	EFFECT FROM TO	UNITS PER ASSY
5	9 MS9887-14		.BOLT- NOT APPROVED FOR ETOPS. CONFIG CHG DATA FROM A CMM: FOR INTRCHG SEE PW IPC PRE SERVICE BULLETIN: 72-752 V77445 72-755 V77445		22
	10 MS9887-14		.BOLT- NOT APPROVED FOR ETOPS. CONFIG CHG DATA FROM A CMM: FOR INTRCHG SEE PW IPC PRE SERVICE BULLETIN: 72-286 V77445 REFERENCE SERVICE BULLETIN: 72-283 V77445		23
	11 MS9887-28		.BOLT- CONFIG CHG DATA FROM A CMM: FOR INTRCHG SEE PW IPC POST SERVICE BULLETIN: 72-603 V77445 PRE SERVICE BULLETIN: 72-755 V77445		2
	11 52U693		.BOLT- SUPPLIER CODE: V77445 CONFIG CHG DATA FROM A CMM: FOR INTRCHG SEE PW IPC POST SERVICE BULLETIN: 72-755 V77445		2
	12 MS9887-26		.BOLT- PRE SERVICE BULLETIN: 72-242 V77445 REFERENCE SERVICE BULLETIN: 72-15 V77445		3

ILLUSTRATION ITEMS NOT ON PARTS LIST ARE NOT APPLICABLE

- ITEM NOT ILLUSTRATED

HXL

72-35-52-05

BOEING PROPRIETARY - Copyright © - Unpublished Work - See title page for details.

72-35-52
FIG. 05
PAGE 3
DEC 22/06



767

PARTS CATALOG (MAINTENANCE)

FIG ITEM	PART NUMBER	1 2 3 4 5 6 7	NOMENCLATURE	EFFECT FROM TO	UNITS PER ASSY
5					
12	52U693		.BOLT- SUPPLIER CODE: V77445 CONFIG CHG DATA FROM A CMM: FOR INTRCHG SEE PW IPC POST SERVICE BULLETIN: 72-755 V77445		3
12	MS9887-28		.BOLT- CONFIG CHG DATA FROM A CMM: FOR INTRCHG SEE PW IPC POST SERVICE BULLETIN: 72-242 V77445 PRE SERVICE BULLETIN: 72-755 V77445		3
13	MS9887-15		.BOLT- CONFIG CHG DATA FROM A CMM: FOR INTRCHG SEE PW IPC POST SERVICE BULLETIN: 72-242 V77445 72-350 V77445 PRE SERVICE BULLETIN: 72-755 V77445		1
14	MS9887-14		.BOLT- NOT APPROVED FOR ETOPS. PRE SERVICE BULLETIN: 72-350 V77445		1
14	MS9887-15		.BOLT- POST SERVICE BULLETIN: 72-242 V77445 72-350 V77445		1
- 15	MS9887-15		.BOLT- CONFIG CHG DATA FROM A CMM: FOR INTRCHG SEE PW IPC PRE SERVICE BULLETIN: 72-603 V77445 72-755 V77445		9

ILLUSTRATION ITEMS NOT ON PARTS LIST ARE NOT APPLICABLE

- ITEM NOT ILLUSTRATED

HXL

72-35-52-05

BOEING PROPRIETARY - Copyright © - Unpublished Work - See title page for details.

72-35-52
FIG. 05
PAGE 4
AUG 22/07



767

PARTS CATALOG (MAINTENANCE)

FIG ITEM	PART NUMBER	1 2 3 4 5 6 7	NOMENCLATURE	EFFECT FROM TO	UNITS PER ASSY
5					
16	MS9887-15		.BOLT- CONFIG CHG DATA FROM A CMM: FOR INTRCHG SEE PW IPC PRE SERVICE BULLETIN: 72-755 V77445		7
16	57T680		.BOLT- SUPPLIER CODE: V77445 CONFIG CHG DATA FROM A CMM: FOR INTRCHG SEE PW IPC POST SERVICE BULLETIN: 72-755 V77445		7
17	511105		.SCREW- SUPPLIER CODE: V77445		2
18	MS9887-14		.BOLT- NOT APPROVED FOR ETOPS. CONFIG CHG DATA FROM A CMM: FOR INTRCHG SEE PW IPC PRE SERVICE BULLETIN: 73-63 V77445		1
18	MS9725-09		.BOLT- CONFIG CHG DATA FROM A CMM: FOR INTRCHG SEE PW IPC POST SERVICE BULLETIN: 73-63 V77445 PRE SERVICE BULLETIN: 72-755 V77445		1
19	57T394		.BOLT- SUPPLIER CODE: V77445 CONFIG CHG DATA FROM A CMM: FOR INTRCHG SEE PW IPC POST SERVICE BULLETIN: 72-755 V77445		2
20	MS9887-12		.BOLT- CONFIG CHG DATA FROM A CMM: FOR INTRCHG SEE PW IPC PRE SERVICE BULLETIN: 72-755 V77445		7

ILLUSTRATION ITEMS NOT ON PARTS LIST ARE NOT APPLICABLE

- ITEM NOT ILLUSTRATED

HXL

72-35-52-05

BOEING PROPRIETARY - Copyright © - Unpublished Work - See title page for details.

72-35-52
FIG. 05
PAGE 5
AUG 22/07



767

PARTS CATALOG (MAINTENANCE)

FIG ITEM	PART NUMBER	1 2 3 4 5 6 7	NOMENCLATURE	EFFECT FROM TO	UNITS PER ASSY
5 22	MS9887-14		.BOLT- NOT APPROVED FOR ETOPS. CONFIG CHG DATA FROM A CMM: FOR INTRCHG SEE PW IPC POST SERVICE BULLETIN: 72-752 V77445		18
23	57T680		.BOLT- SUPPLIER CODE: V77445 CONFIG CHG DATA FROM A CMM: FOR INTRCHG SEE PW IPC POST SERVICE BULLETIN: 72-755 V77445		24
24	55H065		.BOLT- SUPPLIER CODE: V77445 CONFIG CHG DATA FROM A CMM: FOR INTRCHG SEE PW IPC POST SERVICE BULLETIN: 72-752 V77445 PRE SERVICE BULLETIN: 72-755 V77445		39
25	50U132		.BOLT- SUPPLIER CODE: V77445 CONFIG CHG DATA FROM A CMM: FOR INTRCHG SEE PW IPC POST SERVICE BULLETIN: 72-755 V77445		47
26	51T293		.BOLT- SUPPLIER CODE: V77445 CONFIG CHG DATA FROM A CMM: FOR INTRCHG SEE PW IPC OPTIONAL PART: 55H065 V77445 POST SERVICE BULLETIN: 72-286 V77445		2

ILLUSTRATION ITEMS NOT ON PARTS LIST ARE NOT APPLICABLE

- ITEM NOT ILLUSTRATED

HXL

72-35-52-05

BOEING PROPRIETARY - Copyright © - Unpublished Work - See title page for details.

72-35-52
FIG. 05
PAGE 6
AUG 22/07



767

PARTS CATALOG (MAINTENANCE)

FIG ITEM	PART NUMBER	1 2 3 4 5 6 7	NOMENCLATURE	EFFECT FROM TO	UNITS PER ASSY
5 26	55H065		.BOLT- SUPPLIER CODE: V77445 CONFIG CHG DATA FROM A CMM: FOR INTRCHG SEE PW IPC OPTIONAL PART: 51T293 V77445 PRE SERVICE BULLETIN: 72-755 V77445		2
27	MS9724-07		.BOLT- CONFIG CHG DATA FROM A CMM: FOR INTRCHG SEE PW IPC PRE SERVICE BULLETIN: 72-755 V77445		64
28	MS9887-14		.BOLT- NOT APPROVED FOR ETOPS. CONFIG CHG DATA FROM A CMM: FOR INTRCHG SEE PW IPC PRE SERVICE BULLETIN: 73-63 V77445		2
28	MS9725-19		.BOLT- CONFIG CHG DATA FROM A CMM: FOR INTRCHG SEE PW IPC POST SERVICE BULLETIN: 73-63 V77445		2
29	55H065		.BOLT- SUPPLIER CODE: V77445 CONFIG CHG DATA FROM A CMM: FOR INTRCHG SEE PW IPC POST SERVICE BULLETIN: 72-752 V77445 PRE SERVICE BULLETIN: 72-755 V77445		4

ILLUSTRATION ITEMS NOT ON PARTS LIST ARE NOT APPLICABLE

- ITEM NOT ILLUSTRATED

HXL

72-35-52-05

BOEING PROPRIETARY - Copyright © - Unpublished Work - See title page for details.

72-35-52
FIG. 05
PAGE 7
AUG 22/07



767

PARTS CATALOG (MAINTENANCE)

FIG ITEM	PART NUMBER	1 2 3 4 5 6 7	NOMENCLATURE	EFFECT FROM TO	UNITS PER ASSY
5	30 MS9887-15		.BOLT- CONFIG CHG DATA FROM A CMM: FOR INTRCHG SEE PW IPC POST SERVICE BULLETIN: 72-752 V77445 PRE SERVICE BULLETIN: 72-755 V77445		4
	31 52U700		.BOLT- SUPPLIER CODE: V77445 CONFIG CHG DATA FROM A CMM: FOR INTRCHG SEE PW IPC POST SERVICE BULLETIN: 72-755 V77445		3
	32 52U693		.BOLT- SUPPLIER CODE: V77445 CONFIG CHG DATA FROM A CMM: FOR INTRCHG SEE PW IPC POST SERVICE BULLETIN: 72-755 V77445		6
	33 MS9549-11		.WASHER- CONFIG CHG DATA FROM A CMM: FOR INTRCHG SEE PW IPC POST SERVICE BULLETIN: 72-697 V77445 PRE SERVICE BULLETIN: 72-755 V77445		2
	34 MS9549-11		.WASHER- CONFIG CHG DATA FROM A CMM: FOR INTRCHG SEE PW IPC POST SERVICE BULLETIN: 72-283 V77445 PRE SERVICE BULLETIN: 72-755 V77445		6

ILLUSTRATION ITEMS NOT ON PARTS LIST ARE NOT APPLICABLE

- ITEM NOT ILLUSTRATED

HXL

72-35-52-05

BOEING PROPRIETARY - Copyright © - Unpublished Work - See title page for details.

72-35-52
FIG. 05
PAGE 8
AUG 22/07



767

PARTS CATALOG (MAINTENANCE)

FIG ITEM	PART NUMBER	1 2 3 4 5 6 7	NOMENCLATURE	EFFECT FROM TO	UNITS PER ASSY
5 35	58H598		.BOLT- SUPPLIER CODE: V77445 CONFIG CHG DATA FROM A CMM: FOR INTRCHG SEE PW IPC POST SERVICE BULLETIN: 72-755 V77445		85
38	ST2139-08		.COLLAR- SUPPLIER CODE: V77445 CONFIG CHG DATA FROM A CMM: FOR INTRCHG SEE PW IPC PRE SERVICE BULLETIN: 72-755 V77445		2
39	791060		.SPACER- SUPPLIER CODE: V77445 CONFIG CHG DATA FROM A CMM: FOR INTRCHG SEE PW IPC OPTIONAL PART: 50U022 V77445 PRE SERVICE BULLETIN: 72-554 V77445 REFERENCE SERVICE BULLETIN: 72-15 V77445		3
39	50U022		.SPACER- SUPPLIER CODE: V77445 CONFIG CHG DATA FROM A CMM: FOR INTRCHG SEE PW IPC OPTIONAL PART: 791060 V77445 POST SERVICE BULLETIN: 72-554 V77445 PRE SERVICE BULLETIN: 72-603 V77445		3

ILLUSTRATION ITEMS NOT ON PARTS LIST ARE NOT APPLICABLE

- ITEM NOT ILLUSTRATED

HXL

72-35-52-05

BOEING PROPRIETARY - Copyright © - Unpublished Work - See title page for details.

72-35-52
FIG. 05
PAGE 9
AUG 22/07



767

PARTS CATALOG (MAINTENANCE)

FIG ITEM	PART NUMBER	1 2 3 4 5 6 7	NOMENCLATURE	EFFECT FROM TO	UNITS PER ASSY
5 40	743534		.NUT- SUPPLIER CODE: V77445 CONFIG CHG DATA FROM A CMM: FOR INTRCHG SEE PW IPC OPTIONAL PART: LH8970-5 V56878 69250-524 V56878 POST SERVICE BULLETIN: 72-283 V77445 PRE SERVICE BULLETIN: 72-697 V77445		88
40	LH8970-5		.NUT- SUPPLIER CODE: V56878 CONFIG CHG DATA FROM A CMM: PRATT AND WHITNEY PART NO. ST1074-11 FOR INTRCHG SEE PW IPC OPTIONAL PART: 743534 V77445 69250-524 V56878 POST SERVICE BULLETIN: 72-283 V77445 PRE SERVICE BULLETIN: 72-697 V77445		88

ILLUSTRATION ITEMS NOT ON PARTS LIST ARE NOT APPLICABLE

- ITEM NOT ILLUSTRATED

HXL

72-35-52-05

BOEING PROPRIETARY - Copyright © - Unpublished Work - See title page for details.

72-35-52
FIG. 05
PAGE 10
AUG 22/07



767

PARTS CATALOG (MAINTENANCE)

FIG ITEM	PART NUMBER	1 2 3 4 5 6 7	NOMENCLATURE	EFFECT FROM TO	UNITS PER ASSY
5 40	69250-524		.NUT- SUPPLIER CODE: V56878 CONFIG CHG DATA FROM A CMM: PRATT AND WHITNEY PART NO. ST1075-11 FOR INTRCHG SEE PW IPC OPTIONAL PART: 743534 V77445 LH8970-5 V56878 POST SERVICE BULLETIN: 72-283 V77445 PRE SERVICE BULLETIN: 72-697 V77445		88
41	743534		.NUT- SUPPLIER CODE: V77445 CONFIG CHG DATA FROM A CMM: FOR INTRCHG SEE PW IPC OPTIONAL PART: LH8970-5 V56878 69250-524 V56878 PRE SERVICE BULLETIN: 72-755 V77445		86
41	LH8970-5		.NUT- SUPPLIER CODE: V56878 CONFIG CHG DATA FROM A CMM: PRATT AND WHITNEY PART NO. ST1074-11 FOR INTRCHG SEE PW IPC OPTIONAL PART: 743534 V77445 69250-524 V56878 PRE SERVICE BULLETIN: 72-755 V77445		86

ILLUSTRATION ITEMS NOT ON PARTS LIST ARE NOT APPLICABLE

- ITEM NOT ILLUSTRATED

HXL

72-35-52-05

BOEING PROPRIETARY - Copyright © - Unpublished Work - See title page for details.

72-35-52
FIG. 05
PAGE 11
AUG 22/07



767

PARTS CATALOG (MAINTENANCE)

FIG ITEM	PART NUMBER	1 2 3 4 5 6 7	NOMENCLATURE	EFFECT FROM TO	UNITS PER ASSY
5 41	69250-524		.NUT- SUPPLIER CODE: V56878 CONFIG CHG DATA FROM A CMM: PRATT AND WHITNEY PART NO. ST1075-11 FOR INTRCHG SEE PW IPC OPTIONAL PART: 743534 V77445 LH8970-5 V56878 PRE SERVICE BULLETIN: 72-755 V77445		86
42	760548		.NUT- SUPPLIER CODE: V77445 CONFIG CHG DATA FROM A CMM: FOR INTRCHG SEE PW IPC OPTIONAL PART: H50361-5 V15653 LH12170-5 V56878 SPSN55394 V56878 104272 V11815 POST SERVICE BULLETIN: 72-697 V77445		2

ILLUSTRATION ITEMS NOT ON PARTS LIST ARE NOT APPLICABLE

- ITEM NOT ILLUSTRATED

HXL

72-35-52-05

BOEING PROPRIETARY - Copyright © - Unpublished Work - See title page for details.

72-35-52
FIG. 05
PAGE 12
AUG 22/07



767

PARTS CATALOG (MAINTENANCE)

FIG ITEM	PART NUMBER	1 2 3 4 5 6 7	NOMENCLATURE	EFFECT FROM TO	UNITS PER ASSY
5 42	H50361-5		.NUT- SUPPLIER CODE: V15653 CONFIG CHG DATA FROM A CMM: PRATT AND WHITNEY PART NO. 760552 FOR INTRCHG SEE PW IPC OPTIONAL PART: 760548 V77445 LH12170-5 V56878 SPSN55394 V56878 104272 V11815 POST SERVICE BULLETIN: 72-697 V77445		2
42	LH12170-5		.NUT- SUPPLIER CODE: V56878 CONFIG CHG DATA FROM A CMM: PRATT AND WHITNEY PART NO. 760553 FOR INTRCHG SEE PW IPC OPTIONAL PART: 760548 V77445 H50361-5 V15653 SPSN55394 V56878 104272 V11815 POST SERVICE BULLETIN: 72-697 V77445		2

ILLUSTRATION ITEMS NOT ON PARTS LIST ARE NOT APPLICABLE

- ITEM NOT ILLUSTRATED

HXL

72-35-52-05

BOEING PROPRIETARY - Copyright © - Unpublished Work - See title page for details.

72-35-52
FIG. 05
PAGE 13
AUG 22/07



767

PARTS CATALOG (MAINTENANCE)

FIG ITEM	PART NUMBER	1 2 3 4 5 6 7	NOMENCLATURE	EFFECT FROM TO	UNITS PER ASSY
5 42	SPSN55394		.NUT- SUPPLIER CODE: V56878 CONFIG CHG DATA FROM A CMM: PRATT AND WHITNEY PART NO. 762463 FOR INTRCHG SEE PW IPC OPTIONAL PART: 760548 V77445 H50361-5 V15653 LH12170-5 V56878 104272 V11815 POST SERVICE BULLETIN: 72-697 V77445		2
42	104272		.NUT- SUPPLIER CODE: V11815 CONFIG CHG DATA FROM A CMM: PRATT AND WHITNEY PART NO. 762464 FOR INTRCHG SEE PW IPC OPTIONAL PART: 760548 V77445 H50361-5 V15653 LH12170-5 V56878 SPSN55394 V56878 POST SERVICE BULLETIN: 72-697 V77445		2

ILLUSTRATION ITEMS NOT ON PARTS LIST ARE NOT APPLICABLE

- ITEM NOT ILLUSTRATED

HXL

72-35-52-05

BOEING PROPRIETARY - Copyright © - Unpublished Work - See title page for details.

72-35-52
FIG. 05
PAGE 14
AUG 22/07



767

PARTS CATALOG (MAINTENANCE)

FIG ITEM	PART NUMBER	1 2 3 4 5 6 7	NOMENCLATURE	EFFECT FROM TO	UNITS PER ASSY
5 43	51U791		.NUT- SUPPLIER CODE: V77445 CONFIG CHG DATA FROM A CMM: FOR INTRCHG SEE PW IPC OPTIONAL PART: H54973-5 V15653 93340-524 V56878 POST SERVICE BULLETIN: 72-755 V77445		56
43	H54973-5		.NUT- SUPPLIER CODE: V15653 CONFIG CHG DATA FROM A CMM: PRATT AND WHITNEY PART NO. 51U792 FOR INTRCHG SEE PW IPC OPTIONAL PART: 51U791 V77445 93340-524 V56878 POST SERVICE BULLETIN: 72-755 V77445		56
43	93340-524		.NUT- SUPPLIER CODE: V56878 CONFIG CHG DATA FROM A CMM: PRATT AND WHITNEY PART NO. 57T387 FOR INTRCHG SEE PW IPC OPTIONAL PART: 51U791 V77445 H54973-5 V15653 POST SERVICE BULLETIN: 72-755 V77445		56

ILLUSTRATION ITEMS NOT ON PARTS LIST ARE NOT APPLICABLE

- ITEM NOT ILLUSTRATED

HXL

72-35-52-05

BOEING PROPRIETARY - Copyright © - Unpublished Work - See title page for details.

72-35-52
FIG. 05
PAGE 15
AUG 22/07



767

PARTS CATALOG (MAINTENANCE)

FIG ITEM	PART NUMBER	1 2 3 4 5 6 7	NOMENCLATURE	EFFECT FROM TO	UNITS PER ASSY
5 45	760548		.NUT- SUPPLIER CODE: V77445 CONFIG CHG DATA FROM A CMM: FOR INTRCHG SEE PW IPC OPTIONAL PART: H50361-5 V15653 LH12170-5 V56878 SPSN55394 V56878 104272 V11815 PRE SERVICE BULLETIN: 72-755 V77445		7
45	H50361-5		.NUT- SUPPLIER CODE: V15653 CONFIG CHG DATA FROM A CMM: PRATT AND WHITNEY PART NO. 760552 FOR INTRCHG SEE PW IPC OPTIONAL PART: 760548 V77445 LH12170-5 V56878 SPSN55394 V56878 104272 V11815 PRE SERVICE BULLETIN: 72-755 V77445		7

ILLUSTRATION ITEMS NOT ON PARTS LIST ARE NOT APPLICABLE

- ITEM NOT ILLUSTRATED

HXL

72-35-52-05

BOEING PROPRIETARY - Copyright © - Unpublished Work - See title page for details.

72-35-52
FIG. 05
PAGE 16
AUG 22/07



767

PARTS CATALOG (MAINTENANCE)

FIG ITEM	PART NUMBER	1 2 3 4 5 6 7	NOMENCLATURE	EFFECT FROM TO	UNITS PER ASSY
5					
45	LH12170-5		.NUT- SUPPLIER CODE: V56878 CONFIG CHG DATA FROM A CMM: PRATT AND WHITNEY PART NO. 760553 FOR INTRCHG SEE PW IPC OPTIONAL PART: 760548 V77445 H50361-5 V15653 SPSN55394 V56878 104272 V11815 PRE SERVICE BULLETIN: 72-755 V77445		7
45	SPSN55394		.NUT- SUPPLIER CODE: V56878 CONFIG CHG DATA FROM A CMM: PRATT AND WHITNEY PART NO. 762463 FOR INTRCHG SEE PW IPC OPTIONAL PART: 760548 V77445 H50361-5 V15653 LH12170-5 V56878 104272 V11815 PRE SERVICE BULLETIN: 72-755 V77445		7

ILLUSTRATION ITEMS NOT ON PARTS LIST ARE NOT APPLICABLE

- ITEM NOT ILLUSTRATED

HXL

72-35-52-05

BOEING PROPRIETARY - Copyright © - Unpublished Work - See title page for details.

72-35-52
FIG. 05
PAGE 17
AUG 22/07



767

PARTS CATALOG (MAINTENANCE)

FIG ITEM	PART NUMBER	1 2 3 4 5 6 7	NOMENCLATURE	EFFECT FROM TO	UNITS PER ASSY
5 45	104272		.NUT- SUPPLIER CODE: V11815 CONFIG CHG DATA FROM A CMM: PRATT AND WHITNEY PART NO. 762464 FOR INTRCHG SEE PW IPC OPTIONAL PART: 760548 V77445 H50361-5 V15653 LH12170-5 V56878 SPSN55394 V56878 PRE SERVICE BULLETIN: 72-755 V77445		7
46	51U793		.NUT- SUPPLIER CODE: V77445 CONFIG CHG DATA FROM A CMM: FOR INTRCHG SEE PW IPC OPTIONAL PART: H54990-5 V15653 93339-524 V56878 POST SERVICE BULLETIN: 72-755 V77445		9
46	H54990-5		.NUT- SUPPLIER CODE: V15653 CONFIG CHG DATA FROM A CMM: PRATT AND WHITNEY PART NO. 51U794 FOR INTRCHG SEE PW IPC OPTIONAL PART: 51U793 V77445 93339-524 V56878 POST SERVICE BULLETIN: 72-755 V77445		9

ILLUSTRATION ITEMS NOT ON PARTS LIST ARE NOT APPLICABLE

- ITEM NOT ILLUSTRATED

HXL

72-35-52-05

BOEING PROPRIETARY - Copyright © - Unpublished Work - See title page for details.

72-35-52
FIG. 05
PAGE 18
AUG 22/07

 **BOEING**
767
PARTS CATALOG (MAINTENANCE)

FIG ITEM	PART NUMBER	1 2 3 4 5 6 7	NOMENCLATURE	EFFECT FROM TO	UNITS PER ASSY
5 46	93339-524		.NUT- SUPPLIER CODE: V56878 CONFIG CHG DATA FROM A CMM: PRATT AND WHITNEY PART NO. 57T388 FOR INTRCHG SEE PW IPC OPTIONAL PART: 51U793 V77445 H54990-5 V15653 POST SERVICE BULLETIN: 72-755 V77445		9
50	AS3070-09		.NUT- OPTIONAL PART: 776440 V77445 SL7061C1032 V11815 LH11973-3 V56878 H49674-3 V15653 73356-1032 V56878		2
50	776440		.NUT- SUPPLIER CODE: V77445 OPTIONAL PART: LH11973-3 V56878 H49674-3 V15653 73356-1032 V56878 AS3070-09 SL7061C1032 V11815		2

ILLUSTRATION ITEMS NOT ON PARTS LIST ARE NOT APPLICABLE

— ITEM NOT ILLUSTRATED

HXL

72-35-52-05

BOEING PROPRIETARY - Copyright © - Unpublished Work - See title page for details.

72-35-52
FIG. 05
PAGE 19
AUG 22/07



767

PARTS CATALOG (MAINTENANCE)

FIG ITEM	PART NUMBER	1 2 3 4 5 6 7	NOMENCLATURE	EFFECT FROM TO	UNITS PER ASSY
5					
50	SL7061C1032		.NUT- SUPPLIER CODE: V11815 CONFIG CHG DATA FROM A CMM: PRATT AND WHITNEY PART NO. AS3066-09 OPTIONAL PART: 776440 V77445 LH11973-3 V56878 H49674-3 V15653 73356-1032 V56878 AS3070-09		2
50	LH11973-3		.NUT- SUPPLIER CODE: V56878 CONFIG CHG DATA FROM A CMM: PRATT AND WHITNEY PART NO. AS3067-09 OPTIONAL PART: 776440 V77445 SL7061C1032 V11815 H49674-3 V15653 73356-1032 V56878 AS3070-09		2
50	H49674-3		.NUT- SUPPLIER CODE: V15653 CONFIG CHG DATA FROM A CMM: PRATT AND WHITNEY PART NO. AS3068-09 OPTIONAL PART: 776440 V77445 SL7061C1032 V11815 LH11973-3 V56878 73356-1032 V56878 AS3070-09		2

ILLUSTRATION ITEMS NOT ON PARTS LIST ARE NOT APPLICABLE

- ITEM NOT ILLUSTRATED

HXL

72-35-52-05

BOEING PROPRIETARY - Copyright © - Unpublished Work - See title page for details.

72-35-52
FIG. 05
PAGE 20
AUG 22/07



767

PARTS CATALOG (MAINTENANCE)

FIG ITEM	PART NUMBER	1 2 3 4 5 6 7	NOMENCLATURE	EFFECT FROM TO	UNITS PER ASSY
5 50	73356-1032		.NUT- SUPPLIER CODE: V56878 CONFIG CHG DATA FROM A CMM: PRATT AND WHITNEY PART NO. AS3069-09 OPTIONAL PART: 776440 V77445 SL7061C1032 V11815 LH11973-3 V56878 H49674-3 V15653 AS3070-09		2
55	50H851		.PLATE-IDENT, ROTOR AND STATOR SUPPLIER CODE: V77445 OPTIONAL PART: 55H196 V77445 PRE SERVICE BULLETIN: 72-504 V77445 72-582 V77445		1
55	55H196		.PLATE-IDENT, ROTOR AND STATOR SUPPLIER CODE: V77445 OPTIONAL PART: 50H851 V77445 POST SERVICE BULLETIN: 72-504 V77445 72-582 V77445		1

ILLUSTRATION ITEMS NOT ON PARTS LIST ARE NOT APPLICABLE

- ITEM NOT ILLUSTRATED

HXL

72-35-52-05

BOEING PROPRIETARY - Copyright © - Unpublished Work - See title page for details.

72-35-52
FIG. 05
PAGE 21
AUG 22/07



767

PARTS CATALOG (MAINTENANCE)

FIG ITEM	PART NUMBER	1 2 3 4 5 6 7	NOMENCLATURE	EFFECT FROM TO	UNITS PER ASSY
5 70	52T953		.BRACKET-LOOP CLAMP SUPPLIER CODE: V77445 CONFIG CHG DATA FROM A CMM: FOR INTRCHG SEE PW IPC OPTIONAL PART: 50U404 V77445 PRE SERVICE BULLETIN: 72-620 V77445 72-755 V77445		1
73	50U404		.BRACKET-LOOP CLAMP SUPPLIER CODE: V77445 CONFIG CHG DATA FROM A CMM: FOR INTRCHG SEE PW IPC OPTIONAL PART: 52T953 V77445 PRE SERVICE BULLETIN: 72-620 V77445 72-755 V77445		1
73	52U659		.BRACKET-LOOP CLAMP SUPPLIER CODE: V77445 CONFIG CHG DATA FROM A CMM: FOR INTRCHG SEE PW IPC POST SERVICE BULLETIN: 72-755 V77445		1
75	52T717		.BRACKET-LOOP CLAMP SUPPLIER CODE: V77445 NOT APPROVED FOR ETOPS. CONFIG CHG DATA FROM A CMM: FOR INTRCHG SEE PW IPC PRE SERVICE BULLETIN: 73-63 V77445 72-755 V77445		1

ILLUSTRATION ITEMS NOT ON PARTS LIST ARE NOT APPLICABLE

- ITEM NOT ILLUSTRATED

HXL

72-35-52-05

BOEING PROPRIETARY - Copyright © - Unpublished Work - See title page for details.

72-35-52
FIG. 05
PAGE 22
AUG 22/07



767

PARTS CATALOG (MAINTENANCE)

FIG ITEM	PART NUMBER	1 2 3 4 5 6 7	NOMENCLATURE	EFFECT FROM TO	UNITS PER ASSY
5					
75	54T038		.BRACKET-LOOP CLAMP SUPPLIER CODE: V77445 CONFIG CHG DATA FROM A CMM: FOR INTRCHG SEE PW IPC POST SERVICE BULLETIN: 73-63 V77445 72-744 V77445 PRE SERVICE BULLETIN: 72-755 V77445		1
75	58H550		.BRACKET-LOOP CLAMP SUPPLIER CODE: V77445 CONFIG CHG DATA FROM A CMM: FOR INTRCHG SEE PW IPC POST SERVICE BULLETIN: 72-755 V77445		1
80	50H844-01		.BRACKET ASSY-LOOP CLAMP SUPPLIER CODE: V77445 CONFIG CHG DATA FROM A CMM: FOR INTRCHG SEE PW IPC POST SERVICE BULLETIN: 72-744 V77445 PRE SERVICE BULLETIN: 72-755 V77445		1
80	58H542-01		.BRACKET ASSY-LOOP CLAMP SUPPLIER CODE: V77445 CONFIG CHG DATA FROM A CMM: FOR INTRCHG SEE PW IPC POST SERVICE BULLETIN: 72-755 V77445		1

ILLUSTRATION ITEMS NOT ON PARTS LIST ARE NOT APPLICABLE

- ITEM NOT ILLUSTRATED

HXL

72-35-52-05

BOEING PROPRIETARY - Copyright © - Unpublished Work - See title page for details.

72-35-52
FIG. 05
PAGE 23
AUG 22/07



767

PARTS CATALOG (MAINTENANCE)

FIG ITEM	PART NUMBER	1 2 3 4 5 6 7	NOMENCLATURE	EFFECT FROM TO	UNITS PER ASSY
5 85	52T985-01		.BRACKET ASSY-LOOP CLAMP SUPPLIER CODE: V77445 CONFIG CHG DATA FROM A CMM: FOR INTRCHG SEE PW IPC PRE SERVICE BULLETIN: 72-258 V77445 73-40 V77445 73-140 V77445 72-755 V77445		1
87	53T476-01		.BRACKET ASSY-LOOP CLAMP SUPPLIER CODE: V77445 CONFIG CHG DATA FROM A CMM: FOR INTRCHG SEE PW IPC POST SERVICE BULLETIN: 72-258 V77445 PRE SERVICE BULLETIN: 73-140 V77445 72-755 V77445		1
87	58H543-01		.BRACKET ASSY-LOOP CLAMP SUPPLIER CODE: V77445 CONFIG CHG DATA FROM A CMM: FOR INTRCHG SEE PW IPC OPTIONAL PART: 52U678-01 V77445 POST SERVICE BULLETIN: 72-755 V77445		1

ILLUSTRATION ITEMS NOT ON PARTS LIST ARE NOT APPLICABLE

- ITEM NOT ILLUSTRATED

HXL

72-35-52-05

BOEING PROPRIETARY - Copyright © - Unpublished Work - See title page for details.

72-35-52
FIG. 05
PAGE 24
AUG 22/07



767

PARTS CATALOG (MAINTENANCE)

FIG ITEM	PART NUMBER	1 2 3 4 5 6 7	NOMENCLATURE	EFFECT FROM TO	UNITS PER ASSY
5 88	53H947-01		.BRACKET ASSY-LOOP CLAMP SUPPLIER CODE: V77445 CONFIG CHG DATA FROM A CMM: FOR INTRCHG SEE PW IPC POST SERVICE BULLETIN: 73-140 V77445 72-744 V77445 PRE SERVICE BULLETIN: 72-755 V77445		1
89	58H440-01		.BRACKET ASSY-LOOP CLAMP SUPPLIER CODE: V77445 CONFIG CHG DATA FROM A CMM: FOR INTRCHG SEE PW IPC POST SERVICE BULLETIN: 72-755 V77445		1
90	54T036-01		.BRACKET ASSY-LOOP CLAMP SUPPLIER CODE: V77445 CONFIG CHG DATA FROM A CMM: FOR INTRCHG SEE PW IPC POST SERVICE BULLETIN: 72-63 V77445 PRE SERVICE BULLETIN: 72-755 V77445		1
90	58H541-01		.BRACKET ASSY-LOOP CLAMP SUPPLIER CODE: V77445 CONFIG CHG DATA FROM A CMM: FOR INTRCHG SEE PW IPC POST SERVICE BULLETIN: 72-755 V77445		1

ILLUSTRATION ITEMS NOT ON PARTS LIST ARE NOT APPLICABLE

- ITEM NOT ILLUSTRATED

HXL

72-35-52-05

BOEING PROPRIETARY - Copyright © - Unpublished Work - See title page for details.

72-35-52
FIG. 05
PAGE 25
AUG 22/07



767

PARTS CATALOG (MAINTENANCE)

FIG ITEM	PART NUMBER	1 2 3 4 5 6 7	NOMENCLATURE	EFFECT FROM TO	UNITS PER ASSY
5 95	59T432-01		.BRACKET-LOOP CLAMP SUPPLIER CODE: V77445 CONFIG CHG DATA FROM A CMM: FOR INTRCHG SEE PW IPC POST SERVICE BULLETIN: 72-491 V77445 PRE SERVICE BULLETIN: 72-755 V77445 REFERENCE SERVICE BULLETIN: 72-595 V77445		1
95	52U663-01		.BRACKET-LOOP CLAMP SUPPLIER CODE: V77445 CONFIG CHG DATA FROM A CMM: FOR INTRCHG SEE PW IPC POST SERVICE BULLETIN: 72-755 V77445		1
100	51H273		.CASE ASSY- SUPPLIER CODE: V77445 POSITION DATA: REAR CONFIG CHG DATA FROM A CMM: FOR INTRCHG SEE PW IPC POST SERVICE BULLETIN: 72-170 V77445		1
105	743636		..INSERT- SUPPLIER CODE: V77445 CONFIG CHG DATA FROM A CMM: FOR INTRCHG SEE PW IPC OPTIONAL PART: ST1070-09 V77445 ST1076-09 V77445 PRE SERVICE BULLETIN: 72-755 V77445		2

ILLUSTRATION ITEMS NOT ON PARTS LIST ARE NOT APPLICABLE

- ITEM NOT ILLUSTRATED

72-35-52-05

72-35-52
FIG. 05
PAGE 26
AUG 22/07

HXL

BOEING PROPRIETARY - Copyright © - Unpublished Work - See title page for details.



767

PARTS CATALOG (MAINTENANCE)

FIG ITEM	PART NUMBER	1 2 3 4 5 6 7	NOMENCLATURE	EFFECT FROM TO	UNITS PER ASSY
5 105	ST1070-09		..INSERT- SUPPLIER CODE: V77445 CONFIG CHG DATA FROM A CMM: FOR INTRCHG SEE PW IPC OPTIONAL PART: 743636 V77445 ST1076-09 V77445		2
105	ST1076-09		..INSERT- SUPPLIER CODE: V77445 CONFIG CHG DATA FROM A CMM: FOR INTRCHG SEE PW IPC OPTIONAL PART: 743636 V77445 ST1070-09 V77445		2
150	52T134		.BRACKET ASSY-LOOP CLAMP SUPPLIER CODE: V77445 CONFIG CHG DATA FROM A CMM: FOR INTRCHG SEE PW IPC PRE SERVICE BULLETIN: 73-140 V77445 72-755 V77445		1
150	58H549-01		.BRACKET ASSY-LOOP CLAMP SUPPLIER CODE: V77445 CONFIG CHG DATA FROM A CMM: FOR INTRCHG SEE PW IPC POST SERVICE BULLETIN: 72-755 V77445		1

ILLUSTRATION ITEMS NOT ON PARTS LIST ARE NOT APPLICABLE

- ITEM NOT ILLUSTRATED

HXL

72-35-52-05

BOEING PROPRIETARY - Copyright © - Unpublished Work - See title page for details.

72-35-52
FIG. 05
PAGE 27
AUG 22/07



767

PARTS CATALOG (MAINTENANCE)

FIG ITEM	PART NUMBER	1 2 3 4 5 6 7	NOMENCLATURE	EFFECT FROM TO	UNITS PER ASSY
5 155	57T439-01		.BRACKET ASSY-LOOP CLAMP SUPPLIER CODE: V77445 CONFIG CHG DATA FROM A CMM: FOR INTRCHG SEE PW IPC POST SERVICE BULLETIN: 73-140 V77445 72-744 V77445 PRE SERVICE BULLETIN: 72-755 V77445		1
155	52U665-01		.BRACKET ASSY- WIRING HARNESS SUPPLIER CODE: V77445 CONFIG CHG DATA FROM A CMM: FOR INTRCHG SEE PW IPC POST SERVICE BULLETIN: 72-755 V77445		1
160	52U678-01		.BRACKET ASSY-LOOP CLAMP SUPPLIER CODE: V77445 CONFIG CHG DATA FROM A CMM: FOR INTRCHG SEE PW IPC OPTIONAL PART: 58H543-01 V77445 POST SERVICE BULLETIN: 72-755 V77445		1
165	53T007-01		.BRACKET ASSY-LOOP CLAMP SUPPLIER CODE: V77445 OPTIONAL PART: 53T917-01 V77445 POST SERVICE BULLETIN: 73-40 V77445 PRE SERVICE BULLETIN: 72-317 V77445 73-140 V77445 72-755 V77445		1

ILLUSTRATION ITEMS NOT ON PARTS LIST ARE NOT APPLICABLE

- ITEM NOT ILLUSTRATED

HXL

72-35-52-05

BOEING PROPRIETARY - Copyright © - Unpublished Work - See title page for details.

72-35-52
FIG. 05
PAGE 28
AUG 22/07



767

PARTS CATALOG (MAINTENANCE)

FIG ITEM	PART NUMBER	1 2 3 4 5 6 7	NOMENCLATURE	EFFECT FROM TO	UNITS PER ASSY
5 170	53T917-01		.BRACKET ASSY-LOOP CLAMP SUPPLIER CODE: V77445 CONFIG CHG DATA FROM A CMM: FOR INTRCHG SEE PW IPC OPTIONAL PART: 53T007-01 V77445 POST SERVICE BULLETIN: 72-317 V77445 PRE SERVICE BULLETIN: 73-140 V77445 72-755 V77445		1
170	58H548-01		.BRACKET ASSY-LOOP CLAMP SUPPLIER CODE: V77445 CONFIG CHG DATA FROM A CMM: FOR INTRCHG SEE PW IPC POST SERVICE BULLETIN: 72-755 V77445		1
175	52T611-01		.BRACKET ASSY-LOOP CLAMP SUPPLIER CODE: V77445 CONFIG CHG DATA FROM A CMM: FOR INTRCHG SEE PW IPC POST SERVICE BULLETIN: 75-33 V77445 PRE SERVICE BULLETIN: 72-235 V77445		1
180	52U736-01		.BRACKET ASSY-LOOP CLAMP SUPPLIER CODE: V77445 CONFIG CHG DATA FROM A CMM: FOR INTRCHG SEE PW IPC POST SERVICE BULLETIN: 72-755 V77445		1

ILLUSTRATION ITEMS NOT ON PARTS LIST ARE NOT APPLICABLE

- ITEM NOT ILLUSTRATED

HXL

72-35-52-05

BOEING PROPRIETARY - Copyright © - Unpublished Work - See title page for details.

72-35-52
FIG. 05
PAGE 29
AUG 22/07



767

PARTS CATALOG (MAINTENANCE)

FIG ITEM	PART NUMBER	1 2 3 4 5 6 7	NOMENCLATURE	EFFECT FROM TO	UNITS PER ASSY
5 180	58T198-01		.BRACKET ASSY-LOOP CLAMP SUPPLIER CODE: V77445 CONFIG CHG DATA FROM A CMM: FOR INTRCHG SEE PW IPC POST SERVICE BULLETIN: 73-140 V77445 72-744 V77445 PRE SERVICE BULLETIN: 72-755 V77445		1
185	50T558		.BRACKET-ANGLE SUPPLIER CODE: V77445 CONFIG CHG DATA FROM A CMM: FOR INTRCHG SEE PW IPC PRE SERVICE BULLETIN: 72-491 V77445		1
190	50H965		.BRACKET-LOOP CLAMP SUPPLIER CODE: V77445 NOT APPROVED FOR ETOPS. CONFIG CHG DATA FROM A CMM: FOR INTRCHG SEE PW IPC PRE SERVICE BULLETIN: 79-54 V77445		1
195	54T251-01		.BRACKET-LOOP CLAMP SUPPLIER CODE: V77445 CONFIG CHG DATA FROM A CMM: FOR INTRCHG SEE PW IPC POST SERVICE BULLETIN: 79-54 V77445 PRE SERVICE BULLETIN: 72-755 V77445 REFERENCE SERVICE BULLETIN: 72-595 V77445		1

ILLUSTRATION ITEMS NOT ON PARTS LIST ARE NOT APPLICABLE

- ITEM NOT ILLUSTRATED

HXL

72-35-52-05

BOEING PROPRIETARY - Copyright © - Unpublished Work - See title page for details.

72-35-52
FIG. 05
PAGE 30
AUG 22/07



767

PARTS CATALOG (MAINTENANCE)

FIG ITEM	PART NUMBER	1 2 3 4 5 6 7	NOMENCLATURE	EFFECT FROM TO	UNITS PER ASSY
5 195	58H547-01		.BRACKET ASSY-LOOP CLAMP SUPPLIER CODE: V77445 CONFIG CHG DATA FROM A CMM: FOR INTRCHG SEE PW IPC POST SERVICE BULLETIN: 72-755 V77445		1
205	54T252-01		.BRACKET-LOOP CLAMP SUPPLIER CODE: V77445 CONFIG CHG DATA FROM A CMM: FOR INTRCHG SEE PW IPC POST SERVICE BULLETIN: 79-54 V77445 PRE SERVICE BULLETIN: 72-755 V77445 REFERENCE SERVICE BULLETIN: 72-595 V77445		1
205	58H546-01		.BRACKET ASSY-LOOP CLAMP SUPPLIER CODE: V77445 CONFIG CHG DATA FROM A CMM: FOR INTRCHG SEE PW IPC POST SERVICE BULLETIN: 72-755 V77445		1
210	51T592		.BRACKET-LOOP CLAMP SUPPLIER CODE: V77445 NOT APPROVED FOR ETOPS. CONFIG CHG DATA FROM A CMM: FOR INTRCHG SEE PW IPC POST SERVICE BULLETIN: 72-118 V77445 PRE SERVICE BULLETIN: 79-54 V77445		1

ILLUSTRATION ITEMS NOT ON PARTS LIST ARE NOT APPLICABLE

- ITEM NOT ILLUSTRATED

HXL

72-35-52-05

BOEING PROPRIETARY - Copyright © - Unpublished Work - See title page for details.

72-35-52
FIG. 05
PAGE 31
AUG 22/07



767

PARTS CATALOG (MAINTENANCE)

FIG ITEM	PART NUMBER	1 2 3 4 5 6 7	NOMENCLATURE	EFFECT FROM TO	UNITS PER ASSY
5 215	52T952-01		.BRACKET ASSY-LOOP CLAMP SUPPLIER CODE: V77445 CONFIG CHG DATA FROM A CMM: FOR INTRCHG SEE PW IPC PRE SERVICE BULLETIN: 72-755 V77445		1
215	58H545-01		.BRACKET ASSY-LOOP CLAMP SUPPLIER CODE: V77445 CONFIG CHG DATA FROM A CMM: FOR INTRCHG SEE PW IPC POST SERVICE BULLETIN: 72-755 V77445		1
220	52U551-01		.BRACKET ASSY-LOOP CLAMP SUPPLIER CODE: V77445 CONFIG CHG DATA FROM A CMM: FOR INTRCHG SEE PW IPC POST SERVICE BULLETIN: 72-709 V77445 PRE SERVICE BULLETIN: 72-755 V77445		1
220	52U661-01		.BRACKET ASSY-LOOP CLAMP SUPPLIER CODE: V77445 CONFIG CHG DATA FROM A CMM: FOR INTRCHG SEE PW IPC POST SERVICE BULLETIN: 72-755 V77445 REFERENCE SERVICE BULLETIN: 72-784 V77445		1
225	AN123469		..RIVET- CONFIG CHG DATA FROM A CMM: FOR INTRCHG SEE PW IPC POST SERVICE BULLETIN: 72-709 V77445		2

ILLUSTRATION ITEMS NOT ON PARTS LIST ARE NOT APPLICABLE

- ITEM NOT ILLUSTRATED

HXL

72-35-52-05

BOEING PROPRIETARY - Copyright © - Unpublished Work - See title page for details.

72-35-52
FIG. 05
PAGE 32
DEC 22/07



767

PARTS CATALOG (MAINTENANCE)

FIG ITEM	PART NUMBER	1 2 3 4 5 6 7	NOMENCLATURE	EFFECT FROM TO	UNITS PER ASSY
5 230	ST5030-09	..NUT-	SUPPLIER CODE: V77445 CONFIG CHG DATA FROM A CMM: FOR INTRCHG SEE PW IPC OPTIONAL PART: MF54343-3 V15653 NS203217-3 V80539 POST SERVICE BULLETIN: 72-709 V77445		1
230	MF54343-3	..NUT-	SUPPLIER CODE: V15653 CONFIG CHG DATA FROM A CMM: PRATT & WHITNEY PART NO. ST5032-09 FOR INTRCHG SEE PW IPC OPTIONAL PART: ST5030-09 V77445 NS203217-3 V80539 POST SERVICE BULLETIN: 72-709 V77445		1
230	NS203217-3	..NUT-	SUPPLIER CODE: V80539 CONFIG CHG DATA FROM A CMM: PRATT & WHITNEY PART NO. ST5033-09 FOR INTRCHG SEE PW IPC OPTIONAL PART: ST5030-09 V77445 MF54343-3 V15653 POST SERVICE BULLETIN: 72-709 V77445		1

ILLUSTRATION ITEMS NOT ON PARTS LIST ARE NOT APPLICABLE

- ITEM NOT ILLUSTRATED

HXL

72-35-52-05

BOEING PROPRIETARY - Copyright © - Unpublished Work - See title page for details.

72-35-52
FIG. 05
PAGE 33
AUG 22/07



767

PARTS CATALOG (MAINTENANCE)

FIG ITEM	PART NUMBER	1 2 3 4 5 6 7	NOMENCLATURE	EFFECT FROM TO	UNITS PER ASSY
5 235	50U597-01		.BRACKET ASSY-AIRFRAME SUPPLIER CODE: V77445 CONFIG CHG DATA FROM A CMM: FOR INTRCHG SEE PW IPC MISCELLANEOUS DATA: REF BOEING PN 332T4925-32 POST SERVICE BULLETIN: 72-603 V77445 72-744 V77445 PRE SERVICE BULLETIN: 72-755 V77445		1
235	52U656-01		.BRACKET ASSY-AIRFRAME SUPPLIER CODE: V77445 CONFIG CHG DATA FROM A CMM: FOR INTRCHG SEE PW IPC POST SERVICE BULLETIN: 72-755 V77445		1
240	52U654-01		.BRACKET ASSY-LOOP CLAMP SUPPLIER CODE: V77445 CONFIG CHG DATA FROM A CMM: FOR INTRCHG SEE PW IPC POST SERVICE BULLETIN: 72-755 V77445		1
240	50U409-01		.BRACKET ASSY-AIRFRAME SUPPLIER CODE: V77445 CONFIG CHG DATA FROM A CMM: FOR INTRCHG SEE PW IPC OPTIONAL PART: 59T998 V77445 POST SERVICE BULLETIN: 72-603 V77445 72-744 V77445 PRE SERVICE BULLETIN: 72-755 V77445		1

ILLUSTRATION ITEMS NOT ON PARTS LIST ARE NOT APPLICABLE

- ITEM NOT ILLUSTRATED

72-35-52-05

72-35-52
FIG. 05
PAGE 34
AUG 22/07

HXL



767

PARTS CATALOG (MAINTENANCE)

FIG ITEM	PART NUMBER	1 2 3 4 5 6 7 NOMENCLATURE	EFFECT FROM TO	UNITS PER ASSY
5 245	59T998	.BRACKET-AIRFRAME SUPPLIER CODE: V77445 MISCELLANEOUS DATA: REF BOEING PN 332T4922-351 OPTIONAL PART: 50U409-01 V77445 POST SERVICE BULLETIN: 72-554 V77445 PRE SERVICE BULLETIN: 72-603 V77445 72-755 V77445		1

ILLUSTRATION ITEMS NOT ON PARTS LIST ARE NOT APPLICABLE

- ITEM NOT ILLUSTRATED

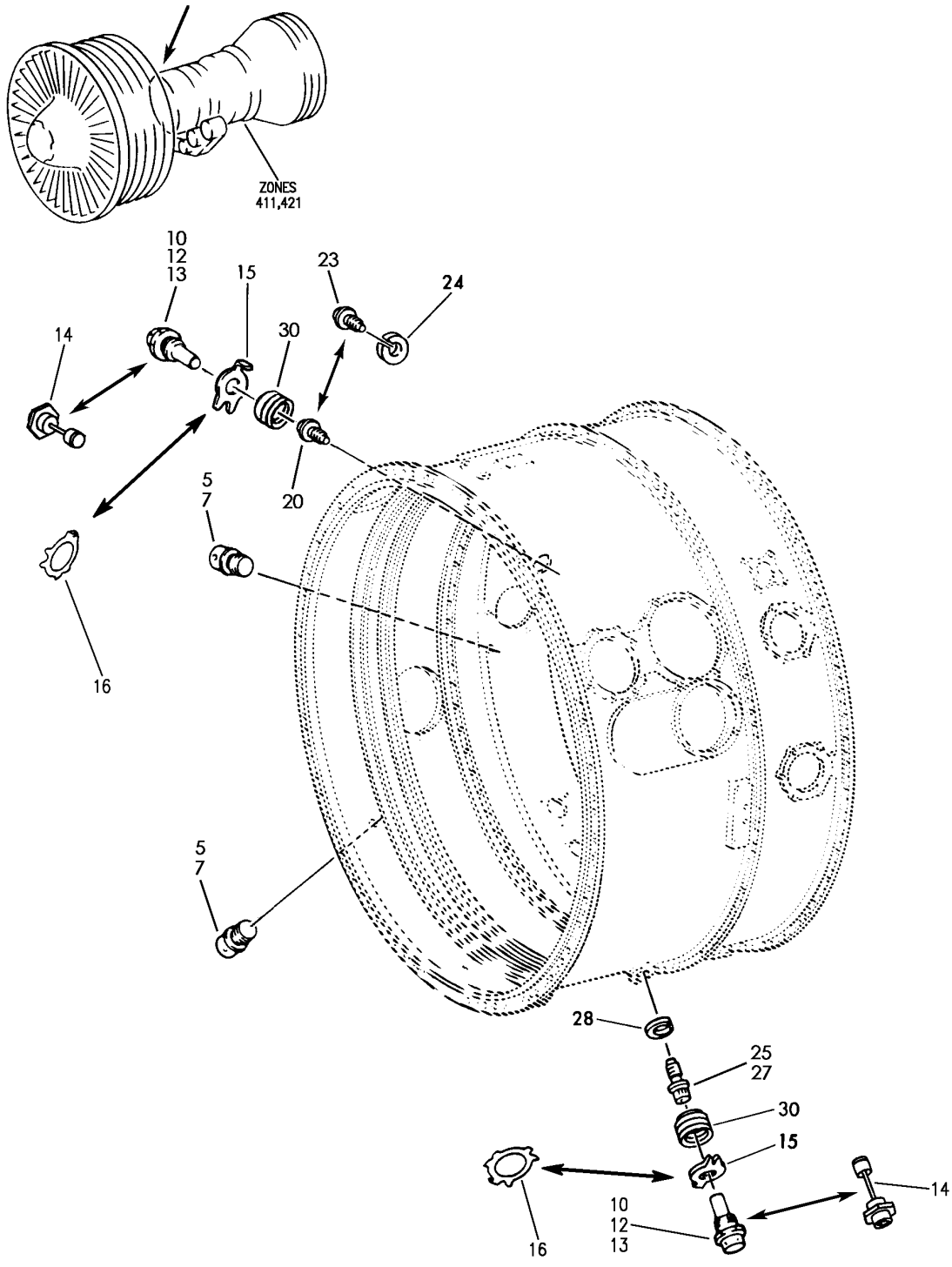
HXL

72-35-52-05

BOEING PROPRIETARY - Copyright © - Unpublished Work - See title page for details.

72-35-52
 FIG. 05
 PAGE 35
 AUG 22/07

BOEING
767
PARTS CATALOG (MAINTENANCE)



V 72355301 REV 272

PLUGS-BORESCOPE HIGH PRESSURE CPRSR REAR CASE (PW4000)
FIGURE 1

72-35-53-01

HXL
DEC 22/06

72-35-53-01
PAGE 0



767

PARTS CATALOG (MAINTENANCE)

FIG ITEM	PART NUMBER	1 2 3 4 5 6 7	NOMENCLATURE	EFFECT FROM TO	UNITS PER ASSY
1			PLUGS-BOREScope HIGH PRESSURE CPRSR REAR CASE (PW4000)		
- 1	PW4060		ENGINE- SUPPLIER CODE: V77445 CONFIG CHG DATA FROM A CMM: SEE 71-00-51 FIG. 2 FOR APPLICABLE ENGINE SERIES		RF
7	51H499		.PLUG-INSTRUMENTAL SUPPLIER CODE: V77445 POST SERVICE BULLETIN: 72-120 V77445		2
13	51H829		.PLUG-INSTRUMENTAL SUPPLIER CODE: V77445 CONFIG CHG DATA FROM A CMM: FOR INTRCHG SEE PW IPC POST SERVICE BULLETIN: 72-104 V77445 72-120 V77445 PRE SERVICE BULLETIN: 72-755 V77445		2
14	53H205-01		.PLUG ASSY-INSTRUMENTAL SUPPLIER CODE: V77445 CONFIG CHG DATA FROM A CMM: FOR INTRCHG SEE PW IPC POST SERVICE BULLETIN: 72-755 V77445		2
15	MS9582-19		.WASHER- OPTIONAL PART: 58H216 V77445 PRE SERVICE BULLETIN: 72-708 V77445 REFERENCE SERVICE BULLETIN: 73-179 V77445		2

ILLUSTRATION ITEMS NOT ON PARTS LIST ARE NOT APPLICABLE

- ITEM NOT ILLUSTRATED

HXL

72-35-53-01

BOEING PROPRIETARY - Copyright © - Unpublished Work - See title page for details.

72-35-53
FIG. 01
PAGE 1
DEC 22/06

BOEING
767
PARTS CATALOG (MAINTENANCE)

FIG ITEM	PART NUMBER	1 2 3 4 5 6 7	NOMENCLATURE	EFFECT FROM TO	UNITS PER ASSY
1 16	58H216		.WASHER- SUPPLIER CODE: V77445 CONFIG CHG DATA FROM A CMM: FOR INTRCHG SEE PW IPC OPTIONAL PART: MS9582-19 POST SERVICE BULLETIN: 72-708 V77445 REFERENCE SERVICE BULLETIN: 72-755 V77445 73-205 V77445 72-783 V77445		2
20	54H398		.PLUG- SUPPLIER CODE: V77445 CONFIG CHG DATA FROM A CMM: FOR INTRCHG SEE PW IPC POST SERVICE BULLETIN: 72-468 V77445 PRE SERVICE BULLETIN: 72-517 V77445		1
23	54H339		.PLUG ASSY- SUPPLIER CODE: V77445 CONFIG CHG DATA FROM A CMM: FOR INTRCHG SEE PW IPC OPTIONAL PART: 57H006 V77445 POST SERVICE BULLETIN: 72-517 V77445 PRE SERVICE BULLETIN: 72-675 V77445 72-755 V77445		1

ILLUSTRATION ITEMS NOT ON PARTS LIST ARE NOT APPLICABLE

- ITEM NOT ILLUSTRATED

HXL

72-35-53-01

BOEING PROPRIETARY - Copyright © - Unpublished Work - See title page for details.

72-35-53
FIG. 01
PAGE 2
AUG 22/07



767

PARTS CATALOG (MAINTENANCE)

FIG ITEM	PART NUMBER	1 2 3 4 5 6 7	NOMENCLATURE	EFFECT FROM TO	UNITS PER ASSY
1 23	57H006		.PLUG ASSY- SUPPLIER CODE: V77445 CONFIG CHG DATA FROM A CMM: FOR INTRCHG SEE PW IPC OPTIONAL PART: 54H339 V77445 POST SERVICE BULLETIN: 72-675 V77445 PRE SERVICE BULLETIN: 72-755 V77445		1
24	51H827		..WASHER- SUPPLIER CODE: V77445 CONFIG CHG DATA FROM A CMM: FOR INTRCHG SEE PW IPC POST SERVICE BULLETIN: 72-517 V77445 PRE SERVICE BULLETIN: 72-755 V77445		1
27	51H875		.PLUG ASSY-BORESCOPE SUPPLIER CODE: V77445 OPTIONAL PART: 57H003 V77445 POST SERVICE BULLETIN: 72-104 V77445 PRE SERVICE BULLETIN: 72-675 V77445 72-755 V77445		1

ILLUSTRATION ITEMS NOT ON PARTS LIST ARE NOT APPLICABLE

- ITEM NOT ILLUSTRATED

HXL

72-35-53-01

BOEING PROPRIETARY - Copyright © - Unpublished Work - See title page for details.

72-35-53
FIG. 01
PAGE 3
DEC 22/06



767

PARTS CATALOG (MAINTENANCE)

FIG ITEM	PART NUMBER	1 2 3 4 5 6 7	NOMENCLATURE	EFFECT FROM TO	UNITS PER ASSY
1 27	57H003		.PLUG ASSY-BORESCOPE SUPPLIER CODE: V77445 CONFIG CHG DATA FROM A CMM: FOR INTRCHG SEE PW IPC POST SERVICE BULLETIN: 72-675 V77445 PRE SERVICE BULLETIN: 72-755 V77445		1
28	51H827		..WASHER- SUPPLIER CODE: V77445 CONFIG CHG DATA FROM A CMM: FOR INTRCHG SEE PW IPC POST SERVICE BULLETIN: 72-104 V77445 PRE SERVICE BULLETIN: 72-755 V77445		1
30	53H030		.INSERT- SUPPLIER CODE: V77445 OPTIONAL PART: 908F16-0500 V75237 53H031 V77445		AR
30	908F16-0500		.INSERT- SUPPLIER CODE: V75237 CONFIG CHG DATA FROM A CMM: PRATT AND WHITNEY PART NO. 53H032 OPTIONAL PART: 53H030 V77445 53H031 V77445		AR
30	53H031		.INSERT- SUPPLIER CODE: V77445 OPTIONAL PART: 53H030 V77445 908F16-0500 V75237		AR

ILLUSTRATION ITEMS NOT ON PARTS LIST ARE NOT APPLICABLE

- ITEM NOT ILLUSTRATED

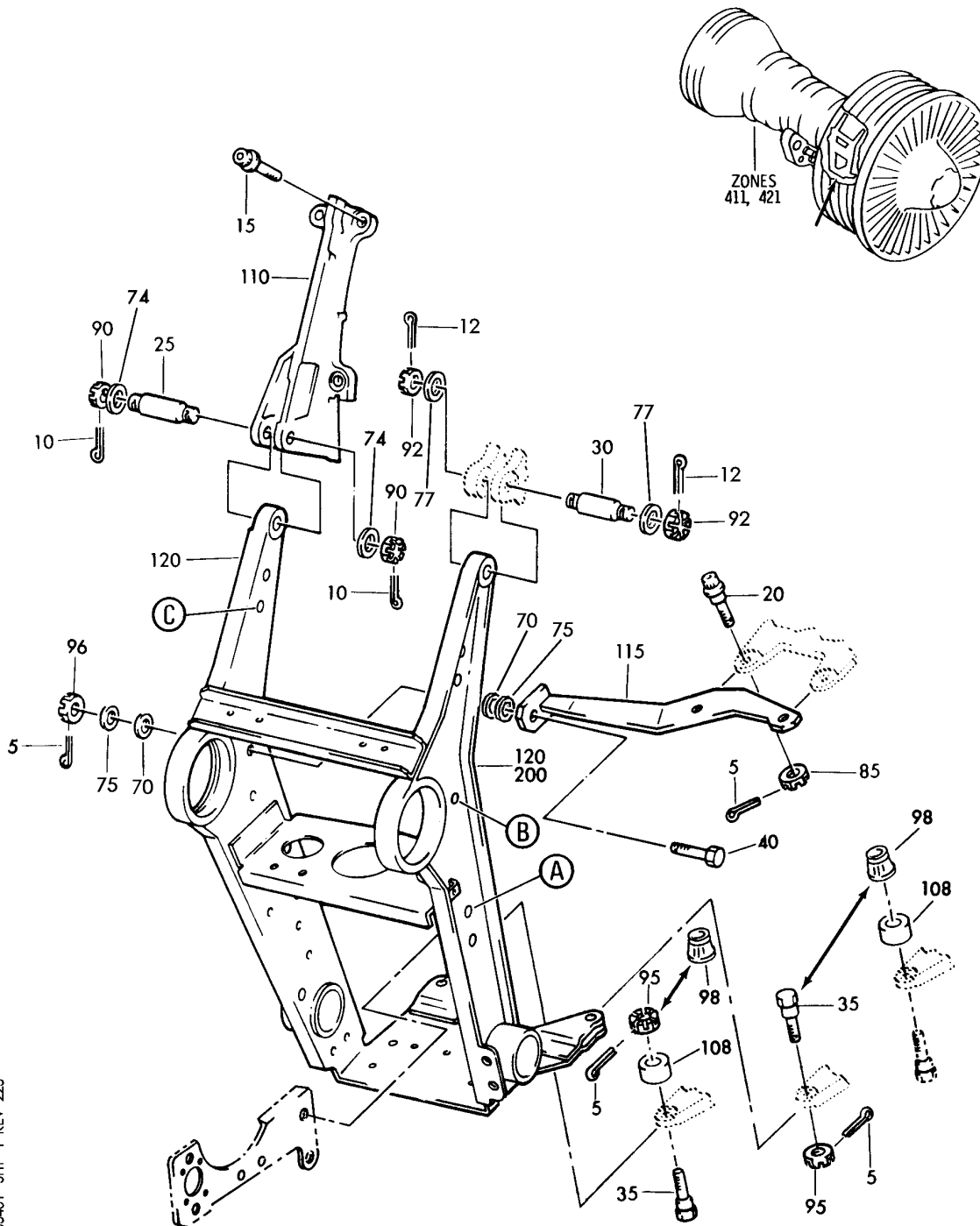
HXL

72-35-53-01

BOEING PROPRIETARY - Copyright © - Unpublished Work - See title page for details.

72-35-53
FIG. 01
PAGE 4
DEC 22/06

BOEING
767
PARTS CATALOG (MAINTENANCE)



V 72355401 SHT 1 REV 225

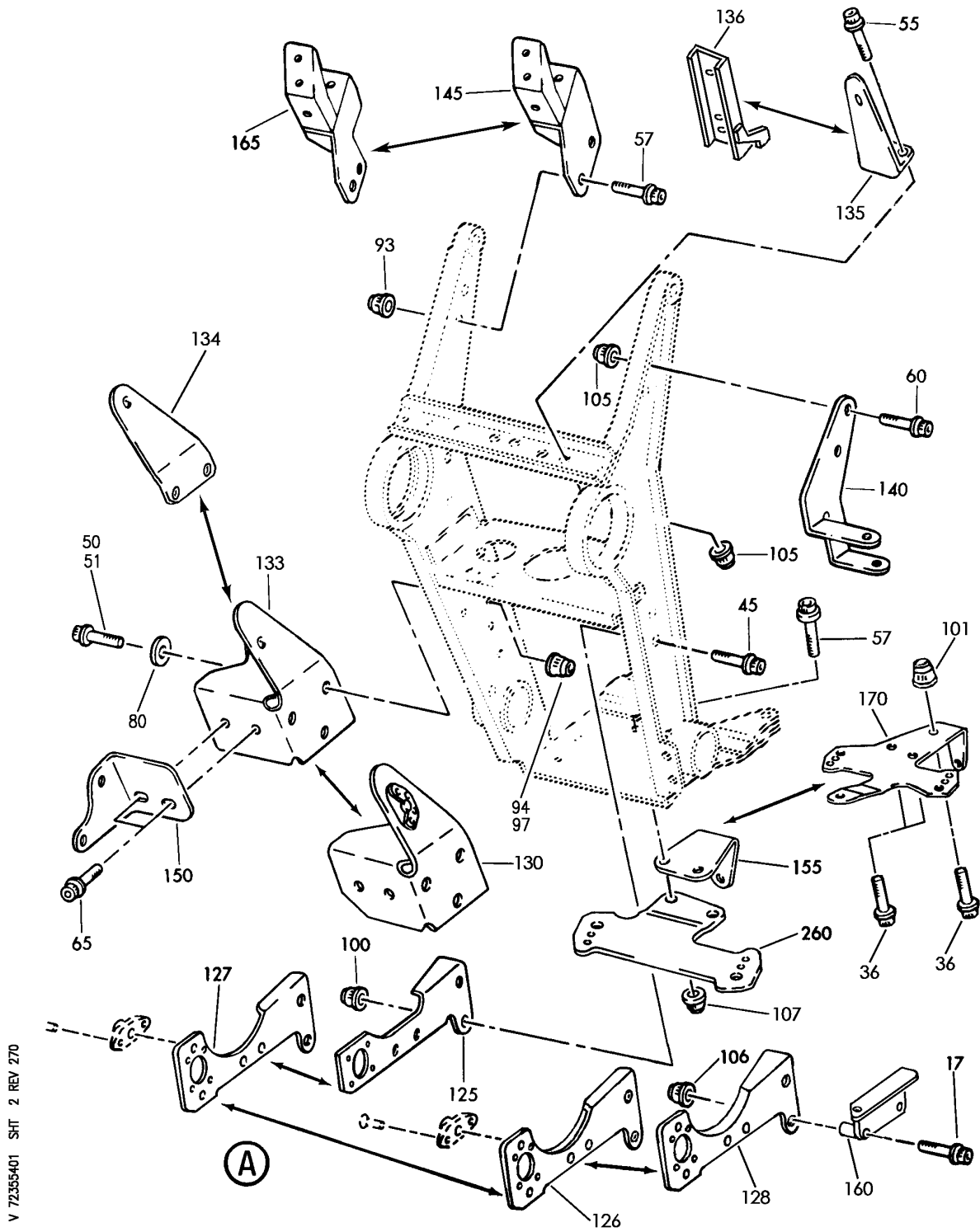
SUPPORTS-CPRSR STATOR LEVER (PW4000)
FIGURE 1 (SHEET 1)

72-35-54-01

HXL
DEC 22/06

72-35-54-01
PAGE 0

BOEING
767
PARTS CATALOG (MAINTENANCE)



V 72355401 SHT 2 REV 270

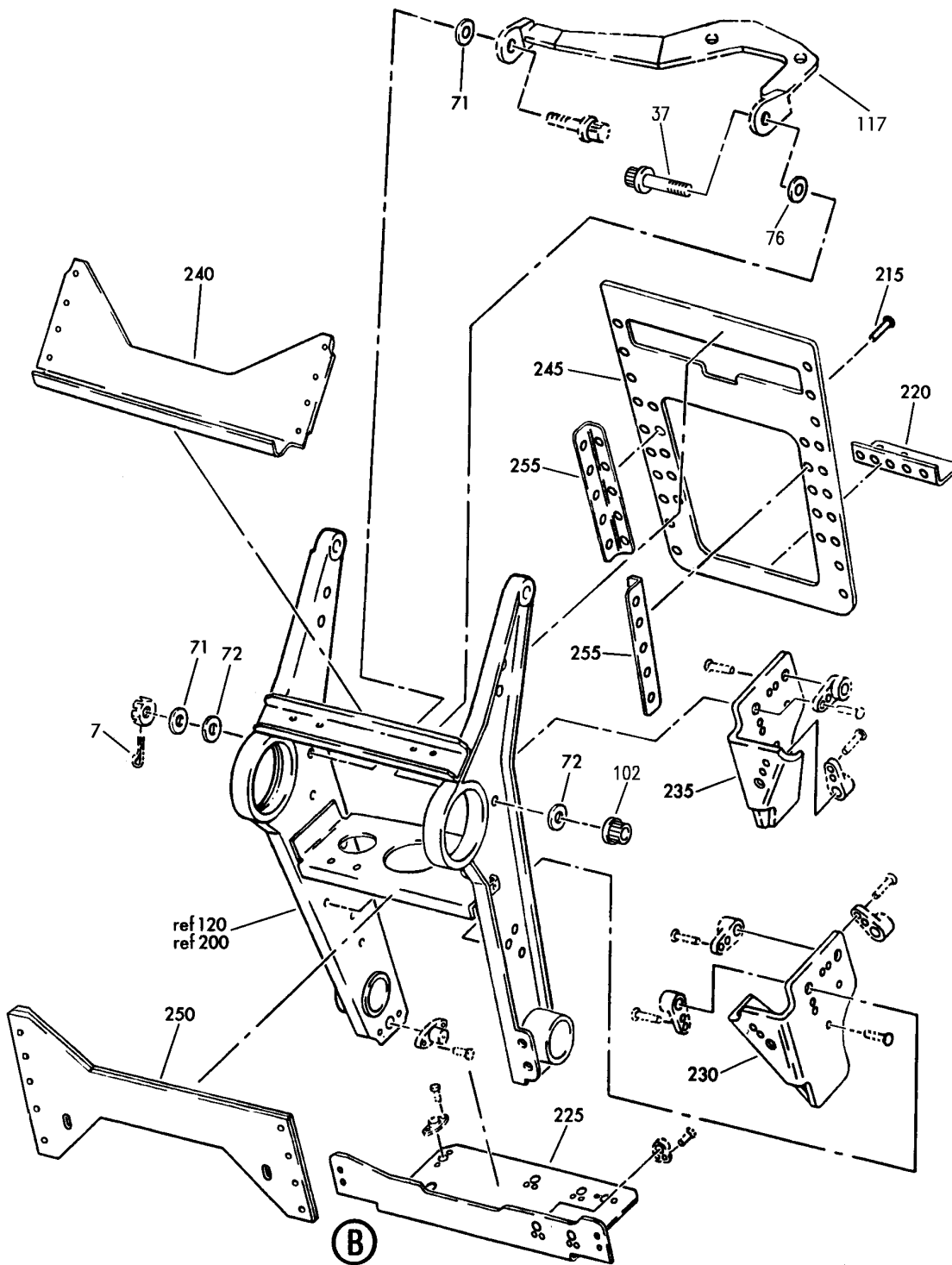
SUPPORTS-CPRSR STATOR LEVER (PW4000)
FIGURE 1 (SHEET 2)

72-35-54-01

HXL
DEC 22/06

72-35-54-01
PAGE 0A

BOEING
767
PARTS CATALOG (MAINTENANCE)



V 72355401 SHT 3 REV 304

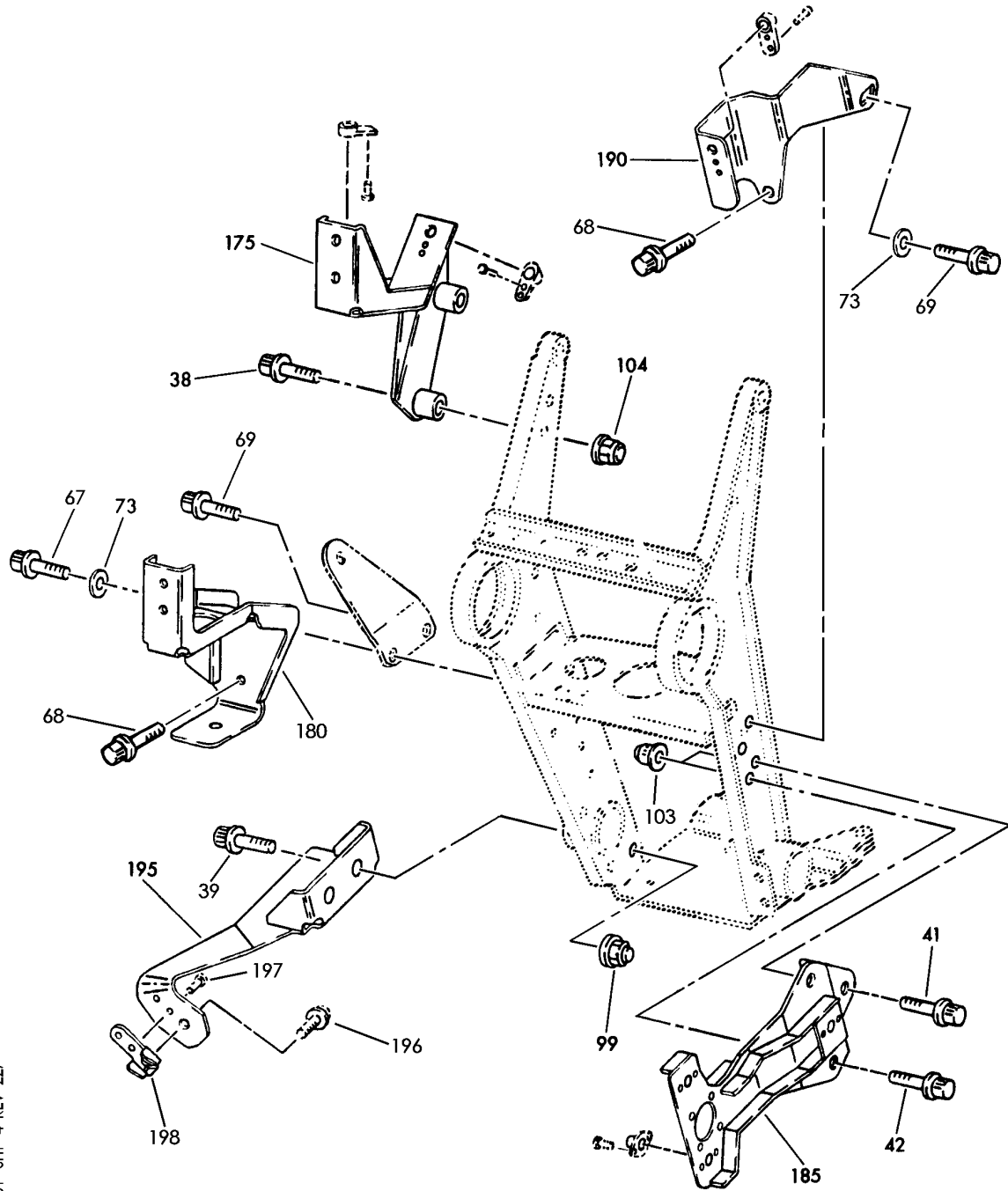
SUPPORTS-CPRSR STATOR LEVER (PW4000)
FIGURE 1 (SHEET 3)

72-35-54-01

HXL
DEC 22/06

72-35-54-01
PAGE 0B

BOEING
767
PARTS CATALOG (MAINTENANCE)



V 72355401 SHT 4 REV 227

Ⓒ

SUPPORTS-CPRSR STATOR LEVER (PW4000)
FIGURE 1 (SHEET 4)

72-35-54-01

HXL
DEC 22/06

72-35-54-01
PAGE 0C



767

PARTS CATALOG (MAINTENANCE)

FIG ITEM	PART NUMBER	1 2 3 4 5 6 7	NOMENCLATURE	EFFECT FROM TO	UNITS PER ASSY
1			SUPPORTS-CPRSR STATOR LEVER (PW4000)		
- 1	PW4060		ENGINE- SUPPLIER CODE: V77445 CONFIG CHG DATA FROM A CMM: SEE 71-00-51 FIG. 2 FOR APPLICABLE ENGINE SERIES		RF
5	MS9245-25		.PIN- PRE SERVICE BULLETIN: 72-241 V77445 72-289 V77445		4
7	MS9245-25		.PIN-COTTER		1
10	MS9245-24		.PIN- POST SERVICE BULLETIN: 72-441 V77445 PRE SERVICE BULLETIN: 72-534 V77445		2
10	MS9245-23		.PIN- POST SERVICE BULLETIN: 72-534 V77445		2
12	MS9245-24		.PIN- CONFIG CHG DATA FROM A CMM: FOR INTRCHG SEE PW IPC POST SERVICE BULLETIN: 72-441 V77445 PRE SERVICE BULLETIN: 72-534 V77445		2
12	MS9245-23		.PIN- CONFIG CHG DATA FROM A CMM: FOR INTRCHG SEE GE IPC POST SERVICE BULLETIN: 72-534 V77445		2
15	MS9887-10		.BOLT		4

ILLUSTRATION ITEMS NOT ON PARTS LIST ARE NOT APPLICABLE

- ITEM NOT ILLUSTRATED

HXL

72-35-54-01

BOEING PROPRIETARY - Copyright © - Unpublished Work - See title page for details.

72-35-54
FIG. 01
PAGE 1
DEC 22/06



767

PARTS CATALOG (MAINTENANCE)

FIG ITEM	PART NUMBER	1 2 3 4 5 6 7	NOMENCLATURE	EFFECT FROM TO	UNITS PER ASSY
1					
17	MS9556-14		.BOLT- CONFIG CHG DATA FROM A CMM: FOR INTRCHG SEE PW IPC POST SERVICE BULLETIN: 73-63 V77445 PRE SERVICE BULLETIN: 72-483 V77445		2
20	50H145		.BOLT- SUPPLIER CODE: V77445 POST SERVICE BULLETIN: 72-744 V77445		2
25	50H437		.STUD- SUPPLIER CODE: V77445 PRE SERVICE BULLETIN: 72-534 V77445		1
25	54H493		.STUD- SUPPLIER CODE: V77445 OPTIONAL PART: 54H149 V77445 54H490 V77445		1
25	54H149		.STUD- SUPPLIER CODE: V77445 OPTIONAL PART: 54H493 V77445 54H490 V77445 POST SERVICE BULLETIN: 72-534 V77445		1
25	54H490		.STUD- SUPPLIER CODE: V77445 OPTIONAL PART: 54H493 V77445 54H149 V77445		1

ILLUSTRATION ITEMS NOT ON PARTS LIST ARE NOT APPLICABLE

- ITEM NOT ILLUSTRATED

HXL

72-35-54-01

BOEING PROPRIETARY - Copyright © - Unpublished Work - See title page for details.

72-35-54
FIG. 01
PAGE 2
DEC 22/06



767

PARTS CATALOG (MAINTENANCE)

FIG ITEM	PART NUMBER	1 2 3 4 5 6 7	NOMENCLATURE	EFFECT FROM TO	UNITS PER ASSY
1 30	50H438		.STUD- SUPPLIER CODE: V77445 CONFIG CHG DATA FROM A CMM: FOR INTRCHG SEE PW IPC OPTIONAL PART: 54H494 V77445 54H216 V77445 54H492 V77445 PRE SERVICE BULLETIN: 72-534 V77445		1
30	54H494		.STUD- SUPPLIER CODE: V77445 OPTIONAL PART: 50H438 V77445 54H492 V77445 54H216 V77445		1
30	54H216		.STUD- SUPPLIER CODE: V77445 CONFIG CHG DATA FROM A CMM: FOR INTRCHG SEE PW IPC OPTIONAL PART: 54H492 V77445 54H494 V77445 50H438 V77445 POST SERVICE BULLETIN: 72-534 V77445		1
- 32	54H216		.STUD- SUPPLIER CODE: V77445 CONFIG CHG DATA FROM A CMM: FOR INTRCHG SEE PW IPC OPTIONAL PART: 54H492 V77445		1

ILLUSTRATION ITEMS NOT ON PARTS LIST ARE NOT APPLICABLE

- ITEM NOT ILLUSTRATED

72-35-54-01

72-35-54
FIG. 01
PAGE 3
DEC 22/06

HXL



767

PARTS CATALOG (MAINTENANCE)

FIG ITEM	PART NUMBER	1 2 3 4 5 6 7	NOMENCLATURE	EFFECT FROM TO	UNITS PER ASSY
1					
- 32	54H492		.STUD- SUPPLIER CODE: V77445 OPTIONAL PART: 54H494 V77445		1
35	50H142		.BOLT- SUPPLIER CODE: V77445 POST SERVICE BULLETIN: 72-241 V77445		2
36	MS9556-08		.BOLT- CONFIG CHG DATA FROM A CMM: FOR INTRCHG SEE PW IPC OPTIONAL PART: ST1411-08 V77445 POST SERVICE BULLETIN: 72-483 V77445		3
36	ST1411-08		.BOLT- SUPPLIER CODE: V77445 CONFIG CHG DATA FROM A CMM: FOR INTRCHG SEE PW IPC OPTIONAL PART: MS9556-08		3
37	MS9887-12		.BOLT- CONFIG CHG DATA FROM A CMM: FOR INTRCHG SEE PW IPC POST SERVICE BULLETIN: 72-483 V77445		1
38	MS9209-16		.BOLT- CONFIG CHG DATA FROM A CMM: FOR INTRCHG SEE PW IPC POST SERVICE BULLETIN: 72-483 V77445		2

ILLUSTRATION ITEMS NOT ON PARTS LIST ARE NOT APPLICABLE

- ITEM NOT ILLUSTRATED

HXL

72-35-54-01

BOEING PROPRIETARY - Copyright © - Unpublished Work - See title page for details.

72-35-54
FIG. 01
PAGE 4
DEC 22/06



767

PARTS CATALOG (MAINTENANCE)

FIG ITEM	PART NUMBER	1 2 3 4 5 6 7	NOMENCLATURE	EFFECT FROM TO	UNITS PER ASSY
1					
39	ST1315-08		.BOLT- SUPPLIER CODE: V77445 CONFIG CHG DATA FROM A CMM: FOR INTRCHG SEE PW IPC POST SERVICE BULLETIN: 72-483 V77445 73-140 V77445		2
40	50H329		.BOLT- SUPPLIER CODE: V77445		1
41	ST1222-08		.BOLT- SUPPLIER CODE: V77445 CONFIG CHG DATA FROM A CMM: FOR INTRCHG SEE PW IPC POST SERVICE BULLETIN: 72-483 V77445		1
42	ST1222-16		.BOLT- SUPPLIER CODE: V77445 CONFIG CHG DATA FROM A CMM: FOR INTRCHG SEE PW IPC POST SERVICE BULLETIN: 72-483 V77445		2
45	MS9210-08		.BOLT- CONFIG CHG DATA FROM A CMM: FOR INTRCHG SEE PW IPC POST SERVICE BULLETIN: 73-63 V77445 PRE SERVICE BULLETIN: 72-483 V77445		2
50	MS9715-08		.BOLT- CONFIG CHG DATA FROM A CMM: FOR INTRCHG SEE PW IPC PRE SERVICE BULLETIN: 72-483 V77445		3

ILLUSTRATION ITEMS NOT ON PARTS LIST ARE NOT APPLICABLE

- ITEM NOT ILLUSTRATED

HXL

72-35-54-01

BOEING PROPRIETARY - Copyright © - Unpublished Work - See title page for details.

72-35-54
FIG. 01
PAGE 5
DEC 22/06



767

PARTS CATALOG (MAINTENANCE)

FIG ITEM	PART NUMBER	1 2 3 4 5 6 7	NOMENCLATURE	EFFECT FROM TO	UNITS PER ASSY
1					
51	MS9715-08		.BOLT- CONFIG CHG DATA FROM A CMM: FOR INTRCHG SEE PW IPC OPTIONAL PART: MS9209-08 PRE SERVICE BULLETIN: 72-526 V77445		2
51	MS9209-08		.BOLT- CONFIG CHG DATA FROM A CMM: FOR INTRCHG SEE PW IPC OPTIONAL PART: MS9715-08 POST SERVICE BULLETIN: 72-526 V77445		2
55	MS9209-08		.BOLT		2
57	MS9209-08		.BOLT- CONFIG CHG DATA FROM A CMM: FOR INTRCHG SEE PW IPC PRE SERVICE BULLETIN: 72-483 V77445		4
60	MS9557-08		.BOLT		2
65	MS9556-08		.BOLT- NOT APPROVED FOR ETOPS. CONFIG CHG DATA FROM A CMM: FOR INTRCHG SEE PW IPC PRE SERVICE BULLETIN: 73-63 V77445		2
67	ST1315-18		.BOLT- SUPPLIER CODE: V77445 CONFIG CHG DATA FROM A CMM: FOR INTRCHG SEE PW IPC POST SERVICE BULLETIN: 72-483 V77445		1
68	ST1411-08		.BOLT- SUPPLIER CODE: V77445 CONFIG CHG DATA FROM A CMM: FOR INTRCHG SEE PW IPC POST SERVICE BULLETIN: 72-483 V77445		2

ILLUSTRATION ITEMS NOT ON PARTS LIST ARE NOT APPLICABLE

- ITEM NOT ILLUSTRATED

HXL

72-35-54-01

BOEING PROPRIETARY - Copyright © - Unpublished Work - See title page for details.

72-35-54
FIG. 01
PAGE 6
DEC 22/06



767

PARTS CATALOG (MAINTENANCE)

FIG ITEM	PART NUMBER	1 2 3 4 5 6 7	NOMENCLATURE	EFFECT FROM TO	UNITS PER ASSY
1 69	ST1315-08		.BOLT- SUPPLIER CODE: V77445 CONFIG CHG DATA FROM A CMM: FOR INTRCHG SEE PW IPC POST SERVICE BULLETIN: 72-483 V77445		2
70	MS9321-11		.WASHER- CONFIG CHG DATA FROM A CMM: FOR INTRCHG SEE PW IPC		2
71	50H144		.WASHER- SUPPLIER CODE: V77445 CONFIG CHG DATA FROM A CMM: FOR INTRCHG SEE PW IPC POST SERVICE BULLETIN: 72-483 V77445		12
72	MS9321-11		.WASHER- CONFIG CHG DATA FROM A CMM: FOR INTRCHG SEE PW IPC POST SERVICE BULLETIN: 72-483 V77445		2
73	MS9321-10		.WASHER- CONFIG CHG DATA FROM A CMM: FOR INTRCHG SEE PW IPC POST SERVICE BULLETIN: 72-483 V77445		2
74	4006660		.WASHER- SUPPLIER CODE: V77445 POST SERVICE BULLETIN: 72-534 V77445		2
75	50H144		.WASHER- SUPPLIER CODE: V77445 CONFIG CHG DATA FROM A CMM: FOR INTRCHG SEE PW IPC PRE SERVICE BULLETIN: 72-483 V77445		15

ILLUSTRATION ITEMS NOT ON PARTS LIST ARE NOT APPLICABLE

- ITEM NOT ILLUSTRATED

72-35-54-01

72-35-54
FIG. 01
PAGE 7
DEC 22/06

HXL

BOEING PROPRIETARY - Copyright © - Unpublished Work - See title page for details.

 **BOEING**
767
PARTS CATALOG (MAINTENANCE)

FIG ITEM	PART NUMBER	1 2 3 4 5 6 7	NOMENCLATURE	EFFECT FROM TO	UNITS PER ASSY
1					
76	50H144		.WASHER- SUPPLIER CODE: V77445 CONFIG CHG DATA FROM A CMM: FOR INTRCHG SEE PW IPC POST SERVICE BULLETIN: 72-483 V77445		8
77	4006660		.WASHER- SUPPLIER CODE: V77445 CONFIG CHG DATA FROM A CMM: FOR INTRCHG SEE PW IPC POST SERVICE BULLETIN: 72-534 V77445		2
80	MS9320-10		.WASHER		3
85	MS9364-11		.NUT		2
90	599033		.NUT- SUPPLIER CODE: V77445 OPTIONAL PART: Z8840-4 V56878 68459-428 V56878 4010648 V77445 94268-428 V56878 HC54602-4 V15653 55H007 V77445 POST SERVICE BULLETIN: 72-441 V77445 PRE SERVICE BULLETIN: 72-534 V77445		2
ILLUSTRATION ITEMS NOT ON PARTS LIST ARE NOT APPLICABLE					

- ITEM NOT ILLUSTRATED

HXL

72-35-54-01

BOEING PROPRIETARY - Copyright © - Unpublished Work - See title page for details.

72-35-54
FIG. 01
PAGE 8
DEC 22/06



767
PARTS CATALOG (MAINTENANCE)

FIG ITEM	PART NUMBER	1 2 3 4 5 6 7	NOMENCLATURE	EFFECT FROM TO	UNITS PER ASSY
1 90	Z8840-4		.NUT- SUPPLIER CODE: V56878 CONFIG CHG DATA FROM A CMM: PRATT AND WHITNEY PART NO. 597124 OPTIONAL PART: 599033 V77445 68459-428 V56878 55H007 V77445 4010648 V77445 94268-428 V56878 HC54602-4 V15653 POST SERVICE BULLETIN: 72-441 V77445 PRE SERVICE BULLETIN: 72-534 V77445		2

ILLUSTRATION ITEMS NOT ON PARTS LIST ARE NOT APPLICABLE

- ITEM NOT ILLUSTRATED

HXL

72-35-54-01

BOEING PROPRIETARY - Copyright © - Unpublished Work - See title page for details.

72-35-54
FIG. 01
PAGE 9
DEC 22/06



767

PARTS CATALOG (MAINTENANCE)

FIG ITEM	PART NUMBER	1 2 3 4 5 6 7	NOMENCLATURE	EFFECT FROM TO	UNITS PER ASSY
1 90	68459-428		.NUT- SUPPLIER CODE: V56878 CONFIG CHG DATA FROM A CMM: PRATT AND WHITNEY PART NO. 597125 OPTIONAL PART: 599033 V77445 Z8840-4 V56878 55H007 V77445 4010648 V77445 94268-428 V56878 HC54602-4 V15653 POST SERVICE BULLETIN: 72-441 V77445 PRE SERVICE BULLETIN: 72-534 V77445		2
90	4010648		.NUT- SUPPLIER CODE: V77445 OPTIONAL PART: 599033 V77445 Z8840-4 V56878 68459-428 V56878 55H007 V77445 94268-428 V56878 HC54602-4 V15653 POST SERVICE BULLETIN: 72-534 V77445 PRE SERVICE BULLETIN: 72-577 V77445		2

ILLUSTRATION ITEMS NOT ON PARTS LIST ARE NOT APPLICABLE

- ITEM NOT ILLUSTRATED

HXL

72-35-54-01

BOEING PROPRIETARY - Copyright © - Unpublished Work - See title page for details.

72-35-54
FIG. 01
PAGE 10
DEC 22/06

 **BOEING**
767
PARTS CATALOG (MAINTENANCE)

FIG ITEM	PART NUMBER	1 2 3 4 5 6 7	NOMENCLATURE	EFFECT FROM TO	UNITS PER ASSY
1 90	55H007		.NUT- SUPPLIER CODE: V77445 OPTIONAL PART: 94268-428 V56878 HC54602-4 V15653 4010648 V77445 599033 V77445 Z8840-4 V56878 68459-428 V56878 POST SERVICE BULLETIN: 72-577 V77445		2
90	HC54602-4		.NUT- SUPPLIER CODE: V15653 CONFIG CHG DATA FROM A CMM: PRATT AND WHITNEY PART NO. 55H057 OPTIONAL PART: 94268-428 V56878 55H007 V77445 599033 V77445 Z8840-4 V56878 68459-428 V56878 4010648 V77445 POST SERVICE BULLETIN: 72-577 V77445		2

ILLUSTRATION ITEMS NOT ON PARTS LIST ARE NOT APPLICABLE

- ITEM NOT ILLUSTRATED

HXL

72-35-54-01

BOEING PROPRIETARY - Copyright © - Unpublished Work - See title page for details.

72-35-54
FIG. 01
PAGE 11
DEC 22/06



767

PARTS CATALOG (MAINTENANCE)

FIG ITEM	PART NUMBER	1 2 3 4 5 6 7	NOMENCLATURE	EFFECT FROM TO	UNITS PER ASSY
1 90	94268-428		.NUT- SUPPLIER CODE: V56878 CONFIG CHG DATA FROM A CMM: PRATT AND WHITNEY PART NO. 55H008 OPTIONAL PART: HC54602-4 V15653 55H007 V77445 599033 V77445 Z8840-4 V56878 68459-428 V56878 4010648 V77445 POST SERVICE BULLETIN: 72-577 V77445		2
92	599033		.NUT- SUPPLIER CODE: V77445 CONFIG CHG DATA FROM A CMM: FOR INTRCHG SEE PW IPC OPTIONAL PART: Z8840-4 V56878 68459-428 V56878 POST SERVICE BULLETIN: 72-441 V77445 PRE SERVICE BULLETIN: 72-534 V77445		2

ILLUSTRATION ITEMS NOT ON PARTS LIST ARE NOT APPLICABLE

- ITEM NOT ILLUSTRATED

HXL

72-35-54-01

BOEING PROPRIETARY - Copyright © - Unpublished Work - See title page for details.

72-35-54
FIG. 01
PAGE 12
DEC 22/06



767

PARTS CATALOG (MAINTENANCE)

FIG ITEM	PART NUMBER	1 2 3 4 5 6 7	NOMENCLATURE	EFFECT FROM TO	UNITS PER ASSY
1 92	Z8840-4		.NUT- SUPPLIER CODE: V56878 CONFIG CHG DATA FROM A CMM: PRATT AND WHITNEY PART NO. 597124 FOR INTRCHG SEE PW IPC OPTIONAL PART: 599033 V77445 68459-428 V56878 POST SERVICE BULLETIN: 72-441 V77445 PRE SERVICE BULLETIN: 72-534 V77445		2
92	68459-428		.NUT- SUPPLIER CODE: V56878 CONFIG CHG DATA FROM A CMM: PRATT AND WHITNEY PART NO. 597125 FOR INTRCHG SEE PW IPC OPTIONAL PART: 599033 V77445 Z8840-4 V56878 POST SERVICE BULLETIN: 72-441 V77445 PRE SERVICE BULLETIN: 72-534 V77445		2

ILLUSTRATION ITEMS NOT ON PARTS LIST ARE NOT APPLICABLE

- ITEM NOT ILLUSTRATED

HXL

72-35-54-01

BOEING PROPRIETARY - Copyright © - Unpublished Work - See title page for details.

72-35-54
FIG. 01
PAGE 13
DEC 22/06



767

PARTS CATALOG (MAINTENANCE)

FIG ITEM	PART NUMBER	1 2 3 4 5 6 7	NOMENCLATURE	EFFECT FROM TO	UNITS PER ASSY
1	92 4010648		.NUT- SUPPLIER CODE: V77445 CONFIG CHG DATA FROM A CMM: FOR INTRCHG SEE PW IPC OPTIONAL PART: 94268-428 V77445 HC54602-4 V77445 55H007 V77445 POST SERVICE BULLETIN: 72-534 V77445 PRE SERVICE BULLETIN: 72-577 V77445		2
	92 55H007		.NUT- SUPPLIER CODE: V77445 CONFIG CHG DATA FROM A CMM: FOR INTRCHG SEE PW IPC OPTIONAL PART: 94268-428 V56878 HC54602-4 V15653 4010648 V77445 POST SERVICE BULLETIN: 72-577 V77445		2

ILLUSTRATION ITEMS NOT ON PARTS LIST ARE NOT APPLICABLE

- ITEM NOT ILLUSTRATED

HXL

72-35-54-01

BOEING PROPRIETARY - Copyright © - Unpublished Work - See title page for details.

72-35-54
FIG. 01
PAGE 14
DEC 22/06



767

PARTS CATALOG (MAINTENANCE)

FIG ITEM	PART NUMBER	1 2 3 4 5 6 7	NOMENCLATURE	EFFECT FROM TO	UNITS PER ASSY
1 92	94268-428		.NUT- SUPPLIER CODE: V56878 CONFIG CHG DATA FROM A CMM: FOR INTRCHG SEE PW IPC PRATT AND WHITNEY PART NO. 55H008 OPTIONAL PART: 55H007 V77445 HC54602-4 V15653 4010648 V77445 POST SERVICE BULLETIN: 72-577 V77445		2
92	HC54602-4		.NUT- SUPPLIER CODE: V15653 CONFIG CHG DATA FROM A CMM: FOR INTRCHG SEE PW IPC PRATT AND WHITNEY PART NO. 55H057 OPTIONAL PART: 55H007 V77445 94268-428 V56878 4010648 V77445 POST SERVICE BULLETIN: 72-577 V77445		2

ILLUSTRATION ITEMS NOT ON PARTS LIST ARE NOT APPLICABLE

- ITEM NOT ILLUSTRATED

HXL

72-35-54-01

BOEING PROPRIETARY - Copyright © - Unpublished Work - See title page for details.

72-35-54
FIG. 01
PAGE 15
DEC 22/06



767

PARTS CATALOG (MAINTENANCE)

FIG ITEM	PART NUMBER	1 2 3 4 5 6 7	NOMENCLATURE	EFFECT FROM TO	UNITS PER ASSY
1 93	AS3070-10		.NUT- CONFIG CHG DATA FROM A CMM: FOR INTRCHG SEE PW IPC OPTIONAL PART: 776441 V77445 LH11973-4 V56878 H49674-4 V15653 73356-428 V56878 AS3066-10 PRE SERVICE BULLETIN: 72-483 V77445		2
93	AS3066-10		.NUT- CONFIG CHG DATA FROM A CMM: FOR INTRCHG SEE PW IPC OPTIONAL PART: 776441 V77445 LH11973-4 V56878 H49674-4 V15653 73356-428 V56878 AS3070-10 PRE SERVICE BULLETIN: 72-483 V77445		2
93	776441		.NUT- SUPPLIER CODE: V77445 CONFIG CHG DATA FROM A CMM: FOR INTRCHG SEE PW IPC OPTIONAL PART: LH11973-4 V56878 H49674-4 V15653 73356-428 V56878 AS3070-10 AS3066-10 PRE SERVICE BULLETIN: 72-483 V77445		2

ILLUSTRATION ITEMS NOT ON PARTS LIST ARE NOT APPLICABLE

- ITEM NOT ILLUSTRATED

HXL

72-35-54-01

BOEING PROPRIETARY - Copyright © - Unpublished Work - See title page for details.

72-35-54
FIG. 01
PAGE 16
DEC 22/06



767

PARTS CATALOG (MAINTENANCE)

FIG ITEM	PART NUMBER	1 2 3 4 5 6 7	NOMENCLATURE	EFFECT FROM TO	UNITS PER ASSY
1 93	LH11973-4		.NUT- SUPPLIER CODE: V56878 CONFIG CHG DATA FROM A CMM: PRATT AND WHITNEY PART NO. AS3067-10 FOR INTRCHG SEE PW IPC OPTIONAL PART: 776441 V77445 H49674-4 V15653 73356-428 V56878 AS3070-10 AS3066-10 PRE SERVICE BULLETIN: 72-483 V77445		2
93	H49674-4		.NUT- SUPPLIER CODE: V15653 CONFIG CHG DATA FROM A CMM: PRATT AND WHITNEY PART NO. AS3068-10 FOR INTRCHG SEE PW IPC OPTIONAL PART: 776441 V77445 LH11973-4 V56878 73356-428 V56878 AS3070-10 AS3066-10 PRE SERVICE BULLETIN: 72-483 V77445		2

ILLUSTRATION ITEMS NOT ON PARTS LIST ARE NOT APPLICABLE

- ITEM NOT ILLUSTRATED

HXL

72-35-54-01

BOEING PROPRIETARY - Copyright © - Unpublished Work - See title page for details.

72-35-54
FIG. 01
PAGE 17
DEC 22/06

 **BOEING**
767
PARTS CATALOG (MAINTENANCE)

FIG ITEM	PART NUMBER	1 2 3 4 5 6 7	NOMENCLATURE	EFFECT FROM TO	UNITS PER ASSY
1 93	73356-428		.NUT- SUPPLIER CODE: V56878 CONFIG CHG DATA FROM A CMM: PRATT AND WHITNEY PART NO. AS3069-10 FOR INTRCHG SEE PW IPC OPTIONAL PART: 776441 V77445 LH11973-4 V56878 H49674-4 V15653 AS3070-10 AS3066-10 PRE SERVICE BULLETIN: 72-483 V77445		2
94	776441		.NUT- SUPPLIER CODE: V77445 CONFIG CHG DATA FROM A CMM: FOR INTRCHG SEE PW IPC OPTIONAL PART: LH11973-4 V56878 H49674-4 V15653 73356-428 V56878 AS3070-10 AS3066-10		2
94	LH11973-4		.NUT- SUPPLIER CODE: V56878 CONFIG CHG DATA FROM A CMM: PRATT AND WHITNEY PART NO. AS3067-10 FOR INTRCHG SEE PW IPC OPTIONAL PART: 776441 V77445 H49674-4 V15653 73356-428 V56878 AS3070-10 AS3066-10		2

ILLUSTRATION ITEMS NOT ON PARTS LIST ARE NOT APPLICABLE

- ITEM NOT ILLUSTRATED

HXL

72-35-54-01

BOEING PROPRIETARY - Copyright © - Unpublished Work - See title page for details.

72-35-54
FIG. 01
PAGE 18
DEC 22/06

 **BOEING**
767
PARTS CATALOG (MAINTENANCE)

FIG ITEM	PART NUMBER	1 2 3 4 5 6 7	NOMENCLATURE	EFFECT FROM TO	UNITS PER ASSY
1					
94	H49674-4		.NUT- SUPPLIER CODE: V15653 CONFIG CHG DATA FROM A CMM: PRATT AND WHITNEY PART NO. AS3068-10 FOR INTRCHG SEE PW IPC OPTIONAL PART: 776441 V77445 LH11973-4 V56878 73356-428 V56878 AS3070-10 AS3066-10		2
94	73356-428		.NUT- SUPPLIER CODE: V56878 CONFIG CHG DATA FROM A CMM: PRATT AND WHITNEY PART NO. AS3069-10 FOR INTRCHG SEE PW IPC OPTIONAL PART: 776441 V77445 LH11973-4 V56878 H49674-4 V15653 AS3070-10 AS3066-10		2
94	H49674-4		.NUT- SUPPLIER CODE: V15653 CONFIG CHG DATA FROM A CMM: PRATT AND WHITNEY PART NO. AS3068-10 OPTIONAL PART: 776441 V77445 LH11973-4 V56878 73356-428 V56878 AS3070-10 AS3066-10		2

ILLUSTRATION ITEMS NOT ON PARTS LIST ARE NOT APPLICABLE

- ITEM NOT ILLUSTRATED

HXL

72-35-54-01

BOEING PROPRIETARY - Copyright © - Unpublished Work - See title page for details.

72-35-54
FIG. 01
PAGE 19
DEC 22/06



767

PARTS CATALOG (MAINTENANCE)

FIG ITEM	PART NUMBER	1 2 3 4 5 6 7	NOMENCLATURE	EFFECT FROM TO	UNITS PER ASSY
1					
94	73356-428		.NUT- SUPPLIER CODE: V56878 CONFIG CHG DATA FROM A CMM: PRATT AND WHITNEY PART NO. AS3069-10 OPTIONAL PART: 776441 V77445 LH11973-4 V56878 H49674-4 V15653 AS3070-10 AS3066-10		2
94	AS3070-10		.NUT- CONFIG CHG DATA FROM A CMM: FOR INTRCHG SEE PW IPC OPTIONAL PART: 776441 V77445 LH11973-4 V56878 H49674-4 V15653 73356-428 V56878 AS3066-10		2
94	AS3066-10		.NUT- CONFIG CHG DATA FROM A CMM: FOR INTRCHG SEE PW IPC OPTIONAL PART: 776441 V77445 LH11973-4 V56878 H49674-4 V15653 73356-428 V56878 AS3070-10		2

ILLUSTRATION ITEMS NOT ON PARTS LIST ARE NOT APPLICABLE

- ITEM NOT ILLUSTRATED

HXL

72-35-54-01

BOEING PROPRIETARY - Copyright © - Unpublished Work - See title page for details.

72-35-54
FIG. 01
PAGE 20
DEC 22/06



767

PARTS CATALOG (MAINTENANCE)

FIG ITEM	PART NUMBER	1 2 3 4 5 6 7	NOMENCLATURE	EFFECT FROM TO	UNITS PER ASSY
1					
95	ST1012-11		.NUT- SUPPLIER CODE: V77445 CONFIG CHG DATA FROM A CMM: FOR INTRCHG SEE PW IPC PRE SERVICE BULLETIN: 72-246 V77445 72-289 V77445		2
96	ST1012-11		.NUT- SUPPLIER CODE: V77445		1
97	776441		.NUT- SUPPLIER CODE: V77445 CONFIG CHG DATA FROM A CMM: FOR INTRCHG SEE PW IPC OPTIONAL PART: LH11973-4 V56878 H49674-4 V15653 73356-428 V56878 AS3070-10 AS3066-10		3
97	LH11973-4		.NUT- SUPPLIER CODE: V56878 CONFIG CHG DATA FROM A CMM: PRATT AND WHITNEY PART NO. AS3067-10 FOR INTRCHG SEE PW IPC OPTIONAL PART: 776441 V77445 H49674-4 V15653 73356-428 V56878 AS3070-10 AS3066-10		3

ILLUSTRATION ITEMS NOT ON PARTS LIST ARE NOT APPLICABLE

- ITEM NOT ILLUSTRATED

HXL

72-35-54-01

BOEING PROPRIETARY - Copyright © - Unpublished Work - See title page for details.

72-35-54
FIG. 01
PAGE 21
DEC 22/06



767

PARTS CATALOG (MAINTENANCE)

FIG ITEM	PART NUMBER	1 2 3 4 5 6 7	NOMENCLATURE	EFFECT FROM TO	UNITS PER ASSY
1					
97	H49674-4		.NUT- SUPPLIER CODE: V15653 CONFIG CHG DATA FROM A CMM: PRATT AND WHITNEY PART NO. AS3068-10 FOR INTRCHG SEE PW IPC OPTIONAL PART: 776441 V77445 LH11973-4 V56878 73356-428 V56878 AS3070-10 AS3066-10		3
97	73356-428		.NUT- SUPPLIER CODE: V56878 CONFIG CHG DATA FROM A CMM: PRATT AND WHITNEY PART NO. AS3069-10 FOR INTRCHG SEE PW IPC OPTIONAL PART: 776441 V77445 LH11973-4 V56878 H49674-4 V15653 AS3070-10 AS3066-10		3
97	AS3070-10		.NUT- CONFIG CHG DATA FROM A CMM: FOR INTRCHG SEE PW IPC OPTIONAL PART: 776441 V77445 LH11973-4 V56878 H49674-4 V15653 73356-428 V56878 AS3066-10		3

ILLUSTRATION ITEMS NOT ON PARTS LIST ARE NOT APPLICABLE

- ITEM NOT ILLUSTRATED

HXL

72-35-54-01

BOEING PROPRIETARY - Copyright © - Unpublished Work - See title page for details.

72-35-54
FIG. 01
PAGE 22
DEC 22/06



767

PARTS CATALOG (MAINTENANCE)

FIG ITEM	PART NUMBER	1 2 3 4 5 6 7	NOMENCLATURE	EFFECT FROM TO	UNITS PER ASSY
1 97	AS3066-10		.NUT- CONFIG CHG DATA FROM A CMM: FOR INTRCHG SEE PW IPC OPTIONAL PART: 776441 V77445 LH11973-4 V56878 H49674-4 V15653 73356-428 V56878 AS3070-10		3
98	B00121-5		.NUT- SUPPLIER CODE: V27238 CONFIG CHG DATA FROM A CMM: PRATT AND WHITNEY PART NO. ST1182-11 FOR INTRCHG SEE PW IPC OPTIONAL PART: 647797 V77445 70539-524 V56878 H29967-5 V15653 POST SERVICE BULLETIN: 72-246 V77445 72-289 V77445		2

ILLUSTRATION ITEMS NOT ON PARTS LIST ARE NOT APPLICABLE

- ITEM NOT ILLUSTRATED

HXL

72-35-54-01

BOEING PROPRIETARY - Copyright © - Unpublished Work - See title page for details.

72-35-54
FIG. 01
PAGE 23
DEC 22/06



767

PARTS CATALOG (MAINTENANCE)

FIG ITEM	PART NUMBER	1 2 3 4 5 6 7	NOMENCLATURE	EFFECT FROM TO	UNITS PER ASSY
1 98	70539-524		.NUT- SUPPLIER CODE: V56878 CONFIG CHG DATA FROM A CMM: PRATT AND WHITNEY PART NO. 647795 FOR INTRCHG SEE PW IPC OPTIONAL PART: 647797 V77445 B00121-5 V27238 H29967-5 V15653 POST SERVICE BULLETIN: 72-246 V77445 72-289 V77445		2
98	647797		.NUT- SUPPLIER CODE: V77445 CONFIG CHG DATA FROM A CMM: FOR INTRCHG SEE IPC OPTIONAL PART: B00121-5 V27238 70539-524 V56878 H29967-5 V15653 POST SERVICE BULLETIN: 72-246 V77445 72-289 V77445		2

ILLUSTRATION ITEMS NOT ON PARTS LIST ARE NOT APPLICABLE

- ITEM NOT ILLUSTRATED

HXL

72-35-54-01

BOEING PROPRIETARY - Copyright © - Unpublished Work - See title page for details.

72-35-54
FIG. 01
PAGE 24
DEC 22/06



767

PARTS CATALOG (MAINTENANCE)

FIG ITEM	PART NUMBER	1 2 3 4 5 6 7	NOMENCLATURE	EFFECT FROM TO	UNITS PER ASSY
1 98	H29967-5		.NUT- SUPPLIER CODE: V15653 CONFIG CHG DATA FROM A CMM: PRATT AND WHITNEY PART NO. 647796 FOR INTRCHG SEE PW IPC OPTIONAL PART: 647797 V77445 B00121-5 V27238 70539-524 V56878 POST SERVICE BULLETIN: 72-246 V77445 72-289 V77445		2
99	776441		.NUT- SUPPLIER CODE: V77445 CONFIG CHG DATA FROM A CMM: FOR INTRCHG SEE PW IPC OPTIONAL PART: LH11973-4 V56878 H49674-4 V15653 73356-428 V56878 AS3070-10 AS3066-10 POST SERVICE BULLETIN: 73-140 V77445 72-483 V77445		2

ILLUSTRATION ITEMS NOT ON PARTS LIST ARE NOT APPLICABLE

- ITEM NOT ILLUSTRATED

HXL

72-35-54-01

BOEING PROPRIETARY - Copyright © - Unpublished Work - See title page for details.

72-35-54
FIG. 01
PAGE 25
DEC 22/06



767

PARTS CATALOG (MAINTENANCE)

FIG ITEM	PART NUMBER	1 2 3 4 5 6 7	NOMENCLATURE	EFFECT FROM TO	UNITS PER ASSY
1 99	LH11973-4		.NUT- SUPPLIER CODE: V56878 CONFIG CHG DATA FROM A CMM: PRATT AND WHITNEY PART NO. AS3067-10 FOR INTRCHG SEE PW IPC OPTIONAL PART: 776441 V77445 H49674-4 V15653 73356-428 V56878 AS3070-10 AS3066-10 POST SERVICE BULLETIN: 73-140 V77445 72-483 V77445		2
99	H49674-4		.NUT- SUPPLIER CODE: V15653 CONFIG CHG DATA FROM A CMM: PRATT AND WHITNEY PART NO. AS3068-10 FOR INTRCHG SEE PW IPC OPTIONAL PART: 776441 V77445 LH11973-4 V56878 73356-428 V56878 AS3070-10 AS3066-10 POST SERVICE BULLETIN: 73-140 V77445 72-483 V77445		2

ILLUSTRATION ITEMS NOT ON PARTS LIST ARE NOT APPLICABLE

- ITEM NOT ILLUSTRATED

HXL

72-35-54-01

BOEING PROPRIETARY - Copyright © - Unpublished Work - See title page for details.

72-35-54
FIG. 01
PAGE 26
DEC 22/06



767

PARTS CATALOG (MAINTENANCE)

FIG ITEM	PART NUMBER	1 2 3 4 5 6 7	NOMENCLATURE	EFFECT FROM TO	UNITS PER ASSY
1					
99	73356-428		.NUT- SUPPLIER CODE: V56878 CONFIG CHG DATA FROM A CMM: PRATT AND WHITNEY PART NO. AS3069-10 FOR INTRCHG SEE PW IPC OPTIONAL PART: 776441 V77445 LH11973-4 V56878 H49674-4 V15653 AS3070-10 AS3066-10 POST SERVICE BULLETIN: 73-140 V77445 72-483 V77445		2
99	AS3066-10		.NUT- CONFIG CHG DATA FROM A CMM: FOR INTRCHG SEE PW IPC OPTIONAL PART: 776441 V77445 LH11973-4 V56878 H49674-4 V15653 73356-428 V56878 AS3070-10 POST SERVICE BULLETIN: 72-483 V77445 73-140 V77445		2

ILLUSTRATION ITEMS NOT ON PARTS LIST ARE NOT APPLICABLE

- ITEM NOT ILLUSTRATED

HXL

72-35-54-01

BOEING PROPRIETARY - Copyright © - Unpublished Work - See title page for details.

72-35-54
FIG. 01
PAGE 27
DEC 22/06



767

PARTS CATALOG (MAINTENANCE)

FIG ITEM	PART NUMBER	1 2 3 4 5 6 7	NOMENCLATURE	EFFECT FROM TO	UNITS PER ASSY
1 99	AS3070-10		.NUT- CONFIG CHG DATA FROM A CMM: FOR INTRCHG SEE PW IPC OPTIONAL PART: 776441 V77445 LH11973-4 V56878 H49674-4 V15653 73356-428 V56878 AS3066-10 POST SERVICE BULLETIN: 72-483 V77445 73-140 V77445		2
100	776703		.NUT- SUPPLIER CODE: V77445 CONFIG CHG DATA FROM A CMM: FOR INTRCHG SEE PW IPC OPTIONAL PART: SL7061C524 V11815 LH11973-5 V56878 H49674-5 V15653 73356-524 V56878 AS3070-11 POST SERVICE BULLETIN: 73-63 V77445 PRE SERVICE BULLETIN: 72-483 V77445		2

ILLUSTRATION ITEMS NOT ON PARTS LIST ARE NOT APPLICABLE

- ITEM NOT ILLUSTRATED

HXL

72-35-54-01

BOEING PROPRIETARY - Copyright © - Unpublished Work - See title page for details.

72-35-54
FIG. 01
PAGE 28
DEC 22/06



767

PARTS CATALOG (MAINTENANCE)

FIG ITEM	PART NUMBER	1 2 3 4 5 6 7	NOMENCLATURE	EFFECT FROM TO	UNITS PER ASSY
1 100	SL7061C524		.NUT- SUPPLIER CODE: V11815 CONFIG CHG DATA FROM A CMM: PRATT AND WHITNEY PART NO. AS3066-11 FOR INTRCHG SEE PW IPC OPTIONAL PART: 776703 V77445 LH11973-5 V56878 H49674-5 V15653 73356-524 V56878 AS3070-11 POST SERVICE BULLETIN: 73-63 V77445 PRE SERVICE BULLETIN: 72-483 V77445		2
100	LH11973-5		.NUT- SUPPLIER CODE: V56878 CONFIG CHG DATA FROM A CMM: PRATT AND WHITNEY PART NO. AS3067-11 FOR INTRCHG SEE PW IPC OPTIONAL PART: 776703 V77445 SL7061C524 V11815 H49674-5 V15653 73356-524 V56878 AS3070-11 POST SERVICE BULLETIN: 73-63 V77445 PRE SERVICE BULLETIN: 72-483 V77445		2

ILLUSTRATION ITEMS NOT ON PARTS LIST ARE NOT APPLICABLE

- ITEM NOT ILLUSTRATED

HXL

72-35-54-01

BOEING PROPRIETARY - Copyright © - Unpublished Work - See title page for details.

72-35-54
FIG. 01
PAGE 29
DEC 22/06



767

PARTS CATALOG (MAINTENANCE)

FIG ITEM	PART NUMBER	1 2 3 4 5 6 7	NOMENCLATURE	EFFECT FROM TO	UNITS PER ASSY
1 100	H49674-5		.NUT- SUPPLIER CODE: V15653 CONFIG CHG DATA FROM A CMM: PRATT AND WHITNEY PART NO. AS3068-11 FOR INTRCHG SEE PW IPC OPTIONAL PART: 776703 V77445 SL7061C524 V11815 LH11973-5 V56878 73356-524 V56878 AS3070-11 POST SERVICE BULLETIN: 73-63 V77445 PRE SERVICE BULLETIN: 72-483 V77445		2
100	AS3070-11		.NUT- CONFIG CHG DATA FROM A CMM: FOR INTRCHG SEE PW IPC OPTIONAL PART: 776703 V77445 SL7061C524 V11815 LH11973-5 V56878 H49674-5 V15653 73356-524 V56878 POST SERVICE BULLETIN: 73-63 V77445 PRE SERVICE BULLETIN: 73-483 V77445		2

ILLUSTRATION ITEMS NOT ON PARTS LIST ARE NOT APPLICABLE

- ITEM NOT ILLUSTRATED

HXL

72-35-54-01

BOEING PROPRIETARY - Copyright © - Unpublished Work - See title page for details.

72-35-54
FIG. 01
PAGE 30
DEC 22/06



767

PARTS CATALOG (MAINTENANCE)

FIG ITEM	PART NUMBER	1 2 3 4 5 6 7	NOMENCLATURE	EFFECT FROM TO	UNITS PER ASSY
1 100	73356-524		.NUT- SUPPLIER CODE: V56878 CONFIG CHG DATA FROM A CMM: PRATT AND WHITNEY PART NO. AS3069-11 FOR INTRCHG SEE PW IPC OPTIONAL PART: 776703 V77445 SL7061C524 V11815 LH11973-5 V56878 H49674-5 V15653 AS3070-11 POST SERVICE BULLETIN: 73-63 V77445 PRE SERVICE BULLETIN: 72-483 V77445		2
101	ST2785-09		.NUT- SUPPLIER CODE: V77445 CONFIG CHG DATA FROM A CMM: FOR INTRCHG SEE PW IPC OPTIONAL PART: H53777-3 V15653 92617-1032 V56878 ST2781-09 V77445 ST2783-09 V77445 POST SERVICE BULLETIN: 72-483 V77445		1

ILLUSTRATION ITEMS NOT ON PARTS LIST ARE NOT APPLICABLE

- ITEM NOT ILLUSTRATED

HXL

72-35-54-01

BOEING PROPRIETARY - Copyright © - Unpublished Work - See title page for details.

72-35-54
FIG. 01
PAGE 31
DEC 22/06



767

PARTS CATALOG (MAINTENANCE)

FIG ITEM	PART NUMBER	1 2 3 4 5 6 7	NOMENCLATURE	EFFECT FROM TO	UNITS PER ASSY
1 101	H53777-3		.NUT- SUPPLIER CODE: V15653 CONFIG CHG DATA FROM A CMM: PRATT AND WHITNEY PART NO. ST2780-09 FOR INTRCHG SEE PW IPC OPTIONAL PART: ST2785-09 V77445 92617-1032 V56878 ST2781-09 V77445 ST2783-09 V77445 POST SERVICE BULLETIN: 72-483 V77445		1
101	92617-1032		.NUT- SUPPLIER CODE: V56878 CONFIG CHG DATA FROM A CMM: PRATT AND WHITNEY PART NO. ST2782-09 FOR INTRCHG SEE PW IPC OPTIONAL PART: ST2785-09 V77445 H53777-3 V15653 ST2781-09 V77445 ST2783-09 V77445 POST SERVICE BULLETIN: 72-483 V77445		1

ILLUSTRATION ITEMS NOT ON PARTS LIST ARE NOT APPLICABLE

- ITEM NOT ILLUSTRATED

HXL

72-35-54-01

BOEING PROPRIETARY - Copyright © - Unpublished Work - See title page for details.

72-35-54
FIG. 01
PAGE 32
DEC 22/06



767

PARTS CATALOG (MAINTENANCE)

FIG ITEM	PART NUMBER	1 2 3 4 5 6 7	NOMENCLATURE	EFFECT FROM TO	UNITS PER ASSY
1 101	ST2781-09		.NUT- SUPPLIER CODE: V77445 CONFIG CHG DATA FROM A CMM: FOR INTRCHG SEE PW IPC OPTIONAL PART: ST2785-09 V77445 H53777-3 V15653 92617-1032 V56878 ST2783-09 V77445 POST SERVICE BULLETIN: 72-483 V77445		1
101	ST2783-09		.NUT- SUPPLIER CODE: V77445 CONFIG CHG DATA FROM A CMM: FOR INTRCHG SEE PW IPC OPTIONAL PART: ST2785-09 V77445 H53777-3 V15653 ST2781-09 V56878 92617-1032 V56878 POST SERVICE BULLETIN: 72-483 V77445		1

ILLUSTRATION ITEMS NOT ON PARTS LIST ARE NOT APPLICABLE

- ITEM NOT ILLUSTRATED

HXL

72-35-54-01

BOEING PROPRIETARY - Copyright © - Unpublished Work - See title page for details.

72-35-54
FIG. 01
PAGE 33
DEC 22/06



767

PARTS CATALOG (MAINTENANCE)

FIG ITEM	PART NUMBER	1 2 3 4 5 6 7	NOMENCLATURE	EFFECT FROM TO	UNITS PER ASSY
1 102	776703		.NUT- SUPPLIER CODE: V77445 CONFIG CHG DATA FROM A CMM: FOR INTRCHG SEE PW IPC OPTIONAL PART: SL7061C524 V11815 LH11973-5 V56878 H49674-5 V15653 73356-524 V56878 AS3070-11 POST SERVICE BULLETIN: 72-483 V77445		1
102	SL7061C524		.NUT- SUPPLIER CODE: V11815 CONFIG CHG DATA FROM A CMM: PRATT AND WHITNEY PART NO. AS3066-11 FOR INTRCHG SEE PW IPC OPTIONAL PART: 776703 V77445 LH11973-5 V56878 H49674-5 V15653 73356-524 V56878 AS3070-11 POST SERVICE BULLETIN: 72-483 V77445		1

ILLUSTRATION ITEMS NOT ON PARTS LIST ARE NOT APPLICABLE

- ITEM NOT ILLUSTRATED

HXL

72-35-54-01

BOEING PROPRIETARY - Copyright © - Unpublished Work - See title page for details.

72-35-54
FIG. 01
PAGE 34
DEC 22/06



767

PARTS CATALOG (MAINTENANCE)

FIG ITEM	PART NUMBER	1 2 3 4 5 6 7	NOMENCLATURE	EFFECT FROM TO	UNITS PER ASSY
1 102	LH11973-5		.NUT- SUPPLIER CODE: V56878 CONFIG CHG DATA FROM A CMM: PRATT AND WHITNEY PART NO. AS3067-11 FOR INTRCHG SEE PW IPC OPTIONAL PART: 776703 V77445 SL7061C524 V11815 H49674-5 V15653 73356-524 V56878 AS3070-11 POST SERVICE BULLETIN: 72-483 V77445		1
102	H49674-5		.NUT- SUPPLIER CODE: V15653 CONFIG CHG DATA FROM A CMM: PRATT AND WHITNEY PART NO. AS3068-11 FOR INTRCHG SEE PW IPC OPTIONAL PART: 776703 V77445 SL7061C524 V11815 LH11973-5 V56878 73356-524 V56878 AS3070-11 POST SERVICE BULLETIN: 72-483 V77445		1

ILLUSTRATION ITEMS NOT ON PARTS LIST ARE NOT APPLICABLE

- ITEM NOT ILLUSTRATED

HXL

72-35-54-01

BOEING PROPRIETARY - Copyright © - Unpublished Work - See title page for details.

72-35-54
FIG. 01
PAGE 35
DEC 22/06

BOEING
767
PARTS CATALOG (MAINTENANCE)

FIG ITEM	PART NUMBER	1 2 3 4 5 6 7	NOMENCLATURE	EFFECT FROM TO	UNITS PER ASSY
1 102	73356-524		.NUT- SUPPLIER CODE: V56878 CONFIG CHG DATA FROM A CMM: PRATT AND WHITNEY PART NO. AS3069-11 FOR INTRCHG SEE PW IPC OPTIONAL PART: 776703 V77445 SL7061C524 V11815 LH11973-5 V56878 H49674-5 V15653 AS3070-11 POST SERVICE BULLETIN: 72-483 V77445		1
102	AS3070-11		.NUT- CONFIG CHG DATA FROM A CMM: FOR INTRCHG SEE PW IPC OPTIONAL PART: 776703 V77445 SL7061C524 V11815 LH11973-5 V56878 H49674-5 V15653 73356-524 V56878 POST SERVICE BULLETIN: 72-483 V77445		1

ILLUSTRATION ITEMS NOT ON PARTS LIST ARE NOT APPLICABLE

— ITEM NOT ILLUSTRATED

HXL

72-35-54-01

BOEING PROPRIETARY - Copyright © - Unpublished Work - See title page for details.

72-35-54
FIG. 01
PAGE 36
DEC 22/06



767

PARTS CATALOG (MAINTENANCE)

FIG ITEM	PART NUMBER	1 2 3 4 5 6 7	NOMENCLATURE	EFFECT FROM TO	UNITS PER ASSY
1 103	ST2785-11		.NUT- SUPPLIER CODE: V77445 CONFIG CHG DATA FROM A CMM: FOR INTRCHG SEE PW IPC OPTIONAL PART: H53777-5 V15653 LH13587-5 V56878 92617-524 V56878 VN4761BB054 V77445 POST SERVICE BULLETIN: 72-483 V77445		2
103	H53777-5		.NUT- SUPPLIER CODE: V15653 CONFIG CHG DATA FROM A CMM: PRATT AND WHITNEY PART NO. ST2780-11 FOR INTRCHG SEE PW IPC OPTIONAL PART: ST2785-11 V77445 LH13587-5 V56878 92617-524 V56878 VN4761BB054 V77445 POST SERVICE BULLETIN: 72-483 V77445		2

ILLUSTRATION ITEMS NOT ON PARTS LIST ARE NOT APPLICABLE

- ITEM NOT ILLUSTRATED

HXL

72-35-54-01

BOEING PROPRIETARY - Copyright © - Unpublished Work - See title page for details.

72-35-54
FIG. 01
PAGE 37
DEC 22/06



767

PARTS CATALOG (MAINTENANCE)

FIG ITEM	PART NUMBER	1 2 3 4 5 6 7	NOMENCLATURE	EFFECT FROM TO	UNITS PER ASSY
1 103	LH13587-5		.NUT- SUPPLIER CODE: V56878 CONFIG CHG DATA FROM A CMM: PRATT AND WHITNEY PART NO. ST2781-11 FOR INTRCHG SEE PW IPC OPTIONAL PART: ST2785-11 V77445 H53777-5 V15653 92617-524 V56878 VN4761BB054 V77445 POST SERVICE BULLETIN: 72-483 V77445		2
103	92617-524		.NUT- SUPPLIER CODE: V56878 CONFIG CHG DATA FROM A CMM: PRATT AND WHITNEY PART NO. ST2782-11 FOR INTRCHG SEE PW IPC OPTIONAL PART: ST2785-11 V77445 H53777-5 V15653 LH13587-5 V56878 VN4761BB054 V77445 POST SERVICE BULLETIN: 72-483 V77445		2

ILLUSTRATION ITEMS NOT ON PARTS LIST ARE NOT APPLICABLE

- ITEM NOT ILLUSTRATED

HXL

72-35-54-01

BOEING PROPRIETARY - Copyright © - Unpublished Work - See title page for details.

72-35-54
FIG. 01
PAGE 38
DEC 22/06



767

PARTS CATALOG (MAINTENANCE)

FIG ITEM	PART NUMBER	1 2 3 4 5 6 7	NOMENCLATURE	EFFECT FROM TO	UNITS PER ASSY
1 103	VN4761BB054		.NUT- SUPPLIER CODE: V77445 CONFIG CHG DATA FROM A CMM: PRATT AND WHITNEY PART NO. ST2783-11 FOR INTRCHG SEE PW IPC OPTIONAL PART: ST2785-11 V77445 H53777-5 V15653 LH13587-5 V56878 92617-524 V56878 POST SERVICE BULLETIN: 72-483 V77445		2
104	776441		.NUT- SUPPLIER CODE: V77445 CONFIG CHG DATA FROM A CMM: FOR INTRCHG SEE PW IPC OPTIONAL PART: LH11973-4 V56878 H49674-4 V15653 73356-428 V56878 AS3070-10 AS3066-10		2
104	LH11973-4		.NUT- SUPPLIER CODE: V56878 CONFIG CHG DATA FROM A CMM: PRATT AND WHITNEY PART NO. AS3067-10 FOR INTRCHG SEE PW IPC OPTIONAL PART: 776441 V77445 H49674-4 V15653 73356-428 V56878 AS3070-10 AS3066-10		2

ILLUSTRATION ITEMS NOT ON PARTS LIST ARE NOT APPLICABLE

- ITEM NOT ILLUSTRATED

HXL

72-35-54-01

BOEING PROPRIETARY - Copyright © - Unpublished Work - See title page for details.

72-35-54
FIG. 01
PAGE 39
DEC 22/06



767

PARTS CATALOG (MAINTENANCE)

FIG ITEM	PART NUMBER	1 2 3 4 5 6 7	NOMENCLATURE	EFFECT FROM TO	UNITS PER ASSY
1 104	H49674-4		.NUT- SUPPLIER CODE: V15653 CONFIG CHG DATA FROM A CMM: PRATT AND WHITNEY PART NO. AS3068-10 FOR INTRCHG SEE PW IPC OPTIONAL PART: 776441 V77445 LH11973-4 V56878 73356-428 V56878 AS3070-10 AS3066-10		2
104	73356-428		.NUT- SUPPLIER CODE: V56878 CONFIG CHG DATA FROM A CMM: PRATT AND WHITNEY PART NO. AS3069-10 FOR INTRCHG SEE PW IPC OPTIONAL PART: 776441 V77445 LH11973-4 V56878 H49674-4 V15653 AS3070-10 AS3066-10		2
104	AS3066-10		.NUT- CONFIG CHG DATA FROM A CMM: FOR INTRCHG SEE PW IPC OPTIONAL PART: 776441 V77445 LH11973-4 V56878 H49674-4 V15653 73356-428 V56878 AS3070-10		2

ILLUSTRATION ITEMS NOT ON PARTS LIST ARE NOT APPLICABLE

- ITEM NOT ILLUSTRATED

HXL

72-35-54-01

BOEING PROPRIETARY - Copyright © - Unpublished Work - See title page for details.

72-35-54
FIG. 01
PAGE 40
DEC 22/06



767

PARTS CATALOG (MAINTENANCE)

FIG ITEM	PART NUMBER	1 2 3 4 5 6 7	NOMENCLATURE	EFFECT FROM TO	UNITS PER ASSY
1 104	AS3070-10		.NUT- CONFIG CHG DATA FROM A CMM: FOR INTRCHG SEE PW IPC OPTIONAL PART: 776441 V77445 LH11973-4 V56878 H49674-4 V15653 73356-428 V56878 AS3066-10		2
105	776441		.NUT- SUPPLIER CODE: V77445 OPTIONAL PART: LH11973-4 V56878 H49674-4 V15653 73356-428 V56878 AS3070-10 AS3066-10		4
105	LH11973-4		.NUT- SUPPLIER CODE: V56878 CONFIG CHG DATA FROM A CMM: PRATT AND WHITNEY PART NO. AS3067-10 OPTIONAL PART: 776441 V77445 H49674-4 V15653 73356-428 V56878 AS3070-10 AS3066-10		4

ILLUSTRATION ITEMS NOT ON PARTS LIST ARE NOT APPLICABLE

- ITEM NOT ILLUSTRATED

HXL

72-35-54-01

BOEING PROPRIETARY - Copyright © - Unpublished Work - See title page for details.

72-35-54
FIG. 01
PAGE 41
DEC 22/06



767

PARTS CATALOG (MAINTENANCE)

FIG ITEM	PART NUMBER	1 2 3 4 5 6 7	NOMENCLATURE	EFFECT FROM TO	UNITS PER ASSY
1 105	H49674-4		.NUT- SUPPLIER CODE: V15653 CONFIG CHG DATA FROM A CMM: PRATT AND WHITNEY PART NO. AS3068-10 OPTIONAL PART: 776441 V77445 LH11973-4 V56878 73356-428 V56878 AS3070-10 AS3066-10		4
105	73356-428		.NUT- SUPPLIER CODE: V56878 CONFIG CHG DATA FROM A CMM: PRATT AND WHITNEY PART NO. AS3069-10 OPTIONAL PART: 776441 V77445 LH11973-4 V56878 H49674-4 V15653 AS3070-10 AS3066-10		4
105	AS3070-10		.NUT- OPTIONAL PART: 776441 V77445 LH11973-4 V56878 H49674-4 V15653 73356-428 V56878 AS3066-10		4

ILLUSTRATION ITEMS NOT ON PARTS LIST ARE NOT APPLICABLE

- ITEM NOT ILLUSTRATED

HXL

72-35-54-01

BOEING PROPRIETARY - Copyright © - Unpublished Work - See title page for details.

72-35-54
FIG. 01
PAGE 42
DEC 22/06



767

PARTS CATALOG (MAINTENANCE)

FIG ITEM	PART NUMBER	1 2 3 4 5 6 7	NOMENCLATURE	EFFECT FROM TO	UNITS PER ASSY
1 105	AS3066-10		.NUT- OPTIONAL PART: 776441 V77445 LH11973-4 V56878 H49674-4 V15653 73356-428 V56878 AS3070-10		4
106	776440		.NUT- SUPPLIER CODE: V77445 CONFIG CHG DATA FROM A CMM: FOR INTRCHG SEE PW IPC OPTIONAL PART: SL7061C1032 V11815 LH11973-3 V56878 H49674-3 V15653 73356-1032 V56878 AS3070-09 POST SERVICE BULLETIN: 73-63 V77445 PRE SERVICE BULLETIN: 72-483 V77445		2

ILLUSTRATION ITEMS NOT ON PARTS LIST ARE NOT APPLICABLE

- ITEM NOT ILLUSTRATED

HXL

72-35-54-01

BOEING PROPRIETARY - Copyright © - Unpublished Work - See title page for details.

72-35-54
FIG. 01
PAGE 43
DEC 22/06



767

PARTS CATALOG (MAINTENANCE)

FIG ITEM	PART NUMBER	1 2 3 4 5 6 7	NOMENCLATURE	EFFECT FROM TO	UNITS PER ASSY
1 106	SL7061C1032		.NUT- SUPPLIER CODE: V11815 CONFIG CHG DATA FROM A CMM: PRATT AND WHITNEY PART NO. AS3066-09 FOR INTRCHG SEE PW IPC OPTIONAL PART: 776440 V77445 LH11973-3 V56878 H49674-3 V15653 73356-1032 V56878 AS3070-09 POST SERVICE BULLETIN: 73-63 V77445 PRE SERVICE BULLETIN: 72-483 V77445		2
106	LH11973-3		.NUT- SUPPLIER CODE: V56878 CONFIG CHG DATA FROM A CMM: PRATT AND WHITNEY PART NO. AS3067-09 FOR INTRCHG SEE PW IPC OPTIONAL PART: 776440 V77445 SL7061C1032 V11815 H49674-3 V15653 73356-1032 V56878 AS3070-09 POST SERVICE BULLETIN: 73-63 V77445 PRE SERVICE BULLETIN: 72-483 V77445		2

ILLUSTRATION ITEMS NOT ON PARTS LIST ARE NOT APPLICABLE

- ITEM NOT ILLUSTRATED

HXL

72-35-54-01

BOEING PROPRIETARY - Copyright © - Unpublished Work - See title page for details.

72-35-54
FIG. 01
PAGE 44
DEC 22/06



767

PARTS CATALOG (MAINTENANCE)

FIG ITEM	PART NUMBER	1 2 3 4 5 6 7	NOMENCLATURE	EFFECT FROM TO	UNITS PER ASSY
1 106	H49674-3		.NUT- SUPPLIER CODE: V15653 CONFIG CHG DATA FROM A CMM: PRATT AND WHITNEY PART NO. AS3068-09 FOR INTRCHG SEE PW IPC OPTIONAL PART: 776440 V77445 SL7061C1032 V11815 LH11973-3 V56878 73356-1032 V56878 AS3070-09 POST SERVICE BULLETIN: 73-63 V77445 PRE SERVICE BULLETIN: 72-483 V77445		2
106	AS3070-09		.NUT- CONFIG CHG DATA FROM A CMM: FOR INTRCHG SEE PW IPC OPTIONAL PART: 776440 V77445 SL7061C1032 V11815 LH11973-3 V56878 H49674-3 V15653 73356-1032 V56878 POST SERVICE BULLETIN: 73-63 V77445 PRE SERVICE BULLETIN: 72-483 V77445		2

ILLUSTRATION ITEMS NOT ON PARTS LIST ARE NOT APPLICABLE

- ITEM NOT ILLUSTRATED

HXL

72-35-54-01

BOEING PROPRIETARY - Copyright © - Unpublished Work - See title page for details.

72-35-54
FIG. 01
PAGE 45
DEC 22/06



767

PARTS CATALOG (MAINTENANCE)

FIG ITEM	PART NUMBER	1 2 3 4 5 6 7	NOMENCLATURE	EFFECT FROM TO	UNITS PER ASSY
1 106	73356-1032		.NUT- SUPPLIER CODE: V56878 CONFIG CHG DATA FROM A CMM: PRATT AND WHITNEY PART NO. AS3069-09 FOR INTRCHG SEE PW IPC OPTIONAL PART: 776440 V77445 SL7061C1032 V11815 LH11973-3 V56878 H49674-3 V15653 AS3070-09 POST SERVICE BULLETIN: 73-63 V77445 PRE SERVICE BULLETIN: 72-483 V77445		2
107	776440		.NUT- SUPPLIER CODE: V77445 CONFIG CHG DATA FROM A CMM: FOR INTRCHG SEE PW IPC OPTIONAL PART: SL7061C1032 V11815 LH11973-3 V56878 H49674-3 V15653 73356-1032 V56878 AS3070-09 PRE SERVICE BULLETIN: 72-483 V77445		2

ILLUSTRATION ITEMS NOT ON PARTS LIST ARE NOT APPLICABLE

- ITEM NOT ILLUSTRATED

HXL

72-35-54-01

BOEING PROPRIETARY - Copyright © - Unpublished Work - See title page for details.

72-35-54
FIG. 01
PAGE 46
DEC 22/06

BOEING
767
PARTS CATALOG (MAINTENANCE)

FIG ITEM	PART NUMBER	1 2 3 4 5 6 7	NOMENCLATURE	EFFECT FROM TO	UNITS PER ASSY
1 107	SL7061C1032		.NUT- SUPPLIER CODE: V11815 CONFIG CHG DATA FROM A CMM: PRATT AND WHITNEY PART NO. AS3066-09 FOR INTRCHG SEE PW IPC OPTIONAL PART: 776440 V77445 LH11973-3 V56878 H49674-3 V15653 73356-1032 V56878 AS3070-09 PRE SERVICE BULLETIN: 72-483 V77445		2
107	LH11973-3		.NUT- SUPPLIER CODE: V56878 CONFIG CHG DATA FROM A CMM: PRATT AND WHITNEY PART NO. AS3067-09 FOR INTRCHG SEE PW IPC OPTIONAL PART: 776440 V77445 SL7061C1032 V11815 H49674-3 V15653 73356-1032 V56878 AS3070-09 PRE SERVICE BULLETIN: 72-483 V77445		2

ILLUSTRATION ITEMS NOT ON PARTS LIST ARE NOT APPLICABLE

— ITEM NOT ILLUSTRATED

HXL

72-35-54-01

BOEING PROPRIETARY - Copyright © - Unpublished Work - See title page for details.

72-35-54
FIG. 01
PAGE 47
DEC 22/06



PARTS CATALOG (MAINTENANCE)

FIG ITEM	PART NUMBER	1 2 3 4 5 6 7	NOMENCLATURE	EFFECT FROM TO	UNITS PER ASSY
1 107	H49674-3		.NUT- SUPPLIER CODE: V15653 CONFIG CHG DATA FROM A CMM: PRATT AND WHITNEY PART NO. AS3068-09 FOR INTRCHG SEE PW IPC OPTIONAL PART: 776440 V77445 SL7061C1032 V11815 LH11973-3 V56878 73356-1032 V56878 AS3070-09 PRE SERVICE BULLETIN: 72-483 V77445		2
107	AS3070-09		.NUT- CONFIG CHG DATA FROM A CMM: FOR INTRCHG SEE PW IPC OPTIONAL PART: 776440 V77445 SL7061C1032 V11815 LH11973-3 V56878 H49674-3 V15653 73356-1032 V56878 PRE SERVICE BULLETIN: 72-483 V77445		2

ILLUSTRATION ITEMS NOT ON PARTS LIST ARE NOT APPLICABLE

- ITEM NOT ILLUSTRATED

HXL

72-35-54-01

BOEING PROPRIETARY - Copyright © - Unpublished Work - See title page for details.

72-35-54
FIG. 01
PAGE 48
DEC 22/06

 **BOEING**
767
PARTS CATALOG (MAINTENANCE)

FIG ITEM	PART NUMBER	1 2 3 4 5 6 7	NOMENCLATURE	EFFECT FROM TO	UNITS PER ASSY
1 107	73356-1032		.NUT- SUPPLIER CODE: V56878 CONFIG CHG DATA FROM A CMM: PRATT AND WHITNEY PART NO. AS3069-09 FOR INTRCHG SEE PW IPC OPTIONAL PART: 776440 V77445 SL7061C1032 V11815 LH11973-3 V56878 H49674-3 V15653 AS3070-09 PRE SERVICE BULLETIN: 72-483 V77445		2
108	53H035		.SPACER- SUPPLIER CODE: V77445 CONFIG CHG DATA FROM A CMM: FOR INTRCHG SEE PW IPC POST SERVICE BULLETIN: 72-246 V77445 72-289 V77445		2
110	51H388		.BRACKET-CPRSR STATOR CYL SPRT SUPPLIER CODE: V77445 OPTIONAL PART: V77445		1
115	50H796-01		.BRACE ASSY-CPRSR STATOR CYL SPRT SUPPLIER CODE: V77445 CONFIG CHG DATA FROM A CMM: FOR INTRCHG SEE PW IPC PRE SERVICE BULLETIN: 72-483 V77445 REFERENCE SERVICE BULLETIN: A75-51 V77445		1

ILLUSTRATION ITEMS NOT ON PARTS LIST ARE NOT APPLICABLE

- ITEM NOT ILLUSTRATED

HXL

72-35-54-01

BOEING PROPRIETARY - Copyright © - Unpublished Work - See title page for details.

72-35-54
FIG. 01
PAGE 49
DEC 22/06



767

PARTS CATALOG (MAINTENANCE)

FIG ITEM	PART NUMBER	1 2 3 4 5 6 7	NOMENCLATURE	EFFECT FROM TO	UNITS PER ASSY
1 117	54H936-01		.BRACE ASSY-COMPR STATOR CYL SUPPLIER CODE: V77445 CONFIG CHG DATA FROM A CMM: FOR INTRCHG SEE PW IPC POST SERVICE BULLETIN: 72-483 V77445		1
120	51H229-01		.SUPPORT ASSY-CPRSR STATOR CYL SUPPLIER CODE: V77445 NOT APPROVED FOR ETOPS WITHOUT INCORP OF SB: 72-335 V77445 CONFIG CHG DATA FROM A CMM: FOR INTRCHG SEE PW IPC PRE SERVICE BULLETIN: 72-246 V77445 72-289 V77445 REFERENCE SERVICE BULLETIN: 72-92 V77445 POST ALERT SB: A72-335 V74445		1

ILLUSTRATION ITEMS NOT ON PARTS LIST ARE NOT APPLICABLE

- ITEM NOT ILLUSTRATED

HXL

72-35-54-01

BOEING PROPRIETARY - Copyright © - Unpublished Work - See title page for details.

72-35-54
FIG. 01
PAGE 50
DEC 22/06



767

PARTS CATALOG (MAINTENANCE)

FIG ITEM	PART NUMBER	1 2 3 4 5 6 7	NOMENCLATURE	EFFECT FROM TO	UNITS PER ASSY
1 120	53H036-01		.SUPPORT ASSY-CPRSR STATOR CYL SUPPLIER CODE: V77445 NOT APPROVED FOR ETOPS WITHOUT INCORP OF SB: 72-335 V77445 CONFIG CHG DATA FROM A CMM: FOR INTRCHG SEE PW IPC OPTIONAL PART: 54H638-01 V77445 POST SERVICE BULLETIN: 72-246 V77445 PRE SERVICE BULLETIN: 72-470 V77445 POST ALERT SB: A72-335 V77445		1
120	53H214-01		.SUPPORT ASSY-CPRSR STATOR SUPPLIER CODE: V77445 NOT APPROVED FOR ETOPS WITHOUT INCORP OF SB: 72-335 V77445 CONFIG CHG DATA FROM A CMM: REIDENT FROM 51H229-01 POST SERVICE BULLETIN: 72-289 V77445 POST ALERT SB: A72-335 V77445		1

ILLUSTRATION ITEMS NOT ON PARTS LIST ARE NOT APPLICABLE

- ITEM NOT ILLUSTRATED

HXL

72-35-54-01

BOEING PROPRIETARY - Copyright © - Unpublished Work - See title page for details.

72-35-54
FIG. 01
PAGE 51
DEC 22/06



767

PARTS CATALOG (MAINTENANCE)

FIG ITEM	PART NUMBER	1 2 3 4 5 6 7	NOMENCLATURE	EFFECT FROM TO	UNITS PER ASSY
1 120	54H638-01		.SUPPORT ASSY-CPRSR STATOR SUPPLIER CODE: V77445 NOT APPROVED FOR ETOPS WITHOUT INCORP OF SB: PW4ENG NOT APPROVED FOR ETOPS WITHOUT INCORP OF SB: 72-335 V77445 CONFIG CHG DATA FROM A CMM: FOR INTRCHG SEE PW IPC OPTIONAL PART: 53H036-01 V77445 POST SERVICE BULLETIN: 72-470 V77445 PRE SERVICE BULLETIN: 72-483 V77445		1
125	51H182		.BRACKET-LOOP CLAMP SUPPLIER CODE: V77445 NOT APPROVED FOR ETOPS. CONFIG CHG DATA FROM A CMM: FOR INTRCHG SEE PW IPC PRE SERVICE BULLETIN: 73-63 V77445		1
126	53T509-01		.BRACKET ASSY-CABLE SUPPLIER CODE: V77445 NOT APPROVED FOR ETOPS. CONFIG CHG DATA FROM A CMM: FOR INTRCHG SEE PW IPC POST SERVICE BULLETIN: 72-248 V77445 PRE SERVICE BULLETIN: 73-63 V77445		1

ILLUSTRATION ITEMS NOT ON PARTS LIST ARE NOT APPLICABLE

- ITEM NOT ILLUSTRATED

HXL

72-35-54-01

BOEING PROPRIETARY - Copyright © - Unpublished Work - See title page for details.

72-35-54
FIG. 01
PAGE 52
DEC 22/06



767

PARTS CATALOG (MAINTENANCE)

FIG ITEM	PART NUMBER	1 2 3 4 5 6 7	NOMENCLATURE	EFFECT FROM TO	UNITS PER ASSY
1 127	53T031-01		.BRACKET ASSY-CABLE SUPPLIER CODE: V77445 NOT APPROVED FOR ETOPS. CONFIG CHG DATA FROM A CMM: FOR INTRCHG SEE PW IPC POST SERVICE BULLETIN: 72-65 V77445 PRE SERVICE BULLETIN: 72-248 V77445 73-63 V77445		1
128	54T154-01		.BRACKET ASSY-CABLE SUPPLIER CODE: V77445 CONFIG CHG DATA FROM A CMM: FOR INTRCHG SEE PW IPC POST SERVICE BULLETIN: 73-63 V77445 PRE SERVICE BULLETIN: 72-483 V77445		1
133	51H294		.BRACKET ASSY-FUEL FLOWMETER SUPPLIER CODE: V77445 NOT APPROVED FOR ETOPS. CONFIG CHG DATA FROM A CMM: FOR INTRCHG SEE PW IPC POST SERVICE BULLETIN: 72-83 V77445 PRE SERVICE BULLETIN: 73-63 V77445		1
134	51H527-01		.BRACKET ASSY- SUPPLIER CODE: V77445 CONFIG CHG DATA FROM A CMM: FOR INTRCHG SEE PW IPC POST SERVICE BULLETIN: 73-63 V77445		1

ILLUSTRATION ITEMS NOT ON PARTS LIST ARE NOT APPLICABLE

- ITEM NOT ILLUSTRATED

72-35-54-01

72-35-54
FIG. 01
PAGE 53
DEC 22/06

HXL



767

PARTS CATALOG (MAINTENANCE)

FIG ITEM	PART NUMBER	1 2 3 4 5 6 7	NOMENCLATURE	EFFECT FROM TO	UNITS PER ASSY
1 135	52T663		.BRACKET-ANGLE SUPPLIER CODE: V77445 NOT APPROVED FOR ETOPS. CONFIG CHG DATA FROM A CMM: FOR INTRCHG SEE PW IPC PRE SERVICE BULLETIN: 75-45 V77445		1
136	53T647		.BRACKET-ANGLE SUPPLIER CODE: V77445 CONFIG CHG DATA FROM A CMM: FOR INTRCHG SEE PW IPC POST SERVICE BULLETIN: 75-45 V77445		1
140	51T965		.BRACKET ASSY-LOOP CLAMP SUPPLIER CODE: V77445		1
145	52T024-01		.BRACKET ASSY-LOOP CLAMP SUPPLIER CODE: V77445 CONFIG CHG DATA FROM A CMM: FOR INTRCHG SEE PW IPC PRE SERVICE BULLETIN: 72-424 V77445		1
150	51H038		.BRACKET-FUEL FLOWMETER SUPPLIER CODE: V77445 NOT APPROVED FOR ETOPS. CONFIG CHG DATA FROM A CMM: FOR INTRCHG SEE PW IPC PRE SERVICE BULLETIN: 73-63 V77445 REFERENCE SERVICE BULLETIN: A75-51 V77445		1
155	51T806		.BRACKET-LOOP CLAMP SUPPLIER CODE: V77445 CONFIG CHG DATA FROM A CMM: FOR INTRCHG SEE PW IPC PRE SERVICE BULLETIN: 72-483 V77445		1

ILLUSTRATION ITEMS NOT ON PARTS LIST ARE NOT APPLICABLE

- ITEM NOT ILLUSTRATED

72-35-54-01

72-35-54
FIG. 01
PAGE 54
DEC 22/06

HXL



767

PARTS CATALOG (MAINTENANCE)

FIG ITEM	PART NUMBER	1 2 3 4 5 6 7	NOMENCLATURE	EFFECT FROM TO	UNITS PER ASSY
1 160	54T041-01		.BRACKET ASSY-CABLE SUPPLIER CODE: V77445 CONFIG CHG DATA FROM A CMM: FOR INTRCHG SEE PW IPC POST SERVICE BULLETIN: 73-63 V77445 PRE SERVICE BULLETIN: 72-483 V77445		1
165	54T442-01		.BRACKET ASSY-LOOP CLAMP SUPPLIER CODE: V77445 CONFIG CHG DATA FROM A CMM: FOR INTRCHG SEE PW IPC POST SERVICE BULLETIN: 72-424 V77445 PRE SERVICE BULLETIN: 72-483 V77445		1
170	58T953-01		.BRACKET-LOOP CLAMP SUPPLIER CODE: V77445 CONFIG CHG DATA FROM A CMM: FOR INTRCHG SEE PW IPC POST SERVICE BULLETIN: 72-483 V77445 72-744 V77445		1
175	58T955-01		.BRACKET ASSY-LOOP CLAMP SUPPLIER CODE: V77445 CONFIG CHG DATA FROM A CMM: FOR INTRCHG SEE PW IPC POST SERVICE BULLETIN: 72-483 V77445		1
180	58T954-01		.BRACKET ASSY-LOOP CLAMP SUPPLIER CODE: V77445 CONFIG CHG DATA FROM A CMM: FOR INTRCHG SEE PW IPC POST SERVICE BULLETIN: 72-483 V77445		1

ILLUSTRATION ITEMS NOT ON PARTS LIST ARE NOT APPLICABLE

- ITEM NOT ILLUSTRATED

HXL

72-35-54-01

BOEING PROPRIETARY - Copyright © - Unpublished Work - See title page for details.

72-35-54
FIG. 01
PAGE 55
DEC 22/06



767

PARTS CATALOG (MAINTENANCE)

FIG ITEM	PART NUMBER	1 2 3 4 5 6 7	NOMENCLATURE	EFFECT FROM TO	UNITS PER ASSY
1 185	59T468-01		.BRACKET ASSY-CABLE SUPPLIER CODE: V77445 CONFIG CHG DATA FROM A CMM: FOR INTRCHG SEE PW IPC POST SERVICE BULLETIN: 72-483 V77445		1
190	59T270-01		.BRACKET ASSY-LOOP CLAMP SUPPLIER CODE: V77445 CONFIG CHG DATA FROM A CMM: FOR INTRCHG SEE PW IPC POST SERVICE BULLETIN: 72-483 V77445		1
195	56T226-01		.BRACKET ASSY-LOOP CLAMP SUPPLIER CODE: V77445 CONFIG CHG DATA FROM A CMM: FOR INTRCHG SEE PW IPC POST SERVICE BULLETIN: 72-483 V77445 73-140 V77445 72-744 V77445		1
196	MS9489-08		..BOLT- CONFIG CHG DATA FROM A CMM: FOR INTRCHG SEE PW IPC POST SERVICE BULLETIN: 72-483 V77445 73-140 V77445		1
197	AN123469		..RIVET- CONFIG CHG DATA FROM A CMM: FOR INTRCHG SEE PW IPC POST SERVICE BULLETIN: 72-483 V77445 73-140 V77445		2

ILLUSTRATION ITEMS NOT ON PARTS LIST ARE NOT APPLICABLE

- ITEM NOT ILLUSTRATED

72-35-54-01

72-35-54
FIG. 01
PAGE 56
DEC 22/06

HXL

BOEING PROPRIETARY - Copyright © - Unpublished Work - See title page for details.



767

PARTS CATALOG (MAINTENANCE)

FIG ITEM	PART NUMBER	1 2 3 4 5 6 7	NOMENCLATURE	EFFECT FROM TO	UNITS PER ASSY
1 198	56T810		..LUG-ANTI-ROTATION SUPPLIER CODE: V77445 CONFIG CHG DATA FROM A CMM: FOR INTRCHG SEE PW IPC POST SERVICE BULLETIN: 72-483 V77445 73-140 V77445		1
200	54H974-01		.SUPPORT ASSY-CPRSR STATOR CYL SUPPLIER CODE: V77445 CONFIG CHG DATA FROM A CMM: FOR INTRCHG SEE PW IPC POST SERVICE BULLETIN: 72-483 V77445 PRE SERVICE BULLETIN: 72-685 V77445		1
200	58H032-01		.SUPPORT ASSY-CPRSR STATOR CYL SUPPLIER CODE: V77445 CONFIG CHG DATA FROM A CMM: FOR INTRCHG SEE PW IPC POST SERVICE BULLETIN: 72-685 V77445		1
200	58H033-01		.SUPPORT ASSY-CPRSR STATOR CYL SUPPLIER CODE: V77445		1
215	MS9319-102		..RIVET- CONFIG CHG DATA FROM A CMM: FOR INTRCHG SEE PW IPC POST SERVICE BULLETIN: 72-483 V77445		39
220	54H971		..BRACE-CYL SPRT SUPPLIER CODE: V77445 CONFIG CHG DATA FROM A CMM: FOR INTRCHG SEE PW IPC POST SERVICE BULLETIN: 72-483 V77445		1

ILLUSTRATION ITEMS NOT ON PARTS LIST ARE NOT APPLICABLE

- ITEM NOT ILLUSTRATED

72-35-54-01

72-35-54
FIG. 01
PAGE 57
DEC 22/06

HXL



767

PARTS CATALOG (MAINTENANCE)

FIG ITEM	PART NUMBER	1 2 3 4 5 6 7	NOMENCLATURE	EFFECT FROM TO	UNITS PER ASSY
1 225	54H972-01		..BRACE ASSY-CYL SPRT SUPPLIER CODE: V77445 CONFIG CHG DATA FROM A CMM: FOR INTRCHG SEE PW IPC POST SERVICE BULLETIN: 72-483 V77445 REFERENCE SERVICE BULLETIN: 72-595 V77445		1
230	55H048-01		..BRACE ASSY-CPRSR SUPPLIER CODE: V77445 CONFIG CHG DATA FROM A CMM: FOR INTRCHG SEE PW IPC POST SERVICE BULLETIN: 72-483 V77445		1
235	55H049-01		..BRACE ASSY-CPRSR SUPPLIER CODE: V77445 CONFIG CHG DATA FROM A CMM: FOR INTRCHG SEE PW IPC POST SERVICE BULLETIN: 72-483 V77445		1
240	54H966-01		..BRACE ASSY-CYL SPRT SUPPLIER CODE: V77445 CONFIG CHG DATA FROM A CMM: FOR INTRCHG SEE PW IPC POST SERVICE BULLETIN: 72-483 V77445		1
245	54H967		..BRACE-CYL SPRT SUPPLIER CODE: V77445 CONFIG CHG DATA FROM A CMM: FOR INTRCHG SEE PW IPC POST SERVICE BULLETIN: 72-483 V77445 PRE SERVICE BULLETIN: 72-685 V77445		1

ILLUSTRATION ITEMS NOT ON PARTS LIST ARE NOT APPLICABLE

- ITEM NOT ILLUSTRATED

72-35-54-01

72-35-54
FIG. 01
PAGE 58
DEC 22/06

HXL



767

PARTS CATALOG (MAINTENANCE)

FIG ITEM	PART NUMBER	1 2 3 4 5 6 7	NOMENCLATURE	EFFECT FROM TO	UNITS PER ASSY
1 245	58H031		..BRACE-CYL SPRT SUPPLIER CODE: V77445 CONFIG CHG DATA FROM A CMM: FOR INTRCHG SEE PW IPC POST SERVICE BULLETIN: 72-685 V77445		1
250	54H968-01		..BRACE ASSY-CYL SPRT SUPPLIER CODE: V77445 CONFIG CHG DATA FROM A CMM: FOR INTRCHG SEE PW IPC POST SERVICE BULLETIN: 72-483 V77445		1
255	54H969		..BRACE-CYL SPRT SUPPLIER CODE: V77445 CONFIG CHG DATA FROM A CMM: FOR INTRCHG SEE PW IPC POST SERVICE BULLETIN: 72-483 V77445		2
260	58T071-01		.BRACKET ASSY- SUPPLIER CODE: V77445 CONFIG CHG DATA FROM A CMM: FOR INTRCHG SEE PW IPC POST SERVICE BULLETIN: 73-140 V77445 PRE SERVICE BULLETIN: 72-483 V77445		1

ILLUSTRATION ITEMS NOT ON PARTS LIST ARE NOT APPLICABLE

- ITEM NOT ILLUSTRATED

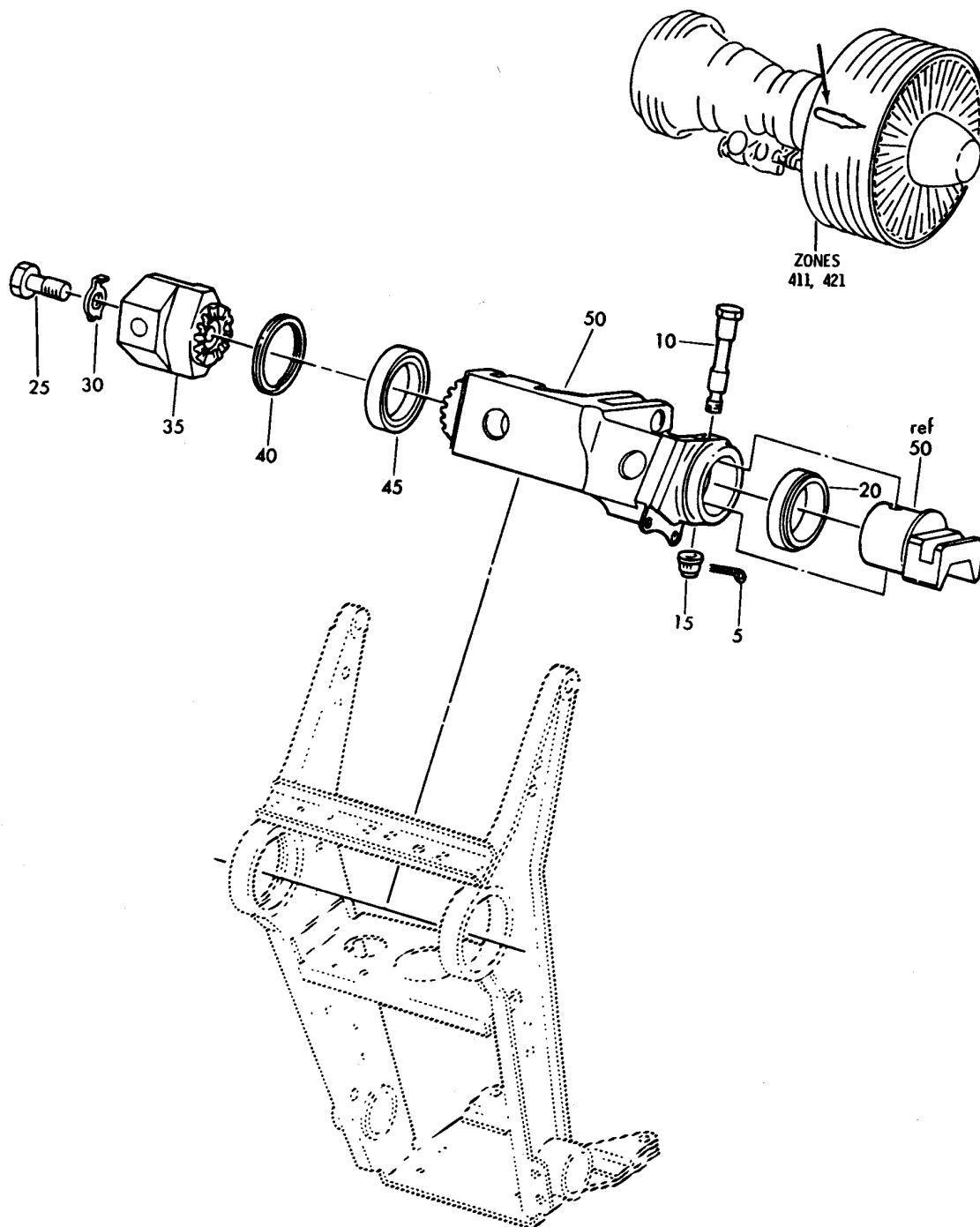
HXL

72-35-54-01

BOEING PROPRIETARY - Copyright © - Unpublished Work - See title page for details.

72-35-54
FIG. 01
PAGE 59
DEC 22/06

BOEING
767
PARTS CATALOG (MAINTENANCE)



V 72355501 REV 319

LEVERS-CPRSR STATOR (PW4000)

FIGURE 1

72-35-55-01

HXL
AUG 22/07

72-35-55-01
PAGE 0



767

PARTS CATALOG (MAINTENANCE)

FIG ITEM	PART NUMBER	1 2 3 4 5 6 7	NOMENCLATURE	EFFECT FROM TO	UNITS PER ASSY
1			LEVERS-CPRSR STATOR (PW4000)		
- 1	PW4060		ENGINE- SUPPLIER CODE: V77445 CONFIG CHG DATA FROM A CMM: SEE 71-00-51 FIG. 2 FOR APPLICABLE ENGINE SERIES		RF
5	MS9245-25		.PIN		1
10	50H173		.BOLT- SUPPLIER CODE: V77445		1
15	327698		.NUT- SUPPLIER CODE: V77445 OPTIONAL PART: 490131 V77445		1
15	490131		.NUT- SUPPLIER CODE: V77445 OPTIONAL PART: 327698 V77445		1
20	735811		.BEARING- SUPPLIER CODE: V77445 OPTIONAL PART: 674432 V77445 735813 V77445		1
20	674432		.BEARING- SUPPLIER CODE: V77445 OPTIONAL PART: 735811 V77445 735813 V77445		1
20	735813		.BEARING- SUPPLIER CODE: V77445 OPTIONAL PART: 674432 V77445 735811 V77445		1

ILLUSTRATION ITEMS NOT ON PARTS LIST ARE NOT APPLICABLE

- ITEM NOT ILLUSTRATED

HXL

72-35-55-01

BOEING PROPRIETARY - Copyright © - Unpublished Work - See title page for details.

72-35-55
FIG. 01
PAGE 1
DEC 22/06

 **BOEING**
767
PARTS CATALOG (MAINTENANCE)

FIG ITEM	PART NUMBER	1 2 3 4 5 6 7	NOMENCLATURE	EFFECT FROM TO	UNITS PER ASSY
1					
25	50H545		.BOLT- SUPPLIER CODE: V77445		1
30	MS9276-14		.WASHER		1
35	50H566		.LEVER-HIGH PRESSURE CPRSR SEVENTH STAGE SUPPLIER CODE: V77445		1
40	2115516		.RING-RETAINING SUPPLIER CODE: V77445 OPTIONAL PART: AS3215-144		1
40	AS3215-144		.RING-RETAINING OPTIONAL PART: 2115516 V77445		1
45	735796		.BEARING- SUPPLIER CODE: V77445 OPTIONAL PART: 674430 V77445 735812 V77445 PRE SERVICE BULLETIN: 72-495 V77445		1
45	674430		.BEARING- SUPPLIER CODE: V77445 OPTIONAL PART: 735796 V77445 735812 V77445		1
45	735812		.BEARING- SUPPLIER CODE: V77445 OPTIONAL PART: 674430 V77445 735796 V77445		1

ILLUSTRATION ITEMS NOT ON PARTS LIST ARE NOT APPLICABLE

— ITEM NOT ILLUSTRATED

HXL

72-35-55-01

BOEING PROPRIETARY - Copyright © - Unpublished Work - See title page for details.

72-35-55
FIG. 01
PAGE 2
DEC 22/06



767

PARTS CATALOG (MAINTENANCE)

FIG ITEM	PART NUMBER	1 2 3 4 5 6 7	NOMENCLATURE	EFFECT FROM TO	UNITS PER ASSY
1					
45	1B3797		.BEARING- SUPPLIER CODE: V77445 OPTIONAL PART: 1B7625 V77445 POST SERVICE BULLETIN: 72-495 V77445		1
45	1B7625		.BEARING- SUPPLIER CODE: V77445 OPTIONAL PART: 1B3797 V77445		1
50	50H552		.LEVER SET-HIGH PRESSURE CPRSR SUPPLIER CODE: V77445 NOT APPROVED FOR ETOPS WITHOUT INCORP OF SB: 72-335 V77445 CONFIG CHG DATA FROM A CMM: FOR INTRCHG SEE PW IPC PRE SERVICE BULLETIN: 72-246 V77445		1
50	53H090		.LEVER SET-HIGH PRESSURE CPRSR SUPPLIER CODE: V77445 NOT APPROVED FOR ETOPS WITHOUT INCORP OF SB: 72-335 V77445 CONFIG CHG DATA FROM A CMM: FOR INTRCHG SEE PW IPC POST SERVICE BULLETIN: 72-246 V77445		1

ILLUSTRATION ITEMS NOT ON PARTS LIST ARE NOT APPLICABLE

- ITEM NOT ILLUSTRATED

HXL

72-35-55-01

BOEING PROPRIETARY - Copyright © - Unpublished Work - See title page for details.

72-35-55
FIG. 01
PAGE 3
DEC 22/06



767

PARTS CATALOG (MAINTENANCE)

FIG ITEM	PART NUMBER	1 2 3 4 5 6 7	NOMENCLATURE	EFFECT FROM TO	UNITS PER ASSY
1					
- 55	50H553		.. LEVER ASSY-HIGH PRESSURE CPRSR, 5TH AND 6TH STAGE SUPPLIER CODE: V77445 CONFIG CHG DATA FROM A CMM: FOR INTRCHG SEE PW IPC PRE SERVICE BULLETIN: 72-246 V77445		RF
- 55	53H088		.. LEVER ASSY-HIGH PRESSURE CPRSR, 5TH AND 6TH STAGE SUPPLIER CODE: V77445 CONFIG CHG DATA FROM A CMM: FOR INTRCHG SEE PW IPC POST SERVICE BULLETIN: 72-246 V77445		RF

ILLUSTRATION ITEMS NOT ON PARTS LIST ARE NOT APPLICABLE

- ITEM NOT ILLUSTRATED

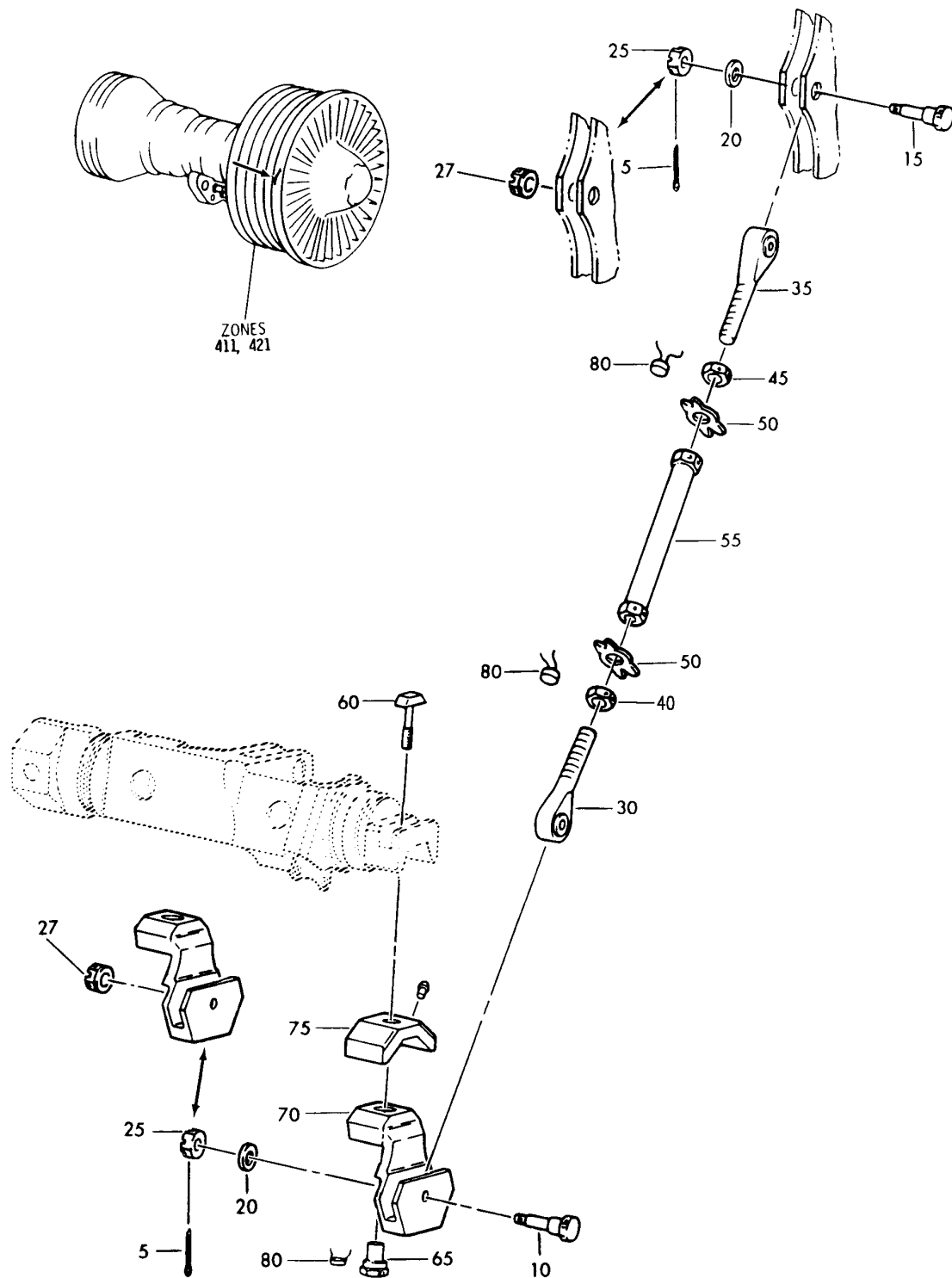
HXL

72-35-55-01

BOEING PROPRIETARY - Copyright © - Unpublished Work - See title page for details.

72-35-55
 FIG. 01
 PAGE 4
 AUG 22/07

BOEING
767
PARTS CATALOG (MAINTENANCE)



V 72355601 REV 272

LINKAGE-INLET GUIDE VANE (PW4000)
FIGURE 1

72-35-56-01

HXL
DEC 22/06

72-35-56-01
PAGE 0



767

PARTS CATALOG (MAINTENANCE)

FIG ITEM	PART NUMBER	1 2 3 4 5 6 7	NOMENCLATURE	EFFECT FROM TO	UNITS PER ASSY
1			LINKAGE-INLET GUIDE VANE (PW4000)		
- 1	PW4060		ENGINE- SUPPLIER CODE: V77445 CONFIG CHG DATA FROM A CMM: SEE 71-00-51 FIG. 2 FOR APPLICABLE ENGINE SERIES		RF
5	MS9245-25		.PIN		2
10	663683		.BOLT- SUPPLIER CODE: V77445		1
15	50H229		.BOLT- SUPPLIER CODE: V77445		1
20	MS9320-11		.WASHER- CONFIG CHG DATA FROM A CMM: FOR INTRCHG SEE PW IPC PRE SERVICE BULLETIN: 72-506 V77445		2
25	72032-428		.NUT- SUPPLIER CODE: V56878 CONFIG CHG DATA FROM A CMM: PRATT AND WHITNEY PART NO. 663653 FOR INTRCHG SEE PW IPC PRE SERVICE BULLETIN: 72-506 V77445		2
27	53H146		.NUT- SUPPLIER CODE: V77445 CONFIG CHG DATA FROM A CMM: FOR INTRCHG SEE PW IPC OPTIONAL PART: 92424-428 V56878 E13482-4 V56878 POST SERVICE BULLETIN: 72-506 V77445		2

ILLUSTRATION ITEMS NOT ON PARTS LIST ARE NOT APPLICABLE

- ITEM NOT ILLUSTRATED

HXL

72-35-56-01

BOEING PROPRIETARY - Copyright © - Unpublished Work - See title page for details.

72-35-56
FIG. 01
PAGE 1
DEC 22/06



767

PARTS CATALOG (MAINTENANCE)

FIG ITEM	PART NUMBER	1 2 3 4 5 6 7	NOMENCLATURE	EFFECT FROM TO	UNITS PER ASSY
1 27	92424-428		.NUT- SUPPLIER CODE: V56878 CONFIG CHG DATA FROM A CMM: PRATT AND WHITNEY PART NO. 53H147 FOR INTRCHG SEE PW IPC OPTIONAL PART: 53H146 V77445 E13482-4 V56878 POST SERVICE BULLETIN: 72-506 V77445		2
27	E13482-4		.NUT- SUPPLIER CODE: V56878 CONFIG CHG DATA FROM A CMM: PRATT AND WHITNEY PART NO. 53H148 FOR INTRCHG SEE PW IPC OPTIONAL PART: 53H146 V77445 92424-428 V56878 POST SERVICE BULLETIN: 72-506 V77445		2

ILLUSTRATION ITEMS NOT ON PARTS LIST ARE NOT APPLICABLE

- ITEM NOT ILLUSTRATED

HXL

72-35-56-01

BOEING PROPRIETARY - Copyright © - Unpublished Work - See title page for details.

72-35-56
FIG. 01
PAGE 2
DEC 22/06



767

PARTS CATALOG (MAINTENANCE)

FIG ITEM	PART NUMBER	1 2 3 4 5 6 7	NOMENCLATURE	EFFECT FROM TO	UNITS PER ASSY
1 30	716586		.BEARING- SUPPLIER CODE: V77445 OPTIONAL PART: 1B7296 V77445 613946 V77445 711112 V77445 711113 V77445 716585 V77445 804670 V77445 POST SERVICE BULLETIN: 72-428 V77445 PRE SERVICE BULLETIN: 72-573 V77445		1
30	613946		.BEARING- SUPPLIER CODE: V77445 OPTIONAL PART: 1B7296 V77445 711112 V77445 711113 V77445 716585 V77445 716586 V77445 804670 V77445		1

ILLUSTRATION ITEMS NOT ON PARTS LIST ARE NOT APPLICABLE

- ITEM NOT ILLUSTRATED

HXL

72-35-56-01

BOEING PROPRIETARY - Copyright © - Unpublished Work - See title page for details.

72-35-56
FIG. 01
PAGE 3
DEC 22/06



767

PARTS CATALOG (MAINTENANCE)

FIG ITEM	PART NUMBER	1 2 3 4 5 6 7	NOMENCLATURE	EFFECT FROM TO	UNITS PER ASSY
1 30	711112		.BEARING- SUPPLIER CODE: V77445 OPTIONAL PART: 1B7296 V77445 613946 V77445 711113 V77445 716585 V77445 716586 V77445 804670 V77445		1
30	711113		.BEARING- SUPPLIER CODE: V77445 OPTIONAL PART: 1B7296 V77445 613946 V77445 711112 V77445 716585 V77445 716586 V77445 804670 V77445		1
30	716585		.BEARING- SUPPLIER CODE: V77445 OPTIONAL PART: 1B7296 V77445 613946 V77445 711112 V77445 711113 V77445 716586 V77445 804670 V77445		1

ILLUSTRATION ITEMS NOT ON PARTS LIST ARE NOT APPLICABLE

- ITEM NOT ILLUSTRATED

HXL

72-35-56-01

BOEING PROPRIETARY - Copyright © - Unpublished Work - See title page for details.

72-35-56
FIG. 01
PAGE 4
DEC 22/06



767

PARTS CATALOG (MAINTENANCE)

FIG ITEM	PART NUMBER	1 2 3 4 5 6 7	NOMENCLATURE	EFFECT FROM TO	UNITS PER ASSY
1	30 804670		.BEARING- SUPPLIER CODE: V77445 OPTIONAL PART: 1B7296 V77445 613946 V77445 711112 V77445 711113 V77445 716586 V77445 716585 V77445 POST SERVICE BULLETIN: 72-428 V77445		1
	30 1B7296		.BEARING- SUPPLIER CODE: V77445 OPTIONAL PART: 716586 V77445 613946 V77445 711112 V77445 711113 V77445 716585 V77445 804670 V77445 POST SERVICE BULLETIN: 72-573 V77445		1

ILLUSTRATION ITEMS NOT ON PARTS LIST ARE NOT APPLICABLE

- ITEM NOT ILLUSTRATED

HXL

72-35-56-01

BOEING PROPRIETARY - Copyright © - Unpublished Work - See title page for details.

72-35-56
FIG. 01
PAGE 5
DEC 22/06



767

PARTS CATALOG (MAINTENANCE)

FIG ITEM	PART NUMBER	1 2 3 4 5 6 7	NOMENCLATURE	EFFECT FROM TO	UNITS PER ASSY
1	35 716584		.BEARING- SUPPLIER CODE: V77445 OPTIONAL PART: 613947 V77445 711114 V77445 711115 V77445 716583 V77445 804669 V77445 1B7397 V77445 POST SERVICE BULLETIN: 72-428 V77445 PRE SERVICE BULLETIN: 72-573 V77445		1
35	613947		.BEARING- SUPPLIER CODE: V77445 OPTIONAL PART: 1B7297 V77445 711114 V77445 711115 V77445 716583 V77445 716584 V77445 804669 V77445		1

ILLUSTRATION ITEMS NOT ON PARTS LIST ARE NOT APPLICABLE

- ITEM NOT ILLUSTRATED

HXL

72-35-56-01

BOEING PROPRIETARY - Copyright © - Unpublished Work - See title page for details.

72-35-56
FIG. 01
PAGE 6
DEC 22/06

 **BOEING**
767
PARTS CATALOG (MAINTENANCE)

FIG ITEM	PART NUMBER	1 2 3 4 5 6 7	NOMENCLATURE	EFFECT FROM TO	UNITS PER ASSY
1 35	711114		.BEARING- SUPPLIER CODE: V77445 OPTIONAL PART: 1B7297 V77445 613947 V77445 711115 V77445 716583 V77445 716584 V77445 804669 V77445		1
35	711115		.BEARING- SUPPLIER CODE: V77445 OPTIONAL PART: 1B7297 V77445 613947 V77445 711114 V77445 716583 V77445 716584 V77445 804669 V77445		1
35	716583		.BEARING- SUPPLIER CODE: V77445 OPTIONAL PART: 1B7297 V77445 613947 V77445 711114 V77445 711115 V77445 716584 V77445 804669 V77445		1

ILLUSTRATION ITEMS NOT ON PARTS LIST ARE NOT APPLICABLE

- ITEM NOT ILLUSTRATED

HXL

72-35-56-01

BOEING PROPRIETARY - Copyright © - Unpublished Work - See title page for details.

72-35-56
FIG. 01
PAGE 7
DEC 22/06



767

PARTS CATALOG (MAINTENANCE)

FIG ITEM	PART NUMBER	1 2 3 4 5 6 7	NOMENCLATURE	EFFECT FROM TO	UNITS PER ASSY
1	35 804669		.BEARING- SUPPLIER CODE: V77445 OPTIONAL PART: 1B7297 V77445 613947 V77445 711114 V77445 711115 V77445 716584 V77445 716583 V77445 POST SERVICE BULLETIN: 72-428 V77445		1
	35 1B7297		.BEARING- SUPPLIER CODE: V77445 OPTIONAL PART: 716584 V77445 613947 V77445 711114 V77445 711115 V77445 716583 V77445 804669 V77445 POST SERVICE BULLETIN: 72-573 V77445		1
	40 613950		.NUT- SUPPLIER CODE: V77445		1
	45 613954		.NUT- SUPPLIER CODE: V77445		1
	50 613949		.WASHER- SUPPLIER CODE: V77445		2

ILLUSTRATION ITEMS NOT ON PARTS LIST ARE NOT APPLICABLE

- ITEM NOT ILLUSTRATED

72-35-56-01

72-35-56
FIG. 01
PAGE 8
DEC 22/06

HXL



767

PARTS CATALOG (MAINTENANCE)

FIG ITEM	PART NUMBER	1 2 3 4 5 6 7	NOMENCLATURE	EFFECT FROM TO	UNITS PER ASSY
1					
55	50H162		.ADJUSTER-INTERNALLY THREADED SUPPLIER CODE: V77445		1
60	1A4457		.BOLT- SUPPLIER CODE: V77445 NOT APPROVED FOR ETOPS. OPTIONAL PART: 53H096 V77445 PRE SERVICE BULLETIN: 72-227 V77445		1
60	53H096		.BOLT- SUPPLIER CODE: V77445 CONFIG CHG DATA FROM A CMM: FOR INTRCHG SEE PW IPC OPTIONAL PART: 1A4457 V77445 POST SERVICE BULLETIN: 72-227 V77445 PRE SERVICE BULLETIN: 72-713 V77445		1
60	58H198		.BOLT- SUPPLIER CODE: V77445 CONFIG CHG DATA FROM A CMM: FOR INTRCHG SEE PW IPC POST SERVICE BULLETIN: 72-713 V77445		1
65	50H970		.NUT- SUPPLIER CODE: V77445 CONFIG CHG DATA FROM A CMM: FOR INTRCHG SEE PW IPC PRE SERVICE BULLETIN: 72-713 V77445		1

ILLUSTRATION ITEMS NOT ON PARTS LIST ARE NOT APPLICABLE

- ITEM NOT ILLUSTRATED

HXL

72-35-56-01

BOEING PROPRIETARY - Copyright © - Unpublished Work - See title page for details.

72-35-56
FIG. 01
PAGE 9
DEC 22/06



767

PARTS CATALOG (MAINTENANCE)

FIG ITEM	PART NUMBER	1 2 3 4 5 6 7	NOMENCLATURE	EFFECT FROM TO	UNITS PER ASSY
1 65	58H199		.NUT- SUPPLIER CODE: V77445 CONFIG CHG DATA FROM A CMM: FOR INTRCHG SEE PW IPC POST SERVICE BULLETIN: 72-713 V77445		1
70	50H602		.CLEVIS-HIGH PRESSURE CPRSR INLET SUPPLIER CODE: V77445		1
75	52H078		.SPACER ASSY-HIGH PRESSURE CPRSR CLEVIS INLET SUPPLIER CODE: V77445 POST SERVICE BULLETIN: 72-197 V77445		1
80	83280		.SEAL-LEAD SUPPLIER CODE: V77445		3

ILLUSTRATION ITEMS NOT ON PARTS LIST ARE NOT APPLICABLE

- ITEM NOT ILLUSTRATED

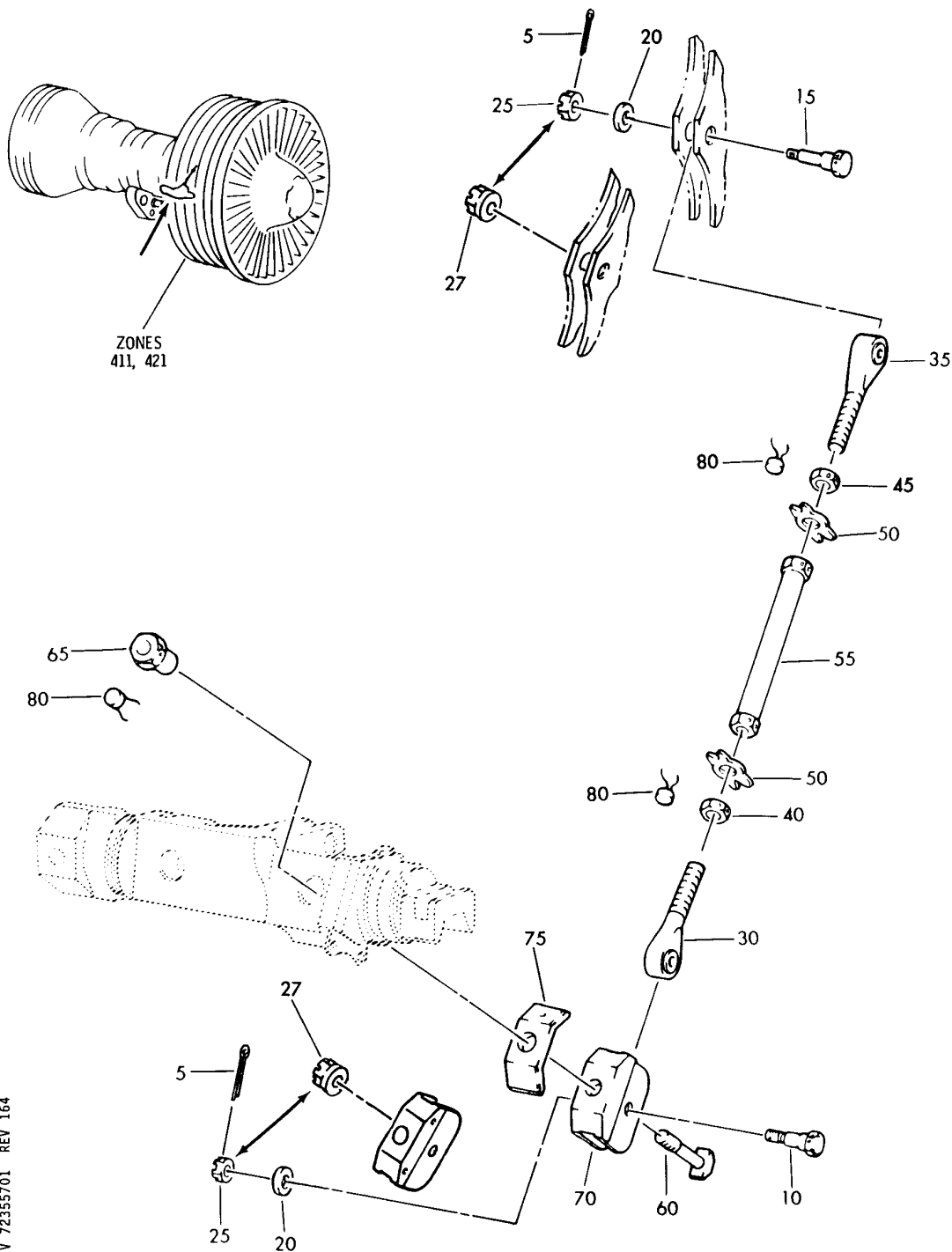
HXL

72-35-56-01

BOEING PROPRIETARY - Copyright © - Unpublished Work - See title page for details.

72-35-56
FIG. 01
PAGE 10
DEC 22/06

BOEING
767
PARTS CATALOG (MAINTENANCE)



V 72355701 REV 164

LINKAGE-FIFTH STAGE VAR STATOR (PW4000)
FIGURE 1

72-35-57-01

HXL
DEC 22/06

72-35-57-01
PAGE 0



767

PARTS CATALOG (MAINTENANCE)

FIG ITEM	PART NUMBER	1 2 3 4 5 6 7	NOMENCLATURE	EFFECT FROM TO	UNITS PER ASSY
1			LINKAGE-FIFTH STAGE VAR STATOR (PW4000)		
- 1	PW4060		ENGINE- SUPPLIER CODE: V77445 CONFIG CHG DATA FROM A CMM: SEE 71-00-51 FIG. 2 FOR APPLICABLE ENGINE SERIES		RF
5	MS9245-25		.PIN		2
10	663683		.BOLT- SUPPLIER CODE: V77445		1
15	50H211		.BOLT- SUPPLIER CODE: V77445		1
20	MS9320-11		.WASHER- CONFIG CHG DATA FROM A CMM: FOR INTRCHG SEE PW IPC PRE SERVICE BULLETIN: 72-506 V77445		2
25	72032-428		.NUT- SUPPLIER CODE: V56878 CONFIG CHG DATA FROM A CMM: PRATT AND WHITNEY PART NO. 663653 FOR INTRCHG SEE PW IPC PRE SERVICE BULLETIN: 72-506 V77445		2
27	53H146		.NUT- SUPPLIER CODE: V77445 CONFIG CHG DATA FROM A CMM: FOR INTRCHG SEE PW IPC OPTIONAL PART: 92424-428 V56878 E13482-4 V56878 POST SERVICE BULLETIN: 72-506 V77445		2

ILLUSTRATION ITEMS NOT ON PARTS LIST ARE NOT APPLICABLE

- ITEM NOT ILLUSTRATED

HXL

72-35-57-01

BOEING PROPRIETARY - Copyright © - Unpublished Work - See title page for details.

72-35-57
FIG. 01
PAGE 1
DEC 22/06



767

PARTS CATALOG (MAINTENANCE)

FIG ITEM	PART NUMBER	1 2 3 4 5 6 7	NOMENCLATURE	EFFECT FROM TO	UNITS PER ASSY
1 27	92424-428		.NUT- SUPPLIER CODE: V56878 CONFIG CHG DATA FROM A CMM: PRATT AND WHITNEY PART NO. 53H147 FOR INTRCHG SEE PW IPC OPTIONAL PART: 53H146 V77445 E13482-4 V56878 POST SERVICE BULLETIN: 72-506 V77445		2
27	E13482-4		.NUT- SUPPLIER CODE: V56878 CONFIG CHG DATA FROM A CMM: PRATT AND WHITNEY PART NO. 53H148 FOR INTRCHG SEE PW IPC OPTIONAL PART: 53H146 V77445 92424-428 V56878 POST SERVICE BULLETIN: 72-506 V77445		2

ILLUSTRATION ITEMS NOT ON PARTS LIST ARE NOT APPLICABLE

- ITEM NOT ILLUSTRATED

HXL

72-35-57-01

BOEING PROPRIETARY - Copyright © - Unpublished Work - See title page for details.

72-35-57
FIG. 01
PAGE 2
DEC 22/06



767

PARTS CATALOG (MAINTENANCE)

FIG ITEM	PART NUMBER	1 2 3 4 5 6 7	NOMENCLATURE	EFFECT FROM TO	UNITS PER ASSY
1 30	716586		.BEARING- SUPPLIER CODE: V77445 OPTIONAL PART: 1B7296 V77445 613946 V77445 711112 V77445 711113 V77445 716585 V77445 804670 V77445 POST SERVICE BULLETIN: 72-428 V77445 PRE SERVICE BULLETIN: 72-573 V77445		1
30	613946		.BEARING- SUPPLIER CODE: V77445 OPTIONAL PART: 1B7296 V77445 711112 V77445 711113 V77445 716585 V77445 716586 V77445 804670 V77445		1

ILLUSTRATION ITEMS NOT ON PARTS LIST ARE NOT APPLICABLE

- ITEM NOT ILLUSTRATED

HXL

72-35-57-01

BOEING PROPRIETARY - Copyright © - Unpublished Work - See title page for details.

72-35-57
FIG. 01
PAGE 3
DEC 22/06



767

PARTS CATALOG (MAINTENANCE)

FIG ITEM	PART NUMBER	1 2 3 4 5 6 7	NOMENCLATURE	EFFECT FROM TO	UNITS PER ASSY
1 30	711112		.BEARING- SUPPLIER CODE: V77445 OPTIONAL PART: 1B7296 V77445 613946 V77445 711113 V77445 716585 V77445 716586 V77445 804670 V77445		1
30	711113		.BEARING- SUPPLIER CODE: V77445 OPTIONAL PART: 1B7296 V77445 613946 V77445 711112 V77445 716585 V77445 716586 V77445 804670 V77445		1
30	716585		.BEARING- SUPPLIER CODE: V77445 OPTIONAL PART: 1B7296 V77445 613946 V77445 711112 V77445 711113 V77445 716586 V77445 804670 V77445		1

ILLUSTRATION ITEMS NOT ON PARTS LIST ARE NOT APPLICABLE

- ITEM NOT ILLUSTRATED

HXL

72-35-57-01

BOEING PROPRIETARY - Copyright © - Unpublished Work - See title page for details.

72-35-57
FIG. 01
PAGE 4
DEC 22/06



767

PARTS CATALOG (MAINTENANCE)

FIG ITEM	PART NUMBER	1 2 3 4 5 6 7	NOMENCLATURE	EFFECT FROM TO	UNITS PER ASSY
1	30 804670		.BEARING- SUPPLIER CODE: V77445 OPTIONAL PART: 1B7296 V77445 613946 V77445 711112 V77445 711113 V77445 716586 V77445 716585 V77445 POST SERVICE BULLETIN: 72-428 V77445		1
	30 1B7296		.BEARING- SUPPLIER CODE: V77445 OPTIONAL PART: 716586 V77445 613946 V77445 711112 V77445 711113 V77445 716585 V77445 804670 V77445 POST SERVICE BULLETIN: 72-573 V77445		1

ILLUSTRATION ITEMS NOT ON PARTS LIST ARE NOT APPLICABLE

- ITEM NOT ILLUSTRATED

HXL

72-35-57-01

BOEING PROPRIETARY - Copyright © - Unpublished Work - See title page for details.

72-35-57
FIG. 01
PAGE 5
DEC 22/06



767

PARTS CATALOG (MAINTENANCE)

FIG ITEM	PART NUMBER	1 2 3 4 5 6 7	NOMENCLATURE	EFFECT FROM TO	UNITS PER ASSY
1 35	716584		.BEARING- SUPPLIER CODE: V77445 OPTIONAL PART: 1B7297 V77445 613947 V77445 711114 V77445 711115 V77445 716583 V77445 804669 V77445 POST SERVICE BULLETIN: 72-428 V77445 PRE SERVICE BULLETIN: 72-573 V77445		1
35	613947		.BEARING- SUPPLIER CODE: V77445 OPTIONAL PART: 1B7297 V77445 711114 V77445 711115 V77445 716583 V77445 716584 V77445 804669 V77445		1

ILLUSTRATION ITEMS NOT ON PARTS LIST ARE NOT APPLICABLE

- ITEM NOT ILLUSTRATED

HXL

72-35-57-01

BOEING PROPRIETARY - Copyright © - Unpublished Work - See title page for details.

72-35-57
FIG. 01
PAGE 6
DEC 22/06



767

PARTS CATALOG (MAINTENANCE)

FIG ITEM	PART NUMBER	1 2 3 4 5 6 7	NOMENCLATURE	EFFECT FROM TO	UNITS PER ASSY
1 35	711114		.BEARING- SUPPLIER CODE: V77445 OPTIONAL PART: 1B7297 V77445 613947 V77445 711115 V77445 716583 V77445 716584 V77445 804669 V77445		1
35	711115		.BEARING- SUPPLIER CODE: V77445 OPTIONAL PART: 1B7297 V77445 613947 V77445 711114 V77445 716583 V77445 716584 V77445 804669 V77445		1
35	716583		.BEARING- SUPPLIER CODE: V77445 OPTIONAL PART: 1B7297 V77445 613947 V77445 711114 V77445 711115 V77445 716584 V77445 804669 V77445		1

ILLUSTRATION ITEMS NOT ON PARTS LIST ARE NOT APPLICABLE

- ITEM NOT ILLUSTRATED

HXL

72-35-57-01

BOEING PROPRIETARY - Copyright © - Unpublished Work - See title page for details.

72-35-57
FIG. 01
PAGE 7
DEC 22/06



767

PARTS CATALOG (MAINTENANCE)

FIG ITEM	PART NUMBER	1 2 3 4 5 6 7	NOMENCLATURE	EFFECT FROM TO	UNITS PER ASSY
1	35 804669		.BEARING- SUPPLIER CODE: V77445 OPTIONAL PART: 1B7297 V77445 613947 V77445 711114 V77445 711115 V77445 716584 V77445 706583 V77445 POST SERVICE BULLETIN: 72-428 V77445		1
	35 1B7297		.BEARING- SUPPLIER CODE: V77445 OPTIONAL PART: 716584 V77445 613947 V77445 711114 V77445 711115 V77445 716583 V77445 804669 V77445 POST SERVICE BULLETIN: 72-573 V77445		1
	40 613950		.NUT- SUPPLIER CODE: V77445		1
	45 613954		.NUT- SUPPLIER CODE: V77445		1
	50 613949		.WASHER- SUPPLIER CODE: V77445		2

ILLUSTRATION ITEMS NOT ON PARTS LIST ARE NOT APPLICABLE

- ITEM NOT ILLUSTRATED

HXL

72-35-57-01

BOEING PROPRIETARY - Copyright © - Unpublished Work - See title page for details.

72-35-57
FIG. 01
PAGE 8
DEC 22/06



767

PARTS CATALOG (MAINTENANCE)

FIG ITEM	PART NUMBER	1 2 3 4 5 6 7	NOMENCLATURE	EFFECT FROM TO	UNITS PER ASSY
1					
55	50H164		.ADJUSTER-INTERNALLY THREADED SUPPLIER CODE: V77445		1
60	1A4457		.BOLT- SUPPLIER CODE: V77445 NOT APPROVED FOR ETOPS. OPTIONAL PART: 53H096 V77445 PRE SERVICE BULLETIN: 72-227 V77445		1
60	53H096		.BOLT- SUPPLIER CODE: V77445 CONFIG CHG DATA FROM A CMM: FOR INTRCHG SEE PW IPC OPTIONAL PART: 1A4457 V77445 POST SERVICE BULLETIN: 72-227 V77445 PRE SERVICE BULLETIN: 72-713 V77445		1
60	58H198		.BOLT- SUPPLIER CODE: V77445 CONFIG CHG DATA FROM A CMM: FOR INTRCHG SEE PW IPC POST SERVICE BULLETIN: 72-713 V77445		1
65	50H970		.NUT- SUPPLIER CODE: V77445 CONFIG CHG DATA FROM A CMM: FOR INTRCHG SEE PW IPC PRE SERVICE BULLETIN: 72-713 V77445		1

ILLUSTRATION ITEMS NOT ON PARTS LIST ARE NOT APPLICABLE

- ITEM NOT ILLUSTRATED

HXL

72-35-57-01

BOEING PROPRIETARY - Copyright © - Unpublished Work - See title page for details.

72-35-57
FIG. 01
PAGE 9
DEC 22/06



767

PARTS CATALOG (MAINTENANCE)

FIG ITEM	PART NUMBER	1 2 3 4 5 6 7	NOMENCLATURE	EFFECT FROM TO	UNITS PER ASSY
1					
65	58H199		.NUT- SUPPLIER CODE: V77445 CONFIG CHG DATA FROM A CMM: FOR INTRCHG SEE PW IPC POST SERVICE BULLETIN: 72-713 V77445		1
70	1A7891		.CLEVIS-ROD END SUPPLIER CODE: V77445 PRE SERVICE BULLETIN: 72-480 V77445		1
70	54H933		.CLEVIS-ROD END SUPPLIER CODE: V77445 POST SERVICE BULLETIN: 72-480 V77445		1
75	52H077		.SPACER ASSY-HIGH PRESSURE CPRSR CLEVIS FIFTH STAGE SUPPLIER CODE: V77445 POST SERVICE BULLETIN: 72-197 V77445		1
80	83280		.SEAL-LEAD SUPPLIER CODE: V77445		3

ILLUSTRATION ITEMS NOT ON PARTS LIST ARE NOT APPLICABLE

- ITEM NOT ILLUSTRATED

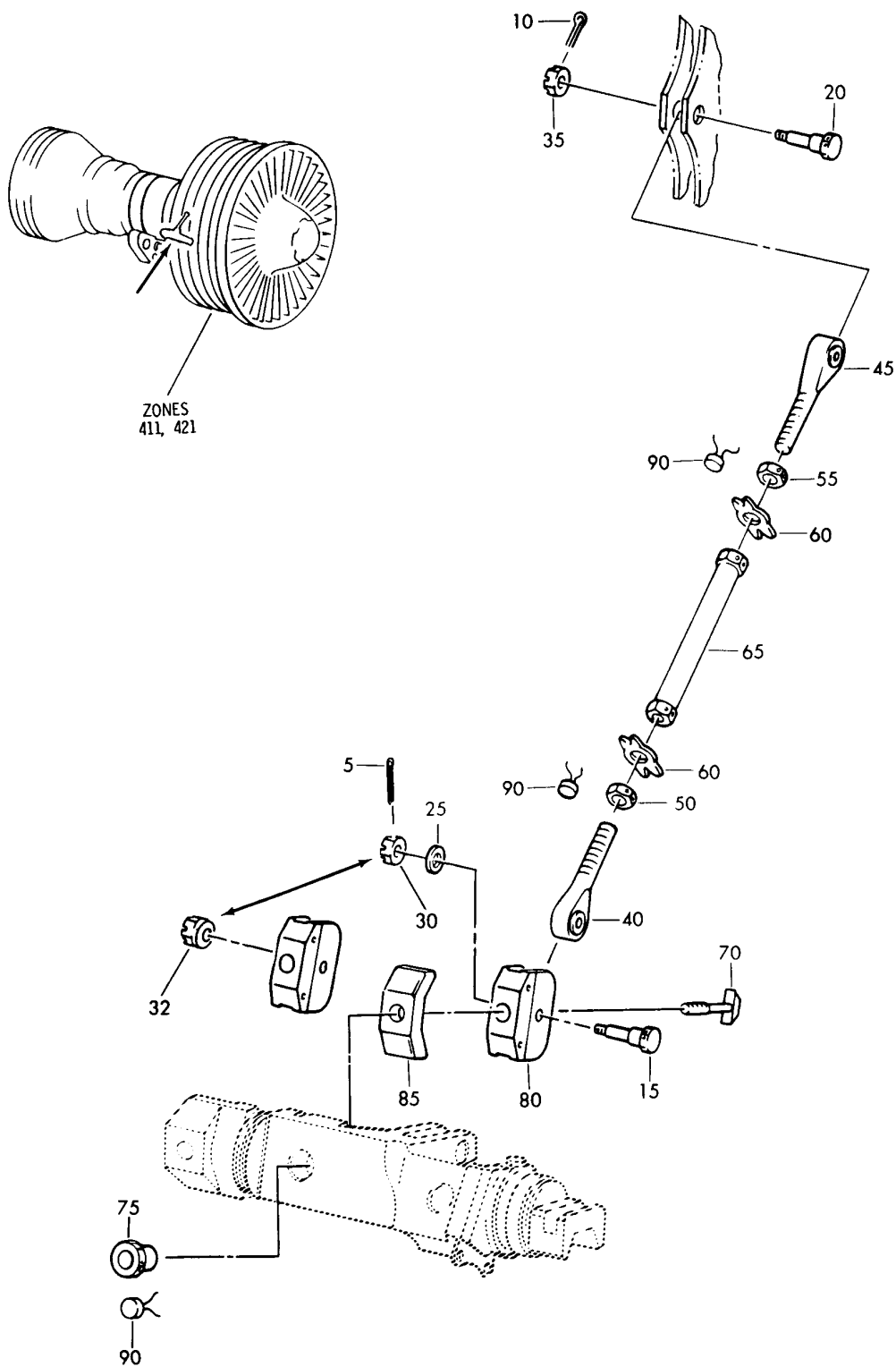
HXL

72-35-57-01

BOEING PROPRIETARY - Copyright © - Unpublished Work - See title page for details.

72-35-57
FIG. 01
PAGE 10
DEC 22/06

BOEING
767
PARTS CATALOG (MAINTENANCE)



V 72355801 REV 164

LINKAGE-SIXTH STAGE VAR STATOR (PW4000)
FIGURE 1

72-35-58-01

HXL
DEC 22/06

72-35-58-01
PAGE 0



767

PARTS CATALOG (MAINTENANCE)

FIG ITEM	PART NUMBER	1 2 3 4 5 6 7	NOMENCLATURE	EFFECT FROM TO	UNITS PER ASSY
1			LINKAGE-SIXTH STAGE VAR STATOR (PW4000)		
- 1	PW4060		ENGINE- SUPPLIER CODE: V77445 CONFIG CHG DATA FROM A CMM: SEE 71-00-51 FIG. 2 FOR APPLICABLE ENGINE SERIES		RF
5	MS9245-25		.PIN		1
10	MS9245-24		.PIN		1
15	663683		.BOLT- SUPPLIER CODE: V77445		1
20	50H443		.BOLT- SUPPLIER CODE: V77445		1
25	MS9320-11		.WASHER- CONFIG CHG DATA FROM A CMM: FOR INTRCHG SEE PW IPC PRE SERVICE BULLETIN: 72-506 V77445		1
30	72032-428		.NUT- SUPPLIER CODE: V56878 CONFIG CHG DATA FROM A CMM: PRATT AND WHITNEY PART NO. 663653 FOR INTRCHG SEE PW IPC PRE SERVICE BULLETIN: 72-506 V77445		1
32	53H146		.NUT- SUPPLIER CODE: V77445 CONFIG CHG DATA FROM A CMM: FOR INTRCHG SEE PW IPC OPTIONAL PART: 92424-428 V56878 E13482-4 V56878 POST SERVICE BULLETIN: 72-506 V77445		2

ILLUSTRATION ITEMS NOT ON PARTS LIST ARE NOT APPLICABLE

- ITEM NOT ILLUSTRATED

HXL

72-35-58-01

BOEING PROPRIETARY - Copyright © - Unpublished Work - See title page for details.

72-35-58
FIG. 01
PAGE 1
DEC 22/06



767

PARTS CATALOG (MAINTENANCE)

FIG ITEM	PART NUMBER	1 2 3 4 5 6 7	NOMENCLATURE	EFFECT FROM TO	UNITS PER ASSY
1					
32	92424-428		.NUT- SUPPLIER CODE: V56878 CONFIG CHG DATA FROM A CMM: PRATT AND WHITNEY PART NO. 53H147 FOR INTRCHG SEE PW IPC OPTIONAL PART: 53H146 V77445 E13482-4 V56878 POST SERVICE BULLETIN: 72-506 V77445		2
32	E13482-4		.NUT- SUPPLIER CODE: V56878 CONFIG CHG DATA FROM A CMM: PRATT AND WHITNEY PART NO. 53H148 FOR INTRCHG SEE PW IPC OPTIONAL PART: 53H146 V77445 92424-428 V56878 POST SERVICE BULLETIN: 72-506 V77445		2
35	599033		.NUT- SUPPLIER CODE: V77445 OPTIONAL PART: Z8840-4 V56878 68459-428 V56878		1
35	Z8840-4		.NUT- SUPPLIER CODE: V56878 CONFIG CHG DATA FROM A CMM: PRATT AND WHITNEY PART NO. 597124 OPTIONAL PART: 599033 V77445 68459-428 V56878		1

ILLUSTRATION ITEMS NOT ON PARTS LIST ARE NOT APPLICABLE

- ITEM NOT ILLUSTRATED

HXL

72-35-58-01

BOEING PROPRIETARY - Copyright © - Unpublished Work - See title page for details.

72-35-58
FIG. 01
PAGE 2
DEC 22/06



767

PARTS CATALOG (MAINTENANCE)

FIG ITEM	PART NUMBER	1 2 3 4 5 6 7	NOMENCLATURE	EFFECT FROM TO	UNITS PER ASSY
1					
35	68459-428		.NUT- SUPPLIER CODE: V56878 CONFIG CHG DATA FROM A CMM: PRATT AND WHITNEY PART NO. 597125 OPTIONAL PART: 599033 V77445 Z8840-4 V56878		1
40	716586		.BEARING- SUPPLIER CODE: V77445 OPTIONAL PART: 1B7296 V77445 613946 V77445 711112 V77445 711113 V77445 716585 V77445 804670 V77445 POST SERVICE BULLETIN: 72-428 V77445 PRE SERVICE BULLETIN: 72-573 V77445		1
ILLUSTRATION ITEMS NOT ON PARTS LIST ARE NOT APPLICABLE					

- ITEM NOT ILLUSTRATED

HXL

72-35-58-01

BOEING PROPRIETARY - Copyright © - Unpublished Work - See title page for details.

72-35-58
FIG. 01
PAGE 3
DEC 22/06

 **BOEING**
767
PARTS CATALOG (MAINTENANCE)

FIG ITEM	PART NUMBER	1 2 3 4 5 6 7	NOMENCLATURE	EFFECT FROM TO	UNITS PER ASSY
1 40	613946		.BEARING- SUPPLIER CODE: V77445 OPTIONAL PART: 1B7296 V77445 711112 V77445 711113 V77445 716585 V77445 716586 V77445 804670 V77445 PRE SERVICE BULLETIN: 72-573 V77445		1
40	711112		.BEARING- SUPPLIER CODE: V77445 OPTIONAL PART: 1B7296 V77445 613946 V77445 711113 V77445 716585 V77445 716586 V77445 804670 V77445 PRE SERVICE BULLETIN: 72-573 V77445		1

ILLUSTRATION ITEMS NOT ON PARTS LIST ARE NOT APPLICABLE

- ITEM NOT ILLUSTRATED

HXL

72-35-58-01

BOEING PROPRIETARY - Copyright © - Unpublished Work - See title page for details.

72-35-58
FIG. 01
PAGE 4
DEC 22/06

 **BOEING**
767
PARTS CATALOG (MAINTENANCE)

FIG ITEM	PART NUMBER	1 2 3 4 5 6 7	NOMENCLATURE	EFFECT FROM TO	UNITS PER ASSY
1 40	711113		.BEARING- SUPPLIER CODE: V77445 OPTIONAL PART: 1B7296 V77445 613946 V77445 711112 V77445 716585 V77445 716586 V77445 804670 V77445 PRE SERVICE BULLETIN: 72-573 V77445		1
40	716585		.BEARING- SUPPLIER CODE: V77445 OPTIONAL PART: 1B7296 V77445 613946 V77445 711112 V77445 711113 V77445 716586 V77445 804670 V77445 POST SERVICE BULLETIN: 72-428 V77445 72-573 V77445 PRE SERVICE BULLETIN: 72-573 V77445		1

ILLUSTRATION ITEMS NOT ON PARTS LIST ARE NOT APPLICABLE

- ITEM NOT ILLUSTRATED

HXL

72-35-58-01

BOEING PROPRIETARY - Copyright © - Unpublished Work - See title page for details.

72-35-58
FIG. 01
PAGE 5
DEC 22/06



767

PARTS CATALOG (MAINTENANCE)

FIG ITEM	PART NUMBER	1 2 3 4 5 6 7	NOMENCLATURE	EFFECT FROM TO	UNITS PER ASSY
1	40 804670		.BEARING- SUPPLIER CODE: V77445 OPTIONAL PART: 1B7296 V77445 613946 V77445 711112 V77445 711113 V77445 716586 V77445 716585 V77445 POST SERVICE BULLETIN: 72-428 V77445		1
	40 1B7296		.BEARING- SUPPLIER CODE: V77445 OPTIONAL PART: 716586 V77445 613946 V77445 711112 V77445 711113 V77445 716585 V77445 804670 V77445 POST SERVICE BULLETIN: 72-573 V77445		1

ILLUSTRATION ITEMS NOT ON PARTS LIST ARE NOT APPLICABLE

- ITEM NOT ILLUSTRATED

HXL

72-35-58-01

BOEING PROPRIETARY - Copyright © - Unpublished Work - See title page for details.

72-35-58
FIG. 01
PAGE 6
DEC 22/06



767

PARTS CATALOG (MAINTENANCE)

FIG ITEM	PART NUMBER	1 2 3 4 5 6 7	NOMENCLATURE	EFFECT FROM TO	UNITS PER ASSY
1 45	716584		.BEARING- SUPPLIER CODE: V77445 OPTIONAL PART: 1B7297 V77445 613947 V77445 711114 V77445 711115 V77445 716583 V77445 804669 V77445 POST SERVICE BULLETIN: 72-428 V77445 PRE SERVICE BULLETIN: 72-573 V77445		1
45	613947		.BEARING- SUPPLIER CODE: V77445 OPTIONAL PART: 1B7297 V77445 711114 V77445 711115 V77445 716583 V77445 716584 V77445 804669 V77445 PRE SERVICE BULLETIN: 72-573 V77445		1

ILLUSTRATION ITEMS NOT ON PARTS LIST ARE NOT APPLICABLE

- ITEM NOT ILLUSTRATED

HXL

72-35-58-01

BOEING PROPRIETARY - Copyright © - Unpublished Work - See title page for details.

72-35-58
FIG. 01
PAGE 7
DEC 22/06

BOEING
767
PARTS CATALOG (MAINTENANCE)

FIG ITEM	PART NUMBER	1 2 3 4 5 6 7	NOMENCLATURE	EFFECT FROM TO	UNITS PER ASSY
1 45	711114		.BEARING- SUPPLIER CODE: V77445 OPTIONAL PART: 1B7297 V77445 613947 V77445 711115 V77445 716583 V77445 716584 V77445 804669 V77445 PRE SERVICE BULLETIN: 72-573 V77445		1
45	711115		.BEARING- SUPPLIER CODE: V77445 OPTIONAL PART: 1B7297 V77445 613947 V77445 711114 V77445 716583 V77445 716584 V77445 804669 V77445 PRE SERVICE BULLETIN: 72-573 V77445		1

ILLUSTRATION ITEMS NOT ON PARTS LIST ARE NOT APPLICABLE

- ITEM NOT ILLUSTRATED

HXL

72-35-58-01

BOEING PROPRIETARY - Copyright © - Unpublished Work - See title page for details.

72-35-58
FIG. 01
PAGE 8
DEC 22/06



767

PARTS CATALOG (MAINTENANCE)

FIG ITEM	PART NUMBER	1 2 3 4 5 6 7	NOMENCLATURE	EFFECT FROM TO	UNITS PER ASSY
1	45 716583		.BEARING- SUPPLIER CODE: V77445 OPTIONAL PART: 1B7297 V77445 613947 V77445 711114 V77445 711115 V77445 716584 V77445 804669 V77445 PRE SERVICE BULLETIN: 72-573 V77445		1
	45 804669		.BEARING- SUPPLIER CODE: V77445 OPTIONAL PART: 1B7297 V77445 613947 V77445 711114 V77445 711115 V77445 716584 V77445 716583 V77445 POST SERVICE BULLETIN: 72-428 V77445		1

ILLUSTRATION ITEMS NOT ON PARTS LIST ARE NOT APPLICABLE

- ITEM NOT ILLUSTRATED

HXL

72-35-58-01

BOEING PROPRIETARY - Copyright © - Unpublished Work - See title page for details.

72-35-58
FIG. 01
PAGE 9
DEC 22/06



767

PARTS CATALOG (MAINTENANCE)

FIG ITEM	PART NUMBER	1 2 3 4 5 6 7	NOMENCLATURE	EFFECT FROM TO	UNITS PER ASSY
1					
45	1B7297		.BEARING- SUPPLIER CODE: V77445 OPTIONAL PART: 716584 V77445 613947 V77445 711114 V77445 711115 V77445 716583 V77445 804669 V77445 POST SERVICE BULLETIN: 72-573 V77445		1
50	613950		.NUT- SUPPLIER CODE: V77445		1
55	613954		.NUT- SUPPLIER CODE: V77445		1
60	613949		.WASHER- SUPPLIER CODE: V77445		2
65	50H165		.ADJUSTER-INTERNALLY THREADED SUPPLIER CODE: V77445		1
70	1A4457		.BOLT- SUPPLIER CODE: V77445 NOT APPROVED FOR ETOPS. OPTIONAL PART: 53H096 V77445 PRE SERVICE BULLETIN: 72-227 V77445		1
ILLUSTRATION ITEMS NOT ON PARTS LIST ARE NOT APPLICABLE					

- ITEM NOT ILLUSTRATED

HXL

72-35-58-01

BOEING PROPRIETARY - Copyright © - Unpublished Work - See title page for details.

72-35-58
FIG. 01
PAGE 10
DEC 22/06



767

PARTS CATALOG (MAINTENANCE)

FIG ITEM	PART NUMBER	1 2 3 4 5 6 7	NOMENCLATURE	EFFECT FROM TO	UNITS PER ASSY
1					
70	53H096		.BOLT- SUPPLIER CODE: V77445 OPTIONAL PART: 1A4457 V77445 PRE SERVICE BULLETIN: 72-713 V77445		1
70	58H198		.BOLT- SUPPLIER CODE: V77445 POST SERVICE BULLETIN: 72-713 V77445		1
75	50H970		.NUT- SUPPLIER CODE: V77445 PRE SERVICE BULLETIN: 72-713 V77445		1
75	58H199		.NUT- SUPPLIER CODE: V77445 POST SERVICE BULLETIN: 72-713 V77445		1
80	1A7891		.CLEVIS-ROD END SUPPLIER CODE: V77445		1
80	54H933		.CLEVIS-ROD END SUPPLIER CODE: V77445 POST SERVICE BULLETIN: 72-480 V77445		1
85	52H076		.SPACER ASSY-HIGH PRESSURE CPRSR CLEVIS SIXTH STAGE SUPPLIER CODE: V77445 POST SERVICE BULLETIN: 72-197 V77445		1
90	83280		.SEAL-LEAD SUPPLIER CODE: V77445		3

ILLUSTRATION ITEMS NOT ON PARTS LIST ARE NOT APPLICABLE

- ITEM NOT ILLUSTRATED

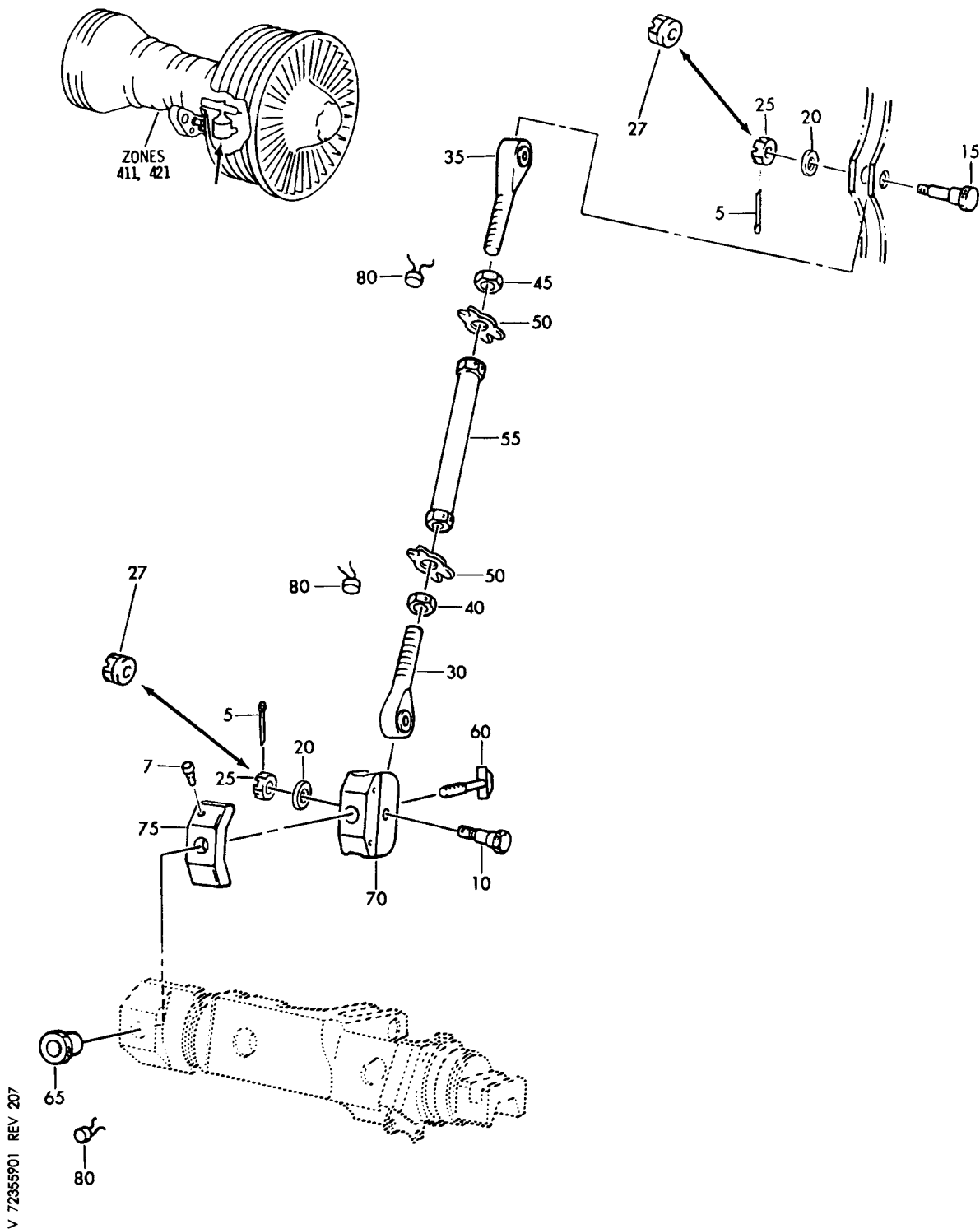
HXL

72-35-58-01

BOEING PROPRIETARY - Copyright © - Unpublished Work - See title page for details.

72-35-58
FIG. 01
PAGE 11
DEC 22/06

BOEING
767
PARTS CATALOG (MAINTENANCE)



LINKAGE-SEVENTH STAGE VAR STATOR (PW4000)
FIGURE 1

72-35-59-01

HXL
DEC 22/06

72-35-59-01
PAGE 0



767

PARTS CATALOG (MAINTENANCE)

FIG ITEM	PART NUMBER	1 2 3 4 5 6 7	NOMENCLATURE	EFFECT FROM TO	UNITS PER ASSY
1			LINKAGE-SEVENTH STAGE VAR STATOR (PW4000)		
- 1	PW4060		ENGINE- SUPPLIER CODE: V77445 CONFIG CHG DATA FROM A CMM: SEE 71-00-51 FIG. 2 FOR APPLICABLE ENGINE SERIES		RF
5	MS9245-25		.PIN		2
10	663683		.BOLT- SUPPLIER CODE: V77445		1
15	50H211		.BOLT- SUPPLIER CODE: V77445		1
20	MS9320-11		.WASHER- CONFIG CHG DATA FROM A CMM: FOR INTRCHG SEE PW IPC PRE SERVICE BULLETIN: 72-506 V77445		2
25	72032-428		.NUT- SUPPLIER CODE: V56878 CONFIG CHG DATA FROM A CMM: PRATT AND WHITNEY PART NO. 663653 FOR INTRCHG SEE PW IPC PRE SERVICE BULLETIN: 72-506 V77445		2
27	53H146		.NUT- SUPPLIER CODE: V77445 CONFIG CHG DATA FROM A CMM: FOR INTRCHG SEE PW IPC OPTIONAL PART: 92424-428 V56878 E13482-4 V56878 POST SERVICE BULLETIN: 72-506 V77445		2

ILLUSTRATION ITEMS NOT ON PARTS LIST ARE NOT APPLICABLE

- ITEM NOT ILLUSTRATED

HXL

72-35-59-01

BOEING PROPRIETARY - Copyright © - Unpublished Work - See title page for details.

72-35-59
FIG. 01
PAGE 1
DEC 22/06



767

PARTS CATALOG (MAINTENANCE)

FIG ITEM	PART NUMBER	1 2 3 4 5 6 7	NOMENCLATURE	EFFECT FROM TO	UNITS PER ASSY
1					
27	92424-428		.NUT- SUPPLIER CODE: V56878 CONFIG CHG DATA FROM A CMM: PRATT AND WHITNEY PART NO. 53H147 FOR INTRCHG SEE PW IPC OPTIONAL PART: 53H146 V77445 E13482-4 V56878 POST SERVICE BULLETIN: 72-506 V77445		2
27	E13482-4		.NUT- SUPPLIER CODE: V56878 CONFIG CHG DATA FROM A CMM: PRATT AND WHITNEY PART NO. 53H148 FOR INTRCHG SEE PW IPC OPTIONAL PART: 53H146 V77445 92424-428 V56878 POST SERVICE BULLETIN: 72-506 V77445		2

ILLUSTRATION ITEMS NOT ON PARTS LIST ARE NOT APPLICABLE

- ITEM NOT ILLUSTRATED

HXL

72-35-59-01

BOEING PROPRIETARY - Copyright © - Unpublished Work - See title page for details.

72-35-59
FIG. 01
PAGE 2
DEC 22/06

BOEING
767
PARTS CATALOG (MAINTENANCE)

FIG ITEM	PART NUMBER	1 2 3 4 5 6 7	NOMENCLATURE	EFFECT FROM TO	UNITS PER ASSY
1 30	716586		.BEARING- SUPPLIER CODE: V77445 OPTIONAL PART: 1B7296 V77445 613946 V77445 711112 V77445 711113 V77445 716585 V77445 804670 V77445 POST SERVICE BULLETIN: 72-428 V77445 PRE SERVICE BULLETIN: 72-573 V77445		1
30	613946		.BEARING- SUPPLIER CODE: V77445 OPTIONAL PART: 1B7296 V77445 711112 V77445 711113 V77445 716585 V77445 716586 V77445 804670 V77445 POST SERVICE BULLETIN: 72-428 V77445 72-573 V77445 PRE SERVICE BULLETIN: 72-573 V77445		1

ILLUSTRATION ITEMS NOT ON PARTS LIST ARE NOT APPLICABLE

- ITEM NOT ILLUSTRATED

HXL

72-35-59-01

BOEING PROPRIETARY - Copyright © - Unpublished Work - See title page for details.

72-35-59
FIG. 01
PAGE 3
DEC 22/06

 **BOEING**
767
PARTS CATALOG (MAINTENANCE)

FIG ITEM	PART NUMBER	1 2 3 4 5 6 7	NOMENCLATURE	EFFECT FROM TO	UNITS PER ASSY
1 30	711112		.BEARING- SUPPLIER CODE: V77445 OPTIONAL PART: 1B7296 V77445 613946 V77445 711113 V77445 716585 V77445 716586 V77445 804670 V77445 POST SERVICE BULLETIN: 72-428 V77445 72-573 V77445 PRE SERVICE BULLETIN: 72-573 V77445		1
30	711113		.BEARING- SUPPLIER CODE: V77445 OPTIONAL PART: 1B7296 V77445 613946 V77445 711112 V77445 716585 V77445 716586 V77445 804670 V77445 POST SERVICE BULLETIN: 72-428 V77445 72-573 V77445 PRE SERVICE BULLETIN: 72-573 V77445		1

ILLUSTRATION ITEMS NOT ON PARTS LIST ARE NOT APPLICABLE

- ITEM NOT ILLUSTRATED

HXL

72-35-59-01

BOEING PROPRIETARY - Copyright © - Unpublished Work - See title page for details.

72-35-59
FIG. 01
PAGE 4
DEC 22/06



767

PARTS CATALOG (MAINTENANCE)

FIG ITEM	PART NUMBER	1 2 3 4 5 6 7	NOMENCLATURE	EFFECT FROM TO	UNITS PER ASSY
1 30	716585		.BEARING- SUPPLIER CODE: V77445 OPTIONAL PART: 1B7296 V77445 613946 V77445 711112 V77445 711113 V77445 716586 V77445 804670 V77445 POST SERVICE BULLETIN: 72-428 V77445 72-573 V77445 PRE SERVICE BULLETIN: 72-573 V77445		1
30	804670		.BEARING- SUPPLIER CODE: V77445 OPTIONAL PART: 1B7296 V77445 613946 V77445 711112 V77445 711113 V77445 716586 V77445 716585 V77445 POST SERVICE BULLETIN: 72-428 V77445		1

ILLUSTRATION ITEMS NOT ON PARTS LIST ARE NOT APPLICABLE

- ITEM NOT ILLUSTRATED

HXL

72-35-59-01

BOEING PROPRIETARY - Copyright © - Unpublished Work - See title page for details.

72-35-59
FIG. 01
PAGE 5
DEC 22/06



767

PARTS CATALOG (MAINTENANCE)

FIG ITEM	PART NUMBER	1 2 3 4 5 6 7	NOMENCLATURE	EFFECT FROM TO	UNITS PER ASSY
1 30	1B7297		.BEARING- SUPPLIER CODE: V77445 OPTIONAL PART: 716586 V77445 613946 V77445 711112 V77445 711113 V77445 716585 V77445 804670 V77445 POST SERVICE BULLETIN: 72-573 V77445		1
35	716584		.BEARING- SUPPLIER CODE: V77445 OPTIONAL PART: 1B7297 V77445 613947 V77445 711114 V77445 711115 V77445 716583 V77445 804669 V77445 POST SERVICE BULLETIN: 72-428 V77445 PRE SERVICE BULLETIN: 72-573 V77445		1

ILLUSTRATION ITEMS NOT ON PARTS LIST ARE NOT APPLICABLE

- ITEM NOT ILLUSTRATED

HXL

72-35-59-01

BOEING PROPRIETARY - Copyright © - Unpublished Work - See title page for details.

72-35-59
FIG. 01
PAGE 6
DEC 22/06



767

PARTS CATALOG (MAINTENANCE)

FIG ITEM	PART NUMBER	1 2 3 4 5 6 7	NOMENCLATURE	EFFECT FROM TO	UNITS PER ASSY
1 35	613947		.BEARING- SUPPLIER CODE: V77445 OPTIONAL PART: 1B7297 V77445 711114 V77445 711115 V77445 716583 V77445 716584 V77445 804669 V77445		1
35	711114		.BEARING- SUPPLIER CODE: V77445 OPTIONAL PART: 1B7297 V77445 613947 V77445 711115 V77445 716583 V77445 716584 V77445 804669 V77445		1
35	711115		.BEARING- SUPPLIER CODE: V77445 OPTIONAL PART: 1B7297 V77445 613947 V77445 711114 V77445 716583 V77445 716584 V77445 804669 V77445		1

ILLUSTRATION ITEMS NOT ON PARTS LIST ARE NOT APPLICABLE

- ITEM NOT ILLUSTRATED

HXL

72-35-59-01

BOEING PROPRIETARY - Copyright © - Unpublished Work - See title page for details.

72-35-59
FIG. 01
PAGE 7
DEC 22/06



767

PARTS CATALOG (MAINTENANCE)

FIG ITEM	PART NUMBER	1 2 3 4 5 6 7	NOMENCLATURE	EFFECT FROM TO	UNITS PER ASSY
1	35 716583		. BEARING- SUPPLIER CODE: V77445 OPTIONAL PART: 1B7297 V77445 613947 V77445 711114 V77445 711115 V77445 716584 V77445 804669 V77445		1
	35 804669		. BEARING- SUPPLIER CODE: V77445 OPTIONAL PART: 1B7297 V77445 613947 V77445 711114 V77445 711115 V77445 716584 V77445 716585 V77445 POST SERVICE BULLETIN: 72-428 V77445		1

ILLUSTRATION ITEMS NOT ON PARTS LIST ARE NOT APPLICABLE

- ITEM NOT ILLUSTRATED

HXL

72-35-59-01

BOEING PROPRIETARY - Copyright © - Unpublished Work - See title page for details.

72-35-59
FIG. 01
PAGE 8
DEC 22/06



767

PARTS CATALOG (MAINTENANCE)

FIG ITEM	PART NUMBER	1 2 3 4 5 6 7	NOMENCLATURE	EFFECT FROM TO	UNITS PER ASSY
1					
35	1B7297		.BEARING- SUPPLIER CODE: V77445 OPTIONAL PART: 716584 V77445 613947 V77445 711114 V77445 711115 V77445 716583 V77445 804669 V77445 POST SERVICE BULLETIN: 72-573 V77445		1
40	613950		.NUT- SUPPLIER CODE: V77445		1
45	613954		.NUT- SUPPLIER CODE: V77445		1
50	613949		.WASHER- SUPPLIER CODE: V77445		2
55	50H166		.ADJUSTER-INTERNALLY THREADED SUPPLIER CODE: V77445		1
60	1A4457		.BOLT- SUPPLIER CODE: V77445 NOT APPROVED FOR ETOPS. OPTIONAL PART: 53H096 V77445 PRE SERVICE BULLETIN: 72-227 V77445		1

ILLUSTRATION ITEMS NOT ON PARTS LIST ARE NOT APPLICABLE

- ITEM NOT ILLUSTRATED

HXL

72-35-59-01

BOEING PROPRIETARY - Copyright © - Unpublished Work - See title page for details.

72-35-59
FIG. 01
PAGE 9
DEC 22/06



767

PARTS CATALOG (MAINTENANCE)

FIG ITEM	PART NUMBER	1 2 3 4 5 6 7	NOMENCLATURE	EFFECT FROM TO	UNITS PER ASSY
1 60	53H096		.BOLT- SUPPLIER CODE: V77445 OPTIONAL PART: 1A4457 V77445 PRE SERVICE BULLETIN: 72-713 V77445		1
60	58H198		.BOLT- SUPPLIER CODE: V77445 PRE SERVICE BULLETIN: 72-713 V77445		1
65	50H970		.NUT- SUPPLIER CODE: V77445 PRE SERVICE BULLETIN: 72-713 V77445		1
65	58H199		.NUT- SUPPLIER CODE: V77445 POST SERVICE BULLETIN: 72-713 V77445		1
70	1A7891		.CLEVIS-ROD END SUPPLIER CODE: V77445 PRE SERVICE BULLETIN: 72-480 V77445		1
70	54H933		.CLEVIS-ROD END SUPPLIER CODE: V77445 POST SERVICE BULLETIN: 72-480 V77445		1
75	52H075		.SPACER ASSY-HIGH PRESSURE CPRSR CLEVIS SEVENTH STAGE SUPPLIER CODE: V77445 POST SERVICE BULLETIN: 72-197 V77445		1

ILLUSTRATION ITEMS NOT ON PARTS LIST ARE NOT APPLICABLE

- ITEM NOT ILLUSTRATED

HXL

72-35-59-01

BOEING PROPRIETARY - Copyright © - Unpublished Work - See title page for details.

72-35-59
FIG. 01
PAGE 10
DEC 22/06



767
PARTS CATALOG (MAINTENANCE)

FIG ITEM	PART NUMBER	1 2 3 4 5 6 7	NOMENCLATURE	EFFECT FROM TO	UNITS PER ASSY
1 80	83280		. SEAL-LEAD SUPPLIER CODE: V77445		3

ILLUSTRATION ITEMS NOT ON PARTS LIST ARE NOT APPLICABLE

- ITEM NOT ILLUSTRATED

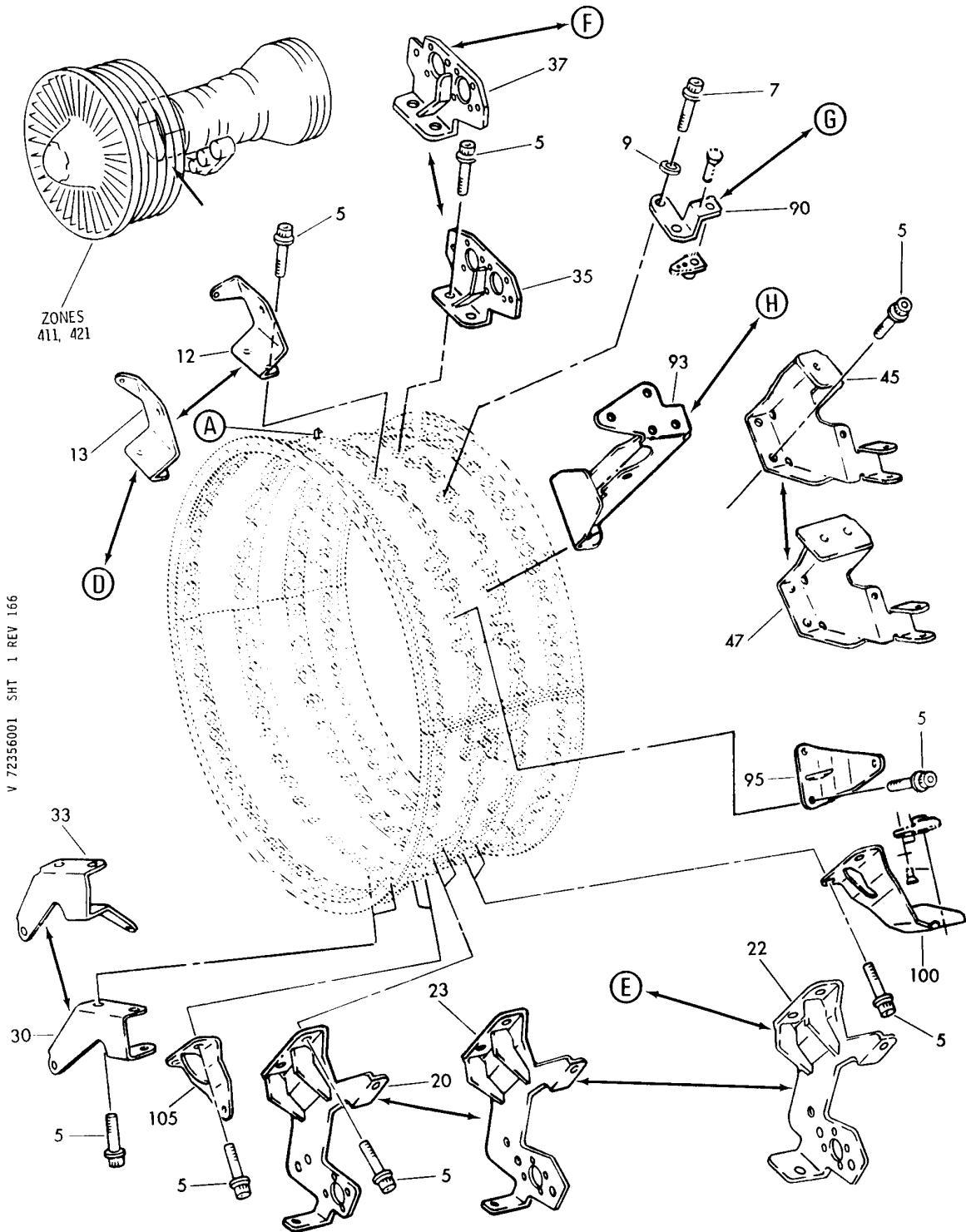
HXL

72-35-59-01

BOEING PROPRIETARY - Copyright © - Unpublished Work - See title page for details.

72-35-59
FIG. 01
PAGE 11
DEC 22/06

BOEING
767
PARTS CATALOG (MAINTENANCE)



V 72356001 SHT 1 REV 166

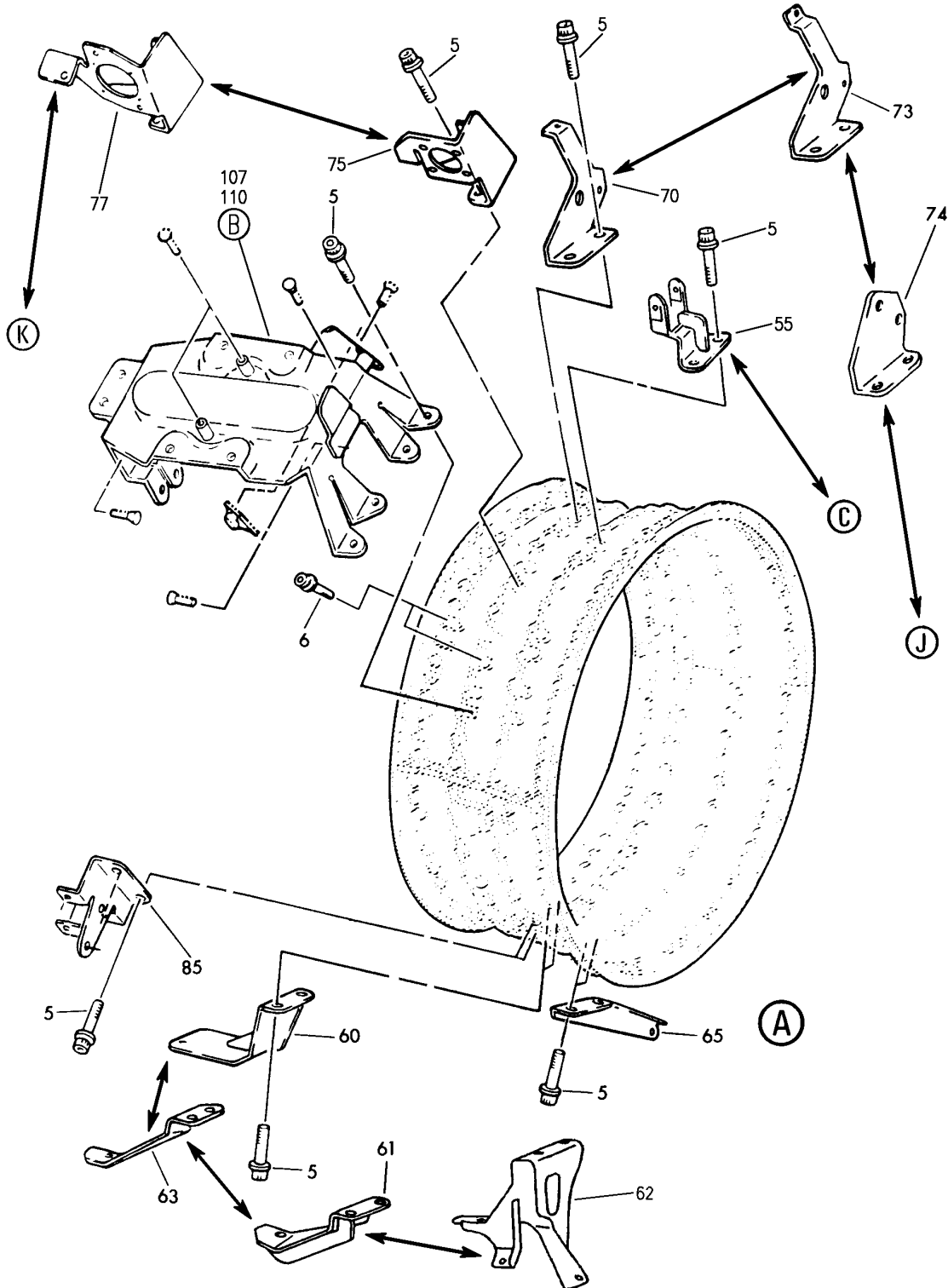
BRACKETS-HIGH PRESSURE CPRSR FRONT CASE (PW4000)
FIGURE 1 (SHEET 1)

72-35-60-01

HXL
DEC 22/06

72-35-60-01
PAGE 0

BOEING
767
PARTS CATALOG (MAINTENANCE)



V 72356001 SHT 2 REV 270

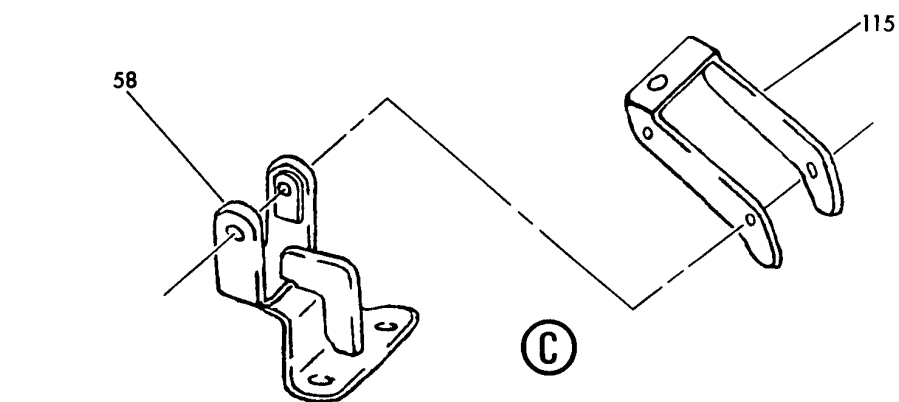
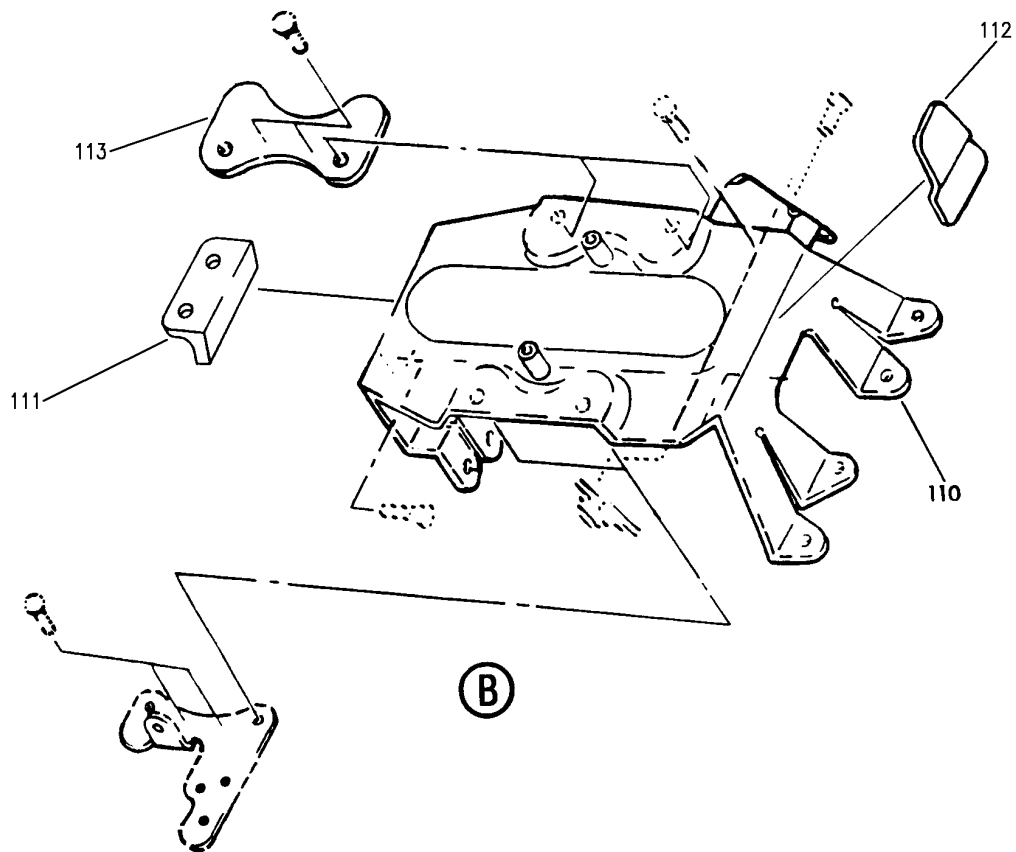
BRACKETS-HIGH PRESSURE CPRSR FRONT CASE (PW4000)
FIGURE 1 (SHEET 2)

72-35-60-01

HXL
DEC 22/06

72-35-60-01
PAGE 0A

BOEING
767
PARTS CATALOG (MAINTENANCE)



V 72356001 SH1 3 REV 270

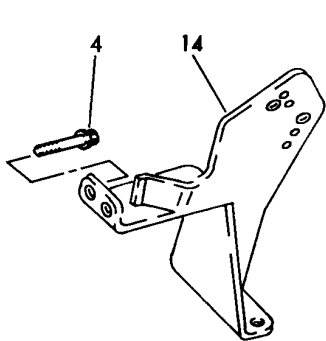
BRACKETS-HIGH PRESSURE CPRSR FRONT CASE (PW4000)
FIGURE 1 (SHEET 3)

72-35-60-01

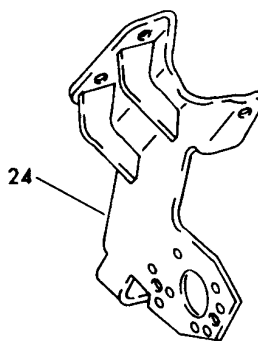
HXL
DEC 22/06

72-35-60-01
PAGE 0B

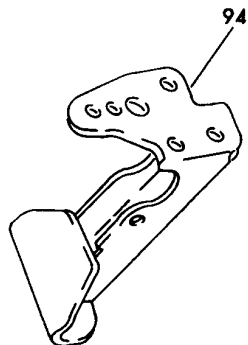
BOEING
767
PARTS CATALOG (MAINTENANCE)



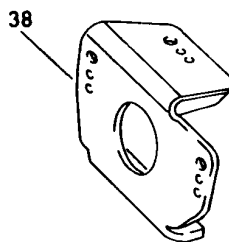
(D)



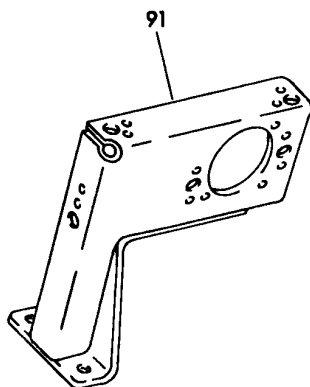
(E)



(H)



(F)



(G)

V 72356001 SH1 4 REV 204

BRACKETS-HIGH PRESSURE CPRSR FRONT CASE (PW4000)
FIGURE 1 (SHEET 4)

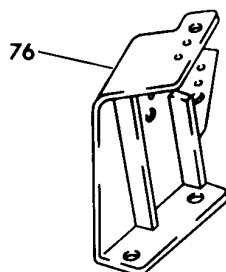
72-35-60-01

HXL
DEC 22/06

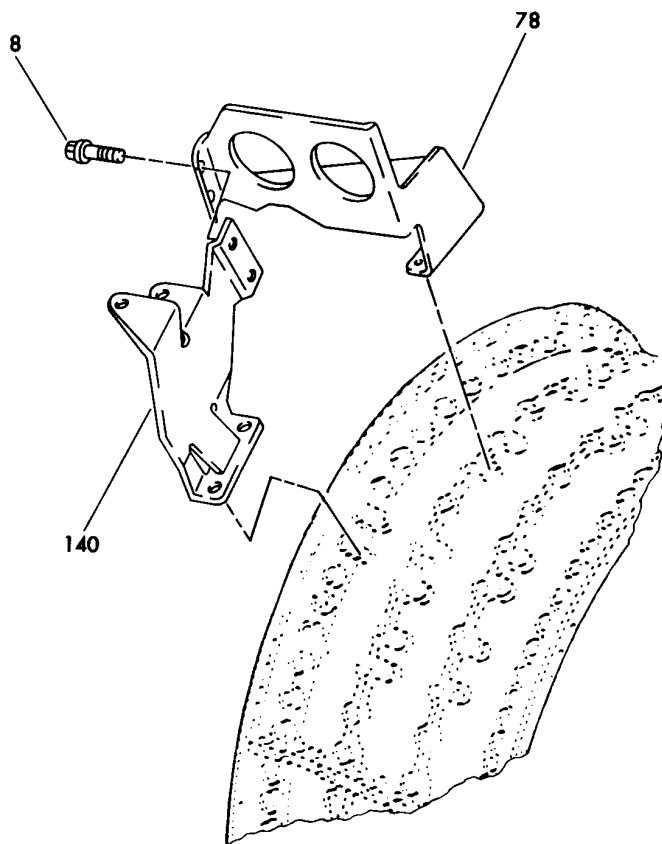
72-35-60-01
PAGE 0C

BOEING PROPRIETARY - Copyright © - Unpublished Work - See title page for details.

BOEING
767
PARTS CATALOG (MAINTENANCE)



(J)



(K)

V 72356001 SHT 5 REV 166

BRACKETS-HIGH PRESSURE CPRSR FRONT CASE (PW4000)
FIGURE 1 (SHEET 5)

72-35-60-01

HXL
DEC 22/06

72-35-60-01
PAGE 0D



767

PARTS CATALOG (MAINTENANCE)

FIG ITEM	PART NUMBER	1 2 3 4 5 6 7	NOMENCLATURE	EFFECT FROM TO	UNITS PER ASSY
1			BRACKETS-HIGH PRESSURE CPRSR FRONT CASE (PW4000)		
- 1	PW4060		ENGINE- SUPPLIER CODE: V77445 CONFIG CHG DATA FROM A CMM: SEE 71-00-51 FIG. 2 FOR APPLICABLE ENGINE SERIES		RF
4	MS9556-06		.BOLT- CONFIG CHG DATA FROM A CMM: FOR INTRCHG SEE PW IPC POST SERVICE BULLETIN: 73-140 V77445		2
5	MS9209-05		.BOLT		34
6	MS9887-08		.BOLT		2
7	MS9209-05		.BOLT-		2
8	MS9556-06		.BOLT- CONFIG CHG DATA FROM A CMM: FOR INTRCHG SEE PW IPC POST SERVICE BULLETIN: 73-140 V77445		2
13	51H398-01		.BRACKET ASSY-LOOP CLAMP SUPPLIER CODE: V77445 CONFIG CHG DATA FROM A CMM: FOR INTRCHG SEE PW IPC POST SERVICE BULLETIN: 73-40 V77445 PRE SERVICE BULLETIN: 73-140 V77445		1
14	54H768-01		.BRACKET ASSY-LOOP CLAMP SUPPLIER CODE: V77445 CONFIG CHG DATA FROM A CMM: FOR INTRCHG SEE PW IPC POST SERVICE BULLETIN: 73-140 V77445 72-744 V77445 REFERENCE SERVICE BULLETIN: 72-595 V77445		1

ILLUSTRATION ITEMS NOT ON PARTS LIST ARE NOT APPLICABLE

- ITEM NOT ILLUSTRATED

HXL

72-35-60-01

BOEING PROPRIETARY - Copyright © - Unpublished Work - See title page for details.

72-35-60
FIG. 01
PAGE 1
DEC 22/06



767

PARTS CATALOG (MAINTENANCE)

FIG ITEM	PART NUMBER	1 2 3 4 5 6 7	NOMENCLATURE	EFFECT FROM TO	UNITS PER ASSY
1	22 53T504-01		.BRACKET ASSY-LOOP CLAMP SUPPLIER CODE: V77445 CONFIG CHG DATA FROM A CMM: FOR INTRCHG SEE PW IPC POST SERVICE BULLETIN: 72-248 V77445 PRE SERVICE BULLETIN: 73-140 V77445		1
	23 53T029-01		.BRACKET ASSY-LOOP CLAMP SUPPLIER CODE: V77445 CONFIG CHG DATA FROM A CMM: FOR INTRCHG SEE PW IPC PRE SERVICE BULLETIN: 72-248 V77445		1
	24 57T947-01		.BRACKET ASSY-LOOP CLAMP SUPPLIER CODE: V77445 CONFIG CHG DATA FROM A CMM: FOR INTRCHG SEE PW IPC POST SERVICE BULLETIN: 73-140 V77445 72-744 V77445		1
	33 52T868		.BRACKET ASSY-LOOP CLAMP SUPPLIER CODE: V77445 POST SERVICE BULLETIN: 72-18 V77445		1
	37 53T284-01		.BRACKET ASSY-CABLE SUPPLIER CODE: V77445 CONFIG CHG DATA FROM A CMM: FOR INTRCHG SEE PW IPC POST SERVICE BULLETIN: 72-121 V77445 PRE SERVICE BULLETIN: 73-140 V77445		1

ILLUSTRATION ITEMS NOT ON PARTS LIST ARE NOT APPLICABLE

- ITEM NOT ILLUSTRATED

HXL

72-35-60-01

BOEING PROPRIETARY - Copyright © - Unpublished Work - See title page for details.

72-35-60
FIG. 01
PAGE 2
DEC 22/06



767

PARTS CATALOG (MAINTENANCE)

FIG ITEM	PART NUMBER	1 2 3 4 5 6 7	NOMENCLATURE	EFFECT FROM TO	UNITS PER ASSY
1 38	57T226-01		.BRACKET ASSY-CABLE SUPPLIER CODE: V77445 CONFIG CHG DATA FROM A CMM: FOR INTRCHG SEE PW IPC POST SERVICE BULLETIN: 73-140 V77445 72-744 V77445		1
47	52T876-01		.BRACKET ASSY-LOOP CLAMP SUPPLIER CODE: V77445 POST SERVICE BULLETIN: 72-171 V77445 72-744 V77445		1
55	50H845-01		.BRACKET ASSY-LOOP CLAMP SUPPLIER CODE: V77445 CONFIG CHG DATA FROM A CMM: FOR INTRCHG SEE PW IPC PRE SERVICE BULLETIN: 72-258 V77445		1
58	51H524-01		.BRACKET ASSY-LOOP CLAMP SUPPLIER CODE: V77445 CONFIG CHG DATA FROM A CMM: FOR INTRCHG SEE PW IPC OPTIONAL PART: 53H202-01 V77445 POST SERVICE BULLETIN: 72-258 V77445 PRE SERVICE BULLETIN: 72-324 V77445		1

ILLUSTRATION ITEMS NOT ON PARTS LIST ARE NOT APPLICABLE

- ITEM NOT ILLUSTRATED

HXL

72-35-60-01

BOEING PROPRIETARY - Copyright © - Unpublished Work - See title page for details.

72-35-60
FIG. 01
PAGE 3
DEC 22/06



767

PARTS CATALOG (MAINTENANCE)

FIG ITEM	PART NUMBER	1 2 3 4 5 6 7	NOMENCLATURE	EFFECT FROM TO	UNITS PER ASSY
1	58 53H202-01		.BRACKET ASSY-LOOP CLAMP SUPPLIER CODE: V77445 CONFIG CHG DATA FROM A CMM: FOR INTRCHG SEE PW IPC OPTIONAL PART: 51H524-01 V77445 POST SERVICE BULLETIN: 72-324 V77445		1
	61 54T348-01		.BRACKET ASSY-LOOP CLAMP SUPPLIER CODE: V77445 CONFIG CHG DATA FROM A CMM: FOR INTRCHG SEE PW IPC POST SERVICE BULLETIN: 79-54 V77445 PRE SERVICE BULLETIN: 72-709 V77445		1
	62 52U568-01		.BRACKET ASSY-LOOP CLAMP SUPPLIER CODE: V77445 CONFIG CHG DATA FROM A CMM: FOR INTRCHG SEE PW IPC POST SERVICE BULLETIN: 72-709 V77445 REFERENCE SERVICE BULLETIN: 72-784 V77445		1
	63 53T119		.BRACKET ASSY-LOOP CLAMP SUPPLIER CODE: V77445 NOT APPROVED FOR ETOPS. CONFIG CHG DATA FROM A CMM: FOR INTRCHG SEE PW IPC POST SERVICE BULLETIN: 72-113 V77445 PRE SERVICE BULLETIN: 79-54 V77445		1
	65 51T789		.BRACKET ASSY-LOOP CLAMP SUPPLIER CODE: V77445		1

ILLUSTRATION ITEMS NOT ON PARTS LIST ARE NOT APPLICABLE

- ITEM NOT ILLUSTRATED

HXL

72-35-60-01

BOEING PROPRIETARY - Copyright © - Unpublished Work - See title page for details.

72-35-60
FIG. 01
PAGE 4
DEC 22/07



767

PARTS CATALOG (MAINTENANCE)

FIG ITEM	PART NUMBER	1 2 3 4 5 6 7	NOMENCLATURE	EFFECT FROM TO	UNITS PER ASSY
1					
74	53T285		.BRACKET ASSY-LOOP CLAMP SUPPLIER CODE: V77445 CONFIG CHG DATA FROM A CMM: FOR INTRCHG SEE PW IPC POST SERVICE BULLETIN: 73-121 V77445 PRE SERVICE BULLETIN: 72-258 V77445 73-140 V77445		1
74	53T477		.BRACKET ASSY-LOOP CLAMP SUPPLIER CODE: V77445 CONFIG CHG DATA FROM A CMM: FOR INTRCHG SEE PW IPC POST SERVICE BULLETIN: 72-258 V77445 PRE SERVICE BULLETIN: 73-140 V77445		1
76	57T764-01		.BRACKET ASSY-LOOP CLAMP SUPPLIER CODE: V77445 CONFIG CHG DATA FROM A CMM: FOR INTRCHG SEE PW IPC POST SERVICE BULLETIN: 73-140 V77445 72-744 V77445		1
77	53T018-01		.BRACKET ASSY-LOOP CLAMP SUPPLIER CODE: V77445 CONFIG CHG DATA FROM A CMM: FOR INTRCHG SEE PW IPC PRE SERVICE BULLETIN: 73-140 V77445		2

ILLUSTRATION ITEMS NOT ON PARTS LIST ARE NOT APPLICABLE

- ITEM NOT ILLUSTRATED

HXL

72-35-60-01

BOEING PROPRIETARY - Copyright © - Unpublished Work - See title page for details.

72-35-60
FIG. 01
PAGE 5
DEC 22/06



767

PARTS CATALOG (MAINTENANCE)

FIG ITEM	PART NUMBER	1 2 3 4 5 6 7	NOMENCLATURE	EFFECT FROM TO	UNITS PER ASSY
1 78	56T947-01		.BRACKET ASSY-LOOP CLAMP SUPPLIER CODE: V77445 CONFIG CHG DATA FROM A CMM: FOR INTRCHG SEE PW IPC POST SERVICE BULLETIN: 73-140 V77445 72-744 V77445 REFERENCE SERVICE BULLETIN: 72-595 V77445		2
85	52T480-01		.BRACKET ASSY-LOOP CLAMP SUPPLIER CODE: V77445		1
90	52T137		.BRACKET ASSY-LOOP CLAMP SUPPLIER CODE: V77445 CONFIG CHG DATA FROM A CMM: FOR INTRCHG SEE PW IPC PRE SERVICE BULLETIN: 73-140 V77445		1
91	57T504-01		.BRACKET ASSY-LOOP CLAMP SUPPLIER CODE: V77445 CONFIG CHG DATA FROM A CMM: FOR INTRCHG SEE PW IPC POST SERVICE BULLETIN: 73-140 V77445 72-744 V77445 REFERENCE SERVICE BULLETIN: 72-595 V77445		1
93	332T4911-74		.BRACKET-AIRFRAME SUPPLIER CODE: V77445 CONFIG CHG DATA FROM A CMM: FOR INTRCHG SEE PW IPC POST SERVICE BULLETIN: 72-193 V77445 PRE SERVICE BULLETIN: 72-260 V77445		1

ILLUSTRATION ITEMS NOT ON PARTS LIST ARE NOT APPLICABLE

- ITEM NOT ILLUSTRATED

HXL

72-35-60-01

BOEING PROPRIETARY - Copyright © - Unpublished Work - See title page for details.

72-35-60
FIG. 01
PAGE 6
DEC 22/06



767

PARTS CATALOG (MAINTENANCE)

FIG ITEM	PART NUMBER	1 2 3 4 5 6 7	NOMENCLATURE	EFFECT FROM TO	UNITS PER ASSY
1					
93	53T652-01		.BRACKET-AIRFRAME SUPPLIER CODE: V77445 CONFIG CHG DATA FROM A CMM: FOR INTRCHG SEE PW IPC POST SERVICE BULLETIN: 72-260 V77445 PRE SERVICE BULLETIN: 73-140 V77445		1
94	56T778-01		.BRACKET ASSY-LOOP CLAMP SUPPLIER CODE: V77445 CONFIG CHG DATA FROM A CMM: FOR INTRCHG SEE PW IPC POST SERVICE BULLETIN: 73-140 V77445 72-744 V77445		1
95	50T649		.BRACKET ASSY-LOOP CLAMP SUPPLIER CODE: V77445 OPTIONAL PART: 53T418-01 V77445 PRE SERVICE BULLETIN: 72-251 V77445		1
95	53T418-01		.BRACKET ASSY-LOOP CLAMP SUPPLIER CODE: V77445 OPTIONAL PART: 50T649 V77445 POST SERVICE BULLETIN: 72-251 V77445		1
100	52T046-01		.BRACKET ASSY-LOOP CLAMP SUPPLIER CODE: V77445 POST SERVICE BULLETIN: 72-744 V77445		1
105	51T590		.BRACKET ASSY-LOOP CLAMP SUPPLIER CODE: V77445		1
ILLUSTRATION ITEMS NOT ON PARTS LIST ARE NOT APPLICABLE					

- ITEM NOT ILLUSTRATED

72-35-60-01

72-35-60
FIG. 01
PAGE 7
DEC 22/06

HXL



767

PARTS CATALOG (MAINTENANCE)

FIG ITEM	PART NUMBER	1 2 3 4 5 6 7	NOMENCLATURE	EFFECT FROM TO	UNITS PER ASSY
1 110	51H696		.BRACKET ASSY-TURB COOLING VALVE ACTUATOR SUPPLIER CODE: V77445 CONFIG CHG DATA FROM A CMM: FOR INTRCHG SEE PW IPC POST SERVICE BULLETIN: 75-35 V77445 PRE SERVICE BULLETIN: 75-63 V77445 72-755 V77445		1
110	58H441-01		.BRACKET ASSY- SUPPLIER CODE: V77445 CONFIG CHG DATA FROM A CMM: FOR INTRCHG SEE PW IPC PRE SERVICE BULLETIN: 72-755 V77445		1
110	53H073		.BRACKET ASSY-TURB COOLING VALVE ACTUATOR SUPPLIER CODE: V77445 CONFIG CHG DATA FROM A CMM: FOR INTRCHG SEE PW IPC POST SERVICE BULLETIN: 75-63 V77445 PRE SERVICE BULLETIN: 72-755 V77445		1
111	50H605		..BRACKET-ANGLE SUPPLIER CODE: V77445 PRE SERVICE BULLETIN: 72-755 V77445		1
112	51T271		..BRACKET-ANGLE SUPPLIER CODE: V77445 PRE SERVICE BULLETIN: 72-755 V77445		1

ILLUSTRATION ITEMS NOT ON PARTS LIST ARE NOT APPLICABLE

- ITEM NOT ILLUSTRATED

HXL

72-35-60-01

BOEING PROPRIETARY - Copyright © - Unpublished Work - See title page for details.

72-35-60
FIG. 01
PAGE 8
DEC 22/06



767

PARTS CATALOG (MAINTENANCE)

FIG ITEM	PART NUMBER	1 2 3 4 5 6 7	NOMENCLATURE	EFFECT FROM TO	UNITS PER ASSY
1 113	51H695-01		..BRACKET ASSY- SUPPLIER CODE: V77445 CONFIG CHG DATA FROM A CMM: FOR INTRCHG SEE PW IPC POST SERVICE BULLETIN: 75-35 V77445 72-755 V77445		1
115	54125-01		.BRACKET ASSY- SUPPLIER CODE: V77445 CONFIG CHG DATA FROM A CMM: FOR INTRCHG SEE PW IPC POST SERVICE BULLETIN: 73-140 V77445 72-744 V77445		1
140	57T413-01		.BRACKET ASSY-LOOP CLAMP SUPPLIER CODE: V77445 CONFIG CHG DATA FROM A CMM: FOR INTRCHG SEE PW IPC OPTIONAL PART: 51U676-01 V77445 POST SERVICE BULLETIN: 73-140 V77445 PRE SERVICE BULLETIN: 72-720 V77445 REFERENCE SERVICE BULLETIN: 72-595 V77445		1

ILLUSTRATION ITEMS NOT ON PARTS LIST ARE NOT APPLICABLE

- ITEM NOT ILLUSTRATED

HXL

72-35-60-01

BOEING PROPRIETARY - Copyright © - Unpublished Work - See title page for details.

72-35-60
FIG. 01
PAGE 9
DEC 22/06



767

PARTS CATALOG (MAINTENANCE)

FIG ITEM	PART NUMBER	1 2 3 4 5 6 7	NOMENCLATURE	EFFECT FROM TO	UNITS PER ASSY
1 140	51U676-01		.BRACKET ASSY-LOOP CLAMP SUPPLIER CODE: V77445 CONFIG CHG DATA FROM A CMM: FOR INTRCHG SEE PW IPC OPTIONAL PART: 57T413-01 V77445 POST SERVICE BULLETIN: 72-720 V77445 72-744 V77445		1

ILLUSTRATION ITEMS NOT ON PARTS LIST ARE NOT APPLICABLE

- ITEM NOT ILLUSTRATED

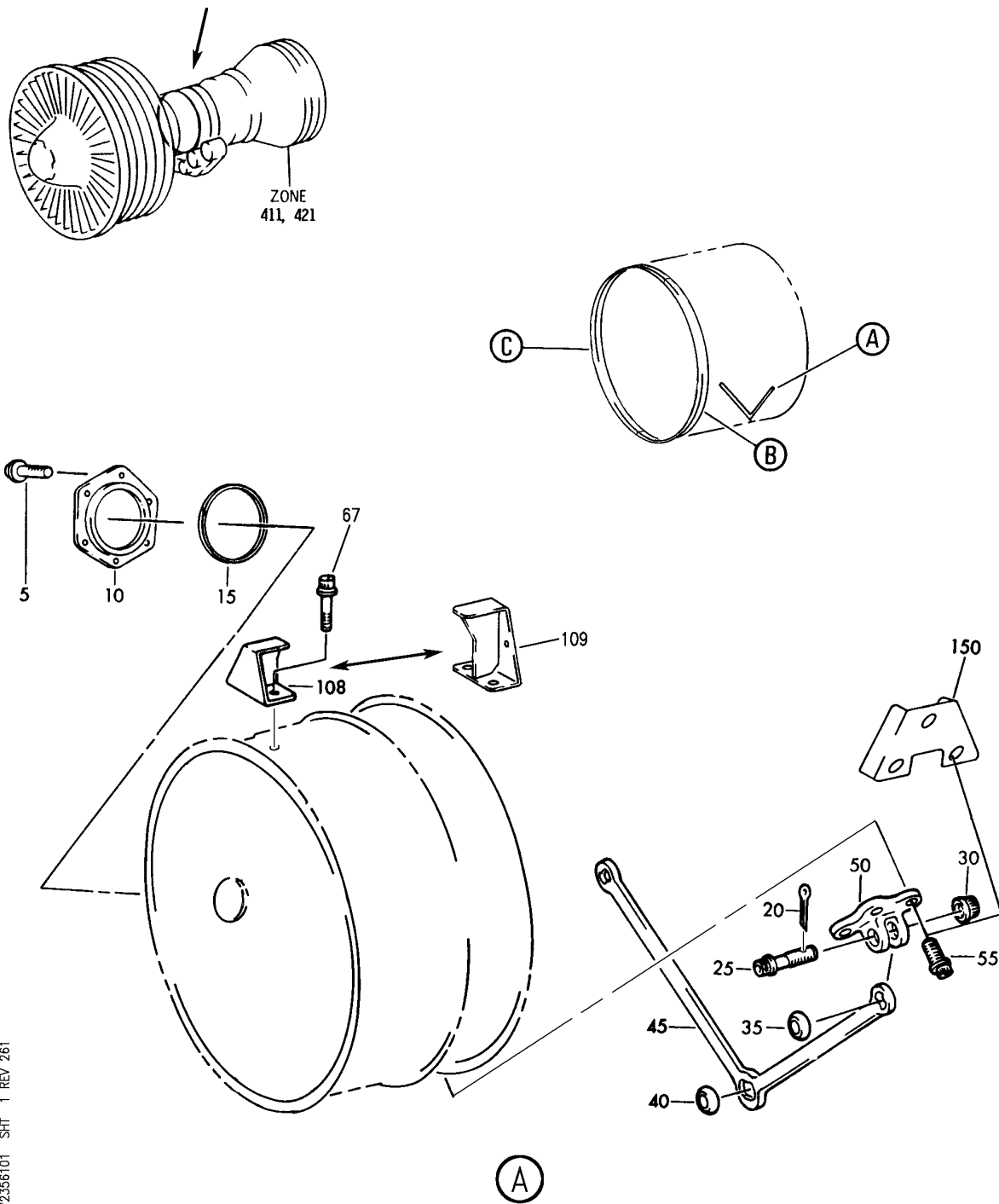
HXL

72-35-60-01

BOEING PROPRIETARY - Copyright © - Unpublished Work - See title page for details.

72-35-60
FIG. 01
PAGE 10
DEC 22/06

BOEING
767
PARTS CATALOG (MAINTENANCE)



V 72356101 SHT 1 REV 261

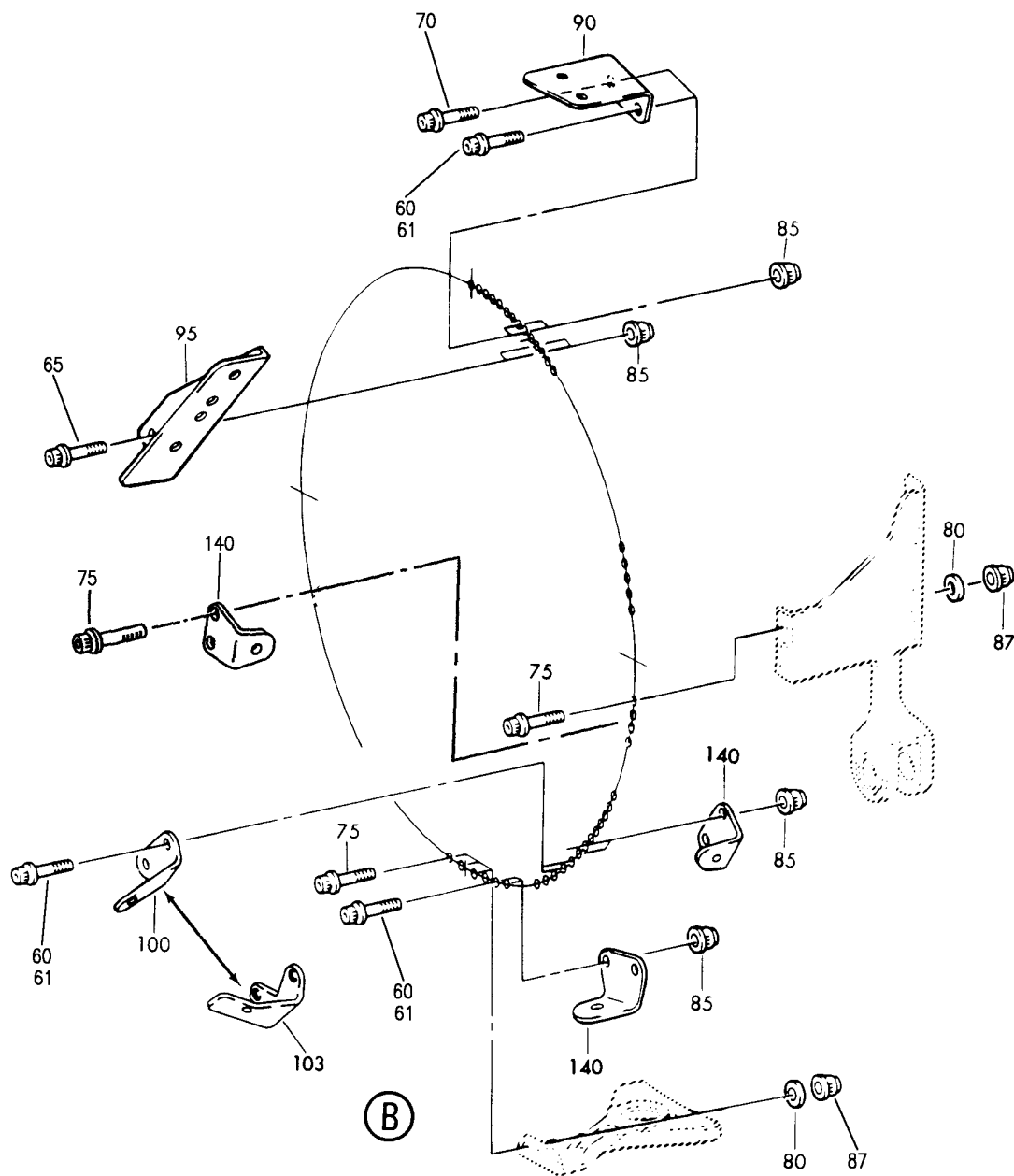
BRACKETS-J FLANGE REAR CASE HIGH PRESSURE CPRSR (PW4000)
FIGURE 1 (SHEET 1)

72-35-61-01

HXL
DEC 22/06

72-35-61-01
PAGE 0

BOEING
767
PARTS CATALOG (MAINTENANCE)



V 72356101 SHT 2 REV 262

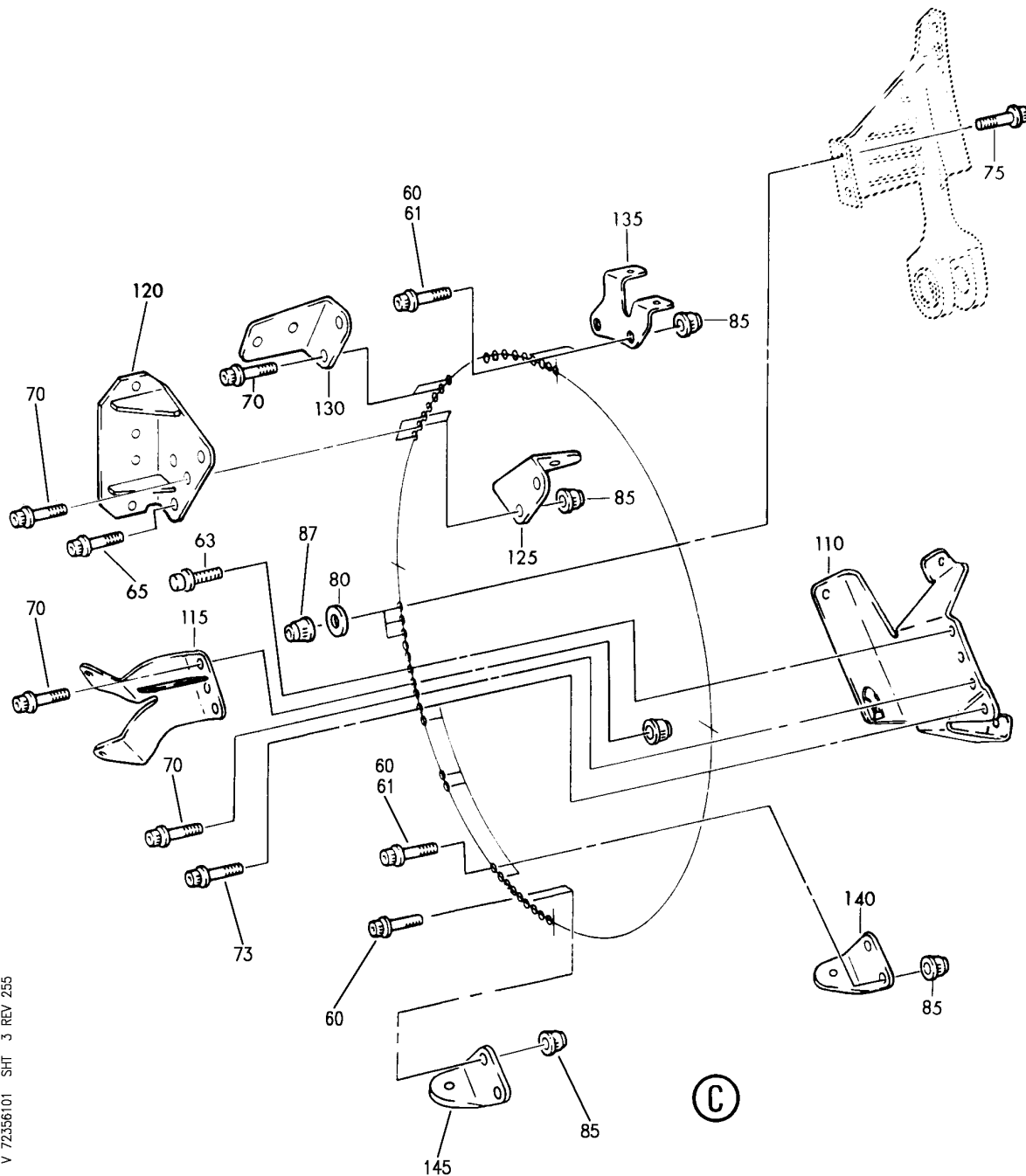
BRACKETS-J FLANGE REAR CASE HIGH PRESSURE CPRSR (PW4000)
FIGURE 1 (SHEET 2)

72-35-61-01

HXL
DEC 22/06

72-35-61-01
PAGE 0A

BOEING
767
PARTS CATALOG (MAINTENANCE)



V 723561-01 SHT 3 REV 255

BRACKETS-J FLANGE REAR CASE HIGH PRESSURE CPRSR (PW4000)
FIGURE 1 (SHEET 3)

72-35-61-01

HXL
DEC 22/06

72-35-61-01
PAGE 0B



767

PARTS CATALOG (MAINTENANCE)

FIG ITEM	PART NUMBER	1 2 3 4 5 6 7	NOMENCLATURE	EFFECT FROM TO	UNITS PER ASSY
1			BRACKETS-J FLANGE REAR CASE HIGH PRESSURE CPRSR (PW4000)		
- 1	PW4060		ENGINE- SUPPLIER CODE: V77445 CONFIG CHG DATA FROM A CMM: SEE 71-00-51 FIG. 2 FOR APPLICABLE ENGINE SERIES		RF
5	MS9886-08		.BOLT- CONFIG CHG DATA FROM A CMM: FOR INTRCHG SEE PW IPC OPTIONAL PART: ST1420-08 V77445 PRE SERVICE BULLETIN: 72-583 V77445 72-759 V77445		6
5	ST1420-08		.BOLT- SUPPLIER CODE: V77445 CONFIG CHG DATA FROM A CMM: FOR INTRCHG SEE PW IPC OPTIONAL PART: MS9886-08 POST SERVICE BULLETIN: 72-583 V77445 72-759 V77445		6
5	ST1420-06		.BOLT- SUPPLIER CODE: V77445 CONFIG CHG DATA FROM A CMM: FOR INTRCHG SEE PW IPC POST SERVICE BULLETIN: 72-755 V77445		6
10	51H069		.COVER-HIGH PRESSURE CASE SUPPLIER CODE: V77445 CONFIG CHG DATA FROM A CMM: FOR INTRCHG SEE PW IPC PRE SERVICE BULLETIN: 72-755 V77445		1

ILLUSTRATION ITEMS NOT ON PARTS LIST ARE NOT APPLICABLE

- ITEM NOT ILLUSTRATED

HXL

72-35-61-01

BOEING PROPRIETARY - Copyright © - Unpublished Work - See title page for details.

72-35-61
FIG. 01
PAGE 1
DEC 22/06



767

PARTS CATALOG (MAINTENANCE)

FIG ITEM	PART NUMBER	1 2 3 4 5 6 7	NOMENCLATURE	EFFECT FROM TO	UNITS PER ASSY
1 15	ST2422-048		.GASKET- SUPPLIER CODE: V77445 CONFIG CHG DATA FROM A CMM: FOR INTRCHG SEE PW IPC OPTIONAL PART: P14U5N0055-2 V15284 ST2412-048 V77445 POST SERVICE BULLETIN: 72-101 V77445 PRE SERVICE BULLETIN: 72-755 V77445		1
15	ST2412-048		.GASKET- SUPPLIER CODE: V77445 CONFIG CHG DATA FROM A CMM: FOR INTRCHG SEE PW IPC OPTIONAL PART: ST2422-048 V77445 P14U5N0055-2 V15284		1
15	P14U5N0055-2		.GASKET- SUPPLIER CODE: V15284 CONFIG CHG DATA FROM A CMM: PRATT AND WHITNEY PART NO. ST2402-048 FOR INTRCHG SEE PW IPC OPTIONAL PART: ST2422-048 V77445 ST2412-048 V77445		1
20	MS9245-25		.PIN		2
25	70T346		.BOLT- SUPPLIER CODE: V77445 OPTIONAL PART: 50R407 V77445 PRE SERVICE BULLETIN: 72-380 V77445		2

ILLUSTRATION ITEMS NOT ON PARTS LIST ARE NOT APPLICABLE

- ITEM NOT ILLUSTRATED

72-35-61-01

72-35-61
FIG. 01
PAGE 2
DEC 22/06

HXL



767

PARTS CATALOG (MAINTENANCE)

FIG ITEM	PART NUMBER	1 2 3 4 5 6 7	NOMENCLATURE	EFFECT FROM TO	UNITS PER ASSY
1					
25	50R407		.BOLT- SUPPLIER CODE: V77445 OPTIONAL PART: 70T346 V77445 POST SERVICE BULLETIN: 72-380 V77445		2
30	72032-524		.NUT- SUPPLIER CODE: V56878 CONFIG CHG DATA FROM A CMM: PRATT AND WHITNEY PART NO. 663654		2
35	599798		.BEARING- SUPPLIER CODE: V77445		2
40	599805		.BEARING- SUPPLIER CODE: V77445		1
45	70R148		.LINK-GR BOX DRIVE SHAFT HSG SPRT SUPPLIER CODE: V77445 OPTIONAL PART: 50R403 V77445 PRE SERVICE BULLETIN: 72-380 V77445		1
45	50R403		.LINK-GR BOX DRIVE SHAFT HSG SPRT SUPPLIER CODE: V77445 OPTIONAL PART: 70R148 V77445 POST SERVICE BULLETIN: 72-380 V77445		1

ILLUSTRATION ITEMS NOT ON PARTS LIST ARE NOT APPLICABLE

- ITEM NOT ILLUSTRATED

HXL

72-35-61-01

BOEING PROPRIETARY - Copyright © - Unpublished Work - See title page for details.

72-35-61
FIG. 01
PAGE 3
DEC 22/06

BOEING
767
PARTS CATALOG (MAINTENANCE)

FIG ITEM	PART NUMBER	1 2 3 4 5 6 7	NOMENCLATURE	EFFECT FROM TO	UNITS PER ASSY
1					
50	70H249		.CLEVIS-GR BOX DRIVE SHAFT HSG SPRT SUPPLIER CODE: V77445 OPTIONAL PART: 50R402 V77445 PRE SERVICE BULLETIN: 72-380 V77445		2
50	50R402		.CLEVIS-GR BOX DRIVE SHAFT HSG SPRT SUPPLIER CODE: V77445 OPTIONAL PART: 70H249 V77445 POST SERVICE BULLETIN: 72-380 V77445		2
55	490111		ATTACHING PARTS .BOLT- SUPPLIER CODE: V77445 CONFIG CHG DATA FROM A CMM: FOR INTRCHG SEE PW IPC PRE SERVICE BULLETIN: 75-95 V77445		8
55	MS9218-06		.BOLT- CONFIG CHG DATA FROM A CMM: FOR INTRCHG SEE PW IPC POST SERVICE BULLETIN: 75-95 V77445		8
60	MS9209-10		-----*----- .BOLT- CONFIG CHG DATA FROM A CMM: FOR INTRCHG SEE PW IPC POST SERVICE BULLETIN: 72-239 V77445		17
61	MS9209-10		.BOLT- CONFIG CHG DATA FROM A CMM: FOR INTRCHG SEE PW IPC PRE SERVICE BULLETIN: 72-239 V77445		15

ILLUSTRATION ITEMS NOT ON PARTS LIST ARE NOT APPLICABLE

- ITEM NOT ILLUSTRATED

HXL

72-35-61-01

BOEING PROPRIETARY - Copyright © - Unpublished Work - See title page for details.

72-35-61
FIG. 01
PAGE 4
DEC 22/06



767

PARTS CATALOG (MAINTENANCE)

FIG ITEM	PART NUMBER	1 2 3 4 5 6 7	NOMENCLATURE	EFFECT FROM TO	UNITS PER ASSY
1					
63	MS9209-10		.BOLT- PRE SERVICE BULLETIN: 72-81 V77445		1
63	MS9209-12		.BOLT- POST SERVICE BULLETIN: 72-81 V77445		1
65	MS9209-11		.BOLT- REFERENCE SERVICE BULLETIN: 72-15 V77445		3
67	MS9209-10		.BOLT		2
70	MS9209-12		.BOLT		7
73	MS9209-12		.BOLT- PRE SERVICE BULLETIN: 72-81 V77445		1
73	MS9209-14		.BOLT- POST SERVICE BULLETIN: 72-81 V77445		1
75	MS9111-08		.BOLT		9
80	70T330		.SPACER- SUPPLIER CODE: V77445 PRE SERVICE BULLETIN: 72-492 V77445		9
80	70R726		.SPACER- SUPPLIER CODE: V77445 POST SERVICE BULLETIN: 72-492 V77445		9
85	776441		.NUT- SUPPLIER CODE: V77445 OPTIONAL PART: LH11973-4 V56878 H49674-4 V15653 73356-428 V56878 AS3070-10 AS3066-10		26

ILLUSTRATION ITEMS NOT ON PARTS LIST ARE NOT APPLICABLE

- ITEM NOT ILLUSTRATED

HXL

72-35-61-01

BOEING PROPRIETARY - Copyright © - Unpublished Work - See title page for details.

72-35-61
FIG. 01
PAGE 5
DEC 22/06



767

PARTS CATALOG (MAINTENANCE)

FIG ITEM	PART NUMBER	1 2 3 4 5 6 7	NOMENCLATURE	EFFECT FROM TO	UNITS PER ASSY
1 85	LH11973-4		.NUT- SUPPLIER CODE: V56878 CONFIG CHG DATA FROM A CMM: PRATT AND WHITNEY PART NO. AS3067-10 OPTIONAL PART: 776441 V77445 H49674-4 V15653 73356-428 V56878 AS3070-10 AS3066-10		26
85	H49674-4		.NUT- SUPPLIER CODE: V15653 CONFIG CHG DATA FROM A CMM: PRATT AND WHITNEY PART NO. AS3068-10 OPTIONAL PART: 776441 V77445 LH11973-4 V56878 73356-428 V56878 AS3070-10 AS3066-10		26
85	AS3066-10		.NUT- OPTIONAL PART: 776441 V77445 LH11973-4 V56878 H49674-4 V15653 73356-428 V56878 AS3070-10		26

ILLUSTRATION ITEMS NOT ON PARTS LIST ARE NOT APPLICABLE

- ITEM NOT ILLUSTRATED

HXL

72-35-61-01

BOEING PROPRIETARY - Copyright © - Unpublished Work - See title page for details.

72-35-61
FIG. 01
PAGE 6
DEC 22/06



767

PARTS CATALOG (MAINTENANCE)

FIG ITEM	PART NUMBER	1 2 3 4 5 6 7	NOMENCLATURE	EFFECT FROM TO	UNITS PER ASSY
1					
85	73356-428		.NUT- SUPPLIER CODE: V56878 CONFIG CHG DATA FROM A CMM: PRATT AND WHITNEY PART NO. AS3069-10 OPTIONAL PART: 776441 V77445 LH11973-4 V56878 H49674-4 V15653 AS3070-10 AS3066-10		26
85	AS3070-10		.NUT- OPTIONAL PART: 776441 V77445 LH11973-4 V56878 H49674-4 V15653 73356-428 V56878 AS3066-10		26
87	776441		.NUT- SUPPLIER CODE: V77445 CONFIG CHG DATA FROM A CMM: FOR INTRCHG SEE PW IPC OPTIONAL PART: LH11973-4 V56878 H49674-4 V15653 73356-428 V56878 AS3070-10 AS3066-10 PRE SERVICE BULLETIN: 72-605 V77445		9

ILLUSTRATION ITEMS NOT ON PARTS LIST ARE NOT APPLICABLE

- ITEM NOT ILLUSTRATED

HXL

72-35-61-01

BOEING PROPRIETARY - Copyright © - Unpublished Work - See title page for details.

72-35-61
FIG. 01
PAGE 7
DEC 22/06



767

PARTS CATALOG (MAINTENANCE)

FIG ITEM	PART NUMBER	1 2 3 4 5 6 7	NOMENCLATURE	EFFECT FROM TO	UNITS PER ASSY
1 87	LH11973-4		.NUT- SUPPLIER CODE: V56878 CONFIG CHG DATA FROM A CMM: PRATT AND WHITNEY PART NO. AS3067-10 FOR INTRCHG SEE PW IPC OPTIONAL PART: 776441 V77445 H49674-4 V15653 73356-428 V56878 AS3070-10 AS3066-10 PRE SERVICE BULLETIN: 72-605 V77445		9
87	H49674-4		.NUT- SUPPLIER CODE: V15653 CONFIG CHG DATA FROM A CMM: PRATT AND WHITNEY PART NO. AS3068-10 FOR INTRCHG SEE PW IPC OPTIONAL PART: 776441 V77445 LH11973-4 V56878 73356-428 V56878 AS3070-10 AS3066-10 PRE SERVICE BULLETIN: 72-605 V77445		9

ILLUSTRATION ITEMS NOT ON PARTS LIST ARE NOT APPLICABLE

- ITEM NOT ILLUSTRATED

HXL

72-35-61-01

BOEING PROPRIETARY - Copyright © - Unpublished Work - See title page for details.

72-35-61
FIG. 01
PAGE 8
DEC 22/06



767

PARTS CATALOG (MAINTENANCE)

FIG ITEM	PART NUMBER	1 2 3 4 5 6 7	NOMENCLATURE	EFFECT FROM TO	UNITS PER ASSY
1 87	AS3066-10		.NUT- CONFIG CHG DATA FROM A CMM: FOR INTRCHG SEE PW IPC OPTIONAL PART: 776441 V77445 LH11973-4 V56878 H49674-4 V15653 73356-428 V56878 AS3070-10 PRE SERVICE BULLETIN: 72-605 V77445		9
87	73356-428		.NUT- SUPPLIER CODE: V56878 CONFIG CHG DATA FROM A CMM: PRATT AND WHITNEY PART NO. AS3069-10 FOR INTRCHG SEE PW IPC OPTIONAL PART: 776441 V77445 LH11973-4 V56878 H49674-4 V15653 AS3070-10 AS3066-10 PRE SERVICE BULLETIN: 72-605 V77445		9

ILLUSTRATION ITEMS NOT ON PARTS LIST ARE NOT APPLICABLE

- ITEM NOT ILLUSTRATED

HXL

72-35-61-01

BOEING PROPRIETARY - Copyright © - Unpublished Work - See title page for details.

72-35-61
FIG. 01
PAGE 9
DEC 22/06



767

PARTS CATALOG (MAINTENANCE)

FIG ITEM	PART NUMBER	1 2 3 4 5 6 7	NOMENCLATURE	EFFECT FROM TO	UNITS PER ASSY
1 87	ST2785-10		.NUT- SUPPLIER CODE: V77445 CONFIG CHG DATA FROM A CMM: FOR INTRCHG SEE PW IPC OPTIONAL PART: H53777-4 V15653 LH13587-4 V80539 92617-428 V56878 VN4761BB048 V77445 POST SERVICE BULLETIN: 72-605 V77445		9
87	AS3070-10		.NUT- CONFIG CHG DATA FROM A CMM: FOR INTRCHG SEE PW IPC OPTIONAL PART: 776441 V77445 LH11973-4 V56878 H49674-4 V15653 73356-428 V56878 AS3066-10 PRE SERVICE BULLETIN: 72-605 V77445		9

ILLUSTRATION ITEMS NOT ON PARTS LIST ARE NOT APPLICABLE

- ITEM NOT ILLUSTRATED

HXL

72-35-61-01

BOEING PROPRIETARY - Copyright © - Unpublished Work - See title page for details.

72-35-61
FIG. 01
PAGE 10
DEC 22/06



767

PARTS CATALOG (MAINTENANCE)

FIG ITEM	PART NUMBER	1 2 3 4 5 6 7	NOMENCLATURE	EFFECT FROM TO	UNITS PER ASSY
1 87	LH13587-4		.NUT- SUPPLIER CODE: V80539 CONFIG CHG DATA FROM A CMM: PRATT AND WHITNEY PART NO. ST2781-10 FOR INTRCHG SEE PW IPC OPTIONAL PART: ST2785-10 V77445 H53777-4 V15653 92617-428 V56878 VN4761BB048 V77445 POST SERVICE BULLETIN: 72-605 V77445		9
87	92617-428		.NUT- SUPPLIER CODE: V56878 CONFIG CHG DATA FROM A CMM: PRATT AND WHITNEY PART NO. ST2782-10 FOR INTRCHG SEE PW IPC OPTIONAL PART: ST2785-10 V77445 H53777-4 V15653 LH13587-4 V80539 VN4761BB048 V77445 POST SERVICE BULLETIN: 72605 V77445		9

ILLUSTRATION ITEMS NOT ON PARTS LIST ARE NOT APPLICABLE

- ITEM NOT ILLUSTRATED

HXL

72-35-61-01

BOEING PROPRIETARY - Copyright © - Unpublished Work - See title page for details.

72-35-61
FIG. 01
PAGE 11
DEC 22/06

BOEING
767
PARTS CATALOG (MAINTENANCE)

FIG ITEM	PART NUMBER	1 2 3 4 5 6 7	NOMENCLATURE	EFFECT FROM TO	UNITS PER ASSY
1 87	VN4761BB048		.NUT- SUPPLIER CODE: V77445 CONFIG CHG DATA FROM A CMM: PRATT AND WHITNEY PART NO. ST2788-10 FOR INTRCHG SEE PW IPC OPTIONAL PART: ST2785-10 V77445 H53777-4 V15653 LH13587-4 V80539 92617-428 V56878 POST SERVICE BULLETIN: 72-605 V77445		9
87	H53777-4		.NUT- SUPPLIER CODE: V15653 CONFIG CHG DATA FROM A CMM: PRATT AND WHITNEY PART NO. ST2780-10 FOR INTRCHG SEE PW IPC OPTIONAL PART: ST2785-10 V77445 LH13587-4 V80539 92617-428 V56878 VN4761BB048 V77445 POST SERVICE BULLETIN: 72-605 V77445		9
90	52T623		.BRACKET-LOOP CLAMP SUPPLIER CODE: V77445		1
95	50H878		.BRACKET-ANGLE SUPPLIER CODE: V77445		1

ILLUSTRATION ITEMS NOT ON PARTS LIST ARE NOT APPLICABLE

- ITEM NOT ILLUSTRATED

HXL

72-35-61-01

BOEING PROPRIETARY - Copyright © - Unpublished Work - See title page for details.

72-35-61
FIG. 01
PAGE 12
DEC 22/06



767

PARTS CATALOG (MAINTENANCE)

FIG ITEM	PART NUMBER	1 2 3 4 5 6 7	NOMENCLATURE	EFFECT FROM TO	UNITS PER ASSY
1 103	53T169-01		.BRACKET-ANGLE SUPPLIER CODE: V77445 POST SERVICE BULLETIN: 73-35 V77445		1
109	53T337-01		.BRACKET ASSY-DBL ANGLE SUPPLIER CODE: V77445 POST SERVICE BULLETIN: 72-129 V77445 72-744 V77445		1
110	51H623		.BRACKET ASSY-FUEL FLOW DIVIDER VALVE SUPPLIER CODE: V77445 OPTIONAL PART: 51H331 V77445 POST SERVICE BULLETIN: 72-163 V77445		1
115	52T654-01		.BRACKET-LOOP CLAMP SUPPLIER CODE: V77445		1
120	50H843-01		.BRACKET ASSY-ANGLE SUPPLIER CODE: V77445		1
125	51T918		.BRACKET-LOOP CLAMP SUPPLIER CODE: V77445 PRE SERVICE BULLETIN: 75-91 V77445		1
130	51T974		.BRACKET-LOOP CLAMP SUPPLIER CODE: V77445		1
135	51H231		.BRACKET-LOOP CLAMP SUPPLIER CODE: V77445		1
140	50H328		.BRACKET-ANGLE SUPPLIER CODE: V77445		6

ILLUSTRATION ITEMS NOT ON PARTS LIST ARE NOT APPLICABLE

- ITEM NOT ILLUSTRATED

HXL

72-35-61-01

BOEING PROPRIETARY - Copyright © - Unpublished Work - See title page for details.

72-35-61
FIG. 01
PAGE 13
DEC 22/06



767

PARTS CATALOG (MAINTENANCE)

FIG ITEM	PART NUMBER	1 2 3 4 5 6 7	NOMENCLATURE	EFFECT FROM TO	UNITS PER ASSY
1 145	50H328		.BRACKET-ANGLE SUPPLIER CODE: V77445 CONFIG CHG DATA FROM A CMM: FOR INTRCHG SEE PW IPC POST SERVICE BULLETIN: 72-239 V77445		1
150	56T220-01		.BRACKET ASSY-LOOP CLAMP SUPPLIER CODE: V77445 CONFIG CHG DATA FROM A CMM: FOR INTRCHG SEE PW IPC POST SERVICE BULLETIN: 75-95 V77445 PRE SERVICE BULLETIN: 75-144 V77445		1

ILLUSTRATION ITEMS NOT ON PARTS LIST ARE NOT APPLICABLE

- ITEM NOT ILLUSTRATED

HXL

72-35-61-01

BOEING PROPRIETARY - Copyright © - Unpublished Work - See title page for details.

72-35-61
FIG. 01
PAGE 14
DEC 22/06