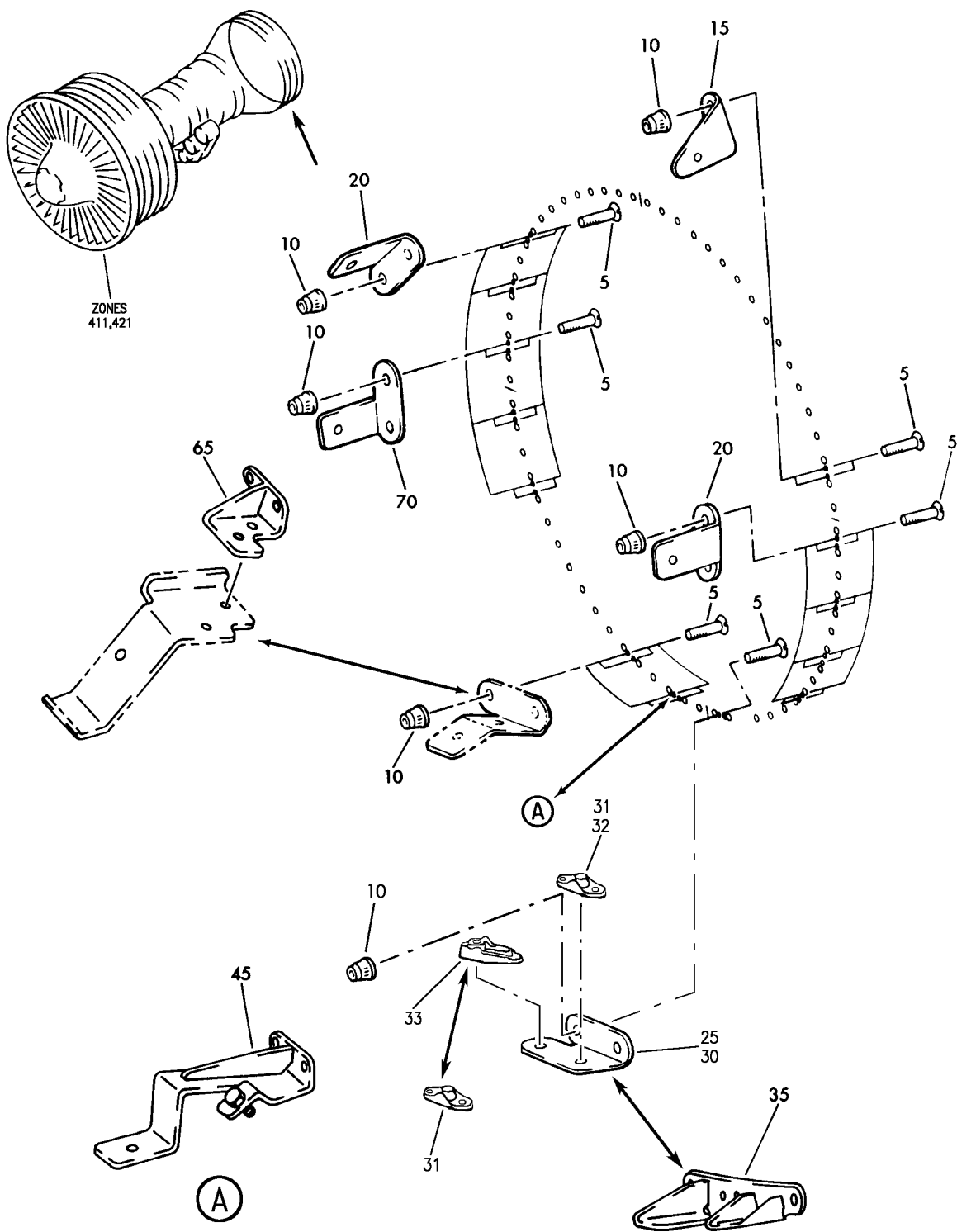


## TURBINE EXHAUST SECTION

HXL  
DEC 22/06

72-54-00  
SECTION TITLE  
PAGE 1

**BOEING**  
767  
PARTS CATALOG (MAINTENANCE)



V 72540001 REV 272

BRACKETS-T FLANGE (PW4000)  
FIGURE 1

**72-54-00-01**

HXL  
DEC 22/06

72-54-00-01  
PAGE 0



767

PARTS CATALOG (MAINTENANCE)

FIG ITEM	PART NUMBER	1 2 3 4 5 6 7	NOMENCLATURE	EFFECT FROM TO	UNITS PER ASSY
1			BRACKETS-T FLANGE (PW4000)		
- 1	PW4060		ENGINE- SUPPLIER CODE: V77445 CONFIG CHG DATA FROM A CMM: SEE 71-00-51 FIG. 2 FOR APPLICABLE ENGINE SERIES		RF
5	ST1382-10		.SCREW- SUPPLIER CODE: V77445		26
10	776440		.NUT- SUPPLIER CODE: V77445 OPTIONAL PART: SL7061C1032 V11815 LH11973-3 V56878 H49674-3 V15653 73356-1032 V56878 AS3070-09		26
10	SL7061C1032		.NUT- SUPPLIER CODE: V11815 CONFIG CHG DATA FROM A CMM: PRATT AND WHITNEY PART NO. AS3066-09 OPTIONAL PART: 776440 V77445 LH11973-3 V56878 H49674-3 V15653 73356-1032 V56878 AS3070-09		26

ILLUSTRATION ITEMS NOT ON PARTS LIST ARE NOT APPLICABLE

- ITEM NOT ILLUSTRATED

HXL

72-54-00-01

BOEING PROPRIETARY - Copyright © - Unpublished Work - See title page for details.

72-54-00  
FIG. 01  
PAGE 1  
DEC 22/06



767

PARTS CATALOG (MAINTENANCE)

FIG ITEM	PART NUMBER	1 2 3 4 5 6 7	NOMENCLATURE	EFFECT FROM TO	UNITS PER ASSY
1 10	LH11973-3		.NUT- SUPPLIER CODE: V56878 CONFIG CHG DATA FROM A CMM: PRATT AND WHITNEY PART NO. AS3067-09 OPTIONAL PART: 776440 V77445 SL7061C1032 V11815 H49674-3 V15653 73356-1032 V56878 AS3070-09		26
10	H49674-3		.NUT- SUPPLIER CODE: V15653 CONFIG CHG DATA FROM A CMM: PRATT AND WHITNEY PART NO. AS3068-09 OPTIONAL PART: 776440 V77445 SL7061C1032 V11815 LH11973-3 V56878 73356-1032 V56878 AS3070-09		26
10	AS3070-09		.NUT- OPTIONAL PART: 776440 V77445 SL7061C1032 V11815 LH11973-3 V56878 H49674-3 V15653 73356-1032 V56878		26

ILLUSTRATION ITEMS NOT ON PARTS LIST ARE NOT APPLICABLE

- ITEM NOT ILLUSTRATED

HXL

72-54-00-01

BOEING PROPRIETARY - Copyright © - Unpublished Work - See title page for details.

72-54-00  
FIG. 01  
PAGE 2  
DEC 22/06



767

PARTS CATALOG (MAINTENANCE)

FIG ITEM	PART NUMBER	1 2 3 4 5 6 7	NOMENCLATURE	EFFECT FROM TO	UNITS PER ASSY
1 10	73356-1032		.NUT- SUPPLIER CODE: V56878 CONFIG CHG DATA FROM A CMM: PRATT AND WHITNEY PART NO. AS3069-09 OPTIONAL PART: 776440 V77445 SL7061C1032 V11815 LH11973-3 V56878 H49674-3 V15653 AS3070-09		26
15	50P104		.BRACKET-ANGLE SUPPLIER CODE: V77445		1
20	50P087		.BRACKET-ANGLE SUPPLIER CODE: V77445		8
70	50P101		.BRACKET-ANGLE SUPPLIER CODE: V77445		1

ILLUSTRATION ITEMS NOT ON PARTS LIST ARE NOT APPLICABLE

- ITEM NOT ILLUSTRATED

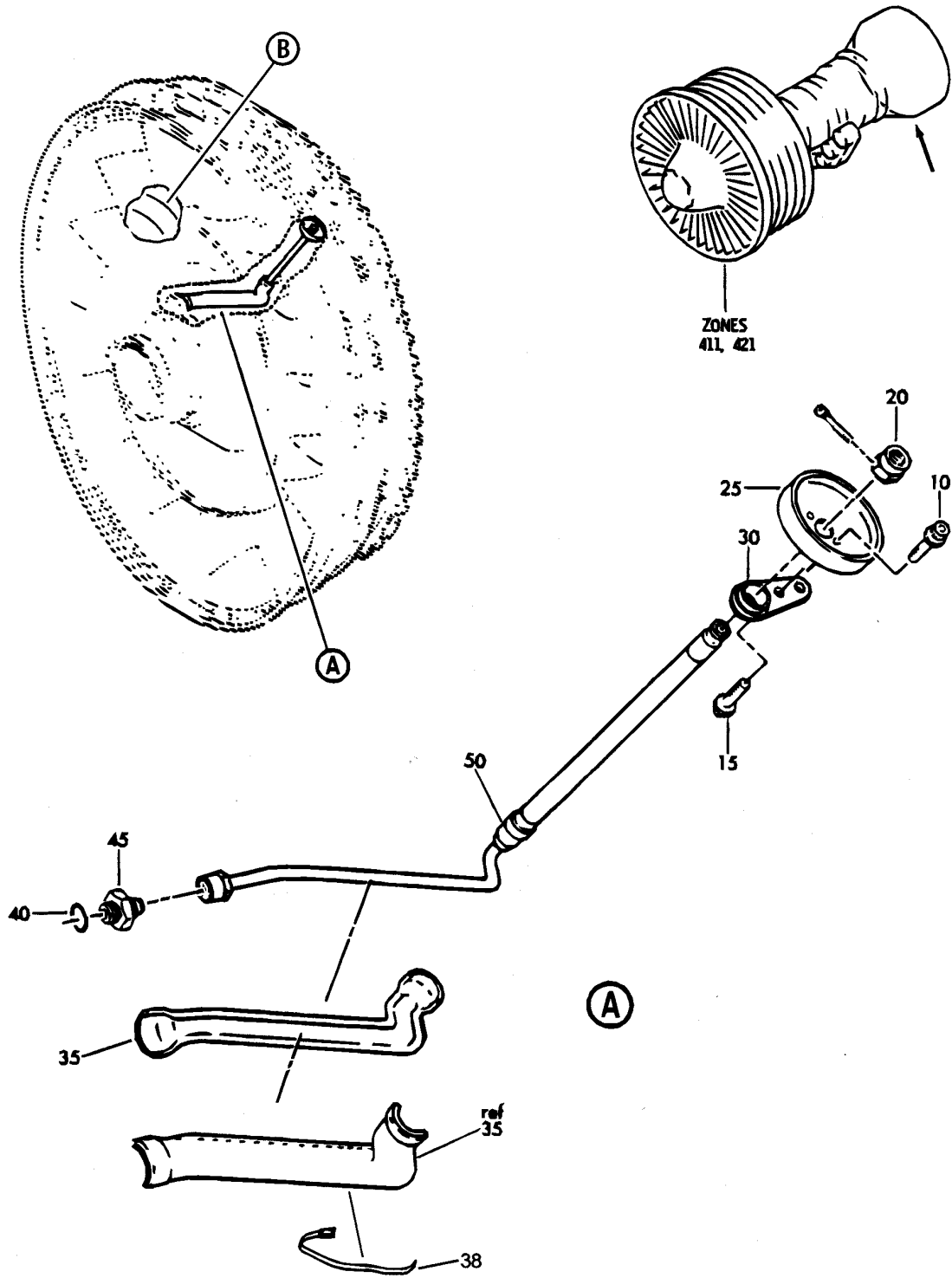
HXL

72-54-00-01

BOEING PROPRIETARY - Copyright © - Unpublished Work - See title page for details.

72-54-00  
FIG. 01  
PAGE 3  
DEC 22/06

**BOEING**  
767  
PARTS CATALOG (MAINTENANCE)



V 72540201 SHT 1 REV 215

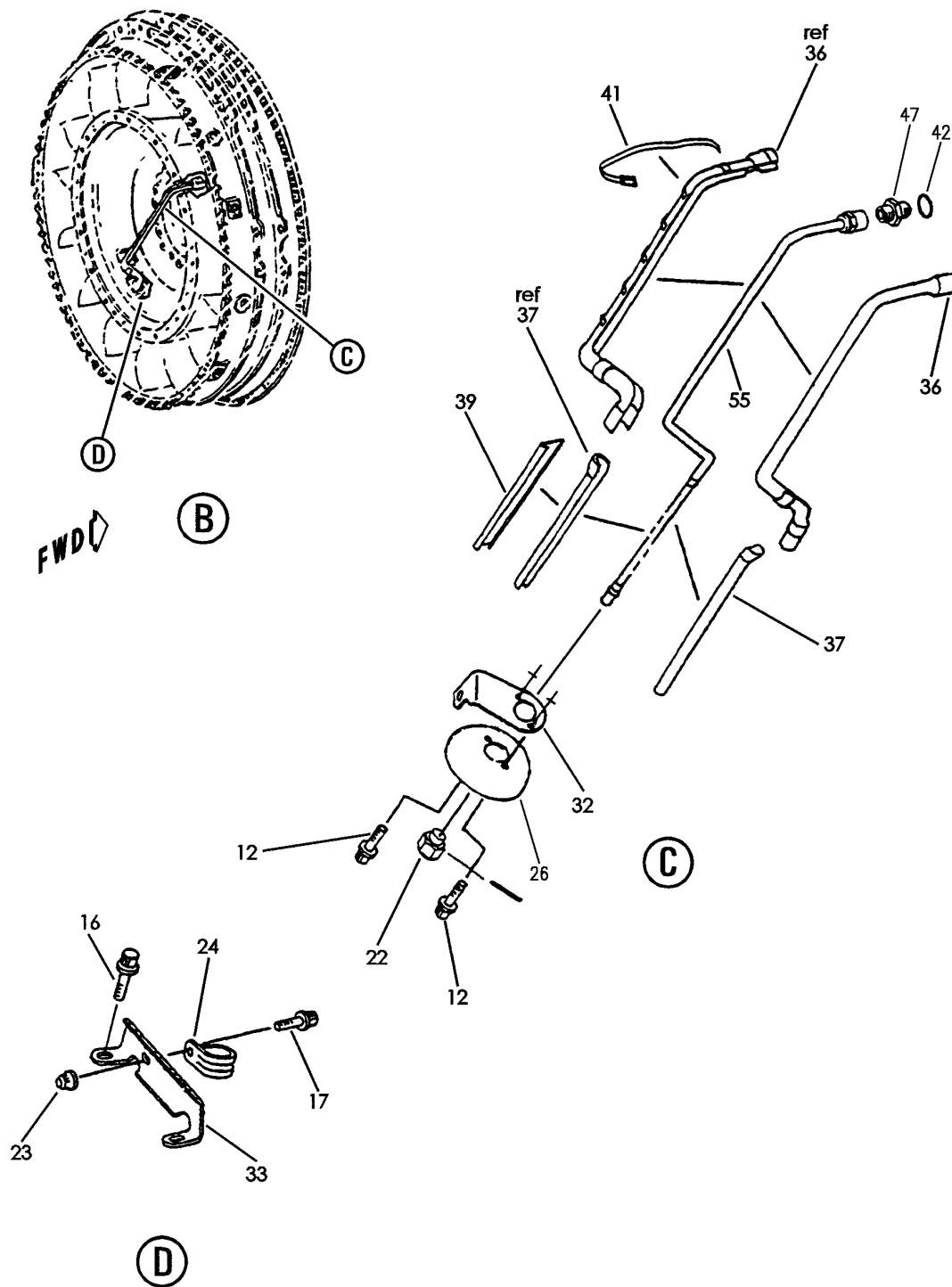
TUBE-NO. FOUR BRG PRESSURE (PW4000)  
FIGURE 1 (SHEET 1)

**72-54-02-01**

HXL  
DEC 22/06

72-54-02-01  
PAGE 0

**BOEING**  
767  
PARTS CATALOG (MAINTENANCE)



V 72540201 SH1 2 REV 272

TUBE-NO. FOUR BRG PRESSURE (PW4000)  
FIGURE 1 (SHEET 2)

**72-54-02-01**

HXL  
DEC 22/06

72-54-02-01  
PAGE 0A



767

PARTS CATALOG (MAINTENANCE)

FIG ITEM	PART NUMBER	1 2 3 4 5 6 7	NOMENCLATURE	EFFECT FROM TO	UNITS PER ASSY
1			TUBE-NO. FOUR BRG PRESSURE (PW4000)		
- 1	PW4060		ENGINE- SUPPLIER CODE: V77445 CONFIG CHG DATA FROM A CMM: SEE 71-00-51 FIG. 2 FOR APPLICABLE ENGINE SERIES		RF
10	MS9574-03		.BOLT- CONFIG CHG DATA FROM A CMM: FOR INTRCHG SEE PW IPC PRE SERVICE BULLETIN: 79-76 V77445		2
12	MS9574-04		.BOLT- CONFIG CHG DATA FROM A CMM: FOR INTRCHG SEE PW IPC POST SERVICE BULLETIN: 79-76 V77445		2
15	494430		.BOLT- SUPPLIER CODE: V77445 CONFIG CHG DATA FROM A CMM: FOR INTRCHG SEE PW IPC PRE SERVICE BULLETIN: 79-76 V77445		2
16	MS9697-10		.BOLT- CONFIG CHG DATA FROM A CMM: FOR INTRCHG SEE PW IPC POST SERVICE BULLETIN: 79-76 V77445		2
17	MS9696-11		.BOLT- CONFIG CHG DATA FROM A CMM: FOR INTRCHG SEE PW IPC POST SERVICE BULLETIN: 79-76 V77445		1
20	364004		.NUT- SUPPLIER CODE: V77445 REFERENCE SERVICE BULLETIN: 79-76 V77445		1

ILLUSTRATION ITEMS NOT ON PARTS LIST ARE NOT APPLICABLE

- ITEM NOT ILLUSTRATED

HXL

72-54-02-01

BOEING PROPRIETARY - Copyright © - Unpublished Work - See title page for details.

72-54-02  
FIG. 01  
PAGE 1  
DEC 22/06





767

PARTS CATALOG (MAINTENANCE)

FIG ITEM	PART NUMBER	1 2 3 4 5 6 7	NOMENCLATURE	EFFECT FROM TO	UNITS PER ASSY
1 22	364004		.NUT- SUPPLIER CODE: V77445 REFERENCE SERVICE BULLETIN: 79-76 V77445		1
23	776440		.NUT- SUPPLIER CODE: V77445 CONFIG CHG DATA FROM A CMM: FOR INTRCHG SEE PW IPC OPTIONAL PART: SL7061C1032 V11815 LH11973-3 V56878 H49674-3 V15653 73356-1032 V56878 AS3070-09 POST SERVICE BULLETIN: 79-76 V77445		1
23	SL7061C1032		.NUT- SUPPLIER CODE: V11815 CONFIG CHG DATA FROM A CMM: FOR INTRCHG SEE PW IPC PRATT AND WHITNEY PART NO. AS3066-09 OPTIONAL PART: 776440 V77445 LH11973-3 V56878 H49674-3 V15653 73356-1032 V56878 AS3070-09 POST SERVICE BULLETIN: 79-76 V77445		1

ILLUSTRATION ITEMS NOT ON PARTS LIST ARE NOT APPLICABLE

- ITEM NOT ILLUSTRATED

HXL

72-54-02-01

BOEING PROPRIETARY - Copyright © - Unpublished Work - See title page for details.

72-54-02  
FIG. 01  
PAGE 2  
DEC 22/06



767

PARTS CATALOG (MAINTENANCE)

FIG ITEM	PART NUMBER	1 2 3 4 5 6 7	NOMENCLATURE	EFFECT FROM TO	UNITS PER ASSY
1 23	LH11973-3		.NUT- SUPPLIER CODE: V56878 CONFIG CHG DATA FROM A CMM: FOR INTRCHG SEE PW IPC PRATT AND WHITNEY PART NO. AS3067-09 OPTIONAL PART: SL7061C1032 V11815 776440 V77445 H49674-3 V15653 73356-1032 V56878 AS3070-09 POST SERVICE BULLETIN: 79-76 V77445		1
23	H49674-3		.NUT- SUPPLIER CODE: V15653 CONFIG CHG DATA FROM A CMM: FOR INTRCHG SEE PW IPC PRATT AND WHITNEY PART NO. AS3068-09 OPTIONAL PART: SL7061C1032 V11815 LH11973-3 V56878 776440 V77445 73356-1032 V56878 AS3070-09 POST SERVICE BULLETIN: 79-76 V77445		1

ILLUSTRATION ITEMS NOT ON PARTS LIST ARE NOT APPLICABLE

- ITEM NOT ILLUSTRATED

HXL

72-54-02-01

BOEING PROPRIETARY - Copyright © - Unpublished Work - See title page for details.

72-54-02  
FIG. 01  
PAGE 3  
DEC 22/06



767

PARTS CATALOG (MAINTENANCE)

FIG ITEM	PART NUMBER	1 2 3 4 5 6 7	NOMENCLATURE	EFFECT FROM TO	UNITS PER ASSY
1	23 73356-1032		.NUT- SUPPLIER CODE: V56878 CONFIG CHG DATA FROM A CMM: FOR INTRCHG SEE PW IPC PRATT AND WHITNEY PART NO. AS3069-09 OPTIONAL PART: SL7061C1032 V11815 LH11973-3 V56878 H49674-3 V15653 776440 V77445 AS3070-09 POST SERVICE BULLETIN: 79-76 V77445		1
	23 AS3070-09		.NUT- CONFIG CHG DATA FROM A CMM: FOR INTRCHG SEE PW IPC OPTIONAL PART: 776440 V77445 SL7061C1032 V11815 LH11973-3 V56878 H49674-3 V15653 73356-1032 V56878 POST SERVICE BULLETIN: 79-76 V77445		1
	24 ST1428-20		.CLAMP- SUPPLIER CODE: V77445 CONFIG CHG DATA FROM A CMM: FOR INTRCHG SEE PW IPC POST SERVICE BULLETIN: 79-76 V77445		1

ILLUSTRATION ITEMS NOT ON PARTS LIST ARE NOT APPLICABLE

- ITEM NOT ILLUSTRATED

HXL

72-54-02-01

BOEING PROPRIETARY - Copyright © - Unpublished Work - See title page for details.

72-54-02  
FIG. 01  
PAGE 4  
DEC 22/06



767

PARTS CATALOG (MAINTENANCE)

FIG ITEM	PART NUMBER	1 2 3 4 5 6 7	NOMENCLATURE	EFFECT FROM TO	UNITS PER ASSY
1	25 792676		.SHIELD-NO. 4 BRG PRESSURE TUBE SUPPLIER CODE: V77445 REFERENCE SERVICE BULLETIN: 79-76 V77445		1
	26 792676		.SHIELD-NO. 4 BRG PRESSURE TUBE SUPPLIER CODE: V77445 REFERENCE SERVICE BULLETIN: 79-76 V77445		1
	30 50A234		.GUIDE-NO. 4 BRG TUBE SUPPLIER CODE: V77445 CONFIG CHG DATA FROM A CMM: FOR INTRCHG SEE PW IPC PRE SERVICE BULLETIN: 79-76 V77445		1
	32 50U148-01		.BRACKET ASSY-LOOP CLAMP SUPPLIER CODE: V77445 CONFIG CHG DATA FROM A CMM: FOR INTRCHG SEE PW IPC POST SERVICE BULLETIN: 79-76 V77445		1
	33 50P409		.BRACKET-ANGLE SUPPLIER CODE: V77445 CONFIG CHG DATA FROM A CMM: FOR INTRCHG SEE PW IPC POST SERVICE BULLETIN: 79-76 V77445		1

ILLUSTRATION ITEMS NOT ON PARTS LIST ARE NOT APPLICABLE

- ITEM NOT ILLUSTRATED

HXL

72-54-02-01

BOEING PROPRIETARY - Copyright © - Unpublished Work - See title page for details.

72-54-02  
FIG. 01  
PAGE 5  
DEC 22/06



767

PARTS CATALOG (MAINTENANCE)

FIG ITEM	PART NUMBER	1 2 3 4 5 6 7	NOMENCLATURE	EFFECT FROM TO	UNITS PER ASSY
1	35 50P108		.SHIELD SET- SUPPLIER CODE: V77445 CONFIG CHG DATA FROM A CMM: FOR INTRCHG SEE PW IPC OPTIONAL PART: 50P106 V77445 50P107 V77445 PRE SERVICE BULLETIN: 79-76 V77445 72-635 V77445		1
	35 50P106		.SHIELD SET- SUPPLIER CODE: V77445 CONFIG CHG DATA FROM A CMM: FOR INTRCHG SEE PW IPC MISCELLANEOUS DATA: P/N C/O 50P077-01 AND 50P079-01 OPTIONAL PART: 50P107 V77445 50P108 V77445 PRE SERVICE BULLETIN: 79-76 V77445		1
	35 50P107		.SHIELD SET- SUPPLIER CODE: V77445 CONFIG CHG DATA FROM A CMM: FOR INTRCHG SEE PW IPC MISCELLANEOUS DATA: P/N C/O 50P076-01 AND 50P078-01 OPTIONAL PART: 50P106 V77445 50P108 V77445 PRE SERVICE BULLETIN: 79-76 V77445		1

ILLUSTRATION ITEMS NOT ON PARTS LIST ARE NOT APPLICABLE

- ITEM NOT ILLUSTRATED

HXL

72-54-02-01

BOEING PROPRIETARY - Copyright © - Unpublished Work - See title page for details.

72-54-02  
FIG. 01  
PAGE 6  
DEC 22/06



767

PARTS CATALOG (MAINTENANCE)

FIG ITEM	PART NUMBER	1 2 3 4 5 6 7	NOMENCLATURE	EFFECT FROM TO	UNITS PER ASSY
1 36	50P329		.SHIELD SET- SUPPLIER CODE: V77445 CONFIG CHG DATA FROM A CMM: FOR INTRCHG SEE PW IPC OPTIONAL PART: 50P330 V77445 50P331 V77445 POST SERVICE BULLETIN: 79-76 V77445		1
36	50P330		.SHIELD SET- SUPPLIER CODE: V77445 CONFIG CHG DATA FROM A CMM: FOR INTRCHG SEE PW IPC MISCELLANEOUS DATA: P/N C/O 50P317-01 AND 50P319-01 OPTIONAL PART: 50P329 V77445 50P331 V77445 POST SERVICE BULLETIN: 79-76 V77445		1
36	50P331		.SHIELD SET- SUPPLIER CODE: V77445 CONFIG CHG DATA FROM A CMM: FOR INTRCHG SEE PW IPC MISCELLANEOUS DATA: P/N C/O 50P332-01 AND 50P333-01 OPTIONAL PART: 50P329 V77445 50P330 V77445 POST SERVICE BULLETIN: 79-76 V77445		1

ILLUSTRATION ITEMS NOT ON PARTS LIST ARE NOT APPLICABLE

- ITEM NOT ILLUSTRATED

HXL

72-54-02-01

BOEING PROPRIETARY - Copyright © - Unpublished Work - See title page for details.

72-54-02  
FIG. 01  
PAGE 7  
DEC 22/06



767

PARTS CATALOG (MAINTENANCE)

FIG ITEM	PART NUMBER	1 2 3 4 5 6 7	NOMENCLATURE	EFFECT FROM TO	UNITS PER ASSY
1	37 50P377		.SHIELD SET- SUPPLIER CODE: V77445 CONFIG CHG DATA FROM A CMM: FOR INTRCHG SEE PW IPC OPTIONAL PART: 50P378 V77445 50P381 V77445 POST SERVICE BULLETIN: 79-76 V77445		1
	37 50P378		.SHIELD SET- SUPPLIER CODE: V77445 CONFIG CHG DATA FROM A CMM: FOR INTRCHG SEE PW IPC MISCELLANEOUS DATA: P/N C/O 50P379-01 AND 50P380-01 OPTIONAL PART: 50P377 V77445 50P381 V77445 POST SERVICE BULLETIN: 79-76 V77445		1
	37 50P381		.SHIELD SET- SUPPLIER CODE: V77445 CONFIG CHG DATA FROM A CMM: FOR INTRCHG SEE PW IPC MISCELLANEOUS DATA: PW P/N C/O 50P382-01 AND 50P383-01 OPTIONAL PART: 50P377 V77445 50P378 V77445 POST SERVICE BULLETIN: 79-76 V77445		1

ILLUSTRATION ITEMS NOT ON PARTS LIST ARE NOT APPLICABLE

- ITEM NOT ILLUSTRATED

HXL

72-54-02-01

BOEING PROPRIETARY - Copyright © - Unpublished Work - See title page for details.

72-54-02  
FIG. 01  
PAGE 8  
DEC 22/06



767

PARTS CATALOG (MAINTENANCE)

FIG ITEM	PART NUMBER	1 2 3 4 5 6 7	NOMENCLATURE	EFFECT FROM TO	UNITS PER ASSY
1					
38	ST1711-02		.STRAP-RETAINING SUPPLIER CODE: V77445 POST SERVICE BULLETIN: 72-635 V77445		11
39	50P384		.CLAMP- SUPPLIER CODE: V77445 CONFIG CHG DATA FROM A CMM: FOR INTRCHG SEE PW IPC POST SERVICE BULLETIN: 79-76 V77445		1
40	AS3209-015		.PACKING- OPTIONAL PART: ST1946-015 V77445		1
40	ST1946-015		.PACKING- SUPPLIER CODE: V77445 OPTIONAL PART: AS3209-015		1
41	ST1711-02		.STRAP-RETAINING SUPPLIER CODE: V77445 CONFIG CHG DATA FROM A CMM: FOR INTRCHG SEE PW IPC POST SERVICE BULLETIN: 79-76 V77445		9
42	AS3209-015		.PACKING- OPTIONAL PART: ST1946-015 V77445		1
42	ST1946-015		.PACKING- SUPPLIER CODE: V77445 OPTIONAL PART: AS3209-015		1
45	50P186		.ADAPTER-TUBE TO BOSS SUPPLIER CODE: V77445		1
47	50P186		.ADAPTER-TUBE TO BOSS SUPPLIER CODE: V77445		1

ILLUSTRATION ITEMS NOT ON PARTS LIST ARE NOT APPLICABLE

- ITEM NOT ILLUSTRATED

72-54-02-01

72-54-02  
FIG. 01  
PAGE 9  
DEC 22/06

HXL





767

PARTS CATALOG (MAINTENANCE)

FIG ITEM	PART NUMBER	1 2 3 4 5 6 7	NOMENCLATURE	EFFECT FROM TO	UNITS PER ASSY
1 50	50P070		.TUBE ASSY-NO. FOUR BRG PRESSURE SUPPLIER CODE: V77445 NOT APPROVED FOR ETOPS WITHOUT INCORP OF SB: A72-436 V77445 CONFIG CHG DATA FROM A CMM: FOR INTRCHG SEE PW IPC PRE SERVICE BULLETIN: 79-76 V77445		1
55	50P312-01		.TUBE ASSY-NO. FOUR BRG PRESSURE SUPPLIER CODE: V77445 CONFIG CHG DATA FROM A CMM: FOR INTRCHG SEE PW IPC POST SERVICE BULLETIN: 79-76 V77445		1

ILLUSTRATION ITEMS NOT ON PARTS LIST ARE NOT APPLICABLE

- ITEM NOT ILLUSTRATED

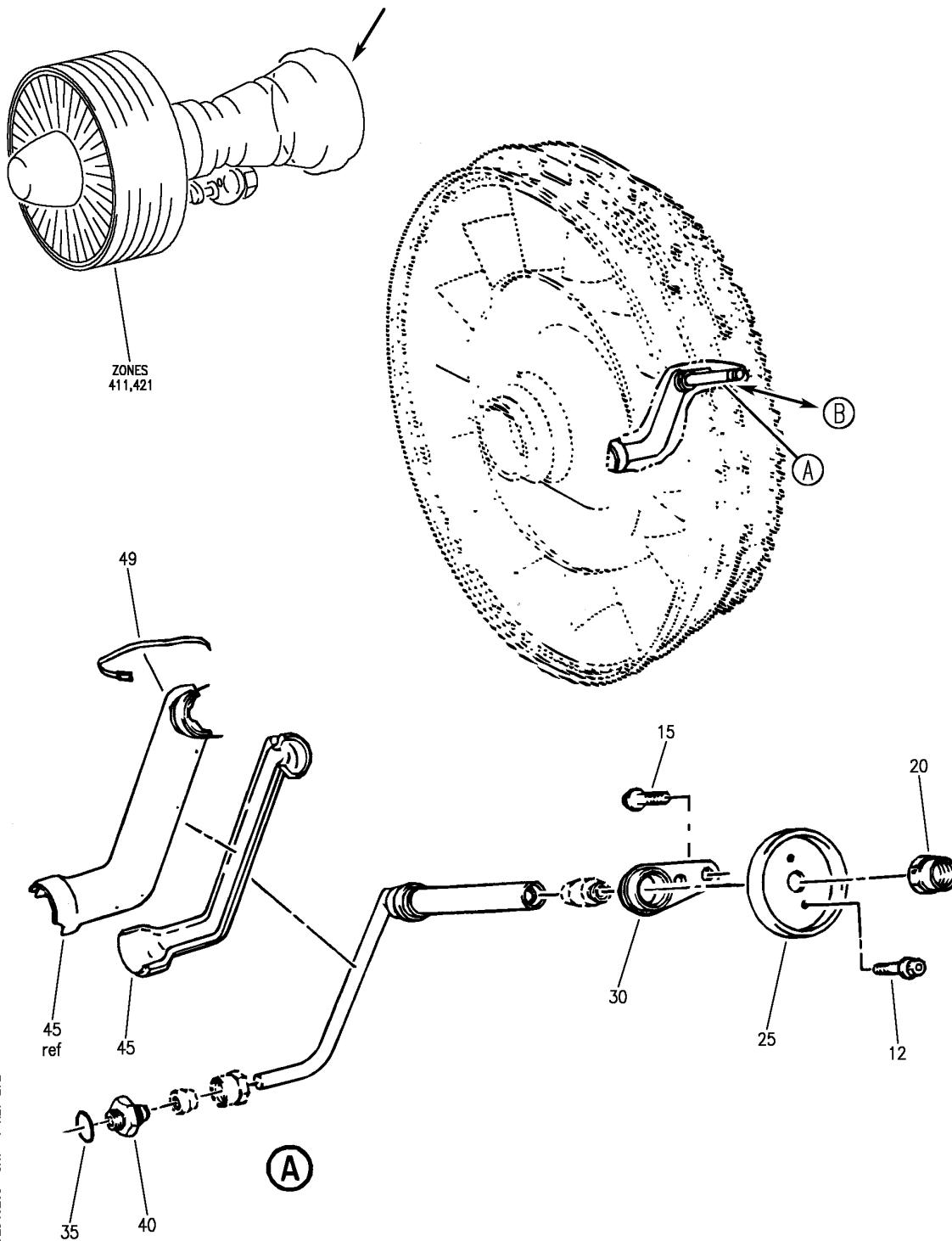
HXL

**72-54-02-01**

BOEING PROPRIETARY - Copyright © - Unpublished Work - See title page for details.

72-54-02  
FIG. 01  
PAGE 10  
DEC 22/06

**BOEING**  
767  
PARTS CATALOG (MAINTENANCE)



V 72540205 SHT 1 REV 272

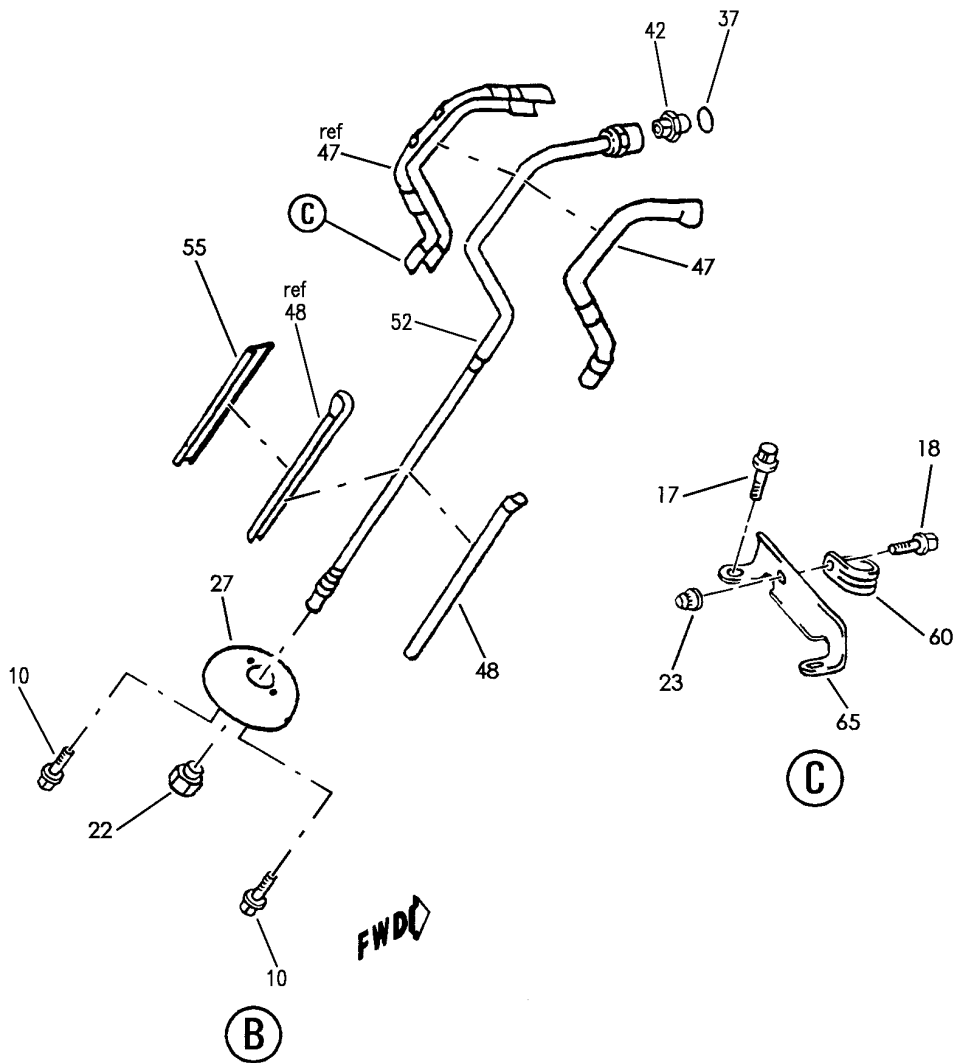
TUBE-NO. FOUR BRG SCAVENGE (PW4000)  
FIGURE 5 (SHEET 1)

**72-54-02-05**

HXL  
DEC 22/06

72-54-02-05  
PAGE 0

**BOEING**  
767  
PARTS CATALOG (MAINTENANCE)



V 72540205 SH1 2 REV 272

TUBE-NO. FOUR BRG SCAVENGE (PW4000)  
FIGURE 5 (SHEET 2)

**72-54-02-05**

HXL  
DEC 22/06

72-54-02-05  
PAGE 0A



767

PARTS CATALOG (MAINTENANCE)

FIG ITEM	PART NUMBER	1 2 3 4 5 6 7	NOMENCLATURE	EFFECT FROM TO	UNITS PER ASSY
5			TUBE-NO. FOUR BRG SCAVENGE (PW4000)		
- 1	PW4060		ENGINE- SUPPLIER CODE: V77445 CONFIG CHG DATA FROM A CMM: SEE 71-00-51 FIG. 2 FOR APPLICABLE ENGINE SERIES		RF
10	MS9574-03		.BOLT- REFERENCE SERVICE BULLETIN: 79-76 V77445		2
12	MS9574-04		.BOLT- CONFIG CHG DATA FROM A CMM: FOR INTRCHG SEE PW IPC PRE SERVICE BULLETIN: 79-76 V77445		2
15	494430		.BOLT- SUPPLIER CODE: V77445 CONFIG CHG DATA FROM A CMM: FOR INTRCHG SEE PP IPC PRE SERVICE BULLETIN: 79-76 V77445		2
17	MS9697-10		.BOLT- CONFIG CHG DATA FROM A CMM: FOR INTRCHG SEE PW IPC POST SERVICE BULLETIN: 79-76 V77445		2
18	MS9696-11		.BOLT- CONFIG CHG DATA FROM A CMM: FOR INTRCHG SEE PW IPC POST SERVICE BULLETIN: 79-76 V77445		1
20	364004		.NUT- SUPPLIER CODE: V77445 REFERENCE SERVICE BULLETIN: 79-76 V77445		1

ILLUSTRATION ITEMS NOT ON PARTS LIST ARE NOT APPLICABLE

- ITEM NOT ILLUSTRATED

HXL

72-54-02-05

BOEING PROPRIETARY - Copyright © - Unpublished Work - See title page for details.

72-54-02  
FIG. 05  
PAGE 1  
DEC 22/06



767

PARTS CATALOG (MAINTENANCE)

FIG ITEM	PART NUMBER	1 2 3 4 5 6 7	NOMENCLATURE	EFFECT FROM TO	UNITS PER ASSY
5 22	364004		.NUT- SUPPLIER CODE: V77445 REFERENCE SERVICE BULLETIN: 79-76 V77445		1
23	776440		.NUT- SUPPLIER CODE: V77445 CONFIG CHG DATA FROM A CMM: FOR INTRCHG SEE PW IPC OPTIONAL PART: SL7061C1032 V11815 LH11973-3 V56878 H49674-3 V15653 73356-1032 V56878 AS3070-09 POST SERVICE BULLETIN: 79-76 V77445		1
23	SL7061C1032		.NUT- SUPPLIER CODE: V11815 CONFIG CHG DATA FROM A CMM: PRATT AND WHITNEY PART NO. AS3066-09 FOR INTRCHG SEE PW IPC OPTIONAL PART: 776440 V77445 LH11973-3 V56878 H49674-3 V15653 73356-1032 V56878 AS3070-09 POST SERVICE BULLETIN: 79-76 V77445		1

ILLUSTRATION ITEMS NOT ON PARTS LIST ARE NOT APPLICABLE

- ITEM NOT ILLUSTRATED

HXL

72-54-02-05

BOEING PROPRIETARY - Copyright © - Unpublished Work - See title page for details.

72-54-02  
FIG. 05  
PAGE 2  
DEC 22/06



767

PARTS CATALOG (MAINTENANCE)

FIG ITEM	PART NUMBER	1 2 3 4 5 6 7	NOMENCLATURE	EFFECT FROM TO	UNITS PER ASSY
5 23	LH11973-3		.NUT- SUPPLIER CODE: V56878 CONFIG CHG DATA FROM A CMM: PRATT AND WHITNEY PART NO. AS3067-09 FOR INTRCHG SEE PW IPC OPTIONAL PART: 776440 V77445 SL7061C1032 V11815 H49674-3 V15653 73356-1032 V56878 AS3070-09 POST SERVICE BULLETIN: 79-76 V77445		1
23	H49674-3		.NUT- SUPPLIER CODE: V15653 CONFIG CHG DATA FROM A CMM: PRATT AND WHITNEY PART NO. AS3068-09 FOR INTRCHG SEE PW IPC OPTIONAL PART: 776440 V77445 SL7061C1032 V11815 LH11973-3 V56878 73356-1032 V56878 AS3070-09 POST SERVICE BULLETIN: 79-76 V77445		1

ILLUSTRATION ITEMS NOT ON PARTS LIST ARE NOT APPLICABLE

- ITEM NOT ILLUSTRATED

HXL

72-54-02-05

BOEING PROPRIETARY - Copyright © - Unpublished Work - See title page for details.

72-54-02  
FIG. 05  
PAGE 3  
DEC 22/06



767

PARTS CATALOG (MAINTENANCE)

FIG ITEM	PART NUMBER	1 2 3 4 5 6 7	NOMENCLATURE	EFFECT FROM TO	UNITS PER ASSY
5 23	73356-1032		.NUT- SUPPLIER CODE: V56878 CONFIG CHG DATA FROM A CMM: PRATT AND WHITNEY PART NO. AS3069-09 FOR INTRCHG SEE PW IPC OPTIONAL PART: 776440 V77445 SL7061C1032 V11815 H49674-3 V15653 LH11973-3 V56878 AS3070-09 POST SERVICE BULLETIN: 79-76 V77445		1
23	AS3070-09		.NUT- CONFIG CHG DATA FROM A CMM: FOR INTRCHG SEE PW IPC OPTIONAL PART: 776440 V77445 SL7061C1032 V11815 LH11973-3 V56878 H49674-3 V15653 73356-1032 V56878 POST SERVICE BULLETIN: 79-76 V77445		1
25	792676		.SHIELD-NO. 4 BRG TUBE SUPPLIER CODE: V77445 REFERENCE SERVICE BULLETIN: 79-76 V77445		1
27	792676		.SHIELD-NO. 4 BRG TUBE SUPPLIER CODE: V77445 REFERENCE SERVICE BULLETIN: 79-76 V77445		1

ILLUSTRATION ITEMS NOT ON PARTS LIST ARE NOT APPLICABLE

- ITEM NOT ILLUSTRATED

72-54-02-05

72-54-02  
FIG. 05  
PAGE 4  
DEC 22/06

HXL

BOEING PROPRIETARY - Copyright © - Unpublished Work - See title page for details.



767

PARTS CATALOG (MAINTENANCE)

FIG ITEM	PART NUMBER	1 2 3 4 5 6 7	NOMENCLATURE	EFFECT FROM TO	UNITS PER ASSY
5					
30	50A234		.GUIDE-NO. 4 BRG TUBE SUPPLIER CODE: V77445 CONFIG CHG DATA FROM A CMM: FOR INTRCHG SEE PW IPC PRE SERVICE BULLETIN: 79-76 V77445		1
35	ST1946-015		.PACKING- SUPPLIER CODE: V77445 OPTIONAL PART: AS3209-015		1
35	AS3209-015		.PACKING- OPTIONAL PART: ST1946-015 V77445		1
37	AS3209-015		.PACKING- OPTIONAL PART: ST1946-015 V77445		1
37	ST1946-015		.PACKING- SUPPLIER CODE: V77445 OPTIONAL PART: AS3209-015		1
40	50P186		.ADAPTER-TUBE TO BOSS SUPPLIER CODE: V77445 POST SERVICE BULLETIN: 72-125 V77445		1
42	50P186		.ADAPTER-TUBE TO BOSS SUPPLIER CODE: V77445		1

ILLUSTRATION ITEMS NOT ON PARTS LIST ARE NOT APPLICABLE

- ITEM NOT ILLUSTRATED

HXL

72-54-02-05

BOEING PROPRIETARY - Copyright © - Unpublished Work - See title page for details.

72-54-02  
FIG. 05  
PAGE 5  
DEC 22/06





767

PARTS CATALOG (MAINTENANCE)

FIG ITEM	PART NUMBER	1 2 3 4 5 6 7	NOMENCLATURE	EFFECT FROM TO	UNITS PER ASSY
5 45	50P135		.SHIELD SET- SUPPLIER CODE: V77445 CONFIG CHG DATA FROM A CMM: FOR INTRCHG SEE PW IPC OPTIONAL PART: 50P136 V77445 50P137 V77445 PRE SERVICE BULLETIN: 79-76 V77445 72-635 V77445		1
45	50P136		.SHIELD SET- SUPPLIER CODE: V77445 CONFIG CHG DATA FROM A CMM: FOR INTRCHG SEE PW IPC MISCELLANEOUS DATA: P/N C/O 50P129-01 AND 50P130-01 OPTIONAL PART: 50P135 V77445 50P137 V77445 PRE SERVICE BULLETIN: 79-76 V77445		1
45	50P137		.SHIELD SET- SUPPLIER CODE: V77445 CONFIG CHG DATA FROM A CMM: FOR INTRCHG SEE PW IPC MISCELLANEOUS DATA: P/N C/O 50P131-01 AND 50P132-01 OPTIONAL PART: 50P135 V77445 50P136 V77445 PRE SERVICE BULLETIN: 79-76 V77445		1

ILLUSTRATION ITEMS NOT ON PARTS LIST ARE NOT APPLICABLE

- ITEM NOT ILLUSTRATED

HXL

72-54-02-05

BOEING PROPRIETARY - Copyright © - Unpublished Work - See title page for details.

72-54-02  
FIG. 05  
PAGE 6  
DEC 22/06



767

PARTS CATALOG (MAINTENANCE)

FIG ITEM	PART NUMBER	1 2 3 4 5 6 7	NOMENCLATURE	EFFECT FROM TO	UNITS PER ASSY
5 47	50P334		.SHIELD SET- SUPPLIER CODE: V77445 CONFIG CHG DATA FROM A CMM: FOR INTRCHG SEE PW IPC OPTIONAL PART: 50P336 V77445 50P335 V77445 POST SERVICE BULLETIN: 79-76 V77445		1
47	50P336		.SHIELD SET- SUPPLIER CODE: V77445 CONFIG CHG DATA FROM A CMM: FOR INTRCHG SEE PW IPC MISCELLANEOUS DATA: P/N C/O 50P337-01 AND 50P378-01 OPTIONAL PART: 50P334 V77445 50P335 V77445 POST SERVICE BULLETIN: 79-76 V77445		1
47	50P335		.SHIELD SET- SUPPLIER CODE: V77445 CONFIG CHG DATA FROM A CMM: FOR INTRCHG SEE PW IPC MISCELLANEOUS DATA: P/N C/O 50P318-01 AND 50P320-01 OPTIONAL PART: 50P334 V77445 50P336 V77445 POST SERVICE BULLETIN: 79-76 V77445		1

ILLUSTRATION ITEMS NOT ON PARTS LIST ARE NOT APPLICABLE

- ITEM NOT ILLUSTRATED

HXL

72-54-02-05

BOEING PROPRIETARY - Copyright © - Unpublished Work - See title page for details.

72-54-02  
FIG. 05  
PAGE 7  
DEC 22/06



767

PARTS CATALOG (MAINTENANCE)

FIG ITEM	PART NUMBER	1 2 3 4 5 6 7	NOMENCLATURE	EFFECT FROM TO	UNITS PER ASSY
5 48	50P377		.SHIELD SET- SUPPLIER CODE: V77445 CONFIG CHG DATA FROM A CMM: FOR INTRCHG SEE PW IPC OPTIONAL PART: 50P378 V77445 50P381 V77445 POST SERVICE BULLETIN: 79-76 V77445		1
48	50P381		.SHIELD SET- SUPPLIER CODE: V77445 CONFIG CHG DATA FROM A CMM: FOR INTRCHG SEE PW IPC MISCELLANEOUS DATA: P/N C/O 50P342-01 AND 50P383-01 OPTIONAL PART: 50P377 V77445 50P378 V77445 POST SERVICE BULLETIN: 79-76 V77445		1
49	ST1711-02		.STRAP-RETAINING SUPPLIER CODE: V77445 POST SERVICE BULLETIN: 72-635 V77445		10
50	50P128		.TUBE ASSY-NO. 4 BRG SCAVENGE SUPPLIER CODE: V77445 NOT APPROVED FOR ETOPS WITHOUT INCORP OF SB: A72-436 V77445 CONFIG CHG DATA FROM A CMM: FOR INTRCHG SEE PW IPC PRE SERVICE BULLETIN: 79-76 V77445		1

ILLUSTRATION ITEMS NOT ON PARTS LIST ARE NOT APPLICABLE

- ITEM NOT ILLUSTRATED

HXL

72-54-02-05

BOEING PROPRIETARY - Copyright © - Unpublished Work - See title page for details.

72-54-02  
FIG. 05  
PAGE 8  
DEC 22/06



767

PARTS CATALOG (MAINTENANCE)

FIG ITEM	PART NUMBER	1 2 3 4 5 6 7	NOMENCLATURE	EFFECT FROM TO	UNITS PER ASSY
5	52 50P313-01		.TUBE ASSY-NO. 4 BRG SCAVENGE SUPPLIER CODE: V77445 CONFIG CHG DATA FROM A CMM: FOR INTRCHG SEE PW IPC POST SERVICE BULLETIN: 79-76 V77445		1
	55 50P384		.CLAMP- SUPPLIER CODE: V77445 CONFIG CHG DATA FROM A CMM: FOR INTRCHG SEE PW IPC POST SERVICE BULLETIN: 79-76 V77445		1
	60 ST1428-20		.CLAMP- SUPPLIER CODE: V77445 CONFIG CHG DATA FROM A CMM: FOR INTRCHG SEE PW IPC POST SERVICE BULLETIN: 79-76 V77445		1
	65 50P409		.BRACKET- SUPPLIER CODE: V77445 CONFIG CHG DATA FROM A CMM: FOR INTRCHG SEE PW IPC POST SERVICE BULLETIN: 79-76 V77445		1

ILLUSTRATION ITEMS NOT ON PARTS LIST ARE NOT APPLICABLE

- ITEM NOT ILLUSTRATED

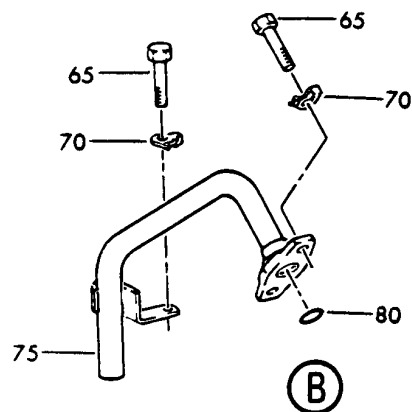
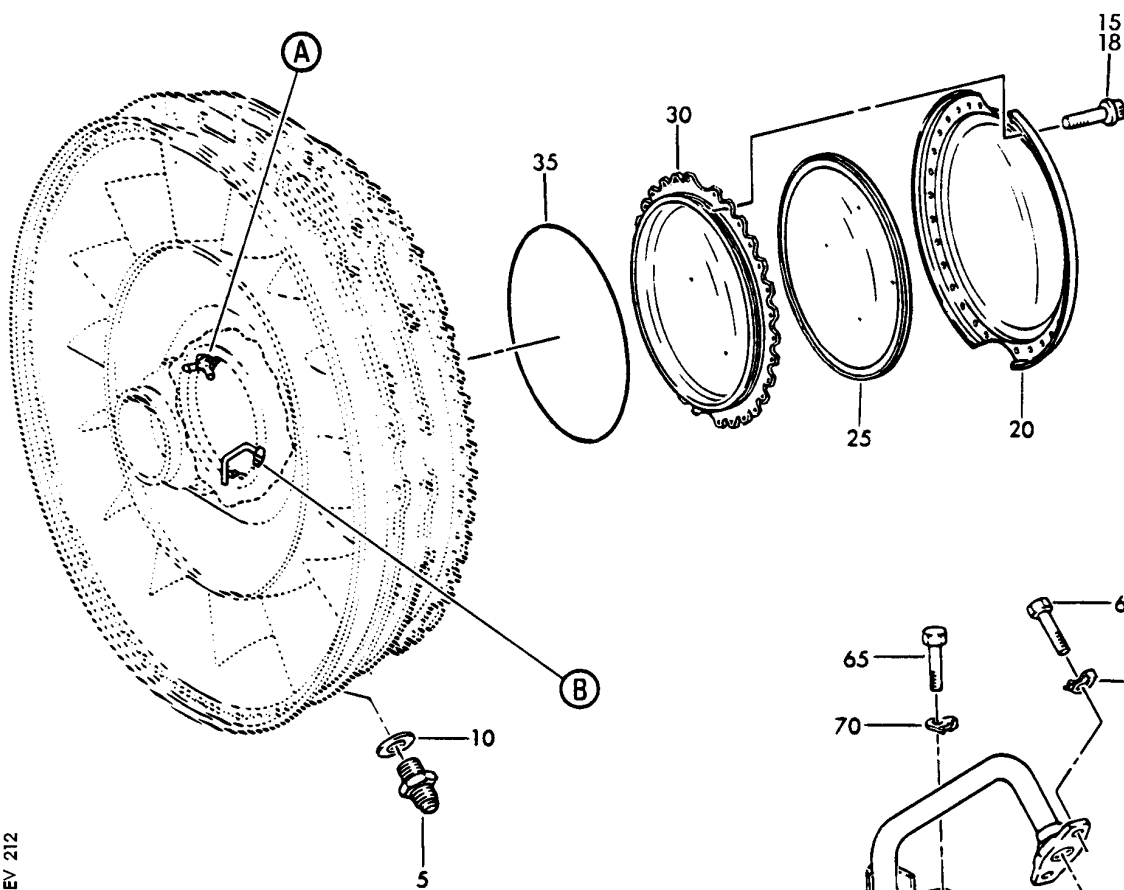
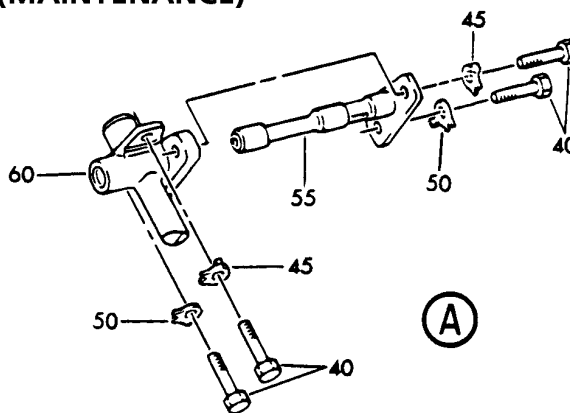
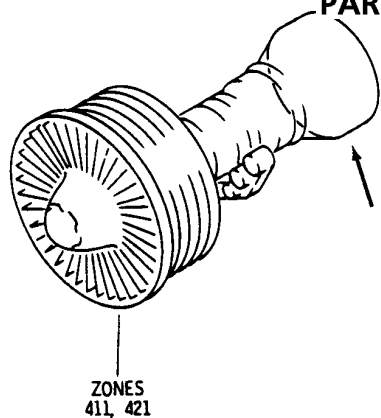
HXL

72-54-02-05

BOEING PROPRIETARY - Copyright © - Unpublished Work - See title page for details.

72-54-02  
FIG. 05  
PAGE 9  
DEC 22/06

**BOEING**  
767  
PARTS CATALOG (MAINTENANCE)



V 72540301 REV 212

NOZZLE AND COVER-NO. FOUR BRG (PW4000)  
FIGURE 1

**72-54-03-01**

HXL  
DEC 22/06

72-54-03-01  
PAGE 0



767

PARTS CATALOG (MAINTENANCE)

FIG ITEM	PART NUMBER	1 2 3 4 5 6 7	NOMENCLATURE	EFFECT FROM TO	UNITS PER ASSY
1			NOZZLE AND COVER-NO. FOUR BRG (PW4000)		
- 1	PW4060		ENGINE- SUPPLIER CODE: V77445 CONFIG CHG DATA FROM A CMM: SEE 71-00-51 FIG. 2 FOR APPLICABLE ENGINE SERIES		RF
5	51T849		.ADAPTER-TUBE TO BOSS SUPPLIER CODE: V77445		1
10	749718		.WASHER- SUPPLIER CODE: V77445		1
15	MS9886-07		.BOLT- CONFIG CHG DATA FROM A CMM: FOR INTRCHG PW IPC POST SERVICE BULLETIN: 72-456 V77445		16
18	MS9886-07		.BOLT- CONFIG CHG DATA FROM A CMM: FOR INTRCHG PW IPC PRE SERVICE BULLETIN: 72-456 V77445		30
20	50A193		.SHIELD-NO. 4 BRG SUPPLIER CODE: V77445 CONFIG CHG DATA FROM A CMM: FOR INTRCHG SEE PW IPC PRE SERVICE BULLETIN: 72-456 V77445		1
20	50A656		.SHIELD-NO. 4 BRG SUPPLIER CODE: V77445 CONFIG CHG DATA FROM A CMM: FOR INTRCHG SEE PW IPC POST SERVICE BULLETIN: 72-456 V77445		1

ILLUSTRATION ITEMS NOT ON PARTS LIST ARE NOT APPLICABLE

- ITEM NOT ILLUSTRATED

HXL

72-54-03-01

BOEING PROPRIETARY - Copyright © - Unpublished Work - See title page for details.

72-54-03  
FIG. 01  
PAGE 1  
DEC 22/06



767

PARTS CATALOG (MAINTENANCE)

FIG ITEM	PART NUMBER	1 2 3 4 5 6 7	NOMENCLATURE	EFFECT FROM TO	UNITS PER ASSY
1					
25	50A511		.SHIELD-HEAT SUPPLIER CODE: V77445 OPTIONAL PART: 50A192-01 V77445 50A367-01 V77445		1
25	50A192-01		.SHIELD-HEAT SUPPLIER CODE: V77445 OPTIONAL PART: 50A367-01 V77445 50A511 V77445		1
25	50A367-01		.SHIELD-HEAT SUPPLIER CODE: V77445 OPTIONAL PART: 50A192-01 V77445 50A511 V77445		1
30	50A191		.COVER ASSY-NO. 4 BRG SUPPLIER CODE: V77445 CONFIG CHG DATA FROM A CMM: FOR INTRCHG SEE PW IPC PRE SERVICE BULLETIN: 72-456 V77445 72-385 V77445 72-606 V77445		1

ILLUSTRATION ITEMS NOT ON PARTS LIST ARE NOT APPLICABLE

- ITEM NOT ILLUSTRATED

HXL

72-54-03-01

BOEING PROPRIETARY - Copyright © - Unpublished Work - See title page for details.

72-54-03  
FIG. 01  
PAGE 2  
DEC 22/06



767

PARTS CATALOG (MAINTENANCE)

FIG ITEM	PART NUMBER	1 2 3 4 5 6 7	NOMENCLATURE	EFFECT FROM TO	UNITS PER ASSY
1 30	50A191-001		.COVER ASSY-NO. 4 BRG SUPPLIER CODE: V77445 CONFIG CHG DATA FROM A CMM: REIDENT FROM 50A191 FOR INTRCHG SEE PW IPC POST SERVICE BULLETIN: 72-385 V77445 PRE SERVICE BULLETIN: 72-456 V77445 72-606 V77445		1
30	50A655-01		.COVER ASSY-NO. 4 BRG SUPPLIER CODE: V77445 CONFIG CHG DATA FROM A CMM: FOR INTRCHG SEE PW IPC OPTIONAL PART: 51A478-01 V77445 POST SERVICE BULLETIN: 72-456 V77445 PRE SERVICE BULLETIN: 72-606 V77445		1
30	51A478-01		.COVER ASSY-NO. 4 BRG SUPPLIER CODE: V77445 CONFIG CHG DATA FROM A CMM: FOR INTRCHG SEE PW IPC OPTIONAL PART: 50A655-01 V77445 POST SERVICE BULLETIN: 72-606 V77445		1
35	AS3209-378		.PACKING- OPTIONAL PART: ST1946-378 V77445		1
35	ST1946-378		.PACKING- SUPPLIER CODE: V77445 OPTIONAL PART: AS3209-378		1
40	MS9452-05		.BOLT		4

ILLUSTRATION ITEMS NOT ON PARTS LIST ARE NOT APPLICABLE

- ITEM NOT ILLUSTRATED

72-54-03-01

72-54-03  
FIG. 01  
PAGE 3  
DEC 22/06

HXL





767

PARTS CATALOG (MAINTENANCE)

FIG ITEM	PART NUMBER	1 2 3 4 5 6 7	NOMENCLATURE	EFFECT FROM TO	UNITS PER ASSY
1					
45	MS9581-10		.WASHER- REFERENCE SERVICE BULLETIN: 72-472 V77445		2
50	MS9582-10		.WASHER- REFERENCE SERVICE BULLETIN: 72-472 V77445		2
55	50P032		.TUBE-NO. 4 BRG TRANSFER SUPPLIER CODE: V77445 CONFIG CHG DATA FROM A CMM: FOR INTRCHG SEE PW IPC PRE SERVICE BULLETIN: 72-472 V77445		1
55	50P358-01		.TUBE ASSY-NO. 4 BRG SUPPLIER CODE: V77445 CONFIG CHG DATA FROM A CMM: FOR INTRCHG SEE PW IPC POST SERVICE BULLETIN: 72-472 V77445		1
60	50P031		.NOZZLE-NO. 4 BRG SUPPLIER CODE: V77445 NOT APPROVED FOR ETOPS WITHOUT INCORP OF SB: A72-436 V77445		1
65	MS9451-04		.BOLT		3
70	MS9582-09		.TABLOCK- REFERENCE SERVICE BULLETIN: 72-472 V77445		3
75	50A374		.TUBE ASSY-NO. 4 BRG SCAVENGE SUPPLIER CODE: V77445 CONFIG CHG DATA FROM A CMM: FOR INTRCHG SEE PW IPC PRE SERVICE BULLETIN: 72-472 V77445		1

ILLUSTRATION ITEMS NOT ON PARTS LIST ARE NOT APPLICABLE

- ITEM NOT ILLUSTRATED

72-54-03-01

72-54-03  
FIG. 01  
PAGE 4  
DEC 22/06

HXL



767

PARTS CATALOG (MAINTENANCE)

FIG ITEM	PART NUMBER	1 2 3 4 5 6 7	NOMENCLATURE	EFFECT FROM TO	UNITS PER ASSY
1	75 51A168-01		.TUBE ASSY-NO. 4 BRG SCAVENGE SUPPLIER CODE: V77445 NOT APPROVED FOR ETOPS WITHOUT INCORP OF SB: A72-436 V77445 CONFIG CHG DATA FROM A CMM: FOR INTRCHG SEE PW IPC POST SERVICE BULLETIN: 72-472 V77445		1
	80 ST1140-09		.GASKET- SUPPLIER CODE: V77445 OPTIONAL PART: ST1120-09 V77445 P12U51-0006-2 V15284		1
	80 P12U51-0006-2		.GASKET- SUPPLIER CODE: V15284 CONFIG CHG DATA FROM A CMM: PRATT AND WHITNEY PART NO. ST1110-09 OPTIONAL PART: ST1140-09 V77445 ST1120-09 V77445		1
	80 ST1120-09		.GASKET- SUPPLIER CODE: V77445 OPTIONAL PART: ST1140-09 V77445 P12U51-0006-2 V15284		1
-	85 AS3209-109		.PACKING- CONFIG CHG DATA FROM A CMM: FOR INTRCHG SEE PW IPC OPTIONAL PART: ST1946-109 V77445 POST SERVICE BULLETIN: 72-472 V77445		1

ILLUSTRATION ITEMS NOT ON PARTS LIST ARE NOT APPLICABLE

- ITEM NOT ILLUSTRATED

72-54-03-01

72-54-03  
FIG. 01  
PAGE 5  
DEC 22/06

HXL



767

PARTS CATALOG (MAINTENANCE)

FIG ITEM	PART NUMBER	1 2 3 4 5 6 7	NOMENCLATURE	EFFECT FROM TO	UNITS PER ASSY
1					
- 85	ST1946-109		.PACKING- SUPPLIER CODE: V77445 CONFIG CHG DATA FROM A CMM: FOR INTRCHG SEE PW IPC OPTIONAL PART: AS3209-109		1
- 100	50P361-01		.NOZZLE ASSY-NO.4 BRG FRONT SUPPLIER CODE: V77445 CONFIG CHG DATA FROM A CMM: FOR INTRCHG SEE PW IPC POST SERVICE BULLETIN: 72-472 V77445		1
- 105	50P359		.TUBE-TRASFER PACKING SUPPLIER CODE: V77445 CONFIG CHG DATA FROM A CMM: FOR INTRCHG SEE PW IPC POST SERVICE BULLETIN: 72-472 V77445		1

ILLUSTRATION ITEMS NOT ON PARTS LIST ARE NOT APPLICABLE

- ITEM NOT ILLUSTRATED

HXL

72-54-03-01

BOEING PROPRIETARY - Copyright © - Unpublished Work - See title page for details.

72-54-03  
FIG. 01  
PAGE 6  
DEC 22/06