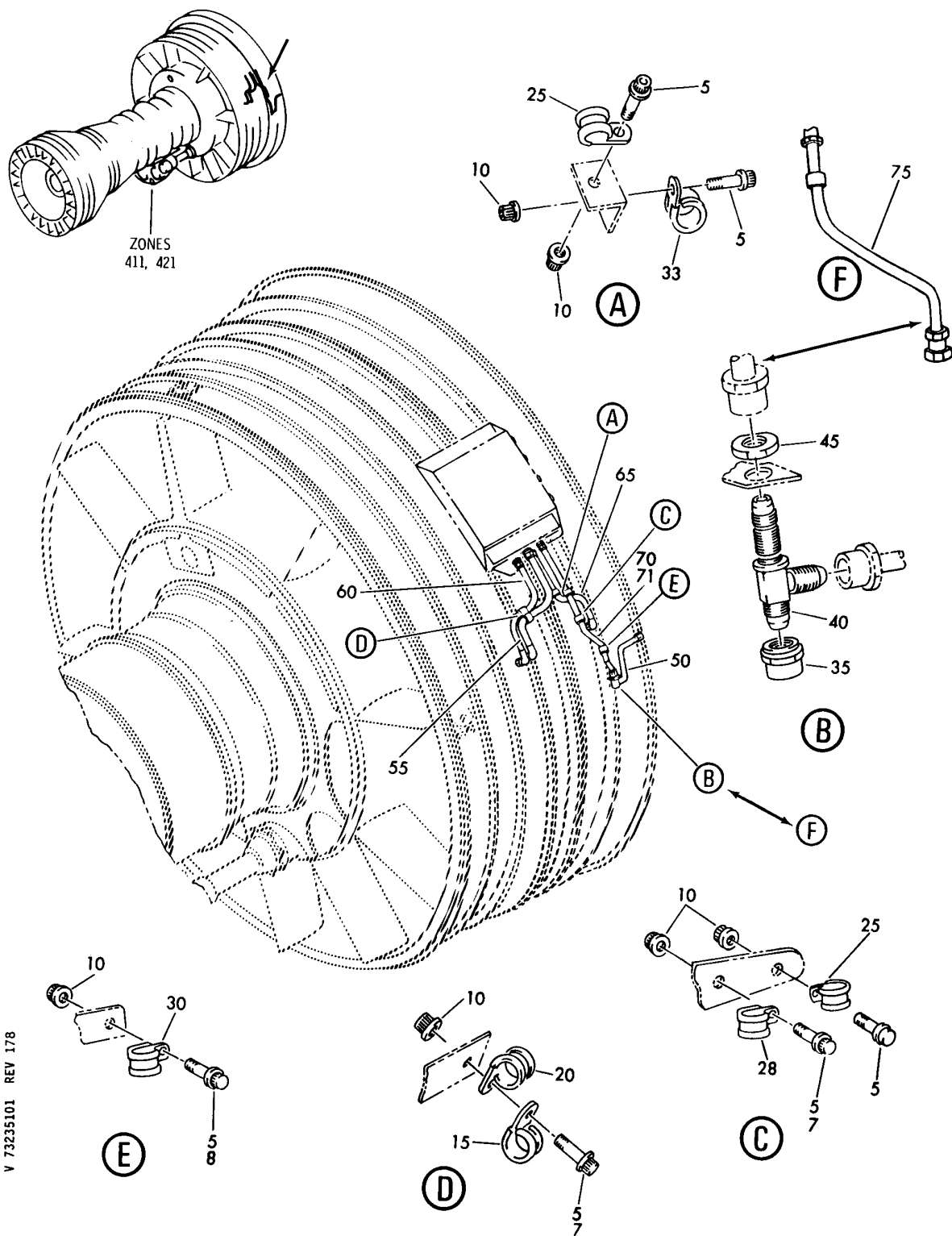


## EEC BITE INDICATING SYSTEM

HXL  
DEC 22/06

73-23-00  
SECTION TITLE  
PAGE 1

**BOEING**  
767  
PARTS CATALOG (MAINTENANCE)



HOSES-ELECTRONIC ENG CONT (PW4000)  
FIGURE 1

**73-23-51-01**

HXL  
DEC 22/06

73-23-51-01  
PAGE 0



767

PARTS CATALOG (MAINTENANCE)

FIG ITEM	PART NUMBER	1 2 3 4 5 6 7	NOMENCLATURE	EFFECT FROM TO	UNITS PER ASSY
1			HOSES-ELECTRONIC ENG CONT (PW4000)		
- 1	PW4060		ENGINE- SUPPLIER CODE: V77445 CONFIG CHG DATA FROM A CMM: SEE 71-00-51 FIG. 2 FOR APPLICABLE ENGINE SERIES		RF
5	MS9208-08		.BOLT- CONFIG CHG DATA FROM A CMM: FOR INTRCHG SEE PW IPC		5
7	MS9208-08		.BOLT- CONFIG CHG DATA FROM A CMM: FOR INTRCHG SEE PW IPC OPTIONAL PART: MS9556 PRE SERVICE BULLETIN: 72-124 V77445 72-349 V77445		2
7	MS9556-08		.BOLT- CONFIG CHG DATA FROM A CMM: FOR INTRCHG SEE PW IPC OPTIONAL PART: MS9208-08 POST SERVICE BULLETIN: 72-349 V77445		2
10	776440		.NUT- SUPPLIER CODE: V77445 OPTIONAL PART: SL7061C1032 V11815 LH11973-3 V56878 H49674-3 V15653 73356-1032 V56878 AS3070-09		6

ILLUSTRATION ITEMS NOT ON PARTS LIST ARE NOT APPLICABLE

- ITEM NOT ILLUSTRATED

HXL

73-23-51-01

BOEING PROPRIETARY - Copyright © - Unpublished Work - See title page for details.

73-23-51  
FIG. 01  
PAGE 1  
DEC 22/06



767

PARTS CATALOG (MAINTENANCE)

FIG ITEM	PART NUMBER	1 2 3 4 5 6 7	NOMENCLATURE	EFFECT FROM TO	UNITS PER ASSY
1					
10	SL7061C1032		.NUT- SUPPLIER CODE: V11815 CONFIG CHG DATA FROM A CMM: PRATT AND WHITNEY PART NO. AS3066-09 OPTIONAL PART: 776440 V77445 LH11973-3 V56878 H49674-3 V15653 73356-1032 V56878 AS3070-09		6
10	LH11973-3		.NUT- SUPPLIER CODE: V56878 CONFIG CHG DATA FROM A CMM: PRATT AND WHITNEY PART NO. AS3067-09 OPTIONAL PART: 776440 V77445 SL7061C1032 V11815 H49674-3 V15653 73356-1032 V56878 AS3070-09		6
10	H49674-3		.NUT- SUPPLIER CODE: V15653 CONFIG CHG DATA FROM A CMM: PRATT AND WHITNEY PART NO. AS3068-09 OPTIONAL PART: 776440 V77445 SL7061C1032 V11815 LH11973-3 V56878 73356-1032 V56878 AS3070-09		6

ILLUSTRATION ITEMS NOT ON PARTS LIST ARE NOT APPLICABLE

- ITEM NOT ILLUSTRATED

HXL

73-23-51-01

BOEING PROPRIETARY - Copyright © - Unpublished Work - See title page for details.

73-23-51  
FIG. 01  
PAGE 2  
DEC 22/06



767

PARTS CATALOG (MAINTENANCE)

FIG ITEM	PART NUMBER	1 2 3 4 5 6 7	NOMENCLATURE	EFFECT FROM TO	UNITS PER ASSY
1	10 AS3070-09		.NUT- OPTIONAL PART: 776440 V77445 SL7061C1032 V11815 LH11973-3 V56878 H49674-3 V15653 73356-1032 V56878		6
	10 73356-1032		.NUT- SUPPLIER CODE: V56878 CONFIG CHG DATA FROM A CMM: PRATT AND WHITNEY PART NO. AS3069-09 OPTIONAL PART: 776440 V77445 SL7061C1032 V11815 LH11973-3 V56878 H49674-3 V15653 AS3070-09		6
	15 ST1435-09		.CLAMP-CUSHION LOOP SUPPLIER CODE: V77445 CONFIG CHG DATA FROM A CMM: FOR INTRCHG SEE PW IPC PRE SERVICE BULLETIN: 73-169 V77445		1
	15 ST1435-10		.CLAMP-CUSHION LOOP SUPPLIER CODE: V77445 NOT APPROVED FOR ETOPS. CONFIG CHG DATA FROM A CMM: FOR INTRCHG SEE PW IPC POST SERVICE BULLETIN: 73-169 V77445		1

ILLUSTRATION ITEMS NOT ON PARTS LIST ARE NOT APPLICABLE

- ITEM NOT ILLUSTRATED

HXL

73-23-51-01

BOEING PROPRIETARY - Copyright © - Unpublished Work - See title page for details.

73-23-51  
FIG. 01  
PAGE 3  
APR 22/09



767

PARTS CATALOG (MAINTENANCE)

FIG ITEM	PART NUMBER	1 2 3 4 5 6 7	NOMENCLATURE	EFFECT FROM TO	UNITS PER ASSY
1					
20	ST1435-10		.CLAMP-CUSHION LOOP SUPPLIER CODE: V77445 NOT APPROVED FOR ETOPS. POST SERVICE BULLETIN: 72-124 V77445		1
25	ST1435-06		.CLAMP-CUSHION LOOP SUPPLIER CODE: V77445		2
28	ST1435-05		.CLAMP-CUSHION LOOP SUPPLIER CODE: V77445 CONFIG CHG DATA FROM A CMM: FOR INTRCHG SEE PW IPC		1
28	ST1435-04		.CLAMP-CUSHION LOOP SUPPLIER CODE: V77445 CONFIG CHG DATA FROM A CMM: FOR INTRCHG SEE PW IPC		1
30	ST1435-05		.CLAMP-CUSHION LOOP SUPPLIER CODE: V77445		1
33	ST1435-05		.CLAMP-CUSHION LOOP SUPPLIER CODE: V77445 CONFIG CHG DATA FROM A CMM: FOR INTRCHG SEE PW IPC		1
33	ST1435-06		.CLAMP-CUSHION LOOP SUPPLIER CODE: V77445 CONFIG CHG DATA FROM A CMM: FOR INTRCHG SEE PW IPC		1
35	MS9315-04		.CAP ASSY		1
40	427118		.TEE-TUBE SUPPLIER CODE: V77445 POST SERVICE BULLETIN: 72-744 V77445		1
45	ST2163-13		.NUT- SUPPLIER CODE: V77445 POST SERVICE BULLETIN: 72-744 V77445		1

ILLUSTRATION ITEMS NOT ON PARTS LIST ARE NOT APPLICABLE

- ITEM NOT ILLUSTRATED

HXL

73-23-51-01

BOEING PROPRIETARY - Copyright © - Unpublished Work - See title page for details.

73-23-51  
FIG. 01  
PAGE 4  
APR 22/09



767

PARTS CATALOG (MAINTENANCE)

FIG ITEM	PART NUMBER	1 2 3 4 5 6 7	NOMENCLATURE	EFFECT FROM TO	UNITS PER ASSY
1					
50	53T290		.HOSE- SUPPLIER CODE: V77445 OPTIONAL PART: V77445 V77445 53T291 V77445 53T293 V77445 59T182 V77445 51T801 V77445 POST SERVICE BULLETIN: 73-39 V77445		1
50	53T291		.HOSE- SUPPLIER CODE: V77445 OPTIONAL PART: V77445 53T290 V77445 53T293 V77445 51T801 V77445 59T182 V77445		1
50	53T293		.HOSE- SUPPLIER CODE: V77445 OPTIONAL PART: V77445 53T290 V77445 53T291 V77445 51T801 V77445 59T182 V77445		1

ILLUSTRATION ITEMS NOT ON PARTS LIST ARE NOT APPLICABLE

- ITEM NOT ILLUSTRATED

HXL

73-23-51-01

BOEING PROPRIETARY - Copyright © - Unpublished Work - See title page for details.

73-23-51  
FIG. 01  
PAGE 5  
DEC 22/06



767

PARTS CATALOG (MAINTENANCE)

FIG ITEM	PART NUMBER	1 2 3 4 5 6 7	NOMENCLATURE	EFFECT FROM TO	UNITS PER ASSY
1	50 51T801		.HOSE- SUPPLIER CODE: V77445 OPTIONAL PART: 53T291 V77445 53T293 V77445 53T290 V77445 59T182 V77445		1
	50 59T182		.HOSE- SUPPLIER CODE: V77445 OPTIONAL PART: 53T290 V77445 53T291 V77445 53T293 V77445 51T801 V77445 POST SERVICE BULLETIN: 72-744 V77445		1
	55 51T289		.HOSE-PT4.95 ELECTRONIC ENG CONT AS13 SUPPLIER CODE: V77445 CONFIG CHG DATA FROM A CMM: FOR INTRCHG SEE PW IPC OPTIONAL PART: 50T964 V77445 50T965 V77445 50T966 V77445 55T392 V77445		1

ILLUSTRATION ITEMS NOT ON PARTS LIST ARE NOT APPLICABLE

- ITEM NOT ILLUSTRATED

HXL

73-23-51-01

BOEING PROPRIETARY - Copyright © - Unpublished Work - See title page for details.

73-23-51  
FIG. 01  
PAGE 6  
DEC 22/06





767

PARTS CATALOG (MAINTENANCE)

FIG ITEM	PART NUMBER	1 2 3 4 5 6 7	NOMENCLATURE	EFFECT FROM TO	UNITS PER ASSY
1					
55	55T392		.HOSE-PT4.95 ELECTRONIC ENG CONT SUPPLIER CODE: V77445 CONFIG CHG DATA FROM A CMM: FOR INTRCHG SEE PW IPC OPTIONAL PART: 50T964 V77445 50T965 V77445 50T966 V77445 51T289 V77445 POST SERVICE BULLETIN: 73-169 V77445		1
55	50T964		.HOSE-PT4.95 ELECTRONIC ENG CONT SUPPLIER CODE: V77445 CONFIG CHG DATA FROM A CMM: FOR INTRCHG SEE PW IPC OPTIONAL PART: 50T966 V77445 50T965 V77445 51T289 V77445 55T392 V77445		1
55	50T965		.HOSE-PT4.95 ELECTRONIC ENG CONT SUPPLIER CODE: V77445 CONFIG CHG DATA FROM A CMM: FOR INTRCHG SEE PW IPC OPTIONAL PART: 50T964 V77445 50T966 V77445 51T289 V77445 55T392 V77445		1

ILLUSTRATION ITEMS NOT ON PARTS LIST ARE NOT APPLICABLE

- ITEM NOT ILLUSTRATED

HXL

73-23-51-01

BOEING PROPRIETARY - Copyright © - Unpublished Work - See title page for details.

73-23-51  
FIG. 01  
PAGE 7  
DEC 22/06



767

PARTS CATALOG (MAINTENANCE)

FIG ITEM	PART NUMBER	1 2 3 4 5 6 7	NOMENCLATURE	EFFECT FROM TO	UNITS PER ASSY
1 55	50T966		.HOSE-PT4.95 ELECTRONIC ENG CONT AS13 SUPPLIER CODE: V77445 CONFIG CHG DATA FROM A CMM: FOR INTRCHG SEE PW IPC OPTIONAL PART: 51T289 V77445 50T964 V77445 50T965 V77445 55T392 V77445		1
60	59T532		.HOSE-PB ELECTRONIC ENG CONT AS12 SUPPLIER CODE: V77445 OPTIONAL PART: 53T343 V77445		1
60	53T343		.HOSE-PB ELECTRONIC ENG CONT AS12 SUPPLIER CODE: V77445 OPTIONAL PART: 59T532 V77445 POST SERVICE BULLETIN: 72-124 V77445		1
60	59T177		.HOSE-PAM ELECTRONIC ENG CONT SUPPLIER CODE: V77445		1
65	51T286		.HOSE-PAM ELECTRONIC ENG CONT AS11 SUPPLIER CODE: V77445 OPTIONAL PART: 50T955 V77445 50T956 V77445 50T957 V77445 59T175 V77445		1

ILLUSTRATION ITEMS NOT ON PARTS LIST ARE NOT APPLICABLE

- ITEM NOT ILLUSTRATED

73-23-51-01

73-23-51  
FIG. 01  
PAGE 8  
DEC 22/06

HXL



767

PARTS CATALOG (MAINTENANCE)

FIG ITEM	PART NUMBER	1 2 3 4 5 6 7	NOMENCLATURE	EFFECT FROM TO	UNITS PER ASSY
1 65	59T175		.HOSE-PAM ELECTRONIC ENG CONT AS11 SUPPLIER CODE: V77445 OPTIONAL PART: 50T955 V77445 50T956 V77445 50T957 V77445 51T286 V77445		1
65	50T955		.HOSE-PAM ELECTRONIC ENG CONT SUPPLIER CODE: V77445 OPTIONAL PART: 51T286 V77445 50T956 V77445 50T957 V77445 59T175 V77445		1
65	506956		.HOSE-PAM ELECTRONIC ENG CONT SUPPLIER CODE: V77445 OPTIONAL PART: 51T286 V77445 50T955 V77445 50T957 V77445 59T175 V77445		1

ILLUSTRATION ITEMS NOT ON PARTS LIST ARE NOT APPLICABLE

- ITEM NOT ILLUSTRATED

HXL

73-23-51-01

BOEING PROPRIETARY - Copyright © - Unpublished Work - See title page for details.

73-23-51  
FIG. 01  
PAGE 9  
DEC 22/06

 **BOEING**  
767  
**PARTS CATALOG (MAINTENANCE)**

FIG ITEM	PART NUMBER	1 2 3 4 5 6 7	NOMENCLATURE	EFFECT FROM TO	UNITS PER ASSY
1 65	50T957		.HOSE-PAM ELECTRONIC ENG CONT SUPPLIER CODE: V77445 OPTIONAL PART: 51T286 V77445 50T955 V77445 50T956 V77445 59T175 V77445		1
- 67	50T955		.HOSE-PAM ELECTRONIC ENG CONT SUPPLIER CODE: V77445 OPTIONAL PART: 50T956 V77445 50T957 V77445 59T175 V77445		1
- 67	50T956		.HOSE-PAM ELECTRONIC ENG CONT SUPPLIER CODE: V77445 OPTIONAL PART: 50T955 V77445 50T957 V77445 59T175 V77445		1
- 67	50T957		.HOSE-PAM ELECTRONIC ENG CONT SUPPLIER CODE: V77445 OPTIONAL PART: 50T955 V77445 50T956 V77445 59T175 V77445		1

ILLUSTRATION ITEMS NOT ON PARTS LIST ARE NOT APPLICABLE

- ITEM NOT ILLUSTRATED

HXL

# 73-23-51-01

BOEING PROPRIETARY - Copyright © - Unpublished Work - See title page for details.

73-23-51  
FIG. 01  
PAGE 10  
DEC 22/06



767

PARTS CATALOG (MAINTENANCE)

FIG ITEM	PART NUMBER	1 2 3 4 5 6 7	NOMENCLATURE	EFFECT FROM TO	UNITS PER ASSY
1					
- 67	59T175		.HOSE-PAM ELECTRONIC ENG CONT SUPPLIER CODE: V77445 OPTIONAL PART: 50T955 V77445 50T956 V77445 50T957 V77445		1
70	51T579		.HOSE-PT2 ELECTRONIC ENG CONT AS11 SUPPLIER CODE: V77445 CONFIG CHG DATA FROM A CMM: FOR INTRCHG SEE PW IPC OPTIONAL PART: 53T551 V77445 51T581 V77445 53T553 V77445 51T582 V77445 51T580 V77445 53T554 V77445 55T390 V77445 PRE SERVICE BULLETIN: 72-191 V77445		1
ILLUSTRATION ITEMS NOT ON PARTS LIST ARE NOT APPLICABLE					

- ITEM NOT ILLUSTRATED

HXL

# 73-23-51-01

BOEING PROPRIETARY - Copyright © - Unpublished Work - See title page for details.

73-23-51  
FIG. 01  
PAGE 11  
DEC 22/06



**767  
PARTS CATALOG (MAINTENANCE)**

FIG ITEM	PART NUMBER	1 2 3 4 5 6 7	NOMENCLATURE	EFFECT FROM TO	UNITS PER ASSY
1 70	55T390		.HOSE ASSY- SUPPLIER CODE: V77445 CONFIG CHG DATA FROM A CMM: FOR INTRCHG SEE PW IPC OPTIONAL PART: 53T551 V77445 51T579 V77445 51T581 V77445 53T553 V77445 51T582 V77445 51T580 V77445 53T554 V77445 POST SERVICE BULLETIN: 72-744 V77445		1
70	51T580		.HOSE-PT2 ELECTRONIC ENG CONT SUPPLIER CODE: V77445 CONFIG CHG DATA FROM A CMM: FOR INTRCHG SEE PW IPC OPTIONAL PART: 51T579 V77445 53T551 V77445 51T581 V77445 53T553 V77445 51T582 V77445 53T554 V77445 55T390 V77445		1

ILLUSTRATION ITEMS NOT ON PARTS LIST ARE NOT APPLICABLE

- ITEM NOT ILLUSTRATED

HXL

# 73-23-51-01

BOEING PROPRIETARY - Copyright © - Unpublished Work - See title page for details.

73-23-51  
FIG. 01  
PAGE 12  
DEC 22/06



767

PARTS CATALOG (MAINTENANCE)

FIG ITEM	PART NUMBER	1 2 3 4 5 6 7	NOMENCLATURE	EFFECT FROM TO	UNITS PER ASSY
1 70	53T551		.HOSE ASSY-AS11 SUPPLIER CODE: V77445 CONFIG CHG DATA FROM A CMM: FOR INTRCHG SEE PW IPC OPTIONAL PART: 51T579 V77445 51T581 V77445 51T582 V77445 51T580 V77445 53T553 V77445 53T554 V77445 55T390 V77445 POST SERVICE BULLETIN: 72-191 V77445		1
70	51T581		.HOSE-PT2 ELECTRONIC ENG CONT SUPPLIER CODE: V77445 CONFIG CHG DATA FROM A CMM: FOR INTRCHG SEE PW IPC OPTIONAL PART: 51T579 V77445 53T551 V77445 53T553 V77445 51T580 V77445 53T554 V77445 55T390 V77445 51T582 V77445		1

ILLUSTRATION ITEMS NOT ON PARTS LIST ARE NOT APPLICABLE

- ITEM NOT ILLUSTRATED

HXL

73-23-51-01

BOEING PROPRIETARY - Copyright © - Unpublished Work - See title page for details.

73-23-51  
FIG. 01  
PAGE 13  
DEC 22/06



**767  
PARTS CATALOG (MAINTENANCE)**

FIG ITEM	PART NUMBER	1 2 3 4 5 6 7	NOMENCLATURE	EFFECT FROM TO	UNITS PER ASSY
1 70	53T553		.HOSE ASSY- SUPPLIER CODE: V77445 CONFIG CHG DATA FROM A CMM: FOR INTRCHG SEE PW IPC OPTIONAL PART: 51T579 V77445 53T551 V77445 51T581 V77445 51T582 V77445 51T580 V77445 53T554 V77445 55T390 V77445		1
71	51T582		.HOSE-PT2 ELECTRONIC ENG CONT SUPPLIER CODE: V77445 CONFIG CHG DATA FROM A CMM: FOR INTRCHG SEE PW IPC OPTIONAL PART: 51T579 V77445 53T551 V77445 51T581 V77445 53T553 V77445 51T580 V77445 53T554 V77445 55T390 V77445		1

ILLUSTRATION ITEMS NOT ON PARTS LIST ARE NOT APPLICABLE

- ITEM NOT ILLUSTRATED

HXL

# 73-23-51-01

BOEING PROPRIETARY - Copyright © - Unpublished Work - See title page for details.

73-23-51  
FIG. 01  
PAGE 14  
DEC 22/06





767

PARTS CATALOG (MAINTENANCE)

FIG ITEM	PART NUMBER	1 2 3 4 5 6 7	NOMENCLATURE	EFFECT FROM TO	UNITS PER ASSY
1 71	53T554		.HOSE- SUPPLIER CODE: V00624 CONFIG CHG DATA FROM A CMM: FOR INTRCHG SEE PW IPC OPTIONAL PART: 51T579 V77445 53T551 V77445 51T581 V77445 53T553 V77445 51T582 V77445 51T580 V77445 55T390 V77445		1
75	53T545-01		.TUBE ASSY-SENSING PT2.0 SUPPLIER CODE: V77445 CONFIG CHG DATA FROM A CMM: FOR INTRCHG SEE PW IPC POST SERVICE BULLETIN: 72-191 V77445 PRE SERVICE BULLETIN: 72-321 V77445		1
75	54T121-01		.TUBE ASSY-SENSING PT2.0 SUPPLIER CODE: V77445 POST SERVICE BULLETIN: 72-321 V77445 72-744 V77445		1

ILLUSTRATION ITEMS NOT ON PARTS LIST ARE NOT APPLICABLE

- ITEM NOT ILLUSTRATED

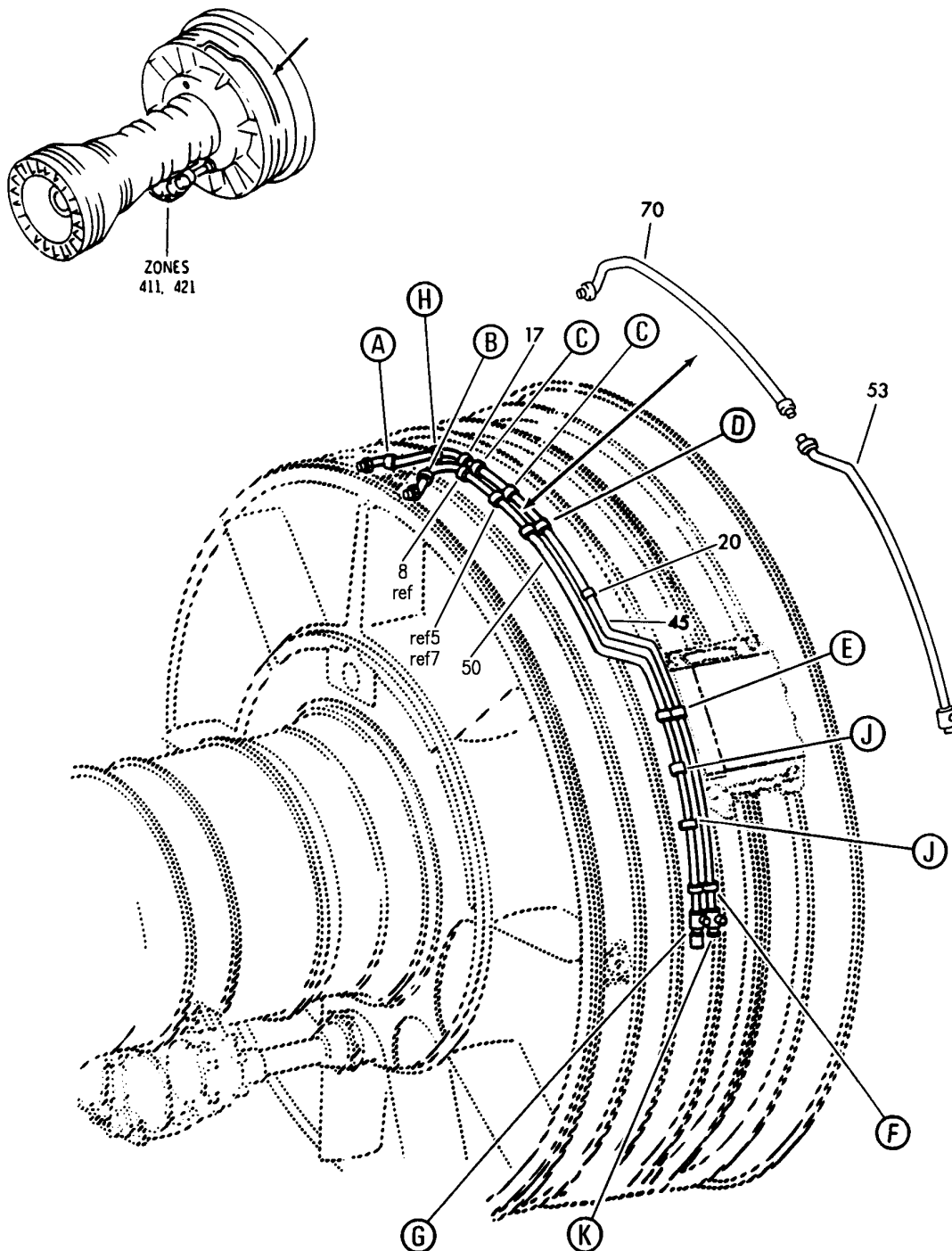
HXL

**73-23-51-01**

BOEING PROPRIETARY - Copyright © - Unpublished Work - See title page for details.

73-23-51  
FIG. 01  
PAGE 15  
DEC 22/06

**BOEING**  
767  
PARTS CATALOG (MAINTENANCE)



V 73235201 SHT 1 REV 273

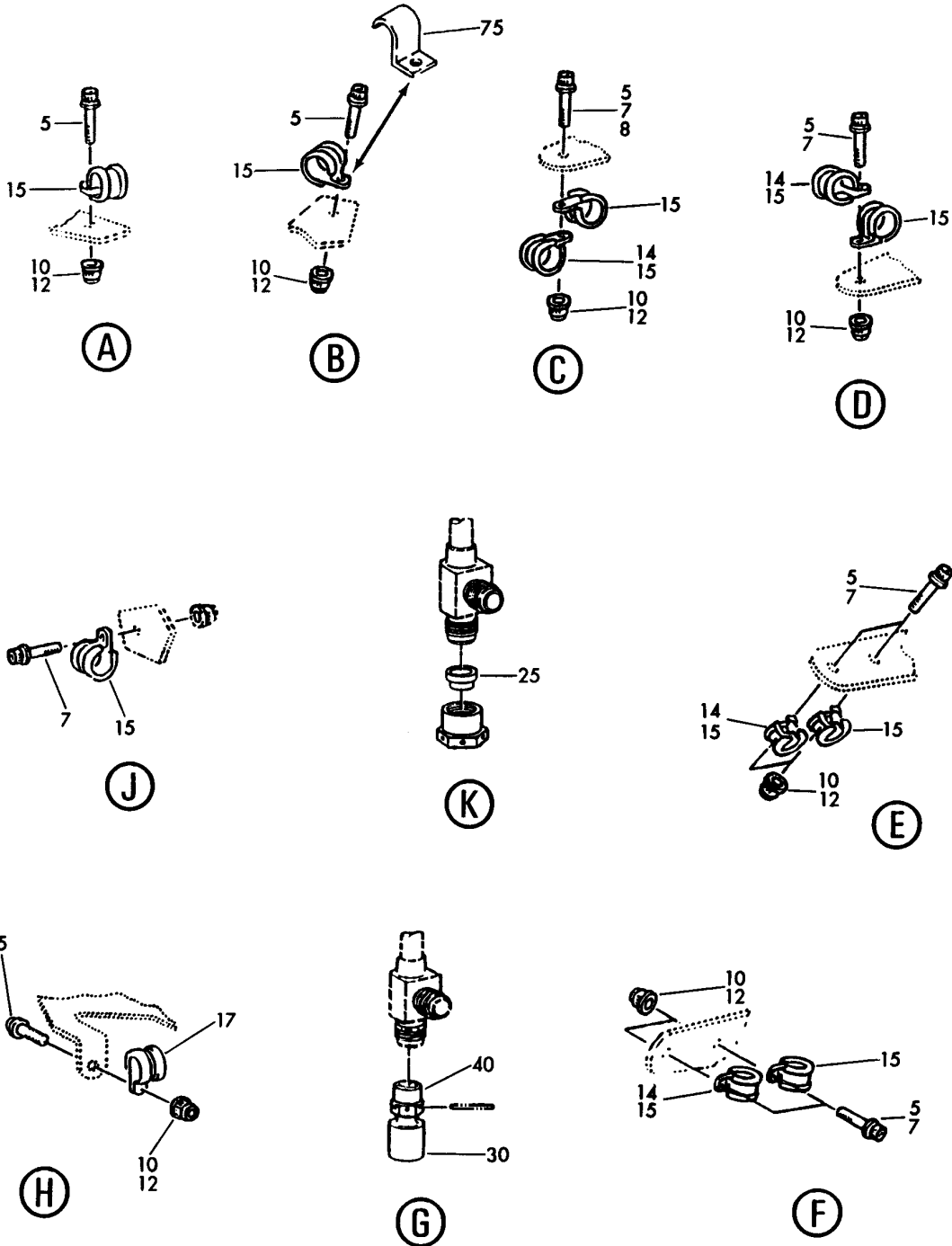
MANIFOLDS-PRESSURE BURNER AND PT 4.95 ELECTRONIC ENG CONT (PW4000)  
FIGURE 1 (SHEET 1)

**73-23-52-01**

HXL  
DEC 22/06

73-23-52-01  
PAGE 0

**BOEING**  
767  
PARTS CATALOG (MAINTENANCE)



V 73235201 SH1 2 REV 273

MANIFOLDS-PRESSURE BURNER AND PT 4.95 ELECTRONIC ENG CONT (PW4000)  
FIGURE 1 (SHEET 2)

**73-23-52-01**

HXL  
DEC 22/06

73-23-52-01  
PAGE 0A



767

PARTS CATALOG (MAINTENANCE)

FIG ITEM	PART NUMBER	1 2 3 4 5 6 7	NOMENCLATURE	EFFECT FROM TO	UNITS PER ASSY
1			MANIFOLDS-PRESSURE BURNER AND PT 4.95 ELECTRONIC ENG CONT (PW4000)		
- 1	PW4060		ENGINE-SUPPLIER CODE: V77445 CONFIG CHG DATA FROM A CMM: SEE 71-00-51 FIG. 2 FOR APPLICABLE ENGINE SERIES		RF
- 6	MS9208-08		.BOLT-OPTIONAL PART: MS9556-08 PRE SERVICE BULLETIN: 72-349 V77445		3
- 6	MS9556-08		.BOLT-OPTIONAL PART: MS9208-08 POST SERVICE BULLETIN: 72-349 V77445		3
7	MS9556-08		.BOLT-POST SERVICE BULLETIN: 72-124 V77445 72-136 V77445		8
14	ST1435-04		.CLAMP-LOOP CUSHION SUPPLIER CODE: V77445 POST SERVICE BULLETIN: 72-124 V77445 72-136 V77445 72-135 V77445		7
15	ST1435-06		.CLAMP-LOOP CUSHION SUPPLIER CODE: V77445 OPTIONAL PART: ST1435-04 V77445		12

ILLUSTRATION ITEMS NOT ON PARTS LIST ARE NOT APPLICABLE

- ITEM NOT ILLUSTRATED

HXL

73-23-52-01

BOEING PROPRIETARY - Copyright © - Unpublished Work - See title page for details.

73-23-52  
FIG. 01  
PAGE 1  
DEC 22/06

**BOEING**  
767  
**PARTS CATALOG (MAINTENANCE)**

FIG ITEM	PART NUMBER	1 2 3 4 5 6 7	NOMENCLATURE	EFFECT FROM TO	UNITS PER ASSY
1	17 ST1435-06		.CLAMP-LOOP CUSHION SUPPLIER CODE: V77445 REFERENCE SERVICE BULLETIN: 72-24 V77445		2
-	18 ST1435-04		.CLAMP-LOOP CUSHION SUPPLIER CODE: V77445 CONFIG CHG DATA FROM A CMM: FOR INTRCHG SEE PW IPC PRE SERVICE BULLETIN: 73-89 V77445		1
-	19 ST1435-04		.CLAMP-LOOP CUSHION SUPPLIER CODE: V77445 NOT APPROVED FOR ETOPS. CONFIG CHG DATA FROM A CMM: FOR INTRCHG SEE PW IPC PRE SERVICE BULLETIN: 73-129 V77445		5
-	19 ST1540-06		.CLAMP-LOOP CUSHION SUPPLIER CODE: V77445 CONFIG CHG DATA FROM A CMM: FOR INTRCHG SEE PW IPC POST SERVICE BULLETIN: 73-129 V77445		5
	20 ST1435-06		.CLAMP-LOOP CUSHION SUPPLIER CODE: V77445 POST SERVICE BULLETIN: 77-10 V77445		1
	25 MS9315-06		.CAP ASSY		1
	30 51T826		.TRAP ASSY-CONDENSATION SUPPLIER CODE: V77445 NOT APPROVED FOR ETOPS. CONFIG CHG DATA FROM A CMM: FOR INTRCHG SEE PW IPC PRE SERVICE BULLETIN: 73-129 V77445		1

ILLUSTRATION ITEMS NOT ON PARTS LIST ARE NOT APPLICABLE

- ITEM NOT ILLUSTRATED

HXL

# 73-23-52-01

BOEING PROPRIETARY - Copyright © - Unpublished Work - See title page for details.

73-23-52  
FIG. 01  
PAGE 2  
DEC 22/06



767

PARTS CATALOG (MAINTENANCE)

FIG ITEM	PART NUMBER	1 2 3 4 5 6 7	NOMENCLATURE	EFFECT FROM TO	UNITS PER ASSY
1					
30	57T981		.TRAP ASSY-CONDENSATION SUPPLIER CODE: V77445 CONFIG CHG DATA FROM A CMM: FOR INTRCHG SEE PW IPC POST SERVICE BULLETIN: 73-129 V77445 72-744 V77445		1
40	364004		. .NUT- SUPPLIER CODE: V77445		1
45	53T197-01		.MANIFOLD ASSY-PT4.95 ELECTRONIC ENG CONT SUPPLIER CODE: V77445 POST SERVICE BULLETIN: 73-47 V77445 72-744 V77445		1
50	53T353-01		.MANIFOLD ASSY-ELECTRONIC ENG CONT PRESSURE BURNER AS23 SUPPLIER CODE: V77445 CONFIG CHG DATA FROM A CMM: FOR INTRCHG SEE PW IPC POST SERVICE BULLETIN: 72-136 V77445 PRE SERVICE BULLETIN: 73-89 V77445		1
53	53T922-01		.MANIFOLD ASSY-ELECTRONIC ENG CONT PRESSURE BURNER AS40 SUPPLIER CODE: V77445 NOT APPROVED FOR ETOPS. CONFIG CHG DATA FROM A CMM: FOR INTRCHG SEE PW IPC POST SERVICE BULLETIN: 73-89 V77445 PRE SERVICE BULLETIN: 73-129 V77445		1
ILLUSTRATION ITEMS NOT ON PARTS LIST ARE NOT APPLICABLE					

- ITEM NOT ILLUSTRATED

# 73-23-52-01

73-23-52  
FIG. 01  
PAGE 3  
DEC 22/06

HXL



767

PARTS CATALOG (MAINTENANCE)

FIG ITEM	PART NUMBER	1 2 3 4 5 6 7	NOMENCLATURE	EFFECT FROM TO	UNITS PER ASSY
1 53	53T982-01		.MANIFOLD ASSY-ELECTRONIC ENG CONT PRESSURE BURNER AS40 SUPPLIER CODE: V77445 CONFIG CHG DATA FROM A CMM: FOR INTRCHG SEE PW IPC POST SERVICE BULLETIN: 73-129 V77445 72-744 V77445		1
70	53T921-01		.TUBE ASSY-ELECTRONIC ENG CONT PRESSURE BURNER AS23 SUPPLIER CODE: V77445 CONFIG CHG DATA FROM A CMM: FOR INTRCHG SEE PW IPC POST SERVICE BULLETIN: 73-89 V77445 72-744 V77445		1
75	53T923		..BRACKET-SENSING TUBE SUPPLIER CODE: V77445 CONFIG CHG DATA FROM A CMM: FOR INTRCHG SEE PW IPC POST SERVICE BULLETIN: 73-89 V77445		1

ILLUSTRATION ITEMS NOT ON PARTS LIST ARE NOT APPLICABLE

- ITEM NOT ILLUSTRATED

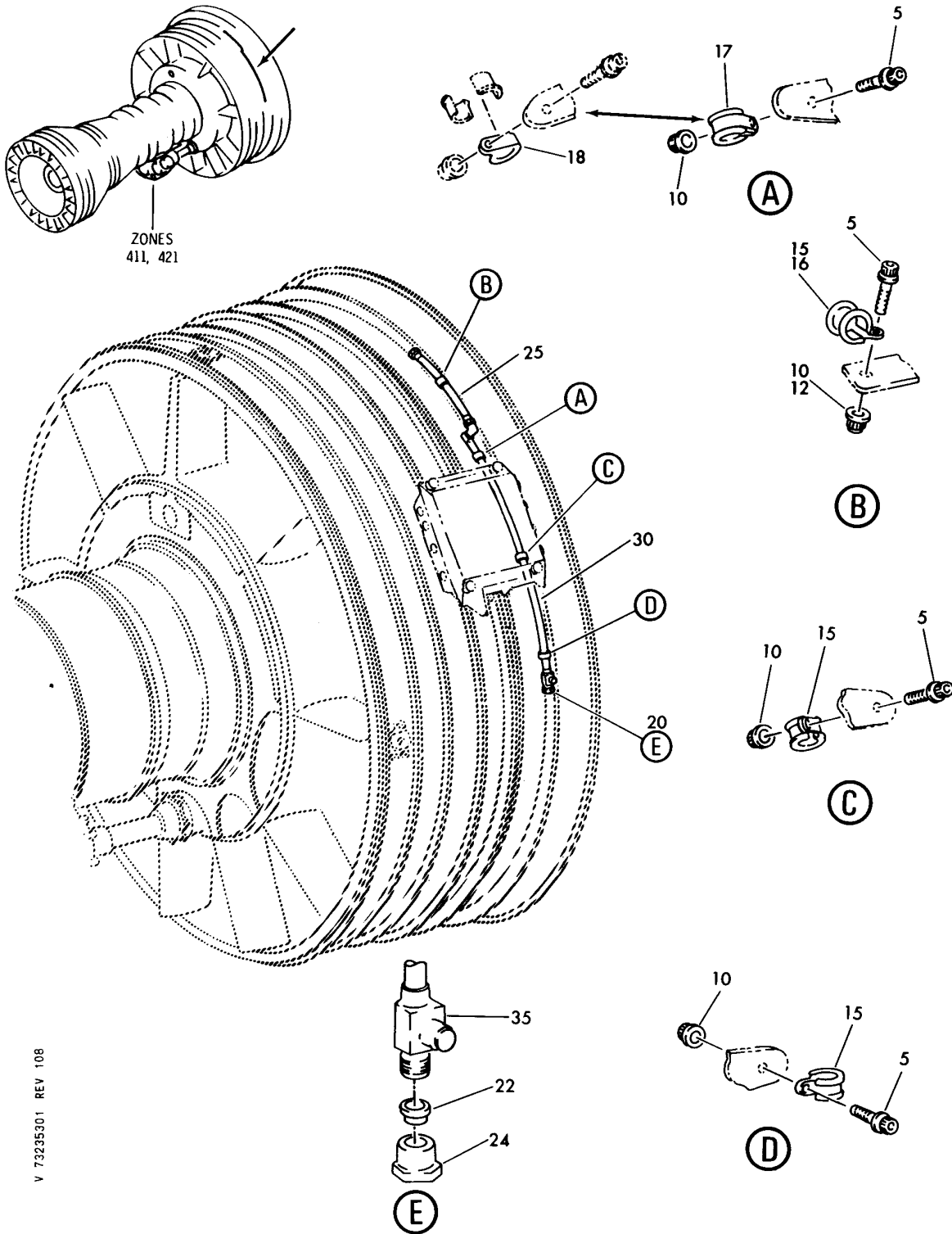
HXL

73-23-52-01

BOEING PROPRIETARY - Copyright © - Unpublished Work - See title page for details.

73-23-52  
FIG. 01  
PAGE 4  
DEC 22/06

**BOEING**  
767  
PARTS CATALOG (MAINTENANCE)



V 73235301 REV 108

TUBE AND MANIFOLD-PT2 ELECTRONIC ENG CONT (PW4000)  
FIGURE 1

**73-23-53-01**

HXL  
DEC 22/06

73-23-53-01  
PAGE 0





767

PARTS CATALOG (MAINTENANCE)

FIG ITEM	PART NUMBER	1 2 3 4 5 6 7	NOMENCLATURE	EFFECT FROM TO	UNITS PER ASSY
1			TUBE AND MANIFOLD-PT2 ELECTRONIC ENG CONT (PW4000)		
- 1	PW4060		ENGINE- SUPPLIER CODE: V77445 CONFIG CHG DATA FROM A CMM: SEE 71-00-51 FIG. 2 FOR APPLICABLE ENGINE SERIES		RF
5	MS9208-08		.BOLT- OPTIONAL PART: MS9556-08 PRE SERVICE BULLETIN: 72-349 V77445		4
5	MS9556-08		.BOLT- OPTIONAL PART: MS9208-08 POST SERVICE BULLETIN: 72-349 V77445		4
10	776440		.NUT- SUPPLIER CODE: V77445 OPTIONAL PART: SL7061C1032 V11815 LH11973-3 V56878 H49674-3 V15653 73356-1032 V56878 AS3070-09		4

ILLUSTRATION ITEMS NOT ON PARTS LIST ARE NOT APPLICABLE

- ITEM NOT ILLUSTRATED

HXL

73-23-53-01

BOEING PROPRIETARY - Copyright © - Unpublished Work - See title page for details.

73-23-53  
FIG. 01  
PAGE 1  
DEC 22/06



767

PARTS CATALOG (MAINTENANCE)

FIG ITEM	PART NUMBER	1 2 3 4 5 6 7	NOMENCLATURE	EFFECT FROM TO	UNITS PER ASSY
1					
10	SL7061C1032		.NUT- SUPPLIER CODE: V11815 CONFIG CHG DATA FROM A CMM: PRATT AND WHITNEY PART NO. AS3066-09 OPTIONAL PART: 776440 V77445 LH11973-3 V56878 H49674-3 V15653 73356-1032 V56878 AS3070-09		4
10	LH11973-3		.NUT- SUPPLIER CODE: V56878 CONFIG CHG DATA FROM A CMM: PRATT AND WHITNEY PART NO. AS3067-09 OPTIONAL PART: 776440 V77445 SL7061C1032 V11815 H49674-3 V15653 73356-1032 V56878 AS3070-09		4
10	H49674-3		.NUT- SUPPLIER CODE: V15653 CONFIG CHG DATA FROM A CMM: PRATT AND WHITNEY PART NO. AS3068-09 OPTIONAL PART: 776440 V77445 SL7061C1032 V11815 LH11793-3 V56878 73356-1032 V56878 AS3070-09		4

ILLUSTRATION ITEMS NOT ON PARTS LIST ARE NOT APPLICABLE

- ITEM NOT ILLUSTRATED

HXL

73-23-53-01

BOEING PROPRIETARY - Copyright © - Unpublished Work - See title page for details.

73-23-53  
FIG. 01  
PAGE 2  
DEC 22/06



767

PARTS CATALOG (MAINTENANCE)

FIG ITEM	PART NUMBER	1 2 3 4 5 6 7	NOMENCLATURE	EFFECT FROM TO	UNITS PER ASSY
1	10 AS3070-09		.NUT- OPTIONAL PART: 776440 V77445 SL7061C1032 V11815 LH11973-3 V56878 H49674-3 V15653 73356-1032 V56878		4
	10 73356-1032		.NUT- SUPPLIER CODE: V56878 CONFIG CHG DATA FROM A CMM: PRATT AND WHITNEY PART NO. AS3069-09 OPTIONAL PART: 776440 V77445 SL7061C1032 V11815 LH11973-3 V56878 H49674-3 V15653 AS3070-09		4
	12 776440		.NUT- SUPPLIER CODE: V77445 OPTIONAL PART: SL7061C1032 V11815 LH11973-3 V56878 H49674-3 V15653 73356-1032 V56878 AS3070-09		1

ILLUSTRATION ITEMS NOT ON PARTS LIST ARE NOT APPLICABLE

- ITEM NOT ILLUSTRATED

HXL

73-23-53-01

BOEING PROPRIETARY - Copyright © - Unpublished Work - See title page for details.

73-23-53  
FIG. 01  
PAGE 3  
DEC 22/06



767

PARTS CATALOG (MAINTENANCE)

FIG ITEM	PART NUMBER	1 2 3 4 5 6 7	NOMENCLATURE	EFFECT FROM TO	UNITS PER ASSY
1	12 SL7061C1032		.NUT- SUPPLIER CODE: V11815 CONFIG CHG DATA FROM A CMM: PRATT AND WHITNEY PART NO. AS3066-09 OPTIONAL PART: 776440 V77445 LH11973-3 V56878 H49674-3 V15653 73356-1032 V56878 AS3070-09		1
	12 LH11973-3		.NUT- SUPPLIER CODE: V56878 CONFIG CHG DATA FROM A CMM: PRATT AND WHITNEY PART NO. AS3067-09 OPTIONAL PART: 776440 V77445 SL7061C1032 V11815 H49674-3 V15653 73356-1032 V56878 AS3070-09		1
	12 H49674-3		.NUT- SUPPLIER CODE: V15653 CONFIG CHG DATA FROM A CMM: PRATT AND WHITNEY PART NO. AS3068-09 OPTIONAL PART: 776440 V77445 SL7061C1032 V11815 LH11973-3 V56878 73356-1032 V56878 AS3070-09		1

ILLUSTRATION ITEMS NOT ON PARTS LIST ARE NOT APPLICABLE

- ITEM NOT ILLUSTRATED

HXL

73-23-53-01

BOEING PROPRIETARY - Copyright © - Unpublished Work - See title page for details.

73-23-53  
FIG. 01  
PAGE 4  
DEC 22/06

 **BOEING**  
767  
**PARTS CATALOG (MAINTENANCE)**

FIG ITEM	PART NUMBER	1 2 3 4 5 6 7	NOMENCLATURE	EFFECT FROM TO	UNITS PER ASSY
1	12 AS3070-09		.NUT- OPTIONAL PART: 776440 V77445 SL7061C1032 V11815 LH11973-3 V56878 H49674-3 V15653 73356-1032 V56878		1
	12 73356-1032		.NUT- SUPPLIER CODE: V56878 CONFIG CHG DATA FROM A CMM: PRATT AND WHITNEY PART NO. AS3069-09 OPTIONAL PART: 776440 V77445 SL7061C1032 V11815 LH11973-3 V56878 H49674-3 V15653 AS3070-09		1
	15 ST1435-06		.CLAMP-LOOP CUSHION SUPPLIER CODE: V77445		2
	16 ST1435-06		.CLAMP-LOOP CUSHION SUPPLIER CODE: V77445		1
	16 ST1435-07		.CLAMP-LOOP CUSHION SUPPLIER CODE: V77445		1
	17 ST1435-06		.CLAMP-LOOP CUSHION SUPPLIER CODE: V77445 OPTIONAL PART: MS122905 ST1850-07 V77445 PRE SERVICE BULLETIN: 73-39 V77445		1

ILLUSTRATION ITEMS NOT ON PARTS LIST ARE NOT APPLICABLE

- ITEM NOT ILLUSTRATED

HXL

# 73-23-53-01

BOEING PROPRIETARY - Copyright © - Unpublished Work - See title page for details.

73-23-53  
FIG. 01  
PAGE 5  
DEC 22/06



767

PARTS CATALOG (MAINTENANCE)

FIG ITEM	PART NUMBER	1 2 3 4 5 6 7	NOMENCLATURE	EFFECT FROM TO	UNITS PER ASSY
1					
18	MS122905		.CLAMP-LOOP OPTIONAL PART: ST1435-06 V77445 ST1850-07 V77445 PRE SERVICE BULLETIN: 73-39 V77445		1
18	ST1850-07		.CLAMP-LOOP SUPPLIER CODE: V77445 OPTIONAL PART: MS122905 ST1435-06 V77445		1
20	MS9315-06		.CAP ASSY-		1
22	MS9313-06		..CAP-TUBE		1
24	MS9197-06		..NUT-TUBE CPLG		1
25	51T288		.HOSE-AS26 SUPPLIER CODE: V77445 OPTIONAL PART: 50T961 V77445 50T962 V77445 50T963 V77445 51U247 V77445 59T531 V77445		1

ILLUSTRATION ITEMS NOT ON PARTS LIST ARE NOT APPLICABLE

- ITEM NOT ILLUSTRATED

HXL

73-23-53-01

BOEING PROPRIETARY - Copyright © - Unpublished Work - See title page for details.

73-23-53  
FIG. 01  
PAGE 6  
AUG 22/07



767

PARTS CATALOG (MAINTENANCE)

FIG ITEM	PART NUMBER	1 2 3 4 5 6 7	NOMENCLATURE	EFFECT FROM TO	UNITS PER ASSY
1	25 51U247		.HOSE-AS26 SUPPLIER CODE: V77445 OPTIONAL PART: 50T961 V77445 50T962 V77445 50T963 V77445 51T288 V77445 59T531 V77445 POST SERVICE BULLETIN: 72-744 V77445		1
	25 50T961		.HOSE-AS26 SUPPLIER CODE: V77445 OPTIONAL PART: 51T288 V77445 50T962 V77445 50T963 V77445 51U247 V77445 59T531 V77445		1
	25 50T962		.HOSE- SUPPLIER CODE: V77445 OPTIONAL PART: 50T961 V77445 50T963 V77445 51T288 V77445 51U247 V77445 59T531 V77445		1

ILLUSTRATION ITEMS NOT ON PARTS LIST ARE NOT APPLICABLE

- ITEM NOT ILLUSTRATED

HXL

73-23-53-01

BOEING PROPRIETARY - Copyright © - Unpublished Work - See title page for details.

73-23-53  
FIG. 01  
PAGE 7  
AUG 22/07



767

PARTS CATALOG (MAINTENANCE)

FIG ITEM	PART NUMBER	1 2 3 4 5 6 7	NOMENCLATURE	EFFECT FROM TO	UNITS PER ASSY
1					
25	59T531		.HOSE- SUPPLIER CODE: V77445 OPTIONAL PART: 50T961 V77445 50T962 V77445 50T963 V77445 51T288 V77445 51U247 V77445		1
25	50T963		.HOSE-AS26 SUPPLIER CODE: V77445 OPTIONAL PART: 51T288 V77445 50T961 V77445 50T962 V77445 51U247 V77445 59T531 V77445		1
30	53T594-01		.MANIFOLD ASSY-AS21 SUPPLIER CODE: V77445 OPTIONAL PART: 53T559-01 V77445 POST SERVICE BULLETIN: 73-39 V77445 PRE SERVICE BULLETIN: 72-191 V77445		1

ILLUSTRATION ITEMS NOT ON PARTS LIST ARE NOT APPLICABLE

- ITEM NOT ILLUSTRATED

HXL

**73-23-53-01**

BOEING PROPRIETARY - Copyright © - Unpublished Work - See title page for details.

73-23-53  
FIG. 01  
PAGE 8  
AUG 22/07





767

PARTS CATALOG (MAINTENANCE)

FIG ITEM	PART NUMBER	1 2 3 4 5 6 7	NOMENCLATURE	EFFECT FROM TO	UNITS PER ASSY
1 30	53T559-01		.MANIFOLD ASSY-AS21 SUPPLIER CODE: V77445 OPTIONAL PART: 53T294-01 V77445 POST SERVICE BULLETIN: 72-191 V77445 72-744 V77445		1
35	51T227		..TEE-TUBE SUPPLIER CODE: V77445		1

ILLUSTRATION ITEMS NOT ON PARTS LIST ARE NOT APPLICABLE

- ITEM NOT ILLUSTRATED

HXL

**73-23-53-01**

BOEING PROPRIETARY - Copyright © - Unpublished Work - See title page for details.

73-23-53  
FIG. 01  
PAGE 9  
AUG 22/07