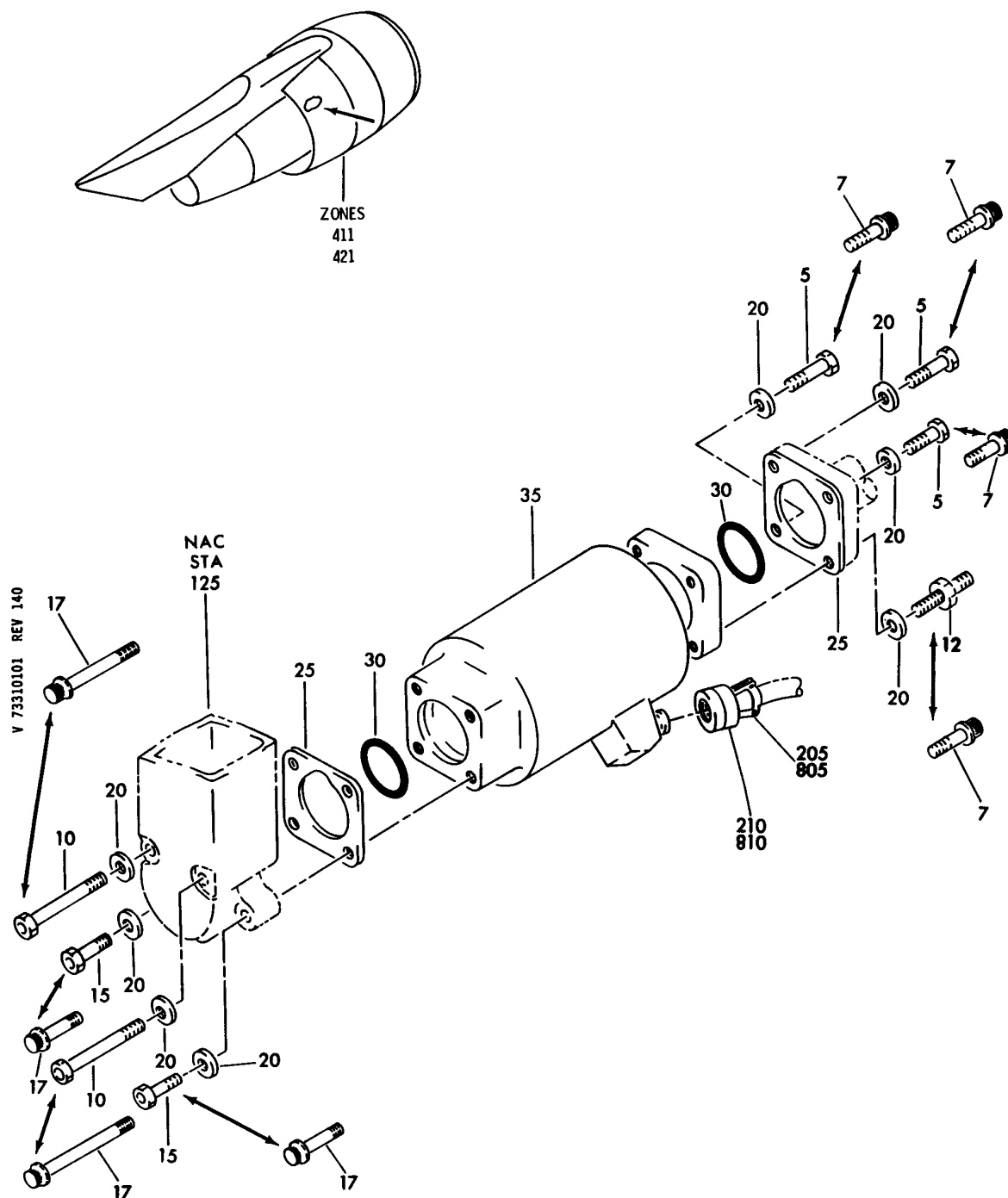


FUEL FLOW INDICATING SYSTEM

HXL
DEC 22/06

73-31-00
SECTION TITLE
PAGE 1

BOEING
767
PARTS CATALOG (MAINTENANCE)



TRANSMITTER AND WIRING INSTL-FUEL FLOW (FUEL FLOW TRANSMITTER ONLY)
FIGURE 1

73-31-01-01

HXL
DEC 22/06

73-31-01-01
PAGE 0



767

PARTS CATALOG (MAINTENANCE)

FIG ITEM	PART NUMBER	1 2 3 4 5 6 7	NOMENCLATURE	EFFECT FROM TO	UNITS PER ASSY
1			TRANSMITTER AND WIRING INSTL-FUEL FLOW (FUEL FLOW TRANSMITTER ONLY)		
- 2	332T4460-1		TRANSMITTER INSTL-PW4000 FUEL FLOW FOR NHA SEE: 71-00-51-02		RF
7	BACB30LE4HU5		.BOLT-		4
7	BACB30LE4HU7		.BOLT-		4
17	BACB30LE4HU8		.BOLT		4
20	BACW10BP4ACU		.WASHER-		8
25	H3-1118		.GASKET-		2
			SUPPLIER CODE: V34941		
			OPTIONAL PART: CA9203		
			V95272		
			40575		
			V98159		
25	CA9203		.GASKET-		2
			SUPPLIER CODE: V95272		
			OPTIONAL PART: H3-1118		
			V34941		
			40575		
			V98159		
25	40575		.GASKET-		2
			SUPPLIER CODE: V98159		
			OPTIONAL PART: H3-1118		
			V34941		
			CA9203		
			V95272		
30	M25988-3-217		.PACKING-		2

ILLUSTRATION ITEMS NOT ON PARTS LIST ARE NOT APPLICABLE

- ITEM NOT ILLUSTRATED

HXL

73-31-01-01

BOEING PROPRIETARY - Copyright © - Unpublished Work - See title page for details.

73-31-01
FIG. 01
PAGE 1
DEC 22/06



767

PARTS CATALOG (MAINTENANCE)

FIG ITEM	PART NUMBER	1 2 3 4 5 6 7	NOMENCLATURE	EFFECT FROM TO	UNITS PER ASSY
1 35	8TJ124GGN3		. FLOWMETER- SUPPLIER CODE: V97424 SPECIFICATION NUMBER: S347T001-12 ELECTRICAL EQUIP NUMBER: M07192 COMPONENT MAINT MANUAL REF: 73-30-45 QUALIFIED I/W DATA: 9-217-33 (S347T001-17) MAY REPLACE OR MAY BE REPLACE BY 8TJ124GGN3 (S347T001-12) FOR 747/767 AIRCRAFT WITH PW4000 ENGINES ONLY.		1
- 700	332T4240-6		WIRING INSTL-ENGINE BUILD-UP (FUEL FLOW TRANSMITTER ONLY) VARIABLE DRAWING REF: 332T4240-5007 FOR NHA/OTHER SYS DET SEE: 71-00-51-02		RF
- 800 805	286T3510-043 G899310S		. WIRE BUNDLE ASSY .. CLAMP- SUPPLIER CODE: V06324 SPECIFICATION NUMBER: BACC10HD10A OPTIONAL PART: G8993M10S V06324 S2251-10-30S V07418 6000-123-0110 V14283 900-555F10-10 V31461 ELECTRICAL EQUIP NUMBER: D11000T WIRING DIAGRAM REF: 733111		RF 1

ILLUSTRATION ITEMS NOT ON PARTS LIST ARE NOT APPLICABLE

- ITEM NOT ILLUSTRATED

HXL

73-31-01-01

BOEING PROPRIETARY - Copyright © - Unpublished Work - See title page for details.

73-31-01
FIG. 01
PAGE 2
DEC 22/07



767
PARTS CATALOG (MAINTENANCE)

FIG ITEM	PART NUMBER	1 2 3 4 5 6 7	NOMENCLATURE	EFFECT FROM TO	UNITS PER ASSY
1 810	R071010B5SNL		.. PLUG- SUPPLIER CODE: V41118 SPECIFICATION NUMBER: BACC63BP10B5SNL ELECTRICAL EQUIP NUMBER: D11000 WIRING DIAGRAM REF: 733111		1

ILLUSTRATION ITEMS NOT ON PARTS LIST ARE NOT APPLICABLE

- ITEM NOT ILLUSTRATED

HXL

73-31-01-01

BOEING PROPRIETARY - Copyright © - Unpublished Work - See title page for details.

73-31-01
FIG. 01
PAGE 3
DEC 22/06