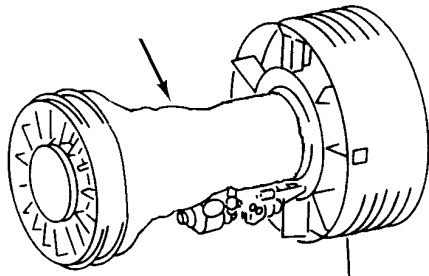


ENGINE IGNITION CONTROL

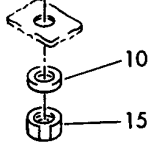
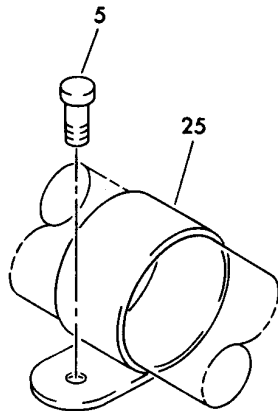
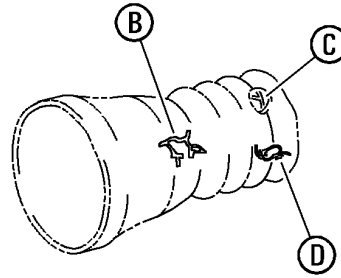
HXL
DEC 22/06

74-31-00
SECTION TITLE
PAGE 1

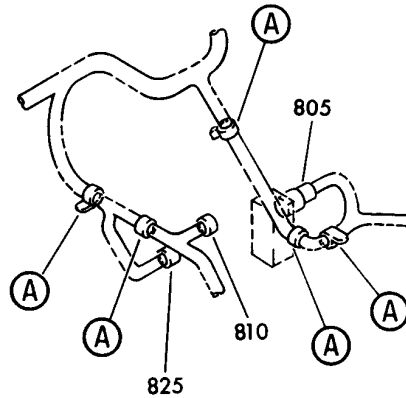
BOEING
767
PARTS CATALOG (MAINTENANCE)



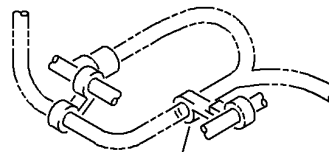
ZONES
411,421



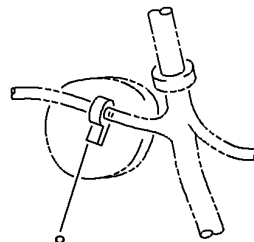
(A)



(B)



(C)



(D)

V 74315005 REV 232

WIRING INSTL-ENGINE BUILD-UP (IGNITION ONLY)
FIGURE 5

74-31-50-05

HXL
DEC 22/06

74-31-50-05
PAGE 0



767

PARTS CATALOG (MAINTENANCE)

FIG ITEM	PART NUMBER	1 2 3 4 5 6 7	NOMENCLATURE	EFFECT FROM TO	UNITS PER ASSY
5			WIRING INSTL-ENGINE BUILD-UP (IGNITION ONLY)		
- 1	332T4240-6		WIRING INSTL-ENGINE BUILD-UP (IGNITION ONLY) VARIABLE DRAWING REF: 332T4240-5007 332T4240-5015 FOR NHA/OTHER SYS DET SEE: 71-00-51-02		RF
5	NAS1802-3		.SCREW- SIZE DETERMINED ON INSTL.		5
10	AN960C10L		.WASHER		AR
15	PLH53C		.NUT- SUPPLIER CODE: V62554 SPECIFICATION NUMBER: BACN10YR3C OPTIONAL PART: H52732-3C V15653 BACN10JC3CM BACN10YR3CM BACN10JC3C		5
15	BRH10C3		.NUT- SUPPLIER CODE: V52828 SPECIFICATION NUMBER: BACN10JC3C OPTIONAL PART: T6C1032J V11815 97-02 V80539 101LH9075-3W V72962 VN303B02 V92215 NS202101S02 V80539 H31-3BAC V15653 BACN10JC3CM BACN10YR3CM BACN10YR3C		5

ILLUSTRATION ITEMS NOT ON PARTS LIST ARE NOT APPLICABLE

- ITEM NOT ILLUSTRATED

HXL

74-31-50-05

BOEING PROPRIETARY - Copyright © - Unpublished Work - See title page for details.

74-31-50
FIG. 05
PAGE 1
DEC 22/07

BOEING
767
PARTS CATALOG (MAINTENANCE)

FIG ITEM	PART NUMBER	1 2 3 4 5 6 7	NOMENCLATURE	EFFECT FROM TO	UNITS PER ASSY
5	15 BRH10C3M		.NUT- SUPPLIER CODE: V52828 SPECIFICATION NUMBER: BACN10JC3CM OPTIONAL PART: T6C1032JM V11815 97E02 V80539 109LH9075-3W V72962 VN303D02 V92215 NS202101SE02 V80539 H01-3BAC V15653 BACN10JC3C BACN10YR3CM BACN10YR3C		5
	15 PLH53CM		.NUT- SUPPLIER CODE: VF0224 SPECIFICATION NUMBER: BACN10YR3CM OPTIONAL PART: H52732-3CM V15653 BACN10JC3CM BACN10JC3C BACN10YR3C		5
	25 BACC10HS		.CLAMP- SIZE DETERMINED ON INSTL.		5
- 800	286T3508-042		.WIRE BUNDLE ASSY		RF
805	FVF6E14S7S01		..PLUG- SUPPLIER CODE: V71468 ELECTRICAL EQUIP NUMBER: D10996 WIRING DIAGRAM REF: 733411		1
	810 FVA6E12S3S08		..PLUG- SUPPLIER CODE: V71468 ELECTRICAL EQUIP NUMBER: D10976 WIRING DIAGRAM REF: 743411		1

ILLUSTRATION ITEMS NOT ON PARTS LIST ARE NOT APPLICABLE

- ITEM NOT ILLUSTRATED

HXL

74-31-50-05

BOEING PROPRIETARY - Copyright © - Unpublished Work - See title page for details.

74-31-50
FIG. 05
PAGE 2
DEC 22/08



767

PARTS CATALOG (MAINTENANCE)

FIG ITEM	PART NUMBER	1 2 3 4 5 6 7 NOMENCLATURE	EFFECT FROM TO	UNITS PER ASSY
5 - 820 825	286T3510-043 FVA6E12S3S08	.WIRE BUNDLE ASSY .. PLUG- SUPPLIER CODE: V71468 ELECTRICAL EQUIP NUMBER: D10978 WIRING DIAGRAM REF: 743111		RF 1

ILLUSTRATION ITEMS NOT ON PARTS LIST ARE NOT APPLICABLE

- ITEM NOT ILLUSTRATED

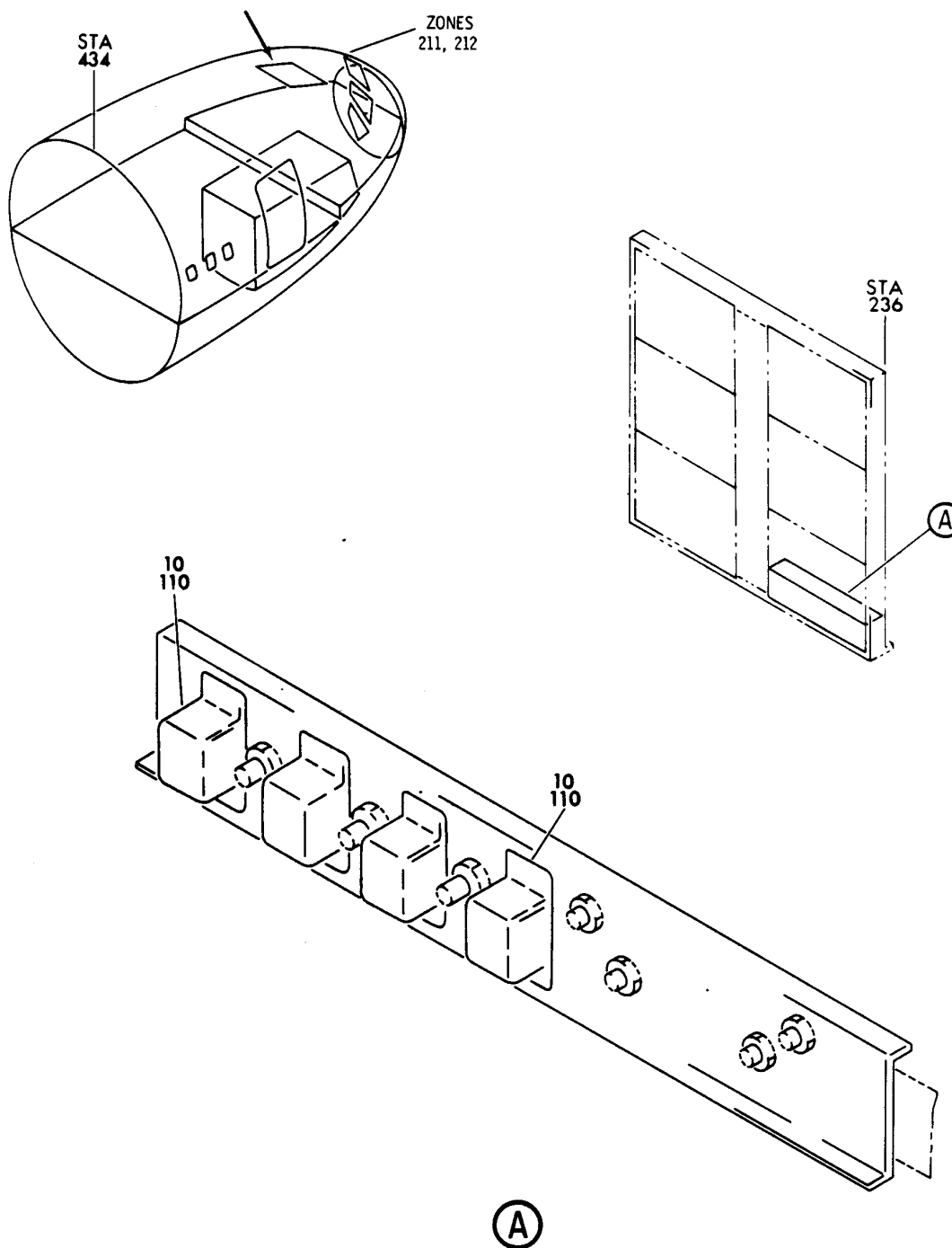
HXL

74-31-50-05

BOEING PROPRIETARY - Copyright © - Unpublished Work - See title page for details.

74-31-50
 FIG. 05
 PAGE 3
 DEC 22/07

BOEING
767
PARTS CATALOG (MAINTENANCE)



V 74315101 SHT 1 REV 020

PANEL ASSY-P11 PILOTS CB (IGNITION ONLY)

FIGURE 1

74-31-51-01

HXL
DEC 22/06

74-31-51-01
PAGE 0



767

PARTS CATALOG (MAINTENANCE)

FIG ITEM	PART NUMBER	1 2 3 4 5 6 7	NOMENCLATURE	EFFECT FROM TO	UNITS PER ASSY
1			PANEL ASSY-P11 PILOTS CB (IGNITION ONLY)		
- 4	233T5216-84		PANEL ASSY-P11 PILOTS CB SPLIT PANEL WITH OVER WATER CAPABILITY (IGNITION ONLY) FOR NHA/OTHER SYS DET SEE: 25-17-51-03		RF
10	KAD9F005		.RELAY- SUPPLIER CODE: V58657 ELECTRICAL EQUIP NUMBER: K00158 K00159 K00607 K00608		4
- 100	286T0040-300		WIRE BUNDLE ASSY-(IGNITION ONLY)		RF
- 105	286T0042-300		WIRE BUNDLE ASSY-(IGNITION ONLY)		RF
110	BACS16W3		.SOCKET- ELECTRICAL EQUIP NUMBER: D00716 D00800 D02156 D02158 WIRING DIAGRAM REF: 743111		2

ILLUSTRATION ITEMS NOT ON PARTS LIST ARE NOT APPLICABLE

- ITEM NOT ILLUSTRATED

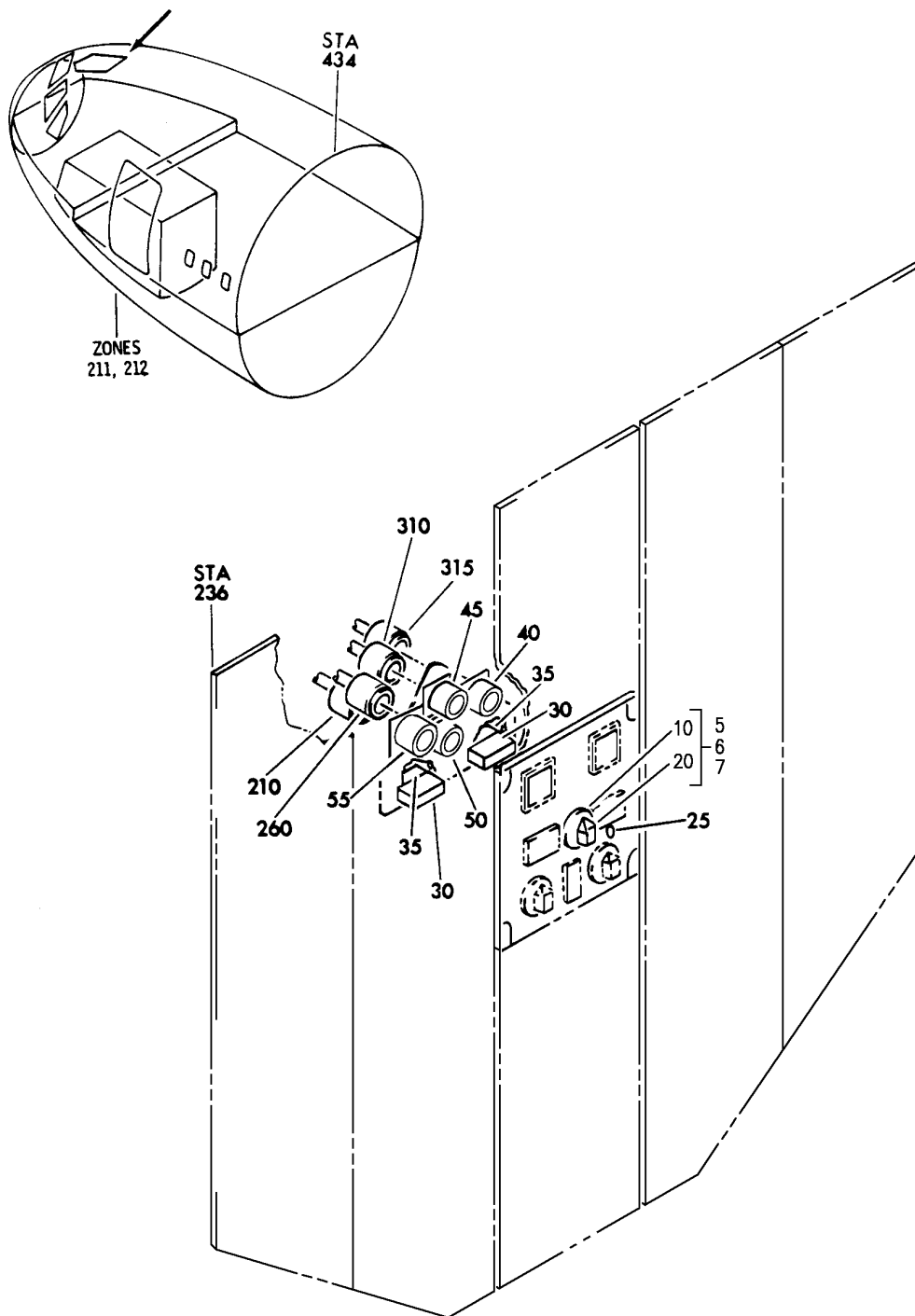
HXL

74-31-51-01

BOEING PROPRIETARY - Copyright © - Unpublished Work - See title page for details.

74-31-51
FIG. 01
PAGE 1
DEC 22/07

BOEING
767
PARTS CATALOG (MAINTENANCE)



V 74315202 REV 302

PANEL INSTL-OVHD (IGNITION ONLY)
FIGURE 2

74-31-52-02

HXL
DEC 22/06

74-31-52-02
PAGE 0

BOEING
767
PARTS CATALOG (MAINTENANCE)

FIG ITEM	PART NUMBER	1 2 3 4 5 6 7	NOMENCLATURE	EFFECT FROM TO	UNITS PER ASSY
2			PANEL INSTL-OVHD (IGNITION ONLY)		
- 1	233T3100-1		PANEL INSTL-OVHD (IGNITION ONLY) VARIABLE DRAWING REF: 233T3100-5048 FOR NHA/OTHER SYS DET SEE: 25-10-00-03		RF
R R R R R R R R R R R R	5	233T3244-302	.PANEL ASSY-ENG IGNITION AND STARTING SUPPLIER CODE: V89954 ELECTRICAL EQUIP NUMBER: M00049 WIRING DIAGRAM REF: 743111 COMPONENT MAINT MANUAL REF: 74-31-52 QUALIFIED I/W DATA: 233T3244-302 PANEL ASSY IS I/W 233T3244-23 PANEL ASSY T/W S233T100-1078 LIGHTPLATE AND (3) BP248-127 KNOBS POST SERVICE BULLETIN: 73-0044		RF
	6	233T3244-1302	.PANEL ASSY-ENG IGNITION AND STARTING SUPPLIER CODE: V89954 ELECTRICAL EQUIP NUMBER: M00049 WIRING DIAGRAM REF: 743111 POST ALERT SB: 33A0087R1 POST COMPONENT SB: 233T3244-74-03		RF
	10	BP248-127	..KNOB- SUPPLIER CODE: V81590 OPTIONAL PART: BP248-110 V81590		1
ILLUSTRATION ITEMS NOT ON PARTS LIST ARE NOT APPLICABLE					

- ITEM NOT ILLUSTRATED

HXL

74-31-52-02

BOEING PROPRIETARY - Copyright © - Unpublished Work - See title page for details.

74-31-52
FIG. 02
PAGE 1
AUG 22/09

BOEING
767
PARTS CATALOG (MAINTENANCE)

FIG ITEM	PART NUMBER	1 2 3 4 5 6 7	NOMENCLATURE	EFFECT FROM TO	UNITS PER ASSY
2	25	800000121-1	...CONNECTOR-PWR SUPPLIER CODE: V05617 USED ON: 233T3244-1 233T3244-5 233T3244-6 233T3244-7 233T3244-9 233T3244-10 233T3244-11 233T3244-13 233T3244-17 233T3244-19 233T3244-21 233T3244-23 233T3244-25 233T3244-1001 233T3244-1005 233T3244-1006 233T3244-1007 233T3244-1009 233T3244-1010 233T3244-1011 233T3244-1013 233T3244-1017 233T3244-1019 233T3244-1021 233T3244-1023 233T3244-1025		1
	30	E210-1631	...RELAY- SUPPLIER CODE: V99699 SPECIFICATION NUMBER: BACR13CF2A OPTIONAL PART: BR246S0112 V56623 FCA210-70 V78290 E215-1050 V99699 JD4A017 V35344 BR64S104 V56623 61GB19-1A320 V98927		2
35	BACS16X1		...SOCKET-		2

ILLUSTRATION ITEMS NOT ON PARTS LIST ARE NOT APPLICABLE

— ITEM NOT ILLUSTRATED

HXL

74-31-52-02

BOEING PROPRIETARY - Copyright © - Unpublished Work - See title page for details.

74-31-52
FIG. 02
PAGE 3
AUG 22/09

BOEING
767
PARTS CATALOG (MAINTENANCE)

FIG ITEM	PART NUMBER	1 2 3 4 5 6 7	NOMENCLATURE	EFFECT FROM TO	UNITS PER ASSY
2					
	40		...CONNECTOR		1
	45		...CONNECTOR		1
	50		...CONNECTOR		1
	55		...CONNECTOR		1
			ATTACHING PARTS		
R	- 60		...SCREW-		8
R			USED ON:		
R			233T3244-1		
R			233T3244-5		
R			233T3244-6		
R			233T3244-7		
R			233T3244-9		
R			233T3244-10		
R			233T3244-11		
R			233T3244-13		
R			233T3244-17		
R			233T3244-19		
R			233T3244-21		
R			233T3244-23		
R			233T3244-25		
R			233T3244-1001		
R			233T3244-1005		
R			233T3244-1006		
R			233T3244-1007		
R			233T3244-1009		
R			233T3244-1010		
R			233T3244-1011		
R			233T3244-1013		
R			233T3244-1017		
R			233T3244-1019		
R			233T3244-1021		
R			233T3244-1023		
R			233T3244-1025		
	- 65		...NUT		8
			SUPPLIER CODE:		
			V15653		
			SPECIFICATION NUMBER:		
			BACN10NW1		
			OPTIONAL PART:		
			RMA4812-160-40		
			V72962		
			293162		
			V60119		
			-----*-----		
	- 70		...CONTACT		60
	- 200		WIRE BUNDLE ASSY-(IGNITION ONLY)		RF

ILLUSTRATION ITEMS NOT ON PARTS LIST ARE NOT APPLICABLE

- ITEM NOT ILLUSTRATED

HXL

74-31-52-02

BOEING PROPRIETARY - Copyright © - Unpublished Work - See title page for details.

74-31-52
FIG. 02
PAGE 4
AUG 22/09



767

PARTS CATALOG (MAINTENANCE)

FIG ITEM	PART NUMBER	1 2 3 4 5 6 7	NOMENCLATURE	EFFECT FROM TO	UNITS PER ASSY
2					
210	BACC45FT12A12S	.	CONNECTOR- ELECTRICAL EQUIP NUMBER: D00848 WIRING DIAGRAM REF: 743111		1
- 250	286T0066-300		WIRE BUNDLE ASSY-(IGNITION ONLY)		RF
260	BACC45FT12A12S7	.	CONNECTOR- ELECTRICAL EQUIP NUMBER: D00850 WIRING DIAGRAM REF: 743121		1
- 300	286T0070-300		WIRE BUNDLE ASSY-(IGNITION ONLY)		RF
310	BACC45FT12A12S6	.	CONNECTOR- ELECTRICAL EQUIP NUMBER: D00886 WIRING DIAGRAM REF: 743111		1
315	BACC45FT16A24S	.	CONNECTOR- ELECTRICAL EQUIP NUMBER: D00852 WIRING DIAGRAM REF: 743121		1

ILLUSTRATION ITEMS NOT ON PARTS LIST ARE NOT APPLICABLE

- ITEM NOT ILLUSTRATED

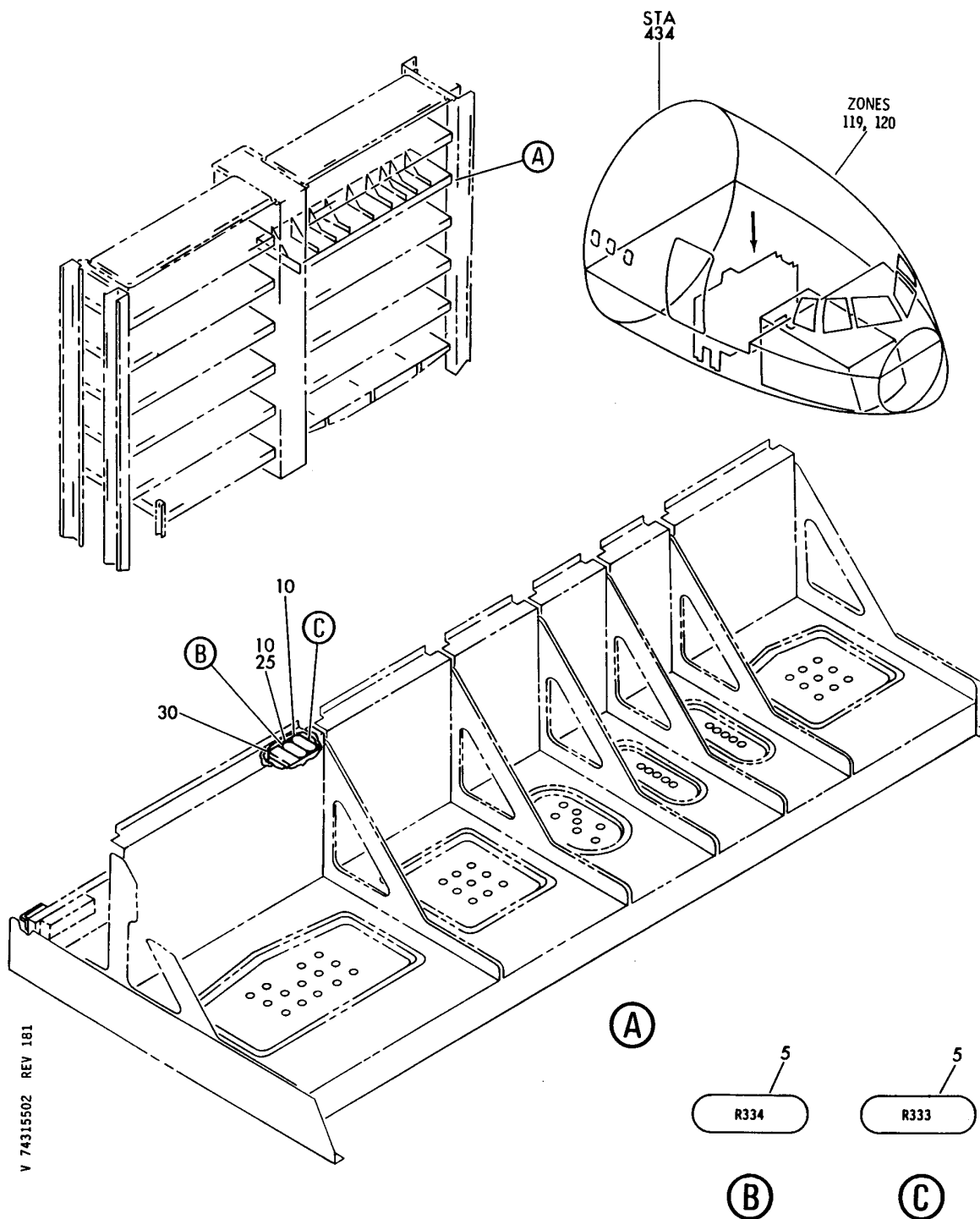
HXL

74-31-52-02

BOEING PROPRIETARY - Copyright © - Unpublished Work - See title page for details.

74-31-52
FIG. 02
PAGE 5
AUG 22/09

BOEING
767
PARTS CATALOG (MAINTENANCE)



SHELF ASSY-ELECTRONIC EQPT CTR E1-2 (IGNITION ONLY)
FIGURE 2

74-31-55-02

HXL
DEC 22/06

74-31-55-02
PAGE 0



767

PARTS CATALOG (MAINTENANCE)

FIG ITEM	PART NUMBER	1 2 3 4 5 6 7	NOMENCLATURE	EFFECT FROM TO	UNITS PER ASSY
2			SHELF ASSY-ELECTRONIC EQPT CTR E1-2 (IGNITION ONLY)		
- 2	284T0112-78		SHELF ASSY-ELECTRONIC EQPT CTR E1-2 (IGNITION ONLY) FOR NHA/OTHER SYS DET SEE: 53-11-64-01B		RF
	5 BAC27TEX3774		.DECALSET-INCLUDES DECALS IDENTIFIED ON THE ILLUSTRATION		RF
	10 YHLZD30		.DIODE- SUPPLIER CODE: V09922 ELECTRICAL EQUIP NUMBER: R00333 R00334		2
- 200	286T1092-120		WIRE BUNDLE ASSY- POST ALERT SB: 27A0140R2		RF
- 205	BACC47DE4		.CONTACT- POST ALERT SB: 27A0140R2		13
- 210	318-2020-901L		.CONTACT- SUPPLIER CODE: V55104 SPECIFICATION NUMBER: BACC47CP1S OPTIONAL PART: ZZL4120-36LDH14 V49367 LP807105-205 V77820 POST ALERT SB: 27A0140R2		6
- 215	BACC47CN1S		.CONTACT- POST ALERT SB: 27A0140R2		1

ILLUSTRATION ITEMS NOT ON PARTS LIST ARE NOT APPLICABLE

- ITEM NOT ILLUSTRATED

HXL

74-31-55-02

BOEING PROPRIETARY - Copyright © - Unpublished Work - See title page for details.

74-31-55
FIG. 02
PAGE 1
DEC 22/07



767

PARTS CATALOG (MAINTENANCE)

FIG ITEM	PART NUMBER	1 2 3 4 5 6 7	NOMENCLATURE	EFFECT FROM TO	UNITS PER ASSY
2					
- 220	620200		.CONTACT- SUPPLIER CODE: VF0987 SPECIFICATION NUMBER: BACC47EF1 OPTIONAL PART: 8660-202 V59610 208262-3 V00779 317-2222-301 V55104 030-2259-000 V71468 POST ALERT SB: 27A0140R2		4
- 225	BACC45FT20A39P7		.CONNECTOR- ELECTRICAL EQUIP NUMBER: D05368P WIRING DIAGRAM REF: 275131 POST ALERT SB: 27A0140R2		1
- 230	BACC45FT16A24S7		.CONNECTOR- ELECTRICAL EQUIP NUMBER: D05544P WIRING DIAGRAM REF: 213111 POST ALERT SB: 27A0140R2		1
- 235	BACC45FT18A31S		.CONNECTOR- ELECTRICAL EQUIP NUMBER: D05281P WIRING DIAGRAM REF: 273211 POST ALERT SB: 27A0140R2		1

ILLUSTRATION ITEMS NOT ON PARTS LIST ARE NOT APPLICABLE

- ITEM NOT ILLUSTRATED

HXL

74-31-55-02

BOEING PROPRIETARY - Copyright © - Unpublished Work - See title page for details.

74-31-55
FIG. 02
PAGE 2
DEC 22/07



767

PARTS CATALOG (MAINTENANCE)

FIG ITEM	PART NUMBER	1 2 3 4 5 6 7	NOMENCLATURE	EFFECT FROM TO	UNITS PER ASSY
2 - 240	BKA31C03AA01		.CONNECTOR- SUPPLIER CODE: V71468 SPECIFICATION NUMBER: BCREF9358 OPTIONAL PART: S631CD3AA01AA V59610 OVERLENGTH PART NUMBER: BACC66K31C03AA01 ELECTRICAL EQUIP NUMBER: D02166 WIRING DIAGRAM REF: 324211 POST ALERT SB: 27A0140R2		1
- 245	YHLZ4		.MODULE- SUPPLIER CODE: V09922 SPECIFICATION NUMBER: BACM15C1B OPTIONAL PART: YHLZ4 V09922 POST ALERT SB: 27A0140R2		1
- 250	YHLZD33		.DIODE- SUPPLIER CODE: V09922 ELECTRICAL EQUIP NUMBER: R00841 R00842 R00843 POST ALERT SB: 27A0140R2		3

ILLUSTRATION ITEMS NOT ON PARTS LIST ARE NOT APPLICABLE

- ITEM NOT ILLUSTRATED

HXL

74-31-55-02

BOEING PROPRIETARY - Copyright © - Unpublished Work - See title page for details.

74-31-55
FIG. 02
PAGE 3
DEC 22/06