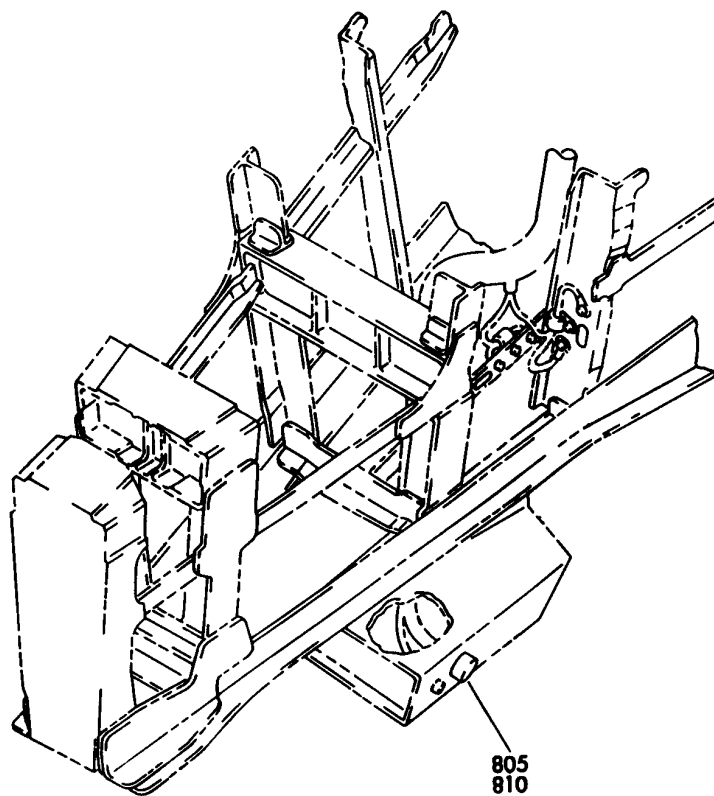
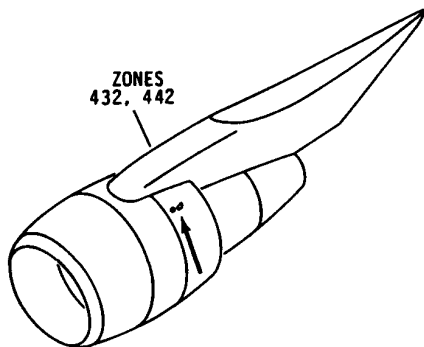


STATOR VANE ANTI-ICE SYSTEM

HXL
DEC 22/06

75-11-00
SECTION TITLE
PAGE 1

BOEING
767
PARTS CATALOG (MAINTENANCE)



V 75115001 REV 140

WIRING INSTL-ENGINE BUILD-UP (AIR ONLY)
FIGURE 1

75-11-50-01

HXL
DEC 22/06

75-11-50-01
PAGE 0



767

PARTS CATALOG (MAINTENANCE)

FIG ITEM	PART NUMBER	1 2 3 4 5 6 7	NOMENCLATURE	EFFECT FROM TO	UNITS PER ASSY
1			WIRING INSTL-ENGINE BUILD-UP (AIR ONLY)		
- 1	332T4240-6		WIRING INSTL-ENGINE BUILD-UP (AIR ONLY) VARIABLE DRAWING REF: 332T4240-5007 FOR NHA/OTHER SYS DET SEE: 71-00-51-02		RF
- 800	286T3520-004		. WIRE BUNDLE ASSY-		1
805	G899314S		.. CLAMP- SUPPLIER CODE: V06324 SPECIFICATION NUMBER: BACC10HD14A OPTIONAL PART: G8993M14S V06324 S2251-14-30S V07418 6000-123-01 V14283 900-555F14-10 V31461 ELECTRICAL EQUIP NUMBER: D04154PQ WIRING DIAGRAM REF: 261111		1
810	BACC63BR14B7P6L		.. CONNECTOR- ELECTRICAL EQUIP NUMBER: D04154P WIRING DIAGRAM REF: 751111		1

ILLUSTRATION ITEMS NOT ON PARTS LIST ARE NOT APPLICABLE

- ITEM NOT ILLUSTRATED

HXL

75-11-50-01

BOEING PROPRIETARY - Copyright © - Unpublished Work - See title page for details.

75-11-50
FIG. 01
PAGE 1
DEC 22/07