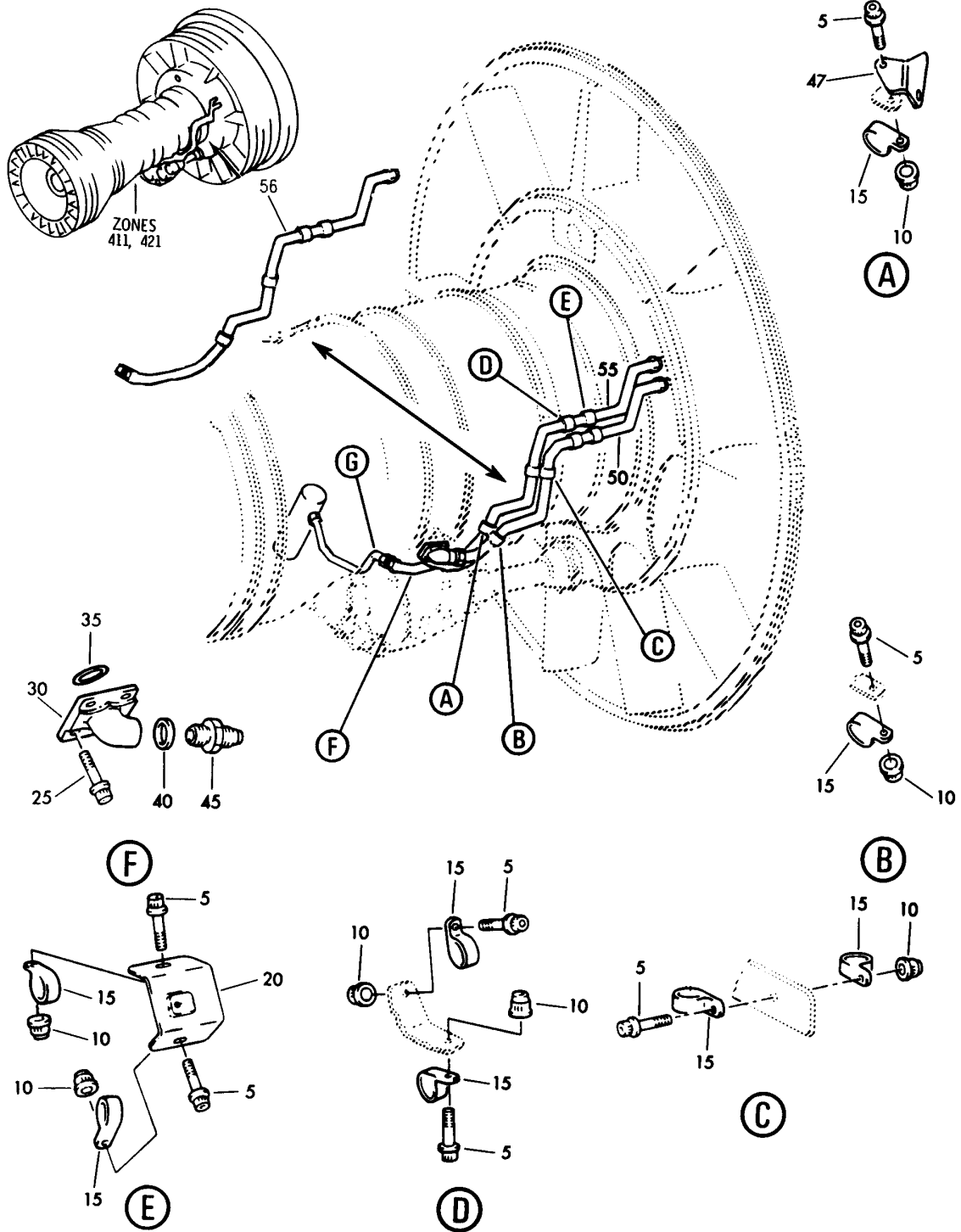


ENGINE BEARING COOLING SYSTEM

HXL
DEC 22/06

75-22-00
SECTION TITLE
PAGE 1

BOEING
767
PARTS CATALOG (MAINTENANCE)



V 75220101 SHT 1 REV 248

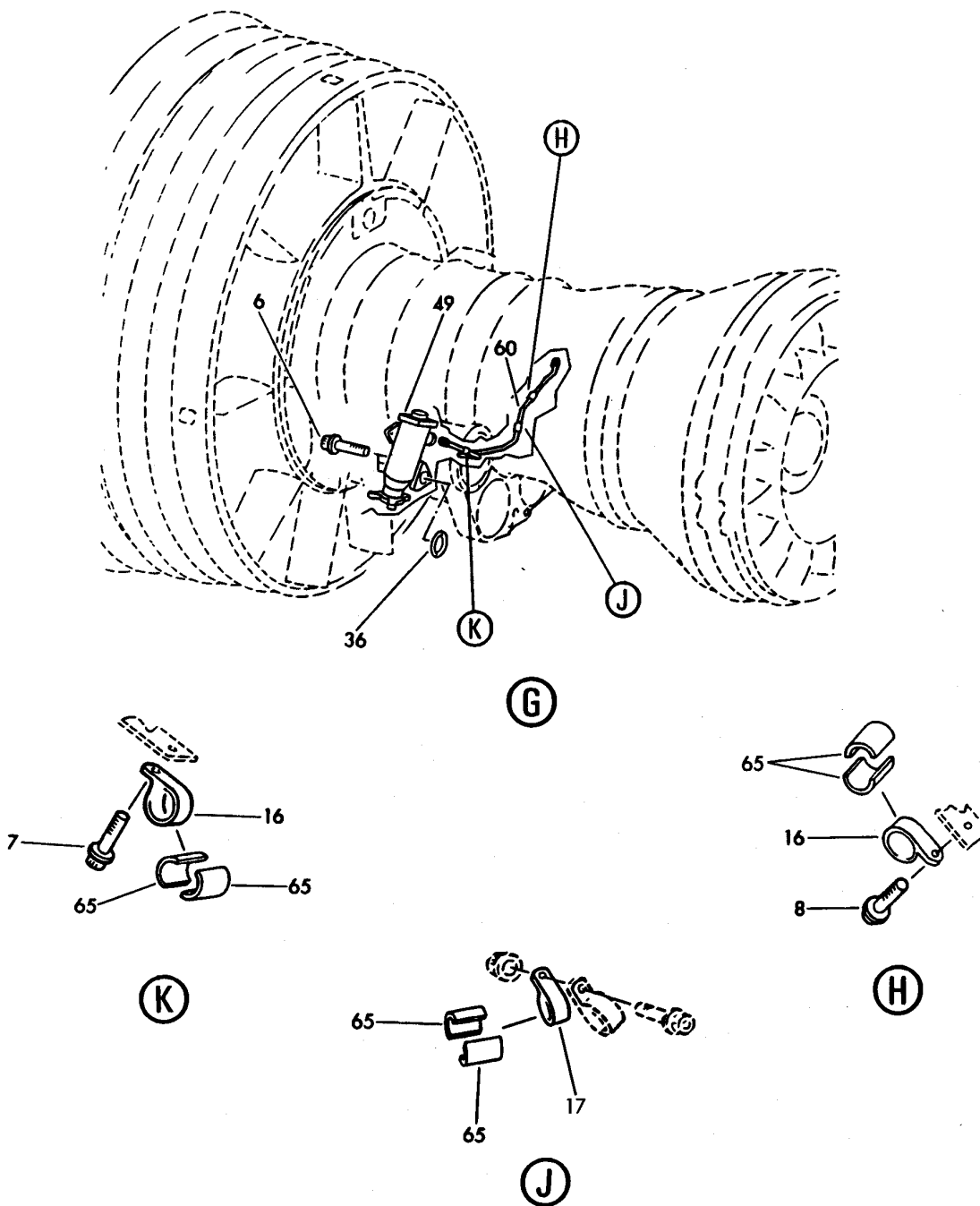
TUBES-NO. THREE BRG COOLING AIR (PW4000)
FIGURE 1 (SHEET 1)

75-22-01-01

HXL
DEC 22/06

75-22-01-01
PAGE 0

BOEING
767
PARTS CATALOG (MAINTENANCE)



V 75220101 SHT 2 REV 215

TUBES-NO. THREE BRG COOLING AIR (PW4000)
FIGURE 1 (SHEET 2)

75-22-01-01

HXL
DEC 22/06

75-22-01-01
PAGE 0A

BOEING
767
PARTS CATALOG (MAINTENANCE)

FIG ITEM	PART NUMBER	1 2 3 4 5 6 7	NOMENCLATURE	EFFECT FROM TO	UNITS PER ASSY
1			TUBES-NO. THREE BRG COOLING AIR (PW4000)		
- 1	PW4060		ENGINE- SUPPLIER CODE: V77445 CONFIG CHG DATA FROM A CMM: SEE 71-00-51 FIG. 2 FOR APPLICABLE ENGINE SERIES		RF
5	MS9556-08		.BOLT		7
6	MS9209-12		.BOLT- CONFIG CHG DATA FROM A CMM: FOR INTRCHG SEE PW IPC POST SERVICE BULLETIN: 75-95 V77445 PRE SERVICE BULLETIN: 75-144 V77445		3
7	MS9556-08		.BOLT-LOOP CONFIG CHG DATA FROM A CMM: FOR INTRCHG SEE PW IPC POST SERVICE BULLETIN: 75-95 V77445 PRE SERVICE BULLETIN: 75-144 V77445		1
8	MS9556-06		.BOLT-LOOP CONFIG CHG DATA FROM A CMM: FOR INTRCHG SEE PW IPC POST SERVICE BULLETIN: 75-95 V77445 PRE SERVICE BULLETIN: 75-144 V77445		1
10	776440		.NUT- SUPPLIER CODE: V77445 OPTIONAL PART: SL7061C1032 V11815 LH11973-3 V56878 H49674-3 V15653 73356-1032 V56878 AS3070-09		7

ILLUSTRATION ITEMS NOT ON PARTS LIST ARE NOT APPLICABLE

- ITEM NOT ILLUSTRATED

HXL

75-22-01-01

BOEING PROPRIETARY - Copyright © - Unpublished Work - See title page for details.

75-22-01
FIG. 01
PAGE 1
DEC 22/06



767

PARTS CATALOG (MAINTENANCE)

FIG ITEM	PART NUMBER	1 2 3 4 5 6 7	NOMENCLATURE	EFFECT FROM TO	UNITS PER ASSY
1					
10	SL7061C1032		.NUT- SUPPLIER CODE: V11815 CONFIG CHG DATA FROM A CMM: PRATT AND WHITNEY PART NO. AS3066-09 OPTIONAL PART: 776440 V77445 LH11973-3 V56878 H49674-3 V15653 AS3069-09 V56878 AS3070-09		7
10	LH11973-3		.NUT- SUPPLIER CODE: V56878 CONFIG CHG DATA FROM A CMM: PRATT AND WHITNEY PART NO. AS3067-09 OPTIONAL PART: 776440 V77445 SL7061C1032 V11815 H49674-3 V15653 73356-1032 V56878 AS3070-09		7
10	H49674-3		.NUT- SUPPLIER CODE: V15653 CONFIG CHG DATA FROM A CMM: PRATT AND WHITNEY PART NO. AS3068-09 OPTIONAL PART: 776440 V77445 SL7061C1032 V11815 LH11973-3 V56878 73356-1032 V56878 AS3070-09		7

ILLUSTRATION ITEMS NOT ON PARTS LIST ARE NOT APPLICABLE

- ITEM NOT ILLUSTRATED

HXL

75-22-01-01

BOEING PROPRIETARY - Copyright © - Unpublished Work - See title page for details.

75-22-01
FIG. 01
PAGE 2
DEC 22/06



767

PARTS CATALOG (MAINTENANCE)

FIG ITEM	PART NUMBER	1 2 3 4 5 6 7	NOMENCLATURE	EFFECT FROM TO	UNITS PER ASSY
1					
10	AS3070-09		.NUT- OPTIONAL PART: 776440 V77445 SL7061C1032 V11815 LH11973-3 V56878 H49674-3 V15653 73356-1032 V56878		7
10	73356-1032		.NUT- SUPPLIER CODE: V56878 CONFIG CHG DATA FROM A CMM: PRATT AND WHITNEY PART NO. AS3069-09 OPTIONAL PART: 776440 V77445 SL7061C1032 V11815 LH11973-3 V56878 H49674-3 V15653 AS3070-09		7
15	MS122913		.CLAMP- OPTIONAL PART: ST1850-15 V77445		8
15	ST1850-15		.CLAMP- SUPPLIER CODE: V77445 OPTIONAL PART: MS122913		8
16	MS122905		.CLAMP-LOOP CONFIG CHG DATA FROM A CMM: FOR INTRCHG SEE PW IPC OPTIONAL PART: ST1850-07 V77445 POST SERVICE BULLETIN: 75-95 V77445		2

ILLUSTRATION ITEMS NOT ON PARTS LIST ARE NOT APPLICABLE

- ITEM NOT ILLUSTRATED

HXL

75-22-01-01

BOEING PROPRIETARY - Copyright © - Unpublished Work - See title page for details.

75-22-01
FIG. 01
PAGE 3
DEC 22/06



767

PARTS CATALOG (MAINTENANCE)

FIG ITEM	PART NUMBER	1 2 3 4 5 6 7	NOMENCLATURE	EFFECT FROM TO	UNITS PER ASSY
1	16 ST1850-07		.CLAMP-LOOP SUPPLIER CODE: V77445 CONFIG CHG DATA FROM A CMM: FOR INTRCHG SEE PW IPC OPTIONAL PART: MS122905 PRE SERVICE BULLETIN: 75-144 V77445		2
	17 MS122905		.CLAMP-LOOP CONFIG CHG DATA FROM A CMM: FOR INTRCHG SEE PW IPC OPTIONAL PART: ST1850-07 V77445 POST SERVICE BULLETIN: 75-95 V77445		1
	17 ST1850-07		.CLAMP-LOOP SUPPLIER CODE: V77445 CONFIG CHG DATA FROM A CMM: FOR INTRCHG SEE PW IPC OPTIONAL PART: MS122905 PRE SERVICE BULLETIN: 75-144 V77445		1
	20 52T771		.SHIELD ASSY-HEAT SUPPLIER CODE: V77445 POST SERVICE BULLETIN: 75-3 V77445		1
	25 MS9715-08		.BOLT		4
	30 51T197		.ELBOW-BOSS 4 HOLE SUPPLIER CODE: V77445 OPTIONAL PART: 53T754 V77445 PRE SERVICE BULLETIN: 72-244 V77445		1

ILLUSTRATION ITEMS NOT ON PARTS LIST ARE NOT APPLICABLE

- ITEM NOT ILLUSTRATED

HXL

75-22-01-01

BOEING PROPRIETARY - Copyright © - Unpublished Work - See title page for details.

75-22-01
FIG. 01
PAGE 4
DEC 22/06



767

PARTS CATALOG (MAINTENANCE)

FIG ITEM	PART NUMBER	1 2 3 4 5 6 7	NOMENCLATURE	EFFECT FROM TO	UNITS PER ASSY
1					
30	53T754		.ELBOW-BOSS 4 HOLE SUPPLIER CODE: V77445 OPTIONAL PART: 51T197 V77445		1
35	ST2311-28		.GASKET- SUPPLIER CODE: V77445 OPTIONAL PART: V77445 ST2309-28 V77445 P13U5N0017-2 V15284 POST SERVICE BULLETIN: 72-101 V77445		1
35	ST2309-28		.GASKET- SUPPLIER CODE: V77445 OPTIONAL PART: V77445 V77445 ST2311-28 V77445 P13U5N0017-2 V15284		1
35	ST2310-28		.GASKET- SUPPLIER CODE: V77445 OPTIONAL PART: V77445 V77445 ST2309-28 V77445 ST2311-28 V77445		1
35	P13U5N0017-2		.GASKET- SUPPLIER CODE: V15284 CONFIG CHG DATA FROM A CMM: PRATT AND WHITNEY PART NO. ST2310-25 OPTIONAL PART: ST2309-28 V77445 ST2311-28 V77445		1
ILLUSTRATION ITEMS NOT ON PARTS LIST ARE NOT APPLICABLE					

- ITEM NOT ILLUSTRATED

HXL

75-22-01-01

BOEING PROPRIETARY - Copyright © - Unpublished Work - See title page for details.

75-22-01
FIG. 01
PAGE 5
DEC 22/06



767

PARTS CATALOG (MAINTENANCE)

FIG ITEM	PART NUMBER	1 2 3 4 5 6 7	NOMENCLATURE	EFFECT FROM TO	UNITS PER ASSY
1					
36	AS3209-213		.PACKING- CONFIG CHG DATA FROM A CMM: FOR INTRCHG SEE PW IPC POST SERVICE BULLETIN: 75-95 V77445 PRE SERVICE BULLETIN: 75-144 V77445		1
40	50T531		.WASHER- SUPPLIER CODE: V77445		1
45	ST2010-14		.ADAPTER-TUBE TO BOSS SUPPLIER CODE: V77445		1
47	52T866		.BRACKET-LOOP CLAMP SUPPLIER CODE: V77445		1
49	10P18-10		.VALVE-BREATHER AND RESTRICTOR SUPPLIER CODE: V00672 CONFIG CHG DATA FROM A CMM: PRATT AND WHITNEY PART NO. 54T389 FOR INTRCHG SEE PW IPC POST SERVICE BULLETIN: 75-95 V77445 PRE SERVICE BULLETIN: 75-144 V77445		1
50	52T574-01		.TUBE ASSY-NO. THREE BRG COOLING AIR AP33 SUPPLIER CODE: V77445		1
55	52T576-01		.TUBE ASSY-NO. THREE BRG COOLING AIR AP34 SUPPLIER CODE: V77445 CONFIG CHG DATA FROM A CMM: FOR INTRCHG SEE PW IPC PRE SERVICE BULLETIN: 75-95 V77445		1
ILLUSTRATION ITEMS NOT ON PARTS LIST ARE NOT APPLICABLE					

- ITEM NOT ILLUSTRATED

HXL

75-22-01-01

BOEING PROPRIETARY - Copyright © - Unpublished Work - See title page for details.

75-22-01
FIG. 01
PAGE 6
DEC 22/06



767

PARTS CATALOG (MAINTENANCE)

FIG ITEM	PART NUMBER	1 2 3 4 5 6 7	NOMENCLATURE	EFFECT FROM TO	UNITS PER ASSY
1	56 56T214-01		.MANIFOLD ASSY-NO. THREE BRG COOLING AIR AP34 SUPPLIER CODE: V77445 CONFIG CHG DATA FROM A CMM: FOR INTRCHG SEE PW IPC POST SERVICE BULLETIN: 75-95 V77445 PRE SERVICE BULLETIN: 75-144 V77445		1
	56 56T576-01		.TUBE ASSY-NO. 3 BRG CLG (AP34) SUPPLIER CODE: V77445 CONFIG CHG DATA FROM A CMM: FOR INTRCHG SEE PW IPC POST SERVICE BULLETIN: 75-144 V77445		1
	60 56T215-01		.TUBE ASSY-BREATHER VALVE SUPPLIER CODE: V77445 CONFIG CHG DATA FROM A CMM: FOR INTRCHG SEE PW IPC POST SERVICE BULLETIN: 75-95 V77445 PRE SERVICE BULLETIN: 75-144 V77445		1
	65 AS3268-084		..SLEEVE-HALF CONFIG CHG DATA FROM A CMM: FOR INTRCHG SEE PW IPC PRE SERVICE BULLETIN: 75-144 V77445		6

ILLUSTRATION ITEMS NOT ON PARTS LIST ARE NOT APPLICABLE

- ITEM NOT ILLUSTRATED

HXL

75-22-01-01

BOEING PROPRIETARY - Copyright © - Unpublished Work - See title page for details.

75-22-01
FIG. 01
PAGE 7
DEC 22/06