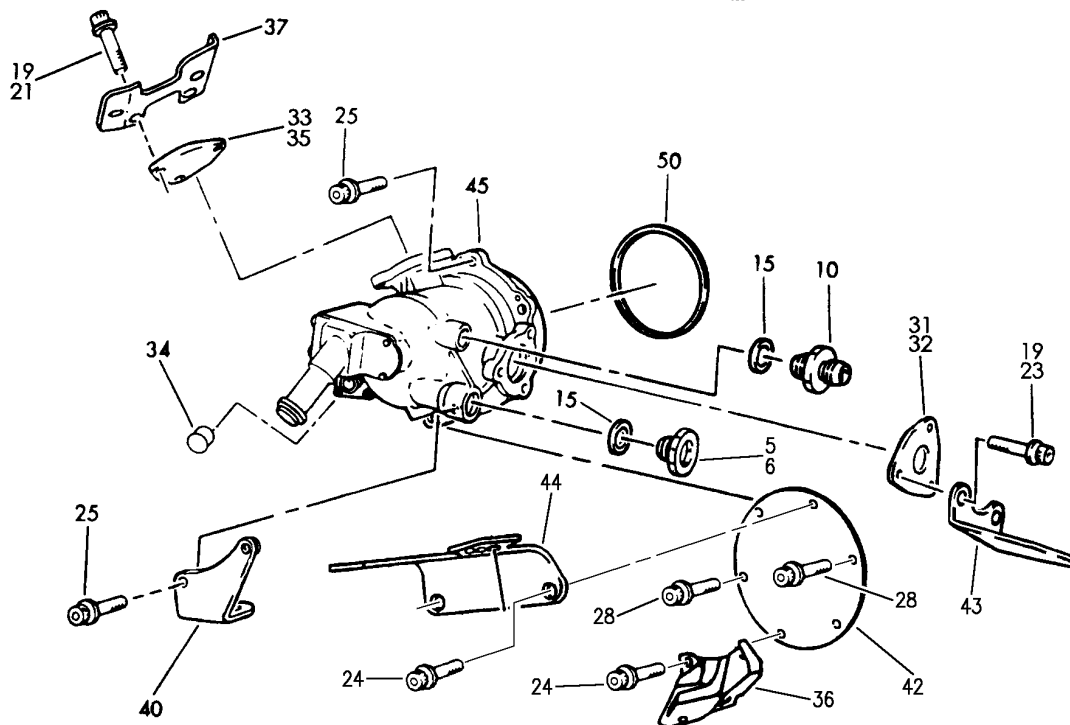
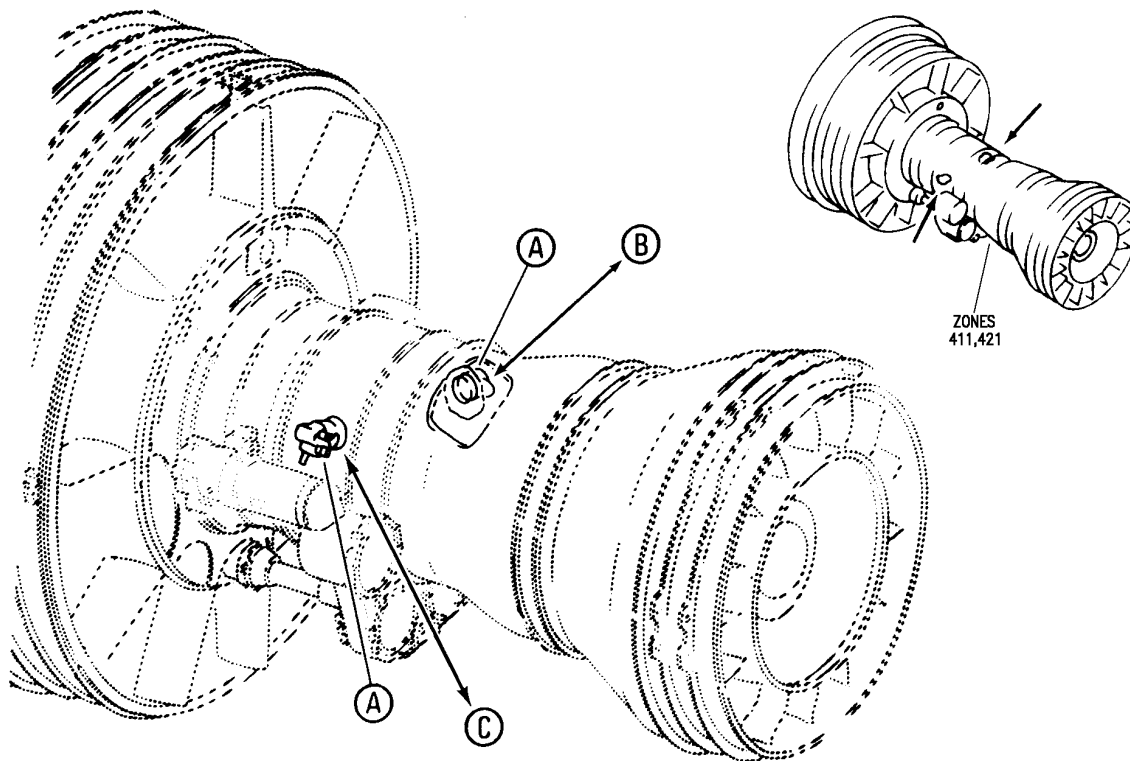


## HPC SECONDARY FLOW CONTROL SYSTEM

HXL  
DEC 22/06

75-33-00  
SECTION TITLE  
PAGE 1

**BOEING**  
767  
PARTS CATALOG (MAINTENANCE)



V 75330101\_SHT\_1\_REV\_275

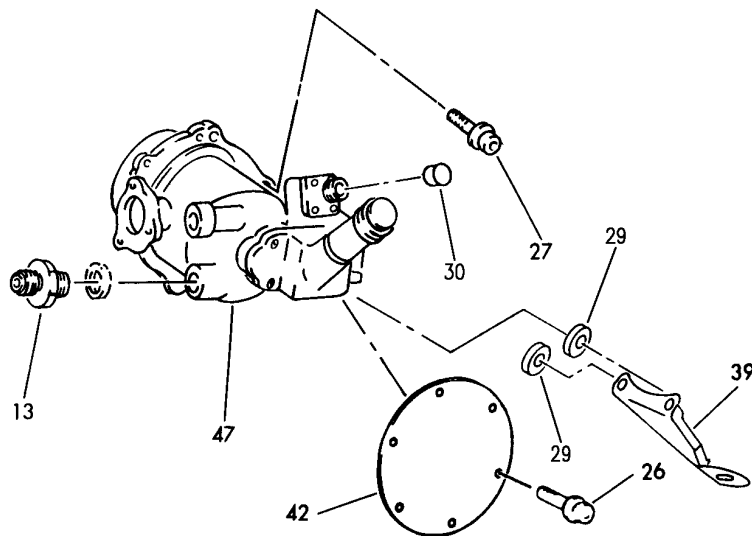
VALVE-HIGH PRESSURE CPRSR DRUM AIR (PW4000)  
FIGURE 1 (SHEET 1)

**75-33-01-01**

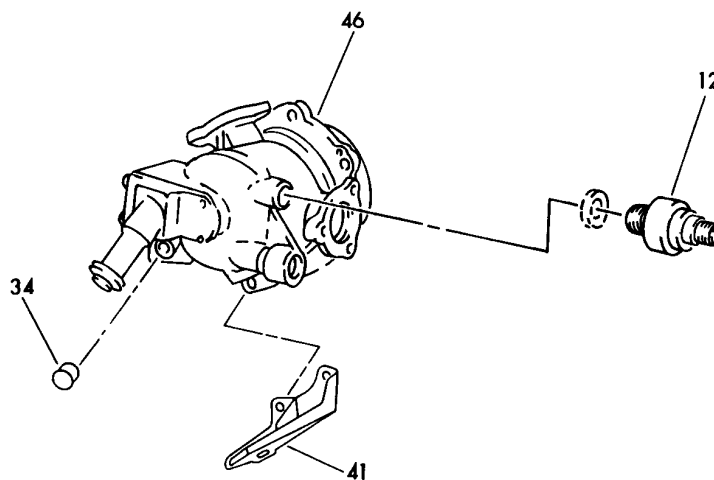
HXL  
DEC 22/06

75-33-01-01  
PAGE 0

**BOEING**  
767  
PARTS CATALOG (MAINTENANCE)



(B)



(C)

V 75330101 SH1 2 REV 270

VALVE-HIGH PRESSURE CPRSR DRUM AIR (PW4000)  
FIGURE 1 (SHEET 2)

**75-33-01-01**

HXL  
DEC 22/06

75-33-01-01  
PAGE 0A



767

PARTS CATALOG (MAINTENANCE)

FIG ITEM	PART NUMBER	1 2 3 4 5 6 7	NOMENCLATURE	EFFECT FROM TO	UNITS PER ASSY
1			VALVE-HIGH PRESSURE CPRSR DRUM AIR (PW4000)		
- 1	PW4060		ENGINE- SUPPLIER CODE: V77445 CONFIG CHG DATA FROM A CMM: SEE 71-00-51 FIG. 2 FOR APPLICABLE ENGINE SERIES		RF
5	MS9405-06		.PLUG- CONFIG CHG DATA FROM A CMM: FOR INTRCHG SEE PW IPC PRE SERVICE BULLETIN: 72-504 V77445 72-755 V77445		1
6	MS9405-06		.PLUG- CONFIG CHG DATA FROM A CMM: FOR INTRCHG SEE PW IPC PRE SERVICE BULLETIN: 72-504 V77445 72-755 V77445		1
10	ST2010-06		.ADAPTER-TUBE TO BOSS SUPPLIER CODE: V77445 POSITION DATA: LH CONFIG CHG DATA FROM A CMM: FOR INTRCHG SEE PW IPC POST SERVICE BULLETIN: 72-235 V77445 PRE SERVICE BULLETIN: 72-504 V77445 72-755 V77445		1

ILLUSTRATION ITEMS NOT ON PARTS LIST ARE NOT APPLICABLE

- ITEM NOT ILLUSTRATED

HXL

75-33-01-01

BOEING PROPRIETARY - Copyright © - Unpublished Work - See title page for details.

75-33-01  
FIG. 01  
PAGE 1  
DEC 22/06



767

PARTS CATALOG (MAINTENANCE)

FIG ITEM	PART NUMBER	1 2 3 4 5 6 7	NOMENCLATURE	EFFECT FROM TO	UNITS PER ASSY
1	12 10P41-2		.VALVE-DIRECTIONAL CONT SUPPLIER CODE: V00672 POSITION DATA: LH CONFIG CHG DATA FROM A CMM: PRATT AND WHITNEY PART NO. 53T586 FOR INTRCHG SEE PW IPC PRE SERVICE BULLETIN: 72-235 V77445		1
	13 ST2010-06		.ADAPTER-TUBE TO BOSS SUPPLIER CODE: V77445 POSITION DATA: RH CONFIG CHG DATA FROM A CMM: FOR INTRCHG SEE PW IPC PRE SERVICE BULLETIN: 72-504 V77445 72-755 V77445		1
	15 512640		.GASKET- SUPPLIER CODE: V77445 CONFIG CHG DATA FROM A CMM: FOR INTRCHG SEE PW IPC PRE SERVICE BULLETIN: 72-504 V77445 72-755 V77445		4
-	18 ST1420-06		.BOLT- SUPPLIER CODE: V77445 CONFIG CHG DATA FROM A CMM: FOR ENGINES PRIOR TO SB PW4ENG 75-70 FOR INTRCHG SEE PW IPC POST SERVICE BULLETIN: 72-755 V77445		2

ILLUSTRATION ITEMS NOT ON PARTS LIST ARE NOT APPLICABLE

- ITEM NOT ILLUSTRATED

HXL

75-33-01-01

BOEING PROPRIETARY - Copyright © - Unpublished Work - See title page for details.

75-33-01  
FIG. 01  
PAGE 2  
DEC 22/06



767

PARTS CATALOG (MAINTENANCE)

FIG ITEM	PART NUMBER	1 2 3 4 5 6 7	NOMENCLATURE	EFFECT FROM TO	UNITS PER ASSY
1 19	ST1503-10		.BOLT- SUPPLIER CODE: V77445 CONFIG CHG DATA FROM A CMM: FOR INTRCHG SEE PW IPC PRE SERVICE BULLETIN: 72-504 V77445 72-755 V77445		6
- 20	ST1503-10		.BOLT- SUPPLIER CODE: V77445 CONFIG CHG DATA FROM A CMM: FOR INTRCHG SEE PW IPC PRE SERVICE BULLETIN: 72-211 V77445		6
21	ST1503-10		.BOLT- SUPPLIER CODE: V77445 CONFIG CHG DATA FROM A CMM: FOR INTRCHG SEE PW IPC POST SERVICE BULLETIN: 75-80 V77445 PRE SERVICE BULLETIN: 72-490 V77445 75-75 V77445 72-755 V77445		3
21	MS9715-12		.BOLT- CONFIG CHG DATA FROM A CMM: FOR INTRCHG SEE PW IPC POST SERVICE BULLETIN: 72-211 V77445 75-75 V77445 PRE SERVICE BULLETIN: 72-755 V77445		3

ILLUSTRATION ITEMS NOT ON PARTS LIST ARE NOT APPLICABLE

- ITEM NOT ILLUSTRATED

HXL

75-33-01-01

BOEING PROPRIETARY - Copyright © - Unpublished Work - See title page for details.

75-33-01  
FIG. 01  
PAGE 3  
DEC 22/06



767

PARTS CATALOG (MAINTENANCE)

FIG ITEM	PART NUMBER	1 2 3 4 5 6 7	NOMENCLATURE	EFFECT FROM TO	UNITS PER ASSY
1 21	MS9715-10		.BOLT- CONFIG CHG DATA FROM A CMM: FOR INTRCHG SEE PW IPC PRE SERVICE BULLETIN: 75-80 V77445 72-755 V77445		3
- 22	ST1420-05		.BOLT- SUPPLIER CODE: V77445 CONFIG CHG DATA FROM A CMM: FOR ENGINES PRIOR TO SB PW4ENG 75-70 FOR INTRCHG SEE PW IPC POST SERVICE BULLETIN: 72-755 V77445		4
23	ST1503-10		.BOLT- SUPPLIER CODE: V77445 CONFIG CHG DATA FROM A CMM: FOR INTRCHG SEE PW IPC POST SERVICE BULLETIN: 75-80 V77445 PRE SERVICE BULLETIN: 72-490 V77445 72-211 V77445 72-755 V77445		3
23	ST1503-12		.BOLT- SUPPLIER CODE: V77445 CONFIG CHG DATA FROM A CMM: FOR INTRCHG SEE PW IPC POST SERVICE BULLETIN: 72-235 V77445 PRE SERVICE BULLETIN: 75-75 V77445		3
23	MS9575-12		.BOLT- CONFIG CHG DATA FROM A CMM: FOR INTRCHG SEE PW IPC OPTIONAL PART: MS9715-12		3

ILLUSTRATION ITEMS NOT ON PARTS LIST ARE NOT APPLICABLE

- ITEM NOT ILLUSTRATED

HXL

75-33-01-01

BOEING PROPRIETARY - Copyright © - Unpublished Work - See title page for details.

75-33-01  
FIG. 01  
PAGE 4  
DEC 22/06



767

PARTS CATALOG (MAINTENANCE)

FIG ITEM	PART NUMBER	1 2 3 4 5 6 7	NOMENCLATURE	EFFECT FROM TO	UNITS PER ASSY
1 23	MS9715-12		.BOLT- CONFIG CHG DATA FROM A CMM: FOR INTRCHG SEE PW IPC OPTIONAL PART: MS9575-12 POST SERVICE BULLETIN: 75-75 V77445 PRE SERVICE BULLETIN: 75-80 V77445 72-755 V77445		3
24	ST1420-06		.BOLT- SUPPLIER CODE: V77445 CONFIG CHG DATA FROM A CMM: FOR INTRCHG SEE PW IPC POST SERVICE BULLETIN: 72-755 V77445		4
25	ST1503-14		.BOLT- SUPPLIER CODE: V77445 POSITION DATA: LH CONFIG CHG DATA FROM A CMM: FOR INTRCHG SEE PW IPC PRE SERVICE BULLETIN: 75-80 V77445		6
25	ST1503-12		.BOLT- SUPPLIER CODE: V77445 POSITION DATA: LH CONFIG CHG DATA FROM A CMM: FOR INTRCHG SEE PW IPC POST SERVICE BULLETIN: 75-80 V77445 PRE SERVICE BULLETIN: 72-504 V77445 72-755 V77445		6

ILLUSTRATION ITEMS NOT ON PARTS LIST ARE NOT APPLICABLE

- ITEM NOT ILLUSTRATED

HXL

75-33-01-01

BOEING PROPRIETARY - Copyright © - Unpublished Work - See title page for details.

75-33-01  
FIG. 01  
PAGE 5  
DEC 22/06





767

PARTS CATALOG (MAINTENANCE)

FIG ITEM	PART NUMBER	1 2 3 4 5 6 7	NOMENCLATURE	EFFECT FROM TO	UNITS PER ASSY
1 26	ST1420-08		.BOLT- SUPPLIER CODE: V77445 CONFIG CHG DATA FROM A CMM: FOR INTRCHG SEE PW IPC POST SERVICE BULLETIN: 73-164 V77445 72-755 V77445		6
27	ST1503-12		.BOLT- SUPPLIER CODE: V77445 POSITION DATA: RH CONFIG CHG DATA FROM A CMM: FOR INTRCHG SEE PW IPC PRE SERVICE BULLETIN: 72-504 V77445 72-755 V77445		6
28	ST1420-05		.BOLT- SUPPLIER CODE: V77445 CONFIG CHG DATA FROM A CMM: FOR INTRCHG SEE PW IPC POST SERVICE BULLETIN: 72-755 V77445		2
29	571650		.WASHER- SUPPLIER CODE: V77445 CONFIG CHG DATA FROM A CMM: FOR INTRCHG SEE PW IPC POST SERVICE BULLETIN: 73-164 V77445 PRE SERVICE BULLETIN: 72-755 V77445		2
30	660-005Z110N98		.COVER-PROTECTIVE SUPPLIER CODE: V06324 CONFIG CHG DATA FROM A CMM: PRATT AND WHITNEY PART NO. 59T349 FOR INTRCHG SEE PW IPC		1

ILLUSTRATION ITEMS NOT ON PARTS LIST ARE NOT APPLICABLE

- ITEM NOT ILLUSTRATED

HXL

75-33-01-01

BOEING PROPRIETARY - Copyright © - Unpublished Work - See title page for details.

75-33-01  
FIG. 01  
PAGE 6  
DEC 22/06



767

PARTS CATALOG (MAINTENANCE)

FIG ITEM	PART NUMBER	1 2 3 4 5 6 7	NOMENCLATURE	EFFECT FROM TO	UNITS PER ASSY
1 31	51H227		.COVER-FLAT SUPPLIER CODE: V77445 CONFIG CHG DATA FROM A CMM: FOR INTRCHG SEE PW IPC PRE SERVICE BULLETIN: 72-504 V77445 72-755 V77445		1
32	51H227		.COVER-FLAT SUPPLIER CODE: V77445 CONFIG CHG DATA FROM A CMM: FOR INTRCHG SEE PW IPC POST SERVICE BULLETIN: 72-235 V77445 PRE SERVICE BULLETIN: 72-504 V77445 72-755 V77445		1
33	51H228		.COVER-FLAT SUPPLIER CODE: V77445 CONFIG CHG DATA FROM A CMM: FOR INTRCHG SEE PW IPC PRE SERVICE BULLETIN: 72-504 V77445 72-755 V77445		1
34	660-005Z110N98		.COVER-PROTECTIVE SUPPLIER CODE: V06324 CONFIG CHG DATA FROM A CMM: PRATT AND WHITNEY PART NO. 59T349 FOR INTRCHG SEE PW IPC POST SERVICE BULLETIN: 73-140 V77445		1

ILLUSTRATION ITEMS NOT ON PARTS LIST ARE NOT APPLICABLE

- ITEM NOT ILLUSTRATED

HXL

75-33-01-01

BOEING PROPRIETARY - Copyright © - Unpublished Work - See title page for details.

75-33-01  
FIG. 01  
PAGE 7  
DEC 22/06

 **BOEING**  
767  
**PARTS CATALOG (MAINTENANCE)**

FIG ITEM	PART NUMBER	1 2 3 4 5 6 7	NOMENCLATURE	EFFECT FROM TO	UNITS PER ASSY
1 35	51H228		.COVER-FLAT SUPPLIER CODE: V77445 CONFIG CHG DATA FROM A CMM: FOR INTRCHG SEE PW IPC POST SERVICE BULLETIN: 72-235 V77445 PRE SERVICE BULLETIN: 72-504 V77445 72-755 V77445		1
36	58T315-01		.BRACKET ASSY-LOOP CLAMP SUPPLIER CODE: V77445 CONFIG CHG DATA FROM A CMM: FOR INTRCHG SEE PW IPC POST SERVICE BULLETIN: 72-755 V77445 REFERENCE SERVICE BULLETIN: 72-595 V77445		1
37	53T430-01		.BRACKET ASSY-LOOP CLAMP SUPPLIER CODE: V77445 CONFIG CHG DATA FROM A CMM: FOR INTRCHG SEE PW IPC POST SERVICE BULLETIN: 75-70 V77445 PRE SERVICE BULLETIN: 72-504 V77445 72-755 V77445		1
39	59T067-01		.BRACKET ASSY-LOOP CLAMP SUPPLIER CODE: V77445 CONFIG CHG DATA FROM A CMM: FOR INTRCHG SEE PW IPC POST SERVICE BULLETIN: 73-164 V77445		1

ILLUSTRATION ITEMS NOT ON PARTS LIST ARE NOT APPLICABLE

- ITEM NOT ILLUSTRATED

HXL

# 75-33-01-01

BOEING PROPRIETARY - Copyright © - Unpublished Work - See title page for details.

75-33-01  
FIG. 01  
PAGE 8  
DEC 22/06



767

PARTS CATALOG (MAINTENANCE)

FIG ITEM	PART NUMBER	1 2 3 4 5 6 7	NOMENCLATURE	EFFECT FROM TO	UNITS PER ASSY
1					
41	55T612-01		.BRACKET ASSY-LOOP CLAMP SUPPLIER CODE: V77445 CONFIG CHG DATA FROM A CMM: FOR INTRCHG SEE PW IPC POST SERVICE BULLETIN: 79-52 V77445 PRE SERVICE BULLETIN: 72-504 V77445 75-103 V77445 72-755 V77445		1
41	57T323-01		.BRACKET ASSY-LOOP CLAMP SUPPLIER CODE: V77445 CONFIG CHG DATA FROM A CMM: FOR INTRCHG SEE PW IPC POST SERVICE BULLETIN: 75-103 V77445 PRE SERVICE BULLETIN: 72-504 V77445 72-755 V77445		1
43	53T333-01		.BRACKET ASSY-LOOP CLAMP SUPPLIER CODE: V77445 POST SERVICE BULLETIN: 72-211 V77445 PRE SERVICE BULLETIN: 72-504 V77445 72-755 V77445		1
44	58T763-01		.BRACKET ASSY-LOOP CLAMP SUPPLIER CODE: V77445 CONFIG CHG DATA FROM A CMM: FOR INTRCHG SEE PW IPC POST SERVICE BULLETIN: 72-504 V77445 72-744 V77445		1
ILLUSTRATION ITEMS NOT ON PARTS LIST ARE NOT APPLICABLE					

- ITEM NOT ILLUSTRATED

# 75-33-01-01

75-33-01  
FIG. 01  
PAGE 9  
DEC 22/06

HXL



767

PARTS CATALOG (MAINTENANCE)

FIG ITEM	PART NUMBER	1 2 3 4 5 6 7	NOMENCLATURE	EFFECT FROM TO	UNITS PER ASSY
1 45	1102V0500-4		.VALVE-HIGH PRESSURE CPRSR SECONDARY FLOW CONT SUPPLIER CODE: V00672 POSITION DATA: LH CONFIG CHG DATA FROM A CMM: PRATT AND WHITNEY PART NO. 51H323 OPTIONAL PART: V00672 1102V0500-5 V00672 V00672 PRE SERVICE BULLETIN: 72-504 V77445 75-78 V77445 75-107 V77445 72-755 V77445		1
45	1102V0500-5		.VALVE-HIGH PRESSURE CPRSR SECONDARY FLOW CONT SUPPLIER CODE: V00672 POSITION DATA: LH CONFIG CHG DATA FROM A CMM: PRATT AND WHITNEY PART NO. 51H787 OPTIONAL PART: V00672 1102V0500-4 V00672 V00672 PRE SERVICE BULLETIN: 72-504 V77445 75-78 V77445 75-107 V77445 72-755 V77445		1

ILLUSTRATION ITEMS NOT ON PARTS LIST ARE NOT APPLICABLE

- ITEM NOT ILLUSTRATED

HXL

75-33-01-01

BOEING PROPRIETARY - Copyright © - Unpublished Work - See title page for details.

75-33-01  
FIG. 01  
PAGE 10  
DEC 22/06



767

PARTS CATALOG (MAINTENANCE)

FIG ITEM	PART NUMBER	1 2 3 4 5 6 7	NOMENCLATURE	EFFECT FROM TO	UNITS PER ASSY
1	45 1102V1100-1		.VALVE-HIGH PRESSURE CPRSR SECONDARY FLOW CONT SUPPLIER CODE: V00672 POSITION DATA: LH CONFIG CHG DATA FROM A CMM: PRATT AND WHITNEY PART NO. 53H068 FOR INTRCHG SEE PW IPC POST SERVICE BULLETIN: 75-78 V77445 PRE SERVICE BULLETIN: 72-504 V77445 75-80 V77445 75-107 V77445 72-755 V77445		1
	45 1102V0500-7		.VALVE-HIGH PRESSURE CPRSR SECONDARY FLOW CONT SUPPLIER CODE: V00672 POSITION DATA: LH CONFIG CHG DATA FROM A CMM: PRATT AND WHITNEY PART NO. 53H069 FOR INTRCHG SEE PW IPC POST SERVICE BULLETIN: 75-78 V77445 75-80 V77445 PRE SERVICE BULLETIN: 72-504 V77445 75-107 V77445 72-755 V77445		1

ILLUSTRATION ITEMS NOT ON PARTS LIST ARE NOT APPLICABLE

- ITEM NOT ILLUSTRATED

HXL

75-33-01-01

BOEING PROPRIETARY - Copyright © - Unpublished Work - See title page for details.

75-33-01  
FIG. 01  
PAGE 11  
DEC 22/06



767

PARTS CATALOG (MAINTENANCE)

FIG ITEM	PART NUMBER	1 2 3 4 5 6 7	NOMENCLATURE	EFFECT FROM TO	UNITS PER ASSY
1 45	1102V1000-2		.VALVE-HIGH PRESSURE CPRSR SECONDARY FLOW CONT SUPPLIER CODE: V00672 POSITION DATA: LH CONFIG CHG DATA FROM A CMM: PRATT AND WHITNEY PART NO. 53H067 POST SERVICE BULLETIN: 75-78 V77445 PRE SERVICE BULLETIN: 72-504 V77445 75-80 V77445 75-107 V77445 72-755 V77445		1
45	1102V0500-8		.VALVE-HIGH PRESSURE CPRSR SECONDARY FLOW CONT SUPPLIER CODE: V00672 POSITION DATA: LH CONFIG CHG DATA FROM A CMM: PRATT AND WHITNEY PART NO. 54H724 FOR INTRCHG SEE PW IPC POST SERVICE BULLETIN: 75-107 V77445 PRE SERVICE BULLETIN: 72-504 V77445 72-755 V77445		1

ILLUSTRATION ITEMS NOT ON PARTS LIST ARE NOT APPLICABLE

- ITEM NOT ILLUSTRATED

HXL

75-33-01-01

BOEING PROPRIETARY - Copyright © - Unpublished Work - See title page for details.

75-33-01  
FIG. 01  
PAGE 12  
DEC 22/06



767

PARTS CATALOG (MAINTENANCE)

FIG ITEM	PART NUMBER	1 2 3 4 5 6 7	NOMENCLATURE	EFFECT FROM TO	UNITS PER ASSY
1 45	1102V1100-2		.VALVE-HIGH PRESSURE CPRSR SECONDARY FLOW CONT SUPPLIER CODE: V00672 POSITION DATA: LH CONFIG CHG DATA FROM A CMM: PRATT AND WHITNEY PART NO. 54H723 POST SERVICE BULLETIN: 75-107 V77445 PRE SERVICE BULLETIN: 72-504 V77445 72-755 V77445		1
45	1102V1000-3		.VALVE-HIGH PRESSURE CPRSR SECONDARY FLOW CONT SUPPLIER CODE: V00672 POSITION DATA: LH CONFIG CHG DATA FROM A CMM: PRATT AND WHITNEY PART NO. 54H722 POST SERVICE BULLETIN: 75-107 V77445 PRE SERVICE BULLETIN: 72-504 V77445 72-755 V77445		1

ILLUSTRATION ITEMS NOT ON PARTS LIST ARE NOT APPLICABLE

- ITEM NOT ILLUSTRATED

HXL

**75-33-01-01**

BOEING PROPRIETARY - Copyright © - Unpublished Work - See title page for details.

75-33-01  
FIG. 01  
PAGE 13  
DEC 22/06





767

PARTS CATALOG (MAINTENANCE)

FIG ITEM	PART NUMBER	1 2 3 4 5 6 7 NOMENCLATURE	EFFECT FROM TO	UNITS PER ASSY
1 47	1102V0500-4	.VALVE-HIGH PRESSURE CPRSR SECONDARY FLOW CONT SUPPLIER CODE: V00672 POSITION DATA: RH CONFIG CHG DATA FROM A CMM: PRATT AND WHITNEY PART NO. 51H323 FOR INTRCHG SEE PW IPC OPTIONAL PART: V00672 1102V0500-5 V00672 1102V0500-7 V00672 1102V0500-8 V00672 PRE SERVICE BULLETIN: 75-60 V77445 75-78 V77445 75-107 V77445 72-504 V77445 72-755 V77445		1

ILLUSTRATION ITEMS NOT ON PARTS LIST ARE NOT APPLICABLE

- ITEM NOT ILLUSTRATED

HXL

**75-33-01-01**

BOEING PROPRIETARY - Copyright © - Unpublished Work - See title page for details.

75-33-01  
 FIG. 01  
 PAGE 14  
 DEC 22/06



767

PARTS CATALOG (MAINTENANCE)

FIG ITEM	PART NUMBER	1 2 3 4 5 6 7 NOMENCLATURE	EFFECT FROM TO	UNITS PER ASSY
1 47	1102V0500-5	. VALVE-HIGH PRESSURE CPRSR SECONDARY FLOW CONT SUPPLIER CODE: V00672 POSITION DATA: RH CONFIG CHG DATA FROM A CMM: PRATT AND WHITNEY PART NO. 51H787 FOR INTRCHG SEE PW IPC OPTIONAL PART: V00672 1102V0500-4 V00672 1102V0500-7 V00672 1102V0500-8 V00672 POST SERVICE BULLETIN: 75-60 V77445 PRE SERVICE BULLETIN: 75-78 V77445 75-107 V77445 72-504 V77445 72-755 V77445		1

ILLUSTRATION ITEMS NOT ON PARTS LIST ARE NOT APPLICABLE

- ITEM NOT ILLUSTRATED

HXL

**75-33-01-01**

BOEING PROPRIETARY - Copyright © - Unpublished Work - See title page for details.

75-33-01  
 FIG. 01  
 PAGE 15  
 DEC 22/06



767

PARTS CATALOG (MAINTENANCE)

FIG ITEM	PART NUMBER	1 2 3 4 5 6 7 NOMENCLATURE	EFFECT FROM TO	UNITS PER ASSY
1 47	1102V0500-7	. VALVE-HIGH PRESSURE CPRSR SECONDARY FLOW CONT SUPPLIER CODE: V00672 POSITION DATA: RH CONFIG CHG DATA FROM A CMM: PRATT AND WHITNEY PART NO. 53H069 FOR INTRCHG SEE PW IPC OPTIONAL PART: 1102V0500-4 V00672 1102V0500-5 V00672 1102V0500-8 V00672 POST SERVICE BULLETIN: 75-78 V77445 PRE SERVICE BULLETIN: 75-107 V77445 72-504 V77445 72-755 V77445		1

ILLUSTRATION ITEMS NOT ON PARTS LIST ARE NOT APPLICABLE

- ITEM NOT ILLUSTRATED

HXL

**75-33-01-01**

BOEING PROPRIETARY - Copyright © - Unpublished Work - See title page for details.

75-33-01  
 FIG. 01  
 PAGE 16  
 DEC 22/06



767

PARTS CATALOG (MAINTENANCE)

FIG ITEM	PART NUMBER	1 2 3 4 5 6 7	NOMENCLATURE	EFFECT FROM TO	UNITS PER ASSY
1 47	1102V0500-8		. VALVE-HIGH PRESSURE CPRSR SECONDARY FLOW CONT SUPPLIER CODE: V00672 POSITION DATA: RH CONFIG CHG DATA FROM A CMM: PRATT AND WHITNEY PART NO. 54H724 FOR INTRCHG SEE PW IPC OPTIONAL PART: 1102V0500-4 V00672 1102V0500-5 V00672 1102V0500-7 V00672 POST SERVICE BULLETIN: 75-107 V77445 PRE SERVICE BULLETIN: 72-504 V77445 72-755 V77445		1
50	ST2422-057		. GASKET- SUPPLIER CODE: V77445 CONFIG CHG DATA FROM A CMM: FOR INTRCHG SEE PW IPC OPTIONAL PART: ST2412-057 V77445 V77445 P14U5N0064-2 V15284 POST SERVICE BULLETIN: 72-101 V77445 PRE SERVICE BULLETIN: 72-755 V77445		2

ILLUSTRATION ITEMS NOT ON PARTS LIST ARE NOT APPLICABLE

- ITEM NOT ILLUSTRATED

HXL

75-33-01-01

BOEING PROPRIETARY - Copyright © - Unpublished Work - See title page for details.

75-33-01  
FIG. 01  
PAGE 17  
DEC 22/06



767

PARTS CATALOG (MAINTENANCE)

FIG ITEM	PART NUMBER	1 2 3 4 5 6 7	NOMENCLATURE	EFFECT FROM TO	UNITS PER ASSY
1	50 ST2412-057		.GASKET- SUPPLIER CODE: V77445 CONFIG CHG DATA FROM A CMM: FOR INTRCHG SEE PW IPC OPTIONAL PART: ST2422-057 V77445 V77445 P14U5N0064-2 V15284		2
	50 P14U5N0064-2		.GASKET- SUPPLIER CODE: V15284 CONFIG CHG DATA FROM A CMM: PRATT AND WHITNEY PART NO. ST2402-057 FOR INTRCHG SEE PW IPC OPTIONAL PART: ST2412-057 V77445 ST2422-057 V77445		2

ILLUSTRATION ITEMS NOT ON PARTS LIST ARE NOT APPLICABLE

- ITEM NOT ILLUSTRATED

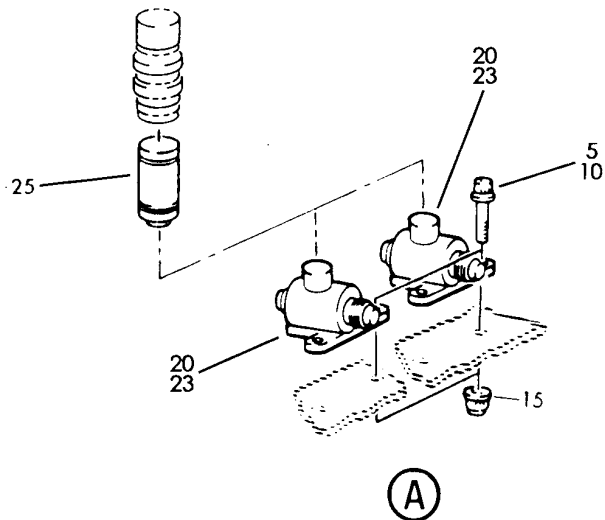
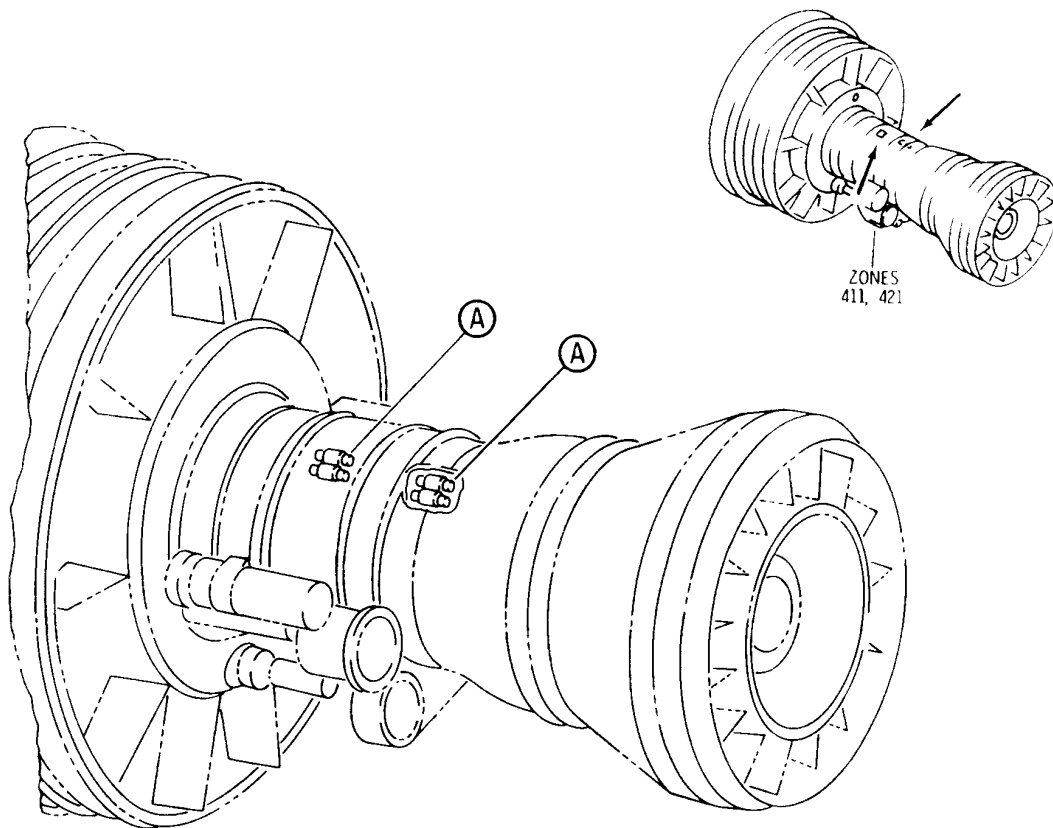
HXL

75-33-01-01

BOEING PROPRIETARY - Copyright © - Unpublished Work - See title page for details.

75-33-01  
FIG. 01  
PAGE 18  
DEC 22/06

**BOEING**  
767  
PARTS CATALOG (MAINTENANCE)



V 75330201 REV 208

FILTER-HIGH PRESSURE CPRSR DRUM AIR (PW4000)  
FIGURE 1

**75-33-02-01**

HXL  
DEC 22/06

75-33-02-01  
PAGE 0



767

PARTS CATALOG (MAINTENANCE)

FIG ITEM	PART NUMBER	1 2 3 4 5 6 7	NOMENCLATURE	EFFECT FROM TO	UNITS PER ASSY
1			FILTER-HIGH PRESSURE CPRSR DRUM AIR (PW4000)		
- 1	PW4060		ENGINE- SUPPLIER CODE: V77445 CONFIG CHG DATA FROM A CMM: SEE 71-00-51 FIG.2 FOR APPLICABLE ENGINE SERIES PRE SERVICE BULLETIN: 72-504 V77445		RF
5	MS9556-12		.BOLT- POSITION DATA: L SIDE		4
10	MS9556-10		.BOLT- POSITION DATA: R SIDE		4
15	776440		.NUT- SUPPLIER CODE: V77445 OPTIONAL PART: SL7061C1032 V11815 LH11973-3 V56878 H49674-3 V15653 73356-1032 V56878 AS3070-09		8
15	SL7061C1032		.NUT- SUPPLIER CODE: V11815 CONFIG CHG DATA FROM A CMM: PRATT AND WHITNEY PART NO. AS3066-09 OPTIONAL PART: 776440 V77445 LH11973-3 V56878 H49674-3 V15653 73356-1032 V56878 AS3070-09		8

ILLUSTRATION ITEMS NOT ON PARTS LIST ARE NOT APPLICABLE

- ITEM NOT ILLUSTRATED

HXL

75-33-02-01

BOEING PROPRIETARY - Copyright © - Unpublished Work - See title page for details.

75-33-02  
FIG. 01  
PAGE 1  
DEC 22/06



767

PARTS CATALOG (MAINTENANCE)

FIG ITEM	PART NUMBER	1 2 3 4 5 6 7	NOMENCLATURE	EFFECT FROM TO	UNITS PER ASSY
1	15 LH11973-3		.NUT- SUPPLIER CODE: V56878 CONFIG CHG DATA FROM A CMM: PRATT AND WHITNEY PART NO. AS3067-09 OPTIONAL PART: 776440 V77445 SL7061C1032 V11815 H49674-3 V15653 73356-1032 V56878 AS3070-09		8
	15 H49674-3		.NUT- SUPPLIER CODE: V15653 CONFIG CHG DATA FROM A CMM: PRATT AND WHITNEY PART NO. AS3068-09 OPTIONAL PART: 776440 V77445 SL7061C1032 V11815 LH11973-3 V56878 73356-1032 V56878 AS3070-09		8
	15 AS3070-09		.NUT- OPTIONAL PART: 776440 V77445 SL7061C1032 V11815 LH11973-3 V56878 H49674-3 V15653 73356-1032 V56878		8

ILLUSTRATION ITEMS NOT ON PARTS LIST ARE NOT APPLICABLE

- ITEM NOT ILLUSTRATED

HXL

75-33-02-01

BOEING PROPRIETARY - Copyright © - Unpublished Work - See title page for details.

75-33-02  
FIG. 01  
PAGE 2  
DEC 22/06





767

PARTS CATALOG (MAINTENANCE)

FIG ITEM	PART NUMBER	1 2 3 4 5 6 7	NOMENCLATURE	EFFECT FROM TO	UNITS PER ASSY
1 15	73356-1032		.NUT- SUPPLIER CODE: V56878 CONFIG CHG DATA FROM A CMM: PRATT AND WHITNEY PART NO. AS3069-09 OPTIONAL PART: 776440 V77445 SL7061C1032 V11815 LH11973-3 V56878 H49674-3 V15653 AS3070-09		8
20	7589149		.FILTER-HIGH PRESSURE CPRSR SECONDARY FLOW CONT SUPPLIER CODE: V05228 POSITION DATA: L SIDE CONFIG CHG DATA FROM A CMM: PRATT AND WHITNEY PART NO. 50H876 OPTIONAL PART: 7589149-101 V05228 7589149-102 V05228 PRE SERVICE BULLETIN: 75-68 V77445		2

ILLUSTRATION ITEMS NOT ON PARTS LIST ARE NOT APPLICABLE

- ITEM NOT ILLUSTRATED

HXL

**75-33-02-01**

BOEING PROPRIETARY - Copyright © - Unpublished Work - See title page for details.

75-33-02  
FIG. 01  
PAGE 3  
DEC 22/06



767

PARTS CATALOG (MAINTENANCE)

FIG ITEM	PART NUMBER	1 2 3 4 5 6 7	NOMENCLATURE	EFFECT FROM TO	UNITS PER ASSY
1 20	7589149-101		. FILTER-HIGH PRESSURE CPRSR SECONDARY FLOW CONT SUPPLIER CODE: V05228 POSITION DATA: L SIDE CONFIG CHG DATA FROM A CMM: PRATT AND WHITNEY PART NO. 51H374 OPTIONAL PART: 7589149 V05228 7589149-102 V05228 POST SERVICE BULLETIN: 75-68 V77445 PRE SERVICE BULLETIN: 75-111 V77445		2
20	7589149-102		. FILTER-HIGH PRESSURE CPRSR SECONDARY FLOW CONT SUPPLIER CODE: V05228 POSITION DATA: L SIDE CONFIG CHG DATA FROM A CMM: PRATT AND WHITNEY PART NO. 54H771 OPTIONAL PART: 7589149 V05228 7589149-101 V05228 POST SERVICE BULLETIN: 75-111 V77445		2
23	7589149		. FILTER-HIGH PRESSURE CPRSR SECONDARY FLOW CONT SUPPLIER CODE: V05228 POSITION DATA: R SIDE CONFIG CHG DATA FROM A CMM: PRATT AND WHITNEY PART NO. 50H876 PRE SERVICE BULLETIN: 75-68 V77445		2

ILLUSTRATION ITEMS NOT ON PARTS LIST ARE NOT APPLICABLE

- ITEM NOT ILLUSTRATED

HXL

75-33-02-01

BOEING PROPRIETARY - Copyright © - Unpublished Work - See title page for details.

75-33-02  
FIG. 01  
PAGE 4  
DEC 22/06



767

PARTS CATALOG (MAINTENANCE)

FIG ITEM	PART NUMBER	1 2 3 4 5 6 7	NOMENCLATURE	EFFECT FROM TO	UNITS PER ASSY
1 23	7589149-101		. FILTER-HIGH PRESSURE CPRSR SECONDARY FLOW CONT SUPPLIER CODE: V05228 POSITION DATA: R SIDE CONFIG CHG DATA FROM A CMM: PRATT AND WHITNEY PART NO. 51H374 OPTIONAL PART: 7589149-102 V77445 POST SERVICE BULLETIN: 75-68 V77445		2
23	7589149-102		. FILTER-HIGH PRESSURE CPRSR SECONDARY FLOW CONT SUPPLIER CODE: V05228 POSITION DATA: R SIDE CONFIG CHG DATA FROM A CMM: PRATT AND WHITNEY PART NO. 54H771 OPTIONAL PART: 7589149-101 V05228		2
25	7588990		.. ELEMENT- SUPPLIER CODE: V05228 REFERENCE SERVICE BULLETIN: A72-632 V77445		1

ILLUSTRATION ITEMS NOT ON PARTS LIST ARE NOT APPLICABLE

- ITEM NOT ILLUSTRATED

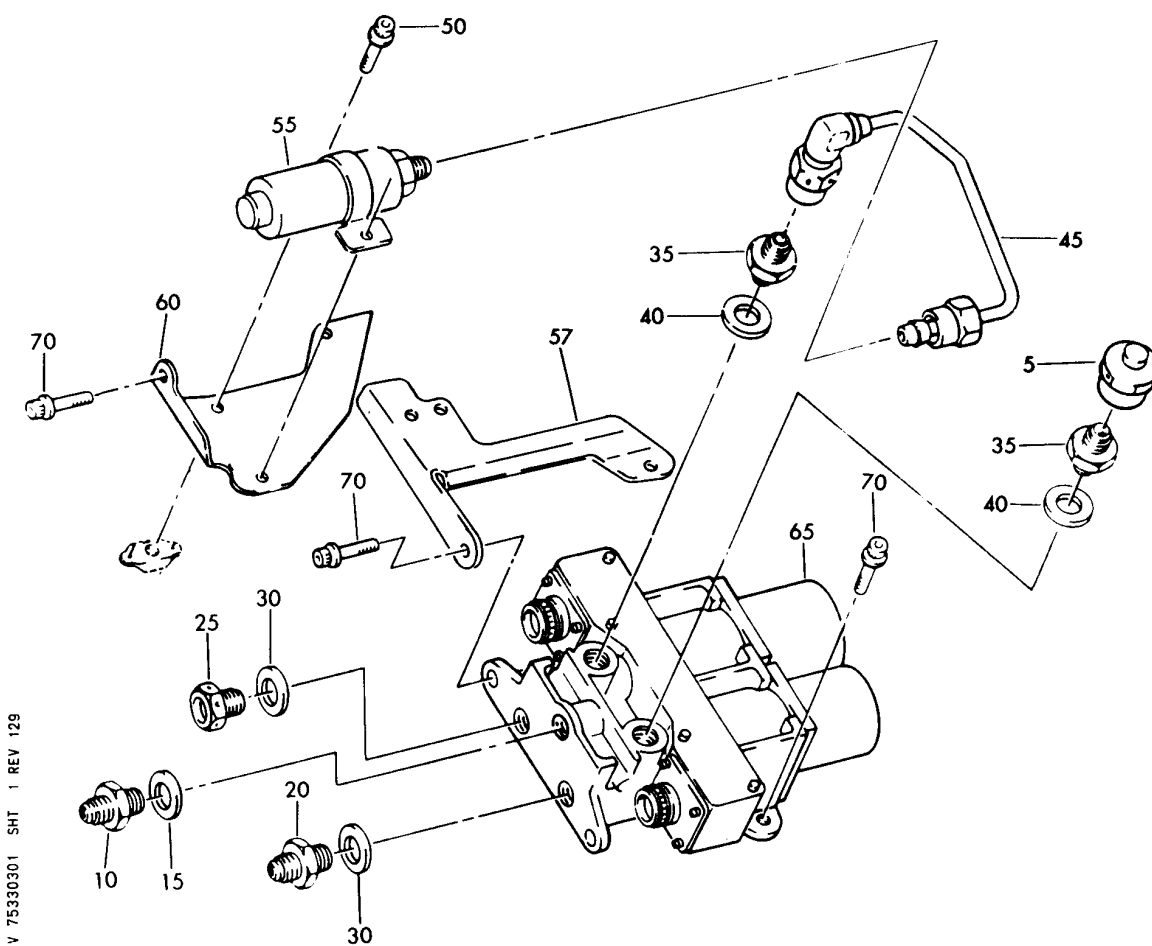
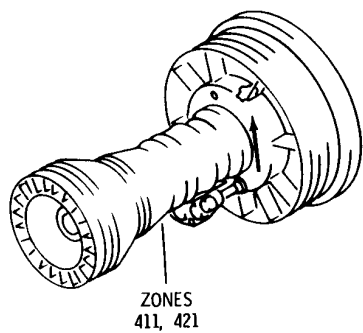
HXL

75-33-02-01

BOEING PROPRIETARY - Copyright © - Unpublished Work - See title page for details.

75-33-02  
FIG. 01  
PAGE 5  
DEC 22/06

**BOEING**  
767  
PARTS CATALOG (MAINTENANCE)



V 75330301 SHT 1 REV 129

COMPRESSOR AIRFLOW CONTROL SYSTEM (PW4000)  
FIGURE 1

**75-33-03-01**

HXL  
AUG 22/09

75-33-03-01  
PAGE 0



767

PARTS CATALOG (MAINTENANCE)

FIG ITEM	PART NUMBER	1 2 3 4 5 6 7	NOMENCLATURE	EFFECT FROM TO	UNITS PER ASSY
R R	1		COMPRESSOR AIRFLOW CONTROL SYSTEM (PW4000)		
	- 1	PW4060	ENGINE- SUPPLIER CODE: V77445 CONFIG CHG DATA FROM A CMM: SEE 71-00-51 FIG. 2 FOR APPLICABLE ENGINE SERIES		RF
	5	MS9315-04	.CAP ASSY		1
	10	ST2010-07	.ADAPTER-TUBE TO BOSS SUPPLIER CODE: V77445		1
	15	AS3332-07	.GASKET		1
	20	ST2010-06	.ADAPTER-TUBE TO BOSS SUPPLIER CODE: V77445		1
	25	MS9405-06	.PLUG		1
	30	AS3332-06	.GASKET		2
	35	ST2010-04	.ADAPTER-TUBE TO BOSS SUPPLIER CODE: V77445		2
	40	AS3332-04	.GASKET		2
	45	52T691-01	.TUBE ASSY-PRESSURE HIGH CPRSR DRUM AIR VALVE AND PRESSURE SWITCH SUPPLIER CODE: V77445		1
	50	MS9556-06	.BOLT		2
	55	120806	.SWITCH-PRESSURE SUPPLIER CODE: V96429 CONFIG CHG DATA FROM A CMM: PRATT AND WHITNEY PART NO. 51G123 OPTIONAL PART: 120837 V96429 POST SERVICE BULLETIN: 75-54 V77445 PRE SERVICE BULLETIN: 75-94 V77445		1

ILLUSTRATION ITEMS NOT ON PARTS LIST ARE NOT APPLICABLE

- ITEM NOT ILLUSTRATED

HXL

75-33-03-01

BOEING PROPRIETARY - Copyright © - Unpublished Work - See title page for details.

75-33-03  
FIG. 01  
PAGE 1  
AUG 22/09



767

PARTS CATALOG (MAINTENANCE)

FIG ITEM	PART NUMBER	1 2 3 4 5 6 7	NOMENCLATURE	EFFECT FROM TO	UNITS PER ASSY
1	55 120837		.SWITCH-PRESSURE SUPPLIER CODE: V96429 CONFIG CHG DATA FROM A CMM: PRATT AND WHITNEY PART NO. 51G160 OPTIONAL PART: 120806 V96429 POST SERVICE BULLETIN: 75-94 V77445		1
	57 53T356-01		.BRACKET ASSY-LOOP CLAMP SUPPLIER CODE: V77445 POST SERVICE BULLETIN: 72-124 V77445 72-136 V77445		1
	60 52T796		.BRACKET ASSY- SUPPLIER CODE: V77445		1
	65 1109V0300		.VALVE-AIR OIL COOLER AND HIGH PRESSURE CPRSR DRUM AIR SUPPLIER CODE: V00672 CONFIG CHG DATA FROM A CMM: PRATT AND WHITNEY PART NO. 50G870 OPTIONAL PART: 1109V0300-1 V00672 1109V0300-2 V00672 1109V0300-3 V59364 PRE SERVICE BULLETIN: 75-65 V77445 75-119 V77445		1

ILLUSTRATION ITEMS NOT ON PARTS LIST ARE NOT APPLICABLE

- ITEM NOT ILLUSTRATED

HXL

75-33-03-01

BOEING PROPRIETARY - Copyright © - Unpublished Work - See title page for details.

75-33-03  
FIG. 01  
PAGE 2  
DEC 22/06



767

PARTS CATALOG (MAINTENANCE)

FIG ITEM	PART NUMBER	1 2 3 4 5 6 7	NOMENCLATURE	EFFECT FROM TO	UNITS PER ASSY
1 65	1109V0300-1		.VALVE-AIR OIL COOLER AND HIGH PRESSURE CPRSR DRUM AIR SUPPLIER CODE: V00672 CONFIG CHG DATA FROM A CMM: PRATT AND WHITNEY PART NO. 51G801 OPTIONAL PART: 1109V0300 V00672 1109B0300-2 V00672 1109V0300-3 V59364 POST SERVICE BULLETIN: 75-65 V77445 PRE SERVICE BULLETIN: 75-118 V77445 75-119 V77445		1
65	1109V0300-2		.VALVE-AIR OIL COOLER AND HIGH PRESSURE CPRSR DRUM AIR SUPPLIER CODE: V00672 CONFIG CHG DATA FROM A CMM: PRATT AND WHITNEY PART NO 52G225 OPTIONAL PART: 1109V0300 V00672 1109B0300-1 V00672 1109V0300-3 V59364 POST SERVICE BULLETIN: 75-118 V77445 75-119 V77445 PRE SERVICE BULLETIN: 75-148 V77445 REFERENCE SERVICE BULLETIN: 75-149 V77445		1

ILLUSTRATION ITEMS NOT ON PARTS LIST ARE NOT APPLICABLE

- ITEM NOT ILLUSTRATED

HXL

75-33-03-01

BOEING PROPRIETARY - Copyright © - Unpublished Work - See title page for details.

75-33-03  
FIG. 01  
PAGE 3  
AUG 22/07



767

PARTS CATALOG (MAINTENANCE)

FIG ITEM	PART NUMBER	1 2 3 4 5 6 7 NOMENCLATURE	EFFECT FROM TO	UNITS PER ASSY
1 65	1109V0300-3	.VALVE-AIR OIL COOLER AND HIGH PRESSURE CPRSR DRUM AIR SUPPLIER CODE: V59364 CONFIG CHG DATA FROM A CMM: PRATT AND WHITNEY PART NO. 52U876 OPTIONAL PART: 1109V0300 V00672 1109V0300-2 V00672 1109V0300-1 V00672 POST SERVICE BULLETIN: 75-148 V77445 REFERENCE SERVICE BULLETIN: 75-149 V77445 ATTACHING PARTS .BOLT -----*-----		1
70	MS9557-12			4

ILLUSTRATION ITEMS NOT ON PARTS LIST ARE NOT APPLICABLE

- ITEM NOT ILLUSTRATED

HXL

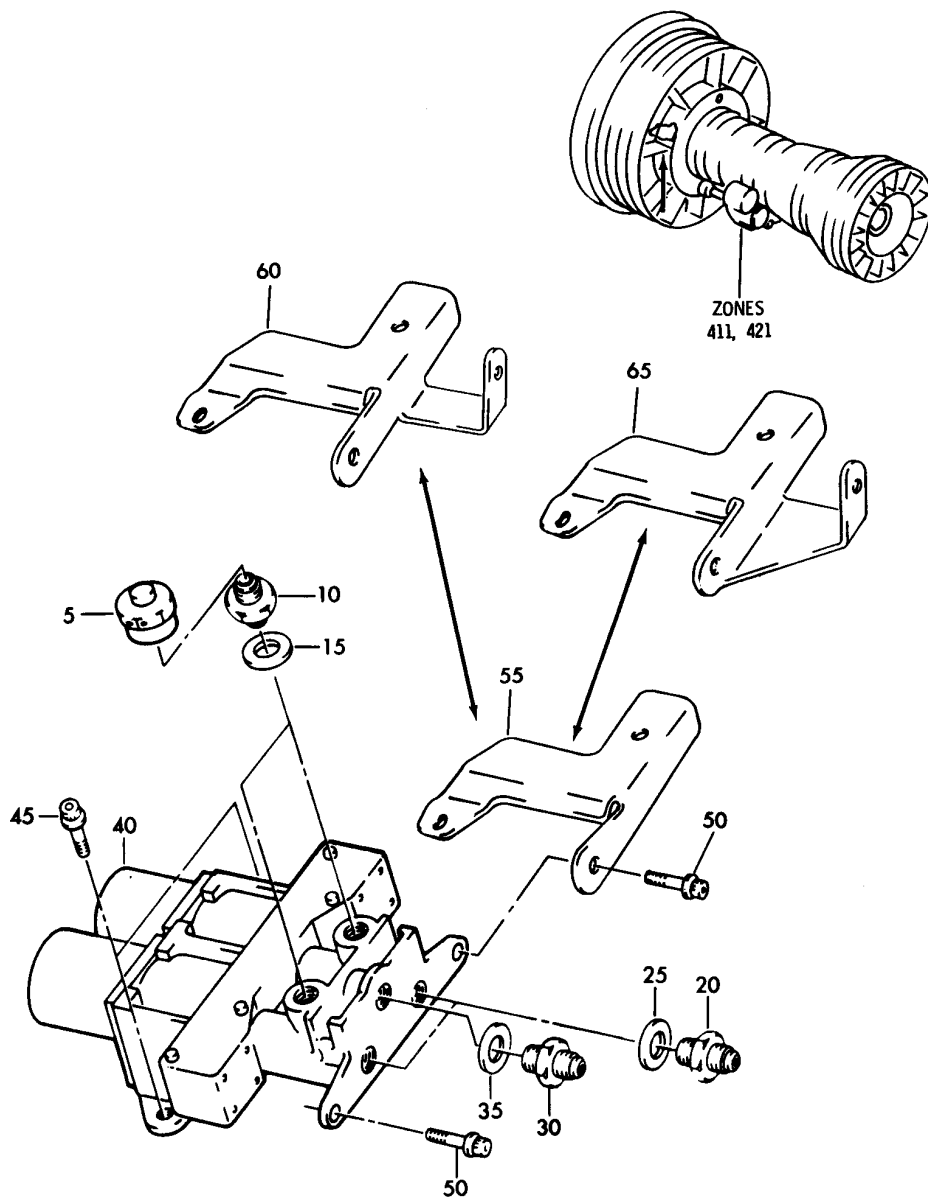
75-33-03-01

BOEING PROPRIETARY - Copyright © - Unpublished Work - See title page for details.

75-33-03  
 FIG. 01  
 PAGE 4  
 AUG 22/07



**BOEING**  
767  
PARTS CATALOG (MAINTENANCE)



V 75330401 REV 129

SOLENOID-HIGH PRESSURE CPRSR SECONDARY FLOW CONT VALVE (PW4000)  
FIGURE 1

**75-33-04-01**

HXL  
DEC 22/06

75-33-04-01  
PAGE 0



767

PARTS CATALOG (MAINTENANCE)

FIG ITEM	PART NUMBER	1 2 3 4 5 6 7	NOMENCLATURE	EFFECT FROM TO	UNITS PER ASSY
1			SOLENOID-HIGH PRESSURE CPRSR SECONDARY FLOW CONT VALVE (PW4000)		
- 1	PW4060		ENGINE- SUPPLIER CODE: V77445 CONFIG CHG DATA FROM A CMM: SEE 71-00-51 FIG. 2 FOR APPLICABLE ENGINE SERIES		RF
5	MS9315-04		.CAP ASSY- PRE SERVICE BULLETIN: 72-504 V77445		2
10	ST2010-04		.ADAPTER-TUBE TO BOSS SUPPLIER CODE: V77445		2
15	AS3332-04		.GASKET		2
20	ST2010-06		.ADAPTER-TUBE TO BOSS SUPPLIER CODE: V77445		2
25	AS3332-06		.GASKET		2
30	ST2010-07		.ADAPTER-TUBE TO BOSS SUPPLIER CODE: V77445		1
35	AS3332-07		.GASKET		1
40	1108V0100		.SOLENOID-HPC SECONDARY FLOW CONT VALVE, TURB COOLING AIR VALVE SUPPLIER CODE: V00672 CONFIG CHG DATA FROM A CMM: PRATT AND WHITNEY PART NO. 50H122 OPTIONAL PART: 1108V0100-1 V00672 1108V0100-2 V00672 1108V0100-3 V59364 PRE SERVICE BULLETIN: 75-64 V77445 75-120 V77445		1
ILLUSTRATION ITEMS NOT ON PARTS LIST ARE NOT APPLICABLE					

- ITEM NOT ILLUSTRATED

HXL

# 75-33-04-01

BOEING PROPRIETARY - Copyright © - Unpublished Work - See title page for details.

75-33-04  
FIG. 01  
PAGE 1  
DEC 22/06



767

PARTS CATALOG (MAINTENANCE)

FIG ITEM	PART NUMBER	1 2 3 4 5 6 7	NOMENCLATURE	EFFECT FROM TO	UNITS PER ASSY
1 40	1108V0100-1		.SOLENOID-HPC SECONDARY FLOW CONT VALVE, TURB COOLING AIR VALVE SUPPLIER CODE: V00672 CONFIG CHG DATA FROM A CMM: PRATT AND WHITNEY PART NO. 53H057 OPTIONAL PART: 1108V0100 V00672 1108V0100-2 V00672 1108V0100-3 V59364 POST SERVICE BULLETIN: 75-64 V77445 PRE SERVICE BULLETIN: 75-120 V77445 75-121 V77445		1
40	1108V0100-2		.SOLENOID-HPC SECONDARY FLOW CONT VALVE, TURB COOLING AIR VALVE SUPPLIER CODE: V00672 CONFIG CHG DATA FROM A CMM: PRATT AND WHITNEY PART NO. 555H304 OPTIONAL PART: 1108V0100-1 V00672 1108V0100 V77445 1108V0100-3 V59364 POST SERVICE BULLETIN: 75-121 V77445 75-120 V77445 PRE SERVICE BULLETIN: 75-148 V77445 REFERENCE SERVICE BULLETIN: 75-149 V77445		1

ILLUSTRATION ITEMS NOT ON PARTS LIST ARE NOT APPLICABLE

- ITEM NOT ILLUSTRATED

HXL

75-33-04-01

BOEING PROPRIETARY - Copyright © - Unpublished Work - See title page for details.

75-33-04  
FIG. 01  
PAGE 2  
AUG 22/07



767

PARTS CATALOG (MAINTENANCE)

FIG ITEM	PART NUMBER	1 2 3 4 5 6 7	NOMENCLATURE	EFFECT FROM TO	UNITS PER ASSY
1 40	1108V0100-3		.SOLENOID-HPC SECONDARY FLOW CONT VALVE, TURB COOLING AIR VALVE SUPPLIER CODE: V59364 CONFIG CHG DATA FROM A CMM: PRATT AND WHITNEY PART NO. 52U875 OPTIONAL PART: 1108V0100-1 V00672 1108V0100-2 V00672 1108V0100 V00672 POST SERVICE BULLETIN: 75-148 V77445 REFERENCE SERVICE BULLETIN: 75-149 V77445 ATTACHING PARTS		1
45	MS9557-10		.BOLT- CONFIG CHG DATA FROM A CMM: FOR INTRCHG SEE PW IPC PRE SERVICE BULLETIN: 72-547 V77445 72-548 V77445		2
45	MS9697-12		.BOLT- CONFIG CHG DATA FROM A CMM: FOR INTRCHG SEE PW IPC POST SERVICE BULLETIN: 72-547 V77445 72-548 V77445		2
50	MS9557-12		.BOLT- CONFIG CHG DATA FROM A CMM: FOR INTRCHG SEE PW IPC PRE SERVICE BULLETIN: 72-547 V77445 72-548 V77445		2

ILLUSTRATION ITEMS NOT ON PARTS LIST ARE NOT APPLICABLE

- ITEM NOT ILLUSTRATED

HXL

75-33-04-01

BOEING PROPRIETARY - Copyright © - Unpublished Work - See title page for details.

75-33-04  
FIG. 01  
PAGE 3  
AUG 22/07



767

PARTS CATALOG (MAINTENANCE)

FIG ITEM	PART NUMBER	1 2 3 4 5 6 7	NOMENCLATURE	EFFECT FROM TO	UNITS PER ASSY
1 50	MS9697-12		.BOLT- CONFIG CHG DATA FROM A CMM: FOR INTRCHG SEE PW IPC POST SERVICE BULLETIN: 72-547 V77445 72-548 V77445 -----*-----		2
60	53T336-01		.BRACKET-ANGLE SUPPLIER CODE: V77445 OPTIONAL PART: 54T033-01 V77445 58T753-01 V77445 POST SERVICE BULLETIN: 72-129 V77445 PRE SERVICE BULLETIN: 75-77 V77445		1
65	54T033-01		.BRACKET-ANGLE SUPPLIER CODE: V77445 CONFIG CHG DATA FROM A CMM: FOR INTRCHG SEE PW IPC OPTIONAL PART: 58T753-01 V77445 53T336-01 V77445 POST SERVICE BULLETIN: 75-77 V77445 PRE SERVICE BULLETIN: 75-112 V77445		1

ILLUSTRATION ITEMS NOT ON PARTS LIST ARE NOT APPLICABLE

- ITEM NOT ILLUSTRATED

HXL

**75-33-04-01**

BOEING PROPRIETARY - Copyright © - Unpublished Work - See title page for details.

75-33-04  
FIG. 01  
PAGE 4  
DEC 22/06



767

PARTS CATALOG (MAINTENANCE)

FIG ITEM	PART NUMBER	1 2 3 4 5 6 7	NOMENCLATURE	EFFECT FROM TO	UNITS PER ASSY
1 65	58T753-01		.BRACKET-ANGLE SUPPLIER CODE: V77445 CONFIG CHG DATA FROM A CMM: FOR INTRCHG SEE PW IPC OPTIONAL PART: 54T033-01 V77445 53T336-01 V77445 POST SERVICE BULLETIN: 75-112 V77445		1
65	58T750-01		.BRACKET-ANGLE SUPPLIER CODE: V77445 CONFIG CHG DATA FROM A CMM: REIDENT FROM 54T033-01 FOR INTRCHG SEE PW IPC POST SERVICE BULLETIN: 75-112 V77445		1

ILLUSTRATION ITEMS NOT ON PARTS LIST ARE NOT APPLICABLE

- ITEM NOT ILLUSTRATED

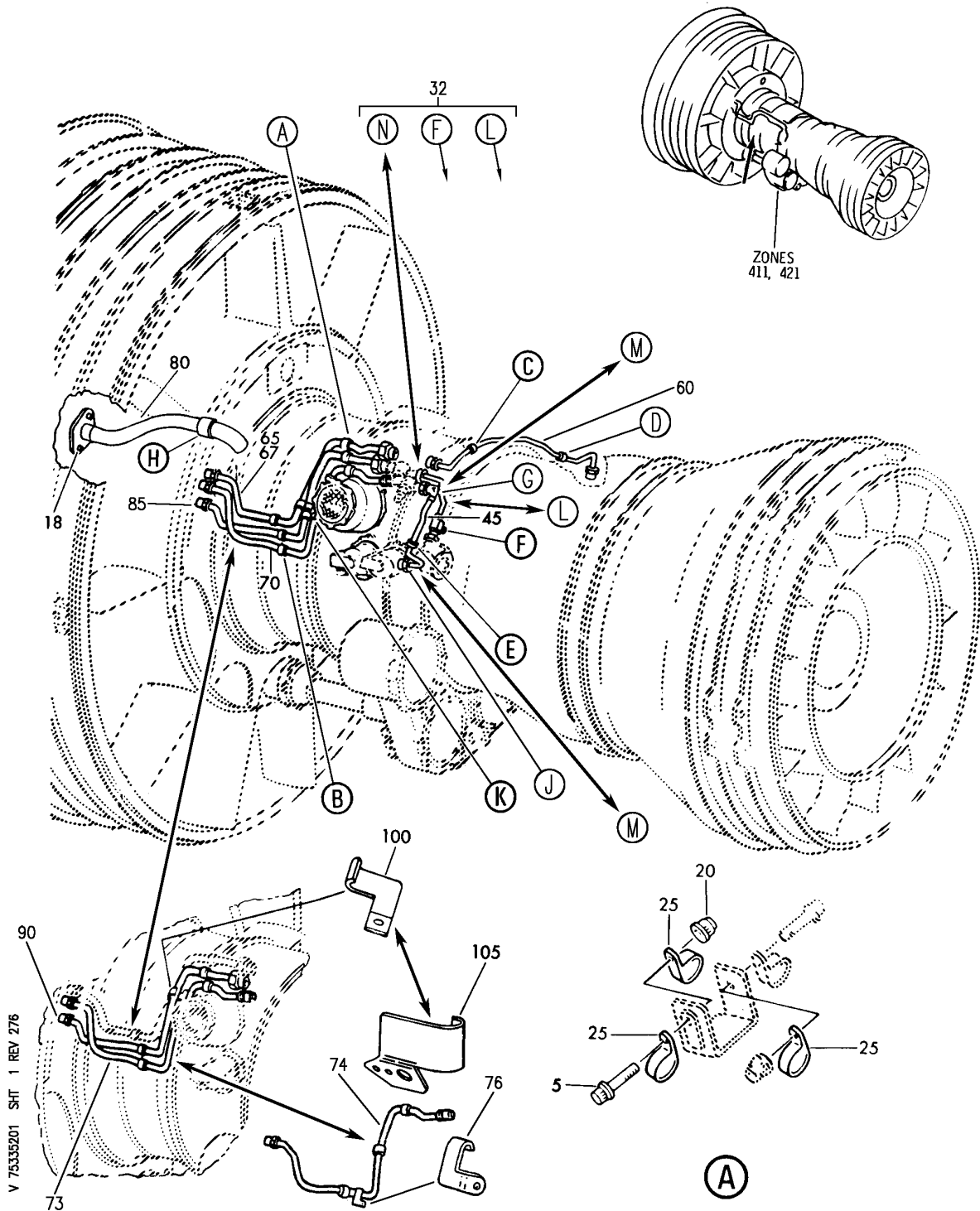
HXL

**75-33-04-01**

BOEING PROPRIETARY - Copyright © - Unpublished Work - See title page for details.

75-33-04  
FIG. 01  
PAGE 5  
DEC 22/06

**BOEING**  
767  
PARTS CATALOG (MAINTENANCE)



V 75335201 SHT 1 REV 276

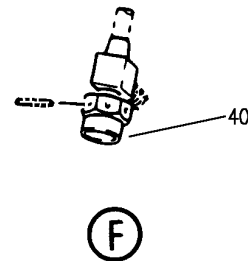
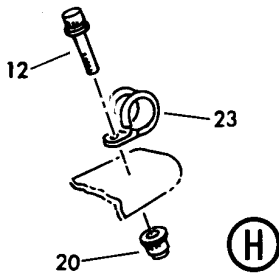
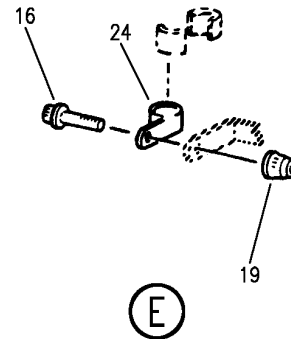
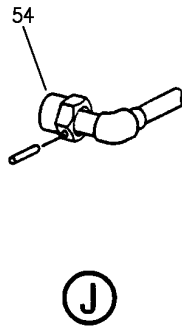
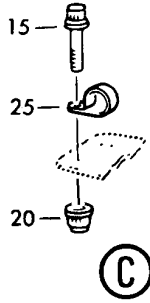
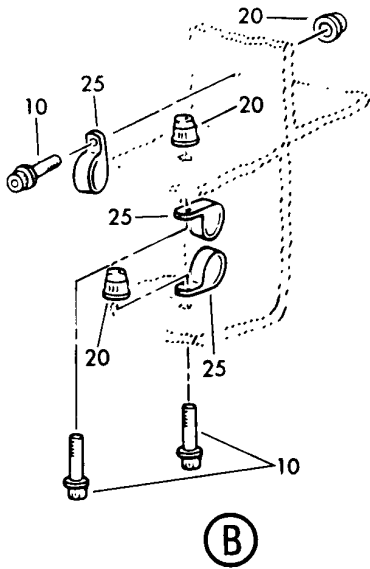
TUBES-SIGNAL AND BLEED HIGH PRESSURE CPRSR DRUM AND AIR SHUTOFF VALVE (PW4000)  
FIGURE 1 (SHEET 1)

**75-33-52-01**

HXL  
DEC 22/06

75-33-52-01  
PAGE 0

**BOEING**  
767  
PARTS CATALOG (MAINTENANCE)



V 75335201 SH1 2 REV 276

TUBES-SIGNAL AND BLEED HIGH PRESSURE CPRSR DRUM AND AIR SHUTOFF VALVE (PW4000)  
FIGURE 1 (SHEET 2)

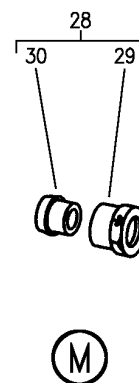
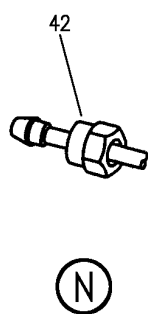
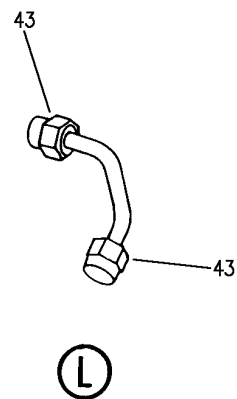
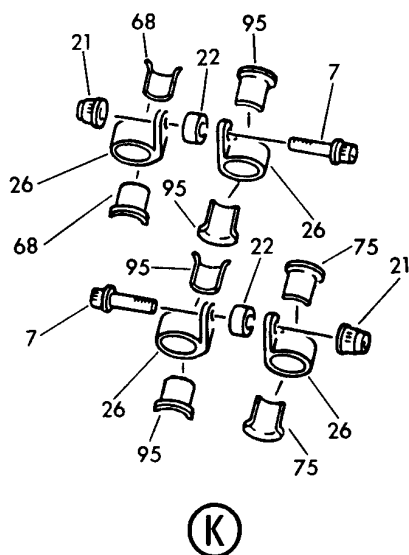
**75-33-52-01**

HXL  
DEC 22/06

75-33-52-01  
PAGE 0A



**BOEING**  
767  
PARTS CATALOG (MAINTENANCE)



V 75335201 SH1 3 REV 276

TUBES-SIGNAL AND BLEED HIGH PRESSURE CPRSR DRUM AND AIR SHUTOFF VALVE (PW4000)  
FIGURE 1 (SHEET 3)

**75-33-52-01**

HXL  
DEC 22/06

75-33-52-01  
PAGE 08



767

PARTS CATALOG (MAINTENANCE)

FIG ITEM	PART NUMBER	1 2 3 4 5 6 7	NOMENCLATURE	EFFECT FROM TO	UNITS PER ASSY
1			TUBES-SIGNAL AND BLEED HIGH PRESSURE CPRSR DRUM AND AIR SHUTOFF VALVE (PW4000)		
- 1	PW4060		ENGINE-SUPPLIER CODE: V77445 CONFIG CHG DATA FROM A CMM: SEE 71-00-51 FIG. 2 FOR APPLICABLE ENGINE SERIES		RF
5	MS9556-10		.BOLT		1
7	MS9556-12		.BOLT- POST SERVICE BULLETIN: 72-35 V77445		2
10	MS9556-06		.BOLT		3
12	MS9208-06		.BOLT- OPTIONAL PART: MS9556-06 PRE SERVICE BULLETIN: 72-349 V77445		1
12	MS9556-06		.BOLT- OPTIONAL PART: MS9208-06 POST SERVICE BULLETIN: 72-349 V77445		1
15	MS9556-08		.BOLT		2
16	MS9556-08		.BOLT- CONFIG CHG DATA FROM A CMM: FOR INTRCHG SEE PW IPC PRE SERVICE BULLETIN: 72-755 V77445 POST ALERT SB: A75-62 V77445		1
18	MS9209-07		.BOLT		2

ILLUSTRATION ITEMS NOT ON PARTS LIST ARE NOT APPLICABLE

- ITEM NOT ILLUSTRATED

HXL

75-33-52-01

BOEING PROPRIETARY - Copyright © - Unpublished Work - See title page for details.

75-33-52  
FIG. 01  
PAGE 1  
DEC 22/06



767

PARTS CATALOG (MAINTENANCE)

FIG ITEM	PART NUMBER	1 2 3 4 5 6 7	NOMENCLATURE	EFFECT FROM TO	UNITS PER ASSY
1 19	776440		.NUT- SUPPLIER CODE: V77445 CONFIG CHG DATA FROM A CMM: FOR INTRCHG SEE PW IPC OPTIONAL PART: SL7061C1032 V11815 LH11973-3 V56878 H49674-3 V15653 73356-1032 V56878 AS3070-09 PRE SERVICE BULLETIN: 72-755 V77445 POST ALERT SB: A75-62 V77445		1
19	SL7061C1032		.NUT- SUPPLIER CODE: V11815 CONFIG CHG DATA FROM A CMM: PRATT AND WHITNEY PART NO. AS3066-09 FOR INTRCHG SEE PW IPC OPTIONAL PART: 776440 V77445 LH11973-3 V56878 H49674-3 V15653 73356-1032 V56878 AS3070-09 PRE SERVICE BULLETIN: 72-755 V77445 POST ALERT SB: A75-62 V77445		1

ILLUSTRATION ITEMS NOT ON PARTS LIST ARE NOT APPLICABLE

- ITEM NOT ILLUSTRATED

HXL

75-33-52-01

BOEING PROPRIETARY - Copyright © - Unpublished Work - See title page for details.

75-33-52  
FIG. 01  
PAGE 2  
DEC 22/06



767

PARTS CATALOG (MAINTENANCE)

FIG ITEM	PART NUMBER	1 2 3 4 5 6 7	NOMENCLATURE	EFFECT FROM TO	UNITS PER ASSY
1 19	LH11973-3		.NUT- SUPPLIER CODE: V56878 CONFIG CHG DATA FROM A CMM: PRATT AND WHITNEY PART NO. AS3067-09 FOR INTRCHG SEE PW IPC OPTIONAL PART: 776440 V77445 SL7061C1032 V11815 H49674-3 V15653 73356-1032 V56878 AS3070-09 PRE SERVICE BULLETIN: 72-755 V77445 POST ALERT SB: A75-62 V77445		1
19	H49674-3		.NUT- SUPPLIER CODE: V15653 CONFIG CHG DATA FROM A CMM: PRATT AND WHITNEY PART NO. AS3068-09 FOR INTRCHG SEE PW IPC OPTIONAL PART: 776440 V77445 SL7061C1032 V11815 LH11973-3 V56878 73356-1032 V56878 AS3070-09 PRE SERVICE BULLETIN: 72-755 V77445 POST ALERT SB: A75-62 V77445		1

ILLUSTRATION ITEMS NOT ON PARTS LIST ARE NOT APPLICABLE

- ITEM NOT ILLUSTRATED

HXL

75-33-52-01

BOEING PROPRIETARY - Copyright © - Unpublished Work - See title page for details.

75-33-52  
FIG. 01  
PAGE 3  
DEC 22/06

 **BOEING**  
767  
**PARTS CATALOG (MAINTENANCE)**

FIG ITEM	PART NUMBER	1 2 3 4 5 6 7	NOMENCLATURE	EFFECT FROM TO	UNITS PER ASSY
1 19	AS3070-09		.NUT- CONFIG CHG DATA FROM A CMM: FOR INTRCHG SEE PW IPC OPTIONAL PART: 776440 V77445 SL7061C1032 V11815 LH11973-3 V56878 H49674-3 V15653 73356-1032 V56878 PRE SERVICE BULLETIN: 72-755 V77445 POST ALERT SB: A75-62 V77445		1
19	73356-1032		.NUT- SUPPLIER CODE: V56878 CONFIG CHG DATA FROM A CMM: PRATT AND WHITNEY PART NO. AS3069-09 FOR INTRCHG SEE PW IPC OPTIONAL PART: 776440 V77445 SL7061C1032 V11815 LH11973-3 V56878 H49674-3 V15653 AS3070-09 PRE SERVICE BULLETIN: 72-755 V77445 POST ALERT SB: A75-62 V77445		1

ILLUSTRATION ITEMS NOT ON PARTS LIST ARE NOT APPLICABLE

— ITEM NOT ILLUSTRATED

HXL

# 75-33-52-01

BOEING PROPRIETARY - Copyright © - Unpublished Work - See title page for details.

75-33-52  
FIG. 01  
PAGE 4  
DEC 22/06



767

PARTS CATALOG (MAINTENANCE)

FIG ITEM	PART NUMBER	1 2 3 4 5 6 7	NOMENCLATURE	EFFECT FROM TO	UNITS PER ASSY
1					
20	776440		.NUT- SUPPLIER CODE: V77445 OPTIONAL PART: SL7061C1032 V11815 LH11973-3 V56878 H49674-3 V15653 73356-1032 V56878 AS3070-09		7
20	SL7061C1032		.NUT- SUPPLIER CODE: V11815 CONFIG CHG DATA FROM A CMM: PRATT AND WHITNEY PART NO. AS3066-09 OPTIONAL PART: 776440 V77445 LH11973-3 V56878 H49674-3 V15653 73356-1032 V56878 AS3070-09		7
20	LH11973-3		.NUT- SUPPLIER CODE: V56878 CONFIG CHG DATA FROM A CMM: PRATT AND WHITNEY PART NO. AS3067-09 OPTIONAL PART: 776440 V77445 SL7061C1032 V11815 H49674-3 V15653 73356-1032 V56878 AS3070-09		7

ILLUSTRATION ITEMS NOT ON PARTS LIST ARE NOT APPLICABLE

- ITEM NOT ILLUSTRATED

HXL

75-33-52-01

BOEING PROPRIETARY - Copyright © - Unpublished Work - See title page for details.

75-33-52  
FIG. 01  
PAGE 5  
DEC 22/06



767

PARTS CATALOG (MAINTENANCE)

FIG ITEM	PART NUMBER	1 2 3 4 5 6 7	NOMENCLATURE	EFFECT FROM TO	UNITS PER ASSY
1 20	H49674-3		.NUT- SUPPLIER CODE: V15653 CONFIG CHG DATA FROM A CMM: PRATT AND WHITNEY PART NO. AS3068-09 OPTIONAL PART: 776440 V77445 SL7061C1032 V11815 LH11973-3 V56878 73356-1032 V56878 AS3070-09		7
20	AS3070-09		.NUT- OPTIONAL PART: 776440 V77445 SL7061C1032 V11815 LH11973-3 V56878 H49674-3 V15653 73356-1032 V56878		7
20	73356-1032		.NUT- SUPPLIER CODE: V56878 CONFIG CHG DATA FROM A CMM: PRATT AND WHITNEY PART NO. AS3069-09 OPTIONAL PART: 776440 V77445 SL7061C1032 V11815 LH11973-3 V56878 H49674-3 V15653 AS3070-09		7

ILLUSTRATION ITEMS NOT ON PARTS LIST ARE NOT APPLICABLE

- ITEM NOT ILLUSTRATED

HXL

75-33-52-01

BOEING PROPRIETARY - Copyright © - Unpublished Work - See title page for details.

75-33-52  
FIG. 01  
PAGE 6  
DEC 22/06



767

PARTS CATALOG (MAINTENANCE)

FIG ITEM	PART NUMBER	1 2 3 4 5 6 7	NOMENCLATURE	EFFECT FROM TO	UNITS PER ASSY
1 21	776440		.NUT- SUPPLIER CODE: V77445 OPTIONAL PART: SL7061C1032 V11815 LH11973-3 V56878 H49674-3 V15653 73356-1032 V56878 AS3070-09 POST SERVICE BULLETIN: 75-35 V77445		2
21	SL7061C1032		.NUT- SUPPLIER CODE: V11815 CONFIG CHG DATA FROM A CMM: PRATT AND WHITNEY PART NO. AS3066-09 OPTIONAL PART: 776440 V77445 LH11973-3 V56878 H49674-3 V15653 73356-1032 V56878 AS3070-09 POST SERVICE BULLETIN: 75-35 V77445		2

ILLUSTRATION ITEMS NOT ON PARTS LIST ARE NOT APPLICABLE

- ITEM NOT ILLUSTRATED

HXL

75-33-52-01

BOEING PROPRIETARY - Copyright © - Unpublished Work - See title page for details.

75-33-52  
FIG. 01  
PAGE 7  
DEC 22/06



**BOEING**  
767  
**PARTS CATALOG (MAINTENANCE)**

FIG ITEM	PART NUMBER	1 2 3 4 5 6 7	NOMENCLATURE	EFFECT FROM TO	UNITS PER ASSY
1 21	LH11973-3		.NUT- SUPPLIER CODE: V56878 CONFIG CHG DATA FROM A CMM: PRATT AND WHITNEY PART NO. AS3067-09 OPTIONAL PART: 776440 V77445 SL7061C1032 V11815 H49674-3 V15653 73356-1032 V56878 AS3070-09 POST SERVICE BULLETIN: 75-35 V77445		2
21	H49674-3		.NUT- SUPPLIER CODE: V15653 CONFIG CHG DATA FROM A CMM: PRATT AND WHITNEY PART NO. AS3068-09 OPTIONAL PART: 776440 V77445 SL7061C1032 V11815 LH11973-3 V56878 73356-1032 V56878 AS3070-09 POST SERVICE BULLETIN: 75-35 V77445		2

ILLUSTRATION ITEMS NOT ON PARTS LIST ARE NOT APPLICABLE

- ITEM NOT ILLUSTRATED

HXL

# 75-33-52-01

BOEING PROPRIETARY - Copyright © - Unpublished Work - See title page for details.

75-33-52  
FIG. 01  
PAGE 8  
DEC 22/06



767

PARTS CATALOG (MAINTENANCE)

FIG ITEM	PART NUMBER	1 2 3 4 5 6 7	NOMENCLATURE	EFFECT FROM TO	UNITS PER ASSY
1	21 AS3070-09		.NUT- OPTIONAL PART: 776440 V77445 SL7061C1032 V11815 LH11973-3 V56878 H49674-3 V15653 73356-1032 V56878 POST SERVICE BULLETIN: 75-35 V77445		2
	21 73356-1032		.NUT- SUPPLIER CODE: V56878 CONFIG CHG DATA FROM A CMM: PRATT AND WHITNEY PART NO. AS3069-09 OPTIONAL PART: 776440 V77445 SL7061C1032 V11815 LH11973-3 V56878 H49674-3 V15653 AS3070-09 POST SERVICE BULLETIN: 75-35 V77445		2
	22 164373		.SPACER-SLEEVE SUPPLIER CODE: V77445 POST SERVICE BULLETIN: 75-35 V77445 72-744 V77445		2
	23 ST1435-16		.CLAMP- SUPPLIER CODE: V77445		1

ILLUSTRATION ITEMS NOT ON PARTS LIST ARE NOT APPLICABLE

- ITEM NOT ILLUSTRATED

HXL

75-33-52-01

BOEING PROPRIETARY - Copyright © - Unpublished Work - See title page for details.

75-33-52  
FIG. 01  
PAGE 9  
DEC 22/06



767

PARTS CATALOG (MAINTENANCE)

FIG ITEM	PART NUMBER	1 2 3 4 5 6 7	NOMENCLATURE	EFFECT FROM TO	UNITS PER ASSY
1	24 MS122905		.CLAMP- CONFIG CHG DATA FROM A CMM: FOR INTRCHG SEE PW IPC OPTIONAL PART: ST1850-07 V77445 PRE SERVICE BULLETIN: 72-755 V77445 POST ALERT SB: A75-62 V77445		1
	24 ST1850-07		.CLAMP- SUPPLIER CODE: V77445 CONFIG CHG DATA FROM A CMM: FOR INTRCHG SEE PW IPC OPTIONAL PART: MS122905 PRE SERVICE BULLETIN: 72-755 V77445		1
	25 MS122905		.CLAMP- OPTIONAL PART: ST1850-07 V77445		8
	25 ST1850-07		.CLAMP- SUPPLIER CODE: V77445 OPTIONAL PART: MS122905		8
	26 MS122905		.CLAMP-LOOP OPTIONAL PART: ST1850-07 V77445 POST SERVICE BULLETIN: 75-35 V77445		4
-	27 MS9315-06		.CAP ASSY-TUBE CONFIG CHG DATA FROM A CMM: FOR INTRCHG SEE PW IPC POST SERVICE BULLETIN: 72-755 V77445		1

ILLUSTRATION ITEMS NOT ON PARTS LIST ARE NOT APPLICABLE

- ITEM NOT ILLUSTRATED

HXL

75-33-52-01

BOEING PROPRIETARY - Copyright © - Unpublished Work - See title page for details.

75-33-52  
FIG. 01  
PAGE 10  
DEC 22/06



767

PARTS CATALOG (MAINTENANCE)

FIG ITEM	PART NUMBER	1 2 3 4 5 6 7	NOMENCLATURE	EFFECT FROM TO	UNITS PER ASSY
1	28 MS9315-06		.CAP ASSY-TUBE CONFIG CHG DATA FROM A CMM: FOR INTRCHG SEE PW IPC POST ALERT SB: A75-62 V77445		2
	29 MS9197-06		..NUT- CONFIG CHG DATA FROM A CMM: FOR INTRCHG SEE PW IPC POST ALERT SB: A75-62 V77445		1
	30 MS9313-06		..CAP- CONFIG CHG DATA FROM A CMM: FOR INTRCHG SEE PW IPC POST ALERT SB: A75-62 V77445		1
-	31 51T827		.TUBE ASSY-AIR SHUTOFF VALVE SIGNAL AA19 SUPPLIER CODE: V77445 CONFIG CHG DATA FROM A CMM: FOR INTRCHG SEE PW IPC PRE SERVICE BULLETIN: 75-91 V77445 72-504 V77445		1
	32 57T672-01		.TUBE ASSY-AIR SHUTOFF VALVE SIGNAL AA19 SUPPLIER CODE: V77445 CONFIG CHG DATA FROM A CMM: FOR INTRCHG SEE PW IPC POST SERVICE BULLETIN: 75-91 V77445 72-504 V77445		1
	40 364004		..NUT- SUPPLIER CODE: V77445 CONFIG CHG DATA FROM A CMM: FOR INTRCHG SEE PW IPC PRE SERVICE BULLETIN: 75-91 V77445		1

ILLUSTRATION ITEMS NOT ON PARTS LIST ARE NOT APPLICABLE

- ITEM NOT ILLUSTRATED

HXL

75-33-52-01

BOEING PROPRIETARY - Copyright © - Unpublished Work - See title page for details.

75-33-52  
FIG. 01  
PAGE 11  
DEC 22/06



767

PARTS CATALOG (MAINTENANCE)

FIG ITEM	PART NUMBER	1 2 3 4 5 6 7	NOMENCLATURE	EFFECT FROM TO	UNITS PER ASSY
1 42	ST1442-06		..NUT- SUPPLIER CODE: V77445 CONFIG CHG DATA FROM A CMM: FOR INTRCHG SEE PW IPC PRE SERVICE BULLETIN: 75-91 V77445		1
43	MS9198-06		..NUT- CONFIG CHG DATA FROM A CMM: FOR INTRCHG SEE PW IPC PRE SERVICE BULLETIN: 75-91 V77445		2
45	55T295-01		.TUBE ASSY-HIGH PRESSURE CPRSR DRUM AIR VALVE SIGNAL AA16 SUPPLIER CODE: V77445 CONFIG CHG DATA FROM A CMM: FOR INTRCHG SEE PW IPC POST SERVICE BULLETIN: 75-83 V77445 PRE SERVICE BULLETIN: 72-504 V77445 72-755 V77445		1
45	52T637-01		.TUBE ASSY-HIGH PRESSURE CPRSR DRUM AIR VALVE SIGNAL AA16 SUPPLIER CODE: V77445 CONFIG CHG DATA FROM A CMM: FOR INTRCHG SEE PW IPC PRE SERVICE BULLETIN: 72-235 V77445 75-83 V77445 72-504 V77445 72-755 V77445 POST ALERT SB: A75-62 V77445		1

ILLUSTRATION ITEMS NOT ON PARTS LIST ARE NOT APPLICABLE

- ITEM NOT ILLUSTRATED

HXL

75-33-52-01

BOEING PROPRIETARY - Copyright © - Unpublished Work - See title page for details.

75-33-52  
FIG. 01  
PAGE 12  
DEC 22/06



767

PARTS CATALOG (MAINTENANCE)

FIG ITEM	PART NUMBER	1 2 3 4 5 6 7	NOMENCLATURE	EFFECT FROM TO	UNITS PER ASSY
1 45	53T286-01		.TUBE ASSY-HIGH PRESSURE CPRSR DRUM AIR VALVE SIGNAL AA16 SUPPLIER CODE: V77445 CONFIG CHG DATA FROM A CMM: FOR INTRCHG SEE PW IPC POST SERVICE BULLETIN: 75-33 V77445 PRE SERVICE BULLETIN: 72-235 V77445 72-504 V77445 72-755 V77445		1
54	364004		..NUT- SUPPLIER CODE: V77445 CONFIG CHG DATA FROM A CMM: FOR INTRCHG SEE PW IPC PRE SERVICE BULLETIN: 72-755 V77445		1
55	364004		..NUT- SUPPLIER CODE: V77445 CONFIG CHG DATA FROM A CMM: FOR INTRCHG SEE PW IPC PRE SERVICE BULLETIN: 72-755 V77445 POST ALERT SB: A75-62 V77445		1

ILLUSTRATION ITEMS NOT ON PARTS LIST ARE NOT APPLICABLE

- ITEM NOT ILLUSTRATED

HXL

**75-33-52-01**

BOEING PROPRIETARY - Copyright © - Unpublished Work - See title page for details.

75-33-52  
FIG. 01  
PAGE 13  
DEC 22/06



767

PARTS CATALOG (MAINTENANCE)

FIG ITEM	PART NUMBER	1 2 3 4 5 6 7	NOMENCLATURE	EFFECT FROM TO	UNITS PER ASSY
1 60	53T688-01		.TUBE ASSY-BLEED AND HIGH PRESSURE CPRSR DRUM AIR VALVE SUPPLIER CODE: V77445 OPTIONAL PART: 52T621-01 V77445 POST SERVICE BULLETIN: 75-42 V77445 PRE SERVICE BULLETIN: 72-321 V77445		1
60	52T621-01		.TUBE ASSY-BLEED AND HIGH PRESSURE CPRSR DRUM AIR VALVE AA34 SUPPLIER CODE: V77445 OPTIONAL PART: 53T688-01 V77445 PRE SERVICE BULLETIN: 75-42 V77445		1
60	54T129-01		.TUBE ASSY-BLEED AND HIGH PRESSURE CPRSR DRUM AIR VALVE AA34 SUPPLIER CODE: V77445 POST SERVICE BULLETIN: 75-321 V77445		1
67	53T194-01		.TUBE ASSY-HIGH PRESSURE CPRSR DRUM AIR VALVE SIGNAL AA06 SUPPLIER CODE: V77445 POST SERVICE BULLETIN: 75-35 V77445 PRE SERVICE BULLETIN: 72-321 V77445		1

ILLUSTRATION ITEMS NOT ON PARTS LIST ARE NOT APPLICABLE

- ITEM NOT ILLUSTRATED

HXL

**75-33-52-01**

BOEING PROPRIETARY - Copyright © - Unpublished Work - See title page for details.

75-33-52  
FIG. 01  
PAGE 14  
DEC 22/06



767

PARTS CATALOG (MAINTENANCE)

FIG ITEM	PART NUMBER	1 2 3 4 5 6 7	NOMENCLATURE	EFFECT FROM TO	UNITS PER ASSY
1					
67	54T105-01		.TUBE ASSY-HIGH PRESSURE CPRSR DRUM AIR VALVE SIGNAL AA06 SUPPLIER CODE: V77445 POST SERVICE BULLETIN: 72-321 V77445 72-744 V77445		1
68	AS3269-084		..SLEEVE-HALF POST SERVICE BULLETIN: 75-35 V77445		2
73	53T196-01		.TUBE ASSY-BLEED AND HIGH PRESSURE CPRSR DRUM AIR VALVE SUPPLY AA22 SUPPLIER CODE: V77445 CONFIG CHG DATA FROM A CMM: FOR INTRCHG SEE PW IPC POST SERVICE BULLETIN: 75-35 V77445 PRE SERVICE BULLETIN: 73-54 V77445 73-140 V77445		1
74	58T379-01		.TUBE ASSY-BLEED AND HIGH PRESSURE CPRSR DRUM AIR VALVE SUPPLY SUPPLIER CODE: V77445 CONFIG CHG DATA FROM A CMM: FOR INTRCHG SEE PW IPC POST SERVICE BULLETIN: 73-140 V77445 72-744 V77445		1

ILLUSTRATION ITEMS NOT ON PARTS LIST ARE NOT APPLICABLE

- ITEM NOT ILLUSTRATED

HXL

75-33-52-01

BOEING PROPRIETARY - Copyright © - Unpublished Work - See title page for details.

75-33-52  
FIG. 01  
PAGE 15  
DEC 22/06





767

PARTS CATALOG (MAINTENANCE)

FIG ITEM	PART NUMBER	1 2 3 4 5 6 7	NOMENCLATURE	EFFECT FROM TO	UNITS PER ASSY
1	74 53T584-01		.TUBE ASSY-BLEED AND HIGH PRESSURE CPRSR DRUM AIR VALVE SUPPLY AA22 SUPPLIER CODE: V77445 CONFIG CHG DATA FROM A CMM: FOR INTRCHG SEE PW IPC POST SERVICE BULLETIN: 73-54 V77445 PRE SERVICE BULLETIN: 73-140 V77445		1
	75 AS3269-084		..SLEEVE-HALF POST SERVICE BULLETIN: 75-35 V77445 73-140 V77445		2
	76 53T093		..BRACKET- SUPPLIER CODE: V77445 CONFIG CHG DATA FROM A CMM: FOR INTRCHG SEE PW IPC POST SERVICE BULLETIN: 73-54 V77445 PRE SERVICE BULLETIN: 73-140 V77445		1
	80 53T489-01		.TUBE ASSY-THERMATIC ROTOR CONTROL AC35 SUPPLIER CODE: V77445 OPTIONAL PART: 53T656-01 V77445 POST SERVICE BULLETIN: 75-36 V77445 PRE SERVICE BULLETIN: 75-48 V77445		1

ILLUSTRATION ITEMS NOT ON PARTS LIST ARE NOT APPLICABLE

- ITEM NOT ILLUSTRATED

HXL

75-33-52-01

BOEING PROPRIETARY - Copyright © - Unpublished Work - See title page for details.

75-33-52  
FIG. 01  
PAGE 16  
DEC 22/06

 **BOEING**  
767  
**PARTS CATALOG (MAINTENANCE)**

FIG ITEM	PART NUMBER	1 2 3 4 5 6 7	NOMENCLATURE	EFFECT FROM TO	UNITS PER ASSY
1	90 53T195-01		.TUBE ASSY-AIR SHUTOFF VALVE SIGNAL SUPPLIER CODE: V77445 POST SERVICE BULLETIN: 75-35 V77445 PRE SERVICE BULLETIN: 73-140 V77445 73-321 V77445		1
	90 58T207-01		.TUBE ASSY-AIR SHUTOFF VALVE SIGNAL AA18 SUPPLIER CODE: V77445 CONFIG CHG DATA FROM A CMM: FOR INTRCHG SEE PW IPC POST SERVICE BULLETIN: 73-140 V77445 72-744 V77445		1
	90 54T106-01		.TUBE ASSY-AIR SHUTOFF VALVE SIGNAL SUPPLIER CODE: V77445 CONFIG CHG DATA FROM A CMM: FOR INTRCHG SEE PW IPC POST SERVICE BULLETIN: 73-321 V77445 PRE SERVICE BULLETIN: 73-140 V77445		1
	95 AS3269-044		..SLEEVE-HALF CONFIG CHG DATA FROM A CMM: FOR INTRCHG SEE PW IPC POST SERVICE BULLETIN: 75-35 V77445		4
	100 53T093		..BRACKET- SUPPLIER CODE: V77445 CONFIG CHG DATA FROM A CMM: FOR INTRCHG SEE PW IPC PRE SERVICE BULLETIN: 73-140 V77445		1

ILLUSTRATION ITEMS NOT ON PARTS LIST ARE NOT APPLICABLE

- ITEM NOT ILLUSTRATED

HXL

# 75-33-52-01

BOEING PROPRIETARY - Copyright © - Unpublished Work - See title page for details.

75-33-52  
FIG. 01  
PAGE 17  
DEC 22/06



767  
PARTS CATALOG (MAINTENANCE)

FIG ITEM	PART NUMBER	1 2 3 4 5 6 7	NOMENCLATURE	EFFECT FROM TO	UNITS PER ASSY
1 105	58T220		..BRACKET- SUPPLIER CODE: V77445 CONFIG CHG DATA FROM A CMM: FOR INTRCHG SEE PW IPC POST SERVICE BULLETIN: 73-140 V77445		1

ILLUSTRATION ITEMS NOT ON PARTS LIST ARE NOT APPLICABLE

- ITEM NOT ILLUSTRATED

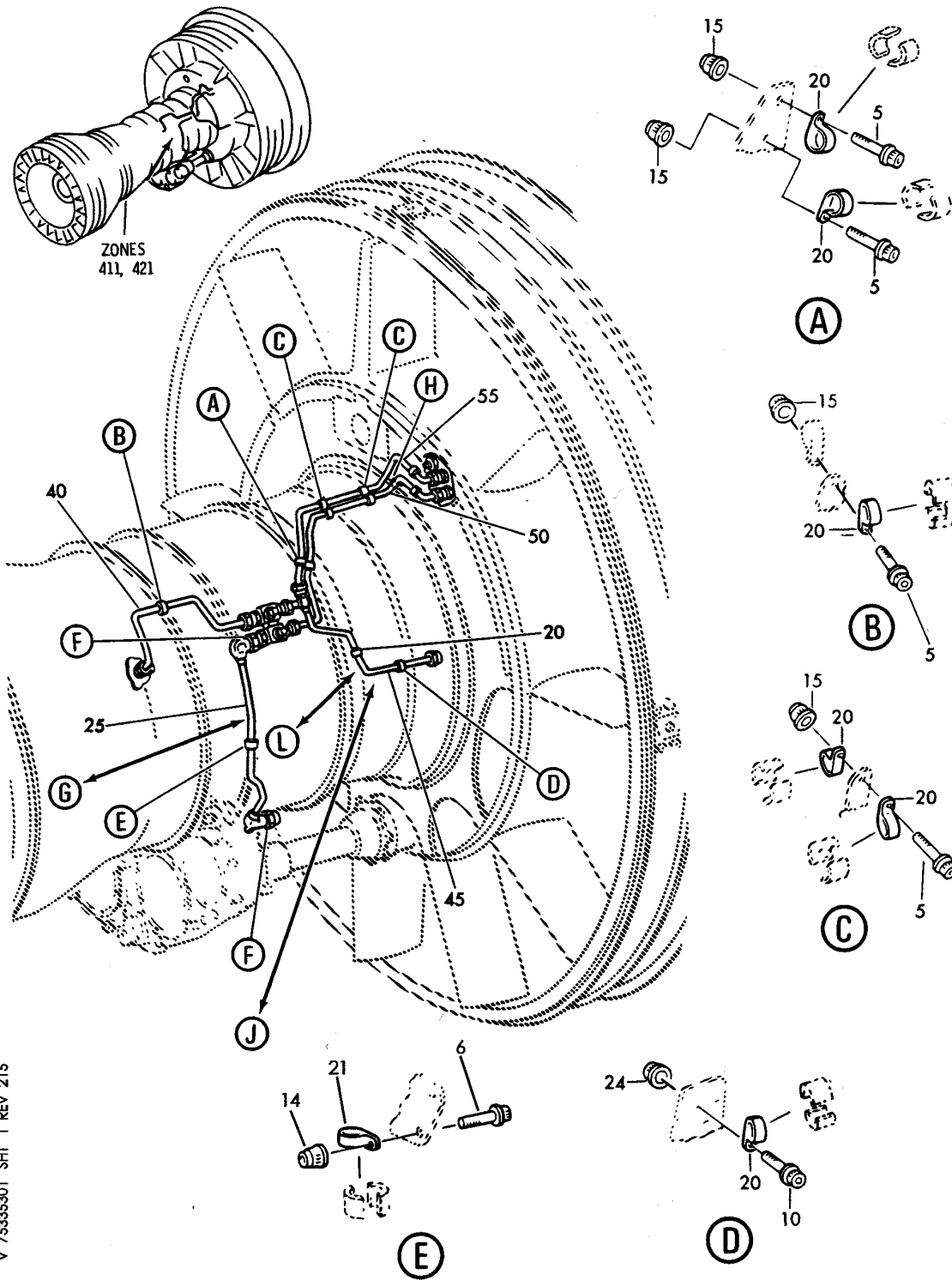
HXL

75-33-52-01

BOEING PROPRIETARY - Copyright © - Unpublished Work - See title page for details.

75-33-52  
FIG. 01  
PAGE 18  
DEC 22/06

**BOEING**  
767  
PARTS CATALOG (MAINTENANCE)



V 75335301 SHT 1 REV 215

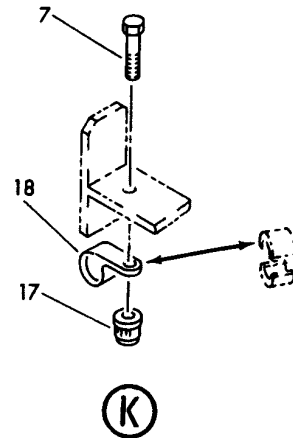
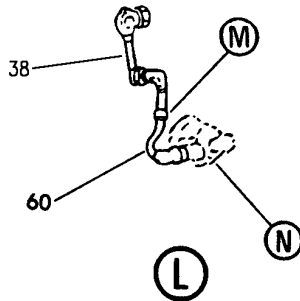
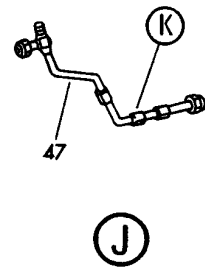
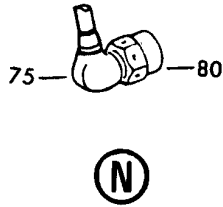
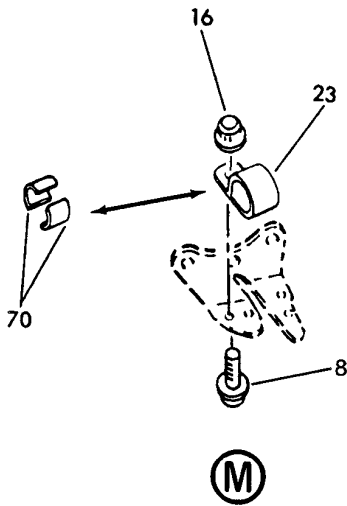
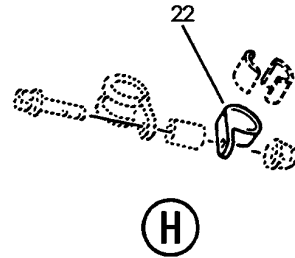
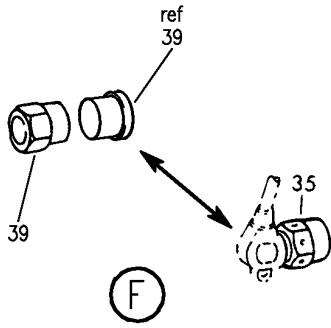
TUBES AND MANIFOLD-TURB COOLING AND HIGH PRESSURE CPRSR DRUM AIR AND BLEED VALVE SUPPLY (PW4000)  
FIGURE 1 (SHEET 1)

**75-33-53-01**

HXL  
DEC 22/06

75-33-53-01  
PAGE 0

**BOEING**  
767  
PARTS CATALOG (MAINTENANCE)



V 75335301 SH1 2 REV 276

TUBES AND MANIFOLD-TURB COOLING AND HIGH PRESSURE CPRSR DRUM AIR AND BLEED VALVE SUPPLY (PW4000)  
FIGURE 1 (SHEET 2)

**75-33-53-01**

HXL  
DEC 22/06

75-33-53-01  
PAGE 0A

BOEING PROPRIETARY - Copyright © - Unpublished Work - See title page for details.



767

PARTS CATALOG (MAINTENANCE)

FIG ITEM	PART NUMBER	1 2 3 4 5 6 7	NOMENCLATURE	EFFECT FROM TO	UNITS PER ASSY
1			TUBES AND MANIFOLD-TURB COOLING AND HIGH PRESSURE CPRSR DRUM AIR AND BLEED VALVE SUPPLY (PW4000)		
- 1	PW4060		ENGINE- SUPPLIER CODE: V77445 CONFIG CHG DATA FROM A CMM: SEE 71-00-51 FIG. 2 FOR APPLICABLE ENGINE SERIES		RF
5	MS9556-10		.BOLT		5
6	MS9556-08		.BOLT- CONFIG CHG DATA FROM A CMM: FOR INTRCHG SEE PW IPC POST ALERT SB: A75-62 V77445		1
7	MS9489-06		.BOLT-		1
8	MS9556-08		.BOLT- CONFIG CHG DATA FROM A CMM: FOR INTRCHG SEE PW IPC PRE SERVICE BULLETIN: 72-755 V77445		1
10	MS9556-08		.BOLT		1
14	776440		.NUT- SUPPLIER CODE: V77445 CONFIG CHG DATA FROM A CMM: FOR INTRCHG SEE PW IPC OPTIONAL PART: SL7061C1032 V11815 LH11973-3 V56878 H49674-3 V15653 73356-1032 V56878 AS3070-09 POST ALERT SB: A75-62 V77445		1
ILLUSTRATION ITEMS NOT ON PARTS LIST ARE NOT APPLICABLE					

- ITEM NOT ILLUSTRATED

HXL

# 75-33-53-01

BOEING PROPRIETARY - Copyright © - Unpublished Work - See title page for details.

75-33-53  
FIG. 01  
PAGE 1  
DEC 22/06



767

PARTS CATALOG (MAINTENANCE)

FIG ITEM	PART NUMBER	1 2 3 4 5 6 7	NOMENCLATURE	EFFECT FROM TO	UNITS PER ASSY
1 14	SL7061C1032		.NUT- SUPPLIER CODE: V11815 CONFIG CHG DATA FROM A CMM: PRATT AND WHITNEY PART NO. AS3066-09 FOR INTRCHG SEE PW IPC OPTIONAL PART: 776440 V77445 LH11973-3 V56878 H49674-3 V15653 73356-1032 V56878 AS3070-09 POST ALERT SB: A75-62 V77445		1
14	LH11973-3		.NUT- SUPPLIER CODE: V56878 CONFIG CHG DATA FROM A CMM: PRATT AND WHITNEY PART NO. AS3067-09 FOR INTRCHG SEE PW IPC OPTIONAL PART: 776440 V77445 SL7061C1032 V11815 H49674-3 V15653 73356-1032 V56878 AS3070-09 POST ALERT SB: A75-62 V77445		1

ILLUSTRATION ITEMS NOT ON PARTS LIST ARE NOT APPLICABLE

- ITEM NOT ILLUSTRATED

HXL

75-33-53-01

BOEING PROPRIETARY - Copyright © - Unpublished Work - See title page for details.

75-33-53  
FIG. 01  
PAGE 2  
DEC 22/06



767

PARTS CATALOG (MAINTENANCE)

FIG ITEM	PART NUMBER	1 2 3 4 5 6 7	NOMENCLATURE	EFFECT FROM TO	UNITS PER ASSY
1	14 H49674-3		.NUT- SUPPLIER CODE: V15653 CONFIG CHG DATA FROM A CMM: PRATT AND WHITNEY PART NO. AS3068-09 FOR INTRCHG SEE PW IPC OPTIONAL PART: 776440 V77445 SL7061C1032 V11815 LH11973-3 V56878 73356-1032 V56878 AS3070-09 POST ALERT SB: A75-62 V77445		1
14	73356-1032		.NUT- SUPPLIER CODE: V56878 CONFIG CHG DATA FROM A CMM: PRATT AND WHITNEY PART NO. AS3069-09 FOR INTRCHG SEE PW IPC OPTIONAL PART: 776440 V77445 SL7061C1032 V11815 LH11973-3 V56878 H49674-3 V15653 AS3070-09 POST ALERT SB: A75-62 V77445		1

ILLUSTRATION ITEMS NOT ON PARTS LIST ARE NOT APPLICABLE

- ITEM NOT ILLUSTRATED

HXL

75-33-53-01

BOEING PROPRIETARY - Copyright © - Unpublished Work - See title page for details.

75-33-53  
FIG. 01  
PAGE 3  
DEC 22/06





767

PARTS CATALOG (MAINTENANCE)

FIG ITEM	PART NUMBER	1 2 3 4 5 6 7	NOMENCLATURE	EFFECT FROM TO	UNITS PER ASSY
1 14	AS3070-09		.NUT- CONFIG CHG DATA FROM A CMM: FOR INTRCHG SEE PW IPC OPTIONAL PART: 776440 V77445 SL7061C1032 V11815 LH11973-3 V56878 H49674-3 V15653 73356-1032 V56878 POST ALERT SB: A75-62 V77445		1
15	776440		.NUT- SUPPLIER CODE: V77445 OPTIONAL PART: SL7061C1032 V11815 LH11973-3 V56878 H49674-3 V15653 73356-1032 V56878		5
15	SL7061C1032		.NUT- SUPPLIER CODE: V11815 CONFIG CHG DATA FROM A CMM: PRATT AND WHITNEY PART NO. AS3066-09 OPTIONAL PART: 776440 V77445 LH11973-3 V56878 H49674-3 V15653 73356-1032 V56878 AS3070-09		5

ILLUSTRATION ITEMS NOT ON PARTS LIST ARE NOT APPLICABLE

- ITEM NOT ILLUSTRATED

HXL

75-33-53-01

BOEING PROPRIETARY - Copyright © - Unpublished Work - See title page for details.

75-33-53  
FIG. 01  
PAGE 4  
DEC 22/06



767

PARTS CATALOG (MAINTENANCE)

FIG ITEM	PART NUMBER	1 2 3 4 5 6 7	NOMENCLATURE	EFFECT FROM TO	UNITS PER ASSY
1					
15	LH11973-3		.NUT- SUPPLIER CODE: V56878 CONFIG CHG DATA FROM A CMM: PRATT AND WHITNEY PART NO. AS3067-09 OPTIONAL PART: 776440 V77445 SL7061C1032 V11815 H49674-3 V15653 73356-1032 V56878 AS3070-09		5
15	H49674-3		.NUT- SUPPLIER CODE: V15653 CONFIG CHG DATA FROM A CMM: PRATT AND WHITNEY PART NO. AS3068-09 OPTIONAL PART: 776440 V77445 SL7061C1032 V11815 LH11973-3 V56878 73356-1032 V56878 AS3070-09		5
15	AS3070-09		.NUT- OPTIONAL PART: 776440 V77445 SL7061C1032 V11815 LH11973-3 V56878 H49674-3 V15653 73356-1032 V56878		5

ILLUSTRATION ITEMS NOT ON PARTS LIST ARE NOT APPLICABLE

- ITEM NOT ILLUSTRATED

HXL

75-33-53-01

BOEING PROPRIETARY - Copyright © - Unpublished Work - See title page for details.

75-33-53  
FIG. 01  
PAGE 5  
DEC 22/06



767

PARTS CATALOG (MAINTENANCE)

FIG ITEM	PART NUMBER	1 2 3 4 5 6 7	NOMENCLATURE	EFFECT FROM TO	UNITS PER ASSY
1 15	73356-1032		.NUT- SUPPLIER CODE: V56878 CONFIG CHG DATA FROM A CMM: PRATT AND WHITNEY PART NO. AS3069-09 OPTIONAL PART: 776440 V77445 SL7061C1032 V11815 LH11973-3 V56878 H49674-3 V15653 AS3070-09		5
16	776440		.NUT- SUPPLIER CODE: V77445 CONFIG CHG DATA FROM A CMM: FOR INTRCHG SEE PW IPC OPTIONAL PART: SL7061C1032 V11815 LH11973-3 V56878 H49674-3 V15653 73356-1032 V56878 AS3070-09 PRE SERVICE BULLETIN: 72-755 V77445		1

ILLUSTRATION ITEMS NOT ON PARTS LIST ARE NOT APPLICABLE

- ITEM NOT ILLUSTRATED

HXL

75-33-53-01

BOEING PROPRIETARY - Copyright © - Unpublished Work - See title page for details.

75-33-53  
FIG. 01  
PAGE 6  
DEC 22/06



767

PARTS CATALOG (MAINTENANCE)

FIG ITEM	PART NUMBER	1 2 3 4 5 6 7	NOMENCLATURE	EFFECT FROM TO	UNITS PER ASSY
1	16 SL7061C1032		.NUT- SUPPLIER CODE: V11815 CONFIG CHG DATA FROM A CMM: PRATT AND WHITNEY PART NO. AS3066-09 FOR INTRCHG SEE PW IPC OPTIONAL PART: 776440 V77445 LH11973-3 V56878 H49674-3 V15653 73356-1032 V56878 AS3070-09 PRE SERVICE BULLETIN: 72-755 V77445		1
	16 LH11973-3		.NUT- SUPPLIER CODE: V56878 CONFIG CHG DATA FROM A CMM: PRATT AND WHITNEY PART NO. AS3067-09 FOR INTRCHG SEE PW IPC OPTIONAL PART: 776440 V77445 SL7061C1032 V11815 H49674-3 V15653 73356-1032 V56878 AS3070-09 PRE SERVICE BULLETIN: 72-755 V77445		1

ILLUSTRATION ITEMS NOT ON PARTS LIST ARE NOT APPLICABLE

- ITEM NOT ILLUSTRATED

HXL

75-33-53-01

BOEING PROPRIETARY - Copyright © - Unpublished Work - See title page for details.

75-33-53  
FIG. 01  
PAGE 7  
DEC 22/06



767

PARTS CATALOG (MAINTENANCE)

FIG ITEM	PART NUMBER	1 2 3 4 5 6 7	NOMENCLATURE	EFFECT FROM TO	UNITS PER ASSY
1 16	H49674-3		.NUT- SUPPLIER CODE: V15653 CONFIG CHG DATA FROM A CMM: PRATT AND WHITNEY PART NO. AS3068-09 FOR INTRCHG SEE PW IPC OPTIONAL PART: 776440 V77445 SL7061C1032 V11815 LH11973-3 V56878 73356-1032 V56878 AS3070-09 PRE SERVICE BULLETIN: 72-755 V77445		1
16	73356-1032		.NUT- SUPPLIER CODE: V56878 CONFIG CHG DATA FROM A CMM: PRATT AND WHITNEY PART NO. AS3069-09 FOR INTRCHG SEE PW IPC OPTIONAL PART: 776440 V77445 SL7061C1032 V11815 LH11973-3 V56878 H49674-3 V15653 AS3070-09 PRE SERVICE BULLETIN: 72-755 V77445		1

ILLUSTRATION ITEMS NOT ON PARTS LIST ARE NOT APPLICABLE

- ITEM NOT ILLUSTRATED

HXL

75-33-53-01

BOEING PROPRIETARY - Copyright © - Unpublished Work - See title page for details.

75-33-53  
FIG. 01  
PAGE 8  
DEC 22/06



767

PARTS CATALOG (MAINTENANCE)

FIG ITEM	PART NUMBER	1 2 3 4 5 6 7	NOMENCLATURE	EFFECT FROM TO	UNITS PER ASSY
1 16	AS3070-09		.NUT- CONFIG CHG DATA FROM A CMM: FOR INTRCHG SEE PW IPC OPTIONAL PART: 776440 V77445 SL7061C1032 V11815 LH11973-3 V56878 H49674-3 V15653 73356-1032 V56878 PRE SERVICE BULLETIN: 72-755 V77445		1
17	776440		.NUT- SUPPLIER CODE: V77445 OPTIONAL PART: SL7061C1032 V11815 LH11973-3 V56878 H49674-3 V15653 73356-1032 V56878 AS3070-09 POST SERVICE BULLETIN: 75-35 V77445		1

ILLUSTRATION ITEMS NOT ON PARTS LIST ARE NOT APPLICABLE

- ITEM NOT ILLUSTRATED

HXL

75-33-53-01

BOEING PROPRIETARY - Copyright © - Unpublished Work - See title page for details.

75-33-53  
FIG. 01  
PAGE 9  
DEC 22/06



767

PARTS CATALOG (MAINTENANCE)

FIG ITEM	PART NUMBER	1 2 3 4 5 6 7	NOMENCLATURE	EFFECT FROM TO	UNITS PER ASSY
1 17	SL7061C1032		.NUT- SUPPLIER CODE: V11815 CONFIG CHG DATA FROM A CMM: PRATT AND WHITNEY PART NO. AS3066-09 OPTIONAL PART: 776440 V77445 LH11973-3 V56878 H49674-3 V15653 73356-1032 V56878 AS3070-09 POST SERVICE BULLETIN: 75-35 V77445		1
17	LH11973-3		.NUT- SUPPLIER CODE: V56878 CONFIG CHG DATA FROM A CMM: PRATT AND WHITNEY PART NO. AS3067-09 OPTIONAL PART: 776440 V77445 SL7061C1032 V11815 H49674-3 V15653 73356-1032 V56878 AS3070-09 POST SERVICE BULLETIN: 75-35 V77445		1

ILLUSTRATION ITEMS NOT ON PARTS LIST ARE NOT APPLICABLE

- ITEM NOT ILLUSTRATED

HXL

**75-33-53-01**

BOEING PROPRIETARY - Copyright © - Unpublished Work - See title page for details.

75-33-53  
FIG. 01  
PAGE 10  
DEC 22/06

**BOEING**  
767  
**PARTS CATALOG (MAINTENANCE)**

FIG ITEM	PART NUMBER	1 2 3 4 5 6 7	NOMENCLATURE	EFFECT FROM TO	UNITS PER ASSY
1 17	H49674-3		.NUT- SUPPLIER CODE: V15653 CONFIG CHG DATA FROM A CMM: PRATT AND WHITNEY PART NO. AS3068-09 OPTIONAL PART: 776440 V77445 SL7061C1032 V11815 LH11973-3 V56878 73356-1032 V56878 AS3070-09 POST SERVICE BULLETIN: 75-35 V77445		1
17	73356-1032		.NUT- SUPPLIER CODE: V56878 CONFIG CHG DATA FROM A CMM: PRATT AND WHITNEY PART NO. AS3069-09 OPTIONAL PART: 776440 V77445 SL7061C1032 V11815 LH11973-3 V56878 H49674-3 V15653 AS3070-09 POST SERVICE BULLETIN: 75-35 V77445		1

ILLUSTRATION ITEMS NOT ON PARTS LIST ARE NOT APPLICABLE

- ITEM NOT ILLUSTRATED

HXL

# 75-33-53-01

BOEING PROPRIETARY - Copyright © - Unpublished Work - See title page for details.

75-33-53  
FIG. 01  
PAGE 11  
DEC 22/06



**BOEING**  
767  
**PARTS CATALOG (MAINTENANCE)**

FIG ITEM	PART NUMBER	1 2 3 4 5 6 7	NOMENCLATURE	EFFECT FROM TO	UNITS PER ASSY
1	17 AS3070-09		.NUT- OPTIONAL PART: 776440 V77445 SL7061C1032 V11815 LH11973-3 V56878 H49674-3 V15653 73356-1032 V56878 POST SERVICE BULLETIN: 75-35 V77445		1
	18 MS122905		.CLAMP-LOOP OPTIONAL PART: ST1850-07 V77445 POST SERVICE BULLETIN: 75-35 V77445		1
	18 ST1850-07		.CLAMP-LOOP SUPPLIER CODE: V77445 OPTIONAL PART: MS122905		1
	20 MS122905		.CLAMP- OPTIONAL PART: ST1850-07 V77445		9
	20 ST1850-07		.CLAMP- SUPPLIER CODE: V77445 OPTIONAL PART: MS122905		9
	21 MS122905		.CLAMP- CONFIG CHG DATA FROM A CMM: FOR INTRCHG SEE PW IPC OPTIONAL PART: ST1850-07 V77445 POST ALERT SB: A75-62 V77445		1

ILLUSTRATION ITEMS NOT ON PARTS LIST ARE NOT APPLICABLE

- ITEM NOT ILLUSTRATED

HXL

# 75-33-53-01

BOEING PROPRIETARY - Copyright © - Unpublished Work - See title page for details.

75-33-53  
FIG. 01  
PAGE 12  
DEC 22/06



767

PARTS CATALOG (MAINTENANCE)

FIG ITEM	PART NUMBER	1 2 3 4 5 6 7	NOMENCLATURE	EFFECT FROM TO	UNITS PER ASSY
1	21 ST1850-07		.CLAMP- SUPPLIER CODE: V77445 CONFIG CHG DATA FROM A CMM: FOR INTCHG SEE PW IPC OPTIONAL PART: MS122905		1
	22 MS122905		.CLAMP- OPTIONAL PART: ST1850-07 V77445		1
	22 ST1850-07		.CLAMP- SUPPLIER CODE: V77445 OPTIONAL PART: MS122905		1
	23 MS122909		.CLAMP-LOOP CONFIG CHG DATA FROM A CMM: FOR INTRCHG SEE PW IPC OPTIONAL PART: ST1850-11 V77445 PRE SERVICE BULLETIN: 72-755 V77445		1
	23 ST1850-11		.CLAMP-LOOP SUPPLIER CODE: V77445 CONFIG CHG DATA FROM A CMM: FOR INTRCHG SEE PW IPC OPTIONAL PART: MS122909 PRE SERVICE BULLETIN: 72-755 V77445		1

ILLUSTRATION ITEMS NOT ON PARTS LIST ARE NOT APPLICABLE

- ITEM NOT ILLUSTRATED

HXL

75-33-53-01

BOEING PROPRIETARY - Copyright © - Unpublished Work - See title page for details.

75-33-53  
FIG. 01  
PAGE 13  
APR 22/07



767

PARTS CATALOG (MAINTENANCE)

FIG ITEM	PART NUMBER	1 2 3 4 5 6 7	NOMENCLATURE	EFFECT FROM TO	UNITS PER ASSY
1					
24	776440		.NUT- SUPPLIER CODE: V77445 CONFIG CHG DATA FROM A CMM: FOR INTRCHG SEE PW IPC OPTIONAL PART: SL7061C1032 V11815 LH11973-3 V56878 H49674-3 V15653 73356-1032 V56878 AS3070-09 PRE SERVICE BULLETIN: 75-63 V77445		1
24	SL7061C1032		.NUT- SUPPLIER CODE: V11815 CONFIG CHG DATA FROM A CMM: PRATT AND WHITNEY PART NO. AS3066-09 FOR INTRCHG SEE PW IPC OPTIONAL PART: 776440 V77445 LH11973-3 V56878 H49674-3 V15653 73356-1032 V56878 AS3070-09 PRE SERVICE BULLETIN: 75-63 V77445		1

ILLUSTRATION ITEMS NOT ON PARTS LIST ARE NOT APPLICABLE

- ITEM NOT ILLUSTRATED

HXL

75-33-53-01

BOEING PROPRIETARY - Copyright © - Unpublished Work - See title page for details.

75-33-53  
FIG. 01  
PAGE 14  
DEC 22/06



767

PARTS CATALOG (MAINTENANCE)

FIG ITEM	PART NUMBER	1 2 3 4 5 6 7	NOMENCLATURE	EFFECT FROM TO	UNITS PER ASSY
1 24	LH11973-3		.NUT- SUPPLIER CODE: V56878 CONFIG CHG DATA FROM A CMM: PRATT AND WHITNEY PART NO. AS3067-09 FOR INTRCHG SEE PW IPC OPTIONAL PART: 776440 V77445 SL7061C1032 V11815 H49674-3 V15653 73356-1032 V56878 AS3070-09 PRE SERVICE BULLETIN: 75-63 V77445		1
24	H49674-3		.NUT- SUPPLIER CODE: V15653 CONFIG CHG DATA FROM A CMM: PRATT AND WHITNEY PART NO. AS3068-09 FOR INTRCHG SEE PW IPC OPTIONAL PART: 776440 V77445 SL7061C1032 V11815 LH11973-3 V56878 73356-1032 V56878 AS3070-09 PRE SERVICE BULLETIN: 75-63 V77445		1

ILLUSTRATION ITEMS NOT ON PARTS LIST ARE NOT APPLICABLE

- ITEM NOT ILLUSTRATED

HXL

75-33-53-01

BOEING PROPRIETARY - Copyright © - Unpublished Work - See title page for details.

75-33-53  
FIG. 01  
PAGE 15  
DEC 22/06



767

PARTS CATALOG (MAINTENANCE)

FIG ITEM	PART NUMBER	1 2 3 4 5 6 7	NOMENCLATURE	EFFECT FROM TO	UNITS PER ASSY
1	24 AS3070-09		.NUT- CONFIG CHG DATA FROM A CMM: FOR INTRCHG SEE PW IPC OPTIONAL PART: 776440 V77445 SL7061C1032 V11815 LH11973-3 V56878 H49674-3 V15653 73356-1032 V56878 PRE SERVICE BULLETIN: 75-63 V77445		1
	24 73356-1032		.NUT- SUPPLIER CODE: V56878 CONFIG CHG DATA FROM A CMM: PRATT AND WHITNEY PART NO. AS3069-09 FOR INTRCHG SEE PW IPC OPTIONAL PART: 776440 V77445 SL7061C1032 V11815 LH11973-3 V56878 H49674-3 V15653 AS3070-09 PRE SERVICE BULLETIN: 75-63 V77445		1

ILLUSTRATION ITEMS NOT ON PARTS LIST ARE NOT APPLICABLE

- ITEM NOT ILLUSTRATED

HXL

75-33-53-01

BOEING PROPRIETARY - Copyright © - Unpublished Work - See title page for details.

75-33-53  
FIG. 01  
PAGE 16  
DEC 22/06

 **BOEING**  
767  
**PARTS CATALOG (MAINTENANCE)**

FIG ITEM	PART NUMBER	1 2 3 4 5 6 7	NOMENCLATURE	EFFECT FROM TO	UNITS PER ASSY
1 25	52T544-01		.TUBE ASSY-HIGH PRESSURE CPRSR DRUM AIR VALVE SIGNAL AA15 SUPPLIER CODE: V77445 CONFIG CHG DATA FROM A CMM: FOR INTRCHG SEE PW IPC PRE SERVICE BULLETIN: 72-504 V77445 75-91 V77445 POST ALERT SB: A75-62 V77445		1
27	58T278-01		.TUBE ASSY-HIGH PRESSURE CPRSR DRUM AIR VALVE SIGNAL AA15 SUPPLIER CODE: V77445 CONFIG CHG DATA FROM A CMM: FOR INTRCHG SEE PW IPC POST SERVICE BULLETIN: 72-737 V77445		1
35	364004		..NUT- SUPPLIER CODE: V77445 CONFIG CHG DATA FROM A CMM: FOR INTRCHG SEE PW IPC PRE SERVICE BULLETIN: 75-91 V77445 POST ALERT SB: A75-62 V77445		2
35	ST2121-06		..NUT- SUPPLIER CODE: V77445 CONFIG CHG DATA FROM A CMM: FOR INTRCHG SEE PW IPC PRE SERVICE BULLETIN: 72-755 V77445		2

ILLUSTRATION ITEMS NOT ON PARTS LIST ARE NOT APPLICABLE

- ITEM NOT ILLUSTRATED

HXL

# 75-33-53-01

BOEING PROPRIETARY - Copyright © - Unpublished Work - See title page for details.

75-33-53  
FIG. 01  
PAGE 17  
DEC 22/06



767

PARTS CATALOG (MAINTENANCE)

FIG ITEM	PART NUMBER	1 2 3 4 5 6 7	NOMENCLATURE	EFFECT FROM TO	UNITS PER ASSY
1					
38	59T719-01		.MANIFOLD ASSY-TUBE SUPPLIER CODE: V77445 CONFIG CHG DATA FROM A CMM: FOR INTRCHG SEE PW IPC PRE SERVICE BULLETIN: 72-755 V77445		1
39	MS9315-06		.CAP ASSY-TUBE CONFIG CHG DATA FROM A CMM: FOR INTRCHG SEE PW IPC POST SERVICE BULLETIN: 72-755 V77445 POST ALERT SB: A75-62 V77445	155162	2
40	53T278-01		.TUBE ASSY-TURB COOLING AND HIGH PRESSURE CPRSR DRUM AIR AND BLEED VALVE SUPPLY AA23 SUPPLIER CODE: V77445 POST SERVICE BULLETIN: 72-121 V77445 PRE SERVICE BULLETIN: 72-321 V77445		1
40	54T112-01		.TUBE ASSY-TURB COOLING AND HIGH PRESSURE CPRSR DRUM AIR AND BLEED VALVE SUPPLY AA23 SUPPLIER CODE: V77445 POST SERVICE BULLETIN: 72-321 V77445		1
47	53T288-01		.TUBE ASSY-TURB COOLING AND HIGH PRESSURE CPRSR DRUM AIR SUPPLY AA24 SUPPLIER CODE: V77445 POST SERVICE BULLETIN: 75-35 V77445		1

ILLUSTRATION ITEMS NOT ON PARTS LIST ARE NOT APPLICABLE

- ITEM NOT ILLUSTRATED

HXL

75-33-53-01

BOEING PROPRIETARY - Copyright © - Unpublished Work - See title page for details.

75-33-53  
FIG. 01  
PAGE 18  
DEC 22/07



767

PARTS CATALOG (MAINTENANCE)

FIG ITEM	PART NUMBER	1 2 3 4 5 6 7	NOMENCLATURE	EFFECT FROM TO	UNITS PER ASSY
1	50 53T260-01		.TUBE ASSY-HIGH PRESSURE CPRSR DRUM AIR VALVE SIGNAL AA01 SUPPLIER CODE: V77445 CONFIG CHG DATA FROM A CMM: FOR INTRCHG SEE PW IPC POST SERVICE BULLETIN: 72-121 V77445 PRE SERVICE BULLETIN: 72-258 V77445		1
	50 53T486-01		.TUBE ASSY-HIGH PRESSURE CPRSR DRUM AIR VALVE SIGNAL AA01 SUPPLIER CODE: V77445 CONFIG CHG DATA FROM A CMM: FOR INTRCHG SEE PW IPC POST SERVICE BULLETIN: 72-258 V77445		1
	55 53T429-01		.TUBE ASSY-BLEED VALVE SUPPLY AA25 SUPPLIER CODE: V77445 CONFIG CHG DATA FROM A CMM: FOR INTRCHG SEE PW IPC POST SERVICE BULLETIN: 72-258 V77445 PRE SERVICE BULLETIN: 72-321 V77445 75-87 V77445		1
	55 53T259-01		.TUBE ASSY-BLEED VALVE SUPPLY AA25 SUPPLIER CODE: V77445 CONFIG CHG DATA FROM A CMM: FOR INTRCHG SEE PW IPC POST SERVICE BULLETIN: 72-121 V77445 PRE SERVICE BULLETIN: 72-258 V77445		1

ILLUSTRATION ITEMS NOT ON PARTS LIST ARE NOT APPLICABLE

- ITEM NOT ILLUSTRATED

HXL

75-33-53-01

BOEING PROPRIETARY - Copyright © - Unpublished Work - See title page for details.

75-33-53  
FIG. 01  
PAGE 19  
DEC 22/06





767

PARTS CATALOG (MAINTENANCE)

FIG ITEM	PART NUMBER	1 2 3 4 5 6 7	NOMENCLATURE	EFFECT FROM TO	UNITS PER ASSY
1	55 54T183-01		.TUBE ASSY-BLEED VALVE SUPPLY AA25 SUPPLIER CODE: V77445 CONFIG CHG DATA FROM A CMM: FOR INTRCHG SEE PW IPC POST SERVICE BULLETIN: 72-321 V77445 PRE SERVICE BULLETIN: 75-87 V77445		1
	55 54T573-01		.TUBE ASSY-BLEED VALVE SUPPLY AA25 SUPPLIER CODE: V77445 CONFIG CHG DATA FROM A CMM: FOR INTRCHG SEE PW IPC POST SERVICE BULLETIN: 75-87 V77445		1
	60 59T721-01		.TUBE ASSY-SHUTOFF VALVE AIR SIGNAL AA91 SUPPLIER CODE: V77445 CONFIG CHG DATA FROM A CMM: FOR INTRCHG SEE PW IPC PRE SERVICE BULLETIN: 72-755 V77445		1
	70 AS3268-084		..SLEEVE-HALF CONFIG CHG DATA FROM A CMM: FOR INTRCHG SEE PW IPC PRE SERVICE BULLETIN: 72-755 V77445		2
	75 695000		..ELBOW-THRUST WIRE SUPPLIER CODE: V77445 CONFIG CHG DATA FROM A CMM: FOR INTRCHG SEE PW IPC PRE SERVICE BULLETIN: 72-755 V77445		2

ILLUSTRATION ITEMS NOT ON PARTS LIST ARE NOT APPLICABLE

- ITEM NOT ILLUSTRATED

HXL

75-33-53-01

BOEING PROPRIETARY - Copyright © - Unpublished Work - See title page for details.

75-33-53  
FIG. 01  
PAGE 20  
DEC 22/06



767

PARTS CATALOG (MAINTENANCE)

FIG ITEM	PART NUMBER	1 2 3 4 5 6 7	NOMENCLATURE	EFFECT FROM TO	UNITS PER ASSY
1 80	ST2121-06		. . NUT-THRUST WIRE SUPPLIER CODE: V77445 CONFIG CHG DATA FROM A CMM: FOR INTRCHG SEE PW IPC PRE SERVICE BULLETIN: 72-755 V77445		2

ILLUSTRATION ITEMS NOT ON PARTS LIST ARE NOT APPLICABLE

- ITEM NOT ILLUSTRATED

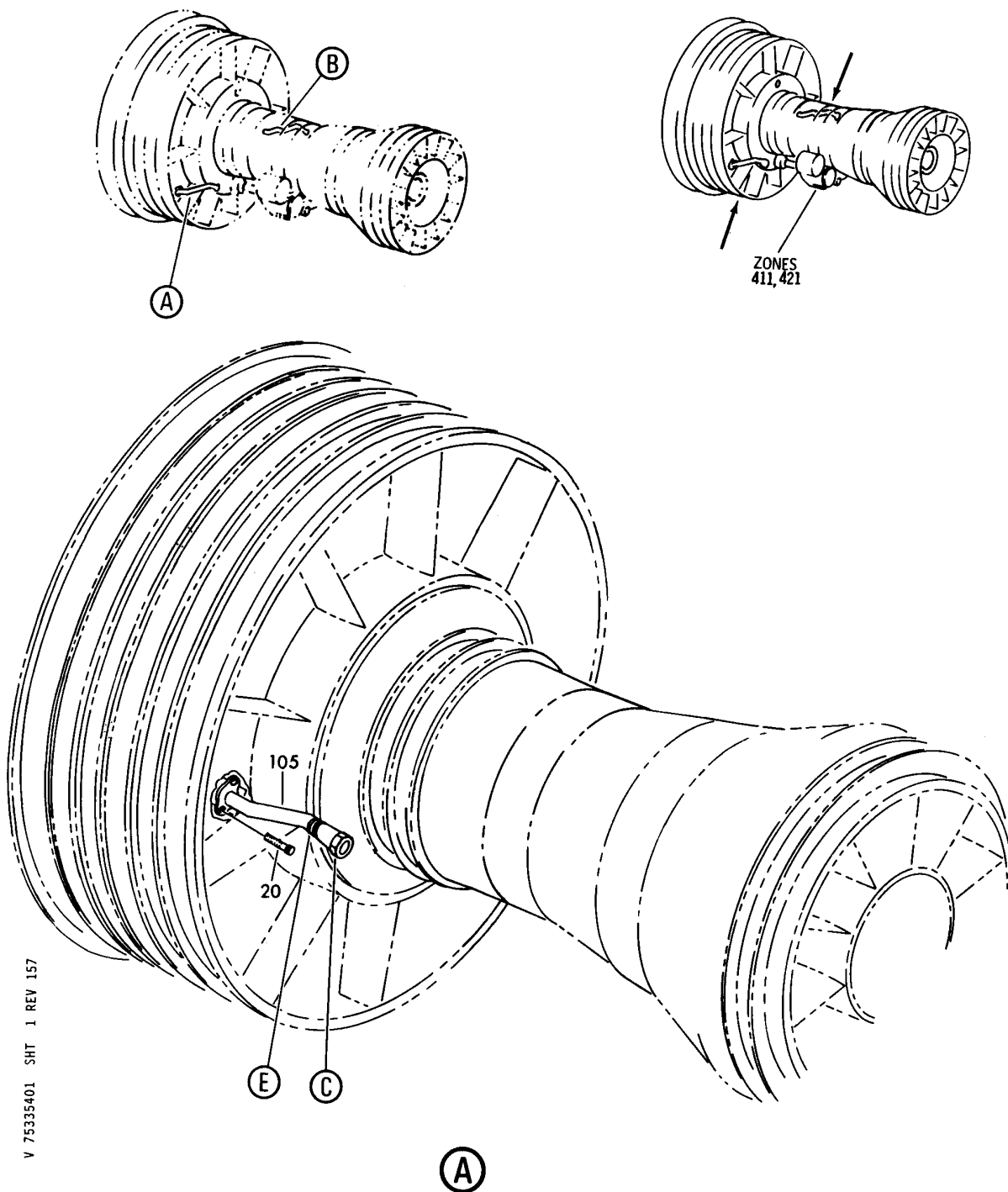
HXL

# 75-33-53-01

BOEING PROPRIETARY - Copyright © - Unpublished Work - See title page for details.

75-33-53  
FIG. 01  
PAGE 21  
DEC 22/06

**BOEING**  
767  
PARTS CATALOG (MAINTENANCE)



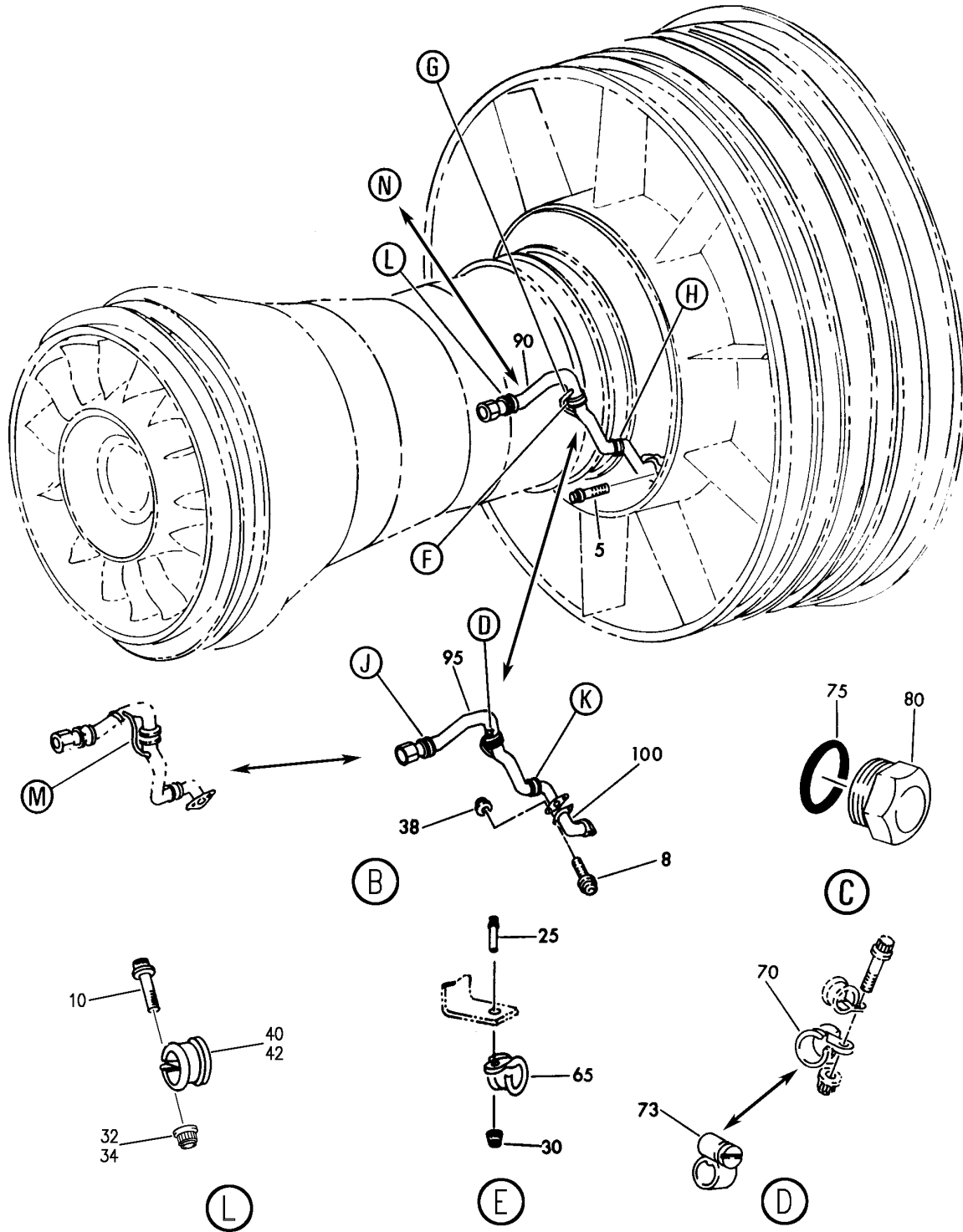
MANIFOLD AND HOSE-AIR SUPPLY (PW4000)  
FIGURE 1 (SHEET 1)

**75-33-54-01**

HXL  
DEC 22/06

75-33-54-01  
PAGE 0

**BOEING**  
767  
PARTS CATALOG (MAINTENANCE)



V 75335401 SHT 2 REV 261

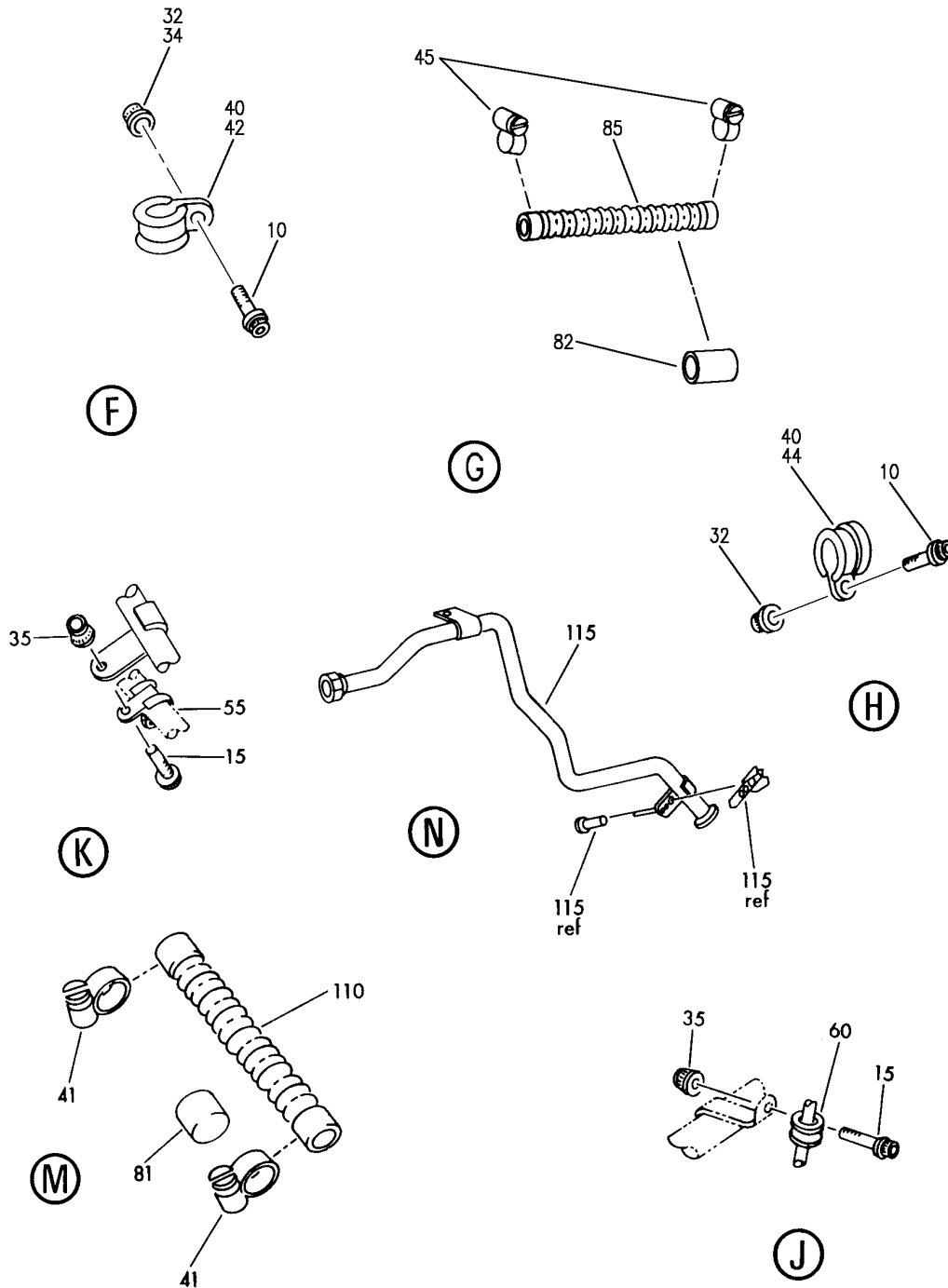
MANIFOLD AND HOSE-AIR SUPPLY (PW4000)  
FIGURE 1 (SHEET 2)

**75-33-54-01**

HXL  
DEC 22/06

75-33-54-01  
PAGE 0A

**BOEING**  
767  
PARTS CATALOG (MAINTENANCE)



V 75335401 SH1 3 REV 276

MANIFOLD AND HOSE-AIR SUPPLY (PW4000)  
FIGURE 1 (SHEET 3)

**75-33-54-01**

HXL  
DEC 22/06

75-33-54-01  
PAGE 0B

**BOEING**  
767  
**PARTS CATALOG (MAINTENANCE)**

FIG ITEM	PART NUMBER	1 2 3 4 5 6 7	NOMENCLATURE	EFFECT FROM TO	UNITS PER ASSY
1			MANIFOLD AND HOSE-AIR SUPPLY (PW4000)		
- 1	PW4060		ENGINE- SUPPLIER CODE: V77445 CONFIG CHG DATA FROM A CMM: SEE 71-00-51 FIG. 2 FOR APPLICABLE ENGINE SERIES		RF
5	MS9209-08		.BOLT- PRE SERVICE BULLETIN: 72-350 V77445		2
5	MS9209-10		.BOLT- POST SERVICE BULLETIN: 72-350 V77445		2
8	MS9209-10		.BOLT- OPTIONAL PART: MS9209-08		2
10	MS9556-08		.BOLT		3
15	MS9208-08		.BOLT- POST SERVICE BULLETIN: 75-26 V77445 PRE SERVICE BULLETIN: 72-349 V77445		2
20	MS9209-07		.BOLT		2
25	MS9208-06		.BOLT- OPTIONAL PART: MS9556-06 PRE SERVICE BULLETIN: 72-349 V77445		1
25	MS9556-06		.BOLT- OPTIONAL PART: MS9208-06 POST SERVICE BULLETIN: 72-349 V77445		1

ILLUSTRATION ITEMS NOT ON PARTS LIST ARE NOT APPLICABLE

- ITEM NOT ILLUSTRATED

HXL

75-33-54-01

BOEING PROPRIETARY - Copyright © - Unpublished Work - See title page for details.

75-33-54  
FIG. 01  
PAGE 1  
DEC 22/06



767

PARTS CATALOG (MAINTENANCE)

FIG ITEM	PART NUMBER	1 2 3 4 5 6 7	NOMENCLATURE	EFFECT FROM TO	UNITS PER ASSY
1					
30	776440		.NUT- SUPPLIER CODE: V77445 OPTIONAL PART: SL7061C1032 V11815 LH11973-3 V56878 H49674-3 V15653 73356-1032 V56878 AS3070-09		1
30	SL7061C1032		.NUT- SUPPLIER CODE: V11815 CONFIG CHG DATA FROM A CMM: PRATT AND WHITNEY PART NO. AS3066-09 OPTIONAL PART: 776440 V77445 LH11973-3 V56878 H49674-3 V15653 73356-1032 V56878 AS3070-09		1
30	LH11973-3		.NUT- SUPPLIER CODE: V56878 CONFIG CHG DATA FROM A CMM: PRATT AND WHITNEY PART NO. AS3067-09 OPTIONAL PART: 776440 V77445 SL7061C1032 V11815 H49674-3 V15653 73356-1032 V56878 AS3070-09		1

ILLUSTRATION ITEMS NOT ON PARTS LIST ARE NOT APPLICABLE

- ITEM NOT ILLUSTRATED

HXL

75-33-54-01

BOEING PROPRIETARY - Copyright © - Unpublished Work - See title page for details.

75-33-54  
FIG. 01  
PAGE 2  
DEC 22/06



767

PARTS CATALOG (MAINTENANCE)

FIG ITEM	PART NUMBER	1 2 3 4 5 6 7	NOMENCLATURE	EFFECT FROM TO	UNITS PER ASSY
1					
30	H49674-3		.NUT- SUPPLIER CODE: V15653 CONFIG CHG DATA FROM A CMM: PRATT AND WHITNEY PART NO. AS3068-09 OPTIONAL PART: 776440 V77445 SL7061C1032 V11815 LH11973-3 V56878 73356-1032 V56878 AS3070-09		1
30	73356-1032		.NUT- SUPPLIER CODE: V56878 CONFIG CHG DATA FROM A CMM: PRATT AND WHITNEY PART NO. AS3069-09 OPTIONAL PART: 776440 V77445 SL7061C1032 V11815 LH11973-3 V56878 H49674-3 V15653 AS3070-09		1
30	AS3070-09		.NUT- OPTIONAL PART: 776440 V77445 SL7061C1032 V11815 LH11973-3 V56878 H49674-3 V15653 73356-1032 V56878		1

ILLUSTRATION ITEMS NOT ON PARTS LIST ARE NOT APPLICABLE

- ITEM NOT ILLUSTRATED

HXL

75-33-54-01

BOEING PROPRIETARY - Copyright © - Unpublished Work - See title page for details.

75-33-54  
FIG. 01  
PAGE 3  
DEC 22/06





767

PARTS CATALOG (MAINTENANCE)

FIG ITEM	PART NUMBER	1 2 3 4 5 6 7	NOMENCLATURE	EFFECT FROM TO	UNITS PER ASSY
1 32	776440		.NUT- SUPPLIER CODE: V77445 CONFIG CHG DATA FROM A CMM: FOR INTRCHG SEE PW IPC OPTIONAL PART: SL7061C1032 V11815 LH11973-3 V56878 H49674-3 V15653 73356-1032 V56878 AS3070-09		3
32	SL7061C1032		.NUT- SUPPLIER CODE: V11815 CONFIG CHG DATA FROM A CMM: PRATT AND WHITNEY PART NO. AS3066-09 FOR INTRCHG SEE PW IPC OPTIONAL PART: 776440 V77445 LH11973-3 V56878 H49674-3 V15653 73356-1032 V56878 AS3070-09		3
32	LH11973-3		.NUT- SUPPLIER CODE: V56878 CONFIG CHG DATA FROM A CMM: PRATT AND WHITNEY PART NO. AS3067-09 FOR INTRCHG SEE PW IPC OPTIONAL PART: 776440 V77445 SL7061C1032 V11815 H49674-3 V15653 73356-1032 V56878 AS3070-09		3

ILLUSTRATION ITEMS NOT ON PARTS LIST ARE NOT APPLICABLE

- ITEM NOT ILLUSTRATED

HXL

75-33-54-01

BOEING PROPRIETARY - Copyright © - Unpublished Work - See title page for details.

75-33-54  
FIG. 01  
PAGE 4  
DEC 22/06



767

PARTS CATALOG (MAINTENANCE)

FIG ITEM	PART NUMBER	1 2 3 4 5 6 7	NOMENCLATURE	EFFECT FROM TO	UNITS PER ASSY
1 32	H49674-3		.NUT- SUPPLIER CODE: V15653 CONFIG CHG DATA FROM A CMM: PRATT AND WHITNEY PART NO. AS3068-09 FOR INTRCHG SEE PW IPC OPTIONAL PART: 776440 V77445 SL7061C1032 V11815 LH11973-3 V56878 73356-1032 V56878 AS3070-09		3
32	73356-1032		.NUT- SUPPLIER CODE: V56878 CONFIG CHG DATA FROM A CMM: PRATT AND WHITNEY PART NO. AS3069-09 FOR INTRCHG SEE PW IPC OPTIONAL PART: 776440 V77445 SL7061C1032 V11815 LH11973-3 V56878 H49674-3 V15653 AS3070-09		3
32	AS3070-09		.NUT- CONFIG CHG DATA FROM A CMM: FOR INTRCHG SEE PW IPC OPTIONAL PART: 776440 V77445 SL7061C1032 V11815 LH11973-3 V56878 H49674-3 V15653 73356-1032 V56878		3

ILLUSTRATION ITEMS NOT ON PARTS LIST ARE NOT APPLICABLE

- ITEM NOT ILLUSTRATED

HXL

75-33-54-01

BOEING PROPRIETARY - Copyright © - Unpublished Work - See title page for details.

75-33-54  
FIG. 01  
PAGE 5  
DEC 22/06



767

PARTS CATALOG (MAINTENANCE)

FIG ITEM	PART NUMBER	1 2 3 4 5 6 7	NOMENCLATURE	EFFECT FROM TO	UNITS PER ASSY
1					
38	AS3066-10		.NUT- OPTIONAL PART: 776441 V77445 LH11973-4 V56878 H49674-4 V15653 73356-428 V56878 AS3070-10		2
38	776441		.NUT- SUPPLIER CODE: V77445 OPTIONAL PART: LH11973-4 V56878 H49674-4 V15653 73356-428 V56878 AS3070-10 AS3066-10		2
38	LH11973-4		.NUT- SUPPLIER CODE: V56878 CONFIG CHG DATA FROM A CMM: PRATT AND WHITNEY PART NO. AS3067-10 OPTIONAL PART: 776441 V77445 H49674-4 V15653 73356-428 V56878 AS3070-10 AS3066-10		2

ILLUSTRATION ITEMS NOT ON PARTS LIST ARE NOT APPLICABLE

- ITEM NOT ILLUSTRATED

HXL

**75-33-54-01**

BOEING PROPRIETARY - Copyright © - Unpublished Work - See title page for details.

75-33-54  
FIG. 01  
PAGE 6  
DEC 22/06



767

PARTS CATALOG (MAINTENANCE)

FIG ITEM	PART NUMBER	1 2 3 4 5 6 7	NOMENCLATURE	EFFECT FROM TO	UNITS PER ASSY
1					
38	H49674-4		.NUT- SUPPLIER CODE: V15653 CONFIG CHG DATA FROM A CMM: PRATT AND WHITNEY PART NO. AS3068-10 OPTIONAL PART: 776441 V77445 LH11973-4 V56878 73356-428 V56878 AS3070-10 AS3066-10		2
38	73356-428		.NUT- SUPPLIER CODE: V56878 CONFIG CHG DATA FROM A CMM: PRATT AND WHITNEY PART NO. AS3069-10 OPTIONAL PART: 776441 V77445 LH11973-4 V56878 H49674-4 V15653 AS3070-10 AS3066-10		2
38	AS3070-10		.NUT- OPTIONAL PART: 776441 V77445 LH11973-4 V56878 H49674-4 V15653 73356-428 V56878 AS3066-10		2
40	ST1435-20		.CLAMP-CUSHION LOOP SUPPLIER CODE: V77445 CONFIG CHG DATA FROM A CMM: FOR INTRCHG SEE PW IPC PRE SERVICE BULLETIN: 72-483 V77445		3

ILLUSTRATION ITEMS NOT ON PARTS LIST ARE NOT APPLICABLE

- ITEM NOT ILLUSTRATED

HXL

75-33-54-01

BOEING PROPRIETARY - Copyright © - Unpublished Work - See title page for details.

75-33-54  
FIG. 01  
PAGE 7  
DEC 22/06



767

PARTS CATALOG (MAINTENANCE)

FIG ITEM	PART NUMBER	1 2 3 4 5 6 7	NOMENCLATURE	EFFECT FROM TO	UNITS PER ASSY
1					
41	741198		.CLAMP- SUPPLIER CODE: V77445 CONFIG CHG DATA FROM A CMM: FOR INTRCHG SEE PW IPC OPTIONAL PART: 650726 V77445 ST1063-08 V77445 POST SERVICE BULLETIN: 75-93 V77445 PRE SERVICE BULLETIN: 75-107 V77445		2
41	650726		.CLAMP- SUPPLIER CODE: V77445 CONFIG CHG DATA FROM A CMM: FOR INTRCHG SEE PW IPC OPTIONAL PART: 741198 V77445 ST1063-08 V77445		2
41	ST1063-08		.CLAMP- SUPPLIER CODE: V77445 CONFIG CHG DATA FROM A CMM: FOR INTRCHG SEE PW IPC OPTIONAL PART: 741198 V77445 650726 V77445		2
42	ST1435-20		.CLAMP-CUSHION LOOP SUPPLIER CODE: V77445 CONFIG CHG DATA FROM A CMM: FOR INTRCHG SEE PW IPC		2
44	ST1540-20		.CLAMP-CUSHION LOOP SUPPLIER CODE: V77445 CONFIG CHG DATA FROM A CMM: FOR INTRCHG SEE PW IPC POST SERVICE BULLETIN: 72-483 V77445		1
ILLUSTRATION ITEMS NOT ON PARTS LIST ARE NOT APPLICABLE					

- ITEM NOT ILLUSTRATED

75-33-54-01

75-33-54  
FIG. 01  
PAGE 8  
DEC 22/06

HXL



767

PARTS CATALOG (MAINTENANCE)

FIG ITEM	PART NUMBER	1 2 3 4 5 6 7	NOMENCLATURE	EFFECT FROM TO	UNITS PER ASSY
1 - 50	ST1062-10		.CLAMP-HOSE SUPPLIER CODE: V77445 CONFIG CHG DATA FROM A CMM: FOR INTRCHG SEE PW IPC POST SERVICE BULLETIN: 73-14 V77445 PRE SERVICE BULLETIN: 72-755 V77445		1
55	TA025030-12		.CLAMP-CUSHION LOOP SUPPLIER CODE: V84971 CONFIG CHG DATA FROM A CMM: PRATT AND WHITNEY PART NO. ST1530-12 POST SERVICE BULLETIN: 75-26 V77445		1
55	TA025030-11		.CLAMP-CUSHION LOOP SUPPLIER CODE: V84971 CONFIG CHG DATA FROM A CMM: PRATT AND WHITNEY PART NO. ST1530-11 SELECT FROM ITEM.		1
55	TA025030-13		.CLAMP-CUSHION LOOP SUPPLIER CODE: V84971 CONFIG CHG DATA FROM A CMM: PRATT AND WHITNEY PART NO. ST1530-13 SELECT FROM ITEM.		1
60	ST1448-03		.CLAMP-CUSHION LOOP SUPPLIER CODE: V77445 POST SERVICE BULLETIN: 75-26 V77445 PRE SERVICE BULLETIN: 73-96 V77445		1

ILLUSTRATION ITEMS NOT ON PARTS LIST ARE NOT APPLICABLE

- ITEM NOT ILLUSTRATED

HXL

75-33-54-01

BOEING PROPRIETARY - Copyright © - Unpublished Work - See title page for details.

75-33-54  
FIG. 01  
PAGE 9  
DEC 22/06



767

PARTS CATALOG (MAINTENANCE)

FIG ITEM	PART NUMBER	1 2 3 4 5 6 7	NOMENCLATURE	EFFECT FROM TO	UNITS PER ASSY
1					
65	ST1435-18		.CLAMP-CUSHION LOOP SUPPLIER CODE: V77445 NOT APPROVED FOR ETOPS. CONFIG CHG DATA FROM A CMM: FOR INTRCHG SEE PW IPC PRE SERVICE BULLETIN: 72-375 V77445		1
65	ST1540-20		.CLAMP-CUSHION LOOP SUPPLIER CODE: V77445 CONFIG CHG DATA FROM A CMM: FOR INTRCHG SEE PW IPC POST SERVICE BULLETIN: 72-375 V77445		1
70	ST1435-12		.CLAMP-CUSHION LOOP SUPPLIER CODE: V77445 NOT APPROVED FOR ETOPS. CONFIG CHG DATA FROM A CMM: FOR INTRCHG SEE PW IPC POST SERVICE BULLETIN: 73-14 V77445 PRE SERVICE BULLETIN: 73-63 V77445 72-755 V77445		1
73	ST1062-10		.CLAMP-CUSHION LOOP SUPPLIER CODE: V77445 CONFIG CHG DATA FROM A CMM: FOR INTRCHG SEE PW IPC POST SERVICE BULLETIN: 73-63 V77445		1
75	AS3208-20		.PACKING		1
80	361595		.PLUG-PROTECTIVE SUPPLIER CODE: V77445 POST SERVICE BULLETIN: 72-744 V77445		1
ILLUSTRATION ITEMS NOT ON PARTS LIST ARE NOT APPLICABLE					

- ITEM NOT ILLUSTRATED

75-33-54-01

75-33-54  
FIG. 01  
PAGE 10  
DEC 22/06

HXL



767

PARTS CATALOG (MAINTENANCE)

FIG ITEM	PART NUMBER	1 2 3 4 5 6 7	NOMENCLATURE	EFFECT FROM TO	UNITS PER ASSY
1 81	58T127		.COVER-AIR SUPPLY TUBE SUPPLIER CODE: V77445 CONFIG CHG DATA FROM A CMM: FOR INTRCHG SEE PW IPC POST SERVICE BULLETIN: 75-107 V77445 72-755 V77445		1
82	58T128		.COVER-AIR SUPPLY TUBE SUPPLIER CODE: V77445 CONFIG CHG DATA FROM A CMM: FOR INTRCHG SEE PW IPC POST SERVICE BULLETIN: 72-755 V77445		1
85	AS1503		.HOSE-AC37 CONFIG CHG DATA FROM A CMM: COMPLETE PART NO. AS1503-03D0082 FOR INTRCHG SEE PW IPC PRE SERVICE BULLETIN: 75-107 V77445 72-755 V77445		1
95	52T915-01		.MANIFOLD ASSY-AC36 SUPPLIER CODE: V77445 NOT APPROVED FOR ETOPS. CONFIG CHG DATA FROM A CMM: FOR INTRCHG SEE PW IPC POST SERVICE BULLETIN: 75-26 V77445 PRE SERVICE BULLETIN: 73-63 V77445 77-8 V77445		1

ILLUSTRATION ITEMS NOT ON PARTS LIST ARE NOT APPLICABLE

- ITEM NOT ILLUSTRATED

HXL

**75-33-54-01**

BOEING PROPRIETARY - Copyright © - Unpublished Work - See title page for details.

75-33-54  
FIG. 01  
PAGE 11  
DEC 22/06





767

PARTS CATALOG (MAINTENANCE)

FIG ITEM	PART NUMBER	1 2 3 4 5 6 7	NOMENCLATURE	EFFECT FROM TO	UNITS PER ASSY
1 95	53T803-01		.MANIFOLD ASSY-AC36 SUPPLIER CODE: V77445 CONFIG CHG DATA FROM A CMM: FOR INTRCHG SEE PW IPC POST SERVICE BULLETIN: 75-93 V77445 PRE SERVICE BULLETIN: 75-107 V77445		1
95	53T446-01		.MANIFOLD ASSY-AC36 SUPPLIER CODE: V77445 NOT APPROVED FOR ETOPS. CONFIG CHG DATA FROM A CMM: FOR INTRCHG SEE PW IPC POST SERVICE BULLETIN: 77-8 V77445 PRE SERVICE BULLETIN: 73-63 V77445		1
95	54T052-01		.MANIFOLD ASSY-AC36 SUPPLIER CODE: V77445 CONFIG CHG DATA FROM A CMM: FOR INTRCHG SEE PW IPC POST SERVICE BULLETIN: 73-63 V77445 PRE SERVICE BULLETIN: 75-93 V77445		1
100	52T935-01		.TUBE ASSY-AC38 SUPPLIER CODE: V77445 NOT APPROVED FOR ETOPS. CONFIG CHG DATA FROM A CMM: FOR INTRCHG SEE PW IPC POST SERVICE BULLETIN: 75-26 V77445 PRE SERVICE BULLETIN: 73-63 V77445 77-8 V77445		1

ILLUSTRATION ITEMS NOT ON PARTS LIST ARE NOT APPLICABLE

- ITEM NOT ILLUSTRATED

**75-33-54-01**

75-33-54  
FIG. 01  
PAGE 12  
DEC 22/06

HXL



767

PARTS CATALOG (MAINTENANCE)

FIG ITEM	PART NUMBER	1 2 3 4 5 6 7	NOMENCLATURE	EFFECT FROM TO	UNITS PER ASSY
1 100	53T445-01		.TUBE ASSY-AC38 SUPPLIER CODE: V77445 POST SERVICE BULLETIN: 73-63 V77445 77-8 V77445 72-744 V77445		1
105	52T255		.TUBE ASSY-TRANSFER AC34 SUPPLIER CODE: V77445 NOT APPROVED FOR ETOPS. CONFIG CHG DATA FROM A CMM: FOR INTRCHG SEE PW IPC PRE SERVICE BULLETIN: 72-375 V77445		1
105	56T925-01		.TUBE ASSY-TRANSFER AC34 SUPPLIER CODE: V77445 CONFIG CHG DATA FROM A CMM: FOR INTRCHG SEE PW IPC POST SERVICE BULLETIN: 72-375 V77445 72-744 V77445		1
110	54T262		.HOSE-AIR SUPPLY AC39 SUPPLIER CODE: V77445 CONFIG CHG DATA FROM A CMM: FOR INTRCHG SEE PW IPC POST SERVICE BULLETIN: 75-93 V77445 PRE SERVICE BULLETIN: 75-107 V77445 72-755 V77445		1

ILLUSTRATION ITEMS NOT ON PARTS LIST ARE NOT APPLICABLE

- ITEM NOT ILLUSTRATED

HXL

**75-33-54-01**

BOEING PROPRIETARY - Copyright © - Unpublished Work - See title page for details.

75-33-54  
FIG. 01  
PAGE 13  
DEC 22/06



767

PARTS CATALOG (MAINTENANCE)

FIG ITEM	PART NUMBER	1 2 3 4 5 6 7	NOMENCLATURE	EFFECT FROM TO	UNITS PER ASSY
1 115	58T542-01		.TUBE ASSY-AIR SUPPLY AC36 SUPPLIER CODE: V77445 CONFIG CHG DATA FROM A CMM: FOR INTRCHG SEE PW IPC POST SERVICE BULLETIN: 75-107 V77445 72-744 V77445		1

ILLUSTRATION ITEMS NOT ON PARTS LIST ARE NOT APPLICABLE

- ITEM NOT ILLUSTRATED

HXL

# 75-33-54-01

BOEING PROPRIETARY - Copyright © - Unpublished Work - See title page for details.

75-33-54  
FIG. 01  
PAGE 14  
DEC 22/06