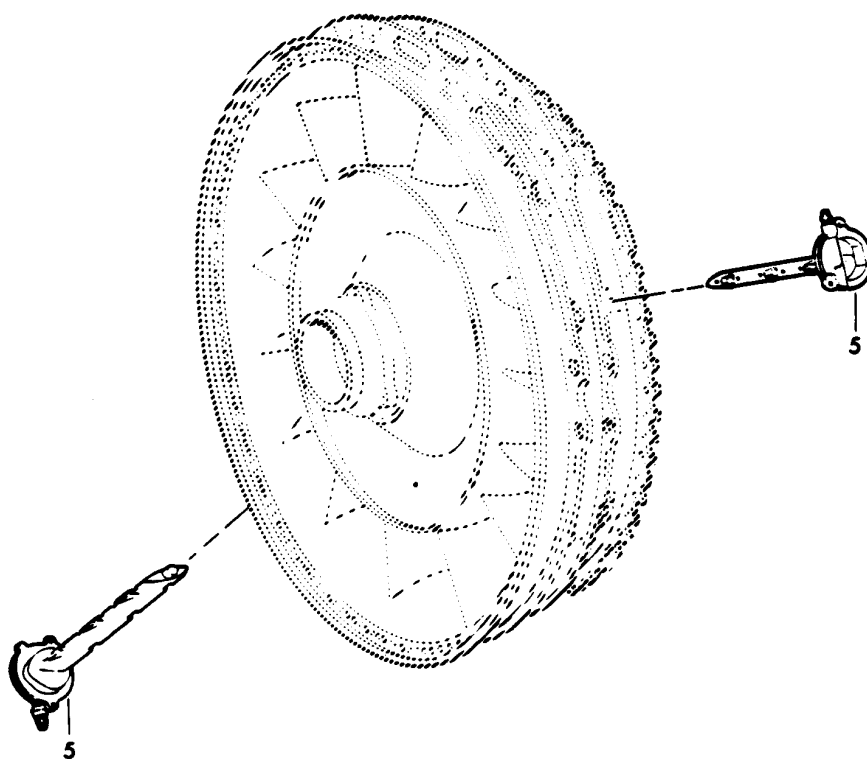
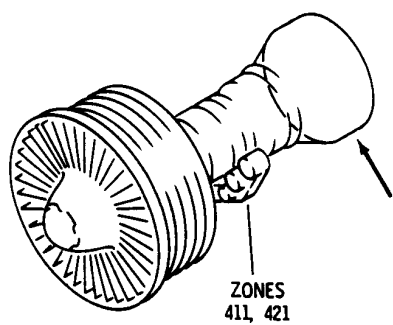


ENGINE PRESSURE RATIO (EPR) INDICATING SYSTEM

HXL
DEC 22/06

77-11-00
SECTION TITLE
PAGE 1

BOEING
767
PARTS CATALOG (MAINTENANCE)



V 77110110 SHT 1 REV 082

PROBES-PT4.9 (PW4000)
FIGURE 10

77-11-01-10

HXL
DEC 22/06

77-11-01-10
PAGE 0



767

PARTS CATALOG (MAINTENANCE)

FIG ITEM	PART NUMBER	1 2 3 4 5 6 7	NOMENCLATURE	EFFECT FROM TO	UNITS PER ASSY
10					
- 1	PW4060		PROBES-PT4.9 (PW4000) ENGINE- SUPPLIER CODE: V77445 CONFIG CHG DATA FROM A CMM: SEE 71-00-51 FIG. 2 FOR APPLICABLE ENGINE SERIES		RF
5	50P046		.PROBE ASSY-AVERAGE PRESSURE AND TEMP SUPPLIER CODE: V77445 PRE SERVICE BULLETIN: 77-16 V77445		2
5	50P374-01		.PROBE ASSY-AVERAGE PRESSURE AND TEMP SUPPLIER CODE: V77445 POST SERVICE BULLETIN: 77-16 V77445		2

ILLUSTRATION ITEMS NOT ON PARTS LIST ARE NOT APPLICABLE

- ITEM NOT ILLUSTRATED

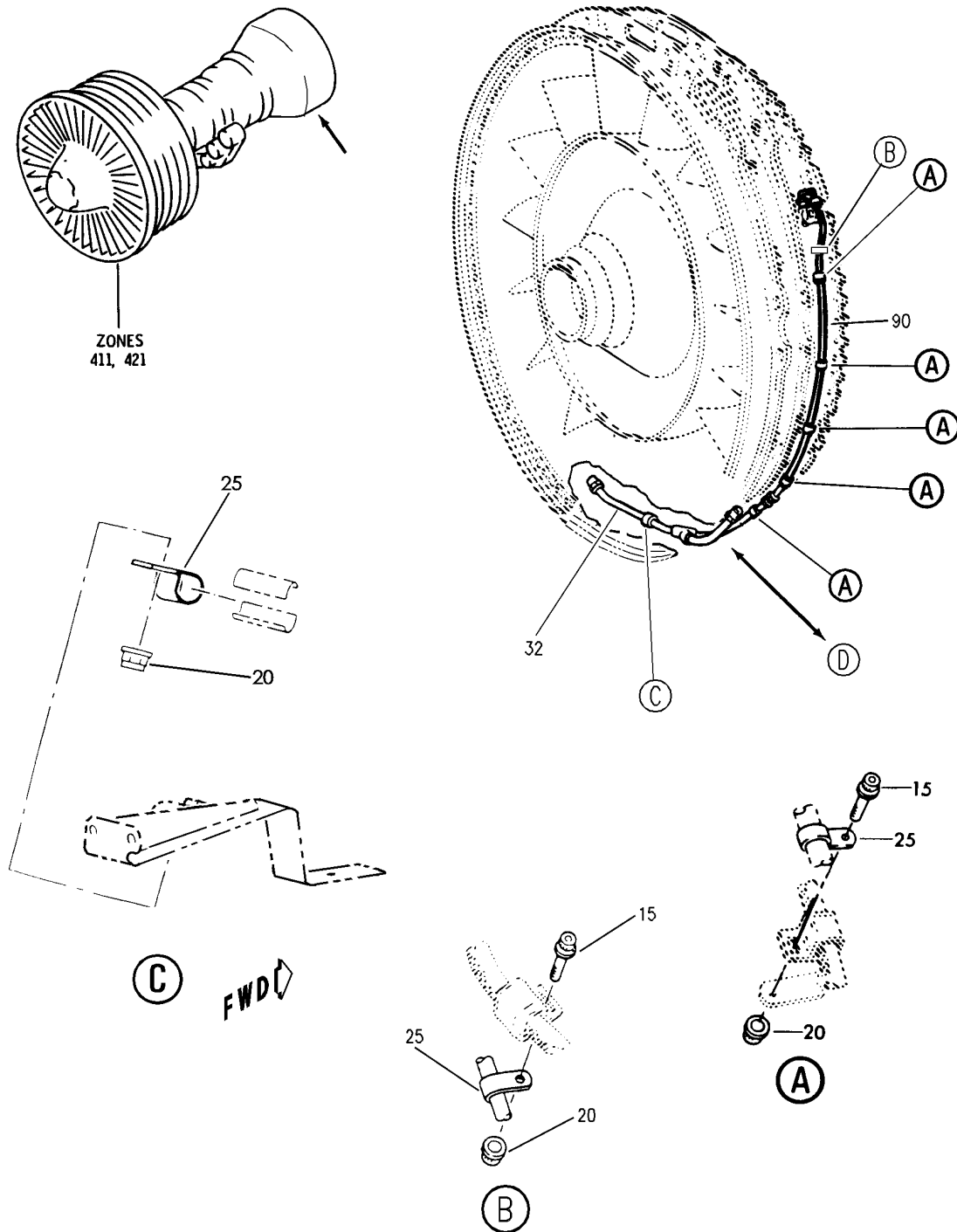
HXL

77-11-01-10

BOEING PROPRIETARY - Copyright © - Unpublished Work - See title page for details.

77-11-01
FIG. 10
PAGE 1
DEC 22/06

BOEING
767
PARTS CATALOG (MAINTENANCE)



V 77110201 SHT 1 REV 241

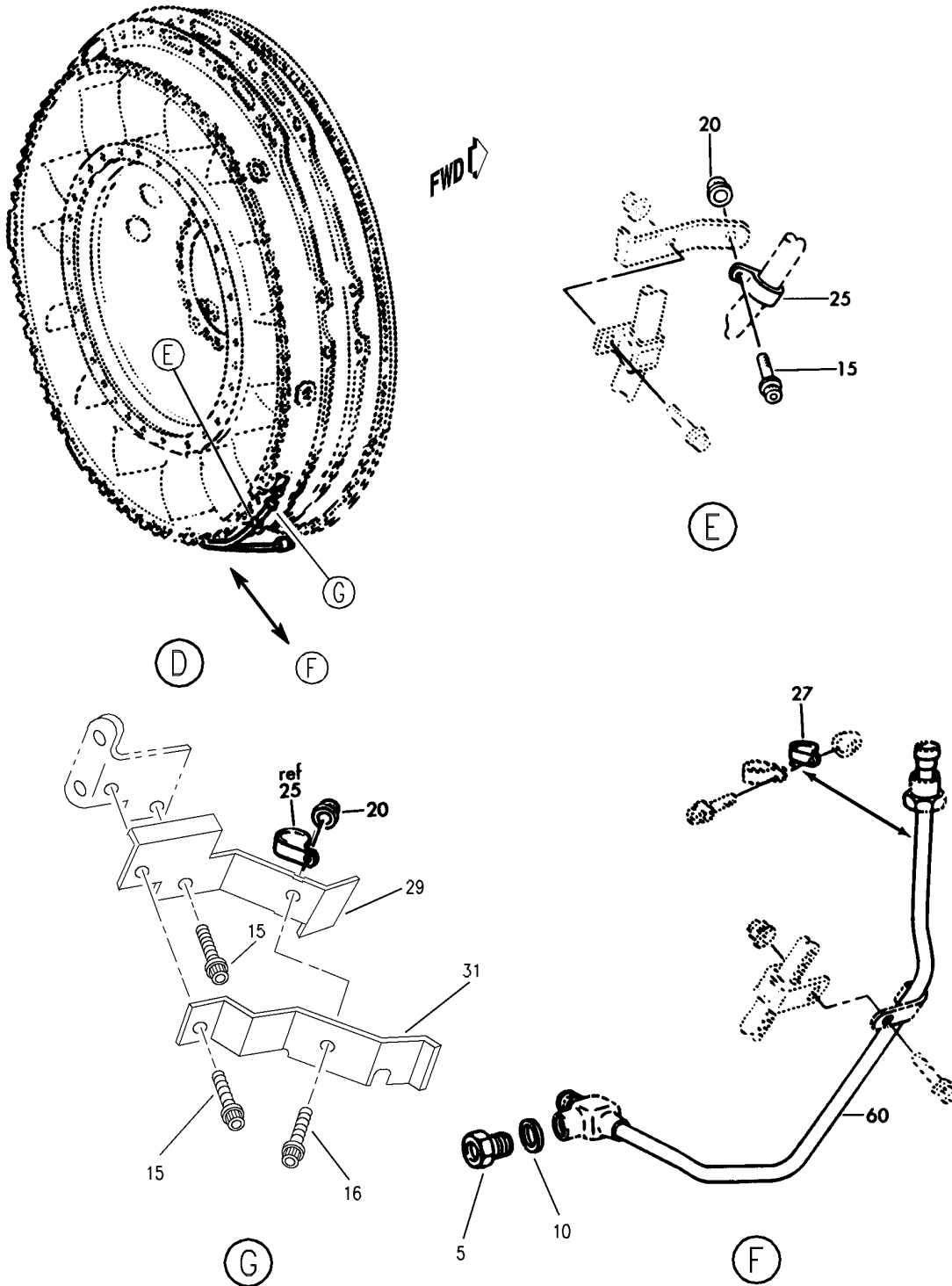
MANIFOLD-PT4.9 (PW4000)
FIGURE 1 (SHEET 1)

77-11-02-01

HXL
DEC 22/06

77-11-02-01
PAGE 0

BOEING
767
PARTS CATALOG (MAINTENANCE)



V 77110201 SH1 2 REV 242

MANIFOLD-PT4.9 (PW4000)
FIGURE 1 (SHEET 2)

77-11-02-01

HXL
DEC 22/06

77-11-02-01
PAGE 0A



767

PARTS CATALOG (MAINTENANCE)

FIG ITEM	PART NUMBER	1 2 3 4 5 6 7	NOMENCLATURE	EFFECT FROM TO	UNITS PER ASSY
1			MANIFOLD-PT4.9 (PW4000)		
- 1	PW4060		ENGINE- SUPPLIER CODE: V77445 CONFIG CHG DATA FROM A CMM: SEE 71-00-51 FIG. 2 FOR APPLICABLE ENGINE SERIES		RF
5	MS9405-03		.PLUG		1
10	MS9321-12		.WASHER		1
15	MS9556-06		.BOLT-		9
16	MS9556-08		.BOLT		1
20	776440		.NUT- SUPPLIER CODE: V77445 OPTIONAL PART: SL7061C1032 V11815 LH11973-3 V56878 H49674-3 V15653 73356-1032 V56878 AS3070-09		9
20	SL7061C1032		.NUT- SUPPLIER CODE: V11815 CONFIG CHG DATA FROM A CMM: PRATT AND WHITNEY PART NO. AS3066-09 OPTIONAL PART: 776440 V77445 LH11973-3 V56878 H49674-3 V15653 73356-1032 V56878 AS3070-09		9

ILLUSTRATION ITEMS NOT ON PARTS LIST ARE NOT APPLICABLE

- ITEM NOT ILLUSTRATED

HXL

77-11-02-01

BOEING PROPRIETARY - Copyright © - Unpublished Work - See title page for details.

77-11-02
FIG. 01
PAGE 1
DEC 22/06

 **BOEING**
767
PARTS CATALOG (MAINTENANCE)

FIG ITEM	PART NUMBER	1 2 3 4 5 6 7	NOMENCLATURE	EFFECT FROM TO	UNITS PER ASSY
1 20	LH11973-3		.NUT- SUPPLIER CODE: V56878 CONFIG CHG DATA FROM A CMM: PRATT AND WHITNEY PART NO. AS3067-09 OPTIONAL PART: 776440 V77445 SL7061C1032 V11815 H49674-3 V15653 73356-1032 V56878 AS3070-09		9
20	H49674-3		.NUT- SUPPLIER CODE: V15653 CONFIG CHG DATA FROM A CMM: PRATT AND WHITNEY PART NO. AS3068-09 OPTIONAL PART: 776440 V77445 SL7061C1032 V11815 LH11973-3 V56878 73356-1032 V56878 AS3070-09		9
20	AS3070-09		.NUT- OPTIONAL PART: 776440 V77445 SL7061C1032 V11815 LH11973-3 V56878 H49674-3 V15653 73356-1032 V56878		9

ILLUSTRATION ITEMS NOT ON PARTS LIST ARE NOT APPLICABLE

- ITEM NOT ILLUSTRATED

HXL

77-11-02-01

BOEING PROPRIETARY - Copyright © - Unpublished Work - See title page for details.

77-11-02
FIG. 01
PAGE 2
DEC 22/06



767

PARTS CATALOG (MAINTENANCE)

FIG ITEM	PART NUMBER	1 2 3 4 5 6 7	NOMENCLATURE	EFFECT FROM TO	UNITS PER ASSY
1 20	73356-1032		.NUT- SUPPLIER CODE: V56878 CONFIG CHG DATA FROM A CMM: PRATT AND WHITNEY PART NO. AS3069-09 OPTIONAL PART: 776440 V77445 SL7061C1032 V11815 LH11973-3 V56878 H49674-3 V15653 AS3070-09		9
25	MS122904		.CLAMP- OPTIONAL PART: ST1850-06 V77445		8
25	ST1850-06		.CLAMP- SUPPLIER CODE: V77445 OPTIONAL PART: MS122904		8
27	ST1455-05		.CLAMP-LOOP SUPPLIER CODE: V77445		1
29	50P224		.BRACKET- SUPPLIER CODE: V77445		1
31	50P219-01		.PLATE ASSY- SUPPLIER CODE: V77445		1
32	50P196-01		.MANIFOLD ASSY-ELECTRONIC ENG CONT PT4.95 AS03 SUPPLIER CODE: V77445		1
60	53T209-01		.MANIFOLD ASSY-ELECTRONIC ENG CONT PT4.95 AS33 SUPPLIER CODE: V77445		1
90	50P187-01		.TUBE ASSY-ELECTRONIC ENG CONT PT4.95 AS34 SUPPLIER CODE: V77445 PRE SERVICE BULLETIN: 72-321 V77445		1

ILLUSTRATION ITEMS NOT ON PARTS LIST ARE NOT APPLICABLE

- ITEM NOT ILLUSTRATED

77-11-02-01

77-11-02
FIG. 01
PAGE 3
DEC 22/06

HXL



767
PARTS CATALOG (MAINTENANCE)

FIG ITEM	PART NUMBER	1 2 3 4 5 6 7	NOMENCLATURE	EFFECT FROM TO	UNITS PER ASSY
1 90	50P189-01		.TUBE ASSY-ELECT. ENG CONT PT4.95 AS34 SUPPLIER CODE: V77445 POST SERVICE BULLETIN: 72-321 V77445		1

ILLUSTRATION ITEMS NOT ON PARTS LIST ARE NOT APPLICABLE

- ITEM NOT ILLUSTRATED

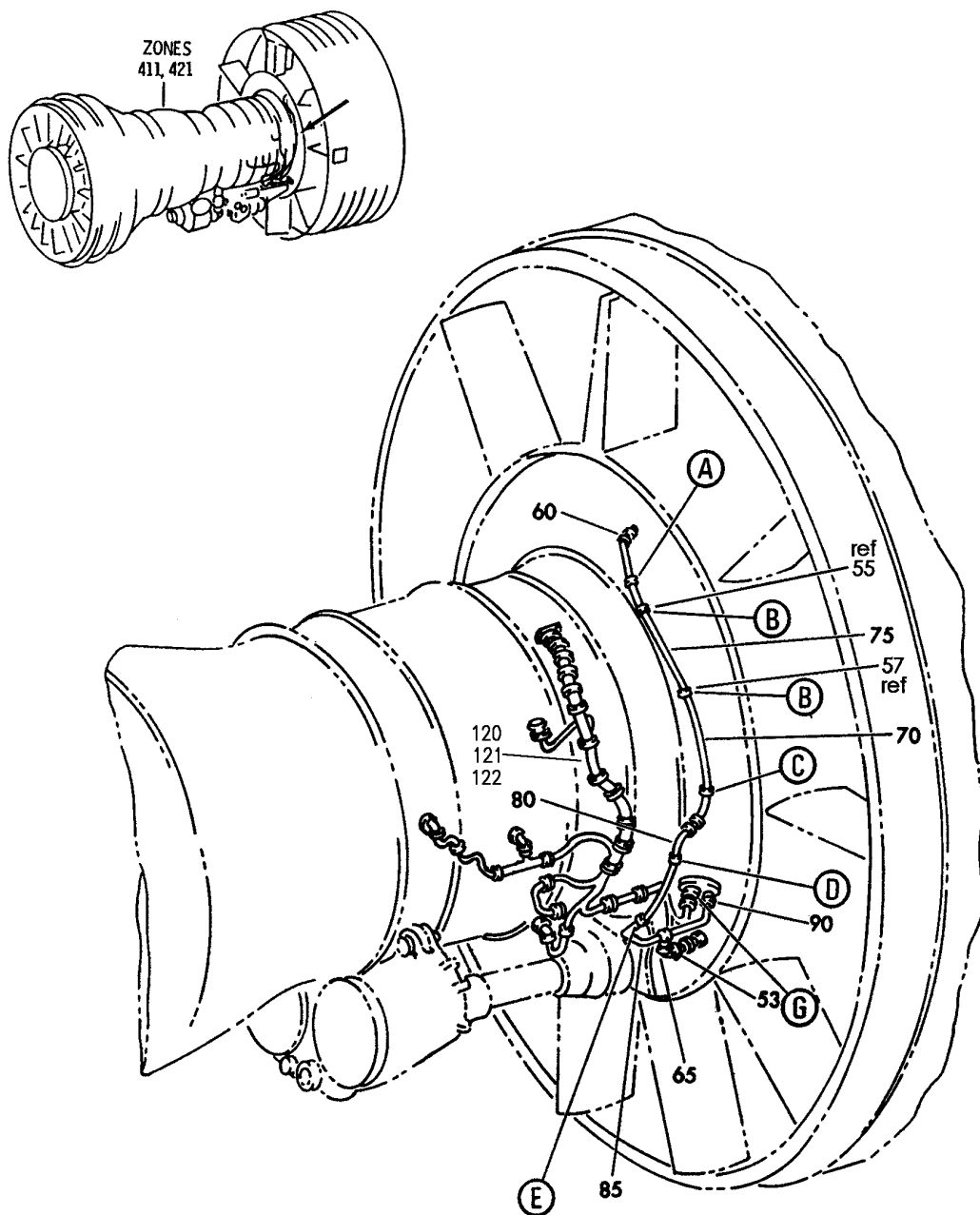
HXL

77-11-02-01

BOEING PROPRIETARY - Copyright © - Unpublished Work - See title page for details.

77-11-02
FIG. 01
PAGE 4
DEC 22/06

BOEING
767
PARTS CATALOG (MAINTENANCE)



V 77110301 SH1 1 REV 276

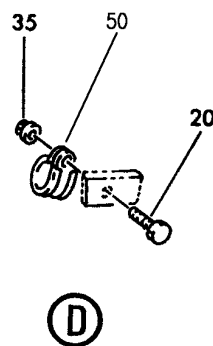
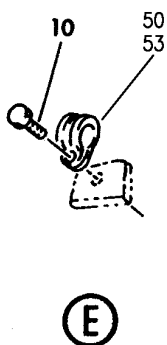
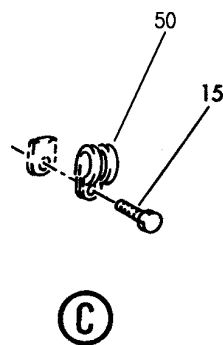
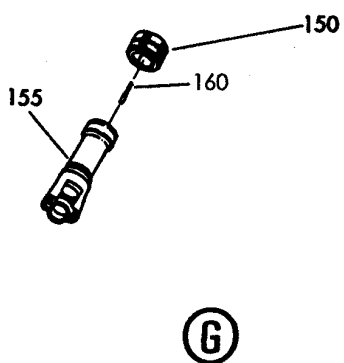
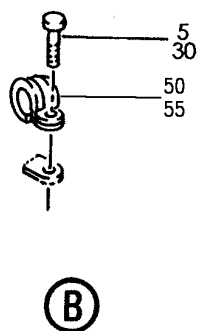
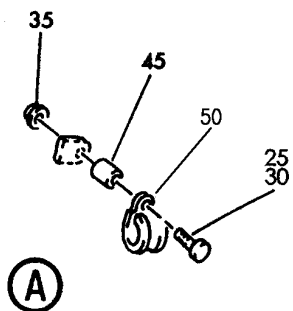
TUBE AND MANIFOLD-SENSING PT2.5. WIRE HARNESS-ELECTRONIC ENGINE CONTROL REAR (PW4000)
FIGURE 1 (SHEET 1)

HXL
DEC 22/06

77-11-03-01

77-11-03-01
PAGE 0

BOEING
767
PARTS CATALOG (MAINTENANCE)



V 77110301 SH- 2 REV 272

TUBE AND MANIFOLD-SENSING PT2.5. WIRE HARNESS-ELECTRONIC ENGINE CONTROL REAR (PW4000)
FIGURE 1 (SHEET 2)

HXL
DEC 22/06

77-11-03-01

77-11-03-01
PAGE 0A



767

PARTS CATALOG (MAINTENANCE)

FIG ITEM	PART NUMBER	1 2 3 4 5 6 7	NOMENCLATURE	EFFECT FROM TO	UNITS PER ASSY
1			TUBE AND MANIFOLD-SENSING PT2.5. WIRE HARNESS- ELECTRONIC ENGINE CONTROL REAR (PW4000)		
- 1	PW4060		ENGINE- SUPPLIER CODE: V77445 CONFIG CHG DATA FROM A CMM: SEE 71-00-51 FIG. 2 FOR APPLICABLE ENGINE SERIES		RF
5	MS9556-08		.BOLT		2
10	MS9556-06		.BOLT-		1
15	MS9556-05		.BOLT-		1
20	MS9489-05		.BOLT-		1
25	MS9556-11		.BOLT-		1
			PRE SERVICE BULLETIN: 72-124 V77458		
35	776440		.NUT- SUPPLIER CODE: V77445 OPTIONAL PART: SL7061C1032 V11815 LH11973-3 V56878 H49674-3 V15653 73356-1032 V56878 AS3070-09 PRE SERVICE BULLETIN: 72-124 V77445		2

ILLUSTRATION ITEMS NOT ON PARTS LIST ARE NOT APPLICABLE

- ITEM NOT ILLUSTRATED

HXL

77-11-03-01

BOEING PROPRIETARY - Copyright © - Unpublished Work - See title page for details.

77-11-03
FIG. 01
PAGE 1
DEC 22/06



767

PARTS CATALOG (MAINTENANCE)

FIG ITEM	PART NUMBER	1 2 3 4 5 6 7	NOMENCLATURE	EFFECT FROM TO	UNITS PER ASSY
1	35 SL7061C1032		.NUT- SUPPLIER CODE: V11815 CONFIG CHG DATA FROM A CMM: PRATT AND WHITNEY PART NO. AS3066-09 OPTIONAL PART: 776440 V77445 LH11973-3 V56878 H49674-3 V15653 73356-1032 V56878 AS3070-09 PRE SERVICE BULLETIN: 72-124 V77445		2
	35 LH11973-3		.NUT- SUPPLIER CODE: V56878 CONFIG CHG DATA FROM A CMM: PRATT AND WHITNEY PART NO. AS3067-09 OPTIONAL PART: 776440 V77445 SL7061C1032 V11815 H49674-3 V15653 73356-1032 V56878 AS3070-09 PRE SERVICE BULLETIN: 72-124 V77445		2

ILLUSTRATION ITEMS NOT ON PARTS LIST ARE NOT APPLICABLE

- ITEM NOT ILLUSTRATED

HXL

77-11-03-01

BOEING PROPRIETARY - Copyright © - Unpublished Work - See title page for details.

77-11-03
FIG. 01
PAGE 2
DEC 22/06



767

PARTS CATALOG (MAINTENANCE)

FIG ITEM	PART NUMBER	1 2 3 4 5 6 7	NOMENCLATURE	EFFECT FROM TO	UNITS PER ASSY
1					
35	H49674-3		.NUT- SUPPLIER CODE: V15653 CONFIG CHG DATA FROM A CMM: PRATT AND WHITNEY PART NO. AS3068-09 OPTIONAL PART: 776440 V77445 SL7061C1032 V11815 LH44973-3 V56878 73356-1032 V56878 AS3707-09 PRE SERVICE BULLETIN: 72-124 V77445		2
35	AS3070-09		.NUT- OPTIONAL PART: 776440 V77445 SL7061C1032 V11815 LH11973-3 V56878 H49674-3 V15653 73356-1032 V56878 PRE SERVICE BULLETIN: 72-124 V77445		2

ILLUSTRATION ITEMS NOT ON PARTS LIST ARE NOT APPLICABLE

- ITEM NOT ILLUSTRATED

HXL

77-11-03-01

BOEING PROPRIETARY - Copyright © - Unpublished Work - See title page for details.

77-11-03
FIG. 01
PAGE 3
DEC 22/06



767

PARTS CATALOG (MAINTENANCE)

FIG ITEM	PART NUMBER	1 2 3 4 5 6 7	NOMENCLATURE	EFFECT FROM TO	UNITS PER ASSY
1 35	73356-1032		.NUT- SUPPLIER CODE: V56878 CONFIG CHG DATA FROM A CMM: PRATT AND WHITNEY PART NO. AS3069-09 OPTIONAL PART: 776440 V77445 SL7061C1032 V11815 LH11973-3 V56878 H49674-3 V15653 AS3070-09 PRE SERVICE BULLETIN: 72-124 V77445		2
45	484999		.SPACER-SLEEVE SUPPLIER CODE: V77445 PRE SERVICE BULLETIN: 72-124 V77445		1
50	ST1435-05		.CLAMP-CUSHION LOOP SUPPLIER CODE: V77445		6
53	TA025030-06		NOT APPROVED FOR ETOPS. .CLAMP-CUSHION LOOP SUPPLIER CODE: V84971 CONFIG CHG DATA FROM A CMM: PRATT AND WHITNEY PART NO. ST1530-06		2
55	ST1435-06		.CLAMP-CUSHION LOOP SUPPLIER CODE: V77445		1
60	ST1435-05		.CLAMP-CUSHION LOOP SUPPLIER CODE: V77445 NOT APPROVED FOR ETOPS. POST SERVICE BULLETIN: 73-14 V77445 PRE SERVICE BULLETIN: 72-124 V77445		1
65	MS9315-05		.CAP ASSY-TUBE		1

ILLUSTRATION ITEMS NOT ON PARTS LIST ARE NOT APPLICABLE

- ITEM NOT ILLUSTRATED

77-11-03-01

77-11-03
FIG. 01
PAGE 4
DEC 22/06

HXL



767

PARTS CATALOG (MAINTENANCE)

FIG ITEM	PART NUMBER	1 2 3 4 5 6 7	NOMENCLATURE	EFFECT FROM TO	UNITS PER ASSY
1					
75	53T369-01		.TUBE ASSY- SUPPLIER CODE: V77445 POST SERVICE BULLETIN: 72-124 V77445 PRE SERVICE BULLETIN: 72-321 V77445		1
75	54T117-01		.TUBE ASSY- SUPPLIER CODE: V77445 POST SERVICE BULLETIN: 72-321 V77445		1
80	53T281-01		.TUBE ASSY-AS36 SUPPLIER CODE: V77445 POST SERVICE BULLETIN: 72-124 V77445 PRE SERVICE BULLETIN: 72-321 V77445		1
80	54T113-01		.TUBE ASSY-AS35 SUPPLIER CODE: V77445 POST SERVICE BULLETIN: 72-321 V77445		1
90	53T475-01		.MANIFOLD ASSY-AS31 SUPPLIER CODE: V77445 POST SERVICE BULLETIN: 72-252 V77445		1
ILLUSTRATION ITEMS NOT ON PARTS LIST ARE NOT APPLICABLE					

- ITEM NOT ILLUSTRATED

HXL

77-11-03-01

BOEING PROPRIETARY - Copyright © - Unpublished Work - See title page for details.

77-11-03
FIG. 01
PAGE 5
DEC 22/06



767

PARTS CATALOG (MAINTENANCE)

FIG ITEM	PART NUMBER	1 2 3 4 5 6 7	NOMENCLATURE	EFFECT FROM TO	UNITS PER ASSY
1 120	420092		.HARNESS-WIRING SUPPLIER CODE: V068H2 CONFIG CHG DATA FROM A CMM: PRATT AND WHITNEY PART NO. 55T998 FOR INTRCHG SEE PW IPC OPTIONAL PART: 46466 V068H2 45924 V068H2 POST SERVICE BULLETIN: 73-134 V77445 PRE SERVICE BULLETIN: 72-504 V77445 73-140 V77445 75-107 V77445 73-148 V77445		1
120	420789		.HARNESS-WIRING SUPPLIER CODE: V068H2 CONFIG CHG DATA FROM A CMM: PRATT AND WHITNEY PART NO. 59T560 FOR INTRCHG SEE PW IPC POST SERVICE BULLETIN: 72-504 V77445 73-148 V77445		1

ILLUSTRATION ITEMS NOT ON PARTS LIST ARE NOT APPLICABLE

- ITEM NOT ILLUSTRATED

HXL

77-11-03-01

BOEING PROPRIETARY - Copyright © - Unpublished Work - See title page for details.

77-11-03
FIG. 01
PAGE 6
DEC 22/06



767

PARTS CATALOG (MAINTENANCE)

FIG ITEM	PART NUMBER	1 2 3 4 5 6 7	NOMENCLATURE	EFFECT FROM TO	UNITS PER ASSY
1 120	46155		. HARNESS-WIRING SUPPLIER CODE: V068H2 NOT APPROVED FOR ETOPS WITHOUT INCORP OF SB: 73-111 V77445 CONFIG CHG DATA FROM A CMM: PRATT AND WHITNEY PART NO. 53T384 FOR INTRCHG SEE PW IPC PRE SERVICE BULLETIN: 72-505 V77445 73-70 V77445 75-107 V77445 73-148 V77445 REFERENCE SERVICE BULLETIN: 73-111 V77445		1

ILLUSTRATION ITEMS NOT ON PARTS LIST ARE NOT APPLICABLE

- ITEM NOT ILLUSTRATED

HXL

77-11-03-01

BOEING PROPRIETARY - Copyright © - Unpublished Work - See title page for details.

77-11-03
FIG. 01
PAGE 7
DEC 22/06



767

PARTS CATALOG (MAINTENANCE)

FIG ITEM	PART NUMBER	1 2 3 4 5 6 7 NOMENCLATURE	EFFECT FROM TO	UNITS PER ASSY
1 120	45924	.HARNES-S-WIRING SUPPLIER CODE: V068H2 NOT APPROVED FOR ETOPS WITHOUT INCORP OF SB: 73-111 V77445 CONFIG CHG DATA FROM A CMM: PRATT AND WHITNEY PART NO. 53T250 FOR INTRCHG SEE PW IPC OPTIONAL PART: 46466 V068H2 420092 V068H2 POST SERVICE BULLETIN: 73-70 V77445 PRE SERVICE BULLETIN: 72-504 V77445 73-101 V77445 73-134 V77445 73-140 V77445 75-107 V77445 73-148 V77445 REFERENCE SERVICE BULLETIN: 73-111 V77445		1

ILLUSTRATION ITEMS NOT ON PARTS LIST ARE NOT APPLICABLE

- ITEM NOT ILLUSTRATED

HXL

77-11-03-01

BOEING PROPRIETARY - Copyright © - Unpublished Work - See title page for details.

77-11-03
 FIG. 01
 PAGE 8
 DEC 22/06



767

PARTS CATALOG (MAINTENANCE)

FIG ITEM	PART NUMBER	1 2 3 4 5 6 7 NOMENCLATURE	EFFECT FROM TO	UNITS PER ASSY
1 120	45865	. HARNESS-WIRING SUPPLIER CODE: V068H2 NOT APPROVED FOR ETOPS WITHOUT INCORP OF SB: 73-111 V77445 CONFIG CHG DATA FROM A CMM: PRATT AND WHITNEY PART NO. 53T073 FOR INTRCHG SEE PW IPC POST SERVICE BULLETIN: 73-51 V77445 PRE SERVICE BULLETIN: 72-504 V77445 75-107 V77445 73-148 V77445 REFERENCE SERVICE BULLETIN: 73-111 V77445		1

ILLUSTRATION ITEMS NOT ON PARTS LIST ARE NOT APPLICABLE

- ITEM NOT ILLUSTRATED

HXL

77-11-03-01

BOEING PROPRIETARY - Copyright © - Unpublished Work - See title page for details.

77-11-03
 FIG. 01
 PAGE 9
 DEC 22/06



767

PARTS CATALOG (MAINTENANCE)

FIG ITEM	PART NUMBER	1 2 3 4 5 6 7	NOMENCLATURE	EFFECT FROM TO	UNITS PER ASSY
1 120	46466		.HARNES-WIRING SUPPLIER CODE: V068H2 NOT APPROVED FOR ETOPS WITHOUT INCORP OF SB: 73-111 V77445 CONFIG CHG DATA FROM A CMM: PRATT AND WHITNEY PART NO. 53T821 FOR INTRCHG SEE PW IPC OPTIONAL PART: 420092 V068H2 45924 V068H2 POST SERVICE BULLETIN: 73-101 V77445 PRE SERVICE BULLETIN: 72-504 V77445 73-134 V77445 73-140 V77445 75-107 V77445 73-148 V77445 REFERENCE SERVICE BULLETIN: 73-111 V77445		1
121	53T049-001		.HARNES-WIRING W4 SUPPLIER CODE: V77445 CONFIG CHG DATA FROM A CMM: REIDENT FROM 45936 POST SERVICE BULLETIN: 75-107 V77445 PRE SERVICE BULLETIN: 72-504 V77445 73-148 V77445		1

ILLUSTRATION ITEMS NOT ON PARTS LIST ARE NOT APPLICABLE

- ITEM NOT ILLUSTRATED

HXL

77-11-03-01

BOEING PROPRIETARY - Copyright © - Unpublished Work - See title page for details.

77-11-03
FIG. 01
PAGE 10
DEC 22/06



767

PARTS CATALOG (MAINTENANCE)

FIG ITEM	PART NUMBER	1 2 3 4 5 6 7	NOMENCLATURE	EFFECT FROM TO	UNITS PER ASSY
1 121	53T073-001		.HARNESS-WIRING W4 SUPPLIER CODE: V77445 CONFIG CHG DATA FROM A CMM: REIDENT FROM 45865 POST SERVICE BULLETIN: 75-107 V77445 PRE SERVICE BULLETIN: 72-504 V77445 73-148 V77445		1
121	53T384-001		.HARNESS-WIRING W4 SUPPLIER CODE: V77445 CONFIG CHG DATA FROM A CMM: REIDENT FROM 46155 POST SERVICE BULLETIN: 75-107 V77445 PRE SERVICE BULLETIN: 72-504 V77445 73-148 V77445		1
121	53T250-001		.HARNESS-WIRING W4 SUPPLIER CODE: V77445 CONFIG CHG DATA FROM A CMM: REIDENT FROM 45924 POST SERVICE BULLETIN: 75-107 V77445 PRE SERVICE BULLETIN: 72-504 V77445 73-148 V77445		1

ILLUSTRATION ITEMS NOT ON PARTS LIST ARE NOT APPLICABLE

- ITEM NOT ILLUSTRATED

HXL

77-11-03-01

BOEING PROPRIETARY - Copyright © - Unpublished Work - See title page for details.

77-11-03
FIG. 01
PAGE 11
DEC 22/06



767

PARTS CATALOG (MAINTENANCE)

FIG ITEM	PART NUMBER	1 2 3 4 5 6 7	NOMENCLATURE	EFFECT FROM TO	UNITS PER ASSY
1 121	55T998-001		.HARNESS-WIRING W4 SUPPLIER CODE: V77445 CONFIG CHG DATA FROM A CMM: REIDENT FROM 420092 POST SERVICE BULLETIN: 75-107 V77445 PRE SERVICE BULLETIN: 72-504 V77445 73-148 V77445		1
121	53T821-001		.HARNESS-WIRING W4 SUPPLIER CODE: V77445 CONFIG CHG DATA FROM A CMM: REIDENT FROM 46466 POST SERVICE BULLETIN: 72-504 V77445 PRE SERVICE BULLETIN: 73-148 V77445		1
121	53T049-003		.HARNESS-WIRING W4 SUPPLIER CODE: V77445 CONFIG CHG DATA FROM A CMM: REIDENT FROM 45736 POST SERVICE BULLETIN: 73-148 V77445 PRE SERVICE BULLETIN: 72-755 V77445		1
121	53T049-002		.HARNESS-WIRING W4 SUPPLIER CODE: V77445 CONFIG CHG DATA FROM A CMM: REIDENT FROM 53T049-001 POST SERVICE BULLETIN: 73-148 V77445		1

ILLUSTRATION ITEMS NOT ON PARTS LIST ARE NOT APPLICABLE

- ITEM NOT ILLUSTRATED

HXL

77-11-03-01

BOEING PROPRIETARY - Copyright © - Unpublished Work - See title page for details.

77-11-03
FIG. 01
PAGE 12
DEC 22/06



767

PARTS CATALOG (MAINTENANCE)

FIG ITEM	PART NUMBER	1 2 3 4 5 6 7	NOMENCLATURE	EFFECT FROM TO	UNITS PER ASSY
1 121	53T073-003		.HARNESS-WIRING W4 SUPPLIER CODE: V77445 CONFIG CHG DATA FROM A CMM: REIDENT FROM 45865 POST SERVICE BULLETIN: 73-148 V77445 PRE SERVICE BULLETIN: 72-755 V77445		1
121	53T250-003		.HARNESS-WIRING W4 SUPPLIER CODE: V77445 CONFIG CHG DATA FROM A CMM: REIDENT FROM 45924 POST SERVICE BULLETIN: 73-148 V77445 PRE SERVICE BULLETIN: 72-755 V77445		1
121	53T250-002		.HARNESS-WIRING W4 SUPPLIER CODE: V77445 CONFIG CHG DATA FROM A CMM: REIDENT FROM 53T250-001 POST SERVICE BULLETIN: 73-148 V77445		1
121	53T384-003		.HARNESS-WIRING W4 SUPPLIER CODE: V77445 CONFIG CHG DATA FROM A CMM: REIDENT FROM 46155 POST SERVICE BULLETIN: 73-148 V77445 PRE SERVICE BULLETIN: 72-755 V77445		1
121	53T384-002		.HARNESS-WIRING W4 SUPPLIER CODE: V77445 CONFIG CHG DATA FROM A CMM: REIDENT FROM 53T384-001 POST SERVICE BULLETIN: 73-148 V77445		1

ILLUSTRATION ITEMS NOT ON PARTS LIST ARE NOT APPLICABLE

- ITEM NOT ILLUSTRATED

HXL

77-11-03-01

BOEING PROPRIETARY - Copyright © - Unpublished Work - See title page for details.

77-11-03
FIG. 01
PAGE 13
DEC 22/06



767

PARTS CATALOG (MAINTENANCE)

FIG ITEM	PART NUMBER	1 2 3 4 5 6 7	NOMENCLATURE	EFFECT FROM TO	UNITS PER ASSY
1 121	53T821-003		.HARNESS-WIRING W4 SUPPLIER CODE: V77445 CONFIG CHG DATA FROM A CMM: REIDENT FROM 46466 POST SERVICE BULLETIN: 73-148 V77445 PRE SERVICE BULLETIN: 72-755 V77445		1
121	53T821-002		.HARNESS-WIRING W4 SUPPLIER CODE: V77445 CONFIG CHG DATA FROM A CMM: REIDENT FROM 53T821-001 POST SERVICE BULLETIN: 73-148 V77445		1
121	55T998-003		.HARNESS-WIRING W4 SUPPLIER CODE: V77445 CONFIG CHG DATA FROM A CMM: REIDENT FROM 420092 POST SERVICE BULLETIN: 73-148 V77445 PRE SERVICE BULLETIN: 72-755 V77445		1
121	55T998-002		.HARNESS-WIRING W4 SUPPLIER CODE: V77445 CONFIG CHG DATA FROM A CMM: REIDENT FROM 55T998-001 POST SERVICE BULLETIN: 73-148 V77445		1
122	53T049-004		.HARNESS-WIRING W4 SUPPLIER CODE: V77445 CONFIG CHG DATA FROM A CMM: REIDENT FROM 53T049-003 FOR INTRCHG SEE PW IPC POST SERVICE BULLETIN: 72-755 V77445		1

ILLUSTRATION ITEMS NOT ON PARTS LIST ARE NOT APPLICABLE

- ITEM NOT ILLUSTRATED

HXL

77-11-03-01

BOEING PROPRIETARY - Copyright © - Unpublished Work - See title page for details.

77-11-03
FIG. 01
PAGE 14
DEC 22/06



767

PARTS CATALOG (MAINTENANCE)

FIG ITEM	PART NUMBER	1 2 3 4 5 6 7	NOMENCLATURE	EFFECT FROM TO	UNITS PER ASSY
1 122	53T073-004		.HARNESS-WIRING W4 SUPPLIER CODE: V77445 CONFIG CHG DATA FROM A CMM: REIDENT FROM 53T073-003 FOR INTRCHG SEE PW IPC POST SERVICE BULLETIN: 72-755 V77445		1
122	53T250-004		.HARNESS-WIRING W4 SUPPLIER CODE: V77445 CONFIG CHG DATA FROM A CMM: REIDENT FROM 53T250-003 FOR INTRCHG SEE PW IPC POST SERVICE BULLETIN: 72-755 V77445		1
122	53T384-004		.HARNESS-WIRING W4 SUPPLIER CODE: V77445 CONFIG CHG DATA FROM A CMM: REIDENT FROM 53T384-003 FOR INTRCHG SEE PW IPC POST SERVICE BULLETIN: 72-755 V77445		1
122	53T821-004		.HARNESS-WIRING W4 SUPPLIER CODE: V77445 CONFIG CHG DATA FROM A CMM: REIDENT FROM 53T821-003 FOR INTRCHG SEE PW IPC POST SERVICE BULLETIN: 72-755 V77445		1
122	55T998-004		.HARNESS-WIRING W4 SUPPLIER CODE: V77445 CONFIG CHG DATA FROM A CMM: REIDENT FROM 55T998-003 FOR INTRCHG SEE PW IPC POST SERVICE BULLETIN: 72-755 V77445		1

ILLUSTRATION ITEMS NOT ON PARTS LIST ARE NOT APPLICABLE

- ITEM NOT ILLUSTRATED

HXL

77-11-03-01

BOEING PROPRIETARY - Copyright © - Unpublished Work - See title page for details.

77-11-03
FIG. 01
PAGE 15
DEC 22/06



767

PARTS CATALOG (MAINTENANCE)

FIG ITEM	PART NUMBER	1 2 3 4 5 6 7	NOMENCLATURE	EFFECT FROM TO	UNITS PER ASSY
1					
150	122703		..CONNECTOR-PLUG P23 SUPPLIER CODE: V068H2 OPTIONAL PART: TVS06RK9-98S V77820 T3K1209-98SN V49367		1
150	TVS06RK9-98S		..CONNECTOR-PLUG P23 SUPPLIER CODE: V77820 OPTIONAL PART: T3K1209-98SN V49367 122703 V068H2		1
150	T3K1209-98SN		..CONNECTOR-PLUG P23 SUPPLIER CODE: V49367 OPTIONAL PART: TVS06RK9-98S V77820 122703 V068H2		1
155	158510-0202		..BACKSHELL-P23 SUPPLIER CODE: V068H2 OPTIONAL PART: 387HS020Z109B3 V06324		1
155	387HS020Z109B3		..BACKSHELL-P23 SUPPLIER CODE: V06324 OPTIONAL PART: 158510-0202 V068H2		1
160	143187		..CONTACT-NO. 20 P23 SUPPLIER CODE: V068H2 OPTIONAL PART: T3-4120-36LD V49367		3

ILLUSTRATION ITEMS NOT ON PARTS LIST ARE NOT APPLICABLE

- ITEM NOT ILLUSTRATED

HXL

77-11-03-01

BOEING PROPRIETARY - Copyright © - Unpublished Work - See title page for details.

77-11-03
FIG. 01
PAGE 16
DEC 22/06



767
PARTS CATALOG (MAINTENANCE)

FIG ITEM	PART NUMBER	1 2 3 4 5 6 7	NOMENCLATURE	EFFECT FROM TO	UNITS PER ASSY
1 160	T3-4120-36LD		.. CONTACT-NO. 20 P23 SUPPLIER CODE: V49367 OPTIONAL PART: 143187 V068H2		3

ILLUSTRATION ITEMS NOT ON PARTS LIST ARE NOT APPLICABLE

- ITEM NOT ILLUSTRATED

HXL

77-11-03-01

BOEING PROPRIETARY - Copyright © - Unpublished Work - See title page for details.

77-11-03
FIG. 01
PAGE 17
DEC 22/06