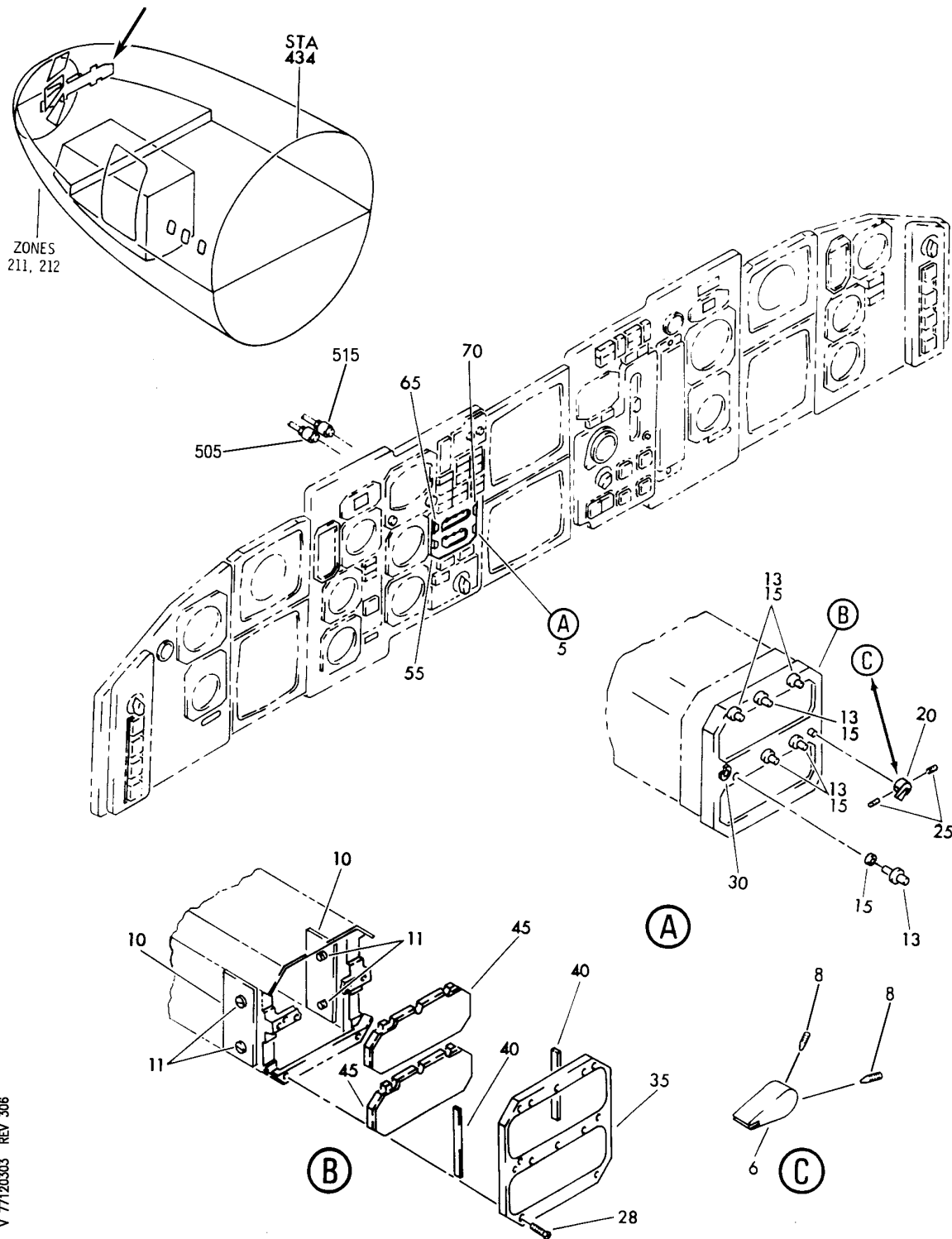


ENGINE TACHOMETER SYSTEM

HXL
DEC 22/06

77-12-00
SECTION TITLE
PAGE 1

BOEING
767
PARTS CATALOG (MAINTENANCE)



V 77120303 REV 306

PANEL INSTL-PILOTS MAIN (ENGINE INDICATING ONLY)
FIGURE 3

77-12-03-03

HXL
DEC 22/06

77-12-03-03
PAGE 0

 **BOEING**
767
PARTS CATALOG (MAINTENANCE)

FIG ITEM	PART NUMBER	1 2 3 4 5 6 7	NOMENCLATURE	EFFECT FROM TO	UNITS PER ASSY
3			PANEL INSTL-PILOTS MAIN (ENGINE INDICATING ONLY)		
- 1	233T2100-1		PANEL INSTL-PILOTS MAIN (ENGINE INDICATING ONLY) VARIABLE DRAWING REF: 233T2100-5048 FOR NHA/OTHER SYS DET SEE: 25-10-00-03		RF
5	402EED1-1		. INDICATOR ASSY-ENG STBY SUPPLIER CODE: VK5294 SPECIFICATION NUMBER: S231N001-6 MISCELLANEOUS DATA: (PW4000) ELECTRICAL EQUIP NUMBER: N10016 COMPONENT MAINT MANUAL REF: 77-40-02		1
5	402EED1-3		. INDICATOR ASSY-ENG STBY STATIC SENSITIVE PART SUPPLIER CODE: VK5294 SPECIFICATION NUMBER: S231N001-15 MISCELLANEOUS DATA: (PW4000) ELECTRICAL EQUIP NUMBER: N10016 COMPONENT MAINT MANUAL REF: 77-40-02		1
6	EED837		.. KNOB-FINISHED SUPPLIER CODE: VK5294		1
8	30-296-551-11		ATTACHING PARTS .. SCREW- SUPPLIER CODE: VK5294		2
10	EED850		-----*----- .. COVER ASSY-PLACARD SUPPLIER CODE: VK5294		2
11	30-295-301-12		ATTACHING PARTS .. SCREW- SUPPLIER CODE: VK5294 -----*-----		4
ILLUSTRATION ITEMS NOT ON PARTS LIST ARE NOT APPLICABLE					

- ITEM NOT ILLUSTRATED

HXL

77-12-03-03

BOEING PROPRIETARY - Copyright © - Unpublished Work - See title page for details.

77-12-03
FIG. 03
PAGE 1
DEC 22/07



767

PARTS CATALOG (MAINTENANCE)

FIG ITEM	PART NUMBER	1 2 3 4 5 6 7	NOMENCLATURE	EFFECT FROM TO	UNITS PER ASSY
3					
- 52	233T2222-58		.PANEL ASSY-2 CREW CONT STATIC SENSITIVE PART P1-3		RF
55	123-03004A3		..CLAMP- SUPPLIER CODE: V33463		1
- 500	286T0011-106		WIRE BUNDLE ASSY-		RF
505	BACC45FT16B24S6		.CONNECTOR- ELECTRICAL EQUIP NUMBER: D10122 WIRING DIAGRAM REF: 771212		1
- 510	286T0031-107		WIRE BUNDLE ASSY-		RF
515	BACC45FT16A24S9		.CONNECTOR- ELECTRICAL EQUIP NUMBER: D10124 WIRING DIAGRAM REF: 771212		1

ILLUSTRATION ITEMS NOT ON PARTS LIST ARE NOT APPLICABLE

- ITEM NOT ILLUSTRATED

HXL

77-12-03-03

BOEING PROPRIETARY - Copyright © - Unpublished Work - See title page for details.

77-12-03
FIG. 03
PAGE 2
DEC 22/07