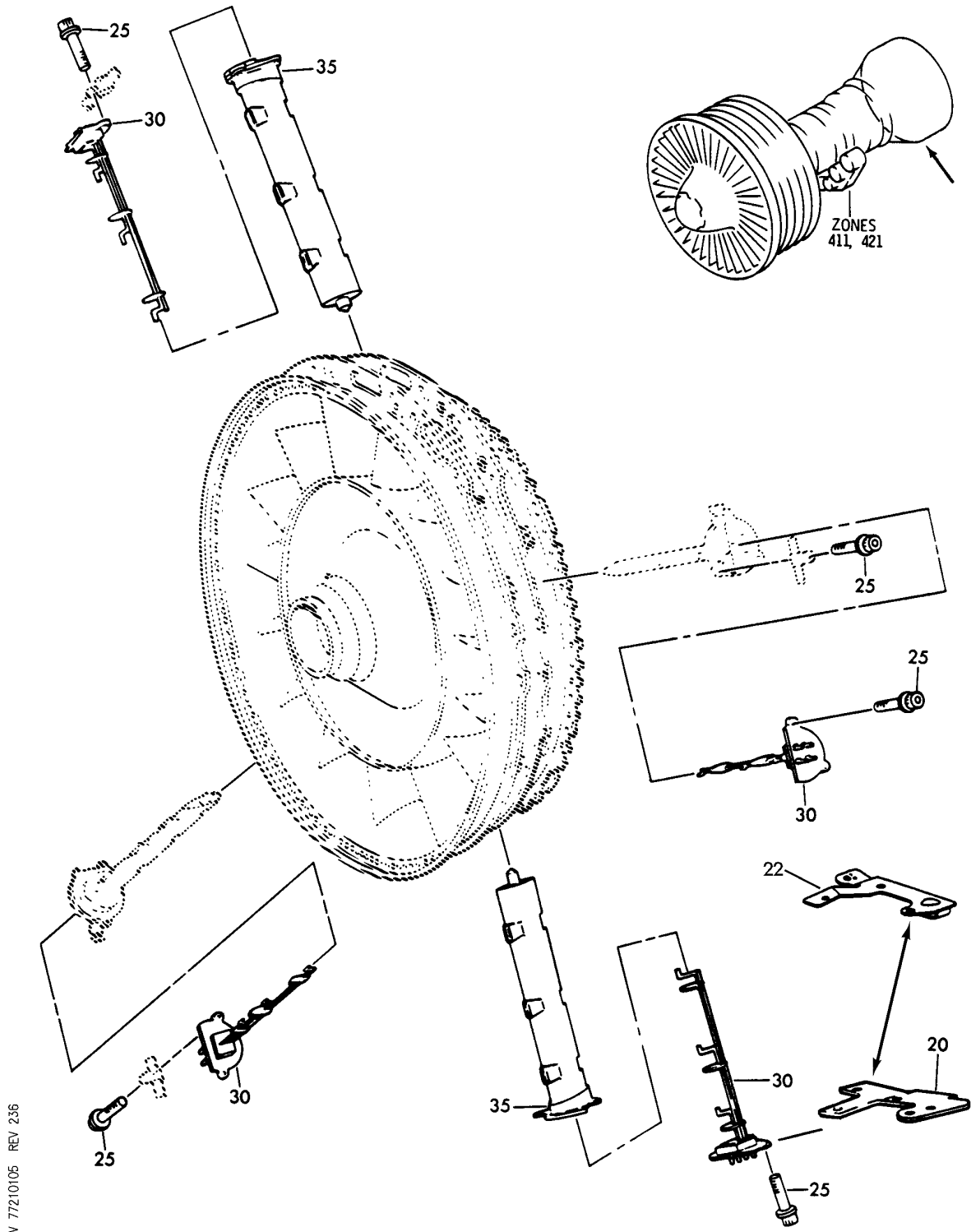


EXHAUST GAS TEMPERATURE (EGT) INDICATING SYSTEM

HXL
DEC 22/06

77-21-00
SECTION TITLE
PAGE 1

BOEING
767
PARTS CATALOG (MAINTENANCE)



THERMOCOUPLE-EXHAUST GAS TEMP T4.95 (PW4000)
FIGURE 5

77-21-01-05

HXL
DEC 22/06

77-21-01-05
PAGE 0



767

PARTS CATALOG (MAINTENANCE)

FIG ITEM	PART NUMBER	1 2 3 4 5 6 7	NOMENCLATURE	EFFECT FROM TO	UNITS PER ASSY
5			THERMOCOUPLE-EXHAUST GAS TEMP T4.95 (PW4000)		
- 1	PW4060		ENGINE- SUPPLIER CODE: V77445 CONFIG CHG DATA FROM A CMM: SEE 71-00-51 FIG. 2 FOR APPLICABLE ENGINE SERIES 72-504)		RF
20	50P103		.BRACKET-ANGLE SUPPLIER CODE: V77445 CONFIG CHG DATA FROM A CMM: FOR INTRCHG SEE PW IPC PRE SERVICE BULLETIN: 77-18 V77445		1
22	50P459-01		.BRACKET-ASSY OF, LC SUPPLIER CODE: V77445 CONFIG CHG DATA FROM A CMM: FOR INTRCHG SEE PW IPC POST SERVICE BULLETIN: 77-18 V77445 72-744 V77445		1
25	MS9715-06		.BOLT- POST SERVICE BULLETIN: 77-14 V77445		12
30	50P109		.THERMOCOUPLE-IMMERSION SUPPLIER CODE: V77445 OPTIONAL PART: HAD18540 V00060 5255 V60678		4

ILLUSTRATION ITEMS NOT ON PARTS LIST ARE NOT APPLICABLE

- ITEM NOT ILLUSTRATED

HXL

77-21-01-05

BOEING PROPRIETARY - Copyright © - Unpublished Work - See title page for details.

77-21-01
FIG. 05
PAGE 1
DEC 22/06



767

PARTS CATALOG (MAINTENANCE)

FIG ITEM	PART NUMBER	1 2 3 4 5 6 7	NOMENCLATURE	EFFECT FROM TO	UNITS PER ASSY
5					
30	HAD18540		.THERMOCOUPLE-IMMERSION SUPPLIER CODE: V00060 CONFIG CHG DATA FROM A CMM: PRATT AND WHITNEY PART NO. 50P029 OPTIONAL PART: 50P109 V77445 5255 V60678		4
30	5255		.THERMOCOUPLE-IMMERSION SUPPLIER CODE: V60678 CONFIG CHG DATA FROM A CMM: PRATT AND WHITNEY PART NO. 50P066 OPTIONAL PART: HAD18540 V00060 50P109 V77445		4
35	50P048		.HOUSING ASSY-THERMOCOUPLE SUPPLIER CODE: V77445		2

ILLUSTRATION ITEMS NOT ON PARTS LIST ARE NOT APPLICABLE

- ITEM NOT ILLUSTRATED

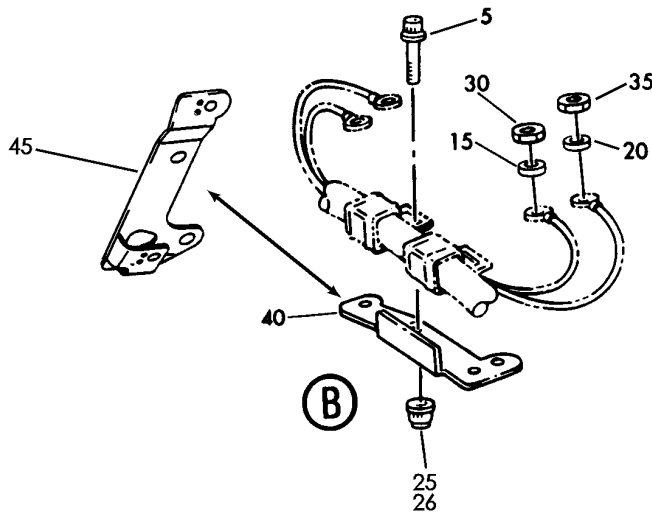
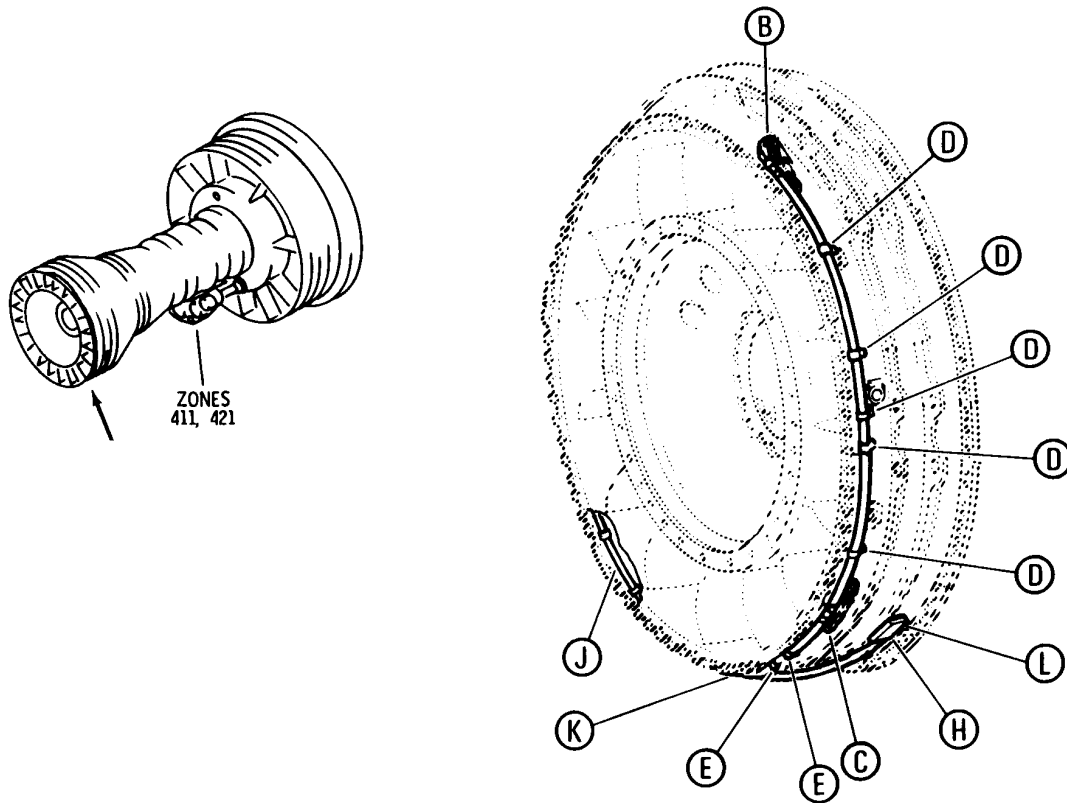
HXL

77-21-01-05

BOEING PROPRIETARY - Copyright © - Unpublished Work - See title page for details.

77-21-01
FIG. 05
PAGE 2
DEC 22/06

BOEING
767
PARTS CATALOG (MAINTENANCE)



V 77210305 SHT 1 REV 241

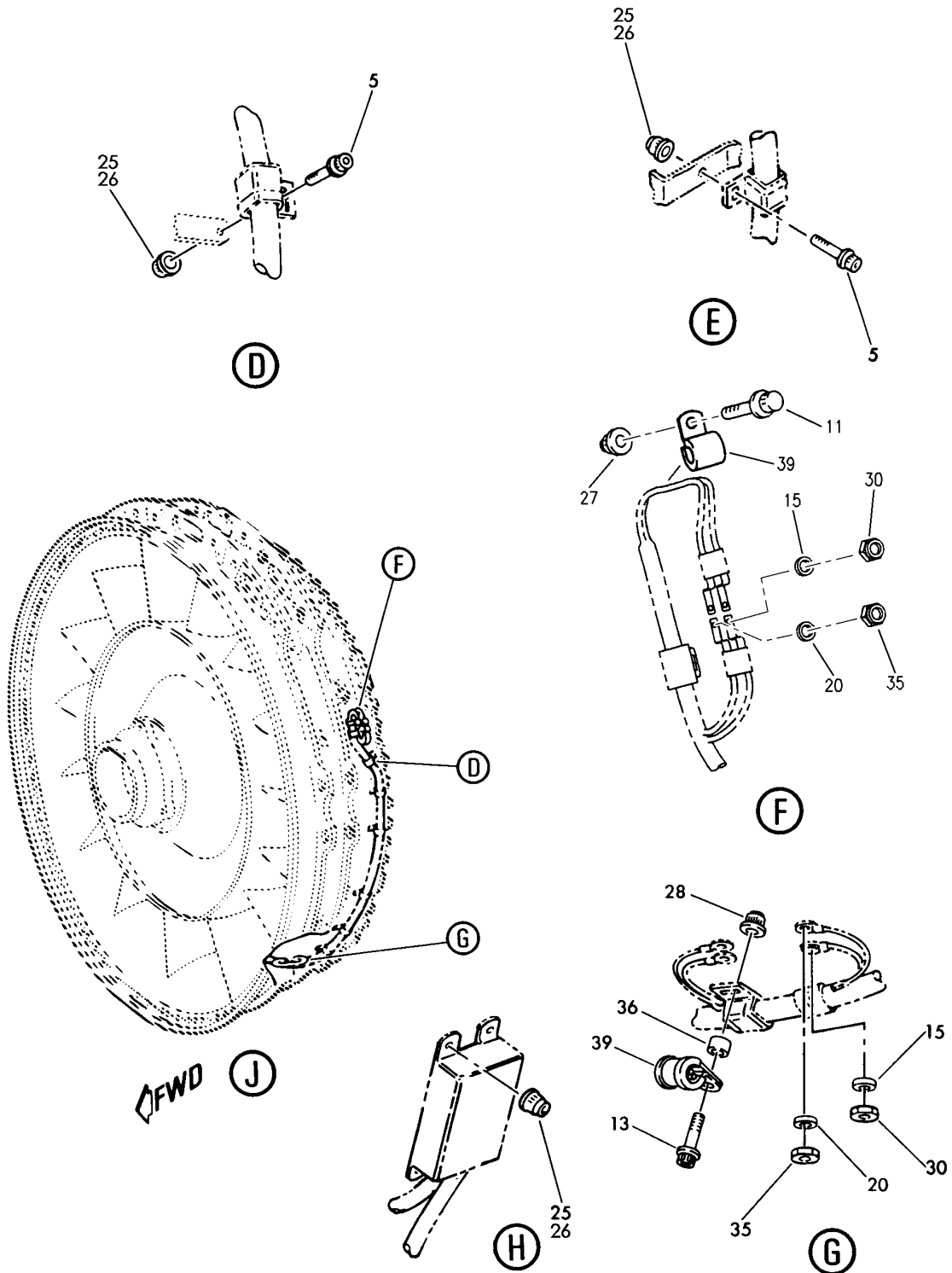
BOX AND CABLE ASSY-THERMOCOUPLE (PW4000)
FIGURE 5 (SHEET 1)

77-21-03-05

HXL
DEC 22/06

77-21-03-05
PAGE 0

BOEING
767
PARTS CATALOG (MAINTENANCE)



V 77210305 SH1 2 REV 241

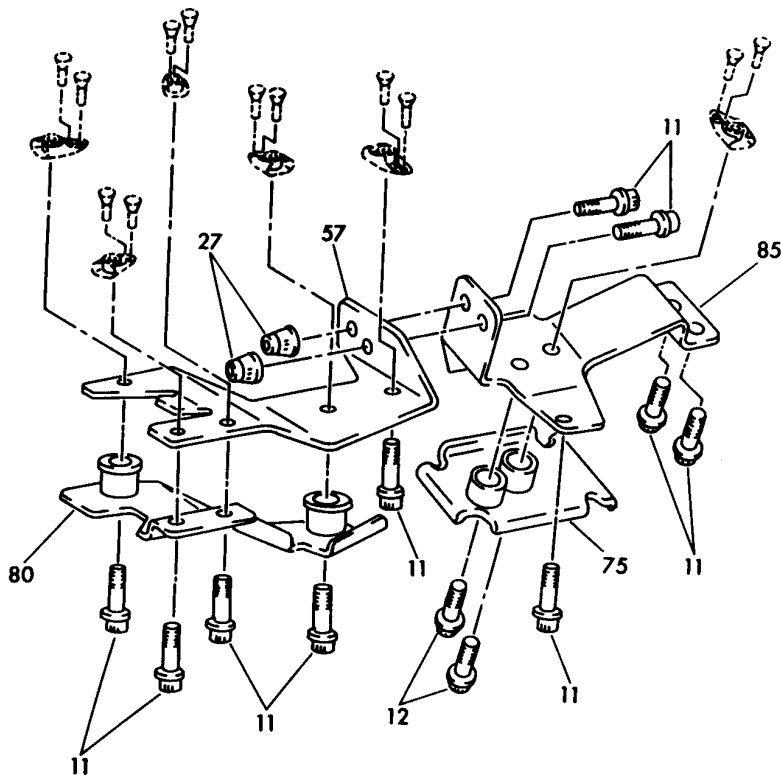
BOX AND CABLE ASSY-THERMOCOUPLE (PW4000)
FIGURE 5 (SHEET 2)

77-21-03-05

HXL
DEC 22/06

77-21-03-05
PAGE 0A

BOEING
767
PARTS CATALOG (MAINTENANCE)



(K)

V 77210305 SHT 3 REV 134

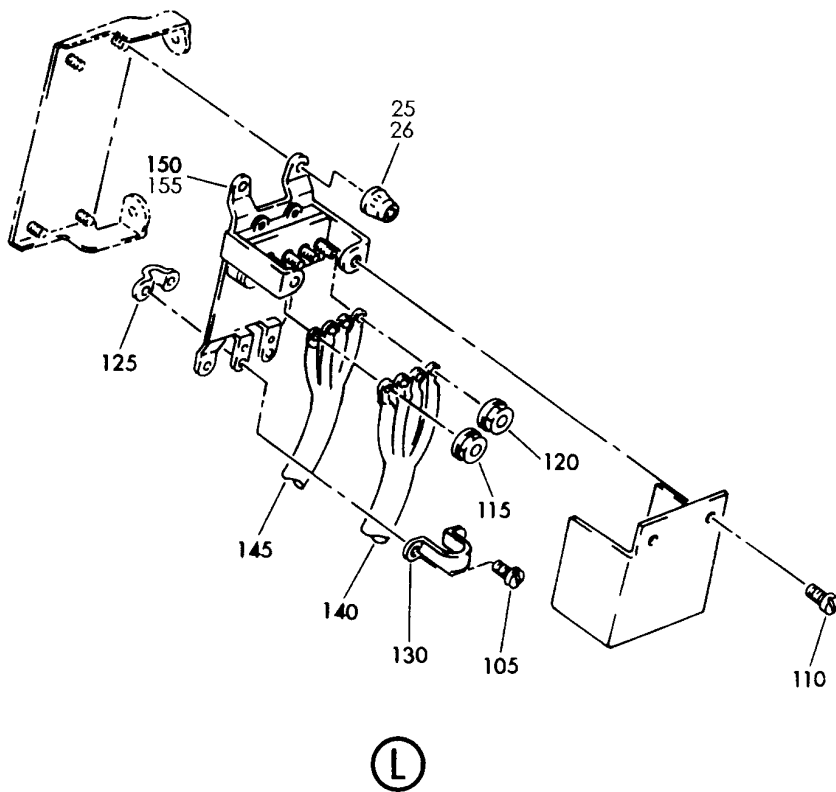
BOX AND CABLE ASSY-THERMOCOUPLE (PW4000)
FIGURE 5 (SHEET 3)

77-21-03-05

HXL
DEC 22/06

77-21-03-05
PAGE 0B

BOEING
767
PARTS CATALOG (MAINTENANCE)



V 77210305 SHT 4 REV 207

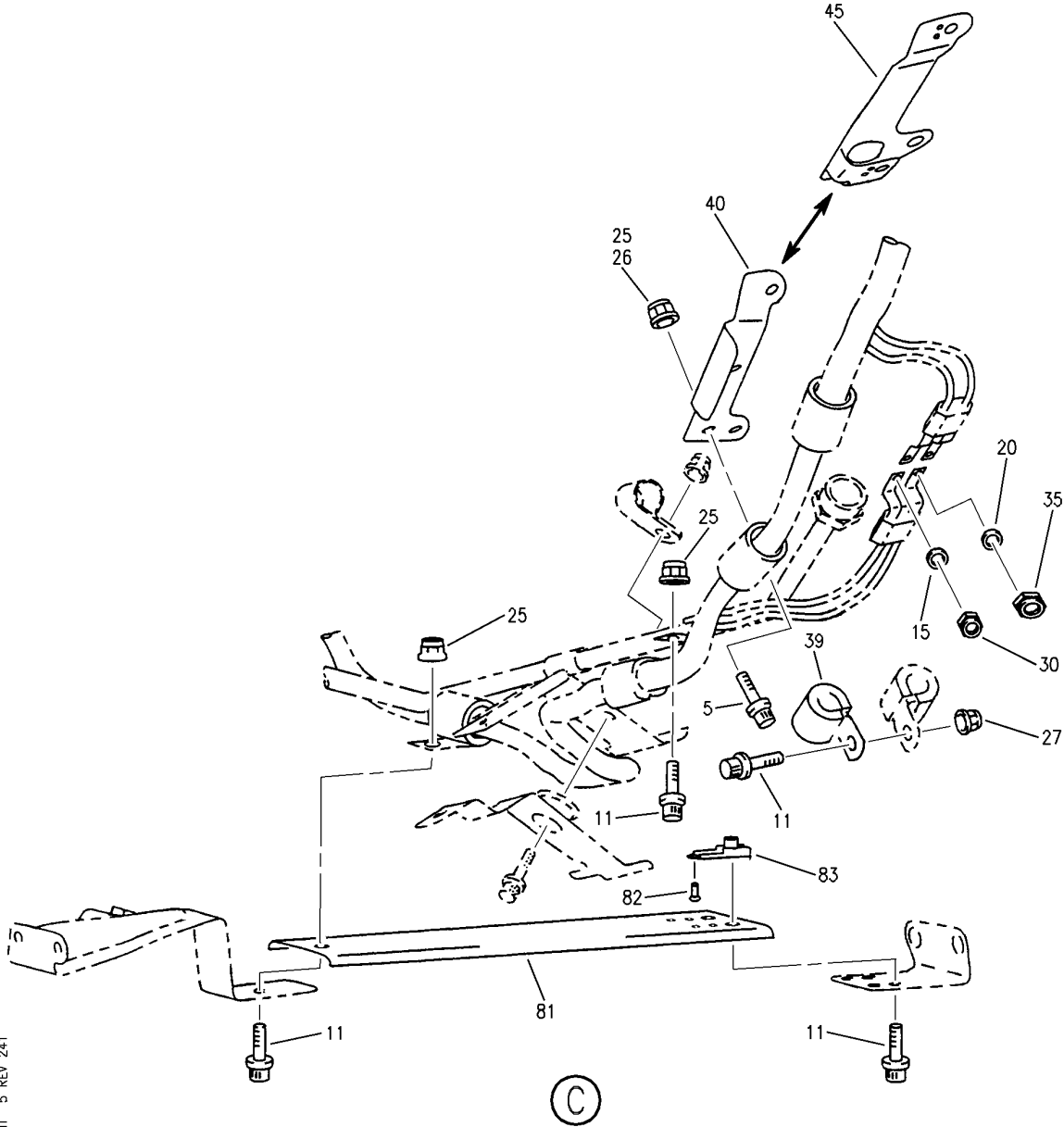
BOX AND CABLE ASSY-THERMOCOUPLE (PW4000)
FIGURE 5 (SHEET 4)

77-21-03-05

HXL
DEC 22/06

77-21-03-05
PAGE 0C

BOEING
767
PARTS CATALOG (MAINTENANCE)



V 77210305 SHT 5 REV 241

BOX AND CABLE ASSY-THERMOCOUPLE (PW4000)
FIGURE 5 (SHEET 5)

77-21-03-05

HXL
DEC 22/06

77-21-03-05
PAGE 0D



767

PARTS CATALOG (MAINTENANCE)

FIG ITEM	PART NUMBER	1 2 3 4 5 6 7	NOMENCLATURE	EFFECT FROM TO	UNITS PER ASSY
5			BOX AND CABLE ASSY- THERMOCOUPLE (PW4000)		
- 1	PW4060		ENGINE- SUPPLIER CODE: V77445 CONFIG CHG DATA FROM A CMM: SEE 71-00-51 FIG. 2 FOR APPLICABLE ENGINE SERIES		RF
11	MS9556-08		.BOLT-		16
12	MS9556-12		.BOLT-		2
13	MS9556-10		.BOLT-		1
15	191775		.WASHER-LOCK SUPPLIER CODE: V77445		8
20	191776		.WASHER- SUPPLIER CODE: V77445		8
25	776440		.NUT- SUPPLIER CODE: V77445 CONFIG CHG DATA FROM A CMM: FOR INTRCHG SEE PW IPC OPTIONAL PART: SL7061C1032 V11815 LH11973-3 V56878 H49674-3 V15653 73356-1032 V56878 AS3070-09 PRE SERVICE BULLETIN: 77-18 V77445		16

ILLUSTRATION ITEMS NOT ON PARTS LIST ARE NOT APPLICABLE

- ITEM NOT ILLUSTRATED

HXL

77-21-03-05

BOEING PROPRIETARY - Copyright © - Unpublished Work - See title page for details.

77-21-03
FIG. 05
PAGE 1
DEC 22/06



767

PARTS CATALOG (MAINTENANCE)

FIG ITEM	PART NUMBER	1 2 3 4 5 6 7	NOMENCLATURE	EFFECT FROM TO	UNITS PER ASSY
5 25	SL7061C1032		.NUT- SUPPLIER CODE: V11815 CONFIG CHG DATA FROM A CMM: PRATT AND WHITNEY PART NO. AS3066-09 FOR INTRCHG SEE PW IPC OPTIONAL PART: 776440 V77445 LH11973-3 V56878 H49674-3 V15653 73356-1032 V56878 AS3070-09 PRE SERVICE BULLETIN: 77-18 V77445		16
25	LH11973-3		.NUT- SUPPLIER CODE: V56878 CONFIG CHG DATA FROM A CMM: PRATT AND WHITNEY PART NO. AS3067-09 FOR INTRCHG SEE PW IPC OPTIONAL PART: 776440 V77445 SL7061C1032 V11815 H49674-3 V15653 73356-1032 V56878 AS3070-09 PRE SERVICE BULLETIN: 77-18 V77445		16

ILLUSTRATION ITEMS NOT ON PARTS LIST ARE NOT APPLICABLE

- ITEM NOT ILLUSTRATED

HXL

77-21-03-05

BOEING PROPRIETARY - Copyright © - Unpublished Work - See title page for details.

77-21-03
FIG. 05
PAGE 2
DEC 22/06



767

PARTS CATALOG (MAINTENANCE)

FIG ITEM	PART NUMBER	1 2 3 4 5 6 7	NOMENCLATURE	EFFECT FROM TO	UNITS PER ASSY
5 25	H49674-3		.NUT- SUPPLIER CODE: V15653 CONFIG CHG DATA FROM A CMM: PRATT AND WHITNEY PART NO. AS3068-09 FOR INTRCHG SEE PW IPC OPTIONAL PART: 776440 V77445 SL7061C1032 V11815 LH11973-3 V56878 73356-1032 V56878 AS3070-09 PRE SERVICE BULLETIN: 77-18 V77445		16
25	73356-1032		.NUT- SUPPLIER CODE: V56878 CONFIG CHG DATA FROM A CMM: PRATT AND WHITNEY PART NO. AS3069-09 FOR INTRCHG SEE PW IPC OPTIONAL PART: 776440 V77445 SL7061C1032 V11815 LH11973-3 V56878 H49674-3 V15653 AS3070-09 PRE SERVICE BULLETIN: 77-18 V77445		16

ILLUSTRATION ITEMS NOT ON PARTS LIST ARE NOT APPLICABLE

- ITEM NOT ILLUSTRATED

HXL

77-21-03-05

BOEING PROPRIETARY - Copyright © - Unpublished Work - See title page for details.

77-21-03
FIG. 05
PAGE 3
DEC 22/06



767

PARTS CATALOG (MAINTENANCE)

FIG ITEM	PART NUMBER	1 2 3 4 5 6 7	NOMENCLATURE	EFFECT FROM TO	UNITS PER ASSY
5 25	AS3070-09		.NUT- CONFIG CHG DATA FROM A CMM: FOR INTRCHG SEE PW IPC OPTIONAL PART: 776440 V77445 SL7061C1032 V11815 LH11973-3 V56878 H49674-3 V15653 73356-1032 V56878 PRE SERVICE BULLETIN: 77-18 V77445		16
26	776440		.NUT- SUPPLIER CODE: V77445 CONFIG CHG DATA FROM A CMM: FOR INTRCHG SEE PW IPC OPTIONAL PART: SL7061C1032 V11815 LH11973-3 V56878 H49674-3 V15653 73356-1032 V56878		6
26	SL7061C1032		.NUT- SUPPLIER CODE: V11815 CONFIG CHG DATA FROM A CMM: FOR INTRCHG SEE PW IPC PRATT AND WHITNEY PART NO. AS3066-09 OPTIONAL PART: 776440 V77445 LH11973-3 V56878 H49674-3 V15653 73356-1032 V56878 AS3070-09		6

ILLUSTRATION ITEMS NOT ON PARTS LIST ARE NOT APPLICABLE

- ITEM NOT ILLUSTRATED

HXL

77-21-03-05

BOEING PROPRIETARY - Copyright © - Unpublished Work - See title page for details.

77-21-03
FIG. 05
PAGE 4
DEC 22/06



767

PARTS CATALOG (MAINTENANCE)

FIG ITEM	PART NUMBER	1 2 3 4 5 6 7	NOMENCLATURE	EFFECT FROM TO	UNITS PER ASSY
5 26	LH11973-3		.NUT- SUPPLIER CODE: V56878 CONFIG CHG DATA FROM A CMM: FOR INTRCHG SEE PW IPC PRATT AND WHITNEY PART NO. AS3067-09 OPTIONAL PART: SL7061C1032 V11815 776440 V77445 H49674-3 V15653 73356-1032 V56878 AS3070-09		6
26	H49674-3		.NUT- SUPPLIER CODE: V15653 CONFIG CHG DATA FROM A CMM: FOR INTRCHG SEE PW IPC PRATT AND WHITNEY PART NO. AS3068-09 OPTIONAL PART: SL7061C1032 V11815 LH11973-3 V56878 776440 V77445 73356-1032 V56878 AS3070-09		6

ILLUSTRATION ITEMS NOT ON PARTS LIST ARE NOT APPLICABLE

- ITEM NOT ILLUSTRATED

HXL

77-21-03-05

BOEING PROPRIETARY - Copyright © - Unpublished Work - See title page for details.

77-21-03
FIG. 05
PAGE 5
DEC 22/06



767

PARTS CATALOG (MAINTENANCE)

FIG ITEM	PART NUMBER	1 2 3 4 5 6 7	NOMENCLATURE	EFFECT FROM TO	UNITS PER ASSY
5 26	73356-1032		.NUT- SUPPLIER CODE: V56878 CONFIG CHG DATA FROM A CMM: FOR INTRCHG SEE PW IPC PRATT AND WHITNEY PART NO. AS3069-09 OPTIONAL PART: SL7061C1032 V11815 LH11973-3 V56878 H49674-3 V15653 776440 V77445 AS3070-09		6
26	AS3070-09		.NUT- CONFIG CHG DATA FROM A CMM: FOR INTRCHG SEE PW IPC OPTIONAL PART: SL7061C1032 V11815 LH11973-3 V56878 H49674-3 V15653 73356-1032 V56878 776440 V77445		6
27	776440		.NUT- SUPPLIER CODE: V77445 OPTIONAL PART: SL7061C1032 V11815 LH11973-3 V56878 H49674-3 V15653 73356-1032 V56878 AS3070-09		4

ILLUSTRATION ITEMS NOT ON PARTS LIST ARE NOT APPLICABLE

- ITEM NOT ILLUSTRATED

HXL

77-21-03-05

BOEING PROPRIETARY - Copyright © - Unpublished Work - See title page for details.

77-21-03
FIG. 05
PAGE 6
DEC 22/06



767

PARTS CATALOG (MAINTENANCE)

FIG ITEM	PART NUMBER	1 2 3 4 5 6 7	NOMENCLATURE	EFFECT FROM TO	UNITS PER ASSY
5 27	SL7061C1032		.NUT- SUPPLIER CODE: V11815 CONFIG CHG DATA FROM A CMM: PRATT AND WHITNEY PART NO. AS3066-09 OPTIONAL PART: 776440 V77445 LH11973-3 V56878 H49674-3 V15653 73356-1032 V56878 AS3070-09		4
27	LH11973-3		.NUT- SUPPLIER CODE: V56878 CONFIG CHG DATA FROM A CMM: PRATT AND WHITNEY PART NO. AS3067-09 OPTIONAL PART: 776440 V77445 SL7061C1032 V11815 H49674-3 V15653 73356-1032 V56878 AS3070-09		4
27	H49674-3		.NUT- SUPPLIER CODE: V15653 CONFIG CHG DATA FROM A CMM: PRATT AND WHITNEY PART NO. AS3068-09 OPTIONAL PART: 776440 V77445 SL7061C1032 V11815 LH11973-3 V56878 73356-1032 V56878 AS3070-09		4

ILLUSTRATION ITEMS NOT ON PARTS LIST ARE NOT APPLICABLE

- ITEM NOT ILLUSTRATED

HXL

77-21-03-05

BOEING PROPRIETARY - Copyright © - Unpublished Work - See title page for details.

77-21-03
FIG. 05
PAGE 7
DEC 22/06



767

PARTS CATALOG (MAINTENANCE)

FIG ITEM	PART NUMBER	1 2 3 4 5 6 7	NOMENCLATURE	EFFECT FROM TO	UNITS PER ASSY
5					
27	AS3070-09		.NUT- OPTIONAL PART: 776440 V77445 SL7061C1032 V11815 LH11973-3 V56878 H49674-3 V15653 73356-1032 V56878		4
27	73356-1032		.NUT- SUPPLIER CODE: V56878 CONFIG CHG DATA FROM A CMM: PRATT AND WHITNEY PART NO. AS3069-09 OPTIONAL PART: 776440 V77445 SL7061C1032 V11815 LH11973-3 V56878 H49674-3 V15653 AS3070-09		4
28	776440		.NUT- SUPPLIER CODE: V77445 CONFIG CHG DATA FROM A CMM: FOR INTRCHG SEE PW IPC OPTIONAL PART: SL7061C1032 V11815 LH11973-3 V56878 H49674-3 V15653 73356-1032 V56878 AS3070-09 PRE SERVICE BULLETIN: 77-18 V77445		1

ILLUSTRATION ITEMS NOT ON PARTS LIST ARE NOT APPLICABLE

- ITEM NOT ILLUSTRATED

HXL

77-21-03-05

BOEING PROPRIETARY - Copyright © - Unpublished Work - See title page for details.

77-21-03
FIG. 05
PAGE 8
DEC 22/06



767

PARTS CATALOG (MAINTENANCE)

FIG ITEM	PART NUMBER	1 2 3 4 5 6 7	NOMENCLATURE	EFFECT FROM TO	UNITS PER ASSY
5 28	SL7061C1032		.NUT- SUPPLIER CODE: V11815 CONFIG CHG DATA FROM A CMM: PRATT AND WHITNEY PART NO. AS3066-09 FOR INTRCHG SEE PW IPC OPTIONAL PART: 776440 V77445 LH11973-3 V56878 H49674-3 V15653 73356-1032 V56878 AS3070-09 PRE SERVICE BULLETIN: 77-18 V77445		1
28	LH11973-3		.NUT- SUPPLIER CODE: V56878 CONFIG CHG DATA FROM A CMM: PRATT AND WHITNEY PART NO. AS3067-09 FOR INTRCHG SEE PW IPC OPTIONAL PART: 776440 V77445 SL7061C1032 V11815 H49674-3 V15653 73356-1032 V56878 AS3070-09 PRE SERVICE BULLETIN: 77-18 V77445		1

ILLUSTRATION ITEMS NOT ON PARTS LIST ARE NOT APPLICABLE

- ITEM NOT ILLUSTRATED

HXL

77-21-03-05

BOEING PROPRIETARY - Copyright © - Unpublished Work - See title page for details.

77-21-03
FIG. 05
PAGE 9
DEC 22/06



767

PARTS CATALOG (MAINTENANCE)

FIG ITEM	PART NUMBER	1 2 3 4 5 6 7	NOMENCLATURE	EFFECT FROM TO	UNITS PER ASSY
5 28	H49674-3		.NUT- SUPPLIER CODE: V15653 CONFIG CHG DATA FROM A CMM: PRATT AND WHITNEY PART NO. AS3068-09 FOR INTRCHG SEE PW IPC OPTIONAL PART: 776440 V77445 SL7061C1032 V11815 LH11973-3 V56878 73356-1032 V56878 AS3070-09 PRE SERVICE BULLETIN: 77-18 V77445		1
28	AS3070-09		.NUT- CONFIG CHG DATA FROM A CMM: FOR INTRCHG SEE PW IPC OPTIONAL PART: 776440 V77445 SL7061C1032 V11815 LH11973-3 V56878 H49674-3 V15653 73356-1032 V56878 PRE SERVICE BULLETIN: 77-18 V77445		1

ILLUSTRATION ITEMS NOT ON PARTS LIST ARE NOT APPLICABLE

- ITEM NOT ILLUSTRATED

HXL

77-21-03-05

BOEING PROPRIETARY - Copyright © - Unpublished Work - See title page for details.

77-21-03
FIG. 05
PAGE 10
DEC 22/06



767

PARTS CATALOG (MAINTENANCE)

FIG ITEM	PART NUMBER	1 2 3 4 5 6 7	NOMENCLATURE	EFFECT FROM TO	UNITS PER ASSY
5 28	73356-1032		.NUT- SUPPLIER CODE: V56878 CONFIG CHG DATA FROM A CMM: PRATT AND WHITNEY PART NO. AS3069-09 FOR INTRCHG SEE PW IPC OPTIONAL PART: 776440 V77445 SL7061C1032 V11815 LH11973-3 V56878 H49674-3 V15653 AS3070-09 PRE SERVICE BULLETIN: 77-18 V77445		1
30	318078		.NUT- SUPPLIER CODE: V77445		8
35	318079		.NUT- SUPPLIER CODE: V77445		8
36	537130		.SPACER- SUPPLIER CODE: V77445		1
39	ST1455-05		.CLAMP-LOOP CUSHION SUPPLIER CODE: V77445		3
40	50P102		.BRACKET-ANGLE SUPPLIER CODE: V77445 CONFIG CHG DATA FROM A CMM: FOR INTRCHG SEE PW IPC PRE SERVICE BULLETIN: 77-18 V77445		2

ILLUSTRATION ITEMS NOT ON PARTS LIST ARE NOT APPLICABLE

- ITEM NOT ILLUSTRATED

HXL

77-21-03-05

BOEING PROPRIETARY - Copyright © - Unpublished Work - See title page for details.

77-21-03
FIG. 05
PAGE 11
DEC 22/06



767

PARTS CATALOG (MAINTENANCE)

FIG ITEM	PART NUMBER	1 2 3 4 5 6 7	NOMENCLATURE	EFFECT FROM TO	UNITS PER ASSY
5					
45	50P458-01		.BRACKET ASSY- SUPPLIER CODE: V77445 CONFIG CHG DATA FROM A CMM: FOR INTRCHG SEE PW IPC POST SERVICE BULLETIN: 77-18 V77445 72-744 V77445		2
57	50P213-01		.BRACKET ASSY-WIRING HARNESS SUPPLIER CODE: V77445		1
75	50P220-01		.PLATE ASSY-POSTIONING WIRING HARNESS SUPPLIER CODE: V77445		1
81	50P223-01		.PLATE ASSY-REINFORCING WIRING HARNESS SUPPLIER CODE: V77445		1
82	AN125421		..RIVET		4
83	638811		..NUT- SUPPLIER CODE: V77445 OPTIONAL PART: F29964-3 V15653 LHA9304-3 V80539		2
83	F29964-3		..NUT- SUPPLIER CODE: V15653 CONFIG CHG DATA FROM A CMM: PRATT AND WHITNEY PART NO. 637285 OPTIONAL PART: 638811 V77445 LHA9304-3 V80539		2

ILLUSTRATION ITEMS NOT ON PARTS LIST ARE NOT APPLICABLE

- ITEM NOT ILLUSTRATED

HXL

77-21-03-05

BOEING PROPRIETARY - Copyright © - Unpublished Work - See title page for details.

77-21-03
FIG. 05
PAGE 12
DEC 22/06

BOEING
767
PARTS CATALOG (MAINTENANCE)

FIG ITEM	PART NUMBER	1 2 3 4 5 6 7	NOMENCLATURE	EFFECT FROM TO	UNITS PER ASSY
5 83	LHA9304-3		. . NUT- SUPPLIER CODE: V80539 CONFIG CHG DATA FROM A CMM: PRATT AND WHITNEY PART NO. 638810 OPTIONAL PART: 638811 V77445 F29964-3 V15653		2
85	50P215-01		. BRACKET ASSY-WIRING HARNESS SUPPLIER CODE: V77445		1
- 100	HAD20458		. BOX AND CABLE ASSY-T4.95 THERMOCOUPLE SUPPLIER CODE: V00060 CONFIG CHG DATA FROM A CMM: PRATT AND WHITNEY PART NO. 50P281 OPTIONAL PART: HAD19490 V00060 POST SERVICE BULLETIN: 77-15 V77445 PRE SERVICE BULLETIN: 77-20 V77445		1
- 100	HAD19490		. BOX AND CABLE ASSY-T4.95 THERMOCOUPLE SUPPLIER CODE: V00060 CONFIG CHG DATA FROM A CMM: PRATT AND WHITNEY PART NO. 50P288 OPTIONAL PART: HAD20458 V00060 PRE SERVICE BULLETIN: 77-15 V77445		1

ILLUSTRATION ITEMS NOT ON PARTS LIST ARE NOT APPLICABLE

- ITEM NOT ILLUSTRATED

HXL

77-21-03-05

BOEING PROPRIETARY - Copyright © - Unpublished Work - See title page for details.

77-21-03
FIG. 05
PAGE 13
DEC 22/07



767

PARTS CATALOG (MAINTENANCE)

FIG ITEM	PART NUMBER	1 2 3 4 5 6 7	NOMENCLATURE	EFFECT FROM TO	UNITS PER ASSY
5 - 100	26257-000		.BOX AND CABLE ASSY-T4.95 THERMOCOUPLE SUPPLIER CODE: V00060 CONFIG CHG DATA FROM A CMM: PRATT AND WHITNEY PART NO. 50P487 POST SERVICE BULLETIN: 77-20 V77445		1
105	HDA10142		..SCREW- SUPPLIER CODE: V00060		2
110	HDA14449		..SCREW- SUPPLIER CODE: V00060		4
115	HDA13956		..NUT- SUPPLIER CODE: V00060		2
115	25483-001		..NUT- SUPPLIER CODE: V00060		2
120	HDA13955		..NUT- SUPPLIER CODE: V00060		2
120	25483-000		..NUT- SUPPLIER CODE: V00060		2
125	HDA18655-1		..CLAMP- SUPPLIER CODE: V00060		1
130	HDA18654		..CLAMP- SUPPLIER CODE: V00060		1
135	HDC18666		..COVER- SUPPLIER CODE: V00060		1
140	HAD18798		..HARNESSTHERMOCOUPLE NO.1, NO. 2 SUPPLIER CODE: V00060 USED WITH: HAD18919		1
140	HAD20459		..HARNESSTHERMOCOUPLE NO.1, NO. 2 SUPPLIER CODE: V00060 USED WITH: HAD20458		1

ILLUSTRATION ITEMS NOT ON PARTS LIST ARE NOT APPLICABLE

- ITEM NOT ILLUSTRATED

77-21-03-05

77-21-03
FIG. 05
PAGE 14
DEC 22/07

HXL



767

PARTS CATALOG (MAINTENANCE)

FIG ITEM	PART NUMBER	1 2 3 4 5 6 7	NOMENCLATURE	EFFECT FROM TO	UNITS PER ASSY
5 140	HAD19488		.. HARNESS-THERMOCOUPLE NO. 1, NO. 2 SUPPLIER CODE: V00060 USED WITH: HAD19490		1
145	HAD18799		.. HARNESS-THERMOCOUPLE NO. 3, NO. 4 SUPPLIER CODE: V00060 USED WITH: HAD18919		1
145	HAD19498		.. HARNESS-THERMOCOUPLE NO. 3, NO. 4 SUPPLIER CODE: V00060 OPTIONAL PART: HAD19572 V00060 USED WITH: HAD19490		1
145	HAD20460		.. HARNESS-THERMOCOUPLE NO. 3, NO. 4 SUPPLIER CODE: V00060 USED WITH: HAD20458		1
145	HAD19572		.. HARNESS-THERMOCOUPLE NO. 3, NO. 4 SUPPLIER CODE: V00060 OPTIONAL PART: HAD19489 V00060 USED WITH: HAD19490		1
150	HAC18535		.. BOX ASSY-JCT SUPPLIER CODE: V00060 USED WITH: HAD18919 HAD19490		1
155	HAC20461		.. BOX ASSY-JCT SUPPLIER CODE: V00060 USED WITH: HAD20458		1

ILLUSTRATION ITEMS NOT ON PARTS LIST ARE NOT APPLICABLE

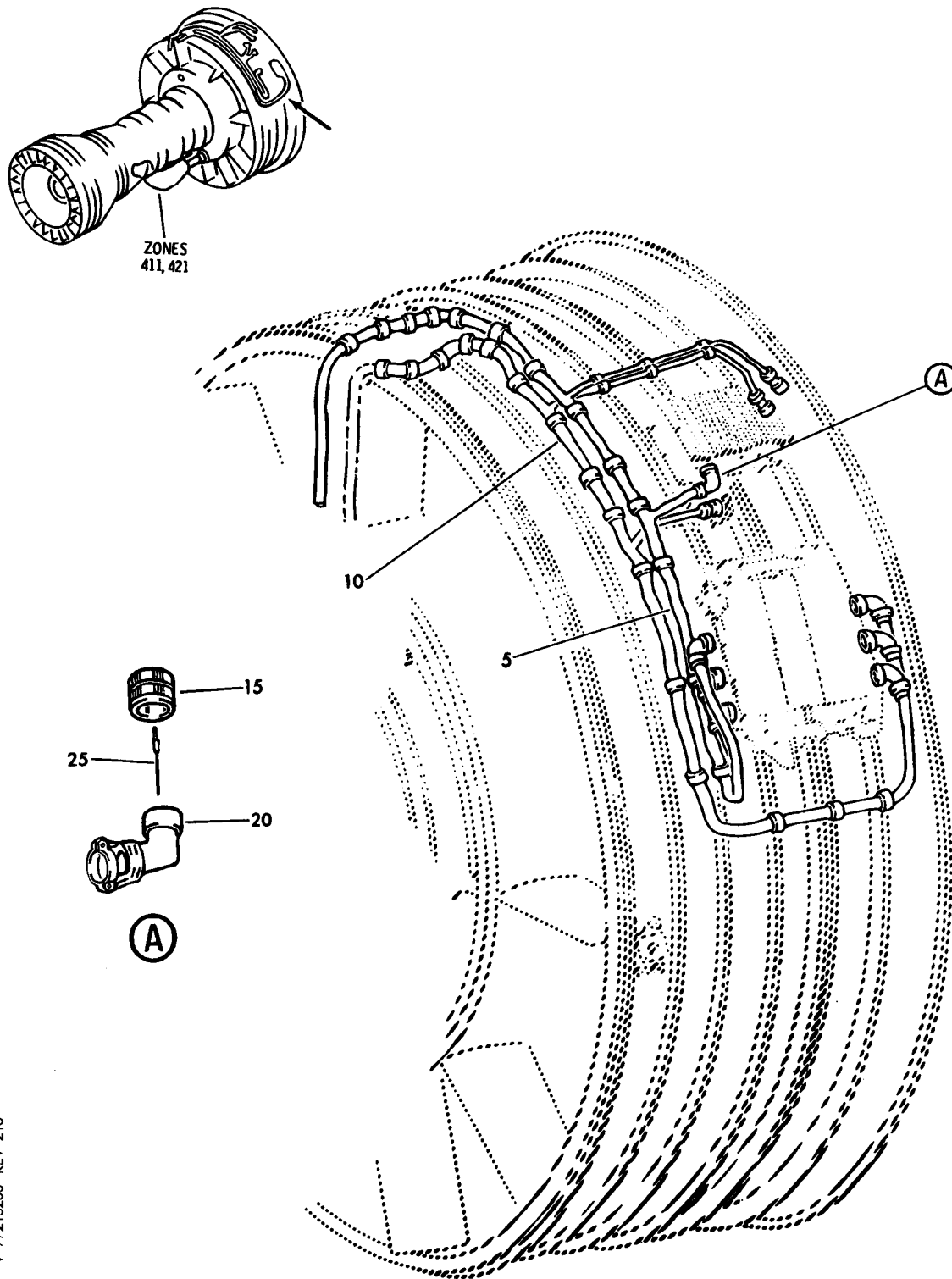
- ITEM NOT ILLUSTRATED

77-21-03-05

77-21-03
FIG. 05
PAGE 15
DEC 22/07

HXL

BOEING
767
PARTS CATALOG (MAINTENANCE)



V 77215205 REV 213

HARNESSES-WIRE, ELECTRONIC ENGINE CONTROL, MINIMUX AND FRONT (PW4000)

FIGURE 5

77-21-52-05

HXL
DEC 22/06

77-21-52-05
PAGE 0

BOEING PROPRIETARY - Copyright © - Unpublished Work - See title page for details.



767

PARTS CATALOG (MAINTENANCE)

FIG ITEM	PART NUMBER	1 2 3 4 5 6 7	NOMENCLATURE	EFFECT FROM TO	UNITS PER ASSY
5			HARNESSES-WIRE, ELECTRONIC ENGINE CONTROL, MINIMUX AND FRONT (PW4000)		
- 1	PW4060		ENGINE-SUPPLIER CODE: V77445 CONFIG CHG DATA FROM A CMM: SEE 71-00-51 FIG. 2 FOR APPLICABLE ENGINE SERIES		RF
5	45755-1		.HARNESSES-WIRING SUPPLIER CODE: V068H2 CONFIG CHG DATA FROM A CMM: REIDENT FROM 45755 FOR INTRCHG SEE PW IPC PRATT AND WHITNEY PART NO. 52U589 POST SERVICE BULLETIN: 73-189 V77445 PRE SERVICE BULLETIN: 73-198 V77445 72-755 V77445		1
5	45862-1		.HARNESSES-WIRING SUPPLIER CODE: V068H2 CONFIG CHG DATA FROM A CMM: REIDENT FROM 45862 FOR INTRCHG SEE PW IPC PRATT AND WHITNEY PART NO. 52U590 POST SERVICE BULLETIN: 73-189 V77445 PRE SERVICE BULLETIN: 73-198 V77445		1

ILLUSTRATION ITEMS NOT ON PARTS LIST ARE NOT APPLICABLE

- ITEM NOT ILLUSTRATED

HXL

77-21-52-05

BOEING PROPRIETARY - Copyright © - Unpublished Work - See title page for details.

77-21-52
FIG. 05
PAGE 1
DEC 22/06



767

PARTS CATALOG (MAINTENANCE)

FIG ITEM	PART NUMBER	1 2 3 4 5 6 7	NOMENCLATURE	EFFECT FROM TO	UNITS PER ASSY
5	45862		.HARNES-S-WIRING W2 SUPPLIER CODE: V068H2 CONFIG CHG DATA FROM A CMM: PRATT AND WHITNEY PART NO. 53T077 FOR INTRCHG SEE PW IPC POST SERVICE BULLETIN: 73-51 V77445 PRE SERVICE BULLETIN: 73-69 V77445 73-189 V77445		1
5	46150		.HARNES-S-WIRING W2 SUPPLIER CODE: V068H2 CONFIG CHG DATA FROM A CMM: PRATT AND WHITNEY PART NO. 53T379 FOR INTRCHG SEE PW IPC POST SERVICE BULLETIN: 73-69 V77445 72-744 V77445 PRE SERVICE BULLETIN: 73-189 V77445		1
5	46148-1		.HARNES-S-WIRING SUPPLIER CODE: V068H2 CONFIG CHG DATA FROM A CMM: REIDENT FROM 46148 FOR INTRCHG SEE PW IPC PRATT AND WHITNEY PART NO. 52U591 POST SERVICE BULLETIN: 73-189 V77445 PRE SERVICE BULLETIN: 73-198 V77445		1

ILLUSTRATION ITEMS NOT ON PARTS LIST ARE NOT APPLICABLE

- ITEM NOT ILLUSTRATED

HXL

77-21-52-05

BOEING PROPRIETARY - Copyright © - Unpublished Work - See title page for details.

77-21-52
FIG. 05
PAGE 2
DEC 22/06



767

PARTS CATALOG (MAINTENANCE)

FIG ITEM	PART NUMBER	1 2 3 4 5 6 7	NOMENCLATURE	EFFECT FROM TO	UNITS PER ASSY
5	5 46150-1		.HARNESS-WIRING SUPPLIER CODE: V068H2 CONFIG CHG DATA FROM A CMM: REIDENT FROM 46150 PRATT AND WHITNEY PART NO. 52U592 POST SERVICE BULLETIN: 73-189 V77445 PRE SERVICE BULLETIN: 73-198 V77445		1
	5 45755-2		.HARNESS-WIRING SUPPLIER CODE: V068H2 CONFIG CHG DATA FROM A CMM: REIDENT FROM 45755-1 PRATT AND WHITNEY PART NO. 52U589-001 POST SERVICE BULLETIN: 73-198 V77445 PRE SERVICE BULLETIN: 72-755 V77445		1
	5 45862-2		.HARNESS-WIRING SUPPLIER CODE: V068H2 CONFIG CHG DATA FROM A CMM: REIDENT FROM 45862-1 PRATT AND WHITNEY PART NO. 52U590-001 POST SERVICE BULLETIN: 73-198 V77445 PRE SERVICE BULLETIN: 72-755 V77445		1

ILLUSTRATION ITEMS NOT ON PARTS LIST ARE NOT APPLICABLE

- ITEM NOT ILLUSTRATED

HXL

77-21-52-05

BOEING PROPRIETARY - Copyright © - Unpublished Work - See title page for details.

77-21-52
FIG. 05
PAGE 3
DEC 22/06



767

PARTS CATALOG (MAINTENANCE)

FIG ITEM	PART NUMBER	1 2 3 4 5 6 7	NOMENCLATURE	EFFECT FROM TO	UNITS PER ASSY
5	5 46148-2		.HARNESS-WIRING SUPPLIER CODE: V068H2 CONFIG CHG DATA FROM A CMM: REIDENT FROM 46148-1 PRATT AND WHITNEY PART NO. 52U591-001 POST SERVICE BULLETIN: 73-198 V77445 PRE SERVICE BULLETIN: 72-755 V77445		1
	5 46150-2		.HARNESS-WIRING SUPPLIER CODE: V068H2 CONFIG CHG DATA FROM A CMM: REIDENT FROM 46150-1 PRATT AND WHITNEY PART NO. 52U592-001 FOR INTRCHG SEE PW IPC POST SERVICE BULLETIN: 73-198 V77445 PRE SERVICE BULLETIN: 72-755 V77445		1
	5 45755-3		.HARNESS-WIRING SUPPLIER CODE: V068H2 CONFIG CHG DATA FROM A CMM: REIDENT FROM 45755-2 PRATT AND WHITNEY PART NO. 52U589-002 FOR INTRCHG SEE PW IPC POST SERVICE BULLETIN: 72-755 V77445		1
	5 46862-3		.HARNESS-WIRING SUPPLIER CODE: V068H2 CONFIG CHG DATA FROM A CMM: REIDENT FROM 46862-2 PRATT AND WHITNEY PART NO. 52U590-002 FOR INTRCHG SEE PW IPC POST SERVICE BULLETIN: 72-755 V77445		1

ILLUSTRATION ITEMS NOT ON PARTS LIST ARE NOT APPLICABLE

- ITEM NOT ILLUSTRATED

HXL

77-21-52-05

BOEING PROPRIETARY - Copyright © - Unpublished Work - See title page for details.

77-21-52
FIG. 05
PAGE 4
DEC 22/06



767

PARTS CATALOG (MAINTENANCE)

FIG ITEM	PART NUMBER	1 2 3 4 5 6 7	NOMENCLATURE	EFFECT FROM TO	UNITS PER ASSY
5	5 46148-3		.HARNESS-WIRING SUPPLIER CODE: V068H2 CONFIG CHG DATA FROM A CMM: REIDENT FROM 46148-2 PRATT AND WHITNEY PART NO. 52U591-002 FOR INTRCHG SEE PW IPC POST SERVICE BULLETIN: 72-755 V77445		1
	5 46150-3		.HARNESS-WIRING SUPPLIER CODE: V068H2 CONFIG CHG DATA FROM A CMM: REIDENT FROM 46150-2 PRATT AND WHITNEY PART NO. 52U592-002 FOR INTRCHG SEE PW IPC POST SERVICE BULLETIN: 72-755 V77445		1
	10 45933-1		.HARNESS-WIRING SUPPLIER CODE: V068H2 CONFIG CHG DATA FROM A CMM: REIDENT FROM 45933 FOR INTRCHG SEE PW IPC PRATT AND WHITNEY PART NO. 52U580 POST SERVICE BULLETIN: 73-189 V77445 PRE SERVICE BULLETIN: 73-198 V77445		1
	10 45933-2		.HARNESS-WIRING SUPPLIER CODE: V068H2 CONFIG CHG DATA FROM A CMM: REIDENT FROM 45933-1 PRATT AND WHITNEY PART NO. 52U580-001 POST SERVICE BULLETIN: 73-198 V77445 PRE SERVICE BULLETIN: 72-755 V77445		1

ILLUSTRATION ITEMS NOT ON PARTS LIST ARE NOT APPLICABLE

- ITEM NOT ILLUSTRATED

HXL

77-21-52-05

BOEING PROPRIETARY - Copyright © - Unpublished Work - See title page for details.

77-21-52
FIG. 05
PAGE 5
DEC 22/06



767

PARTS CATALOG (MAINTENANCE)

FIG ITEM	PART NUMBER	1 2 3 4 5 6 7	NOMENCLATURE	EFFECT FROM TO	UNITS PER ASSY
5 10	45860-2		.HARNESS-WIRING SUPPLIER CODE: V068H2 CONFIG CHG DATA FROM A CMM: REIDENT FROM 45860-1 PRATT AND WHITNEY PART NO. 52U581-001 POST SERVICE BULLETIN: 73-198 V77445 PRE SERVICE BULLETIN: 72-755 V77445		1
10	45860		.HARNESS-WIRING W1 SUPPLIER CODE: V068H2 CONFIG CHG DATA FROM A CMM: PRATT AND WHITNEY PART NO. 53T075 POST SERVICE BULLETIN: 73-51 V77445 72-744 V77445 PRE SERVICE BULLETIN: 73-189 V77445 REFERENCE SERVICE BULLETIN: 73-94 V77445		1
10	45933-3		.HARNESS-WIRING SUPPLIER CODE: V068H2 CONFIG CHG DATA FROM A CMM: REIDENT FROM 45933-2 PRATT AND WHITNEY PART NO. 52U580-002 FOR INTRCHG SEE PW IPC POST SERVICE BULLETIN: 72-755 V77445		1

ILLUSTRATION ITEMS NOT ON PARTS LIST ARE NOT APPLICABLE

- ITEM NOT ILLUSTRATED

HXL

77-21-52-05

BOEING PROPRIETARY - Copyright © - Unpublished Work - See title page for details.

77-21-52
FIG. 05
PAGE 6
DEC 22/06



767

PARTS CATALOG (MAINTENANCE)

FIG ITEM	PART NUMBER	1 2 3 4 5 6 7	NOMENCLATURE	EFFECT FROM TO	UNITS PER ASSY
5					
10	45860-3	.	HARNESS-WIRING SUPPLIER CODE: V068H2 CONFIG CHG DATA FROM A CMM: REIDENT FROM 45860-2 PRATT AND WHITNEY PART NO. 52U581-002 FOR INTRCHG SEE PW IPC POST SERVICE BULLETIN: 72-755 V77445		1
15	141814	..	CONNECTOR-PLUG P20 SUPPLIER CODE: V068H2 OPTIONAL PART: D38999-26KD19SN V068H2		1
15	D38999-26KD19SN	..	CONNECTOR-PLUG P20 SUPPLIER CODE: V068H2 OPTIONAL PART: 141814 V068H2		1
20	158510-0027	..	BACKSHELL-90 DEG P20 SUPPLIER CODE: V068H2 OPTIONAL PART: 387HA020Z115B V06324		1
20	387HA020Z115B	..	BACKSHELL-90 DEG P20 SUPPLIER CODE: V06324 OPTIONAL PART: 158510-0027 V068H2		1
25	143187	..	CONTACT-NO. 20 P20 SUPPLIER CODE: V068H2 OPTIONAL PART: T3-4120-36LD V49367		19
25	T3-4120-36LD	..	CONTACT-NO. 20 P20 SUPPLIER CODE: V49367 OPTIONAL PART: 143187 V068H2		19

ILLUSTRATION ITEMS NOT ON PARTS LIST ARE NOT APPLICABLE

- ITEM NOT ILLUSTRATED

HXL

77-21-52-05

BOEING PROPRIETARY - Copyright © - Unpublished Work - See title page for details.

77-21-52
FIG. 05
PAGE 7
DEC 22/06



767

PARTS CATALOG (MAINTENANCE)

FIG ITEM	PART NUMBER	1 2 3 4 5 6 7	NOMENCLATURE	EFFECT FROM TO	UNITS PER ASSY
5					
- 40	111176		.. PLUG-NO. 20 SUPPLIER CODE: V068H2 OPTIONAL PART: BA4020-59P V49367 USED WITH: 45755 45862 46150		68
- 40	BA4020-59P		.. PLUG-NO. 20 SUPPLIER CODE: V49367 OPTIONAL PART: 111176 V068H2 USED WITH: 45755 45682 46150		68
- 45	111176		.. PLUG-NO. 20 SUPPLIER CODE: V068H2 OPTIONAL PART: BA4020-59P V49367 USED WITH: 46148		61
- 45	BA4020-59P		.. PLUG-NO. 20 SUPPLIER CODE: V49367 OPTIONAL PART: 111176 V068H2 USED WITH: 46148		61
- 50	111177		.. PLUG-NO. 16 SUPPLIER CODE: V068H2 OPTIONAL PART: BA4016-59P V49367		2
- 50	BA4016-59P		.. PLUG-NO. 16 SUPPLIER CODE: V49367 OPTIONAL PART: 111177 V068H2		2

ILLUSTRATION ITEMS NOT ON PARTS LIST ARE NOT APPLICABLE

- ITEM NOT ILLUSTRATED

HXL

77-21-52-05

BOEING PROPRIETARY - Copyright © - Unpublished Work - See title page for details.

77-21-52
FIG. 05
PAGE 8
DEC 22/06