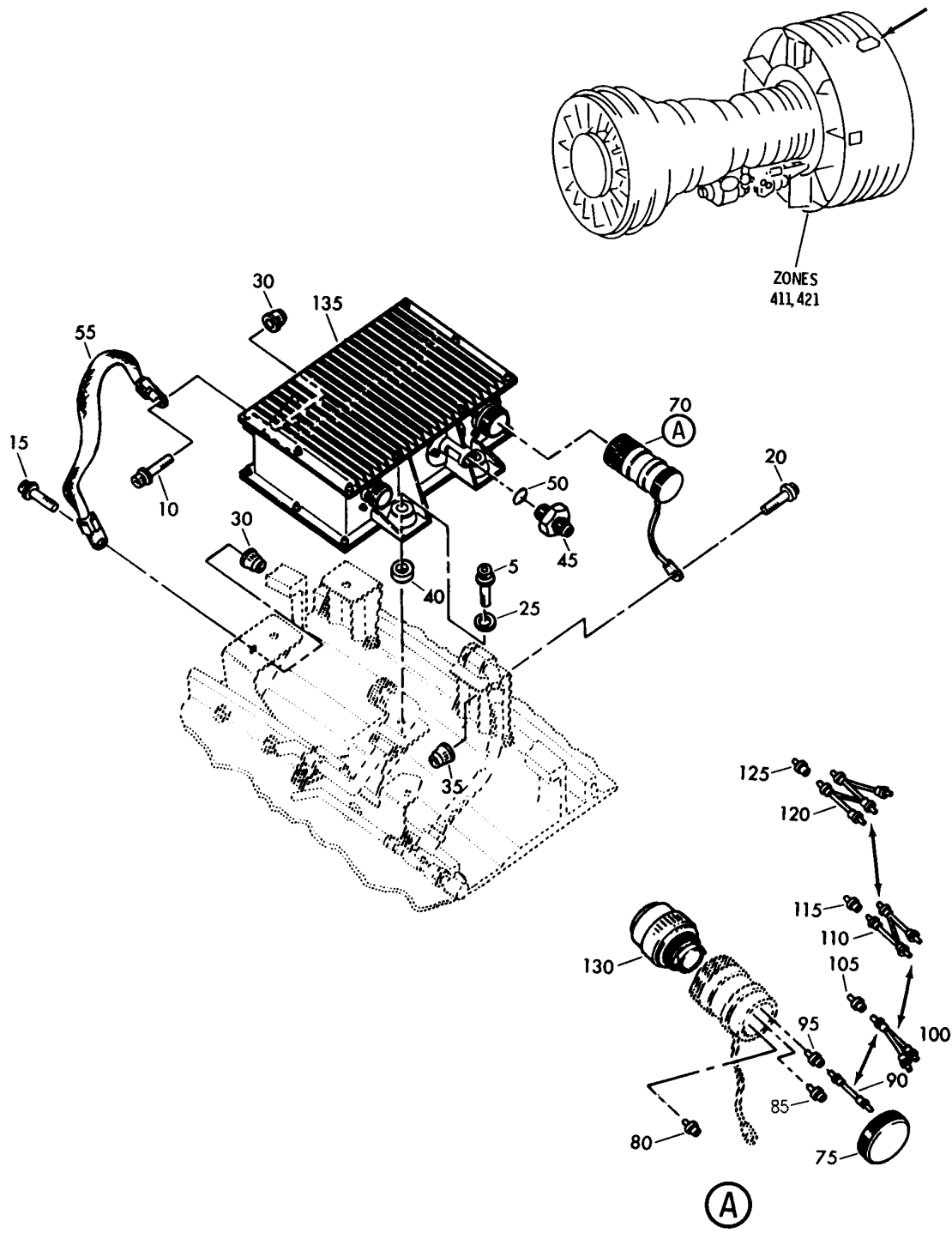


ENGINE INDICATING - AIDS

HXL
DEC 22/06

77-34-00
SECTION TITLE
PAGE 1

BOEING
767
PARTS CATALOG (MAINTENANCE)



V 77341001 REV 24-1

MULTIPLEXER-ENGINE DATA (PW4000)
FIGURE 1

77-34-10-01

HXL
DEC 22/06

77-34-10-01
PAGE 0



767

PARTS CATALOG (MAINTENANCE)

FIG ITEM	PART NUMBER	1 2 3 4 5 6 7	NOMENCLATURE	EFFECT FROM TO	UNITS PER ASSY
1			MULTIPLEXER-ENGINE DATA (PW4000)		
- 1	PW4060		ENGINE- SUPPLIER CODE: V77445 CONFIG CHG DATA FROM A CMM: SEE 71-00-51 FIG. 2 FOR APPLICABLE ENGINE SERIES		RF
5	MS9208-22		.BOLT		4
10	MS9208-08		.BOLT- OPTIONAL PART: MS9556-08 PRE SERVICE BULLETIN: 72-349 V77445		1
10	MS9556-08		.BOLT- OPTIONAL PART: MS9208-08 POST SERVICE BULLETIN: 72-349 V77445		1
15	MS9208-06		.BOLT- OPTIONAL PART: MS9556-06 PRE SERVICE BULLETIN: 72-349 V77445		1
15	MS9556-06		.BOLT- OPTIONAL PART: MS9208-06 POST SERVICE BULLETIN: 72-349 V77445		1
20	MS9208-06		.BOLT- OPTIONAL PART: MS9556-06 POST SERVICE BULLETIN: 72-143 V77445 PRE SERVICE BULLETIN: 72-349 V77445		1
20	MS9556-06		.BOLT- OPTIONAL PART: MS9208-06 POST SERVICE BULLETIN: 72-349 V77445		1

ILLUSTRATION ITEMS NOT ON PARTS LIST ARE NOT APPLICABLE

- ITEM NOT ILLUSTRATED

HXL

77-34-10-01

BOEING PROPRIETARY - Copyright © - Unpublished Work - See title page for details.

77-34-10
FIG. 01
PAGE 1
DEC 22/06



767

PARTS CATALOG (MAINTENANCE)

FIG ITEM	PART NUMBER	1 2 3 4 5 6 7	NOMENCLATURE	EFFECT FROM TO	UNITS PER ASSY
1					
25	MS9320-09		.WASHER- NOT APPROVED FOR ETOPS AFTER INCORP OF SB: 72-253 V77445		4
30	776440		.NUT- SUPPLIER CODE: V77445 OPTIONAL PART: SL7061C1032 V11815 LH11973-3 V56878 H49674-3 V15653 73356-1032 V56878 AS3070-09		2
30	SL7061C1032		.NUT- SUPPLIER CODE: V11815 CONFIG CHG DATA FROM A CMM: PRATT AND WHITNEY PART NO. AS3066-09 OPTIONAL PART: 776440 V77445 LH11973-3 V56878 H49674-3 V15653 73356-1032 V56878 AS3070-09		2

ILLUSTRATION ITEMS NOT ON PARTS LIST ARE NOT APPLICABLE

- ITEM NOT ILLUSTRATED

HXL

77-34-10-01

BOEING PROPRIETARY - Copyright © - Unpublished Work - See title page for details.

77-34-10
FIG. 01
PAGE 2
DEC 22/06



767

PARTS CATALOG (MAINTENANCE)

FIG ITEM	PART NUMBER	1 2 3 4 5 6 7	NOMENCLATURE	EFFECT FROM TO	UNITS PER ASSY
1					
30	LH11973-3		.NUT- SUPPLIER CODE: V56878 CONFIG CHG DATA FROM A CMM: PRATT AND WHITNEY PART NO. AS3067-09 OPTIONAL PART: 776440 V77445 SL7061C1032 V11815 H49674-3 V15653 73356-1032 V56878 AS3070-09		2
30	H49674-3		.NUT- SUPPLIER CODE: V15653 CONFIG CHG DATA FROM A CMM: PRATT AND WHITNEY PART NO. AS3068-09 OPTIONAL PART: 776440 V77445 SL7061C1032 V11815 LH11973-3 V56878 73356-1032 V56878 AS3070-09		2
30	AS3070-09		.NUT- OPTIONAL PART: 776440 V77445 SL7061C1032 V11815 LH11973-3 V56878 H49674-3 V15653 73356-1032 V56878		2

ILLUSTRATION ITEMS NOT ON PARTS LIST ARE NOT APPLICABLE

- ITEM NOT ILLUSTRATED

HXL

77-34-10-01

BOEING PROPRIETARY - Copyright © - Unpublished Work - See title page for details.

77-34-10
FIG. 01
PAGE 3
DEC 22/06



767

PARTS CATALOG (MAINTENANCE)

FIG ITEM	PART NUMBER	1 2 3 4 5 6 7	NOMENCLATURE	EFFECT FROM TO	UNITS PER ASSY
1 30	73356-1032		.NUT- SUPPLIER CODE: V56878 CONFIG CHG DATA FROM A CMM: PRATT AND WHITNEY PART NO. AS3069-09 OPTIONAL PART: 776440 V77445 SL7061C1032 V11815 LH11973-3 V56878 H49674-3 V15653 AS3070-09		2
35	776440		.NUT- SUPPLIER CODE: V77445 OPTIONAL PART: SL7061C1032 V11815 LH11973-3 V56878 H49674-3 V15653 73356-1032 V56878 AS3070-09		1
35	SL7061C1032		.NUT- SUPPLIER CODE: V11815 CONFIG CHG DATA FROM A CMM: PRATT AND WHITNEY PART NO. AS3066-09 OPTIONAL PART: 776440 V77445 LH11973-3 V56878 H49674-3 V15653 73356-1032 V56878 AS3070-09		1

ILLUSTRATION ITEMS NOT ON PARTS LIST ARE NOT APPLICABLE

- ITEM NOT ILLUSTRATED

HXL

77-34-10-01

BOEING PROPRIETARY - Copyright © - Unpublished Work - See title page for details.

77-34-10
FIG. 01
PAGE 4
DEC 22/06



767

PARTS CATALOG (MAINTENANCE)

FIG ITEM	PART NUMBER	1 2 3 4 5 6 7	NOMENCLATURE	EFFECT FROM TO	UNITS PER ASSY
1 35	LH11973-3		.NUT- SUPPLIER CODE: V56878 CONFIG CHG DATA FROM A CMM: PRATT AND WHITNEY PART NO. AS3067-09 OPTIONAL PART: 776440 V77445 SL7061C1032 V11815 H49674-3 V15653 73356-1032 V56878 AS3070-09		1
35	H49674-3		.NUT- SUPPLIER CODE: V15653 CONFIG CHG DATA FROM A CMM: PRATT AND WHITNEY PART NO. AS3068-09 OPTIONAL PART: 776440 V77445 SL7061C1032 V11815 LH11973-3 V56878 73356-1032 V56878 AS3070-09		1
35	AS3070-09		.NUT- OPTIONAL PART: 776440 V77445 SL7061C1032 V11815 LH11973-3 V56878 H49674-3 V15653 73356-1032 V56878		1

ILLUSTRATION ITEMS NOT ON PARTS LIST ARE NOT APPLICABLE

- ITEM NOT ILLUSTRATED

HXL

77-34-10-01

BOEING PROPRIETARY - Copyright © - Unpublished Work - See title page for details.

77-34-10
FIG. 01
PAGE 5
DEC 22/06



767

PARTS CATALOG (MAINTENANCE)

FIG ITEM	PART NUMBER	1 2 3 4 5 6 7	NOMENCLATURE	EFFECT FROM TO	UNITS PER ASSY
1					
35	73356-1032		.NUT- SUPPLIER CODE: V56878 CONFIG CHG DATA FROM A CMM: PRATT AND WHITNEY PART NO. AS3069-09 OPTIONAL PART: 776440 V77445 SL7061C1032 V11815 LH11973-3 V56878 H49674-3 V15653 AS3070-09		1
40	407431		.SPACER- SUPPLIER CODE: V77445		4
45	709796		.ADAPTER-STRAIGHT SUPPLIER CODE: V77445		1
50	MS9386-012		.PACKING		1
55	5001456-01		.CABLE ASSY-GND SUPPLIER CODE: V77445		1
70	52T510		.PLUG-DATA ENTRY MULTIPLEXER SUPPLIER CODE: V77445		1
75	50T721		..SHIELD-ELECT. CONN. SUPPLIER CODE: V77445		1
80	M39029-58-363		..CONTACT-ELECT.		24
85	MS27488-20		..PLUG-ELECT. CONTACT END SEAL PRE SERVICE BULLETIN: 73-212 V77445		24
85	MS27488-20-1		..PLUG-ELECT. CONTACT END SEAL POST SERVICE BULLETIN: 73-212 V77445		24

ILLUSTRATION ITEMS NOT ON PARTS LIST ARE NOT APPLICABLE

- ITEM NOT ILLUSTRATED

HXL

77-34-10-01

BOEING PROPRIETARY - Copyright © - Unpublished Work - See title page for details.

77-34-10
FIG. 01
PAGE 6
DEC 22/07



767

PARTS CATALOG (MAINTENANCE)

FIG ITEM	PART NUMBER	1 2 3 4 5 6 7	NOMENCLATURE	EFFECT FROM TO	UNITS PER ASSY
1					
90	HAA18704		..LEAD ASSY-ELECT. SUPPLIER CODE: V00060 CONFIG CHG DATA FROM A CMM: PRATT AND WHITNEY PART NO. 50T726		4
95	M39029-58-363		...CONTACT		2
100	HAA18705		..LEAD ASSY-ELECT. SUPPLIER CODE: V00060 CONFIG CHG DATA FROM A CMM: PRATT AND WHITNEY PART NO. 50T727		4
105	M39029-58-363		...CONTACT		3
110	HAA18706		..LEAD ASSY-ELECT. SUPPLIER CODE: V00060 CONFIG CHG DATA FROM A CMM: PRATT AND WHITNEY PART NO. 50T722		4
115	M39029-58-363		...CONTACT		4
120	HAA18707		..LEAD ASSY-ELECT. SUPPLIER CODE: V00060 CONFIG CHG DATA FROM A CMM: PRATT AND WHITNEY PART NO. 50T728		2
125	M39029-58-323		...CONTACT		5
130	50T717		..CONNECTOR- SUPPLIER CODE: V77445 OPTIONAL PART: T3K1217-26PN V49367 TV506RK17-26 V59501		1
130	T3K1217-26PN		..CONNECTOR- SUPPLIER CODE: V49367 CONFIG CHG DATA FROM A CMM: PRATT AND WHITNEY PART NO. 50T719 OPTIONAL PART: 50T717 V77445 TV506RK17-26 V59501		1

ILLUSTRATION ITEMS NOT ON PARTS LIST ARE NOT APPLICABLE

- ITEM NOT ILLUSTRATED

HXL

77-34-10-01

BOEING PROPRIETARY - Copyright © - Unpublished Work - See title page for details.

77-34-10
FIG. 01
PAGE 7
DEC 22/07



767

PARTS CATALOG (MAINTENANCE)

FIG ITEM	PART NUMBER	1 2 3 4 5 6 7	NOMENCLATURE	EFFECT FROM TO	UNITS PER ASSY
1 130	TV506RK17-26		..CONNECTOR- SUPPLIER CODE: V59501 CONFIG CHG DATA FROM A CMM: PRATT AND WHITNEY PART NO. 50T720 OPTIONAL PART: 50T717 V77445 T3K1217-26PN V49367		1

ILLUSTRATION ITEMS NOT ON PARTS LIST ARE NOT APPLICABLE

- ITEM NOT ILLUSTRATED

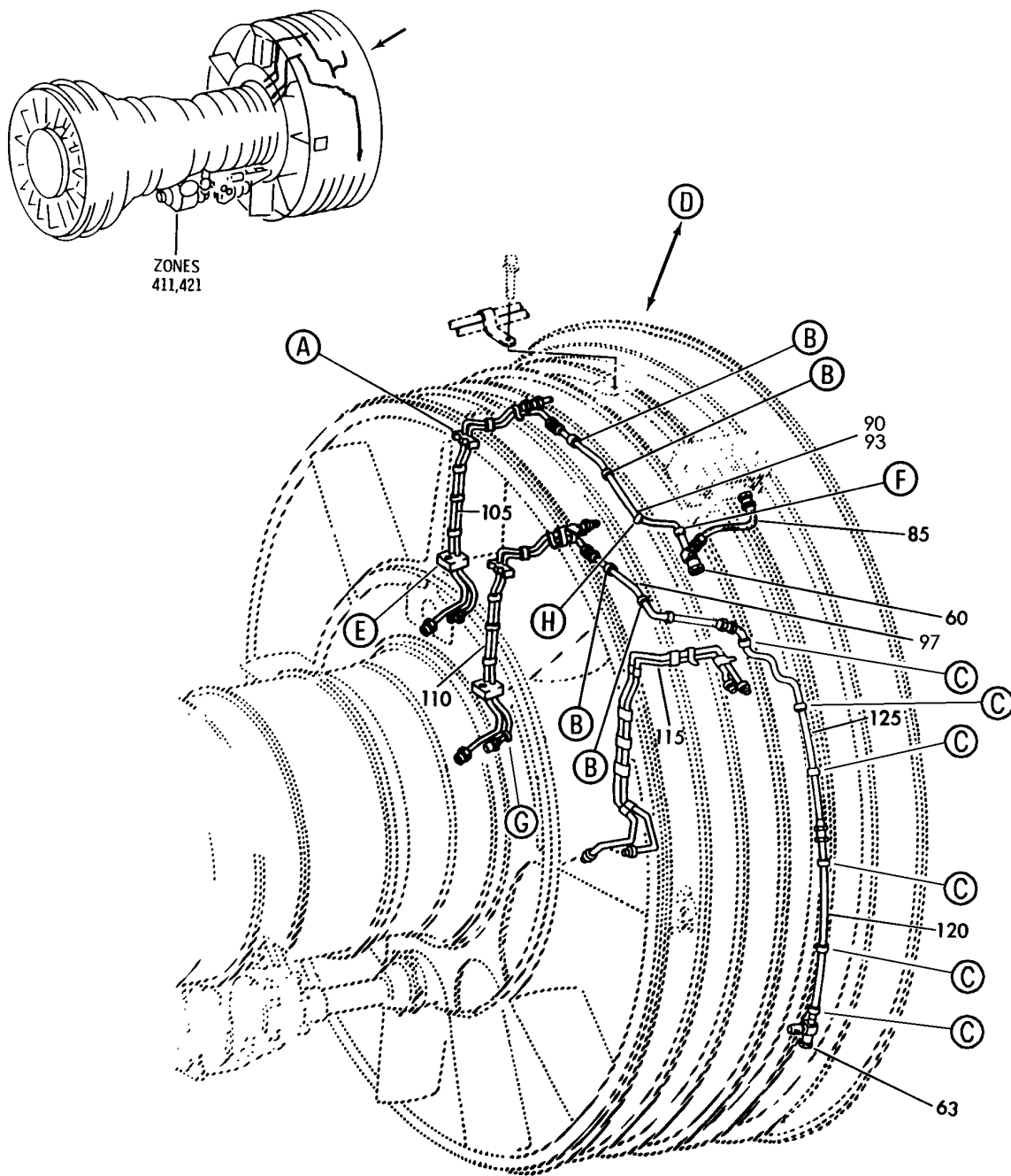
HXL

77-34-10-01

BOEING PROPRIETARY - Copyright © - Unpublished Work - See title page for details.

77-34-10
FIG. 01
PAGE 8
DEC 22/07

BOEING
767
PARTS CATALOG (MAINTENANCE)



V 77345501 SH1 1 REV 241

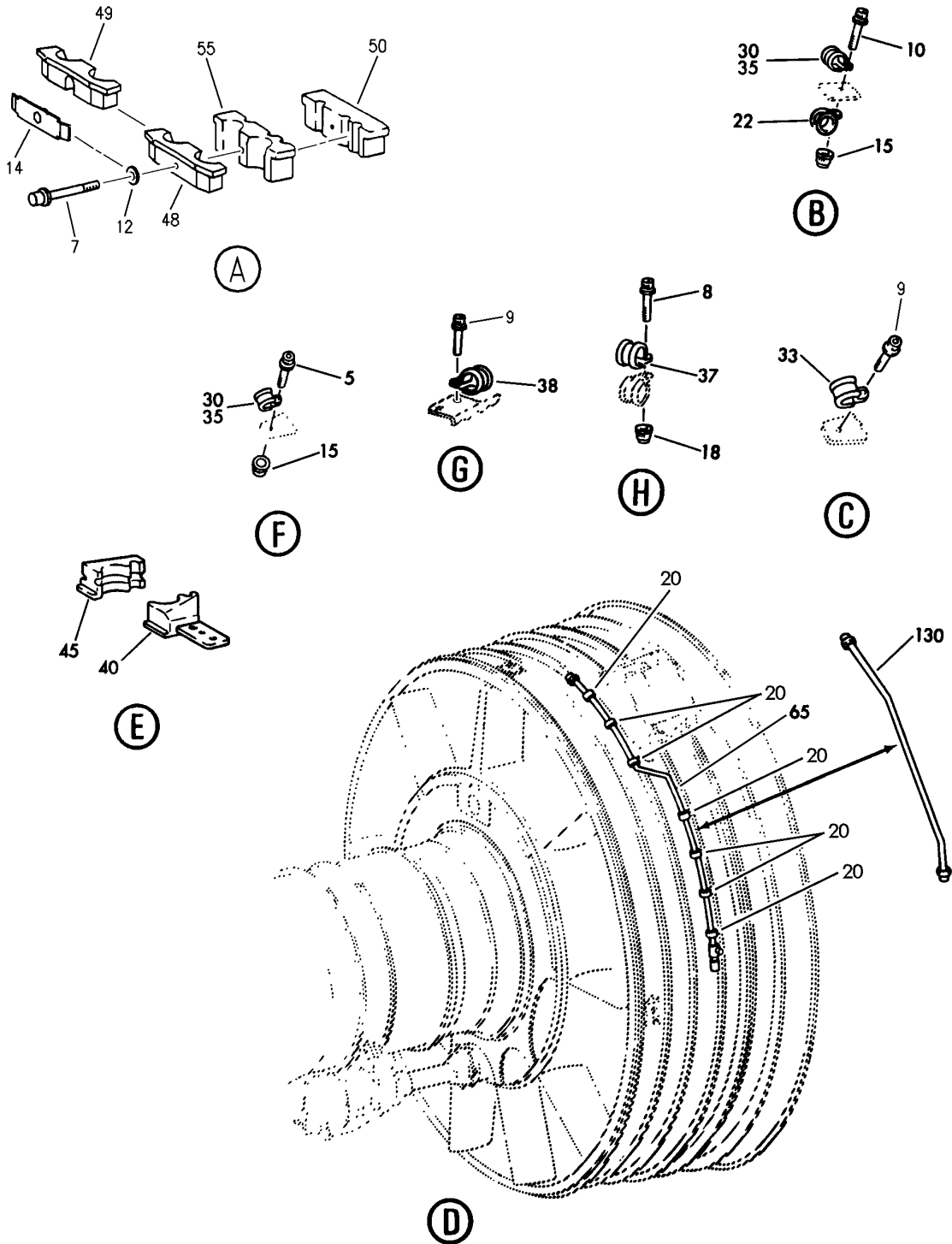
TUBES-AIR SENSING MINIMUX AIR PRESSURE BURNER (PW4000)
FIGURE 1 (SHEET 1)

77-34-55-01

HXL
DEC 22/06

77-34-55-01
PAGE 0

BOEING
767
PARTS CATALOG (MAINTENANCE)



V 77345501 SHT 2 REV 241

TUBES-AIR SENSING MINIMUX AIR PRESSURE BURNER (PW4000)
FIGURE 1 (SHEET 2)

77-34-55-01

HXL
DEC 22/06

77-34-55-01
PAGE 0A



767

PARTS CATALOG (MAINTENANCE)

FIG ITEM	PART NUMBER	1 2 3 4 5 6 7	NOMENCLATURE	EFFECT FROM TO	UNITS PER ASSY
1			TUBES-AIR SENSING MINIMUX AIR PRESSURE BURNER (PW4000)		
- 1	PW4060		ENGINE- SUPPLIER CODE: V77445 CONFIG CHG DATA FROM A CMM: SEE 71-00-51 FIG. 2 FOR APPLICABLE ENGINE SERIES		RF
7	MS9208-32		.BOLT		1
8	MS9556-08		.BOLT- POST SERVICE BULLETIN: 77-10 V77445		1
9	MS9556-08		.BOLT		7
10	MS9556-08		.BOLT- POST SERVICE BULLETIN: 72-124 V77445		2
12	MS9320-09		.WASHER		1
14	51G345-01		.PLATE ASSY- SUPPLIER CODE: V77445 POST SERVICE BULLETIN: 72-145 V77445		1
15	776440		.NUT- SUPPLIER CODE: V77445 OPTIONAL PART: SL7061C1032 V11815 LH11973-3 V56878 H49674-3 V15653 73356-1032 V56878 AS3070-09 POST SERVICE BULLETIN: 72-124 V77445		2

ILLUSTRATION ITEMS NOT ON PARTS LIST ARE NOT APPLICABLE

- ITEM NOT ILLUSTRATED

HXL

77-34-55-01

BOEING PROPRIETARY - Copyright © - Unpublished Work - See title page for details.

77-34-55
FIG. 01
PAGE 1
DEC 22/06



767

PARTS CATALOG (MAINTENANCE)

FIG ITEM	PART NUMBER	1 2 3 4 5 6 7	NOMENCLATURE	EFFECT FROM TO	UNITS PER ASSY
1	15 SL7061C1032		.NUT- SUPPLIER CODE: V11815 CONFIG CHG DATA FROM A CMM: PRATT AND WHITNEY PART NO. AS3066-09 OPTIONAL PART: 776440 V77445 LH11973-3 V56878 H49674-3 V15653 73356-1032 V56878 AS3070-09 POST SERVICE BULLETIN: 72-124 V77445		2
	15 LH11973-3		.NUT- SUPPLIER CODE: V56878 CONFIG CHG DATA FROM A CMM: PRATT AND WHITNEY PART NO. AS3067-09 OPTIONAL PART: 776440 V77445 SL7061C1032 V11815 H49674-3 V15653 73356-1032 V56878 AS3070-09 POST SERVICE BULLETIN: 72-124 V77445		2

ILLUSTRATION ITEMS NOT ON PARTS LIST ARE NOT APPLICABLE

- ITEM NOT ILLUSTRATED

HXL

77-34-55-01

BOEING PROPRIETARY - Copyright © - Unpublished Work - See title page for details.

77-34-55
FIG. 01
PAGE 2
DEC 22/06



767

PARTS CATALOG (MAINTENANCE)

FIG ITEM	PART NUMBER	1 2 3 4 5 6 7	NOMENCLATURE	EFFECT FROM TO	UNITS PER ASSY
1					
15	H49674-3		.NUT- SUPPLIER CODE: V15653 CONFIG CHG DATA FROM A CMM: PRATT AND WHITNEY PART NO. AS3068-09 OPTIONAL PART: 776440 V77445 SL7061C1032 V11815 LH11973-3 V56878 73356-1032 V56878 AS3070-09 POST SERVICE BULLETIN: 72-124 V77445		2
15	AS3070-09		.NUT- OPTIONAL PART: 776440 V77445 SL7061C1032 V11815 LH11973-3 V56878 H49674-3 V15653 73356-1032 V56878 POST SERVICE BULLETIN: 72-124 V77445		2

ILLUSTRATION ITEMS NOT ON PARTS LIST ARE NOT APPLICABLE

- ITEM NOT ILLUSTRATED

HXL

77-34-55-01

BOEING PROPRIETARY - Copyright © - Unpublished Work - See title page for details.

77-34-55
FIG. 01
PAGE 3
DEC 22/06



767

PARTS CATALOG (MAINTENANCE)

FIG ITEM	PART NUMBER	1 2 3 4 5 6 7	NOMENCLATURE	EFFECT FROM TO	UNITS PER ASSY
1	15 73356-1032		.NUT- SUPPLIER CODE: V56878 CONFIG CHG DATA FROM A CMM: PRATT AND WHITNEY PART NO. AS3069-09 OPTIONAL PART: 776440 V77445 LH11973-3 V56878 H49674-3 V15653 SL7061C1032 V11815 AS3070-09 POST SERVICE BULLETIN: 72-124 V77445		2
18	776440		.NUT- SUPPLIER CODE: V77445 OPTIONAL PART: SL7061C1032 V11815 LH11973-3 V56878 H49674-3 V15653 73356-1032 V56878 AS3070-09 POST SERVICE BULLETIN: 77-10 V77445		1

ILLUSTRATION ITEMS NOT ON PARTS LIST ARE NOT APPLICABLE

- ITEM NOT ILLUSTRATED

HXL

77-34-55-01

BOEING PROPRIETARY - Copyright © - Unpublished Work - See title page for details.

77-34-55
FIG. 01
PAGE 4
DEC 22/06



767

PARTS CATALOG (MAINTENANCE)

FIG ITEM	PART NUMBER	1 2 3 4 5 6 7	NOMENCLATURE	EFFECT FROM TO	UNITS PER ASSY
1	18 SL7061C1032		.NUT- SUPPLIER CODE: V11815 CONFIG CHG DATA FROM A CMM: PRATT AND WHITNEY PART NO. AS3066-09 OPTIONAL PART: 776440 V77445 LH11973-3 V56878 H49674-3 V15653 73356-1032 V56878 AS3070-09 POST SERVICE BULLETIN: 77-10 V77445		1
	18 LH11973-3		.NUT- SUPPLIER CODE: V56878 CONFIG CHG DATA FROM A CMM: PRATT AND WHITNEY PART NO. AS3067-09 OPTIONAL PART: 776440 V77445 SL7061C1032 V11815 H49674-3 V15653 73356-1032 V56878 AS3070-09 POST SERVICE BULLETIN: 77-10 V77445		1

ILLUSTRATION ITEMS NOT ON PARTS LIST ARE NOT APPLICABLE

- ITEM NOT ILLUSTRATED

HXL

77-34-55-01

BOEING PROPRIETARY - Copyright © - Unpublished Work - See title page for details.

77-34-55
FIG. 01
PAGE 5
DEC 22/06

BOEING
767
PARTS CATALOG (MAINTENANCE)

FIG ITEM	PART NUMBER	1 2 3 4 5 6 7	NOMENCLATURE	EFFECT FROM TO	UNITS PER ASSY
1 18	H49674-3		.NUT- SUPPLIER CODE: V15653 CONFIG CHG DATA FROM A CMM: PRATT AND WHITNEY PART NO. AS3068-09 OPTIONAL PART: 776440 V77445 SL7061C1032 V11815 LH11973-3 V56878 73356-1032 V56878 AS3070-09 POST SERVICE BULLETIN: 77-10 V77445		1
18	AS3070-09		.NUT- OPTIONAL PART: 776440 V77445 SL7061C1032 V11815 LH11973-3 V56878 H49674-3 V15653 73356-1032 V56878 POST SERVICE BULLETIN: 77-10 V77445		1

ILLUSTRATION ITEMS NOT ON PARTS LIST ARE NOT APPLICABLE

- ITEM NOT ILLUSTRATED

HXL

77-34-55-01

BOEING PROPRIETARY - Copyright © - Unpublished Work - See title page for details.

77-34-55
FIG. 01
PAGE 6
DEC 22/06



767

PARTS CATALOG (MAINTENANCE)

FIG ITEM	PART NUMBER	1 2 3 4 5 6 7	NOMENCLATURE	EFFECT FROM TO	UNITS PER ASSY
1 18	73356-1032		.NUT- SUPPLIER CODE: V56878 CONFIG CHG DATA FROM A CMM: PRATT AND WHITNEY PART NO. AS3069-09 OPTIONAL PART: 776440 V77445 SL7061C1032 V11815 LH11973-3 V56878 H49674-3 V15653 AS3070-09 POST SERVICE BULLETIN: 77-10 V77445		1
20	ST1435-04		.CLAMP-CUSHION LOOP SUPPLIER CODE: V77445 NOT APPROVED FOR ETOPS. CONFIG CHG DATA FROM A CMM: FOR INTRCHG SEE PW IPC PRE SERVICE BULLETIN: 73-129 V77445		7
22	ST1540-04		.CLAMP-CUSHION LOOP SUPPLIER CODE: V77445 CONFIG CHG DATA FROM A CMM: FOR INTRCHG SEE PW IPC POST SERVICE BULLETIN: 73-129 V77445		2
30	ST1435-05		.CLAMP-CUSHION LOOP SUPPLIER CODE: V77445 POST SERVICE BULLETIN: 72-124 V77445		3
33	ST1435-05		.CLAMP-CUSHION LOOP SUPPLIER CODE: V77445		6

ILLUSTRATION ITEMS NOT ON PARTS LIST ARE NOT APPLICABLE

- ITEM NOT ILLUSTRATED

HXL

77-34-55-01

BOEING PROPRIETARY - Copyright © - Unpublished Work - See title page for details.

77-34-55
FIG. 01
PAGE 7
DEC 22/06

BOEING
767
PARTS CATALOG (MAINTENANCE)

FIG ITEM	PART NUMBER	1 2 3 4 5 6 7	NOMENCLATURE	EFFECT FROM TO	UNITS PER ASSY
1					
37	ST1435-05		.CLAMP-CUSHION LOOP SUPPLIER CODE: V77445 POST SERVICE BULLETIN: 77-10 V77445		1
38	ST1435-04		.CLAMP-CUSHION LOOP SUPPLIER CODE: V77445		1
- 39	ST1435-06		.CLAMP-CUSHION LOOP SUPPLIER CODE: V77445		1
40	52T943-01		.SEGMENT ASSY-COMPR INTERMEDIATE CASE CLAMP SUPPLIER CODE: V77445 POST SERVICE BULLETIN: 72-77 V77445		1
45	52T942		.GROMMET-HALF SUPPLIER CODE: V77445		1
49	53T206		.GROMMET-TWO HOLE HALF SUPPLIER CODE: V77445 POST SERVICE BULLETIN: 72-145 V77445		1
50	52T269		.GROMMET-THREE HOLE HALF SUPPLIER CODE: V77445 POST SERVICE BULLETIN: 72-744 V77445		1
55	52T270		.GROMMET-FIVE HOLE HALF SUPPLIER CODE: V77445 POST SERVICE BULLETIN: 72-744 V77445		1
60	MS9315-06		.CAP ASSY-TUBE		1
63	MS9315-06		.CAP ASSY-TUBE		1
ILLUSTRATION ITEMS NOT ON PARTS LIST ARE NOT APPLICABLE					

- ITEM NOT ILLUSTRATED

HXL

77-34-55-01

BOEING PROPRIETARY - Copyright © - Unpublished Work - See title page for details.

77-34-55
FIG. 01
PAGE 8
DEC 22/06

 **BOEING**
767
PARTS CATALOG (MAINTENANCE)

FIG ITEM	PART NUMBER	1 2 3 4 5 6 7	NOMENCLATURE	EFFECT FROM TO	UNITS PER ASSY
1					
65	53T366-01		.TUBE ASSY-PB SENSING AS23 SUPPLIER CODE: V77445 NOT APPROVED FOR ETOPS. CONFIG CHG DATA FROM A CMM: FOR INTRCHG SEE PW IPC PRE SERVICE BULLETIN: 73-129 V77445		1
85	52T788		.HOSE- SUPPLIER CODE: V77445 OPTIONAL PART: 52T789 V77445 52T790 V77445		1
85	59T177		.HOSE- SUPPLIER CODE: V77445		1
85	52T789		.HOSE- SUPPLIER CODE: V77445 OPTIONAL PART: 52T788 V77445 52T790 V77445		1
85	52T790		.HOSE- SUPPLIER CODE: V77445 OPTIONAL PART: 52T788 V77445 52T789 V77445		1
90	53T201-01		.MANIFOLD ASSY-PT2.5 SENSING AS28 SUPPLIER CODE: V77445 CONFIG CHG DATA FROM A CMM: FOR INTRCHG SEE PW IPC POST SERVICE BULLETIN: 72-124 V77445 PRE SERVICE BULLETIN: 73-89 V77445		1
ILLUSTRATION ITEMS NOT ON PARTS LIST ARE NOT APPLICABLE					

- ITEM NOT ILLUSTRATED

HXL

77-34-55-01

BOEING PROPRIETARY - Copyright © - Unpublished Work - See title page for details.

77-34-55
FIG. 01
PAGE 9
DEC 22/06



767

PARTS CATALOG (MAINTENANCE)

FIG ITEM	PART NUMBER	1 2 3 4 5 6 7	NOMENCLATURE	EFFECT FROM TO	UNITS PER ASSY
1 93	53T936-01		.TUBE ASSY-PT2.5 SENSING AS28 SUPPLIER CODE: V77445 CONFIG CHG DATA FROM A CMM: FOR INTRCHG SEE PW IPC POST SERVICE BULLETIN: 73-89 V77445		1
95	53T935-01		.TUBE ASSY-PT2.5 SENSING AS28 SUPPLIER CODE: V77445 CONFIG CHG DATA FROM A CMM: FOR INTRCHG SEE PW IPC POST SERVICE BULLETIN: 73-89 V77445 72-744 V77445		1
97	53T499-01		.TUBE ASSY-PT2.5 SENSING AS28 SUPPLIER CODE: V77445 CONFIG CHG DATA FROM A CMM: FOR INTRCHG SEE PW IPC PRE SERVICE BULLETIN: 73-89 V77445		1
110	53T365-01		.MANIFOLD ASSY-PT2.5 AND PB SENSING AS20 SUPPLIER CODE: V77445 CONFIG CHG DATA FROM A CMM: FOR INTRCHG SEE PW IPC POST SERVICE BULLETIN: 72-124 V77445 PRE SERVICE BULLETIN: 73-89 V77445		1

ILLUSTRATION ITEMS NOT ON PARTS LIST ARE NOT APPLICABLE

- ITEM NOT ILLUSTRATED

HXL

77-34-55-01

BOEING PROPRIETARY - Copyright © - Unpublished Work - See title page for details.

77-34-55
FIG. 01
PAGE 10
DEC 22/06



767

PARTS CATALOG (MAINTENANCE)

FIG ITEM	PART NUMBER	1 2 3 4 5 6 7	NOMENCLATURE	EFFECT FROM TO	UNITS PER ASSY
1 115	53T934-01		.MANIFOLD ASSY-PT2.5 SENSING AS20 SUPPLIER CODE: V77445 CONFIG CHG DATA FROM A CMM: FOR INTRCHG SEE PW IPC POST SERVICE BULLETIN: 73-89 V77445 72-744 V77445		1
120	53T501-01		.TUBE ASSY-PT2.5 SENSING SUPPLIER CODE: V77445 POST SERVICE BULLETIN: 72-744 V77445		1
125	53T500-01		.TUBE ASSY-PT2.5 SENSING AS36 SUPPLIER CODE: V77445 PRE SERVICE BULLETIN: 72-321 V77445		1
125	54T119-01		.TUBE ASSY-PT2.5 SENSING AS36 SUPPLIER CODE: V77445 POST SERVICE BULLETIN: 72-321 V77445 72-744 V77445		1
130	57T998-01		.TUBE ASSY-PB SENSING AS23 SUPPLIER CODE: V77445 CONFIG CHG DATA FROM A CMM: FOR INTRCHG SEE PW IPC POST SERVICE BULLETIN: 73-129 V77445 72-744 V77445		1

ILLUSTRATION ITEMS NOT ON PARTS LIST ARE NOT APPLICABLE

- ITEM NOT ILLUSTRATED

HXL

77-34-55-01

BOEING PROPRIETARY - Copyright © - Unpublished Work - See title page for details.

77-34-55
FIG. 01
PAGE 11
DEC 22/06